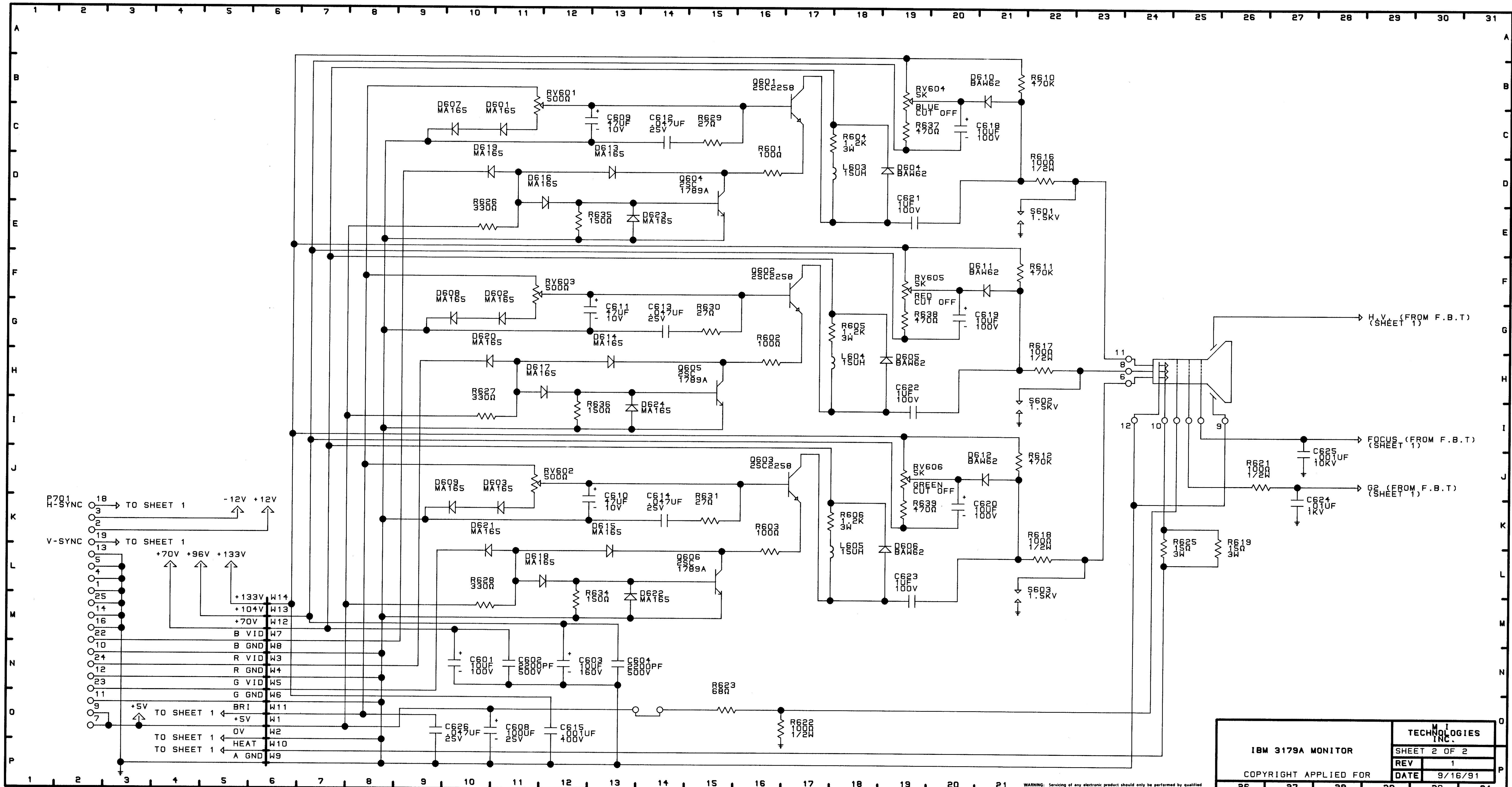


WARNING: Servicing of any electronic product should only be performed by qualified personnel. This drawing and information has been Copyrighted by the company listed. It's content has been sold for the unlimited use to you. The only restrictions are that it not be copied for reproduction or distribution outside your company. We patent liability is assumed with respect to the use of information contained herein. Maintenance information Technologies believes the information herein to be correct. We are not responsible for any typographical errors; no direct or implied warranty is made to its accuracy. Specifications subject to change without notice.

TRADEMARKS: All logos are registered trademarks of the companies that they represent.

NOTE: Schematics are non returnable.

IBM 3179A MONITOR		TECHNOLOGIES INC.	
COPYRIGHT APPLIED FOR		SHEET 1 OF 2	
REV 1		DATE 9/16/91	
35	36	37	38
39	40		



WARNING: Servicing of any electronic product should only be performed by qualified personnel. This drawing and information has been Copyrighted by the company listed. It's content has been sold for the unlimited use to you. The only restriction is that it not be copied for reproduction or distribution outside your company. No patent liability is assumed with respect to the use of information contained herein. Maintenance Information Technologies believes the information herein to be correct. We are not responsible for any typographical errors, no direct or implied warranty is made to its accuracy. Specifications subject to change without notice.

TRADE MARKS: All logos are registered trademarks of the companies that they represent.

NOTE: Schematics are non returnable.

IBM 3179A MONITOR				M I TECHNOLOGIES INC.	
COPYRIGHT APPLIED FOR				SHEET 2 OF 2	
				REV 1	
				DATE 9/16/91	
26	27	28	29	30	31