

## Hardware Maintenance Manual

### Types

8290 8291 8292 8293 8294 8295 8463 8464 8465  
8466 8467 8468 8469 8472 8473 8474 8708 8709  
8710 8711 8712 8713 8714 8715 8719 8771 8772  
8773 8774 8776 8777 8778 8779 8817 8818 8819  
9214 9215 9216 9217 9218 9219



**ThinkCentre**

# Hardware Maintenance Manual

**Note:** Before using this information and the product it supports, be sure to read the information under "Notices," on page 341.

**Sixth Edition (May 2007)**

**© Copyright Lenovo 2006.**

**Portions © Copyright International Business Machines Corporation 2005, 2006.**

**All rights reserved.**

LENOVO products, data, computer software, and services have been developed exclusively at private expense and are sold to governmental entities as commercial items as defined by 48 C.F.R. 2.101 with limited and restricted rights to use, reproduction and disclosure.

LIMITED AND RESTRICTED RIGHTS NOTICE: If products, data, computer software, or services are delivered pursuant a General Services Administration "GSA" contract, use, reproduction, or disclosure is subject to restrictions set forth in Contract No. GS-35F-05925.

# Contents

## Chapter 1. About this manual . . . . . 1

Important Safety Information . . . . .	1
Important information about replacing RoHS compliant FRUs . . . . .	2

## Chapter 2. Safety information . . . . . 3

General safety . . . . .	3
Electrical safety . . . . .	3
Safety inspection guide . . . . .	5
Handling electrostatic discharge-sensitive devices . . . . .	6
Grounding requirements . . . . .	6
Safety notices (multi-lingual translations) . . . . .	7

## Chapter 3. General information . . . . . 37

The ThinkVantage Productivity Center program . . . . .	37
Additional information resources . . . . .	37
Specifications . . . . .	38
Machine types 8290, 8291, 8292, 8463, 8464, 8465, 8469, 8472, 8708, 8709, 8712, 8713, 8719, 8771, 8772, 8776, 8777, 8817, 9214, 9215, and 9216. . . . .	38
Machine types 8293, 8294, 8295, 8466, 8467, 8468, 8473, 8474, 8710, 8711, 8714, 8715, 8773, 8774, 8778, 8789, 8818, 8819, 9217, 9218, and 9219. . . . .	39

## Chapter 4. General Checkout . . . . . 41

Problem determination tips . . . . .	41
--------------------------------------	----

## Chapter 5. Diagnostics using PC-Doctor for DOS . . . . . 43

Starting PC-Doctor from a diagnostic diskette or CD-ROM . . . . .	43
Diagnostics program download. . . . .	43
Navigating through the diagnostics programs . . . . .	44
Running diagnostics tests. . . . .	44
Test selection . . . . .	44
Test results . . . . .	44
Fixed disk advanced test (FDAT) . . . . .	45
Quick and Full erase - hard drive . . . . .	46
Viewing the test log . . . . .	48

## Chapter 6. Using the Setup Utility . . . . . 49

Starting the Setup Utility program. . . . .	49
Viewing and changing settings . . . . .	49
Using passwords . . . . .	49
User Password . . . . .	49
Administrator Password . . . . .	50
Selecting a startup device. . . . .	51
Selecting a temporary startup device . . . . .	51
Changing the startup device sequence . . . . .	51
Exiting from the Setup Utility program . . . . .	51

## Chapter 7. Symptom-to-FRU Index . . . . . 53

Hard disk drive boot error . . . . .	53
Power Supply Problems . . . . .	53

Diagnostic error codes. . . . .	55
Beep symptoms . . . . .	76
POST error codes . . . . .	77
Miscellaneous error messages . . . . .	79
Undetermined problems . . . . .	80

## Chapter 8. Replacing FRUs (Tower computers) . . . . . 83

Rear connectors . . . . .	84
Removing the covers . . . . .	85
Locations . . . . .	86
Identifying parts on the system board . . . . .	86
Machine types 8290, 8291, and 8292 . . . . .	87
Machine types 8463, 8464, 8465, 8712, and 8713 . . . . .	88
Machine types 8469, 8708, 8709, 8776, and 8777 . . . . .	89
Machine types 8472, 8719, 8771, 8772, 8817, 9214, 9215, and 9216 . . . . .	90
Removing and replacing the front bezel . . . . .	91
Replacing a memory module . . . . .	92
Replacing a PCI adapter . . . . .	92
Replacing the CMOS battery. . . . .	93
Replacing the power supply . . . . .	94
Replacing the system board . . . . .	95
Machine types 8290, 8291, 8292, 8469, 8472, 8708, 8709, 8719, 8771, 8772, 8776, 8777, 8817, 9214, 9215, and 9216 . . . . .	95
Machine types 8463, 8464, 8465, 8712, and 8713 . . . . .	99
Replacing the microprocessor . . . . .	103
Machine types 8290, 8291, 8292, 8469, 8472, 8708, 8709, 8719, 8771, 8772, 8776, 8777, 8817, 9214, 9215, and 9216 . . . . .	103
Machine types 8463, 8464, 8465, 8712, and 8713 . . . . .	107
Replacing the primary hard disk drive . . . . .	112
Replacing an optical drive . . . . .	113
Replacing the diskette drive . . . . .	114
Replacing the power switch/ LED assembly . . . . .	115
Replacing the front panel card. . . . .	116
Completing the FRU replacement. . . . .	116

## Chapter 9. Replacing FRUs (Desktop computers) . . . . . 119

Rear connectors . . . . .	120
Removing the cover . . . . .	121
Locations . . . . .	122
Identifying parts on the system board . . . . .	123
Machine types 8293, 8294, and 8295 . . . . .	123
Machine types 8466, 8467, 8468, 8714, and 8715 . . . . .	124
Machine types 8473, 8773, 8774, 8818, 8819, 9217, 9218, and 9219 . . . . .	125
Machine types 8474, 8710, 8711, 8778, and 8779 . . . . .	126
Removing and replacing the drive bay assembly . . . . .	127
Replacing a memory module . . . . .	128
Replacing a PCI adapter. . . . .	129
Replacing the CMOS battery . . . . .	131
Replacing the power supply . . . . .	132

Replacing the system board . . . . .	133
Machine types 8293, 8294, 8295, 8473, 8474, 8710, 8711, 8773, 8774, 8778, 8779, 8818, 8819, 9217, 9218, and 9219 . . . . .	133
Machine types 8466, 8467, 8468, 8714, and 8715 . . . . .	137
Replacing the microprocessor . . . . .	142
Machine types 8293, 8294, 8295, 8473, 8474, 8710, 8711, 8773, 8774, 8778, 8779, 8818, 8819, 9217, 9218, and 9219 . . . . .	142
Machine types 8466, 8467, 8468, 8714, and 8715 . . . . .	146
Replacing the hard disk drive . . . . .	150
Replacing an optical drive . . . . .	151
Replacing the diskette drive . . . . .	152
Replacing the power switch/ LED assembly . . . . .	153
Replacing the front panel card. . . . .	154
Completing the FRU replacement . . . . .	154

**Chapter 10. FRU lists . . . . . 157**

Machine Type 8291 . . . . .	157
Machine Type 8292 . . . . .	162
Machine Type 8293 . . . . .	167
Machine Type 8294 . . . . .	170
Machine Type 8295 . . . . .	176
Machine Type 8463 . . . . .	180
Machine Type 8464 . . . . .	182
Machine Type 8465 . . . . .	188
Machine Type 8467 . . . . .	193
Machine Type 8468 . . . . .	200
Machine Type 8472 . . . . .	205
Machine Type 8473 . . . . .	208
Machine Type 8474 . . . . .	212
Machine Type 8708 . . . . .	216
Machine Type 8709 . . . . .	220
Machine Type 8710 . . . . .	223
Machine Type 8711 . . . . .	227
Machine Type 8712 . . . . .	231
Machine Type 8713 . . . . .	235
Machine Type 8714 . . . . .	239
Machine Type 8715 . . . . .	243

Machine Type 8719 . . . . .	246
Machine Type 8771 . . . . .	250
Machine Type 8772 . . . . .	259
Machine Type 8773 . . . . .	263
Machine Type 8774 . . . . .	272
Machine Type 8776 . . . . .	276
Machine Type 8777 . . . . .	281
Machine Type 8778 . . . . .	284
Machine Type 8779 . . . . .	290
Machine Type 8817 . . . . .	294
Machine Type 8818 . . . . .	298
Machine Type 8819 . . . . .	302
Machine Type 9214 . . . . .	306
Machine Type 9215 . . . . .	309
Machine Type 9216 . . . . .	317
Machine Type 9217 . . . . .	322
Machine Type 9218 . . . . .	325
Machine Type 9219 . . . . .	332

**Chapter 11. Additional Service Information . . . . . 337**

Security features . . . . .	337
Hardware controlled Passwords . . . . .	337
Operating system password . . . . .	337
Vital product data . . . . .	337
BIOS levels . . . . .	337
Flash update procedures. . . . .	337
Updating (flashing) BIOS from a diskette . . . . .	338
Recovering from a POST/BIOS update failure . . . . .	338
Power management . . . . .	339
Automatic configuration and power interface (ACPI) BIOS. . . . .	339
Automatic Power-On features . . . . .	339

**Appendix. Notices . . . . . 341**

Television output notice . . . . .	342
Trademarks . . . . .	342

---

## Chapter 1. About this manual

This manual contains service and reference information for ThinkCentre® computers listed on the cover. It is intended only for trained servicers who are familiar with Lenovo computer products.

Before servicing a Lenovo product, be sure to read the Safety Information. See Chapter 2, "Safety information," on page 3.

The Symptom-to-FRU Index and Additional Service Information chapters are not specific to any machine type and are applicable to all ThinkCentre computers.

This manual includes a complete FRU part number listing for each machine type and model listed on the cover. If you have internet access, FRU part numbers are also available at:

<http://www.lenovo.com/support>

---

## Important Safety Information

Be sure to read all caution and danger statements in this book before performing any of the instructions.

Veillez lire toutes les consignes de type DANGER et ATTENTION du présent document avant d'exécuter les instructions.

Lesen Sie unbedingt alle Hinweise vom Typ "ACHTUNG" oder "VORSICHT" in dieser Dokumentation, bevor Sie irgendwelche Vorgänge durchführen

Leggere le istruzioni introdotte da ATTENZIONE e PERICOLO presenti nel manuale prima di eseguire una qualsiasi delle istruzioni

Certifique-se de ler todas as instruções de cuidado e perigo neste manual antes de executar qualquer uma das instruções

Es importante que lea todas las declaraciones de precaución y de peligro de este manual antes de seguir las instrucciones.

. تأكد من قراءة كل التحذيرات الموجودة في هذا الكتاب قبل اتباع هذه التعليمات .

执行任何说明之前，请确保已阅读本书中的所有警告和危险声明。

執行任何指示前，請確實閱讀本書中的所有警告及危險聲明。

.ודאו שקראתם את כל הודעות האזהרה והסכנה במסמך זה לפני שתבצעו פעולה כלשהי.

본 사용 설명서에 기재된 내용을 실행하기 전에 모든 주의사항 및 위험사항을 숙지하십시오.

---

## Important information about replacing RoHS compliant FRUs

RoHS, The Restriction of Hazardous Substances in Electrical and Electronic Equipment Directive (2002/95/EC) is a European Union legal requirement affecting the global electronics industry. RoHS requirements must be implemented on Lenovo products placed on the market after June 2006. Products on the market before June 2006 are not required to have RoHS compliant parts. So, if the parts are not compliant originally, replacement parts can also be noncompliant, but in all cases, if the parts are compliant, the replacement parts must also be compliant.

Lenovo plans to transition to RoHS compliance well before the implementation date and expects its suppliers to be ready to support Lenovo's requirements and schedule. Products sold in 2005, will contain some RoHS compliant FRUs. The following statement pertains to these products and any product Lenovo produces containing RoHS compliant parts.

RoHS compliant ThinkCentre parts have unique FRU part numbers. Before or after June, 2006, failed RoHS compliant parts must always be replaced using RoHS compliant FRUs, so only the FRUs identified as compliant in the system HMM or direct substitutions for those FRUs can be used.

Products marketed before June 2006		Products marketed after June 2006	
Current or original part	Replacement FRU	Current or original part	Replacement FRU
Non-RoHS	Can be Non-RoHS	Must be RoHS	Must be RoHS
Non-RoHS	Can be RoHS		
Non-RoHS	Can sub to RoHS		
RoHS	Must be RoHS		

**Note:** A direct substitution is a part with a different FRU part number that is automatically shipped by the distribution center at the time of order.



---

## Chapter 2. Safety information

This chapter contains the safety information that you need to be familiar with before servicing a computer.

---

### General safety

Follow these rules to ensure general safety:

- Observe good housekeeping in the area of the machines during and after maintenance.
- When lifting any heavy object:
  1. Ensure you can stand safely without slipping.
  2. Distribute the weight of the object equally between your feet.
  3. Use a slow lifting force. Never move suddenly or twist when you attempt to lift.
  4. Lift by standing or by pushing up with your leg muscles; this action removes the strain from the muscles in your back. *Do not attempt to lift any objects that weigh more than 16 kg (35 lb) or objects that you think are too heavy for you.*
- Do not perform any action that causes hazards to the customer, or that makes the equipment unsafe.
- Before you start the machine, ensure that other service representatives and the customer's personnel are not in a hazardous position.
- Place removed covers and other parts in a safe place, away from all personnel, while you are servicing the machine.
- Keep your tool case away from walk areas so that other people will not trip over it.
- Do not wear loose clothing that can be trapped in the moving parts of a machine. Ensure that your sleeves are fastened or rolled up above your elbows. If your hair is long, fasten it.
- Insert the ends of your necktie or scarf inside clothing or fasten it with a nonconductive clip, approximately 8 centimeters (3 inches) from the end.
- Do not wear jewelry, chains, metal-frame eyeglasses, or metal fasteners for your clothing.

**Remember:** Metal objects are good electrical conductors.
- Wear safety glasses when you are: hammering, drilling soldering, cutting wire, attaching springs, using solvents, or working in any other conditions that might be hazardous to your eyes.
- After service, reinstall all safety shields, guards, labels, and ground wires. Replace any safety device that is worn or defective.
- Reinstall all covers correctly before returning the machine to the customer.

---

### Electrical safety



**CAUTION:**

Electrical current from power, telephone, and communication cables can be hazardous. To avoid personal injury or equipment damage, disconnect the attached power cords, telecommunication systems, networks, and modems before you open the server/workstation covers, unless instructed otherwise in the installation and configuration procedures.

Observe the following rules when working on electrical equipment.

**Important:** Use only approved tools and test equipment. Some hand tools have handles covered with a soft material that does not insulate you when working with live electrical currents.

Many customers have, near their equipment, rubber floor mats that contain small conductive fibers to decrease electrostatic discharges. Do not use this type of mat to protect yourself from electrical shock.

- Find the room emergency power-off (EPO) switch, disconnecting switch, or electrical outlet. If an electrical accident occurs, you can then operate the switch or unplug the power cord quickly.
- Do not work alone under hazardous conditions or near equipment that has hazardous voltages.
- Disconnect all power before:
  - Performing a mechanical inspection
  - Working near power supplies
  - Removing or installing main units
- Before you start to work on the machine, unplug the power cord. If you cannot unplug it, ask the customer to power-off the wall box that supplies power to the machine and to lock the wall box in the off position.
- If you need to work on a machine that has exposed electrical circuits, observe the following precautions:
  - Ensure that another person, familiar with the power-off controls, is near you.  
**Remember:** Another person must be there to switch off the power, if necessary.
  - Use only one hand when working with powered-on electrical equipment; keep the other hand in your pocket or behind your back.  
**Remember:** There must be a complete circuit to cause electrical shock. By observing the above rule, you may prevent a current from passing through your body.
  - When using testers, set the controls correctly and use the approved probe leads and accessories for that tester.
  - Stand on suitable rubber mats (obtained locally, if necessary) to insulate you from grounds such as metal floor strips and machine frames.

Observe the special safety precautions when you work with very high voltages; these instructions are in the safety sections of maintenance information. Use extreme care when measuring high voltages.

- Regularly inspect and maintain your electrical hand tools for safe operational condition.
- Do not use worn or broken tools and testers.
- *Never assume* that power has been disconnected from a circuit. First, *check* that it has been powered-off.

- Always look carefully for possible hazards in your work area. Examples of these hazards are moist floors, nongrounded power extension cables, power surges, and missing safety grounds.
- Do not touch live electrical circuits with the reflective surface of a plastic dental mirror. The surface is conductive; such touching can cause personal injury and machine damage.
- Do not service the following parts with the power on when they are removed from their normal operating places in a machine:
  - Power supply units
  - Pumps
  - Blowers and fans
  - Motor generators
 and similar units. (This practice ensures correct grounding of the units.)
- If an electrical accident occurs:
  - Use caution; do not become a victim yourself.
  - Switch off power.
  - Send another person to get medical aid.

---

## Safety inspection guide

The intent of this inspection guide is to assist you in identifying potentially unsafe conditions on these products. Each machine, as it was designed and built, had required safety items installed to protect users and service personnel from injury. This guide addresses only those items. However, good judgment should be used to identify potential safety hazards due to attachment of features or options not covered by this inspection guide.

If any unsafe conditions are present, you must determine how serious the apparent hazard could be and whether you can continue without first correcting the problem.

Consider these conditions and the safety hazards they present:

- Electrical hazards, especially primary power (primary voltage on the frame can cause serious or fatal electrical shock).
- Explosive hazards, such as a damaged CRT face or bulging capacitor
- Mechanical hazards, such as loose or missing hardware

The guide consists of a series of steps presented in a checklist. Begin the checks with the power off, and the power cord disconnected.

Checklist:

1. Check exterior covers for damage (loose, broken, or sharp edges).
2. Power-off the computer. Disconnect the power cord.
3. Check the power cord for:
  - a. A third-wire ground connector in good condition. Use a meter to measure third-wire ground continuity for 0.1 ohm or less between the external ground pin and frame ground.
  - b. The power cord should be the appropriate type as specified in the parts listings.
  - c. Insulation must not be frayed or worn.
4. Remove the cover.

5. Check for any obvious alterations. Use good judgment as to the safety of any alterations.
6. Check inside the unit for any obvious unsafe conditions, such as metal filings, contamination, water or other liquids, or signs of fire or smoke damage.
7. Check for worn, frayed, or pinched cables.
8. Check that the power-supply cover fasteners (screws or rivets) have not been removed or tampered with.

---

## Handling electrostatic discharge-sensitive devices

Any computer part containing transistors or integrated circuits (ICs) should be considered sensitive to electrostatic discharge (ESD). ESD damage can occur when there is a difference in charge between objects. Protect against ESD damage by equalizing the charge so that the machine, the part, the work mat, and the person handling the part are all at the same charge.

### Notes:

1. Use product-specific ESD procedures when they exceed the requirements noted here.
2. Make sure that the ESD protective devices you use have been certified (ISO 9000) as fully effective.

When handling ESD-sensitive parts:

- Keep the parts in protective packages until they are inserted into the product.
- Avoid contact with other people.
- Wear a grounded wrist strap against your skin to eliminate static on your body.
- Prevent the part from touching your clothing. Most clothing is insulative and retains a charge even when you are wearing a wrist strap.
- Use the black side of a grounded work mat to provide a static-free work surface. The mat is especially useful when handling ESD-sensitive devices.
- Select a grounding system, such as those listed below, to provide protection that meets the specific service requirement.

**Note:** The use of a grounding system is desirable but not required to protect against ESD damage.

- Attach the ESD ground clip to any frame ground, ground braid, or green-wire ground.
- Use an ESD common ground or reference point when working on a double-insulated or battery-operated system. You can use coax or connector-outside shells on these systems.
- Use the round ground-prong of the ac plug on ac-operated computers.

---

## Grounding requirements

Electrical grounding of the computer is required for operator safety and correct system function. Proper grounding of the electrical outlet can be verified by a certified electrician.

---

## Safety notices (multi-lingual translations)

The caution and danger safety notices in this section are provided in the following languages:

- English
- Arabic
- Brazilian/Portuguese
- Chinese (simplified)
- Chinese (traditional)
- French
- German
- Hebrew
- Italian
- Korean
- Spanish



### DANGER

Electrical current from power, telephone and communication cables is hazardous.

To avoid a shock hazard:

- **Do not connect or disconnect any cables or perform installation, maintenance, or reconfiguration of this product during an electrical storm.**
- **Connect all power cords to a properly wired and grounded electrical outlet.**
- **Connect to properly wired outlets any equipment that will be attached to this product.**
- **When possible, use one hand only to connect or disconnect signal cables.**
- **Never turn on any equipment when there is evidence of fire, water, or structural damage.**
- **Disconnect the attached power cords, telecommunications systems, networks, and modems before you open the device covers, unless instructed otherwise in the installation and configuration procedures.**
- **Connect and disconnect cables as described in the following table when installing, moving, or opening covers on this product or attached devices.**

To Connect	To Disconnect
<ol style="list-style-type: none"><li>1. Turn everything OFF.</li><li>2. First, attach all cables to devices.</li><li>3. Attach signal cables to connectors.</li><li>4. Attach power cords to outlet.</li><li>5. Turn device ON.</li></ol>	<ol style="list-style-type: none"><li>1. Turn everything OFF.</li><li>2. First, remove power cords from outlet.</li><li>3. Remove signal cables from connectors.</li><li>4. Remove all cables from devices.</li></ol>



**CAUTION:**

When replacing the lithium battery, use only Part Number 33F8354 or an equivalent type battery recommended by the manufacturer. If your system has a module containing a lithium battery, replace it only with the same module type made by the same manufacturer. The battery contains lithium and can explode if not properly used, handled, or disposed of.

*Do not:*

- Throw or immerse into water
- Heat to more than 100°C (212°F)
- Repair or disassemble

Dispose of the battery as required by local ordinances or regulations.



**CAUTION:**

When laser products (such as CD-ROMs, DVD-ROM drives, fiber optic devices, or transmitters) are installed, note the following:

- Do not remove the covers. Removing the covers of the laser product could result in exposure to hazardous laser radiation. There are no serviceable parts inside the device.
- Use of controls or adjustments or performance of procedures other than those specified herein might result in hazardous radiation exposure.



**DANGER:** Some laser products contain an embedded Class 3A or Class 3B laser diode. Note the following:

Laser radiation when open. Do not stare into the beam, do not view directly with optical instruments, and avoid direct exposure to the beam.



≥18 kg (37 lbs)



≥32 kg (70.5 lbs)



≥55 kg (121.2 lbs)

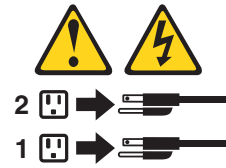
**CAUTION:**

Use safe practices when lifting.



**CAUTION:**

The power control button on the device and the power switch on the power supply do not turn off the electrical current supplied to the device. The device also might have more than one power cord. To remove all electrical current from the device, ensure that all power cords are disconnected from the power source.





## خطر

التيار الكهربى الموجود بمصدر الطاقة أو أجهزة التليفون أو أسلاك الإتصالات يشكل خطورة.

لتفادي مخاطر الصدمات الكهربائية:

لا تحاول توصيل أو فصل أي أسلاك أو القيام بعمليات تركيب أو صيانة أو إعادة توصيف لهذا المنتج أثناء وجود عاصفة كهربائية.

يجب توصيل كل أسلاك الكهرباء في مخارج كهرباء ذات توصيلات أسلاك وتوصيلات أرضية صحيحة  
يجب توصيل أي جهاز سيتم الحاقه بهذا المنتج في مخارج كهرباء ذات توصيلات أسلاك صحيحة.

وإن أمكن يجب استخدام يد واحدة فقط في توصيل أو فصل أسلاك الإشارة.

لا تحاول تشغيل أي جهاز إذا كان هناك أثر لحرق أو مياه أو تلف بالمكونات

يجب فصل أسلاك الكهرباء وأنظمة الاتصالات وشبكات الاتصال وأجهزة المودم الملحقة قبل فتح أغطية الجهاز، ما لم يتم طلب خلاف ذلك في التعليمات الخاصة بالتركيب والتوصيف.  
قم بتوصيل وفصل الأسلاك كما هو موضح في الجدول التالي وذلك عند القيام بعمليات التركيب أو النقل أو فتح أغطية هذا المنتج أو الأجهزة الملحقة.

### للتوصيل:

قم بإيقاف كل شيء.

أولاً، قم بتوصيل كل الأسلاك بالأجهزة.

قم بتوصيل أسلاك الإشارة في لموصلات.

قم بتوصيل أسلاك الكهرباء في المخارج.

قم بتشغيل الجهاز.

### للفصل:

قم بإيقاف كل شيء.

أولاً، قم بفصل كل أسلاك الكهرباء من المخرج.

قم بفصل أسلاك الإشارة من الموصلات.

قم بفصل كل الأسلاك من الأجهزة.





تنبيه :

عند استبدال البطارية الليثيوم، استخدم فقط رقم الجزء الخاص **Part Number 33F8354** أو نوع آخر يكون على نفس مستوى الكفاءة يحدده لك المصنع.  
إذا كان النظام الخاص يستخدم معه بطارية ليثيوم قم باستبدالها بنفس النوع الذي تم صناعته من خلال نفس المصنع. تحتوي البطارية على مادة الليثيوم ويمكن أن تنفجر في حالة عدم استخدامها أو التعامل معها بطريقة صحيحة أو عند التخلص منها بطريقة خطأ.

لا تقم بـ:

- الفاء البطارية أو غمرها في الماء
- تسخينها أعلى من ١٠٠ درجة مئوية و(٢١٢ ° فهرنهايت)
- بتصليحها أو فكها

تخلص من البطارية طبقاً للقانون أو النظام المحلي .



تنبيه :

أثناء تركيب منتجات ليزر (مثل CD-ROMs أو وحدة تشغيل DVD أو أجهزة Fiber Optic أو وحدات الإرسال) يجب مراعاة الآتي:

لا تنزع الأغطية. قد ينتج عن نزع أغطية منتج الليزر انفجار أشعة الليزر شديدة الخطورة.  
لا يوجد أجزاء يمكن تغييرها داخل الجهاز. قد ينتج عن استخدام تحكيمات أو تعديلات أو عمل أي تصرفات أخرى تخالف ما هو محدد هنا إلى انفجار أشعة شديدة الخطورة.



خطر

تحتوي بعض منتجات الليزر على الفئة دايود ليزر مدمج من الفئة **Class 3A** أو **Class 3B**. يجب مراعاة الآتي .

أشعة الليزر عند الفتح. لا تحدد إلى الإشعاع و لا تنظر إليه مباشرة بواسطة أي أجهزة مرئية وتجنب التعرض المباشر للإشعاع .



≥18 kg (37 lbs)



≥32 kg (70.5 lbs)



≥55 kg (121.2 lbs)

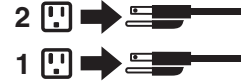


تنبيه :  
يجب استخدام ممارسات آمنة عند الرفع



تنبيه :

لا يقرم زر التحكم في التشغيل الموجود على الجهاز والمفتاح الكهربائي الموجود على لوحة التحكم بإيقاف التيار الكهربائي المار بالجهاز. قد يكون للجهاز أكثر من سلك كهربائي واحد. لايقاف التيار الكهربائي المار بالجهاز، تأكد من فصل جميع أسلاك الكهرباء من مصدر الكهرباء .





## PERIGO

A corrente elétrica proveniente de cabos de alimentação, de telefone e de comunicações é perigosa.

Para evitar risco de choque elétrico:

- Não conecte nem desconecte nenhum cabo ou execute instalação, manutenção ou reconfiguração deste produto durante uma tempestade com raios.
- Conecte todos os cabos de alimentação a tomadas elétricas corretamente instaladas e aterradas.
- Todo equipamento que for conectado a este produto deve ser conectado a tomadas corretamente instaladas.
- Quando possível, utilize apenas uma das mãos para conectar ou desconectar cabos de sinal.
- Nunca ligue nenhum equipamento quando houver evidência de fogo, água ou danos estruturais.
- Antes de abrir tampas de dispositivos, desconecte cabos de alimentação, sistemas de telecomunicação, redes e modems conectados, a menos que especificado de maneira diferente nos procedimentos de instalação e configuração.
- Conecte e desconecte os cabos conforme descrito na tabela apresentada a seguir ao instalar, mover ou abrir tampas deste produto ou de dispositivos conectados.

Para Conectar:	Para Desconectar:
<ol style="list-style-type: none"><li>1. DESLIGUE Tudo.</li><li>2. Primeiramente, conecte todos os cabos aos dispositivos.</li><li>3. Conecte os cabos de sinal aos conectores.</li><li>4. Conecte os cabos de alimentação às tomadas.</li><li>5. LIGUE os dispositivos.</li></ol>	<ol style="list-style-type: none"><li>1. DESLIGUE Tudo.</li><li>2. Primeiramente, remova os cabos de alimentação das tomadas.</li><li>3. Remova os cabos de sinal dos conectores.</li><li>4. Remova todos os cabos dos dispositivos.</li></ol>



#### **CUIDADO:**

Ao substituir a bateria de lítio, utilize apenas uma bateria com Número de Peça 33F8354 ou um tipo de bateria equivalente recomendado pelo Se o seu sistema possui um módulo com uma bateria de lítio, substitua-o apenas por um módulo do mesmo tipo e do mesmo fabricante. A bateria contém lítio e pode explodir se não for utilizada, manuseada ou descartada de maneira correta.

Não:

- Jogue ou coloque na água
- Aqueça a mais de 100°C (212°F)
- Conserte nem desmonte

Descarte a bateria conforme requerido pelas leis ou regulamentos locais.



#### **PRECAUCIÓN:**

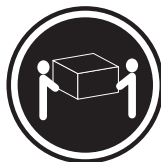
Quando produtos a laser (como unidades de CD-ROMs, unidades de DVD-ROM, dispositivos de fibra ótica ou transmissores) estiverem instalados, observe o seguinte:

- Não remova as tampas. A remoção das tampas de um produto a laser pode resultar em exposição prejudicial à radiação de laser. Não existem peças que podem ser consertadas no interior do dispositivo.
- A utilização de controles ou ajustes ou a execução de procedimentos diferentes dos especificados aqui pode resultar em exposição prejudicial à radiação.

#### **PERIGO**

Alguns produtos a laser contêm diodo de laser integrado da Classe 3A ou da Classe 3B. Observe o seguinte:

Radiação a laser quando aberto. Não olhe diretamente para o feixe a olho nu ou com instrumentos ópticos e evite exposição direta ao feixe.



≥18 kg (37 lbs)



≥32 kg (70.5 lbs)



≥55 kg (121.2 lbs)

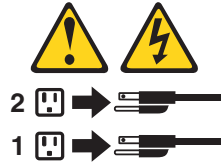
#### **CUIDADO:**

Utilize procedimentos de segurança para levantar equipamentos.



**CUIDADO:**

O botão de controle de alimentação do dispositivo e o botão para ligar/desligar da fonte de alimentação não desligam a corrente elétrica fornecida ao dispositivo. O dispositivo também pode ter mais de um cabo de alimentação. Para remover toda a corrente elétrica do dispositivo, assegure que todos os cabos de alimentação estejam desconectados da fonte de alimentação.





#### 危险

电源、电话和通信电缆中的电流是危险的。

为避免电击危险：

- 请勿在雷电期间连接或断开任何电缆的连接，或者对本产品进行安装、维护或重新配置。
- 将所有电源线连接到正确连线和妥善接地的电源插座。
- 将所有要连接到该产品的设备连接到正确连线的插座。
- 如果可能，请仅使用一只手来连接或断开信号电缆的连接。
- 切勿在有火、水、结构损坏迹象的情况下开启任何设备。
- 在打开设备外盖之前请断开已连接的电源线、远程通信系统、网络和调制解调器，除非在安装和配置过程中另有说明。
- 当安装、移动或打开该产品或连接设备的外盖时，请按照下表所述来连接或断开电缆的连接。

要连接	要断开连接
<ol style="list-style-type: none"><li>1. 切断所有电源。</li><li>2. 首先将所有电缆连接到设备。</li><li>3. 将信号电缆连接到接口。</li><li>4. 将电源线连接到插座。</li><li>5. 开启设备。</li></ol>	<ol style="list-style-type: none"><li>1. 切断所有电源。</li><li>2. 首先从插座上拔出电源线。</li><li>3. 从接口上拔出信号电缆。</li><li>4. 从设备上拔出所有电缆。</li></ol>



#### 警告：

更换锂电池时，请仅使用部件号为 33F8354 的电池或制造商推荐的同类电池。如果您的系统有包含锂电池的模块，请仅使用同一制造商生产的相同模块类型来替换该模块。该电池中含有锂，如果使用、操作或处理不当，可能会发生爆炸。

切勿：

- 投入或浸入水中
- 加热到 100 °C (212 °F) 以上
- 维修或拆卸

请按照当地法令或条例的要求处理电池。



警告：  
安装激光产品（例如 CD-ROM、DVD-ROM 驱动器、光纤设备或发射设备）时，  
请注意以下声明：

- 请勿卸下外盖。卸下激光产品的外盖可能导致遭受激光辐射的危险。该设备内没有可维修的部件。
- 如果不按照此处指定的过程进行控制、调整或操作，则有可能导致遭受辐射的危险。



危险

某些激光产品包含嵌入式 3A 类或 3B 类激光二极管。请注意以下声明：

打开后有激光辐射。请勿注视光束，请勿直接用光学仪器查看，并请避免直接暴露在光束中。



≥18 千克 (37 磅)    ≥32 千克 (70.5 磅)    ≥55 千克 (121.2 磅)

警告：  
抬起时请采取安全措施。



警告：  
设备上的电源控制按钮和电源上的电源开关不会切断供给该设备的电流。该设备还可能有多条电源线。要切断该设备的所有电流，请确保所有电源线都与电源断开连接。





#### 危險

電源、電話及通訊纜線上的電流都具有危險性。

若要避免觸電危險：

- 請勿在雷雨期間，連接或拔除纜線、執行安裝、維護或重新配置本產品。
- 將所有電源線連接到正確配線及接地的電源插座。
- 任何與本產品連接的設備都必須連接到配線妥當的電源插座。
- 請盡可能用單手連接或拔除信號線。
- 發生火災、水災或結構損害時，絕對不要開啟任何設備。
- 除非在安裝及配置程序中另有指示，否則在開啟裝置機蓋之前，請拔掉連接的電源線、電信系統、網路及數據機。
- 安裝、移動或開啟本產品或附屬裝置的機蓋時，請遵循下列說明連接及拔掉纜線。

連線	切斷連線
<ol style="list-style-type: none"><li>1. 關閉所有開關。</li><li>2. 首先，連接所有接線到裝置。</li><li>3. 連接信號線到接頭。</li><li>4. 連接電源線到插座。</li><li>5. 開啟裝置。</li></ol>	<ol style="list-style-type: none"><li>1. 關閉所有開關。</li><li>2. 首先，拔掉插座上的電源線。</li><li>3. 拔掉接頭上的信號線。</li><li>4. 拔掉裝置上所有接線。</li></ol>



#### 警告：

更換鋰電池時，請僅使用產品編號 **33F8354** 或製造商所建議的同類型電池。  
如果您的系統中含有鋰電池模組，請僅使用同一家製造商所生產的相同模組進行更換。  
如果未以正確方式使用、處理或棄置含鋰的電池，會有爆炸的危險。

請勿：

- 沾溼或浸入水中
  - 置於 **100C (212F)** 以上的高溫環境
  - 修理或拆開
- 請按照各地區有關廢棄電池的法令和規定處理舊電池。



#### 警告：

- 請勿移除機蓋。移除雷射產品的機蓋，可能會導致暴露在危險的雷射輻射中。裝置內部並無可自行維修的零件。
- 利用或執行非本文中所指定的控制、調整及執行程序，可能會導致危險的輻射外洩。



#### 危險

部分雷射產品含有內嵌式 **Class 3A** 或 **Class 3B** 雷射二極體。請注意下列事項：  
在開啟光碟機時，會發生雷射輻射。請勿直視光束或用光學儀器直接檢視，並避免直接暴露在光束中。





≥ 18 公斤 (37 磅)



≥ 32 公斤 (70.5 磅)



≥ 55 公斤 (121.2 磅)

警告：  
搬運時請注意安全。



警告：  
裝置上的電源控制按鈕及電源供應器上的電源開關，無法關閉裝置所產生的電流。  
該裝置可能有多條電源線。若要除去裝置流出的所有電流，請確認已切斷所有電源線的電源。





## DANGER

Le courant électrique provenant de l'alimentation, du téléphone et des câbles de transmission peut présenter un danger.

Pour éviter tout risque de choc électrique :

- Ne manipulez aucun câble et n'effectuez aucune opération d'installation, d'entretien ou de reconfiguration de ce produit au cours d'un orage.
- Branchez tous les cordons d'alimentation sur un socle de prise de courant correctement câblé et mis à la terre.
- Branchez sur des socles de prise de courant correctement câblés tout équipement connecté à ce produit.
- Lorsque cela est possible, n'utilisez qu'une seule main pour connecter ou déconnecter les câbles d'interface.
- Ne mettez jamais un équipement sous tension en cas d'incendie ou d'inondation, ou en présence de dommages matériels.
- Avant de retirer les carters de l'unité, mettez celle-ci hors tension et déconnectez ses cordons d'alimentation, ainsi que les câbles qui la relient aux réseaux, aux systèmes de télécommunication et aux modems (sauf instruction contraire mentionnée dans les procédures d'installation et de configuration).
- Lorsque vous installez, que vous déplacez, ou que vous manipulez le présent produit ou des périphériques qui lui sont raccordés, reportez-vous aux instructions ci-dessous pour connecter et déconnecter les différents cordons.

Connexion	Déconnexion
<ol style="list-style-type: none"><li>1. Mettez les unités HORS TENSION.</li><li>2. Commencez par brancher tous les cordons sur les unités.</li><li>3. Branchez les câbles d'interface sur des connecteurs.</li><li>4. Branchez les cordons d'alimentation sur des prises.</li><li>5. Mettez les unités SOUS TENSION.</li></ol>	<ol style="list-style-type: none"><li>1. Mettez les unités HORS TENSION.</li><li>2. Débranchez les cordons d'alimentation des prises.</li><li>3. Débranchez les câbles d'interface des connecteurs.</li><li>4. Débranchez tous les câbles des unités.</li></ol>



**ATTENTION:**

Remplacer la pile au lithium usagée par une pile de référence identique exclusivement, (référence 33F8354), ou suivre les instructions du fabricant qui en définit les équivalences. Si votre système est doté d'un module contenant une pile au lithium, vous devez le remplacer uniquement par un module identique, produit par le même fabricant. La pile contient du lithium et peut exploser en cas de mauvaise utilisation, de mauvaise manipulation ou de mise au rebut inappropriée.

Ne pas :

- la jeter à l'eau,
- l'exposer à des températures supérieures à 100°C,
- chercher à la réparer ou à la démonter.

Ne pas mettre la pile à la poubelle. Pour la mise au rebut, se reporter à la réglementation en vigueur.



**ATTENTION:**

Si des produits à laser (tels que des unités de CD-ROM, de DVD-ROM, des unités à fibres optiques, ou des émetteurs) sont installés, prenez connaissance des informations suivantes :

- Ne retirez pas le carter. En ouvrant l'unité de CD-ROM ou de DVD-ROM, vous vous exposez au rayonnement dangereux du laser. Aucune pièce de l'unité n'est réparable.
- Pour éviter tout risque d'exposition au rayon laser, respectez les consignes de réglage et d'utilisation des commandes, ainsi que les procédures décrites dans le présent manuel.



**DANGER**

Certains produits à laser contiennent une diode à laser intégrée de classe 3A ou 3B. Prenez connaissance des informations suivantes:

Rayonnement laser lorsque le carter est ouvert. Evitez toute exposition directe au rayon laser. Evitez de regarder fixement le faisceau ou de l'observer à l'aide d'instruments optiques.



≥18 kg (37 lbs)



≥32 kg (70.5 lbs)



≥55 kg (121.2 lbs)

**ATTENTION:**

Soulevez la machine avec précaution.



**ATTENTION:**

L'interrupteur de contrôle d'alimentation de l'unité et l'interrupteur dubloc d'alimentation ne coupent pas le courant électrique alimentant l'unité. En outre, le système peut être équipé de plusieurs cordons d'alimentation. Pour mettre l'unité hors tension, vous devez déconnecter tous les cordons de la source d'alimentation.





## VORSICHT

An Netz-, Telefon- und Datenleitungen können gefährliche Spannungen anliegen.

### Aus Sicherheitsgründen:

- Bei Gewitter an diesem Gerät keine Kabel anschließen oder lösen. Ferner keine Installations-, Wartungs- oder Rekonfigurationsarbeiten durchführen.
- Gerät nur an eine Schutzkontaktsteckdose mit ordnungsgemäß geerdetem Schutzkontakt anschließen.
- Alle angeschlossenen Geräte ebenfalls an Schutzkontaktsteckdosen mit ordnungsgemäß geerdetem Schutzkontakt anschließen.
- Die Signalkabel nach Möglichkeit einhändig anschließen oder lösen, um einen Stromschlag durch Berühren von Oberflächen mit unterschiedlichem elektrischem Potenzial zu vermeiden.
- Geräte niemals einschalten, wenn Hinweise auf Feuer, Wasser oder Gebäudeschäden vorliegen.
- Die Verbindung zu den angeschlossenen Netzkabeln, Telekommunikationssystemen, Netzwerken und Modems ist vor dem Öffnen des Gehäuses zu unterbrechen, sofern in den Installations- und Konfigurationsprozeduren keine anders lautenden Anweisungen enthalten sind.
- Zum Installieren, Transportieren und Öffnen der Abdeckungen des Computers oder der angeschlossenen Einheiten die Kabel gemäß der folgenden Tabelle anschließen und abziehen.

Zum Anschließen der Kabel gehen Sie wie folgt vor	Zum Abziehen der Kabel gehen Sie wie folgt vor
<ol style="list-style-type: none"> <li>1. Schalten Sie alle Einheiten AUS.</li> <li>2. Schließen Sie erst alle Kabel an die Einheiten an.</li> <li>3. Schließen Sie die Signalkabel an die Buchsen an.</li> <li>4. Schließen Sie die Netzkabel an die Steckdose an.</li> <li>5. Schalten Sie die Einheit EIN.</li> </ol>	<ol style="list-style-type: none"> <li>1. Schalten Sie alle Einheiten AUS.</li> <li>2. Ziehen Sie zuerst alle Netzkabel aus den Netzsteckdosen.</li> <li>3. Ziehen Sie die Signalkabel aus den Buchsen.</li> <li>4. Ziehen Sie alle Kabel von den Einheiten ab.</li> </ol>



#### **CAUTION:**

Eine verbrauchte Lithiumbatterie nur durch eine Batterie mit der Teilenummer 33F8354 oder eine gleichwertige, vom Hersteller empfohlene Batterie ersetzen. Enthält das System ein Modul mit einer Lithiumbatterie, dieses nur durch ein Modul desselben Typs und von demselben Hersteller ersetzen. Die Batterie enthält Lithium und kann bei unsachgemäßer Verwendung, Handhabung oder Entsorgung explodieren.

Die Batterie nicht:

- mit Wasser in Berührung bringen.
- über 100 C erhitzen.
- reparieren oder zerlegen.

Die örtlichen Bestimmungen für die Entsorgung von Sondermüll beachten.



#### **ACHTUNG:**

**Bei der Installation von Lasergeräten (wie CD-ROM-Laufwerken, DVD-aufwerken, Einheiten mit Lichtwellenleitertechnik oder Sendern) Folgendes beachten:**

- Die Abdeckungen nicht entfernen. Durch Entfernen der Abdeckungen des Lasergeräts können gefährliche Laserstrahlungen freigesetzt werden. Das Gerät enthält keine zu wartenden Teile.
- Werden Steuerelemente, Einstellungen oder Durchführungen von Prozeduren anders als hier angegeben verwendet, kann gefährliche Laserstrahlung auftreten.



#### **VORSICHT**

**Einige Lasergeräte enthalten eine Laserdiode der Klasse 3A oder 3B. Beachten Sie Folgendes:**

**Laserstrahlung bei geöffneter Verkleidung. Nicht in den Strahl blicken. Keine Lupen oder Spiegel verwenden. Strahlungsbereich meiden.**



≥18 kg



≥32 kg



≥55 kg

**ACHTUNG:**

Arbeitsschutzrichtlinien beim Anheben der Maschine beachten.



**ACHTUNG:**

Mit dem Netzschalter an der Einheit und am Netzteil wird die Stromversorgung für die Einheit nicht unterbrochen. Die Einheit kann auch mit mehreren Netzkabeln ausgestattet sein. Um die Stromversorgung für die Einheit vollständig zu unterbrechen, müssen alle zum Gerät führenden Netzkabel vom Netz getrennt werden.





#### סכנה

זרם חשמלי המועבר בכבלי חשמל, טלפון ותקשורת הוא מסוכן.

כדי להימנע מסכנת התחשמלות:

- אל תחברו או תנתקו כבלים, ואל תבצעו פעולת התקנה, תחזוקה או שינוי תצורה במוצר זה במהלך סופת ברקים.
- חברו את כל כבלי החשמל לשקע חשמל מחווט ומוארק כהלכה.
- חברו כל ציוד שיחובר למוצר זה לשקעי חשמל מחוטים כהלכה.
- במידת האפשר, השתמשו ביד אחת בלבד לחיבור או לניתוק של כבלי אותות.
- לעולם אל תפעילו ציוד כלשהו כאשר יש עדות לנזק מבני או לנזק כתוצאה מאש או ממים.
- נתקו את כבלי החשמל, מערכות התקשורת, התקני הרשת והמודמים המחוברים לפני פתיחת כיסויי ההתקן, אלא אם הליכי ההתקנה וקביעת התצורה מורים אחרת.
- בעת התקנה, העברה או פתיחת כיסויים במוצר זה או בהתקנים המחוברים, חברו ונתקו את הכבלים כמתואר בטבלה שלהלן.

כדי לחבר	כדי לנתק
1. כבו הכל.	1. כבו הכל.
2. ראשית, חברו את כל הכבלים להתקנים.	2. ראשית, נתקו את כבלי החשמל מהשקעים.
3. חברו את כבלי האותות למחברים.	3. נתקו את כבלי האותות מהמחברים.
4. חברו את כבלי החשמל לשקעים.	4. הסירו את כל הכבלים מההתקנים.
5. הפעילו את ההתקן.	





זהירות:

בעת החלפת סוללת הליתיום, השתמשו רק בסוללה בעלת מק"ט 33F8354 או בסוג תואם שהומלץ על ידי היצרן. אם המערכת כוללת מודול המכיל סוללת ליתיום, החליפו אותו רק במודול מאותו סוג ומתוצרת אותו יצרן. הסוללה מכילה ליתיום, ועלולה להתפוצץ אם לא משתמשים ומטפלים בה או משליכים אותה כראוי.

לעולם:

- אל תטבלו במים

- אל תחממו לטמפרטורה הגבוהה מ-100°C (212°F)

- אל תתקנו או תפרקו

השליכו את הסוללה כנדרש לפי התקנות והחוקים המקומיים.



זהירות:

בעת התקנת מוצרי לייזר (כגון כונני תקליטורים ו-DVD, התקני סיב אופטי או משדרים), שימו לב לאזהרות הבאות:

- אל תסירו את הכיסויים. הסרת הכיסויים של מוצר הלייזר עלולה לגרום לחשיפה לקרינת לייזר מסוכנת. אין חלקים ברי טיפול בתוך ההתקן.

- שינויים, שימוש בבקרות או ביצוע הליכים אחרים מאלה המתוארים כאן, עלולים לגרום לחשיפה לקרינה מסוכנת.



סכנה

מוצרי לייזר מסוימים מכילים דיודת לייזר מסוג Class 3A או Class 3B. שימו לב לאזהרה הבאה:

כאשר הוא פתוח, המוצר פולט קרינת לייזר. אל תביטו ישירות בקרן, אל תביטו ישירות בעזרת ציוד אופטי, והימנעו מחשיפה לקרן.



≤ 18 ק"ג (37 ליב')



≤ 32 ק"ג (70.5 ליב')

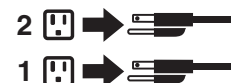


≤ 55 ק"ג (121.2 ליב')

זהירות:  
השתמשו בהליכים  
הנאותים בעת  
הרמת הציוד.



זהירות:  
לחצן ההפעלה של ההתקן ומתג ההפעלה של ספק החשמל אינם מפסיקים את זרם החשמל המסופק להתקן.  
בנוסף, ההתקן עשוי לכלול יותר מכבל חשמל אחד. כדי לסלק את כל הזרם החשמלי מההתקן,  
ודאו שכל כבלי החשמל מנותקים ממקור החשמל.





## PERICOLO

La corrente elettrica proveniente dai cavi di alimentazione, del telefono e di comunicazione può essere pericolosa.

**Per evitare il rischio di scosse elettriche:**

- **Non collegare o scollegare qualsiasi cavo oppure effettuare l'installazione, la manutenzione o la riconfigurazione del prodotto durante un temporale.**
- **Collegare tutti i fili elettrici a una presa di alimentazione correttamente cablata e dotata di messa a terra.**
- **Collegare alle prese elettriche appropriate tutte le apparecchiature che verranno utilizzate per questo prodotto.**
- **Se possibile, utilizzare solo una mano per collegare o scollegare i cavi di segnale.**
- **Non accendere assolutamente apparecchiature in presenza di incendi, perdite d'acqua o danno strutturale.**
- **Scollegare i cavi di alimentazione, i sistemi di telecomunicazione, le reti e il modem prima di aprire i coperchi del dispositivo, salvo istruzioni contrarie relative alle procedure di installazione e configurazione.**
- **Collegare e scollegare i cavi come descritto nella seguente tabella quando vengono effettuate operazioni di installazione, spostamento o apertura dei coperchi di questo prodotto o delle unità collegate.**

Per collegarsi	Per scollegarsi
1. <b>SPEGNERE</b> le apparecchiature.	1. <b>SPEGNERE</b> le apparecchiature.
2. Innanzitutto, collegare tutti i cavi alle unità.	2. Innanzitutto, rimuovere i cavi di alimentazione dalla presa.
3. Collegare i cavi di segnale ai connettori.	3. Rimuovere i cavi di segnale dai connettori.
4. Collegare i cavi di alimentazione alla presa.	4. Rimuovere tutti i cavi dalle unità.
5. Accendere l'unità.	



#### ATTENZIONE:

Quando si sostituisce la batteria al litio, utilizzare solo il Numero parte 33F8354 o un tipo di batteria equivalente consigliato dal produttore. Se sul sistema è presente un modulo che contiene una batteria al litio, sostituirlo solo con un tipo di modulo dello stesso tipo della stessa casa di produzione. La batteria contiene litio e può esplodere se usata, maneggiata o smaltita in modo non corretto.

*Non:*

- Gettare o immergere la batteria nell'acqua
- Riscaldarla ad una temperatura superiore ai 100 gradi C (212 gradi F)
- Smontarla, ricaricarla o tentare di ripararla

Le batterie usate vanno smaltite in accordo alla normativa in vigore (DPR 915/82 e successive disposizioni e disposizioni locali).



#### ATTENZIONE:

Quando vengono installati prodotti laser (quali CD-ROM, unità DVD-ROM, unità a fibre ottiche o trasmettenti), tener presente quanto segue:

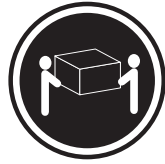
- Non rimuovere gli sportelli. L'apertura di un'unità laser può determinare l'esposizione a radiazioni laser pericolose. All'interno dell'unità non vi sono parti su cui effettuare l'assistenza tecnica.
- L'utilizzo di controlli, regolazioni o l'esecuzione di procedure non descritti nel presente manuale possono provocare l'esposizione a radiazioni pericolose.



#### PERICOLO

Alcune unità laser contengono un diodo laser di Classe 3A o Classe 3B. Tener presente quanto segue:

Aperto l'unità vengono emesse radiazioni laser. Non fissare il fascio, non guardarlo direttamente con strumenti ottici ed evitare l'esposizione al fascio.



≥18 kg



≥32 kg



≥55 kg

**ATTENZIONE:**

**Prestare attenzione nel sollevare l'apparecchiatura.**



**ATTENZIONE:**

**Il pulsante di controllo dell'alimentazione presente sull'unità e l'interruttore dell'alimentatore non disattivano l'alimentazione corrente fornita all'unità. E' possibile che l'unità disponga di più cavi di alimentazione. Per disattivare l'alimentazione dall'unità, accertarsi che tutti i cavi di alimentazione siano scollegati dalla fonte di alimentazione.**





**위험**

전원, 전화, 통신 케이블의 전류는 위험합니다.

감전의 위험을 피하려면 다음과 같이 하십시오.

- 번개가 치는 날에는 케이블을 연결 또는 분리하거나 본 제품을 설치, 보수, 재구성하지 마십시오.
- 모든 전원 코드는 올바르게 접지된 전기 콘센트에 연결하십시오.
- 본 제품에 연결될 장치는 올바르게 배선된 콘센트에 연결하십시오.
- 신호 케이블을 연결 또는 분리할 때 가능하면 한 손만을 사용하십시오.
- 불 또는 물로 인한 손상이나 구조적인 손상이 있을 경우 장치의 전원을 절대 켜지 마십시오.
- 설치 및 구성 과정에 별도의 지시 사항이 없는 경우, 장치의 덮개를 열기 전에 연결된 전원 코드, 원격 통신 시스템, 네트워크, 모뎀을 분리하십시오.
- 본 제품이나 연결된 장치를 설치, 이동하거나 덮개를 열 때 다음 표와 같은 순서로 케이블을 연결하거나 분리하십시오.

연결할 때:	분리할 때:
<ol style="list-style-type: none"> <li>1. 모든 장치의 전원을 끄십시오.</li> <li>2. 먼저 모든 케이블을 장치에 연결하십시오.</li> <li>3. 커넥터에 신호 케이블을 연결하십시오.</li> <li>4. 콘센트에 전원 코드를 연결하십시오.</li> <li>5. 장치의 전원을 켜십시오.</li> </ol>	<ol style="list-style-type: none"> <li>1. 모든 장치의 전원을 끄십시오.</li> <li>2. 먼저 콘센트에서 전원 코드를 분리하십시오.</li> <li>3. 커넥터에서 신호 케이블을 분리하십시오.</li> <li>4. 장치에서 모든 케이블을 분리하십시오.</li> </ol>



**주의:**

배터리를 교환할 때는 Part Number 33F8354 또는 제조업체에서 지정한 동일한 종류의 제품을 사용하십시오. 사용자의 시스템이 리튬 배터리를 포함하는 모듈일 경우, 동일한 제조업체에서 동일한 모듈 유형으로 생산된 제품으로 교체하십시오. 배터리에는 리튬이 함유되어 있어 잘못 사용, 취급 또는 폐기할 경우 폭발의 위험이 있습니다.

사고를 방지하려면 다음 사항을 준수하십시오.

- 배터리를 물 속에 던지거나 침수시키지 마십시오.
- 100℃(212°F) 이상 가열하지 마십시오.
- 수리하거나 분해하지 마십시오.

배터리를 폐기할 때는 법령 또는 회사의 안전 수칙에 따라 폐기하십시오.



**주의:**

CD-ROM, DVD-ROM 장치, 광섬유 장치 또는 송신 장치와 같은 레이저 제품을 설치할 때, 다음과 같은 취급 주의사항을 참고하십시오.

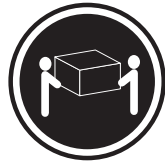
- 덮개를 열지 마십시오. 덮개를 열면 레이저 복사 에너지에 노출될 위험이 있습니다. 장치 내부에는 사용자가 조정하거나 수리할 수 있는 부품이 없습니다.
- 규정된 것 이외의 절차 수행, 제어 조정 등의 행위로 인해 해로운 레이저 복사에 노출될 수 있습니다.



**위험**

일부 장비에는 임베디드 클래스 3A 또는 클래스 3B 레이저 다이오드가 있습니다. 다음 주의사항에 유의하십시오.

드라이브가 열리면 레이저 복사 에너지가 방출됩니다. 광선이 눈에 직접 쏘이지 않도록 하십시오. 나안 또는 광학 기구를 착용한 상태에서 광선을 직접 바라보지 않도록 하십시오.



≥ 18 kg (37 lbs)



≥ 32 kg (70.5 lbs)



≥ 55 kg (121.2 lbs)

**주의:**

제품을 들어 올릴 때 안전 규제를 따르십시오.



**주의:**

장치의 전원 제어 버튼 및 전원 공급 장치의 전원 스위치를 사용하여 장치에 공급되는 전기를 차단하지 마십시오. 장치는 둘 이상의 코드를 가지고 있을 수 있습니다. 장치에서 모든 전원을 차단하려면 콘센트에서 코드가 모두 분리되어 있는지 확인하십시오.





## PELIGRO

La corriente eléctrica procedente de cables de alimentación, teléfonos y cables de comunicación puede ser peligrosa.

Para evitar el riesgo de descarga eléctrica:

- No conecte ni desconecte los cables ni realice ninguna tarea de instalación, mantenimiento o reconfiguración de este producto durante una tormenta eléctrica.
- Conecte todos los cables de alimentación a tomas de corriente debidamente cableadas y conectadas a tierra.
- Cualquier equipo que se conecte a este producto también debe conectarse a tomas de corriente debidamente cableadas.
- Siempre que sea posible, utilice una sola mano para conectar o desconectar los cables de señal.
- No encienda nunca un equipo cuando hay señales de fuego, agua o daños estructurales.
- Desconecte los cables de alimentación, los sistemas de telecomunicaciones, las redes y los módems conectados antes de abrir las cubiertas de los dispositivos, a menos que se indique lo contrario en los procedimientos de instalación y configuración.
- Conecte y desconecte los cables, como se describe en la tabla siguiente, cuando instale, mueva o abra las cubiertas de este producto o de los dispositivos conectados.

Para conectar	Para desconectar
<ol style="list-style-type: none"><li>1. APÁGUELO todo.</li><li>2. En primer lugar, conecte todos los cables a los dispositivos.</li><li>3. Conecte los cables de señal a los conectores.</li><li>4. Enchufe los cables de alimentación a las tomas de corriente.</li><li>5. Encienda el dispositivo.</li></ol>	<ol style="list-style-type: none"><li>1. APÁGUELO todo.</li><li>2. En primer lugar, desenchufe los cables de alimentación de las tomas de corriente.</li><li>3. Desconecte los cables de señal de los conectores.</li><li>4. Desconecte todos los cables de los dispositivos.</li></ol>





#### PRECAUCIÓN:

Cuando sustituya una batería de litio, utilice solamente una batería número de pieza 33F8354 u otra de tipo equivalente recomendada por el fabricante. Si su sistema dispone de un módulo que contiene una batería de litio, reemplácelo sólo con el mismo tipo de módulo, del mismo fabricante. La batería contiene litio y puede explotar si no se utiliza, manipula o desecha correctamente.

*No debe:*

- Arrojarla al agua o sumergirla en ella
- Exponerla a temperaturas superiores a 100°C (212°F)
- Repararla o desmontarla

Deshágase de la batería según especifiquen las leyes o normas locales.



#### PRECAUCIÓN:

Cuando haya productos láser (como unidades de CD-ROM, unidades de DVD, dispositivos de fibra óptica o transmisores) instalados, tenga en cuenta lo siguiente:

- No quite las cubiertas. Si quita las cubiertas del producto láser, podría quedar expuesto a radiación láser peligrosa. Dentro del dispositivo no existe ninguna pieza que requiera servicio técnico.
- Si usa controles o ajustes o realiza procedimientos que no sean los especificados aquí, podría exponerse a radiaciones peligrosas.



#### PELIGRO

Algunos productos láser tienen incorporado un diodo láser de clase 3A o clase 3B. Tenga en cuenta lo siguiente:

Cuando se abre, queda expuesto a radiación láser. No mire directamente al rayo láser, ni siquiera con instrumentos ópticos, y evite exponerse directamente al rayo láser.



≥18 kg



≥32 kg



≥55 kg

**PRECAUCIÓN:**

Adopte procedimientos seguros al levantar el equipo.



**PRECAUCIÓN:**

El botón de control de alimentación del dispositivo y el interruptor de alimentación de la fuente de alimentación no desconectan la corriente eléctrica suministrada al dispositivo. Además, el dispositivo podría tener más de un cable de alimentación. Para suprimir toda la corriente eléctrica del dispositivo, asegúrese de que todos los cables de alimentación estén desconectados de la toma de corriente.



---

## Chapter 3. General information

This chapter provides general information that applies to all machine types supported by this publication.

---

### The ThinkVantage™ Productivity Center program

Use the ThinkVantage Productivity Center program for general information about the use, operation, and maintenance of the computer. The ThinkVantage Productivity Center program also contains information to help solve problems and get repair service or other technical assistance. The ThinkVantage Productivity Center program is preinstalled on most ThinkCentre products.

---

### Additional information resources

If you have Internet access, the most up-to-date information for your computer is available from the World Wide Web.

You can find the following information:

- CRU removal and installation instructions
- Publications
- Troubleshooting information
- Parts information
- Downloads and drivers
- Links to other useful sources of information

To access this information, point your browser to <http://www.lenovo.com/support/>.

---

## Specifications

This section lists the physical specifications for your computer.

**Machine types 8290, 8291, 8292, 8463, 8464, 8465, 8469, 8472, 8708, 8709, 8712, 8713, 8719, 8771, 8772, 8776, 8777, 8817, 9214, 9215, and 9216**

### Dimensions

Width: 180 mm (7.09 in.)

Height: 374 mm (14.72 in.)

Depth: 458 mm (18.03 in.)

### Weight

Minimum configuration as shipped: 9.1kg (20.06 lbs)

Maximum configuration: 10.2 kg (22.5 lbs)

### Environment

Air temperature:

Operating at 0 - 3000 ft (914.4 m): 10° to 35°C (50° to 95°F)

Operating at 3000 - 7000 ft (2134 m): 10° to 32°C (50° to 89.6°F)

Non-operating: 10° to 43°C (50° to 110°F)

Humidity:

Operating: 10% to 80%

Non-operating: 10% to 90%

Transit: 8% to 90%

Maximum altitude: 7000 ft (2134 m)

### Electrical input

Input voltage:

Low range:

Minimum: 100 V ac

Maximum: 127 V ac

Input frequency: 50-60 Hz

Voltage switch setting: 115 V ac

High range:

Minimum: 200 V ac

Maximum: 240V ac

Input frequency: 50-60 Hz

Voltage switch setting: 230 V ac

Input kilovolt-amperes (kVA) (approximate):

Minimum configuration as shipped: 0.158 kVA

Maximum configuration: 0.213 kVA

## Machine types 8293, 8294, 8295, 8466, 8467, 8468, 8473, 8474, 8710, 8711, 8714, 8715, 8773, 8774, 8778, 8789, 8818, 8819, 9217, 9218, and 9219

This section lists the physical specifications for your computer.

### Dimensions

Width: 331 mm (13.0 in.)

Height: 108 mm (4.3 in.)

Depth: 405 mm (15.9 in.)

### Weight

Minimum configuration as shipped: 8.2 kg (18.0 lbs)

Maximum configuration: 8.3 kg (18.2 lbs)

### Environment

Air temperature:

Operating at 0 - 3000 ft (914.4 m): 10° to 35°C (50° to 95°F)

Operating at 3000 ft - 7000 ft (2134 m): 10° to 32°C (50° to 89.6°F)

Non-operating: 10° to 43°C (50° to 110°F)

Humidity:

Operating: 10% to 80%

Non-operating: 10% to 90%

Transit: 8% to 90%

Maximum altitude: 7000 ft (2133.6 m)

### Electrical input

Input voltage:

Low range:

Minimum: 100 V ac

Maximum: 127 V ac

Input frequency: 50/60 Hz

Voltage switch setting: 115 V ac

High range:

Minimum: 200 V ac

Maximum: 240V ac

Input frequency: 50/60 Hz

Voltage switch setting: 230 V ac

Input kilovolt-amperes (kVA) (approximate):

Minimum configuration as shipped: 0.09 kVA

Maximum configuration: 0.23 kVA



---

## Chapter 4. General Checkout

### Attention

The drives in the computer you are servicing might have been rearranged or the drive startup sequence changed. Be extremely careful during write operations such as copying, saving, or formatting. Data or programs can be overwritten if you select an incorrect drive.

General error messages appear if a problem or conflict is found by an application program, the operating system, or both. For an explanation of these messages, refer to the information supplied with that software package.

Before replacing any FRUs, ensure that the latest level of BIOS is installed on the system. A down-level BIOS might cause false errors and unnecessary replacement of the system board. For more information on how to determine and obtain the latest level BIOS, see “BIOS levels” on page 337.

Use the following procedure to help determine the cause of the problem:

1. Power-off the computer and all external devices.
2. Check all cables and power cords.
3. Set all display controls to the middle position.
4. Power-on all external devices.
5. Power-on the computer.
  - Look for displayed error codes
  - Listen for beep codes
  - Look for readable instructions or a main menu on the display.If you **did not** receive the correct response, proceed to step 6.  
If you **do** receive the correct response, proceed to step 7.
6. Look at the following conditions and follow the instructions:
  - If you hear beep codes during POST, go to “Beep symptoms” on page 76.
  - If the computer displays a POST error, go to “POST error codes” on page 77.
  - If the computer hangs and no error is displayed, continue at step 7.
7. Run the Diagnostic programs. See Chapter 5, “Diagnostics using PC-Doctor for DOS,” on page 43.
  - If you receive an error, replace the part that the diagnostic program calls out or go to “Diagnostic error codes” on page 55.
  - If the test stops and you cannot continue, replace the last device tested.

---

### Problem determination tips

Due to the variety of hardware and software combinations that can be encountered, use the following information to assist you in problem determination. If possible, have this information available when requesting assistance from Service Support and Engineering functions.

- Machine type and model
- Processor or hard disk upgrades
- Failure symptom
  - Do diagnostics indicate a failure?

- What, when, where, single, or multiple systems?
- Is the failure repeatable?
- Has this configuration ever worked?
- If it has been working, what changes were made prior to it failing?
- Is this the original reported failure?
- Diagnostics version
  - Type and version level
- Hardware configuration
  - Print (print screen) configuration currently in use
  - BIOS level
- Operating system software
  - Type and version level

**Note:** To eliminate confusion, identical systems are considered identical only if they:

1. Are the exact machine type and models
2. Have the same BIOS level
3. Have the same adapters/attachments in the same locations
4. Have the same address jumpers/terminators/cabling
5. Have the same software versions and levels
6. Have the same Diagnostic Diskettes (version)
7. Have the same configuration options set in the system
8. Have the same setup for the operating system control files

Comparing the configuration and software set-up between “working and non-working” systems will often lead to problem resolution.



---

## Chapter 5. Diagnostics using PC-Doctor for DOS

Diagnostics are provided by the PC-Doctor program for DOS. These include a full range of diagnostic utilities to determine the operating condition of the computer's hardware components.

You can run diagnostics using a bootable diagnostic diskette or CD-ROM. You can also run diagnostics and create diagnostic diskettes from the Rescue and Recovery program.

**Note:** The diagnostics that can be run from the desktop are PC-Doctor for Windows. These diagnostics are not documented here.

The latest version of the diagnostics program is available from <http://www.lenovo.com/support> on the World Wide Web. Type your machine type into the **Use Quick path** field and click **Go** to find the downloadable files that are specific to the computer. See "Diagnostics program download."

Diagnostic error messages appear when a test program finds a problem with a hardware option. For the test programs to properly determine if a test *Passed*, *Failed* or *Aborted*, the test programs check the error-return code at test completion. See "Diagnostic error codes" on page 55.

If an installed device is not recognized by the diagnostics program, that device might be defective.

---

### Starting PC-Doctor from a diagnostic diskette or CD-ROM

**Note:** If your computer has no internal diskette drive, an external USB diskette drive is required when using the diagnostic diskette.

1. If your computer is already on when you start this procedure, shut down the operating system and turn off the computer.
2. Insert the diskette or CD-ROM in the appropriate drive.
3. Turn on the computer.

**Note:** If the PC-Doctor program fails to start, make sure that the startup device sequence is configured to allow startup from the diskette or CD-ROM drive. See "Selecting a startup device" on page 51.

---

### Diagnostics program download

If you have access to the internet, you can download a diskette image or a startable CD-ROM image (.iso file) of the diagnostics.

To download the latest diagnostics program from the WWW, do the following:

- Go to <http://www.lenovo.com/support>.
- Type the machine type in the "Use Quick Path" field and click **Go**.
- Click **Downloads and drivers** and scroll down to locate the Enhanced diagnostics.

---

## Navigating through the diagnostics programs

Use the cursor movement keys to navigate within the menus.

- The **Enter** key is used to select a menu item.
- The **Esc** key is used to back up to the previous menu.
- For online help select **F1**.

---

## Running diagnostics tests

There are four ways to run the diagnostic tests.

- Using the cursor movement keys, highlight **Run Normal Test** or **Run Quick Test** from the Diagnostics menu and then press **Enter**.

This automatically runs a pre-defined group of tests from each test category.

**Run Normal Test** runs a more extensive set of tests than does **Run Quick Test** and takes longer to complete.

- Press **F5** to automatically run all selected tests in all categories. See "Test selection."
- From within a test category, press **Ctrl-Enter** to automatically run only the selected tests in that category. See "Test selection."
- Using the cursor movement keys, highlight a single test within a test category, and then press **Enter**. This runs only that test.

Press **Esc** at any time to stop the testing process.

Test results (N/A, PASSED, FAILED, ABORTED) are displayed in the field beside the test description and in the test log. See "Viewing the test log" on page 48.

## Test selection

To select one or more tests, use the following procedure.

1. Open the corresponding test category.
2. Using the cursor movement keys, highlight the desired test.
3. Press the space bar.

A selected test is marked by >>. Pressing the space bar again de-selects a test and removes the >>.

4. Repeat steps 2 and 3 above to select all desired tests.

## Test results

Diagnostics test results produce the following error code format:

Function Code	Failure Type	DeviceID	Date	ChkDigits	Text
---------------	--------------	----------	------	-----------	------

- **Function Code:**

Represents the feature or function within the PC.

- **Failure Type:**

Represents the type of error encountered.

- **DeviceID:**

Contains the component's unit-ID which corresponds to either a fixed disk drive, removable media drive, serial or parallel port, processor, specific RIMM, or a device on the PCI bus.

- **Date:**  
Contains the date when the diagnostic test was run. The date is retrieved from CMOS and displayed using the YYYYMMDD format.
- **ChkDigits:**  
Contains a 2-digit check-digit value to ensure the following:
  - Diagnostics were run on the specified date.
  - Diagnostics were run on the specified computer.
  - The diagnostic error code is recorded correctly.
- **Text:**  
Description of the error.

**Note:** See “Diagnostic error codes” on page 55 for error code listings.

## Fixed disk advanced test (FDAT)

PC-Doctor Fixed-Disk<sup>1</sup> Advanced Test module (FDAT) is a full-featured highly configurable fixed-disk test suite. The configurable capabilities of FDAT allow users to enable or disable specific tests, enable or disable testing features, control the test log detail, alter testing parameters, and so on. FDAT tests for and reports most commonly found errors on a fixed-disk drive and is able to test up to 128 SCSI and 4 IDE drives (up to 132 total drives).

Drive information is gathered through FDAT’s enumeration of available devices and user specific configuration parameters located in the FDAT.INI. FDAT uses information supplied by these features to indicate specifically what devices are available for test, what tests are available for the device, device properties, and so on. To change testing parameters, you modify the FDAT.INI file in PC Doctor for DOS.

FDAT consists of the following subtests and features.

### Fixed-Disk Tests:

- *Seek Tests:* - checks the physical operation of the drive head.
  - Linear Seek
  - Random Seek
  - Min-Max Seek
  - Butterfly Seek
- *Verify Tests:* - checks the integrity of the data present on the media.
  - Linear Verify
  - Random Verify
- *Surface Scan Tests:* - checks the drive media for defects.
  - Surface Scan (Linear)
  - Surface Scan (Aggressive) - this is disabled for normal customer use.
  - Surface Scan (Random)
- Self-monitoring, Analysis and Reporting Technology (SMART) - checks the SMART functionality for drives that support SMART.
  - Start SMART Self-Test

---

1. The terms fixed disk and hard disk are used interchangeably.

**Other Test Features:**

- *Write-Splice Repair* - detects and corrects Error Correction Code errors during Verify tests.
- *Auto Spin Down* - a gradual spin down of the drive platters to avoid damaging the media.
- *Manufacturer Log* - an in-depth manufacturer supported log of errors on the drive.

**Multitasking:**

To allow simultaneous testing of multiple hard drives whenever possible, the FDAT module is written as a set of multitasking functions. Each drive under test can run the same test or run a different test at the same time. Each subtest is written to handle a single test pass and all test variables are kept track of in a structure unique for each drive.

However, when testing IDE drives, FDAT will not perform simultaneous testing of IDE drives that are attached to the same IDE cable. For example, if FDAT is testing four IDE drives on a PC, it will perform simultaneous testing on drives 1 and 3 first (master drives), then perform tests on 2 and 4 (slave drives). FDAT will also perform simultaneous testing on a master and slave that are on separate IDE cables, but will not perform simultaneous tests on a master and slave on the same IDE cable. This generally increases the amount of time needed to test multiple IDE drives.

Another limitation of FDAT'S multitasking capability is the use of Ultra DMA (UDMA). Only one drive at a time can access the UDMA channel and the UDMA channel buffer must be kept high in order to maintain a speed advantage over other data transfer modes. In order to use the UDMA channel during testing, users must disable the multitasking feature.

**Destructive versus non-destructive testing:**

Most of the tests found in FDAT are non-destructive. This means that PC-Doctor program will preserve any data that is present on the tested media prior to beginning any destructive operations (such as write operations). However, users can run certain tests in destructive mode (i.e. surface scan tests). Destructive tests will speed up testing because FDAT does not preserve the data on the media prior to the test beginning. Unlike non-destructive tests, any data present on the media prior to the test beginning is lost.

FDAT allows for enabling or disabling destructive tests, as well as specifying a range of destructive and non-destructive sectors on the tested drive. This is done through the configuration of the FDAT.INI. If destructive and non-destructive ranges somehow overlap, then the overlapped area is considered non-destructive. For example, if users specify both destructive and non-destructive ranges as the same, then the entire drive is tested as non-destructive.

## Quick and Full erase - hard drive

The diagnostics program offers two hard drive format utilities:

- Quick Erase Hard Drive
- Full Erase Hard Drive

The Quick Erase Hard Drive provides a DOS utility that performs the following:

- Destroys the Master Boot Record (MBR) on the hard drive.
- Destroys all copies of the FAT Table on all partitions (both the master and backup).
- Destroys the partition table.
- Provides messages that warn the user that this is a non-recoverable process.

The Full Erase Hard Drive provides a DOS utility that performs the following:

- Performs all the steps in Quick Erase.
- Provides a DOS utility that writes random data to all sectors of the hard drive.
- Provides an estimate of time to completion along with a visual representation of completion status.
- Provides messages that warn the user about non-recoverable process.

<p><b>Important:</b> Make sure that all data is backed up before using the Quick or Full Erase functions.</p>
---

To select the Quick Erase or Full Erase Hard Drive utility, use the following procedure:

1. Select the UTILITY option on the toolbar and press **Enter**.
2. Select either the QUICK ERASE or FULL ERASE HARD DISK option and follow the instructions.

---

## Viewing the test log

Errors reported by the diagnostic test will be displayed by the program as a failed test.

To view details of a failure or to view a list of test results, use the following procedure from any test category screen:

1. Press **F3** to activate the log file.
2. Press **F3** again to save the file to diskette or press **F2** to print the file.

---

## Chapter 6. Using the Setup Utility

The Setup Utility program is stored in the electrically erasable programmable read-only memory (EEPROM) of your computer. The Setup Utility program is used to view and change the configuration settings of your computer, regardless of which operating system you are using. However, the operating-system settings might override any similar settings in the Setup Utility program.

---

### Starting the Setup Utility program

To start the Setup Utility program, do the following:

1. If your computer is already on when you start this procedure, shut down the operating system and turn off the computer.
2. Press and hold the F1 key then turn on the computer. When you hear multiple beeps, release the F1 key.

**Notes:**

- a. If you are using a USB keyboard and the Setup Utility program does not display using this method, repeatedly press and release the F1 key rather than leaving it pressed when turning on the computer.
- b. If a user password or an administrator password has been set, the Setup Utility program menu is not displayed until you type your password. See “Using passwords” for more information.

The Setup Utility might start automatically when POST detects that hardware has been removed or new hardware has been installed in your computer.

---

### Viewing and changing settings

The Setup Utility program menu lists items that identify system configuration topics.

When working with the Setup Utility program menu, you must use the keyboard. The keys used to perform various tasks are displayed at the bottom of each screen.

---

### Using passwords

You can use passwords to provide security for your computer and data. There are two kinds of passwords: a user password and an administrator password. You do not have to set a password of either type to use your computer. However, if you decide to set either one, read the following sections.

#### User Password

The user password feature deters unauthorized persons from gaining access to your computer.

#### Setting, changing, and deleting a user password

To set, change, or delete a user password, do the following:

**Note:** A password can be any combination of up to eight characters (A- Z, a-z, and 0-9).

1. Start the Setup Utility program (see “Starting the Setup Utility program” on page 49).
2. From the Setup Utility program menu, select **Set User Password** and press Enter.
3. The password dialog box will be displayed. Type the new password, and press Enter.
4. When prompted to confirm the password, type the password again. If you type the password in correctly, the password will be installed.

To delete a previously set user password, do the following:

**Note:** When prompted for a password, you can type either your user or administrator password.

1. From the Setup Utility program menu, select **Set User Password** and press Enter. A message will display that indicates the password has been disabled.
2. Press any key to continue.

## Administrator Password

Setting an Administrator Password deters unauthorized persons from changing configuration settings. If you are responsible for maintaining the settings of several computers, you might want to set an Administrator Password.

After you set an Administrator Password, a password prompt is displayed each time you try to access the Setup Utility program. If you type the wrong password, you will see an error message. If you type the wrong password three times, you must turn the computer off and start again.

If both the user and administrator passwords are set, you can type either password. However, to change any configuration settings, you must use your administrator password.

### Setting, changing, and deleting an administrator password

To set, change, or delete an administrator password, do the following:

**Note:** A password can be any combination of up to eight characters (A- Z, a-z, and 0-9).

1. Start the Setup Utility program (see “Starting the Setup Utility program” on page 49).
2. From the Setup Utility program menu, select **Set Administrator Password** and press Enter.
3. The password dialog box will be displayed. Type the new password, and press Enter.
4. When prompted to confirm the password, type the password again. If you type the password correctly, the password will be installed.

To delete a previously set administrator password, do the following:

**Note:** When prompted for a password, you must type your administrator password.

1. From the Setup Utility program menu, select **Set Administrator Password** and press Enter. A message will display that indicates the password has been disabled.
2. Press any key to continue.



---

## Selecting a startup device

If your computer does not start up (boot) from a device such as the CD-ROM, diskette, or hard disk as expected, use one of the following procedures to select a startup device.

### Selecting a temporary startup device

Use this procedure to startup from any boot device.

**Note:** Not all CDs, hard disks, and diskettes are startable (bootable).

1. Turn off your computer.
2. Press and hold the F12 key then turn on the computer. When the Startup Device Menu (Boot Menu) appears, release the F12 key.

**Note:** If you are using a USB keyboard and the Startup Device Menu does not display using this method, repeatedly press and release the F12 key rather than leaving it pressed when turning on the computer.

3. Select the desired startup device from the Startup Device Menu and press Enter to begin.

**Note:** Selecting a startup device from the Startup Device (Boot) menu does not permanently change the startup sequence.

### Changing the startup device sequence

To view or change the primary or automatic power-on startup sequence, do the following:

1. Start the Setup Utility program (see “Starting the Setup Utility program” on page 49).
2. Select **Advanced BIOS features**.
3. Select the sequence of devices for the First Boot Device, the Second Boot Device, and the Third Boot Device.
4. Press Esc to return to the Setup Utility program menu.
5. Select **Save & Exit Setup**.

If you have changed these settings and want to return to the default settings, press (N) when the Save and Exit dialog box is displayed.

---

## Exiting from the Setup Utility program

When you finish viewing or changing settings, press Esc to return to the Setup Utility program menu (you might have to press Esc several times). If you want to save the new settings, select **Save & Exit Setup** before you exit. Otherwise, your changes will not be saved.



---

## Chapter 7. Symptom-to-FRU Index

The Symptom-to-FRU index lists error symptoms and possible causes. The most likely cause is listed first. Always begin with Chapter 4, "General Checkout," on page 41. This index can also be used to help you decide which FRUs to have available when servicing a computer. If you are unable to correct the problem using this index, go to "Undetermined problems" on page 80.

**Notes:**

- If you have both an error message and an incorrect audio response, diagnose the error message first.
- If you cannot run the diagnostic tests or you get a diagnostic error code when running a test, but did receive a POST error message, diagnose the POST error message first.
- If you did not receive any error message, look for a description of your error symptoms in the first part of this index.
- For types 9214, 9215, and 9216 only: make sure that the hard disk drive is jumpered as a master and the optical drive is jumpered as a slave.

---

### Hard disk drive boot error

A hard disk drive boot error (error codes 1962 and I999030X) can have the following causes.

Error	FRU/Action
The start-up drive is not in the boot sequence in configuration.	Check the configuration and ensure the start-up drive is in the boot sequence.
No operating system installed on the boot drive.	Install an operating system on the boot drive.
The boot sector on the start-up drive is corrupted.	The drive must be formatted, do the following: <ol style="list-style-type: none"><li>1. Attempt to back-up the data on the failing hard disk drive.</li><li>2. Using the operating systems programs, format the hard disk drive.</li></ol>
The drive is defective.	Replace the hard disk drive.

---

### Power Supply Problems

If you suspect a power problem, use the following procedures.

Check/Verify	FRU/Action
Check the following for proper installation. <ul style="list-style-type: none"><li>• Power Cord</li><li>• On/Off Switch connector</li><li>• On/Off Switch Power Supply connector</li><li>• System Board Power Supply connectors</li><li>• Microprocessor(s) connection</li></ul>	Reseat connectors
Check the power cord for continuity.	Power Cord

<b>Check/Verify</b>	<b>FRU/Action</b>
Check the power-on switch for continuity.	Power-on Switch

## Diagnostic error codes

Refer to the following diagnostic error codes when using the diagnostic tests. See “Running diagnostics tests” on page 44 for the specific type for information about the Diagnostic programs.

In the following index, X can represent any number.

Diagnostic Error Code	FRU/Action
<b>000-000-XXX</b> BIOS Test Passed	<b>No action</b>
<b>000-002-XXX</b> BIOS Timeout	<ol style="list-style-type: none"> <li>1. <b>Flash the system. See “Flash update procedures” on page 337</b></li> <li>2. System board</li> </ol>
<b>000-024-XXX</b> BIOS Addressing test failure	<ol style="list-style-type: none"> <li>1. <b>Flash the system. See “Flash update procedures” on page 337</b></li> <li>2. System board</li> </ol>
<b>000-025-XXX</b> BIOS Checksum Value error	<ol style="list-style-type: none"> <li>1. <b>Flash the system. See “Flash update procedures” on page 337</b></li> <li>2. System board</li> </ol>
<b>000-026-XXX</b> FLASH data error	<ol style="list-style-type: none"> <li>1. <b>Flash the system. See “Flash update procedures” on page 337</b></li> <li>2. System board</li> </ol>
<b>000-027-XXX</b> BIOS Configuration/Setup error	<ol style="list-style-type: none"> <li>1. <b>Run Setup</b></li> <li>2. Flash the system. See “Flash update procedures” on page 337</li> <li>3. System board</li> </ol>
<b>000-034-XXX</b> BIOS Buffer Allocation failure	<ol style="list-style-type: none"> <li>1. <b>Reboot the system</b></li> <li>2. Flash the system. See “Flash update procedures” on page 337</li> <li>3. Run memory test</li> <li>4. System board</li> </ol>
<b>000-035-XXX</b> BIOS Reset Condition detected	<ol style="list-style-type: none"> <li>1. <b>Flash the system. See “Flash update procedures” on page 337</b></li> <li>2. System board</li> </ol>
<b>000-036-XXX</b> BIOS Register error	<ol style="list-style-type: none"> <li>1. <b>Flash the system. See “Flash update procedures” on page 337</b></li> <li>2. System board</li> </ol>
<b>000-038-XXX</b> BIOS Extension failure	<ol style="list-style-type: none"> <li>1. <b>Flash the system. See “Flash update procedures” on page 337</b></li> <li>2. Adapter card</li> <li>3. System board</li> </ol>
<b>000-039-XXX</b> BIOS DMI data error	<ol style="list-style-type: none"> <li>1. <b>Flash the system. See “Flash update procedures” on page 337</b></li> <li>2. System board</li> </ol>
<b>000-195-XXX</b> BIOS Test aborted by user	<b>Information only</b> Re-start the test, if necessary

Diagnostic Error Code	FRU/Action
<b>000-196-XXX</b> BIOS test halt, error threshold exceeded	<ol style="list-style-type: none"> <li>1. Press F3 to review the log file</li> <li>2. Re-start the test to reset the log file</li> </ol>
<b>000-197-XXX</b> BIOS test warning	<ol style="list-style-type: none"> <li>1. Make sure the component that is called out is connected and/or enabled. See Chapter 6, "Using the Setup Utility," on page 49</li> <li>2. Re-run test</li> <li>3. Replace the component that is called out in warning statement</li> <li>4. Replace the component under test</li> </ol>
<b>000-198-XXX</b> BIOS test aborted	<ol style="list-style-type: none"> <li>1. Make sure the component that is called out is connected and/or enabled. See Chapter 6, "Using the Setup Utility," on page 49</li> <li>2. Flash the system and retest. See "Flash update procedures" on page 337</li> <li>3. Go to "Undetermined problems" on page 80</li> </ol>
<b>000-199-XXX</b> BIOS test failed, cause unknown	<ol style="list-style-type: none"> <li>1. Go to "Undetermined problems" on page 80</li> <li>2. Flash the system and re-test</li> <li>3. Replace component under function test</li> </ol>
<b>000-250-XXX</b> BIOS APM failure	<ol style="list-style-type: none"> <li>1. Flash the system. See "Flash update procedures" on page 337</li> <li>2. System board</li> </ol>
<b>000-270-XXX</b> BIOS ACPI failure	<ol style="list-style-type: none"> <li>1. Flash the system. See "Flash update procedures" on page 337</li> <li>2. System board</li> </ol>
<b>001-000-XXX</b> System Test Passed	No action
<b>001-00X-XXX</b> System Error	System board
<b>001-01X-XXX</b> System Error	System board
<b>001-024-XXX</b> System Addressing test failure	System board
<b>001-025-XXX</b> System Checksum Value error	<ol style="list-style-type: none"> <li>1. Flash the system. See "Flash update procedures" on page 337</li> <li>2. System board</li> </ol>
<b>001-026-XXX</b> System FLASH data error	<ol style="list-style-type: none"> <li>1. Flash the system. See "Flash update procedures" on page 337</li> <li>2. System board</li> </ol>
<b>001-027-XXX</b> System Configuration/Setup error	<ol style="list-style-type: none"> <li>1. Run Setup</li> <li>2. Flash the system. See "Flash update procedures" on page 337</li> <li>3. System board</li> </ol>

Diagnostic Error Code	FRU/Action
<b>001-032-XXX</b> System Device Controller failure	<b>System board</b>
<b>001-034-XXX</b> System Device Buffer Allocation failure	<ol style="list-style-type: none"> <li>1. <b>Reboot the system</b></li> <li>2. Flash the system. See “Flash update procedures” on page 337</li> <li>3. Run memory test</li> <li>4. System board</li> </ol>
<b>001-035-XXX</b> System Device Reset condition detected	<b>System board</b>
<b>001-036-XXX</b> System Register error	<b>System board</b>
<b>001-038-XXX</b> System Extension failure	<ol style="list-style-type: none"> <li>1. <b>Adapter card</b></li> <li>2. System board</li> </ol>
<b>001-039-XXX</b> System DMI data structure error	<ol style="list-style-type: none"> <li>1. <b>Flash the system. See “Flash update procedures” on page 337</b></li> <li>2. System board</li> </ol>
<b>001-040-XXX</b> System IRQ failure	<ol style="list-style-type: none"> <li>1. <b>Power-off/on system and re-test</b></li> <li>2. System board</li> </ol>
<b>001-041-XXX</b> System DMA failure	<ol style="list-style-type: none"> <li>1. <b>Power-off/on system and re-test</b></li> <li>2. System board</li> </ol>
<b>001-195-XXX</b> System Test aborted by user	<b>Information only</b> Re-start the test, if necessary
<b>001-196-XXX</b> System test halt, error threshold exceeded	<ol style="list-style-type: none"> <li>1. <b>Press F3 to review the log file</b></li> <li>2. Re-start the test to reset the log file</li> </ol>
<b>001-197-XXX</b> System test warning	<ol style="list-style-type: none"> <li>1. <b>Make sure the component that is called out is connected and/or enabled. See Chapter 6, “Using the Setup Utility,” on page 49</b></li> <li>2. Re-run test</li> <li>3. Replace the component that is called out in warning statement</li> <li>4. Replace the component under test</li> </ol>
<b>001-198-XXX</b> System test aborted	<ol style="list-style-type: none"> <li>1. <b>If a component is called out, make sure it is connected and/or enabled. See Chapter 6, “Using the Setup Utility,” on page 49</b></li> <li>2. Flash the system and retest. See “Flash update procedures” on page 337</li> <li>3. Go to “Undetermined problems” on page 80</li> </ol>
<b>001-199-XXX</b> System test failed, cause unknown	<ol style="list-style-type: none"> <li>1. Go to “Undetermined problems” on page 80</li> <li>2. Flash the system and re-test</li> <li>3. Replace component under function test</li> </ol>
<b>001-250-XXX</b> System ECC error	<b>System board</b>

<b>Diagnostic Error Code</b>	<b>FRU/Action</b>
001-254-XXX 001-255-XXX 001-256-XXX 001-257-XXX System DMA error	<b>System board</b>
001-260-XXX 001-264-XXX System IRQ error	<b>System board</b>
001-268-XXX System IRQ1 failure	1. <b>Device on IRQ1</b> 2. System board
001-269-XXX System IRQ2 failure	1. <b>Device on IRQ2</b> 2. System board
001-270-XXX System IRQ3 failure	1. <b>Device on IRQ3</b> 2. System board
001-271-XXX System IRQ4 failure	1. <b>Device on IRQ4</b> 2. System board
001-272-XXX System IRQ5 failure	1. <b>Device on IRQ5</b> 2. System board
001-273-XXX System IRQ6 (diskette drive) failure	1. <b>Diskette Cable</b> 2. Diskette drive 3. System board
001-274-XXX System IRQ7 failure	1. <b>Device on IRQ7</b> 2. System board
001-275-XXX System IRQ8 failure	1. <b>Device on IRQ8</b> 2. System board
001-276-XXX System IRQ9 failure	1. <b>Device on IRQ9</b> 2. System board
001-277-XXX System IRQ10 failure	1. <b>Device on IRQ10</b> 2. System board
001-278-XXX System IRQ11 failure	1. <b>Device on IRQ11</b> 2. System board
001-279-XXX System IRQ12 failure	1. <b>Device on IRQ12</b> 2. System board
001-280-XXX System IRQ13 failure	1. <b>Device on IRQ13</b> 2. System board
001-281-XXX System IRQ14 (hard disk drive) failure	1. <b>Hard disk drive cable</b> 2. Hard disk drive 3. System board
001-282-XXX System IRQ15 failure	1. <b>Device on IRQ15</b> 2. System board



<b>Diagnostic Error Code</b>	<b>FRU/Action</b>
001-286-XXX 001-287-XXX 001-288-XXX System Timer failure	<b>System board</b>
001-292-XXX System CMOS RAM error	1. <b>Run Setup and re-test</b> 2. System board
001-293-XXX System CMOS Battery	1. <b>CMOS Battery</b> 2. System board
001-298-XXX System RTC date/time update failure	1. <b>Flash the system. See “Flash update procedures” on page 337</b> 2. System board
001-299-XXX System RTC periodic interrupt failure	<b>System board</b>
001-300-XXX System RTC Alarm failure	<b>System board</b>
001-301-XXX System RTC Century byte error	1. <b>Flash the system. See “Flash update procedures” on page 337</b> 2. System board
005-000-XXX Video Test Passed	<b>No action</b>
005-00X-XXX Video error	1. <b>Video card, if installed</b> 2. System board
005-010-XXX 005-011-XXX 005-012-XXX 005-013-XXX Video Signal failure	1. <b>Video card, if installed</b> 2. System board
005-016-XXX Video Simple Pattern test failure	1. <b>Video Ram</b> 2. Video card, if installed 3. System board
005-024-XXX Video Addressing test failure	1. <b>Video card, if installed</b> 2. System board
005-025-XXX Video Checksum Value error	1. <b>Video card, if installed</b> 2. System board
005-027-XXX Video Configuration/Setup error	1. <b>Run Setup</b> 2. Video drivers update 3. Video card, if installed 4. System board
005-031-XXX Video Device Cable failure	1. <b>Video cable</b> 2. Monitor 3. Video card, if installed 4. System board
005-032-XXX Video Device Controller failure	1. <b>Video card, if installed</b> 2. System board

Diagnostic Error Code	FRU/Action
<b>005-036-XXX</b> Video Register error	<ol style="list-style-type: none"> <li>1. <b>Video card, if installed</b></li> <li>2. System board</li> </ol>
<b>005-038-XXX</b> System BIOS extension failure	<ol style="list-style-type: none"> <li>1. <b>Video card, if installed</b></li> <li>2. System board</li> </ol>
<b>005-040-XXX</b> Video IRQ failure	<ol style="list-style-type: none"> <li>1. <b>Video card, if installed</b></li> <li>2. System board</li> </ol>
<b>005-195-XXX</b> Video Test aborted by user	<b>Information only</b> Re-start the test, if necessary
<b>005-196-XXX</b> Video test halt, error threshold exceeded	<ol style="list-style-type: none"> <li>1. <b>Press F3 to review the log file</b></li> <li>2. Re-start the test to reset the log file</li> </ol>
<b>005-197-XXX</b> Video test warning	<ol style="list-style-type: none"> <li>1. <b>Make sure the component that is called out is connected and/or enabled. See Chapter 6, "Using the Setup Utility," on page 49</b></li> <li>2. Re-run test</li> <li>3. Replace the component called out in warning statement</li> <li>4. Replace the component under test</li> </ol>
<b>005-198-XXX</b> Video test aborted	<ol style="list-style-type: none"> <li>1. <b>If a component is called out, make sure it is connected and/or enabled. See Chapter 6, "Using the Setup Utility," on page 49</b></li> <li>2. Flash the system and re-test. See "Flash update procedures" on page 337</li> <li>3. Go to "Undetermined problems" on page 80</li> </ol>
<b>005-199-XXX</b> Video test failed, cause unknown	<ol style="list-style-type: none"> <li>1. Go to "Undetermined problems" on page 80</li> <li>2. Flash the system and re-test. See "Flash update procedures" on page 337</li> <li>3. Replace component under function test</li> </ol>
<b>005-2XX-XXX</b> <b>005-3XX-XXX</b> Video subsystem error	<ol style="list-style-type: none"> <li>1. <b>Video card, if installed</b></li> <li>2. System board</li> </ol>
<b>006-000-XXX</b> Diskette interface Test Passed	<b>No action</b>
<b>006-0XX-XXX</b> Diskette interface error	<ol style="list-style-type: none"> <li>1. <b>Diskette drive Cable</b></li> <li>2. Diskette drive</li> <li>3. System board</li> </ol>
<b>006-195-XXX</b> Diskette interface Test aborted by user	<b>Information only</b> Re-start the test, if necessary
<b>006-196-XXX</b> Diskette interface test halt, error threshold exceeded	<ol style="list-style-type: none"> <li>1. <b>Press F3 to review the log file</b></li> <li>2. Re-start the test to reset the log file</li> </ol>

Diagnostic Error Code	FRU/Action
006-197-XXX Diskette interface test warning	<ol style="list-style-type: none"> <li>1. <b>If a component is called out, make sure it is connected and/or enabled</b></li> <li>2. Re-run test</li> <li>3. Replace the component that is called out in warning statement</li> <li>4. Replace the component under test</li> </ol>
006-198-XXX Diskette interface test aborted	<ol style="list-style-type: none"> <li>1. <b>If a component is called out, make sure it is connected and/or enabled</b></li> <li>2. Flash the system and re-test. See "Flash update procedures" on page 337</li> <li>3. Go to "Undetermined problems" on page 80</li> </ol>
006-199-XXX Diskette interface test failed, cause unknown	<ol style="list-style-type: none"> <li>1. Go to "Undetermined problems" on page 80</li> <li>2. Flash the system and re-test</li> <li>3. Replace component under function test</li> </ol>
006-25X-XXX Diskette interface Error	<ol style="list-style-type: none"> <li>1. <b>Diskette drive cable</b></li> <li>2. Diskette drive</li> <li>3. System board</li> </ol>
011-000-XXX Serial port Interface Test Passed	<b>No action</b>
011-001-XXX Serial port Presence	<ol style="list-style-type: none"> <li>1. <b>Remove external serial device, if present</b></li> <li>2. Run setup, enable port</li> <li>3. System board</li> </ol>
011-002-XXX 011-003-XXX Serial port Timeout/Parity error	<b>System board</b>
011-013-XXX 011-014-XXX Serial port Control Signal/Loopback test failure	<b>System board</b>
011-015-XXX Serial port External Loopback failure	<ol style="list-style-type: none"> <li>1. <b>Wrap plug</b></li> <li>2. System board</li> </ol>
011-027-XXX Serial port Configuration/Setup error	<ol style="list-style-type: none"> <li>1. <b>Run Setup, enable port</b></li> <li>2. Flash the system. See "Flash update procedures" on page 337</li> <li>3. System board</li> </ol>
011-03X-XXX 011-04X-XXX Serial port failure	<b>System board</b>
011-195-XXX Serial port Test aborted by user	<b>Information only</b> Re-start the test, if necessary
011-196-XXX Serial port test halt, error threshold exceeded	<ol style="list-style-type: none"> <li>1. <b>Press F3 to review the log file</b></li> <li>2. Re-start the test to reset the log file</li> </ol>

Diagnostic Error Code	FRU/Action
011-197-XXX Serial port test warning	<ol style="list-style-type: none"> <li>1. <b>Make sure the component that is called out is connected and/or enabled. See Chapter 6, "Using the Setup Utility," on page 49</b></li> <li>2. Re-run test</li> <li>3. Replace the component that is called out in warning statement</li> <li>4. Replace the component under test</li> </ol>
011-198-XXX Serial port test aborted	<ol style="list-style-type: none"> <li>1. <b>If a component is called out, make sure it is connected and/or enabled. See Chapter 6, "Using the Setup Utility," on page 49</b></li> <li>2. Flash the system and re-test. See "Flash update procedures" on page 337</li> <li>3. Go to "Undetermined problems" on page 80</li> </ol>
011-199-XXX Serial port test failed, cause unknown	<ol style="list-style-type: none"> <li>1. Go to "Undetermined problems" on page 80</li> <li>2. Flash the system and re-test. See "Flash update procedures" on page 337</li> <li>3. Replace component under function test</li> </ol>
011-2XX-XXX Serial port signal failure	<ol style="list-style-type: none"> <li>1. <b>External serial device</b></li> <li>2. System board</li> </ol>
014-000-XXX Parallel port Interface Test Passed	<b>No action</b>
014-001-XXX Parallel port Presence	<ol style="list-style-type: none"> <li>1. <b>Remove external parallel device, if present</b></li> <li>2. Run setup, enable port</li> <li>3. System board</li> </ol>
014-002-XXX 014-003-XXX Parallel port Timeout/Parity error	<b>System board</b>
014-013-XXX 014-014-XXX Parallel port Control Signal/Loopback test failure	<b>System board</b>
014-015-XXX Parallel port External Loopback failure	<ol style="list-style-type: none"> <li>1. <b>Wrap plug</b></li> <li>2. System board</li> </ol>
014-027-XXX Parallel port Configuration/Setup error	<ol style="list-style-type: none"> <li>1. <b>Run Setup, enable port</b></li> <li>2. Flash the system. See "Flash update procedures" on page 337</li> <li>3. System board</li> </ol>
014-03X-XXX 014-04X-XXX Parallel port failure	<b>System board</b>
014-195-XXX Parallel port Test aborted by user	<b>Information only</b> Re-start the test, if necessary

Diagnostic Error Code	FRU/Action
<b>014-196-XXX</b> Parallel port test halt, error threshold exceeded	<ol style="list-style-type: none"> <li>1. Press F3 to review the log file</li> <li>2. Re-start the test to reset the log file</li> </ol>
<b>014-197-XXX</b> Parallel port test warning	<ol style="list-style-type: none"> <li>1. Make sure the component that is called out is connected and/or enabled. See Chapter 6, "Using the Setup Utility," on page 49</li> <li>2. Re-run test</li> <li>3. Replace the component that is called out in warning statement</li> <li>4. Replace the component under test</li> </ol>
<b>014-198-XXX</b> Parallel port test aborted	<ol style="list-style-type: none"> <li>1. If a component is called out, make sure it is connected and/or enabled</li> <li>2. Flash the system and re-test. See "Flash update procedures" on page 337</li> <li>3. Go to "Undetermined problems" on page 80</li> </ol>
<b>014-199-XXX</b> Parallel port test failed, cause unknown	<ol style="list-style-type: none"> <li>1. Go to "Undetermined problems" on page 80</li> <li>2. Flash the system and re-test. See "Flash update procedures" on page 337</li> <li>3. Replace component under function test</li> </ol>
<b>014-2XX-XXX</b> <b>014-3XX-XXX</b> Parallel port failure	<ol style="list-style-type: none"> <li>1. External parallel device</li> <li>2. System board</li> </ol>
<b>015-000-XXX</b> USB port Interface Test Passed	No action
<b>015-001-XXX</b> USB port Presence	<ol style="list-style-type: none"> <li>1. Remove USB device(s) and re-test</li> <li>2. System board</li> </ol>
<b>015-002-XXX</b> USB port Timeout	<ol style="list-style-type: none"> <li>1. Remove USB device(s) and re-test</li> <li>2. System board</li> </ol>
<b>015-015-XXX</b> USB port External Loopback failure	<ol style="list-style-type: none"> <li>1. Remove USB device(s) and re-test</li> <li>2. System board</li> </ol>
<b>015-027-XXX</b> USB port Configuration/Setup error	<ol style="list-style-type: none"> <li>1. Flash the system. See "Flash update procedures" on page 337</li> <li>2. System board</li> </ol>
<b>015-032-XXX</b> USB port Device Controller failure	System board
<b>015-034-XXX</b> USB port buffer allocation failure	<ol style="list-style-type: none"> <li>1. Reboot the system</li> <li>2. Flash the system and re-test. See "Flash update procedures" on page 337</li> <li>3. Run memory test</li> <li>4. System board</li> </ol>
<b>015-035-XXX</b> USB port Reset condition detected	<ol style="list-style-type: none"> <li>1. Remove USB device(s) and re-test</li> <li>2. System board</li> </ol>

Diagnostic Error Code	FRU/Action
<b>015-036-XXX</b> USB port Register error	<b>System board</b>
<b>015-040-XXX</b> USB port IRQ failure	<ol style="list-style-type: none"> <li>1. <b>Run setup and check for conflicts</b></li> <li>2. Flash the system. See "Flash update procedures" on page 337</li> <li>3. System board</li> </ol>
<b>015-195-XXX</b> USB port Test aborted by user	<b>Information only</b> Re-start the test, if necessary
<b>015-196-XXX</b> USB port test halt, error threshold exceeded	<ol style="list-style-type: none"> <li>1. <b>Press F3 to review the log file</b></li> <li>2. Re-start the test to reset the log file</li> </ol>
<b>015-197-XXX</b> USB port test warning	<ol style="list-style-type: none"> <li>1. <b>Make sure the component that is called out is connected and/or enabled. See Chapter 6, "Using the Setup Utility," on page 49</b></li> <li>2. Re-run test</li> <li>3. Replace the component that is called out in warning statement</li> <li>4. Replace the component under test</li> </ol>
<b>015-198-XXX</b> USB port test aborted	<ol style="list-style-type: none"> <li>1. <b>If a component is called out, make sure it is connected and/or enabled. See Chapter 6, "Using the Setup Utility," on page 49</b></li> <li>2. Flash the system and re-test. See "Flash update procedures" on page 337</li> <li>3. Go to "Undetermined problems" on page 80</li> </ol>
<b>015-199-XXX</b> USB port test failed, cause unknown	<ol style="list-style-type: none"> <li>1. Go to "Undetermined problems" on page 80</li> <li>2. Flash the system and re-test. See "Flash update procedures" on page 337</li> <li>3. Replace component under function test</li> </ol>
<b>018-000-XXX</b> PCI Card Test Passed	<b>No action</b>
<b>018-0XX-XXX</b> PCI Card Failure	<ol style="list-style-type: none"> <li>1. <b>Riser card, if installed</b></li> <li>2. System board</li> </ol>
<b>018-195-XXX</b> PCI Card Test aborted by user	<ol style="list-style-type: none"> <li>1. <b>PCI card</b></li> <li>2. <b>Information only</b> Re-start the test, if necessary</li> </ol>
<b>018-196-XXX</b> PCI Card test halt, error threshold exceeded	<ol style="list-style-type: none"> <li>1. <b>Press F3 to review the log file</b></li> <li>2. Re-start the test to reset the log file</li> </ol>

Diagnostic Error Code	FRU/Action
<b>018-197-XXX</b> PCI Card test warning	<ol style="list-style-type: none"> <li>1. <b>Make sure the component that is called out is connected and/or enabled. See Chapter 6, "Using the Setup Utility," on page 49</b></li> <li>2. Re-run test</li> <li>3. Replace the component that is called out in warning statement</li> <li>4. Replace the component under test</li> </ol>
<b>018-198-XXX</b> PCI Card test aborted	<ol style="list-style-type: none"> <li>1. <b>If a component is called out, make sure it is connected and/or enabled. See Chapter 6, "Using the Setup Utility," on page 49</b></li> <li>2. Flash the system and re-test. See "Flash update procedures" on page 337</li> <li>3. Go to "Undetermined problems" on page 80</li> </ol>
<b>018-199-XXX</b> PCI Card test failed, cause unknown	<ol style="list-style-type: none"> <li>1. Go to "Undetermined problems" on page 80</li> <li>2. Flash the system and re-test. See "Flash update procedures" on page 337</li> <li>3. Replace component under function test</li> </ol>
<b>018-250-XXX</b> PCI Card Services error	<ol style="list-style-type: none"> <li>1. <b>PCI card</b></li> <li>2. Riser card, if installed</li> <li>3. System board</li> </ol>
<b>020-000-XXX</b> PCI Interface Test Passed	<b>No action</b>
<b>020-0XX-XXX</b> PCI Interface error	<ol style="list-style-type: none"> <li>1. <b>PCI card</b></li> <li>2. Riser card, if installed</li> <li>3. System board</li> </ol>
<b>020-195-XXX</b> PCI Test aborted by user	<b>Information only</b> Re-start the test, if necessary
<b>020-196-XXX</b> PCI test halt, error threshold exceeded	<ol style="list-style-type: none"> <li>1. <b>Press F3 to review the log file</b></li> <li>2. Re-start the test to reset the log file</li> </ol>
<b>020-197-XXX</b> PCI test warning	<ol style="list-style-type: none"> <li>1. <b>Make sure the component that is called out is connected and/or enabled. See Chapter 6, "Using the Setup Utility," on page 49</b></li> <li>2. Re-run test</li> <li>3. Replace the component that is called out in warning statement</li> <li>4. Replace the component under test</li> </ol>

Diagnostic Error Code	FRU/Action
020-198-XXX PCI test aborted	<ol style="list-style-type: none"> <li>1. <b>If a component is called out, make sure it is connected and/or enabled. See Chapter 6, "Using the Setup Utility," on page 49</b></li> <li>2. Flash the system and re-test. See "Flash update procedures" on page 337</li> <li>3. Go to "Undetermined problems" on page 80</li> </ol>
020-199-XXX PCI test failed, cause unknown	<ol style="list-style-type: none"> <li>1. Go to "Undetermined problems" on page 80</li> <li>2. Flash the system and re-test. See "Flash update procedures" on page 337</li> <li>3. Replace component under function test</li> </ol>
020-262-XXX PCI system error	<ol style="list-style-type: none"> <li>1. PCI card</li> <li>2. Riser card, if installed</li> <li>3. System board</li> </ol>
025-000-XXX IDE interface Test Passed	<b>No action</b>
025-00X-XXX 025-01X-XXX IDE interface failure	<ol style="list-style-type: none"> <li>1. <b>IDE signal cable</b></li> <li>2. Check power supply voltages</li> <li>3. Reseat IDE signal cable</li> <li>4. IDE device</li> <li>5. System board</li> </ol>
025-027-XXX IDE interface Configuration/Setup error	<ol style="list-style-type: none"> <li>1. <b>IDE signal cable</b></li> <li>2. Flash the system. See "Flash update procedures" on page 337</li> <li>3. Reseat IDE signal cable</li> <li>4. IDE device</li> <li>5. System board</li> </ol>
025-02X-XXX 025-03X-XXX 025-04X-XXX IDE Interface failure	<ol style="list-style-type: none"> <li>1. <b>IDE signal cable</b></li> <li>2. Check power supply</li> <li>3. Reseat IDE signal cable</li> <li>4. IDE device</li> <li>5. System board</li> </ol>
025-195-XXX IDE interface Test aborted by user	<b>Information only</b> Re-start the test, if necessary
025-196-XXX IDE interface test halt, error threshold exceeded	<ol style="list-style-type: none"> <li>1. <b>Press F3 to review the log file</b></li> <li>2. Re-start the test to reset the log file</li> </ol>
025-197-XXX IDE interface test warning	<ol style="list-style-type: none"> <li>1. <b>Make sure the component that is called out is connected and/or enabled. See Chapter 6, "Using the Setup Utility," on page 49</b></li> <li>2. Re-run test</li> <li>3. Replace the component that is called out in warning statement</li> <li>4. Replace the component under test</li> </ol>



Diagnostic Error Code	FRU/Action
<b>025-198-XXX</b> IDE interface test aborted	<ol style="list-style-type: none"> <li>1. <b>If a component is called out, make sure it is connected and/or enabled. See Chapter 6, "Using the Setup Utility," on page 49</b></li> <li>2. Flash the system and re-test. See "Flash update procedures" on page 337</li> <li>3. Go to "Undetermined problems" on page 80</li> </ol>
<b>025-199-XXX</b> IDE interface test failed, cause unknown	<ol style="list-style-type: none"> <li>1. Go to "Undetermined problems" on page 80</li> <li>2. Flash the system and re-test. See "Flash update procedures" on page 337</li> <li>3. Replace component under function test</li> </ol>
<b>030-000-XXX</b> SCSI interface Test Passed	<b>No action</b>
<b>030-00X-XXX</b> <b>030-01X-XXX</b> SCSI interface failure	<ol style="list-style-type: none"> <li>1. <b>SCSI signal cable</b></li> <li>2. Check power supply</li> <li>3. SCSI device</li> <li>4. SCSI adapter card, if installed</li> <li>5. System board</li> </ol>
<b>030-027-XXX</b> SCSI interface Configuration/Setup error	<ol style="list-style-type: none"> <li>1. <b>SCSI signal cable</b></li> <li>2. Flash the system. See "Flash update procedures" on page 337</li> <li>3. SCSI device</li> <li>4. SCSI adapter card, if installed</li> <li>5. System board</li> </ol>
<b>030-03X-XXX</b> <b>030-04X-XXX</b> SCSI interface error	<ol style="list-style-type: none"> <li>1. <b>SCSI signal cable</b></li> <li>2. Check power supply</li> <li>3. SCSI device</li> <li>4. SCSI adapter card, if installed</li> <li>5. System board</li> </ol>
<b>030-195-XXX</b> SCSI interface Test aborted by user	<b>Information only</b> Re-start the test, if necessary
<b>030-196-XXX</b> SCSI interface test halt, error threshold exceeded	<ol style="list-style-type: none"> <li>1. <b>Press F3 to review the log file</b></li> <li>2. Re-start the test to reset the log file</li> </ol>
<b>030-197-XXX</b> SCSI interface test warning	<ol style="list-style-type: none"> <li>1. <b>Make sure the component that is called out is connected and/or enabled. See Chapter 6, "Using the Setup Utility," on page 49</b></li> <li>2. Re-run test</li> <li>3. Replace the component that is called out in warning statement</li> <li>4. Replace the component under test</li> </ol>

Diagnostic Error Code	FRU/Action
030-198-XXX SCSI interface test aborted	<ol style="list-style-type: none"> <li>1. <b>If a component is called out, make sure it is connected and/or enabled. See Chapter 6, "Using the Setup Utility," on page 49</b></li> <li>2. Flash the system and re-test. See "Flash update procedures" on page 337</li> <li>3. Go to "Undetermined problems" on page 80</li> </ol>
030-199-XXX SCSI interface test failed, cause unknown	<ol style="list-style-type: none"> <li>1. Go to "Undetermined problems" on page 80</li> <li>2. Flash the system and re-test. See "Flash update procedures" on page 337</li> <li>3. Replace component under function test</li> </ol>
035-000-XXX RAID interface Test Passed	<b>No action</b>
035-0XX-XXX RAID interface Failure	<ol style="list-style-type: none"> <li>1. <b>RAID signal cable</b></li> <li>2. RAID device</li> <li>3. RAID adapter card, if installed</li> <li>4. System board</li> </ol>
035-195-XXX RAID interface Test aborted by user	<b>Information only</b> Re-start the test, if necessary
035-196-XXX RAID interface test halt, error threshold exceeded	<ol style="list-style-type: none"> <li>1. <b>Press F3 to review the log file</b></li> <li>2. Re-start the test to reset the log file</li> </ol>
035-197-XXX RAID interface test warning	<ol style="list-style-type: none"> <li>1. <b>Make sure the component that is called out is connected and/or enabled. See Chapter 6, "Using the Setup Utility," on page 49</b></li> <li>2. Re-run test</li> <li>3. Replace the component that is called out in warning statement</li> <li>4. Replace the component under test</li> </ol>
035-198-XXX RAID interface test aborted	<ol style="list-style-type: none"> <li>1. <b>If a component is called out, make sure it is connected and/or enabled. See Chapter 6, "Using the Setup Utility," on page 49</b></li> <li>2. Flash the system and re-test. See "Flash update procedures" on page 337</li> <li>3. Go to "Undetermined problems" on page 80</li> </ol>
035-199-XXX RAID interface test failed, cause unknown	<ol style="list-style-type: none"> <li>1. See "Undetermined problems" on page 80</li> <li>2. Flash the system and re-test. See "Flash update procedures" on page 337</li> <li>3. Replace component under function test</li> </ol>
071-000-XXX Audio port Interface Test Passed	<b>No action</b>

Diagnostic Error Code	FRU/Action
071-00X-XXX 071-01X-XXX 071-02X-XXX Audio port error	<ol style="list-style-type: none"> <li>1. <b>Run Setup</b></li> <li>2. Flash the system. See "Flash update procedures" on page 337</li> <li>3. System board</li> </ol>
071-03X-XXX Audio port failure	<ol style="list-style-type: none"> <li>1. <b>Speakers</b></li> <li>2. Microphone</li> <li>3. Audio card, if installed</li> <li>4. System board</li> </ol>
071-04X-XXX Audio port failure	<ol style="list-style-type: none"> <li>1. <b>Run Setup</b></li> <li>2. Audio card, if installed</li> <li>3. System board</li> </ol>
071-195-XXX Audio port Test aborted by user	<p><b>Information only</b> Re-start the test, if necessary</p>
071-196-XXX Audio port test halt, error threshold exceeded	<ol style="list-style-type: none"> <li>1. <b>Press F3 to review the log file</b></li> <li>2. Re-start the test to reset the log file</li> </ol>
071-197-XXX Audio port test warning	<ol style="list-style-type: none"> <li>1. <b>Make sure the component that is called out is connected and/or enabled. See Chapter 6, "Using the Setup Utility," on page 49</b></li> <li>2. Re-run test</li> <li>3. Replace the component that is called out in warning statement</li> <li>4. Replace the component under test</li> </ol>
071-198-XXX Audio port test aborted	<ol style="list-style-type: none"> <li>1. <b>If a component is called out, make sure it is connected and/or enabled. See Chapter 6, "Using the Setup Utility," on page 49</b></li> <li>2. Flash the system and re-test. See "Flash update procedures" on page 337</li> <li>3. Go to "Undetermined problems" on page 80</li> </ol>
071-199-XXX Audio port test failed, cause unknown	<ol style="list-style-type: none"> <li>1. See "Undetermined problems" on page 80</li> <li>2. Flash the system and re-test. See "Flash update procedures" on page 337</li> <li>3. Replace component under function test</li> </ol>
071-25X-XXX Audio port failure	<ol style="list-style-type: none"> <li>1. <b>Speakers</b></li> <li>2. Audio card, if installed</li> <li>3. System board</li> </ol>
080-000-XXX Game Port interface Test Passed	<b>No action</b>
080-XXX-XXX Game Port interface Error	<ol style="list-style-type: none"> <li>1. <b>Remove the game port device and re-test the system</b></li> </ol>
080-195-XXX Game Port interface Test aborted by user	<p><b>Information only</b> Re-start the test, if necessary</p>

Diagnostic Error Code	FRU/Action
<b>080-196-XXX</b> Game Port interface test halt, error threshold exceeded	<ol style="list-style-type: none"> <li>1. Press F3 to review the log file</li> <li>2. Re-start the test to reset the log file</li> </ol>
<b>080-197-XXX</b> Game Port interface test warning	<ol style="list-style-type: none"> <li>1. Make sure the component that is called out is connected and/or enabled. See Chapter 6, "Using the Setup Utility," on page 49</li> <li>2. Re-run test</li> <li>3. Replace the component that is called out in warning statement</li> <li>4. Replace the component under test</li> </ol>
<b>080-198-XXX</b> Game Port interface test aborted	<ol style="list-style-type: none"> <li>1. If a component is called out, make sure it is connected and/or enabled. See Chapter 6, "Using the Setup Utility," on page 49</li> <li>2. Flash the system and re-test. See "Flash update procedures" on page 337</li> <li>3. Go to "Undetermined problems" on page 80</li> </ol>
<b>080-199-XXX</b> Game Port interface test failed, cause unknown	<ol style="list-style-type: none"> <li>1. See "Undetermined problems" on page 80</li> <li>2. Flash the system and re-test. See "Flash update procedures" on page 337</li> <li>3. Replace component under function test</li> </ol>
<b>086-000-XXX</b> Mouse Port interface Test Passed	<b>No action</b>
<b>086-001-XXX</b> Mouse Port interface Presence	<ol style="list-style-type: none"> <li>1. Mouse</li> <li>2. System board</li> </ol>
<b>086-032-XXX</b> Mouse Port interface Device controller failure	<ol style="list-style-type: none"> <li>1. Mouse</li> <li>2. System board</li> </ol>
<b>086-035-XXX</b> Mouse Port interface Reset	<ol style="list-style-type: none"> <li>1. Mouse</li> <li>2. System board</li> </ol>
<b>086-040-XXX</b> Mouse Port interface IRQ failure	<ol style="list-style-type: none"> <li>1. Run Setup</li> <li>2. Mouse</li> <li>3. System board</li> </ol>
<b>086-195-XXX</b> Mouse Port interface Test aborted by user	<b>Information only</b> Re-start the test, if necessary
<b>086-196-XXX</b> Mouse Port interface test halt, error threshold exceeded	<ol style="list-style-type: none"> <li>1. Press F3 to review the log file</li> <li>2. Re-start the test to reset the log file</li> </ol>

Diagnostic Error Code	FRU/Action
086-197-XXX Mouse Port interface test warning	<ol style="list-style-type: none"> <li>1. <b>Make sure the component that is called out is connected and/or enabled. See Chapter 6, "Using the Setup Utility," on page 49</b></li> <li>2. Re-run test</li> <li>3. Replace the component that is called out in warning statement</li> <li>4. Replace the component under test</li> </ol>
086-198-XXX Mouse Port interface test aborted	<ol style="list-style-type: none"> <li>1. <b>If a component is called out, make sure it is connected and/or enabled. See Chapter 6, "Using the Setup Utility," on page 49</b></li> <li>2. Flash the system and re-test. See "Flash update procedures" on page 337</li> <li>3. Go to "Undetermined problems" on page 80</li> </ol>
086-199-XXX Mouse Port interface test failed, cause unknown	<ol style="list-style-type: none"> <li>1. See "Undetermined problems" on page 80</li> <li>2. Flash the system and re-test. See "Flash update procedures" on page 337</li> <li>3. Replace component under function test</li> </ol>
089-000-XXX Microprocessor Test Passed	<b>No action</b>
089-XXX-XXX Microprocessor failure	<ol style="list-style-type: none"> <li>1. <b>Microprocessor(s)</b></li> <li>2. System board</li> </ol>
089-195-XXX Microprocessor Test aborted by user	<b>Information only</b> Re-start the test, if necessary
089-196-XXX Microprocessor test halt, error threshold exceeded	<ol style="list-style-type: none"> <li>1. <b>Press F3 to review the log file</b></li> <li>2. Re-start the test to reset the log file</li> </ol>
089-197-XXX Microprocessor test warning	<ol style="list-style-type: none"> <li>1. <b>Make sure the component that is called out is connected and/or enabled. See Chapter 6, "Using the Setup Utility," on page 49</b></li> <li>2. Re-run test</li> <li>3. Replace the component that is called out in warning statement</li> <li>4. Replace the component under test</li> </ol>
089-198-XXX Microprocessor test aborted	<ol style="list-style-type: none"> <li>1. <b>Flash the system. See "Flash update procedures" on page 337</b></li> <li>2. Go to "Undetermined problems" on page 80</li> </ol>
089-199-XXX Microprocessor test failed, cause unknown	<ol style="list-style-type: none"> <li>1. See "Undetermined problems" on page 80</li> <li>2. Flash the system and re-test. See "Flash update procedures" on page 337</li> <li>3. Replace component under function test</li> </ol>
170-000-XXX Voltage Sensor(s) Test Passed	<b>No action</b>

Diagnostic Error Code	FRU/Action
<b>170-0XX-XXX</b> Voltage Sensor(s) failure	<ol style="list-style-type: none"> <li>1. <b>Flash system</b></li> <li>2. System board</li> </ol>
<b>170-195-XXX</b> Voltage Sensor(s) Test aborted by user	<b>Information only</b> Re-start the test, if necessary
<b>170-196-XXX</b> Voltage Sensor(s) test halt, error threshold exceeded	<ol style="list-style-type: none"> <li>1. <b>Press F3 to review the log file</b></li> <li>2. Re-start the test to reset the log file</li> </ol>
<b>170-197-XXX</b> Voltage Sensor(s) test warning	<ol style="list-style-type: none"> <li>1. <b>Make sure the component that is called out is connected and/or enabled. See Chapter 6, "Using the Setup Utility," on page 49</b></li> <li>2. Re-run test</li> <li>3. Replace the component that is called out in warning statement</li> <li>4. Replace the component under test</li> </ol>
<b>170-198-XXX</b> Voltage Sensor(s) test aborted	<ol style="list-style-type: none"> <li>1. <b>If a component is called out, make sure it is connected and/or enabled. See Chapter 6, "Using the Setup Utility," on page 49</b></li> <li>2. Flash the system and re-test. See "Flash update procedures" on page 337</li> <li>3. Go to "Undetermined problems" on page 80</li> </ol>
<b>170-199-XXX</b> Voltage Sensor(s) test failed, cause unknown	<ol style="list-style-type: none"> <li>1. <b>See "Undetermined problems" on page 80</b></li> <li>2. Flash the system and re-test. See "Flash update procedures" on page 337</li> <li>3. Replace component under function test</li> </ol>
<b>170-250-XXX</b> <b>170-251-XXX</b> Voltage Sensor(s) Voltage limit error	<ol style="list-style-type: none"> <li>1. <b>Power supply</b></li> <li>2. System board</li> </ol>
<b>170-254-XXX</b> Voltage Sensor(s) Voltage Regulator Module error	<ol style="list-style-type: none"> <li>1. <b>Voltage Regulator Module (VRM)</b></li> <li>2. Microprocessor</li> <li>3. System board</li> </ol>
<b>175-000-XXX</b> Thermal Sensor(s) Test Passed	<b>No action</b>
<b>175-0XX-XXX</b> Thermal Sensor(s) failure	<ol style="list-style-type: none"> <li>1. <b>Flash system</b></li> <li>2. System board</li> </ol>
<b>175-195-XXX</b> Thermal Sensor(s) Test aborted by user	<b>Information only</b> Re-start the test, if necessary
<b>175-196-XXX</b> Thermal Sensor(s) test halt, error threshold exceeded	<ol style="list-style-type: none"> <li>1. <b>Press F3 to review the log file</b></li> <li>2. Re-start the test to reset the log file</li> </ol>

Diagnostic Error Code	FRU/Action
175-197-XXX Thermal Sensor(s) test warning	<ol style="list-style-type: none"> <li>1. <b>Make sure the component that is called out is connected and/or enabled. See Chapter 6, "Using the Setup Utility," on page 49</b></li> <li>2. Re-run test</li> <li>3. Replace the component that is called out in warning statement</li> <li>4. Replace the component under test</li> </ol>
175-198-XXX Thermal Sensor(s) test aborted	<ol style="list-style-type: none"> <li>1. <b>If a component is called out, make sure it is connected and/or enabled</b></li> <li>2. Flash the system and re-test. See "Flash update procedures" on page 337</li> <li>3. Go to "Undetermined problems" on page 80</li> </ol>
175-199-XXX Thermal Sensor(s) test failed, cause unknown	<ol style="list-style-type: none"> <li>1. <b>See "Undetermined problems" on page 80</b></li> <li>2. Flash the system and re-test. See "Flash update procedures" on page 337</li> <li>3. Replace component under function test</li> </ol>
175-250-XXX 175-251-XXX Thermal Sensor(s) limit error	<ol style="list-style-type: none"> <li>1. <b>Check fans</b></li> <li>2. Check Power supply voltages</li> <li>3. Microprocessor</li> <li>4. System board</li> </ol>
185-000-XXX Asset Security Test Passed	<b>No action</b>
185-XXX-XXX Asset Security failure	<ol style="list-style-type: none"> <li>1. <b>Flash system</b></li> <li>2. System board</li> </ol>
185-278-XXX Asset Security Chassis Intrusion	<ol style="list-style-type: none"> <li>1. <b>Assure Asset Security Enabled</b></li> <li>2. C2 Cover Switch</li> <li>3. System board</li> </ol>
201-000-XXX System Memory Test Passed	<b>No action</b>
201-XXX-XXX System Memory error	<ol style="list-style-type: none"> <li>1. <b>Replace the memory module called out by the test</b></li> <li>2. System board</li> </ol>
202-000-XXX System Cache Test Passed	<b>No action</b>
202-XXX-XXX System Cache error	<ol style="list-style-type: none"> <li>1. <b>Cache, if removable</b></li> <li>2. System board</li> <li>3. Microprocessor</li> </ol>
206-000-XXX Diskette Drive Test Passed	<b>No action</b>
206-XXX-XXX Diskette Drive error	<ol style="list-style-type: none"> <li>1. <b>Diskette Drive Cable</b></li> <li>2. Check power supply voltages</li> <li>3. Diskette drive</li> <li>4. System board</li> </ol>

<b>Diagnostic Error Code</b>	<b>FRU/Action</b>
<b>215-000-XXX</b> CD-ROM Drive Test Passed	<b>No action</b>
<b>215-XXX-XXX</b> CD-ROM Drive error	<ol style="list-style-type: none"> <li>1. <b>CD-ROM Drive Cable</b></li> <li>2. Check power supply voltages</li> <li>3. CD-ROM drive</li> <li>4. System board</li> </ol>
<b>217-000-XXX</b> Hard Disk Drive Test Passed	<b>No action</b>
<b>217-25X-XXX</b> <b>217-26X-XXX</b> Hard Disk Drive (IDE) error	<ol style="list-style-type: none"> <li>1. <b>Hard Disk Drive Cable</b></li> <li>2. Check power supply voltages</li> <li>3. Reseat the hard disk drive cable</li> <li>4. Hard Disk drive (IDE)</li> <li>5. System board</li> </ol>
<b>217-28X-XXX</b> <b>217-29X-XXX</b> Hard Disk Drive (SCSI) error	<ol style="list-style-type: none"> <li>1. <b>Hard Disk Drive Cable</b></li> <li>2. Check power supply voltages</li> <li>3. Reseat the hard disk drive cable</li> <li>4. Hard Disk drive (SCSI)</li> <li>5. SCSI adapter card</li> <li>6. System board</li> </ol>
<b>220-000-XXX</b> Hi-Capacity Cartridge Drive Test Passed	<b>No action</b>
<b>220-XXX-XXX</b> Hi-Capacity Cartridge Drive error	<ol style="list-style-type: none"> <li>1. <b>Remove the Hi-Capacity Cartridge Drive and re-test the system</b></li> </ol>
<b>301-XXX-XXX</b> Keyboard error	<ol style="list-style-type: none"> <li>1. <b>Keyboard</b></li> <li>2. Check and test mouse</li> <li>3. System board</li> </ol>
<b>301-000-XXX</b> Keyboard Test Passed	<b>No action</b>
<b>302-000-XXX</b> Mouse Test Passed	<b>No action</b>
<b>302-XXX-XXX</b> Mouse error	<ol style="list-style-type: none"> <li>1. <b>Mouse</b></li> <li>2. Check and test Keyboard</li> <li>3. System board</li> </ol>
<b>303-000-XXX</b> Joystick Test Passed	<b>No action</b>
<b>303-XXX-XXX</b> Joystick error	<b>Remove the Joystick and re-test the system</b>
<b>305-000-XXX</b> Monitor DDC Test Passed	<b>No action</b>
<b>305-250-XXX</b> Monitor DDC self test failure	<ol style="list-style-type: none"> <li>1. <b>Run Setup to enable DDC</b></li> <li>2. Cable</li> <li>3. Monitor</li> <li>4. Video card</li> <li>5. System board</li> </ol>



<b>Diagnostic Error Code</b>	<b>FRU/Action</b>
415-000-XXX Modem Test Passed	No action
415-XXX-XXX Modem error	Remove the Modem and re-test the system

## Beep symptoms

Beep symptoms are tones or a series of tones separated by pauses (intervals without sound) during POST.

The following table describes beep symptoms.

Beep Symptom	FRU/Action
<b>2 short beeps</b> CMOS setting error	Perform the following actions in order. <ol style="list-style-type: none"><li>1. Start the Setup Utility program and press F10 to Save and exit. See Chapter 6, "Using the Setup Utility," on page 49.</li><li>2. Start the Setup Utility program and press F7 to load defaults and then press F10 to Save and exit.</li><li>3. Perform a Boot block recovery. See "Recovering from a POST/BIOS update failure" on page 338.</li></ol>
<b>1 long and 2 short beeps</b> Monitor or video adapter card error	Perform the following actions in order. <ol style="list-style-type: none"><li>1. Make sure the monitor is properly connected to the computer.</li><li>2. Replace the video adapter card (if present).</li><li>3. Replace the system board.</li></ol>
<b>1 long and 3 short beeps</b> Keyboard error	Perform the following actions in order. <ol style="list-style-type: none"><li>1. Make sure the keyboard is properly connected to the keyboard connector.</li><li>2. Replace the keyboard.</li><li>3. Replace the system board.</li></ol>
<b>1 long and 9 short beeps</b> BIOS ROM error	Perform the following actions in order. <ol style="list-style-type: none"><li>1. Start the Setup Utility program and press F7 to load defaults and then press F10 to Save and exit. See Chapter 6, "Using the Setup Utility," on page 49.</li><li>2. Perform a Boot block recovery. See "Recovering from a POST/BIOS update failure" on page 338.</li><li>3. Replace the system board.</li></ol>
<b>Continuos long beeps</b> DRAM memory error	Perform the following actions in order. <ol style="list-style-type: none"><li>1. Make sure the memory module(s) are properly seated in the connector(s).</li><li>2. Replace the memory module(s).</li><li>3. Replace the system board.</li></ol>

## POST error codes

Each time you power-on the system, it performs a series of tests that check the operation of the system and some options. This series of tests is called the *Power-On Self-Test*, or *POST*. POST does the following operations.

- Checks some basic system-board operations
- Checks the memory operation
- Starts the video operation
- Verifies that the boot drive is working

If the POST detects a problem, an error message appears on the screen. A single problem can cause several error messages to appear. When you correct the cause of the first error message, the other error messages probably will not appear on the screen the next time you turn on the system.

POST Error Message	Description/Action
CMOS battery failed	The CMOS battery is no longer functional. Replace the battery.
CMOS checksum error - defaults loaded	Checksum of CMOS is incorrect. The computer loads the default configuration settings. This error might indicate that CMOS has become corrupt due to a weak CMOS battery.
CPU at nnnn	nnnn is the running speed of the microprocessor.
Press Esc to skip memory test	Pressing Esc skips the full memory test
HARD DISK INSTALL FAILURE	Cannot find or initialize the hard disk drive controller or the drive. Make sure the hard disk drive is correctly installed. If no hard disk drives are installed, make sure the hard disk drive selection in Setup is set to NONE.
Keyboard error or no keyboard present	Cannot initialize the keyboard. Make sure the keyboard is properly connected to the computer and that no keys are held pressed during POST. To purposely configure the computer without a keyboard, set the error halt condition in Setup to HALT ON ALL, BUT KEYBOARD. The BIOS then ignores the missing keyboard during POST.
Memory Test:	This message displays during a full memory test, counting down the memory areas being tested.
Memory test fail	If POST detects an error during memory testing, additional information appears. This information gives specifics about the type and location of the memory error.

POST Error Message	Description/Action
Press TAB to show POST screen	Pressing the TAB key permits the user to toggle between the default POST display screen and a custom POST display screen.
Error: Non-System disk or disk error Replace and press any key when ready	<p>The BIOS was unable to find a suitable boot device.</p> <p>Make sure the boot drive is properly connected to the computer.</p> <p>Make sure you have bootable media.</p>

## Miscellaneous error messages

Message/Symptom	FRU/Action
Changing display colors	<b>Display/Monitor</b>
Computer will <i>not</i> power-off. See "Power Supply Problems" on page 53.	<ol style="list-style-type: none"> <li><b>Power Switch</b></li> <li>System Board</li> <li>Riser card, if installed</li> </ol>
Computer will <i>not</i> RPL from server	<ol style="list-style-type: none"> <li><b>Ensure that network is in startup sequence as first device or first device after diskette</b></li> <li>Ensure that network adapter is enabled for RPL</li> <li>Network adapter (Advise network administrator of new MAC address)</li> </ol>
Computer will <i>not</i> perform a Wake On LAN <sup>®</sup> (if applicable)	<ol style="list-style-type: none"> <li><b>Check power supply and signal cable connections to network adapter</b></li> <li>Ensure that the operating system settings are set to enable Wake on LAN<sup>®</sup></li> <li>Ensure Wake On LAN feature is enabled in Setup/Configuration (see "Starting the Setup Utility program" on page 49)</li> <li>Ensure network administrator is using correct MAC address</li> <li>Ensure no interrupt or I/O address conflicts</li> <li>Network adapter (advise network administrator of new MAC address)</li> </ol>
Dead computer. See "Power Supply Problems" on page 53.	<ol style="list-style-type: none"> <li><b>Power Supply</b></li> <li>System Board</li> </ol>
Diskette drive in-use light remains on or does not light when drive is active.	<ol style="list-style-type: none"> <li><b>Diskette Drive</b></li> <li>System Board</li> <li>Diskette Drive Cable</li> </ol>
Flashing cursor with an otherwise blank display.	<ol style="list-style-type: none"> <li><b>System Board</b></li> <li>Primary Hard Disk Drive</li> <li>Hard Disk Drive Cable</li> </ol>
Incorrect memory size during POST	<ol style="list-style-type: none"> <li><b>Run the Memory tests</b></li> <li>Memory Module</li> <li>System Board</li> </ol>
"Insert a Diskette" icon appears with a known-good diagnostics diskette in the first 3.5-inch diskette drive.	<ol style="list-style-type: none"> <li><b>System Board</b></li> <li>Diskette Drive Cable</li> <li>Network Adapter</li> </ol>
Intensity or color varies from left to right of characters and color bars	<ol style="list-style-type: none"> <li><b>Display</b></li> <li>Video adapter (if present)</li> <li>System Board</li> </ol>
No power or fan not running	<ol style="list-style-type: none"> <li><b>See "Power Supply Problems" on page 53.</b></li> </ol>

Message/Symptom	FRU/Action
Non-system disk or disk error-type message with a known-good diagnostic diskette.	<ol style="list-style-type: none"> <li>1. <b>Diskette Drive</b></li> <li>2. System Board</li> <li>3. Diskette Drive Cable</li> </ol>
Other display symptoms not listed above (including blank or illegible display)	<ol style="list-style-type: none"> <li>1. <b>Display</b></li> <li>2. System Board</li> </ol>
Power-on indicator or hard disk drive in-use light not on, but computer works correctly	<ol style="list-style-type: none"> <li>1. Power switch/LED assembly</li> <li>2. System Board</li> </ol>
Printer problems	<ol style="list-style-type: none"> <li>1. <b>Printer</b></li> <li>2. System Board</li> </ol>
Program loads from the hard disk with a known-good diagnostics diskette in the first 3.5-inch diskette drive	<ol style="list-style-type: none"> <li>1. <b>Run Setup</b> and check Startup sequence.</li> <li>2. Diskette Drive</li> <li>3. Diskette Drive Cable</li> <li>4. System Board</li> <li>5. Power Supply</li> </ol>
RPL computer cannot access programs from its own hard disk.	<ol style="list-style-type: none"> <li>1. <b>If network administrator is using LCCM Hybrid RPL, check startup sequence:</b> <ol style="list-style-type: none"> <li>a. <b>First device - network</b></li> <li>b. <b>Second device - hard disk</b></li> </ol> </li> <li>2. Hard disk drive</li> </ol>
RPL computer does not RPL from server	<ol style="list-style-type: none"> <li>1. <b>Check startup sequence</b></li> <li>2. Check the network adapter LED status</li> </ol>
Serial or parallel port device failure (system board port)	<ol style="list-style-type: none"> <li>1. <b>External Device Self-Test OK?</b></li> <li>2. External Device</li> <li>3. Cable</li> <li>4. System Board</li> </ol>
Serial or parallel port device failure (adapter port)	<ol style="list-style-type: none"> <li>1. <b>External Device Self-Test OK?</b></li> <li>2. External Device</li> <li>3. Cable</li> <li>4. Alternate Adapter</li> <li>5. System Board</li> </ol>
Some or all keys on the keyboard do not work	<ol style="list-style-type: none"> <li>1. <b>Keyboard</b></li> <li>2. Keyboard Cable</li> <li>3. System Board</li> </ol>

---

## Undetermined problems

If this computer has a parallel ATA hard disk drive, make sure that the hard disk drive is jumpered as a master and the optical drive is jumpered as a slave.

1. Power-off the computer.
2. Remove or disconnect the following components (if installed) one at a time.
  - a. External devices (modem, printer, or mouse)
  - b. Any adapters

- c. Memory modules
  - d. Extended video memory
  - e. External Cache
  - f. External Cache RAM
  - g. Hard disk drive
  - h. Diskette drive
3. Power-on the computer to re-test the system.
  4. Repeat steps 1 through 3 until you find the failing device or adapter.

If all devices and adapters have been removed, and the problem continues, replace the system board.





---

## Chapter 8. Replacing FRUs (Tower computers)

Use this chapter to replace FRUs in the following machine types: 8290, 8291, 8292, 8463, 8464, 8465, 8469, 8472, 8708, 8709, 8712, 8713, 8719, 8771, 8772, 8776, 8777, 8817, 9214, 9215, and 9216.

**Important**

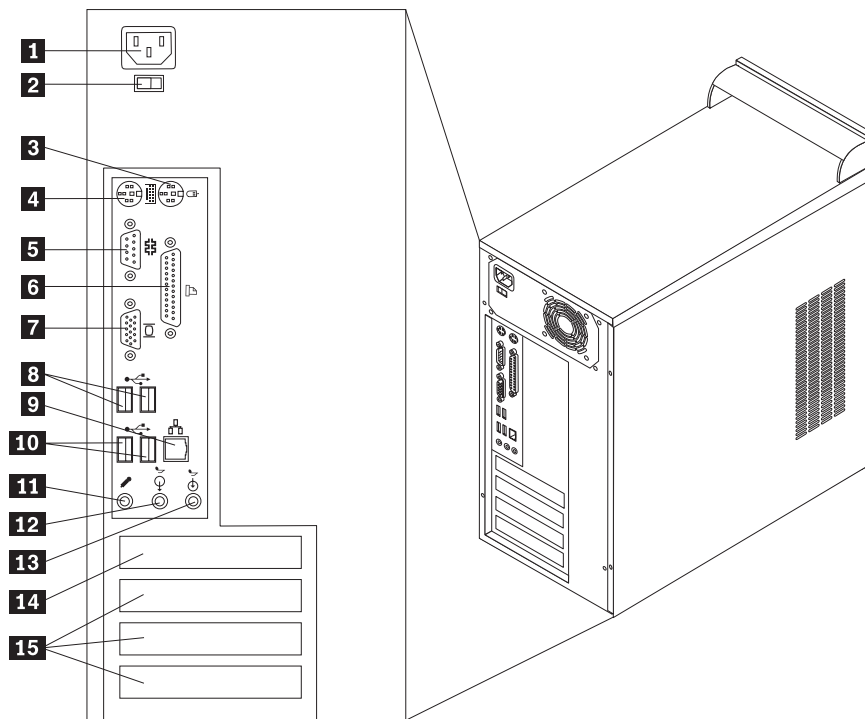
Before you replace any FRU, read Chapter 2, "Safety information," on page 3. These precautions and guidelines will help you work safely.

FRU replacements are to be done by trained service technicians only.

This chapter does not contain a remove and replace procedure for all FRUs. Only the major FRUs are documented.

## Rear connectors

The following illustration shows the locations of the connectors on the rear of the computer.



- |   |   |
|---|---|
| <b>1</b> Power connector                        | <b>9</b> Ethernet connector                                       |
| <b>2</b> Voltage selection switch (some models) | <b>10</b> USB connectors  |
| <b>3</b> Mouse connector                        | <b>11</b> Microphone connector                                    |
| <b>4</b> Keyboard connector                     | <b>12</b> Audio line out connector                                |
| <b>5</b> Serial connector                       | <b>13</b> Audio line in connector                                 |
| <b>6</b> Parallel connector                     | <b>14</b> AGP or PCI Express x16 graphics connector (some models) |
| <b>7</b> VGA monitor connector                  | <b>15</b> PCI adapter slots                                       |
| <b>8</b> USB connectors                         |   |

---

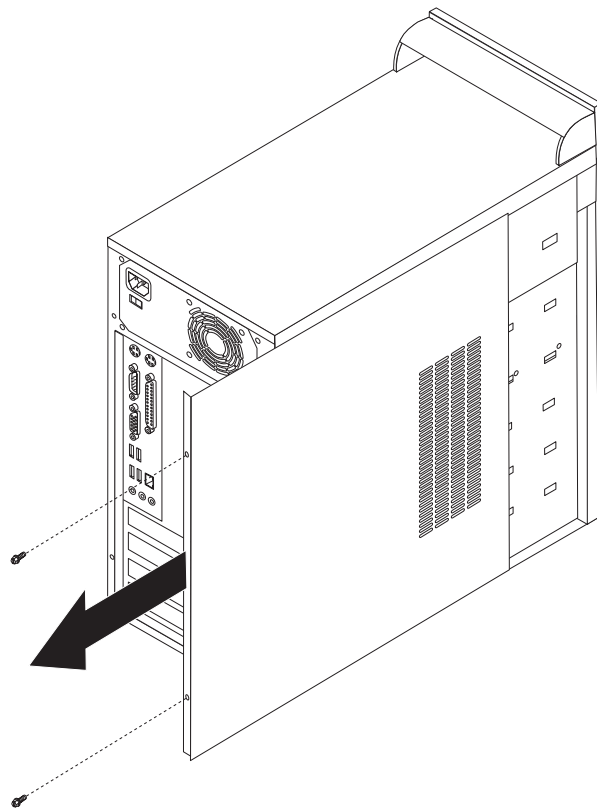
## Removing the covers

### Important

Read Chapter 2, “Safety information,” on page 3 and “Handling electrostatic discharge-sensitive devices” on page 6 before opening the cover.

Some FRU replacements require the removal of only the left-side cover. Others require removal of both the left-side and the right-side covers.

1. Shut down the operating system, remove any media (DVDs, CDs, or tapes) from the drives, and turn off all attached devices.
2. Unplug all power cords from electrical outlets.
3. Disconnect all cables attached to the computer. This includes power cords, input/output (I/O) cables, and any other cables that are connected to the computer.
4. Remove the two thumb screws at the rear of the left-side cover and slide the cover to the rear to remove.

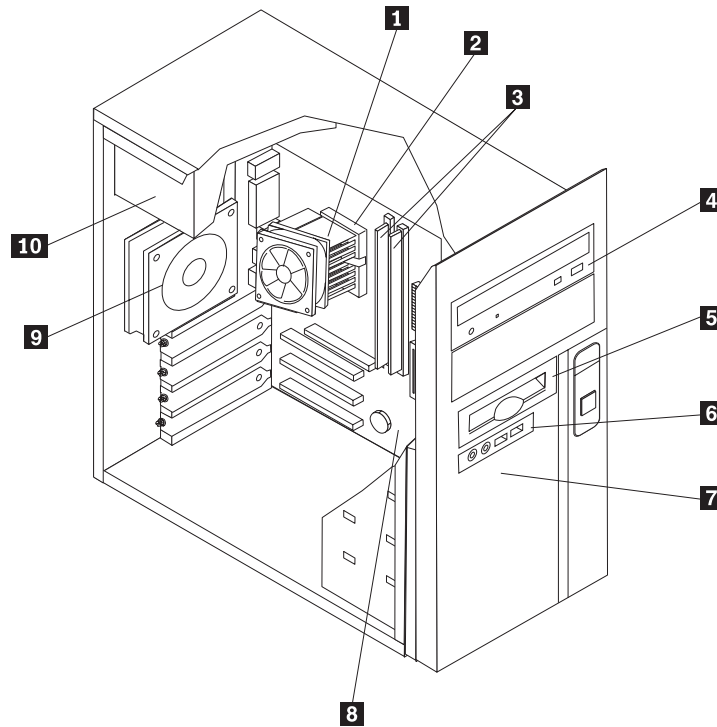


5. If necessary, remove the right-side cover in the same manner.

---

## Locations

The following illustration will help you locate the major FRUs in the computer.



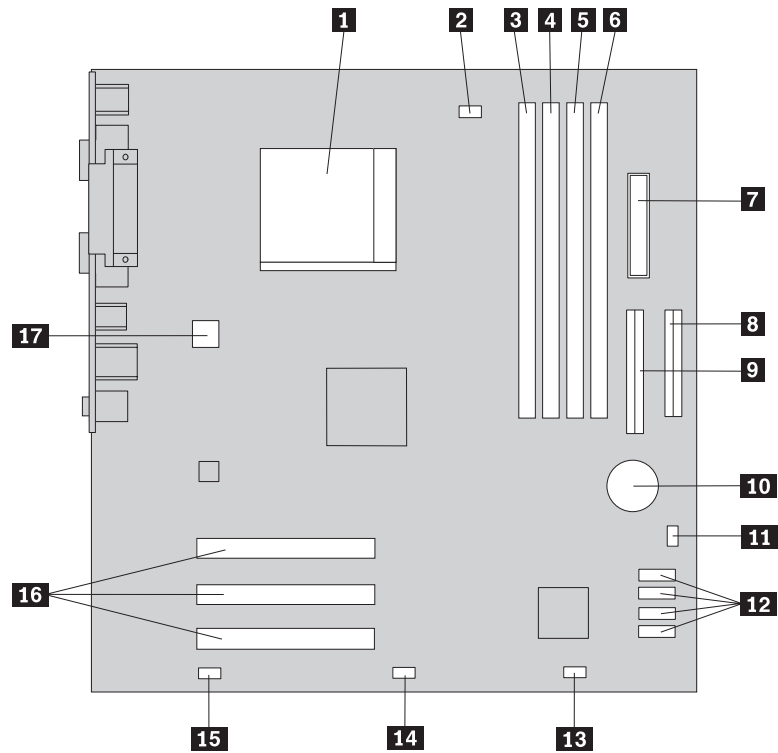
- |                            |                           |
|----------------------------|---------------------------|
| <b>1</b> Heat sink and fan | <b>6</b> Front panel card |
| <b>2</b> Microprocessor    | <b>7</b> Hard disk drive  |
| <b>3</b> Memory modules    | <b>8</b> System board     |
| <b>4</b> Optical drive     | <b>9</b> System fan       |
| <b>5</b> Diskette drive    | <b>10</b> Power supply    |

---

## Identifying parts on the system board

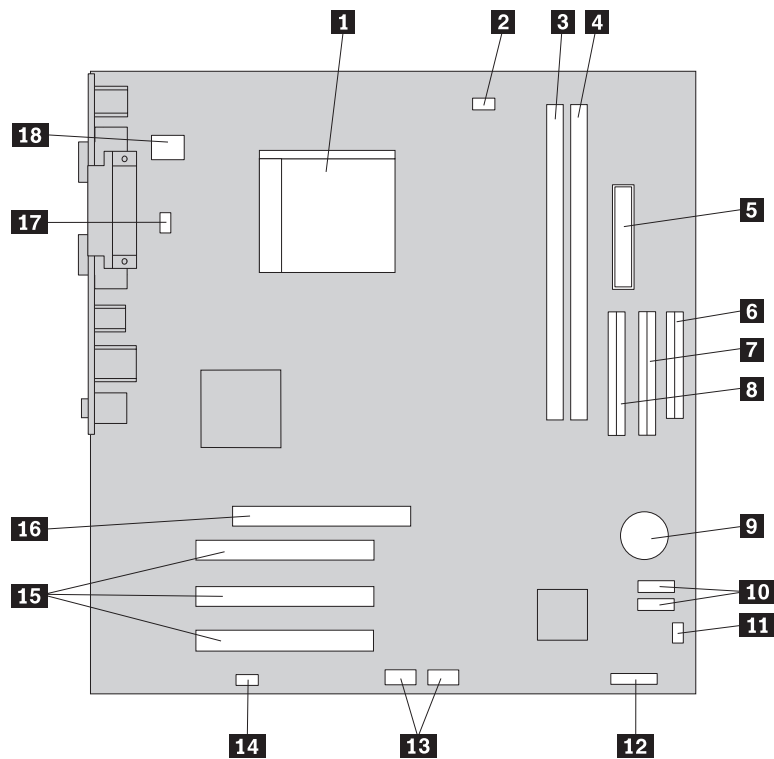
The machine types supported by this maintenance manual include several different system boards. Locate the appropriate machine type in one of the following sections.

## Machine types 8290, 8291, and 8292



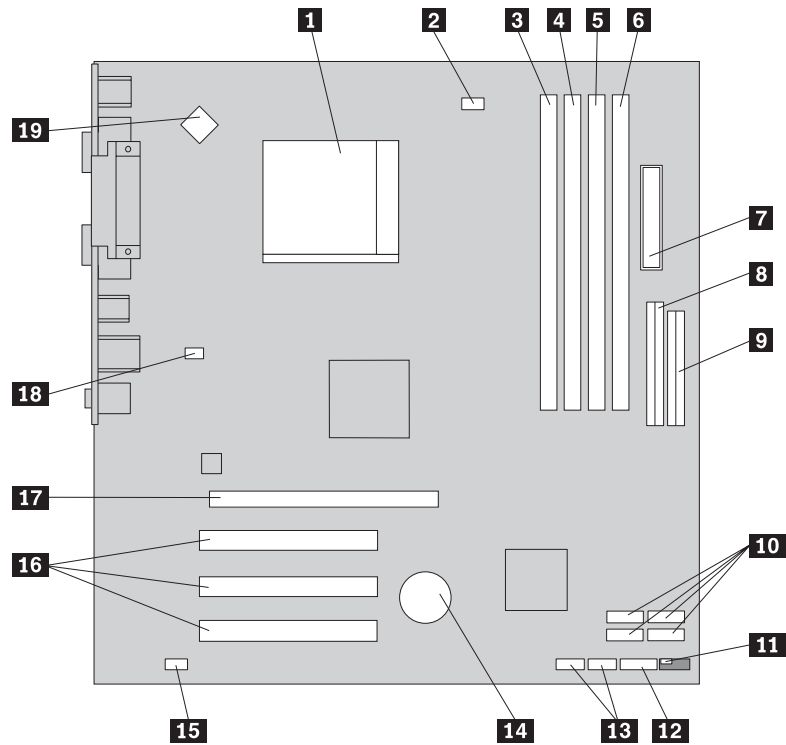
- |                                   |                                      |
|-----------------------------------|--------------------------------------|
| <b>1</b> Microprocessor           | <b>10</b> CMOS battery               |
| <b>2</b> Fan connector            | <b>11</b> Clear CMOS/Recovery jumper |
| <b>3</b> Memory connector 1       | <b>12</b> Serial ATA connectors (4)  |
| <b>4</b> Memory connector 2       | <b>13</b> Power switch/LED connector |
| <b>5</b> Memory connector 3       | <b>14</b> Front USB connector        |
| <b>6</b> Memory connector 4       | <b>15</b> Front Audio connector      |
| <b>7</b> Power supply connector   | <b>16</b> PCI connectors             |
| <b>8</b> Diskette drive connector | <b>17</b> 12V power connector        |
| <b>9</b> Primary IDE connector    |                                      |

## Machine types 8463, 8464, 8465, 8712, and 8713



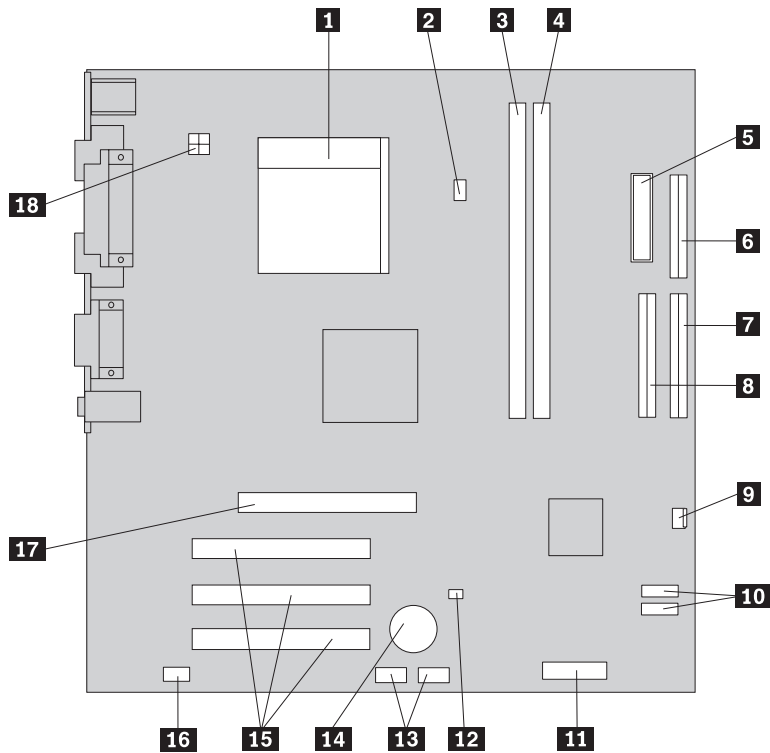
- |                                       |                                      |
|---------------------------------------|--------------------------------------|
| <b>1</b> Microprocessor and heat sink | <b>10</b> Serial ATA IDE connectors  |
| <b>2</b> Heat sink fan connector      | <b>11</b> Clear CMOS/Recovery jumper |
| <b>3</b> Memory connector 1           | <b>12</b> Power switch/LED connector |
| <b>4</b> Memory connector 2           | <b>13</b> Front USB connectors       |
| <b>5</b> Power connector              | <b>14</b> Front audio connector      |
| <b>6</b> Diskette drive connector     | <b>15</b> PCI connectors             |
| <b>7</b> PATA secondary IDE connector | <b>16</b> AGP adapter connector      |
| <b>8</b> PATA primary IDE connector   | <b>17</b> System fan connector       |
| <b>9</b> CMOS battery                 | <b>18</b> 12V power connector        |

## Machine types 8469, 8708, 8709, 8776, and 8777



- |                                       |  |
|---------------------------------------|--|
| <b>1</b> Microprocessor and heat sink | <b>11</b> Clear CMOS/Recovery jumper                               |
| <b>2</b> Heat sink fan connector      | <b>12</b> Front panel connector                                    |
| <b>3</b> Memory connector 1           | <b>13</b> Front USB connectors (2)                                 |
| <b>4</b> Memory connector 2           | <b>14</b> CMOS battery   |
| <b>5</b> Memory connector 3           | <b>15</b> Front audio connectors                                   |
| <b>6</b> Memory connector 4           | <b>16</b> PCI adapter connector                                    |
| <b>7</b> Power connector              | <b>17</b> PCI Express x16 graphics adapter connector (some models) |
| <b>8</b> IDE connector                | <b>18</b> System fan connector                                     |
| <b>9</b> Diskette drive connector     | <b>19</b> 12V power connector                                      |
| <b>10</b> SATA IDE connectors (4)     |  |

## Machine types 8472, 8719, 8771, 8772, 8817, 9214, 9215, and 9216



- |   |                                      |
|---|--------------------------------------|
| <b>1</b> Microprocessor and heat sink       | <b>11</b> Power switch/LED connector |
| <b>2</b> Heat sink fan connector            | <b>12</b> Clear CMOS/Recovery jumper |
| <b>3</b> Memory connector 1                 | <b>13</b> Front USB connectors       |
| <b>4</b> Memory connector 2                 | <b>14</b> CMOS battery               |
| <b>5</b> Power supply connector             | <b>15</b> PCI connectors             |
| <b>6</b> Diskette drive connector           | <b>16</b> Front audio connector      |
| <b>7</b> PATA primary IDE connector         | <b>17</b> AGP adapter connector      |
| <b>8</b> PATA secondary IDE connector       | <b>18</b> 12V power connector        |
| <b>9</b> System fan connector               |                                      |
| <b>10</b> SATA IDE connectors (some models) |                                      |

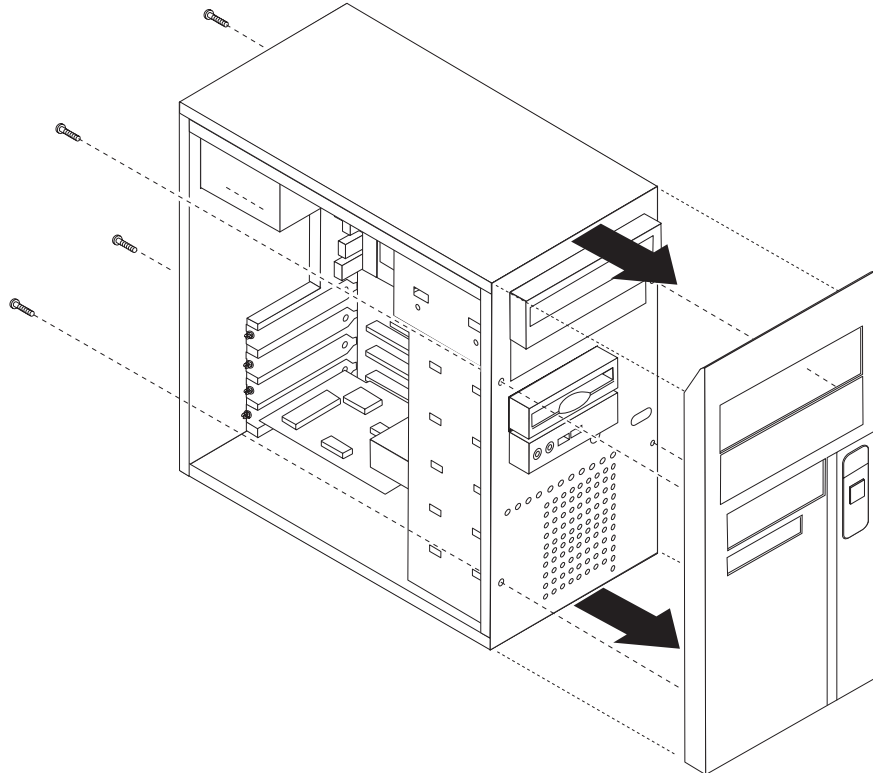


---

## Removing and replacing the front bezel

The front bezel must be removed to replace some FRUs.

1. Remove both the left-side and right-side covers. See “Removing the covers” on page 85.
2. Disconnect the cable for the power switch/LED assembly from the system board. See the system board illustration for your machine type at “Identifying parts on the system board” on page 86.
3. Remove the four screws that secure the bezel. There are two on each side located as shown.



4. There are three plastic tabs on each side of the bezel. While applying pressure on the top of the bezel, release each tab starting with the tabs at the top.

**Note:** The power switch/LED assembly cable is connected inside the bezel. Be careful to not damage the cable and connectors when removing the bezel from the chassis.

5. When the tabs are all released, remove the bezel from the chassis.

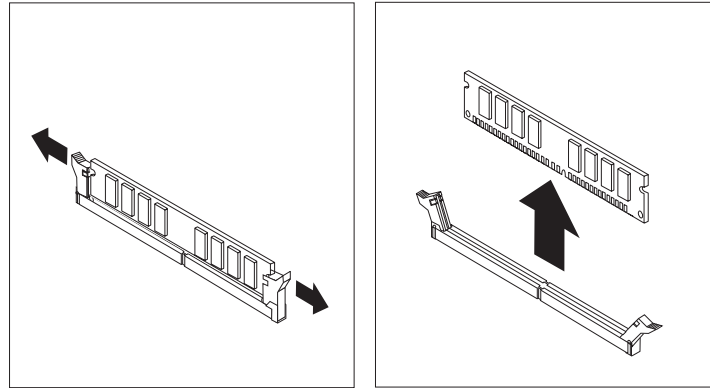
To replace the bezel:

6. Route the power switch/LED cable through the hole in the chassis and to the system board.
7. Align the tabs in the chassis and snap it into position. Install the two screws on each side to secure the bezel.
8. Reconnect the power switch/LED cable to the system board. See the system board illustration for your machine type at “Identifying parts on the system board” on page 86.

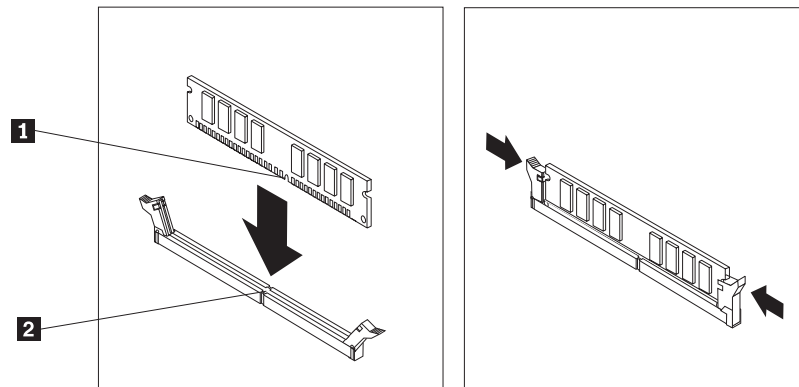
---

## Replacing a memory module

1. Remove the left-side cover. See “Removing the covers” on page 85.
2. Locate the memory connectors. See the system board illustration for your machine type at “Identifying parts on the system board” on page 86.
3. Open the retaining clips and remove the failing memory module.



4. Make sure the notch **1** on the new memory module is aligned correctly with the connector key **2** on the socket. Insert the memory module straight down into the connector until it snaps into position and the retaining clips are closed.

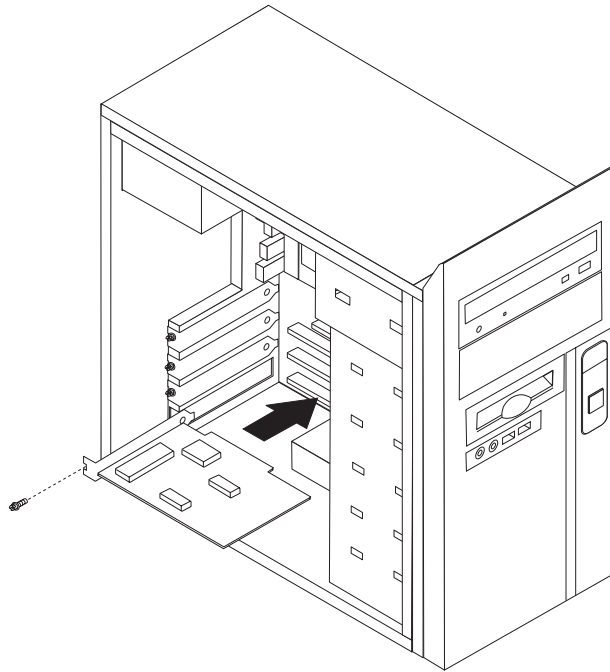


5. Go to “Completing the FRU replacement” on page 116.

---

## Replacing a PCI adapter

1. Remove the left-side cover. See “Removing the covers” on page 85.
2. Remove the screw securing the adapter being replaced.
3. Pull the adapter straight out of the PCI connector.
4. Remove the new adapter from its static-protective package.
5. Install the new adapter into the appropriate PCI connector.



6. Install the screw to secure the new adapter.
7. Go to “Completing the FRU replacement” on page 116.

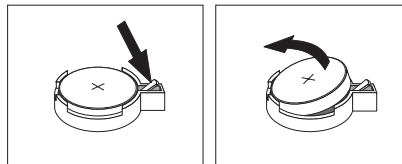
---

## Replacing the CMOS battery

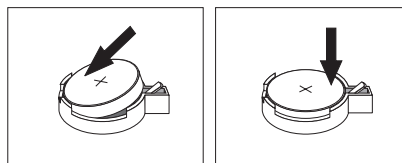
If the CMOS battery fails, the date, time, and configuration information (including passwords) are lost. An error message is displayed when you turn on the computer.

Refer to “Safety notices (multi-lingual translations)” on page 7 for information about replacing and disposing of the battery.

1. Turn off the computer and all attached devices.
2. Remove the left-side cover. See “Removing the covers” on page 85.
3. Locate the battery. See the system board illustration for your machine type at “Identifying parts on the system board” on page 86.
4. If necessary, remove any adapters that impede access to the battery. See “Replacing a PCI adapter” on page 92 for more information.
5. Remove the old battery.



6. Install the new battery.



7. Replace any adapters that were removed to gain access to the battery. See “Replacing a PCI adapter” on page 92 for instructions for replacing adapters.

**Note:** When the computer is turned on for the first time after battery replacement, an error message might be displayed. This is normal after replacing the battery.

8. Go to “Completing the FRU replacement” on page 116.

---

## Replacing the power supply

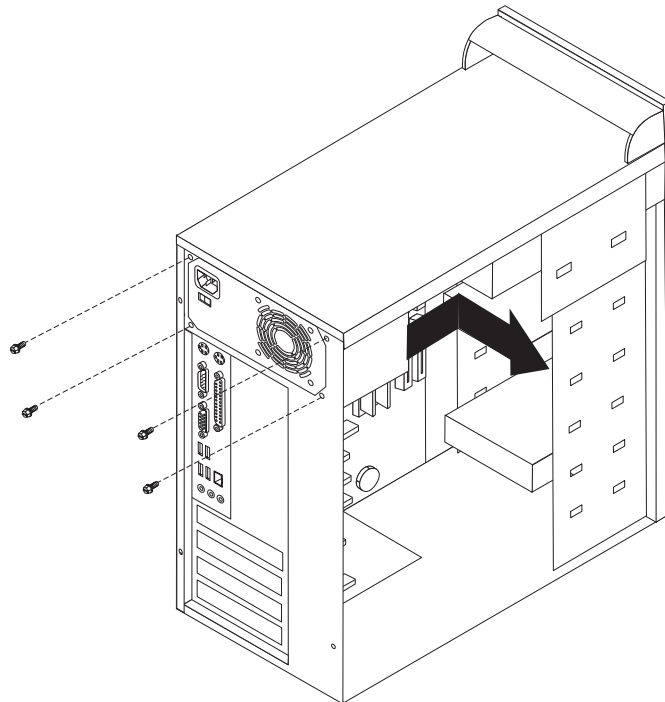
### Attention

Never remove the cover on a power supply or any part that has the following label attached.



Hazardous voltage, current, and energy levels are present inside any component that has this label attached. There are no servicable parts inside these components.

1. Remove the left-side cover. See “Removing the covers” on page 85.
2. Disconnect all power supply cables from the drives.
3. Disconnect all power supply cables from the system board. See the system board illustration for your machine type at “Identifying parts on the system board” on page 86.
4. At the rear of the chassis, remove the four screws that secure the power supply.



5. Lift the power supply out of the chassis.
6. Install the new power supply and insert the four screws that hold the power supply in place.
7. Reconnect all power supply cables to the system board and the drives. Make sure the cables are correctly routed. See the system board illustration for your machine type at “Identifying parts on the system board” on page 86.
8. Go to “Completing the FRU replacement” on page 116.

---

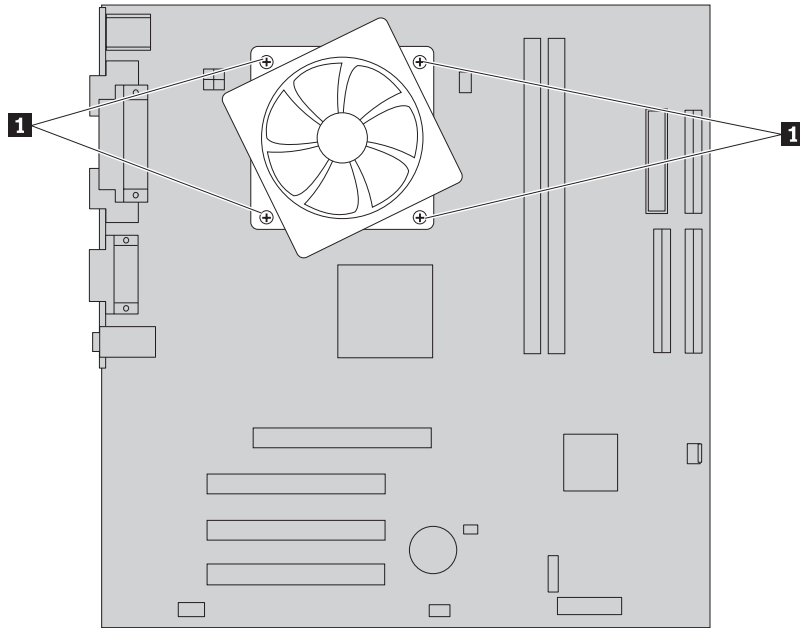
## Replacing the system board

The procedure for replacing the system board is different depending on the machine type of the computer.

**Note:** When replacing the system board, a new retention bracket for the microprocessor heat sink is required. Make sure you have a new retention bracket before beginning this procedure.

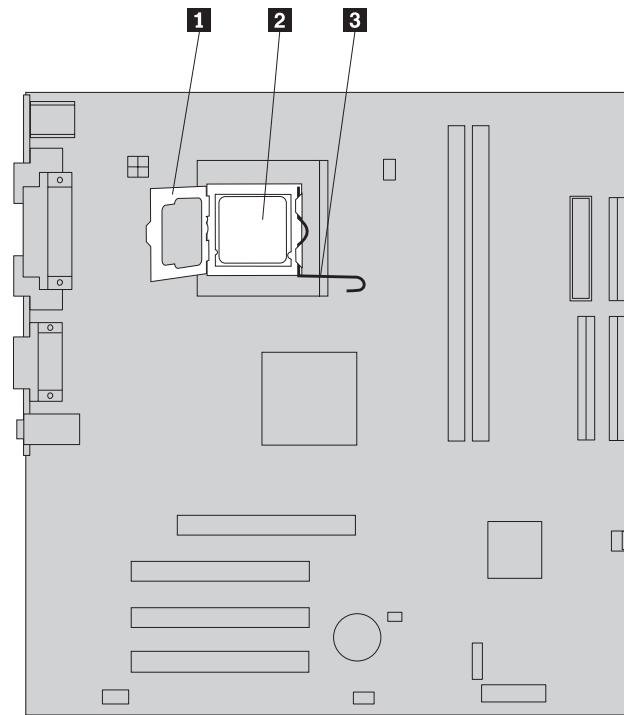
### **Machine types 8290, 8291, 8292, 8469, 8472, 8708, 8709, 8719, 8771, 8772, 8776, 8777, 8817, 9214, 9215, and 9216**

1. Remove the left-side cover. See “Removing the covers” on page 85.
2. Place the computer on its right side to help make the system board more accessible.
3. Remove any adapter cards installed in the PCI connectors. See “Replacing a PCI adapter” on page 92.
4. Carefully take note of the location of all cable connections on the system board and disconnect all cables. See the system board illustration for your machine type at “Identifying parts on the system board” on page 86.
5. Remove the screws that secure the system board to the chassis.
6. Lift the system board out of the chassis.
7. Remove the memory modules from the failing system board and install them in the same location on the new system board.
8. Disconnect the heat sink and fan assembly cable from the system board. See the system board illustration for your machine type at “Identifying parts on the system board” on page 86.
9. Remove the four screws **1** securing the heat sink and fan assembly to the system board.



10. Lift the heat sink and fan assembly off the failing system board.

11. To remove the microprocessor **2** from the system board, lift the small handle **3** and open the retainer **1**.

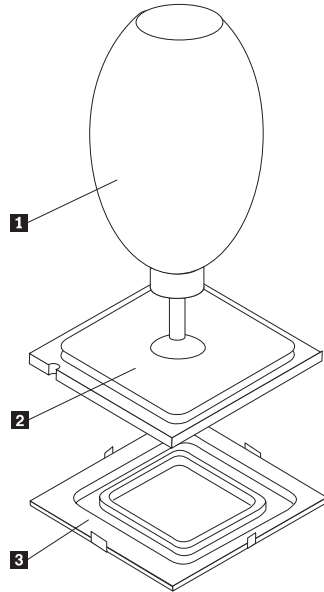


- Using the vacuum pen **1**, remove the microprocessor from the system board socket by lifting it straight up and out of the socket.

**Important**

Do not touch the gold contacts on the bottom of the microprocessor. If you must touch the microprocessor, touch only the sides.

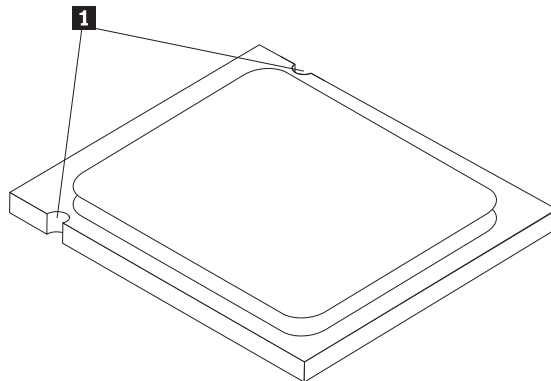
**Note:** The protective cover **3** is not used unless you are installing a new microprocessor.



**Attention:**

Do not drop anything onto the microprocessor socket while it is exposed. The socket pins must be kept as clean as possible.

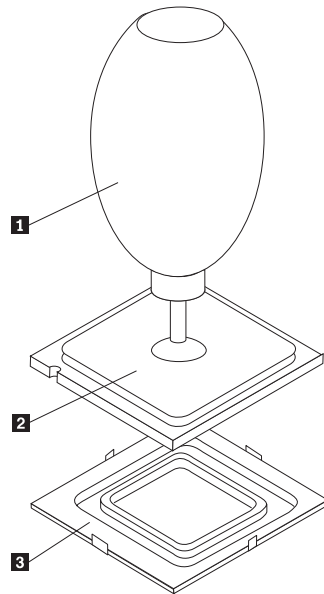
- To install the microprocessor on the new system board, position the microprocessor so that the notches **1** are aligned with the corresponding tabs in the socket.



- Make sure that the microprocessor retainer is fully open.



- Using the vacuum pen **1** to pick up the microprocessor, lower the microprocessor straight down into the socket.

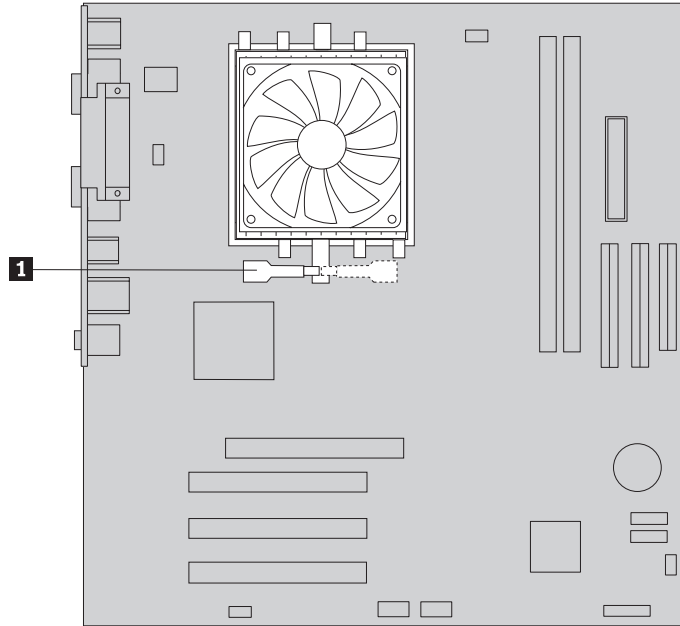


- Lower the microprocessor retainer.
- Lock the retainer with the small handle to secure the microprocessor in the socket.
- Install a new retention bracket for the heat sink by aligning the posts on the bracket with the holes in the system board and pushing the posts through the holes until the retention bracket is secure.
- Install the heat sink and fan assembly on the system board.
- Connect the heat sink and fan assembly cable to the new system board. See the system board illustration for your machine type at “Identifying parts on the system board” on page 86.
- Install the new system board into the chassis and align the screw holes with those in the chassis. Insert and tighten the screws that secure the system board.
- Connect all cables to the system board. See the system board illustration for your machine type at “Identifying parts on the system board” on page 86.
- Go to “Completing the FRU replacement” on page 116.

### **Machine types 8463, 8464, 8465, 8712, and 8713**

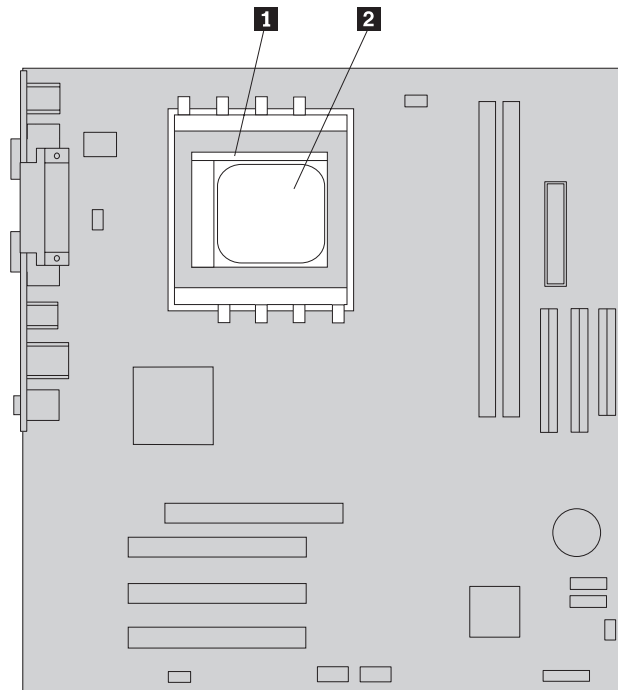
- Remove only the left-side cover. See “Removing the covers” on page 85.
- Place the computer on its right side to help make the system board more accessible.
- Remove any adapter cards installed in the PCI connectors. See “Replacing a PCI adapter” on page 92.
- Carefully take note of the location of all cable connections on the system board and disconnect all cables. See the system board illustration for your machine type at “Identifying parts on the system board” on page 86.
- Remove the screws that secure the system board to the chassis.
- Lift the system board out of the chassis.
- Remove the memory modules from the failing system board and install them in the same location on the new system board.

8. Disconnect the heat sink and fan assembly cable from the system board. See the system board illustration for your machine type at "Identifying parts on the system board" on page 86.
9. Rotate handle **1** to release the heat sink clamp and then disengage the clamp from the plastic retention bracket.



10. Lift the heat sink and fan assembly off the failing system board. Place the heat sink on its side so that the thermal grease does not come in contact with anything.

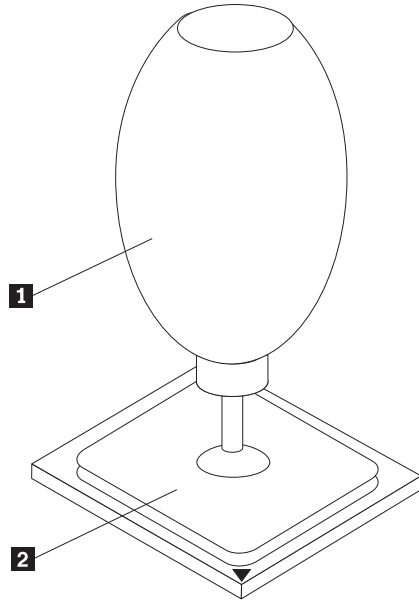
11. To release the microprocessor **2** from the system board socket, lift the small handle **1**.



- Using the vacuum pen **1**, remove the microprocessor **2** from the system board socket by lifting it straight up and out of the socket.

**Important**

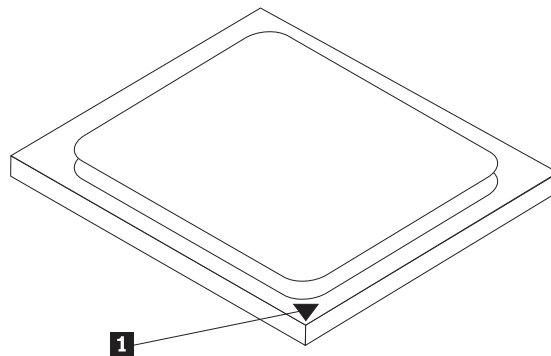
Do not touch the gold contacts on the bottom of the microprocessor. If you must touch the microprocessor, touch only the sides.



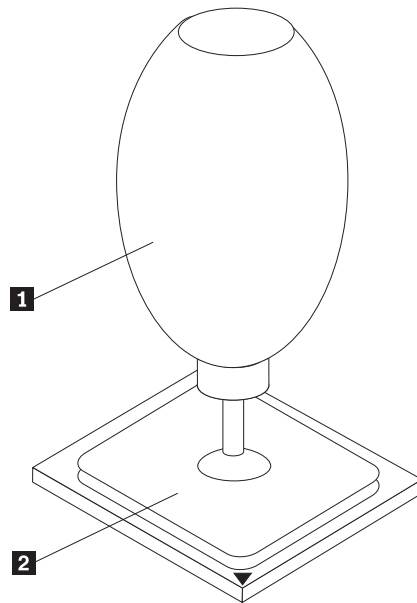
**Attention:**

Do not drop anything onto the microprocessor socket while it is exposed. The socket pins must be kept as clean as possible.

- To install the microprocessor on the new system board, position the microprocessor so that the small triangle **1** on one corner is aligned with the corresponding triangle on the socket.



- Make sure that the small handle is in the raised position.
- Using the vacuum pen **1** to pick up the microprocessor, lower the microprocessor straight down into the socket.



16. Lower the small handle to secure the microprocessor in the socket.
17. Install a new retention bracket for the heat sink by aligning the posts on the bracket with the holes in the system board and pushing the posts through the holes until the retention bracket is secure.
18. Connect the heat sink and fan assembly cable to the system board. See the system board illustration for your machine type at “Identifying parts on the system board” on page 86.
19. Install the new system board into the chassis and align the screw holes with those in the chassis. Insert and tighten the screws that secure the system board.
20. Connect all cables to the system board. See the system board illustration for your machine type at “Identifying parts on the system board” on page 86.
21. Go to “Completing the FRU replacement” on page 116.

---

## Replacing the microprocessor

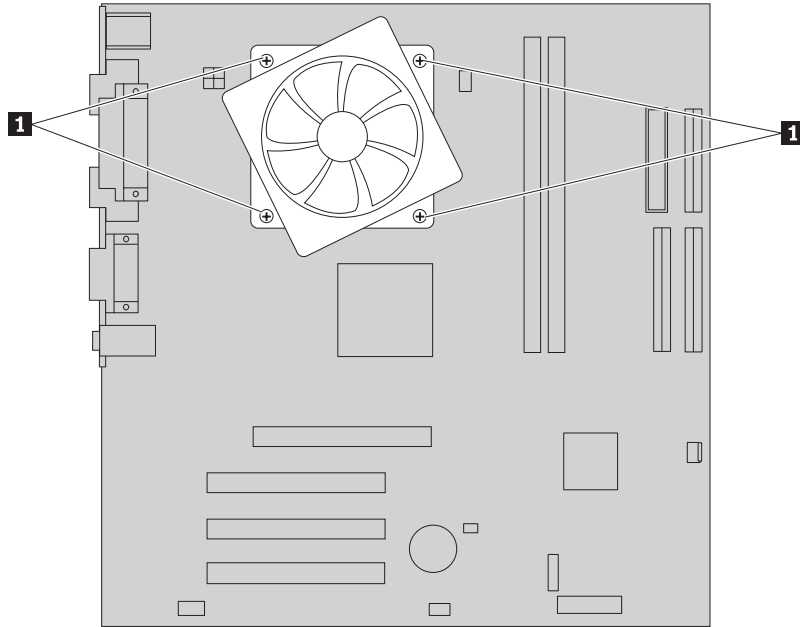
The procedure for replacing the microprocessor is different depending on the machine type of the computer.

### **Machine types 8290, 8291, 8292, 8469, 8472, 8708, 8709, 8719, 8771, 8772, 8776, 8777, 8817, 9214, 9215, and 9216**

**Note:** The new microprocessor is shipped with a new heat sink. Make sure to use the new heat sink when installing the new microprocessor.

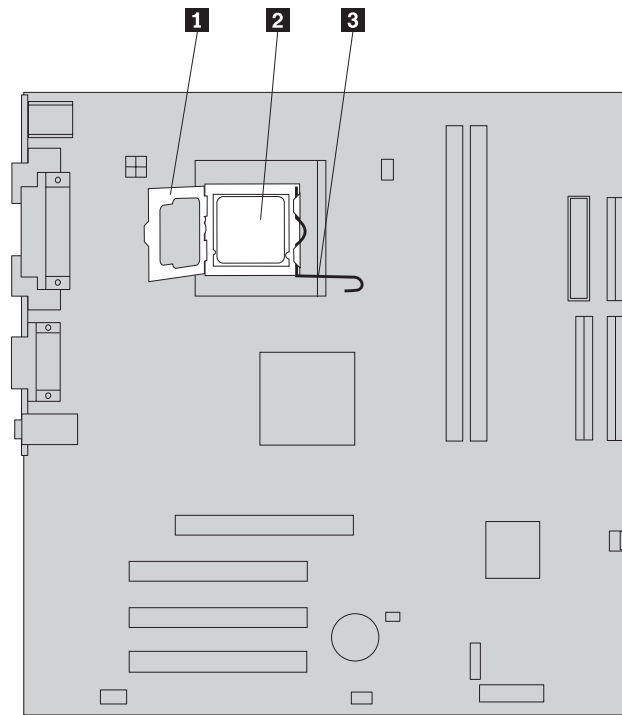
1. Remove the left-side cover. See “Removing the covers” on page 85.
2. Place the computer on its right side to help make the microprocessor more accessible.
3. Disconnect the heat sink and fan assembly cable from the system board. See the system board illustration for your machine type at “Identifying parts on the system board” on page 86.

4. Remove the four screws securing the heat sink and fan assembly to the system board. Notice that there is a retention bracket on the back side of the system board.



5. Lift the heat sink and fan assembly off the failing system board. Place the heat sink on its side so that the thermal grease does not come in contact with anything.

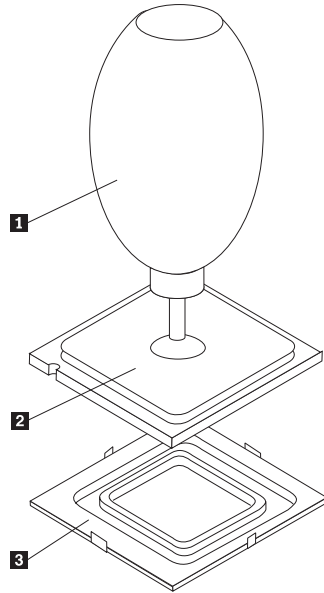
6. To remove the microprocessor **2** from the failing system board, lift the small handle **3** and open the retainer **1**.



- Using the vacuum pen **1**, remove the microprocessor from the system board socket by lifting it straight up and out of the socket.

**Important**

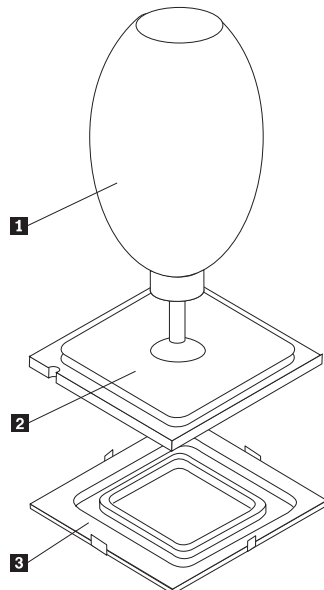
Do not touch the gold contacts on the bottom of the microprocessor. If you must touch the microprocessor, touch only the sides.



**Attention:**

Do not drop anything onto the microprocessor socket while it is exposed. The socket pins must be kept as clean as possible.

- Make sure that the microprocessor retainer is fully open.
- Loosen the protective cover **3** that protects the gold contacts on the new microprocessor **2** but do not remove it. Use the vacuum pen **1** to pick up the microprocessor then completely remove the cover.

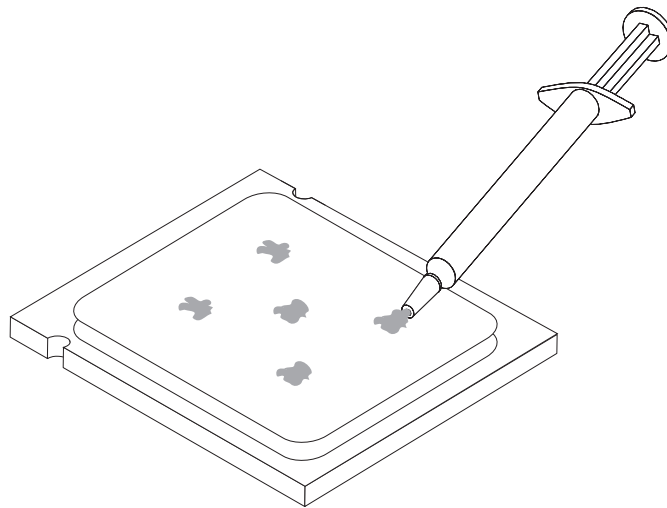




10. Position the microprocessor so that the notches on the microprocessor are aligned with the tabs in the microprocessor socket.
11. Using the vacuum pen, lower the microprocessor straight down into the microprocessor socket.

**Note:** Install the black protective cover that was removed from the new microprocessor onto the defective microprocessor after the installation is complete.

12. Lower the microprocessor retainer.
13. Lock the retainer with the small handle to secure the microprocessor in the socket.
14. Use the thermal grease syringe to place five drops of grease on the top of the microprocessor. Each drop of grease should be 0.03ml (3 tick marks on the grease syringe).

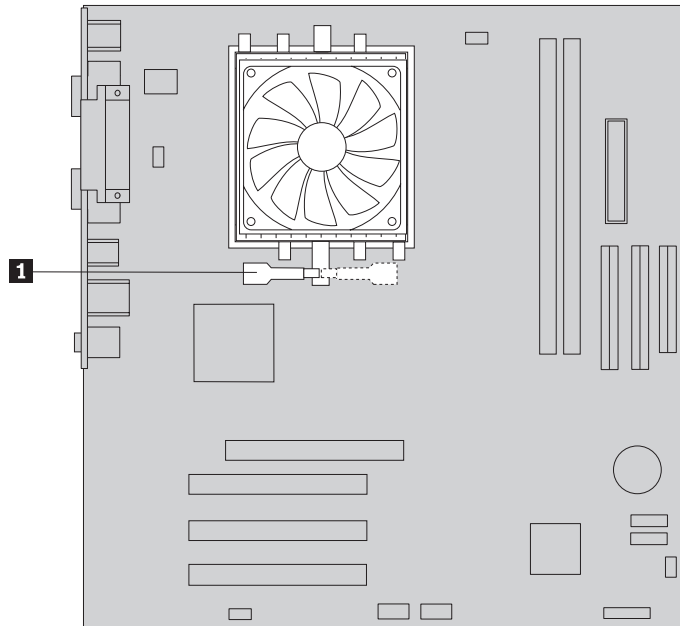


15. Install the heat sink and fan assembly on the system board.
16. Connect the heat sink and fan assembly cable to the system board. See the system board illustration for your machine type at “Identifying parts on the system board” on page 86.
17. Go to “Completing the FRU replacement” on page 116.

### **Machine types 8463, 8464, 8465, 8712, and 8713**

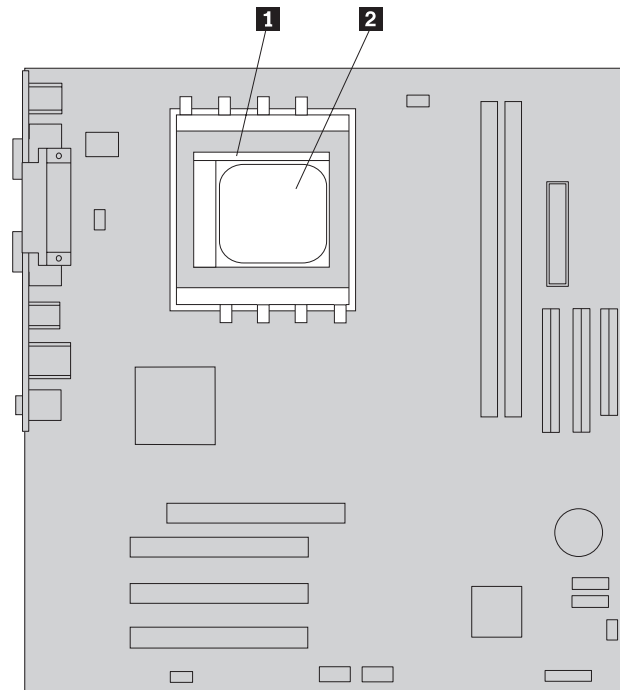
1. Remove the left-side cover. See “Removing the covers” on page 85.
2. Place the computer on its right side to help make the microprocessor more accessible.
3. Disconnect the heat sink and fan assembly cable from the system board. See the system board illustration for your machine type at “Identifying parts on the system board” on page 86.

4. Rotate handle **1** to release the heat sink clamp and then disengage the clamp from the plastic retention bracket.



5. Lift the heat sink and fan assembly off the failing system board. Place the heat sink on its side so that the thermal grease does not come in contact with anything.

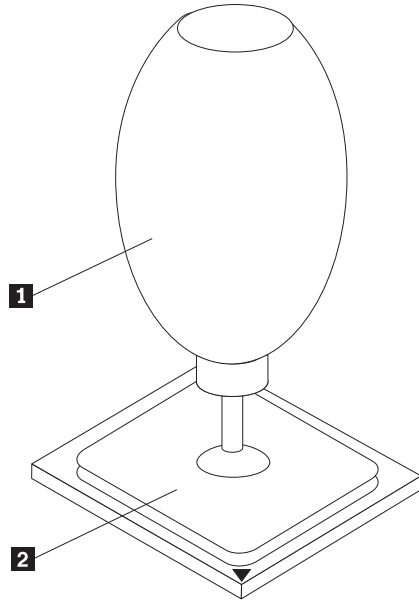
6. To release the microprocessor **2** from the system board socket, lift the small handle **1**.



- Using the vacuum pen **1**, remove the microprocessor **2** from the system board socket by lifting it straight up and out of the socket.

**Important**

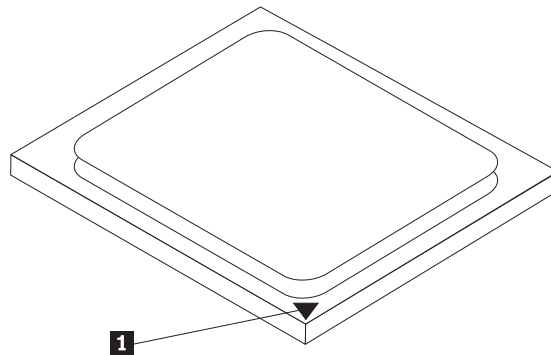
Do not touch the gold contacts on the bottom of the microprocessor. If you must touch the microprocessor, touch only the sides.



**Attention:**

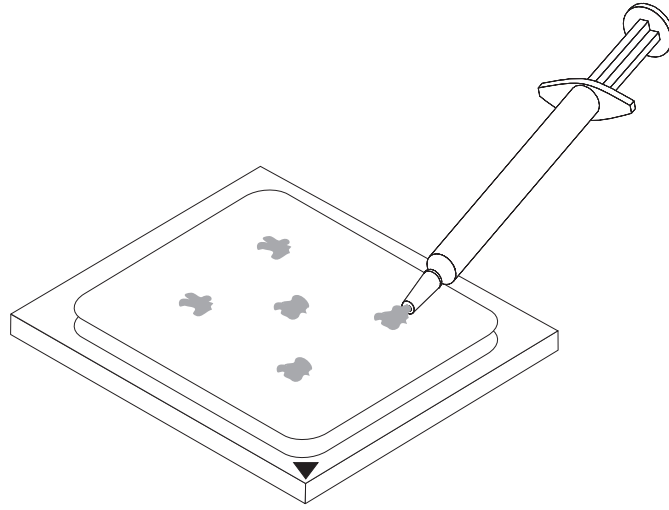
Do not drop anything onto the microprocessor socket while it is exposed. The socket pins must be kept as clean as possible.

- Make sure that the small handle is in the raised position.
- Use the vacuum pen **1** to pick up the microprocessor.
- Position the microprocessor so that the small triangle on one corner is aligned with the corresponding triangle on the microprocessor socket.



- Using the vacuum pen, lower the microprocessor straight down into the microprocessor socket.
- Lower the small handle to secure the microprocessor in the socket.

13. Use the thermal grease syringe to place five drops of grease on the top of the microprocessor. Each drop of grease should be 0.03ml (3 tick marks on the grease syringe).

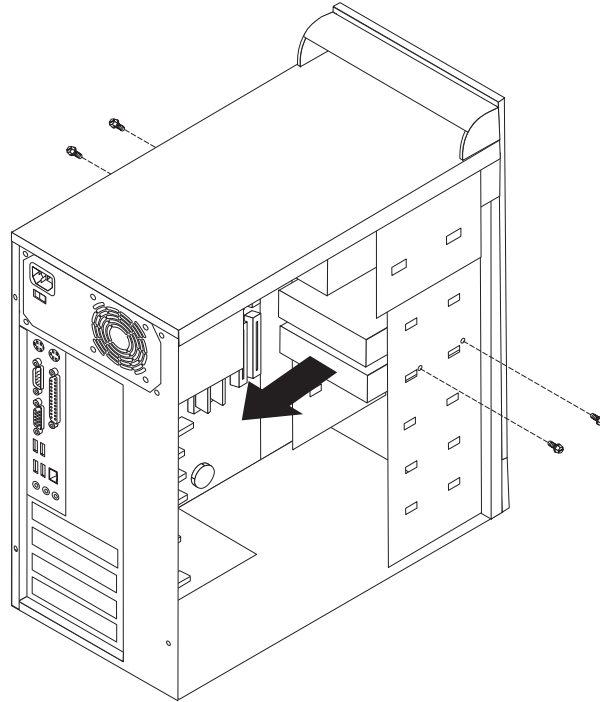


14. Install the heat sink and fan assembly on the system board.
15. Connect the heat sink and fan assembly cable to the system board. See the system board illustration for your machine type at “Identifying parts on the system board” on page 86.
16. Go to “Completing the FRU replacement” on page 116.

---

## Replacing the primary hard disk drive

1. Remove the left-side and right-side covers. See “Removing the covers” on page 85.
2. Disconnect the signal and power cables from the rear of the hard disk drive.
3. Remove the two screws that secure the drive on each side.

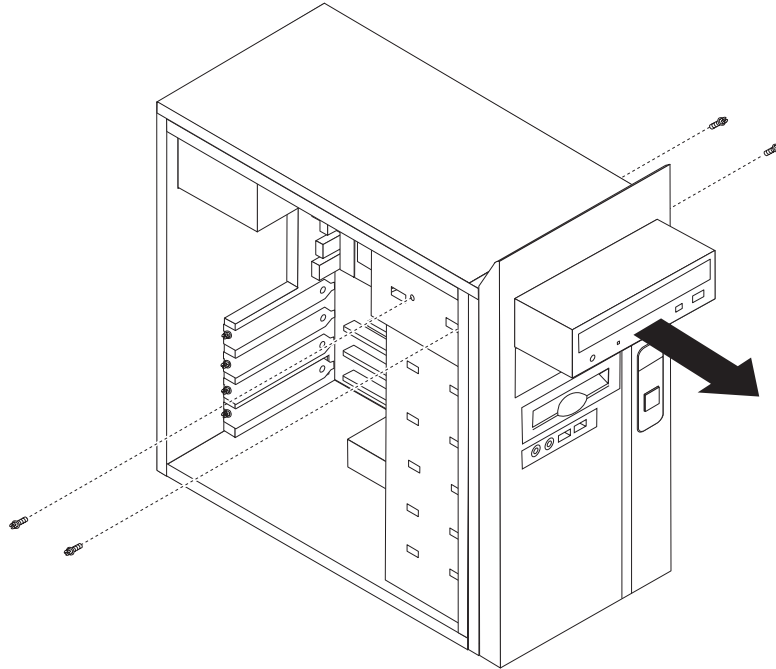


4. Slide the drive toward the rear of the chassis until it can be removed.
5. If the drive you are replacing has jumpers on the rear, make sure the jumpers on the new drive are in the same exact position as on the drive being replaced.
6. Slide the new drive into the bay until the screws holes on each side are aligned and install two screws in each side of the drive.
7. Reconnect the signal and power cables to the rear of the hard disk drive.
8. Go to “Completing the FRU replacement” on page 116.

---

## Replacing an optical drive

1. Remove the left-side and right-side covers. See “Removing the covers” on page 85.
2. Disconnect the power cable and signal cable from the optical drive.
3. Remove the two screws that secure the drive on each side.



4. Slide the drive being replaced out the front of the computer.
5. If the drive you are replacing has jumpers on the rear, make sure the jumpers on the new drive are in the same exact position as on the drive being replaced.
6. Slide the new drive into the bay until the screws holes on each side are aligned and install two screws in each side of the drive.
7. Reconnect the power cable and signal cable to the new optical drive.
8. Go to “Completing the FRU replacement” on page 116.

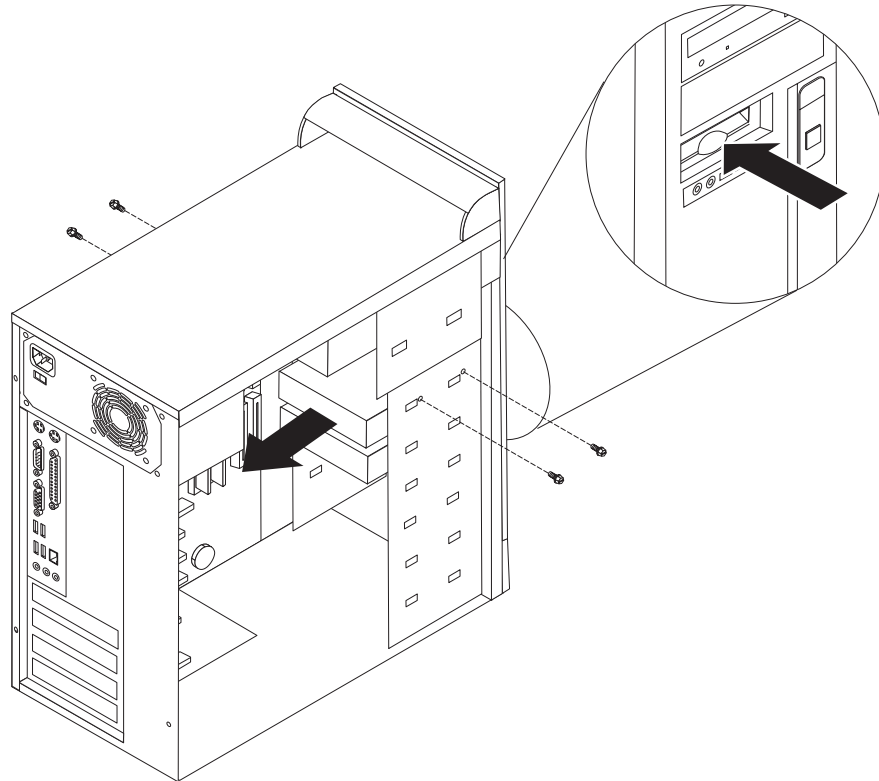
---

## Replacing the diskette drive

1. Remove the left-side and right-side covers. See “Removing the covers” on page 85.
2. Disconnect the signal and power cables from the rear of the hard disk drive.

**Note:** You will probably have to disconnect cables that are connected to the system board and other drives to allow the diskette drive to be removed from inside the chassis.

3. Remove the two screws that secure the drive on each side.



4. Slide the drive toward the rear of the chassis until it can be removed.
5. Slide the new drive into the bay until the screws holes on each side are aligned and install two screws in each side of the drive.
6. Reconnect all signal and power cables that were disconnected. See the system board illustration for your machine type at “Identifying parts on the system board” on page 86.
7. Go to “Completing the FRU replacement” on page 116.



---

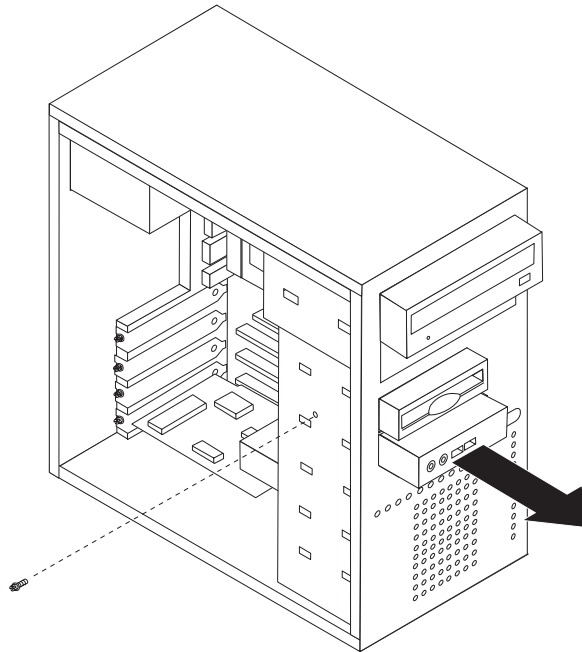
## Replacing the power switch/ LED assembly

1. Remove the front bezel. See “Removing and replacing the front bezel” on page 91.
2. Disconnect the power switch/LED assembly cable from the system board. See the system board illustration for your machine type at “Identifying parts on the system board” on page 86.
3. Remove the power switch/LED assembly by disconnecting it from the inside of the bezel.
4. Install the new power switch/LED assembly into the bezel.
5. Route the cable for the new power switch/LED assembly through the hole in the chassis and to the system board.
6. Reinstall the bezel. See “Removing and replacing the front bezel” on page 91.
7. Reconnect the power switch/LED cable to the system board.
8. Go to “Completing the FRU replacement” on page 116.

---

## Replacing the front panel card

1. Remove the front bezel. See “Removing and replacing the front bezel” on page 91.
2. Disconnect the front USB cable and the front audio cable from the system board. See “Identifying parts on the system board” on page 86
3. Remove the screw on each side of the chassis that secures the front panel bracket.



4. Slide the front panel bracket out the front of the chassis.
5. Disconnect the front USB cable and the front audio cable from the front panel card being replaced.
6. Connect the front USB cable and the front audio cable to the new front panel card.
7. Slide the new front panel bracket into the chassis until the screw holes are aligned.
8. Install the screw on each side of the chassis that secures the front panel bracket.
9. Reinstall the bezel. See “Removing and replacing the front bezel” on page 91.
10. Connect the front USB cable and the front audio cable to the system board. See the system board illustration for your machine type at “Identifying parts on the system board” on page 86.
11. Go to “Completing the FRU replacement.”

---

## Completing the FRU replacement

After replacing FRUs, you need to install any removed parts, replace the cover, and reconnect any cables, including telephone lines and power cords. Also, depending on the FRU that is replaced, you might need to confirm the updated information in the Setup Utility program.

**Note:** When the power cord is first plugged in, the computer might appear to turn on for a few seconds and then turn off. This is a normal sequence to enable the computer to initialize.

1. Ensure that all components have been reassembled correctly and that no tools or loose screws are left inside your computer.
2. Replace the covers that were removed and secure them with the thumb screws.
3. Reconnect the external cables and power cords to the computer. See “Rear connectors” on page 84.
4. If you have replaced the system board, you must update (flash) the BIOS. See “Flash update procedures” on page 337.
5. Some FRU replacements require the configuration to be updated. See Chapter 6, “Using the Setup Utility,” on page 49.



---

## Chapter 9. Replacing FRUs (Desktop computers)

Use this chapter to replace FRUs in the following machine types: 8293, 8294, 8295, 8466, 8467, 8468, 8473, 8474, 8710, 8711, 8714, 8715, 8773, 8774, 8778, 8779, 8818, 8819, 9217, 9218, and 9219.

**Important**

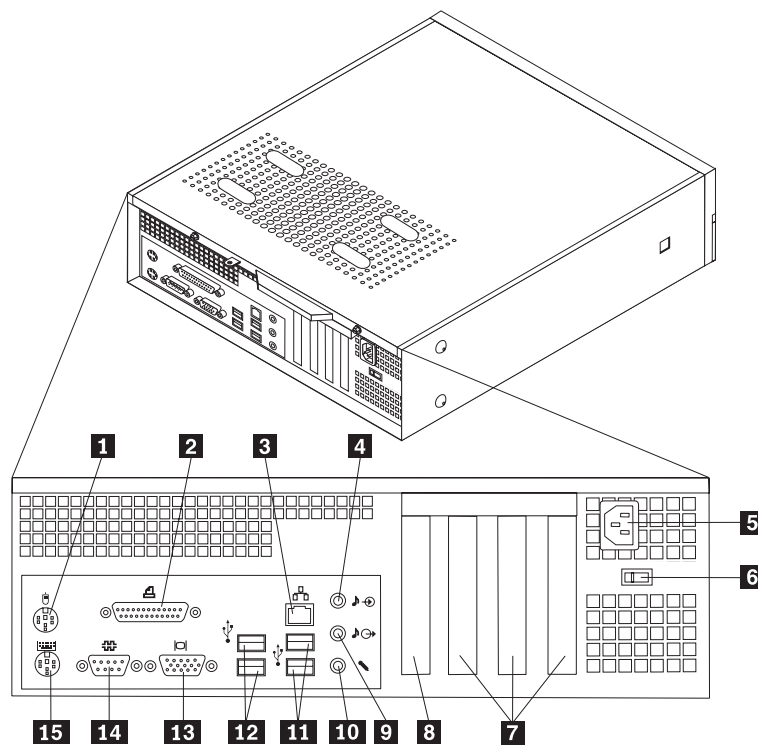
Before you replace any FRU, read Chapter 2, "Safety information," on page 3. These precautions and guidelines will help you work safely.

FRU replacements are to be done by trained service technicians only.

This chapter does not contain a remove and replace procedure for all FRUs. Only the major FRUs are documented.

## Rear connectors

The following illustration shows the locations of the connectors on the rear of the computer.



- |          |   |           |                             |
|----------|---|-----------|-----------------------------|
| <b>1</b> | Standard mouse connector  | <b>9</b>  | Audio line out connector    |
| <b>2</b> | Parallel connector  | <b>10</b> | Microphone connector        |
| <b>3</b> | Ethernet connector  | <b>11</b> | USB connectors              |
| <b>4</b> | Audio line in connector   | <b>12</b> | USB connectors              |
| <b>5</b> | Power cord connector  | <b>13</b> | VGA monitor connector       |
| <b>6</b> | Voltage selection switch (some models)                          | <b>14</b> | Serial connector            |
| <b>7</b> | PCI adapter connectors  | <b>15</b> | Standard keyboard connector |
| <b>8</b> | AGP or PCI Express x16 graphics adapter connector (some models) |           |                             |

---

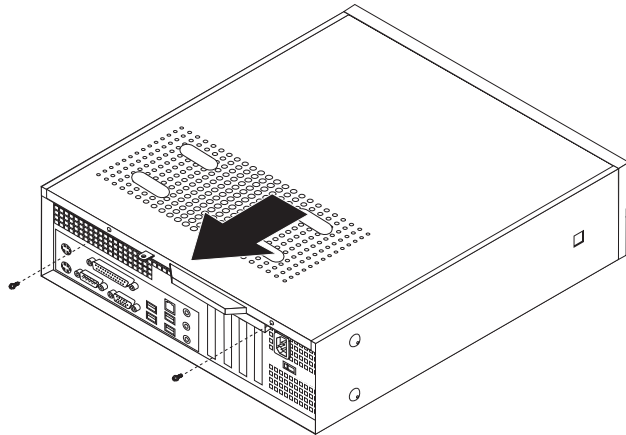
## Removing the cover

### Important

Read Chapter 2, “Safety information,” on page 3 and “Handling electrostatic discharge-sensitive devices” on page 6 before opening the cover.

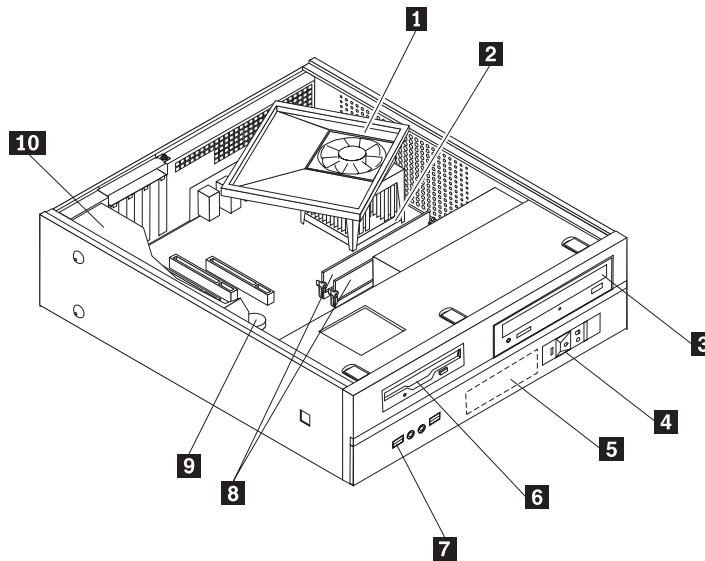
To remove the computer cover:

1. Remove any media (diskettes, CDs, or tapes) from the drives, shut down the operating system, and turn off all attached devices.
2. Unplug all power cords from electrical outlets.
3. Disconnect all cables attached to the computer. This includes power cords, input/output (I/O) cables, and any other cables that are connected to the computer.
4. Remove any locking devices such as a padlock that secure the cover.
5. Remove the two screws at the rear of the computer cover and slide the cover to the rear.



## Locations

The following illustration will help you locate the major FRUs in the computer.



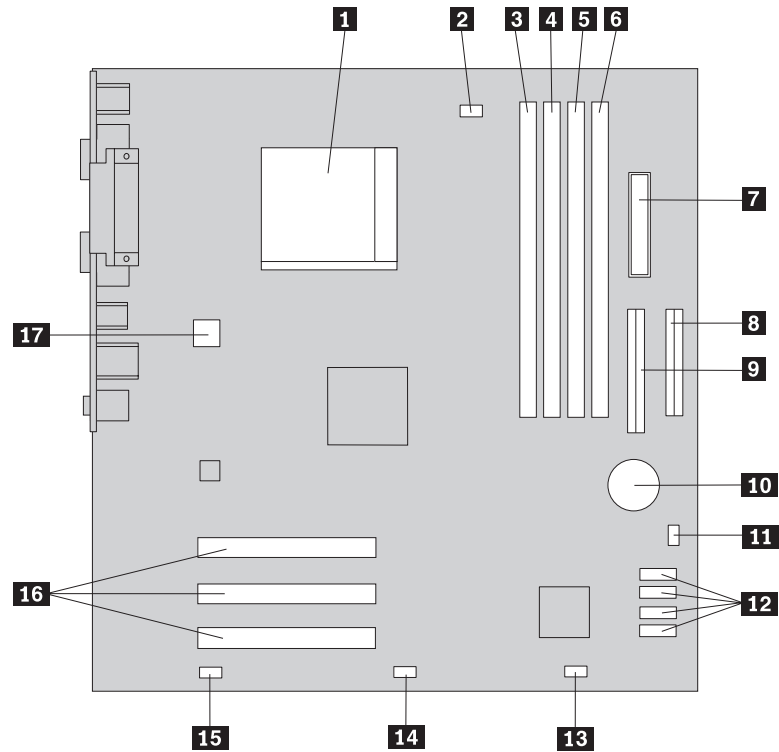
- |   |                           |
|---|---------------------------|
| <b>1</b> Fan plenum, fan, and heat sink | <b>6</b> Diskette drive   |
| <b>2</b> Microprocessor                 | <b>7</b> Front panel card |
| <b>3</b> Optical drive                  | <b>8</b> Memory modules   |
| <b>4</b> Power switch/LED assembly      | <b>9</b> System board     |
| <b>5</b> Hard disk drive                | <b>10</b> Power supply    |



## Identifying parts on the system board

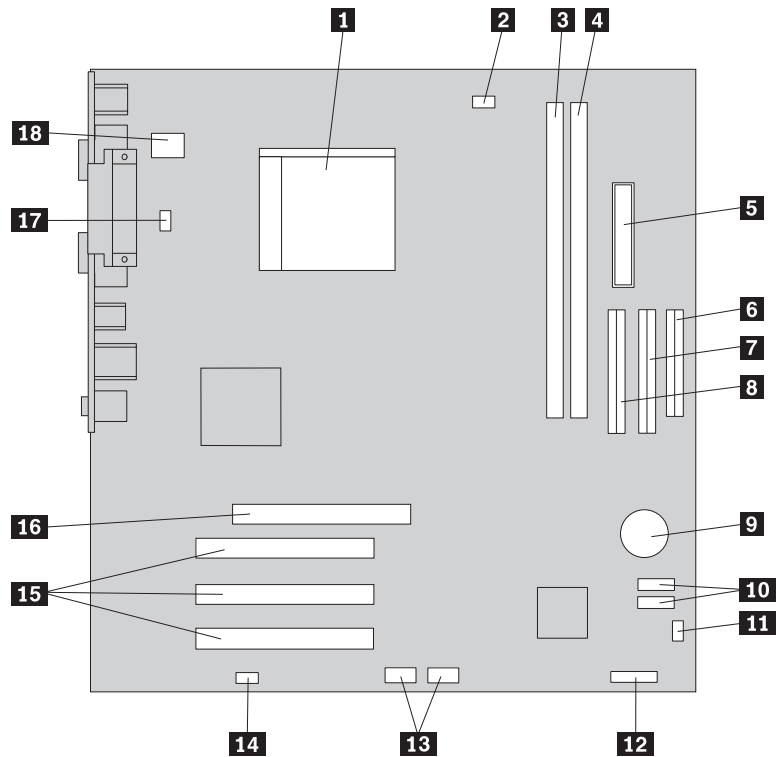
The machine types supported by this maintenance manual include several different system boards. Locate the appropriate machine type in one of the following sections.

### Machine types 8293, 8294, and 8295



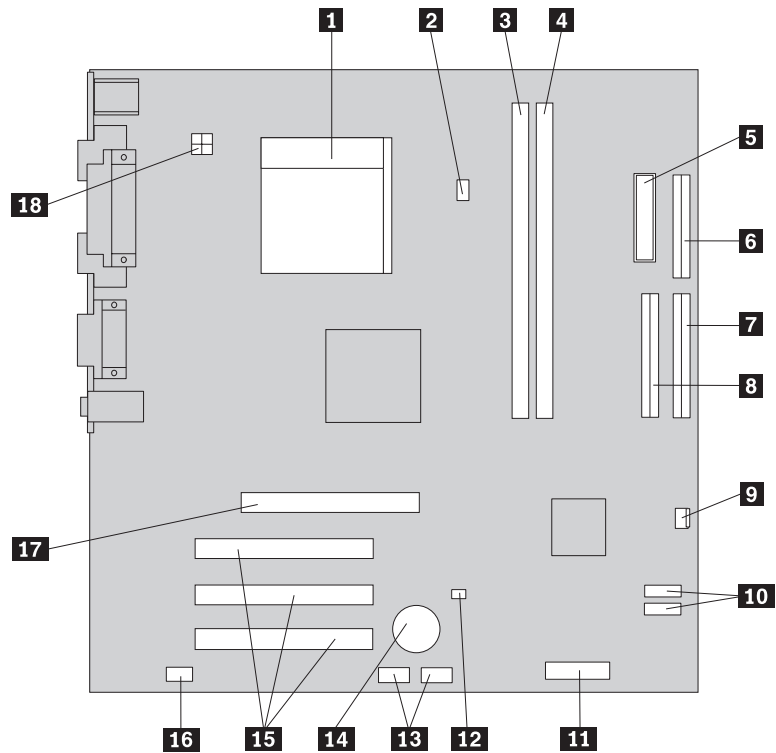
- |                                   |                                      |
|-----------------------------------|--------------------------------------|
| <b>1</b> Microprocessor           | <b>10</b> CMOS Battery               |
| <b>2</b> Fan connector            | <b>11</b> Clear CMOS/Recovery jumper |
| <b>3</b> Memory connector 1       | <b>12</b> Serial ATA connectors (4)  |
| <b>4</b> Memory connector 2       | <b>13</b> Power switch/LED connector |
| <b>5</b> Memory connector 3       | <b>14</b> Front USB connector        |
| <b>6</b> Memory connector 4       | <b>15</b> Front Audio connector      |
| <b>7</b> Power supply connector   | <b>16</b> PCI connectors             |
| <b>8</b> Diskette drive connector | <b>17</b> 12V power connector        |
| <b>9</b> Primary IDE connector    |                                      |

## Machine types 8466, 8467, 8468, 8714, and 8715



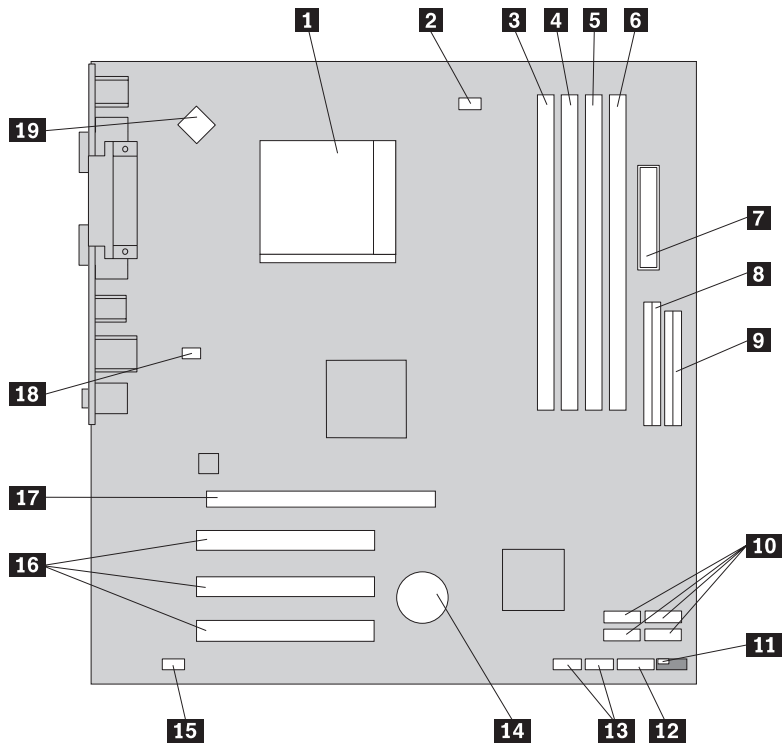
- |                                       |                                      |
|---------------------------------------|--------------------------------------|
| <b>1</b> Microprocessor and heat sink | <b>10</b> Serial ATA IDE connectors  |
| <b>2</b> Heat sink fan connector      | <b>11</b> Clear CMOS/Recovery jumper |
| <b>3</b> Memory connector 1           | <b>12</b> Power switch/LED connector |
| <b>4</b> Memory connector 2           | <b>13</b> Front USB connectors       |
| <b>5</b> Power connector              | <b>14</b> Front audio connector      |
| <b>6</b> Diskette drive connector     | <b>15</b> PCI connectors             |
| <b>7</b> PATA secondary IDE connector | <b>16</b> AGP adapter connector      |
| <b>8</b> PATA primary IDE connector   | <b>17</b> System fan connector       |
| <b>9</b> CMOS battery                 | <b>18</b> 12V power connector        |

## Machine types 8473, 8773, 8774, 8818, 8819, 9217, 9218, and 9219



- |   |                                      |
|---|--------------------------------------|
| <b>1</b> Microprocessor and heat sink       | <b>11</b> Power switch/LED connector |
| <b>2</b> Heat sink fan connector            | <b>12</b> Clear CMOS/Recovery jumper |
| <b>3</b> Memory connector 1                 | <b>13</b> Front USB connectors       |
| <b>4</b> Memory connector 2                 | <b>14</b> CMOS battery               |
| <b>5</b> Power supply connector             | <b>15</b> PCI connectors             |
| <b>6</b> Diskette drive connector           | <b>16</b> Front audio connector      |
| <b>7</b> PATA primary IDE connector         | <b>17</b> AGP adapter connector      |
| <b>8</b> PATA secondary IDE connector       | <b>18</b> 12V power connector        |
| <b>9</b> System fan connector               |                                      |
| <b>10</b> SATA IDE connectors (some models) |                                      |

## Machine types 8474, 8710, 8711, 8778, and 8779



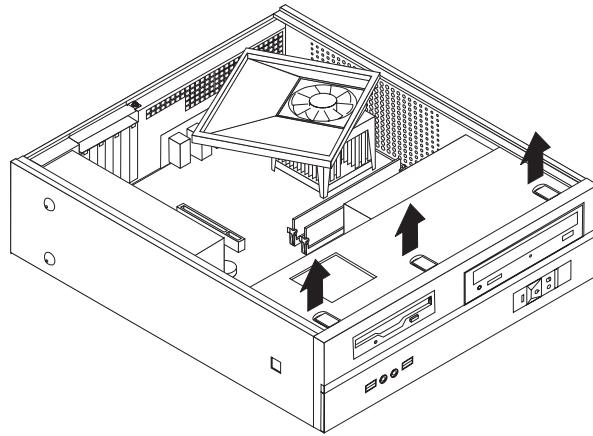
- |           |                              |           |  |
|-----------|------------------------------|-----------|--|
| <b>1</b>  | Microprocessor and heat sink | <b>11</b> | Clear CMOS/Recovery jumper                               |
| <b>2</b>  | Heat sink fan connector      | <b>12</b> | Front panel connector                                    |
| <b>3</b>  | Memory connector 1           | <b>13</b> | Front USB connectors (2)                                 |
| <b>4</b>  | Memory connector 2           | <b>14</b> | CMOS battery   |
| <b>5</b>  | Memory connector 3           | <b>15</b> | Front audio connectors                                   |
| <b>6</b>  | Memory connector 4           | <b>16</b> | PCI adapter connector                                    |
| <b>7</b>  | Power connector              | <b>17</b> | PCI Express x16 graphics adapter connector (some models) |
| <b>8</b>  | IDE connector                | <b>18</b> | System fan connector                                     |
| <b>9</b>  | Diskette drive connector     | <b>19</b> | 12V power connector                                      |
| <b>10</b> | SATA IDE connectors (4)      |           |  |

---

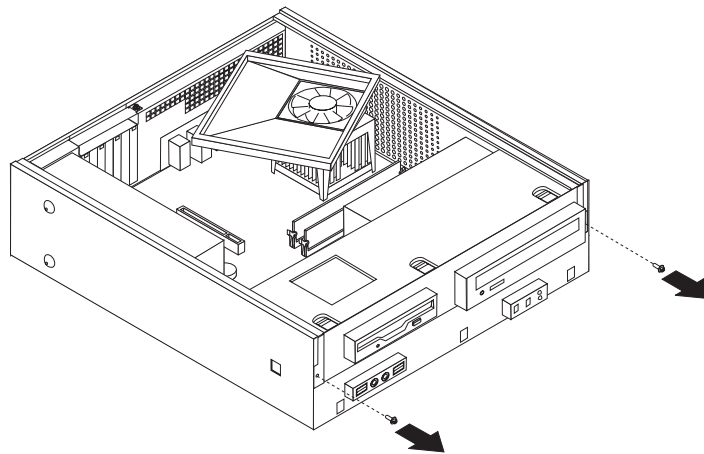
## Removing and replacing the drive bay assembly

You will need to remove the drive bay assembly to access some FRUs.

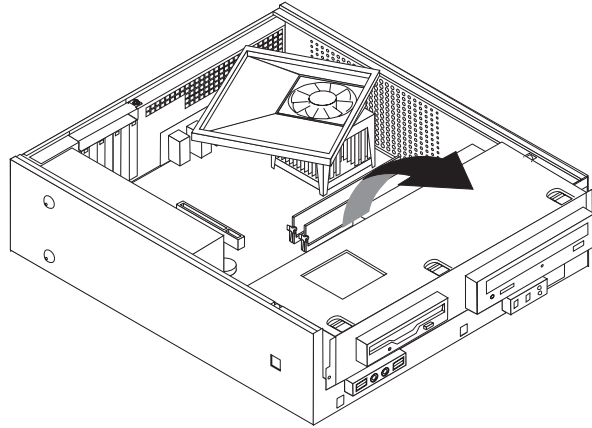
1. Remove the computer cover. See “Removing the cover” on page 121.
2. Remove the front bezel by releasing the three tabs and pivoting the top of the bezel outward.



3. Remove the two screws at the front of the chassis securing the drive bay assembly.



- Slide the drive bay assembly forward until it stops. Disconnect the power supply and signal cables from the drives. Pivot the rear of the drive bay assembly upward to remove it completely from the computer.



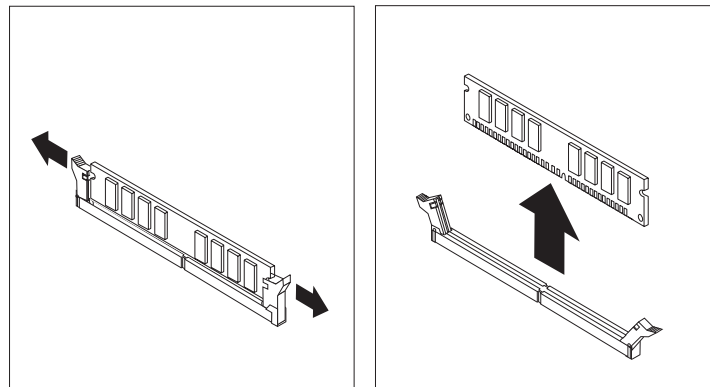
**Note:** To allow easier access to the cables, lift the fan plenum off the heat sink. See “Locations” on page 122.

- Reverse this procedure to replace the drive bay assembly and bezel.

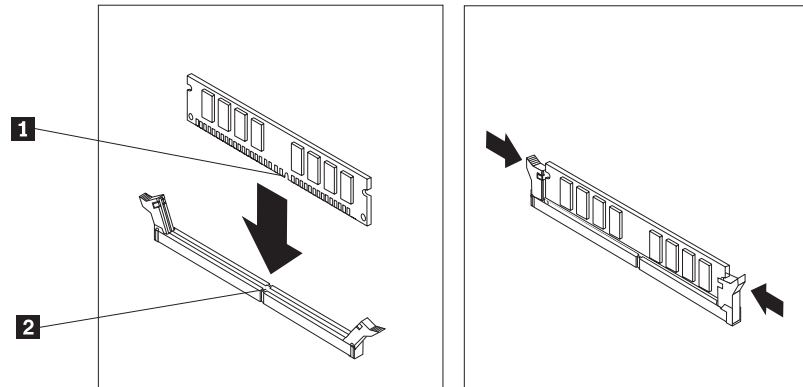
---

## Replacing a memory module

- Remove the cover. See “Removing the cover” on page 121.
- Remove the drive bay assembly. See “Removing and replacing the drive bay assembly” on page 127.
- Locate the memory connectors. See the system board illustration for your machine type at “Identifying parts on the system board” on page 123.
- Open the retaining clips and remove the failing memory module.



5. Make sure the notch **1** on the new memory module is aligned correctly with the connector key **2** on the socket. Insert the memory module straight down into the connector until it snaps into position and the retaining clips are closed.

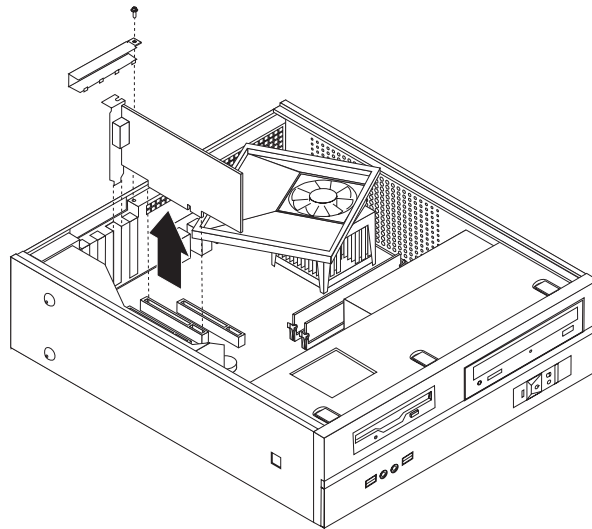


6. Replace the drive bay assembly. See “Removing and replacing the drive bay assembly” on page 127.
7. Go to “Completing the FRU replacement” on page 154.

---

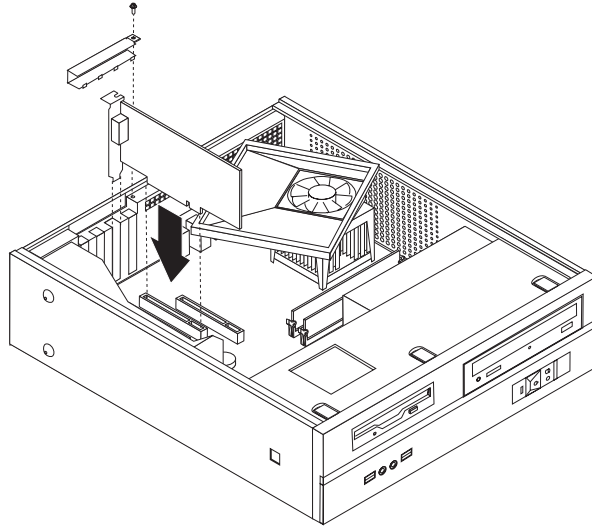
## Replacing a PCI adapter

1. Remove the computer cover. See “Removing the cover” on page 121.
2. Remove the screw that secures the adapter retainer and remove the retainer.



3. Remove the failing adapter.
4. Remove the new adapter from its static-protective package.

5. Install the new adapter into the appropriate connector on the system board.



6. Reinstall the adapter retainer and screw that secures the retainer.
7. Go to “Completing the FRU replacement” on page 154.



---

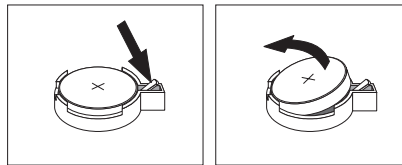
## Replacing the CMOS battery

If the CMOS battery fails, the date, time, and configuration information (including passwords) are lost. An error message is displayed when you turn on the computer.

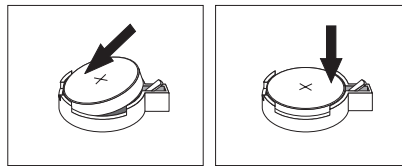
### Important

Refer to “Safety notices (multi-lingual translations)” on page 7 for information about replacing and disposing of the battery.

1. Remove the cover. See “Removing the cover” on page 121.
2. Locate the battery. See the system board illustration for your machine type at “Identifying parts on the system board” on page 123.
3. Depending on the location of the CMOS battery in your computer, you might have to remove the drive bay assembly to access the battery. If necessary, see “Removing and replacing the drive bay assembly” on page 127.
4. If necessary, remove any adapters that impede access to the battery. See “Replacing a PCI adapter” on page 129 for more information.
5. Remove the old battery.



6. Install the new battery.



7. Replace the drive bay assembly if it was removed. See “Removing and replacing the drive bay assembly” on page 127.
8. Replace any adapters that were removed to gain access to the battery. See “Replacing a PCI adapter” on page 129 for more information.

**Note:** When the computer is turned on for the first time after battery replacement, an error message might be displayed. This is normal after replacing the battery.

9. Go to “Completing the FRU replacement” on page 154.

## Replacing the power supply

### Attention

Never remove the cover on a power supply or any part that has the following label attached.

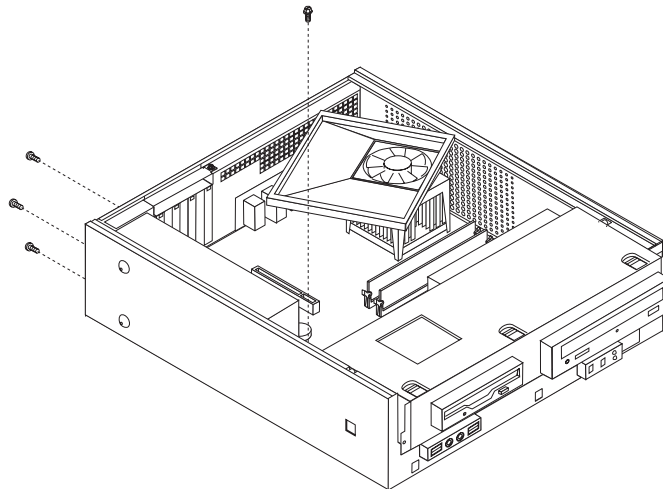


Hazardous voltage, current, and energy levels are present inside any component that has this label attached. There are no serviceable parts inside these components.

1. Remove the cover. See “Removing the cover” on page 121.
2. Remove the drive bay assembly. See “Removing and replacing the drive bay assembly” on page 127.
3. Disconnect all power supply cables from the drives.
4. Disconnect all power supply cables from the system board. See the system board illustration for your machine type at “Identifying parts on the system board” on page 123.
5. Remove the hard disk drive. See “Replacing the hard disk drive” on page 150.
6. The system board must be moved out of the way to remove the power supply. Remove the screws that secure the system board to the chassis and slide the system board away from the power supply.

**Note:** You do not have to remove the system board from the chassis to remove the power supply.

7. At the rear of the chassis, remove the three screws that secure the power supply. Also remove the screw that secures the power supply at the front.



8. Lift the power supply out of the chassis.
9. Install the new power supply and install the three screws that secure the power supply at the rear of the chassis and install the screw that secures the power supply at the front.

10. Position the system board so that the screws holes are aligned and install the system board screws.
11. Install the hard disk drive. Make sure to route the power supply cable for the system board underneath the hard disk drive. See “Replacing the hard disk drive” on page 150.
12. Reconnect all other power supply cables to the system board and the drives. Make sure the cables are correctly routed. See the system board illustration for your machine type at “Identifying parts on the system board” on page 123.
13. Replace the drive bay assembly. See “Removing and replacing the drive bay assembly” on page 127.
14. Go to “Completing the FRU replacement” on page 154.

---

## Replacing the system board

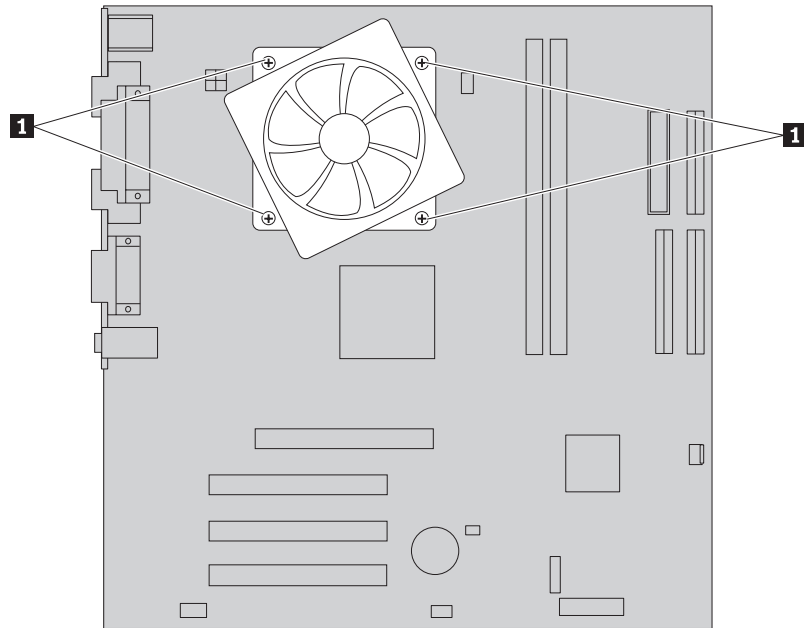
The procedure for replacing the system board is different depending on the machine type of the computer.

**Note:** When replacing the system board, a new retention bracket for the microprocessor heat sink is required. Make sure you have a new retention bracket before beginning this procedure.

### **Machine types 8293, 8294, 8295, 8473, 8474, 8710, 8711, 8773, 8774, 8778, 8779, 8818, 8819, 9217, 9218, and 9219**

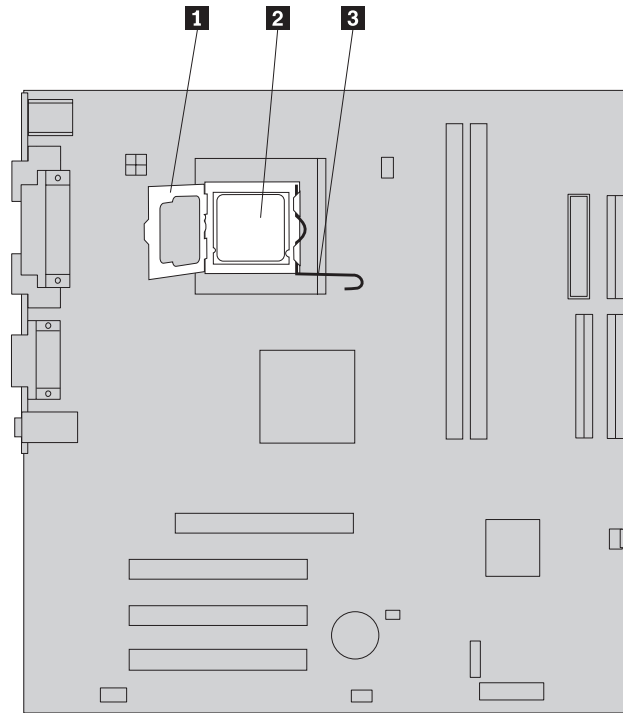
1. Remove the cover. See “Removing the cover” on page 121.
2. Lift the fan duct off the heat sink fan.
3. Remove any adapter cards installed in the PCI connectors. See “Replacing a PCI adapter” on page 129.
4. Remove the drive bay assembly. See “Removing and replacing the drive bay assembly” on page 127.
5. Take note of the location of all cable connections on the system board and disconnect all cables. See the system board illustration for your machine type at “Identifying parts on the system board” on page 123.
6. Remove the hard disk drive. See “Replacing the hard disk drive” on page 150.
7. Remove the screws that secure the system board to the chassis.
8. Lift the system board out of the chassis.
9. Remove the memory modules from the failing system board and install them in the same location on the new system board.
10. Disconnect the heat sink and fan assembly cable from the system board. See the system board illustration for your machine type at “Identifying parts on the system board” on page 123.

11. Remove the four screws securing the heat sink and fan assembly to the system board.



12. Lift the heat sink and fan assembly off the failing system board.

13. To remove the microprocessor **2** from the system board, lift the small handle **3** and open the retainer **1**.

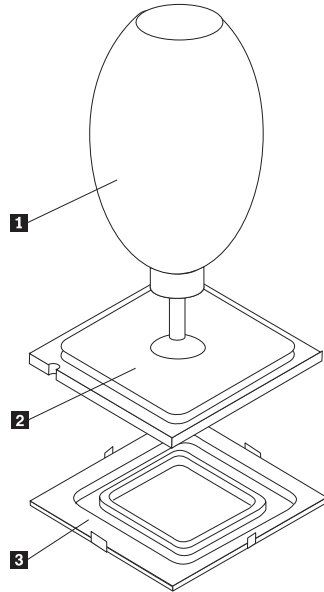


- Using the vacuum pen **1**, remove the microprocessor from the system board socket by lifting it straight up and out of the socket.

**Important**

Do not touch the gold contacts on the bottom of the microprocessor. If you must touch the microprocessor, touch only the sides.

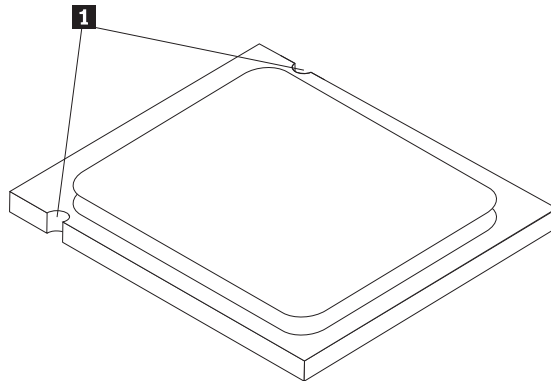
**Note:** The protective cover **3** is not used unless you are installing a new microprocessor.



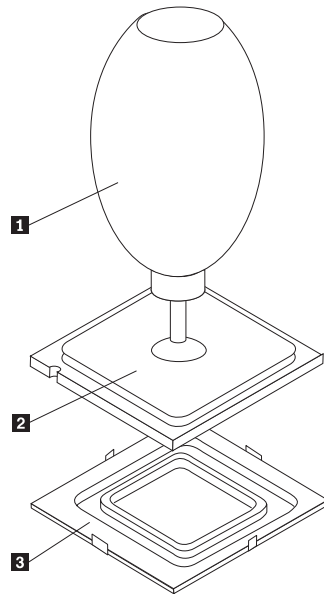
**Attention:**

Do not drop anything onto the microprocessor socket while it is exposed. The socket pins must be kept as clean as possible.

- Position the microprocessor so that the notches **1** are aligned with the corresponding tabs in the socket.



- Using the vacuum pen **1** to pick up the microprocessor, lower the microprocessor straight down into the socket.

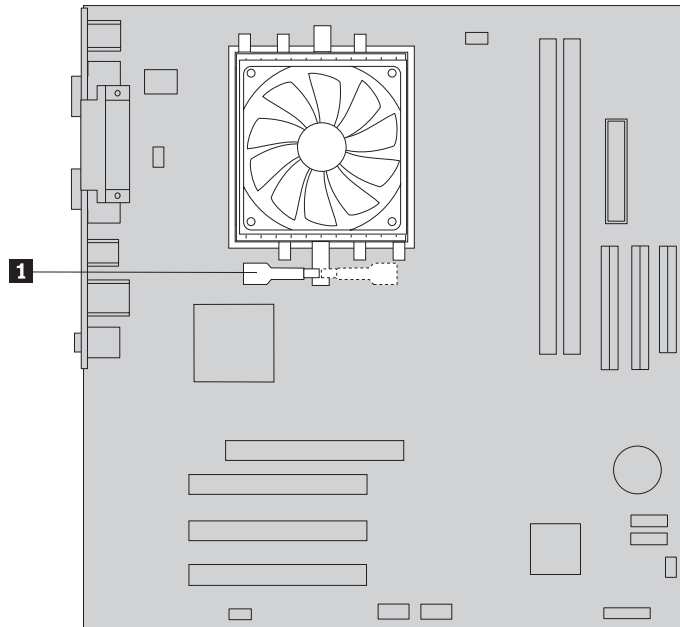


- Lower the microprocessor retainer.
- Lock the retainer with the small handle to secure the microprocessor in the socket.
- Install a new retention bracket for the heat sink by aligning the posts on the bracket with the holes in the system board and pushing the posts through the holes until the retention bracket is secure.
- Install the heat sink and fan assembly on the system board.
- Connect the heat sink and fan assembly cable to the system board. See the system board illustration for your machine type at “Identifying parts on the system board” on page 123.
- Install the new system board into the chassis and align the screw holes with those in the chassis. Insert and tighten the screws that secure the system board.
- Connect all cables to the system board.
- Reinstall the hard disk drive. See “Replacing the hard disk drive” on page 150.
- Reinstall the drive bay assembly and connect the power and signal cables to the drives.
- Reinstall any PCI adapter cards that were removed. See “Replacing a PCI adapter” on page 129.
- Reinstall the fan duct on the heat sink fan.
- Go to “Completing the FRU replacement” on page 154.

### **Machine types 8466, 8467, 8468, 8714, and 8715**

- Remove the cover. See “Removing the cover” on page 121.
- Lift the fan duct off the heat sink fan.
- Remove any adapter cards installed in the PCI connectors. See “Replacing a PCI adapter” on page 129.
- Remove the drive bay assembly. See “Removing and replacing the drive bay assembly” on page 127.

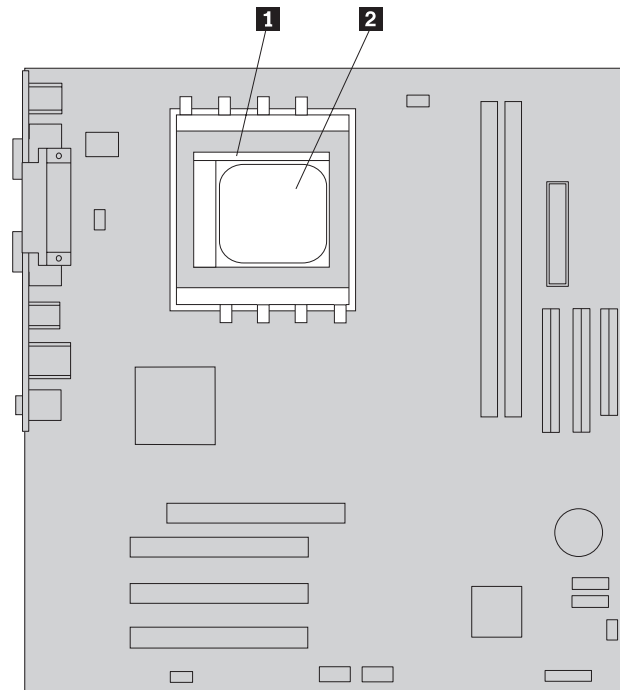
5. Take note of the location of all cable connections on the system board and disconnect all cables. See the system board illustration for your machine type at “Identifying parts on the system board” on page 123.
6. Remove the hard disk drive. See “Replacing the hard disk drive” on page 150.
7. Remove the screws that secure the system board to the chassis.
8. Lift the system board out of the chassis.
9. Remove the memory modules from the failing system board and install them in the same location on the new system board.
10. Disconnect the heat sink and fan assembly cable from the system board. See the system board illustration for your machine type at “Identifying parts on the system board” on page 123.
11. Rotate handle **1** to release the heat sink clamp and then disengage the clamp from the plastic retention bracket.



12. Lift the heat sink and fan assembly off the failing system board. Place the heat sink on its side so that the thermal grease does not come in contact with anything.



13. To release the microprocessor **2** from the system board socket, lift the small handle **1**.

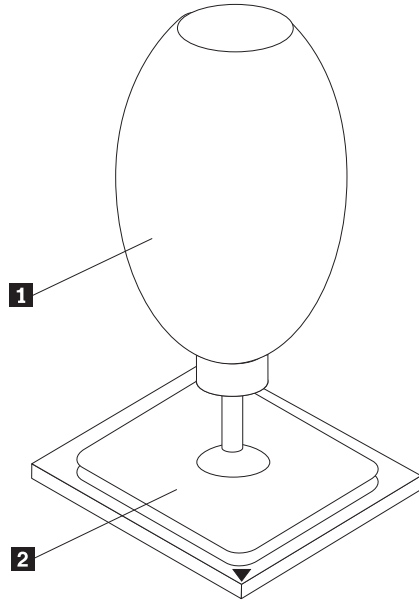


- Using the vacuum pen **1**, remove the microprocessor from the system board socket by lifting it straight up and out of the socket.

**Important**

Do not touch the gold contacts on the bottom of the microprocessor. If you must touch the microprocessor, touch only the sides.

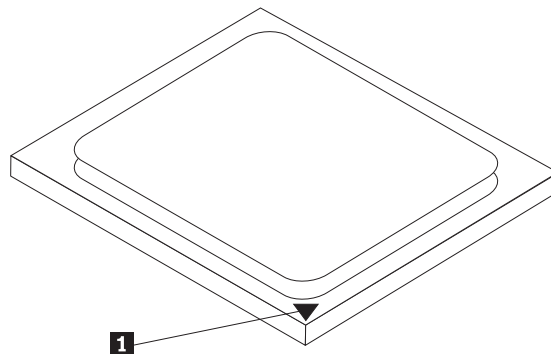
**Note:** The protective cover **3** is not used unless you are installing a new microprocessor.



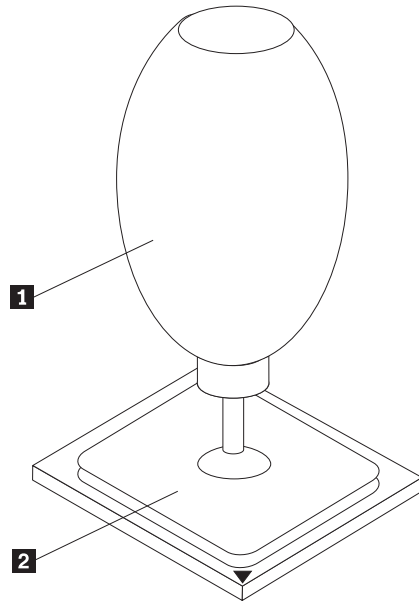
**Attention:**

Do not drop anything onto the microprocessor socket while it is exposed. The socket pins must be kept as clean as possible.

- Position the microprocessor so that the notches **1** are aligned with the corresponding tabs in the socket.



- Using the vacuum pen **1** to pick up the microprocessor, lower the microprocessor straight down into the socket.



17. Lower the microprocessor retainer.
18. Lock the retainer with the small handle to secure the microprocessor in the socket.
19. Install a new retention bracket for the heat sink by aligning the posts on the bracket with the holes in the system board and pushing the posts through the holes until the retention bracket is secure.
20. Install the new system board into the chassis and align the screw holes with those in the chassis. Insert and tighten the screws the were removed previously.
21. Reconnect all disconnected cables to the system board. See the system board illustration for your machine type at “Identifying parts on the system board” on page 123.
22. Reinstall the hard disk drive. See “Replacing the hard disk drive” on page 150.
23. Reinstall the drive bay assembly and connect the power and signal cables to the drives.
24. Reinstall any PCI adapter cards that were removed. See “Replacing a PCI adapter” on page 129.
25. Reinstall the fan duct on the heat sink fan.
26. Go to “Completing the FRU replacement” on page 154.

---

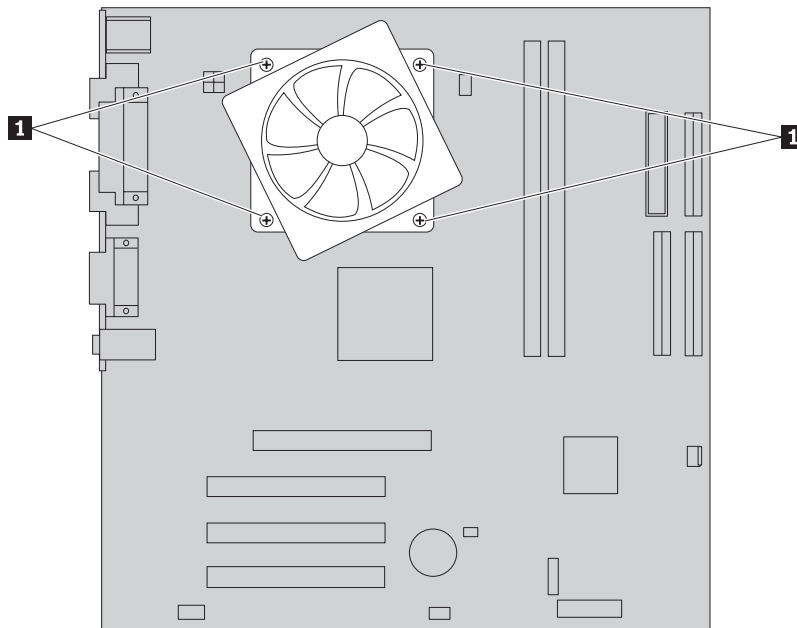
## Replacing the microprocessor

The procedure for replacing the microprocessor is different depend on the machine type.

### **Machine types 8293, 8294, 8295, 8473, 8474, 8710, 8711, 8773, 8774, 8778, 8779, 8818, 8819, 9217, 9218, and 9219**

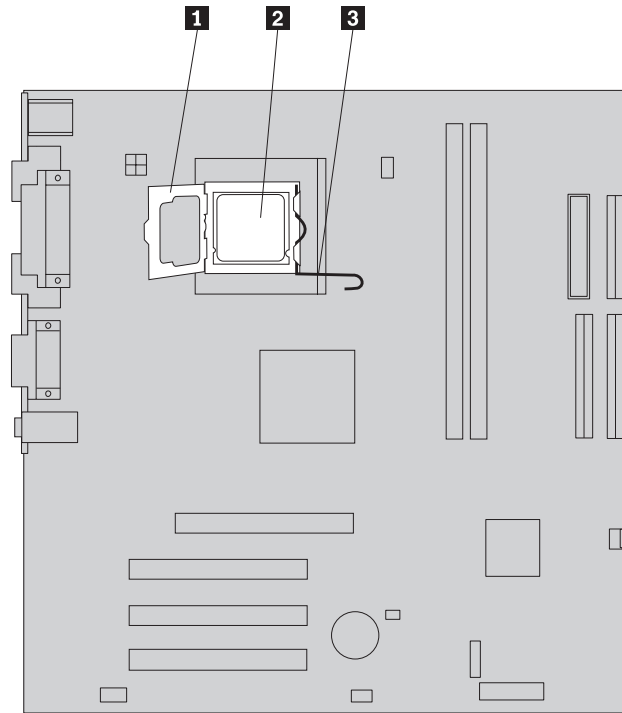
**Note:** The new microprocessor is shipped with a new heat sink. Make sure to use the new heat sink when installing the new microprocessor.

1. Remove the cover. See “Removing the cover” on page 121.
2. Lift the fan duct off the heat sink fan.
3. Disconnect the heat sink and fan assembly cable from the system board. See the system board illustration for your machine type at “Identifying parts on the system board” on page 123.
4. Remove the four screws securing the heat sink and fan assembly to the system board.



5. Lift the heat sink and fan assembly off the failing system board.

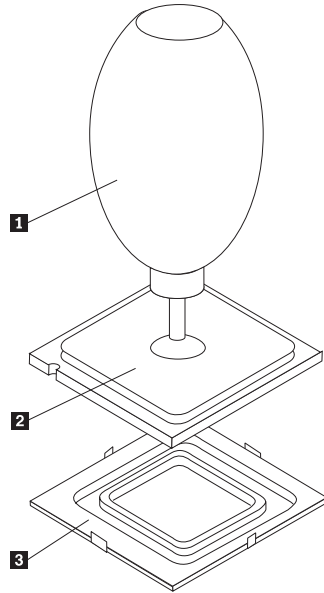
6. To remove the microprocessor **2** from the failing system board, lift the small handle **3** and open the retainer **1**.



- Using the vacuum pen **1**, remove the microprocessor from the system board socket by lifting it straight up and out of the socket.

**Important**

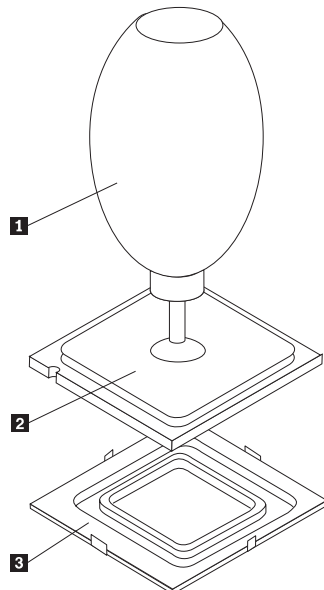
Do not touch the gold contacts on the bottom of the microprocessor. If you must touch the microprocessor, touch only the sides.



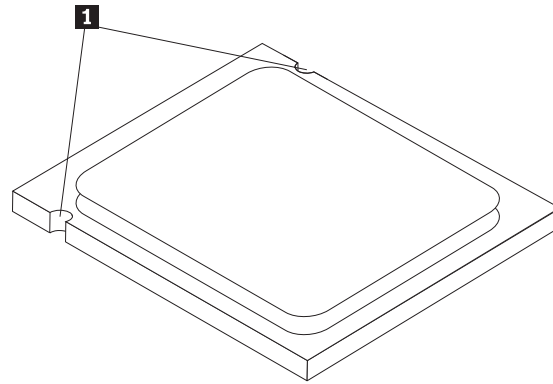
**Attention:**

Do not drop anything onto the microprocessor socket while it is exposed. The socket pins must be kept as clean as possible.

- Make sure that the microprocessor retainer is fully open.
- Loosen the protective cover **3** that protects the gold contacts on the new microprocessor **2** but do not remove it. Use the vacuum pen **1** to pick up the microprocessor then completely remove the cover.



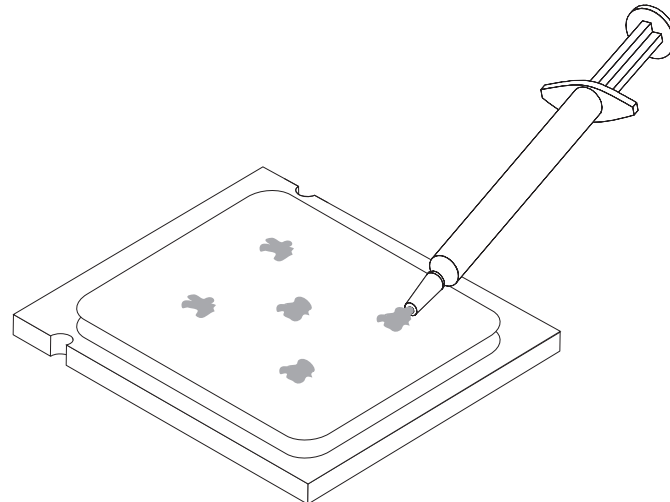
10. Position the microprocessor so that the notches **1** are aligned with the corresponding tabs in the socket.



11. Using the vacuum pen, lower the microprocessor straight down into the microprocessor socket.

**Note:** Install the black protective cover that was removed from the new microprocessor onto the defective microprocessor after the installation is complete.

12. Lower the microprocessor retainer.
13. Lock the retainer with the small handle to secure the microprocessor in the socket.
14. Use the thermal grease syringe to place five drops of grease on the top of the microprocessor. Each drop of grease should be 0.03ml (3 tick marks on the grease syringe).

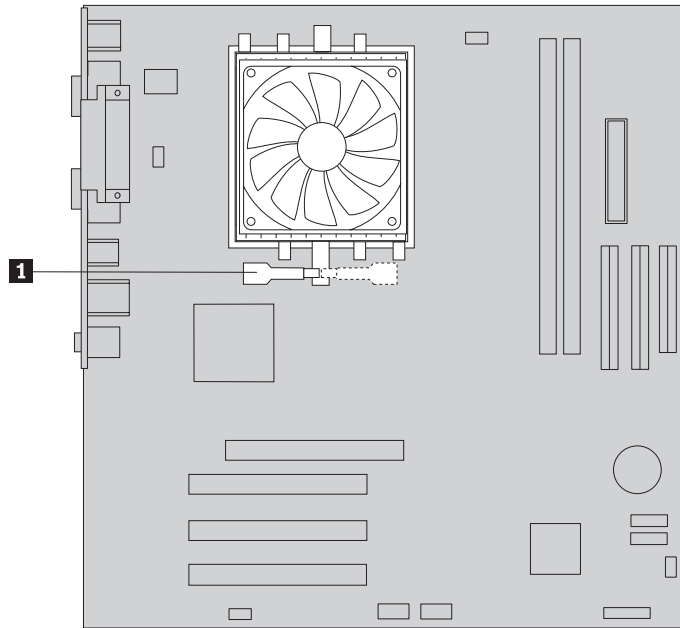


15. Install the heat sink and fan assembly on the system board.
16. Connect the heat sink and fan assembly cable to the system board. See the system board illustration for your machine type at “Identifying parts on the system board” on page 123.
17. Position the fan duct on the heat sink fan.
18. Go to “Completing the FRU replacement” on page 154.

## Machine types 8466, 8467, 8468, 8714, and 8715

**Note:** The new microprocessor is shipped with a new heat sink. Make sure to use the new heat sink when installing the new microprocessor.

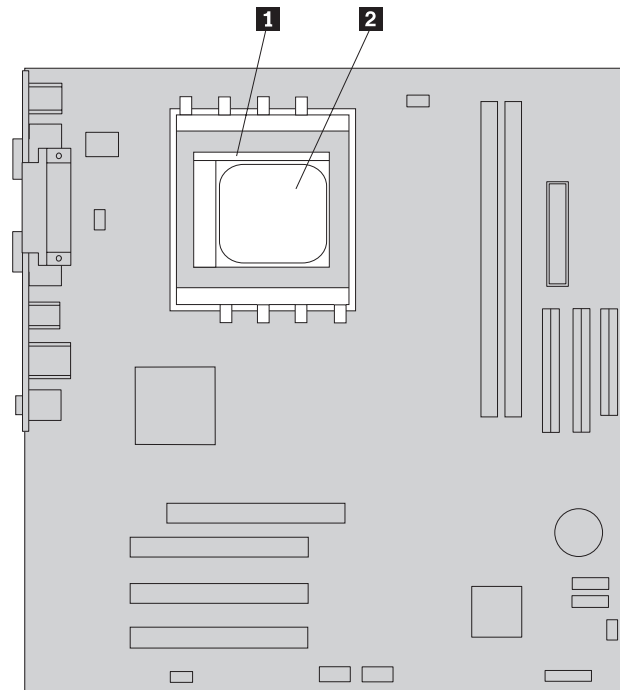
1. Remove the cover. See “Removing the cover” on page 121.
2. Lift the fan duct off the heat sink fan.
3. Disconnect the heat sink and fan assembly cable from the system board. See the system board illustration for your machine type at “Identifying parts on the system board” on page 123.
4. Rotate handle **1** to release the heat sink clamp and then disengage the clamp from the plastic retention bracket.



5. Lift the heat sink and fan assembly off the failing system board. Place the heat sink on its side so that the thermal grease does not come in contact with anything.



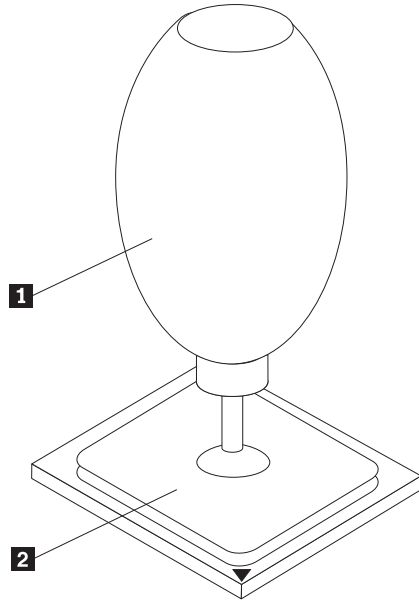
6. To release the microprocessor **2** from the system board socket, lift the small handle **1**.



- Using the vacuum pen **1**, remove the microprocessor from the system board socket by lifting it straight up and out of the socket.

**Important**

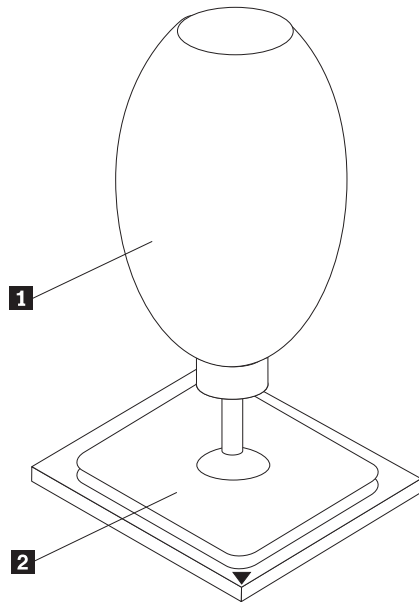
Do not touch the gold contacts on the bottom of the microprocessor. If you must touch the microprocessor, touch only the sides.



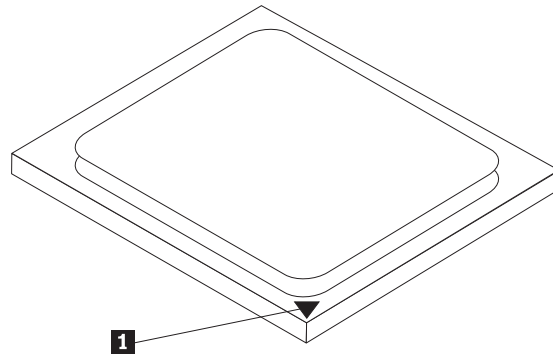
**Attention:**

Do not drop anything onto the microprocessor socket while it is exposed. The socket pins must be kept as clean as possible.

- Make sure that the microprocessor retainer is fully open.
- Loosen the protective cover **3** that protects the gold contacts on the new microprocessor **2** but do not remove it. Use the vacuum pen **1** to pick up the microprocessor then completely remove the cover.



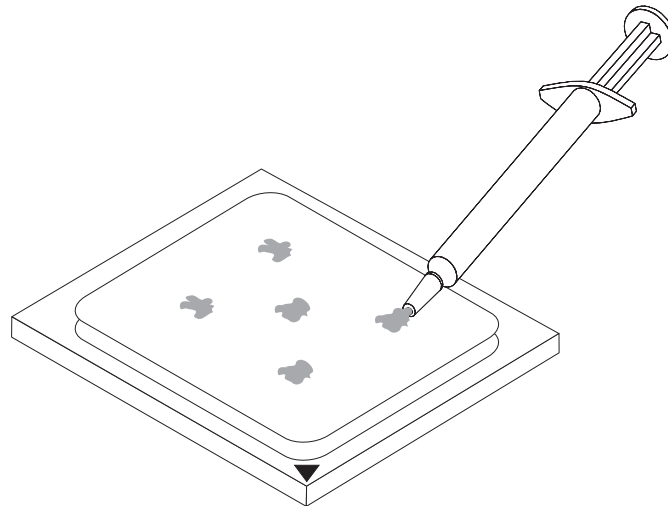
- Position the microprocessor so that the notches **1** are aligned with the corresponding tabs in the socket.



- Using the vacuum pen, lower the microprocessor straight down into the microprocessor socket.

**Note:** Install the black protective cover that was removed from the new microprocessor onto the defective microprocessor after the installation is complete.

- Lower the small handle to secure the microprocessor in the socket.
- Use the thermal grease syringe to place five drops of grease on the top of the microprocessor. Each drop of grease should be 0.03ml (3 tick marks on the grease syringe).

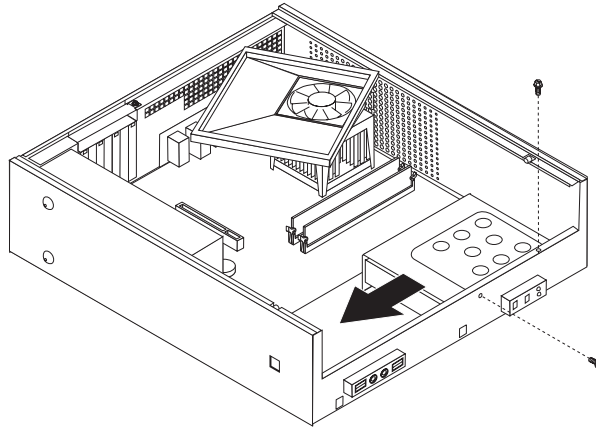


- Install the heat sink and fan assembly on the system board.
- Connect the heat sink and fan assembly cable to the system board. See the system board illustration for your machine type at “Identifying parts on the system board” on page 123.
- Position the fan duct on the heat sink fan.
- Go to “Completing the FRU replacement” on page 154.

---

## Replacing the hard disk drive

1. Remove the cover. See “Removing the cover” on page 121.
2. Remove the drive bay assembly. See “Removing and replacing the drive bay assembly” on page 127.
3. Remove the two screws that secure the hard disk drive bracket.

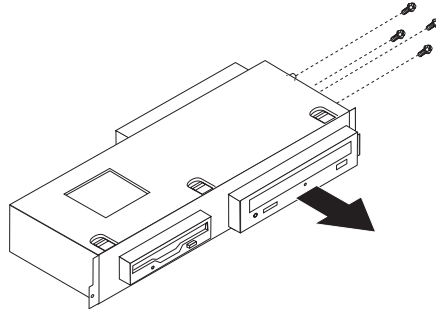


4. From the front of the chassis, slide the drive bracket to the left until it is free of the retaining clips in the bottom of the chassis. It can now be removed from the chassis.
5. Disconnect the signal and power cables from the rear of the hard disk drive.
6. Remove the four screws that secure the hard disk drive to the bracket and remove the drive from the bracket.
7. Position the new drive into the hard disk drive bracket so that the screw holes on each side are aligned and install two screws into each side of the drive.
8. Reconnect the signal and power cables to the rear of the hard disk drive.
9. Position the hard disk drive bracket so that it engages the retaining clips in the bottom of the chassis when you slide the bracket to the right.
10. Slide the hard disk drive bracket to the right until the screw holes are aligned and install the screws.
11. Reinstall the drive bay assembly and connect the power and signal cables to the drives.
12. Go to “Completing the FRU replacement” on page 154.

---

## Replacing an optical drive

1. Remove the cover. See “Removing the cover” on page 121.
2. Remove the drive bay assembly. See “Removing and replacing the drive bay assembly” on page 127.
3. Remove the screws that secure the drive in the drive bay assembly.

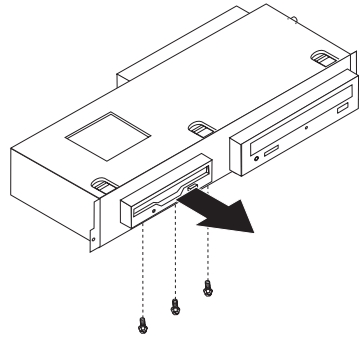


4. Slide the drive being replaced out the front of the drive bay assembly.
5. Slide the new drive into the bay until the screws holes on each side are aligned and install the screws that secure the drive to the drive bay assembly.
6. Reinstall the drive bay assembly. See “Removing and replacing the drive bay assembly” on page 127.
7. Go to “Completing the FRU replacement” on page 154.

---

## Replacing the diskette drive

1. Remove the cover. See “Removing the cover” on page 121.
2. Remove the drive bay assembly. See “Removing and replacing the drive bay assembly” on page 127.
3. Remove the screws at the bottom of the diskette drive that secure the drive to the drive bay assembly.

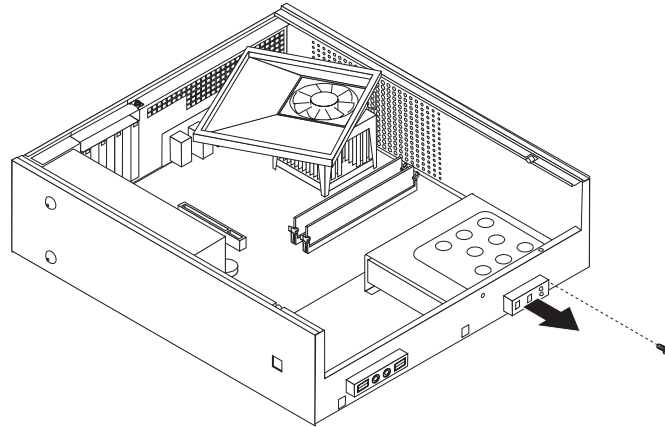


4. Slide the diskette drive out of the drive bay assembly.
5. Slide the new drive into the bay until the screws holes at the bottom of the drive are aligned and install the screws that secure the drive to the drive bay assembly.
6. Reinstall the drive bay assembly. See “Removing and replacing the drive bay assembly” on page 127.
7. Go to “Completing the FRU replacement” on page 154.

---

## Replacing the power switch/ LED assembly

1. Remove cover. See “Removing the cover” on page 121.
2. Remove the drive bay assembly. See “Removing and replacing the drive bay assembly” on page 127.
3. Remove the hard disk drive. See “Replacing the hard disk drive” on page 150.
4. Disconnect the power switch/LED assembly cable from the system board. See the system board illustration for your machine type at “Identifying parts on the system board” on page 123.
5. Remove the screw that secures the power switch/LED assembly to the chassis.

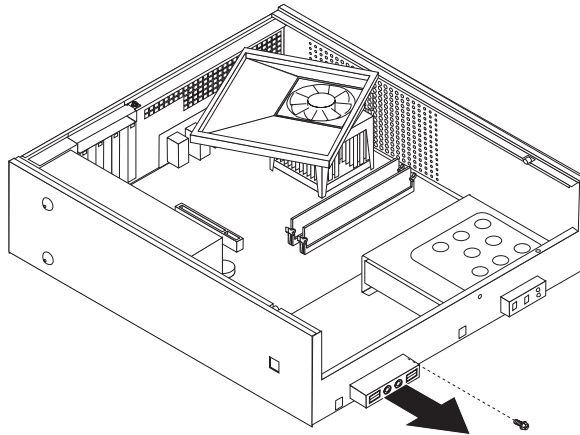


6. Note the power switch/LED assembly cable routing and remove the assembly from the chassis.
7. Route the cable for the new power switch/LED assembly through the hole in the chassis and to the system board.
8. Install the power switch/LED assembly into the chassis and secure the assembly with the screw.
9. Connect the power switch/LED cable to the system board.
10. Reinstall the hard disk drive. See “Replacing the hard disk drive” on page 150.
11. Reinstall the drive bay assembly. See “Removing and replacing the drive bay assembly” on page 127.
12. Go to “Completing the FRU replacement” on page 154.

---

## Replacing the front panel card

1. Remove cover. See “Removing the cover” on page 121.
2. Remove the drive bay assembly. See “Removing and replacing the drive bay assembly” on page 127.
3. Disconnect the front panel assembly cables from the system board. See the system board illustration for your machine type at “Identifying parts on the system board” on page 123.
4. Remove the screw that secures the front panel card assembly to the chassis.



5. Note the front panel assembly cable routing and remove the assembly from the chassis.
6. Route the cable for the new front panel card assembly through the hole in the chassis and to the system board.
7. Install the front panel card assembly into the chassis and secure it with the screw.
8. Connect the front panel assembly cables to the system board.
9. Reinstall the drive bay assembly. See “Removing and replacing the drive bay assembly” on page 127.
10. Go to “Completing the FRU replacement.”

---

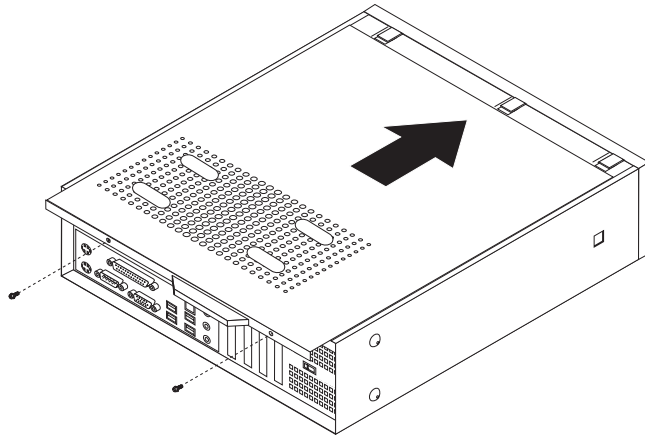
## Completing the FRU replacement

After replacing FRUs, you need to install any removed parts, replace the cover, and reconnect any cables, including telephone lines and power cords. Also, depending on the FRU that is replaced, you might need to confirm the updated information in the Setup Utility program.

**Note:** When the power cord is first plugged in, the computer might appear to turn on for a few seconds and then turn off. This is a normal sequence to enable the computer to initialize.

1. Ensure that all components have been reassembled correctly and that no tools or loose screws are left inside your computer.
2. Replace the cover and secure it with two screws.





3. Reconnect the external cables and power cords to the computer. See “Rear connectors” on page 120.
4. If you have replaced the system board, you must update (flash) the BIOS. See “Flash update procedures” on page 337.
5. Some FRU replacements require the configuration to be updated. See Chapter 6, “Using the Setup Utility,” on page 49.

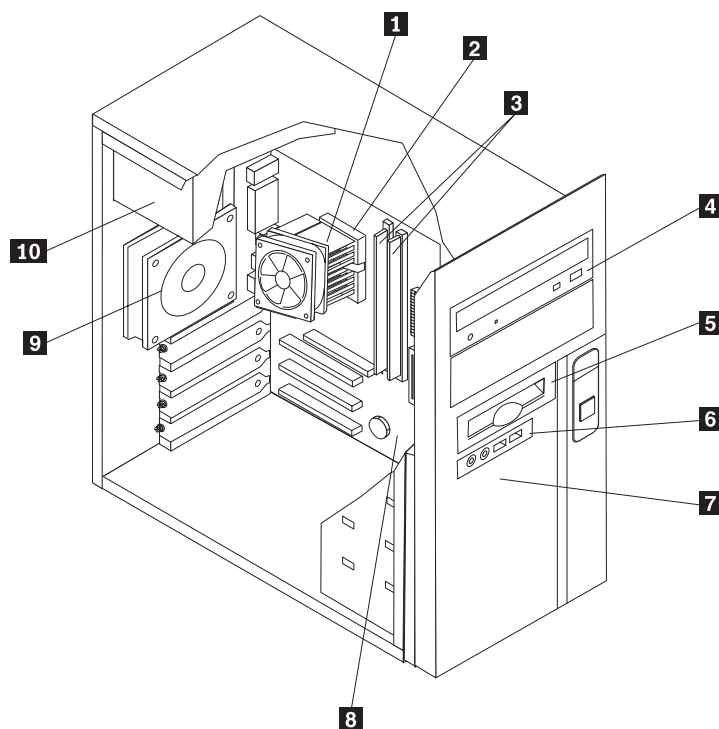


## Chapter 10. FRU lists

### Notes:

1. In the following tables, A CRU (Customer Replaceable Unit) is identified by either a 1, 2, or N in the CRU Tier column. A "1" means that the part is a Tier 1 CRU, A "2" means that the part is a Tier 2 CRU, and an "N" means that the part is not a CRU.
2. For some machine types, there is a column with a heading of **RoHS?**. This column contains a "Y" if the FRU is RoHS compliant or an "N" if the FRU is not RoHS compliant. Please read "Important information about replacing RoHS compliant FRUs" on page 2 before replacing any FRUs.

### Machine Type 8291



Item #	8291 FRUs	FRU#	CRU Tier
1	Heat sink and fan assembly (models 21U 22M 22A 22Q 22T 22C 22B 22H 22V 22K A1Q A2G 11A 11T 11V 11K 21F 22H 22V D1U D1F D2Q D3G E1U E1F E2U E2F 41S 41D 41Y D1S D1D D1Y A1A A1T A1C 11Q 11C 24A 24Q 24T 24C D2A D2T D2C D4M D4A D4Q D4T D4C D4B D4H D4V D4K 71G 12Q 12T 12C D5G 02U 03U 01U A3S A3D A3Y 31S 31D 31Y 32S 32D 32Y D4S D4D D4Y)	41D2002	N
2	Microprocessor, Celeron D, 2.80 GHz, 533FSB, 256KB L2 (models A1Q A2G A1A A1T A1C 02U A3S A3D A3Y)	41D1810	N
2	Microprocessor, Pentium 4, 2.66 GHz, 533FSB, 1MB L2 (models 12A 12Q 12T 12C)	41D1814	N
2	Microprocessor, Pentium 4, 2.93 GHz, 533FSB, 1MB L2 (models 11A 11T 11V 11K 11Q 11C)	41D1815	N
2	Microprocessor, Pentium 4, 3.06 GHz, 533FSB, 1MB L2 (models 21U 22M 22A 22Q 22T 22C 22B 22H 22V 22K 21F 24A 24Q 24T 24C)	41D1816	N

Item #	8291 FRUs	FRU#	CRU Tier
2	Microprocessor, Pentium 4, 2.8 GHz, 800FSB, 1MB L2 (models 03U 31S 31D 31Y 32S 32D 32Y)	41D1817	N
2	Microprocessor, Pentium 4, 3.0 GHz, 800FSB, 1MB L2 (models 41U 41S 41D 41Y)	41D1818	N
2	Microprocessor, Pentium 4, 3.0 GHz, 800FSB, 2MB L2 (models D1U D1F D2Q D3G D1S D1D D1Y D2A D2T D2C D4M D4A D4Q D4T D4C D4B D4H D4V D4K 71G D5G D4S D4D D4Y)	41D2247	N
2	Microprocessor, Pentium 4, 3.2 GHz, 800FSB, 2MB L2 (models E1U E1F E2U E2F)	41D2248	N
3	Memory module, 256MB, DDR2 SDRAM, NP, PC2-4200 (models 22M 22A 22Q 22T 22C 22B 22H 22V 22K A1Q 11A 11T 11V 11K D2Q A1A A1T A1C 12A 11Q 11C 24A 24Q 24T 24C D2A D2T D2C D4M D4A D4Q D4T D4C D4B D4H D4V D4K 12Q 12T 12C A3S A3D A3Y 31S 31D 31Y 32S 32D 32Y D4S D4D D4Y)	41D2029	2
3	Memory module, 512MB, DDR2 SDRAM, NP, PC2-4200 (models 21U A2G 21F 41U D1U D1F D3G E1U E1F E2U E2F 41S 41D 41Y D1S D1D D1Y 71G D5G 02U 03U)	41D2030	2
4	CD-ROM Drive 48X - Black w/o jack & vol (models 21U 22M 22A 22Q 22T 22C 22B 22H 22V 22K A1Q A2G 11A 11T 11V 11K 21F 41U D2Q 41S 41D 41Y A1A A1T A1C 12A 11Q 11C 24A 24Q 24T 24C D2A D2T D2C D4M D4A D4Q D4T D4C D4B D4H D4V D4K 12Q 12T 12C D5G A3S A3D A3Y 31S 31D 31Y 32S 32D 32Y D4S D4D D4Y)	40Y8807	N
4	CD-RW Drive (48X/32X/48X) (models D1U D1F D1S D1D D1Y)	40Y8937	N
4	CD-RW drive, 48X-32X-48X (models D1U D1F D1S D1D D1Y)	40Y8901	N
4	DVD - ROM - CDRW Combo 48X-32X-48X-16X (models D3G E1U E1F 02U 03U)	40Y8919	N
4	Multi-Burner Plus (Rambo VI) drive (models E2U E2F 71G)	40Y8909	N
5	Diskette drive, w/bezel (Lenovo) (models D3G A1A A1Q A1T A1C 12A 22M 22A 22Q 22T 22C 22B 22H 22V 22K 24A 24Q 24T 24C D2A D2Q D2T D2C D4M D4A D4Q D4T D4C D4B D4H D4V D4K 71G 12Q 12T 12C A3S A3D A3Y 32S 32D 32Y D4S D4D D4Y)	40Y9105	N
6	Front panel card assembly (all models)	41A7136	N
7	Hard disk drive, 40GB, 7200rpm, serial ATA (models 21U 21F 41U 41S 41D 41Y)	41D2032	N
7	Hard disk drive, 80GB, 7200rpm, serial ATA (models 22M 22A 22Q 22T 22C 22B 22H 22V 22K A1Q A2G 11A 11T 11V 11K D1U D1F D2Q D3G E1U E1F D1S D1D D1Y A1A A1T A1C 12A 11Q 11C 24A 24Q 24T 24C D2A D2T D2C D4M D4A D4Q D4T D4C D4B D4H D4V D4K 12Q 12T 12C D5G 02U A3S A3D A3Y 31S 31D 31Y 32S 32D 32Y D4S D4D D4Y)	41D2033	N
7	Hard disk drive, 160GB, 7200rpm, serial ATA (models E2U E2F 71G 03U)	41D2402	N
8	System board, 10-100 E-net (models 21U 22M 22A 22Q 22T 22C 22B 22H 22V 22K A1Q A2G 11A 11T 11V 11K 21F 41U D1U D1F D2Q D3G E1U E1F E2U E2F 41S 41D 41Y D1S D1D D1Y A1A A1T A1C 12A 11Q 11C 24A 24Q 24T 24C D2A D2T D2C D4M D4A D4Q D4T D4C D4B D4H D4V D4K 71G 12Q 12T 12C D5G 02U 03U 01U A3S A3D A3Y 31S 31D 31Y 32S 32D 32Y D4S D4D D4Y) <b>Note:</b> When ordering a system board, you must also order a retention bracket kit for the heat sink and fan assembly.	41D1793	N
9	System Fan, rear w/grill (non-RoHS) (all models)	41A7195	N
9	System Fan, rear w/grill (RoHS) (all models)	41N5339	N
10	Power supply, non-PFC (models 21U 21F 41U D1U D1F E1U E1F E2U E2F 02U 03U 01U A3S A3D A3Y 31S 31D 31Y 32S 32D 32Y D4S D4D D4Y)	41N3097	N
10	Power supply, PFC (models A1Q 11V 22Q 22C 22B 22H 22V D2Q 41S 41D 41Y D1S D1D D1Y A1C 11Q 11C 24Q 24C D2C D4Q D4C D4B D4H D4V 12Q 12C 12T A2G 11A 11T 11K 22M 22A 22T 22K D3G A1A A1T 12A 24A 24T D2A D2T D4M D4A D4T D4K 71G D5G)	41N3100	N

The FRUs listed in the following table are not illustrated.

8291 FRUs	FRU#	CRU
Cable, Serial ATA 250mm (RoHs) (all models)	41A7145	2
Cable, diskette drive (all models)	41A7130	2
Cover, right side (all models)	41A7132	2
Cover, side (RoHS) (all models)	41N5333	2
Chassis assembly (all models)	41A7133	N
Bezel, front (all models)	41A7134	2
Power switch/LED assembly (all models)	41A7135	N
Shield, system board (non-RoHS) (all models)	41A7137	N
Shield, system board (RoHS) (all models)	41N5329	N
Miscellaneous hardware kit (non-RoHS) (all models)	41A7138	N
Miscellaneous hardware kit (RoHS) (all models)	41N5334	N
Retention bracket kit, heat sink and fan (all models)	41A7139	N
Cable, hard disk drive signal (all models)	41A7159	N
Cable, optical drive and hard disk drive signal (2-drop) (all models)	41A7875	N
Interposer cables (all models)	41A7143	N
Miscellaneous bezel kit (all models)	41A7144	N
Battery (all models)	33F8354	N

8291 Keyboards (Preferred Pro fullsize, Black)	FRU#	CRU Tier
US English (models 21U 22M 22A 22Q 22C 22H A1Q A2G 11A 41U D1U D2Q D3G E1U E2U A1A A1C 12A 11Q 11C 24A 24Q 24C D2A D2C D4M D4A D4Q D4C D4H 71G 12Q 12C D5G 02U 03U)	89P8300	1
Arabic (models A2G D3G 71G D5G)	89P8301	1
Belgian/French (models A2G D3G 71G D5G)	89P8302	1
Belgian/UK (models A2G D3G 71G D5G)	89P8303	1
Bulgarian (models A2G D3G 71G D5G)	89P8305	1
Chinese/US (models 22B 22V 11V D4B D4V)	89P8306	1
Czech (models A2G D3G 71G D5G)	89P8307	1
Danish (models A2G D3G 71G D5G)	89P8308	1
Dutch (models A2G D3G 71G D5G)	89P8309	1
French (models A2G D3G 71G D5G)	89P8310	1
French Canadian 445 (models 21F D1F E1F E2F)	89P8311	1
French Canadian 58 (models 21F D1F E1F E2F)	89P8312	1
German (models A2G D3G 71G D5G)	89P8313	1
Greek (models A2G D3G 71G D5G)	89P8314	1
Hebrew (models A2G D3G 71G D5G)	89P8315	1
Hungarian (models A2G D3G 71G D5G)	89P8316	1
Iceland (models A2G D3G 71G D5G)	89P8317	1
Italian 141 (models A2G D3G 71G D5G)	89P8318	1
Italian 142 (models A2G D3G 71G D5G)	89P8319	1

<b>8291 Keyboards (Preferred Pro fullsize, Black)</b>	<b>FRU#</b>	<b>CRU Tier</b>
Korean (models 22K 11K D4K)	89P8321	1
LA Spanish (models 41S 41D 41Y D1S D1D D1Y A3S A3D A3Y 31S 31D 31Y 32S 32D 32Y D4S D4D D4Y)	89P8322	1
Norwegian (models A2G D3G 71G D5G)	89P8323	1
Polish (models A2G D3G 71G D5G)	89P8324	1
Portuguese (models A2G D3G 71G D5G)	89P8325	1
Romanian (models A2G D3G 71G D5G)	89P8326	1
Russian/Cy (models A2G D3G 71G D5G)	89P8328	1
Serbian/Cyrillic (models A2G D3G 71G D5G)	89P8329	1
Slovak (models A2G D3G 71G D5G)	89P8330	1
Spanish (models A2G D3G 71G D5G)	89P8331	1
Swedish/Finn (models A2G D3G 71G D5G)	89P8332	1
Swiss F/G (models A2G D3G 71G D5G)	89P8333	1
Thailand (models 22T 11T A1T 24T D2T D4T 12T)	89P8334	1
Turkish 440 (models A2G D3G 71G D5G)	89P8335	1
Turkish 179 (models A2G D3G 71G D5G)	89P8336	1
UK English (models A2G D3G 71G D5G)	89P8337	1
US Euro (models A2G D3G 71G D5G)	89P8338	1
Yugoslav/Latin (models A2G D3G 71G D5G)	89P8339	1

<b>8291 mice</b>	<b>FRU#</b>	<b>CRU Tier</b>
Mouse, Scrollpoint Optical, USB (models 21U 22M 22A 22Q 22T 22C 22B 22H 22V 22K A1Q A2G 11A 11T 11V 11K 21F 41U D1U D1F D2Q D3G E1U E1F E2U E2F 41S 41D 41Y D1S D1D D1Y A1A A1T A1C 12A 11Q 11C 24A 24Q 24T 24C D2A D2T D2C D4M D4A D4Q D4T D4C D4B D4H D4V D4K 71G 12Q 12T 12C D5G 02U 03U 01U A3S A3D A3Y 31S 31D 31Y 32S 32D 32Y D4S D4D D4Y)	24P0499	1

<b>8291 Adapters and miscellaneous FRUs</b>	<b>FRU#</b>	<b>CRU Tier</b>
PCI Modem Card (Soft) -- full bracket (models 02U 03U A3S A3D A3Y)	29R9729	1
L1 IEEE 1394 PCI Adapter (models 01U)	41D2781	1
Speakers (2-piece) Infinity Logo (models A3S A3D A3Y)	89P8589	1
Speakers (2-piece) Lenovo Logo (models A3S A3D A3Y)	41A5331	1
Speaker Power brick - US, Canada, LA (low voltage), ASEAN (models A3S A3D A3Y)	89P8571	1
Speaker Power brick - LA high voltage (non-APU) (models A3D)	89P8575	1
Speaker Power brick - Argentina (models A3S A3Y)	41A4901	1
Modem Phone Cable (models 02U 03U)	00K8183	1
RJ11 connector adapter (Spain, Ireland) (All "G" models)	60H6043	1
RJ11 connector adapter (Austria) (All "G" models)	60H6045	1
RJ11 connector adapter (Belgium) (All "G" models)	60H6046	1
RJ11 connector adapter (Denmark) (All "G" models)	60H6047	1
RJ11 connector adapter (Norway, Finland) (All "G" models)	60H6048	1
RJ11 connector adapter (France) (All "G" models)	60H6049	1

8291 Adapters and miscellaneous FRUs	FRU#	CRU Tier
RJ11 connector adapter (Germany) (All "G" models)	60H6050	1
RJ11 connector adapter (UK, NZ, HK) (All "G", "M", "B", "H" models)	60H6051	1
RJ11 connector adapter (Italy) (All "G" models)	60H6052	1
RJ11 connector adapter (Netherlands) (All "G" models)	60H6053	1
RJ11 connector adapter (Sweden) (All "G" models)	60H6054	1
RJ11 connector adapter (Switzerland) (All "G" models)	60H6055	1

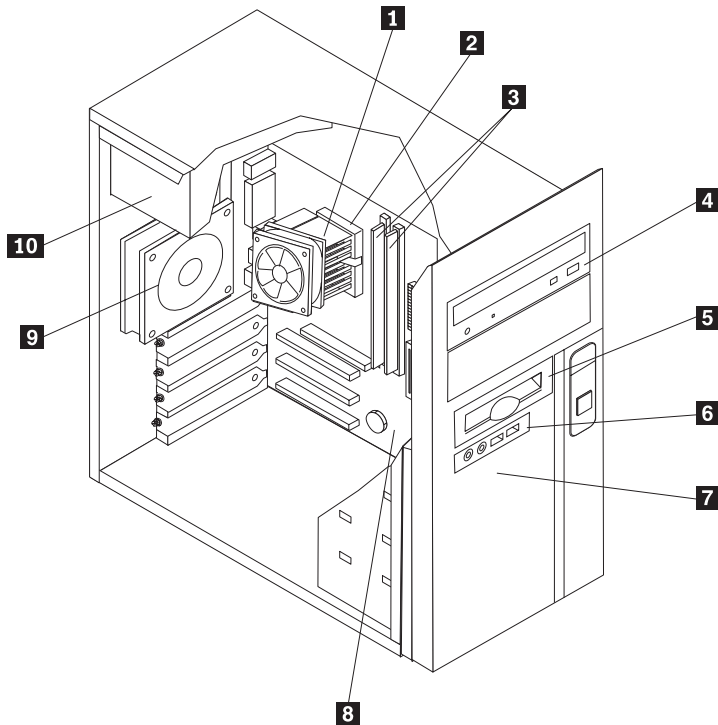
8291 Power Cords	FRU#	CRU Tier
Power Cord (models 21U 22A 22T 22V A2G 11A 11T 11V 21F 41U D1U D1F D3G E1U E1F E2U E2F 41S 41D D1S D1D A1A A1T 12A 24A 24T D2A D2T D4A D4T D4V 71G 12T D5G 02U 03U 01U A3S A3D 31S 31D 32S 32D D4S D4D)	6952301	1
Power Cord (ANZ) (models 22M D4M)	13F9939	1
Power Cord (EMEA, ANZ, ASEAN Eng, Korea) (models 22K A2G 11K D4K D3G 71G D5G)	13F9978	1
Power Cord (EMEA, ANZ, ASEAN Eng, HK Eng) (models 22H A2G D3G D4H 71G D5G)	14F0032	1
Power Cord (EMEA) (models A2G D3G 71G D5G)	13F9996	1
Power Cord (EMEA, LA) (models A2G D3G 41S 41D 41Y D1S D1D D1Y 71G D5G A3S A3D A3Y 31S 31D 31Y 32S 32D 32Y D4S D4D D4Y)	14F0068	1
Power Cord (APU) (models 41Y D1Y)	36L8879	1
Power Cord (China, HK) (models 22C 22B 22H A1C 11C 24C D2C D4C D4B D4H 12C)	02K0545	1
Power Cord (EMEA) (models A2G D3G 71G D5G)	14F0086	1
Power Cord (EMEA, ANZ, ASEAN Eng) (models A2G D3G 71G D5G)	14F0014	1
Power Cord (EMEA) (models A2G D3G 71G D5G)	14F0050	1
Power Cord (India) (models 22Q A1Q D2Q 11Q 24Q D4Q 12Q)	49P2078	1

8291 Windows XP Home Recovery CDs	FRU#	CRU Tier
US/UK/AP/TH (models 02U 03U)	41D3954	1
SP/LA (models A3S A3D A3Y)	41D3958	1

8291 Windows XP Pro Recovery CDs	FRU#	CRU Tier
US/UK/AP/TH (models A2G 11A 11T 21U 22M 22A 22Q 22T 22H 41U D1U D3G E1U E2U 11Q D4M D4A D4Q D4T D4H 71G)	41D3822	1
FR/CF (models A2G 21F D1F D3G E1F E2F 71G)	41D3824	1
GR (models A2G D3G 71G)	41D3825	1
IT (models A2G D3G 71G)	41D3827	1
BR (models A2G D3G 71G)	41D3828	1
SP/LA (models A2G D3G 41S 41D 41Y D1S D1D D1Y 71G 32S 32D 32Y D4S D4D D4Y)	41D3826	1
DK (models A2G D3G 71G)	41D3830	1
NL (models A2G D3G 71G)	41D3833	1
AE (models A2G D3G 71G)	41D3837	1
SV (models A2G D3G 71G)	41D3829	1
HE (models A2G D3G 71G)	41D3834	1

8291 Windows XP Pro Recovery CDs	FRU#	CRU Tier
FI (models A2G D3G 71G)	41D3831	1
NO (models A2G D3G 71G)	41D3832	1
PL (models A2G D3G 71G)	41D3835	1
PO (models A2G D3G 71G)	41D3841	1
RU (models A2G D3G 71G)	41D3838	1
RE (models A2G D3G 71G)	41D3823	1
HU (models A2G D3G 71G)	41D3840	1
CZ (models A2G D3G 71G)	41D3836	1
TR (models A2G D3G 71G)	41D3839	1
GK (models A2G D3G 71G)	41D3842	1
SL (models A2G D3G 71G)	41D3843	1
Simplified Chinese (models 22C 11C D4C)	41W3391	1
Taiwan - TC (models 11V 22V D4V)	41W3392	1
Hong Kong - TC (models 22B D4B)	41W3393	1
Korean (models 11K 22K D4K)	41W3394	1
Multilingual 1 (models A2G D3G 71G)	41D4080	1
Multilingual 2 (models A2G D3G 71G)	41D4086	1

## Machine Type 8292



Item #	8292 FRUs	FRU#	CRU Tier
1	Heat sink and fan assembly (models 11G 12G A1G 41G 71G D1G D2G)	41D2002	N
2	Microprocessor, Celeron D, 2.80 GHz, 533FSB, 256KB L2 (models A1G)	41D1810	N



Item #	8292 FRUs	FRU#	CRU Tier
2	Microprocessor, Pentium 4, 2.93 GHz, 533FSB, 1MB L2 (models 11G 12G)	41D1815	N
2	Microprocessor, Pentium 4, 3.0 GHz, 800FSB, 1MB L2 (models 41G)	41D1818	N
2	Microprocessor, Pentium 4, 3.0 GHz, 800FSB, 2MB L2 (models 71G D1G D2G)	41D2247	N
3	Memory module, 256MB, DDR2 SDRAM, NP, PC2-4200 (models 11G 12G A1G 41G)	41D2029	2
3	Memory module, 512MB, DDR2 SDRAM, NP, PC2-4200 (models 71G D1G D2G)	41D2030	2
4	CD-ROM Drive 48X - Black w/o jack & vol (models 41G)	40Y8807	N
4	DVD-ROM drive, 16X-48X (models 11G A1G D2G)	41D8933	N
4	DVD-ROM drive, 16X-48X (models 11G A1G D2G)	41D8935	N
4	DVD - ROM - CDRW Combo 48X-32X-48X-16X (models 12G D1G)	41D8919	N
4	Multi-Burner Plus (Rambo VI) (models 71G)	41D8909	N
5	Diskette drive, W/Bezel (models 11G 12G 71G A1G 41G D1G D2G)	40Y9105	N
6	Front panel card assembly (all models)	41A7136	N
7	Hard disk drive, 40GB, 7200rpm, serial ATA (models 41G)	41D2032	N
7	Hard disk drive, 80GB, 7200rpm, serial ATA (models 11G 12G A1G D1G D2G)	41D2033	N
7	Hard disk drive, 160GB, 7200rpm, serial ATA (models 71G)	41D2402	N
8	System board, 10-100 E-net (models 11G 12G 71G A1G 41G D1G D2G) <b>Note:</b> When ordering a system board, you must also order a retention bracket kit for the heat sink and fan assembly.	41D1793	N
9	System fan, rear w/grill (non-RoHS) (all models)	41A7195	N
9	System fan, rear w/grill (RoHS) (all models)	41N5339	N
10	Power supply, PFC (models 11G 12G 71G A1G 41G D1G D2G)	41N3100	N

The FRUs listed in the following table are not illustrated.

8292 FRUs	FRU#	CRU
Cable, Serial ATA 250mm (RoHS) (all models)	41A7145	2
Cable, diskette drive (all models)	41A7130	2
Cover, right side (all models)	41A7132	2
Cover, side (RoHS) (all models)	41N5333	2
Chassis assembly (all models)	41A7133	N
Bezel, front (all models)	41A7134	2
Power switch/LED assembly (all models)	41A7135	N
Shield, system board (non-RoHS) (all models)	41A7137	N
Shield, system board (RoHS) (all models)	41N5329	N
Miscellaneous hardware kit (non-RoHS) (all models)	41A7138	N
Miscellaneous hardware kit (RoHS) (all models)	41N5334	N
Retention bracket kit, heat sink and fan (all models)	41A7139	N
Cable, hard disk drive signal (all models)	41A7159	N
Cable, optical drive and hard disk drive signal (2-drop) (all models)	41A7875	N
Interposer cables (all models)	41A7143	N
Miscellaneous bezel kit (all models)	41A7144	N

8292 FRUs	FRU#	CRU
Battery (all models)	33F8354	N

8292 Keyboards (Preferred Pro fullsize, Black)	FRU#	CRU Tier
US English (models 11G A1G D2G A1G 41G D1G D2G)	89P8300	1
Arabic (models 11G A1G D2G A1G 41G D1G D2G)	89P8301	1
Belgian/French (models 11G A1G D2G A1G 41G D1G D2G)	89P8302	1
Belgian/UK (models 11G A1G D2G A1G 41G D1G D2G)	89P8303	1
Bulgarian (models 11G A1G D2G A1G 41G D1G D2G)	89P8305	1
Czech (models 11G A1G D2G A1G 41G D1G D2G)	89P8307	1
Danish (models 11G A1G D2G A1G 41G D1G D2G)	89P8308	1
Dutch (models 11G A1G D2G A1G 41G D1G D2G)	89P8309	1
French (models 11G A1G D2G A1G 41G D1G D2G)	89P8310	1
German (models 11G A1G D2G A1G 41G D1G D2G)	89P8313	1
Greek (models 11G A1G D2G A1G 41G D1G D2G)	89P8314	1
Hebrew (models 11G A1G D2G A1G 41G D1G D2G)	89P8315	1
Hungarian (models 11G A1G D2G A1G 41G D1G D2G)	89P8316	1
Iceland (models 11G A1G D2G A1G 41G D1G D2G)	89P8317	1
Italian 141 (models 11G A1G D2G A1G 41G D1G D2G)	89P8318	1
Italian 142 (models 11G A1G D2G A1G 41G D1G D2G)	89P8319	1
Norwegian (models 11G A1G D2G A1G 41G D1G D2G)	89P8323	1
Polish (models 11G A1G D2G A1G 41G D1G D2G)	89P8324	1
Portuguese (models 11G A1G D2G A1G 41G D1G D2G)	89P8325	1
Romanian (models 11G A1G D2G A1G 41G D1G D2G)	89P8326	1
Russian/Cy (models 11G A1G D2G A1G 41G D1G D2G)	89P8328	1
Serbian/Cyrillic (models 11G A1G D2G A1G 41G D1G D2G)	89P8329	1
Slovak (models 11G A1G D2G A1G 41G D1G D2G)	89P8330	1
Spanish (models 11G A1G D2G A1G 41G D1G D2G)	89P8331	1
Swedish/Finn (models 11G A1G D2G A1G 41G D1G D2G)	89P8332	1
Swiss F/G (models 11G A1G D2G A1G 41G D1G D2G)	89P8333	1
Turkish 440 (models 11G A1G D2G A1G 41G D1G D2G)	89P8335	1
Turkish 179 (models 11G A1G D2G A1G 41G D1G D2G)	89P8336	1
UK English (models 11G A1G D2G A1G 41G D1G D2G)	89P8337	1
US Euro (models 11G A1G D2G A1G 41G D1G D2G)	89P8338	1
Yugoslav/Latin (models 11G A1G D2G A1G 41G D1G D2G)	89P8339	1

8292 mice	FRU#	CRU Tier
Mouse, Scrollpoint Optical, USB (models 11G A1G D2G A1G 41G D1G D2G)	24P0499	1

8292 Adapters and miscellaneous FRUs	FRU#	CRU Tier
PCI Modem Card (Soft) -- full bracket (models A1G D1G)	29R9729	1
RJ11 connector adapter (Spain, Ireland) (All "G" models)	60H6043	1

8292 Adapters and miscellaneous FRUs	FRU#	CRU Tier
RJ11 connector adapter (Austria) (All "G" models)	60H6045	1
RJ11 connector adapter (Belgium) (All "G" models)	60H6046	1
RJ11 connector adapter (Denmark) (All "G" models)	60H6047	1
RJ11 connector adapter (Norway, Finland) (All "G" models)	60H6048	1
RJ11 connector adapter (France) (All "G" models)	60H6049	1
RJ11 connector adapter (Germany) (All "G" models)	60H6050	1
RJ11 connector adapter (UK, NZ, HK) (All "G", "M", "B", "H" models)	60H6051	1
RJ11 connector adapter (Italy) (All "G" models)	60H6052	1
RJ11 connector adapter (Netherlands) (All "G" models)	60H6053	1
RJ11 connector adapter (Sweden) (All "G" models)	60H6054	1
RJ11 connector adapter (Switzerland) (All "G" models)	60H6055	1

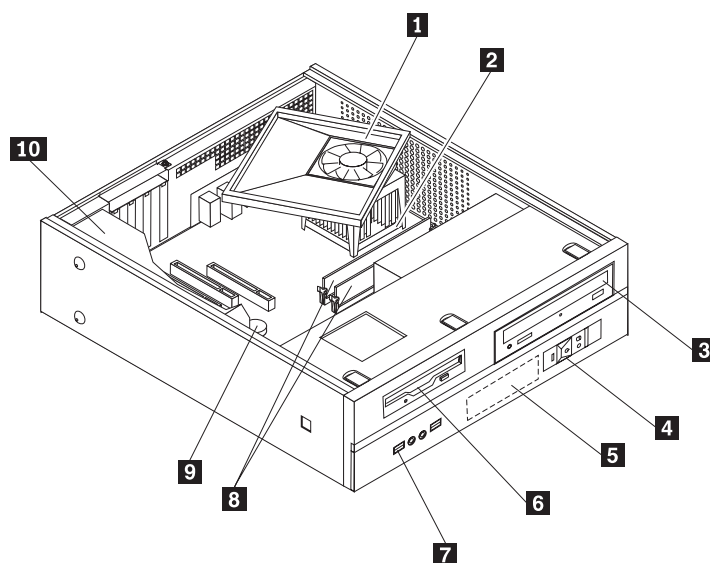
8292 Power Cords	FRU#	CRU Tier
Power Cord (models 11G 12G 71G A1G 41G D1G D2G)	6952301	1
Power Cord (EMEA, ANZ, ASEAN Eng, Korea) (models 11G 12G 71G A1G 41G D1G D2G)	13F9978	1
Power Cord (EMEA, ANZ, ASEAN Eng, HK Eng) (models 11G 12G 71G A1G 41G D1G D2G)	14F0032	1
Power Cord (EMEA) (models 11G 12G 71G A1G 41G D1G D2G)	13F9996	1
Power Cord (EMEA, LA) (models 11G 12G 71G A1G 41G D1G D2G)	14F0068	1
Power Cord (EMEA) (models 11G 12G 71G A1G 41G D1G D2G)	14F0086	1
Power Cord (EMEA, ANZ, ASEAN Eng) (models 11G 12G 71G A1G 41G D1G D2G)	14F0014	1
Power Cord (EMEA) (models 11G 12G 71G A1G 41G D1G D2G)	14F0050	1

8292 Windows XP Home Recovery CDs	FRU#	CRU Tier
US/UK/AP/TH (models A1G D1G)	41D3954	1
FR/CF (models A1G D1G)	41D3956	1
GR (models A1G D1G)	41D3957	1
IT (models A1G D1G)	41D3959	1
SP/LA (models A1G D1G)	41D3958	1
DK (models A1G D1G)	41D3962	1
NL (models A1G D1G)	41D3965	1
AE (models A1G D1G)	41D3969	1
SV (models A1G D1G)	41D3961	1
HE (models A1G D1G)	41D3966	1
FI (models A1G D1G)	41D3963	1
NO (models A1G D1G)	41D3964	1
PL (models A1G D1G)	41D3967	1
PO (models A1G D1G)	41D3973	1
RU (models A1G D1G)	41D3970	1
RE (models A1G D1G)	41D3955	1

8292 Windows XP Home Recovery CDs	FRU#	CRU Tier
HU (models A1G D1G)	41D3972	1
CZ (models A1G D1G)	41D3968	1
TR (models A1G D1G)	41D3971	1
GK (models A1G D1G)	41D3974	1

8292 Windows XP Pro Recovery CDs	FRU#	CRU Tier
US/UK/AP/TH (models 12G 71G 41G D2G)	41D3822	1
FR/CF (models 12G 71G 41G D2G)	41D3824	1
GR (models 12G 71G 41G D2G)	41D3825	1
IT (models 12G 71G 41G D2G)	41D3827	1
SP/LA (models 12G 71G 41G D2G)	41D3826	1
DK (models 12G 71G 41G D2G)	41D3830	1
NL (models 12G 71G 41G D2G)	41D3833	1
AE (models 12G 71G 41G D2G)	41D3837	1
SV (models 12G 71G 41G D2G)	41D3829	1
HE (models 12G 71G 41G D2G)	41D3834	1
FI (models 12G 71G 41G D2G)	41D3831	1
NO (models 12G 71G 41G D2G)	41D3832	1
PL (models 12G 71G 41G D2G)	41D3835	1
PO (models 12G 71G 41G D2G)	41D3841	1
RU (models 12G 71G 41G D2G)	41D3838	1
RE (models 12G 71G 41G D2G)	41D3823	1
HU (models 12G 71G 41G D2G)	41D3840	1
CZ (models 12G 71G 41G D2G)	41D3836	1
TR (models 12G 71G 41G D2G)	41D3839	1
GK (models 12G 71G 41G D2G)	41D3842	1
SL (models 12G 71G 41G D2G)	41D3843	1
Multilingual 1 (models 12G 71G 41G D2G)	41D4080	1
Multilingual 2 (models 12G 71G 41G D2G)	41D4086	1

## Machine Type 8293



Item #	8293 FRUs	FRU#	CRU Tier
1	Heat sink and fan assembly (models D1G)	41D2001	N
2	Microprocessor, 3.0 Ghz, Pentium 4, 800FSB, 2MB L2 (models D1G)	41D2244	N
3	DVD-ROM 16X-48X (models D1G)	40Y8933	N
3	DVD-ROM 16X-48X (models D1G)	40Y8935	N
4	Power switch/LED assembly (all models)	41A7152	N
5	Hard disk drive, 80GB, 7200rpm Serial ATA (models D1G)	41D2033	N
6	Diskette drive, w/o bezel (models D1G)	41D3724	N
7	Front panel card (all models)	41A7153	N
8	Memory module, 512MB, DDR2 SDRAM, NP, PC2-4200 (models D1G)	41D2030	2
9	System board, 10-100 Enet (models D1G) <b>Note:</b> When ordering a system board, you must also order a retention bracket kit for the heat sink and fan assembly.	41D1793	N
10	Power supply (models D1G)	41N3089	N

The FRUs listed in the following table are not illustrated.

8293 FRUs	FRU#	CRU Tier
Shield, EMC, 5.25in. drive bay (all models)	41A7162	N
Cable, Serial-ATA, (18in. RoHs) (all models)	41A7145	N
Shield, EMC, diskette drive bay (all models)	41A7146	N
Cable, diskette drive (all models)	41A7147	N
Cover (all models)	41A7148	2
Chassis assembly (all models)	41A7149	N
Bezel assembly, front (all models)	41A7150	N
Fan duct assembly (all models)	41A7151	N
Shield, EMC, system board (all models)	41A7154	N

8293 FRUs	FRU#	CRU Tier
Miscellaneous hardware kit (all models)	41A7155	N
Retention bracket kit for heat sink and fan (all models)	41A7139	N
Cable, optical drive signal (all models)	41A7158	N
Cable, hard disk drive signal (all models)	41A7159	N
Miscellaneous bezel kit (all models)	41A7160	N
Interposer cables (all models)	41A7161	N
Fan assembly, front (all models)	41A7198	N
Battery (all models)	33F8354	N

8293 Keyboards (Standard PS/2 Black)	FRU#	CRU Tier
US English (models D1G)	89P8300	1
Arabic (models D1G)	89P8301	1
Belgian/French (models D1G)	89P8302	1
Belgian/UK (models D1G)	89P8303	1
Bulgarian (models D1G)	89P8305	1
Chinese/US (models)	89P8306	1
Czech (models D1G)	89P8307	1
Danish (models D1G)	89P8308	1
Dutch (models D1G)	89P8309	1
French (models D1G)	89P8310	1
German (models D1G)	89P8313	1
Greek (models D1G)	89P8314	1
Hebrew (models D1G)	89P8315	1
Hungarian (models D1G)	89P8316	1
Iceland (models D1G)	89P8317	1
Italian 141 (models D1G)	89P8318	1
Italian 142 (models D1G)	89P8319	1
Norwegian (models D1G)	89P8323	1
Polish (models D1G)	89P8324	1
Portuguese (models D1G)	89P8325	1
Romanian (models D1G)	89P8326	1
Russian/Cy (models D1G)	89P8327	1
Russian/Cy (models D1G)	89P8328	1
Serbian/Cyrillic (models D1G)	89P8329	1
Slovak (models D1G)	89P8330	1
Spanish (models D1G)	89P8331	1
Swedish/Finn (models D1G)	89P8332	1
Swiss F/G (models D1G)	89P8333	1
Turkish 440 (models D1G)	89P8335	1
Turkish 179 (models D1G)	89P8336	1
UK English (models D1G)	89P8337	1

8293 Keyboards (Standard PS/2 Black)	FRU#	CRU Tier
US Euro (models D1G)	89P8338	1
Yugoslav/Latin (models D1G)	89P8339	1

8293 mice	FRU#	CRU Tier
Mouse, Scrollpoint Optical, USB (models D1G)	24P0499	1

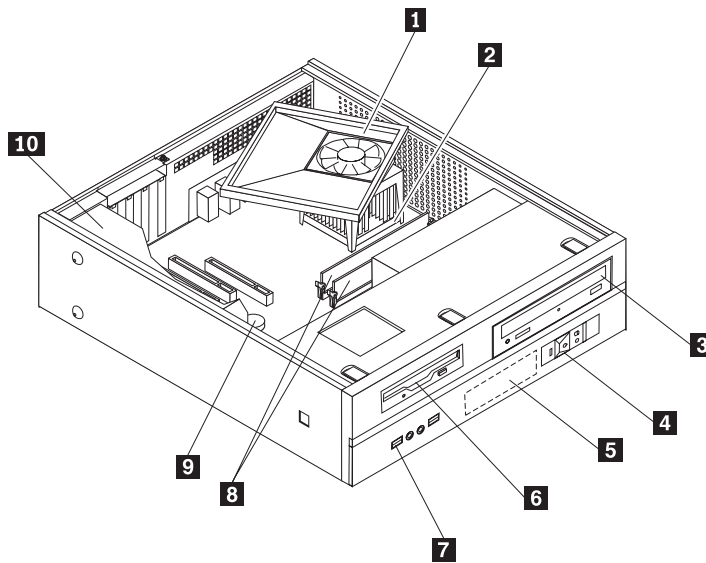
8293 Adapters and miscellaneous FRUs	FRU#	CRU Tier
RJ11 connector adapter (Spain, Ireland) (All "G" models)	60H6043	1
RJ11 connector adapter (Austria) (All "G" models)	60H6045	1
RJ11 connector adapter (Belgium) (All "G" models)	60H6046	1
RJ11 connector adapter (Denmark) (All "G" models)	60H6047	1
RJ11 connector adapter (Norway, Finland) (All "G" models)	60H6048	1
RJ11 connector adapter (France) (All "G" models)	60H6049	1
RJ11 connector adapter (Germany) (All "G" models)	60H6050	1
RJ11 connector adapter (UK, NZ, HK) (All "G", "M", "B", "H" models)	60H6051	1
RJ11 connector adapter (Italy) (All "G" models)	60H6052	1
RJ11 connector adapter (Netherlands) (All "G" models)	60H6053	1
RJ11 connector adapter (Sweden) (All "G" models)	60H6054	1
RJ11 connector adapter (Switzerland) (All "G" models)	60H6055	1

8293 Power Cords	FRU#	CRU Tier
Power Cord (models D1G)	6952301	1
Power Cord (EMEA, ANZ, ASEAN Eng, Korea) (models D1G)	13F9978	1
Power Cord (EMEA, ANZ, ASEAN Eng, HK Eng) (models D1G)	14F0032	1
Power Cord (EMEA) (models D1G)	13F9996	1
Power Cord (EMEA, LA) (models D1G)	14F0068	1
Power Cord (EMEA) (models D1G)	14F0086	1
Power Cord (EMEA, ANZ, ASEAN Eng) (models D1G)	14F0014	1
Power Cord (EMEA) (models D1G)	14F0050	1

8293 Windows XP Home Recovery CDs	FRU#	CRU Tier
US/UK/AP/TH (models D1G)	41D3954	1
FR/CF (models D1G)	41D3956	1
GR (models D1G)	41D3957	1
IT (models D1G)	41D3959	1
SP/LA (models D1G)	41D3958	1
DK (models D1G)	41D3962	1
NL (models D1G)	41D3965	1
AE (models D1G)	41D3969	1
SV (models D1G)	41D3961	1
HE (models D1G)	41D3966	1

8293 Windows XP Home Recovery CDs	FRU#	CRU Tier
FI (models D1G)	41D3963	1
NO (models D1G)	41D3964	1
PL (models D1G)	41D3967	1
PO (models D1G)	41D3973	1
RU (models D1G)	41D3970	1
RE (models D1G)	41D3955	1
HU (models D1G)	41D3972	1
CZ (models D1G)	41D3968	1
TR (models D1G)	41D3971	1
GK (models D1G)	41D3974	1

## Machine Type 8294



Item #	8294 FRUs	FRU#	CRU Tier
1	Heat sink and fan assembly (models 21U 22M 22J A1B A1H A1V A1K A1J A2J A5J A6G 11M 11B 11H 11V 11K 21F 23M 23A 23T 24J 25G D1U D1F E1U E1F 41L 41D 41Y A1B A1H A1V A1K A2M A2A A2Q A2T A2C A2B A2H A2V A2K A7J A5M A5A A5Q A5T A5C A5B A5H A5V A5K 23V 24M 24A 24Q 24T 24B 24H 24V 24K 26J D4M D4A D4Q D4T D4C D4B D4H D4V D4K D4J D5M D5A D5Q D5T D5C D5B D5H D5V D5K D5J A1C 24C A8S A8D A8Y A9S A9D A9Y 31S 31D 31Y 32S 32D 32Y D5S D5D D5Y)	41D2001	N
2	Microprocessor, 2.66 Ghz, Celeron D, 533FSB, 256KB L2 (models A1B A1C A1H A1V A1K A1J A2J A1B A1H A1V A1K A2M A2A A2Q A2T A2C A2B A2H A2V A2K A7J)	41D1796	N
2	Microprocessor, 2.80 Ghz, Celeron D, 533FSB, 256KB L2 (models A5J A6G A5M A5A A5Q A5T A5C A5B A5H A5V A5K A8S A8D A8Y A9S A9D A9Y)	41D1797	N
2	Microprocessor, 2.93 Ghz, Pentium 4, 533FSB, 1MB L2 (models 11M 11A 11T 11B 11H 11V 11K)	41D1802	N
2	Microprocessor, 3.06 Ghz, Pentium 4, 533FSB, 1MB L2 (models 21U 22M 22J 21F 23M 23A 23T 24C 24J 25G 23V 24M 24A 24Q 24T 24B 24H 24V 24K 26J)	41D1803	N



Item #	8294 FRUs	FRU#	CRU Tier
2	Microprocessor, 2.8 Ghz, Pentium 4, 800FSB, 1MB L2 (models 31S 31D 31Y 32S 32D 32Y)	41D1804	N
2	Microprocessor, 3.0 Ghz, Pentium 4, 800FSB, 1MB L2 (models 41S 41L 41D 41Y)	41D1805	N
2	Microprocessor, 3.0 Ghz, Pentium 4, 800FSB, 2MB L2 (models D1U D1F D4M D4A D4Q D4T D4C D4B D4H D4V D4K D4J D5M D5A D5Q D5T D5C D5B D5H D5V D5K D5J D5S D5D D5Y)	41D2244	N
2	Microprocessor, 3.2 Ghz, Pentium 4, 800FSB, 2MB L2 (models E1U E1F)	41D2245	N
3	CD-ROM 48X (models 21U 22M 22J A2J 11M 11B 11H 11V 11K 21F 24J 41S 41L 41D 41Y A1B A1H A1V A1K A1J A2M A2A A2Q A2T A2C A2B A2H A2V A2K A7J 24M 24A 24Q 24T 24B 24H 24V 24K D5M D5A D5Q D5T D5C D5B D5H D5V D5K D5J A1C 24C A8S A8D A8Y A9S A9D A9Y 31S 31D 31Y 32S 32D 32Y D5S D5D D5Y)	40Y8807	N
3	CD-RW 48X/32X/48X (models D1U D1F A5M A5A A5Q A5T A5C A5B A5H A5V A5K A5J)	40Y8937	N
3	CD-RW 48X/32X/48X (models D1U D1F A5M A5A A5Q A5T A5C A5B A5H A5V A5K A5J)	40Y8901	N
3	DVD-ROM 16X-48X (models A6G 23M 23A 23T 23V)	40Y8933	N
3	DVD-ROM 16X-48X (models A6G 23M 23A 23T 23V)	40Y8935	N
3	DVD - ROM - CDRW Combo 48X-32X-48X-16X (models 25G E1U E1F 26J D4M D4A D4Q D4T D4C D4B D4H D4V D4K D4J)	41D8919	N
3	DVD - ROM - CDRW Combo 48X-32X-48X-16X (models 25G E1U E1F 26J D4M D4A D4Q D4T D4C D4B D4H D4V D4K D4J)	41D8903	N
4	Power switch/LED assembly (all models)	41A7152	N
5	Hard disk drive, 40GB, 7200rpm Serial ATA (models 21U 21F A1B A1H A1V A1K A2M A2A A2Q A2T A2C A2B A2H A2V A2K A7J A1J A2J A1C)	41D2032	N
5	Hard disk drive, 80GB, 7200rpm Serial ATA (models 22M 22J A1B A1H A1V A1K A5J A6G 11M 11B 11H 11V 11K 23M 23A 23T 24J 25G 41S D1U D1F E1U E1F 41L 41D 41Y A5M A5A A5Q A5T A5C A5B A5H A5V A5K 23V 24M 24A 24Q 24T 24B 24H 24V 24K 26J D4M D4A D4Q D4T D4C D4B D4H D4V D4K D4J D5M D5A D5Q D5T D5C D5B D5H D5V D5K D5J 24C A8S A8D A8Y A9S A9D A9Y 31S 31D 31Y 32S 32D 32Y D5S D5D D5Y)	41D2033	N
6	Diskette drive, wo/bezel (models A6G 22M 22J 23M 23A 23T 25G 41L 41D 41Y A1B A1H A1V A1K A1J A7J 23V 24M 24A 24Q 24T 24B 24H 24V 24K 24J 26J D4M D4A D4Q D4T D4C D4B D4H D4V D4K D4J D5M D5A D5Q D5T D5C D5B D5H D5V D5K D5J A1C 24C A8S A8D A8Y A9S A9D A9Y 31S 31D 31Y 32S 32D 32Y D5S D5D D5Y)	41D3724	N
7	Front panel card (models)	41A7153	N
8	Memory module, 256MB, DDR2 SDRAM, NP, PC2-4200 (models 22M 22J A2J 11M 11B 11H 11V 11K 24J 41S 41L 41D 41Y A2M A2A A2Q A2T A2C A2B A2H A2V A2K 24M 24A 24Q 24T 24B 24H 24V 24K D5M D5A D5Q D5T D5C D5B D5H D5V D5K D5J 24C A8S A8D A8Y A9S A9D A9Y 31S 31D 31Y 32S 32D 32Y D5S D5D D5Y)	41D2029	2
8	Memory module, 512MB, DDR2 SDRAM, NP, PC2-4200 (models 21U A1B A1H A1V A1K A1J A5J A6G 21F 23M 23A 23T 25G D1U D1F E1U E1F A1B A1H A1V A1K A7J A5M A5A A5Q A5T A5C A5B A5H A5V A5K 23V 26J D4M D4A D4Q D4T D4C D4B D4H D4V D4K D4J A1C)	41D2030	2

Item #	8294 FRUs	FRU#	CRU Tier
9	System board, 10-100 Enet (models 21U 22M 22J A1B A1H A1V A1K A1J A2J A5J A6G 11M 11B 11H 11V 11K 21F 23M 23A 23T 24J 25G 41S D1U D1F E1U E1F 41L 41D 41Y A1B A1H A1V A1K A2M A2A A2Q A2T A2C A2B A2H A2V A2K A7J A5M A5A A5Q A5T A5C A5B A5H A5V A5K 23V 24M 24A 24Q 24T 24B 24H 24V 24K 26J D4M D4A D4Q D4T D4C D4B D4H D4V D4K D4J D5M D5A D5Q D5T D5C D5B D5H D5V D5K D5J A1C 24C A8S A8D A8Y A9S A9D A9Y 31S 31D 31Y 32S 32D 32Y D5S D5D D5Y) <b>Note:</b> When ordering a system board, you must also order a retention bracket kit for the heat sink and fan assembly.	41D1793	N
10	Power supply (models 21U 22M A1B A1H A1V A1K A6G 11M 11B 11H 11V 11K 21F 23M 23A 23T 25G 41S D1U D1F E1U E1F 41L 41D 41Y A1B A1H A1V A1K A2M A2A A2Q A2T A2C A2B A2H A2V A2K A5M A5A A5Q A5T A5C A5B A5H A5V A5K 23V 24M 24A 24Q 24T 24B 24H 24V 24K D4M D4A D4Q D4T D4C D4B D4H D4V D4K D5M D5A D5Q D5T D5C D5B D5H D5V D5K A1C 24C A8S A8D A8Y A9S A9D A9Y 31S 31D 31Y 32S 32D 32Y D5S D5D D5Y)	41N3089	N
10	Power supply, 180 watt (models 22J A1J A2J A5J 24J A7J 26J D4J D5J)	41N3092	N

The FRUs listed in the following table are not illustrated.

8294 FRUs	FRU#	CRU Tier
Shield, EMC, 5.25in. drive bay (all models)	41A7162	N
Cable, Serial-ATA, (18in. RoHs) (all models)	41A7145	N
Shield, EMC, diskette drive bay (all models)	41A7146	N
Cable, diskette drive (all models)	41A7147	N
Cover (all models)	41A7148	2
Chassis assembly (all models)	41A7149	N
Bezel assembly, front (all models)	41A7150	N
Fan duct assembly (all models)	41A7151	N
Shield, EMC, system board (all models)	41A7154	N
Miscellaneous hardware kit (all models)	41A7155	NN
Retention bracket kit for heat sink and fan (all models)	41A7139	N
Cable, optical drive signal (all models)	41A7158	N
Cable, hard disk drive signal (all models)	41A7159	N
Miscellaneous bezel kit (all models)	41A7160	N
Interposer cables (all models)	41A7161	N
Fan assembly, front (all models)	41A7198	N
Battery (all models)	33F8354	N

8294 Keyboards (Standard PS/2 Black)	FRU#	CRU Tier
US English (models 21U 22M A1H A6G 11M 11H 23M 23A 25G D1U E1U 41L A1H A2M A2A A2Q A2C A2H A5M A5A A5Q A5C A5H 24M 24A 24Q 24H D4M D4A D4Q D4C D4H D5M D5A D5Q D5C D5H A1C 24C)	89P8300	1
Arabic (models A6G 25G)	89P8301	1
Belgian/French (models A6G 25G)	89P8302	1
Belgian/UK (models A6G 25G)	89P8303	1
Bulgarian (models A6G 25G)	89P8305	1

8294 Keyboards (Standard PS/2 Black)	FRU#	CRU Tier
Chinese/US (models A1B A1V 11B 11V A1B A1V A2B A2V A5B A5V 23V 24B 24V D4B D4V D5B D5V)	89P8306	1
Czech (models A6G 25G)	89P8307	1
Danish (models A6G 25G)	89P8308	1
Dutch (models A6G 25G)	89P8309	1
French (models A6G 25G)	89P8310	1
French Canadian 445 (models 21F D1F E1F)	89P8311	1
French Canadian 58 (models 21F D1F E1F)	89P8312	1
German (models A6G 25G)	89P8313	1
Greek (models A6G 25G)	89P8314	1
Hebrew (models A6G 25G)	89P8315	1
Hungarian (models A6G 25G)	89P8316	1
Iceland (models A6G 25G)	89P8317	1
Italian 141 (models A6G 25G)	89P8318	1
Italian 142 (models A6G 25G)	89P8319	1
Japanese (models 22J A1J A2J A5J 24J A7J 26J D4J D5J)	89P8320	1
Korean (models A1K 11K A1K A2K A5K 24K D4K D5K)	89P8321	1
LA Spanish (models 41S 41D 41Y A8S A8D A8Y A9S A9D A9Y 31S 31D 31Y 32S 32D 32Y D5S D5D D5Y)	89P8322	1
Norwegian (models A6G 25G)	89P8323	1
Polish (models A6G 25G)	89P8324	1
Portuguese (models A6G 25G)	89P8325	1
Romanian (models A6G 25G)	89P8326	1
Russian/Cy (models A6G 25G)	89P8327	1
Russian/Cy (models A6G 25G)	89P8328	1
Serbian/Cyrillic (models A6G 25G)	89P8329	1
Slovak (models A6G 25G)	89P8330	1
Spanish (models A6G 25G)	89P8331	1
Swedish/Finn (models A6G 25G)	89P8332	1
Swiss F/G (models A6G 25G)	89P8333	1
Thailand (models 23T A2T A5T 24T D4T D5T)	89P8334	1
Turkish 440 (models A6G 25G)	89P8335	1
Turkish 179 (models A6G 25G)	89P8336	1
UK English (models A6G 25G)	89P8337	1
US Euro (models A6G 25G)	89P8338	1
Yugoslav/Latin (models A6G 25G)	89P8339	1

8294 mice	FRU#	CRU Tier
Mouse, Scrollpoint Optical, USB (models 21U 22M 22J A1B A1H A1V A1K A1J A2J A5J A6G 11M 11B 11H 11V 11K 21F 23M 23A 23T 24J 25G 41S D1U D1F E1U E1F 41L 41D 41Y A1B A1H A1V A1K A2M A2A A2Q A2T A2C A2B A2H A2V A2K A7J A5M A5A A5Q A5T A5C A5B A5H A5V A5K 23V 24M 24A 24Q 24T 24B 24H 24V 24K 26J D4M D4A D4Q D4T D4C D4B D4H D4V D4K D4J D5M D5A D5Q D5T D5C D5B D5H D5V D5K D5J A1C 24C A8S A8D A8Y A9S A9D A9Y 31S 31D 31Y 32S 32D 32Y D5S D5D D5Y)	24P0499	1

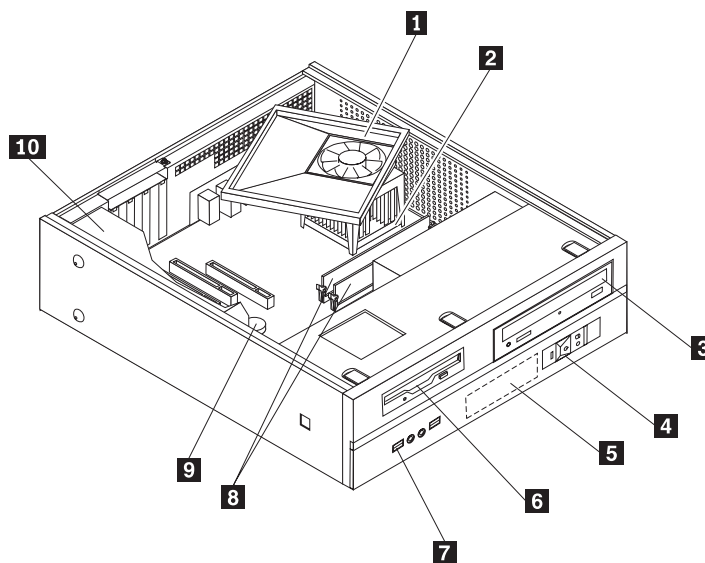
8294 Adapters and miscellaneous FRUs	FRU#	CRU Tier
PCI Modem Card (Soft) -- full bracket (models A8S A8D A8Y 31S 31D 31Y)	29R9729	1
Speakers (2-piece) Infinity Logo (models A8S A8D A8Y)	89P8589	1
Speakers (2-piece) Lenovo Logo (models A8S A8D A8Y)	41A5331	1
Speaker Power brick - US, Canada, LA (low voltage), ASEAN (models A8S A8D A8Y)	89P8571	1
Speaker Power brick - LA high voltage (non-APU) (models A8D)	89P8575	1
Speaker Power brick - Argentina (models A8S A8Y)	41A4901	1
RJ11 connector adapter (Spain, Ireland) (All "G" models)	60H6043	1
RJ11 connector adapter (Austria) (All "G" models)	60H6045	1
RJ11 connector adapter (Belgium) (All "G" models)	60H6046	1
RJ11 connector adapter (Denmark) (All "G" models)	60H6047	1
RJ11 connector adapter (Norway, Finland) (All "G" models)	60H6048	1
RJ11 connector adapter (France) (All "G" models)	60H6049	1
RJ11 connector adapter (Germany) (All "G" models)	60H6050	1
RJ11 connector adapter (UK, NZ, HK) (All "G", "M", "B", "H" models)	60H6051	1
RJ11 connector adapter (Italy) (All "G" models)	60H6052	1
RJ11 connector adapter (Netherlands) (All "G" models)	60H6053	1
RJ11 connector adapter (Sweden) (All "G" models)	60H6054	1
RJ11 connector adapter (Switzerland) (All "G" models)	60H6055	1

8294 Power Cords	FRU#	CRU Tier
Power Cord (models 21U A1V A6G 11V 21F 23A 23T 25G 41S D1U D1F E1U E1F 41L 41D A1V A2A A2T A2V A5A A5T A5V 23V 24A 24T 24V D4A D4T D4V D5A D5T D5V A8S A8D A9S A9D 31S 31D 32S 32D D5S D5D)	6952301	1
Power Cord (ANZ) (models 22M 11M 23M A2M A5M 24M D4M D5M)	13F9939	1
Power Cord (EMEA, ANZ, ASEAN Eng, Korea) (models A1K A6G 11K 25G A1K A2K A5K 24K D4K D5K)	13F9978	1
Power Cord (EMEA, ANZ, ASEAN Eng, HK Eng) (models A1H A6G 11H 25G A1H A2H A5H 24H D4H D5H)	14F0032	1
Power Cord (EMEA) (models A6G 25G)	13F9996	1
Power Cord (EMEA, LA) (models A6G 25G 41S 41L 41D 41Y A8S A8D A8Y A9S A9D A9Y 31S 31D 31Y 32S 32D 32Y D5S D5D D5Y)	14F0068	1
Power Cord (APU) (models 41Y A8Y A9Y 31Y 32Y D5Y)	36L8879	1
Power Cord (APU) (models 22J A1J A2J A5J 24J A7J 26J D4J D5J)	05K2876	1
Power Cord (China, HK) (models A1B A1H 11B 11H A1B A1H A2C A2B A2H A5C A5B A5H 24B 24H D4C D4B D4H D5C D5B D5H A1C 24C)	02K0545	1
Power Cord (EMEA) (models A6G 25G)	14F0086	1

8294 Power Cords	FRU#	CRU Tier
Power Cord (EMEA, ANZ, ASEAN Eng) (models A6G 25G)	14F0014	1
Power Cord (EMEA) (models A6G 25G)	14F0050	1
Power Cord (India) (models A2Q A5Q 24Q D4Q D5Q)	49P2078	1

8294 Windows XP Pro Recovery CDs	FRU#	CRU Tier
US/UK/AP/TH (models A1H A6G 11M 11H 21U 22M 23M 23A 23T 25G 41L D1U E1U A1H A2M A2A A2Q A2T A2H A5M A5A A5Q A5T A5H 24M 24A 24Q 24T 24H D4M D4A D4Q D4T D4H D5M D5A D5Q D5T D5H)	41D3822	1
FR/CF (models A6G 21F 25G D1F E1F)	41D3824	1
GR (models A6G 25G)	41D3825	1
IT (models A6G 25G)	41D3827	1
BR (models A6G 25G)	41D3828	1
SP/LA (models A6G 25G 41S 41D 41Y A9S A9D A9Y 32S 32D 32Y D5S D5D D5Y)	41D3826	1
DK (models A6G 25G)	41D3830	1
NL (models A6G 25G)	41D3833	1
AE (models A6G 25G)	41D3837	1
SV (models A6G 25G)	41D3829	1
HE (models A6G 25G)	41D3834	1
FI (models A6G 25G)	41D3831	1
NO (models A6G 25G)	41D3832	1
PL (models A6G 25G)	41D3835	1
PO (models A6G 25G)	41D3841	1
RU (models A6G 25G)	41D3838	1
RE (models A6G 25G)	41D3823	1
HU (models A6G 25G)	41D3840	1
CZ (models A6G 25G)	41D3836	1
TR (models A6G 25G)	41D3839	1
GK (models A6G 25G)	41D3842	1
SL (models A6G 25G)	41D3843	1
Japanese (models A1J A2J A5J 22J 24J A7J 26J D4J D5J)	41W3395	1
Simplified Chinese (models A2C A5C D4C D5C)	41W3391	1
Taiwan - TC (models A1V 11V A1V A2V A5V 23V 24V D4V D5V)	41W3392	1
Hong Kong - TC (models A1B 11B A1B A2B A5B 24B D4B D5B)	41W3393	1
Korean (models A1K 11K A1K A2K A5K 24K D4K D5K)	41W3394	1
Multilingual 1 (models A6G 25G)	41D4080	1
Multilingual 2 (models A6G 25G)	41D4086	1

## Machine Type 8295



Item #	8295 FRUs	FRU#	CRU Tier
1	Heat sink and fan assembly (models 11G E1G 71G)	41D2001	N
2	Microprocessor, 2.93 Ghz, Pentium 4, 533FSB, 1MB L2 (models 11G 71G)	41D1802	N
2	Microprocessor, 3.0 Ghz, Pentium 4, 800FSB, 1MB L2 (models 41G)	41D1805	N
2	Microprocessor, 3.0 Ghz, Pentium 4, 800FSB, 2MB L2 (models 41G)	41D2244	N
2	Microprocessor, 3.2 Ghz, Pentium 4, 800FSB, 2MB L2 (models E1G)	41D2245	N
3	CD-RW Drive (48X/32X/48X) (models 41G)	40Y8937	N
3	CD-RW Drive (48 -32 -48 ) (models 41G)	40Y8901	N
3	DVD-ROM 16X-48X (models E1G D1G D2G)	40Y8933	N
3	DVD-ROM 16X-48X (models E1G D1G D2G)	40Y8935	N
3	Combo drive 48 -32 -48 -16 DVD - ROM - CDRW (models 71G)	40Y8919	N
4	Power switch/LED assembly (all models)	41A7152	N
5	Hard disk drive, 40GB, 7200rpm Serial ATA (models D1G)	41D2032	N
5	Hard disk drive, 80GB, 7200rpm Serial ATA (models 11G E1G 41G D2G 71G)	41D2033	N
6	Diskette drive, wo/bezel (models 11G E1G 41G D1G D2G 71G)	41D3724	N
7	Front panel card (models)	41A7153	N
8	Memory module, 256MB, DDR2 SDRAM, NP, PC2-4200 (models D1G)	41D2029	2
8	Memory module, 512MB, DDR2 SDRAM, NP, PC2-4200 (models 11G E1G 41G D2G 71G)	41D2030	2
9	System board, 10-100 Enet (models 11G E1G 41G D1G D2G 71G) <b>Note:</b> When ordering a system board, you must also order a retention bracket kit for the heat sink and fan assembly.	41D1793	N
10	Power supply (models 11G E1G 41G D1G D2G 71G)	41N3089	N

The FRUs listed in the following table are not illustrated.

8295 FRUs	FRU#	CRU Tier
Shield, EMC, 5.25in. drive bay (all models)	41A7162	N
Cable, Serial-ATA, (18in. RoHs) (all models)	41A7145	N
Shield, EMC, diskette drive bay (all models)	41A7146	N
Cable, diskette drive (all models)	41A7147	N
Cover (all models)	41A7148	2
Chassis assembly (all models)	41A7149	N
Bezel assembly, front (all models)	41A7150	N
Fan duct assembly (all models)	41A7151	N
Shield, EMC, system board (all models)	41A7154	N
Miscellaneous hardware kit (all models)	41A7155	N
Retention bracket kit for heat sink and fan (all models)	41A7139	N
Heat sink (all models)	41A7157	N
Cable, optical drive signal (all models)	41A7158	N
Cable, hard disk drive signal (all models)	41A7159	N
Miscellaneous bezel kit (all models)	41A7160	N
Interposer cables (all models)	41A7161	N
Fan assembly, front (all models)	41A7198	N
Battery (all models)	33F8354	N

8295 Keyboards (Standard PS/2 Black)	FRU#	CRU Tier
US English (models 11G E1G 41G D1G D2G 71G)	89P8300	1
Arabic (models 11G E1G 41G D1G D2G 71G)	89P8301	1
Belgian/French (models 11G E1G 41G D1G D2G 71G)	89P8302	1
Belgian/UK (models 11G E1G 41G D1G D2G 71G)	89P8303	1
Bulgarian (models 11G E1G 41G D1G D2G 71G)	89P8305	1
Czech (models 11G E1G 41G D1G D2G 71G)	89P8307	1
Danish (models 11G E1G 41G D1G D2G 71G)	89P8308	1
Dutch (models 11G E1G 41G D1G D2G 71G)	89P8309	1
French (models 11G E1G 41G D1G D2G 71G)	89P8310	1
German (models 11G E1G 41G D1G D2G 71G)	89P8313	1
Greek (models 11G E1G 41G D1G D2G 71G)	89P8314	1
Hebrew (models 11G E1G 41G D1G D2G 71G)	89P8315	1
Hungarian (models 11G E1G 41G D1G D2G 71G)	89P8316	1
Iceland (models 11G E1G 41G D1G D2G 71G)	89P8317	1
Italian 141 (models 11G E1G 41G D1G D2G 71G)	89P8318	1
Italian 142 (models 11G E1G 41G D1G D2G 71G)	89P8319	1
Norwegian (models 11G E1G 41G D1G D2G 71G)	89P8323	1
Polish (models 11G E1G 41G D1G D2G 71G)	89P8324	1
Portuguese (models 11G E1G 41G D1G D2G 71G)	89P8325	1
Romanian (models 11G E1G 41G D1G D2G 71G)	89P8326	1
Russian/Cy (models 11G E1G 41G D1G D2G 71G)	89P8327	1

<b>8295 Keyboards (Standard PS/2 Black)</b>	<b>FRU#</b>	<b>CRU Tier</b>
Russian/Cy (models 11G E1G 41G D1G D2G 71G)	89P8328	1
Serbian/Cyrillic (models 11G E1G 41G D1G D2G 71G)	89P8329	1
Slovak (models 11G E1G 41G D1G D2G 71G)	89P8330	1
Spanish (models 11G E1G 41G D1G D2G 71G)	89P8331	1
Swedish/Finn (models 11G E1G 41G D1G D2G 71G)	89P8332	1
Swiss F/G (models 11G E1G 41G D1G D2G 71G)	89P8333	1
Turkish 440 (models 11G E1G 41G D1G D2G 71G)	89P8335	1
Turkish 179 (models 11G E1G 41G D1G D2G 71G)	89P8336	1
UK English (models 11G E1G 41G D1G D2G 71G)	89P8337	1
US Euro (models 11G E1G 41G D1G D2G 71G)	89P8338	1
Yugoslav/Latin (models 11G E1G 41G D1G D2G 71G)	89P8339	1

<b>8295 mice</b>	<b>FRU#</b>	<b>CRU Tier</b>
Mouse, Scrollpoint Optical, USB (models 11G E1G 41G D1G D2G 71G)	24P0499	1

<b>8295 Adapters and miscellaneous FRUs</b>	<b>FRU#</b>	<b>CRU Tier</b>
RJ11 connector adapter (Spain, Ireland) (All "G" models)	60H6043	1
RJ11 connector adapter (Austria) (All "G" models)	60H6045	1
RJ11 connector adapter (Belgium) (All "G" models)	60H6046	1
RJ11 connector adapter (Denmark) (All "G" models)	60H6047	1
RJ11 connector adapter (Norway, Finland) (All "G" models)	60H6048	1
RJ11 connector adapter (France) (All "G" models)	60H6049	1
RJ11 connector adapter (Germany) (All "G" models)	60H6050	1
RJ11 connector adapter (UK, NZ, HK) (All "G", "M", "B", "H" models)	60H6051	1
RJ11 connector adapter (Italy) (All "G" models)	60H6052	1
RJ11 connector adapter (Netherlands) (All "G" models)	60H6053	1
RJ11 connector adapter (Sweden) (All "G" models)	60H6054	1
RJ11 connector adapter (Switzerland) (All "G" models)	60H6055	1

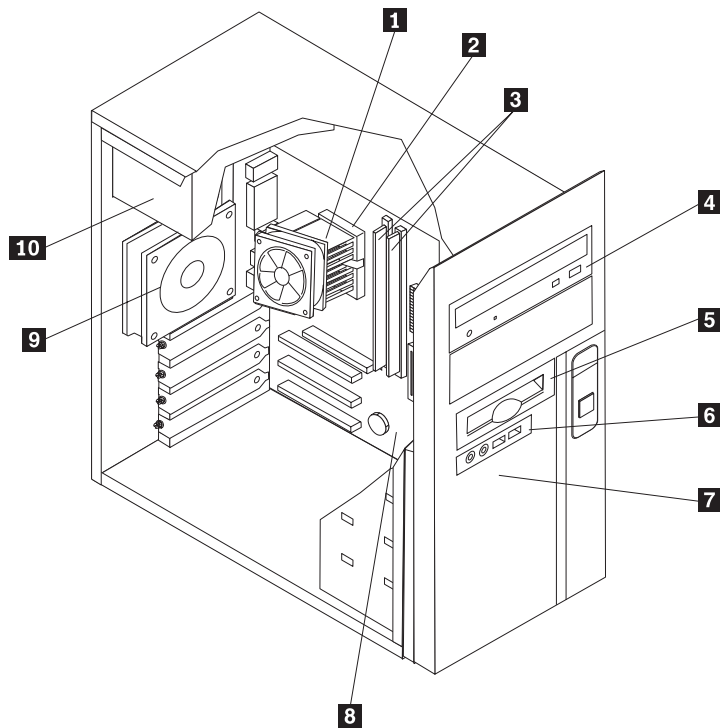
<b>8295 Power Cords</b>	<b>FRU#</b>	<b>CRU Tier</b>
Power Cord (models 11G E1G 41G D1G D2G 71G)	6952301	1
Power Cord (EMEA, ANZ, ASEAN Eng, Korea) (models 11G E1G 41G D1G D2G 71G)	13F9978	1
Power Cord (EMEA, ANZ, ASEAN Eng, HK Eng) (models 11G E1G 41G D1G D2G 71G)	14F0032	1
Power Cord (EMEA) (models 11G E1G 41G D1G D2G 71G)	13F9996	1
Power Cord (EMEA, LA) (models 11G E1G 41G D1G D2G 71G)	14F0068	1
Power Cord (EMEA) (models 11G E1G 41G D1G D2G 71G)	14F0086	1
Power Cord (EMEA, ANZ, ASEAN Eng) (models 11G E1G 41G D1G D2G 71G)	14F0014	1
Power Cord (EMEA) (models 11G E1G 41G D1G D2G 71G)	14F0050	1

<b>8295 Windows XP Pro Recovery CDs</b>	<b>FRU#</b>	<b>CRU Tier</b>
US/UK/AP/TH (models 11G D1G D2G 71G)	41D3822	1



8295 Windows XP Pro Recovery CDs	FRU#	CRU Tier
FR/CF (models 11G D1G D2G 71G)	41D3824	1
GR (models 11G D1G D2G 71G)	41D3825	1
IT (models 11G D1G D2G 71G)	41D3827	1
SP/LA (models 11G D1G D2G 71G)	41D3826	1
DK (models 11G D1G D2G 71G)	41D3830	1
NL (models 11G D1G D2G 71G)	41D3833	1
AE (models 11G D1G D2G 71G)	41D3837	1
SV (models 11G D1G D2G 71G)	41D3829	1
HE (models 11G D1G D2G 71G)	41D3834	1
FI (models 11G D1G D2G 71G)	41D3831	1
NO (models 11G D1G D2G 71G)	41D3832	1
PL (models 11G D1G D2G 71G)	41D3835	1
PO (models 11G D1G D2G 71G)	41D3841	1
RU (models 11G D1G D2G 71G)	41D3838	1
RE (models 11G D1G D2G 71G)	41D3823	1
HU (models 11G D1G D2G 71G)	41D3840	1
CZ (models 11G D1G D2G 71G)	41D3836	1
TR (models 11G D1G D2G 71G)	41D3839	1
GK (models 11G D1G D2G 71G)	41D3842	1
SL (models 11G D1G D2G 71G)	41D3843	1
Multilingual 1 (models 11G D1G D2G 71G)	41D4080	1
Multilingual 2 (models 11G D1G D2G 71G)	41D4086	1

## Machine Type 8463



Item #	8463 FRUs	FRU#	CRU Tier	RoHS?
1	Heat sink and fan assembly (models B1U B1F B1S B1Y)	41A7844	N	Y
2	Microprocessor, AMD 754 Sempron 3000+ 1.8 (models B2Y B1U B1F B1S B1Y)	41T1736	N	Y
3	Memory module, 256MB, DDR1 SDRAM, NP, PC3200 (models B2Y B1U B1F B1S B1Y)	73P2683	2	Y
4	CD-ROM Drive 48X - Black w/o jack & vol (models B2Y B1U B1F B1S B1Y)	40Y8929	N	Y
4	CD-ROM Drive 48X - Black w/o jack & vol (models B2Y)	41X3540	N	Y
4	CD-ROM Drive 48X - Black w/o jack & vol (models B2Y B1U B1F B1S B1Y)	40Y8807	N	Y
4	CD-ROM Drive 48X - Black w/o jack & vol (models B2Y B1U B1F B1S B1Y)	40Y8955	N	Y
4	CD-ROM Drive 48X - Black w/o jack & vol (models B2Y B1U B1F B1S B1Y)	40Y8953	N	Y
5	Diskette drive, w/bezel (models)	40Y9105	N	Y
6	Front panel cable assembly (all models)	41A7886	N	Y
7	Hard disk drive, 40GB, 7200rpm, serial ATA (models B2Y B1U B1F B1S B1Y)	40Y9033	N	Y
7	Hard disk drive, 40GB, 7200rpm, serial ATA (models B2Y B1U B1F B1S B1Y)	40Y8760	N	Y
8	System board, K8M800 (AMD based) (models B2Y B1U B1F B1S B1Y) <b>Note:</b> When ordering a system board, you must also order a retention bracket kit for the heat sink and fan assembly.	41X0138	N	Y

Item #	8463 FRUs	FRU#	CRU Tier	RoHS?
8	System board, K8M800 (AMD based) (models B1U B1F B1S B1Y) <b>Note:</b> When ordering a system board, you must also order a retention bracket kit for the heat sink and fan assembly.	41T1610	N	Y
9	System Fan, rear w/grill (all models)	41N5339	N	Y
10	Power supply, 250W, RoHS (not available at this time) (models B2Y)	41N3127	N	Y
10	Power supply, 250W, non-RoHS (models B1U B1F B1S B1Y)	41N3123	N	Y

The FRUs listed in the following table are not illustrated.

8463 FRUs	FRU#	CRU Tier	RoHS?
Cable, Serial ATA 250mm (RoHS) (all models)	41A7145	2	Y
Cable, diskette drive (RoHS) (all models)	41A7130	2	Y
Cover, side (RoHS) (all models)	41N5333	2	Y
Chassis assembly (all models)	41A7885	N	N
Bezel, front (all models)	41A7866	2	N
Power switch/LED assembly (all models)	41N5284	N	N
Shield, system board (RoHS) (all models)	41N5329	N	Y
Miscellaneous hardware kit (RoHS) (all models)	41N5334	N	Y
Retention bracket kit, heat sink and fan and fan (all models)	41A7842	N	N
Cable, optical drive and hard disk drive signal (2-drop) (all models)	41A7875	N	N
Interposer cable (all models)	41N5307	N	N
Miscellaneous bezel kit (all models)	41A7144	N	N

8463 Keyboards (Preferred Pro fullsize, Black)	FRU#	CRU Tier	RoHS?
US English (models B1U)	89P8300	1	Y
French Canadian 445 (models B1F)	89P8311	1	Y
French Canadian 58 (models B1F)	89P8312	1	Y
LA Spanish (models B2Y B1S B1Y)	89P8322	1	Y

8463 mice	FRU#	CRU Tier	RoHS?
Mouse, IBM USB optical wheel (models B2Y B1U B1F B1S B1Y)	41A4935	1	Y

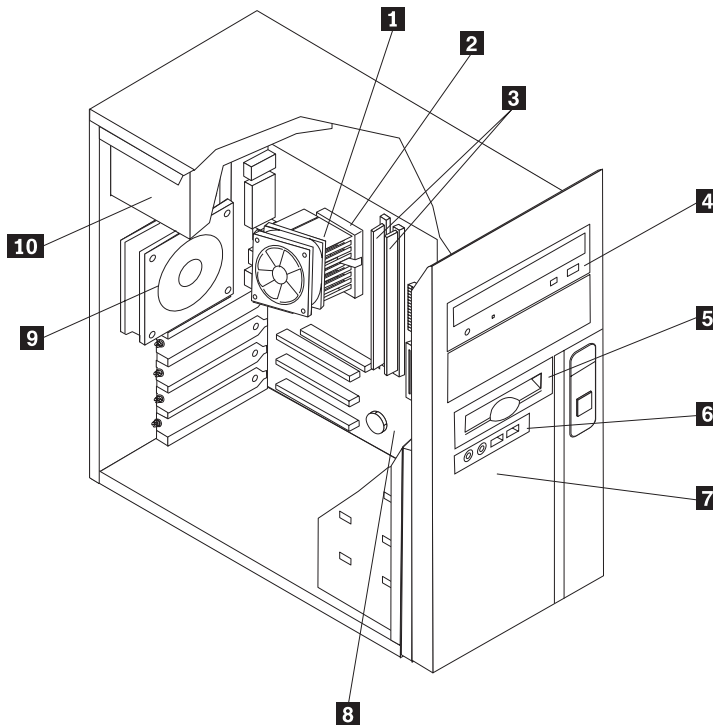
8463 Adapters and miscellaneous FRUs	FRU#	CRU Tier	RoHS?
PCI Modem Card (Soft) (models B2Y B1U B1F B1S B1Y)	29R9729	1	Y

8463 Power Cords	FRU#	CRU Tier	RoHS?
Power Cord - US (models B1U B1F B1S)	39M5080	1	Y
Power Cord (LA), (High Volt) (APU) (models B1Y B2Y)	39M5067	1	Y

8463 Power Cords	FRU#	CRU Tier	RoHS?
Power Cord (Italy) (models B1S B1Y B2Y)	39M5164	1	Y

8463 Windows XP Home Recovery CDs	FRU#	CRU Tier	RoHS?
US/UK/AP/TH (models B1U)	41D3954	1	Y
FR/CF (models B1F)	41D3956	1	Y
SP/LA (models B2Y)	41X4124	1	Y
SP/LA (models B1S B1Y)	41D3958	1	Y

## Machine Type 8464



Item #	8464 FRUs	FRU#	CRU Tier	RoHS?
1	Heat sink and fan assembly (models 81M 81A 81Q 81T 82M 82A 82T 91M 91A 91T 93U 93F 94U 94F 95Q 96M 96A 96T 97M 97A 97Q 97T 93Y 81C 81B 81H 81V 81K 93S 93P 93L 93D 93G A1A A1Q A1T A2M A2A A2Q A2T B1A B1Q B1T B2M B2Q B2T B3G D1U D1F D1S D1Y D3M D3A D3Q D3T D2U D2F D4M D4A D4Q D4T D5M D5A D5Q D5T B2A)	41A7844	N	Y
2	Microprocessor, AMD 754 Sempron 2600+ 1.6 (models A1A A1Q A1T)	41T2238	N	Y
2	Microprocessor, AMD 754 Sempron 2800+ 1.6 (models 81M 81A 81Q 81T 81C 81B 81H 81V 81K A2M A2A A2Q A2T)	41T1737	N	Y
2	Microprocessor, AMD 754 Sempron 3000+ 1.8 (models 82M 82A 82T B1A B1Q B1T B2M B2Q B2T B3G B2A)	41T1736	N	Y
2	Microprocessor, AMD 754 Athlon64 3000+ 2.0 (models 91M 91A 91T 93U 93F 93Y 93S 93P 93L 93D 93G D1U D1F D1S D1Y D3M D3A D3Q D3T)	41T2870	N	Y

Item #	8464 FRUs	FRU#	CRU Tier	RoHS?
2	Microprocessor, AMD 754 Athlon64 3200+ 2.2 (models 94U 94F 95Q 96M 96A 96T 97M 97A 97Q 97T D2U D2F D4M D4A D4Q D4T D5M D5A D5Q D5T)	41T1742	N	Y
3	Memory module, 256MB, DDR1 SDRAM, NP, PC3200 (models 81M 81A 81Q 81T 95Q 81C 81B 81H 81V 81K A1A A1Q A1T A2M A2A A2Q A2T B1A B1Q B1T)	73P2683	2	Y
3	Memory module, 512MB, DDR1 SDRAM, NP, PC3200 (models 82M 82A 82T 91M 91A 91T 93U 93F 94U 94F 96M 96A 96T 97M 97A 97Q 97T 93Y 93S 93P 93L 93D 93G B2M B2Q B2T B3G D1U D1F D1S D1Y D3M D3A D3Q D3T D2U D2F D4M D4A D4Q D4T D5M D5A D5Q D5T B2A)	73P2684	2	Y
4	CD-ROM Drive 48X - Black w/o jack & vol (models 95Q)	40Y8929	N	Y
4	CD-ROM Drive 48X - Black w/o jack & vol (models 95Q)	41X3540	N	Y
4	CD-ROM Drive 48X - Black w/o jack & vol (models 95Q)	40Y8807	N	Y
4	CD-ROM Drive 48X - Black w/o jack & vol (models 95Q)	40Y8955	N	Y
4	CD-ROM Drive 48X - Black w/o jack & vol (models 95Q)	40Y8953	N	Y
4	CD-RW Drive (48X/32X/48X) (models A1A A1Q A1T B1A B1Q B1T)	40Y8937	N	Y
4	CD-RW Drive (48X/32X/48X) (models A1A A1Q A1T B1A B1Q B1T)	40Y8901	N	Y
4	DVD-ROM 16x -48x (models B3G D5M D5A D5Q D5T)	40Y8931	N	Y
4	DVD-ROM 16x -48x (models B3G D5M D5A D5Q D5T)	40Y8935	N	Y
4	DVD-ROM 16x -48x (models B3G D5M D5A D5Q D5T)	40Y8937	N	Y
4	DVD - ROM - CDRW Combo drive (48-32-48-16) (models 81M 81A 81Q 81T 82M 82A 82T 91M 91A 91T 93U 93F 97M 97A 97Q 97T 93Y 81C 81B 81H 81V 81K 93S 93P 93L 93D 93G A2M A2A A2Q A2T B2M B2Q B2T D1U D1F D1S D1Y D3M D3A D3Q D3T B2A)	40Y8919	N	Y
4	DVD - ROM - CDRW Combo drive (48-32-48-16) (models 81M 81A 81Q 81T 82M 82A 82T 91M 91A 91T 93U 93F 97M 97A 97Q 97T 93Y 81C 81B 81H 81V 81K 93S 93P 93L 93D 93G A2M A2A A2Q A2T B2M B2Q B2T D1U D1F D1S D1Y D3M D3A D3Q D3T B2A)	40Y8941	N	Y
4	DVD - ROM - CDRW Combo drive (48-32-48-16) (models 81M 81A 81Q 81T 82M 82A 82T 91M 91A 91T 93U 93F 97M 97A 97Q 97T 93Y 81C 81B 81H 81V 81K 93S 93P 93L 93D 93G)	40Y8943	N	Y
4	DVD - ROM - CDRW Combo drive (48-32-48-16) (models 81M 81A 81Q 81T 82M 82A 82T 91M 91A 91T 93U 93F 97M 97A 97Q 97T 93Y 81C 81B 81H 81V 81K 93S 93P 93L 93D 93G)	40Y8943	N	Y
4	Multi-Burner Plus (Rambo 8) (models 94U 94F 96M 96A 96T)	41N3343	N	Y
4	Multi-Burner Plus (Rambo VI) (models D2U D2F D4M D4A D4Q D4T)	41Y8909	N	Y
5	Diskette drive, w/bezel (models 95Q)	40Y9105	N	Y
5	Diskette drive, w/bezel (models 95Q)	40Y9107	N	Y
5	Diskette drive, w/bezel (models 95Q)	40Y9113	N	Y
6	Front panel card assembly (all models)	41A7886	N	Y
7	Hard disk drive, 40GB, 7200rpm, serial ATA (models A1A A1Q A1T)	40Y9033	N	Y
7	Hard disk drive, 40GB, 7200rpm, serial ATA (models A1A A1Q A1T)	40Y8760	N	Y

Item #	8464 FRUs	FRU#	CRU Tier	RoHS?
7	Hard disk drive, 80GB, 7200rpm, serial ATA (models 81M 81A 81Q 81T 82M 82A 82T 91M 91A 91T 93U 93F 95Q 97M 97A 97Q 97T 93Y 81C 81B 81H 81V 81K 93S 93P 93L 93D 93G A2M A2A A2Q A2T B1A B1Q B1T B2M B2Q B2T B3G D1U D1F D1S D1Y D3M D3A D3Q D3T D5M D5A D5Q D5T B2A)	40Y9034	N	Y
7	Hard disk drive, 80GB, 7200rpm, serial ATA (models 81M 81A 81Q 81T 82M 82A 82T 91M 91A 91T 93U 93F 95Q 97M 97A 97Q 97T 93Y 81C 81B 81H 81V 81K 93S 93P 93L 93D 93G A2M A2A A2Q A2T B1A B1Q B1T B2M B2Q B2T B3G D1U D1F D1S D1Y D3M D3A D3Q D3T D5M D5A D5Q D5T B2A)	40Y8761	N	Y
7	Hard disk drive, 160GB, 7200rpm, serial ATA (models 94U 94F 96M 96A 96T D2U D2F D4M D4A D4Q D4T)	40Y9035	N	Y
7	Hard disk drive, 160GB, 7200rpm, serial ATA (models 94U 94F 96M 96A 96T D2U D2F D4M D4A D4Q D4T)	40Y8762	N	Y
8	System board, K8M800 (AMD based) (models 81M 81A 81Q 81T 82M 82A 82T 91M 91A 91T 93U 93F 94U 94F 95Q 96M 96A 96T 97M 97A 97Q 97T 93Y 81C 81B 81H 81V 81K 93S 93P 93L 93D 93G A1A A1Q A1T A2M A2A A2Q A2T B1A B1Q B1T B2M B2Q B2T B3G D1U D1F D1S D1Y D3M D3A D3Q D3T D2U D2F D4M D4A D4Q D4T D5M D5A D5Q D5T B2A) <b>Note:</b> When ordering a system board, you must also order a retention bracket kit for the heat sink and fan assembly.	41X0138	N	Y
8	System board, K8M800 (AMD based) (models A1A A1Q A1T A2M A2A A2Q A2T B1A B1Q B1T B2M B2Q B2T B3G D1U D1F D1S D1Y D3M D3A D3Q D3T D2U D2F D4M D4A D4Q D4T D5M D5A D5Q D5T B2A) <b>Note:</b> When ordering a system board, you must also order a retention bracket kit for the heat sink and fan assembly.	41T1610	N	Y
9	System Fan, rear w/grill (all models)	41N5339	N	Y
10	Power supply, 250W, RoHS (models 93U 93F 94U 94F 81M 81A 81Q 81T 82M 82A 82T 91M 91A 91T 95Q 96M 96A 96T 97M 97A 97Q 97T 93Y 93S 93P 93L 93D 81C 81B 81H 81V 81K 93G)	41N3127	N	Y
10	Power supply, 250W, non-RoHS (models D1U D1F D1S D1Y D2U D2F A1A A1Q A1T A2M A2A A2Q A2T B1A B1Q B1T B2M B2Q B2T B3G D3M D3A D3Q D3T D4M D4A D4Q D4T D5M D5A D5Q D5T B2A)	41N3123	N	Y

The FRUs listed in the following table are not illustrated.

8464 FRUs	FRU#	CRU Tier	RoHS?
Cable, Serial ATA 250mm (RoHs) (all models)	41A7145	2	Y
Cable, diskette drive (all models)	41A7130	2	Y
Cover, side (RoHS) (all models)	41N5333	2	Y
Chassis assembly (all models)	41A7885	N	N
Bezel, front (all models)	41A7866	2	N
Power switch/LED assembly (all models)	41N5284	N	N
Shield, system board (RoHS) (all models)	41N5329	N	Y
Miscellaneous hardware kit (RoHS) (all models)	41N5334	N	Y
Retention bracket kit, heat sink and fan and fan (all models)	41A7842	N	N
Cable, optical drive and hard disk drive signal (2-drop) (all models)	41A7875	N	N

8464 FRUs	FRU#	CRU Tier	RoHS?
Interposer cable (all models)	41N5307	N	N
Miscellaneous bezel kit (all models)	41A7144	N	N

8464 Keyboards (Preferred Pro fullsize, Black)	FRU#	CRU Tier	RoHS?
US English (models 81M 81A 81Q 82M 82A 91M 91A 93U 94U 95Q 96M 96A 97M 97A 97Q 81C 81H 93L 93G A1A A1Q A2M A2A A2Q B1A B1Q B2M B2Q B3G D1U D3M D3A D3Q D2U D4M D4A D4Q D5M D5A D5Q B2A)	89P8300	1	Y
Arabic (models 93G B3G)	89P8301	1	Y
Belgian/French (models 93G B3G)	89P8302	1	Y
Belgian/UK (models 93G B3G)	89P8303	1	Y
Bulgarian (models 93G B3G)	89P8305	1	Y
Chinese/US (models 81B 81V)	89P8306	1	Y
Czech (models 93G B3G)	89P8307	1	Y
Danish (models 93G B3G)	89P8308	1	Y
Dutch (models 93G B3G)	89P8309	1	Y
French (models 93G B3G)	89P8310	1	Y
French Canadian 445 (models 93F 94F D1F D2F)	89P8311	1	Y
French Canadian 58 (models 93F 94F D1F D2F)	89P8312	1	Y
German (models 93G B3G)	89P8313	1	Y
Greek (models 93G B3G)	89P8314	1	Y
Hebrew (models 93G B3G)	89P8315	1	Y
Hungarian (models 93G B3G)	89P8316	1	Y
Iceland (models 93G B3G)	89P8317	1	Y
Italian 141 (models 93G B3G)	89P8318	1	Y
Italian 142 (models 93G B3G)	89P8319	1	Y
Korean (models 81K)	89P8321	1	Y
LA Spanish (models 93Y 93S 93D D1S D1Y)	89P8322	1	Y
Norwegian (models 93G B3G)	89P8323	1	Y
Polish (models 93G B3G)	89P8324	1	Y
Portuguese (models 93G B3G)	89P8325	1	Y
Romanian (models 93G B3G)	89P8326	1	Y
Russian/Cy (models 93G B3G)	89P8328	1	Y
Serbian/Cyrillic (models 93G B3G)	89P8329	1	Y
Slovak (models 93G B3G)	89P8330	1	Y
Spanish (models 93G B3G)	89P8331	1	Y
Swedish/Finn (models 93G B3G)	89P8332	1	Y
Swiss F/G (models 93G B3G)	89P8333	1	Y
Thailand (models 81T 82T 91T 96T 97T A1T A2T B1T B2T D3T D4T D5T)	89P8334	1	Y
Turkish 440 (models 93G B3G)	89P8335	1	Y
Turkish 179 (models 93G B3G)	89P8336	1	Y

<b>8464 Keyboards (Preferred Pro fullsize, Black)</b>	<b>FRU#</b>	<b>CRU Tier</b>	<b>RoHS?</b>
UK English (models 93G B3G)	89P8337	1	Y
US Euro (models 93G B3G)	89P8338	1	Y
Yugoslav/Latin (models 93G B3G)	89P8339	1	Y
Brazil/Portuguese (models 93P)	89P8304	1	Y

<b>8464 mice</b>	<b>FRU#</b>	<b>CRU Tier</b>	<b>RoHS?</b>
Mouse, IBM USB optical wheel (models 81M 81A 81Q 81T 82M 82A 82T 91M 91A 91T 93U 93F 94U 94F 95Q 96M 96A 96T 97M 97A 97Q 97T 93Y 81C 81B 81H 81V 81K 93S 93P 93L 93D 93G A1A A1Q A1T A2M A2A A2Q A2T B1A B1Q B1T B2M B2Q B2T B3G D1U D1F D1S D1Y D3M D3A D3Q D3T D2U D2F D4M D4A D4Q D4T D5M D5A D5Q D5T B2A)	41A4935	1	Y

<b>8464 Adapters and miscellaneous FRUs</b>	<b>FRU#</b>	<b>CRU Tier</b>	<b>RoHS?</b>
PCI Modem Card (Soft) (models 93U 93F 94U 94F 93Y 93S 93P 93L 93D 93G D1U D1F D1S D1Y D2U D2F)	29R9729	1	Y

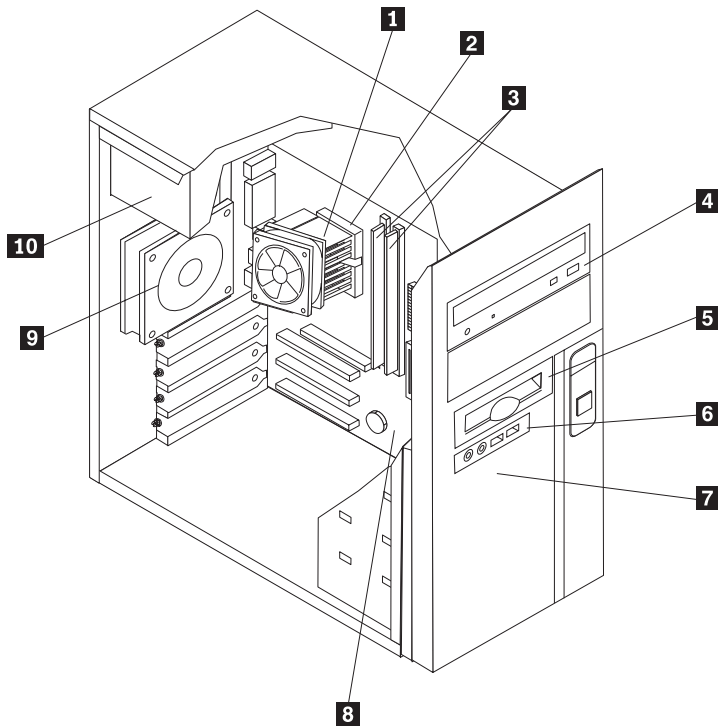
<b>8464 Power Cords</b>	<b>FRU#</b>	<b>CRU Tier</b>	<b>RoHS?</b>
Power Cord (US) (models 81A 81T 82A 82T 91A 91T 93U 93F 94U 94F 96A 96T 97A 97T 93S 93L 93D A1A A1T A2A A2T B1A B1T B2A B2T D1U D1F D1S D3A D3T D2U D2F D4A D4T D5A D5T)	39M5080	1	Y
Power Cord (China) (models 81C)	39M5205	1	Y
Power Cord (Brazil) (models 93P)	39M5232	1	Y
Power Cord (LA High Volt) (APU) (models 93Y 93L D1Y)	39M5067	1	Y
Power Cord (Australia, New Zealand) (models 81M 82M 91M 96M 97M A2M B2M D3M D4M D5M)	39M5102	1	Y
Power Cord (Korea) (models 81K)	39M5212	1	Y
Power Cord (Hong Kong) (models 81B 81H)	39M5151	1	Y
Power Cord (UK, Ireland, Singapore, Malaysia, Brunei) (models 81A 82A 91A 96A 97A 93G A1A A2A B1A B2A B3G D3A D4A D5A)	39M5150	1	Y
Power Cord (Taiwan) (models 81V)	39M5246	1	Y
Power Cord (Italy) (models 93Y 93S 93L 93G B3G D1S D1Y)	39M5164	1	Y
Power Cord (G models) (models 81A 82A 91A 96A 97A 93G A1A A2A B1A B2A B3G D3A D4A D5A)	39M5122	1	Y
Power Cord (Denmark) (models 93G B3G)	39M5129	1	Y
Power Cord (Switzerland) (models 93G B3G)	39M5157	1	Y
Power Cord (Israel) (models 93G B3G)	39M5171	1	Y
Power Cord (South Africa) (models 81M 81A 82M 82A 91M 91A 96M 96A 97M 97A 93G A1A A2M A2A B1A B2M B2A B3G D3M D3A D4M D4A D5M D5A)	39M5143	1	Y
Power Cord (India) (models 81Q 95Q 97Q A1Q A2Q B1Q B2Q D3Q D4Q D5Q)	39M5004	1	Y



8464 Windows XP Pro Recovery CDs	FRU#	CRU Tier	RoHS?
US/UK/AP/TH (models 81M 81A 81Q 81T 81H 82M 82A 82T 91M 91A 91T 93U 93L 93G 94U 95Q 96M 96A 96T 97M 97A 97Q 97T)	41X4174	1	Y
US/UK/AP/TH (models A2M A2A A2Q A2T B2M B2Q B2T B3G D1U D3M D3A D3Q D3T D2U D4M D4A D4Q D4T D5M D5A D5Q D5T B2A)	41D3822	1	Y
FR/CF (models 93F 93G 94F)	41X4176	1	Y
FR/CF (models B3G D1F D2F)	41D3824	1	Y
GR (models 93G)	41X4177	1	Y
GR (models B3G)	41D3825	1	Y
IT (models 93G)	41X4179	1	Y
IT (models B3G)	41D3827	1	Y
BR (models 93P)	41X4180	1	Y
SP/LA (models 93S 93D 93Y 93G)	41X4178	1	Y
SP/LA (models B3G D1S D1Y)	41D3826	1	Y
DK (models 93G)	41X4182	1	Y
DK (models B3G)	41D3130	1	Y
NL (models 93G)	41X5950	1	Y
NL (models B3G)	41D3833	1	Y
AE (models 93G)	41X4178	1	Y
AE (models B3G)	41D3837	1	Y
SV (models 93G)	41X4181	1	Y
SV (models B3G)	41D3829	1	Y
HE (models 93G)	41X5957	1	Y
HE (models B3G)	41D3834	1	Y
FI (models 93G)	41X5936	1	Y
FI (models B3G)	41D3831	1	Y
NO (models 93G)	41X5943	1	Y
NO (models B3G)	41D3832	1	Y
PL (models 93G)	41X5964	1	Y
PL (models B3G)	41D3835	1	Y
PO (models 93G)	41X6359	1	Y
PO (models B3G)	41D3841	1	Y
RU (models 93G)	41X5985	1	Y
RU (models B3G)	41D3838	1	Y
RE (models 93G)	41X4175	1	Y
RE (models B3G)	41D3823	1	Y
HU (models 93G)	41X5999	1	Y
HU (models B3G)	41D3840	1	Y
CZ (models 93G)	41X5971	1	Y
CZ (models B3G)	41D3836	1	Y
TR (models 93G)	41X5992	1	Y
TR (models B3G)	41D3839	1	Y

8464 Windows XP Pro Recovery CDs	FRU#	CRU Tier	RoHS?
GK (models 93G)	41X6013	1	Y
GK (models B3G)	41D3842	1	Y
SL (models 93G)	41X6020	1	Y
SL (models B3G)	41D3843	1	Y
Simplified Chinese (models 81C)	41W7641	1	Y
Taiwan - TC (models 81V)	41W7648	1	Y
Hong Kong - TC (models 81B)	41W7655	1	Y
Korea (models 81K)	41W7634	1	Y
Multilingual 1 XP-P -- EN, NL, FR, GR, IT (models 93G)	41X4113	1	Y
Multilingual 1 XP-P -- EN, NL, FR, GR, IT (models B3G)	41D4080	1	Y
Multilingual 2 XP-P -- EN, DK, FI, NO, SV (models 93G)	41X6111	1	Y
Multilingual 2 XP-P -- EN, DK, FI, NO, SV (models B3G)	41D4086	1	Y

## Machine Type 8465



Item #	8465 FRUs	FRU#	CRU Tier	RoHS?
1	Heat sink and fan assembly (models D2S D2P D2L D2D D2Y D2G D2Y D3G B1G A2G D1G)	41A7844	N	Y
2	Microprocessor, AMD 754 Sempron 3000+ ??? (model D3G B1G)	41T1736	N	Y
2	Microprocessor, AMD 754 Sempron 2800+ 1.6 (model A2G)	41T1737	N	Y
2	Microprocessor, AMD 754 Athlon64 3000+ 2.0 (models D2S D2P D2L D2D D2Y D2G D2Y)	41T2870	N	Y

Item #	8465 FRUs	FRU#	CRU Tier	RoHS?
2	Microprocessor, AMD 754 Athlon64 3200+ 2.2 (models D1G)	41T1742	N	Y
3	Memory module, 512MB, DDR1 SDRAM, NP, PC3200 (models D2S D2P D2L D2D D2Y D2G D3G B1G A2G D1G)	73P2684	2	Y
4	CD-ROM Drive 48X - Black w/o jack & vol (models B2Y)	41X3540	N	Y
4	DVD - ROM 16x - 48x (models D3G B1G)	40Y8931	N	Y
4	DVD - ROM 16x - 48x (models D3G B1G)	40Y8935	N	Y
4	DVD - ROM 16x - 48x (models D3G B1G)	40Y8957	N	Y
4	DVD - ROM - CDRW Combo drive (48-32-48-16) (models D2S D2P D2L D2D D2Y D2G A2G D1G)	40Y8919	N	Y
4	DVD - ROM - CDRW Combo drive (48-32-48-16) (models D2S D2P D2L D2D D2Y D2G A2G D1G)	40Y8941	N	Y
4	DVD - ROM - CDRW Combo drive (48-32-48-16) (models D2S D2P D2L D2D D2Y D2G)	40Y8943	N	Y
5	Diskette drive, 3.5" 1.44MB 2 Mode (w/bezel) -- Lenovo (models A2G D1G)	40Y9105	N	Y
5	Diskette drive, 3.5" 1.44MB 2 Mode (w/bezel) -- Lenovo (models A2G D1G)	40Y9107	N	Y

5	Diskette drive, 3.5" 1.44MB 2 Mode (w/bezel) -- Lenovo (models A2G D1G)	40Y9113	N	Y
6	Front panel card assembly (all models)	41A7886	N	Y
7	Hard disk drive, 80GB, 7200rpm, serial ATA (models D2S D2P D2L D2D D2Y D2G D3G B1G A2G D1G)	40Y9034	N	Y
7	Hard disk drive, 80GB, 7200rpm, serial ATA (models D2S D2P D2L D2D D2Y D2G D3G B1G A2G D1G)	40Y8761	N	Y
8	System board, K8M800 (AMD based) (models D2S D2P D2L D2D D2Y D2G D3G B1G A2G D1G) <b>Note:</b> When ordering a system board, you must also order a retention bracket kit for the heat sink and fan assembly.	41X0138	N	Y
8	System board, K8M800 (AMD based) (models B1G A2G D1G) <b>Note:</b> When ordering a system board, you must also order a retention bracket kit for the heat sink and fan assembly.	41T1610	N	Y
9	System Fan, rear w/grill (all models)	41N5339	N	Y
10	Power supply, 250W, RoHS (models D2S D2P D2L D2D D2Y D2G D3G B1G A2G D1G)	41N3127	N	Y
10	Power supply, 250W, non-RoHS (models B1G A2G D1G)	41N3123	N	Y

The FRUs listed in the following table are not illustrated.

8465 FRUs	FRU#	CRU Tier	RoHS?
Cable, Serial ATA 250mm (all models)	41A7145	2	Y
Cable, diskette drive (RoHS) (all models)	41A7130	2	Y
Cover, side (RoHS) (all models)	41N5333	2	Y
Chassis assembly (all models)	41A7885	N	N
Bezel, front (all models)	41A7866	2	N

8465 FRUs	FRU#	CRU Tier	RoHS?
Power switch/LED assembly (all models)	41N5284	N	N
Shield, system board (RoHS) (all models)	41N5329	N	Y
Miscellaneous hardware kit (RoHS) (all models)	41N5334	N	Y
Retention bracket kit, heat sink and fan (all models)	41A7842	N	N
Cable, optical drive and hard disk drive signal (2-drop) (all models)	41A7875	N	N
Interposer cable (all models)	41N5307	N	N
Miscellaneous bezel kit (all models)	41A7144	N	N

8465 Keyboards (Preferred Pro fullsize, Black)	FRU#	CRU Tier	RoHS?
US English (models D2L D2G D3G B1G A2G D1G)	89P8300	1	Y
Arabic (models D2L D2G D3G B1G A2G D1G)	89P8301	1	Y
Belgian/French (models D2L D2G D3G B1G A2G D1G)	89P8302	1	Y
Belgian/UK (models D2L D2G D3G B1G A2G D1G)	89P8303	1	Y
Bulgarian (models D2L D2G D3G B1G A2G D1G)	89P8305	1	Y
Czech (models D2L D2G D3G B1G A2G D1G)	89P8307	1	Y
Danish (models D2L D2G D3G B1G A2G D1G)	89P8308	1	Y
Dutch (models D2L D2G D3G B1G A2G D1G)	89P8309	1	Y
French (models D2L D2G D3G B1G A2G D1G)	89P8310	1	Y
German (models D2L D2G D3G B1G A2G D1G)	89P8313	1	Y
Greek (models D2L D2G D3G B1G A2G D1G)	89P8314	1	Y
Hebrew (models D2L D2G D3G B1G A2G D1G)	89P8315	1	Y
Hungarian (models D2L D2G D3G B1G A2G D1G)	89P8316	1	Y
Iceland (models D2L D2G D3G B1G A2G D1G)	89P8317	1	Y
Italian 142 (models D2L D2G D3G B1G A2G D1G)	89P8319	1	Y
LA Spanish (models D2S D2D D2Y D2Y)	89P8322	1	Y
Norwegian (models D2L D2G D3G B1G A2G D1G)	89P8323	1	Y
Polish (models D2L D2G D3G B1G A2G D1G)	89P8324	1	Y
Portuguese (models D2L D2G D3G B1G A2G D1G)	89P8325	1	Y
Romanian (models D2L D2G D3G B1G A2G D1G)	89P8326	1	Y
Russian/Cy (models D2L D2G D3G B1G A2G D1G)	89P8328	1	Y
Serbian/Cyrillic (models D2L D2G D3G B1G A2G D1G)	89P8329	1	Y
Slovak (models D2L D2G D3G B1G A2G D1G)	89P8330	1	Y
Spanish (models D2L D2G D3G B1G A2G D1G)	89P8331	1	Y
Swedish/Finn (models D2L D2G D3G B1G A2G D1G)	89P8332	1	Y
Swiss F/G (models D2L D2G D3G B1G A2G D1G)	89P8333	1	Y
Turkish 179 (models D2L D2G D3G B1G A2G D1G)	89P8336	1	Y
UK English (models D2L D2G D3G B1G A2G D1G)	89P8337	1	Y
US Euro (models D2L D2G D3G B1G A2G D1G)	89P8338	1	Y
Yugoslav/Latin (models D2L D2G D3G B1G A2G D1G)	89P8339	1	Y

<b>8465 Keyboards (Preferred Pro fullsize, Black)</b>	<b>FRU#</b>	<b>CRU Tier</b>	<b>RoHS?</b>
Brazil/Portuguese (models D2P)	89P8304	1	Y

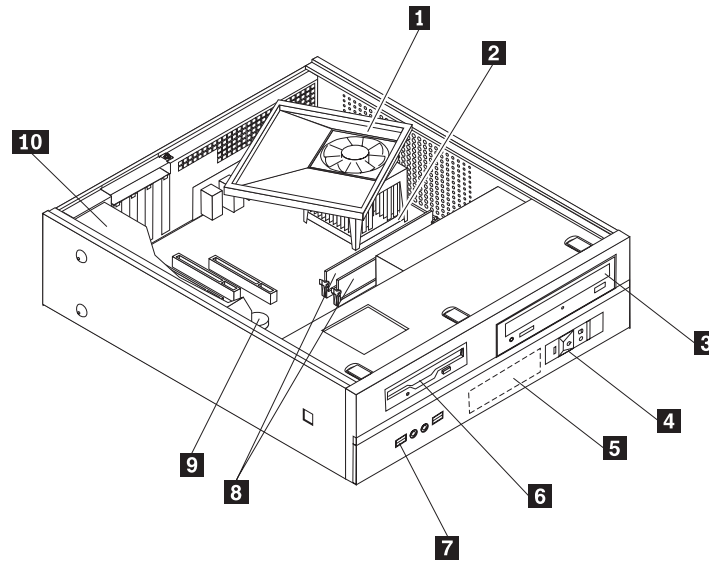
<b>8465 mice</b>	<b>FRU#</b>	<b>CRU Tier</b>	<b>RoHS?</b>
Mouse, IBM USB optical wheel (models D2S D2P D2L D2D D2Y D2G D3G)	41A4935	1	Y
Mouse, Lenovo USB Optical Wheel (models D2S D2P D2L D2D D2Y D2G D3G)	41A5085	1	Y

<b>8465 Power Cords</b>	<b>FRU#</b>	<b>CRU Tier</b>	<b>RoHS?</b>
Power Cord (US) (models D2S D2L D2D)	39M5080	1	Y
Power Cord (Brazil) (models D2P)	39M5232	1	Y
Power Cord (LA High Volt) (APU) (models D2L D2Y)	39M5067	1	Y
Power Cord (UK, Ireland, Singapore, Malaysia, Brunei) (models D2G D3G B1G A2G D1G)	39M5150	1	Y
Power Cord (Italy) (models D2S D2L D2Y D2G D3G B1G A2G D1G)	39M5164	1	Y
Power Cord (G models) (models D2G D3G B1G A2G D1G)	39M5122	1	Y
Power Cord (Denmark) (models D2G D3G B1G A2G D1G)	39M5129	1	Y
Power Cord (Switzerland) (models D2G D3G B1G A2G D1G)	39M5157	1	Y
Power Cord (Israel) (models D2G D3G B1G A2G D1G)	39M5171	1	Y
Power Cord (South Africa) (models D2G D3G B1G A2G D1G)	39M5143	1	Y

<b>8465 Windows XP Pro Recovery CDs</b>	<b>FRU#</b>	<b>CRU Tier</b>	<b>RoHS?</b>
US/UK/AP/TH (models D2L D2G D3G)	41X4174	1	Y
US/UK/AP/TH (models B1G A2G D1G)	41D3822	1	Y
FR/CF (models D2G D3G)	41X4176	1	Y
FR/CF (models B1G A2G D1G)	41D3824	1	Y
GR (models D2G D3G)	41X4177	1	Y
GR (models B1G A2G D1G)	41D3825	1	Y
IT (models D2G D3G)	41X4179	1	Y
IT (models B1G A2G D1G)	41D3827	1	Y
BR (models D2P)	41X4180	1	Y
SP/LA (models D2S D2D D2Y D2G D3G)	41X4178	1	Y
SP/LA (models B1G A2G D1G)	41D3826	1	Y
DK (models D2G D3G)	41X4179	1	Y
DK (models B1G A2G D1G)	41D3308	1	Y
NL (models D2G D3G)	41X5950	1	Y
NL (models B1G A2G D1G)	41D3833	1	Y
AE (models D2G D3G)	41X5978	1	Y
AE (models B1G A2G D1G)	41D3837	1	Y
SV (models D2G D3G)	41X4181	1	Y

8465 Windows XP Pro Recovery CDs	FRU#	CRU Tier	RoHS?
SV (models B1G A2G D1G)	41D3829	1	Y
HE (models D2G D3G)	41X5957	1	Y
HE (models B1G A2G D1G)	41D3834	1	Y
FI (models D2G D3G)	41X5936	1	Y
FI (models B1G A2G D1G)	41D3831	1	Y
NO (models D2G D3G)	41X5943	1	Y
NO (models B1G A2G D1G)	41D3832	1	Y
PL (models D2G D3G)	41X5964	1	Y
PL (models B1G A2G D1G)	41D3835	1	Y
PO (models D2G D3G)	41X6359	1	Y
PO (models B1G A2G D1G)	41D3841	1	Y
RU (models D2G D3G)	41X5985	1	Y
RU (models B1G A2G D1G)	41D3838	1	Y
RE (models D2G D3G)	41X4175	1	Y
RE (models B1G)	41D3823	1	Y
HU (models D2G D3G)	41X5999	1	Y
HU (models B1G A2G D1G)	41D3840	1	Y
CZ (models D2G D3G)	41X5971	1	Y
CZ (models B1G A2G D1G)	41D3836	1	Y
TR (models D2G D3G)	41X5992	1	Y
TR (models B1G A2G D1G)	41D3839	1	Y
GK (models D2G D3G)	41X6013	1	Y
GK (models B1G A2G D1G)	41D3842	1	Y
SL (models D2G D3G)	41X6020	1	Y
SL (models B1G A2G D1G)	41D3843	1	Y
Multilingual 1 XP-P -- EN, NL, FR, GR, IT (models D2G D3G)	41X4113	1	Y
Multilingual 1 XP-P -- EN, NL, FR, GR, IT (models B1G A2G D1G)	41D4080	1	Y
Multilingual 2 XP-P -- EN, DK, FI, NO, SV (models D2G D3G)	41X6111	1	Y
Multilingual 2 XP-P -- EN, DK, FI, NO, SV (models B1G A2G D1G)	41D4086	1	Y

## Machine Type 8467



Item #	8467 FRUs	FRU#	CRU Tier	RoHS?
1	Heat sink and fan assembly (models 81M 81A 81T 82M 82A 82T 83U 83F 84M 84A 84T 91U 91F 92M 92A 92T 93M 93A 93T 94M 94A 94T 82Q 82C 82B 82H 82V 82K 82J 83S 83P 83L 83D 83Y 83G)	41A7844	N	Y
1	Heat sink and fan assembly (models A1M A1A A1Q A1T A1J A2M A2A A2Q A2T B1U B1F B2G B3M B3A B3Q B3T B4M B4A B4Q B4T D1U D1F D2M D2A D2Q D2T D2J D3M D3A D3Q D3T D4M D4A D4Q D4T D5M D5A D5Q D5T A3G D6G)	41A7847	N	Y
2	Microprocessor, AMD 754 Sempron 2600+ 1.6 (models A1M A1A A1Q A1T A1J)	41T2238	N	Y
2	Microprocessor, AMD 754 Sempron 2800+ 1.6 (models 81M 81A 81T 82M 82A 82T 82Q 82C 82B 82H 82V 82K 82J A2M A2A A2Q A2T A3G)	41T1737	N	Y
2	Microprocessor, AMD 754 Sempron 3000+ 1.8 (models 83U 83F 83S 83P 83L 83D 83Y 83G B1U B1F B2G B3M B3A B3Q B3T D6G)	41T1736	N	Y
2	Microprocessor, AMD 754 Sempron 3400+ 2.0 (models 84M 84A 84T)	41T1740	N	Y
2	Microprocessor, AMD 754 Athlon64 3000+ 2.0 (models 91U 91F 92M 92A 92T D1U D1F D2M D2A D2Q D2T D2J)	41T2870	N	Y
2	Microprocessor, AMD 754 Athlon64 3200+ 2.2 (models 93M 93A 93T 94M 94A 94T D3M D3A D3Q D3T D4M D4A D4Q D4T D5M D5A D5Q D5T)	41T1742	N	Y
3	CD-ROM Drive 48X - Black w/o jack & vol (models 83U 83F 83S 83P 83L 83D 83Y 83G B1U B1F A3G)	40Y8929	N	Y
3	CD-ROM Drive 48X - Black w/o jack & vol (models 83U 83F 83S 83P 83L 83D 83Y 83G)	41X3540	N	Y
3	CD-ROM Drive 48X - Black w/o jack & vol (models 83U 83F 83S 83P 83L 83D 83Y 83G B1U B1F A3G)	40Y8807	N	Y
3	CD-ROM Drive 48X - Black w/o jack & vol (models 83U 83F 83S 83P 83L 83D 83Y 83G B1U B1F A3G)	40Y8955	N	Y
3	CD-ROM Drive 48X - Black w/o jack & vol (models 83U 83F 83S 83P 83L 83D 83Y 83G B1U B1F A3G)	40Y8953	N	Y
3	DVD-ROM 16x -48x (models B2G B3M B3A B3Q B3T D5M D5A D5Q D5T)	40Y8931	N	Y

Item #	8467 FRUs	FRU#	CRU Tier	RoHS?
3	DVD-ROM 16x -48x (models B2G B3M B3A B3Q B3T D5M D5A D5Q D5T)	40Y8935	N	Y
3	DVD-ROM 16x -48x (models B2G B3M B3A B3Q B3T D5M D5A D5Q D5T)	40Y8957	N	Y
3	DVD - ROM - CDRW Combo drive (48-32-48-16) (models 81M 81A 81T 82M 82A 82T 84M 84A 84T 91U 91F 92M 92A 92T 94M 94A 94T 82Q 82C 82B 82H 82V 82K 82J A1M A1A A1Q A1T A1J A2M A2A A2Q A2T B4M B4A B4Q B4T D1U D1F D2M D2A D2Q D2T D2J D4M D4A D4Q D4T D6G)	40Y8919	N	Y
3	DVD - ROM - CDRW Combo drive (48-32-48-16) (models 81M 81A 81T 82M 82A 82T 84M 84A 84T 91U 91F 92M 92A 92T 94M 94A 94T 82Q 82C 82B 82H 82V 82K 82J A1M A1A A1Q A1T A1J A2M A2A A2Q A2T B4M B4A B4Q B4T D1U D1F D2M D2A D2Q D2T D2J D4M D4A D4Q D4T D6G)	40Y8941	N	Y
3	DVD - ROM - CDRW Combo drive (48-32-48-16) (models 81M 81A 81T 82M 82A 82T 84M 84A 84T 91U 91F 92M 92A 92T 94M 94A 94T 82Q 82C 82B 82H 82V 82K 82J)	40Y8943	N	Y
3	Multi-Burner Plus (Rambo 8) (models 93M 93A 93T)	41N3343	N	Y
3	Multi-Burner Plus (Rambo VI) (models D3M D3A D3Q D3T)	40Y8909	N	Y
4	Power switch/LED assembly (all models)	41N5269	N	
5	Hard disk drive, 40GB, 7200rpm, serial ATA (models 83U 83F 83S 83P 83L 83D 83Y 83G B1U B1F A3G D6G)	40Y9033	N	Y
5	Hard disk drive, 40GB, 7200rpm, serial ATA (models 83U 83F 83S 83P 83L 83D 83Y 83G B1U B1F A3G D6G)	40Y8760	N	Y
5	Hard disk drive, 80GB, 7200rpm serial ATA (models 81M 81A 81T 82M 82A 82T 84M 84A 84T 91U 91F 92M 92A 92T 82Q 82C 82B 82H 82V 82K 82J A1M A1A A1Q A1T A1J A2M A2A A2Q A2T B2G B3M B3A B3Q B3T B4M B4A B4Q B4T D1U D1F D2M D2A D2Q D2T D2J D5M D5A D5Q D5T)	40Y9034	N	Y
5	Hard disk drive, 80GB, 7200rpm serial ATA (models 81M 81A 81T 82M 82A 82T 84M 84A 84T 91U 91F 92M 92A 92T 82Q 82C 82B 82H 82V 82K 82J A1M A1A A1Q A1T A1J A2M A2A A2Q A2T B2G B3M B3A B3Q B3T B4M B4A B4Q B4T D1U D1F D2M D2A D2Q D2T D2J D5M D5A D5Q D5T)	40Y8761	N	Y
5	Hard disk drive, 160GB, 7200rpm, serial ATA (models 93M 93A 93T 94M 94A 94T D3M D3A D3Q D3T D4M D4A D4Q D4T)	40Y9035	N	Y
5	Hard disk drive, 160GB, 7200rpm, serial ATA (models 93M 93A 93T 94M 94A 94T D3M D3A D3Q D3T D4M D4A D4Q D4T)	40Y8762	N	Y
6	Diskette drive, 3.5" 1.44MB 2 Mode (w/bezel) -- Lenovo (models A3G D6G)	40Y9105	N	Y
6	Diskette drive, 3.5" 1.44MB 2 Mode (w/bezel) -- Lenovo (models A3G D6G)	40Y9107	N	Y
6	Diskette drive, 3.5" 1.44MB 2 Mode (w/bezel) -- Lenovo (models A3G D6G)	40Y9113	N	Y
6	Diskette drive, w/o bezel (models)	41D3724	N	Y
7	Front panel card (all models)	41A7153	N	N
8	Memory module, 256MB DDR1 SDRAM NP (PC 3200 ) (models 81M 81A 81T 82M 82A 82T 83U 83F 84M 84A 84T 82Q 82C 82B 82H 82V 82K 82J 83S 83P 83L 83D 83Y 83G A1M A1A A1Q A1T A1J A2M A2A A2Q A2T B1U B1F B3M B3A B3Q B3T B4M B4A B4Q B4T)	73P2683	2	Y



Item #	8467 FRUs	FRU#	CRU Tier	RoHS?
8	Memory module, 512MB DDR1 SDRAM NP (PC 3200 ) (models 91U 91F 92M 92A 92T 93M 93A 93T 94M 94A 94T B2G D1U D1F D2M D2A D2Q D2T D2J D3M D3A D3Q D3T D4M D4A D4Q D4T D5M D5A D5Q D5T A3G)	73P2684	2	Y
8	Memory module, 1024MB DDR1 SDRAM NP (PC 3200 ) (models D6G)	22P9274	2	Y
9	System board, Via K8M800 (AMD based) (models 81M 81A 81T 82M 82A 82T 83U 83F 84M 84A 84T 91U 91F 92M 92A 92T 93M 93A 93T 94M 94A 94T 82Q 82C 82B 82H 82V 82K 82J 83S 83P 83L 83D 83Y 83G A1M A1A A1Q A1T A1J A2M A2A A2Q A2T B1U B1F B2G B3M B3A B3Q B3T B4M B4A B4Q B4T D1U D1F D2M D2A D2Q D2T D2J D3M D3A D3Q D3T D4M D4A D4Q D4T D5M D5A D5Q D5T A3G D6G) <b>Note:</b> When ordering a system board, you must also order a retention bracket kit for the heat sink and fan assembly.	41X0138	N	Y
9	System board, Via K8M800 (AMD based) (models A1M A1A A1Q A1T A1J A2M A2A A2Q A2T B1U B1F B2G B3M B3A B3Q B3T B4M B4A B4Q B4T D1U D1F D2M D2A D2Q D2T D2J D3M D3A D3Q D3T D4M D4A D4Q D4T D5M D5A D5Q D5T A3G D6G) <b>Note:</b> When ordering a system board, you must also order a retention bracket kit for the heat sink and fan assembly.	41T1610	N	Y
10	Power supply, 180W (non-smokeless) (models 81M 81A 81T 82M 82A 82T 83U 83F 84M 84A 84T 91U 91F 92M 92A 92T 93M 93A 93T 94M 94A 94T 82Q 82C 82B 82H 82V 82K 83S 83P 83L 83D 83Y 83G A1M A1A A1Q A1T A2M A2A A2Q A2T B1U B1F B2G B3M B3A B3Q B3T B4M B4A B4Q B4T D1U D1F D2M D2A D2Q D2T D3M D3A D3Q D3T D4M D4A D4Q D4T D5M D5A D5Q D5T A3G D6G)	41N3111	N	Y
10	Power supply, 180W (smokeless) (models 82J A1J D2J)	41N3114	N	Y

The FRUs listed in the following table are not illustrated.

8467 FRUs	FRU#	CRU Tier	RoHS?
Shield, EMC, 5.25in. drive bay (all models)	41A7162	N	N
Cable, Serial-ATA, (18in. RoHs) (all models)	41A7145	N	N
Shield, EMC, diskette drive bay (all models)	41A7146	N	N
Cable, diskette drive (all models)	41A7147	N	N
Cover (all models)	41A7148	2	N
Chassis assembly (all models)	41A7873	2	N
Bezel assembly, front (all models)	41A7150	N	N
Fan duct assembly (all models)	41A7151	N	N
Shield, EMC, system board (all models)	41N5329	N	Y
Miscellaneous hardware kit (all models)	41A7155	N	N
Cable, optical drive signal (all models)	41A7158	N	N
Miscellaneous bezel kit (all models)	41A7160	N	N
Interposer cables (all models)	41A7161	N	N
Fan assembly, front (all models)	41A7198	N	N
Retention bracket kit, heat sink and fan (all models)	41A7842	N	N

8467 Keyboards (Standard PS/2 Black)	FRU#	CRU Tier	RoHS?
US English (models 81M 81A 82M 82A 83U 84M 84A 91U 92M 92A 93M 93A 94M 94A 82Q 82C 82H 83L 83G A1M A1A A1Q A2M A2A A2Q B1U B2G B3M B3A B3Q B4M B4A B4Q D1U D2M D2A D2Q D3M D3A D3Q D4M D4A D4Q D5M D5A D5Q A3G D6G)	89P8300	1	Y
Arabic (models 83G B2G A3G D6G)	89P8301	1	Y
Belgian/French (models 83G B2G A3G D6G)	89P8302	1	Y
Belgian/UK (models 83G B2G A3G D6G)	89P8303	1	Y
Bulgarian (models 83G B2G A3G D6G)	89P8305	1	Y
Chinese/US (models 82B 82V)	89P8306	1	Y
Czech (models 83G B2G A3G D6G)	89P8307	1	Y
Danish (models 83G B2G A3G D6G)	89P8308	1	Y
Dutch (models 83G B2G A3G D6G)	89P8309	1	Y
French (models 83G B2G A3G D6G)	89P8310	1	Y
French Canadian 445 (models 83F 91F B1F D1F)	89P8311	1	Y
French Canadian 58 (models 83F 91F B1F D1F)	89P8312	1	Y
German (models 83G B2G A3G D6G)	89P8313	1	Y
Greek (models 83G B2G A3G D6G)	89P8314	1	Y
Hebrew (models 83G B2G A3G D6G)	89P8315	1	Y
Hungarian (models 83G B2G A3G D6G)	89P8316	1	Y
Iceland (models 83G B2G A3G D6G)	89P8317	1	Y
Italian 142 (models 83G B2G A3G D6G)	89P8319	1	Y
Japanese (models 83J A1J D2J)	89P8320	1	Y
Korean (models 83K)	89P8321	1	Y
LA Spanish (models 83S 83D 83Y)	89P8322	1	Y
Norwegian (models 83G B2G A3G D6G)	89P8323	1	Y
Polish (models 83G B2G A3G D6G)	89P8324	1	Y
Portuguese (models 83G B2G A3G D6G)	89P8325	1	Y
Romanian (models 83G B2G A3G D6G)	89P8326	1	Y
Russian/Cy (models 83G B2G A3G D6G)	89P8327	1	Y
Russian/Cy (models 83G B2G A3G D6G)	89P8328	1	Y
Serbian/Cyrillic (models 83G B2G A3G D6G)	89P8329	1	Y
Slovak (models 83G B2G A3G D6G)	89P8330	1	Y
Spanish (models 83G B2G A3G D6G)	89P8331	1	Y
Swedish/Finn (models 83G B2G A3G D6G)	89P8332	1	Y
Swiss F/G (models 83G B2G A3G D6G)	89P8333	1	Y
Thailand (models 81T 82T 84T 92T 93T 94T A1T A2T B3T B4T D2T D3T D4T D5T)	89P8334	1	Y
Turkish 179 (models 83G B2G A3G D6G)	89P8336	1	Y
UK English (models 83G B2G A3G D6G)	89P8337	1	Y
US Euro (models 83G B2G A3G D6G)	89P8338	1	Y
Yugoslav/Latin (models 83G B2G A3G D6G)	89P8339	1	Y
Brazil/Portuguese (models 83G B2G A3G D6G)	89P8304	1	Y

8467 mice	FRU#	CRU Tier	RoHS?
Mouse, IBM USB optical wheel (models 81M 81A 81T 82M 82A 82T 83U 83F 84M 84A 84T 91U 91F 92M 92A 92T 93M 93A 93T 94M 94A 94T 82Q 82C 82B 82H 82V 82K 82J 83S 83P 83L 83D 83Y 83G A1M A1A A1Q A1T A1J A2M A2A A2Q A2T B1U B1F B2G B3M B3A B3Q B3T B4M B4A B4Q B4T D1U D1F D2M D2A D2Q D2T D2J D3M D3A D3Q D3T D4M D4A D4Q D4T D5M D5A D5Q D5T A3G D6G)	41A4935	1	Y

8467 Adapters and miscellaneous FRUs	FRU#	CRU Tier	RoHS?
PCI Modem Card (Soft) (models 83U 83F 91U 91F 83S 83P 83L 83D 83Y 83G)	29R9729	1	Y

8467 Power Cords	FRU#	CRU Tier	RoHS?
Power Cord (US) (models 81A 81T 82A 82T 83U 83F 84A 84T 91U 91F 92A 92T 93A 93T 94A 94T 83S 83L 83D A1A A1T A2A A2T B1U B1F B3A B3T B4A B4T D1U D1F D2A D2T D3A D3T D4A D4T D5A D5T)	39M5080	1	Y
Power Cord (China) (models 82C)	39M5205	1	Y
Power Cord (Japan) (models 82J A1J D2J)	39M5193	1	Y
Power Cord (Brazil) (models 83P)	39M5232	1	Y
Power Cord (LA High Volt) (APU) (models 83Y 83L)	39M5067	1	Y
Power Cord (Australia, New Zealand) (models 81M 82M 84M 92M 93M 94M A1M A2M B3M B4M D2M D3M D4M D5M)	39M5102	1	Y
Power Cord (Korea) (models 82K)	39M5212	1	Y
Power Cord (Hong Kong) (models 82B 82H)	39M5151	1	Y
Power Cord (UK, Ireland, Singapore, Malaysia, Brunei) (models 81A 82A 84A 92A 93A 94A 83G A1A A2A B2G B3A B4A D2A D3A D4A D5A A3G D6G)	39M5150	1	Y
Power Cord (Taiwan) (models 82V)	39M5246	1	Y
Power Cord (Italy) (models 83S 83L 83Y 83G B2G A3G D6G)	39M5164	1	Y
Power Cord (G models) (models 81A 82A 84A 92A 93A 94A 83G A1A A2A B2G B3A B4A D2A D3A D4A D5A A3G D6G)	39M5122	1	Y
Power Cord (Denmark) (models 83G B2G A3G D6G)	39M5129	1	Y
Power Cord (Switzerland) (models 83G B2G A3G D6G)	39M5157	1	Y
Power Cord (Israel) (models 83G B2G A3G D6G)	39M5171	1	Y
Power Cord (South Africa) (models 81M 81A 82M 82A 84M 84A 92M 92A 93M 93A 94M 94A 83G A1M A1A A2M A2A B2G B3M B3A B4M B4A D2M D2A D3M D3A D4M D4A D5M D5A A3G D6G)	39M5143	1	Y
Power Cord (India) (models 82Q A1Q A2Q B3Q B4Q D2Q D3Q D4Q D5Q)	39M5004	1	Y

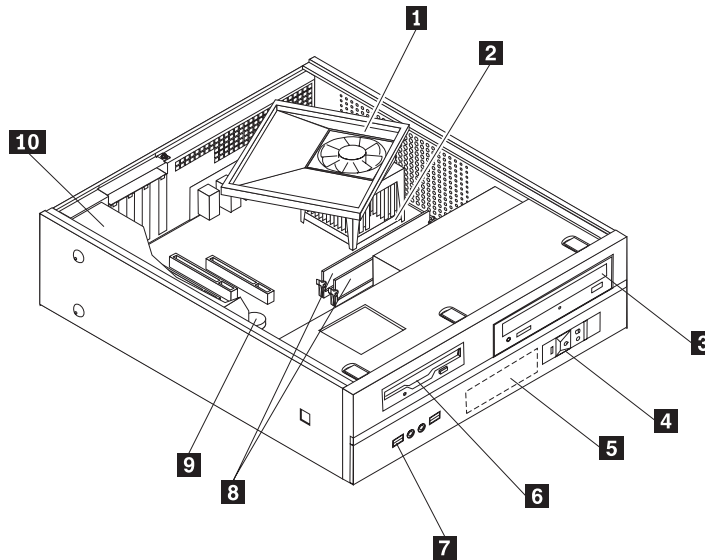
8467 Windows XP Home Recovery CDs	FRU#	CRU Tier
US/UK/AP/TH (models D4M D4A D4Q D4T A3G)	41D3954	1
FR/CF (models A3G)	41D3956	1
GR (models A3G)	41D3957	1
IT (models A3G)	41D3959	1

8467 Windows XP Home Recovery CDs	FRU#	CRU Tier
SP/LA (models A3G)	41D3958	1
DK (models A3G)	41D3962	1
NL (models A3G)	41D3965	1
AE (models A3G)	41D3969	1
SV (models A3G)	41D3961	1
HE (models A3G)	41D3966	1
FI (models A3G)	41D3963	1
NO (models A3G)	41D3964	1
PL (models A3G)	41D3967	1
PO (models A3G)	41D3973	1
RU (models A3G)	41D3970	1
RE (models A3G)	41D3955	1
HU (models A3G)	41D3972	1
CZ (models A3G)	41D3968	1
TR (models A3G)	41D3971	1
GK (models A3G)	41D3974	1

8467 Windows XP Pro Recovery CDs	FRU#	CRU Tier	RoHS?
US/UK/AP/TH (models 82M 82A 82Q 82H 82T 83U 83L 83G 84M 84A 84T 91U 92M 92A 92T 93M 93A 93T 94M 94A 94T)	41X4174	1	Y
US/UK/AP/TH (models A1M A1A A1Q A1T A2M A2A A2Q A2T B1U B2G B3M B3A B3Q B3T B4M B4A B4Q B4T D1U D2M D2A D2Q D2T D3M D3A D3Q D3T D5M D5A D5Q D5T D6G)	41D3822	1	Y
FR/CF (models 83F 83G 91F)	41X4176	1	Y
FR/CF (models B1F B2G D1F D6G)	41D3824	1	Y
GR (models 83G)	41X4177	1	Y
GR (models B2G D6G)	41D3825	1	Y
SP/LA (models 83S 83D 83Y 83G)	41X4178	1	Y
SP/LA (models 83G)	41D3826	1	Y
IT (models 83G)	41X4179	1	Y
IT (models B2G D6G)	41D3827	1	Y
BR (models 83P)	41X4180	1	Y
SP/LA (models D2S D2D D2Y 83G)	41X4178	1	Y
SP/LA (models B2G D6G)	41D3826	1	Y
DK (models 83G)	41X4179	1	Y
DK (models B2G D6G)	41D3308	1	Y
NL (models 83G)	41X5950	1	Y
NL (models B2G D6G)	41D3833	1	Y
AE (models 83G)	41X5978	1	Y
AE (models B2G D6G)	41D3837	1	Y
SV (models 83G)	41X4181	1	Y

8467 Windows XP Pro Recovery CDs	FRU#	CRU Tier	RoHS?
SV (models B2G D6G)	41D3829	1	Y
HE (models 83G)	41X5957	1	Y
HE (models B2G D6G)	41D3834	1	Y
FI (models 83G)	41X5936	1	Y
FI (models B2G D6G)	41D3831	1	Y
NO (models 83G)	41X5943	1	Y
NO (models B2G D6G)	41D3832	1	Y
PL (models 83G)	41X5964	1	Y
PL (models B2G D6G)	41D3835	1	Y
PO (models 83G)	41X6359	1	Y
PO (models B2G D6G)	41D3841	1	Y
RU (models 83G)	41X5985	1	Y
RU (models B2G D6G)	41D3838	1	Y
RE (models 83G)	41X4175	1	Y
RE (models B1G)	41D3823	1	Y
HU (models 83G)	41X5999	1	Y
HU (models B2G D6G)	41D3840	1	Y
CZ (models 83G)	41X5971	1	Y
CZ (models B2G D6G)	41D3836	1	Y
TR (models 83G)	41X5992	1	Y
TR (models B2G D6G)	41D3839	1	Y
GK (models 83G)	41X6013	1	Y
GK (models B2G D6G)	41D3842	1	Y
SL (models 83G)	41X6020	1	Y
SL (models B2G D6G)	41D3843	1	Y
Japanese (models 82J)	41W7662	1	Y
Japanese (models A1J D2J)	41W3395	1	Y
Simplified Chinese (models 82C)	41W7641	1	Y
Taiwan - TC (models 82V)	41W7648	1	Y
Hong Kong - TC (models 82B)	41W7655	1	Y
Korea (models 82K)	41W7634	1	Y
Multilingual 1 XP-P -- EN, NL, FR, GR, IT (models 83G)	41X4113	1	Y
Multilingual 1 XP-P -- EN, NL, FR, GR, IT (models B2G D6G)	41D4080	1	Y
Multilingual 2 XP-P -- EN, DK, FI, NO, SV (models 83G)	41X6111	1	Y
Multilingual 2 XP-P -- EN, DK, FI, NO, SV (models B2G D6G)	41D4086	1	Y

## Machine Type 8468



Item #	8468 FRUs	FRU#	CRU Tier	RoHS?
1	Heat sink and fan assembly (models D2S D2P D2L D2D D2Y D2G D2J)	41A7844	N	Y
1	Heat sink and fan assembly (models B1G A2G D1G)	41A7847	N	Y
2	Microprocessor, AMD 754 Sempron 2800+ 1.6 (models A2G)	41T1737	N	Y
2	Microprocessor, AMD 754 Sempron 3000+ ??? (models B1G)	41T1736	N	Y
2	Microprocessor, AMD 754 Athlon64 3000+ 2.0 (models D2S D2P D2L D2D D2Y D2G D2J)	41T2870	N	Y
2	Microprocessor, AMD 754 Athlon64 3200+ 2.2 (models D1G)	41T1742	N	Y
3	CD-ROM Drive 48X (models 83U 83F 83S 83P 83L 83D 83Y 83G)	41X3540	N	Y
3	DVD-ROM 16x -48x (models B1G)	40Y8931	N	Y
3	DVD-ROM 16x -48x (models B1G)	40Y8935	N	Y
3	DVD-ROM 16x -48x (models B1G)	40Y8957	N	Y
3	DVD - ROM - CDRW Combo drive (48-32-48-16) (models D2S D2P D2L D2D D2Y D2G D2J A2G D1G)	40Y8919	N	Y
3	DVD - ROM - CDRW Combo drive (48-32-48-16) (models D2S D2P D2L D2D D2Y D2G D2J A2G D1G)	40Y8941	N	Y
3	DVD - ROM - CDRW Combo drive (48-32-48-16) (models D2S D2P D2L D2D D2Y D2G D2J)	40Y8943	N	Y
4	Power switch/LED assembly (all models)	41N5269	N	N
5	Hard disk drive, 80GB, 7200rpm Serial ATA (models D2S D2P D2L D2D D2Y D2G D2J B1G A2G D1G)	40Y9034	N	Y
5	Hard disk drive, 80GB, 7200rpm Serial ATA (models D2S D2P D2L D2D D2Y D2G D2J B1G A2G D1G)	40Y8761	N	Y
6	Diskette drive, 3.5" 1.44MB 2 Mode (w/bezel) (models A2G D1G)	40Y9105	N	Y
6	Diskette drive, 3.5" 1.44MB 2 Mode (w/bezel) (models A2G D1G)	40Y9107	N	Y
6	Diskette drive, 3.5" 1.44MB 2 Mode (w/bezel) (models A2G D1G)	40Y9113	N	Y
7	Front panel card (all models)	41A7153	N	N

Item #	8468 FRUs	FRU#	CRU Tier	RoHS?
8	Memory module, 512MB DDR1 SDRAM NP (PC 3200 ) (models D2S D2P D2L D2D D2Y D2G D2J B1G A2G D1G)	73P2684	2	Y
9	System board, Via K8M800 (AMD based) (models D2S D2P D2L D2D D2Y D2G D2J B1G A2G D1G) <b>Note:</b> When ordering a system board, you must also order a retention bracket kit for the heat sink and fan assembly.	41X0138	N	Y
9	System board, Via K8M800 (AMD based) (models B1G A2G D1G) <b>Note:</b> When ordering a system board, you must also order a retention bracket kit for the heat sink and fan assembly.	41T1610	N	Y
10	Power supply, 180W (non-smokeless) (models D2S D2P D2L D2D D2Y D2G B1G A2G D1G)	41N3111	N	Y
10	Power supply, 180W (smokeless) (models D2J)	41N3114	N	Y

The FRUs listed in the following table are not illustrated.

8468 FRUs	FRU#	CRU Tier	RoHS?
Shield, EMC, 5.25in. drive bay (all models)	41A7162	N	N
Cable, Serial-ATA, (18in. RoHs) (all models)	41A7145	N	Y
Shield, EMC, diskette drive bay (all models)	41A7146	N	N
Cable, diskette drive (all models)	41A7147	N	N
Cover (all models)	41A7148	2	N
Chassis assembly (all models)	41A7873	2	N
Bezel assembly, front (all models)	41A7150	N	N
Fan duct assembly (all models)	41A7151	N	N
Shield, EMC, system board (all models)	41N5329	N	Y
Miscellaneous hardware kit (all models)	41A7155	N	N
Cable, optical drive signal (all models)	41A7158	N	N
Miscellaneous bezel kit (all models)	41A7160	N	N
Interposer cables (all models)	41A7161	N	N
Fan assembly, front (all models)	41A7198	N	N
Retention bracket kit, heat sink and fan (all models)	41A7842	N	N

8468 Keyboards (Standard PS/2 Black)	FRU#	CRU Tier	RoHS?
US English (models D2L D2G B1G A2G D1G)	89P8300	1	Y
Arabic (models D2L D2G B1G A2G D1G)	89P8301	1	Y
Belgian/French (models D2L D2G B1G A2G D1G)	89P8302	1	Y
Belgian/UK (models D2L D2G B1G A2G D1G)	89P8303	1	Y
Bulgarian (models D2L D2G B1G A2G D1G)	89P8305	1	Y
Czech (models D2L D2G B1G A2G D1G)	89P8307	1	Y
Danish (models D2L D2G B1G A2G D1G)	89P8308	1	Y
Dutch (models D2L D2G B1G A2G D1G)	89P8309	1	Y

<b>8468 Keyboards (Standard PS/2 Black)</b>	<b>FRU#</b>	<b>CRU Tier</b>	<b>RoHS?</b>
French (models D2L D2G B1G A2G D1G)	89P8310	1	Y
German (models D2L D2G B1G A2G D1G)	89P8313	1	Y
Greek (models D2L D2G B1G A2G D1G)	89P8314	1	Y
Hebrew (models D2L D2G B1G A2G D1G)	89P8315	1	Y
Hungarian (models D2L D2G B1G A2G D1G)	89P8316	1	Y
Iceland (models D2L D2G B1G A2G D1G)	89P8317	1	Y
Italian 142 (models D2L D2G B1G A2G D1G)	89P8319	1	Y
Japanese (models D2J)	89P8320	1	Y
LA Spanish (models D2S D2D D2Y)	89P8322	1	Y
Norwegian (models D2L D2G B1G A2G D1G)	89P8323	1	Y
Polish (models D2L D2G B1G A2G D1G)	89P8324	1	Y
Portuguese (models D2L D2G B1G A2G D1G)	89P8325	1	Y
Romanian (models D2L D2G B1G A2G D1G)	89P8326	1	Y
Russian/Cy (models D2L D2G B1G A2G D1G)	89P8327	1	Y
Russian/Cy (models D2L D2G B1G A2G D1G)	89P8328	1	Y
Serbian/Cyrillic (models D2L D2G B1G A2G D1G)	89P8329	1	Y
Slovak (models D2L D2G B1G A2G D1G)	89P8330	1	Y
Spanish (models D2L D2G B1G A2G D1G)	89P8331	1	Y
Swedish/Finn (models D2L D2G B1G A2G D1G)	89P8332	1	Y
Swiss F/G (models D2L D2G B1G A2G D1G)	89P8333	1	Y
Turkish 179 (models D2L D2G B1G A2G D1G)	89P8336	1	Y
UK English (models D2L D2G B1G A2G D1G)	89P8337	1	Y
US Euro (models D2L D2G B1G A2G D1G)	89P8338	1	Y
Yugoslav/Latin (models D2L D2G B1G A2G D1G)	89P8339	1	Y
Brazil/Portuguese (models D2P)	89P8304	1	Y

<b>8468 mice</b>	<b>FRU#</b>	<b>CRU Tier</b>	<b>RoHS?</b>
Mouse, IBM USB optical wheel (models D2S D2P D2L D2D D2Y D2G D2J A2G D1G B1G)	41A4935	1	Y

<b>8468 Power Cords</b>	<b>FRU#</b>	<b>CRU Tier</b>	<b>RoHS?</b>
Power Cord (US) (models D2S D2L D2D)	39M5080	1	Y
Power Cord (Japan) (models D2J)	39M5193	1	Y
Power Cord (Brazil) (models D2P)	39M5232	1	Y
Power Cord (LA High Volt) (APU) (models D2L D2Y)	39M5067	1	Y
Power Cord (UK, Ireland, Singapore, Malaysia, Brunei) (models D2G B1G A2G D1G)	39M5150	1	Y
Power Cord (Italy) (models D2S D2L D2Y D2G B1G A2G D1G)	39M5164	1	Y
Power Cord (G models) (models D2S D2L D2Y D2G B1G A2G D1G)	39M5122	1	Y



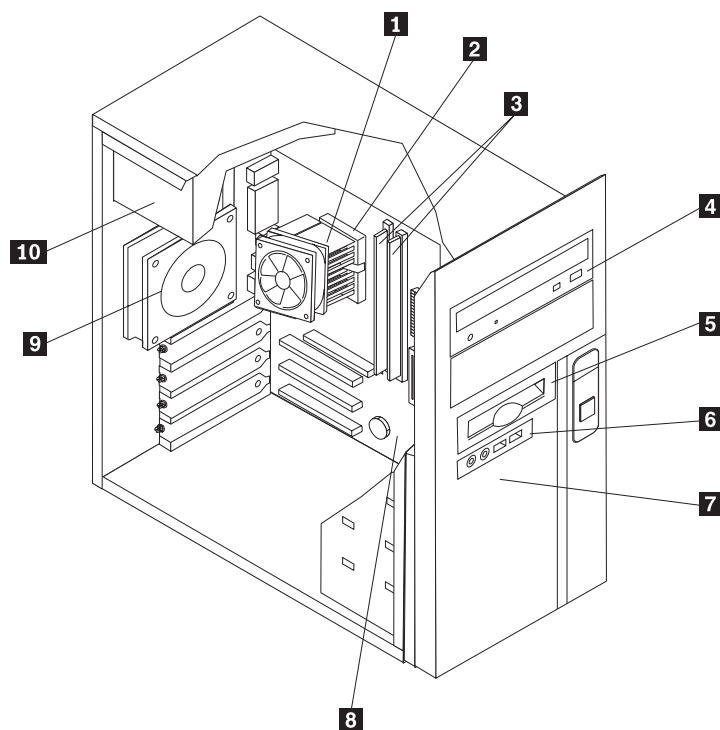
<b>8468 Power Cords</b>	<b>FRU#</b>	<b>CRU Tier</b>	<b>RoHS?</b>
Power Cord (Denmark) (models D2S D2L D2Y D2G B1G A2G D1G)	39M5129	1	Y
Power Cord (Switzerland) (models D2S D2L D2Y D2G B1G A2G D1G)	39M5157	1	Y
Power Cord (Israel) (models D2S D2L D2Y D2G B1G A2G D1G)	39M5171	1	Y
Power Cord (South Africa) (models D2S D2L D2Y D2G B1G A2G D1G)	39M5143	1	Y

<b>8468 Windows XP Home</b>	<b>FRU#</b>	<b>CRU Tier</b>	<b>RoHS?</b>
SP/LA (models B2Y)	41X4124	1	Y

<b>8468 Windows XP Pro Recovery CDs</b>	<b>FRU#</b>	<b>CRU Tier</b>	<b>RoHS?</b>
US/UK/AP/TH (models B1G A2G D1G)	41X4174	1	Y
US/UK/AP/TH (models A1M A1A A1Q A1T A2M A2A A2Q A2T B1U B2G B3M B3A B3Q B3T B4M B4A B4Q B4T D1U D2M D2A D2Q D2T D3M D3A D3Q D3T D5M D5A D5Q D5T D6G)	41D3822	1	Y
FR/CF (models B1G A2G D1G)	41X4176	1	Y
FR/CF (models B1F B2G D1F D6G)	41D3824	1	Y
GR (models B1G A2G D1G)	41X4177	1	Y
GR (models B2G D6G)	41D3825	1	Y
SP/LA (models 83S 83D 83Y B1G A2G D1G)	41X4178	1	Y
SP/LA (models B1G A2G D1G)	41D3826	1	Y
IT (models B1G A2G D1G)	41X4179	1	Y
IT (models B2G D6G)	41D3827	1	Y
BR (models 83P)	41X4180	1	Y
SP/LA (models D2S D2D D2Y B1G A2G D1G)	41X4178	1	Y
SP/LA (models B2G D6G)	41D3826	1	Y
DK (models B1G A2G D1G)	41X4179	1	Y
DK (models B2G D6G)	41D3308	1	Y
NL (models B1G A2G D1G)	41X5950	1	Y
NL (models B2G D6G)	41D3833	1	Y
AE (models B1G A2G D1G)	41X5978	1	Y
AE (models B2G D6G)	41D3837	1	Y
SV (models B1G A2G D1G)	41X4181	1	Y
SV (models B2G D6G)	41D3829	1	Y
HE (models B1G A2G D1G)	41X5957	1	Y
HE (models B2G D6G)	41D3834	1	Y
FI (models B1G A2G D1G)	41X5936	1	Y
FI (models B2G D6G)	41D3831	1	Y
NO (models B1G A2G D1G)	41X5943	1	Y
NO (models B2G D6G)	41D3832	1	Y
PL (models B1G A2G D1G)	41X5964	1	Y

8468 Windows XP Pro Recovery CDs	FRU#	CRU Tier	RoHS?
PL (models B2G D6G)	41D3835	1	Y
PO (models B1G A2G D1G)	41X6359	1	Y
PO (models B2G D6G)	41D3841	1	Y
RU (models B1G A2G D1G)	41X5985	1	Y
RU (models B2G D6G)	41D3838	1	Y
RE (models B1G)	41X4175	1	Y
RE (models B1G)	41D3823	1	Y
HU (models B1G A2G D1G)	41X5999	1	Y
HU (models B2G D6G)	41D3840	1	Y
CZ (models B1G A2G D1G)	41X5971	1	Y
CZ (models B2G D6G)	41D3836	1	Y
TR (models B1G A2G D1G)	41X5992	1	Y
TR (models B2G D6G)	41D3839	1	Y
GK (models B1G A2G D1G)	41X6013	1	Y
GK (models B2G D6G)	41D3842	1	Y
SL (models B1G A2G D1G)	41X6020	1	Y
SL (models B2G D6G)	41D3843	1	Y
Japanese (models A1J D2J)	41W3395	1	Y
Multilingual 1 XP-P -- EN, NL, FR, GR, IT (models B1G A2G D1G)	41X4113	1	Y
Multilingual 1 XP-P -- EN, NL, FR, GR, IT (models B2G D6G)	41D4080	1	Y
Multilingual 2 XP-P -- EN, DK, FI, NO, SV (models B1G A2G D1G)	41X6111	1	Y
Multilingual 2 XP-P -- EN, DK, FI, NO, SV (models B2G D6G)	41D4086	1	Y

## Machine Type 8472



Item #	8472 FRUs	FRU#	CRU Tier	RoHS?
1	Heat sink and fan assembly (models 72G)	41D3552	N	Y
2	Microprocessor, Celeron D 336 2.80GHz 533 FSB 256KB L2 (models 72G)	41T1695	N	Y
3	Memory module, 256MB, DDR1 SDRAM, NP, PC3200 (models 72G)	73P2683	2	Y
4	DVD-ROM 16x -48x (models 72G)	40Y8931	N	Y
4	DVD-ROM 16x -48x (models 72G)	40Y8935	N	Y
4	DVD-ROM 16x -48x (models 72G)	40Y8957	N	Y
5	Diskette drive, w/bezel (models)			
6	Front panel cable assembly (all models)	41A7886	N	Y
7	Hard disk drive, 80GB, 7200rpm, serial ATA (models 72G)	40Y9034	N	Y
7	Hard disk drive, 80GB, 7200rpm, serial ATA (models 72G)	40Y8761	N	Y
8	System board, SiS 661FX - Intel based - RoHS (models 72G) <b>Note:</b> When ordering a system board, you must also order a retention bracket kit for the heat sink and fan assembly.	41X0137	N	Y
9	System Fan, rear w/grill (all models)	41N5339	N	Y
10	Power supply, 250W, RoHS (not available at this time) (models 72G)	41N3127	N	Y

The FRUs listed in the following table are not illustrated.

8472 FRUs	FRU#	CRU Tier	RoHS?
Cable, Serial ATA 250mm (all models)	41A7145	2	N
Cable, diskette drive (all models)	41A7130	2	N

8472 FRUs	FRU#	CRU Tier	RoHS?
Cover, side (RoHS) (all models)	41N5333	2	Y
Chassis assembly (all models)	41A7885	N	N
Bezel, front (all models)	41A7866	2	N
Power switch/LED assembly (all models)	41N5284	N	N
Shield, system board (RoHS) (all models)	41N5329	N	Y
Miscellaneous hardware kit (RoHS) (all models)	41N5334	N	Y
Retention bracket kit, heat sink and fan (all models)	41A7139	N	N
Cable, optical drive and hard disk drive signal (2-drop) (all models)	41A7875	N	N
Interposer cable (all models)	41N5307	N	N
Miscellaneous bezel kit (all models)	41A7144	N	N

8472 Keyboards (Standard PS/2 Black)	FRU#	CRU Tier	RoHS?
US English (models 72G)	89P8300	1	Y
Arabic (models 72G)	89P8301	1	Y
Belgian/French (models 72G)	89P8302	1	Y
Belgian/UK (models 72G)	89P8303	1	Y
Bulgarian (models 72G)	89P8305	1	Y
Czech (models 72G)	89P8307	1	Y
Danish (models 72G)	89P8308	1	Y
Dutch (models 72G)	89P8309	1	Y
French (models 72G)	89P8310	1	Y
German (models 72G)	89P8313	1	Y
Greek (models 72G)	89P8314	1	Y
Hebrew (models 72G)	89P8315	1	Y
Hungarian (models 72G)	89P8316	1	Y
Iceland (models 72G)	89P8317	1	Y
Italian 142 (models 72G)	89P8319	1	Y
Norwegian (models 72G)	89P8323	1	Y
Polish (models 72G)	89P8324	1	Y
Portuguese (models 72G)	89P8325	1	Y
Romanian (models 72G)	89P8326	1	Y
Russian/Cy (models 72G)	89P8327	1	Y
Russian/Cy (models 72G)	89P8328	1	Y
Serbian/Cyrillic (models 72G)	89P8329	1	Y
Slovak (models 72G)	89P8330	1	Y
Spanish (models 72G)	89P8331	1	Y
Swedish/Finn (models 72G)	89P8332	1	Y
Swiss F/G (models 72G)	89P8333	1	Y
Turkish 179 (models 72G)	89P8336	1	Y

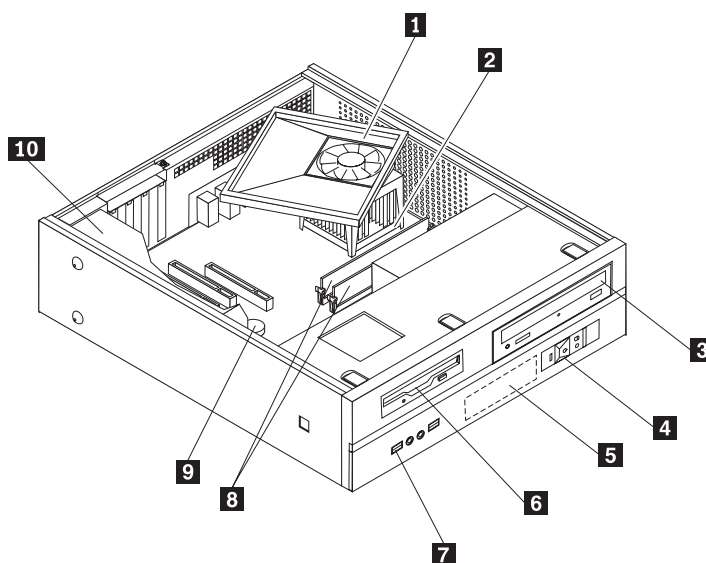
<b>8472 Keyboards (Standard PS/2 Black)</b>	<b>FRU#</b>	<b>CRU Tier</b>	<b>RoHS?</b>
UK English (models 72G)	89P8337	1	Y
US Euro (models 72G)	89P8338	1	Y
Yugoslav/Latin (models 72G)	89P8339	1	Y

<b>8472 mice</b>	<b>FRU#</b>	<b>CRU Tier</b>	<b>RoHS?</b>
Mouse, IBM USB optical wheel (models 72G)	41A4935	1	Y

<b>8472 Power Cords</b>	<b>FRU#</b>	<b>CRU Tier</b>	<b>RoHS?</b>
Power Cord - UK, Ireland, Singapore, Malaysia, Brunei (models 72G)	39M5150	1	Y
Power Cord (Italy) (models 72G)	39M5164	1	Y
Power Cord (G models) (models 72G)	39M5122	1	Y
Power Cord - (Denmark) (models 72G)	39M5129	1	Y
Power Cord (Switzerland) (models 72G)	39M5157	1	Y
Power Cord (Israel) (models 72G)	39M5171	1	Y
Power Cord - (South Africa) (models 72G)	39M5143	1	Y

<b>8472 Windows XP Home Recovery CDs</b>	<b>FRU#</b>	<b>CRU Tier</b>	<b>RoHS?</b>
US/UK/AP/TH (models 72G)	41X4120	1	Y
FR/CF (models 72G)	41X4122	1	Y
GR (models 72G)	41X4123	1	Y
IT (models 72G)	41X4125	1	Y
SP/LA (models 72G)	41X4124	1	Y
DK (models 72G)	41X4128	1	Y
NL (models 72G)	41X6041	1	Y
AE (models 72G)	41X6069	1	Y
SV (models 72G)	41X4127	1	Y
HE (models 72G)	41X6048	1	Y
FI (models 72G)	41X6027	1	Y
NO (models 72G)	41X6034	1	Y
PL (models 72G)	41X6055	1	Y
PO (models 72G)	41X6366	1	Y
RU (models 72G)	41X6076	1	Y
RE (models 72G)	41X4121	1	Y
HU (models 72G)	41X6090	1	Y
CZ (models 72G)	41X6062	1	Y
TR (models 72G)	41X6063	1	Y
GK (models 72G)	41X6104	1	Y

## Machine Type 8473



Item #	8473 FRUs	FRU#	CRU Tier	RoHS?
1	Fan Sink - Intel Prescott & Celeron (models)	41N5292	N	Y
2	Microprocessor, Celeron D 331 2.66GHz 533 FSB 256KB L2 (models)	41T1694	N	Y
2	Microprocessor, Pentium 4 519K 3.06 GHz 533 FSB 1MB L2 (models)	41T1708	N	Y
3	CD-ROM Drive 48X - Black w/o jack & vol (models)	40Y8929	N	Y
3	CD-ROM Drive 48X - Black w/o jack & vol (models)	41X3540	N	Y
3	CD-ROM Drive 48X - Black w/o jack & vol (models)	40Y8807	N	Y
3	CD-ROM Drive 48X - Black w/o jack & vol (models)	40Y8955	N	Y
3	CD-ROM Drive 48X - Black w/o jack & vol (models)	40Y8953	N	Y
4	Front Panel PCB Asm (all models)	41N5269	N	N
5	Hard disk drive, 40GB, 7200rpm Serial ATA (models)	40Y9033	N	Y
5	Hard disk drive, 40GB, 7200rpm Serial ATA (models)	40Y8760	N	Y
6	Diskette drive, 3.5" 1.44MB 2 Mode (w/bezel) -- Lenovo (models)	40Y9105	N	Y
6	Diskette drive, 3.5" 1.44MB 2 Mode (w/bezel) -- Lenovo (models)	40Y9107	N	Y
6	Diskette drive, 3.5" 1.44MB 2 Mode (w/bezel) -- Lenovo (models)	40Y9113	N	Y
7	Front panel card (all models)	41A7153	N	N
8	Memory module, 256MB DDR1 SDRAM NP Memory (PC 3200) (models)	73P2683	2	Y
9	System board, SiS 661FX - Intel based - RoHS (models) <b>Note:</b> When ordering a system board, you must also order a retention bracket kit for the heat sink and fan assembly.	41X0137	N	Y
10	180W power supply (non-smokeless) (models)	41N3111	N	Y

The FRUs listed in the following table are not illustrated.

8473 FRUs	FRU#	CRU Tier	RoHS?
Shield, EMC, 5.25in. drive bay (all models)	41A7162	N	N

8473 FRUs	FRU#	CRU Tier	RoHS?
Cable, Serial-ATA, (18in. RoHs) (all models)	41A7145	N	Y
Shield, EMC, diskette drive bay (all models)	41A7146	N	N
Cable, diskette drive (all models)	41A7147	N	N
Cover (all models)	41A7148	2	N
Chassis assembly (all models)	41A7149	N	N
Chassis Kit Asm with bezels (all models)	41N5251	N	N
Bezel assembly, front (all models)	41A7150	N	N
Bezel Asm kit (all models)	41N5268	N	N
Fan duct assembly (all models)	41A7151	N	N
Shield, EMC, system board (all models)	41N5329	N	Y
Miscellaneous hardware kit (all models)	41A7155	N	N
Cable, optical drive signal (all models)	41A7158	N	N
Interposer cables (all models)	41A7161	N	N
Fan assembly, front (all models)	41A7198	N	N
Retention bracket kit, heat sink and fan (all models)	41A7139	N	N

8473 Keyboards (Lenovo Preferred Pro fullsize, Black)	FRU#	CRU Tier	RoHS?
US English (models)	41A5039	1	Y
Arabic (models)	41A5040	1	Y
Arabic/French (models)	41A5041	1	Y
Belgian/French (models)	41A5042	1	Y
Belgian/UK (models)	41A5043	1	Y
Bulgarian (models)	41A5045	1	Y
Czech (models)	41A5047	1	Y
Danish (models)	41A5048	1	Y
Dutch (models)	41A5049	1	Y
French (models)	41A5050	1	Y
French Canadian 445 (models)	41A5051	1	Y
French Canadian 58 (models)	41A5052	1	Y
German (models)	41A5053	1	Y
Greek (models)	41A5054	1	Y
Hebrew (models)	41A5055	1	Y
Hungarian (models)	41A5056	1	Y
Iceland (models)	41A5057	1	Y
Italian (models)	41A5058	1	Y
Norwegian (models)	41A5062	1	Y
Polish (models)	41A5063	1	Y
Portuguese (models)	41A5064	1	Y
Romanian (models)	41A5065	1	Y

<b>8473 Keyboards (Lenovo Preferred Pro fullsize, Black)</b>	<b>FRU#</b>	<b>CRU Tier</b>	<b>RoHS?</b>
Russian/Cyrilic (models)	41A5066	1	Y
Serbian/Cyrilic (models)	41A5067	1	Y
Slovak (models)	41A5068	1	Y
Spanish (models)	41A5069	1	Y
Swedish/Finn (models)	41A5070	1	Y
Swiss F/G (models)	41A5071	1	Y
Turkish 440 (models)	41A5073	1	Y
Turkish 179 (models)	41A5074	1	Y
UK English (models)	41A5075	1	Y
US Euro (models)	41A5076	1	Y
Slovenian (models)	41A5077	1	Y

<b>8473 mice</b>	<b>FRU#</b>	<b>CRU Tier</b>	<b>RoHS?</b>
Mouse, IBM USB Optical Wheel mouse - Primax (models)	41A4935	1	Y

<b>8473 Power Cords</b>	<b>FRU#</b>	<b>CRU Tier</b>	<b>RoHS?</b>
Power Cord (US) (models)	39M5080	1	Y
Power Cord - UK, Ireland, Singapore, Malaysia, Brunei (models)	39M5150	1	Y
Power Cord (Italy) (models)	39M5164	1	Y
Power Cord (G models) (models)	39M5122	1	Y
Power Cord - (Denmark) (models)	39M5129	1	Y
Power Cord (Switzerland) (models)	39M5157	1	Y
Power Cord (Israel) (models)	39M5171	1	Y
Power Cord - (South Africa) (models)	39M5143	1	Y

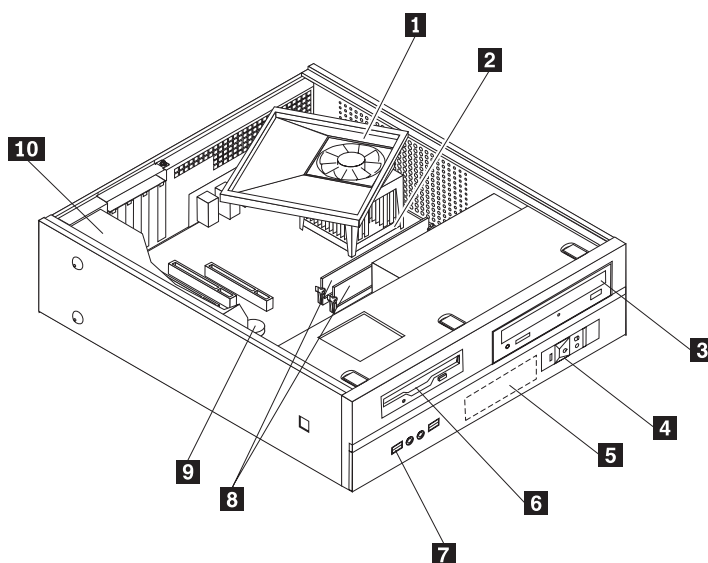
<b>8473 Windows XP Home Recovery CDs</b>	<b>FRU#</b>	<b>CRU Tier</b>	<b>RoHS?</b>
US/UK/AP/TH (models)		1	Y
FR/CF (models)		1	Y
GR (models)		1	Y
IT (models)		1	Y
SP/LA (models)		1	Y
DK (models)		1	Y
NL (models)		1	Y
AE (models)		1	Y
SV (models)		1	Y
HE (models)		1	Y
FI (models)		1	Y
NO (models)		1	Y



8473 Windows XP Home Recovery CDs	FRU#	CRU Tier	RoHS?
PL (models)		1	Y
PO (models)		1	Y
RU (models)		1	Y
RE (models)		1	Y
HU (models)		1	Y
CZ (models)		1	Y
TR (models)		1	Y
GK (models)		1	Y
SL (models)		1	Y

8473 Windows XP Pro Recovery CDs	FRU#	CRU Tier	RoHS?
US/UK/AP/TH (models)	TBD	1	Y
FR/CF (models)	TBD	1	Y
GR (models)	TBD	1	Y
IT (models)	TBD	1	Y
BR (models)	TBD	1	Y
SP/LA (models)	TBD	1	Y
DK (models)	TBD	1	Y
NL (models)	TBD	1	Y
AE (models)	TBD	1	Y
SV (models)	TBD	1	Y
HE (models)	TBD	1	Y
FI (models)	TBD	1	Y
NO (models)	TBD	1	Y
PL (models)	TBD	1	Y
PO (models)	TBD	1	Y
RU (models)	TBD	1	Y
RE (models)	TBD	1	Y
HU (models)	TBD	1	Y
CZ (models)	TBD	1	Y
TR (models)	TBD	1	Y
GK (models)	TBD	1	Y
SL (models)	TBD	1	Y
Simplified Chinese (models)	TBD	1	Y
Taiwan - TC (models)	TBD	1	Y
Hong Kong - TC (models)	TBD	1	Y
Korean (models)	TBD	1	Y
Multilingual 1 (models)	TBD	1	Y
Multilingual 2 (models)	TBD	1	Y

## Machine Type 8474



Item #	8474 FRUs	FRU#	CRU Tier	RoHS?
1	Fan Sink - Intel Prescott & Celeron (models)	41N5292	N	Y
2	Microprocessor, Pentium 4 630 Processor 3.0 GHz 800 FSB 2MB L2 (models)	41T1709	N	Y
3	DVD-ROM 16x -48x (models)	40Y8931	N	Y
3	DVD-ROM 16x -48x (models)	40Y8935	N	Y
3	DVD-ROM 16x -48x (models)	40Y8957	N	Y
4	Front Panel PCB Asm (all models)	41N5269	N	N
5	Hard disk drive, 80GB, 7200rpm Serial ATA (models)	40Y9033	N	Y
5	Hard disk drive, 80GB, 7200rpm Serial ATA (models)	40Y8761	N	Y
6	Diskette drive, 3.5" 1.44MB 2 Mode (w/bezel) -- Lenovo (models)	40Y9105	N	Y
6	Diskette drive, 3.5" 1.44MB 2 Mode (w/bezel) -- Lenovo (models)	40Y9107	N	Y
6	Diskette drive, 3.5" 1.44MB 2 Mode (w/bezel) -- Lenovo (models)	40Y9113	N	Y
7	Front panel card (all models)	41A7153	N	N
8	Memory module, 512MB DDR2 SDRAM NP Memory (PC 4200) (models)	30R5121	2	Y
9	System board, Intel 945GZ motherboard (models) <b>Note:</b> When ordering a system board, you must also order a retention bracket kit for the heat sink and fan assembly.	41T1608	N	Y
9	System board, Intel 945GZ motherboard (models) <b>Note:</b> When ordering a system board, you must also order a retention bracket kit for the heat sink and fan assembly.	41X2042	N	Y
10	180W power supply (non-smokeless) (models)	41N3111	N	Y

The FRUs listed in the following table are not illustrated.

<b>8474 FRUs</b>	<b>FRU#</b>	<b>CRU Tier</b>	<b>RoHS?</b>
Shield, EMC, 5.25in. drive bay (all models)	41A7162	N	N
Cable, Serial-ATA, (18in. RoHs) (all models)	41A7145	N	Y
Shield, EMC, diskette drive bay (all models)	41A7146	N	N
Cable, diskette drive (all models)	41A7147	N	N
Cover (all models)	41A7148	2	N
Chassis assembly (all models)	41A7149	N	N
Chassis Kit Asm with bezels (all models)	41N5251	N	N
Bezel assembly, front (all models)	41A7150	N	N
Bezel Asm kit (all models)	41N5268	N	N
Fan duct assembly (all models)	41A7151	N	N
Shield, EMC, system board (all models)	41N5329	N	Y
Miscellaneous hardware kit (all models)	41A7155	N	N
Cable, optical drive signal (all models)	41A7158	N	N
Interposer cables (all models)	41A7161	N	N
Fan assembly, front (all models)	41A7198	N	N
Retention bracket kit, heat sink and fan (all models)	41A7139	N	N

<b>8474 Keyboards (Lenovo Preferred Pro fullsize, Black)</b>	<b>FRU#</b>	<b>CRU Tier</b>	<b>RoHS?</b>
US English (models)	41A5039	1	Y
Arabic (models)	41A5040	1	Y
Arabic/French (models)	41A5041	1	Y
Belgian/French (models)	41A5042	1	Y
Belgian/UK (models)	41A5043	1	Y
Bulgarian (models)	41A5045	1	Y
Czech (models)	41A5047	1	Y
Danish (models)	41A5048	1	Y
Dutch (models)	41A5049	1	Y
French (models)	41A5050	1	Y
German (models)	41A5053	1	Y
Greek (models)	41A5054	1	Y
Hebrew (models)	41A5055	1	Y
Hungarian (models)	41A5056	1	Y
Iceland (models)	41A5057	1	Y
Italian (models)	41A5058	1	Y
Norwegian (models)	41A5062	1	Y
Polish (models)	41A5063	1	Y
Portuguese (models)	41A5064	1	Y
Romanian (models)	41A5065	1	Y
Russian/Cyrilic (models)	41A5066	1	Y

<b>8474 Keyboards (Lenovo Preferred Pro fullsize, Black)</b>	<b>FRU#</b>	<b>CRU Tier</b>	<b>RoHS?</b>
Serbian/Cyrilic (models)	41A5067	1	Y
Slovak (models)	41A5068	1	Y
Spanish (models)	41A5069	1	Y
Swedish/Finn (models)	41A5070	1	Y
Swiss F/G (models)	41A5071	1	Y
Turkish 440 (models)	41A5073	1	Y
Turkish 179 (models)	41A5074	1	Y
UK English (models)	41A5075	1	Y
US Euro (models)	41A5076	1	Y
Slovenian (models)	41A5077	1	Y

<b>8474 mice</b>	<b>FRU#</b>	<b>CRU Tier</b>	<b>RoHS?</b>
Mouse, Lenovo USB Optical Wheel (models)	41A5085	1	Y

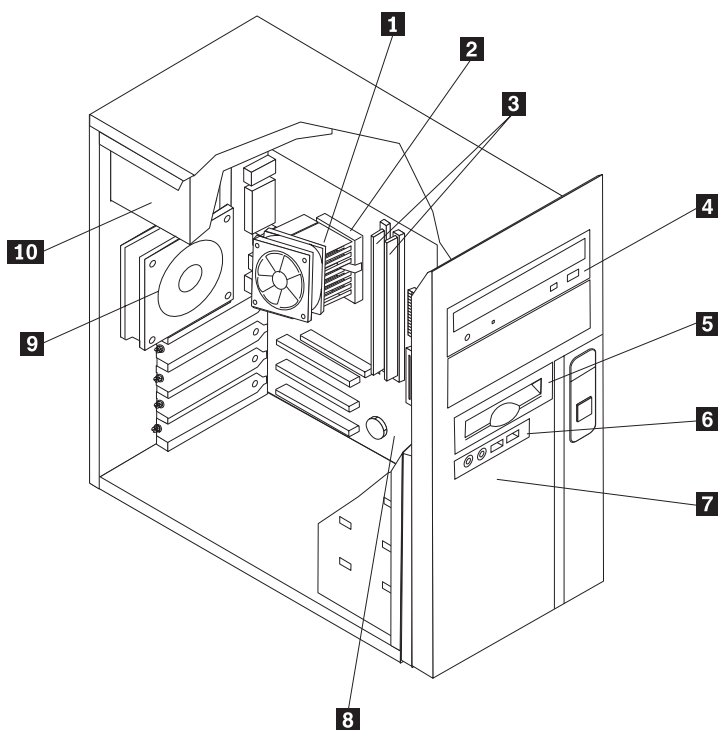
<b>8474 Power Cords</b>	<b>FRU#</b>	<b>CRU Tier</b>	<b>RoHS?</b>
Power Cord - UK, Ireland, Singapore, Malaysia, Brunei (models)	39M5150	1	Y
Power Cord (Italy) (models)	39M5164	1	Y
Power Cord (G models) (models)	39M5122	1	Y
Power Cord - (Denmark) (models)	39M5129	1	Y
Power Cord (Switzerland) (models)	39M5157	1	Y
Power Cord (Israel) (models)	39M5171	1	Y
Power Cord - (South Africa) (models)	39M5143	1	Y

<b>8474 Windows XP Home Recovery CDs</b>	<b>FRU#</b>	<b>CRU Tier</b>	<b>RoHS?</b>
US/UK/AP/TH (models)	TBD	1	Y
FR/CF (models)	TBD	1	Y
GR (models)	TBD	1	Y
IT (models)	TBD	1	Y
SP/LA (models)	TBD	1	Y
DK (models)	TBD	1	Y
NL (models)	TBD	1	Y
AE (models)	TBD	1	Y
SV (models)	TBD	1	Y
HE (models)	TBD	1	Y
FI (models)	TBD	1	Y
NO (models)	TBD	1	Y
PL (models)	TBD	1	Y
PO (models)	TBD	1	Y

8474 Windows XP Home Recovery CDs	FRU#	CRU Tier	RoHS?
RU (models)	TBD	1	Y
RE (models)	TBD	1	Y
HU (models)	TBD	1	Y
CZ (models)	TBD	1	Y
TR (models)	TBD	1	Y
GK (models)	TBD	1	Y

8474 Windows XP Pro Recovery CDs	FRU#	CRU Tier	RoHS?
US/UK/AP/TH (models)	TBD	1	Y
FR/CF (models)	TBD	1	Y
GR (models)	TBD	1	Y
IT (models)	TBD	1	Y
BR (models)	TBD	1	Y
SP/LA (models)	TBD	1	Y
DK (models)	TBD	1	Y
NL (models)	TBD	1	Y
AE (models)	TBD	1	Y
SV (models)	TBD	1	Y
HE (models)	TBD	1	Y
FI (models)	TBD	1	Y
NO (models)	TBD	1	Y
PL (models)	TBD	1	Y
PO (models)	TBD	1	Y
RU (models)	TBD	1	Y
RE (models)	TBD	1	Y
HU (models)	TBD	1	Y
CZ (models)	TBD	1	Y
TR (models)	TBD	1	Y
GK (models)	TBD	1	Y
SL (models)	TBD	1	Y
Simplified Chinese (models)	TBD	1	Y
Taiwan - TC (models)	TBD	1	Y
Hong Kong - TC (models)	TBD	1	Y
Korean (models)	TBD	1	Y
Multilingual 1 (models)	TBD	1	Y
Multilingual 2 (models)	TBD	1	Y

## Machine Type 8708



Item #	8708 FRUs	FRU#	CRU Tier	RoHS?
1	Fan Sink - Intel Prescott & Celeron (models 99U 99F 99S 99P 99L 99D 99Y 99G 99M 99A 99Q 99T 99C 99B 99H 99V 99K)	41D3552	N	Y
2	Microprocessor, Celeron D Processor 3.2GHz 533 FSB 256KB L2 (models 99U 99F 99S 99P 99L 99D 99Y 99G 99M 99A 99Q 99T 99C 99B 99H 99V 99K)	41T1698	N	Y
3	Memory module, 512MB, DDR2 SDRAM, NP, PC4200 (models 99U 99F 99S 99P 99L 99D 99Y 99G 99M 99A 99Q 99T 99C 99B 99H 99V 99K)	30R5121	2	Y
4	Combo 48 -32 -48 -16 - - DVD - ROM - CDRW (models 99U 99F 99S 99P 99L 99D 99Y 99G 99M 99A 99Q 99T 99C 99B 99H 99V 99K)	40Y8919	N	Y
4	Combo 48 -32 -48 -16 - - DVD - ROM - CDRW (models 99U 99F 99S 99P 99L 99D 99Y 99G 99M 99A 99Q 99T 99C 99B 99H 99V 99K)	40Y8941	N	Y
4	Combo 48 -32 -48 -16 - - DVD - ROM - CDRW (models 99U 99F 99S 99P 99L 99D 99Y 99G 99M 99A 99Q 99T 99C 99B 99H 99V 99K)	40Y8943	N	Y
5	Diskette drive, 3.5" 1.44MB 2 Mode (w/bezel) -- Lenovo (models)			
6	Front Panel Cable Asm (RoHS) (all models)	41A7886	N	Y
7	Hard disk drive, 80GB, 7200rpm, serial ATA (models 99U 99F 99S 99P 99L 99D 99Y 99G 99M 99A 99Q 99T 99C 99B 99H 99V 99K)	40Y9034	N	Y
7	Hard disk drive, 80GB, 7200rpm, serial ATA (models 99U 99F 99S 99P 99L 99D 99Y 99G 99M 99A 99Q 99T 99C 99B 99H 99V 99K)	40Y8761	N	Y
8	System board, Intel 945GZ (models 99U 99F 99S 99P 99L 99D 99Y 99G 99M 99A 99Q 99T 99C 99B 99H 99V 99K) <b>Note:</b> When ordering a system board, you must also order a retention bracket kit for the heat sink and fan assembly.	41X2042	N	Y
9	System Fan, rear w/grill (all models)	41N5339	N	Y

Item #	8708 FRUs	FRU#	CRU Tier	RoHS?
10	Power supply, 250W, non-RoHS (models 99U 99F 99S 99P 99L 99D 99Y 99G 99M 99A 99Q 99T 99C 99B 99H 99V 99K)	41N3127	N	N

The FRUs listed in the following table are not illustrated.

8708 FRUs	FRU#	CRU Tier	RoHS?
Cable, Serial ATA 250mm (all models)	41A7145	2	Y
Cable, diskette drive (all models)	41A7130	2	Y
Cover, right side (all models)	41N5333	2	Y
Chassis assembly (all models)	41A7885	N	N
Bezel, front (all models)	41A7866	2	Y
Power switch/LED assembly (all models)	41N5284	N	N
Shield, system board (all models)	41N5329	N	Y
Miscellaneous hardware kit (all models)	41N5334	N	Y
Retention bracket kit, heat sink and fan (all models)	41A7139	N	Y
Cable, optical drive and hard disk drive signal (2-drop) (all models)	41A7875	N	N
Cable, Interposer GBM (all models)	41N5307	N	N
Miscellaneous bezel kit (all models)	41A7144	N	N

8708 Keyboards (Preferred Pro fullsize, Black)	FRU#	CRU Tier	RoHS?
US English (models 99U 99L 99G 99M 99A 99Q 99C 99H)	89P8300	1	Y
Arabic (models 99G)	89P8301	1	Y
Belgian/French (models 99G)	89P8302	1	Y
Belgian/UK (models 99G)	89P8303	1	Y
Bulgarian (models 99G)	89P8305	1	Y
Chinese/US (models 99B 99V)	89P8306	1	Y
Czech (models 99G)	89P8307	1	Y
Danish (models 99G)	89P8308	1	Y
Dutch (models 99G)	89P8309	1	Y
French (models 99G)	89P8310	1	Y
French Canadian 445 (models 99F)	89P8311	1	Y
French Canadian 58 (models 99F)	89P8312	1	Y
German (models 99G)	89P8313	1	Y
Greek (models 99G)	89P8314	1	Y
Hebrew (models 99G)	89P8315	1	Y
Hungarian (models 99G)	89P8316	1	Y
Iceland (models 99G)	89P8317	1	Y
Italian 142 (models 99G)	89P8319	1	Y
Korean (models 99K)	89P8321	1	Y

<b>8708 Keyboards (Preferred Pro fullsize, Black)</b>	<b>FRU#</b>	<b>CRU Tier</b>	<b>RoHS?</b>
LA Spanish (models 99S 99D 99Y)	89P8322	1	Y
Norwegian (models 99G)	89P8323	1	Y
Polish (models 99G)	89P8324	1	Y
Portuguese (models 99G)	89P8325	1	Y
Romanian (models 99G)	89P8326	1	Y
Russian/Cy (models 99G)	89P8328	1	Y
Serbian/Cyrillic (models 99G)	89P8329	1	Y
Slovak (models 99G)	89P8330	1	Y
Spanish (models 99G)	89P8331	1	Y
Swedish/Finn (models 99G)	89P8332	1	Y
Swiss F/G (models 99G)	89P8333	1	Y
Thailand (models 99T)	89P8334	1	Y
Turkish 179 (models 99G)	89P8336	1	Y
UK English (models 99G)	89P8337	1	Y
US Euro (models 99G)	89P8338	1	Y
Yugoslav/Latin (models 99G)	89P8339	1	Y
Brazil/Portuguese (models 99P)	89P8304	1	Y

<b>8708 mice</b>	<b>FRU#</b>	<b>CRU Tier</b>	<b>RoHS?</b>
Mouse, Lenovo USB Optical Wheel (models 99U 99F 99S 99P 99L 99D 99Y 99G 99M 99A 99Q 99T 99C 99B 99H 99V 99K)	41A5085	1	Y

<b>8708 Adapters and miscellaneous FRUs</b>	<b>FRU#</b>	<b>CRU Tier</b>	<b>RoHS?</b>
PCI Modem Card (Soft) (models 99U 99F 99S 99P 99L 99D 99Y 99G 99M 99A 99Q 99T 99C 99B 99H 99V 99K)	29R9729	1	Y

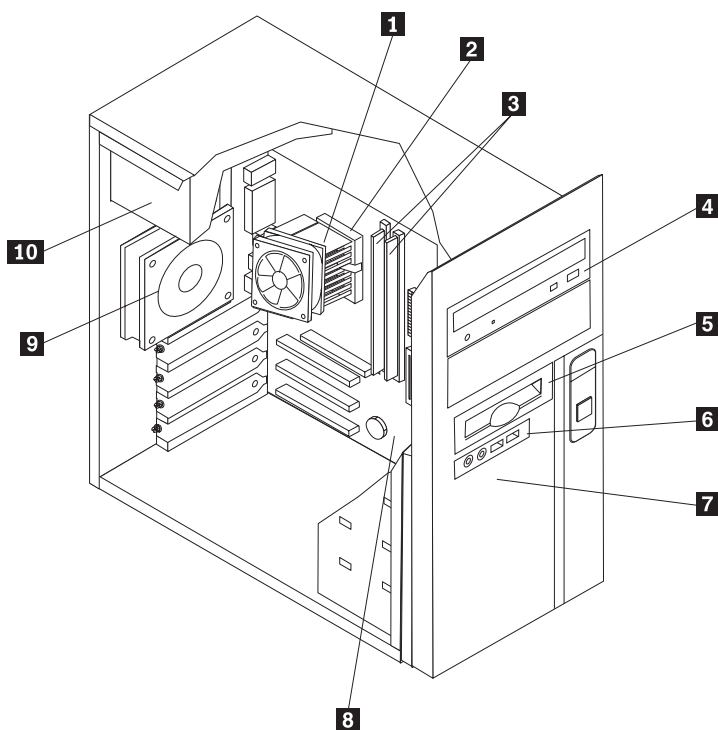
<b>8708 Power Cords</b>	<b>FRU#</b>	<b>CRU Tier</b>	<b>RoHS?</b>
Power Cord (US) (models 99U 99F 99S 99L 99D 99A 99T)	39M5080	1	Y
Power Cord (China) (models 99C)	39M5205	1	Y
Power Cord (Brazil) (models 99P)	39M5232	1	Y
Power Cord (LA High Volt APU) (models 99L 99Y)	39M5067	1	Y
Power Cord (Australia, New Zealand) (models 99M)	39M5102	1	Y
Power Cord (Korea) (models 99K)	39M5212	1	Y
Power Cord (Hong Kong) (models 99B 99H)	39M5151	1	Y
Power Cord (UK, Ireland, Singapore, Malaysia, Brunei) (models 99G 99A)	39M5150	1	Y
Power Cord (Taiwan) (models 99V)	39M5246	1	Y
Power Cord (Italy) (models 99S 99L 99Y 99G)	39M5164	1	Y
Power Cord (G models) (models 99G 99A)	39M5122	1	Y



<b>8708 Power Cords</b>	<b>FRU#</b>	<b>CRU Tier</b>	<b>RoHS?</b>
Power Cord (Denmark) (models 99G)	39M5129	1	Y
Power Cord (Switzerland) (models 99G)	39M5157	1	Y
Power Cord (Israel) (models 99G)	39M5171	1	Y
Power Cord (South Africa) (models 99G 99M 99A)	39M5143	1	Y
Power Cord (India) (models 99Q)	39M5004	1	Y

<b>8708 Windows XP Pro Recovery CDs</b>	<b>FRU#</b>	<b>CRU Tier</b>	<b>RoHS?</b>
US/UK/AP/TH (models 99U 99L 99G 99M 99A 99Q 99T 99H)	41X4174	1	Y
FR/CF (models 99F 99G)	41X4176	1	Y
GR (models 99G)	41X4177	1	Y
IT (models 99G)	41X4179	1	Y
BR (models 99P)	41X4180	1	Y
SP/LA (models 99S 99D 99Y 99G)	41X4178	1	Y
DK (models 99G)	41X4182	1	Y
NL (models 99G)	41X5950	1	Y
AE (models 99G)	41X5978	1	Y
SV (models 99G)	41X4181	1	Y
HE (models 99G)	41X5957	1	Y
FI (models 99G)	41X5936	1	Y
NO (models 99G)	41X5943	1	Y
PL (models 99G)	41X5964	1	Y
PO (models 99G)	41X6359	1	Y
RU (models 99G)	41X5985	1	Y
RE (models 99G)	41X4175	1	Y
HU (models 99G)	41X5999	1	Y
CZ (models 99G)	41X5971	1	Y
TR (models 99G)	41X5972	1	Y
GK (models 99G)	41X6013	1	Y
SL (models 99G)	41X6020	1	Y
Simplified Chinese (models 99C)	41W7641	1	Y
Taiwan - TC (models 99V)	41W7648	1	Y
Hong Kong - TC (models 99B)	41W7655	1	Y
Korean (models 99K)	41W7634	1	Y
Multilingual 1 (models 99G)	41X4113	1	Y
Multilingual 2 (models 99G)	41X6111	1	Y

## Machine Type 8709



Item #	8709 FRUs	FRU#	CRU Tier	RoHS?
1	Fan Sink - Intel Prescott & Celeron (models 99G 99M 99A 99T 99V 99K)	41D3552	N	Y
2	Microprocessor, Pentium 4 3.06 GHz 533 FSB 1MB L2 (models 99G 99M 99A 99T 99V 99K)	41T1708	N	Y
3	Memory module, 256MB, DDR2 SDRAM, NP, PC4200 (models 99G 99M 99A 99T 99V 99K)	30R5120	2	Y
4	CD-ROM Drive 48X - Black w/o jack & vol (models 99G 99M 99A 99T 99V 99K)	40Y8929	N	Y
4	CD-ROM Drive 48X - Black w/o jack & vol (models 99G 99M 99A 99T 99V 99K)	41X3540	N	Y
4	CD-ROM Drive 48X - Black w/o jack & vol (models 99G 99M 99A 99T 99V 99K)	40Y8807	N	Y
4	CD-ROM Drive 48X - Black w/o jack & vol (models 99G 99M 99A 99T 99V 99K)	40Y8955	N	Y
4	CD-ROM Drive 48X - Black w/o jack & vol (models 99G 99M 99A 99T 99V 99K)	40Y8953	N	Y
5	Diskette drive, 3.5" 1.44MB 2 Mode (w/bezel) -- Lenovo (models 99G 99M 99A 99T 99V 99K)	40Y9105	N	Y
5	Diskette drive, 3.5" 1.44MB 2 Mode (w/bezel) -- Lenovo (models 99G 99M 99A 99T 99V 99K)	40Y9107	N	Y
5	Diskette drive, 3.5" 1.44MB 2 Mode (w/bezel) -- Lenovo (models 99G 99M 99A 99T 99V 99K)	40Y9113	N	Y
6	Front Panel Cable Asm (RoHS) (all models)	41A7886	N	Y
7	Hard disk drive, 40GB, 7200rpm, serial ATA (models 99G 99M 99A 99T 99V 99K)	40Y9033	N	Y

Item #	8709 FRUs	FRU#	CRU Tier	RoHS?
7	Hard disk drive, 40GB, 7200rpm, serial ATA (models 99G 99M 99A 99T 99V 99K)	40Y8760	N	Y
8	System board, Intel 945GZ (models 99G 99M 99A 99T 99V 99K) <b>Note:</b> When ordering a system board, you must also order a retention bracket kit for the heat sink and fan assembly.	41X2042	N	Y
9	System Fan, rear w/grill (all models)	41N5339	N	Y
10	Power supply, 250W, non-RoHS (models 99G 99M 99A 99T 99V 99K)	41N3127	N	N

The FRUs listed in the following table are not illustrated.

8709 FRUs	FRU#	CRU Tier	RoHS?
Cable, Serial ATA 250mm (all models)	41A7145	2	N
Cable, diskette drive (all models)	41A7130	2	N
Cover, right side (all models)	41N5333	2	Y
Chassis assembly (all models)	41A7885	N	N
Bezel, front (all models)	41A7866	2	N
Power switch/LED assembly (all models)	41N5284	N	N
Shield, system board (all models)	41N5329	N	Y
Miscellaneous hardware kit (all models)	41N5334	N	Y
Retention bracket kit, heat sink and fan	41A7139	N	N
Cable, optical drive and hard disk drive signal (2-drop) (all models)	41A7875	N	N
Cable, Interposer GBM (all models)	41N5307	N	N
Miscellaneous bezel kit (all models)	41A7144	N	N

8709 Keyboards (Preferred Pro fullsize, Black)	FRU#	CRU Tier	RoHS?
US English (models 99G 99M 99A)	89P8300	1	Y
Arabic (models 99G)	89P8301	1	Y
Belgian/French (models 99G)	89P8302	1	Y
Belgian/UK (models 99G)	89P8303	1	Y
Bulgarian (models 99G)	89P8305	1	Y
Chinese/US (models 99V)	89P8306	1	Y
Czech (models 99G)	89P8307	1	Y
Danish (models 99G)	89P8308	1	Y
Dutch (models 99G)	89P8309	1	Y
French (models 99G)	89P8310	1	Y
German (models 99G)	89P8313	1	Y
Greek (models 99G)	89P8314	1	Y
Hebrew (models 99G)	89P8315	1	Y
Hungarian (models 99G)	89P8316	1	Y
Iceland (models 99G)	89P8317	1	Y

<b>8709 Keyboards (Preferred Pro fullsize, Black)</b>	<b>FRU#</b>	<b>CRU Tier</b>	<b>RoHS?</b>
Italian 142 (models 99G)	89P8319	1	Y
Korean (models 99K)	89P8321	1	Y
Norwegian (models 99G)	89P8323	1	Y
Polish (models 99G)	89P8324	1	Y
Portuguese (models 99G)	89P8325	1	Y
Romanian (models 99G)	89P8326	1	Y
Russian/Cy (models 99G)	89P8328	1	Y
Serbian/Cyrillic (models 99G)	89P8329	1	Y
Slovak (models 99G)	89P8330	1	Y
Spanish (models 99G)	89P8331	1	Y
Swedish/Finn (models 99G)	89P8332	1	Y
Swiss F/G (models 99G)	89P8333	1	Y
Thailand (models 99T)	89P8334	1	Y
Turkish 179 (models 99G)	89P8336	1	Y
UK English (models 99G)	89P8337	1	Y
US Euro (models 99G)	89P8338	1	Y
Yugoslav/Latin (models 99G)	89P8339	1	Y

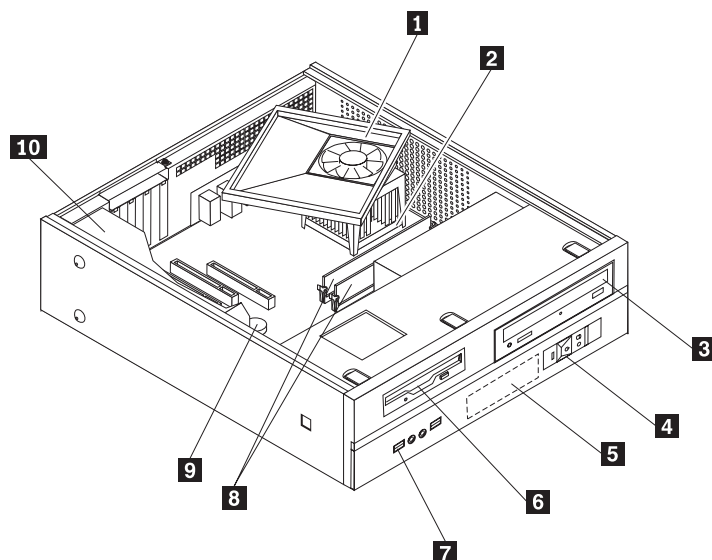
<b>8709 mice</b>	<b>FRU#</b>	<b>CRU Tier</b>	<b>RoHS?</b>
Mouse, IBM USB Optical Wheel mouse - Primax (IBM USB Optical Wheel mouse - Primax (models 99G 99M 99A 99T 99V 99K)	41A4935	1	Y

<b>8709 Power Cords</b>	<b>FRU#</b>	<b>CRU Tier</b>	<b>RoHS?</b>
Power Cord (US) (models 99A 99T)	39M5080	1	Y
Power Cord (Australia, New Zealand) (models 99M)	39M5102	1	Y
Power Cord (Korea) (models 99K)	39M5212	1	Y
Power Cord (UK, Ireland, Singapore, Malaysia, Brunei) (models 99G 99A)	39M5150	1	Y
Power Cord (Taiwan) (models 99V)	39M5246	1	Y
Power Cord (Italy) (models 99G)	39M5164	1	Y
Power Cord (G models) (models 99G 99A)	39M5122	1	Y
Power Cord (Denmark) (models 99G)	39M5129	1	Y
Power Cord (Switzerland) (models 99G)	39M5157	1	Y
Power Cord (Israel) (models 99G)	39M5171	1	Y
Power Cord (South Africa) (models 99G 99M 99A)	39M5143	1	Y

<b>8709 Windows XP Pro Recovery CDs</b>	<b>FRU#</b>	<b>CRU Tier</b>	<b>RoHS?</b>
US/UK/AP/TH (models 99G 99M 99A 99T)	41X4174	1	Y
FR/CF (models 99G)	41X4176	1	Y

8709 Windows XP Pro Recovery CDs	FRU#	CRU Tier	RoHS?
GR (models 99G)	41X4177	1	Y
IT (models 99G)	41X4179	1	Y
SP/LA (models 99G)	41X4178	1	Y
DK (models 99G)	41X4182	1	Y
NL (models 99G)	41X5950	1	Y
AE (models 99G)	41X5978	1	Y
SV (models 99G)	41X4181	1	Y
HE (models 99G)	41X5957	1	Y
FI (models 99G)	41X5936	1	Y
NO (models 99G)	41X5943	1	Y
PL (models 99G)	41X5964	1	Y
PO (models 99G)	41X6359	1	Y
RU (models 99G)	41X5985	1	Y
RE (models 99G)	41X4175	1	Y
HU (models 99G)	41X5999	1	Y
CZ (models 99G)	41X5971	1	Y
TR (models 99G)	41X5972	1	Y
GK (models 99G)	41X6013	1	Y
SL (models 99G)	41X6020	1	Y
Taiwan - TC (models 99V)	41W7648	1	Y
Korean (models 99K)	41W7634	1	Y
Multilingual 1 (models 99G)	41X4113	1	Y
Multilingual 2 (models 99G)	41X6111	1	Y

## Machine Type 8710



Item #	8710 FRUs	FRU#	CRU Tier	RoHS?
1	Fan Sink - Intel Prescott & Celeron (models 99U 99F 99S 99P 99L 99D 99Y 99G 99M 99A 99T 99C 99B 99H 99V 99K 99J)	41N5292	N	Y
2	Microprocessor, Pentium 4 3.2 GHz 800 FSB 2MB L2 (models 99U 99F 99S 99P 99L 99D 99Y 99G 99M 99A 99T 99C 99B 99H 99V 99K 99J)	41T1710	N	Y
3	CD-RW Drive (48X/32X/48X) (models 99U 99F 99S 99P 99L 99D 99Y 99G 99M 99A 99T 99C 99B 99H 99V 99K 99J)	40Y8937	N	Y
3	CD-RW Drive (48X/32X/48X) (models 99U 99F 99S 99P 99L 99D 99Y 99G 99M 99A 99T 99C 99B 99H 99V 99K 99J)	40Y8901	N	Y
4	Front Panel PCB Asm (all models)	41N5269	N	N
5	Hard disk drive, 160GB, 7200rpm Serial ATA (models 99U 99F 99S 99P 99L 99D 99Y 99G 99M 99A 99T 99C 99B 99H 99V 99K 99J)	40Y9035	N	Y
5	Hard disk drive, 160GB, 7200rpm Serial ATA (models 99U 99F 99S 99P 99L 99D 99Y 99G 99M 99A 99T 99C 99B 99H 99V 99K 99J)	40Y8762	N	Y
6	Diskette drive, 3.5" 1.44MB 2 Mode (w/bezel) -- Lenovo (models 99U 99F 99S 99P 99L 99D 99Y 99G 99M 99A 99T 99C 99B 99H 99V 99K 99J)	40Y9105	N	Y
6	Diskette drive, 3.5" 1.44MB 2 Mode (w/bezel) -- Lenovo (models 99U 99F 99S 99P 99L 99D 99Y 99G 99M 99A 99T 99C 99B 99H 99V 99K 99J)	40Y9107	N	Y
6	Diskette drive, 3.5" 1.44MB 2 Mode (w/bezel) -- Lenovo (models 99U 99F 99S 99P 99L 99D 99Y 99G 99M 99A 99T 99C 99B 99H 99V 99K 99J)	40Y9113	N	Y
7	Front Panel Card (all models)	41A7153	N	N
8	Memory module, 512MB DDR2 SDRAM NP Memory (PC 4200) (models 99U 99F 99S 99P 99L 99D 99Y 99G 99M 99A 99T 99C 99B 99H 99V 99K 99J)	30R5121	2	Y
9	System board, Intel 945GZ (models 99U 99F 99S 99P 99L 99D 99Y 99G 99M 99A 99T 99C 99B 99H 99V 99K 99J) <b>Note:</b> When ordering a system board, you must also order a retention bracket kit for the heat sink and fan assembly.	41X2042	N	Y
10	180W power supply (non-smokeless) (models 99U 99F 99S 99P 99L 99D 99Y 99G 99M 99A 99T 99C 99B 99H 99V 99K)	41N3111	N	Y
10	180W power supply (smokeless -- Japanese) (models 99J)	41N3114	N	Y

The FRUs listed in the following table are not illustrated.

8710 FRUs	FRU#	CRU Tier	RoHS?
Shield, EMC, 5.25in. drive bay (all models)	41A7162	N	N
Cable, Serial-ATA, (18in. RoHs) (all models)	41A7145	N	N
Shield, EMC, diskette drive bay (all models)	41A7146	N	N
Cable, diskette drive (all models)	41A7147	N	N
Cover (all models)	41A7148	2	N
Chassis assembly (all models)	41A7873	N	N
Bezel assembly, front (all models)	41A7150	N	N
Fan duct assembly (all models)	41A7151	N	N
Shield, EMC, system board (all models)	41N5286	N	N
Miscellaneous hardware kit (all models)	41A7155	N	N

8710 FRUs	FRU#	CRU Tier	RoHS?
Cable, optical drive signal (all models)	41A7158	N	N
Miscellaneous bezel kit (all models)	41A7160	N	N
Interposer cables (all models)	41A7161	N	N
Fan assembly, front (all models)	41A7198	N	N
Retention bracket kit, heat sink and fan (all models)	41A7139	N	N

8710 Keyboards (Preferred Pro fullsize, Black)	FRU#	CRU Tier	RoHS?
US English (models 99U 99L 99G 99M 99A 99C 99H)	89P8300	1	Y
Arabic (models 99G)	89P8301	1	Y
Belgian/French (models 99G)	89P8302	1	Y
Belgian/UK (models 99G)	89P8303	1	Y
Bulgarian (models 99G)	89P8305	1	Y
Chinese/US (models 99B 99V)	89P8306	1	Y
Czech (models 99G)	89P8307	1	Y
Danish (models 99G)	89P8308	1	Y
Dutch (models 99G)	89P8309	1	Y
French (models 99G)	89P8310	1	Y
French Canadian 445 (models 99F)	89P8311	1	Y
French Canadian 58 (models 99F)	89P8312	1	Y
German (models 99G)	89P8313	1	Y
Greek (models 99G)	89P8314	1	Y
Hebrew (models 99G)	89P8315	1	Y
Hungarian (models 99G)	89P8316	1	Y
Iceland (models 99G)	89P8317	1	Y
Italian 142 (models 99G)	89P8319	1	Y
Korean (models 99K)	89P8321	1	Y
LA Spanish (models 99S 99D 99Y)	89P8322	1	Y
Norwegian (models 99G)	89P8323	1	Y
Polish (models 99G)	89P8324	1	Y
Portuguese (models 99G)	89P8325	1	Y
Romanian (models 99G)	89P8326	1	Y
Russian/Cy (models 99G)	89P8328	1	Y
Serbian/Cyrillic (models 99G)	89P8329	1	Y
Slovak (models 99G)	89P8330	1	Y
Spanish (models 99G)	89P8331	1	Y
Swedish/Finn (models 99G)	89P8332	1	Y
Swiss F/G (models 99G)	89P8333	1	Y
Thailand (models 99T)	89P8334	1	Y
Turkish 179 (models 99G)	89P8336	1	Y

<b>8710 Keyboards (Preferred Pro fullsize, Black)</b>	<b>FRU#</b>	<b>CRU Tier</b>	<b>RoHS?</b>
UK English (models 99G)	89P8337	1	Y
US Euro (models 99G)	89P8338	1	Y
Yugoslav/Latin (models 99G)	89P8339	1	Y
Brazil/Portuguese (models 99P)	89P8304	1	Y

<b>8710 mice</b>	<b>FRU#</b>	<b>CRU Tier</b>	<b>RoHS?</b>
Mouse, IBM USB Optical Wheel mouse - Primax (models 99U 99F 99S 99P 99L 99D 99Y 99G 99M 99A 99T 99C 99B 99H 99V 99K 99J)	41A4935	1	Y

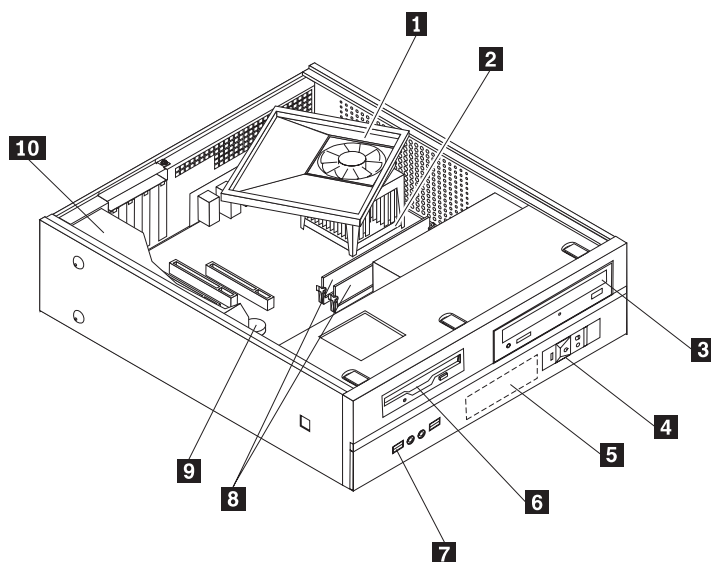
<b>8710 Power Cords</b>	<b>FRU#</b>	<b>CRU Tier</b>	<b>RoHS?</b>
Power Cord (US) (models 99U 99F 99S 99L 99D 99A 99T)	39M5080	1	Y
Power Cord (China) (models 99C)	39M5205	1	Y
Power Cord (Japan) (models 99J)	39M5193	1	Y
Power Cord (Brazil) (models 99P)	39M5232	1	Y
Power Cord (LA High Volt APU) (models 99L 99Y)	39M5067	1	Y
Power Cord (Australia, New Zealand) (models 99M)	39M5102	1	Y
Power Cord (Korea) (models 99K)	39M5212	1	Y
Power Cord (Hong Kong) (models 99B 99H)	39M5151	1	Y
Power Cord (UK, Ireland, Singapore, Malaysia, Brunei) (models 99G 99A)	39M5150	1	Y
Power Cord (Taiwan) (models 99V)	39M5246	1	Y
Power Cord (Italy) (models 99S 99L 99Y 99G)	39M5164	1	Y
Power Cord (G models) (models 99G 99A)	39M5122	1	Y
Power Cord (Denmark) (models 99G)	39M5129	1	Y
Power Cord (Switzerland) (models 99G)	39M5157	1	Y
Power Cord (Israel) (models 99G)	39M5171	1	Y
Power Cord (South Africa) (models 99G 99M 99A)	39M5143	1	Y

<b>8710 Windows XP Pro Recovery CDs</b>	<b>FRU#</b>	<b>CRU Tier</b>	<b>RoHS?</b>
US/UK/AP/TH (models 99U 99L 99G 99M 99A 99T 99H)	41X4174	1	Y
FR/CF (models 99F 99G)	41X4176	1	Y
GR (models 99G)	41X4177	1	Y
IT (models 99G)	41X4179	1	Y
BR (models 99P)	41X4180	1	Y
SP/LA (models 99S 99D 99Y 99G)	41X4178	1	Y
DK (models 99G)	41X4182	1	Y
NL (models 99G)	41X5950	1	Y
AE (models 99G)	41X5978	1	Y
SV (models 99G)	41X4181	1	Y



8710 Windows XP Pro Recovery CDs	FRU#	CRU Tier	RoHS?
HE (models 99G)	41X5957	1	Y
FI (models 99G)	41X5936	1	Y
NO (models 99G)	41X5943	1	Y
PL (models 99G)	41X5964	1	Y
PO (models 99G)	41X6359	1	Y
RU (models 99G)	41X5985	1	Y
RE (models 99G)	41X4175	1	Y
HU (models 99G)	41X5999	1	Y
CZ (models 99G)	41X5971	1	Y
TR (models 99G)	41X5972	1	Y
GK (models 99G)	41X6013	1	Y
SL (models 99G)	41X6020	1	Y
Japanese (models 99J)	41W7662	1	Y
Simplified Chinese (models 99C)	41W7641	1	Y
Taiwan - TC (models 99V)	41W7648	1	Y
Hong Kong - TC (models 99B)	41W7655	1	Y
Korean (models 99K)	41W7634	1	Y
Multilingual 1 (models 99G)	41X4113	1	Y
Multilingual 2 (models 99G)	41X6111	1	Y

## Machine Type 8711



Item #	8711 FRUs	FRU#	CRU Tier	RoHS?
1	Fan Sink - Intel Prescott & Celeron (models 99G 99M 99A 99T 99V 99K 99J)	41N5292	N	Y

Item #	8711 FRUs	FRU#	CRU Tier	RoHS?
2	Microprocessor, Pentium 4 3.0 GHz 800 FSB 2MB L2 (models 99G 99M 99A 99T 99V 99K 99J)	41T1709	N	Y
3	DVD-ROM 16x -48x (models 99G 99M 99A 99T 99V 99K 99J)	40Y8931	N	Y
3	DVD-ROM 16x -48x (models 99G 99M 99A 99T 99V 99K 99J)	40Y8935	N	Y
3	DVD-ROM 16x -48x (models 99G 99M 99A 99T 99V 99K 99J)	40Y8957	N	Y
4	Front Panel PCB Asm (all models)	41N5269	N	N
5	Hard disk drive, 80GB, 7200rpm Serial ATA (models 99G 99M 99A 99T 99V 99K 99J)	40Y9034	N	Y
5	Hard disk drive, 80GB, 7200rpm Serial ATA (models 99G 99M 99A 99T 99V 99K 99J)	40Y8761	N	Y
6	Diskette drive, 3.5" 1.44MB 2 Mode (w/bezel) -- Lenovo (models)	40Y9105	N	Y
6	Diskette drive, 3.5" 1.44MB 2 Mode (w/bezel) -- Lenovo (models)	40Y9107	N	Y
6	Diskette drive, 3.5" 1.44MB 2 Mode (w/bezel) -- Lenovo (models)	40Y9113	N	Y
7	Front Panel card (all models)	41A7153	N	N
8	Memory module, 256MB DDR2 SDRAM NP Memory (PC 4200) (models 99G 99M 99A 99T 99V 99K 99J)	30R5120	2	Y
9	System board, Intel 945GZ (models 99G 99M 99A 99T 99V 99K 99J) <b>Note:</b> When ordering a system board, you must also order a retention bracket kit for the heat sink and fan assembly.	41X2042	N	Y
10	180W power supply (non-smokeless) (models 99G 99M 99A 99T 99V 99K 99J)	41N3111	N	Y
10	180W power supply (smokeless -- Japanese) (models 99J)	41N3114	N	Y

The FRUs listed in the following table are not illustrated.

8711 FRUs	FRU#	CRU Tier	RoHS?
Shield, EMC, 5.25in. drive bay (all models)	41A7162	N	N
Cable, Serial-ATA, (18in. RoHs) (all models)	41A7145	N	Y
Shield, EMC, diskette drive bay (all models)	41A7146	N	N
Cable, diskette drive (all models)	41A7147	N	N
Cover (all models)	41A7148	2	N
Chassis assembly (all models)	41A7873	N	N
Bezel assembly, front (all models)	41A7150	N	N
Fan duct assembly (all models)	41A7151	N	N
Shield, EMC, system board (all models)	41N5286	N	N
Miscellaneous hardware kit (all models)	41A7155	N	N
Cable, optical drive signal (all models)	41A7158	N	N
Miscellaneous bezel kit (all models)	41A7160	N	N
Interposer cables (all models)	41A7161	N	N
Fan assembly, front (all models)	41A7198	N	N
Retention bracket kit, heat sink and fan (all models)	41A7139	N	N

<b>8711 Keyboards (Preferred Pro fullsize, Black)</b>	<b>FRU#</b>	<b>CRU Tier</b>	<b>RoHS?</b>
US English (models 99G 99M 99A)	89P8300	1	Y
Arabic (models 99G)	89P8301	1	Y
Belgian/French (models 99G)	89P8302	1	Y
Belgian/UK (models 99G)	89P8303	1	Y
Bulgarian (models 99G)	89P8305	1	Y
Chinese/US (models 99V)	89P8306	1	Y
Czech (models 99G)	89P8307	1	Y
Danish (models 99G)	89P8308	1	Y
Dutch (models 99G)	89P8309	1	Y
French (models 99G)	89P8310	1	Y
German (models 99G)	89P8313	1	Y
Greek (models 99G)	89P8314	1	Y
Hebrew (models 99G)	89P8315	1	Y
Hungarian (models 99G)	89P8316	1	Y
Iceland (models 99G)	89P8317	1	Y
Italian 142 (models 99G)	89P8319	1	Y
Japanese (models 99J)	89P8320	1	Y
Korean (models 99K)	89P8321	1	Y
Norwegian (models 99G)	89P8323	1	Y
Polish (models 99G)	89P8324	1	Y
Portuguese (models 99G)	89P8325	1	Y
Romanian (models 99G)	89P8326	1	Y
Russian/Cy (models 99G)	89P8328	1	Y
Serbian/Cyrillic (models 99G)	89P8329	1	Y
Slovak (models 99G)	89P8330	1	Y
Spanish (models 99G)	89P8331	1	Y
Swedish/Finn (models 99G)	89P8332	1	Y
Swiss F/G (models 99G)	89P8333	1	Y
Thailand (models 99T)	89P8334	1	Y
Turkish 179 (models 99G)	89P8336	1	Y
UK English (models 99G)	89P8337	1	Y
US Euro (models 99G)	89P8338	1	Y
Yugoslav/Latin (models 99G)	89P8339	1	Y

<b>8711 mice</b>	<b>FRU#</b>	<b>CRU Tier</b>	<b>RoHS?</b>
Mouse, IBM USB Optical Wheel mouse - Primax (models 99G 99M 99A 99T 99V 99K 99J)	41A4935	1	Y

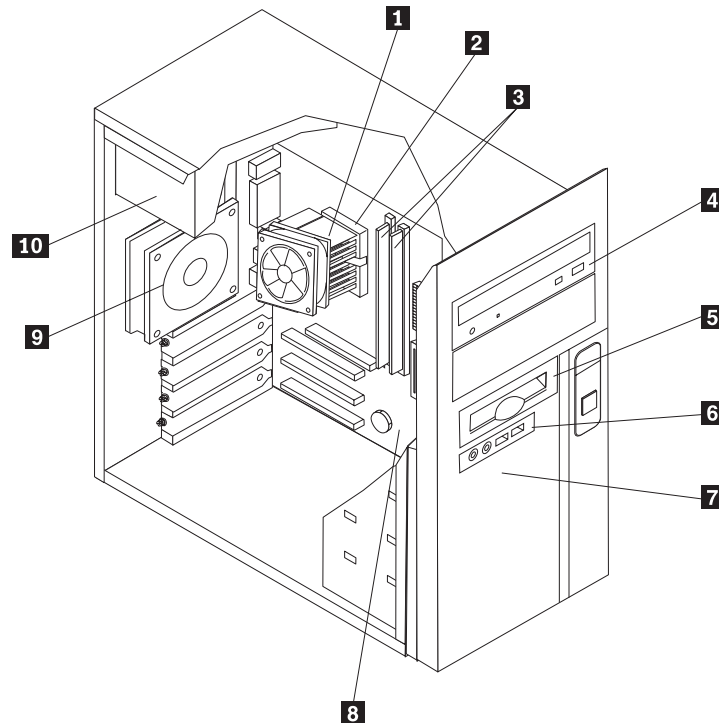
8711 Adapters and miscellaneous FRUs	FRU#	CRU Tier	RoHS?
PCI Modem Card (Soft) (models 99G 99M 99A 99T 99V 99K 99J)	29R9729	1	Y

8711 Power Cords	FRU#	CRU Tier	RoHS?
Power Cord (US) (models 99A 99T)	39M5080	1	Y
Power Cord (Japan) (models 99J)	39M5193	1	Y
Power Cord (Australia, New Zealand) (models 99M)	39M5102	1	Y
Power Cord (Korea) (models 99K)	39M5212	1	Y
Power Cord (UK, Ireland, Singapore, Malaysia, Brunei) (models 99G 99A)	39M5150	1	Y
Power Cord (Taiwan) (models 99V)	39M5246	1	Y
Power Cord (Italy) (models 99G)	39M5164	1	Y
Power Cord (G models) (models 99G 99A)	39M5122	1	Y
Power Cord (Denmark) (models 99G)	39M5129	1	Y
Power Cord (Switzerland) (models 99G)	39M5157	1	Y
Power Cord (Israel) (models 99G)	39M5171	1	Y
Power Cord (South Africa) (models 99G 99M 99A)	39M5143	1	Y

8711 Windows XP Pro Recovery CDs	FRU#	CRU Tier	RoHS?
US/UK/AP/TH (models 99G 99M 99A 99T)	41X4174	1	Y
FR/CF (models 99G)	41X4176	1	Y
GR (models 99G)	41X4177	1	Y
IT (models 99G)	41X4179	1	Y
SP/LA (models 99G)	41X4178	1	Y
DK (models 99G)	41X4182	1	Y
NL (models 99G)	41X5950	1	Y
AE (models 99G)	41X5978	1	Y
SV (models 99G)	41X4181	1	Y
HE (models 99G)	41X5957	1	Y
FI (models 99G)	41X5936	1	Y
NO (models 99G)	41X5943	1	Y
PL (models 99G)	41X5964	1	Y
PO (models 99G)	41X6359	1	Y
RU (models 99G)	41X5985	1	Y
RE (models 99G)	41X4175	1	Y
HU (models 99G)	41X5999	1	Y
CZ (models 99G)	41X5971	1	Y
TR (models 99G)	41X5972	1	Y
GK (models 99G)	41X6013	1	Y
SL (models 99G)	41X6020	1	Y
Japanese (models 99J)	41W7662	1	Y

8711 Windows XP Pro Recovery CDs	FRU#	CRU Tier	RoHS?
Taiwan - TC (models 99V)	41W7648	1	Y
Korean (models 99K)	41W7634	1	Y
Multilingual 1 (models 99G)	41X4113	1	Y
Multilingual 2 (models 99G)	41X6111	1	Y

## Machine Type 8712



Item #	8712 FRUs	FRU#	CRU Tier	RoHS?
1	Fan Sink (models 99U 99F 99S 99P 99L 99D 99Y 99G 99M 99A 99Q 99T 99C 99B 99H 99V 99K)	41A7844	N	Y
2	Microprocessor, AMD 754 Sempron 2800+ 1.6 (models 99U 99F 99S 99P 99L 99D 99Y 99G 99M 99A 99Q 99T 99C 99B 99H 99V 99K)	41T1737	N	Y
3	Memory module, 256MB, DDR1 SDRAM, NP, PC3200 (models 99U 99F 99S 99P 99L 99D 99Y 99G 99M 99A 99Q 99T 99C 99B 99H 99V 99K)	73P2683	2	Y
4	Combo 48 -32 -48 -16 - - DVD - ROM - CDRW (models 99U 99F 99S 99P 99L 99D 99Y 99G 99M 99A 99Q 99T 99C 99B 99H 99V 99K)	40Y8919	N	Y
4	Combo 48 -32 -48 -16 - - DVD - ROM - CDRW (models 99U 99F 99S 99P 99L 99D 99Y 99G 99M 99A 99Q 99T 99C 99B 99H 99V 99K)	40Y8941	N	Y
4	Combo 48 -32 -48 -16 - - DVD - ROM - CDRW (models 99U 99F 99S 99P 99L 99D 99Y 99G 99M 99A 99Q 99T 99C 99B 99H 99V 99K)	40Y8943	N	Y
5	Diskette drive, 3.5" 1.44MB 2 Mode (w/bezel) -- Lenovo (models)	40Y9105	N	Y
5	Diskette drive, 3.5" 1.44MB 2 Mode (w/bezel) -- Lenovo (models)	40Y9107	N	Y
5	Diskette drive, 3.5" 1.44MB 2 Mode (w/bezel) -- Lenovo (models)	40Y9113	N	Y

Item #	8712 FRUs	FRU#	CRU Tier	RoHS?
5	Diskette drive, w/o bezel (models)	41D3724	N	Y
6	Front Panel Cable Asm (RoHS) (all models)	41A7886	N	Y
7	Hard disk drive, 80GB, 7200rpm, serial ATA (models 99U 99F 99S 99P 99L 99D 99Y 99G 99M 99A 99Q 99T 99C 99B 99H 99V 99K)	40Y9034	N	Y
7	Hard disk drive, 80GB, 7200rpm, serial ATA (models 99U 99F 99S 99P 99L 99D 99Y 99G 99M 99A 99Q 99T 99C 99B 99H 99V 99K)	40Y8761	N	Y
8	System board, Via K8M800 - AMD based - RoHS (models 99U 99F 99S 99P 99L 99D 99Y 99G 99M 99A 99Q 99T 99C 99B 99H 99V 99K) <b>Note:</b> When ordering a system board, you must also order a retention bracket kit for the heat sink and fan assembly.	41X4397	N	Y
9	System Fan, rear w/grill (all models)	41N5339	N	Y
10	Power supply, 250W, non-RoHS (models 99U 99F 99S 99P 99L 99D 99Y 99G 99M 99A 99Q 99T 99C 99B 99H 99V 99K)	41N3127	N	Y

The FRUs listed in the following table are not illustrated.

8712 FRUs	FRU#	CRU Tier	RoHS?
Cable, Serial ATA 250mm (all models)	41A7145	2	N
Cable, diskette drive (all models)	41A7130	2	N
Cover, right side (all models)	41N5333	2	Y
Chassis assembly (all models)	41A7885	N	N
Bezel, front (all models)	41A7866	2	N
Power switch/LED assembly (all models)	41N5284	N	N
Shield, system board (all models)	41N5329	N	Y
Miscellaneous hardware kit (all models)	41N5334	N	Y
Retention bracket kit, heat sink and fan (all models)	41A7842	N	N
Cable, optical drive and hard disk drive signal (2-drop) (all models)	41A7875	N	N
Cable, Interposer GBM (all models)	41N5307	N	N
Miscellaneous bezel kit (all models)	41A7144	N	N

8712 Keyboards (Preferred Pro fullsize, Black)	FRU#	CRU Tier	RoHS?
US English (models 99U 99L 99G 99M 99A 99Q 99C 99H)	89P8300	1	Y
Arabic (models 99G)	89P8301	1	Y
Belgian/French (models 99G)	89P8302	1	Y
Belgian/UK (models 99G)	89P8303	1	Y
Bulgarian (models 99G)	89P8305	1	Y
Chinese/US (models 99B 99V)	89P8306	1	Y
Czech (models 99G)	89P8307	1	Y
Danish (models 99G)	89P8308	1	Y
Dutch (models 99G)	89P8309	1	Y
French (models 99G)	89P8310	1	Y

<b>8712 Keyboards (Preferred Pro fullsize, Black)</b>	<b>FRU#</b>	<b>CRU Tier</b>	<b>RoHS?</b>
French Canadian 445 (models 99F)	89P8311	1	Y
French Canadian 58 (models 99F)	89P8312	1	Y
German (models 99G)	89P8313	1	Y
Greek (models 99G)	89P8314	1	Y
Hebrew (models 99G)	89P8315	1	Y
Hungarian (models 99G)	89P8316	1	Y
Iceland (models 99G)	89P8317	1	Y
Italian 142 (models 99G)	89P8319	1	Y
Korean (models 99K)	89P8321	1	Y
LA Spanish (models 99S 99D 99Y)	89P8322	1	Y
Norwegian (models 99G)	89P8323	1	Y
Polish (models 99G)	89P8324	1	Y
Portuguese (models 99G)	89P8325	1	Y
Romanian (models 99G)	89P8326	1	Y
Russian/Cy (models 99G)	89P8328	1	Y
Serbian/Cyrillic (models 99G)	89P8329	1	Y
Slovak (models 99G)	89P8330	1	Y
Spanish (models 99G)	89P8331	1	Y
Swedish/Finn (models 99G)	89P8332	1	Y
Swiss F/G (models 99G)	89P8333	1	Y
Thailand (models 99T)	89P8334	1	Y
Turkish 179 (models 99G)	89P8336	1	Y
UK English (models 99G)	89P8337	1	Y
US Euro (models 99G)	89P8338	1	Y
Yugoslav/Latin (models 99G)	89P8339	1	Y
Brazil/Portuguese (models 99P)	89P8304	1	Y

<b>8712 mice</b>	<b>FRU#</b>	<b>CRU Tier</b>	<b>RoHS?</b>
Mouse, IBM USB Optical Wheel - Primax (models 99U 99F 99S 99P 99L 99D 99Y 99G 99M 99A 99Q 99T 99C 99B 99H 99V 99K)	41A4935	1	Y

<b>8712 Adapters and miscellaneous FRUs</b>	<b>FRU#</b>	<b>CRU Tier</b>	<b>RoHS?</b>
PCI Modem Card (Soft) (models 99U 99F 99S 99P 99L 99D 99Y 99G 99M 99A 99Q 99T 99C 99B 99H 99V 99K)	29R9729	1	Y

<b>8712 Power Cords</b>	<b>FRU#</b>	<b>CRU Tier</b>	<b>RoHS?</b>
Power Cord (US) (models 99U 99F 99S 99L 99D 99A 99T)	39M5080	1	Y
Power Cord (Brazil) (models 99P)	39M5232	1	Y

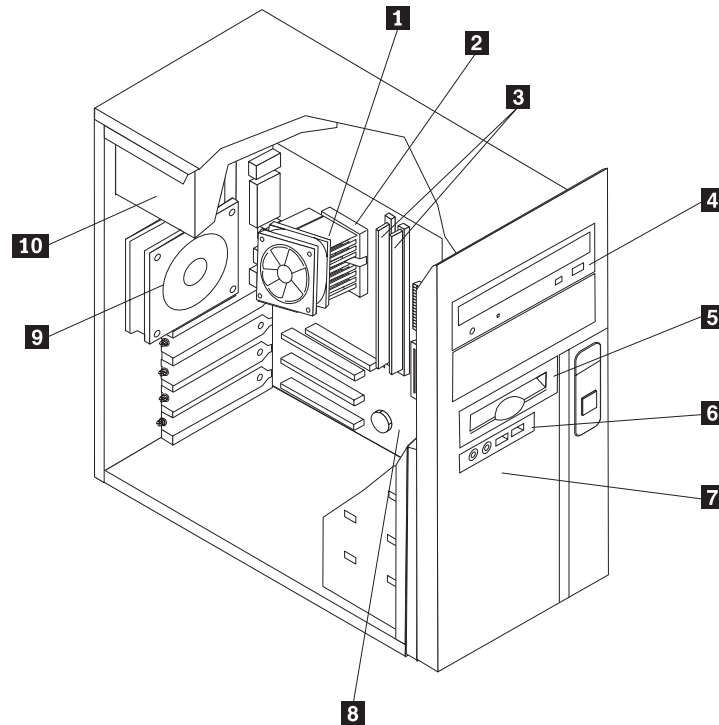
<b>8712 Power Cords</b>	<b>FRU#</b>	<b>CRU Tier</b>	<b>RoHS?</b>
Power Cord (LA High Volt APU) (models 99L 99Y)	39M5067	1	Y
Power Cord (Australia, New Zealand) (models 99M)	39M5102	1	Y
Power Cord (Korea) (models 99K)	39M5212	1	Y
Power Cord (Hong Kong) (models 99B 99H)	39M5151	1	Y
Power Cord (UK, Ireland, Singapore, Malaysia, Brunei) (models 99G 99A)	39M5150	1	Y
Power Cord (Taiwan) (models 99V)	39M5246	1	Y
Power Cord (Italy) (models 99S 99L 99Y 99G)	39M5164	1	Y
Power Cord (G models) (models 99G 99A)	39M5122	1	Y
Power Cord (Denmark) (models 99G)	39M5129	1	Y
Power Cord (Switzerland) (models 99G)	39M5157	1	Y
Power Cord (Israel) (models 99G)	39M5171	1	Y
Power Cord (South Africa) (models 99G 99M 99A)	39M5143	1	Y
Power Cord (India) (models 99Q)	39M5004	1	Y

<b>8712 Windows XP Pro Recovery CDs</b>	<b>FRU#</b>	<b>CRU Tier</b>	<b>RoHS?</b>
US/UK/AP/TH (models 99U 99L 99G 99M 99A 99Q 99T 99H)	41X4174	1	Y
FR/CF (models 99F 99G)	41X4176	1	Y
GR (models 99G)	41X4177	1	Y
IT (models 99G)	41X4179	1	Y
BR (models 99P)	41X4180	1	Y
SP/LA (models 99S 99D 99Y 99G)	41X4178	1	Y
DK (models 99G)	41X4182	1	Y
NL (models 99G)	41X5950	1	Y
AE (models 99G)	41X5978	1	Y
SV (models 99G)	41X4181	1	Y
HE (models 99G)	41X5957	1	Y
FI (models 99G)	41X5936	1	Y
NO (models 99G)	41X5943	1	Y
PL (models 99G)	41X5964	1	Y
PO (models 99G)	41X6359	1	Y
RU (models 99G)	41X5985	1	Y
RE (models 99G)	41X4175	1	Y
HU (models 99G)	41X5999	1	Y
CZ (models 99G)	41X5971	1	Y
TR (models 99G)	41X5972	1	Y
GK (models 99G)	41X6013	1	Y
SL (models 99G)	41X6020	1	Y
Simplified Chinese (models 99C)	41W7641	1	Y
Taiwan - TC (models 99V)	41W7648	1	Y



8712 Windows XP Pro Recovery CDs	FRU#	CRU Tier	RoHS?
Hong Kong - TC (models 99B)	41W7655	1	Y
Korean (models 99K)	41W7634	1	Y
Multilingual 1 (models 99G)	41X4113	1	Y
Multilingual 2 (models 99G)	41X6111	1	Y

## Machine Type 8713



Item #	8713 FRUs	FRU#	CRU Tier	RoHS?
1	Fan Sink - AMD (models 99G 99M 99A 99T 99V 99K)	41A7844	N	Y
2	Microprocessor, AMD 754 Sempron 3200 + 2.2 (models 99G 99M 99A 99T 99V 99K)	41T1742	N	Y
3	Memory module, 512MB, DDR1 SDRAM, NP, PC3200 (models 99G 99M 99A 99T 99V 99K)	73P2684	2	Y
4	CD-ROM Drive 48X - Black w/o jack & vol (models 99G 99M 99A 99T 99V 99K)	40Y8929	N	Y
4	CD-ROM Drive 48X - Black w/o jack & vol (models 99G 99M 99A 99T 99V 99K)	41X3540	N	Y
4	CD-ROM Drive 48X - Black w/o jack & vol (models 99G 99M 99A 99T 99V 99K)	40Y8807	N	Y
4	CD-ROM Drive 48X - Black w/o jack & vol (models 99G 99M 99A 99T 99V 99K)	40Y8955	N	Y
4	CD-ROM Drive 48X - Black w/o jack & vol (models 99G 99M 99A 99T 99V 99K)	40Y8953	N	Y

Item #	8713 FRUs	FRU#	CRU Tier	RoHS?
5	Diskette drive, 3.5" 1.44MB 2 Mode (w/bezel) -- Lenovo (models 99G 99M 99A 99T 99V 99K)	40Y9105	N	Y
5	Diskette drive, 3.5" 1.44MB 2 Mode (w/bezel) -- Lenovo (models 99G 99M 99A 99T 99V 99K)	40Y9107	N	Y
5	Diskette drive, 3.5" 1.44MB 2 Mode (w/bezel) -- Lenovo (models 99G 99M 99A 99T 99V 99K)	40Y9113	N	Y
6	Front Panel Cable Asm (RoHS) (all models)	41A7886	N	Y
7	Hard disk drive, 40GB, 7200rpm, serial ATA (models 99G 99M 99A 99T 99V 99K)	40Y9033	N	Y
7	Hard disk drive, 40GB, 7200rpm, serial ATA (models 99G 99M 99A 99T 99V 99K)	40Y8760	N	Y
8	System board, Via K8M800 - AMD based - RoHS (models 99G 99M 99A 99T 99V 99K) <b>Note:</b> When ordering a system board, you must also order a retention bracket kit for the heat sink and fan assembly.	41X4397	N	Y
9	System Fan, rear w/grill (all models)	41N5339	N	Y
10	Power supply, 250W, non-RoHS (models 99G 99M 99A 99T 99V 99K)	41N3127	N	Y

The FRUs listed in the following table are not illustrated.

8713 FRUs	FRU#	CRU Tier	RoHS?
Cable, Serial ATA 250mm (all models)	41A7145	2	Y
Cable, diskette drive (all models)	41A7130	2	Y
Cover, right side (all models)	41N5333	2	Y
Chassis assembly (all models)	41A7885	N	N
Bezel, front (all models)	41A7866	2	Y
Power switch/LED assembly (all models)	41N5284	N	N
Shield, system board (all models)	41N5329	N	Y
Miscellaneous hardware kit (all models)	41N5334	N	Y
Retention bracket kit, heat sink and fan (all models)	41A7842	N	N
Cable, optical drive and hard disk drive signal (2-drop) (all models)	41A7875	N	N
Cable, Interposer GBM (all models)	41N5307	N	N
Miscellaneous bezel kit (all models)	41A7144	N	N

8713 Keyboards (Preferred Pro fullsize, Black)	FRU#	CRU Tier	RoHS?
US English (models 99G 99M 99A)	89P8300	1	Y
Arabic (models 99G)	89P8301	1	Y
Belgian/French (models 99G)	89P8302	1	Y
Belgian/UK (models 99G)	89P8303	1	Y
Bulgarian (models 99G)	89P8305	1	Y
Chinese/US (models 99B 99V)	89P8306	1	Y
Czech (models 99G)	89P8307	1	Y

<b>8713 Keyboards (Preferred Pro fullsize, Black)</b>	<b>FRU#</b>	<b>CRU Tier</b>	<b>RoHS?</b>
Danish (models 99G)	89P8308	1	Y
Dutch (models 99G)	89P8309	1	Y
French (models 99G)	89P8310	1	Y
German (models 99G)	89P8313	1	Y
Greek (models 99G)	89P8314	1	Y
Hebrew (models 99G)	89P8315	1	Y
Hungarian (models 99G)	89P8316	1	Y
Iceland (models 99G)	89P8317	1	Y
Italian 142 (models 99G)	89P8319	1	Y
Korean (models 99K)	89P8321	1	Y
Norwegian (models 99G)	89P8323	1	Y
Polish (models 99G)	89P8324	1	Y
Portuguese (models 99G)	89P8325	1	Y
Romanian (models 99G)	89P8326	1	Y
Russian/Cy (models 99G)	89P8328	1	Y
Serbian/Cyrillic (models 99G)	89P8329	1	Y
Slovak (models 99G)	89P8330	1	Y
Spanish (models 99G)	89P8331	1	Y
Swedish/Finn (models 99G)	89P8332	1	Y
Swiss F/G (models 99G)	89P8333	1	Y
Thailand (models 99T)	89P8334	1	Y
Turkish 179 (models 99G)	89P8336	1	Y
UK English (models 99G)	89P8337	1	Y
US Euro (models 99G)	89P8338	1	Y
Yugoslav/Latin (models 99G)	89P8339	1	Y

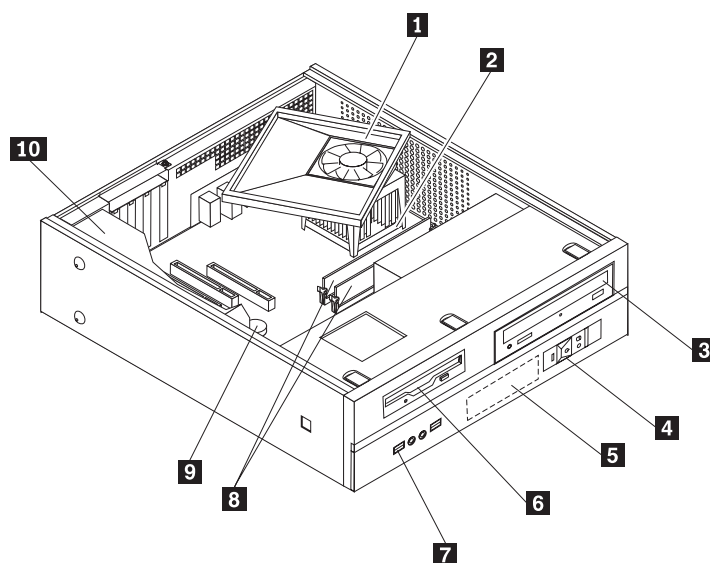
<b>8713 mice</b>	<b>FRU#</b>	<b>CRU Tier</b>	<b>RoHS?</b>
Mouse, IBM USB Optical Wheel - Primax (models 99G 99M 99A 99T 99V 99K)	41A4935	1	Y

<b>8713 Power Cords</b>	<b>FRU#</b>	<b>CRU Tier</b>	<b>RoHS?</b>
Power Cord (US) (models 99A 99T)	39M5080	1	Y
Power Cord (Australia, New Zealand) (models 99M)	39M5102	1	Y
Power Cord (Korea) (models 99K)	39M5212	1	Y
Power Cord (UK, Ireland, Singapore, Malaysia, Brunei) (models 99G 99A)	39M5150	1	Y
Power Cord (Taiwan) (models 99V)	39M5246	1	Y
Power Cord (Italy) (models 99S 99L 99Y 99G)	39M5164	1	Y
Power Cord (G models) (models 99G 99A)	39M5122	1	Y
Power Cord (Denmark) (models 99G)	39M5129	1	Y
Power Cord (Switzerland) (models 99G)	39M5157	1	Y

<b>8713 Power Cords</b>	<b>FRU#</b>	<b>CRU Tier</b>	<b>RoHS?</b>
Power Cord (Israel) (models 99G)	39M5171	1	Y
Power Cord (South Africa) (models 99G 99M 99A)	39M5143	1	Y

<b>8713 Windows XP Pro Recovery CDs</b>	<b>FRU#</b>	<b>CRU Tier</b>	<b>RoHS?</b>
US/UK/AP/TH (models 99G 99M 99A 99T)	41X4174	1	Y
FR/CF (models 99F 99G)	41X4176	1	Y
GR (models 99G)	41X4177	1	Y
IT (models 99G)	41X4179	1	Y
SP/LA (models 99S 99D 99Y 99G)	41X4178	1	Y
DK (models 99G)	41X4182	1	Y
NL (models 99G)	41X5950	1	Y
AE (models 99G)	41X5978	1	Y
SV (models 99G)	41X4181	1	Y
HE (models 99G)	41X5957	1	Y
FI (models 99G)	41X5936	1	Y
NO (models 99G)	41X5943	1	Y
PL (models 99G)	41X5964	1	Y
PO (models 99G)	41X6359	1	Y
RU (models 99G)	41X5985	1	Y
RE (models 99G)	41X4175	1	Y
HU (models 99G)	41X5999	1	Y
CZ (models 99G)	41X5971	1	Y
TR (models 99G)	41X5972	1	Y
GK (models 99G)	41X6013	1	Y
SL (models 99G)	41X6020	1	Y
Taiwan - TC (models 99V)	41W7648	1	Y
Korean (models 99K)	41W7634	1	Y
Multilingual 1 (models 99G)	41X4113	1	Y
Multilingual 2 (models 99G)	41X6111	1	Y

## Machine Type 8714



Item #	8714 FRUs	FRU#	CRU Tier	RoHS?
1	Fan Sink - AMD (models 99U 99F 99S 99P 99L 99D 99Y 99G 99M 99A 99T 99C 99B 99H 99V 99K 99J)	41A7844	N	Y
2	Microprocessor, AMD 754 Athlon64 3000+ 2.0 (models 99U 99F 99S 99P 99L 99D 99Y 99G 99M 99A 99T 99C 99B 99H 99V 99K 99J)	41T2870	N	Y
3	Multi-Burner Plus (models 99U 99F 99S 99P 99L 99D 99Y 99G 99M 99A 99T 99C 99B 99H 99V 99K 99J)	41N3343	N	Y
4	Front Panel PCB Asm (all models)	41N5269	N	N
5	Hard disk drive, 40GB, 7200rpm Serial ATA (models 99U 99F 99S 99P 99L 99D 99Y 99G 99M 99A 99T 99C 99B 99H 99V 99K 99J)	40Y9033	N	Y
5	Hard disk drive, 40GB, 7200rpm Serial ATA (models 99U 99F 99S 99P 99L 99D 99Y 99G 99M 99A 99T 99C 99B 99H 99V 99K 99J)	40Y8760	N	Y
6	Diskette drive, 3.5" 1.44MB 2 Mode (w/bezel) -- Lenovo (models 99U 99F 99S 99P 99L 99D 99Y 99G 99M 99A 99T 99C 99B 99H 99V 99K 99J)	40Y9105	N	Y
6	Diskette drive, 3.5" 1.44MB 2 Mode (w/bezel) -- Lenovo (models 99U 99F 99S 99P 99L 99D 99Y 99G 99M 99A 99T 99C 99B 99H 99V 99K 99J)	40Y9107	N	Y
6	Diskette drive, 3.5" 1.44MB 2 Mode (w/bezel) -- Lenovo (models 99U 99F 99S 99P 99L 99D 99Y 99G 99M 99A 99T 99C 99B 99H 99V 99K 99J)	40Y9113	N	Y
7	Front Panel Card (all models)	41A7153	N	N
8	Memory module, 512MB DDR1 SDRAM NP Memory (PC 3200) (models 99U 99F 99S 99P 99L 99D 99Y 99G 99M 99A 99T 99C 99B 99H 99V 99K 99J)	73P2684	2	Y
9	System board, Via K8M800 - AMD based - RoHS (models 99U 99F 99S 99P 99L 99D 99Y 99G 99M 99A 99T 99C 99B 99H 99V 99K 99J) <b>Note:</b> When ordering a system board, you must also order a retention bracket kit for the heat sink and fan assembly.	41X4397	N	Y
10	180W power supply (non-smokeless) (models 99U 99F 99S 99P 99L 99D 99Y 99G 99M 99A 99T 99C 99B 99H 99V 99K)	41N3111	N	Y
10	180W power supply (smokeless -- Japanese) (models 99J)	41N3114	N	Y

8714 FRUs	FRU#	CRU Tier	RoHS?
Shield, EMC, 5.25in. drive bay (all models)	41A7162	N	N
Cable, Serial-ATA, (18in. RoHs) (all models)	41A7145	N	Y
Shield, EMC, diskette drive bay (all models)	41A7146	N	N
Cable, diskette drive (all models)	41A7147	N	N
Cover (all models)	41A7148	2	N
Chassis assembly (all models)	41A7873	N	N
Bezel assembly, front (all models)	41A7150	N	N
Fan duct assembly (all models)	41A7151	N	N
Shield, EMC, system board (all models)	41N5329	N	Y
Miscellaneous hardware kit (all models)	41A7155	N	N
Cable, optical drive signal (all models)	41A7158	N	N
Miscellaneous bezel kit (all models)	41A7160	N	N
Interposer cables (all models)	41A7161	N	N
Fan assembly, front (all models)	41A7198	N	N
Retention bracket kit, heat sink and fan (all models)	41A7842	N	N

The FRUs listed in the following table are not illustrated.

8714 Keyboards (Preferred Pro fullsize, Black)	FRU#	CRU Tier	RoHS?
US English (models 99U 99L 99G 99M 99A 99C 99H)	89P8300	1	Y
Arabic (models 99G)	89P8301	1	Y
Belgian/French (models 99G)	89P8302	1	Y
Belgian/UK (models 99G)	89P8303	1	Y
Bulgarian (models 99G)	89P8305	1	Y
Chinese/US (models 99B 99V)	89P8306	1	Y
Czech (models 99G)	89P8307	1	Y
Danish (models 99G)	89P8308	1	Y
Dutch (models 99G)	89P8309	1	Y
French (models 99G)	89P8310	1	Y
French Canadian 445 (models 99F)	89P8311	1	Y
French Canadian 58 (models 99F)	89P8312	1	Y
German (models 99G)	89P8313	1	Y
Greek (models 99G)	89P8314	1	Y
Hebrew (models 99G)	89P8315	1	Y
Hungarian (models 99G)	89P8316	1	Y
Iceland (models 99G)	89P8317	1	Y
Italian 142 (models 99G)	89P8319	1	Y
Japanese (models 99J)	89P8320	1	Y
Korean (models 99K)	89P8321	1	Y
LA Spanish (models 99S 99D 99Y)	89P8322	1	Y

<b>8714 Keyboards (Preferred Pro fullsize, Black)</b>	<b>FRU#</b>	<b>CRU Tier</b>	<b>RoHS?</b>
Norwegian (models 99G)	89P8323	1	Y
Polish (models 99G)	89P8324	1	Y
Portuguese (models 99G)	89P8325	1	Y
Romanian (models 99G)	89P8326	1	Y
Russian/Cy (models 99G)	89P8328	1	Y
Serbian/Cyrillic (models 99G)	89P8329	1	Y
Slovak (models 99G)	89P8330	1	Y
Spanish (models 99G)	89P8331	1	Y
Swedish/Finn (models 99G)	89P8332	1	Y
Swiss F/G (models 99G)	89P8333	1	Y
Thailand (models 99T)	89P8334	1	Y
Turkish 179 (models 99G)	89P8336	1	Y
UK English (models 99G)	89P8337	1	Y
US Euro (models 99G)	89P8338	1	Y
Yugoslav/Latin (models 99G)	89P8339	1	Y
Brazil/Portuguese (models 99P)	89P8304	1	Y

<b>8714 mice</b>	<b>FRU#</b>	<b>CRU Tier</b>	<b>RoHS?</b>
Mouse, IBM USB Optical Wheel mouse - Primax (models 99U 99F 99S 99P 99L 99D 99Y 99G 99M 99A 99T 99C 99B 99H 99V 99K 99J)	41A4935	1	Y

<b>8714 Adapters and miscellaneous FRUs</b>	<b>FRU#</b>	<b>CRU Tier</b>	<b>RoHS?</b>
PCI Modem Card (Soft) (models 99U 99F 99S 99P 99L 99D 99Y 99G 99M 99A 99T 99C 99B 99H 99V 99K 99J)	29R9729	1	Y

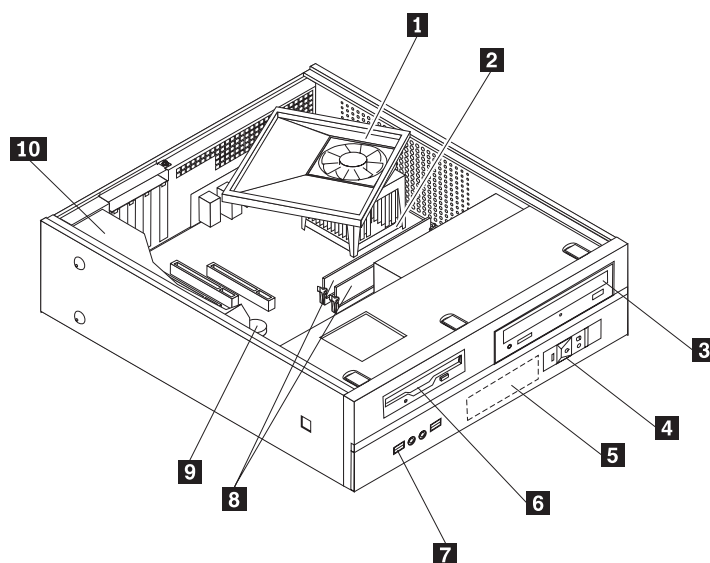
<b>8714 Power Cords</b>	<b>FRU#</b>	<b>CRU Tier</b>	<b>RoHS?</b>
Power Cord (US) (models 99U 99F 99S 99L 99D 99A 99T)	39M5080	1	Y
Power Cord (China) (models 99C)	39M5205	1	Y
Power Cord (Japan) (models 99J)	39M5193	1	Y
Power Cord (Brazil) (models 99P)	39M5232	1	Y
Power Cord (LA High Volt APU) (models 99L 99Y)	39M5067	1	Y
Power Cord (Australia, New Zealand) (models 99M)	39M5102	1	Y
Power Cord (Korea) (models 99K)	39M5212	1	Y
Power Cord (Hong Kong) (models 99B 99H)	39M5151	1	Y
Power Cord (UK, Ireland, Singapore, Malaysia, Brunei) (models 99G 99A)	39M5150	1	Y
Power Cord (Taiwan) (models 99V)	39M5246	1	Y
Power Cord (Italy) (models 99S 99L 99Y 99G)	39M5164	1	Y
Power Cord (G models) (models 99G 99A)	39M5122	1	Y

<b>8714 Power Cords</b>	<b>FRU#</b>	<b>CRU Tier</b>	<b>RoHS?</b>
Power Cord (Denmark) (models 99G)	39M5129	1	Y
Power Cord (Switzerland) (models 99G)	39M5157	1	Y
Power Cord (Israel) (models 99G)	39M5171	1	Y
Power Cord (South Africa) (models 99G 99M 99A)	39M5143	1	Y

<b>8714 Windows XP Pro Recovery CDs</b>	<b>FRU#</b>	<b>CRU Tier</b>	<b>RoHS?</b>
US/UK/AP/TH (models 99U 99L 99G 99M 99A 99T 99H)	41X4174	1	Y
FR/CF (models 99F 99G)	41X4176	1	Y
GR (models 99G)	41X4177	1	Y
IT (models 99G)	41X4179	1	Y
BR (models 99P)	41X4180	1	Y
SP/LA (models 99S 99D 99Y 99G)	41X4178	1	Y
DK (models 99G)	41X4182	1	Y
NL (models 99G)	41X5950	1	Y
AE (models 99G)	41X5978	1	Y
SV (models 99G)	41X4181	1	Y
HE (models 99G)	41X5957	1	Y
FI (models 99G)	41X5936	1	Y
NO (models 99G)	41X5943	1	Y
PL (models 99G)	41X5964	1	Y
PO (models 99G)	41X6359	1	Y
RU (models 99G)	41X5985	1	Y
RE (models 99G)	41X4175	1	Y
HU (models 99G)	41X5999	1	Y
CZ (models 99G)	41X5971	1	Y
TR (models 99G)	41X5972	1	Y
GK (models 99G)	41X6013	1	Y
SL (models 99G)	41X6020	1	Y
Japanese (models 99J)	41W7662	1	Y
Simplified Chinese (models 99C)	41W7641	1	Y
Taiwan - TC (models 99V)	41W7648	1	Y
Hong Kong - TC (models 99B)	41W7655	1	Y
Korean (models 99K)	41W7634	1	Y
Multilingual 1 (models 99G)	41X4113	1	Y
Multilingual 2 (models 99G)	41X6111	1	Y



## Machine Type 8715



Item #	8715 FRUs	FRU#	CRU Tier	RoHS?
1	Fan Sink - AMD (models 99G 99M 99A 99T 99V 99K 99J)	41A7844	N	Y
2	Microprocessor, AMD 754 Athlon64 3400+ 2.0 (models 99G 99M 99A 99T 99V 99K 99J)	41T1740	N	Y
3	CD-RW Drive (48X/32X/48X) (models 99G 99M 99A 99T 99V 99K 99J)	40Y8937	N	Y
3	CD-RW Drive (48X/32X/48X) (models 99G 99M 99A 99T 99V 99K 99J)	40Y8901	N	Y
4	Front Panel PCB Asm (all models)	41N5269	N	N
5	Hard disk drive, 40GB, 7200rpm Serial ATA (models 99G 99M 99A 99T 99V 99K 99J)	40Y9033	N	Y
5	Hard disk drive, 40GB, 7200rpm Serial ATA (models 99G 99M 99A 99T 99V 99K 99J)	40Y8760	N	Y
6	Diskette drive, 3.5" 1.44MB 2 Mode (w/bezel) -- Lenovo (models)	40Y9105	N	Y
6	Diskette drive, 3.5" 1.44MB 2 Mode (w/bezel) -- Lenovo (models)	40Y9107	N	Y
6	Diskette drive, 3.5" 1.44MB 2 Mode (w/bezel) -- Lenovo (models)	40Y9113	N	Y
7	Front Panel Card (all models)	41A7153	N	N
8	Memory module, 256MB DDR1 SDRAM NP Memory (PC 3200) (models 99U 99F 99S 99P 99L 99D 99Y 99G 99M 99A 99T 99C 99B 99H 99V 99K 99J)	73P2683	2	Y
9	System board, Via K8M800 - AMD based - RoHS (models 99G 99M 99A 99T 99V 99K 99J) <b>Note:</b> When ordering a system board, you must also order a retention bracket kit for the heat sink and fan assembly.	41X4397	N	Y
10	180W power supply (non-smokeless) (models 99G 99M 99A 99T 99V 99K)	41N3111	N	Y
10	180W power supply (smokeless -- Japanese) (models 99J)	41N3114	N	Y

The FRUs listed in the following table are not illustrated.

8715 FRUs	FRU#	CRU Tier	RoHS?
Shield, EMC, 5.25in. drive bay (all models)	41A7162	N	N
Cable, Serial-ATA, (18in. RoHs) (all models)	41A7145	N	N
Shield, EMC, diskette drive bay (all models)	41A7146	N	N
Cable, diskette drive (all models)	41A7147	N	N
Cover (all models)	41A7148	2	N
Chassis assembly (all models)	41A7873	N	N
Bezel assembly, front (all models)	41A7150	N	N
Fan duct assembly (all models)	41A7151	N	N
Shield, EMC, system board (all models)	41N5329	N	Y
Miscellaneous hardware kit (all models)	41A7155	N	N
Cable, optical drive signal (all models)	41A7158	N	N
Miscellaneous bezel kit (all models)	41A7160	N	N
Interposer cables (all models)	41A7161	N	N
Fan assembly, front (all models)	41A7198	N	N
Retention bracket kit, heat sink and fan (all models)	41A7842	N	N

8715 Keyboards (Preferred Pro fullsize, Black)	FRU#	CRU Tier	RoHS?
US English (models 99G 99M 99A)	89P8300	1	Y
Arabic (models 99G)	89P8301	1	Y
Belgian/French (models 99G)	89P8302	1	Y
Belgian/UK (models 99G)	89P8303	1	Y
Bulgarian (models 99G)	89P8305	1	Y
Chinese/US (models 99V)	89P8306	1	Y
Czech (models 99G)	89P8307	1	Y
Danish (models 99G)	89P8308	1	Y
Dutch (models 99G)	89P8309	1	Y
French (models 99G)	89P8310	1	Y
German (models 99G)	89P8313	1	Y
Greek (models 99G)	89P8314	1	Y
Hebrew (models 99G)	89P8315	1	Y
Hungarian (models 99G)	89P8316	1	Y
Iceland (models 99G)	89P8317	1	Y
Italian 142 (models 99G)	89P8319	1	Y
Japanese (models 99J)	89P8320	1	Y
Korean (models 99K)	89P8321	1	Y
Norwegian (models 99G)	89P8323	1	Y
Polish (models 99G)	89P8324	1	Y
Portuguese (models 99G)	89P8325	1	Y
Romanian (models 99G)	89P8326	1	Y

<b>8715 Keyboards (Preferred Pro fullsize, Black)</b>	<b>FRU#</b>	<b>CRU Tier</b>	<b>RoHS?</b>
Russian/Cy (models 99G)	89P8328	1	Y
Serbian/Cyrillic (models 99G)	89P8329	1	Y
Slovak (models 99G)	89P8330	1	Y
Spanish (models 99G)	89P8331	1	Y
Swedish/Finn (models 99G)	89P8332	1	Y
Swiss F/G (models 99G)	89P8333	1	Y
Thailand (models 99T)	89P8334	1	Y
Turkish 179 (models 99G)	89P8336	1	Y
UK English (models 99G)	89P8337	1	Y
US Euro (models 99G)	89P8338	1	Y
Yugoslav/Latin (models 99G)	89P8339	1	Y

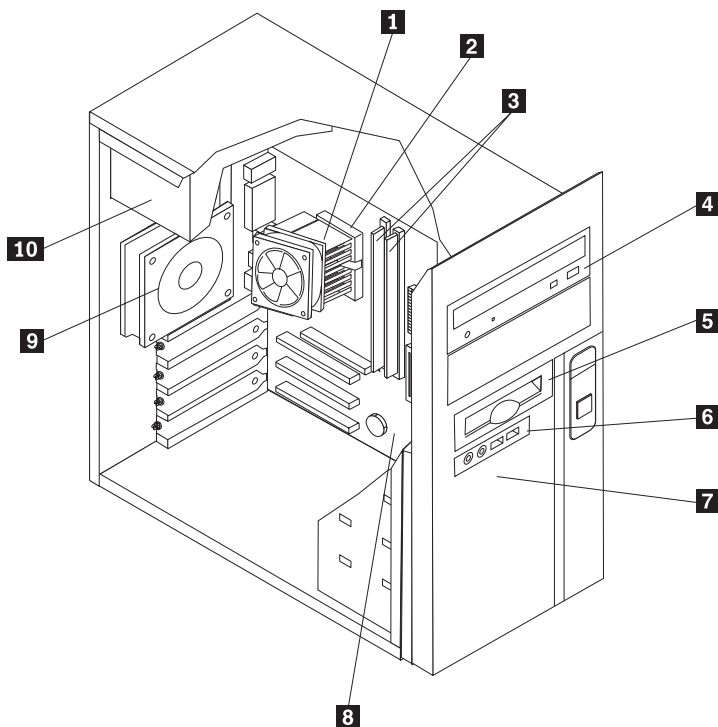
<b>8715 mice</b>	<b>FRU#</b>	<b>CRU Tier</b>	<b>RoHS?</b>
Mouse, IBM USB Optical Wheel mouse - Primax (models 99G 99M 99A 99T 99V 99K 99J)	41A4935	1	Y

<b>8715 Power Cords</b>	<b>FRU#</b>	<b>CRU Tier</b>	<b>RoHS?</b>
Power Cord (US) (models 99A 99T)	39M5080	1	Y
Power Cord (Japan) (models 99J)	39M5193	1	Y
Power Cord (Australia, New Zealand) (models 99M)	39M5102	1	Y
Power Cord (Korea) (models 99K)	39M5212	1	Y
Power Cord (UK, Ireland, Singapore, Malaysia, Brunei) (models 99G 99A)	39M5150	1	Y
Power Cord (Taiwan) (models 99V)	39M5246	1	Y
Power Cord (Italy) (models 99G)	39M5164	1	Y
Power Cord (G models) (models 99G 99A)	39M5122	1	Y
Power Cord (Denmark) (models 99G)	39M5129	1	Y
Power Cord (Switzerland) (models 99G)	39M5157	1	Y
Power Cord (Israel) (models 99G)	39M5171	1	Y
Power Cord (South Africa) (models 99G 99M 99A)	39M5143	1	Y

<b>8715 Windows XP Pro Recovery CDs</b>	<b>FRU#</b>	<b>CRU Tier</b>	<b>RoHS?</b>
US/UK/AP/TH (models 99G 99M 99A 99T)	41X4174	1	Y
FR/CF (models 99G)	41X4176	1	Y
GR (models 99G)	41X4177	1	Y
IT (models 99G)	41X4179	1	Y
SP/LA (models 99G)	41X4178	1	Y
DK (models 99G)	41X4182	1	Y
NL (models 99G)	41X5950	1	Y

8715 Windows XP Pro Recovery CDs	FRU#	CRU Tier	RoHS?
AE (models 99G)	41X5978	1	Y
SV (models 99G)	41X4181	1	Y
HE (models 99G)	41X5957	1	Y
FI (models 99G)	41X5936	1	Y
NO (models 99G)	41X5943	1	Y
PL (models 99G)	41X5964	1	Y
PO (models 99G)	41X6359	1	Y
RU (models 99G)	41X5985	1	Y
RE (models 99G)	41X4175	1	Y
HU (models 99G)	41X5999	1	Y
CZ (models 99G)	41X5971	1	Y
TR (models 99G)	41X5972	1	Y
GK (models 99G)	41X6013	1	Y
SL (models 99G)	41X6020	1	Y
Japanese (models 99J)	41W7662	1	Y
Taiwan - TC (models 99V)	41W7648	1	Y
Korean (models 99K)	41W7634	1	Y
Multilingual 1 (models 99G)	41X4113	1	Y
Multilingual 2 (models 99G)	41X6111	1	Y

## Machine Type 8719



Item #	8719 FRUs	FRU#	CRU Tier	RoHS?
1	Fan Sink - Intel Prescott & Celeron Tower (models 99U 99F 99S 99P 99L 99D 99Y 99G 99M 99A 99Q 99T 99C 99B 99H 99V 99K)	41D3552	N	Y
2	Microprocessor, Celeron D 2.80GHz 533 FSB 256KB L2 (models 99U 99F 99S 99P 99L 99D 99Y 99G 99M 99A 99Q 99T 99C 99B 99H 99V 99K)	41T1695	N	Y
3	Memory module, 512MB, DDR1 SDRAM, NP, PC3200 (models 99U 99F 99S 99P 99L 99D 99Y 99G 99M 99A 99Q 99T 99C 99B 99H 99V 99K)	73P2684	2	Y
4	Combo 48 -32 -48 -16 - - DVD - ROM - CDRW (models 99U 99F 99S 99P 99L 99D 99Y 99G 99M 99A 99Q 99T 99C 99B 99H 99V 99K)	40Y8919	N	Y
4	Combo 48 -32 -48 -16 - - DVD - ROM - CDRW (models 99U 99F 99S 99P 99L 99D 99Y 99G 99M 99A 99Q 99T 99C 99B 99H 99V 99K)	40Y8941	N	Y
4	Combo 48 -32 -48 -16 - - DVD - ROM - CDRW (models 99U 99F 99S 99P 99L 99D 99Y 99G 99M 99A 99Q 99T 99C 99B 99H 99V 99K)	40Y8943	N	Y
5	Diskette drive, 3.5" 1.44MB 2 Mode (w/bezel) -- Lenovo (models 99U 99F 99S 99P 99L 99D 99Y 99G 99M 99A 99Q 99T 99C 99B 99H 99V 99K)	40Y9105	N	Y
5	Diskette drive, 3.5" 1.44MB 2 Mode (w/bezel) -- Lenovo (models 99U 99F 99S 99P 99L 99D 99Y 99G 99M 99A 99Q 99T 99C 99B 99H 99V 99K)	40Y9107	N	Y
5	Diskette drive, 3.5" 1.44MB 2 Mode (w/bezel) -- Lenovo (models 99U 99F 99S 99P 99L 99D 99Y 99G 99M 99A 99Q 99T 99C 99B 99H 99V 99K)	40Y9113	N	Y
6	Front Panel Cable Asm (RoHS) (all models)	41A7886	N	Y
7	Hard disk drive, 40GB, 7200rpm, serial ATA (models 99U 99F 99S 99P 99L 99D 99Y 99G 99M 99A 99Q 99T 99C 99B 99H 99V 99K)	40Y9033	N	Y
7	Hard disk drive, 40GB, 7200rpm, serial ATA (models 99U 99F 99S 99P 99L 99D 99Y 99G 99M 99A 99Q 99T 99C 99B 99H 99V 99K)	40Y8760	N	Y
8	System board, SiS 661FX motherboard - Intel based (RoHS) (models 99U 99F 99S 99P 99L 99D 99Y 99G 99M 99A 99Q 99T 99C 99B 99H 99V 99K) <b>Note:</b> When ordering a system board, you must also order a retention bracket kit for the heat sink and fan assembly.	41X2041	N	Y
9	System Fan, rear w/grill (all models)	41N5339	N	Y
10	Power supply, 250W, non-RoHS (models 99U 99F 99S 99P 99L 99D 99Y 99G 99M 99A 99Q 99T 99C 99B 99H 99V 99K)	41N3127	N	N

The FRUs listed in the following table are not illustrated.

8719 FRUs	FRU#	CRU Tier	RoHS?
Cable, Serial ATA 250mm (all models)	41A7145	2	N
Cable, diskette drive (all models)	41A7130	2	N
Cover, right side (all models)	41N5333	2	Y
Chassis assembly (all models)	41A7885	N	N
Bezel, front (all models)	41A7866	2	N
Power switch/LED assembly (all models)	41N5284	N	N
Shield, system board (all models)	41N5329	N	Y
Miscellaneous hardware kit (all models)	41N5334	N	Y
Retention bracket kit, heat sink and fan (all models)	41A7139	N	N
Cable, optical drive and hard disk drive signal (2-drop) (all models)	41A7875	N	N

8719 FRUs	FRU#	CRU Tier	RoHS?
Cable, Interposer GBM (all models)	41N5307	N	N
Miscellaneous bezel kit (all models)	41A7144	N	N

8719 Keyboards (Preferred Pro fullsize, Black)	FRU#	CRU Tier	RoHS?
US English (models 99U 99L 99G 99M 99A 99Q 99C 99H)	89P8300	1	Y
Arabic (models 99G)	89P8301	1	Y
Belgian/French (models 99G)	89P8302	1	Y
Belgian/UK (models 99G)	89P8303	1	Y
Bulgarian (models 99G)	89P8305	1	Y
Chinese/US (models 99B 99V)	89P8306	1	Y
Czech (models 99G)	89P8307	1	Y
Danish (models 99G)	89P8308	1	Y
Dutch (models 99G)	89P8309	1	Y
French (models 99G)	89P8310	1	Y
French Canadian 445 (models 99F)	89P8311	1	Y
French Canadian 58 (models 99F)	89P8312	1	Y
German (models 99G)	89P8313	1	Y
Greek (models 99G)	89P8314	1	Y
Hebrew (models 99G)	89P8315	1	Y
Hungarian (models 99G)	89P8316	1	Y
Iceland (models 99G)	89P8317	1	Y
Italian 142 (models 99G)	89P8319	1	Y
Korean (models 99K)	89P8321	1	Y
LA Spanish (models 99S 99D 99Y)	89P8322	1	Y
Norwegian (models 99G)	89P8323	1	Y
Polish (models 99G)	89P8324	1	Y
Portuguese (models 99G)	89P8325	1	Y
Romanian (models 99G)	89P8326	1	Y
Russian/Cy (models 99G)	89P8328	1	Y
Serbian/Cyrillic (models 99G)	89P8329	1	Y
Slovak (models 99G)	89P8330	1	Y
Spanish (models 99G)	89P8331	1	Y
Swedish/Finn (models 99G)	89P8332	1	Y
Swiss F/G (models 99G)	89P8333	1	Y
Thailand (models 99T)	89P8334	1	Y
Turkish 179 (models 99G)	89P8336	1	Y
UK English (models 99G)	89P8337	1	Y
US Euro (models 99G)	89P8338	1	Y
Yugoslav/Latin (models 99G)	89P8339	1	Y

<b>8719 Keyboards (Preferred Pro fullsize, Black)</b>	<b>FRU#</b>	<b>CRU Tier</b>	<b>RoHS?</b>
Brazil/Portuguese (models 99P)	89P8304	1	Y

<b>8719 mice</b>	<b>FRU#</b>	<b>CRU Tier</b>	<b>RoHS?</b>
Mouse, IBM USB Optical Wheel - Primax (models 99U 99F 99S 99P 99L 99D 99Y 99G 99M 99A 99Q 99T 99C 99B 99H 99V 99K)	41A4935	1	Y

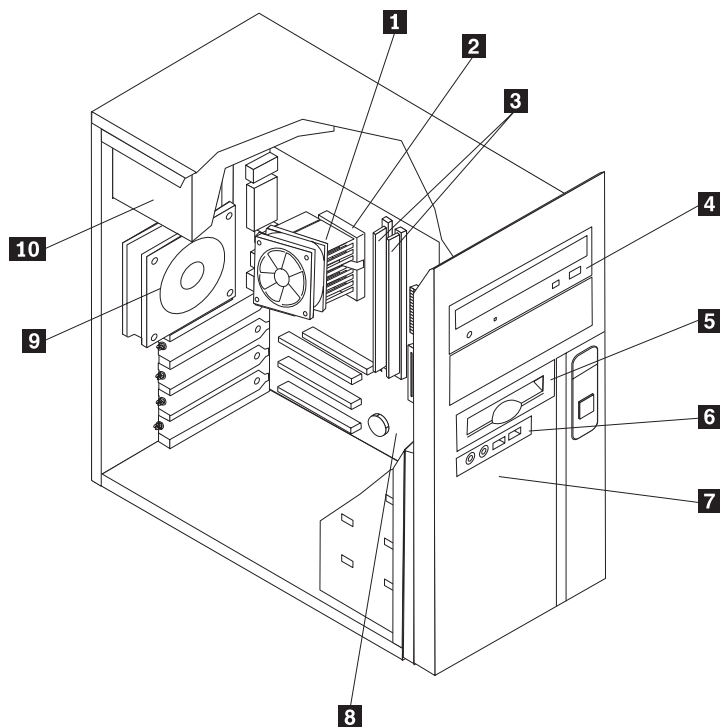
<b>8719 Adapters and miscellaneous FRUs</b>	<b>FRU#</b>	<b>CRU Tier</b>	<b>RoHS?</b>
PCI Modem Card (Soft) (models 99U 99F 99S 99P 99L 99D 99Y 99G 99M 99A 99Q 99T 99C 99B 99H 99V 99K)	29R9729	2	Y

<b>8719 Power Cords</b>	<b>FRU#</b>	<b>CRU Tier</b>	<b>RoHS?</b>
Power Cord (US) (models 99U 99F 99S 99L 99D 99A 99T)	39M5080	1	Y
Power Cord (China) (models 99C)	39M5205	1	Y
Power Cord (Brazil) (models 99P)	39M5232	1	Y
Power Cord (LA High Volt APU) (models 99L 99Y)	39M5067	1	Y
Power Cord (Australia, New Zealand) (models 99M)	39M5102	1	Y
Power Cord (Korea) (models 99K)	39M5212	1	Y
Power Cord (Hong Kong) (models 99B 99H)	39M5151	1	Y
Power Cord (UK, Ireland, Singapore, Malaysia, Brunei) (models 99G 99A)	39M5150	1	Y
Power Cord (Taiwan) (models 99V)	39M5246	1	Y
Power Cord (Italy) (models 99S 99L 99Y 99G)	39M5164	1	Y
Power Cord (G models) (models 99G 99A)	39M5122	1	Y
Power Cord (Denmark) (models 99G)	39M5129	1	Y
Power Cord (Switzerland) (models 99G)	39M5157	1	Y
Power Cord (Israel) (models 99G)	39M5171	1	Y
Power Cord (South Africa) (models 99G 99M 99A)	39M5143	1	Y
Power Cord (India) (models 99Q)	39M5004	1	Y

<b>8719 Windows XP Pro Recovery CDs</b>	<b>FRU#</b>	<b>CRU Tier</b>	<b>RoHS?</b>
US/UK/AP/TH (models 99U 99L 99G 99M 99A 99Q 99T 99H)	41X4174	1	Y
FR/CF (models 99F 99G)	41X4176	1	Y
GR (models 99G)	41X4177	1	Y
IT (models 99G)	41X4179	1	Y
BR (models 99P)	41X4180	1	Y
SP/LA (models 99S 99D 99Y 99G)	41X4178	1	Y
DK (models 99G)	41X4182	1	Y
NL (models 99G)	41X5950	1	Y
AE (models 99G)	41X5978	1	Y

8719 Windows XP Pro Recovery CDs	FRU#	CRU Tier	RoHS?
SV (models 99G)	41X4181	1	Y
HE (models 99G)	41X5957	1	Y
FI (models 99G)	41X5936	1	Y
NO (models 99G)	41X5943	1	Y
PL (models 99G)	41X5964	1	Y
PO (models 99G)	41X6359	1	Y
RU (models 99G)	41X5985	1	Y
RE (models 99G)	41X4175	1	Y
HU (models 99G)	41X5999	1	Y
CZ (models 99G)	41X5971	1	Y
TR (models 99G)	41X5972	1	Y
GK (models 99G)	41X6013	1	Y
SL (models 99G)	41X6020	1	Y
Simplified Chinese (models 99C)	41W7641	1	Y
Taiwan - TC (models 99V)	41W7648	1	Y
Hong Kong - TC (models 99B)	41W7655	1	Y
Korean (models 99K)	41W7634	1	Y
Multilingual 1 (models 99G)	41X4113	1	Y
Multilingual 2 (models 99G)	41X6111	1	Y

## Machine Type 8771





Item #	8771 FRUs	FRU#	CRU Tier	RoHS?
1	Fan Sink - Intel Prescott & Celeron (models ABS ABL ABD ACU ACF ACS ACL ACD 74G 31S 31L 31D 32S 32L 32D 33U 33F 33S 33D 34U 34F 76G 77G D8S D8L D8D ADQ 45Q ABY ACY 31Y 32Y 33Y D8Y AEM AEA AET AEV AEK D2A D2C D3A D3C DAG DBS DBY DBA DBQ DBT DBC DCS DCY 51G 51M 52G 52M 53U 53S 53A 53T 54Q 55G 56G 57G 58S 58Y 59S 59Y 59Q 5AS 5AY A2C A4A A4Q A4T A4C B1M B1B B1H B1V B1K 24U 24F 24S 24D 24Y 24A 24Q 24T 24V 25A 25Q 25T 25C 26M 26A 26Q 26T 26C 26B 26H 26V 26K 27Y 27M 27A 27Q 27T 27C 27B 27H 27V 27K D1M D1A D1Q D1T D1C D1B D1H D1V D1K D4A D4Q D4T D4C D6M D6A D6Q D6T D6C D6B D6H D6V D6K D7M D7A D7Q D7T D7C D7B D7H D7V D7K)	41D3552	N	Y
2	Microprocessor, Celeron D 331 Processor 2.66GHz 533 FSB 256KB L2 (models A2C)	41T1694	N	Y
2	Microprocessor, Celeron D 336 Processor 2.80GHz 533 FSB 256KB L2 (models A4A A4Q A4T A4C ABS ABL ABD ACU ACF ACS ACL ACD 74G ADQ ABY ACY AEM AEA AET AEV AEK DAG DBS DBY DBA DBQ DBT DBC DCS DCY)	41T1695	N	Y
2	Microprocessor, Celeron D 341 Processor 2.93GHz 533 FSB 256KB L2 (models 75G)	41T1696	N	Y
2	Microprocessor, Celeron D 346 Processor 3.06GHz 533 FSB 256KB L2 (models B1M B1B B1H B1V B1K DDG)	41T1697	N	Y
2	Microprocessor, Pentium 4 521 Processor 2.8 GHz 800 FSB 1MB L2 (models 31S 31L 31D 32S 32L 32D 33U 33F 33S 33D 34U 34F 76G 77G 24U 24F 24S 24D 24Y 24A 24Q 24T 24V 25A 25Q 25T 25C 26M 26A 26Q 26T 26C 26B 26H 26V 26K 27Y 27M 27A 27Q 27T 27C 27B 27H 27V 27K 31Y 32Y 33Y)	41T1700	N	Y
2	Microprocessor, Pentium 4 524 Processor 2.8 GHz 800 FSB 1MB L2 (models 51G 51M 52G 52M 53U 53S 53A 53T 54Q 55G 56G 57G 58S 58Y 59S 59Y 59Q)	41T1704	N	Y
2	Microprocessor, Pentium 4 531 Processor 3.0 GHz 800 FSB 1MB L2 (models 45Q 5AS)	41T1701	N	Y
2	Microprocessor, Pentium 4 541 Processor 3.0 GHz 800 FSB 1MB L2 (models 5AY)	41T1702	N	Y
2	Microprocessor, Pentium 4 630 Processor 3.0 GHz 800 FSB 2MB L2 (models D1M D1A D1Q D1T D1C D1B D1H D1V D1K D4A D4Q D4T D4C D6M D6A D6Q D6T D6C D6B D6H D6V D6K D7M D7A D7Q D7T D7C D7B D7H D7V D7K D8S D8L D8D D8Y D2A D2C D3A D3C)	41T1709	N	Y
3	Memory module, 256MB, DDR1 SDRAM, NP, PC3200 (models A2C A4A A4Q A4T A4C D1M D1A D1Q D1T D1C D1B D1H D1V D1K D4A D4Q D4T D4C D6M D6A D6Q D6T D6C D6B D6H D6V D6K ABS ABL ABD 74G 75G ADQ 45Q ABY 25A 25Q 25T 25C 26M 26A 26Q 26T 26C 26B 26H 26V 26K 31S 31L 31D 32S 32L 32D 31Y 32Y AEM AEA AET AEV AEK DBS DBY DBA DBQ DBT DBC DCS DCY DDG 53U 53S 53A 53T 54Q 58S 58Y 59S 59Y 59Q)	73P2683	2	Y
3	Memory module, 512MB, DDR1 SDRAM, NP, PC3200 (models B1M B1B B1H B1V B1K D7M D7A D7Q D7T D7C D7B D7H D7V D7K ACU ACF ACS ACL ACD D8S D8L D8D ACY D8Y 24U 24F 24S 24D 24Y 24A 24Q 24T 24V 33U 33F 33S 33D 34U 34F 76G 77G 33Y 27Y 27M 27A 27Q 27T 27C 27B 27H 27V 27K D2A D2C D3A D3C DAG 51G 51M 52G 52M 55G 56G 57G 5AS 5AY)	73P2684	2	Y

Item #	8771 FRUs	FRU#	CRU Tier	RoHS?
4	CD-ROM Drive 48X - Black w/o jack & vol (models A2C A4A A4Q A4T A4C 25A 25Q 25T 25C 26M 26A 26Q 26T 26C 26B 26H 26V 26K D1M D1A D1Q D1T D1C D1B D1H D1V D1K ABS ABL ABD ACU ACF ACS ACL ACD 31S 31L 31D 32S 32L 32D 33U 33F 33S 33D D8S D8L D8D 45Q ABY ACY 31Y 32Y 33Y D8Y D4A D4Q D4T D4C DBS DBY DBA DBQ DBT DBC DCS DCY 53U 53S 53A 53T 54Q 58S 58Y 59S 59Y 59Q)	40Y8929	N	Y
4	CD-ROM Drive 48X - Black w/o jack & vol (models A2C A4A A4Q A4T A4C 25A 25Q 25T 25C 26M 26A 26Q 26T 26C 26B 26H 26V 26K D1M D1A D1Q D1T D1C D1B D1H D1V D1K ABS ABL ABD ACU ACF ACS ACL ACD 31S 31L 31D 32S 32L 32D 33U 33F 33S 33D D8S D8L D8D 45Q ABY ACY 31Y 32Y 33Y D8Y D4A D4Q D4T D4C DBS DBY DBA DBQ DBT DBC DCS DCY 53U 53S 53A 53T 54Q 58S 58Y 59S 59Y 59Q)	41X3540	N	Y
4	CD-ROM Drive 48X - Black w/o jack & vol (models A2C A4A A4Q A4T A4C 25A 25Q 25T 25C 26M 26A 26Q 26T 26C 26B 26H 26V 26K D1M D1A D1Q D1T D1C D1B D1H D1V D1K ABS ABL ABD ACU ACF ACS ACL ACD 31S 31L 31D 32S 32L 32D 33U 33F 33S 33D D8S D8L D8D 45Q ABY ACY 31Y 32Y 33Y D8Y D4A D4Q D4T D4C DBS DBY DBA DBQ DBT DBC DCS DCY 53U 53S 53A 53T 54Q 58S 58Y 59S 59Y 59Q)	40Y8807	N	Y
4	CD-ROM Drive 48X - Black w/o jack & vol (models A2C A4A A4Q A4T A4C 25A 25Q 25T 25C 26M 26A 26Q 26T 26C 26B 26H 26V 26K D1M D1A D1Q D1T D1C D1B D1H D1V D1K ABS ABL ABD ACU ACF ACS ACL ACD 31S 31L 31D 32S 32L 32D 33U 33F 33S 33D D8S D8L D8D 45Q ABY ACY 31Y 32Y 33Y D8Y D4A D4Q D4T D4C DBS DBY DBA DBQ DBT DBC DCS DCY 53U 53S 53A 53T 54Q 58S 58Y 59S 59Y 59Q)	40Y8955	N	Y
4	CD-ROM Drive 48X - Black w/o jack & vol (models A2C A4A A4Q A4T A4C 25A 25Q 25T 25C 26M 26A 26Q 26T 26C 26B 26H 26V 26K D1M D1A D1Q D1T D1C D1B D1H D1V D1K ABS ABL ABD ACU ACF ACS ACL ACD 31S 31L 31D 32S 32L 32D 33U 33F 33S 33D D8S D8L D8D 45Q ABY ACY 31Y 32Y 33Y D8Y D4A D4Q D4T D4C DBS DBY DBA DBQ DBT DBC DCS DCY 53U 53S 53A 53T 54Q 58S 58Y 59S 59Y 59Q)	40Y8953	N	Y
4	CD-RW Drive (48X/32X/48X) (models 24U 24F 24S 24D 24Y 24A 24Q 24T 24V)	40Y8937	N	Y
4	CD-RW Drive (48X/32X/48X) (models 24U 24F 24S 24D 24Y 24A 24Q 24T 24V)	40Y8901	N	Y
4	DVD-ROM 16x -48x (models 27Y 27M 27A 27Q 27T 27C 27B 27H 27V 27K D6M D6A D6Q D6T D6C D6B D6H D6V D6K 74G 75G AEM AEA AET AEV AEK DAG DDG)	40Y8931	N	Y
4	DVD-ROM 16x -48x (models 27Y 27M 27A 27Q 27T 27C 27B 27H 27V 27K D6M D6A D6Q D6T D6C D6B D6H D6V D6K 74G 75G AEM AEA AET AEV AEK DAG DDG)	40Y8935	N	Y
4	DVD-ROM 16x -48x (models 27Y 27M 27A 27Q 27T 27C 27B 27H 27V 27K D6M D6A D6Q D6T D6C D6B D6H D6V D6K 74G 75G AEM AEA AET AEV AEK DAG DDG)	40Y8957	N	Y
4	Combo 48 -32 -48 -16 - - DVD - ROM - CDRW (models B1M B1B B1H B1V B1K D7M D7A D7Q D7T D7C D7B D7H D7V D7K 34U 34F 76G D2A D2C 51G 51M 55G 56G 5AS 5AY)	40Y8919	N	Y
4	Combo 48 -32 -48 -16 - - DVD - ROM - CDRW (models B1M B1B B1H B1V B1K D7M D7A D7Q D7T D7C D7B D7H D7V D7K 34U 34F 76G D2A D2C 51G 51M 55G 56G 5AS 5AY)	40Y8941	N	Y
4	Combo 48 -32 -48 -16 - - DVD - ROM - CDRW (models B1M B1B B1H B1V B1K D7M D7A D7Q D7T D7C D7B D7H D7V D7K 34U 34F 76G D2A D2C 51G 51M 55G 56G 5AS 5AY)	40Y8943	N	Y

Item #	8771 FRUs	FRU#	CRU Tier	RoHS?
4	Multi-Burner Plus (models 77G D3A D3C 52G 52M 57G)	41N3343	N	Y
5	Diskette drive, 3.5" 1.44MB 2 Mode (w/bezel) -- Lenovo (models A2C A4A A4Q A4T A4C 25A 25Q 25T 25C 26M 26A 26Q 26T 26C 26B 26H 26V 26K 27Y 27M 27A 27Q 27T 27C 27B 27H 27V 27K D1M D1A D1Q D1T D1C D1B D1H D1V D1K D4A D4Q D4T D4C D6M D6A D6Q D6T D6C D6B D6H D6V D6K ABS ABL ABD 32S 32L 32D D8S D8L D8D 75G 76G 77G 45Q ABY 32Y D8Y AEM AEA AET AEV AEK DBS DBY DBA DBQ DBT DBC DCS DCY DDG 53U 53S 53A 53T 55G 57G 58S 58Y 59S 59Y 59Q)	40Y9105	N	Y
5	Diskette drive, 3.5" 1.44MB 2 Mode (w/bezel) -- Lenovo (models A2C A4A A4Q A4T A4C 25A 25Q 25T 25C 26M 26A 26Q 26T 26C 26B 26H 26V 26K 27Y 27M 27A 27Q 27T 27C 27B 27H 27V 27K D1M D1A D1Q D1T D1C D1B D1H D1V D1K D4A D4Q D4T D4C D6M D6A D6Q D6T D6C D6B D6H D6V D6K ABS ABL ABD 32S 32L 32D D8S D8L D8D 75G 76G 77G 45Q ABY 32Y D8Y AEM AEA AET AEV AEK DBS DBY DBA DBQ DBT DBC DCS DCY DDG 53U 53S 53A 53T 55G 57G 58S 58Y 59S 59Y 59Q)	40Y9107	N	Y
5	Diskette drive, 3.5" 1.44MB 2 Mode (w/bezel) -- Lenovo (models A2C A4A A4Q A4T A4C 25A 25Q 25T 25C 26M 26A 26Q 26T 26C 26B 26H 26V 26K 27Y 27M 27A 27Q 27T 27C 27B 27H 27V 27K D1M D1A D1Q D1T D1C D1B D1H D1V D1K D4A D4Q D4T D4C D6M D6A D6Q D6T D6C D6B D6H D6V D6K ABS ABL ABD 32S 32L 32D D8S D8L D8D 75G 76G 77G 45Q ABY 32Y D8Y AEM AEA AET AEV AEK DBS DBY DBA)	40Y9113	N	Y
6	Front Panel Cable Asm (RoHS) (all models)	41A7886	N	Y
7	Hard disk drive, 40GB, 7200rpm, serial ATA (models ADQ)	40Y9033	N	Y
7	Hard disk drive, 40GB, 7200rpm, serial ATA (models ADQ)	40Y8760	N	Y
7	Hard disk drive, 80GB, 7200rpm, serial ATA (models A2C A4A A4Q A4T A4C B1M B1B B1H B1V B1K 24U 24F 24S 24D 24Y 24A 24Q 24T 24V 25A 25Q 25T 25C 26M 26A 26Q 26T 26C 26B 26H 26V 26K 27Y 27M 27A 27Q 27T 27C 27B 27H 27V 27K D1M D1A D1Q D1T D1C D1B D1H D1V D1K D4A D4Q D4T D4C D6M D6A D6Q D6T D6C D6B D6H D6V D6K ABS ABL ABD ACU ACF ACS ACL ACD 31S 31L 31D 32S 32L 32D 33U 33F 33S 33D 34U 34F D8S D8L D8D 74G 75G 76G 45Q ABY ACY 31Y 32Y 33Y D8Y AEM AEA AET AEV AEK D2A D2C DAG DBS DBY DBA DBQ DBT DBC DCS DCY DDG 51G 51M 53U 53S 53A 53T 54Q 55G 56G 58S 58Y 59S 59Y 59Q 5AS 5AY)	40Y9034	N	Y
7	Hard disk drive, 80GB, 7200rpm, serial ATA (models A2C A4A A4Q A4T A4C B1M B1B B1H B1V B1K 24U 24F 24S 24D 24Y 24A 24Q 24T 24V 25A 25Q 25T 25C 26M 26A 26Q 26T 26C 26B 26H 26V 26K 27Y 27M 27A 27Q 27T 27C 27B 27H 27V 27K D1M D1A D1Q D1T D1C D1B D1H D1V D1K D4A D4Q D4T D4C D6M D6A D6Q D6T D6C D6B D6H D6V D6K ABS ABL ABD ACU ACF ACS ACL ACD 31S 31L 31D 32S 32L 32D 33U 33F 33S 33D 34U 34F D8S D8L D8D 74G 75G 76G 45Q ABY ACY 31Y 32Y 33Y D8Y AEM AEA AET AEV AEK D2A D2C DAG DBS DBY DBA DBQ DBT DBC DCS DCY DDG 51G 51M 53U 53S 53A 53T 54Q 55G 56G 58S 58Y 59S 59Y 59Q 5AS 5AY)	40Y8761	N	Y
7	Hard disk drive, 160GB, 7200rpm, serial ATA (models D7M D7A D7Q D7T D7C D7B D7H D7V D7K 77G D3A D3C 52G 52M 57G)	40Y9035	N	Y
7	Hard disk drive, 160GB, 7200rpm, serial ATA (models D7M D7A D7Q D7T D7C D7B D7H D7V D7K 77G D3A D3C 52G 52M 57G)	40Y8762	N	Y

Item #	8771 FRUs	FRU#	CRU Tier	RoHS?
8	System board, SiS 661FX - Intel based - RoHS (models ABS ABL ABD ACU ACF ACS ACL ACD 31S 31L 31D 32S 32L 32D 33U 33F 33S 33D 34U 34F D8S D8L D8D 74G 75G 76G 77G ADQ 45Q ABY ACY 31Y 32Y 33Y D8Y DAG DBS DBY DBA DBQ DBT DBC DCS DCY DDG 51G 51M 52G 52M 53U 53S 53A 53T 54Q 55G 56G 57G 58S 58Y 59S 59Y 59Q 5AS 5AY A2C A4A A4Q A4T A4C B1M B1B B1H B1V B1K 24U 24F 24S 24D 24Y 24A 24Q 24T 24V 25A 25Q 25T 25C 26M 26A 26Q 26T 26C 26B 26H 26V 26K 27Y 27M 27A 27Q 27T 27C 27B 27H 27V 27K D1M D1A D1Q D1T D1C D1B D1H D1V D1K D4A D4Q D4T D4C D6M D6A D6Q D6T D6C D6B D6H D6V D6K D7M D7A D7Q D7T D7C D7B D7H D7V D7K) <b>Note:</b> When ordering a system board, you must also order a retention bracket kit for the heat sink and fan assembly.	41X0137	N	Y
8	System board, SiS 661FX - Intel based - RoHS (models ABS ABL ABD ACU ACF ACS ACL ACD 31S 31L 31D 32S 32L 32D 33U 33F 33S 33D 34U 34F D8S D8L D8D 74G 75G 76G 77G ADQ 45Q ABY ACY 31Y 32Y 33Y D8Y DAG DBS DBY DBA DBQ DBT DBC DCS DCY DDG 51G 51M 52G 52M 53U 53S 53A 53T 54Q 55G 56G 57G 58S 58Y 59S 59Y 59Q 5AS 5AY A2C A4A A4Q A4T A4C B1M B1B B1H B1V B1K 24U 24F 24S 24D 24Y 24A 24Q 24T 24V 25A 25Q 25T 25C 26M 26A 26Q 26T 26C 26B 26H 26V 26K 27Y 27M 27A 27Q 27T 27C 27B 27H 27V 27K D1M D1A D1Q D1T D1C D1B D1H D1V D1K D4A D4Q D4T D4C D6M D6A D6Q D6T D6C D6B D6H D6V D6K D7M D7A D7Q D7T D7C D7B D7H D7V D7K) <b>Note:</b> When ordering a system board, you must also order a retention bracket kit for the heat sink and fan assembly.	41X2041	N	Y
9	System Fan, rear w/grill (all models)	41N5339	N	Y
10	Power supply, 250W, non-RoHS (models ABS ABL ABD ACU ACF ACS ACL ACD 31S 31L 31D 32S 32L 32D 33U 33F 33S 33D 34U 34F D8S D8L D8D 74G 75G 76G 77G ADQ 45Q ABY ACY 31Y 32Y 33Y D8Y AEM AEA AET AEV AEK D2A D2C D3A D3C DBS DBY DCS DCY 53U 53S 58S 58Y 59S 59Y 5AS 5AY DAG DBA DBQ DBT DBC DDG 51G 51M 52G 52M 53A 53T 54Q 55G 56G 57G 59Q A2C A4A A4Q A4T A4C B1M B1B B1H B1V B1K 24U 24F 24S 24D 24Y 24A 24Q 24T 24V 25A 25Q 25T 25C 26M 26A 26Q 26T 26C 26B 26H 26V 26K 27Y 27M 27A 27Q 27T 27C 27B 27H 27V 27K D1M D1A D1Q D1T D1C D1B D1H D1V D1K D4A D4Q D4T D4C D6M D6A D6Q D6T D6C D6B D6H D6V D6K D7M D7A D7Q D7T D7C D7B D7H D7V D7K)	41N3127	N	N

The FRUs listed in the following table are not illustrated.

8771 FRUs	FRU#	CRU Tier	RoHS?
Cable, Serial ATA 250mm (all models)	41A7145	2	N
Cable, diskette drive (all models)	41A7130	2	Y
Cover, right side (all models)	41N5333	2	Y
Chassis assembly (all models)	41A7885	N	
Bezel, front (all models)	41A7866	2	
Power switch/LED assembly (all models)	41N5284	N	
Shield, system board (all models)	41N5329	N	Y
Miscellaneous hardware kit (all models)	41N5334	N	Y
Retention bracket kit, heat sink and fan (all models)	41A7139	N	
Cable, optical drive and hard disk drive signal (2-drop) (all models)	41A7875	N	

8771 FRUs	FRU#	CRU Tier	RoHS?
Cable, Interposer GBM (all models)	41N5307	N	
Miscellaneous bezel kit (all models)	41A7144	N	

8771 Keyboards (Preferred Pro fullsize, Black)	FRU#	CRU Tier	RoHS?
US English (models A2C A4A A4Q A4C B1M B1H 24U 24A 24Q 25A 25Q 25C 26M 26A 26Q 26C 26H 27M 27A 27Q 27C 27H D1M D1A D1Q D1C D1H D4A D4Q D4C D6M D6A D6Q D6C D6H D7M D7A D7Q D7C D7H ABL ACU ACL 31L 32L 33U 34U D8L 74G 75G 76G 77G ADQ 45Q AEM AEA D2A D2C D3A D3C DAG DBA DBQ DBC DDG 51G 51M 52G 52M 53U 53A 54Q 55G 56G 57G 59Q)	89P8300	1	Y
Arabic (models 74G 75G 76G 77G DAG DDG 51G 52G 55G 56G 57G)	89P8301	1	Y
Belgian/French (models 74G 75G 76G 77G DAG DDG 51G 52G 55G 56G 57G)	89P8302	1	Y
Belgian/UK (models 74G 75G 76G 77G DAG DDG 51G 52G 55G 56G 57G)	89P8303	1	Y
Bulgarian (models 74G 75G 76G 77G DAG DDG 51G 52G 55G 56G 57G)	89P8305	1	Y
Chinese/US (models B1B B1V 24V 26B 26V 27B 27V D1B D1V D6B D6V D7B D7V AEV)	89P8306	1	Y
Czech (models 74G 75G 76G 77G DAG DDG 51G 52G 55G 56G 57G)	89P8307	1	Y
Danish (models 74G 75G 76G 77G DAG DDG 51G 52G 55G 56G 57G)	89P8308	1	Y
Dutch (models 74G 75G 76G 77G DAG DDG 51G 52G 55G 56G 57G)	89P8309	1	Y
French (models 74G 75G 76G 77G DAG DDG 51G 52G 55G 56G 57G)	89P8310	1	Y
French Canadian 445 (models 24F ACF 33F 34F)	89P8311	1	Y
French Canadian 58 (models 24F ACF 33F 34F)	89P8312	1	Y
German (models 74G 75G 76G 77G DAG DDG 51G 52G 55G 56G 57G)	89P8313	1	Y
Greek (models 74G 75G 76G 77G DAG DDG 51G 52G 55G 56G 57G)	89P8314	1	Y
Hebrew (models 74G 75G 76G 77G DAG DDG 51G 52G 55G 56G 57G)	89P8315	1	Y
Hungarian (models 74G 75G 76G 77G DAG DDG 51G 52G 55G 56G 57G)	89P8316	1	Y
Iceland (models 74G 75G 76G 77G DAG DDG 51G 52G 55G 56G 57G)	89P8317	1	Y
Italian 142 (models 74G 75G 76G 77G DAG DDG 51G 52G 55G 56G 57G)	89P8319	1	Y
Korean (models B1K 26K 27K D1K D6K D7K AEK)	89P8321	1	Y
LA Spanish (models 24S 24D 24Y 27Y ABS ABD ACS ACD 31S 31D 32S 32D 33S 33D D8S D8D ABY ACY 31Y 32Y 33Y D8Y DBS DBY DCS DCY 53S 58S 58Y 59S 59Y 5AS 5AY)	89P8322	1	Y
Norwegian (models 74G 75G 76G 77G DAG DDG 51G 52G 55G 56G 57G)	89P8323	1	Y
Polish (models 74G 75G 76G 77G DAG DDG 51G 52G 55G 56G 57G)	89P8324	1	Y
Portuguese (models 74G 75G 76G 77G DAG DDG 51G 52G 55G 56G 57G)	89P8325	1	Y
Romanian (models 74G 75G 76G 77G DAG DDG 51G 52G 55G 56G 57G)	89P8326	1	Y
Russian/Cy (models 74G 75G 76G 77G DAG DDG 51G 52G 55G 56G 57G)	89P8328	1	Y
Serbian/Cyrillic (models 74G 75G 76G 77G DAG DDG 51G 52G 55G 56G 57G)	89P8329	1	Y
Slovak (models 74G 75G 76G 77G DAG DDG 51G 52G 55G 56G 57G)	89P8330	1	Y
Spanish (models 74G 75G 76G 77G DAG DDG 51G 52G 55G 56G 57G)	89P8331	1	Y
Swedish/Finn (models 74G 75G 76G 77G DAG DDG 51G 52G 55G 56G 57G)	89P8332	1	Y
Swiss F/G (models 74G 75G 76G 77G DAG DDG 51G 52G 55G 56G 57G)	89P8333	1	Y

<b>8771 Keyboards (Preferred Pro fullsize, Black)</b>	<b>FRU#</b>	<b>CRU Tier</b>	<b>RoHS?</b>
Thailand (models A4T 24T 25T 26T 27T D1T D4T D6T D7T AET DBT 53T)	89P8334	1	Y
Turkish 179 (models 74G 75G 76G 77G DAG DDG 51G 52G 55G 56G 57G)	89P8336	1	Y
UK English (models 74G 75G 76G 77G DAG DDG 51G 52G 55G 56G 57G)	89P8337	1	Y
US Euro (models 74G 75G 76G 77G DAG DDG 51G 52G 55G 56G 57G)	89P8338	1	Y
Yugoslav/Latin (models 74G 75G 76G 77G DAG DDG 51G 52G 55G 56G 57G)	89P8339	1	Y

<b>8771 mice</b>	<b>FRU#</b>	<b>CRU Tier</b>	<b>RoHS?</b>
Mouse, IBM USB Optical Wheel (models ABS ABL ABD ACU ACF ACS ACL ACD 31S 31L 31D 32S 32L 32D 33U 33F 33S 33D 34U 34F D8S D8L D8D 74G 75G 76G 77G ADQ 44Q 45Q ABY ACY 31Y 32Y 33Y D8Y A2C A4A A4Q A4T A4C B1M B1B B1H B1V B1K 24U 24F 24S 24D 24Y 24A 24Q 24T 24V 25A 25Q 25T 25C 26M 26A 26Q 26T 26C 26B 26H 26V 26K 27Y 27M 27A 27Q 27T 27C 27B 27H 27V 27K D1M D1A D1Q D1T D1C D1B D1H D1V D1K D4A D4Q D4T D4C D6M D6A D6Q D6T D6C D6B D6H D6V D6K D7M D7A D7Q D7T D7C D7B D7H D7V D7K)	41A4935	1	Y

<b>8771 Adapters and miscellaneous FRUs</b>	<b>FRU#</b>	<b>CRU Tier</b>	<b>RoHS?</b>
PCI Modem Card (Soft) (models ABY)	29R9729	1	Y
Speakers (2-piece) Infinity Logo (models ABS ABL ABD ABY)	89P8589	1	Y
Speakers (2-piece) Lenovo Logo (models ABS ABL ABD ABY)	41A5331	1	Y
Speaker Power brick - US, Canada, LA low voltage, ASEAN (models ABY)	89P8571	1	Y
Speaker Power brick - LA high voltage (non-APU) (models ABD)	89P8575	1	Y
Speaker Power brick - Argentina (models ABS ABL ABY)	41A4901	1	Y

<b>8771 Power Cords</b>	<b>FRU#</b>	<b>CRU Tier</b>	<b>RoHS?</b>
Power Cord (US) (models A4A A4T 24U 24F 24S 24D 24A 24T 25A 25T 26A 26T 27A 27T D1A D1T D4A D4T D6A D6T D7A D7T ABS ABL ABD ACU ACF ACS ACL ACD 31S 31L 31D 32S 32L 32D 33U 33F 33S 33D 34U 34F D8S D8L D8D AEA AET D2A D3A DBS DBA DBT DCS 53U 53S 53A 53T 58S 59S 5AS)	39M5080	1	Y
Power Cord (China) (models A2C A4C 25C 26C 27C D1C D4C D6C D7C D2C D3C DBC)	39M5205	1	Y
Power Cord (LA High Volt APU) (models 24Y 27Y ABL ACL 31L 32L D8L ABY ACY 31Y 32Y 33Y D8Y DBY DCY 58Y 59Y 5AY)	39M5067	1	Y
Power Cord (Australia, New Zealand) (models B1M 26M 27M D1M D6M D7M AEM 51M 52M)	39M5102	1	Y
Power Cord (Korea) (models B1K 26K 27K D1K D6K D7K AEK)	39M5212	1	Y
Power Cord (Hong Kong) (models B1B B1H 26B 26H 27B 27H D1B D1H D6B D6H D7B D7H)	39M5151	1	Y
Power Cord (UK, Ireland, Singapore, Malaysia, Brunei) (models A4A 24A 25A 26A 27A D1A D4A D6A D7A 74G 75G 76G 77G AEA D2A D3A DAG DBA DDG 51G 52G 53A 55G 56G 57G)	39M5150	1	Y
Power Cord (Taiwan) (models B1V 24V 26V 27V D1V D6V D7V AEV)	39M5246	1	Y

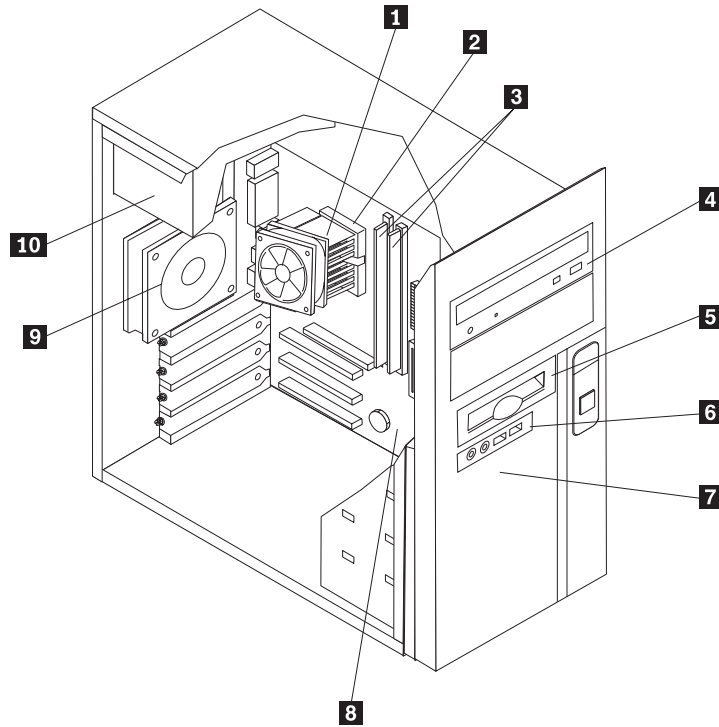
<b>8771 Power Cords</b>	<b>FRU#</b>	<b>CRU Tier</b>	<b>RoHS?</b>
Power Cord (Italy) (models 24S 24Y 27Y ABS ABL ACS ACL 31S 31L 32S 32L 33S D8S D8L 74G 75G 76G 77G ABY ACY 31Y 32Y 33Y D8Y DAG DBS DBY DCS DCY DDG 51G 52G 53S 55G 56G 57G 58S 58Y 59S 59Y 5AS 5AY)	39M5164	1	Y
Power Cord (G models) (models A4A 24A 25A 26A 27A D1A D4A D6A D7A 74G 75G 76G 77G AEA D2A D3A DAG DBA DDG 51G 52G 53A 55G 56G 57G)	39M5122	1	Y
Power Cord (Denmark) (models 74G 75G 76G 77G DAG DDG 51G 52G 55G 56G 57G)	39M5129	1	Y
Power Cord (Switzerland) (models 74G 75G 76G 77G DAG DDG 51G 52G 55G 56G 57G)	39M5157	1	Y
Power Cord (Israel) (models 74G 75G 76G 77G DAG DDG 51G 52G 55G 56G 57G)	39M5171	1	Y
Power Cord (South Africa) (models A4A B1M 24A 25A 26M 26A 27M 27A D1M D1A D4A D6M D6A D7M D7A 74G 75G 76G 77G AEM AEA D2A D3A DAG DBA DDG 51G 51M 52G 52M 53A 55G 56G 57G)	39M5143	1	Y
Power Cord (India) (models A4Q 24Q 25Q 26Q 27Q D1Q D4Q D6Q D7Q ADQ 45Q DBQ 54Q 59Q)	39M5004	1	Y

<b>8771 Windows XP Home Recovery CDs</b>	<b>FRU#</b>	<b>CRU Tier</b>	<b>RoHS?</b>
US/UK/AP/TH (models B1M B1H D7M D7A D7Q D7T D7H ABL 34U 74G)	41X4120	1	Y
FR/CF (models 34F 74G)	41X4122	1	Y
GR (models 74G)	41X4123	1	Y
IT (models 74G)	41X4125	1	Y
SP/LA (models ABS ABD 74G)	41X4124	1	Y
DK (models 74G)	41X4128	1	Y
NL (models 74G)	41X6041	1	Y
AE (models 74G)	41X6069	1	Y
SV (models 74G)	41X4127	1	Y
HE (models 74G)	41X6048	1	Y
FI (models 74G)	41X6027	1	Y
NO (models 74G)	41X6034	1	Y
PL (models 74G)	41X6055	1	Y
PO (models 74G)	41X6366	1	Y
RU (models 74G)	41X6076	1	Y
RE (models 74G)	41X4121	1	Y
HU (models 74G)	41X6090	1	Y
CZ (models 74G)	41X6062	1	Y
TR (models 74G)	41X6063	1	Y
GK (models 74G)	41X6104	1	Y
Simplified Chinese (models D7C)	41W7676	1	Y
Taiwan - TC (models B1V D7V)	41W7683	1	Y
Hong Kong - TC (models B1B D7B)	41W7690	1	Y
Korean (models B1K D7K)	41W7669	1	Y

8771 Windows XP Pro Recovery CDs	FRU#	CRU Tier	RoHS?
US/UK/AP/TH (models 24U 24A 24Q 24T 26M 26A 26Q 26T 26H 27M 27A 27Q 27T 27H D1M D1A D1Q D1T D1H D6M D6A D6Q D6T D6H ACU ACL 32L 33U D8L 75G 76G 77G 45Q AEM AEA AET D2A D3A DAG DDG 51G 51M 52G 52M 53U 53A 53T 55G 56G 57G 59Q)	41X4174	1	Y
FR/CF (models 24F ACF 33F 75G 76G 77G DAG DDG 51G 52G 55G 56G 57G)	41X4176	1	Y
GR (models 75G 76G 77G DAG DDG 51G 52G 55G 56G 57G)	41X4177	1	Y
IT (models 75G 76G 77G DAG DDG 51G 52G 55G 56G 57G)	41X4179	1	Y
SP/LA (models 24S 24D 24Y 27Y ACS ACD 32S 32D 33S 33D D8S D8D 75G 76G 77G ACY 32Y 33Y D8Y DAG DCS DCY DDG 51G 52G 53S 55G 56G 57G 59S 59Y 5AS 5AY)	41X4178	1	Y
DK (models 75G 76G 77G DAG DDG 51G 52G 55G 56G 57G)	41X4182	1	Y
NL (models 75G 76G 77G DAG DDG 51G 52G 55G 56G 57G)	41X5950	1	Y
AE (models 75G 76G 77G DAG DDG 51G 52G 55G 56G 57G)	41X5978	1	Y
SV (models 75G 76G 77G DAG DDG 51G 52G 55G 56G 57G)	41X4181	1	Y
HE (models 75G 76G 77G DAG DDG 51G 52G 55G 56G 57G)	41X5957	1	Y
FI (models 75G 76G 77G DAG DDG 51G 52G 55G 56G 57G)	41X5936	1	Y
NO (models 75G 76G 77G DAG DDG 51G 52G 55G 56G 57G)	41X5943	1	Y
PL (models 75G 76G 77G DAG DDG 51G 52G 55G 56G 57G)	41X5964	1	Y
PO (models 75G 76G 77G DAG DDG 51G 52G 55G 56G 57G)	41X6359	1	Y
RU (models 75G 76G 77G DAG DDG 51G 52G 55G 56G 57G)	41X5985	1	Y
RE (models 75G 76G 77G DAG DDG 51G 52G 55G 56G 57G)	41X4175	1	Y
HU (models 75G 76G 77G DAG DDG 51G 52G 55G 56G 57G)	41X5999	1	Y
CZ (models 75G 76G 77G DAG DDG 51G 52G 55G 56G 57G)	41X5971	1	Y
TR (models 75G 76G 77G DAG DDG 51G 52G 55G 56G 57G)	41X5972	1	Y
GK (models 75G 76G 77G DAG DDG 51G 52G 55G 56G 57G)	41X6013	1	Y
SL (models 75G 76G 77G DAG DDG 51G 52G 55G 56G 57G)	41X6020	1	Y
Simplified Chinese (models 26C 27C D1C D6C D2C D3C)	41W7641	1	Y
Taiwan - TC (models 24V 26V 27V D1V D6V AEV)	41W7648	1	Y
Hong Kong - TC (models 26B 27B D1B D6B)	41W7655	1	Y
Korean (models 26K 27K D1K D6K AEK)	41W7634	1	Y
Multilingual 1 (models 75G 76G 77G DAG DDG 51G 52G 55G 56G 57G)	41X4113	1	Y
Multilingual 2 (models 75G 76G 77G DAG DDG 51G 52G 55G 56G 57G)	41X6111	1	Y



## Machine Type 8772



Item #	8772 FRUs	FRU#	CRU Tier	RoHS?
1	Fan Sink - Intel Prescott & Celeron (models 75G 76G 77G 78G 79G 7AG 7BG 7CG 7DG 7EG 7FG)	41D3552	N	Y
2	Microprocessor, Celeron D 336 Processor 2.80GHz 533 FSB 256KB L2 (models 75G 76G 7BG)	41T1695	N	Y
2	Microprocessor, Celeron D 341 Processor 2.93GHz 533 FSB 256KB L2 (models 77G)	41T1696	N	Y
2	Microprocessor, Celeron D 346 Processor 3.06GHz 533 FSB 256KB L2 (models 7CG)	41T1697	N	Y
2	Microprocessor, Pentium 4 521 Processor 2.8 GHz 800 FSB 1MB L2 (models 78G 79G)	41T1700	N	Y
2	Microprocessor, Pentium 4 524 Processor 2.8 GHz 800 FSB 1MB L2 (models 7AG 7DG 7EG 7FG)	41T1704	N	Y
3	Memory module, 256MB, DDR1 SDRAM, NP, PC3200 (models 75G 76G 77G 7CG)	73P2683	2	Y
3	Memory module, 512MB, DDR1 SDRAM, NP, PC3200 (models 78G 79G 7AG 7BG 7DG 7EG 7FG)	73P2684	2	Y
4	CD-ROM Drive 48X - Black w/o jack & vol (models 7AG)	40Y8929	N	Y
4	CD-ROM Drive 48X - Black w/o jack & vol (models 7AG)	41X3540	N	Y
4	CD-ROM Drive 48X - Black w/o jack & vol (models 7AG)	40Y8807	N	Y
4	CD-ROM Drive 48X - Black w/o jack & vol (models 7AG)	40Y8955	N	Y
4	CD-ROM Drive 48X - Black w/o jack & vol (models 7AG)	40Y8953	N	Y
4	DVD-ROM 16x -48x (models 75G 76G 77G 7BG 7CG)	40Y8931	N	Y
4	DVD-ROM 16x -48x (models 75G 76G 77G 7BG 7CG)	40Y8935	N	Y

Item #	8772 FRUs	FRU#	CRU Tier	RoHS?
4	DVD-ROM 16x -48x (models 75G 76G 77G 7BG 7CG)	40Y8957	N	Y
4	Combo 48 -32 -48 -16 - - DVD - ROM - CDRW (models 78G 7DG 7EG)	40Y8919	N	Y
4	Combo 48 -32 -48 -16 - - DVD - ROM - CDRW (models 78G 7DG 7EG)	40Y8941	N	Y
4	Combo 48 -32 -48 -16 - - DVD - ROM - CDRW (models 78G 7DG 7EG)	40Y8943	N	Y
4	Multi-Burner Plus (models 79G 7FG)	41N3343	N	Y
5	Diskette drive, 3.5" 1.44MB 2 Mode (w/bezel) -- Lenovo (models 77G 78G 79G 7AG 7CG 7DG 7FG)	40Y9105	N	Y
5	Diskette drive, 3.5" 1.44MB 2 Mode (w/bezel) -- Lenovo (models 77G 78G 79G 7AG 7CG 7DG 7FG)	40Y9107	N	Y
5	Diskette drive, 3.5" 1.44MB 2 Mode (w/bezel) -- Lenovo (models 77G 78G 79G 7AG 7CG 7DG 7FG)	40Y9113	N	Y
6	Front Panel Cable Asm (RoHS) (all models)	41A7886	N	Y
7	Hard disk drive, 80GB, 7200rpm, serial ATA (models 75G 76G 77G 78G 7BG 7CG 7DG 7EG)	40Y9034	N	Y
7	Hard disk drive, 80GB, 7200rpm, serial ATA (models 75G 76G 77G 78G 7BG 7CG 7DG 7EG)	40Y8761	N	Y
7	Hard disk drive, 160GB, 7200rpm, serial ATA (models 79G 7AG 7FG)	40Y9035	N	Y
7	Hard disk drive, 160GB, 7200rpm, serial ATA (models 79G 7AG 7FG)	40Y8762	N	Y
8	System board, SiS 661FX - Intel based - RoHS (models 75G 76G 77G 78G 79G 7AG 7BG 7CG 7DG 7EG 7FG) <b>Note:</b> When ordering a system board, you must also order a retention bracket kit for the heat sink and fan assembly.	41X0137	N	Y
8	System board, SiS 661FX - Intel based - RoHS (models 75G 76G 77G 78G 79G 7AG 7BG 7CG 7DG 7EG 7FG) <b>Note:</b> When ordering a system board, you must also order a retention bracket kit for the heat sink and fan assembly.	41X2041	N	Y
9	System Fan, rear w/grill (all models)	41N5339	N	Y
10	Power supply, 250W, non-RoHS (models 75G 76G 77G 78G 79G)	41N3127	N	N

The FRUs listed in the following table are not illustrated.

8772 FRUs	FRU#	CRU Tier	RoHS?
Cable, Serial ATA 250mm (all models)	41A7145	2	Y
Cable, diskette drive (all models)	41A7130	2	Y
Cover, right side (all models)	41N5333	2	Y
Chassis assembly (all models)	41A7885	N	
Bezel, front (all models)	41A7866	2	
Power switch/LED assembly (all models)	41N5284	N	
Shield, system board (all models)	41N5329	N	Y
Miscellaneous hardware kit (all models)	41N5334	N	Y
Retention bracket kit, heat sink and fan (all models)	41A7139	N	
Cable, optical drive and hard disk drive signal (2-drop) (all models)	41A7875	N	
Cable, Interposer GBM (all models)	41N5307	N	

8772 FRUs	FRU#	CRU Tier	RoHS?
Miscellaneous bezel kit (all models)	41A7144	N	

8772 Keyboards (Preferred Pro fullsize, Black)	FRU#	CRU Tier	RoHS?
US English (models 75G 76G 77G 78G 79G 7AG 7BG 7CG 7DG 7EG 7FG)	89P8300	1	Y
Arabic (models 75G 76G 77G 78G 79G 7AG 7BG 7CG 7DG 7EG 7FG)	89P8301	1	Y
Belgian/French (models 75G 76G 77G 78G 79G 7AG 7BG 7CG 7DG 7EG 7FG)	89P8302	1	Y
Belgian/UK (models 75G 76G 77G 78G 79G 7AG 7BG 7CG 7DG 7EG 7FG)	89P8303	1	Y
Bulgarian (models 75G 76G 77G 78G 79G 7AG 7BG 7CG 7DG 7EG 7FG)	89P8305	1	Y
Czech (models 75G 76G 77G 78G 79G 7AG 7BG 7CG 7DG 7EG 7FG)	89P8307	1	Y
Danish (models 75G 76G 77G 78G 79G 7AG 7BG 7CG 7DG 7EG 7FG)	89P8308	1	Y
Dutch (models 75G 76G 77G 78G 79G 7AG 7BG 7CG 7DG 7EG 7FG)	89P8309	1	Y
French (models 75G 76G 77G 78G 79G 7AG 7BG 7CG 7DG 7EG 7FG)	89P8310	1	Y
German (models 75G 76G 77G 78G 79G 7AG 7BG 7CG 7DG 7EG 7FG)	89P8313	1	Y
Greek (models 75G 76G 77G 78G 79G 7AG 7BG 7CG 7DG 7EG 7FG)	89P8314	1	Y
Hebrew (models 75G 76G 77G 78G 79G 7AG 7BG 7CG 7DG 7EG 7FG)	89P8315	1	Y
Hungarian (models 75G 76G 77G 78G 79G 7AG 7BG 7CG 7DG 7EG 7FG)	89P8316	1	Y
Iceland (models 75G 76G 77G 78G 79G 7AG 7BG 7CG 7DG 7EG 7FG)	89P8317	1	Y
Italian 142 (models 75G 76G 77G 78G 79G 7AG 7BG 7CG 7DG 7EG 7FG)	89P8319	1	Y
Norwegian (models 75G 76G 77G 78G 79G 7AG 7BG 7CG 7DG 7EG 7FG)	89P8323	1	Y
Polish (models 75G 76G 77G 78G 79G 7AG 7BG 7CG 7DG 7EG 7FG)	89P8324	1	Y
Portuguese (models 75G 76G 77G 78G 79G 7AG 7BG 7CG 7DG 7EG 7FG)	89P8325	1	Y
Romanian (models 75G 76G 77G 78G 79G 7AG 7BG 7CG 7DG 7EG 7FG)	89P8326	1	Y
Russian/Cy (models 75G 76G 77G 78G 79G 7AG 7BG 7CG 7DG 7EG 7FG)	89P8328	1	Y
Serbian/Cyrillic (models 75G 76G 77G 78G 79G 7AG 7BG 7CG 7DG 7EG 7FG)	89P8329	1	Y
Slovak (models 75G 76G 77G 78G 79G 7AG 7BG 7CG 7DG 7EG 7FG)	89P8330	1	Y
Spanish (models 75G 76G 77G 78G 79G 7AG 7BG 7CG 7DG 7EG 7FG)	89P8331	1	Y
Swedish/Finn (models 75G 76G 77G 78G 79G 7AG 7BG 7CG 7DG 7EG 7FG)	89P8332	1	Y
Swiss F/G (models 75G 76G 77G 78G 79G 7AG 7BG 7CG 7DG 7EG 7FG)	89P8333	1	Y
Turkish 179 (models 75G 76G 77G 78G 79G 7AG 7BG 7CG 7DG 7EG 7FG)	89P8336	1	Y
UK English (models 75G 76G 77G 78G 79G 7AG 7BG 7CG 7DG 7EG 7FG)	89P8337	1	Y
US Euro (models 75G 76G 77G 78G 79G 7AG 7BG 7CG 7DG 7EG 7FG)	89P8338	1	Y
Yugoslav/Latin (models 75G 76G 77G 78G 79G 7AG 7BG 7CG 7DG 7EG 7FG)	89P8339	1	Y

8772 mice	FRU#	CRU Tier	RoHS?
Mouse, IBM USB Optical Wheel (models 75G 76G 77G 78G 79G 7AG 7BG 7CG 7DG 7EG 7FG)	41A4935	1	Y

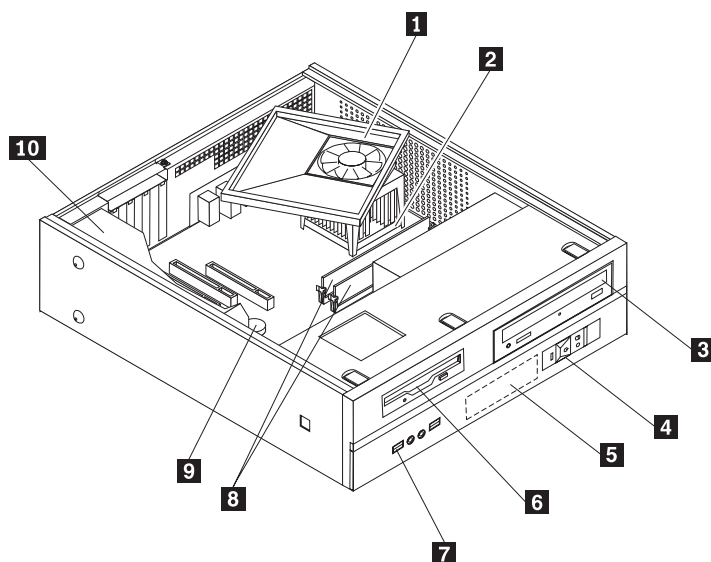
8772 Power Cords	FRU#	CRU Tier	RoHS?
Power Cord (UK, Ireland, Singapore, Malaysia, Brunei) (models 75G 76G 77G 78G 79G 7AG 7BG 7CG 7DG 7EG 7FG)	39M5150	1	Y
Power Cord (Italy) (models 75G 76G 77G 78G 79G 7AG 7BG 7CG 7DG 7EG 7FG)	39M5164	1	Y
Power Cord (G models) (models 75G 76G 77G 78G 79G 7AG 7BG 7CG 7DG 7EG 7FG)	39M5122	1	Y
Power Cord (Denmark) (models 75G 76G 77G 78G 79G 7AG 7BG 7CG 7DG 7EG 7FG)	39M5129	1	Y
Power Cord (Switzerland) (models 75G 76G 77G 78G 79G 7AG 7BG 7CG 7DG 7EG 7FG)	39M5157	1	Y
Power Cord (Israel) (models 75G 76G 77G 78G 79G 7AG 7BG 7CG 7DG 7EG 7FG)	39M5171	1	Y
Power Cord (South Africa) (models 75G 76G 77G 78G 79G 7AG 7BG 7CG 7DG 7EG 7FG)	39M5143	1	Y

8772 Windows XP Home Recovery CDs	FRU#	CRU Tier	RoHS?
US/UK/AP/TH (models 76G)	41X4120	1	Y
FR/CF (models 76G)	41X4122	1	Y
GR (models 76G)	41X4123	1	Y
IT (models 76G)	41X4125	1	Y
SP/LA (models 76G)	41X4124	1	Y
DK (models 76G)	41X4128	1	Y
NL (models 76G)	41X6041	1	Y
AE (models 76G)	41X6069	1	Y
SV (models 76G)	41X4127	1	Y
HE (models 76G)	41X6048	1	Y
FI (models 76G)	41X6027	1	Y
NO (models 76G)	41X6034	1	Y
PL (models 76G)	41X6055	1	Y
PO (models 76G)	41X6366	1	Y
RU (models 76G)	41X6076	1	Y
RE (models 76G)	41X4121	1	Y
HU (models 76G)	41X6090	1	Y
CZ (models 76G)	41X6062	1	Y
TR (models 76G)	41X6063	1	Y
GK (models 76G)	41X6104	1	Y

8772 Windows XP Pro Recovery CDs	FRU#	CRU Tier	RoHS?
US/UK/AP/TH (models 77G 78G 79G 7BG 7CG 7DG 7EG 7FG)	41X4174	1	Y
FR/CF (models 77G 78G 79G 7BG 7CG 7DG 7EG 7FG)	41X4176	1	Y
GR (models 77G 78G 79G 7BG 7CG 7DG 7EG 7FG)	41X4177	1	Y
IT (models 77G 78G 79G 7BG 7CG 7DG 7EG 7FG)	41X4179	1	Y

8772 Windows XP Pro Recovery CDs	FRU#	CRU Tier	RoHS?
SP/LA (models 77G 78G 79G 7BG 7CG 7DG 7EG 7FG)	41X4178	1	Y
DK (models 77G 78G 79G 7BG 7CG 7DG 7EG 7FG)	41X4182	1	Y
NL (models 77G 78G 79G 7BG 7CG 7DG 7EG 7FG)	41X5950	1	Y
AE (models 77G 78G 79G 7BG 7CG 7DG 7EG 7FG)	41X5978	1	Y
SV (models 77G 78G 79G 7BG 7CG 7DG 7EG 7FG)	41X4181	1	Y
HE (models 77G 78G 79G 7BG 7CG 7DG 7EG 7FG)	41X5957	1	Y
FI (models 77G 78G 79G 7BG 7CG 7DG 7EG 7FG)	41X5936	1	Y
NO (models 77G 78G 79G 7BG 7CG 7DG 7EG 7FG)	41X5943	1	Y
PL (models 77G 78G 79G 7BG 7CG 7DG 7EG 7FG)	41X5964	1	Y
PO (models 77G 78G 79G 7BG 7CG 7DG 7EG 7FG)	41X6359	1	Y
RU (models 77G 78G 79G 7BG 7CG 7DG 7EG 7FG)	41X5985	1	Y
RE (models 77G 78G 79G 7BG 7CG 7DG 7EG 7FG)	41X4175	1	Y
HU (models 77G 78G 79G 7BG 7CG 7DG 7EG 7FG)	41X5999	1	Y
CZ (models 77G 78G 79G 7BG 7CG 7DG 7EG 7FG)	41X5971	1	Y
TR (models 77G 78G 79G 7BG 7CG 7DG 7EG 7FG)	41X5972	1	Y
GK (models 77G 78G 79G 7BG 7CG 7DG 7EG 7FG)	41X6013	1	Y
SL (models 77G 78G 79G 7BG 7CG 7DG 7EG 7FG)	41X6020	1	Y
Multilingual 1 (models 77G 78G 79G 7BG 7CG 7DG 7EG 7FG)	41X4113	1	Y
Multilingual 2 (models 77G 78G 79G 7BG 7CG 7DG 7EG 7FG)	41X6111	1	Y

## Machine Type 8773



Item #	8773 FRUs	FRU#	CRU Tier	RoHS?
1	Fan Sink - Intel Prescott & Celeron (models A4M A4A A4Q A4T A4C A4B A4H A4V A4K A4J A5J A6M A6A A6Q A6T A6C A6B A6H A6V A6K A6J A7M A7A A7Q A7T A7C A7B A7H A7V A7K A7J A9S A9L A9D AAU AAF ABG 31S 31L 31D 32S 32L 32D 33U 33F 33S 33D 74G D4S D4L D4D D7C D7B D7H D8C D8B D8H A9Y 31Y 32Y 33Y D4Y A9P ACP ACY 32P D9P D9Y ADJ 26G 34J 35P DAS DAY DBP 51A 51T 51J 52J 53J 54M DCS DCY 55M DDS DDP DDY DES DEP DEY DFY 77G 78G 21S 21P 21L 21D 21Y 21M 21A 21Q 21T 21C 21B 21H 21V 21K 21J 23M 23A 23Q 23T 23C 23B 23H 23V 23K 23J 25M 25A 25Q 25T 25C 25B 25H 25V 25K 25J D3M D3A D3Q D3T D3C D3B D3H D3V D3K D3J D4M D4A D4Q D4T D4C D4B D4H D4V D4K D4J D5M D5A D5Q D5T D5C D5B D5H D5V D5K D5J D6M D6A D6Q D6T D6C D6B D6H D6V D6K D6J)	41N5292	N	Y
2	Microprocessor, Celeron D 331 Processor 2.80GHz 533 FSB 256KB L2 (models A9S A9L A9D AAU AAF ABG A4M A4A A4Q A4T A4C A4B A4H A4V A4K A4J A5J A6M A6A A6Q A6T A6C A6B A6H A6V A6K A6J A7M A7A A7Q A7T A7C A7B A7H A7V A7K A7J A9Y A9P ACP ACY ADJ DAS DAY DBP)	41T1695	N	Y
2	Microprocessor, Pentium 4 Processor 2.66 GHz 533 FSB 1MB L2 (models 26G)	41T1706	N	Y
2	Microprocessor, Pentium 4 Processor 2.8 GHz 800 FSB 1MB L2 (models 31S 31L 31D 32S 32L 32D 33U 33F 33S 33D 74G 21S 21P 21L 21D 21Y 21M 21A 21Q 21T 21C 21B 21H 21V 21K 21J 23M 23A 23Q 23T 23C 23B 23H 23V 23K 23J 25M 25A 25Q 25T 25C 25B 25H 25V 25K 25J 31Y 32Y 33Y 32P 34J 35P)	41T1700	N	Y
2	Microprocessor, Pentium 4 Processor 2.8 GHz 800 FSB 2MB L2 (models 51A 51T 51J 52J 53J 54M DCS DCY 77G 78G)	41T1704	N	Y
2	Microprocessor, Pentium 4 Processor 3.0 GHz 800 FSB 2MB L2 (models 55M DDS DDP DDY)	41T1701	N	Y
2	Microprocessor, Pentium 4 Processor 3.2 GHz 800 FSB 2MB L2 (models DES DEP DEY DFY)	41T1702	N	Y
2	Microprocessor, Pentium 4 Processor 3.0 GHz 800 FSB 2MB L2 (models D3M D3A D3Q D3T D3C D3B D3H D3V D3K D3J D4M D4A D4Q D4T D4C D4B D4H D4V D4K D4J D5M D5A D5Q D5T D5C D5B D5H D5V D5K D5J D6M D6A D6Q D6T D6C D6B D6H D6V D6K D6J D4S D4L D4D D7C D7B D7H D8C D8B D8H D4Y D9P D9Y)	41T1709	N	Y
3	CD-ROM Drive 48X - Black w/o jack & vol (models A4M A4A A4Q A4T A4C A4B A4H A4V A4K A4J A5J A6M A6A A6Q A6T A6C A6B A6H A6V A6K A6J 21S 21P 21L 21D 21Y 21M 21A 21Q 21T 21C 21B 21H 21V 21K 21J 23M 23A 23Q 23T 23C 23B 23H 23V 23K 23J D4M D4A D4Q D4T D4C D4B D4H D4V D4K D4J A9S A9L A9D AAU AAF 31S 31L 31D 32S 32L 32D 33U 33F 33S 33D D4S D4L D4D A9Y 31Y 32Y 33Y D4Y A9P 32P ADJ DAS DAY 51A 51T 51J DCS DCY DDS DDP DDY DFY)	40Y8929	N	Y
3	CD-ROM Drive 48X (models A4M A4A A4Q A4T A4C A4B A4H A4V A4K A4J A5J A6M A6A A6Q A6T A6C A6B A6H A6V A6K A6J 21S 21P 21L 21D 21Y 21M 21A 21Q 21T 21C 21B 21H 21V 21K 21J 23M 23A 23Q 23T 23C 23B 23H 23V 23K 23J D4M D4A D4Q D4T D4C D4B D4H D4V D4K D4J A9S A9L A9D AAU AAF 31S 31L 31D 32S 32L 32D 33U 33F 33S 33D D4S D4L D4D A9Y 31Y 32Y 33Y D4Y A9P 32P ADJ DAS DAY 51A 51T 51J DCS DCY DDS DDP DDY DFY)	41X3540	N	Y

Item #	8773 FRUs	FRU#	CRU Tier	RoHS?
3	CD-ROM Drive 48X (models A4M A4A A4Q A4T A4C A4B A4H A4V A4K A4J A5J A6M A6A A6Q A6T A6C A6B A6H A6V A6K A6J 21S 21P 21L 21D 21Y 21M 21A 21Q 21T 21C 21B 21H 21V 21K 21J 23M 23A 23Q 23T 23C 23B 23H 23V 23K 23J D4M D4A D4Q D4T D4C D4B D4H D4V D4K D4J A9S A9L A9D AAU AAF 31S 31L 31D 32S 32L 32D 33U 33F 33S 33D D4S D4L D4D A9Y 31Y 32Y 33Y D4Y A9P 32P ADJ DAS DAY 51A 51T 51J DCS DCY DDS DDP DDY DFY)	41N3317	N	Y
3	CD-ROM Drive 48X - Black w/o jack & vol (models A4M A4A A4Q A4T A4C A4B A4H A4V A4K A4J A5J A6M A6A A6Q A6T A6C A6B A6H A6V A6K A6J 21S 21P 21L 21D 21Y 21M 21A 21Q 21T 21C 21B 21H 21V 21K 21J 23M 23A 23Q 23T 23C 23B 23H 23V 23K 23J D4M D4A D4Q D4T D4C D4B D4H D4V D4K D4J A9S A9L A9D AAU AAF 31S 31L 31D 32S 32L 32D 33U 33F 33S 33D D4S D4L D4D A9Y 31Y 32Y 33Y D4Y A9P 32P ADJ DAS DAY 51A 51T 51J DCS DCY DDS DDP DDY DFY)	40Y8807	N	Y
3	CD-ROM Drive 48X - Black w/o jack & vol (models A4M A4A A4Q A4T A4C A4B A4H A4V A4K A4J A5J A6M A6A A6Q A6T A6C A6B A6H A6V A6K A6J 21S 21P 21L 21D 21Y 21M 21A 21Q 21T 21C 21B 21H 21V 21K 21J 23M 23A 23Q 23T 23C 23B 23H 23V 23K 23J D4M D4A D4Q D4T D4C D4B D4H D4V D4K D4J A9S A9L A9D AAU AAF 31S 31L 31D 32S 32L 32D 33U 33F 33S 33D D4S D4L D4D A9Y 31Y 32Y 33Y D4Y A9P 32P ADJ DAS DAY 51A 51T 51J DCS DCY DDS DDP DDY DFY)	40Y8955	N	Y
3	CD-ROM Drive 48X - Black w/o jack & vol (models A4M A4A A4Q A4T A4C A4B A4H A4V A4K A4J A5J A6M A6A A6Q A6T A6C A6B A6H A6V A6K A6J 21S 21P 21L 21D 21Y 21M 21A 21Q 21T 21C 21B 21H 21V 21K 21J 23M 23A 23Q 23T 23C 23B 23H 23V 23K 23J D4M D4A D4Q D4T D4C D4B D4H D4V D4K D4J A9S A9L A9D AAU AAF 31S 31L 31D 32S 32L 32D 33U 33F 33S 33D D4S D4L D4D A9Y 31Y 32Y 33Y D4Y A9P 32P ADJ DAS DAY 51A 51T 51J DCS DCY DDS DDP DDY DFY)	40Y8953	N	Y
3	CD-RW Drive (48X/32X/48X) (models ACP ACY D9P D9Y 54M)	40Y8937	N	Y
3	CD-RW Drive (48X/32X/48X) (models ACP ACY D9P D9Y 54M)	40Y8901	N	Y
3	DVD-ROM 16x -48x (models ABG 74G 26G 77G 78G)	40Y8931	N	Y
3	DVD-ROM 16x -48x (models ABG 74G 26G 77G 78G)	40Y8935	N	Y
3	DVD-ROM 16x -48x (models ABG 74G 26G 77G 78G)	40Y8957	N	Y
3	Combo 48 -32 -48 -16 - - DVD - ROM - CDRW (models A7M A7A A7Q A7T A7C A7B A7H A7V A7K A7J 25M 25A 25Q 25T 25C 25B 25H 25V 25K 25J D3M D3A D3Q D3T D3C D3B D3H D3V D3K D3J D6M D6A D6Q D6T D6C D6B D6H D6V D6K D6J D8C D8B D8H 34J DBP 52J 53J 55M DES DEP DEY)	40Y8919	N	Y
3	Combo 48 -32 -48 -16 - - DVD - ROM - CDRW (models A7M A7A A7Q A7T A7C A7B A7H A7V A7K A7J 25M 25A 25Q 25T 25C 25B 25H 25V 25K 25J D3M D3A D3Q D3T D3C D3B D3H D3V D3K D3J D6M D6A D6Q D6T D6C D6B D6H D6V D6K D6J D8C D8B D8H 34J DBP 52J 53J 55M DES DEP DEY)	40Y8941	N	Y
3	Combo 48 -32 -48 -16 - - DVD - ROM - CDRW (models A7M A7A A7Q A7T A7C A7B A7H A7V A7K A7J 25M 25A 25Q 25T 25C 25B 25H 25V 25K 25J D3M D3A D3Q D3T D3C D3B D3H D3V D3K D3J D6M D6A D6Q D6T D6C D6B D6H D6V D6K D6J D8C D8B D8H 34J DBP 52J 53J 55M DES DEP DEY)	40Y8943	N	Y
3	Multi-Burner Plus (models D5M D5A D5Q D5T D5C D5B D5H D5V D5K D5J D7C D7B D7H)	41N3343	N	Y
4	Front Panel PCB Asm (all models)	41N5269	N	

Item #	8773 FRUs	FRU#	CRU Tier	RoHS?
5	Hard disk drive, 40GB, 7200rpm Serial ATA (models A4M A4A A4Q A4T A4C A4B A4H A4V A4K A4J A5J A6M A6A A6Q A6T A6C A6B A6H A6V A6K A6J A7M A7A A7Q A7T A7C A7B A7H A7V A7K A7J 54M)	40Y9033	N	Y
5	Hard disk drive, 40GB, 7200rpm Serial ATA (models A4M A4A A4Q A4T A4C A4B A4H A4V A4K A4J A5J A6M A6A A6Q A6T A6C A6B A6H A6V A6K A6J A7M A7A A7Q A7T A7C A7B A7H A7V A7K A7J 54M)	40Y8760	N	Y
5	Hard disk drive, 80GB, 7200rpm Serial ATA (models 21S 21P 21L 21D 21Y 21M 21A 21Q 21T 21C 21B 21H 21V 21K 21J 23M 23A 23Q 23T 23C 23B 23H 23V 23K 23J 25M 25A 25Q 25T 25C 25B 25H 25V 25K 25J D3M D3A D3Q D3T D3C D3B D3H D3V D3K D3J D4M D4A D4Q D4T D4C D4B D4H D4V D4K D4J A9S A9L A9D AAU AAF ABG 31S 31L 31D 32S 32L 32D 33U 33F 33S 33D D4S D4L D4D 74G A9Y 31Y 32Y 33Y D4Y A9P ACP ACY 32P D9P D9Y ADJ 26G 34J 35P DAS DAY DBP 51A 51T 51J 52J 53J 55M DCS DCY DDS DDP DDY DES DEP DEY DFY 77G 78G)	40Y9034	N	Y
5	Hard disk drive, 80GB, 7200rpm Serial ATA (models 21S 21P 21L 21D 21Y 21M 21A 21Q 21T 21C 21B 21H 21V 21K 21J 23M 23A 23Q 23T 23C 23B 23H 23V 23K 23J 25M 25A 25Q 25T 25C 25B 25H 25V 25K 25J D3M D3A D3Q D3T D3C D3B D3H D3V D3K D3J D4M D4A D4Q D4T D4C D4B D4H D4V D4K D4J A9S A9L A9D AAU AAF ABG 31S 31L 31D 32S 32L 32D 33U 33F 33S 33D D4S D4L D4D 74G A9Y 31Y 32Y 33Y D4Y A9P ACP ACY 32P D9P D9Y ADJ 26G 34J 35P DAS DAY DBP 51A 51T 51J 52J 53J 55M DCS DCY DDS DDP DDY DES DEP DEY DFY 77G 78G)	40Y8761	N	Y
5	Hard disk drive, 160GB, 7200rpm Serial ATA (models D5M D5A D5Q D5T D5C D5B D5H D5V D5K D5J D6M D6A D6Q D6T D6C D6B D6H D6V D6K D6J D7C D7B D7H D8C D8B D8H)	40Y9035	N	Y
5	Hard disk drive, 160GB, 7200rpm Serial ATA (models D5M D5A D5Q D5T D5C D5B D5H D5V D5K D5J D6M D6A D6Q D6T D6C D6B D6H D6V D6K D6J D7C D7B D7H D8C D8B D8H)	40Y8762	N	Y
6	Diskette drive, 3.5" 1.44MB 2 Mode (w/bezel) -- Lenovo (models 21S 21P 21L 21D 21Y 21M 21A 21Q 21T 21C 21B 21H 21V 21K 23M 23A 23Q 23T 23C 23B 23H 23V 23K 25M 25A 25Q 25T 25C 25B 25H 25V 25K D3M D3A D3Q D3T D3C D3B D3H D3V D3K D4M D4A D4Q D4T D4C D4B D4H D4V D4K D5M D5A D5Q D5T D5C D5B D5H D5V D5K A9S A9L A9D ABG 31S 31L 31D 32S 32L 32D D4S D4L D4D D8C D8B D8H A9Y 31Y 32Y D4Y A9P 32P 26G 35P DAS DAY 51A 51T DCS DCY DDS DDP DDY DFY 77G A4M A4A A4Q A4T A4C A4B A4H A4V A4K A6M A6A A6Q A6T A6C A6B A6H A6V A6K A7M A7A A7Q A7T A7C A7B A7H A7V A7K)	40Y9105	N	Y
6	Diskette drive, 3.5" 1.44MB 2 Mode (w/bezel) -- Lenovo (models 21S 21P 21L 21D 21Y 21M 21A 21Q 21T 21C 21B 21H 21V 21K 23M 23A 23Q 23T 23C 23B 23H 23V 23K 25M 25A 25Q 25T 25C 25B 25H 25V 25K D3M D3A D3Q D3T D3C D3B D3H D3V D3K D4M D4A D4Q D4T D4C D4B D4H D4V D4K D5M D5A D5Q D5T D5C D5B D5H D5V D5K A9S A9L A9D ABG 31S 31L 31D 32S 32L 32D D4S D4L D4D D8C D8B D8H A9Y 31Y 32Y D4Y A9P 32P 26G 35P DAS DAY 51A 51T DCS DCY DDS DDP DDY DFY 77G A4M A4A A4Q A4T A4C A4B A4H A4V A4K A6M A6A A6Q A6T A6C A6B A6H A6V A6K A7M A7A A7Q A7T A7C A7B A7H A7V A7K)	40Y9107	N	Y



Item #	8773 FRUs	FRU#	CRU Tier	RoHS?
6	Diskette drive, 3.5" 1.44MB 2 Mode (w/bezel) -- Lenovo (models 21S 21P 21L 21D 21Y 21M 21A 21Q 21T 21C 21B 21H 21V 21K 23M 23A 23Q 23T 23C 23B 23H 23V 23K 25M 25A 25Q 25T 25C 25B 25H 25V 25K D3M D3A D3Q D3T D3C D3B D3H D3V D3K D4M D4A D4Q D4T D4C D4B D4H D4V D4K D5M D5A D5Q D5T D5C D5B D5H D5V D5K A9S A9L A9D ABG 31S 31L 31D 32S 32L 32D D4S D4L D4D D8C D8B D8H A9Y 31Y 32Y D4Y A9P 32P 26G 35P DAS DAY 51A 51T DCS DCY DDS DDP DDY DFY 77G A4M A4A A4Q A4T A4C A4B A4H A4V A4K A6M A6A A6Q A6T A6C A6B A6H A6V A6K A7M A7A A7Q A7T A7C A7B A7H A7V A7K)	40Y9113	N	Y
6	Diskette Drive w/o Bezel (models 21S 21P 21L 21D 21Y 21M 21A 21Q 21T 21C 21B 21H 21V 21K 21J 23M 23A 23Q 23T 23C 23B 23H 23V 23K 23J 25M 25A 25Q 25T 25C 25B 25H 25V 25K 25J D3M D3A D3Q D3T D3C D3B D3H D3V D3K D3J D4M D4A D4Q D4T D4C D4B D4H D4V D4K D4J D5M D5A D5Q D5T D5C D5B D5H D5V D5K D5J A9S A9L A9D ABG 31S 31L 31D 32S 32L 32D D4S D4L D4D D8C D8B D8H A9Y 31Y 32Y D4Y A9P 32P ADJ 26G 34J 35P DAS DAY 51A 51T 51J 52J 53J DCS DCY DDS DDP DDY DFY 77G A4M A4A A4Q A4T A4C A4B A4H A4V A4K A4J A5J A6M A6A A6Q A6T A6C A6B A6H A6V A6K A6J A7M A7A A7Q A7T A7C A7B A7H A7V A7K A7J)	41D3724	N	Y
7	Front Panel Card (all models)	41A7153	N	N
8	Memory module, 256MB DDR1 SDRAM NP Memory (PC 3200) (models A4M A4A A4Q A4T A4C A4B A4H A4V A4K A4J A5J D4M D4A D4Q D4T D4C D4B D4H D4V D4K D4J A9S A9L A9D D4S D4L D4D A9Y D4Y 21S 21P 21L 21D 21Y 21M 21A 21Q 21T 21C 21B 21H 21V 21K 21J 31S 31L 31D 32S 32L 32D 31Y 32Y 74G A9P ACP ACY 32P D9P D9Y DAS DAY DBP 54M DCS DCY DDS DDP DDY DFY)	73P2683	2	Y
8	Memory module, 512MB DDR1 SDRAM NP Memory (PC 3200) (models A6M A6A A6Q A6T A6C A6B A6H A6V A6K A6J A7M A7A A7Q A7T A7C A7B A7H A7V A7K A7J D3M D3A D3Q D3T D3C D3B D3H D3V D3K D3J D5M D5A D5Q D5T D5C D5B D5H D5V D5K D5J D6M D6A D6Q D6T D6C D6B D6H D6V D6K D6J AAU AAF ABG D7C D7B D7H D8C D8B D8H 23M 23A 23Q 23T 23C 23B 23H 23V 23K 23J 25M 25A 25Q 25T 25C 25B 25H 25V 25K 25J 33U 33F 33S 33D ADJ 26G 34J 35P 51A 51T 51J 52J 53J 55M DES DEP DEY 77G 78G)	73P2684	2	Y
9	System board, SiS 661FX - Intel based - RoHS (models 4M A4M A4A A4Q A4T A4C A4B A4H A4V A4K A4J A5J A6M A6A A6Q A6T A6C A6B A6H A6V A6K A6J A7M A7A A7Q A7T A7C A7B A7H A7V A7K A7J A9S A9L A9D AAU AAF ABG 31S 31L 31D 32S 32L 32D 33U 33F 33S 33D D4S D4L D4D 74G D7C D7B D7H D8C D8B D8H A9Y 31Y 32Y 33Y D4Y A9P 32P ACP ACY D9P D9Y ADJ 26G 34J 35P DAS DAY DBP 51A 51T 51J 52J 53J 54M 55M DCS DCY DDS DDP DDY DES DEP DEY DFY 77G 78G 21S 21P 21L 21D 21Y 21M 21A 21Q 21T 21C 21B 21H 21V 21K 21J 23M 23A 23Q 23T 23C 23B 23H 23V 23K 23J 25M 25A 25Q 25T 25C 25B 25H 25V 25K 25J D3M D3A D3Q D3T D3C D3B D3H D3V D3K D3J D4M D4A D4Q D4T D4C D4B D4H D4V D4K D4J D5M D5A D5Q D5T D5C D5B D5H D5V D5K D5J D6M D6A D6Q D6T D6C D6B D6H D6V D6K D6J) <b>Note:</b> When ordering a system board, you must also order a retention bracket kit for the heat sink and fan assembly.	41X0137	N	Y

Item #	8773 FRUs	FRU#	CRU Tier	RoHS?
9	System board, SiS 661FX - Intel based - RoHS (models A4M A4A A4Q A4T A4C A4B A4H A4V A4K A4J A5J A6M A6A A6Q A6T A6C A6B A6H A6V A6K A6J A7M A7A A7Q A7T A7C A7B A7H A7V A7K A7J A9S A9L A9D AAU AAF ABG 31S 31L 31D 32S 32L 32D 33U 33F 33S 33D D4S D4L D4D 74G D7C D7B D7H D8C D8B D8H A9Y 31Y 32Y 33Y D4Y A9P 32P ACP ACY D9P D9Y ADJ 26G 34J 35P DAS DAY DBP 51A 51T 51J 52J 53J 54M 55M DCS DCY DDS DDP DDY DES DEP DEY DFY 77G 78G 21S 21P 21L 21D 21Y 21M 21A 21Q 21T 21C 21B 21H 21V 21K 21J 23M 23A 23Q 23T 23C 23B 23H 23V 23K 23J 25M 25A 25Q 25T 25C 25B 25H 25V 25K 25J D3M D3A D3Q D3T D3C D3B D3H D3V D3K D3J D4M D4A D4Q D4T D4C D4B D4H D4V D4K D4J D5M D5A D5Q D5T D5C D5B D5H D5V D5K D5J D6M D6A D6Q D6T D6C D6B D6H D6V D6K D6J) <b>Note:</b> When ordering a system board, you must also order a retention bracket kit for the heat sink and fan assembly.	41X2041	N	Y
10	180W power supply (non-smokeless) (models A4M A4A A4Q A4T A4C A4B A4H A4V A4K A6M A6A A6Q A6T A6C A6B A6H A6V A6K A7M A7A A7Q A7T A7C A7B A7H A7V A7K A9S A9L A9D AAU AAF ABG 31S 31L 31D 32S 32L 32D 33U 33F 33S 33D D4S D4L D4D 74G D7C D7B D7H D8C D8B D8H A9Y 31Y 32Y 33Y D4Y A9P ACP ACY 32P D9P D9Y 26G 35P DAS DAY DBP 51A 51T 54M 55M DCS DCY DDS DDP DDY DES DEP DEY DFY 77G 78G 21S 21P 21L 21D 21Y 21M 21A 21Q 21T 21C 21B 21H 21V 21K 23M 23A 23Q 23T 23C 23B 23H 23V 23K 25M 25A 25Q 25T 25C 25B 25H 25V 25K D3M D3A D3Q D3T D3C D3B D3H D3V D3K D4M D4A D4Q D4T D4C D4B D4H D4V D4K D5M D5A D5Q D5T D5C D5B D5H D5V D5K D6M D6A D6Q D6T D6C D6B D6H D6V D6K)	41N3111	N	Y
10	180W power supply (smokeless - Japanese) (models A4J A5J A6J A7J 21J 23J 25J D3J D4J D5J D6J ADJ 34J 51J 52J 53J)	41N3114	N	Y

The FRUs listed in the following table are not illustrated.

8773 FRUs	FRU#	CRU Tier	RoHS?
Shield, EMC, 5.25in. drive bay (all models)	41A7162	N	
Cable, Serial-ATA, (18in. RoHs) (all models)	41A7145	N	Y
Shield, EMC, diskette drive bay (all models)	41A7146	N	
Cable, diskette drive (all models)	41A7147	N	
Cover (all models)	41A7148	2	
Chassis assembly (all models)	41A7873	N	
Bezel assembly, front (all models)	41A7150	N	
Fan duct assembly (all models)	41A7151	N	
Shield, EMC, system board (all models)	41N5329	N	
Miscellaneous hardware kit (all models)	41A7155	N	
Cable, optical drive signal (all models)	41A7158	N	Y
Miscellaneous hardware kit (all models)	41A7155	N	
Miscellaneous bezel kit (all models)	41A7160	N	
Interposer cables (all models)	41A7161	N	
Fan assembly, front (all models)	41A7198	N	
Retention bracket kit, heat sink and fan (all models)	41A7139	N	

8773 Keyboards (Preferred Pro fullsize, Black)	FRU#	CRU Tier	RoHS?
US English (models A4M A4A A4Q A4C A4H A6M A6A A6Q A6C A6H A7M A7A A7Q A7C A7H 21L 21M 21A 21Q 21C 21H 23M 23A 23Q 23C 23H 25M 25A 25Q 25C 25H D3M D3A D3Q D3C D3H D4M D4A D4Q D4C D4H D5M D5A D5Q D5C D5H D6M D6A D6Q D6C D6H A9L AAU ABG 31L 32L 33U D4L 74G D7C D7H D8C D8H 26G 51A 54M 55M 77G 78G)	89P8300	1	Y
Arabic (models ABG 74G 26G 77G 78G)	89P8301	1	Y
Belgian/French (models ABG 74G 26G 77G 78G)	89P8302	1	Y
Belgian/UK (models ABG 74G 26G 77G 78G)	89P8303	1	Y
Bulgarian (models ABG 74G 26G 77G 78G)	89P8305	1	Y
Chinese/US (models A4B A4V A6B A6V A7B A7V 21B 21V 23B 23V 25B 25V D3B D3V D4B D4V D5B D5V D6B D6V D7B D8B)	89P8306	1	Y
Czech (models ABG 74G 26G 77G 78G)	89P8307	1	Y
Danish (models ABG 74G 26G 77G 78G)	89P8308	1	Y
Dutch (models ABG 74G 26G 77G 78G)	89P8309	1	Y
French (models ABG 74G 26G 77G 78G)	89P8310	1	Y
French Canadian 445 (models AAF 33F)	89P8311	1	Y
French Canadian 58 (models AAF 33F)	89P8312	1	Y
German (models ABG 74G 26G 77G 78G)	89P8313	1	Y
Greek (models ABG 74G 26G 77G 78G)	89P8314	1	Y
Hebrew (models ABG 74G 26G 77G 78G)	89P8315	1	Y
Hungarian (models ABG 74G 26G 77G 78G)	89P8316	1	Y
Iceland (models ABG 74G 26G 77G 78G)	89P8317	1	Y
Italian 142 (models ABG 74G 26G 77G 78G)	89P8319	1	Y
Japanese (models A4J A5J A6J 21J 23J 25J D3J D4J D5J D6J ADJ 34J 51J 52J 53J)	89P8320	1	Y
Korean (models A4K A6K A7K A7K 21K 23K 25K D3K D4K D5K D6K)	89P8321	1	Y
LA Spanish (models 21S 21D 21Y A9S A9D 31S 31D 32S 32D 33S 33D D4S D4D A9Y 31Y 32Y 33Y D4Y ACY D9Y DAS DAY DCS DCY DDS DDY DES DEY DFY)	89P8322	1	Y
Norwegian (models ABG 74G 26G 77G 78G)	89P8323	1	Y
Polish (models ABG 74G 26G 77G 78G)	89P8324	1	Y
Portuguese (models ABG 74G 26G 77G 78G)	89P8325	1	Y
Romanian (models ABG 74G 26G 77G 78G)	89P8326	1	Y
Russian/Cy (models ABG 74G 26G 77G 78G)	89P8328	1	Y
Serbian/Cyrillic (models ABG 74G 26G 77G 78G)	89P8329	1	Y
Slovak (models ABG 74G 26G 77G 78G)	89P8330	1	Y
Spanish (models ABG 74G 26G 77G 78G)	89P8331	1	Y
Swedish/Finn (models ABG 74G 26G 77G 78G)	89P8332	1	Y
Swiss F/G (models ABG 74G 26G 77G 78G)	89P8333	1	Y
Thailand (models A4T A6T A7T 21T 23T 25T D3T D4T D5T D6T 51T)	89P8334	1	Y
Turkish 179 (models ABG 74G 26G 77G 78G)	89P8336	1	Y
UK English (models ABG 74G 26G 77G 78G)	89P8337	1	Y
US Euro (models ABG 74G 26G 77G 78G)	89P8338	1	Y
Yugoslav/Latin (models ABG 74G 26G 77G 78G)	89P8339	1	Y

<b>8773 Keyboards (Preferred Pro fullsize, Black)</b>	<b>FRU#</b>	<b>CRU Tier</b>	<b>RoHS?</b>
Brazil/Portuguese (models 21P A9P ACP 32P D9P 35P DBP DDP DEP)	89P8304	1	Y

<b>8773 mice</b>	<b>FRU#</b>	<b>CRU Tier</b>	<b>RoHS?</b>
Mouse, IBM USB Optical Wheel mouse - Primax (models A4M A4A A4Q A4T A4C A4B A4H A4V A4K A4J A5J A6M A6A A6Q A6T A6C A6B A6H A6V A6K A6J A7M A7A A7Q A7T A7C A7B A7H A7V A7K A7K A9S A9L A9D AAU AAF ABG 31S 31L 31D 32S 32L 32D 33U 33F 33S 33D D4S D4L D4D 74G A9Y 31Y 32Y 33Y D4Y A9P ACP ACY 32P D9P D9Y ADJ 26G 34J 35P DAS DAY DBP 51A 51T 51J 52J 53J 54M 55M DCS DCY DDS DDP DDY DES DEP DEY DFY 77G 78G 21S 21P 21L 21D 21Y 21M 21A 21Q 21T 21C 21B 21H 21V 21K 21J 23M 23A 23Q 23T 23C 23B 23H 23V 23K 23J 25M 25A 25Q 25T 25C 25B 25H 25V 25K 25J D3M D3A D3Q D3T D3C D3B D3H D3V D3K D3J D4M D4A D4Q D4T D4C D4B D4H D4V D4K D4J D5M D5A D5Q D5T D5C D5B D5H D5V D5K D5J D6M D6A D6Q D6T D6C D6B D6H D6V D6K D6J D7C D7B D7H D8C D8B D8H)	41A4935	1	Y

<b>8773 Adapters and miscellaneous FRUs</b>	<b>FRU#</b>	<b>CRU Tier</b>	<b>RoHS?</b>
PCI Modem Card (Soft) (models 31S 31L 31D 31Y)	29R9729	1	Y
Speakers (2-piece) Infinity Logo (models D7C D7B D7H D8C D8B D8H)	89P8589	1	Y
Speakers (2-piece) Lenovo Logo (models D7C D7B D7H D8C D8B D8H)	41A5331	1	Y
Speaker Power brick - China, Thailand (models D7C D7B D7H D8C D8B D8H)	89P8581	1	Y
Speaker Brick - Hong Kong, EMEA (models D7B D7H D8B D8H)	89P8573	1	Y

<b>8773 Power Cords</b>	<b>FRU#</b>	<b>CRU Tier</b>	<b>RoHS?</b>
Power Cord (US) (models 4A A4T A6A A6T A7A A7T 21S 21L 21D 21A 21T 23A 23T 25A 25T D3A D3T D4A D4T D5A D5T D6A D6T A9S A9L A9D AAU AAF 31S 31L 31D 32S 32L 32D 33U 33F 33S 33D D4S D4L D4D DAS 51A 51T DCS DDS DES)	39M5080	1	Y
Power Cord (China) (models A4C A6C A7C 21C 23C 25C D3C D4C D5C D6C D7C D8C)	39M5205	1	Y
Power Cord (Japan) (models A4J A5J A6J 21J 23J 25J D3J D4J D5J D6J ADJ 34J 51J 52J 53J)	39M5193	1	Y
Power Cord (Brazil) (models 21P A9P ACP 32P D9P 35P DBP DDP DEP)	39M5232	1	Y
Power Cord (LA High Volt APU) (models 21L 21Y A9L 31L 32L D4L A9Y 31Y 32Y 33Y D4Y ACY D9Y DAY DCY DDY DEY DFY)	39M5067	1	Y
Power Cord (Australia, New Zealand) (models A4M A6M A7M 21M 23M 25M D3M D4M D5M D6M 54M 55M)	39M5102	1	Y
Power Cord (Korea) (models A4K A6K A7K A7K 21K 23K 25K D3K D4K D5K D6K)	39M5212	1	Y
Power Cord (Hong Kong) (models A4B A4H A6B A6H A7B A7H 21B 21H 23B 23H 25B 25H D3B D3H D4B D4H D5B D5H D6B D6H D7B D7H D8B D8H)	39M5151	1	Y
Power Cord (UK, Ireland, Singapore, Malaysia, Brunei) (models A4A A6A A7A 21A 23A 25A D3A D4A D5A D6A ABG 74G 26G 51A 77G 78G)	39M5150	1	Y
Power Cord (Taiwan) (models A4V A6V A7V 21V 23V 25V D3V D4V D5V D6V)	39M5246	1	Y

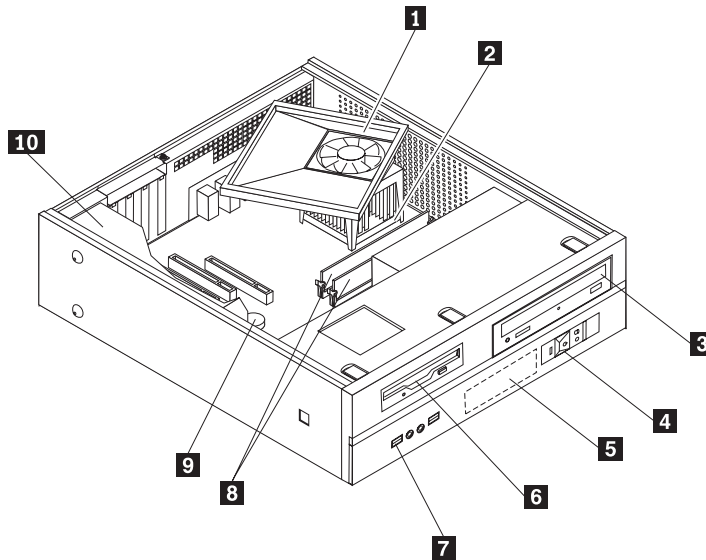
8773 Power Cords	FRU#	CRU Tier	RoHS?
Power Cord (Italy) (models 21S 21L 21Y A9S A9L ABG 31S 31L 32S 32L 33S D4S D4L 74G A9Y 31Y 32Y 33Y D4Y ACY D9Y 26G DAS DAY DCS DCY DDS DDY DES DEY DFY 77G 78G)	39M5164	1	Y
Power Cord (G models) (models A4A A6A A7A 21A 23A 25A D3A D4A D5A D6A ABG 74G 26G 51A 77G 78G)	39M5122	1	Y
Power Cord (Denmark) (models ABG 74G 26G 77G 78G)	39M5129	1	Y
Power Cord (Switzerland) (models ABG 74G 26G 77G 78G)	39M5157	1	Y
Power Cord (Israel) (models ABG 74G 26G 77G 78G)	39M5171	1	Y
Power Cord (South Africa) (models A4M A4A A6M A6A A7M A7A 21M 21A 23M 23A 25M 25A D3M D3A D4M D4A D5M D5A D6M D6A ABG 74G 26G 51A 54M 55M 77G 78G)	39M5143	1	Y
Power Cord (India) (models A4Q A6Q A7Q 21Q 23Q 25Q D3Q D4Q D5Q D6Q)	39M5004	1	Y

8773 Windows XP Home Recovery CDs	FRU#	CRU Tier	RoHS?
US/UK/AP/TH (models D6M D6A D6Q D6T D6H D6Q D6H D7H D8H)	41X4120	1	Y
BR (models ACP DBP)	41X4126	1	Y
SP/LA (models ACY)	41X4124	1	Y
Japanese (models D6J)	41W7697	1	Y
Simplified Chinese (models D6C D6C D7C D8C)	41W7676	1	Y
Taiwan - TC (models D6V)	41W7683	1	Y
Hong Kong - TC (models D6B D6B D7B D8B)	41W7690	1	Y
Korean (models D6K)	41W7669	1	Y

8773 Windows XP Pro Recovery CDs	FRU#	CRU Tier	RoHS?
US/UK/AP/TH (models A4M A4A A4Q A4T A4H A6M A6A A6Q A6T A6H A7M A7A A7Q A7T A7H 21L 21M 21A 21Q 21T 21H 23M 23A 23Q 23T 23H 25M 25A 25Q 25T 25H D3M D3A D3Q D3T D3H D4M D4A D4Q D4T D4H D5M D5A D5Q D5T D5H A9L AAU ABG 32L 33U D4L 74G D4A D4Q D4T D4H D5Q 73G 26G 51A 51T 54M 55M 77G 78G)	41X4174	1	Y
FR/CF (models AAF ABG 33F 74G 73G 26G 77G 78G)	41X4176	1	Y
GR (models ABG 74G 73G 26G 77G 78G)	41X4177	1	Y
IT (models ABG 74G 73G 26G 77G 78G)	41X4179	1	Y
BR (models ABG 74G 73G D9P 35P DEP)			
SP/LA (models 21S 21D 21Y A9S A9D ABG 32S 32D 33S 33D D4S D4D 74G 73G A9Y 32Y 33Y D4Y D9Y 26G DDS DDY DES DEY DFY 77G 78G)	41X4178	1	Y
DK (models ABG 74G 73G 26G 77G 78G)	41X4182	1	Y
NL (models ABG 74G 73G 26G 77G 78G)	41X5950	1	Y
AE (models ABG 74G 73G 26G 77G 78G)	41X5978	1	Y
SV (models ABG 74G 73G 26G 77G 78G)	41X4181	1	Y
HE (models ABG 74G 73G 26G 77G 78G)	41X5957	1	Y
FI (models ABG 74G 73G 26G 77G 78G)	41X5936	1	Y
NO (models ABG 74G 73G 26G 77G 78G)	41X5943	1	Y

8773 Windows XP Pro Recovery CDs	FRU#	CRU Tier	RoHS?
PL (models ABG 74G 73G 26G 77G 78G)	41X5964	1	Y
PO (models ABG 74G 73G 26G 77G 78G)	41X6359	1	Y
RU (models ABG 74G 73G 26G 77G 78G)	41X5985	1	Y
RE (models ABG 74G 73G 26G 77G 78G)	41X4175	1	Y
HU (models ABG 74G 73G 26G 77G 78G)	41X5999	1	Y
CZ (models ABG 74G 73G 26G 77G 78G)	41X5971	1	Y
TR (models ABG 74G 73G 26G 77G 78G)	41X5972	1	Y
GK (models ABG 74G 73G 26G 77G 78G)	41X6013	1	Y
SL (models ABG 74G 73G 26G 77G 78G)	41X6020	1	Y
Japanese (models A4J A5J A6J 21J 23J 25J D3J D4J D5J ADJ 34J 51J 52J 53J)	41W7662	1	Y
Simplified Chinese (models A4C A6C A7C 21C 23C 25C D3C D4C D5C D4C)	41W7641	1	Y
Taiwan - TC (models A4V A6V A7V 21V 23V 25V D3V D4V D5V D3V D5V)	41W7648	1	Y
Hong Kong - TC (models A4B A6B A7B 21B 23B 25B D3B D4B D5B D4B)	41W7655	1	Y
Korea (models A4K A6K A7K A7K 21K 23K 25K D3K D4K D5K)	41W7634	1	Y
Multilingual 1 (models ABG 74G 73G 26G 77G 78G)	41X4113	1	Y
Multilingual 2 (models ABG 74G 73G 26G 77G 78G)	41X6111	1	Y

## Machine Type 8774



Item #	8774 FRUs	FRU#	CRU Tier	RoHS?
1	Fan Sink - Intel Prescott & Celeron (models A2G)	41N5292	N	Y
2	Microprocessor, Celeron D 2.80GHz 533 FSB 256KB L2 (models A2G)	41T1695	N	Y
2	Microprocessor, Pentium 4 2.8GHz 800 FSB 1MB L2 (models 76G 77G)	41T1704	N	Y
3	DVD-ROM 16x -48x (models A2G 76G 77G)	40Y8931	N	Y
3	DVD-ROM 16x -48x (models A2G 76G 77G)	40Y8935	N	Y

Item #	8774 FRUs	FRU#	CRU Tier	RoHS?
3	DVD-ROM 16x -48x (models A2G 76G 77G)	40Y8957	N	Y
4	Front Panel PCB Asm (all models)	41N5269	N	
5	Hard disk drive, 80GB, 7200rpm Serial ATA (models A2G 76G 77G)	40Y9034	N	Y
5	Hard disk drive, 80GB, 7200rpm Serial ATA (models A2G 76G 77G)	40Y8761	N	Y
6	Diskette drive, 3.5" 1.44MB 2 Mode (w/bezel) -- Lenovo (models A2G 76G)	40Y9105	N	Y
6	Diskette drive, 3.5" 1.44MB 2 Mode (w/bezel) -- Lenovo (models A2G 76G)	40Y9107	N	Y
6	Diskette drive, 3.5" 1.44MB 2 Mode (w/bezel) -- Lenovo (models A2G 76G)	40Y9113	N	Y
6	Diskette Drive w/o Bezel (models A2G 76G)	41D3724	N	Y
7	Front Panel Card (all models)	41A7153	N	
8	Memory module, 512MB DDR1 SDRAM NP Memory (PC 3200) (models A2G 76G 77G)	73P2684	2	Y
9	System board, SiS 661FX - Intel based - RoHS (models A2G 76G 77G) <b>Note:</b> When ordering a system board, you must also order a retention bracket kit for the heat sink and fan assembly.	41X0137	N	Y
9	System board, SiS 661FX - Intel based - RoHS (models A2G 76G 77G) <b>Note:</b> When ordering a system board, you must also order a retention bracket kit for the heat sink and fan assembly.	41X2041	N	Y
10	180W power supply (non-smokeless) (models A2G 76G 77G)	41N3111	N	Y

8774 FRUs	FRU#	CRU Tier	RoHS?
Shield, EMC, 5.25in. drive bay (all models)	41A7162	N	
Cable, Serial-ATA, (18in. RoHs) (all models)	41A7145	N	Y
Shield, EMC, diskette drive bay (all models)	41A7146	N	
Cable, diskette drive (all models)	41A7147	N	
Cover (all models)	41A7148	2	
Chassis assembly (all models)	41A7873	N	
Bezel assembly, front (all models)	41A7150	N	
Fan duct assembly (all models)	41A7151	N	
Shield, EMC, system board (all models)	41N5329	N	Y
Miscellaneous hardware kit (all models)	41A7155	N	
Cable, optical drive signal (all models)	41A7158	N	
Miscellaneous bezel kit (all models)	41A7160	N	
Interposer cables (all models)	41A7161	N	
Fan assembly, front (all models)	41A7198	N	
Retention bracket kit, heat sink and fan (all models)	41A7139	N	

8774 Keyboards (Preferred Pro fullsize, Black)	FRU#	CRU Tier	RoHS?
US English (models A2G 76G 77G)	89P8300	1	Y
Arabic (models A2G 76G 77G)	89P8301	1	Y
Belgian/French (models A2G 76G 77G)	89P8302	1	Y

<b>8774 Keyboards (Preferred Pro fullsize, Black)</b>	<b>FRU#</b>	<b>CRU Tier</b>	<b>RoHS?</b>
Belgian/UK (models A2G 76G 77G)	89P8303	1	Y
Bulgarian (models A2G 76G 77G)	89P8305	1	Y
Czech (models A2G 76G 77G)	89P8307	1	Y
Danish (models A2G 76G 77G)	89P8308	1	Y
Dutch (models A2G 76G 77G)	89P8309	1	Y
French (models A2G 76G 77G)	89P8310	1	Y
German (models A2G 76G 77G)	89P8313	1	Y
Greek (models A2G 76G 77G)	89P8314	1	Y
Hebrew (models A2G 76G 77G)	89P8315	1	Y
Hungarian (models A2G 76G 77G)	89P8316	1	Y
Iceland (models A2G 76G 77G)	89P8317	1	Y
Italian 142 (models A2G 76G 77G)	89P8319	1	Y
Norwegian (models A2G 76G 77G)	89P8323	1	Y
Polish (models A2G 76G 77G)	89P8324	1	Y
Portuguese (models A2G 76G 77G)	89P8325	1	Y
Romanian (models A2G 76G 77G)	89P8326	1	Y
Russian/Cy (models A2G 76G 77G)	89P8328	1	Y
Serbian/Cyrillic (models A2G 76G 77G)	89P8329	1	Y
Slovak (models A2G 76G 77G)	89P8330	1	Y
Spanish (models A2G 76G 77G)	89P8331	1	Y
Swedish/Finn (models A2G 76G 77G)	89P8332	1	Y
Swiss F/G (models A2G 76G 77G)	89P8333	1	Y
Turkish 179 (models A2G 76G 77G)	89P8336	1	Y
UK English (models A2G 76G 77G)	89P8337	1	Y
US Euro (models A2G 76G 77G)	89P8338	1	Y
Yugoslav/Latin (models A2G 76G 77G)	89P8339	1	Y

The FRUs listed in the following table are not illustrated.

<b>8774 mice</b>	<b>FRU#</b>	<b>CRU Tier</b>	<b>RoHS?</b>
Mouse, IBM USB Optical Wheel mouse - Primax (models A2G 76G 77G)	41A4935	1	Y

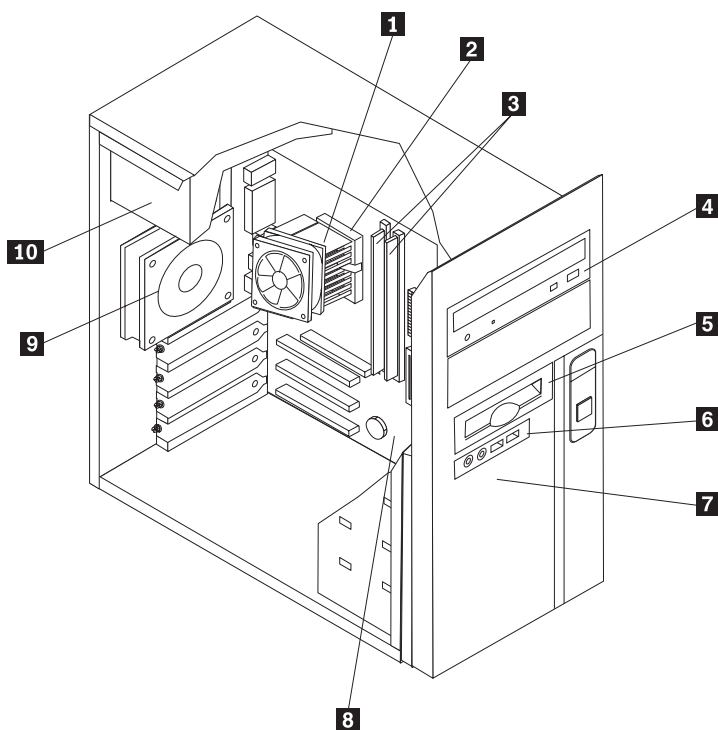
<b>8774 Power Cords</b>	<b>FRU#</b>	<b>CRU Tier</b>	<b>RoHS?</b>
Power Cord - UK, Ireland, Singapore, Malaysia, Brunei (models A2G 76G 77G)	39M5150	1	Y
Power Cord (Italy) (models A2G 76G 77G)	39M5164	1	Y
Power Cord (G models) (models A2G 76G 77G)	39M5122	1	Y
Power Cord - (Denmark) (models A2G 76G 77G)	39M5129	1	Y
Power Cord (Switzerland) (models A2G 76G 77G)	39M5157	1	Y
Power Cord (Israel) (models A2G 76G 77G)	39M5171	1	Y



<b>8774 Power Cords</b>	<b>FRU#</b>	<b>CRU Tier</b>	<b>RoHS?</b>
Power Cord - (South Africa) (models A2G 76G 77G)	39M5143	1	Y

<b>8774 Windows XP Pro Recovery CDs</b>	<b>FRU#</b>	<b>CRU Tier</b>	<b>RoHS?</b>
US/UK/AP/TH (models A2G 76G 77G)	41X4174	1	Y
FR/CF (models A2G 76G 77G)	41X4176	1	Y
GR (models A2G 76G 77G)	41X4177	1	Y
IT (models A2G 76G 77G)	41X4179	1	Y
SP/LA (models A2G 76G 77G)	41X4178	1	Y
DK (models A2G 76G 77G)	41X4182	1	Y
NL (models A2G 76G 77G)	41X5950	1	Y
AE (models A2G 76G 77G)	41X5978	1	Y
SV (models A2G 76G 77G)	41X4181	1	Y
HE (models A2G 76G 77G)	41X5957	1	Y
FI (models A2G 76G 77G)	41X5936	1	Y
NO (models A2G 76G 77G)	41X5943	1	Y
PL (models A2G 76G 77G)	41X5964	1	Y
PO (models A2G 76G 77G)	41X6359	1	Y
RU (models A2G 76G 77G)	41X5985	1	Y
RE (models A2G 76G 77G)	41X4175	1	Y
HU (models A2G 76G 77G)	41X5999	1	Y
CZ (models A2G 76G 77G)	41X5971	1	Y
TR (models A2G 76G 77G)	41X5972	1	Y
GK (models A2G 76G 77G)	41X6013	1	Y
SL (models A2G 76G 77G)	41X6020	1	Y
Multilingual 1 (models A2G 76G 77G)	41X4113	1	Y
Multilingual 2 (models A2G 76G 77G)	41X6111	1	Y

## Machine Type 8776



Item #	8776 FRUs	FRU#	CRU Tier	RoHS?
1	Fan Sink - Intel Prescott & Celeron (models D1U D1F D1S D1D D1Y D1G D1M D1A D1Q D1T D1C D1B D1H D1V D1K 31U 31F E1U E1F 32Q 32C 41Q D4A D4Q D4T D4C D4B D4H D6M D6Q D6C D6B D6H E3A E3T E3C E3B E3H 42Y 42V F1K F6Q F2Q F7U F7S F7A F7T F3U F3S F3A F3T F4Q F5T F5V F8K)	41D3552	N	Y
2	Microprocessor, Pentium 4 Processor 2.8 GHz 800 FSB 1MB L2 (models 31U 31F 32Q 32C)	41T1700	N	Y
2	Microprocessor, Pentium 4 Processor 3.0 GHz 800 FSB 1MB L2 (models 41Q 42Y 42V)	41T1701	N	Y
2	Microprocessor, Pentium 4 630 Processor 3.0 GHz 800 FSB 2MB L2 (models D1U D1F D1S D1D D1Y D1G D1M D1A D1Q D1T D1C D1B D1H D1V D1K)	41T1709	N	Y
2	Microprocessor, Intel 631, Cedar Mill (models D4A D4Q D4T D4C D4B D4H D6M D6Q D6C D6B D6H)	41T1712	N	Y
2	Microprocessor, Pentium 4, 3.2 GHz 800 FSB 2MB L2 (models E1U E1F E3A E3T E3C E3B E3H)	41T1710	N	Y
2	Microprocessor, Intel 805 Proc [rev B0 - TBD] (models F1K F6Q)	41X7626	N	Y
2	Microprocessor, Intel 820 Proc - A0 Smithfield (models F2Q F7U F7S F7A F7T)	41T1704	N	Y
2	Microprocessor, Intel 915 Proc [rev C1 - SL9DA] (models F3U F3S F3A F3T)	41X7775	N	Y
2	Microprocessor, Intel 945 Proc [rev C1 - SL9QB] (models F4Q F5T F5V F8K)	TBD	N	Y
3	Memory module, 256MB DDR2 SDRAM NP (PC 4200) (models 32Q 32C 41Q 42Y 42V F6Q F2Q F7U F7S F7A F7T F3U F3S F3A F3T)	30R5120	2	Y

Item #	8776 FRUs	FRU#	CRU Tier	RoHS?
3	Memory module, 512MB DDR2 SDRAM NP (PC 4200) (models D1U D1F D1S D1D D1Y D1G D1M D1A D1Q D1T D1C D1B D1H D1V D1K 31U 31F E1U E1F D4A D4Q D4T D4C D4B D4H D6M D6Q D6C D6B D6H E3A E3T E3C E3B E3H F1K F4Q F5T F5V)	30R5121	2	Y
3	Memory module, 1024MB DDR2 SDRAM NP (PC 3200) (models F8K)	30R5122	2	Y
4	CD-ROM Drive 48X - Black w/o jack & vol (models 31U 31F 32Q 32C D4A D4Q D4T D4C D4B D4H F1K F6Q F2Q F7U F7S F7A F7T F3U F3S F3A F3T F4Q)	40Y8929	N	Y
4	CD-ROM Drive 48X - Black w/o jack & vol (models 31U 31F 32Q 32C D4A D4Q D4T D4C D4B D4H F1K F6Q F2Q F7U F7S F7A F7T F3U F3S F3A F3T F4Q)	41X3540	N	Y
4	CD-ROM Drive 48X - Black w/o jack & vol (models 31U 31F 32Q 32C D4A D4Q D4T D4C D4B D4H F1K F6Q F2Q F7U F7S F7A F7T F3U F3S F3A F3T F4Q)	40Y8807	N	Y
4	CD-ROM Drive 48X - Black w/o jack & vol (models 31U 31F 32Q 32C D4A D4Q D4T D4C D4B D4H F1K F6Q F2Q F7U F7S F7A F7T F3U F3S F3A F3T F4Q)	40Y8955	N	Y
4	CD-ROM Drive 48X - Black w/o jack & vol (models 31U 31F 32Q 32C D4A D4Q D4T D4C D4B D4H F1K F6Q F2Q F7U F7S F7A F7T F3U F3S F3A F3T F4Q)	40Y8953	N	Y
4	CD-RW Drive (48X/32X/48X) (models D1U D1F D1S D1D D1Y D1G D1M D1A D1Q D1T D1C D1B D1H D1V D1K 41Q)	40Y8937	N	Y
4	CD-RW Drive (48X/32X/48X) (models D1U D1F D1S D1D D1Y D1G D1M D1A D1Q D1T D1C D1B D1H D1V D1K 41Q)	40Y8901	N	Y
4	DVD-ROM 16x -48x (models 42Y 42V F5T F5V)	40Y8931	N	Y
4	DVD-ROM 16x -48x (models 42Y 42V F5T F5V)	40Y8935	N	Y
4	DVD-ROM 16x -48x (models 42Y 42V F5T F5V)	40Y8957	N	Y
4	Combo 48 -32 -48 -16 - - DVD - ROM - CDRW (models E1U E1F D6M D6Q D6C D6B D6H E3A E3T E3C E3B E3H)	40Y8919	N	Y
4	Combo 48 -32 -48 -16 - - DVD - ROM - CDRW (models E1U E1F D6M D6Q D6C D6B D6H E3A E3T E3C E3B E3H)	40Y8941	N	Y
4	Combo 48 -32 -48 -16 - - DVD - ROM - CDRW (models E1U E1F D6M D6Q D6C D6B D6H E3A E3T E3C E3B E3H)	40Y8943	N	Y
4	Multi-Burner Plus (models F8K)	41N3343	N	Y
5	Diskette drive, 3.5" 1.44MB 2 Mode (w/bezel) -- Lenovo (models 32Q 32C 42Y 42V F1K F7U F7S F7A F7T F3U F3S F3A F3T F5T F5V)	40Y9105	N	Y
5	Diskette drive, 3.5" 1.44MB 2 Mode (w/bezel) -- Lenovo (models 32Q 32C 42Y 42V F1K F7U F7S F7A F7T F3U F3S F3A F3T F5T F5V)	40Y9107	N	Y
5	Diskette drive, 3.5" 1.44MB 2 Mode (w/bezel) -- Lenovo (models 32Q 32C 42Y 42V F1K F7U F7S F7A F7T F3U F3S F3A F3T F5T F5V)	40Y9113	N	Y
6	Front Panel Cable Asm (RoHS) (all models)	41A7886	N	Y
7	Hard disk drive, 80GB, 7200rpm, serial ATA (models D1U D1F D1S D1D D1Y D1G D1M D1A D1Q D1T D1C D1B D1H D1V D1K 31U 31F 32Q 32C 41Q D4A D4Q D4T D4C D4B D4H D6M D6Q D6C D6B D6H E3A E3T E3C E3B E3H 42Y 42V F1K F6Q F2Q F7U F7S F7A F7T F3U F3S F3A F3T F4Q F5T F5V)	40Y9034	N	Y

Item #	8776 FRUs	FRU#	CRU Tier	RoHS?
7	Hard disk drive, 80GB, 7200rpm, serial ATA (models D1U D1F D1S D1D D1Y D1G D1M D1A D1Q D1T D1C D1B D1H D1V D1K 31U 31F 32Q 32C 41Q D4A D4Q D4T D4C D4B D4H D6M D6Q D6C D6B D6H E3A E3T E3C E3B E3H 42Y 42V F1K F6Q F2Q F7U F7S F7A F7T F3U F3S F3A F3T F4Q F5T F5V)	40Y8761	N	Y
7	Hard disk drive, 160GB, 7200rpm, serial ATA (models E1U E1F)	40Y9035	N	Y
7	Hard disk drive, 160GB, 7200rpm, serial ATA (models E1U E1F)	40Y8762	N	Y
7	Hard disk drive, 250GB, 7200rpm, serial ATA (models F8K)	40Y9036	N	Y
7	Hard disk drive, 250GB, 7200rpm, serial ATA (models F8K)	40Y8763	N	Y
8	System board, Intel 945G (models D1U D1F D1S D1D D1Y D1G D1M D1A D1Q D1T D1C D1B D1H D1V D1K 31U 31F E1U E1F 41Q D4A D4Q D4T D4C D4B D4H E3A E3T E3C E3B E3H 42Y 42V F3U F3S F3A F3T F5T F5V) <b>Note:</b> When ordering a system board, you must also order a retention bracket kit for the heat sink and fan assembly.	41T1609	N	Y
8	System board, Intel 945GZ (models 32Q 32C D6M D6Q D6C D6B D6H F1K F6Q F2Q F7U F7S F7A F7T F4Q F8K) <b>Note:</b> When ordering a system board, you must also order a retention bracket kit for the heat sink and fan assembly.	41T1608	N	Y
8	System board, Intel 945GZ (models 32Q 32C D6M D6Q D6C D6B D6H F1K F6Q F2Q F7U F7S F7A F7T F4Q F8K) <b>Note:</b> When ordering a system board, you must also order a retention bracket kit for the heat sink and fan assembly.	41X2042	N	Y
9	System Fan, rear w/grill (all models)	41N5339	N	Y
10	Power supply, 250W, non-RoHS (models D1U D1F D1S D1D D1Y D1G D1M D1A D1Q D1T D1C D1B D1H D1V D1K 31U 31F E1U E1F 32Q 32C 41Q D4A D4Q D4T D4C D4B D4H D6M D6Q D6C D6B D6H E3A E3T E3C E3B E3H 42Y F7U F7S F3U F3S 42V F1K F6Q F2Q F7A F7T F3A F3T F4Q F5T F5V F8K)	41N3127	N	N

The FRUs listed in the following table are not illustrated.

8776 FRUs	FRU#	CRU Tier	RoHS?
Cable, Serial ATA 250mm (all models)	41A7145	2	Y
Cable, diskette drive (all models)	41A7130	2	Y
Cover, right side (all models)	41N5333	2	Y
Chassis assembly (all models)	41A7885	N	
Bezel, front (all models)	41A7866	2	
Power switch/LED assembly (all models)	41N5284	N	
Shield, system board (all models)	41N5329	N	Y
Miscellaneous hardware kit (all models)	41N5334	N	Y
Retention bracket kit, heat sink and fan (all models)	41A7139	N	
Cable, optical drive and hard disk drive signal (2-drop) (all models)	41A7875	N	
Cable, Interposer GBM (all models)	41N5307	N	N
Miscellaneous bezel kit (all models)	41A7144	N	

8776 Keyboards (Preferred Pro fullsize, Black)	FRU#	CRU Tier	RoHS?
US English (models D1U D1G D1M D1A D1Q D1C D1H 31U E1U 32Q 32C 41Q D4A D4Q D4C D4H D6M D6Q D6C D6H E3A E3C E3H F6Q F2Q F7U F7A F3U F3A F4Q)	89P8300	1	Y
Arabic (models D1G)	89P8301	1	Y
Belgian/French (models D1G)	89P8302	1	Y
Belgian/UK (models D1G)	89P8303	1	Y
Bulgarian (models D1G)	89P8305	1	Y
Chinese/US (models D1B D1V D4B D6B E3B 42V F5V)	89P8306	1	Y
Czech (models D1G D2G 72G 73G 61G)	89P8307	1	Y
Danish (models D1G)	89P8308	1	Y
Dutch (models D1G)	89P8309	1	Y
French (models D1G)	89P8310	1	Y
French Canadian 445 (models D1F 31F E1F)	89P8311	1	Y
French Canadian 58 (models D1F 31F E1F)	89P8312	1	Y
German (models D1G)	89P8313	1	Y
Greek (models D1G)	89P8314	1	Y
Hebrew (models D1G)	89P8315	1	Y
Hungarian (models D1G)	89P8316	1	Y
Iceland (models D1G)	89P8317	1	Y
Italian 142 (models D1G)	89P8319	1	Y
Korean (models D1K F1K F8K)	89P8321	1	Y
LA Spanish (models D1S D1D D1Y 42Y F7S F3S)	89P8322	1	Y
Norwegian (models D1G)	89P8323	1	Y
Polish (models D1G)	89P8324	1	Y
Portuguese (models D1G)	89P8325	1	Y
Romanian (models D1G)	89P8326	1	Y
Russian/Cy (models D1G)	89P8328	1	Y
Serbian/Cyrillic (models D1G)	89P8329	1	Y
Slovak (models D1G)	89P8330	1	Y
Spanish (models D1G)	89P8331	1	Y
Swedish/Finn (models D1G)	89P8332	1	Y
Swiss F/G (models D1G)	89P8333	1	Y
Thailand (models D1T D4T E3T F7T F3T F5T)	89P8334	1	Y
Turkish 179 (models D1G)	89P8336	1	Y
UK English (models D1G)	89P8337	1	Y
US Euro (models D1G)	89P8338	1	Y
Yugoslav/Latin (models D1G)	89P8339	1	Y

8776 mice	FRU#	CRU Tier	RoHS?
Mouse, IBM USB Optical Wheel (models D1U D1F D1S D1D D1Y D1G D1M D1A D1Q D1T D1C D1B D1H D1V D1K 31U 31F E1U E1F 32Q 32C 41Q D4A D4Q D4T D4C D4B D4H D6M D6Q D6C D6B D6H E3A E3T E3C E3B E3H 42Y 42V F1K F6Q F2Q F7U F7S F7A F7T F3U F3S F3A F3T F4Q F5T F5V F8K)	41A4935	1	Y

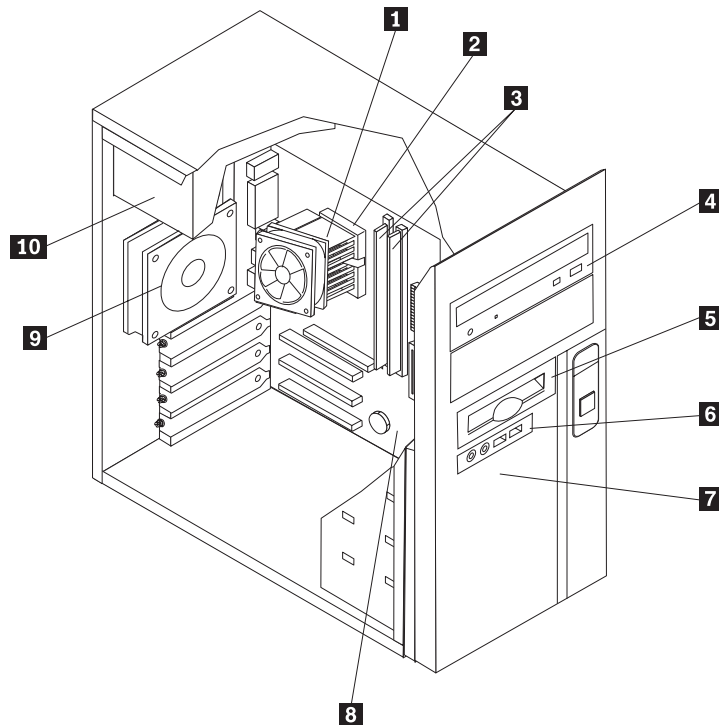
8776 Adapters and miscellaneous FRUs	FRU#	CRU Tier	RoHS?
L1 IEEE 1394 PCI Adapter (models E1U E1F)	41D2781	2	Y
Speakers (2-piece) (models F8K)	89P8589	2	Y
Speaker Brick - Korea (models F8K)	41A4903	2	Y

8776 Power Cords	FRU#	CRU Tier	RoHS?
Power Cord (US) (models D1U D1F D1S D1D D1A D1T 31U 31F E1U E1F D4A D4T E3A E3T F7U F7S F7A F7T F3U F3S F3A F3T F5T)	39M5080	1	Y
Power Cord (China) (models D1C 32C D4C D6C E3C)	39M5205	1	Y
Power Cord (LA High Volt APU) (models D1Y 42Y)	39M5067	1	Y
Power Cord (Australia, New Zealand) (models D1M D6M)	39M5102	1	Y
Power Cord (Korea) (models D1K F1K F8K)	39M5212	1	Y
Power Cord (Hong Kong) (models D1B D1H D4B D4H D6B D6H E3B E3H)	39M5151	1	Y
Power Cord (UK, Ireland, Singapore, Malaysia, Brunei) (models D1G D1A D4A E3A F7A F3A)	39M5150	1	Y
Power Cord (Taiwan) (models D1V 42V F5V)	39M5246	1	Y
Power Cord (Italy) (models D1S D1Y D1G 42Y F7S F3S)	39M5164	1	Y
Power Cord (G models) (models D1G D1A D4A E3A F7A F3A)	39M5122	1	Y
Power Cord (Denmark) (models D1G)	39M5129	1	Y
Power Cord (Switzerland) (models D1G)	39M5157	1	Y
Power Cord (Israel) (models D1G)	39M5171	1	Y
Power Cord (South Africa) (models D1G D1M D1A D4A D6M E3A F7A F3A)	39M5143	1	Y
Power Cord (India) (models D1Q 32Q 41Q D4Q D6Q F6Q F2Q F4Q)	39M5004	1	Y

8776 Windows XP Pro Recovery CDs	FRU#	CRU Tier	RoHS?
US/UK/AP/TH (models D1U D1G D1M D1A D1Q D1T D1H 31U E1U D4A D4Q D4T D4H D6M D6Q D6H E3A E3T E3H F7U F7A F7T F3U F3A F3T F4Q F5T)	41X4174	1	Y
FR/CF (models D1F D1G 31F E1F)	41X4176	1	Y
GR (models D1G)	41X4177	1	Y
IT (models D1G)	41X4179	1	Y
SP/LA (models D1S D1D D1Y D1G 42Y F7S F3S)	41X4178	1	Y
DK (models D1G)	41X4182	1	Y
NL (models D1G)	41X5950	1	Y
AE (models D1G)	41X5978	1	Y
SV (models D1G)	41X4181	1	Y

8776 Windows XP Pro Recovery CDs	FRU#	CRU Tier	RoHS?
HE (models D1G)	41X5957	1	Y
FI (models D1G)	41X5936	1	Y
NO (models D1G)	41X5943	1	Y
PL (models D1G)	41X5964	1	Y
PO (models D1G)	41X6359	1	Y
RU (models D1G)	41X5985	1	Y
RE (models D1G)	41X4175	1	Y
HU (models D1G)	41X5999	1	Y
CZ (models D1G)	41X5971	1	Y
TR (models D1G)	41X5972	1	Y
GK (models D1G)	41X6013	1	Y
SL (models D1G)	41X6020	1	Y
Simplified Chinese (models D1C D4C D6C E3C)	41W7641	1	Y
Taiwan - TC (models D1V 42V F5V)	41W7648	1	Y
Hong Kong - TC (models D1B D4B D6B E3B)	41W7655	1	Y
Korea (models D1K)	41W7634	1	Y
Multilingual 1 (models D1G)	41X4113	1	Y
Multilingual 2 (models D1G)	41X6111	1	Y

## Machine Type 8777



Item #	8777 FRUs	FRU#	CRU Tier	RoHS?
1	Fan Sink - Intel Prescott & Celeron	TBD	N	Y
2	Microprocessor, Pentium 4 Processor 2.8 GHz 800 FSB 1MB L2 (models 74G)	41T1704	N	Y
3	Memory module, 512MB DDR2 SDRAM NP (PC 4200) (models 74G)	30R5121	2	Y
4	DVD-ROM 16x -48x (models 74G)	40Y8931	N	Y
4	DVD-ROM 16x -48x (models 74G)	40Y8935	N	Y
4	DVD-ROM 16x -48x (models 74G)	40Y8957	N	Y
5	Diskette drive, 3.5" 1.44MB 2 Mode (w/bezel) -- Lenovo (models)	TBD	N	Y
6	Front Panel Cable Asm (RoHS) (all models)	41A7886	N	Y
7	Hard disk drive, 80GB, 7200rpm, serial ATA (models 74G)	40Y9034	N	Y
7	Hard disk drive, 80GB, 7200rpm, serial ATA (models 74G)	40Y8761	N	Y
8	System board, Intel 945GZ (models 74G) <b>Note:</b> When ordering a system board, you must also order a retention bracket kit for the heat sink and fan assembly.	41T1608	N	Y
8	System board, Intel 945GZ (models 74G) <b>Note:</b> When ordering a system board, you must also order a retention bracket kit for the heat sink and fan assembly.	41X2042	N	Y
9	System Fan, rear w/grill (all models)	41N5339	N	Y
10	Power supply, 250W, non-RoHS (models 74G)	41N3127	N	N

The FRUs listed in the following table are not illustrated.

8777 FRUs	FRU#	CRU Tier	RoHS?
Cable, Serial ATA 250mm (all models)	41A7145	2	Y
Cable, diskette drive (all models)	41A7130	2	Y
Cover, right side (all models)	41N5333	2	Y
Chassis assembly (all models)	41A7885	N	
Bezel, front (all models)	41A7866	2	
Power switch/LED assembly (all models)	41N5284	N	
Shield, system board (all models)	41N5329	N	Y
Miscellaneous hardware kit (all models)	41N5334	N	Y
Retention bracket kit, heat sink and fan (all models)	41A7139	N	
Cable, optical drive and hard disk drive signal (2-drop) (all models)	41A7875	N	
Cable, Interposer GBM (all models)	41N5307	N	
Miscellaneous bezel kit (all models)	41A7144	N	

8777 Keyboards (Preferred Pro fullsize, Black)	FRU#	CRU Tier	RoHS?
US English (models 74G)	89P8300	1	Y
Arabic (models 74G)	89P8301	1	Y
Belgian/French (models 74G)	89P8302	1	Y
Belgian/UK (models 74G)	89P8303	1	Y



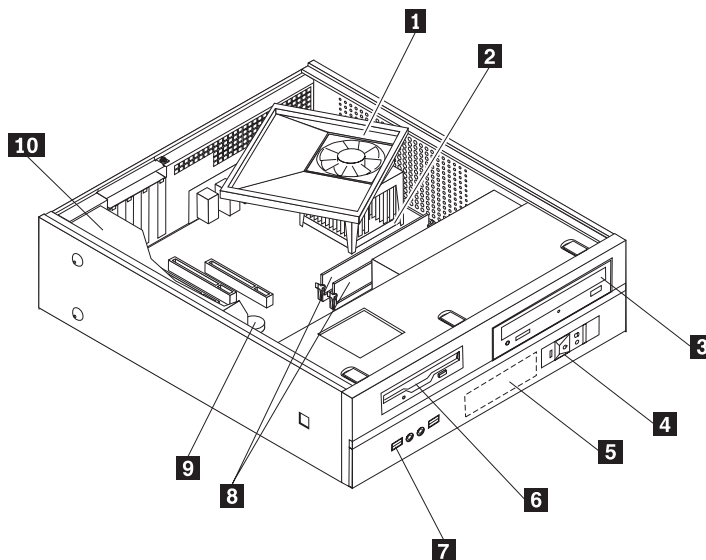
<b>8777 Keyboards (Preferred Pro fullsize, Black)</b>	<b>FRU#</b>	<b>CRU Tier</b>	<b>RoHS?</b>
Bulgarian (models 74G)	89P8305	1	Y
Czech (models 74G)	89P8307	1	Y
Danish (models 74G)	89P8308	1	Y
Dutch (models 74G)	89P8309	1	Y
French (models 74G)	89P8310	1	Y
German (models 74G)	89P8313	1	Y
Greek (models 74G)	89P8314	1	Y
Hebrew (models 74G)	89P8315	1	Y
Hungarian (models 74G)	89P8316	1	Y
Iceland (models 74G)	89P8317	1	Y
Italian 142 (models 74G)	89P8319	1	Y
Norwegian (models 74G)	89P8323	1	Y
Polish (models 74G)	89P8324	1	Y
Portuguese (models 74G)	89P8325	1	Y
Romanian (models 74G)	89P8326	1	Y
Russian/Cy (models 74G)	89P8328	1	Y
Serbian/Cyrillic (models 74G)	89P8329	1	Y
Slovak (models 74G)	89P8330	1	Y
Spanish (models 74G)	89P8331	1	Y
Swedish/Finn (models 74G)	89P8332	1	Y
Swiss F/G (models 74G)	89P8333	1	Y
Turkish 179 (models 74G)	89P8336	1	Y
UK English (models 74G)	89P8337	1	Y
US Euro (models 74G)	89P8338	1	Y
Yugoslav/Latin (models 74G)	89P8339	1	Y

<b>8777 mice</b>	<b>FRU#</b>	<b>CRU Tier</b>	<b>RoHS?</b>
Mouse, IBM USB Optical Wheel (models 74G)	41A4935	1	Y

<b>8777 Power Cords</b>	<b>FRU#</b>	<b>CRU Tier</b>	<b>RoHS?</b>
Power Cord (UK, Ireland, Singapore, Malaysia, Brunei) (models 74G)	39M5150	1	Y
Power Cord (Italy) (models 74G)	39M5164	1	Y
Power Cord (G models) (models 74G)	39M5122	1	Y
Power Cord (Denmark) (models 74G)	39M5129	1	Y
Power Cord (Switzerland) (models 74G)	39M5157	1	Y
Power Cord (Israel) (models 74G)	39M5171	1	Y
Power Cord (South Africa) (models 74G)	39M5143	1	Y

8777 Windows XP Pro Recovery CDs	FRU#	CRU Tier	RoHS?
US/UK/AP/TH (models 74G)	41X4174	1	Y
FR/CF (models 74G)	41X4176	1	Y
GR (models 74G)	41X4177	1	Y
IT (models 74G)	41X4179	1	Y
SP/LA (models 74G)	41X4178	1	Y
DK (models 74G)	41X4182	1	Y
NL (models 74G)	41X5950	1	Y
AE (models 74G)	41X5978	1	Y
SV (models 74G)	41X4181	1	Y
HE (models 74G)	41X5957	1	Y
FI (models 74G)	41X5936	1	Y
NO (models 74G)	41X5943	1	Y
PL (models 74G)	41X5964	1	Y
PO (models 74G)	41X6359	1	Y
RU (models 74G)	41X5985	1	Y
RE (models 74G)	41X4175	1	Y
HU (models 74G)	41X5999	1	Y
CZ (models 74G)	41X5971	1	Y
TR (models 74G)	41X5972	1	Y
GK (models 74G)	41X6013	1	Y
SL (models 74G)	41X6020	1	Y
Multilingual 1 (models 74G)	41X4113	1	Y
Multilingual 2 (models 74G)	41X6111	1	Y

## Machine Type 8778



Item #	8778 FRUs	FRU#	CRU Tier	RoHS?
1	Fan Sink - Intel Prescott & Celeron (models A1M A1A A1Q A1Q A1T A1C A1B A1H A1V A1K A1J A2G 31U 31F 71G D1U D1F D1G D1M D1A D1Q D1Q D1T D1C D1B D1H D1V D1K D1J 32C 32B 32H 32K E2A E2T E2C E2B E2H)	41N5292	N	Y
1	Fan Sink - Intel Cedar Mill & Smithfield (models D2C D2B D2H D2K D3K E3M E6K F1M E3M E4U E4S E4A E4T E5K E7K)	41N5296	N	Y
2	Microprocessor, Celeron D 2.8 GHz 533 FSB 256KB L2 (models A2G A1M A1A A1Q A1Q A1T A1C A1B A1H A1V A1K A1J)	41T1695	N	Y
2	Microprocessor, Pentium 4 2.8 GHz 800 FSB 1MB L2 (models 31U 31F 71G 32C 32B 32H 32K)	41T1700	N	Y
2	Microprocessor, Intel 631, Cedar Mill (models D2C D2B D2H D2K D3K D1U D1F D1G D1M D1A D1Q D1Q D1T D1C D1B D1H D1V D1K D1J)	41T1712	N	Y
2	Microprocessor, Pentium 4 3.2 GHz 800 FSB 2MB L2 (models E2A E2T E2C E2B E2H)	41T1710	N	Y
2	Microprocessor, Intel 805 Proc [rev B0 - TBD] (models E6K)	41X7626	N	Y
2	Microprocessor, Intel 820 Proc - A0 Smithfield (models F1M)	41T1704	N	Y
2	Microprocessor, Intel 915 Proc [rev C1 - SL9DA] (models E3M E4U E4S E4A E4T E5K E7K)	41X7775	N	Y
3	CD-ROM Drive 48X - Black w/o jack & vol (models A1M A1A A1Q A1Q A1T A1C A1B A1H A1V A1K A1J 31U 31F E4U E4S E4A E4T)	40Y8929	N	Y
3	CD-ROM Drive 48X - Black w/o jack & vol (models A1M A1A A1Q A1Q A1T A1C A1B A1H A1V A1K A1J 31U 31F E4U E4S E4A E4T)	41X3540	N	Y
3	CD-ROM Drive 48X - Black w/o jack & vol (models A1M A1A A1Q A1Q A1T A1C A1B A1H A1V A1K A1J 31U 31F E4U E4S E4A E4T)	41N3317	N	Y
3	CD-ROM Drive 48X - Black w/o jack & vol (models A1M A1A A1Q A1Q A1T A1C A1B A1H A1V A1K A1J 31U 31F E4U E4S E4A E4T)	40Y8807	N	Y
3	CD-ROM Drive 48X - Black w/o jack & vol (models A1M A1A A1Q A1Q A1T A1C A1B A1H A1V A1K A1J 31U 31F E4U E4S E4A E4T)	40Y8955	N	Y
3	CD-ROM Drive 48X - Black w/o jack & vol (models A1M A1A A1Q A1Q A1T A1C A1B A1H A1V A1K A1J 31U 31F E4U E4S E4A E4T)	40Y8953	N	Y
3	DVD-ROM 16x -48x (models A2G 71G)	40Y8931	N	Y
3	DVD-ROM 16x -48x (models A2G 71G)	40Y8935	N	Y
3	DVD-ROM 16x -48x (models A2G 71G)	40Y8957	N	Y
3	Combo 48 -32 -48 -16 - - DVD - ROM - CDRW (models D1U D1F D1G D1M D1A D1Q D1Q D1T D1C D1B D1H D1V D1K D1J 32C 32B 32H 32K E2A E2T E2C E2B E2H E6K E5K)	40Y8919	N	Y
3	Combo 48 -32 -48 -16 - - DVD - ROM - CDRW (models D1U D1F D1G D1M D1A D1Q D1Q D1T D1C D1B D1H D1V D1K D1J 32C 32B 32H 32K E2A E2T E2C E2B E2H E6K E5K)	40Y8941	N	Y
3	Combo 48 -32 -48 -16 - - DVD - ROM - CDRW (models D1U D1F D1G D1M D1A D1Q D1Q D1T D1C D1B D1H D1V D1K D1J 32C 32B 32H 32K E2A E2T E2C E2B E2H E6K E5K)	40Y8943	N	Y
3	Multi-Burner Plus (models D2C D2B D2H D2K D3K E3M F1M E3M E7K)	41N3343	N	Y
4	Front Panel PCB Asm (all models)	41N5269	N	
5	Hard disk drive, 40GB, 7200rpm Serial ATA (models A1M A1A A1Q A1Q A1T A1C A1B A1H A1V A1K A1J)	40Y9033	N	Y

Item #	8778 FRUs	FRU#	CRU Tier	RoHS?
5	Hard disk drive, 40GB, 7200rpm Serial ATA (models A1M A1A A1Q A1Q A1T A1C A1B A1H A1V A1K A1J)	40Y8760	N	Y
5	Hard disk drive, 80GB, 7200rpm Serial ATA (models D1U D1F D1G D1M D1A D1Q D1Q D1T D1C D1B D1H D1V D1K D1J A2G 31U 31F 71G 32C 32B 32H 32K E2A E2T E2C E2B E2H E6K F1M E4U E4S E4A E4T)	40Y9034	N	Y
5	Hard disk drive, 80GB, 7200rpm Serial ATA (models D1U D1F D1G D1M D1A D1Q D1Q D1T D1C D1B D1H D1V D1K D1J A2G 31U 31F 71G 32C 32B 32H 32K E2A E2T E2C E2B E2H E6K F1M E4U E4S E4A E4T)	40Y8761	N	Y
5	Hard disk drive, 160GB, 7200rpm, serial ATA (models E3M E3M E5K)	40Y9035	N	Y
5	Hard disk drive, 160GB, 7200rpm, serial ATA (models E3M E3M E5K)	40Y8762	N	Y
5	Hard disk drive, 250GB, 7200rpm, serial ATA (models D2C D2B D2H D2K D3K E7K)	40Y9036	N	Y
5	Hard disk drive, 250GB, 7200rpm, serial ATA (models D2C D2B D2H D2K D3K E7K)	40Y8763	N	Y
6	Diskette drive, 3.5" 1.44MB 2 Mode (w/bezel) -- Lenovo (models D1U D1F D1G D1M D1A D1Q D1Q D1T D1C D1B D1H D1V D1K A2G 71G E4U E4S E4A E4T)	40Y9105	N	Y
6	Diskette drive, 3.5" 1.44MB 2 Mode (w/bezel) -- Lenovo (models D1U D1F D1G D1M D1A D1Q D1Q D1T D1C D1B D1H D1V D1K A2G 71G E4U E4S E4A E4T)	40Y9107	N	Y
6	Diskette drive, 3.5" 1.44MB 2 Mode (w/bezel) -- Lenovo (models D1U D1F D1G D1M D1A D1Q D1Q D1T D1C D1B D1H D1V D1K A2G 71G E4U E4S E4A E4T)	40Y9113	N	Y
6	Diskette Drive w/o Bezel (models D1U D1F D1G D1M D1A D1Q D1Q D1T D1C D1B D1H D1V D1K D1J A2G 71G E4U E4S E4A E4T)	41D3724	N	Y
7	Front Panel Card (all models)	41A7153	N	
8	Memory module, 256MB DDR2 SDRAM NP Memory (PC4200) (models A1M A1A A1Q A1Q A1T A1C A1B A1H A1V A1K A1J 71G 32C 32B 32H 32K E4U E4S E4A E4T)	30R5120	2	Y
8	Memory module, 512MB DDR2 SDRAM NP Memory (PC 4200) (models D1U D1F D1G D1M D1A D1Q D1Q D1T D1C D1B D1H D1V D1K D1J A2G 31U 31F E2A E2T E2C E2B E2H E6K F1M E5K E7K)	30R5121	2	Y
8	Memory module, 1024MB DDR2 SDRAM NP Memory (PC 3200) (models D2C D2B D2H D2K D3K E3M E3M)	30R5122	2	Y
9	System board, Intel 945GZ (models A1M A1A A1Q A1Q A1T A1C A1B A1H A1V A1K A1J D1U D1F D1G D1M D1A D1Q D1Q D1T D1C D1B D1H D1V D1K D1J A2G 31U 31F 71G 32C 32B 32H 32K D2C D2B D2H D2K D3K E2A E2T E2C E2B E2H E3M E6K F1M E3M E4U E4S E4A E4T E5K E7K) <b>Note:</b> When ordering a system board, you must also order a retention bracket kit for the heat sink and fan assembly.	41T1608	N	Y
9	System board, Intel 945GZ (models A1M A1A A1Q A1Q A1T A1C A1B A1H A1V A1K A1J D1U D1F D1G D1M D1A D1Q D1Q D1T D1C D1B D1H D1V D1K D1J A2G 31U 31F 71G 32C 32B 32H 32K D2C D2B D2H D2K D3K E2A E2T E2C E2B E2H E3M E6K F1M E3M E4U E4S E4A E4T E5K E7K) <b>Note:</b> When ordering a system board, you must also order a retention bracket kit for the heat sink and fan assembly.	41X2042	N	Y

Item #	8778 FRUs	FRU#	CRU Tier	RoHS?
10	180W power supply (non-smokeless) (models A1M A1A A1Q A1Q A1T A1C A1B A1H A1V A1K D1U D1F D1G D1M D1A D1Q D1Q D1T D1C D1B D1H D1V D1K A2G 31U 31F 71G 32C 32B 32H 32K D2C D2B D2H D2K D3K E2A E2T E2C E2B E2H E3M E6K F1M E3M E4U E4S E4A E4T E5K E7K)	41N3111	N	Y
10	180W power supply (smokeless - Japanese) (models A1J D1J)	41N3114	N	Y

8778 FRUs	FRU#	CRU Tier	RoHS?
Shield, EMC, 5.25in. drive bay (all models)	41A7162	N	
Cable, Serial-ATA, (18in. RoHs) (all models)	41A7145	N	Y
Shield, EMC, diskette drive bay (all models)	41A7146	N	
Cable, diskette drive (all models)	41A7147	N	
Cover (all models)	41A7148	2	
Chassis assembly (all models)	41A7873	2	
Bezel assembly, front (all models)	41A7150	N	
Fan duct assembly (all models)	41A7151	N	
Shield, EMC, system board (all models)	41N5329	N	Y
Miscellaneous hardware kit (all models)	41A7155	N	
Cable, optical drive signal (all models)	41A7158	N	
Miscellaneous bezel kit (all models)	41A7160	N	
Interposer cables (all models)	41A7161	N	
Fan assembly, front (all models)	41A7198	N	
Retention bracket kit, heat sink and fan (all models)	41A7139	N	

8778 Keyboards (Preferred Pro fullsize, Black)	FRU#	CRU Tier	RoHS?
US English (models A1M A1A A1Q A1Q A1C A1H D1U D1G D1M D1A D1Q D1Q D1C D1H A2G 31U 71G D2C D2H E3M F1M E3M E4U E4A)	89P8300	1	Y
Arabic (models D1G A2G 71G)	89P8301	1	Y
Belgian/French (models D1G A2G 71G)	89P8302	1	Y
Belgian/UK (models D1G A2G 71G)	89P8303	1	Y
Bulgarian (models D1G A2G 71G)	89P8305	1	Y
Chinese/US (models A1B A1V D1B D1V D2B)	89P8306	1	Y
Czech (models D1G A2G 71G)	89P8307	1	Y
Danish (models D1G A2G 71G)	89P8308	1	Y
Dutch (models D1G A2G 71G)	89P8309	1	Y
French (models D1G A2G 71G)	89P8310	1	Y
French Canadian 445 (models D1F 31F)	89P8311	1	Y
French Canadian 58 (models D1F 31F)	89P8312	1	Y
German (models D1G A2G 71G)	89P8313	1	Y
Greek (models D1G A2G 71G)	89P8314	1	Y

<b>8778 Keyboards (Preferred Pro fullsize, Black)</b>	<b>FRU#</b>	<b>CRU Tier</b>	<b>RoHS?</b>
Hebrew (models D1G A2G 71G)	89P8315	1	Y
Hungarian (models D1G A2G 71G)	89P8316	1	Y
Iceland (models D1G A2G 71G)	89P8317	1	Y
Italian 142 (models D1G A2G 71G)	89P8319	1	Y
Japanese (models A1J D1J)	89P8320	1	Y
Korean (models A1K D1K D2K E6K E5K E7K)	89P8321	1	Y
LA Spanish (models E4S)	89P8322	1	Y
Norwegian (models D1G A2G 71G)	89P8323	1	Y
Polish (models D1G A2G 71G)	89P8324	1	Y
Portuguese (models D1G A2G 71G)	89P8325	1	Y
Romanian (models D1G A2G 71G)	89P8326	1	Y
Russian/Cy (models D1G A2G 71G)	89P8328	1	Y
Serbian/Cyrillic (models D1G A2G 71G)	89P8329	1	Y
Slovak (models D1G A2G 71G)	89P8330	1	Y
Spanish (models D1G A2G 71G)	89P8331	1	Y
Swedish/Finn (models D1G A2G 71G)	89P8332	1	Y
Swiss F/G (models D1G A2G 71G)	89P8333	1	Y
Thailand (models A1T D1T E4T)	89P8334	1	Y
Turkish 179 (models D1G A2G 71G)	89P8336	1	Y
UK English (models D1G A2G 71G)	89P8337	1	Y
US Euro (models D1G A2G 71G)	89P8338	1	Y
Yugoslav/Latin (models D1G A2G 71G)	89P8339	1	Y
Brazil/Portuguese (models 21P A9P ACP 32P D9P)	89P8304	1	Y

<b>8778 Keyboards (Enhanced Performance/Productivity)</b>	<b>FRU#</b>	<b>CRU Tier</b>	<b>RoHS?</b>
US English (models D2C D2H)	89P8800	1	Y
Chinese/US (models D2B)	89P8807	1	Y
Korean (models D2K)	89P8821	1	Y

The FRUs listed in the following table are not illustrated.

<b>8778 mice</b>	<b>FRU#</b>	<b>CRU Tier</b>	<b>RoHS?</b>
Mouse, IBM USB Optical Wheel (models A1M A1A A1Q A1Q A1T A1C A1B A1H A1V A1K A1J D1U D1F D1G D1M D1A D1Q D1Q D1T D1C D1B D1H D1V D1K D1J A2G 31U 31F 71G 32C 32B 32K D2C D2B D2H D2K D3K E2A E2T E2C E2B E2H E3M E6K F1M E3M E4U E4S E4A E4T E5K E7K)	41A4935	1	Y

<b>8778 Adapters and miscellaneous FRUs</b>	<b>FRU#</b>	<b>CRU Tier</b>	<b>RoHS?</b>
Speakers (2-piece) Infinity Logo (models 32C 32B 32H 32K D2C D2B D2H D2K D3K)	89P8589	1	Y

8778 Adapters and miscellaneous FRUs	FRU#	CRU Tier	RoHS?
Speakers (2-piece) Lenovo Logo (models 32C 32B 32H 32K D2C D2B D2H D2K D3K)	41A5331	1	Y
Speaker Power brick - China, Thailand (models 32C 32B 32H D2C D2B D2H)	89P8581	1	Y
Speaker Brick - Korea (models 32K D2K D3K)	41A4903	1	Y
Speaker Brick - Hong Kong, EMEA (models 32B 32H D2B D2H)	89P8573	1	Y

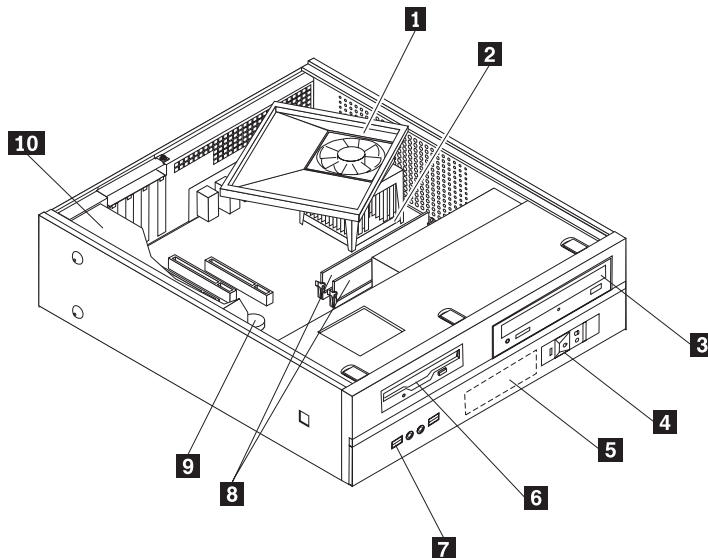
8778 Power Cords	FRU#	CRU Tier	RoHS?
Power Cord (US) (models A1A A1T D1U D1F D1A D1T 31U 31F E2A E2T E4U E4S E4A E4T)	39M5080	1	Y
Power Cord (China) (models A1C D1C 32C D2C E2C)	39M5205	1	Y
Power Cord (Japan) (models A1J D1J)	39M5193	1	Y
Power Cord (Australia, New Zealand) (models A1M D1M E3M F1M E3M)	39M5102	1	Y
Power Cord (Korea) (models A1K D1K 32K D2K D3K E6K E5K E7K)	39M5212	1	Y
Power Cord (Hong Kong) (models A1B A1H D1B D1H 32B 32H D2B D2H E2B E2H)	39M5151	1	Y
Power Cord (UK, Ireland, Singapore, Malaysia, Brunei) (models A1A D1G D1A A2G 71G E2A E4A)	39M5150	1	Y
Power Cord (Taiwan) (models A1V D1V)	39M5246	1	Y
Power Cord (Italy) (models D1G A2G 71G E4S)	39M5164	1	Y
Power Cord (G models) (models A1A D1G D1A A2G 71G E2A E4A)	39M5122	1	Y
Power Cord (Denmark) (models D1G A2G 71G)	39M5129	1	Y
Power Cord (Switzerland) (models D1G A2G 71G)	39M5157	1	Y
Power Cord (Israel) (models D1G A2G 71G)	39M5171	1	Y
Power Cord (South Africa) (models A1M A1A D1G D1M D1A A2G 71G E2A E3M F1M E3M E4A)	39M5143	1	Y
Power Cord (India) (models A1Q A1Q D1Q D1Q)	39M5004	1	Y

8778 Windows XP Home Recovery CDs	FRU#	CRU Tier	RoHS?
US/UK/AP/TH (models 32H D2H)	41X4120	1	Y
Simplified Chinese (models 32C D2C)	41W7676	1	Y
Hong Kong - TC (models 32B D2B)	41W7690	1	Y
Korean (models 32K D2K D3K E6K E5K E7K)	41W7669	1	Y

8778 Windows XP Pro Recovery CDs	FRU#	CRU Tier	RoHS?
US/UK/AP/TH (models A1M A1A A1Q A1Q A1T A1H D1U D1G D1M D1A D1Q D1Q D1T D1H A2G 31U 71G E2A E2T E2H E3M F1M E3M E4U E4A E4T)	41X4174	1	Y
FR/CF (models D1F D1G A2G 31F 71G)	41X4176	1	Y
GR (models D1G A2G 71G)	41X4177	1	Y
IT (models D1G A2G 71G)	41X4179	1	Y
SP/LA (models D1G A2G 71G E4S)	41X4178	1	Y

8778 Windows XP Pro Recovery CDs	FRU#	CRU Tier	RoHS?
DK (models D1G A2G 71G)	41X4182	1	Y
NL (models D1G A2G 71G)	41X5950	1	Y
AE (models D1G A2G 71G)	41X5978	1	Y
SV (models D1G A2G 71G)	41X4181	1	Y
HE (models D1G A2G 71G)	41X5957	1	Y
FI (models D1G A2G 71G)	41X5936	1	Y
NO (models D1G A2G 71G)	41X5943	1	Y
PL (models D1G A2G 71G)	41X5964	1	Y
PO (models D1G A2G 71G)	41X6359	1	Y
RU (models D1G A2G 71G)	41X5985	1	Y
RE (models D1G A2G 71G)	41X4175	1	Y
HU (models D1G A2G 71G)	41X5999	1	Y
CZ (models D1G A2G 71G)	41X5971	1	Y
TR (models D1G A2G 71G)	41X5972	1	Y
GK (models D1G A2G 71G)	41X6013	1	Y
SL (models D1G A2G 71G)	41X6020	1	Y
Japanese (models A1J D1J)	41W7662	1	Y
Simplified Chinese (models A1C D1C E2C)	41W7641	1	Y
Taiwan - TC (models A1V D1V)	41W7648	1	Y
Hong Kong - TC (models A1B D1B E2B)	41W7655	1	Y
Korea (models A1K D1K)	41W7634	1	Y
Multilingual 1 (models D1G A2G 71G)	41X4113	1	Y
Multilingual 2 (models D1G A2G 71G)	41X6111	1	Y

## Machine Type 8779





Item #	8779 FRUs	FRU#	CRU Tier	RoHS?
1	Fan Sink - Intel Prescott & Celeron (models A1G 71G)	41N5292	N	Y
2	Microprocessor, Celeron D 2.80GHz 533 FSB 256KB L2 (models A1G)	41T1695	N	Y
2	Microprocessor, Pentium 4 2.8 GHz 800 FSB 1MB L2 (models 71G)	41T1700	N	Y
2	Microprocessor, Pentium 4 2.8 GHz 800 FSB 1MB L2 (models 74G)	41T1704	N	Y
3	DVD-ROM 16x -48x (models A1G 71G 72G)	40Y8931	N	Y
3	DVD-ROM 16x -48x (models A1G 71G 72G)	40Y8935	N	Y
3	DVD-ROM 16x -48x (models A1G 71G 72G)	40Y8957	N	Y
4	Front Panel PCB Asm (all models)	41N5269	N	
5	Hard disk drive, 80GB, 7200rpm Serial ATA (models A1G 71G 72G)	40Y9034	N	
5	Hard disk drive, 80GB, 7200rpm Serial ATA (models A1G 71G 72G)	40Y8761	N	
6	Diskette drive, 3.5" 1.44MB 2 Mode (w/bezel) -- Lenovo (models A1G 71G)	40Y9105	N	Y
6	Diskette drive, 3.5" 1.44MB 2 Mode (w/bezel) -- Lenovo (models A1G 71G)	40Y9107	N	Y
6	Diskette drive, 3.5" 1.44MB 2 Mode (w/bezel) -- Lenovo (models A1G 71G)	40Y9113	N	Y
7	Front Panel Card (all models)	41A7153	N	
8	Memory module, 256MB DDR2 SDRAM NP Memory (PC4200) (models 71G)	30R5120	2	Y
8	Memory module, 512MB DDR2 SDRAM NP Memory (PC 4200) (models A1G 72G)	30R5121	2	Y
9	System board, Intel 945GZ (models A1G 71G 72G) <b>Note:</b> When ordering a system board, you must also order a retention bracket kit for the heat sink and fan assembly.	41T1608	N	Y
9	System board, Intel 945GZ (models A1G 71G 72G) <b>Note:</b> When ordering a system board, you must also order a retention bracket kit for the heat sink and fan assembly.	41X2042	N	Y
10	180W power supply (non-smokeless) (models A1G 71G 72G)	41N3111	N	Y

The FRUs listed in the following table are not illustrated.

8779 FRUs	FRU#	CRU Tier	RoHS?
Shield, EMC, 5.25in. drive bay (all models)	41A7162	N	
Cable, Serial-ATA, (18in. RoHs) (all models)	41A7145	N	Y
Shield, EMC, diskette drive bay (all models)	41A7146	N	
Cable, diskette drive (all models)	41A7147	N	
Cover (all models)	41A7148	2	
Chassis assembly (all models)	41A7873	2	
Bezel assembly, front (all models)	41A7150	N	
Fan duct assembly (all models)	41A7151	N	
Shield, EMC, system board (all models)	41N5286	N	
Miscellaneous hardware kit (all models)	41A7155	N	
Cable, optical drive signal (all models)	41A7158	N	Y
Miscellaneous bezel kit (all models)	41A7160	N	
Interposer cables (all models)	41A7161	N	

8779 FRUs	FRU#	CRU Tier	RoHS?
Fan assembly, front (all models)	41A7198	N	
Retention bracket kit, heat sink and fan (all models)	41A7139	N	

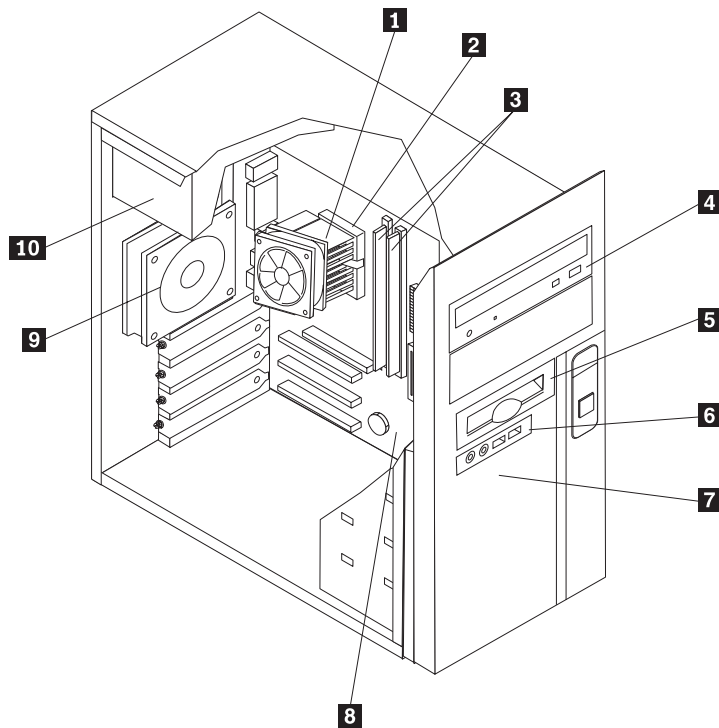
8779 Keyboards (Preferred Pro fullsize, Black)	FRU#	CRU Tier	RoHS?
US English (models A1G 71G 72G)	89P8300	1	Y
Arabic (models A1G 71G 72G)	89P8301	1	Y
Belgian/French (models A1G 71G 72G)	89P8302	1	Y
Belgian/UK (models A1G 71G 72G)	89P8303	1	Y
Bulgarian (models A1G 71G 72G)	89P8305	1	Y
Czech (models A1G 71G 72G)	89P8307	1	Y
Danish (models A1G 71G 72G)	89P8308	1	Y
Dutch (models A1G 71G 72G)	89P8309	1	Y
French (models A1G 71G 72G)	89P8310	1	Y
German (models A1G 71G 72G)	89P8313	1	Y
Greek (models A1G 71G 72G)	89P8314	1	Y
Hebrew (models A1G 71G 72G)	89P8315	1	Y
Hungarian (models A1G 71G 72G)	89P8316	1	Y
Iceland (models A1G 71G 72G)	89P8317	1	Y
Italian 142 (models A1G 71G 72G)	89P8319	1	Y
Norwegian (models A1G 71G 72G)	89P8323	1	Y
Polish (models A1G 71G 72G)	89P8324	1	Y
Portuguese (models A1G 71G 72G)	89P8325	1	Y
Romanian (models A1G 71G 72G)	89P8326	1	Y
Russian/Cy (models A1G 71G 72G)	89P8328	1	Y
Serbian/Cyrillic (models A1G 71G 72G)	89P8329	1	Y
Slovak (models A1G 71G 72G)	89P8330	1	Y
Spanish (models A1G 71G 72G)	89P8331	1	Y
Swedish/Finn (models A1G 71G 72G)	89P8332	1	Y
Swiss F/G (models A1G 71G 72G)	89P8333	1	Y
Turkish 179 (models A1G 71G 72G)	89P8336	1	Y
UK English (models A1G 71G 72G)	89P8337	1	Y
US Euro (models A1G 71G 72G)	89P8338	1	Y
Yugoslav/Latin (models A1G 71G 72G)	89P8339	1	Y

8779 mice	FRU#	CRU Tier	RoHS?
Mouse, IBM USB Optical Wheel (models A1G 71G 72G)	41A4935	1	Y

<b>8779 Power Cords</b>	<b>FRU#</b>	<b>CRU Tier</b>	<b>RoHS?</b>
Power Cord - UK, Ireland, Singapore, Malaysia, Brunei (models A1G 71G 72G)	39M5150	1	Y
Power Cord (Italy) (models A1G 71G 72G)	39M5164	1	Y
Power Cord (G models) (models A1G 71G 72G)	39M5122	1	Y
Power Cord - (Denmark) (models A1G 71G 72G)	39M5129	1	Y
Power Cord (Switzerland) (models A1G 71G 72G)	39M5157	1	Y
Power Cord (Israel) (models A1G 71G 72G)	39M5171	1	Y
Power Cord - (South Africa) (models A1G 71G 72G)	39M5143	1	Y

<b>8779 Windows XP Pro Recovery CDs</b>	<b>FRU#</b>	<b>CRU Tier</b>	<b>RoHS?</b>
US/UK/AP/TH (models A1G 71G 72G)	41X4174	1	Y
FR/CF (models A1G 71G 72G)	41X4176	1	Y
GR (models A1G 71G 72G)	41X4177	1	Y
IT (models A1G 71G 72G)	41X4179	1	Y
SP/LA (models A1G 71G 72G)	41X4178	1	Y
DK (models A1G 71G 72G)	41X4182	1	Y
NL (models A1G 71G 72G)	41X5950	1	Y
AE (models A1G 71G 72G)	41X5978	1	Y
SV (models A1G 71G 72G)	41X4181	1	Y
HE (models A1G 71G 72G)	41X5957	1	Y
FI (models A1G 71G 72G)	41X5936	1	Y
NO (models A1G 71G 72G)	41X5943	1	Y
PL (models A1G 71G 72G)	41X5964	1	Y
PO (models A1G 71G 72G)	41X6359	1	Y
RU (models A1G 71G 72G)	41X5985	1	Y
RE (models A1G 71G 72G)	41X4175	1	Y
HU (models A1G 71G 72G)	41X5999	1	Y
CZ (models A1G 71G 72G)	41X5971	1	Y
TR (models A1G 71G 72G)	41X5972	1	Y
GK (models A1G 71G 72G)	41X6013	1	Y
SL (models A1G 71G 72G)	41X6020	1	Y
Multilingual 1 (models A1G 71G 72G)	41X4113	1	Y
Multilingual 2 (models A1G 71G 72G)	41X6111	1	Y

## Machine Type 8817



Item #	8817 FRUs	FRU#	CRU Tier	RoHS?
1	Fan Sink - Intel Prescott & Celeron Tower (models 99G 99M 99A 99T 99V 99K)	41D3552	N	Y
2	Microprocessor, Celeron D 3.06GHz 533 FSB 256KB L2 (models 99G 99M 99A 99T 99V 99K)	41T1697	N	Y
3	Memory module, 512MB, DDR1 SDRAM, NP, PC3200 (models 99U 99F 99S 99P 99L 99D 99Y 99G 99M 99A 99Q 99T 99C 99B 99H 99V 99K)	73P2684	2	Y
4	CD-ROM Drive 48X - Black w/o jack & vol (models 99G 99M 99A 99T 99V 99K)	40Y8929	N	Y
4	CD-ROM Drive 48X - Black w/o jack & vol (models 99G 99M 99A 99T 99V 99K)	41X3540	N	Y
4	CD-ROM Drive 48X - Black w/o jack & vol (models 99G 99M 99A 99T 99V 99K)	40Y8807	N	Y
4	CD-ROM Drive 48X - Black w/o jack & vol (models 99G 99M 99A 99T 99V 99K)	40Y8955	N	Y
4	CD-ROM Drive 48X - Black w/o jack & vol (models 99G 99M 99A 99T 99V 99K)	40Y8953	N	Y
5	Diskette drive, 3.5" 1.44MB 2 Mode (w/bezel) -- Lenovo (models)	40Y9105	N	Y
5	Diskette drive, 3.5" 1.44MB 2 Mode (w/bezel) -- Lenovo (models)	40Y9107	N	Y
5	Diskette drive, 3.5" 1.44MB 2 Mode (w/bezel) -- Lenovo (models)	40Y9113	N	Y
6	Front Panel Cable Asm (RoHS) (all models)	41A7886	N	Y
7	Hard disk drive, 80GB, 7200rpm, serial ATA (models 99U 99F 99S 99P 99L 99D 99Y 99G 99M 99A 99Q 99T 99C 99B 99H 99V 99K)	40Y9034	N	Y

Item #	8817 FRUs	FRU#	CRU Tier	RoHS?
7	Hard disk drive, 80GB, 7200rpm, serial ATA (models 99U 99F 99S 99P 99L 99D 99Y 99G 99M 99A 99Q 99T 99C 99B 99H 99V 99K)	40Y8761	N	Y
8	System board, SiS 661FX motherboard - Intel based (RoHS) (models 99G 99M 99A 99T 99V 99K) <b>Note:</b> When ordering a system board, you must also order a retention bracket kit for the heat sink and fan assembly.	41X2041	N	Y
9	System Fan, rear w/grill (all models)	41N5339	N	Y
10	Power supply, 250W, non-RoHS (models 99G 99M 99A 99T 99V 99K)	41N3127	N	N

The FRUs listed in the following table are not illustrated.

8817 FRUs	FRU#	CRU Tier	RoHS?
Cable, Serial ATA 250mm (all models)	41A7145	2	Y
Cable, diskette drive (all models)	41A7130	2	Y
Cover, right side (all models)	41N5333	2	Y
Chassis assembly (all models)	41A7885	N	
Bezel, front (all models)	41A7866	2	Y
Power switch/LED assembly (all models)	41N5284	N	
Shield, system board (all models)	41N5329	N	Y
Miscellaneous hardware kit (all models)	41N5334	N	Y
Retention bracket kit, heat sink and fan (all models)	41A7139	N	
Cable, optical drive and hard disk drive signal (2-drop) (all models)	41A7875	N	
Cable, Interposer GBM (all models)	41N5307	N	
Miscellaneous bezel kit (all models)	41A7144	N	

8817 Keyboards (Preferred Pro fullsize, Black)	FRU#	CRU Tier	RoHS?
US English (models 99G 99M 99A)	89P8300	1	Y
Arabic (models 99G)	89P8301	1	Y
Belgian/French (models 99G)	89P8302	1	Y
Belgian/UK (models 99G)	89P8303	1	Y
Bulgarian (models 99G)	89P8305	1	Y
Chinese/US (models 99V)	89P8306	1	Y
Czech (models 99G)	89P8307	1	Y
Danish (models 99G)	89P8308	1	Y
Dutch (models 99G)	89P8309	1	Y
French (models 99G)	89P8310	1	Y
German (models 99G)	89P8313	1	Y
Greek (models 99G)	89P8314	1	Y
Hebrew (models 99G)	89P8315	1	Y
Hungarian (models 99G)	89P8316	1	Y

<b>8817 Keyboards (Preferred Pro fullsize, Black)</b>	<b>FRU#</b>	<b>CRU Tier</b>	<b>RoHS?</b>
Iceland (models 99G)	89P8317	1	Y
Italian 141 (models 99G)	89P8318	1	Y
Italian 142 (models 99G)	89P8319	1	Y
Korean (models 99K)	89P8321	1	Y
Norwegian (models 99G)	89P8323	1	Y
Polish (models 99G)	89P8324	1	Y
Portuguese (models 99G)	89P8325	1	Y
Romanian (models 99G)	89P8326	1	Y
Russian/Cy (models 99G)	89P8328	1	Y
Serbian/Cyrillic (models 99G)	89P8329	1	Y
Slovak (models 99G)	89P8330	1	Y
Spanish (models 99G)	89P8331	1	Y
Swedish/Finn (models 99G)	89P8332	1	Y
Swiss F/G (models 99G)	89P8333	1	Y
Thailand (models 99T)	89P8334	1	Y
Turkish 440 (models 99G)	89P8335	1	Y
Turkish 179 (models 99G)	89P8336	1	Y
UK English (models 99G)	89P8337	1	Y
US Euro (models 99G)	89P8338	1	Y
Yugoslav/Latin (models 99G)	89P8339	1	Y

<b>8817 mice</b>	<b>FRU#</b>	<b>CRU Tier</b>	<b>RoHS?</b>
Mouse, IBM USB Optical Wheel - Primax (models 99G 99M 99A 99T 99V 99K)	41A4935	1	Y

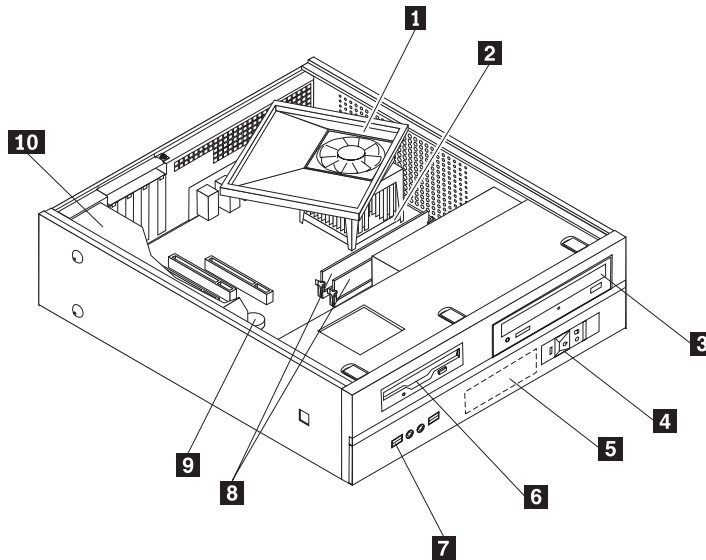
<b>8817 Power Cords</b>	<b>FRU#</b>	<b>CRU Tier</b>	<b>RoHS?</b>
Power Cord (US) (models 99A 99T)	39M5080	1	Y
Power Cord (Australia, New Zealand) (models 99M)	39M5102	1	Y
Power Cord (Korea) (models 99K)	39M5212	1	Y
Power Cord (UK, Ireland, Singapore, Malaysia, Brunei) (models 99G 99A)	39M5150	1	Y
Power Cord (Taiwan) (models 99V)	39M5246	1	Y
Power Cord (Italy) (models 99G)	39M5164	1	Y
Power Cord (G models) (models 99G 99A)	39M5122	1	Y
Power Cord (Denmark) (models 99G)	39M5129	1	Y
Power Cord (Switzerland) (models 99G)	39M5157	1	Y
Power Cord (Israel) (models 99G)	39M5171	1	Y
Power Cord (South Africa) (models 99G 99M 99A)	39M5143	1	Y

8817 Windows XP Home Recovery CDs	FRU#	CRU Tier	RoHS?
US/UK/AP/TH (models)	41X4120	1	Y
FR/CF (models)	41X4122	1	Y
GR (models)	41X4123	1	Y
BR (models)	41X4126	1	Y
IT (models)	41X4125	1	Y
SP/LA (models)	41X4124	1	Y
DK (models)	41X4128	1	Y
NL (models)	41X6041	1	Y
AE (models)	41X6069	1	Y
SV (models)	41X4127	1	Y
HE (models)	41X6048	1	Y
FI (models)	41X6027	1	Y
NO (models)	41X6034	1	Y
PL (models)	41X6055	1	Y
PO (models)	41X6366	1	Y
RU (models)	41X6076	1	Y
RE (models)	41X4121	1	Y
HU (models)	41X6090	1	Y
CZ (models)	41X6062	1	Y
TR (models)	41X6063	1	Y
GK (models)	41X6104	1	Y
Japanese (models)	41W7697	1	Y
Simplified Chinese (models)	41W7676	1	Y
Taiwan - TC (models)	41W7683	1	Y
Hong Kong - TC (models)	41W7690	1	Y
Korean (models)	41W7669	1	Y

8817 Windows XP Pro Recovery CDs	FRU#	CRU Tier	RoHS?
US/UK/AP/TH (models 99G 99M 99A 99T)	41X4174	1	Y
FR/CF (models 99G)	41X4176	1	Y
GR (models 99G)	41X4177	1	Y
IT (models 99G)	41X4179	1	Y
SP/LA (models 99G)	41X4178	1	Y
DK (models 99G)	41X4182	1	Y
NL (models 99G)	41X5950	1	Y
AE (models 99G)	41X5978	1	Y
SV (models 99G)	41X4181	1	Y
HE (models 99G)	41X5957	1	Y
FI (models 99G)	41X5936	1	Y

8817 Windows XP Pro Recovery CDs	FRU#	CRU Tier	RoHS?
NO (models 99G)	41X5943	1	Y
PL (models 99G)	41X5964	1	Y
PO (models 99G)	41X6359	1	Y
RU (models 99G)	41X5985	1	Y
RE (models 99G)	41X4175	1	Y
HU (models 99G)	41X5999	1	Y
CZ (models 99G)	41X5971	1	Y
TR (models 99G)	41X5972	1	Y
GK (models 99G)	41X6013	1	Y
SL (models 99G)	41X6020	1	Y
Taiwan - TC (models 99V)	41W7648	1	Y
Korea (models 99K)	41W7634	1	Y
Multilingual 1 (models 99G)	41X4113	1	Y
Multilingual 2 (models 99G)	41X6111	1	Y

## Machine Type 8818



Item #	8818 FRUs	FRU#	CRU Tier	RoHS?
1	Fan Sink - Intel Prescott & Celeron (models 99U 99F 99S 99P 99L 99D 99Y 99G 99M 99A 99T 99C 99B 99H 99V 99K 99J)	41N5292	N	Y
2	Microprocessor, Pentium 4 Processor 2.8 GHz 800 FSB 1MB L2 (models 99U 99F 99S 99P 99L 99D 99Y 99G 99M 99A 99T 99C 99B 99H 99V 99K 99J)	41T1700	N	Y
3	CD-RW Drive (48X/32X/48X) (models 99U 99F 99S 99P 99L 99D 99Y 99G 99M 99A 99T 99C 99B 99H 99V 99K 99J)	40Y8937	N	Y
3	CD-RW Drive (48X/32X/48X) (models 99U 99F 99S 99P 99L 99D 99Y 99G 99M 99A 99T 99C 99B 99H 99V 99K 99J)	40Y8901	N	Y



Item #	8818 FRUs	FRU#	CRU Tier	RoHS?
4	Front Panel PCB Asm (all models)	41N5269	N	
5	Hard disk drive, 160GB, 7200rpm Serial ATA (models 99U 99F 99S 99P 99L 99D 99Y 99G 99M 99A 99T 99C 99B 99H 99V 99K 99J)	40Y9035	N	Y
5	Hard disk drive, 160GB, 7200rpm Serial ATA (models 99U 99F 99S 99P 99L 99D 99Y 99G 99M 99A 99T 99C 99B 99H 99V 99K 99J)	40Y8762	N	Y
	Diskette drive, 3.5" 1.44MB 2 Mode (w/bezel) -- Lenovo (models)	40Y9105	N	Y
	Diskette drive, 3.5" 1.44MB 2 Mode (w/bezel) -- Lenovo (models)	40Y9107	N	Y
	Diskette drive, 3.5" 1.44MB 2 Mode (w/bezel) -- Lenovo (models)	40Y9113	N	Y
6	Diskette drive, 3.5" 1.44MB 2 Mode (w/bezel) (models)	41D3724	N	Y
7	Front Panel Card (all models)	41A7153	N	Y
8	Memory module, 256MB DDR2 SDRAM NP Memory (PC3200) (models 99U 99F 99S 99P 99L 99D 99Y 99G 99M 99A 99T 99C 99B 99H 99V 99K 99J)	73P2683	2	Y
9	System board, SiS 661FX motherboard - Intel based (RoHS) (models 99U 99F 99S 99P 99L 99D 99Y 99G 99M 99A 99T 99C 99B 99H 99V 99K 99J) <b>Note:</b> When ordering a system board, you must also order a retention bracket kit for the heat sink and fan assembly.	41X2041	N	Y
10	180W power supply (non-smokeless) (models 99U 99F 99S 99P 99L 99D 99Y 99G 99M 99A 99T 99C 99B 99H 99V 99K)	41N3111	N	Y
10	180W power supply (smokeless -- Japanese) (models 99J)	41N3114	N	Y

The FRUs listed in the following table are not illustrated.

8818 FRUs	FRU#	CRU Tier	RoHS?
Shield, EMC, 5.25in. drive bay (all models)	41A7162	N	
Cable, Serial-ATA, (18in. RoHs) (all models)	41A7145	N	Y
Shield, EMC, diskette drive bay (all models)	41A7146	N	
Cable, diskette drive (all models)	41A7147	N	
Cover (all models)	41A7148	2	
Chassis assembly (all models)	41A7873	N	
Bezel assembly, front (all models)	41A7150	N	
Fan duct assembly (all models)	41A7151	N	
Shield, EMC, system board (all models)	41N5329	N	Y
Miscellaneous hardware kit (all models)	41A7155	N	
Cable, optical drive signal (all models)	41A7158	N	
Miscellaneous bezel kit (all models)	41A7160	N	
Interposer cables (all models)	41A7161	N	
Fan assembly, front (all models)	41A7198	N	
Retention bracket kit, heat sink and fan (all models)	41A7139	N	

8818 Keyboards (Preferred Pro fullsize, Black)	FRU#	CRU Tier	RoHS?
US English (models 99U 99L 99G 99M 99A 99C 99H)	89P8300	1	Y

8818 Keyboards (Preferred Pro fullsize, Black)	FRU#	CRU Tier	RoHS?
Arabic (models 99G)	89P8301	1	Y
Belgian/French (models 99G)	89P8302	1	Y
Belgian/UK (models 99G)	89P8303	1	Y
Bulgarian (models 99G)	89P8305	1	Y
Chinese/US (models 99B 99V)	89P8306	1	Y
Czech (models 99G)	89P8307	1	Y
Danish (models 99G)	89P8308	1	Y
Dutch (models 99G)	89P8309	1	Y
French (models 99G)	89P8310	1	Y
German (models 99G)	89P8313	1	Y
Greek (models 99G)	89P8314	1	Y
Hebrew (models 99G)	89P8315	1	Y
Hungarian (models 99G)	89P8316	1	Y
Iceland (models 99G)	89P8317	1	Y
Italian 141 (models 99G)	89P8318	1	Y
Italian 142 (models 99G)	89P8319	1	Y
Japanese (models 99J)	89P8320	1	Y
Korean (models 99K)	89P8321	1	Y
LA Spanish (models 99S 99D 99Y)	89P8322	1	Y
Norwegian (models 99G)	89P8323	1	Y
Polish (models 99G)	89P8324	1	Y
Portuguese (models 99G)	89P8325	1	Y
Romanian (models 99G)	89P8326	1	Y
Russian/Cy (models 99G)	89P8328	1	Y
Serbian/Cyrillic (models 99G)	89P8329	1	Y
Slovak (models 99G)	89P8330	1	Y
Spanish (models 99G)	89P8331	1	Y
Swedish/Finn (models 99G)	89P8332	1	Y
Swiss F/G (models 99G)	89P8333	1	Y
Thailand (models 99T)	89P8334	1	Y
Turkish 440 (models 99G)	89P8335	1	Y
Turkish 179 (models 99G)	89P8336	1	Y
UK English (models 99G)	89P8337	1	Y
US Euro (models 99G)	89P8338	1	Y
Yugoslav/Latin (models 99G)	89P8339	1	Y
Brazil/Portuguese (models 99P)	89P8304	1	Y

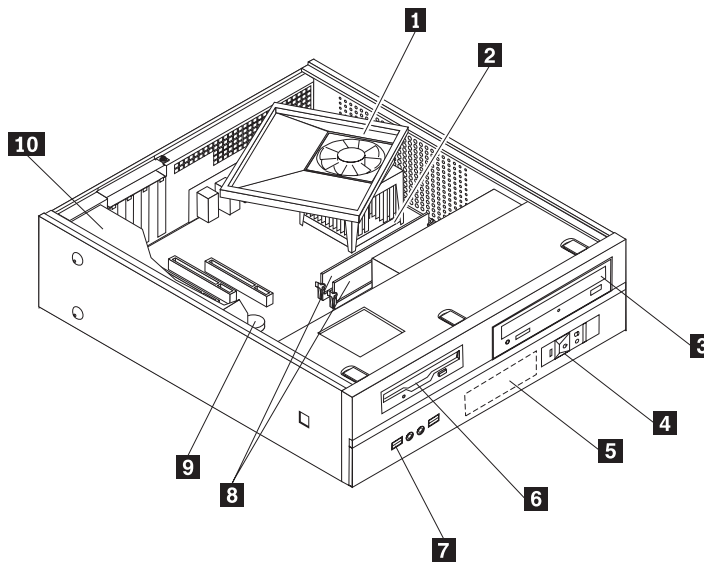
8818 mice	FRU#	CRU Tier	RoHS?
Mouse, IBM USB Optical Wheel mouse - Primax (models 99U 99F 99S 99P 99L 99D 99Y 99G 99M 99A 99T 99C 99B 99H 99V 99K 99J)	41A4935	1	Y

8818 Power Cords	FRU#	CRU Tier	RoHS?
Power Cord (US) (models 99U 99F 99S 99L 99D 99A 99T)	39M5080	1	Y
Power Cord (China) (models 99C)	39M5205	1	Y
Power Cord (Japan) (models 99J)	39M5193	1	Y
Power Cord (Brazil) (models 99P)	39M5232	1	Y
Power Cord (LA High Volt) (APU) (models 99L 99YJ)	39M5067	1	Y
Power Cord (Australia, New Zealand) (models 99M)	39M5102	1	Y
Power Cord (Korea) (models 99K)	39M5212	1	Y
Power Cord (Hong Kong) (models 99B 99H)	39M5151	1	Y
Power Cord (UK, Ireland, Singapore, Malaysia, Brunei) (models 99G 99A)	39M5150	1	Y
Power Cord (Taiwan) (models 99V)	39M5246	1	Y
Power Cord (Italy) (models 99S 99L 99Y 99G)	39M5164	1	Y
Power Cord (G models) (models 99G 99A)	39M5122	1	Y
Power Cord (Denmark) (models 99G)	39M5129	1	Y
Power Cord (Switzerland) (models 99G)	39M5157	1	Y
Power Cord (Israel) (models 99G)	39M5171	1	Y
Power Cord (South Africa) (models 99G 99M 99A)	39M5143	1	Y

8818 Windows XP Pro Recovery CDs	FRU#	CRU Tier	RoHS?
US/UK/AP/TH (models 99U 99L 99G 99M 99A 99T 99H)	41X4174	1	Y
FR/CF (models 99F 99G)	41X4176	1	Y
GR (models 99G)	41X4177	1	Y
IT (models 99G)	41X4179	1	Y
BR (models 99P)	41X4180	1	Y
SP/LA (models 99S 99D 99Y 99G)	41X4178	1	Y
DK (models 99G)	41X4182	1	Y
NL (models 99G)	41X5950	1	Y
AE (models 99G)	41X5978	1	Y
SV (models 99G)	41X4181	1	Y
HE (models 99G)	41X5957	1	Y
FI (models 99G)	41X5936	1	Y
NO (models 99G)	41X5943	1	Y
PL (models 99G)	41X5964	1	Y
PO (models 99G)	41X6359	1	Y
RU (models 99G)	41X5985	1	Y
RE (models 99G)	41X4175	1	Y
HU (models 99G)	41X5999	1	Y
CZ (models 99G)	41X5971	1	Y
TR (models 99G)	41X5972	1	Y

8818 Windows XP Pro Recovery CDs	FRU#	CRU Tier	RoHS?
GK (models 99G)	41X6013	1	Y
SL (models 99G)	41X6020	1	Y
Japanese (models 99J)	41W7662	1	Y
Simplified Chinese (models 99C)	41W7641	1	Y
Taiwan (models 99V)	41W7648	1	Y
Hong Kong - TC (models 99B)	41W7655	1	Y
Korea (models 99K)	41W7634	1	Y
Multilingual 1 (models 99G)	41X4113	1	Y
Multilingual 2 (models 99G)	41X6111	1	Y

## Machine Type 8819



Item #	8819 FRUs	FRU#	CRU Tier	RoHS?
1	Fan Sink - Intel Prescott & Celeron (models 99G 99M 99A 99T 99V 99K 99J)	41N5292	N	Y
2	Microprocessor, Pentium 4 Processor 3.0 GHz 800 FSB 1MB L2 (models 99G 99M 99A 99T 99V 99K 99J)	41T1701	N	Y
3	Multi-Burner Plus (models 99G 99M 99A 99T 99V 99K 99J)	41N3343	N	Y
4	Front Panel PCB Asm (all models)	41N5269	N	
5	Hard disk drive, 80GB, 7200rpm Serial ATA (models 99G 99M 99A 99T 99V 99K 99J)	40Y9034	N	Y
5	Hard disk drive, 80GB, 7200rpm Serial ATA (models 99G 99M 99A 99T 99V 99K 99J)	40Y8761	N	Y
6	Diskette drive, 3.5" 1.44MB 2 Mode (w/bezel) -- Lenovo (models 99G 99M 99A 99T 99V 99K 99J)	40Y9105	N	Y
6	Diskette drive, 3.5" 1.44MB 2 Mode (w/bezel) -- Lenovo (models 99G 99M 99A 99T 99V 99K 99J)	40Y9107	N	Y

Item #	8819 FRUs	FRU#	CRU Tier	RoHS?
6	Diskette drive, 3.5" 1.44MB 2 Mode (w/bezel) -- Lenovo (models 99G 99M 99A 99T 99V 99K 99J)	40Y9113	N	Y
7	Front Panel Card (all models)	41A7153	N	
8	Memory module, 512MB DDR1 SDRAM NP Memory (PC 3200) (models 99G 99M 99A 99T 99V 99K 99J)	73P2684	2	Y
9	System board, SiS 661FX motherboard - Intel based (RoHS) (models 99G 99M 99A 99T 99V 99K 99J) <b>Note:</b> When ordering a system board, you must also order a retention bracket kit for the heat sink and fan assembly.	41X2041	N	Y
10	180W power supply (non-smokeless) (models 99G 99M 99A 99T 99V 99K)	41N3111	N	Y
10	180W power supply (smokeless -- Japanese) (models 99J)	41N3114	N	Y

The FRUs listed in the following table are not illustrated.

8819 FRUs	FRU#	CRU Tier	RoHS?
Shield, EMC, 5.25in. drive bay (all models)	41A7162	N	
Cable, Serial-ATA, (18in. RoHs) (all models)	41A7145	N	Y
Shield, EMC, diskette drive bay (all models)	41A7146	N	
Cable, diskette drive (all models)	41A7147	N	
Cover (all models)	41A7148	2	
Chassis assembly (all models)	41A7873	N	
Bezel assembly, front (all models)	41A7150	N	
Fan duct assembly (all models)	41A7151	N	
Shield, EMC, system board (all models)	41N5329	N	Y
Miscellaneous hardware kit (all models)	41A7155	N	
Cable, optical drive signal (all models)	41A7158	N	
Miscellaneous bezel kit (all models)	41A7160	N	
Interposer cables (all models)	41A7161	N	
Fan assembly, front (all models)	41A7198	N	
Retention bracket kit, heat sink and fan (all models)	41A7139	N	

8819 Keyboards (Preferred Pro fullsize, Black)	FRU#	CRU Tier	RoHS?
US English (models 99G 99M 99A)	89P8300	1	Y
Arabic (models 99G)	89P8301	1	Y
Belgian/French (models 99G)	89P8302	1	Y
Belgian/UK (models 99G)	89P8303	1	Y
Bulgarian (models 99G)	89P8305	1	Y
Chinese/US (models 99V)	89P8306	1	Y
Czech (models 99G)	89P8307	1	Y
Danish (models 99G)	89P8308	1	Y
Dutch (models 99G)	89P8309	1	Y

<b>8819 Keyboards (Preferred Pro fullsize, Black)</b>	<b>FRU#</b>	<b>CRU Tier</b>	<b>RoHS?</b>
French (models 99G)	89P8310	1	Y
German (models 99G)	89P8313	1	Y
Greek (models 99G)	89P8314	1	Y
Hebrew (models 99G)	89P8315	1	Y
Hungarian (models 99G)	89P8316	1	Y
Iceland (models 99G)	89P8317	1	Y
Italian 141 (models 99G)	89P8318	1	Y
Italian 142 (models 99G)	89P8319	1	Y
Japanese (models 99J)	89P8320	1	Y
Korean (models 99K)	89P8321	1	Y
Norwegian (models 99G)	89P8323	1	Y
Polish (models 99G)	89P8324	1	Y
Portuguese (models 99G)	89P8325	1	Y
Romanian (models 99G)	89P8326	1	Y
Russian/Cy (models 99G)	89P8328	1	Y
Serbian/Cyrillic (models 99G)	89P8329	1	Y
Slovak (models 99G)	89P8330	1	Y
Spanish (models 99G)	89P8331	1	Y
Swedish/Finn (models 99G)	89P8332	1	Y
Swiss F/G (models 99G)	89P8333	1	Y
Thailand (models 99T)	89P8334	1	Y
Turkish 440 (models 99G)	89P8335	1	Y
Turkish 179 (models 99G)	89P8336	1	Y
UK English (models 99G)	89P8337	1	Y
US Euro (models 99G)	89P8338	1	Y
Yugoslav/Latin (models 99G)	89P8339	1	Y

<b>8819 mice</b>	<b>FRU#</b>	<b>CRU Tier</b>	<b>RoHS?</b>
Mouse, IBM USB Optical Wheel mouse - Primax (models 99G 99M 99A 99T 99V 99K 99J)	41A4935	1	Y

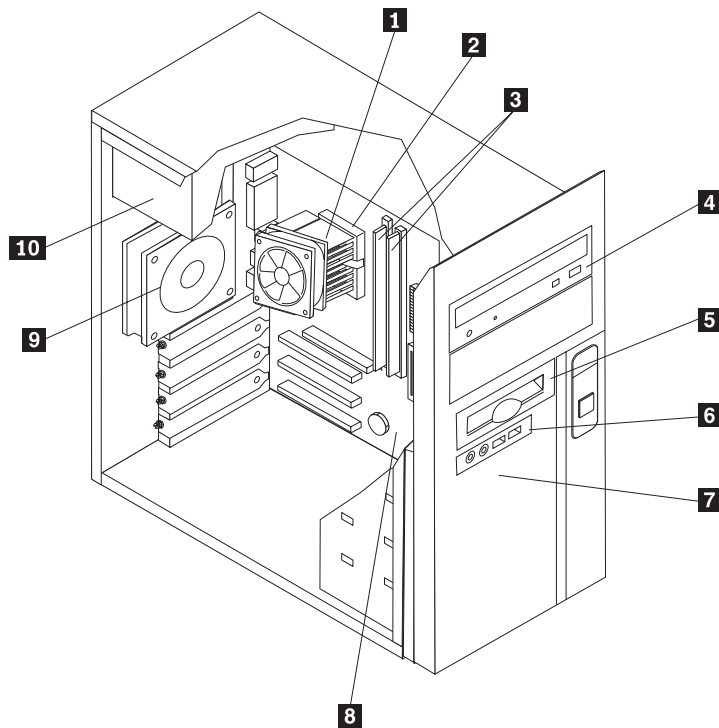
<b>8819 Adapters and miscellaneous FRUs</b>	<b>FRU#</b>	<b>CRU Tier</b>	<b>RoHS?</b>
PCI Modem Card (Soft) (models 99G 99M 99A 99T 99V 99K 99J)	29R9729	1	Y

<b>8819 Power Cords</b>	<b>FRU#</b>	<b>CRU Tier</b>	<b>RoHS?</b>
Power Cord (US) (models 99A 99T)	39M5080	1	Y
Power Cord (Japan) (models 99J)	39M5193	1	Y
Power Cord (Australia, New Zealand) (models 99M)	39M5102	1	Y

8819 Power Cords	FRU#	CRU Tier	RoHS?
Power Cord (Korea) (models 99K)	39M5212	1	Y
Power Cord (UK, Ireland, Singapore, Malaysia, Brunei) (models 99G 99A)	39M5150	1	Y
Power Cord (Taiwan) (models 99V)	39M5246	1	Y
Power Cord (Italy) (models 99G)	39M5164	1	Y
Power Cord (G models) (models 99G 99A)	39M5122	1	Y
Power Cord (Denmark) (models 99G)	39M5129	1	Y
Power Cord (Switzerland) (models 99G)	39M5157	1	Y
Power Cord (Israel) (models 99G)	39M5171	1	Y
Power Cord (South Africa) (models 99G 99M 99A)	39M5143	1	Y

8819 Windows XP Pro Recovery CDs	FRU#	CRU Tier	RoHS?
US/UK/AP/TH (models 99G 99M 99A 99T)	41X4174	1	Y
FR/CF (models 99G)	41X4176	1	Y
GR (models 99G)	41X4177	1	Y
IT (models 99G)	41X4179	1	Y
SP/LA (models 99G)	41X4178	1	Y
DK (models 99G)	41X4182	1	Y
NL (models 99G)	41X5950	1	Y
AE (models 99G)	41X5978	1	Y
SV (models 99G)	41X4181	1	Y
HE (models 99G)	41X5957	1	Y
FI (models 99G)	41X5936	1	Y
NO (models 99G)	41X5943	1	Y
PL (models 99G)	41X5964	1	Y
PO (models 99G)	41X6359	1	Y
RU (models 99G)	41X5985	1	Y
RE (models 99G)	41X4175	1	Y
HU (models 99G)	41X5999	1	Y
CZ (models 99G)	41X5971	1	Y
TR (models 99G)	41X5972	1	Y
GK (models 99G)	41X6013	1	Y
SL (models 99G)	41X6020	1	Y
Japanese (models 99J)	41W7662	1	Y
Taiwan (models 99V)	41W7648	1	Y
Korea (models 99K)	41W7634	1	Y
Multilingual 1 (models 99G)	41X4113	1	Y
Multilingual 2 (models 99G)	41X6111	1	Y

## Machine Type 9214



Item #	9214 FRUs	FRU#	CRU Tier
1	Heat sink and fan assembly (models A1U 11U 71G A1F 11F)	41D2002	N
2	Microprocessor, Celeron D, 2.66 GHz, 533FSB, 256KB L2 (models A1U 71G A1F)	41D1809	N
2	Microprocessor, Pentium 4, 2.93 GHz, 533FSB, 1MB L2 (models 11U 11F)	41D1815	N
3	Memory module, 256MB, DDR SDRAM, NP, PC3200 (models A1U 11U A1F 11F)	41D2026	2
4	CD-ROM drive, 48X (models A1U 11U A1F 11F)	40Y8807	N
4	DVD-ROM 16X -48X (models 71G)	41D8933	N
4	DVD-ROM 16X -48X (models 71G)	41D8935	N
5	Diskette drive, W/Bezel (models)	24P3889	N
6	Front panel card assembly (all models)	41A7136	N
7	Hard disk drive, 40GB, 7200rpm, Parallel ATA (models A1U 11U A1F 11F)	41D2034	N
7	Hard disk drive, 80GB, 7200rpm, Parallel ATA (models 71G)	41D2035	N
8	System board, 10-100 E-net (models A1U 11U 71G A1F 11F) <b>Note:</b> When ordering a system board, you must also order a retention bracket kit for the heat sink and fan assembly.	41D1794	N
9	System fan, rear w/grill (non-RoHS) (all models)	41A7195	N
9	System fan, rear w/grill (RoHS) (all models)	41N5339	N
10	Power supply, non-PFC (models A1U 11U)	41N3097	N
10	Power supply, PFC (models 71G)	41N3100	N

The FRUs listed in the following table are not illustrated.



<b>9214 FRUs</b>	<b>FRU#</b>	<b>CRU</b>
Cable, Serial ATA 250mm (RoHs) (all models)	41A7145	2
Cable, diskette drive (all models)	41A7130	2
Cover, right side (all models)	41A7132	2
Cover, side (RoHS) (all models)	41N5333	2
Chassis assembly (all models)	41A7133	N
Bezel, front (all models)	41A7134	2
Power switch/LED assembly (all models)	41A7135	N
Shield, system board (non-RoHS) (all models)	41A7137	N
Shield, system board (RoHS) (all models)	41N5329	N
Miscellaneous hardware kit (non-RoHS) (all models)	41A7138	N
Miscellaneous hardware kit (RoHS) (all models)	41N5334	N
Retention bracket kit, heat sink and fan (all models)	41A7139	N
Cable, hard disk drive signal (all models)	41A7159	N
Cable, optical drive and hard disk drive signal (2-drop) (all models)	41A7875	N
Interposer cables (all models)	41A7143	N
Miscellaneous bezel kit (all models)	41A7144	N
Battery (all models)	33F8354	N

<b>9214 Keyboards (Preferred Pro fullsize, Black)</b>	<b>FRU#</b>	<b>CRU Tier</b>
US English (models A1U 11U 71G)	89P8300	1
Arabic (models 71G)	89P8301	1
Belgian/French (models 71G)	89P8302	1
Belgian/UK (models 71G)	89P8303	1
Bulgarian (models 71G)	89P8305	1
Chinese/US (models 71G)	89P8306	1
Czech (models 71G)	89P8307	1
Danish (models 71G)	89P8308	1
Dutch (models 71G)	89P8309	1
French (models 71G)	89P8310	1
French Canadian 445 (models A1F 11F)	89P8311	1
French Canadian 58 (models A1F 11F)	89P8312	1
German (models 71G)	89P8313	1
Greek (models 71G)	89P8314	1
Hebrew (models 71G)	89P8315	1
Hungarian (models 71G)	89P8316	1
Iceland (models 71G)	89P8317	1
Italian 141 (models 71G)	89P8318	1
Italian 142 (models 71G)	89P8319	1
Norwegian (models 71G)	89P8323	1
Polish (models 71G)	89P8324	1
Portuguese (models 71G)	89P8325	1

<b>9214 Keyboards (Preferred Pro fullsize, Black)</b>	<b>FRU#</b>	<b>CRU Tier</b>
Romanian (models 71G)	89P8326	1
Russian/Cy (models 71G)	89P8328	1
Serbian/Cyrillic (models 71G)	89P8329	1
Slovak (models 71G)	89P8330	1
Spanish (models 71G)	89P8331	1
Swedish/Finn (models 71G)	89P8332	1
Swiss F/G (models 71G)	89P8333	1
Turkish 440 (models 71G)	89P8335	1
Turkish 179 (models 71G)	89P8336	1
UK English (models 71G)	89P8337	1
US Euro (models 71G)	89P8338	1
Yugoslav/Latin (models 71G)	89P8339	1

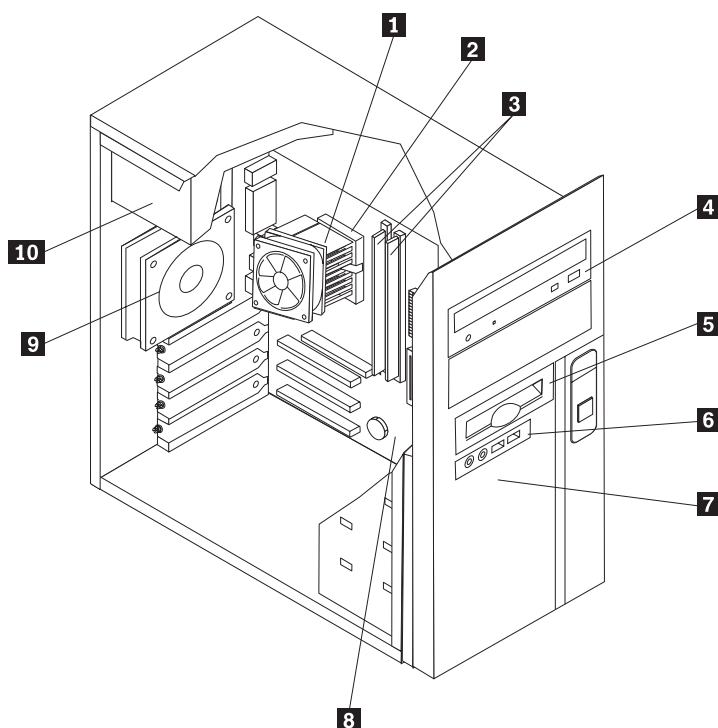
<b>9214 mice</b>	<b>FRU#</b>	<b>CRU Tier</b>
Mouse, Scrollpoint Optical, USB (models A1U 11U 71G A1F 11F)	24P0499	1

<b>9214 Adapters and miscellaneous FRUs</b>	<b>FRU#</b>	<b>CRU Tier</b>
RJ11 connector adapter (Spain, Ireland) (All "G" models)	60H6043	1
RJ11 connector adapter (Austria) (All "G" models)	60H6045	1
RJ11 connector adapter (Belgium) (All "G" models)	60H6046	1
RJ11 connector adapter (Denmark) (All "G" models)	60H6047	1
RJ11 connector adapter (Norway, Finland) (All "G" models)	60H6048	1
RJ11 connector adapter (France) (All "G" models)	60H6049	1
RJ11 connector adapter (Germany) (All "G" models)	60H6050	1
RJ11 connector adapter (UK, NZ, HK) (All "G", "M", "B", "H" models)	60H6051	1
RJ11 connector adapter (Italy) (All "G" models)	60H6052	1
RJ11 connector adapter (Netherlands) (All "G" models)	60H6053	1
RJ11 connector adapter (Sweden) (All "G" models)	60H6054	1
RJ11 connector adapter (Switzerland) (All "G" models)	60H6055	1

<b>9214 Power Cords</b>	<b>FRU#</b>	<b>CRU Tier</b>
Power Cord (models A1U 11U 71G A1F 11F)	6952301	1
Power Cord (EMEA, ANZ, ASEAN Eng, Korea) (models 71G)	13F9978	1
Power Cord (EMEA, ANZ, ASEAN Eng, HK Eng) (models 71G)	14F0032	1
Power Cord (EMEA) (models 71G)	13F9996	1
Power Cord (EMEA, LA) (models 71G)	14F0068	1
Power Cord (EMEA) (models 71G)	14F0086	1
Power Cord (EMEA, ANZ, ASEAN Eng) (models 71G)	14F0014	1
Power Cord (EMEA) (models 71G)	14F0050	1

9214 Windows XP Home Recovery CDs	FRU#	CRU Tier
US/UK/AP/TH (models A1U 11U 71G)	41D3954	1
FR/CF (models 71G A1F 11F)	41D3956	1
GR (models 71G)	41D3957	1
IT (models 71G)	41D3959	1
SP/LA (models 71G)	41D3958	1
DK (models 71G)	41D3962	1
NL (models 71G)	41D3965	1
AE (models 71G)	41D3969	1
SV (models 71G)	41D3961	1
HE (models 71G)	41D3966	1
FI (models 71G)	41D3963	1
NO (models 71G)	41D3964	1
PL (models 71G)	41D3967	1
PO (models 71G)	41D3973	1
RU (models 71G)	41D3970	1
RE (models 71G)	41D3955	1
HU (models 71G)	41D3972	1
CZ (models 71G)	41D3968	1
TR (models 71G)	41D3971	1
GK (models 71G)	41D3974	1

## Machine Type 9215



Item #	9215 FRUs	FRU#	CRU Tier
1	Heat sink and fan assembly (models 21U A1U A1F A2Q A3C A4Q A5Y 11A 11T 23Y 24U 25U 26A 26Q 26T 26C 27V D1C D1K D2U D3U E1U A1S A1D A1Y A2A A2T A2C A3Q A4A A4T A4C 11Q 11C 21S 21D 21Y 24S 24D 24Y 25S 25D 25Y 27M 27A 27Q 27T 27C 27B 27H 27K D1M D1A D1Q D1T D1B D1H D1V D2S D2D D2Y A6M A6A A6Q A6T A6C A6B A6H A6V A6K B1M B1B B1H B1V B1K D4A D4Q D4T D4C D5B D5H D5V D5K D6M D6A D6Q D6T D6C D6B D6H D6V D6K A7G 32A 32Q 32T 32C 33Q 33C 33V 34A 34Q 34T 35M 35A 35Q 35T 35C 35B 35H 35V 35K 36U 36F 36S 36D 36Y 37M 37A 37Q 37T 37C 37B 37H 37V 37K 38U 3 21F 29A 29Q 29T 29C 29B 29H 29V 24F 24Q 24C 24V 25F 25A 25Q 25T 25V 28Y 28M 28A 28Q 28T 28C 28B 28H 28V 28K 41U 41F 41S 41Y D2F D3F D7M D7A D7Q D7Q D7T D7C D7B D7H D7V D7K E1F)	41D2002	N
2	Microprocessor, Celeron D, 2.66 GHz, 533FSB, 256KB L2 (models A1U A1F A2Q A3C 71G A1S A1D A1Y A2A A2T A2C A3Q)	41D1809	N
2	Microprocessor, Celeron D, 2.80 GHz, 533FSB, 256KB L2 (models A4Q A5Y 72G A4A A4T A4C A6M A6A A6Q A6T A6C A6B A6H A6V A6K A7G 74G)	41D1810	N
2	Microprocessor, Celeron D, 2.93 GHz, 533FSB, 256KB L2 (models 75G)	41D1811	N
2	Microprocessor, Celeron D, 3.06 GHz, 533FSB, 256KB L2 (models B1M B1B B1H B1V B1K)	41D1812	N
2	Microprocessor, Pentium 4, 2.66 GHz, 533FSB, 1MB L2 (models 12Q)	41D1814	N
2	Microprocessor, Pentium 4, 2.93 GHz, 533FSB, 1MB L2 (models 21U 11A 11T 11Q 11C 21S 21D 21Y 21F 29A 29Q 29T 29C 29B 29H 29V)	41D1815	N
2	Microprocessor, Pentium 4, 3.06 GHz, 533FSB, 1MB L2 (models 23Y 24U 25U 26A 26Q 26T 26C 27V 24S 24D 24Y 25S 25D 25Y 27M 27A 27Q 27T 27C 27B 27H 27K 73G 24F 24Q 24C 24V 25F 25A 25Q 25T 25V 28Y 28M 28A 28Q 28T 28C 28B 28H 28V 28K)	41D1816	N
2	Microprocessor, Pentium 4, 2.8 GHz, 800FSB, 1MB L2 (models 32A 32Q 32T 32C 33Q 33C 33V 34A 34Q 34T 35M 35A 35Q 35T 35C 35B 35H 35V 35K 36U 36F 36S 36D 36Y 37M 37A 37Q 37T 37C 37B 37H 37V 37K 38U 38F 38S 38D 38Y 76G 77G)	41D1817	N
2	Microprocessor, Pentium 4, 3.0 GHz, 800FSB, 1MB L2 (models 41U 41F 41S 41Y)	41D1818	N
2	Microprocessor, Pentium 4, 3.0 GHz, 800FSB, 2MB L2 (models D1C D1K D2U D3U D1M D1A D1Q D1T D1B D1H D1V D2S D2D D2Y D4A D4Q D4T D4C D5B D5H D5V D5K D6M D6A D6Q D6T D6C D6B D6H D6V D6K D2F D3F D7M D7A D7Q D7Q D7T D7C D7B D7H D7V D7K)	41D2247	N
2	Microprocessor, Pentium 4, 3.2 GHz, 800FSB, 2MB L2 (models E1U E1F)	41D2248	N
3	Memory module, 256MB, DDR SDRAM, NP, PC3200 (models 21U A1U A1F A2Q A3C A4Q 11A 11T 23Y 26A 26Q 26T 26C 27V 71G 72G A1S A1D A1Y A2A A2T A2C A3Q A4A A4T A4C 11Q 11C 21S 21D 21Y 27M 27A 27Q 27T 27C 27B 27H 27K D1M D1A D1Q D1T D1B D1H D1V D1C D1K A6M A6A A6Q A6T A6C A6B A6H A6V A6K 12Q D4A D4Q D4T D4C D6M D6A D6Q D6T D6C D6B D6H D6V D6K 21F 29A 29Q 29T 29C 29B 29H 29V 28Y 28M 28A 28Q 28T 28C 28B 28H 28V 28K A7G 32A 32Q 32T 32C 35M 35A 35Q 35T 35C 35B 35H 35V 35K 36U 36F 36S 36D 36Y 37M 37A 37Q 37T 37C 37B 37H 37V 37K 74G 75G)	41D2026	2
3	Memory module, 512MB, DDR SDRAM, NP, PC3200 (models A5Y 24U 25U D2U D3U E1U 73G 24S 24D 24Y 25S 25D 25Y D2S D2D D2Y B1M B1B B1H B1V B1K D5B D5H D5V D5K 24F 24Q 24C 24V 25F 25A 25Q 25T 25V 41U 41F 41S 41Y D2F D3F D7M D7A D7Q D7Q D7T D7C D7B D7H D7V D7K E1F 33Q 33C 33V 34A 34Q 34T 38U 38F 38S 38D 38Y 76G 77G)	41D2027	2

Item #	9215 FRUs	FRU#	CRU Tier
4	CD-ROM Drive 48X - Black w/o jack & vol (models 21U A1U A1F A2Q A4Q 11A 11T 23Y 24U 26A 26Q 26T 26C D1C D1K A1S A1D A1Y A2A A2T A2C A4A A4T A4C 11Q 11C 21S 21D 21Y 24S 24D 24Y 27M 27A 27Q 27T 27C 27B 27H 27V 27K D1M D1A D1Q D1T D1B D1H D1V 12Q D4A D4Q D4T D4C D5B D5H D5V D5K 21F 29A 29Q 29T 29C 29B 29H 29V 24F 24Q 24C 24V 41U 41F 41S 41Y 32A 32Q 32T 32C 33Q 33C 33V 35M 35A 35Q 35T 35C 35B 35H 35V 35K 36U 36F 36S 36D 36Y)	40Y8807	N
4	CD-RW drive, 48X-32X-48X (models 25F 25A 25Q 25T 25V 34A 34Q 34T)	40Y8937	N
4	CD-RW drive, 48X-32X-48X (models 25U 25S 25D 25Y 25F 25A 25Q 25T 25V 34A 34Q 34T)	40Y8901	N
4	DVD-ROM drive, 16X-48X (models 71G 72G A6M A6A A6Q A6T A6C A6B A6H A6V A6K D6M D6A D6Q D6T D6C D6B D6H D6V D6K 28Y 28M 28A 28Q 28T 28C 28B 28H 28V 28K A7G 37M 37A 37Q 37T 37C 37B 37H 37V 37K 74G 75G)	40Y8933	N
4	DVD-ROM drive, 16X-48X (models 71G 72G A6M A6A A6Q A6T A6C A6B A6H A6V A6K D6M D6A D6Q D6T D6C D6B D6H D6V D6K 28Y 28M 28A 28Q 28T 28C 28B 28H 28V 28K A7G 37M 37A 37Q 37T 37C 37B 37H 37V 37K 74G 75G)	40Y8935	N
4	DVD - ROM - CDRW Combo 48X-32X-48X-16X (models A5Y D2U E1U 73G D2S D2D D2Y B1M B1B B1H B1V B1K D2F D7M D7A D7Q D7Q D7T D7C D7B D7H D7V D7K E1F 38U 38F 38S 38D 38Y 76G)	41D8919	N
4	Multi-Burner Plus (Rambo VI) drive (models D3U D3F 77G)	40Y8909	N
5	Diskette drive, w/Bezel (models 72G 73G A2A A2Q A2T A2C A3Q A4A A4Q A4T A4C 11A 11Q 11T 11C 26A 26Q 26T 26C 27M 27A 27Q 27T 27C 27B 27H 27V 27K D1M D1A D1Q D1T D1C D1B D1H D1V D1K A6M A6A A6Q A6T A6C A6B A6H A6V A6K 12Q D4A D4Q D4T D4C D6M D6A D6Q D6T D6C D6B D6H D6V D6K 28Y 28M 28A 28Q 28T 28C 28B 28H 28V 28K 32A 32Q 32T 32C 35M 35A 35Q 35T 35C 35B 35H 35V 35K 37M 37A 37Q 37T 37C 37B 37H 37V 37K 75G 76G 77G)	40Y9105	N
6	Front panel card assembly (all models)	41A7136	N
7	Hard disk drive, 40GB, 7200rpm, Parallel ATA (models 21U A1U A1F A3C 24U A1S A1D A1Y A3Q 21S 21D 21Y 24S 24D 24Y 21F 24F 24Q 24C 24V 41U 41F 41S 41Y 33Q 33C 33V)	41D2034	N
7	Hard disk drive, 80GB, 7200rpm, Parallel ATA (models 32A 32Q 32T 32C 34A 34Q 34T 35M 35A 35Q 35T 35C 35B 35H 35V 35K 36U 36F 36S 36D 36Y 37M 37A 37Q 37T 37C 37B 37H 37V 37K 38U 38F 38S 38D 38Y 74G 75G 76G A2Q A4Q A5Y 11A 11T 23Y 25U 26A 26Q 26T 26C 27V D1C D1K D2U E1U 71G 72G 73G A2A A2T A2C A4A A4T A4C 11Q 11C 25S 25D 25Y 27M 27A 27Q 27T 27C 27B 27H 27K D1M D1A D1Q D1T D1B D1H D1V D2S D2D D2Y A6M A6A A6Q A6T A6C A6B A6H A6V A6K B1M B1B B1H B1V B1K 12Q D4A D4Q D4T D4C D6M D6A D6Q D6T D6C D6B D6H D6V D6K 29A 29Q 29T 29C 29B 29H 29V 25F 25A 25Q 25T 25V 28Y 28M 28A 28Q 28T 28C 28B 28H 28V 28K D2F E1F A7G)	41D2035	N
7	Hard disk drive, 120GB, 7200rpm, Parallel ATA (models D3U D5B D5H D5V D5K D3F D7M D7A D7Q D7Q D7T D7C D7B D7H D7V D7K 77G)	41D2403	N

Item #	9215 FRUs	FRU#	CRU Tier
8	System board, 10-100 E-net (models 21F 29A 29Q 29T 29C 29B 29H 29V 24F 24Q 24C 24V 25F 25A 25Q 25T 25V 28Y 28M 28A 28Q 28T 28C 28B 28H 28V 28K 41U 41F 41S 41Y D2F D3F D7M D7A D7Q D7Q D7T D7C D7B D7H D7V D7K E1F 32A 32Q 32T 32C 33Q 33C 33V 34A 34Q 34T 35M 35A 35Q 35T 35C 35B 35H 35V 35K 36U 36F 36S 36D 36Y 37M 37A 37Q 37T 37C 37B 37H 37V 37K 38U 38F 38S 38D 38Y 74G 75G 76G 77G 21U A1U A1F A2Q A3C A4Q A5Y 11A 11T 23Y 24U 25U 26A 26Q 26T 26C 27V D1C D1K D2U D3U E1U 71G 72G 73G A1S A1D A1Y A2A A2T A2C A3Q A4A A4T A4C 11Q 11C 21S 21D 21Y 24S 24D 24Y 25S 25D 25Y 27M 27A 27Q 27T 27C 27B 27H 27K D1M D1A D1Q D1T D1B D1H D1V D2S D2D D2Y A6M A6A A6Q A6T A6C A6B A6H A6V A6K B1M B1B B1H B1V B1K 12Q D4A D4Q D4T D4C D5B D5H D5V D5K D6M D6A D6Q D6T D6C D6B D6H D6V D6K A7G) <b>Note:</b> When ordering a system board, you must also order a retention bracket kit for the heat sink and fan assembly.	41D1794	N
9	System Fan, rear w/grill (non-RoHS) (all models)	41A7195	N
9	System Fan, rear w/grill (RoHS) (all models)	41N5339	N
10	Power supply, non-PFC (models A1U A1F 21U 24U 25U D2U D3U E1U A1S A1D A1Y A5Y 23Y 21S 21D 21Y 24S 24D 24Y 25S 25D 25Y D2S D2D D2Y 21F 24F 25F 28Y 41U 41F 41S 41Y D2F D3F E1F 36U 36F 36S 36D 36Y 38U 38F 38S 38D 38Y)	41N3097	N
10	Power supply, PFC (models A2Q A3C A4Q 26Q 26C 27V D1C A2C A3Q A4C 11Q 11C 27Q 27C 27B 27H D1Q D1B D1H D1V A6Q A6C A6B A6H A6V B1B B1H B1V 12Q D4Q D4C D5B D5H D5V D6Q D6C D6B D6H D6V 11A 11T 26A 26T D1K 71G 72G 73G A2A A2T A4A A4T 27M 27A 27T 27K D1M D1A D1T A6M A6A A6T A6K B1M B1K D4A D4T D5K D6M D6A D6T D6K 29A 29Q 29T 29C 29B 29H 29V 24Q 24C 24V 25A 25Q 25T 25V 28M 28A 28Q 28T 28C 28B 28H 28V 28K D7M D7A D7Q D7Q D7T D7C D7B D7H D7V D7K A7G 32A 32Q 32T 32C 33Q 33C 33V 34A 34Q 34T 35M 35A 35Q 35T 35C 35B 35H 35V 35K 37M 37A 37Q 37T 37C 37B 37H 37V 37K 74G 75G 76G 77G)	41N3100	N

The FRUs listed in the following table are not illustrated.

9215 FRUs	FRU#	CRU
Cable, Serial ATA 250mm (RoHS) (all models)	41A7145	2
Cable, diskette drive (all models)	41A7130	2
Cover, right side (all models)	41A7132	2
Cover, side (RoHS) (all models)	41N5333	2
Chassis assembly (all models)	41A7133	N
Bezel, front (all models)	41A7134	2
Power switch/LED assembly (all models)	41A7135	N
Shield, system board (non-RoHS) (all models)	41A7137	N
Shield, system board (RoHS) (all models)	41N5329	N
Miscellaneous hardware kit (non-RoHS) (all models)	41A7138	N
Miscellaneous hardware kit (RoHS) (all models)	41N5334	N
Retention bracket kit, heat sink and fan (all models)	41A7139	N
Cable, hard disk drive signal (all models)	41A7159	N
Cable, optical drive and hard disk drive signal (2-drop) (all models)	41A7875	N
Interposer cables (all models)	41A7143	N
Miscellaneous bezel kit (all models)	41A7144	N

9215 FRUs	FRU#	CRU
Battery (all models)	33F8354	N

9215 Keyboards (Preferred Pro fullsize, Black)	FRU#	CRU Tier
US English (models 21U A1U A2Q A3C A4Q 11A 24U 25U 26A 26Q 26C D1C D2U D3U E1U 71G 72G 73G A2A A2C A3Q A4A A4C 11Q 11C 27M 27A 27Q 27C 27H D1M D1A D1Q D1H A6M A6A A6Q A6C A6H B1M B1H 12Q D4A D4Q D4C D5H D6M D6A D6Q D6C D6H 29A 29Q 29C 29H 24Q 24C 25A 25Q 28M 28A 28Q 28C 28H 41U D7M D7A D7Q D7C D7H A7G 32A 32Q 32C 33Q 33C 34A 34Q 35M 35A 35Q 35C 35H 36U 37M 37A 37Q 37C 37H 38U 74G 75G 76G 77G)	89P8300	1
Arabic (models 71G 72G 73G A7G 74G 75G 76G 77G)	89P8301	1
Belgian/French (models 71G 72G 73G A7G 74G 75G 76G 77G)	89P8302	1
Belgian/UK (models 71G 72G 73G A7G 74G 75G 76G 77G)	89P8303	1
Bulgarian (models 71G 72G 73G A7G 74G 75G 76G 77G)	89P8305	1
Chinese/US (models 27V 27B D1B D1V A6B A6V B1B B1V D5B D5V D6B D6V 29B 29V 24V 25V 28B 28V D7B D7V 33V 35B 35V 37B 37V)	89P8306	1
Czech (models 71G 72G 73G A7G 74G 75G 76G 77G)	89P8307	1
Danish (models 71G 72G 73G A7G 74G 75G 76G 77G)	89P8308	1
Dutch (models 71G 72G 73G A7G 74G 75G 76G 77G)	89P8309	1
French (models 71G 72G 73G A7G 74G 75G 76G 77G)	89P8310	1
French Canadian 445 (models A1F 21F 24F 25F 41F D2F D3F E1F 36F 38F)	89P8311	1
French Canadian 58 (models A1F 21F 24F 25F 41F D2F D3F E1F 36F 38F)	89P8312	1
German (models 71G 72G 73G A7G 74G 75G 76G 77G)	89P8313	1
Greek (models 71G 72G 73G A7G 74G 75G 76G 77G)	89P8314	1
Hebrew (models 71G 72G 73G A7G 74G 75G 76G 77G)	89P8315	1
Hungarian (models 71G 72G 73G A7G 74G 75G 76G 77G)	89P8316	1
Iceland (models 71G 72G 73G A7G 74G 75G 76G 77G)	89P8317	1
Italian 141 (models 71G 72G 73G A7G 74G 75G 76G 77G)	89P8318	1
Italian 142 (models 71G 72G 73G A7G 74G 75G 76G 77G)	89P8319	1
Korean (models D1K 27K A6K B1K D5K D6K 28K D7K 35K 37K)	89P8321	1
LA Spanish (models A5Y 23Y A1S A1D A1Y 21S 21D 21Y 24S 24D 24Y 25S 25D 25Y D2S D2D D2Y 28Y 41S 41Y 36S 36D 36Y 38S 38D 38Y)	89P8322	1
Norwegian (models 71G 72G 73G A7G 74G 75G 76G 77G)	89P8323	1
Polish (models 71G 72G 73G A7G 74G 75G 76G 77G)	89P8324	1
Portuguese (models 71G 72G 73G A7G 74G 75G 76G 77G)	89P8325	1
Romanian (models 71G 72G 73G A7G 74G 75G 76G 77G)	89P8326	1
Russian/Cy (models 71G 72G 73G A7G 74G 75G 76G 77G)	89P8328	1
Serbian/Cyrillic (models 71G 72G 73G A7G 74G 75G 76G 77G)	89P8329	1
Slovak (models 71G 72G 73G A7G 74G 75G 76G 77G)	89P8330	1
Spanish (models 71G 72G 73G A7G 74G 75G 76G 77G)	89P8331	1
Swedish/Fin (models 71G 72G 73G A7G 74G 75G 76G 77G)	89P8332	1
Swiss F/G (models 71G 72G 73G A7G 74G 75G 76G 77G)	89P8333	1
Thailand (models 11T 26T A2T A4T 27T D1T A6T D4T D6T 29T 25T 28T D7T 32T 34T 35T 37T)	89P8334	1

9215 Keyboards (Preferred Pro fullsize, Black)	FRU#	CRU Tier
Turkish 440 (models 71G 72G 73G A7G 74G 75G 76G 77G)	89P8335	1
Turkish 179 (models 71G 72G 73G A7G 74G 75G 76G 77G)	89P8336	1
UK English (models 71G 72G 73G A7G 74G 75G 76G 77G)	89P8337	1
US Euro (models 71G 72G 73G A7G 74G 75G 76G 77G)	89P8338	1
Yugoslav/Latin (models 71G 72G 73G A7G 74G 75G 76G 77G)	89P8339	1

9215 mice	FRU#	CRU Tier
Mouse, Scrollpoint Optical, USB (models 21F 29A 29Q 29T 29C 29B 29H 29V 24F 24Q 24C 24V 25F 25A 25Q 25T 25V 28Y 28M 28A 28Q 28T 28C 28B 28H 28V 28K 41U 41F 41S 41Y D2F D3F D7M D7A D7Q D7K D7T D7C D7B D7H D7V D7K E1F 32A 32Q 32T 32C 33Q 33C 33V 34A 34Q 34T 35M 35A 35Q 35T 35C 35B 35H 35V 35K 36U 36F 36S 36D 36Y 37M 37A 37Q 37T 37C 37B 37H 37V 37K 38U 38F 38S 38D 38Y 74G 75G 76G 77G 21U A1U A1F A2Q A3C A4Q A5Y 11A 11T 23Y 24U 25U 26A 26Q 26T 26C 27V D1C D1K D2U D3U E1U 71G 72G 73G A1S A1D A1Y A2A A2T A2C A3Q A4A A4T A4C 11Q 11C 21S 21D 21Y 24S 24D 24Y 25S 25D 25Y 27M 27A 27Q 27T 27C 27B 27H 27K D1M D1A D1Q D1T D1B D1H D1V D2S D2D D2Y A6M A6A A6Q A6T A6C A6B A6H A6V A6K B1M B1B B1H B1V B1K 12Q D4A D4Q D4T D4C D5B D5H D5V D5K D6M D6A D6Q D6T D6C D6B D6H D6V D6K A7G)	24P0499	1

9215 Adapters and miscellaneous FRUs	FRU#	CRU Tier
RJ11 connector adapter (Spain, Ireland) (All "G" models)	60H6043	1
RJ11 connector adapter (Austria) (All "G" models)	60H6045	1
RJ11 connector adapter (Belgium) (All "G" models)	60H6046	1
RJ11 connector adapter (Denmark) (All "G" models)	60H6047	1
RJ11 connector adapter (Norway, Finland) (All "G" models)	60H6048	1
RJ11 connector adapter (France) (All "G" models)	60H6049	1
RJ11 connector adapter (Germany) (All "G" models)	60H6050	1
RJ11 connector adapter (UK, NZ, HK) (All "G", "M", "B", "H" models)	60H6051	1
RJ11 connector adapter (Italy) (All "G" models)	60H6052	1
RJ11 connector adapter (Netherlands) (All "G" models)	60H6053	1
RJ11 connector adapter (Sweden) (All "G" models)	60H6054	1
RJ11 connector adapter (Switzerland) (All "G" models)	60H6055	1

9215 Power Cords	FRU#	CRU Tier
Power Cord (models 21U A1U A1F 11A 11T 24U 25U 26A 26T 27V D2U D3U E1U 71G 72G 73G A1S A1D A2A A2T A4A A4T 21S 21D 24S 24D 25S 25D 27A 27T D1A D1T D1V D2S D2D A6A A6T A6V B1V D4A D4T D5V D6A D6T D6V 21F 29A 29T 29V 24F 24V 25F 25A 25T 25V 28A 28T 28V 41U 41F 41S D2F D3F D7A D7T D7V E1F A7G 32A 32T 33V 34A 34T 35A 35T 35V 36U 36F 36S 36D 37A 37T 37V 38U 38F 38S 38D 74G 75G 76G 77G)	6952301	1
Power Cord (ANZ) (models 27M D1M A6M B1M D6M 28M D7M 35M 37M)	13F9939	1
Power Cord (EMEA, ANZ, ASEAN Eng, Korea) (models D1K 71G 72G 73G 27K A6K B1K D5K D6K 28K D7K A7G 35K 37K 74G 75G 76G 77G)	13F9978	1
Power Cord (EMEA, ANZ, ASEAN Eng, HK Eng) (models 71G 72G 73G 27H D1H A6H B1H D5H D6H 29H 28H D7H A7G 35H 37H 74G 75G 76G 77G)	14F0032	1
Power Cord (EMEA) (models 71G 72G 73G A7G 74G 75G 76G 77G)	13F9996	1

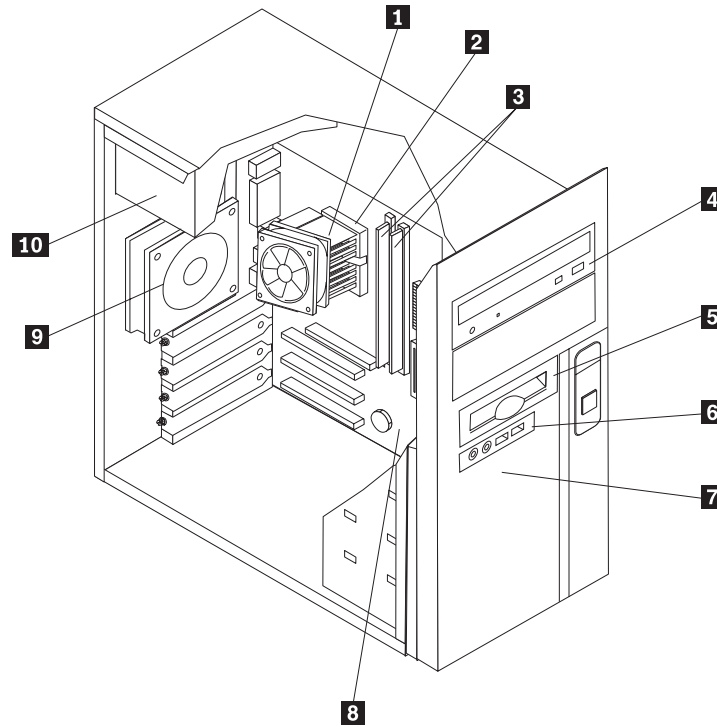


9215 Power Cords	FRU#	CRU Tier
Power Cord (EMEA, LA) (models A5Y 23Y 71G 72G 73G A1S A1D A1Y 21S 21D 21Y 24S 24D 24Y 25S 25D 25Y D2S D2D D2Y 28Y 41S 41Y A7G 36S 36D 36Y 38S 38D 38Y 74G 75G 76G 77G)	14F0068	1
Power Cord (APU) (models A5Y 23Y A1Y 21Y 24Y 25Y D2Y 28Y 41Y 36Y 38Y)	36L8879	1
Power Cord (China, HK) (models A3C 26C D1C A2C A4C 11C 27C 27B 27H D1B D1H A6C A6B A6H B1B B1H D4C D5B D5H D6C D6B D6H 29C 29B 29H 24C 28C 28B 28H D7C D7B D7H 32C 33C 35C 35B 35H 37C 37B 37H)	02K0545	1
Power Cord (EMEA) (models 71G 72G 73G A7G 74G 75G 76G 77G)	14F0086	1
Power Cord (EMEA, ANZ, ASEAN Eng) (models 71G 72G 73G A7G 74G 75G 76G 77G)	14F0014	1
Power Cord (EMEA) (models 71G 72G 73G A7G 74G 75G 76G 77G)	14F0050	1
Power Cord (India) (models A2Q A4Q 26Q A3Q 11Q 27Q D1Q A6Q 12Q D4Q D6Q 29Q 24Q 25Q 28Q D7Q D7Q 32Q 33Q 34Q 35Q 37Q)	49P2078	1

9215 Windows XP Home Recovery CDs	FRU#	CRU Tier
US/UK/AP/TH (models B1M B1H D5H 71G D7M D7A D7Q D7Q D7T D7H 74G)	41D3954	1
FR/CF (models 71G 74G)	41D3956	1
GR (models 71G 74G)	41D3957	1
IT (models 71G 74G)	41D3959	1
SP/LA (models 71G 74G)	41D3958	1
DK (models 71G 74G)	41D3962	1
NL (models 71G 74G)	41D3965	1
AE (models 71G 74G)	41D3969	1
SV (models 71G 74G)	41D3961	1
HE (models 71G 74G)	41D3966	1
FI (models 71G 74G)	41D3963	1
NO (models 71G 74G)	41D3964	1
PL (models 71G 74G)	41D3967	1
PO (models 71G 74G)	41D3973	1
RU (models 71G 74G)	41D3970	1
RE (models 71G 74G)	41D3955	1
HU (models 71G 74G)	41D3972	1
CZ (models 71G 74G)	41D3968	1
TR (models 71G 74G)	41D3971	1
GK (models 71G 74G)	41D3974	1
Simplified Chinese (models D7C)	41W3396	1
Taiwan - TC (models B1V D5V D7V)	41W3397	1
Hong Kong - TC (models B1B D5B D7B)	41W3398	1
Korean (models B1K D5K D7K)	41W3399	1

9215 Windows XP Pro Recovery CDs	FRU#	CRU Tier
US/UK/AP/TH (models A1U 21U 24U 25U D2U D3U E1U 72G 73G 27M 27A 27Q 27T 27H D1M D1A D1Q D1T D1H A6M A6A A6Q A6T A6H D6M D6A D6Q D6T D6H 29A 29Q 29T 29H 24Q 25A 25Q 25T 28M 28A 28Q 28T 28H 41U A7G 33Q 34A 34Q 34T 35M 35A 35Q 35T 35H 36U 37M 37A 37Q 37T 37H 38U 75G 76G 77G)	41D3822	1
FR/CF (models A1F 72G 73G 21F 24F 25F 41F D2F D3F E1F A7G 36F 38F 75G 76G 77G)	41D3824	1
GR (models 72G 73G A7G 75G 76G 77G)	41D3825	1
IT (models 72G 73G A7G 75G 76G 77G)	41D3827	1
SP/LA (models A5Y 23Y 72G 73G A1S A1D A1Y 21S 21D 21Y 24S 24D 24Y 25S 25D 25Y D2S D2D D2Y 28Y 41S 41Y A7G 36S 36D 36Y 38S 38D 38Y 75G 76G 77G)	41D3826	1
DK (models 72G 73G A7G 75G 76G 77G)	41D3830	1
NL (models 72G 73G A7G 75G 76G 77G)	41D3833	1
AE (models 72G 73G A7G 75G 76G 77G)	41D3837	1
SV (models 72G 73G A7G 75G 76G 77G)	41D3829	1
HE (models 72G 73G A7G 75G 76G 77G)	41D3834	1
FI (models 72G 73G A7G 75G 76G 77G)	41D3831	1
NO (models 72G 73G A7G 75G 76G 77G)	41D3832	1
PL (models 72G 73G A7G 75G 76G 77G)	41D3835	1
PO (models 72G 73G A7G 75G 76G 77G)	41D3841	1
RU (models 72G 73G A7G 75G 76G 77G)	41D3838	1
RE (models 72G 73G A7G 75G 76G 77G)	41D3823	1
HU (models 72G 73G A7G 75G 76G 77G)	41D3840	1
CZ (models 72G 73G A7G 75G 76G 77G)	41D3836	1
TR (models 72G 73G A7G 75G 76G 77G)	41D3839	1
GK (models 72G 73G A7G 75G 76G 77G)	41D3842	1
SL (models 72G 73G A7G 75G 76G 77G)	41D3843	1
Simplified Chinese (models D1C 27C A6C D6C 29C 24C 28C 33C 35C 37C)	41W3391	1
Taiwan - TC (models 27V D1V A6V D6V 29V 24V 25V 28V 33V 35V 37V)	41W3392	1
Hong Kong - TC (models 27B D1B A6B D6B 29B 28B 35B 37B)	41W3393	1
Korean (models D1K 27K A6K D6K 28K 35K 37K)	41W3394	1
Multilingual 1 (models 72G 73G A7G 75G 76G 77G)	41D4080	1
Multilingual 2 (models 72G 73G A7G 75G 76G 77G)	41D4086	1

# Machine Type 9216



Item #	9216 FRUs	FRU#	CRU Tier
1	Heat sink and fan assembly (models A2G 11G 41U 41S 41D 41Y 71G 72G 73G 74G 41F A3G A4G 42G 75G 76G)	41D2002	N
2	Microprocessor, Celeron D, 2.66 GHz, 533FSB, 256KB L2 (models A2G 71G 72G A3G)	41D1809	N
2	Microprocessor, Celeron D, 2.8 GHz, 533FSB, 256KB L2 (models 73G A4G 75G 76G)	41D1810	N
2	Microprocessor, Celeron D, 2.93 GHz, 533FSB, 256KB L2 (models 77G)	41D1811	N
2	Microprocessor, Pentium 4, 2.93 GHz, 533FSB, 1MB L2 (models 11G)	41D1815	N
2	Microprocessor, Pentium 4, 3.06 GHz, 533FSB, 1MB L2 (models 74G)	41D1816	N
2	Microprocessor, Pentium 4, 2.8 GHz, 800FSB, 1MB L2 (models 78G 79G)	41D1817	N
2	Microprocessor, Pentium 4, 3.0 GHz, 800FSB, 1MB L2 (models 41U 41S 41D 41Y 41F 42G)	41D1818	N
2	Microprocessor, Pentium 4, 3.2 GHz, 800FSB, 2MB L2 (models E1G)	41D2248	N
3	Memory module, 256MB, DDR SDRAM, NP, PC3200 (models A2G 11G 71G 72G 73G A3G 75G 76G 77G)	41D2026	2
3	Memory module, 512MB, DDR SDRAM, NP, PC3200 (models 41U 41S 41D 41Y 74G 41F A4G 42G E1G 78G 79G)	41D2027	2
4	CD-ROM drive, 48X (models 41F A4G 42G)	40Y8807	N
4	DVD-ROM drive, 16X-48X (models A2G 11G 71G 72G 73G A3G 75G 76G 77G)	40Y8933	N
4	DVD-ROM drive, 16X-48X (models A2G 11G 71G 72G 73G A3G 75G 76G 77G)	40Y8935	N
4	Combo drive 48X-32X-48X-16X DVD - ROM - CDRW (models 74G 78G)	40Y8919	N
4	Multi-Burner Plus (models E1G 79G)	40Y8909	N
5	Diskette drive, W/Bezel (models A2G 11G 73G 74G A3G 42G E1G 77G 78G 79G)	40Y9105	N

Item #	9216 FRUs	FRU#	CRU Tier
6	Front panel card assembly (all models)	41A7136	N
7	Hard disk drive, 40GB, 7200rpm, Parallel ATA (models 41U 41S 41D 41Y 41F A4G)	41D2034	N
7	Hard disk drive, 80GB, 7200rpm, Parallel ATA (models A2G 11G 71G 72G 73G 74G A3G 75G 76G 77G 78G)	41D2035	N
7	Hard disk drive, 120GB, 7200rpm, Parallel ATA (models 42G E1G 79G)	41D2403	N
8	System board, 10-100 E-net (models A2G 11G 41U 41S 41D 41Y 71G 72G 73G 74G 41F A3G A4G 42G E1G 75G 76G 77G 78G 79G) <b>Note:</b> When ordering a system board, you must also order a retention bracket kit for the heat sink and fan assembly.	41D1794	N
9	System Fan, rear w/grill (non-RoHS) (all models)	41A7195	N
9	System Fan, rear w/grill (RoHS) (all models)	41N5339	N
10	Power supply, 250W non-PFC (models 41U 41S 41D 41Y 41F)	41N3097	N
10	Power supply, 250W PFC (models A2G 11G 71G 72G 73G 74G A3G A4G 42G E1G 75G 76G 77G 78G 79G)	41N3100	N

The FRUs listed in the following table are not illustrated.

9216 FRUs	FRU#	CRU
Cable, Serial ATA 250mm (RoHS) (all models)	41A7145	2
Cable, diskette drive (all models)	41A7130	2
Cover, right side (all models)	41A7132	2
Cover, side (RoHS) (all models)	41N5333	2
Chassis assembly (all models)	41A7133	N
Bezel, front (all models)	41A7134	2
Power switch/LED assembly (all models)	41A7135	N
Shield, system board (non-RoHS) (all models)	41A7137	N
Shield, system board (RoHS) (all models)	41N5329	N
Miscellaneous hardware kit (non-RoHS) (all models)	41A7138	N
Miscellaneous hardware kit (RoHS) (all models)	41N5334	N
Retention bracket kit, heat sink and fan (all models)	41A7139	N
Cable, hard disk drive signal (all models)	41A7159	N
Cable, optical drive and hard disk drive signal (2-drop) (all models)	41A7875	N
Interposer cables (all models)	41A7143	N
Miscellaneous bezel kit (all models)	41A7144	N
Battery (all models)	33F8354	N

9216 Keyboards (Preferred Pro fullsize, Black)	FRU#	CRU Tier
US English (models A2G 11G 41U 71G 72G 73G 74G A3G A4G 42G E1G 75G 76G 77G 78G 79G)	89P8300	1
Arabic (models A2G 11G 71G 72G 73G 74G A3G A4G 42G E1G 75G 76G 77G 78G 79G)	89P8301	1
Belgian/French (models A2G 11G 71G 72G 73G 74G A3G A4G 42G E1G 75G 76G 77G 78G 79G)	89P8302	1
Belgian/UK (models A2G 11G 71G 72G 73G 74G A3G A4G 42G E1G 75G 76G 77G 78G 79G)	89P8303	1

<b>9216 Keyboards (Preferred Pro fullsize, Black)</b>	<b>FRU#</b>	<b>CRU Tier</b>
Bulgarian (models A2G 11G 71G 72G 73G 74G A3G A4G 42G E1G 75G 76G 77G 78G 79G)	89P8305	1
Czech (models A2G 11G 71G 72G 73G 74G A3G A4G 42G E1G 75G 76G 77G 78G 79G)	89P8307	1
Danish (models A2G 11G 71G 72G 73G 74G A3G A4G 42G E1G 75G 76G 77G 78G 79G)	89P8308	1
Dutch (models A2G 11G 71G 72G 73G 74G A3G A4G 42G E1G 75G 76G 77G 78G 79G)	89P8309	1
French (models A2G 11G 71G 72G 73G 74G A3G A4G 42G E1G 75G 76G 77G 78G 79G)	89P8310	1
French Canadian 445 (models 41F)	89P8311	1
French Canadian 58 (models 41F)	89P8312	1
German (models A2G 11G 71G 72G 73G 74G A3G A4G 42G E1G 75G 76G 77G 78G 79G)	89P8313	1
Greek (models A2G 11G 71G 72G 73G 74G A3G A4G 42G E1G 75G 76G 77G 78G 79G)	89P8314	1
Hebrew (models A2G 11G 71G 72G 73G 74G A3G A4G 42G E1G 75G 76G 77G 78G 79G)	89P8315	1
Hungarian (models A2G 11G 71G 72G 73G 74G A3G A4G 42G E1G 75G 76G 77G 78G 79G)	89P8316	1
Iceland (models A2G 11G 71G 72G 73G 74G A3G A4G 42G E1G 75G 76G 77G 78G 79G)	89P8317	1
Italian 141 (models A2G 11G 71G 72G 73G 74G A3G A4G 42G E1G 75G 76G 77G 78G 79G)	89P8318	1
Italian 142 (models A2G 11G 71G 72G 73G 74G A3G A4G 42G E1G 75G 76G 77G 78G 79G)	89P8319	1
LA Spanish (models 41S 41D 41Y)	89P8322	1
Norwegian (models A2G 11G 71G 72G 73G 74G A3G A4G 42G E1G 75G 76G 77G 78G 79G)	89P8323	1
Polish (models A2G 11G 71G 72G 73G 74G A3G A4G 42G E1G 75G 76G 77G 78G 79G)	89P8324	1
Portuguese (models A2G 11G 71G 72G 73G 74G A3G A4G 42G E1G 75G 76G 77G 78G 79G)	89P8325	1
Romanian (models A2G 11G 71G 72G 73G 74G A3G A4G 42G E1G 75G 76G 77G 78G 79G)	89P8326	1
Russian/Cy (models A2G 11G 71G 72G 73G 74G A3G A4G 42G E1G 75G 76G 77G 78G 79G)	89P8328	1
Serbian/Cyrillic (models A2G 11G 71G 72G 73G 74G A3G A4G 42G E1G 75G 76G 77G 78G 79G)	89P8329	1
Slovak (models A2G 11G 71G 72G 73G 74G A3G A4G 42G E1G 75G 76G 77G 78G 79G)	89P8330	1
Spanish (models A2G 11G 71G 72G 73G 74G A3G A4G 42G E1G 75G 76G 77G 78G 79G)	89P8331	1
Swedish/Finn (models A2G 11G 71G 72G 73G 74G A3G A4G 42G E1G 75G 76G 77G 78G 79G)	89P8332	1
Swiss F/G (models A2G 11G 71G 72G 73G 74G A3G A4G 42G E1G 75G 76G 77G 78G 79G)	89P8333	1
Turkish 179 (models A2G 11G 71G 72G 73G 74G A3G A4G 42G E1G 75G 76G 77G 78G 79G)	89P8336	1
UK English (models A2G 11G 71G 72G 73G 74G A3G A4G 42G E1G 75G 76G 77G 78G 79G)	89P8337	1
US Euro (models A2G 11G 71G 72G 73G 74G A3G A4G 42G E1G 75G 76G 77G 78G 79G)	89P8338	1
Yugoslav/Latin (models A2G 11G 71G 72G 73G 74G A3G A4G 42G E1G 75G 76G 77G 78G 79G)	89P8339	1

<b>9216 mice</b>	<b>FRU#</b>	<b>CRU Tier</b>
Mouse, Scrollpoint Optical, USB (models A2G 11G 41U 41S 41D 41Y 71G 72G 73G 74G 41F A3G A4G 42G E1G 75G 76G 77G 78G 79G)	24P0499	1

9216 Adapters and miscellaneous FRUs	FRU#	CRU Tier
PCI Modem Card (Soft) -- full bracket (models 42G E1G)	29R9729	1
RJ11 connector adapter (Spain, Ireland) (All "G" models)	60H6043	1
RJ11 connector adapter (Austria) (All "G" models)	60H6045	1
RJ11 connector adapter (Belgium) (All "G" models)	60H6046	1
RJ11 connector adapter (Denmark) (All "G" models)	60H6047	1
RJ11 connector adapter (Norway, Finland) (All "G" models)	60H6048	1
RJ11 connector adapter (France) (All "G" models)	60H6049	1
RJ11 connector adapter (Germany) (All "G" models)	60H6050	1
RJ11 connector adapter (UK, NZ, HK) (All "G", "M", "B", "H" models)	60H6051	1
RJ11 connector adapter (Italy) (All "G" models)	60H6052	1
RJ11 connector adapter (Netherlands) (All "G" models)	60H6053	1
RJ11 connector adapter (Sweden) (All "G" models)	60H6054	1
RJ11 connector adapter (Switzerland) (All "G" models)	60H6055	1

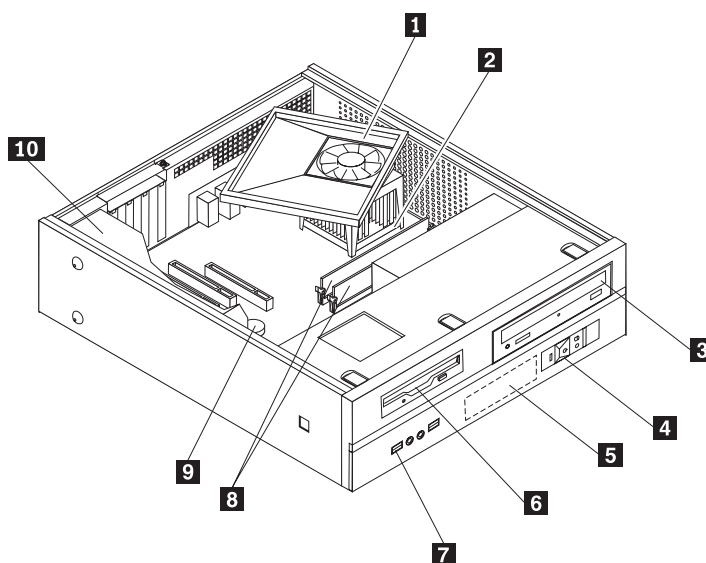
9216 Power Cords	FRU#	CRU Tier
Power Cord (models A2G 11G 41U 41S 41D 71G 72G 73G 74G 41F A3G A4G 42G E1G 75G 76G 77G 78G 79G)	6952301	1
Power Cord (EMEA, ANZ, ASEAN Eng, Korea) (models A2G 11G 71G 72G 73G 74G A3G A4G 42G E1G 75G 76G 77G 78G 79G)	13F9978	1
Power Cord (EMEA, ANZ, ASEAN Eng, HK Eng) (models A2G 11G 71G 72G 73G 74G A3G A4G 42G E1G 75G 76G 77G 78G 79G)	14F0032	1
Power Cord (EMEA) (models A2G 11G 71G 72G 73G 74G A3G A4G 42G E1G 75G 76G 77G 78G 79G)	13F9996	1
Power Cord (EMEA, LA) (models A2G 11G 71G 72G 73G 74G A3G A4G 42G E1G 75G 76G 77G 78G 79G)	14F0068	1
Power Cord (APU) (models 41Y)	36L8879	1
Power Cord (EMEA) (models A2G 11G 71G 72G 73G 74G A3G A4G 42G E1G 75G 76G 77G 78G 79G)	14F0086	1
Power Cord (EMEA, ANZ, ASEAN Eng) (models A2G 11G 71G 72G 73G 74G A3G A4G 42G E1G 75G 76G 77G 78G 79G)	14F0014	1
Power Cord (EMEA) (models A2G 11G 71G 72G 73G 74G A3G A4G 42G E1G 75G 76G 77G 78G 79G)	14F0050	1

9216 Windows XP Home Recovery CDs	FRU#	CRU Tier
US/UK/AP/TH (models 72G A4G 42G 76G)	41D3954	1
FR/CF (models 72G A4G 42G 76G)	41D3956	1
GR (models 72G A4G 42G 76G)	41D3957	1
IT (models 72G A4G 42G 76G)	41D3959	1
SP/LA (models 72G A4G 42G 76G)	41D3958	1
DK (models 72G A4G 42G 76G)	41D3962	1
NL (models 72G A4G 42G 76G)	41D3965	1
AE (models 72G A4G 42G 76G)	41D3969	1
SV (models 72G A4G 42G 76G)	41D3961	1

9216 Windows XP Home Recovery CDs	FRU#	CRU Tier
HE (models 72G A4G 42G 76G)	41D3966	1
FI (models 72G A4G 42G 76G)	41D3963	1
NO (models 72G A4G 42G 76G)	41D3964	1
PL (models 72G A4G 42G 76G)	41D3967	1
PO (models 72G A4G 42G 76G)	41D3973	1
RU (models 72G A4G 42G 76G)	41D3970	1
RE (models 72G A4G 42G 76G)	41D3955	1
HU (models 72G A4G 42G 76G)	41D3972	1
CZ (models 72G A4G 42G 76G)	41D3968	1
TR (models 72G A4G 42G 76G)	41D3971	1
GK (models 72G A4G 42G 76G)	41D3974	1

9216 Windows XP Pro Recovery CDs	FRU#	CRU Tier
US/UK/AP/TH (models A2G 11G 41U 73G 74G 77G 78G 79G)	41D3822	1
FR/CF (models A2G 11G 73G 74G 41F 77G 78G 79G)	41D3824	1
GR (models A2G 11G 73G 74G 77G 78G 79G)	41D3825	1
IT (models A2G 11G 73G 74G 77G 78G 79G)	41D3827	1
SP/LA (models A2G 11G 41S 41D 41Y 73G 74G 77G 78G 79G)	41D3826	1
DK (models A2G 11G 73G 74G 77G 78G 79G)	41D3830	1
NL (models A2G 11G 73G 74G 77G 78G 79G)	41D3833	1
AE (models A2G 11G 73G 74G 77G 78G 79G)	41D3837	1
SV (models A2G 11G 73G 74G 77G 78G 79G)	41D3829	1
HE (models A2G 11G 73G 74G 77G 78G 79G)	41D3834	1
FI (models A2G 11G 73G 74G 77G 78G 79G)	41D3831	1
NO (models A2G 11G 73G 74G 77G 78G 79G)	41D3832	1
PL (models A2G 11G 73G 74G 77G 78G 79G)	41D3835	1
PO (models A2G 11G 73G 74G 77G 78G 79G)	41D3841	1
RU (models A2G 11G 73G 74G 77G 78G 79G)	41D3838	1
RE (models A2G 11G 73G 74G 77G 78G 79G)	41D3823	1
HU (models A2G 11G 73G 74G 77G 78G 79G)	41D3840	1
CZ (models A2G 11G 73G 74G 77G 78G 79G)	41D3836	1
TR (models A2G 11G 73G 74G 77G 78G 79G)	41D3839	1
GK (models A2G 11G 73G 74G 77G 78G 79G)	41D3842	1
SL (models A2G 11G 73G 74G 77G 78G 79G)	41D3843	1
Multilingual 1 (models A2G 11G 73G 74G 77G 78G 79G)	41D4080	1
Multilingual 2 (models A2G 11G 73G 74G 77G 78G 79G)	41D4086	1

## Machine Type 9217



Item #	9217 FRUs	FRU#	CRU Tier
1	Heat sink and fan assembly (models A1U 11U A2G A1F 11F)	41D2001	N
2	Microprocessor, 2.66 Ghz, Celeron D, 533FSB, 256KB L2 (models A1U A2G A1F)	41D1796	N
2	Microprocessor, 2.93 Ghz, Pentium 4, 533FSB, 1MB L2 (models 11U 11F)	41D1802	N
3	CD-ROM Drive 48X - Black w/o jack & vol (models A1U 11U A2G A1F 11F)	40Y8807	N
4	Power switch/LED assembly (all models)	41A7152	N
5	Hard disk drive, 40GB, 7200rpm Serial ATA (models A1U 11U A2G A1F 11F)	41D2034	N
6	Diskette drive, wo/bezel (models A2G)	41D3724	N
7	Front panel card (all models)	41A7153	N
8	Memory module, 256MB, DDR SDRAM, NP, PC3200 (models A1U 11U A2G A1F 11F)	41D2026	2
9	System board, 10-100 Enet (models A1U 11U A2G A1F 11F) <b>Note:</b> When ordering a system board, you must also order a retention bracket kit for the heat sink and fan assembly.	41D1794	N
10	Power supply (all models)	41N3089	N

The FRUs listed in the following table are not illustrated.

9217 FRUs	FRU#	CRU Tier
Shield, EMC, 5.25in. drive bay (all models)	41A7162	N
Cable, Serial-ATA, (18in. RoHs) (all models)	41A7145	N
Shield, EMC, diskette drive bay (all models)	41A7146	N
Cable, diskette drive (all models)	41A7147	N
Cover (all models)	41A7148	2
Chassis assembly (all models)	41A7149	N
Bezel assembly, front (all models)	41A7150	N
Fan duct assembly (all models)	41A7151	N



9217 FRUs	FRU#	CRU Tier
Shield, EMC, system board (all models)	41A7154	N
Miscellaneous hardware kit (all models)	41A7155	N
Retention bracket kit, heat sink and fan (all models)	41A7139	N
Cable, optical drive signal (all models)	41A7158	N
Cable, hard disk drive signal (all models)	41A7159	N
Miscellaneous bezel kit (all models)	41A7160	N
Fan assembly, front (all models)	41A7198	N
Interposer cables (all models)	41A7161	N
Battery (all models)	33F8354	N

9217 Keyboards (Standard PS/2 Black)	FRU#	CRU Tier
US English (models A1U 11U A2G)	89P8300	1
Arabic (models A2G)	89P8301	1
Belgian/French (models A2G)	89P8302	1
Belgian/UK (models A2G)	89P8303	1
Bulgarian (models A2G)	89P8305	1
Czech (models A2G)	89P8307	1
Danish (models A2G)	89P8308	1
Dutch (models A2G)	89P8309	1
French (models A2G)	89P8310	1
French Canadian 445 (models A1F 11F)	89P8311	1
French Canadian 58 (models A1F 11F)	89P8312	1
German (models A2G)	89P8313	1
Greek (models A2G)	89P8314	1
Hebrew (models A2G)	89P8315	1
Hungarian (models A2G)	89P8316	1
Iceland (models A2G)	89P8317	1
Italian 141 (models A2G)	89P8318	1
Italian 142 (models A2G)	89P8319	1
Norwegian (models A2G)	89P8323	1
Polish (models A2G)	89P8324	1
Portuguese (models A2G)	89P8325	1
Romanian (models A2G)	89P8326	1
Russian/Cy (models A2G)	89P8327	1
Russian/Cy (models A2G)	89P8328	1
Serbian/Cyrillic (models A2G)	89P8329	1
Slovak (models A2G)	89P8330	1
Spanish (models A2G)	89P8331	1
Swedish/Finn (models A2G)	89P8332	1
Swiss F/G (models A2G)	89P8333	1
Turkish 440 (models A2G)	89P8335	1

<b>9217 Keyboards (Standard PS/2 Black)</b>	<b>FRU#</b>	<b>CRU Tier</b>
Turkish 179 (models A2G)	89P8336	1
UK English (models A2G)	89P8337	1
US Euro (models A2G)	89P8338	1
Yugoslav/Latin (models A2G)	89P8339	1

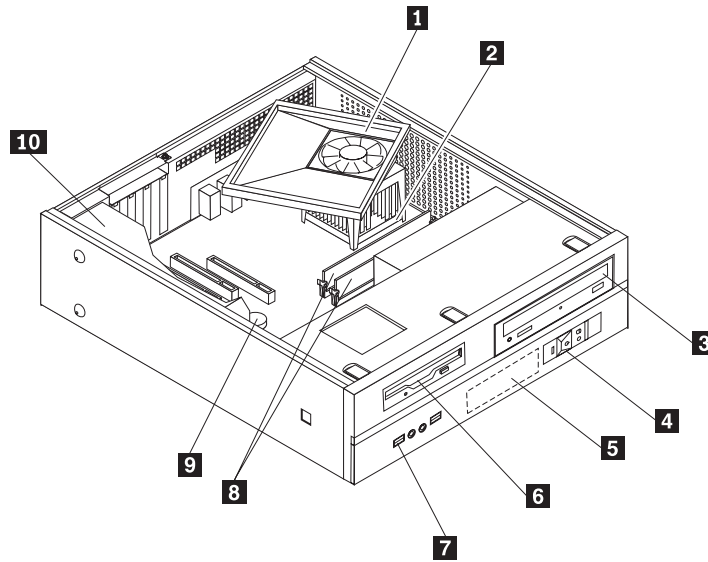
<b>9217 mice</b>	<b>FRU#</b>	<b>CRU Tier</b>
Mouse, Scrollpoint Optical, USB (models A1U 11U A2G A1F 11F)	24P0499	1

<b>9217 Adapters and miscellaneous FRUs</b>	<b>FRU#</b>	<b>CRU Tier</b>
RJ11 connector adapter (Spain, Ireland) (All "G" models)	60H6043	1
RJ11 connector adapter (Austria) (All "G" models)	60H6045	1
RJ11 connector adapter (Belgium) (All "G" models)	60H6046	1
RJ11 connector adapter (Denmark) (All "G" models)	60H6047	1
RJ11 connector adapter (Norway, Finland) (All "G" models)	60H6048	1
RJ11 connector adapter (France) (All "G" models)	60H6049	1
RJ11 connector adapter (Germany) (All "G" models)	60H6050	1
RJ11 connector adapter (UK, NZ, HK) (All "G", "M", "B", "H" models)	60H6051	1
RJ11 connector adapter (Italy) (All "G" models)	60H6052	1
RJ11 connector adapter (Netherlands) (All "G" models)	60H6053	1
RJ11 connector adapter (Sweden) (All "G" models)	60H6054	1
RJ11 connector adapter (Switzerland) (All "G" models)	60H6055	1

<b>9217 Power Cords</b>	<b>FRU#</b>	<b>CRU Tier</b>
Power Cord (models A1U 11U A2G A1F 11F)	6952301	1
Power Cord (EMEA, ANZ, ASEAN Eng, Korea) (models A2G)	13F9978	1
Power Cord (EMEA, ANZ, ASEAN Eng, HK Eng) (models A2G)	14F0032	1
Power Cord (EMEA) (models A2G)	13F9996	1
Power Cord (EMEA, LA) (models A2G)	14F0068	1
Power Cord (EMEA) (models A2G)	14F0086	1
Power Cord (EMEA, ANZ, ASEAN Eng) (models A2G)	14F0014	1
Power Cord (EMEA) (models A2G)	14F0050	1

<b>9217 Windows XP Home Recovery CDs</b>	<b>FRU#</b>	<b>CRU Tier</b>
US/UK/AP/TH (models A1U 11U)	41D3954	1
FR/CF (models A1F 11F)	41D3956	1

# Machine Type 9218



Item #	9218 FRUs	FRU#	CRU Tier
1	Heat sink and fan assembly (models A1U A1F A1S A1P A2S A2P A3G 11S 11P 12U D1U D1F D2G A1L A1D A1Y A2L A2D A2Y 11L 11D 11Y 22L 22D 22Y 41L 41D 41Y 72G 31U 31F 31S 31P 31L 31D 31Y 31M 31A 31Q 31T 31C 31B 31H 31V 31K 31J 32J 33M 33A 33Q 33T 33C 33B 33H 33V 33K 33J 34M 34A 34Q 34T 34C 34B 34H 34V 34K 34J 35M 35A 35Q 35T 35C 35B 35H 35V 35K 35J 73G 74G A4M A4A A4Q A4T A4C A4B A4H A4V A4K A4J A5J A6M A6A A6Q A6T A6C A6B A6H A6V A6K A6J A7M A7A A7Q A7T A7C A7B A7H A7V A7K A7J A8M A8A A8Q A8T A8C A8B A8H A8V A8K A8J 12F 22M 22A 22Q 22T 22C 22B 22H 22V 22K 22J 23J 24M 24A 24Q 24T 24C 24B 24H 24V 24K 24J 25M 25A 25Q 25T 25C 25B 25H 25V 25K 25J 26M 26A 26Q 26T 26C 26B 26H 26V 26K 26J 42S 42L 42D 42Y D3M D3A D3Q D3T D3C D3B D3H D3V D3K D3J D4M D4A D4Q D4T D4C D4B D4H D4V D4K D4J D5M D5A D5Q D5T D5C D5B D5H D5V D5K D5J D6M D6A D6Q D6T D6C D6B D6H D6V D6K D6J)	41D2001	N
2	Microprocessor, 2.66 Ghz, Celeron D, 533FSB, 256KB L2 (models A1U A1F A1S A1P A2S A2P A3G A1L A1D A1Y A2L A2D A2Y A4M A4A A4Q A4T A4C A4B A4H A4V A4K A4J A5J A6M A6A A6Q A6T A6C A6B A6H A6V A6K A6J A7M A7A A7Q A7T A7C A7B A7H A7V A7K A7J)	41D1796	N
2	Microprocessor, 2.80 Ghz, Celeron D, 533FSB, 256KB L2 (models A8M A8A A8Q A8T A8C A8B A8H A8V A8K A8J)	41D1797	N
2	Microprocessor, 2.93 Ghz, Celeron D, 533FSB, 256KB L2 (models 71G)	41D1798	N
2	Microprocessor, 3.06 Ghz, Celeron D, 533FSB, 256KB L2 (models 73G)	41D1799	N
2	Microprocessor, 2.93 Ghz, Pentium 4, 533FSB, 1MB L2 (models 11S 11P 12U 11L 11D 11Y 72G 12F)	41D1802	N
2	Microprocessor, 3.06 Ghz, Pentium 4, 533FSB, 1MB L2 (models 22S 22P 22L 22D 22Y 22M 22A 22Q 22T 22C 22B 22H 22V 22K 22J 23J 24M 24A 24Q 24T 24C 24B 24H 24V 24K 24J 25M 25A 25Q 25T 25C 25B 25H 25V 25K 25J 26M 26A 26Q 26T 26C 26B 26H 26V 26K 26J)	41D1803	N
2	Microprocessor, 2.8 Ghz, Pentium 4, 800FSB, 1MB L2 (models 31U 31F 31S 31P 31L 31D 31Y 31M 31A 31Q 31T 31C 31B 31H 31V 31K 31J 32J 33M 33A 33Q 33T 33C 33B 33H 33V 33K 33J 34M 34A 34Q 34T 34C 34B 34H 34V 34K 34J 35M 35A 35Q 35T 35C 35B 35H 35V 35K 35J 74G)	41D1804	N

Item #	9218 FRUs	FRU#	CRU Tier
2	Microprocessor, 3.0 Ghz, Pentium 4, 800FSB, 1MB L2 (models 41U 41F 41S 41P 41L 41D 41Y 42S 42L 42D 42Y)	41D1805	N
2	Microprocessor, 3.0 Ghz, Pentium 4, 800FSB, 2MB L2 (models D1U D1F D2G D3A D3Q D3T D3C D3B D3H D3V D3K D3J D4M D4A D4Q D4T D4C D4B D4H D4V D4K D4J D5M D5A D5Q D5T D5C D5B D5H D5V D5K D5J D6M D6A D6Q D6T D6C D6B D6H D6V D6K D6J)	41D2244	N
3	CD-ROM Drive 48X - Black w/o jack & vol (models A2S A2P 11S 11P 12U 22S 22P A2L A2D A2Y 11L 11D 11Y 22L 22D 22Y A4M A4A A4Q A4T A4C A4B A4H A4V A4K A4J A5J A6M A6A A6Q A6T A6C A6B A6H A6V A6K A6J 12F 22M 22A 22Q 22T 22C 22B 22H 22V 22K 22J 23J 24M 24A 24Q 24T 24C 24B 24H 24V 24K 24J 42S 42L 42D 42Y D4M D4A D4Q D4T D4C D4B D4H D4V D4K D4J 31U 31F 31S 31P 31L 31D 31Y 31M 31A 31Q 31T 31C 31B 31H 31V 31K 31J 32J 33M 33A 33Q 33T 33C 33B 33H 33V 33K 33J)	40Y8807	N
3	CD-RW 48X-32X-48X (models A1U A1F A1S A1P 41U 41F 41S 41P A1L A1D A1Y 41L 41D 41Y A8M A8A A8Q A8T A8C A8B A8H A8V A8K A8J 26M 26A 26Q 26T 26C 26B 26H 26V 26K 26J D3M D3A D3Q D3T D3C D3B D3H D3V D3K D3J D6M D6A D6Q D6T D6C D6B D6H D6V D6K D6J)	40Y8937	N
3	CD-RW 48X-32X-48X (models A1U A1F A1S A1P 41U 41F 41S 41P A1L A1D A1Y 41L 41D 41Y A8M A8A A8Q A8T A8C A8B A8H A8V A8K A8J 26M 26A 26Q 26T 26C 26B 26H 26V 26K 26J D3M D3A D3Q D3T D3C D3B D3H D3V D3K D3J D6M D6A D6Q D6T D6C D6B D6H D6V D6K D6J)	40Y8901	N
3	DVD-ROM 16X-48X (models A3G D2G 72G 25M 25A 25Q 25T 25C 25B 25H 25V 25K 25J 34M 34A 34Q 34T 34C 34B 34H 34V 34K 34J 74G)	40Y8933	N
3	DVD-ROM 16X-48X (models A3G D2G 72G 25M 25A 25Q 25T 25C 25B 25H 25V 25K 25J 34M 34A 34Q 34T 34C 34B 34H 34V 34K 34J 74G)	40Y8935	N
3	DVD - ROM - CDRW Combo 48X-32X-48X-16X (models D1U D1F 71G A7M A7A A7Q A7T A7C A7B A7H A7V A7K A7J 26M 26A 26Q 26T 26C 26B 26H 26V 26K 26J D3M D3A D3Q D3T D3C D3B D3H D3V D3K D3J D6M D6A D6Q D6T D6C D6B D6H D6V D6K D6J 35M 35A 35Q 35T 35C 35B 35H 35V 35K 35J 73G)	40Y8919	N
3	Multi-Burner Plus (models D5M D5A D5Q D5T D5C D5B D5H D5V D5K D5J)	40Y8909	N
4	Power switch/LED assembly (all models)	41A7152	N
5	Hard disk drive, 40GB, 7200rpm Parallel ATA (models 12U A4M A4A A4Q A4T A4C A4B A4H A4V A4K A4J A5J A6M A6A A6Q A6T A6C A6B A6H A6V A6K A6J A7M A7A A7Q A7T A7C A7B A7H A7V A7K A7J 12F)	41D2034	N
5	Hard disk drive, 80GB, 7200rpm Parallel ATA (models 31U 31F 31S 31P 31L 31D 31Y 31M 31A 31Q 31T 31C 31B 31H 31V 31K 31J 32J 33M 33A 33Q 33T 33C 33B 33H 33V 33K 33J 34M 34A 34Q 34T 34C 34B 34H 34V 34K 34J 35M 35A 35Q 35T 35C 35B 35H 35V 35K 35J 73G 74G A1U A1F A1S A1P A2S A2P A3G 11S 11P 22S 22P 41U 41F 41S 41P D1U D1F D2G A1L A1D A1Y A2L A2D A2Y 11L 11D 11Y 22L 22D 22Y 41L 41D 41Y 71G 72G A8M A8A A8Q A8T A8C A8B A8H A8V A8K A8J 22M 22A 22Q 22T 22C 22B 22H 22V 22K 22J 23J 24M 24A 24Q 24T 24C 24B 24H 24V 24K 24J 25M 25A 25Q 25T 25C 25B 25H 25V 25K 25J 26M 26A 26Q 26T 26C 26B 26H 26V 26K 26J 42S 42L 42D 42Y D3M D3A D3Q D3T D3C D3B D3H D3V D3K D3J D4M D4A D4Q D4T D4C D4B D4H D4V D4K D4J)	41D2035	N
5	Hard disk drive, 120GB, 7200rpm Parallel ATA (models D5M D5A D5Q D5T D5C D5B D5H D5V D5K D5J D6M D6A D6Q D6T D6C D6B D6H D6V D6K D6J)	41D2403	N

Item #	9218 FRUs	FRU#	CRU Tier
6	Diskette drive, wo/bezel (models 31U 31F 31S 31P 31L 31D 31Y 31M 31A 31Q 31T 31C 31B 31H 31V 31K 31J 32J 33M 33A 33Q 33T 33C 33B 33H 33V 33K 33J 34M 34A 34Q 34T 34C 34B 34H 34V 34K 34J 35M 35A 35Q 35T 35C 35B 35H 35V 35K 35J 73G 74G A1U A1F A1S A1P A2S A2P A3G 11S 11P 22S 22P 41U 41F 41S 41P D1U D1F D2G A1L A1D A1Y A2L A2D A2Y 11L 11D 11Y 22L 22D 22Y 41L 41D 41Y 71G 72G A8M A8A A8Q A8T A8C A8B A8H A8V A8K A8J 22M 22A 22Q 22T 22C 22B 22H 22V 22K 22J 23J 24M 24A 24Q 24T 24C 24B 24H 24V 24K 24J 25M 25A 25Q 25T 25C 25B 25H 25V 25K 25J 26M 26A 26Q 26T 26C 26B 26H 26V 26K 26J 42S 42L 42D 42Y D3M D3A D3Q D3T D3C D3B D3H D3V D3K D3J D4M D4A D4Q D4T D4C D4B D4H D4V D4K D4J)	41D3724	N
7	Front panel card (models)	41A7153	N
8	Memory module, 256MB DDR1 SDRAM NP (PC 3200) (models A1U A1F A1S A1P A2S A2P A3G 11S 11P 22S 22P 41U 41F 41S 41P A1L A1D A1Y A2L A2D A2Y 11L 11D 11Y 22L 22D 22Y 23J 41L 41D 41Y 71G 72G A4M A4A A4Q A4T A4C A4B A4H A4V A4K A4J A5J 22M 22A 22Q 22T 22C 22B 22H 22V 22K 22J 42S 42L 42D 42Y D4M D4A D4Q D4T D4C D4B D4H D4V D4K D4J 31U 31F 31S 31P 31L 31D 31Y 31M 31A 31Q 31T 31C 31B 31H 31V 31K 31J 32J 73G 74G)	41D2026	2
8	Memory module, 512MB DDR1 SDRAM NP (PC 3200) (models 12U D1U D1F D2G A6M A6A A6Q A6T A6C A6B A6H A6V A6K A6J A7M A7A A7Q A7T A7C A7B A7H A7V A7K A7J A8M A8A A8Q A8T A8C A8B A8H A8V A8K A8J 12F 24M 24A 24Q 24T 24C 24B 24H 24V 24K 24J 25M 25A 25Q 25T 25C 25B 25H 25V 25K 25J 26M 26A 26Q 26T 26C 26B 26H 26V 26K 26J D3M D3A D3Q D3T D3C D3B D3H D3V D3K D3J D5M D5A D5Q D5T D5C D5B D5H D5V D5K D5J D6M D6A D6Q D6T D6C D6B D6H D6V D6K D6J 33M 33A 33Q 33T 33C 33B 33H 33V 33K 33J 34M 34A 34Q 34T 34C 34B 34H 34V 34K 34J 35M 35A 35Q 35T 35C 35B 35H 35V 35K 35J)	41D2027	2
9	System board, 10-100 Enet (models A1U A1F A1S A1P A2S A2P A3G 11S 11P 12U 22S 22P 41U 41F 41S 41P D1U D1F D2G A1L A1D A1Y A2L A2D A2Y 11L 11D 11Y 22L 22D 22Y 41L 41D 41Y 71G 72G 31U 31F 31S 31P 31L 31D 31Y 31M 31A 31Q 31T 31C 31B 31H 31V 31K 31J 32J 33M 33A 33Q 33T 33C 33B 33H 33V 33K 33J 34M 34A 34Q 34T 34C 34B 34H 34V 34K 34J 35M 35A 35Q 35T 35C 35B 35H 35V 35K 35J 73G 74G A4M A4A A4Q A4T A4C A4B A4H A4V A4K A4J A5J A6M A6A A6Q A6T A6C A6B A6H A6V A6K A6J A7M A7A A7Q A7T A7C A7B A7H A7V A7K A7J A8M A8A A8Q A8T A8C A8B A8H A8V A8K A8J 12F 22M 22A 22Q 22T 22C 22B 22H 22V 22K 22J 23J 24M 24A 24Q 24T 24C 24B 24H 24V 24K 24J 25M 25A 25Q 25T 25C 25B 25H 25V 25K 25J 26M 26A 26Q 26T 26C 26B 26H 26V 26K 26J 42S 42L 42D 42Y D3M D3A D3Q D3T D3C D3B D3H D3V D3K D3J D4M D4A D4Q D4T D4C D4B D4H D4V D4K D4J D5M D5A D5Q D5T D5C D5B D5H D5V D5K D5J D6M D6A D6Q D6T D6C D6B D6H D6V D6K D6J) <b>Note:</b> When ordering a system board, you must also order a retention bracket kit for the heat sink and fan assembly.	41D1794	N
10	Power supply (models A1U A1F A1S A1P A2S A2P A3G 11S 11P 12U 22S 22P 41U 41F 41S 41P D1U D1F D2G A1L A1D A1Y A2L A2D A2Y 11L 11D 11Y 22L 22D 22Y 41L 41D 41Y 71G 72G 31U 31F 31S 31P 31L 31D 31Y 31M 31A 31Q 31T 31C 31B 31H 31V 31K 33M 33A 33Q 33T 33C 33B 33H 33V 33K 34M 34A 34Q 34T 34C 34B 34H 34V 34K 35M 35A 35Q 35T 35C 35B 35H 35V 35K 73G 74G A4M A4A A4Q A4T A4C A4B A4H A4V A4K A6M A6A A6Q A6T A6C A6B A6H A6V A6K A7M A7A A7Q A7T A7C A7B A7H A7V A7K A8M A8A A8Q A8T A8C A8B A8H A8V A8K A8J 12F 22M 22A 22Q 22T 22C 22B 22H 22V 22K 24M 24A 24Q 24T 24C 24B 24H 24V 24K 25M 25A 25Q 25T 25C 25B 25H 25V 25K 26M 26A 26Q 26T 26C 26B 26H 26V 26K 42S 42L 42D 42Y D3M D3A D3Q D3T D3C D3B D3H D3V D3K D4M D4A D4Q D4T D4C D4B D4H D4V D4K D5M D5A D5Q D5T D5C D5B D5H D5V D5K D6M D6A D6Q D6T D6C D6B D6H D6V D6K)	41N3089	N
10	Power supply, Japan (models A4J A5J A6J A7J A8J 22J 23J 24J 25J 26J D3J D4J D5J D6J 31J 32J 33J 34J 35J)	41N3092	N

The FRUs listed in the following table are not illustrated.

9218 FRUs	FRU#	CRU Tier
Shield, EMC, 5.25in. drive bay (all models)	41A7162	N
Cable, Serial-ATA, (18in. RoHs) (all models)	41A7145	N
Shield, EMC, diskette drive bay (all models)	41A7146	N
Cable, diskette drive (all models)	41A7147	N
Cover (all models)	41A7148	2
Chassis assembly (all models)	41A7149	N
Bezel assembly, front (all models)	41A7150	N
Fan duct assembly (all models)	41A7151	N
Shield, EMC, system board (all models)	41A7154	N
Miscellaneous hardware kit (all models)	41A7155	N
Retention bracket kit, heat sink and fan (all models)	41A7139	N
Heat sink (all models)	41A7157	N
Cable, optical drive signal (all models)	41A7158	N
Cable, hard disk drive signal (all models)	41A7159	N
Miscellaneous bezel kit (all models)	41A7160	N
Interposer cables (all models)	41A7161	N
Battery (all models)	33F8354	N

9218 Keyboards (Standard PS/2 Black)	FRU#	CRU Tier
US English (models A1U A3G 12U 41U D1U D2G A1L A2L 11L 22L 41L 71G 72G A4M A4A A4Q A4C A4H A6M A6A A6Q A6C A6H A7M A7A A7Q A7C A7H A8M A8A A8Q A8C A8H 22M 22A 22Q 22C 22H 24M 24A 24Q 24C 24H 25M 25A 25Q 25C 25H 26M 26A 26Q 26C 26H 42L D3M D3A D3Q D3C D3H D4M D4A D4Q D4C D4H D5M D5A D5Q D5C D5H D6M D6A D6Q D6C D6H 31U 31L 31M 31A 31Q 31C 31H 33M 33A 33Q 33C 33H 34M 34A 34Q 34C 34H 35M 35A 35Q 35C 35H 73G 74G)	89P8300	1
Arabic (models A3G D2G 71G 72G 73G 74G)	89P8301	1
Belgian/French (models A3G D2G 71G 72G 73G 74G)	89P8302	1
Belgian/UK (models A3G D2G 71G 72G 73G 74G)	89P8303	1
Bulgarian (models A3G D2G 71G 72G 73G 74G)	89P8305	1
Chinese/US (models A4B A4V A6B A6V A7B A7V A8B A8V 22B 22V 24B 24V 25B 25V 26B 26V D3B D3V D4B D4V D5B D5V D6B D6V 31B 31V 33B 33V 34B 34V 35B 35V)	89P8306	1
Czech (models A3G D2G 71G 72G 73G 74G)	89P8307	1
Danish (models A3G D2G 71G 72G 73G 74G)	89P8308	1
Dutch (models A3G D2G 71G 72G 73G 74G)	89P8309	1
French (models A3G D2G 71G 72G 73G 74G)	89P8310	1
French Canadian 445 (models A1F 41F D1F 12F 31F)	89P8311	1
French Canadian 58 (models A1F 41F D1F 12F 31F)	89P8312	1
German (models A3G D2G 71G 72G 73G 74G)	89P8313	1
Greek (models A3G D2G 71G 72G 73G 74G)	89P8314	1
Hebrew (models A3G D2G 71G 72G 73G 74G)	89P8315	1
Hungarian (models A3G D2G 71G 72G 73G 74G)	89P8316	1

9218 Keyboards (Standard PS/2 Black)	FRU#	CRU Tier
Iceland (models A3G D2G 71G 72G 73G 74G)	89P8317	1
Italian 141 (models A3G D2G 71G 72G 73G 74G)	89P8318	1
Italian 142 (models A3G D2G 71G 72G 73G 74G)	89P8319	1
Japanese (models A4J A5J A6J A7J A8J 22J 23J 24J 25J 26J D3J D4J D5J D6J 31J 32J 33J 34J 35J)	89P8320	1
Korean (models A4K A6K A7K A8K 22K 24K 25K 26K D3K D4K D5K D6K 31K 33K 34K 35K)	89P8321	1
LA Spanish (models A1S A2S 11S 22S 41S A1D A1Y A2D A2Y 11D 11Y 22D 22Y 41D 41Y 42S 42D 42Y 31S 31D 31Y)	89P8322	1
Norwegian (models A3G D2G 71G 72G 73G 74G)	89P8323	1
Polish (models A3G D2G 71G 72G 73G 74G)	89P8324	1
Portuguese (models A3G D2G 71G 72G 73G 74G)	89P8325	1
Romanian (models A3G D2G 71G 72G 73G 74G)	89P8326	1
Russian/Cy (models A3G D2G 71G 72G 73G 74G)	89P8327	1
Russian/Cy (models A3G D2G 71G 72G 73G 74G)	89P8328	1
Serbian/Cyrillic (models A3G D2G 71G 72G 73G 74G)	89P8329	1
Slovak (models A3G D2G 71G 72G 73G 74G)	89P8330	1
Spanish (models A3G D2G 71G 72G 73G 74G)	89P8331	1
Swedish/Fin (models A3G D2G 71G 72G 73G 74G)	89P8332	1
Swiss F/G (models A3G D2G 71G 72G 73G 74G)	89P8333	1
Thailand (models A4T A6T A7T A8T 22T 24T 25T 26T D3T D4T D5T D6T 31T 33T 34T 35T)	89P8334	1
Turkish 440 (models A3G D2G 71G 72G 73G 74G)	89P8335	1
Turkish 179 (models A3G D2G 71G 72G 73G 74G)	89P8336	1
UK English (models A3G D2G 71G 72G 73G 74G)	89P8337	1
US Euro (models A3G D2G 71G 72G 73G 74G)	89P8338	1
Yugoslav/Latin (models A3G D2G 71G 72G 73G 74G)	89P8339	1
Brazil/Portuguese (models A1P A2P 11P 22P 41P 31P)	89P8304	1

9218 mice	FRU#	CRU Tier
Mouse, Scrollpoint Optical, USB (models A1U A1F A1S A1P A2S A2P A3G 11S 11P 12U 22S 22P 41U 41F 41S 41P D1U D1F D2G A1L A1D A1Y A2L A2D A2Y 11L 11D 11Y 22L 22D 22Y 41L 41D 41Y 71G 72G 31U 31F 31S 31P 31L 31D 31Y 31M 31A 31Q 31T 31C 31B 31H 31V 31K 31J 32J 33M 33A 33Q 33T 33C 33B 33H 33V 33K 33J 34M 34A 34Q 34T 34C 34B 34H 34V 34K 34J 35M 35A 35Q 35T 35C 35B 35H 35V 35K 35J 73G 74G A4M A4A A4Q A4T A4C A4B A4H A4V A4K A4J A5J A6M A6A A6Q A6T A6C A6B A6H A6V A6K A6J A7M A7A A7Q A7T A7C A7B A7H A7V A7K A7J A8M A8A A8Q A8T A8C A8B A8H A8V A8K A8J 12F 22M 22A 22Q 22T 22C 22B 22H 22V 22K 22J 23J 24M 24A 24Q 24T 24C 24B 24H 24V 24K 24J 25M 25A 25Q 25T 25C 25B 25H 25V 25K 25J 26M 26A 26Q 26T 26C 26B 26H 26V 26K 26J 42S 42L 42D 42Y D3M D3A D3Q D3T D3C D3B D3H D3V D3K D3J D4M D4A D4Q D4T D4C D4B D4H D4V D4K D4J D5M D5A D5Q D5T D5C D5B D5H D5V D5K D5J D6M D6A D6Q D6T D6C D6B D6H D6V D6K D6J)	24P0499	1

9218 Adapters and miscellaneous FRUs	FRU#	CRU Tier
RJ11 connector adapter (Spain, Ireland) (All "G" models)	60H6043	1

9218 Adapters and miscellaneous FRUs	FRU#	CRU Tier
RJ11 connector adapter (Austria) (All "G" models)	60H6045	1
RJ11 connector adapter (Belgium) (All "G" models)	60H6046	1
RJ11 connector adapter (Denmark) (All "G" models)	60H6047	1
RJ11 connector adapter (Norway, Finland) (All "G" models)	60H6048	1
RJ11 connector adapter (France) (All "G" models)	60H6049	1
RJ11 connector adapter (Germany) (All "G" models)	60H6050	1
RJ11 connector adapter (UK, NZ, HK) (All "G", "M", "B", "H" models)	60H6051	1
RJ11 connector adapter (Italy) (All "G" models)	60H6052	1
RJ11 connector adapter (Netherlands) (All "G" models)	60H6053	1
RJ11 connector adapter (Sweden) (All "G" models)	60H6054	1
RJ11 connector adapter (Switzerland) (All "G" models)	60H6055	1

9218 Power Cords	FRU#	CRU Tier
Power Cord (models A1U A1F A1S A1P A2S A2P A3G 11S 11P 12U 22S 22P 41U 41F 41S 41P D1U D1F D2G A1L A1D A2L A2D 11L 11D 22L 22D 41L 41D 71G 72G A4A A4T A4V A6A A6T A6V A7A A7T A7V A8A A8T A8V 12F 22A 22T 22V 24A 24T 24V 25A 25T 25V 26A 26T 26V 42S 42L 42D D3A D3T D3V D4A D4T D4V D5A D5T D5V D6A D6T D6V 31U 31F 31S 31P 31L 31D 31A 31T 31V 33A 33T 33V 34A 34T 34V 35A 35T 35V 73G 74G)	6952301	1
Power Cord (ANZ) (models A4M A6M A7M A8M 22M 24M 25M 26M D3M D4M D5M D6M 31M 33M 34M 35M)	13F9939	1
Power Cord (EMEA, ANZ, ASEAN Eng, Korea) (models A3G D2G 71G 72G A4K A6K A7K A8K 22K 24K 25K 26K D3K D4K D5K D6K 31K 33K 34K 35K 73G 74G)	13F9978	1
Power Cord (EMEA, ANZ, ASEAN Eng, HK Eng) (models A3G D2G 71G 72G A4H A6H A7H A8H 22H 24H 25H 26H D3H D4H D5H D6H 31H 33H 34H 35H 73G 74G)	14F0032	1
Power Cord (EMEA) (models A3G D2G 71G 72G 73G 74G)	13F9996	1
Power Cord (EMEA, LA) (models A1S A1P A2S A2P A3G 11S 11P 22S 22P 41S 41P D2G A1L A1D A1Y A2L A2D A2Y 11L 11D 11Y 22L 22D 22Y 41L 41D 41Y 71G 72G 42S 42L 42D 42Y 31S 31P 31L 31D 31Y 73G 74G)	14F0068	1
Power Cord (APU) (models A1Y A2Y 11Y 22Y 41Y 42Y 31Y)	36L8879	1
Power Cord (Japan) (models A4J A5J A6J A7J A8J 22J 23J 24J 25J 26J D3J D4J D5J D6J 31J 32J 33J 34J 35J)	05K2876	1
Power Cord (China, HK) (models A4C A4B A4H A6C A6B A6H A7C A7B A7H A8C A8B A8H 22C 22B 22H 24C 24B 24H 25C 25B 25H 26C 26B 26H D3C D3B D3H D4C D4B D4H D5C D5B D5H D6C D6B D6H 31C 31B 31H 33C 33B 33H 34C 34B 34H 35C 35B 35H)	02K0545	1
Power Cord (EMEA) (models A3G D2G 71G 72G 73G 74G)	14F0086	1
Power Cord (EMEA, ANZ, ASEAN Eng) (models A3G D2G 71G 72G 73G 74G)	14F0014	1
Power Cord (EMEA) (models A3G D2G 71G 72G 73G 74G)	14F0050	1
Power Cord (India) (models A4Q A6Q A7Q A8Q 22Q 24Q 25Q 26Q D3Q D4Q D5Q D6Q 31Q 33Q 34Q 35Q)	49P2078	1

9218 Windows XP Home Recovery CDs	FRU#	CRU Tier
US/UK/AP/TH (models A1U A1L D6M D6A D6Q D6T D6H)	41D3954	1
FR/CF (models A1F)	41D3956	1
BR (models A1P)	41D3960	1
SP/LA (models A1S A1D A1Y)	41D3958	1

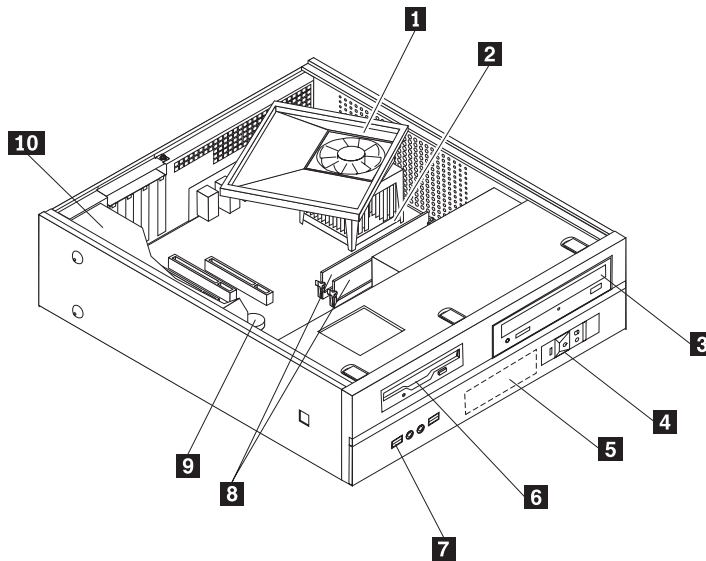


9218 Windows XP Home Recovery CDs	FRU#	CRU Tier
Japanese (models D6J)	41W3400	1
Simplified Chinese (models D6C)	41W3396	1
Taiwan - TC (models D6V)	41W3397	1
Hong Kong - TC (models D6B)	41W3398	1
Korean (models D6K)	41W3399	1

9218 Windows XP Pro Recovery CDs	FRU#	CRU Tier
US/UK/AP/TH (models A3G 12U 41U D1U D2G A2L 11L 22L 41L 71G 72G A4M A4A A4Q A4T A4H A6M A6A A6Q A6T A6H A7M A7A A7Q A7T A7H A8M A8A A8Q A8T A8H 22M 22A 22Q 22T 22H 24M 24A 24Q 24T 24H 25M 25A 25Q 25T 25H 26M 26A 26Q 26T 26H 42L D3M D3A D3Q D3T D3H D4M D4A D4Q D4T D4H D5M D5A D5Q D5T D5H D6M D6A D6Q D6T D6H 31U 31L 31M 31A 31Q 31T 31H 33M 33A 33Q 33T 33H 34M 34A 34Q 34T 34H 35M 35A 35Q 35T 35H 73G 74G)	41D3822	1
FR/CF (models A3G 41F D1F D2G 71G 72G 12F 31F 73G 74G)	41D3824	1
GR (models A3G D2G 71G 72G 73G 74G)	41D3825	1
IT (models A3G D2G 71G 72G 73G 74G)	41D3827	1
BR (models 41P 31P)	41D3828	1
SP/LA (models A2S A3G 11S 22S 41S D2G A2D A2Y 11D 11Y 22D 22Y 41D 41Y 71G 72G 42S 42D 42Y 31S 31D 31Y 73G 74G)	41D3826	1
DK (models A3G D2G 71G 72G 73G 74G)	41D3830	1
NL (models A3G D2G 71G 72G 73G 74G)	41D3833	1
AE (models A3G D2G 71G 72G 73G 74G)	41D3837	1
SV (models A3G D2G 71G 72G 73G 74G)	41D3829	1
HE (models A3G D2G 71G 72G 73G 74G)	41D3834	1
FI (models A3G D2G 71G 72G 73G 74G)	41D3831	1
NO (models A3G D2G 71G 72G 73G 74G)	41D3832	1
PL (models A3G D2G 71G 72G 73G 74G)	41D3835	1
PO (models A3G D2G 71G 72G 73G 74G)	41D3841	1
RU (models A3G D2G 71G 72G 73G 74G)	41D3838	1
RE (models A3G D2G 71G 72G 73G 74G)	41D3823	1
HU (models A3G D2G 71G 72G 73G 74G)	41D3840	1
CZ (models A3G D2G 71G 72G 73G 74G)	41D3836	1
TR (models A3G D2G 71G 72G 73G 74G)	41D3839	1
GK (models A3G D2G 71G 72G 73G 74G)	41D3842	1
SL (models A3G D2G 71G 72G 73G 74G)	41D3843	1
Japanese (models A4J A5J A6J A7J A8J 22J 23J 24J 25J 26J D3J D4J D5J D6J 31J 32J 33J 34J 35J)	41W3395	1
Simplified Chinese (models A4C A6C A7C A8C 22C 24C 25C 26C D3C D4C D5C D6C 31C 33C 34C 35C)	41W3391	1
Taiwan - TC (models A4V A6V A7V A8V 22V 24V 25V 26V D3V D4V D5V D6V 31V 33V 34V 35V)	41W3392	1
Hong Kong - TC (models A4B A6B A7B A8B 22B 24B 25B 26B D3B D4B D5B D6B 31B 33B 34B 35B)	41W3393	1

9218 Windows XP Pro Recovery CDs	FRU#	CRU Tier
Korean (models A4K A6K A7K A8K 22K 24K 25K 26K D3K D4K D5K D6K 31K 33K 34K 35K)	41W3394	1
Multilingual 1 (models A3G D2G 71G 72G 73G 74G)	41D4080	1
Multilingual 2 (models A3G D2G 71G 72G 73G 74G)	41D4086	1

## Machine Type 9219



Item #	9219 FRUs	FRU#	CRU Tier
1	Heat sink and fan assembly (models A1G 11G 41S 41P 41Y 71G 72G)	41D2001	N
2	Microprocessor, 2.66 Ghz, Celeron D, 533FSB, 256KB L2 (models A1G)	41D1796	N
2	Microprocessor, 2.93 Ghz, Celeron D, 533FSB, 256KB L2 (models 71G)	41D1798	N
2	Microprocessor, 2.93 Ghz, Pentium 4, 533FSB, 1MB L2 (models 11G 72G)	41D1802	N
2	Microprocessor, 3.0 Ghz, Pentium 4, 800FSB, 1MB L2 (models 41U 41S 41P 41Y 41F)	41D1805	N
3	CD-ROM Drive 48X - Black w/o jack & vol (models A1G 41U 41S 41P 41Y 41F)	40Y8807	N
3	DVD-ROM 16X-48X (models 11G)	40Y8933	N
3	DVD-ROM 16X-48X (models 11G)	40Y8935	N
3	Combo 48X-32X-48X-16X DVD - ROM - CDRW (models 71G)	40Y8919	N
4	Power switch/LED assembly (all models)	41A7152	N
5	Hard disk drive, 40GB, 7200rpm Parallel ATA (models A1G 11G 41U 41S 41P 41Y 41F)	41D2034	N
5	Hard disk drive, 80GB, 7200rpm Parallel ATA (models 71G 72G)	41D2035	N
6	Diskette drive, wo/bezel (models D1G 71G)	41D3724	N
7	Front panel card (all models)	41A7153	N
8	Memory module, 256MB, DDR SDRAM, NP, PC3200 (models A1G 11G 71G 72G)	41D2026	2
8	Memory module, 512MB, DDR SDRAM, NP, PC3200 (models 41U 41S 41P 41Y 41F)	41D2027	2

Item #	9219 FRUs	FRU#	CRU Tier
9	System board, 10-100 Enet (models A1G 11G 41U 41S 41P 41Y 71G 72G 41F) <b>Note:</b> When ordering a system board, you must also order a retention bracket kit for the heat sink and fan assembly.	41D1794	N
10	Power supply (all models)	41N3089	N

The FRUs listed in the following table are not illustrated.

9219 FRUs	FRU#	CRU Tier
Shield, EMC, 5.25in. drive bay (all models)	41A7162	N
Cable, Serial-ATA, (18in. RoHs) (all models)	41A7145	N
Shield, EMC, diskette drive bay (all models)	41A7146	N
Cable, diskette drive (all models)	41A7147	N
Cover (all models)	41A7148	2
Chassis assembly (all models)	41A7149	N
Bezel assembly, front (all models)	41A7150	N
Fan duct assembly (all models)	41A7151	N
Shield, EMC, system board (all models)	41A7154	N
Miscellaneous hardware kit (all models)	41A7155	N
Retention bracket kit, heat sink and fan (all models)	41A7139	N
Cable, optical drive signal (all models)	41A7158	N
Cable, hard disk drive signal (all models)	41A7159	N
Miscellaneous bezel kit (all models)	41A7160	N
Interposer cables (all models)	41A7161	N
Battery (all models)	33F8354	N

9219 Keyboards (Standard PS/2 Black)	FRU#	CRU Tier
US English (models A1G 11G 41U 71G 72G)	89P8300	1
Arabic (models A1G 11G 71G 72G)	89P8301	1
Belgian/French (models A1G 11G 71G 72G)	89P8302	1
Belgian/UK (models A1G 11G 71G 72G)	89P8303	1
Bulgarian (models A1G 11G 71G 72G)	89P8305	1
Czech (models A1G 11G 71G 72G)	89P8307	1
Danish (models A1G 11G 71G 72G)	89P8308	1
Dutch (models A1G 11G 71G 72G)	89P8309	1
French (models A1G 11G 71G 72G)	89P8310	1
French Canadian 445 (models 41F)	89P8311	1
French Canadian 58 (models 41F)	89P8312	1
German (models A1G 11G 71G 72G)	89P8313	1
Greek (models A1G 11G 71G 72G)	89P8314	1
Hebrew (models A1G 11G 71G 72G)	89P8315	1
Hungarian (models A1G 11G 71G 72G)	89P8316	1
Iceland (models A1G 11G 71G 72G)	89P8317	1

9219 Keyboards (Standard PS/2 Black)	FRU#	CRU Tier
Italian 141 (models A1G 11G 71G 72G)	89P8318	1
Italian 142 (models A1G 11G 71G 72G)	89P8319	1
LA Spanish (models 41S 41Y)	89P8322	1
Norwegian (models A1G 11G 71G 72G)	89P8323	1
Polish (models A1G 11G 71G 72G)	89P8324	1
Portuguese (models A1G 11G 71G 72G)	89P8325	1
Romanian (models A1G 11G 71G 72G)	89P8326	1
Russian/Cy (models A1G 11G 71G 72G)	89P8327	1
Russian/Cy (models A1G 11G 71G 72G)	89P8328	1
Serbian/Cyrillic (models A1G 11G 71G 72G)	89P8329	1
Slovak (models A1G 11G 71G 72G)	89P8330	1
Spanish (models A1G 11G 71G 72G)	89P8331	1
Swedish/Finn (models A1G 11G 71G 72G)	89P8332	1
Swiss F/G (models A1G 11G 71G 72G)	89P8333	1
Turkish 440 (models A1G 11G 71G 72G)	89P8335	1
Turkish 179 (models A1G 11G 71G 72G)	89P8336	1
UK English (models A1G 11G 71G 72G)	89P8337	1
US Euro (models A1G 11G 71G 72G)	89P8338	1
Yugoslav/Latin (models A1G 11G 71G 72G)	89P8339	1
Brazil/Portuguese (models 41P)	89P8304	1

9219 mice	FRU#	CRU Tier
Mouse, Scrollpoint Optical, USB (models A1G 11G 41U 41S 41P 41Y 71G 72G 41F)	24P0499	1

9219 Adapters and miscellaneous FRUs	FRU#	CRU Tier
RJ11 connector adapter (Spain, Ireland) (All "G" models)	60H6043	1
RJ11 connector adapter (Austria) (All "G" models)	60H6045	1
RJ11 connector adapter (Belgium) (All "G" models)	60H6046	1
RJ11 connector adapter (Denmark) (All "G" models)	60H6047	1
RJ11 connector adapter (Norway, Finland) (All "G" models)	60H6048	1
RJ11 connector adapter (France) (All "G" models)	60H6049	1
RJ11 connector adapter (Germany) (All "G" models)	60H6050	1
RJ11 connector adapter (UK, NZ, HK) (All "G", "M", "B", "H" models)	60H6051	1
RJ11 connector adapter (Italy) (All "G" models)	60H6052	1
RJ11 connector adapter (Netherlands) (All "G" models)	60H6053	1
RJ11 connector adapter (Sweden) (All "G" models)	60H6054	1
RJ11 connector adapter (Switzerland) (All "G" models)	60H6055	1

9219 Power Cords	FRU#	CRU Tier
Power Cord (models A1G 11G 41U 41S 41P 71G 72G 41F)	6952301	1
Power Cord (EMEA, ANZ, ASEAN Eng, Korea) (models A1G 11G 71G 72G)	13F9978	1

9219 Power Cords	FRU#	CRU Tier
Power Cord (EMEA, ANZ, ASEAN Eng, HK Eng) (models A1G 11G 71G 72G)	14F0032	1
Power Cord (EMEA) (models A1G 11G 71G 72G)	13F9996	1
Power Cord (EMEA, LA) (models A1G 11G 41S 41P 41Y 71G 72G)	14F0068	1
Power Cord (APU) (models 41Y)	36L8879	1
Power Cord (EMEA) (models A1G 11G 71G 72G)	14F0086	1
Power Cord (EMEA, ANZ, ASEAN Eng) (models A1G 11G 71G 72G)	14F0014	1
Power Cord (EMEA) (models A1G 11G 71G 72G)	14F0050	1

9219 Windows XP Pro Recovery CDs	FRU#	CRU Tier
US/UK/AP/TH (models A1G 11G 41U 71G 72G)	41D3822	1
FR/CF (models A1G 11G 71G 72G 41F)	41D3824	1
GR (models A1G 11G 71G 72G)	41D3825	1
IT (models A1G 11G 71G 72G)	41D3827	1
BR (models 41P)	41D3828	1
SP/LA (models A1G 11G 41S 41Y 71G 72G)	41D3826	1
DK (models A1G 11G 71G 72G)	41D3830	1
NL (models A1G 11G 71G 72G)	41D3833	1
AE (models A1G 11G 71G 72G)	41D3837	1
SV (models A1G 11G 71G 72G)	41D3829	1
HE (models A1G 11G 71G 72G)	41D3834	1
FI (models A1G 11G 71G 72G)	41D3831	1
NO (models A1G 11G 71G 72G)	41D3832	1
PL (models A1G 11G 71G 72G)	41D3835	1
PO (models A1G 11G 71G 72G)	41D3841	1
RU (models A1G 11G 71G 72G)	41D3838	1
RE (models A1G 11G 71G 72G)	41D3823	1
HU (models A1G 11G 71G 72G)	41D3840	1
CZ (models A1G 11G 71G 72G)	41D3836	1
TR (models A1G 11G 71G 72G)	41D3839	1
GK (models A1G 11G 71G 72G)	41D3842	1
SL (models A1G 11G 71G 72G)	41D3843	1
Multilingual 1 (models A1G 11G 71G 72G)	41D4080	1
Multilingual 2 (models A1G 11G 71G 72G)	41D4086	1



---

## Chapter 11. Additional Service Information

This chapter provides additional information that the service representative might find helpful.

---

### Security features

Security features in this section include the following:

- Passwords
- Vital Product Data
- Management Information Format (MIF)

#### Hardware controlled Passwords

Hardware controlled passwords are set using the Setup Utility program. For more information about passwords, see "Using passwords" on page 49.

#### Operating system password

An operating system password is very similar to a power-on password and denies access to the computer by an unauthorized user when the password is activated. The computer is unusable until the password is entered and recognized by the computer.

#### Vital product data

Each computer has a unique Vital Product Data (VPD) code stored in the nonvolatile memory on the system board. After you replace the system board, the VPD must be updated. To update the VPD, see "Flash update procedures."

---

### BIOS levels

An incorrect level of BIOS can cause false errors and unnecessary FRU replacement. Use the following information to determine the current level of BIOS installed in the computer, the latest BIOS available for the computer, and where to obtain the latest level of BIOS.

- To determine the current Level of BIOS:
  - Start the Setup Utility.
  - Select Standard CMOS Features.
- Sources for obtaining the latest level BIOS available
  1. Lenovo support web site:  
<http://www.lenovo.com/support/>
  2. Lenovo Customer Support Center
  3. Levels 1 and 2 Support

To update (flash) the BIOS, see "Flash update procedures."

---

### Flash update procedures

This section details how to flash (update) the BIOS.

## Updating (flashing) BIOS from a diskette

1. Insert a system program update (flash) diskette into the diskette drive. system program updates are available at <http://www.lenovo.com/support> on the World Wide Web.
2. Turn on the computer. If it is already on, you must turn it off and back on. The update begins.
3. Follow the instructions on the screen to complete the update.

---

## Recovering from a POST/BIOS update failure

**Attention:** If an interruption occurs during a POST/BIOS update (flash update), the computer might not restart correctly. If this occurs, perform the following procedure (also known as a Boot-block recovery).

**Note:** If your computer has no internal diskette drive, an optional USB diskette drive must be connected to use the BIOS flash diskette.

1. Turn the computer off and insert the special recovery BIOS flash diskette in the diskette drive.
2. Turn the computer on.
3. The recovery session takes two to three minutes. During this time you will hear a series of beeps. After the update session completes, the series of beeps ends and the computer automatically turns off. There is no video during the recovery session.
4. Remove the special recovery BIOS flash diskette from the diskette drive.



---

## Power management

Power management reduces the power consumption of certain components of the computer such as the system power supply, processor, hard disk drives, and some monitors.

### Automatic configuration and power interface (ACPI) BIOS

Being an ACPI BIOS system, the operating system is allowed to control the power management features of the computer and the setting for Advanced Power Management (APM) BIOS mode is ignored. Not all operating systems support ACPI BIOS mode.

### Automatic Power-On features

The Automatic Power-On features within the Power Management menu allow you to enable and disable features that turn on the computer automatically.

- **Serial Port A Ring Detect:** With this feature set to **Enabled** and an external modem connected to serial port (COM1), the computer will turn on automatically when a ring is detected on the modem.
- **PCI Modem Ring Detect:** With this feature set to **Enabled**, the computer will turn on automatically when a ring is detected on the internal modem.
- **PCI Wake Up:** This feature allows PCI cards that support this capability to wake the system.
- **Wake Up on Alarm:** You can specify a date and time at which the computer will be turned on automatically. This can be either a single event or a daily event.
- **Wake on LAN:** If the computer has a properly configured token-ring or Ethernet LAN adapter card that is Wake on LAN-enabled and there is remote network management software, you can use the Wake on LAN feature. When you set Wake on LAN to **Enabled**, the computer will turn on when it receives a specific signal from another computer on the local area network (LAN).



---

## Appendix. Notices

Lenovo may not offer the products, services, or features discussed in this document in all countries. Consult your local Lenovo representative for information on the products and services currently available in your area. Any reference to a Lenovo product, program, or service is not intended to state or imply that only that Lenovo product, program, or service may be used. Any functionally equivalent product, program, or service that does not infringe any Lenovo intellectual property right may be used instead. However, it is the user's responsibility to evaluate and verify the operation of any other product, program, or service.

Lenovo may have patents or pending patent applications covering subject matter described in this document. The furnishing of this document does not give you any license to these patents. You can send license inquiries, in writing, to:

*Lenovo (United States), Inc.  
500 Park Offices Drive, Hwy. 54  
Research Triangle Park, NC 27709  
U.S.A.  
Attention: Lenovo Director of Licensing*

LENOVO GROUP LTD. PROVIDES THIS PUBLICATION "AS IS" WITHOUT WARRANTY OF ANY KIND, EITHER EXPRESS OR IMPLIED, INCLUDING, BUT NOT LIMITED TO, THE IMPLIED WARRANTIES OF NON-INFRINGEMENT, MERCHANTABILITY OR FITNESS FOR A PARTICULAR PURPOSE. Some jurisdictions do not allow disclaimer of express or implied warranties in certain transactions, therefore, this statement may not apply to you.

This information could include technical inaccuracies or typographical errors. Changes are periodically made to the information herein; these changes will be incorporated in new editions of the publication. Lenovo may make improvements and/or changes in the product(s) and/or the program(s) described in this publication at any time without notice.

The products described in this document are not intended for use in implantation or other life support applications where malfunction may result in injury or death to persons. The information contained in this document does not affect or change Lenovo product specifications or warranties. Nothing in this document shall operate as an express or implied license or indemnity under the intellectual property rights of Lenovo or third parties. All information contained in this document was obtained in specific environments and is presented as an illustration. The result obtained in other operating environments may vary.

Lenovo may use or distribute any of the information you supply in any way it believes appropriate without incurring any obligation to you.

Any references in this publication to non-Lenovo Web sites are provided for convenience only and do not in any manner serve as an endorsement of those Web sites. The materials at those Web sites are not part of the materials for this Lenovo product, and use of those Web sites is at your own risk.

Any performance data contained herein was determined in a controlled environment. Therefore, the result obtained in other operating environments may

vary significantly. Some measurements may have been made on development-level systems and there is no guarantee that these measurements will be the same on generally available systems. Furthermore, some measurements may have been estimated through extrapolation. Actual results may vary. Users of this document should verify the applicable data for their specific environment.

---

## Television output notice

The following notice applies to models that have the factory-installed television-output feature.

This product incorporates copyright protection technology that is protected by method claims of certain U.S. patents and other intellectual property rights owned by Macrovision Corporation and other rights owners. Use of this copyright protection technology must be authorized by Macrovision Corporation, and is intended for home and other limited viewing uses only unless otherwise authorized by Macrovision Corporation. Reverse engineering or disassembly is prohibited.

---

## Trademarks

The following terms are trademarks of Lenovo in the United States, other countries, or both:

- Lenovo
- ThinkCentre
- PS/2
- Rescue and Recovery

The following terms are trademarks of International Business Machines Corporation in the United States, other countries, or both:

- Asset ID
- Alert on LAN
- IBM (used under license)
- Wake on LAN

Intel and Pentium are trademarks of Intel Corporation in the United States, other countries, or both.

Microsoft and Windows are trademarks of Microsoft Corporation in the United States, other countries, or both.

Other company, product, or service names may be trademarks or service marks of others.



**ThinkCentre®**

Part Number: 41D2779

Printed in USA

(1P) P/N: 41D2779

