

ThinkCentre

User Guide

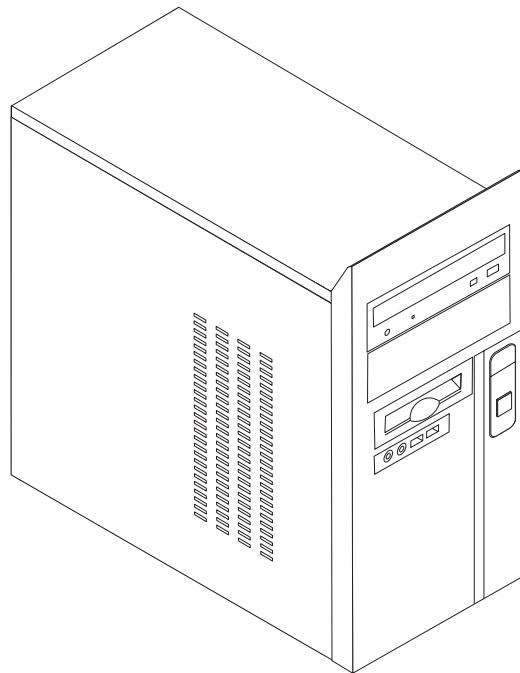
Types 8290, 8291, 8292, 8463, 8464

Types 8465, 8469, 8472, 8708, 8709

Types 8712, 8713, 8719, 8771, 8772

Types 8776, 8777, 8817, 9214

Types 9215, 9216



User Guide

Types 8290, 8291, 8292, 8463, 8464

Types 8465, 8469, 8472, 8708, 8709

Types 8712, 8713, 8719, 8771, 8772

Types 8776, 8777, 8817, 9214

Types 9215, 9216

Note

Before using this information and the product it supports, be sure to read the "Important safety information" on page v and Appendix D, "Notices," on page 47.

Third Edition (February 2006)

© Copyright Lenovo 2006.

Portions © Copyright International Business Machines Corporation 2006.

All rights reserved.

U.S. GOVERNMENT USERS – RESTRICTED RIGHTS: Our products and/or services are provided with RESTRICTED RIGHTS. Use, duplication or disclosure by the Government is subject to the GSA ADP Schedule contract with Lenovo Group Limited, if any, or the standard terms of this commercial license, or if the agency is unable to accept this Program under these terms, then we provide this Program under the provisions set forth in Commercial Computer Software–Restricted Rights at FAR 52.227-19, when applicable, or under Rights in Data-General, FAR 52.227.14 (Alternate III).

Contents

Important safety information	v
Conditions that require immediate action	v
General safety guidelines	vi
Service	vi
Power cords and power adapters	vii
Extension cords and related devices	viii
Plugs and outlets	viii
Batteries	viii
Heat and product ventilation	ix
CD and DVD drive safety	ix
Additional safety information	x
Lithium battery notice	x
Modem safety information	xi
Laser compliance statement	xi
Power supply statement	xii
Overview	xiii
Information resources	xiii
Chapter 1. Installing options	1
Features	1
Specifications	4
Available options	5
Tools required	5
Handling static-sensitive devices	6
Installing external options	6
Locating the connectors on the front of your computer	7
Locating the connectors on the rear of your computer	8
Obtaining device drivers	10
Removing the cover	10
Locating components	11
Identifying parts on the system board	11
Installing memory	15
Installing adapters	17
Installing internal drives	18
Drive specifications	19
Installing a drive	20
Installing security features	25
Padlock loop	26
Password protection	26

Changing the battery	26
Erasing a lost or forgotten password (clearing CMOS)	28
Replacing the cover and connecting the cables	29

Chapter 2. Using the Setup Utility program	31
Starting the Setup Utility program	31
Viewing and changing settings	31
Exiting from the Setup Utility program	31
Using passwords	31
User password	32
Administrator password	32
Selecting a startup device	33
Selecting a temporary startup device	33
Changing the startup sequence	33

Appendix A. Updating system programs	35
System programs	35
Updating (flashing) BIOS from a diskette	35

Appendix B. Cleaning the mouse	37
Cleaning an optical mouse	37
Cleaning a mouse with a ball	37

Appendix C. Manual modem commands	39
Basic AT commands	39
Extended AT commands	41
MNP/V.42/V.42bis/V.44 commands	42
Fax Class 1 commands	43
Fax Class 2 commands	43
Voice commands	44

Appendix D. Notices	47
Television output notice	48
Trademarks	48

Index	49
------------------------	-----------

Important safety information

Note

Please read important safety information first.

This information can help you safely use your desktop or notebook personal computer. Follow and retain all information included with your computer. The information in this document does not alter the terms of your purchase agreement or the Lenovo™ Statement of Limited Warranty.

Customer safety is important. Our products are developed to be safe and effective. However, personal computers are electronic devices. Power cords, power adapters, and other features can create potential safety risks that can result in physical injury or property damage, especially if misused. To reduce these risks, follow the instructions included with your product, observe all warnings on the product and in the operating instructions, and review the information included in this document carefully. By carefully following the information contained in this document and provided with your product, you can help protect yourself from hazards and create a safer computer work environment.

Note: This information includes references to power adapters and batteries. In addition to notebook computers, some products (such as speakers and monitors) ship with external power adapters. If you have such a product, this information applies to your product. In addition, your computer product contains a coin-sized internal battery that provides power to your system clock even when the machine is unplugged, so the battery safety information applies to all computers.

Conditions that require immediate action

Products can become damaged due to misuse or neglect. Some product damage is serious enough that the product should not be used again until it has been inspected and, if necessary, repaired by an authorized servicer.

As with any electronic device, pay close attention to the product when it is turned on. On very rare occasions, you might notice an odor or see a puff of smoke or sparks vent from your machine. Or you might hear sounds like popping, cracking or hissing. These conditions might merely mean that an internal electronic component has failed in a safe and controlled manner. Or, they might indicate a potential safety issue. However, do not take risks or attempt to diagnose the situation yourself contact the Customer Support Center.

Frequently inspect your computer and its components for damage or wear or signs of danger. If you have any question about the condition of a component, do not use the product. Contact the Customer Support Center or the product manufacturer for instructions on how to inspect the product and have it repaired, if necessary.

In the unlikely event that you notice any of the conditions listed below, or if you have any safety concerns with your product, stop using the product and unplug it from the power source and telecommunication lines until you can

Speak to the Customer Support Center for further guidance. See “Information resources” on page xiii for more information.

- Power cords, plugs, power adapters, extension cords, surge protectors, or power supplies that are cracked, broken or damaged.
- Signs of overheating, smoke, sparks or fire.
- Damage to a battery (such as cracks, dents, creases), discharge from a battery, or a buildup of foreign substances on the battery.
- A cracking, hissing or popping sound, or strong odor that comes from the product.
- Signs that liquid has been spilled or an object has fallen onto the computer product, the power cord or power adapter.
- The computer product, the power cord or power adapter has been exposed to water.
- The product has been dropped or damaged in any way.
- The product does not operate normally when you follow the operating instructions.

Note: If you notice these conditions with a product (such as an extension cord) that is not manufactured for or by Lenovo, stop using that product until you can contact the product manufacturer for further instructions, or until you get a suitable replacement.

General safety guidelines

Always observe the following precautions to reduce the risk of injury and property damage.

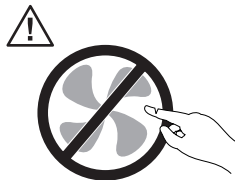
Service

Do not attempt to service a product yourself unless instructed to do so by the Customer Support Center or your documentation. Use only a service provider who is approved to repair your particular product.

Note: Some parts can be upgraded or replaced by the customer. These parts are referred to as Customer Replaceable Units, or CRUs. Lenovo expressly identifies CRUs as such, and provides documentation with instructions when it is appropriate for customers to replace those parts. You must closely follow all instructions when performing such replacements. Always make sure that the power is turned off and that the product is unplugged from any power source before you attempt the replacement. If you have any questions or concerns, contact the Customer Support Center.

Although there are no moving parts in your computer after the power cord has been disconnected, the following warnings are required for proper UL certification.

Danger



Hazardous moving parts. Keep fingers and other body parts away.

Attention



Before replacing any CRUs, turn off the computer and wait three to five minutes to let the computer cool before opening the cover.

Power cords and power adapters

Use only the power cords and power adapters supplied by the product manufacturer.

The power cords shall be safety approved. For Germany, it shall be H05VV-F, 3G, 0.75 mm², or better. For other countries, the suitable types shall be used accordingly.

Never wrap a power cord around the power adapter or other object. Doing so can stress the cord in ways that can cause the cord to fray, crack or crimp. This can present a safety hazard.

Always route power cords so that they will not be walked on, tripped over, or pinched by objects.

Protect the cord and power adapters from liquids. For instance, do not leave your cord or power adapter near sinks, tubs, toilets, or on floors that are cleaned with liquid cleansers. Liquids can cause a short circuit, particularly if the cord or power adapter has been stressed by misuse. Liquids can also cause gradual corrosion of the power cord terminals and/or the connector terminals on the adapter which can eventually result in overheating.

Always connect power cords and signal cables in the correct order and ensure that all power cord connectors are securely and completely plugged into receptacles.

Do not use any power adapter that shows corrosion at the ac input pins and/or shows signs of overheating (such as deformed plastic) at the ac input or anywhere on the power adapter.

Do not use any power cords where the electrical contacts on either end show signs of corrosion or overheating or where the power cord appears to have been damaged in any way.

Extension cords and related devices

Ensure that extension cords, surge protectors, uninterruptible power supplies, and power strips that you use are rated to handle the electrical requirements of the product. Never overload these devices. If power strips are used, the load should not exceed the power strip input rating. Consult an electrician for more information if you have questions about power loads, power requirements, and input ratings.

Plugs and outlets

If a receptacle (power outlet) that you intend to use with your computer equipment appears to be damaged or corroded, do not use the outlet until it is replaced by a qualified electrician.

Do not bend or modify the plug. If the plug is damaged, contact the manufacturer to obtain a replacement.

Some products are equipped with a three-pronged plug. This plug fits only into a grounded electrical outlet. This is a safety feature. Do not defeat this safety feature by trying to insert it into a non-grounded outlet. If you cannot insert the plug into the outlet, contact an electrician for an approved outlet adapter or to replace the outlet with one that enables this safety feature. Never overload an electrical outlet. The overall system load should not exceed 80 percent of the branch circuit rating. Consult an electrician for more information if you have questions about power loads and branch circuit ratings.

Be sure that the power outlet you are using is properly wired, easily accessible, and located close to the equipment. Do not fully extend power cords in a way that will stress the cords.

Carefully connect and disconnect the equipment from the electrical outlet.

Batteries

All personal computers manufactured by Lenovo contain a non-rechargeable coin cell battery to provide power to the system clock. In addition, many mobile products, such as notebook computers, utilize a rechargeable battery pack to provide system power when in portable mode. Batteries supplied by Lenovo for use with your product have been tested for compatibility and should only be replaced with approved parts.

Never attempt to open or service any battery. Do not crush, puncture, or incinerate batteries or short circuit the metal contacts. Do not expose the battery to water or other liquids. Only recharge the battery pack strictly according to instructions included in the product documentation.

Battery abuse or mishandling can cause the battery to overheat, which can cause gasses or flame to “vent” from the battery pack or coin cell. If your battery is damaged, or if you notice any discharge from your battery or the buildup of foreign materials on the battery leads, stop using the battery and obtain a replacement from the battery manufacturer.

Batteries can degrade when they are left unused for long periods of time. For some rechargeable batteries (particularly Lithium Ion batteries), leaving a battery unused in a discharged state could increase the risk of a battery short circuit, which could

shorten the life of the battery and can also pose a safety hazard. Do not let rechargeable Lithium-Ion batteries completely discharge or store these batteries in a discharged state.

Heat and product ventilation

Computers generate heat when turned on and when batteries are charging. Notebook PCs can generate a significant amount of heat due to their compact size. Always follow these basic precautions:

- Do not leave the base of your notebook computer in contact with your lap or any part of your body for an extended period when the computer is functioning or when the battery is charging. Your computer produces some heat during normal operation. Extended contact with the body could cause discomfort or, potentially, a skin burn.
- Do not operate your computer or charge the battery near flammable materials or in explosive environments.
- Ventilation slots, fans and/or heat sinks are provided with the product for safety, comfort, and reliable operation. These features might inadvertently become blocked by placing the product on a bed, sofa, carpet, or other flexible surface. Never block, cover or disable these features.

You should inspect your desktop computer for dust accumulation at least once every three months. Before inspecting your computer, turn off the power and unplug the computer's power cord from the electrical outlet; then remove any dust from vents and perforations in the bezel. If you notice external dust accumulation, you should also examine and remove dust from the inside of the computer including heat sink inlet fins, power supply vents, and fans. Always turn off and unplug the computer before opening the cover. If possible, avoid operating your computer within 2 feet of high-traffic areas. If you must operate your computer in or near a high-traffic area, you should inspect and, if necessary, clean your computer more frequently.

For your safety and to maintain optimum computer performance, always follow these basic precautions with your desktop computer:

- Keep the cover closed whenever the computer is plugged in.
- Regularly inspect the outside of the computer for dust accumulation.
- Remove dust from vents and any perforations in the bezel. More frequent cleanings might be required for computers in dusty or high-traffic areas.
- Do not restrict or block any ventilation openings.
- Do not store or operate your computer inside furniture, as this might increase the risk of overheating.
- Airflow temperatures into the computer should not exceed 35° C (95° F).
- Do not use non-desktop air filtration devices.

CD and DVD drive safety

CD and DVD drives spin discs at a high speed. If a CD or DVD is cracked or otherwise physically damaged, it is possible for the disc to break apart or even shatter when the CD drive is in use. To protect against possible injury due to this situation, and to reduce the risk of damage to your machine, do the following:

- Always store CD/DVD discs in their original packaging
- Always store CD/DVD discs out of direct sunlight and away from direct heat sources
- Remove CD/DVD discs from the computer when not in use

- Do not bend or flex CD/DVD discs, or force them into the computer or their packaging
- Check CD/DVD discs for cracks before each use. Do not use cracked or damaged discs

Additional safety information

Danger

Electrical current from power, telephone, and communication cables is hazardous.

To avoid a shock hazard:

- Do not connect or disconnect any cables or perform installation, maintenance, or reconfiguration of this product during an electrical storm.
- Connect all power cords to a properly wired and grounded electrical outlet.
- Connect to properly wired outlets any equipment that will be attached to this product.
- When possible, use one hand only to connect or disconnect signal cables.
- Never turn on any equipment when there is evidence of fire, water, or structural damage.
- Disconnect the attached power cords, telecommunications systems, networks, and modems before you open the device covers, unless instructed otherwise in the installation and configuration procedures.
- Connect and disconnect cables as described in the following table when installing, moving, or opening covers on this product or attached devices.

To connect:

1. Turn everything OFF.
2. First, attach all cables to devices.
3. Attach signal cables to connectors.
4. Attach power cords to outlet.
5. Turn device ON.

To disconnect:

1. Turn everything OFF.
2. First, remove power cords from outlet.
3. Remove signal cables from connectors.
4. Remove all cables from devices.

Lithium battery notice

Caution

Danger of explosion if battery is incorrectly replaced.

When replacing the lithium coin cell battery, use only the same or an equivalent type that is recommended by the manufacturer. The battery contains lithium and can explode if not properly used, handled, or disposed of.

Do not:

- Throw or immerse into water
- Heat to more than 100°C (212°F)
- Repair or disassemble

Dispose of the battery as required by local ordinances or regulations.

Modem safety information

Caution

To reduce the risk of fire, use only No. 26 AWG or larger telecommunication line cord.

To reduce the risk of fire, electrical shock, or injury when using telephone equipment, always follow basic safety precautions, such as:

- Never install telephone wiring during a lightning storm.
- Never install telephone jacks in wet locations unless the jack is specifically designed for wet locations.
- Never touch uninsulated telephone wires or terminals unless the telephone line has been disconnected at the network interface.
- Use caution when installing or modifying telephone lines.
- Avoid using a telephone (other than a cordless type) during an electrical storm. There may be a remote risk of electric shock from lightning.
- Do not use the telephone to report a gas leak in the vicinity of the leak.

Laser compliance statement

Some personal computer models are equipped from the factory with a CD-ROM drive or a DVD-ROM drive. CD-ROM drives and DVD-ROM drives are also sold separately as options. CD-ROM drives and DVD-ROM drives are laser products. These drives are certified in the U.S. to conform to the requirements of the Department of Health and Human Services 21 Code of Federal Regulations (DHHS 21 CFR) Subchapter J for Class 1 laser products. Elsewhere, these drives are certified to conform to the requirements of the International Electrotechnical Commission (IEC) 825 and CENELEC EN 60 825 for Class 1 laser products.

When a CD-ROM drive or a DVD-ROM drive is installed, note the following handling instructions.

Caution

Use of controls or adjustments or performance of procedures other than those specified herein might result in hazardous radiation exposure.

Removing the covers of the CD-ROM drive or DVD-ROM drive could result in exposure to hazardous laser radiation. There are no serviceable parts inside the CD-ROM drive or DVD-ROM drive. **Do not remove the drive covers.**

Some CD-ROM drives and DVD-ROM drives contain an embedded Class 3A or Class 3B laser diode. Note the following statement.

Danger

Laser radiation when open. Do not stare into the beam, do not view directly with optical instruments, and avoid direct exposure to the beam.

Power supply statement

Never remove the cover on a power supply or any part that has the following label attached.



Hazardous voltage, current, and energy levels are present inside any component that has this label attached. There are no serviceable parts inside these components. If you suspect a problem with one of these parts, contact a service technician.

Overview

Thank you for selecting a ThinkCentre® computer. Your computer incorporates many of the latest advances in computer technology and can be upgraded as your needs change.

Adding hardware options to your computer is an easy way to increase its capabilities. Instructions for installing external and internal options are included in this publication. When adding an option, use these instructions along with the instructions that come with the option.

Information resources

The *Quick Reference* that comes with your computer provides information for installing your computer and starting the operating system. It also includes basic troubleshooting information, software recovery procedures, help and service information, and warranty information.

The ThinkVantage™ Productivity Center program, on your desktop, provides a link to more information about your computer.

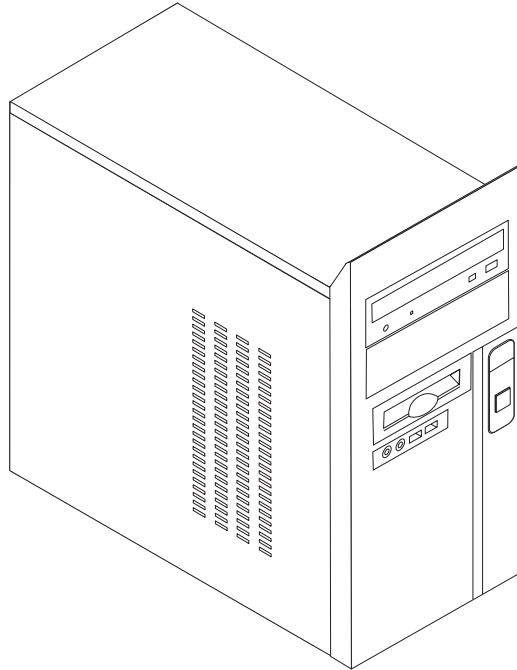
If you have Internet access, the most up-to-date manuals for your computer are available from the World Wide Web.

You can find the following information:

- CRU removal and installation instructions
- Publications
- Troubleshooting information
- Parts information
- Downloads and drivers
- Links to other useful sources of information
- Support phone list

To access this information, point your browser to <http://www.lenovo.com/support>.

Chapter 1. Installing options



This chapter provides an introduction to the features and options that are available for your computer. You can expand the capabilities of your computer by adding memory, drives, or adapters. When installing an option, use these instructions along with the instructions that come with the option.

Important

Before you install or remove any option, read “Important safety information” on page v. These precautions and guidelines will help you work safely.

Note: Use only the parts provided by Lenovo.

Features

This section provides an overview of the computer features and preinstalled software.

System information

The following information covers a variety of models. For information for your specific model, use the Setup Utility. See Chapter 2, “Using the Setup Utility program,” on page 31.

Microprocessor (varies by model type)

- Intel® Pentium® 4 processor
- Intel Pentium D processor
- Intel Celeron® D processor
- AMD Athlon 64
- AMD Sempron
- Internal cache (size varies by model type)

Memory

- Support for two double data rate (DDR) dual inline memory modules (DIMMs) (some models)
- Support for four DDR2 DIMMs (some models)
- 4 Mb flash memory

Internal drives

- Internal Parallel ATA hard disk drive (some models)
- Internal Serial ATA hard disk drive (some models)
- Optical drive (some models)
- Diskette drive (some models)

Video subsystem

- An integrated graphics controller for a Video Graphics Array (VGA) monitor
- An accelerated graphics port (AGP) video adapter connector on the system board (some models)
- A PCI Express x16 video adapter connector on the system board (some models)

Audio subsystem

- AC'97 with Realtek Audio Codec
- Line in, line out, and microphone connectors on the rear panel
- Microphone and headphone connectors on the front panel

Connectivity

- 10/100 Mbps integrated Ethernet controller that supports the Wake on LAN® feature (some models)
- 10/100/1000 Mbps integrated Ethernet controller (some models)
- Soft modem V.90/V.44 (some models)

System management features

- Wake on LAN
- Wake on Ring (in the Setup Utility program, this feature is called Serial Port Ring Detect for an external modem)
- Remote Administration
- Automatic power-on startup
- System Management (SM) BIOS and SM software

Input/output features

- 25-pin, Extended Capabilities Port (ECP)/Extended Parallel Port (EPP)
- 9-pin serial connector
- Six 4-pin, USB connectors (two on front panel and four on rear panel)
- Standard mouse connector
- Standard keyboard connector
- Ethernet connector
- VGA monitor connector
- Five audio connectors (headphone and microphone on front panel and line in, line out, and microphone on rear panel)

Expansion

- Four drive bays
- Three 32-bit peripheral component interconnect (PCI) adapter connectors
- One accelerated graphics port (AGP) expansion connector (some models)
- One PCI Express x16 expansion connector (some models)
- One PCI Express x1 expansion connector (some models)

Power

- 250 W power supply with manual voltage selection switch
- Manual 50/60 Hz input frequency
- Advanced Configuration and Power Interface (ACPI) support

Security features

- User and administrator passwords for BIOS access
- Support for a padlock loop
- Startup sequence control
- Startup without diskette drive, keyboard, or mouse
- Unattended start mode
- Hard disk I/O control
- Serial and parallel port I/O control

Preinstalled software

Your computer might come with preinstalled software. If it does, an operating system, device drivers to support built-in features, and other support programs are included.

Operating systems, preinstalled (varies by model type)

Note: Not all countries or regions have these operating systems.

- Microsoft® Windows® XP Home Edition
- Microsoft Windows XP Professional

Operating systems, certified or tested for compatibility¹

- Linux®

Specifications

This section lists the physical specifications for your computer.

Dimensions

Height: 374 mm (14.72 in.)

Width: 180 mm (7.09 in.)

Depth: 458 mm (18.03 in.)

Weight

Minimum configuration as shipped: 9.1 kg (20.06 lb)

Maximum configuration: 10.2 kg (22.5 lb)

Environment

Air temperature:

System on: 10° to 35°C (50° to 95° F)

System off: 10° to 60°C (50° to 140° F)

Maximum altitude: 914 m (3000 ft)

Note: The maximum altitude, 914 m (3000 ft), is the maximum altitude at which the specified air temperatures apply. At higher altitudes, the maximum air temperatures are lower than those specified.

Humidity:

System on: 10% to 80%

System off: 10% to 90%

Electrical input

Input voltage:

Low range:

Minimum: 100 V ac

Maximum: 127 V ac

Input frequency: 50/60 Hz

Voltage switch setting: 115 V ac

High range:

Minimum: 200 V ac

Maximum: 240 V ac

Input frequency: 50/60 Hz

Voltage switch setting: 230 V ac

Input kilovolt-amperes (kVA) (approximate):

Minimum configuration as shipped: 0.158 kVA

Maximum configuration: 0.213 kVA

1. The operating systems listed here are being certified or tested for compatibility at the time this publication goes to press. Additional operating systems might be identified by Lenovo as compatible with your computer following the publication of this booklet. Corrections and additions to this list are subject to change. To determine if an operating system has been certified or tested for compatibility, check the Web site of the operating system vendor.

Available options

The following are some available options:

- External options
 - Parallel port devices, such as printers and external drives
 - Serial port devices, such as external modems and digital cameras
 - Audio devices, such as external speakers for the sound system
 - USB devices, such as printers and scanners
 - Security device, such as a padlock loop
 - Monitors
- Internal options
 - System memory, called dual inline memory modules (DIMMs)
 - Peripheral component interconnect (PCI) adapters
 - Accelerated graphics port (AGP) adapters (some models)
 - PCI Express x16 expansion connectors (some models)
 - PCI Express x1 expansion connectors (some models)
 - Internal drives, such as:
 - Optical drives, such as CD drives and DVD drives (some models)
 - Parallel ATA hard disk drive (some models)
 - Serial ATA hard disk drive (some models)

Note: When adding a serial ATA hard disk drive, the drive must support the legacy four-pin power connector.

For the latest information about available options, see the following World Wide Web pages:

- <http://www.lenovo.com/us/en/>
- <http://www.lenovo.com/support/>

You also can obtain information by calling the following telephone numbers:

- Within the United States, call 1-800-426-2968, your Lenovo reseller, or Lenovo marketing representative.
- Within Canada, call 1-800-565-3344 or 1-800-426-2968.
- Outside the United States and Canada, contact your Lenovo reseller or Lenovo marketing representative.

Tools required

To install some options in your computer, you might need a flat-blade or Phillips screwdriver. Additional tools might be needed for certain options. See the instructions that come with the option.

Handling static-sensitive devices

Static electricity, although harmless to you, can seriously damage computer components and options.

When you add an option, do *not* open the static-protective package containing the option until you are instructed to do so.

When you handle options and other computer components, take these precautions to avoid static electricity damage:

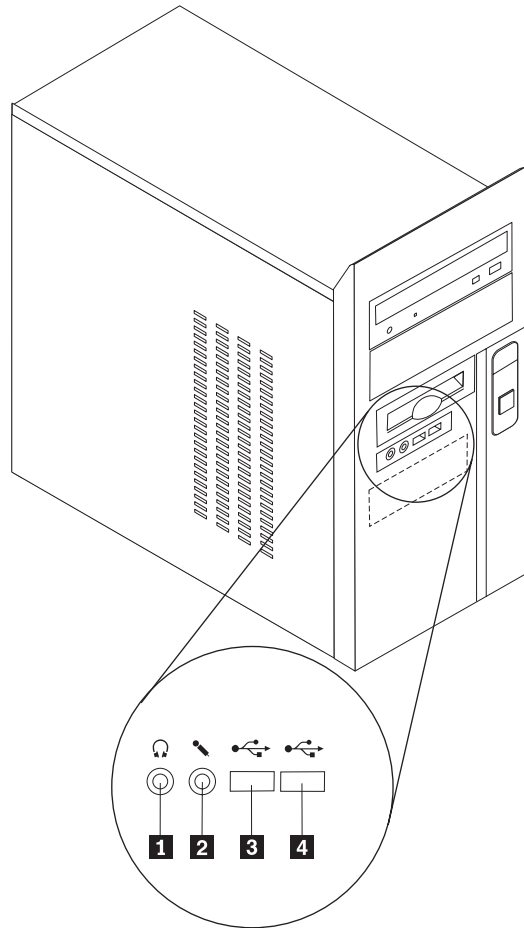
- Limit your movement. Movement can cause static electricity to build up around you.
- Always handle components carefully. Handle adapters and memory modules by the edges. Never touch any exposed circuitry.
- Prevent others from touching components.
- When you install a new option, touch the static-protective package containing the option to a metal expansion-slot cover or other unpainted metal surface on the computer for at least two seconds. This reduces static electricity in the package and your body.
- When possible, remove the option and install it directly in the computer without setting the option down. When this is not possible, place the static-protective package that the option came in on a smooth, level surface and place the option on it.
- Do not place the option on the computer cover or other metal surface.

Installing external options

This section shows the various external connectors on your computer to which you can attach external options, such as external speakers, a printer, or a scanner. For some external options, you must install additional software in addition to making the physical connection. When adding an external option, use the information in this section to identify the required connector, and then use the instructions that come with the option to help you make the connection and install any software or device drivers that are required for the option.

Locating the connectors on the front of your computer

The following illustration shows the locations of the connectors on the front of the computer.

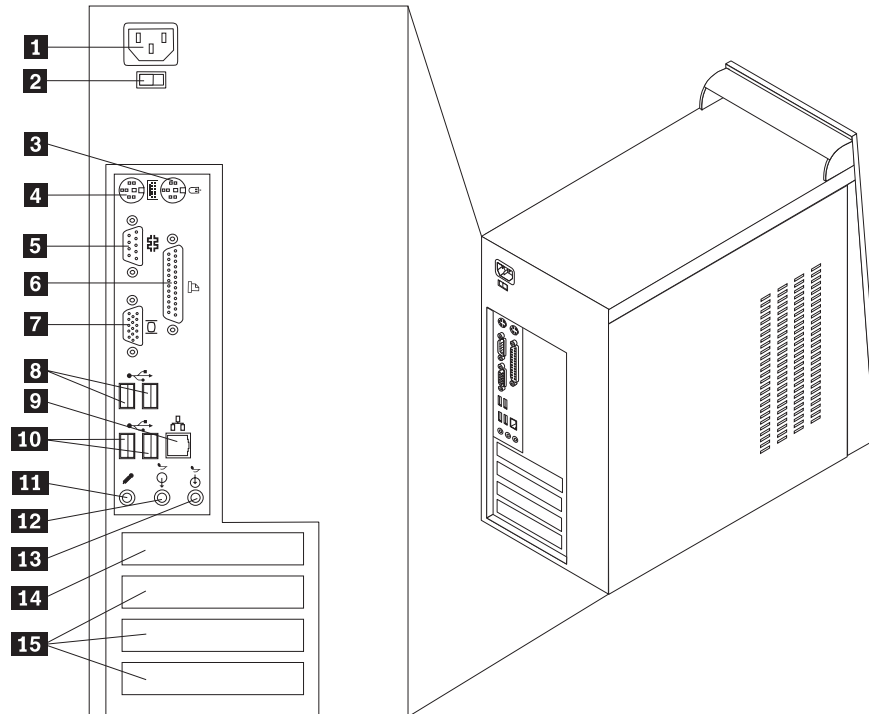


1 Headphone connector
2 Microphone connector

3 USB connector
4 USB connector

Locating the connectors on the rear of your computer

The following illustration shows the locations of the connectors on the rear of the computer.



- | | |
|--------------------------------|---|
| 1 Power connector | 9 Ethernet connector |
| 2 Voltage switch | 10 USB connectors |
| 3 Mouse connector | 11 Microphone connector |
| 4 Keyboard connector | 12 Audio line out connector |
| 5 Serial connector | 13 Audio line in connector |
| 6 Parallel connector | 14 AGP adapter or PCI Express x16 graphics adapter connector (some models) |
| 7 VGA monitor connector | 15 PCI adapter connectors |
| 8 USB connectors | |

Note: Some connectors on the rear of the computer are color-coded to help you determine where to connect the cables on your computer.

Connector	Description
Mouse connector	Used to attach a mouse, trackball, or other pointing device that uses a standard mouse connector.
Keyboard connector	Used to attach a keyboard that uses a standard keyboard connector.
Serial connector	Used to attach an external modem, serial printer, or other devices that use a 9-pin serial connector.
Parallel connector	Used to attach a parallel printer, parallel scanner, or other devices that use a 25-pin parallel connector.
Audio line out connector	Used to send audio signals from the computer to external devices, such as powered stereo speakers (speakers with built-in amplifiers), headphones, multimedia keyboards, or the audio line in connector on a stereo system or other external recording device.
Audio line in connector	Used to receive audio signals from an external audio device, such as a stereo system. When you attach an external audio device, a cable is connected between the audio line out connector of the device and the audio line in connector of the computer.
Microphone connector	Used to attach a microphone to your computer when you want to record voice or other sounds or if you use speech-recognition software.
USB connectors	Used to attach a device that requires a Universal Serial Bus (USB) connection, such as a USB scanner or USB printer. Depending upon the model, if you have more than four or six USB devices, you can purchase a USB hub, which you can use to connect additional USB devices.
Ethernet connector	Used to attach an Ethernet cable for a local area network (LAN). Note: To operate the computer within FCC Class B limits, use a Category 5 Ethernet cable.

Obtaining device drivers

You can obtain device drivers for operating systems that are not preinstalled at <http://www.lenovo.com/support/> on the World Wide Web. Installation instructions are provided in README files with the device-driver files.

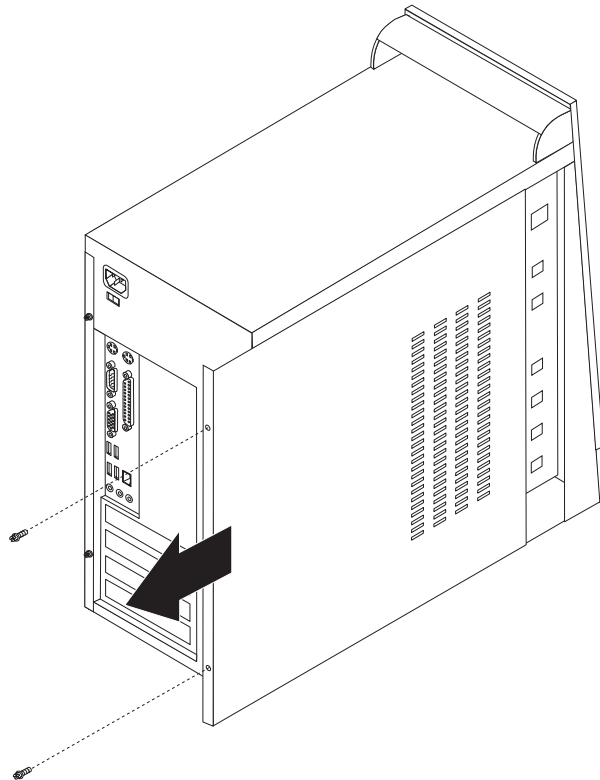
Removing the cover

Important

Read “Important safety information” on page v and “Handling static-sensitive devices” on page 6 before removing the cover.

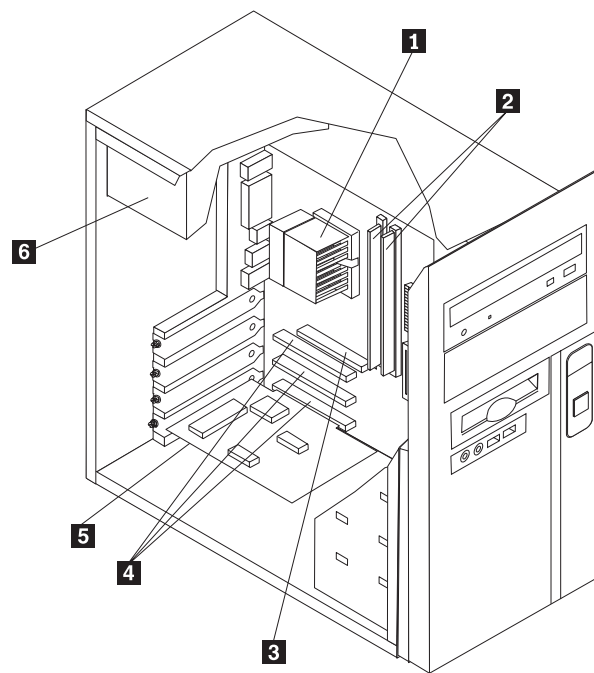
To remove the cover:

1. Shut down your operating system, remove any media (diskettes, CDs, or tapes) from the drives, and turn off all attached devices and the computer.
2. Unplug all power cords from electrical outlets.
3. Disconnect all cables attached to the computer. This includes power cords, input/output (I/O) cables, and any other cables that are connected to the computer.
4. Remove the two screws at the rear of the left side cover and slide the cover to the rear to remove.



Locating components

The following illustration will help you locate the various components in your computer.

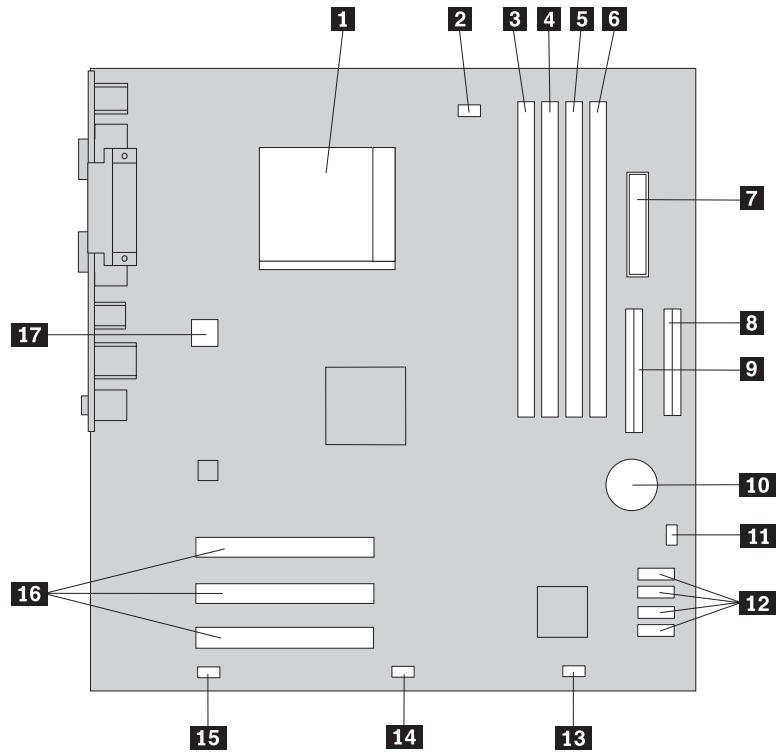


- | | |
|--|-------------------------|
| 1 Microprocessor and heat sink | 4 PCI connectors |
| 2 Memory modules | 5 PCI adapter |
| 3 AGP adapter or PCI Express
x16 adapter graphics connector
(some models) | 6 Power supply |

Identifying parts on the system board

The system board (sometimes called the *planar* or *motherboard*) is the main circuit board in your computer. It provides basic computer functions and supports a variety of devices that are factory-installed or that you can install later.

The following illustration shows the locations of parts on the system board for some models.



1 Microprocessor and heat sink

2 Fan connector

3 Memory connector 1

4 Memory connector 2

5 Memory connector 3

6 Memory connector 4

7 Power connector

8 Diskette drive connector

9 Primary IDE connector

10 Battery

11 Clear CMOS/Recovery jumper

Note: This part may be a two-pin header.

12 SATA connectors (4)

13 Front panel connector

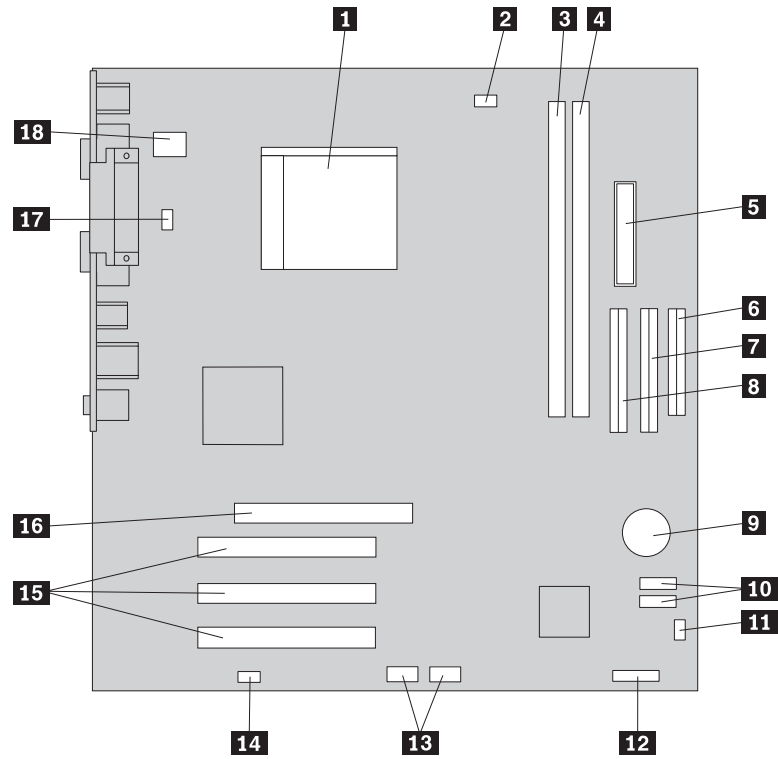
14 Front USB connector

15 Front audio connector

16 PCI adapter connectors

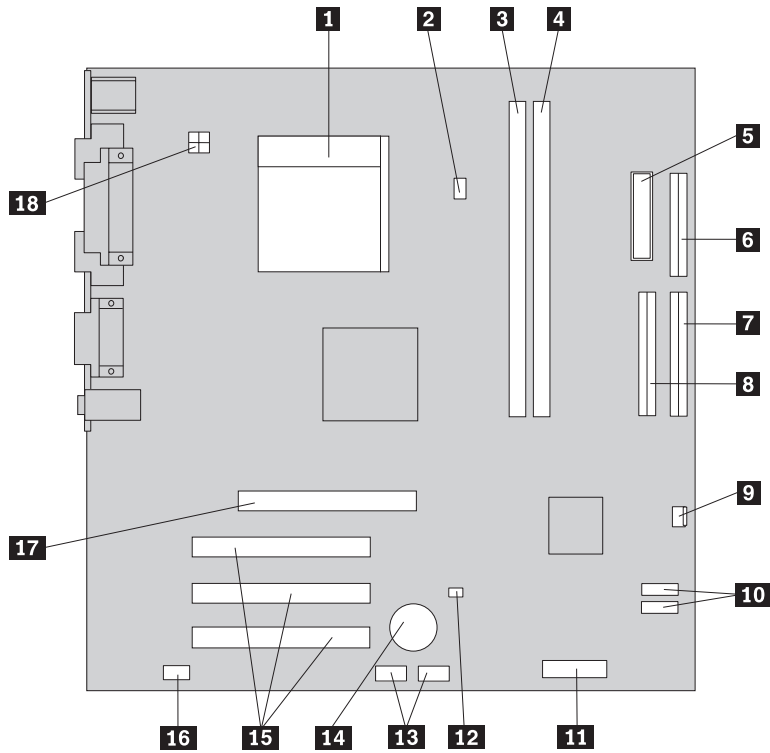
17 12v power connector

The following illustration shows the locations of parts on the system board for some models.



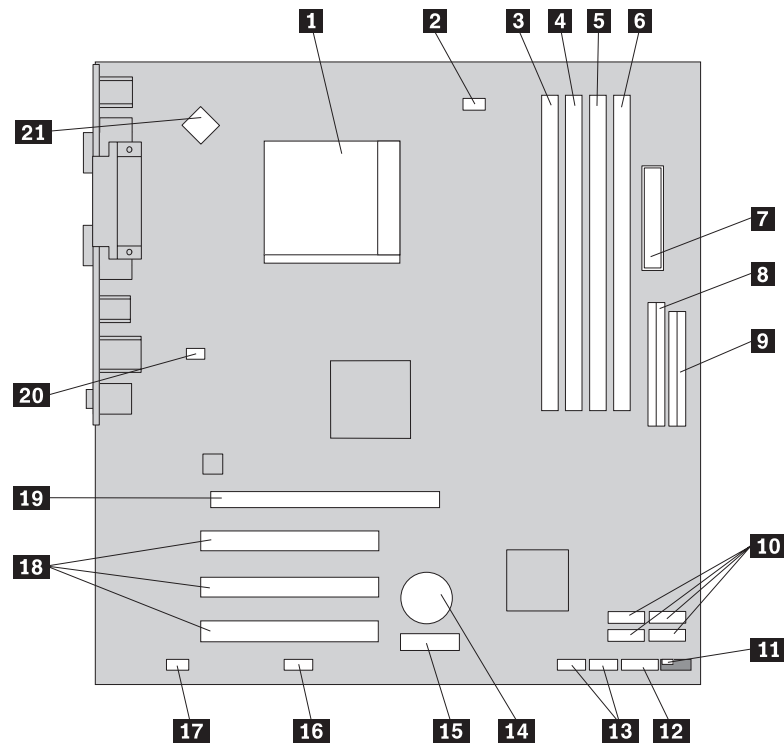
- | | |
|---------------------------------------|--------------------------------------|
| 1 Microprocessor and heat sink | 10 SATA connectors (2) |
| 2 Microprocessor fan connector | 11 Clear CMOS/Recovery jumper |
| 3 Memory connector 1 | 12 Power LED connector |
| 4 Memory connector 2 | 13 Front USB connector |
| 5 Power connector | 14 Front audio connector |
| 6 Diskette drive connector | 15 PCI adapter connectors |
| 7 Secondary IDE connector | 16 AGP adapter connector |
| 8 Primary IDE connector | 17 System fan connector |
| 9 Battery | 18 12v power connector |

The following illustration shows the locations of parts on the system board for some models.



- | | |
|---------------------------------------|---|
| 1 Microprocessor and heat sink | 10 SATA connectors (2) (some models) |
| 2 Microprocessor fan connector | 11 Front panel connector |
| 3 Memory connector 1 | 12 Clear CMOS/Recovery jumper |
| 4 Memory connector 2 | 13 Front USB connectors (2) |
| 5 Power connector | 14 Battery |
| 6 Diskette drive connector | 15 PCI adapter connectors |
| 7 Primary IDE connector | 16 Front audio connector |
| 8 Secondary IDE connector | 17 AGP adapter connector |
| 9 System fan connector | 18 12v power connector |

The following illustration shows the locations of parts on the system board for some models.



- | | |
|---------------------------------------|--|
| 1 Microprocessor and heat sink | 12 Front panel connector |
| 2 Microprocessor fan connector | 13 Front USB connectors (2) |
| 3 Memory connector 1 | 14 Battery |
| 4 Memory connector 2 | 15 PCI Express x1 adapter connector |
| 5 Memory connector 3 | 16 Serial (COM2) connector |
| 6 Memory connector 4 | 17 Front audio connector |
| 7 Power connector | 18 PCI adapter connectors |
| 8 IDE connector | 19 PCI Express x16 adapter connector
(some models) |
| 9 Diskette drive connector | 20 System fan |
| 10 SATA connectors (4) | 21 12v power connector |
| 11 Clear CMOS/Recovery jumper | |

Installing memory

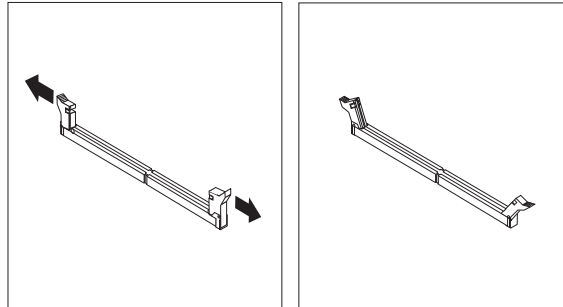
Your computer has two or four connectors for installing DIMMs. Each DIMM can be a maximum of 1GB providing up to a maximum of 2.0 GB or 4.0 GB of system memory.

When installing memory modules, the following rules apply:

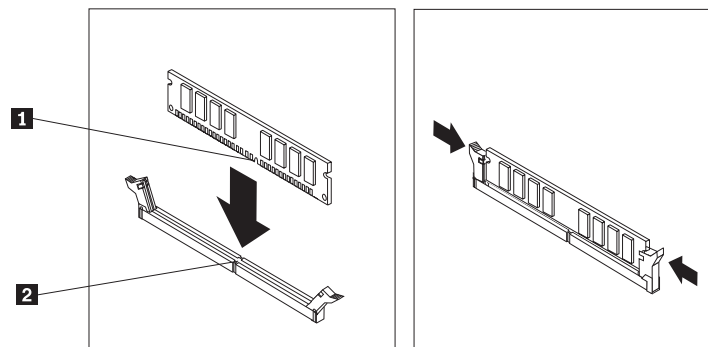
- Use 2.5 V, 184-pin double data rate synchronous dynamic random access memory (DDR SDRAM). (some models)
- Use 1.8 V, 240-pin DDR2 SDRAM. (some models)
- Use 128 MB, 256 MB, 512 MB or 1.0 GB memory modules in any combination.

To install a memory module:

1. Removing the cover. See “Removing the cover” on page 10.
2. Locate the memory connectors. See “Identifying parts on the system board” on page 11.
3. Open the retaining clips.



4. Position the memory module over the memory connector. Make sure that the notch **1** on the memory module aligns correctly with the connector key **2** on the system board. Push the memory module straight down into the connector until the retaining clips close.



What to do next:

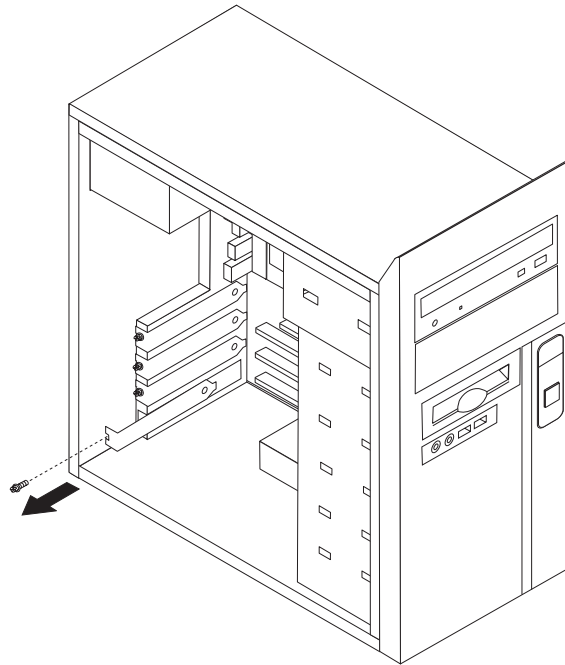
- To work with another option, go to the appropriate section.
- To complete the installation, go to “Replacing the cover and connecting the cables” on page 29.

Installing adapters

This section provides information and instructions for installing and removing adapters. Your computer has three expansion slots for PCI adapters. One slot, used for an AGP adapter or a PCI Express x16 adapter, is available on some models. You can install an adapter up to 228 mm (9 inches) long in the AGP or PCI Express x16 slot, PCI slot 2, or PCI slot 3. You can install an adapter up to 200 mm (7.9 inches) long in PCI slot 1.

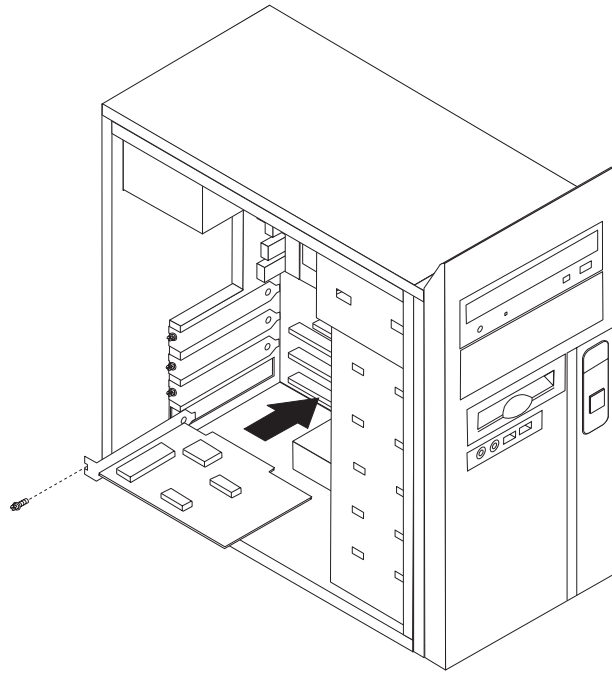
To install an adapter:

1. Remove the cover. See “Removing the cover” on page 10.
2. Remove the adapter slot cover for the appropriate expansion slot.



3. Remove the adapter from its static-protective package.
4. Install the adapter into the appropriate slot on the system board.

5. Secure the adapter with the screw as shown.



What to do next:

- To work with another option, go to the appropriate section.
- To complete the installation, go to "Replacing the cover and connecting the cables" on page 29.

Installing internal drives

This section provides information and instructions for removing and replacing internal drives.

Internal drives are devices that your computer uses to read and store data. You can add drives to your computer to increase storage capacity and to enable your computer to read other types of media. Some of the different drives that are available for your computer are:

- Parallel ATA hard disk drives (some models)
- Serial ATA hard disk drives (some models)
- Optical drives, such as CD drives and DVD drives
- Removable media drives

Note: These different drives are also referred to as integrated drive electronics (IDE) drives.

Internal drives are installed in *bays*. In this book, the bays are referred to as bay 1, bay 2, and so on.

When you install an internal drive, it is important to note what type and size of drive that you can install in each bay. Also, it is important to correctly connect the internal drive cables to the installed drive.

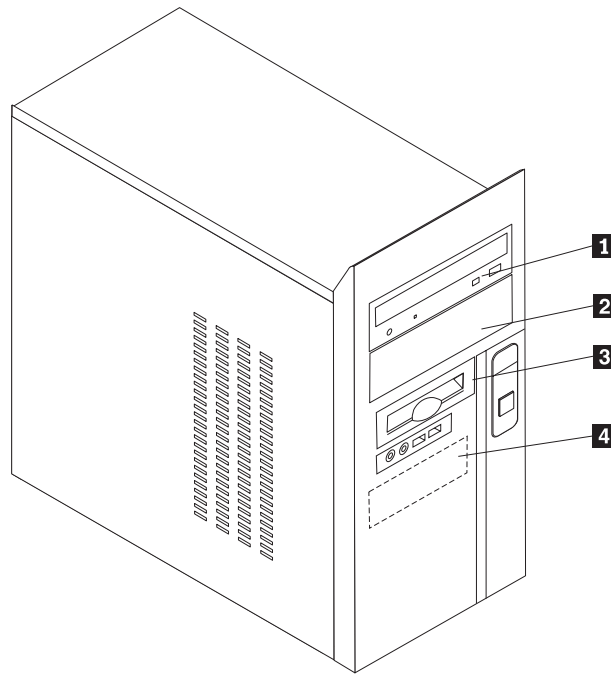
Drive specifications

Your computer comes with the following factory-installed drives:

- A CD drive or DVD drive in bay 1
- A 3.5-inch diskette disk drive in bay 3 (some models)
- A 3.5-inch hard drive in bay 4

Any bay that does not have a drive installed has a static shield and bay panel installed.

The following illustration shows the locations of the drive bays.



The following table describes some of the drives you can install in each bay and their height requirements.

- | | |
|--|---|
| 1 Bay 1 - Maximum height: 43.0 mm (1.7 in.) | CD drive or DVD drive (preinstalled in some models) |
| 2 Bay 2 - Maximum height: 43.0 mm (1.7 in.) | 3.5-inch hard disk drive (requires a Universal Adapter Bracket, 5.25 to 3.5-inch)*
CD drive
DVD drive |
| 3 Bay 3 - Maximum height: 25.8 mm (1.0 in.) | 3.5-inch diskette drive (preinstalled) |
| 4 Bay 4 - Maximum height: 25.8 mm (1.0 in.) | 3.5-inch hard disk drive (preinstalled) |
- * You can obtain a Universal Adapter Bracket, 5.25 to 3.5-inch, from a local computer retail or by contacting the Customer Support Center.

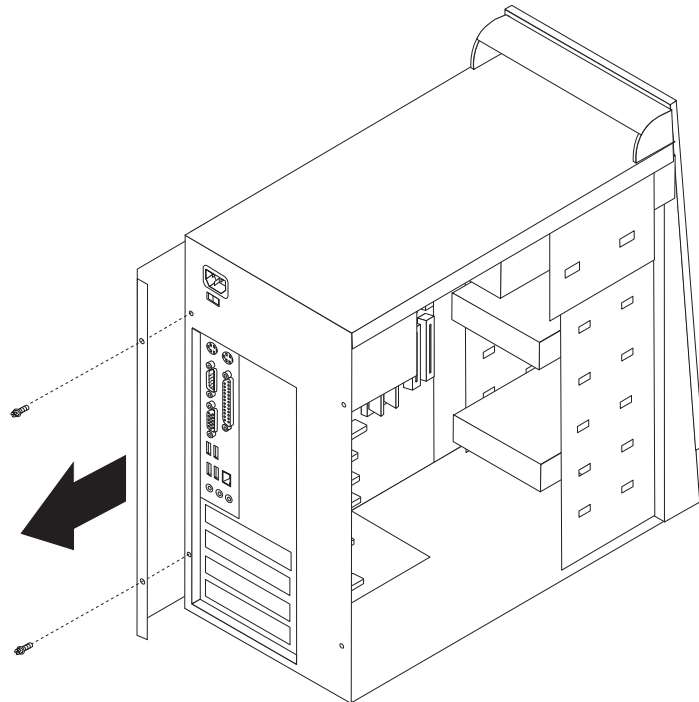
Notes:

1. Drives that are greater than 43.0 mm (1.7 in.) high cannot be installed.
2. Install removable media (tape or CD) drives in an accessible bay (bay 1 or 2).

Installing a drive

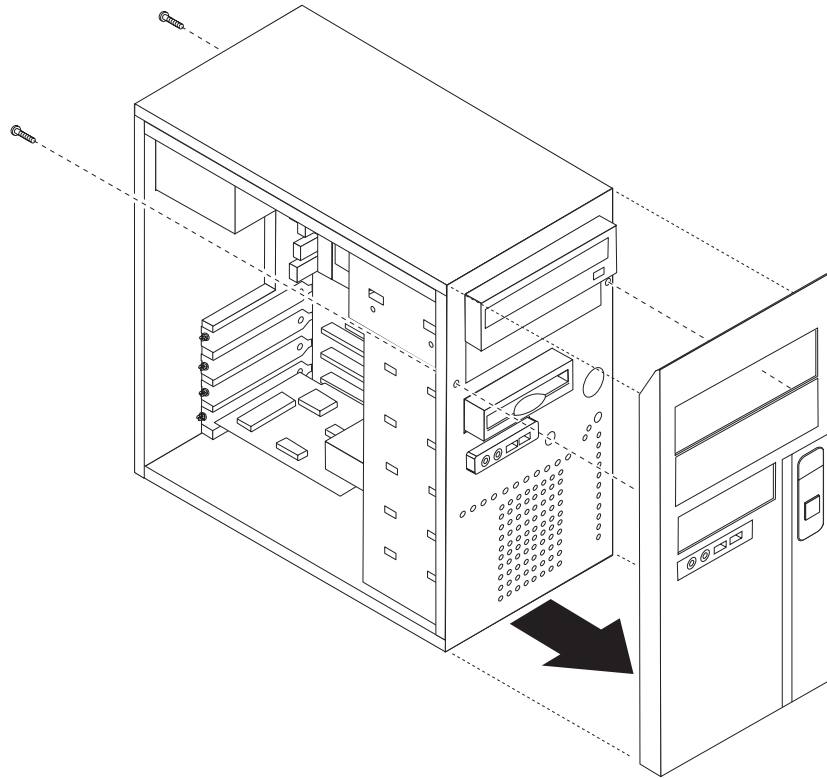
To install an internal drive, follow these steps:

1. Remove the cover. See “Removing the cover” on page 10.
2. Remove the two screws at the rear of the right side cover and slide the cover to the rear to remove.

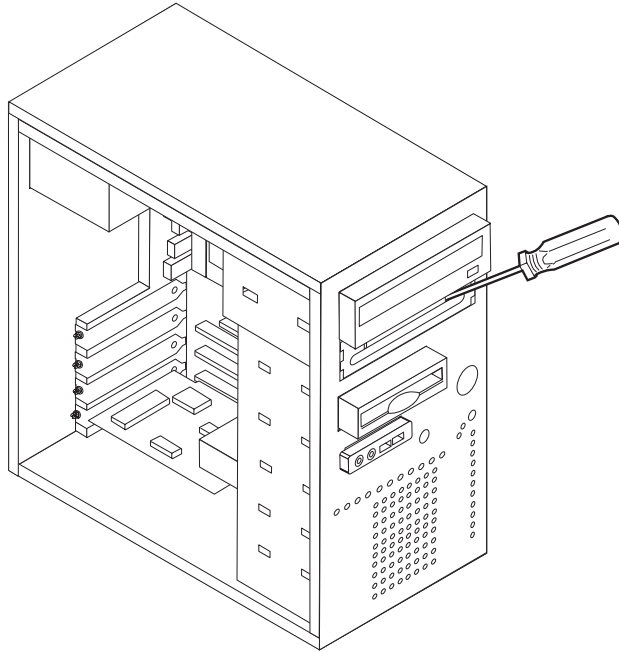


3. If your computer has a CD drive or DVD drive, you might need to remove the signal and power cables from the drive.

4. Remove the front bezel by removing the two screws and releasing the six plastic tabs inside the chassis and then completely remove the bezel.

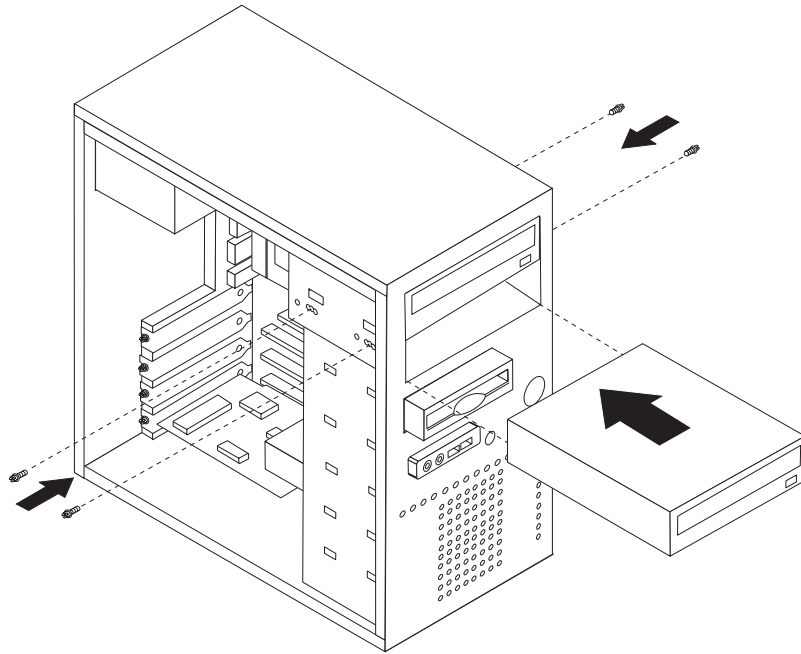


5. Remove the metal shield from the drive bay by inserting a flat-blade screwdriver into one of the slots and gently prying it loose.

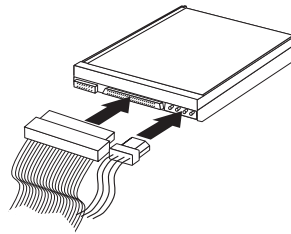


6. Remove the plastic panel in the bezel for bay 2 by squeezing the plastic tabs that secure the panel on the inside of the bezel.
7. Make sure the drive that you are installing is set correctly as either a master or a slave device.
 - If it is the first CD drive or DVD drive, set it as a master device.
 - If it is an additional CD drive or DVD drive set it as a slave device.
 - If it is an additional parallel ATA hard disk drive, set it as a slave device.Refer to the documentation that comes with your drive for master/slave jumper information.

8. Install the drive into the bay. Align the screw holes and install four screws to secure the drive.



9. A hard disk drive requires two cables; a power cable that connects to the power supply and a signal cable that connects to the system board.



The steps to connect a drive are different depending on the type of drive you are connecting. Use one of the following procedures for your drive connection.

Connecting the first CD drive or DVD drive

1. Locate the three-connector signal cable that comes with your computer or with the new drive.
2. Locate the secondary IDE connector on the system board. See “Identifying parts on the system board” on page 11.
3. Connect one end of the signal cable to the drive and the other to the secondary IDE connector on the system board. To reduce electronic noise, use the connectors at the end of the cable only.
4. Your computer has extra power connectors for additional drives. Connect a power connector to the drive.

Connecting an additional CD drive, DVD drive, or parallel ATA hard disk drive

An additional drive can be connected to either the primary IDE or secondary IDE connector.

1. Locate an available IDE connector on the three-connector signal cable attached to either the primary IDE or secondary IDE connector on the system board. See “Identifying parts on the system board” on page 11.
2. Connect the extra connector on the signal cable to the new drive.
3. Your computer has extra power connectors for additional drives. Connect a power connector to the drive.

What to do next

- To work with another option, go to the appropriate section.
- To complete the installation, go to “Replacing the cover and connecting the cables” on page 29.

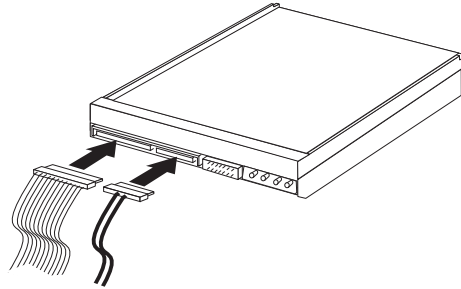
Connecting a serial ATA hard disk drive

A serial hard disk drive can be connected to any available SATA IDE connector.

1. Locate the signal cable that comes with the new drive.
2. Locate an available SATA IDE connector on the system board. See “Identifying parts on the system board” on page 11.
3. Connect one end of the signal cable to the drive and the other to an available SATA IDE connector on the system board.

4. Locate one of the extra four-wire power connectors and connect it to the drive.

Note: Five-wire power connectors are not supported in this system.



What to do next

- To work with another option, go to the appropriate section.
- To complete the installation, go to “Replacing the cover and connecting the cables” on page 29.

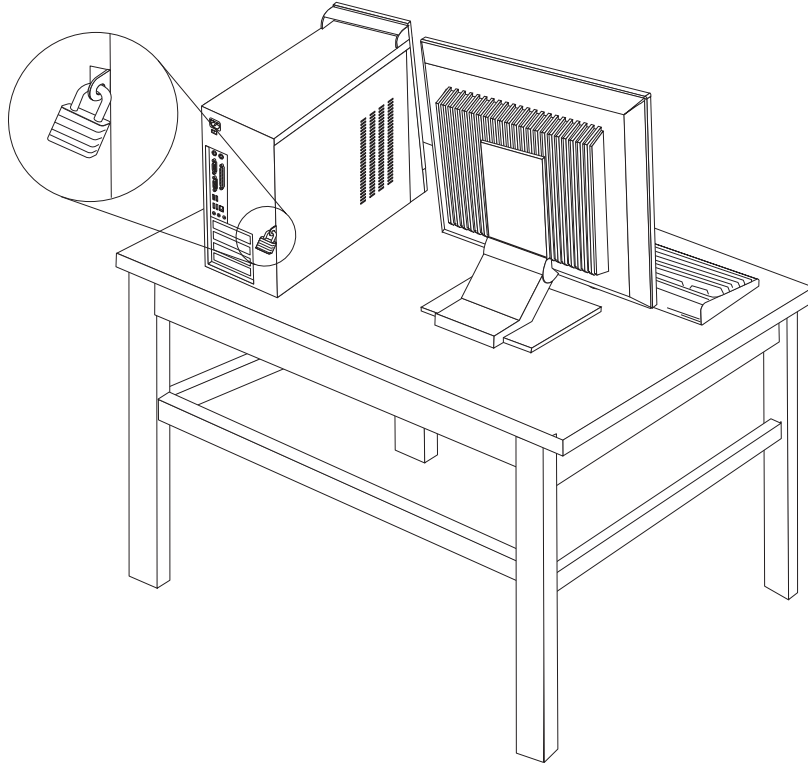
Installing security features

To help prevent hardware theft and unauthorized access to your computer, several security options are available. In addition to physical locks, unauthorized use of your computer can be prevented by a software lock that locks the keyboard until a correct password is typed in.

Make sure that any security cables you install do not interfere with other computer cables.

Padlock loop

Your computer is equipped with a padlock loop that locks the cover to your computer when a padlock is installed. Using a padlock at least or at 5 mm or 3/16-inch can secure your computer cover to help prevent unauthorized people from gaining access to the inside of your computer.



Password protection

To deter unauthorized use of your computer, you can use the Setup Utility program to set a password. When you turn on your computer you are prompted to type the password to unlock the keyboard for normal use.

What to do next

- To work with another option, go to the appropriate section.
- To complete the installation, go to “Replacing the cover and connecting the cables” on page 29.

Changing the battery

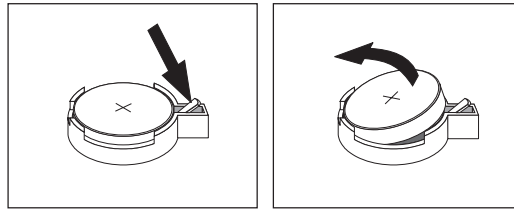
Your computer has a special type of memory that maintains the date, time, and settings for built-in features, such as parallel-port assignments (configuration). A battery keeps this information active when you turn off the computer.

The battery normally requires no charging or maintenance throughout its life; however, no battery lasts forever. If the battery fails, the date, time, and configuration information (including passwords) are lost. An error message is displayed when you turn on the computer.

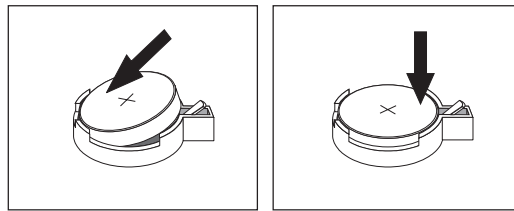
Refer to “Lithium battery notice” on page x for information about replacing and disposing of the battery.

To change the battery:

1. Turn off the computer and all attached devices.
2. Unplug the power cord and remove the cover. See “Identifying parts on the system board” on page 11.
3. Locate the battery. See “Identifying parts on the system board” on page 11.
4. If necessary, remove any adapters that impede access to the battery. See “Installing adapters” on page 17 for more information.
5. Remove the old battery.



6. Install the new battery.



7. Replace any adapters that were removed to gain access to the battery. See “Installing adapters” on page 17 for instructions for replacing adapters.
8. Replace the cover, and plug in the power cord. See “Replacing the cover and connecting the cables” on page 29.

Note: When the computer is turned on for the first time after battery replacement, an error message might be displayed. This is normal after replacing the battery.

9. Turn on the computer and all attached devices.
10. Use the Setup Utility program to set the date and time and any passwords. See Chapter 2, "Using the Setup Utility program," on page 31.

Erasing a lost or forgotten password (clearing CMOS)

This section applies to lost or forgotten passwords. For more information about lost or forgotten passwords, go to the ThinkVantage Productivity Center program.

To erase a forgotten password:

1. Remove the cover. See "Removing the cover" on page 10.
2. Locate the Clear CMOS/Recovery jumper on the system board. See "Identifying parts on the system board" on page 11.
3. If necessary, see "Installing adapters" on page 17 to remove any adapters that impede access to the Clear CMOS/Recovery jumper.
4. Move the jumper from the standard position (pins 1 and 2) to the maintenance or configure position (pins 2 and 3).

Note: If the system board has only two pins for clearing CMOS, add a jumper to the two pins.

5. Move the jumper back to the standard (pins 1 and 2).

Note: If the system board has only two pins for clearing CMOS, remove the jumper from the two pins.

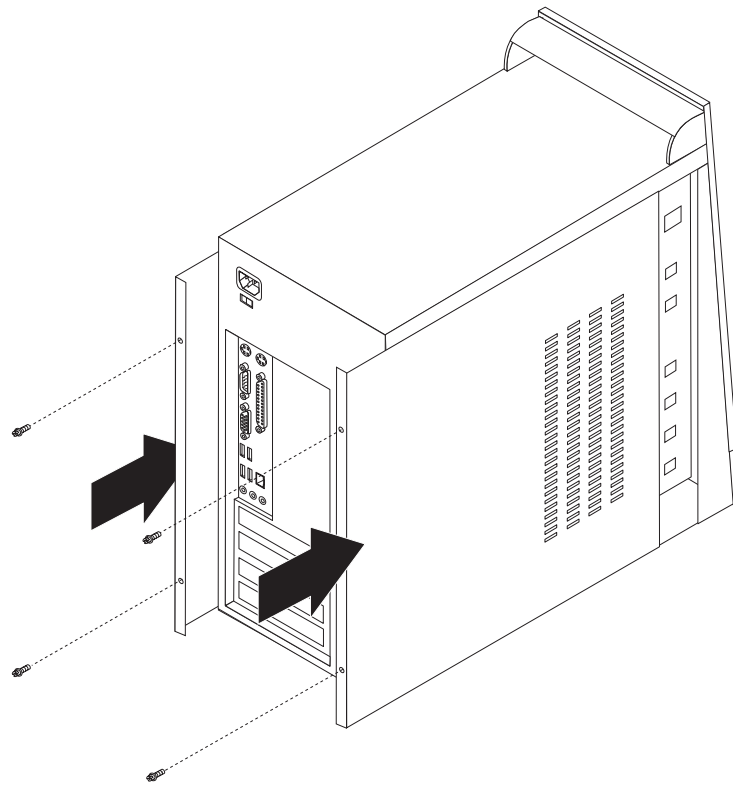
6. Replace the cover and connect the power cord. See "Replacing the cover and connecting the cables" on page 29.

Replacing the cover and connecting the cables

After working with options, you need to install any removed parts, replace the cover, and reconnect any cables, including telephone lines and power cords. Also, depending on the option that is installed, you might need to confirm the updated information in the Setup Utility program.

To replace the cover and connect cables to your computer:

1. Ensure that all components have been reassembled correctly and that no tools or loose screws are left inside your computer.
2. Clear any cables that might impede the replacement of the cover.
3. Position the cover on the chassis so that the guides on the top and bottom of the cover engage the chassis and push the cover to the closed position. Insert the screws that secure the cover.



4. Reconnect the external cables and power cords to the computer. See “Installing external options” on page 6.
5. To update the configuration, see Chapter 2, “Using the Setup Utility program,” on page 31.

Chapter 2. Using the Setup Utility program

The Setup Utility program is stored in the electrically erasable programmable read-only memory (EEPROM) of your computer. The Setup Utility program is used to view and change the configuration settings of your computer, regardless of which operating system you are using. However, the operating-system settings might override any similar settings in the Setup Utility program.

Starting the Setup Utility program

To start the Setup Utility program, do the following:

1. If your computer is already on when you start this procedure, shut down the operating system and turn off the computer.
2. Press and hold the F1 key then turn on the computer. When you hear the multiple beeps, release the F1 key.

Notes:

- a. If you have a USB keyboard and the Setup Utility program does not display using this method, repeatedly press and release the F1 key rather than leaving it pressed when turning on the computer.
- b. If a user password or an administrator password has been set, the Setup Utility program menu is not displayed until you type your password. See “Using passwords” for more information.

The Setup Utility might start automatically when POST detects that hardware has been removed or new hardware has been installed in your computer.

Viewing and changing settings

The Setup Utility program menu lists items that identify system configuration topics.

When working with the Setup Utility program menu, you must use the keyboard. The keys used to perform various tasks are displayed at the bottom of each screen.

Exiting from the Setup Utility program

When you finish viewing or changing settings, press Esc to return to the Setup Utility program menu (you might have to press Esc several times). If you want to save the new settings, select **Save & Exit Setup** before you exit. Otherwise, your changes will not be saved.

Using passwords

You can use passwords to provide security for your computer and data. There are two kinds of passwords: a user password and an administrator password. You do not have to set a password of either type to use your computer. However, if you decide to set either one, read the following sections.

User password

The user password feature deters unauthorized persons from gaining access to your computer.

Setting, changing, or deleting a user password

To set or change a user password, do the following:

Note: A password can be any combination of up to eight characters (A- Z, a-z, and 0-9).

1. Start the Setup Utility program (see “Starting the Setup Utility program” on page 31).
2. From the Setup Utility program menu, select **Set User Password** and press Enter.
3. The password dialog box will be displayed. Type the new password, and press Enter.
4. When prompted to confirm the password, type the password again. If you type the password in correctly, the password will be installed.

To delete a previously set user password, do the following:

Note: When prompted for a password, you can type either your user or administrator password.

1. From the Setup Utility program menu, select **Set User Password** and press Enter. A message will display that indicates the password has been disabled.
2. Press any key to continue.

Administrator password

Setting an administrator password deters unauthorized persons from changing configuration settings. If you are responsible for maintaining the settings of several computers, you might want to set an administrator password.

After you set an administrator password, a password prompt is displayed each time you try to access the Setup Utility program. If you type the wrong password, you will see an error message. If you type the wrong password three times, you must turn the computer off and start again.

If both the user and administrator passwords are set, you can type either password. However, to change any configuration settings, you must use your administrator password.

Setting, changing, or deleting an administrator password

To set or change an administrator password, do the following:

Note: A password can be any combination of up to eight characters (A- Z, a-z, and 0-9).

1. Start the Setup Utility program (see “Starting the Setup Utility program” on page 31).
2. From the Setup Utility program menu, select **Set Administrator Password** and press Enter.
3. The password dialog box will be displayed. Type the new password, and press Enter.
4. When prompted to confirm the password, type the password again. If you type the password correctly, the password will be installed.

To delete a previously set administrator password, do the following:

Note: When prompted for a password, you must type your administrator password.

1. From the Setup Utility program menu, select **Set Administrator Password** and press Enter. A message will display that indicates the password has been disabled.
2. Press any key to continue.

Selecting a startup device

If your computer does not start up (boot) from a device such as the CD-ROM, diskette, or hard disk as expected, use one of the following procedures to select a startup device.

Selecting a temporary startup device

Use this procedure to startup from any boot device.

Note: Not all CDs and hard disks are startable (bootable).

1. Turn off your computer.
2. Press and hold the F12 key then turn on your computer. When the Startup Device Menu (Boot Menu) displays, release the F12 key.

Note: If you have a USB keyboard installed on your computer and the Startup Device Menu does not display using this method, turn on the computer, then immediately press and release the F12 key repeatedly until the Startup Device Menu displays.

3. Select the desired startup device from the Startup Device Menu and press Enter to begin.

Note: Selecting a startup device from the Startup Device Menu does not permanently change the startup sequence.

Changing the startup sequence

To view or change the primary or automatic power-on startup sequence, do the following:

1. Start the Setup Utility program (see “Starting the Setup Utility program” on page 31).
2. Select **Advanced BIOS features**.
3. Select the sequence of devices for the First Boot Device, the Second Boot Device, and the Third Boot Device.
4. Press Esc to return to the Setup Utility program menu.
5. Select **Save & Exit Setup**.

If you have changed these settings and want to return to the default settings, press (N) when the Save and Exit dialog box is displayed.

Appendix A. Updating system programs

This appendix contains information about updating system programs and how to recover from a POST/BIOS update failure.

System programs

System programs are the basic layer of software that is built into your computer. They include the power-on self-test (POST), the basic input/output system (BIOS) code, and the Setup Utility program. POST is a set of tests and procedures that is performed each time you turn on your computer. BIOS is a layer of software that translates instructions from other layers of software into electrical signals that the computer hardware can understand. You can use the Setup Utility program to view and change the configuration and setup of your computer.

Your computer system board has a module called *electrically erasable programmable read-only memory* (EEPROM, also referred to as *flash memory*). You can easily update POST, BIOS, and the Setup Utility program by starting your computer using a flash update diskette or by running a special update program from your operating system.

Lenovo might make changes and enhancements to the system programs. When updates are released, they are available as downloadable files on the World Wide Web (see the *Quick Reference*). Instructions for using the system program updates are available in a .txt file that is included with the update files. For most models, you can download either an update program to create a system-program-update (flash) diskette or an update program that can be run from the operating system.

Updating (flashing) BIOS from a diskette

1. Insert a system program update (flash) diskette into the diskette drive (drive A) in your computer. System program updates are available at <http://www.lenovo.com/support/> on the World Wide Web.
2. Turn on the computer. If it is on already, you must turn it off and back on again. The update begins.
3. Follow the instructions on the screen to complete the update.

Appendix B. Cleaning the mouse

This appendix provides instructions on how to clean your mouse. The procedure will be different depending on which type of mouse you have.

Cleaning an optical mouse

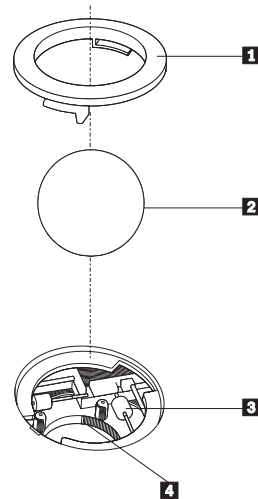
If you experience some problems with your optical mouse, check the following:

1. Turn the mouse over and look carefully at the lens area.
 - a. Unplug your optical mouse.
 - b. If there is a smudge on the lens, gently clean the area with a plain cotton-tipped swab.
 - c. If there is some debris in the lens, gently blow the debris away from the area.
2. Check the surface on which you are using the mouse. If you have a very intricate picture or pattern beneath the mouse it is difficult for the digital signal processor (DSP) to determine changes in the mouse position.

Cleaning a mouse with a ball

If the pointer on the screen does not move smoothly with the mouse, you might need to clean the mouse.

Note: The following illustration might be slightly different from your mouse.



- 1** Retainer ring
- 2** Ball
- 3** Plastic rollers
- 4** Ball cage

To clean a mouse with a ball:

1. Turn off your computer.
2. Turn the mouse over, with the top side down, and look carefully at the bottom. Twist the retainer ring **1** to the unlocked position to remove the ball.
3. Place your hand over the retainer ring and ball **2**, and then turn the mouse over, top side up, so that the retainer ring and ball fall out into your hand.
4. Wash the ball in warm, soapy water then dry it with a clean cloth. Blow air carefully into the ball cage **4** to dislodge dust and lint.
5. Look for a buildup of dirt on the plastic rollers **3** inside the ball cage. This buildup usually appears as a stripe running across the middle of the rollers.
6. If the rollers are dirty, clean them by using a cotton swab soaked in isopropyl (rubbing) alcohol. Turn the rollers with your finger and continue swabbing them until all the dirt is removed. Be sure the rollers are still centered in their channels after you clean them.
7. Remove any fibers from the swab that might be remaining on the rollers.
8. Replace the ball and the retainer ring.
9. Turn your computer back on.

Appendix C. Manual modem commands

The following section lists commands for manually programming your modem.

Commands are accepted by the modem while it is in Command Mode. Your modem is automatically in Command Mode until you dial a number and establish a connection. Commands can be sent to your modem from a PC running communication software or any other terminal devices.

All commands sent to the modem must begin with **AT** and end with **ENTER**. All commands can be typed in either upper or lower case, but not mixed. To make the command line more readable, spaces can be inserted between commands. If you omit a parameter from a command that requires one, it is just like specifying a parameter of **0**.

Example:

ATH [ENTER]

Basic AT commands

In the following listings, all default settings are printed in **bold text**.

Command		Function
A		Manually answer incoming call.
A/		Repeat last command executed. Do not precede A/ with AT or follow with ENTER .
D_		0 - 9, A-D, # and *
	L	last number redial
	P	pulse dialing
		Note: Pulse dialing is not supported for Australia, New Zealand, Norway, and South Africa.
	T	touch-tone dialing
	W	wait for second dial tone
	,	pause
	@	wait for five seconds of silence
	!	flash
	;	return to Command Mode after dialing
DS=n		Dial one of the four telephone numbers (n=0-3) stored in the modem non-volatile memory.
E_	E0	Commands are not echoed
	E1	Commands are echoed
+++		Escape Characters - Switch from Data Mode to Command Mode (T.I.E.S. Command)
H_	H0	Force modem on-hook (hang up)

Command		Function
	H1	Force modem off-hook (make busy) Note: H1 command is not supported for Italy
I_	I0	Display product-identification code
	I1	Factory ROM checksum test
	I2	Internal memory test
	I3	Firmware ID
	I4	Reserved ID
L_	L0	Low speaker volume
	L1	Low speaker volume
	L2	Medium speaker volume
	L3	High speaker volume
M_	M0	Internal speaker off
	M1	Internal speaker on until carrier detected
	M2	Internal speaker always on
	M3	Internal speaker on until carrier detected and off while dialing
N_		Included for compatibility only, provides no effect
O_	O0	Return to Data Mode
	O1	Return to Data Mode and initiate an equalizer retrain
P		Set Pulse dial as default
Q_	Q0	Modem sends responses
Sr?		Read and display value in register r.
Sr=n		Set register r to value n (n = 0-255).
T		Set Tone Dial as default
V_	V0	Numeric responses
	V1	Word responses
W_	W0	Report DTE speed only
	W1	Report line speed, error correction protocol, and DTE speed.
	W2	Report DCE speed only
X_	X0	Hayes Smartmodem 300 compatible responses/blind dialing.
	X1	Same as X0 plus all CONNECT responses/blind dialing
	X2	Same as X1 plus dial tone detection
	X3	Same as X1 plus busy detection/blind dialing
	X4	All responses and dial tone and busy signal detection
Z_	Z0	Reset and retrieve active profile 0
	Z1	Reset and retrieve active profile 1

Extended AT commands

Command		Function
&C_	&C0	Force Carrier Detect Signal High (ON)
	&C1	Turn on CD when remote carrier is present
&D_	&D0	Modem ignores the DTR signal
	&D1	Modem returns to Command Mode after DTR toggle
	&D2	Modem hangs up, returns to the Command Mode after DTR toggle
	&D3	Resets modem after DTR toggle
&F_	&F	Recall factory default configuration
&G_	&G0	Guard tone disabled
	&G1	Guard tone disabled
	&G2	1800 Hz guard tone
&K_	&K0	Disable flow control
	&K3	Enable RTS/CTS hardware flow control
	&K4	Enable XON/XOFF software flow control
	&K5	Enable transparent XON/XOFF flow control
	&K6	Enable both RTS/CTS and XON/XOFF flow control
&M_	&M0	Asynchronous operation
&P_	&P0	US setting for off-hook-to-on-hook ratio
	&P1	UK and Hong Kong off-hook-to-on-hook ratio
	&P2	Same as &P0 setting but at 20 pulses per minute
	&P3	Same as &P1 setting but at 20 pulses per minute
&R_	&R0	Reserved
	&R1	CTS operates per flow control requirements
&S_	&S0	Force DSR Signal High (ON)
	&S1	DSR off in command mode, on in on-line mode
&T_	&T0	Ends test in progress
	&T1	Perform Local Analog Loopback Test
	&T3	Perform Local Digital Loopback Test
	&T4	Grant Remote Digital Loopback Test request by remote modem
	&T5	Deny Remote Digital Loopback Test request
	&T6	Perform a Remote Digital Loopback Test
	&T7	Perform a Remote Digital Loopback Test and Self-Test
	&T8	Perform Local Analog Loopback Test and Self-Test
&V	&V0	Displays Active and Stored Profiles

Command		Function
	&V1	Display Last Connection Statistics
&W_	&W0	Stores the active profile as Profile 0
	&W1	Stores the active profile as Profile 1
%E_	%E0	Disable auto-retrain
	%E1	Enable auto-retrain
+MS?		Displays the current Select Modulation settings
+MS=?		Displays a list of supported Select Modulation options
+MS=a,b,c,e,f		Select modulation where: a =0, 1, 2, 3, 9, 10, 11, 12, 56, 64, 69; b =0-1; c =300-56000; d =300-56000; e =0-1; and f =0-1. A, b, c, d, e, f default= 12, 1, 300, 56000, 0, 0 . Parameter " a " specifies the modulation protocol desired where: 0=V.21, 1=V.22, 2=V.22bis, 3=V.23, 9=V.32, 10=V.32bis, 11=V.34, 12=V.90,K56Flex,V.34.....,56=K 56Flex, V.90,V.34....., 64=Bell 103, and 69=Bell 212. Parameter " b " specifies automode operations where: 0=automode disabled, 1= automode enabled with V.8/V.32 Annex A. Parameter " c " specifies the minimum connection data rate (300- 56000). Parameter " d " specifies the maximum connection rate (300-56000); Parameter " e " specifies the codec type (0= Law, and 1=A-Law). Parameter " f " specifies "robbed bit" signaling detection (0=detection disabled 1=detection enabled)

MNP/V.42/V.42bis/V.44 commands

Command		Function
%C_	%C0	Disable MNP Class 5 and V.42bis data compression
	%C1	Enable MNP Class 5 data compression only
	%C2	Enable V.42bis data compression only
	%C3	Enable MNP Class 5 and V.42bis data compression
&Q_	&Q0	Direct data link only (same as \N1)
	&Q5	V.42 data link with fallback options
	&Q6	Normal data link only (same as \N0)
+DS44=0, 0		Disable V.44
+DS44=3, 0		Enable V.44
+DS44?		Current values
+DS44=?		List of support values

Fax Class 1 commands

+FAE=n	Data/Fax Auto Answer
+FCLASS=n	Service Class
+FRH=n	Receive data with HDLC framing
+FRM=n	Receive data
+FRS=n	Receive silence
+FTH=n	Transmit data with HDLC framing
+FTM=n	Transmit data
+FTS=n	Stop transmission and wait

Fax Class 2 commands

+FCLASS=n	Services class.
+FAA=n	Adaptive answer.
+FAXERR	Fax error value.
+FBOR	Phase C data bit order.
+FBUF?	Buffer size (read only).
+FCFR	Indicate confirmation to receive.
+FCLASS=	Service class.
+FCON	Facsimile connection response.
+FCIG	Set the polled station identification.
+FCIG:	Report the polled station identification.
+FCR	Capability to receive.
+FCR=	Capability to receive.
+FCSI:	Report the called station ID.
+FDCC=	DCE capabilities parameters.
+FDCS:	Report current session.
+FDCS=	Current session results.
+FDIS:	Report remote capabilities.
+FDIS=	Current sessions parameters.
+FDR	Begin or continue phase C receive data.
+FDT=	Data transmission.
+FDTC:	Report the polled station capabilities.
+FET:	Post page message response.
+FET=N	Transmit page punctuation.
+FHNG	Call termination with status.
+FK	Session termination.
+FLID=	Local ID string.
+FLPL	Document for polling.
+FMDL?	Identify model.
+FMFR?	Identify manufacturer.

+FPHCTO	Phase C time out.
+FPOLL	Indicates polling request.
+FPTS:	Page transfer status.
+FPTS=	Page transfer status.
+FRECV?	Identify revision.
+FSPT	Enable polling.
+FTSI:	Report the transmit station ID.

Voice commands

#BDR	Select Baud Rate
#CID	Enable Caller ID detection and reporting format
#CLS	Select Data, Fax or Voice/Audio
#MDL?	Identify Model
#MFR?	Identify Manufacturer
#REV?	Identify Revision Level
#TL	Audio output transmit level
#VBQ?	Query Buffer Size
#VBS	Bits per sample (ADPCM or PCM)
#VBT	Beep Tone Timer
#VCI?	Identify Compression Method
#VLS	Voice line select
#VRA	Ringback goes away timer
#VRN	Ringback never came timer
#VRX	Voice Receive Mode
#VSDB	Silence deletion tuner
#VSK	Buffer skid setting
#VSP	Silence detection period
#VSR	Sampling rate selection
#VSS	Silence deletion tuner
#VTD	DTMF tone reporting capability
#VTM	Enable timing mark placement
#VTS	Generate tone signals
#VTX	Voice transmit mode

Attention Switzerland User:

If your Swisscom phone line does not have Taxsignal switched OFF, modem function may be impaired. The impairment may be resolved by a filter with the following specifications:

Telekom PTT SCR-BE
Taximpulssperrfilter-12kHz
PTT Art. 444.112.7
Bakom 93.0291.Z.N

Appendix D. Notices

Lenovo may not offer the products, services, or features discussed in this document in all countries. Consult your local Lenovo representative for information on the products and services currently available in your area. Any reference to a Lenovo product, program, or service is not intended to state or imply that only that Lenovo product, program, or service may be used. Any functionally equivalent product, program, or service that does not infringe any Lenovo intellectual property right may be used instead. However, it is the user's responsibility to evaluate and verify the operation of any other product, program, or service.

Lenovo may have patents or pending patent applications covering subject matter described in this document. The furnishing of this document does not give you any license to these patents. You can send license inquiries, in writing, to:

*Lenovo (United States), Inc.
500 Park Offices Drive, Hwy. 54
Research Triangle Park, NC 27709
U.S.A.
Attention: Lenovo Director of Licensing*

LENOVO GROUP LTD. PROVIDES THIS PUBLICATION "AS IS" WITHOUT WARRANTY OF ANY KIND, EITHER EXPRESS OR IMPLIED, INCLUDING, BUT NOT LIMITED TO, THE IMPLIED WARRANTIES OF NON-INFRINGEMENT, MERCHANTABILITY OR FITNESS FOR A PARTICULAR PURPOSE. Some jurisdictions do not allow disclaimer of express or implied warranties in certain transactions, therefore, this statement may not apply to you.

This information could include technical inaccuracies or typographical errors. Changes are periodically made to the information herein; these changes will be incorporated in new editions of the publication. Lenovo may make improvements and/or changes in the product(s) and/or the program(s) described in this publication at any time without notice.

The products described in this document are not intended for use in implantation or other life support applications where malfunction may result in injury or death to persons. The information contained in this document does not affect or change Lenovo product specifications or warranties. Nothing in this document shall operate as an express or implied license or indemnity under the intellectual property rights of Lenovo or third parties. All information contained in this document was obtained in specific environments and is presented as an illustration. The result obtained in other operating environments may vary.

Lenovo may use or distribute any of the information you supply in any way it believes appropriate without incurring any obligation to you.

Any references in this publication to non-Lenovo Web sites are provided for convenience only and do not in any manner serve as an endorsement of those Web sites. The materials at those Web sites are not part of the materials for this Lenovo product, and use of those Web sites is at your own risk.

Any performance data contained herein was determined in a controlled environment. Therefore, the result obtained in other operating environments may

vary significantly. Some measurements may have been made on development-level systems and there is no guarantee that these measurements will be the same on generally available systems. Furthermore, some measurements may have been estimated through extrapolation. Actual results may vary. Users of this document should verify the applicable data for their specific environment.

Television output notice

The following notice applies to models that have the factory-installed television-output feature.

This product incorporates copyright protection technology that is protected by method claims of certain U.S. patents and other intellectual property rights owned by Macrovision Corporation and other rights owners. Use of this copyright protection technology must be authorized by Macrovision Corporation, and is intended for home and other limited viewing uses only unless otherwise authorized by Macrovision Corporation. Reverse engineering or disassembly is prohibited.

Trademarks

The following terms are trademarks of Lenovo in the United States, other countries, or both:

- Lenovo
- ThinkCentre
- ThinkVantage

The following terms are trademarks of International Business Machines Corporation in the United States, other countries, or both:

- IBM (used under license)
- Wake on LAN

Microsoft and Windows are trademarks of Microsoft Corporation in the United States, other countries, or both.

Intel, Celeron, and Pentium are trademarks of Intel Corporation in the United States, other countries, or both.

Linux is a trademark of Linus Torvalds in the United States, other countries, or both.

Other company, product, or service names may be trademarks or service marks of others.

Index

A

- adapters
 - installing 17
 - peripheral component interconnect (PCI) 5
 - slots 17
- AGP connector 8
- audio line in connector 8, 9
- audio line out connector 8, 9
- audio, subsystem 2

C

- cables, connecting 29
- changing the battery 26
- cleaning the mouse 37
- commands
 - Basic AT 39
 - Extended AT 41
 - Fax Class 1 43
 - Fax Class 2 43
 - MNP/V.42/V.42bis/V.44 42
 - Voice 44
- connector description 9
- cover
 - removing 10
 - replacing 29

D

- device, drivers 10
- drives
 - bays 3, 19
 - CD 5
 - DVD 5
 - hard disk 5
 - installing 20
 - internal 2, 18
 - removable media 18
 - specifications 19

E

- environment, operating 4
- Ethernet connector 8, 9

I

- input/output (I/O)
 - features 3
- installing options
 - adapters 17
 - internal drives 20
 - memory 15
 - memory modules 15
 - security features 25

K

- keyboard connector 8, 9

L

- locating components 11

M

- memory
 - dual inline memory modules (DIMMs) 15
 - installing 15
 - system 15
- memory modules, installing 15
- microphone connector 8, 9
- modem
 - Basic AT commands 39
 - Extended AT commands 41
 - Fax Class 1 commands 43
 - Fax Class 2 commands 43
 - MNP/V.42/V.42bis/V.44 commands 42
 - Voice commands 44
- mouse connector 8, 9

O

- options
 - available 5
 - external 5
 - internal 5

P

- parallel connector 8, 9
- password
 - erasing 28
 - lost or forgotten 28
 - setting, changing, or deleting
 - administrator 32
 - user 32
- PCI connector 8
- physical specifications 5
- power
 - Advanced Configuration and Power Interface (ACPI) support 3
 - Advanced Power Management support 3
- power connector 8

R

- removing the cover 10
- replacing the cover 29

S

- security
 - features 3, 25
- serial connector 8, 9

- system board
 - connectors 12, 13, 14, 15
 - identifying parts 11
 - location 12, 13, 14
 - memory 5, 15
- system programs 35

U

- USB connectors 8, 9

V

- VGA monitor connector 8
- video, subsystem 2
- voltage switch 8

ThinkCentre[®]

Part Number: 41D2698

Printed in USA

(1P) P/N: 41D2698

