



Rack installation instructions

Review the documentation that comes with the rack cabinet for safety and cabling information. Before you install the server in a rack cabinet, review the following guidelines:

- Two or more people are required to install the device in a rack cabinet.
- Make sure that the room air temperature is below 35°C (95°F).
- Do not block any air vents; usually 15 cm (6 in.) of space provides proper airflow.
- Do not leave open spaces above or below an installed server in your rack cabinet. To help prevent damage to server components, always install a blank filler panel to cover the open space and to help ensure proper air circulation.
- Install the server only in a rack cabinet with perforated doors.
- Plan the device installation starting from the bottom of the rack cabinet.
- Install the heaviest device in the bottom of the rack cabinet.
- Do not extend more than one device out of the rack cabinet at the same time.
- Remove the rack doors and side panels to provide easier access during installation.
- Connect the server to a properly grounded outlet.
- Do not overload the power outlet when you install multiple devices in the rack cabinet.
- Install the server in a rack that meets the following requirements:
 - Minimum depth of 70 mm (2.76 in.) between the front mounting flange and inside of the front door.
 - Minimum depth of 157 mm (6.18 in.) between the rear mounting flange and inside of the rear door.
 - Minimum depth of 718 mm (28.27 in.) and maximum depth of 762 mm (30 in.) between the front and rear mounting flanges to support the use of the cable-management arm.



Use safe practices when lifting.



≥18 kg (39.7 lb)



≥32 kg (70.5 lb)



≥55 kg (121.2 lb)



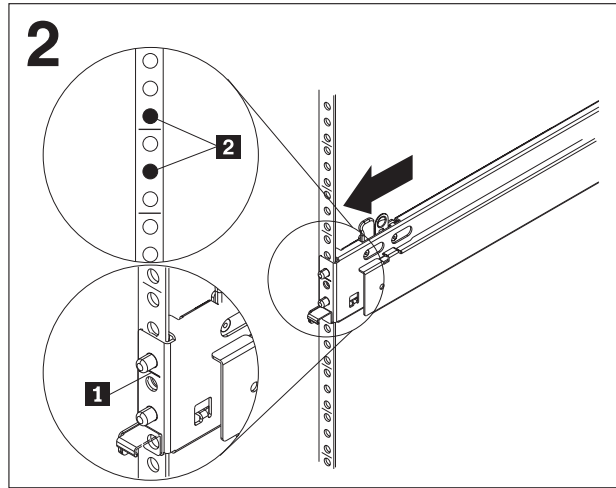
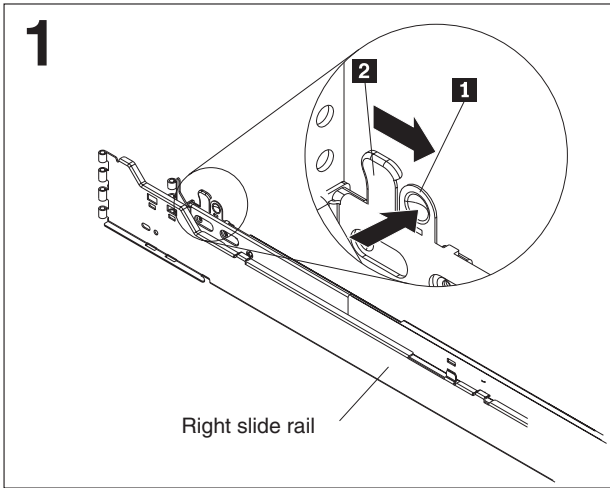
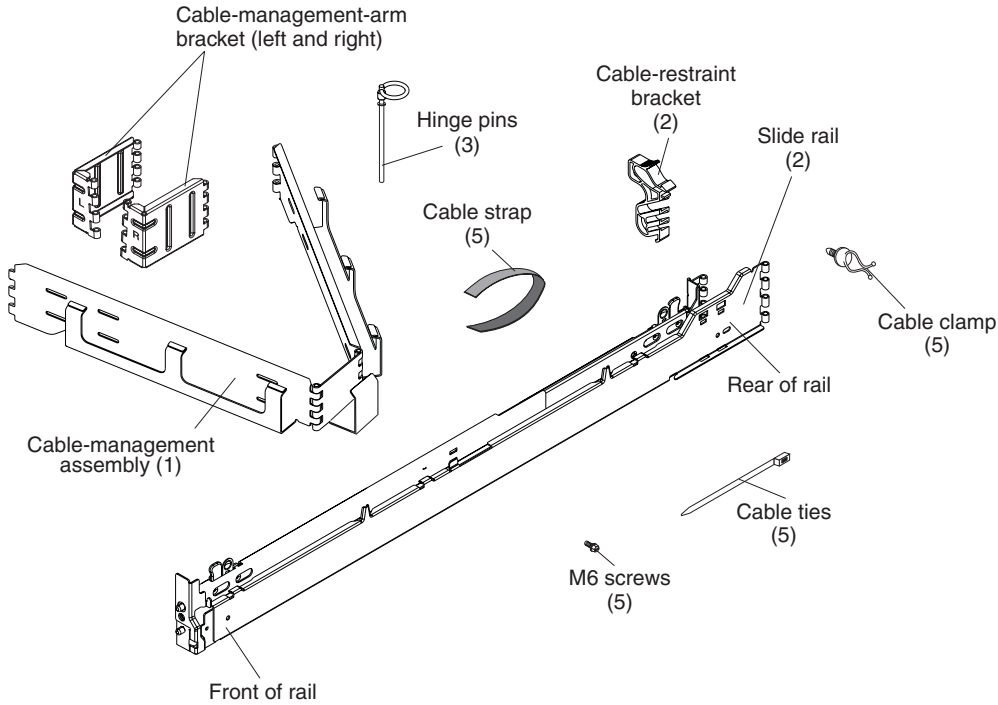
Do not place any object on top of rack-mounted devices.



Note: Cage nuts and clip nuts are not required to install the server in a rack cabinet. Use M6 x 5.5 mm flat-head screws to install the slide rails in a tapped-hole rack, if necessary.

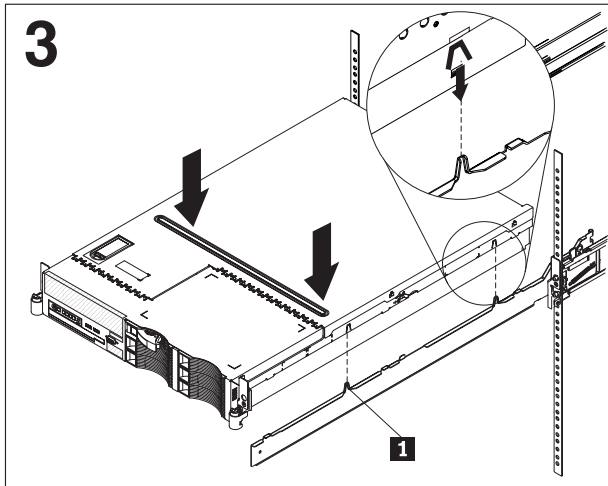
The following illustration shows the items that you need to install the server in the rack cabinet. If any items are missing or damaged, contact your place of purchase.

Note: Some items come with the server, not in the rack installation kit.



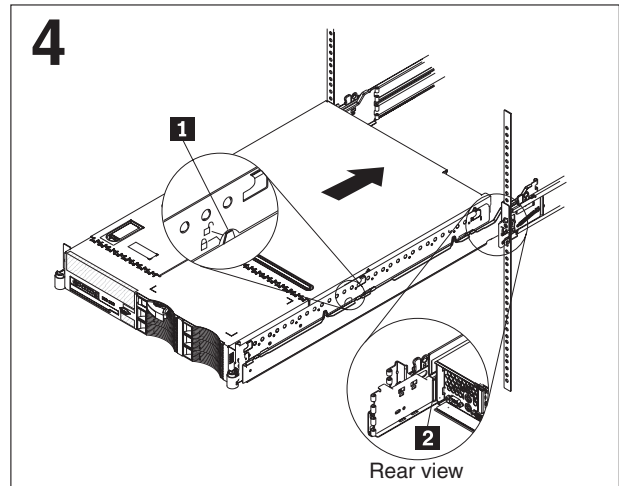
Push outward on the slide-rail latch **1**; then, pull the latch **2** back to open the slide rail. The latch catches to stay open. Open the other end of the slide rail; then, do the same for the other slide rail. **Note:** If you are installing the server in the top of the rack or directly under another server or device, install the cable-management-arm bracket on the slide rail. Go to step 6 to install the cable-management-arm bracket; then, continue with step 2.

Align the slide rail with the front mounting flange by aligning the score mark on the slide rail **1** with the score mark on the rail between the upper and lower U. Push outward on the slide-rail latch to close the latch and secure the slide rail. Do the same for the other front slide rail. Align the slide rail with the rear mounting flange. The slide rail occupies the full height of the server. Close the latches to secure the rear of both slide rails. **Note:** Make sure that the slide rails are securely seated on the mounting flanges. When the slide rails are secure, the slide-rail pins **2** protrude from the slide rails.



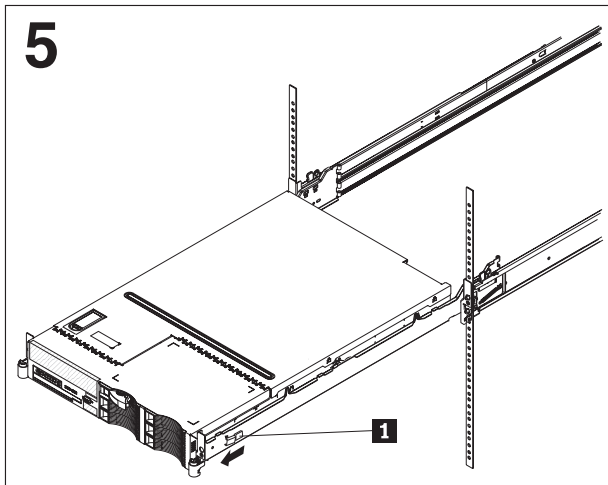
Extend the slide rails fully from the rack until the slide rails lock. Align the tabs on the slide rails **1** with the matching inserts on the server, and lower the server onto the slide rails.

Note: Make sure that each slide-rail tab is inserted in the matching insert on the server and that the server is resting on the top edge of the slide rail.

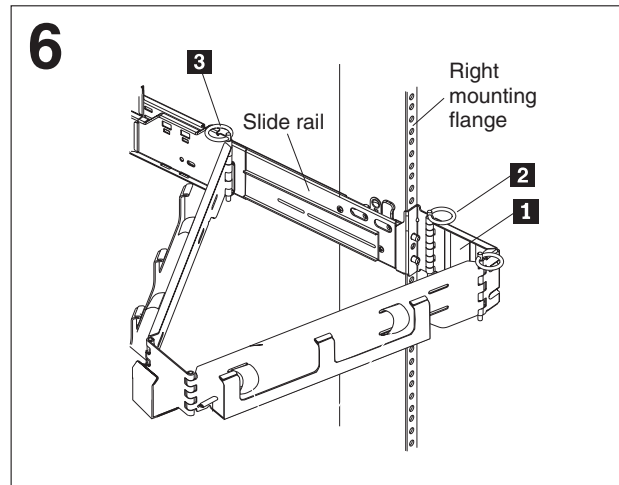


Carefully slide the server along the slide rails approximately 1 inch toward the rack to lock the server on the slide rails.

Note: When the server is locked in position, an indicator **1** is visible on each side of the server. Make sure that the server is securely attached to the slide rail hooks **2**. To remove the server from the rack, lift up on the indicator and slide the server forward.

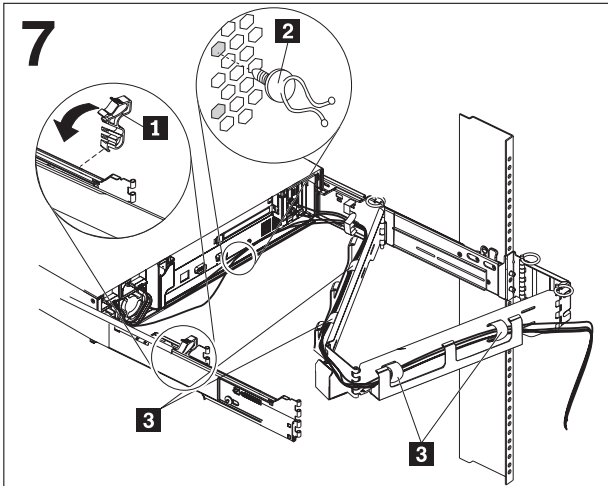


Lift the locking levers **1** on the slide rails and slide the server into the rack until it extends approximately 4 inches from the rack.



Attach the cable-management-arm bracket **1** to the cable-management assembly and then to the rear of the slide rail, using the hinge pins **2**. Attach the free end of the cable-management assembly to the slide rail, using a hinge pin **3**.

Note: If you installed the cable-management-arm bracket in step 1, complete the installation of the cable-management assembly.



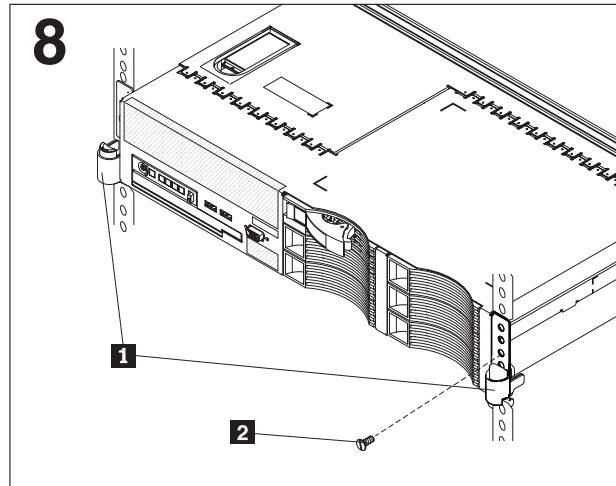
Attach the power cords and other cables to the rear of the server (including keyboard, monitor, and mouse cables, if required). Route the cables and power cords through the slots in the cable-restraint brackets **1**. Secure the cable-restraint bracket to the slide rail.

Note: Allow slack in all cables to avoid tension in the cables as the cable-management arm moves.

Use cable clamps **2** to secure the cables across the rear of the server.

Route the cables along the cable-management arm channel, and secure them with cable straps **3**.

To remove the server from the rack, reverse these instructions. You might find it easier to disassemble the cable-management arm before you remove the server from the rack. Store this information with your server documentation for future use.



Slide the server into the rack cabinet until the release latches **1** lock into place. To slide the server out of the rack, press on the release latches. **Note:** When you move the rack cabinet, or if you install the rack cabinet in a vibration-prone area, insert the optional M6 screws **2** in the front and rear of the server.

First Edition (April 2006)

Printed in the U.S.A.

IBM is a trademark of the IBM Corporation in the United States, other countries, or both.

© Copyright International Business Machines Corporation 2006. All rights reserved.

US Government Users Restricted Rights – Use, duplication or disclosure restricted by GSA ADP Schedule Contract with IBM Corp.

(1P) P/N: 31R1182

