



Rack Installation Instructions

Review the documentation that comes with your rack cabinet for safety and cabling information. When installing your server in a rack cabinet, consider the following:

- Two or more people are required to install the device in a rack cabinet.
- Ensure the room air temperature is below 35°C (95°F).
- Do not block any air vents, usually 15 cm (6 in.) of air space provides proper airflow.
- Plan the device installation starting from the bottom of the rack cabinet.
- Install the heaviest device in the bottom of the rack cabinet.
- Do not extend more than one device out of the rack cabinet at the same time.
- Remove the rack doors and side panels to provide easier access during installation.



Use safe practices when lifting.



≥18 kg (39.7 lb)



≥32 kg (70.5 lb)



≥55 kg (121.2 lb)



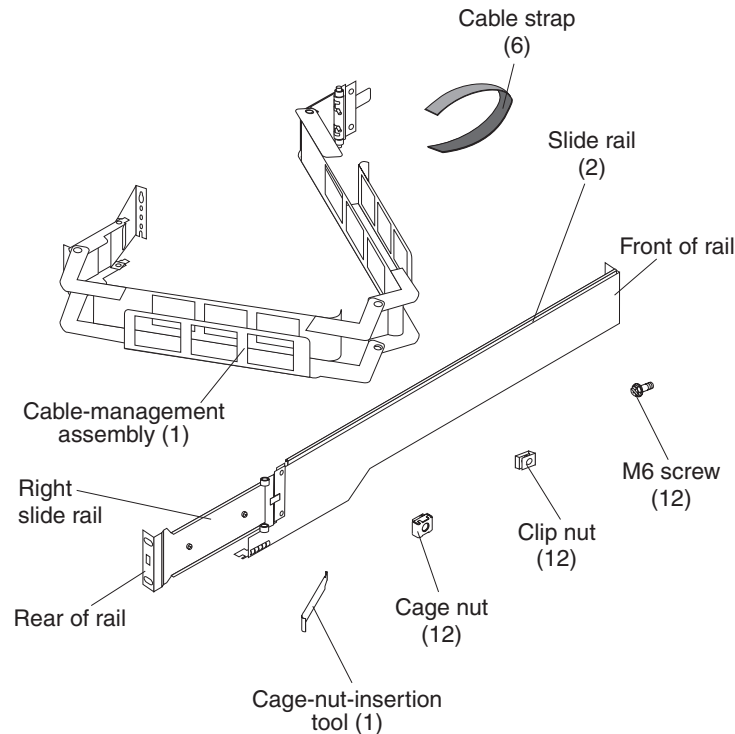
Do not place any object weighing more than 50 kg (110 lb) on top of rack-mounted devices.

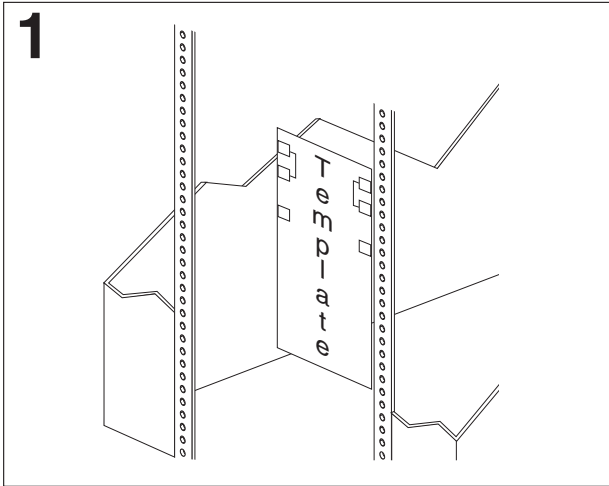


>50 kg (110 lb)

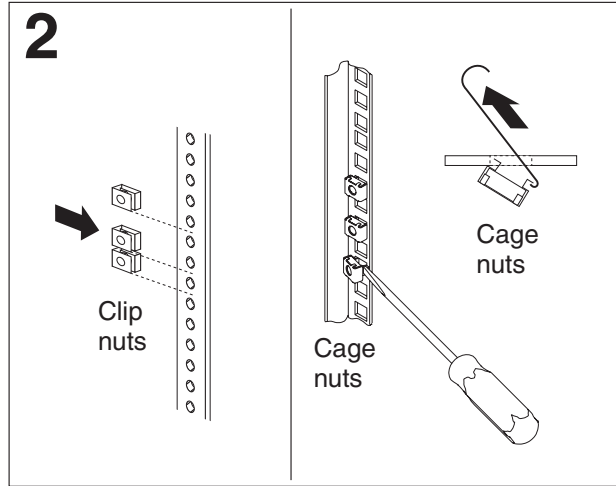
You will need a flat-blade and a Phillips screwdriver during the installation. The following illustration shows the items that you need to install the server in your rack cabinet. If any items are missing or damaged, contact your place of purchase.

Note: The cable-management arm ships with the server, not in the rack install kit.

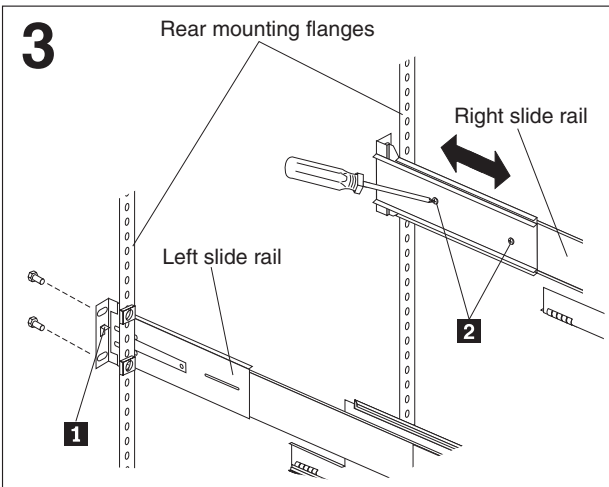




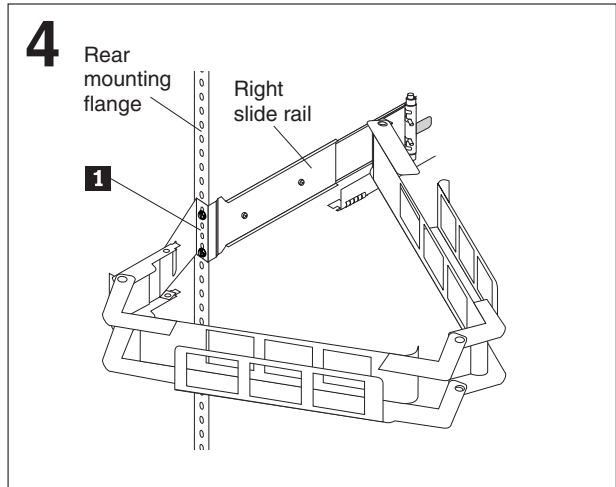
Use the attached stickers to mark the holes on the front and rear rack cabinet mounting flanges as indicated by the arrows on the attached rack mounting template.



Install cage nuts or clip nuts as required for your rack cabinet. Use the cage-nut-insertion tool or a flat-blade screwdriver to install cage nuts.



Use the tab **1** on the rear of each slide rail to align the slide rail to the rear mounting flanges. If the front slide rail bracket does not align with the front mounting flange, loosen the adjusting screws **2** and adjust the length of the rail; then, tighten the adjusting screws. Insert and partially tighten the rear and front M6 screws for both slide rails.

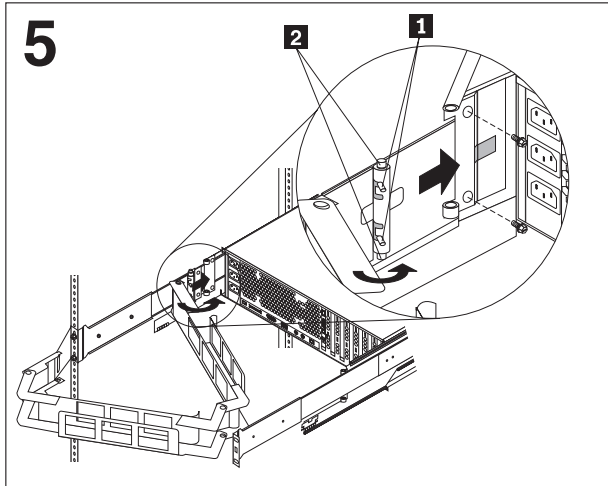


Slide the cable management arm bracket **1** over the M6 screws for the right rail. Leave the rear M6 screws partially tightened.

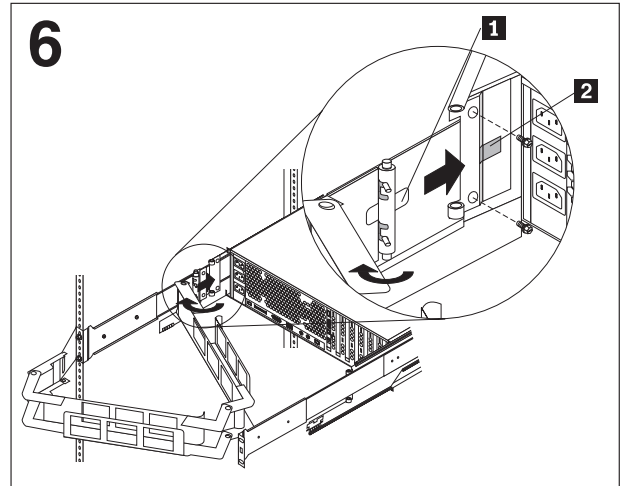
IBM is a trademark of the IBM Corporation in the United States, other countries, or both.

© Copyright International Business Machines Corporation 2001. All rights reserved.

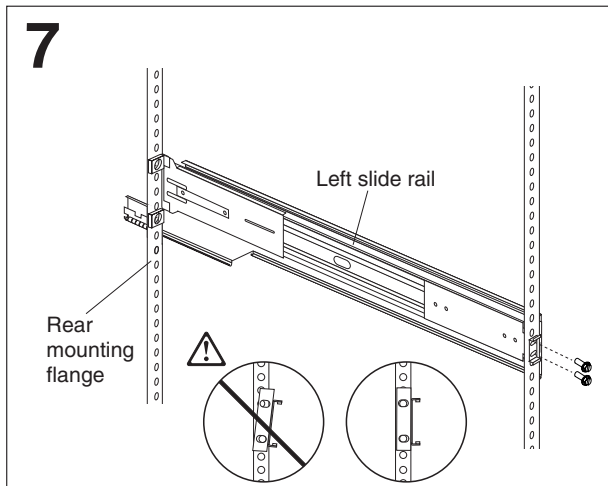
Note to U.S. Government Users — Documentation related to restricted rights — Use, duplication or disclosure is subject to restrictions set forth in GSA ADP Schedule Contract with IBM Corp.



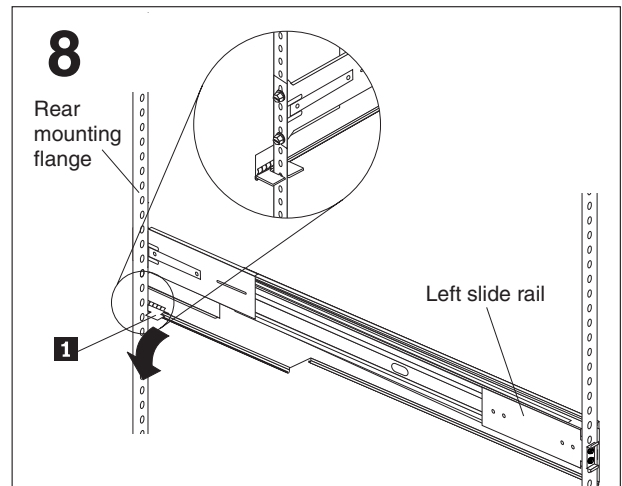
Using the handles **1** on the free end of the cable management arm, retract the spring-loaded hinge pins **2**; then, rotate the handles to lock the pins in the retracted position.



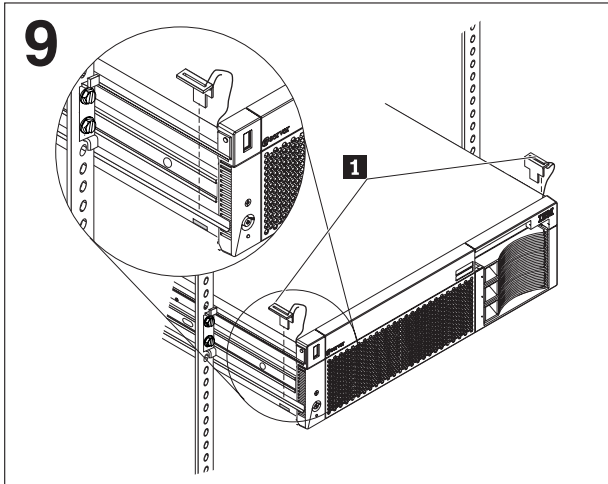
Slide the tab **1** on the cable management arm into the slot **2** in the hinge plate; then, release the hinge pins into the holes in the plate.



Ensure that both front slide-rail brackets are vertically aligned; then, fully tighten the front M6 screws for each slide rail.



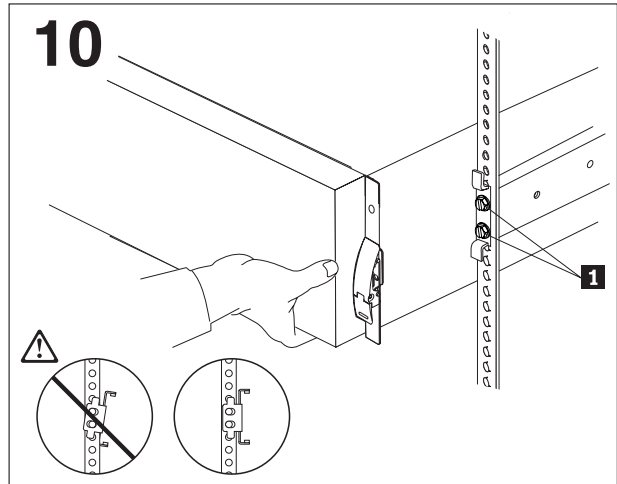
Extend both slide rails out of the rack cabinet approximately one inch until the slots in the flip levers **1** line up with the rear mounting flanges. Fully rotate each flip lever so its slot engages the mounting flange and the tab on the lever extends through the hole in the flange. This secures the rails while you install the server.



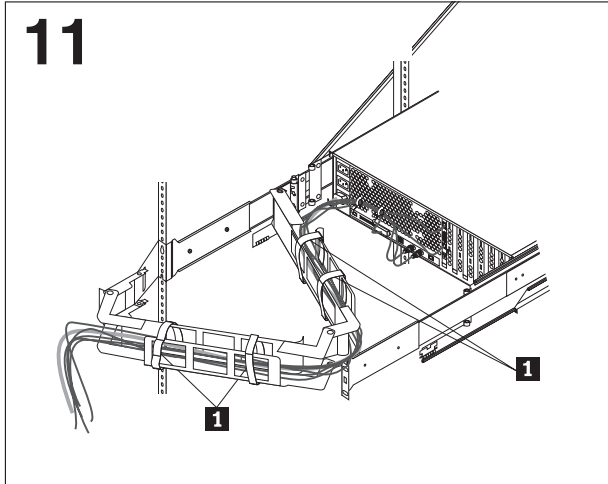
Slide the server onto the rails, aligning the groove along the tops of both sides of the server with the tops of the slide rails, and push the server into the cabinet as far as it will go.

To secure the server to the rails:

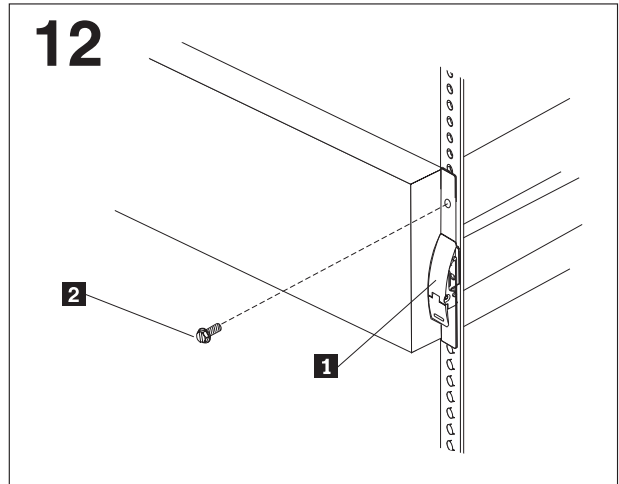
- a. Disengage the flip levers from the rear mounting flanges, rotating them back against the slide rails.
- b. Push the server fully into the rack. Ensure that both rear slide-rail brackets are vertically aligned; then, fully tighten the rear M6 screws on both rails.
- c. Gently pull the server and rails out of the rack until the slide-rail locking latches snap into place.
- d. Without releasing the locking latches, firmly push the server in until it stops; then, insert a T-lock **1** into the slot in the lower front of each rail.



Release the locking latches and slide the server into the cabinet until it is sticking out approximately 4 inches. Loosen but do not remove the front M6 screws **1** on both slide rails. While one person supports the front of the server by lifting it slightly, ensure that the slide-rail brackets are vertically aligned; then, fully retighten the front M6 screws on both slide rails.



Attach the power and other cables to the rear of the server (including keyboard, monitor, and mouse cables if required). Route the cables to the lower left corner of the server (as viewed from the rear) and through the cable management arm channel, securing them with cable straps **1**.



Slide the server into the rack cabinet until the release latches **1** lock into place.

Note: Insert the optional M6 screws **2** when moving the rack cabinet, or if you install the rack cabinet in a vibration-prone area.

To remove the server from the rack, reverse these instructions. Store this information with your server documentation for future use.



Part Number: 24P2862
Printed in the U.S.A.