



@server

xSeries 342

User's Reference



IBM xSeries 342



User's Reference

Note:

Before using this information and the product it supports, be sure to read the general information in Appendix A, "Product warranty and notices," on page 131.

First Edition (June 2001)

© Copyright International Business Machines Corporation 2001. All rights reserved.

US Government Users Restricted Rights – Use, duplication or disclosure restricted by GSA ADP Schedule Contract with IBM Corp.

Contents

Safety	vii
Chapter 1. Introducing the IBM xSeries 342	1
Features and specifications	2
Notices and statements used in this book	3
What your IBM xSeries 342 offers	3
Reliability, availability, and serviceability features	4
Server controls and indicators	5
Operator information panel	7
Turning on the server	7
Turning off the server	8
Chapter 2. Arranging your workspace	9
Comfort	9
Glare and lighting	9
Air circulation	9
Electrical outlets and cable lengths	10
Chapter 3. Configuring your server	11
Using the Configuration/Setup Utility program	11
Starting the Configuration/Setup Utility program	11
Choices available from the Configuration/Setup main menu	12
Using passwords	15
Using the SCSISelect utility program	16
Starting the SCSISelect utility program	16
Choices available from the SCSISelect menu	17
Using the PXE Boot Agent Utility program	18
Chapter 4. Using the ServerGuide CDs	21
Features at a glance	22
Setup and configuration overview	23
System Partition	24
Typical NOS installation	24
Setting up or updating multiple servers	24
Installing your NOS without ServerGuide	25
Additional programs included with ServerGuide	25
Error symptoms	25
Chapter 5. Installing Options	27
Major components of the xSeries 342 server	27
System board	28
System board option connectors	28
System board internal cable connectors	29
System board external port connectors	30
System board switches and jumpers	31
System board LED locations	33
System environmental monitor subsystem LED	33
Light Path Diagnostics panel	34
Remind button	35
Before you begin	35
System reliability considerations	35
Working inside a server with power on	36
Handling static-sensitive devices	36
Safety information	36

Removing the cover and bezel	42
Working with adapters	43
Adapter considerations	43
Installing an adapter	44
Installing internal drives	46
Internal drive bays	47
SCSI drives	48
SCSI IDs	49
Installing a hot-swap drive	49
Installing a non-hot-swap drive	51
Installing memory modules	53
Installing a microprocessor	55
Installing a hot-swap power supply	59
Installing an xSeries 3-Pack Ultra160 Hot-Swap Expansion Kit	60
Replacing a hot-swap fan assembly	61
Installing the server cover and bezel	63
Connecting external options	63
Input/output ports	64
Serial ports	64
Keyboard port	65
Auxiliary-device (pointing device) port	66
Ethernet ports	67
Universal Serial Bus ports	71
Integrated System Management ports	71
System management port	71
Video port	72
Ultra160 SCSI ports	72
Cabling the server	75
Installing the server in a rack	75
Chapter 6. Solving problems	77
Diagnostic tools overview	77
POST	79
POST beep code descriptions	80
POST beep codes	81
POST error messages	83
Error logs	90
Small computer system interface messages (some models)	91
Diagnostic programs and error messages	91
Text messages	92
Starting the diagnostic programs	93
Viewing the test log	93
Diagnostic error message tables	94
Identifying problems using LEDs	100
Power-supply LEDs	101
Light Path Diagnostics	101
Diagnostics panel	102
System environmental monitor subsystem LED	102
Light Path Diagnostics table	102
Recovering BIOS code	104
Troubleshooting charts	105
Troubleshooting the Ethernet controller	110
Network connection problems	110
Ethernet controller troubleshooting chart	111
Ethernet controller messages	112
Ethernet controller messages	117

Novell NetWare or IntraNetWare server ODI driver messages	117
Network driver interface specification 2.01 (OS/2) driver messages	119
NDIS 4.0 (Windows NT) driver messages	121
UNIX messages	122
Replacing the battery	124
Getting information, help, and service	126
Getting information	126
Getting help and service	127
Purchasing additional services	129
Appendix A. Product warranty and notices	131
Warranty Information	131
Warranty Period	131
IBM Statement of Limited Warranty	131
Notices	139
Edition notice	140
Processing date data	140
Trademarks	140
Important notes	141
Electronic emission notices	141
Federal Communications Commission (FCC) Statement	141
Industry Canada Class A emission compliance statement	141
Australia and New Zealand Class A statement	142
United Kingdom telecommunications safety requirement	142
European Union EMC Directive conformance statement	142
Taiwan electrical emission statement	142
Japanese Voluntary Control Council for Interference (VCCI) statement	142
Power cords	143
Index	145

Safety

Before installing this product, read the Safety Information.

مج، يجب قراءة دات السلامة

Antes de instalar este produto, leia as Informações de Segurança.

在安装本产品之前，请仔细阅读 **Safety Information** (安全信息)。

安裝本產品之前，請先閱讀「安全資訊」。

Prije instalacije ovog produkta obavezno pročitajte Sigurnosne Upute.

Před instalací tohoto produktu si přečtěte příručku bezpečnostních instrukcí.

Læs sikkerhedsforskrifterne, før du installerer dette produkt.

Lees voordat u dit product installeert eerst de veiligheidsvoorschriften.

Ennen kuin asennat tämän tuotteen, lue turvaohjeet kohdasta Safety Information.

Avant d'installer ce produit, lisez les consignes de sécurité.

Vor der Installation dieses Produkts die Sicherheitshinweise lesen.

Πριν εγκαταστήσετε το προϊόν αυτό, διαβάστε τις πληροφορίες ασφάλειας (safety information).

לפני שתתקינו מוצר זה, קראו את הוראות הבטיחות.

A termék telepítése előtt olvassa el a Biztonsági előírásokat!

Prima di installare questo prodotto, leggere le Informazioni sulla Sicurezza

製品の設置の前に、安全情報をお読みください。

본 제품을 설치하기 전에 안전 정보를 읽으십시오.

Пред да се инсталира овој продукт, прочитајте информацијата за безбедност.

Les sikkerhetsinformasjonen (Safety Information) før du installerer dette produktet.

Przed zainstalowaniem tego produktu, należy zapoznać się z książką "Informacje dotyczące bezpieczeństwa" (Safety Information).

Antes de instalar este produto, leia as Informações sobre Segurança.

Перед установкой продукта прочтите инструкции по технике безопасности.

Pred inštaláciou tohto zariadenia si pečítajte Bezpečnostné predpisy.

Pred namestitvijo tega proizvoda preberite Varnostne informacije.

Antes de instalar este producto lea la información de seguridad.

Läs säkerhetsinformationen innan du installerar den här produkten.

Statement 1



Danger

Electrical current from power, telephone, and communication cables is hazardous.

To avoid a shock hazard:

- Do not connect or disconnect any cables or perform installation, maintenance, or reconfiguration of this product during an electrical storm.
- Connect all power cords to a properly wired and grounded electrical outlet.
- Connect to properly wired outlets any equipment that will be attached to this product.
- When possible, use one hand only to connect or disconnect signal cables.
- Never turn on any equipment when there is evidence of fire, water, or structural damage.
- Disconnect the attached power cords, telecommunications systems, networks, and modems before you open the device covers, unless instructed otherwise in the installation and configuration procedures.
- Connect and disconnect cables as described in the following table when installing, moving, or opening covers on this product or attached devices.

<p>To connect:</p> <ol style="list-style-type: none">1. Turn everything OFF.2. First, attach all cables to devices.3. Attach signal cables to connectors.4. Attach power cords to outlets.5. Turn device ON.	<p>To disconnect:</p> <ol style="list-style-type: none">1. Turn everything OFF.2. First, remove power cords from outlets.3. Remove signal cables from connectors.4. Remove all cables from devices.
--	--

Statement 2

CAUTION:



When replacing the lithium battery, use only IBM Part Number 33F8354 or an equivalent type battery recommended by the manufacturer. If your system has a module containing a lithium battery, replace it only with the same module type made by the same manufacturer. The battery contains lithium and can explode if not properly used, handled, or disposed of.

Do not:

- Throw or immerse into water.
- Heat to more than 100 C (212 F)
- Repair or disassemble

Dispose of the battery as required by local ordinances or regulations.

Statement 3



CAUTION:

When laser products (such as CD-ROMs, DVD drives, fiber optic devices, or transmitters) are installed, note the following:

- Do not remove the covers. Removing the covers of the laser product could result in exposure to hazardous laser radiation. There are no serviceable parts inside the device.
- Use of controls or adjustments or performance of procedures other than those specified herein might result in hazardous radiation exposure.



Danger

Some laser products contain an embedded Class 3A or Class 3B laser diode. Note the following. Laser radiation when open. Do not stare into the beam, do not view directly with optical instruments, and avoid direct exposure to the beam.

Class 1 Laser Product

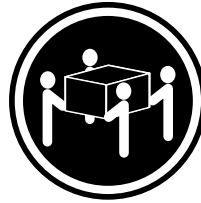
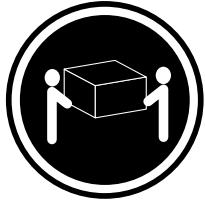
Laser Klasse 1

Laser Klass 1

Luokan 1 Laserlaite

Appareil À Laser de Classe 1

Statement 4



≥18 kg (39.7 lbs)

≥32 kg (70.5 lbs)

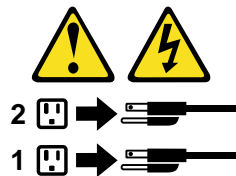
≥55 kg (121.2 lbs)

CAUTION:
Use safe practices when lifting.

Statement 5



CAUTION:
The power control button on the device and the power switch on the power supply do not turn off the electrical current supplied to the device. The device also might have more than one power cord. To remove all electrical current from the device, ensure that all power cords are disconnected from the power source.



Statement 8



CAUTION:

Never remove the cover on a power supply or any part that has the following label attached.



Hazardous voltage, current, and energy levels are present inside any component that has this label attached. There are no serviceable parts inside these components. If you suspect a problem with one of these parts, contact a service technician.

Chapter 1. Introducing the IBM xSeries 342

Your IBM® eServer xSeries 342 is a high-performance server that supports symmetric multiprocessing (SMP). It is ideally suited for networking environments that require superior microprocessor performance, efficient memory management, flexibility, and large amounts of reliable data storage.

Performance, ease of use, reliability, and expansion capabilities were key considerations in the design of your server. These design features make it possible for you to customize the system hardware to meet your needs today, while providing flexible expansion capabilities for the future.

Your IBM xSeries 342 server comes with a three-year limited warranty and 90-Day IBM Start Up Support. If you have access to the World Wide Web, you can obtain up-to-date information about your server model and other IBM server products at the following World Wide Web address: <http://www.ibm.com/eserver/xseries/>.

Note: The information label containing the serial number, machine type, model number, and agency marks for your server is located on the right side of the server. Labels containing the serial number are also located on the back of the server and at the bottom of the bezel.

For service, assistance, or additional information on 90-Day IBM Start Up Support and the World Wide Web, see “Getting information, help, and service” on page 126.

Features and specifications

The following table provides a summary of the features and specifications for your xSeries 342 server.

<p>Microprocessor:</p> <ul style="list-style-type: none"> • Intel® Pentium® III • 256 or 512 KB Level-2 cache • Supports up to two microprocessors <p>Memory:</p> <ul style="list-style-type: none"> • Maximum: 4 GB • Type: ECC, SDRAM, PC133, registered DIMMs • Four slots (two-way interleaved) <p>Drives standard:</p> <ul style="list-style-type: none"> • Diskette: 1.44 MB • CD-ROM: 24X IDE <p>Expansion bays:</p> <ul style="list-style-type: none"> • Hot-swap: Three slim high • Non-hot-swap: Two 5.25-inch, replaceable with a three slim-high hot-swap drive expansion option <p>PCI expansion slots:</p> <ul style="list-style-type: none"> • One 33 MHz/32-bit • Two 33 MHz/64-bit • Two 66 MHz/64-bit <p>Hot-swap power supplies:</p> <p>270 Watt (115-230 V ac)</p> <ul style="list-style-type: none"> • Minimum: One • Maximum: Two - the second power supply provides redundant power <p>Video:</p> <ul style="list-style-type: none"> • S3 video controller • Compatible with SVGA and VGA • 8 MB video memory 	<p>Size (rack model 3U):</p> <ul style="list-style-type: none"> • Height: 128 mm (5 in.) • Depth: 695 mm (27.3 in.) • Width: 440 mm (17.3 in.) • Weight: 21.3 to 29.5 Kg (47 to 65 lb) depending upon configuration <p>Integrated functions:</p> <ul style="list-style-type: none"> • Dual channel Ultra160 SCSI controller • One 10BASE-T, 100BASE-TX, 100BASE-FX, Intel Ethernet controller with Alert on LAN™ and Wake on LAN® support • Two serial ports • Two Universal Serial Bus ports • Keyboard port • Mouse port • Video port • Integrated System Management (ISM) Processor <ul style="list-style-type: none"> — Two ISM (RJ-45) connectors — One system management Serial C port <p>Acoustical noise emissions:</p> <ul style="list-style-type: none"> • Sound power, idling (open bay): 6.6 bel maximum • Sound power, operating: 6.8 bel maximum • Sound pressure, operating: 53 dBa maximum <p>Redundant cooling:</p> <p>Three hot-swap fans</p>	<p>Environment:</p> <ul style="list-style-type: none"> • Air temperature: <ul style="list-style-type: none"> — Server on: 10° to 35° C (50° to 95° F). Altitude: 0 to 914 m (2998 ft) — Server on: 10° to 32° C (50° to 89.6° F). Altitude: 914 m (2998 ft) to 2133 m (6998 ft) — Server off: 10° to 43° C (50° to 109.4° F). Maximum altitude: 2133 m (6998 ft) • Humidity: <ul style="list-style-type: none"> — Server on: 8% to 80% — Server off: 8% to 80% <p>Heat output:</p> <p>Approximate heat output in British thermal units (Btu) per hour</p> <ul style="list-style-type: none"> • Minimum configuration: 375 Btu (110 watts) • Maximum configuration: 1300 Btu (380 watts) <p>Electrical input:</p> <ul style="list-style-type: none"> • Sine-wave input (50-60 Hz) required • Input voltage low range: <ul style="list-style-type: none"> — Minimum: 100 V ac — Maximum: 127 V ac • Input voltage high range: <ul style="list-style-type: none"> — Minimum: 200 V ac — Maximum: 240 V ac • Input kilovolt-amperes (kVA) approximately: <ul style="list-style-type: none"> — Minimum: 0.08 kVA (0.076 kW)
---	---	--

Table 1. Features and Specifications.

*KB equals approximately 1000 bytes. MB equals approximately 1000000 bytes. GB equals approximately 1000000000 bytes.

Notices and statements used in this book

The caution and danger statements also appear in the multilingual *Safety Information* book provided on the *IBM xSeries Documentation* CD that comes with your xSeries product. Each statement is numbered for easy reference to the corresponding statements in the safety book.

The following types of notices and statements are used in this book:

- **Note:** These notices provide important tips, guidance, or advice.
- **Important:** These notices provide information or advice that might help you avoid inconvenient or problem situations.
- **Attention:** These notices indicate possible damage to programs, devices, or data. An attention notice is placed just before the instruction or situation in which damage could occur.
- **Caution:** These statements indicate situations that can be potentially hazardous to you. A caution statement is placed just before the description of a potentially hazardous procedure step or situation.
- **Danger:** These statements indicate situations that can be potentially lethal or extremely hazardous to you. A danger statement is placed just before the description of a potentially lethal or extremely hazardous procedure step or situation.

What your IBM xSeries 342 offers

The xSeries 342 server is designed to be cost-effective, powerful, and flexible. Your server offers:

- Impressive performance using an innovative approach to SMP
Your server supports up to two Intel Pentium III microprocessors. Your server comes with one microprocessor installed; you can install an additional microprocessor to enhance performance and provide SMP capability.
- Large data-storage and hot-swap capabilities
All models of the server support up to three hot-swap hard disk drives. This *hot-swap* feature enables you to remove and replace hard disk drives without turning off the server. The xSeries 3-Pack Ultra160 Hot-Swap Expansion Kit option is available to add three additional drive bays.
- Optional PCI adapters
Your server uses peripheral component interconnect (PCI) bus architecture to provide compatibility with a wide range of existing hardware devices and software applications. Your server supports up to five PCI adapters in the expansion slots on the system board.
- Redundant cooling capability
The redundant cooling capability of the hot-swap fans in your server allows continued operation if one of the fans fails. You can also replace a failing hot-swap fan without turning off the server.
- Optional redundant power capability
You can install an additional 270-watt power supply in your server to provide redundant power for your server. The Power Non-Redundant (NON) light emitting diode (LED) in the group of diagnostic LEDs on the system board is lit when the power load is 270 watts or greater with two power supplies installed.

- Large system memory
The memory bus in your server supports up to 4 GB (GB equals approximately 1 000 000 000 bytes) of two-way interleaved system memory. The memory controller provides error correcting code (ECC) support for up to four industry standard PC133, 3.3 V, 168-pin, 8-byte, registered, synchronous-dynamic-random access memory (SDRAM) dual inline memory modules (DIMMs).
- Integrated System Management (ISM) Processor
The IBM Integrated System Management Processor provides environmental monitoring for your server. This system environmental monitor supports the Automatic Server Restart (ASR) feature, and it can issue system alerts using the Alert on LAN features of the integrated Ethernet controller. Future firmware code releases for the Integrated System Management Processor will support additional functions and features. These features will include dial-in support using the dedicated system management serial port C, alert forwarding through the integrated system management (ISM) connectors, error logging, support for communication between the Integrated System Management Processor and more robust IBM system management adapters and controllers.
- Integrated network environment support
Your server comes with an Ethernet controller on the system board. This Ethernet controller has an interface for connecting to 10-MBps or 100-MBps networks. The server automatically selects between 10BASE-T and 100BASE-TX. The controller provides full-duplex (FDX) capability, which allows simultaneous transmission and reception of data on the Ethernet local area network (LAN).
- Redundant network-interface card
The addition of an optional, redundant network interface card (NIC) provides a failover capability to a redundant Ethernet connection. If a problem occurs with the primary Ethernet connection, all Ethernet traffic associated with this primary connection is automatically switched to the redundant NIC. This switching occurs without data loss and without user intervention.
- Optional digital linear tape drive
The addition of an optional digital linear tape drive (DLT) allows quick backup of large amounts of data.
- IBM ServerGuide™ CDs
The ServerGuide CDs included with your server provide programs to help you set up your server and install the network operating system (NOS). The ServerGuide program detects the hardware options installed, and provides the correct configuration programs and device drivers. In addition, the ServerGuide CDs include a variety of application programs for your server. See Chapter 4, "Using the ServerGuide CDs," on page 21 for more information.

Reliability, availability, and serviceability features

Three of the most important features in server design are reliability, availability, and serviceability (RAS). These factors help to ensure the integrity of the data stored on your server; that your server is available when you want to use it; and that should a failure occur, you can easily diagnose and repair the failure with minimal inconvenience.

The following is an abbreviated list of the RAS features that your server supports.

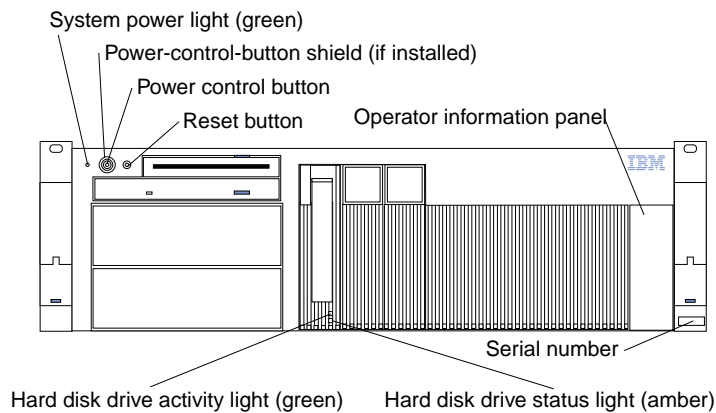
- Menu-driven setup, system configuration, RAID configuration, and diagnostic programs
- Power-on self-test (POST)

- ROM resident diagnostics
- Integrated System Management Processor
- Predictive failure alerts
- Power and temperature monitoring
- Microprocessor built-in self-test (BIST), internal error signal monitoring, configuration checking, CPU/VRM failure identification through Light Path Diagnostics technology
- Diagnostic support of ServeRAID™ adapters and Ethernet adapters
- Cable detection
- Hot-swap drive bays
- Error codes and messages
- System error logging
- Upgradable BIOS, diagnostics, and system management code
- Automatic restart after a power failure
- Parity checking on the SCSI and PCI buses
- Error checking and correcting (ECC) memory
- Redundant hot-swap power supply option
- Redundant hot-swap cooling
- Redundant Ethernet capabilities (with optional adapter)
- Vital product data (VPD) on processor complex, system board, power backplane, SCSI backplane, and each power supply
- Operator information panel and group of diagnostic LEDs on the system board
- Remind button to temporarily turn off LEDs for nonvital alerts
- Customer support center 24 hours per day, 7 days a week¹

Server controls and indicators

The following illustration shows the controls and indicators on the front of your server.

Note: The illustrations in this document might differ slightly from your hardware.



System power light: When this green light is on, system power is present in the server. When this light flashes, the server is in standby mode (the system power supply is turned off and ac current is present). When this light is off, either a power supply, ac power, or a light has failed.

Attention: If this light is off, it does not mean there is no electrical current present in the server. The light might be burned out. To remove all electrical current from the

¹.Service availability will vary by country. Response time will vary depending on the number and nature of incoming calls.

server, you must unplug the server power cords from the electrical outlets or from the UPS.

Power-control button shield: You can install this circular disk over the power-control button to prevent accidental manual power-off. This disk is provided with your server.

Power-control button: Press this button to manually turn the server on or off.

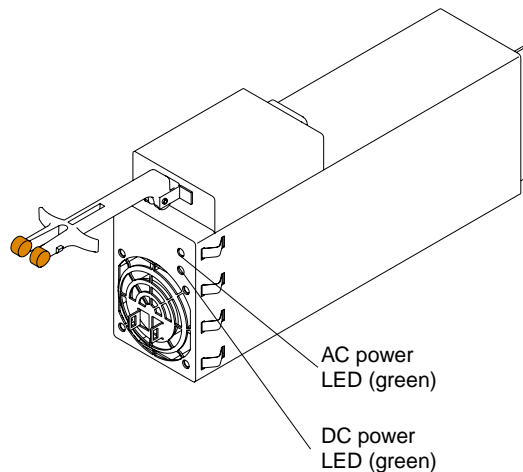
Reset button: Press this button to reset the server and run the power-on self-test (POST).

Operator information panel: The lights on this panel give status information for your server. See “Operator information panel” on page 7 for more information.

Hard disk drive status light: Each of the hot-swap drives has a hard disk drive status light. When this amber light is on continuously, the drive has failed.

If a ServeRAID adapter is installed and this light flashes slowly (one flash per second), the drive is being rebuilt. When the light flashes rapidly (three flashes per second), the controller is identifying the drive.

Hard disk drive activity light: Each of the hot-swap drives has a hard disk drive activity light. When this green light is flashing, the controller is accessing the drive.



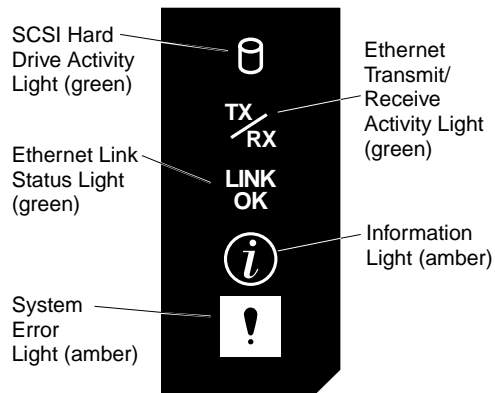
AC power light: This green light on the power supply (behind the bezel) provides status information about the power supply. During normal operation, both the ac and dc power lights are on. For any other combination of lights, see “Power-supply LEDs” on page 101.

DC power light: This green light on the power supply (behind the bezel) provides status information about the power supply. During normal operation, both the ac and dc power lights are on. For any other combination of lights, see “Power-supply LEDs” on page 101.

Operator information panel

The following illustration shows the lights on the operator information panel on the front of the server. (See “Server controls and indicators” on page 5 for the location of the operator information panel.)

Note: The illustrations in this document might differ slightly from your hardware.



SCSI hard disk drive activity light: This green light is on when there is activity on a hard disk drive.

Ethernet transmit/receive activity light: When this green light is on, there is transmit or receive activity to or from the server. This light stays on even if the server power is turned off.

Ethernet link status light: This green LED lights when there is an active connection on the Ethernet port during typical operation, when the system is powered off the LED remains green.

Information light: This amber light is on when the information log contains information about certain conditions in your server that might affect performance.

System error light: This amber light is lit when a system error occurs. An LED on the diagnostic LED panel will also be on to further isolate the error.

See “Diagnostics panel” on page 102 for more information on the diagnostics panel.

Turning on the server

After you plug the power cord of your server into the power supply and an electrical outlet, you can start the server in several ways:

- You can turn on the server by pressing the power-control button on the front of the server.
- If the server is turned on, a power failure occurs, and unattended-start mode is enabled in the Configuration/Setup utility program, the server will start automatically when power is restored.
- If ac power is present, the server is off, and the wake-up feature is enabled in the Configuration/Setup utility program, the wake-up feature will turn on the server at the set time.
- The Integrated System Management Processor can also turn on the server.

- If ac power is present, the system is off, and the Wake on LAN feature is enabled, the system can be turned on by a network wake-up from the onboard Intel Ethernet controller.

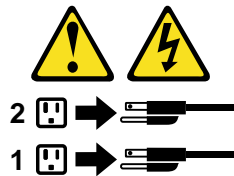
Turning off the server

Statement 5



CAUTION:

The power control button on the device and the power switch on the power supply do not turn off the electrical current supplied to the device. The device also might have more than one power cord. To remove all electrical current from the device, ensure that all power cords are disconnected from the power source.



You can turn off the server in any of the following ways:

- You can press the power-control button on the front of the server. This starts an orderly shutdown of the operating system, if this feature is supported by your operating system.
 - Note:** After turning off the server, wait at least 5 seconds before you press the power-control button to turn on the server again.
- You might need to press and hold the power-control button for more than 4 seconds to cause an immediate shutdown of the server and to force the power off. You can use this feature if the operating system stops functioning.
- You can disconnect the server power cords from the electrical outlets to shut off all power to the server.
 - Note:** After disconnecting the power cords, wait approximately 15 seconds for your system to stop running. Watch for the power-on light to stop blinking.
- If the system was turned on by the Wake on LAN feature, you can turn it off by either a software routine or by the fail-safe, power-down counter.
- The system environment monitor subsystem can turn off the server.

Chapter 2. Arranging your workspace

To get the most from your server, arrange both the equipment you use and your work area to suit your needs and the kind of work you do. Your comfort is of foremost importance, but light sources, air circulation, and the location of electrical outlets also can affect the way you arrange your workspace.

Comfort

Although no single working position is ideal for everyone, here are a few guidelines to help you find a position that suits you best.

Sitting in the same position for a long time can cause fatigue. A good chair can make a big difference. The backrest and seat should adjust independently and provide good support. The seat should have a curved front to relieve pressure on the thighs. Adjust the seat so that your thighs are parallel to the floor and your feet are either flat on the floor or on a footrest.

When using the keyboard, keep your forearms parallel to the floor and your wrists in a neutral, comfortable position. Try to keep a light touch on the keyboard and your hands and fingers relaxed. You can change the angle of the keyboard for maximum comfort by adjusting the position of the keyboard feet.

Adjust the monitor so the top of the screen is at, or slightly below, eye level. Place the monitor at a comfortable viewing distance, usually 51 to 61 cm (20 to 24 in.), and position it so you can view it without having to twist your body. Also position other equipment you use regularly, such as the telephone or a mouse, within easy reach.

Glare and lighting

Position the monitor to minimize glare and reflections from overhead lights, windows, and other light sources. Even reflected light from shiny surfaces can cause annoying reflections on your monitor screen. Place the monitor at right angles to windows and other light sources, when possible. Reduce overhead lighting, if necessary, by turning off lights or using lower wattage bulbs. If you install the monitor near a window, use curtains or blinds to block the sunlight. You might have to adjust the Brightness and Contrast controls on the monitor as the room lighting changes throughout the day.

Where it is impossible to avoid reflections or to adjust the lighting, an antiglare filter placed over the screen might be helpful. However, these filters might affect the clarity of the image on the screen; try them only after you have tried all other methods of reducing glare.

Dust buildup compounds problems that are associated with glare. Remember to clean your monitor screen periodically using a soft cloth that is moistened with a nonabrasive liquid glass cleaner.

Air circulation

Your server and monitor produce heat. Your server has one or more fans that pull in fresh air and force out hot air. The monitor lets hot air escape through vents. Blocking the air vents can cause overheating, which might result in a malfunction or damage. Place the server and monitor so that nothing blocks the air vents; usually, 15 cm (6

inches) of air space is sufficient. Also, make sure that the vented air is not blowing on someone else.

Electrical outlets and cable lengths

The location of electrical outlets and the length of power cords and cables that connect to the monitor, printer, and other devices might determine the final placement of your server.

When arranging your workspace:

- Avoid the use of extension cords. When possible, plug the server power cords directly into electrical outlets.
- Keep power cords and cables neatly routed away from walkways and other areas where they might get kicked accidentally.

For more information about power cords, refer to the power cord information in this on-line publication.

Chapter 3. Configuring your server

The following configuration programs are provided with your server:

- **Configuration/Setup Utility**

This program is part of the *basic input/output system (BIOS)* code that comes with your server. You can use this program to configure serial port assignments, change interrupt request (IRQ) settings, change the drive startup sequence, set the date and time, and set passwords. See “Using the Configuration/Setup Utility program” for more information.

- **SCSISelect Utility**

With the built-in SCSISelect Utility program, you can configure the devices attached to the integrated SCSI controller. See “Using the SCSISelect utility program” on page 16 for more information.

- **PXE Boot Agent Utility**

The Preboot eXecution Environment (PXE) Boot Agent Utility program is part of the BIOS code that comes with your server. You can use this program to change network startup (boot) protocols and startup (boot) order, to select operating system wake-up support, and to set menu wait times. See “Using the PXE Boot Agent Utility program” on page 18 for more information.

- **ServerGuide CDs**

The ServerGuide CDs include software setup and installation tools specifically designed for IBM xSeries servers. You can use these CDs during the initial installation of your server to configure the server hardware and simplify your network operating system installation. The ServerGuide CDs also contain a collection of application programs, which you can install after your server is up and running. See Chapter 4, “Using the ServerGuide CDs,” on page 21 for more detailed information.

- **ServeRAID programs**

The ServeRAID programs come with the optional ServeRAID adapters and with server models that have a ServeRAID adapter preinstalled. If your server has a ServeRAID adapter installed, you must use the ServeRAID configuration program to define and configure your disk-array subsystem *before* you install your operating system. Refer to the ServeRAID documentation provided on the *IBM xSeries Documentation* CD for more information.

Using the Configuration/Setup Utility program

This section provides the instructions needed to start the Configuration/Setup Utility program and descriptions of the menu choices available.

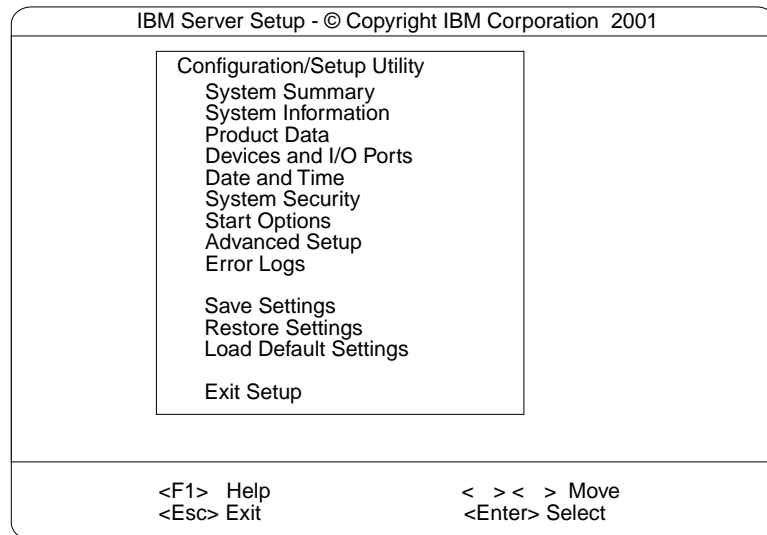
Starting the Configuration/Setup Utility program

To start the Configuration/Setup Utility program:

1. Turn on the server and watch the monitor screen.
2. When the message `Press F1 for Configuration/Setup` appears, press F1.
3. Follow the instructions that appear on the screen.

Choices available from the Configuration/Setup main menu

From the Configuration/Setup Utility main menu, you can select settings that you want to change. The Configuration/Setup Utility main menu is similar to the following:



Notes:

1. You can press F1 to display Help information for a selected menu item.
2. Some menu choices might differ depending on the types of passwords set for your system and IBM system management adapters, or in the version of BIOS code installed on your server.

Descriptions of the choices available from the main menu are as follows:

- **System Summary**

Select this choice to display configuration information. This includes the type and speed of the microprocessors and the amount of memory installed.

Changes that you make to configuration settings appear on this summary screen. You cannot edit the fields.

- **System Information**

Select this choice to display information about your server. Changes that you make on other menus might appear on this summary screen. You cannot edit any fields.

— **System Card Data**

Select this choice to view vital product data (VPD) for some server components.

- **Product Data**

Select this choice to view system information, such as the machine type and model, the server serial number, and the revision level or issue date of the BIOS code stored in the flash electrically erasable programmable ROM (EEPROM).

- **Devices and I/O Ports**

Select this choice to view or change the assignments for devices and input/output ports.

- **Date and Time**

Select this choice to set the system date and time and to change the system time sent to the system management subsystem when the server is started.

The system time is in a 24-hour format: hour:minute:second.

You can set a time delta to be added or subtracted from the system time that is sent to the system management subsystem each time the server is started. Use the number keys to enter the hours and minutes and + or – to add or subtract from the system time. If you want the system clock time to be the same as the Integrated system management subsystem clock time, leave the value set at its default of 0.

- **System Security**

Select this choice to set passwords or the Remote Control Security settings. You can implement two levels of password protection:

- **Power-on Password**

Select this choice to set or change a power-on password. See “Using passwords” on page 15 for more information.

- **Remote Control Security Settings**

Use this option to set the password for remote access to the server. You can set the number of failed logins before the server cuts off access.

- **Start Options**

Select this choice to view or change the start options.

You can select keyboard operating characteristics, such as the keyboard speed. You also can specify whether the keyboard number lock starts on or off. You also can enable the server to run without a diskette drive, monitor, or keyboard.

The server uses a startup sequence to determine the device from which the operating system loads. For example, you can define a startup sequence that checks for a startable diskette in the diskette drive, then checks the hard disk drive in bay 1, and then checks a network adapter.

You also can select which PCI SCSI adapter is given boot precedence. The first drive that is attached to the selected adapter will be assigned drive number 80L and the operating system will start from that drive. The default for boot precedence is Disabled. The range of choices depends upon the number of PCI SCSI adapters installed in the server.

You can enable a virus-detection test that checks for changes in the master boot record at startup. You also can choose to run POST in the enhanced mode or the quick mode.

- **Advanced Setup**

Select this choice to change values for advanced hardware features, such as cache control, and PCI configuration.

A warning message appears above the choices on this menu to alert you that the system might malfunction if these options are configured incorrectly. Follow the instructions on the screen carefully.

— **Core Chipset Control**

Select this choice to modify settings that control features of the core chip set on the system board.

Attention: Do not make changes here unless directed to do so by an IBM authorized service representative.

— **System Partition Visibility**

Select this choice to choose whether the System Partition is visible or hidden.

— **Memory Settings**

Select this choice to manually disable or enable a bank of memory.

If a memory error is detected during POST or memory configuration, the server can automatically disable the failing memory bank and continue operating with reduced memory capacity. If this occurs, you must manually enable the memory bank after the problem is corrected. Select **Memory Settings** from the Advanced Setup menu, use the arrow keys to highlight the bank that you want to enable; then, use the arrow keys to select **Enable**.

— **CPU Options**

Select this choice to set the system cache type for all microprocessors.

— **PCI BUS Control**

Select this choice to view and identify system resources used by PCI devices. PCI devices automatically communicate with the server configuration information. This usually results in automatic configuration of a PCI device.

Attention: You must use the menu selections to save custom settings for the PCI Slot/Device Information choice. The save, restore and load default settings choices on the main menu of the Configuration/Setup Utility do not save the PCI Slot/Device Information settings.

After making changes, select:

- **PCI MLT** to save the changes and return to the Advanced Setup menu.
- **PCI Interrupt Routing** to ignore the changes, restore the previous settings, and return to the Advanced Setup menu.

• **Error Logs**

Select this choice to view or clear error logs.

- Select **POST Error Log** to view the three most recent error codes and messages that the system generated during POST. You can also select **Clear error logs** to clear the contents of this log. Press Esc to exit without clearing the error logs.

• **Save Settings**

Select this choice to save your customized settings.

• **Restore Settings**

Select this choice to delete your changes and restore the previous settings.

• **Load Default Settings**

Select this choice to cancel your changes and restore the factory settings.

• **Exit Setup**

If you have made any changes, the program will prompt you to save the changes or exit without saving the changes.

Using passwords

After you select **System Security**, you can set a power-on password or remote access password. After you select this choice, you can implement the protection level for the power-on password.

Power-on password

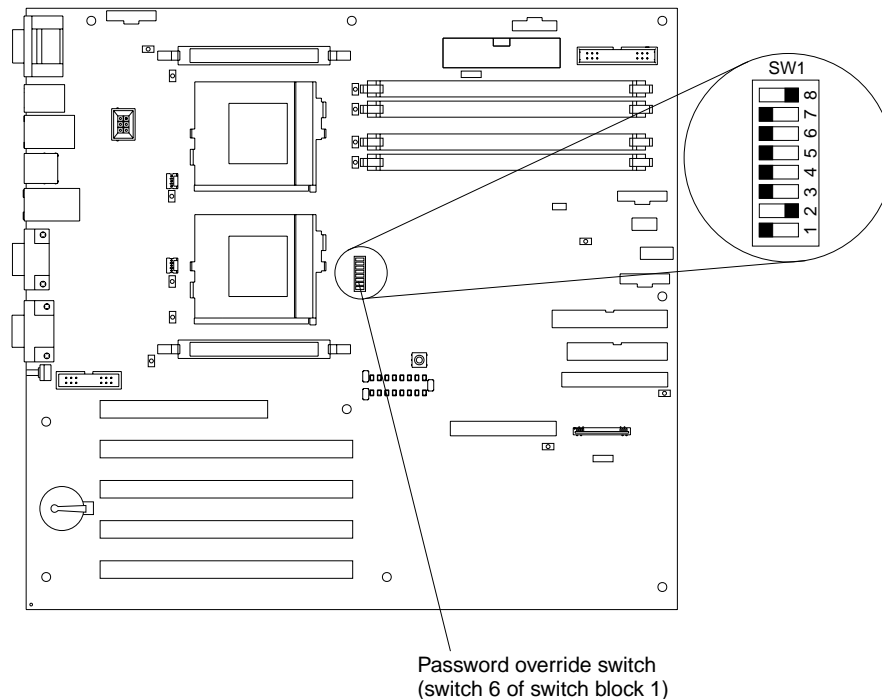
After you set a power-on password, you can enable the unattended-start mode. This locks the keyboard and mouse, but allows the system to start the operating system. The keyboard and mouse remain locked until you enter the correct password.

You can use any combination of up to seven characters (A–Z, a–z, and 0–9) for your power-on password. Keep a record of your password in a secure place. If you forget the power-on password, you can regain access to the server through one of the following methods:

- Change the position of the password override switch as described in “Setting the password override switch”.
- Remove the battery and then install the battery.

Setting the password override switch: The following illustration shows the location of the password override switch, switch 6 of switch block 1, on the system board.

Note: The illustrations in this document might differ slightly from your hardware.



To set the password override switch:

1. Review the information in “Before you begin” on page 35.
2. Turn off the server and peripheral devices and disconnect all external cables and power cords; then, remove the cover. See “Removing the cover and bezel” on page 42.
3. Change the setting of the password override switch (switch 6 on switch block 1 on the system board) by toggling from OFF to ON or ON to OFF. This clears the power-on password.

4. Install the server cover and connect all external cables and power cords (see “Installing the server cover and bezel” on page 63).
5. Turn on the server.

Note: You can now start the Configuration/Setup Utility program and set a power-on password.

Remote-control security settings

Select this choice to set a remote-control password, which provides access to all choices on the Configuration Setup Utility main menu. You can set the following features:

- Set or read current system management adapter
- Set lockout threshold. Enter a number of failed login attempts. Once this number is reached, the server locks up. You can also set the server to lock up if no password is entered for a set number of minutes.

Using the SCSISelect utility program

SCSISelect is a built-in, menu-driven configuration utility program that you can use to:

- View the default SCSI IDs
- Locate and correct configuration conflicts
- Perform a low-level format on a SCSI hard disk

The following sections provide the instructions needed to start the SCSISelect Utility and descriptions of the menu choices available.

Note: If your server has a RAID adapter installed, use the configuration method supplied with the RAID adapter to view or change SCSI settings for devices attached to the adapter.

Starting the SCSISelect utility program

To start the SCSISelect utility program:

1. Turn on the server.
2. When the <<< Press <CTRL><A> for SCSISelect™ Utility! >>> prompt appears, press Ctrl+A.
3. When prompted, select either channel A or channel B.
4. Use the arrow keys to select a choice from the menu.
 - Press Esc to return to the previous menu.
 - Press the F5 key to switch between color and monochrome modes (if your monitor permits).
5. Follow the instructions on the screen to change the settings of the selected items; then, press Enter.

Choices available from the SCSISelect menu

The following choices appear on the SCSISelect Utility menu:

- **Configure/View Host Adapter Settings**

Select this choice to view or change the SCSI controller settings. To reset the SCSI controller to its default values, press F6; then, follow the instructions that appear on the screen.

You can view or change the following controller settings:

- **Host Adapter SCSI ID**

Select this choice to view the SCSI controller ID, normally 7.

- **SCSI Parity Checking**

Select this choice to view the assigned value of *Enabled*.

- **Host Adapter SCSI Termination**

Select this choice to view the assigned value of *Enabled*.

- **Boot Device Options**

Select this choice to configure startable device parameters. Before you can make updates, you must know the ID of the device whose parameters you want to configure.

- **SCSI Device Configuration**

Select this choice to configure SCSI device parameters. Before you can make updates, you must know the ID of the device whose parameters you want to configure.

Note: The Maximum Sync Transfer Rate represents the transfer rate for Ultra SCSI devices.

- The transfer rate for Ultra160 SCSI LVD devices is 160.0 MBps.
- The transfer rate for Ultra2 SCSI LVD devices is 80.0 MBps.
- The transfer rate for Fast SCSI devices is 20.0 MBps.

- **Advanced Configuration Options**

Select this choice to view or change the settings for advanced configuration options.

- **SCSI Disk Utilities**

Select this choice to view the SCSI IDs that are assigned to each device or to format a SCSI device.

To use the utility program, select a drive from the list. Read the screens carefully before making a selection.

Note: If you press Ctrl+A before the selected drives are ready, an Unexpected SCSI Command Failure screen might appear. Restart the server and watch the SCSISelect messages as each drive spins up. After the drive that you want to view or format spins up, press Ctrl+A.

Using the PXE Boot Agent Utility program

The PXE boot agent is a built-in, menu-driven configuration utility program that you can use to:

- Change network startup (boot) protocols
- Change startup (boot) order
- Select whether or not to display setup prompt
- Set menu wait time
- Select OS wake up support

The following sections provide instructions for starting the PXE Boot Agent Utility program and descriptions of the menu choices that are available.

Starting the PXE boot agent utility program

To start the PXE Boot Agent Utility program:

1. Turn on the server.
2. When the Initializing Intel (R) Boot Agent Version X.X.XX
PXE 2.0 Build XXX (WfM 2.0) prompt appears, press Ctrl+S.
Note: By default you will have two seconds after the prompt appears on the screen to press Ctrl+S.
3. Use the arrow keys or press Enter to select a choice from the menu.
 - Press Esc to return to the previous menu.
 - Press the F4 key to exit.
4. Follow the instructions on the screen to change the settings of the selected items; then, press Enter.

Choices available from the PXE boot agent utility

The following choices appear on the PXE boot agent utility menu:

- **Network Boot Protocol**
PXE is the default value for this menu item.
Note: Do not change this value. There are no other network boot protocols supported.
- **Boot Order**
Select this choice to change the order in which boot devices are queried.
 - Try local drives first, then network (Default)
 - Try network only
 - Try local drives only
 - Try network first, then local drives**Note:** This option is not supported on this product. To change the boot order use the Configuration/Setup utility. See “Using the Configuration/Setup Utility program” on page 11 for more information.
- **Show setup prompt**
Select this choice to either display the PXE setup prompt or disable it. Disable is the default setting.
When this choice is enabled, **Press Ctrl+S to enter the setup menu** will appear on the screen under the initializing prompt.
- **Setup time wait menu**

Select this choice to set the amount of time (in seconds) that the system will pause during initialization for a Ctrl+S input.

- 2 seconds (Default)
- 3 seconds
- 5 seconds
- 8 seconds

- **Legacy OS wake up support**

Select this choice to enable or disable the operating system wake up support.

- Disabled (Default)
- Enabled

Notes:

1. Use the default setting for Advanced Configuration and Power Interface (ACPI) aware operating systems, such as Windows 2000 and Windows NT.
2. If your server is running a non-ACPI operating system, you must set this selection to enable to use the Wake-on-LAN support.
3. When using a non-ACPI operating system, do not send a wake up packet to the server while it is turned on. If a wake up packet has been sent while the server is on, and you are unable to turn the server off, see the “Power” section in the Troubleshooting charts, on page 109 for more information.

Chapter 4. Using the ServerGuide CDs

The ServerGuide CDs include easy-to-use software setup and installation tools that are specifically designed for your IBM server. The ServerGuide Setup and Installation program detects the server model and hardware options that are installed and uses that information during setup to configure the hardware. The ServerGuide tools simplify NOS installations by providing updated device drivers, and in some cases, installing them automatically.

If a newer version of the ServerGuide software is available, you can purchase an update package. For details, see the ServerGuide Updates form that comes with your server library, or go to the ServerGuide fulfillment Web site at <http://www.ibm.com/pc/coupon>

The ServerGuide software has these features to make setup easier:

- An easy-to-use interface with online help
- Diskette-free setup, and configuration programs that are based on detected hardware
- *Performance Optimizer* program, which easily tunes your server for your environment
- A system BIOS update program, which updates the BIOS directly from the CD
- Device drivers that are provided for your server model and detected hardware
- NOS partition size and file-system type that are selectable during setup
- Powerful application programs and administration tools

Features at a glance

The following is a summary of ServerGuide features.

Note: Exact features and functions can vary with different versions of the ServerGuide software. To learn more about the version that you have, start the *Setup and Installation* CD and view the Online Overview.

Setup and Installation CD	Setup and Installation CD (continued)	System Updates and Applications CD (continued)
<p>Note: The ServerGuide program requires a supported IBM server with an <i>enabled</i> startable (bootable) CD-ROM drive. Not all features are supported on all models.</p> <ul style="list-style-type: none"> • Sets system date and time. • Detects the ServeRAID adapter or controller and runs the ServeRAID configuration program. • Updates the licensed internal code (firmware) level without creating diskettes. • Checks the system BIOS and microcode (firmware) levels of supported options to determine whether a later level is available from the CD. You can perform updates without the use of diskettes. • Provides the Performance Optimizer program to easily tune your server for your environment. • Creates a System Partition on the default drive. You can run server-specific utility programs after setup. • Detects installed hardware options and provides updated device drivers for most adapters and devices. 	<ul style="list-style-type: none"> • Creates a <i>Setup Replication Diskette</i> for replicating setup selections for other servers of the same model. • Provides diskette-free installation for Microsoft® Windows® 2000, Windows NT®, and NetWare operating systems. • Provides a replicated installation path for multiple Windows 2000, Windows NT Server 4.0, and Windows Enterprise Edition, and Red Hat Linux®. • Includes an online README file with links to tips for your hardware and NOS installation. <p>Note: Installation requires your NOS CD.</p> <p>System Updates and Applications CD</p> <ul style="list-style-type: none"> • Creates diagnostic, RAID, device driver, and other support diskettes from the CD; or with an Internet connection, you can check for an update from a dedicated IBM file transfer protocol (FTP) server. • Installs some updates without requiring diskettes. Where applicable, you can run executable files directly from the CD or unzip files to any drive on your server or another server on your network. 	<ul style="list-style-type: none"> • Includes a vast library of fully tested device drivers for your server. • Includes a search function to help you locate updates by title or keywords. • Installs powerful applications directly from the CD. See the CD label for a current list of applications.

Setup and configuration overview

When you use the *Setup and Installation* CD, you do not need setup diskettes. You can use the CD to configure any supported IBM server model. The setup program checks your system BIOS, service processors, and other system hardware to determine if system updates are available. The setup program provides a list of tasks that are required to set up your server model. On RAID servers, you can run the ServeRAID Manager program to create logical drives.

Note: Exact features and functions can vary with different versions of the ServerGuide software.

When you start the *Setup and Installation* CD, the following happens:

- You are prompted for your language, country, and keyboard layout. (This information is stored and later passed on to the NOS installation program.)
- ServerGuide displays choices for running the configuration programs. For example:
 - The Express Configuration method runs the required programs for your server, based on the hardware that is detected.
 - The Custom Configuration method displays all programs that are available for your server, and you decide which programs to run.
 - The Replicated Configuration method provides the option of duplicating your setup selections to other servers that are the same model.
- If you select the Custom Configuration method, the following programs are optional. If you select the Express Configuration method, some or all of these programs are run, depending on the hardware that is detected.
 - The Set Date and Time feature is provided so that you do not have to use the Configuration/Setup Utility program to access these settings.
 - The Clear Hard Disks program is provided so you can delete all partitions on all hard disk drives. If the server has a ServeRAID adapter installed, you can select to restore the configuration on the ServeRAID adapter to the factory default settings.
 - ServerGuide checks the server BIOS and microcode (firmware) levels for supported options and then checks the CD for a newer level. CD content can be newer than the hardware. ServerGuide can perform a flash update of the BIOS and supported microcode (firmware) options without the use of diskettes.
 - The ServeRAID configuration program starts, leading you through the entire configuration process.
 - The Performance Optimizer program easily tunes your server for your environment.
 - ServerGuide creates a System Partition on the default drive.
- ServerGuide displays a confirmation summary, so that you will know when you have completed all the required tasks. Then, you are ready to install your NOS.

Notes:

1. Plug and Play adapters are configured automatically. Non-Plug and Play adapters or non-IBM adapters might require switch settings, additional device drivers, and installation after the NOS is installed. See the documentation that comes with the adapter.
2. Diagnostics for your server come in BIOS or on a separate diagnostics CD.

System Partition

ServerGuide creates a 50 MB System Partition on the default drive. The System Partition contains server-specific utility programs such as service processor disk operating system (DOS) utilities, system diagnostics, flash BIOS updates, and other programs.

Note: Programs in the System Partition vary by server model, and not all server models run utility programs from the System Partition. To determine which ones do, start the *Setup and Installation* CD and view the online Overview.

After setup is complete, you can access programs in the System Partition by restarting the server and pressing Alt+F1 when the prompt is displayed. The System Partition menu displays the programs that are available on your server model.

Typical NOS installation

You can use ServerGuide to shorten your installation time. ServerGuide provides the necessary device drivers, based on the hardware that you have and the NOS that you are installing. The following is a brief explanation of a typical ServerGuide NOS installation.

Note: Exact features and functions can vary with different versions of the ServerGuide software

- After you have completed the setup process, the operating system installation program starts. (You will need your copy of the NOS CD to complete the installation.)
- ServerGuide stores information about the server model, service processor, hard disk controllers, and network adapters. It then checks the CD for newer device drivers. This information is stored and then passed to the NOS installation program.
- With some NOS installations, you can create a *NOS Replication Diskette* for setting up additional servers. The diskette will contain the Internet protocol (IP) address, server name, and other selections.
- ServerGuide presents NOS partition options that are based on your NOS selection and the installed hard disk drives.
- If you are installing the NOS from diskette, ServerGuide displays the required diskettes that you must create, and the optional diskettes that you might want to create. The diskettes that you can create are the device driver diskettes for the installed adapters or controllers.

ServerGuide prompts you to insert your NOS CD and restart the server. At this point, the installation program for the NOS (for example, Microsoft Windows 2000) takes control to complete the installation.

Setting up or updating multiple servers

You can use ServerGuide to create diskettes that help you set up or update multiple servers. You can modify information on the diskettes as you use them to set up or update other servers.

Note: Availability and function can vary by server model and by the hardware that is installed.

You can create a *Setup Replication Diskette*, which contains your hardware configuration selections. Use this diskette to replicate selections to other servers that are of the same model.

You can create a *NOS Replication Diskette*, which contains your server name, domain name, and other information that you need to complete multiple installations. This feature supports systems running Windows 2000, Windows NT Server 4.0, and Red Hat Linux.

Installing your NOS without ServerGuide

If you have already configured the server hardware and you decide not to use ServerGuide to install your NOS, download the latest NOS installation instructions:

1. Go to <http://www.ibm.com/pc/support>
2. Click **Servers**.
3. From the **Family** field, select your server model.
4. Click **OS installation**. The available installation instructions are listed.

Additional programs included with ServerGuide

As a convenience, ServerGuide comes with additional software to assist you with the server installation.

A variety of powerful applications are included with ServerGuide. Offerings can vary with the different versions of the ServerGuide software. Check the application CD labels for a list of applications, or start the *Setup and Installation CD* and view the online Overview.

Error symptoms

This section provides ServerGuide error symptoms and probable solutions.

Setup and Installation CD	Action
<i>Setup and Installation CD</i> will not start.	<ul style="list-style-type: none">• Ensure that the system is a supported server model with a startable (bootable) CD-ROM drive.• If the startup (boot) sequence settings have been altered, be sure that the CD-ROM is first in the startup sequence.• If more than one CD-ROM drive is installed, be sure that only one drive is set as the primary drive. Start the CD from the primary drive.
ServeRAID program cannot view all installed drives or cannot install NOS.	<ul style="list-style-type: none">• Ensure that there are no duplicate SCSI IDs or IRQ assignments.• Ensure that the hard disk drive is connected properly.
The operating system installation program continuously loops.	Free up more space on the hard disk.

Setup and Installation CD	Action
ServerGuide will not start your NOS CD.	Ensure that the NOS CD is supported by ServerGuide. See the <i>Setup and Installation</i> CD label for a list of supported NOS versions.
Cannot install NOS.	Ensure that the NOS is supported on your server. If the NOS is supported, either there is no logical drive defined (ServerRAID systems) or the ServerGuide System Partition is not present. Run the ServerGuide setup and configuration program and ensure that the setup is complete.

System Updates and Applications CD	Action
Get "time out" or "Unknown host" errors.	Ensure that you have access to the Internet through FTP directly.

Chapter 5. Installing Options

This chapter provides instructions to add options to your server. Some option-removal instructions are provided, in case you need to remove one option to install another.

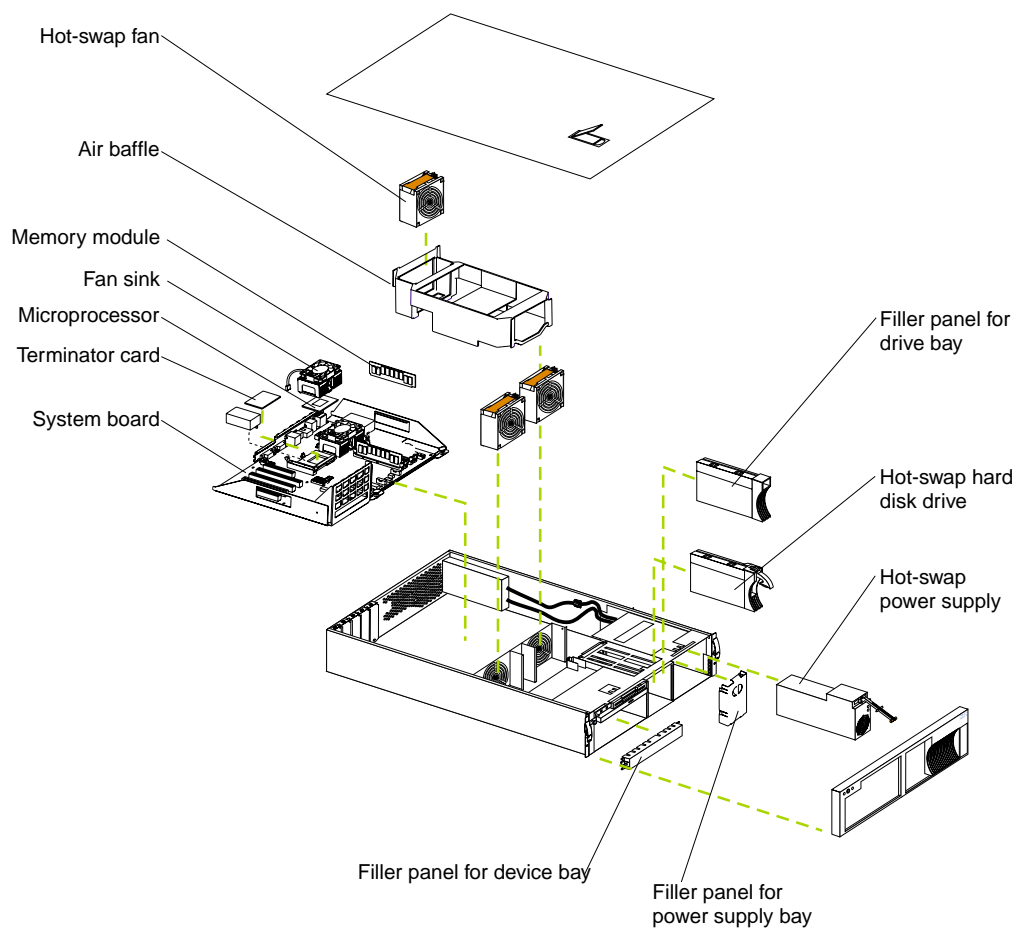
Major components of the xSeries 342 server

The orange color on components and labels in your server identifies hot-swap components. You can install or remove hot-swap components while the system is running, provided that your system is configured to support this function. For complete information about installing or removing a hot-swap component, see the detailed information in this chapter.

The blue color on components and labels indicates touch points where a component can be gripped, a latch moved, and so on.

The following illustration shows the locations of major components in your server.

Note: The illustrations in this document might differ slightly from your hardware.



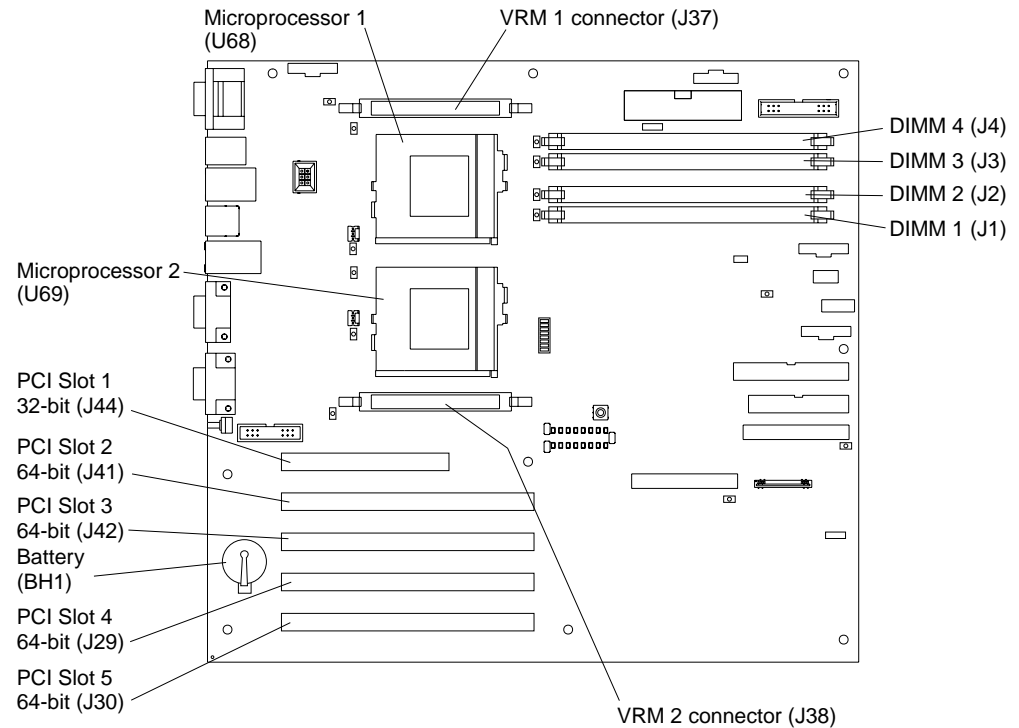
System board

The illustrations in the following sections show the connectors, switches, and LEDs on the system board.

System board option connectors

The following illustration identifies system-board connectors for user-installable options.

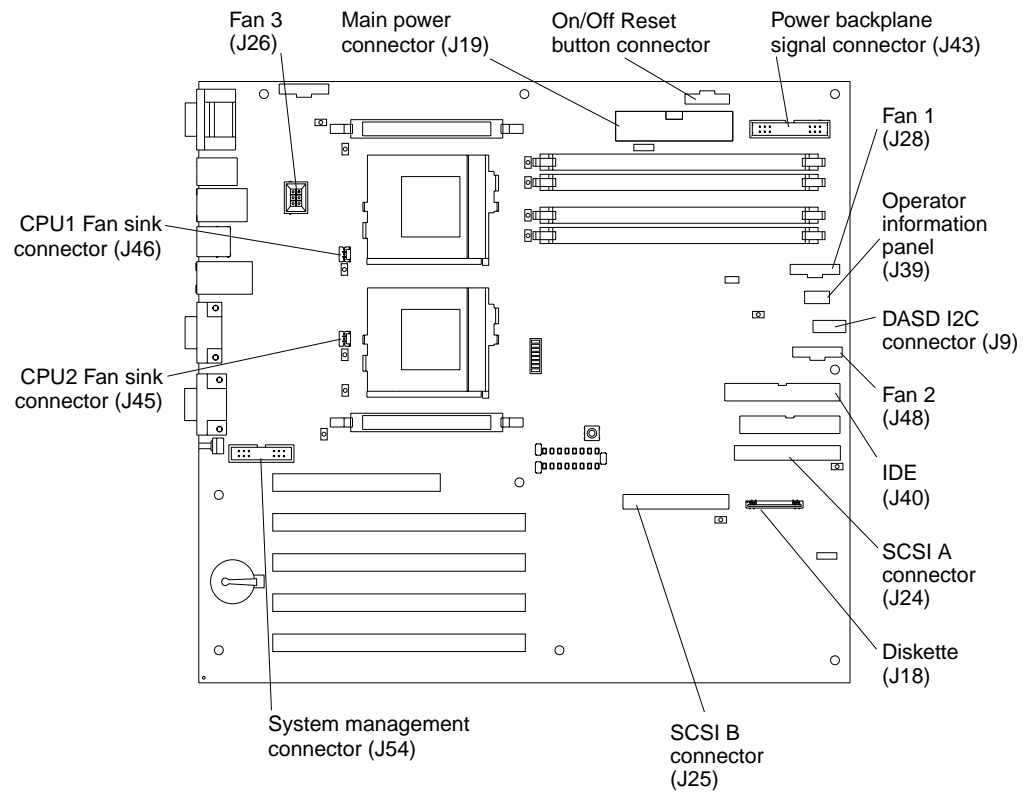
Note: The illustrations in this document might differ slightly from your hardware.



System board internal cable connectors

The following illustration shows internal cable connectors on the system board.

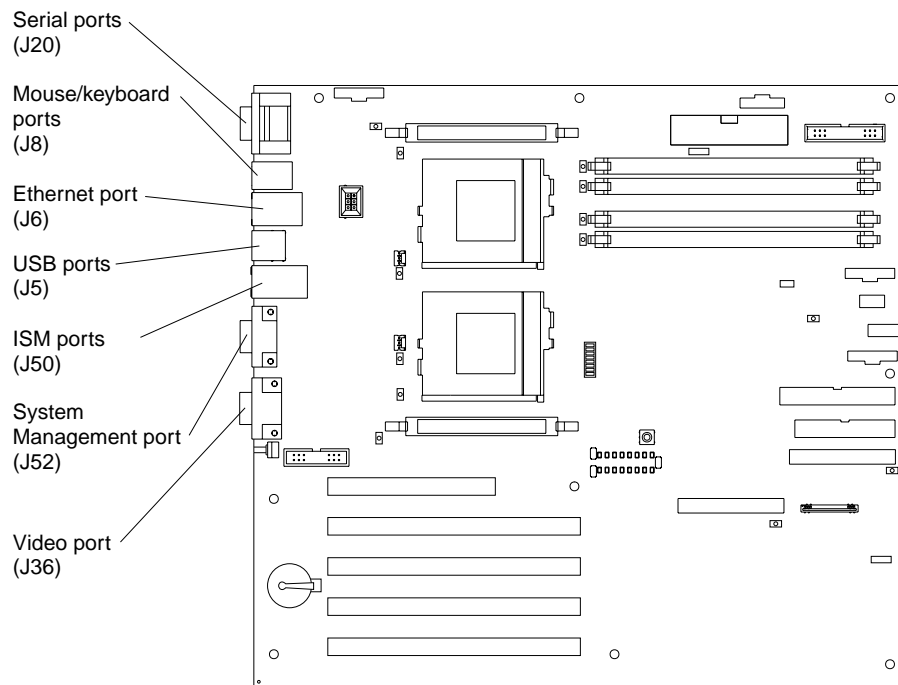
Note: The illustrations in this document might differ slightly from your hardware.



System board external port connectors

The following illustration shows the external port connectors on the system board.

Note: The illustrations in this document might differ slightly from your hardware.

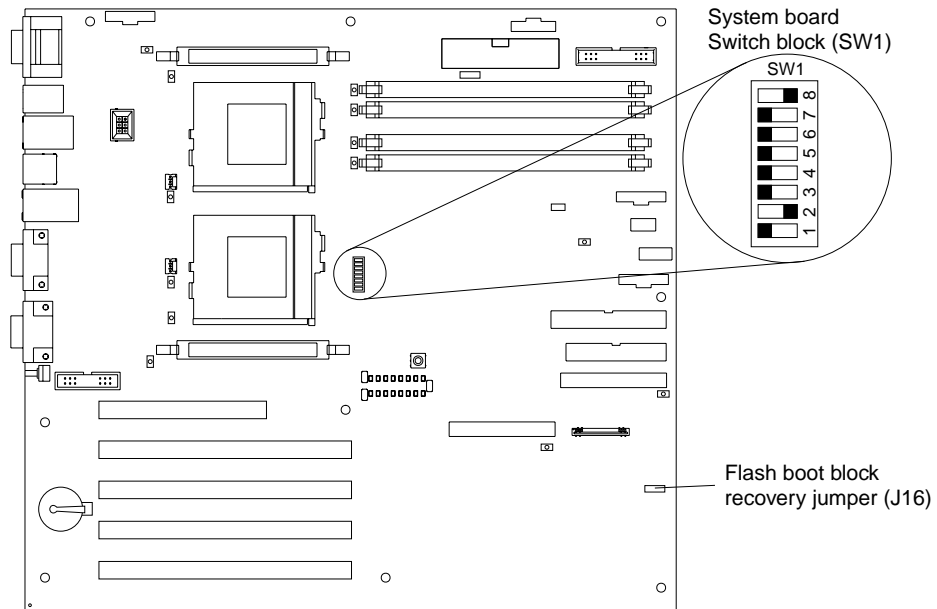


Future releases of the Integrated System Management (ISM) firmware code will enable the system environmental monitor subsystem to send or forward alerts to IBM system management adapters using the ISM ports.

System board switches and jumpers

The following illustration identifies the switches and jumpers on the system board.

Note: The illustrations in this document might differ slightly from your hardware.



Note: Any jumper blocks on the system board that are not shown in the illustration are reserved.

System board jumper blocks

For typical operation of the system, no jumpers should be installed on any of the jumper blocks. See “Recovering BIOS code” on page 104 for information about the boot block jumper.

Flash boot block recovery jumper

If the BIOS has become damaged, such as from a power failure during a flash update, you can recover the BIOS using the boot block jumper and a BIOS flash diskette. See “Recovering BIOS code” on page 104 for information about the boot block jumper.

System board switch block

The switch block contains microswitches 1 through 8. As shown in this illustration, switch 8 is at the top of the switch block and switch 1 is at the bottom. The Off positions of the switches are on the side nearer the diagnostic LEDs.

The following table describes each switch.

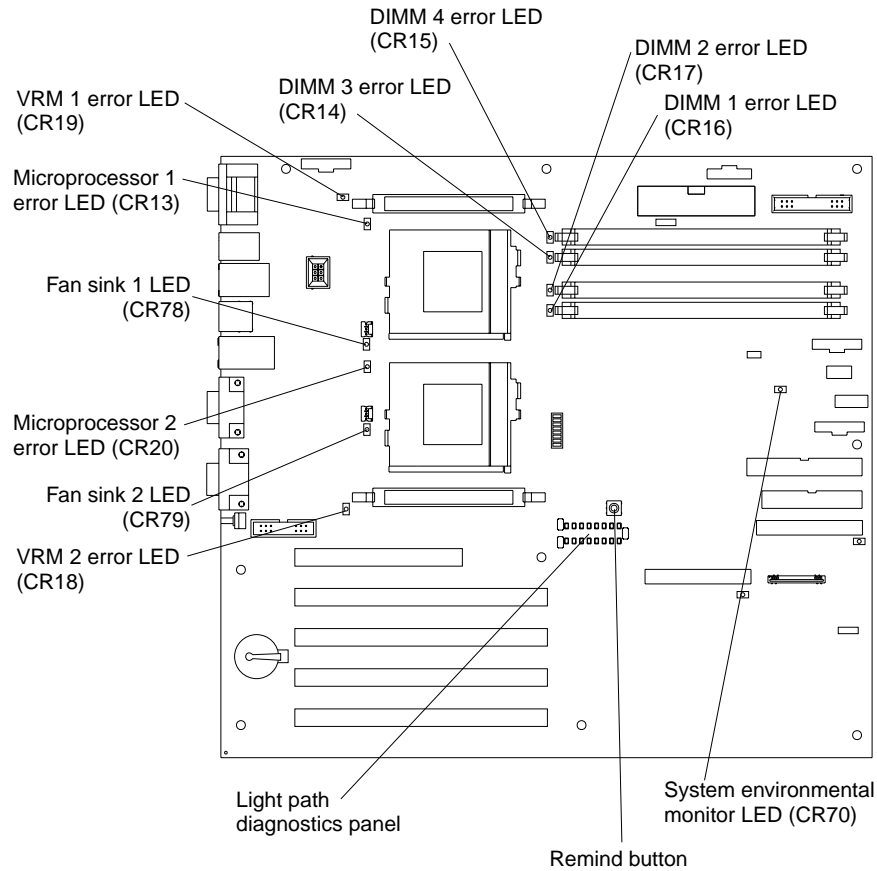
Switch number	Description
1 through 4	Reserved.
5	<p>Clock frequency selection.</p> <p>Switch 5 should always be set to Off to optimize system performance. Setting switch 5 to On greatly reduces system performance.</p>
6	<p>Password override.</p> <p>When On, bypass the power-on password. When Off, the user must type the power-on password at startup, if one is set. The default setting is Off. Toggle from On to Off or Off to On to override the password.</p>
7	Reserved. The default setting is Off.
8	<p>Power-on override.</p> <p>When On, overrides the power-on switch and forces power-on mode. The system will always start without the use of the power-on switch. The default setting is Off (disabled).</p> <p>Note: When the power-on switch is set to the On position, you cannot power down from the front panel.</p>

Table 2. Switches 1-8.

System board LED locations

The following illustration identifies LEDs on the system board. You might need to refer to this figure when solving problems with the server.

Note: The illustrations in this document might differ slightly from your hardware.



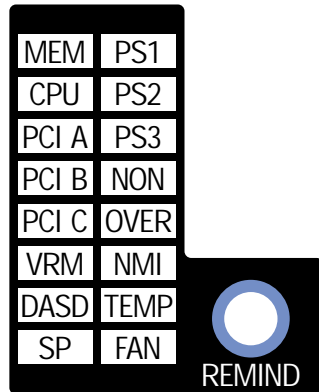
Note: The power-on LED is lit when system power is present in the server.

System environmental monitor subsystem LED

The xSeries 342 server has a system management feature on the system board. This green system management LED flashes, indicating that the system temperature, fan speeds, voltage ranges, power supplies, power backplane and DASD backplane are being monitored. If an error occurs in any of these areas, the system environmental monitor subsystem turns on the respective error LED on the Light Path Diagnostics panel. If the LED remains on or off, an error has occurred.

Light Path Diagnostics panel

The following illustration identifies the individual LEDs on the Light Path Diagnostics™ panel.



Diagnostic panel LED	Description
PS1	Power supply 1 failure.
PS2	Power supply 2 failure if installed.
PS3	Not used.
NON	Server power supplies are no longer redundant (applicable only with redundant power feature).
OVER	Overspecification. The system has exceeded the power capabilities (max rating) of the installed power-supply units.
NMI	Nonmaskable interrupt occurred.
TEMP	System temperature exceeded maximum rating.
FAN	A fan failed or is operating slowly.
MEM	Memory failure. One or more dual inline memory modules (DIMMs) failed.
CPU	One or both microprocessors failed or one is seated in wrong connector.
PCI A	Error occurred on an adapter in PCI slot 1, or one of the PCI devices integrated on the system board.
PCI B	Error occurred on an adapter in PCI slots 2 or 3, or one of the PCI devices integrated on the system board.
PCI C	Error occurred on an adapter in PCI slots 4 or 5, or one of the PCI devices integrated on the system board.
SP	System management subsystem detected an error.
VRM	Error on voltage regulator module or on integrated voltage regulator.
DASD	The SCSI backplane (if any) or a device connected to a SCSI bus failure.

Table 3. Diagnostics panel LEDs.

Remind button

You can use the Remind button to place the front panel system-error light into a Remind mode. By pressing the button, you acknowledge the failure but indicate that you will not take immediate action. If a new failure occurs, the LED will turn on again.

In the Remind mode, the system-error light flashes every 2 seconds. The system-error light remains in Remind mode until one of the following situations occurs:

- All known problems are resolved
- The system is restarted
- A new problem occurs

You can use the Remind button to delay server maintenance until a later time. Also, resetting the system-error light enables the LED to react to another error. If the LED is still blinking from the first error, it will mask additional errors.

Before you begin

Before you begin to install options in your server, read the following information:

- Become familiar with the safety and handling guidelines specified in “Safety information” on page 36 and “Handling static-sensitive devices” on page 36. These guidelines will help you work safely while working with your server or options.
- You do not need to turn off the server to install or replace hot-swap power supplies, hot-swap drives, or hot-swap fans.
- The orange color on components and labels in your server identifies hot-swap components. You can install or remove hot-swap components while the system is running, provided that your system is configured to support this function. For complete details about installing or removing a hot-swap component, see the information provided in this chapter.
- The blue color on components and labels identifies touch points where a component can be gripped, a latch moved, and so on.
- Make sure that you have an adequate number of properly grounded electrical outlets for your server, monitor, and any other options that you intend to install.
- Back up all important data before you make changes to disk drives.
- Have a small, flat-blade screwdriver available.
- For a list of supported options for your server, refer to <http://www.ibm.com/pc/us/compat> on the World Wide Web.

System reliability considerations

To help ensure proper cooling and system reliability, make sure:

- Each of the drive bays has either a drive or a filler panel installed.
- Each of the power supply bays has a power supply or a filler panel installed.
- The cover is in place during normal operation, or is removed for no longer than 30 minutes while the server is operating.
- Space is available around the server to allow the server cooling system to work properly. Refer to the documentation that comes with the rack.
- A removed hot-swap drive is replaced within two minutes of removal.
- Cables for optional adapters are routed according to the instructions provided with the adapters.
- A failed fan is replaced within 48 hours.

Working inside a server with power on

Your server supports hot-swap devices and is designed to operate safely while turned on with the cover removed. Follow these guidelines when you work inside a server that is turned on:

- Avoid loose-fitting clothing on your forearms. Button long-sleeved shirts before working inside the server; do not wear cuff links while you are working inside the server.
- Do not allow your necktie or scarf to hang inside the server.
- Remove jewelry, such as bracelets, rings, necklaces, and loose-fitting wrist watches.
- Remove items from your shirt pocket (such as pens or pencils) that could fall into the server as you lean over it.
- Take care to avoid dropping any metallic objects, such as paper clips, hair pins, or screws, into the server.

Handling static-sensitive devices

Attention: Static electricity can damage electronic devices and your system. To avoid damage, keep static-sensitive devices in their static-protective packages until you are ready to install them.

To reduce the possibility of electrostatic discharge, observe the following precautions:

- Limit your movement. Movement can cause static electricity to build up around you.
- Handle the device carefully, holding it by its edges or its frame.
- Do not touch solder joints, pins, or exposed printed circuitry.
- Do not leave the device where others can handle and possibly damage the device.
- While the device is still in its anti-static package, touch it to an unpainted metal part of the system unit for at least two seconds. (This drains static electricity from the package and from your body.)
- Remove the device from its package and install it directly into your system unit without setting it down. If it is necessary to set the device down, place it in its static-protective package. Do not place the device on your system unit cover or on a metal table.
- Take additional care when handling devices during cold weather; heating reduces indoor humidity and increases static electricity.

Safety information

Before installing this product, read the Safety Information.

مع، يجب قراءة دات السلامة

Antes de instalar este produto, leia as Informações de Segurança.

在安装本产品之前，请仔细阅读 **Safety Information** (安全信息)。

安裝本產品之前，請先閱讀「安全資訊」。

Prije instalacije ovog produkta obavezno pročitajte Sigurnosne Upute.

Před instalací tohoto produktu si přečtěte příručku bezpečnostních instrukcí.

Læs sikkerhedsforskrifterne, før du installerer dette produkt.

Lees voordat u dit product installeert eerst de veiligheidsvoorschriften.

Ennen kuin asennat tämän tuotteen, lue turvaohjeet kohdasta Safety Information.

Avant d'installer ce produit, lisez les consignes de sécurité.

Vor der Installation dieses Produkts die Sicherheitshinweise lesen.

Πριν εγκαταστήσετε το προϊόν αυτό, διαβάστε τις πληροφορίες ασφάλειας (safety information).

לפני שתתקינו מוצר זה, קראו את הוראות הבטיחות.

A termék telepítése előtt olvassa el a Biztonsági előírásokat!

Prima di installare questo prodotto, leggere le Informazioni sulla Sicurezza

製品の設置の前に、安全情報をお読みください。

본 제품을 설치하기 전에 안전 정보를 읽으십시오.

Пред да се инсталира овој продукт, прочитајте информацијата за безбедност.

Les sikkerhetsinformasjonen (Safety Information) før du installerer dette produktet.

Przed zainstalowaniem tego produktu, należy zapoznać się z książką "Informacje dotyczące bezpieczeństwa" (Safety Information).

Antes de instalar este produto, leia as Informações sobre Segurança.

Перед установкой продукта прочтите инструкции по технике безопасности.

Pred inštaláciou tohto zariadenia si pečítajte Bezpečnostné predpisy.

Pred namestitvijo tega proizvoda preberite Varnostne informacije.

Antes de instalar este producto lea la información de seguridad.

Läs säkerhetsinformationen innan du installerar den här produkten.

Statement 1



Danger

Electrical current from power, telephone, and communication cables is hazardous.

To avoid a shock hazard:

- Do not connect or disconnect any cables or perform installation, maintenance, or reconfiguration of this product during an electrical storm.
- Connect all power cords to a properly wired and grounded electrical outlet.
- Connect to properly wired outlets any equipment that will be attached to this product.
- When possible, use one hand only to connect or disconnect signal cables.
- Never turn on any equipment when there is evidence of fire, water, or structural damage.
- Disconnect the attached power cords, telecommunications systems, networks, and modems before you open the device covers, unless instructed otherwise in the installation and configuration procedures.
- Connect and disconnect cables as described in the following table when installing, moving, or opening covers on this product or attached devices.

To connect:

1. Turn everything OFF.
2. First, attach all cables to devices.
3. Attach signal cables to connectors.
4. Attach power cords to outlets.
5. Turn device ON.

To disconnect:

1. Turn everything OFF.
2. First, remove power cords from outlets.
3. Remove signal cables from connectors.
4. Remove all cables from devices.

Statement 2

CAUTION:



When replacing the lithium battery, use only IBM Part Number 33F8354 or an equivalent type battery recommended by the manufacturer. If your system has a module containing a lithium battery, replace it only with the same module type made by the same manufacturer. The battery contains lithium and can explode if not properly used, handled, or disposed of.

Do not:

- Throw or immerse into water.
- Heat to more than 100 C (212 F)
- Repair or disassemble

Dispose of the battery as required by local ordinances or regulations.

Statement 3



CAUTION:

When laser products (such as CD-ROMs, DVD drives, fiber optic devices, or transmitters) are installed, note the following:

- Do not remove the covers. Removing the covers of the laser product could result in exposure to hazardous laser radiation. There are no serviceable parts inside the device.
- Use of controls or adjustments or performance of procedures other than those specified herein might result in hazardous radiation exposure.

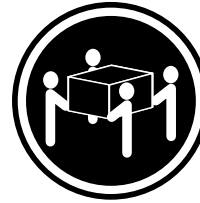
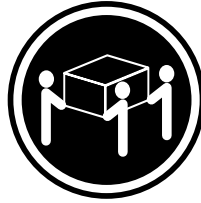
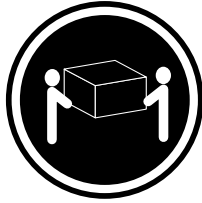


Danger

Some laser products contain an embedded Class 3A or Class 3B laser diode. Note the following. Laser radiation when open. Do not stare into the beam, do not view directly with optical instruments, and avoid direct exposure to the beam.

Class 1 Laser Product
Laser Klasse 1
Laser Klass 1
Luokan 1 Laserlaite
Appareil À Laser de Classe 1

Statement 4



≥18 kg (39.7 lbs)

≥32 kg (70.5 lbs)

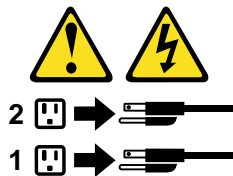
≥55 kg (121.2 lbs)

CAUTION:
Use safe practices when lifting.

Statement 5



CAUTION:
The power control button on the device and the power switch on the power supply do not turn off the electrical current supplied to the device. The device also might have more than one power cord. To remove all electrical current from the device, ensure that all power cords are disconnected from the power source.



Statement 8



CAUTION:

Never remove the cover on a power supply or any part that has the following label attached.

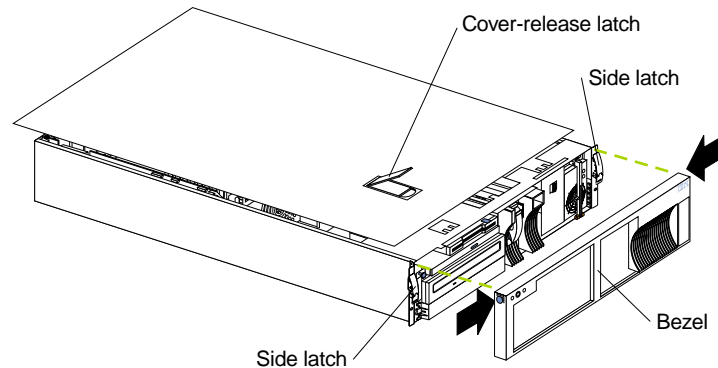


Hazardous voltage, current, and energy levels are present inside any component that has this label attached. There are no serviceable parts inside these components. If you suspect a problem with one of these parts, contact a service technician.

Removing the cover and bezel

Refer to the following illustration to remove the cover and bezel.

Note: The illustrations in this document might differ slightly from your hardware.



To remove the server top cover:

1. Review the information in “Before you begin” on page 35.
2. If you are planning to install or remove any part other than a hot-swap hard disk drive, hot-swap power supply, or hot-swap fan, turn off the server and all attached devices and disconnect all external cables and power cords.
3. Release the left and right side latches and pull the server out of the rack enclosure until both slide rails lock.

Note: When the server is in the locked position, you can reach the cables on the back of the server.

4. Lift the cover-release latch. Lift the cover off the server and set the cover aside.

Attention: For proper cooling and airflow, replace the cover before turning on the server. Operating the server for extended periods of time (over 30 minutes) with the cover removed might damage server components.

To remove the bezel:

1. Press in on the top sides of the bezel, and rotate the bezel away from the server front.
2. Store the bezel in a safe place.

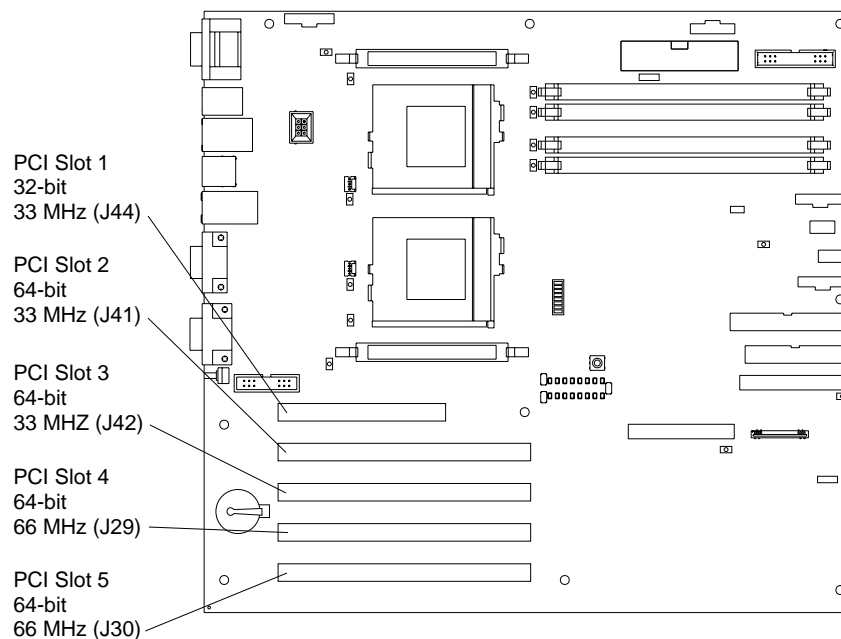
Working with adapters

You can install up to five peripheral component interconnect (PCI) adapters in the expansion connectors on the system board.

Your server comes with an integrated video controller, which is a component on the system board. When you install a video adapter, the server BIOS automatically disables the integrated video controller.

The following illustration shows the location of the PCI expansion slots on the system board.

Note: The illustrations in this document might differ slightly from your hardware.



Adapter considerations

Before you install the adapter, review the following:

- Review the documentation that comes with the adapter and follow those instructions in addition to the instructions given in this chapter. If you need to change the switch or jumper settings on your adapter, follow the instructions that come with the adapter.
- You can install full-length adapters in all expansion slots.
- You can install a 32-bit adapter in any of the PCI slots.
- Your server supports 5.0V signalling or universal PCI adapters in slots 1, 2, and 3; it supports 3.3V signalling or universal PCI adapters in slots 4 and 5.

Note: Some full-length adapters with attached daughterboards might interfere with SCSI channel B if installed in slot 1. Install these adapters in slots 2, 3, 4, or 5.

- Your server uses a rotational interrupt technique to configure PCI adapters. Therefore, you can install a variety of PCI adapters that currently do not support sharing of PCI interrupts.
- PCI slot 1 is on PCI bus A, PCI slots 2 and 3 are on PCI bus B, and PCI slots 4 and 5 are on PCI bus C. The system scans PCI slot 1, the system board Ethernet,

PCI slots 2-5, and then the system board SCSI channels A and B, if you have not changed the boot precedence from the default.

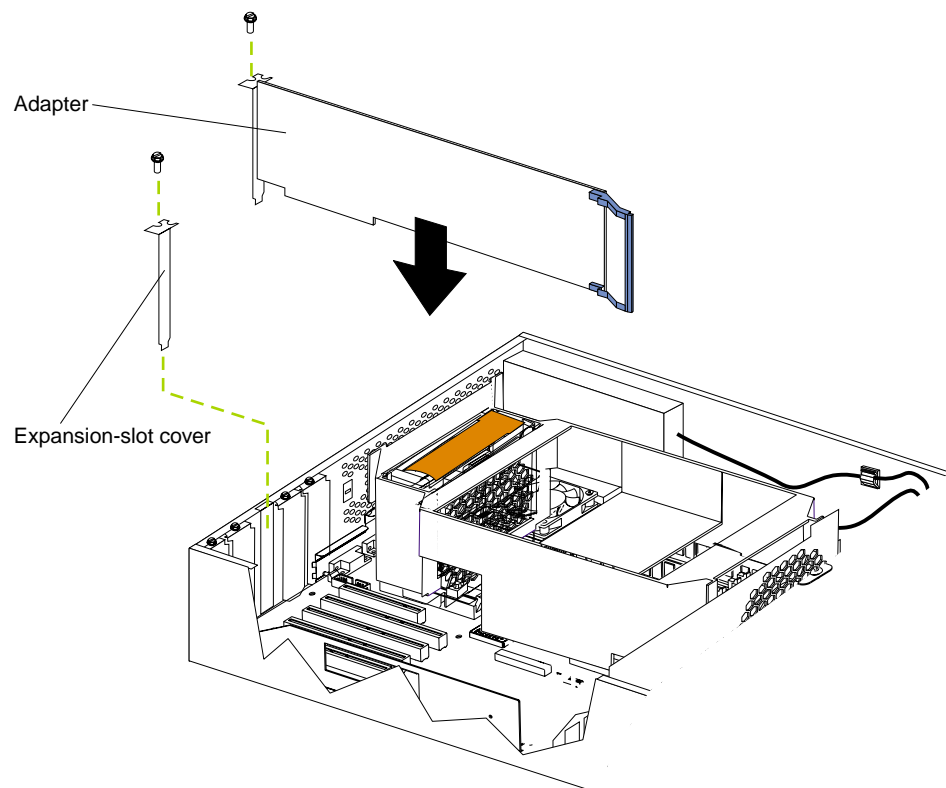
You can use the Configuration/Setup Utility program to change the boot precedence for your server. Select **Start Options** from the Configuration/Setup Utility program main menu.

- The optional IBM Remote Supervisor Adapter must be installed in PCI slot 1 only. The ribbon cable that ships with the adapter is required to connect the adapter to the system board. The external power adapter that ships with the adapter is not required with this server.

Installing an adapter

Refer to the following illustration to install an adapter.

Note: The illustrations in this document might differ slightly from your hardware.



To install an adapter:

1. Review the information in “Before you begin” on page 35, in “Safety information” on page 36, and “Handling static-sensitive devices” on page 36.
2. Turn off the server and peripheral devices and disconnect all external cables and power cords; then, remove the cover (see “Removing the cover and bezel” on page 42).
3. Determine which expansion slot you will use for the adapter.
Attention: Check the instructions that come with the adapter for any requirements or restrictions.
4. Remove the expansion-slot cover:
 - a. Loosen and remove the screw on the top of the expansion-slot cover.

- b. Slide the expansion-slot cover out of the server. Store it in a safe place for future use.

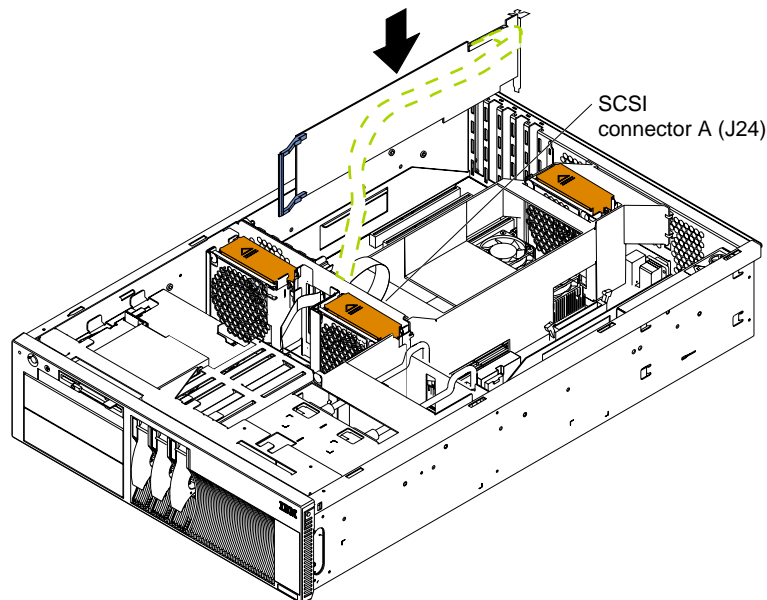
Attention: Expansion-slot covers must be installed on the openings for all vacant slots. This maintains the electronic emissions characteristics of the system and ensures proper cooling of system components.

5. Refer to the documentation that comes with your adapter for any cabling instructions. It might be easier for you to route any cables before you install the adapter.
6. Remove the adapter from the static-protective package.
Attention: Avoid touching the components and gold-edge connectors on the adapter.
7. Place the adapter, component-side up, on a flat, static-protective surface.
8. Set any jumpers or switches as described by the adapter manufacturer.

9. Install the adapter:
 - a. Carefully grasp the adapter by its top edge or upper corners, and align it with the expansion slot on the system board.
 - b. Press the adapter *firmly* into the expansion slot.

Attention: When you install an adapter in the server, be sure that it is completely and correctly seated in the system-board connector before you apply power. Incomplete insertion might cause damage to the system board or the adapter.
 - c. Insert and tighten the expansion-slot screw on the top of the adapter bracket.
10. Connect any needed cables to the adapter.
 - If you are installing a ServeRAID adapter, disconnect the cable from SCSI connector A (J24) on the system board and plug it into the connector on the top of the ServeRAID adapter. See “System board internal cable connectors” on page 29 for the location of SCSI connector A.

The following illustration shows the rerouting of the SCSI cable if you install a ServeRAID adapter.



- If you are installing an adapter that is not a ServeRAID adapter, refer to the documentation that came with your adapter for cabling instructions.
- Attention:** Route cables so that the flow of air from the fans is not blocked. In addition, route any cables plugged into the PCI adapter under adjacent adapters so they are not pinched between the top of the adapter and the top cover.
11. If you have other options to install or remove, do so now; otherwise, go to “Installing the server cover and bezel” on page 63.

Installing internal drives

If you add different types of drives, your system can read multiple types of media and store more data. Several types of drives are available, such as:

- Diskette
- Hard disk
- CD-ROM

- Tape

Your server contains hardware that enables you to replace a failed hard disk drive without turning off the server. Therefore, you have the advantage of continuing to operate your system while a hard disk drive is removed or installed. These drives are known as hot-swap drives.

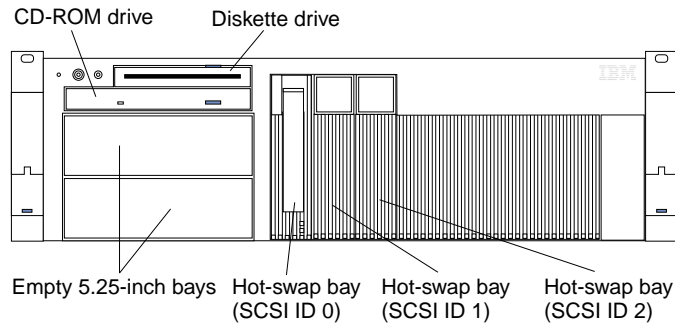
Each hot-swap drive bay has two indicator lights (see “Server controls and indicators” on page 5). If the amber hard-disk drive status light is lit continuously, that individual drive is faulty and needs to be replaced. When the hard-disk drive status light indicates a drive fault, you can replace that hot-swap drive without turning off the server.

Each hot-swap drive that you plan to install must have a hot-swap-drive tray attached. The drive must have a single connector attachment (SCA) connector. Hot-swap-drive trays come with the hot-swap drives.

Internal drive bays

Internal drives are installed in *bays*. Your server comes with a pre-installed diskette drive and a pre-installed CD-ROM drive.

Note: The illustrations in this document might differ slightly from your hardware.



- Your server comes with one 3.5-inch, 1.44 MB diskette drive and one 24x IDE CD-ROM drive.
- The empty bays below the diskette drive come without a device installed. You can use these bays for 5.25-inch, half-high, removable-media drives, such as tape backup drives. You also can combine these bays into a single, full-high bay and install a digital linear tape (DLT) drive; or, you can install an xSeries Media Bay Ultra160 Hot Swap Conversion Kit option, which converts these bays to three hot-swap drive bays.
- The xSeries 342 server supports only one diskette drive.
- If you are installing a device with a 50-pin connector in either of the 5.25-inch bays, you need a 68-pin to 50-pin converter.
- Your server supports three slim-high (1-inch) hot-swap hard disk drives in the hot-swap bays. If your server has the xSeries Media Bay Ultra160 Hot Swap Conversion Kit option installed, it supports three additional hot-swap hard disk drives.
- The hot-swap bays connect to a SCSI backplane. This backplane is a printed circuit board behind the bay.

Note: The server EMI integrity and cooling are both protected by having the 5.25-inch bays covered or occupied. When you install a drive, save the filler panel from the bay, in case you later remove the drive and do not replace it with another.

SCSI drives

Some drives have a special design called *small computer system interface*, or SCSI. This design allows you to attach multiple drives to a single SCSI channel.

Notes:

1. Any information about SCSI drives also applies to other SCSI devices, such as tape drives.
2. If you plan to install both internal and external SCSI devices, you must follow the instructions in "Connecting external options" on page 63, in addition to the instructions in this section.

A 16-bit (wide) SCSI cable connects the SCSI hard-disk drive backplane to an integrated SCSI controller on the system board. An additional 16-bit 1-drop SCSI cable comes with your server. It is folded and restrained with a cable clamp on the bottom of the server chassis near the empty bays. You can use this cable to connect an optional SCSI device installed in one of the empty 5.25-inch bays to the SCSI channel B connector on the system board.

SCSI IDs

Each SCSI device that is connected to an individual channel of a SCSI controller needs a unique identification (ID) so that the controller can identify the devices and ensure that different devices do not attempt to transfer data at the same time. If you need to set IDs for SCSI devices, refer to the instructions that come with those devices.

Your server automatically sets SCSI IDs for hot-swap hard disk drives.

The SCSI ID assigned to each hot-swap bay is shown on your server beside the bay. The server uses the hard disk drive SCSI IDs to send status information to the indicator lights above each hot-swap bay.

The processing sequence for SCSI devices is set through the SCSISelect Utility program. The default sequence proceeds from the lowest SCSI ID to the highest (0 to 15). The SCSI controller uses ID 7.

Ensure that the device you are installing is not terminated. It is not necessary to set termination jumpers on internal SCSI devices. The server hardware provides termination for all internal SCSI devices.

Installing a hot-swap drive

The hot-swap drive bays support hot-swap drives only.

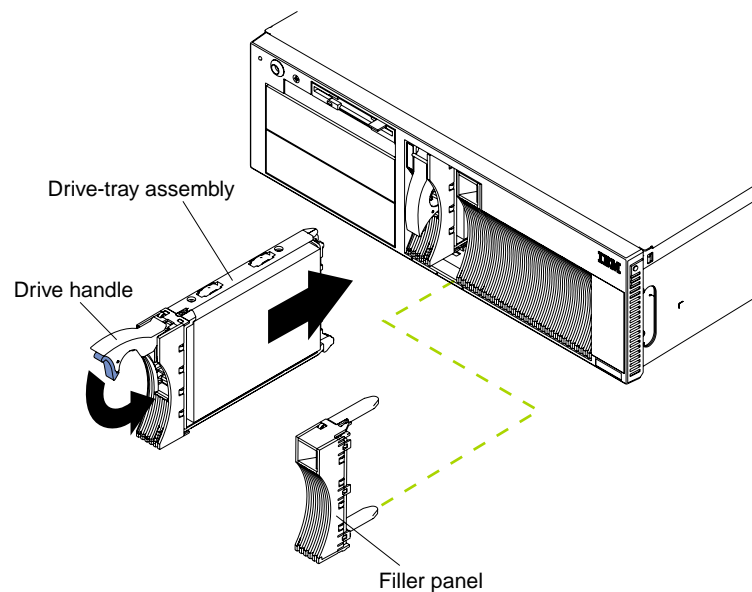
This section gives the procedure for installing a hot-swap hard disk drive. If you want to remove a drive, reverse the following steps.

Notes:

1. To minimize the possibility of damage to the hard disk drives, install the server in the rack before installing the hard disk drives.
2. You do not need to turn off the server to install hot-swap drives. However, you must turn off the server when performing any steps that involve installing or removing cables.

Refer to the following illustration to install a hot-swap drive.

Note: The illustrations in this document might differ slightly from your hardware.



To install a drive in a hot-swap drive bay:

1. Review the information in “Before you begin” on page 35 and “Handling static-sensitive devices” on page 36.

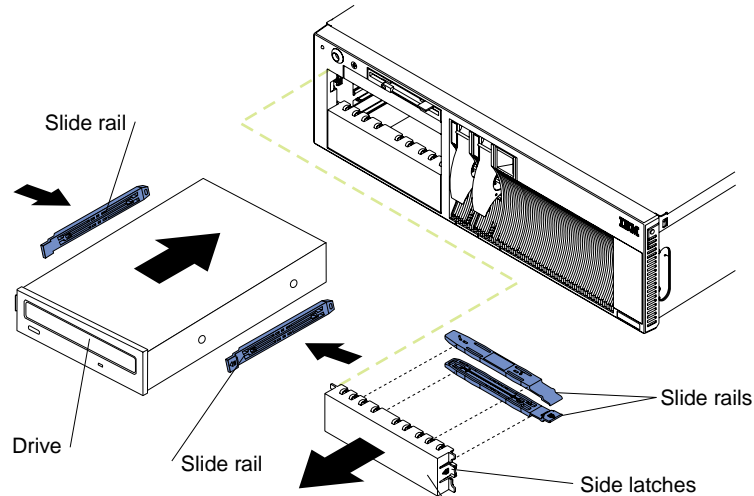
Attention: To maintain proper system cooling, do not operate the server for more than two minutes without either a drive or a filler panel installed for each bay.

2. Remove the filler panel from one of the empty hot-swap bays by inserting your finger into the depression on the filler panel and pulling it away from the server.
3. Install the hard disk drive in the hot-swap bay:
 - a. Ensure the tray handle is open (that is, perpendicular to the drive).
 - b. Align the drive/tray assembly with the guide rails in the bay.
 - c. Gently push the drive/tray assembly into the bay until the drive touches the backplane.
 - d. Push the tray handle down until it locks.
4. Check the hard disk drive status indicators to verify that the hard disk drive is operating properly. (See “Server controls and indicators” on page 5 for the location of the status indicators.)
 - If the amber light is on continuously, the drive has failed.
 - When the amber light flashes slowly (one flash per second), the drive is being rebuilt. (This occurs only if you have a RAID adapter installed.)
 - When the amber light flashes rapidly (three flashes per second), the controller is identifying the drive. (This occurs only if you have a RAID adapter installed.)
 - The green activity light flashes when there is activity on the drive.

Installing a non-hot-swap drive

Before you install drives in your server, verify that you have all the cables and any other equipment specified in the documentation that comes with the internal drive. You might also need to perform certain pre-installation activities. Some of the steps are required only during the initial installation of an option.

Note: The illustrations in this document might differ slightly from your hardware.



To install a non-hot-swap drive:

1. Review the information in “Before you begin” on page 35, in “Safety information” on page 36, and “Handling static-sensitive devices” on page 36.
2. Turn off the server and peripheral devices, and then remove the cover and bezel. (See “Removing the cover and bezel” on page 42.)
3. Remove the filler panel from the bay opening by pushing in the side latches and pulling the filler panel away from the server. You do not need the filler panel when you have a drive installed in the bay.

Note: The electromagnetic interference (EMI) integrity and cooling of the server are protected by having the non-hot-swap bays covered or occupied. When you install a drive, save the filler panel from the bay, in case you later remove the drive and do not replace it with another.

4. If the drive that you are installing is a laser product, observe the following safety precaution.

Statement 3



CAUTION:

When laser products (such as CD-ROMs, DVD drives, fiber optic devices, or transmitters) are installed, note the following:

- Do not remove the covers. Removing the covers of the laser product could result in exposure to hazardous laser radiation. There are no serviceable parts inside the device.
- Use of controls or adjustments or performance of procedures other than those specified herein might result in hazardous radiation exposure.



Danger

Some laser products contain an embedded Class 3A or Class 3B laser diode. Note the following. Laser radiation when open. Do not stare into the beam, do not view directly with optical instruments, and avoid direct exposure to the beam.

5. Touch the static-protective package containing the drive to any unpainted metal surface on the server; then, remove the drive from the package and place it on a static-protective surface.
6. Set any jumpers or switches on the drive according to the documentation that comes with the drive.
7. Install rails on the drive.
 - If you are installing a standard-size drive:
 - a. Pull the blue slide rails off the back of the filler panel.
 - b. Clip the rails onto the sides of the drive.
 - If you are installing a digital linear tape (DLT) backup drive, use the metal slide rails and screws that come in the box that contains the server documentation.
8. Place the drive so that the slide rails engage in the bay guide rails. Push the drive into the bay until it clicks into place.
9. If you are installing a SCSI device, continue with the next step. If you are installing an IDE device, go to step 11 on page 53.
10. To install a SCSI device:
 - a. Attach the connector on the 1-drop SCSI cable for the non-hot-swap drive bays to the back of the drive. Connect the other end of the cable to SCSI channel B on the system board, if it is not already attached. See "System board internal cable connectors" on page 29 for the location of the SCSI channel B connector.

- Note:** If you want to install more than one optional SCSI 5.25-inch device, install an optional SCSI adapter to control the device.
- b. Connect a power cable to the back of the drive. Power cables for non-hot-swap drives come installed in your server. They are bundled together in the area behind the CD-ROM drive. The connectors are keyed and can be inserted only one way.
 - c. Continue with step 12.
11. To install an IDE device, such as a CD-ROM drive or a DVD-ROM drive, use the two-drop IDE cable that comes with the option:
 - a. Remove the cable connecting the CD-ROM drive to the IDE connector on the system board.
 - b. Remove the power cable connected to the original CD-ROM drive.
 - c. Using the two-drop cable that came with your IDE option, connect the IDE device to the IDE connector on the system board.
 - d. Connect the new IDE device to a connector on the power cable.
 - e. Set the jumper on the back of the new IDE device to subordinate.
 12. If you have other options to install or remove, do so now; otherwise, go to “Installing the server cover and bezel” on page 63.

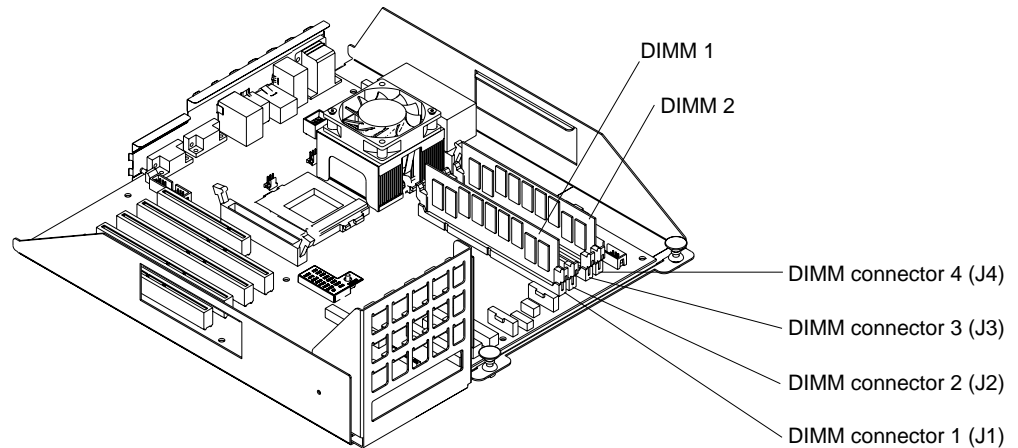
Installing memory modules

Adding memory to your server is an easy way to make programs run faster. You can increase the amount of memory in your server by installing options called *memory-module kits*. Each kit contains one industry-standard, dual inline memory module (DIMM). Your server uses a two-way interleaved memory configuration. You must install matched pairs of memory kits, but the set in slots 1 and 4 do not need to be the same size as the set in slots 2 and 3.

Notes:

1. Your server comes with two DIMMs installed in DIMM slots 1 and 4. Install additional DIMMs as a matched pair in DIMM connectors 2 and 3 and as instructed in the documentation that comes with your option.
2. Your xSeries 342 server supports 128 MB, 256 MB, 512 MB, and 1 GB DIMMs. You must install the DIMMs in pairs of the same size. Place pair 1 in slots 1 and 4 and pair 2 in slots 2 and 3. Refer to the ServerProven[®] list on the World Wide Web at <http://www.ibm.com/pc/compat> for information about memory modules for use with your server.
3. Installing or removing DIMMs changes the configuration information in the server. Therefore, after installing or removing a DIMM, you must save the new configuration information in the Configuration/Setup Utility program. When you restart the server, the system displays a message indicating that the memory configuration has changed. Start the Configuration/Setup Utility program and select **Save Settings**. See “Using the Configuration/Setup Utility program” on page 11 for more information.

Note: The illustrations in this document might differ slightly from your hardware.

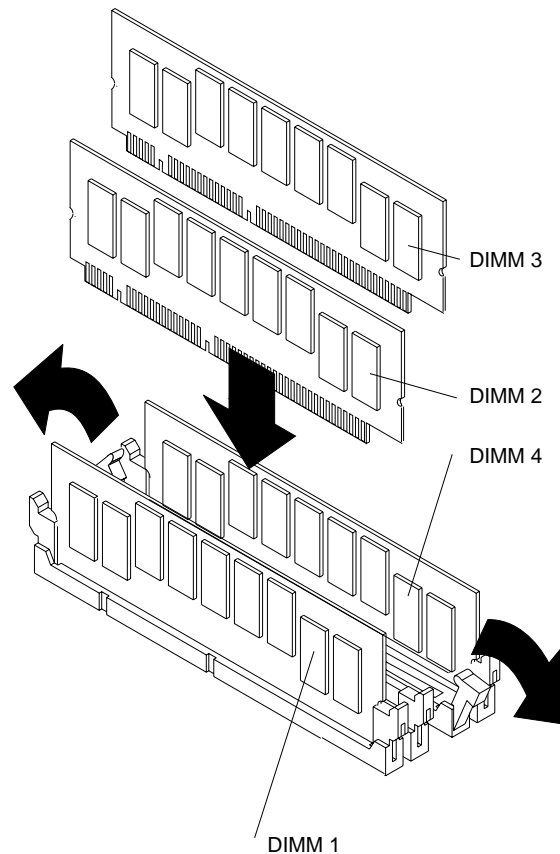


To install a DIMM:

1. Review the information in “Before you begin” on page 35, in “Safety information” on page 36, and “Handling static-sensitive devices” on page 36. Also review the documentation that comes with your option.
2. Turn off the server and peripheral devices and disconnect all external cables and power cords; then, remove the cover. (See “Removing the cover and bezel” on page 42.)
3. Touch the static-protective package containing the DIMM to any unpainted metal surface on the server. Then, remove the DIMM from the package. You must install memory in matched pairs: the first pair must be in slots 1 and 4 and the second pair must be in slots 2 and 3.

Attention: To avoid breaking the retaining clips or damaging the DIMM connectors, handle the clips gently.

4. Install the DIMM:
 - a. Turn the DIMM so that the pins and keys align correctly with the connector.



- b. Insert the DIMM into the connector by pressing on one edge of the DIMM and then on the other edge of the DIMM. Be sure to press straight into the connector. Be sure that the retaining clips snap into the closed position.
 - c. Make sure the retaining clips are in the closed position. If a gap exists between the DIMM and the retaining clips, the DIMM has not been properly installed. In this case, open the retaining clips and remove the DIMM; then, reinsert the DIMM.
 - d. Repeat steps 4a through 4c for the second DIMM; then continue with step 5.
5. If you have other options to install or remove, do so now; otherwise, go to “Installing the server cover and bezel” on page 63.

Installing a microprocessor

Your server comes with one microprocessor installed on the system board. If you install an additional microprocessor, your server can operate as a symmetric multiprocessing (SMP) server. With SMP, certain operating systems and application programs can distribute the processing load between the microprocessors.

Notes:

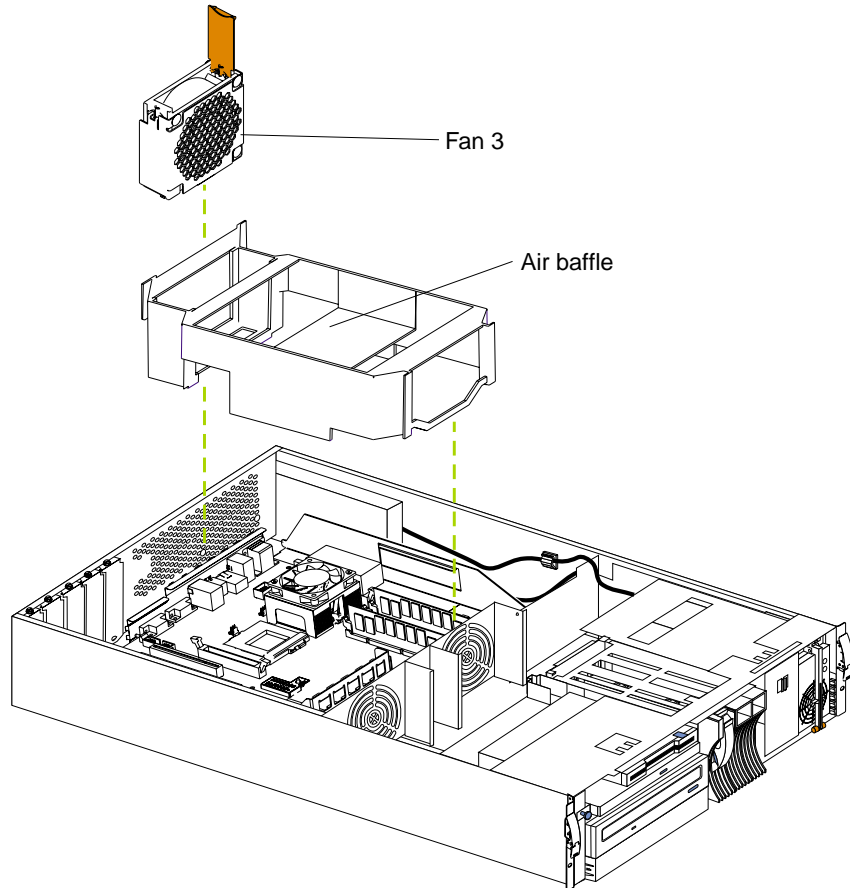
1. Before you install a new microprocessor, review the documentation that comes with the microprocessor, so that you can determine whether you need to update the server basic input/output system (BIOS) code. The latest level of BIOS for your server is available through the World Wide Web. Refer to “Getting information, help, and service” on page 126 for the appropriate World Wide Web addresses.

2. Obtain an SMP-capable operating system (optional). For a list of supported operating systems, see <http://www.ibm.com/pc/us/compat/> on the World Wide Web.
3. If two microprocessors are installed, the microprocessor installed in connector U69 is the startup processor, and the microprocessor installed in U68 is the application processor.

Attention: To avoid damage and ensure proper server operation when you install a new or additional microprocessor, use microprocessors that have the same cache size and type, and the same clock speed. Microprocessor internal and external clock frequencies must be identical.

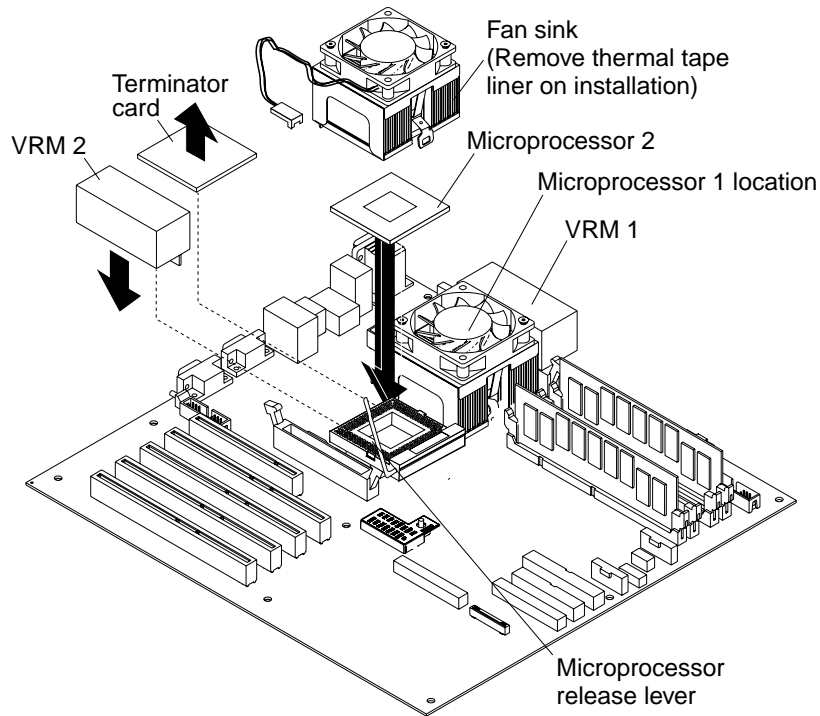
To install an additional microprocessor:

1. Review the information in “Before you begin” on page 35, “Safety information” on page 36, and “Handling static-sensitive devices” on page 36.
2. Turn off the server and peripheral devices and disconnect all external cables and power cords; then, remove the cover (see “Removing the cover and bezel” on page 42).
3. Remove the fan 3 assembly by lifting the orange handle on top of the fan assembly and pulling the fan assembly away from the server.



4. Remove the air baffle by grasping it at the sides and lifting it from the server.

5. Remove the terminator card from the microprocessor connector by lifting the release arm on the carrier. Leave the lever in its open position.



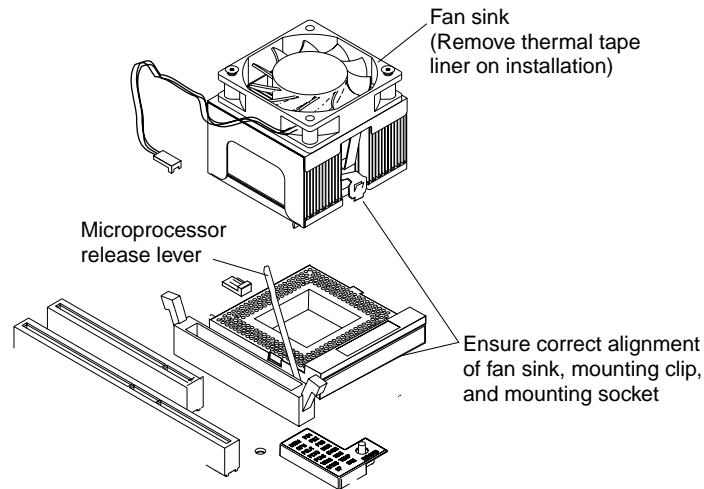
6. Store the terminator card in a safe place in the static-protective package that your new microprocessor comes in; you will need to install it again, if you ever remove the microprocessor and do not replace it.
7. Install the microprocessor:
 - a. Touch the static-protective package containing the new microprocessor to any *unpainted* metal surface on the server; then, remove the microprocessor from the package.
 - b. Line up the microprocessor pins over the microprocessor connector and carefully press the microprocessor into the connector.
 - c. Press down and latch the release lever.

Note: To remove a microprocessor, pull upward on the microprocessor release arm and then lift the microprocessor out of the connector.
8. Install the voltage regulator module (VRM) included in the microprocessor kit.

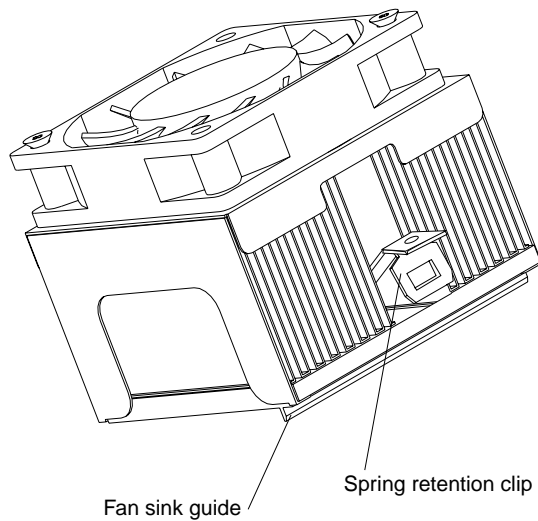
Attention: When installing or replacing a VRM, use only a VRM specified for use with the xSeries 342 server. Use of other VRMs might cause your server to overheat.

 - a. Center the VRM over the VRM connector. Make sure that the VRM is oriented and aligned correctly.
 - b. Press the VRM into the connector.

Note: If you remove the microprocessor later, remember to install the terminator card in the appropriate microprocessor connector and to remove the VRM.
9. Remove the thermal tape liner from the underside of the fan sink and discard.
10. Set the fan sink into place.



Make sure the fan sink guide fits between the processor and the processor socket.



11. Press down and latch the spring retention clip on the back of the fan sink (the side facing the back of the server).
12. Press down and latch the spring retention clip on the front of the fan sink (the side facing the front of the server).
13. Plug the fan sink into the fan sink connector on the system board (J46). Make sure the cable is not in a position to interfere with the fan sink operation.
14. Reinstall the air baffle. Make sure the sides of the air baffle fit inside the brackets on the server.
15. Reinstall the fan 3 assembly and make sure that the connector engages.
16. If you have other options to install or remove, do so now; otherwise, go to "Installing the server cover and bezel" on page 63.

Installing a hot-swap power supply

Your server comes with one hot-swap power supply. You can install an additional power supply.

Statement 8

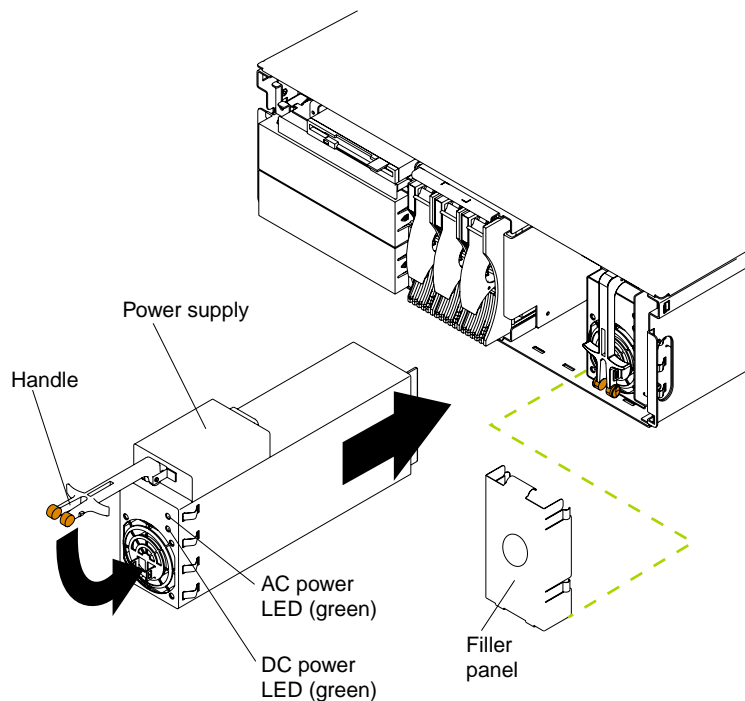


CAUTION:
Never remove the cover on a power supply or any part that has the following label attached.



Hazardous voltage, current, and energy levels are present inside any component that has this label attached. There are no serviceable parts inside these components. If you suspect a problem with one of these parts, contact a service technician.

Note: The illustrations in this document might differ slightly from your hardware.



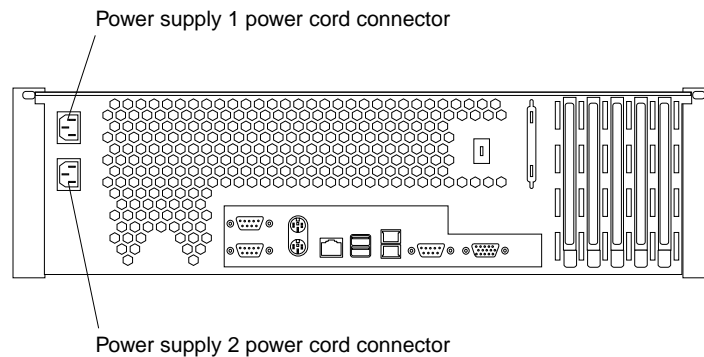
To install a power supply:

1. Remove the bezel. See “Removing the cover and bezel” on page 42.

2. Remove the filler panel from the empty power-supply bay by inserting your finger into the depression on the filler panel and pulling it away from the server. Save the filler panel in case you remove the power supply at a later time.

Note: During normal operation, each power-supply bay must have either a power supply or filler panel installed for proper cooling.
3. Install the power supply in the bay:
 - a. Move the handle on the power supply into the open position, pinch the side-clips, and slide the power supply into the chassis.
 - b. Gently close the handle to seat the power supply in the bay.
4. Plug the power cord for the added power supply into the power-cord connector on the rear of the server. Then, plug the power cord into a properly grounded electrical outlet.

The following illustration shows the power supply connectors in the back of the server.

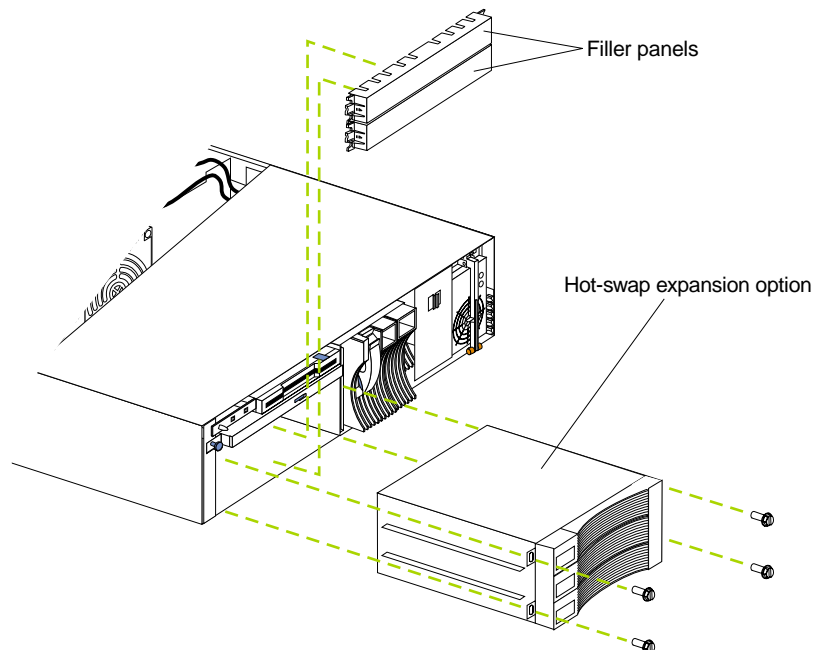


5. Route the power cord through the cable-management arm. (See “Cabling the server” on page 75.)
6. Plug the power cord into a properly grounded electrical outlet.
7. Verify that the dc power light and ac power light on the power supply are lit, indicating that the power supply is operating correctly.
8. Replace the bezel. (See “Installing the server cover and bezel” on page 63.)

Installing an xSeries 3-Pack Ultra160 Hot-Swap Expansion Kit

You can install an xSeries 3-Pack Ultra160 Hot-Swap Expansion Kit in your server to provide three additional hot-swap hard disk drives.

Note: The illustrations in this document might differ slightly from your hardware.



To install an xSeries 3-Pack Ultra160 Hot-Swap Expansion Kit:

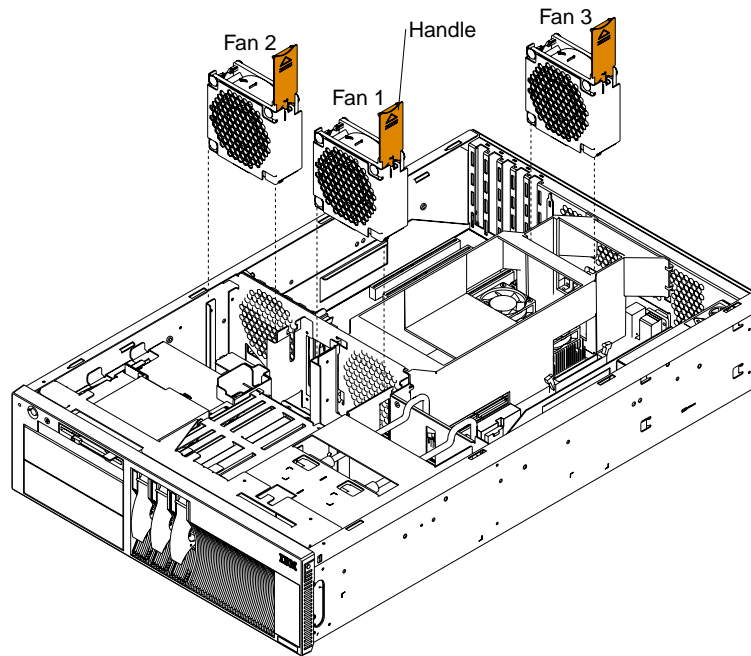
1. Review the information in “Before you begin” on page 35, “Safety information” on page 36, and “Handling static-sensitive devices” on page 36.
2. Turn off the server and peripheral devices and disconnect all external cables and power cords; then, remove the cover and bezel. (See “Removing the cover and bezel” on page 42.)
3. Release the side latches to remove the filler panels from the bays below the CD-ROM drive.
4. Refer to the documentation provided with the option to assemble the hot-swap expansion option.
5. Slide the hot-swap expansion option into the bays and attach it to the server with the screws provided in the kit.
6. Refer to the documentation provided with the option to complete the installation of the option. (See “System board internal cable connectors” on page 29 for locations of the cable connectors on the system board.)
7. If you have other options to install or remove, do so now; otherwise, go to “Installing the server cover and bezel” on page 63.

Replacing a hot-swap fan assembly

Your server comes with three hot-swap fan assemblies. You do not need to turn off the power to the server to replace a hot-swap fan assembly.

Attention: If a fan fails, replace it within 48 hours to help ensure proper cooling.

Note: The illustrations in this document might differ slightly from your hardware.



To replace a hot-swap fan assembly:

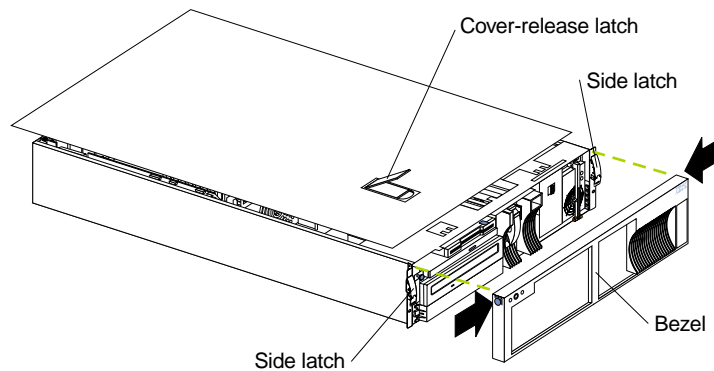
1. Remove the cover. See “Removing the cover and bezel” on page 42.

Attention: To ensure proper system cooling, do not remove the top cover for more than 30 minutes during this procedure.

2. The LED on the failing fan assembly will be lit. Remove the failing fan assembly from the server by lifting the orange handle on the top of the fan assembly and pulling the fan assembly away from the server.
3. Slide the replacement fan assembly firmly into the server.
4. Verify that the FAN LED on the diagnostics panel on the system board is not lit. If the FAN LED is lit, reseal the fan.
5. Replace the cover. See “Installing the server cover and bezel” on page 63.

Installing the server cover and bezel

Note: The illustrations in this document might differ slightly from your hardware.



To install the server cover:

1. Place the cover-release latch in the open (up) position and align the flanges on the left and right sides of the cover with the slots on the server chassis.
2. Close the cover-release latch.

To install the bezel:

1. Align the hooks on the bottom of the trim bezel to the server.
2. Press inward on the top sides of the bezel, and press the bezel toward the server until it clicks into place.

To complete the installation:

- Reinstall the server in the rack.
- If you disconnected any cables from the back of the server, reconnect the cables; then, plug the power cords into properly grounded electrical outlets.

Connecting external options

If you install a SCSI adapter, you can attach a SCSI storage expansion enclosure to your server. You can attach additional external options to the input/output ports on the rear of the server. See “Input/output ports” on page 64 for additional information.

To attach an external device:

1. Read “Before you begin” on page 35 and the documentation that comes with your options.
2. Turn off the server and all attached devices.
3. Follow the instructions that come with the option to prepare it for installation and to connect it to the server.

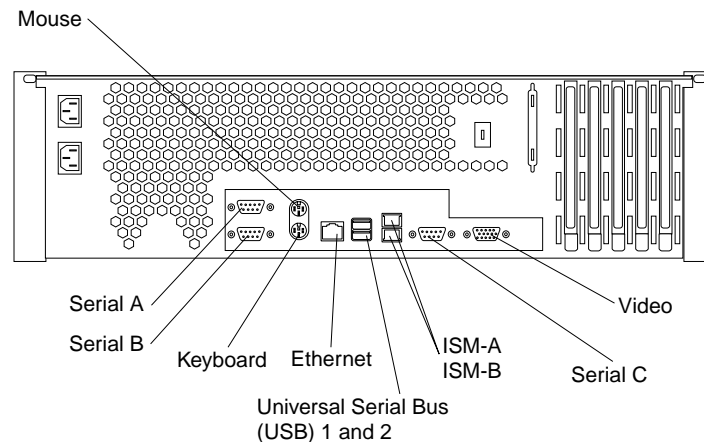
Note: If you are attaching an external SCSI device, see “SCSI cabling requirements” on page 72 and “Setting SCSI IDs” on page 73.

Input/output ports

Your server has the following input/output (I/O) ports:

- Two serial ports
- One keyboard port
- One auxiliary-device (pointing device) port
- One Ethernet port
- Two Universal Serial Bus (USB) ports
- Two ISM ports
- One system management port
- One video port
- One dual channel Ultra160 SCSI controller with two internal connectors

Note: The illustrations in this document might differ slightly from your hardware.



Future releases of the Integrated System Management (ISM) firmware code will enable the system environmental monitor subsystem to send or forward alerts to IBM system management adapters using the ISM ports. Future releases of the Integrated System Management (ISM) firmware code will enable the system environmental monitor subsystem to communicate using a modem and the dedicated Serial C port.

Serial ports

Your server has two standard serial ports, Serial port A and Serial port B, and a third, Serial port C, which is dedicated for use by the system management subsystem. (See “System management port” on page 71.) The operating system can use both serial ports.

Some application programs require specific ports, and some modems function properly only at certain communication port addresses. You might need to use the Configuration/Setup Utility program to change communication port address assignments to prevent or resolve address conflicts.

Viewing or changing the serial-port assignments

To view or change the serial-port assignments:

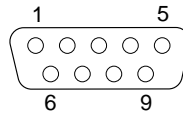
1. Restart the server and watch the monitor screen.
2. When the message Press F1 for Configuration/Setup appears, press F1.
3. From the main menu, select **Devices and I/O Ports**; then, press Enter.

Note: The Device and I/O Ports choice appears only on the full configuration menu. If you set two levels of passwords, you must type the administrator password to access the full configuration menu.

4. Select the serial port; then, use the arrow keys to advance through the settings available.
5. Select **Save Settings**; then, select **Exit Setup** to exit from the Configuration/Setup Utility main menu.

Serial-port connectors

The following table shows the pin-number assignments for the 9-pin, male D-shell serial-port connectors on the rear of your server. These pin-number assignments conform to the industry standard.



Pin	Signal	Pin	Signal
1	Data carrier detect	6	Data set ready
2	Receive data	7	Request to send
3	Transmit data	8	Clear to send
4	Data terminal ready	9	Ring indicator
5	Signal ground		

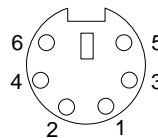
Table 4. Serial-port connectors pin-number assignments.

Keyboard port

There is one keyboard port on the rear of your server.

Note: If you attach a standard (non-USB) keyboard to the keyboard connector, the USB ports and devices will be disabled during the power-on self-test (POST).

The following table shows the pin-number assignments for the keyboard connector on the rear of your server.



Pin	I/O	Signal
1	I/O	Data
2	N/A	Reserved
3	N/A	Ground
4	N/A	+5 V dc

Table 5. Keyboard connector pin-number assignments.

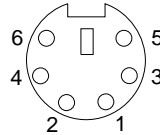
Pin	I/O	Signal
5	I/O	Keyboard clock
6	N/A	Reserved

Table 5. Keyboard connector pin-number assignments.

Auxiliary-device (pointing device) port

The system board has one auxiliary-device port that supports a mouse or other pointing device.

The following table shows the pin-number assignments for the auxiliary-device connector on the rear of your server.



Pin	Signal
1	Data
2	Not connected
3	Ground
4	+5 V dc
5	Clock
6	Not connected

Table 6. Auxiliary-device connector pin-number assignments.

Ethernet ports

Your server comes with two integrated Ethernet controllers. These controllers provide an interface for connecting to 10-Mbps or 100-Mbps networks and provide full-duplex (FDX) capability, which enables simultaneous transmission and reception of data on the Ethernet local area network (LAN).

To access the Ethernet ports, connect a Category 3, 4 or 5 unshielded twisted-pair (UTP) cable to the RJ-45 connector on the rear of your server.

Note: The 100BASE-TX Fast Ethernet standard requires that the cabling in the network be Category 5 or higher.

Configuring the Ethernet controllers

When you connect your server to the network, the Ethernet controllers automatically detect the data-transfer rate (10Mbps or 100Mbps) on the network and then set the controllers to operate at the appropriate rate. In addition, if the Ethernet ports that your server is connected to support auto-negotiation, the Ethernet controllers will set the appropriate duplex state. That is, the Ethernet controllers will adjust to the network data rate, whether the data rate is standard Ethernet (10BASE-T), Fast Ethernet (100BASE-TX), half duplex (HDX), or full duplex (FDX). The controllers support half-duplex (HDX) and full-duplex (FDX) modes at both speeds.

The Ethernet controllers are PCI Plug and Play devices. You do not need to set any jumpers or configure the controllers for your operating system before you use the Ethernet controllers. However, you must install a device driver to enable your operating system to address the Ethernet controllers. The device drivers are provided on the ServerGuide CDs.

Failover for redundant Ethernet

The IBM 10/100 Ethernet Adapter or the IBM 10/100 EtherJet™ PCI family of adapters are optional redundant network interface cards (NICs) that you can install in your server. If you install this NIC and connect it to the same logical segment as the primary Ethernet controller, you can configure the server to support a *failover* function. You can configure either one of the integrated Ethernet controllers or the NIC as the primary Ethernet controller. In failover mode, if the primary Ethernet controller detects a link failure, all Ethernet traffic associated with it is switched to the redundant (secondary) controller. This switching occurs without any user intervention. When the primary link is restored to an operational state, the Ethernet traffic switches back to the primary Ethernet controller.

High Performance Ethernet Modes

Your Ethernet controllers support optional modes, such as teaming, priority packets, and virtual LANs, which provide higher performance and throughput for your server.

Teaming Mode: Your Ethernet controllers provide options, called *teaming options*. These options increase throughput and fault tolerance when running with Windows NT 4.0 or NetWare 4.1x or later.

- **Adapter fault tolerance (AFT)** provides automatic redundancy for your adapter. If the primary adapter fails, the secondary adapter takes over. Adapter fault tolerance supports from 2 to 4 adapters per team.
- **Adaptive load balancing (ALB)** enables you to balance the transmission data flow among 2 to 4 adapters. ALB also includes the AFT option. You can use ALB with any 100BASE-TX switch.
- **Cisco Fast EtherChannel (FEC)** creates a team of 2 to 4 adapters to increase transmission and reception throughput. FEC also includes the AFT option. You can only use FEC with a switch that has FEC capability.

Teaming requires you to install both integrated Ethernet controllers. For additional information about the teaming modes, refer to the documentation that comes with these additional adapters.

Priority Packet Mode: Priority Packet is a traffic-prioritization utility that enables you to set up filters to process high-priority traffic before normal traffic. You can send information from critical nodes or applications with an indicated priority. Because you set this priority at the host or entry point of the network, the network devices can base forwarding decisions on priority information defined in the packet.

Priority Packet information is available on the IBM Networking Web site at: <http://www.ibm.com/networking/support>.

Priority Packet prioritizes traffic based on priority filters. These are parameters you assign to outgoing (transmit) packets. Using the Priority Filter Wizard, you can set up predefined or custom priority filters based on a node (MAC) address, Ethernet type, or by various properties of the protocol and port. Priority Packet provides two different methods for prioritizing traffic: IEEE 802.1p tagging and High Priority Queue.

IEEE 802.1p is a new IEEE standard for tagging, or adding additional bytes of information to packets with different priority levels. Packets are tagged with 4 additional bytes, which increase the packet size and indicate a priority level. When you send these packets out on the network, the higher priority packets are transferred first. Priority packet tagging (also known as Traffic Class Expediting) enables the adapter to work with other elements of the network (such as switches and routers) to deliver priority packets first. You can assign specific priority levels from 0 (low) to 7 (high).

You can assign values to packets based on their priority when you use the IEEE 802.1p standard for packet tagging. This method requires a network infrastructure that supports packet tagging. The routing devices receiving and transferring these packets on your network must support 802.1p for tagging to be effective.

After you set up the priority filter in Priority Packet, you must launch IBMSset and select **802.1p/802.1Q Tagging** on the Advanced tab.

Note: IEEE 802.1p tagging increases the size of the packets it tags. Some hubs and switches will not recognize the larger packets and will drop them. Check your hub or switch documentation to see if they support 802.1p. (You can configure the switch to strip the tags from the packets and send it on to the next destination as normal traffic). If these devices do not support 802.1p or if you are not sure, use High Priority Queue (HPQ) to prioritize network traffic.

The requirements for effectively using IEEE 802.1p tagging are:

- The other devices receiving and routing 802.1p tagged packets must support 802.1p.
- The adapters on these devices must support 802.1p. The Ethernet controller in your server, all IBM Netfinity 10/100 Ethernet Security Adapters, and IBM 10/100 Ethernet Server Adapters support 802.1p.
- The adapter cannot be assigned to an adapter team.
- If you are setting up Plans and packet tagging on the same adapter, 802.1p/802.1Q Tagging must be enabled on the IBMSet Advanced tab.

If your network infrastructure devices do not support IEEE 802.1p or you are not sure, you can still define filters and send packets as high priority. While High Priority Queue (HPQ) does not provide the precise priority levels of 802.1p tagging, it does assign traffic as either high or low priority and sends high priority packets first. Therefore, if there are multiple applications on a system sending packets, the packets from the application with a filter are sent out first. HPQ does not change network routing, nor does it add any information to the packets.

To assign HPQ, you can specify it using Priority Packet when you create or assign a filter.

To effectively use HPQ, the adapter cannot be assigned to an adapter team.

Virtual LAN Mode: A virtual LAN (VLAN) is a logical grouping of network devices put together as a LAN, regardless of their physical grouping or collision domains. Using Plans increases network performance and improves network security.

Vlans offer you the ability to group users and devices together into logical workgroups. This can simplify network administration when connecting clients to servers that are geographically dispersed across the building, campus, or enterprise network.

Normally, Vlans are configured at the switch and any computer can be a member of one VLAN per installed network adapter. Your Ethernet controller supersedes this by communicating directly with the switch, allowing multiple VLANs on a single network adapter (up to 64 VLANs).

To set up VLAN membership, your Ethernet controller must be attached to a switch that has VLAN capability. You also need to use Windows NT 4.0 or later, or Novell NetWare 4.1x or later.

Notes:

1. Windows NT versions prior to 4.0 do not support VLANs.
2. VLANs require NT 4.0 with Service Pack 3.0 and the NDIS driver from Microsoft.
3. In Windows NT, VLANs cannot be implemented on controllers that have been configured for teaming options. NetWare can support teaming options and VLANs on the same adapters.

To join a VLAN from Windows NT 4.0:

1. Create a VLAN on the switch. Use the parameters you assign there to join the VLAN from the server. Refer to your switch documentation for more information.
2. Double-click the Network icon in the Control Panel window.
3. On the Adapters tab, select the adapter you want to be on the VLAN and select **Properties**.
4. In IBMSet, select **Join VLAN**. Note that VLANs cannot be assigned to adapters that are already defined to have an adapter teaming option.
5. Enter the VLAN ID and VLAN name. The VLAN ID must match the VLAN ID of the switch. The ID range is from 1 to 1000. The VLAN name is for information only and does not need to match the name on the switch.
6. Select **Join VLAN**. Repeat steps 3 through 5 for each VLAN you want the server to join. The VLANs you add are listed on the Adapters tab.
7. Select **Close** and restart the computer.

Ethernet port connector

The following table and illustration show the pin-number assignments for the RJ-45 connector. These assignments apply to both 10BASE-T and 100BASE-TX devices.

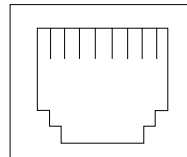


Table 7. Ethernet RJ-45 connector pin-number assignments..

Pin	Signal	Pin	Signal
1	Transmit data+	5	Not connected
2	Transmit data-	6	Receive data -
3	Receive data+	7	Not connected
4	Not connected	8	Not connected

Universal Serial Bus ports

Your server has two Universal Serial Bus (USB) ports, which configure automatically. USB is an emerging serial interface standard for telephony and multimedia devices. It uses Plug and Play technology to determine the type of device attached to the connector.

Notes:

1. If you attach a standard (non-USB) keyboard to the keyboard connector, the USB ports and devices will not be initialized during the power-on self-test (POST).
2. If you install a USB keyboard that has a mouse port, the USB keyboard emulates a mouse and you will not be able to disable the mouse settings in the Configuration/Setup Utility program.

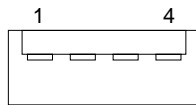
USB cables and hubs

You need a 4-pin cable to connect devices to USB 1 or USB 2. If you plan to attach more than two USB device, you must use a hub to connect the devices. The hub provides multiple connectors for attaching additional external USB devices.

USB technology provides up to 12 megabits-per-second (Mbps) speed with a maximum of 127 external devices and a maximum signal distance of five meters (16 ft.) per segment.

USB-port connectors

Each USB port has an external connector on the rear of the server for attaching USB compatible devices.



The following table shows the pin-number assignments for the USB-port connectors on the rear of your server.

Pin	Signal
1	+ 5 V VCC
2	-Data
3	+Data
4	Ground

Table 8. USB-port connector pin-number assignments.

Integrated System Management ports

Future releases of the Integrated System Management (ISM) firmware code will enable the system environmental monitor subsystem to send or forward alerts to IBM system management adapters using the ISM ports.

System management port

Your server has one communication port dedicated to system management. This port uses a standard D-shell serial-port connector, Serial C.

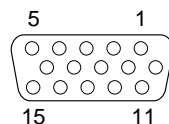
Future releases of the Integrated System Management (ISM) firmware code will enable the system environmental monitor subsystem to send or communicate using a modem and this dedicated serial port.

Video port

Your server comes with an integrated S3 super video graphics array (SVGA) video controller. This controller is not removable, but you can disable it by installing a PCI video adapter.

Note: If you install a PCI video adapter, the server BIOS code will automatically disable the integrated video adapter.

The following table shows the pin-number assignments for the 15-pin analog video connector on the rear of your server.



Pin	Signal	Pin	Signal	Pin	Signal
1	Red	6	Ground	11	Not connected
2	Green or monochrome	7	Ground	12	DDC SDA
3	Blue	8	Ground	13	Horizontal synchronization (Hsync)
4	Not connected	9	+5 V dc	14	Vertical synchronization (Vsync)
5	Ground	10	Ground	15	DDC SCL

Table 9. Video-port connector pin-number assignments.

Ultra160 SCSI ports

Your server has an integrated dual-channel Ultra160 small computer system interface (SCSI) controller. This controller supports two independent Ultra 160/m SCSI channels. Both channels are internal. Each of these channels supports up to 15 SCSI devices. In addition, this controller uses:

- Double-transition clocking to achieve high transfer rates
- Domain name validation to negotiate compatible data transfer speeds with each device
- Cyclic-redundancy checking (CRC), instead of the usual parity checking, to significantly improve data reliability
- An active terminator on the system board for SCSI bus termination

Inside the server, a SCSI cable connects one of the internal SCSI channel connectors to the hot-swap drive backplane. You can use the other LVD SCSI channel connector, to connect different types of small computer system interface (SCSI) devices. It can be used to connect optional devices in the bays below the diskette drive.

Note: If you install a PCI RAID adapter to configure and manage the internal hot-swap drives, you must move the SCSI cable from the system-board SCSI connector to an internal channel connector on the RAID adapter.

SCSI cabling requirements

If you plan to attach external SCSI devices, you must order a PCI SCSI adapter and additional SCSI cables. To select and order the correct cables for use with external devices, contact your IBM reseller or IBM marketing representative.

For information about the maximum length of SCSI cable between the terminated ends of the cable, refer to the American National Standards Institute (ANSI) SCSI standards. Adhering to these standards will help ensure that your server operates properly.

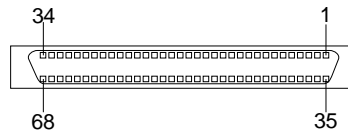
Setting SCSI IDs

Each SCSI device connected to a SCSI controller must have a unique SCSI ID. This ID enables the SCSI controller to identify the device and ensure that different devices on the same SCSI channel do not attempt to transfer data simultaneously. SCSI devices that are connected to different SCSI channels can have duplicate SCSI IDs.

The hot-swap-drive backplane controls the SCSI IDs for the internal hot-swap drive bays. However, when you install an internal SCSI device in a non-hot-swap bay, you might need to set a unique ID for the device. Refer to the information that is provided with the device for instructions to set its SCSI ID.

SCSI connector pin-number assignments

The following table shows the pin-number assignments for the 68-pin SCSI connectors.



Pin	Signal	Pin	Signal
1	+Data 12	35	-Data 12
2	+Data 13	36	-Data 13
3	+Data 14	37	-Data 14
4	+Data 15	38	-Data 15
5	+Data P1	39	-Data P1
6	+Data 0	40	-Data 0
7	+Data 1	41	-Data 1
8	+Data 2	42	-Data 2
9	+Data 3	43	-Data 3
10	+Data 4	44	-Data 4
11	+Data 5	45	-Data 5
12	+Data 6	46	-Data 6
13	+Data 7	47	-Data 7
14	+Data P	48	-Data P
15	Ground	49	Ground
16	DIFFSENS	50	Ground
17	Term power	51	Term power
18	Term power	52	Term power
19	Reserved	53	Reserved
20	Ground	54	Ground
21	+Attention	55	-Attention
22	Ground	56	Ground
23	+Busy	57	-Busy
24	+Acknowledge	58	-Acknowledge
25	+Reset	59	-Reset

Table 10. 68-pin SCSI connector pin-number assignments.

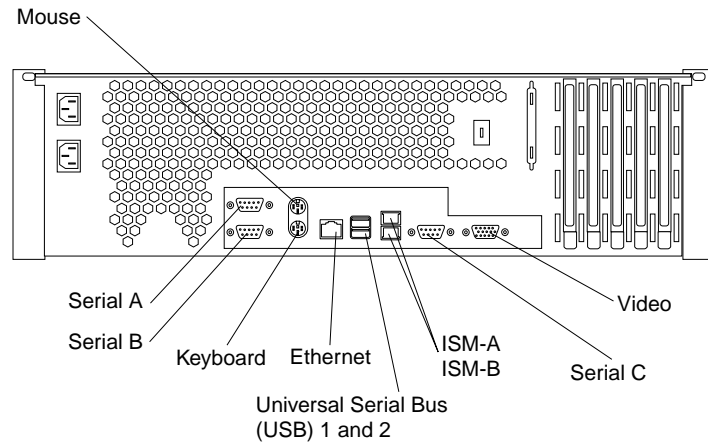
Pin	Signal	Pin	Signal
26	+Message	60	-Message
27	+Select	61	-Select
28	+Control/Data	62	-Control/Data
29	+Request	63	-Request
30	+Input/Output	64	-Input/Output
31	+Data 8	65	-Data 8
32	+Data 9	66	-Data9
33	+Data 10	67	-Data 10
34	+Data 11	68	-Data 11

Table 10. 68-pin SCSI connector pin-number assignments.

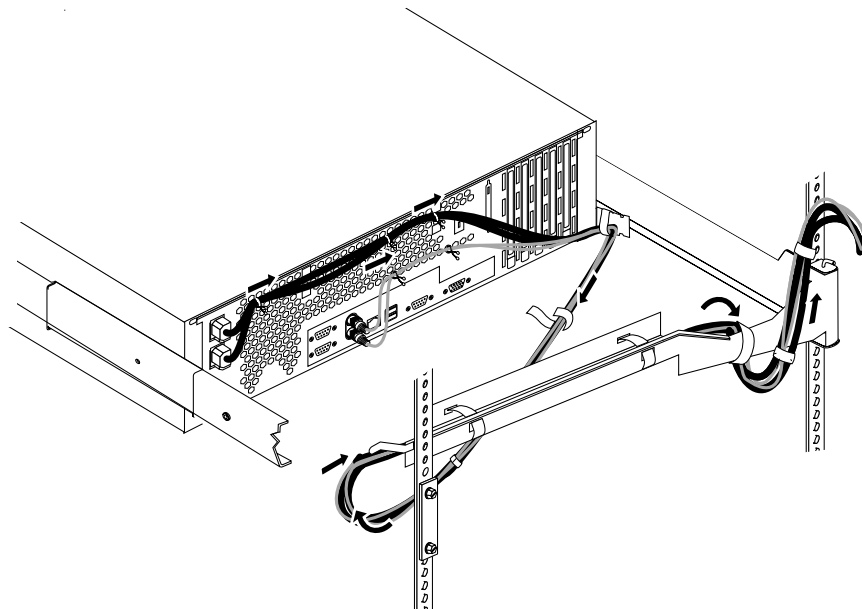
Cabling the server

The following illustration shows input/output connectors and cable routing for the server.

Note: The illustrations in this document might differ slightly from your hardware.



Future releases of the Integrated System Management (ISM) firmware code will enable the system environmental monitor subsystem to send or forward alerts to IBM system management adapters using the ISM ports. Future releases of the Integrated System Management (ISM) firmware code will enable the system environmental monitor subsystem to send or communicate using a modem and this dedicated serial port.



Installing the server in a rack

Refer to the *Rack Installation Instructions* for complete details on rack installation and removal of your server.

Chapter 6. Solving problems

This section provides basic troubleshooting information to help you resolve some common problems that might occur with your server.

If you cannot locate and correct the problem using the information in this section, refer to “Getting information, help, and service” on page 126 for more information.

Diagnostic tools overview

The following tools are available to help you identify and resolve hardware-related problems:

- **POST beep codes and error messages**

The power-on self-test (POST) generates beep codes and messages to indicate successful test completion or the detection of a problem. See “POST” on page 79 for more information.

- **Error logs**

The POST error log contains the three most recent error codes and messages that the system generated during POST. The System Event/Error Log contains all error messages issued during POST and all system status messages from the system environmental monitor subsystem.

To view the contents of the error logs, start the Configuration/Setup Utility program; then, select **Error Logs** from the main menu.

- **Diagnostic programs and error messages**

The server diagnostic programs are stored in upgradable read-only memory (ROM) on the system board. These programs are the primary method of testing the major components of your server. See “Diagnostic programs and error messages” on page 91 for more information.

- **Light path diagnostics**

Your server has light-emitting diodes (LEDs) to help you identify problems with server components. These LEDs are part of the Light Path Diagnostics feature that is built into your server. By following the path of lights, you can quickly identify the type of system error that occurred. See “Light Path Diagnostics” on page 101 for more information.

- **Troubleshooting charts**

These charts list problem symptoms, along with suggested steps to correct the problems. See the “Troubleshooting charts” on page 105 for more information.

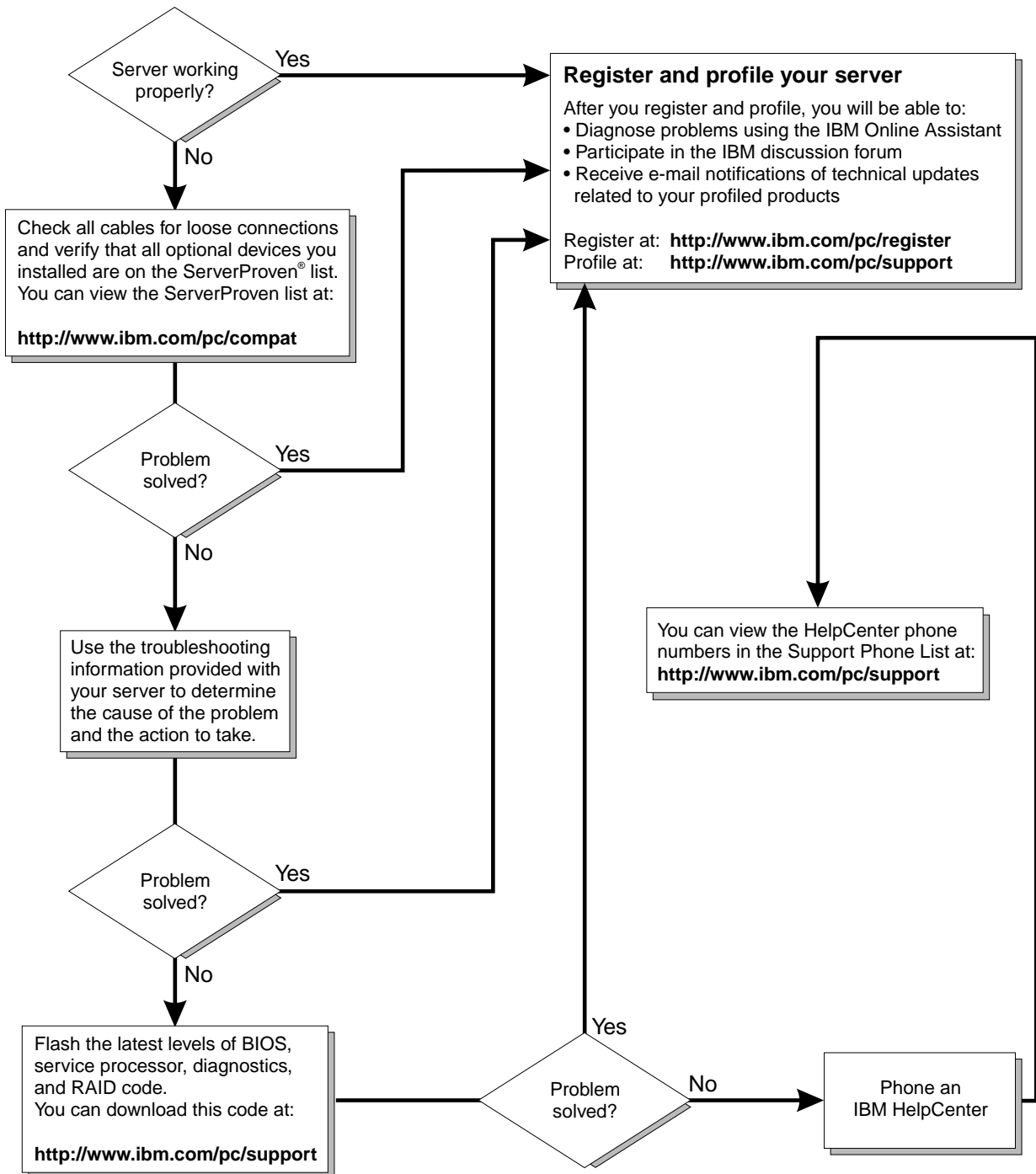
- **Customized support page**

You can create a customized support page that is specific to your hardware, complete with Frequently Asked Questions, Parts Information, Technical Hints and Tips, and Downloadable files. In addition, you can choose to receive electronic mail (e-mail) notifications whenever new information becomes available about your registered products.

After you register and profile your xSeries products, you can diagnose problems using the IBM Online Assistant and you can participate in the IBM discussion forum. For more detailed information about registering and creating a customized profile for your IBM products, visit the following addresses on the Web:

- <http://www.ibm.com/pc/register>
- <http://www.ibm.com/pc/support>

Server Support



POST

When you turn on the server, it performs a series of tests to check the operation of server components and some of the options installed in the server. This series of tests is called the power-on self-test, or POST.

If POST finishes without detecting any problems, a single beep sounds, the first screen of your operating system or application program appears, and the system POST complete (OK) light is illuminated on the operator information panel.

If POST detects a problem, more than one beep sounds and an error message appears on your screen. See “POST beep code descriptions” on page 80 and “POST error messages” on page 83 for more information.

Notes:

1. If you have a power-on password set, you must type the password and press Enter, when prompted, before POST will continue.
2. A single problem might cause several error messages. When this occurs, work to correct the cause of the first error message. After you correct the cause of the first error message, the other error messages usually will not occur the next time you run the test.

POST beep code descriptions

POST emits one beep to signal successful completion. If POST detects a problem during startup, other beep codes might occur. You can use the following beep code descriptions to help identify and resolve problems that are detected during startup.

Note: Refer to the "Solving Problems" section in the *User's Reference* on the *xSeries Documentation* CD for more detailed information about the POST beep codes.

Beep code	Descriptions of the POST beep codes
No beep	Call for service.
Continuous	If no video appears, the startup microprocessor failed. Verify that the startup microprocessor is installed correctly. If it is, replace the startup microprocessor. If the problem persists, call for service.
One short	POST completed successfully. One beep also occurs after POST if you enter an incorrect password.
Two short	Follow the instructions that appear on the screen.
Three short	POST detected a system memory error. Verify that the memory is installed correctly. If it is, replace the failing memory module. Attention: In some memory configurations, the 3-3-3 beep code might sound during POST followed by a blank display screen. If this occurs and the Boot Fail Count feature in the Start Options of the Configuration/Setup Utility is set to Enabled (its default setting), you must restart the server three times to force the system BIOS code to reset the memory connector or bank of connectors from Disabled to Enabled.
Repeating short	The system board might contain a failing component. <ol style="list-style-type: none"> 1. Verify that the keyboard and pointing devices are connected properly. 2. Ensure that nothing is resting on the keyboard. 3. Disconnect the pointing device; then, restart the server. If the problem goes away, replace the pointing device. If the problem remains, call for service.
One long and one short	If the video controller on the system board is being used, call for service. If you installed an optional video adapter, replace the failing adapter
One long and two short	A video I/O adapter ROM is not readable, or the video subsystem is defective. If you installed an optional video adapter, replace the failing adapter. If the problem remains, call for service.
One long and three short	The system-board video subsystem has not detected a monitor connection to the server. Ensure that the monitor is connected to the server. If the problem persists, replace the monitor.
Two long and two short	POST does not support the optional video adapter. Replace the optional video adapter with one that is supported by the server or use the integrated video controller. See the ServerProven list on the web at www.ibm.com/pc/compat .
All other beep codes	<ol style="list-style-type: none"> 1. Verify that the system memory modules are installed correctly. 2. Turn off the server; then, restart the server. If the problem remains, call for service.

Table 11. POST beep code descriptions.

POST beep codes

In addition to the beep codes that are described on page 77, your computer might emit beep codes that are described in the following table. For example, a 1-2-3 beep code is one beep, a pause, two consecutive beeps, another pause, and three more consecutive beeps.

Beep code	Description	Action
1-1-2	Microprocessor register test has failed.	Call for service.
1-1-3	CMOS write/read test has failed.	
1-1-4	BIOS ROM checksum has failed.	
1-2-1	Programmable Interval Timer test has failed.	
1-2-2	DMA initialization has failed.	
1-2-3	DMA page register write/read test has failed.	
1-4-3	Interrupt vector loading test has failed.	
2-1-1	Secondary DMA register test has failed.	
2-1-2	Primary DMA register test has failed.	
2-1-3	Primary interrupt mask register test has failed.	
2-1-4	Secondary interrupt mask register test has failed.	
2-2-1	Interrupt vector loading has failed.	
2-2-2	Keyboard controller test has failed.	
2-2-3	CMOS power failure and checksum checks have failed.	
2-2-4	CMOS configuration information validation has failed.	Call for service.
2-3-2	Screen memory test has failed.	
2-3-3	Screen retrace tests have failed.	
2-3-4	Search for video ROM has failed.	
2-4-1	Screen test indicates the screen is operable.	
3-1-1	Timer tick interrupt test has failed.	
3-1-2	Interval timer channel 2 test has failed.	
3-1-3	RAM test has failed above address hex 0FFFF.	Turn off the server, unplug the server cord, wait 20 seconds until the power-on LED stops blinking. Reconnect the ac power cord and then start the server. If the problem persists, call for service.
3-1-4	Time-of-Day clock test has failed.	
3-2-1	Serial port test has failed.	
3-2-4	Comparison of CMOS memory size against actual has failed.	
2-3-1	Screen initialization has failed. I2C bus has failed.	

Table 12. POST beep codes.

1-2-4	RAM refresh verification has failed.	Reseat the memory modules or install a memory module. If the problem persists, call for service.
1-3-1	First 64 Kb RAM test has failed.	
1-3-2	First 64 Kb RAM parity test has failed.	
3-3-1	A memory size mismatch has occurred.	
3-3-2	Screen initialization has failed. I2C bus has failed.	Turn off the server, unplug the server cord, wait 20 seconds until the power-on LED stops blinking. Reconnect the ac power cord and then start the server. If the problem persists, call for service.
3-3-3	No memory has been detected in the system. Attention: In some memory configurations, the 3-3-3 beep code might sound during POST, followed by a blank screen. If this occurs, you must restart the server three times to force the system BIOS to reset the memory connector or bank of connectors from Disabled to Enabled.	Reseat the memory modules or install a memory module. If the problem persists, call for service.
4-4-4	The I2C cable is attached and, the optional system management adapter is not installed in PCI slot 1 or not functioning correctly.	<ol style="list-style-type: none"> 1. Turn off the server. 2. Verify that the cable is installed correctly. If it is not, disconnect the cable and reconnect it correctly. 3. Verify that the optional system-management adapter is installed in PCI slot 1. If it is not, remove the system-management adapter from the slot and reinstall it in PCI slot 1. 4. Verify that the optional system-management adapter is functioning correctly. If it is not, remove it and call for service. <p>If the problem persists, call for service.</p>

Table 12. POST beep codes.

POST error messages

The following tables provide information about the POST error messages that can appear during POST.

Note: Refer to the *User's Reference* on the *IBM xSeries Documentation* CD for more detailed information about POST error messages.

POST message	Description
062	<p>The server failed to boot on three consecutive attempts.</p> <p>All caches are disabled. Repeatedly turning the server on and then off or resetting the server might cause this problem.</p> <p>Action: Start the Configuration/Setup Utility program and verify that all settings are correct. Use the Cache Control selection in the Advanced Setup menu of the Configuration/Setup Utility program to enable the caches.</p> <p>If the problem remains, call for service. When the problem is corrected, be sure to enable the caches.</p>
101 102 106	<p>An error occurred during the system board and microprocessor test.</p> <p>Action: Call for service.</p>
114	<p>An adapter read-only memory (ROM) error occurred.</p> <p>Action: Remove the options. If you can start the server without the options installed, reinstall each option one at a time and retest after each is reinstalled. When an option fails, replace it.</p> <p>If you cannot isolate and correct the problem, call for service.</p>
129	<p>An error was detected in the L1 cache of one of the microprocessors.</p> <p>Action: 1. If you just installed a microprocessor, verify that the microprocessor is installed and seated correctly. 2. If the problem remains, call for service.</p>
151	<p>A real-time clock (RTC) error occurred.</p> <p>Action: Call for service.</p>
161	<p>The real-time clock battery has failed.</p> <p>Action: Replace the battery yourself or call for service.</p> <p>You can use the server until you replace the battery. However, you must run the Configuration/Setup Utility program and set the time and date and other custom settings each time you turn on the server.</p>

Table 13. POST error messages.

POST message	Description
162	<p>A change in device configuration occurred. This error occurs under one or more of the following conditions:</p> <ul style="list-style-type: none"> • A new device has been installed. • A device has been moved to a different location or cable connection. • A device has been removed or disconnected from a cable. • A device is failing and is no longer recognized by the server as being installed. • An external device is not turned on. • An invalid checksum is detected in the battery-backed memory. <p>Action: Verify that all external devices are turned on. You must turn on external devices before turning on the server.</p> <p>If you did not add, remove, or change the location of a device, a device is probably failing. Running the Diagnostic program might isolate the failing device.</p> <p>If you cannot isolate and correct the problem, call for service.</p>
163	<p>The time of day has not been set.</p> <p>Action: Set the correct date and time. If the date and time are set correctly and saved, but the 163 error message reappears, call for service.</p> <p>You can use the server until the system is serviced, but any application programs that use the date and time will be affected.</p>
164	<p>A change in the memory configuration occurred. This message might appear after you add or remove memory.</p> <p>Note: The server can be used with decreased memory capacity.</p> <p>Action:</p> <ol style="list-style-type: none"> 1. If POST error message 289 also occurred, follow the instructions for that error message first. 2. If you just installed or removed memory, run the Configuration/Setup Utility program; then, exit, saving the new configuration settings. <p>If the message appears again, shut down the server, reseal the memory modules, and restart the server.</p> <p>If the problem remains, call for service.</p>
175	<p>A vital product data (VPD) error occurred.</p> <p>Action: Call for service.</p>
176 177	<p>A security hardware error occurred.</p> <p>Action: Check for indications that someone has tampered with the server. If no one has tampered with the server, call for service.</p>
178	<p>A POST error occurred when the server was rebooted or powered on.</p> <p>Action: Flash the Remote Supervisor Adapter with firmware to configure it to the server it is installed in.</p>
184	<p>The power-on password information stored in your server has been removed.</p> <p>Action: From the Configuration/Setup Utility program main menu, select System Security. Then, follow the instructions on the screen.</p> <p>If this information cannot be restored, call for service.</p>

Table 13. POST error messages.

POST message	Description
185	<p>A power failure damaged the stored information about the drive-startup sequence.</p> <p>Action: From the Configuration/Setup Utility program main menu, select Start Options; then, follow the instructions on the screen.</p> <p>If this information cannot be restored, call for service.</p>
186	<p>A system board or hardware error occurred.</p> <p>Action: Call for service.</p>
187	<p>The VPD serial number is not set.</p> <p>Action: The system serial number is set in the VPD EEPROM at the time of manufacturing. If the system board has been replaced, the system serial number will be invalid and should be set. From the main menu of the Configuration/Setup Utility program, select System Information, then select Product Data. If the problem remains, call for service.</p>
188	<p>A vital product data (VPD) error occurred.</p> <p>Action: Call for service.</p>
189	<p>An attempt has been made to access the server with invalid passwords. After three incorrect attempts, the server locks up; that is, the logon data fields are no longer available to the user.</p>
201	<p>An error occurred during the memory controller test. This error can be caused by:</p> <ul style="list-style-type: none"> • Incorrectly installed memory • A failing memory module • A system board problem <p>Action: 1. If you just installed memory, verify that the new memory is correct for your server. Also verify that the memory is installed and seated correctly.</p> <p>2. If the problem remains, call for service.</p>
229	<p>An error was detected in the L2 cache of one of the microprocessors.</p> <p>Action: 1. If you just installed a microprocessor, verify that the microprocessor is installed and seated correctly.</p> <p>2. If the problem remains, call for service.</p>
289	<p>An error occurred during POST memory tests and a failing DIMM was disabled.</p> <p>Note: You can use the server with decreased memory.</p> <p>Action: 1. If you just installed memory, verify that the new memory is correct for your server. Also verify that the memory is installed and seated correctly. Start the Configuration/Setup Utility program and select Memory Settings from the Advanced Setup menu to enable the DIMM.</p> <p>2. If the problem remains, replace the failing DIMM.</p> <p>If the problem remains, call for service.</p>

Table 13. POST error messages.

POST message	Description
301 303	<p>An error occurred during the keyboard and keyboard controller test. These error messages also might be accompanied by continuous beeping.</p> <p>Action: Ensure that:</p> <ol style="list-style-type: none"> 1. Nothing is resting on the keyboard and pressing a key. 2. No key is stuck. 3. The keyboard cable is connected correctly to the keyboard and to the correct connector on the server. <p>Running the diagnostic tests can isolate the server component that failed, but you must have your system serviced. If the error message remains, call for service.</p> <p>Note: If you just connected a new mouse or other pointing device, turn off the server and disconnect that device. Wait at least 5 seconds; then, turn on the server. If the error message goes away, replace the device.</p>
602	<p>Invalid diskette boot record</p> <p>Action:</p> <ol style="list-style-type: none"> 1. Replace the diskette. 2. If the problem persists, make sure that the diskette drive cables are correctly and securely connected. 3. If the problem remains, replace the diskette drive. <p>If the problem remains, call for service.</p>
604	<p>An error occurred during a diskette drive test.</p> <p>Action:</p> <ol style="list-style-type: none"> 1. Verify that the Configuration/Setup Utility program correctly reflects the type of diskette drive that you have installed. 2. Run the diagnostic tests. If the diagnostic tests fail, call for service.
662	<p>A diskette drive configuration error occurred.</p> <p>Action: If you removed a diskette drive, make sure that the diskette drive setting is correct in the Configuration/Setup Utility program. If the setting is not correct, change it.</p> <p>If the problem remains, call for service.</p>
11xx	<p>An error occurred during the system-board serial port test.</p> <p>Action: If you have a modem, serial printer, or other serial device attached to your server, verify that the serial cable is connected correctly. If it is, use the following procedure:</p> <ol style="list-style-type: none"> 1. Turn off the server. 2. Disconnect the serial cable from the serial port. 3. Wait five seconds; then, turn on the server. <p>If the POST error message does not reappear, either the serial cable or the device is probably failing. See the documentation that comes with the serial device for additional testing information.</p> <p>If the POST error message reappears, call for service.</p>
1162	<p>The serial port configuration conflicts with another device in the system.</p> <p>Action:</p> <ol style="list-style-type: none"> 1. Make sure the IRQ and I/O port assignments needed by the serial port are available. 2. If all interrupts are being used by adapters, you might need to remove an adapter to make an interrupt available to the serial port, or force other adapters to share an interrupt.

Table 13. POST error messages.

POST message	Description
1301	Cable to Information LED panel not detected. Action: Make sure that the cable to the operator information panel is connected. If the problem remains, call for service.
1302	Cable to Power and Reset pushbuttons not detected. Action: Make sure that the cable to the Power and Reset pushbuttons is connected. If the problem remains, call for service.
1303	I2C cable to Power Backplane not detected. Action: Make sure that the cable to the power backplane is connected. If the problem remains, call for service.
1304	Cable to Diagnostic LED panel not detected. Action: Make sure that the cable to the diagnostic LED is connected. If the problem remains, call for service.
1600	The system management adapter is not functioning. Action: <ol style="list-style-type: none"> 1. Verify that the jumpers for the system-management processor are set correctly. 2. Disconnect the server from all electrical sources, wait for 30 seconds, reconnect the server to the electrical sources, and restart the server. If the problem remains, call for service.
1601	A system management adapter Flash update is needed. Action: Download and install the latest Advanced System Management flash update.
1800	A PCI adapter has requested a hardware interrupt that is not available. Action: <ol style="list-style-type: none"> 1. Make sure that the PCI adapter and all other adapters are set correctly in the Configuration/Setup Utility program. If the interrupt resource settings are not correct, change the settings. 2. If all interrupts are being used by other adapters, you might need to remove an adapter to make an interrupt available to the PCI adapter, or force other adapters to share an interrupt.
1962	No valid startup devices were found. The system cannot find the startup drive or operating system. Action: Be sure that the drive you want to start from is in the startup sequence. <ol style="list-style-type: none"> 1. Select Start Options from the Configuration/Setup Utility program main menu. If you are unable to set the startup sequence, call for service. 2. Check the list of startup devices in the Startup device data fields. Is the drive you want to start from in the startup sequence? <ul style="list-style-type: none"> Yes Exit from this screen; then, select Exit Setup to exit the Configuration/Setup menu. Go to step 3.. No Follow the instructions on the screen to add the drive; then, save the changes and exit the Configuration/Setup menu. Restart the server. 3. Is an operating system installed? <ul style="list-style-type: none"> Yes Turn off the server. Go to step 4.. No Install the operating system in your server; then, follow your operating system instructions to shut down and restart the server. 4. During server startup, watch for messages indicating a hardware problem. If the same error message appears, call for service.

Table 13. POST error messages.

POST message	Description
2400	<p>An error occurred during the testing of the video controller on the system board. This error can be caused by a failing monitor, a failing system board, or a failing video adapter (if one is installed).</p> <p>Action: Verify that the monitor is connected correctly to the video connector. If the monitor is connected correctly, call for service.</p>
2462	<p>A video memory configuration error occurred.</p> <p>Action: Make sure that the monitor cables are correctly and securely connected to the server.</p> <p>If the problem remains, call for service.</p>
5962	<p>An IDE CD-ROM configuration error occurred.</p> <p>Action: Check the signal and power cable connections to the CD-ROM drive.</p> <p>If the problem remains, call for service.</p>
8603	<p>An error occurred during the mouse (pointing device) controller test. The addition or removal of a mouse, or a failing system board can cause this error.</p> <p>Note: This error also can occur if electrical power was lost for a very brief period and then restored. In this case, turn off the server for at least 5 seconds; then, turn it back on.</p> <p>Action: Ensure that the keyboard and mouse (pointing device) are attached to the correct connectors. If they are connected correctly, use the following procedure:</p> <ol style="list-style-type: none"> 1. Turn off the server. 2. Disconnect the mouse from the server. 3. Turn on the server. <p>If the POST error message does not reappear, the mouse is probably failing. See the documentation that comes with the mouse for additional testing information. If the problem remains, replace the mouse or pointing device.</p> <p>If the POST error message reappears, run the diagnostic tests to isolate the problem. If the diagnostic tests do not find a problem and the POST error message remains, call for service.</p>
00012000	<p>Processor machine check.</p> <p>Action: 1. Update the system BIOS. 2. If the problem persists, replace the microprocessor.</p>
00019501	<p>Processor 1 is not functioning.</p> <p>Action: Replace microprocessor 1.</p> <p>If the problem remains, call for service.</p>
00019502	<p>Processor 2 is not functioning.</p> <p>Action: Replace microprocessor 2.</p> <p>If the problem remains, call for service.</p>
00019701	<p>Processor 1 failed the built-in self test.</p> <p>Action: Replace microprocessor 1.</p> <p>If the problem remains, call for service.</p>
00019702	<p>Processor 2 failed the built-in self-test.</p> <p>Action: Replace microprocessor 2.</p> <p>If the problem remains, call for service.</p>

Table 13. POST error messages.

POST message	Description
00180100	<p>A PCI adapter has requested memory resources that are not available</p> <p>Action:</p> <ol style="list-style-type: none"> 1. Make sure that the PCI adapter and all other adapters are set correctly in the Configuration/Setup Utility program. If the memory resource settings are not correct, change the settings. 2. If all memory resources are being used, you might need to remove an adapter to make memory available to the PCI adapter. Disabling the adapter BIOS on the adapter might correct the error. Refer to the documentation provided with the adapter.
00180200	<p>A PCI adapter has requested an I/O address that is not available, or the PCI adapter might be defective.</p> <p>Action:</p> <ol style="list-style-type: none"> 1. Make sure that the I/O address for the PCI adapter and all other adapters are set correctly in the Configuration/Setup Utility program. 2. If the I/O port resource settings are correct, the PCI adapter might be defective. Call for service.
00180300	<p>A PCI adapter has requested a memory address that is not available, or the PCI adapter might be defective.</p> <p>Action:</p> <ol style="list-style-type: none"> 1. Make sure that the memory address for all other adapters are set correctly in the Configuration/Setup Utility program. If the memory resource settings are not correct, change the settings. 2. If the memory resource settings are correct, the PCI adapter might be defective. Call for service.
00180400	<p>A PCI adapter has requested a memory address that is not available.</p> <p>Action: If all memory addresses are being used, you might need to remove an adapter to make memory address space available to the PCI adapter. Disabling the adapter BIOS on the adapter might correct the error. Refer to the documentation provided with the adapter.</p>
00180500	<p>A PCI adapter ROM error occurred.</p> <p>Action: Remove the PCI adapters. If you can start the server without the adapters, reinstall each adapter one at a time and retest after each is reinstalled. When an adapter fails, replace it.</p> <p>If you cannot isolate and correct the problem, call for service.</p>
00180600	<p>A PCI-to-PCI bridge error occurred. More than one PCI bus tried to access memory below 1 MB.</p> <p>Action: Remove the PCI adapter that has the PCI bridge. If you can start the server without the adapter, reinstall and retest the adapter. If the adapter fails, replace it.</p> <p>If you cannot isolate and correct the problem, call for service.</p>
00180700	<p>xxxxyyyy Planar PCI device does not respond or disabled by user. (Where xxxx is the PCI vendor ID and yyyy is the PCI device ID.)</p> <p>Action: Start the Configuration/Setup Utility program, select Devices and I/O Ports, and make sure that the device is enabled. If the problem remains, call for service.</p>
00180800	<p>An unsupported PCI device is installed.</p> <p>Action: Remove the PCI adapters. If you can start the server without the adapters, reinstall each adapter one at a time and retest after each is reinstalled. When an adapter fails, replace it.</p> <p>If the problem remains, call for service.</p>

Table 13. POST error messages.

POST message	Description
00181000	<p>PCI error.</p> <p>Action: Remove the PCI adapters. If you can start the server without the adapters, reinstall each adapter one at a time and retest after each is reinstalled. When an adapter fails, replace it.</p> <p>If the problem remains, call for service.</p>
01295085	<p>The ECC checking hardware test failed.</p> <p>Action: Call for service.</p>
01298001	<p>No update data is available for processor 1.</p> <p>Action: Update the system BIOS to a level that supports the microprocessors installed in the server.</p>
01298002	<p>No update data is available for processor 2.</p> <p>Action: Update the system BIOS to a level that supports the microprocessors installed in the server.</p>
01298101	<p>The update data for processor 1 is incorrect.</p> <p>Action: Update the system BIOS to a level that supports the microprocessors installed in the server.</p>
01298102	<p>The update data for processor 2 is incorrect.</p> <p>Action: Update the system BIOS to a level that supports the microprocessors installed in the server.</p>
01298200	<p>Microprocessor speed mismatch</p> <p>Action: The microprocessors installed do not run at the same speed; install microprocessors with identical speeds.</p>
I9990301	<p>A hard disk drive error occurred.</p> <p>Action: Call for service.</p>
I9990305	<p>POST could not find an operating system.</p> <p>Action: Install an operating system. If you have already installed the operating system, check the drive startup sequence. If the drive sequence is correct, run the diagnostic tests to verify that the hard disk drive is functioning correctly. If there is a problem with the hard disk drive (such as a bad sector), you might need to reinstall the operating system.</p> <p>If you cannot reinstall the operating system, call for service.</p>
I9990650	<p>AC power has been restored.</p> <p>Action: No action is required. This message appears each time AC power is restored to the server after an AC power loss.</p>
Other Numbers	<p>POST found an error.</p> <p>Action: Follow the instructions on the screen.</p>

Table 13. POST error messages.

Error logs

The POST error log contains the three most recent error codes and messages that the system generated during POST. The System Error Log contains all error messages issued during POST and all system status messages from both the system environmental monitor subsystem and the optional IBM Remote Supervisor Adapter, if installed.

To view the contents of the error logs, start the Configuration/Setup Utility program; then, select **Error Logs** from the main menu.

Small computer system interface messages (some models)

If you receive a SCSI error message while using the SCSISelect Utility, use the following list to determine the possible cause of the error and what action to take.

Note: If your system does not have a hard disk drive, ignore any message that indicates that the BIOS code is not installed.

One or more of the following might be causing the problem.

- A failing SCSI device (adapter or drive)
- An improper SCSI configuration
- Duplicate SCSI IDs in the same SCSI chain
- An improperly installed SCSI terminator
- A defective SCSI terminator
- An improperly installed cable
- A defective cable

Verify that:

- The external SCSI devices are turned on. External SCSI devices must be turned on *before* the server.
- The cables for all external SCSI devices are connected correctly.
- The last device in each SCSI chain is terminated properly.
- The SCSI devices are configured correctly.

If the above items are correct, run the diagnostic programs to obtain additional information about the failing device. If the error remains or recurs, call for service.

Diagnostic programs and error messages

The server diagnostic programs are stored in upgradable read-only memory (ROM) on the system board. These programs are the primary method of testing the major components of your server.

Diagnostic error messages indicate that a problem exists; they are not intended to be used to identify a failing part. Troubleshooting and servicing of complex problems that are indicated by error messages should be performed by trained service personnel.

Sometimes the first error to occur causes additional errors. In this case, the server displays more than one error message. Always follow the suggested action instructions for the *first* error message that appears.

The following sections contain the error codes that might appear in the detailed test log and summary log when running the diagnostic programs.

The error code format is as follows:

fff-ttt-iii-date-cc-text message

where:

fff is the three-digit function code that indicates the function being tested when the error occurred. For example, function code 089 is for the microprocessor.

ttt	is the three-digit failure code that indicates the exact test failure that was encountered. (These codes are for trained service personnel and are described in the <i>Hardware Maintenance Manual</i> .)
iii	is the three-digit device ID. (These codes are for trained service personnel and are described in the <i>Hardware Maintenance Manual</i> .)
date	is the date that the diagnostic test was run and the error recorded.
cc	is the check value that is used to verify the validity of the information.
text message	is the diagnostic message that indicates the reason for the problem.

Text messages

The diagnostic text message format is as follows:

Function Name: Result (test specific string)

where:

Function Name

is the name of the function being tested when the error occurred. This corresponds to the function code (fff) given in the previous list.

Result can be one of the following:

Passed	This result occurs when the diagnostic test completes without any errors.
Failed	This result occurs when the diagnostic test discovers an error.
User Aborted	This result occurs when you stop the diagnostic test before it is complete.
Not Applicable	This result occurs when you specify a diagnostic test for a device that is not present.
Aborted	This result occurs when the test could not proceed because of the system configuration.
Warning	This result occurs when a possible problem is reported during the diagnostic test, such as when a device that is to be tested is not installed.
Test Specific String	This is additional information that you can use to analyze the problem.

Starting the diagnostic programs

You can press F1 while running the diagnostic programs to obtain Help information. You also can press F1 from within a help screen to obtain online documentation from which you can select different categories. To exit Help and return to where you left off, press Esc.

To start the diagnostic programs:

1. Turn on the server and watch the screen.
2. When the message F2 for Diagnostics appears, press F2.
3. Type in the appropriate password; then, press Enter.
4. Select either **Extended** or **Basic** from the top of the screen.
5. When the Diagnostic Programs screen appears, select the test you want to run from the list that appears; then, follow the instructions on the screen.

Notes:

- a. If the server stops during testing and you cannot continue, restart the server and try running the diagnostic programs again. If the problem persists, call for service.
- b. The keyboard and mouse (pointing device) tests assume that a keyboard and mouse are attached to the server.
- c. If you run the diagnostic programs with no mouse attached to your server, you will not be able to navigate between test categories using the **Next Cat** and **Prev Cat** buttons. All other functions provided by mouse-selectable buttons are also available using the function keys.
- d. You can test the USB keyboard by using the regular keyboard test. Also, you can run the USB hub test only if there are no USB devices attached.
- e. You can view server configuration information (such as system configuration, memory contents, interrupt request (IRQ) use, direct memory access (DMA) use, device drivers, and so on) by selecting **Hardware Info** from the top of the screen.

When the tests have completed, you can view the Test Log by selecting **Utility** from the top of the screen.

If the tests do not detect a hardware problem but the problem persists during normal server operations, a software error might be the cause. If you suspect a software problem, refer to the information that comes with the software package.

Viewing the test log

The test log will not contain any information until after the diagnostic program has run.

Note: If you already are running the diagnostic programs, begin with step 3 on page 94

To view the test log:

1. Turn on the server and watch the screen.
If the server is on, shut down your operating system and restart the server.
2. When the message F2 for Diagnostics appears, press F2.

If a power-on password or administrator password is set, the server prompts you for it. Type the appropriate password; then, press Enter.

3. When the Diagnostic Programs screen appears, select **Utility** from the top of the screen.
4. Select **View Test Log** from the list that appears; then, follow the instructions on the screen.

The system maintains the test-log data while the server is powered on. When you turn off the power to the server, the test log is cleared.

Diagnostic error message tables

The following tables provide descriptions of the error messages that might appear when you run the diagnostic programs.

Important: If diagnostic error messages appear that are not listed in the following tables, make sure that your server has the latest levels of BIOS, Advanced System Management Processor, ServeRAID, and diagnostics microcode installed.

Code	Function	Result	Text message	Action
001	Core system	Failed	Processor board, ECC Test	Call for service.
			System board	
005	Video port		Processor and system boards	
011	Serial port		Integrated serial port	
015	USB interface	Aborted	Can NOT test USB interface while it is in use. Note: If you have a USB keyboard or mouse attached, you cannot run the diagnostic program for the USB interface.	<ol style="list-style-type: none"> 1. Turn off the server. 2. Replace the USB keyboard and mouse with a standard keyboard and mouse. 3. Turn on the server. 4. Run the diagnostic test again.
		Failed	System board	Call for service.
020	PCI interface	Failed	System board	Call for service.
030	SCSI interface	Failed	SCSI adapter in slot <i>n</i> failed register/counter/ power test (where <i>n</i> is the slot number of the failing adapter)	Refer to the information provided with the adapter for instructions. If the problem persists, call for service.
			SCSI controller on system board failed register/counter/power test	Call for service.

Table 14. Diagnostic error messages.

Code	Function	Result	Text message	Action
35	ServeRAID	Aborted	Test setup error: No ServeRAID adapter found on system board or PCI bus	Make sure the ServeRAID adapter is properly installed. If the problem remains, replace the ServeRAID adapter. If the problem persists, call for service.
		Failed	Adapter in slot <i>n</i> ; adapter/drive configuration error (where <i>n</i> is the slot number of the failing adapter)	Run the ServeRAID Configuration Utility. If the problem remains, replace the ServeRAID adapter in slot <i>n</i> . If the problem persists, call for service.
			Adapter in slot <i>n</i> ; internal error (where <i>n</i> is the slot number of the failing adapter)	
			Logical drive <i>m</i> on adapter in slot <i>n</i> (where <i>m</i> is the number of the failing logical drive and <i>n</i> is the slot number of the adapter)	
			On system board; internal error	Run the ServeRAID Configuration Utility. If the problem persists, call for service.
			On system board; adapter/drive configuration error	
			Logical drive on system board adapter	
			Adapter in slot <i>n</i> ; memory allocation error (where <i>n</i> is the slot number of the failing adapter)	Call for service.
			On system board; memory allocation error	
			On system board; PCI configuration error	
			On system board; POST error	
			Adapter in slot <i>n</i> ; POST error (where <i>n</i> is the slot number of the failing adapter)	Replace the ServeRAID adapter in slot <i>n</i> . If the problem persists, call for service.
			Adapter in slot <i>n</i> ; PCI configuration error (where <i>n</i> is the slot number of the failing adapter)	
			SCSI drive on adapter in slot <i>n</i> , SCSI ID <i>m</i> (where <i>n</i> is the slot number of the adapter and <i>m</i> is the SCSI ID of the drive)	Check the cable and power connections on the drive. If the problem persists, call for service.
075	Power supply	Failed	Voltage sensed by the system is out of range	Call for service.

Table 14. Diagnostic error messages.

Code	Function	Result	Text message	Action
089	Microprocessor	Failed	Invalid microprocessor in slot xyz or BIOS setup problem (where xyz identifies the microprocessor that is causing the error message)	<ol style="list-style-type: none"> 1. Check the system error log for the related error messages. 2. If your server does not have the latest level BIOS installed, update the BIOS. 3. If the problem remains, replace the xyz microprocessor and run the test again. <p>If the problem persists, call for service.</p>
			Processor in socket id xyz is installed but not functioning (where xyz identifies the microprocessor that is causing the error message)	
			Microprocessor in socket id xyz (where xyz identifies the microprocessor that is causing the error message) Note: The microprocessor error LED associated with the microprocessor will be lit.	<ol style="list-style-type: none"> 1. Reseat the microprocessor. 2. If the problem remains, replace the microprocessor. <p>If the problem persists, call for service.</p>
			Processor in socket id xyz is defective (where xyz identifies the microprocessor that is causing the error message)	<p>Replace the microprocessor.</p> <p>If the problem persists, call for service.</p>
089	Microprocessor	Failed	Test setup error: Application microprocessor not installed or BIOS setup problem	<ol style="list-style-type: none"> 1. Verify that the Application microprocessor is installed and seated correctly. 2. Check the system error log for related error messages. 3. If your server does not have the latest level BIOS installed, update the BIOS. 4. If the problem remains, replace the application microprocessor and run the test again. <p>If the problem persists, call for service.</p>
			VRM corresponding to Microprocessor in socket xyz is defective (where xyz identifies the microprocessor whose VRM is causing the error message)	<p>Replace the VRM.</p> <p>If the problem remains, call for service.</p>
			VRM corresponding to Microprocessor in socket id xyz is not installed (where xyz identifies the microprocessor whose VRM is causing the error message)	<p>Install a VRM.</p> <p>If the problem persists, call for service.</p>

Table 14. Diagnostic error messages.

Code	Function	Result	Text message	Action
166	System Management	Failed	ISMP Self Test Result failed test: x (where x identifies part of the subsystem experiencing problems, x = [ROM, RAM, flash])	Flash (or reflash) latest firmware levels. Call for service.
			I2C Bus Error(s)	If an system management adapter is installed, reconnect I2C cable between system management adapter and system board. Call for service.
			I2C cable is disconnected.	Reconnect I2C cable between system management adapter and system board. Call for service if the problem persists.
			BIOS indicates ASM is unreachable. Ensure ASM adapter is properly seated in its supported slot.	Ensure the optional system management adapter (IBM Remote Supervisor Adapter), is seated in PCI Slot 1 (J44).
			Unable to communicate with ASM adapter. It may be busy. Communication with the ASM adapter has failed.	Rerun the test. Call for service if the problem persists.
			ASM BIST indicate failed tests. Unable to restart ASM adapter.	Disconnect all external server and option power cords from server, wait 30 seconds, reconnect, and retry. Call for service if the problem persists.
175	System thermal	Failed	Fan # n (where n is the number of the failing fan) Note: The fan LED on the diagnostic LED panel will be lit.	Replace the indicated fan.
			Temperature sensed on processor board is out of range	If one of the fan LEDs on the diagnostic LED panel is on, replace the indicated fan. If the problem persists, call for service.
180	Status display	Failed	Diagnostic LED panel	Call for service.
			Operator information panel	
			LED on hot-swap SCSI backplane	
			LED on system board	
			One or more fan LEDs are faulty.	Replace the faulty fan.
201	System memory	Failed	DIMMs in location DIMM n (where n is the number of the socket that contains the failing DIMM)	1. Reseat the failing DIMM. 2. If the problem remains, replace the DIMM. If the problem persists, call for service.
			Test setup error: Corrupt BIOS in ROM	If your server does not have the latest level BIOS installed, update the BIOS to the latest level. If the problem persists, call for service.
			Test setup error: Corrupt DMI BIOS, information in BIOS is not as expected	

Table 14. Diagnostic error messages.

Code	Function	Result	Text message	Action
202	System cache	Aborted	Test setup error: BIOS cannot access VPD information	If your server does not have the latest level BIOS code installed, update the BIOS code to the latest level and run the diagnostic program again. If the problem persists, call for service.
			Test setup error: Corrupt DMI BIOS. Information in BIOS is not as expected	
			Test setup error: No L2 cache detected on microprocessor socket id xyz or BIOS setup problem (where xyz identifies the microprocessor that is causing the error message)	
		Test setup error: Unknown hardware problem associated with microprocessor in socket id xyz. (where xyz identifies the microprocessor that is causing the error message)	3. If the problem remains, replace the failing processor. If the problem persists, call for service.	
		Failed	Microprocessor in socket ID xyz (where xyz identifies the microprocessor that is causing the error message) Note: The indicated microprocessor LED will be on.	1. Reseat the identified microprocessor. 2. If the problem remains, replace the microprocessor. If the problem persists, call for service.
		Warning	Test setup error: Cache is disabled. Use system setup to enable before retrying the test	Use the Cache Control choice from the Advanced Setup menu to enable the cache. If the problem persists, call for service.
206	Diskette drive	Failed	Internal diskette drive bay	Call for service.
215	CD-ROM	Aborted	The CD-ROM drive is not present.	Verify that the cables are properly connected to the CD-ROM drive. If the problem persists, call for service.
		Failed	On system board.	Call for service.
217	Hard disk drive	Failed	BIOS drive # <i>n</i> (where <i>n</i> is the drive bay number)	Call for service.

Table 14. Diagnostic error messages.

Code	Function	Result	Text message	Action
264	Magnetic tape drive	Aborted	Test setup error: No tape drive found	Check the cable and power connections to the drive. Refer to the information that is provided with the tape drive. If the problem persists, call for service.
		Failed	The load/mount test failed for device n on adapter m (where n is the number of the device and m is the adapter number)	Refer to the information provided with the tape drive. If the problem persists, call for service. Note: The push button test is applicable only to SCSI tape drives that have a push button.
			The Self-diagnostic failed for device n on adapter m . (where n is the number of the device and m is the adapter number)	
			The unload/eject test failed for device n on adapter m (where n is the number of the device and m is the adapter number)	
			The unload/eject push button test failed for device n on adapter m (where n is the number of the device and m is the adapter number)	
			The Read/Write Self-diagnostic failed for device n on adapter m (where n is the number of the device and m is the adapter number)	
	Insert a new tape cartridge; then, run the diagnostic test again. Refer to the information that is provided with the tape drive. If the problem persists, call for service.			
301	Keyboard	Failed	On system board keyboard test failed	1. Verify that the keyboard cable is connected. 2. If the problem remains, replace the keyboard cable. If the problem persists, call for service.
302	Mouse	Failed	On system board pointing device test failed.	Replace the pointing device. If the problem persists, call for service.
305	Video monitor		Any message	Refer to the information that came with the monitor.
405	Ethernet	Failed	In PCI slot n (where n is the PCI slot number in which the failing Ethernet adapter is installed)	Replace the Ethernet adapter in slot n . If the problem persists, call for service.
			On system board	Call for service.

Table 14. Diagnostic error messages.

Code	Function	Result	Text message	Action
415	Analog/digital modem	Not applicable	No modem was detected	<ol style="list-style-type: none"> 1. Verify that the modem is properly attached to the server. 2. If the problem remains, replace the modem. <p>If the problem persists, call for service.</p>
			PCI modem detected but not enabled	<ol style="list-style-type: none"> 1. Change the configuration to enable the modem. 2. If the problem remains, replace the modem. <p>If the problem persists, call for service.</p>
		Failed	Modem reset failed	<p>Replace the modem.</p> <p>If the problem persists, call for service.</p>
			No dialtone detected	<ol style="list-style-type: none"> 1. Make sure that the phone line attached to the modem has a dial tone. (Connect a phone to the line and listen, if necessary.) If there is no tone, have the phone line serviced. 2. If the problem remains, replace the modem. <p>If the problem persists, call for service.</p>

Table 14. Diagnostic error messages.

Identifying problems using LEDs

Your server has LEDs to help you identify problems with some server components. These LEDs are part of the Light Path Diagnostics feature built into the server. By following the *path of lights*, you can identify the type of system error that occurred. See the following sections for more information.

Power-supply LEDs

The ac and dc power LEDs on the power supply provide status information about the power supply.

The following table describes the ac and dc power LEDs.

AC power LED	DC power LED	Description and action
On	On	The power supply is on and operating correctly.
On	Off	<p>There is a dc power problem.</p> <p>Possible causes:</p> <ol style="list-style-type: none">1. The power-control button on the front of the server is in the Off position. Action: Press the power-control button to start the server.2. The power supply has failed. Action: Replace the power supply. <p>If the problem persists, have the system serviced.</p>
Off	Off	<p>There is an ac power problem.</p> <p>Possible causes:</p> <ol style="list-style-type: none">1. There is no ac power to the power supply. Action: Verify that:<ul style="list-style-type: none">• The power cord is properly connected to the server.• The power outlet functions properly.2. The power supply has failed. Action: Replace the power supply. <p>If the problem persists, have the system serviced.</p>

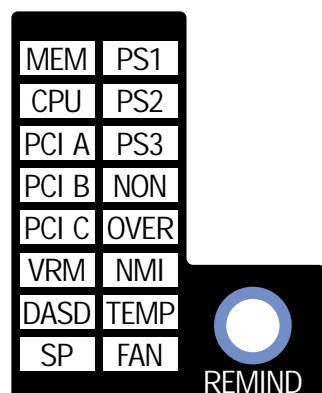
Table 15. Power supply LEDs.

Light Path Diagnostics

You can use the Light Path Diagnostics feature built into your server to quickly identify the type of system error that occurred. Your server is designed so that any LEDs that are illuminated remain illuminated when the server shuts down as long as the ac power source is good and the power supplies can supply +5 V dc current to the server. This feature helps you isolate the problem, if an error causes the server to shut down.

Diagnostics panel

The following illustration shows the LEDs on the diagnostics panel on the system board.



System environmental monitor subsystem LED

The xSeries 342 server has a system management feature on the system board. This green system management LED flashes, indicating that the system temperature, fan speeds, voltage ranges, power supplies, power backplane and DASD backplane are being monitored. If an error occurs in any of these areas, the system environmental monitor subsystem turns on the respective error LED on the Light Path Diagnostics panel. If the LED remains on or off, an error has occurred.

Light Path Diagnostics table

The system error LED on the operator information panel is lit when certain system errors occur. If the system error LED on your server is lit, use the following table to help determine the cause of the error and the action you should take.

Lit LED on diagnostics panel	Cause	Action
PS1	Power supply 1 has failed.	Replace power supply 1.
PS2	Power supply 2 has failed.	Replace power supply 2.
PS3	Reserved	
NON	Power supply redundancy has been lost. Note: This LED will not be lit if your server has only one power supply; however, the power is not redundant with only one power supply installed.	Check the PS1 and PS2 LEDs and replace the indicated power supply. If neither LED is lit, you can remove optional devices from the server to restore power supply redundancy.
OVER	The system has exceeded the power capabilities of the installed power supply.	Remove optional devices from the server to reduce the power requirements.
NMI	A nonmaskable interrupt occurred.	<ol style="list-style-type: none"> If the PCI A, PCI B, or PCI C LED is on, follow the instructions for that LED. If none of the PCI LEDs are on, restart the server. If the problem persists, have the system serviced.

Table 16. Light Path Diagnostics.

Lit LED on diagnostics panel	Cause	Action
TEMP	The system temperature has exceeded a threshold level.	<ol style="list-style-type: none"> 1. Check to see if a fan has failed. If it has, replace the fan. 2. Make sure the room temperature is not too hot. (See “Features and specifications” on page 2.) <p>If the problem persists, have the system serviced.</p>
FAN	<p>A fan has failed or is operating too slowly. Check the Light Path Diagnostics LEDs for the following:</p> <ul style="list-style-type: none"> • Fan 1 Failure LED • Fan 2 Failure LED • CPU1 Fan-sink Failure LED • CPU2 Fan-sink Failure LED • Fan 3 Failure LED <p>Note: A failing fan can also cause the TEMP LED to be on.</p>	Check the LEDs on the fan assemblies and replace the indicated fan assembly.
MEM	<p>A memory error occurred. Check the Light Path Diagnostics LEDs for the following:</p> <ul style="list-style-type: none"> • CR21 Memory DIMM #1 Failure LED • CR28 Memory DIMM #2 Failure LED • CR18 Memory DIMM #3 Failure LED • CR20 Memory DIMM #4 Failure LED 	<ol style="list-style-type: none"> 1. Check the DIMM failure LEDs on the system board. 2. Replace the DIMM indicated by the lit DIMM failure LED.
CPU	<p>One of the microprocessors has failed or a microprocessor is installed in the wrong connector. Check the Light Path Diagnostics LEDs for the following:</p> <ul style="list-style-type: none"> • CR1 CPU #1 Failure LED • CR1 CPU #2 Failure LED 	<ol style="list-style-type: none"> 1. Check the microprocessor failure LEDs on the system board. 2. If a microprocessor failure LED is lit, make sure that microprocessor is installed correctly and seated correctly. See “Installing a microprocessor” on page 55. 3. If the problem persists, replace the microprocessor. <p>If the problem persists, have the system serviced.</p>
PCI A	An error occurred on PCI bus A. Either an adapter in PCI slot 1 or the system board caused the error.	<ol style="list-style-type: none"> 1. Check the error log for additional information. If the error log indicates a problem with the integrated Ethernet controller or the integrated SCSI controller, have your system serviced. 2. If the error log does not list the failing adapter, turn off the server and remove the adapter from slot 1, and then restart the server to determine if the adapter failed. <p>If the problem persists, have the system serviced.</p>
PCI B	An error occurred on PCI bus B. Either an adapter in PCI slot 2 or 3 or the system board caused the error.	<ol style="list-style-type: none"> 1. Check the error log for additional information. 2. If you cannot isolate the failing adapter from the information in the error log, try to determine the failing adapter by removing one adapter at a time from PCI bus B (PCI slots 2 and 3) and restarting the server after each adapter is removed. <p>If the problem persists, have the system serviced.</p>

Table 16. Light Path Diagnostics.

Lit LED on diagnostics panel	Cause	Action
PCI C	An error occurred on PCI bus C. Either an adapter in PCI slot 4 or 5 or the system board caused the error.	<ol style="list-style-type: none"> 1. Check the error log for additional information. If the error log indicates a problem with the integrated Ethernet controller or the integrated SCSI controller, have your system serviced. 2. If you cannot isolate the failing adapter from the information in the error log, try to determine the failing adapter by removing one adapter at a time from PCI bus C (PCI slots 4 and 5) and restarting the server after each adapter is removed. <p>If the problem persists, have the system serviced.</p>
VRM	One of the VRMs on the system board has failed.	<p>Check the VRM failure LEDs on the system board. If either of the VRM failure LEDs are on:</p> <ol style="list-style-type: none"> 1. Turn off the server, reseal the VRM, and restart the server. 2. If the problem persists, replace the VRM and have the system serviced.
DASD	SCSI hot-swap failure.	<ol style="list-style-type: none"> 1. If an amber LED on a hot-swap hard disk drive is on, replace the hard disk drive. 2. Run the diagnostics programs. Replace any identified failing device. 3. If the error log indicates a temperature problem and the fans are working correctly, have the system serviced. <p>If the problem still persists, have the system serviced.</p>
SP	System management error detected.	Flash the system management monitor subsystem code again. Turn off the server and disconnect ac power cord. Wait at least 10 seconds before reconnecting the ac power cord, and restart the server. If problem persists, have the system serviced.

Table 16. Light Path Diagnostics.

Recovering BIOS code

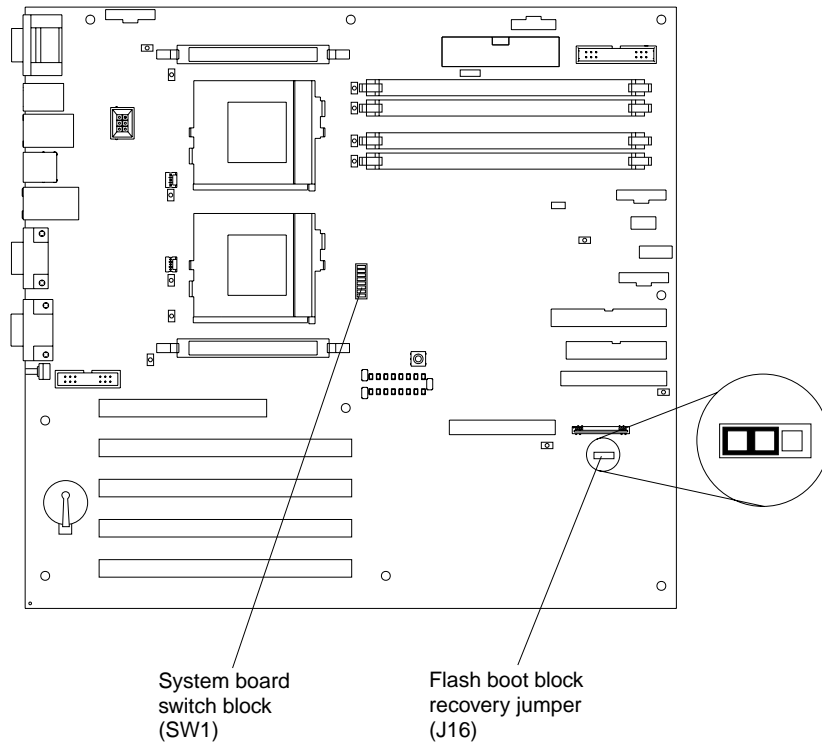
If the BIOS code has become damaged, such as from a power failure during a flash update, you can recover the BIOS code using the boot block jumper and a BIOS flash diskette.

Note: You can obtain a BIOS flash diskette from one of the following sources:

- Use the ServerGuide program to make a BIOS flash diskette.
- Download a BIOS flash diskette from the World Wide Web. Go to <http://www.ibm/pc/support>, click **IBM Server Support**, and make the selections for your server.
- Contact your IBM service representative.

The flash memory of your server contains a protected area that cannot be overwritten. The recovery boot block is a section of code in this protected area that enables the server to start up and to read a flash diskette. The flash utility recovers the system BIOS code from the BIOS recovery files on the diskette.

The following illustration shows the location of the boot block jumper on the system board.



To recover the BIOS code:

1. Turn off the server and peripheral devices and disconnect all external cables and power cords; then, remove the cover.
2. Locate the boot-block jumper block (J37) on the system board.
3. Move the jumper from pins 1 and 3 to pins 2 and 3 to enable BIOS recovery mode.
4. Insert the BIOS flash diskette into the diskette drive.
5. Restart the server.

The Recovery Boot screen will appear. A progress report, Loading data from diskette *xx%*, is displayed. When programming is underway, a further progress report, Programming block *n of 7 yy%*, is displayed. When the procedure completes, the following message is displayed: Recovery complete, remove the diskette and return boot block switch to the off position before rebooting.

6. Remove the flash diskette from the diskette drive.
7. Turn off the server.
8. Remove the jumper from the boot-block jumper block, or move it to pins 1 and 2 to return to normal startup mode.
9. Restart the server. The system should start up normally.

Troubleshooting charts

You can use the troubleshooting charts in this section to find solutions to problems that have definite symptoms.

Attention: If diagnostic error messages appear that are not listed in the following tables, make sure your server has the latest levels of BIOS code, the System Management processor, ServerRAID, and diagnostics.

If you cannot find the problem in the troubleshooting charts, go to “Starting the diagnostic programs” on page 93 to test the server. If you have run the diagnostic test programs or if running the tests does not reveal the problem, call for service.

Look for the symptom in the left column of the chart. Instructions and probable solutions to the problem are in the right column. If you have just added new software or a new option and your server is not working, do the following before using the troubleshooting charts:

- Remove the software or device that you just added.
- Run the diagnostic tests to determine if your server is running correctly.
- Reinstall the new software or new device.

Device	Suggested action
CD-ROM drive	Verify that:
CD-ROM drive is not recognized.	<ol style="list-style-type: none"> 1. The primary IDE channel is enabled in the Configuration/Setup Utility program. 2. All cables and jumpers are installed correctly. 3. The correct device driver is installed for the CD-ROM drive. <p>If the problem remains, call for service.</p>
Diskette drive	If there is a diskette in the drive, verify that:
Diskette drive in-use light stays on, or the system bypasses the diskette drive.	<ol style="list-style-type: none"> 1. The diskette drive is enabled in the Configuration/Setup Utility program. 2. The diskette is good and not damaged. (Try another diskette if you have one.) 3. The diskette contains the necessary files to start the server. 4. Your software program is working properly. <p>If the diskette drive in-use light stays on, or the system continues to bypass the diskette drive, call for service.</p>
General problems	Call for service.
Problems such as broken cover locks or indicator lights not working.	
Intermittent problems	Verify that:
A problem occurs only occasionally and is difficult to detect.	<ol style="list-style-type: none"> 1. All cables and cords are connected securely to the rear of the server and attached options. 2. When the server is turned on, air is flowing from the rear of the server at the fan grill. If there is no air flow, the fan is not working. This causes the server to overheat and shut down. 3. Ensure that the SCSI bus and devices are configured correctly and that the last external device in each SCSI chain is terminated correctly. <p>If the items above are correct, call for service.</p>

Table 17. Troubleshooting charts.

Device	Suggested action
<p>Keyboard, mouse, or pointing-device problems.</p> <p>All or some keys on the keyboard do not work.</p>	<ol style="list-style-type: none"> 1. Make sure that the keyboard cable is properly connected to the server. 2. Make sure that the server and the monitor are turned on. 3. Try using another keyboard. <p>If the items above are correct, call for service.</p>
<p>The mouse or pointing device does not work.</p>	<ol style="list-style-type: none"> 1. Verify that the mouse or pointing-device cable is securely connected and the device drivers are installed correctly. 2. Try using another mouse or pointing device. <p>If the problem remains, call for service.</p>
<p>Memory problems</p> <p>The amount of memory displayed is less than the amount of memory installed.</p>	<p>Verify that:</p> <ol style="list-style-type: none"> 1. The memory modules are seated properly. 2. Each pair of DIMMs are the same size (DIMM 1 and DIMM 4 must match and DIMM 2 and DIMM 3 must match. The two pairs do not need to match each other.). 3. You have installed the correct type of memory. 4. If you changed the memory, you updated the memory configuration using the Configuration/Setup Utility program. 5. All banks of memory on the DIMMs are enabled. The server might have detected a problem and automatically disabled a DIMM bank, or a DIMM bank could have been manually disabled. <p>If the above items are correct, run the memory-diagnostic program. The system might have detected a bad memory module and automatically reallocated memory to enable you to continue to operate. If the memory tests fail, call for service or replace the failing DIMM.</p>
<p>Microprocessor problems</p> <p>The server emits a continuous tone during POST.</p>	<p>The startup (boot) microprocessor is not working properly.</p> <p>Verify that the startup microprocessor is seated properly. If it is, call for service.</p>
<p>Monitor</p> <p>Testing the monitor.</p>	<p>Some IBM monitors have their own self-tests. If you suspect a problem with your monitor, refer to the information that comes with the monitor for adjusting and testing instructions.</p> <p>If you still cannot find the problem, call for service.</p>
<p>The screen is blank.</p>	<p>Verify that:</p> <ol style="list-style-type: none"> 1. The server power cord is plugged into the server and a working electrical outlet. 2. The monitor cables are connected properly. 3. The monitor is turned on and the Brightness and Contrast controls are adjusted correctly. <p>If the items above are correct and the screen remains blank, call for service.</p> <p>Attention: In some memory configurations, the 3-3-3 beep code might sound during POST followed by a blank display screen. If this occurs and the Boot Fail Count feature in the Start Options of the Configuration/Setup Utility is set to Enabled (its default setting), you must restart the server three times to force the system BIOS to reset the memory connector or bank of connectors from Disabled to Enabled.</p>
<p>Only the cursor appears.</p>	<p>Call for service.</p>

Table 17. Troubleshooting charts.

Device	Suggested action
The monitor works when you turn on the server, but goes blank when you start some application programs.	Verify that: <ol style="list-style-type: none"> 1. The primary monitor cable is connected to the video port. 2. You installed the necessary device drivers for the applications. If the items above are correct and the screen remains blank, call for service.
Wavy, unreadable, rolling, distorted screen, or screen jitter.	If the monitor self-tests show the monitor is working properly, consider the location of the monitor. Magnetic fields around other devices (such as transformers, appliances, fluorescent lights, and other monitors) can cause screen jitter or wavy, unreadable, rolling, or distorted screen images. If this happens, turn off the monitor. (Moving a color monitor while it is turned on might cause screen discoloration.) Then move the device and the monitor at least 305 mm (12 in.) apart. Turn on the monitor. <p>Notes:</p> <ol style="list-style-type: none"> 1. To prevent diskette drive read/write errors, be sure the distance between monitors and diskette drives is at least 76 mm (3 in.). 2. Non-IBM monitor cables might cause unpredictable problems. 3. An enhanced monitor cable with additional shielding is available for the 9521 and 9527 monitors. For information about the enhanced monitor cable, see your IBM reseller or IBM marketing representative. If the problem remains, call for service.
Wrong characters appear on the screen.	If the wrong language is displayed, update the BIOS code with the correct language. If the problem remains, call for service.
Option problems	Verify that:
An IBM option that was just installed does not work.	<ol style="list-style-type: none"> 1. The option is designed for the server. Refer to the "Server Support" flowchart for information about obtaining ServerProven™ compatibility information from the World Wide Web. 2. You followed the installation instructions that came with the option. 3. The option is installed correctly. 4. You have not loosened any other installed options or cables. 5. You updated the configuration information in the Configuration/Setup Utility program. Whenever memory or an option is changed, you must update the configuration. If the problem remains, call for service.
An IBM option that used to work does not work now.	Verify that all of the option hardware and cable connections are secure. If the option comes with its own test instructions, use those instructions to test the option. If the failing option is a SCSI option, verify that: <ol style="list-style-type: none"> 1. The cables for all external SCSI options are connected correctly. 2. The last option in each SCSI chain, or the end of the SCSI cable, is terminated correctly. 3. Any external SCSI option is turned on. You must turn on an external SCSI option before turning on the server. If the problem remains, call for service.

Table 17. Troubleshooting charts.

Device	Suggested action
Power problems	Verify that:
The server does not power on.	<ol style="list-style-type: none"> 1. The power cables are properly connected to the server. 2. The electrical outlet functions properly. 3. The type of memory installed is correct. 4. If you just installed an option, remove it, and restart the server. If the server now powers on, you might have installed more options than the power supply supports. 5. The LEDs on the power supply are on. <p>If the problem remains, call for service.</p>
Printer problems	Verify that:
The printer does not work.	<ol style="list-style-type: none"> 1. The printer is turned on and is online. 2. The printer signal cable is connected to the correct port on the server. Note: Non-IBM printer cables might cause unpredictable problems. 3. You have assigned the printer port correctly in your operating system or application program. 4. You have assigned the printer port correctly using the Configuration/Setup Utility program. <p>If the items above are correct and the printer still does not work, run the tests described in the documentation that comes with your printer. If the tests show that the printer is working properly, call for service.</p>
Serial port problems	Verify that:
The number of serial ports identified by the operating system is less than the number of serial ports installed.	<ol style="list-style-type: none"> 1. Each port is assigned a unique address by the Configuration/Setup Utility program and none of the serial ports are disabled. Note: The management C connector is the same as a serial port connector, but it is used only by the Integrated System Management Processor, and is not available for use by the operating system. This port does not appear in the Configuration/Setup Utility program menus. 2. The serial-port adapter, if you installed one, is seated properly. <p>If the problem still exists, call for service.</p>
A serial device does not work.	<p>Verify that:</p> <ol style="list-style-type: none"> 1. The device is compatible with the server. 2. The serial port is enabled and is assigned a unique address. 3. Make sure that the device is not connected to the management port C. Note: The management C connector is the same as a serial port connector, but it is used only by the Integrated System Management Processor and is not available for use by the operating system. This port does not appear in the Configuration/Setup Utility program menus. <p>If the problem still exists, call for service.</p>

Table 17. Troubleshooting charts.

Device	Suggested action
Software problem	To determine if problems are caused by the software, verify that:
Suspected software problem.	<ol style="list-style-type: none"> 1. Your server has the minimum memory requirements needed to use the software. For memory requirements, refer to the information that comes with the software. Note: If you have just installed an adapter or memory, you might have a memory address conflict. 2. The software is designed to operate on your server. 3. Other software works on your server. 4. The software that you are using works on another system. <p>If you received any error messages when using the software program, refer to the information that comes with the software for a description of the messages and solutions to the problem.</p> <p>If the items above are correct and the problem remains, contact your place of purchase.</p>
Universal Serial Bus (USB) port problems	Verify that:
A USB device does not work.	<ol style="list-style-type: none"> 1. You are not trying to use a USB device during POST if you have a standard (non-USB) keyboard attached to the keyboard port. Note: If a standard (non-USB) keyboard is attached to the keyboard port, then the USB is disabled and no USB device will work during POST. 2. The correct USB device driver is installed. 3. Your operating system supports USB devices. <p>If the problem still exists, call for service.</p>

Table 17. Troubleshooting charts.

Troubleshooting the Ethernet controller

This section provides troubleshooting information for problems that might occur with the 10/100 Mbps Ethernet controller.

Network connection problems

If the Ethernet controller cannot connect to the network, check the following:

- Make sure that the cable is installed correctly.

The network cable must be securely attached at all connections. If the cable is attached but the problem persists, try a different cable.

If you set the Ethernet controller to operate at 100 Mbps, you must use Category 5 cabling.

If you directly connect two workstations (without a hub), or if you are not using a hub with X ports, use a crossover cable.

Note: To determine whether a hub has an X port, check the port label. If the label contains an X, the hub has an X port.

- Determine if the hub supports auto-negotiation. If not, try configuring the integrated Ethernet controller manually to match the speed and duplex mode of the hub.
- Check the LAN activity light (if available) on the rear of the server. The LAN activity light illuminates when the Ethernet controller sends or receives data over the Ethernet network. If the LAN activity light is off, make sure that the hub and network are operating and that the correct device drivers are loaded.
- Make sure that you are using the correct device drivers, supplied with your system.

- Check for operating system-specific causes for the problem.
- Make sure that the device drivers on the client and system are using the same protocol.
- Test the Ethernet controller.

The way you test the Ethernet controller depends on which operating system you are using (see the Ethernet controller device driver README file).

Ethernet controller troubleshooting chart

You can use the following troubleshooting chart to find solutions to 10/100 Mbps Ethernet controller problems that have definable symptoms.

Table 18. Ethernet troubleshooting chart.

Ethernet controller problem	Suggested action
The server stops running when loading device drivers.	<p>The PCI BIOS interrupt settings are incorrect.</p> <p>Check the following:</p> <ul style="list-style-type: none"> • Determine if the IRQ setting assigned to the Ethernet controller is also assigned to another device in the Configuration/Setup Utility program. <p>Although interrupt sharing is allowed for PCI devices, some devices do not function well when they share an interrupt with a dissimilar PCI device. Try changing the IRQ assigned to the Ethernet controller or the other device. For example, for NetWare Versions 3 and 4 it is recommended that disk controllers not share interrupts with LAN controllers.</p> <ul style="list-style-type: none"> • Make sure that you are using the most recent device driver available from the World Wide Web. • Run the network diagnostic program. <p>If the problem remains, call for service.</p>
Ethernet Link Status light does not light.	<p>Check the following:</p> <ul style="list-style-type: none"> • Make sure the hub is turned on. • Check all connections at the Ethernet controller and the hub. • Check the cable. A crossover cable is required unless the hub has an X designation • Use another port on the hub. • If the hub does not support auto-negotiation, manually configure the Ethernet controller to match the hub. • If you manually configured the duplex mode, make sure that you also manually configure the speed. • Run diagnostics on the LEDs. <p>If the problem remains, call for service.</p>
The LAN activity light does not light (when available).	<p>Check the following:</p> <ul style="list-style-type: none"> • Make sure that you have loaded the network device drivers. • The network might be idle. Try sending data from this workstation. • Run diagnostics on the LEDs.

Table 18. Ethernet troubleshooting chart.

Ethernet controller problem	Suggested action
Data is incorrect or sporadic.	<p>Check the following:</p> <ul style="list-style-type: none"> • Make sure that you are using Category 5 cabling when operating the system at 100 Mbps. • Make sure that the cables do not run close to noise-inducing sources like fluorescent lights.
The Ethernet controller stopped working when another adapter was added to the system.	<p>Check the following:</p> <ul style="list-style-type: none"> • Make sure that the cable is connected to the Ethernet controller. • Make sure that your PCI system BIOS is current. • Reseat the adapter. • Determine if the IRQ setting assigned to the Ethernet adapter is also assigned to another device in the Configuration/Setup Utility program. <p>Although interrupt sharing is allowed for PCI devices, some devices do not function well when they share an interrupt with a dissimilar PCI device. Try changing the IRQ assigned to the Ethernet adapter or the other device.</p> <p>If the problem remains, call for service.</p>
The Ethernet controller stopped working without apparent cause.	<p>Check the following:</p> <ul style="list-style-type: none"> • Run diagnostics for the Ethernet controller. • Try a different connector on the hub. • Reinstall the device drivers. Refer to your operating system documentation and to the ServerGuide information. <p>If the problem remains, call for service.</p>

Ethernet controller messages

The integrated Ethernet controller might display messages from the following device drivers:

- Novell NetWare or IntraNetWare system open data-link interface (ODI)
- Network driver interface specification (NDIS) adapter for level 4.0 (Windows NT)

Novell NetWare or IntraNetWare system ODI driver teaming messages

This section provides explanations of the error messages for the Novell NetWare or IntraNetWare system ODI driver, and suggested actions to resolve each problem.

Table 19. NetWare driver messages for the Ethernet controller.

Message	Description
Couldn't allocate resources.	<p>Explanation: An unknown error has occurred when trying to allocate needed resources for the AFT Module.</p> <p>Action:</p> <ul style="list-style-type: none"> • Check the system configuration. If the problem persists, contact your network supplier. • Verify that the Ethernet controller is enabled. If the Ethernet controller is enabled, run the diagnostic programs.

Table 19. NetWare driver messages for the Ethernet controller.

Message	Description
AFT group for primary adapter in slot <i>nnn</i> already exists.	<p>Explanation: An attempt was made to rebind an adapter already in an AFT group.</p> <p>Action: Check the AFT slot numbers for existing AFT teams. If the problem persists, contact your network supplier.</p>
Error locating device control table (DCT) addresses in internal table. Make sure that you have loaded LAN drivers after loading AFT.NLM.	<p>Explanation: The bind command was entered prior to loading the device driver. The device driver must be loaded after loading AFT.NLM, but before any bind command can be issued.</p> <p>Action: Load the driver for the supported adapter and try loading the AFT module again. If the problem persists, contact your network supplier.</p>
Insufficient number of arguments specified.	<p>Explanation: The appropriate or expected number of parameters was not entered in a command.</p> <p>Action: Check the parameters required for the given command. If the problem persists, contact your network supplier.</p>
Duplicate slot numbers detected.	<p>Explanation: An attempt has been made to bind the same slot number more than once.</p> <p>Action: Check the slot numbers entered during the bind. Adapter slot numbers must be valid and unique. If the problem persists, contact your network supplier.</p>
'xxx' is not supported for AFT team.	<p>Explanation: A bind command has been issued for adapters not supported by AFT.NLM.</p> <p>Action: Make sure that you attempt to bind only adapters supported by AFT.NLM.</p>
Primary and Secondary adapters do not match. AFT group is not created.	<p>Explanation: A bind command was entered for an adapter team that is a combination of system and client adapters. An AFT team must be a grouping of the same classification of adapter.</p> <p>Action: Verify that all the adapters bound in a team are of the same classification.</p>
Requested number of Secondary cards are not found.	<p>Explanation: The number of adapters specified in the bind command could not be located.</p> <p>Action: Verify the numbers and slot locations of the adapters to be bound. If the problem persists, contact your network supplier.</p>
Failed to create AFT group. Make sure that the drivers for supported adapters are loaded, primary adapter is bound to protocols, and secondary adapter is not bound to any protocols.	<p>Explanation: Binding of protocol failed. Protocol is either not bound to any adapter or is bound to more than one adapter in the group.</p> <p>Action: Ensure that the protocol is bound to only one adapter in an AFT team.</p>
Error identifying slot numbers for the specified board names.	<p>Explanation: The mapping between the board name entered and the slot number for an adapter could not be established.</p> <p>Action: Check the board name for the adapter before issuing the bind command. If the problem persists, contact your network supplier.</p>
Can't unbind specified slot from AFT group. Make sure that the slot you specified is for the primary adapter in an AFT group.	<p>Explanation: The number entered in the unbind command was not the primary adapter in an AFT group.</p> <p>Action: Reissue the unbind command and specify the slot number for the primary adapter.</p>

Table 19. NetWare driver messages for the Ethernet controller.

Message	Description
LAN adapter at slot <i>nnnn</i> (Port 0xaa) failed to reset. Check the state of the adapter.	<p>Explanation: The adapter that you specified could not be initialized.</p> <p>Action:</p> <ol style="list-style-type: none"> 1. Load the driver for the supported adapter. 2. Check that the adapter is seated properly in the slot and try loading the AFT module again. <p>If the problem persists, contact your network supplier.</p>
AFT is not supported on this version of NetWare.	<p>Explanation: The NetWare on your system is not a version supported by AFT.</p> <p>Action: Load and bind AFT only on supported versions of NetWare (currently version 4.11 and above).</p>
Failed to allocate resources tags.	<p>Explanation: An unknown error has occurred when trying to allocate needed resources for the AFT module.</p> <p>Action: Check system configuration. If the problem persists, contact your network supplier.</p>
Please unload all LAN drivers before unloading AFT.NLM.	<p>Explanation: An attempt was made to unload the AFT.NLM module before unloading the adapter driver.</p> <p>Action: Unload the adapter driver before unloading the AFT module.</p>

NDIS 4.0 (Windows NT) driver messages

This section contains the error messages for the NDIS 4.0 drivers. The explanation and recommended action are included with each message.

Table 20. NDIS (Windows NT) driver messages for the Ethernet controller.

Error code (hex)	Description
0x00	<p>Explanation: The driver could not register the specified interrupt.</p> <p>Action: Using the Configuration/Setup Utility program, make sure that a PCI interrupt is assigned to your Ethernet card, and that Ethernet is enabled.</p>
0x01	<p>Explanation: One of the PCI cards did not get the required resources.</p> <p>Action: Using the Configuration/Setup Utility program, make sure that a PCI interrupt is assigned to your Ethernet card, and that Ethernet is enabled.</p>
0x02	<p>Explanation: Bad node address (multicast address).</p> <p>Action: Make sure the locally administered address is valid, if one is specified. The address cannot be a multicast address.</p>
0x03	<p>Explanation: Failed self-test.</p> <p>Action: Make sure a cable is attached to the Ethernet connector. If the problem remains, call for service.</p>
0x0D	<p>Explanation: Could not allocate enough memory for transmit queues.</p> <p>Action:</p> <ol style="list-style-type: none"> 1. From the Windows NT desktop, select Start → Control Panel → Networks → Adapters. 2. Select your IBM Ethernet adapter from the list. 3. Select Properties → Advanced. 4. Lower the resource values that apply to the transmit queue.

Table 20. NDIS (Windows NT) driver messages for the Ethernet controller.

Error code (hex)	Description
0x0E	<p>Explanation: Could not allocate enough memory for receive queue.</p> <p>Action:</p> <ol style="list-style-type: none"> 1. From the Windows NT desktop, select Start → Control Panel → Networks → Adapters. 2. Select your IBM Ethernet adapter from the list. 3. Select Properties → Advanced. 4. Lower the resource values that apply to the receive queue.
0x0F	<p>Explanation: Could not allocate enough memory for other structures. Action:</p> <ol style="list-style-type: none"> 1. From the Windows NT desktop, select Start → Control Panel → Networks → Adapters. 2. Select your IBM Ethernet adapter from the list. 3. Select Properties → Advanced. 4. Lower the value for the resource named in the message.
0x10	<p>Explanation: Did not find any Ethernet controllers.</p> <p>Action: Using the Configuration/Setup Utility program, make sure that Ethernet is enabled.</p>
0x11	<p>Explanation: Multiple Ethernet controllers found, but none matched the required ID.</p> <p>Action: Using the Configuration/Setup Utility program, make sure that Ethernet is enabled.</p>
0x13	<p>Explanation: Did not find any Ethernet controllers that matched the required subven/subdev. Action: Using the Configuration/Setup Utility program, make sure that Ethernet is enabled.</p>
0x16	<p>Explanation: Single adapter found, but multiple instances tried to load.</p> <p>Action: Using the Configuration/Setup Utility program, make sure that Ethernet is enabled, and that the slot containing the IBM xSeries 300 10/100 Ethernet Adapter or the IBM 10/100 EtherJet PCI adapter is enabled.</p>
0x17	<p>Explanation: Slot parameter not specified in the registry.</p> <p>Action: Remove the adapter driver and reinstall it. If the problem remains, call for service.</p>
All other 4-character hexadecimal codes	<p>Action: Call for service.</p>

Ethernet teaming messages

This section displays the messages associated with Ethernet teaming.

Table 21. NDIS (Windows NT) driver teaming messages for the Ethernet controller.

Event ID	Type	Description
01	Error	<p>Explanation: Team name and physical adapter name are the same. This is an invalid configuration.</p> <p>Action: Reconfigure the adapter team by double-clicking the PROSet icon in the control panel.</p>
02	Error	<p>Explanation: Unable to allocate required resources.</p> <p>Action: Free some memory resources and restart.</p>

Table 21. NDIS (Windows NT) driver teaming messages for the Ethernet controller.

Event ID	Type	Description
03	Error	Explanation: Unable to read required registry parameters. Action: Reconfigure the adapter team by double-clicking the PROSet icon in the control panel.
04	Error	Explanation: Unable to bind to physical adapter. Action: Reconfigure the adapter team by double-clicking the PROSet icon in the control panel.
05	Error	Explanation: Unable to initialize an adapter team Action: Reconfigure the adapter team by double-clicking the PROSet icon in the control panel.
06	Informational	Explanation: Team <i>nn</i> . Primary adapter is initialized. Action: None.
07	Informational	Explanation: Team <i>nn</i> . Secondary adapter is initialized. Action: None.
08	Informational	Explanation: Team <i>nn</i> . Virtual adapter or Team is initialized. Action: None.
09	Informational	Explanation: Team <i>nn</i> . Primary adapter is switching over. Action: None.
10	Warning	Explanation: Team <i>nn</i> . Adapter link down. Action: Make sure the adapter is functioning properly.
11	Informational	Explanation: Team <i>nn</i> . Secondary adapter took over. Action: None.
12	Warning	Explanation: Team <i>nn</i> . Secondary adapter is deactivated from the Team. Action: Make sure the secondary adapter is functioning properly and that the adapter cable is securely connected to the LAN.
13	Informational	Explanation: Team <i>nn</i> . Secondary adapter has rejoined the Team. Action: None.
14	Informational	Explanation: Team <i>nn</i> . Secondary adapter link is up. Action: None.
15	Error	Explanation: Team <i>nn</i> . The last adapter has lost its link. Network connection has been lost. Action: Shut down the server and replace the adapters; then, restart the server to reestablish the connection.
16	Informational	Explanation: Team <i>nn</i> . An adapter has reestablished the link. Network connection has been restored. Action: None.

Table 21. NDIS (Windows NT) driver teaming messages for the Ethernet controller.

Event ID	Type	Description
17	Informational	Explanation: Team <i>nn</i> . Preferred primary adapter has been detected. Action: None.
18	Informational	Explanation: Team <i>nn</i> . Preferred secondary adapter has been detected. Action: None.
19	Informational	Explanation: Team <i>nn</i> . Preferred primary adapter took over. Action: None.
20	Informational	Explanation: Team <i>nn</i> . Preferred secondary adapter took over. Action: None.
21	Warning	Explanation: Team <i>nn</i> . Primary adapter does not sense any probes. Possible reason: partitioned Team. Action: Make sure the cables of the adapter team are connected to the same LAN segment. Reconfigure the team if necessary.

Ethernet controller messages

The integrated Ethernet controller might display messages from the following device drivers:

- Novell NetWare or IntraNetWare Server ODI
- NDIS Adapter for level 2.01 (OS/2)®
- NDIS Adapter for level 4.0 (Windows NT)
- SCO UNIX® LLI

Novell NetWare or IntraNetWare server ODI driver messages

This section provides explanations of the error messages for the Novell NetWare or IntraNetWare server ODI driver, and suggested actions to resolve each problem.

PCNTNW-NW-026	The MSM is unable to parse a required custom keyword. Explanation: The user entered an incorrect parameter keyword. Action: Reload the driver using the correct keyword.
PCNTNW-NW-054	The adapter did not respond to the initialization command. Explanation: The adapter did not respond when the driver tried to initialize it. Action: Verify that the Ethernet controller is enabled. If the Ethernet controller is enabled, go to “Starting the diagnostic programs” on page 93 to run the diagnostic programs.
PCNTNW-NW-058	The adapter did not respond to the initialization command. Explanation: The interrupt request (IRQ) setting might not be valid or the EEPROM information might be incorrect. Action: Make sure the IRQ settings are correct in the Configuration/Setup Utility program. for information on setting the interrupt requests. If the IRQ settings are correct, call for service.

Table 22. Novell NetWare or IntraNetWare ODI driver messages for the Ethernet controller.

PCNTNW-NW-066	The cable might be disconnected from the adapter. Explanation: The cable might be disconnected from the server Ethernet port. Action: Verify that a cable is connected to the Ethernet port.
PCNTNW-NW-071	The matching virtual adapter could not be found. Explanation: You tried to load another instance of the driver with a different I/O address. This new adapter could not be found. Action: Verify that you installed an IBM xSeries 10/100 Fault Tolerant Adapter and make sure that the adapter is seated correctly. If the adapter is seated correctly, call for service.
PCNTNW-NW-072	A resource tag is unavailable. Explanation: The driver tried to allocate some resources that were not available. Action: Add more memory, or free some memory resources in the server. Then, restart the server.
PCNTNW-NW-073	Unable to allocate memory Explanation: The driver failed to allocate the memory needed for typical operation. Action: Add more memory, or free some memory resources in the server. Then, restart the server.
PCNTNW-NW-074	The hardware interrupt cannot be set. Explanation: An attempt was made to initialize a given hardware interrupt. The attempt was not successful. Action: Verify that the Ethernet controller is enabled. If the Ethernet controller is enabled, go to "Starting the diagnostic programs" on page 93 to run the diagnostic programs. If you have an Ethernet adapter installed, make sure that the adapter does not share an IRQ with any other device.
PCNTNW-NW-075	The Multiple Link Interface Driver (MLID) cannot be registered with the Link Support Layer (LSL). Explanation: An error occurred while the driver was trying to register with the LSL. Action: Check the version of the NetWare or IntraNetWare Operating System. Make sure that this driver is correct for the version of NetWare or IntraNetWare that you are using. Restart the server.
PCNTNW-NW-079	The Multiple Link Interface Driver (MLID) did not initialize MSMTx Free Count. Explanation: The MSMTx Free Count is not initialized correctly. Action: Restart the server. If the problem persists, call for service.
PCNTNW-NW-086	The driver parameter block is too small. Explanation: The driver parameter block is too small. Action: Restart the server. If the problem persists, call for service.
PCNTNW-NW-087	The media parameter block is too small. Explanation: The driver media parameter block is too small. Action: Restart the server. If the problem persists, call for service.

Table 22. Novell NetWare or IntraNetWare ODI driver messages for the Ethernet controller.

PCNTNW-NW-091	The hardware configuration conflicts. Explanation: You tried to load a new frame type for the existing controller. The hardware assumptions made in doing so are incorrect. This error can also occur if you try to specify a mode (such as, redundancy) that conflicts with another specified mode. Action: Make sure that your hardware configuration matches the software settings.
PCNTNW-NW-126	The group bit in the node address override was cleared. Explanation: The IEEE address has a group bit that indicates that an address belongs to a group of stations. This bit is used only as a destination address; it cannot be used as a source address. You tried to enter a source address with this bit set. The driver cleared the group bit of the source address. Action: None necessary, message is for information only.
PCNTNW-NW-127	The local bit in the node address override was set. Explanation: The local bit in the IEEE address format indicates that the addresses are being managed locally. If you use the node address override capabilities of this driver to enter a new address, the local bit must be set. You entered an address without the local bit set. The driver has set the local bit. Action: None necessary, message is for information only.
PCNTNW-NW-164	The device was not found. Explanation: The driver cannot find an Ethernet controller in the server. Action: Verify that the Ethernet controller is enabled. If the Ethernet controller is enabled, go to "Starting the diagnostic programs" on page 93 to run the diagnostic programs.
PCNTNW-NW-165	The device was not found at IOADDRESS. Explanation: The Ethernet controller cannot be found at the I/O address specified. Action: The Ethernet controller does not require a parameter for the I/O address. Remove the I/O address parameter.
PCNTNW-NW-167	PCI scan specified, device not found. Explanation: The driver cannot locate the Ethernet controller on the PCI bus. Action: Verify that the Ethernet controller is enabled. If the problem persists, go to "Starting the diagnostic programs" on page 93 to run the diagnostic programs.
PCNTNW-NW-180	The DMA parameter is not necessary for PCI device. Explanation: The Ethernet controller does not require a DMA setting. Action: None necessary, message is for information only.

Table 22. Novell NetWare or IntraNetWare ODI driver messages for the Ethernet controller.

Network driver interface specification 2.01 (OS/2) driver messages

This section provides explanations of the error messages for the NDIS 2.01 (OS/2) drivers, and suggested actions to resolve each problem.

PCNTND-1	Unable to open the Protocol Manager. Explanation: The NDIS stack is not configured correctly. Action: Check and correct your configuration.
PCNTND-6	Out of memory while allocating buffers. Explanation: The driver could not allocate the requested buffers. Action: Check your system configuration. Edit the PROTOCOL.INI file to reduce the number of Txbuffers and Rxbuffers specified for the driver.
PCNTND-7	A Protocol Manager device error occurred. Explanation: The NDIS stack is not configured correctly. Action: Check and correct your configuration.
PCNTND-8	Bad status for the Protocol Manager. Explanation: The NDIS stack is not configured correctly in the PROTOCOL.INI file. Action: Check and correct your configuration.
PCNTND-9	Cannot find the PROTOCOL.INI entry. Explanation: The NDIS stack is not configured correctly in the PROTOCOL.INI file. Action: Check and correct your configuration.
PCNTND-10	The Protocol Manager Input Output Control (IOCTL) failed. Explanation: The NDIS stack is not configured correctly in the PROTOCOL.INI file. Action: Check and correct your configuration.
PCNTND-11	Protocol Manager registration failed. Explanation: The NDIS stack is not configured correctly. Action: Check and correct your configuration.
PCNTND-15	Device not found. Explanation: The driver cannot find an Ethernet controller in the server. Action: Verify that the Ethernet controller is enabled. If the Ethernet controller is enabled, go to "Starting the diagnostic programs" on page 93 to run the diagnostic programs.
PCNTND-16	PCI scan specified, device not found. Explanation: The driver cannot locate the Ethernet controller on the PCI bus. Action: Verify that the Ethernet controller is enabled. If the Ethernet controller is enabled, go to "Starting the diagnostic programs" on page 93 to run the diagnostic programs.
PCNTND-21	The adapter failed the checksum test. Explanation: The driver cannot find an Ethernet controller. Action: Verify that the Ethernet controller is enabled. If the Ethernet controller is enabled, go to "Starting the diagnostic programs" on page 93 to run the diagnostic programs.

Table 23. NDIS 2.01 (OS/2) driver messages for the Ethernet controller.

PCNTND-23	WARNING: PCNET IRQ found = xx Explanation: The interrupt request (IRQ) setting (xx) in the PROTOCOL.INI file does not match the hardware IRQ setting. Action: Remove the IRQ setting from the PROTOCOL.INI file or change the IRQ setting in the PROTOCOL.INI file to match the IRQ setting shown in the PCI Slot/Device Information selection of the Advanced Setup menu in the Configuration/Setup Utility program.
PCNTND-24	WARNING: PCNET IRQ does not match PROTOCOL.INI. Explanation: The interrupt request (IRQ) setting in the PROTOCOL.INI file does not match the hardware IRQ setting. Action: Remove the IRQ setting from the PROTOCOL.INI file or change the IRQ setting in the PROTOCOL.INI file to match the IRQ setting shown in the PCI Slot/Device Information selection of the Advanced Setup menu in the Configuration/Setup Utility program.
PCNTND-25	PCI scan specified, PCI bus not found! Explanation: The driver cannot locate the PCI bus. Action: Run the diagnostic programs.
PCNTND-29	WARNING: DMA number is not necessary for PCI device. Explanation: The Ethernet controller does not require a DMA setting. Action: Remove the DMA setting in the PROTOCOL.INI file.
PCNTND-33	PCNET device with specified IOBASE is already in use. Explanation: The specified I/O address number is already in use by another Ethernet controller or device. Action: Remove the I/O address setting in the PROTOCOL.INI file.

Table 23. NDIS 2.01 (OS/2) driver messages for the Ethernet controller.

NDIS 4.0 (Windows NT) driver messages

This section contains the error messages for the NDIS 4.0 drivers. The explanation and recommended action are included with each message.

PermaNet™ Server:	No Secondary Adapter Found. Grouping Mode is disabled. Explanation: The failover option requires an adapter that is compatible with the device driver of the Ethernet controller on the system board. No such adapter was found. Action: Make sure the correct adapter is installed.
PermaNet Server:	Problem Occurs on the Primary Adapter. Switching over to the Secondary Adapter. Explanation: The system detected a problem with the primary Ethernet connection and has transferred all network traffic to the secondary Ethernet controller. Action: identify the cause of the failure on the primary Ethernet connection. Restoring the operational state of the primary connection will cause the network traffic to automatically transfer to the primary Ethernet controller.

Table 24. NDIS (Windows NT) driver messages for the Ethernet controller.

PermaNet Server:	<p>Switching back to Primary Adapter.</p> <p>Explanation: The primary Ethernet connection is now operating correctly. Network traffic will automatically transfer to the primary Ethernet controller.</p> <p>Action: None needed, message is for information only.</p>
------------------	--

Table 24. NDIS (Windows NT) driver messages for the Ethernet controller.

UNIX messages

This section provides descriptions of the Ethernet error messages for the SCO UNIX LLI driver, and suggested actions to resolve each problem.

pnt0-2	<p>PCI search specified, PCI device not found!</p> <p>Explanation: The driver cannot locate the Ethernet controller on the PCI bus.</p> <p>Action:</p> <ul style="list-style-type: none"> • Run the NETCONFIG program to search for another Ethernet controller • Verify that the Ethernet controller is enabled. If the Ethernet controller is enabled, run the diagnostic programs.
pnt0-6	<p>Cannot allocate memory for the adapter during an interrupt. Please check your Streams parameters.</p> <p>Explanation: On a SunSoft Solaris system, this message indicates that the system is out of Streams memory blocks.</p> <p>Action: Use the CRASH utility to increase the number of Streams memory blocks. Modify the interrupt request (IRQ) settings in the Configuration/Setup Utility program, or run the NETCONFIG program to match the hardware settings.</p>
pnt0-7	<p>Cannot allocate memory for the adapter during reset. Please check your Streams parameters.</p> <p>Explanation: The system is out of Streams memory blocks.</p> <p>Action: Use the CRASH utility to increase the number of Streams memory blocks.</p>
pnt0-11	<p>Device not found!</p> <p>Explanation: The driver cannot find an Ethernet controller.</p> <p>Action: Verify that the Ethernet controller is enabled. If the Ethernet controller is enabled, run the diagnostic programs.</p>
pnt0-12	<p>Device failed checksum test!</p> <p>Explanation: The driver cannot find an Ethernet controller.</p> <p>Action: Verify that the Ethernet controller is enabled. If the Ethernet controller is enabled, run the diagnostic programs.</p>
pnt0-13	<p>add_intr_handler failed! Interrupts already enabled.</p> <p>Explanation: The interrupt request (IRQ) that was specified, or the IRQ that was found, conflicts with other devices in the server.</p> <p>Action: Modify your hardware settings.</p>
pnt0-14	<p>Cannot locate hardware.</p> <p>Explanation: The SunSoft Solaris driver cannot find any Ethernet controller.</p> <p>Action: Verify that the Ethernet controller is enabled. If the Ethernet controller is enabled, run the diagnostic programs.</p>

Table 25. UNIX LLI driver messages for the Ethernet controller.

pnt0-15	<p>No more devices to open.</p> <p>Explanation: The SunSoft Solaris driver cannot find any more Ethernet controllers.</p> <p>Action: Verify that additional IBM xSeries 10/100 Fault Tolerant Adapters are present or replace the Ethernet adapter that fails to respond. If the problem persists, run the diagnostic programs.</p>
pnt0-17	<p>Device fault...Reset initiated!</p> <p>Explanation: The SunSoft Solaris driver has been reset due to a device fault.</p> <p>Action: Verify that additional IBM xSeries 10/100 Fault Tolerant Adapters are present or replace the Ethernet adapter that fails to respond. If the problem persists, run the diagnostic programs.</p>
pnt0-19	<p>IRQ found for PCnet hardware does not match space.c (or pnt.conf)!</p> <p>Explanation: This is a warning message referring to the interrupt request (IRQ) that the SunSoft Solaris driver found in the system.</p> <p>Action: Ignore this message if you are sure that this is what you want to do. Otherwise, run the NETCONFIG program to match the hardware settings</p>
pnt0-20	<p>add_intr_handler failed! Unknown interrupt type.</p> <p>Explanation: The interrupt request (IRQ) that was specified, or the IRQ that was found, conflicts with other devices in the server.</p> <p>Action:</p> <ul style="list-style-type: none"> • Modify your hardware settings. • Run the NETCONFIG program to search for another Ethernet controller.
pnt0-21	<p>add_intr_handler failed! Out of range interrupt number.</p> <p>Explanation: The interrupt request (IRQ) that was specified, or the IRQ that was found, conflicts with other devices in the server.</p> <p>Action:</p> <ul style="list-style-type: none"> • Modify your hardware settings. • Run the NETCONFIG program to search for another Ethernet controller.
pnt0-22	<p>add_intr_handler failed! Out of range IPL.</p> <p>Explanation: The interrupt request (IRQ) that was specified, or the IRQ that was found, conflicts with other devices in the server.</p> <p>Action: Modify your hardware settings. Run the NETCONFIG program to search for another Ethernet controller.</p>
pnt0-23	<p>add_intr_handler failed! Vector already occupied.</p> <p>Explanation: The interrupt request (IRQ) that was specified, or the IRQ that was found, conflicts with other devices in the server.</p> <p>Action: Modify your hardware settings.</p>
pnt0-24	<p>add_intr_handler failed! Vector already shared at different IPL.</p> <p>Explanation: The interrupt request (IRQ) that was specified, or the IRQ that was found, conflicts with other devices in the server.</p> <p>Action:</p> <ul style="list-style-type: none"> • Modify your hardware settings. • Run the NETCONFIG program to search for another Ethernet controller.

Table 25. UNIX LLI driver messages for the Ethernet controller.

pnt0-26	The DMA number is not necessary for PCI device. Explanation: The IBM xSeries 10/100 Fault Tolerant Adapter does not require a DMA setting. Action: Edit the SPacE.C file to delete the DMA parameter.
pnt0-29	The IRQ number is already in use. Explanation: The specified I/O address is already in use. Action: Run the NETCONFIG program to modify your hardware settings.
pnt0-31	I/O address is not necessary for the PCI device. Explanation: The I/O address specified is not required. Action: Remove the assigned I/O address specified for the Ethernet controller

Table 25. UNIX LLI driver messages for the Ethernet controller.

Replacing the battery

IBM has designed this product with your safety in mind. The lithium battery must be handled correctly to avoid possible danger. If you replace the battery, you must adhere to the following instructions.

Note: In the U.S., call 1-800-IBM-4333 for information about battery disposal.

If you replace the original lithium battery with a heavy-metal battery or a battery with heavy-metal components, be aware of the following environmental consideration. Batteries and accumulators that contain heavy metals must not be disposed of with normal domestic waste. They will be taken back free of charge by the manufacturer, distributor, or representative, to be recycled or disposed of in a proper manner.

To order replacement batteries, call 1-800-772-2227 within the United States, and 1-800-465-7999 or 1-800-465-6666 within Canada. Outside the U.S. and Canada, call your IBM reseller or IBM marketing representative.

Note: After you replace the battery, you must reconfigure your server and reset the system date and time.

Statement 2

CAUTION:



When replacing the lithium battery, use only IBM Part Number 33F8027 or an equivalent type battery recommended by the manufacturer. If your system has a module containing a lithium battery, replace it only with the same module type made by the same manufacturer. The battery contains lithium and can explode if not properly used, handled, or disposed of.

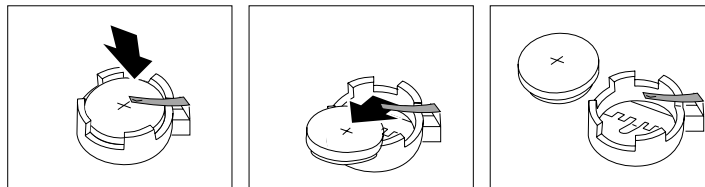
Do not:

- Throw or immerse into water.
- Heat to more than 100 C (212 F)
- Repair or disassemble

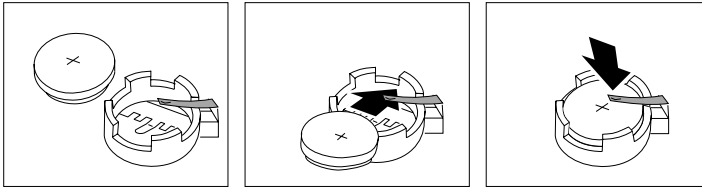
Dispose of the battery as required by local ordinances or regulations.

To replace the battery:

1. Review the information in “Before you begin” on page 35 and any special handling and installation instructions supplied with the replacement battery.
2. Turn off the server and peripheral devices and disconnect all external cables and power cords; then, remove the server cover.
3. Remove the battery:
 - a. Use one finger to lift the battery clip over the battery.
 - b. Use one finger to slightly slide the battery from its socket. The spring mechanism behind the battery will push the battery out toward you as you slide it from the socket.
 - c. Use your thumb and index finger to pull the battery from under the battery clip.
 - d. Ensure that the battery clip is touching the base of the battery socket by pressing gently on the clip.



4. Insert the new battery:
 - a. Tilt the battery so that you can insert it into the socket, under the battery clip.
 - b. As you slide it under the battery clip, press the battery down into the socket.



5. Reinstall the server cover and connect the cables.

Note: Wait approximately 20 seconds after you plug the power cord of your server into an electrical outlet for the power-control button to become active.

6. Turn the server on.
7. Start the Configuration/Setup Utility program and set configuration parameters.
 - Set the system date and time.
 - Set the power-on password.
 - Reconfigure your server.

Getting information, help, and service

If you need help, service, or technical assistance or just want more information about IBM products, you will find a wide variety of sources available from IBM to assist you. This section contains information about where to go for additional information about IBM and IBM products, what to do if you experience a problem with your computer, and whom to call for service should it be necessary.

Getting information

Information about your IBM server product and preinstalled software, if any, is available in the documentation that comes with your server. That documentation includes printed books, online books, README files, and help files. In addition, information about IBM products is available on the World Wide Web and through the IBM Automated Fax System.

Using the World Wide Web

On the World Wide Web, the IBM Web site has up-to-date information about IBM products and support. The address for the IBM Personal Computing home page is <http://www.ibm.com/pc/>.

You can find support information for your IBM products at <http://www.ibm.com/pc/support/>.

If you click **Profile** from the support page, you can create a customized support page that is specific to your hardware, complete with Frequently Asked Questions, Parts Information, Technical Hints and Tips, and Downloadable Files. In addition, you can choose to receive e-mail notifications whenever new information becomes available about your registered products.

You also can order publications through the IBM Publications Ordering System at <http://www.elink.ibm.com/public/applications/publications/cgi-bin/pbi.cgi>.

Getting information by fax

If you have a touch-tone telephone and access to a fax machine, in the U.S. and Canada, you can receive, by fax, marketing and technical information on many topics, including hardware, operating systems, and local area networks (LANs).

You can call the IBM Automated Fax System 24 hours a day, 7 days a week. Follow the recorded instructions, and the requested information will be sent to your fax machine. In the U.S. and Canada, to access the IBM Automated Fax System, call 1-800-426-3395.

Getting help and service

If you have a problem with your server product you will find a wide variety of sources available to help you.

Using the documentation and diagnostic programs

Many problems can be solved without outside assistance. If you experience a problem with your server product, the first place to start is the troubleshooting information in your IBM documentation. If you suspect a software problem, see the documentation, including README files and online help, that comes with the operating system or application program.

Most IBM server products come with a set of diagnostic programs that you can use to help you identify hardware problems. See the troubleshooting information in your IBM documentation for instructions on using the diagnostic programs.

The troubleshooting information or the diagnostic programs might tell you that you need additional or updated device drivers or other software. IBM maintains pages on the World Wide Web where you can get the latest technical information and download device drivers and updates. To access these pages, go to <http://www.ibm.com/pc/support/> and follow the instructions.

Calling for service

If you have tried to correct the problem yourself and still need help, during the warranty period, you can get help and information by telephone through the IBM HelpCenter®. The following services are available during the warranty period:

- **Problem determination** - Trained personnel are available to assist you with determining if you have a hardware problem and deciding what action is necessary to fix the problem.
- **IBM hardware repair** - If the problem is determined to be caused by IBM hardware under warranty, trained service personnel are available to provide the applicable level of service.
- **Engineering Change management** - Occasionally, there might be changes that are required after a product has been sold. IBM or your reseller, if authorized by IBM, will make selected Engineering Changes (ECs) available that apply to your hardware.

The following items are not covered:

- Replacement or use of non-IBM parts or nonwarranted IBM parts. All warranted parts contain a 7-character identification in the format IBM FRU XXXXXXX.
- Identification of software problem sources.
- Configuration of BIOS as part of an installation or upgrade.
- Changes, modifications, or upgrades to device drivers.
- Installation and maintenance of network operating systems (NOS).
- Installation and maintenance of application programs.

Refer to your IBM hardware warranty for a full explanation of IBM warranty terms. Be sure to retain your proof of purchase to obtain warranty service.

In the U.S. and Canada, these services are available 24 hours a day, 7 days a week. In the U.K., these services are available Monday through Friday, from 9:00 a.m. to 6:00 p.m.

Note: Response time will vary depending on the number and complexity of incoming calls.

In addition, you are eligible for IBM Start Up Support for 90 days after installation. This service provides assistance for:

- Setting up your network operating system
- Installing and configuring interface adapters
- Installing and configuring network adapters

Please have the following information ready when you call:

- Machine type and model
- Serial numbers of your IBM hardware products
- Description of the problem
- Exact wording of any error messages
- Hardware and software configuration information

Phone numbers are subject to change without notice. For the most up-to-date phone numbers, go to <http://www.ibm.com/pc/support/> and click **Support Phone List**.

Country		Telephone number
Austria	Österreich	01-24 592 5901
Belgium - Dutch	Belgie	02-210 9820
Belgium - French	Belgique	02-210 9800
Canada	Toronto only	416-383-3344
Canada	Canada - all other	1-800-565-3344
Denmark	Danmark	45 20 82 00
Finland	Suomi	09-22 931 840
France	France	02 38 55 74 50
Germany	Deutschland	07032-1549 201
Ireland	Ireland	01-815 9202
Italy	Italia	02-482 9202
Luxembourg	Luxembourg	298-977 5063
Netherlands	Nederland	020-514 5770
Norway	Norge	23 05 32 40
Portugal	Portugal	21-791 51 47
Spain	España	91-662 49 16
Sweden	Sverige	08-477 4420
Switzerland	Schweiz/Suisse/Svizzera	0848-80 52 52
United Kingdom	United Kingdom	01475-555 055
U.S.A. and Puerto Rico	U.S.A. and Puerto Rico	1-800-772-2227

In all other countries, contact your IBM reseller or IBM marketing representative.

Purchasing additional services

During and after the warranty period, you can purchase additional services, such as support for IBM and non-IBM hardware, operating systems, and application programs; network setup and configuration; upgraded or extended hardware repair services; and custom installations. Service availability and service name might vary by country.

For more information about these services, contact your IBM marketing representative.

Appendix A. Product warranty and notices

This chapter contains warranty and emission notices. It also contains trademarks and general-information notices.

Warranty Information

This section contains the warranty period for your product and the IBM Statement of Limited Warranty.

Warranty Period

Contact your place of purchase for warranty service information. Some IBM Machines are eligible for on-site warranty service depending on the country or region where service is performed.

Machine - IBM® @server xSeries 342
Warranty Period - Parts - 3 years, labor - 3 years

IBM Statement of Limited Warranty

Z125-4753-06 8/2000

Part 1 - General Terms

This Statement of Limited Warranty includes Part 1 - General Terms and Part 2 - Country-unique Terms. The terms of Part 2 replace or modify those of Part 1. The warranties provided by IBM in this Statement of Limited Warranty apply only to Machines you purchase for your use, and not for resale, from IBM or your reseller. The term "Machine" means an IBM machine, its features, conversions, upgrades, elements, or accessories, or any combination of them. The term "Machine" does not include any software programs, whether pre-loaded with the Machine, installed subsequently or otherwise. Unless IBM specifies otherwise, the following warranties apply only in the country where you acquire the Machine. Nothing in this Statement of Limited Warranty affects any statutory rights of consumers that cannot be waived or limited by contract. If you have any questions, contact IBM or your reseller.

The IBM Warranty for Machines

IBM warrants that each Machine 1) is free from defects in materials and workmanship and 2) conforms to IBM's Official Published Specifications ("Specifications"). The warranty period for a Machine is a specified, fixed period commencing on its Date of Installation. The date on your sales receipt is the Date of Installation unless IBM or your reseller informs you otherwise.

If a Machine does not function as warranted during the warranty period, and IBM or your reseller are unable to either 1) make it do so or 2) replace it with one that is at least functionally equivalent, you may return it to your place of purchase and your money will be refunded.

Extent of Warranty

The warranty does not cover the repair or exchange of a Machine resulting from misuse, accident, modification, unsuitable physical or operating environment, improper maintenance by you, or failure caused by a product for which IBM is not

responsible. The warranty is voided by removal or alteration of Machine or parts identification labels.

THESE WARRANTIES ARE YOUR EXCLUSIVE WARRANTIES AND REPLACE ALL OTHER WARRANTIES OR CONDITIONS, EXPRESS OR IMPLIED, INCLUDING, BUT NOT LIMITED TO, THE IMPLIED WARRANTIES OR CONDITIONS OF MERCHANTABILITY AND FITNESS FOR A PARTICULAR PURPOSE. THESE WARRANTIES GIVE YOU SPECIFIC LEGAL RIGHTS AND YOU MAY ALSO HAVE OTHER RIGHTS WHICH VARY FROM JURISDICTION TO JURISDICTION. SOME JURISDICTIONS DO NOT ALLOW THE EXCLUSION OR LIMITATION OF EXPRESS OR IMPLIED WARRANTIES, SO THE ABOVE EXCLUSION OR LIMITATION MAY NOT APPLY TO YOU. IN THAT EVENT, SUCH WARRANTIES ARE LIMITED IN DURATION TO THE WARRANTY PERIOD. NO WARRANTIES APPLY AFTER THAT PERIOD.

Items Not Covered by Warranty

IBM does not warrant uninterrupted or error-free operation of a Machine.

Any technical or other support provided for a Machine under warranty, such as assistance via telephone with "how-to" questions and those regarding Machine set-up and installation, will be provided **WITHOUT WARRANTIES OF ANY KIND**.

Warranty Service

To obtain warranty service for a Machine, contact IBM or your reseller. If you do not register your Machine with IBM, you may be required to present proof of purchase.

During the warranty period, IBM or your reseller, if approved by IBM to provide warranty service, provides without charge certain types of repair and exchange service to keep Machines in, or restore them to, conformance with their Specifications. IBM or your reseller will inform you of the available types of service for a Machine based on its country of installation. At its discretion, IBM or your reseller will 1) either repair or exchange the failing Machine and 2) provide the service either at your location or a service center. IBM or your reseller will also manage and install selected engineering changes that apply to the Machine.

Some parts of IBM Machines are designated as Customer Replaceable Units (called "CRUs"), e.g., keyboards, memory, or hard disk drives. IBM ships CRUs to you for replacement by you. You must return all defective CRUs to IBM within 30 days of your receipt of the replacement CRU. You are responsible for downloading designated Machine Code and Licensed Internal Code updates from an IBM Internet Web site or from other electronic media, and following the instructions that IBM provides.

When warranty service involves the exchange of a Machine or part, the item IBM or your reseller replaces becomes its property and the replacement becomes yours. You represent that all removed items are genuine and unaltered. The replacement may not be new, but will be in good working order and at least functionally equivalent to the item replaced. The replacement assumes the warranty service status of the replaced item. Many features, conversions, or upgrades involve the removal of parts and their return to IBM. A part that replaces a removed part will assume the warranty service status of the removed part.

Before IBM or your reseller exchanges a Machine or part, you agree to remove all features, parts, options, alterations, and attachments not under warranty service.

You also agree to

1. ensure that the Machine is free of any legal obligations or restrictions that prevent its exchange;
2. obtain authorization from the owner to have IBM or your reseller service a Machine that you do not own; and
3. where applicable, before service is provided:
 - a. follow the problem determination, problem analysis, and service request procedures that IBM or your reseller provides;
 - b. secure all programs, data, and funds contained in a Machine;
 - c. provide IBM or your reseller with sufficient, free, and safe access to your facilities to permit them to fulfill their obligations; and
 - d. inform IBM or your reseller of changes in a Machine's location.

IBM is responsible for loss of, or damage to, your Machine while it is 1) in IBM's possession or 2) in transit in those cases where IBM is responsible for the transportation charges.

Neither IBM nor your reseller is responsible for any of your confidential, proprietary or personal information contained in a Machine which you return to IBM or your reseller for any reason. You should remove all such information from the Machine prior to its return.

Limitation of Liability

Circumstances may arise where, because of a default on IBM's part or other liability, you are entitled to recover damages from IBM. In each such instance, regardless of the basis on which you are entitled to claim damages from IBM (including fundamental breach, negligence, misrepresentation, or other contract or tort claim), except for any liability that cannot be waived or limited by applicable laws, IBM is liable for no more than

1. damages for bodily injury (including death) and damage to real property and tangible personal property; and
2. the amount of any other actual direct damages, up to the charges (if recurring, 12 months' charges apply) for the Machine that is subject of the claim. For purposes of this item, the term "Machine" includes Machine Code and Licensed Internal Code.

This limit also applies to IBM's suppliers and your reseller. It is the maximum for which IBM, its suppliers, and your reseller are collectively responsible.

UNDER NO CIRCUMSTANCES IS IBM LIABLE FOR ANY OF THE FOLLOWING: 1) THIRD-PARTY CLAIMS AGAINST YOU FOR DAMAGES (OTHER THAN THOSE UNDER THE FIRST ITEM LISTED ABOVE); 2) LOSS OF, OR DAMAGE TO, YOUR RECORDS OR DATA; OR 3) SPECIAL, INCIDENTAL, OR INDIRECT DAMAGES OR FOR ANY ECONOMIC CONSEQUENTIAL DAMAGES, LOST PROFITS OR LOST SAVINGS, EVEN IF IBM, ITS SUPPLIERS OR YOUR RESELLER IS INFORMED OF THEIR POSSIBILITY. SOME JURISDICTIONS DO NOT ALLOW THE EXCLUSION OR LIMITATION OF INCIDENTAL OR CONSEQUENTIAL DAMAGES, SO THE ABOVE LIMITATION OR EXCLUSION MAY NOT APPLY TO YOU.

Governing Law

Both you and IBM consent to the application of the laws of the country in which you acquired the Machine to govern, interpret, and enforce all of your and IBM's rights, duties, and obligations arising from, or relating in any manner to, the subject matter of this Agreement, without regard to conflict of law principles.

Part 2 - Country-unique Terms

AMERICAS

BRAZIL

Governing Law: *The following is added after the first sentence:*

Any litigation arising from this Agreement will be settled exclusively by the court of Rio de Janeiro.

NORTH AMERICA

Warranty Service: *The following is added to this Section:*

To obtain warranty service from IBM in Canada or the United States, call 1-800-IBM-SERV (426-7378).

CANADA

Governing Law: *The following replaces "laws of the country in which you acquired the Machine" in the first sentence:*

laws in the Province of Ontario.

UNITED STATES

Governing Law: *The following replaces "laws of the country in which you acquired the Machine" in the first sentence:*

laws of the State of New York.

ASIA PACIFIC

AUSTRALIA

The IBM Warranty for Machines: *The following paragraph is added to this Section:*

The warranties specified in this Section are in addition to any rights you may have under the Trade Practices Act 1974 or other similar legislation and are only limited to the extent permitted by the applicable legislation.

Limitation of Liability: *The following is added to this Section:*

Where IBM is in breach of a condition or warranty implied by the Trade Practices Act 1974 or other similar legislation, IBM's liability is limited to the repair or replacement of the goods or the supply of equivalent goods. Where that condition or warranty relates to right to sell, quiet possession or clear title, or the goods are of a kind ordinarily acquired for personal, domestic or household use or consumption, then none of the limitations in this paragraph apply.

Governing Law: *The following replaces "laws of the country in which you acquired the Machine" in the first sentence:*

laws of the State or Territory.

CAMBODIA, LAOS, AND VIETNAM

Governing Law: *The following replaces "laws of the country in which you acquired the Machine" in the first sentence:*

laws of the State of New York.

The following is added to this Section:

Disputes and differences arising out of or in connection with this Agreement shall be finally settled by arbitration which shall be held in Singapore in accordance with the rules of the International Chamber of Commerce (ICC). The arbitrator or arbitrators designated in conformity with those rules shall have the power to rule on their own

competence and on the validity of the Agreement to submit to arbitration. The arbitration award shall be final and binding for the parties without appeal and the arbitral award shall be in writing and set forth the findings of fact and the conclusions of law.

All proceedings shall be conducted, including all documents presented in such proceedings, in the English language. The number of arbitrators shall be three, with each side to the dispute being entitled to appoint one arbitrator.

The two arbitrators appointed by the parties shall appoint a third arbitrator before proceeding upon the reference. The third arbitrator shall act as chairman of the proceedings. Vacancies in the post of chairman shall be filled by the president of the ICC. Other vacancies shall be filled by the respective nominating party. Proceedings shall continue from the stage they were at when the vacancy occurred.

If one of the parties refuses or otherwise fails to appoint an arbitrator within 30 days of the date the other party appoints its, the first appointed arbitrator shall be the sole arbitrator, provided that the arbitrator was validly and properly appointed.

The English language version of this Agreement prevails over any other language version.

HONG KONG AND MACAU

Governing Law: *The following replaces "laws of the country in which you acquired the Machine" in the first sentence:*

laws of Hong Kong Special Administrative Region.

INDIA

Limitation of Liability: *The following replaces items 1 and 2 of this Section:*

1. liability for bodily injury (including death) or damage to real property and tangible personal property will be limited to that caused by IBM's negligence;
2. as to any other actual damage arising in any situation involving nonperformance by IBM pursuant to, or in any way related to the subject of this Statement of Limited Warranty, IBM's liability will be limited to the charge paid by you for the individual Machine that is the subject of the claim.

JAPAN

Governing Law: *The following sentence is added to this Section:*

Any doubts concerning this Agreement will be initially resolved between us in good faith and in accordance with the principle of mutual trust.

NEW ZEALAND

The IBM Warranty for Machines: *The following paragraph is added to this Section:*

The warranties specified in this Section are in addition to any rights you may have under the Consumer Guarantees Act 1993 or other legislation which cannot be excluded or limited. The Consumer Guarantees Act 1993 will not apply in respect of any goods which IBM provides, if you require the goods for the purposes of a business as defined in that Act.

Limitation of Liability: *The following is added to this Section:*

Where Machines are not acquired for the purposes of a business as defined in the Consumer Guarantees Act 1993, the limitations in this Section are subject to the limitations in that Act.

PEOPLE'S REPUBLIC OF CHINA (PRC)

Governing Law: *The following replaces this Section:*

Both you and IBM consent to the application of the laws of the State of New York (except when local law requires otherwise) to govern, interpret, and enforce all your and IBM's rights, duties, and obligations arising from, or relating in any manner to, the subject matter of this Agreement, without regard to conflict of law principles.

Any disputes arising from or in connection with this Agreement will first be resolved by friendly negotiations, failing which either of us has the right to submit the dispute to the China International Economic and Trade Arbitration Commission in Beijing, the PRC, for arbitration in accordance with its arbitration rules in force at the time. The arbitration tribunal will consist of three arbitrators. The language to be used therein will be English and Chinese. An arbitral award will be final and binding on all the parties, and will be enforceable under the Convention on the Recognition and Enforcement of Foreign Arbitral Awards (1958).

The arbitration fee will be borne by the losing party unless otherwise determined by the arbitral award.

During the course of arbitration, this Agreement will continue to be performed except for the part which the parties are disputing and which is undergoing arbitration.

EUROPE, MIDDLE EAST, AFRICA (EMEA)

THE FOLLOWING TERMS APPLY TO ALL EMEA COUNTRIES:

The terms of this Statement of Limited Warranty apply to Machines purchased from IBM or an IBM reseller.

Warranty Service:

If you purchase an IBM Machine in Austria, Belgium, Denmark, Estonia, Finland, France, Germany, Greece, Iceland, Ireland, Italy, Latvia, Lithuania, Luxembourg, Netherlands, Norway, Portugal, Spain, Sweden, Switzerland or United Kingdom, you may obtain warranty service for that Machine in any of those countries from either (1) an IBM reseller approved to perform warranty service or (2) from IBM. If you purchase an IBM Personal Computer Machine in Albania, Armenia, Belarus, Bosnia and Herzegovina, Bulgaria, Croatia, Czech Republic, Georgia, Hungary, Kazakhstan, Kirghizia, Federal Republic of Yugoslavia, Former Yugoslav Republic of Macedonia (FYROM), Moldova, Poland, Romania, Russia, Slovak Republic, Slovenia, or Ukraine, you may obtain warranty service for that Machine in any of those countries from either (1) an IBM reseller approved to perform warranty service or (2) from IBM.

If you purchase an IBM Machine in a Middle Eastern or African country, you may obtain warranty service for that Machine from the IBM entity within the country of purchase, if that IBM entity provides warranty service in that country, or from an IBM reseller, approved by IBM to perform warranty service on that Machine in that country. Warranty service in Africa is available within 50 kilometers of an IBM authorized service provider. You are responsible for transportation costs for Machines located outside 50 kilometers of an IBM authorized service provider.

Governing Law:

The applicable laws that govern, interpret and enforce rights, duties, and obligations of each of us arising from, or relating in any manner to, the subject matter of this Statement, without regard to conflict of laws principles, as well as Country-unique terms and competent court for this Statement are those of the country in which the warranty service is being provided, except that in 1) Albania, Bosnia-Herzegovina, Bulgaria, Croatia, Hungary, Former Yugoslav Republic of Macedonia, Romania,

Slovakia, Slovenia, Armenia, Azerbaijan, Belarus, Georgia, Kazakhstan, Kyrgyzstan, Moldova, Russia, Tajikistan, Turkmenistan, Ukraine, and Uzbekistan, the laws of Austria apply; 2) Estonia, Latvia, and Lithuania, the laws of Finland apply; 3) Algeria, Benin, Burkina Faso, Cameroon, Cape Verde, Central African Republic, Chad, Congo, Djibouti, Democratic Republic of Congo, Equatorial Guinea, France, Gabon, Gambia, Guinea, Guinea-Bissau, Ivory Coast, Lebanon, Mali, Mauritania, Morocco, Niger, Senegal, Togo, and Tunisia, this Agreement will be construed and the legal relations between the parties will be determined in accordance with the French laws and all disputes arising out of this Agreement or related to its violation or execution, including summary proceedings, will be settled exclusively by the Commercial Court of Paris; 4) Angola, Bahrain, Botswana, Burundi, Egypt, Eritrea, Ethiopia, Ghana, Jordan, Kenya, Kuwait, Liberia, Malawi, Malta, Mozambique, Nigeria, Oman, Pakistan, Qatar, Rwanda, Sao Tome, Saudi Arabia, Sierra Leone, Somalia, Tanzania, Uganda, United Arab Emirates, United Kingdom, West Bank/Gaza, Yemen, Zambia, and Zimbabwe, this Agreement will be governed by English Law and disputes relating to it will be submitted to the exclusive jurisdiction of the English courts; and 5) in Greece, Israel, Italy, Portugal, and Spain any legal claim arising out of this Statement will be brought before, and finally settled by, the competent court of Athens, Tel Aviv, Milan, Lisbon, and Madrid, respectively.

THE FOLLOWING TERMS APPLY TO THE COUNTRY SPECIFIED:

AUSTRIA AND GERMANY

The IBM Warranty for Machines: *The following replaces the first sentence of the first paragraph of this Section:*

The warranty for an IBM Machine covers the functionality of the Machine for its normal use and the Machine's conformity to its Specifications.

The following paragraphs are added to this Section:

The minimum warranty period for Machines is six months. In case IBM or your reseller is unable to repair an IBM Machine, you can alternatively ask for a partial refund as far as justified by the reduced value of the unrepaired Machine or ask for a cancellation of the respective agreement for such Machine and get your money refunded.

Extent of Warranty: *The second paragraph does not apply.*

Warranty Service: *The following is added to this Section:*

During the warranty period, transportation for delivery of the failing Machine to IBM will be at IBM's expense.

Limitation of Liability: *The following paragraph is added to this Section:*

The limitations and exclusions specified in the Statement of Limited Warranty will not apply to damages caused by IBM with fraud or gross negligence and for express warranty.

The following sentence is added to the end of item 2:

IBM's liability under this item is limited to the violation of essential contractual terms in cases of ordinary negligence.

EGYPT

Limitation of Liability: *The following replaces item 2 in this Section:*

as to any other actual direct damages, IBM's liability will be limited to the total amount you paid for the Machine that is the subject of the claim. For purposes of this item, the term "Machine" includes Machine Code and Licensed Internal Code.

Applicability of suppliers and resellers (unchanged).

FRANCE

Limitation of Liability: *The following replaces the second sentence of the first paragraph of this Section:*

In such instances, regardless of the basis on which you are entitled to claim damages from IBM, IBM is liable for no more than: *(items 1 and 2 unchanged)*.

IRELAND

Extent of Warranty: *The following is added to this Section:*

Except as expressly provided in these terms and conditions, all statutory conditions, including all warranties implied, but without prejudice to the generality of the foregoing all warranties implied by the Sale of Goods Act 1893 or the Sale of Goods and Supply of Services Act 1980 are hereby excluded.

Limitation of Liability: *The following replaces items one and two of the first paragraph of this Section:*

1. death or personal injury or physical damage to your real property solely caused by IBM's negligence; and
2. the amount of any other actual direct damages, up to 125 percent of the charges (if recurring, the 12 months' charges apply) for the Machine that is the subject of the claim or which otherwise gives rise to the claim.

Applicability of suppliers and resellers (unchanged).

The following paragraph is added at the end of this Section:

IBM's entire liability and your sole remedy, whether in contract or in tort, in respect of any default shall be limited to damages.

ITALY

Limitation of Liability: *The following replaces the second sentence in the first paragraph:*

In each such instance unless otherwise provided by mandatory law, IBM is liable for no more than:

1. *(unchanged)*
2. as to any other actual damage arising in all situations involving nonperformance by IBM pursuant to, or in any way related to the subject matter of this Statement of Warranty, IBM's liability, will be limited to the total amount you paid for the Machine that is the subject of the claim.

Applicability of suppliers and resellers (unchanged).

The following replaces the third paragraph of this Section:

Unless otherwise provided by mandatory law, IBM and your reseller are not liable for any of the following: *(items 1 and 2 unchanged)* 3) indirect damages, even if IBM or your reseller is informed of their possibility.

SOUTH AFRICA, NAMIBIA, BOTSWANA, LESOTHO AND SWAZILAND

Limitation of Liability: *The following is added to this Section:*

IBM's entire liability to you for actual damages arising in all situations involving nonperformance by IBM in respect of the subject matter of this Statement of Warranty will be limited to the charge paid by you for the individual Machine that is the subject of your claim from IBM.

UNITED KINGDOM

Limitation of Liability: *The following replaces items 1 and 2 of the first paragraph of this Section:*

1. death or personal injury or physical damage to your real property solely caused by IBM's negligence;
2. the amount of any other actual direct damages or loss, up to 125 percent of the charges (if recurring, the 12 months' charges apply) for the Machine that is the subject of the claim or which otherwise gives rise to the claim;

The following item is added to this paragraph:

3. breach of IBM's obligations implied by Section 12 of the Sale of Goods Act 1979 or Section 2 of the Supply of Goods and Services Act 1982.

Applicability of suppliers and resellers (unchanged).

The following is added to the end of this Section:

IBM's entire liability and your sole remedy, whether in contract or in tort, in respect of any default shall be limited to damages.

Notices

This publication was developed for products and services offered in the U.S.A.

IBM may not offer the products, services, or features discussed in this document in other countries. Consult your local IBM representative for information on the products and services currently available in your area. Any reference to an IBM product, program, or service is not intended to state or imply that only that IBM product, program, or service may be used. Any functionally equivalent product, program, or service that does not infringe any IBM intellectual property right may be used instead. However, it is the user's responsibility to evaluate and verify the operation of any non-IBM product, program, or service.

IBM may have patents or pending patent applications covering subject matter described in this document. The furnishing of this document does not give you any license to these patents. You can send license inquiries, in writing, to:

*IBM Director of Licensing
IBM Corporation
North Castle Drive
Armonk, NY 10504-1785
U.S.A.*

INTERNATIONAL BUSINESS MACHINES CORPORATION PROVIDES THIS PUBLICATION "AS IS" WITHOUT WARRANTY OF ANY KIND, EITHER EXPRESS OR IMPLIED, INCLUDING, BUT NOT LIMITED TO, THE IMPLIED WARRANTIES OF NON-INFRINGEMENT, MERCHANTABILITY OR FITNESS FOR A PARTICULAR PURPOSE. Some states do not allow disclaimer of express or implied warranties in certain transactions, therefore, this statement may not apply to you.

This information could include technical inaccuracies or typographical errors. Changes are periodically made to the information herein; these changes will be incorporated in new editions of the publication. IBM may make improvements and/or changes in the product(s) and/or the program(s) described in this publication at any time without notice.

Any references in this publication to non-IBM Web sites are provided for convenience only and do not in any manner serve as an endorsement of those Web sites. The materials at those Web sites are not part of the materials for this IBM product, and use of those Web sites is at your own risk.

IBM may use or distribute any of the information you supply in any way it believes appropriate without incurring any obligation to you.

Edition notice

© COPYRIGHT INTERNATIONAL BUSINESS MACHINES CORPORATION, 2001.
All rights reserved.

Note to U.S. Government Users — Documentation related to restricted rights — Use, duplication or disclosure is subject to restrictions set forth in GSA ADP Schedule Contract with IBM Corp.

Processing date data

This IBM hardware product and IBM software products that might be packaged with it have been designed, when used in accordance with their associated documentation, to process date data correctly within and between the 20th and 21st centuries, provided all other products (for example, software, hardware, and firmware) used with these products properly exchange accurate date data with them.

IBM cannot take responsibility for the date data processing capabilities of non-IBM products, even if those products are preinstalled or otherwise distributed by IBM. You should contact the vendors responsible for those products directly to determine the capabilities of their products and update them if needed. This IBM hardware product cannot prevent errors that might occur if software, upgrades, or peripheral devices you use or exchange data with do not process date data correctly.

The foregoing is a Year 2000 Readiness Disclosure.

Trademarks

The following terms are trademarks of the IBM Corporation in the United States, other countries, or both:

Alert on LAN	xSeries
e-business logo	ServeRAID
EtherJet	ServerGuide
HelpCenter	ServerProven
IBM	TechConnect
Wake on LAN	Update Connector

Intel, Pentium, and Pentium III are trademarks of Intel Corporation in the United States, other countries, or both.

Microsoft, Windows, and Windows NT are trademarks of Microsoft Corporation in the United States, other countries, or both.

UNIX is a registered trademark of The Open Group in the United States and other countries.

Java and all Java-based trademarks and logos are trademarks or registered trademarks of Sun Microsystems, Inc. in the United States, other countries, or both.

Other company, product, and service names may be trademarks or service marks of others.

Important notes

Processor speeds indicate the internal clock speed of the microprocessor; other factors also affect application performance.

When referring to hard disk drive capacity, MB stands for 1 000 000 bytes and GB stands for 1 000 000 000 bytes. Total user-accessible capacity may vary depending on operating environments.

Maximum internal hard disk drive capacities assume the replacement of any standard hard disk drives and population of all hard disk drive bays with the largest currently supported drives available from IBM.

IBM makes no representations or warranties regarding non-IBM products and services that are ServerProven, including but not limited to the implied warranties of merchantability and fitness for particular purpose. Warranty, service and support for these products are provided to you by third-parties, not IBM.

Unless otherwise stated, IBM makes no representations or warranties with respect to non-IBM products. Support (if any) for the non-IBM products is provided by the third party, not IBM.

Some software may differ from its retail version (if available), and may not include user manuals or all program functionality.

Electronic emission notices

Federal Communications Commission (FCC) Statement

Note: This equipment has been tested and found to comply with the limits for a Class A digital device, pursuant to Part 15 of the FCC Rules. These limits are designed to provide reasonable protection against harmful interference when the equipment is operated in a commercial environment. This equipment generates, uses, and can radiate radio frequency energy and, if not installed and used in accordance with the instruction manual, may cause harmful interference to radio communications. Operation of this equipment in a residential area is likely to cause harmful interference, in which case the user will be required to correct the interference at his own expense.

Properly shielded and grounded cables and connectors must be used in order to meet FCC emission limits. IBM is not responsible for any radio or television interference caused by using other than recommended cables and connectors or by unauthorized changes or modifications to this equipment. Unauthorized changes or modifications could void the user's authority to operate the equipment.

This device complies with Part 15 of the FCC Rules. Operation is subject to the following two conditions: (1) this device may not cause harmful interference, and (2) this device must accept any interference received, including interference that may cause undesired operation.

Industry Canada Class A emission compliance statement

This Class A digital apparatus complies with Canadian ICES-003.

Avis de conformité à la réglementation d'Industrie Canada

Cet appareil numérique de classe A est conforme à la norme NMB-003 du Canada.

Australia and New Zealand Class A statement

Attention: This is a Class A product. In a domestic environment this product may cause radio interference in which case the user may be required to take adequate measures.

United Kingdom telecommunications safety requirement

Notice to Customers

This apparatus is approved under approval number NS/G/1234/J/100003 for indirect connection to public telecommunication systems in the United Kingdom.

European Union EMC Directive conformance statement

This product is in conformity with the protection requirements of EU Council Directive 89/336/EEC on the approximation of the laws of the Member States relating to electromagnetic compatibility. IBM cannot accept responsibility for any failure to satisfy the protection requirements resulting from a nonrecommended modification of the product, including the fitting of non-IBM option cards.

This product has been tested and found to comply with the limits for Class A Information Technology Equipment according to CISPR 22/European Standard EN 55022. The Limits for Class A equipment were derived for commercial and industrial environments to provide reasonable protection against interference with licensed communication equipment.

Attention: This is a Class A product. In a domestic environment this product may cause radio interference in which case the user may be required to take adequate measures.

Taiwan electrical emission statement

警告使用者：
這是甲類的資訊產品，在居住的環境中使用時，可能會造成射頻干擾，在這種情況下，使用者會被要求採取某些適當的對策。

Japanese Voluntary Control Council for Interference (VCCI) statement

この装置は、情報処理装置等電波障害自主規制協議会（VCCI）の基準に基づくクラスA情報技術装置です。この装置を家庭環境で使用すると電波妨害を引き起こすことがあります。この場合には使用者が適切な対策を講ずるよう要求されることがあります。

Power cords

For your safety, IBM provides a power cord with a grounded attachment plug to use with this IBM product. To avoid electrical shock, always use the power cord and plug with a properly grounded outlet.

IBM power cords used in the United States and Canada are listed by Underwriter's Laboratories (UL) and certified by the Canadian Standards Association (CSA).

For units intended to be operated at 115 volts: Use a UL-listed and CSA-certified cord set consisting of a minimum 18 AWG, Type SVT or SJT, three-conductor cord, a maximum of 15 feet in length and a parallel blade, grounding-type attachment plug rated 15 amperes, 125 volts.

For units intended to be operated at 230 volts (U.S. use): Use a UL-listed and CSA-certified cord set consisting of a minimum 18 AWG, Type SVT or SJT, three-conductor cord, a maximum of 15 feet in length and a tandem blade, grounding-type attachment plug rated 15 amperes, 250 volts.

For units intended to be operated at 230 volts (outside the U.S.): Use a cord set with a grounding-type attachment plug. The cord set should have the appropriate safety approvals for the country in which the equipment will be installed.

IBM power cords for a specific country or region are usually available only in that country or region.

IBM power cord part number	Used in these countries and regions
13F9940	Argentina, Australia, China (PRC), New Zealand, Papua New Guinea, Paraguay, Uruguay, Western Samoa
13F9979	Afghanistan, Algeria, Andorra, Angola, Austria, Belgium, Benin, Bulgaria, Burkina Faso, Burundi, Cameroon, Central African Rep., Chad, China (Macau S.A.R.), Czech Republic, Egypt, Finland, France, French Guiana, Germany, Greece, Guinea, Hungary, Iceland, Indonesia, Iran, Ivory Coast, Jordan, Lebanon, Luxembourg, Malagasy, Mali, Martinique, Mauritania, Mauritius, Monaco, Morocco, Mozambique, Netherlands, New Caledonia, Niger, Norway, Poland, Portugal, Romania, Senegal, Slovakia, Spain, Sudan, Sweden, Syria, Togo, Tunisia, Turkey, former USSR, Vietnam, former Yugoslavia, Zaire, Zimbabwe
13F9997	Denmark
14F0015	Bangladesh, Burma, Pakistan, South Africa, Sri Lanka
14F0033	Antigua, Bahrain, Brunei, Channel Islands, China (Hong Kong S.A.R.), Cyprus, Dubai, Fiji, Ghana, India, Iraq, Ireland, Kenya, Kuwait, Malawi, Malaysia, Malta, Nepal, Nigeria, Polynesia, Qatar, Sierra Leone, Singapore, Tanzania, Uganda, United Kingdom, Yemen, Zambia
14F0051	Liechtenstein, Switzerland
14F0069	Chile, Ethiopia, Italy, Libya, Somalia
14F0087	Israel
1838574	Thailand

IBM power cord part number	Used in these countries and regions
6952301	Bahamas, Barbados, Bermuda, Bolivia, Brazil, Canada, Cayman Islands, Colombia, Costa Rica, Dominican Republic, Ecuador, El Salvador, Guatemala, Guyana, Haiti, Honduras, Jamaica, Japan, Korea (South), Liberia, Mexico, Netherlands Antilles, Nicaragua, Panama, Peru, Philippines, Saudi Arabia, Suriname, Taiwan, Trinidad (West Indies), United States of America, Venezuela

Index

A

- AC power light 6
- acoustical noise emissions 2
- adapter
 - considerations 43
 - installing 44
 - ServeRAID 46
- adapter fault tolerance 68
- adaptive load balancing 68
- adjusting
 - chair 9
 - controls 9
 - lighting 9
 - monitor 9
- Advanced Configuration Options 17
- Advanced Setup
 - Configuration/Setup main menu 13
 - Core Chipset Control 14
 - CPU Options 14
 - Memory Settings 14
 - PCI BUS Control 14
 - System Partition Visibility 14
- air baffle 58
- air circulation 9
- air vents 9
- antiglare filter 9
- arranging workspace 9
- auxiliary-device port
 - connector 66
 - description 66
 - pin assignments 66
- availability features 4

B

- backplane, SCSI 48
- battery, replacing 124
- bezel
 - removing 42
 - replacing 63
- BIOS code
 - latest level 55
 - recovering 104
- boot block jumper 31, 105
- Boot Device Options 17

C

- cable
 - lengths 10
 - SCSI, external devices 72
 - Universal Serial Bus 71
 - USB 71
- cabling
 - Ethernet 67

- cabling, ServeRAID adapter 46
- CD-ROM drive 2, 48
- CDs
 - ServerGuide 22
- chair adjustments 9
- circulation, air 9
- Class A electronic emission notice 141
- cleaning the monitor 9
- clock frequency selection switch 32
- comfort 9
- components
 - color 27
 - major 27
 - system board 28
- configuration
 - Configuration/Setup Utility 11
 - PXE Boot Agent Utility 11
 - SCSISelect Utility 11, 16
 - ServeRAID programs 11
 - ServerGuide CDs 11
 - with ServerGuide 23
- Configuration/Setup main menu
 - Advanced Setup 13
 - date and time 13
 - devices and I/O ports 13
 - error logs 14
 - Exit Setup 14
 - Load Default Settings 14
 - Product Data 13
 - Restore Settings 14
 - Save Settings 14
 - Start Options 13
 - System Information 12
 - System Security 13
 - System Summary 12
- Configuration/Setup Utility 11
- Configure/View Host Adapter Settings 17
- configuring
 - Ethernet 67
- connector
 - auxiliary-device port 66
 - keyboard 65
 - mouse port 66
 - pointing-device port 66
 - serial port 65
 - Universal Serial Bus port 71
 - USB port 71
 - video 72
- connectors
 - external port connectors 30
 - internal cable 29
 - options 28
- controller
 - Ethernet 67
- controls on front of server 5
- cooling 2
- Core Chipset Control
 - Advanced Setup 14
- cover

- removing 42
- replacing 63
- CPU Options
 - Advanced Setup 14
- creating VLAN 70

D

- data rate
 - Ethernet 67
- date and time
 - Configuration/Setup main menu 13
- DC power light 6
- devices and I/O ports
 - Configuration/Setup main menu 13
- diagnostic programs
 - description 91
 - error messages 94
 - starting 93
- diagnostic tools 77
- diagnostics panel 102
- diskette drive 2, 48
- drive
 - bays 47
 - CD-ROM 48
 - digital linear tape 48
 - diskette 48
 - DLT 48
 - hot-swap 47
 - installing
 - hot-swap 49
 - non-hot-swap 51
 - internal 46
 - SCSI 48

E

- electrical input 2
- electrical outlets 10
- electronic emission Class A notice 141
- emission requirements
 - electronic emission Class A notice 141
 - FCC Class A notice 141
- environment 2
- error logs
 - Configuration/Setup main menu 14
- error messages. See messages
- Ethernet
 - adapter fault tolerance 68
 - adaptive load balancing 68
 - cabling 67
 - Cisco Fast EtherChannel 68
 - configuring 67
 - creating VLAN 70
 - error messages 112
 - failover 67
 - high performance modes 68
 - IntraNetWare error messages 112
 - modes 68
 - NetWare error messages 112

- pin-number assignment 70
- priority filters 68
- priority packet mode 68
- teaming 68
- troubleshooting information 110
- VLAN 69
- Windows NT error messages 114
- Ethernet port 67
- Ethernet transmit/receive activity light 7
- Exit Setup
 - Configuration/Setup main menu 14
- extension cords 10

F

- failover
 - Ethernet 67
- fatigue 9
- FCC Class A notice 141
- features 2
 - ServerGuide 22
- filler panel
 - drive bay 48
 - power supply bay 60
- filters
 - priority 68

G

- glare 9

H

- hard disk drive light
 - activity 6
 - status 6
- heat output 2
- high priority queue 68
- Host Adapter SCSI ID 17
- Host Adapter SCSI Termination 17
- hot-swap drive
 - installing 49
 - specifications 2
 - support 47
- hot-swap fan, replacing 61
- hot-swap power supply
 - installing 59
- hub 71

I

- IDE device, installing 53
- IEEE 802.1p tagging 68
- important notes 141
- indicators on front of server 5
- information light 7
- input/output ports 64

- installing internal drives 46
- installing memory modules 53
- installing options, general information 35
- integrated
 - Ethernet 67
- Integrated System Management Processor
 - port, description 71
- Integrated System Management Processor LED 102
- internal drive bays 47

J

- jumpers on system board 31

K

- keyboard
 - angle of 9
 - arm and wrist position 9
- keyboard port
 - connector 65
 - description 65
 - pin assignments 65

L

- LEDs
 - diagnosing problems using 100
 - diagnostics panel 102
 - hard disk drive activity 6
 - hard disk drive status 6
 - power-supply 101
- light
 - DC power 6
 - Ethernet transmit/receive activity 7
 - hard disk drive activity 6
 - hard disk drive status 6
 - information 7
 - on front of server 7
 - on operator information panel 7
 - SCSI hard disk drive activity 7
 - system information 7
 - system power 5
- Light Path Diagnostics 101
- light. See also LED
- lighting 9
- Load Default Settings
 - Configuration/Setup main menu 14
- local area network
 - Ethernet 67
- log
 - event/error 90
 - test 93

M

- major components 27

- Media Bay Ultra160 Hot Swap Conversion Kit option 48
- memory module
 - specifications 2
 - supported 53
- Memory Settings
 - Advanced Setup 14
- messages
 - diagnostic programs 91, 94
 - Ethernet controller 112
 - POST 83
- microprocessor
 - installing 55
 - specifications 2
- modes 67
 - Ethernet 68
- monitor
 - adjusting of 9
 - placement of 9
- mouse port
 - connector 66
 - description 66
 - pin assignments 66

N

- network connection
 - problems 110
- networks 67
- non-hot-swap drive
 - specifications 2
- NOS installation
 - with ServerGuide 24
 - without ServerGuide 25
- notices
 - electronic emission, Class A 141
 - FCC, Class A 141
 - miscellaneous 141
 - product 141
 - trademarks 140

O

- office space, arranging 9
- operator information panel 6, 7
- options, external, connecting 63
- overriding power-on password check 15

P

- password
 - override switch 15
 - remote-control security settings 16
- password override switch 32
- passwords
 - power-on 15
- PCI BUS Control
 - Advanced Setup 14
- PCI expansion slots 2

- locations 43
- PCI plug and play
 - Ethernet 67
- pin-number assignments
 - Ethernet 70
- planning workspace 9
- plug and play
 - Ethernet 67
- pointing-device port
 - connector 66
 - description 66
 - pin assignments 66
- port
 - auxilliary device. See auxiliary-device port
 - Ethernet 67
 - keyboard. See keyboard port
 - mouse. See mouse port
 - pointing device. See pointing-device port
 - SCSI. See SCSI port
 - serial. See serial port
 - Ultra160 SCSI. See Ultra160 SCSI port
 - Universal Serial Bus. See Universal Serial Bus port
 - USB. See USB port
 - video. See video port

POST

- description 79
- error messages 83
- messages 83
- POST error log 90
- power cords 10, 143
- power supply
 - installing 59
 - specifications 2
- power-control button 6
- power-on override switch 32
- power-on password 15
 - System Security 13
- power-on self-test. See POST
- priority
 - filters 68
 - levels 68
 - packet mode 68

problem

- network connection 110

product

- notices 141

Product Data

- Configuration/Setup main menu 13

- PXE Boot Agent Utility 11

- PXE Boot Agent Utility program 18

- PXE Boot Agent Utility, using 18

R

- rack installation instructions 75

- RAS feature 4

- reducing glare 9

- reliability features 4

- Remind button 35

- Remote Control Security Settings

- System Security 13

- reset button 6

- Restore Settings

- Configuration/Setup main menu 14

S

- safety information

- electrical ix, 38

- laser x, 39

- laser products 52

- lifting xi, 40

- safety book 36

- Safety Information book 36

- Save Settings

- Configuration/Setup main menu 14

- screen filter 9

- SCSI cable

- external device 72

- SCSI controller, integrated 48

- SCSI device

- installing 52

- processing sequence for 49

- SCSI Device Configuration 17

- SCSI Disk Utilities 17

- SCSI hard disk drive activity light 7

- SCSI IDs 73

- assignment of 49

- for devices 49

- SCSI Parity Checking 17

- SCSI port

- connector 73

- description 72

- pin assignments 73

- SCSISelect Utility 11, 16

- serial port

- assignments, viewing 64

- connector 65

- description 64

- pin assignments 65

- server features 3

- ServerRAID adapter

- cable 46

- ServerRAID programs 11

- ServerGuide

- additional programs 25

- features 22

- NOS installation 24

- setting up multiple servers 24

- using 21

- ServerGuide CDs 11

- with ServerGuide 23

- service summary 127

- serviceability features 4

- setting up

- multiple servers 24

- shutting down the server 8

- size 2

- SMP 1

- software coupon

- ServerGuide 21

- specifications 2
- Start Options
 - Configuration/Setup main menu 13
- starting server 7
- static sensitive devices, handling 36
- switches on system board
 - clock frequency selection 32
 - location 31
 - power-on override 32
- switches on the system board
 - password override 32
- symmetric multiprocessing 1
- system board
 - external port connectors 30
 - internal cable connectors 29
 - jumpers 31, 33
 - LED locations 33
 - options connectors 28
 - switches 31
- System Card Data
 - System Information 13
- system environmental monitor subsystem LED 102
- System Error LED 35
- system error light 7
- System Information
 - Configuration/Setup main menu 12
 - System Card Data 13
- System Partition Visibility
 - Advanced Setup 14
- system power light 5
- system reliability 35
- System Security
 - Configuration/Setup main menu 13
 - power-on password 13
 - Remote Control Security Settings 13
- System Summary
 - Configuration/Setup main menu 12

T

- teaming 68
- termination
 - SCSI devices 49
- test log 93
- trademarks 140
- traffic class expediting 68
- troubleshooting
 - Ethernet 110
- troubleshooting charts 105
- turning off the server 8

U

- Ultra160 SCSI port
 - connector 73
 - description 72
 - pin assignments 73
- United States electronic emission Class A notice 141
- United States FCC Class A notice 141
- Universal Serial Bus port

- connector 71
 - description 71
 - pin assignments 71
- USB port
 - connector 71
 - description 71
 - pin assignments 71

V

- venting of hot air 9
- video 2
- video port
 - connector 72
 - description 72
 - pin assignments 72
- virtual LAN (VLAN) 69
- virtual LAN mode (VLAN) 69
- VLAN
 - creating 70
- voltage regulator module, installing 57
- VRM, installing 57

W

- Web site
 - ServerGuide 21
- web site 1
- weight 2
- work area, arranging 9
- working inside server with power on 36
- World Wide Web site 1

X

- xSeries 3-Pack Ultra160 Hot-Swap Expansion Kit, installing 60



24P2883

File Number:



Printed in the United States of America
on recycled paper containing 10%
recovered post-consumer fiber.

24P2883