

# ThinkPad<sup>®</sup> X4 Dock

## User's Guide

**Attention**

Refer to the documentation that comes with your computer before installing the product.

**Note**

Be sure to keep your proof of purchase, because it might be required for warranty services. (See Appendix A, "Service and Support," on page A-1, Appendix B, "IBM Statement of Limited Warranty Z125-4753-08 04/2004," on page B-1 and Appendix C, "Notices," on page C-1.)

**Second Edition (April 2005)**

**The following paragraph does not apply to the United Kingdom or any country where such provisions are inconsistent with local law:**

INTERNATIONAL BUSINESS MACHINES CORPORATION PROVIDES THIS PUBLICATION "AS IS" WITHOUT ANY WARRANTY OF ANY KIND, EITHER EXPRESS OR IMPLIED, INCLUDING, BUT NOT LIMITED TO, THE LIMITED WARRANTIES OF MERCHANTABILITY OR FITNESS FOR A PARTICULAR PURPOSE. Some states do not allow disclaimers or express or implied warranties in certain transactions; therefore, this statement may not apply to you.

This publication could include technical inaccuracies or typographical errors. Changes are periodically made to the information herein; these changes will be incorporated in new editions of the publication. IBM may make improvements or changes in the products or the programs described in this publication at any time.

It is possible that this publication may contain reference to, or information about, IBM products (machines and programs), programming, or services that are not announced in your country. Such references or information must not be construed to mean that IBM intends to announce such IBM products, programming, or services in your country.

Requests for technical information about IBM products should be made to your IBM authorized dealer or your IBM marketing representative.

© Copyright International Business Machines Corporation 2005. All rights reserved. US Government Users Restricted Rights – Use, duplication or disclosure restricted by GSA ADP Schedule Contract with IBM Corp.

---

# Contents

|   |            |
|---|------------|
| <b>General safety guidelines</b> . . . . .                                | <b>v</b>   |
| Service . . . . .   | v          |
| Power cords and power adapters . . . . .                                  | v          |
| Extension cords and related devices . . . . .                             | vi         |
| Plugs and outlets . . . . .   | vi         |
| Batteries . . . . .   | vii        |
| Heat and product ventilation . . . . .                                    | vii        |
| CD and DVD drive safety . . . . .   | viii       |
| <br>  |            |
| <b>Laser compliance statement</b> . . . . .                               | <b>ix</b>  |
| <br>  |            |
| <b>About the ThinkPad X4 Dock</b> . . . . .                               | <b>1-1</b> |
| Product registration . . . . .  | 1-1        |
| Product description . . . . .   | 1-1        |
| Front view . . . . .  | 1-2        |
| Rear view. . . . .  | 1-3        |
| Using the ThinkPad X4 Dock . . . . .                                      | 1-5        |
| Attaching the ThinkPad X4 Dock . . . . .                                  | 1-5        |
| Detaching the ThinkPad X4 Dock . . . . .                                  | 1-7        |
| Security feature . . . . .  | 1-9        |
| <br>  |            |
| <b>Appendix A. Service and Support.</b> . . . . .                         | <b>A-1</b> |
| Online technical support . . . . .  | A-1        |
| Telephone technical support . . . . .                                     | A-1        |
| <br>  |            |
| <b>Appendix B. IBM Statement of Limited Warranty Z125-4753-08 04/2004</b> | <b>B-1</b> |
| Part 1 - General Terms . . . . .  | B-1        |
| Part 2 - Country-unique Terms . . . . .                                   | B-5        |
| Part 3 - Warranty Information . . . . .                                   | B-18       |
| Warranty Period . . . . .   | B-18       |
| Types of Warranty Service . . . . .                                       | B-19       |
| Worldwide telephone list . . . . .  | B-20       |
| Guarantee supplement for Mexico . . . . .                                 | B-23       |
| <br>  |            |
| <b>Appendix C. Notices</b> . . . . .                                      | <b>C-1</b> |
| Trademarks . . . . .  | C-2        |
| Electronic emission notices . . . . .                                     | C-2        |
| Federal Communications Commission (FCC) statement . . . . .               | C-2        |





---

## General safety guidelines

Always observe the following precautions to reduce the risk of injury and property damage.

---

### Service

Do not attempt to service a product yourself unless instructed to do so by the IBM® Support Center. Use only an IBM authorized service provider who is approved to repair your particular product.

**Note:** Some parts can be upgraded or replaced by the customer. These parts are referred to as Customer Replaceable Units, or CRUs. IBM expressly identifies CRUs as such, and provides documentation with instructions when it is appropriate for customers to replace those parts. You must closely follow all instructions when performing such replacements. Always make sure that the power is turned off and that the product is unplugged from any power source before you attempt the replacement. If you have any questions or concerns, contact the IBM Support Center.

---

### Power cords and power adapters

Use only the power cords and power adapters supplied by the product manufacturer.

Never wrap a power cord around the power adapter or other object. Doing so can stress the cord in ways that can cause the cord to fray, crack or crimp. This can present a safety hazard.

Always route power cords so that they will not be walked on, tripped over, or pinched by objects.

Protect the cord and power adapters from liquids. For instance, do not leave your cord or power adapter near sinks, tubs, toilets, or on floors that are cleaned with liquid cleansers. Liquids can cause a short circuit, particularly if the cord or power adapter has been stressed by misuse. Liquids can also cause gradual corrosion of the power cord terminals and/or the connector terminals on the adapter which can eventually result in overheating.

Always connect power cords and signal cables in the correct order and ensure that all power cord connectors are securely and completely plugged into receptacles.

Do not use any power adapter that shows corrosion at the ac input pins and/or shows signs of overheating (such as deformed plastic) at the ac input or anywhere on the power adapter.

Do not use any power cords where the electrical contacts on either end show signs of corrosion or overheating or where the power cord appears to have been damaged in any way.

---

## **Extension cords and related devices**

Ensure that extension cords, surge protectors, uninterruptible power supplies, and power strips that you use are rated to handle the electrical requirements of the product. Never overload these devices. If power strips are used, the load should not exceed the power strip input rating. Consult an electrician for more information if you have questions about power loads, power requirements, and input ratings.

---

## **Plugs and outlets**

If a receptacle (power outlet) that you intend to use with your computer equipment appears to be damaged or corroded, do not use the outlet until it is replaced by a qualified electrician.

Do not bend or modify the plug. If the plug is damaged, contact the manufacturer to obtain a replacement.

Some products are equipped with a three-pronged plug. This plug fits only into a grounded electrical outlet. This is a safety feature. Do not defeat this safety feature by trying to insert it into a non-grounded outlet. If you cannot insert the plug into the outlet, contact an electrician for an approved outlet adapter or to replace the outlet with one that enables this safety feature. Never overload an electrical outlet. The overall system load should not exceed 80 percent of the branch circuit rating. Consult an electrician for more information if you have questions about power loads and branch circuit ratings.

Be sure that the power outlet you are using is properly wired, easily accessible, and located close to the equipment. Do not fully extend power cords in a way that will stress the cords.

Connect and disconnect the equipment from the electrical outlet carefully

---

## Batteries

All IBM personal computers contain a non-rechargeable coin cell battery to provide power to the system clock. In addition many mobile products such as Thinkpad notebook PCs utilize a rechargeable battery pack to provide system power when in portable mode. Batteries supplied by IBM for use with your product have been tested for compatibility and should only be replaced with IBM approved parts.

Never attempt to open or service any battery. Do not crush, puncture, or incinerate batteries or short circuit the metal contacts. Do not expose the battery to water or other liquids. Only recharge the battery pack strictly according to instructions included in the product documentation.

Battery abuse or mishandling can cause the battery to overheat, which can cause gasses or flame to “vent” from the battery pack or coin cell. If your battery is damaged, or if you notice any discharge from your battery or the buildup of foreign materials on the battery leads, stop using the battery and obtain a replacement from the battery manufacturer.

Batteries can degrade when they are left unused for long periods of time. For some rechargeable batteries (particularly Lithium Ion batteries), leaving a battery unused in a discharged state could increase the risk of a battery short circuit, which could shorten the life of the battery and can also pose a safety hazard. Do not let rechargeable Lithium-Ion batteries completely discharge or store these batteries in a discharged state.

---

## Heat and product ventilation

Computers generate heat when turned on and when batteries are charging. Notebook PCs can generate a significant amount of heat due to their compact size. Always follow these basic precautions:

- Do not leave the base of your computer in contact with your lap or any part of your body for an extended period when the computer is functioning or when the battery is charging. Your computer produces some heat during normal operation. Extended contact with the body could cause discomfort or, potentially, a skin burn.
- Do not operate your computer or charge the battery near flammable materials or in explosive environments.
- Ventilation slots, fans and/or heat sinks are provided with the product for safety, comfort, and reliable operation. These features might inadvertently become blocked by placing the product on a bed, sofa, carpet, or other flexible surface. Never block, cover or disable these features.

---

## CD and DVD drive safety

CD and DVD drives spin discs at a high speed. If a CD or DVD is cracked or otherwise physically damaged, it is possible for the disc to break apart or even shatter when the CD drive is in use. To protect against possible injury due to this situation, and to reduce the risk of damage to your machine, do the following:

- Always store CD/DVD discs in their original packaging
- Always store CD/DVD discs out of direct sunlight and away from direct heat sources
- Remove CD/DVD discs from the computer when not in use
- Do not bend or flex CD/DVD discs, or force them into the computer or their packaging
- Check CD/DVD discs for cracks before each use. Do not use cracked or damaged discs

---

## Laser compliance statement

An optical storage drive (device), such as a CD-ROM, CD-RW, DVD-ROM drive and SuperDisk, which can be installed in the IBM ThinkPad computer is a laser product. The drive's classification label (shown below) is on the surface of the drive.

CLASS 1 LASER PRODUCT  
LASER KLASSE 1  
LUOKAN 1 LASERLAITE  
APPAREIL A LASER DE CLASSE 1  
KLASS 1 LASER APPARAT

The drive is certified by the manufacturer to comply with the requirements of the Department of Health and Human Services 21 Code of Federal Regulations (DHHS 21 CFR) Subchapter J for Class I laser products at the date of manufacture.

In other countries, the drive is certified to conform to the requirements of IEC825 and EN60825 for Class 1 laser products.



**DANGER**

**Do not open the optical storage drive unit; no user adjustments or serviceable parts are inside.**

**Use of controls, adjustments, or the performance of procedures other than those specified might result in hazardous radiation exposure.**

Class 1 laser products are not considered hazardous. The design of the laser system and the optical storage drive ensures that there is no exposure to laser radiation above a Class 1 level during normal operation, user maintenance, or servicing.

Some drives contain an embedded Class 3A laser diode. Note this warning:



**DANGER**

**Emits visible and invisible laser radiation when open. Avoid direct eye exposure. Do not stare into the beam or view it directly with optical instruments.**

---

## About the ThinkPad X4 Dock

This section provides information on registering, installing, and using the ThinkPad X4 Dock.

---

### Product registration

Thank you for purchasing this IBM product. Please take a few moments to register your product and provide us with information that will help IBM to better serve you in the future. Your feedback is valuable to us in developing products and services that are important to you, as well as in developing better ways to communicate with you. Register your option on the IBM Web site at:

[www.ibm.com/pc/register](http://www.ibm.com/pc/register)

IBM will send you information and updates on your registered product unless you indicate on the Web site questionnaire that you do not want to receive further information.

---

### Product description

The ThinkPad X4 Dock works only with computers in the ThinkPad X40 Series including Tablet PC models. It can extend the capabilities of your computer by enabling it to use the Ultrabay™ Slim and various optional devices.

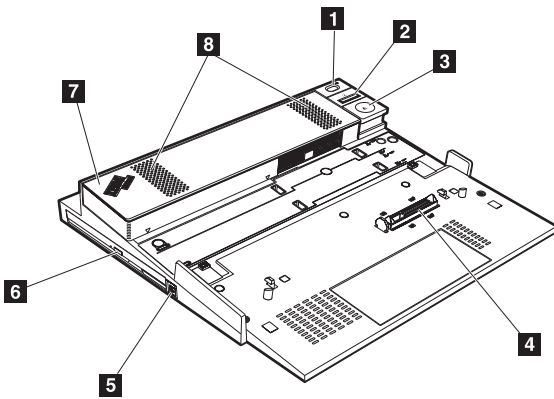
After you attach your computer to the ThinkPad X4 Dock, you can use its connectors in place of the computer's.

When the computer is attached to the ThinkPad X4 Dock, never pick up the assembly by taking hold of the computer alone. Always hold the whole assembly.

**Attention:** To reduce the risk of fire, use only No.26 AWG or larger (thicker) telephone cable.

**Attention:** AC Adapter: Use the UL Listed Power Supply, rated 16 Vdc 3.5 A or equivalent.

## Front view



**1** The **power switch** turns the computer on and off.

**2** By pressing the **eject request button**, you can request the operating system to undock the computer from the X4 Dock. The **Docked indicator** is green when the computer is attached to the X4 Dock. This indicator turns off when the eject request is issued and the computer can be detached safely from the X4 Dock.

**3** The **eject button** releases the computer from the X4 Dock. The **Eject Ready indicator** is green when the computer is ready to be detached safely from the X4 Dock. This indicator turns off when the computer is detached from the X4 Dock.

**Note:** To lock the eject button of the X4 Dock, use the security lock key.

**4** The **docking connector** is where you attach your ThinkPad computer.

**5** The **bay latch** releases the handle so you can replace the Ultrabay Slim device.

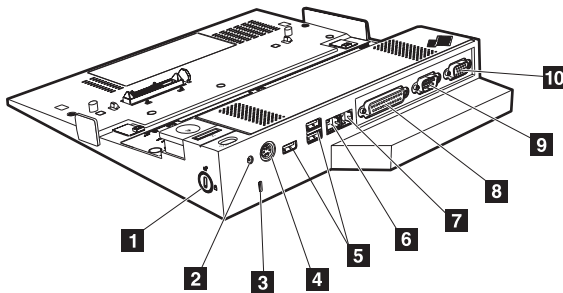
**6** The **Ultrabay Slim device** is used for installing various devices such as a DVD drive, a CD-RW/DVD combo drive, or a second hard disk drive.

**7** Make sure that the **adjuster** is secured in the proper position when attaching your ThinkPad computer to the X4 Dock. The position of the adjuster depends on the computer model and the type of battery installed. Refer to the label attached to the X4 Dock for details.

**8** The built-in **stereo speakers** generate stereo sound.

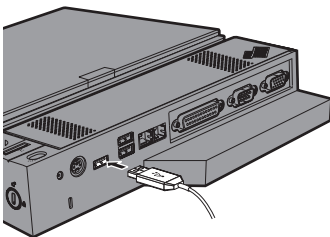


## Rear view



- 1** The **security lock key** is for locking the eject button.
- 2** The **power jack** is for connecting the ac adapter.
- 3** The **security keyhole** enables you to attach a mechanical lock to secure the X4 Dock to a heavy object, such as a desk.
- 4** The **keyboard/mouse connector** is for connecting an external keyboard, keypad, or mouse.
- 5** The **Universal Serial Bus (USB) connectors** are for connecting USB 1.1 and USB 2.0 devices.

**Note:** When you attach a USB cable to the connector, make sure that the mark shown in the drawing is to the upper side. Otherwise, the connector might be damaged.



- 6** The **modem connector** is for connecting the X4 Dock to a telephone line.

### Notes:

1. If your ThinkPad computer does not support the modem connector, you cannot use the connector.
2. If you attach your computer to the X4 Dock, use the modem connector on the X4 Dock, not the one on the computer.

**7** The **Ethernet connector** is for connecting the X4 Dock to a 10BASE-T/100BASE-TX/1000BASE-T Ethernet LAN. The indicator on the connector is the same as that on the ThinkPad computer.

**Notes:**

1. If your ThinkPad computer does not have the Ethernet connector, you cannot use the Ethernet connector on the X4 Dock. You cannot use the Token Ring cable for this connector. This connector can be used for the 10BASE-T/100BASE-TX/1000BASE-T Ethernet connection. However, if your ThinkPad computer can only be used with the 10BASE-T/100BASE-TX Ethernet, the connector can only be used for the 10BASE-T/100BASE-TX Ethernet connection and not for the 1000BASE-T Ethernet connection.
2. If you attach your computer to the X4 Dock, use the Ethernet connector on the X4 Dock, not the one on the computer.

**8** The **parallel connector** is for connecting a parallel device.

**9** The **serial connector** is for connecting a serial device.

**10** The **external monitor connector** is for connecting an external monitor.

---

## Using the ThinkPad X4 Dock

### Note

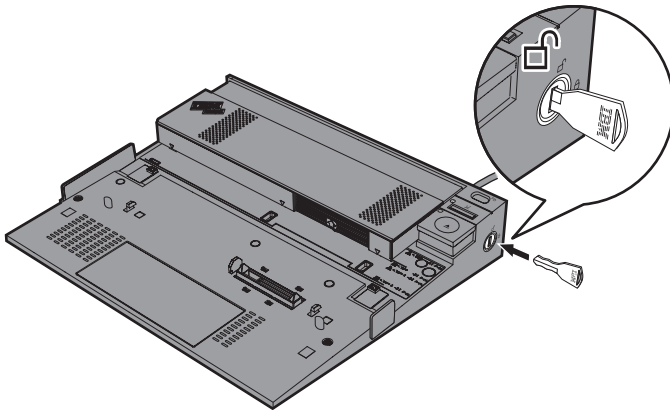
Before you attach or detach your computer when it is operating, always make sure that it has finished operations involving devices that are connected to the USB connector, the serial connector, or the parallel connector. Also make sure that any connection to a modem or an Ethernet is stopped.

**Note:** If you are using the ThinkPad X40 Series computer, before you attach it to the ThinkPad X4 Dock, you need to update the BIOS and the Easy Eject Utility. To download the latest version of the BIOS code and Utility, go to [www.pc.ibm.com/support](http://www.pc.ibm.com/support) on the World Wide Web.

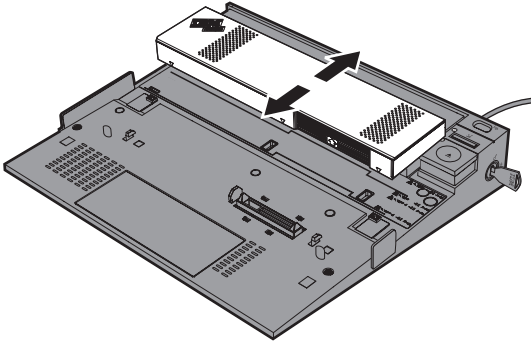
## Attaching the ThinkPad X4 Dock

To attach your computer to the ThinkPad X4 Dock, do the following:

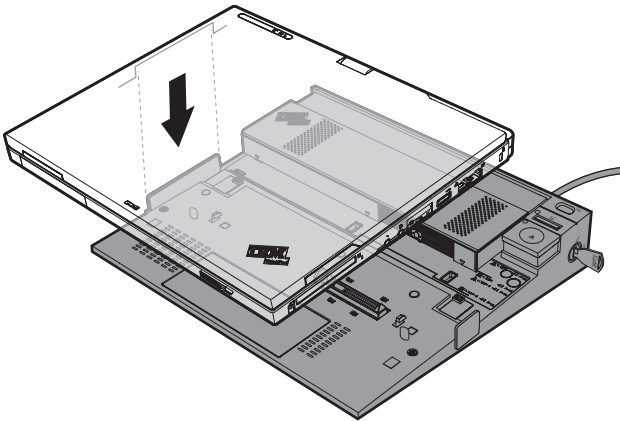
1. Disconnect the ac adapter from your computer, or you might damage the ac adapter. Connect an ac adapter to the ThinkPad X4 Dock, using the ac adapter included in the package with the X4 Dock.
2. Make sure that the security lock key of the X4 Dock is in place and in the unlocked (vertical) position.



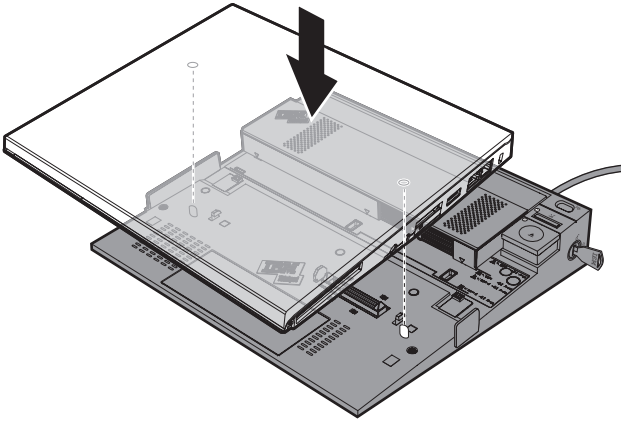
- Secure the adjuster in the proper position. The position of the adjuster depends on the computer model and the type of battery installed. Refer to the label attached to your ThinkPad X4 Dock.



- If you are using the ThinkPad X41 Tablet Series computer, align the left side of the computer with the guide on the left side of the X4 Dock; make sure that the docking connector on the bottom of your computer and that on the X4 Dock are aligned with each other.



If you are using the ThinkPad X40 Series computer, attach the computer, aligning the rear side of the computer with the adjuster.



5. Press firmly on both sides of your computer until you hear a click. The computer is now attached to the X4 Dock.

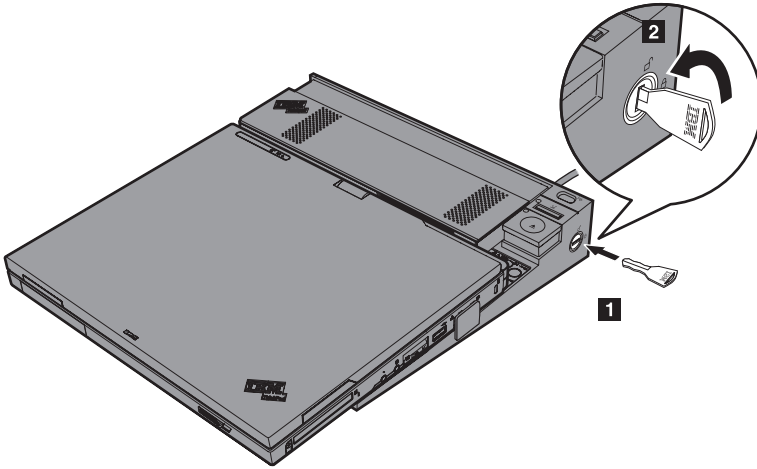
**Note:** Turn the security lock key clockwise to lock it. Always keep the security lock key in a safe place. Do not lose it; without it you will be unable to detach the computer from the X4 Dock.

## Detaching the ThinkPad X4 Dock

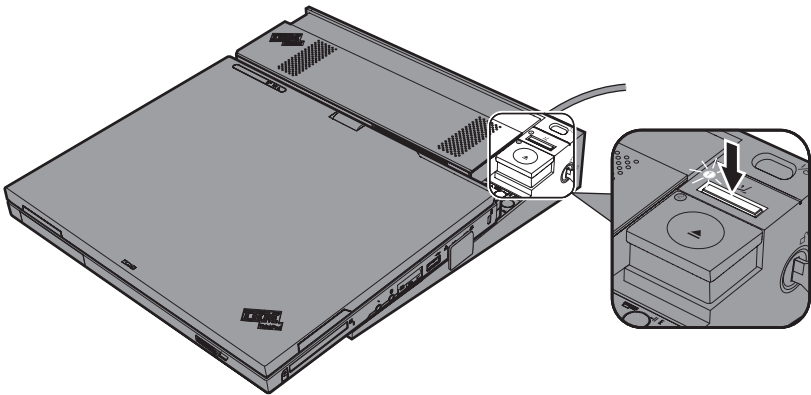
To detach your computer from the ThinkPad X4 Dock, do the following:

1. Make sure that the battery pack is charged enough for normal operation.

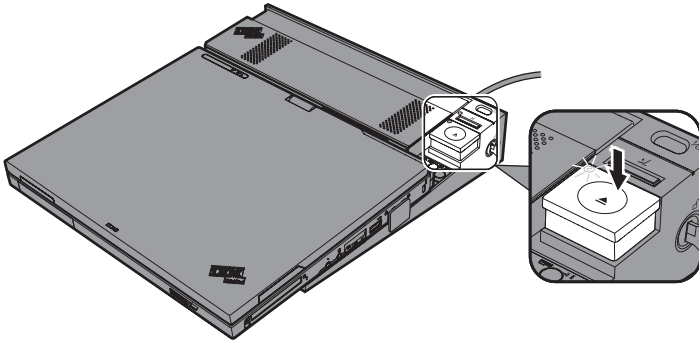
2. Make sure the security lock key of the X4 Dock is in place and in the unlocked (vertical) position.



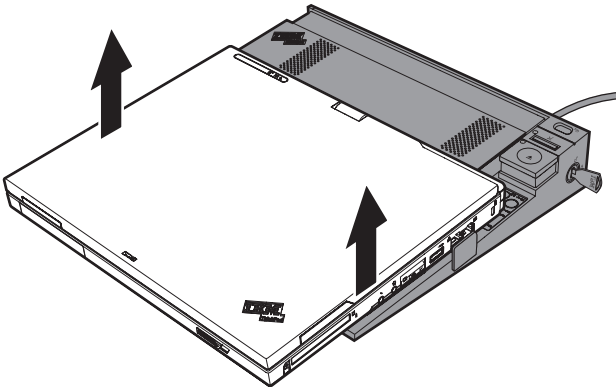
3. Close the computer display.
4. Press the eject request button. The Docked indicator starts blinking, then turns off.



5. The Eject Ready indicator turns on; press the eject button until the computer moves up.



6. Grasping both sides of the computer, remove the computer from the X4 Dock.



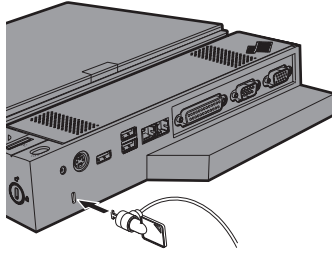
For details about setting up and using the X4 Dock, refer to Access IBM or the Setup Poster that came with this option.

## Security feature

The ThinkPad X4 Dock has a security keyhole for a mechanical lock. To secure the X4 Dock to a heavy object, such as a desk, attach a mechanical lock with a cable to the security keyhole.

IBM does not offer a mechanical lock. You will need to purchase one elsewhere. You are responsible for evaluating, selecting, and implementing any locking device and security feature. IBM makes no comments, judgments, or warranties about the function, quality, or performance of any locking device or security features.

Attach a mechanical lock as follows:





---

## Présentation de la station d'accueil X4 ThinkPad

La présente section contient des informations sur l'enregistrement, l'installation et l'utilisation de la station d'accueil X4 ThinkPad.

---

### Enregistrement du produit

Nous vous remercions d'avoir acheté ce produit IBM. Veuillez prendre quelques instants afin d'enregistrer votre produit et de fournir les informations nécessaires pour qu'IBM vous garantisse des services de qualité. Vos commentaires nous permettent de développer les produits et services auxquels vous apportez la plus grande importance, mais également d'améliorer nos moyens de communication avec vous. Enregistrez votre option sur le site Web IBM à l'adresse suivante :

[www.ibm.com/pc/register](http://www.ibm.com/pc/register)

IBM vous transmettra les informations ainsi que les mises à jour relatives au produit enregistré, excepté si vous avez mentionné dans le questionnaire en ligne que vous ne souhaitez pas recevoir d'informations supplémentaires.

---

### Description du produit

La station d'accueil X4 ThinkPad fonctionne uniquement avec des ordinateurs ThinkPad X40 Series, y compris les modèles Tablet PC. Elle peut étendre les capacités de votre ordinateur en lui permettant d'utiliser le dispositif Ultrabay Slim et divers autres périphériques facultatifs.

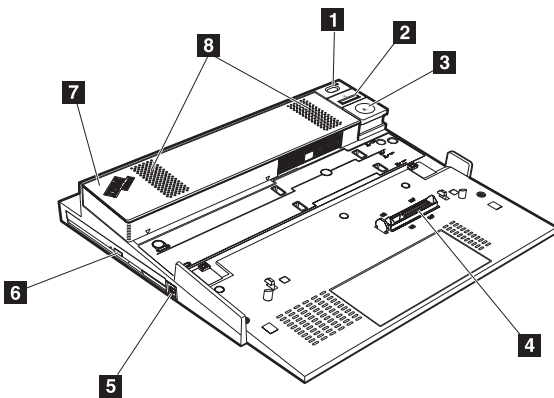
Une fois que vous avez connecté votre ordinateur à la station d'accueil X4, ThinkPad, vous pouvez utiliser ses connecteurs à la place de ceux de l'ordinateur.

Lorsque l'ordinateur est connecté à la station d'accueil X4 ThinkPad, vous ne devez jamais extraire l'assemblage en tenant uniquement l'ordinateur. Vous devez toujours tenir l'ensemble de l'assemblage.

**Avertissement :** Pour réduire le risque d'incendie, utilisez seulement la référence "26 AWG" ou un câble avec des caractéristiques supérieures.

**Avertissement :** Boîtier d'alimentation : Utilisez la liste des alimentations, 16 Vdc 3.5 A ou équivalent.

## Vue avant



**1** L'**interrupteur d'alimentation** permet de mettre l'ordinateur sous tension/hors tension.

**2** En appuyant sur le **bouton de requête d'éjection**, vous pouvez demander au système d'exploitation de déconnecter l'ordinateur de la station d'accueil X4. L'**indicateur d'accueil** est vert lorsque l'ordinateur est connecté à la station d'accueil X4. Cet indicateur s'éteint lorsque la demande d'éjection est émise. L'ordinateur peut alors être déconnecté de la station d'accueil X4 en toute sécurité.

**3** Le **bouton d'éjection** permet de libérer l'ordinateur de la station d'accueil X4. Le **voyant d'éjection** est vert lorsque l'ordinateur peut être déconnecté de la station d'accueil X4, en toute sécurité. Cet indicateur s'éteint lorsque l'ordinateur est déconnecté de la station d'accueil X4.

**Remarque :** Pour verrouiller le bouton d'éjection de la station d'accueil X4, utilisez la clé de verrouillage.

**4** Le **connecteur d'installation** est l'endroit où vous connectez votre ordinateur ThinkPad.

**5** Le **loquet de baie** libère la poignée afin que vous puissiez remplacer le périphérique Ultrabay Slim.

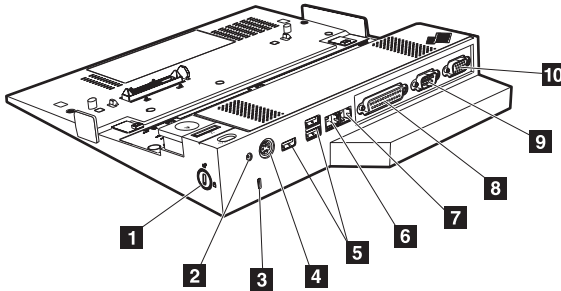
**6** Le **périphérique Ultrabay Slim** permet d'installer différents périphériques, tels qu'une unité de DVD, une unité multifonction CD-RW/DVD ou une seconde unité de disque dur.

**7** Veillez à ce que le **dispositif de réglage** soit placé dans la position appropriée lorsque vous connectez l'ordinateur ThinkPad à la station d'accueil

X4. Cette position dépend du modèle de l'ordinateur et du type de batterie installé. Pour en savoir plus, reportez-vous à l'étiquette apposée sur la station d'accueil X4.

**8** Les **hauts-parleurs intégrés** permettent d'avoir un son stéréo.

## Vue arrière



**1** La **clé de verrouillage** permet de verrouiller le bouton d'éjection.

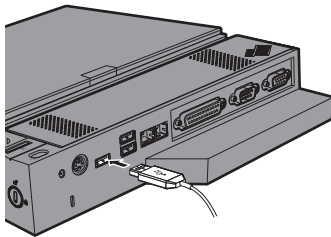
**2** La **prise d'alimentation** permet de connecter le boîtier d'alimentation.

**3** L'**emplacement du dispositif de sécurité** vous permet d'attacher un antivol afin d'attacher la station d'accueil X4 à un objet lourd comme une table.

**4** Le **câble en Y** permet de connecter un clavier, un bloc de touches ou une souris externe.

**5** Les **connecteurs USB (Universal Serial Bus)** permettent de connecter les périphériques USB 1.1 et USB 2.0.

**Remarque :** Lorsque vous raccordez un câble USB au connecteur, assurez-vous que la marque indiquée dans le graphique est tournée vers le haut. Sinon, vous risquez d'endommager le connecteur.



**6** Le **connecteur de modem** permet de brancher la station d'accueil X4 à une ligne téléphonique.

**Remarques :**

1. Si votre ThinkPad ne prend pas en charge un connecteur de modem, vous ne pouvez pas utiliser ce connecteur.
2. Si vous connectez votre ordinateur à la station d'accueil X4, utilisez le connecteur de modem de la station d'accueil X4 et non celui de l'ordinateur.

**7** Le **connecteur Ethernet** permet de connecter la station d'accueil X4 à un réseau local Ethernet 10BASE-T/100BASE-TX/1000BASE-T. Le voyant d'état de ce connecteur est le même que celui de l'ordinateur ThinkPad.

**Remarques :**

1. Si votre ThinkPad n'est pas équipé d'un connecteur Ethernet, vous ne pouvez pas utiliser ce connecteur sur la station d'accueil X4. Vous ne pouvez pas utiliser le câble Token Ring pour ce connecteur. Ce connecteur peut être utilisé pour une connexion Ethernet 10BASE-T/100BASE-TX/1000BASE-T. Toutefois, si votre ThinkPad ne peut être utilisé qu'avec une connexion Ethernet 10BASE-T/100BASE-TX, le connecteur ne peut être utilisé que pour cette connexion et non pour la connexion Ethernet 1000BASE-T.
2. Si vous connectez votre ordinateur à la station d'accueil X4, utilisez le connecteur Ethernet de la station d'accueil X4 et non celui de l'ordinateur.

**8** Le **connecteur parallèle** permet de connecter un périphérique parallèle.

**9** Le **connecteur série** permet de connecter un périphérique série.

**10** Le **connecteur d'écran externe** permet de connecter un écran externe.

## Utilisation de la station d'accueil X4 ThinkPad

### Remarque

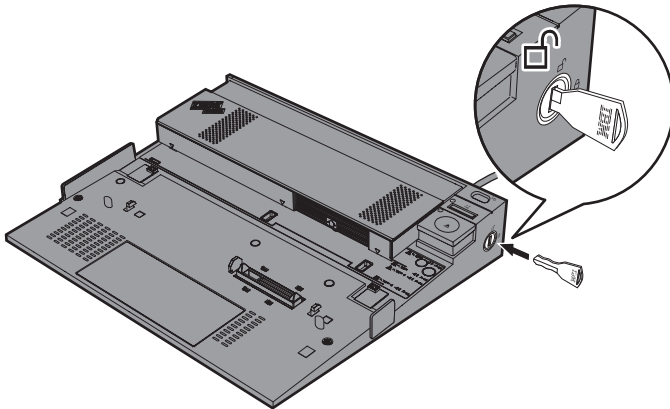
Avant de connecter ou déconnecter votre ordinateur alors qu'il est actif, vérifiez toujours que les opérations impliquant des périphériques connectés au connecteur USB, au connecteur série ou au connecteur parallèle sont terminées. En outre, assurez-vous qu'aucune connexion modem ou Ethernet n'est active.

**Remarque :** Si vous utilisez l'ordinateur ThinkPad X40 Series, avant de le connecter à la station d'accueil X4 ThinkPad, vous devez mettre à jour le BIOS et l'utilitaire Easy Eject. Vous pouvez télécharger la dernière version du code BIOS et de l'utilitaire à partir du site Web [www.pc.ibm.com/support](http://www.pc.ibm.com/support).

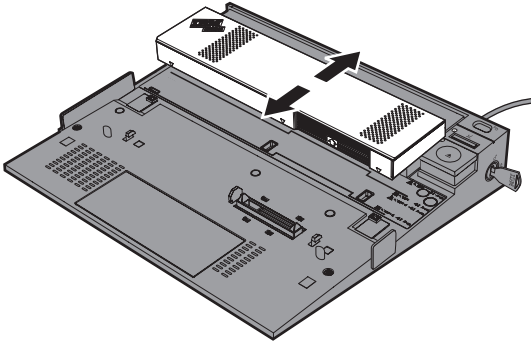
## Connexion de la station d'accueil X4 ThinkPad

Pour connecter votre ordinateur à la station d'accueil X4 ThinkPad, procédez comme suit :

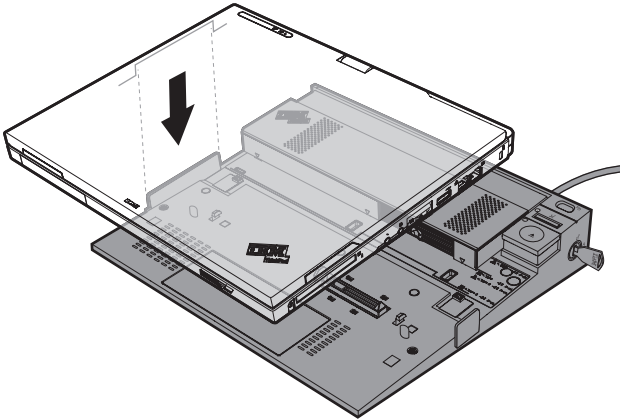
1. Déconnectez le boîtier d'alimentation de votre ordinateur afin de ne pas l'endommager. Connectez à la station d'accueil X4 ThinkPad le boîtier d'alimentation fourni avec cette dernière.
2. Assurez-vous que la clé de verrouillage de la station d'accueil X4 est en place et en position déverrouillée (verticale)



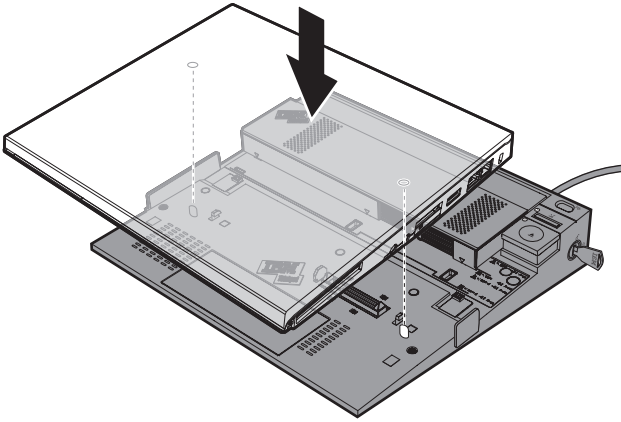
- Fixez le dispositif de réglage dans une position appropriée. Cette position dépend du modèle de l'ordinateur et du type de batterie installé. Reportez-vous à l'étiquette qui figure sur votre station d'accueil X4 ThinkPad.



- Si vous utilisez le ThinkPad X41 Tablet Series, alignez le côté gauche de celui-ci sur le rail de guidage situé à gauche de la station d'accueil X4 en veillant à ce que le connecteur d'installation situé au bas de l'ordinateur soit aligné sur celui de la station d'accueil X4.



Si vous utilisez le ThinkPad X40 Series, connectez-le en alignant l'arrière de celui-ci au dispositif de réglage.



5. Appuyez fermement sur les deux côtés de l'ordinateur jusqu'à ce que vous entendiez un bruit de verrouillage. L'ordinateur est à présent installé dans la station d'accueil X4.

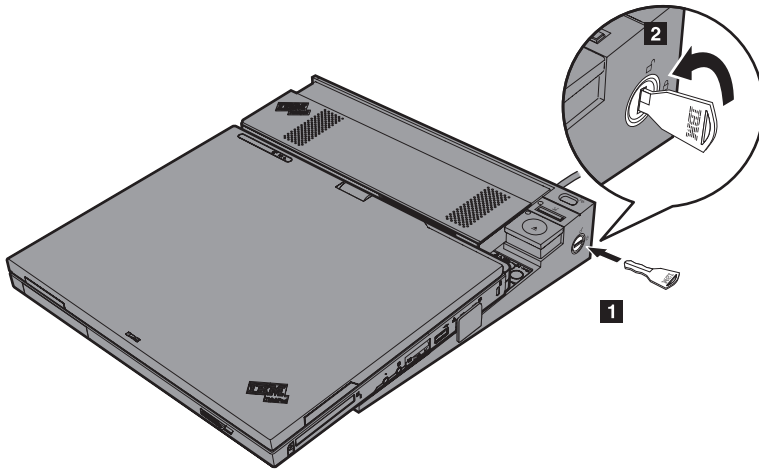
**Remarque :** Tournez la clé de verrouillage dans le sens des aiguilles d'une montre pour la verrouiller. Prenez soin de toujours conserver la clé de verrouillage dans un endroit sûr. Elle est indispensable pour déconnecter l'ordinateur de la station d'accueil X4.

## Déconnexion de la station d'accueil X4 ThinkPad

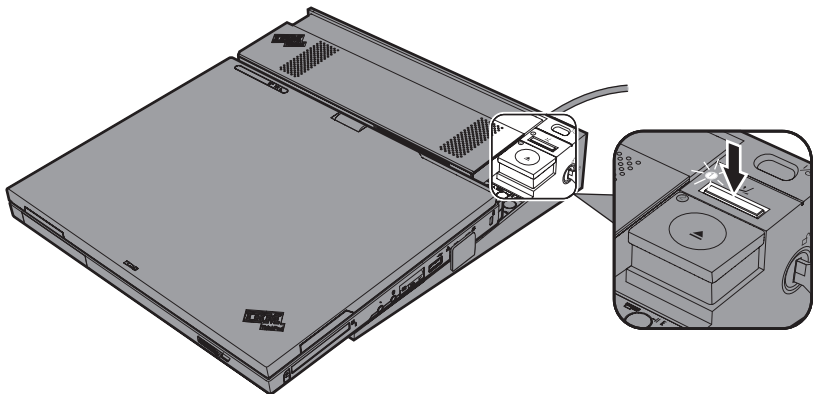
Pour déconnecter votre ordinateur de la station d'accueil X4 ThinkPad, procédez comme suit :

1. Assurez-vous que le bloc de batteries est suffisamment chargé.

2. Assurez-vous que la clé de verrouillage de la station d'accueil X4 est en place et en position déverrouillée (verticale).

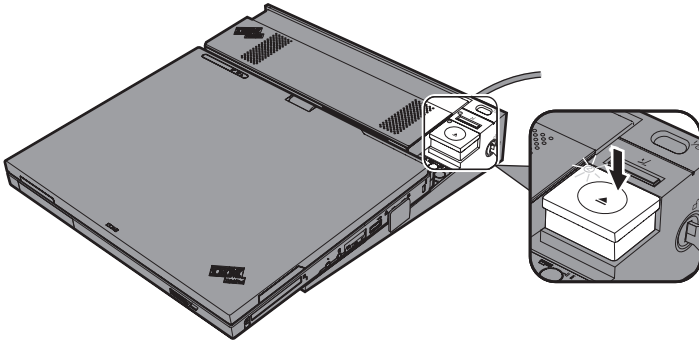


3. Rabattez l'écran de l'ordinateur.
4. Appuyez sur le bouton de requête d'éjection. L'indicateur d'accueil clignote, puis s'éteint.

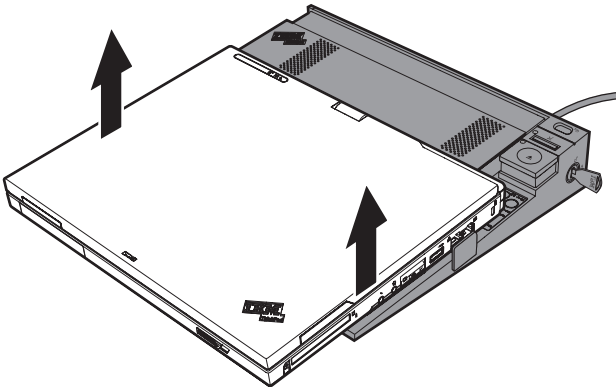




5. Le voyant Prêt pour l'éjection s'allume ; appuyez sur le bouton d'éjection jusqu'à ce que l'ordinateur se déplace vers le haut.



6. Retirez l'ordinateur de la station d'accueil X4 en l'attrapant par les deux côtés.



Pour en savoir plus sur la configuration et l'utilisation de la station d'accueil X4, reportez-vous à Access IBM ou au livret d'installation fourni avec ce dispositif.

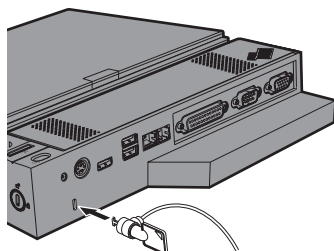
### **Dispositif de sécurité**

La station d'accueil X4 ThinkPad est dotée d'un emplacement de dispositif de sécurité permettant d'installer un antivol. Pour attacher la station d'accueil X4 à un objet lourd tel qu'une table, mettez un antivol doté d'un câble à l'emplacement du dispositif de sécurité.

IBM ne fournit pas d'antivol. Vous devez vous en procurer un par vos propres moyens. Il est de votre responsabilité d'évaluer, de sélectionner et de mettre en oeuvre les dispositifs de verrouillage et de sécurité. IBM ne fournit aucun

jugement, commentaire ou garantie d'aucune sorte concernant le fonctionnement, la qualité ou les performances des dispositifs de verrouillage et de sécurité.

Pour attacher un antivol, procédez comme suit :



---

## Sobre o ThinkPad X4 Dock

Esta seção fornece informações sobre registro, instalação e utilização do ThinkPad X4 Dock.

---

### Registro do Produto

Obrigado por adquirir este produto IBM. Reserve alguns minutos para registrar o produto e nos fornecer informações que nos ajudarão a melhor servi-lo no futuro. Seu feedback é importante para desenvolvermos produtos e serviços úteis a você, bem como para desenvolvermos melhores formas de nos comunicarmos com você. Registre seu opcional no Web site da IBM em:

[www.ibm.com/pc/register](http://www.ibm.com/pc/register)

A IBM enviará a você informações e atualizações sobre o produto registrado, a menos que seja indicado no questionário do site que você não deseja receber informações adicionais.

---

### Descrição do Produto

O ThinkPad X4 Dock funciona somente com computadores ThinkPad X40 Series, incluindo modelos de Tablet PC. Ele pode estender as capacidades de seu computador ativando-o para utilizar o Ultrabay™ Slim e vários dispositivos opcionais.

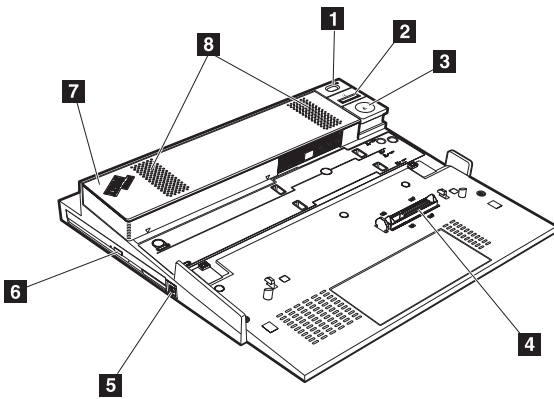
Depois de conectar o computador ao ThinkPad X4 Dock, você pode utilizar seus conectores em lugar dos do computador.

Quando o computador está conectado ao ThinkPad X4 Dock, nunca erga o conjunto segurando somente o computador. Sempre segure o conjunto inteiro.

**Atenção:** Para reduzir o risco de incêndio, utilize apenas o cabo de telefone AWG No.26 ou maior (mais grosso).

**Atenção:** AC Adapter: Utilize a Fonte de Alimentação Certificada pela UL, com taxa de 16 Vdc 3.5 A ou equivalente.

## Vista Frontal



**1** O botão liga/desliga liga e desliga o computador.

**2** Pressionando o **botão de pedido de ejeção**, você pode pedir ao sistema operacional para desacoplar o computador do X4 Dock. O **indicador Acoplado** é verde quando o computador está conectado ao X4 Dock. Esse indicador apaga quando o pedido de ejeção é emitido e o computador pode ser desconectado com segurança do X4 Dock.

**3** O **botão de ejeção** libera o computador do X4 Dock. O **indicador Pronto para Ejeção** é verde quando o computador está pronto para ser desconectado com segurança do X4 Dock. Esse indicador apaga quando o computador é desconectado do X4 Dock.

**Nota:** Para travar o botão de ejeção do X4 Dock, utilize a chave da trava de segurança.

**4** O **conector de acoplamento** é onde o computador ThinkPad é conectado.

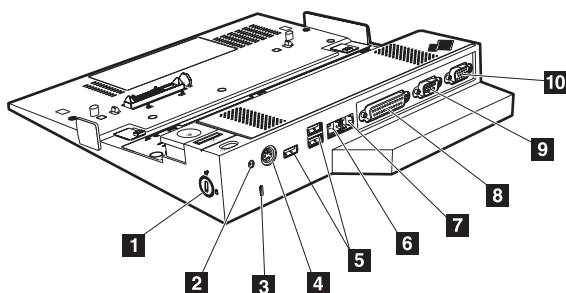
**5** A **trava do compartimento** libera a alça para que você possa substituir o dispositivo Ultrabay Slim.

**6** O **dispositivo Ultrabay Slim** é utilizado para instalar diversos dispositivos tais como uma unidade de DVD, uma unidade de CD-RW/DVD combinada ou uma segunda unidade de disco rígido.

**7** Certifique-se de que o **ajustador** esteja preso na posição correta ao conectar o computador ThinkPad ao X4 Dock. A posição do ajustador depende do modelo do computador e do tipo de bateria instalada. Consulte a etiqueta afixada no X4 Dock para obter detalhes.

**8** Os alto-falantes estéreo internos geram som estéreo.

## Vista Posterior



**1** A chave da trava de segurança é para travar o botão de ejeção.

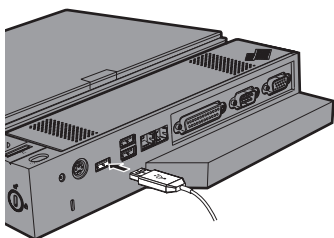
**2** A tomada de energia é para conectar o adaptador de corrente alternada.

**3** O orifício de segurança permite conectar uma trava mecânica para prender o X4 Dock a um objeto pesado, como uma mesa.

**4** O conector de teclado/mouse é para conectar um teclado, keypad ou mouse externo.

**5** Os conectores USB (Universal Serial Bus) são para conectar dispositivos USB 1.1 e USB 2.0.

**Nota:** Ao conectar um cabo USB ao conector, certifique-se de que a marca mostrada no desenho esteja voltada para cima. Caso contrário, o conector pode ser danificado.



**6** O conector de modem é para conectar o X4 Dock a uma linha telefônica.

### Notas:

1. Se seu computador ThinkPad não suportar o conector de modem, não é possível utilizar o conector.

2. Se você conectar seu computador ao X4 Dock, utilize o conector de modem no X4 Dock, não o do computador.

**7** O **conector Ethernet** é para conectar o X4 Dock a uma rede local Ethernet 10BASE-T/100BASE-TX/1000BASE-T. O indicador no conector é o mesmo que o do computador ThinkPad.

**Notas:**

1. Se seu computador ThinkPad não tiver o conector Ethernet, você não pode utilizar o conector Ethernet no X4 Dock. Não é possível utilizar o cabo de Token Ring para esse conector. Esse conector pode ser utilizado para a conexão de Ethernet 10BASE-T/100BASE-TX/1000BASE-T. No entanto, se seu computador ThinkPad puder ser utilizado somente com a Ethernet 10BASE-T/100BASE-TX, o conector somente poderá ser utilizado para a conexão de Ethernet 10BASE-T/100BASE-TX e não para a conexão de Ethernet 1000BASE-T.
2. Se você conectar seu computador ao X4 Dock, utilize o conector Ethernet no X4 Dock, não o do computador.

**8** O **conector paralelo** é para conectar um dispositivo paralelo.

**9** O **conector serial** é para conectar um dispositivo serial.

**10** O **conector de monitor externo** é para conectar um monitor externo.

## Utilizando o ThinkPad X4 Dock

### Nota

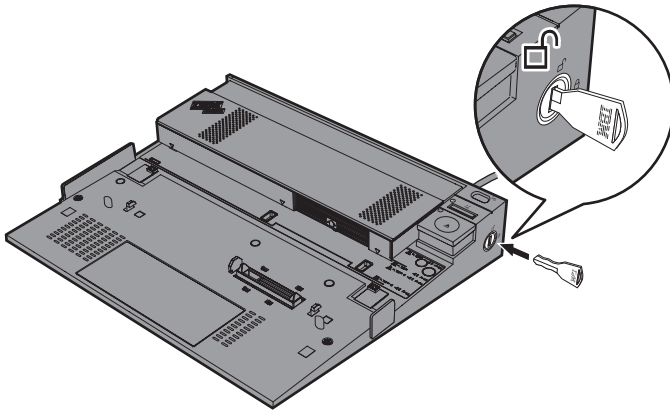
Antes de conectar ou desconectar o computador quando ele estiver operando, sempre certifique-se de que ele concluiu as operações que envolvam dispositivos que estão conectados ao conector USB, ao conector serial ou ao conector paralelo. Certifique-se também de que qualquer conexão a um modem ou a uma Ethernet esteja parada.

**Nota:** Se estiver utilizando o computador ThinkPad X40 Series, antes de conectá-lo ao ThinkPad X4 Dock é necessário atualizar o BIOS e o Easy Eject Utility. Para transferir por download a versão mais recente do código do BIOS e do Utilitário, vá para [www.pc.ibm.com/support](http://www.pc.ibm.com/support) na World Wide Web.

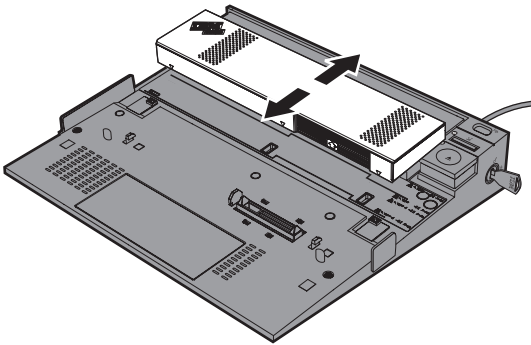
## Conectando o ThinkPad X4 Dock

Para conectar seu computador no ThinkPad X4 Dock, faça o seguinte:

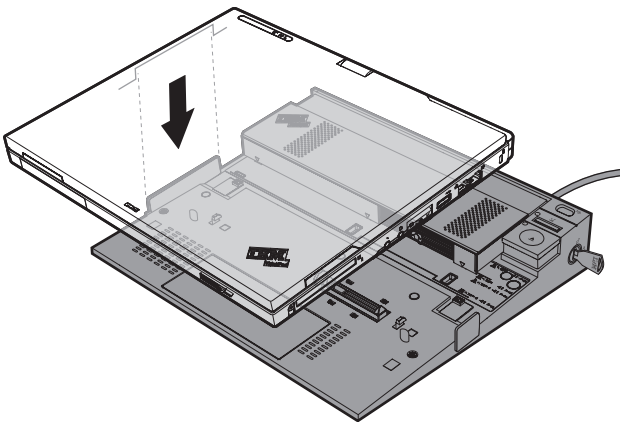
1. Desconecte o adaptador de corrente alternada do computador, ou o adaptador pode ser danificado. Conecte um adaptador de corrente alternada ao ThinkPad X4 Dock, utilizando o adaptador de corrente alternada fornecido no pacote com o X4 Dock.
2. Certifique-se de que a chave da trava de segurança do X4 Dock esteja no lugar e na posição destravada (vertical).



3. Prenda o ajustador na posição apropriada. A posição do ajustador depende do modelo do computador e do tipo de bateria instalada. Consulte a etiqueta afixada no ThinkPad X4 Dock.

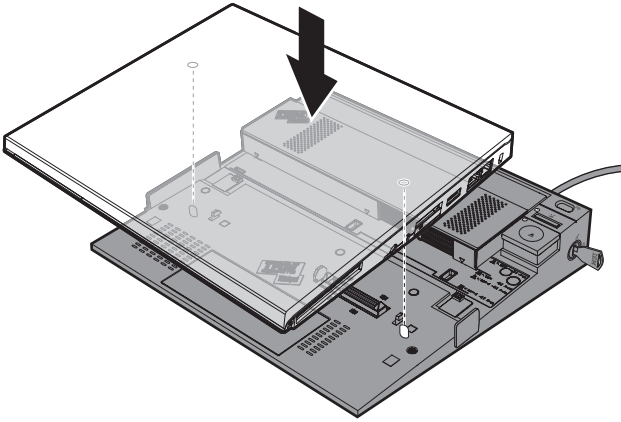


4. Se estiver utilizando o computador ThinkPad X41 Tablet Series, alinhe a lateral esquerda do computador com a guia na lateral esquerda do X4 Dock; certifique-se de que o conector de acoplamento na parte inferior do computador e o do X4 Dock estejam alinhados um com o outro.





Se estiver utilizando o computador ThinkPad X40 Series, conecte o computador, alinhando a parte traseira do computador com o ajustador.



5. Pressione firmemente em ambas as laterais do computador até ouvir um clique. O computador está agora conectado ao X4 Dock.

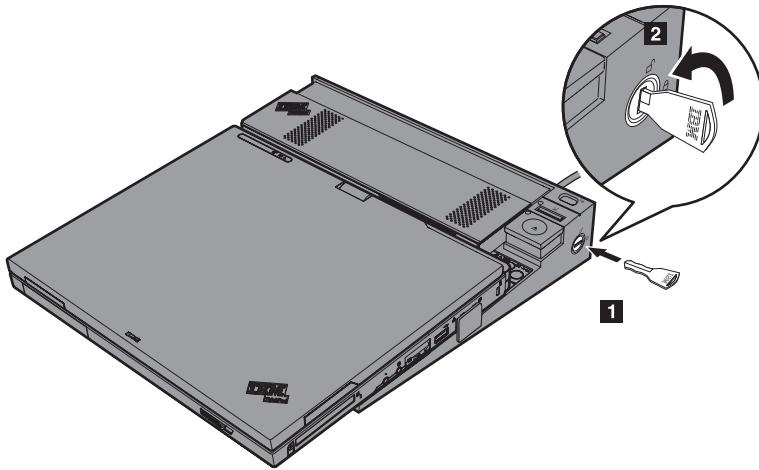
**Nota:** Gire a chave da trava de segurança no sentido horário para travá-la. Sempre mantenha a chave da trava de segurança em local seguro. Não a perca; sem ela, você não conseguirá desconectar o computador do X4 Dock.

## Desconectando o ThinkPad X4 Dock

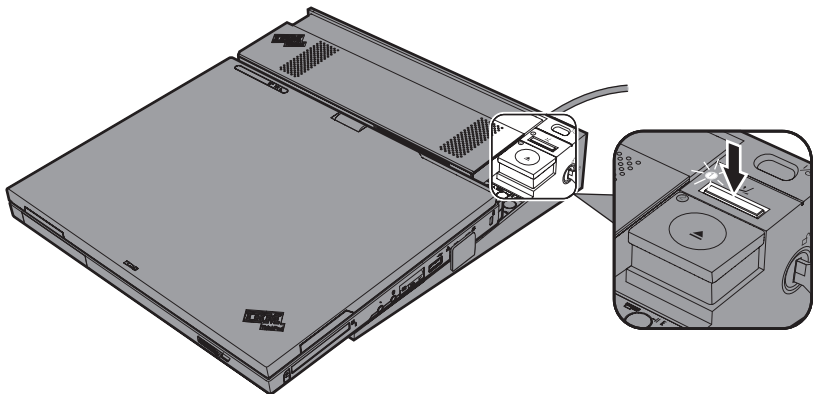
Para desconectar seu computador do ThinkPad X4 Dock, faça o seguinte:

1. Certifique-se de que a bateria esteja com carga suficiente para operação normal.

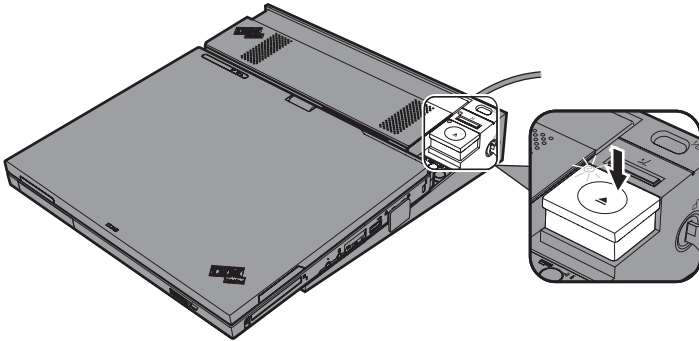
2. Certifique-se de que a chave da trava de segurança do X4 Dock esteja no lugar e na posição destravada (vertical).



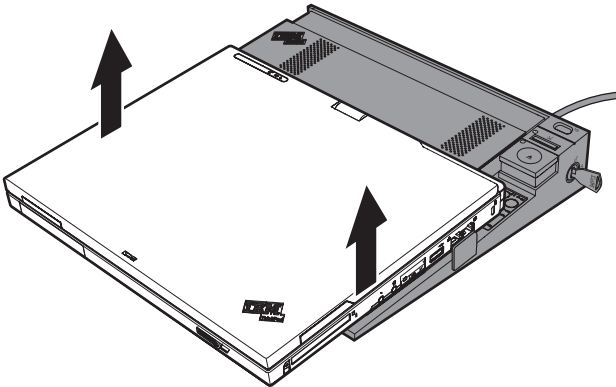
3. Feche a tela do computador.
4. Pressione o botão de pedido de ejeção. O indicador Acoplado começará a piscar e, em seguida, apagará.



5. O indicador Pronto para Ejeção acenderá; pressione o botão de ejeção até que o computador se mova para cima.



6. Segurando ambas as laterais do computador, remova-o do X4 Dock.



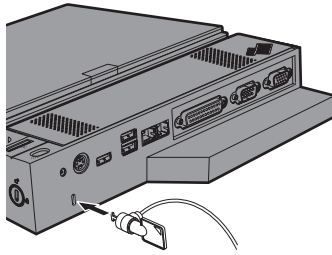
Para obter detalhes sobre a instalação e utilização do X4 Dock, consulte o Access IBM ou o Poster de Instalação fornecido com esse opcional.

## Recurso de Segurança

O ThinkPad X4 Dock tem um orifício de segurança para um trava mecânica. Para prender o X4 Dock a um objeto pesado, como uma mesa, conecte uma trava mecânica com um cabo ao orifício de segurança.

A IBM não fornece uma trava mecânica. Será preciso adquirir uma em outro lugar. Você é responsável por avaliar, selecionar e implementar qualquer dispositivo de trava e recurso de segurança. A IBM não faz comentários, juízos ou garantias sobre a função, qualidade ou desempenho de qualquer dispositivo de trava ou recurso de segurança.

Conecte uma trava mecânica da seguinte maneira:



---

## Informationen zu ThinkPad X4 Dock

Dieser Abschnitt enthält Informationen zur Registrierung, Installation und Verwendung von ThinkPad X4 Dock.

---

### Produktregistrierung

Vielen Dank, dass Sie sich für dieses IBM Produkt entschieden haben. Bitte nehmen Sie sich etwas Zeit, um das von Ihnen verwendete Produkt zu registrieren und uns Informationen zu geben, damit wir Ihnen in Zukunft einen noch besseren Service bieten können. Ihre Rückmeldung unterstützt uns dabei, für Sie wichtige Produkte und Services zu entwickeln sowie die Kommunikationsmöglichkeiten mit unseren Kunden ständig zu verbessern. Registrieren Sie Ihre Zusatzeinrichtung auf der IBM Website unter der folgenden Adresse:

[www.ibm.com/pc/register](http://www.ibm.com/pc/register)

IBM sendet Ihnen Informationen und Aktualisierungen zu Ihrem registrierten Produkt zu, es sei denn, Sie geben im Fragebogen auf der Website an, dass Sie keine weiteren Informationen wünschen.

---

### Produktbeschreibung

ThinkPad X4 Dock unterstützt nur Computer der ThinkPad X40 Series- einschließlich der Tablett-PC-Modelle. Die Andockstation erweitert das Leistungsspektrum des Computers, indem sie die Verwendung der Ultrabay™ Slim und anderer Zusatzeinrichtungen ermöglicht.

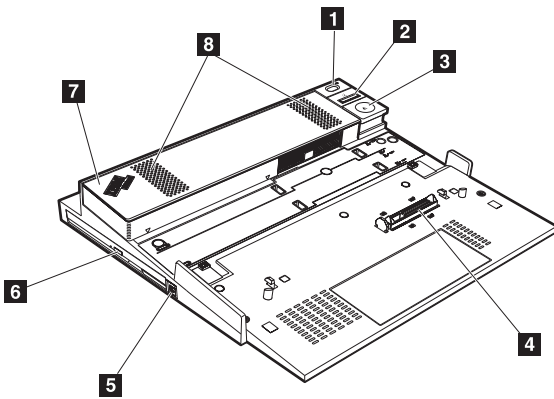
Nachdem Sie Ihren Computer an die ThinkPad X4 Dock angeschlossen haben, können Sie die Anschlüsse der Andockstation anstelle der Anschlüsse Ihres Computers verwenden.

Vermeiden Sie es, nur den Computer anzuheben, wenn der Computer an die ThinkPad X4 Dock angeschlossen ist. Heben Sie immer Computer und Andockstation gemeinsam an.

**Achtung:** Um Brandgefahr zu vermeiden, verwenden Sie nur Telefonkabel mit mindestens 7,4 qmm.

**Achtung:** Netzteil: Verwenden Sie das UL-geprüfte Netzteil für 16 Volt (Gleichstrom) und 3,5 Ampere oder ein entsprechendes Netzteil.

## Vorderansicht



**1** Mit Hilfe des **Netzschalters** wird der Computer ein- bzw. ausgeschaltet.

**2** Durch Drücken der **Entnahmetaste** können Sie das Betriebssystem anweisen, Ihren Computer von der X4 Dock abzudocken. Die **Andockanzeige** leuchtet grün, wenn der Computer an der X4 Dock angeschlossen ist. Die Anzeige erlischt, wenn die Entnahmeanforderung gestellt wurde und der Computer sicher aus der X4 Dock entfernt werden kann.

**3** Wenn Sie die **Entnahmetaste** drücken, wird der Computer aus der X4 Dock freigegeben. Die **Entnahmeanzeige** leuchtet grün, wenn der Computer sicher aus der X4 Dock entfernt werden kann. Die Anzeige erlischt, wenn der Computer aus der X4 Dock entfernt wurde.

**Anmerkung:** Mit Hilfe des Sicherheitsschlusses können Sie die Entnahmetaste der X4 Dock verriegeln.

**4** Am **Andockanschluss** können Sie Ihren ThinkPad anschließen.

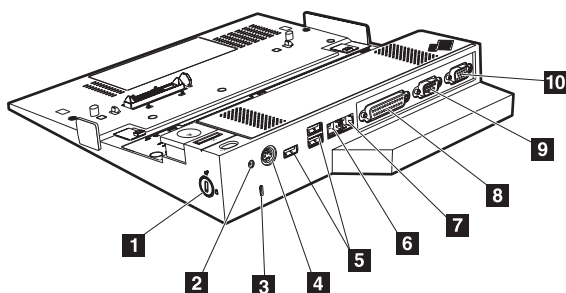
**5** Die **Entriegelung der Position** gibt den Griff frei, so dass Sie die Ultrabay Slim-Einheit ersetzen können.

**6** In der **Ultrabay Slim-Einheit** können verschiedene Einheiten installiert werden, wie z. B. ein DVD-Laufwerk, ein CD-RW/DVD-Kombinationslaufwerk oder ein zweites Festplattenlaufwerk.

**7** Stellen Sie sicher, dass sich die **Schiebeleiste** fest in der richtigen Position befindet, wenn Sie Ihren ThinkPad an die X4 Dock anschließen. Die Position der Schiebeleiste hängt vom Computermodell und vom Typ des installierten Akkus ab. Nähere Informationen dazu finden Sie auf dem Etikett an der X4 Dock.

**8** Die integrierten **Stereolautsprecher** ermöglichen die Stereowiedergabe.

## Rückansicht



**1** Mit Hilfe des **Sicherheitsschlosses** können Sie die Entnahmetaste verriegeln.

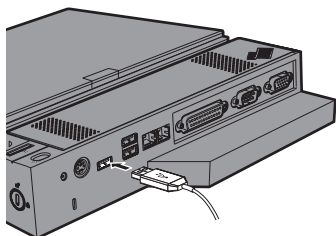
**2** Der **Netzteilanschluss** dient zum Anschließen des Netzteils.

**3** An der **Öffnung des Sicherheitsschlosses** können Sie ein mechanisches Schloss anbringen, um die X4-Andockstation an einem schweren Gegenstand, z. B. an einem Tisch, zu befestigen.

**4** Der **Maus-/Tastaturanschluss** dient zum Anschließen einer externen Tastatur, eines externen numerischen Tastenblocks oder einer externen Maus.

**5** Die **USB-Anschlüsse (Universal Serial Bus)** dienen zum Anschließen von USB-Einheiten vom Typ 1.1 und 2.0.

**Anmerkung:** Wenn Sie ein USB-Kabel an den Anschluss anschließen, stellen Sie sicher, dass sich die in der Abbildung dargestellte Markierung oben befindet. Ist dies nicht der Fall, kann der Anschluss beschädigt werden.



**6** Der **Modemanschluss** dient zur Verbindung der X4 Dock mit einer Telefonleitung.

### **Anmerkungen:**

1. Wenn Ihr ThinkPad den Modemanschluss nicht unterstützt, können Sie den Anschluss nicht verwenden.
2. Wenn Ihr Computer an die X4 Dock angeschlossen ist, verwenden Sie den Modemanschluss an der X4 Dock und nicht den Modemanschluss am Computer.

**7** Der **Ethernet-Anschluss** dient zur Verbindung der X4 Dock mit einem 10BASE-T/100BASE-TX/1000BASE-T-Ethernet-LAN. Die Anzeige des Anschlusses entspricht der Anzeige am ThinkPad.

### **Anmerkungen:**

1. Wenn Ihr ThinkPad nicht über einen Ethernet-Anschluss verfügt, kann der Ethernet-Anschluss der X4 Dock nicht verwendet werden. Für diesen Anschluss können Sie kein Token-Ring-Kabel verwenden. Der Anschluss kann für 10BASE-T/100BASE-TX/1000BASE-T-Ethernet-Verbindungen verwendet werden. Wenn Ihr ThinkPad jedoch nur mit der 10BASE-T/100BASE-TX-Ethernet-Verbindung verwendet werden kann, kann der Anschluss nur für 10BASE-T/100BASE-TX-Ethernet-Verbindungen und nicht für 1000BASE-T-Ethernet-Verbindungen verwendet werden.
2. Wenn Ihr Computer an die X4 Dock angeschlossen ist, verwenden Sie den Ethernet-Anschluss an der X4 Dock und nicht den Ethernet-Anschluss am Computer.

**8** Der **Parallelanschluss** dient zum Anschließen einer parallelen Einheit.

**9** Der **serielle Anschluss** dient zum Anschließen einer seriellen Einheit.

**10** Der **Anschluss für den externen Bildschirm** dient zum Anschließen eines externen Bildschirms.



---

## ThinkPad X4 Dock verwenden

### Anmerkung

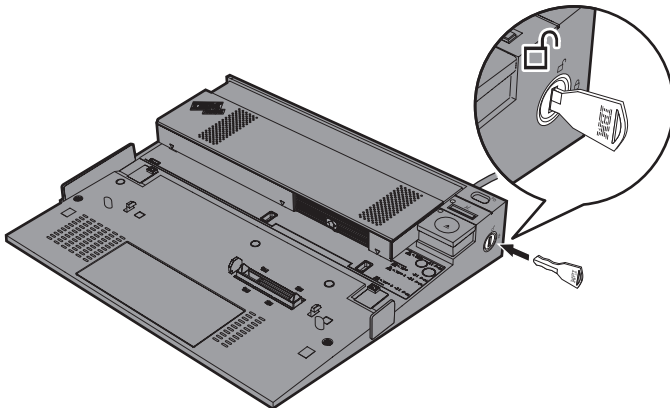
Wenn Sie Ihren Computer anschließen bzw. entfernen möchten, während er in Betrieb ist, sollten Sie zuvor sicherstellen, dass die Einheiten, die mit dem USB-Anschluss, dem seriellen Anschluss oder dem Parallelanschluss verbunden sind, ihre jeweiligen Operationen beendet haben. Stellen Sie ebenfalls sicher, dass eventuelle Verbindungen über einen Modem oder einen Ethernet-Anschluss beendet wurden.

**Anmerkung:** Wenn Sie einen ThinkPad X40 Series verwenden, müssen Sie das BIOS und das Dienstprogramm "EasyEject" aktualisieren, bevor Sie den ThinkPad an die ThinkPad X4 Dock anschließen. Die aktuelle Version des BIOS-Codes und des Dienstprogramms können Sie im Internet unter der folgenden Adresse herunterladen: [www.pc.ibm.com/support](http://www.pc.ibm.com/support).

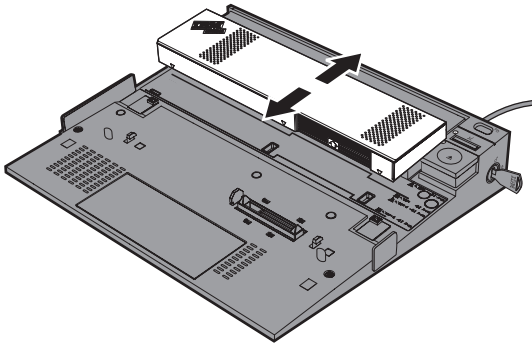
## ThinkPad X4 Dock anschließen

Gehen Sie wie folgt vor, um Ihren Computer an die ThinkPad X4 Dock anzuschließen:

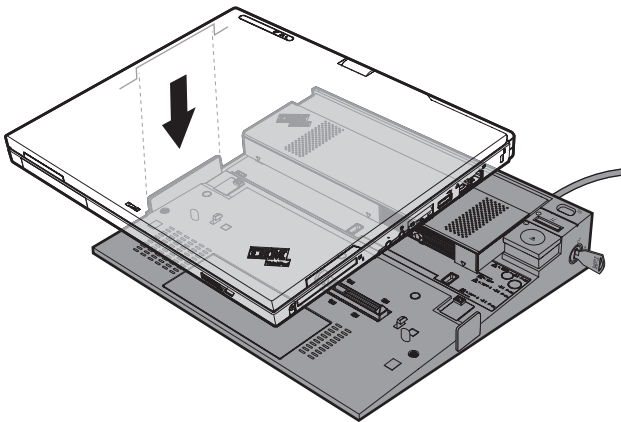
1. Ziehen Sie das Netzteil von Ihrem Computer ab, damit es nicht beschädigt wird. Schließen Sie das im Lieferumfang von X4 Dock enthaltene Netzteil an die ThinkPad X4 Dock an.
2. Stellen Sie sicher, dass sich das Sicherheitsschloss der X4 Dock in der Position "Entriegelt" (vertikale Position) befindet.



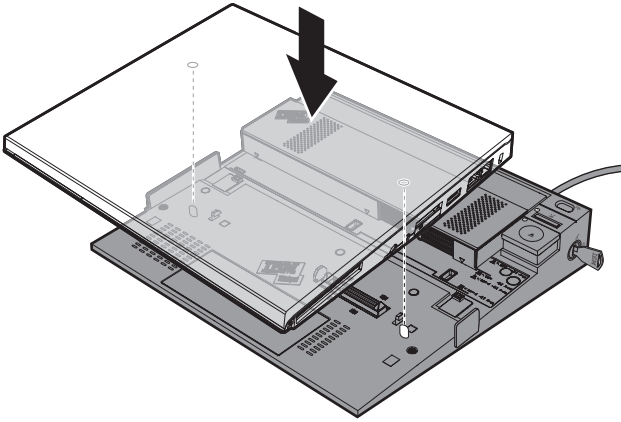
3. Bringen Sie die Schiebeleiste in die richtige Position. Die Position der Schiebeleiste hängt vom Computermodell und vom Typ des installierten Akkus ab. Nähere Informationen dazu finden Sie auf dem Etikett an der ThinkPad X4 Dock.



4. Wenn Sie einen ThinkPad-Tablett-PC der Serie X41 verwenden, richten Sie die linke Seite des Computers am Führungselement an der linken Seite der X4 Dock aus, und stellen Sie sicher, dass der Andockanschluss an der Unterseite Ihres Computers und der Andockanschluss der X4 Dock einander gegenüber liegen.



Wenn Sie den ThinkPad X40 Series verwenden, schließen Sie den Computer an, indem Sie Rückseite des Computers an der Schiebeleiste ausrichten.



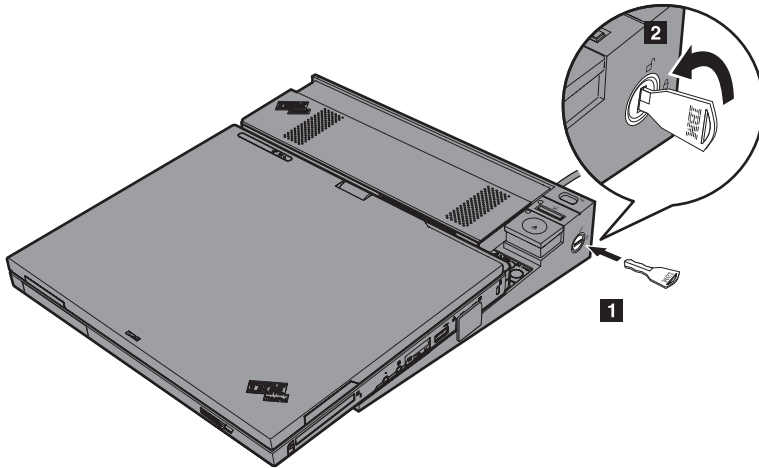
5. Drücken Sie an beiden Seiten des Computers, bis er hörbar einrastet. Der Computer ist nun an die X4 Dock angeschlossen.

**Anmerkung:** Drehen Sie das Sicherheitsschloss im Uhrzeigersinn, um es zu verriegeln. Bewahren Sie das Sicherheitsschloss an einem sicheren Ort auf. Achten Sie darauf, dass das Sicherheitsschloss immer verfügbar ist. Andernfalls können Sie den Computer nicht mehr von der X4 Dock entfernen.

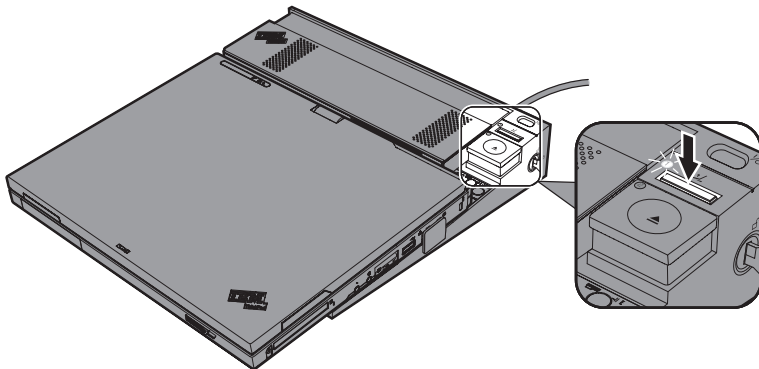
## ThinkPad X4 Dock entfernen

Gehen Sie wie folgt vor, um Ihren Computer von der ThinkPad X4 Dock zu entfernen:

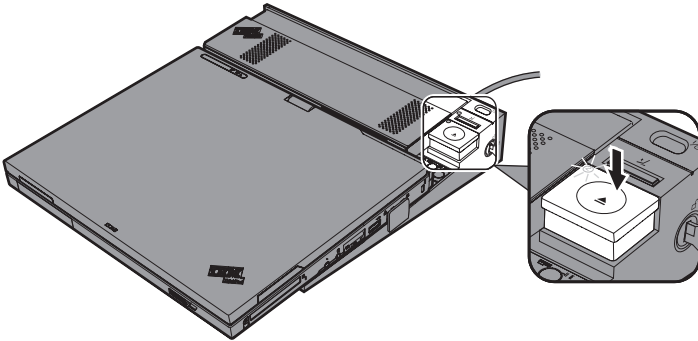
1. Stellen Sie sicher, dass der Akku über genügend Akkustrom für normalen Betrieb verfügt.
2. Stellen Sie sicher, dass sich das Sicherheitsschloss der X4 Dock in der Position "Entriegelt" (vertikale Position) befindet.



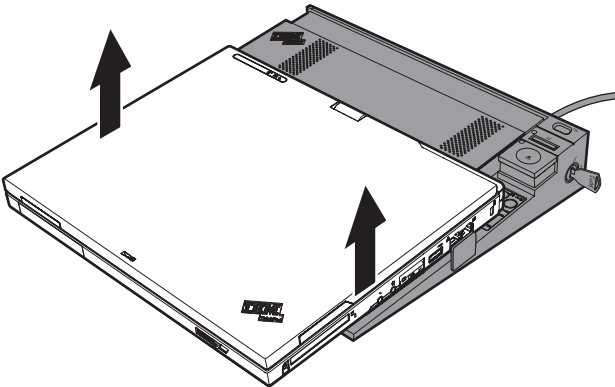
3. Schließen Sie den LCD-Bildschirm.
4. Drücken Sie die Entnahmetaste. Die Andockanzeige blinkt und erlischt anschließend.



- Die Entnahmeanzeige leuchtet. Drücken Sie anschließend erneut die Entnahmetaste, bis sich der Computer nach oben bewegt.



- Halten Sie den Computer seitlich mit beiden Händen fest, und entfernen Sie ihn von der X4 Dock.



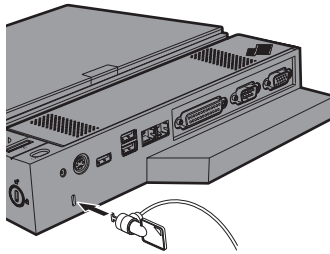
Weitere Informationen zur Einrichtung und Verwendung der X4 Dock finden Sie im Hilfeprogramm "Access IBM" oder auf dem Installationsposter, das im Lieferumfang dieser Zusatzeinrichtung enthalten ist.

## Sicherheitseinrichtung

An der ThinkPad X4 Dock befindet sich eine Öffnung für ein mechanisches Sicherheitsschloss. Sie können die X4 Dock an einem schweren Gegenstand, z. B. an einem Tisch, befestigen, indem Sie ein mechanisches Schloss mit einem Kabel an der Öffnung des Sicherheitsschlosses anbringen.

Bei IBM erhalten Sie kein mechanisches Schloss. Wenn Sie ein mechanisches Schloss verwenden möchten, müssen Sie dieses gesondert erwerben. Für die Bewertung, Auswahl und Anwendung von Schlössern und Sicherheitseinrichtungen sind Sie selbst verantwortlich. IBM enthält sich jeglicher Äußerung, Bewertung oder Gewährleistung in Bezug auf die Funktion, Qualität oder Leistung von Schlössern und Sicherheitseinrichtungen.

Befestigen Sie ein mechanisches Schloss wie folgt:



---

## Acerca de ThinkPad X4 Dock

Esta sección facilita información acerca del registro, la instalación y el uso de ThinkPad X4 Dock.

---

### Registro del producto

Gracias por adquirir este producto de IBM. Tómese unos instantes para registrar el producto y proporcionarnos información que servirá de ayuda a IBM para prestarle un mejor servicio en el futuro. Su opinión es importante para nosotros porque nos ayuda a desarrollar productos y servicios que son importantes para usted, así como a la hora de desarrollar mejores vías para comunicarnos con usted. Registre su producto en el sitio web de IBM siguiente:

[www.ibm.com/pc/register](http://www.ibm.com/pc/register)

IBM le enviará información y actualizaciones del producto registrado a menos que usted, en el cuestionario del sitio web, indique que no desea recibir más información.

---

### Descripción del producto

ThinkPad X4 Dock sólo funciona en sistemas ThinkPad Serie X40 que incluyen modelos Tablet PC. Puede ampliar las posibilidades de su equipo habilitándolo para utilizar el dispositivo plano Ultrabay™ así como otros dispositivos opcionales.

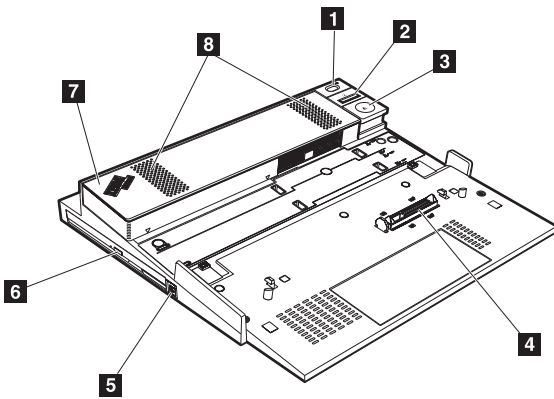
Después de conectar el equipo a ThinkPad X4 Dock, puede utilizar los conectores de éste en lugar de los conectores del equipo.

Cuando el equipo se conecta a ThinkPad X4 Dock, nunca levante el conjunto sosteniendo únicamente el equipo. Sostenga siempre todo el conjunto.

**Atención:** para reducir el peligro de incendio, utilice sólo el cable telefónico número 26 AWG o superior (más grueso).

**Atención:** Adaptador CA: utilice una fuente de alimentación listada en UL, de 16 CCV 3,5 A o equivalente.

## Vista anterior



**1** El **interruptor de alimentación** enciende y apaga el equipo.

**2** Si pulsa el botón **Petición de expulsión**, puede solicitar que el sistema operativo expulse el equipo de X4 Dock. El **indicador de acoplamiento** se enciende de color verde cuando el equipo se conecta a X4 Dock. Este indicador se apaga cuando se emite la petición de expulsión y el equipo se puede extraer de forma segura de X4 Dock.

**3** El botón de **expulsión** libera el equipo de X4 Dock. El **indicador de expulsión preparada** se enciende de color verde cuando el equipo está listo para ser desconectado de forma segura de X4 Dock. Este indicador se apaga cuando el equipo se separa de X4 Dock.

**Nota:** para bloquear el botón de expulsión de X4 Dock, utilice la clave de bloqueo de seguridad.

**4** El **conector de acoplamiento** se encuentra donde el equipo se conecta a ThinkPad.

**5** El **pestillo de la bahía** libera la agarradera para que pueda sustituir el dispositivo plano Ultrabay.

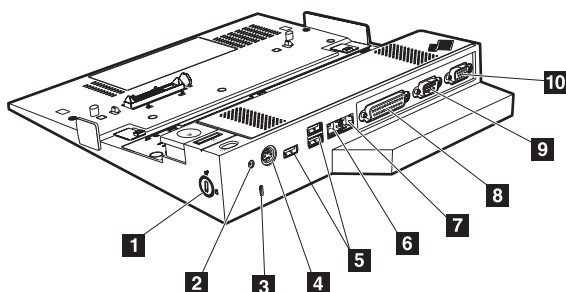
**6** El **dispositivo plano Ultrabay** se utiliza para instalar varios dispositivos como unidades de DVD, una unidad combo CD-RW/DVD, o una segunda unidad de disco duro.

**7** Asegúrese de que el **ajustador** se haya fijado en la posición correcta al conectar el equipo ThinkPad a X4 Dock. La posición del ajustador depende del modelo de equipo y del tipo de batería que esté instalada. Consulte la etiqueta adjunta al X4 Dock para obtener más detalles.



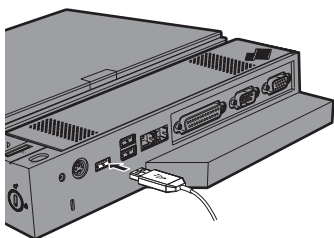
- 8** Los altavoces estéreo integrados emiten el sonido estéreo.

## Vista posterior



- 1** La llave de bloqueo de seguridad bloquea el botón de expulsión.
- 2** La toma de alimentación conecta el adaptador CA.
- 3** La cerradura de seguridad permite conectar un seguro mecánico para asegurar el X4 Dock a un objeto pesado, como por ejemplo un escritorio.
- 4** El conector del teclado/ratón conecta un teclado o ratón externo.
- 5** Los conectores Universal Serial Bus (USB) sirven para conectar dispositivos USB 1.1 y USB 2.0.

**Nota:** cuando conecte un cable USB al conector, asegúrese de que la marca que se muestra en la imagen se encuentre en la parte superior. Si no, podría dañarse el conector.



- 6** El conector del módem sirve para conectar X4 Dock a una línea telefónica.

### Notas:

1. Si el equipo ThinkPad no da soporte al conector de módem, no podrá utilizar el conector.
2. Si conecta el equipo a X4 Dock, utilice el conector del módem del X4 Dock, y no el del equipo.

**7** El **conector Ethernet** sirve para conectar el X4 Dock a una LAN Ethernet 10BASE-T/100BASE-TX/1000BASE-T. El indicador del conector es el mismo que el del equipo ThinkPad.

**Notas:**

1. Si el equipo ThinkPad no dispone del conector Ethernet, no podrá utilizar el conector Ethernet en el X4 Dock. No puede utilizar el cable Token Ring para este conector. Este conector se puede utilizar para la conexión Ethernet 10BASE-T/100BASE-TX/1000BASE-T. Sin embargo, si el equipo ThinkPad sólo se puede utilizar con Ethernet 10BASE-T/100BASE-TX, el conector sólo se podrá utilizar con la conexión Ethernet 10BASE-T/100BASE-TX y no para la conexión Ethernet 1000BASE-T.
2. Si conecta el equipo a X4 Dock, utilice el conector Ethernet en el X4 Dock, y no el del equipo.

**8** El **conector paralelo** sirve para conectar un dispositivo paralelo.

**9** El **conector de serie** sirve para conectar un dispositivo de serie.

**10** El **conector del monitor externo** sirve para conectar un monitor externo.

## Utilización de ThinkPad X4 Dock

### Nota

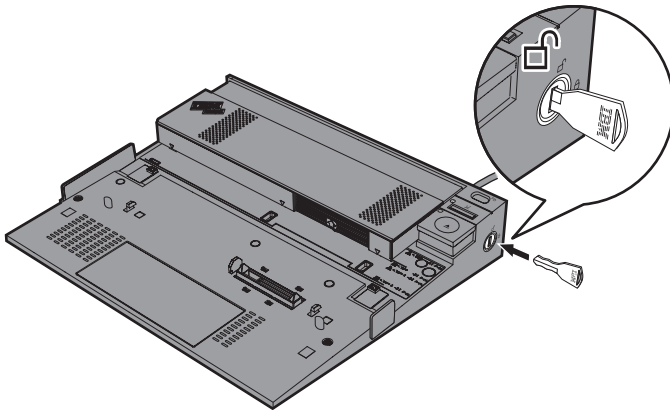
Antes de conectar o desconectar el equipo cuando esté en funcionamiento, asegúrese siempre de haber finalizado las operaciones que implican los dispositivos que están conectados al conector USB, al conector de serie o al conector paralelo. Asegúrese también de que todas las conexiones al módem o a un Ethernet se hayan detenido.

**Nota:** si está utilizando el equipo ThinkPad Serie X40, antes de conectarlo a ThinkPad X4 Dock, debe actualizar el BIOS y Easy Eject Utility. Para descargar la versión más reciente del código de BIOS y de Utility, vaya al sitio [www.pc.ibm.com/support](http://www.pc.ibm.com/support) en el World Wide Web.

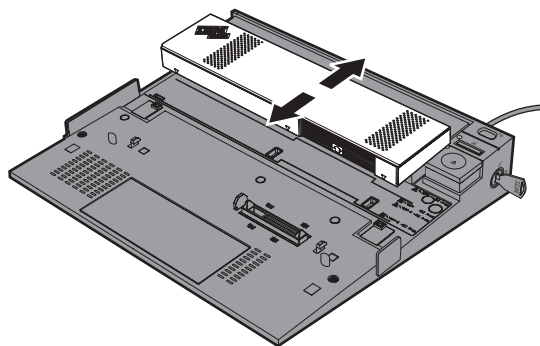
## Conexión de ThinkPad X4 Dock

Para conectar el equipo a ThinkPad X4 Dock, efectúe lo siguiente:

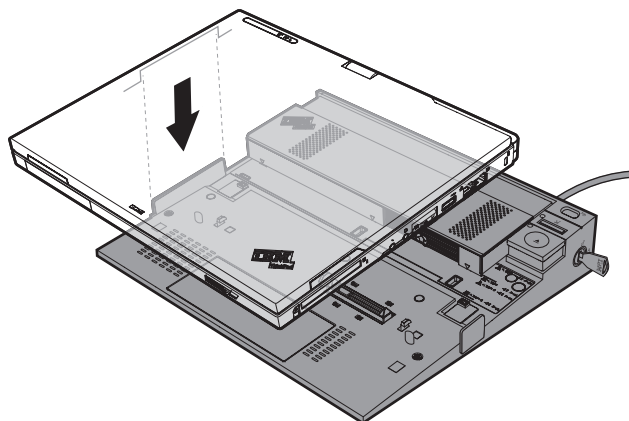
1. Desconecte el adaptador CA del equipo, de lo contrario, podría dañar el adaptador CA. Conecte un adaptador CA a ThinkPad X4 Dock, utilizando el adaptador CA incluido en el paquete con el X4 Dock.
2. Asegúrese de que la llave de bloqueo de seguridad de X4 Dock se encuentra en su sitio y en la posición desbloqueada (vertical).



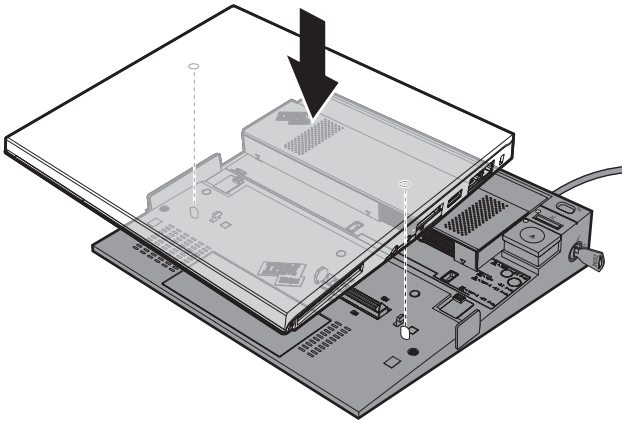
3. Fije el ajustador en la posición correcta. La posición del ajustador depende del modelo de equipo y del tipo de batería que esté instalada. Consulte la etiqueta adjunta al ThinkPad X4 Dock.



4. Si utiliza el equipo ThinkPad X41 Tablet Series, alinee el lateral izquierdo del equipo con la guía del lateral izquierdo de X4 Dock; asegúrese de que el conector de acoplamiento de la parte inferior del equipo y el de X4 Dock se alineen.



Si utiliza el equipo ThinkPad X40 Series, conecte el equipo, alinee la parte posterior del equipo con el ajustador.



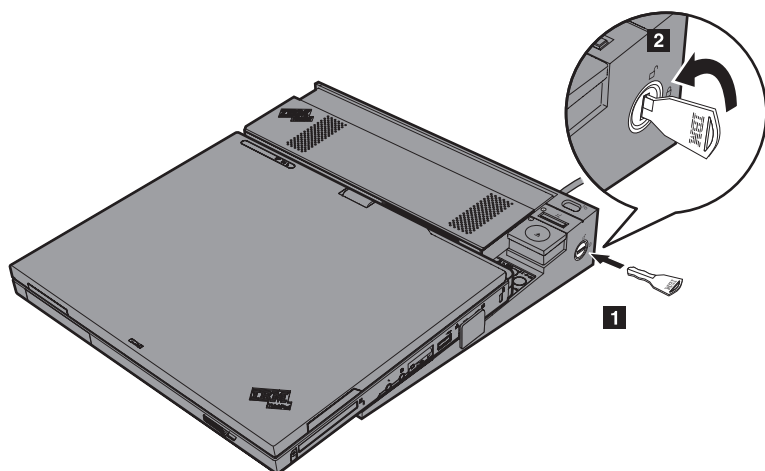
5. Pulse firmemente a ambos lados del equipo hasta que oiga un clic. El equipo está ahora conectado a X4 Dock.

**Nota:** gire la llave de bloqueo de seguridad en el sentido de las agujas del reloj para bloquearlo. Guarde siempre la llave de bloqueo de seguridad en un lugar seguro. No la pierda; sin ella, no podrá desconectar el equipo de X4 Dock.

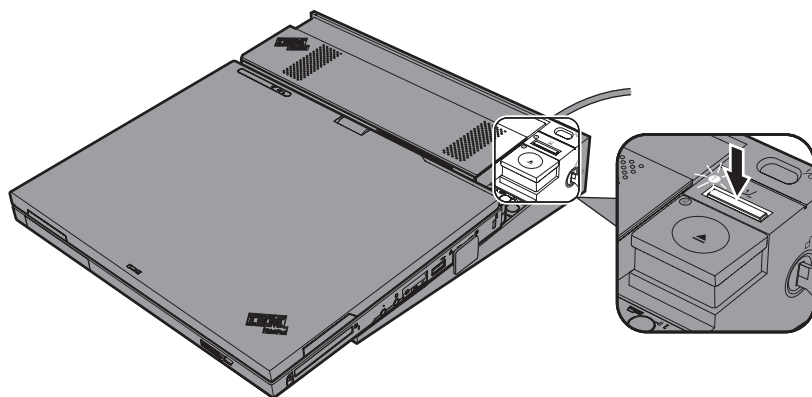
## Desconexión de ThinkPad X4 Dock

Para desconectar el equipo de ThinkPad X4 Dock, efectúe lo siguiente:

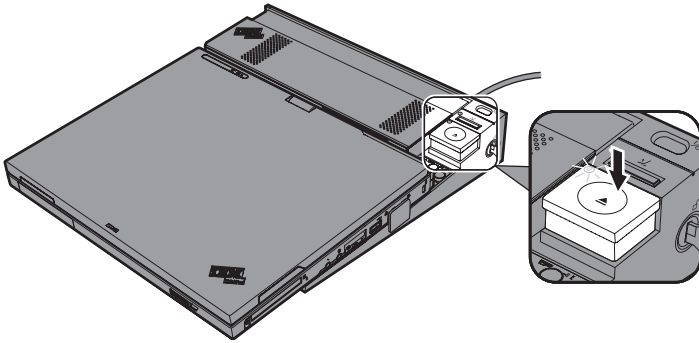
1. Asegúrese de que el paquete de batería está suficientemente cargado para su funcionamiento normal.
2. Asegúrese de que la llave de bloqueo de seguridad de X4 Dock se encuentra en su sitio y en la posición desbloqueada (vertical).



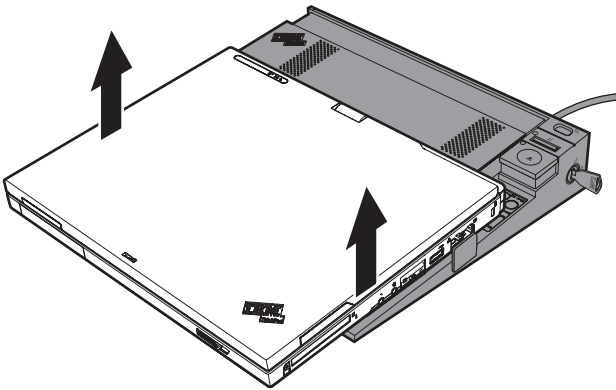
3. Cierre la pantalla del equipo.
4. Pulse el botón de petición de expulsión. El indicador de acoplamiento empieza a parpadear y, a continuación, se apaga.



5. El indicador de expulsión preparada se enciende; pulse el botón de expulsión hasta que el equipo se mueva hacia arriba.



6. Sujete ambos lados del equipo, extraiga el equipo de X4 Dock.



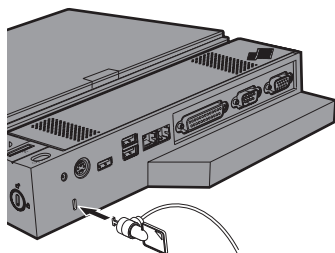
Para obtener más detalles acerca de la configuración y el uso de X4 Dock, consulte Access IBM o el Setup Poster que acompañaba esta opción.

## Funciones de seguridad

ThinkPad X4 Dock dispone de una cerradura de seguridad para un seguro mecánico. Para asegurar X4 Dock a un objeto pesado, como un escritorio, conecte un seguro mecánico con un cable a la cerradura de seguridad.

IBM no ofrece ningún seguro mecánico. Deberá adquirirlo aparte. El usuario será el responsable de evaluar, seleccionar e implementar los dispositivos de bloqueo y las funciones de seguridad. IBM no hará comentarios, valoraciones ni garantías del funcionamiento, calidad o rendimiento de los dispositivos de bloqueo ni de las funciones de seguridad.

Conecte un seguro mecánico del modo siguiente:





---

## Informazioni su ThinkPad X4 Dock

Questa sezione contiene le informazioni sulla registrazione, sull'installazione e sull'utilizzo di ThinkPad X4 Dock.

---

### Registrazione del prodotto

Grazie per aver acquistato questo prodotto IBM. Effettuare la registrazione del prodotto e fornire le informazioni per rendere migliore l'assistenza in futuro. La collaborazione è importante per lo sviluppo dei prodotti e dei servizi, oltre allo sviluppo delle comunicazioni. Registrare l'opzione sul sito Web IBM all'indirizzo:

[www.ibm.com/pc/register](http://www.ibm.com/pc/register)

L'IBM invierà le informazioni e gli aggiornamenti relativi al prodotto registrato a meno che non venga indicato nel questionario del sito Web che non si desidera ricevere ulteriori informazioni.

---

### Descrizione del prodotto

ThinkPad X4 Dock è supportato solo su computer ThinkPad X40 Series inclusi i modelli PC tavoletta. È possibile estendere le funzioni del computer abilitandolo all'utilizzo di Ultrabay™ Slim e di altre periferiche facoltative.

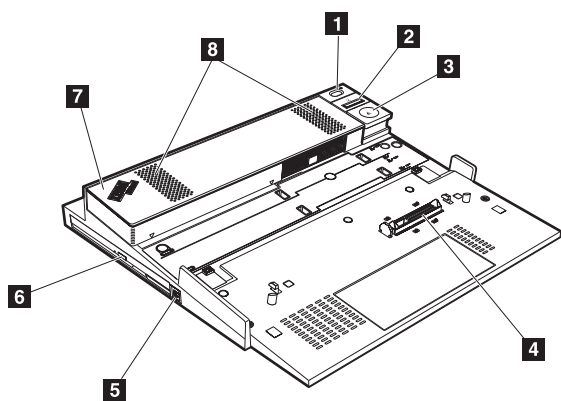
Una volta collegato il computer al ThinkPad X4 Dock, è possibile utilizzare i relativi connettori al posto di quelli del computer.

Quando il computer viene collegato al ThinkPad X4 Dock, non afferrare mai l'insieme mantenendo solo il computer. Mantenere sempre l'intero assieme.

**Attenzione:** Per ridurre il rischio di incendio, utilizzare solo No.26 AWG o un cavo telefonico superiore (più doppio).

**Attenzione:** Adattatore CA: utilizzare un alimentatore, UL Listed Power Supply, classificato 16 V CC 3.5 A o equivalente.

## Vista anteriore



**1** L'**interruttore di alimentazione** accende e spegne il computer.

**2** Premendo il **pulsante di espulsione**, è possibile richiedere al sistema operativo di sbloccare il computer da X4 Dock. L'**indicatore collegato** è verde quando il computer è collegato a X4 Dock. Questo indicatore si spegne quando la richiesta di espulsione viene emessa ed il computer può essere scollegato correttamente da X4 Dock.

**3** Il **pulsante di espulsione** rilascia il computer da X4 Dock. L'**indicatore Espelli** è verde quando il computer è pronto per essere scollegato correttamente da X4 Dock. Questo indicatore si spegne quando il computer viene scollegato da X4 Dock.

**Nota:** Per bloccare il pulsante di espulsione di X4 Dock, utilizzare la chiave del blocco di sicurezza.

**4** Il **connettore docking** è il punto in cui si collega il computer ThinkPad.

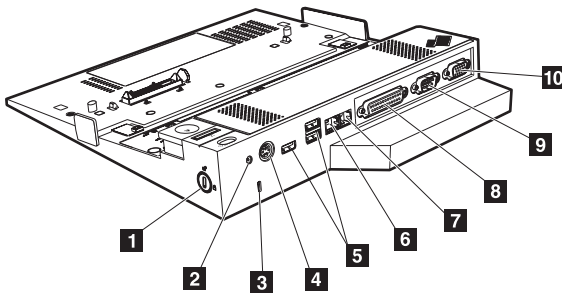
**5** Il **gancio del vano** rilascia la maniglia in modo tale da poter sostituire la periferica Ultrabay Slim.

**6** La **periferica Ultrabay Slim** consente di installare varie periferiche, quali unità DVD, CD-RW/DVD combo o una seconda unità disco fisso.

**7** Verificare che il **regolatore** viene fissato correttamente quando si collega il computer ThinkPad a X4 Dock. La posizione del regolatore dipende dal modello del computer e dal tipo di batteria installata. Consultare l'etichetta allegata a X4 Dock per dettagli.

**8** Gli **altoparlanti stereo** integrati generano il suono stereo.

## Vista posteriore



**1** La chiave del blocco di sicurezza consente di bloccare il pulsante di espulsione.

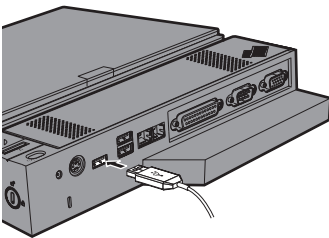
**2** Il connettore di alimentazione consente di collegare l'adattatore CA.

**3** Il foro di sicurezza consente di collegare un blocco meccanico per fissare X4 Dock ad un oggetto pesante, quale un tavolo.

**4** Il connettore per tastiera/mouse consente di collegare una tastiera esterna, una tastierina o un mouse.

**5** I connettori USB (Universal Serial Bus) consentono di collegare le periferiche USB 1.1 e USB 2.0.

**Nota:** Quando si collega un cavo USB al connettore, verificare che il segno riportato nella figura sia situato in alto. Diversamente, il connettore potrebbe essere danneggiato.



**6** Il connettore modem consente di collegare X4 Dock ad una linea telefonica.

### Note:

1. Se il computer ThinkPad non supporta il connettore modem, non è possibile utilizzare il connettore.

2. Se si collega il computer a X4 Dock, utilizzare il connettore modem di X4 Dock, piuttosto che quello sul computer.

**7** Il **connettore Ethernet** consente di collegare X4 Dock ad una rete LAN Ethernet 10BASE-T/100BASE-TX/1000BASE-T. L'indicatore del connettore coincide con quello del computer ThinkPad.

**Note:**

1. Se il computer ThinkPad non dispone del connettore Ethernet, non è possibile utilizzare il connettore Ethernet di X4 Dock. Non è possibile utilizzare il cavo Token Ring per questo connettore. Questo connettore stabilisce la connessione Ethernet 10BASE-T/100BASE-TX/1000BASE-T. Tuttavia, se il computer ThinkPad può essere utilizzato solo con Ethernet 10BASE-T/100BASE-TX, il connettore può essere utilizzato solo per la connessione Ethernet 10BASE-T/100BASE-TX, piuttosto che per la connessione Ethernet 1000BASE-T.
2. Se si collega il computer a X4 Dock, utilizzare il connettore Ethernet di X4 Dock, piuttosto che quello del computer.

**8** Il **connettore parallelo** consente di collegare una periferica parallela.

**9** Il **connettore seriale** consente di collegare una periferica seriale.

**10** Il **connettore per video esterno** consente di collegare un video esterno.

## Utilizzo del ThinkPad X4 Dock

### Nota

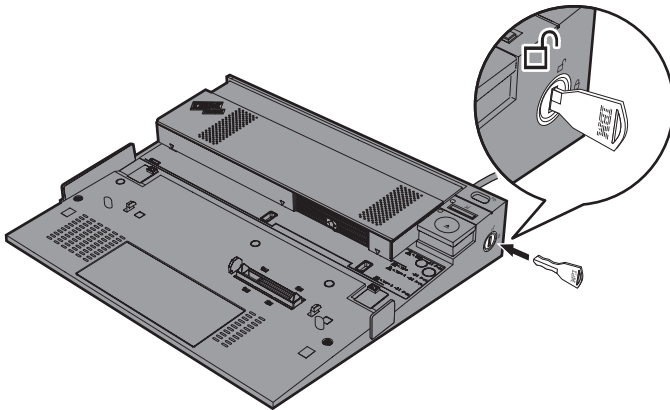
Prima di collegare o scollegare il computer quando è in funzione, verificare sempre che siano terminate le operazioni che richiamano le periferiche collegate al connettore USB, connettore seriale o al connettore parallelo. Inoltre, verificare che sia stata interrotta qualsiasi connessione ad un modem o a Ethernet.

**Nota:** Se si utilizza il computer ThinkPad X40 Series, prima di collegarlo al ThinkPad X4 Dock, è necessario aggiornare il BIOS e Easy Eject Utility. Per scaricare la versione aggiornata del codice BIOS e Utility, andare all'indirizzo [www.pc.ibm.com/support](http://www.pc.ibm.com/support) sul World Wide Web.

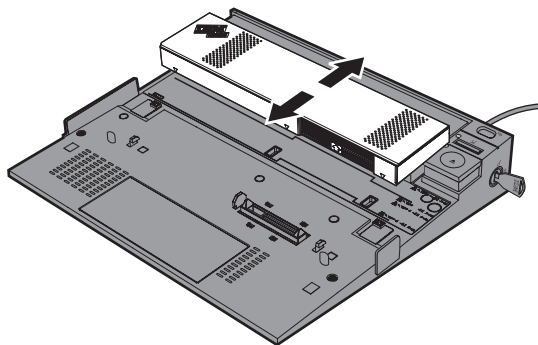
## Collegamento del ThinkPad X4 Dock

Per collegare il computer al ThinkPad X4 Dock, procedere nel modo seguente:

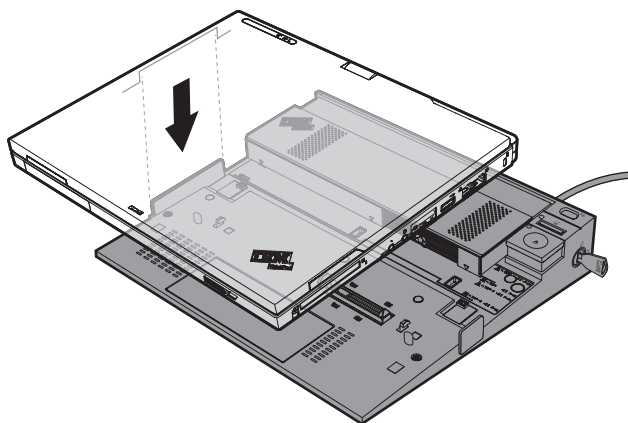
1. Scollegare l'adattatore CA dal computer oppure è possibile che l'adattatore CA sia stato danneggiato. Collegare un adattatore CA al ThinkPad X4 Dock, utilizzando l'adattatore CA incluso nel pacchetto con X4 Dock.
2. Verificare che la chiave del blocco di sicurezza di X4 Dock sia in posizione di sblocco (verticale).



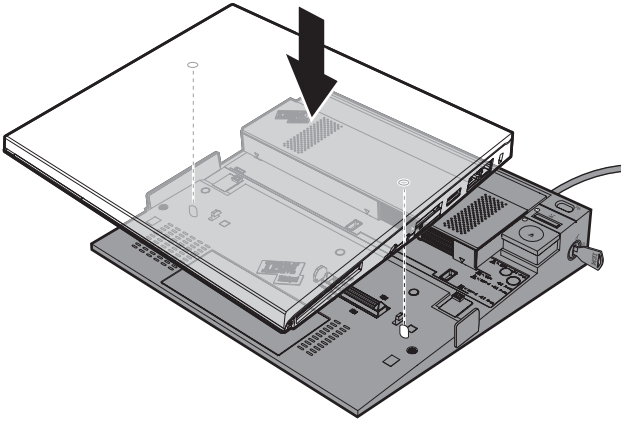
3. Fissare il regolatore in posizione corretta. La posizione del regolatore dipende dal modello del computer e dal tipo di batteria installata. Consultare l'etichetta allegata al ThinkPad X4 Dock.



4. Se si utilizza il computer ThinkPad X41 Tablet Series, allineare la parte laterale sinistra del computer alla guida della parte laterale sinistra di X4 Dock; verificare che il connettore docking, posto sulla parte inferiore del computer e quello su X4 Dock risultino allineati.



Se si utilizza il computer ThinkPad X40 Series, collegare il computer, allineando la parte posteriore del computer al regolatore.



5. Premere su entrambi i lati del computer fino a inserirlo con uno scatto. Il computer è collegato a X4 Dock.

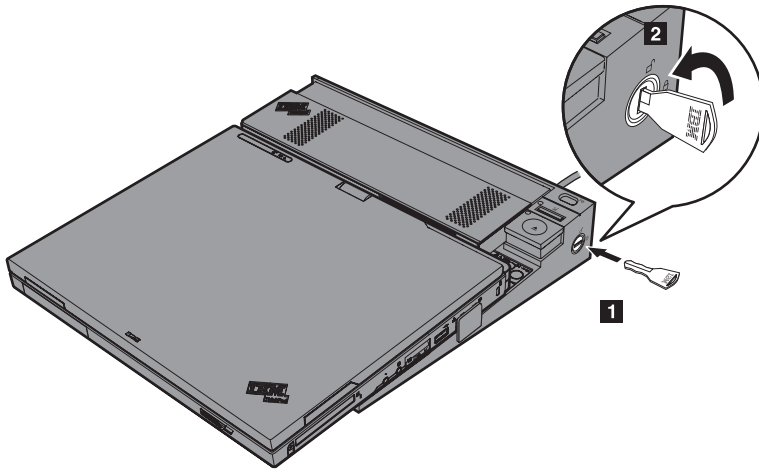
**Nota:** Girare la chiave del blocco di sicurezza in senso orario per bloccarla. Conservare la chiave del blocco di sicurezza in un luogo sicuro. Non perderla; senza di essa, non sarà possibile scollegare il computer da X4 Dock.

## Scollegamento di ThinkPad X4 Dock

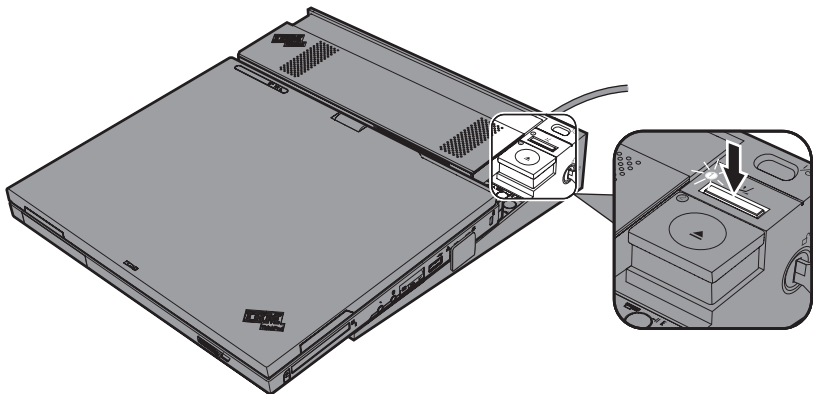
Per scollegare il computer da ThinkPad X4 Dock, procedere nel modo seguente:

1. Verificare che la batteria sia sufficientemente carica per il normale funzionamento.

2. Verificare che la chiave del blocco di sicurezza di X4 Dock sia in posizione di sblocco (verticale).

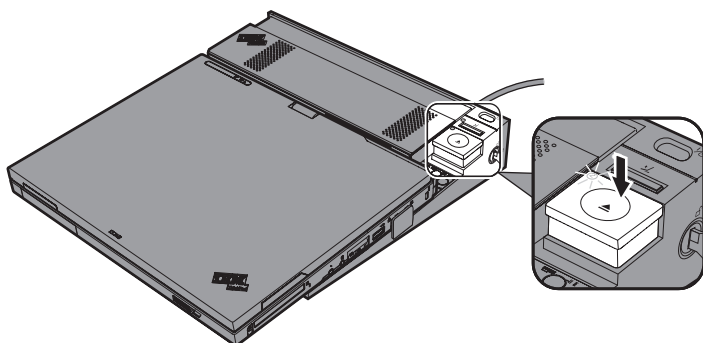


3. Chiudere il video del computer.
4. Premere il pulsante di espulsione. L'indicatore di collegamento inizia a lampeggiare, quindi si spegne.

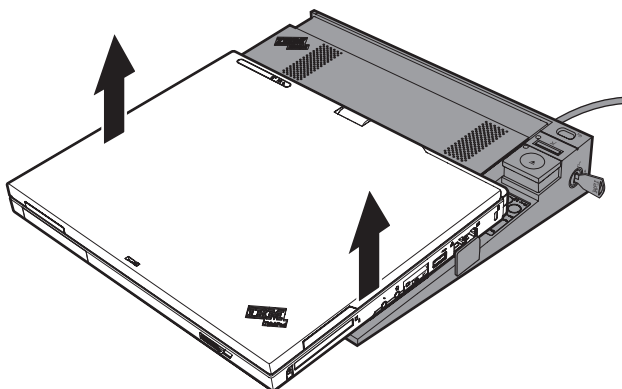




5. L'indicatore di espulsione si accende; premere il pulsante di espulsione fino a quando il computer si solleva.



6. Afferrando entrambi i lati del computer, rimuovere il computer da X4 Dock.



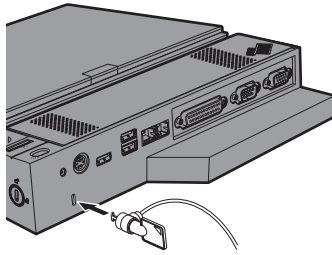
Per i dettagli sull'impostazione e sull'utilizzo di X4 Dock, consultare Access IBM o Setup Poster, fornito con questa opzione.

### **Funzione di sicurezza**

Il ThinkPad X4 Dock dispone di un foro di sicurezza per un blocco meccanico. Per fissare X4 Dock ad un oggetto pesante, quale un tavolo, collegare un blocco meccanico con un cavo al foro di sicurezza.

La IBM non offre un blocco meccanico. Sarà necessario acquistarlo. Valutazioni, scelte e implementazioni in relazione a periferiche di blocco e funzioni di sicurezza sono di esclusiva responsabilità dell'utente. La IBM non apporta alcun commento, valutazioni o garanzie sulla funzione, qualità o prestazioni di qualsiasi periferica di blocco o funzioni di sicurezza.

Collegare un blocco meccanico come segue:



---

## Dok ThinkPad X4

Tato část obsahuje informace o registraci, instalaci a používání doku ThinkPad X4.

---

### Registrace produktu

Děkujeme vám za zakoupení produktu IBM. Prosím, věnujte několik minut registraci produktu a poskytnutí informací, které společnosti pomohou lépe vás obsloužit v budoucnu. Váš komentář je pro nás velmi cenný z hlediska vývoje produktů a služeb, které považujete za důležité, i z hlediska vývoje lepších způsobů komunikace s vámi. Registrovat svůj produkt na webových stránkách IBM na následující adrese:

[www.ibm.com/pc/register](http://www.ibm.com/pc/register)

IBM vám bude zasílat informace a aktualizace týkající se registrovaného produktu, pokud v dotazníku na webové stránce neuvědíte, že další informace dostávat nechcete.

---

### Popis produktu

Dok ThinkPad X4 lze používat pouze s počítači ThinkPad X40 Series včetně modelů Tablet PC. Umožňuje s vaším počítačem používat pozici Ultrabay™ Slim a různá volitelná zařízení.

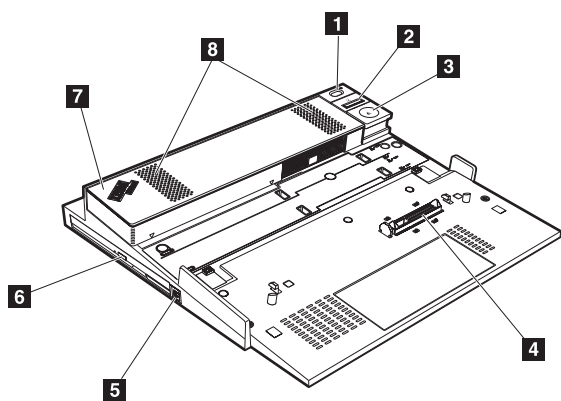
Po připojení počítač k doku ThinkPad X4 je možné používat konektory doku místo konektorů počítače.

Je-li počítač připojen k doku ThinkPad X4, nikdy nezvedejte celou sestavu pouze za počítač. Vždy uchopte celou sestavu.

**Upozornění:** Aby se snížilo nebezpečí požáru, používejte pouze telefonní kabel č. 26 AWG nebo silnější.

**Upozornění:** Adaptér napájení: Používejte pouze adaptér uvedený v seznamu UL, určený pro 16 V = 3,5 A nebo ekvivalentní.

## Pohled zepředu



**1** Vypínač zapíná a vypíná počítač.

**2** Stisknutím tlačítka **požadavku na odpojení** předáte operačnímu systému požadavek na odpojení počítače od doku X4. **Kontrolka připojení** svítí zeleně, pokud je počítač připojený k doku X4. Po předání požadavku na odpojení tato kontrolka zhasne a počítač je možné z doku X4 bezpečně vyjmout.

**3** **Tlačítko vyjmutí** uvolní počítač z doku X4. **Kontrolka připravenosti na vyjmutí** svítí zeleně, když je možné počítač bezpečně vyjmout z doku X4. Tato kontrolka zhasne po vyjmutí počítače z doku X4.

**Poznámka:** Tlačítko vyjmutí doku X4 je možné uzamknout klíčem bezpečnostního zámku.

**4** **Konektor připojení** slouží pro připojení počítače ThinkPad.

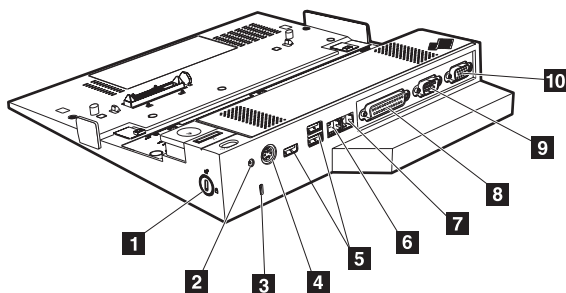
**5** **Západka** uvolňuje úchyt pro výměnu zařízení v pozici Ultrabay Slim.

**6** **Pozice Ultrabay Slim** se používá pro instalaci různých zařízení, jako jsou jednotka DVD, kombinovaná jednotka CD-RW/DVD nebo druhý pevný disk.

**7** Při připojování počítače ThinkPad k doku X4 ověřte, že je **regulátor** umístěný v odpovídající poloze. Poloha regulátoru závisí na modelu počítače a typu instalované baterie. Návod naleznete na štítku na doku X4.

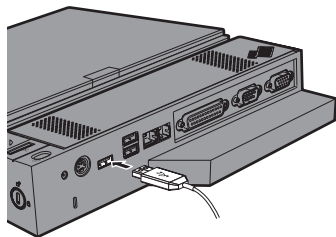
**8** Zabudované **stereo reproduktory** slouží pro stereo zvuk.

## Pohled zezadu



- 1 Klíč bezpečnostního zámku** slouží pro uzamknutí tlačítka vyjmutí.
- 2 Konektor napájení** slouží pro připojení adaptéru napájení.
- 3 Zabezpečovací otvor** umožňuje připevnit dok X4 pomocí mechanického zámku k těžkému předmětu, například ke stolu.
- 4 Konektor klávesnice/myši** slouží pro připojení externí klávesnice, numerické klávesnice nebo myši.
- 5 Konektory USB (Universal Serial Bus)** slouží pro připojení zařízení USB 1.1 a USB 2.0.

**Poznámka:** Při připojení kabelu USB ke konektoru ověřte, že symbol zobrazený na obrázku je nahoře. Jinak může dojít k poškození konektoru.



- 6 Konektor modemu** slouží pro připojení doku X4 k telefonní lince.

### Poznámky:

- Pokud váš počítač ThinkPad nepodporuje konektor modemu, nelze tento konektor použít.
- Je-li počítač připojený k doku X4, použijte konektor modemu na doku X4, nikoliv konektor na počítači.

**7 Konektor Ethernet** slouží pro připojení doku X4 k síti Ethernet 10BASE-T/100BASE-TX/1000BASE-T. Kontrolka na konektoru je stejná jako na počítači ThinkPad.

**Poznámky:**

1. Nemá-li váš počítač ThinkPad konektor Ethernet, nelze použít konektor Ethernet na doku X4. Tento konektor nelze použít pro kabel Token Ring. Tento konektor lze použít pro síť Ethernet 10BASE-T/100BASE-TX/1000BASE-T. Pokud váš počítač ThinkPad využívá pouze síť Ethernet 10BASE-T/100BASE-TX, lze tento konektor využít pouze pro síť Ethernet 10BASE-T/100BASE-TX a nikoliv pro síť Ethernet 1000BASE-T.
2. Je-li počítač připojený k doku X4, použijte konektor Ethernet na doku X4, nikoliv konektor na počítači.

**8 Paralelní konektor** slouží pro připojení paralelního zařízení.

**9 Sériový konektor** slouží pro připojení sériového zařízení.

**10 Konektor externího monitoru** slouží pro připojení externího monitoru.

## Používání doku ThinkPad X4

### Poznámka

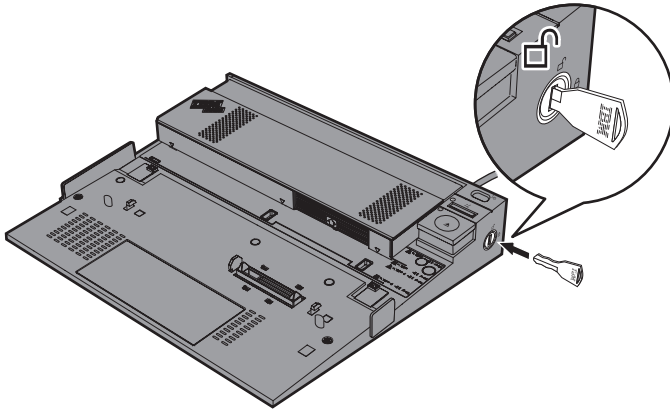
Chcete-li připojit nebo odpojit počítač za běhu, vždy se ujistěte, že dokončil operace se zařízeními, která jsou připojená ke konektoru USB, sériovému konektoru nebo paralelnímu konektoru. Také se ujistěte, že spojení přes modem nebo síť Ethernet jsou ukončena.

**Poznámka:** Používáte-li počítač ThinkPad X40 Series, je nutné před připojením k doku ThinkPad X4 aktualizovat BIOS a utilitu Easy Eject. Nejnovější verze kódu BIOS a utilitu Easy Eject naleznete na webové stránce [www.pc.ibm.com/support](http://www.pc.ibm.com/support).

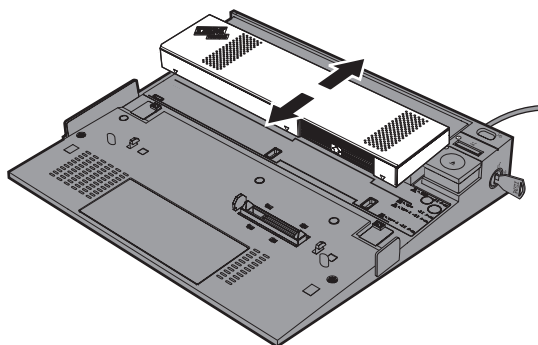
## Připojení doku ThinkPad X4

Počítač připojíte k doku ThinkPad X4 takto:

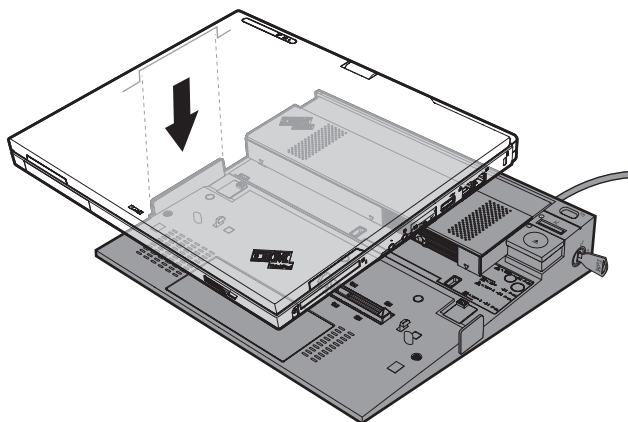
1. Odpojte adaptér napájení od počítače, aby nedošlo k poškození adaptéru napájení. K doku ThinkPad X4 připojte adaptér napájení dodaný s dokem X4.
2. Ověřte, že klíč bezpečnostního zámku doku X4 je v umístěn zámku v odemknuté (svislé) poloze.



3. Nastavte regulátor do odpovídající polohy. Poloha regulátoru závisí na modelu počítače a typu instalované baterie. Návod naleznete na štítku na doku ThinkPad X4.

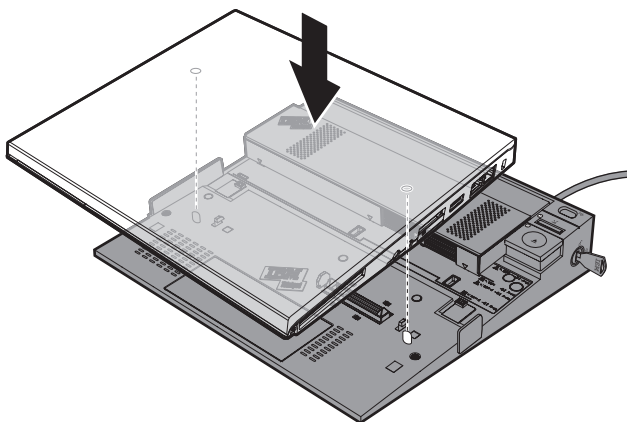


4. Používáte-li počítač ThinkPad X41 Tablet Series, srovnejte levou stranu počítače s vodítkem na levé straně doku X4, ujistěte se, že konektor pro připojení k doku X4 na spodní straně počítače a konektor doku X4 jsou vzájemně srovnány.





Používáte-li počítač ThinkPad X40 Series, srovnejte zadní stranu počítače s regulátorem.



5. Rovnoměrně zatlačte na obě strany počítače, dokud neuslyšíte cvaknutí. Počítač je nyní připojen k doku X4.

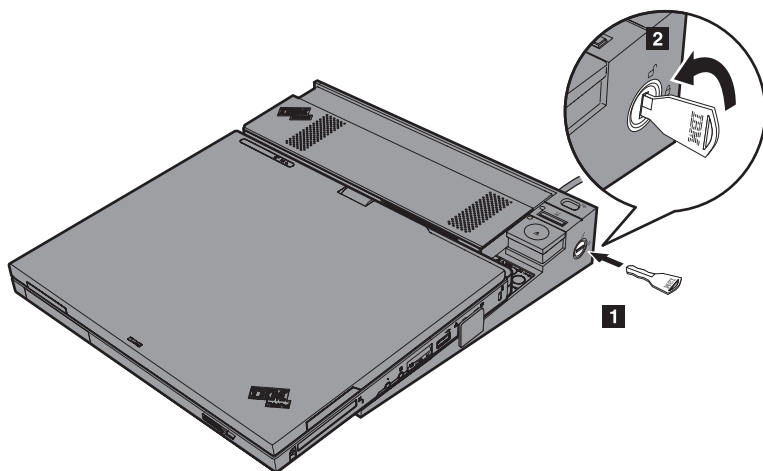
**Poznámka:** Otočením klíče ve směru hodinových ručiček uzamknete bezpečnostní zámek. Klíč bezpečnostního zámku uschovejte na bezpečném místě. Neztraťte ho, bez klíče nebudete moci odpojit počítač od doku X4.

## Odpojení doku ThinkPad X4

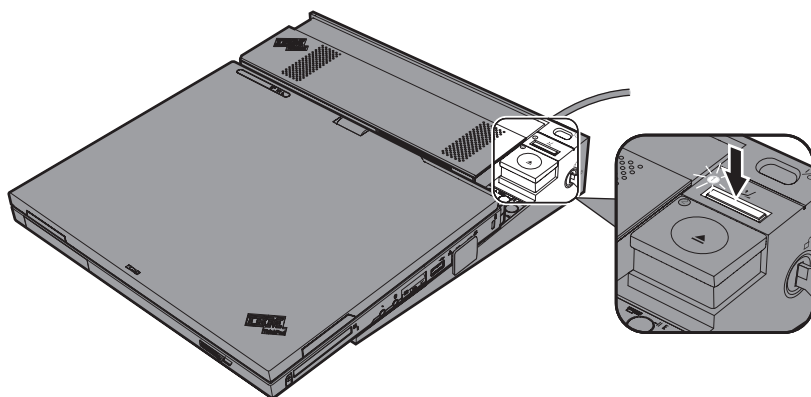
Počítač odpojíte od doku ThinkPad X4 takto:

1. Ověřte, že je baterie dostatečně nabitá pro normální provoz.

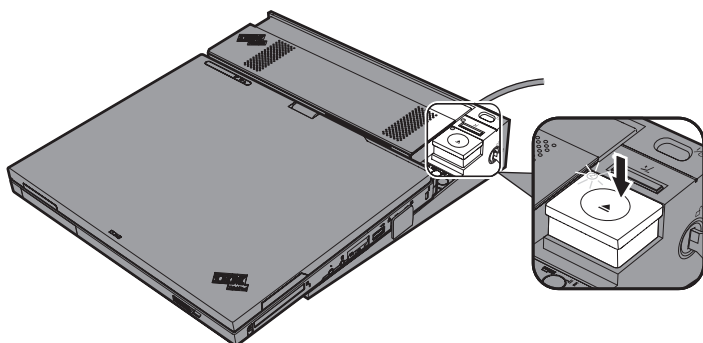
2. Ověřte, že klíč bezpečnostního zámku doku X4 je v umístěn zámku v odemknuté (svislé) poloze.



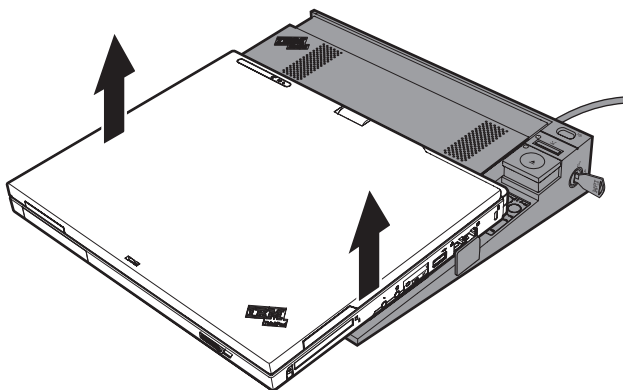
3. Uzavřete displej počítače.
4. Stiskněte tlačítko požadavku na odpojení. Kontrolka připojení začne blikat, potom zhasne.



5. Kontrolka připravenosti na vyjmutí se rozsvítí, stisknutím tlačítka vyjmutí posuňte počítač nahoru.



6. Uchopte počítač na obou stranách a vyjměte ho z doku X4.



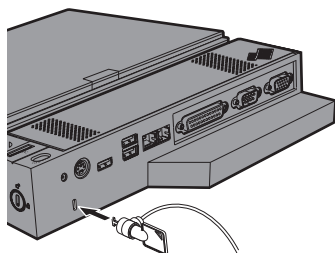
Podrobnosti o nastavení a používání doku X4 naleznete v systému Access IBM nebo v dokumentaci dodané s tímto produktem.

## Zabezpečení

Dok ThinkPad X4 má zabezpečovací otvor pro mechanický zámek. Tento otvor umožňuje připevnit dok X4 pomocí mechanického zámku s kabelem k těžkému předmětu, například ke stolu.

IBM nenabízí mechanické zámky. Zámek lze pořídit od jiného výrobce. Jste sami odpovědní za vyhodnocení, výběr a využití jakéhokoliv uzamykacího nebo bezpečnostního zařízení. IBM neposkytuje žádné komentáře, hodnocení nebo záruky k funkčnosti, kvalitě nebo užitečnosti jakéhokoliv uzamykacího nebo bezpečnostního zařízení.

Mechanický zámek připojíte takto:



---

## Informácie o základni ThinkPad X4 Dock

Táto časť poskytuje informácie o registrácii, inštalácii a používaní základne ThinkPad X4 Dock.

---

### Registrácia produktu

Ďakujeme, že ste si zakúpili tento produkt spoločnosti IBM. Venujte pár minút registrácii tohto produktu a uvedeniu informácií, ktoré spoločnosti IBM umožnia poskytovať v budúcnosti lepšie služby. Vaše odpovede budú nápomocné pri vývoji produktov a služieb, ktoré sú pre vás dôležité, ako aj pri vývoji lepších spôsobov našej komunikácie s vami. Zaregistrujte si svoj produkt na webovej stránke IBM:

[www.ibm.com/pc/register](http://www.ibm.com/pc/register)

Pokiaľ v dotazníku na webovej stránke neoznačíte, že si nepravete dostávať ďalšie informácie, bude vám IBM zasielať informácie a aktualizácie týkajúce sa vašich zaregistrovaných produktov.

---

### Popis produktu

Základňa ThinkPad X4 Dock funguje len s počítačmi ThinkPad X40 Series vrátane modelov Tablet PC. Môže rozšíriť schopnosti vášho počítača tak, že mu umožní používať Ultrabay™ Slim a rôzne voliteľné zariadenia.

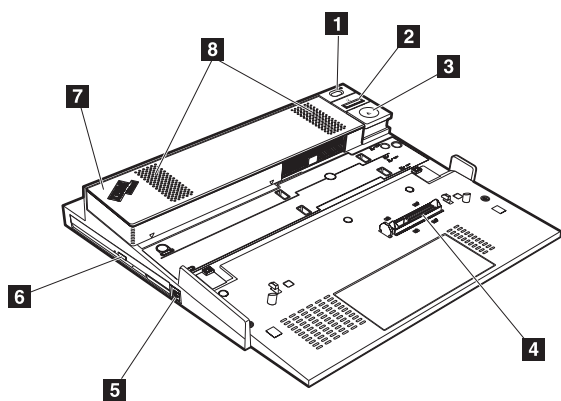
Po pripojení počítača k základni ThinkPad X4 Dock môžete používať jej konektory.

Keď je počítač pripojený k základni ThinkPad X4 Dock, nikdy zostavu neprenášajte tak, že uchopíte len počítač. Vždy uchopte celú zostavu.

**Upozornenie:** Ak chcete znížiť riziko požiaru, používajte iba telefónny kábel No.26 AWG alebo hrubší.

**Upozornenie:** Napájací adaptér: Používajte UL Listed Power Supply, 16 Vdc 3.5 A alebo podobný.

## Pohľad spredu



**1** Vypínač slúži na zapnutie a vypnutie počítača.

**2** Stlačením tlačidla požiadavky o **odpojenie** môžete požiadať operačný systém o odpojenie počítača zo základne X4 Dock. **Indikátor základne** je zelený, keď je počítač pripojený k základni X4 Dock. Tento indikátor zhasne, keď zadáte požiadavku na vysunutie a počítač vysuniete zo základne X4 Dock.

**3** Tlačidlo **vysunutia** uvoľní počítač zo základne X4 Dock. Indikátor **prípravenosti na vysunutie** je zelený, keď je počítač pripravený na bezpečné vysunutie zo základne X4 Dock. Tento indikátor zhasne pri vysunutí počítača zo základne X4 Dock.

**Poznámka:** Ak chcete uzamknúť tlačidlo vysunutia základne X4 Dock, použite kľúč bezpečnostného zámku.

**4** **Konektor základne** je konektor, do ktorého sa pripája váš počítač ThinkPad.

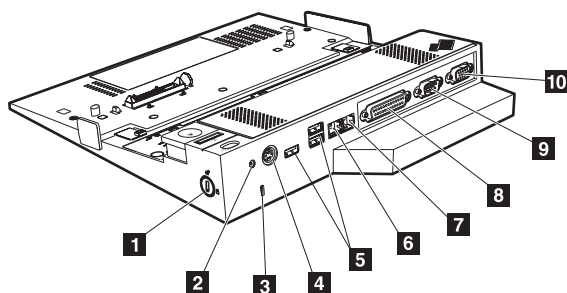
**5** **Západka pozície** uvoľní držiak, takže budete môcť vymeniť zariadenie Ultrabay Slim.

**6** **Zariadenie Ultrabay Slim** sa používa na inštaláciu rôznych zariadení, ako sú jednotka DVD, kombo jednotka CD-RW/DVD alebo druhý disk.

**7** Keď pripájate váš počítač ThinkPad k základni X4 Dock, skontrolujte, či je **nastavovací ovládač** zaistený v správnej polohe. Táto poloha nastavovacieho ovládača závisí od modelu počítača a typu nainštalovanej batérie. Podrobnosti nájdete na štítku, pripojenom k základni X4 Dock.

**8** Zabudované **stereo reproduktory** reprodukovujú stereo zvuk.

## Pohľad zozadu



**1** Kľúč bezpečnostného zámku slúži na uzamknutie tlačidla vysunutia.

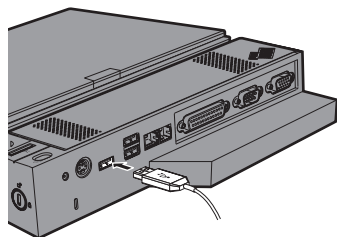
**2** Jack napájania slúži na pripojenie napájacieho adaptéra.

**3** Bezpečnostný uzamykací otvor vám umožňuje pripojiť mechanický zámok slúžiaci na pripevnenie základne X4 Dock k pevným objektom, ako je napríklad stôl, za účelom bezpečnosti.

**4** Konektor klávesnice/myši slúži na pripojenie externej klávesnice alebo myši.

**5** Konektory USB (Universal Serial Bus) slúžia na pripojenie zariadení USB 1.1 a USB 2.0.

**Poznámka:** Ak pripojíte USB kábel do konektora, skontrolujte, že značka zobrazená na obrázku sa nachádza na vrchnej strane. V opačnom prípade môže byť konektor poškodený.



**6** Konektor modemu slúži na pripojenie základne X4 Dock k telefónnej linke.

### Poznámky:

1. Ak váš počítač ThinkPad nepodporuje konektor modemu, nemôžete tento konektor použiť.
2. Ak svoj počítač pripojíte k základni X4 Dock, použite konektor modemu základne X4 Dock, nie konektor počítača.

**7 Ethernetový konektor** slúži na pripojenie základne X4 Dock k sieti 10BASE-T/100BASE-TX/1000BASE-T Ethernet LAN. Indikátor konektora je rovnaký, ako indikátor na počítači ThinkPad.

**Poznámky:**

1. Ak váš počítač ThinkPad nemá ethernetový konektor, nemôžete ethernetový konektor používať ani na základni X4 Dock. Pre tento konektor nemôžete použiť kábel typu Token Ring. Tento konektor sa môže použiť pre ethernetové pripojenie 10BASE-T/100BASE-TX/1000BASE-T. Avšak, ak váš počítač typu ThinkPad môže používať len Ethernet 10BASE-T/100BASE-TX, tento konektor sa môže používať len pre ethernetové pripojenie 10BASE-T/100BASE-TX a nie pre ethernetové pripojenie 1000BASE-T.
2. Ak svoj počítač pripojíte k základni X4 Dock, použite ethernetový konektor základne X4 Dock, nie konektor počítača.

**8 Paralelný konektor** slúži na pripojenie paralelného zariadenia.

**9 Sériový konektor** slúži na pripojenie sériového zariadenia.

**10 Konektor externého monitora** slúži na pripojenie externého monitora.



## Používanie základne ThinkPad X4 Dock

### Poznámka

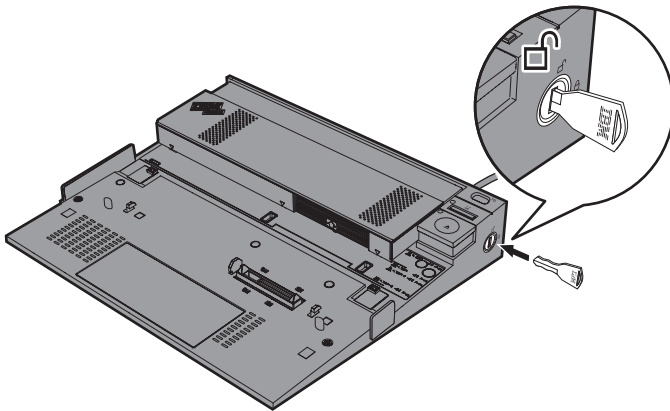
Predtým ako zasuniete alebo vysuniete svoj zapnutý počítač sa presvedčte, či ukončil operácie týkajúce sa zariadení, ktoré sú pripojené k USB konektoru, sériovému konektoru alebo paralelnému konektoru. Taktiež sa uistite, či sú zastavené všetky pripojenia k modemu alebo ethernetu.

**Poznámka:** Ak používate počítač ThinkPad X40 Series, skôr ako ho zasuniete do základne ThinkPad X4 Dock, musíte aktualizovať BIOS a Easy Eject Utility. Najnovšiu verziu kódu BIOS a Easy Eject Utility nájdete na internete, na webovej stránke [www.pc.ibm.com/support](http://www.pc.ibm.com/support).

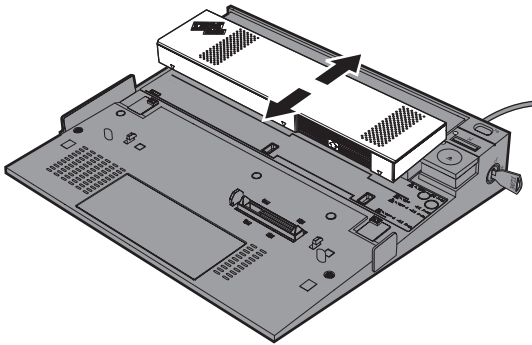
## Pripojenie k základni ThinkPad X4 Dock

Ak chcete svoj počítač zasunúť do základne ThinkPad X4 Dock, postupujte takto:

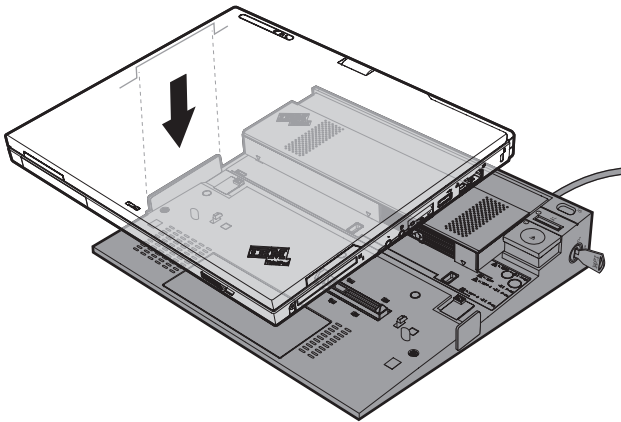
1. Odpojte od počítača adaptér napájania, pretože by ste ho mohli poškodiť. Pripojte adaptér napájania k základni ThinkPad X4 Dock pomocou adaptéra napájania, ktorý sa dodáva spolu so základňou X4 Dock.
2. Uistite sa, že kľúč bezpečnostného zámku základne X4 Dock je na svojom mieste a v odomknutej (vertikálnej) pozícii.



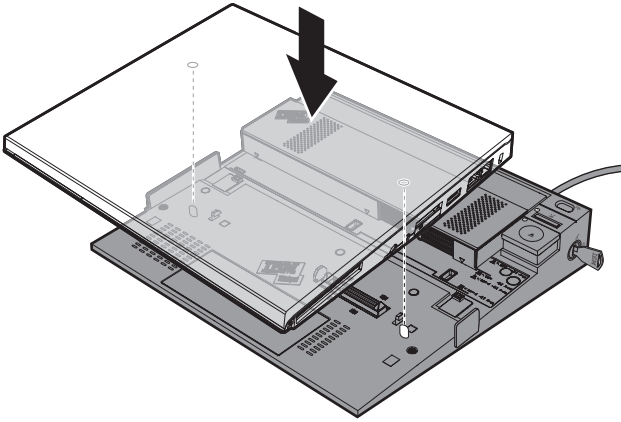
3. Zaisťte nastavovací ovládač v správnej pozícii. Táto poloha nastavovacieho ovládača závisí od modelu počítača a typu nainštalovanej batérie. Pozrite si štítok na základni ThinkPad X4 Dock.



4. Ak používate počítač ThinkPad X41 Tablet Series, zarovnajte ľavú stranu počítača s vodidlom na ľavej strane základne X4 Dock; uistite sa, že pripájací konektor naspodku vášho počítača a konektor na základni X4 Dock sú vzájomne zarovnané.



Ak používate počítač ThinkPad X40 Series, pripojte ho tak, že zarovnáte jeho zadnú časť s nastavovacím ovládačom.



5. Pevne zatlačte na obidve strany vášho počítača, kým nezačujete kliknutie. Počítač je teraz pripojený k základni X4 Dock.

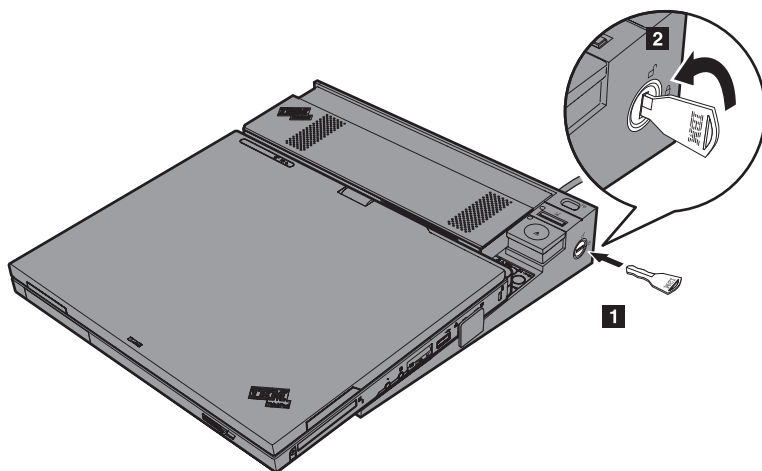
**Poznámka:** Otočte kľúč bezpečnostného zámku proti smeru hodinových ručičiek, aby ste ho zamkli. Kľúč bezpečnostného zámku majte vždy uložený na bezpečnom mieste. Nestráňte ho; bez neho nebudete schopný počítač vysunúť zo základne X4 Dock.

## Odpojenie základne ThinkPad X4 Dock

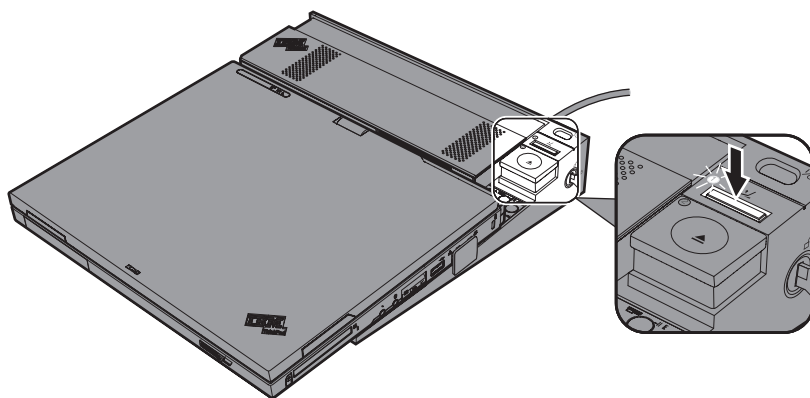
Ak chcete svoj počítač vysunúť zo základne ThinkPad X4 Dock, postupujte takto:

1. Uistite sa, že batéria je dostatočne nabitá pre normálne fungovanie.

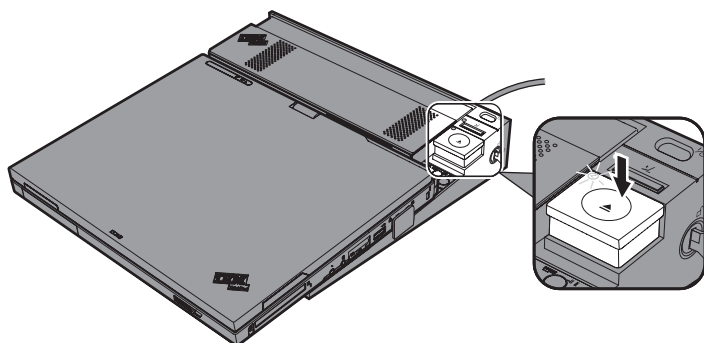
2. Uistite sa, že kľúč bezpečnostného zámku základne X4 Dock je na svojom mieste a v odomknutej (vertikálnej) pozícii.



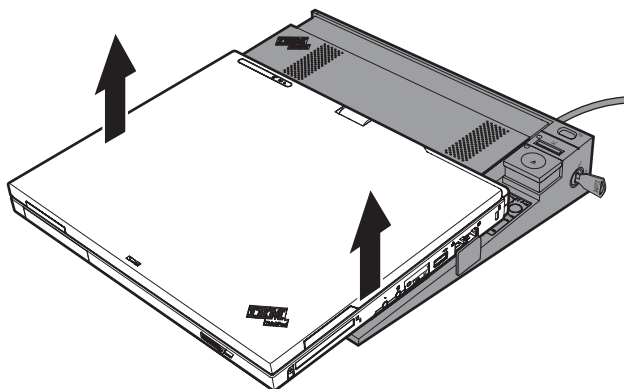
3. Zatvorte displej počítača.
4. Stlačte tlačidlo požiadavky na vysunutie. Indikátor základne začne blikať, a potom zhasne.



5. Indikátor pripravenosti vysunutia sa zapoj; zatlačte na tlačidlo vysunutia, čím sa počítač posunie smerom nahor.



6. Potiahnutím za obidve strany počítača ho vysuňte zo základne X4 Dock.



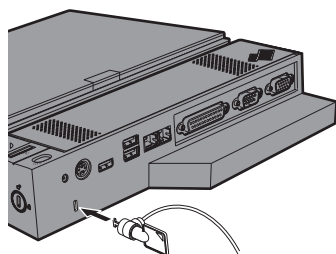
Podrobnosti o nastavení a používaní základne X4 Dock nájdete v systéme pomoci Access IBM alebo Setup Poster, ktorý je súčasťou tejto voľby.

## Bezpečnosť

Na základni ThinkPad X4 Dock sa nachádza bezpečnostný uzamykací otvor pre mechanický zámok. Ak chcete základňu X4 Dock zabezpečiť, pripevnite ju k pevnému objektu, ako je napríklad stôl, pomocou mechanického zámku s káblom.

IBM nemá vo svojej ponuke mechanické zámky. Aj tak si ale budete musieť nejaký kúpiť. V tomto prípade ste vy sám zodpovedný za zhodnotenie vlastností, výber a implementáciu uzamykacieho zariadenia a bezpečnostných komponentov. Spoločnosť IBM neprináša žiadne posudky ani záruky týkajúce sa funkčnosti, kvality alebo výkonu uzamykacích zariadení alebo bezpečnostných komponentov.

Pri pripájaní mechanického zámku postupujte takto:



---

## ThinkPad X4 Dock Hakkında

Bu bölümde, ThinkPad X4 Dock ürününün kaydedilmesine, kurulmasına ve kullanılmasına ilişkin bilgiler yer alır.

---

### Ürünün kaydedilmesi

Bu IBM ürünü satın aldığınız için teşekkür ederiz. Ürününüzü kaydetmek ve IBM'den gelecekte daha sağlıklı hizmet alabilmek için gerekli bilgileri vermek üzere lütfen birkaç dakikanızı ayırın. Sizin görüşleriniz sizin için önemli olan ürünleri ve hizmetleri geliştirmenin yanı sıra sizinle daha iyi iletişim kurmak için de yararlıdır. Seçeneğinizi aşağıdaki IBM Web sitesinde kaydedebilirsiniz:

[www.ibm.com/pc/register](http://www.ibm.com/pc/register)

İlgili Web sitesinde ürünle ilgili daha fazla bilgi almak istemediğinizi belirtmezseniz, IBM, size kaydedilen ürününüzle ilgili bilgi ve güncellemeler gönderecektir.

---

### Ürün Tanımı

ThinkPad X4 Dock ürünü, Tablet PC modelleri de dahil olmak üzere, yalnızca ThinkPad X40 Series kapsamındaki bilgisayarlarla birlikte çalışır. Bu ürün, bilgisayarınızın yeteneklerini, bilgisayarınızın Ultrabay™ Slim ve çeşitli isteğe bağlı aygıtları kullanabilmesini sağlayarak büyük ölçüde geliştirebilir.

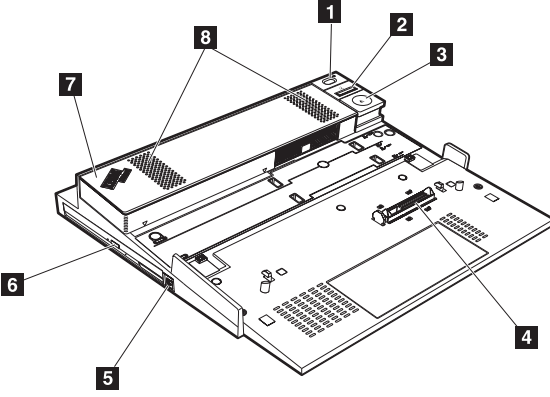
Bilgisayarınızı ThinkPad X4 Dock ürününe bağladıktan sonra, bilgisayarınızın bağlaçları yerine, bu ürünün bağlaçlarını kullanabilirsiniz.

Bilgisayarınız ThinkPad X4 Dock ürününe bağlandığında, düzeneği hiçbir zaman yalnızca bilgisayardan tutarak kaldırmaya çalışmayın. Kaldırmak istediğinizde, her zaman düzeneğin tümünü tutarak kaldırın.

**Uyarı:** Yangın riskini azaltmak için yalnızca No.26 AWG ya da daha geniş (kalın) telefon kablosu kullanın.

**Uyarı:** AC Bağdaştırıcısı: 16 Vdc 3.5 A ya da eşdeğer güce sahip, UL Listed Power Supply (UL Tarafından Listelenen Güç Kaynağı) ürününü kullanın.

## Önden görünüm



**1 Güç anahtarı**, bilgisayarı açıp kapatmak için kullanılır.

**2 Çıkartma isteği düğmesine** basarak işletim sisteminden, bilgisayarı X4 Dock ürününden ayırmasını isteyebilirsiniz. Bilgisayar X4 Dock ürününe takılı olduğunda, **Takılı göstergesi** yeşil renklidir. Çıkartma isteği düğmesine basıldığında, bu göstergenin ışığı söner ve bilgisayar X4 Dock ürününden güvenli bir şekilde çıkartılabilir.

**3 Çıkartma düğmesi** bilgisayarı X4 Dock ürününden ayırır. Bilgisayar, X4 Dock ürününden güvenli bir şekilde çıkartılmaya hazır olduğunda **Çıkartılmaya Hazır göstergesi** yeşil yanar. Bilgisayar X4 Dock ürününden çıkartıldığında bu gösterge söner.

**Not:** X4 Dock ürününün çıkartma düğmesini kilitlemek için, güvenlik kilidi tuşuna basın.

**4 Takma bağlacı**, bilgisayarınızı ThinkPad ürününe taktığınız yerdir.

**5 Bölme mandalı**, Ultrabay Slim aygıtını değiştirebilmeniz için tutamacı serbet bırakır.

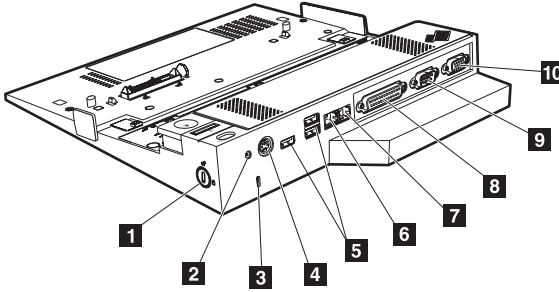
**6 Ultrabay Slim aygıtı**, DVD sürücüsü, CD-RW birleşik sürücüsü ya da ikinci bir sabit disk sürücüsü gibi çeşitli aygıtların kurulması için kullanır.

**7** ThinkPad bilgisayarınızı X4 Dock ürününe takarken **ayarlayıcının** doğru konumda olduğundan emin olun. Ayarlayıcının konumu bilgisayarınızın modeline ve aygıtınızda takılı olan pilin tipine bağlıdır. Buna ilişkin ayrıntılar için X4 Dock ürünü üzerine yapıştırılmış olan etikete bakın.

**8** Yerleşik **stereo hoparlörler** stereo ses verir.



## Arkadan görünüm



**1** Güvenlik kilidi anahtarını çıkartma düğmesini kilitlemek için kullanılır.

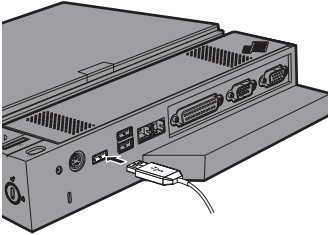
**2** Güç yuvası, AC bağdaştırıcısının takılması için kullanılır.

**3** Güvenlik anahtar deliği, X4 Dock ürününü masa benzeri ağır bir nesneye sabitlemek için mekanik bir kilit takmanızı sağlar.

**4** Klavye/fare bağlacı harici bir klavyeyin, tuş takımının ya da farenin bağlanması için kullanılır.

**5** Universal Serial Bus (USB) bağlaçları USB 1.1 ve USB 2.0 aygıtlarının bağlanması için kullanılır.

**Not:** Bir USB kablosunu bağlaca taktığımızda, şekilde gösterilen işaretin üstte olduğundan emin olun. Ters durumda, bağlaç hasar görebilir.



**6** Modem bağlacı X4 Dock ürününün telefon hattına bağlanmasını sağlar.

### Notlar:

1. ThinkPad bilgisayarınız modem bağlacını desteklemiyorsa, bağlacı kullanamazsınız.
2. Bilgisayarınızı X4 Dock ürününe bağladığınızda, bilgisayarınızda bulunan modem bağlacını değil, X4 Dock ürünündeki modem bağlacını kullanın.

**7 Ethernet baęlacı** X4 Dock ürününün bir 10BASE-T/100BASE-TX/1000BASE-T Ethernet LAN sistemine baęlanmasını saęlar. Baęlaę üzerindeki gösterge, ThinkPad bilgisayarını üzerindeki aynıdır.

**Notlar:**

1. ThinkPad bilgisayarınızda Ethernet baęlacı yoksa, X4 Dock ürünü üzerindeki Ethernet baęlacını kullanamazsınız. Bu baęlaę için Simgele Halka kablosunu da kullanamazsınız. Bu baęlaę, 10BASE-T/100BASE-TX/1000BASE-T Ethernet baęlantısı için kullanılabilir. Ancak, ThinkPad bilgisayarınız yalnızca 10BASE-T/100BASE-TX Ethernet ile kullanılabilir, bu baęlaę da yalnızca 10BASE-T/100BASE-TX Ethernet baęlantısı için kullanılabilir. Baęlacı, 1000BASE-T Ethernet baęlantısı için kullanamazsınız.
2. Bilgisayarınızı X4 Dock ürününe baęladığınızda, bilgisayarınızdaki baęlacı deęil, X4 Dock ürünündeki Ethernet baęlacını kullanın.

**8 Koşut baęlaę** bir koşut aygıtın baęlanması için kullanılır.

**9 Dizisel baęlaę** bir dizisel aygıtın baęlanması için kullanılır.

**10 Dış görüntü birimi baęlacı** bir dış görüntü biriminin baęlanması için kullanılır.

## ThinkPad X4 Dock ürününün kullanımı

### Not

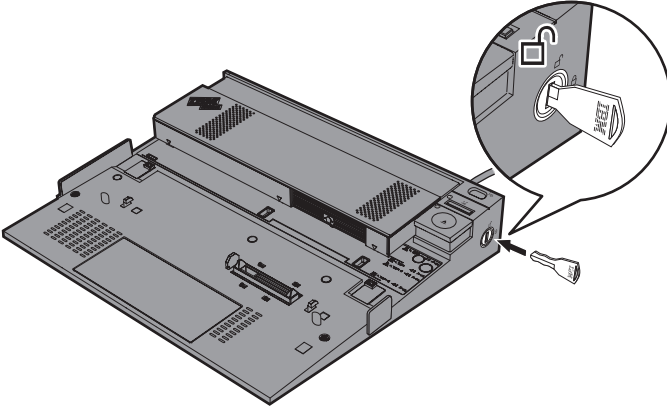
Çalıştığı sırada bilgisayarınızı takmak ya da çıkartmak istediğinizde, öncelikle bilgisayarınızın USB bağlacına, dizisel bağlaca ya da koştut bağlaca bağlı aygıtlarla ilişkili işlemleri bitirmiş olduğundan emin olun. Ayrıca, her tür modem ya da Ethernet bağlantısının kesilmiş olduğundan da emin olun.

**Not:** ThinkPad X40 Series bilgisayarı kullanıyorsanız, bu bilgisayarı ThinkPad X4 Dock ürününe takmadan önce BIOS ve Easy Eject Utility yardımcı programını güncellenmeniz gerekir. BIOS koduna ve yardımcı programa ilişkin en son sürümü yüklemek için Internet'te şu adrese gidin: [www.pc.ibm.com/support](http://www.pc.ibm.com/support)

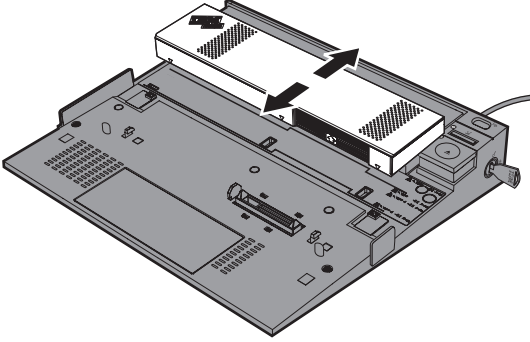
### Bilgisayarınızın ThinkPad X4 Dock ürününe takılması

Bilgisayarınızı ThinkPad X4 Dock ürününe takmak için aşağıdakileri yapın:

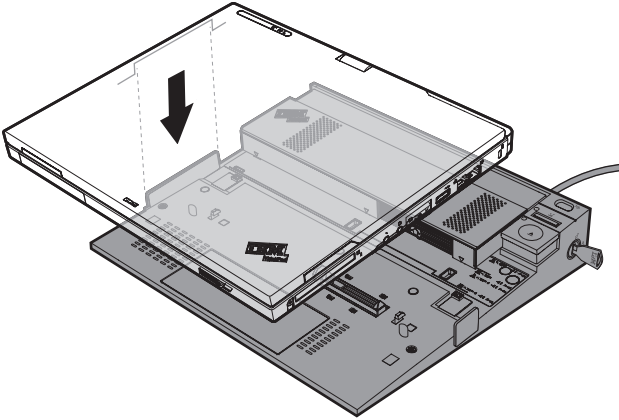
1. AC bağdaştırıcısını bilgisayarınızdan çıkarın; tersi durumda AC bağdaştırıcısına zarar verebilirsiniz. X4 Dock ürünüyle birlikte gönderilen pakette yer alan AC bağdaştırıcısını kullanarak ThinkPad X4 Dock ürününe bir AC bağdaştırıcısı takın.
2. X4 Dock ürününün güvenlik kilidi anahtarının yerine takılı, ancak anahtarın çevrilmemiş (dikey) konumda olduğundan emin olun.



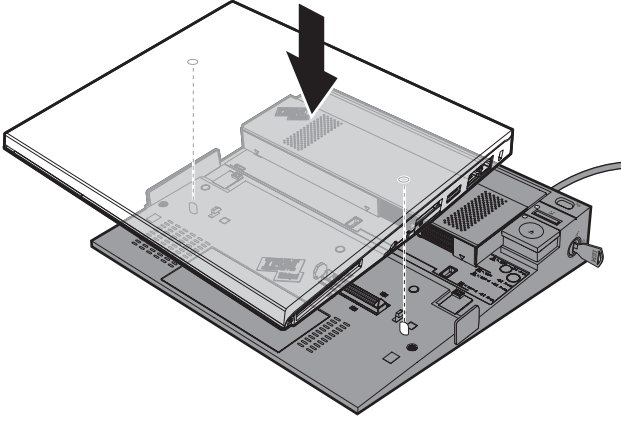
3. Ayarlayıcının doğru konumda olduğundan emin olun. Ayarlayıcının konumu bilgisayarınızın modeline ve aygıtınızda takılı olan pilin tipine bağlıdır. Buna ilişkin olarak ThinkPad X4 Dock ürünü üzerine yapıştırılmış olan etikete bakın.



4. ThinkPad X41 Tablet Series bilgisayarı kullanıyorsanız, bilgisayarın sol tarafını, X4 Dock ürününün sol tarafında bulunan kılavuzla hizalayın ve bilgisayarınızın alt tarafındaki takma bağlacıyla X4 Dock üzerindeki takma bağlacının birbirleriyle aynı hizada olduğundan emin olun.



ThinkPad X40 Series bilgisayarınızı kullanıyorsanız, bilgisayarınızı, arka tarafını ayarlayıcıyla hizalayarak takın.



5. Tık sesi duyuncaya kadar, bilgisayarınızın her iki yanına da iyice bastırın. Artık bilgisayarınız X4 Dock ürününe takılmıştır.

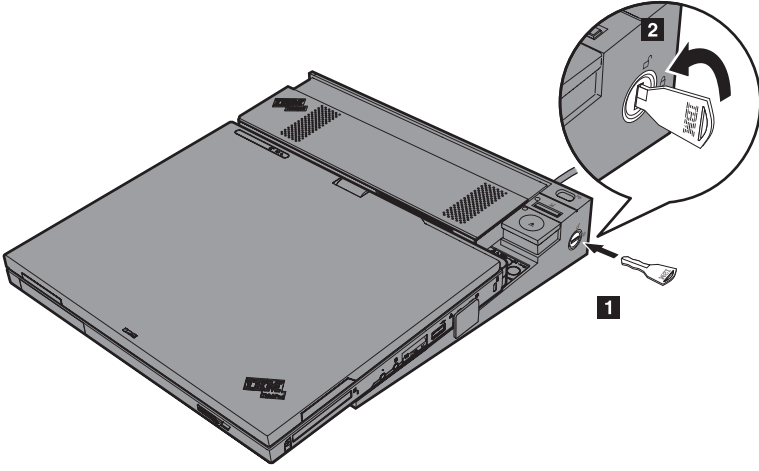
**Not:** Güvenlik kilidini kilitlemek için anahtarı saat yönüne doğru çevirin. Güvenlik kilidi anahtarını her zaman güvenli bir yerde saklayın. Anahtarı kaybetmeyin; anahtarı kaybederseniz bilgisayarınızı X4 Dock ürününden çıkartamazsınız.

## **Bilgisayarınızın ThinkPad X4 Dock ürününden çıkartılması**

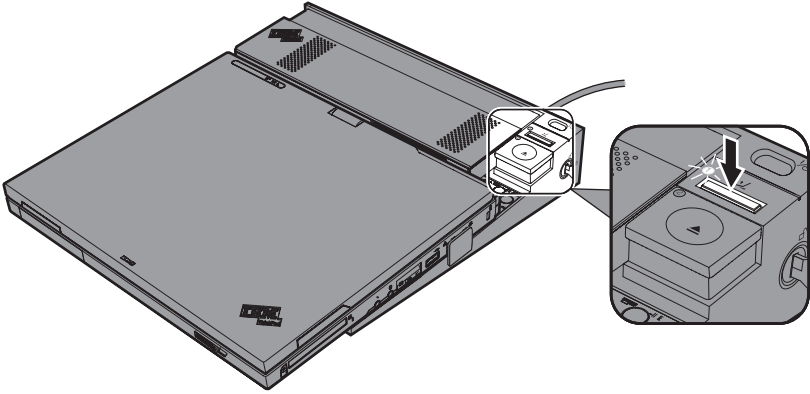
Bilgisayarınızı ThinkPad X4 Dock ürününden çıkartmak için aşağıdakileri yapın:

1. Pil takımının normal bir çalışma süresi için yeterli olacak şekilde dolu olduğundan emin olun.

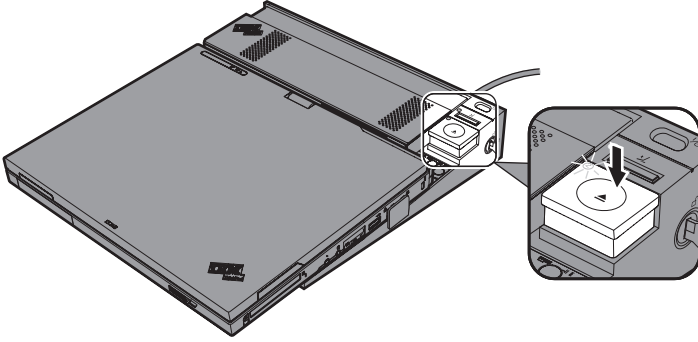
2. X4 Dock ürününün güvenlik kilidi anahtarının yerine takılı, ancak anahtarın çevrilmemiş (dikey) konumda olduğundan emin olun.



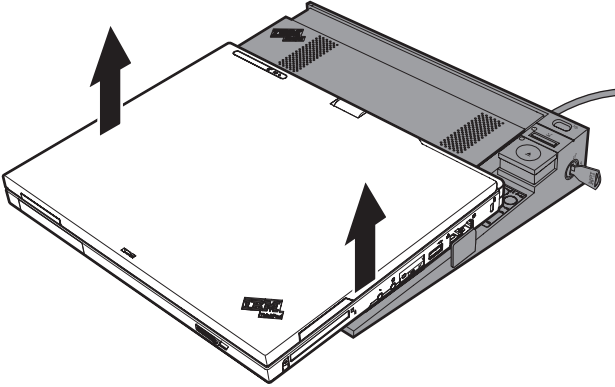
3. Bilgisayarınızın görüntü birimini kapatın.
4. Çıkartma isteği düğmesine basın. Takılı göstergesi önce yanıp sönmeye başlar, daha sonra ise tümüyle söner.



5. Çıkarılmaya Hazır göstergesi yanar; bilgisayarınız yukarı doğru hareket edinceye kadar çıkartma düğmesine basın.



6. Bilgisayarın iki yanından tutarak aygıtı X4 Dock üzerinden çıkarın.



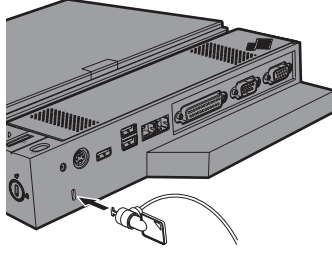
X4 Dock ürününün kurulmasına ve kullanılmasına ilişkin ayrıntılı bilgi almak için, Access IBM olanağına ya da bu seçenekle birlikte gönderilen Setup Poster (Kuruluş Şeması) belgesine başvurun.

## Güvenlik aksamı

ThinkPad X4 Dock ürününde mekanik kilit kullanımı için bir güvenlik anahtarı deliği bulunur. X4 Dock ürününü masa gibi ağır bir nesneye sabitlemek için, kablolu mekanik bir kilidi güvenlik anahtarı deliğine takın.

IBM, size mekanik bir kilit sağlamaz. Bu tür bir kilidi piyasadan satın almanız gerekir. Tüm kilitleme aygıtlarının ve güvenlik aksamalarının değerlendirilmesinden, seçiminden ve bunların takılmasından siz sorumlu olursunuz. IBM, hiçbir kilitleme aygıtının ya da güvenlik aksamının işlevine, kalitesine ya da performansına ilişkin hiçbir yorum ve değerlendirme yapmaz ya da bu tür aygıt ya da aksamla ilişkin hiçbir garanti vermez.

Mekanik kilidi ařađıda belirtilen řekilde takın:





---

## 关于 ThinkPad X4 扩展坞

本节提供了有关注册、安装和使用 ThinkPad X4 扩展坞的信息。

---

### 产品注册

感谢您购买本 IBM 产品。请花一点时间注册您的产品并向我们提供有助于 IBM 将来更好地为您服务的信息。您的反馈对于我们在开发对您相当重要的产品和服务，以及寻找更好的方式以便与您沟通方面具有重要价值。请在以下 IBM Web 站点注册您的选件：

[www.ibm.com/pc/register](http://www.ibm.com/pc/register)

IBM 将向您发送有关您所注册的产品信息和更新材料，除非您在 Web 站点的调查表中表明您不希望接收进一步的信息。

---

### 产品描述

ThinkPad X4 扩展坞仅与 ThinkPad X40 系列（包含 Tablet PC 型号）的计算机一起工作。通过启用它来使用 Ultrabay™ Slim 和各种可选设备可以扩展计算机的能力。

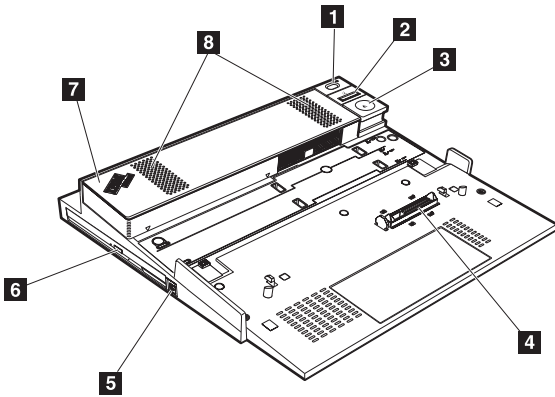
将计算机连接到 ThinkPad X4 扩展坞之后，您可以使用它的接口来代替计算机的接口。

当计算机连接到 ThinkPad X4 扩展坞后，切勿拿起组合件时仅握住计算机。请始终握住整个组合件。

**警告：** 为减少着火的风险，请使用 No.26 AWG 或更大（更粗）的电话电缆。

**警告：** 交流电源适配器：请使用“UL 列示的电源”，额定 16 伏 3.5 安直流电或等效电压和电流。

## 前视图



**1** 电源开关开启或关闭计算机。

**2** 按弹出请求按键可以请求操作系统将计算机从 X4 扩展坞中卸下。当计算机连接到 X4 扩展坞时，接入指示灯为绿色。当发出弹出请求后，该指示灯熄灭，就可以从 X4 扩展坞安全拆离计算机了。

**3** 弹出按键可从 X4 扩展坞释放计算机。当计算机已就绪从 X4 扩展坞安全拆离时，弹出就绪指示灯为绿色。当计算机从 X4 扩展坞拆离后，该指示灯熄灭。

注：要锁定 X4 扩展坞的弹出按键，请使用安全锁定钥匙。

**4** 扩展坞接入接口是连接 ThinkPad 计算机的位置。

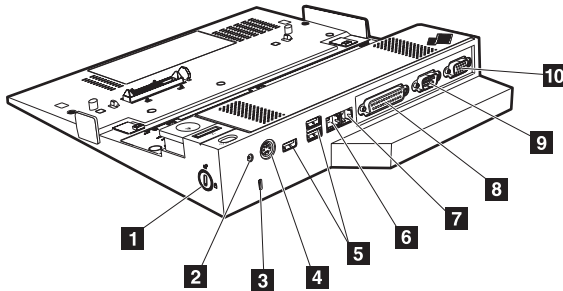
**5** 托架滑锁释放手柄，这样您就可以更换 Ultrabay Slim 设备了。

**6** **Ultrabay Slim** 设备用于安装各种设备，例如 DVD 驱动器、CD-RW/DVD Combo 驱动器或第二个硬盘驱动器。

**7** 将 ThinkPad 计算机连接到 X4 扩展坞时，请确保调整器固定在正确位置。调整器的位置取决于计算机型号和所安装电池的类型。有关详细信息，请参考 X4 扩展坞上粘贴的标签。

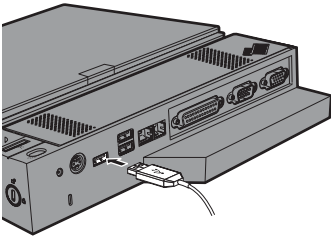
**8** 内置立体声扬声器可生成立体声声音。

## 后视图



- 1** 安全锁定钥匙用于锁定弹出按键。
- 2** 电源插孔用于连接交流电源适配器。
- 3** 安全锁孔使您能够连接机械锁将 X4 扩展坞固定在重物上，例如桌子。
- 4** 键盘 / 鼠标接口用于连接外接的键盘、小键盘或鼠标。
- 5** 通用串行总线（**USB**）接口用于连接 USB 1.1 和 USB 2.0 设备。

**注：** 当您将 USB 电缆连接到接口时，请确保图中显示的标记朝上。否则，接口可能会损坏。



- 6** 调制解调器接口用于将 X4 扩展坞连接到电话线。

**注：**

- 如果您的 ThinkPad 计算机不支持调制解调器接口，则无法使用该接口。
- 如果您将计算机连接到 X4 扩展坞，请使用 X4 扩展坞上的调制解调器接口，请勿使用计算机上的接口。

**7** 以太网接口用于将 X4 扩展坞连接到 10BASE-T/100BASE-TX/1000BASE-T 以太网 LAN。接口上的指示灯与 ThinkPad 计算机上的相同。

注:

1. 如果您的 ThinkPad 计算机没有以太网接口，则无法使用 X4 扩展坞上的以太网接口。您不能为该接口使用令牌环电缆。该接口可以用于 10BASE-T/100BASE-TX/1000BASE-T 以太网连接。但是，如果您的 ThinkPad 计算机只能使用 10BASE-T/100BASE-TX 以太网，则该接口只能用于 10BASE-T/100BASE-TX 以太网连接而不能用于 1000BASE-T 以太网连接。
2. 如果您将计算机连接到 X4 扩展坞，请使用 X4 扩展坞上的以太网接口，请勿使用计算机上的接口。

**8** 并口用于连接并行设备。

**9** 串口用于连接串行设备。

**10** 外接监视器接口用于连接外接监视器。

## 使用 ThinkPad X4 扩展坞

### 注

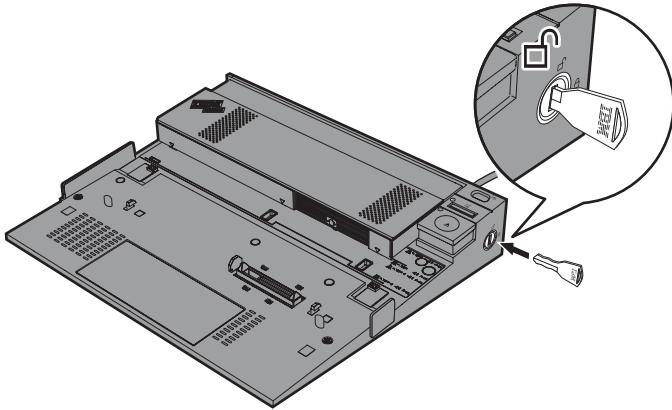
在计算机运行时进行连接或拆离之前，请始终确保它已完成涉及连接到 USB 接口、串口或并口的设备的操作。还要确保与调制解调器或以太网的任何连接都已停止。

**注：**如果您在使用 ThinkPad X40 系列计算机，则在将它连接到 ThinkPad X4 扩展坞之前，您需要更新 BIOS 和 Easy Eject Utility。要下载最新版本的 BIOS 代码和实用程序，请转至万维网上的 [www.pc.ibm.com/support](http://www.pc.ibm.com/support)。

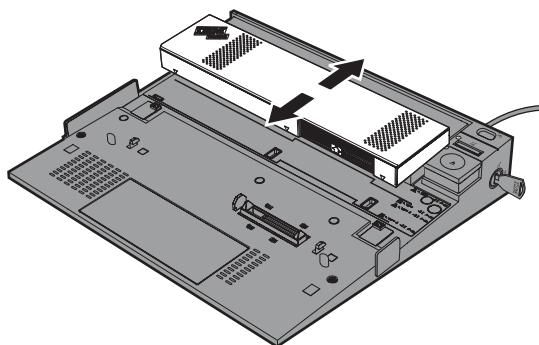
## 连接 ThinkPad X4 扩展坞

要将计算机连接到 ThinkPad X4 扩展坞，请执行以下操作：

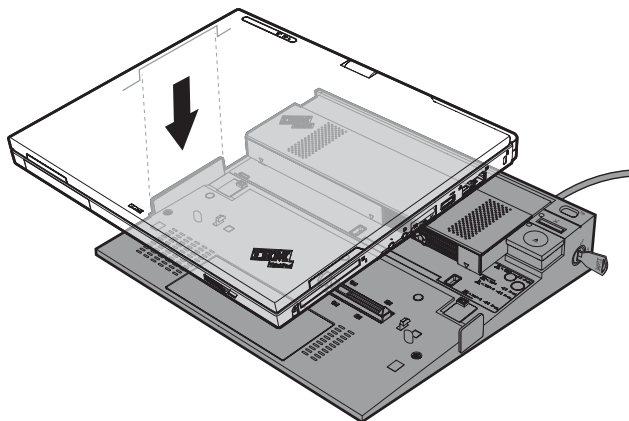
1. 从计算机断开交流电源适配器，否则可能损坏交流电源适配器。将交流电源适配器连接到 ThinkPad X4 扩展坞，请使用 X4 扩展坞随附的包装中包含的交流电源适配器。
2. 确保 X4 扩展坞的安全锁定钥匙已就位并处于解锁（垂直）位置。



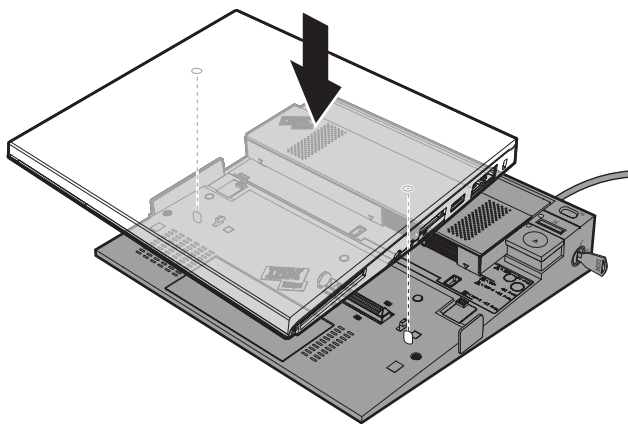
3. 将调整器固定在适当位置。调整器的位置取决于计算机型号和所安装电池的类型。请参考 ThinkPad X4 扩展坞上粘贴的标签。



4. 如果您在使用 ThinkPad X41 Tablet 系列计算机，请将计算机的左侧与 X4 扩展坞左侧的导轨对齐；确保计算机底部和 X4 扩展坞上的接入接口相互对齐。



如果您在使用 ThinkPad X40 系列计算机，请在连接计算机时将计算机的后部与调整器对齐。



5. 按牢计算机的两侧直到您听到咔哒一声。计算机现在已连接到 X4 扩展坞了。

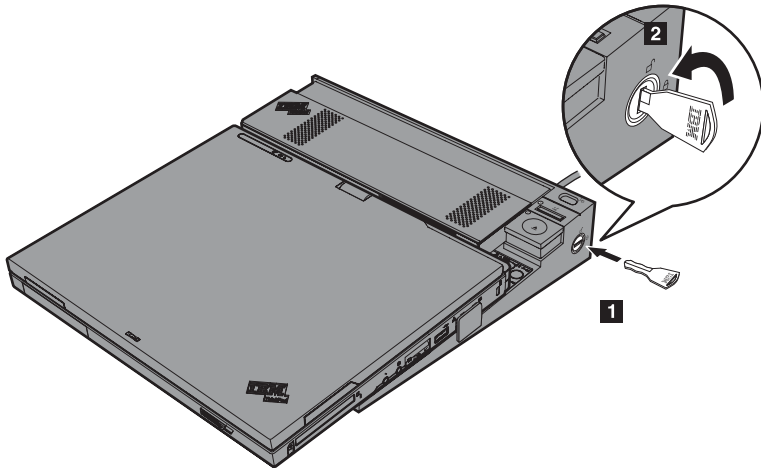
**注：**顺时针方向旋转安全锁定钥匙将它锁定。请始终将安全锁定钥匙保存在安全位置。请勿遗失；否则您将无法将计算机从 X4 扩展坞拆离。

## 拆离 ThinkPad X4 扩展坞

要将计算机从 ThinkPad X4 扩展坞拆离，请执行以下操作：

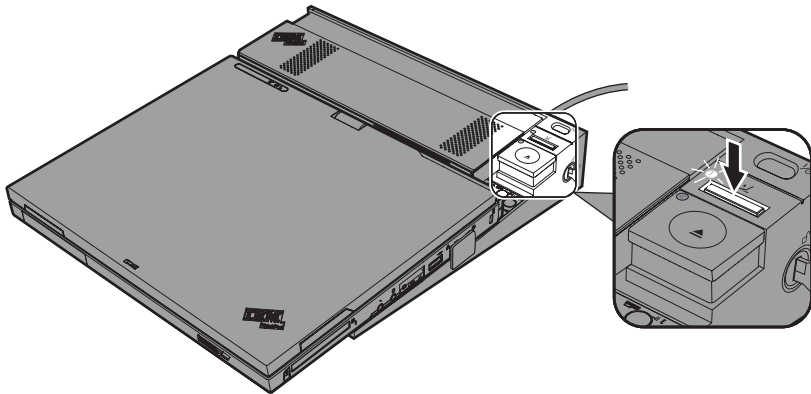
1. 确保电池已充满以供正常运行。

2. 确保 X4 扩展坞的安全锁定钥匙已就位并处于解锁（垂直）位置。



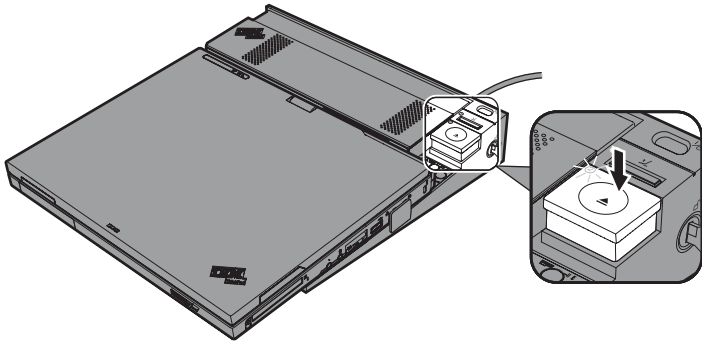
3. 合上计算机显示器。

4. 按弹出请求按键。“接入”指示灯开始闪烁，然后熄灭。

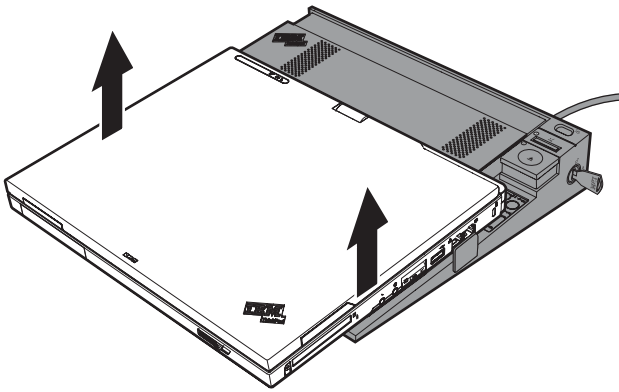




5. “弹出就绪”指示灯亮起；按住弹出按键直到计算机上移。



6. 握住计算机的两侧，从 X4 扩展坞取出计算机。



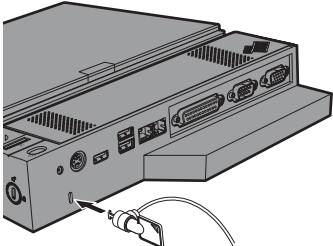
有关安装和使用 X4 扩展坞的详细信息，请参阅 Access IBM 或该选件随附的安装海报。

## 安全功能部件

ThinkPad X4 扩展坞具有用于机械锁的安全锁孔。要将 X4 扩展坞固定到重物（例如桌子）上，请将带有线缆的机械锁连接到安全锁孔。

IBM 不提供机械锁。您将需要在别的地方购买。您有责任评估、选择和实现任何锁定设备和安全功能部件。IBM 不对任何锁定设备或安全功能部件的功能、质量或性能作任何评论、判断或担保。

请按如下所示连接机械锁:



---

## 關於 ThinkPad X4 Dock

本節提供有關 ThinkPad X4 Dock 的註冊、安裝以及使用等資訊。

---

### 產品註冊

感謝您購買本 IBM 產品。請花一些時間為產品註冊並提供相關資訊，以便 IBM 未來提供更好的服務。您的回饋彌足珍貴，可協助我們開發重要的產品及服務，並改善溝通管道。請至下面的 IBM 網站註冊您的選用設備：

[www.ibm.com/pc/register](http://www.ibm.com/pc/register)

IBM 將會寄送註冊產品的相關資訊與更新程式，除非您在 IBM 網站問卷中指明不要收到進一步資訊。

---

### 產品說明

ThinkPad X4 Dock 僅適用於 ThinkPad X40 系列電腦，包括 Tablet PC 機型。本產品可擴充電腦性能，讓您得以使用 Ultrabay™ Slim 以及多種選購裝置。

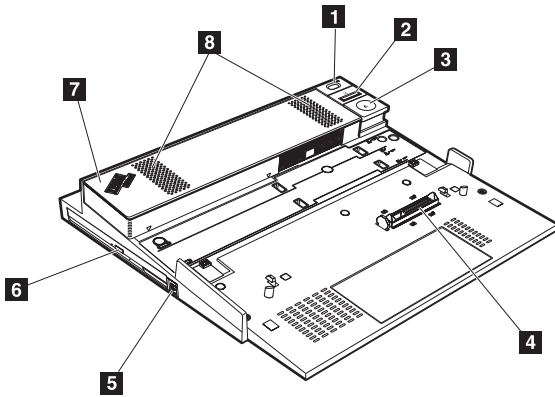
將電腦裝到 ThinkPad X4 Dock 之後，您可以使用其接頭來代替電腦接頭。

一旦將電腦裝到 ThinkPad X4 Dock 時，拿取組件時請勿只拿電腦本身。請務必拿住整個組件。

**警告：** 為降低起火風險，請只使用美規線徑 (AWG) 26 號或更大（更粗）的電話纜線。

**警告：** AC 整流器：請使用 16 Vdc 3.5 A 或同等規格的 UL 認證電源供應器。

## 正面圖



**1** 電源開關可開啓或關閉電腦。

**2** 按下**退出要求鈕**，就可要求作業系統分離電腦與 X4 Dock。裝入指示燈若為綠色，表示電腦已妥善連接到 X4 Dock 上。當發出退出要求時，此指示燈會熄滅，表示電腦可以與 X4 Dock 安全分離。

**3** **退出鈕**可將電腦與 X4 Dock 鬆開。**退出備妥指示燈**若為綠色，表示電腦已準備好與 X4 Dock 安全分離。一旦電腦與 X4 Dock 分離，此指示燈就會熄滅。

註：若要鎖住 X4 Dock 退出鈕，請使用安全鎖鑰匙。

**4** 裝入**接頭**就是連接 ThinkPad 電腦的地方。

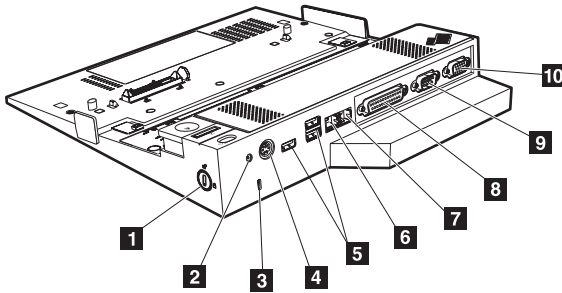
**5** 可從**機槽卡榫**鬆開握把，以便更換 Ultrabay Slim 裝置。

**6** **Ultrabay Slim 裝置**可用來安裝多種裝置，例如 DVD 光碟機、CD-RW/DVD 複合式光碟機、或第二顆硬碟。

**7** 請確認 ThinkPad 電腦連接到 X4 Dock 時，**調節器**已妥善置於適當位置。調節器的位置視電腦機型及安裝電池類型而定。請參閱貼在 X4 Dock 上的標籤以取得詳細資訊。

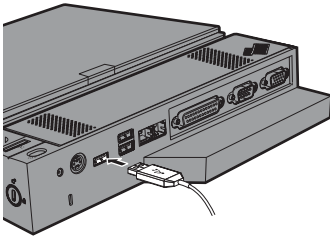
**8** 內建式**立體聲喇叭**可產生立體音效。

## 背面圖



- 1** 安全鎖鑰匙用來鎖定退出鈕。
- 2** 電源插孔用來連接 AC 整流器。
- 3** 安全鑰匙孔可讓您連接機械鎖，以便將 X4 Dock 安全鎖在重物上，如書桌。
- 4** 鍵盤/滑鼠接頭用來連接外接式鍵盤、按鍵面板或滑鼠。
- 5** 通用序列匯流排 (USB) 接頭可連接 USB 1.1 和 USB 2.0 裝置。

註：將 USB 纜線連接到接頭時，請確認圖示中的標誌朝上。否則，可能會損壞接頭。



- 6** 數據機接頭用來連接 X4 Dock 與電話線。

註：

- 如果您的 ThinkPad 電腦不支援數據機接頭，您就無法使用這個接頭。
- 如果已將電腦連接到 X4 Dock 上，請使用 X4 Dock 的數據機接頭，而不要用電腦的數據機接頭。

**7** 乙太網路接頭用來連接 X4 Dock 與 10BASE-T/100BASE-TX/1000BASE-T 乙太區域網路。接頭上的指示燈與 ThinkPad 電腦的指示燈一樣。

**註:**

1. 如果您的 ThinkPad 電腦不具備乙太網路接頭，您就無法使用 X4 Dock 上的乙太網路接頭。此接頭並不適用記號環纜線。它可用於 10BASE-T/100BASE-TX/1000BASE-T 乙太網路連線。然而，如果您的 ThinkPad 電腦只可使用 10BASE-T/100BASE-TX 乙太網路，則此接頭只能用於 10BASE-T/100BASE-TX 乙太網路連線，而無法用於 1000BASE-T 乙太網路連線。
2. 如果已將電腦連接到 X4 Dock 上，請使用 X4 Dock 的乙太網路接頭，而不要用電腦的乙太網路接頭。

**8** 並列埠接頭用來連接並列裝置。

**9** 序列埠接頭用來連接序列裝置。

**10** 外接式顯示器接頭用來連接外接式顯示器。

## 使用 ThinkPad X4 Dock

### 註

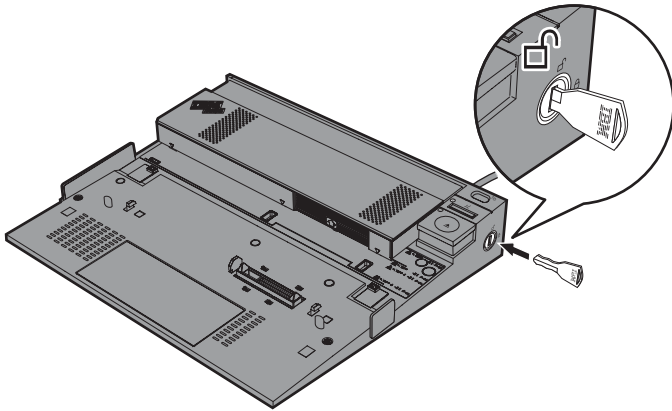
在電腦執行時，若要裝入或分離電腦，請務必確認連接到 USB 接頭、序列接頭或並列接頭的相關裝置，已完成其作業。此外，也請確認數據機或乙太網路的連線已經終止。

**註：**如果您使用 ThinkPad X40 系列電腦，在連接到 ThinkPad X4 Dock 之前，您必須更新 BIOS 及 Easy Eject Utility。若要下載最新版本的 BIOS 程式碼及公用程式，請造訪全球資訊網上的 [www.pc.ibm.com/support](http://www.pc.ibm.com/support)。

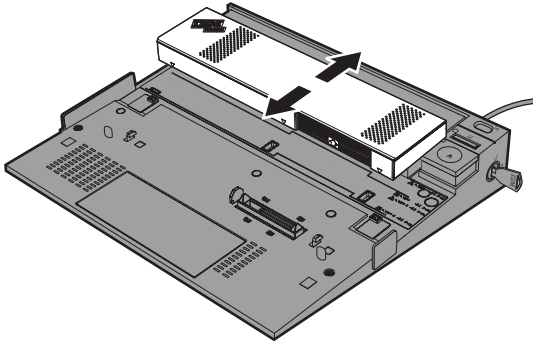
## 裝上 ThinkPad X4 Dock

若要將電腦裝上 ThinkPad X4 Dock，請執行下列步驟：

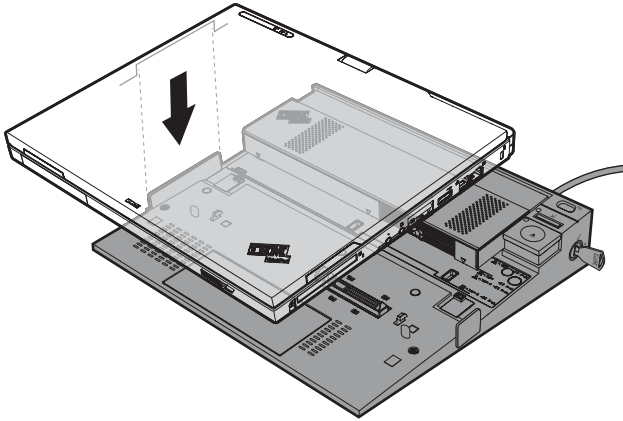
1. 請拔除電腦的 AC 整流器，否則可能會損壞 AC 整流器。請用 X4 Dock 包裝中隨附的 AC 整流器連接 ThinkPad X4 Dock。
2. 請確認 X4 Dock 的安全鎖鑰匙位於解除鎖定（垂直）位置。



3. 請確保調節器置於適當位置。調節器的位置視電腦機型及安裝電池類型而定。請參閱貼在 ThinkPad X4 Dock 上的標籤。

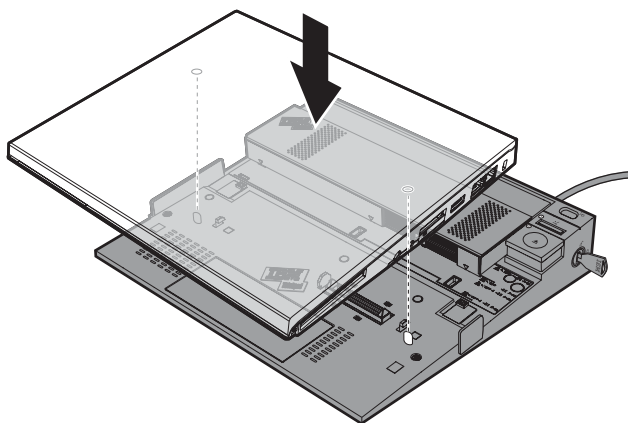


4. 如果您使用 ThinkPad X41 Tablet 系列電腦，請將電腦左側對齊 X4 Dock 左側；然後確認電腦底部的裝入接頭與 X4 Dock 的裝入接頭已確實對齊。





如果您使用 ThinkPad X40 系列電腦，請將電腦背面對齊調節器以便連接。



5. 緊壓電腦兩側，直到聽到卡入聲。這表示電腦已裝入 X4 Dock 了。

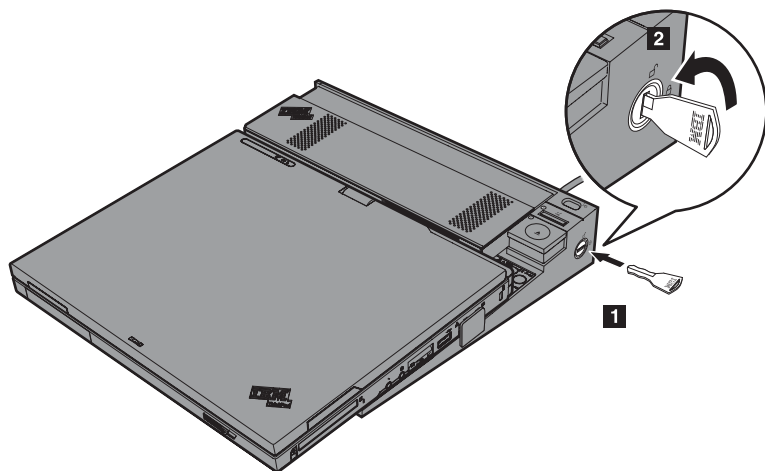
**註：** 順時針方向旋轉安全鎖鑰匙將其鎖上。請務必將安全鎖鑰匙保存在安全的地方。切勿遺失，否則將無法分離電腦與 X4 Dock。

## 分離 ThinkPad X4 Dock

若要將電腦從 ThinkPad X4 Dock 分離，請執行下列步驟：

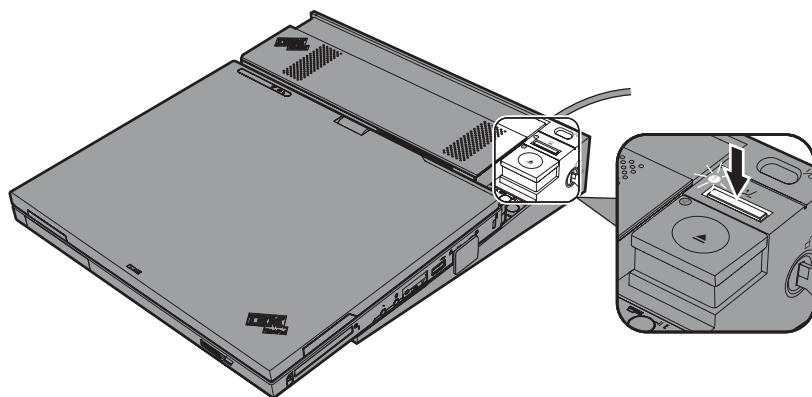
1. 請確認電池組電力充足可供執行一般作業。

2. 請確認 X4 Dock 的安全鎖鑰匙位於解除鎖定（垂直）位置。

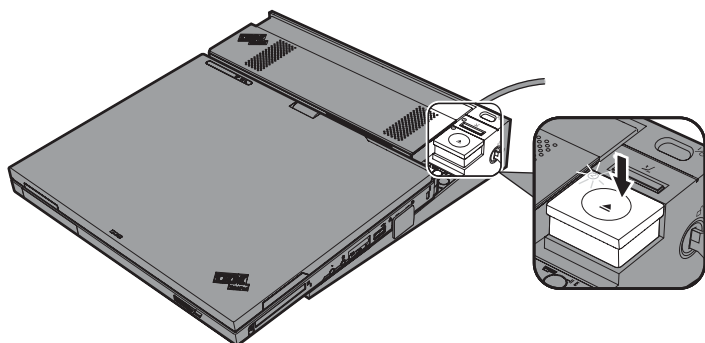


3. 關閉電腦顯示器。

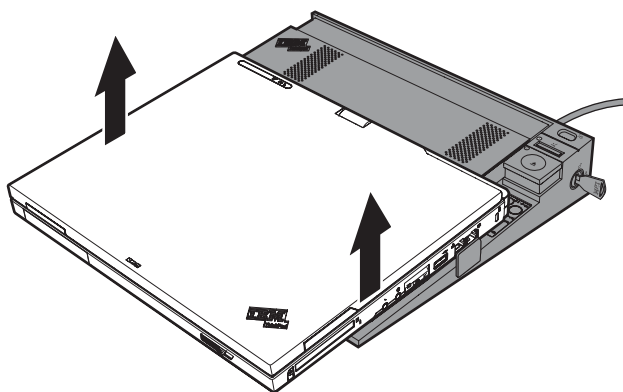
4. 按下退出要求鈕。裝入指示燈會開始閃爍然後熄滅。



- 當退出備妥指示燈亮起，請按下退出鈕直到電腦往上移動。



- 抓住電腦兩側，從 X4 Dock 取出電腦。



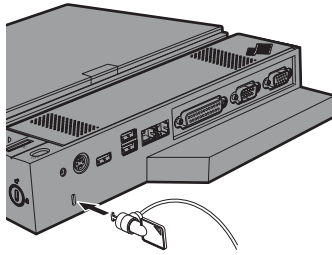
如需安裝及使用 X4 Dock 的詳細資訊，請參閱 [Access IBM](#) 或選用設備隨附的安裝海報。

## 安全特殊裝置

ThinkPad X4 Dock 具備機械鎖專用的安全鑰匙孔。若要將 X4 Dock 鎖在重物上，如書桌，請將機械鎖和纜線連接到安全鑰匙孔。

IBM 不提供機械鎖。您必須另行選購。有關鎖定裝置及安全特殊裝置的評估、選擇及操作，您必須自行負責。IBM 不對任何鎖定裝置或安全特殊裝置的功能、品質或效能提供任何評價、判斷或保證。

請按照下圖連接機械鎖：



---

## ThinkPad X4 ドックについて

このセクションでは、ThinkPad X4 ドックの登録、取り付け、および使用について説明します。

---

### 製品の登録

このたびは、IBM 製品をご購入いただき、ありがとうございます。ご購入いただきました製品は、登録いただきますようお願いいたします。また、今後のサービス向上のため、ご意見を IBM にお寄せください。お客様からのフィードバックは、お客様にとって重要な製品やサービスを開発し、お客様との連絡を向上させる貴重な情報です。購入されたオプション製品を登録するには、次の IBM Web サイト (英語のサイト) にアクセスしてください。

[www.ibm.com/pc/register](http://www.ibm.com/pc/register)

IBM では、お客様が登録された製品について、情報および修正情報をお送りします。このような情報を受信したくない場合は、Web サイトのアンケートに回答するときに、情報の受信を拒否することもできます。

---

### 製品説明

ThinkPad X4 ドックを利用できるThinkPad は、タブレット PC モデルを含む ThinkPad X40 シリーズのみです。これを使用することにより、ThinkPad の機能が拡張されて、ウルトラベイ™・スリム・デバイスやその他のオプション・デバイスを利用できるようになります。

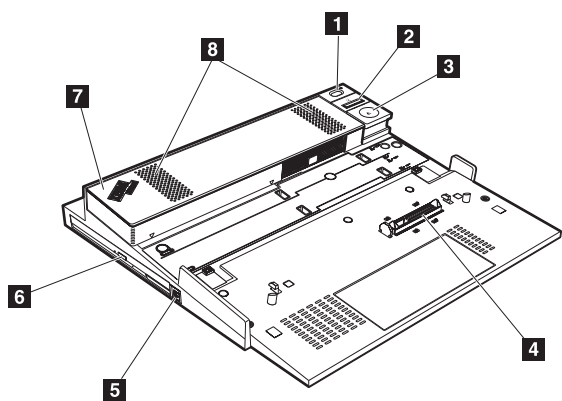
ご使用のThinkPad を ThinkPad X4 ドックに接続した後に、ThinkPad のコネクターの代わりにドックのコネクターを使用することができます。

ThinkPad が ThinkPad X4 ドックに接続されている時は、ThinkPad のみをつかんでアセンブリーを持ち上げてはなりません。必ず、アセンブリー全体をつかんでください。

**重要:** 火災防止のため、モデム用ケーブルには No.26 AWG 以上 (太い線) を使用してください。

**重要:** AC アダプターには 16 VDC 3.5 A またはこれと同等の電気用品安全法に適合した物を使用してください。

## 正面図



**1** 電源スイッチは、ThinkPad をオン/オフします。

**2** 排出要求ボタンを押すことにより、ThinkPad を ThinkPad X4 ドックからドック解除するよう、オペレーティング・システムに要求することができます。ドック済みインディケーターは、ThinkPad が ThinkPad X4 ドックに接続されている時に緑になります。このインディケーターは、排出要求が出されて ThinkPad が ThinkPad X4 ドックから安全に取り外すことができる時に、オフになります。

**3** 排出ボタンは、ThinkPad を ThinkPad X4 ドックから解放します。排出可能表示インディケーターは、ThinkPad が ThinkPad X4 ドックから安全に取り外される準備ができていない時に緑になります。このインディケーターは、ThinkPad が ThinkPad X4 ドックから取り外されている時はオフになります。

注: ThinkPad X4 ドック の排出ボタンをロックするには、セキュリティー・ロック・キーを使用します。

**4** ドッキング・コネクタは、ThinkPad を接続するためのコネクタです。

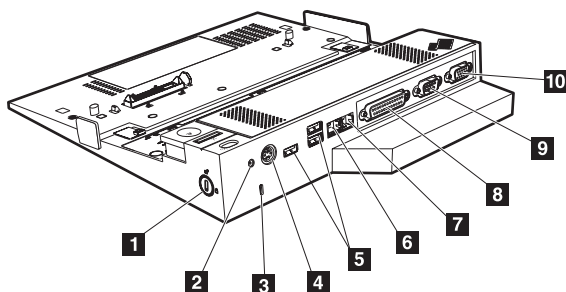
**5** ベイ・ラッチは、ハンドルを解放して、ウルトラベイ・スリム・デバイスを取り替えられるようにします。

**6** ウルトラベイ・スリム・デバイスは、DVD ドライブ、CD-RW/DVD コンボ・デバイス、あるいは 2 台目のハード・ディスクなど、さまざまなデバイスを取り付けるために使用します。

**7** ThinkPad を ThinkPad X4 ドックに接続する時は、アジャスターが正しい位置に固定されていることを確認します。アジャスターの位置は、取り付ける ThinkPad ・モデルおよびバッテリーのタイプによって決まります。詳しくは、ThinkPad X4 ドック に付けられているラベルを参照してください。

**8** 標準装備のステレオ・スピーカーは、ステレオの音を生成します。

## 背面図



**1** セキュリティー・ロック・キーは、排出ボタンをロックします。

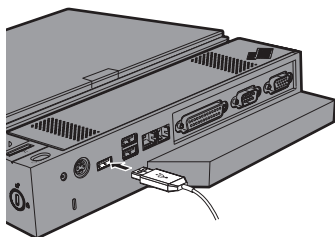
**2** 電源ジャックは、AC アダプターの接続用です。

**3** セキュリティー・キーホールにより、X4 ドックを重量のある物体 (机など) に固定する、ロック機構を取り付けることができます。

**4** キーボード/マウス・コネクタは、外付けキーボード、キーパッド、またはマウスの接続用です。

**5** ユニバーサル・シリアル・バス (USB) コネクタは、USB 1.1 デバイスおよび USB 2.0 デバイスの接続用です。

注: このコネクタに USB ケーブルを接続する際は、図で示されているマークが上になっていることを確認します。上下を逆にしてしまうと、コネクタが損傷するおそれがあります。



**6** モデム・コネクタは、ThinkPad X4 ドックを電話回線に接続します。

注:

1. ご使用の ThinkPad がモデム・コネクタをサポートしない場合、このコネクタは使用できません。

2. ご使用のThinkPad を ThinkPad X4 ドックに接続する場合は、ThinkPad 上のモデム・コネクタは使用せず、ThinkPad X4 ドック上のモデム・コネクタを使用します。

**7** イーサネット・コネクタは、ThinkPad X4 ドックを 10BASE-T イーサネット LAN、100BASE-TX イーサネット LAN、1000BASE-T イーサネット LAN に接続します。コネクタ上のインディケータは、ThinkPad 上のインディケータと同じです。

**注:**

1. ご使用の ThinkPad にイーサネット・コネクタがない場合、ThinkPad X4 ドック でイーサネット・コネクタを使用することはできません。トークンリング・ケーブルをこのコネクタに使用することはできません。このコネクタは、10BASE-T イーサネット接続/100BASE-TX イーサネット接続/1000BASE-T イーサネット接続に使用できます。ただし、ご使用の ThinkPad が 10BASE-T イーサネット接続/100BASE-TX イーサネット接続にのみ使用できる場合は、イーサネット・コネクタは、10BASE-T イーサネット接続/100BASE-TX イーサネット接続にのみ使用でき、1000BASE-T イーサネット接続では使用できません。
2. ご使用のThinkPad を ThinkPad X4 ドックに接続する場合、ThinkPad 上のイーサネット・コネクタは使用せず、ThinkPad X4 ドック上のイーサネット・コネクタを使用します。

**8** パラレル・コネクタは、パラレル・デバイスの接続用です。

**9** シリアル・コネクタは、シリアル・デバイスの接続用です。

**10** 外付けモニター・コネクタは、外付けモニターの接続用です。



## ThinkPad X4 ドックの使用

### 注

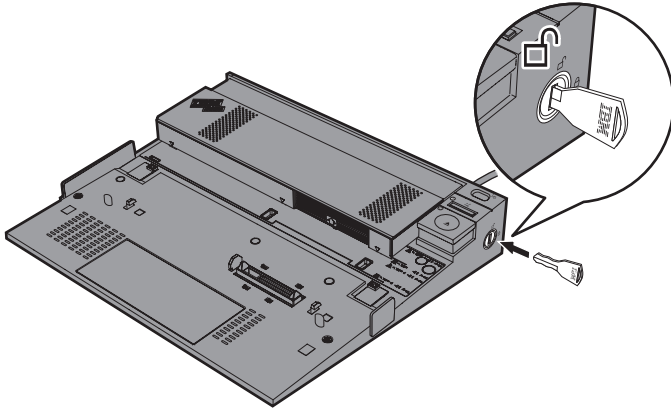
ThinkPad の作動中に接続または取り外しを行う前に、USB コネクタ、シリアル・コネクタ、またはパラレル・コネクタに接続されているデバイスに関する操作が完了していることを、確認してください。また、モデムまたはイーサネットに接続されている場合は、必ず停止してください。

**注:** ThinkPad X40 シリーズ・ThinkPad を使用している場合、ThinkPad X4 ドックに取り付ける前に、BIOS および Easy Eject Utility を更新する必要があります。BIOS コードおよび Easy Eject Utility の最新バージョンをダウンロードするには、ワールド・ワイド・ウェブの [www.pc.ibm.com/support](http://www.pc.ibm.com/support) に進みます。

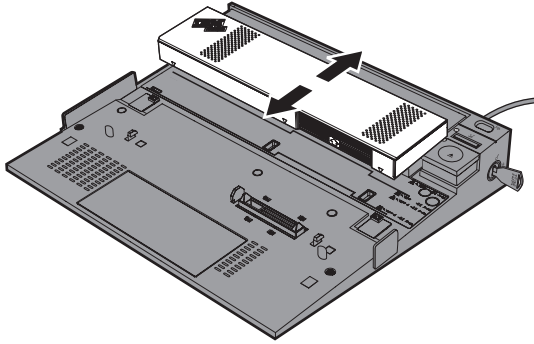
### ThinkPad X4 ドックの取り付け

ご使用のThinkPad を ThinkPad X4 ドックに取り付けるには、次のようにします。

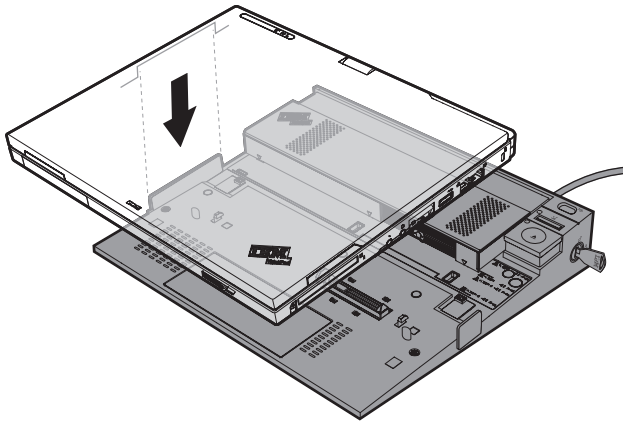
1. ご使用のThinkPad の AC アダプターは、破損するおそれがあるので、取り外してください。ThinkPad X4 ドックに付属するパッケージに含まれている AC アダプターを使用し、AC アダプターを ThinkPad X4 ドックに接続します。
2. ThinkPad X4 ドックのセキュリティー・ロック・キーが、正しい位置にあり、アンロック位置 (垂直な状態) であることを確認します。



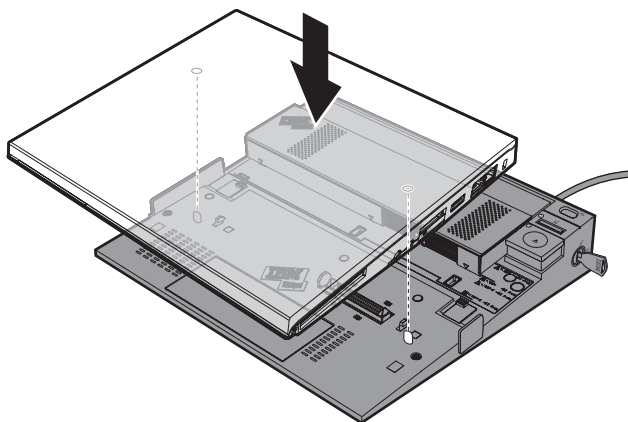
3. アジャスターを正しい位置に固定します。アジャスターの位置は、取り付け  
るThinkPad ・モデルおよびバッテリーのタイプによって決まります。  
ThinkPad X4 ドックに付けられているラベルを参照してください。



4. ThinkPad X41 タブレット・シリーズ・ThinkPad を使用している場合、  
ThinkPad の左側を ThinkPad X4 ドックの左側のガイドに位置合わせしま  
す。ThinkPad の下部と ThinkPad X4 ドックにあるドッキング・コネクタ  
ーが、互いに位置が合っているか確認してください。



ThinkPad X40 シリーズ を使用している場合は、ThinkPad の背面側をアジャスターに位置合わせしながら、ThinkPad を取り付けます。



5. ThinkPad の両側を、カチッという音がするまでしっかりと押します。これで、ThinkPad は ThinkPad X4 ドックに取り付けられました。

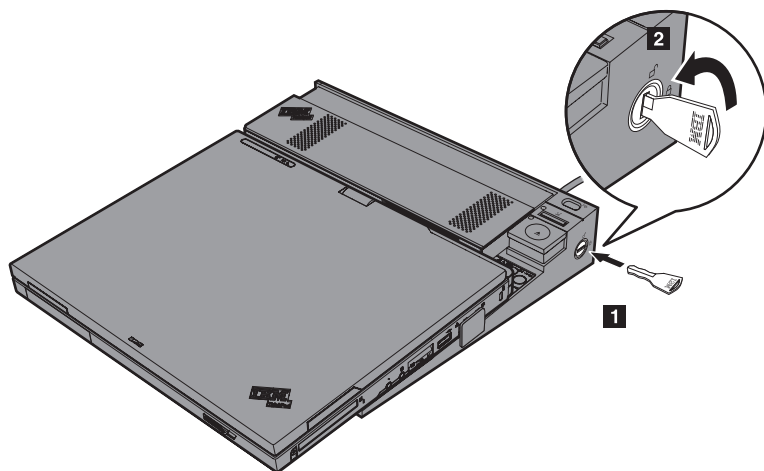
**注:** セキュリティー・ロック・キーを右回りにロック位置まで回します。セキュリティー・ロック・キーは、必ず安全な位置にしておいてください。セキュリティー・ロック・キーを紛失しないようにしてください。このキーがないと、ThinkPad を ThinkPad X4 ドックから取り外すことはできなくなります。

## ThinkPad X4 ドックの取り外し

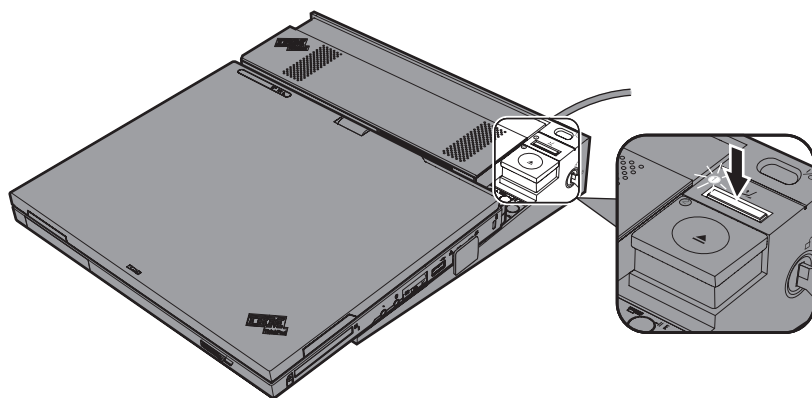
ご使用のThinkPad を ThinkPad X4 ドックから取り外すには、次のようにします。

1. 通常の操作が行えるようにバッテリー・パックが十分充電されていることを確認します。

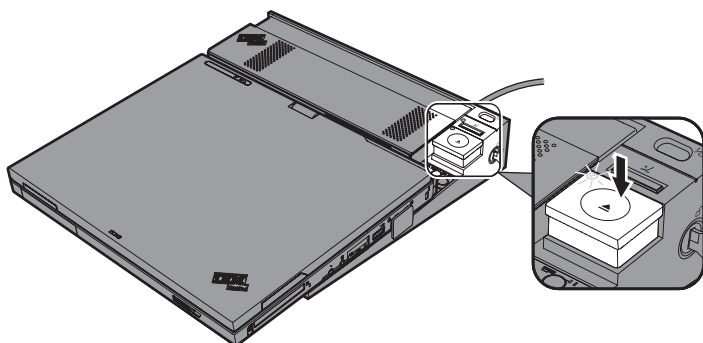
2. ThinkPad X4 ドックのセキュリティー・ロック・キーが正しい位置にあり、アンロック位置 (垂直な状態) であることを確認します。



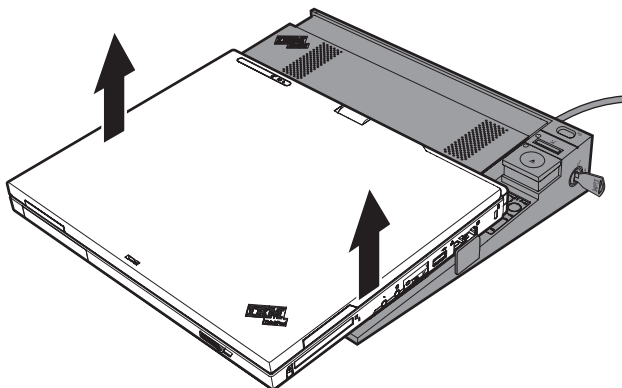
3. 液晶ディスプレイを閉じます。
4. 排出要求ボタンを押します。ドック済みインディケーターが明滅を始め、やがてオフになります。



5. 排出可能表示インジケーターがオンになります。ThinkPad が持ち上がるまで、排出ボタンを押します。



6. ThinkPad の両側をつかみ、ThinkPad X4 ドックから取り外します。



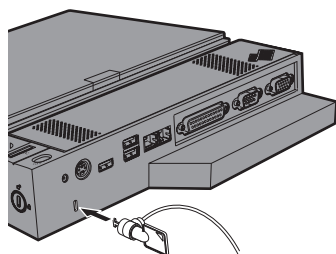
ThinkPad X4 ドック のセットアップおよび使用方法については、「Access IBM」またはこのオプションに付属のセットアップ・ポスターを参照してください。

## セキュリティ機能

ThinkPad X4 ドック には、ロック機構用のセキュリティ・キーホールがあります。ThinkPad X4 ドック を重量のある物体 (机など) に固定するには、ロック機構をケーブルでセキュリティ・キーホールに固定します。

IBM はロック機構を提供しません。市販品をご購入いただく必要があります。ロック装置およびセキュリティ機能を評価し、選択し、装着されることはお客様の責任です。IBM は、いかなるロック装置またはセキュリティ機能についても、その機能、品質、およびパフォーマンスについて、一切のコメント、判断、あるいは保証を行いません。

ロック機構は次のようにして取り付けます。



---

## Appendix A. Service and Support

The following information describes the technical support that is available for your product, during the warranty period or throughout the life of the product. Refer to your IBM Statement of Limited Warranty for a full explanation of IBM warranty terms.

---

### Online technical support

Online technical support is available during the life of your product through the Personal Computing Support Web site at <http://www.ibm.com/pc/support>.

During the warranty period, assistance for replacement or exchange of defective components is available. In addition, if your IBM option is installed in an IBM computer, you might be entitled to service at your location. Your technical support representative can help you determine the best alternative.

---

### Telephone technical support

Installation and configuration support through the IBM Support Center will be withdrawn or made available for a fee, at IBM's discretion, 90 days after the option has been withdrawn from marketing. Additional support offerings, including step-by-step installation assistance, are available for a nominal fee.

To assist the technical support representative, have available as much of the following information as possible:

- Option name
- Option number
- Proof of purchase
- Computer manufacturer, model, serial number (if IBM), and manual
- Exact wording of the error message (if any)
- Description of the problem
- Hardware and software configuration information for your system

If possible, be at your computer. Your technical support representative might want to walk you through the problem during the call.

For a list of Service and Support phone numbers, see "Worldwide telephone list" on page B-20. Phone numbers are subject to change without notice. For the most current phone numbers, go to [www.ibm.com/pc/support](http://www.ibm.com/pc/support) and click **Support phone list**. If the number for your country or region is not listed, contact your IBM reseller or IBM marketing representative.





---

## **Appendix B. IBM Statement of Limited Warranty Z125-4753-08 04/2004**

---

### **Part 1 - General Terms**

*This Statement of Limited Warranty includes Part 1 - General Terms, Part 2 - Country-unique Terms, and Part 3 - Warranty Information. The terms of Part 2 replace or modify those of Part 1. The warranties provided by IBM in this Statement of Limited Warranty apply only to Machines you purchase for your use, and not for resale. The term "Machine" means an IBM machine, its features, conversions, upgrades, elements, or accessories, or any combination of them. The term "Machine" does not include any software programs, whether pre-loaded with the Machine, installed subsequently or otherwise. **Nothing in this Statement of Limited Warranty affects any statutory rights of consumers that cannot be waived or limited by contract.***

#### **What this Warranty Covers**

*IBM warrants that each Machine 1) is free from defects in materials and workmanship and 2) conforms to IBM's Official Published Specifications ("Specifications") which are available on request. The warranty period for the Machine starts on the original Date of Installation and is specified in Part 3 - Warranty Information. The date on your invoice or sales receipt is the Date of Installation unless IBM or your reseller informs you otherwise. Many features, conversions, or upgrades involve the removal of parts and their return to IBM. A part that replaces a removed part will assume the warranty service status of the removed part. Unless IBM specifies otherwise, these warranties apply only in the country or region in which you purchased the Machine.*

**THESE WARRANTIES ARE YOUR EXCLUSIVE WARRANTIES AND REPLACE ALL OTHER WARRANTIES OR CONDITIONS, EXPRESS OR IMPLIED, INCLUDING, BUT NOT LIMITED TO, THE IMPLIED WARRANTIES OR CONDITIONS OF MERCHANTABILITY AND FITNESS FOR A PARTICULAR PURPOSE. SOME STATES OR JURISDICTIONS DO NOT ALLOW THE EXCLUSION OF EXPRESS OR IMPLIED WARRANTIES, SO THE ABOVE EXCLUSION MAY NOT APPLY TO YOU. IN THAT EVENT, SUCH WARRANTIES ARE LIMITED IN DURATION TO THE WARRANTY PERIOD. NO WARRANTIES APPLY AFTER THAT PERIOD. SOME STATES OR JURISDICTIONS DO NOT ALLOW LIMITATIONS ON HOW LONG AN IMPLIED WARRANTY LASTS, SO THE ABOVE LIMITATION MAY NOT APPLY TO YOU.**

#### **What this Warranty Does not Cover**

This warranty does not cover the following:

- any software programs, whether pre-loaded or shipped with the Machine, or installed subsequently;

- failure resulting from misuse (including but not limited to use of any Machine capacity or capability, other than that authorized by IBM in writing), accident, modification, unsuitable physical or operating environment, or improper maintenance by you;
- failure caused by a product for which IBM is not responsible; and
- any non-IBM products, including those that IBM may procure and provide with or integrate into an IBM Machine at your request.

The warranty is voided by removal or alteration of identification labels on the Machine or its parts.

IBM does not warrant uninterrupted or error-free operation of a Machine.

Any technical or other support provided for a Machine under warranty, such as assistance with "how-to" questions and those regarding Machine set-up and installation, is provided **WITHOUT WARRANTIES OF ANY KIND**.

### **How to Obtain Warranty Service**

If the Machine does not function as warranted during the warranty period, contact IBM or your reseller to obtain warranty service. If you do not register the Machine with IBM, you may be required to present proof of purchase as evidence of your entitlement to warranty service.

### **What IBM Will Do to Correct Problems**

When you contact IBM for service, you must follow the problem determination and resolution procedures that IBM specifies. An initial diagnosis of your problem can be made either by a technician over the telephone or electronically by access to an IBM website.

The type of warranty service applicable to your Machine is specified in Part 3 - Warranty Information.

You are responsible for downloading and installing designated Machine Code (microcode, basic input/output system code (called "BIOS"), utility programs, device drivers, and diagnostics delivered with an IBM Machine ) and other software updates from an IBM Internet Web site or from other electronic media, and following the instructions that IBM provides.

If your problem can be resolved with a Customer Replaceable Unit ("CRU") (e.g., keyboard, mouse, speaker, memory, hard disk drive), IBM will ship the CRU to you for you to install.

If the Machine does not function as warranted during the warranty period and your problem cannot be resolved over the telephone or electronically, through your application of Machine Code or software updates, or with a CRU, IBM or your reseller, if approved by IBM to provide warranty service, will either, at its

discretion, 1) repair it to make it function as warranted, or 2) replace it with one that is at least functionally equivalent. If IBM is unable to do either, you may return the Machine to your place of purchase and your money will be refunded.

IBM or your reseller will also manage and install selected engineering changes that apply to the Machine.

### **Exchange of a Machine or Part**

When the warranty service involves the exchange of a Machine or part, the item IBM or your reseller replaces becomes its property and the replacement becomes yours. You represent that all removed items are genuine and unaltered. The replacement may not be new, but will be in good working order and at least functionally equivalent to the item replaced. The replacement assumes the warranty service status of the replaced item.

### **Your Additional Responsibilities**

Before IBM or your reseller exchanges a Machine or part, you agree to remove all features, parts, options, alterations, and attachments not under warranty service.

You also agree to:

1. ensure that the Machine is free of any legal obligations or restrictions that prevent its exchange;
2. obtain authorization from the owner to have IBM or your reseller service a Machine that you do not own; and
3. where applicable, before service is provided:
  - a. follow the service request procedures that IBM or your reseller provides;
  - b. backup or secure all programs, data, and funds contained in the Machine;
  - c. provide IBM or your reseller with sufficient, free, and safe access to your facilities to permit IBM to fulfill its obligations; and
  - d. inform IBM or your reseller of changes in the Machine's location.
4. (a) ensure all information about identified or identifiable individuals (Personal Data) is deleted from the Machine (to the extent technically possible), (b) allow IBM, your reseller or an IBM supplier to process on your behalf any remaining Personal Data as IBM or your reseller considers necessary to fulfill its obligations under this Statement of Limited Warranty (which may include shipping the Machine for such processing to other IBM service locations around the world), and (c) ensure that such processing complies with any laws applicable to such Personal Data.

### **Limitation of Liability**

IBM is responsible for loss of, or damage to, your Machine only while it is 1) in IBM's possession or 2) in transit in those cases where IBM is responsible for the transportation charges.

Neither IBM nor your reseller are responsible for any of your confidential, proprietary or personal information contained in a Machine which you return to IBM for any reason. You should remove all such information from the Machine prior to its return.

Circumstances may arise where, because of a default on IBM's part or other liability, you are entitled to recover damages from IBM. In each such instance, regardless of the basis on which you are entitled to claim damages from IBM (including fundamental breach, negligence, misrepresentation, or other contract or tort claim), except for any liability that cannot be waived or limited by applicable laws, IBM is liable for no more than

1. damages for bodily injury (including death) and damage to real property and tangible personal property; and
2. the amount of any other actual direct damages, up to the charges (if recurring, 12 months' charges apply) for the Machine that is subject of the claim. For purposes of this item, the term "Machine" includes Machine Code and Licensed Internal Code ("LIC").

This limit also applies to IBM's suppliers and your reseller. It is the maximum for which IBM, its suppliers, and your reseller are collectively responsible.

**UNDER NO CIRCUMSTANCES IS IBM, ITS SUPPLIERS OR RESELLERS LIABLE FOR ANY OF THE FOLLOWING EVEN IF INFORMED OF THEIR POSSIBILITY: 1) THIRD PARTY CLAIMS AGAINST YOU FOR DAMAGES (OTHER THAN THOSE UNDER THE FIRST ITEM LISTED ABOVE); 2) LOSS OF, OR DAMAGE TO, DATA; 3) SPECIAL, INCIDENTAL, OR INDIRECT DAMAGES OR FOR ANY ECONOMIC CONSEQUENTIAL DAMAGES; OR 4) LOST PROFITS, BUSINESS REVENUE, GOODWILL OR ANTICIPATED SAVINGS. SOME STATES OR JURISDICTIONS DO NOT ALLOW THE EXCLUSION OR LIMITATION OF INCIDENTAL OR CONSEQUENTIAL DAMAGES, SO THE ABOVE LIMITATION OR EXCLUSION MAY NOT APPLY TO YOU. SOME STATES OR JURISDICTIONS DO NOT ALLOW LIMITATIONS ON HOW LONG AN IMPLIED WARRANTY LASTS, SO THE ABOVE LIMITATION MAY NOT APPLY TO YOU.**

### **Governing Law**

Both you and IBM consent to the application of the laws of the country in which you acquired the Machine to govern, interpret, and enforce all of your

and IBM's rights, duties, and obligations arising from, or relating in any manner to, the subject matter of this Statement of Limited Warranty, without regard to conflict of law principles.

**THESE WARRANTIES GIVE YOU SPECIFIC LEGAL RIGHTS AND YOU MAY ALSO HAVE OTHER RIGHTS WHICH VARY FROM STATE TO STATE OR JURISDICTION TO JURISDICTION.**

**Jurisdiction**

All of our rights, duties, and obligations are subject to the courts of the country in which you acquired the Machine.

---

**Part 2 - Country-unique Terms**

**AMERICAS**

**ARGENTINA**

**Jurisdiction:** *The following is added after the first sentence:*

Any litigation arising from this Statement of Limited Warranty will be settled exclusively by the Ordinary Commercial Court of the city of Buenos Aires.

**BOLIVIA**

**Jurisdiction:** *The following is added after the first sentence:*

Any litigation arising from this Statement of Limited Warranty will be settled exclusively by the courts of the city of La Paz.

**BRAZIL**

**Jurisdiction:** *The following is added after the first sentence:*

Any litigation arising from this Agreement will be settled exclusively by the court of Rio de Janeiro, RJ.

**CHILE**

**Jurisdiction:** *The following is added after the first sentence:*

Any litigation arising from this Statement of Limited Warranty will be settled exclusively by the Civil Courts of Justice of Santiago.

**COLOMBIA**

**Jurisdiction:** *The following is added after the first sentence:*

Any litigation arising from this Statement of Limited Warranty will be settled exclusively by the Judges of the Republic of Colombia.

**EQUADOR**

**Jurisdiction:** *The following is added after the first sentence:*

Any litigation arising from this Statement of Limited Warranty will be settled exclusively by the Judges of Quito.

## **MEXICO**

**Jurisdiction:** *The following is added after the first sentence:*

Any litigation arising from this Statement of Limited Warranty will be settled exclusively by the Federal Courts of Mexico City, Federal District.

## **PARAGUAY**

**Jurisdiction:** *The following is added after the first sentence:*

Any litigation arising from this Statement of Limited Warranty will be settled exclusively by the courts of the city of Asuncion.

## **PERU**

**Jurisdiction:** *The following is added after the first sentence:*

Any litigation arising from this Statement of Limited Warranty will be settled exclusively by the Judges and Tribunals of the Judicial District of Lima, Cercado.

**Limitation of Liability:** *The following is added at the end of this section:*In accordance with Article 1328 of the Peruvian Civil Code the limitations and exclusions specified in this section will not apply to damages caused by IBM's willful misconduct ("dolo") or gross negligence ("culpa inexcusable").

## **URUGUAY**

**Jurisdiction:** *The following is added after the first sentence:*

Any litigation arising from this Statement of Limited Warranty will be settled exclusively by the City of Montevideo Court's Jurisdiction.

## **VENEZUELA**

**Jurisdiction:** *The following is added after the first sentence:*

Any litigation arising from this Statement of Limited Warranty will be settled exclusively by the Courts of the Metropolitan Area Of the City of Caracas.

## **NORTH AMERICA**

**How to Obtain Warranty Service:** *The following is added to this Section:*

To obtain warranty service from IBM in Canada or the United States, call 1-800-IBM-SERV (426-7378).

## **CANADA**

**Limitation of Liability:** *The following replaces item 1 of this section:*

1. damages for bodily injury (including death) or physical harm to real property and tangible personal property caused by IBM's negligence; and

**Governing Law:** *The following replaces "laws of the country in which you acquired the Machine" in the first sentence:*

laws in the Province of Ontario.

## UNITED STATES

**Governing Law:** *The following replaces "laws of the country in which you acquired the Machine" in the first sentence:*  
laws of the State of New York.

## ASIA PACIFIC

### AUSTRALIA

**What this Warranty Covers:** *The following paragraph is added to this Section:*  
The warranties specified in this Section are in addition to any rights you may have under the Trade Practices Act 1974 or other similar legislation and are only limited to the extent permitted by the applicable legislation.

**Limitation of Liability:** *The following is added to this Section:*  
Where IBM is in breach of a condition or warranty implied by the Trade Practices Act 1974 or other similar legislation, IBM's liability is limited to the repair or replacement of the goods or the supply of equivalent goods. Where that condition or warranty relates to right to sell, quiet possession or clear title, or the goods are of a kind ordinarily acquired for personal, domestic or household use or consumption, then none of the limitations in this paragraph apply.

**Governing Law:** *The following replaces "laws of the country in which you acquired the Machine" in the first sentence:*  
laws of the State or Territory.

## CAMBODIA AND LAOS

**Governing Law:** *The following replaces "laws of the country in which you acquired the Machine" in the first sentence:*  
laws of the State of New York, United States of America.

## CAMBODIA, INDONESIA, AND LAOS

**Arbitration:** *The following is added under this heading:*  
Disputes arising out of or in connection with this Statement of Limited Warranty shall be finally settled by arbitration which shall be held in Singapore in accordance with the Arbitration Rules of Singapore International Arbitration Center ("SIAC Rules") then in effect. The arbitration award shall be final and binding for the parties without appeal and shall be in writing and set forth the findings of fact and the conclusions of law.

The number of arbitrators shall be three, with each side to the dispute being entitled to appoint one arbitrator. The two arbitrators appointed by the parties shall appoint a third arbitrator who shall act as chairman of the proceedings. Vacancies in the post of chairman shall be filled by the president of the SIAC.

Other vacancies shall be filled by the respective nominating party. Proceedings shall continue from the stage they were at when the vacancy occurred.

If one of the parties refuses or otherwise fails to appoint an arbitrator within 30 days of the date the other party appoints its, the first appointed arbitrator shall be the sole arbitrator, provided that the arbitrator was validly and properly appointed.

All proceedings shall be conducted, including all documents presented in such proceedings, in the English language. The English language version of this Statement of Limited Warranty prevails over any other language version.

#### **HONG KONG S.A.R. OF CHINA AND MACAU S.A.R. OF CHINA**

**Governing Law:** *The following replaces "laws of the country in which you acquired the Machine" in the first sentence:*

laws of Hong Kong Special Administrative Region of China.

#### **INDIA**

**Limitation of Liability:** *The following replaces items 1 and 2 of this Section:*

1. liability for bodily injury (including death) or damage to real property and tangible personal property will be limited to that caused by IBM's negligence; and
2. as to any other actual damage arising in any situation involving nonperformance by IBM pursuant to, or in any way related to the subject of this Statement of Limited Warranty, the charge paid by you for the individual Machine that is the subject of the claim. For purposes of this item, the term "Machine" includes Machine Code and Licensed Internal Code ("LIC").

**Arbitration:** *The following is added under this heading*

Disputes arising out of or in connection with this Statement of Limited Warranty shall be finally settled by arbitration which shall be held in Bangalore, India in accordance with the laws of India then in effect. The arbitration award shall be final and binding for the parties without appeal and shall be in writing and set forth the findings of fact and the conclusions of law.

The number of arbitrators shall be three, with each side to the dispute being entitled to appoint one arbitrator. The two arbitrators appointed by the parties shall appoint a third arbitrator who shall act as chairman of the proceedings. Vacancies in the post of chairman shall be filled by the president of the Bar Council of India. Other vacancies shall be filled by the respective nominating party. Proceedings shall continue from the stage they were at when the vacancy occurred.



If one of the parties refuses or otherwise fails to appoint an arbitrator within 30 days of the date the other party appoints its, the first appointed arbitrator shall be the sole arbitrator, provided that the arbitrator was validly and properly appointed.

All proceedings shall be conducted, including all documents presented in such proceedings, in the English language. The English language version of this Statement of Limited Warranty prevails over any other language version.

## JAPAN

**Governing Law:** *The following sentence is added to this Section:*

Any doubts concerning this Statement of Limited Warranty will be initially resolved between us in good faith and in accordance with the principle of mutual trust.

## MALAYSIA

**Limitation of Liability:** The word "*SPECIAL*" in item 3 of the fifth paragraph is deleted.

## NEW ZEALAND

**What this Warranty Covers:** *The following paragraph is added to this Section:*

The warranties specified in this section are in addition to any rights you may have under the Consumer Guarantees Act 1993 or other legislation which cannot be excluded or limited. The Consumer Guarantees Act 1993 will not apply in respect of any goods which IBM provides, if you require the goods for the purposes of a business as defined in that Act.

**Limitation of Liability:** *The following is added to this Section:*

Where Machines are not acquired for the purposes of a business as defined in the Consumer Guarantees Act 1993, the limitations in this Section are subject to the limitations in that Act.

## PEOPLE'S REPUBLIC OF CHINA (PRC)

**Governing Law:** *The following replaces "laws of the country in which you acquired the Machine" in the first sentence:*

laws of the State of New York, United States of America (except when local law requires otherwise).

## PHILIPPINES

**Limitation of Liability:** *Item 3 in the fifth paragraph is replaced by the following:*

**SPECIAL (INCLUDING NOMINAL AND EXEMPLARY DAMAGES), MORAL, INCIDENTAL, OR INDIRECT DAMAGES FOR ANY ECONOMIC CONSEQUENTIAL DAMAGES; OR**

**Arbitration:** The following is added: under this heading

Disputes arising out of or in connection with this Statement of Limited

Warranty shall be finally settled by arbitration which shall be held in Metro Manila, Philippines in accordance with the laws of the Philippines then in effect. The arbitration award shall be final and binding for the parties without appeal and shall be in writing and set forth the findings of fact and the conclusions of law.

The number of arbitrators shall be three, with each side to the dispute being entitled to appoint one arbitrator. The two arbitrators appointed by the parties shall appoint a third arbitrator who shall act as chairman of the proceedings. Vacancies in the post of chairman shall be filled by the president of the Philippine Dispute Resolution Center, Inc.. Other vacancies shall be filled by the respective nominating party. Proceedings shall continue from the stage they were at when the vacancy occurred.

If one of the parties refuses or otherwise fails to appoint an arbitrator within 30 days of the date the other party appoints its, the first appointed arbitrator shall be the sole arbitrator, provided that the arbitrator was validly and properly appointed.

All proceedings shall be conducted, including all documents presented in such proceedings, in the English language. The English language version of this Statement of Limited Warranty prevails over any other language version.

## **SINGAPORE**

**Limitation of Liability:** *The words "SPECIAL" and "ECONOMIC" in item 3 in the fifth paragraph are deleted.*

## **EUROPE, MIDDLE EAST, AFRICA (EMEA)**

### **THE FOLLOWING TERMS APPLY TO ALL EMEA COUNTRIES:**

The terms of this Statement of Limited Warranty apply to Machines purchased from IBM or an IBM reseller.

### **How to Obtain Warranty Service:**

*Add the following paragraph in **Western Europe** (Andorra, Austria, Belgium, Cyprus, Czech Republic, Denmark, Estonia, Finland, France, Germany, Greece, Hungary, Iceland, Ireland, Italy, Latvia, Liechtenstein, Lithuania, Luxembourg, Malta, Monaco, Netherlands, Norway, Poland, Portugal, San Marino, Slovakia, Slovenia, Spain, Sweden, Switzerland, United Kingdom, Vatican State, and any country subsequently added to the European Union, as from the date of accession):*

The warranty for Machines acquired in Western Europe shall be valid and applicable in all Western Europe countries provided the Machines have been announced and made available in such countries.

If you purchase a Machine in one of the Western European countries, as defined above, you may obtain warranty service for that Machine in any of those countries from either (1) an IBM reseller approved to perform warranty service or (2) from IBM, provided the Machine has been announced and made available by IBM in the country in which you wish to obtain service.

If you purchased a Personal Computer Machine in Albania, Armenia, Belarus, Bosnia and Herzegovina, Bulgaria, Croatia, Czech Republic, Georgia, Hungary, Kazakhstan, Kyrgyzstan, Federal Republic of Yugoslavia, Former Yugoslav Republic of Macedonia (FYROM), Moldova, Poland, Romania, Russia, Slovak Republic, Slovenia, or Ukraine, you may obtain warranty service for that Machine in any of those countries from either (1) an IBM reseller approved to perform warranty service or (2) from IBM.

If you purchase a Machine in a Middle Eastern or African country, you may obtain warranty service for that Machine from the IBM entity within the country of purchase, if that IBM entity provides warranty service in that country, or from an IBM reseller, approved by IBM to perform warranty service on that Machine in that country. Warranty service in Africa is available within 50 kilometers of an IBM approved service provider. You are responsible for transportation costs for Machines located outside 50 kilometers of an IBM approved service provider.

**Governing Law:**

*The phrase "the laws of the country in which you acquired the Machine" is replaced by:*

- 1) "the laws of Austria" in Albania, Armenia, Azerbaijan, Belarus, Bosnia-Herzegovina, Bulgaria, Croatia, Georgia, Hungary, Kazakhstan, Kyrgyzstan, FYR Macedonia, Moldova, Poland, Romania, Russia, Slovakia, Slovenia, Tajikistan, Turkmenistan, Ukraine, Uzbekistan, and FR Yugoslavia;
- 2) "the laws of France" in Algeria, Benin, Burkina Faso, Cameroon, Cape Verde, Central African Republic, Chad, Comoros, Congo Republic, Djibouti, Democratic Republic of Congo, Equatorial Guinea, French Guiana, French Polynesia, Gabon, Gambia, Guinea, Guinea-Bissau, Ivory Coast, Lebanon, Madagascar, Mali, Mauritania, Mauritius, Mayotte, Morocco, New Caledonia, Niger, Reunion, Senegal, Seychelles, Togo, Tunisia, Vanuatu, and Wallis & Futuna;
- 3) "the laws of Finland" in Estonia, Latvia, and Lithuania;
- 4) "the laws of England" in Angola, Bahrain, Botswana, Burundi, Egypt, Eritrea, Ethiopia, Ghana, Jordan, Kenya, Kuwait, Liberia, Malawi, Malta, Mozambique, Nigeria, Oman, Pakistan, Qatar, Rwanda, Sao Tome, Saudi Arabia, Sierra Leone, Somalia, Tanzania, Uganda, United Arab Emirates, the United Kingdom, West Bank/Gaza, Yemen, Zambia, and Zimbabwe; and
- 5) "the laws of South Africa" in South Africa, Namibia, Lesotho and Swaziland.

**Jurisdiction:** *The following exceptions are added to this section:*

- 1) **In Austria** the choice of jurisdiction for all disputes arising out of this Statement of Limited Warranty and relating thereto, including its existence,

will be the competent court of law in Vienna, Austria (Inner-City); 2) in **Angola, Bahrain, Botswana, Burundi, Egypt, Eritrea, Ethiopia, Ghana, Jordan, Kenya, Kuwait, Liberia, Malawi, Malta, Mozambique, Nigeria, Oman, Pakistan, Qatar, Rwanda, Sao Tome, Saudi Arabia, Sierra Leone, Somalia, Tanzania, Uganda, United Arab Emirates, West Bank/Gaza, Yemen, Zambia, and Zimbabwe** all disputes arising out of this Statement of Limited Warranty or related to its execution, including summary proceedings, will be submitted to the exclusive jurisdiction of the English courts; 3) in **Belgium and Luxembourg**, all disputes arising out of this Statement of Limited Warranty or related to its interpretation or its execution, the law, and the courts of the capital city, of the country of your registered office and/or commercial site location only are competent; 4) in **France, Algeria, Benin, Burkina Faso, Cameroon, Cape Verde, Central African Republic, Chad, Comoros, Congo Republic, Djibouti, Democratic Republic of Congo, Equatorial Guinea, French Guiana, French Polynesia, Gabon, Gambia, Guinea, Guinea-Bissau, Ivory Coast, Lebanon, Madagascar, Mali, Mauritania, Mauritius, Mayotte, Morocco, New Caledonia, Niger, Reunion, Senegal, Seychelles, Togo, Tunisia, Vanuatu, and Wallis & Futuna** all disputes arising out of this Statement of Limited Warranty or related to its violation or execution, including summary proceedings, will be settled exclusively by the Commercial Court of Paris; 5) in **Russia**, all disputes arising out of or in relation to the interpretation, the violation, the termination, the nullity of the execution of this Statement of Limited Warranty shall be settled by Arbitration Court of Moscow; 6) in **South Africa, Namibia, Lesotho and Swaziland**, both of us agree to submit all disputes relating to this Statement of Limited Warranty to the jurisdiction of the High Court in Johannesburg; 7) in **Turkey** all disputes arising out of or in connection with this Statement of Limited Warranty shall be resolved by the Istanbul Central (Sultanahmet) Courts and Execution Directorates of Istanbul, the Republic of Turkey; 8) in each of the following specified countries, any legal claim arising out of this Statement of Limited Warranty will be brought before, and settled exclusively by, the competent court of a) Athens for **Greece**, b) Tel Aviv-Jaffa for **Israel**, c) Milan for **Italy**, d) Lisbon for **Portugal**, and e) Madrid for **Spain**; and 9) in the **United Kingdom**, both of us agree to submit all disputes relating to this Statement of Limited Warranty to the jurisdiction of the English courts.

**Arbitration:** *The following is added under this heading:*

**In Albania, Armenia, Azerbaijan, Belarus, Bosnia-Herzegovina, Bulgaria, Croatia, Georgia, Hungary, Kazakhstan, Kyrgyzstan, FYR Macedonia, Moldova, Poland, Romania, Russia, Slovakia, Slovenia, Tajikistan, Turkmenistan, Ukraine, Uzbekistan, and FR Yugoslavia** all disputes arising out of this Statement of Limited Warranty or related to its violation, termination or nullity will be finally settled under the Rules of Arbitration and Conciliation of the International Arbitral Center of the Federal Economic Chamber in Vienna (Vienna Rules) by three arbitrators appointed in accordance with these rules. The arbitration will be held in Vienna, Austria, and the official language of the proceedings will be English. The decision of the arbitrators will

be final and binding upon both parties. Therefore, pursuant to paragraph 598 (2) of the Austrian Code of Civil Procedure, the parties expressly waive the application of paragraph 595 (1) figure 7 of the Code. IBM may, however, institute proceedings in a competent court in the country of installation.

**In Estonia, Latvia and Lithuania** all disputes arising in connection with this Statement of Limited Warranty will be finally settled in arbitration that will be held in Helsinki, Finland in accordance with the arbitration laws of Finland then in effect. Each party will appoint one arbitrator. The arbitrators will then jointly appoint the chairman. If arbitrators cannot agree on the chairman, then the Central Chamber of Commerce in Helsinki will appoint the chairman.

## EUROPEAN UNION (EU)

### ***THE FOLLOWING TERMS APPLY TO ALL EU COUNTRIES:***

The warranty for Machines acquired in EU countries is valid and applicable in all EU countries provided the Machines have been announced and made available in such countries.

**How to Obtain Warranty Service:** *The following is added to this section:*

To obtain warranty service from IBM in EU countries, see the telephone listing in Part 3 - Warranty Information.

You may contact IBM at the following address:

IBM Warranty & Service Quality Dept.

PO Box 30

Spango Valley

Greenock

Scotland PA16 0AH

## CONSUMERS

Consumers have legal rights under applicable national legislation governing the sale of consumer goods. Such rights are not affected by the warranties provided in this Statement of Limited Warranty.

### **AUSTRIA, DENMARK, FINLAND, GREECE, ITALY, NETHERLANDS, NORWAY, PORTUGAL, SPAIN, SWEDEN AND SWITZERLAND**

**Limitation of Liability:** *The following replaces the terms of this section in its entirety:*

Except as otherwise provided by mandatory law:

1. IBM's liability for any damages and losses that may arise as a consequence of the fulfillment of its obligations under or in connection with this Statement of Limited Warranty or due to any other cause related to this Statement of Limited Warranty is limited to the compensation of only those damages and losses proved and actually arising as an immediate and direct consequence of the non-fulfillment of such obligations (if IBM is at fault) or of such cause, for a maximum amount equal to the charges you paid for

the Machine. For purposes of this item, the term "Machine" includes Machine Code and Licensed Internal Code ("LIC").

The above limitation shall not apply to damages for bodily injuries (including death) and damages to real property and tangible personal property for which IBM is legally liable.

2. **UNDER NO CIRCUMSTANCES IS IBM, ITS SUPPLIERS OR RESELLERS LIABLE FOR ANY OF THE FOLLOWING, EVEN IF INFORMED OF THEIR POSSIBILITY: 1) LOSS OF, OR DAMAGE TO, DATA; 2) INCIDENTAL OR INDIRECT DAMAGES, OR FOR ANY ECONOMIC CONSEQUENTIAL DAMAGES; 3) LOST PROFITS, EVEN IF THEY ARISE AS AN IMMEDIATE CONSEQUENCE OF THE EVENT THAT GENERATED THE DAMAGES; OR 4) LOSS OF BUSINESS, REVENUE, GOODWILL, OR ANTICIPATED SAVINGS.**

## **FRANCE AND BELGIUM**

**Limitation of Liability:** *The following replaces the terms of this section in its entirety:*

Except as otherwise provided by mandatory law:

1. IBM's liability for any damages and losses that may arise as a consequence of the fulfillment of its obligations under or in connection with this Statement of Limited Warranty is limited to the compensation of only those damages and losses proved and actually arising as an immediate and direct consequence of the non-fulfillment of such obligations (if IBM is at fault), for a maximum amount equal to the charges you paid for the Machine that has caused the damages. For purposes of this item, the term "Machine" includes Machine Code and Licensed Internal Code ("LIC").

The above limitation shall not apply to damages for bodily injuries (including death) and damages to real property and tangible personal property for which IBM is legally liable.

2. **UNDER NO CIRCUMSTANCES IS IBM, ITS SUPPLIERS OR RESELLERS LIABLE FOR ANY OF THE FOLLOWING, EVEN IF INFORMED OF THEIR POSSIBILITY: 1) LOSS OF, OR DAMAGE TO, DATA; 2) INCIDENTAL OR INDIRECT DAMAGES, OR FOR ANY ECONOMIC CONSEQUENTIAL DAMAGES; 3) LOST PROFITS, EVEN IF THEY ARISE AS AN IMMEDIATE CONSEQUENCE OF THE EVENT THAT GENERATED THE DAMAGES; OR 4) LOSS OF BUSINESS, REVENUE, GOODWILL, OR ANTICIPATED SAVINGS.**

## **THE FOLLOWING TERMS APPLY TO THE COUNTRY SPECIFIED:**

### **AUSTRIA**

The provisions of this Statement of Limited Warranty replace any applicable statutory warranties.

**What this Warranty Covers:** *The following replaces the first sentence of the first paragraph of this section:*

The warranty for an IBM Machine covers the functionality of the Machine for its normal use and the Machine's conformity to its Specifications.

*The following paragraphs are added to this section:*

The limitation period for consumers in action for breach of warranty is the statutory period as a minimum. In case IBM or your reseller is unable to repair an IBM Machine, you can alternatively ask for a partial refund as far as justified by the reduced value of the unrepaired Machine or ask for a cancellation of the respective agreement for such Machine and get your money refunded.

*The second paragraph does not apply.*

**What IBM Will Do to Correct Problems:** *The following is added to this section:*

During the warranty period, IBM will reimburse you for the transportation charges for the delivery of the failing Machine to IBM.

**Limitation of Liability:** *The following paragraph is added to this section:*

The limitations and exclusions specified in the Statement of Limited Warranty will not apply to damages caused by IBM with fraud or gross negligence and for express warranty.

*The following sentence is added to the end of item 2:*

IBM's liability under this item is limited to the violation of essential contractual terms in cases of ordinary negligence.

## **EGYPT**

**Limitation of Liability:** *The following replaces item 2 in this section:*

as to any other actual direct damages, IBM's liability will be limited to the total amount you paid for the Machine that is the subject of the claim. For purposes of this item, the term "Machine" includes Machine Code and Licensed Internal Code ("LIC").

*Applicability of suppliers and resellers (unchanged).*

## **FRANCE**

**Limitation of Liability:** *The following replaces the second sentence of the first paragraph of this section:*

In such instances, regardless of the basis on which you are entitled to claim damages from IBM, IBM is liable for no more than: (items 1 and 2 unchanged).

## **GERMANY**

**What this Warranty Covers:** *The following replaces the first sentence of the first paragraph of this section:*

The warranty for an IBM Machine covers the functionality of the Machine for its normal use and the Machine's conformity to its Specifications.

*The following paragraphs are added to this section:*

The minimum warranty period for Machines is twelve months. In case IBM or your reseller is unable to repair an IBM Machine, you can alternatively ask for a partial refund as far as justified by the reduced value of the unrepaired Machine or ask for a cancellation of the respective agreement for such Machine and get your money refunded.

*The second paragraph does not apply.*

**What IBM Will Do to Correct Problems:** *The following is added to this section:*

During the warranty period, transportation for delivery of the failing Machine to IBM will be at IBM's expense.

**Limitation of Liability:** *The following paragraph is added to this section:*

The limitations and exclusions specified in the Statement of Limited Warranty will not apply to damages caused by IBM with fraud or gross negligence and for express warranty.

*The following sentence is added to the end of item 2:*

IBM's liability under this item is limited to the violation of essential contractual terms in cases of ordinary negligence.

## **HUNGARY**

**Limiting of Liability:** *The following is added at the end of this section:*

The limitation and exclusion specified herein shall not apply to liability for a breach of contract damaging life, physical well-being, or health that has been caused intentionally, by gross negligence, or by a criminal act.

The parties accept the limitations of liability as valid provisions and state that the Section 314.(2) of the Hungarian Civil Code applies as the acquisition price as well as other advantages arising out of the present Statement of Limited Warranty balance this limitation of liability.

## **IRELAND**

**What this Warranty Covers:** *The following is added to this section:*

Except as expressly provided in these terms and conditions, all statutory conditions, including all warranties implied, but without prejudice to the generality of the foregoing all warranties implied by the Sale of Goods Act 1893 or the Sale of Goods and Supply of Services Act 1980 are hereby excluded.

**Limitation of Liability:** *The following replaces the terms of section in its entirety:*

For the purposes of this section, a "Default" means any act, statement, omission, or negligence on the part of IBM in connection with, or in relation to, the subject matter of this Statement of Limited Warranty in respect of which IBM is legally liable to you, whether in contract or tort. A number of Defaults



which together result in, or contribute to, substantially the same loss or damage will be treated as one Default occurring on the date of occurrence of the last such Default.

Circumstances may arise where, because of a Default, you are entitled to recover damages from IBM.

This section sets out the extent of IBM's liability and your sole remedy.

1. IBM will accept unlimited liability for death or personal injury caused by the negligence of IBM
2. Subject always to the **Items for Which IBM is Not Liable** below, IBM will accept unlimited liability for physical damage to your tangible property resulting from the negligence of IBM.
3. Except as provided in items 1 and 2 above, IBM's entire liability for actual damages for any one Default will not in any event exceed the greater of 1) EUR 125,000, or 2) 125% of the amount you paid for the Machine directly relating to the Default.

#### **Items for Which IBM is Not Liable**

Save with respect to any liability referred to in item 1 above, under no circumstances is IBM, its suppliers or resellers liable for any of the following, even if IBM or they were informed of the possibility of such losses:

1. loss of, or damage to, data;
2. special, indirect, or consequential loss; or
3. loss of profits, business, revenue, goodwill, or anticipated savings.

#### **SLOVAKIA**

**Limitation of Liability:** *The following is added to the end of the last paragraph:*

The limitations apply to the extent they are not prohibited under §§ 373-386 of the Slovak Commercial Code.

#### **SOUTH AFRICA, NAMIBIA, BOTSWANA, LESOTHO AND SWAZILAND**

**Limitation of Liability:** *The following is added to this section:*

IBM's entire liability to you for actual damages arising in all situations involving nonperformance by IBM in respect of the subject matter of this Statement of Warranty will be limited to the charge paid by you for the individual Machine that is the subject of your claim from IBM.

#### **UNITED KINGDOM**

**Limitation of Liability:** *The following replaces the terms of this section in its entirety:*

For the purposes of this section, a "Default" means any act, statement, omission, or negligence on the part of IBM in connection with, or in relation to, the subject matter of this Statement of Limited Warranty in respect of which

IBM is legally liable to you, whether in contract or tort. A number of Defaults which together result in, or contribute to, substantially the same loss or damage will be treated as one Default.

Circumstances may arise where, because of a Default, you are entitled to recover damages from IBM.

This section sets out the extent of IBM's liability and your sole remedy.

1. IBM will accept unlimited liability for:
  - a. death or personal injury caused by the negligence of IBM; and
  - b. any breach of its obligations implied by Section 12 of the Sale of Goods Act 1979 or Section 2 of the Supply of Goods and Services Act 1982, or any statutory modification or re-enactment of either such Section.
2. IBM will accept unlimited liability, subject always to the **Items for Which IBM is Not Liable** below, for physical damage to your tangible property resulting from the negligence of IBM.
3. IBM's entire liability for actual damages for any one Default will not in any event, except as provided in items 1 and 2 above, exceed the greater of 1) Pounds Sterling 75,000, or 2) 125% of the total purchase price payable or the charges for the Machine directly relating to the Default.

These limits also apply to IBM's suppliers and resellers. They state the maximum for which IBM and such suppliers and resellers are collectively responsible.

#### **Items for Which IBM is Not Liable**

Save with respect to any liability referred to in item 1 above, under no circumstances is IBM or any of its suppliers or resellers liable for any of the following, even if IBM or they were informed of the possibility of such losses:

1. loss of, or damage to, data;
2. special, indirect, or consequential loss; or
3. loss of profits, business, revenue, goodwill, or anticipated savings.

---

## **Part 3 - Warranty Information**

This Part 3 provides information regarding the warranty applicable to your Machine, including the warranty period and type of warranty service IBM provides.

### **Warranty Period**

The warranty period may vary by country or region and is specified in the table below. NOTE: "Region" means either Hong Kong or Macau Special Administrative Region of China.

A warranty period of 1 year on parts and labor means that IBM provides warranty service without charge for the warranty period.

| Machine Type     | Country or Region of Purchase | Warranty Period         | Type of Warranty Service |
|------------------|-------------------------------|-------------------------|--------------------------|
| ThinkPad X4 Dock | Worldwide                     | Parts and labor -1 year | 7                        |

## Types of Warranty Service

If required, IBM provides repair or exchange service depending on the type of warranty service specified for your Machine in the above table and as described below. Warranty service may be provided by your reseller if approved by IBM to perform warranty service. Scheduling of service will depend upon the time of your call and is subject to parts availability. Service levels are response time objectives and are not guaranteed. The specified level of warranty service may not be available in all worldwide locations, additional charges may apply outside IBM's normal service area, contact your local IBM representative or your reseller for country and location specific information.

### 1. Customer Replaceable Unit ("CRU") Service

IBM provides replacement CRUs to you for you to install. CRU information and replacement instructions are shipped with your Machine and are available from IBM at any time on your request. Installation of Tier 1 CRUs is your responsibility. If IBM installs a Tier 1 CRU at your request, you will be charged for the installation. You may install a Tier 2 CRU yourself or request IBM to install it, at no additional charge, under the type of warranty service designated for your Machine. IBM specifies in the materials shipped with a replacement CRU whether a defective CRU must be returned to IBM. When return is required, 1) return instructions and a container are shipped with the replacement CRU, and 2) you may be charged for the replacement CRU if IBM does not receive the defective CRU within 30 days of your receipt of the replacement.

### 2. On-site Service

IBM or your reseller will either repair or exchange the failing Machine at your location and verify its operation. You must provide suitable working area to allow disassembly and reassembly of the IBM Machine. The area must be clean, well lit and suitable for the purpose. For some Machines, certain repairs may require sending the Machine to an IBM service center.

### 3. Courier or Depot Service \*

You will disconnect the failing Machine for collection arranged by IBM. IBM will provide you with a shipping container for you to return your Machine to a designated service center. A courier will pick up your Machine and deliver it to the designated service center. Following its repair or exchange, IBM will arrange the return delivery of the Machine to your location. You are responsible for its installation and verification.

### 4. Customer Carry-In or Mail-In Service

You will deliver or mail as IBM specifies (prepaid unless IBM specifies otherwise) the failing Machine suitably packaged to a location IBM designates. After IBM has repaired or exchanged the Machine, IBM will make it available for your collection or, for Mail-in Service, IBM will return it to you at IBM's expense, unless IBM specifies otherwise. You are responsible for the subsequent installation and verification of the Machine.

**5. CRU and On-site Service**

This type of Warranty Service is a combination of Type 1 and Type 2 (see above).

**6. CRU and Courier or Depot Service**

This type of Warranty Service is a combination of Type 1 and Type 3 (see above).

**7. CRU and Customer Carry-In or Mail-In Service**

This type of Warranty Service is a combination of Type 1 and Type 4 (see above).

**When a 5, 6 or 7 type of warranty service is listed, IBM will determine which type of warranty service is appropriate for the repair.**

\* This type of service is called ThinkPad EasyServ or EasyServ in some countries.

The IBM Machine Warranty worldwide web site at [http://www.ibm.com/servers/support/machine\\_warranties/](http://www.ibm.com/servers/support/machine_warranties/) provides a worldwide overview of IBM's Limited Warranty for Machines, a Glossary of IBM definitions, Frequently Asked Questions (FAQs) and Support by Product (Machine) with links to Product Support pages. **The IBM Statement of Limited Warranty is also available on this site in 29 languages.**

To obtain warranty service contact IBM or your IBM reseller. In Canada or the United States, call 1-800-IBM-SERV (426-7378). In other countries, see the telephone numbers below.

**Worldwide telephone list**

Phone numbers are subject to change without notice. For the most current phone numbers, go to [www.ibm.com/pc/support](http://www.ibm.com/pc/support) and click **Support phone list**.

| Country or Region | Telephone Number   |
|-------------------|--|
| Africa            | Africa: +44 (0)1475 555 055<br>South Africa: +27 11 3028888 and 0800110756<br>Central Africa: Contact the nearest IBM Business Partner |
| Argentina         | 0800-666-0011 (Spanish)  |
| Australia         | 131-426 (English)  |

| Country or Region        | Telephone Number   |
|--------------------------|--|
| Austria                  | +43-1-24592-5901 (German)  |
| Belgium                  | 02-210-9820 (Dutch)<br>02-210-9800 (French)  |
| Bolivia                  | 0800-0189 (Spanish)  |
| Brazil                   | Sao Paulo region: (11) 3889-8986<br>Toll free outside Sao Paulo region: 0800-7014-815<br>(Brazilian Portuguese)                  |
| Canada                   | 1-800-565-3344 (English, French)<br>In Toronto only call: 416-383-3344   |
| Chile                    | 800-224-488 (Spanish)  |
| China                    | 800 810 1818 (Mandarin)  |
| China (Hong Kong S.A.R.) | Home PC: 852 2825 7799<br>Commercial PC: 852 8205 0333<br>ThinkPad and WorkPad: 852 2825 6580<br>(Cantonese, English, Putonghua) |
| Colombia                 | 1-800-912-3021 (Spanish)   |
| Costa Rica               | 284-3911 (Spanish)   |
| Cyprus                   | +357-22-841100   |
| Czech Republic           | +420-2-7213-1316   |
| Denmark                  | 4520-8200 (Danish)   |
| Dominican Republic       | 566-4755<br>566-5161 ext. 8201<br>Toll Free within the Dominican Republic: 1-200-1929<br>(Spanish)                               |
| Ecuador                  | 1-800-426911 (Spanish)   |
| El Salvador              | 250-5696 (Spanish)   |
| Estonia                  | +386-61-1796-699   |
| Finland                  | +358-9-459-6960 (Finnish)  |
| France                   | +33-238-557-450 (French)   |
| Germany                  | +49-7032-15-49201 (German)   |
| Greece                   | +30-210-680-1700   |
| Guatemala                | 335-8490 (Spanish)   |
| Honduras                 | Tegucigalpa & San Pedro Sula: 232-4222<br>San Pedro Sula: 552-2234<br>(Spanish)  |
| Hungary                  | +36-1-382-5720   |
| India                    | 1600-44-6666 (English)   |
| Indonesia                | 800-140-3555 (Bahasa, Indonesian, English)   |
| Ireland                  | +353-(0)1-815-9200 (English)   |

| Country or Region  | Telephone Number   |
|--------------------|--|
| Italy              | +39-02-7031-6101 (Italian)   |
| Japan              | <p>Desktop:<br/>Toll free: 0120-887-870<br/>For International: +81-46-266-4724</p> <p>ThinkPad:<br/>Toll free: 0120-887-874<br/>For International: +81-46-266-4724</p> <p>Both of the above numbers will be answered with a Japanese language voice prompt. For telephone support in English, please wait for the Japanese voice prompt to end, and an operator will answer. Please ask for "English support please," and your call will be transferred to an English speaking operator.</p> <p>PC Software:<br/>0120-558-695<br/>Overseas calls: +81-44-200-8666<br/>(Japanese)</p> |
| Korea              | 1588-5801 (Korean)   |
| Latvia             | +386-61-1796-699   |
| Lithuania          | +386-61-1796-699   |
| Luxembourg         | +352-298-977-5063 (French)   |
| Malaysia           | 1800-88-8558 (English)   |
| Malta              | +356-23-4175   |
| Mexico             | 001-866-434-2080 (Spanish)   |
| Middle East        | +44 (0)1475-555-055  |
| Netherlands        | +31-20-514-5770 (Dutch)  |
| New Zealand        | 0800-446-149 (English)   |
| Nicaragua          | 255-6658 (Spanish)   |
| Norway             | NetVista, ThinkCentre, and ThinkPad: +47 6699 8960<br>All products: +47 815 21550<br>(Norwegian)   |
| Panama             | 206-6047 (Spanish)   |
| Peru               | 0-800-50-866 (Spanish)   |
| Philippines        | 1800-1888-1426 (English)   |
| Poland             | +48-22-878-6999  |
| Portugal           | +351-21-892-7147 (Portuguese)  |
| Russian Federation | +7-095-940-2000 (Russian)  |
| Singapore          | 1800-3172-888 (English)  |

| Country or Region | Telephone Number  |
|-------------------|---|
| Slovakia          | +421-2-4954-1217  |
| Slovenia          | +386-1-5830-050   |
| Spain             | +34-91-714-7983 (Spanish)   |
| Sri Lanka         | +94-11-2448-442<br>+94-11-2421-066<br>+94-11-2493-500<br>(English)            |
| Sweden            | +46-8-477-4420 (Swedish)  |
| Switzerland       | +41-58-333-0971 (German, French, Italian)                                     |
| Taiwan            | 886-2-8723-9799 (Mandarin)  |
| Thailand          | 1-800-299-229 (Thai)  |
| Turkey            | 00800-211-4032<br>+90-212-317-1760<br>(Turkish)                               |
| United Kingdom    | +44-1475-555-055 (English)  |
| United States     | 1-800-IBM-SERV<br>(1-800-426-7378)<br>(English)                               |
| Uruguay           | 000-411-005-6649 (Spanish)  |
| Venezuela         | 0-800-100-2011 (Spanish)  |
| Vietnam           | Ho Chi Minh: (848) 824-1474<br>Hanoi: (844) 842-6316<br>(English, Vietnamese) |

---

## Guarantee supplement for Mexico

This supplement is considered part of IBM's Statement of Limited Warranty and shall be effective solely and exclusively for products distributed and commercialized within Territory of the Mexican United States. In the event of a conflict, the terms of this supplement shall apply.

All software programs pre-loaded in the equipment shall only have a thirty-(30) day guarantee for installation defects from the date of purchase. IBM is not responsible for the information in such software programs and/or any additional software programs installed by you or installed after purchase of the product.

Services not chargeable to the guarantee shall be charged to the final user, prior an authorization.

In the event that warranty repair is required please call the IBM Support Center at 001-866-434-2080, where you will be directed to the nearest Authorized Service Center. Should no Authorized Service Center exist in your city, location or within 70 kilometers of your city or location, the guarantee includes any reasonable delivery charges related to the transportation of the product to our nearest Authorized Service Center. Please call the nearest Authorized Service Center to obtain the necessary approvals or information concerning the shipment of the product and the shipment address.

To obtain a list of Authorized Service Centers, please visit:  
[http://www.pc.ibm.com/la/centros\\_de\\_servicio/servicio\\_mexico/servicio\\_mexico.html](http://www.pc.ibm.com/la/centros_de_servicio/servicio_mexico/servicio_mexico.html)

**Manufactured by:**  
**SCI Systems de México, S.A. de C.V.**  
**Av. De la Solidaridad Iberoamericana No. 7020**  
**Col. Club de Golf Atlas**  
**El Salto, Jalisco, México**  
**C.P. 45680,**  
**Tel. 01-800-3676900**

**Marketing by:**  
**IBM de México, Comercialización y**  
**Servicios, S. A. de C. V.**  
**Alfonso Nápoles Gándara No 3111**  
**Parque Corporativo de Peña Blanca**  
**Delegación Álvaro Obregón**  
**México, D.F., México**  
**C.P. 01210,**  
**Tel. 01-800-00-325-00**



---

## Appendix C. Notices

IBM may not offer the products, services, or features discussed in this document in all countries. Consult your local IBM representative for information on the products and services currently available in your area. Any reference to an IBM product, program, or service is not intended to state or imply that only that IBM product, program, or service may be used. Any functionally equivalent product, program, or service that does not infringe any IBM intellectual property right may be used instead. However, it is the user's responsibility to evaluate and verify the operation of any non-IBM product, program, or service.

IBM may have patents or pending patent applications covering subject matter described in this document. The furnishing of this document does not give you any license to these patents. You can send license inquiries, in writing, to:

*IBM Director of Licensing  
IBM Corporation  
North Castle Drive  
Armonk, NY 10504-1785  
U.S.A.*

INTERNATIONAL BUSINESS MACHINES CORPORATION PROVIDES THIS PUBLICATION "AS IS" WITHOUT WARRANTY OF ANY KIND, EITHER EXPRESS OR IMPLIED, INCLUDING, BUT NOT LIMITED TO, THE IMPLIED WARRANTIES OF NON-INFRINGEMENT, MERCHANTABILITY OR FITNESS FOR A PARTICULAR PURPOSE. Some jurisdictions do not allow disclaimer of express or implied warranties in certain transactions, therefore, this statement may not apply to you.

This information could include technical inaccuracies or typographical errors. Changes are periodically made to the information herein; these changes will be incorporated in new editions of the publication. IBM may make improvements and/or changes in the product(s) and/or the program(s) described in this publication at any time without notice.

The products described in this document are not intended for use in implantation or other life support applications where malfunction may result in injury or death to persons. The information contained in this document does not affect or change IBM product specifications or warranties. Nothing in this document shall operate as an express or implied license or indemnity under the intellectual property rights of IBM or third parties. All information contained in this document was obtained in specific environments and is presented as an illustration. The result obtained in other operating environments may vary.

IBM may use or distribute any of the information you supply in any way it believes appropriate without incurring any obligation to you.

Any references in this publication to non-IBM Web sites are provided for convenience only and do not in any manner serve as an endorsement of those Web sites. The materials at those Web sites are not part of the materials for this IBM product, and use of those Web sites is at your own risk.

Any performance data contained herein was determined in a controlled environment. Therefore, the result obtained in other operating environments may vary significantly. Some measurements may have been made on development-level systems and there is no guarantee that these measurements will be the same on generally available systems. Furthermore, some measurements may have been estimated through extrapolation. Actual results may vary. Users of this document should verify the applicable data for their specific environment.

---

## Trademarks

The following terms are trademarks of International Business Machines Corporation in the United States, other countries, or both:

IBM

ThinkPad

Ultrabay

Other company, product, or service names may be trademarks or service marks of others.

---

## Electronic emission notices

The following information refers to the ThinkPad X4 Dock.

### Federal Communications Commission (FCC) statement

**Note:** This equipment has been tested and found to comply with the limits for a Class B digital device, pursuant to Part 15 of the FCC Rules. These limits are designed to provide reasonable protection against harmful interference in a residential installation. This equipment generates, uses, and can radiate radio frequency energy and, if not installed and used in accordance with the instructions, may cause harmful interference to radio communications. However, there is no guarantee that interference will not occur in a particular installation. If this equipment does cause harmful interference to radio or television reception, which can be determined by turning the equipment off and on, the user is encouraged to try to correct the interference by one or more of the following measures:

- Reorient or relocate the receiving antenna.

- Increase the separation between the equipment and receiver.
- Connect the equipment into an outlet on a circuit different from that to which the receiver is connected.
- Consult an IBM authorized dealer or service representative for help.

Properly shielded and grounded cables and connectors must be used in order to meet FCC emission limits. Proper cables and connectors are available from IBM authorized dealers. IBM is not responsible for any radio or television interference caused by using other than recommended cables and connectors or by unauthorized changes or modifications to this equipment. Unauthorized changes or modifications could void the user's authority to operate the equipment.

This device complies with Part 15 of the FCC Rules. Operation is subject to the following two conditions: (1) this device may not cause harmful interference, and (2) this device must accept any interference received, including interference that may cause undesired operation.

Responsible party:

International Business Machines Corporation  
 New Orchard Road  
 Armonk, NY 10504  
 Telephone: 1-919-543-2193



Tested To Comply  
 With FCC Standards

FOR HOME OR OFFICE USE

### **Industry Canada Class B emission compliance statement**

This Class B digital apparatus complies with Canadian ICES-003.

### **Avis de conformité a la réglementation d'Industrie Canada**

Cet appareil numérique de la classe B est conforme à la norme NMB-003 du Canada.

### **Deutsche EMV-Direktive (electromagnetische Verträglichkeit)**

Zulassungsbcheinigung laut dem Deutschen Gesetz über die elektromagnetische Verträglichkeit von Geräten (EMVG) vom 30. August 1995 (bzw. der EMC EG Richtlinie 89/336):

Dieses Gerät ist berechtigt in Übereinstimmung mit dem Deutschen EMVG das EG-Konformitätszeichen - CE - zu führen. Verantwortlich für die Konformitätserklärung nach Paragraph 5 des EMVG ist die:

IBM Deutschland Informationssysteme GmbH, 70548 Stuttgart.

Informationen in Hinsicht EMVG Paragraph 3 Abs. (2) 2:

Das Gerät erfüllt die Schutzanforderungen nach EN 55024:1998 und EN 55022:1998 Klasse B.

EN 55022 Hinweis:

“Wird dieses Gerät in einer industriellen Umgebung betrieben (wie in EN 55022:B festgelegt), dann kann es dabei eventuell gestört werden. In solch einem FA11 ist der Abstand bzw. die Abschirmung zu der industriellen Störquelle zu vergrößern.”

Anmerkung:

Um die Einhaltung des EMVG sicherzustellen sind die Geräte, wie in den IBM Handbüchern angegeben, zu installieren und zu betreiben.

### **European Union - emission directive**

This product is in conformity with the protection requirements of EU Council Directive 89/336/ECC on the approximation of the laws of the Member States relating to electromagnetic compatibility.

IBM can not accept responsibility for any failure to satisfy the protection requirements resulting from a non-recommended modification of the product, including the fitting of non-IBM option cards.

This product has been tested and found to comply with the limits for Class B Information Technology Equipment according to European Standard EN 55022. The limits for Class B equipment were derived for typical residential environments to provide reasonable protection against interference with licensed communication devices.

### **Union Européenne - Directive Conformité électromagnétique**

Ce produit est conforme aux exigences de protection de la Directive 89/336/EEC du Conseil de l'UE sur le rapprochement des lois des États membres en matière de compatibilité électromagnétique.

IBM ne peut accepter aucune responsabilité pour le manquement aux exigences de protection résultant d'une modification non recommandée du produit, y compris l'installation de cartes autres que les cartes IBM.

Ce produit a été testé et il satisfait les conditions de l'équipement informatique de Classe B en vertu de Standard européen EN 55022. Les conditions pour l'équipement de Classe B ont été définies en fonction d'un contexte résidentiel ordinaire afin de fournir une protection raisonnable contre l'interférence d'appareils de communication autorisés.

### **Unione Europea - Directiva EMC (Conformidad electromagnética)**

Este producto satisface los requisitos de protección del Consejo de la UE, Directiva 89/336/CEE en lo que a la legislatura de los Estados Miembros sobre compatibilidad electromagnética se refiere.

IBM no puede aceptar responsabilidad alguna si este producto deja de satisfacer dichos requisitos de protección como resultado de una modificación no recomendada del producto, incluyendo el ajuste de tarjetas de opción que no sean IBM.

Este producto ha sido probado y satisface los límites para Equipos Informáticos Clase B de conformidad con el Estándar Europeo EN 55022. Los límites para los equipos de Clase B se han establecido para entornos residenciales típicos a fin de proporcionar una protección razonable contra las interferencias con dispositivos de comunicación licenciados.

### **Union Europea - Normativa EMC**

Questo prodotto è conforme alle normative di protezione ai sensi della Direttiva del Consiglio dell'Unione Europea 89/336/CEE sull'armonizzazione legislativa degli stati membri in materia di compatibilità elettromagnetica.

IBM non accetta responsabilità alcuna per la mancata conformità alle normative di protezione dovuta a modifiche non consigliate al prodotto, compresa l'installazione di schede e componenti di marca diversa da IBM.

Le prove effettuate sul presente prodotto hanno accertato che esso rientra nei limiti stabiliti per le apparecchiature di informatica Classe B ai sensi della Norma Europea EN 55022. I limiti delle apparecchiature della Classe B sono stati stabiliti al fine di fornire ragionevole protezione da interferenze mediante dispositivi di comunicazione in concessione in ambienti residenziali tipici.

이 기기는 가정용으로 전자파 적합등록을 한 기기로서  
주거지역에서는 물론 모든 지역에서 사용할 수 있습니다.

この装置は、情報処理装置等電波障害自主規制協議会（VCCI）の基準に基づくクラスB情報技術装置です。この装置は、家庭環境で使用することを目的としていますが、この装置がラジオやテレビジョン受信機に近接して使用されると、受信障害を引き起こすことがあります。  
取扱説明書に従って正しい取り扱いをして下さい。

Japanese statement of compliance for products less than or equal to 20 A per phase

## 高調波ガイドライン適合品



Part Number: 73P4525

Printed in China

(1P) P/N: 73P4525

