

# **PC 300GL User Guide**

**Types 6268, 6278, and 6288**



# **PC 300GL User Guide**

**Types 6268, 6278, and 6288**



## Note

Before using this information and the product it supports, be sure to read the general information under Appendix C, "Product warranties and notices" on page 131.

### **First Edition (July 1999)**

**The following paragraph does not apply to the United Kingdom or any country where such provisions are inconsistent with local law:** INTERNATIONAL BUSINESS MACHINES CORPORATION PROVIDES THIS PUBLICATION "AS IS" WITHOUT WARRANTY OF ANY KIND, EITHER EXPRESS OR IMPLIED, INCLUDING, BUT NOT LIMITED TO, THE IMPLIED WARRANTIES OF MERCHANTABILITY OR FITNESS FOR A PARTICULAR PURPOSE. Some states do not allow disclaimer of express or implied warranties in certain transactions, therefore, this statement may not apply to you.

This publication could include technical inaccuracies or typographical errors. Changes are periodically made to the information herein; these changes will be incorporated in new editions of the publication. IBM may make improvements and/or changes in the product(s) and/or the program(s) described in this publication at any time.

This publication was developed for products and services offered in the United States of America. IBM may not offer the products, services, or features discussed in this document in other countries, and the information is subject to change without notice. Consult your local IBM representative for information on the products, services, and features available in your area.

Requests for technical information about IBM products should be made to your IBM reseller or IBM marketing representative.

© **Copyright International Business Machines Corporation 1999. All rights reserved.**  
Note to U.S. Government Users — Documentation related to restricted rights — Use, duplication or disclosure is subject to restrictions set forth in GSA ADP Schedule Contract with IBM Corp.

---

# Contents

<b>Safety information</b> . . . . .	vii
Modem safety information . . . . .	vii
Laser compliance statement . . . . .	ix
Lithium battery notice . . . . .	x
<b>About this book</b> . . . . .	xi
Related information . . . . .	xi
<b>Chapter 1. IBM PC 300GL overview</b> . . . . .	1
Identifying your computer . . . . .	1
Desktop models . . . . .	2
Tower models . . . . .	3
Features . . . . .	4
Specifications — Desktop model . . . . .	7
Specifications — Tower model . . . . .	8
<b>Chapter 2. Setting up your computer</b> . . . . .	9
Selecting a location for your computer . . . . .	9
Connecting computer cables . . . . .	10
Turn on power . . . . .	15
Finish the installation . . . . .	16
Arranging your workspace . . . . .	16
Comfort . . . . .	16
Glare and lighting . . . . .	17
Air circulation . . . . .	17
Electrical outlets and cable lengths . . . . .	18
<b>Chapter 3. Operating your computer</b> . . . . .	19
Starting your computer . . . . .	19
Shutting down . . . . .	20
Using diskettes . . . . .	20
Handling and storing diskettes . . . . .	20
Inserting and removing diskettes . . . . .	21
Using a CD-ROM drive . . . . .	21
Handling a CD . . . . .	22
Loading a CD . . . . .	22
Universal Manageability features . . . . .	22
Wake on LAN . . . . .	23
Alert on LAN . . . . .	23
Remote Program Load or Dynamic Host Configuration Protocol . . . . .	23
Remote administration . . . . .	24
LANClient Control Manager (LCCM) . . . . .	24
System Migration Assistant (SMA) . . . . .	24
Desktop Management Interface . . . . .	24

Wake on Ring . . . . .	25
Using video features . . . . .	25
Video device drivers . . . . .	25
Changing monitor settings . . . . .	26
Using audio features . . . . .	26
Updating system programs . . . . .	27
Using security features . . . . .	28
Locking the cover . . . . .	28
Locking the keyboard . . . . .	28
Using a security U-bolt . . . . .	28
<b>Chapter 4. Using the Configuration/Setup Utility program . . . . .</b>	<b>29</b>
Starting and using the Configuration/Setup Utility program . . . . .	29
Viewing and changing settings . . . . .	30
Exiting from the Configuration/Setup Utility program . . . . .	31
Using Security Profiles by Device . . . . .	32
Using passwords . . . . .	33
Using a power-on password . . . . .	33
Using an administrator password . . . . .	36
Other settings in the Configuration/Setup Utility program . . . . .	38
Changing keyboard speed . . . . .	38
Setting the startup sequence . . . . .	38
Setting remote administration . . . . .	39
Interrupt and DMA resources . . . . .	40
Power management features . . . . .	40
Quick reference for network-related settings . . . . .	44
<b>Chapter 5. Taking care of your computer . . . . .</b>	<b>49</b>
Basics . . . . .	49
Cleaning your computer . . . . .	49
Computer and keyboard . . . . .	49
Monitor screen . . . . .	50
Mouse . . . . .	50
Moving your computer . . . . .	51
<b>Chapter 6. Installing options . . . . .</b>	<b>53</b>
Handling static-sensitive devices . . . . .	53
Available options . . . . .	54
Tools required . . . . .	54
Removing the cover — desktop model . . . . .	55
Locating components— desktop model . . . . .	56
Removing the cover — tower model . . . . .	56
Locating components—tower model . . . . .	58
Moving the power supply— desktop model . . . . .	59
Moving the power supply—tower model . . . . .	61
Working with options on the system board . . . . .	64
Accessing the system board . . . . .	64

Identifying parts on the system board . . . . .	64
Working with memory . . . . .	66
Working with adapters . . . . .	68
PCI adapters . . . . .	68
Adapter slots . . . . .	68
Installing adapters — desktop model . . . . .	68
Installing adapters — tower model . . . . .	69
Working with internal drives . . . . .	71
Internal drives . . . . .	71
Drive specifications . . . . .	73
Power and signal cables for internal drives . . . . .	73
Installing internal drives— desktop model . . . . .	75
Installing internal drives — tower model . . . . .	78
Installing a security U-bolt . . . . .	80
Completing the installation . . . . .	81
Replacing the cover and connecting the cables . . . . .	82
Updating the computer configuration . . . . .	84
Configuring Plug and Play adapters . . . . .	84
Starting the Configuration/Setup Utility program . . . . .	85
Configuring startup devices . . . . .	86
<b>Chapter 7. Troubleshooting . . . . .</b>	<b>87</b>
Power-on self-test (POST) . . . . .	88
Troubleshooting MAP . . . . .	89
Diagnostic error codes and messages . . . . .	92
POST errors . . . . .	92
POST beep codes . . . . .	96
Device troubleshooting charts . . . . .	97
Diskette drive problems . . . . .	99
Monitor problems . . . . .	100
General problems . . . . .	102
Intermittent problems . . . . .	102
Keyboard, mouse, or pointing device problems . . . . .	103
Memory problems . . . . .	104
Option problems . . . . .	105
Parallel-port problems . . . . .	106
Serial-port problems . . . . .	106
Printer problems . . . . .	107
Software problems . . . . .	108
Universal Serial Bus port problems . . . . .	108
IBM Enhanced Diagnostics program . . . . .	108
Other diagnostic programs on the Software Selections CD . . . . .	111
CoSession Remote . . . . .	111
Recovering from a POST/BIOS update failure . . . . .	111
Installing files from option diskettes . . . . .	112
Replacing the battery . . . . .	113

<b>Chapter 8. Getting help, service, and information</b> . . . . .	115
Service support . . . . .	115
Before you call for service . . . . .	117
Getting customer support and service . . . . .	117
Using the World Wide Web . . . . .	117
Using electronic support services . . . . .	118
Getting information by fax . . . . .	119
Getting help online . . . . .	119
Getting help by telephone . . . . .	119
Getting help around the world . . . . .	121
Purchasing additional services . . . . .	121
Enhanced PC support line . . . . .	122
900-number operating system and hardware support line . . . . .	122
Network and server support line . . . . .	122
Ordering support line services . . . . .	123
Warranty and repair services . . . . .	123
Ordering publications . . . . .	124
<b>Appendix A. Using the Software Selections CD</b> . . . . .	125
Features of the CD . . . . .	125
Starting the CD . . . . .	126
Using the Software Selections program . . . . .	126
<b>Appendix B. Computer records</b> . . . . .	129
Serial numbers . . . . .	129
Device records . . . . .	129
<b>Appendix C. Product warranties and notices</b> . . . . .	131
Warranty Statements . . . . .	131
IBM Statement of Limited Warranty for United States, Puerto Rico, and Canada (Part 1 - General Terms) . . . . .	131
IBM Statement of Warranty Worldwide except Canada, Puerto Rico, Turkey, United States (Part 1 - General Terms) . . . . .	134
Part 2 - Worldwide Country-Unique Terms . . . . .	138
Notices . . . . .	141
Year 2000 readiness and instructions . . . . .	142
Trademarks . . . . .	143
Electronic emission notices . . . . .	143
Class B Notices . . . . .	144
Class A Notices . . . . .	145
Other Notices . . . . .	146
Power cord notice . . . . .	150
<b>Index</b> . . . . .	153

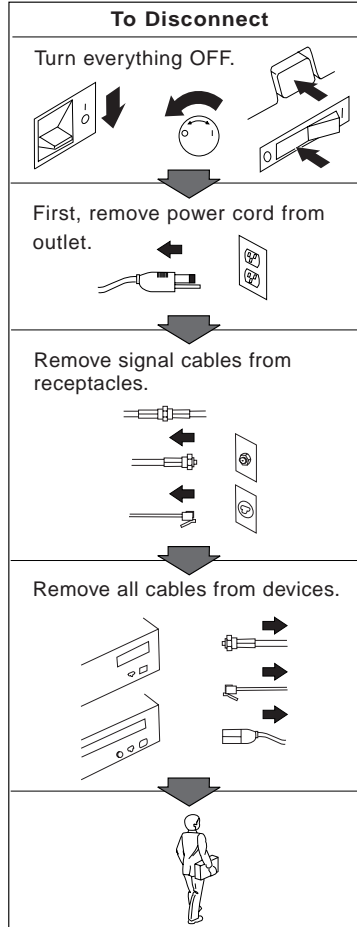
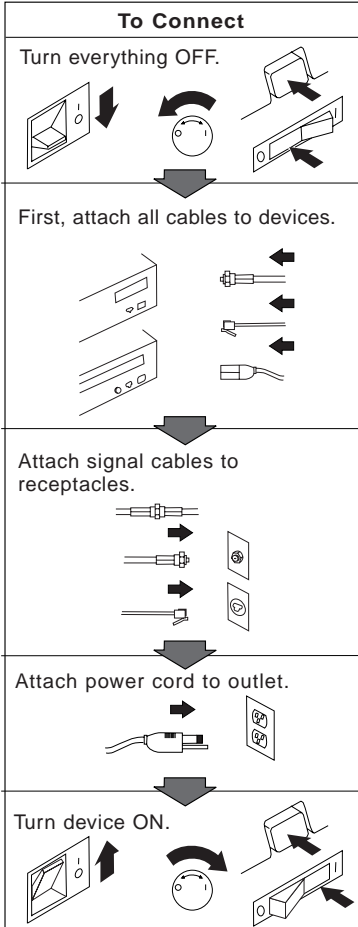


# Safety information



## DANGER:

Electrical current from power, telephone, and communication cables is hazardous. To avoid shock hazard, connect and disconnect cables as shown below when installing, moving or opening the covers of this product or attached devices. The power cord must be used with a properly grounded outlet.



---

## Modem safety information

To reduce the risk of fire, electrical shock, or injury when using telephone equipment, always follow basic safety precautions, such as:

- Never install telephone wiring during a lightning storm.
- Never install telephone jacks in wet locations unless the jack is specifically designed for wet locations.
- Never touch uninsulated telephone wires or terminals unless the telephone line has been disconnected at the network interface.
- Use caution when installing or modifying telephone lines.
- Avoid using a telephone (other than a cordless type) during an electrical storm. There may be a remote risk of electric shock from lightning.
- Do not use the telephone to report a gas leak in the vicinity of the leak.



### DANGER

**To avoid a shock hazard, do not connect or disconnect any cables or perform installation, maintenance, or reconfiguration of this product during an electrical storm.**

### DANGER

**Pour éviter tout risque de choc électrique, ne manipulez pas de câbles ni de cordons et n'effectuez pas d'opération d'installation, de maintenance ou de reconfiguration pendant un orage.**

---

## Laser compliance statement

Some IBM Personal Computer models are equipped from the factory with a CD-ROM drive. CD-ROM drives are also sold separately as options. The CD-ROM drive is a laser product. The CD-ROM drive is certified in the U.S. to conform to the requirements of the Department of Health and Human Services 21 Code of Federal Regulations (DHHS 21 CFR) Subchapter J for Class 1 laser products. Elsewhere, the drive is certified to conform to the requirements of the International Electrotechnical Commission (IEC) 825 and CENELEC EN 60 825 for Class 1 laser products.

When a CD-ROM drive is installed, note the following.

### **CAUTION:**

**Use of controls or adjustments or performance of procedures other than those specified herein might result in hazardous radiation exposure.**

Removing the covers of the CD-ROM drive could result in exposure to hazardous laser radiation. There are no serviceable parts inside the CD-ROM drive. **Do not remove the CD-ROM drive covers.**

Some CD-ROM drives contain an embedded Class 3A or Class 3B laser diode. Note the following.

### **DANGER**

<p><b>Laser radiation when open. Do not stare into the beam, do not view directly with optical instruments, and avoid direct exposure to the beam.</b></p>
--

---

## Lithium battery notice

### CAUTION:

Danger of explosion if battery is incorrectly replaced.

When replacing the battery, use only IBM Part Number 33F8354 or an equivalent type battery recommended by the manufacturer. The battery contains lithium and can explode if not properly used, handled, or disposed of.

### *Do not:*

- Throw or immerse into water
- Heat to more than 100°C (212°F)
- Repair or disassemble

Dispose of the battery as required by local ordinances or regulations.

### ATTENTION

Danger d'explosion en cas de remplacement incorrect de la batterie.

Remplacer uniquement par une batterie IBM de type 33F8354 ou d'un type équivalent recommandé par le fabricant. La batterie contient du lithium et peut exploser en cas de mauvaise utilisation, de mauvaise manipulation ou de mise au rebut inappropriée.

### *Ne pas :*

- Lancer ou plonger dans l'eau
- Chauffer à plus de 100°C (212°F)
- Réparer ou désassembler

Mettre au rebut les batteries usagées conformément aux règlements locaux.

---

## About this book

This book will help you become familiar with your IBM® Personal Computer and its features. It describes how to set up, operate, maintain, and install options in your computer. In the unlikely event you experience problems, you will find helpful troubleshooting information and instructions for obtaining service in this book.

---

## Related information

The following documentation contains additional information about your computer:

- *About Your Software*  
This publication (provided only with computers that have IBM-preinstalled software) contains information about the preinstalled software package.
- *Understanding Your Personal Computer*  
This online publication (preinstalled on your computer and provided on the *Software Selections* CD that comes with your computer) includes general information about using personal computers and in-depth information about the specific features of your computer. To access this online publication, see *About Your Software*.

The following publications contain more information about your computer.

- *Hardware Maintenance Manual*  
This publication contains information for trained service technicians. It can be found on the World Wide Web at the following Web site:  
<http://www.ibm.com/pc/support/us/>  
Type the model number/machine type into the Quick Path field and click **Go**. Click **Online publications** and then click **Hardware Maintenance Manuals**.  
  
This manual can also be ordered from IBM. To purchase a copy, refer to Chapter 8, “Getting help, service, and information” on page 115.
- *Technical Information Manual*  
This publication contains information for individuals who want to know more about the technical aspects of their computer. It can be found on the World Wide Web at the following Web site:  
<http://www.ibm.com/pc/support/us/>  
Type the model number/machine type into the Quick Path field and click **Go**. Click **Online publications** and then click **Technical Manuals**.



---

# Chapter 1. IBM PC 300GL overview

Thank you for selecting an IBM PC 300®GL. Your computer incorporates many of the latest advances in computer technology and can be upgraded as your needs change.

This section provides an overview of the computer features, preinstalled software, and specifications.

---

## Identifying your computer

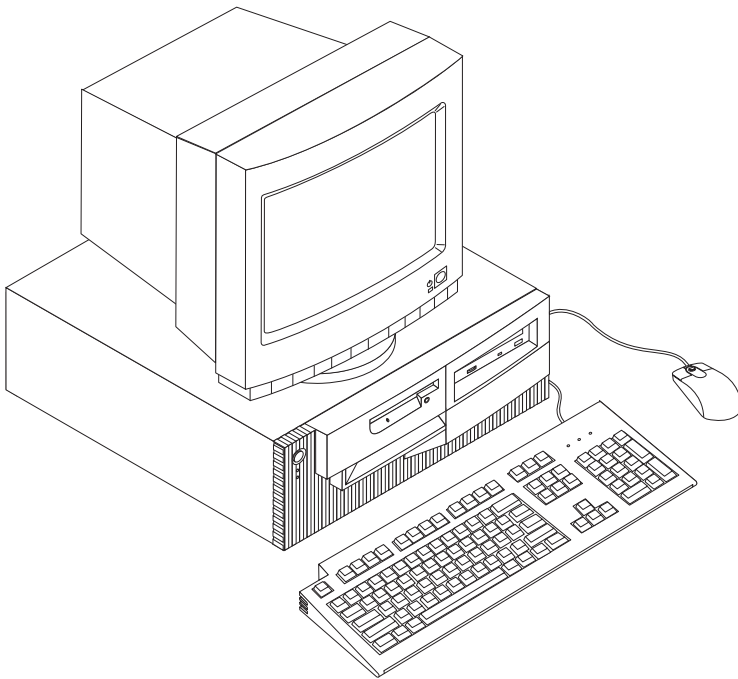
In most instances, the best way to identify your computer is by the model number/machine type. The model number/machine type indicates the various features of the computer, such as the type of microprocessor or the number of bays. You can find this number on the small label on the front of your computer. An example of a model number/machine type is 6268-110.

You need to know whether your computer is a desktop or a tower.

Throughout this book, we will be describing PC 300GL models in desktop and tower versions. These naming conventions are used only where it is appropriate. Instructions without these naming conventions apply to both the computer models.

## Desktop models

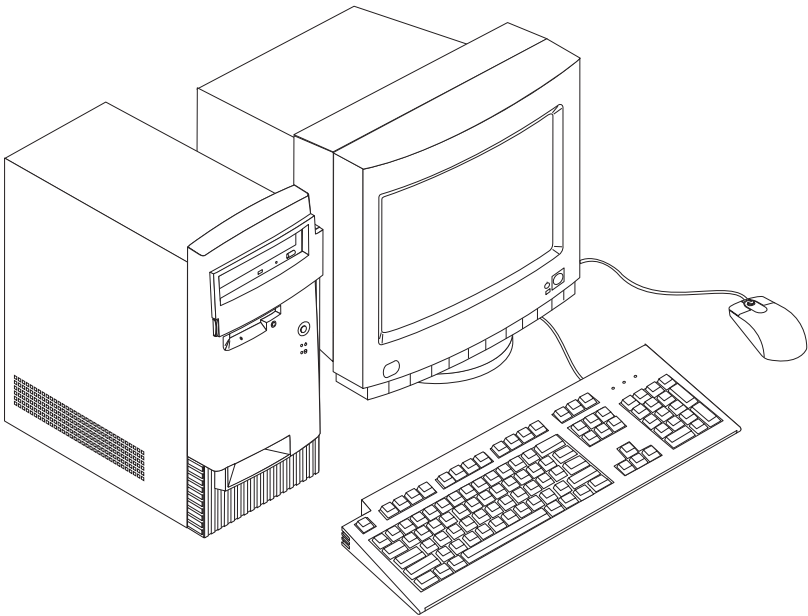
Desktop models have drive bays that are side by side. The diskette drive is next to the power button, and if your computer comes with a CD-ROM drive, it is next to the floppy drive. When the desktop model is in its normal position (drives horizontal), you can place the monitor on top of it.





## Tower models

Tower models come with drive bays that are aligned on top of one another. If your computer has a CD-ROM drive, it is installed in the bay at the top of the computer. When the tower model is in its normal position, the drives in the tower are horizontal with the handle at the top of the computer.



---

## Features

### System summary

The following information covers a variety of models. For a listing of features for your specific model, refer to the System Summary screen in the Configuration/Setup Utility program. See Chapter 4, "Using the Configuration/Setup Utility program" on page 29 for more information.

### Microprocessor

Your PC 300GL includes an Intel® Celeron™ microprocessor with 128 KB of internal L2 cache memory.

### Memory

- Support for:
  - 3.3 V, synchronous, 168-pin, dual inline (DIMM), unbuffered, 100 MHz nonparity SDRAM
  - 32 MB, 64 MB, 128 MB, and 256 MB unbuffered DIMMs for a maximum of 512 MB
  - DIMM heights up to 63.5 mm (2.5 inches)
- 512 KB flash memory for system programs

### Internal drives

- Standard: One 3.5-inch, 1.44 MB diskette drive; internal hard disk drive
- Some models: One EIDE CD-ROM drive

### Video controller

- Dynamic video memory technology
- 4 MB display cache video memory

### Audio subsystem:

16-bit Sound Blaster Pro compatible

### 10/100 Mbps Ethernet adapter that supports:

- Wake on LAN® (some models)
- Alert on LAN™ (some models)

### Modem

Internal 56K V.90 modem (some models)

## **System management features**

- Remote Program Load (RPL) and Dynamic Host Configuration Protocol (DHCP)
- Wake on LAN (requires Wake on LAN-supported network adapter)
- Wake on Ring (in the Configuration/Setup Utility program, this feature is called Serial Port Ring Detect for an external modem and Modem Ring Detect for an internal modem)
- Wake on Alarm
- Ability to update POST and BIOS over the network (in the Configuration/Setup Utility program, this feature is called Remote Administration)
- Automatic power-on startup
- System Management (SM) BIOS and SM software
- Ability to store POST hardware test results

## **Input/output features**

- 25-pin, ECP/EPP parallel port
- Two 9-pin, 16550 UART serial ports
- Two 4-pin, USB ports
- Mouse port
- Keyboard port
- 15-pin monitor port
- Three audio connectors (line/headphone out, line in, and microphone)

## **Expansion**

- Four drive bays
- Four PCI expansion slots with support for Plug and Play adapters
- PCI slot 2 supports the Alert on LAN feature for use with Alert on LAN-supported network adapters

## **Power**

- Manual switch between ranges, 90–137/180–265 V ac
- Automatic switching, 57–63/47–53 Hz input frequency range
- Built-in overload and surge protection
- Advanced Power Management support
- Advance Configuration and Power Interface (ACPI) support

## Security features

- Power-on and administrator passwords
- Built-in loop for locking the cover using a customer-supplied padlock
- Support for the addition of a U-bolt and lockable cable
- Startup sequence control
- Startup without diskette drive, keyboard, or mouse
- Unattended start mode
- Diskette and hard disk I/O control
- Serial and parallel port I/O control
- Alert on LAN (requires Alert on LAN supported network adapter)
- Security profile by device

## IBM preinstalled software

Your computer might come with preinstalled software. If so, an operating system, device drivers to support built-in features, and other support programs are included. See *About Your Software* for a detailed description of the preinstalled software.

## Operating systems (supported)

- Microsoft® Windows NT® Workstation Versions 3.51 and 4.0
- Microsoft Windows® 95 and Windows 98

## Operating systems (tested for compatibility)<sup>1</sup>

- Novell NetWare Versions 3.2, 4.11, 5.0
- SCO OpenServer 5.0.4
- OS/2®
- MS-DOS® 6.22
- IBM PC DOS 7.0
- Sun Solaris 2.5.1 or later

---

<sup>1</sup> The operating systems listed here are being tested for compatibility at the time this publication goes to press. Additional operating systems might be identified by IBM as compatible with your computer following the publication of this booklet. Corrections and additions to the list are available in the IBM online compatibility report, which can be found on the World Wide Web. For World Wide Web pages, see Chapter 8, "Getting help, service, and information" on page 115.

---

## Specifications — Desktop model

---

### Dimensions

- Height: 138 mm (5.43 in.)
- Width: 400 mm (15.75 in.)
- Depth: 429 mm (16.9 in.)

### Weight

- Minimum configuration as shipped: 9.53 kg (21 lb)
- Maximum configuration: 10.4 kg (23 lb)

### Environment

- Air temperature:
  - System on: 10° to 35°C (50° to 95°F)
  - System off: 10° to 43°C (50° to 110°F)
- Humidity:
  - System on: 8% to 80%
  - System off: 8% to 80%
- Maximum altitude: 2134 m (7000 ft)

### Electrical input

- Input voltage:
  - Low range:
    - Minimum: 90 V ac
    - Maximum: 137 V ac
    - Input frequency range: 57-63 Hz
    - Voltage switch setting: 115 V
  - High range:
    - Minimum: 180 V ac
    - Maximum: 265 V ac
    - Input frequency range: 47-53 Hz
    - Voltage switch setting: 230 V
  - Input kilovolt-amperes (kVA) (approximately):
    - Minimum configuration as shipped: 0.08 kVA
    - Maximum configuration: 0.51 kVA

**Note:** Power consumption and heat output vary depending on the number and type of optional features installed and the power-management optional features in use.

### Heat output

- Approximate heat output in British thermal units (Btu) per hour:
  - Minimum configuration: 256 Btu/hr (75 watts)
  - Maximum configuration: 706 Btu/hr (207 watts)

### Airflow

- Approximately 0.5 cubic meters per minute (18 cubic feet per minute)

### Acoustical noise-emission values

- Average sound-pressure levels:
  - At operator position:
    - Idle: 38 dBA
    - Operating: 43 dBA
  - At bystander position-1 meter (3.3 ft):
    - Idle: 33 dBA
    - Operating: 37 dBA
- Declared (upper limit) sound power levels:
  - Idle: 4.8 bels
  - Operating: 5.1 bels

**Note:** These levels were measured in controlled acoustical environments according to procedures specified by the American National Standards Institute (ANSI) S12.10 and ISO 7779, and are reported in accordance with ISO 9296. Actual sound-pressure levels in your location might exceed the average values stated because of room reflections and other nearby noise sources. The declared sound power levels indicate an upper limit, below which a large number of computers will operate.

---

# Specifications — Tower model

---

## Dimensions

- Height: 383 mm (15.1 in.)
- Width: 192 mm (7.6 in.)
- Depth: 378 mm (14.9 in.)

## Weight

- Minimum configuration as shipped: 8.30 kg (18.3 lb)
- Maximum configuration: 10.2 kg (22.5 lb)

## Environment

- Air temperature:
  - System on: 10° to 35°C (50° to 95°F)
  - System off: 10° to 43°C (50° to 110°F)
- Humidity:
  - System on: 8% to 80%
  - System off: 8% to 80%
- Maximum altitude: 2134 m (7000 ft)

## Electrical input

- Input voltage:
  - Low range:
    - Minimum: 90 V ac
    - Maximum: 137 V ac
    - Input frequency range: 57-63 Hz
    - Voltage switch setting: 115 V
  - High range:
    - Minimum: 180 V ac
    - Maximum: 265 V ac
    - Input frequency range: 47-53 Hz
    - Voltage switch setting: 230 V
  - Input kilovolt-amperes (kVA) (approximately):
    - Minimum configuration as shipped: 0.08 kVA
    - Maximum configuration: 0.51 kVA

**Note:** Power consumption and heat output vary depending on the number and type of optional features installed and the power-management optional features in use.

## Heat output

- Approximate heat output in British thermal units (Btu) per hour:
  - Minimum configuration: 256 Btu/hr (75 watts)
  - Maximum configuration: 706 Btu/hr (207 watts)

## Airflow

- Approximately 0.5 cubic meters per minute (18 cubic feet per minute)

## Acoustical noise-emission values

- Average sound-pressure levels:
  - At operator position:
    - Idle: 38 dBA
    - Operating: 43 dBA
  - At bystander position-1 meter (3.3 ft):
    - Idle: 33 dBA
    - Operating: 37 dBA
  - Declared (upper limit) sound power levels:
    - Idle: 4.8 bels
    - Operating: 5.1 bels

**Note:** These levels were measured in controlled acoustical environments according to procedures specified by the American National Standards Institute (ANSI) S12.10 and ISO 7779, and are reported in accordance with ISO 9296. Actual sound-pressure levels in your location might exceed the average values stated because of room reflections and other nearby noise sources. The declared sound power levels indicate an upper limit, below which a large number of computers will operate.

---

## Chapter 2. Setting up your computer

This section provides information for connecting cables to your computer and turning on the power.

**Before you begin**

Read “Safety information” on page vii before setting up your computer.

You will need the following:

- Computer
- Computer power cord
- Keyboard
- Mouse
- Monitor (sold separately with signal cable and power cord)

If you are missing an item, contact your place of purchase.

---

### Selecting a location for your computer

Make sure you have an adequate number of properly grounded electrical outlets for the computer, monitor, and any other devices. Select a location for the computer where it will remain dry. Leave about 50 mm (2 in.) of space around the computer for proper air circulation.

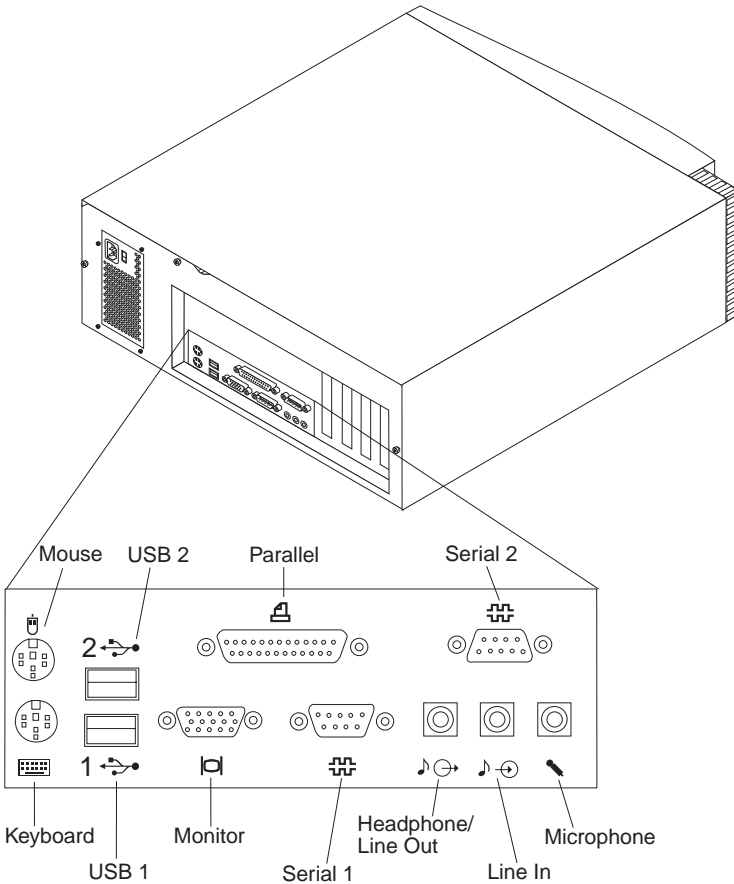
For information about arranging your computer for comfort and ease-of-use, refer to “Arranging your workspace” on page 16.

---

## Connecting computer cables

When you set up your computer, you will need to know where to find the connectors.

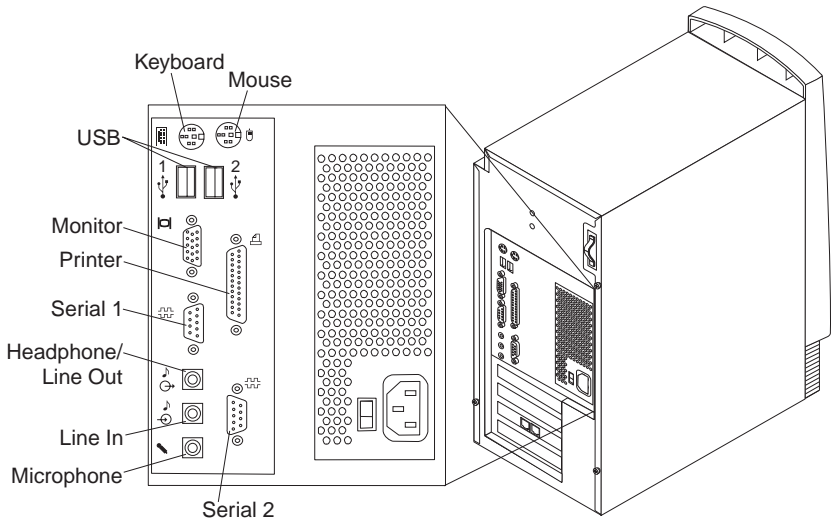
The following illustration shows the location of the connectors on the back of the desktop model computer. You might not have all of the devices shown here.



**Note:** The connectors on the rear of the computer have color-coded icons. Icons will help you to determine where to connect the proper cables on your computer.



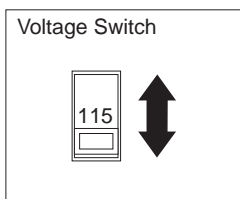
The following illustration shows the location of the connectors on the back of the tower model computer. You might not have all of the devices shown here.



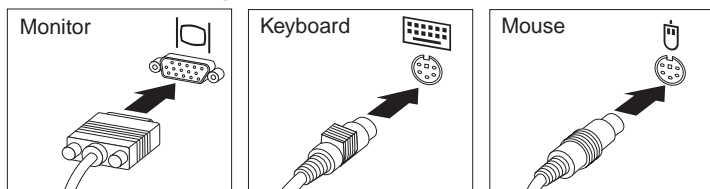
**Note:** The connectors on the rear of the computer have color-coded icons. Icons will help you to determine where to connect the proper cables on your computer.

Use the following steps to set up your computer:

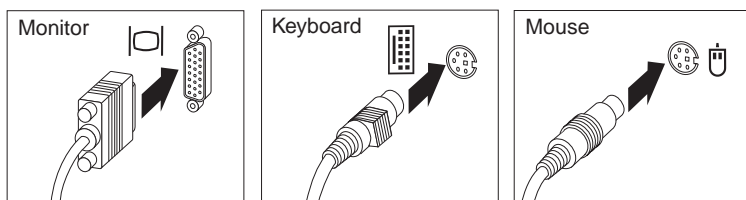
1. Check the position of the voltage-selection switch. Use a ballpoint pen to slide the switch, if necessary.
  - If the voltage supply range is 90–137 V ac, set the voltage switch to 115 V.
  - If the voltage supply range is 180–265 V ac, set the voltage switch to 230 V.



2. Connect the monitor cable to the monitor (if it is not already attached), then to the monitor connector and tighten the attachment screws. Connect the keyboard cable to the gray keyboard connector. Connect the mouse cable to the green mouse connector.



Desktop

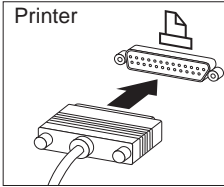


Tower

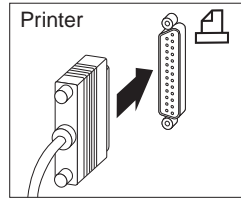
**Note:** If your computer comes with Windows NT Workstation and a ScrollPoint™ 2 mouse, the first time you start up your computer, your mouse will function, but your mouse will not have its ScrollPoint function. You must shut down and restart to enable the ScrollPoint function.

3. Connect any additional devices you have.

- Any printer or parallel device to the parallel port connector.

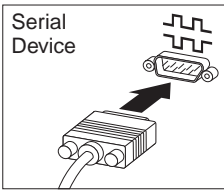


Desktop

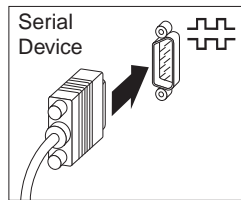


Tower

- Any serial device or external modem in the serial connector.

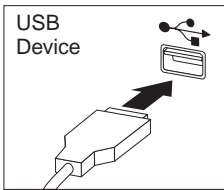


Desktop

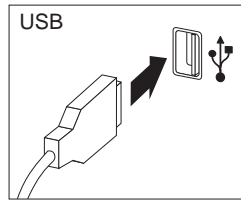


Tower

- Any universal serial bus (USB) devices.

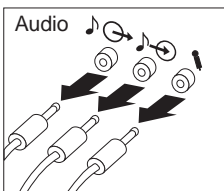


Desktop

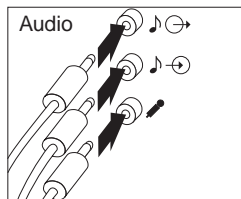


Tower

- Any optional devices, such as speakers, microphones, or headphones, for models with an audio device.

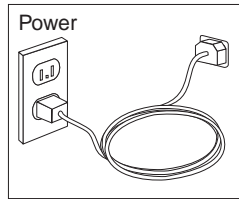


Desktop



Tower

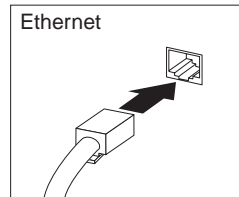
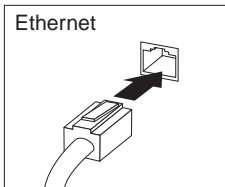
- Connect the power cord to the power connector. If there is a label covering the power connector, remove it. Connect the power cords to the computer, monitor, and other devices first, and then plug the cords into properly grounded electrical outlets.



**Important:**

- When the power cord is first plugged in, the computer powers on for a few seconds, then powers off. This is normal operation.
- In some circumstances, the computer might not power off immediately when the power switch is pressed. In this case, hold the power switch down until the power turns off.

- Connect the phone line connector for models with a modem.
- If your computer comes with an Ethernet adapter, connect the Ethernet cable.



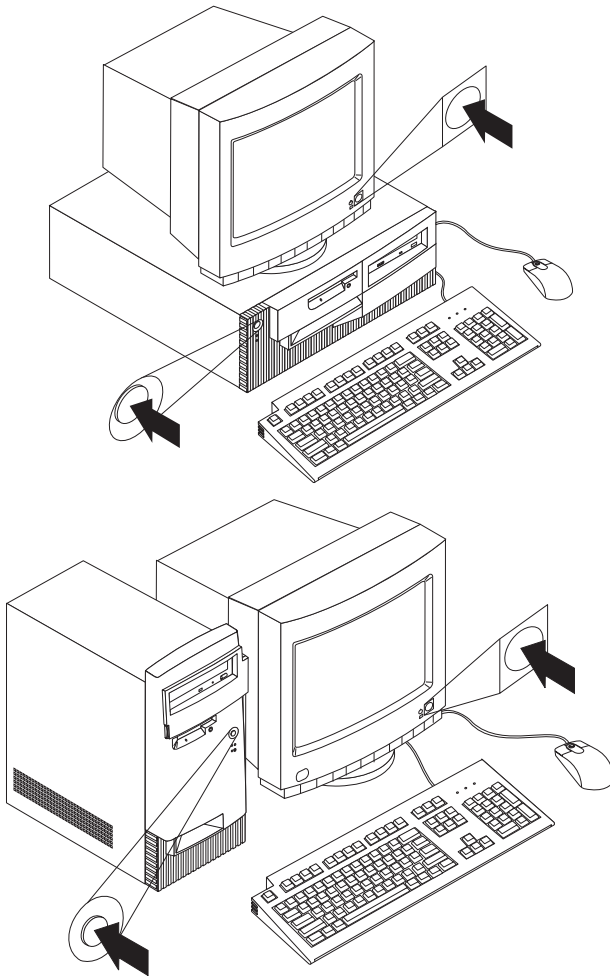
**Important**

Category 5 Ethernet cable must be used for operation of the system within FCC Class B limits.

---

## Turn on power

Turn on the monitor and other external devices first, and then turn on the computer. See the illustration below for the location of the power switches for the monitor and the computer. You see a logo screen while the computer performs a short self-test. When the task completes successfully, the logo screen disappears, the BIOS is loaded, and the software is loaded (in models with preinstalled software).



**Note:** If you suspect a problem, see Chapter 7, “Troubleshooting” on page 87.

---

## Finish the installation

Locate identification numbers (serial and model/type) and record this information in Appendix B, “Computer records” on page 129.

See “Related information” on page xi in the front of this book for sources of other information about your computer. For information about IBM-installed software, see *About Your Software* in your applications package. Additional programs and device drivers are on the *Software Selections* CD, and in some cases on other CDs and diskettes. If you install your own operating system, make sure you install the device drivers after installing your operating system. Installation instructions are provided with the media or in README files on the diskettes or CDs.

---

## Arranging your workspace

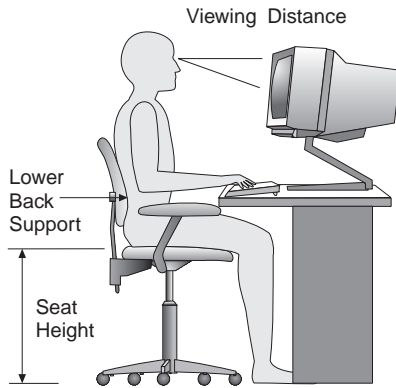
To get the most from your computer, arrange both the equipment you use and your work area to suit your needs and the kind of work you do. Your comfort is of foremost importance, but light sources, air circulation, and the location of electrical outlets also can affect the way you arrange your workspace.

### Comfort

Although no single working position is ideal for everyone, the following guidelines will help you find a position that suits you best.

Choose a good chair to reduce the frequency of fatigue from sitting in the same position for a long time. The backrest and seat should adjust independently and provide good support. The seat should have a curved front to relieve pressure on the thighs. Adjust the seat so that your thighs are parallel to the floor and your feet are either flat on the floor or on a footrest.

When using the keyboard, keep your forearms parallel to the floor and your wrists in a neutral, comfortable position. Try to keep a light touch on the keyboard and your hands and fingers relaxed. You can change the angle of the keyboard for maximum comfort by adjusting the position of the keyboard feet.



Adjust the monitor so that the top of the screen is at, or slightly below, eye level. Place the monitor at a comfortable viewing distance, usually 51 to 61 cm (20 to 24 in.), and position it so that you can view it without having to twist your body.

## Glare and lighting

Position the monitor to minimize glare and reflections from overhead lights, windows, and other light sources. Place the monitor at right angles to windows and other light sources whenever possible. Reduce overhead lighting, if necessary, by turning off lights or using lower wattage bulbs. If you install the monitor near a window, use curtains or blinds to block the sunlight. You might have to adjust the Brightness and Contrast controls on the monitor as the room lighting changes throughout the day.

Where it is impossible to avoid reflections or to adjust the lighting, place an antiglare filter over the screen. However, these filters might affect the clarity of the image on the screen; try them only after you have exhausted other methods of reducing glare.

Dust buildup compounds problems associated with glare. Remember to clean your monitor screen periodically using a soft cloth moistened with a nonabrasive liquid glass cleaner.

## Air circulation

Your computer and monitor produce heat. The computer has a fan that pulls in fresh air and forces out hot air. The monitor lets hot air escape through vents. Blocking the air vents can cause overheating, which might result in a malfunction or damage. Place the computer and monitor so that nothing blocks the air vents; usually, 51 mm (2 in.) of air space is sufficient. Also, make sure the vented air is not blowing on someone else.

## Electrical outlets and cable lengths

The location of electrical outlets and the length of power cords and cables that connect to the monitor, printer, and other devices might determine the final placement of your computer.

When arranging your workspace:

- Avoid the use of extension cords. Whenever possible, plug the computer power cord directly into an electrical outlet.
- Keep power cords and cables neatly routed away from walkways and other areas where they might be kicked accidentally.

For more information about power cords, see “Power cord notice” on page 150.



---

## Chapter 3. Operating your computer

This chapter provides information to help you in the day-to-day use of your computer.

### Important information

- When the power cord is first plugged in, the computer might appear to power on for a few seconds, then power off. This is a normal sequence.
- The power switch will normally operate with a single touch. However, in some circumstances the computer might not power off immediately. In this case, hold the power switch down for approximately 5 seconds. The computer will then turn off.
- Always shut down your operating system before turning off the computer. Refer to your operating system documentation for the proper procedure to shut down your operating system.
- Proper cooling is required for the reliable performance of internal components. Do not operate your computer with the cover off.

---

## Starting your computer

What you see and hear when you start up your computer depends on the settings in the Start Options menu of the Configuration/Setup Utility program. The default settings are **Power On Status [Disabled]** and **Power On Self Test [Quick]**.

**Note:** Other selections also might change what is displayed when the computer starts up.

The following briefly describes what happens in the default mode when you turn on your computer:

1. The IBM logo appears.
2. The following messages appear:  
Press F1 for Configuration/Setup  
Press ESC for fast POST
3. If any errors were detected during POST, they are displayed.
4. If you have set a power-on password, a prompt appears on the screen. If you have set both power-on and administrator passwords, you can type either password at the password prompt. When you type your password at the prompt and press Enter, the first screen of your operating system or application program appears.

5. If the system hardware configuration has changed or an error is detected, the Configuration/Setup Utility program menu might be displayed when you press Enter.

For more information, see “Power-on self-test (POST)” on page 88.

If **Power On Status** is *[Enabled]*, and the power-on self-test (POST) finishes without detecting a problem, you hear one beep. If POST detects a problem when you start your computer, you hear multiple beeps or no beep. In most cases, an error code appears in the top-left corner of the screen, and in some cases a description of the error is displayed beside the code. (Note that the screen will sometimes display multiple error codes and descriptions.) Write down all error code numbers and descriptions.

If **Power On Self Test** is *[Enhanced]*, numbers showing the amount of memory being tested appear in the top-left corner of the screen until the total amount of memory in the system is reached. Prompts for running a fast POST or accessing the Configuration/Setup Utility program appear in the lower-left corner of the screen.

---

## Shutting down

When you are ready to turn off your computer, follow the shutdown procedure for your operating system to prevent the loss of unsaved data or damage to your software programs. See your operating system documentation for instructions.

---

## Using diskettes

You can use 3.5-inch diskettes in the diskette drive of your computer.

The information that follows will help you use 3.5-inch diskettes.

## Handling and storing diskettes

Inside the protective diskette case is a flexible disk with a magnetic-sensitive coating. This disk can be damaged by heat, dust, a magnetic field, or even a fingerprint. Use the following guidelines when handling and storing diskettes:

- Data is stored on the magnetic surface of the diskette. This surface is protected by a plastic cover. If the cover is damaged, *do not* use the diskette. A damaged diskette might damage the diskette drive.
- A protective slide on the top of a 3.5-inch diskette covers part of the magnetic surface. The diskette drive moves this slide to read data from

or write data to the diskette. *Do not* move this slide because fingerprints and dust can cause loss of data.

- Never touch the magnetic disk itself.
- Keep diskettes away from magnets or devices that create a strong magnetic field, such as electric motors and generators. Diskettes are sensitive to magnets found in television sets, telephones, stereo speakers, and other such items. A magnetic field can erase the data on your diskettes. *Do not* set diskettes on the monitor or use magnets to attach notes to your computer.
- Do not store diskettes at high temperatures, low temperatures, or in direct sunlight. Temperatures ranging from 4° to 53°C (39° to 127°F) are acceptable for 3.5-inch diskettes. Keep diskettes away from heat. The plastic outer covering might warp, damaging the diskette.

## Inserting and removing diskettes

To insert a 3.5-inch diskette, hold the diskette with the label facing up and insert the end with the protective slide first. Push the diskette into the diskette drive until the diskette clicks into place.

To remove the diskette, press the eject button and slide the diskette out of the drive. Do not remove the diskette while the in-use light is on.

---

## Using a CD-ROM drive

Some models have a preinstalled CD-ROM drive. CD-ROM drives can play back or read from a CD, but cannot write information to it. CD-ROM drives use industry standard, 12 cm (4.75-inch) CDs.

Follow these guidelines when using a CD-ROM drive:

- Do not place the drive where there is:
  - High temperature
  - High humidity
  - Excessive dust
  - Excessive vibration or sudden shock
  - An inclined surface
  - Direct sunlight
- Do not insert any object other than a CD into the drive.
- Before moving the computer, remove the CD from the drive.

## Handling a CD

When handling a CD, follow these guidelines:

- Hold the CD by its edges. Do not touch the surface of the side that is not labeled.
- To remove dust or fingerprints, wipe the CD with a clean, soft cloth from the center to the outside. Wiping the CD in a circular direction might cause loss of data.
- Do not write or stick paper on the CD.
- Do not scratch or mark the CD.
- Do not place or store the CD in direct sunlight.
- Do not use benzene, thinners, or other cleaners to clean the disk.
- Do not drop or bend the CD.

## Loading a CD

To load a CD into a CD-ROM drive:

1. Press the Eject/Load button. The tray slides out of the drive. (Do not manually force the tray open.)
2. Place the CD in the tray with the label facing up.
3. Close the tray by pressing the Eject/Load button or by gently pushing the tray forward. When the tray is closed, the indicator light on the front of the drive will activate to indicate that the drive is in use.
4. To eject the CD, press the Eject/Load button. When the tray slides out, carefully remove the disk.
5. Close the tray by pressing the Eject/Load button or by gently pushing the tray forward.

**Note:** If the tray does not slide out of the drive when you press the Eject/Load button, insert the pointed end of a large paper clip into the emergency-eject hole located on the front of the CD-ROM drive.

---

## Universal Manageability features

This section describes features that enable a network administrator or file server to remotely manage and control your computer. For more information about system management, refer to *Understanding Your Personal Computer* (provided on the *Software Selections* CD that comes with your computer).

IBM Universal Manageability tools streamline and automate PC systems management and support tasks, such as asset deployment and tracking. These leading-edge PC tools are available for IBM PCs at no additional

charge, helping to reduce total cost of ownership of your networked PCs and allowing you to focus vital company resources on essential business activities.

## Wake on LAN

The Wake on LAN feature requires a Wake on LAN network card. A network administrator can use this feature to turn on your computer from a remote location. When Wake on LAN is used in conjunction with network management software, such as Netfinity Manager™ (provided on the *Software Selections* CD that comes with your computer), many types of functions, such as data transfers, software updates, and POST or BIOS updates to your computer can be initiated remotely. For more information, see the documentation that comes with your Ethernet adapter.

**Note:** If the computer power cord is plugged into a surge protector, make sure that when you turn off power you use the computer power switch and not the surge protector switch. Otherwise, the Wake on LAN feature will not work.

## Alert on LAN

Your computer supports Alert on LAN technology. Alert on LAN technology provides notification of changes in the computer system even if the computer is powered off. Working with DMI and Wake on LAN technologies, Alert on LAN helps to manage and monitor the hardware and software features of your computer.

Alert on LAN generates notifications when the internal computer components have been removed, POST fails during a Wake on LAN attempt, or the computer is disconnected from the network or unplugged from the power outlet. Alert on LAN can be integrated with network-management software such as Intel LANClient Control Manager and IBM Netfinity Manager.

## Remote Program Load or Dynamic Host Configuration Protocol

If your computer comes with an Ethernet adapter, a network administrator can use Remote Program Load (RPL) or Dynamic Host Configuration Protocol (DHCP) to control your computer. If you use RPL in conjunction with software such as IBM LANClient Control Manager™, you can use a feature called *Hybrid RPL*, which installs hybrid images (or files) on the hard disk. Then, each time the computer starts from the network, LANClient Control Manager recognizes your computer as a Hybrid RPL client and a *bootstrap* program is downloaded to your computer hard disk.

This bootstrap program is small, which helps prevent network congestion. Hybrid RPL avoids the network traffic associated with a standard RPL.

## **Remote administration**

A network administrator can use this feature to update remotely the POST and BIOS in your computer. Network management software, such as LANClient Control Manager, is required in order to take advantage of this feature. Refer to “Setting remote administration” on page 39 for configuration information.

## **LANClient Control Manager (LCCM)**

LANClient Control Manager is a graphical, server-based program that aids in system deployment by allowing mass unattended system installation of operating systems, complete software images, device drivers, and BIOS updates. Used with Wake on LAN, LCCM can remotely start up your system from a powered-off state, which means all this can be done while the system is not being used. If you have purchased an IBM PC, LCCM is available for downloading at no additional charge (Internet access fees excepted).

For more information or to download this software visit:  
<http://www.ibm.com/pc/us/desktop/lccm>

## **System Migration Assistant (SMA)**

System Migration Assistant (SMA) delivers wizard-like functionality to help administrators remotely transfer configurations, profile settings, printer drivers, and files from an IBM or non-IBM PC to supported IBM systems. If you have purchased an IBM PC, SMA is available for downloading at no additional charge (Internet access fees excepted).

For more information or to download this software visit:  
<http://www.ibm.com/pc/us/software/sysmgmt/products/sma>

## **Desktop Management Interface**

Desktop Management Interface (DMI) is a method for gathering information about the hardware and software in your computer. In a network environment, network administrators can use DMI to remotely monitor and control your computer. For more information about DMI, refer to *Understanding Your Personal Computer* (provided on the *Software Selections* CD that comes with your computer).

## Wake on Ring

The Wake on Ring feature can be used to turn on your computer when a Wake on Ring supported modem receives a call from the telephone line to which it is connected. This feature is configured using the Configuration/Setup Utility program.

---

## Using video features

Your computer has an integrated super video graphics array (SVGA) graphics controller with 4 MB of SDRAM video cache memory. This controller is located on the system board. SVGA is a video standard for displaying text and graphic images on a monitor screen. Like other video standards, SVGA supports a variety of *video modes*. Video modes are different combinations of resolution, refresh rate, and color defined by a video standard for displaying text or graphics. For more information on video modes, refer to *Understanding Your Personal Computer* (provided on the *Software Selections* CD that comes with your computer).

## Video device drivers

To take full advantage of the graphics adapter in your computer, some operating systems and application programs require custom software, known as video device drivers. These device drivers provide support for greater speed, higher resolution, more available colors, and flicker-free images.

Device drivers for the integrated graphics subsystem and a README file with instructions for installing the device drivers are provided on the *Software Selections* CD that comes with your computer. If your computer has IBM-preinstalled software, video device drivers have already been installed on the hard disk. However, you can use the device driver installation instructions if you ever need to reinstall the device drivers or if you need information on obtaining and installing updated device drivers.

See Chapter 8, “Getting help, service, and information” on page 115 for more information.

## Changing monitor settings

To get the best possible image on your screen and to reduce flicker, you might need to reset the resolution and refresh rate of your monitor. You can view and change monitor settings through your operating system using the instructions provided in the README files on the *Software Selections* CD that comes with your computer. Refer to your operating system documentation for further information on monitor settings.

### Attention

Before you change any monitor settings, be sure to review the information that comes with your monitor. Using a resolution or refresh rate that is not supported by your monitor might cause the screen to become unreadable and could damage the monitor. The information that comes with your monitor usually includes the resolutions and refresh rates that the monitor supports. If you need additional information, contact the manufacturer of the monitor.

To minimize screen flicker and jitter, set your monitor for the highest noninterlaced refresh rate that the monitor supports. If your monitor complies with the VESA Display Data Channel (DDC) standard, it is probably already set to the highest refresh rate that the monitor and video controller can support. If you are not sure if your monitor is DDC-compliant, refer to the documentation provided with the monitor.

---

## Using audio features

Some models have an integrated Analog Devices, Inc. audio controller that supports Sound Blaster applications and is compatible with the Microsoft Windows Sound System. These models also have a single internal speaker and three audio connectors. The audio controller provides you with the ability to record and play back sound and music and to enjoy sound with multimedia applications. Optionally, you can connect two stereo speakers to the line out connector to enjoy better sound with multimedia applications.

The audio connectors in your computer are 3.5 mm (1/8-in.) mini-jacks. A description of the connectors follows. (For the location of the connectors, refer to “Connecting computer cables” on page 10.)

**Line/Headphone Out:** This jack is used to send audio signals from the computer to external devices, such as stereo-powered speakers with built-in amplifiers, headphones, multimedia keyboards, or the Audio Line-In jack on a stereo system.



**Note:** The internal speaker in your computer is disabled when an external speaker is connected to the headphone port on your computer.

**Audio Line In:** This jack is used to accept audio signals from external devices, such as line output from a stereo or television system, or a musical instrument, into the computer sound system.

**Microphone:** This port is used to connect a microphone to your computer when you want to record voice or other sounds on the hard disk. This port can also be used by speech recognition software.

**Note:** If you experience interference or speaker feedback while recording, try reducing the microphone recording volume (gain).

Procedures for recording and playing back sound vary by operating system. Refer to your operating system documentation for information and instructions.

---

## Updating system programs

*System programs* are the basic layer of software built into your computer. They include the power-on self-test (POST), the basic input/output system (BIOS) code, and the Configuration/Setup Utility program. POST is a set of tests and procedures that is performed each time you turn on your computer. BIOS is a layer of software that translates instructions from other layers of software into electrical signals that the computer hardware can understand. You can use the Configuration/Setup Utility program to view and change the configuration and setup of your computer.

Your computer system board has a firmware hub module called *electrically erasable programmable read-only memory* (EEPROM, also referred to as *flash memory*). You can easily update POST, BIOS, and the Configuration/Setup Utility program by starting your computer using a flash update diskette or by using the Remote Administration feature, if it is enabled. See “Setting remote administration” on page 39 for more information.

As part of the continuing work to improve quality, IBM might make changes and enhancements to the system programs. When updates are released, they are available as downloadable files on the World Wide Web or through the PC Company Bulletin Board Service (see Chapter 8, “Getting help, service, and information” on page 115). Instructions for using the system programs updates are available in a README file included in the update files.

---

## Using security features

To deter unauthorized use of your computer, you can lock the cover and keyboard.

### Locking the cover

Your computer comes with a built-in padlock loop. You can use this loop to lock the cover to your computer with a padlock.

### Locking the keyboard

You can disable the keyboard so that others are unable to use it. If a power-on password is set, the keyboard is locked when you turn on the computer. You must type the correct password before the keyboard will unlock. You can enable the power-on password feature with the Configuration/Setup Utility program. See Chapter 4, “Using the Configuration/Setup Utility program” on page 29.

Some operating systems have a keyboard and mouse lock-up feature. Check the documentation that comes with your operating system for more information.

### Using a security U-bolt

With the optional security U-bolt and a steel cable, you can secure your computer to a desk, table, or other fixture. This helps protect against theft. For instructions on installing a security U-bolt, see “Installing a security U-bolt” on page 80.

---

## Chapter 4. Using the Configuration/Setup Utility program

The Configuration/Setup Utility program is stored in the electrically erasable programmable read-only memory (EEPROM) of your computer. You can use the Configuration/Setup Utility program to view and change the configuration settings of your computer, regardless of which operating system you are using. However, the settings you select in your operating system might override any similar settings in the Configuration/Setup Utility program.

---

### Starting and using the Configuration/Setup Utility program

The Configuration/Setup Utility program is started automatically when a hardware configuration change is detected during POST. A 162 POST message is displayed. See “Power-on self-test (POST)” on page 88.

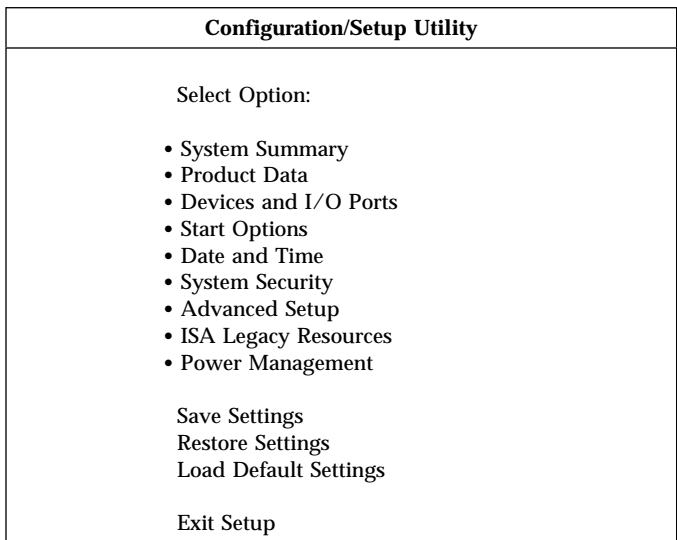
To start the Configuration/Setup Utility program:

1. Turn on your computer. If your computer is already on when you start this procedure, you must shut down the operating system, turn off the computer, wait a few seconds until all in-use lights go off, and restart the computer. (Do not use Ctrl+Alt+Del to restart the computer.)
2. When the Configuration/Setup Utility prompt appears in the lower-left corner of the screen during startup, press F1. (This prompt appears on the screen for only a few seconds. You must press F1 quickly.)
3. If you have *not* set an administrator password, the Configuration/Setup Utility program menu appears on the screen. If you have set an administrator password, the Configuration/Setup Utility program menu will not appear until you type your administrator password and press Enter. See “Using passwords” on page 33 for more information.

**Note:** If new system hardware has been added *and* one or more of the following statements are true, the Configuration/Setup Utility program menu will display before control is passed to the operating system.

- Enhanced POST is in effect.
- Power-on password is enabled.
- Administrator password is enabled.

The menu you see on your computer might look slightly different from the menu shown here, but it will operate the same way.



## Viewing and changing settings

The Configuration/Setup Utility program menu lists items that identify system configuration topics. You might see symbols next to configuration menu items. See the following table for the meaning of the symbols.

Symbol	Explanation
•	An additional menu or screen is available
▶	A change to that item has been made in the system configuration or the Configuration/Setup Utility program has detected an error and attempted to correct it. Also, an additional menu might follow a menu item with a ▶ beside it.
*	A system resource conflict was detected. Resolve this conflict before exiting from the Configuration/Setup Utility program so that your computer will function properly.
[ ]	In the Configuration/Setup Utility program menus, the configuration information you can change is enclosed in brackets like these. You cannot change information that is not surrounded by brackets.

When working with the Configuration/Setup Utility program menu, you must use the keyboard. Refer to the following table for the keys used to accomplish various tasks.

<b>Keys</b>	<b>Function</b>
↑ ↓	Use these arrow keys to move among menu items until the item you want is highlighted.
← →	Use these arrow keys to display and toggle among choices for a menu item.
Enter	Press this key to select a highlighted menu item.
Esc	Press this key to exit from a menu after viewing or making changes to the settings in the menu.
+	Use this key in some menus to increase the numerical value of a setting.
-	Use this key (the minus or hyphen key) in some menus to decrease the numerical value of a setting.
0-9	Use these number keys in some menus to change the numerical value of a setting.
F1	Press this key for help on a selected menu item.
F9	Press this key if you changed and saved the setting of a selected menu item and you want to restore the setting that was active before you made the change.
F10	Press this key to return the setting of a selected menu item to a default value.

**Note:** Active keys are displayed at the bottom of each screen; not all of the above keys are active on every menu.

In the Configuration/Setup Utility program menus, the configuration information you can change is enclosed in brackets like these [ ]. You cannot change information that is not surrounded by brackets.

## **Exiting from the Configuration/Setup Utility program**

When you finish viewing or changing settings, press Esc until you return to the Configuration/Setup Utility program menu. Depending on where you are in the program, you might have to press Esc several times to get back to the Configuration/Setup Utility menu. If you want to save the changes or settings, select Save Settings before you exit. Otherwise, your changes will not be saved.

---

## Using Security Profiles by Device

Setting Security Profiles by Device enables you to control which devices require a password before they start up. You can set three classes of devices to request a password before they will start up:

- Removable media, such as diskette drives and CD-ROM drives
- Hard disk drives
- Network devices

You can set these devices to request a user password, an administrator password, or not require a password at all. This way, if you have a power-on or administrator password set for your system, you can set these devices so that they will not prompt you for a password at start up so that you need only enter your password when your operating system prompts you for its password.

You can set IDE Controller to Enable or Disable to control access to the hard disk. You can set Diskette Drive Access to Enable or Disable to control access to the diskette drive. You can set Diskette Write Protect to Enable or Disable to control writing to your diskette or other removable media drives.

To set Security Profiles by Device:

1. Start the Configuration/Setup Utility program (see “Starting and using the Configuration/Setup Utility program” on page 29).
2. From the Configuration/Setup Utility program menu, select **System Security** and press Enter.
3. Select **Security Profile by Device** and press Enter.
4. Select the desired devices and settings and press Enter.
5. Press Esc twice to return to the Configuration/Setup Utility program menu.
6. Before you exit from the program, select **Save Settings** from the Configuration/Setup Utility menu.
7. To exit from the Configuration/Setup Utility program, press Esc and follow the instructions on the screen.

---

## Using passwords

You can use passwords to provide security for your computer and data. You can set two kinds of passwords: a power-on password and an administrator password. You do not have to set a password of either type to use your computer. However, if you decide to set one, read the following sections before you do so.

### Using a power-on password

The *power-on* password feature deters unauthorized persons from gaining access to your computer. When you set the power-on password, you can choose one of three password prompt modes:

**On** In password prompt On mode, you are prompted for the power-on password when you turn on the computer. Until the correct password is entered, the computer operating system will not start, and you will not be able to use the keyboard to input any other information. If you have a mouse connected to the mouse port, it will remain locked. If you have a mouse connected to a serial port, it will be activated when the computer is started, regardless of whether a password is set.

**Note:** If **Remote Administration** is enabled, you cannot select **On**. In this case, select **Dual**. If you set this mode to **On** when **Remote Administration** is enabled, it will automatically be reset to **Dual**. For more information, see “Setting remote administration” on page 39.

**Off** In password prompt Off mode (sometimes referred to as unattended start mode), you are not prompted to enter your power-on password when you turn on the computer. The computer will start the operating system. However, if you have a mouse connected to the mouse port, refer to the following information.

### — Important information for mouse users —

This information applies only to those who have a mouse connected to the mouse port; a serial mouse is not affected by the password prompt Off mode.

The password prompt Off mode prevents the computer from detecting that a mouse is attached. In this mode, the mouse device driver does not load automatically. Instead, the operating system displays an error message that informs you that the mouse connector is disabled. To enable the operating system to load without displaying this error message on future restarts, type either your power-on or administrator password and press Enter. Then use the tab key and spacebar on the keyboard to put a check mark in the **Do not display this message in the future** check box.

Once the operating system starts in password prompt Off mode, the computer will remain locked until you type your password. However, the mouse connected to the mouse port remains locked.

### Dual

In the password prompt Dual mode, the startup behavior of the computer depends on whether the computer is started from the computer power switch or by an unattended method, such as a modem or timer.

If you start the computer by using the power switch, the computer operates the same as it does in password prompt On mode. Refer to page 33 for further information.

If the computer is started by an unattended method, such as remotely over a LAN, the computer operates the same as it does in password prompt Off mode. Refer to page 33 for further information.

Once you enter your power-on password, you will be able to view limited information in the Configuration/Setup Utility program, but you will not be able to change any settings.

The password does not appear on the screen as you type it. If you type the wrong password, you receive a screen message telling you so. If you type the wrong password three times, you must turn off the computer and start again. When you type the correct password, the keyboard and mouse unlock, and the computer begins normal operation.



## Setting, changing, and deleting a power-on password

A power-on password can be any combination of up to seven characters (A–Z, a–z, and 0–9).

### Attention

Keep a record of your power-on password in a secure place. If you lose or forget your password, you cannot change or delete it without removing the computer cover and moving a jumper on the system board. Refer to “Erasing a lost or forgotten password” on page 37 for further information.

To set, change, or delete a power-on password:

1. Start the Configuration/Setup Utility program (see “Starting and using the Configuration/Setup Utility program” on page 29).
2. From the Configuration/Setup Utility program menu, select **System Security** and press Enter.
3. Select **Power-On Password** and press Enter.
4. To delete a power-on password, select **Delete Power-On Password** and go to step 9.
5. To change a power-on password, select **Change Power-On Password** and follow the instructions on the screen.
6. To set a new password, type your new password and press Down Arrow (↓).
7. Type your new password again.
8. At **Password Prompt**, select **Off**, **On**, or **Dual**. Press Left Arrow (←) or Right Arrow (→) to toggle among selections.  
**Note:** If **Remote Administration** is enabled, you cannot select **On**. In this case, select **Dual**. If you set this mode to **On**, when **Remote Administration** is enabled, the mode will automatically be reset to **Dual**.
9. Press Esc twice to return to the Configuration/Setup Utility program menu.
10. Before you exit from the program, select **Save Settings** from the Configuration/Setup Utility menu.
11. To exit from the Configuration/Setup Utility program, press Esc and follow the instructions on the screen.

## Using an administrator password

### Important

If enhanced security is enabled, keep a record of your administrator password in a secure place. If you forget or lose the administrator password, the system board must be replaced in order to recover.

Setting an administrator password deters unauthorized persons from changing configuration settings. If you are responsible for maintaining the settings of several computers, you might want to set an administrator password.

After you set an administrator password, a password prompt appears each time you try to access the Configuration/Setup Utility program. If you type the wrong password, you receive a message telling you so. If you type the wrong password three times in succession, you must turn the computer off and start again.

If both a power-on and administrator password are set, you can type either of the passwords. However, in order to change any settings, you must use your administrator password. If you enter the power-on password, you will only be able to view limited information.

### Setting, deleting, or changing an administrator password

An administrator password can be any combination of up to seven characters (A-Z, a-z, and 0-9).

To set, change, or delete an administrator password:

1. Start the Configuration/Setup Utility program(see “Starting and using the Configuration/Setup Utility program” on page 29).
2. From the Configuration/Setup Utility program menu, select **System Security** and press Enter.
3. Select **Administrator Password** and press Enter.
4. To delete an administrator password, select **Delete Administrator Password** and go to step 8 on page 37.
5. To set an administrator password, type your password, press Down Arrow (↓), and type your password again.
6. At **Power-On Password Changeable by User**, select **Yes** or **No**. Press Left Arrow (←) or Right Arrow (→) to toggle between selections. (If you select **Yes** and an administrator password is set, the power-on password can be changed without having to enter the administrator password. If you select **No** and an administrator password is set, the

power-on password cannot be changed unless the administrator password is entered.)

7. Select **Change Administrator Password** and follow the instructions on the screen.
8. Press Esc until you return to the Configuration/Setup Utility program menu.
9. Before you exit from the program, select **Save Settings** from the Configuration/Setup Utility program menu.
10. To exit from the Configuration/Setup Utility program, press Esc and follow the instructions on the screen.

## Erasing a lost or forgotten password

### Important

If possible, record the configuration information of your computer *before* moving the Clear CMOS/Recovery Jumper.

To erase a lost or forgotten password:

1. Turn off the computer and all attached devices.
2. Unplug the power cord.
3. Remove the cover. See “Removing the cover — desktop model” on page 55 or “Removing the cover — tower model” on page 56.
4. Refer to the system board cover label inside the computer to locate the Clear CMOS/Recovery Jumper. See the jumper pin settings also on this label.
5. Move the jumper from its normal position (pins 1 and 2) to pins 2 and 3. It might be helpful to use needlenose pliers to move the jumper, but be careful not to damage any system board components or crush the jumper.
6. Replace the cover.
7. Plug in the power cord.
8. Restart the computer. The computer will enter the Configuration/Setup Utility program.
9. Disable the power-on or administrator password settings or set new passwords.
10. Save password settings and turn off the computer.
11. Unplug the power cord and remove the cover. See “Removing the cover — desktop model” on page 55 or “Removing the cover — tower model” on page 56.

12. Move the jumper back to its normal position (pins 1 and 2).
13. Replace the computer cover.
14. Plug in the power cord.

After clearing CMOS memory, you must reconfigure the computer. After reassembling the computer, use the Configuration/Setup Utility program to reset the date and time, reset any passwords, and reconfigure the computer.

---

## Other settings in the Configuration/Setup Utility program

The information in this section includes instructions for changing other settings in the Configuration/Setup Utility, such as the keyboard speed, the startup sequence, remote administration, and power management.

### Changing keyboard speed

You can change the speed at which the keyboard responds when you hold down a key. This setting can be found under Start Options in the Configuration/Setup Utility program. The default *typematic rate* is 30 characters per second (fast rate).

### Setting the startup sequence

Your computer can be started from several devices including the hard disk drive, diskette drive, CD-ROM drive, or from the network. The startup program looks for these devices in a selected sequence. You can use Configuration/Setup Utility to select the startup sequence.

To set the startup sequence:

1. Start the Configuration/Setup Utility program (see “Starting and using the Configuration/Setup Utility program” on page 29).
2. Select **Start Options** and press Enter.
3. Select **Startup Sequence** from the Start Options menu and press Enter.
4. Select **First Startup Device** and press Enter.
5. Use the arrow keys to make your selection and press Enter.
6. If necessary, repeat the above steps for **Second Startup Device**, **Third Startup Device**, and **Fourth Startup Device**.
7. If **Automatic Power On Startup Sequence** is *Enabled*, select the sequence and devices from the choices provided.

8. Press Esc until you return to the Configuration/Setup Utility program menu.
9. Before you exit from the program, select **Save Settings** from the Configuration/Setup Utility menu and press Enter.
10. To exit from the Configuration/Setup Utility program, press Esc and follow the instructions on the screen.

## Setting remote administration

You can remotely update the system programs, such as POST and BIOS, from a network server by enabling remote administration. If you have set an administrator password for your computer, the password does *not* have to be entered in order to remotely update programs. Consult your network administrator for information on setting up your network server to perform POST and BIOS updates.

To set remote administration, follow these steps:

1. Start the Configuration/Setup Utility program. See “Starting and using the Configuration/Setup Utility program” on page 29.
2. Select **System Security** and press Enter.
3. Select **Remote Administration** and press Enter.
4. To enable update remote administration, select **Enabled**. To disable, select **Disabled**. Press Enter.
5. Press Esc until you return to the Configuration/Setup Utility program main menu.
6. Before you exit from the program, select **Save Settings** from the Configuration/Setup Utility program menu.
7. To exit from the Configuration/Setup Utility program, press Esc and follow the instructions on the screen.

## Interrupt and DMA resources

This section lists the settings for the default interrupt and direct memory access (DMA) resources for your computer. The interrupt and DMA settings might change when your computer is reconfigured.

Interrupt request	System resource
0	Timer
1	Keyboard
2	Interrupt controller
3	Serial port B
4	Serial port A
5	Available
6	Diskette
7	Parallel port
8	Real time clock
9	ACPI
10	Available
11	Available
12	Mouse
13	Coprocessor
14	IDE drives
15	IDE drives

**Note:** IRQs 4 and 7 can be modified to alternative settings or disabled.

DMA request	System resource
0	Available
1	Available
2	Diskette
3	Parallel port
4	System resource
5	Available
6	Available
7	Available

## Power management features

Your computer comes with built-in energy-saving capabilities. You can view and change energy-saving settings using the power management menu in the Configuration/Setup Utility program. This section describes the power management features in your computer and provides instructions for using these features.

### Attention

If a device, such as a monitor, does not have power-management capabilities, it can be damaged when exposed to a reduced-power state. Before you make energy-saving selections for your monitor, check the documentation that comes with your monitor to see if it supports Display Power Management Signaling (DPMS).

## ACPI BIOS IRQ

Automatic Configuration and Power Interface (ACPI) BIOS IRQ enables the operating system to control the power management features of your computer. You can use the ACPI BIOS IRQ setting to configure the interrupts that this feature uses so that you can free resources for other devices. Not all operating systems support ACPI BIOS IRQ. Refer to your operating system documentation to determine if ACPI is supported.

## Setting power management features

### Important

If you only have USB devices connected, you might not be able to wake the system once it has gone to a low power state.

With power management, the computer and monitor (if the monitor supports DPMS) can be set to go into a reduced power state if they are inactive for a specified length of time.

- **Time to Low Power:** When you enable **Automatic Hardware Power Management**, you can use this option to specify the amount of time that the computer must be inactive before power management features take affect. You can select from 5 minutes to 1 hour.
- **System Power:** With this option, you can select **On** if you want the computer to remain on, or **Off** if you want the computer to shut down.
- **Display:** You can use this option to select one of the following reduced-power states:
  - **Standby:** In this mode, the screen is blanked, but the screen image is restored *immediately* when any activity is detected.
  - **Suspend:** In this mode, the monitor uses less power than in Standby mode. The screen is blanked, but the screen image is restored *within a few seconds* after any activity is detected.
  - **OFF:** In this mode, the monitor power is turned off. To restore power to the monitor, you must press the monitor power switch.

On some monitors, you might have to press the power switch twice.

If *OFF* is selected, you must specify the **Time to Display 'off'**. You can select 5 minutes to 1 hour.

**Note:** *Time to display off* is the amount of time after the reduced-power state begins until the display turns off.

- **Disable:** In this mode, the monitor is unaffected by the power-management settings.
- **IDE Drives:** You can use this selection to specify if the IDE drives should be enabled or disabled when power management options take affect.

To set power management features:

1. Start the Configuration/Setup Utility program (see “Starting and using the Configuration/Setup Utility program” on page 29).
2. Select **Power Management** and press Enter.
3. Select **APM** and press Enter.
4. Set **Automatic Hardware Power Management** to Enabled.
5. Select values for power management (time to low power, system power, processor speed, display, and time to display off), as desired.
6. Select **Low Power Entry Activity Monitor** and press Enter.
7. Set to **Enabled** or **Disabled** devices you want to be monitored for power management.  
**Note:** If all devices are set to disabled, you must restart the computer to wake the system.
8. Press **Esc** three times to return to the Configuration/Setup Utility program menu.
9. Before you exit from the program, select **Save Settings** from the Configuration/Setup Utility program menu.
10. To exit from the Configuration/Setup Utility program, press Esc and follow the instructions on the screen.

## Setting automatic power-on features

You can use the Automatic Power-On features on the Power Management menu to enable and disable features that automatically turn on your computer. You must also select the startup sequence you want to use for the type of power-on event selected.



- **Wake on LAN:** If you have remote-network-management software and a Wake on LAN supported network adapter, you can use the IBM-developed Wake on LAN feature. When you set Wake on LAN to **Enabled**, your computer will turn on when it receives a specific signal from another computer on your local area network (LAN). For more information, see the documentation that comes with your network adapter.
- **Serial Port Ring Detect:** If your computer has an *external* modem connected to a serial port and you want the computer to turn on automatically when a ring is detected on the modem, set this feature to **Enabled**. The modem must also support this feature.
- **Modem Ring Detect:** If your computer has a wake on ring supported modem and you want the computer to turn on automatically when a ring is detected on the modem, set this feature to **Enabled**.
- **Wake Up on Alarm:** With this feature, you can specify a date and time at which the computer will be turned on automatically. This can be either a single event, a daily event, or a weekly event.
- **PCI Wake Up:** If this setting is enabled, your computer turns on in response to wake up requests from PCI devices that support this feature.

To set Automatic Power-on features, follow these steps:

1. Start the Configuration/Setup Utility program (see “Starting and using the Configuration/Setup Utility program” on page 29).
2. Select **Power Management** and press Enter.
3. Select **Automatic Power On** and press Enter.
4. Select the menu item for the feature you want to set. Use Left Arrow (←) or Right Arrow (→) to select either **Enabled** or **Disabled**. Press Enter.
5. Select Startup Sequence for the feature. Use Left Arrow (←) or Right Arrow (→) to select either **Primary** or **Automatic**. If you select **Automatic**, make sure **Automatic Power On Startup Sequence** in the Startup Sequence menu is set to **enabled**. Otherwise, the system will use the **Primary** startup sequence.
6. Press Esc until you return to the Configuration/Setup Utility program menu.
7. Before you exit from the program, select **Save Settings** from the Configuration/Setup Utility program menu and press Enter.
8. To exit from the Configuration/Setup Utility program, press Esc and follow the instructions on the screen.

## Quick reference for network-related settings

Some models come with an Ethernet adapter. The following instructions are guidelines to help you if your computer is using an Ethernet adapter to network with other computers.

The following tables are not intended to help determine which settings to choose. They are only intended to help you quickly find the steps necessary to get to the choices for specific network settings. You can then view the current setting or select a different setting. When finished, you can either save the settings and exit the utility program or exit without saving the settings.

The steps in the following tables always start at the Configuration/Setup Utility main menu.

<b>To configure:</b>	<b>Select:</b>	<b>Comments:</b>
Remote Administration	<ol style="list-style-type: none"><li>1. System Security</li><li>2. Remote Administration</li><li>3. Enabled or Disabled</li></ol>	Enable Remote Administration to allow POST/BIOS updates over the LAN.
Ethernet adapter	<ol style="list-style-type: none"><li>1. Start options</li><li>2. Network Setup</li><li>3. Network boot F12 option</li><li>4. Enabled or Disabled</li></ol>	
Automatic Power On Startup Sequence	<ol style="list-style-type: none"><li>1. Start Options</li><li>2. Startup Sequence</li><li>3. Automatic Power On Startup Sequence</li><li>4. Enabled or Disabled. If you select Enabled, continue to the next step.</li><li>5. Select the first, second, third, and fourth startup devices.</li></ol>	You might not be able to select four startup devices for your model.

*Table 3 (Page 2 of 5). Network-related settings*

To configure:	Select:	Comments:
Wake on LAN	<ol style="list-style-type: none"> <li>1. Power Management</li> <li>2. Automatic Power On</li> <li>3. PCI Wake Up and press Enter.</li> <li>4. Enabled or Disabled. If you select Enabled, continue to the next step.</li> <li>5. Startup Sequence</li> <li>6. Primary or Automatic. Go back to the main menu.</li> <li>7. Start Options</li> <li>8. Startup Sequence</li> <li>9. The first, second, third, and fourth primary startup devices</li> <li>10. Automatic Power On Startup Sequence</li> <li>11. The first, second, third, and fourth startup devices</li> </ol>	You might not be able to select four startup devices for your model.
Wake on PCI	<ol style="list-style-type: none"> <li>1. Power Management</li> <li>2. Automatic Power On</li> <li>3. PCI Wake Up and press Enter.</li> <li>4. Enabled or Disabled. If you select Enabled, continue to the next step.</li> <li>5. Startup Sequence</li> <li>6. Primary or Automatic. Go back to the main menu.</li> <li>7. Start Options</li> <li>8. Startup Sequence</li> <li>9. The first, second, third, and fourth primary startup devices</li> <li>10. Automatic Power On Startup Sequence</li> <li>11. The first, second, third, and fourth startup devices</li> </ol>	You might not be able to select four startup devices for your model.

*Table 3 (Page 3 of 5). Network-related settings*

To configure:	Select:	Comments:
Wake on Alarm	<ol style="list-style-type: none"> <li>1. Power Management</li> <li>2. Automatic Power On</li> <li>3. Wake up on Alarm.</li> <li>4. Disabled or event parameters (single event, daily event, weekly event). After you select the event, continue to the next step.</li> <li>5. Alarm parameters</li> <li>6. Startup Sequence (Primary or Automatic)</li> <li>7. Start Options</li> <li>8. Startup Sequence</li> <li>9. The first, second, third, and fourth primary startup devices</li> <li>10. Automatic Power On Startup Sequence</li> <li>11. The first, second, third, and fourth startup devices</li> </ol>	<p>You might not be able to select four startup devices on your model.</p>
Serial Port Ring Detect	<ol style="list-style-type: none"> <li>1. Power Management</li> <li>2. Automatic Power On</li> <li>3. Serial Port A Ring Detect</li> <li>4. Enabled or Disabled. If you select Enabled, go to the next step.</li> <li>5. Startup Sequence</li> <li>6. Primary or Automatic. Go back to the main menu.</li> <li>7. Start Options</li> <li>8. Startup Sequence</li> <li>9. The first, second, third, and fourth primary startup devices</li> <li>10. Automatic Power On Startup Sequence</li> <li>11. The first, second, third, and fourth startup devices</li> </ol>	<p>You might not be able to select four startup devices for your model.</p> <p>Wake on Ring is enabled for COM1 only.</p>

*Table 3 (Page 4 of 5). Network-related settings*

<b>To configure:</b>	<b>Select:</b>	<b>Comments:</b>
Modem Ring Detect	<ol style="list-style-type: none"><li>1. Power Management</li><li>2. Automatic Power On</li><li>3. MODEM Ring Detect</li><li>4. Enabled or Disabled. If you select Enabled, go to the next step.</li><li>5. Startup Sequence</li><li>6. Primary or Automatic. Go back to the main menu.</li><li>7. Start Options</li><li>8. The first, second, third, and fourth primary startup devices</li><li>9. Automatic Power On Startup Sequence</li><li>10. The first, second, third, and fourth startup devices</li></ol>	You might not be able to select four startup devices for your model.



---

## Chapter 5. Taking care of your computer

This section provides guidelines for the proper handling and care of your computer.

---

### Basics

Here are some basic points about keeping your computer functioning properly:

- Keep your computer in a clean, dry environment. Make sure it rests on a flat, sturdy surface.
- Do not place items on top of the monitor or cover any of the vents in the monitor or computer. These vents provide air flow to keep your computer from overheating.
- Keep food and drinks away from all parts of your computer. Food particles and spills might make the keyboard and mouse sticky and unusable.
- Do not get the power switches or other controls wet. Moisture can damage these parts and cause an electrical hazard.
- Always disconnect a power cord by grasping the plug, not the cord.

---

### Cleaning your computer

It is a good practice to clean your computer periodically to protect the surfaces and ensure trouble-free operation.



**CAUTION:**

**Be sure to turn off the computer and monitor power switches before cleaning the computer and monitor screen.**

### Computer and keyboard

Use only mild cleaning solutions and a damp cloth to clean the painted surfaces of the computer.

## Monitor screen

Do not use abrasive cleaners when cleaning the surface of the monitor screen. The screen surface is easily scratched, so avoid touching it with pens, pencil points, and erasers.

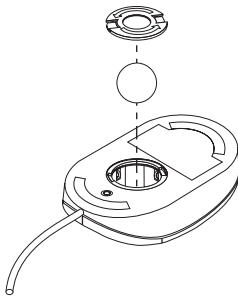
To clean the screen surface, wipe it gently with a soft, dry cloth, or blow on the screen to remove grit and other loose particles. Then use a soft cloth moistened with a nonabrasive liquid glass cleaner.

## Mouse

If the pointer on the screen does not move smoothly with the mouse, you might need to clean the mouse.

To clean your mouse:

1. Turn off the computer.
2. Disconnect the mouse cable from the computer.
3. Turn the mouse upside down. Unlock the retainer on the bottom of the mouse by moving it in the direction indicated by the arrow on the retainer.



4. Turn the mouse right-side up, and the retainer and ball will drop out.
5. Wash the ball in warm, soapy water and dry it well.
6. Using a damp cloth, wipe the outside of the mouse and the retainer. Be sure to wipe the rollers inside the mouse.
7. Insert the ball and retainer. Lock the retainer by moving it in the opposite direction of the arrow.
8. Reconnect the mouse cable to the computer.



---

## Moving your computer

Take the following precautions before moving your computer.

1. Back up all files and data from the hard disk.  
Operating systems can vary in the way they perform backup procedures. Refer to your operating system documentation for information about software backup.
2. Remove all media (diskettes, compact discs, tapes, and so on) from the drives.
3. Turn off the computer and all attached devices. Your hard disk drive automatically parks the read/write heads in a nondata area. This process prevents damage to the hard disk.
4. Unplug the power cords from electrical outlets.
5. Note where you have attached your cables to the rear of the computer; then remove them.
6. If you saved the original shipping cartons and packing materials, use them to pack the units. If you are using different cartons, cushion the units to avoid damage.



---

## Chapter 6. Installing options

You can expand the capabilities of your computer by adding memory, drives, or adapters. When adding an option, use these instructions along with the instructions that come with the option.

### **Important:**

Before you install or remove any option, read the “Safety information” on page vii. These precautions and guidelines will help you work safely.

---

### **Attention**

The presence of 5 V standby power might result in damage to your hardware unless you disconnect the power cord from the wall before opening the computer cover.

---

## Handling static-sensitive devices

Static electricity, although harmless to you, can seriously damage computer components and options.

When you add an option, do *not* open the static-protective package containing the option until you are instructed to do so.

When you handle options and other computer components, take these precautions to avoid static electricity damage:

- Limit your movement. Movement can cause static electricity to build up around you.
- Always handle components carefully. Handle adapters and memory modules by the edges. Never touch any exposed circuitry.
- Prevent others from touching components.
- When you install a new option, touch the static-protective package containing the option to a metal expansion-slot cover or other unpainted metal surface on the computer for at least two seconds. This reduces static electricity in the package and your body.
- When possible, remove the option and install it directly in the computer without setting the option down. When this is not possible, place the static-protective package that the option came in on a smooth, level surface and place the option on it.
- Do not place the option on the computer cover or other metal surface.

---

## Available options

The following are some available options:

- System memory, called dual in-line memory modules (DIMMs)
- Peripheral component interconnect (PCI) adapters
- Internal drives
  - CD-ROM
  - Hard disk
  - Diskette drives and other removable media drives.

For the latest information about available options, see the following World Wide Web pages:

<http://www.ibm.com/pc/us/options/>

<http://www.ibm.com/pc/support/>

You can also obtain information by calling the following telephone numbers:

- Within the United States, call 1-800-IBM-2YOU (1-800-426-2968), your IBM reseller, or IBM marketing representative.
- Within Canada, call 1-800-565-3344 or 1-800-465-7999.
- Outside the United States and Canada, contact your IBM reseller or IBM marketing representative.

---

## Tools required

To install or remove some options in your computer, you will need a flat-blade screwdriver. Additional tools might be needed for certain options. See the instructions that come with the option.

---

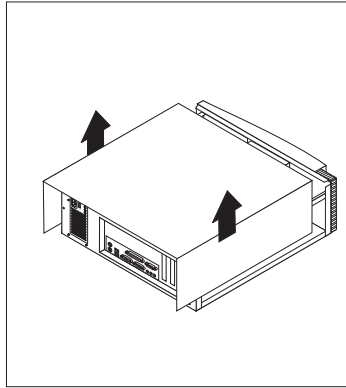
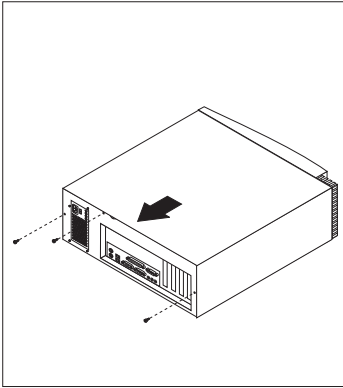
## Removing the cover — desktop model

### Important:

Read “Safety information” on page vii and “Handling static-sensitive devices” on page 53 before removing the cover.

To remove the cover:

1. Shut down your operating system, remove any media (diskettes, CDs, or tapes) from the drives, and turn off all attached devices and the computer.
2. Unplug all power cords from electrical outlets.
3. Disconnect all cables attached to the computer. This includes power cords, input/output (I/O) cables, and any other cables connected to the computer.
4. Remove the three thumbscrews located on the rear of the computer that hold the cover onto the chassis. Use a screwdriver to loosen the thumbscrews if necessary.
5. Slide the cover straight toward the rear approximately 25mm (1.0 in.) until it stops and lift the cover from the chassis.



### Attention

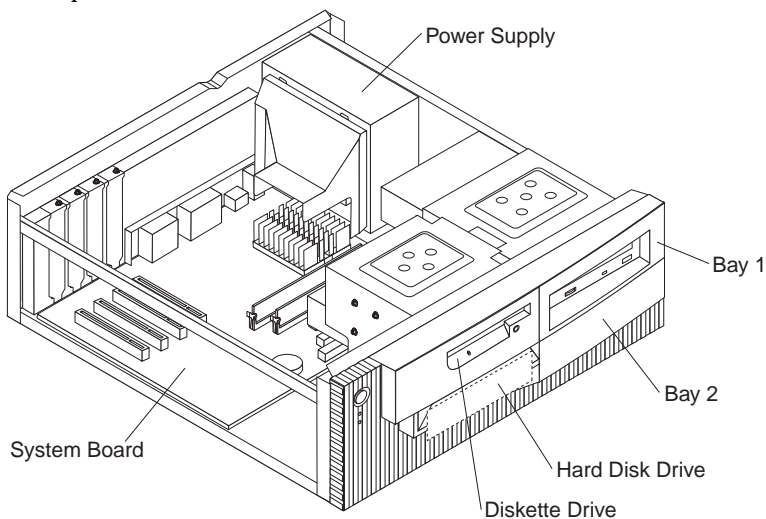
Proper cooling is required for the reliable performance of internal components. Do not operate your computer with the cover removed.

---

## Locating components— desktop model

To install options in your computer, you will need to remove the cover. See “Removing the cover — desktop model” on page 55. You also will need to locate components inside your computer.

The following illustration will help you locate the various components in your computer.



---

## Removing the cover — tower model

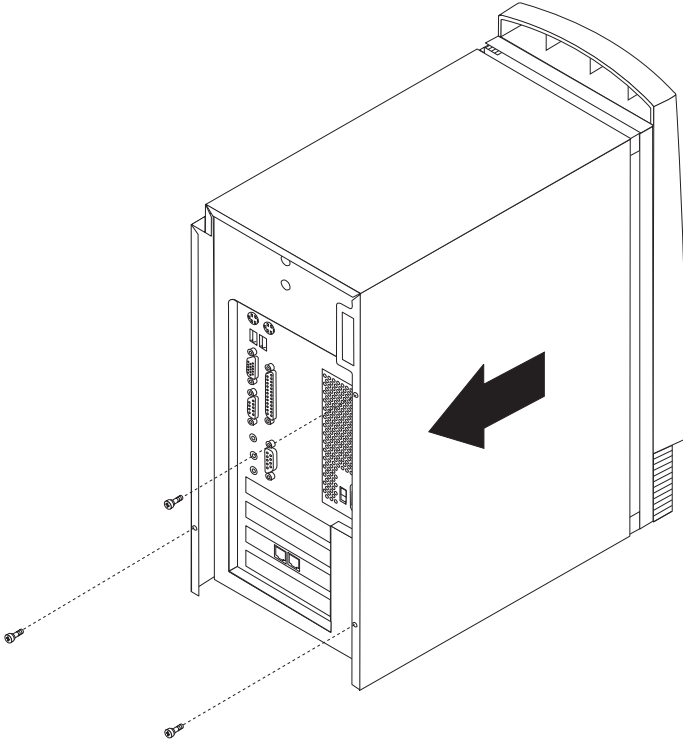
### Important:

Read “Safety information” on page vii and “Handling static-sensitive devices” on page 53 before removing the cover.

To remove the cover:

1. Shut down your operating system, remove any media (diskettes, CDs, or tapes) from the drives, and turn off all attached devices and the computer.
2. Unplug all power cords from electrical outlets.
3. Disconnect all cables attached to the computer. This includes power cords, input/output (I/O) cables, and any other cables connected to the computer.

4. Remove the three thumbscrews located on the rear of the computer that hold the cover onto the chassis. Use a screwdriver to loosen the thumbscrews if necessary.
5. Slide the cover straight toward the rear approximately one inch until it stops and lift the cover from the chassis.



**Attention**

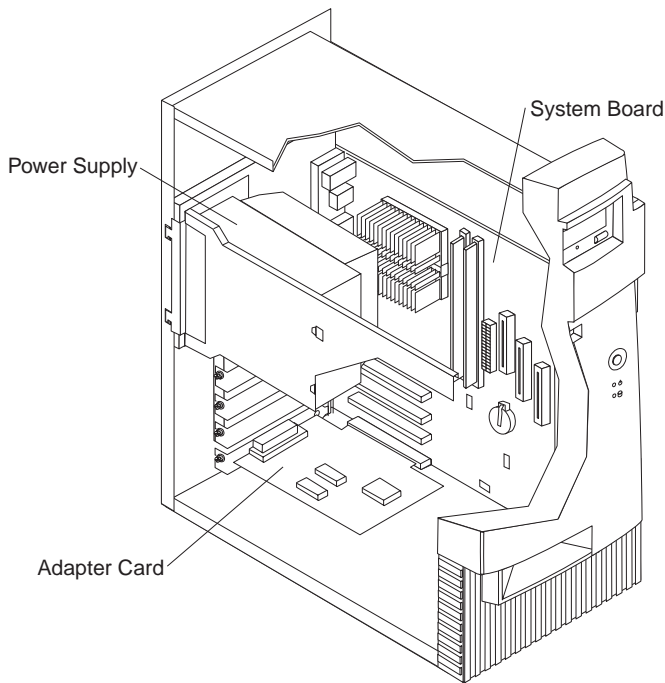
Proper cooling is required for the reliable performance of internal components. Do not operate your computer with the cover removed.

---

## Locating components—tower model

To install options in your computer, you will need to remove the cover. See “Removing the cover — tower model” on page 56. You also will need to locate components inside your computer.

The following illustration will help you locate the various components in your computer.



**Note:** If you prefer, you can place the computer on its side to install or remove options.



---

## Moving the power supply— desktop model

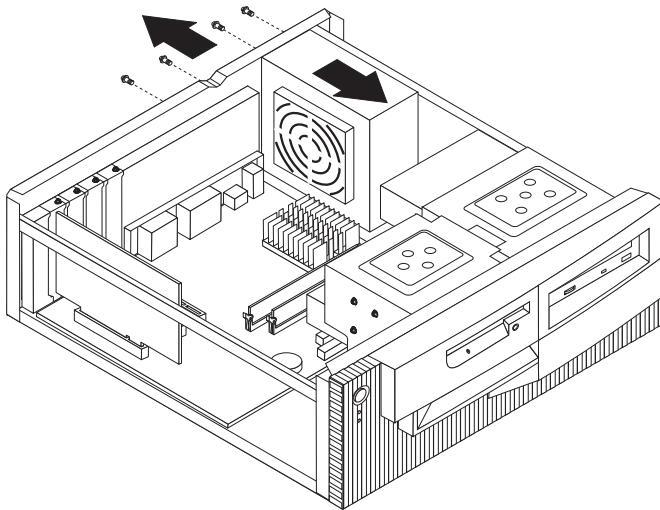
To install a drive in the empty drive bay of your desktop model computer, you will need to move the power supply to attach signal and power cables to the rear connectors of the drive that you are installing. Use the following procedure to provide easier access to the rear of the drive bay.



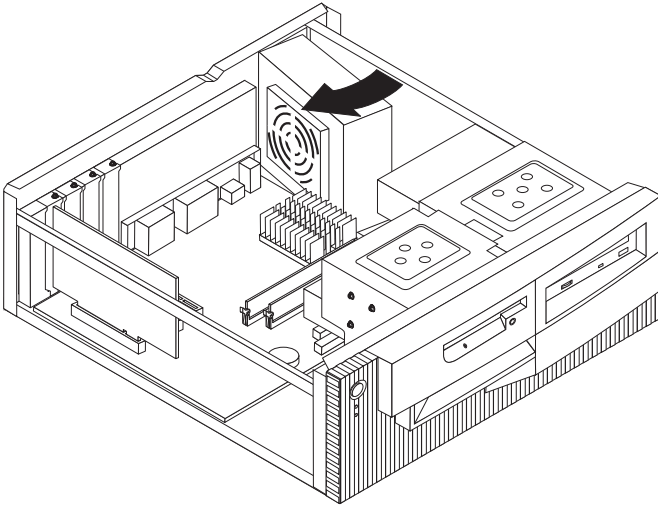
### DANGER

**Do not detach the power supply bracket from the power supply or remove any of the power supply screws.**

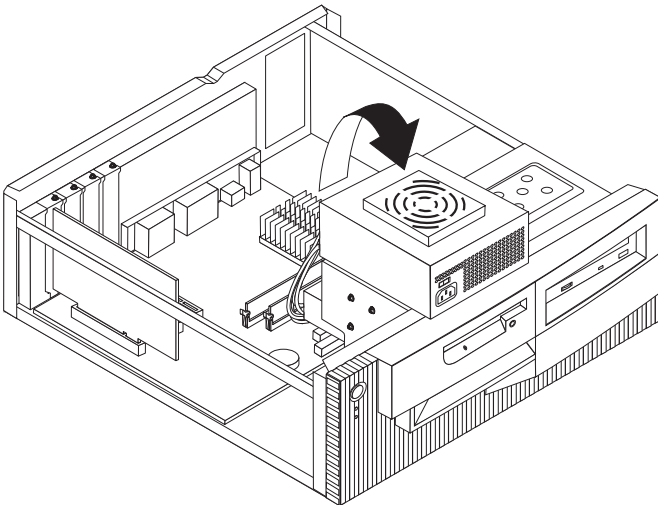
1. Unscrew the four screws securing the power supply to the rear of the computer.
2. Remove the air duct from the power supply.
3. Slide the power supply unit toward the front of the chassis until the tab holding the power supply to the chassis releases the power supply.



4. Rotate the power supply toward the system board slightly.



5. Lift the power supply up and carefully rotate it toward the front of the chassis. Lay it on the diskette drive bay, taking care to give yourself room to access the rear of the drive bay with which you are working.



6. To replace the power supply, reverse these steps.

---

## Moving the power supply—tower model

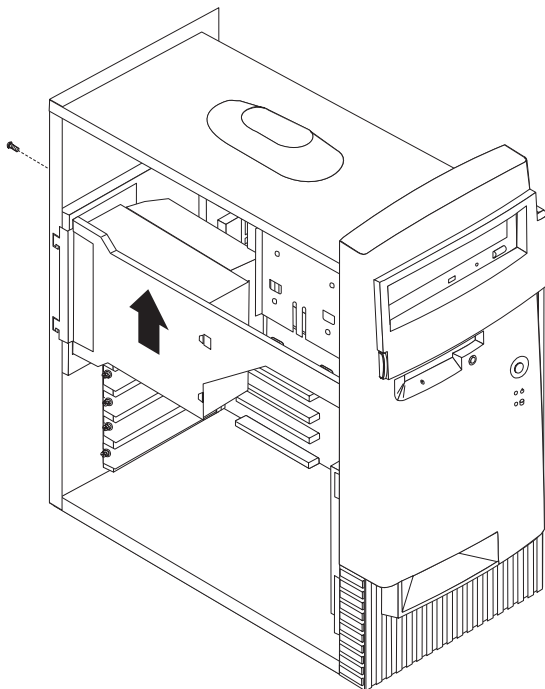
To perform some operations inside the computer, you might need to move the power supply to access parts of the system board that are difficult to see or hard to reach. Use the following procedure to provide easier access to the system board.



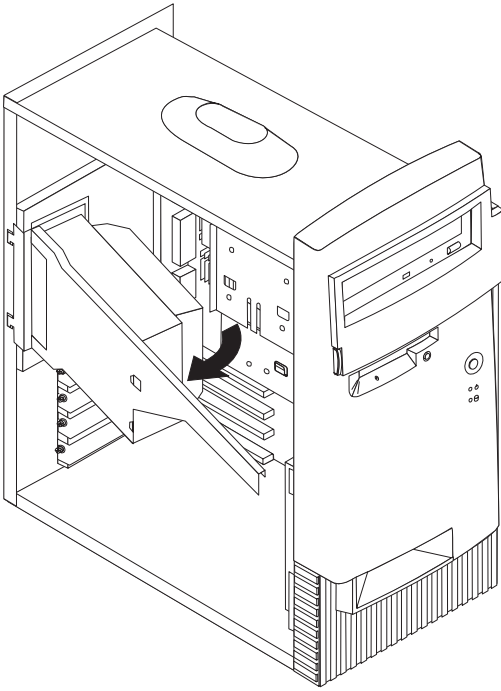
### DANGER

**Do not detach the power supply bracket from the power supply or remove any of the power supply screws.**

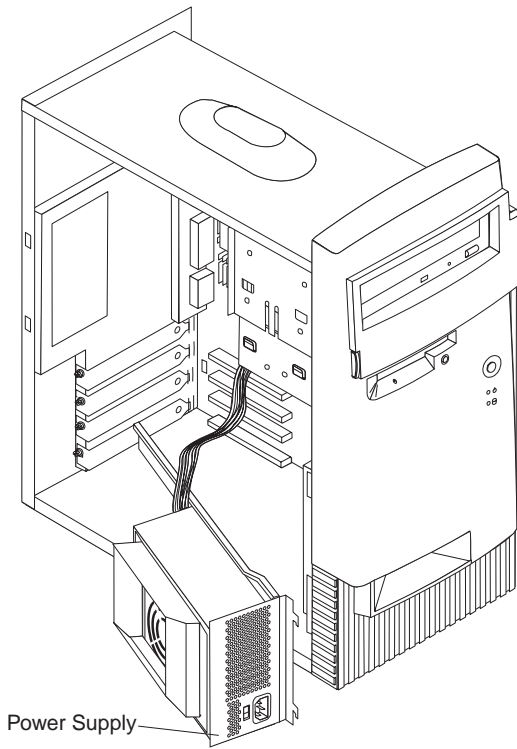
1. Remove the screw securing the power supply to the rear of the chassis.
2. Push the metal tab securing the power supply to the chassis to release the power supply.
3. Slide the power supply unit up toward the top of the chassis.



4. Rotate the power supply toward you slightly.



5. Pull the power supply forward and carefully rotate it toward the front of the chassis. Lay it to the side.



6. To replace the power supply, reverse these steps.

---

## Working with options on the system board

This section provides instructions for installing options, such as system memory, on the system board.

### Accessing the system board

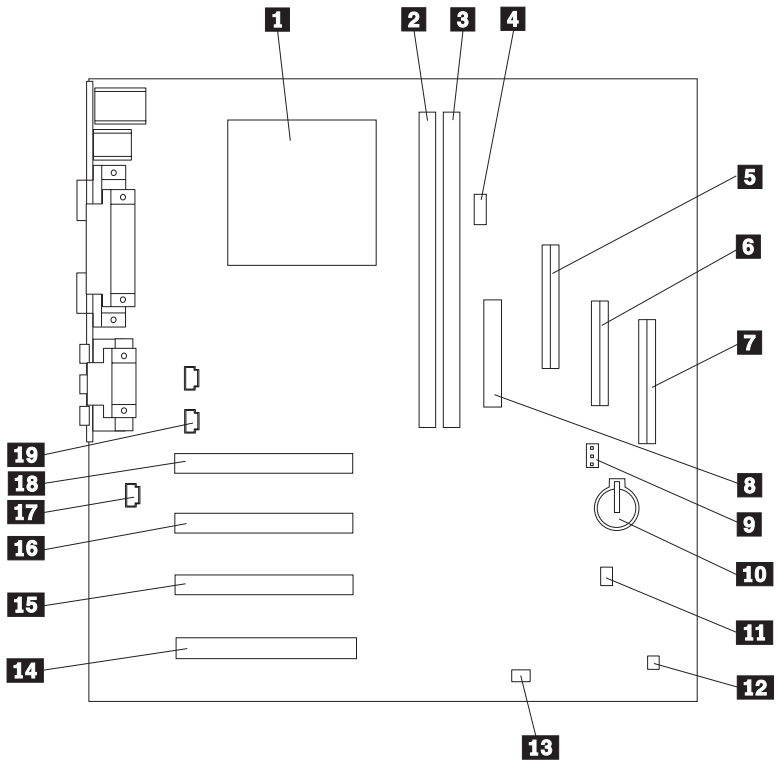
To access the system board, you must remove the computer cover. For information on removing the computer cover, see “Removing the cover — desktop model” on page 55 or “Removing the cover — tower model” on page 56, depending on your computer model. You might need to remove adapters in order to access some components of the system board. For information about expansion adapters, see “Working with adapters” on page 68. When disconnecting cables, be sure to note where they attach, so you can correctly reattach them later.

**Note:** For easier access to the system board, it helps to place the computer on its side on a table.

### Identifying parts on the system board

The system board, also called the *planar* or *motherboard*, is the main circuit board in your computer. It provides basic computer functions and supports a variety of devices that are IBM-installed or that you can install later. Refer to the following illustration for the location of parts on the system board.

**Note:** An illustration of the system board and additional information is provided on a label located on the inside of the computer chassis.



- |   |   |
|---|---|
| <ul style="list-style-type: none"> <li><b>1</b> Microprocessor</li> <li><b>2</b> DIMM 0</li> <li><b>3</b> DIMM 1</li> <li><b>4</b> Alert on LAN connector</li> <li><b>5</b> Secondary EIDE controller</li> <li><b>6</b> Diskette connector</li> <li><b>7</b> Primary EIDE connector</li> <li><b>8</b> Power connector</li> <li><b>9</b> Fan connector</li> <li><b>10</b> Battery</li> </ul> | <ul style="list-style-type: none"> <li><b>11</b> Wake on LAN connector</li> <li><b>12</b> PC/PCI legacy audio adapter</li> <li><b>13</b> Clear CMOS/recovery jumper</li> <li><b>14</b> PCI adapter slot 4</li> <li><b>15</b> PCI adapter slot 3</li> <li><b>16</b> PCI adapter slot 2</li> <li><b>17</b> Chassis speaker connector</li> <li><b>18</b> PCI adapter slot 1</li> <li><b>19</b> CD-ROM connector</li> </ul> |
|---|---|

---

## Working with memory

You can add memory to your computer to increase system performance. Your computer has two connectors for installing memory modules that provide up to a maximum of 512 MB of system RAM.

Your computer uses dual inline memory modules (DIMMs). The IBM-installed DIMMs that come with your computer are unbuffered, synchronous dynamic random access memory (SDRAM).

When installing or replacing DIMMs, the following rules apply:

- Fill each system memory connector sequentially, starting at *DIMM 0*.
- Use only 3.3 V, 100 MHz, unbuffered, SDRAM DIMMs
- Use only 32, 64, 128, or 256 MB DIMMs in any combination of supported SDRAM DIMMs.

**Note:** To locate the memory connectors on the system board, see “Identifying parts on the system board” on page 64.

### Before you begin:

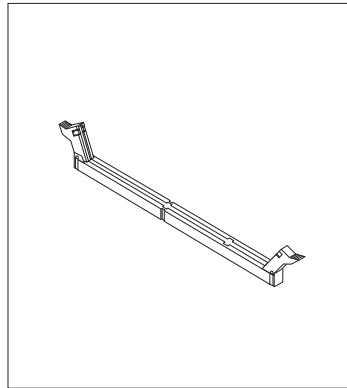
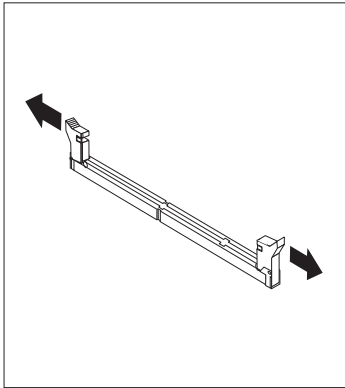
- Read “Safety information” on page vii and “Handling static-sensitive devices” on page 53.
- Read the instructions that come with the new system memory.
- Turn off the computer and all other connected devices.
- Disconnect all cables attached to the computer and remove the computer cover (see “Removing the cover — tower model” on page 56).
- Read “Accessing the system board” on page 64 to learn the location of the parts on the system board.

To install a DIMM:

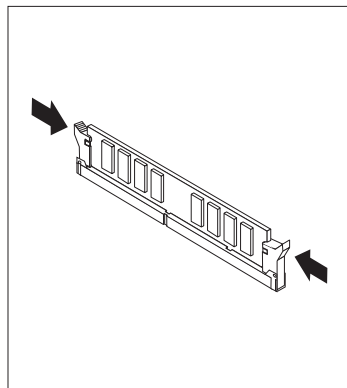
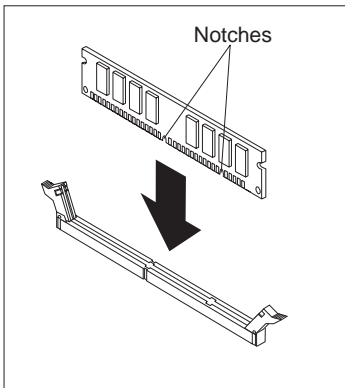
1. You may need to remove the power supply to gain access to the DIMM sockets. See “Moving the power supply— desktop model” on page 59 or “Moving the power supply—tower model” on page 61.
2. If you have an adapter that is 8 inches or more in PCI slot 1, you may have to remove the adapter to access the DIMM sockets.
  - a. Remove the retaining screw from the adapter slot cover.
  - b. Remove the adapter.



3. If the retaining clips are not already open, open them.



4. Install the DIMM straight down into the connector until the retaining clips close.



5. Reinstall the adapter if you removed it. See “Installing adapters — desktop model” on page 68 or “Installing adapters — tower model” on page 69 for instructions to reinstall the adapter.
6. Reinstall the power supply if you removed it.

**What to do next:**

- To work with another option, go to the appropriate section.
- To complete the installation, go to “Completing the installation” on page 81.

---

## Working with adapters

This section provides information and instructions for installing and removing adapters.

### PCI adapters

All adapters supported by your computer use *Plug and Play* technology that enables the computer to automatically configure the adapter. For more information, see “Updating the computer configuration” on page 84 .

### Adapter slots

Your computer system board has four expansion slots used to connect adapters to the peripheral component interconnect (PCI) bus. You can install an adapter up to 330 mm (13 inches) long in the desktop model and 228 mm (9 inches) long in the tower model.

### Installing adapters — desktop model

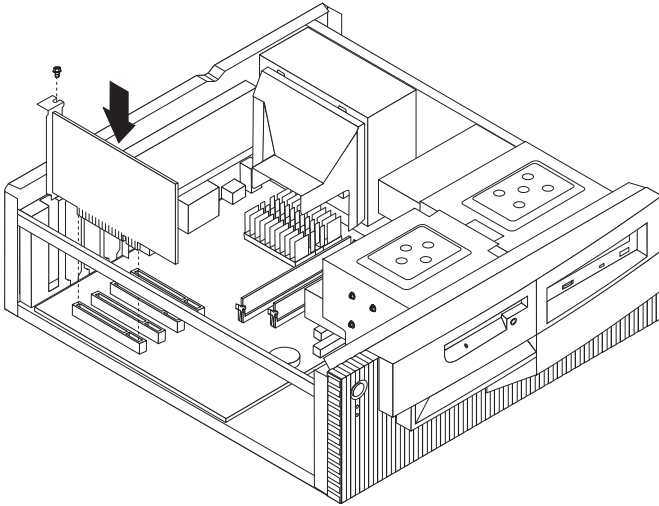
**Before you begin:**

- Read “Safety information” on page vii and “Handling static-sensitive devices” on page 53.
- Read the instructions that come with the new adapter.
- Turn off the computer and all other connected devices.
- Disconnect all cables attached to the computer and remove the computer cover (see “Removing the cover — tower model” on page 56).

To install an adapter in a PCI expansion slot:

1. Remove the screw and slot cover for the appropriate expansion slot.
2. Remove the adapter from its static-protective package.
3. Install the adapter into the appropriate slot on the system board.

4. Install the screw that secures the adapter.



**Note:** If you are installing a Wake on LAN supported network adapter, attach the Wake on LAN cable that came with the adapter to the Wake on LAN connector on the system board. If you also want to take advantage of the Alert on LAN feature of your computer, you must install your network adapter in PCI slot 2. For the location of PCI slot 2 and the Wake on LAN connector, see the diagram of the system board on the inside of your computer.

If your computer comes with a preinstalled IBM Ethernet adapter, SWO cable is required for Alert on LAN support.

5. Replace the cover and continue with “Configuring Plug and Play adapters” on page 84.

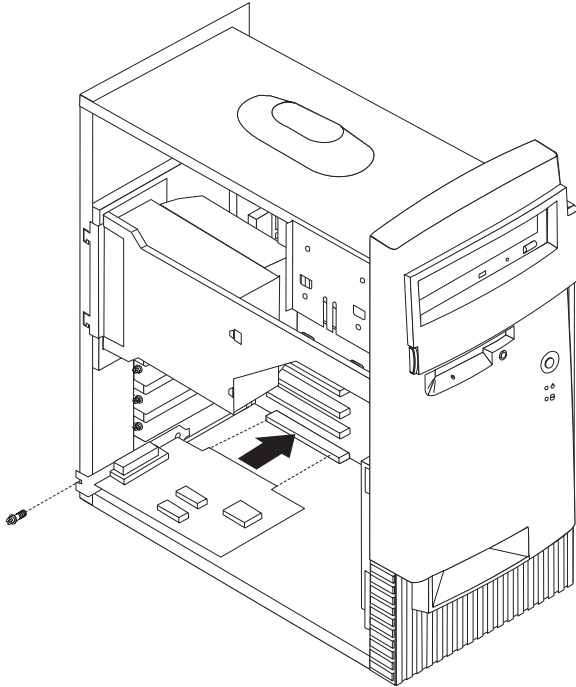
## Installing adapters — tower model

### Before you begin:

- Read “Safety information” on page vii and “Handling static-sensitive devices” on page 53.
- Read the instructions that come with the new adapter.
- Turn off the computer and all other connected devices.
- Disconnect all cables attached to the computer and remove the computer cover (see “Removing the cover — tower model” on page 56).

To install an adapter in a PCI expansion slot:

1. Move the power supply aside if necessary. See “Moving the power supply—tower model” on page 61.
2. Remove the screw and slot cover for the appropriate expansion slot.
3. Remove the adapter from its static-protective package.
4. Install the adapter into the appropriate slot on the system board.
5. Install the screw that secures the adapter.



**Note:** If you are installing a wake on LAN supported network adapter, attach the Wake on LAN cable that came with the adapter to the Wake on LAN connector on the system board. If you also want to take advantage of the Alert on LAN feature of your computer, you must install your network adapter in PCI slot 2. For the location of PCI slot 2 and the Wake on LAN connector, see the diagram of the system board on the inside of your computer.

6. If you moved the power supply aside, replace it. See “Moving the power supply—tower model” on page 61.
7. Replace the cover and continue with “Configuring Plug and Play adapters” on page 84.

**What to do next:**

- To work with another option, go to the appropriate section.
- To complete the installation, go to “Completing the installation” on page 81.

---

## Working with internal drives

This section provides information and instructions for installing and removing internal drives.

When you install an internal drive, it is important to note what type and size of drive you can install in each bay. Also, it is important to correctly connect the internal drive cables to the installed drive.

### Internal drives

Internal drives are devices that your computer uses to read and store data. You can add drives to your computer to increase storage capacity and to enable your computer to read other types of media. Some of the different drives available for your computer are:

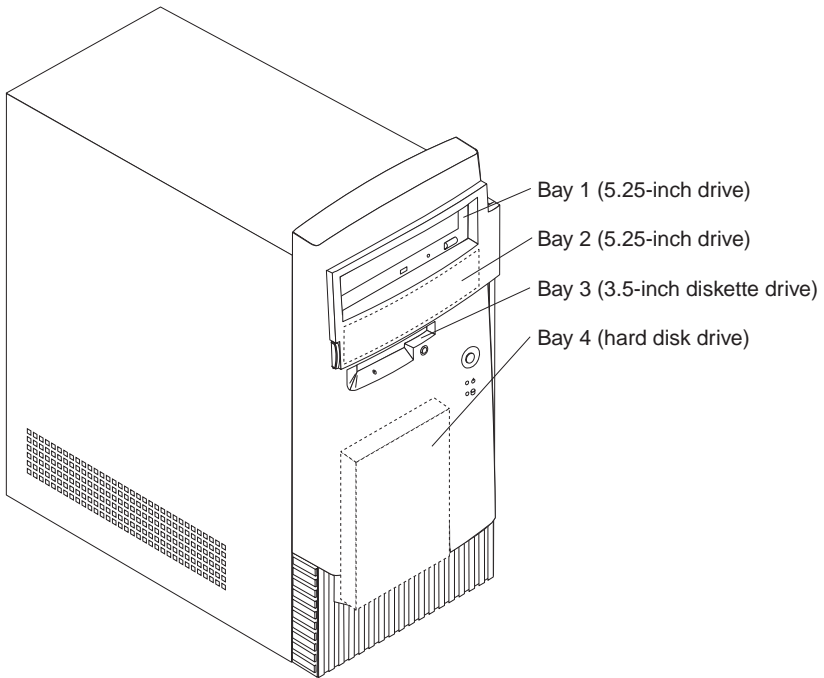
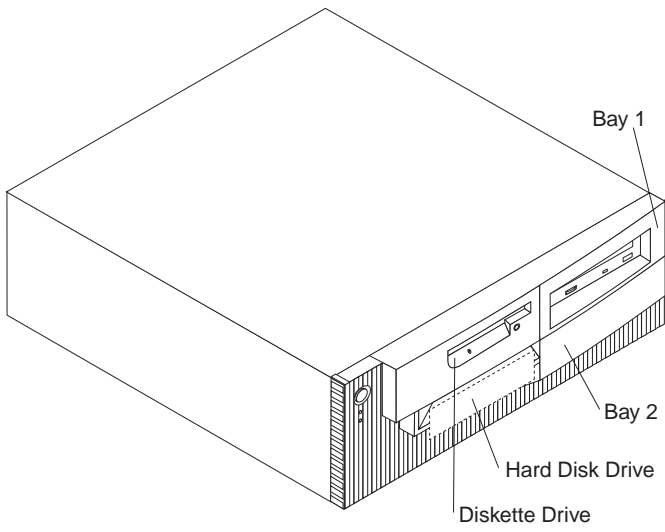
- Hard disk drives
- Tape drives
- CD-ROM drives
- Removable media drives

Internal drives are installed in *bays*. Within this book, the bays are referred to as bay 1, bay 2, and so on.

Your computer comes with the following IBM-installed drives:

- A CD-ROM drive in bay 1 (some models).
- A 3.5-inch diskette drive in bay 3.
- A 3.5-inch hard disk drive in bay 4.

Models that do not have drives installed in bays 1 and 2 have a static shield and bay panel installed.



## Drive specifications

The following table describes some of the drives you can install in each bay and their height requirements.

<b>Bay 1 - Max Height: 41.3 mm (1.6 in.)</b>	CD-ROM drive (standard in some models) 5.25-inch hard disk drive
<b>Bay 2 - Max Height: 41.3 mm (1.6 in.)</b>	5.25-inch hard disk drive 3.5-inch hard disk drive (requires a mounting bracket)
<b>Bay 3 - Max Height: 25.4 mm (1.0 in.)</b>	3.5-inch diskette drive (preinstalled)
<b>Bay 4 - Max Height: 25.4 mm (1.0 in.)</b>	3.5-inch hard disk drive (preinstalled)

### Notes:

1. Drives that are greater than 41.3 mm (1.6 in.) high cannot be installed.
2. Install removable media (tapes or CDs) drives in the accessible bays: bays 1 or 2.

## Power and signal cables for internal drives

Your computer uses cables to connect integrated drive electronics (IDE) drives to the power supply and system board. The following cables are provided:

- Four-wire *power cables* connect most drives to the power supply. At the end of these cables are plastic connectors that attach to different drives; these connectors vary in size. Also, certain power cables attach to the system board.
- Flat *signal cables*, also called *ribbon cables*, connect IDE and diskette drives to the system board. There are two sizes of ribbon signal cables that come with your computer:
  - The wider signal cable has two or three connectors.
    - If the cable has three connectors, one of these connectors is attached to the drive, one is a spare, and the third attaches to the secondary IDE connector on the system board.
    - If the cable has two connectors, one of these connectors is attached to the hard disk drive, and the other attaches to the primary IDE connector on the system board.

**Note:** If you want to add another device, and your computer does not come with a CD-ROM preinstalled, you will need a second signal cable with three connectors. You will need an 80-conductor ATA 66 signal cable if you are replacing the existing signal cable or adding a second hard disk. ATA 66 signal cables are color-coded. The blue connector attaches to the system board; the black connector attaches to the primary device (also known as the master device), and the gray middle connector attaches to the secondary device (also known as the slave device).

If your computer comes with a CD-ROM drive, it will have an ATA 66 signal cable. However, if you installing a hard disk, you must change the switch setting on the CD-ROM to secondary and change the connector used for the CD-ROM drive to the gray middle connector.

- The narrower signal cable has two connectors for attaching the diskette drive to the diskette-drive connector on the system board.

**Note:** To locate connectors on the system board, see “Identifying parts on the system board” on page 64.

The following are some important points to remember when connecting power and signal cables to internal drives:

- The drives that are preinstalled in your computer come with power and signal cables attached. If you replace any drives, it is important to remember which cable is attached to which drive.
- When you install a drive, ensure that the drive connector at the *end* of the signal cable is always connected to a drive; also, ensure that the drive connector at the other end is connected to the system board. This reduces electronic noise from the computer.
- If two IDE devices are used on a single cable, one must be designated as the primary or master device and the other as the secondary or subordinate device; otherwise, some of the IDE devices might not be recognized by the system. The primary or secondary designation is determined by switch or jumper settings on each IDE device.
- If two IDE devices are on a single cable, and only one is a hard disk drive, the hard disk drive must be set as the master device.
- If you have only one IDE device on a cable, it must be set as master.

For help in selecting drives, cables, and other options for your computer, do one of the following:

- Within the United States, call 1-800-IBM-2YOU (1-800-426-2968), your IBM reseller, or your IBM marketing representative.



- Within Canada, call 1-800-565-3344 or 1-800-465-7999.
- Outside the United States and Canada, contact your IBM reseller or IBM marketing representative.

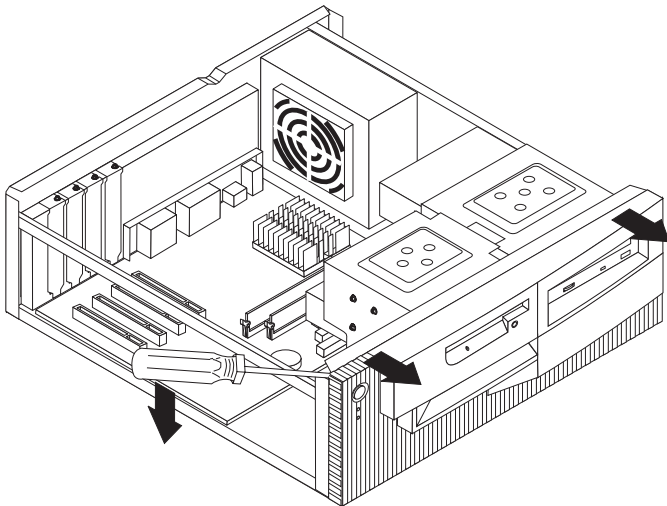
## Installing internal drives— desktop model

### Before you begin:

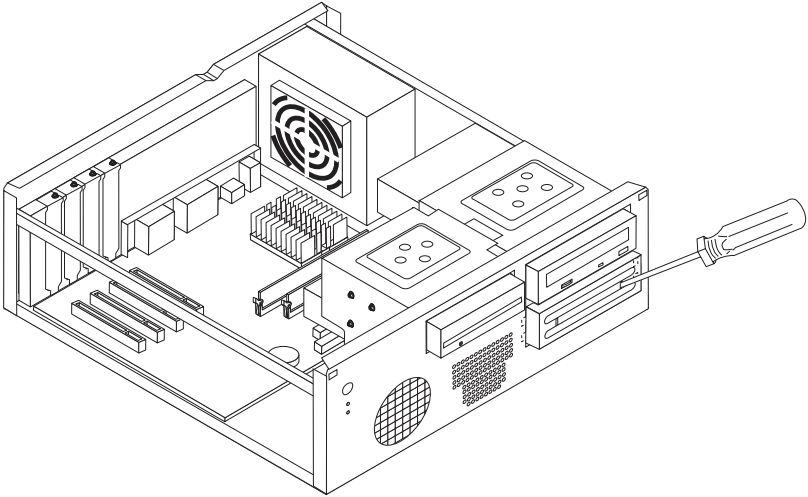
- Read “Safety information” on page vii and “Handling static-sensitive devices” on page 53.
- Turn off the computer and all other connected devices.
- Disconnect all external cables and power cords, and then remove the computer cover (see “Removing the cover — desktop model” on page 55).

To install an internal drive:

1. See “Removing the cover — desktop model” on page 55 to remove the cover.
2. See “Moving the power supply— desktop model” on page 59 to move the power supply.
3. Remove the front bezel from the chassis using a screwdriver to release the tabs on the inside of the front bezel.

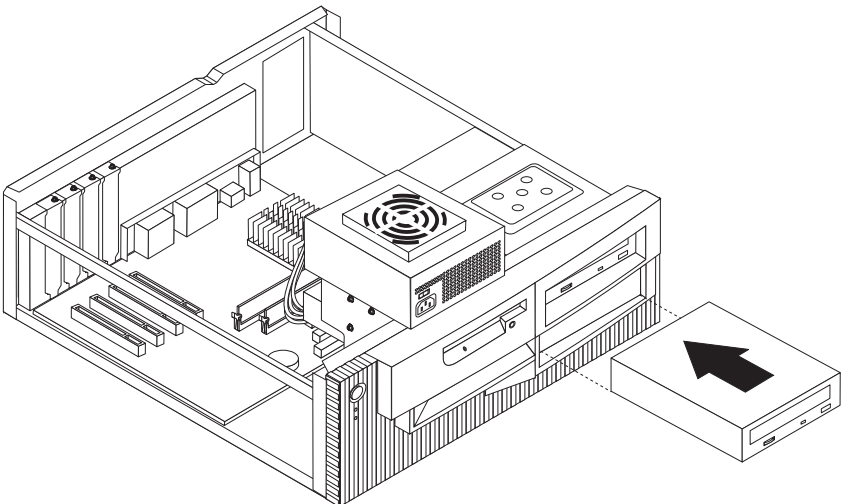


4. Insert a flat-bladed screwdriver into one of the slots on the static shield in the drive bay into which you are installing the drive and gently pry the static shield loose from the drive bay.



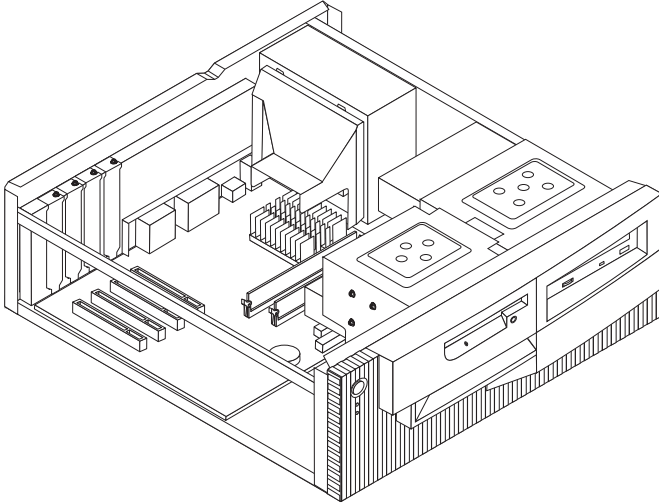
**Note:** To install a 3.5-inch drive into drive bay 2 (a 5.25-inch bay), you must install a conversion kit. For information on purchasing a 3.5-inch conversion kit for a 5.25-inch bay, see your IBM reseller or IBM marketing representative.

5. Install the drive into the bay. Align the screw holes and insert the two screws.

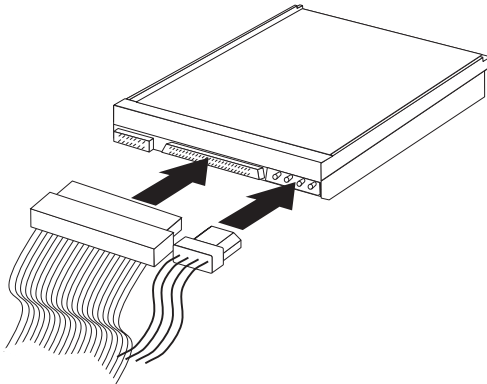


6. Replace the front bezel by aligning the tabs on the front bezel with the slots on the chassis and snapping the bezel into place.

If the drive you installed is a removable-media drive, remove the bay panel from the front bezel and place the bezel frame that came with your computer over the drive bay.



7. Connect the power and signal cables to the drive.



**What to do next:**

- To work with another option, go to the appropriate section.
- To complete the installation, go to “Completing the installation” on page 81.

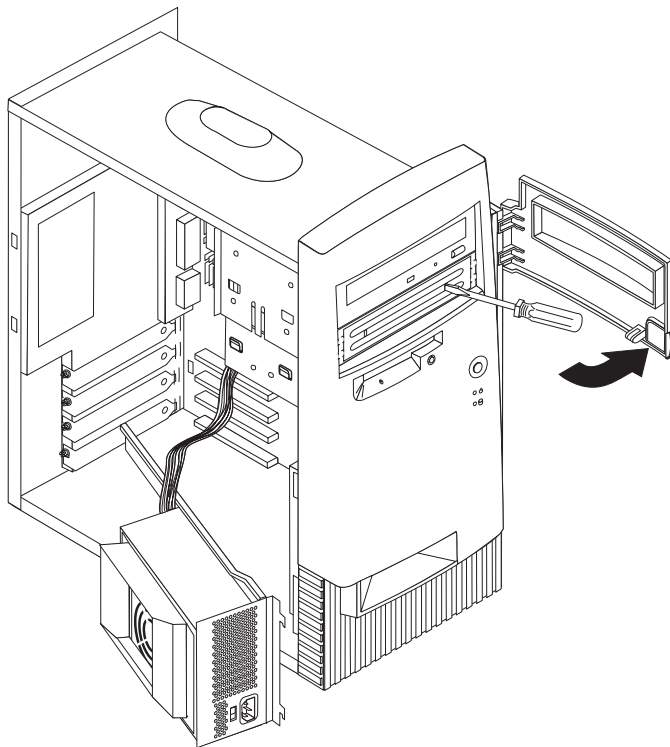
## Installing internal drives — tower model

### Before you begin:

- Read “Safety information” on page vii and “Handling static-sensitive devices” on page 53.
- Turn off the computer and all other connected devices.
- Disconnect all external cables and power cords, and then remove the computer cover (see “Removing the cover — tower model” on page 56).

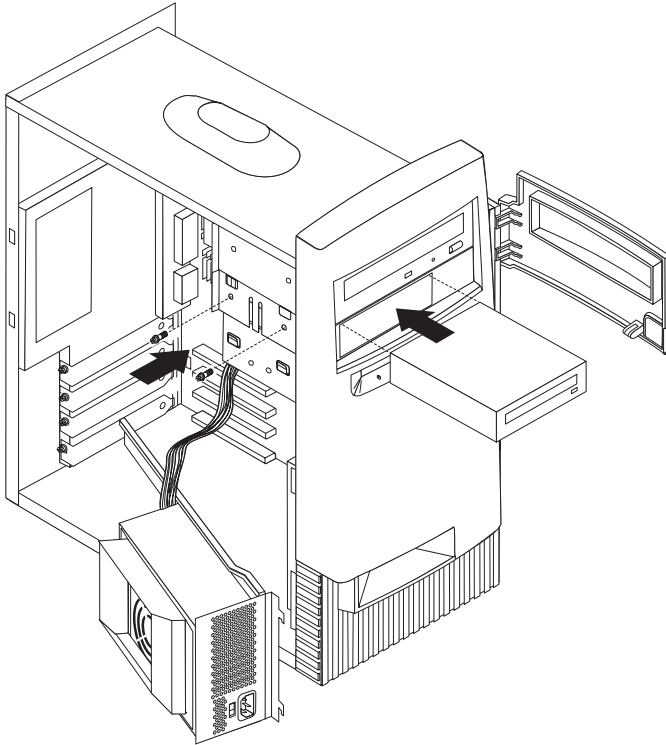
To install an internal drive:

1. Open the swinging door in front of bays 1 and 2.
2. Remove the drive bay panel from the drive bay into which you are installing the drive.
3. Insert a flat-bladed screwdriver into one of the slots on the static shield and pry the static shield loose from the drive bay.



**Note:** To install a 3.5-inch drive into drive bay 2 (a 5.25-inch bay), you must install a conversion kit. For information on purchasing a 3.5-inch conversion kit for a 5.25-inch bay, see your IBM reseller or IBM marketing representative.

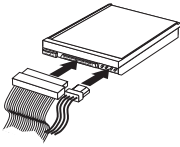
4. Install the drive into the bay. Align the screw holes and insert the two screws.



5. If the drive you installed has nonremovable media (such as a hard disk drive), replace the bay panel.

If the drive you installed is a removable media drive, place the bezel frame that came with your computer over the drive bay.

6. Connect the power and signal cables to the drive.



**What to do next:**

- To work with another option, go to the appropriate section.
- To complete the installation, go to “Completing the installation” on page 81.

---

## Installing a security U-bolt

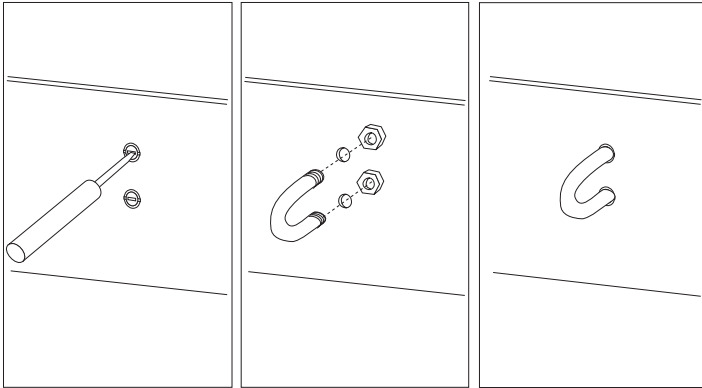
To help prevent hardware theft, you can use the cover lock loop with a padlock and add a security U-bolt and cable to your computer. After you add the security cable, make sure that it does not interfere with other cables that are connected to the computer.

**Before you begin:**

- Obtain the following:
  - A 19-mm (3/4 in.) U-bolt and threaded nuts that fit the U-bolt
  - A security cable
  - A lock, such as a combination lock or padlock
  - An appropriately sized or adjustable wrench
  - A small, flat-blade screwdriver
- Read “Safety information” on page vii and “Handling static-sensitive devices” on page 53.
- Turn off the computer and all other connected devices.
- Disconnect all external cables and power cords and remove the computer cover (see “Removing the cover — desktop model” on page 55 or “Removing the cover — tower model” on page 56).

To install a U-bolt:

1. Use a tool, such as a screwdriver, to remove the two metal knockouts.



2. Insert the U-bolt through the rear panel; then attach and tighten the nuts with an appropriately sized or adjustable wrench.
3. Replace the computer cover. For more information, see “Replacing the cover and connecting the cables” on page 82.
4. Thread the cable through the U-bolt and around an object that is not a part of or permanently secured to the building structure or foundation, and from which it cannot be removed; then fasten the cable ends together with a lock.

---

## Completing the installation

After working with options, you need to install any removed parts, replace the cover, and reconnect any cables, including power cords and telephone lines. Also, depending on the option installed, you might need to update information in the Configuration/Setup Utility program.

The following list is a quick reference to these procedures:

- “Replacing the cover and connecting the cables” on page 82
- “Updating the computer configuration” on page 84

## Replacing the cover and connecting the cables

To replace the cover and connect cables to your computer:

1. Ensure that all components have been reassembled correctly and that no tools or loose screws are left inside your computer.
2. Clear any cables that might impede the replacement of the cover.
3. Position the cover over the chassis so that the front edge is approximately one inch away from the front bezel.

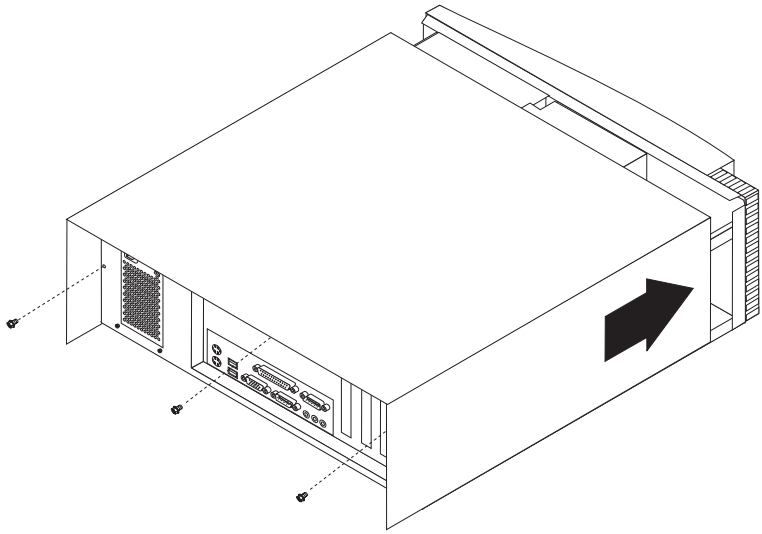
There are several rail guides at the bottom of the cover. To install the cover properly, these rail guides must engage the metal rails at the bottom of the chassis.

4. Lower the cover down over the chassis so that the rail guides engage the rails.
5. Slide the cover forward. You might need to lift the front of the cover slightly to align it properly.
6. Insert the three thumbscrews into the holes in the cover and the chassis and tighten.
7. Reconnect the external cables and cords to the computer. See “Connecting computer cables” on page 10.

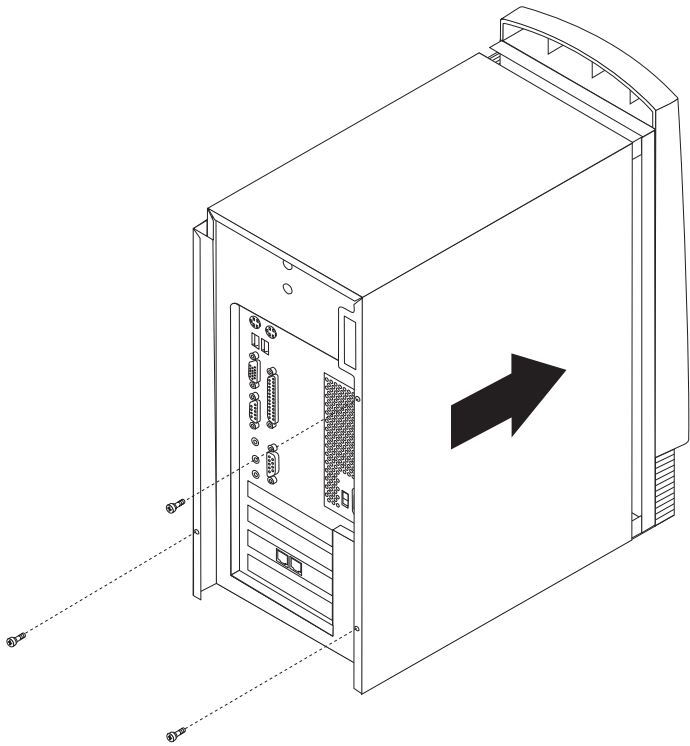
**Important:**

When the power cord is first plugged in, the computer might appear to power on for a few seconds, then power off. This is a normal sequence to enable the computer to self-initialize.





Desktop



Tower

---

## Updating the computer configuration

### Important:

The configuration information in this section applies to installing options. For more information on using the Configuration/Setup Utility program, see the Chapter 4, “Using the Configuration/Setup Utility program” on page 29.

You might need to install device drivers after updating the configuration settings. For more information, see the instructions that come with the option to determine if device drivers are required and how to install them. Some device drivers are included on the *Software Selections* CD that comes with your computer.

After adding, removing, or replacing options, the configuration settings must be updated. In most cases, this configuration is performed automatically by system programs. If the settings are not updated automatically, you can use the Configuration/Setup Utility program to reconfigure the appropriate settings. In either case, you must save the settings before exiting the Configuration/Setup Utility program.

For example, when you start your computer after adding most internal hard disk drives, the settings might be updated. If the settings are not updated, use the Configuration/Setup Utility program to make and save those changes.

**Note:** For more information on error messages from resource conflicts, see Chapter 7, “Troubleshooting” on page 87.

## Configuring Plug and Play adapters

Along with the documentation that comes with your adapter, use the following information to help with adapter configuration.

*Plug and Play* is a configuration method that makes expanding your computer easier. The system board of your computer supports operating systems that use Plug and Play technology

A Plug and Play adapter has no switches or jumpers that must be set. A Plug and Play adapter comes with configuration specifications set in the operating system. These specifications provide installation information to the computer during startup. When you install or remove Plug and Play adapters, this information is interpreted by the *basic input/output system (BIOS)*, which supports Plug and Play technology. If the required resources

are available, the BIOS software automatically configures the adapter using resources *not* already used by other devices.

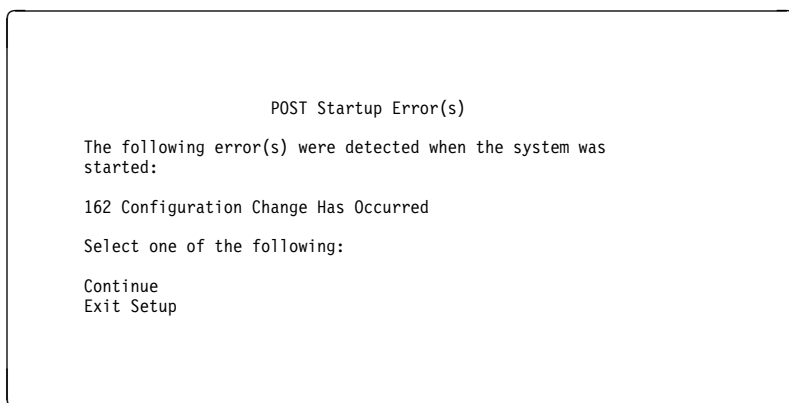
Adapters designed for PCI slots are Plug and Play devices.

**Note:** See Chapter 7, “Troubleshooting” on page 87 for information on error messages resulting from resource conflicts.

## Starting the Configuration/Setup Utility program

When you restart the computer for the first time after working with most options, a message might appear indicating that a configuration change has occurred. If such a message appears, you are then prompted to enter the Configuration/Setup Utility program to manually update the configuration settings or to confirm and save the settings that were automatically updated by the system programs.

After you change an option and restart the computer, the following screen might appear.



**Note:** Depending on the configuration changes that occurred, the error message you see might be different from the one shown here. If the preceding screen appears, select **Continue** until you reach the Configuration/Setup Utility program menu (see Chapter 4, “Using the Configuration/Setup Utility program” on page 29).

If the preceding screen does not appear, use the Configuration/Setup Utility program to configure your computer. For more information, see Chapter 4, “Using the Configuration/Setup Utility program” on page 29.

## Configuring startup devices

When your computer is turned on, it looks for an operating system. The order in which it searches devices for the operating system is the startup sequence. After adding new devices to the computer, you might want to change the startup sequence. You can use the Configuration/Setup Utility program to configure startup devices. See “Setting the startup sequence” on page 38.

---

## Chapter 7. Troubleshooting

This chapter describes diagnostic tools that you can use to identify and correct problems that might come up as you use your computer. This chapter also contains information about option diskettes and how to recover from a BIOS update failure.

### Note

If your computer does not start when you press the power switch, do the following:

- Make sure your computer and monitor are connected to working electrical outlets.
- Make sure all cables are securely connected to the correct locations.

If this does not correct the problem, have the computer serviced.

Computer problems can be caused by hardware, software, or user error (for example, pressing the wrong key). You can use the diagnostic aids discussed in this chapter to help you solve such problems yourself or gather helpful information you can pass on to a service technician.

You can check the hardware by following the procedures in this chapter. You can also use the diagnostic programs provided with your computer (see “IBM Enhanced Diagnostics program” on page 108 for a description of these programs).

If the hardware checks out, and you have not made a user error, you might have a software problem. If you suspect that you have a software problem and your computer comes with IBM-preinstalled software, see “IBM Enhanced Diagnostics program” on page 108 for information about how to run the IBM Enhanced Diagnostics program provided by IBM. Also see the operating system documentation supplied with your computer. If you have installed software applications yourself, see the documentation supplied with the software.

The following tools are available to diagnose hardware-related problems:

- Power-on self-test (POST)
- Troubleshooting MAP
- Error codes and messages
- Troubleshooting charts
- IBM Enhanced Diagnostics program

---

## Power-on self-test (POST)

Each time you turn on your computer, it performs a series of tests that check the basic operation of the base computer. This series of tests is called the *power-on self-test (POST)*.

POST does the following:

- Checks basic system board operations
- Checks the memory operation
- Compares the current system configuration with that established by the Configuration/Setup Utility program
- Starts the video operation
- Verifies that the diskette drives are working
- Verifies that the hard disk drive and the CD-ROM drive are working

If **Power-On Self-Test** is set to [*Enhanced*], numbers showing the amount of memory being tested appear in the top-left corner of the screen until the total amount of memory in the system is reached. Options for running a quick POST or accessing the Configuration/Setup Utility program appear in the lower-left corner of the screen. Quick mode is the default mode of operation.

**Note:** The amount of available memory shown might be somewhat less than expected because of basic input/output system (BIOS) shadowing in random access memory (RAM).

If POST finishes without detecting any problems, the first screen of your operating system or application program appears if you have not set a power-on password. If you have set a power-on password, a password prompt appears. You must enter your password before the first screen of your operating system or application program will appear. (For more information on using passwords, see “Using a power-on password” on page 33.)

If **Power On Status** is *Enabled* and POST detects no problems, you will hear a single beep. If POST detects a problem, you will hear multiple beeps or no beep. In most cases, an error code appears in the top left corner of the screen, and in some cases a description of the error is displayed beside the code. (Note that the screen will sometimes display multiple error codes and descriptions.) For more information about what caused an error message to appear and what action to take, see “POST errors” on page 92 and “Troubleshooting MAP” on page 89.

If you hear no beep at all during POST, see “Device troubleshooting charts” on page 97. You might need to have your computer serviced.

POST error messages appear when POST finds problems with or changes to the hardware during startup. POST error messages are 3-, 4-, 5-, 8-, or 12-character alphanumeric messages and include brief explanations (except I999XXXX errors).

---

## Troubleshooting MAP

Use this procedure as a starting point for problem isolation.

**001**

- Turn off the computer and wait a few seconds.
- Turn on the computer, monitor, and any other attached devices.
- Wait the normal amount of time for the first screen of your application or the operating system to display.

**Is the first screen of your application or operating system displayed?**

Yes    No

**002**

Continue at Step 004.

**003**

You might have an I/O device that is failing, or an intermittent problem with your computer.

Go to “IBM Enhanced Diagnostics program” on page 108 and run the Enhanced Diagnostics.

---

**004**

You have an unreadable display, an error message, or the computer is sounding a series of beeps.

**Is an error message displayed?**

Yes    No

**005**

**Do you hear a series of beeps?**

Yes    No

**006**

- Make sure that the monitor is turned on and the Brightness and Contrast controls are adjusted correctly.
- Make sure that the monitor signal cable is securely connected to the monitor and to the monitor connector on the graphics adapter. To find the monitor connector on your computer, see

“Connecting computer cables” on page 10.  
If the problem persists, have the computer serviced.

**007**

Go to “POST beep codes” on page 96.

---

**008**

- Refer to “POST errors” on page 92 and look for the error message; then return here.

**Is the error message in this table?**

Yes No

**009**

A SCSI error message might be displayed. Refer to the SCSI documentation that comes with your computer.

– or –

An application message might be displayed. Refer to documentation for your application program.

**010**

**Did the Configuration/Setup Utility start automatically after the error message displayed?**

Yes No

**011**

- Follow the action for this error message described in “POST errors” on page 92.

**012**

**Have you recently added, removed, or changed any hardware?**

Yes No

**013**

Have the computer serviced.

**014**

- At the POST Startup Errors screen, select **Continue** if you want to access the Configuration/Setup Utility program menu. Select **Exit Setup** if you want to exit the Configuration/Setup Utility program.

To select an item, press Up Arrow (↑) or Down Arrow (↓) to highlight the item, and then press Enter. If you select **Continue**, the Configuration/Setup Utility program menu appears on the screen. You



will see a pointer next to any menu items that are malfunctioning or that have been changed since the last time you turned on your computer. If you did not knowingly make a change to a flagged menu item, there is probably a malfunction in that item. If you made a change, continue here. If you did not make a change, have the computer serviced.

To use the Configuration/Setup Utility program, do the following:

1. Select the menu item that is flagged (or that you wish to view) by pressing Up Arrow (↑) or Down Arrow (↓), and then press Enter.
2. A new menu specific to the item that you selected appears. Press Left Arrow (←) or Right Arrow (→) to toggle between choices for a menu item. (Note that each menu item has a Help screen. To view the Help screen, select the menu item, and then press **F1**.)
3. When you have finished viewing and changing settings, press Esc to return to the Configuration/Setup Utility program menu.
4. Before you exit from the program, select **Save Settings**. When you exit from the Configuration/Setup Utility program menu your operating system will start automatically (unless there is an unresolved problem with the startup device).

#### Important

If you did *not* change any settings in the Configuration/Setup Utility program, note the following:

- You will get an error message if you exit from the Configuration/Setup Utility program without selecting **Save Settings**. Your operating system will not start, but the computer will automatically restart. When the computer restarts, you will get a POST error message, and then the Configuration/Setup Utility program will again start automatically.
- You will *not* get an error message if you select **Save Settings**, and then exit the Configuration/Setup Utility program. Your system will save all settings as they currently appear in the Configuration/Setup Utility program and your operating system will start (unless there is an unresolved problem with the startup device).

To exit from the Configuration/Setup Utility program, press Esc and follow the instructions on the screen.

For more information about what caused an error message to appear and what action to take, refer to the POST error list.

---

## Diagnostic error codes and messages

Diagnostic codes and messages appear if a hardware problem is detected by one of the IBM Enhanced Diagnostics test programs or if POST detects a problem. Along with error codes, the messages present text information that can be used to identify a failing part.

---

### POST errors

<b>Code</b>	<b>Description</b>	<b>Action</b>
101	Interrupt failure	Have the computer serviced.
102	Timer failure	Have the computer serviced.
106	System board failure	Have the computer serviced.
110	Parity error	Have the computer serviced.
111	I/O parity error 2 (I/O channel check latch set)	Go to "IBM Enhanced Diagnostics program" on page 108 to run diagnostics.
114	External ROM checksum error	Have the computer serviced.
121	Hardware error	Have the computer serviced.
151	Real time clock failure	Have the computer serviced.
161	Defective CMOS Battery	Replace the battery. See "Replacing the battery" on page 113.

*Table 4 (Page 2 of 5). POST Error Codes*

<b>Code</b>	<b>Description</b>	<b>Action</b>
162	A change in device configuration occurred	<ul style="list-style-type: none"><li>• Verify that all external devices are turned on.</li><li>• Verify that all devices are properly installed and securely connected.</li><li>• If you added, removed, or changed the location of a device, you must save the new configuration in the Configuration/Setup Utility program. See “Starting the Configuration/Setup Utility program” on page 85 and Chapter 4, “Using the Configuration/Setup Utility program” on page 29 for more information.</li></ul>
163	Clock not updating	Have the computer serviced.
164	CMOS RAM memory size does not match	Go to “IBM Enhanced Diagnostics program” on page 108 to run diagnostics.
167	Clock not updating	Update the BIOS. See “Updating system programs” on page 27.
168	Alert on LAN is not working correctly.	<ol style="list-style-type: none"><li>1. Go to Chapter 4, “Using the Configuration/Setup Utility program” on page 29 and follow the instructions to verify that Alert on LAN is enabled.</li><li>2. If Alert on LAN is enabled and you still get this error code, have the computer serviced.</li></ol>
175	System board error	Have the computer serviced.
176	System cover has been removed.	Type in the administrator password. If problem persists, have the computer serviced.

*Table 4 (Page 3 of 5). POST Error Codes*

<b>Code</b>	<b>Description</b>	<b>Action</b>
177	An inventory violation occurred, such as a hardware component was removed. This error message is part of the AssetCare and Asset ID features of the computer.	Type in the administrator password. If the problem persists, have the computer serviced.
184	Asset control antenna not detected.	Have the computer serviced.
186	System board or hardware security error	Have the computer serviced.
187	Administrator password and startup sequence has been cleared.	Go to Chapter 4, "Using the Configuration/Setup Utility program" on page 29 and follow the instructions to set an administrator password and the startup sequence.
190	The computer chassis-intrusion detector was cleared. This is an informational message.	No action is required.
20x	Memory error	Go to "IBM Enhanced Diagnostics program" on page 108 to run diagnostics.
301 or 303	Keyboard error	<ol style="list-style-type: none"><li>1. Make sure the keyboard is properly connected.</li><li>2. If the keyboard is properly connected, have the computer serviced.</li></ol>
601	Diskette drive or controller error	<ol style="list-style-type: none"><li>1. Go to "IBM Enhanced Diagnostics program" on page 108 and if possible run the IBM Enhanced Diagnostics program.</li><li>2. If the problem persists, have the computer serviced.</li></ol>
602	Diskette IPL boot record not valid	<ol style="list-style-type: none"><li>1. Diskette might be defective. Try another diskette.</li><li>2. If the problem persists, have the computer serviced.</li></ol>

*Table 4 (Page 4 of 5). POST Error Codes*

<b>Code</b>	<b>Description</b>	<b>Action</b>
604	Unsupported diskette drive installed	<ol style="list-style-type: none"><li>1. Go to "IBM Enhanced Diagnostics program" on page 108 and if possible run the IBM Enhanced Diagnostics program.</li><li>2. If the problem persists, have the computer serviced.</li></ol>
662	Diskette drive configuration error	<ol style="list-style-type: none"><li>1. Go to the configuration procedure and follow the instructions to verify the diskette drive configuration.</li><li>2. Run diagnostics on the diskette drive. See "IBM Enhanced Diagnostics program" on page 108.</li><li>3. If the problem persists, have the computer serviced.</li></ol>
762	Math coprocessor configuration error	Have the computer serviced.
11xx	Serial port error (xx = serial port number)	Have the computer serviced.
1762	Hard disk configuration error	<ol style="list-style-type: none"><li>1. Go to Chapter 4, "Using the Configuration/Setup Utility program" on page 29 and follow the instructions to verify the hard disk configuration.</li><li>2. If the problem persists, have the computer serviced.</li></ol>
178x	Hard disk or IDE device failed	<ol style="list-style-type: none"><li>1. Go to "IBM Enhanced Diagnostics program" on page 108 to run diagnostics on the hard disk and the IDE devices.</li><li>2. If the problem persists, have the computer serviced.</li></ol>

*Table 4 (Page 5 of 5). POST Error Codes*

<b>Code</b>	<b>Description</b>	<b>Action</b>
18xx	A PCI adapter has requested an unavailable resource.	Go to Chapter 4, "Using the Configuration/Setup Utility program" on page 29 and follow the instructions to reconfigure the PCI devices.
1962	Boot sequence error	<ol style="list-style-type: none"><li>1. Go to Chapter 4, "Using the Configuration/Setup Utility program" on page 29 and follow the instructions to verify that the startup sequence is configured.</li><li>2. If the problem persists, have the computer serviced.</li></ol>
8603	Pointing device or system board error	Have the computer serviced.
I9990301	Hard disk failure	Have the computer serviced.

---

## **POST beep codes**

One beep and the appearance of text on the monitor indicate successful completion of POST. More than one beep indicates that POST detected an error.

Beep codes are sounded in a series of two or three sets of beeps. The duration of each beep is constant, but the length of the pause between the beeps varies. For example, a 1-2-4 beep code sounds like one beep, a pause, two consecutive beeps, another pause, and four more consecutive beeps.

It is possible to misinterpret beep codes if you do not understand exactly how they work. Keeping in mind that POST beep codes vary in the length of the pause, and not the duration of the beep tones, will help you to distinguish the beeps.

For the following beep codes, the numbers indicate the sequence and number of beeps. For example, a "2-3-2" error symptom (a burst of two beeps, three beeps, then two beeps) indicates a memory module problem.

If the following beep codes occur, have the computer serviced.

Beep code	Probable cause
1-1-3	CMOS write/read failure
1-1-4	BIOS ROM checksum failure
1-2-1	Programmable interval timer test failure
1-2-2	DMA initialization failure
1-2-3	DMA page register write/read test failure
1-2-4	RAM refresh verification failure
1-3-1	First 64 K RAM test failure
1-3-2	First 64 K RAM parity test failure
1-4-3	Fail-safe timer test in progress
1-4-4	Software NMI port test in progress
2-1-1	Secondary DMA register test in progress or failure
2-1-2	Primary DMA register test in progress or failure
2-1-3	Primary interrupt mask register test failure
2-1-4	Secondary interrupt mask register test failure
2-2-2	Keyboard controller test failure
2-3-2	Screen memory test in progress or failure
2-3-3	Screen retrace tests in progress or failure

---

## Device troubleshooting charts

You can use the troubleshooting charts in this section to find solutions to problems that have definite symptoms.

### Important

If you find it necessary to remove the computer cover, first read “Safety information” on page vii and “Removing the cover — desktop model” on page 55 or “Removing the cover — tower model” on page 56 for important safety information and instructions.

If you have just added new software or a new computer option and your computer is not working, do the following before using the troubleshooting charts:

1. Remove the software or device you just added.
2. Run the diagnostic programs to determine if your computer is running correctly. (See “IBM Enhanced Diagnostics program” on page 108 for information about diagnostic programs provided with your computer.)
3. Reinstall the new software or new device.

The following directory will help you quickly locate problem categories in the troubleshooting charts.

<b>Problem type</b>	<b>Go to:</b>
Diskette Drive	“Diskette drive problems” on page 99
General	“General problems” on page 102
Intermittent	“Intermittent problems” on page 102
Keyboard, mouse, or pointing-device	“Keyboard, mouse, or pointing device problems” on page 103
Memory	“Memory problems” on page 104
Monitor	“Monitor problems” on page 100
Option	“Option problems” on page 105
Parallel Port	“Parallel-port problems” on page 106
Printer	“Printer problems” on page 107
Serial Port 1	“Serial-port problems” on page 106
Serial Port 2	“Serial-port problems” on page 106
Software	“Software problems” on page 108
Universal Serial Bus Ports	“Universal Serial Bus port problems” on page 108



## Diskette drive problems

---

Diskette drive problems	Action
Diskette drive in-use light stays on, or the system bypasses the diskette drive.	<p data-bbox="402 220 834 243">If there is a diskette in the drive, verify that:</p> <ol data-bbox="412 259 948 808" style="list-style-type: none"><li data-bbox="412 259 948 360">1. The diskette drive is enabled. Use the Configuration/Setup Utility program to check this. For more information, see Chapter 4, “Using the Configuration/Setup Utility program” on page 29.</li><li data-bbox="412 376 948 451">2. The computer is checking for the diskette drive in the startup sequence. Use the Configuration/Setup Utility program to verify this.</li><li data-bbox="412 467 948 542">3. The diskette you are using is good and not damaged. Try inserting another diskette if you have one.</li><li data-bbox="412 558 948 607">4. The diskette is inserted correctly, with its label up and its metal shutter end first in the drive.</li><li data-bbox="412 623 948 672">5. The diskette contains the necessary files to start the computer (the diskette must be startable).</li><li data-bbox="412 688 948 737">6. The diskette drive cable is properly installed and securely connected.</li><li data-bbox="412 753 948 802">7. There is no problem with your software program (see “Software problems” on page 108).</li></ol> <p data-bbox="402 824 948 868">If you cannot correct the problem, have the computer serviced.</p>

---

# Monitor problems

Monitor problems	Action
General monitor problems.	<p>Some IBM monitors have their own self-tests. If you suspect a problem with your monitor, see the information supplied with the monitor for adjustment and testing instructions.</p> <p>If you cannot find the problem, check the other listings on monitor problems in this table.</p> <p>If you cannot correct the problem, have the computer serviced.</p>
Wavy, unreadable, rolling, distorted, or jittery screen images.	<p>If the monitor self-tests show that the monitor is working properly, verify that:</p> <ol style="list-style-type: none"><li>1. The location of the monitor is appropriate. Magnetic fields around other devices, such as transformers, appliances, fluorescent lights, and other monitors might be causing the problem. To determine if the location is causing the problem:<ol style="list-style-type: none"><li>a. Turn off the monitor. (Moving a color monitor while it is turned on might cause screen discoloration.)</li><li>b. Adjust the placement of the monitor and other devices so that they are at least 305 mm (12 in.) apart. Also, when relocating the monitor, be sure it is at least 75 mm (3 in.) from the diskette drives to prevent diskette drive read/write errors.</li><li>c. Turn on the monitor.</li></ol></li><li>2. An IBM monitor signal cable is properly connected to the monitor and computer, and that the cable is installed securely. Non-IBM monitor signal cables might cause unpredictable problems.</li><li>3. You are not trying to run your monitor at a higher refresh rate than the monitor supports. See the documentation supplied with your monitor for supported refresh rates.</li></ol> <p><b>Note:</b> An enhanced monitor signal cable with additional shielding might be available for your monitor. See your IBM reseller or marketing representative for information.</p> <p>If you cannot correct the problem, have the computer serviced.</p>

Monitor problems	Action
Screen flickers.	<p>Set the monitor for the highest, noninterlaced refresh rate supported by your monitor and the video controller in your computer.</p> <p><b>Attention:</b> Using a resolution or refresh rate that is not supported by your monitor might damage it.</p> <p>You can reset the refresh rate through your operating system, using the instructions provided in the README files. See your operating system documentation for further information on monitor settings.</p> <p>If this does not correct the problem, have the monitor and computer serviced.</p>
<p>The monitor works when you turn on the system, but goes blank when you start some application programs.</p>	<p>Verify that:</p> <ol style="list-style-type: none"> <li>1. The monitor signal cable is securely connected to the monitor and the monitor connector on the graphics adapter. For the location of the monitor connector on the graphics adapter installed in your computer, see “Connecting computer cables” on page 10.</li> <li>2. The necessary device drivers for the application programs are installed.</li> </ol> <p>If you cannot correct the problem, have the computer serviced.</p>
<p>The monitor works when you turn on the system, but goes blank after some period of computer inactivity.</p>	<p>The computer is probably set for energy savings with the Advanced Power Management (APM) feature. If the APM feature is enabled, disabling APM or changing APM settings might solve the problem (see “Power management features” on page 40).</p> <p>If you cannot correct the problem, have the computer serviced.</p>
Blank screen.	<p>Verify that:</p> <ol style="list-style-type: none"> <li>1. The computer power cord is plugged into the computer and a working electrical outlet.</li> <li>2. The monitor is turned on and the Brightness and Contrast controls are adjusted correctly.</li> <li>3. The monitor signal cable is securely connected to the monitor and the monitor connector on the system board. To find the monitor connector on the system board, see “Connecting computer cables” on page 10.</li> </ol> <p>If you cannot correct the problem, have the computer serviced.</p>
Only the cursor appears.	Have the computer serviced.

<b>Monitor problems</b>	<b>Action</b>
Wrong characters appear on the screen.	Have the computer serviced.

## General problems

<b>General problems</b>	<b>Action</b>
The computer does not start when you press the power switch.	<p>Verify that:</p> <ol style="list-style-type: none"> <li>1. All cables are securely connected to the proper connectors on the computer. For the location of the connectors, see “Connecting computer cables” on page 10.</li> <li>2. The computer cover is properly installed.</li> </ol> <p>If you cannot correct the problem, have the computer serviced.</p>
Problems such as a broken cover lock or indicator lights not working.	Have the computer serviced.

## Intermittent problems

<b>Intermittent problems</b>	<b>Action</b>
A problem occurs only occasionally and is difficult to detect.	<p>Verify that:</p> <ol style="list-style-type: none"> <li>1. All cables and cords are securely connected to the rear of the computer and attached devices.</li> <li>2. When the computer is turned on, the fan grill is not blocked (there is air flow around the grill), and the fans are working. If airflow is blocked or the fans are not working, the computer might overheat.</li> <li>3. If SCSI devices are installed, the last external device in each SCSI chain is terminated correctly. (See your SCSI documentation.)</li> </ol> <p>If you cannot correct the problem, have the computer serviced.</p>

## Keyboard, mouse, or pointing device problems

---

### Keyboard, mouse, or pointing-device problems

#### Action

---

All or some keys on the keyboard do not work.

Verify that:

1. The computer and the monitor are turned on.
2. The keyboard cable is securely connected to the keyboard connector on the computer. For the location of the keyboard connector, see “Connecting computer cables” on page 10.

If you cannot correct the problem, have the computer serviced.

---

The mouse or pointing device does not work.

Verify that:

1. The mouse or pointing-device cable is securely attached to the proper connector on the computer. Depending on the type of mouse you have, the mouse cable will connect to either the mouse or serial connector. To find the mouse and serial connectors, see “Connecting computer cables” on page 10.
2. The device drivers for the mouse are installed correctly.

If you cannot correct the problem, have the computer and the device serviced.

---

## Memory problems

---

Memory problems	Action
The amount of memory displayed is less than the amount of memory installed.	The amount of available memory shown might be somewhat less than expected because of basic input/output system (BIOS) shadowing in random access memory (RAM), video takes 1 MB, and ACPI and USB also can take up to 1 MB.  Verify that: <ol style="list-style-type: none"><li data-bbox="380 407 894 480">1. You have installed the correct type of DIMMs for your computer. See “Working with memory” on page 66 for instructions on adding DIMMs.</li><li data-bbox="380 496 876 545">2. The DIMMs are properly installed and securely connected.</li><li data-bbox="380 561 894 634">3. If you added or removed memory, you saved the new configuration before exiting the Configuration/Setup Utility program.</li></ol> If the problem persists, run the memory test from the diagnostic program supplied with your computer. (See “IBM Enhanced Diagnostics program” on page 108 for further information.) The system might have detected a bad DIMM and automatically reallocated memory to enable your computer to continue to operate.  If you cannot correct the problem, have the computer serviced.

---

# Option problems

---

<b>Option problems</b>	<b>Action</b>
<p>An IBM option that was just installed does not work.</p>	<p>Verify that:</p> <ol style="list-style-type: none"><li data-bbox="412 256 859 280">1. The option is designed for your computer.</li><li data-bbox="412 297 939 375">2. You followed the installation instructions supplied with the option and in Chapter 6, "Installing options" on page 53.</li><li data-bbox="412 391 939 492">3. All option files (if required) are installed correctly. See "Installing files from option diskettes" on page 112 for information about installing option files.</li><li data-bbox="412 508 939 557">4. You have not loosened any other installed options or cables.</li><li data-bbox="412 573 950 732">5. If the option is an adapter, you have provided enough hardware resources for the adapter to function correctly. See the documentation supplied with the adapter (as well as the documentation for any other installed adapters) to determine the resources required for each adapter.</li><li data-bbox="412 748 939 875">6. You updated the configuration information in the Configuration/Setup Utility program, if necessary, and have no conflicts. For more information, see Chapter 4, "Using the Configuration/Setup Utility program" on page 29.)</li></ol> <p>If the problem persists, run the diagnostic programs. (See "IBM Enhanced Diagnostics program" on page 108 for information about diagnostic programs provided with your computer.)</p> <p>If you cannot correct the problem, have the computer and the option serviced.</p>

---

<b>Option problems</b>	<b>Action</b>
An IBM option that previously worked does not work now.	<p>Verify that all option hardware and cable connections are secure.</p> <p>If the option comes with its own test instructions, use those instructions to test the option.</p> <p>If the failing option is a SCSI option, verify that:</p> <ol style="list-style-type: none"> <li>1. The cables for all external SCSI options are connected correctly.</li> <li>2. The last option in each SCSI chain, or the end of the SCSI cable, is terminated correctly.</li> <li>3. All external SCSI options are turned on. External SCSI options must be turned on before the system is turned on.</li> </ol> <p>For more information, see your SCSI documentation.</p> <p>If you cannot correct the problem, have the computer serviced.</p>

## Parallel-port problems

<b>Parallel-port problems</b>	<b>Action</b>
Parallel port cannot be accessed.	<p>Verify that:</p> <ol style="list-style-type: none"> <li>1. Each port is assigned a unique address.</li> <li>2. The parallel-port adapter, if you added one, is properly installed and firmly seated. See Chapter 6, "Installing options" on page 53 for instructions on adding adapters.</li> </ol> <p>If you cannot correct the problem, have the computer serviced.</p>

## Serial-port problems

<b>Serial-port problems</b>	<b>Action</b>
Serial port cannot be accessed.	<p>Verify that:</p> <ol style="list-style-type: none"> <li>1. Each port is assigned a unique address.</li> <li>2. The serial-port adapter, if you added one, is properly installed and firmly seated. See Chapter 6, "Installing options" on page 53 for instructions on adding adapters.</li> </ol> <p>If you cannot correct the problem, have the computer serviced.</p>



# Printer problems

---

Printer problems	Action
The printer does not work.	<p data-bbox="399 215 516 240">Verify that:</p> <ol data-bbox="409 256 941 743" style="list-style-type: none"><li data-bbox="409 256 824 280">1. The printer is turned on and is online.</li><li data-bbox="409 297 941 427">2. The printer signal cable is securely connected to the correct parallel, serial, or USB port on the computer. (See “Connecting computer cables” on page 10 for the location of the parallel, serial, and USB ports.)</li></ol> <p data-bbox="441 443 941 492"><b>Note:</b> Non-IBM printer signal cables might cause unpredictable problems.</p> <ol data-bbox="409 508 941 743" style="list-style-type: none"><li data-bbox="409 508 909 557">3. You have assigned the printer port correctly in your operating system or application program.</li><li data-bbox="409 573 941 678">4. You have assigned the printer port correctly in the Configuration/Setup Utility program. For more information, see Chapter 4, “Using the Configuration/Setup Utility program” on page 29.</li><li data-bbox="409 695 941 743">5. If the problem persists, run the tests described in the documentation that comes with your printer.</li></ol> <p data-bbox="399 760 941 808">If you cannot correct the problem, have the computer serviced.</p>

---

## Software problems

---

Software problem	Action
Is your software program OK?	<p>To determine if problems are caused by installed software, verify that:</p> <ol style="list-style-type: none"><li>1. Your computer has the minimum memory requirements needed to use the software. See the information supplied with the software to verify memory requirements.</li></ol> <p><b>Note:</b> If you have just installed an adapter or memory, you might have a memory address conflict.</p> <ol style="list-style-type: none"><li>2. The software is designed to operate on your computer.</li><li>3. Other software works on your computer.</li><li>4. The software you are using works on another computer.</li></ol> <p>If you received any error messages while using the software program, see the information supplied with the software for a description of the messages and solutions to the problem.</p> <p>If you cannot correct the problem, have the computer serviced.</p>

---

## Universal Serial Bus port problems

---

Universal Serial Bus port problems	Action
The Universal Serial Bus ports cannot be accessed.	<p>Verify that the USB device is properly installed and firmly seated.</p> <p>If you cannot correct the problem, have the computer serviced.</p>

---

## IBM Enhanced Diagnostics program

The IBM Enhanced Diagnostics program runs independently of the operating system. You can run the IBM Enhanced Diagnostics program from the IBM *Product Recovery* CD. You can also create an IBM *Enhanced Diagnostics* diskette image from the IBM *Software Selections* CD or download the image from the World Wide Web. The user interface for running the diagnostics utility programs is provided by WaterGate Software PC-Doctor.

The IBM Enhanced Diagnostics will isolate your computer hardware from software that was preinstalled (or that you have installed) on your hard disk. The programs run independently of the operating system, and must be run either from CD or diskette.

You can use this program to test the hardware (and some software) components of your computer. This method of testing is generally used when other methods are not accessible or have not been successful in isolating a problem suspected to be hardware related.

To start the IBM Enhanced Diagnostics program using the *Product Recovery* CD, do the following:

1. Turn off your computer and any attached devices.
2. Turn on all attached devices; then turn on your computer.
3. When you see Press F1 For Configuration/Setup, press the F1 key.
4. When the Configuration/Setup Utility program menu appears, select **Start Options**.
5. Select **Startup Sequence** and press Enter.
6. Write down the device currently selected as the First Startup Device. Then write down the devices selected as Second Startup Device, Third Startup Device, and Fourth Startup Device. You must restore these settings when you finish running diagnostics.
7. Select the First Startup Device. To start from the CD, select **CD-ROM**.
8. Press Esc two times to return to the Configuration/Setup Utility program menu.
9. Select **Save Settings** and follow the prompts.
10. Select **Exit Setup** and follow the prompts.
11. Place the *Product Recovery* CD in the CD-ROM drive.
12. Shut down and restart the computer. The *Product Recovery* CD will load.
13. A new menu opens with the options for viewing system utilities:
  - Run Diagnostics
  - System Information
14. Select Run Diagnostics to open the IBM Enhanced Diagnostics Diagnostics program to try to track down a problem. Select System Information to display the current computer configuration.
15. When you finish running the diagnostic program, press Esc, remove the CD from the CD-ROM drive, and turn off the computer. You must restore the First Startup Device back to the original setting. Follow steps 2 through 9

To download the latest image of the IBM Enhanced Diagnostics from the Web site and create a startable Enhanced Diagnostics Diskette:

1. Go to the IBM support Web site (<http://www.ibm.com/pc/support/>).
2. In the **Quick Path** field, type the model number of your computer and click **Go**.
3. Click the Downloadable files link.
4. Click the Diagnostics link.
5. Click the link to the file under Downloadable files - Diagnostics at the bottom of the page.
6. Click the executable file link under File Details to download the file to your hard disk.
7. Go to a DOS prompt and change the directory to where the file was downloaded.
8. Insert a blank high-capacity diskette in diskette drive A.
9. Type the following and press Enter: *filename a:* Where *filename* is the name of the file you downloaded from the Web.

To create an IBM Enhanced Diagnostics diskette from the *Software Selections* CD:

1. If the Access IBM program is not already open, click the Windows **Start**; then click **Access IBM**.
2. In Access IBM, click **Start up**.
3. In the displayed menu, click **Create a diagnostic diskette** and follow the instructions on the screen.

The downloaded file is self-extracting and will be copied to the diskette. When the copy completes you have a startable *IBM Enhanced Diagnostics* program diskette.

To start the IBM Enhanced Diagnostic program using the diskette:

1. Shut down Windows 95/98 (or Windows NT) and turn off the computer.
2. Turn off any attached devices.
3. Insert the *IBM Enhanced Diagnostic* diskette into drive A.
4. Turn on all attached devices; then turn on your computer.
5. Follow the instructions that appear on the screen. For help, press F1.

---

## Other diagnostic programs on the Software Selections CD

The *Software Selections* CD supplied with your computer also contains diagnostic programs designed specifically for certain operating environments (Windows 95, Windows 98, and Windows NT). Because these versions work with the operating system, they not only test the hardware, but also analyze certain software components of your computer. They are especially useful in isolating problems related to the operating system and device drivers.

---

## CoSession Remote

CoSession availability varies by computer model and country. CoSession is a remote-control program that can be used by another individual, such as your in-house administrator, to help diagnose problems with your computer from a remote location. To use CoSession, this program must be installed in your computer, and your computer must have a modem or a LAN connection.

### Important

Before attempting to use CoSession, contact IBM or your in-house administrator for specific instructions on setting up and using the program.

---

## Recovering from a POST/BIOS update failure

If power to your computer is interrupted while POST/BIOS is being updated (flash update), your computer might not restart correctly. If this happens, perform the following procedure to recover:

1. Turn off the computer and any attached devices, such as printers, monitors, and external drives.



### CAUTION:

**Do not touch internal components of the computer while the power is on.**

2. Unplug all power cords from electrical outlets and remove the cover. See “Removing the cover — desktop model” on page 55 or “Removing the cover — tower model” on page 56, depending on your model.

3. Locate the Clear CMOS/recovery jumper on the system board, removing any adapters that impede access to the jumper. See the system board label inside your computer for the location of the jumper. See also “Working with options on the system board” on page 64.
4. Move the jumper to the adjacent pair of jumper pins.
5. Replace any adapters that were removed and replace the cover. See “Replacing the cover and connecting the cables” on page 82.
6. Reconnect the power cords for the computer and monitor to electrical outlets.
7. Insert the POST/BIOS update (flash) diskette into drive A and turn on the computer and the monitor.
8. After the update session completes, turn off the computer and monitor.
9. Unplug the power cords from electrical outlets.
10. Remove the diskette from drive A.
11. Remove the cover. See “Removing the cover — desktop model” on page 55 and “Removing the cover — tower model” on page 56.
12. Remove any adapters that impede access to the BIOS Configuration jumper.
13. Move the Clear CMOS/recovery jumper to its original position.
14. Replace any adapters that were removed.
15. Install the cover and reconnect any cables that were disconnected.
16. Turn on the computer to restart the operating system.

---

## **Installing files from option diskettes**

An optional device or adapter might come with a diskette. Diskettes that are included in option packages usually contain files that the system needs for recognizing and activating the options. Until you install the necessary files, the new device or adapter might cause error messages.

If your optional device or adapter comes with a diskette, you might need to install some configuration (.CFG) files or diagnostic files (.EXE or .COM) from the diskette to your hard disk. See the documentation that comes with the option to determine if you need to install files.

---

## Replacing the battery

Your computer has a special type of memory that maintains the date, time, and settings for built-in features, such as serial- and parallel-port assignments (configuration). A battery keeps this information active when you turn off the computer.

The battery requires no charging or maintenance throughout its life; however, no battery lasts forever. If the battery fails, the date, time, and configuration information (including passwords) are lost. An error message is displayed when you turn on the computer.

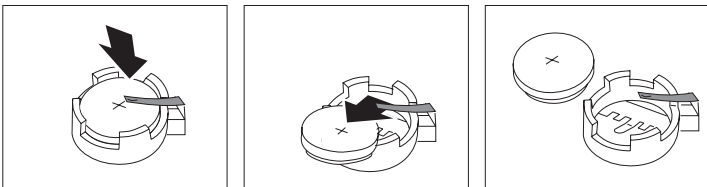
Refer to “Lithium battery notice” on page x for information about replacing and disposing of the battery.

If you replace the original lithium battery with a heavy-metal battery or a battery with heavy-metal components, be aware of the following environmental consideration. Batteries and accumulators that contain heavy metals must not be disposed of with normal domestic waste. They will be taken back free of charge by the manufacturer, distributor, or representative, to be recycled or disposed of in a proper manner.

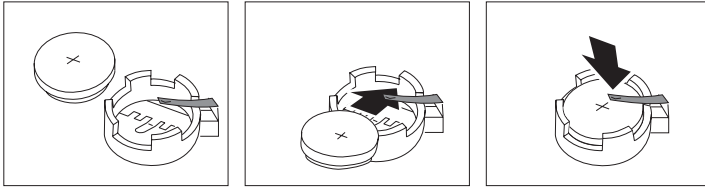
For further information on battery disposal, call IBM at 1-800-IBM-4333 (1-800-426-4333) in the U.S. For information outside of the U.S., contact your IBM reseller or marketing representative.

To change the battery:

1. Turn off the computer and all attached devices.
2. Unplug the power cord and remove the cover. See “Removing the cover — desktop model” on page 55 or “Removing the cover — tower model” on page 56.
3. Locate the battery. Refer to the system board label inside your computer or see “Identifying parts on the system board” on page 64.
4. If necessary, remove any adapters that impede access to the battery. See “Installing adapters — desktop model” on page 68 or “Installing adapters — tower model” on page 69 for more information.
5. Remove the old battery.



6. Install the new battery.



7. Replace any adapters that were removed to gain access to the battery. See “Installing adapters — desktop model” on page 68 or “Installing adapters — tower model” on page 69 for instructions for replacing adapters.
8. Replace the cover and plug in the power cord.  
**Note:** When the computer is turned on for the first time after battery replacement, an error message might be displayed. This is normal after replacing the battery.
9. Turn on the computer and all attached devices.
10. Use the Configuration/Setup Utility program to set the date and time and any passwords.
11. Dispose of the old battery as required by local ordinances or regulations.



---

## Chapter 8. Getting help, service, and information

If you need help, service, technical assistance, or just want more information about IBM products, you will find a wide variety of sources available from IBM to assist you.

For example, IBM maintains pages on the World Wide Web where you can get information about IBM products and services, find the latest technical information, and download device drivers and updates. Some of these pages are:

<a href="http://www.ibm.com">http://www.ibm.com</a>	Main IBM home page
<a href="http://www.ibm.com/pc">http://www.ibm.com/pc</a>	IBM Personal Computing
<a href="http://www.ibm.com/pc/support">http://www.ibm.com/pc/support</a>	IBM Personal Computing Support
<a href="http://www.ibm.com/pc/us/ibmpc">http://www.ibm.com/pc/us/ibmpc</a>	IBM Commercial Desktop PCs (U.S.)
<a href="http://www.ibm.com/pc/us/intellistation">http://www.ibm.com/pc/us/intellistation</a>	IBM IntelliStation Workstations (U.S.)
<a href="http://www.ibm.com/pc/us/accessories">http://www.ibm.com/pc/us/accessories</a>	Options by IBM (U.S.)
<a href="http://www.ibm.com/pc/us/netfinity">http://www.ibm.com/pc/us/netfinity</a>	IBM Netfinity Servers (U.S.)

You can select a country-specific Web site from these pages.

Help is also available from bulletin boards and online services, as well as by fax and telephone. This section provides information about these sources.

Services available and telephone numbers listed are subject to change without notice.

---

### Service support

With the original purchase of an IBM hardware product, you have access to extensive support coverage. During the IBM hardware product warranty period, you may call the IBM Personal Computer HelpCenter (1-800-772-2227 in the U.S.) for hardware product assistance covered under the terms of the IBM Statement of Limited Warranty. See "Getting help by telephone" on page 119 for HelpCenter telephone numbers in other countries.

The following services are available during the warranty period:

- Problem Determination - Trained personnel are available to assist you with determining if you have a hardware problem and deciding what action is necessary to fix the problem.
- IBM Hardware Repair - If the problem is determined to be caused by IBM hardware under warranty, trained service personnel are available to provide the applicable level of service.
- Engineering Change Management - Occasionally, there might be changes that are required after a product has been sold. IBM or your reseller, if authorized by IBM, will make Engineering Changes (ECs) available that apply to your hardware.

Be sure to retain your proof of purchase to obtain warranty service.

Please have the following information ready when you call:

- Machine Type and Model
- Serial numbers of your IBM hardware products
- Description of the problem
- Exact wording of any error messages
- Hardware and software configuration information

If possible, be at your computer when you call.

The following items are not covered:

- Replacement or use of non-IBM parts or nonwarranted IBM parts
- Note:** All warranted parts contain a 7-character identification in the format IBM FRU XXXXXXXX.
- Identification of software problem sources
  - Configuration of BIOS as part of an installation or upgrade
  - Changes, modifications, or upgrades to device drivers
  - Installation and maintenance of network operating systems (NOS)
  - Installation and maintenance of application programs

Refer to your IBM hardware warranty for a full explanation of IBM's warranty terms.

---

## Before you call for service

Many computer problems can be solved without outside assistance, by using the online help or by looking in the online or printed documentation that comes with your computer or software. Also, be sure to read the information in any README files that come with your software.

Most computers, operating systems, and application programs come with documentation that contains troubleshooting procedures and explanations of error messages. The documentation that comes with your computer also contains information about the diagnostic tests you can perform.

If you receive a POST error code when you turn on your computer, refer to the POST error-message charts in your hardware documentation. If you do not receive a POST error code, but suspect a hardware problem, refer to the troubleshooting information in your hardware documentation or run the diagnostic tests.

If you suspect a software problem, consult the documentation (including README files) for the operating system or application program.

---

## Getting customer support and service

Purchasing an IBM PC hardware product entitles you to standard help and support during the warranty period. If you need additional support and services, a wide variety of extended services are available for purchase that address almost any need.

## Using the World Wide Web

On the World Wide Web, the IBM Personal Computing Web site has up-to-date information about IBM Personal Computer products and support. The address for the IBM Personal Computing home page is:

<http://www.ibm.com/pc>

You can find support information for your IBM products, including supported options, on the IBM Personal Computing Support page at:

<http://www.ibm.com/pc/support>

If you select Profile from the support page, you can create a customized support page that is specific to your hardware, complete with Frequently Asked Questions, Parts Information, Technical Hints and Tips, and Downloadable Files. You will have the information you need, all in one place. In addition, you can choose to receive e-mail notifications whenever new information becomes available about your registered products. You

also can access online support forums, which are community sites monitored by IBM support staff.

For information about specific Personal Computer products, visit the following pages:

<http://www.ibm.com/pc/us/intellistation>

<http://www.ibm.com/pc/us/ibmpc>

<http://www.ibm.com/pc/us/netfinity>

<http://www.ibm.com/pc/us/thinkpad>

<http://www.ibm.com/pc/us/accessories>

[http://www.direct.ibm.com/content/home/en\\_US/aptiva](http://www.direct.ibm.com/content/home/en_US/aptiva)

You can select a country-specific Web site from these pages.

## Using electronic support services

If you have a modem, you can get help from several popular services. Bulletin boards and online information services provide assistance through question-and-answer message areas, live chat rooms, searchable databases, and more.

Technical information is available on a wide range of topics, such as:

- Hardware setup and configuration
- Preinstalled software
- OS/2, DOS, and Windows
- Networking
- Communications
- Multimedia

In addition, the latest device driver updates are available.

The IBM Bulletin Board System (BBS) can be reached 24 hours a day, 7 days a week. Modem speeds of up to 14 400 baud are supported. Long distance telephone charges might apply. To access the IBM BBS:

- In the U.S., call 1-919-517-0001.
- In Canada:
  - In Montreal, call 514-938-3022.
  - In Toronto, call 905-316-4255 or 416-956-7877.
  - In Vancouver, call 604-664-6464.

Commercial online services, such as America Online (AOL), contain information about IBM products. (For AOL, use the “Go to” keyword **IBM Connect**.)

## Getting information by fax

If you have a touch-tone telephone and access to a fax machine, in the U.S. and Canada you can receive by fax marketing and technical information on many topics, including hardware, operating systems, and local area networks (LANs). You can call the IBM Automated Fax System 24 hours a day, 7 days a week. Follow the recorded instructions, and the requested information will be sent to your fax machine.

To access the IBM Automated Fax System, do the following:

- In the U.S., call 1-800-426-3395.
- In Canada, call 1-800-465-3299.

## Getting help online

Online Housecall is a remote communication tool that allows an IBM technical-support representative to access your PC by modem. Many problems can be remotely diagnosed and corrected quickly and easily. In addition to a modem, a remote-access application program is required. This service is not available for servers. There might be a charge for this service, depending on the request.

For more information about configuring your PC for Online Housecall:

- In the U.S., call 1-800-772-2227.
- In Canada, call 1-800-565-3344.
- In all other countries, contact your IBM reseller or IBM marketing representative.

## Getting help by telephone

During the warranty period, you can get help and information by telephone through the IBM PC HelpCenter. Expert technical-support representatives are available to assist you with questions you might have on the following:

- Setting up your computer and IBM monitor
- Installing and setting up IBM options purchased from IBM or an IBM reseller
- 30-day, preinstalled-operating-system support
- Arranging for service (on-site or carry-in)
- Arranging for overnight shipment of customer-replaceable parts

In addition, if you purchased an IBM PC Server or IBM Netfinity Server, you are eligible for IBM Start Up Support for 90 days after installation. This service provides assistance for:

- Setting up your network operating system
- Installing and configuring interface cards
- Installing and configuring network adapters

Please have the following information ready when you call:

- Machine Type and Model
- Serial numbers of your computer, monitor, and other components, or your proof of purchase
- Description of the problem
- Exact wording of any error messages
- Hardware and software configuration information for your system

If possible, be at your computer when you call.

In the U.S. and Canada, these services are available 24 hours a day, 7 days a week. In the U.K., these services are available Monday through Friday, from 9:00 a.m. to 6:00 p.m.<sup>2</sup>

Country		Telephone number
Austria	Österreich	1-546 585 075
Belgium - Dutch	Belgie	02-717-2504
Belgium - French	Belgique	02-717-2503
Canada	Canada	1-800-565-3344
Denmark	Danmark	03-525-6905
Finland	Suomi	9-22-931805
France	France	01-69-32-40-03
Germany	Deutschland	069-6654-9003
Ireland	Ireland	01-815-9207
Italy	Italia	02-4827-5003
Luxembourg	Luxembourg	298-977-5060
Netherlands	Nederland	020-504-0531
Norway	Norge	2-305-3203

---

<sup>2</sup> Response time will vary depending on the number and complexity of incoming calls.

<b>Country</b>		<b>Telephone number</b>
Portugal	Portugal	01-791-5147
Spain	España	091-662-4270
Sweden	Sverige	08-632-0063
Switzerland - German	Schweiz	01-212-1810
Switzerland - French	Suisse	022-310-0418
Switzerland - Italian	Svizzera	091-971-0523
United Kingdom	United Kingdom	01475-555555
U.S.A. and Puerto Rico	U.S.A. and Puerto Rico	1-800-772-2227

In all other countries, contact your IBM reseller or IBM marketing representative.

## Getting help around the world

If you travel with your computer or need to move it to another country, you can register for International Warranty Service. When you register with the International Warranty Service Office, you will receive an International Warranty Service Certificate that is honored virtually worldwide, wherever IBM or IBM resellers sell and service IBM PC products.

For more information or to register for International Warranty Service:

- In the U.S. or Canada, call 1-800-497-7426.
- In Europe, call 44-1475-893638 (Greenock, U.K.).
- In Australia and New Zealand, call 61-2-9354-4171.

In all other countries, contact your IBM reseller or IBM marketing representative.

---

## Purchasing additional services

During and after the warranty period, you can purchase additional services, such as support for IBM and non-IBM hardware, operating systems, and application programs; network setup and configuration; upgraded or extended hardware repair services; and custom installations. Service availability and name might vary by country.

## **Enhanced PC support line**

Enhanced PC Support is available for desktop and mobile IBM computers that are not connected to a network. Technical support is provided for IBM computers and IBM or non-IBM options, operating systems, and application programs on the Supported Products list.

This service includes technical support for:

- Installing and configuring your out-of-warranty IBM computer
- Installing and configuring non-IBM options in IBM computers
- Using IBM operating systems in IBM and non-IBM computers
- Using application programs and games
- Tuning performance
- Installing device drivers remotely
- Setting up and using multimedia devices
- Identifying system problems
- Interpreting documentation

You can purchase this service on a per-call basis, as a multiple-incident package, or as an annual contract with a 10-incident limit. For more information about purchasing Enhanced PC Support, see “Ordering support line services” on page 123.

## **900-number operating system and hardware support line**

In the U.S., if you prefer to obtain technical support on a pay-as-you go basis, you can use the 900-number support line. The 900-number support line provides support for IBM PC products that are out of the warranty period.

To access this support, call 1-900-555-CLUB (2582). You will be notified of the charge per minute.

## **Network and server support line**

Network and Server Support is available for simple or complex networks made up of IBM servers and workstations using major network operating systems. In addition, many popular non-IBM adapters and network interface cards are supported.

This service includes all of the features of the Enhanced PC Support Line, plus:

- Installing and configuring client workstations and servers



- Identifying system problems and correcting problems on the client or the server
- Using IBM and non-IBM network operating systems
- Interpreting documentation

You can purchase this service on a per-call basis, as a multiple-incident package, or as an annual contract with a 10-incident limit. For more information about purchasing Network and Server Support, see “Ordering support line services.”

## Ordering support line services

Enhanced PC Support Line and Network and Server Support Line services are available for products on the Supported Products list. To receive a Supported Products list:

- In the U.S.:
  1. Call 1-800-426-3395.
  2. Select document number 11683 for Network and Server support.
  3. Select document number 11682 for Enhanced PC support.
- In Canada, contact IBM Direct at 1-800-465-7999, or:
  1. Call 1-800-465-3299.
  2. Select the HelpWare catalog.
- In all other countries, contact your IBM reseller or IBM marketing representative.

For more information or to purchase these services:

- In the U.S., call 1-800-772-2227.
- In Canada, call 1-800-465-7999.
- In all other countries, contact your HelpCenter.

## Warranty and repair services

You can upgrade your standard hardware warranty service or extend the service beyond the warranty period.

Warranty upgrades in the U.S. include:

- Carry-in service to on-site service

If your warranty provides carry-in repair service, you can upgrade to on-site repair service, either standard or premium. The standard upgrade provides a trained servicer within the next business day (9 a.m. to 5 p.m., local time, Monday through Friday). The premium upgrade provides 4-hour average response, 24 hours a day, 7 days a week.

- On-site service to premium on-site service

If your warranty provides for on-site service, you can upgrade to premium on-site service (4-hour average on-site response, 24 hours a day, 7 days a week).

You also can extend your warranty. Warranty and Repair Services offers a variety of post-warranty maintenance options, including ThinkPad EasyServ Maintenance Agreements. Availability of the services varies by product.

For more information about warranty upgrades and extensions:

- In the U.S., call 1-800-426-4968.
- In Canada, call 1-800-465-7999.
- In all other countries, contact your IBM reseller or IBM marketing representative.

---

## Ordering publications

Additional publications are available for purchase from IBM. For a list of publications available in your country:

- In the U.S., Canada, and Puerto Rico, call 1-800-879-2755.
- In other countries, contact your IBM reseller or IBM marketing representative.

---

## Appendix A. Using the Software Selections CD

Use the information in this chapter if you want to install or reinstall device drivers and other software from the IBM *Software Selections CD*.

**Important:** You must have Microsoft Internet Explorer 4.0 or higher installed to run the IBM *Software Selections CD*.

---

### Features of the CD

The IBM *Software Selections CD* contains device drivers, diagnostic programs, and other support software for Windows 95, Windows 98, Windows NT Workstation 3.51, and Windows NT Workstation 4.0.

**Note:** Not all software is available for all operating systems. See the IBM *Software Selections CD* to find out which programs are for your operating system.

#### Important

The IBM *Software Selections CD* does not contain operating systems. Before you can use the CD, your operating system must be installed in your computer.

You can use the CD to:

- Install some software products directly from the CD on models equipped with a CD-ROM drive.
- Create an image of the IBM *Software Selections CD* on your hard disk or on a local area network (LAN) disk and install the software products from that image.
- Create diskettes for software products that cannot be installed from the CD and install the products from diskette.

The IBM *Software Selections CD* has an easy-to-use, graphical interface and automated installation procedures for most products. It also has a help system that describes the features of the CD.

The products on the IBM *Software Selections CD* are licensed according to the terms and conditions of the IBM International License Agreement for Non-Warranted Programs, which is available through Access IBM. (See Appendix A of *About Your Software* for more information about viewing the license agreement.)

---

## Starting the CD

To use the IBM *Software Selections* CD, insert the CD into your CD-ROM drive. The Software Selections program starts automatically.

If the auto-run feature is disabled in your computer:

1. Click the Windows **Start** button; then click **Run**.
2. Type  
e:\swselect.exe  
where *e* is the CD-ROM drive letter.
3. Press Enter. The Software Selections menu appears.
4. Select the desired option; then follow the instructions on the screen.

or

1. In Access IBM, click **Customize**. (For information about opening Access IBM, see *About Your Software*.)
2. In the Customize menu, click **Install Software**.
3. When prompted, insert the IBM *Software Selections* CD into the CD-ROM drive.

After a program is installed, you can access it through the Programs choice on the Windows Start menu. For most programs, support documentation is built into the online Help system; for some, online documentation is also provided.

---

## Using the Software Selections program

A Software Selections program is provided on your IBM *Software Selections* CD. Information about using the IBM *Software Selections* CD is in *About Your Software*.

To use the Software Selections program:

1. In the Software Selections menu, click the check box next to the software you want to install.
2. After selecting the software, click **Install**. A window opens showing the software programs that will be installed. Click **OK** to continue with the installation process or click **Cancel** to reset your options.
3. To complete a task, make the applicable selections and follow the instructions on the screen.

After a program is installed, you can access it through the Programs choice on the Windows Start menu. For most programs, support documentation is built into the online Help system; for some, online documentation is also provided.



---

## Appendix B. Computer records

This appendix contains forms for recording information about your computer, which can be helpful if you decide to install additional hardware, or if you ever need to have your computer serviced.

---

### Serial numbers

Record and retain the following information.

Product Name	PC 300GL
Model/Type (M/T)	_____
Serial Number (S/N)	_____

The model and type (M/T) numbers and the serial number (S/N) for your computer are located on a label on the rear of the computer.

---

### Device records

Use the following tables to keep a record of the options in or attached to your computer. This information can be helpful when you install additional options, or if you ever need to have your computer serviced.

Location	Option Description
System Memory (Mem 1 DIMM) (Mem 2 DIMM)	<input type="checkbox"/> 32 MB <input type="checkbox"/> 64 MB <input type="checkbox"/> 128 MB <input type="checkbox"/> 256 MB <input type="checkbox"/> 32 MB <input type="checkbox"/> 64 MB <input type="checkbox"/> 128 MB <input type="checkbox"/> 256 MB
Expansion Slot 1 (PCI)	_____
Expansion Slot 2 (PCI)	_____
Expansion Slot 3 (PCI)	_____
Expansion Slot 4 (PCI)	_____
Microprocessor	<input type="checkbox"/> Intel _____ MHz
Parallel Connector	_____
Serial Connector A	_____
Serial Connector B	_____
USB Connector 1	_____
USB Connector 2	_____
Monitor Connector	_____
Audio Connectors	_____
Keyboard Connector	104-key keyboard <input type="checkbox"/> Other: _____
Mouse Connector	<input type="checkbox"/> ScrollPoint mouse <input type="checkbox"/> 2-button mouse <input type="checkbox"/> Other: _____
5.25-Inch Bay 1	<input type="checkbox"/> IDE CD-ROM drive <input type="checkbox"/> Other: _____
5.25-Inch Bay 2	<input type="checkbox"/> Zip drive _____ <input type="checkbox"/> Other: _____
3.5-Inch Bay 3	<input type="checkbox"/> 1.44 MB diskette drive
3.5-Inch Bay 4	EIDE hard disk drive <input type="checkbox"/> Other: _____



---

## Appendix C. Product warranties and notices

This appendix includes product warranties, trademarks, and notices.

---

### Warranty Statements

The warranty statements consist of two parts: Part 1 and Part 2. Part 1 varies by country. Part 2 is the same for both statements. Be sure to read both the Part 1 that applies to your country and Part 2.

- **United States, Puerto Rico, and Canada (Z125-4753-05 11/97)**  
(Part 1 - General Terms on page 131)
- **Worldwide except Canada, Puerto Rico, Turkey, and United States (Z125-5697-01 11/97)**  
(Part 1 - General Terms on page 134)
- **Worldwide Country-Unique Terms**  
(Part 2 - Country-Unique Terms on page 138)

### IBM Statement of Limited Warranty for United States, Puerto Rico, and Canada (Part 1 - General Terms)

---

*This Statement of Limited Warranty includes Part 1 - General Terms and Part 2 - Country-unique Terms. The terms of Part 2 may replace or modify those of Part 1. The warranties provided by IBM in this Statement of Limited Warranty apply only to Machines you purchase for your use, and not for resale, from IBM or your reseller. The term "Machine" means an IBM machine, its features, conversions, upgrades, elements, or accessories, or any combination of them. The term "Machine" does not include any software programs, whether pre-loaded with the Machine, installed subsequently or otherwise. Unless IBM specifies otherwise, the following warranties apply only in the country where you acquire the Machine. Nothing in this Statement of Warranty affects any statutory rights of consumers that cannot be waived or limited by contract. If you have any questions, contact IBM or your reseller.*

**Machine** - PC 300GL Types 6268, 6278, and 6288

**Warranty Period\*** - Parts: Three (3) Years Labor: One (1) Year

IBM will provide warranty service without charge for:

1. parts and labor during the first year of the warranty period
2. parts only, on an exchange basis, in the second and third years of the warranty period.

IBM will charge you for any labor it provides in performance of the repair or replacement.

*\*Contact your place of purchase for warranty service information. Some IBM Machines are eligible for On-site warranty service depending on the country where service is performed.*

## **The IBM Warranty for Machines**

IBM warrants that each Machine 1) is free from defects in materials and workmanship and 2) conforms to IBM's Official Published Specifications. The warranty period for a Machine is a specified, fixed period commencing on its Date of Installation. The date on your sales receipt is the Date of Installation, unless IBM or your reseller informs you otherwise.

During the warranty period IBM or your reseller, if approved by IBM to provide warranty service, will provide repair and exchange service for the Machine, without charge, under the type of service designated for the Machine and will manage and install engineering changes that apply to the Machine.

If a Machine does not function as warranted during the warranty period, and IBM or your reseller are unable to either 1) make it do so or 2) replace it with one that is at least functionally equivalent, you may return it to your place of purchase and your money will be refunded. The replacement may not be new, but will be in good working order.

### **Extent of Warranty**

The warranty does not cover the repair or exchange of a Machine resulting from misuse, accident, modification, unsuitable physical or operating environment, improper maintenance by you, or failure caused by a product for which IBM is not responsible. The warranty is voided by removal or alteration of Machine or parts identification labels.

**THESE WARRANTIES ARE YOUR EXCLUSIVE WARRANTIES AND REPLACE ALL OTHER WARRANTIES OR CONDITIONS, EXPRESS OR IMPLIED, INCLUDING, BUT NOT LIMITED TO, THE IMPLIED WARRANTIES OR CONDITIONS OF MERCHANTABILITY AND FITNESS FOR A PARTICULAR PURPOSE. THESE WARRANTIES GIVE YOU SPECIFIC LEGAL RIGHTS AND YOU MAY ALSO HAVE OTHER RIGHTS WHICH VARY FROM JURISDICTION TO JURISDICTION. SOME JURISDICTIONS DO NOT ALLOW THE EXCLUSION OR LIMITATION OF EXPRESS OR IMPLIED WARRANTIES, SO THE ABOVE EXCLUSION OR LIMITATION MAY NOT APPLY TO YOU. IN THAT EVENT, SUCH WARRANTIES ARE LIMITED IN DURATION TO THE WARRANTY PERIOD. NO WARRANTIES APPLY AFTER THAT PERIOD.**

### **Items Not Covered by Warranty**

IBM does not warrant uninterrupted or error-free operation of a Machine.

Unless specified otherwise, IBM provides non-IBM machines **WITHOUT WARRANTIES OF ANY KIND.**

Any technical or other support provided for a Machine under warranty, such as assistance via telephone with "how-to" questions and those regarding Machine set-up and installation, will be provided **WITHOUT WARRANTIES OF ANY KIND.**

### **Warranty Service**

To obtain warranty service for the Machine, contact your reseller or IBM. In the United States, call IBM at 1-800-772-2227. In Canada, call IBM at 1-800-565-3344. You may be required to present proof of purchase.

IBM or your reseller provides certain types of repair and exchange service, either at your location or at a service center, to keep Machines in, or restore them to, conformance with their Specifications. IBM or your reseller will inform you of the available types of service for a Machine based on its country of installation. IBM may repair the failing Machine or exchange it at its discretion.

When warranty service involves the exchange of a Machine or part, the item IBM or your reseller replaces becomes its property and the replacement becomes yours. You represent that all removed items are genuine and unaltered. The replacement may not be new, but will be in good working order and at least functionally equivalent to the item replaced. The replacement assumes the warranty service status of the replaced item.

Any feature, conversion, or upgrade IBM or your reseller services must be installed on a Machine which is 1) for certain Machines, the designated, serial-numbered Machine and 2) at an engineering-change level compatible with the feature, conversion, or upgrade. Many features, conversions, or upgrades involve the removal of parts and their return to IBM. A part that replaces a removed part will assume the warranty service status of the removed part.

Before IBM or your reseller exchanges a Machine or part, you agree to remove all features, parts, options, alterations, and attachments not under warranty service.

You also agree to

1. ensure that the Machine is free of any legal obligations or restrictions that prevent its exchange;
2. obtain authorization from the owner to have IBM or your reseller service a Machine that you do not own; and
3. where applicable, before service is provided
  - a. follow the problem determination, problem analysis, and service request procedures that IBM or your reseller provides,
  - b. secure all programs, data, and funds contained in a Machine,
  - c. provide IBM or your reseller with sufficient, free, and safe access to your facilities to permit them to fulfill their obligations, and
  - d. inform IBM or your reseller of changes in a Machine's location.

IBM is responsible for loss of, or damage to, your Machine while it is 1) in IBM's possession or 2) in transit in those cases where IBM is responsible for the transportation charges.

Neither IBM nor your reseller is responsible for any of your confidential, proprietary or personal information contained in a Machine which you return to IBM or your reseller for any reason. You should remove all such information from the Machine prior to its return.

### **Production Status**

Each IBM Machine is manufactured from new parts, or new and used parts. In some cases, the Machine may not be new and may have been previously installed.

Regardless of the Machine's production status, IBM's appropriate warranty terms apply.

### **Limitation of Liability**

Circumstances may arise where, because of a default on IBM's part or other liability, you are entitled to recover damages from IBM. In each such instance, regardless of the basis on which you are entitled to claim damages from IBM (including fundamental breach, negligence, misrepresentation, or other contract or tort claim), IBM is liable for no more than

1. damages for bodily injury (including death) and damage to real property and tangible personal property; and
2. the amount of any other actual direct damages, up to the greater of U.S. \$100,000 (or equivalent in local currency) or the charges (if recurring, 12 months' charges apply) for the Machine that is the subject of the claim.

This limit also applies to IBM's suppliers and your reseller. It is the maximum for which IBM, its suppliers, and your reseller are collectively responsible.

**UNDER NO CIRCUMSTANCES IS IBM LIABLE FOR ANY OF THE FOLLOWING: 1) THIRD-PARTY CLAIMS AGAINST YOU FOR DAMAGES (OTHER THAN THOSE UNDER THE FIRST ITEM LISTED ABOVE); 2) LOSS OF, OR DAMAGE TO, YOUR RECORDS OR DATA; OR 3) SPECIAL, INCIDENTAL, OR INDIRECT DAMAGES OR FOR ANY ECONOMIC CONSEQUENTIAL DAMAGES (INCLUDING LOST PROFITS OR SAVINGS), EVEN IF IBM, ITS SUPPLIERS OR YOUR RESELLER IS INFORMED OF THEIR POSSIBILITY. SOME JURISDICTIONS DO NOT ALLOW THE EXCLUSION OR LIMITATION OF INCIDENTAL OR CONSEQUENTIAL DAMAGES, SO THE ABOVE LIMITATION OR EXCLUSION MAY NOT APPLY TO YOU.**

## **IBM Statement of Warranty Worldwide except Canada, Puerto Rico, Turkey, United States (Part 1 - General Terms)**

---

*This Statement of Warranty includes Part 1 - General Terms and Part 2 - Country-unique Terms. The terms of Part 2 may replace or modify those of Part 1. The warranties provided by IBM in this Statement of Warranty apply only to Machines you purchase for your use, and not for resale, from IBM or your reseller. The term "Machine" means an IBM machine, its features, conversions, upgrades, elements, or accessories, or any combination of them. The term "Machine" does not include any software programs, whether pre-loaded with the Machine, installed subsequently or otherwise. Unless IBM specifies otherwise, the following warranties apply only in the country where you acquire the Machine. Nothing in this Statement of Warranty affects any statutory rights of consumers that cannot be waived or limited by contract. If you have any questions, contact IBM or your reseller.*

**PC 300GL Types 6268, 6278, and 6288**

**Warranty Period\* -**

- EMEA and Argentina - Parts: Three (3) Years Labor: Three (3) Years
- Japan - Parts: One (1) Year Labor: One (1) Year
- All other countries not listed - Parts: Three (3) Years Labor: One (1) Year

IBM will provide warranty service without charge for:

1. parts and labor during the first year of the warranty period
2. parts only, on an exchange basis, in the second and third years of the warranty period.

IBM will charge you for any labor it provides in performance of the repair or replacement.

*\*Contact your place of purchase for warranty service information. Some IBM Machines are eligible for On-site warranty service depending on the country where service is performed.*

### **The IBM Warranty for Machines**

IBM warrants that each Machine 1) is free from defects in materials and workmanship and 2) conforms to IBM's Official Published Specifications. The warranty period for a Machine is a specified, fixed period commencing on its Date of Installation. The date on your sales receipt is the Date of Installation, unless IBM or your reseller informs you otherwise.

During the warranty period IBM or your reseller, if approved by IBM to provide warranty service, will provide repair and exchange service for the Machine, without charge, under the type of service designated for the Machine and will manage and install engineering changes that apply to the Machine.

If a Machine does not function as warranted during the warranty period, and IBM or your reseller are unable to either 1) make it do so or 2) replace it with one that is at least functionally equivalent, you may return it to your place of purchase and your money will be refunded. The replacement may not be new, but will be in good working order.

### **Extent of Warranty**

The warranty does not cover the repair or exchange of a Machine resulting from misuse, accident, modification, unsuitable physical or operating environment, improper maintenance by you, or failure caused by a product for which IBM is not responsible. The warranty is voided by removal or alteration of Machine or parts identification labels.

**THESE WARRANTIES ARE YOUR EXCLUSIVE WARRANTIES AND REPLACE ALL OTHER WARRANTIES OR CONDITIONS, EXPRESS OR IMPLIED, INCLUDING, BUT NOT LIMITED TO, THE IMPLIED WARRANTIES OR CONDITIONS OF MERCHANTABILITY AND FITNESS FOR A PARTICULAR PURPOSE. THESE WARRANTIES GIVE YOU SPECIFIC LEGAL RIGHTS AND YOU MAY ALSO HAVE OTHER RIGHTS WHICH VARY FROM JURISDICTION TO JURISDICTION. SOME JURISDICTIONS DO NOT ALLOW THE EXCLUSION OR LIMITATION OF EXPRESS OR IMPLIED**

**WARRANTIES, SO THE ABOVE EXCLUSION OR LIMITATION MAY NOT APPLY TO YOU. IN THAT EVENT, SUCH WARRANTIES ARE LIMITED IN DURATION TO THE WARRANTY PERIOD. NO WARRANTIES APPLY AFTER THAT PERIOD.**

### **Items Not Covered by Warranty**

IBM does not warrant uninterrupted or error-free operation of a Machine.

Unless specified otherwise, IBM provides non-IBM machines **WITHOUT WARRANTIES OF ANY KIND.**

Any technical or other support provided for a Machine under warranty, such as assistance via telephone with “how-to” questions and those regarding Machine set-up and installation, will be provided **WITHOUT WARRANTIES OF ANY KIND.**

### **Warranty Service**

To obtain warranty service for the Machine, contact your reseller or IBM. You may be required to present proof of purchase.

IBM or your reseller provides certain types of repair and exchange service, either at your location or at a service center, to keep Machines in, or restore them to, conformance with their Specifications. IBM or your reseller will inform you of the available types of service for a Machine based on its country of installation. IBM may repair the failing Machine or exchange it at its discretion.

When warranty service involves the exchange of a Machine or part, the item IBM or your reseller replaces becomes its property and the replacement becomes yours. You represent that all removed items are genuine and unaltered. The replacement may not be new, but will be in good working order and at least functionally equivalent to the item replaced. The replacement assumes the warranty service status of the replaced item.

Any feature, conversion, or upgrade IBM or your reseller services must be installed on a Machine which is 1) for certain Machines, the designated, serial-numbered Machine and 2) at an engineering-change level compatible with the feature, conversion, or upgrade. Many features, conversions, or upgrades involve the removal of parts and their return to IBM. A part that replaces a removed part will assume the warranty service status of the removed part.

Before IBM or your reseller exchanges a Machine or part, you agree to remove all features, parts, options, alterations, and attachments not under warranty service.

You also agree to

1. ensure that the Machine is free of any legal obligations or restrictions that prevent its exchange;
2. obtain authorization from the owner to have IBM or your reseller service a Machine that you do not own; and
3. where applicable, before service is provided
  - a. follow the problem determination, problem analysis, and service request procedures that IBM or your reseller provides,
  - b. secure all programs, data, and funds contained in a Machine,

- c. provide IBM or your reseller with sufficient, free, and safe access to your facilities to permit them to fulfil their obligations, and
- d. inform IBM or your reseller of changes in a Machine's location.

IBM is responsible for loss of, or damage to, your Machine while it is 1) in IBM's possession or 2) in transit in those cases where IBM is responsible for the transportation charges.

Neither IBM nor your reseller is responsible for any of your confidential, proprietary or personal information contained in a Machine which you return to IBM or your reseller for any reason. You should remove all such information from the Machine prior to its return.

### **Production Status**

Each IBM Machine is manufactured from new parts, or new and used parts. In some cases, the Machine may not be new and may have been previously installed. Regardless of the Machine's production status, IBM's appropriate warranty terms apply.

### **Limitation of Liability**

Circumstances may arise where, because of a default on IBM's part or other liability, you are entitled to recover damages from IBM. In each such instance, regardless of the basis on which you are entitled to claim damages from IBM (including fundamental breach, negligence, misrepresentation, or other contract or tort claim), IBM is liable for no more than

1. damages for bodily injury (including death) and damage to real property and tangible personal property; and
2. the amount of any other actual direct damages, up to the greater of U.S. \$100,000 (or equivalent in local currency) or the charges (if recurring, 12 months' charges apply) for the Machine that is the subject of the claim.

This limit also applies to IBM's suppliers and your reseller. It is the maximum for which IBM, its suppliers, and your reseller are collectively responsible.

**UNDER NO CIRCUMSTANCES IS IBM LIABLE FOR ANY OF THE FOLLOWING: 1) THIRD-PARTY CLAIMS AGAINST YOU FOR DAMAGES (OTHER THAN THOSE UNDER THE FIRST ITEM LISTED ABOVE); 2) LOSS OF, OR DAMAGE TO, YOUR RECORDS OR DATA; OR 3) SPECIAL, INCIDENTAL, OR INDIRECT DAMAGES OR FOR ANY ECONOMIC CONSEQUENTIAL DAMAGES (INCLUDING LOST PROFITS OR SAVINGS), EVEN IF IBM, ITS SUPPLIERS OR YOUR RESELLER IS INFORMED OF THEIR POSSIBILITY. SOME JURISDICTIONS DO NOT ALLOW THE EXCLUSION OR LIMITATION OF INCIDENTAL OR CONSEQUENTIAL DAMAGES, SO THE ABOVE LIMITATION OR EXCLUSION MAY NOT APPLY TO YOU.**

## Part 2 - Worldwide Country-Unique Terms

---

### ASIA PACIFIC

**AUSTRALIA: The IBM Warranty for Machines:** The following paragraph is added to this Section:

The warranties specified in this Section are in addition to any rights you may have under the Trade Practices Act 1974 or other legislation and are only limited to the extent permitted by the applicable legislation.

**Extent of Warranty:** The following replaces the first and second sentences of this Section:

The warranty does not cover the repair or exchange of a Machine resulting from misuse, accident, modification, unsuitable physical or operating environment, operation in other than the Specified Operating Environment, improper maintenance by you, or failure caused by a product for which IBM is not responsible.

**Limitation of Liability:** The following is added to this Section:

Where IBM is in breach of a condition or warranty implied by the Trade Practices Act 1974, IBM's liability is limited to the repair or replacement of the goods or the supply of equivalent goods. Where that condition or warranty relates to right to sell, quiet possession or clear title, or the goods are of a kind ordinarily acquired for personal, domestic or household use or consumption, then none of the limitations in this paragraph apply.

**PEOPLE'S REPUBLIC OF CHINA: Governing Law:** The following is added to this Statement:

The laws of the State of New York govern this Statement.

**INDIA: Limitation of Liability:** The following replaces items 1 and 2 of this Section:

1. liability for bodily injury (including death) or damage to real property and tangible personal property will be limited to that caused by IBM's negligence;
2. as to any other actual damage arising in any situation involving nonperformance by IBM pursuant to, or in any way related to the subject of this Statement of Warranty, IBM's liability will be limited to the charge paid by you for the individual Machine that is the subject of the claim.

**NEW ZEALAND: The IBM Warranty for Machines:** The following paragraph is added to this Section:

The warranties specified in this Section are in addition to any rights you may have under the Consumer Guarantees Act 1993 or other legislation which cannot be excluded or limited. The Consumer Guarantees Act 1993 will not apply in respect of any goods which IBM provides, if you require the goods for the purposes of a business as defined in that Act.

**Limitation of Liability:** The following is added to this Section:

Where Machines are not acquired for the purposes of a business as defined in the Consumer Guarantees Act 1993, the limitations in this Section are subject to the limitations in that Act.

### EUROPE, MIDDLE EAST, AFRICA (EMEA)



**The following terms apply to all EMEA countries.**

The terms of this Statement of Warranty apply to Machines purchased from an IBM reseller. If you purchased this Machine from IBM, the terms and conditions of the applicable IBM agreement prevail over this warranty statement.

**Warranty Service**

If you purchased an IBM Machine in Austria, Belgium, Denmark, Estonia, Finland, France, Germany, Greece, Iceland, Ireland, Italy, Latvia, Lithuania, Luxembourg, Netherlands, Norway, Portugal, Spain, Sweden, Switzerland or United Kingdom, you may obtain warranty service for that Machine in any of those countries from either (1) an IBM reseller approved to perform warranty service or (2) from IBM.

If you purchased an IBM Personal Computer Machine in Albania, Armenia, Belarus, Bosnia and Herzegovina, Bulgaria, Croatia, Czech Republic, Georgia, Hungary, Kazakhstan, Kirghizia, Federal Republic of Yugoslavia, Former Yugoslav Republic of Macedonia (FYROM), Moldova, Poland, Romania, Russia, Slovak Republic, Slovenia, or Ukraine, you may obtain warranty service for that Machine in any of those countries from either (1) an IBM reseller approved to perform warranty service or (2) from IBM.

The applicable laws, Country-unique terms and competent court for this Statement are those of the country in which the warranty service is being provided. However, the laws of Austria govern this Statement if the warranty service is provided in Albania, Armenia, Belarus, Bosnia and Herzegovina, Bulgaria, Croatia, Czech Republic, Federal Republic of Yugoslavia, Georgia, Hungary, Kazakhstan, Kirghizia, Former Yugoslav Republic of Macedonia (FYROM), Moldova, Poland, Romania, Russia, Slovak Republic, Slovenia, and Ukraine.

**The following terms apply to the country specified:**

**EGYPT: Limitation of Liability:** The following replaces item 2 in this Section:

2. as to any other actual direct damages, IBM's liability will be limited to the total amount you paid for the Machine that is the subject of the claim.

Applicability of suppliers and resellers (unchanged).

**FRANCE: Limitation of Liability:** The following replaces the second sentence of the first paragraph of this Section:

In such instances, regardless of the basis on which you are entitled to claim damages from IBM, IBM is liable for no more than: (items 1 and 2 unchanged).

**GERMANY: The IBM Warranty for Machines:** The following replaces the first sentence of the first paragraph of this Section:

The warranty for an IBM Machine covers the functionality of the Machine for its normal use and the Machine's conformity to its Specifications.

The following paragraphs are added to this Section:

The minimum warranty period for Machines is six months.

In case IBM or your reseller are unable to repair an IBM Machine, you can alternatively ask for a partial refund as far as justified by the reduced value of the unrepaired Machine or ask for a cancellation of the respective agreement for such Machine and get your money refunded.

**Extent of Warranty:** The second paragraph does not apply.

**Warranty Service:** The following is added to this Section:  
During the warranty period, transportation for delivery of the failing Machine to IBM will be at IBM's expense.

**Production Status:** The following paragraph replaces this Section:  
Each Machine is newly manufactured. It may incorporate in addition to new parts, re-used parts as well.

**Limitation of Liability:** The following is added to this Section:  
The limitations and exclusions specified in the Statement of Warranty will not apply to damages caused by IBM with fraud or gross negligence and for express warranty.

In item 2, replace "U.S. \$100,000" with "1.000.000 DEM."

The following sentence is added to the end of the first paragraph of item 2:  
IBM's liability under this item is limited to the violation of essential contractual terms in cases of ordinary negligence.

**IRELAND: Extent of Warranty:** The following is added to this Section:  
Except as expressly provided in these terms and conditions, all statutory conditions, including all warranties implied, but without prejudice to the generality of the foregoing all warranties implied by the Sale of Goods Act 1893 or the Sale of Goods and Supply of Services Act 1980 are hereby excluded.

**Limitation of Liability:** The following replaces items one and two of the first paragraph of this Section:  
1. death or personal injury or physical damage to your real property solely caused by IBM's negligence; and 2. the amount of any other actual direct damages, up to the greater of Irish Pounds 75,000 or 125 percent of the charges (if recurring, the 12 months' charges apply) for the Machine that is the subject of the claim or which otherwise gives rise to the claim.

Applicability of suppliers and resellers (unchanged).

The following paragraph is added at the end of this Section:  
IBM's entire liability and your sole remedy, whether in contract or in tort, in respect of any default shall be limited to damages.

**ITALY: Limitation of Liability:** The following replaces the second sentence in the first paragraph:  
In each such instance unless otherwise provided by mandatory law, IBM is liable for no more than: (item 1 unchanged) 2) as to any other actual damage arising in all situations involving non-performance by IBM pursuant to, or in any way related to the subject matter of this Statement of Warranty, IBM's liability, will be limited to the total amount you paid for the Machine that is the subject of the claim.

Applicability of suppliers and resellers (unchanged).

The following replaces the second paragraph of this Section:  
Unless otherwise provided by mandatory law, IBM and your reseller are not liable for any of the following: (items 1 and 2 unchanged) 3) indirect damages, even if IBM or your reseller is informed of their possibility.

**SOUTH AFRICA, NAMIBIA, BOTSWANA, LESOTHO AND SWAZILAND:**

**Limitation of Liability:** The following is added to this Section:

IBM's entire liability to you for actual damages arising in all situations involving nonperformance by IBM in respect of the subject matter of this Statement of Warranty will be limited to the charge paid by you for the individual Machine that is the subject of your claim from IBM.

**TURKIYE: Production Status:** The following replaces this Section:

IBM fulfils customer orders for IBM Machines as newly manufactured in accordance with IBM's production standards.

**UNITED KINGDOM: Limitation of Liability:** The following replaces items 1 and 2 of the first paragraph of this Section:

1. death or personal injury or physical damage to your real property solely caused by IBM's negligence;
2. the amount of any other actual direct damages or loss, up to the greater of Pounds Sterling 150,000 or 125 percent of the charges (if recurring, the 12 months' charges apply) for the Machine that is the subject of the claim or which otherwise gives rise to the claim.

The following item is added to this paragraph:

3. breach of IBM's obligations implied by Section 12 of the Sale of Goods Act 1979 or Section 2 of the Supply of Goods and Services Act 1982.

Applicability of suppliers and resellers (unchanged).

The following is added to the end of this Section:

IBM's entire liability and your sole remedy, whether in contract or in tort, in respect of any default will be limited to damages.

**NORTH AMERICA**

**CANADA: Warranty Service:** The following is added to this Section:

To obtain warranty service from IBM, call **1-800-465-6666**.

**UNITED STATES OF AMERICA: Warranty Service:** The following is added to this Section:

To obtain warranty service from IBM, call **1-800-IBM-SERV**.

---

## **Notices**

References in this publication to IBM products, programs, or services do not imply that IBM intends to make these available in all countries in which IBM operates. Any reference to an IBM product, program, or service is not intended to state or imply that only that IBM product, program, or service may be used. Subject to IBM's valid intellectual property or other legally protectable rights, any functionally equivalent product, program, or service may be used instead of the IBM product, program, or service. The evaluation and verification of operation in

conjunction with other products, except those expressly designated by IBM, are the responsibility of the user.

IBM may have patents or pending patent applications covering subject matter in this document. The furnishing of this document does not give you any license to these patents. You can send license inquiries, in writing, to:

IBM Director of Licensing  
IBM Corporation  
North Castle Drive  
Armonk, NY 10504-1785  
U.S.A.

Any references in this publication to non-IBM Web sites are provided for convenience only and do not in any manner serve as an endorsement of those Web sites. The materials at those Web sites are not part of the materials for this IBM product and use of those Web sites is at your own risk.

## **Year 2000 readiness and instructions**

This is a Year 2000 Readiness Disclosure.

A product is Year 2000 Ready if the product, when used in accordance with its associated documentation, is capable of correctly processing, providing and/or receiving date data within and between the 20th and 21st centuries, provided all other products (for example, software, hardware, and firmware) used with the product properly exchange date data with it.

This IBM PC hardware product has been designed to process four-digit date information correctly within and between the 20th and 21st centuries. If your IBM computer is on when the century changes, you should turn it off and then back on again once, or restart the operating system, to ensure that the internal clock resets itself for the new century.

This IBM PC product cannot prevent errors that might occur if software you use or exchange data with is not ready for the Year 2000. IBM software that comes with this product is Year 2000 Ready. However, software from other companies might come with this IBM PC product. IBM cannot take responsibility for the readiness of that software. You should contact the software developers directly if you wish to verify readiness, understand limitations, or look for any software updates.

To learn more about IBM PC products and the Year 2000, visit our Web site at <http://www.ibm.com/pc/year2000>. The information and tools there can help you with your Year 2000 transition plan, especially if you have multiple IBM PCs. IBM encourages you to check periodically for updated information.

## Trademarks

The following terms are trademarks of the IBM Corporation in the United States or other countries or both:

Alert on LAN  
Asset ID  
HelpCenter  
HelpWare  
IBM  
IntelliStation  
LANClient Control Manager  
Netfinity  
Netfinity Manager  
OS/2  
PC300  
ScrollPoint  
ThinkPad  
Wake on LAN

Celeron is a trademark of Intel Corporation in the United States and/or other countries. (For a complete list of Intel trademarks see [www.intel.com/tradmarx.htm](http://www.intel.com/tradmarx.htm))

Microsoft, MS-DOS, Windows, Windows NT, and the Windows logo are trademarks of Microsoft Corporation in the United States and/or other countries.

Other company, product, and service names may be trademarks or service marks of others.

---

## Electronic emission notices

This computer is classified as a Class B digital device. However, this computer includes a built-in network interface controller (NIC) and is considered a Class A digital device when the NIC is in use. The Class A digital device rating and compliance notice are primarily because the inclusion of certain Class A options or Class A NIC cables changes the overall rating of the computer to Class A.

Cet ordinateur est enregistré comme un appareil numérique de classe B. Toutefois, lorsque la carte réseau qu'il contient est utilisée, il est considéré comme un appareil de classe A. Il a été déclaré de classe A dans l'avis de conformité car la présence de certaines options de classe A ou de câbles de carte réseau de classe A modifie ses caractéristiques et le rend conforme aux normes de la classe A.

## Class B Notices

PC 300GL Types 6268, 6278, and 6288

### Federal Communications Commission (FCC) Statement

**Note:** This equipment has been tested and found to comply with the limits for a Class B digital device, pursuant to Part 15 of the FCC Rules. These limits are designed to provide reasonable protection against harmful interference in a residential installation. This equipment generates, uses, and can radiate radio frequency energy and, if not installed and used in accordance with the instructions, may cause harmful interference to radio communications. However, there is no guarantee that interference will not occur in a particular installation. If this equipment does cause harmful interference to radio or television reception, which can be determined by turning the equipment off and on, the user is encouraged to try to correct the interference by one or more of the following measures:

- Reorient or relocate the receiving antenna.
- Increase the separation between the equipment and receiver.
- Connect the equipment into an outlet on a circuit different from that to which the receiver is connected.
- Consult an IBM authorized dealer or service representative for help.

Properly shielded and grounded cables and connectors must be used in order to meet FCC emission limits. Proper cables and connectors are available from IBM authorized dealers. IBM is not responsible for any radio or television interference caused by using other than recommended cables and connectors or by unauthorized changes or modifications to this equipment. Unauthorized changes or modifications could void the user's authority to operate the equipment.

This device complies with Part 15 of the FCC Rules. Operation is subject to the following two conditions: (1) this device may not cause harmful interference, and (2) this device must accept any interference received, including interference that may cause undesired operation.

## Responsible Party:

International Business Machines Corporation  
New Orchard Road  
Armonk, NY 10504  
Telephone: 1-919-543-2193



Tested To Comply  
With FCC Standards

FOR HOME OR OFFICE USE

## Industry Canada Class B emission compliance statement

This Class B digital apparatus complies with Canadian ICES-003.

## Avis de conformité à la réglementation d'Industrie Canada

Cet appareil numérique de classe B est conforme à la norme NMB-003 du Canada.

## Class A Notices

### Federal Communications Commission (FCC) Statement

**Note:** This equipment has been tested and found to comply with the limits for a Class A digital device, pursuant to Part 15 of the FCC Rules. These limits are designed to provide reasonable protection against harmful interference when the equipment is operated in a commercial environment. This equipment generates, uses, and can radiate radio frequency energy and, if not installed and used in accordance with the instruction manual, may cause harmful interference to radio communications. Operation of this equipment in a residential area is likely to cause harmful interference, in which case the user will be required to correct the interference at his own expense.

Properly shielded and grounded cables and connectors must be used in order to meet FCC emission limits. IBM is not responsible for any radio or television interference caused by using other than recommended cables and connectors or by unauthorized changes or modifications to this equipment. Unauthorized changes or modifications could void the user's authority to operate the equipment.

This device complies with Part 15 of the FCC Rules. Operation is subject to the following two conditions: (1) this device may not cause harmful

interference, and (2) this device must accept any interference received, including interference that may cause undesired operation.

### **Industry Canada Class A emission compliance statement**

This Class A digital apparatus complies with Canadian ICES-003.

### **Avis de conformité à la réglementation d'Industrie Canada**

Cet appareil numérique de classe A est conforme à la norme NMB-003 du Canada.

### **Australia and New Zealand Class A statement**

**Attention:** This is a Class A product. In a domestic environment this product may cause radio interference in which case the user may be required to take adequate measures.

## **Other Notices**

### **European community directive conformance statement**

This product is in conformity with the protection requirements of EU Council Directive 89/336/EEC on the approximation of the laws of the Member States relating to electromagnetic compatibility. IBM cannot accept responsibility for any failure to satisfy the protection requirements resulting from a nonrecommended modification of the product, including the fitting of non-IBM option cards.

### **Federal Communications Commission (FCC) and telephone company requirements**

1. This device complies with Part 68 of the FCC rules. A label is affixed to the device that contains, among other things, the FCC registration number, USOC, and Ringer Equivalency Number (REN) for this equipment. If these numbers are requested, provide this information to your telephone company.

**Note:** If the device is an internal modem, a second FCC registration label is also provided. You may attach the label to the exterior of the computer in which you install the IBM modem, or you may attach the label to the external DAA, if you have one. Place the label in a location that is easily accessible, should you need to provide the label information to the telephone company.



2. The REN is useful to determine the quantity of devices you may connect to your telephone line and still have those devices ring when your number is called. In most, but not all areas, the sum of the RENs of all devices should not exceed five (5). To be certain of the number of devices you may connect to your line, as determined by the REN, you should call your local telephone company to determine the maximum REN for your calling area.
3. If the device causes harm to the telephone network, the telephone company may discontinue your service temporarily. If possible, they will notify you in advance; if advance notice is not practical, you will be notified as soon as possible. You will be advised of your right to file a complaint with the FCC.
4. Your telephone company may make changes in its facilities, equipment, operations, or procedures that could affect the proper operation of your equipment. If they do, you will be given advance notice to give you an opportunity to maintain uninterrupted service.
5. If you experience trouble with this product, contact your authorized reseller, or call IBM. In the United States, call IBM at **1-800-772-2227**. In Canada, call IBM at **1-800-565-3344**. You may be required to present proof of purchase.

The telephone company may ask you to disconnect the device from the network until the problem has been corrected, or until you are sure the device is not malfunctioning.

6. No customer repairs are possible to the device. If you experience trouble with the device, contact your Authorized Reseller or see the Diagnostics section of this manual for information.
7. This device may not be used on coin service provided by the telephone company. Connection to party lines is subject to state tariffs. Contact your state public utility commission or corporation commission for information.
8. When ordering network interface (NI) service from the local Exchange Carrier, specify service arrangement USOC RJ11C.

### **Canadian Department of Communications certification label**

**NOTICE:** The Canadian Department of Communications label identifies certified equipment. This certification means that the equipment meets certain telecommunications network protective, operational, and safety

requirements. The Department does not guarantee the equipment will operate to the user's satisfaction.

Before installing this equipment, users should ensure that it is permissible to be connected to the facilities of the local telecommunications company. The equipment must also be installed using an acceptable method of connection. In some cases, the company's inside wiring associated with a single line individual service may be extended by means of a certified connector assembly (telephone extension cord). The customer should be aware that compliance with the above conditions may not prevent degradation of service in some situations.

Repairs to certified equipment should be made by an authorized Canadian maintenance facility designated by the supplier. Any repairs or alterations made by the user to this equipment, or equipment malfunctions, may give the telecommunications company cause to request the user to disconnect the equipment.

Users should ensure for their own protection that the electrical ground connections of the power utility, telephone lines, and internal metallic water pipe system, if present, are connected together. This precaution may be particularly important in rural areas.

**Caution:** Users should not attempt to make such connections themselves, but should contact the appropriate electric inspection authority, or electrician, as appropriate.

**NOTICE:** The LOAD NUMBER (LN) assigned to each terminal device denotes the percentage of the total load to be connected to a telephone loop which is used by the device, to prevent overloading. The termination on a loop may consist of any combination of devices subject only to the requirement that the sum of the LOAD NUMBERS of all the devices does not exceed 100.

### **Étiquette d'homologation du ministère des Communications du Canada**

**AVIS :** L'étiquette du ministère des Communications du Canada identifie le matériel homologué. Cette étiquette certifie que le matériel est conforme à certaines normes de protection, d'exploitation et de sécurité des réseaux de télécommunications. Le ministère n'assure toutefois pas que le matériel fonctionnera à la satisfaction de l'utilisateur.

Avant d'installer ce matériel, l'utilisateur doit s'assurer qu'il est permis de le raccorder aux installations de l'entreprise locale de télécommunications. Le matériel doit également être installé en suivant une méthode acceptée de raccordement. L'abonné ne doit pas oublier qu'il est possible que la conformité aux conditions énoncées ci-dessus n'empêchent pas la dégradation du service dans certaines situations.

Les réparations de matériel homologué doivent être effectuées par un centre d'entretien canadien autorisé désigné par le fournisseur. La compagnie de télécommunications peut demander à l'utilisateur de débrancher un appareil à la suite de réparations ou de modifications effectuées par l'utilisateur ou à cause d'un mauvais fonctionnement.

Pour sa propre protection, l'utilisateur doit s'assurer que tous les fils de mise à la terre de la source d'énergie électrique, des lignes téléphoniques et des canalisations d'eau métalliques, s'il y en a, sont raccordés ensemble. Cette précaution est particulièrement importante dans les régions rurales.

**Avertissement :** l'utilisateur ne doit pas tenter de faire ces raccordements lui-même, il doit avoir recours à un service d'inspection des installations électriques ou à un électricien, selon le cas.

**AVIS :** L'INDICE DE CHARGE (IC) assigné à chaque dispositif terminal indique, pour éviter toute surcharge, le pourcentage de la charge totale qui peut être raccordé à un circuit téléphonique bouclé utilisé par ce dispositif. L'extrémité du circuit bouclé peut consister en n'importe quelle combinaison de dispositifs pourvu que la somme des INDICES DE CHARGE de l'ensemble des dispositifs ne dépasse pas 100.

## **Power cord notice**

For your safety, IBM provides a power cord with a grounded attachment plug to use with this IBM product. To avoid electrical shock, always use the power cord and plug with a properly grounded outlet.

IBM power cords used in the United States and Canada are listed by Underwriter's Laboratories (UL) and certified by the Canadian Standards Association (CSA).

For units intended to be operated at 115 volts: Use a UL-listed and CSA-certified cord set consisting of a minimum 18 AWG, Type SVT or SJT, three-conductor cord, a maximum of 15 feet in length and a parallel blade, grounding-type attachment plug rated 15 amperes, 125 volts.

For units intended to be operated at 230 volts (U.S. use): Use a UL-listed and CSA-certified cord set consisting of a minimum 18 AWG, Type SVT or SJT, three-conductor cord, a maximum of 15 feet in length and a tandem blade, grounding-type attachment plug rated 15 amperes, 250 volts.

For units intended to be operated at 230 volts (outside the U.S.): Use a cord set with a grounding-type attachment plug. The cord set should have the appropriate safety approvals for the country in which the equipment will be installed.

IBM power cords for a specific country or region are usually available only in that country or region.

**IBM power cord**

<b>part number</b>	<b>Used in these countries and regions</b>
13F9940	Argentina, Australia, China (PRC), New Zealand, Papua New Guinea, Paraguay, Uruguay, Western Samoa
13F9979	Afghanistan, Algeria, Andorra, Angola, Austria, Belgium, Benin, Bulgaria, Burkina Faso, Burundi, Cameroon, Central African Rep., Chad, Czech Republic, Egypt, Finland, France, French Guiana, Germany, Greece, Guinea, Hungary, Iceland, Indonesia, Iran, Ivory Coast, Jordan, Lebanon, Luxembourg, Macau, Malagasy, Mali, Martinique, Mauritania, Mauritius, Monaco, Morocco, Mozambique, Netherlands, New Caledonia, Niger, Norway, Poland, Portugal, Romania, Senegal, Slovakia, Spain, Sudan, Sweden, Syria, Togo, Tunisia, Turkey, former USSR, Vietnam, former Yugoslavia, Zaire, Zimbabwe
13F9997	Denmark
14F0015	Bangladesh, Burma, Pakistan, South Africa, Sri Lanka
14F0033	Antigua, Bahrain, Brunei, Channel Islands, Cyprus, Dubai, Fiji, Ghana, Hong Kong, India, Iraq, Ireland, Kenya, Kuwait, Malawi, Malaysia, Malta, Nepal, Nigeria, Polynesia, Qatar, Sierra Leone, Singapore, Tanzania, Uganda, United Kingdom, Yemen, Zambia
14F0051	Liechtenstein, Switzerland
14F0069	Chile, Ethiopia, Italy, Libya, Somalia
14F0087	Israel
1838574	Thailand
62X1045	Bahamas, Barbados, Bermuda, Bolivia, Brazil, Canada, Cayman Islands, Colombia, Costa Rica, Dominican Republic, Ecuador, El Salvador, Guatemala, Guyana, Haiti, Honduras, Jamaica, Japan, Korea (South), Liberia, Mexico, Netherlands Antilles, Nicaragua, Panama, Peru, Philippines, Saudi Arabia, Suriname, Taiwan, Trinidad (West Indies), United States of America, Venezuela



---

# Index

## Numerics

- 1-800 telephone assistance 119
- 900 number support 122

## A

- ACPI BIOS IRQ 41
- Adapters
  - error messages 84
  - installing 68, 69
  - plug and play 84
  - resource conflicts 84
  - slots 68
- Adding
  - adapters 68, 69
  - memory modules (DIMMs) 66
  - security U-bolt 80
- adjusting chair 16
- administrator password
  - computer startup 19, 34
  - Configuration/Setup Utility program 34
  - forgotten 37
  - setting 36
  - using 36
- air circulation 17
- America Online 119
- antiglare filter 17
- arranging workspace 16
- assistance 115
- audio
  - features 26
  - ports 26
- automatic power-on
  - modem ring detect 43
  - PCI wake up 43
  - serial port ring detect 42
  - setting 43
  - wake on LAN 43

- automatic power-on (*continued*)
  - wake up on alarm 43
- automatic startup sequence,
  - setting 38

## B

- backing up hard disk drive 51
- battery
  - accessing 64
  - disposing of 113
  - location on system board 58, 64
  - notice x
  - replacing 113
- bays
  - drive 71
  - drives supported 4
  - installing drives 75, 78
- beeps 88
- beeps at power on 20
- BIOS, updating 27
- bulletin boards 118

## C

- cable lengths 18
- cables
  - connecting 10, 84
  - disconnecting 55, 57
  - IDE 73
  - types for internal drives 73, 74
- cache memory 4
- care of computer 49
- CD-ROM drive 71, 73
  - adding 53
  - installing 75, 78
  - using 21
- chair adjustments 16
- changing configuration 84

- circulation, air 17
- cleaning
  - compact discs 22
  - computer 49
  - monitor 50
  - mouse 50
- CMOS clearing 37
- comfort 16
- completing the installation 81
- component locations 55, 57
- components, locating internal 56, 58
- computer setup 9
- configuration of computer 29
- configuration/setup utility program
  - capabilities 29
  - computer startup 19
  - exiting 31
  - starting 29
  - updating 27
- connecting
  - cables, external 84
  - input/output devices 10
  - internal drives 73
- connectors
  - input/output 10
  - on system board 58, 64
- cord, power 18
- CoSession Remote 111
- cover
  - lock 55, 56, 82
  - lock, broken 102
  - locking 28
  - removing 55, 56
  - replacing 82

## D

- damage, preventing 49, 51
- DDC (display data channel) 26
- Desktop Management Interface (DMI) 24

- desktop models 2
- device drivers 84
- device drivers, video 25
- device security 32
- DHCP description 23
- diagnostic
  - CD-ROM 108
  - charts 97
  - diskettes 108
  - error codes and messages 92
  - PC Doctor 108
  - programs 108
  - tools 87
- DIMMs 4
- direct memory access (DMA)
  - resources 40
- disconnecting cables, external 55, 57
- disk drive, hard 71, 73
- diskette drive 71, 73
- diskette drive connector, location of 58, 64
- diskette drives
  - adding 53
  - problems, solving 99
  - supported 4
- diskette, option 112
- display
  - See* monitor
- display cache video memory 4
- display data channel (DDC) 26
- display power management
  - signaling (DPMS) 40
- DMA (direct memory access)
  - resources 40
- DPMS (display power management signaling) 40
- drive
  - bays 4, 71, 75, 78
  - cables 73
  - installing 75, 78
  - problems, solving 99
  - specifications 73



- drivers, video device 25
- dual inline memory modules (DIMMs) 4
- dynamic display memory 4
- dynamic video memory technology 4

## E

- EEPROM 27
- electrical outlets 18
- electronic emission notices 143
- electronic support 118
- energy-saving features 40
- enhanced diagnostics 108
- erasing passwords 37
- error
  - error messages
  - error messages, resource conflicts 84
- expansion slots 5
  - adapters 68
  - available 5
  - PCI 5
- extension cords 18

## F

- fan problems 102
- fatigue 16
- fax, getting information by 119
- features, computer 4
- fee services 121
- fixed disk drives
  - See hard disk drives
- fixed-disk drive 71, 73
- flash memory 4, 27
- flicker, reducing 26

## G

- glare, reducing 17
- graphics adapters 25, 58, 64

## H

- handling static-sensitive devices 53
- hard disk drive 73
- hard disk drives
  - adding 53
  - backing up 51
  - power management 42
  - supported 4
- hardware, identifying parts 64
- height restrictions 68
- help 115
- home page, IBM Personal Computer 115
- home page, IBM Personal Computing 117

## I

- IBM enhanced diagnostics 108
- IBM Universal Manageability 22
- identification numbers 129
- identifying external connectors
  - connecting 73
  - primary connector 58, 64
  - secondary connector 58, 64
- identifying system board parts 64
- identifying your computer 1
- input/output features 5
- Installing
  - adapters 68, 69
  - cover 82
  - internal drive 75, 78
  - memory modules (DIMMs) 66
  - security U-bolt 80
- installing options 53
- intermittent problems 102
- internal drives 71
- international warranty service 121
- Internet home page 115, 117

## J

jumpers, location on system board 58, 64

## K

keyboard

locked 33

locking 28

problems 103

speed, changing 38

using 16

keyboard port 10

## L

LAN wake-up requests 43

LANClient Control Manager (LCCM) 24

laser compliance statement ix

lighting 17

locating internal components 56, 58

lock, cover 55, 56, 82

locking keyboard 28

locks 28, 102

## M

memory

adding 66

available 88

cache 4

counting 19

DIMMs 4

flash 4

problems 104

supported 4

memory modules 66

configuration 66

installing 66

location on system board 58, 64

types 66

microprocessor 4

modem

ring detect 43

serial port ring detect 42

monitor

care of 17

connector 10

DDC standard 26

disable mode 42

flicker 26

off mode 41

placement of 17

power management 40, 41

problems, solving 100

refresh rate 26

resolution 26

settings 26

standby mode 41

suspend mode 41

mouse

cleaning 50

locked 33

password prompt off mode 33

port 33

problems 103

serial port 33

unattended start mode 33

mouse port 10

moving computer 51

## N

network and server startup support 120

network and server support

services, fee 122

network management 23

networking 43

noise level 7, 8

notices 131

## O

- office space, arranging 16
- Online Housecall 119
- online information services 118
- operating systems
  - compatible 6
  - supported 6
- option
  - diskettes 112
  - installed 129
  - problems 105, 106
- options 54
  - installing 53
  - recording information 129
- ordering support line services 123

## P

- parallel port 10
  - location 10
  - problems 106
- passwords 33
  - administrator 36
  - computer startup 19, 34
  - erasing 37
  - power-on 33
  - using 33
- PC 300GL overview 1
- PC Doctor 108
- PC support services, fee 122
- PCI
  - slot location 10
  - wake up 43
- peripheral component interconnect
  - See PCI
- planning workspace 16
- Plug and Play
  - adapters 84
  - technology 5
- pointing device problems 103
- ports 10, 55, 57, 84

## POST

- at startup 19
- description of 88
- updating 27
- POST/BIOS updates 39
- power
  - cord 18, 150
  - management 40
  - output 5
- power cable
  - connecting 84
  - disconnecting 55, 57
  - internal drives 73
- power connectors (internal), location of 58, 64
- power management 40, 41
- power supply 59, 61
- power switch 82
- power-on password
  - computer startup 19, 34
  - setting 33
  - unattended start mode 33
  - using 33
- power-on self-test
  - See POST
- primary PCI slots 68
- printer problems 107
- privileged-access password
  - See administrator password
- problem solving 87
- processor
  - See microprocessor
- publications, ordering 124

## R

- records, device and feature 129
- recovery
  - flash 111
  - ROM 111
- refresh rate 26
- remote administration 39

- remote program load (RPL) 23
- remote technical support 119
- removing
  - adapters 64
  - cover 55, 56
  - hardware 64
- replacing cover 82
- resolution 26
- resource conflicts 68, 71, 84
- resource conflicts, error
  - messages 84
- ribbon cables 73
- RPL description 23

## S

- safety, electrical vii
- screen filter 17
- SCSI
  - cables 74
  - installing devices 74
- SDRAM 4
- security 32
  - features 6
  - locks 28
  - passwords 33
- security options 80
- Security profiles 32
- Security profiles by device 32
- security u-bolt, installing 80
- serial numbers 129
- serial port 10
  - problems 106
  - ring detect 42
- server startup support 120
- server support 120
- service summary 115
- services, fee 121
- setting up your computer 9
- setup of computer 29
- Setup Utility
  - See configuration/setup utility program

- shutting down computer 20
- signal cables for internal drives 73
- software
  - errors 108
  - preinstalled 6
  - problems 108
- solving problems 87, 117
- specifications 7, 8
- starting computer 19
- startup 86
- startup devices, configuring 86
- startup sequence, setting 38
- static-sensitive devices,
  - handling 53
- super video graphics array (SVGA) 25
- support line services, ordering 123
- surge protectors 18
- SVGA (super video graphics array) 25
- symptoms 97
- system
  - programs, updating 27
  - specifications 7, 8
- system board
  - accessing 64
  - description 64
  - identifying parts 64
  - layout 58, 64
  - locations 64
  - options 64
- system board layout 64
- system management features 22
- System Migration Assistant (SMA) 24

## T

- tape drive 71, 73
- technical support, fee 121
- technical support, remote 119
- technical support, warranty 119

- telephone assistance 119
- telephone cable, disconnecting 55, 57
- tower models 3
- trademarks 143
- troubleshooting
  - charts 97
  - information 87
- turning
  - off computer 20
  - on computer 19
- wake up on alarm 43
- warranty extensions and upgrades 123
- warranty service 119
- warranty statements 131
- work area, arranging 16
- World Wide Web home page 115, 117

## U

- unattended start mode 33
- Universal Serial Bus (USB)
  - ports 108
- updating computer
  - configuration 84
- USB port 10
- utility program, setup 84

## V

- venting of hot air 17
- VGA (video graphics array) 25
- video
  - adapters 25, 58, 64
  - controller 4, 25
  - device drivers 25
  - modes 25
  - SVGA 25
  - VGA 25
- video memory 66
- video port 10
- voltage regulator module (VRM),
  - location of 58, 64

## W

- Wake on LAN 43
- Wake on LAN feature 23
- Wake on Ring feature 25



Part Number: 37L2165

Printed in U.S.A.

July 1999

37L2165

