



US00D363469S

# United States Patent [19]

[11] Patent Number: **Des. 363,469**

Mieki et al.

[45] Date of Patent: **\*\*Oct. 24, 1995**

[54] **CONTROLLER UNIT WITH DISPLAY**

|            |         |                      |         |
|------------|---------|----------------------|---------|
| D. 331,744 | 12/1992 | Kawai .....          | D14/106 |
| D. 339,327 | 9/1993  | Crawford et al. .... | D14/100 |
| D. 345,349 | 3/1994  | Imai et al. ....     | D14/113 |
| D. 348,049 | 6/1994  | Manabe et al. ....   | D14/100 |

[75] Inventors: **Nariaki Mieki; Tomoyuki Takahashi,**  
both of Kanagawa, Japan

[73] Assignee: **International Business Machines Corporation,** Armonk, N.Y.

*Primary Examiner*—Freda Nunn  
*Attorney, Agent, or Firm*—Craig J. Umell; Andrew J. Dillon

[\*\*] Term: **14 Years**

[57] **CLAIM**

[21] Appl. No.: **21,420**

The ornamental design for a controller unit with display, as shown and described.

[22] Filed: **Apr. 18, 1994**

**DESCRIPTION**

[30] **Foreign Application Priority Data**

FIG. 1 is a perspective view of a controller unit showing our new design;

Oct. 29, 1993 [JP] Japan ..... 5-33168

FIG. 2 is a perspective view thereof with the front cover opened;

[52] **U.S. Cl.** ..... **D14/100; D14/113**

FIG. 3 is a front elevational view thereof;

[58] **Field of Search** ..... D14/100, 101,  
D14/106, 113, 124-127, 129; 345/104,  
133, 156, 168, 173, 87, 901-905; 358/249,  
254, 255; 248/917-924

FIG. 4 is a rear elevational view thereof;

FIG. 5 is a top plan view thereof;

FIG. 6 is a bottom plan view thereof;

FIG. 7 is a left side elevational view thereof; and,

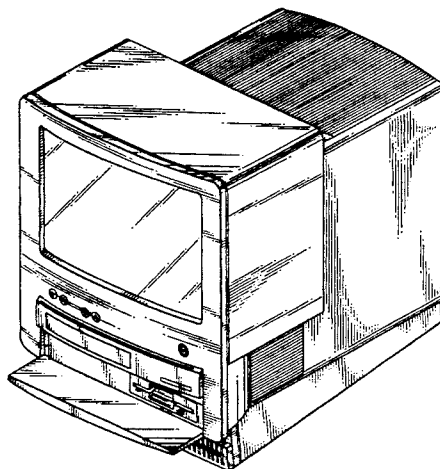
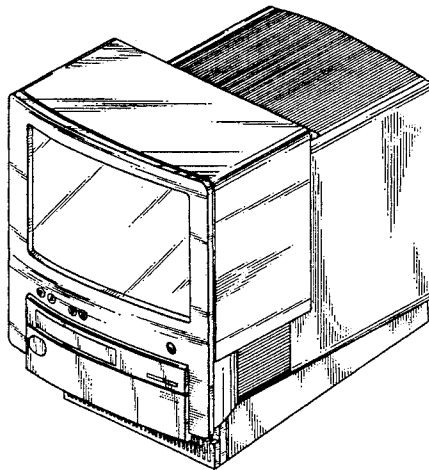
FIG. 8 is a right side elevational view thereof.

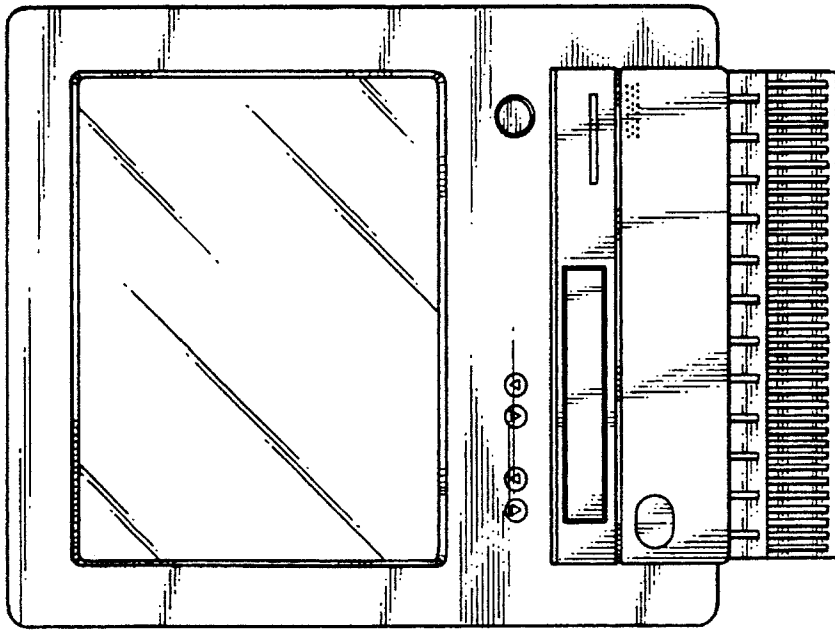
[56] **References Cited**

**U.S. PATENT DOCUMENTS**

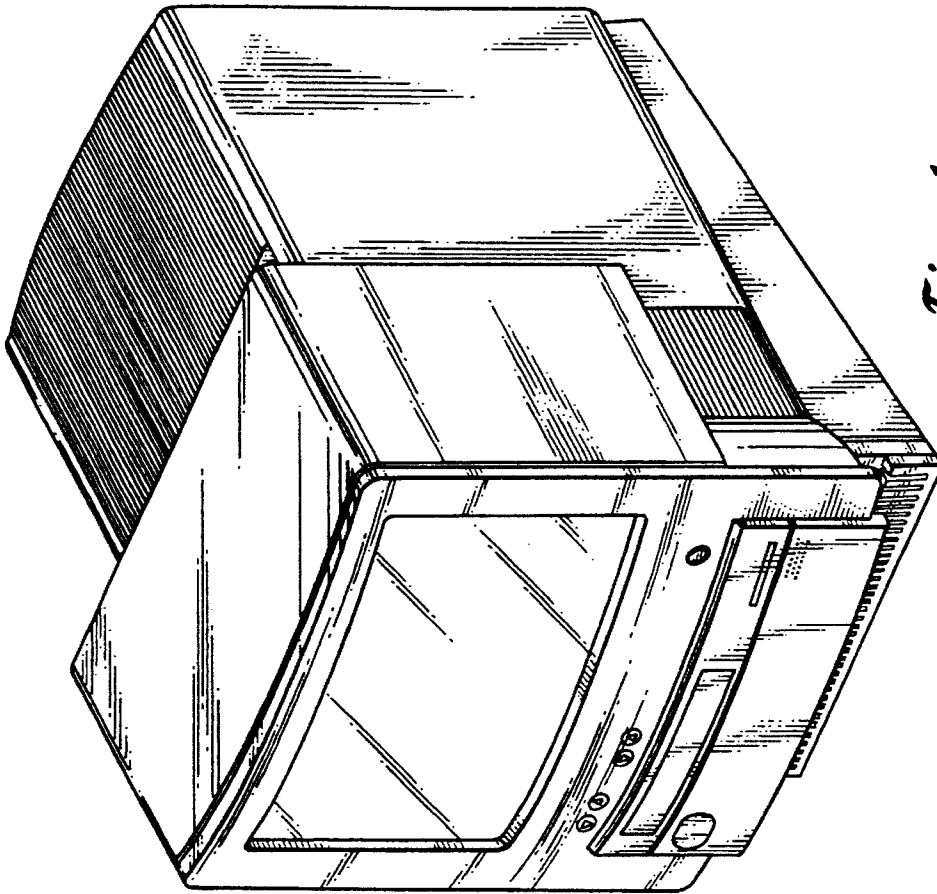
D. 310,067 8/1990 Koprowski et al. .... D14/106

**1 Claim, 5 Drawing Sheets**

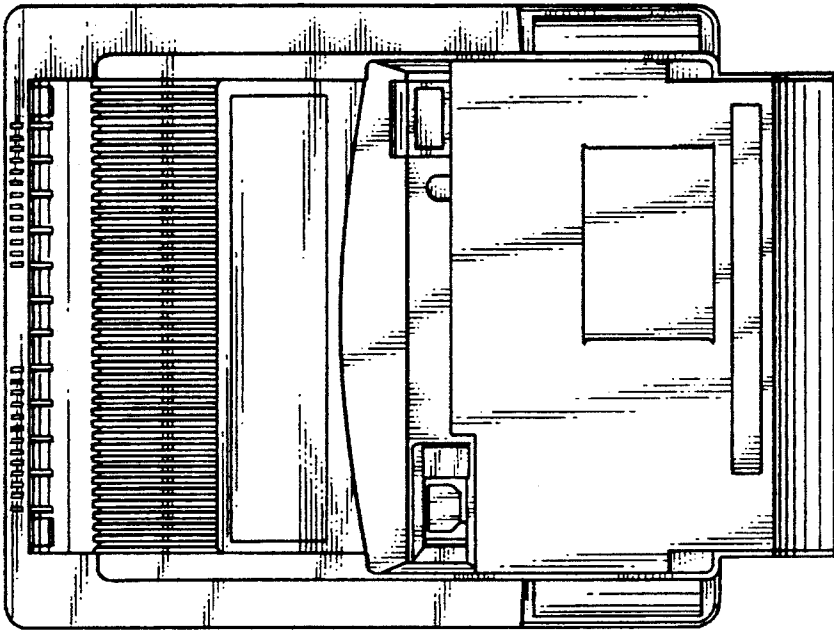




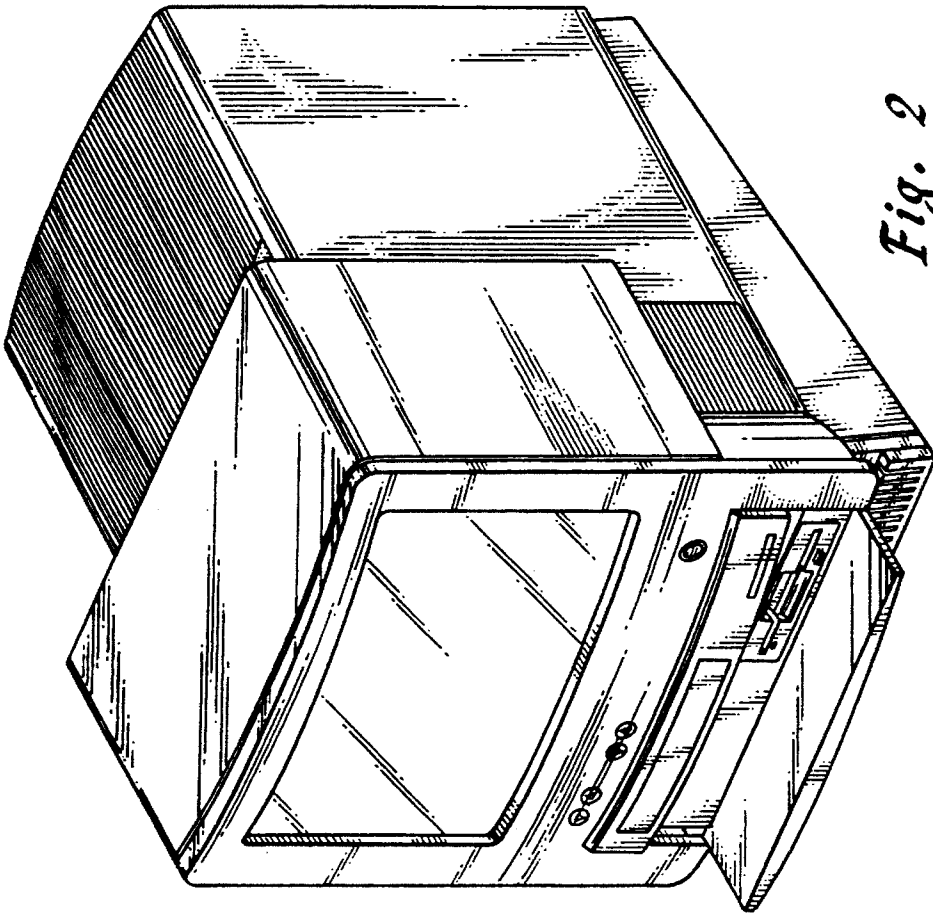
*Fig. 3*



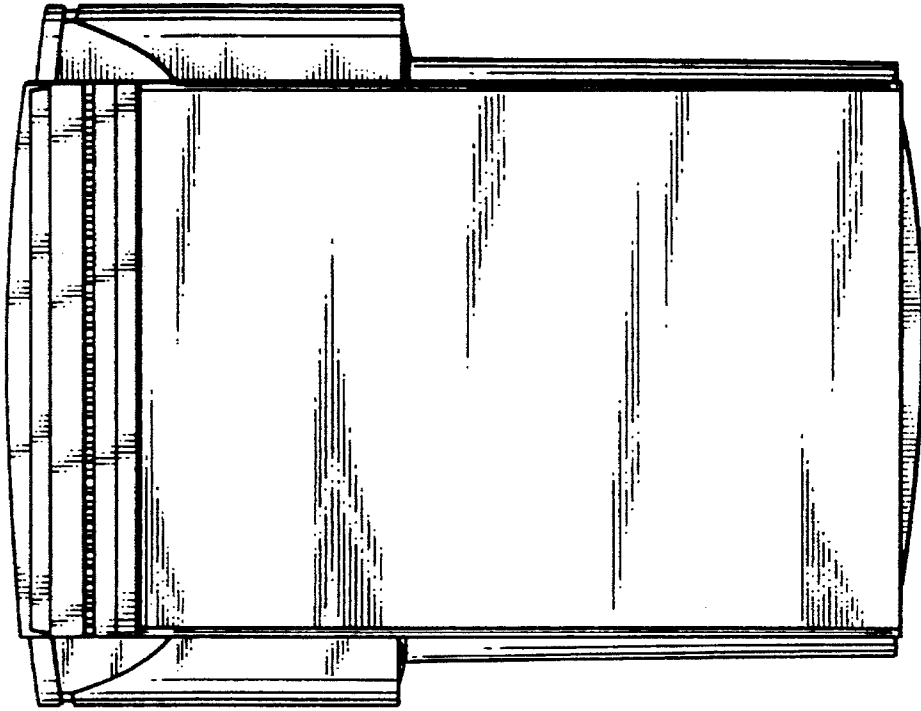
*Fig. 1*



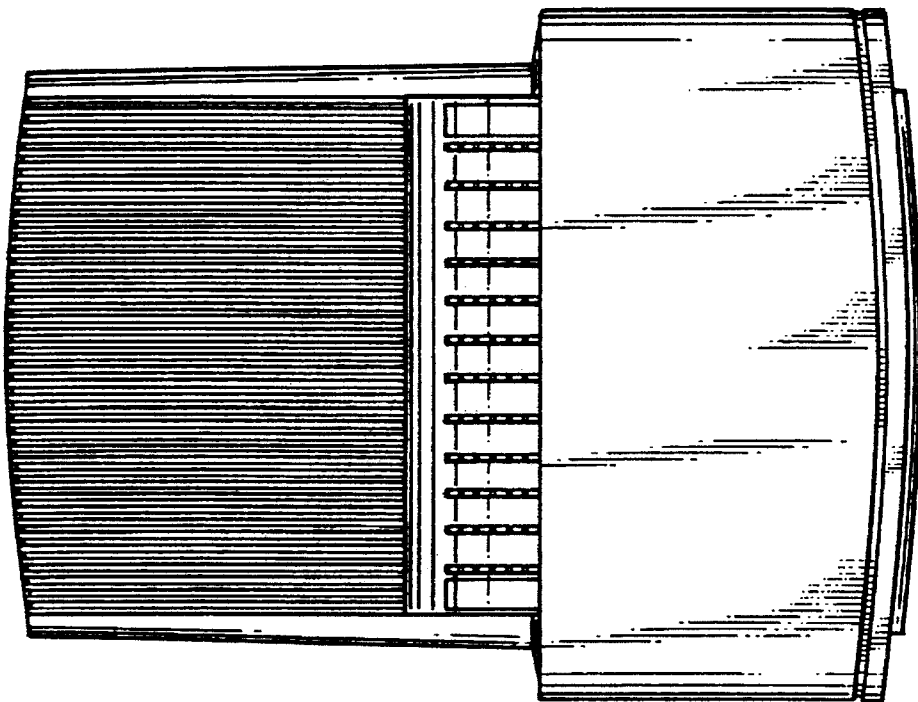
*Fig. 4*



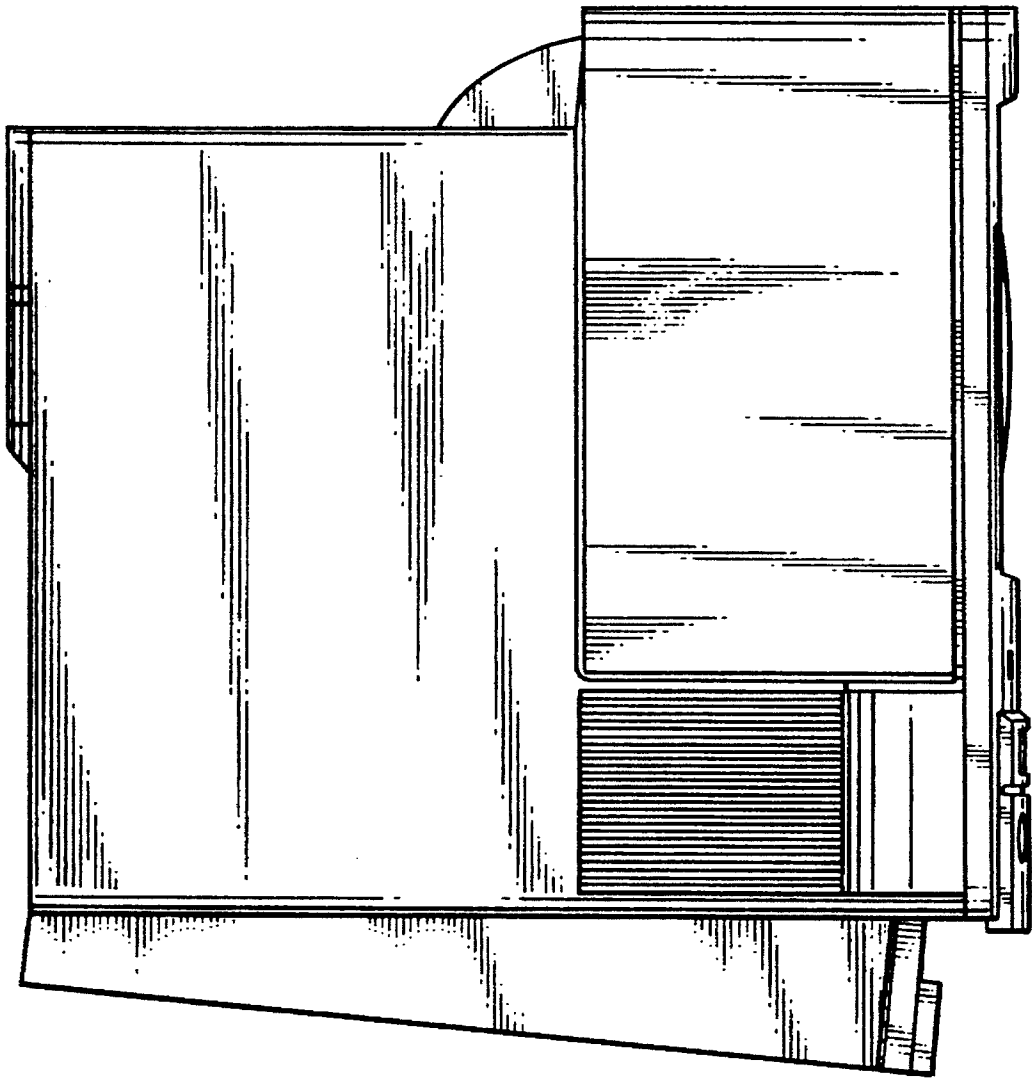
*Fig. 2*



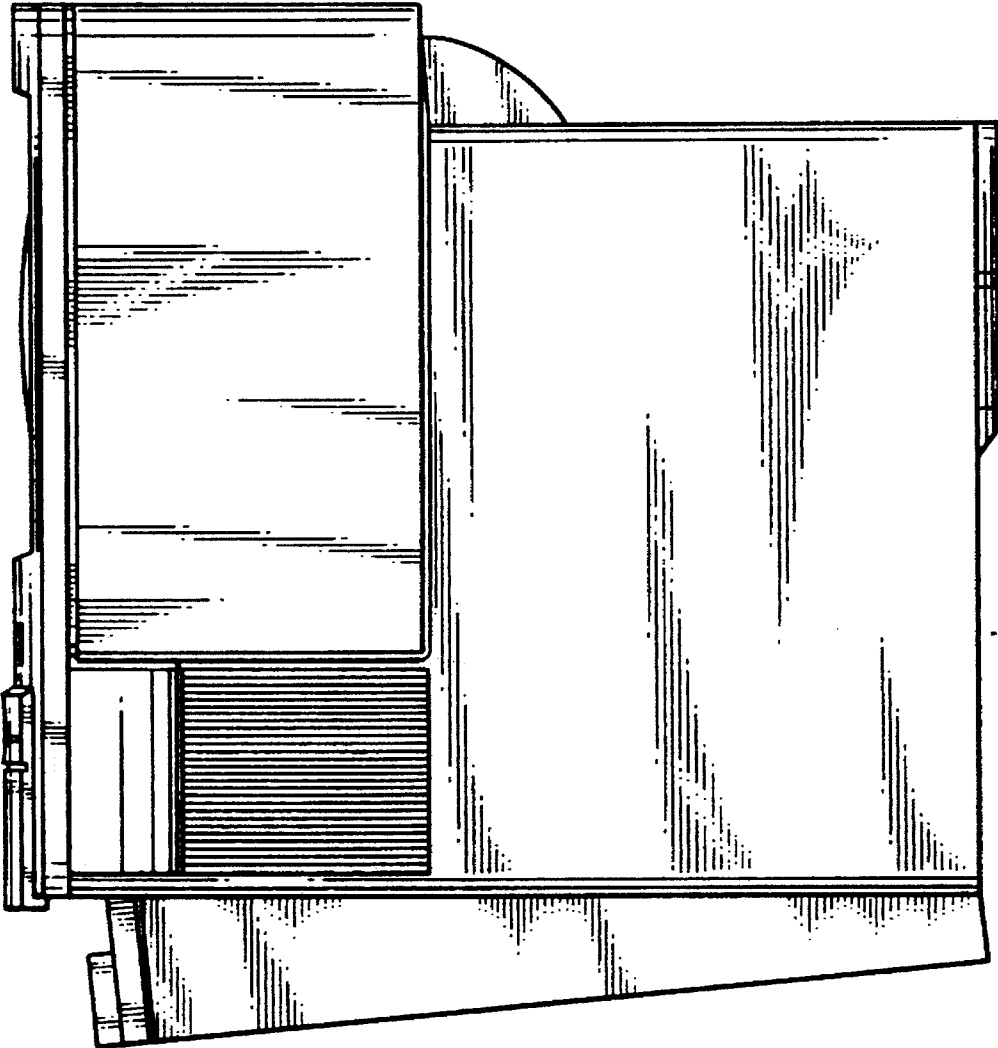
*Fig. 6*



*Fig. 5*



*Fig. 7*



*Fig. 8*

UNITED STATES PATENT AND TRADEMARK OFFICE  
**CERTIFICATE OF CORRECTION**

PATENT NO. : D-363,469  
DATED : October 24, 1995  
INVENTOR(S) : Mieki et al

It is certified that error appears in the above-identified patent and that said Letters Patent is hereby corrected as shown below:

On the Title page, please correct the spelling of the Attorney's name to  
-- Craig J. Yudell--.

Signed and Sealed this  
Nineteenth Day of March, 1996

*Attest:*



BRUCE LEHMAN

*Attesting Officer*

*Commissioner of Patents and Trademarks*