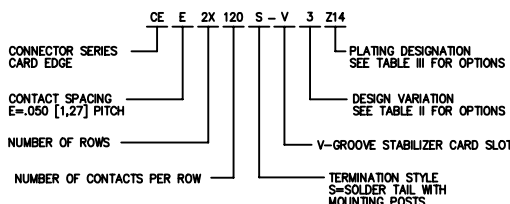


TABLE I - CONNECTOR DIMENSIONS

BURNDY CATALOG NO.	CONTACTS PER ROW	TOTAL NO CONTACTS	NUMBER OF CONTACT PAIRS			D	E	F	G ±.008 [0,20]	L
			BAY A	BAY B	BAY C					
CEE2X66S-V_Z	66	132	11	45	10	.590 [14,99]	2.288 [58,11]	2.890 [73,41]	3.740 [95,00]	2.350 [59,69]
CEE2X70S-V_Z	70	140	11	45	14	.590 [14,99]	2.288 [58,11]	3.090 [78,47]	3.940 [100,08]	2.350 [59,69]
CEE2X92S-V_Z	92	184	42	40	10	2.140 [54,36]	2.038 [51,77]	2.640 [67,06]	5.040 [128,02]	2.100 [53,34]
CEE2X97S-V_Z	97	194	42	45	10	2.140 [54,36]	2.288 [58,11]	2.890 [73,41]	5.290 [134,37]	2.350 [59,69]
CEE2X101S-V_Z	101	202	42	49	10	2.140 [54,36]	2.488 [63,20]	3.090 [78,47]	5.490 [139,45]	2.550 [64,77]
CEE2X110S-V_Z	110	220	42	40	28	2.140 [54,36]	2.038 [51,77]	3.540 [89,92]	5.940 [150,86]	2.100 [53,34]
CEE2X110S-V13Z	110	220	33	44	33	1.690 [42,93]	2.238 [56,85]	3.990 [101,35]	5.940 [150,86]	2.300 [58,42]
CEE2X110S-V15Z	110	220	33	44	33	1.690 [42,93]	2.238 [56,85]	3.990 [101,35]	5.940 [150,86]	2.300 [58,42]
CEE2X120S-V_Z	120	240	42	45	33	2.140 [54,36]	2.288 [58,11]	4.040 [102,62]	6.440 [163,58]	2.350 [59,69]

TYPICAL CATALOG NUMBER DESCRIPTION



NOTES: UNLESS OTHERWISE SPECIFIED:

- INTERPRET THIS DRAWING IN ACCORDANCE WITH ANSI Y14.5M - 1982.
- SEE SHEETS 3, 4 AND 5 FOR RECOMMENDED MATING DAUGHTER BOARD CARD EDGE LAYOUTS AND MOTHERBOARD HOLE PATTERN.
- MATING DAUGHTER BOARD MATERIAL: P.C. BOARD: FR-4 WITH 1 OZ [28.35 GRAMS] MINIMUM COPPER PADS. (SEE SH 3)
 PAD PLATING: 30 MICRONCHES [0,76 MICRONS] MINIMUM GOLD PER MIL-G-45204, TYPE I, CLASS 1, GRADE C OVER 100 MICRONCHES [2,54 MICRONS] MINIMUM NICKEL PER QQ-N-290.
- V-GROOVE CARD EDGE STABILIZERS.
- MOUNTING HOLE DIMENSION, 4.002 ± 0.004 INCH BE 0.096 ± 0.003 [2,44 ± 0,08] FOR "SC" RETENTION CLIP VERSIONS.

MATERIALS:

BODY: GLASS FILLED THERMOPLASTIC, RATED UL94V-0. COLOR-NATURAL.
 CONTACTS: COPPER ALLOY.
 PLATING: SEE TABLE III.
 RETAINING CLIPS: STEEL ALLOY, (SEE SHEET 2).

PERFORMANCE CHARACTERISTICS:

CONTACT RESISTANCE: LOW SIGNAL LEVEL PER MIL-STD-1344, METHOD 3002-1, 30 MILLIOHMS MAX INITIAL, 10 MILLIOHMS MAXIMUM INCREASE THROUGH TESTING.
 CAPACITANCE: 2 PICOFARADS MAXIMUM AT 1 MEGAHERTZ BETWEEN ADJACENT CONTACTS.
 CURRENT RATING: 1 AMPERE PER CONTACT. 86°F [30°C] RISE ABOVE AMBIENT.
 CONTACT NORMAL FORCE: 2.64 OZ-FORCE [0,73 N] MINIMUM.
 MATING FORCE: MIL-STD 1344, METHOD 2013.1, 6 OZ-FORCE [1,67 NEWTONS] MAXIMUM AVERAGE PER OPPOSING PAIR USING GAUGE PER MIL-G-21097, EXCEPT .062 IN [1,57 mm] THICK WITH 20° LEAD IN CHAMFER ANGLE.

DURABILITY: 100 MATING CYCLES WITHOUT PHYSICAL DAMAGE OR EXCEEDING LOW LEVEL CONTACT RESISTANCE REQUIREMENT WHEN MATED WITH RECOMMENDED CARD EDGE.

INSULATION RESISTANCE: MIL-STD-202, METHOD 302, CONDITION B, 1000 MEGAOHMS MIN.

THERMAL SHOCK: MIL-STD 1344, METHOD 1003.1, -67°F TO 185°F [-55°C TO 85°C] FOR 5 CYCLES.

COMPATIBLE WITH VAPOR PHASE SOLDERING TECHNIQUES.

RECOGNIZED UNDER COMPONENT PROGRAM OF UNDERWRITER'S LABORATORIES INC. FILE NO. E31151

CERTIFIED BY CANADIAN STANDARDS ASSOCIATION. FILE NO. LR69054

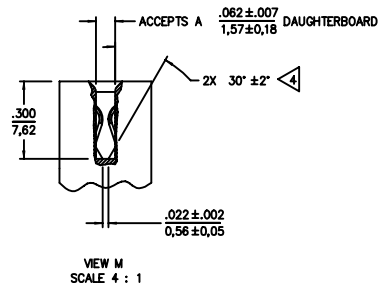
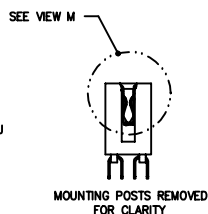
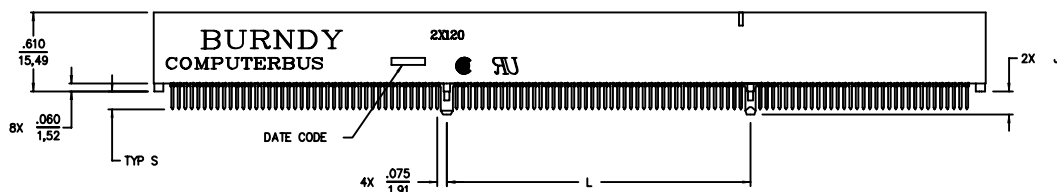
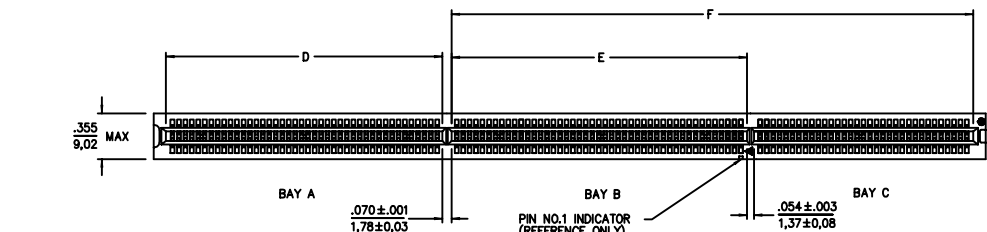


TABLE III - PLATING

PLATING DESIGNATION	DESCRIPTION
Z14	GOLD FLASH OVER 40 MICRONCHES [1,02 MICRONS] MIN. PALLADIUM-NICKEL OVER 50 MICRONCHES [1,27 MICRONS] MIN NICKEL UNDERPLATE IN CRITICAL CONTACT AREA AND 100 MICRONCHES [2,54 MICRONS] SOLDER OVER NICKEL UNDERPLATE ON SOLDER TAILS
Z22	30 MICRONCHES [0,76 MICRONS] MIN GOLD OVER 50 MICRONCHES [1,27 MICRONS] MIN NICKEL UNDERPLATE IN CRITICAL CONTACT AREA AND 100 MICRONCHES [2,54 MICRONS] SOLDER OVER NICKEL UNDERPLATE ON SOLDER TAILS.

TABLE II - DESIGN VARIATIONS

DESIGN VARIATION	S ± .010 [0,25] (SOLDER TAIL LENGTH)	J ± .010 [0,25] (LOCATING BOSS LENGTH)
3	.100 [2,54]	.180 [4,57]
5	.125 [3,18]	.205 [5,21]
6	.167 [4,24]	.247 [6,27]
9	.140 [3,56]	.220 [5,59]
13	.100 [2,54]	.180 [4,57]
15	.125 [3,18]	.205 [5,21]

REFERENCE: SE93533-0
 SUPERSEDES SE93334-4 & SE93669-5, SKME27110-2, & SKME27047-0

LINEAR MEASURE: INCH [mm] INCH [mm]

THIRD ANGLE PROJECTION

UNLESS OTHERWISE SPECIFIED

NO. OF DECIMAL PLACES IN INCHES	INCH [mm]
ONE PLACE	±.1 [±3]
TWO PLACES	±.02 [±0,5]
THREE PLACES	±.005 [±0,13]

ANGLES ±1°

COMPUTERBUS™ CARD EDGE CONNECTOR, .050 [1,27] PITCH

CAT NO CEE2X__S-V_Z (SEE TABLE I)

DWG RELEASED TO CENTRAL FILE 9-18-89
 CAGE NO 09922 | DON 739 | PC 822/829

© BURNDY CORPORATION 1993

BURNDY
 FCI
 TRANSMITTER CONNECTORS
 INTERCHANGEABLE

NO.	REV	DESCRIPTION	DATE
5	REVISED & REDRAWN, SEE REV REF PRINT (E02227)	RMP	RPS 6-11-93
4	REVISED & REDRAWN, SEE REV REF PRINT (E01292)	LEB	DET 9-2-89
6	SHT 1: ADDED NOTE 5, SHT 2: TABLE V DESIGN VARIATION 9 DIM K WAS .185, SHT 3: NO CHANGE, SHT 4&5: ADDED NOTE 5 CALLOUTS. (E02315)	DDF	GJD 9-8-93
7	7 ALSO REVISED & RELOCATED MARKINGS, SH 3: CAT NO. CEE2X101S-V_Z - 1" DIM WAS 2,175 (E023012)	JW	PJB 03-28-94

DRWN LEB 8-30-89
 CHKD DET 9-2-89
 DSGN YH 9-18-89
 WKMT TK 9-18-89

DRAWING SCALE 2 : 1
 DRAWING NO SE93334
 SHEET 1 OF 5

TABLE IV - CONNECTOR DIMENSIONS

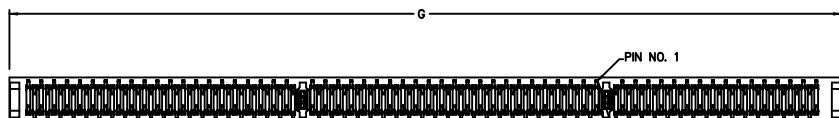
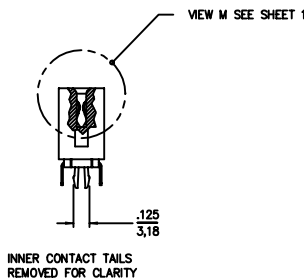
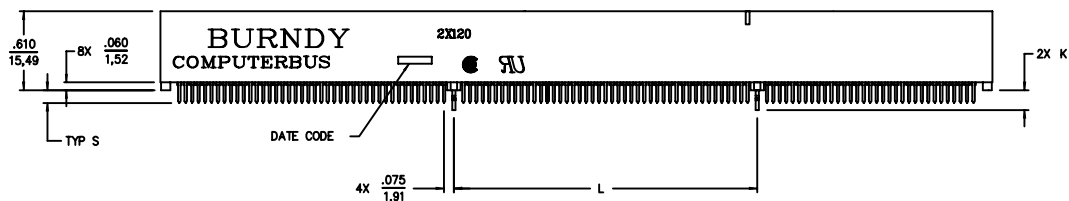
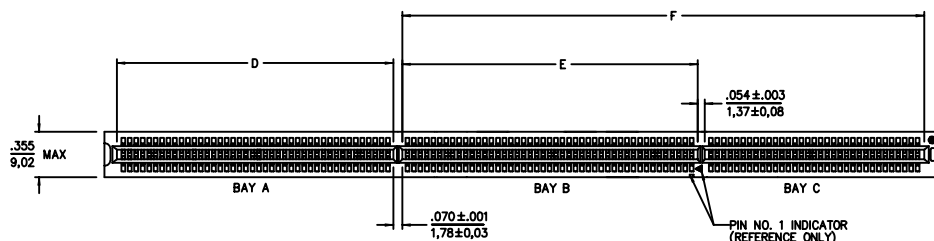
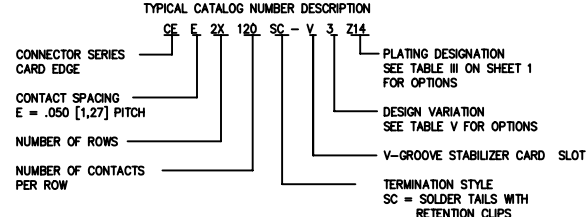
BURNDY CATALOG NO.	CONTACTS PER ROW	TOTAL NO CONTACTS	NUMBER OF CONTACT PAIRS			D	E	F	G ±.008 [0,20]	L
			BAY A	BAY B	BAY C					
CEE2X66SC-V_Z	66	132	11	45	10	.590 [14,99]	2.288 [58,12]	2.890 [73,41]	3.740 [95,00]	2.350 [59,69]
CEE2X70SC-V_Z	70	140	11	45	14	.590 [14,99]	2.288 [58,12]	3.090 [78,49]	3.940 [100,08]	2.350 [59,69]
CEE2X92SC-V_Z	92	184	42	40	10	2.140 [54,36]	2.038 [51,77]	2.640 [67,06]	5.040 [128,02]	2.100 [53,34]
CEE2X97SC-V_Z	97	194	42	45	10	2.140 [54,36]	2.288 [58,12]	2.890 [73,41]	5.290 [134,37]	2.350 [59,69]
CEE2X101SC-V_Z	101	202	42	49	10	2.140 [54,36]	2.488 [63,20]	3.090 [78,49]	5.490 [139,45]	2.550 [64,77]
CEE2X110SC-V_Z	110	220	42	40	28	2.140 [54,36]	2.038 [51,77]	3.540 [89,92]	5.940 [150,88]	2.100 [53,34]
CEE2X120SC-V_Z	120	240	42	45	33	2.140 [54,36]	2.288 [58,12]	4.040 [102,62]	6.440 [163,58]	2.350 [59,69]

TABLE V - CONNECTOR DIMENSIONS

DESIGN VARIATION	S ±.010 [0,25] (SOLDER TAIL LENGTH)	K ±.010 [0,25] (RETENTION CLIP LENGTH)	APPLICATION MOTHERBOARD THICKNESS ±.008 [0,20]
3	.100 [2,54]	.155 [3,94]	.082 [1,57]
9	.140 [3,56]	.186 [4,72]	.093 [2,36]

NOTES: SEE SHEET 1.

TYPICAL CATALOG NUMBER DESCRIPTION



CEE2X120SC-V314 SHOWN

REV	ALL REV RECORDED ON SHEET 1	BY	CHWD	DATE

COMPUTERBUS™ CARD EDGE CONNECTOR, .050 [1,27] PITCH
 CAT NO CEE2X__SC-V_Z__ (SEE TABLE IV)
 DWG RELEASED TO CENTRAL FILE 9-18-89
 CAGE NO 09922 | DON 739 | PC 822/829
 © BURNDY CORPORATION 1993

LINEAR MEASURE:	INCH	INCH [mm]
THIRD ANGLE PROJECTION		
- TOLERANCES - UNLESS OTHERWISE SPECIFIED		
NO OF DECIMAL PLACES IN INCHES	INCH [mm]	
ONE PLACE	±.1 [±3]	
TWO PLACES	±.02 [±0,5]	
THREE PLACES	±.005 [±0,13]	
ANGLES ±1°		

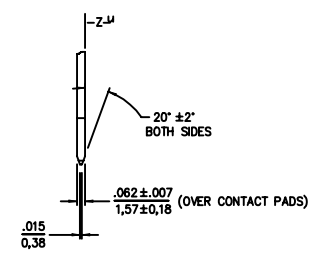
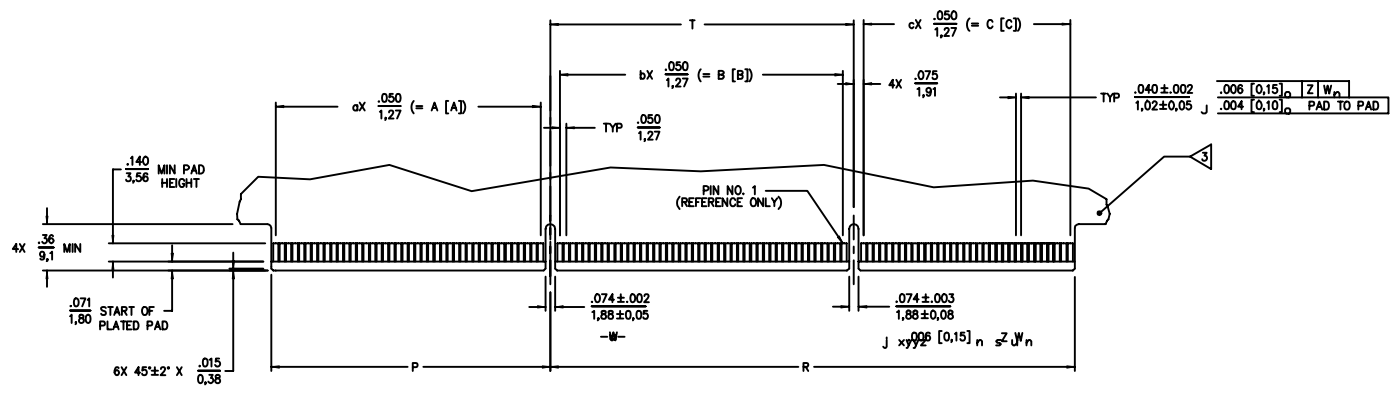
BURNDY



FCI
 TRANSMITTER CONNECTORS
 DISTRIBUTABLE

DRWN	LEB	8-30-89
CHKD	DET	9-2-89
DSGN	YH	9-18-89
WKT	TK	9-18-89
QC	XXX XX-XX-XX	
DRAWING SCALE 2 : 1		
DRAWING NO		REV
SE93334		7
SHEET 2 OF 5		

NOTES: SEE SHEET 1.



RECOMMENDED MATING DAUGHTERBOARD CARD EDGE LAYOUT
(TYPICAL FOR BOTH SIDES - CEE2X120S-V-Z SHOWN)

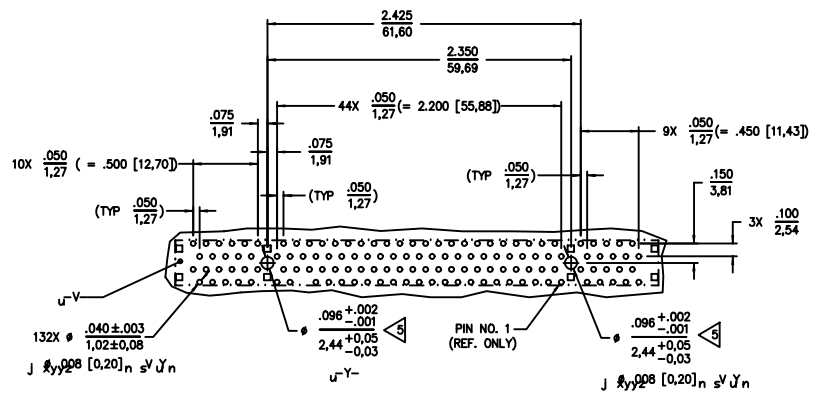
TABLE VI - CARD EDGE DIMENSIONS

BURNDY CATALOG NO.	a NO. OF SPACES	A	b NO. OF SPACES	B	c NO. OF SPACES	C	P	R	T
CEE2X66S-V-Z	10	.500 [12,70]	44	2.200 [55,88]	9	.450 [11,43]	.610 [15,49]	2.910 [73,91]	2.350 [59,69]
CEE2X70S-V-Z	10	.500 [12,70]	44	2.200 [55,88]	13	.650 [16,51]	.610 [15,49]	3.110 [78,99]	2.350 [59,69]
CEE2X92S-V-Z	41	2.050 [52,07]	39	1.950 [49,53]	9	.450 [11,43]	2.160 [54,86]	2.660 [67,56]	2.100 [53,34]
CEE2X97S-V-Z	41	2.050 [52,07]	44	2.200 [55,88]	9	.450 [11,43]	2.160 [54,86]	2.910 [73,91]	2.350 [59,69]
CEE2X101S-V-Z	41	2.050 [52,07]	41	2.400 [60,96]	9	.450 [11,43]	2.160 [54,86]	3.110 [78,99]	2.550 [64,77]
CEE2X110S-V-Z	41	2.050 [52,07]	39	1.950 [49,53]	27	1.350 [34,29]	2.160 [54,86]	3.560 [90,42]	2.100 [53,34]
CEE2X110S-V13Z	32	1.600 [40,64]	43	2.150 [54,61]	32	1.600 [40,64]	1.710 [43,43]	4.010 [101,85]	2.300 [58,42]
CEE2X110S-V15Z	32	1.600 [40,64]	43	2.150 [54,61]	32	1.600 [40,64]	1.710 [43,43]	4.010 [101,85]	2.300 [58,42]
CEE2X120S-V-Z	41	2.050 [52,07]	44	2.200 [55,88]	32	1.600 [40,64]	2.160 [54,86]	4.060 [103,12]	2.350 [59,69]

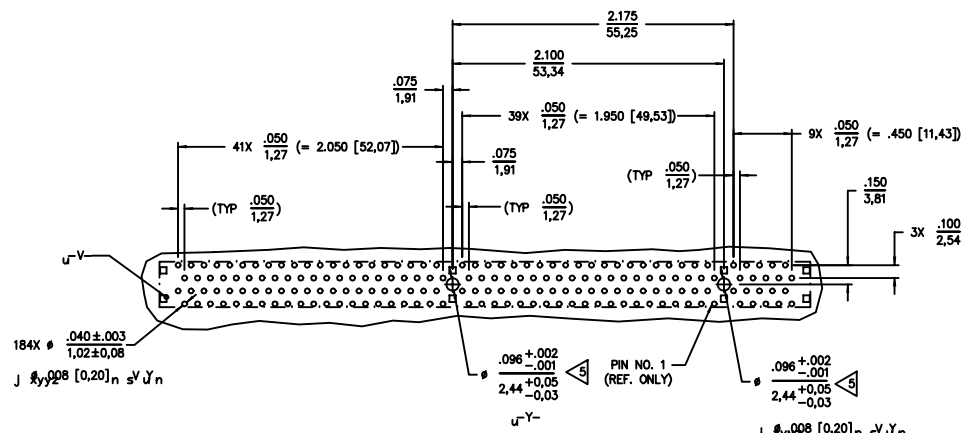
REV	ALL REV RECORDED ON SHEET 1	BY	CHWD	DATE
COMPUTERBUS™ CARD EDGE CONNECTOR .050 [1,27] PITCH				
CAT NO CEE2X__S__V_Z__ (SEE TABLE ON SH 1)				
DWG RELEASED TO CENTRAL FILE 9-18-89				
CAGE NO 09922		DON 739		PC 822/829
© BURNDY CORPORATION 1993				
DRAWING SCALE 2 : 1				
DRAWING NO SE93334				REV 7
SHEET 3 OF 5				

LINEAR MEASURE:	INCH	INCH [mm]
	mm	
THIRD ANGLE PROJECTION		
- TOLERANCES -		
UNLESS OTHERWISE SPECIFIED		
NO OF DECIMAL PLACES IN INCHES	INCH	[mm]
ONE PLACE	±.1	±.3
TWO PLACES	±.02	±0.5
THREE PLACES	±.005	±0.13
ANGLES ±1°		

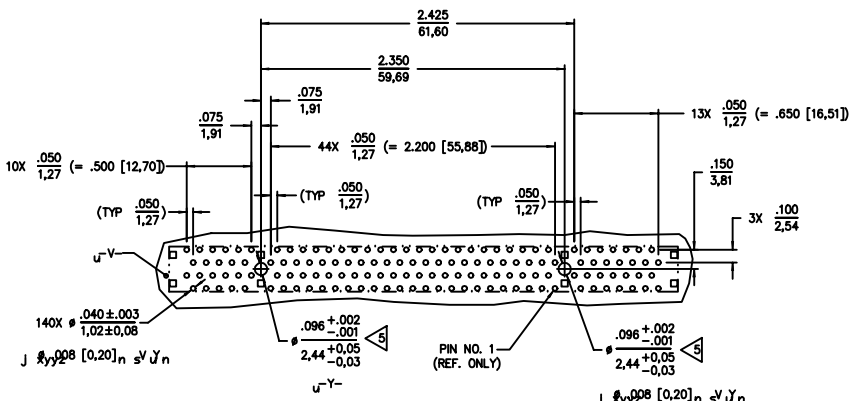
NOTES: SEE SHEET 1.



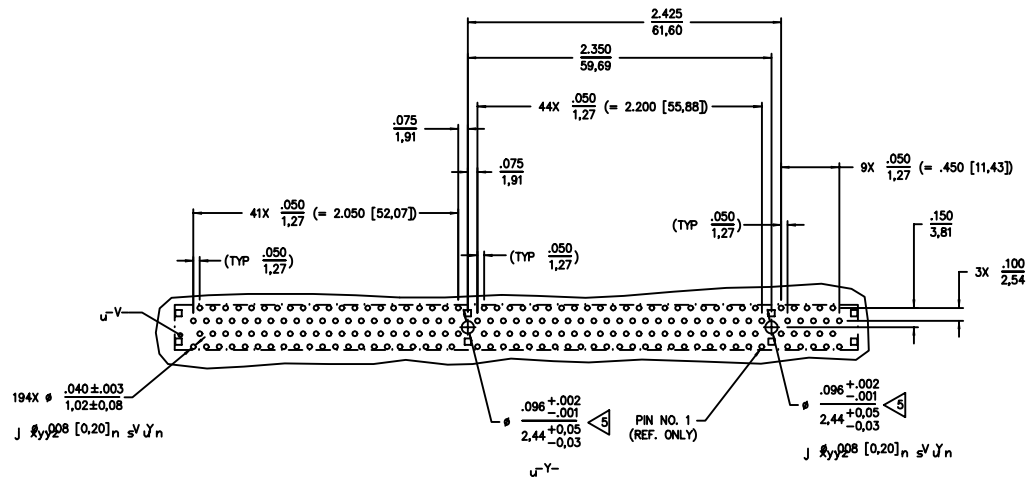
RECOMMENDED MOTHERBOARD HOLE PATTERN FOR CEE2X66S-V_Z_ (COMPONENT SIDE)



RECOMMENDED MOTHERBOARD HOLE PATTERN FOR CEE2X92S-V_Z_ (COMPONENT SIDE)



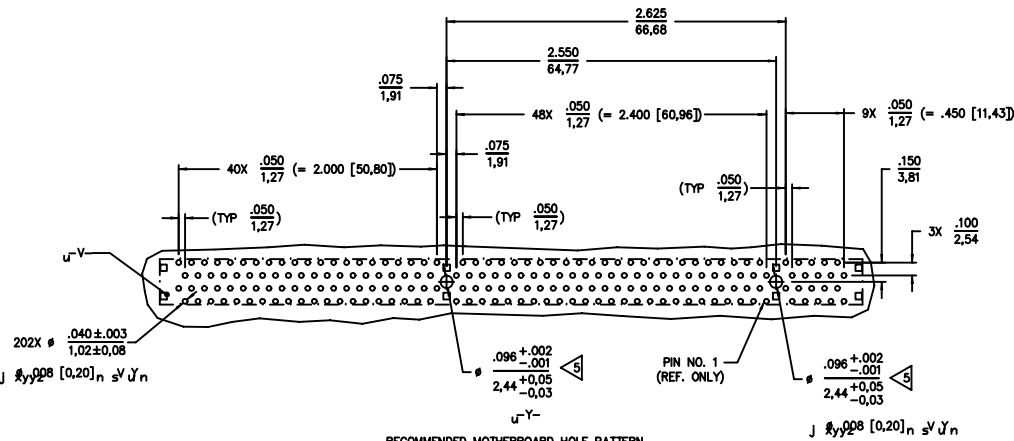
RECOMMENDED MOTHERBOARD HOLE PATTERN FOR CEE2X70S-V_Z_ (COMPONENT SIDE)



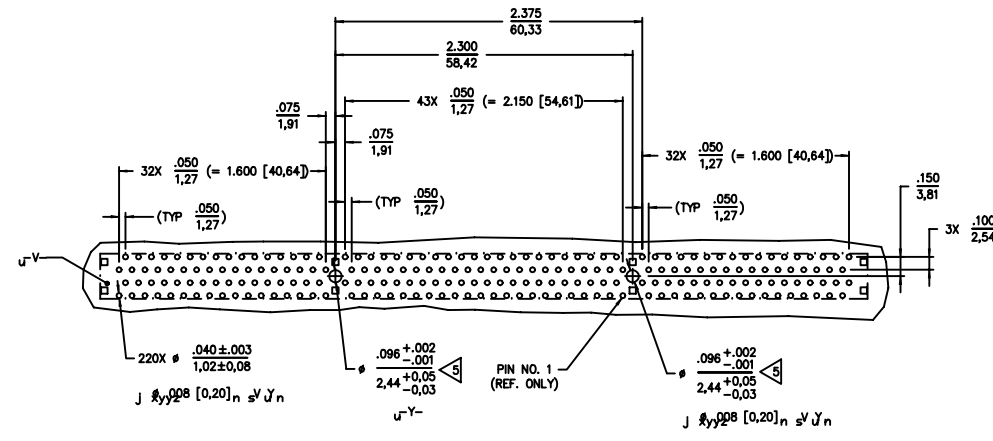
RECOMMENDED MOTHERBOARD HOLE PATTERN FOR CEE2X97S-V_Z_ (COMPONENT SIDE)

REV	ALL REV RECORDED ON SHEET 1	BY	CHWD	DATE
REV	REVISION DESCRIPTION	BY	CHWD	DATE
COMPUTERBUS™ CARD EDGE CONNECTOR .050 [1,27] PITCH				
CAT NO CEE2X_S-V_Z_ (SEE TABLE ON SH 1)				
DWG RELEASED TO CENTRAL FILE 9-18-89				
CAGE NO 09922		DON 739		PC 822/829
© BURNDY CORPORATION 1993				
BURNDY				
FCCI				
FLEXIBLE CONNECTORS				
DRWN	LEB	8-30-89		
CHKD	DET	9-2-89		
DISGN	YH	9-18-89		
MKT	TK	9-18-89		
QC	XX	XX-XX-XX		
DRAWING SCALE 2 : 1				
DRAWING NO				REV
SE93334				7
SHEET 4 OF 5				

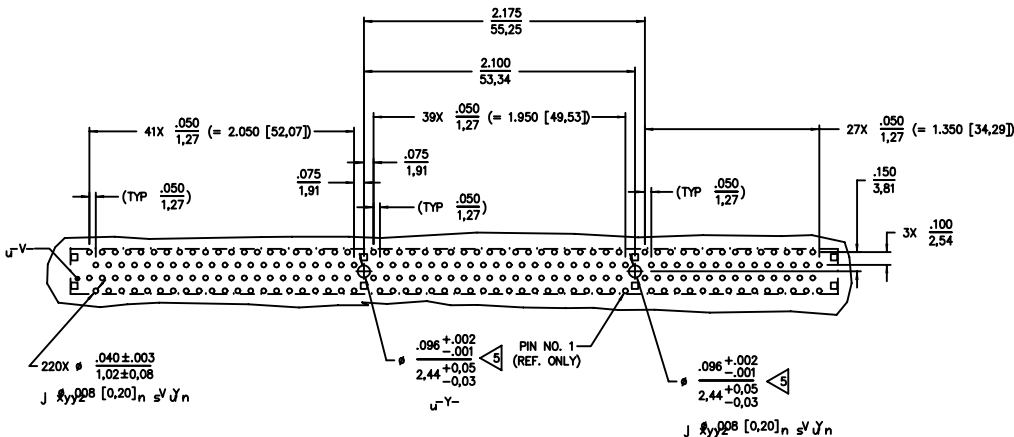
LINEAR MEASURE:	INCH	INCH [mm]
	mm	
THIRD ANGLE PROJECTION		
- TOLERANCES -		
UNLESS OTHERWISE SPECIFIED		
NO OF DECIMAL PLACES IN INCHES	INCH [mm]	
ONE PLACE	±.1 [±3]	
TWO PLACES	±.02 [±0.5]	
THREE PLACES	±.005 [±0.13]	
ANGLES ±1°		



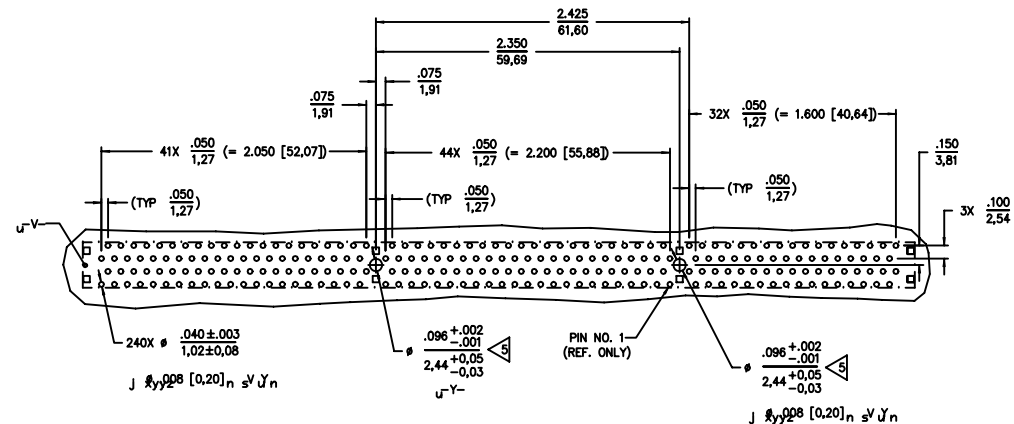
RECOMMENDED MOTHERBOARD HOLE PATTERN FOR CEE2X101S-V_Z_ (COMPONENT SIDE)



RECOMMENDED MOTHERBOARD HOLE PATTERN FOR CEE2X110S-V13Z_ & CEE2X110S-V15Z_ (COMPONENT SIDE)



RECOMMENDED MOTHERBOARD HOLE PATTERN FOR CEE2X110S-V_Z_ (COMPONENT SIDE)



RECOMMENDED MOTHERBOARD HOLE PATTERN FOR CEE2X120S-V_Z_ (COMPONENT SIDE)

REV	ALL REV RECORDED ON SHEET 1	BY	CHKD	DATE

COMPUTERBUS™ CARD EDGE CONNECTOR .050 [1,27] PITCH
 CAT NO CEE2X_S-V_Z_ (SEE TABLE ON SH 1)

LINEAR MEASURE:	INCH	INCH [mm]
THIRD ANGLE PROJECTION		
- TOLERANCES -		
UNLESS OTHERWISE SPECIFIED		
NO OF DECIMAL PLACES IN INCHES	INCH [mm]	
ONE PLACE	±.1 [±3]	
TWO PLACES	±.02 [±0.5]	
THREE PLACES	±.005 [±0.13]	
ANGLES ±1°		

BURNDY



FCI

TRANSFORMER CONNECTORS INTERNATIONAL

DRWN	LEB	8-30-89
CHKD	DET	9-2-89
DSGN	YH	9-18-89
MKT	TK	9-18-89
QC	XXX	XX-XX-XX
DRAWING SCALE 2 : 1		
DRAWING NO		
SE93334		
SHEET 5 OF 5		