

Installing the 58/88 PCIe storage enclosure

ESCALA Power7



REFERENCE
86 A1 67FH 01

ESCALA Power7

Installing the 58/88 PCIe storage enclosure

The ESCALA Power7 publications concern the following models:

- Bull Escala E5-700 (Power 750 / 8233-E8B)
- Bull Escala M6-700 (Power 770 / 9117-MMB)
- Bull Escala M6-705 (Power 770 / 9117-MMC)
- Bull Escala M7-700 (Power 780 / 9179-MHB)
- Bull Escala M7-705 (Power 780 / 9179-MHC)
- Bull Escala E1-700 (Power 710 / 8231-E2B)
- Bull Escala E1-705 (Power 710 / 8231-E1C)
- Bull Escala E2-700 / E2-700T (Power 720 / 8202-E4B)
- Bull Escala E2-705 / E2-705T (Power 720 / 8202-E4C)
- Bull Escala E3-700 (Power 730 / 8231-E2B)
- Bull Escala E3-705 (Power 730 / 8231-E2C)
- Bull Escala E4-700 / E4-700T (Power 740 / 8205-E6B)
- Bull Escala E4-705 (Power 740 / 8205-E6C)

References to Power 755 / 8236-E8C models are irrelevant.

Hardware

May 2012

BULL CEDOC
357 AVENUE PATTON
B.P.20845
49008 ANGERS CEDEX 01
FRANCE

REFERENCE
86 A1 67FH 01

The following copyright notice protects this book under Copyright laws which prohibit such actions as, but not limited to, copying, distributing, modifying, and making derivative works.

Copyright © Bull SAS 2012

Printed in France

Suggestions and criticisms concerning the form, content, and presentation of this book are invited. A form is provided at the end of this book for this purpose.

To order additional copies of this book or other Bull Technical Publications, you are invited to use the Ordering Form also provided at the end of this book.

Trademarks and Acknowledgements

We acknowledge the right of proprietors of trademarks mentioned in this book.

The information in this document is subject to change without notice. Bull will not be liable for errors contained herein, or for incidental or consequential damages in connection with the use of this material.

Contents

Safety notices	v
Installing the 58/88 PCIe storage enclosure	1
Installing the 58/88 PCIe storage enclosure: Details	3
Reference information	17
Connector locations	17
Server connectors	17
Model 02E/4B connector locations	17
Model 02E/4C connector locations	18
Model 31E/1C or 31E/2C connector locations	19
Enclosure connectors	20
Model 58/88 connector locations	20
Notices	21
Trademarks	22
Electronic emission notices	22
Class A Notices	22
Class B Notices	26
Terms and conditions	28

Safety notices

Safety notices may be printed throughout this guide.

- **DANGER** notices call attention to a situation that is potentially lethal or extremely hazardous to people.
- **CAUTION** notices call attention to a situation that is potentially hazardous to people because of some existing condition.
- **Attention** notices call attention to the possibility of damage to a program, device, system, or data.

World Trade safety information

Several countries require the safety information contained in product publications to be presented in their national languages. If this requirement applies to your country, a safety information booklet is included in the publications package shipped with the product. The booklet contains the safety information in your national language with references to the U.S. English source. Before using a U.S. English publication to install, operate, or service this product, you must first become familiar with the related safety information in the booklet. You should also refer to the booklet any time you do not clearly understand any safety information in the U.S. English publications.

Laser safety information

The servers can use I/O cards or features that are fiber-optic based and that utilize lasers or LEDs.

Laser compliance

The servers may be installed inside or outside of an IT equipment rack.

DANGER

When working on or around the system, observe the following precautions:

Electrical voltage and current from power, telephone, and communication cables are hazardous. To avoid a shock hazard:

- Connect power to this unit only with the provided power cord. Do not use the provided power cord for any other product.
- Do not open or service any power supply assembly.
- Do not connect or disconnect any cables or perform installation, maintenance, or reconfiguration of this product during an electrical storm.
- The product might be equipped with multiple power cords. To remove all hazardous voltages, disconnect all power cords.
- Connect all power cords to a properly wired and grounded electrical outlet. Ensure that the outlet supplies proper voltage and phase rotation according to the system rating plate.
- Connect any equipment that will be attached to this product to properly wired outlets.
- When possible, use one hand only to connect or disconnect signal cables.
- Never turn on any equipment when there is evidence of fire, water, or structural damage.
- Disconnect the attached power cords, telecommunications systems, networks, and modems before you open the device covers, unless instructed otherwise in the installation and configuration procedures.
- Connect and disconnect cables as described in the following procedures when installing, moving, or opening covers on this product or attached devices.

To Disconnect:

1. Turn off everything (unless instructed otherwise).
2. Remove the power cords from the outlets.
3. Remove the signal cables from the connectors.
4. Remove all cables from the devices

To Connect:

1. Turn off everything (unless instructed otherwise).
2. Attach all cables to the devices.
3. Attach the signal cables to the connectors.
4. Attach the power cords to the outlets.
5. Turn on the devices.

(D005a)

DANGER

Observe the following precautions when working on or around your IT rack system:

- Heavy equipment—personal injury or equipment damage might result if mishandled.
- Always lower the leveling pads on the rack cabinet.
- Always install stabilizer brackets on the rack cabinet.
- To avoid hazardous conditions due to uneven mechanical loading, always install the heaviest devices in the bottom of the rack cabinet. Always install servers and optional devices starting from the bottom of the rack cabinet.
- Rack-mounted devices are not to be used as shelves or work spaces. Do not place objects on top of rack-mounted devices.



- Each rack cabinet might have more than one power cord. Be sure to disconnect all power cords in the rack cabinet when directed to disconnect power during servicing.
- Connect all devices installed in a rack cabinet to power devices installed in the same rack cabinet. Do not plug a power cord from a device installed in one rack cabinet into a power device installed in a different rack cabinet.
- An electrical outlet that is not correctly wired could place hazardous voltage on the metal parts of the system or the devices that attach to the system. It is the responsibility of the customer to ensure that the outlet is correctly wired and grounded to prevent an electrical shock.

CAUTION

- Do not install a unit in a rack where the internal rack ambient temperatures will exceed the manufacturer's recommended ambient temperature for all your rack-mounted devices.
- Do not install a unit in a rack where the air flow is compromised. Ensure that air flow is not blocked or reduced on any side, front, or back of a unit used for air flow through the unit.
- Consideration should be given to the connection of the equipment to the supply circuit so that overloading of the circuits does not compromise the supply wiring or overcurrent protection. To provide the correct power connection to a rack, refer to the rating labels located on the equipment in the rack to determine the total power requirement of the supply circuit.
- *(For sliding drawers.)* Do not pull out or install any drawer or feature if the rack stabilizer brackets are not attached to the rack. Do not pull out more than one drawer at a time. The rack might become unstable if you pull out more than one drawer at a time.
- *(For fixed drawers.)* This drawer is a fixed drawer and must not be moved for servicing unless specified by the manufacturer. Attempting to move the drawer partially or completely out of the rack might cause the rack to become unstable or cause the drawer to fall out of the rack.

(R001)

CAUTION:

Removing components from the upper positions in the rack cabinet improves rack stability during relocation. Follow these general guidelines whenever you relocate a populated rack cabinet within a room or building:

- Reduce the weight of the rack cabinet by removing equipment starting at the top of the rack cabinet. When possible, restore the rack cabinet to the configuration of the rack cabinet as you received it. If this configuration is not known, you must observe the following precautions:
 - Remove all devices in the 32U position and above.
 - Ensure that the heaviest devices are installed in the bottom of the rack cabinet.
 - Ensure that there are no empty U-levels between devices installed in the rack cabinet below the 32U level.
- If the rack cabinet you are relocating is part of a suite of rack cabinets, detach the rack cabinet from the suite.
- Inspect the route that you plan to take to eliminate potential hazards.
- Verify that the route that you choose can support the weight of the loaded rack cabinet. Refer to the documentation that comes with your rack cabinet for the weight of a loaded rack cabinet.
- Verify that all door openings are at least 760 x 230 mm (30 x 80 in.).
- Ensure that all devices, shelves, drawers, doors, and cables are secure.
- Ensure that the four leveling pads are raised to their highest position.
- Ensure that there is no stabilizer bracket installed on the rack cabinet during movement.
- Do not use a ramp inclined at more than 10 degrees.
- When the rack cabinet is in the new location, complete the following steps:
 - Lower the four leveling pads.
 - Install stabilizer brackets on the rack cabinet.
 - If you removed any devices from the rack cabinet, repopulate the rack cabinet from the lowest position to the highest position.
- If a long-distance relocation is required, restore the rack cabinet to the configuration of the rack cabinet as you received it. Pack the rack cabinet in the original packaging material, or equivalent. Also lower the leveling pads to raise the casters off of the pallet and bolt the rack cabinet to the pallet.

(R002)

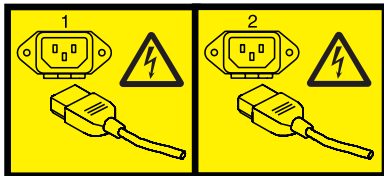
(L001)



(L002)



(L003)



or



All lasers are certified in the U.S. to conform to the requirements of DHHS 21 CFR Subchapter J for class 1 laser products. Outside the U.S., they are certified to be in compliance with IEC 60825 as a class 1 laser product. Consult the label on each part for laser certification numbers and approval information.

CAUTION:

This product might contain one or more of the following devices: CD-ROM drive, DVD-ROM drive, DVD-RAM drive, or laser module, which are Class 1 laser products. Note the following information:

- Do not remove the covers. Removing the covers of the laser product could result in exposure to hazardous laser radiation. There are no serviceable parts inside the device.
- Use of the controls or adjustments or performance of procedures other than those specified herein might result in hazardous radiation exposure.

(C026)

CAUTION:

Data processing environments can contain equipment transmitting on system links with laser modules that operate at greater than Class 1 power levels. For this reason, never look into the end of an optical fiber cable or open receptacle. (C027)

CAUTION:

This product contains a Class 1M laser. Do not view directly with optical instruments. (C028)

CAUTION:

Some laser products contain an embedded Class 3A or Class 3B laser diode. Note the following information: laser radiation when open. Do not stare into the beam, do not view directly with optical instruments, and avoid direct exposure to the beam. (C030)

CAUTION:

The battery contains lithium. To avoid possible explosion, do not burn or charge the battery.

Do Not:

- ___ Throw or immerse into water
- ___ Heat to more than 100°C (212°F)
- ___ Repair or disassemble

Exchange only with the approved part. Recycle or discard the battery as instructed by local regulations. (C003a)

Power and cabling information for NEBS (Network Equipment-Building System) GR-1089-CORE

The following comments apply to the servers that have been designated as conforming to NEBS (Network Equipment-Building System) GR-1089-CORE:

The equipment is suitable for installation in the following:

- Network telecommunications facilities
- Locations where the NEC (National Electrical Code) applies

The intrabuilding ports of this equipment are suitable for connection to intrabuilding or unexposed wiring or cabling only. The intrabuilding ports of this equipment *must not* be metallically connected to the interfaces that connect to the OSP (outside plant) or its wiring. These interfaces are designed for use as intrabuilding interfaces only (Type 2 or Type 4 ports as described in GR-1089-CORE) and require isolation from the exposed OSP cabling. The addition of primary protectors is not sufficient protection to connect these interfaces metallically to OSP wiring.

Note: All Ethernet cables must be shielded and grounded at both ends.

The ac-powered system does not require the use of an external surge protection device (SPD).

The dc-powered system employs an isolated DC return (DC-I) design. The DC battery return terminal *shall not* be connected to the chassis or frame ground.

Installing the 58/88 PCIe storage enclosure

Use this overview as a guide to the tasks required for installing the 58/88 PCI Express (PCIe) storage enclosure (EXP30 Ultra SSD I/O Drawer) into a rack and cabling it to a server.

Procedure

You can use the following table to read about and complete the high-level tasks for installing the 58/88 PCIe storage enclosure.

Table 1. Tasks to install the disk drive enclosure into a rack

Task	Where to find associated information
<p>Preinstalled enclosures only</p> <p>Remove the front and rear shipping brackets.</p> <p>After you have removed the shipping brackets, go to the task <i>Review the configuration options for adding the PCIe storage enclosure to the server</i>.</p>	<p>To remove the front and rear shipping brackets, see step 2 on page 3.</p>
<p>Perform inventory.</p> <p>Ensure that you have the rails.</p> <p>Ensure that you have both a Philips-head and flat-head screwdriver.</p>	<p>Locate the inventory list for your disk drive enclosure, and verify that you received all of the parts that you ordered.</p> <p>Each order contains, at a minimum, the following items:</p> <ul style="list-style-type: none">• Left and right rack-mounting rails• Mounting screws• Power supply cables <p>If your shipment contains parts that are not required to complete the installation procedure, store those parts until they are required to be used.</p> <p>You can also obtain order information from your marketing representative or IBM® Business Partner.</p>
<p>Verify that you have a rack.</p>	<p>You must have a rack installed. If you do not have a rack installed, see <i>Installing the rack</i> (http://publib.boulder.ibm.com/infocenter/systems/scope/hw/topic/p7hbf/installrack.htm).</p>
<p>Prepare to install the disk drive enclosure.</p>	<p>To ensure that you have taken all other preparatory steps to install this disk drive enclosure, see <i>Installing the 5888 in a rack</i> (http://publib.boulder.ibm.com/infocenter/systems/scope/hw/topic/p7ham/p7ham_5888_prepare.htm).</p>
<p>Power off the system, if required, to install the disk drive enclosure.</p>	<p>For requirements and procedures related to shutting down and powering off the system, see <i>Overview for I/O expansion units</i> (http://publib.boulder.ibm.com/infocenter/systems/scope/hw/topic/p7ham/p7ham_pcistor_concepts.htm).</p>
<p>Determine where to install the disk drive enclosure in the rack.</p>	<p>For suggestions about how to organize the hardware in your rack and to assign a location for the disk drive enclosure, see step 4 on page 4.</p>

Table 1. Tasks to install the disk drive enclosure into a rack (continued)

Task	Where to find associated information
Mark the location on the rack where the PCIe storage enclosure will be installed.	If you have a rack-mounting template for the PCIe storage enclosure, use it to mark the location. If you do not have a rack-mounting template, see step 4d2 on page 5.
Install the rail assembly in the rack.	To install the mounting hardware in the rack, see step 5 on page 6.
Install the PCIe storage enclosure on the rail assembly.	To install the PCIe storage enclosure on the rail assembly, see step 6 on page 8.
Review the configuration options for adding the PCIe storage enclosure to the server.	To identify the configuration option that you will use from a list of example configurations, see step 7 on page 11.
Cable the PCIe storage enclosure to the server.	To add the PCIe storage enclosure to the system configuration, see step 8 on page 13
Configure the solid state drives of the PCIe storage enclosure.	To review serial-attached SCSI (SAS) Redundant Array of Independent Disks (RAID) information and configure the enclosure to the specifications of your operating system and system configuration, see step 9 on page 15.

Installing the 58/88 PCIe storage enclosure: Details

The detailed installation procedure includes information from online references that are specified in the overview. You can use the expanded instructions in this procedure to install your PCIe storage enclosure into a rack and to cable it to a server.

Before you begin

- This information is provided in printed form as a list of basic tasks for installing the 58/88 PCIe storage enclosure. For the most current version, use the online information: Installing the 5888 PCIe storage enclosure.
- This procedure supports the following installation scenarios:
 - Your 58/88 PCIe storage enclosure was delivered already mounted in a rack, and you need to complete the installation.
 - Your 58/88 PCIe storage enclosure was delivered separately from a rack, and you need to mount the enclosure in an existing rack and complete the installation.

Note: If the rack is not yet installed, you must first complete the procedure for Installing the rack.

- Before installing the PCIe storage enclosure into a rack, read the Rack safety notices.

About this task

To install the 58/88 disk drive enclosure, complete the following tasks:

1. Choose the type of installation you are performing:
 - To complete the installation of a 58/88 PCIe storage enclosure that was delivered already mounted in a rack, go to step 2.
 - To complete the installation of a 58/88 PCIe storage enclosure that was delivered separately from a rack, go to step 3 on page 4.
2. Remove the shipping brackets attached at the front and rear of the PCIe storage enclosure as follows:
 - a. At the rear of the rack, find the 58/88 PCIe storage enclosure at the EIA location that you noted previously. Using a screwdriver, remove the two screws **(A)** that attach the rear shipping bracket **(B)** to the left and right flanges of the rack frame as shown in the following figure. Use the screwdriver provided in the installation kit to remove the six screws **(C)** that attach the rear shipping bracket **(B)** to the rear of the PCIe storage enclosure. Lift the bracket away from the rack frame.

Tip: Save all of the brackets and screws that you have removed for any future reinstallation and for shipping of the 58/88 PCIe storage enclosure that might be required.

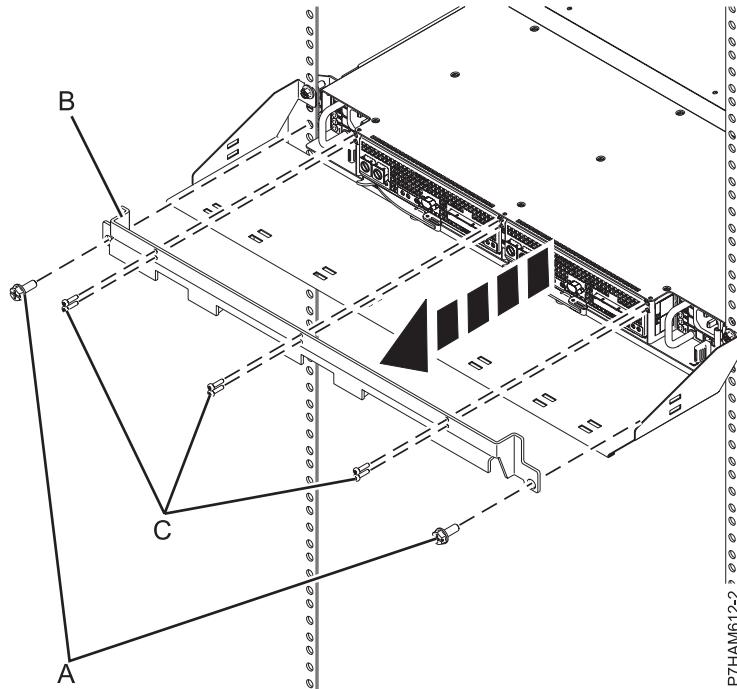


Figure 1. Removing the rear shipping bracket

Go to step 7 on page 11.

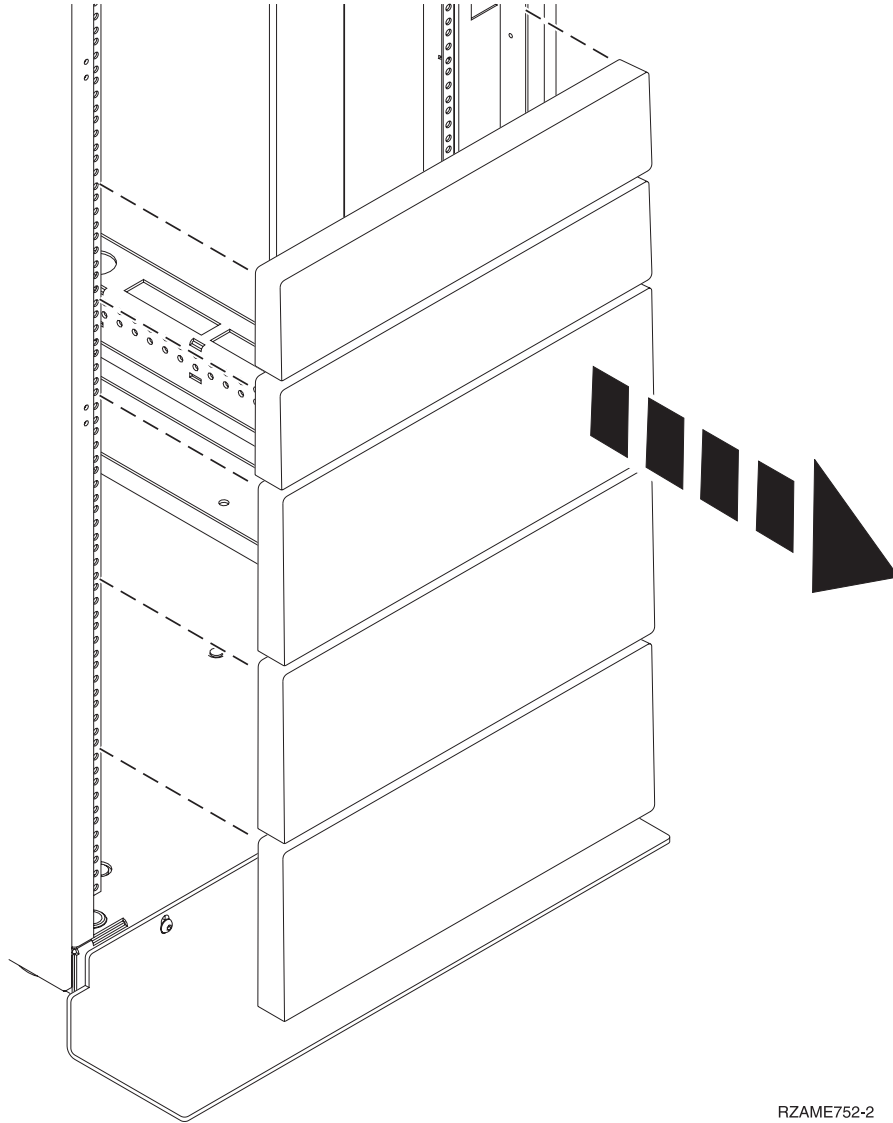
3. Unpack the PCIe storage enclosure as follows:
 - a. Refer to the kitting list provided with the rack installation kit, and complete a parts inventory.
 - b. Locate the rack-mounting hardware kit and the system rail assemblies that were included with your PCIe storage enclosure.

The rails are front-to-back and left-to-right side dependent.

4. Determine where to install the PCIe storage enclosure into the rack as follows:
 - a. Determine where in the rack to place the PCIe storage enclosure in relation to other system hardware. As you plan, keep the following steps in mind:
 - 1) Organize larger and heavier units into the lower part of the rack.
 - 2) Plan to install units into the lower part of the rack first.
 - 3) Record the EIA locations in your plan.

Note: The PCIe storage enclosure is two Electronic Industries Alliance (EIA) units high. An EIA unit is 44.50 mm (1.75 in.) in height. The rack contains three mounting holes for each EIA unit of height. This enclosure, therefore, is 44.50 mm (1.75 in.) high and covers 3 mounting holes in the rack.

- b. If necessary, remove the filler panels to allow access to the inside of the rack enclosure where you plan to place the PCIe storage enclosure.



RZAME752-2

Figure 2. Removing the filler panels

- c. If necessary, remove the front and rear rack doors.
- d. Mark the rack location where you will install the PCIe storage enclosure. Choose one of the following options:
 - 1) If you have a rack-mounting template, use it to mark the location.
 - 2) If you do not have a rack-mounting template, complete the following steps:
 - a) Face the front of the rack and work from the left side. Make a note of the EIA unit to be used for the PCIe storage enclosure. Use tape, a marker, or a pencil to mark the middle mounting hole **(A)** of the EIA unit. Place another mark beside the bottom mounting hole **(B)**. Mark the rack so that these marks can also be seen from the rear of the rack.

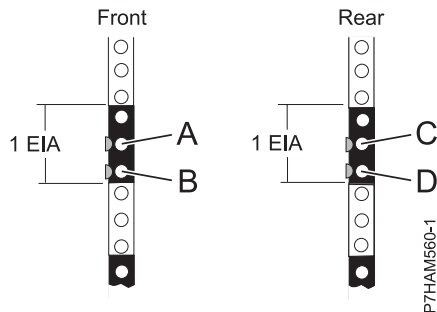


Figure 3. Marking the installation locations

- b) Repeat the last step to place two marks on the corresponding mounting holes on the front-right side of the rack.
 - c) Go to the rear of the rack. On the left side, find the EIA unit to be used for the PCIe storage enclosure.
 - d) Mark the middle mounting hole (C) of this EIA unit. Place another mark beside the bottom mounting hole (D).
 - e) Repeat the last step to place two marks on the corresponding mounting holes on the rear-right side of the rack.
5. Install the rail assembly into the rack as follows:

Important: To complete this procedure, use two people to attach the rail assembly to the rack. Position one person in front of the rack and one person at the rear of the rack.

CAUTION:

Installing the rails in the rack is a complex procedure. To install the rails correctly, you must perform each task in the following order. Failure to do so might cause rail failure and potential danger to yourself and the system unit.

- a. Facing the front of the rack, locate the two marks made previously on the Electronic Industries Alliances (EIA) strips.

Notes:

- The rail installation can be completed by one person. However, the installation is easier if one person is positioned at the front of the rack and one person is positioned at the rear of the rack.
 - If hardware is located immediately below the EIA location where you are installing the rails, you can slide the hardware out to its service position to provide more work space for the installation.
- b. Select a rail. Identify the side of the rack where the rail must be mounted by holding the rail inside of the open space of the rack as follows:
 - The rail points from front to rear.
 - The tension clip (A) points toward the front of the rack and aligns with the bottom EIA hole that you marked previously, as shown in Figure 4 on page 7.
 - The rail shaft is aligned with the inside edge of the front rack flange with its open side facing inward.
 - c. Bend the tension clip (A) up and insert it into the bottom EIA hole that you marked previously, as shown in Figure 4 on page 7. Ensure that the lip of the clip is brought fully through the hole and clasped against the bottom of the hole. Seat the alignment screw (B) in the middle EIA hole that you marked previously.

Note: There are two sizes of alignment screws (B). If your rack has round mounting holes, use the smaller alignment screw for each rail. If your rack has square mounting holes, use the larger

alignment screw for each rail. Alignment screws are provided with the rack installation kit.

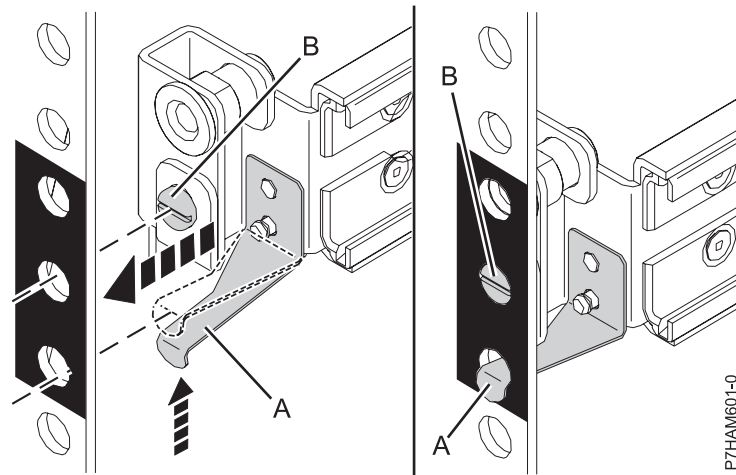


Figure 4. Mounting the rail to the front of the rack

- d. At the rear of the rack, locate the two marks that you made previously on the EIA strips. Compress the rail (C) as shown in Figure 5, and then expand the rail carefully toward the marks until the rail end meets the rear rack flange.

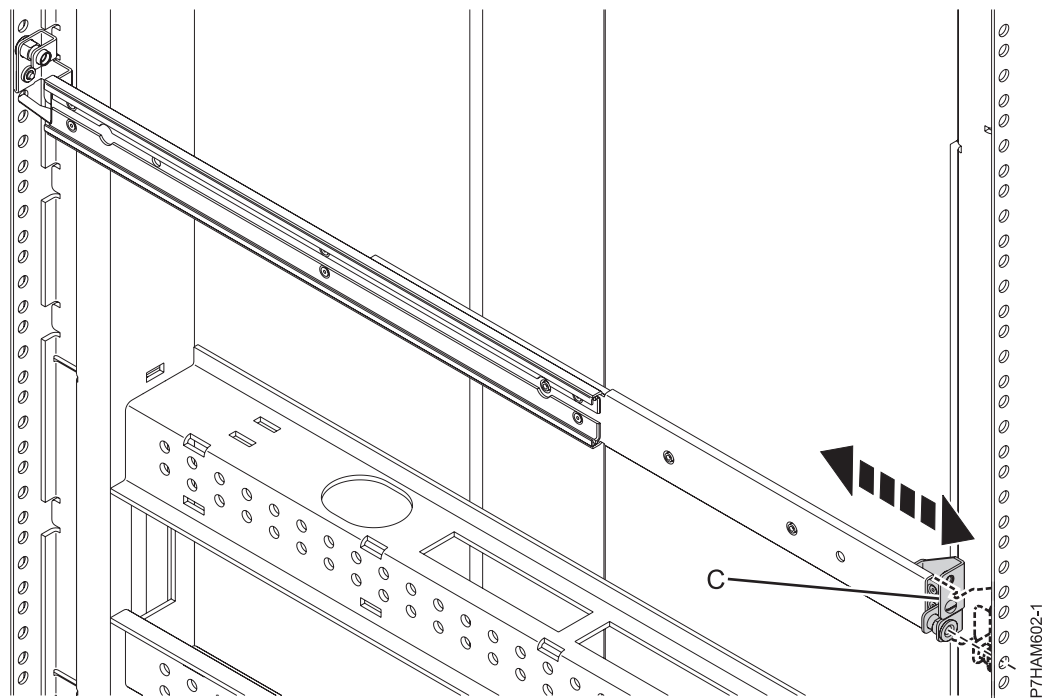


Figure 5. Expanding the rail to the rear of the rack

- e. Seat the alignment screw (D) of the rail into the middle EIA hole that you marked previously, as shown in Figure 6 on page 8.

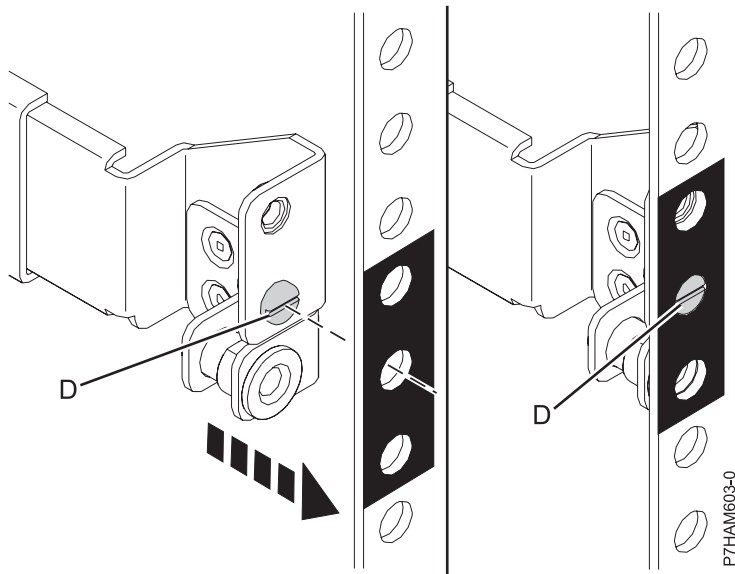


Figure 6. Mounting the rail to the rear of the rack

- f. Repeat step 5c on page 6 through step 5e on page 7 for the other rail.
- g. At the rear of the rack, hold the cable management bracket up to the rear rack flanges, aligning the bracket mounting holes to the top holes of the EIA containing the enclosure, as shown in Figure 7. Apply the securing screws (E) through the bracket mounting holes and into the top EIA holes on the rack flanges.

CAUTION:

In order to provide for the secure attachment of the rails, the securing screws (E) must be applied at the specified EIA locations even if you do not mount the cable management bracket.

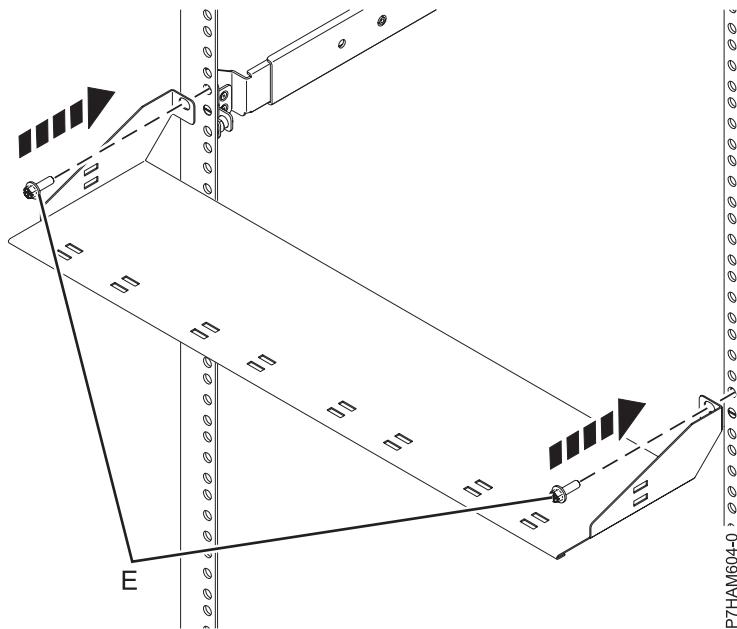


Figure 7. Mounting the cable management bracket

- 6. Install the PCIe storage enclosure onto the rails as follows:

- a. Before attempting to mount the PCIe storage enclosure to the rails, review Figure 8 to observe how the chassis bracket guide (A) on the side of the enclosure fits and slides into the rail sheath (B) that matches its shape.

Note: In Figure 8, the right rail (B) is portrayed at an angle to show the location of the rail sheath. The actual rail is mounted in an upright position in the rack.

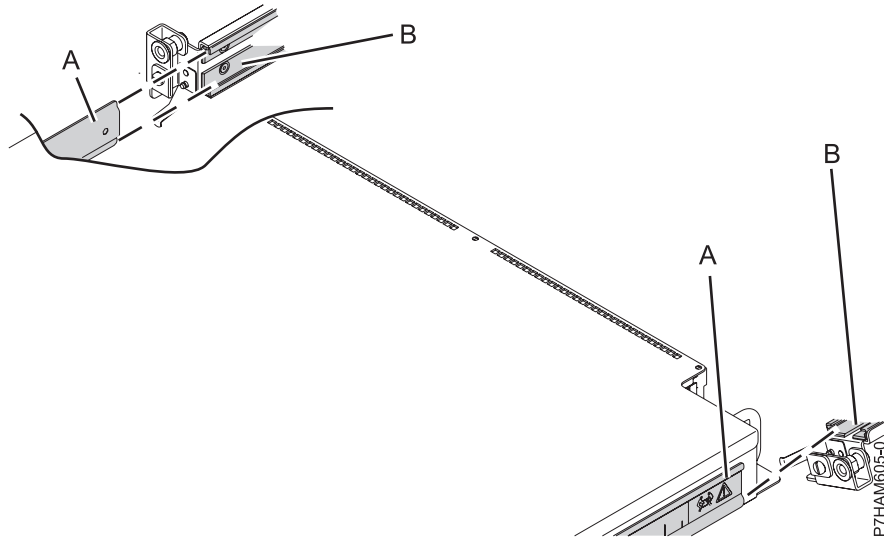


Figure 8. Reviewing the enclosure attachment to the rails

- Attention:** Due to the precision required to align and connect these parts, you must use two people to move the enclosure. Using fewer than two people can result in damage to the enclosure.
- b. Position one person on each side of the PCIe storage enclosure and lift the enclosure. At the front of the rack, position the rear of the enclosure in front of the rails.
 - c. On one side of the enclosure, insert the chassis bracket guide (A) into the rail sheath (B) opening, as shown in Figure 9. Repeat this operation on the other side.

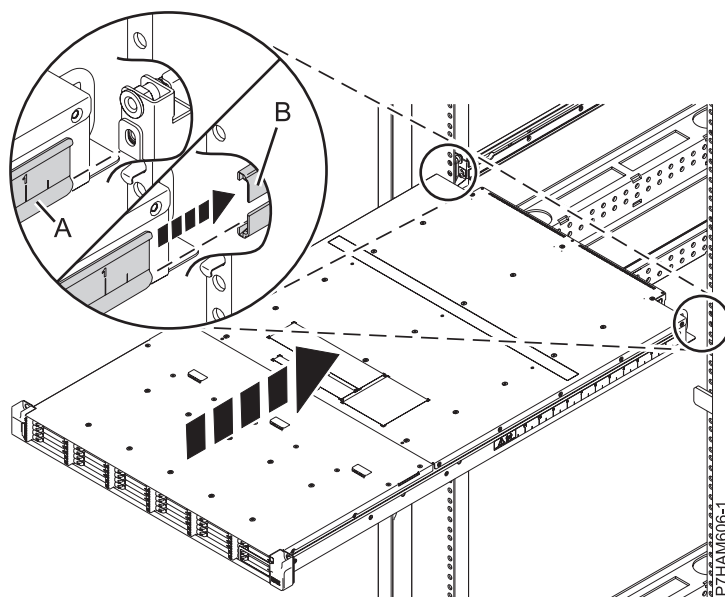


Figure 9. Fitting the enclosure into the rail sheath

- d. When the chassis bracket guides are firmly seated on both sides of the enclosure, slide the enclosure gently into the rack cabinet, as shown in Figure 10.

CAUTION:

Ensure that no one's fingers are located between the enclosure and the cable management bracket when you slide the enclosure into the rack cabinet.

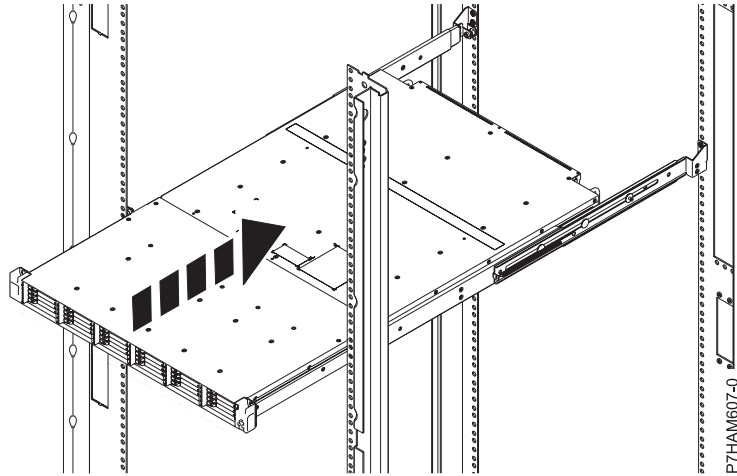


Figure 10. Sliding the disk drive enclosure into the rack

- e. Secure the front of the enclosure to the rack flanges by applying the securing screws (A) through the top open holes in each bracket and into the top EIA holes, as shown in Figure 11.

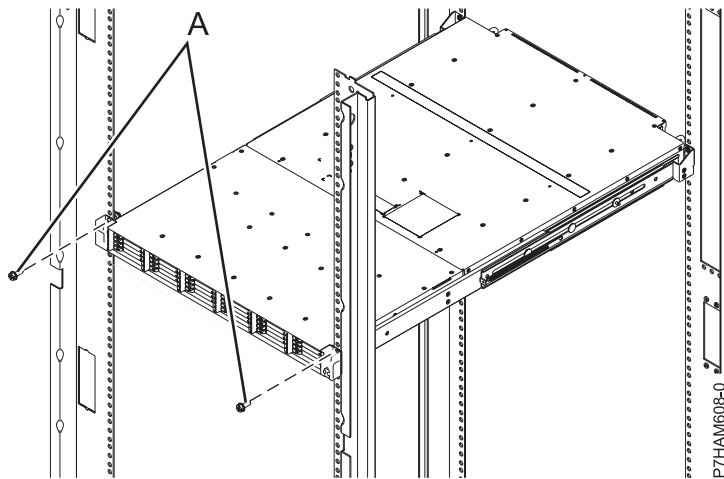


Figure 11. Securing the front of the enclosure to the rack

- f. At the rear of the rack, install the power cables (A), as shown in Figure 12 on page 11. Use Velcro ties to secure the power cords to the cable management bracket.

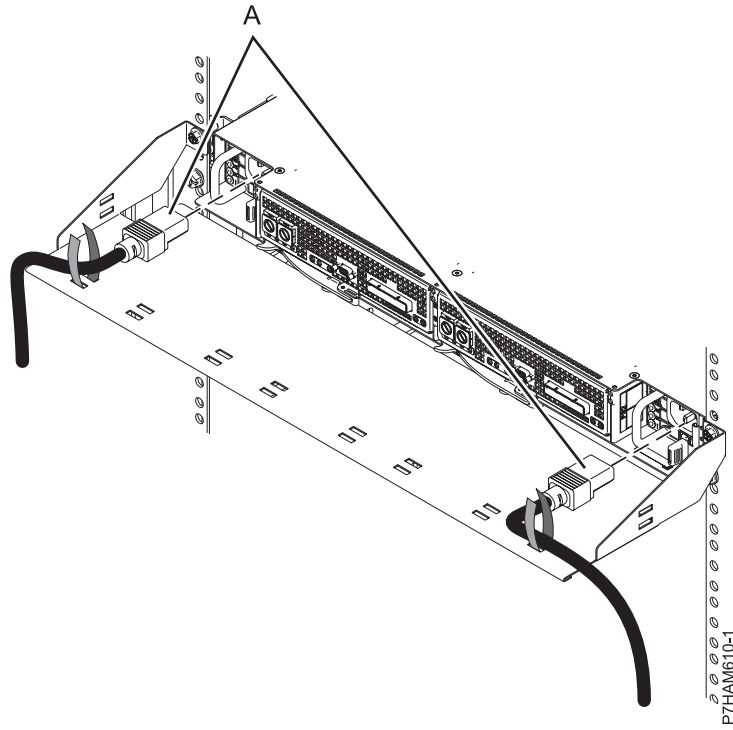


Figure 12. Installing the power cords

7. Identify the configuration and cable requirements for adding the PCIe storage enclosure to the system.

Note: This enclosure uses PCIe cables to connect to the system.

- a. Identify the configuration option that you will use to add the PCIe storage enclosure to the system. The following examples provide possible configurations:
 - Connect a system that has one GX adapter to a single storage enclosure, as shown in the following figure.

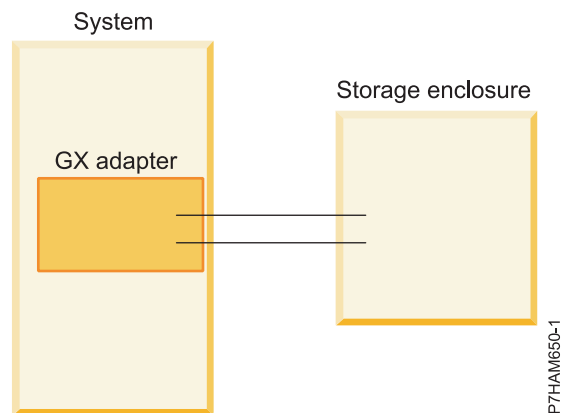


Figure 13. Example of a system that has one GX adapter connected to a single storage enclosure

- Connect a system that has two GX adapters to two storage enclosures, as shown in the following figure.

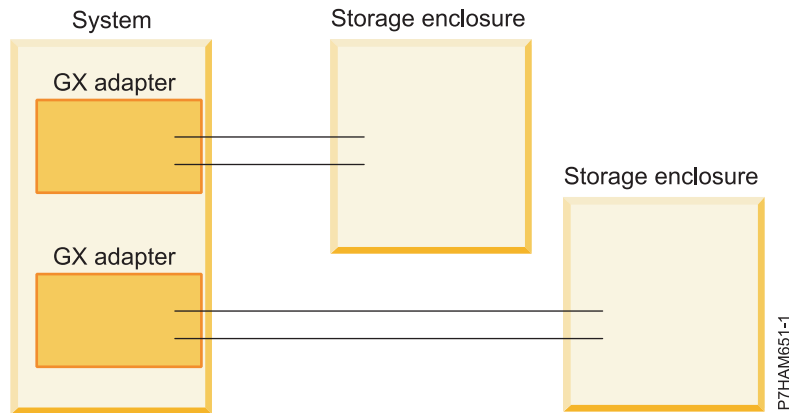


Figure 14. Example of a system that has two GX adapters connected to two storage enclosures

- Connect a system that has two GX adapters to a single storage enclosure, as shown in the following figure.

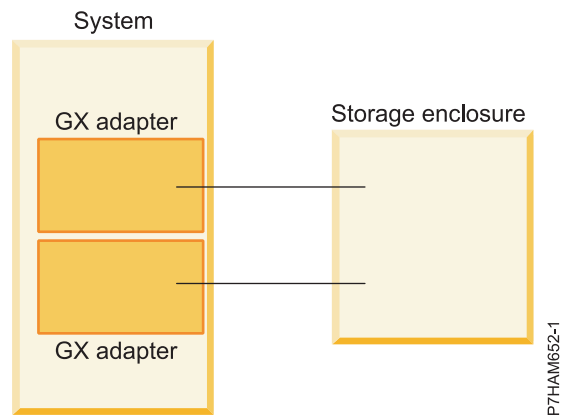


Figure 15. Example of a system that has two GX adapters connected to a single storage enclosure

- Connect a system that has two GX adapters to two storage enclosures for high availability, as shown in the following figure.

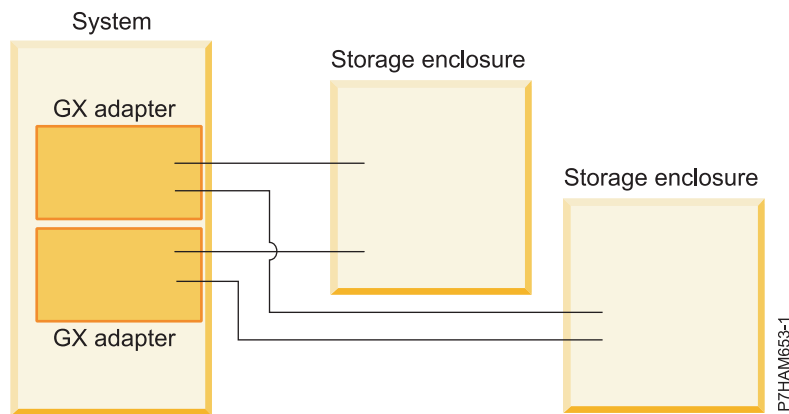


Figure 16. Example of a system that has two GX adapters connected to two storage enclosures for high availability

- Connect two systems, each with a GX adapter, to a single storage enclosure for high availability, as shown in the following figure.

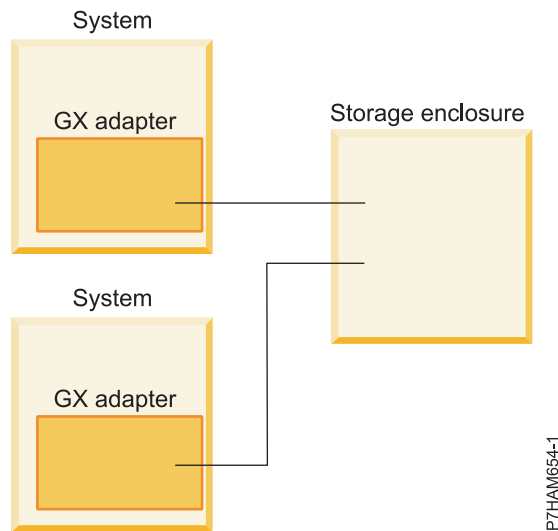


Figure 17. Example of two systems, each with a GX adapter, connected to a single storage enclosure for high availability

- b. Review connector information pertaining to the hardware in your configuration as follows:
 - 1) Adapter cables attach to ports at the rear of the systems in which the adapters are installed. To identify the PCIe port location for the system in your configuration, see “Connector locations” on page 17.
 - 2) Adapters are cabled to the 58/88 by using ports at the rear of the enclosure. To learn about the enclosure ports used in the following options, see “Model 58/88 connector locations” on page 20
8. Cable the PCIe storage enclosure to the system as follows:
 - a. Complete all applicable prerequisites for installing your PCIe storage enclosure. For detailed procedures related to preparing to connect your PCIe storage enclosure, see Preparing to connect your PCIe storage enclosures.
 - b. Add the PCIe storage enclosure to the system as follows:
 - 1) If the system is not already powered off, remove power from the system. For details, see Stopping a system or logical partition (<http://publib.boulder.ibm.com/infocenter/systems/scope/hw/topic/p7haj/crustopsys.htm>).
 - 2) Remove or open the rear cover of the system.
 - 3) Locate the GX adapter or adapters to which the PCIe storage enclosure will be connected.

Note: This procedure assumes that the GX adapter is already installed. If the GX adapter is not installed, stop now and follow the instructions that came with the GX adapter to install it. After the GX adapter is installed, continue with the steps in this procedure to connect the PCI storage enclosure.

 - 4) Using PCIe cables, connect the PCIe storage enclosure to the GX adapters identified in step 8b3.

Note: If you are connecting a PCIe cable to an unused PCIe connector that is covered with a plastic or metal clip, remove the clip before installing the PCIe cable.

 - 5) Close the rear cover of the system.

- 6) If the power cords for the PCIe storage enclosure are not connected to the power source, connect them now. Then connect the power cords to the power supplies on the PCIe storage enclosure.

Note: The power cords might already be connected if this is the first time that you are connecting an enclosure that was delivered already mounted in a rack.

- 7) Power on the system. For details, see Starting the system or logical partition (<http://publib.boulder.ibm.com/infocenter/systems/scope/hw/topic/p7haj/crustartsys.htm>).
- 8) Check for and handle new serviceable events that were generated during the procedure by completing the following steps:
 - a) Choose one the following options.

Important: Multiple options might apply to your configuration. Choose only the first option that applies.

- If your system is managed by a Hardware Management Console (HMC), complete the following steps:
 - i. In the navigation area, click **Serviceability > Manage Serviceable Events**.
 - ii. Continue with step 8b8b.
 - If your system is managed by a Systems Director Management Console (SDMC), complete the following steps:
 - i. On the Welcome page, click the **Manage** tab.
 - ii. Click **Service and Support Manager > Serviceable Problems**.
 - iii. Continue with step 8b8b.
 - If your system is not managed by an HMC or SDMC and has a partition running the Virtual I/O Server (VIOS) operating system, complete the following steps:
 - i. Log in as the padmin user. If you need assistance, contact the system administrator.
 - ii. Type `diagmenu -d sysplanar0 -E xx` and press Enter, where `xx` is a number 1 - 60 that specifies a number of days. This command returns results for the most recent number of days specified. The suggested range is 30 days.
 - iii. On the DIAGNOSTIC MODE SELECTION display, highlight the **Problem Determination** option, and press Enter.
 - iv. Continue with step 8b8b.
 - If your system is not managed by an HMC or SDMC and has a partition running the AIX® operating system, complete the following steps:
 - i. Log in as the root user, or use the CE login. If you need assistance, contact the system administrator.
 - ii. Type `diag -d sysplanar0 -E xx` and press Enter, where `xx` is a number 1 - 60 that specifies a number of days. This command returns results for the most recent number of days specified. The suggested range is 30 days.
 - iii. On the DIAGNOSTIC MODE SELECTION display, highlight the **Problem Determination** option, and press Enter.
 - iv. Continue with step 8b8b.
 - If your system is not managed by an HMC or SDMC and has a partition running the Linux operating system, complete the following steps:
 - i. Log in as the root user. If you need assistance, contact the system administrator.
 - ii. Type `servicelog -query='serviceable=1 AND closed=0 AND time_event>="yyyy-mm-dd"'` (where `yyyy-mm-dd` is the day on which the procedure occurred). Press Enter.
 - iii. Continue with step 8b8b.
- b) Specify event criteria that includes events that were generated during the procedure.

- c) Perform problem analysis on open serviceable events before continuing. If you need assistance, contact your service provider.
- 9) Verify the new configuration. For details, see Verifying that the new configuration is functioning (http://publib.boulder.ibm.com/infocenter/systems/scope/hw/topic/p7ham/p7ham_pcistor_connverify.htm).

You have completed the addition of your PCIe storage enclosure.

9. Configure the SSDs of the PCIe storage enclosure as required for your operating system and system configuration.

- a. Review the following information:

The 58/88 PCIe storage enclosure can hold up to 30 solid state drives (SSDs). The SSDs are physically organized in a single device partition within the enclosure. The devices cannot be split into separate physical groups.

The 58/88 PCIe storage enclosure supports the following operating systems:

- AIX
- Linux
- VIOS

Note: VIOS does not support the 58/88 PCIe storage enclosure for an client.

To determine the level of software that you need to support the PCIe storage enclosure, see IBM Prerequisite.

Tip: If you are planning to configure RAID arrays, ensure that you have the minimum number of available disks for each RAID level:

RAID 0

Minimum of one drive per array

RAID 5

Minimum of three drives per array

RAID 6

Minimum of four drives per array

RAID 10

Minimum of two drives per array

For additional SAS RAID controller information for the AIX operating system, see SAS RAID controller for AIX.

For additional SAS RAID controller information for the Linux operating system, see SAS RAID controller for Linux .

Reference information

Use information in this section as needed to complete enclosure installation and configuration tasks.

Connector locations

Learn about 12X and system power control network (SPCN) connector locations.

Server connectors

Learn about connector locations for servers.

Model 02E/4B connector locations

Learn about connector locations on rack-mounted and stand-alone models.

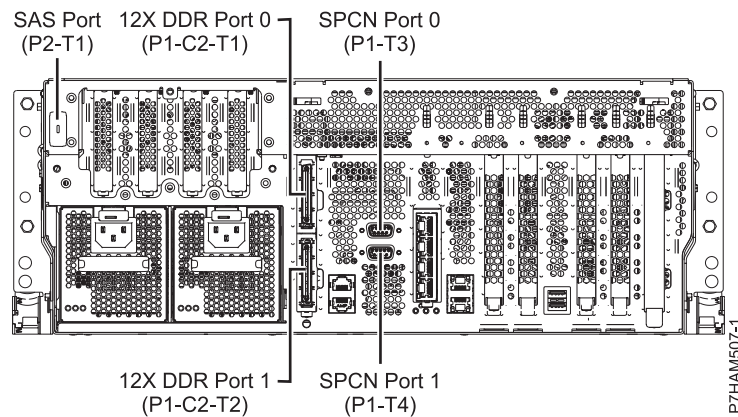


Figure 18. Model 02E/4B connector locations on a rack-mounted model

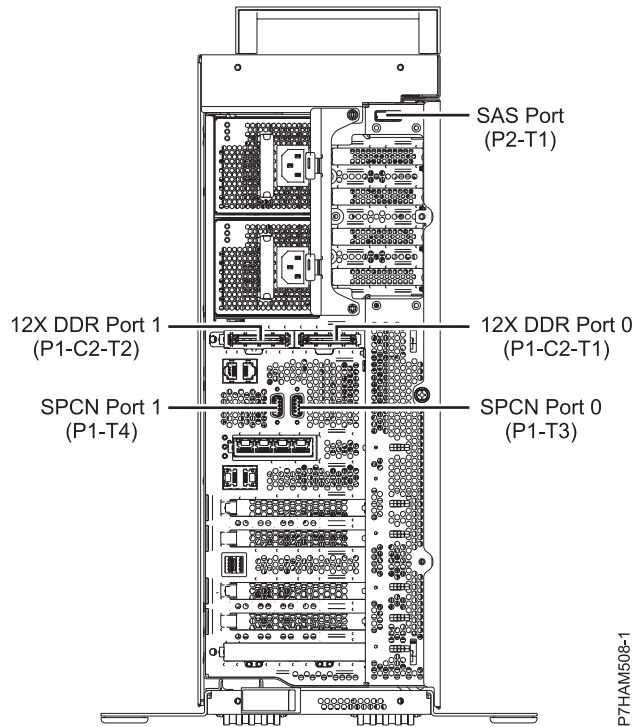


Figure 19. Model 02E/4B connector locations on a stand-alone model

Model 02E/4C connector locations

Learn about connector locations on rack-mounted models.

Notes: The 02E/4C server supports 12X DDR and PCIe cable connector locations as follows:

- The card installed in the C1 slot can contain either two 12X DDR cable ports for I/O expansion unit support or one PCIe cable port for PCIe storage enclosure support. The C1 slot cannot provide both 12X DDR and PCIe cable ports.
- The card installed in the C8 slot can contain either two 12X DDR cable ports for I/O expansion unit support or one PCIe cable port for PCIe storage enclosure support. The C8 slot cannot provide both 12X DDR and PCIe cable ports.
- The port card type installed in the C1 slot can differ from the port card type installed in the C8 slot.
- The location and use of the SAS port are unaffected by the types of ports found in the C1 and C8 slots.
- The 02E/4C server supports one GX adapter, which can be installed in the C1 slot.

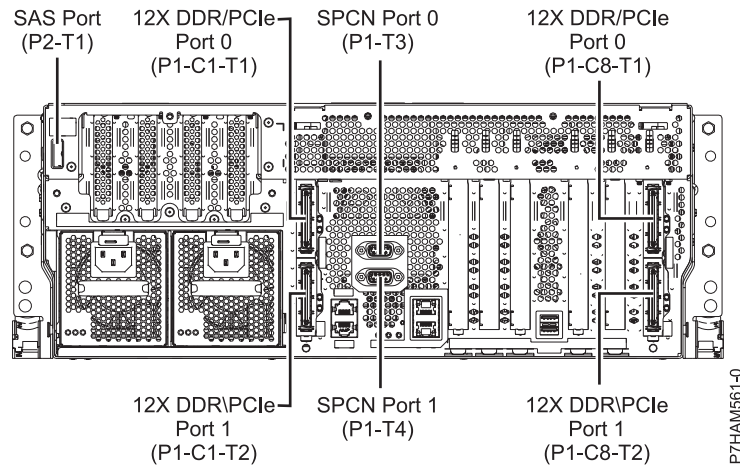


Figure 20. Model 02E/4C connector locations on a rack-mounted model

Model 31E/1C or 31E/2C connector locations

Learn about connector locations.

Notes: The 31E/1C and 31E/2C servers support 12X DDR and PCIe cable connector locations as follows:

- The card installed in the C1 slot can contain either two 12X DDR cable ports for I/O expansion unit support or one PCIe cable port for PCIe storage enclosure support. The C1 slot cannot provide both 12X DDR and PCIe cable ports.
- The card installed in the C7 slot can contain either two 12X DDR cable ports for I/O expansion unit support or one PCIe cable port for PCIe storage enclosure support. The C7 slot cannot provide both 12X DDR and PCIe cable ports.
- The port card type installed in the C1 slot can differ from the port card type installed in the C7 slot.
- The location and use of the SAS port are unaffected by the types of ports found in the C1 and C7 slots.
- The 31E/1C server supports one GX adapter, which can be installed in the C1 slot.
- The 31E/2C server supports two GX adapters, which can be installed in the C1 and C7 slots.

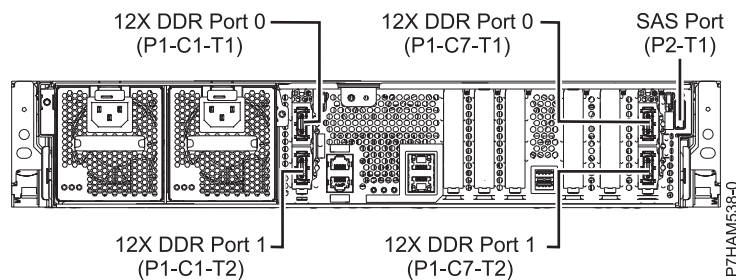


Figure 21. Model 31E/1C or 31E/2C showing all 12X connector locations

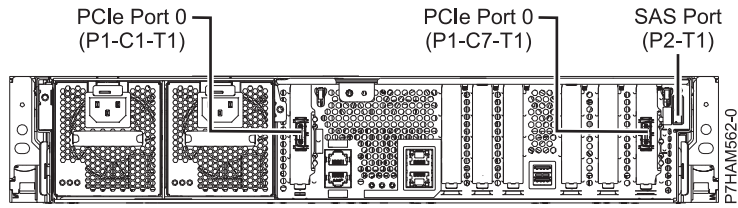


Figure 22. Model 31E/1C or 31E/2C showing all PCIe connector locations

Enclosure connectors

Learn about connector locations for I/O enclosures.

Model 58/88 connector locations

Learn about connector locations.

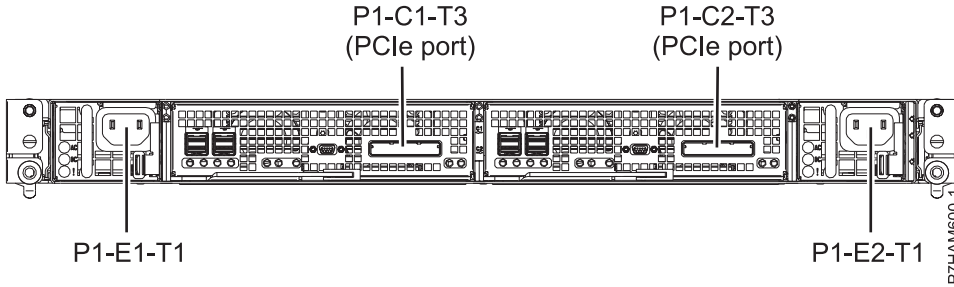


Figure 23. Model 58/88 connector locations

Notices

This information was developed for products and services offered in the U.S.A.

The manufacturer may not offer the products, services, or features discussed in this document in other countries. Consult the manufacturer's representative for information on the products and services currently available in your area. Any reference to the manufacturer's product, program, or service is not intended to state or imply that only that product, program, or service may be used. Any functionally equivalent product, program, or service that does not infringe any intellectual property right of the manufacturer may be used instead. However, it is the user's responsibility to evaluate and verify the operation of any product, program, or service.

The manufacturer may have patents or pending patent applications covering subject matter described in this document. The furnishing of this document does not grant you any license to these patents. You can send license inquiries, in writing, to the manufacturer.

The following paragraph does not apply to the United Kingdom or any other country where such provisions are inconsistent with local law: THIS PUBLICATION IS PROVIDED "AS IS" WITHOUT WARRANTY OF ANY KIND, EITHER EXPRESS OR IMPLIED, INCLUDING, BUT NOT LIMITED TO, THE IMPLIED WARRANTIES OF NON-INFRINGEMENT, MERCHANTABILITY OR FITNESS FOR A PARTICULAR PURPOSE. Some states do not allow disclaimer of express or implied warranties in certain transactions, therefore, this statement may not apply to you.

This information could include technical inaccuracies or typographical errors. Changes are periodically made to the information herein; these changes will be incorporated in new editions of the publication. The manufacturer may make improvements and/or changes in the product(s) and/or the program(s) described in this publication at any time without notice.

Any references in this information to websites not owned by the manufacturer are provided for convenience only and do not in any manner serve as an endorsement of those websites. The materials at those websites are not part of the materials for this product and use of those websites is at your own risk.

The manufacturer may use or distribute any of the information you supply in any way it believes appropriate without incurring any obligation to you.

Any performance data contained herein was determined in a controlled environment. Therefore, the results obtained in other operating environments may vary significantly. Some measurements may have been made on development-level systems and there is no guarantee that these measurements will be the same on generally available systems. Furthermore, some measurements may have been estimated through extrapolation. Actual results may vary. Users of this document should verify the applicable data for their specific environment.

Information concerning products not produced by this manufacturer was obtained from the suppliers of those products, their published announcements or other publicly available sources. This manufacturer has not tested those products and cannot confirm the accuracy of performance, compatibility or any other claims related to products not produced by this manufacturer. Questions on the capabilities of products not produced by this manufacturer should be addressed to the suppliers of those products.

All statements regarding the manufacturer's future direction or intent are subject to change or withdrawal without notice, and represent goals and objectives only.

The manufacturer's prices shown are the manufacturer's suggested retail prices, are current and are subject to change without notice. Dealer prices may vary.

This information is for planning purposes only. The information herein is subject to change before the products described become available.

This information contains examples of data and reports used in daily business operations. To illustrate them as completely as possible, the examples include the names of individuals, companies, brands, and products. All of these names are fictitious and any similarity to the names and addresses used by an actual business enterprise is entirely coincidental.

If you are viewing this information in softcopy, the photographs and color illustrations may not appear.

The drawings and specifications contained herein shall not be reproduced in whole or in part without the written permission of the manufacturer.

The manufacturer has prepared this information for use with the specific machines indicated. The manufacturer makes no representations that it is suitable for any other purpose.

The manufacturer's computer systems contain mechanisms designed to reduce the possibility of undetected data corruption or loss. This risk, however, cannot be eliminated. Users who experience unplanned outages, system failures, power fluctuations or outages, or component failures must verify the accuracy of operations performed and data saved or transmitted by the system at or near the time of the outage or failure. In addition, users must establish procedures to ensure that there is independent data verification before relying on such data in sensitive or critical operations. Users should periodically check the manufacturer's support websites for updated information and fixes applicable to the system and related software.

Ethernet connection usage restriction

This product is not intended to be connected directly or indirectly by any means whatsoever to interfaces of public telecommunications networks.

Trademarks

IBM, the IBM logo, and ibm.com are trademarks or registered trademarks of International Business Machines Corp., registered in many jurisdictions worldwide. Other product and service names might be trademarks of IBM or other companies. A current list of IBM trademarks is available on the web at Copyright and trademark information at www.ibm.com/legal/copytrade.shtml.

Linux is a registered trademark of Linus Torvalds in the United States, other countries, or both.

Other product and service names might be trademarks of IBM or other companies.

Electronic emission notices

When attaching a monitor to the equipment, you must use the designated monitor cable and any interference suppression devices supplied with the monitor.

Class A Notices

The following Class A statements apply to the servers.

Federal Communications Commission (FCC) statement

Note: This equipment has been tested and found to comply with the limits for a Class A digital device, pursuant to Part 15 of the FCC Rules. These limits are designed to provide reasonable protection against harmful interference when the equipment is operated in a commercial environment. This equipment generates, uses, and can radiate radio frequency energy and, if not installed and used in accordance with

the instruction manual, may cause harmful interference to radio communications. Operation of this equipment in a residential area is likely to cause harmful interference, in which case the user will be required to correct the interference at his own expense.

Properly shielded and grounded cables and connectors must be used in order to meet FCC emission limits. IBM is not responsible for any radio or television interference caused by using other than recommended cables and connectors or by unauthorized changes or modifications to this equipment. Unauthorized changes or modifications could void the user's authority to operate the equipment.

This device complies with Part 15 of the FCC rules. Operation is subject to the following two conditions: (1) this device may not cause harmful interference, and (2) this device must accept any interference received, including interference that may cause undesired operation.

Industry Canada Compliance Statement

This Class A digital apparatus complies with Canadian ICES-003.

Avis de conformité à la réglementation d'Industrie Canada

Cet appareil numérique de la classe A est conforme à la norme NMB-003 du Canada.

European Community Compliance Statement

This product is in conformity with the protection requirements of EU Council Directive 2004/108/EC on the approximation of the laws of the Member States relating to electromagnetic compatibility. IBM cannot accept responsibility for any failure to satisfy the protection requirements resulting from a non-recommended modification of the product, including the fitting of non-IBM option cards.

This product has been tested and found to comply with the limits for Class A Information Technology Equipment according to European Standard EN 55022. The limits for Class A equipment were derived for commercial and industrial environments to provide reasonable protection against interference with licensed communication equipment.

European Community contact:
IBM Deutschland GmbH
Technical Regulations, Department M456
IBM-Allee 1, 71139 Ehningen, Germany
Tele: +49 7032 15-2937
email: tjahn@de.ibm.com

Warning: This is a Class A product. In a domestic environment, this product may cause radio interference, in which case the user may be required to take adequate measures.

VCCI Statement - Japan

この装置は、クラスA 情報技術装置です。この装置を家庭環境で使用すると電波妨害を引き起こすことがあります。この場合には使用者が適切な対策を講ずるよう要求されることがあります。

VCCI-A

The following is a summary of the VCCI Japanese statement in the box above:

This is a Class A product based on the standard of the VCCI Council. If this equipment is used in a domestic environment, radio interference may occur, in which case, the user may be required to take corrective actions.

**Japanese Electronics and Information Technology Industries Association (JEITA)
Confirmed Harmonics Guideline (products less than or equal to 20 A per phase)**

高調波ガイドライン適合品

**Japanese Electronics and Information Technology Industries Association (JEITA)
Confirmed Harmonics Guideline with Modifications (products greater than 20 A per phase)**

高調波ガイドライン準用品

Electromagnetic Interference (EMI) Statement - People's Republic of China

声 明

此为 A 级产品,在生活环境
中,该产品可能会造成无线电干
扰。在这种情况下,可能需要用
户对其干扰采取切实可行的措
施。

Declaration: This is a Class A product. In a domestic environment this product may cause radio interference in which case the user may need to perform practical action.

Electromagnetic Interference (EMI) Statement - Taiwan

警告使用者：

這是甲類的資訊產品，在居住的環境中使用時，可能會造成射頻干擾，在這種情況下，使用者會被要求採取某些適當的對策。

The following is a summary of the EMI Taiwan statement above.

Warning: This is a Class A product. In a domestic environment this product may cause radio interference in which case the user will be required to take adequate measures.

Electromagnetic Interference (EMI) Statement - Korea

이 기기는 업무용(A급)으로 전자파적합기기로서 판매자 또는 사용자는 이 점을 주의하시기 바라며, 가정외의 지역에서 사용하는 것을 목적으로 합니다.

Germany Compliance Statement

Deutschsprachiger EU Hinweis: Hinweis für Geräte der Klasse A EU-Richtlinie zur Elektromagnetischen Verträglichkeit

Dieses Produkt entspricht den Schutzanforderungen der EU-Richtlinie 2004/108/EG zur Angleichung der Rechtsvorschriften über die elektromagnetische Verträglichkeit in den EU-Mitgliedsstaaten und hält die Grenzwerte der EN 55022 Klasse A ein.

Um dieses sicherzustellen, sind die Geräte wie in den Handbüchern beschrieben zu installieren und zu betreiben. Des Weiteren dürfen auch nur von der IBM empfohlene Kabel angeschlossen werden. IBM übernimmt keine Verantwortung für die Einhaltung der Schutzanforderungen, wenn das Produkt ohne Zustimmung von IBM verändert bzw. wenn Erweiterungskomponenten von Fremdherstellern ohne Empfehlung von IBM gesteckt/eingebaut werden.

EN 55022 Klasse A Geräte müssen mit folgendem Warnhinweis versehen werden:
"Warnung: Dieses ist eine Einrichtung der Klasse A. Diese Einrichtung kann im Wohnbereich Funk-Störungen verursachen; in diesem Fall kann vom Betreiber verlangt werden, angemessene Maßnahmen zu ergreifen und dafür aufzukommen."

Deutschland: Einhaltung des Gesetzes über die elektromagnetische Verträglichkeit von Geräten

Dieses Produkt entspricht dem "Gesetz über die elektromagnetische Verträglichkeit von Geräten (EMVG)". Dies ist die Umsetzung der EU-Richtlinie 2004/108/EG in der Bundesrepublik Deutschland.

Zulassungsbescheinigung laut dem Deutschen Gesetz über die elektromagnetische Verträglichkeit von Geräten (EMVG) (bzw. der EMC EG Richtlinie 2004/108/EG) für Geräte der Klasse A

Dieses Gerät ist berechtigt, in Übereinstimmung mit dem Deutschen EMVG das EG-Konformitätszeichen - CE - zu führen.

Verantwortlich für die Einhaltung der EMV Vorschriften ist der Hersteller:
International Business Machines Corp.
New Orchard Road
Armonk, New York 10504
Tel: 914-499-1900

Der verantwortliche Ansprechpartner des Herstellers in der EU ist:
IBM Deutschland GmbH
Technical Regulations, Abteilung M456
IBM-Allee 1, 71139 Ehningen, Germany
Tel: +49 7032 15-2937
email: tjahn@de.ibm.com

Generelle Informationen:

Das Gerät erfüllt die Schutzanforderungen nach EN 55024 und EN 55022 Klasse A.

Electromagnetic Interference (EMI) Statement - Russia

ВНИМАНИЕ! Настоящее изделие относится к классу А.
В жилых помещениях оно может создавать радиопомехи, для снижения которых необходимы дополнительные меры

Class B Notices

The following Class B statements apply to features designated as electromagnetic compatibility (EMC) Class B in the feature installation information.

Federal Communications Commission (FCC) statement

This equipment has been tested and found to comply with the limits for a Class B digital device, pursuant to Part 15 of the FCC Rules. These limits are designed to provide reasonable protection against harmful interference in a residential installation.

This equipment generates, uses, and can radiate radio frequency energy and, if not installed and used in accordance with the instructions, may cause harmful interference to radio communications. However, there is no guarantee that interference will not occur in a particular installation.

If this equipment does cause harmful interference to radio or television reception, which can be determined by turning the equipment off and on, the user is encouraged to try to correct the interference by one or more of the following measures:

- Reorient or relocate the receiving antenna.
- Increase the separation between the equipment and receiver.
- Connect the equipment into an outlet on a circuit different from that to which the receiver is connected.
- Consult an IBM-authorized dealer or service representative for help.

Properly shielded and grounded cables and connectors must be used in order to meet FCC emission limits. Proper cables and connectors are available from IBM-authorized dealers. IBM is not responsible for any radio or television interference caused by unauthorized changes or modifications to this equipment. Unauthorized changes or modifications could void the user's authority to operate this equipment.

This device complies with Part 15 of the FCC rules. Operation is subject to the following two conditions: (1) this device may not cause harmful interference, and (2) this device must accept any interference received, including interference that may cause undesired operation.

Industry Canada Compliance Statement

This Class B digital apparatus complies with Canadian ICES-003.

Avis de conformité à la réglementation d'Industrie Canada

Cet appareil numérique de la classe B est conforme à la norme NMB-003 du Canada.

European Community Compliance Statement

This product is in conformity with the protection requirements of EU Council Directive 2004/108/EC on the approximation of the laws of the Member States relating to electromagnetic compatibility. IBM cannot accept responsibility for any failure to satisfy the protection requirements resulting from a non-recommended modification of the product, including the fitting of non-IBM option cards.

This product has been tested and found to comply with the limits for Class B Information Technology Equipment according to European Standard EN 55022. The limits for Class B equipment were derived for typical residential environments to provide reasonable protection against interference with licensed communication equipment.

European Community contact:
IBM Deutschland GmbH
Technical Regulations, Department M456
IBM-Allee 1, 71139 Ehningen, Germany
Tele: +49 7032 15-2937
email: tjahn@de.ibm.com

VCCI Statement - Japan

この装置は、クラスB情報技術装置です。この装置は、家庭環境で使用することを目的としていますが、この装置がラジオやテレビジョン受信機に近接して使用されると、受信障害を引き起こすことがあります。

取扱説明書に従って正しい取り扱いをして下さい。 VCCI-B

Japanese Electronics and Information Technology Industries Association (JEITA) Confirmed Harmonics Guideline (products less than or equal to 20 A per phase)

高調波ガイドライン適合品

Japanese Electronics and Information Technology Industries Association (JEITA) Confirmed Harmonics Guideline with Modifications (products greater than 20 A per phase)

高調波ガイドライン準用品

Electromagnetic Interference (EMI) Statement - Korea

이 기기는 가정용(B급)으로 전자파적합기기로서 주로 가정에서 사용하는 것을 목적으로 하며, 모든 지역에서 사용할 수 있습니다.

Germany Compliance Statement

Deutschsprachiger EU Hinweis: Hinweis für Geräte der Klasse B EU-Richtlinie zur Elektromagnetischen Verträglichkeit

Dieses Produkt entspricht den Schutzanforderungen der EU-Richtlinie 2004/108/EG zur Angleichung der Rechtsvorschriften über die elektromagnetische Verträglichkeit in den EU-Mitgliedsstaaten und hält die Grenzwerte der EN 55022 Klasse B ein.

Um dieses sicherzustellen, sind die Geräte wie in den Handbüchern beschrieben zu installieren und zu betreiben. Des Weiteren dürfen auch nur von der IBM empfohlene Kabel angeschlossen werden. IBM übernimmt keine Verantwortung für die Einhaltung der Schutzanforderungen, wenn das Produkt ohne Zustimmung von IBM verändert bzw. wenn Erweiterungskomponenten von Fremdherstellern ohne Empfehlung von IBM gesteckt/eingebaut werden.

Deutschland: Einhaltung des Gesetzes über die elektromagnetische Verträglichkeit von Geräten

Dieses Produkt entspricht dem "Gesetz über die elektromagnetische Verträglichkeit von Geräten (EMVG)". Dies ist die Umsetzung der EU-Richtlinie 2004/108/EG in der Bundesrepublik Deutschland.

Zulassungsbescheinigung laut dem Deutschen Gesetz über die elektromagnetische Verträglichkeit von Geräten (EMVG) (bzw. der EMC EG Richtlinie 2004/108/EG) für Geräte der Klasse B

Dieses Gerät ist berechtigt, in Übereinstimmung mit dem Deutschen EMVG das EG-Konformitätszeichen - CE - zu führen.

Verantwortlich für die Einhaltung der EMV Vorschriften ist der Hersteller:
International Business Machines Corp.
New Orchard Road
Armonk, New York 10504
Tel: 914-499-1900

Der verantwortliche Ansprechpartner des Herstellers in der EU ist:
IBM Deutschland GmbH
Technical Regulations, Abteilung M456
IBM-Allee 1, 71139 Ehningen, Germany
Tel: +49 7032 15-2937
email: tjahn@de.ibm.com

Generelle Informationen:

Das Gerät erfüllt die Schutzanforderungen nach EN 55024 und EN 55022 Klasse B.

Terms and conditions

Permissions for the use of these publications are granted subject to the following terms and conditions.

Applicability: These terms and conditions are in addition to any terms of use for the the manufacturer website.

Personal Use: You may reproduce these publications for your personal, noncommercial use provided that all proprietary notices are preserved. You may not distribute, display or make derivative works of these publications, or any portion thereof, without the express consent of the manufacturer.

Commercial Use: You may reproduce, distribute and display these publications solely within your enterprise provided that all proprietary notices are preserved. You may not make derivative works of

these publications, or reproduce, distribute or display these publications or any portion thereof outside your enterprise, without the express consent of the manufacturer.

Rights: Except as expressly granted in this permission, no other permissions, licenses or rights are granted, either express or implied, to the Publications or any information, data, software or other intellectual property contained therein.

The manufacturer reserves the right to withdraw the permissions granted herein whenever, in its discretion, the use of the publications is detrimental to its interest or, as determined by the manufacturer, the above instructions are not being properly followed.

You may not download, export or re-export this information except in full compliance with all applicable laws and regulations, including all United States export laws and regulations.

THE MANUFACTURER MAKES NO GUARANTEE ABOUT THE CONTENT OF THESE PUBLICATIONS. THE PUBLICATIONS ARE PROVIDED "AS-IS" AND WITHOUT WARRANTY OF ANY KIND, EITHER EXPRESSED OR IMPLIED, INCLUDING BUT NOT LIMITED TO IMPLIED WARRANTIES OF MERCHANTABILITY, NON-INFRINGEMENT, AND FITNESS FOR A PARTICULAR PURPOSE.

