

Installing the 5887 disk drive enclosure

ESCALA Power7



REFERENCE
86 A1 67FG 04

Installing the 5887 disk drive enclosure

The ESCALA Power7 publications concern the following models:

- Bull Escala E1-700 (Power 710 / 8231-E2B)
- Bull Escala E1-705 (Power 710 / 8231-E1C)
- Bull Escala E2-700 / E2-700T (Power 720 / 8202-E4B)
- Bull Escala E2-705 / E2-705T (Power 720 / 8202-E4C)
- Bull Escala E3-700 (Power 730 / 8231-E2B)
- Bull Escala E3-705 (Power 730 / 8231-E2C)
- Bull Escala E4-700 / E4-700T (Power 740 / 8205-E6B)
- Bull Escala E4-705 (Power 740 / 8205-E6C)
- Bull Escala E5-700 (Power 750 / 8233-E8B)
- Bull Escala M6-700 (Power 770 / 9117-MMB)
- Bull Escala M6-705 (Power 770 / 9117-MMC)
- Bull Escala M6-715 (Power 770 / 9117-MMD)
- Bull Escala M7-700 (Power 780 / 9179-MHB)
- Bull Escala M7-705 (Power 780 / 9179-MHC)
- Bull Escala M7-715 (Power 780 / 9179-MHD)

References to Power 755 / 8236-E8C models are irrelevant.

Hardware

November 2012

BULL CEDOC
357 AVENUE PATTON
B.P.20845
49008 ANGERS CEDEX 01
FRANCE

REFERENCE
86 A1 67FG 04

The following copyright notice protects this book under Copyright laws which prohibit such actions as, but not limited to, copying, distributing, modifying, and making derivative works.

Copyright © Bull SAS 2012

Printed in France

Trademarks and Acknowledgements

We acknowledge the rights of the proprietors of the trademarks mentioned in this manual.

All brand names and software and hardware product names are subject to trademark and/or patent protection.

Quoting of brand and product names is for information purposes only and does not represent trademark misuse.

The information in this document is subject to change without notice. Bull will not be liable for errors contained herein, or for incidental or consequential damages in connection with the use of this material.

Contents

Safety notices	v
Installing the 58/87 disk drive enclosure	1
Installing the 58/87 disk drive enclosure: Details	3
Reference information	35
Connector locations	35
Server connectors	35
Model 02E/4B connector locations	35
Model 02E/4C connector locations	36
Model 05F/6B connector locations	37
Model 05E/6C connector locations	38
Model 31E/1C connector locations	38
Model 31E/2C connector locations	39
Model 31E/2B connector locations	40
Model 33E/8B connector locations	40
Model 46L/1S connector locations	41
Model 46L/2S connector locations	41
Model 17M/MB or 79M/HB connector locations	41
Model 17M/MC, 17M/MD, 79M/HC, or 79M/HD connector locations	42
Enclosure connectors	42
Model 58/87 connector locations	42
Notices	43
Trademarks	44
Electronic emission notices	44
Class A Notices	44
Class B Notices	48
Terms and conditions	50

Safety notices

Safety notices may be printed throughout this guide.

- **DANGER** notices call attention to a situation that is potentially lethal or extremely hazardous to people.
- **CAUTION** notices call attention to a situation that is potentially hazardous to people because of some existing condition.
- **Attention** notices call attention to the possibility of damage to a program, device, system, or data.

World Trade safety information

Several countries require the safety information contained in product publications to be presented in their national languages. If this requirement applies to your country, a safety information booklet is included in the publications package shipped with the product. The booklet contains the safety information in your national language with references to the U.S. English source. Before using a U.S. English publication to install, operate, or service this product, you must first become familiar with the related safety information in the booklet. You should also refer to the booklet any time you do not clearly understand any safety information in the U.S. English publications.

Laser safety information

The servers can use I/O cards or features that are fiber-optic based and that utilize lasers or LEDs.

Laser compliance

The servers may be installed inside or outside of an IT equipment rack.

DANGER

When working on or around the system, observe the following precautions:

Electrical voltage and current from power, telephone, and communication cables are hazardous. To avoid a shock hazard:

- Connect power to this unit only with the provided power cord. Do not use the provided power cord for any other product.
- Do not open or service any power supply assembly.
- Do not connect or disconnect any cables or perform installation, maintenance, or reconfiguration of this product during an electrical storm.
- The product might be equipped with multiple power cords. To remove all hazardous voltages, disconnect all power cords.
- Connect all power cords to a properly wired and grounded electrical outlet. Ensure that the outlet supplies proper voltage and phase rotation according to the system rating plate.
- Connect any equipment that will be attached to this product to properly wired outlets.
- When possible, use one hand only to connect or disconnect signal cables.
- Never turn on any equipment when there is evidence of fire, water, or structural damage.
- Disconnect the attached power cords, telecommunications systems, networks, and modems before you open the device covers, unless instructed otherwise in the installation and configuration procedures.
- Connect and disconnect cables as described in the following procedures when installing, moving, or opening covers on this product or attached devices.

To Disconnect:

1. Turn off everything (unless instructed otherwise).
2. Remove the power cords from the outlets.
3. Remove the signal cables from the connectors.
4. Remove all cables from the devices.

To Connect:

1. Turn off everything (unless instructed otherwise).
2. Attach all cables to the devices.
3. Attach the signal cables to the connectors.
4. Attach the power cords to the outlets.
5. Turn on the devices.

(D005a)

DANGER

Observe the following precautions when working on or around your IT rack system:

- Heavy equipment—personal injury or equipment damage might result if mishandled.
- Always lower the leveling pads on the rack cabinet.
- Always install stabilizer brackets on the rack cabinet.
- To avoid hazardous conditions due to uneven mechanical loading, always install the heaviest devices in the bottom of the rack cabinet. Always install servers and optional devices starting from the bottom of the rack cabinet.
- Rack-mounted devices are not to be used as shelves or work spaces. Do not place objects on top of rack-mounted devices.



- Each rack cabinet might have more than one power cord. Be sure to disconnect all power cords in the rack cabinet when directed to disconnect power during servicing.
- Connect all devices installed in a rack cabinet to power devices installed in the same rack cabinet. Do not plug a power cord from a device installed in one rack cabinet into a power device installed in a different rack cabinet.
- An electrical outlet that is not correctly wired could place hazardous voltage on the metal parts of the system or the devices that attach to the system. It is the responsibility of the customer to ensure that the outlet is correctly wired and grounded to prevent an electrical shock.

CAUTION

- Do not install a unit in a rack where the internal rack ambient temperatures will exceed the manufacturer's recommended ambient temperature for all your rack-mounted devices.
- Do not install a unit in a rack where the air flow is compromised. Ensure that air flow is not blocked or reduced on any side, front, or back of a unit used for air flow through the unit.
- Consideration should be given to the connection of the equipment to the supply circuit so that overloading of the circuits does not compromise the supply wiring or overcurrent protection. To provide the correct power connection to a rack, refer to the rating labels located on the equipment in the rack to determine the total power requirement of the supply circuit.
- *(For sliding drawers.)* Do not pull out or install any drawer or feature if the rack stabilizer brackets are not attached to the rack. Do not pull out more than one drawer at a time. The rack might become unstable if you pull out more than one drawer at a time.
- *(For fixed drawers.)* This drawer is a fixed drawer and must not be moved for servicing unless specified by the manufacturer. Attempting to move the drawer partially or completely out of the rack might cause the rack to become unstable or cause the drawer to fall out of the rack.

(R001)

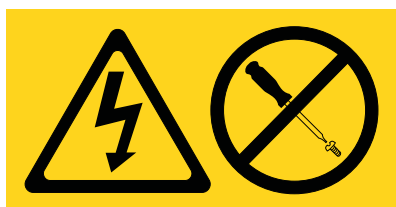
CAUTION:

Removing components from the upper positions in the rack cabinet improves rack stability during relocation. Follow these general guidelines whenever you relocate a populated rack cabinet within a room or building:

- Reduce the weight of the rack cabinet by removing equipment starting at the top of the rack cabinet. When possible, restore the rack cabinet to the configuration of the rack cabinet as you received it. If this configuration is not known, you must observe the following precautions:
 - Remove all devices in the 32U position and above.
 - Ensure that the heaviest devices are installed in the bottom of the rack cabinet.
 - Ensure that there are no empty U-levels between devices installed in the rack cabinet below the 32U level.
- If the rack cabinet you are relocating is part of a suite of rack cabinets, detach the rack cabinet from the suite.
- Inspect the route that you plan to take to eliminate potential hazards.
- Verify that the route that you choose can support the weight of the loaded rack cabinet. Refer to the documentation that comes with your rack cabinet for the weight of a loaded rack cabinet.
- Verify that all door openings are at least 760 x 230 mm (30 x 80 in.).
- Ensure that all devices, shelves, drawers, doors, and cables are secure.
- Ensure that the four leveling pads are raised to their highest position.
- Ensure that there is no stabilizer bracket installed on the rack cabinet during movement.
- Do not use a ramp inclined at more than 10 degrees.
- When the rack cabinet is in the new location, complete the following steps:
 - Lower the four leveling pads.
 - Install stabilizer brackets on the rack cabinet.
 - If you removed any devices from the rack cabinet, repopulate the rack cabinet from the lowest position to the highest position.
- If a long-distance relocation is required, restore the rack cabinet to the configuration of the rack cabinet as you received it. Pack the rack cabinet in the original packaging material, or equivalent. Also lower the leveling pads to raise the casters off of the pallet and bolt the rack cabinet to the pallet.

(R002)

(L001)



(L002)



(L003)



or



All lasers are certified in the U.S. to conform to the requirements of DHHS 21 CFR Subchapter J for class 1 laser products. Outside the U.S., they are certified to be in compliance with IEC 60825 as a class 1 laser product. Consult the label on each part for laser certification numbers and approval information.

CAUTION:

This product might contain one or more of the following devices: CD-ROM drive, DVD-ROM drive, DVD-RAM drive, or laser module, which are Class 1 laser products. Note the following information:

- Do not remove the covers. Removing the covers of the laser product could result in exposure to hazardous laser radiation. There are no serviceable parts inside the device.
- Use of the controls or adjustments or performance of procedures other than those specified herein might result in hazardous radiation exposure.

(C026)

CAUTION:

Data processing environments can contain equipment transmitting on system links with laser modules that operate at greater than Class 1 power levels. For this reason, never look into the end of an optical fiber cable or open receptacle. (C027)

CAUTION:

This product contains a Class 1M laser. Do not view directly with optical instruments. (C028)

CAUTION:

Some laser products contain an embedded Class 3A or Class 3B laser diode. Note the following information: laser radiation when open. Do not stare into the beam, do not view directly with optical instruments, and avoid direct exposure to the beam. (C030)

CAUTION:

The battery contains lithium. To avoid possible explosion, do not burn or charge the battery.

Do Not:

- ___ Throw or immerse into water
- ___ Heat to more than 100°C (212°F)
- ___ Repair or disassemble

Exchange only with the approved part. Recycle or discard the battery as instructed by local regulations. (C003a)

Power and cabling information for NEBS (Network Equipment-Building System) GR-1089-CORE

The following comments apply to the servers that have been designated as conforming to NEBS (Network Equipment-Building System) GR-1089-CORE:

The equipment is suitable for installation in the following:

- Network telecommunications facilities
- Locations where the NEC (National Electrical Code) applies

The intrabuilding ports of this equipment are suitable for connection to intrabuilding or unexposed wiring or cabling only. The intrabuilding ports of this equipment *must not* be metallically connected to the interfaces that connect to the OSP (outside plant) or its wiring. These interfaces are designed for use as intrabuilding interfaces only (Type 2 or Type 4 ports as described in GR-1089-CORE) and require isolation from the exposed OSP cabling. The addition of primary protectors is not sufficient protection to connect these interfaces metallically to OSP wiring.

Note: All Ethernet cables must be shielded and grounded at both ends.

The ac-powered system does not require the use of an external surge protection device (SPD).

The dc-powered system employs an isolated DC return (DC-I) design. The DC battery return terminal *shall not* be connected to the chassis or frame ground.

Installing the 58/87 disk drive enclosure

Use this overview as a guide to the tasks required for installing the 58/87 disk drive enclosure (EXP24S SFF Gen2-bay Drawer) into a rack and cabling it to a server.

Procedure

You can use the following table to read about and complete the high-level tasks for installing the 58/87 disk drive enclosure.

Table 1. Tasks to install the disk drive enclosure into a rack

Task	Where to find associated information
<p>Preinstalled enclosures only</p> <p>Remove the bracing bracket.</p> <p>After you have removed the bracing bracket, go to the task If you have disk drive units that require installation to the disk drive enclosure, install them now.</p>	<p>To remove the bracing bracket, see step 2 on page 3.</p>
<p>Perform inventory.</p> <p>Ensure that you have the rails.</p> <p>Ensure that you have both a Philips-head and flat-head screwdriver.</p>	<p>Locate the inventory list for your disk drive enclosure, and verify that you received all of the parts that you ordered.</p> <p>Each order contains, at a minimum, the following items:</p> <ul style="list-style-type: none">• Left and right rack-mounting rails• Mounting screws• Power supply cables <p>If your shipment contains parts that are not required to complete the installation procedure, store those parts until they are required to be used.</p> <p>You can also obtain order information from your marketing representative or IBM® Business Partner.</p>
<p>Verify that you have a rack.</p>	<p>You must have a rack installed. If you do not have a rack installed, see Installing the rack (http://publib.boulder.ibm.com/infocenter/systems/scope/hw/topic/p7hbf/installrack.htm).</p>
<p>Prepare to install the disk drive enclosure.</p>	<p>To ensure that you have taken all other preparatory steps to install this disk drive enclosure, see Installing the 5887 in a rack (http://publib.boulder.ibm.com/infocenter/systems/scope/hw/topic/p7ham/p7ham_5887_prepare.htm).</p>
<p>Power off the system, if required, to install the disk drive enclosure.</p>	<p>For requirements and procedures related to shutting down and powering off the system, see Overview for I/O expansion units (http://publib.boulder.ibm.com/infocenter/systems/scope/hw/topic/p7ham/p7hamconcepts.htm).</p>
<p>Determine where to install the disk drive enclosure in the rack.</p>	<p>For suggestions about how to organize the hardware in your rack and to assign a location for the disk drive enclosure, see step 4 on page 13.</p>

Table 1. Tasks to install the disk drive enclosure into a rack (continued)

Task	Where to find associated information
Mark the location on the rack where the disk drive enclosure will be installed.	<p>If you have a rack-mounting template for the disk drive enclosure, use it to mark the location.</p> <p>If you do not have a rack-mounting template, see step 4d2 on page 14.</p>
Install the rail assembly in the rack.	To install the mounting hardware in the rack, see step 5 on page 15.
Install the disk drive enclosure on the rail assembly.	To install the disk drive enclosure on the rail assembly, see step 6 on page 18.
If you have disk drive units that require installation to the disk drive enclosure, install them now.	To install disk drive units to the disk drive enclosure, see step 7 on page 20.
Review information about the drive units of the disk drive enclosure, and cable the enclosure to the server.	<p>To learn about the drive units of the disk drive enclosure, see step 8 on page 21.</p> <p>To connect the disk drive enclosure to the server, see step 10 on page 22.</p>
Apply power to the hardware.	<p>Connect power cables, and apply power to the disk drive enclosure.</p> <p>If you powered down either the server or the partition before connecting the disk drive enclosure cables to it, apply power to it.</p>

Installing the 58/87 disk drive enclosure: Details

The detailed installation procedure includes information from online references that are specified in the overview. You can use the expanded instructions in this procedure to install your disk drive enclosure into a rack and to cable it to a server.

Before you begin

- This information is provided in printed form as a list of basic tasks for installing the 58/87 disk drive enclosure. For the most current version, use the online information: Installing the 5887 disk drive enclosure.
- This procedure supports the following installation scenarios:
 - Your 58/87 disk drive enclosure was delivered already mounted in a rack, and you need to complete the installation.
 - Your 58/87 disk drive enclosure was delivered separately from a rack, and you need to mount the enclosure in an existing rack and complete the installation.

Note: If the rack is not yet installed, you must first complete the procedure for Installing the rack.

- Before installing the disk drive enclosure into a rack, read the Rack safety notices.

About this task

To install the 58/87 disk drive enclosure, complete the following tasks:

1. Choose the type of installation you are performing:
 - To complete the installation of a 58/87 disk drive enclosure that was delivered already mounted in a rack, go to step 2.
 - To complete the installation of a 58/87 disk drive enclosure that was delivered separately from a rack, go to step 3 on page 13.
2. Remove the bracing bracket attached at the rear of the disk drive enclosure as follows:
 - a. Follow these steps to clear the shipping bracket installation area of cables and cords:
 - 1) Find the slotted opening in the small front bracket (**A**) below the left enclosure services manager (ESM) and loosen the power supply cord (**B**) that is visible in the opening. Carefully pull the power supply cord up through the small front bracket opening. When you have removed the connector end of the power cord through the opening (**C**), hang the loose length of cable to one side so that it does not interfere with your workspace in the shipping bracket installation area. Using the same technique, remove and hang the right power supply cord. Do not disconnect or detach the power supply line cords from their attachments to the rack or to other cables.

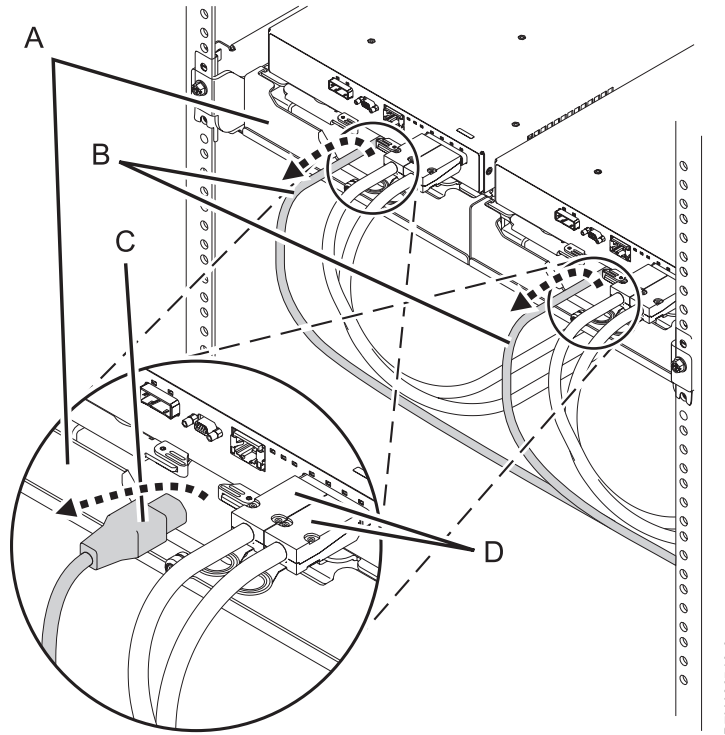


Figure 1. Removing the power supply line cords from their shipping position

- 2) Leave the serial-attached SCSI (SAS) cables (D) connected to the ESM.

Note: In a basic installation of the 58/87 disk drive enclosure, you are not required to remove the SAS cables. However, if other installation factors require you to remove the SAS cables from the ESM, label the cables before you disconnect them to ensure that you can reconnect them correctly at the end of this procedure.

- b. Loosen the two thumbscrews (A) on the small front brackets below the ESM units. Remove the brackets by lifting them up and away from the ESM units.

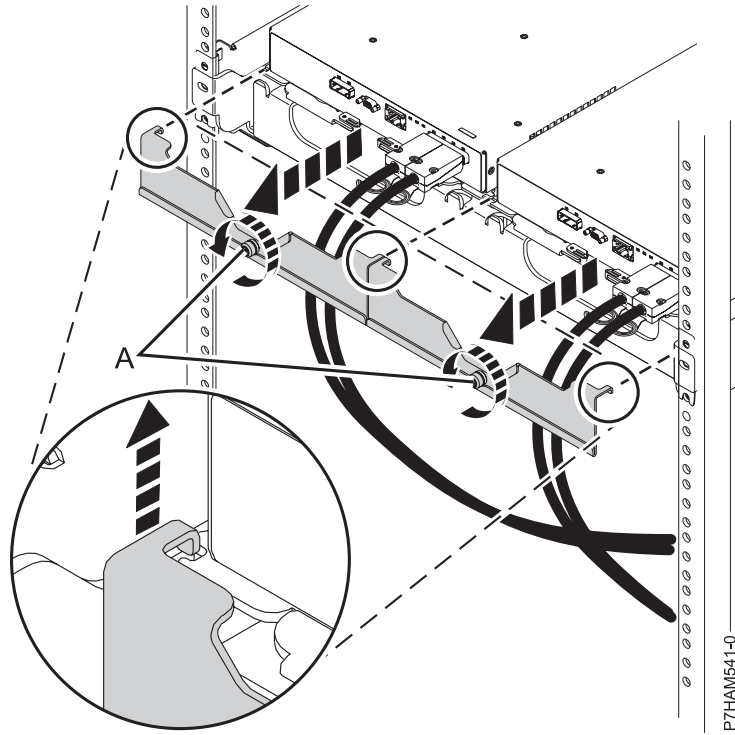


Figure 2. Removing the small front brackets

c. Follow these steps to dock and secure the ESM units:

- 1) Moving one ESM at a time, slide the unit approximately 75 mm (3 in.) toward the chassis.

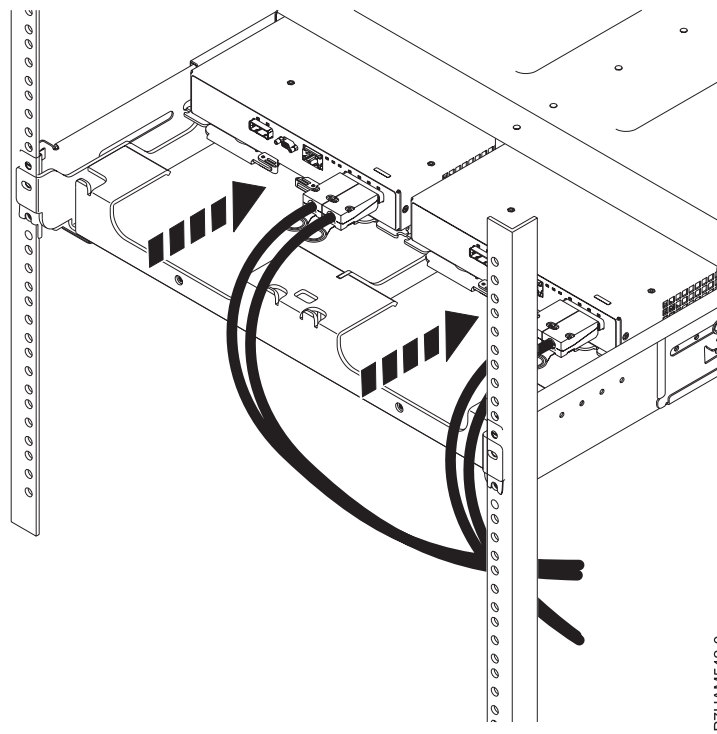


Figure 3. Sliding the ESM units toward the chassis

- 2) For one ESM at a time, place your forefingers under the release levers and pinch the orange lever tips. Release the levers and swing them into their fully open position.

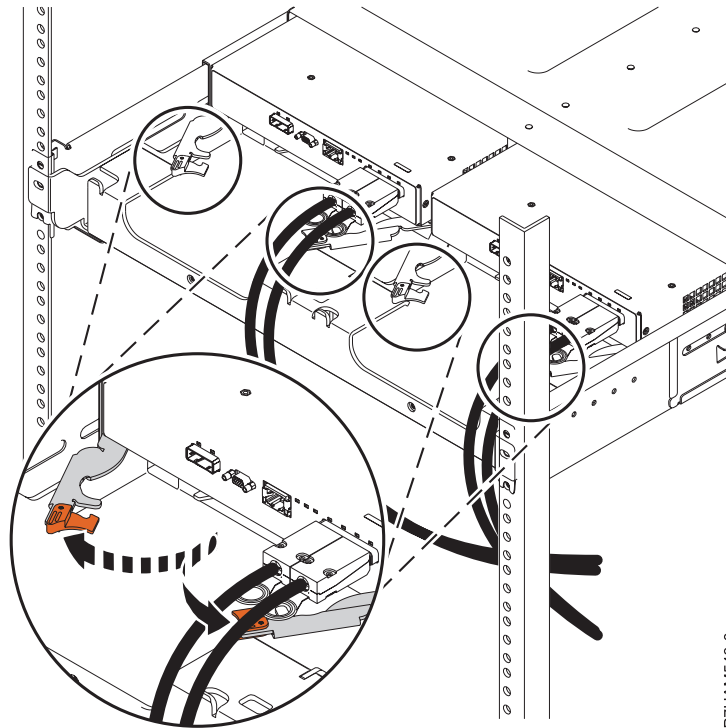
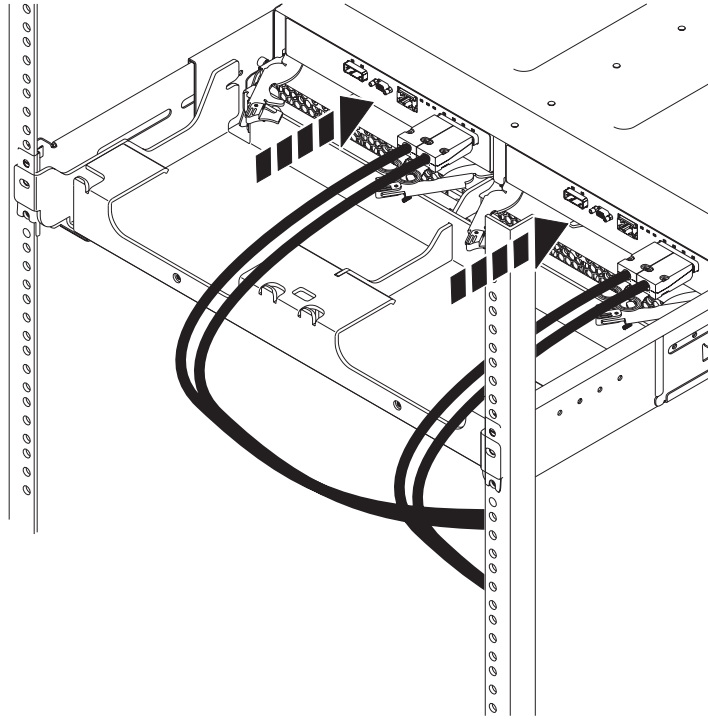


Figure 4. Opening the ESM release levers

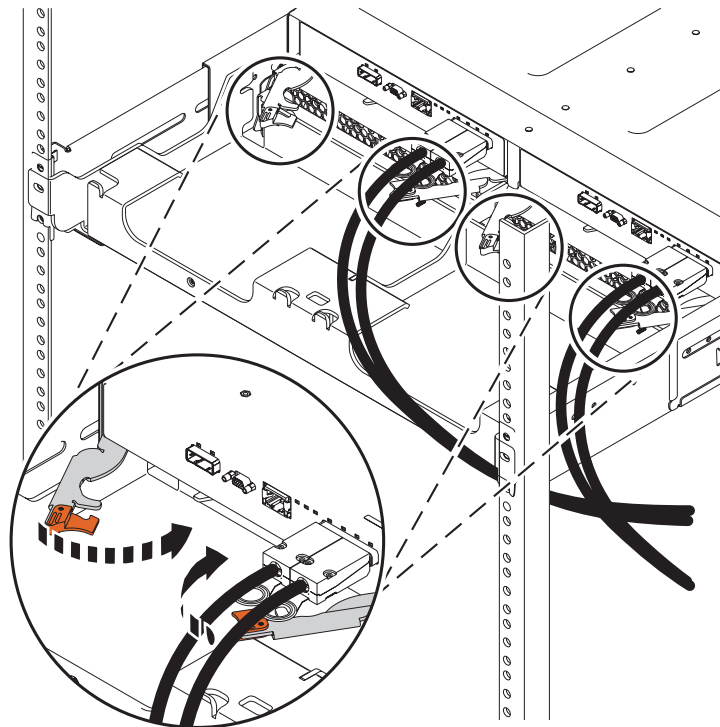
- 3) Moving one ESM at a time, slide the unit into the chassis until it stops.



P7HAM544-0

Figure 5. Docking the ESM units

- 4) For one ESM at a time, place your thumbs on the tips of the orange ESM levers and swing the levers into their fully closed and latched position.



P7HAM545-0

Figure 6. Closing the ESM release levers

- d. Using a screwdriver, remove the screw that attaches the large bracket to the left flange of the rack frame. Remove the screw that attaches the bracket to right flange.

Note: Keep the screws that you removed for their reinstallation in step 2f on page 9.

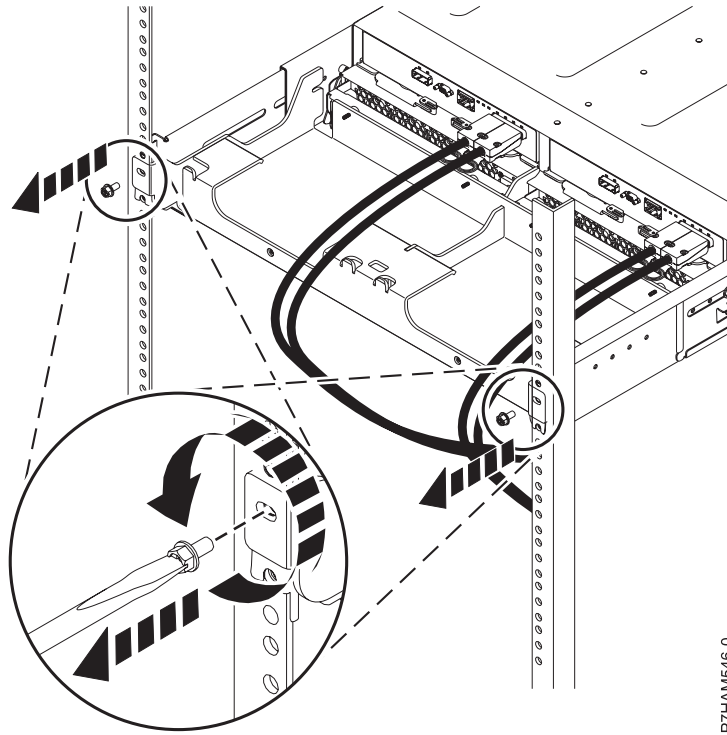
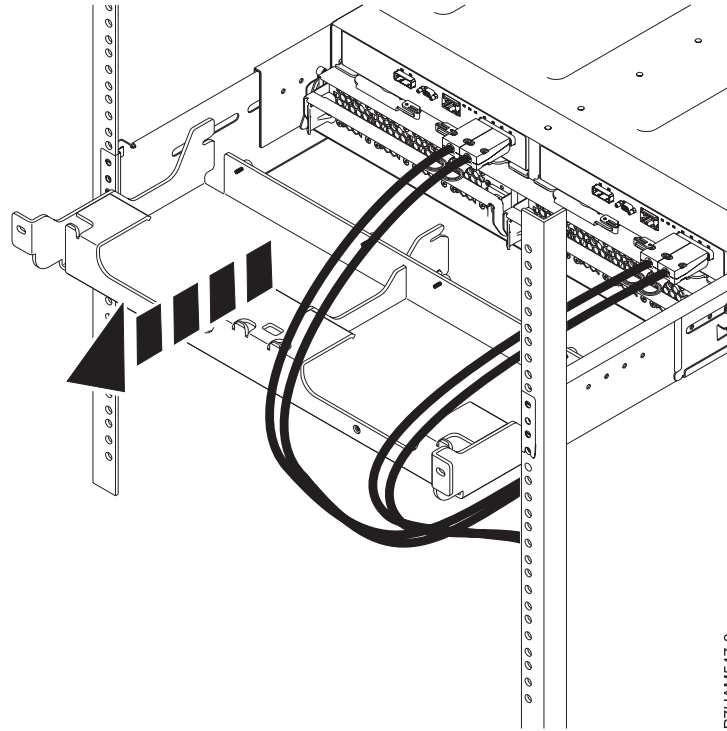


Figure 7. Removing the screws from the bracket and rack flanges

- e. Slide the large bracket toward the rear of the rack. Lift the bracket with two hands to remove it from the side rails.

Tip: Save all of the brackets that you have removed for any future reinstallation and for shipping of the 58/87 disk drive enclosure that might be required.



P7HAM547-0

Figure 8. Removing the large bracket

- f. Reinstall the screws that you removed in step 2d on page 8 by inserting them into the same holes in the rack frame and side rails from which you removed them. Tighten the screws with a screwdriver.
- g. Follow these steps to dock and secure the power supplies:
 - 1) Moving one power supply at a time, slide the unit approximately 75 mm (3 in.) away from the chassis.

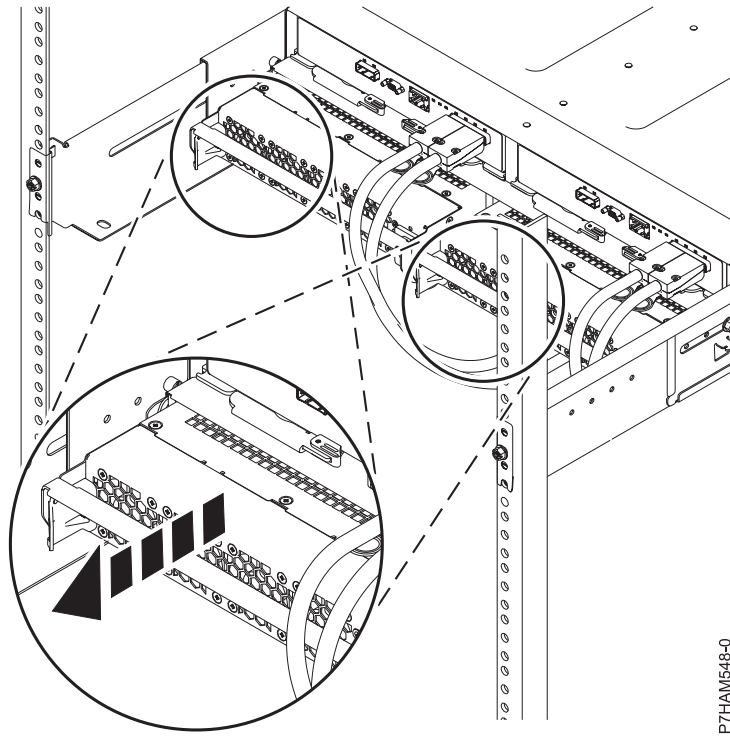
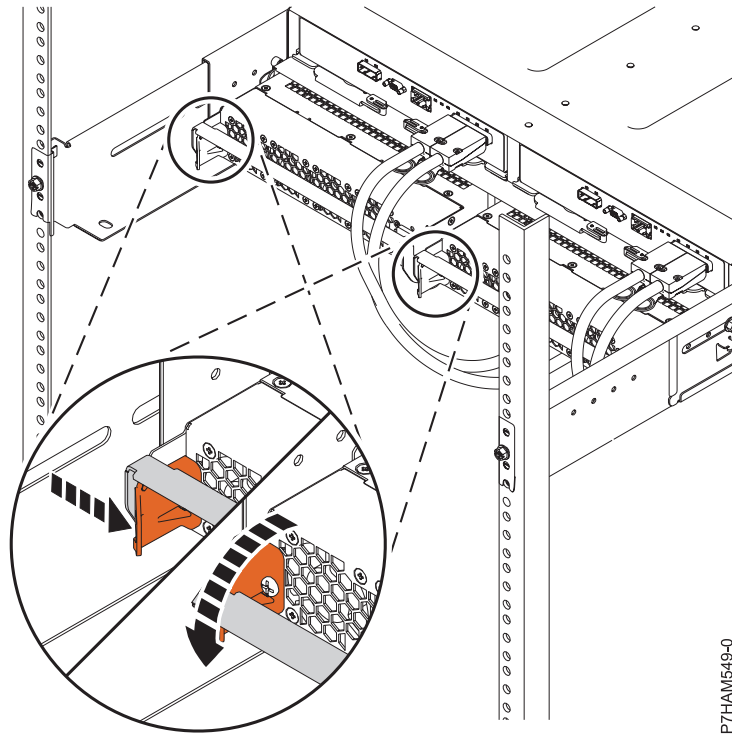


Figure 9. Sliding the power supplies toward the chassis

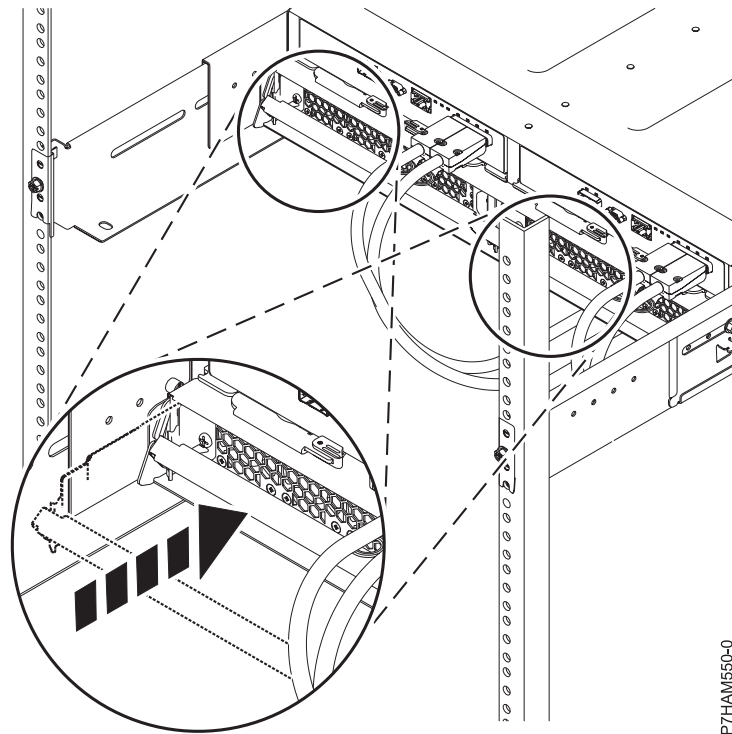
- 2) For one power supply at a time, rest your right thumb on the orange release latch beside the unit handle and your fingertips on the handle. In one motion, squeeze the release latch to the right and swing the handle down into its fully open position.



PTHAM549-0

Figure 10. Opening the power supply release handle

- 3) Moving one power supply at a time, slide the unit into the chassis until it stops.



PTHAM550-0

Figure 11. Docking the power supplies

- 4) Moving one power supply at a time, swing the unit handle up and into its fully closed position on the release latch.

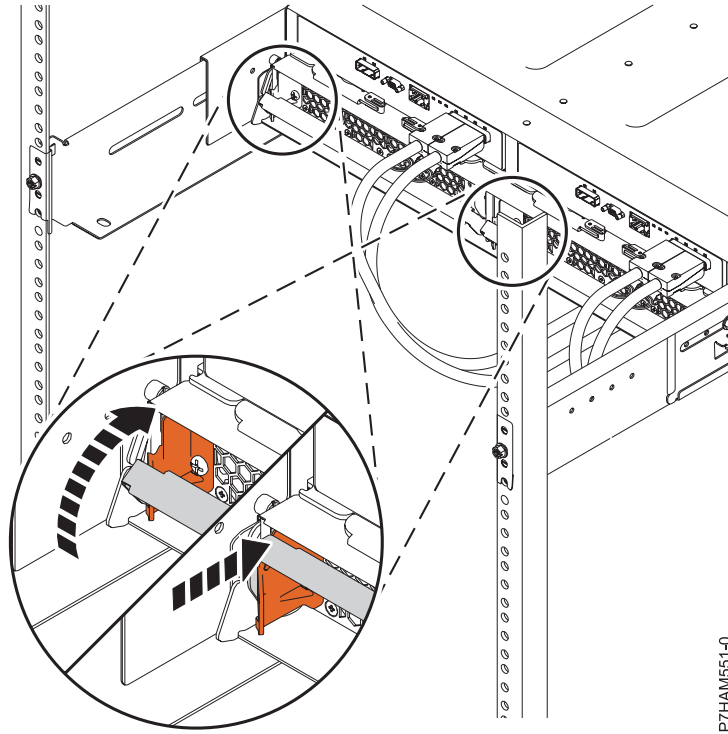
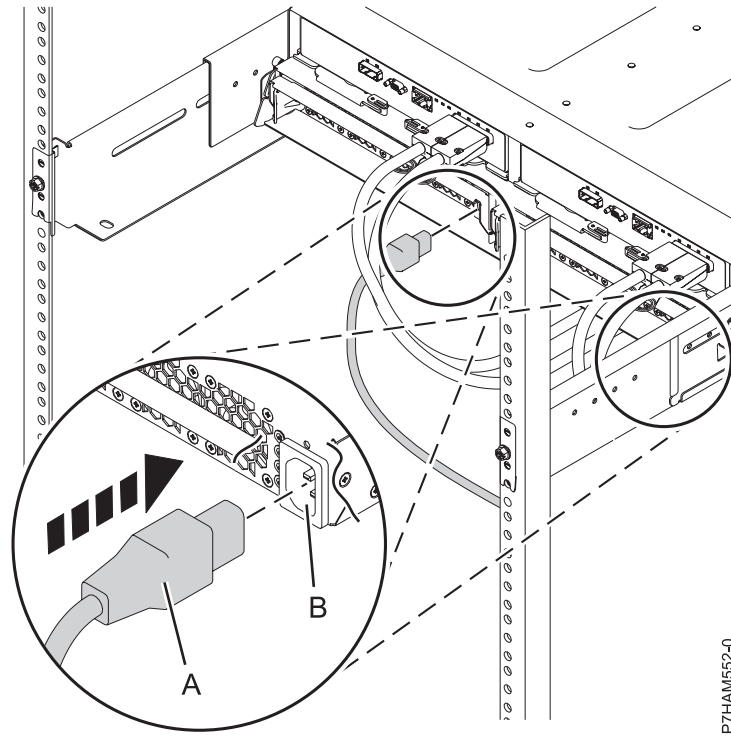


Figure 12. Closing the power supply release handle

- h. Follow these steps to complete the reconnection of cables and cords:
 - 1) Take the power supply line cords that you moved to one side in step 2a1 on page 3 and reconnect them to the left power supply and the right power supply.



P7HAM552-0

Figure 13. Connecting the power supply line cords

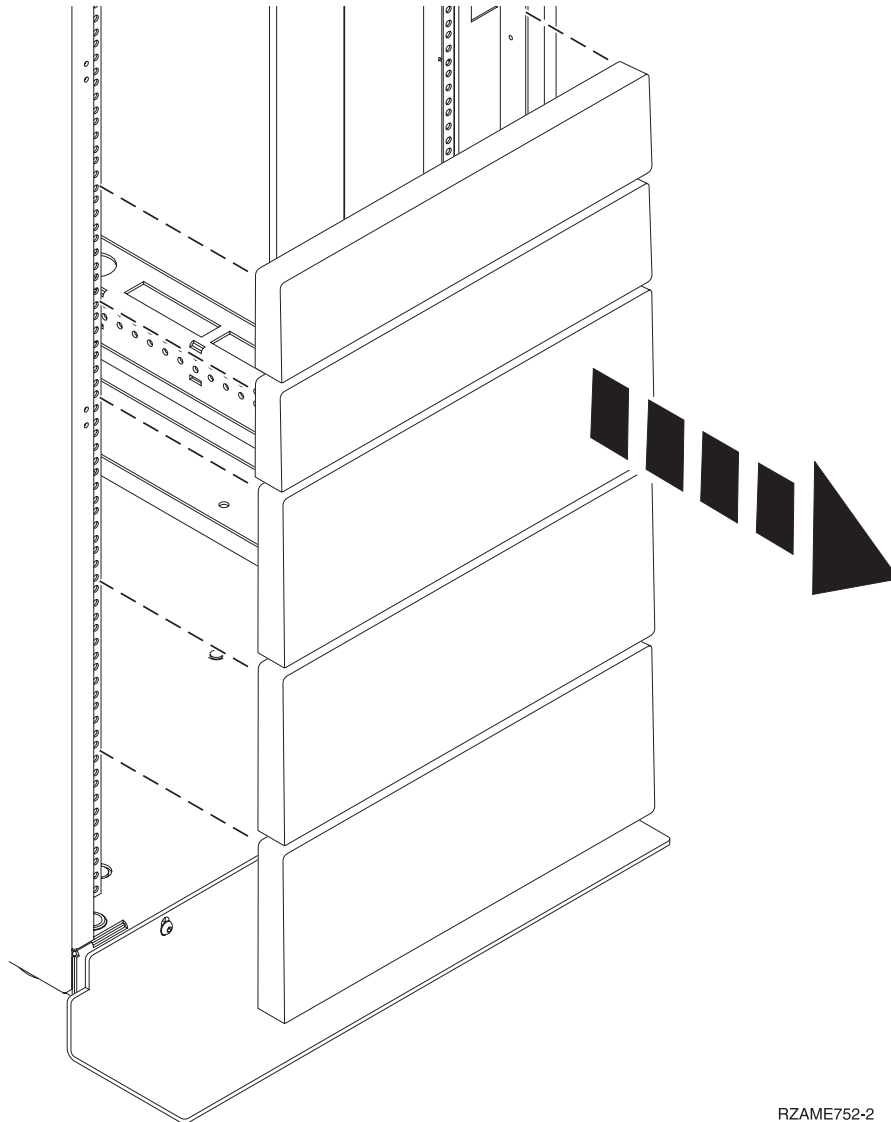
- 2) If your installation requirements included the removal of the SAS cables from the ESMs in step 2a2 on page 4, review the labeling that you performed and reinstall the cables.

Go to step 8 on page 21.

3. Unpack the disk drive enclosure as follows:
 - a. Refer to the kitting list provided with the rack installation kit, and complete a parts inventory.
 - b. Locate the rack-mounting hardware kit and the system rail assemblies that were included with your disk drive enclosure.
The rails are front-to-back and left-to-right side dependent.
4. Determine where to install the disk drive enclosure into the rack as follows:
 - a. Determine where in the rack to place the disk drive enclosure in relation to other system hardware. As you plan, keep the following steps in mind:
 - 1) Organize larger and heavier units into the lower part of the rack.
 - 2) Plan to install units into the lower part of the rack first.
 - 3) Record the EIA locations in your plan.

Note: The disk drive enclosure is two Electronic Industries Alliance (EIA) units high. An EIA unit is 44.50 mm (1.75 in.) in height. The rack contains three mounting holes for each EIA unit of height. This enclosure, therefore, is 89 mm (3.5 in.) high and covers 6 mounting holes in the rack.

- b. If necessary, remove the filler panels to allow access to the inside of the rack enclosure where you plan to place the disk drive enclosure.



RZAME752-2

Figure 14. Removing the filler panels

- c. If necessary, remove the front and rear rack doors.
- d. Mark the rack location where you will install the disk drive enclosure. Choose one of the following options:
 - 1) If you have a rack-mounting template, use it to mark the location.
 - 2) If you do not have a rack-mounting template, complete the following steps:
 - a) Face the front of the rack and work from the left side. Make a note of the lowest EIA unit to be used for the disk drive enclosure. Use tape, a marker, or a pencil to mark the top mounting hole **(A)** of the lowest EIA unit. Count up two holes and place another mark beside that mounting hole **(B)**. Mark the rack so that these marks can also be seen from the rear of the rack.

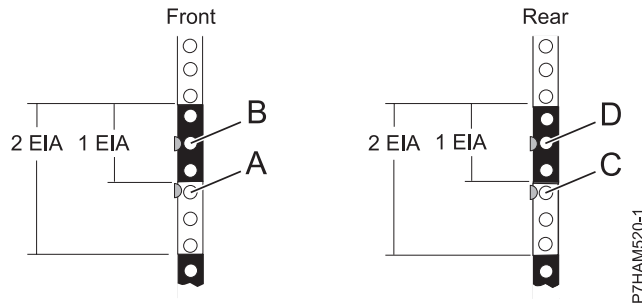


Figure 15. Marking the installation locations

- b) Repeat the last step to place two marks on the corresponding mounting holes on the front-right side of the rack.
 - c) Go to the rear of the rack. On the left side, find the EIA unit that corresponds to the lowest EIA unit marked on the front of the rack.
 - d) Mark the top mounting hole (C) of this EIA unit. Count up two holes and place another mark beside that mounting hole (D).
 - e) Repeat the last step to place two marks on the corresponding mounting holes on the rear-right side of the rack.
5. Install the rail assembly into the rack as follows:

Important: To complete this procedure, use two people to attach the rail assembly to the rack. Position one person in front of the rack and one person at the rear of the rack.

CAUTION:

Installing the rails in the rack is a complex procedure. To install the rails correctly, you must perform each task in the following order. Failure to do so might cause rail failure and potential danger to yourself and the system unit.

- a. Select a rail and remove any parts that were taped to it for shipping. Install the spring to the rail by hooking one end to the spring bracket (A) and the other end around the circular standoff (B).

Notes:

- If your rack has the square mounting holes, remove the rail pins from the rail. Install the larger rail pins that are provided with the rack installation kit.
- The rail installation can be completed by one person. However, the installation is easier if one person is positioned at the front of the rack and one person is positioned at the rear of the rack.

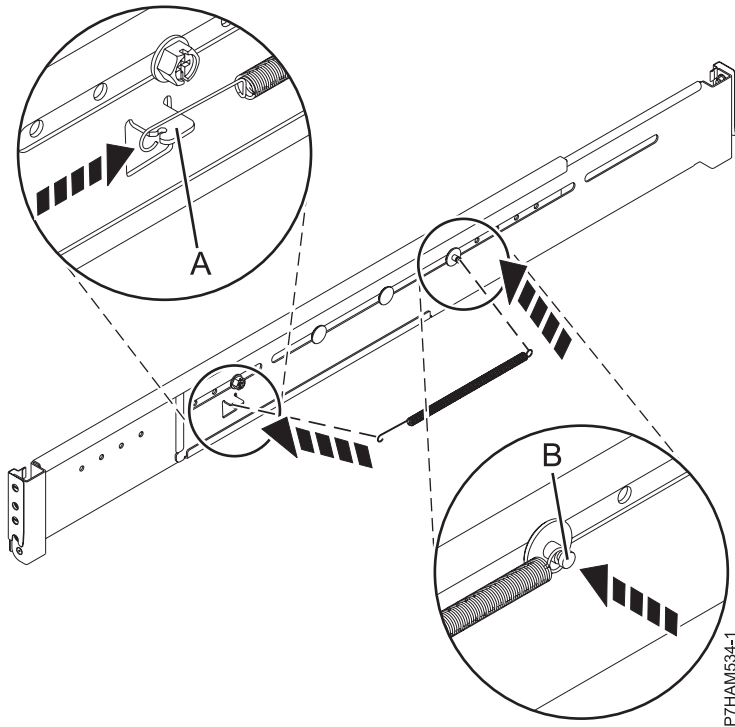


Figure 16. Installing the spring to the rail

- b. Open the hinge bracket on each end. Identify the side of the rack where the rail must be mounted by holding the rail inside of the open space of the rack as follows:
- The rail points from front to rear.
 - The support ledge (A) is at the bottom and points toward the center of the open space.
 - The enclosure stop (B) points toward the rear of the rack.

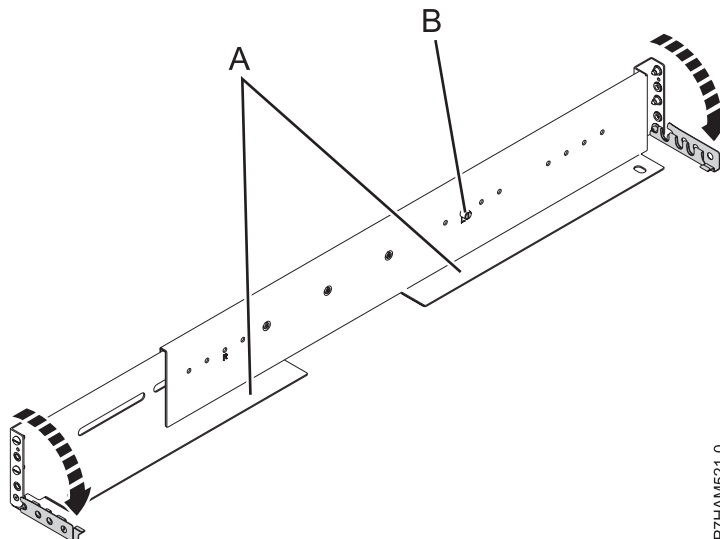


Figure 17. Opening the rail hinge bracket

- c. Locate the two marks made previously on the Electronic Industries Alliances (EIA) strips. Align the rail bracket inside the rack cabinet beside the marks, and seat the rail bracket pins in the mounting holes. The bottom of the rail support ledge appears slightly higher than the U mark on

the rack flange.

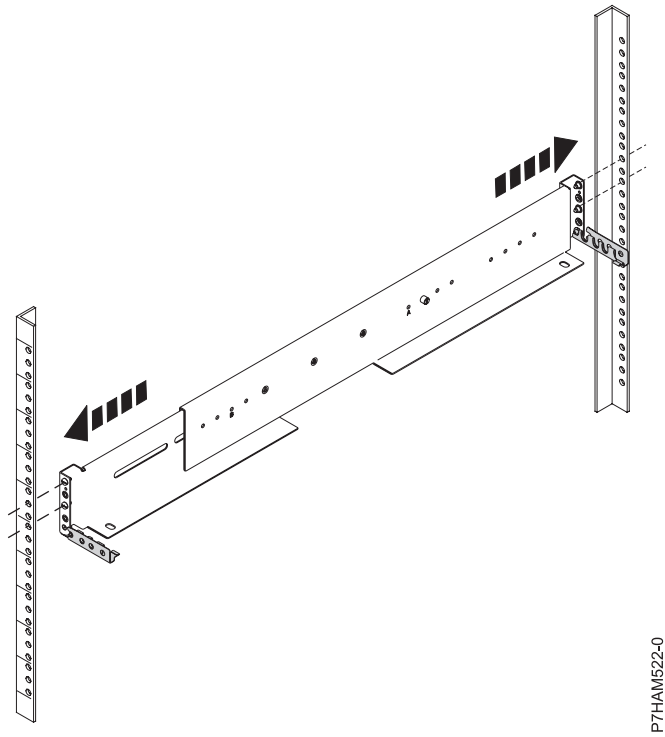


Figure 18. Mounting the rail on the rack

- d. At the front of the rail, close the front hinge bracket to secure the rail to the rack cabinet flange.

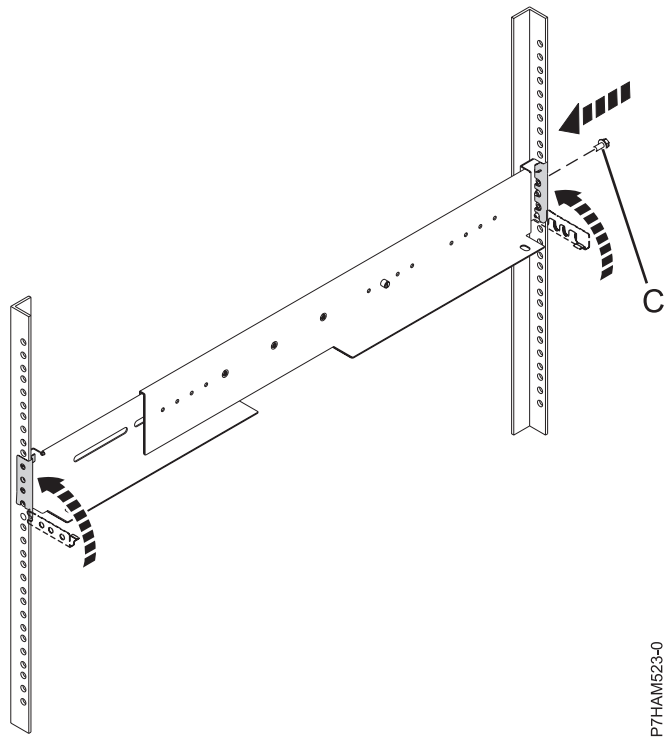


Figure 19. Securing the rail to the rack

- e. While holding the rail bracket in place, carefully expand the rail until the other end reaches the opposite rack flange. Seat the pins of the opposite rail bracket in the marked mounting holes.
 - f. At the rear of the rail, close the rear hinge bracket to secure the rail to the rack cabinet flange. Install one M5 screw in the open hole in the bracket between the two alignment pins (C).
 - g. Repeat step 5c on page 16 through step 5f for the other rail.
6. Install the disk drive enclosure onto the rails as follows:
- a. Remove the left side bezel (A) and right bezel (B) to expose the mounting brackets. Pinch the release to rotate the bezel up and off of the chassis flange.

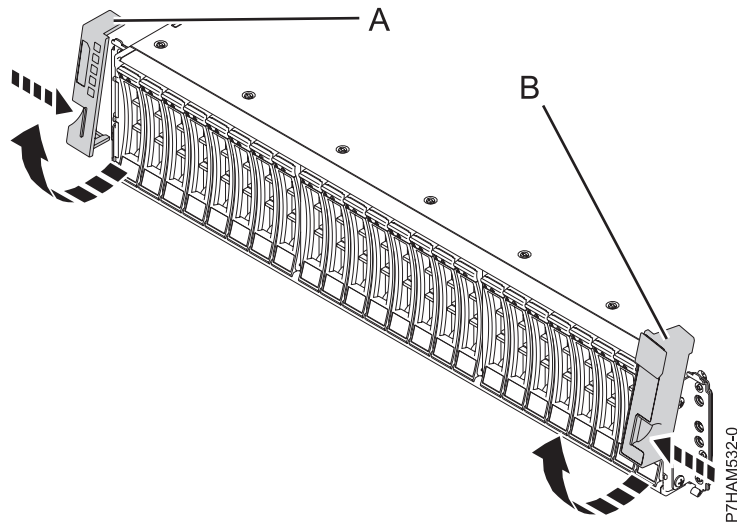
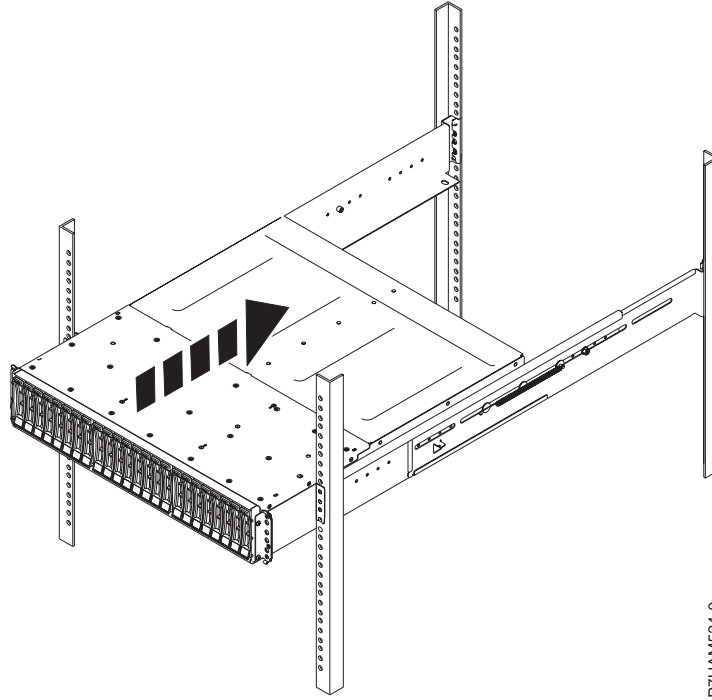


Figure 20. Removing the side bezels

- b. Using two people, lift the disk drive enclosure and position it over the front of the rails.

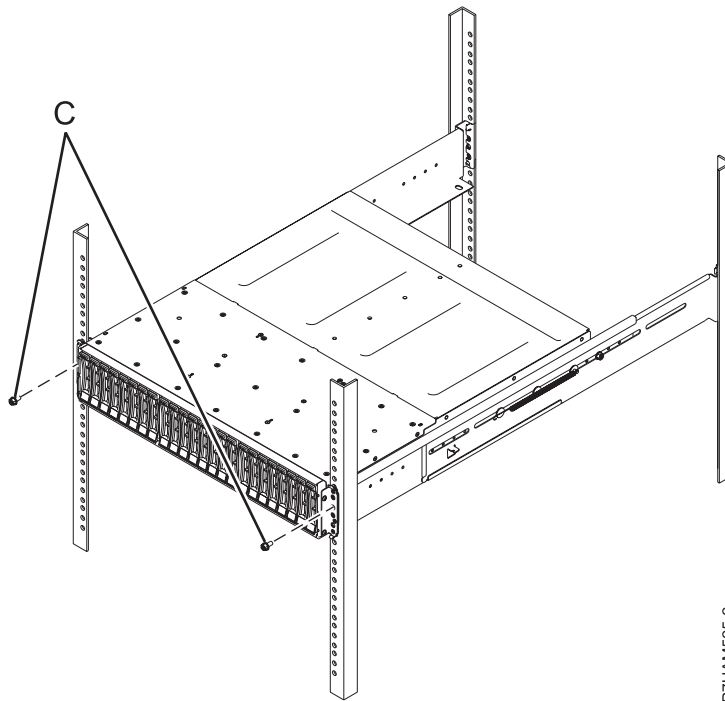
Attention: Two people are required to safely lift the disk drive enclosure. Using fewer than two people to lift the disk drive enclosure can result in injury.
- c. Slide the disk drive enclosure into the rack cabinet.



P7HAM524-0

Figure 21. Sliding the disk drive enclosure into the rack

- d. Secure the front of the disk drive enclosure to the rack flanges with one M5 screw (C) in the bottom open holes in each bracket.



P7HAM525-2

Figure 22. Securing the front of the enclosure to the rack

- e. Connect a power cord to each power supply. Use the power cord retention brackets (D) for strain relief to prevent the power cords from disconnecting accidentally.

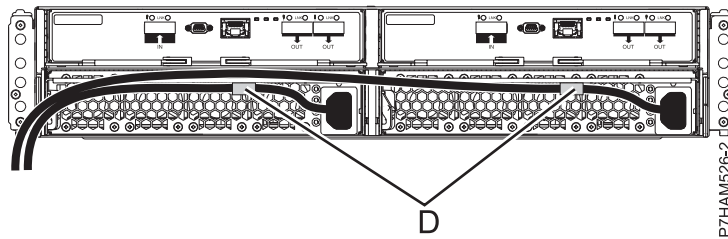


Figure 23. Routing the power cords through the cord retention brackets

- f. Reinstall the left bezel (A), which contains the service indicators, and the right bezel (B). Fit the slot on the top of the bezel over the tab on the chassis flange. Rotate the bezel down until it snaps into place. Make sure that the inside surface of the bezel is flush with the chassis.

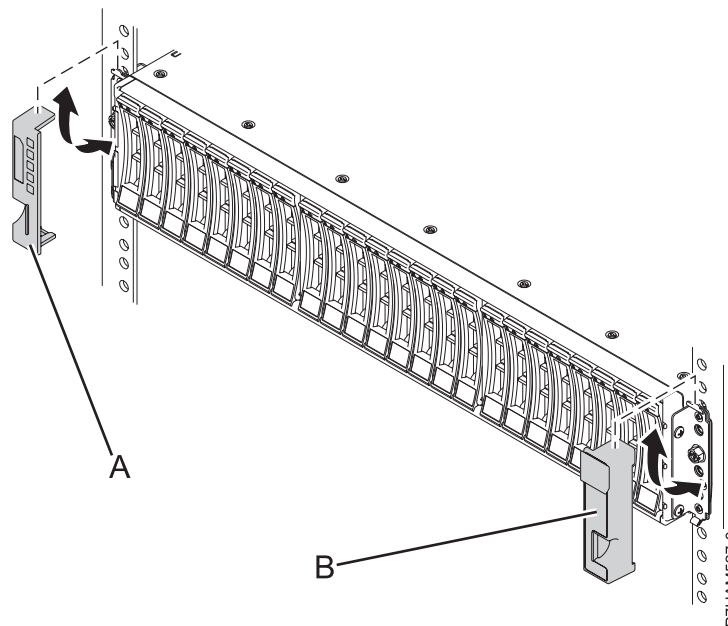


Figure 24. Attaching the side bezels

7. If you have disk units that require installation to the disk drive enclosure, repeat this step now for each disk unit to be installed into the enclosure.

Attention: Use the following precautions whenever you handle electronic components:

- Attach a wrist strap to an unpainted metal surface of your hardware to prevent electrostatic discharge from damaging your hardware.
- If you do not have a wrist strap, just prior to removing the product from ESD packaging and installing or replacing hardware, touch an unpainted metal surface of the system for a minimum of 5 seconds.
- Keep all electronic components in the shipping container or envelope until you are ready to install them.
- If you remove, then reinstall an electronic component, temporarily place the component on an ESD pad or blanket, if available.

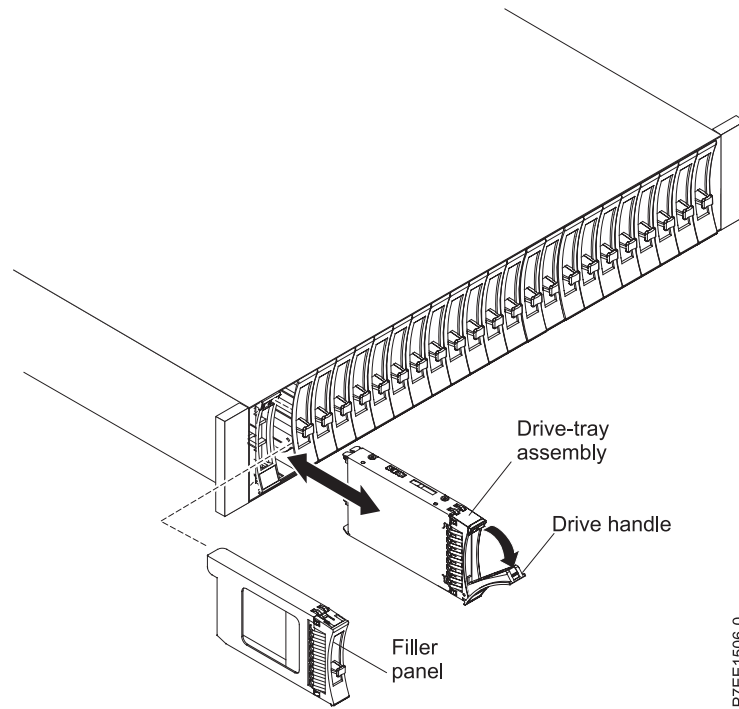


Figure 25. Installing a disk unit in the disk drive enclosure

- a. With the handle in the unlocked position, support the bottom of the disk unit as you align it with the guide rails in the disk drive enclosure, as shown in the preceding figure.
- Note:** Do not hold the disk unit only by the handle.
- b. Slide the disk unit into the disk drive enclosure until the drive stops.
- c. Rotate the handle to the locked position.
8. Review information related to connecting this device:
 - a. Review the following information:

The SAS disk drive enclosure can hold up to 24 disk drives. The enclosure can be split logically into one, two, or four independent groups.

The SAS disk drive enclosure supports the following operating systems:

- AIX®
- Linux
- VIOS

To determine the level of software that you need to support the SAS disk drive enclosure, see IBM Prerequisite.

Tip: If you are planning to configure RAID arrays, ensure that you have the minimum number of available disks for each RAID level:

RAID 0

Minimum of one drive per array

RAID 5

Minimum of three drives per array

RAID 6

Minimum of four drives per array

RAID 10

Minimum of two drives per array

9. Review connector information pertaining to the hardware in your configuration as follows:
 - a. Adapter cables attach to ports at the rear of the systems in which the adapters are installed. To identify port locations for the system in your configuration, see "Server connectors" on page 35.
 - b. Adapters are cabled to the 58/87 by using ports at the rear of the enclosure. To learn about the enclosure ports used in the following options, see "Enclosure connectors" on page 42.
10. Cable the disk drive enclosure to the server as follows:
 - a. If the system is powered on, you must do one of the following actions, depending on the supported functions of your operating system:
 - Unconfigure the adapters to which you are connecting the 58/87 disk drive enclosure.
 - Power off the adapters to which you are connecting the 58/87 disk drive enclosure.
 - Power off the logical partitions or systems that own the adapters to which you are connecting the 58/87 disk drive enclosure.

To do one of these required actions, choose one of the following options.

Important: If you are connecting to two SAS adapters or to the two internal RAID controllers of a PCIe storage enclosure, both of the SAS adapters or RAID controllers must be powered off or unconfigured.

- Power off the system or the logical partitions that own the adapters or PCIe storage enclosures by completing the steps in Stopping a system or logical partition (<http://publib.boulder.ibm.com/infocenter/systems/scope/hw/topic/p7haj/crustopsys.htm>).

Note: Use this option if one of the following conditions apply:

- Your system model does not support slot power control.
- Your adapters are not located in an I/O enclosure that supports slot power control.
- You are unable to tolerate a temporary loss of access to other disk devices that might already exist on the same adapters.
- For all other situations, choose one of the following options:
 - If you are connecting to SAS adapters, complete the following steps:
 - 1) Unconfigure the two SAS adapters.
 - 2) Connect the SAS cables from the 5887 disk drive enclosure to the SAS adapters.
 - 3) Reconfigure the SAS adapters.
 - If you are connecting to a PCIe storage enclosure, complete the following steps:
 - 1) Unconfigure the two internal RAID controllers in the PCIe storage enclosure.
 - 2) Connect the SAS cables from the the 5887 disk drive enclosure to the PCIe storage enclosure.
 - 3) Reconfigure the internal RAID controllers in the PCIe storage enclosure.
 - If you are unable to use any of the previous options, choose one of the following options:
 - If you are connecting to SAS adapters, complete the following steps:
 - 1) Power off the two SAS adapters.
 - 2) Connect the SAS cables from the 5887 disk drive enclosure to the SAS adapters.
 - 3) Power on the SAS adapters.
 - 4) Configure the SAS adapters and devices.
 - If you are connecting to a PCIe storage enclosure, complete the following steps:
 - 1) Power off the two internal RAID controllers in the PCIe storage enclosure.
 - 2) Connect the SAS cables from the 5887 disk drive enclosure to the PCIe storage enclosure.

- 3) Power on the internal RAID controllers in the PCIe storage enclosure.
 - 4) Configure the internal RAID controllers in the PCIe storage enclosure and devices.
- b. Confirm the factory-set mode of the 58/87 disk drive enclosure by using information printed on stickers at the rear of the enclosure. Stickers are attached to the lower-left shelf of the chassis (A) and the center support between the enclosure services manager (ESM) modules (B). The stickers indicate whether the enclosure is set to mode 1, mode 2, or mode 4, as shown in Figure 26.

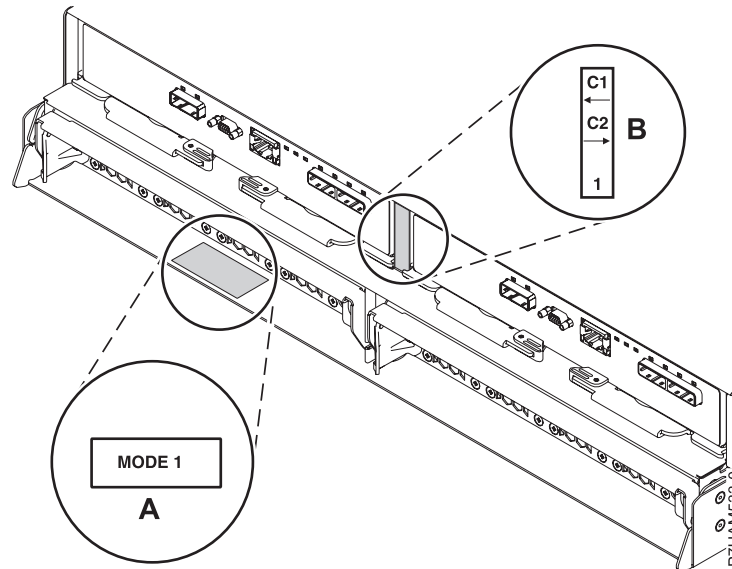


Figure 26. Mode sticker locations at the rear of the 58/87 disk drive enclosure

- c. Confirm that all adapters that you need to connect to the 58/87 disk drive enclosure have been installed in the system. If the adapters have not been installed, complete the adapter installation procedure for your system before continuing with this task.
- d. If the server requires an internal cable to be installed to produce an external SAS port for connection with the 58/87 disk drive enclosure, confirm that the installation has been performed. Review the following list of systems that require the installation of an external SAS port, and then complete the action for your system, if required:

Remember: When installing or confirming the use of an external SAS port, record the location of the external SAS port on the server. Later in this procedure, you are instructed to install the external SAS cable to this server connector location.

- For installing the external SAS port on the 7/10 (31E/2B and 31E/1C) or 7/30 (31E/2B and 31E/2C), see Installing the external SAS port on an 8231-E2B, 8231-E1C, or 8231-E2C (http://publib.boulder.ibm.com/infocenter/systems/scope/hw/topic/p7hal/installsasport_72x_74x.htm).
- For installing the external SAS port on the 7/20 (02E/4B and 02E/4C) or 7/40 (05F/6B and 05E/6C), see Installing the external external SAS port on an 8202-E4B, 8202-E4C, 8205-E6B, or 8205-E6C system (http://publib.boulder.ibm.com/infocenter/systems/scope/hw/topic/p7hal/installsasport_72x_74x.htm).
- For installing the external SAS port on the 7/50 (33E/8B) or 7/55 (36E/8C), see Installing the external SAS port on an 8233-E8B or 8236-E8C (<http://publib.boulder.ibm.com/infocenter/systems/scope/hw/topic/p7hal/dasd550backplanesasfeature.htm>).

- For installing the external SAS port on the 7/70 (17M/MB and 17M/MC) or 7/80 (79M/HB and 79M/HC), see Installing the external SAS port on a 9117-MMB, 9117-MMC, 9179-MHB, or 9179-MHC (<http://publib.boulder.ibm.com/infocenter/systems/scope/hw/topic/p7hal/9117installsasport.htm>).
- e. Confirm the configuration that you will use to cable the SAS adapter to the 58/87 disk drive enclosure as follows:
- See the common SAS adapter configurations that are listed in step 10g to determine if one of them applies to your requirements.
 - To learn about other specific SAS adapter configurations for the 58/87 disk drive enclosure, see SAS cabling for the 5887 drawer (<http://publib.boulder.ibm.com/infocenter/systems/scope/hw/topic/p7had/p7hadsascabbling5887.htm>).
- f. Locate the connection for each adapter for which you are using an external SAS cable to connect the 58/87.

Note: The configuration figures in step 10g use adapter cards to represent the external server connections. The adapter card can represent one of the following connection types:

- The external port of an adapter that you confirmed in step 10c on page 23.
 - The external port of an internal adapter cable that you confirmed in step 10d on page 23.
- g. Choose one of the following options to cable the SAS adapter:

Note: Adapters are cabled to the 58/87 by using ports at the rear of the enclosure. To learn about the enclosure ports that are used in the following options, see .

- To perform a mode 1 connection of one 58/87 disk drive enclosure by using a YI cable to a system with support for a single SAS disk drawer, go to step 10h.
- To perform a mode 1 connection of one 58/87 disk drive enclosure by using a YO cable to a single SAS adapter, go to step 10i on page 25.
- To perform a mode 1 connection of two 58/87 disk drive enclosures by using YO cables to a single SAS adapter, go to step 10j on page 26.
- To perform a mode 1 connection of one 58/87 disk drive enclosure by using YO cables to a SAS adapter pair, go to step 10k on page 27.
- To perform a mode 1 connection of two 58/87 disk drive enclosures by using YO cables to a SAS adapter pair, go to step 10l on page 28.
- To perform a mode 1 connection of one 58/87 disk drive enclosure by using EX cables to a PCIe storage enclosure with support for SAS disk drawers, go to step 10m on page 29.
- To perform a mode 1 connection of two 58/87 disk drive enclosures by using EX cables to a PCIe storage enclosure with support for SAS disk drawers, go to step 10n on page 30.
- To perform a mode 2 connection of one 58/87 disk drive enclosure by using YO cables to two independent SAS adapters, go to step 10o on page 30.
- To perform a mode 2 connection of one 58/87 disk drive enclosure by using X cables to two SAS adapter pairs, go to step 10p on page 31.
- To perform a mode 4 connection of one 58/87 disk drive enclosure by using X cables to four independent SAS adapters, go to step 10q on page 32.

If your SAS configuration requirements are not supported by any of these options, go to step 10r on page 34.

- h. Perform the mode 1 connection of one 58/87 disk drive enclosure **(A)** by using a YI cable **(B)** to a system with support for a single SAS drawer **(C)** as shown in Figure 27 on page 25.

Note:

- The system with support for a single SAS drawer **(C)** has access to all 24 drive bays.

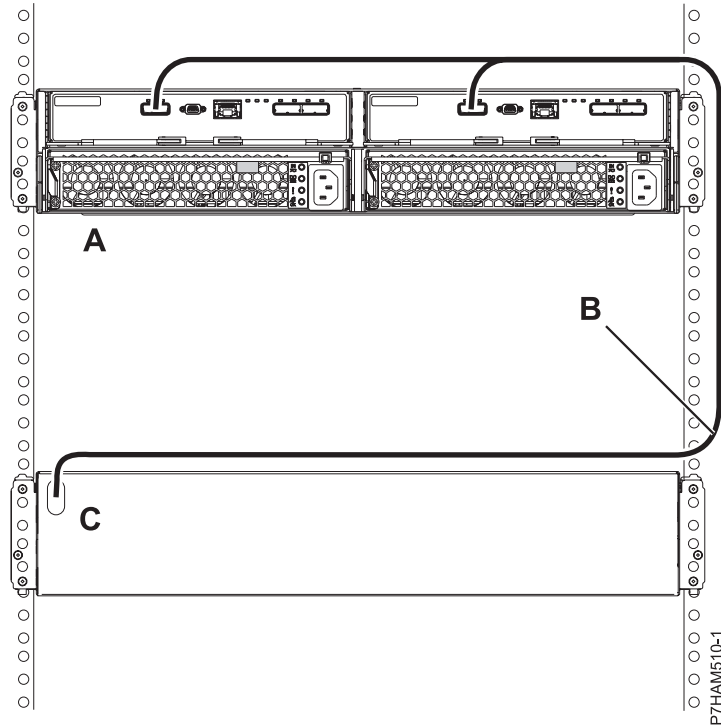


Figure 27. Mode 1 connection of one 58/87 disk drive enclosure by using a YI cable to a system with support for a single SAS drawer

Go to step 10r on page 34.

- i. Perform the mode 1 connection of one 58/87 disk drive enclosure (A) by using a YO cable (B) to a single SAS adapter (C) as shown in Figure 28 on page 26.

Note:

- The single SAS adapter (C) has access to all 24 drive bays.

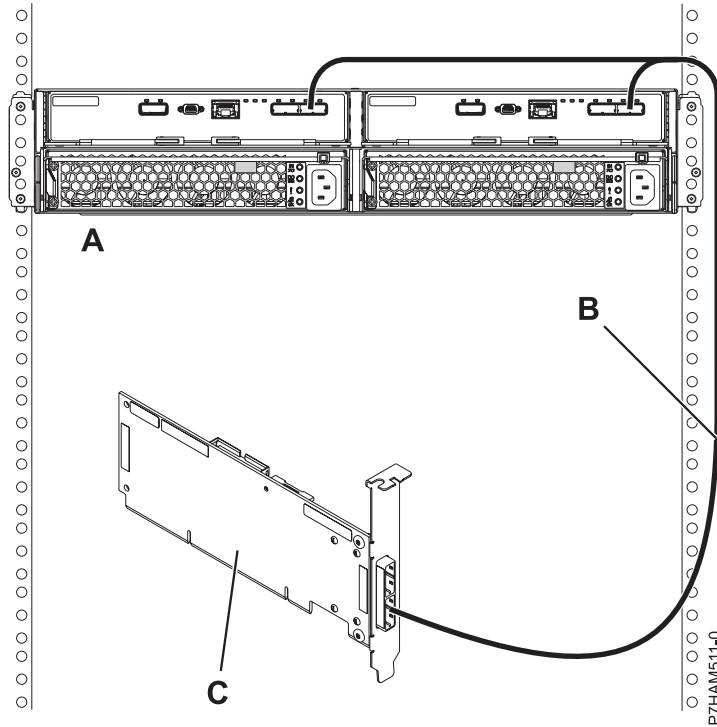


Figure 28. Mode 1 connection of one 58/87 disk drive enclosure by using a YO cable to a single SAS adapter

Go to step 10r on page 34.

- j. Perform the mode 1 connection of two 58/87 disk drive enclosures (**A and B**) by using YO cables (**C and D**) to a single SAS adapter (**E**) as shown in Figure 29 on page 27.

Note:

- The single SAS adapter (**E**) has access to all 48 drive bays.

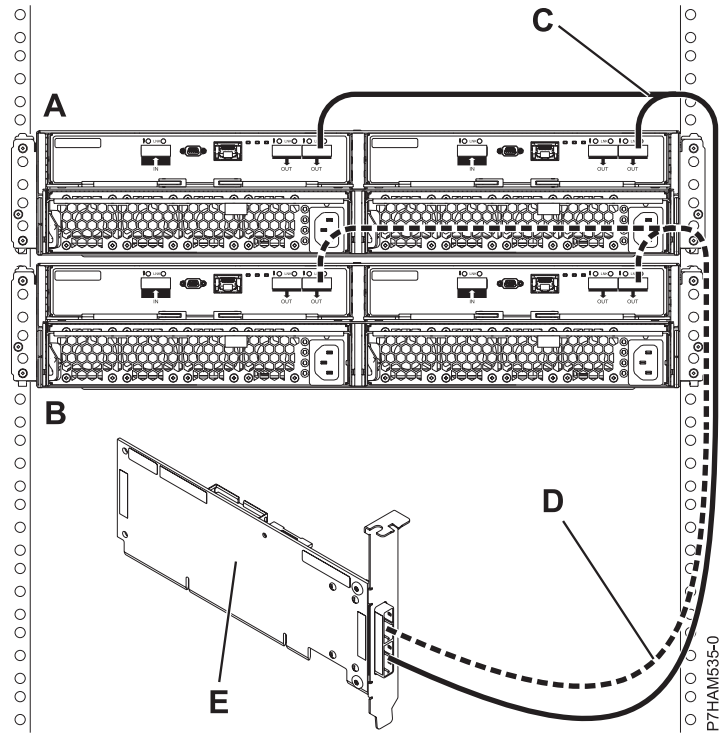


Figure 29. Mode 1 connection of two 58/87 disk drive enclosures by using YO cables to a single SAS adapter

Go to step 10r on page 34.

- k. Perform the mode 1 connection of one 58/87 disk drive enclosure (A) by using YO cables (B) to a SAS adapter pair (C) as shown in Figure 30 on page 28.

Notes:

- Each adapter in the SAS adapter pair (C) has access to the other adapter and to all 24 drive bays.
- If 6 Gb SAS adapters are being used, they must be cabled by using 6 Gb SAS cables.
- For SAS adapter pairs, you can attach the cables to any adapter port as long as you use the same port in both adapters.

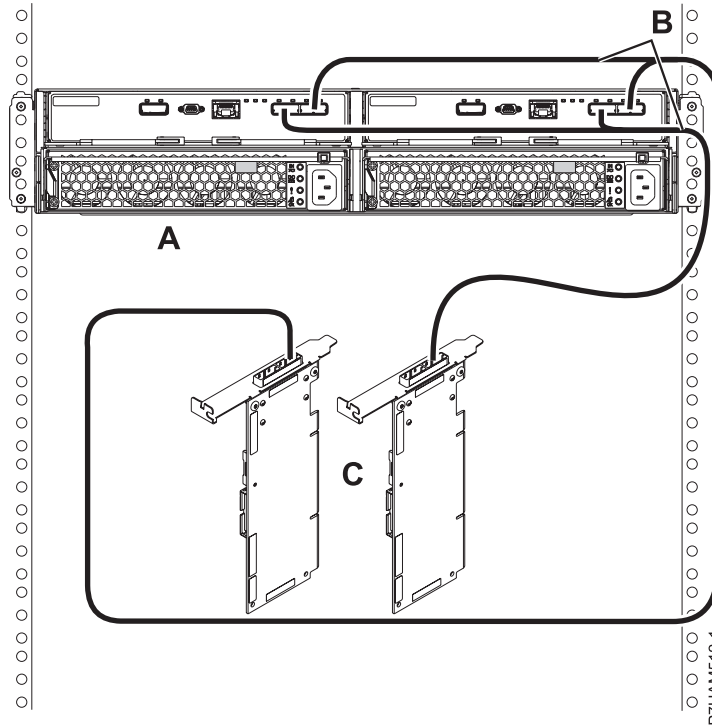


Figure 30. Mode 1 connection of one 58/87 disk drive enclosure by using YO cables to a SAS adapter pair

Go to step 10r on page 34.

- i. Perform the mode 1 connection of two 58/87 disk drive enclosures (**A and B**) by using YO cables (**C and D**) to a SAS adapter pair (**E**) as shown in Figure 31 on page 29.

Notes:

- Each adapter in the SAS adapter pair (**C**) has access to the other adapter and to all 48 drive bays.
- If 6 Gb SAS adapters are being used, they must be cabled by using 6 Gb SAS cables.
- For SAS adapter pairs, you can attach the cables to any adapter port as long as you use the same port in both adapters.

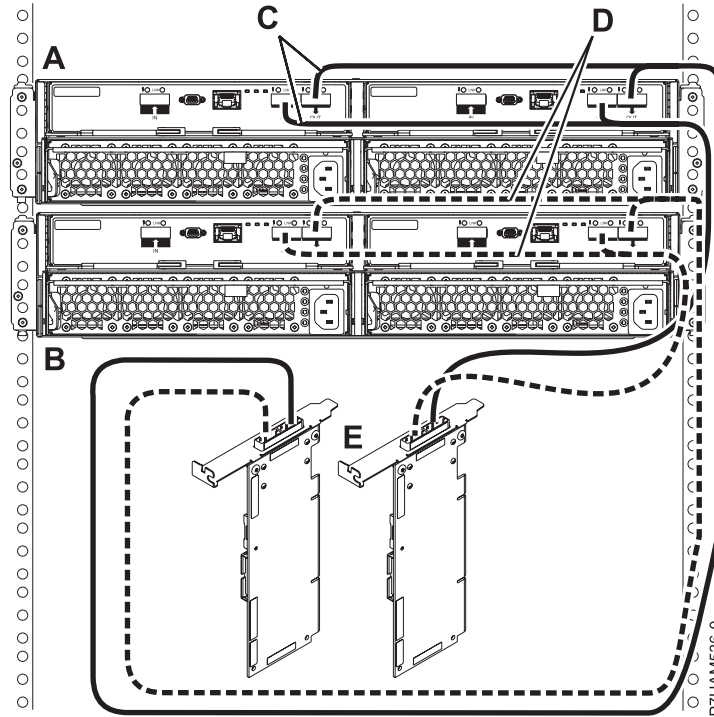


Figure 31. Mode 1 connection of two 58/87 disk drive enclosures by using YO cables to a SAS adapter pair

Go to step 10r on page 34.

- m. Perform the mode 1 connection of one 58/87 disk drive enclosure (B) by using EX cables (C) to a PCIe storage enclosure with support for SAS disk drawers (A) as shown in Figure 32 on page 30.

Notes:

- Each internal adapter in the PCIe storage enclosure (A) has access to the other adapter and to all disk drive bays.
- Both EX cables (C) from the same 58/87 disk drive enclosure must be attached to the same numbered port on the PCIe storage enclosure as shown in Figure 32 on page 30.

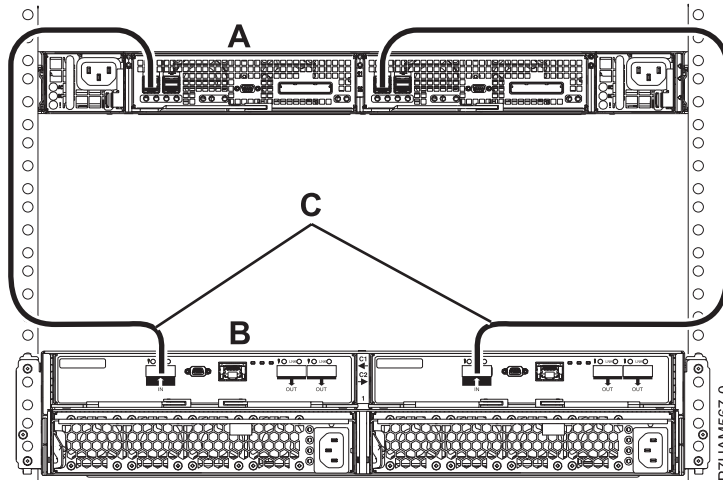


Figure 32. Mode 1 connection of one 58/87 disk drive enclosure by using EX cables to a PCIe storage enclosure

Go to step 10r on page 34.

- n. Perform the mode 1 connection of two 58/87 disk drive enclosures (B) by using EX cables (C) to a PCIe storage enclosure with support for SAS disk drawers (A) as shown in Figure 33.

Notes:

- Each internal adapter in the PCIe storage enclosure (A) has access to the other adapter and to all disk drive bays.
- Both EX cables (C) from the same 58/87 disk drive enclosure must be attached to the same numbered port on the PCIe storage enclosure as shown in Figure 33.

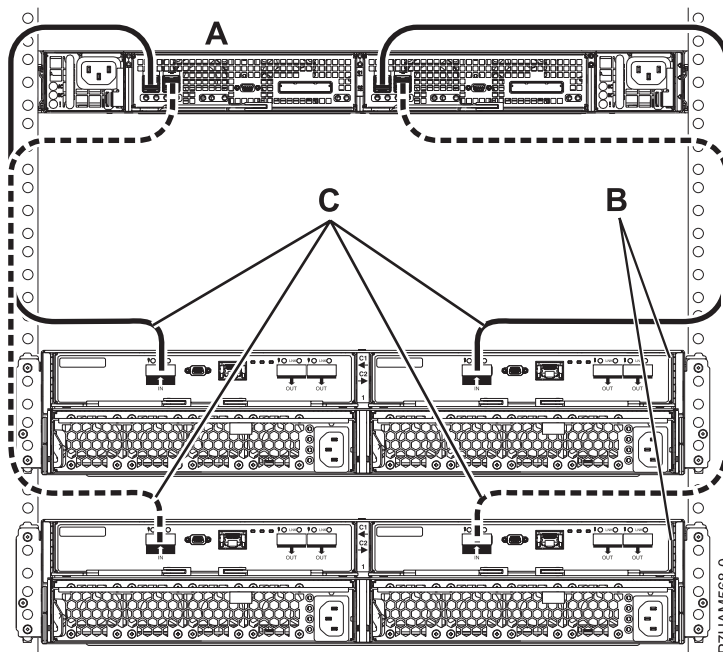


Figure 33. Mode 1 connection of two 58/87 disk drive enclosures by using EX cables to a PCIe storage enclosure

Go to step 10r on page 34.

- o. Perform the mode 2 connection of one 58/87 disk drive enclosure (A) by using YO cables (B) to two independent SAS adapters as shown in Figure 34 on page 31.

Notes:

- Independent SAS adapter 1 (C) does not have access to the other independent adapter and has access only to drive bays D1 - D12.
- Independent SAS adapter 2 (D) does not have access to the other independent adapter and has access only to drive bays D13 - D24.

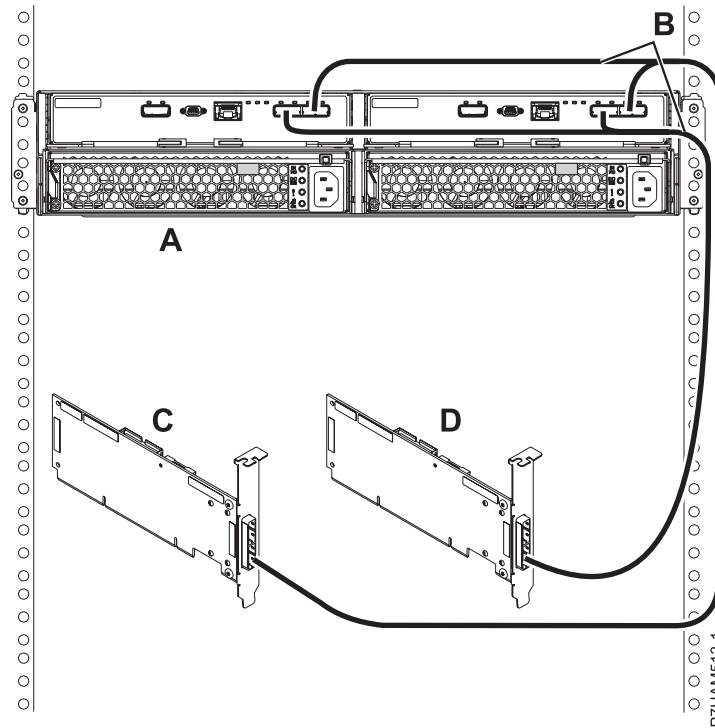


Figure 34. Mode 2 connection of one 58/87 disk drive enclosure by using YO cables to two independent SAS adapters

Go to step 10r on page 34.

- p. Perform the mode 2 connection of one 58/87 disk drive enclosure (A) by using X cables (B) to two SAS adapter pairs as shown in Figure 35 on page 32.

Notes:

- Each adapter in the SAS adapter pair 1 (C) has access to the other adapter and to drive bays D1 - D12.
- Each adapter in the SAS adapter pair 2 (D) has access to the other adapter and to drive bays D13 - D24.
- If 6 Gb SAS adapters are being used, they must be cabled by using 6 Gb SAS cables.
- For SAS adapter pairs, you can attach the cables to any adapter port as long as you use the same port in both adapters.

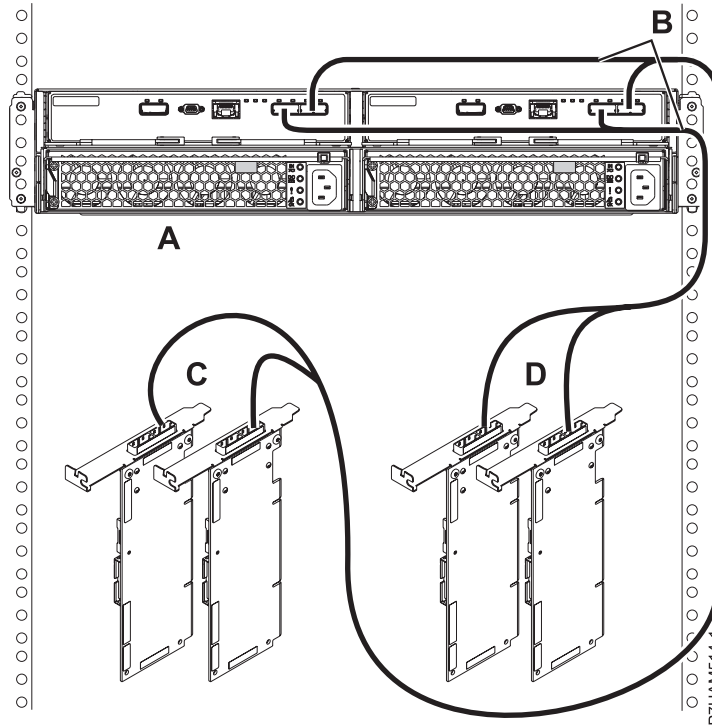


Figure 35. Mode 2 connection of one 58/87 disk drive enclosure by using X cables to two SAS adapter pairs

Go to step 10r on page 34.

- q. Perform the mode 4 connection of one 58/87 disk drive enclosure (A) by using X cables (B) to four independent SAS adapters as shown in Figure 36 on page 33.

Notes:

- The cable that plugs into independent SAS adapter 1 (C) contains a label with the P1 identifier (G), as shown in Figure 37 on page 33. This adapter does not have access to any other independent adapter and has access only to drive bays D1 - D6.
- The cable that plugs into independent SAS adapter 2 (D) contains a label with the P2 identifier (G), as shown in Figure 37 on page 33. This adapter does not have access to any other independent adapter and has access only to drive bays D7 - D12.
- The cable that plugs into independent SAS adapter 3 (E) contains a label with the P1 identifier (G), as shown in Figure 37 on page 33. This adapter does not have access to any other independent adapter and has access only to drive bays D13 - D18.
- The cable that plugs into independent SAS adapter 4 (F) contains a label with the P2 identifier (G), as shown in Figure 37 on page 33. This adapter does not have access to any other independent adapter and has access only to drive bays D19 - D24.

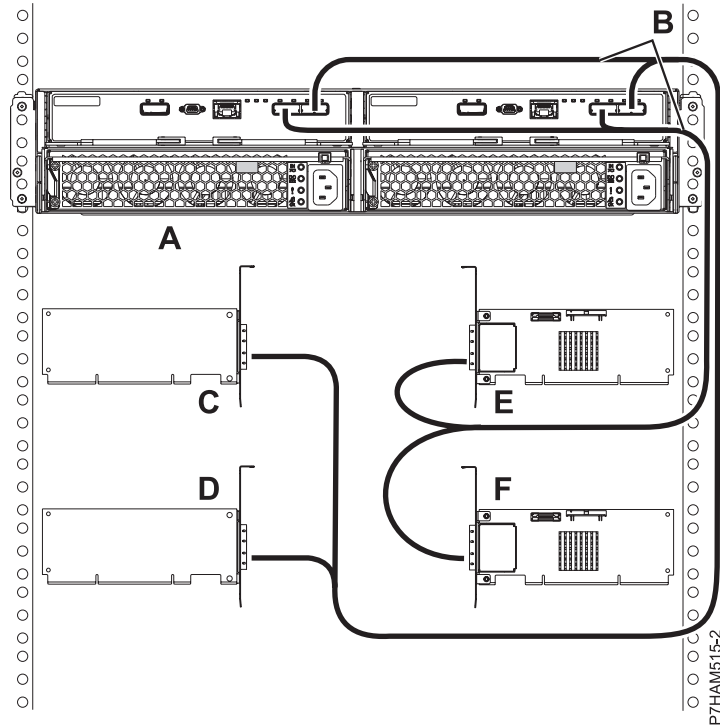


Figure 36. Mode 4 connection of one 58/87 disk drive enclosure by using X cables to four independent SAS adapters

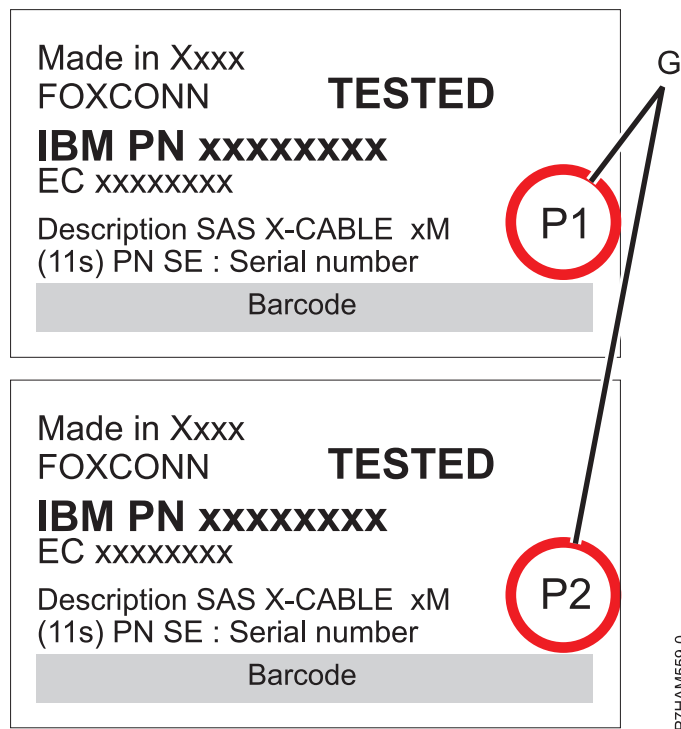


Figure 37. Labels for SAS adapter cables showing P1 and P2 identifiers

Go to step 10r on page 34.

- r. For additional information to plan or complete your SAS cable installation, see Serial-attached SCSI cable planning (<http://publib.boulder.ibm.com/infocenter/systems/scope/hw/topic/p7had/p7hadsascabbling.htm>).
11. Connect power cables and apply power to the 58/87 disk drive enclosure.
12. Add the disk drives to the operating system you are using.
13. Verify the new configuration. To verify that the system or logical partition recognizes the disk drive enclosure, see Verifying the installed part.

Reference information

Use information in this section as needed to complete enclosure installation and configuration tasks.

Connector locations

Learn about 12X, system power control network (SPCN), and PCIe connector locations.

Server connectors

Learn about connector locations for servers.

Model 02E/4B connector locations

Learn about connector locations on rack-mounted and stand-alone models.

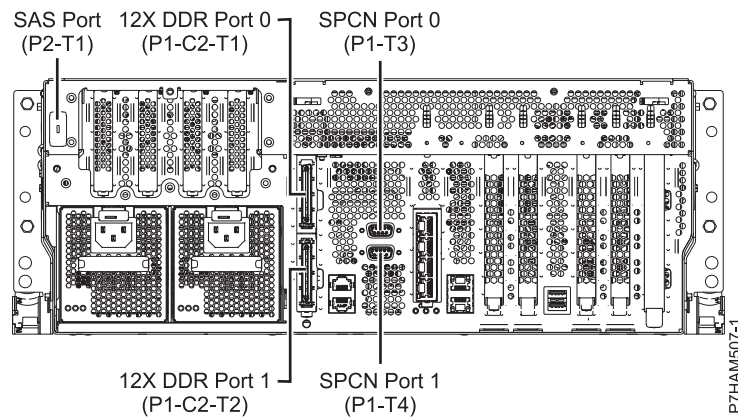


Figure 38. Model 02E/4B connector locations on a rack-mounted model

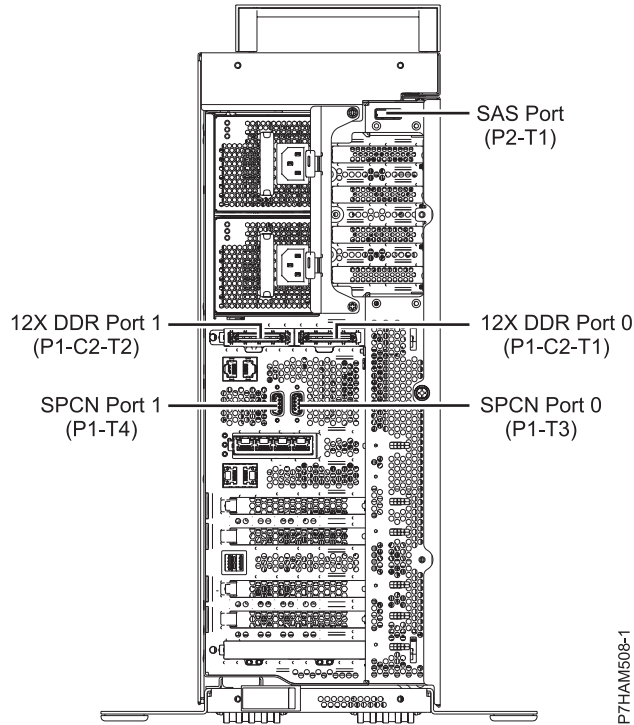


Figure 39. Model 02E/4B connector locations on a stand-alone model

Model 02E/4C connector locations

Learn about connector locations on rack-mounted models.

The 02E/4C server provides cable connector locations for the following enclosures:

- Support for expansion units, as shown in the following figure, is as follows:
 - The card installed in the C1 slot can contain two 12X double data rate (DDR) cable ports. However, the C1 slot cannot provide both 12X DDR and PCIe cable ports.
 - The server contains a serial-attached SCSI (SAS) port.

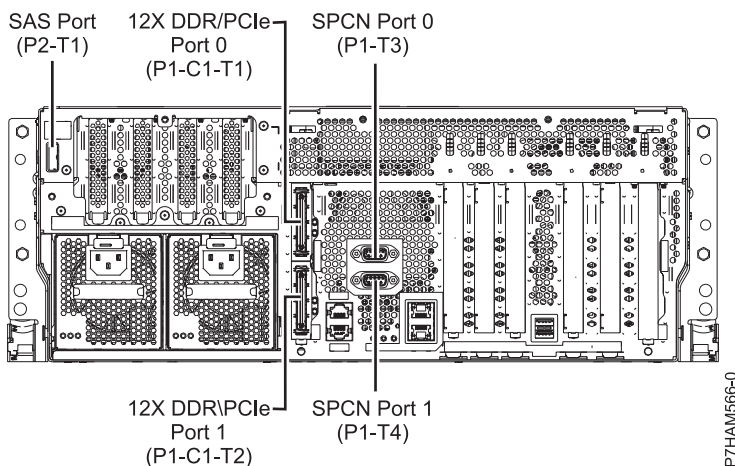


Figure 40. Model 02E/4C connections for expansion units, disk drive enclosures, and PCIe storage enclosures

- Support for disk drive enclosures, as shown in the preceding figure, is as follows:
 - The server contains a SAS port.
- Support for PCIe storage enclosures, as shown in the preceding figure, is as follows:
 - The card installed in the C1 slot can contain two PCIe cable ports. However, the C1 slot cannot provide both PCIe and 12X DDR cable ports.
 - The server contains a SAS port.

Model 05F/6B connector locations

Learn about connector locations on rack-mounted and stand-alone models.

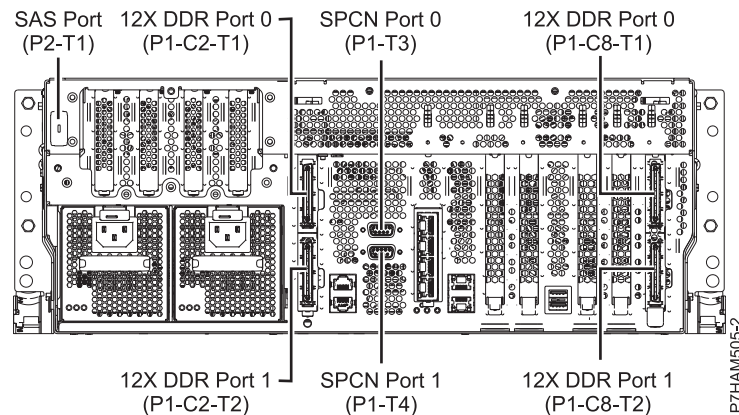


Figure 41. Model 05F/6B connector locations on a rack-mounted model

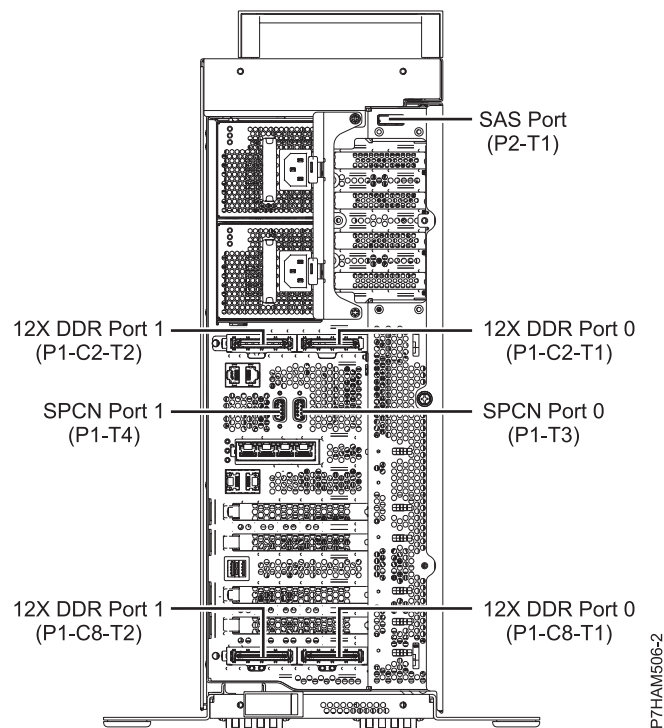


Figure 42. Model 05F/6B connector locations on a stand-alone model

Model 05E/6C connector locations

Learn about connector locations on rack-mounted models.

The 05E/6C server provides cable connector locations for the following enclosures:

- Support for expansion units, as shown in the following figure, is as follows:
 - The card installed in the C1 slot can contain two 12X double data rate (DDR) cable ports. However, the C1 slot cannot provide both 12X DDR and PCIe cable ports.
 - The card installed in the C8 slot can contain two 12X DDR cable ports. However, the C8 slot cannot provide both 12X DDR and PCIe cable ports.
 - The port card type installed in the C1 slot can differ from the port card type installed in the C8 slot.
 - The server contains a serial-attached SCSI (SAS) port.

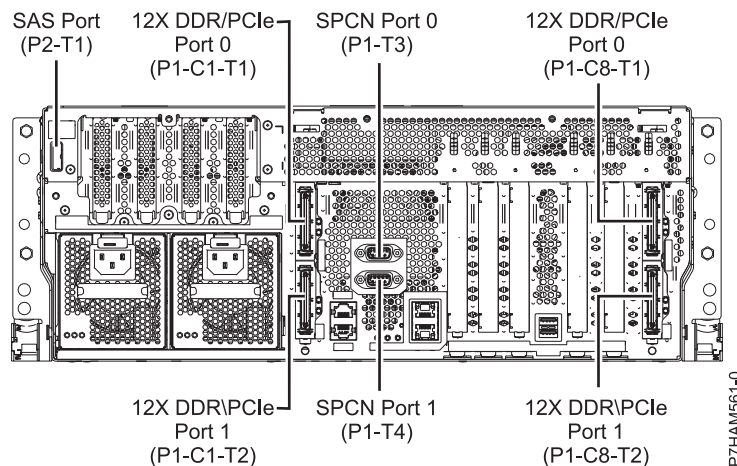


Figure 43. Model 05E/6C connections for expansion units, disk drive enclosures, and PCIe storage enclosures

- Support for disk drive enclosures, as shown in the preceding figure, is as follows:
 - The server contains a SAS port.
- Support for PCIe storage enclosures, as shown in the preceding figure, is as follows:
 - The card installed in the C1 slot can contain two PCIe cable ports. However, the C1 slot cannot provide both PCIe and 12X DDR cable ports.
 - The card installed in the C8 slot can contain two PCIe cable ports. However, the C8 slot cannot provide both PCIe and 12X DDR cable ports.
 - The port card type installed in the C1 slot can differ from the port card type installed in the C8 slot.
 - The server contains a SAS port.

Model 31E/1C connector locations

Learn about connector locations.

The 31E/1C server provides cable connector locations for the following enclosures:

- Support for disk drive enclosures, as shown in the following figure, is as follows:
 - The server contains a serial-attached SCSI (SAS) port.

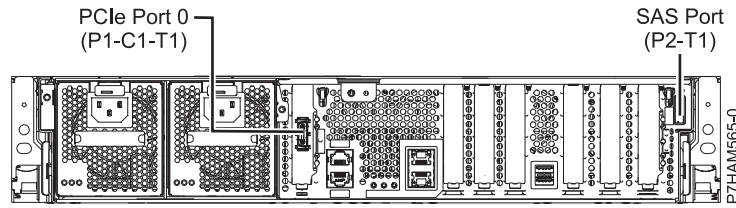


Figure 44. Model 31E/1C connections for disk drive enclosures and PCIe storage enclosures

- Support for PCIe storage enclosures, as shown in the preceding figure, is as follows:
 - The card installed in the C1 slot can contain one PCIe cable port.
 - The server contains a SAS port.

Model 31E/2C connector locations

Learn about connector locations.

The 31E/2C server provides cable connector locations for the following enclosures:

- Support for expansion units, as shown in the following figure, is as follows:
 - The C1 slot must contain the system power control network (SPCN) card, and the C8 slot must contain the card with two 12X double data rate (DDR) cable ports.

Note: Installing the 12X DDR cable ports at this location causes both the C8 and C6 slot space to be occupied.

- The server cannot support both 12X DDR cable ports and PCIe cable ports at the same time.
- The server contains a serial-attached SCSI (SAS) port.

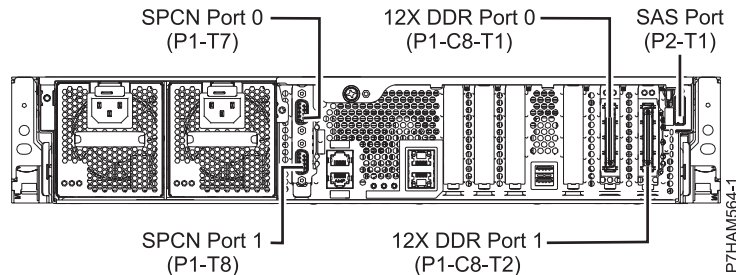


Figure 45. Model 31E/2C connections for expansion units and disk drive enclosures

- Support for disk drive enclosures, as shown in the preceding figure, is as follows:
 - The server contains a SAS port.
- Support for PCIe storage enclosures, as shown in the following figure, is as follows:
 - The card installed in the C1 slot can contain one PCIe cable port, and the card installed in the C8 slot can contain one PCIe cable port.
 - The server cannot support both PCIe cable ports and 12X DDR cable ports at the same time.
 - The server contains a SAS port.

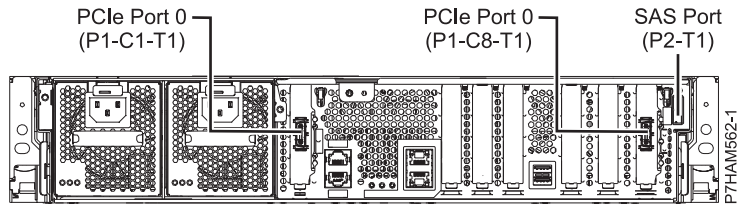


Figure 46. Model 31E/2C connections for PCIe storage enclosures

Model 31E/2B connector locations

Learn about connector locations on rack-mounted models.

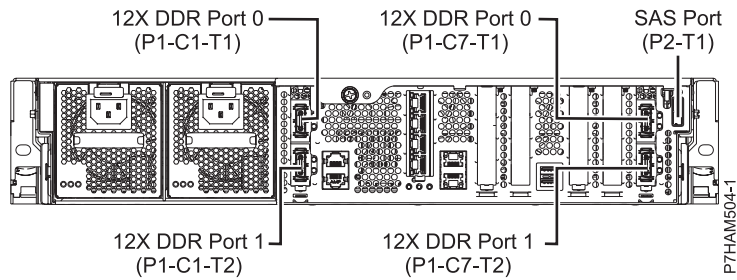


Figure 47. Model 31E/2B connector locations on a rack-mounted model

Model 33E/8B connector locations

Learn about connector locations on rack-mounted models.

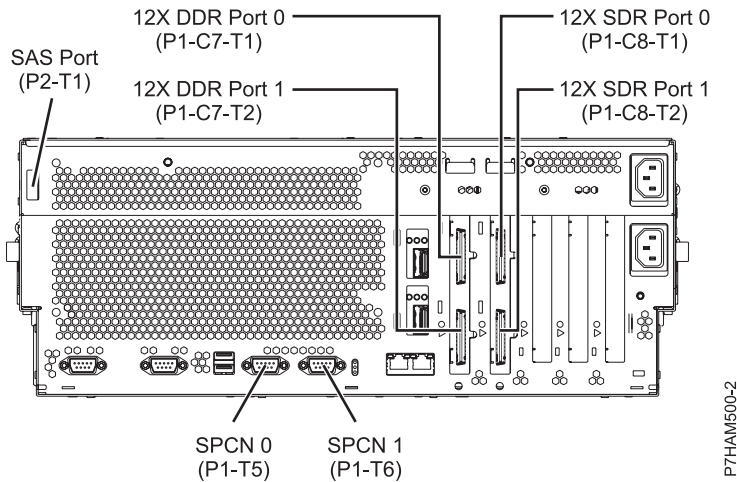


Figure 48. Model 33E/8B connector locations on a rack-mounted model

Model 46L/1S connector locations

Learn about connector locations.

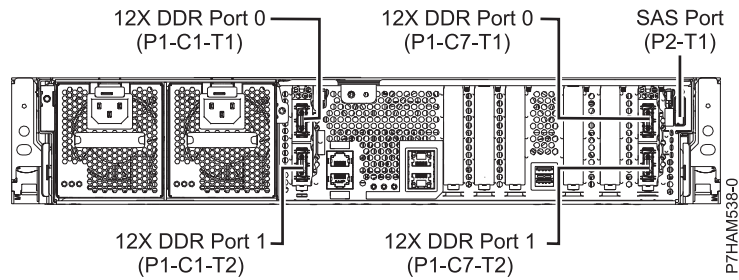


Figure 49. Model 46L/1S connector locations

Model 46L/2S connector locations

Learn about connector locations.

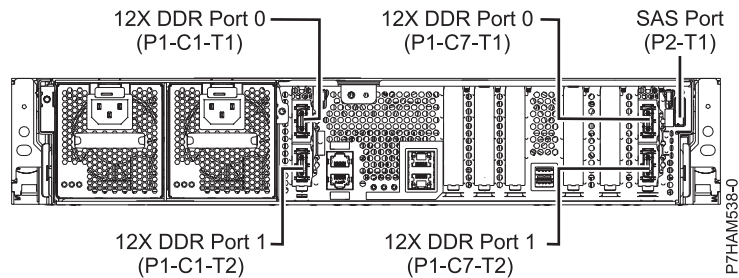


Figure 50. Model 46L/2S connector locations

Model 17M/MB or 79M/HB connector locations

Learn about connector locations.

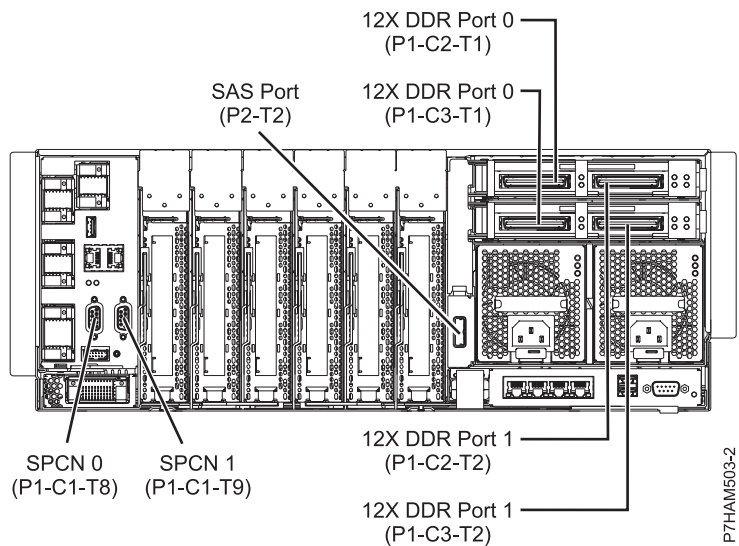


Figure 51. Model 17M/MB or 79M/HB connector locations

Model 17M/MC, 17M/MD, 79M/HC, or 79M/HD connector locations

Learn about connector locations.

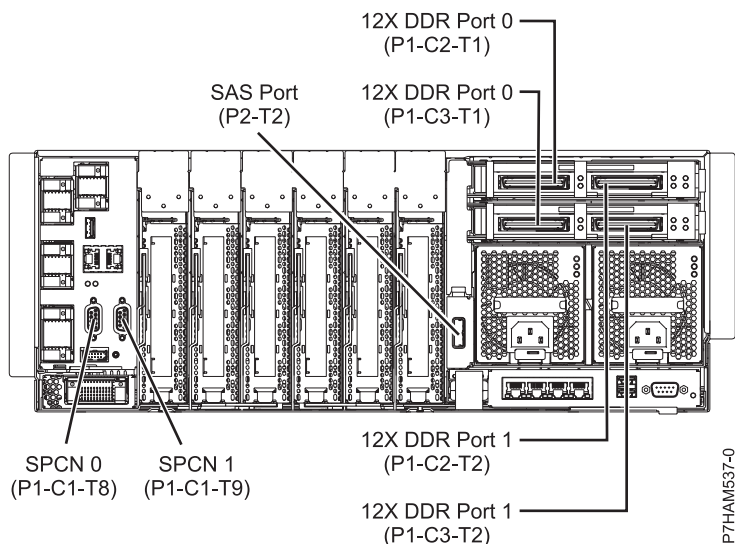


Figure 52. Model 17M/MC, 17M/MD, 79M/HC, or 79M/HD connector locations

Enclosure connectors

Learn about connector locations for I/O enclosures.

Model 58/87 connector locations

Learn about connector locations.

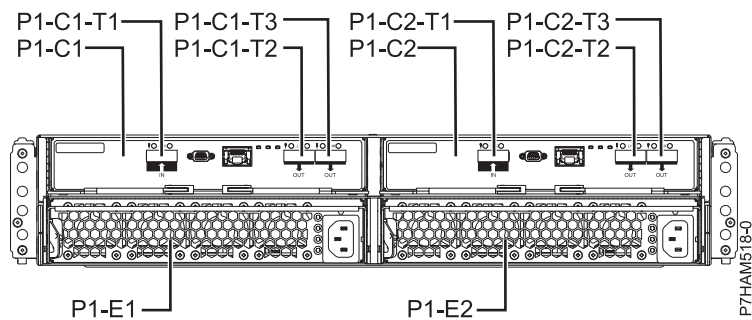


Figure 53. Model 58/87 connector locations

Notices

This information was developed for products and services offered in the U.S.A.

The manufacturer may not offer the products, services, or features discussed in this document in other countries. Consult the manufacturer's representative for information on the products and services currently available in your area. Any reference to the manufacturer's product, program, or service is not intended to state or imply that only that product, program, or service may be used. Any functionally equivalent product, program, or service that does not infringe any intellectual property right of the manufacturer may be used instead. However, it is the user's responsibility to evaluate and verify the operation of any product, program, or service.

The manufacturer may have patents or pending patent applications covering subject matter described in this document. The furnishing of this document does not grant you any license to these patents. You can send license inquiries, in writing, to the manufacturer.

The following paragraph does not apply to the United Kingdom or any other country where such provisions are inconsistent with local law: THIS PUBLICATION IS PROVIDED "AS IS" WITHOUT WARRANTY OF ANY KIND, EITHER EXPRESS OR IMPLIED, INCLUDING, BUT NOT LIMITED TO, THE IMPLIED WARRANTIES OF NON-INFRINGEMENT, MERCHANTABILITY OR FITNESS FOR A PARTICULAR PURPOSE. Some states do not allow disclaimer of express or implied warranties in certain transactions, therefore, this statement may not apply to you.

This information could include technical inaccuracies or typographical errors. Changes are periodically made to the information herein; these changes will be incorporated in new editions of the publication. The manufacturer may make improvements and/or changes in the product(s) and/or the program(s) described in this publication at any time without notice.

Any references in this information to websites not owned by the manufacturer are provided for convenience only and do not in any manner serve as an endorsement of those websites. The materials at those websites are not part of the materials for this product and use of those websites is at your own risk.

The manufacturer may use or distribute any of the information you supply in any way it believes appropriate without incurring any obligation to you.

Any performance data contained herein was determined in a controlled environment. Therefore, the results obtained in other operating environments may vary significantly. Some measurements may have been made on development-level systems and there is no guarantee that these measurements will be the same on generally available systems. Furthermore, some measurements may have been estimated through extrapolation. Actual results may vary. Users of this document should verify the applicable data for their specific environment.

Information concerning products not produced by this manufacturer was obtained from the suppliers of those products, their published announcements or other publicly available sources. This manufacturer has not tested those products and cannot confirm the accuracy of performance, compatibility or any other claims related to products not produced by this manufacturer. Questions on the capabilities of products not produced by this manufacturer should be addressed to the suppliers of those products.

All statements regarding the manufacturer's future direction or intent are subject to change or withdrawal without notice, and represent goals and objectives only.

The manufacturer's prices shown are the manufacturer's suggested retail prices, are current and are subject to change without notice. Dealer prices may vary.

This information is for planning purposes only. The information herein is subject to change before the products described become available.

This information contains examples of data and reports used in daily business operations. To illustrate them as completely as possible, the examples include the names of individuals, companies, brands, and products. All of these names are fictitious and any similarity to the names and addresses used by an actual business enterprise is entirely coincidental.

If you are viewing this information in softcopy, the photographs and color illustrations may not appear.

The drawings and specifications contained herein shall not be reproduced in whole or in part without the written permission of the manufacturer.

The manufacturer has prepared this information for use with the specific machines indicated. The manufacturer makes no representations that it is suitable for any other purpose.

The manufacturer's computer systems contain mechanisms designed to reduce the possibility of undetected data corruption or loss. This risk, however, cannot be eliminated. Users who experience unplanned outages, system failures, power fluctuations or outages, or component failures must verify the accuracy of operations performed and data saved or transmitted by the system at or near the time of the outage or failure. In addition, users must establish procedures to ensure that there is independent data verification before relying on such data in sensitive or critical operations. Users should periodically check the manufacturer's support websites for updated information and fixes applicable to the system and related software.

Homologation statement

This product may not be certified in your country for connection by any means whatsoever to interfaces of public telecommunications networks. Further certification may be required by law prior to making any such connection. Contact an IBM representative or reseller for any questions.

Trademarks

IBM, the IBM logo, and ibm.com are trademarks or registered trademarks of International Business Machines Corp., registered in many jurisdictions worldwide. Other product and service names might be trademarks of IBM or other companies. A current list of IBM trademarks is available on the web at www.ibm.com/legal/copytrade.shtml.

Linux is a registered trademark of Linus Torvalds in the United States, other countries, or both.

Electronic emission notices

When attaching a monitor to the equipment, you must use the designated monitor cable and any interference suppression devices supplied with the monitor.

Class A Notices

The following Class A statements apply to the servers.

Federal Communications Commission (FCC) statement

Note: This equipment has been tested and found to comply with the limits for a Class A digital device, pursuant to Part 15 of the FCC Rules. These limits are designed to provide reasonable protection against harmful interference when the equipment is operated in a commercial environment. This equipment generates, uses, and can radiate radio frequency energy and, if not installed and used in accordance with the instruction manual, may cause harmful interference to radio communications. Operation of this

equipment in a residential area is likely to cause harmful interference, in which case the user will be required to correct the interference at his own expense.

Properly shielded and grounded cables and connectors must be used in order to meet FCC emission limits. IBM is not responsible for any radio or television interference caused by using other than recommended cables and connectors or by unauthorized changes or modifications to this equipment. Unauthorized changes or modifications could void the user's authority to operate the equipment.

This device complies with Part 15 of the FCC rules. Operation is subject to the following two conditions: (1) this device may not cause harmful interference, and (2) this device must accept any interference received, including interference that may cause undesired operation.

Industry Canada Compliance Statement

This Class A digital apparatus complies with Canadian ICES-003.

Avis de conformité à la réglementation d'Industrie Canada

Cet appareil numérique de la classe A est conforme à la norme NMB-003 du Canada.

European Community Compliance Statement

This product is in conformity with the protection requirements of EU Council Directive 2004/108/EC on the approximation of the laws of the Member States relating to electromagnetic compatibility. IBM cannot accept responsibility for any failure to satisfy the protection requirements resulting from a non-recommended modification of the product, including the fitting of non-IBM option cards.

This product has been tested and found to comply with the limits for Class A Information Technology Equipment according to European Standard EN 55022. The limits for Class A equipment were derived for commercial and industrial environments to provide reasonable protection against interference with licensed communication equipment.

European Community contact:
IBM Deutschland GmbH
Technical Regulations, Department M372
IBM-Allee 1, 71139 Ehningen, Germany
Tele: +49 7032 15 2941
email: lugi@de.ibm.com

Warning: This is a Class A product. In a domestic environment, this product may cause radio interference, in which case the user may be required to take adequate measures.

VCCI Statement - Japan

この装置は、クラスA 情報技術装置です。この装置を家庭環境で使用すると電波妨害を引き起こすことがあります。この場合には使用者が適切な対策を講ずるよう要求されることがあります。 VCCI-A

The following is a summary of the VCCI Japanese statement in the box above:

This is a Class A product based on the standard of the VCCI Council. If this equipment is used in a domestic environment, radio interference may occur, in which case, the user may be required to take corrective actions.

**Japanese Electronics and Information Technology Industries Association (JEITA)
Confirmed Harmonics Guideline (products less than or equal to 20 A per phase)**

高調波ガイドライン適合品

**Japanese Electronics and Information Technology Industries Association (JEITA)
Confirmed Harmonics Guideline with Modifications (products greater than 20 A per phase)**

高調波ガイドライン準用品

Electromagnetic Interference (EMI) Statement - People's Republic of China

声 明

此为 A 级产品,在生活环境
中,该产品可能会造成无线电干
扰。在这种情况下,可能需要用
户对其干扰采取切实可行的措
施。

Declaration: This is a Class A product. In a domestic environment this product may cause radio interference in which case the user may need to perform practical action.

Electromagnetic Interference (EMI) Statement - Taiwan

警告使用者：

這是甲類的資訊產品，在居住的環境中使用時，可能會造成射頻干擾，在這種情況下，使用者會被要求採取某些適當的對策。

The following is a summary of the EMI Taiwan statement above.

Warning: This is a Class A product. In a domestic environment this product may cause radio interference in which case the user will be required to take adequate measures.

Electromagnetic Interference (EMI) Statement - Korea

이 기기는 업무용(A급)으로 전자파적합기기로서 판매자 또는 사용자는 이 점을 주의하시기 바라며, 가정외의 지역에서 사용하는 것을 목적으로 합니다.

Germany Compliance Statement

Deutschsprachiger EU Hinweis: Hinweis für Geräte der Klasse A EU-Richtlinie zur Elektromagnetischen Verträglichkeit

Dieses Produkt entspricht den Schutzanforderungen der EU-Richtlinie 2004/108/EG zur Angleichung der Rechtsvorschriften über die elektromagnetische Verträglichkeit in den EU-Mitgliedsstaaten und hält die Grenzwerte der EN 55022 Klasse A ein.

Um dieses sicherzustellen, sind die Geräte wie in den Handbüchern beschrieben zu installieren und zu betreiben. Des Weiteren dürfen auch nur von der IBM empfohlene Kabel angeschlossen werden. IBM übernimmt keine Verantwortung für die Einhaltung der Schutzanforderungen, wenn das Produkt ohne Zustimmung von IBM verändert bzw. wenn Erweiterungskomponenten von Fremdherstellern ohne Empfehlung von IBM gesteckt/eingebaut werden.

EN 55022 Klasse A Geräte müssen mit folgendem Warnhinweis versehen werden:

"Warnung: Dieses ist eine Einrichtung der Klasse A. Diese Einrichtung kann im Wohnbereich Funk-Störungen verursachen; in diesem Fall kann vom Betreiber verlangt werden, angemessene Maßnahmen zu ergreifen und dafür aufzukommen."

Deutschland: Einhaltung des Gesetzes über die elektromagnetische Verträglichkeit von Geräten

Dieses Produkt entspricht dem "Gesetz über die elektromagnetische Verträglichkeit von Geräten (EMVG)". Dies ist die Umsetzung der EU-Richtlinie 2004/108/EG in der Bundesrepublik Deutschland.

Zulassungsbescheinigung laut dem Deutschen Gesetz über die elektromagnetische Verträglichkeit von Geräten (EMVG) (bzw. der EMC EG Richtlinie 2004/108/EG) für Geräte der Klasse A

Dieses Gerät ist berechtigt, in Übereinstimmung mit dem Deutschen EMVG das EG-Konformitätszeichen - CE - zu führen.

Verantwortlich für die Einhaltung der EMV Vorschriften ist der Hersteller:

International Business Machines Corp.

New Orchard Road

Armonk, New York 10504

Tel: 914-499-1900

Der verantwortliche Ansprechpartner des Herstellers in der EU ist:

IBM Deutschland GmbH

Technical Regulations, Abteilung M372

IBM-Allee 1, 71139 Ehningen, Germany

Tel: +49 7032 15 2941

email: lugi@de.ibm.com

Generelle Informationen:

Das Gerät erfüllt die Schutzanforderungen nach EN 55024 und EN 55022 Klasse A.

Electromagnetic Interference (EMI) Statement - Russia

ВНИМАНИЕ! Настоящее изделие относится к классу А.
В жилых помещениях оно может создавать радиопомехи, для снижения которых необходимы дополнительные меры

Class B Notices

The following Class B statements apply to features designated as electromagnetic compatibility (EMC) Class B in the feature installation information.

Federal Communications Commission (FCC) statement

This equipment has been tested and found to comply with the limits for a Class B digital device, pursuant to Part 15 of the FCC Rules. These limits are designed to provide reasonable protection against harmful interference in a residential installation.

This equipment generates, uses, and can radiate radio frequency energy and, if not installed and used in accordance with the instructions, may cause harmful interference to radio communications. However, there is no guarantee that interference will not occur in a particular installation.

If this equipment does cause harmful interference to radio or television reception, which can be determined by turning the equipment off and on, the user is encouraged to try to correct the interference by one or more of the following measures:

- Reorient or relocate the receiving antenna.
- Increase the separation between the equipment and receiver.
- Connect the equipment into an outlet on a circuit different from that to which the receiver is connected.
- Consult an IBM-authorized dealer or service representative for help.

Properly shielded and grounded cables and connectors must be used in order to meet FCC emission limits. Proper cables and connectors are available from IBM-authorized dealers. IBM is not responsible for any radio or television interference caused by unauthorized changes or modifications to this equipment. Unauthorized changes or modifications could void the user's authority to operate this equipment.

This device complies with Part 15 of the FCC rules. Operation is subject to the following two conditions: (1) this device may not cause harmful interference, and (2) this device must accept any interference received, including interference that may cause undesired operation.

Industry Canada Compliance Statement

This Class B digital apparatus complies with Canadian ICES-003.

Avis de conformité à la réglementation d'Industrie Canada

Cet appareil numérique de la classe B est conforme à la norme NMB-003 du Canada.

European Community Compliance Statement

This product is in conformity with the protection requirements of EU Council Directive 2004/108/EC on the approximation of the laws of the Member States relating to electromagnetic compatibility. IBM cannot accept responsibility for any failure to satisfy the protection requirements resulting from a non-recommended modification of the product, including the fitting of non-IBM option cards.

This product has been tested and found to comply with the limits for Class B Information Technology Equipment according to European Standard EN 55022. The limits for Class B equipment were derived for typical residential environments to provide reasonable protection against interference with licensed communication equipment.

European Community contact:
IBM Deutschland GmbH
Technical Regulations, Department M372
IBM-Allee 1, 71139 Ehningen, Germany
Tele: +49 7032 15 2941
email: lugi@de.ibm.com

VCCI Statement - Japan

この装置は、クラスB情報技術装置です。この装置は、家庭環境で使用することを目的としていますが、この装置がラジオやテレビジョン受信機に近接して使用されると、受信障害を引き起こすことがあります。

取扱説明書に従って正しい取り扱いをして下さい。 VCCI-B

Japanese Electronics and Information Technology Industries Association (JEITA) Confirmed Harmonics Guideline (products less than or equal to 20 A per phase)

高調波ガイドライン適合品

Japanese Electronics and Information Technology Industries Association (JEITA) Confirmed Harmonics Guideline with Modifications (products greater than 20 A per phase)

高調波ガイドライン準用品

Electromagnetic Interference (EMI) Statement - Korea

이 기기는 가정용(B급)으로 전자파적합기기로서 주로 가정에서 사용하는 것을 목적으로 하며, 모든 지역에서 사용할 수 있습니다.

Germany Compliance Statement

Deutschsprachiger EU Hinweis: Hinweis für Geräte der Klasse B EU-Richtlinie zur Elektromagnetischen Verträglichkeit

Dieses Produkt entspricht den Schutzanforderungen der EU-Richtlinie 2004/108/EG zur Angleichung der Rechtsvorschriften über die elektromagnetische Verträglichkeit in den EU-Mitgliedsstaaten und hält die Grenzwerte der EN 55022 Klasse B ein.

Um dieses sicherzustellen, sind die Geräte wie in den Handbüchern beschrieben zu installieren und zu betreiben. Des Weiteren dürfen auch nur von der IBM empfohlene Kabel angeschlossen werden. IBM übernimmt keine Verantwortung für die Einhaltung der Schutzanforderungen, wenn das Produkt ohne Zustimmung von IBM verändert bzw. wenn Erweiterungskomponenten von Fremdherstellern ohne Empfehlung von IBM gesteckt/eingebaut werden.

Deutschland: Einhaltung des Gesetzes über die elektromagnetische Verträglichkeit von Geräten

Dieses Produkt entspricht dem "Gesetz über die elektromagnetische Verträglichkeit von Geräten (EMVG)". Dies ist die Umsetzung der EU-Richtlinie 2004/108/EG in der Bundesrepublik Deutschland.

Zulassungsbescheinigung laut dem Deutschen Gesetz über die elektromagnetische Verträglichkeit von Geräten (EMVG) (bzw. der EMC EG Richtlinie 2004/108/EG) für Geräte der Klasse B

Dieses Gerät ist berechtigt, in Übereinstimmung mit dem Deutschen EMVG das EG-Konformitätszeichen - CE - zu führen.

Verantwortlich für die Einhaltung der EMV Vorschriften ist der Hersteller:
International Business Machines Corp.
New Orchard Road
Armonk, New York 10504
Tel: 914-499-1900

Der verantwortliche Ansprechpartner des Herstellers in der EU ist:
IBM Deutschland GmbH
Technical Regulations, Abteilung M372
IBM-Allee 1, 71139 Ehningen, Germany
Tel: +49 7032 15 2941
email: lugi@de.ibm.com

Generelle Informationen:

Das Gerät erfüllt die Schutzanforderungen nach EN 55024 und EN 55022 Klasse B.

Terms and conditions

Permissions for the use of these publications are granted subject to the following terms and conditions.

Applicability: These terms and conditions are in addition to any terms of use for the the manufacturer website.

Personal Use: You may reproduce these publications for your personal, noncommercial use provided that all proprietary notices are preserved. You may not distribute, display or make derivative works of these publications, or any portion thereof, without the express consent of the manufacturer.

Commercial Use: You may reproduce, distribute and display these publications solely within your enterprise provided that all proprietary notices are preserved. You may not make derivative works of

these publications, or reproduce, distribute or display these publications or any portion thereof outside your enterprise, without the express consent of the manufacturer.

Rights: Except as expressly granted in this permission, no other permissions, licenses or rights are granted, either express or implied, to the Publications or any information, data, software or other intellectual property contained therein.

The manufacturer reserves the right to withdraw the permissions granted herein whenever, in its discretion, the use of the publications is detrimental to its interest or, as determined by the manufacturer, the above instructions are not being properly followed.

You may not download, export or re-export this information except in full compliance with all applicable laws and regulations, including all United States export laws and regulations.

THE MANUFACTURER MAKES NO GUARANTEE ABOUT THE CONTENT OF THESE PUBLICATIONS. THE PUBLICATIONS ARE PROVIDED "AS-IS" AND WITHOUT WARRANTY OF ANY KIND, EITHER EXPRESSED OR IMPLIED, INCLUDING BUT NOT LIMITED TO IMPLIED WARRANTIES OF MERCHANTABILITY, NON-INFRINGEMENT, AND FITNESS FOR A PARTICULAR PURPOSE.

Printed in USA