

Serial-Attached SCSI RAID Enablement in
E2-700, E2-700T, E2-705, E2-705T, E4-
700, E4-700T or E4-705

ESCALA Power7



REFERENCE
86 A1 90FF 04

ESCALA Power7

Serial-Attached SCSI RAID Enablement in E2-700, E2-700T, E2-705, E2-705T, E4-700, E4-700T or E4-705

The ESCALA Power7 publications concern the following models:

- Bull Escala E5-700 (Power 750 / 8233-E8B)
- Bull Escala M6-700 (Power 770 / 9117-MMB)
- Bull Escala M6-705 (Power 770 / 9117-MMC)
- Bull Escala M7-700 (Power 780 / 9179-MHB)
- Bull Escala M7-705 (Power 780 / 9179-MHC)
- Bull Escala E1-700 (Power 710 / 8231-E2B)
- Bull Escala E1-705 (Power 710 / 8231-E1C)
- Bull Escala E2-700 / E2-700T (Power 720 / 8202-E4B)
- Bull Escala E2-705 / E2-705T (Power 720 / 8202-E4C)
- Bull Escala E3-700 (Power 730 / 8231-E2B)
- Bull Escala E3-705 (Power 730 / 8231-E2C)
- Bull Escala E4-700 / E4-700T (Power 740 / 8205-E6B)
- Bull Escala E4-705 (Power 740 / 8205-E6C)

References to Power 755 / 8236-E8C models are irrelevant.

Hardware

May 2012

BULL CEDOC
357 AVENUE PATTON
B.P.20845
49008 ANGERS CEDEX 01
FRANCE

REFERENCE
86 A1 90FF 04

The following copyright notice protects this book under Copyright laws which prohibit such actions as, but not limited to, copying, distributing, modifying, and making derivative works.

Copyright © Bull SAS 2012

Printed in France

Suggestions and criticisms concerning the form, content, and presentation of this book are invited. A form is provided at the end of this book for this purpose.

To order additional copies of this book or other Bull Technical Publications, you are invited to use the Ordering Form also provided at the end of this book.

Trademarks and Acknowledgements

We acknowledge the right of proprietors of trademarks mentioned in this book.

The information in this document is subject to change without notice. Bull will not be liable for errors contained herein, or for incidental or consequential damages in connection with the use of this material.

Contents

Safety notices	v
SAS RAID enablement and cache battery pack for the 02E/4B, 02E/4C, 05F/6B, or 05E/6C	1
What's new in SAS RAID enablement	3
Installing the Storage Backplane - 6 SFF Bays/SATA DVD (FC 5618).	5
Installing the 3x3 split-drive bays no RAID 5/6 support (FC 5631)	9
Installing the 3x3 split-drive bays no RAID 5/6 support (FC EJ02)	15
Installing the Storage Backplane - 8 SFF Bays/175MB RAID/Dual IOA (FC 5630 and FC EJ01)	19
Removing and replacing SAS RAID adapters and batteries	27
Removing the 02E/4B or 05F/6B RAID enablement card	27
Replacing the 02E/4B or 05F/6B RAID enablement card	30
Removing the 02E/4B, 02E/4C, 05F/6B, or 05E/6C RAID/cache storage controller	32
Replacing the 02E/4B, 02E/4C, 05F/6B, or 05E/6C RAID/cache storage controller	34
Removing and replacing the cache battery card	35
Removing and replacing a cache battery pack	41
Removing and replacing the disk drive backplane	43
Removing the 02E/4B, 02E/4C, 05F/6B, or 05E/6C disk drive backplane.	44
Replacing the 02E/4B, 02E/4C, 05F/6B, or 05E/6C disk drive backplane	50
Removing and replacing the 02E/4B or 05F/6B system backplane	53
Removing the 02E/4B, 02E/4C, 05F/6B, or 05E/6C system backplane	54
Replacing the 02E/4B, 02E/4C, 05F/6B, or 05E/6C system backplane	65
02E/4B or 05F/6B SAS subsystem service considerations	80
Service considerations for the cache battery pack	81
Common procedures for installable features	83
Before you begin	83
Identifying a part	85
Control panel LEDs.	85
Identifying a failing part in an AIX system or logical partition	87
Locating a failing part in an AIX system or logical partition	87
Activating the indicator light for the failing part	87
Deactivating the failing-part indicator light.	87
Identifying a failing part in a Linux system or logical partition	88
Locating a failing part in a Linux system or logical partition	88
Finding the location code of a failing part in a Linux system or logical partition	88
Activating the indicator light for the failing part	88
Deactivating the failing-part indicator light.	89
Locating a failing part in a Virtual I/O Server system or logical partition.	89
Identifying a part by using the Virtual I/O Server	89
Starting the system or logical partition	89
Starting a system that is not managed by a Hardware Management Console or a Systems Director Management Console.	90
Starting a system or logical partition by using the HMC	91
Starting a system or virtual server by using the SDMC	91
Stopping a system or logical partition	92

Stopping a system that is not managed by an HMC or an SDMC	92
Stopping a system by using the HMC	93
Stopping a system with the SDMC	94
Removing and replacing covers for the 02E/4B, 02E/4C, 05F/6B, or 05E/6C	95
Removing the front cover on a rack-mounted 02E/4B, 02E/4C, 05F/6B, or 05E/6C system	95
Removing the front cover on a stand-alone 02E/4B, 02E/4C, or 05F/6B system.	95
Installing the front cover on a rack-mounted 02E/4B, 02E/4C, 05F/6B, or 05E/6C system	96
Installing the front cover and front door on a stand-alone 02E/4B, 02E/4C, or 05F/6B system.	97
Removing the service access cover on a rack-mounted 02E/4B, 02E/4C, 05F/6B, or 05E/6C system	98
Removing the service access cover on a stand-alone 02E/4B, 02E/4C, or 05F/6B system.	99
Installing the service access cover on a rack-mounted 02E/4B, 02E/4C, 05F/6B, or 05E/6C system	101
Installing the service access cover on a stand-alone 02E/4B, 02E/4C, or 05F/6B system	101
Placing the 02E/4B, 02E/4C, 05F/6B, or 05E/6C system into the service or operating position	103
Placing the rack-mounted 02E/4B, 02E/4C, 05F/6B, or 05E/6C system into the service position.	103
Placing the rack-mounted 02E/4B, 02E/4C, 05F/6B, or 05E/6C system into the operating position	105
Disconnecting the power cords from the 02E/4B, 02E/4C, 05F/6B, or 05E/6C system	106
Connecting the power cords to the 02E/4B, 02E/4C, 05F/6B, or 05E/6C system	108
Installing a part by using the HMC	108
Removing a part by using the HMC.	109
Replacing a part by using the HMC.	109
Verifying the installed part	110
Verifying an installed feature or replaced part in an AIX system or logical partition	110
Verifying the installed part in a Linux system or logical partition	112
Verifying an installed part by using stand-alone diagnostics	113
Verifying the installed part by using the HMC	114
Activating and deactivating LEDs by using the HMC	115
Deactivating a system attention LED or partition LED.	115
Activating or deactivating an identify LED	115
Viewing serviceable events by using the HMC	116
Verifying the installed part by using the SDMC	117
Activating and deactivating LEDs by using the SDMC.	117
Deactivating a system attention LED or partition LED.	117
Activating or deactivating an identify LED by using the SDMC	118
Viewing serviceable events by using the SDMC	118
Verifying an installed part or replaced part on a system or logical partition by using Virtual I/O Server tools	119
Verifying the installed part by using VIOS.	119
Verify the replacement part by using VIOS	119
Installing a part by using the SDMC.	121
Replacing a part by using the Systems Director Management Console	121
Removing a part by using the SDMC	122
Notices	123
Trademarks	124
Electronic emission notices	124
Class A Notices.	124
Class B Notices.	128
Terms and conditions.	130

Safety notices

Safety notices may be printed throughout this guide.

- **DANGER** notices call attention to a situation that is potentially lethal or extremely hazardous to people.
- **CAUTION** notices call attention to a situation that is potentially hazardous to people because of some existing condition.
- **Attention** notices call attention to the possibility of damage to a program, device, system, or data.

World Trade safety information

Several countries require the safety information contained in product publications to be presented in their national languages. If this requirement applies to your country, a safety information booklet is included in the publications package shipped with the product. The booklet contains the safety information in your national language with references to the U.S. English source. Before using a U.S. English publication to install, operate, or service this product, you must first become familiar with the related safety information in the booklet. You should also refer to the booklet any time you do not clearly understand any safety information in the U.S. English publications.

Laser safety information

The servers can use I/O cards or features that are fiber-optic based and that utilize lasers or LEDs.

Laser compliance

The servers may be installed inside or outside of an IT equipment rack.

DANGER

When working on or around the system, observe the following precautions:

Electrical voltage and current from power, telephone, and communication cables are hazardous. To avoid a shock hazard:

- Connect power to this unit only with the provided power cord. Do not use the provided power cord for any other product.
- Do not open or service any power supply assembly.
- Do not connect or disconnect any cables or perform installation, maintenance, or reconfiguration of this product during an electrical storm.
- The product might be equipped with multiple power cords. To remove all hazardous voltages, disconnect all power cords.
- Connect all power cords to a properly wired and grounded electrical outlet. Ensure that the outlet supplies proper voltage and phase rotation according to the system rating plate.
- Connect any equipment that will be attached to this product to properly wired outlets.
- When possible, use one hand only to connect or disconnect signal cables.
- Never turn on any equipment when there is evidence of fire, water, or structural damage.
- Disconnect the attached power cords, telecommunications systems, networks, and modems before you open the device covers, unless instructed otherwise in the installation and configuration procedures.
- Connect and disconnect cables as described in the following procedures when installing, moving, or opening covers on this product or attached devices.

To Disconnect:

1. Turn off everything (unless instructed otherwise).
2. Remove the power cords from the outlets.
3. Remove the signal cables from the connectors.
4. Remove all cables from the devices

To Connect:

1. Turn off everything (unless instructed otherwise).
2. Attach all cables to the devices.
3. Attach the signal cables to the connectors.
4. Attach the power cords to the outlets.
5. Turn on the devices.

(D005a)

DANGER

Observe the following precautions when working on or around your IT rack system:

- Heavy equipment—personal injury or equipment damage might result if mishandled.
- Always lower the leveling pads on the rack cabinet.
- Always install stabilizer brackets on the rack cabinet.
- To avoid hazardous conditions due to uneven mechanical loading, always install the heaviest devices in the bottom of the rack cabinet. Always install servers and optional devices starting from the bottom of the rack cabinet.
- Rack-mounted devices are not to be used as shelves or work spaces. Do not place objects on top of rack-mounted devices.



- Each rack cabinet might have more than one power cord. Be sure to disconnect all power cords in the rack cabinet when directed to disconnect power during servicing.
- Connect all devices installed in a rack cabinet to power devices installed in the same rack cabinet. Do not plug a power cord from a device installed in one rack cabinet into a power device installed in a different rack cabinet.
- An electrical outlet that is not correctly wired could place hazardous voltage on the metal parts of the system or the devices that attach to the system. It is the responsibility of the customer to ensure that the outlet is correctly wired and grounded to prevent an electrical shock.

CAUTION

- Do not install a unit in a rack where the internal rack ambient temperatures will exceed the manufacturer's recommended ambient temperature for all your rack-mounted devices.
- Do not install a unit in a rack where the air flow is compromised. Ensure that air flow is not blocked or reduced on any side, front, or back of a unit used for air flow through the unit.
- Consideration should be given to the connection of the equipment to the supply circuit so that overloading of the circuits does not compromise the supply wiring or overcurrent protection. To provide the correct power connection to a rack, refer to the rating labels located on the equipment in the rack to determine the total power requirement of the supply circuit.
- *(For sliding drawers.)* Do not pull out or install any drawer or feature if the rack stabilizer brackets are not attached to the rack. Do not pull out more than one drawer at a time. The rack might become unstable if you pull out more than one drawer at a time.
- *(For fixed drawers.)* This drawer is a fixed drawer and must not be moved for servicing unless specified by the manufacturer. Attempting to move the drawer partially or completely out of the rack might cause the rack to become unstable or cause the drawer to fall out of the rack.

(R001)

CAUTION:

Removing components from the upper positions in the rack cabinet improves rack stability during relocation. Follow these general guidelines whenever you relocate a populated rack cabinet within a room or building:

- Reduce the weight of the rack cabinet by removing equipment starting at the top of the rack cabinet. When possible, restore the rack cabinet to the configuration of the rack cabinet as you received it. If this configuration is not known, you must observe the following precautions:
 - Remove all devices in the 32U position and above.
 - Ensure that the heaviest devices are installed in the bottom of the rack cabinet.
 - Ensure that there are no empty U-levels between devices installed in the rack cabinet below the 32U level.
- If the rack cabinet you are relocating is part of a suite of rack cabinets, detach the rack cabinet from the suite.
- Inspect the route that you plan to take to eliminate potential hazards.
- Verify that the route that you choose can support the weight of the loaded rack cabinet. Refer to the documentation that comes with your rack cabinet for the weight of a loaded rack cabinet.
- Verify that all door openings are at least 760 x 230 mm (30 x 80 in.).
- Ensure that all devices, shelves, drawers, doors, and cables are secure.
- Ensure that the four leveling pads are raised to their highest position.
- Ensure that there is no stabilizer bracket installed on the rack cabinet during movement.
- Do not use a ramp inclined at more than 10 degrees.
- When the rack cabinet is in the new location, complete the following steps:
 - Lower the four leveling pads.
 - Install stabilizer brackets on the rack cabinet.
 - If you removed any devices from the rack cabinet, repopulate the rack cabinet from the lowest position to the highest position.
- If a long-distance relocation is required, restore the rack cabinet to the configuration of the rack cabinet as you received it. Pack the rack cabinet in the original packaging material, or equivalent. Also lower the leveling pads to raise the casters off of the pallet and bolt the rack cabinet to the pallet.

(R002)

(L001)



(L002)



(L003)



or



All lasers are certified in the U.S. to conform to the requirements of DHHS 21 CFR Subchapter J for class 1 laser products. Outside the U.S., they are certified to be in compliance with IEC 60825 as a class 1 laser product. Consult the label on each part for laser certification numbers and approval information.

CAUTION:

This product might contain one or more of the following devices: CD-ROM drive, DVD-ROM drive, DVD-RAM drive, or laser module, which are Class 1 laser products. Note the following information:

- Do not remove the covers. Removing the covers of the laser product could result in exposure to hazardous laser radiation. There are no serviceable parts inside the device.
- Use of the controls or adjustments or performance of procedures other than those specified herein might result in hazardous radiation exposure.

(C026)

CAUTION:

Data processing environments can contain equipment transmitting on system links with laser modules that operate at greater than Class 1 power levels. For this reason, never look into the end of an optical fiber cable or open receptacle. (C027)

CAUTION:

This product contains a Class 1M laser. Do not view directly with optical instruments. (C028)

CAUTION:

Some laser products contain an embedded Class 3A or Class 3B laser diode. Note the following information: laser radiation when open. Do not stare into the beam, do not view directly with optical instruments, and avoid direct exposure to the beam. (C030)

CAUTION:

The battery contains lithium. To avoid possible explosion, do not burn or charge the battery.

Do Not:

- ___ Throw or immerse into water
- ___ Heat to more than 100°C (212°F)
- ___ Repair or disassemble

Exchange only with the approved part. Recycle or discard the battery as instructed by local regulations. (C003a)

Power and cabling information for NEBS (Network Equipment-Building System) GR-1089-CORE

The following comments apply to the servers that have been designated as conforming to NEBS (Network Equipment-Building System) GR-1089-CORE:

The equipment is suitable for installation in the following:

- Network telecommunications facilities
- Locations where the NEC (National Electrical Code) applies

The intrabuilding ports of this equipment are suitable for connection to intrabuilding or unexposed wiring or cabling only. The intrabuilding ports of this equipment *must not* be metallically connected to the interfaces that connect to the OSP (outside plant) or its wiring. These interfaces are designed for use as intrabuilding interfaces only (Type 2 or Type 4 ports as described in GR-1089-CORE) and require isolation from the exposed OSP cabling. The addition of primary protectors is not sufficient protection to connect these interfaces metallically to OSP wiring.

Note: All Ethernet cables must be shielded and grounded at both ends.

The ac-powered system does not require the use of an external surge protection device (SPD).

The dc-powered system employs an isolated DC return (DC-I) design. The DC battery return terminal *shall not* be connected to the chassis or frame ground.

SAS RAID enablement and cache battery pack for the 02E/4B, 02E/4C, 05F/6B, or 05E/6C

You might need to configure a redundant array of independent disks (RAID) on your serial-attached SCSI (SAS) disk drives in your system enclosure. Use these instructions to install features to enable RAID on your system.

The following instructions will enable you to install SAS RAID enablement cards to prepare your system, to use SAS disk drives in a RAID configuration.

What's new in SAS RAID enablement

Read about new or significantly changed information in SAS RAID enablement since the previous update of this topic collection.

October 2011

- Added information for 02E/4C and 05E/6C servers.

Installing the Storage Backplane - 6 SFF Bays/SATA DVD (FC 5618)

Use this procedure to install the parts included with feature Storage Backplane - 6 SFF Bays/SATA DVD. This procedure is intended for installing new features.

Before you begin

Attention: If you are servicing a failing part, see the following service procedure:

- For the RAID storage controller, see “Removing the 02E/4B, 02E/4C, 05F/6B, or 05E/6C RAID/cache storage controller” on page 32 and “Replacing the 02E/4B, 02E/4C, 05F/6B, or 05E/6C RAID/cache storage controller” on page 34.

About this task

Before installing or replacing a feature, ensure that the software required to support the feature is installed on your system.

Attention: To maintain system availability and prevent possible data loss, it is important to understand that these features have implications on the serial-attached SCSI (SAS) configuration and data accessibility of the system. Review the SAS subsystem topic to understand the various SAS configuration and service considerations.

Before servicing or installing any features, review the I/O configurations for each logical partition on your system. It is important to understand the differences between the various configurations and the resulting service considerations. In addition, consider possible impacts to the following areas:

- Logical partitions and their I/O adapter assignments
- RAID array configurations
- Physical disk locations
- Path to your boot device

If your system is managed by the HMC, use the HMC to complete the steps for installing a feature in the server. For instructions, see “Installing a part by using the HMC” on page 108.

If your system is managed by the Systems Director Management Console (SDMC), use the SDMC to complete the steps for installing a feature in the server. For instructions, see “Replacing a part by using the Systems Director Management Console” on page 121.

If you do not have an HMC or an SDMC, complete the following procedure.

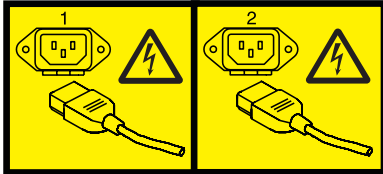
Procedure

1. Complete the prerequisite tasks described in “Before you begin” on page 83.
2. Stop the system, as described in “Stopping a system or logical partition” on page 92.
3. Remove the front cover.
 - For a rack-mounted system, see “Removing the front cover on a rack-mounted 02E/4B, 02E/4C, 05F/6B, or 05E/6C system” on page 95.
 - For a stand-alone system, see “Removing the front cover on a stand-alone 02E/4B, 02E/4C, or 05F/6B system” on page 95.
4. For a rack-mounted system, place the system into the service position, as described in “Placing the rack-mounted 02E/4B, 02E/4C, 05F/6B, or 05E/6C system into the service position” on page 103.

5. Remove the service access cover.
 - For a rack-mounted system, see “Removing the service access cover on a rack-mounted 02E/4B, 02E/4C, 05F/6B, or 05E/6C system” on page 98.
 - For a stand-alone system, see “Removing the service access cover on a stand-alone 02E/4B, 02E/4C, or 05F/6B system” on page 99.
6. Disconnect the power source from the system by unplugging the system.

Note: This system is optionally equipped with a second power supply. Before continuing with this procedure, ensure that the power source to the system has been completely disconnected.

(L003)



or



7. Attach the wrist strap.

Attention:

 - Attach a wrist strap to an unpainted metal surface of your hardware to prevent electrostatic discharge (ESD) from damaging your hardware.
 - When using a wrist strap, follow all electrical safety procedures. A wrist strap is for static control. It does not increase or decrease your risk of receiving electric shock when using or working on electrical equipment.
 - If you do not have a wrist strap, just prior to removing the product from ESD packaging and installing or replacing hardware, touch an unpainted metal surface of the system for a minimum of 5 seconds.
8. Install the disk drive backplane. For instructions, see Replacing the 02E/4B, 02E/4C, 05F/6B, or 05E/6C disk drive backplane.
9. Install the disk drives.
 - For internal disk drive, see Replacing the internal disk drive in an 02E/4B, 02E/4C, 05F/6B, or 05E/6C system.
 - For solid-state drive, see Installing a disk drive or solid-state drive.

10. Install the SATA DVD drive. For instructions, see *Installing a Slimline media device in the 02E/4B, 02E/4C, 05F/6B, or 05E/6C*.
11. Replace the service access cover.
 - For a rack-mounted system, see *“Installing the service access cover on a rack-mounted 02E/4B, 02E/4C, 05F/6B, or 05E/6C system”* on page 101.
 - For a stand-alone system, see *“Installing the service access cover on a stand-alone 02E/4B, 02E/4C, or 05F/6B system”* on page 101.
12. For a rack-mounted system, put the system into the operating position, as described in *“Placing the rack-mounted 02E/4B, 02E/4C, 05F/6B, or 05E/6C system into the operating position”* on page 105.
13. Replace the front cover.
 - For a rack-mounted system, see *“Installing the front cover on a rack-mounted 02E/4B, 02E/4C, 05F/6B, or 05E/6C system”* on page 96.
 - For a stand-alone system, see *“Installing the front cover and front door on a stand-alone 02E/4B, 02E/4C, or 05F/6B system”* on page 97.
14. Reconnect the power source.
15. Start the system as described in *“Starting the system or logical partition”* on page 89.
16. Verify the installed part:
 - If you installed the part for any other reason, verify the installed part as described in *Verifying the installed part*.

Installing the 3x3 split-drive bays no RAID 5/6 support (FC 5631)

Use this procedure to install the parts included with feature 3x3 split-drive bays No RAID 5/6 support.

Before you begin

Note: The FC 5631 is for the 02E/4B or 05F/6B.

Attention: This procedure is intended for installing a split-drive bay capability.

About this task

Before installing or replacing a feature, ensure that the software required to support the feature is installed on your system.

Attention: To maintain system availability and prevent possible data loss, it is important to understand that these features have implications on the serial-attached SCSI (SAS) configuration and data accessibility of the system. Review the SAS subsystem topic to understand the various SAS configuration and service considerations.

Before servicing or installing any features, review the I/O configurations for each logical partition on your system. It is important to understand the differences between the various configurations and the resulting service considerations. In addition, consider possible impacts to the following areas:

- Logical partitions and their I/O adapter assignments
- RAID array configurations
- Physical disk locations
- Path to your boot device

If your system is managed by the HMC, use the HMC to complete the steps for installing a feature in the server. For instructions, see “Installing a part by using the HMC” on page 108

If your system is managed by the Systems Director Management Console (SDMC), use the SDMC to complete the steps for installing a feature in the server. For instructions, see “Replacing a part by using the Systems Director Management Console” on page 121.

If you do not have an HMC or an SDMC, complete the following procedure.

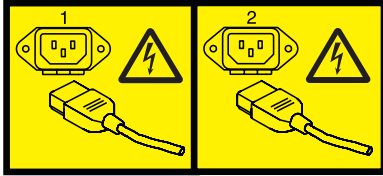
Procedure

1. Complete the prerequisite tasks described in “Before you begin” on page 83.
2. Stop the system, as described in “Stopping a system or logical partition” on page 92.
3. For a rack-mounted system, place the system into the service position, as described in “Placing the rack-mounted 02E/4B, 02E/4C, 05F/6B, or 05E/6C system into the service position” on page 103.
4. Remove the service access cover.
 - For a rack-mounted system, see “Removing the service access cover on a rack-mounted 02E/4B, 02E/4C, 05F/6B, or 05E/6C system” on page 98.
 - For a stand-alone system, see “Removing the service access cover on a stand-alone 02E/4B, 02E/4C, or 05F/6B system” on page 99.
5. Use the service indicator light-emitting diodes (LEDs) to help identify the part, as described in “Identifying a part” on page 85.

6. Disconnect the power source from the system by unplugging the system.

Note: This system is optionally equipped with a second power supply. Before continuing with this procedure, ensure that the power source to the system has been completely disconnected.

(L003)



or



7. Attach the wrist strap.

Attention:

- Attach a wrist strap to an unpainted metal surface of your hardware to prevent electrostatic discharge (ESD) from damaging your hardware.
 - When using a wrist strap, follow all electrical safety procedures. A wrist strap is for static control. It does not increase or decrease your risk of receiving electric shock when using or working on electrical equipment.
 - If you do not have a wrist strap, just prior to removing the product from ESD packaging and installing or replacing hardware, touch an unpainted metal surface of the system for a minimum of 5 seconds.
8. Locate the RAID-10 storage controller slots.

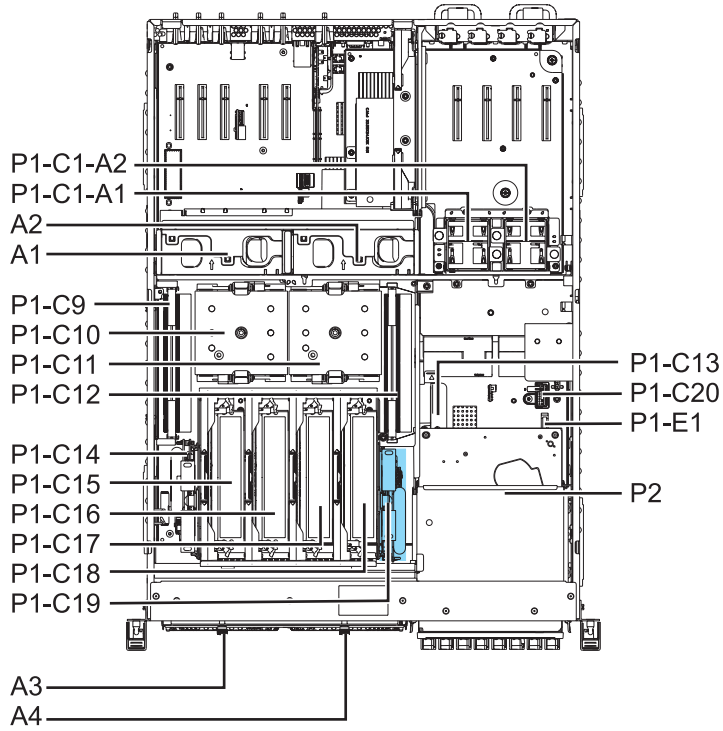


Figure 1. Slot locations of RAID-10 storage controller (P1-C19) for 02E/4B or 05F/6B

9. Align the RAID-10 storage controller (**A**) with the slot in the system.
10. Slide the RAID-10 storage controller into the system until the tab (**B**) locks into place as shown in the following figure.

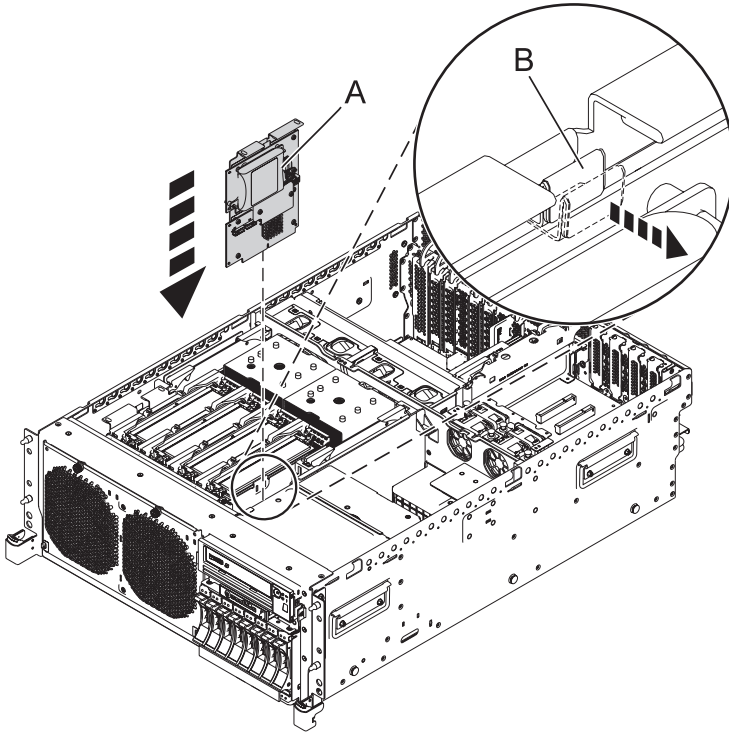


Figure 2. Rack-mounted model RAID-10 storage controller replacement

11. Install the disk drive backplane. For instructions, see Removing the 02E/4B, 02E/4C, 05F/6B, or 05E/6C disk drive backplane.
12. Install the disk drives.
 - For internal disk drive, see Replacing the internal disk drive in an 02E/4B, 02E/4C, 05F/6B, or 05E/6C system.
 - For solid-state drive, see Installing a disk drive or solid-state drive.
13. Install the SATA DVD drive. For instructions, see Installing a Slimline media device in the 02E/4B, 02E/4C, 05F/6B, or 05E/6C.
14. Install the external SAS port. For instructions, see Installing the external SAS port on an 02E/4B, 02E/4C, 05F/6B, or 05E/6C system.
15. Replace the service access cover.
 - For a rack-mounted system, see “Installing the service access cover on a rack-mounted 02E/4B, 02E/4C, 05F/6B, or 05E/6C system” on page 101.
 - For a stand-alone system, see “Installing the service access cover on a stand-alone 02E/4B, 02E/4C, or 05F/6B system” on page 101.
16. For a rack-mounted system, put the system into the operating position, as described in “Placing the rack-mounted 02E/4B, 02E/4C, 05F/6B, or 05E/6C system into the operating position” on page 105.
17. Replace the front cover.
 - For a rack-mounted system, see “Installing the front cover on a rack-mounted 02E/4B, 02E/4C, 05F/6B, or 05E/6C system” on page 96.
 - For a stand-alone system, see “Installing the front cover and front door on a stand-alone 02E/4B, 02E/4C, or 05F/6B system” on page 97.
18. Reconnect the power source.
19. Start the system as described in “Starting the system or logical partition” on page 89.
20. Verify the installed part or repair.

- If you installed the part for any other reason, verify the installed part as described in Verifying the installed part.

Installing the 3x3 split-drive bays no RAID 5/6 support (FC EJ02)

Use this procedure to install the parts included with feature 3x3 split-drive bays No RAID 5/6 support.

Before you begin

Note: The FC EJ02 is for the 02E/4C or 05E/6C system.

Attention: This procedure is intended for installing a split-drive bay capability.

About this task

Before installing or replacing a feature, ensure that the software required to support the feature is installed on your system.

Attention: To maintain system availability and prevent possible data loss, it is important to understand that these features have implications on the serial-attached SCSI (SAS) configuration and data accessibility of the system. Review the SAS subsystem topic to understand the various SAS configuration and service considerations.

Before servicing or installing any features, review the I/O configurations for each logical partition on your system. It is important to understand the differences between the various configurations and the resulting service considerations. In addition, consider possible impacts to the following areas:

- Logical partitions and their I/O adapter assignments
- RAID array configurations
- Physical disk locations
- Path to your boot device

If your system is managed by the HMC, use the HMC to complete the steps for installing a feature in the server. For instructions, see “Installing a part by using the HMC” on page 108

If your system is managed by the Systems Director Management Console (SDMC), use the SDMC to complete the steps for installing a feature in the server. For instructions, see “Replacing a part by using the Systems Director Management Console” on page 121.

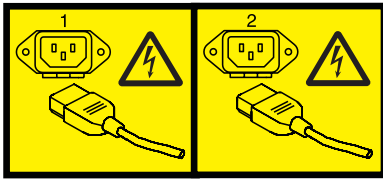
If you do not have an HMC or an SDMC, complete the following procedure.

Procedure

1. Complete the prerequisite tasks described in “Before you begin” on page 83.
2. Stop the system, as described in “Stopping a system or logical partition” on page 92.
3. For a rack-mounted system, place the system into the service position, as described in “Placing the rack-mounted 02E/4B, 02E/4C, 05F/6B, or 05E/6C system into the service position” on page 103.
4. Remove the service access cover.
 - For a rack-mounted system, see “Removing the service access cover on a rack-mounted 02E/4B, 02E/4C, 05F/6B, or 05E/6C system” on page 98.
 - For a stand-alone system, see “Removing the service access cover on a stand-alone 02E/4B, 02E/4C, or 05F/6B system” on page 99.
5. Disconnect the power source from the system by unplugging the system.

Note: This system is optionally equipped with a second power supply. Before continuing with this procedure, ensure that the power source to the system has been completely disconnected.

(L003)



or



6. Attach the wrist strap.

Attention:

- Attach a wrist strap to an unpainted metal surface of your hardware to prevent electrostatic discharge (ESD) from damaging your hardware.
- When using a wrist strap, follow all electrical safety procedures. A wrist strap is for static control. It does not increase or decrease your risk of receiving electric shock when using or working on electrical equipment.
- If you do not have a wrist strap, just prior to removing the product from ESD packaging and installing or replacing hardware, touch an unpainted metal surface of the system for a minimum of 5 seconds.

7. Locate the RAID-10 storage controller slots.

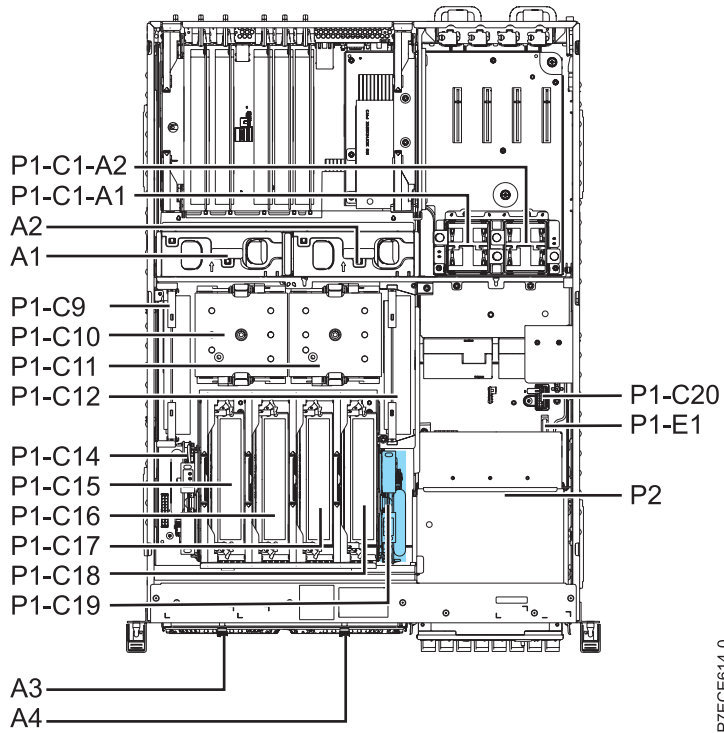


Figure 3. Slot locations of RAID-10 storage controller (P1-C19) for 02E/4C or 05E/6C

8. Align the RAID-10 storage controller (**A**) with the slot in the system.
9. Slide the RAID-10 storage controller into the system until the tab (**B**) locks into place as shown in the following figure.

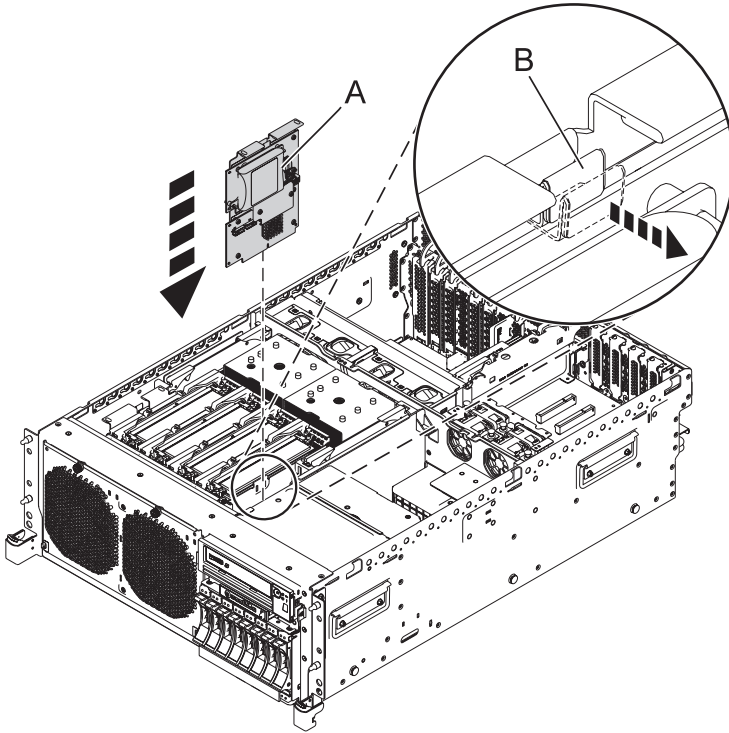


Figure 4. Rack-mounted model RAID-10 storage controller replacement

10. Replace the service access cover.
 - For a rack-mounted system, see “Installing the service access cover on a rack-mounted 02E/4B, 02E/4C, 05F/6B, or 05E/6C system” on page 101.
 - For a stand-alone system, see “Installing the service access cover on a stand-alone 02E/4B, 02E/4C, or 05F/6B system” on page 101.
11. For a rack-mounted system, put the system into the operating position, as described in “Placing the rack-mounted 02E/4B, 02E/4C, 05F/6B, or 05E/6C system into the operating position” on page 105.
12. Replace the front cover.
 - For a rack-mounted system, see “Installing the front cover on a rack-mounted 02E/4B, 02E/4C, 05F/6B, or 05E/6C system” on page 96.
 - For a stand-alone system, see “Installing the front cover and front door on a stand-alone 02E/4B, 02E/4C, or 05F/6B system” on page 97.
13. Reconnect the power source.
14. Start the system as described in “Starting the system or logical partition” on page 89.
15. Verify the installed part or repair.
 - If you installed the part for any other reason, verify the installed part as described in Verifying the installed part.

Installing the Storage Backplane - 8 SFF Bays/175MB RAID/Dual IOA (FC 5630 and FC EJ01)

Use this procedure to install the parts included with feature Storage Backplane - 8 SFF Bays/175MB RAID/Dual IOA. This procedure is intended for installing new features.

Before you begin

Note: The FC 5630 is for the 02E/4B or 05F/6B, and the FC EJ01 is for the 02E/4C or 05E/6C.

Attention: If you are servicing a failing part, see the following service procedures:

- For the enablement card, see Removing enablement card and Replacing enablement card.
- For the RAID/cache storage controller, see Removing storage controller and Replacing storage controller.

About this task

Attention: To maintain system availability and prevent possible data loss, it is important to understand that these features have implications on the serial-attached SCSI (SAS) configuration and data accessibility of the system. Review the SAS subsystem topic to understand the various SAS configuration and service considerations.

Before servicing or installing any features, review the I/O configurations for each logical partition on your system. It is important to understand the differences between the various configurations and the resulting service considerations. In addition, consider possible impacts to the following areas:

- Logical partitions and their I/O adapter assignments
- RAID array configurations
- Physical disk locations
- Path to your boot device

Before installing or replacing a feature, ensure that the software required to support the feature is installed on your system. If your system is managed by the HMC, use the HMC to complete the steps for installing a feature in the server. For instructions, see “Installing a part by using the HMC” on page 108.

If your system is managed by the Systems Director Management Console (SDMC), use the SDMC to complete the steps for installing a feature in the server. For instructions, see “Replacing a part by using the Systems Director Management Console” on page 121.

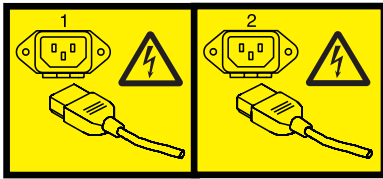
If you do not have an HMC or an SDMC, complete the following procedure.

Procedure

1. Complete the prerequisite tasks described in “Before you begin” on page 83.
2. Use the service indicator light-emitting diodes (LEDs) to help identify the part, as described in “Identifying a part” on page 85.
3. Stop the system, as described in “Stopping a system or logical partition” on page 92.
4. For a rack-mounted system, place the system into the service position, as described in “Placing the rack-mounted 02E/4B, 02E/4C, 05F/6B, or 05E/6C system into the service position” on page 103.
5. Disconnect the power source from the system by unplugging the system.

Note: This system is optionally equipped with a second power supply. Before continuing with this procedure, ensure that the power source to the system has been completely disconnected.

(L003)



or



6. Remove the service access cover.
 - For a rack-mounted system, see “Removing the service access cover on a rack-mounted 02E/4B, 02E/4C, 05F/6B, or 05E/6C system” on page 98.
 - For a stand-alone system, see “Removing the service access cover on a stand-alone 02E/4B, 02E/4C, or 05F/6B system” on page 99.

7. Attach the wrist strap.

Attention:

- Attach a wrist strap to an unpainted metal surface of your hardware to prevent electrostatic discharge (ESD) from damaging your hardware.
 - When using a wrist strap, follow all electrical safety procedures. A wrist strap is for static control. It does not increase or decrease your risk of receiving electric shock when using or working on electrical equipment.
 - If you do not have a wrist strap, just prior to removing the product from ESD packaging and installing or replacing hardware, touch an unpainted metal surface of the system for a minimum of 5 seconds.
8. For 02E/4B or 05F/6B system, locate the RAID enablement card slot (P1-C13), RAID/cache storage controller slot (P1-C19), and cache battery card (P1-C14), and go to step 10 on page 21.

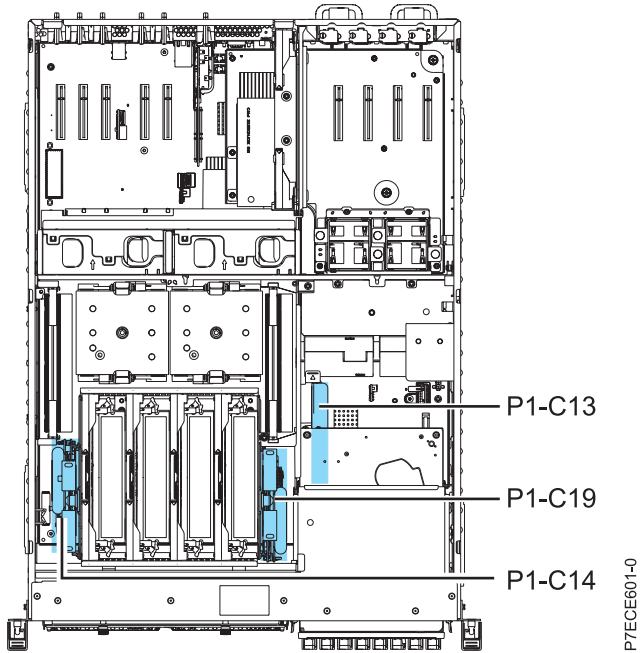


Figure 5. Slot location for RAID enablement card, RAID/cache storage controller, cache battery card

9. For 02E/4C or 05E/6C system, locate the RAID/cache storage controller slot (P1-C19) and cache battery card (P1-C14), and go to step 11 on page 22.

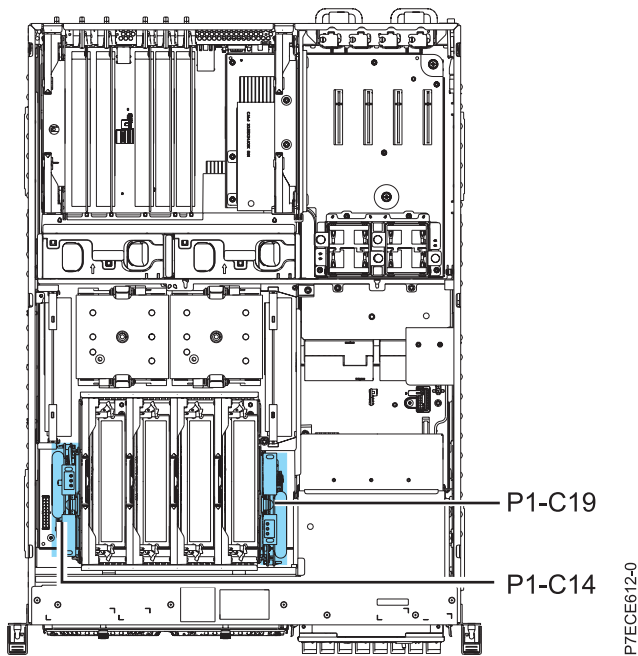


Figure 6. Slot location for RAID/cache storage controller, cache battery card

10. Install RAID enablement card for 02E/4B or 05F/6B, as follows:

- Note:** The 02E/4C or 05E/6C does not have the enablement card.
- a. Align the RAID enablement card (**A**) with the slot (**B**) in the system.

- b. Slide the RAID enablement card into the system until the tab locks into place as shown in the following figure.

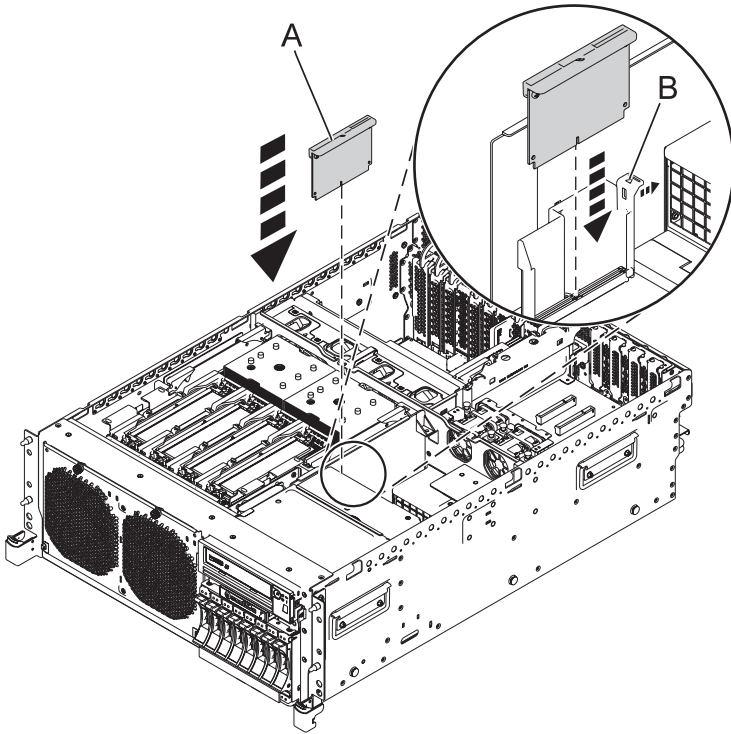


Figure 7. Rack-mounted model RAID enablement card replacement

11. Install RAID/cache storage controller as follows:
 - a. Align the RAID/cache storage controller (**A**) with the slot in the system.
 - b. Slide the RAID/cache storage controller into the system until the tab (**B**) locks into place as shown in the following figure.

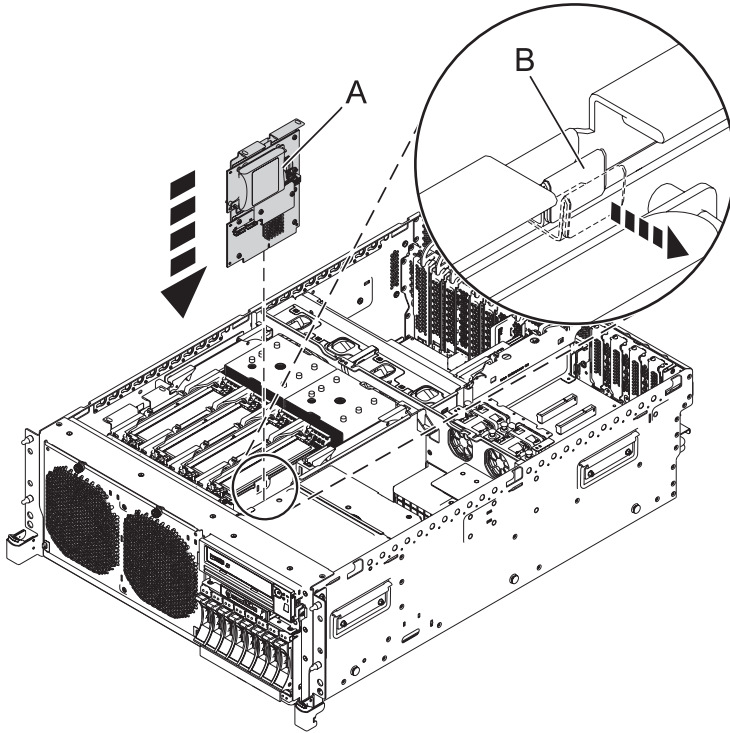


Figure 8. Rack-mounted model RAID/cache storage controller replacement

12. Install the cache battery card as follows:

- a. Slide the cache battery card (A) into the mounting guides on the controller until it is seated in the battery connector.
- b. After the battery is seated in the connector, move the lever to the latched position to fully seat the battery into the connector.

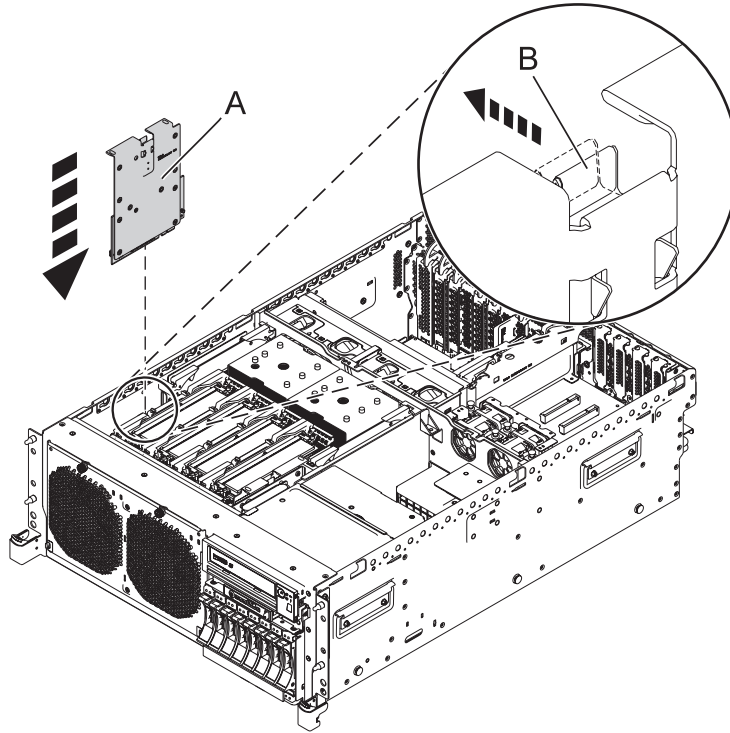


Figure 9. Rack-mounted model RAID cache battery card replacement

13. Remove the disk drives.
 - For internal disk drives, see Removing the internal disk drive in an 02E/4B, 02E/4C, 05F/6B, or 05E/6C system.
 - For solid-state drives, see Removing a disk drive or solid-state drive.
 14. Remove the disk drives backplane [CCIN 2BD5]. For instructions, see Removing the 02E/4B, 02E/4C, 05F/6B, or 05E/6C disk drive backplane.
 15. Install the high-function disk drive backplane [CCIN 2BD6]. For instructions, see Replacing the 02E/4B, 02E/4C, 05F/6B, or 05E/6C disk drive backplane.
 16. Replace the disk drives in to the high-function disk drive backplane.
 - For internal disk drives, see Replacing the internal disk drive in an 02E/4B, 02E/4C, 05F/6B, or 05E/6C system.
 - For solid-state drives, see Installing a disk drive or solid-state drive.
 17. Replace the service access cover. See
 - For a rack-mounted system, see “Installing the service access cover on a rack-mounted 02E/4B, 02E/4C, 05F/6B, or 05E/6C system” on page 101.
 - For a stand-alone system, see “Installing the service access cover on a stand-alone 02E/4B, 02E/4C, or 05F/6B system” on page 101.
 18. For a rack-mounted system, put the system into the operating position, as described in “Placing the rack-mounted 02E/4B, 02E/4C, 05F/6B, or 05E/6C system into the operating position” on page 105.
 19. Replace the front cover.
 - For a rack-mounted system, see “Installing the front cover on a rack-mounted 02E/4B, 02E/4C, 05F/6B, or 05E/6C system” on page 96.
 - For a stand-alone system, see “Installing the front cover and front door on a stand-alone 02E/4B, 02E/4C, or 05F/6B system” on page 97.
 20. Reconnect the power source.
 21. Start the system as described in “Starting the system or logical partition” on page 89.
- 24** Serial-attached SCSI RAID enablement

22. Verify the installed part:

- If you installed the part for any other reason, verify the installed part as described in Verifying the installed part.

Removing and replacing SAS RAID adapters and batteries

You might need to remove or replace the SAS RAID adapters and batteries. This section includes procedures for these tasks.

Note: Replacing this feature is a customer task. You can perform this task yourself, or contact an authorized service provider to perform the task for you. You might be charged a fee by the authorized service provider for this service.

Removing the 02E/4B or 05F/6B RAID enablement card

Use this procedure to remove a Redundant Array of Independent Disks (RAID) enablement card before installing a new or upgraded enablement card.

Before you begin

Attention: To maintain system availability and prevent possible data loss, it is important to understand that these features have implications on the serial-attached SCSI (SAS) configuration and data accessibility of the system. Review the SAS subsystem topic to understand the various SAS configuration and service considerations.

Before servicing or installing any features, review the I/O configurations for each logical partition on your system. It is important to understand the differences between the various configurations and the resulting service considerations. In addition, consider possible impacts to the following areas:

- Logical partitions and their I/O adapter assignments
- RAID array configurations
- Physical disk locations
- Path to your boot device

About this task

If your system is managed by the Hardware Management Console (HMC), use the HMC to remove the enablement card from the server. For instructions, see “Removing a part by using the HMC” on page 109.

If your system is managed by the Systems Director Management Console (SDMC), use the SDMC to remove the enablement card from the server. For instructions, see “Removing a part by using the SDMC” on page 122.

If you do not have an HMC or an SDMC, complete the following steps to remove the enablement card:

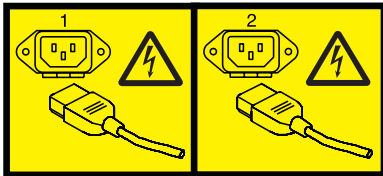
Procedure

1. Complete the prerequisite tasks described in “Before you begin” on page 83.
2. Stop the system, as described in “Stopping a system or logical partition” on page 92.
3. Ensure the system is powered down. Check the operator panel to see that the power LED is flashing on or off.
4. Remove the front cover.
 - For a rack-mounted system, see “Removing the front cover on a rack-mounted 02E/4B, 02E/4C, 05F/6B, or 05E/6C system” on page 95.
 - For a stand-alone system, see “Removing the front cover on a stand-alone 02E/4B, 02E/4C, or 05F/6B system” on page 95.

5. For a rack-mounted system, place the system into the service position, as described in “Placing the rack-mounted 02E/4B, 02E/4C, 05F/6B, or 05E/6C system into the service position” on page 103.
6. Remove the service access cover.
 - For a rack-mounted system, see “Removing the service access cover on a rack-mounted 02E/4B, 02E/4C, 05F/6B, or 05E/6C system” on page 98.
 - For a stand-alone system, see “Removing the service access cover on a stand-alone 02E/4B, 02E/4C, or 05F/6B system” on page 99.
7. Check the status of the green Write Cache LEDs on cards located in P1-C19 and P1-C14 of Figure 1.
 - If both the green cache LEDs are flashing, replace the system cover and follow the “Starting the system or logical partition” on page 89 before returning here.
 - If both LEDs are off, proceed to the next step.
 - If by chance, one cache LED is flashing and the other is not, contact your service provider for assistance.
8. Disconnect the power source from the system by unplugging the system.

Note: This system is optionally equipped with a second power supply. Before continuing with this procedure, ensure that the power source to the system has been completely disconnected.

(L003)



or



9. Attach the wrist strap.

Attention:

- Attach a wrist strap to an unpainted metal surface of your hardware to prevent electrostatic discharge (ESD) from damaging your hardware.
- When using a wrist strap, follow all electrical safety procedures. A wrist strap is for static control. It does not increase or decrease your risk of receiving electric shock when using or working on electrical equipment.
- If you do not have a wrist strap, just prior to removing the product from ESD packaging and installing or replacing hardware, touch an unpainted metal surface of the system for a minimum of 5 seconds.

10. Locate the RAID enablement card that you want to remove.

Note: If an optional tape drive is installed, then move the tape drive to access the RAID enablement card.

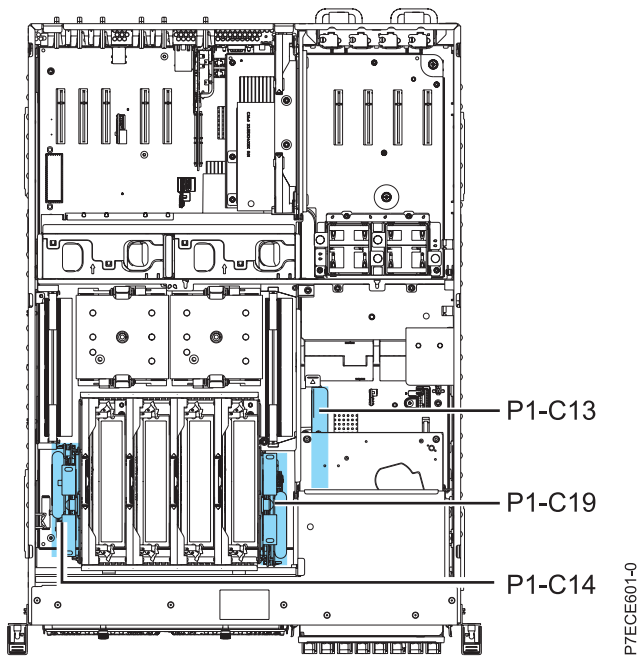


Figure 10. Slot location for RAID enablement card (P1-C13)

11. Press the tab and slide the card out of the system as shown in the following figures. The RAID enablement card is attached to a plastic plate. You must slide the plastic plate out of the system to remove the RAID enablement card.

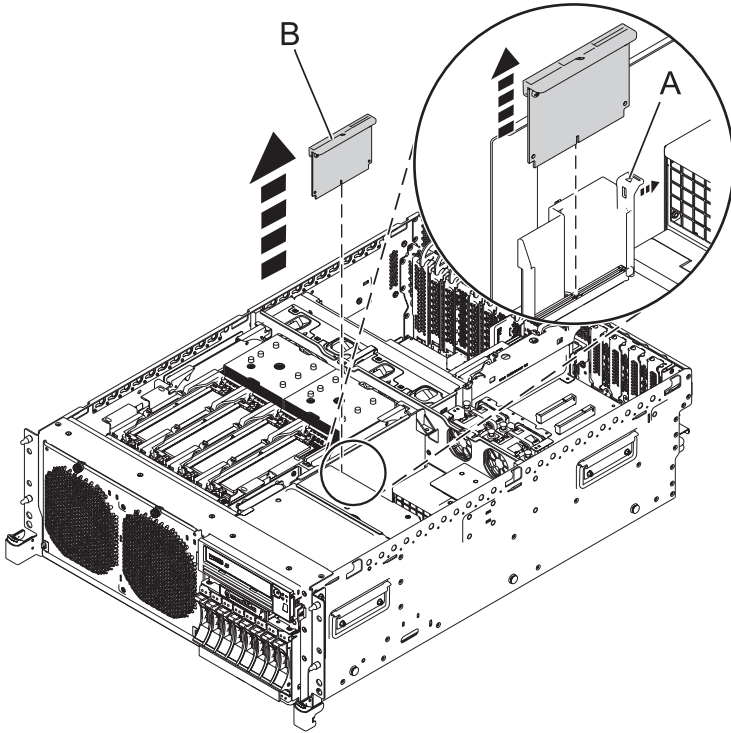


Figure 11. RAID enablement card removal from a rack-mounted system unit

To replace the RAID enablement card, see “Replacing the 02E/4B or 05F/6B RAID enablement card.”

12. Replace the service access cover.
 - For a rack-mounted system, see “Installing the service access cover on a rack-mounted 02E/4B, 02E/4C, 05F/6B, or 05E/6C system” on page 101.
 - For a stand-alone system, see “Installing the service access cover on a stand-alone 02E/4B, 02E/4C, or 05F/6B system” on page 101.
13. For a rack-mounted system, put the system into the operating position, as described in “Placing the rack-mounted 02E/4B, 02E/4C, 05F/6B, or 05E/6C system into the operating position” on page 105.
14. Replace the front cover.
 - For a rack-mounted system, see “Installing the front cover on a rack-mounted 02E/4B, 02E/4C, 05F/6B, or 05E/6C system” on page 96.
 - For a stand-alone system, see “Installing the front cover and front door on a stand-alone 02E/4B, 02E/4C, or 05F/6B system” on page 97.
15. Reconnect the power source.
16. Start the system as described in “Starting the system or logical partition” on page 89.
17. Verify the installed part:
 - If you installed the part for any other reason, verify the installed part as described in Verifying the installed part.

Replacing the 02E/4B or 05F/6B RAID enablement card

Use this procedure to replace an existing Redundant Array of Independent Disks (RAID) enablement card.

About this task

You must have already completed the procedure “Removing the 02E/4B or 05F/6B RAID enablement card” on page 27.

To replace a RAID enablement card, complete the following steps:

Procedure

1. Locate the slot for the RAID enablement card.

Note: If an optional tape drive is installed, then move the tape drive to access the RAID enablement card.

2. Align the RAID enablement card with the slot in the system.
3. Slide the RAID enablement card fully into the system until the tab **(A)** locks into place.

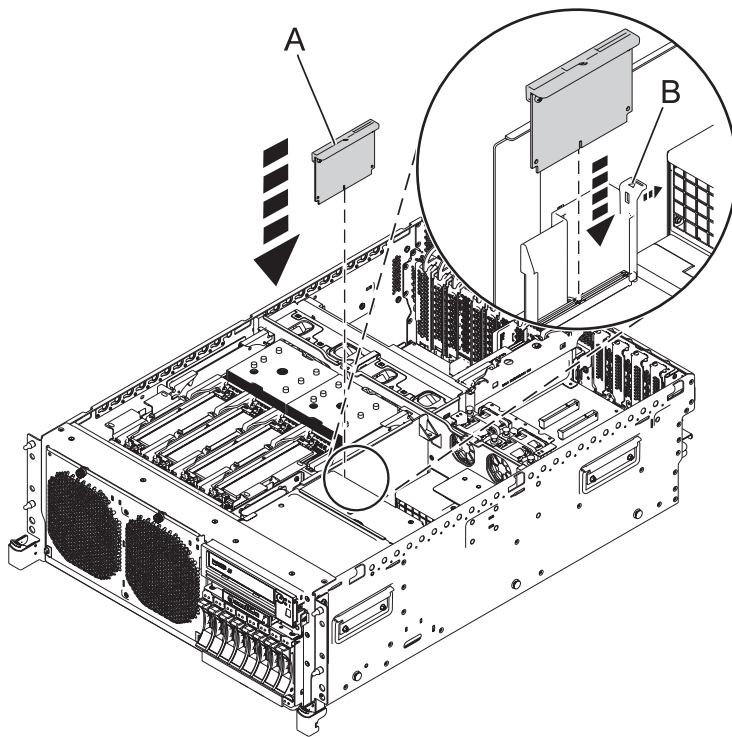


Figure 12. RAID enablement card replacement in a rack-mounted system unit

4. Replace the service access cover:
 - For a rack-mounted system, see “Installing the service access cover on a rack-mounted 02E/4B, 02E/4C, 05F/6B, or 05E/6C system” on page 101.
 - For a stand-alone system, see “Installing the service access cover on a stand-alone 02E/4B, 02E/4C, or 05F/6B system” on page 101.
5. For a rack-mounted system, put the system into the operating position, as described in “Placing the rack-mounted 02E/4B, 02E/4C, 05F/6B, or 05E/6C system into the operating position” on page 105.
6. Replace the front cover:
 - For a rack-mounted system, see “Installing the front cover on a rack-mounted 02E/4B, 02E/4C, 05F/6B, or 05E/6C system” on page 96.
 - For a stand-alone system, see “Installing the front cover and front door on a stand-alone 02E/4B, 02E/4C, or 05F/6B system” on page 97.

7. Reconnect the power source.
8. Start the system as described in “Starting the system or logical partition” on page 89.
9. Verify the installed part:
 - If you installed the part for any other reason, verify the installed part as described in Verifying the installed part.

Removing the 02E/4B, 02E/4C, 05F/6B, or 05E/6C RAID/cache storage controller

Use this procedure to remove a Redundant Array of Independent Disks (RAID) storage controller before installing a new or upgraded storage controller. You can also use this procedure to remove a RAID-10 storage controller.

Before you begin

Identify the system that you will be working on by using the identify the system process to turn on the system locate (blue) indicator. For more information, see “Control panel LEDs” on page 85.

Attention: To maintain system availability and prevent possible data loss, it is important to understand that these features have implications on the serial-attached SCSI (SAS) configuration and data accessibility of the system. Review the SAS subsystem topic to understand the various SAS configuration and service considerations.

Before servicing or installing any features, review the I/O configurations for each logical partition on your system. It is important to understand the differences between the various configurations and the resulting service considerations. In addition, consider possible impacts to the following areas:

- Logical partitions and their I/O adapter assignments
- RAID array configurations
- Physical disk locations
- Path to your boot device

About this task

If your system is managed by the Hardware Management Console (HMC), use the HMC to remove RAID/cache storage controller from the server. For instructions, see “Removing a part by using the HMC” on page 109

If your system is managed by the Systems Director Management Console (SDMC), use the SDMC to remove the RAID/cache storage controller from the server. For instructions, see “Removing a part by using the SDMC” on page 122.

If you do not have an HMC or an SDMC, complete the following steps to remove RAID/cache storage controller:

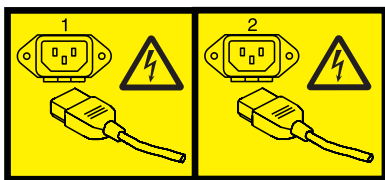
Procedure

1. Complete the prerequisite tasks described in “Before you begin” on page 83.
2. Stop the system, as described in “Stopping a system or logical partition” on page 92.
3. Remove the front cover.
 - For a rack-mounted system, see “Removing the front cover on a rack-mounted 02E/4B, 02E/4C, 05F/6B, or 05E/6C system” on page 95.
 - For a stand-alone system, see “Removing the front cover on a stand-alone 02E/4B, 02E/4C, or 05F/6B system” on page 95.

4. For a rack-mounted system, place the system into the service position, as described in “Placing the rack-mounted 02E/4B, 02E/4C, 05F/6B, or 05E/6C system into the service position” on page 103.
5. Remove the service access cover.
 - For a rack-mounted system, see “Removing the service access cover on a rack-mounted 02E/4B, 02E/4C, 05F/6B, or 05E/6C system” on page 98.
 - For a stand-alone system, see “Removing the service access cover on a stand-alone 02E/4B, 02E/4C, or 05F/6B system” on page 99.
6. Use the service indicator light-emitting diodes (LEDs) to help identify the part, as described in “Identifying a part” on page 85.
7. Disconnect the power source from the system by unplugging the system.

Note: This system is optionally equipped with a second power supply. Before continuing with this procedure, ensure that the power source to the system has been completely disconnected.

(L003)



or



8. Attach the wrist strap.

Attention:

- Attach a wrist strap to an unpainted metal surface of your hardware to prevent electrostatic discharge (ESD) from damaging your hardware.
 - When using a wrist strap, follow all electrical safety procedures. A wrist strap is for static control. It does not increase or decrease your risk of receiving electric shock when using or working on electrical equipment.
 - If you do not have a wrist strap, just prior to removing the product from ESD packaging and installing or replacing hardware, touch an unpainted metal surface of the system for a minimum of 5 seconds.
9. Locate the RAID/cache storage controller that you want to remove.

10. Pull the tab (A) out and slide the card (B) out of the system as shown in the following figure.

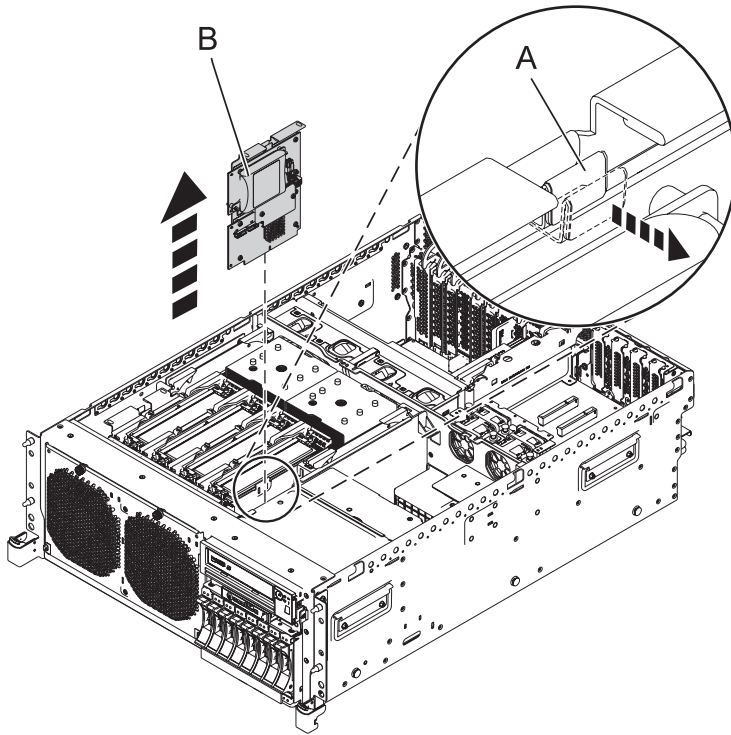


Figure 13. RAID/cache storage controller removal from a rack-mounted system unit

To replace the RAID/cache storage controller, see “Replacing the 02E/4B, 02E/4C, 05F/6B, or 05E/6C RAID/cache storage controller.”

Replacing the 02E/4B, 02E/4C, 05F/6B, or 05E/6C RAID/cache storage controller

Use this procedure to replace an existing Redundant Array of Independent Disks (RAID) storage controller. You can also use this procedure to replace a RAID-10 storage controller.

About this task

Identify the system that you will be working on by using the identify the system process to turn on the system locate (blue) indicator. For more information, see “Control panel LEDs” on page 85.

You must have already completed the procedure “Removing the 02E/4B, 02E/4C, 05F/6B, or 05E/6C RAID/cache storage controller” on page 32.

To replace a RAID/cache storage controller, complete the following steps:

Procedure

1. Locate the slot for the RAID/cache storage controller.
2. Align the RAID/cache storage controller with the slot in the system.
3. Slide the RAID/cache storage controller (A) fully into the system until the tab (B) locks into place.

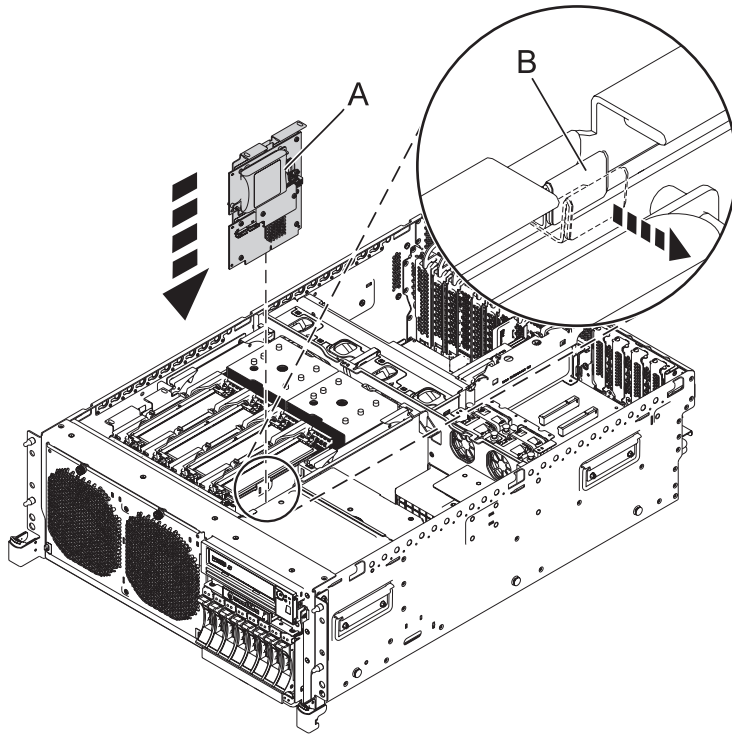


Figure 14. RAID/cache storage controller replacement in a rack-mounted system unit

4. Replace the service access cover:
 - For a rack-mounted system, see “Installing the service access cover on a rack-mounted 02E/4B, 02E/4C, 05F/6B, or 05E/6C system” on page 101.
 - For a stand-alone system, see “Installing the service access cover on a stand-alone 02E/4B, 02E/4C, or 05F/6B system” on page 101.
5. For a rack-mounted system, put the system into the operating position, as described in “Placing the rack-mounted 02E/4B, 02E/4C, 05F/6B, or 05E/6C system into the operating position” on page 105.
6. Replace the front cover.
 - For a rack-mounted system, see “Installing the front cover on a rack-mounted 02E/4B, 02E/4C, 05F/6B, or 05E/6C system” on page 96.
 - For a stand-alone system, see “Installing the front cover and front door on a stand-alone 02E/4B, 02E/4C, or 05F/6B system” on page 97.
7. Reconnect the power source.
8. Start the system as described in “Starting the system or logical partition” on page 89
9. Verify the installed part:
 - If you installed the part for any other reason, verify the installed part as described in Verifying the installed part.

Removing and replacing the cache battery card

To service the cache battery card, complete the following procedure:

Attention: To maintain system availability and prevent possible data loss, it is important to understand that these features have implications on the serial-attached SCSI (SAS) configuration and data accessibility of the system. Review the SAS subsystem topic to understand the various SAS configuration and service considerations.

Before servicing or installing any features, review the I/O configurations for each logical partition on your system. It is important to understand the differences between the various configurations and the resulting service considerations. In addition, consider possible impacts to the following areas:

- Logical partitions and their I/O adapter assignments
- RAID array configurations
- Physical disk locations
- Path to your boot device

Complete the following steps to remove and install the cache battery card:

1. Begin with power on.

To prevent data loss, the cache battery card must be in an error state before it is removed from the system.

If you have powered the system off, power it on before you continue.

2. Select your operating system:

- AIX: Go to step 3.
- Linux: Go to step 5.
- IBM i: Go to step 7.

3. Force the cache battery card into an error state on AIX[®] (to prevent possible data loss), as follows:

- a. Navigate to the IBM[®] SAS Disk Array Manager by using the following steps:

- 1) At the command prompt, type `smit`, and press Enter.
- 2) Select **Devices**.
- 3) Select **Disk Array**.
- 4) Select **IBM SAS Disk Array**.

- 5) Select **IBM SAS Disk Array Manager** from the menu with options for configuring and managing the IBM SAS RAID Controller.

- b. Select **Diagnostics and Recovery Options**.

- c. Select **Controller Rechargeable Battery Maintenance**.

- d. Select **Force Controller Rechargeable Battery Error**.

- e. Select the **IBM SAS RAID Controller** for the battery you want to replace.

This option places the battery into the error state, which requires it to be replaced.

- f. Determine whether it is safe to replace the cache battery card. See the *Displaying rechargeable battery information* procedure. It is safe to replace the cache battery card when **Yes** is displayed next to **Battery pack can be safely replaced**. You might need to reselect the option **Display Controller Rechargeable Battery Information** multiple times as it might take several minutes before it is safe to replace the cache battery card.

- g. Verify that the Cache Present LED is not flashing.

Displaying rechargeable battery information

- a. Navigate to the **IBM SAS Disk Array Manager** by using the previous procedure.

- b. Select **Diagnostics and Recovery Options**.

- c. Select **Controller Rechargeable Battery Maintenance**.

- d. Select **Display Controller Rechargeable Battery Information**.

- e. Select **IBM SAS RAID Controller**.

4. Go to step 8.

5. Force the cache battery card into an error state on the Linux operating system (to prevent possible data loss), as follows:

- a. Run the `iprconfig` utility by typing `iprconfig`.
- b. Select **Work with disk unit recovery**.

- c. Select **Work with resources containing cache battery packs**.
- d. Select your adapter and type **2**. Then press Enter to force the battery error.

Note: This option places the battery into the error state, which requires it to be replaced.

- e. If you are sure you want to force a battery error, type **c** to confirm. If you do not want to force a battery error, type **q** to cancel.
- f. Determine whether it is safe to replace the cache battery card. See *Displaying rechargeable battery information*.

It is safe to replace the cache battery card when **Yes** is displayed next to **Battery pack can be safely replaced**. You might need to reselect the option **Display Controller Rechargeable Battery Information** multiple times, because it might take several minutes before it is safe to replace the cache battery card.

6. Go to step 8.
7. Force the cache battery card into an error state on (to prevent possible data loss), on the system or partition that contains the adapter as follows:
 - a. Be sure that you are signed on to the system with at least service level authority.
 - b. Type `strsst` on the command line and press Enter.
 - c. Type your service tools user ID and service tools password on the System Service Tools (SST) Sign On display. Press Enter.
 - d. Select **Start a Service Tool** from the System Service Tools (SST) display and press Enter.
 - e. Select **Hardware Service Manager** from the Start a Service Tool display and press Enter.
 - f. Select **Work with resources containing cache battery packs** from the Hardware Service Manager display and press Enter.
 - g. Select **Force battery pack into error state** for the I/O card that you are working with from the **Work with Resources containing cache battery packs** display and press Enter.
 - h. On the **Force Battery Packs Into Error State** display, verify that the correct I/O adapter has been selected and press the function key that confirms your choice.
 - i. Return to the Work with Resources containing cache battery packs display and select **Display battery information**. Ensure that the field **Safe to replace cache battery** is set to **Yes**. This might take several minutes and you might need to press the refresh key to see the field update.
8. Place a rack-mounted system into operating position. See “Placing the rack-mounted 02E/4B, 02E/4C, 05F/6B, or 05E/6C system into the operating position” on page 105.
9. Remove the service access cover:
 - For a rack-mounted system, see “Removing the service access cover on a rack-mounted 02E/4B, 02E/4C, 05F/6B, or 05E/6C system” on page 98.
 - For a stand-alone system, see “Removing the service access cover on a stand-alone 02E/4B, 02E/4C, or 05F/6B system” on page 99.
10. Check cache data present LED (A) by examining the LED on the cache battery card.
 - If the LED is flashing, go to next step.
 - If the LED is not flashing, go to step 12.

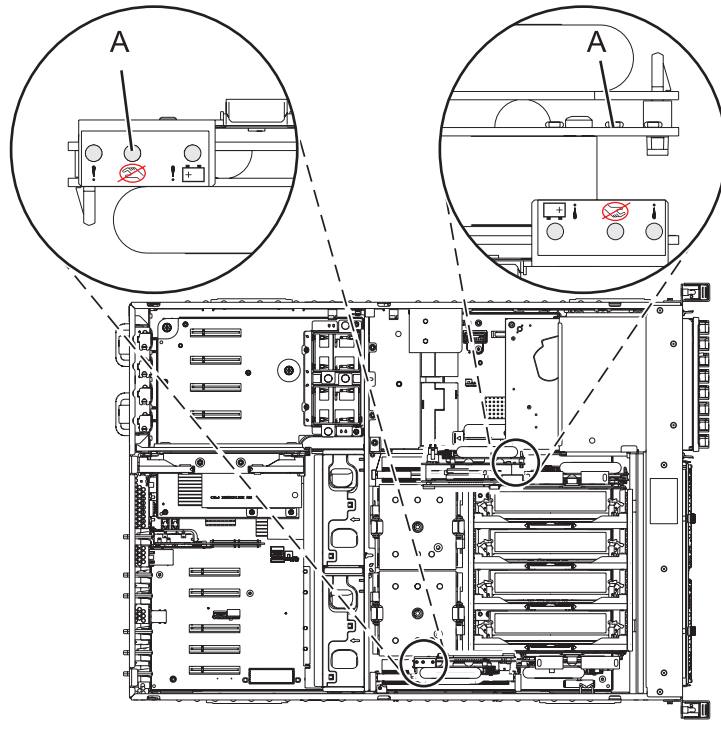


Figure 15. Cache data present LED

11. Do not remove the cache battery card if the LED is flashing.

The flashing LED indicates that there is cached data on the battery that has not been saved. This data will be lost if the battery is removed at this time. Complete this service procedure without replacing the battery, and then retry it to ensure all cache data is saved before the battery is replaced. Go to step 18.

12. Remove the cache battery card as follows:

Attention: Do not remove the cache battery card if the cache data present LED is flashing because this indicates cache data exists.

- a. Disengage the cache battery card (B) from the connector (A).
- b. Slide the cache battery card out of the mounting guides and remove it from the system.
- c. After the card has been removed from the system, remove the battery pack from the battery card.

If you are replacing the cache battery pack, go to the “Removing and replacing a cache battery pack” on page 41, and then return here and continue with the next step.

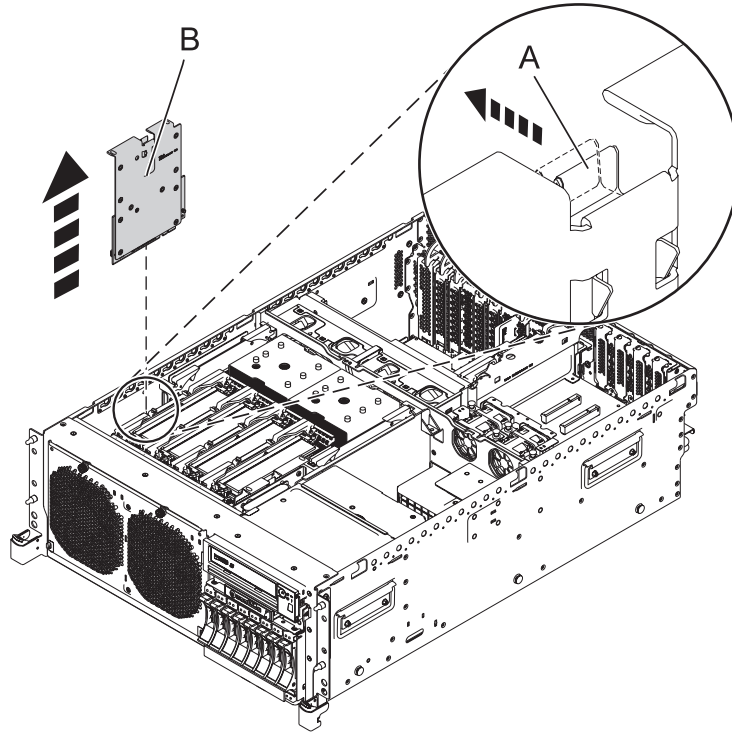


Figure 16. Removing the cache battery card

13. Replace the cache battery card as follows:

Attention:

Ensure that the cache battery card is disconnected for at least 60 seconds before you connect the new battery. This is the minimum amount of time needed for the adapter to recognize that the battery has been replaced.

- a. Slide the cache battery card into the mounting guides on the controller until it is seated in the battery connector.

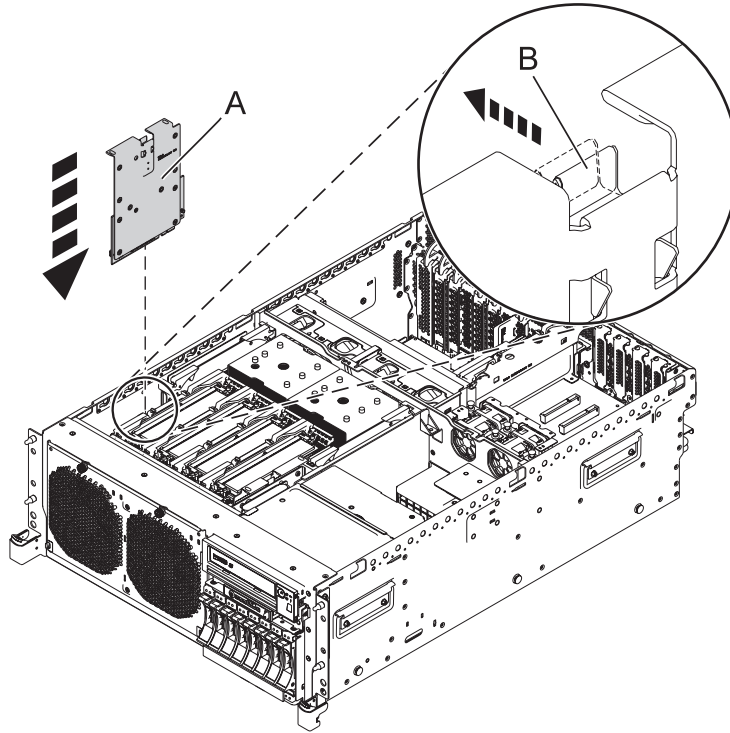


Figure 17. Installing the cache battery card

14. Power on the system and restart the adapter's write cache by doing the following steps:
Select your operating system:
 - AIX: Go to step 15.
 - Linux: Go to step 16.
 - IBM i: Go to step 17.
15. Perform the following steps:
 - a. Navigate to the IBM SAS Disk Array Manager by using the information in step 3a.
 - b. Select **Diagnostics and Recovery Options**.
 - c. Select **Controller Rechargeable Battery Maintenance**.
 - d. Select **Start Adapter Cache**.
 - e. Select the controller with the battery you just replaced and press Enter.
 - f. Go to step 18.
16. Perform the following steps:
 - a. Run the iprconfig utility by typing iprconfig.
 - b. Select **Work with disk unit recovery**.
 - c. Select **Work with resources containing cache battery packs**.
 - d. Start the I/O adapter cache on the adapter for the battery that you just replaced by typing 3 and press Enter.
 - e. Go to step 18.
17. Perform the following steps:
 - a. Return to the Work with Resources containing Cache Battery Packs display using the information in step 7a - 7f and select the **Start IOA cache**. Press Enter.
 - b. Ensure that you get the message Cache was started.
 - c. Go to step 18.

18. Install the service access cover:
 - For a rack-mounted system, see “Installing the service access cover on a rack-mounted 02E/4B, 02E/4C, 05F/6B, or 05E/6C system” on page 101.
 - For a stand-alone system, see “Installing the service access cover on a stand-alone 02E/4B, 02E/4C, or 05F/6B system” on page 101.
19. Place into operating position. See “Placing the rack-mounted 02E/4B, 02E/4C, 05F/6B, or 05E/6C system into the operating position” on page 105.
20. Close the back door on the unit you are servicing.
21. Verify that the new resource is working correctly, as described in “Verifying the installed part” on page 110.

Removing and replacing a cache battery pack

Use this procedure to replace the cache battery pack on a battery card.

Before you begin

Identify the system that you will be working on by using the identify the system process to turn on the system locate (blue) indicator. For more information, see Control panel LEDs.

Attention: Before continuing with this procedures, determine that it is safe to replace the cache battery pack. See Displaying rechargeable battery information. It is safe to replace the cache battery pack when **Yes** is displayed next to **Battery pack can be safely replaced**.

Attention: To maintain system availability and prevent possible data loss, it is important to understand that these features have implications on the serial-attached SCSI (SAS) configuration and data accessibility of the system. Review the SAS subsystem topic to understand the various SAS configuration and service considerations.

Before servicing or installing any features, review the I/O configurations for each logical partition on your system. It is important to understand the differences between the various configurations and the resulting service considerations. In addition, consider possible impacts to the following areas:

- Logical partitions and their I/O adapter assignments
- RAID array configurations
- Physical disk locations
- Path to your boot device

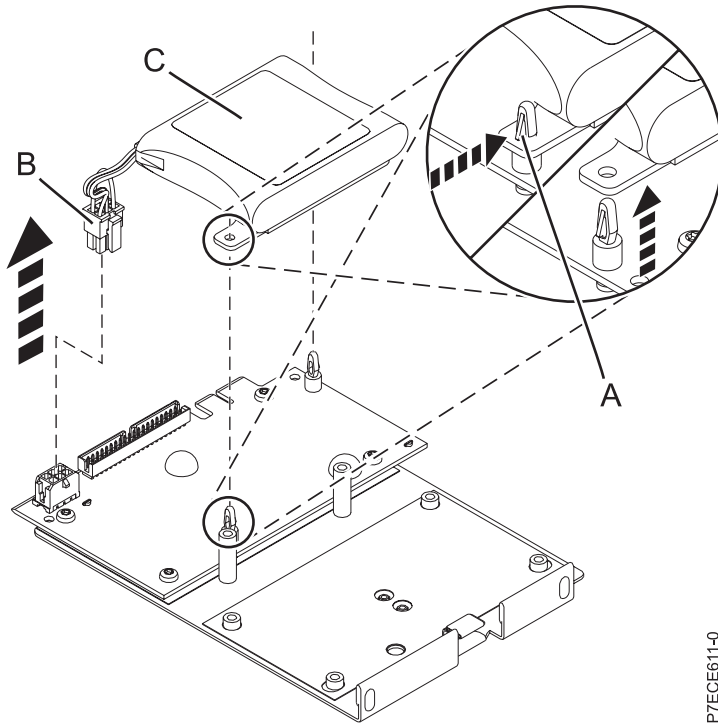
About this task

Complete the following steps to replace a nonconcurrent maintainable battery pack:

Procedure

1. Remove the controller from the system. For more information, see Removing the model 02E/4B, 02E/4C, 05F/6B, or 05E/6C RAID/cache storage controller.
2. Place the controller on a surface that is electrostatic-discharge protected.
3. Unplug the battery connector (**A**) from its connector on the adapter, squeezing the retaining latch while gently pulling on the plug. The plug connects to the board in only one way; therefore, it cannot be inserted incorrectly during the replacement procedure.

Note: Ensure that the cache battery pack is disconnected for at least 60 seconds before connecting the new battery. This is the minimum amount of time needed for the adapter to recognize that the battery has been replaced.



P7ECE611-0

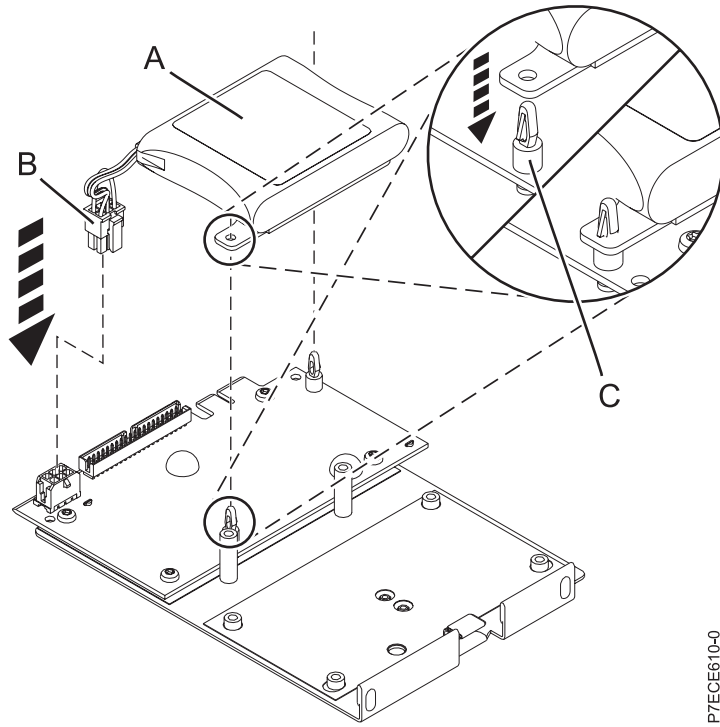
Figure 18. Removing the cache battery

- (A) Standoff tab
- (B) Battery connector
- (C) Cache battery pack

4. The battery is mounted on a black plastic plate with two tabs, secured by white plastic standoffs with retaining tabs. To remove the battery assembly, remove the mounting plate from the standoffs, one standoff at a time. Push in the standoff retaining tab and pull up on the mounting tab until the standoff releases through the hole in the mounting tab. Repeat for the second standoff.

Note: If the retaining tab is difficult to push in, turn the white standoff so its retaining tab faces away from the battery pack.

5. Install the battery on to the posts until the latches click into place.



P7ECE610-0

Figure 19. Replacing the cache battery

- (A) Cache battery pack
- (B) Battery connector
- (C) Standoff tab

6. Reinsert the pins into the rivets from the rear of the adapter.
7. Connect the cache battery pack connector (B) to the adapter. The plug connects to the adapter in only one way; therefore it cannot be inserted incorrectly.
8. Reinstall the adapter and restart the cache. For more information, see the following procedures:
 - Removing the model 02E/4B, 02E/4C, 05F/6B, or 05E/6C RAID/cache storage controller.
 - Removing the model 02E/4B, 02E/4C, 05F/6B, or 05E/6C RAID/cache storage controller.

Removing and replacing the disk drive backplane

Use these procedures to remove, replace, or install the disk drive backplane in the 7/20 (02E/4B and 02E/4C) and 7/40 (05F/6B and 05E/6C) servers.

The following figures show the disk drive backplanes of a rack-mounted system and a stand-alone system.

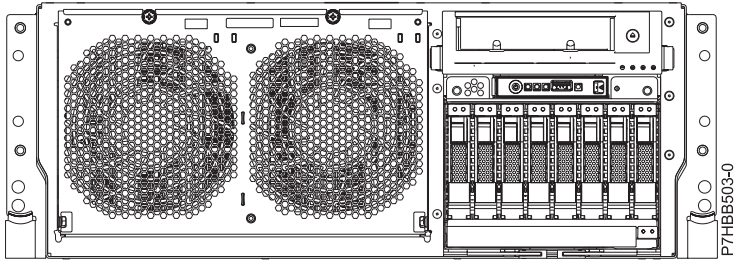


Figure 20. Disk drive backplane of a rack-mounted system

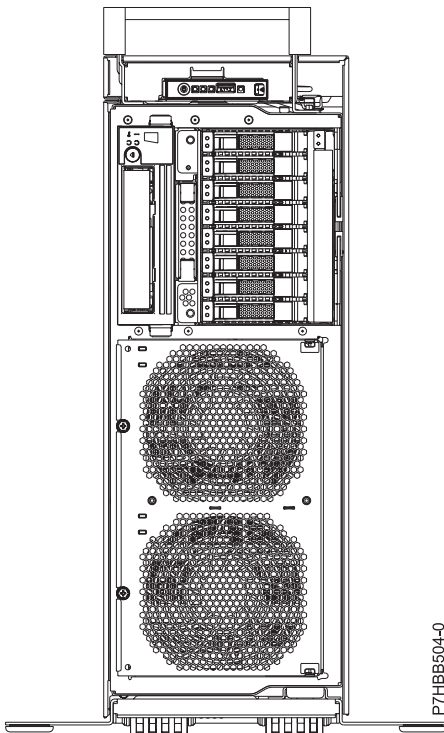


Figure 21. Disk drive backplane of a stand-alone system

Removing the 02E/4B, 02E/4C, 05F/6B, or 05E/6C disk drive backplane

Use this procedure to remove a disk drive backplane from the server.

About this task

If your system is managed by the Hardware Management Console (HMC), use the HMC to complete the steps for removing the disk drive backplane from the server. For information about using the HMC to remove the disk drive backplane, see [Removing a part using the Hardware Management Console](#).

If your system is managed by the Systems Director Management Console (SDMC), use the SDMC to complete the steps for removing the disk drive backplane from the server. For instructions, see [Removing a part using the Systems Director Management Console](#).

If you do not have an HMC or SDMC, complete the following steps to remove the disk drive backplane:

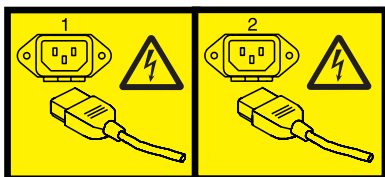
Attention: Ensure that you remove the control panel before you remove the disk drive backplane to prevent damage to the control panel cables.

Procedure

1. Identify the system that you will be working on by using the identify the system process to turn on the system locate (blue) indicator. For more information, see Control panel LEDs.
2. Use the service indicator light-emitting diodes (LEDs) to help identify the part, as described in “Identifying a part” on page 85.
3. Complete the prerequisite tasks as described in “Before you begin” on page 83.
4. Stop the system, as described in “Stopping a system or logical partition” on page 92.
5. Remove the front cover:
 - For a rack-mounted system, see “Removing the front cover on a rack-mounted 02E/4B, 02E/4C, 05F/6B, or 05E/6C system” on page 95.
 - For a stand-alone system, see “Removing the front cover on a stand-alone 02E/4B, 02E/4C, or 05F/6B system” on page 95.
6. Check the number of connectors in the backplane.
 - If the backplane has six connectors, go to step 9.
 - If the backplane has eight connectors, continue with next step.
7. For a rack-mounted system, place the system into the service position, as described in “Placing the rack-mounted 02E/4B, 02E/4C, 05F/6B, or 05E/6C system into the service position” on page 103.
8. Remove the service access cover:
 - For a rack-mounted system, see “Removing the service access cover on a rack-mounted 02E/4B, 02E/4C, 05F/6B, or 05E/6C system” on page 98.
 - For a stand-alone system, see “Removing the service access cover on a stand-alone 02E/4B, 02E/4C, or 05F/6B system” on page 99.
9. Disconnect the power source from the system by unplugging the system, as described in “Disconnecting the power cords from the 02E/4B, 02E/4C, 05F/6B, or 05E/6C system” on page 106.

Note: This system is equipped with a second power supply. Before continuing with this procedure, ensure that the power source to the system has been completely disconnected.

(L003)



or



10. Attach the wrist strap.

Attention:

- Attach a wrist strap to an unpainted metal surface of your hardware to prevent electrostatic discharge (ESD) from damaging your hardware.
 - When using a wrist strap, follow all electrical safety procedures. A wrist strap is for static control. It does not increase or decrease your risk of receiving electric shock when using or working on electrical equipment.
 - If you do not have a wrist strap, just prior to removing the product from ESD packaging and installing or replacing hardware, touch an unpainted metal surface of the system for a minimum of 5 seconds.
11. If you need to replace the backplane because of an upgrade or system failure, complete the following steps to remove the disk drives, depending on your backplane.

Note: If you remove a backplane that is populated with disk drives, the backplane will be heavy. Ensure that you can safely complete the procedure.

- a. To remove the disk drive from the backplane, perform the following steps:

Note: Record the location of each disk drive you remove so that the disk drive can be replaced in the same location again.

- 1) Unlock the disk drive handle (**A**) and pull it toward you to unseat the disk drive.
- 2) Place one hand under the disk drive and carefully pull the drive out of the system as shown in Figure 22 on page 47.

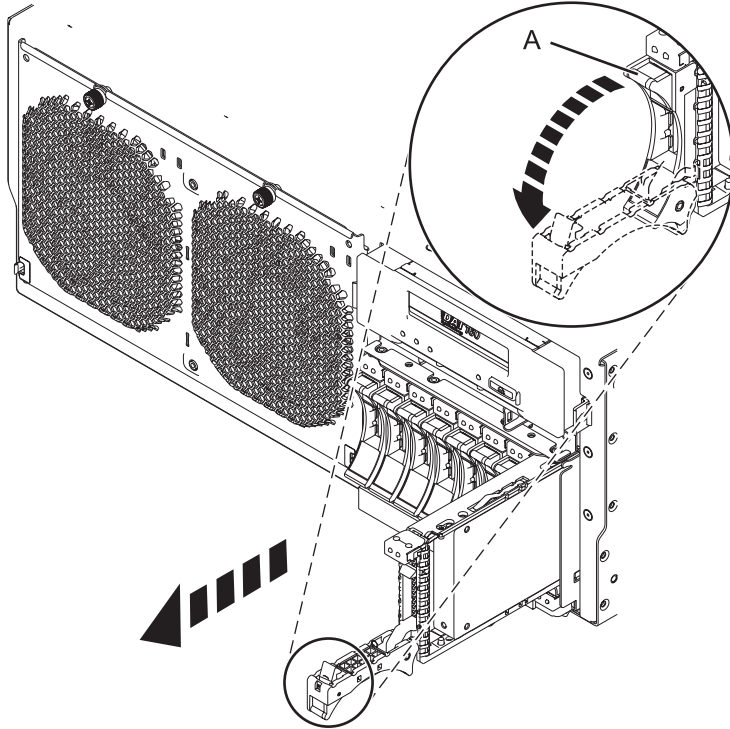


Figure 22. Removing the disk drive from the backplane

12. Remove the media device by pressing in on the latch (**A**) and sliding the media device out of the system, as shown in the following figure.

For information about removing the different types of media devices, see Removing and replacing media devices in the 02E/4B, 02E/4C, 05F/6B, or 05E/6C.

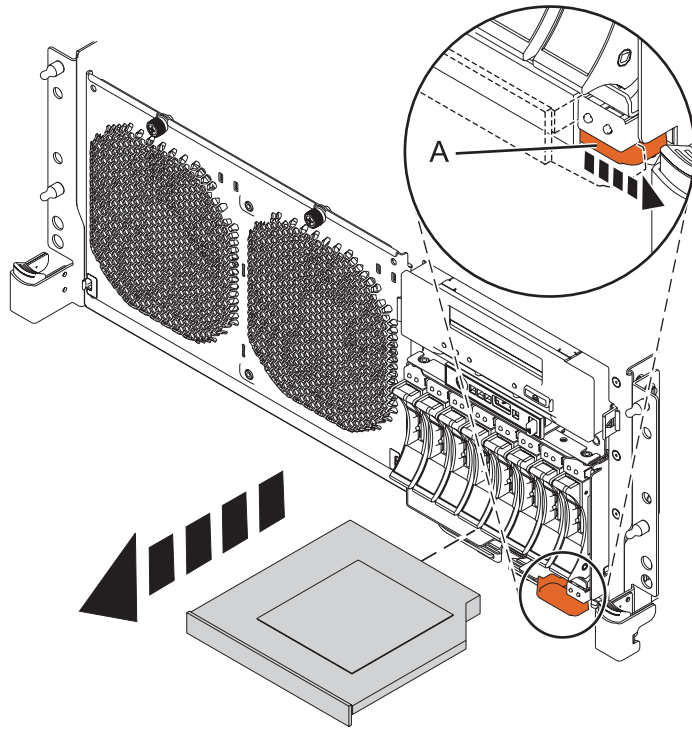


Figure 23. Removing the media device from the disk drive backplane

13. If the system has a high-function backplane with eight connectors, disconnect the cables from the back of the disk drive backplane. If you have connected an external serial-attached SCSI (SAS) cable, ensure that you disconnect the SAS cable from the disk drive backplane. For more information, see *Installing the external SAS port on model 02E/4B, 02E/4C, 05F/6B, or 05E/6C*.

Note: Move the tape drive forward (away from the system) to easily reach the SAS connector and disconnect the SAS cable.

14. Unlock the disk drive backplane by pulling the handles (A) open from the center of the backplane as shown in Figure 24 on page 49 and Figure 25 on page 49.

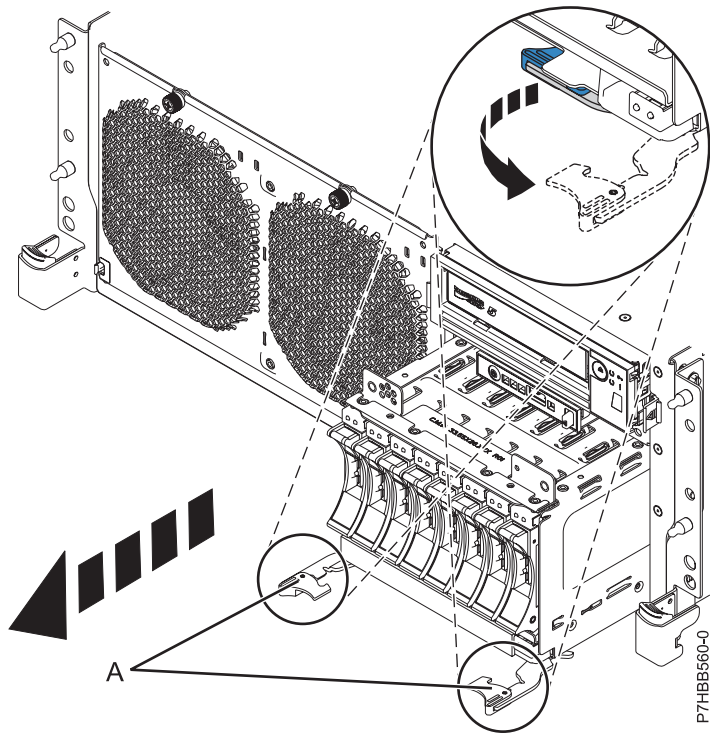


Figure 24. Removing the backplane that is populated with disk drives

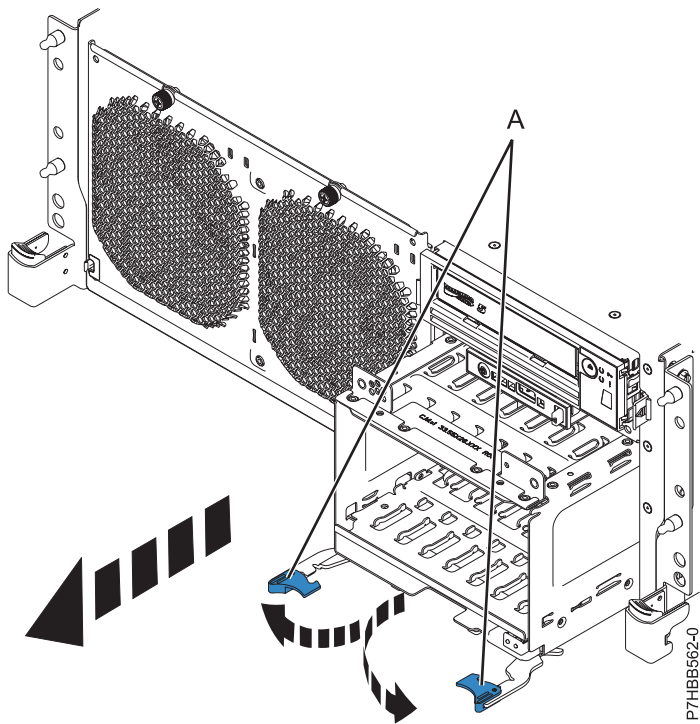


Figure 25. Removing the backplane that is not populated with disk drives

15. Pull the backplane out of the server.

What to do next

If you removed the backplane as a part of another procedure, continue with that procedure. To replace the backplane or install a new backplane, see Replacing the 02E/4B, 02E/4C, 05F/6B, or 05E/6C disk drive backplane.

Replacing the 02E/4B, 02E/4C, 05F/6B, or 05E/6C disk drive backplane

Use this procedure to replace a disk drive backplane.

About this task

If you are replacing an existing disk drive backplane as part of a service procedure and want to remove the disk drive backplane, see Removing the 02E/4B, 02E/4C, 05F/6B, or 05E/6C disk drive backplane.

If your system is managed by the Hardware Management Console (HMC), use the HMC to complete the steps for replacing the disk drive backplane in the server. For instructions, see Exchanging a part using the Hardware Management Console.

If your system is managed by the Systems Director Management Console (SDMC), use the SDMC to complete the steps for replacing the disk drive backplane in the server. For instructions, see Replacing a part using the Systems Director Management Console.

If you do not have an HMC or SDMC, complete the following steps to replace the disk drive backplane:

Procedure

1. Check for a protective cover that might be present on the connector pins, in the lower-middle part at the rear of the backplane. If a protective cover is present, remove the cover.
2. Check for the locking tabs (A) shown in the following figures. If the tabs are in locked position, open the tabs.
3. Carefully lift the backplane along two sides and align it with the slot in the server.
4. Insert the backplane firmly into the server.
5. Secure the backplane with the locking tabs (A) as shown in the following figures.

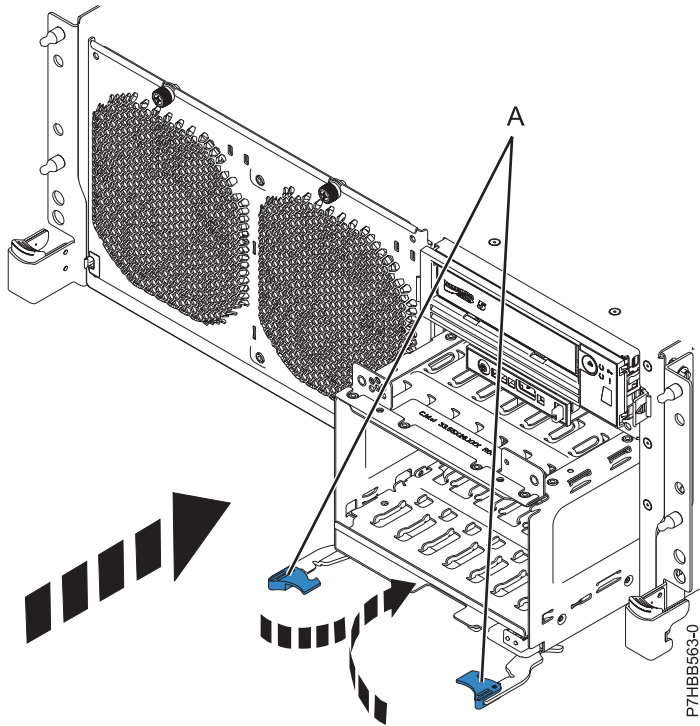


Figure 26. Installing the backplane that is not populated with disk drives in a rack-mounted model

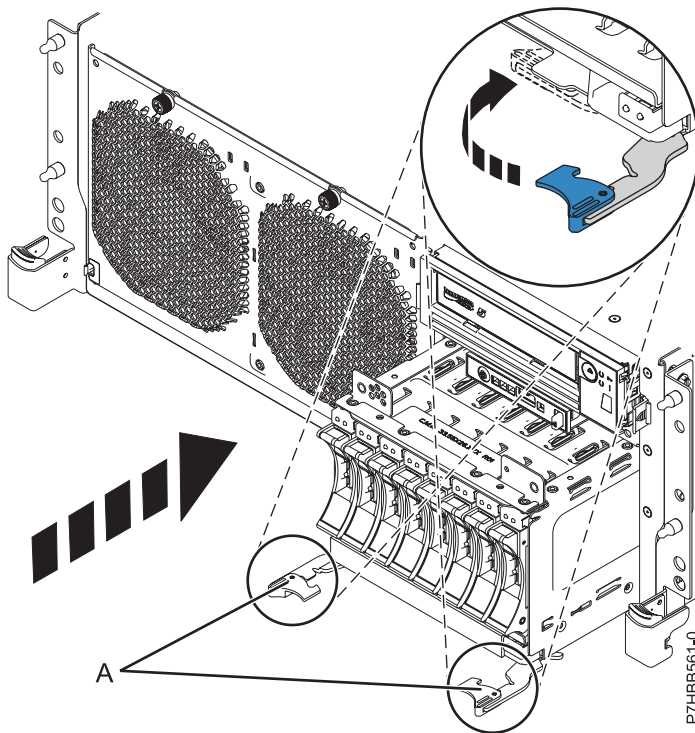


Figure 27. Installing the backplane that is populated with disk drives in a rack-mounted model

6. Replace the disk drives, if you removed them earlier. Use the information that you recorded when you removed the drives to install them in the correct locations. To replace the disk drives, perform the following steps:

- a. Hold the disk drive by the top and bottom edges as you position the drive and insert it into the expansion unit. Do not hold the disk drive by the handle.
- b. Slide the disk drive all the way into the system or expansion unit, and push the disk drive handle in until it locks, as shown in the following figure.

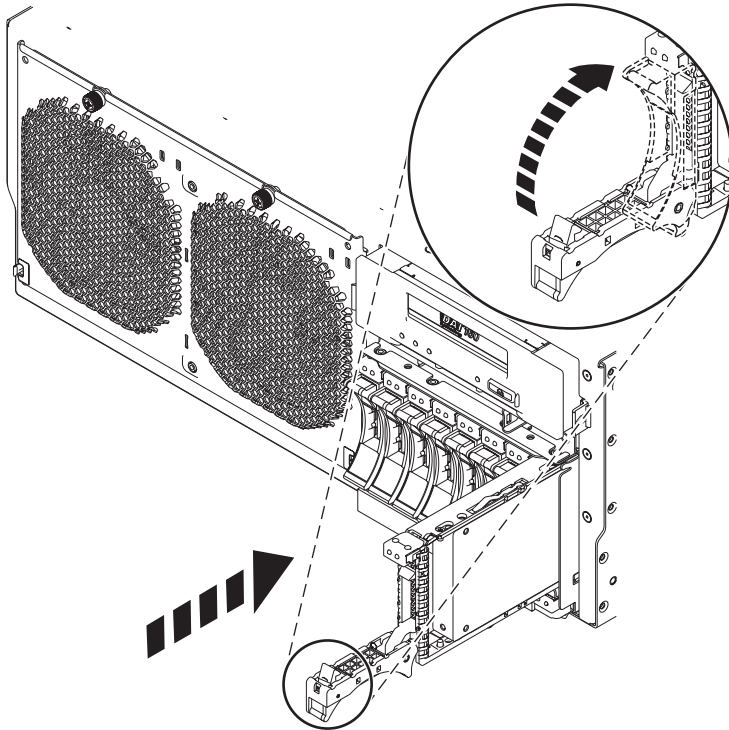


Figure 28. Installing the backplane disk drives

7. Replace the Slimline media device by inserting it in the slot and pushing it in until the lever **(B)** locks in place, as shown in the following figure.

For information about replacing the different types of media devices, see Removing and replacing media devices in the 02E/4B, 02E/4C, 05F/6B, or 05E/6C.

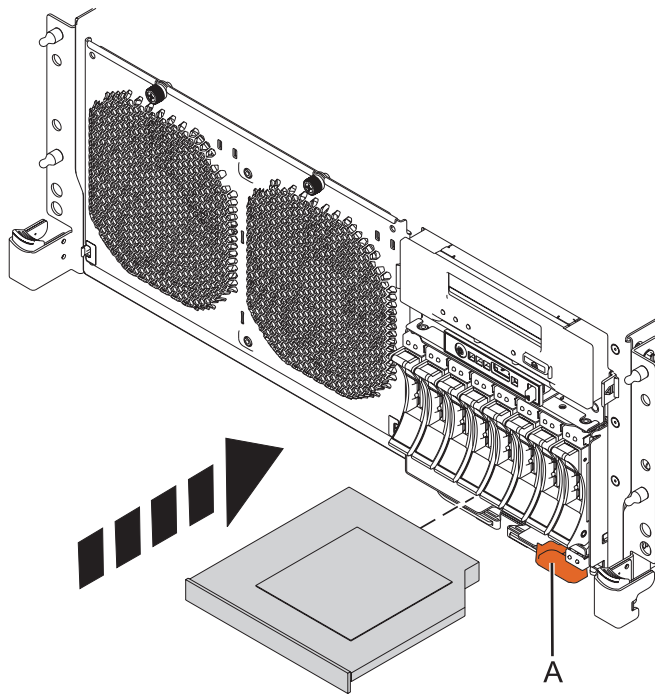


Figure 29. Installing the media device

8. If required, connect the cable to the backplane. For more information, see *Installing the external SAS port on an 02E/4B, 02E/4C, 05F/6B, or 05E/6C*.
9. If required, install the RAID enablement card. For more information, see *SAS RAID enablement and cache battery pack for the model 02E/4B, 02E/4C, 05F/6B, or 05E/6C*.
10. Replace the service access cover:
 - For a rack-mounted system, see “Installing the service access cover on a rack-mounted 02E/4B, 02E/4C, 05F/6B, or 05E/6C system” on page 101.
 - For a stand-alone system, see “Installing the service access cover on a stand-alone 02E/4B, 02E/4C, or 05F/6B system” on page 101.
11. For a rack-mounted system, place the system into the operating position as described in “Placing the rack-mounted 02E/4B, 02E/4C, 05F/6B, or 05E/6C system into the operating position” on page 105.
12. Connect the power cords to the system, as described in *Connecting the power cords*.
13. Replace the front cover:
 - For a rack-mounted system, see “Installing the front cover on a rack-mounted 02E/4B, 02E/4C, 05F/6B, or 05E/6C system” on page 96.
 - For a stand-alone system, see “Installing the front cover and front door on a stand-alone 02E/4B, 02E/4C, or 05F/6B system” on page 97.
14. Start the system or logical partition. See “Starting the system or logical partition” on page 89.
15. Verify the installed part:
 - If you installed the part for any other reason, verify the installed part as described in *Verifying the installed part*.

Removing and replacing the 02E/4B or 05F/6B system backplane

Learn how to remove or replace the system backplane.

About this task

The following procedures describe the removal and replacement of the system backplane.

Removing the 02E/4B, 02E/4C, 05F/6B, or 05E/6C system backplane

Learn how to remove the system backplane from a server to replace a failing part or as part of another service procedure.

Before you begin

Notes:

- Before you begin this procedure, ensure that you have authority to log in as an authorized service provider. The different authority levels are described in ASMI authority levels.
- Identify the system that you will be working on by using the identify the system process to turn on the system locate (blue) indicator. For more information, see Control panel LEDs.

About this task

If your system is managed by the Hardware Management Console (HMC), use the HMC to remove the system backplane. For instructions, see Exchanging a part using the Hardware Management Console.

If your system is managed by the Systems Director Management Console (SDMC), use the to remove the system backplane. For instructions, see Exchanging a part using the Systems Director Management Console.

If you do not have an HMC or an SDMC, complete the following steps to remove the system backplane:

Procedure

1. Access the Advanced System Management Interface (ASMI).

The Advanced System Management Interface (ASMI) is the interface to the service processor that is required to perform general and administrator-level service tasks, such as reading service processor error logs, reading vital product data, setting up the service processor, and controlling the system power. The ASMI might also be referred to as the service processor menus. To access the ASMI, refer to Accessing the Advanced System Management Interface. After you have accessed the ASMI, continue with the next step.

2. Check and record the System Enclosure Type and Feature Code.

The enclosure serial number is a seven-digit number printed on a bar-coded label on the system unit.

Note: The feature code numbers for the system backplane are as follows:

- For 02E/4B or 02E/4C: 78AA
 - For 05F/6B or 05E/6C: 78C3
3. Check and record the server Host Ethernet Adapter (HEA) device settings.
 - For HMC:
 - a. Expand the **Systems Management** folder in the navigation tree pane.
 - b. Double-click the **Servers** folder.
 - c. Select a server in the central panel.
 - d. From the **Tasks** menu, click **Hardware Information > Adapters > Host Ethernet**. The Host Ethernet Adapters window opens.
 - e. Select the required physical port and click **Configure**. The HEA Physical Port Configuration window opens.

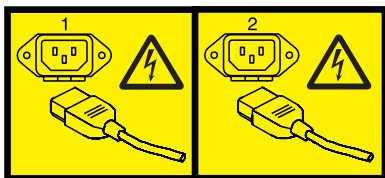
- f. Record the value in the **Pending Port Group Multi-Core Scaling value** field.
- For SDMC:
 - a. Click the **Resources** tab, and then click **Hosts**.
 - b. Select a server in the right pane.
 - c. From the **Actions** menu, click **Hardware Information > Adapters > Host Ethernet**. The Host Ethernet Adapters window opens.
 - d. Select the required physical port and click **Configure**. The HEA Physical Port Configuration window opens.
 - e. Record the value in the **Pending Port Group Multi-Core Scaling value** field.
4. Check and record the server settings.

Prior to replacing this field-replaceable unit (FRU), check and record all server settings since you might need to update the system after you replace this FRU. This can be done through the Advanced System Management Interface (ASMI).

 - a. Check and record the server firmware level indicated on the right edge of the status frame, the area where the **Log out** button is located. You might need to update the system to the latest server firmware code level after you replace this FRU.
 - b. Check and record the service processor settings you previously set using the ASMI. You will need to reset these service processor settings after you update this FRU or the default settings will be used. Settings to record include the following:
 - System Name setting
 - System Power Control settings
 - System Service Aids settings
 - System Configuration settings
 - Network Services settings
 - Performance Option settings
 - Login Profile settings settings
 - Boot List settings
 - Host Ethernet Adapter settings
 - c. Record any service processor settings you might have set using the operating system commands.
5. Stop the system or logical partition. For instructions, see *Stopping a system or logical partition*.
6. Disconnect the power source from the system by unplugging the system.

Note: This system is optionally equipped with a second power supply. Before continuing with this procedure, ensure that the power source to the system has been completely disconnected.

(L003)



or



7. Label and disconnect the external cables connected to the field-replaceable unit (FRU) you are servicing.
8. Place the system into the service position. For instructions, see Placing a rack-mounted 02E/4B, 02E/4C, 05F/6B, or 05E/6C system into the service position..
9. Remove the service access cover:
 - For a rack-mounted system, see Removing the service access cover on a rack-mounted 02E/4B, 02E/4C, 05F/6B, or 05E/6C system.
 - For a stand-alone system, see Removing the service access cover on a stand-alone 02E/4B, 02E/4C, or 05F/6B system.
10. Remove the memory riser. For instructions, see Removing the 02E/4B, 02E/4C, 05F/6B, or 05E/6C memory riser.
11. Remove the GX adapters. For instructions, see Removing GX adapters for the 02E/4B, 02E/4C, 05F/6B, or 05E/6C.
12. Remove the PCI adapters. For instructions, see Removing a PCI adapter from the 02E/4B, 02E/4C, 05F/6B, or 05E/6C server with the power off.
13. Remove the Host Ethernet Adapter (02E/4B or 05F/6B onlt). For instructions, see Removing the 02E/4B or 05F/6B Host Ethernet Adapter with the power off.
14. Remove RAID card P1-C13 if present (02E/4B or 05F/6B only).

Note: Before removing, pull Tape Drive out a little bit to give access to the RAID card.

Remove RAID card P1-C14, if present.

Remove RAID card P1-C19, if present

15. Remove all the voltage regulator modules. For instructions, see Removing the 02E/4B, 02E/4C, 05F/6B, or 05E/6C voltage regulator module.
16. Remove the middle fans. For instructions, see Removing the 02E/4B, 02E/4C, 05F/6B, or 05E/6C middle fans.
17. Remove the power supplies. For instructions, see Removing the 02E/4B, 02E/4C, 05F/6B, or 05E/6C power supply with the power off or Removing the 02E/4B, 02E/4C, 05F/6B, or 05E/6C power supply with the power on.
18. Disconnect the internal cables from backplane.
Remove the SPCN cable from the chassis rear

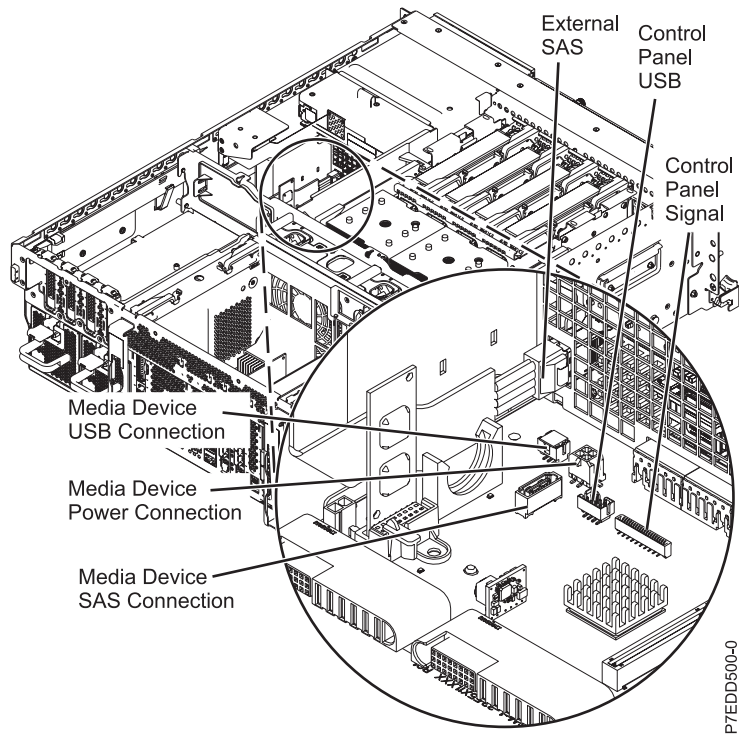


Figure 30. Disconnecting the internal cables

19. Remove the disk drive cage:
 - a. Grasp the disk drive latches and pull them outward.
 - b. Grasp the handles and pull the disk drive cage toward you.

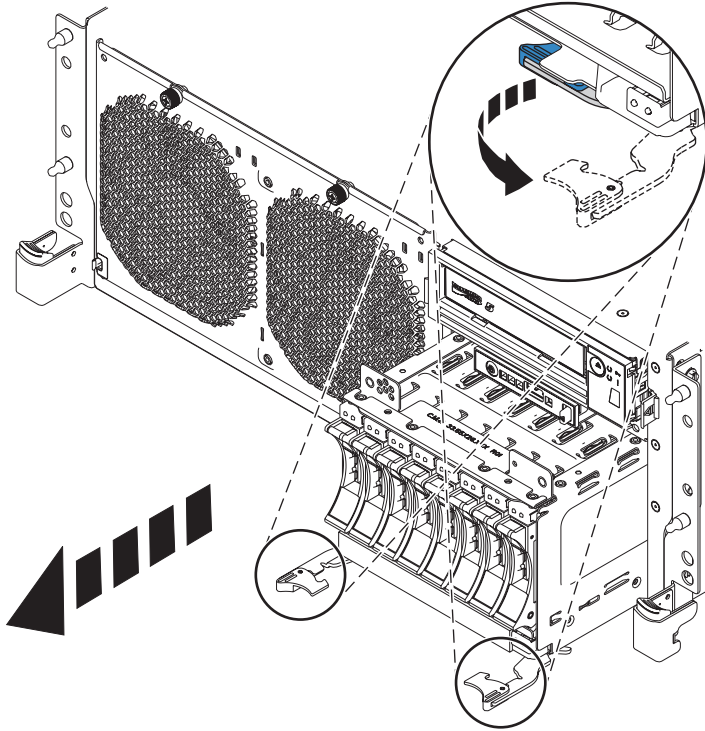


Figure 31. Removing the disk drive cage

20. Remove the anchor card.

21. Remove the PCI-riser air divider. Firmly grasp the PCI-riser air divider and lift it upward.

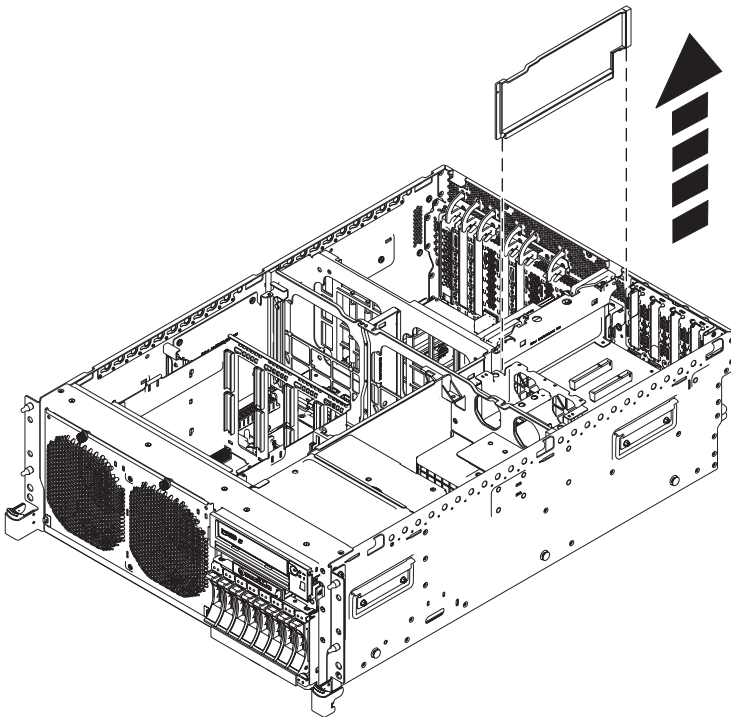


Figure 32. Removing the PCI riser air divider

22. Remove the PCI riser (optional):
 - a. Loosen the two thumbscrews (A) by turning them counterclockwise.
 - b. Unlock the PCI riser latches (B) by pressing the end of the latches and lifting them upward.
 - c. Remove the PCI riser by pulling it upward.

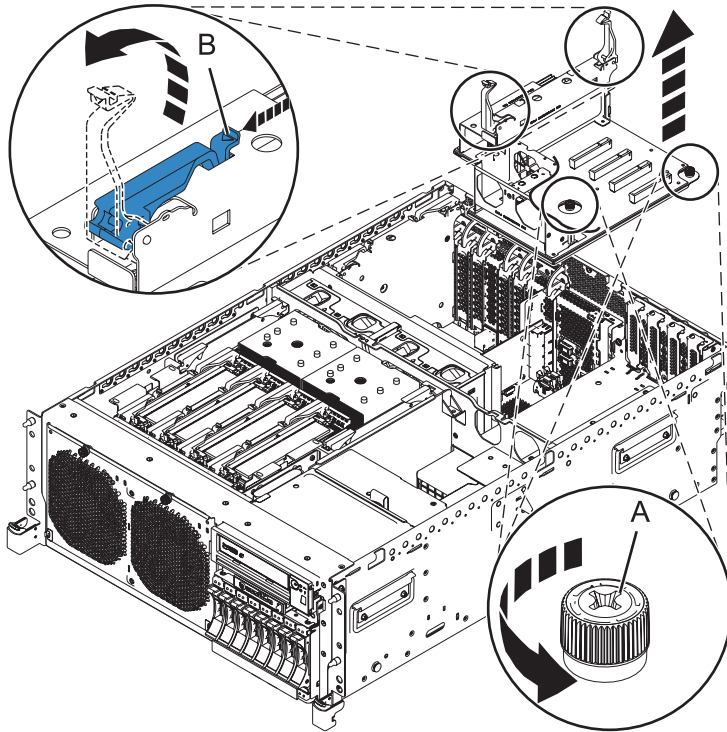


Figure 33. Removing the PCI riser

23. Remove the SAS Tape Drive, if present.
24. Remove the USB Tape Drive, if present.
25. Disconnect SAS cable, if present.
26. Remove the disk-drive cage shield and voltage regulator guide and air divider.
 - a. Remove the five screws that secure the disk-drive cage shield and the voltage regulator guide and air divider.
 - b. Remove the disk drive cage shield and the voltage regulator guide and air divider by lifting them upward.

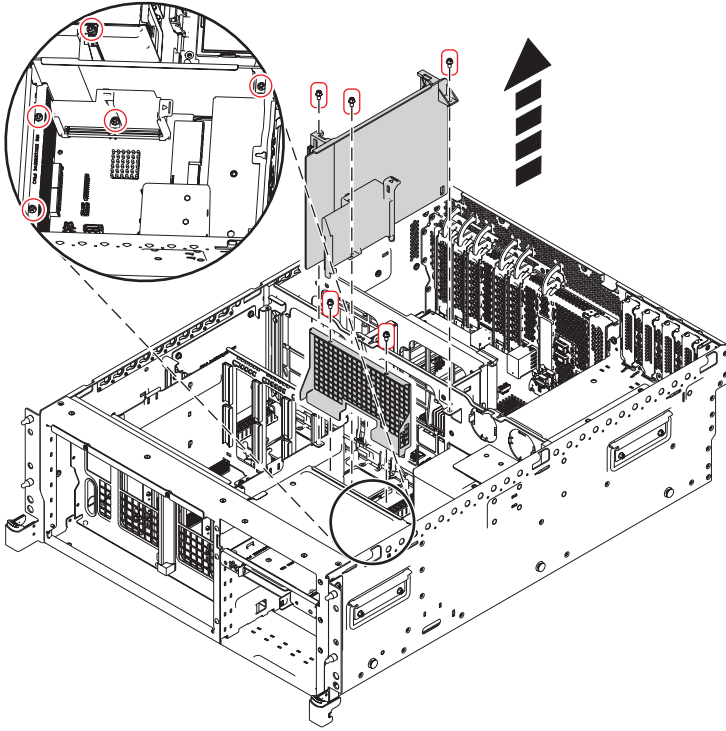


Figure 34. Removing the disk-drive cage shield (02E/4B or 05F/6B)

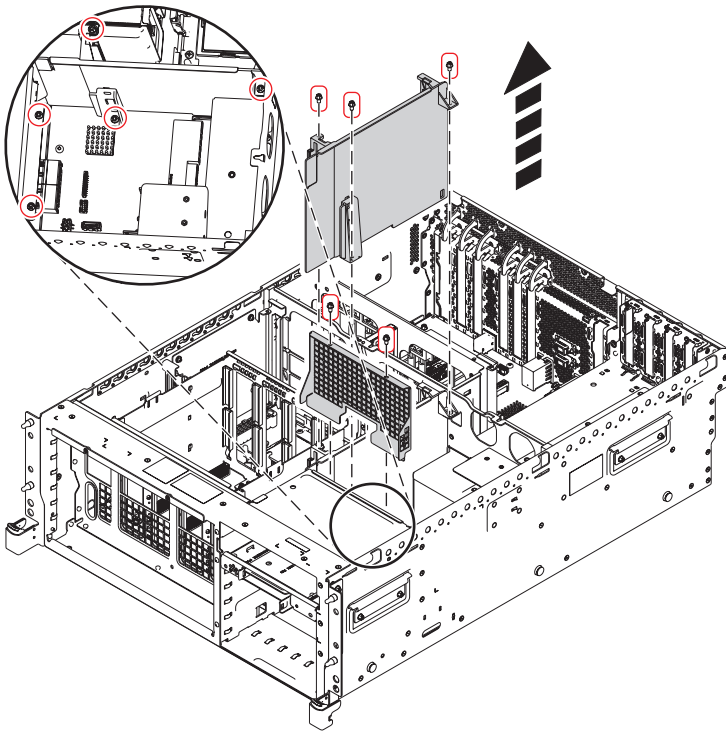


Figure 35. Removing the disk-drive cage shield (02E/4C or 05E/6C)

27. Remove the dual inline memory module (DIMM) cage:
 - a. Remove the four screws that secure the DIMM cage (**View A**).

b. Remove the DIMM cage by lifting it upward.

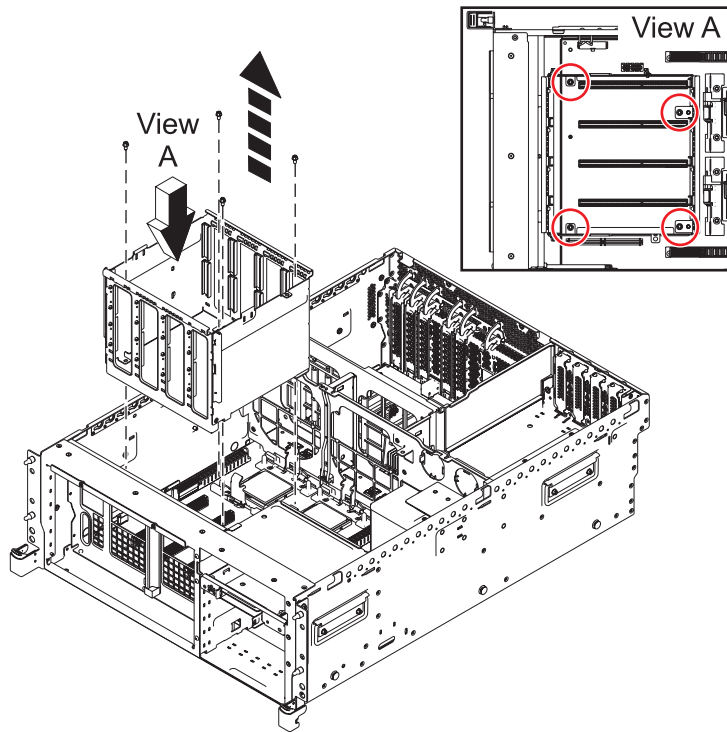


Figure 36. Removing the DIMM cage

28. Disconnect the front fan cable.

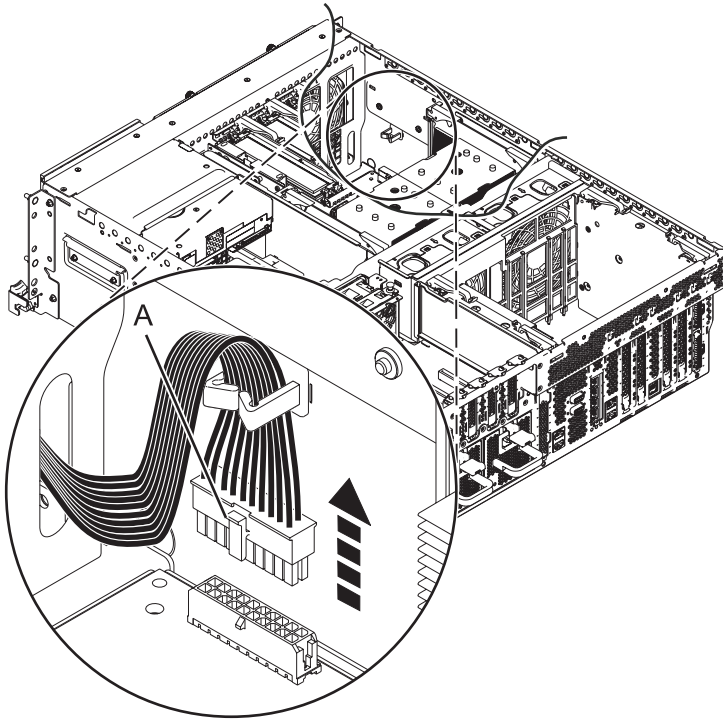


Figure 37. Disconnecting the front fan cable

29. Remove the middle fan cage:
 - a. Remove the screws (B) that secure the fan cage.
 - b. Remove the two screws (A) that secure the fan cage on the outside of the system chassis.
 - c. Remove the fan cage by lifting it upward.

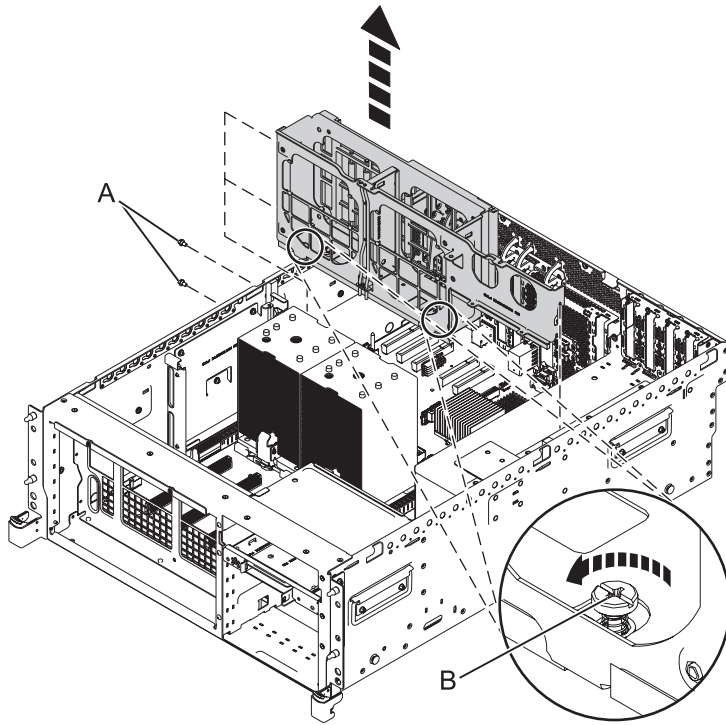


Figure 38. Remove the middle fan cage

30. Remove the power interlock switch. For instructions, see Removing the 02E/4B, 02E/4C, 05F/6B, or 05E/6C power interlock switch with power off.
31. Remove the system processor module. For instructions, see Removing the 02E/4B, 02E/4C, 05F/6B, or 05E/6C system processor module.
32. Remove the metal guide bracket for the voltage regulator module.
 - a. Locate the three screws securing the bracket to the system sidewall.
 - b. Remove the three screws.
33. Remove the system backplane.

Note: Use care when removing the system backplane. Do not lift the system backplane by any of the attached modules.

- a. Label and disconnect all the Ethernet cables that are present.
- b. Remove the four screws (A).

Note: Do not remove any of the Torx screws. Remove only the four hex and slot combination screws.

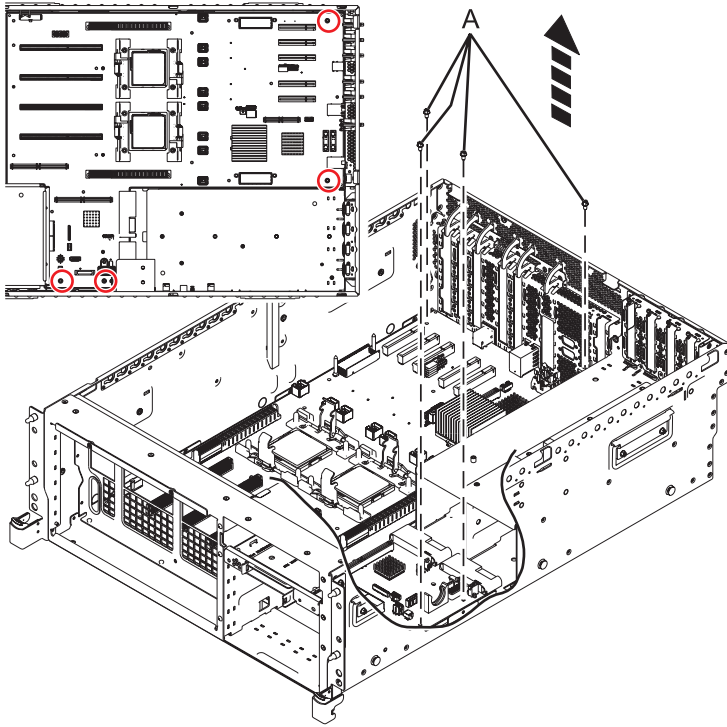


Figure 39. Removing the system backplane (02E/4B or 05F/6B)

c. Grip the system backplane by both heat-sink load arms (**B**).

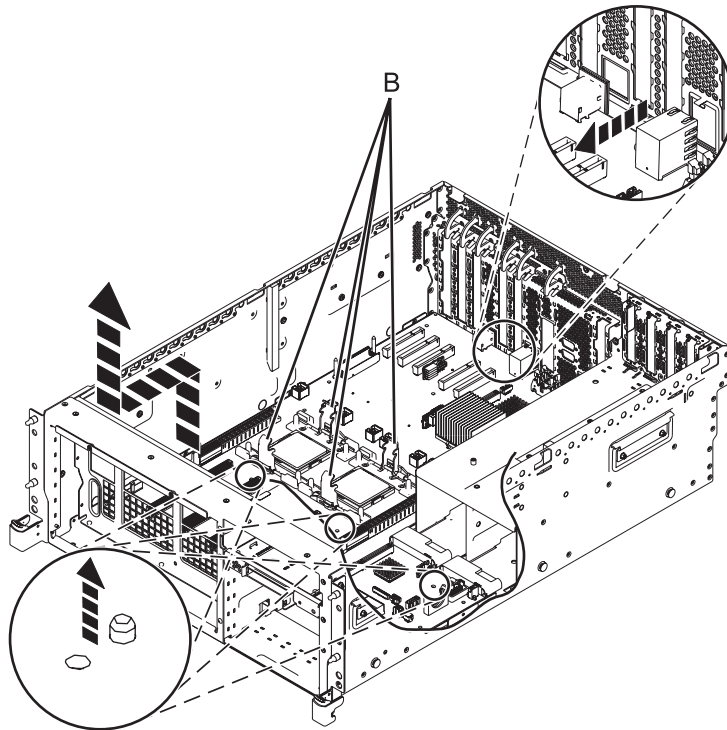


Figure 40. Removing the system backplane

- d. Lift the front of the system backplane up to clear the front alignment pins (approximately 6.35 mm (1/4 in.)).
- e. Slide the system backplane slightly toward the front of the system so that the connectors on the system backplane clear the rear chassis.
- f. After the connectors are clear of the chassis, lift the rear of the system backplane and remove the system backplane at an angle.

Replacing the 02E/4B, 02E/4C, 05F/6B, or 05E/6C system backplane

Learn how to replace the system backplane that is part of a service action.

About this task

To complete this procedure, you must have already completed the removal procedure. For the removal procedure instructions, see Removing the 02E/4B, 02E/4C, 05F/6B, or 05E/6C system backplane.

If your system is managed by the Hardware Management Console (HMC), use the HMC to replace the system backplane. For instructions, see Exchanging a part using the Hardware Management Console.

If your system is managed by the Systems Director Management Console (SDMC), use the SDMC to replace the system backplane. For instructions, see Exchanging a part using the Systems Director Management Console.

If you do not have an HMC or an SDMC, complete the following steps to replace the system backplane:

Attention:

Attach a wrist strap to an unpainted metal surface of your hardware to prevent electrostatic discharge from damaging your hardware.

When using a wrist strap, follow all electrical safety procedures. A wrist strap is for static control. It does not increase or decrease your risk of receiving electric shock when using or working on electrical equipment.

If you do not have a wrist strap, prior to removing the product from ESD packaging and installing or replacing hardware, touch an unpainted metal surface of the system for a minimum of 5 seconds.

Procedure

1. Replace the system backplane.

Note: Use care when you replace the system backplane.

- a. Carefully grasp the replacement system backplane by both of the heat-sink load arms **(A)**.
- b. Lower the system backplane at an angle toward the front of the system chassis.
- c. Lower the rear of the system backplane, and then slide it toward the rear of the system until the connectors clear the openings in the chassis **(see inset)**.
- d. Lower the front of the system backplane onto the alignment pins **(B)**.

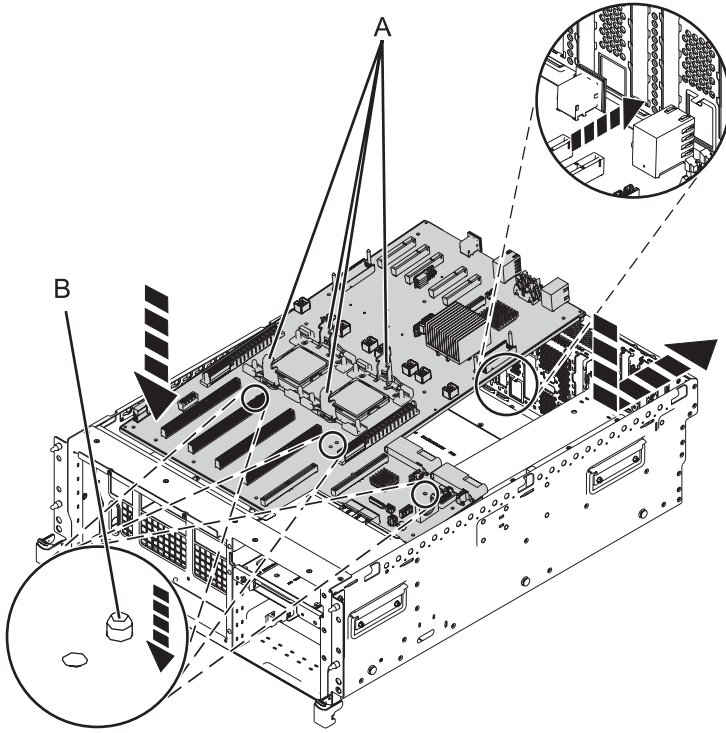


Figure 41. Installing the system backplane (02E/4B or 05F/6B)

- e. Tighten the four screws (C) that secure the system backplane to the system chassis.

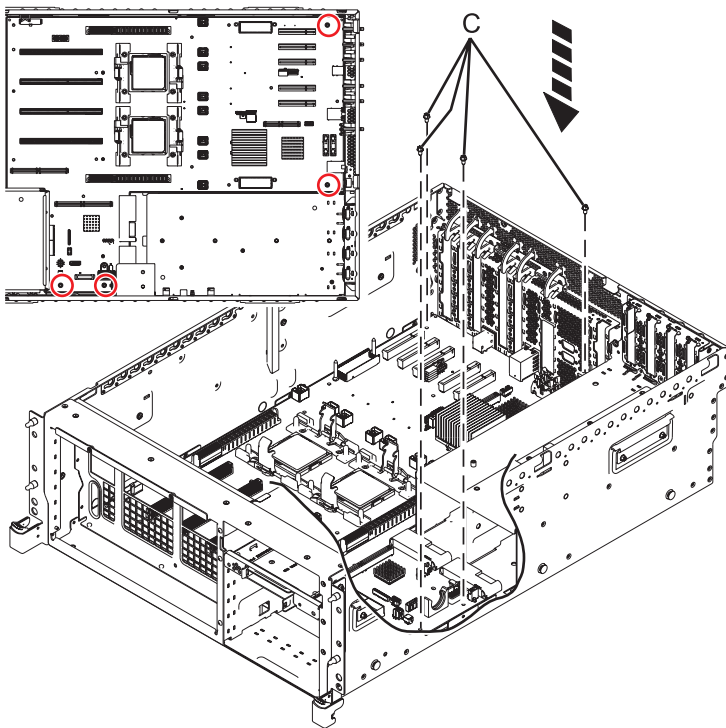


Figure 42. Installing the system backplane

- f. Reconnect all of the Ethernet cables that were previously removed.

2. Install the metal guide bracket for the voltage regulator module.
 - a. Align the three holes on the bracket to the three holes along the system sidewall.
 - b. Tighten the three screws.
3. Replace the system processor module. For instructions, see Replacing the 02E/4B, 02E/4C, 05F/6B, or 05E/6C system processor module.
4. Replace the power interlock switch. For instructions, see Replacing the 02E/4B, 02E/4C, 05F/6B, or 05E/6C power interlock switch with the power off.
5. Replace the fan cage:
 - a. Lower the fan cage into position ensuring that alignment groove (A) and alignment pin (B) are correctly aligned.
 - b. Tighten the two screws (D) that secure the fan cage to the system chassis.
 - c. Tighten the screws (C) that secure the fan cage.

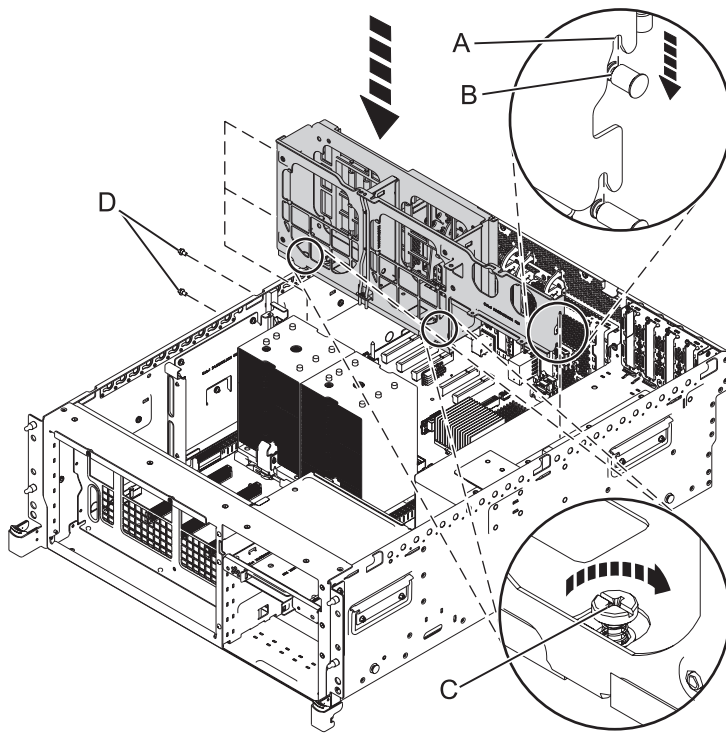


Figure 43. Installing the fan cage

6. Connect the front fan cable.

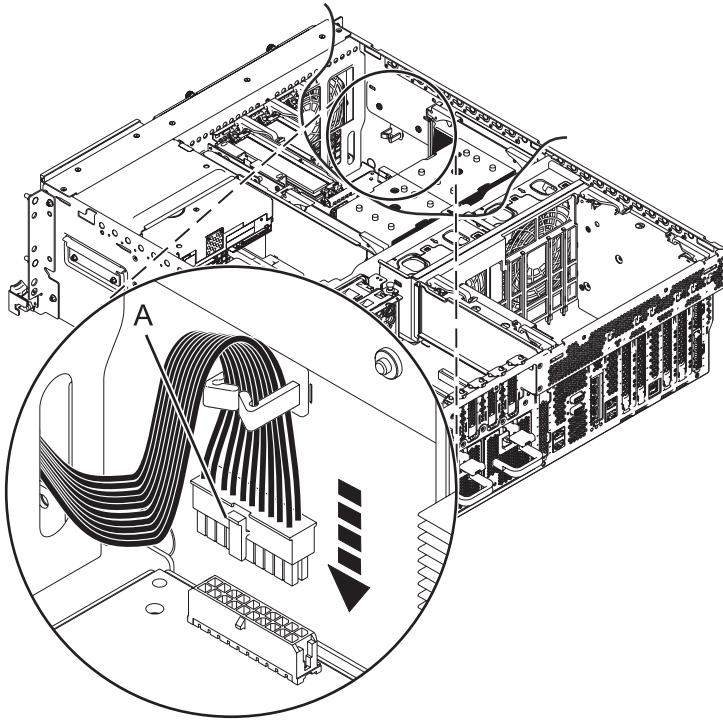


Figure 44. Connecting the front fan cable

7. Replace the dual inline memory module (DIMM) cage:
 - a. Lower the DIMM cage into position.
 - b. Insert and tighten the four screws that secure the DIMM cage (**View A**).

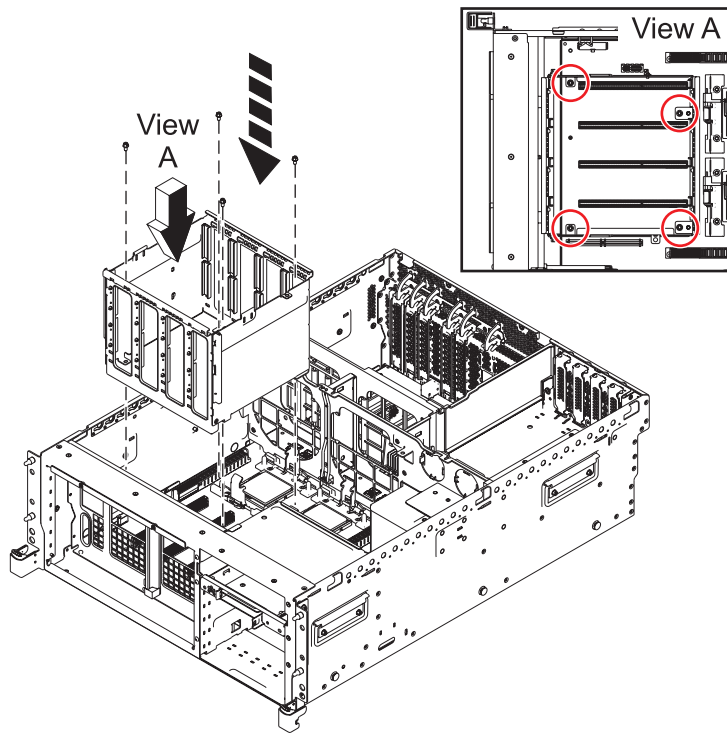
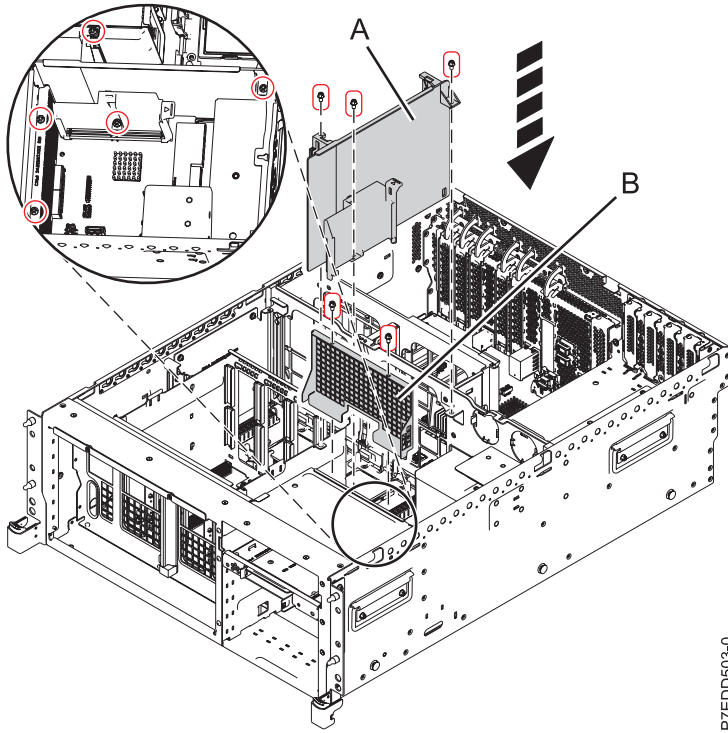


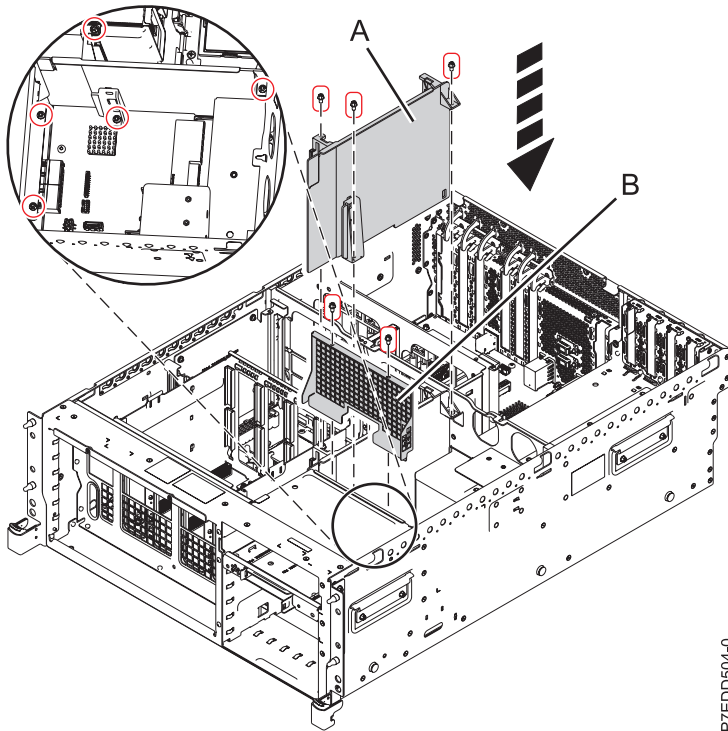
Figure 45. Replacing the DIMM cage

8. Replace the plastic voltage regulator module guide (A).
 - a. Lower the plastic guide into position.
 - b. Insert and tighten the three screws that secure the guide.
9. Replace the disk-drive cage shield (B).
 - a. Lower the disk-drive cage shield into position.
 - b. Insert and tighten the two screws that secure the disk-drive cage shield.



P7EDD503-0

Figure 46. Replacing the disk-drive cage shield (02E/4B or 05F/6B)



P7EDD504-0

Figure 47. Replacing the disk-drive cage shield (02E/4C or 05E/6C)

10. Install the SAS Tape Drive, if present.
11. Install the USB Tape Drive, if present.

12. Connect SAS cable, if present.
13. Replace the PCI riser:
 - a. Lower the PCI riser into position.
 - b. Press the PCI riser latches (A) down until they lock into place.
 - c. Tighten the two thumbscrews (D).

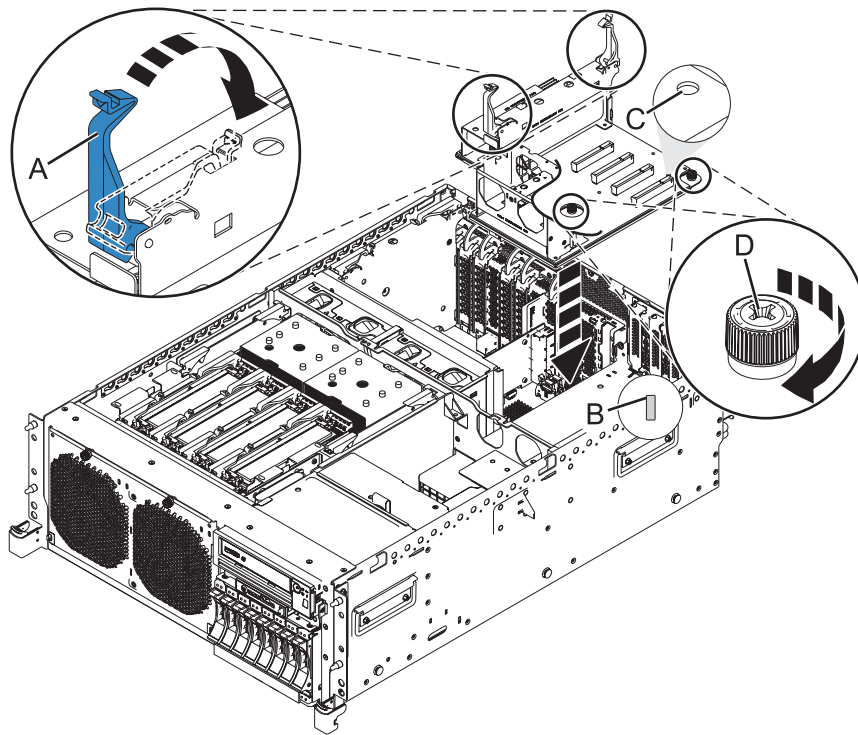


Figure 48. Replacing the PCI riser

14. Replace the PCI-riser air divider.
 - a. Lower the PCI-riser air divider and press it into place.

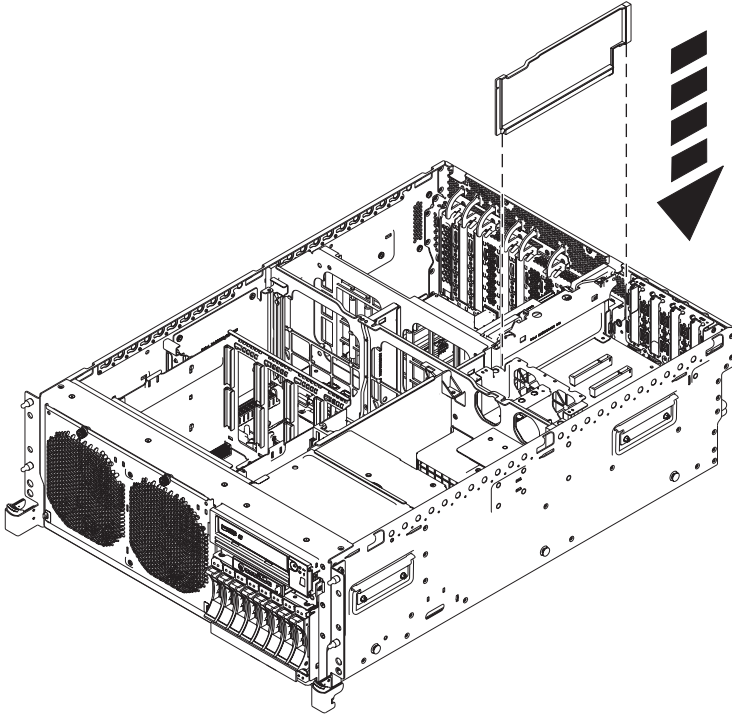


Figure 49. Replacing the PCI riser air divider

15. Replace the anchor card.
16. Replace the disk drive cage:
 - a. With the disk drive latches extended, push the disk drive cage into the system.
 - b. Push the disk drive latches toward system until they lock.

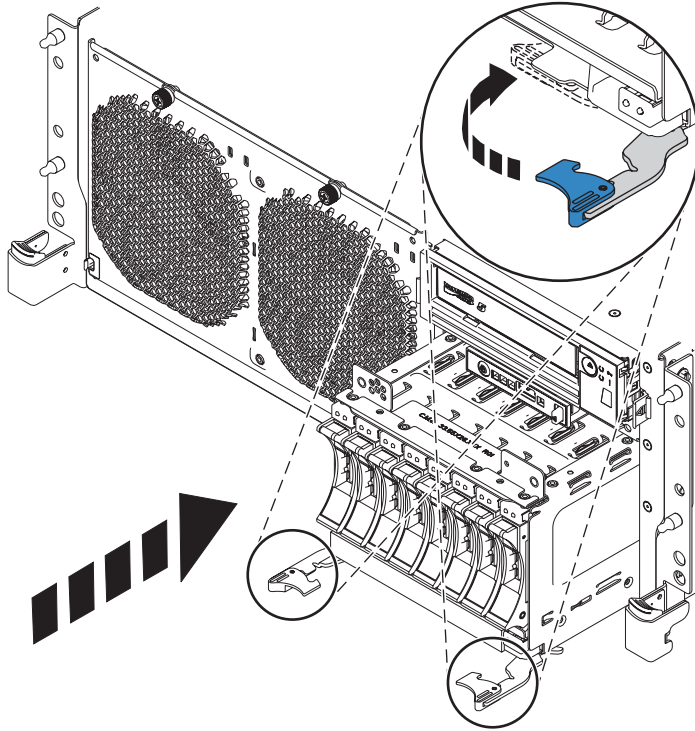


Figure 50. Replacing the disk drive cage

17. Connect the internal cables to the backplane.
Replace the SPCN cable to the chassis rear.

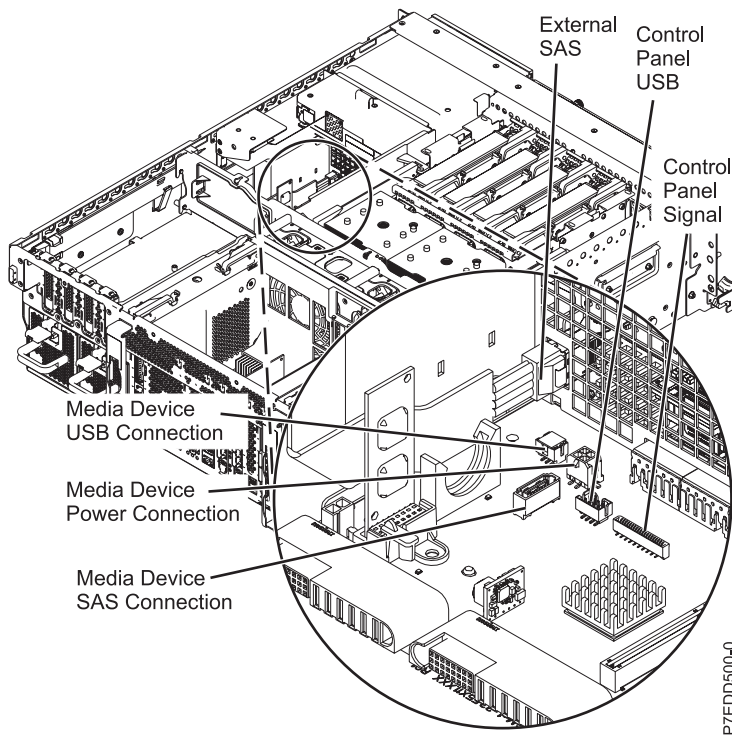


Figure 51. Connecting the internal cables

18. Replace the power supplies. For instructions, see Replacing the 02E/4B, 02E/4C, 05F/6B, or 05E/6C power supply with the power off or Replacing the 02E/4B, 02E/4C, 05F/6B, or 05E/6C power supply with the power on.
19. Replace the fans. For instructions, see Replacing the 02E/4B, 02E/4C, 05F/6B, or 05E/6C fans.
20. Replace the memory riser. For instructions, see Replacing the 02E/4B, 02E/4C, 05F/6B, or 05E/6C memory riser.
21. Replace all the voltage regulator modules. For instructions, see Replacing the 02E/4B, 02E/4C, 05F/6B, or 05E/6C voltage regulator module.
22. Replace the RAID card P1-C13, if present (02E/4B or 05F/6B only).

Note: Before replacing the RAID card, pull tape drive out a little bit to give access to install the RAID card. Then push the tape drive back in place after.

Replace the RAID card P1-C14, if present.

Replace the RAID card P1-C19, if present.

23. Replace the Host Ethernet Adapter (02E/4B or 05F/6B). For instructions, see Replacing the 02E/4B or 05F/6B Host Ethernet adapter with the power off.
24. Replace the GX adapters. For instructions, see Replacing GX adapters for the 02E/4B, 02E/4C, 05F/6B, or 05E/6C.
25. Replace the PCI adapters. For instructions, see Replacing a PCI adapter from the 02E/4B, 02E/4C, 05F/6B, or 05E/6C server with the power off.
26. Replace the service access cover:
 - For a rack-mounted system, see Installing the service access cover on a rack-mounted 02E/4B, 02E/4C, 05F/6B, or 05E/6C system.
 - For a stand-alone system, see Installing the service access cover on a stand-alone 02E/4B, 02E/4C, or 05F/6B system.
27. Replace the front cover:
 - For a rack-mounted system, see Installing the front cover on a rack-mounted 02E/4B, 02E/4C, 05F/6B, or 05E/6C system.
 - For a stand-alone system, see Installing the front cover on a stand-alone 02E/4B, 02E/4C, or 05F/6B system.
28. Place the system in the operating position. For instructions, see Placing the rack-mounted 02E/4B, 02E/4C, 05F/6B, or 05E/6C system into the operating position.
29. Start the system or logical partition. See Starting the system or logical partition.
30. Restore network connectivity.

The service processor must connect to the network to be accessible from the management console.

How will the IP Address of the Service Processor be managed?

Obtain an IP address automatically from a Dynamic Host Configuration Protocol (DHCP) server	Go to next step.
Configure a static IP address	Go to step 32 on page 75

31. Restore service processor settings.

Enable network access to the service processor. If the network connection uses the Dynamic Host Configuration Protocol (DHCP) to establish an IP address, and uses the Management consoles as the DHCP server, no additional configuration is necessary to enable network access to the service processor. Perform the following steps:

 - a. Ensure that the service processor is connected to the existing service network by verifying that the management console cable is connected to the management console port on the system backplane.

- b. If not already connected, connect all system power cables by plugging them into power outlets.
Note: Do not start the system at this time.

Can you access the service network?

Yes	No
Go to step 34.	Go to step 37 on page 76

32. Restore service processor settings.

The Advanced System Management Interface (ASMI) is the interface to the service processor that is required to perform general and administrator-level service tasks, such as reading service processor error logs, reading vital product data, setting up the service processor, controlling the system power, and setting service processor network ports. The ASMI may also be referred to as the service processor menus. The ASMI can be accessed through https. As the network connection uses static IP address assignments, perform the following steps.

- a. To know your service processor network ports, if necessary, you can use the control panel in manual mode. Refer to service functions to get control panel documentation in that case.
- b. Connect a client with a web browser directly to the service processor network ports you previously noted. It could be something like the following URLs:
 - https://169.254.2.147
 - https://169.254.3.147
- c. If not already connected, connect all system power cables by plugging them into power outlets.
Note: Do not start the system at this time.
- d. Log on to the ASMI with the admin **User ID** and admin default **Password**.
- e. Change the admin user ID's **Password** and the general user ID's **Password** when prompted.
- f. To configure network access perform the following steps.
 - 1) Click **Network Configuration** under the **Network Services** node.
 - 2) On the right pane, configure **eth0** and **eth1** network interfaces, select **Static** for the **Type of IP Address** field, and set and a **Host name**, an **IP address**, a **Subnet mask**.

33. Restore system processor settings.

With the network connection now configured to use static IP address assignments, try to access the service processor network ports.

Can you access the service network?

Yes	No
Go to next step.	Go to step 38 on page 76

34. Access the ASMI.

The Advanced System Management Interface (ASMI) is the interface to the service processor that is required to perform general and administrator-level service tasks, such as reading service processor error logs, reading vital product data, setting up the service processor, and controlling the system power. The ASMI might also be referred to as the service processor menus. To access the ASMI, refer to Accessing the Advanced System Management Interface. After you have accessed the ASMI, continue with the next step.

35. Set System Enclosure Type and Feature Code.

The enclosure serial number is a seven-digit number printed on a bar-coded label on the system unit. When the system backplane is replaced, the seven-digit enclosure serial number and feature code number needs to be manually inputted and stored in the new system backplane using the Advanced System Management Interface (ASMI).

Note: The feature code numbers for the system backplane are as follows:

- For 02E/4B or 02E/4C: 78AA

- For 05F/6B or 05E/6C: 78C3

Note: To perform this operation, your authority level must be Authorized Service Provider (ID: celogin).

To input the system serial number:

- On the ASMI Welcome pane, specify your user ID and password, and click **Log in**.
- In the navigation area, expand **System Configuration** and **Program Vital Product Data**.
- Select **System Enclosures**. In the right pane, the current system enclosures are displayed.
- On the system being serviced, record the enclosure serial number printed on the bar-coded label on the system unit.
- Enter the enclosure serial number recorded from the system unit in the **Enclosure serial number** field.
- Enter the feature code number in the **Feature Code/Sequence Number** field.
- Click **Save settings** to update and save the enclosure serial number and the feature code.

36. Go to step 40 on page 77

37. Restore service processor settings.

If the network connection uses DHCP to establish an IP address, but does not use a as the DHCP server, perform the following steps.

- Complete any network configuration necessary to allow the DHCP server to recognize and assign an IP address to the service processor.
- Ensure that the service processor is connected to the existing service network by verifying that the network cable is connected to the network port.
- If not already connected, connect all system power cables by plugging them into power outlets.

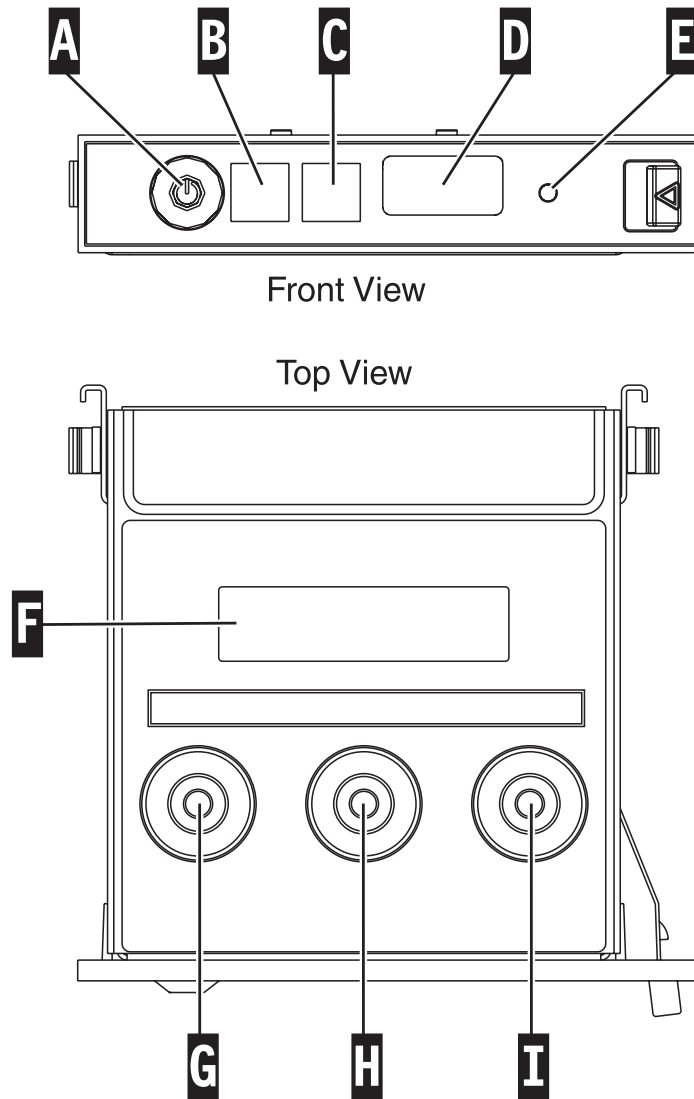
Note: Do not start the system at this time.

Can you access the service network?

Yes	No
Go to 34 on page 75	Go to next step.

38. Restore service processor settings.

You have indicated that you are still not able to access the service network. You will need to reset the service processor by pressing the pin-hole switch (E) on the operator panel.



IPHAJ941-0

Figure 52. Pin-hole switch on the operator information panel

39. Got to step 30 on page 74.
40. Restore service processor settings.
 - Change the password of the admin user ID when prompted by performing the following steps.
 - a. In the navigation area of the ASMI, expand **Login Profile**.
 - b. Select **Change Password** under **Login Profile**.
 - c. Specify the required information, and click **Continue**.

As a security measure, you are required to enter your current user password in the **Current password for current user ID** field.

Note: Passwords can be any combination of up to 64 alphanumeric characters. The default password for the admin **User ID** is admin. After your initial login to the ASMI, the admin password must be changed.

As a security measure, you are required to enter the password for your user ID in the **Current password for current user** field.

41. Restore service processor settings.

Set the system name. The system name can be changed to any valid ASCII string. It does not have to follow the initialized *machine type_model_serial number* format. To change the system name, complete the following steps.

- a. In the navigation area of the ASMI, expand **System Configuration**.
- b. Select **System Name** under **System Configuration**.
- c. Enter the desired system name.
- d. Click **Save settings** to update the system name to the new value.

The new system name is displayed in the status frame, the area where the **Log out** button is located. If another method, such as the Management consoles, are used to change the system name, the status frame does not reflect the change.

42. Restore service processor settings.

To set the time-of-day, complete the following steps.

- a. In the navigation area of the ASMI, expand **System Configuration**.
- b. Select **Time of Day** under **System Configuration**.
- c. If the system is powered off, the right pane displays a form that shows the current date (month, day, and year) and time (hours, minutes, seconds).
- d. Change either the date or the time or both, and click **Save settings**.

43. Restore service processor settings.

Verify if the server firmware level is same as the value recorded prior to replacing the system backplane. If the value is different then it must be fixed. For information on how to fix the firmware, see Getting firmware fixes.

44. Restore the server Host Ethernet Adapter (HEA) device settings.

- For HMC:
 - a. Expand the **Systems Management** folder in the navigation tree pane.
 - b. Double-click the **Servers** folder.
 - c. Select a server in the central panel.
 - d. From the **Tasks** menu, click **Hardware Information > Adapters > Host Ethernet**. The Host Ethernet Adapters window opens.
 - e. Select the required physical port and click **Configure**. The HEA Physical Port Configuration window opens.
 - f. Enter the value in the **Pending Port Group Multi-Core Scaling value** field and click **OK**.
- For SDMC:
 - a. Click the **Resources** tab, and then click **Hosts**.
 - b. Select a server in the right pane.
 - c. From the **Actions** menu, click **Hardware Information > Adapters > Host Ethernet**. The Host Ethernet Adapters window opens.
 - d. Select the required physical port and click **Configure**. The HEA Physical Port Configuration window opens.
 - e. Enter the value in the **Pending Port Group Multi-Core Scaling value** field and click **OK**.

45. Restore service processor settings.

Reenter any of the following settings that were previously changed through the Advanced System Management Interface (ASMI), unless you want to use the default settings.

- System name setting
- System Power Control settings
- System Service Aids settings
- System Configuration settings
- Network Services settings

- Performance Options settings
 - Login Profile settings
 - Boot List settings
 - Host Ethernet Adapter settings
46. Restore service processor settings.
- a. Reset any service processor settings that you may have set using operating system commands. You recorded these settings at the beginning of this procedure.
 - b. If you choose to reset the **Management consoles Access password**, perform the following:

To change the **HMC** access password, select one of the following methods:

 - 1) From the HMC GUI (preferred method):
 - a) Expand the **Systems Management** folder in the navigation tree pane.
 - b) Double-click the **Servers** folder.
 - c) Select a server in the central panel.
 - d) Under the **Operations** folder, select **Change Password**.
 - e) Provide the desired information and click **OK**.
 - 2) From the HMC command line, type:


```
/usr/hmcrbin/chsyspwd -m managedsystem -t access --passwd --newpasswd newpassword
```

 where:
 - The value for managedsystem is the new service processor's managed system name.
 - No value for --passwd is entered thereby allowing authentication.
 - The value for newpasswd is the newpassword value.

To change the **SDMC** access password, complete the following steps:

 - 1) Click the **Resources** tab, and then click **Hosts**.
 - 2) Select a server in the right pane.
 - 3) From the **Actions** menu, click **Operations > Change Password**.
 - 4) Provide the desired information and click **OK**.
47. Recover partition data on the service processor.
- Profile data stored in the managed server has been cleared or corrupted. To recover profile data using the HMC, complete the following steps.
- a. Expand the **Systems Management** folder in the navigation tree pane.
 - b. Double-click the **Servers** folder.
 - c. Use the check box to select a server, in the central panel.
 - d. In the **Configuration** folder if you have the **Manage Partition Data** folder, select **Restore**.
- To recover profile data using the SDMC, complete the following steps:
- a. Click the **Resources** tab, and then click **Hosts**.
 - b. Select a server in the right pane.
 - c. From the **Actions** menu, click **System Configuration > Manage Partition Data > Restore**.
 - d. Select the desired restore option and click **OK**.
48. Update vital product data.
- If your system is running and is not managed by the Management consoles, you must update the load source after replacing the system backplane. To update the load source without using the Management consoles, do the following steps:
- a. Load the I_BASE_01 Licensed Internal Code optical media into the device that is defined for the system and access it to perform an initial program load (IPL).
- Note:** This IPL can take several minutes.

- b. After the Select a Language Group display is shown, press Enter to select the default language feature 2924 (English).

Note: To change the language feature, type the language feature that appears on the media that contains the operating system, and then press Enter.

Confirm the language feature by pressing Enter.

- c. From the Install Licensed Internal Code display, select option 2 (Work with Dedicated Service Tools (DST)) and press Enter.

Use the Dedicated Service Tools to make sure the disk units, including the load source, are reporting correctly and that there are no errors that might prevent the IPL from disk. When all errors have been resolved and the load source disk is reporting correctly, continue with the next step.

- d. From the Work with Dedicated Service Tools (DST) display, select option 2 (Work with disk units) and press Enter.
- e. Select option 8 (Update system vital product data) to identify the location of the load source disk unit. Press Enter. The Update System Vital Product Data display is shown.
- f. Press Enter to confirm that you want the vital product data to be written.
- g. Press F12 (Previous) twice.
- h. Type 1 and press Enter to exit DST. Use the system control panel to delay turning off the system. Change the IPL mode to B, and power on the system to perform an IPL from disk.

49. Restore the boot list and the Host Ethernet Adapter settings.

The boot list is not present on a new system backplane, therefore; it is necessary to create the boot devices by booting into the system management services (SMS) menus. See Selecting boot options for information on setting the boot device list.

After the operating system is booted, the bootlist command can be used to verify, or make additional changes to, the list of boot devices for a system or partition.

To restore the Host Ethernet Adapter settings, see Configuring physical ports on a Host Ethernet Adapter.

50. Verify the repair. For more information, see Verifying a repair.

02E/4B or 05F/6B SAS subsystem service considerations

There are several considerations to review before servicing features within the SAS subsystem for the 02E/4B or 05F/6B system.

Attention: Do not attempt to remove any parts related to the SAS subsystem if the cache data present LED on the card in either P1-C19 or P1-C14 is flashing. To see this LED, you must shut down the system and remove the service cover. The LED shows a no-touch icon (a hand with a slash through it), and indicates that there is possible data in cache on the adapter. To prevent data loss, first make sure that the system has been shut down correctly. If either cache data present LED is flashing, refer to one of the following topics before removing any SAS subsystem parts. You can safely replace the cache battery pack when Yes is displayed next to Battery pack can be safely replaced on the Battery Information panel (for Linux and IBM i systems) or COMMAND STATUS panel (for AIX systems).

Before servicing any features, review the I/O configurations for each logical partition on your system. It is important to understand the differences between the various configurations and the resulting service considerations. In addition, consider possible impacts to the following areas.

- Logical partitions and their I/O adapter assignments
- RAID array configurations
- Physical disk locations
- Path to your boot device

Service considerations for the cache battery pack

To prevent data loss, follow proper procedures before replacing the cache battery pack on the Cache RAID cards.

Note: Concurrent maintenance of adapter battery is not supported. Even with failed or missing batteries, the card associated with the battery must first be removed. For more information, see Removing and replacing SAS RAID adapters and batteries.

Attention: To maintain system availability and prevent possible data loss, you must understand that these features have implications on the SAS configuration and data accessibility of the system.

Attention: Do not attempt to remove any parts related to the SAS subsystem if the cache data present LED on the card in either P1-C19 or P1-C14 is flashing. To see this LED, you must shut down the system and remove the service cover. The LED shows a no-touch icon (a hand with a slash through it), and indicates that there is possible data in cache on the adapter. To prevent data loss, first make sure the system has been shut down correctly. If either cache data present LED is flashing, refer to one of the following topics before removing any SAS subsystem parts. You can safely replace the cache battery pack when Yes is displayed next to Battery pack can be safely replaced on the Battery Information panel (for the Linux and IBM i systems) or COMMAND STATUS panel (for AIX systems).

The following figure shows the location of the cache data present LED in the 02E/4B or 05F/6B SAS subsystem.

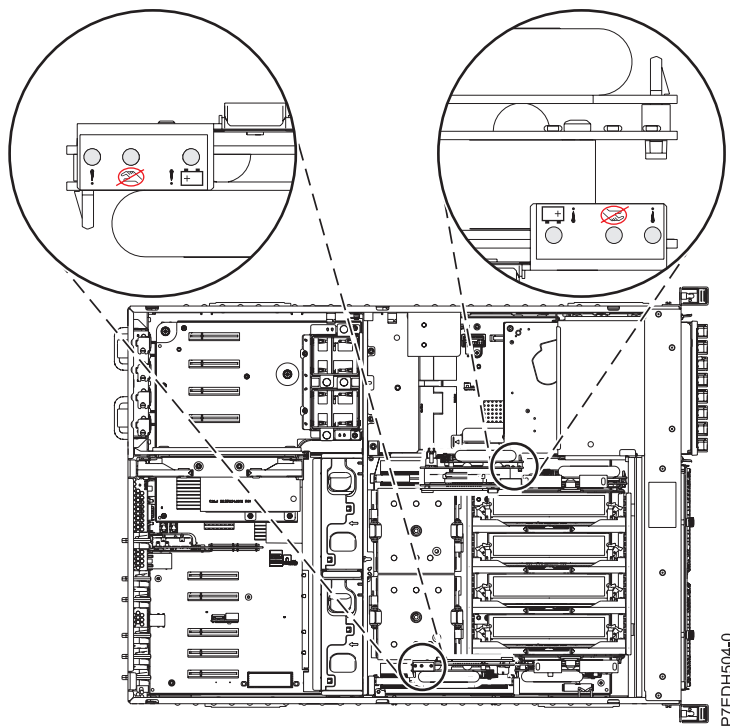










Figure 53. Cache data present LED

The following table describes the states of the cache data present LED and what to consider before attempting a service action.

Table 1. LED indications and actions

Cache battery card (Un-P1-C14)	RAID/Cache storage controller (Un-P1-C19)	Indication	Action
 Off	 Off	Cache is not active.	Service actions can proceed.
 Off	 Flashing	Cache is active on C19. Cache might have been flushed on C14 if C19 is failed.	Attempt to power on and perform a proper shutdown prior to any service action.
 Flashing	 Off	Cache is active on C14. Cache might have been flushed on C19 if C14 is failed.	Attempt to power on and perform a proper shutdown prior to any service action.
 Flashing	 Flashing	Cache is active on the dual controllers.	Attempt to power on and perform a proper shutdown prior to any service action. If this is unsuccessful in clearing the cache active LEDs, contact support. See Contacting IBM service and support.

Common procedures for installable features

This section contains all the common procedures related to installing, removing and replacing features.

Before you begin

Observe these precautions when you are installing, removing, or replacing features and parts.

About this task

These precautions are intended to create a safe environment to service your system and do not provide steps for servicing your system. The installation, removal, and replacement procedures provide the step-by-step processes required to service your system.

DANGER

When working on or around the system, observe the following precautions:

Electrical voltage and current from power, telephone, and communication cables are hazardous. To avoid a shock hazard:

- Connect power to this unit only with the provided power cord. Do not use the provided power cord for any other product.
- Do not open or service any power supply assembly.
- Do not connect or disconnect any cables or perform installation, maintenance, or reconfiguration of this product during an electrical storm.
- The product might be equipped with multiple power cords. To remove all hazardous voltages, disconnect all power cords.
- Connect all power cords to a properly wired and grounded electrical outlet. Ensure that the outlet supplies proper voltage and phase rotation according to the system rating plate.
- Connect any equipment that will be attached to this product to properly wired outlets.
- When possible, use one hand only to connect or disconnect signal cables.
- Never turn on any equipment when there is evidence of fire, water, or structural damage.
- Disconnect the attached power cords, telecommunications systems, networks, and modems before you open the device covers, unless instructed otherwise in the installation and configuration procedures.
- Connect and disconnect cables as described in the following procedures when installing, moving, or opening covers on this product or attached devices.

To Disconnect:

1. Turn off everything (unless instructed otherwise).
2. Remove the power cords from the outlets.
3. Remove the signal cables from the connectors.
4. Remove all cables from the devices

To Connect:

1. Turn off everything (unless instructed otherwise).
2. Attach all cables to the devices.
3. Attach the signal cables to the connectors.
4. Attach the power cords to the outlets.
5. Turn on the devices.

(D005a)

DANGER

Observe the following precautions when working on or around your IT rack system:

- Heavy equipment—personal injury or equipment damage might result if mishandled.
- Always lower the leveling pads on the rack cabinet.
- Always install stabilizer brackets on the rack cabinet.
- To avoid hazardous conditions due to uneven mechanical loading, always install the heaviest devices in the bottom of the rack cabinet. Always install servers and optional devices starting from the bottom of the rack cabinet.
- Rack-mounted devices are not to be used as shelves or work spaces. Do not place objects on top of rack-mounted devices.



- Each rack cabinet might have more than one power cord. Be sure to disconnect all power cords in the rack cabinet when directed to disconnect power during servicing.
- Connect all devices installed in a rack cabinet to power devices installed in the same rack cabinet. Do not plug a power cord from a device installed in one rack cabinet into a power device installed in a different rack cabinet.
- An electrical outlet that is not correctly wired could place hazardous voltage on the metal parts of the system or the devices that attach to the system. It is the responsibility of the customer to ensure that the outlet is correctly wired and grounded to prevent an electrical shock.

CAUTION

- Do not install a unit in a rack where the internal rack ambient temperatures will exceed the manufacturer's recommended ambient temperature for all your rack-mounted devices.
- Do not install a unit in a rack where the air flow is compromised. Ensure that air flow is not blocked or reduced on any side, front, or back of a unit used for air flow through the unit.
- Consideration should be given to the connection of the equipment to the supply circuit so that overloading of the circuits does not compromise the supply wiring or overcurrent protection. To provide the correct power connection to a rack, refer to the rating labels located on the equipment in the rack to determine the total power requirement of the supply circuit.
- *(For sliding drawers.)* Do not pull out or install any drawer or feature if the rack stabilizer brackets are not attached to the rack. Do not pull out more than one drawer at a time. The rack might become unstable if you pull out more than one drawer at a time.
- *(For fixed drawers.)* This drawer is a fixed drawer and must not be moved for servicing unless specified by the manufacturer. Attempting to move the drawer partially or completely out of the rack might cause the rack to become unstable or cause the drawer to fall out of the rack.

(R001)

Before you begin a replacement or installation procedure, perform these tasks:

Procedure

1. If you are installing a new feature, ensure that you have the software required to support the new feature.
2. If you are performing an installation or replacement procedure that might put your data at risk, ensure, wherever possible, that you have a current backup of your system or logical partition (including operating systems, licensed programs, and data).
3. Review the installation or replacement procedure for the feature or part.
4. Note the significance of color on your system.

Blue or terra-cotta on a part of the hardware indicates a touch point where you can grip the hardware to remove it from or install it in the system, open or close a latch, and so on. Terra-cotta might also indicate that the part can be removed and replaced with the system or logical partition power on.

5. Ensure that you have access to a medium flat-blade screwdriver, a Phillips screwdriver, and a pair of scissors.
6. If parts are incorrect, missing, or visibly damaged, do the following:
 - If you are replacing a part, contact the provider of your parts or next level of support.
 - If you are installing a feature, contact one of the following service organizations:
 - The provider of your parts or next level of support.
7. If you encounter difficulties during the installation, contact your service provider, or your next level of support.
8. If you are installing new hardware in a logical partition, you need to understand and plan for the implications of partitioning your system. For information, see Logical Partitioning.

Identifying a part

Use these instructions to learn how to identify the location of a failed part, the location of a part to be removed, or the location to install a new part on your system or expansion unit using the appropriate method for your system.

About this task

For systems servers that contain the POWER7[®] processor, the light-emitting diodes (LEDs) can be used to identify or verify the location of a part that you are removing, servicing, or installing.

The combination identify and fault LED (amber color) shows the location of a field replaceable unit (FRU). When removing a FRU, first verify whether you are working on the correct FRU by using the identify function in the management console or other user interface. When removing a FRU under the direction of the hardware management console, the identify function is activated and deactivated automatically at the correct times.

The identify function causes the amber LED to blink. When you turn off the identify function, the LED returns to the state it was previously. For parts that have a blue service button, the identify function sets LED information for the service button so that when the button is pressed, the correct LEDs on that part blink.

If you need to use the identify function, use the following procedures.

Control panel LEDs

Use this information as a guide to the control panel LEDs and buttons.

The control panel has LEDs that indicate various system status.

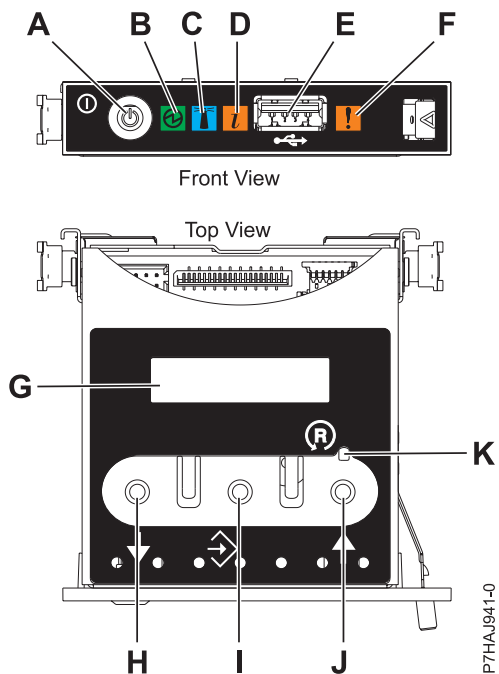


Figure 54. Control panel

- **A:** Power-on button
- **B:** Power LED
 - A constant light indicates full system power to the unit.
 - A blinking light indicates standby power to the unit.
- Note:** There is approximately a 30-second transition period from the time the power-on button is pressed to when the power LED goes from blinking to solid. During the transition period, the LED might blink faster.
- **C:** Enclosure identify light
 - A constant light indicates the identify state, which is used to identify a part.
 - No light indicates that the system is operating normally.
- **D:** System information light
 - No light indicates that the system is operating normally.
 - Light on indicates that the system requires attention.
- **E:** USB port
- **F:** Enclosure fault roll-up light
 - A constant light indicates a fault in the system unit.
 - No light indicates that the system is operating normally.
- **G:** Function/Data display
- **H:** Decrement button
- **I:** Enter button
- **J:** Increment button
- **K:** Pinhole reset button

Related concepts:

Identifying a failing part

Use these instructions to learn how to locate and identify a failing part on your system or expansion unit using the appropriate method for your system.

Identifying a failing part in an AIX system or logical partition

Use these instructions to learn how to locate a failing part, and then activate the indicator light for that part on a system or logical partition running the AIX operating system.

Locating a failing part in an AIX system or logical partition

You might need to use AIX tools, before activating the indicator light, to locate a part that is failing.

Procedure

1. Log in as root user or `ce login-`.
2. At the command line, type `diag` and press Enter.
3. From the Function Selection menu, select **Task Selection** and press Enter.
4. Select **Display Previous Diagnostic Results** and press Enter.
5. From the Display Previous Diagnostic Results display, select **Display Diagnostic Log Summary**. The Display Diagnostic Log display shows a chronological list of events.
6. Look in the **T** column for the most recent **S** entry. Select this row in the table and press Enter.
7. Select **Commit**. The details of this log entry are shown.
8. Record the location information and the SRN value shown near the end of the entry.
9. Exit to the command line.

What to do next

Use the location information for the failing part to activate the indicator light that identifies the failing part. See “Activating the indicator light for the failing part.”

Activating the indicator light for the failing part

Use these instructions to help physically identify the location of a part you are servicing.

Procedure

1. Log in as root user.
2. At the command line, type `diag` and press Enter.
3. From the Function Selection menu, select **Task Selection** and press Enter.
4. From the Task Selection menu, select **Identify and Attention Indicators** and press Enter.
5. From the list of lights, select the location code for the failing part and press Enter.
6. Select **Commit**. This turns on the system attention and indicator light for the failing part.
7. Exit to the command line.

Deactivating the failing-part indicator light

Use this procedure to turn off any indicator light that you turned on as a part of a service action.

About this task

To deactivate the indicator light, follow these steps:

Procedure

1. Log in as root user.
2. At the command line, type `diag` and press Enter.

3. From the Function Selection menu, select **Task Selection** and press Enter.
4. From the Task Selection menu, select **Identify and Attention Indicators** and press Enter.
5. From the list of lights, select the location code for the failing part and press Enter. When a light is activated for a failing part, an I character precedes the location code.
6. Select **Commit**. This turns off the system attention and indicator light for the failing part.
7. Exit to the command line.

Identifying a failing part in a Linux system or logical partition

If the service aids have been installed on a system or logical partition, you can activate or deactivate the indicator lights to locate a part or complete a service action.

Locating a failing part in a Linux system or logical partition

If the service aids have been installed on a system or logical partition, you need to activate the indicator lights to locate a part.

About this task

To activate the indicator light, follow these steps:

Procedure

1. Log in as root user.
2. At the command line, type `/usr/sbin/usysident -s identify -l<location code>` and press Enter.
3. Look for the system attention light to identify the enclosure that contains the failing part.

Finding the location code of a failing part in a Linux system or logical partition

To retrieve the location code of the failing part, if you do not know the location code, use the procedure in this topic.

About this task

To locate the failing part in a system or logical partition follow these steps:

Procedure

1. Log in as root user.
2. At the command line, type `grep diagela /var/log/platform` and press Enter.
3. Look for the most recent entry that contains a system reference code (SRC).
4. Record the location information.

Activating the indicator light for the failing part

If you know the location code of the failing part, activate the indicator light to help you locate which part to replace.

About this task

To activate the indicator light, follow these steps:

Procedure

1. Log in as root user.
2. At the command line, type `/usr/sbin/usysident -s identify -l<location code>` and press Enter.
3. Look for the system attention light to identify the enclosure that contains the failing part.

Results

Deactivating the failing-part indicator light

After you complete a removal and replacement procedure, you must deactivate the failing-part indicator light.

About this task

To deactivate the indicator light, follow these steps:

Procedure

1. Log in as root user.
2. At the command line, type `/usr/sbin/usysident -s normal -l<location code>` and press Enter.

Locating a failing part in a Virtual I/O Server system or logical partition

You can use Virtual I/O Server (VIOS) tools, before activating the indicator light, to locate a part that is failing.

Procedure

1. Log in as root user or `celogin-`.
2. At the command line, type `diagmenu` and press Enter.
3. From the **Function Selection** menu, select **Task Selection** and press Enter.
4. Select **Display Previous Diagnostic Results** and press Enter.
5. From the **Display Previous Diagnostic Results** display, select **Display Diagnostic Log Summary**. A **Display Diagnostic Log** display appears. This display contains a chronological list of events.
6. Look in the **T** column for the most recent **S** entry. Select this row in the table and press Enter.
7. Choose **Commit**. The details of this log entry are shown.
8. Record the location information and the SRN value shown near the end of the entry.
9. Exit to the command line.

Results

Use the location information for the failing part to activate the indicator light that identifies the failing part. For instructions, see “Identifying a part by using the Virtual I/O Server.”

Identifying a part by using the Virtual I/O Server

Use these instructions to turn on the indicator light to help you physically locate a part by using the Virtual I/O Server (VIOS).

Procedure

1. Log in as root user.
2. At the command line, type `diagmenu` and press Enter.
3. From the Function Selection menu, select **Task Selection**. Press Enter.
4. From the Task Selection menu, select **Identify and Attention Indicators**. Press Enter.
5. From the list of lights, select the location code for the failing part and press Enter.
6. Select **Commit**. This turns on the system attention and indicator light for the failing part.
7. Exit to the command line.

Starting the system or logical partition

Learn how to start a system or logical partition after performing a service action or system upgrade.

Starting a system that is not managed by a Hardware Management Console or a Systems Director Management Console

You can use the power button or the Advanced System Management Interface to start a system that is not managed by a Hardware Management Console (HMC) or an Systems Director Management Console (SDMC).

About this task

To start a system that is not managed by a HMC or SDMC, follow these steps:

Procedure

1. Open the front rack door, if necessary.
2. Before you press the power button on the control panel, ensure that power is connected to the system unit as follows:
 - All system power cables are connected to a power source.
 - The Power LED, as shown in the following figure, is slowly blinking.
 - The top of the display, as shown in the following figure, shows 01 V=F.
3. Press the power button (A), as shown in the following figure, on the control panel.

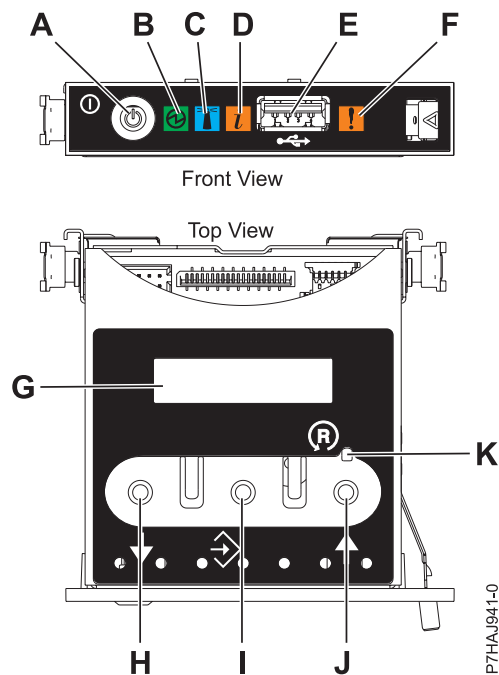


Figure 55. Control panel

- A: Power-on button
- B: Power LED
 - A constant light indicates full system power to the unit.
 - A blinking light indicates standby power to the unit.

Note: There is approximately a 30-second transition period from the time the power-on button is pressed to when the power LED goes from blinking to solid. During the transition period, the LED might blink faster.

- C: Enclosure identify light

- A constant light indicates the identify state for the enclosure or for a resource within the enclosure.
 - No light indicates that no resources in the enclosure are being identified.
 - **D:** Attention light
 - No light indicates that the system is operating normally.
 - A solid light indicates that the system requires attention.
 - **E:** USB port
 - **F:** Enclosure fault roll-up light
 - A constant light indicates a fault indicator active in the system.
 - No light indicates that the system is operating normally.
 - **G:** Function/Data display
 - **H:** Decrement button
 - **I:** Enter button
 - **J:** Increment button
 - **K:** Pinhole reset button
4. Observe the following after pressing the power button:
- The power-on light begins to blink faster.
 - The system cooling fans are activated after approximately 30 seconds and begin to accelerate to operating speed.
 - Progress indicators, also referred to as checkpoints, appear on the control panel display while the system is being started. The power-on light on the control panel stops blinking and remains on, indicating that system power is on.

What to do next

Tip: If pressing the power button does not start the system, do the following steps to start the system using the Advanced System Management Interface (ASMI):

1. Access the ASMI. For instructions, see [Accessing the ASMI](#).
2. Start the system using the ASMI. For instructions, see [Powering the system on and off](#).

Starting a system or logical partition by using the HMC

You can use the Hardware Management Console (HMC) user interface to start the system or logical partition after the required cables are installed and the power cables are connected to a power source.

About this task

For instructions on working with the HMC, see [Managing the Hardware Management Console](#). For instructions on starting a logical partition, see [Logical partitioning](#). For instructions on starting the system, see [Powering on the managed system](#).

Progress indicators, also referred to as checkpoints, appear on the control panel display while the system is being started. When the power-on light on the control panel stops blinking and remains on, the system power is on.

Starting a system or virtual server by using the SDMC

You can use the Systems Director Management Console (SDMC) user interface to start the system or virtual server after the required cables are installed and the power cables are connected to a power source.

About this task

For instructions on working with the SDMC, see *Managing and configuring the SDMC*. For instructions on starting a virtual server, see *Managing virtual servers*. For instructions on shutting down and restarting virtual servers, see *Shutting down and restarting virtual servers*.

Progress indicators, also known as checkpoints, display on the control panel while the system is being started. When the power-on light on the control panel stops flashing and remains on, the system power is on.

Stopping a system or logical partition

Learn how to stop a system or logical partition as a part of a system upgrade or service action.

About this task

Attention: Using either the power-on button on the control panel or entering commands at the Hardware Management Console (HMC) to stop the system can cause unpredictable results in the data files. Also, the next time you start the system, it might take longer if all applications are not ended before stopping the system.

To stop the system or logical partition, select the appropriate procedure.

Stopping a system that is not managed by an HMC or an SDMC

You might need to stop the system to perform another task. If your system is not managed by the Hardware Management Console (HMC) or the Systems Director Management Console (SDMC), use these instructions to stop the system by using the power button or the Advanced System Management Interface (ASMI).

Before you begin

Before you stop the system, follow these steps:

1. Ensure that all jobs are completed and end all applications.
2. Ensure that the operating system is stopped.

Attention: Failure to do so can result in the loss of data.

3. If a Virtual I/O Server (VIOS) logical partition is running, ensure that all clients are shut down or that the clients have access to their devices using an alternate method.

About this task

The following procedure describes how to stop a system that is not managed by the HMC or the SDMC.

Procedure

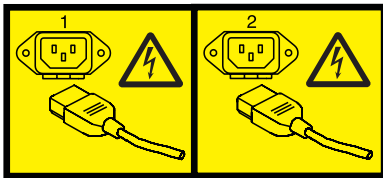
1. Log in to the system as a user with the authority to run the **shutdown** or **pwrdownsys** (Power Down System) command.
2. At the command line, enter one of the following commands:
 - If your system is running the AIX operating system, type **shutdown**.
 - If your system is running the Linux operating system, type **shutdown -h now**.
 - If your system is running the operating system, type **PWRDWN SYS**. If your system is partitioned, use the **PWRDWN SYS** command to power down each of the secondary partitions. Then, use the **PWRDWN SYS** command to power down the primary partition.

The command stops the operating system. The system power turns off, the power-on light begins to slowly flash, and the system goes into a standby state.

3. At the Linux command line, type `shutdown -h now`.
The command stops the operating system. The system power turns off, the power-on light begins to slowly flash, and the system goes into a standby state.
4. At the Linux command line, type `shutdown -h now`.
The command stops the operating system. The system power turns off, the power-on light begins to slowly flash, and the system goes into a standby state.
5. Record the IPL type and the IPL mode from the control panel display to help you return the system to this state when the installation or replacement procedure is completed.
6. Set the power switches of any devices connected to the system to off.
7. Unplug any power cables that are attached to the unit from electrical outlets. Ensure that you unplug power cables from peripheral devices, such as printers and expansion units.

Important: The system may be equipped with a second power supply. Before continuing with this procedure, ensure that all power sources to the system have been disconnected.

(L003)



or



Stopping a system by using the HMC

You can use the Hardware Management Console (HMC) user interface to stop the system or a logical partition.

About this task

By default, the managed system is set to power off automatically when you shut down the last running logical partition on the managed system. If you set the managed system properties on the HMC so that the managed system does not power off automatically, you must use this procedure to power off your managed system.

Attention: If possible, shut down the running logical partitions on the managed system before powering off the managed system. Powering off the managed system without shutting down the logical partitions first causes the logical partitions to shut down abnormally and can cause data loss. If you use a Virtual I/O Server (VIOS) logical partition, ensure that all clients are shut down or that the clients have access to their devices using an alternate method.

To power off a managed system, you must be a member of one of the following roles:

- Super administrator
- Service representative
- Operator
- Product engineer

Use the following steps to stop the system using the HMC.

Procedure

1. In the navigation area, expand the **Systems Management** folder.
2. Click the **Servers** icon.
3. In the Contents area, select the managed system.
4. Select **Tasks**, then **Operations**, and then **Power Off**
5. Select the appropriate power-off mode and click **OK**.

Related information:

 Shutting down and restarting logical partitions

Stopping a system with the SDMC

You can use the Systems Director Management Console (SDMC) user interface to stop the system or a virtual server.

About this task

By default, the managed system is set to power off automatically when you shut down the last running virtual server on the managed system. If you set the managed system properties on the SDMC so that the managed system does not power off automatically, you must use this procedure to power off your managed system.

Attention: If possible, shut down the running virtual servers on the managed system before powering off the managed system. Powering off the managed system without shutting down the virtual servers first causes the virtual servers to shut down abnormally and can cause data loss. If you use a Virtual I/O Server (VIOS) logical partition, ensure that all clients are shut down or that the clients have access to their devices with an alternate method.

To power off a managed system, you must be a member of one of the following roles:

- Super administrator
- Service representative
- Operator
- Product engineer

Use the following steps to stop the system using the SDMC.

Procedure

1. In the Power Systems™ Resource area, select the managed system you want to power off.
2. From the **Actions** menu, select **Operations > Power Off**.
3. Select the appropriate power-off mode and click **OK**.

Removing and replacing covers for the 02E/4B, 02E/4C, 05F/6B, or 05E/6C

Use these instructions to remove, replace, or install covers to access components or perform service.

Removing the front cover on a rack-mounted 02E/4B, 02E/4C, 05F/6B, or 05E/6C system

Use this procedure to remove the cover to access components or perform service.

About this task

To remove the front cover, follow these steps:

Procedure

1. Remove the two shipping screws (if present) that secure the system to the rack.

Note: Replacing the shipping screws is optional but should be done in geographic areas that are prone to seismic activity.

2. Pull the cover away from the system. The cover has an indentation where you can hold onto it more easily.

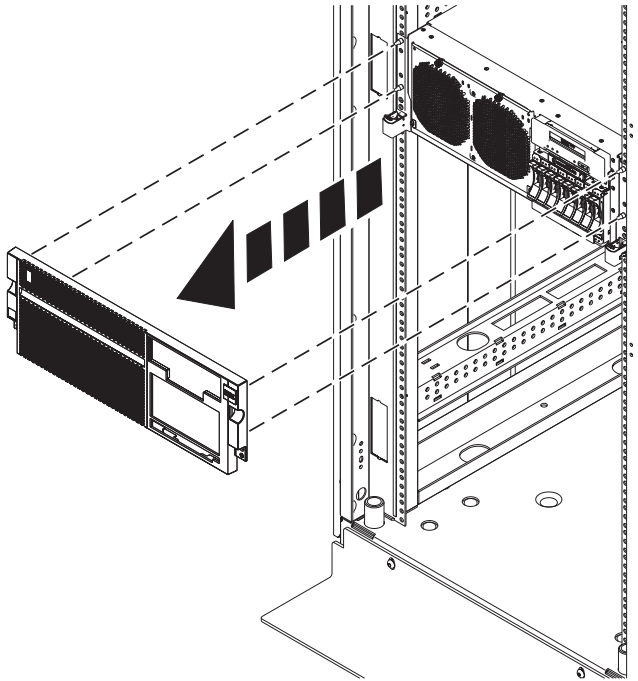


Figure 56. Removing the front cover

Removing the front cover on a stand-alone 02E/4B, 02E/4C, or 05F/6B system

Use this procedure to remove the cover to access components or perform service.

About this task

To remove the front cover, follow these steps:

Procedure

1. Open the front door (A) by swinging it towards the left as shown in the following figure.
2. Press latch (B) and pull the cover away from the system. The cover has an indentation where you can hold onto it more easily.

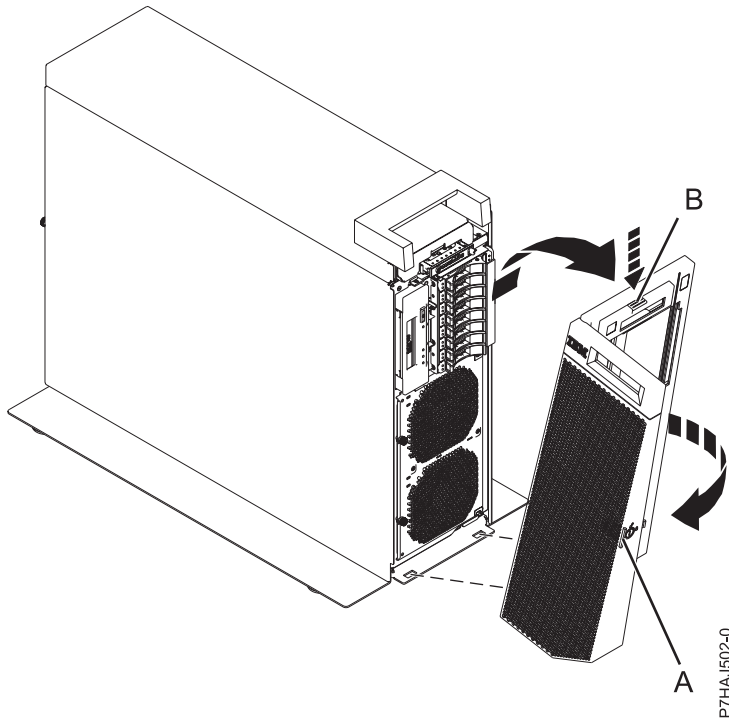


Figure 57. Removing the front cover

Installing the front cover on a rack-mounted 02E/4B, 02E/4C, 05F/6B, or 05E/6C system

Use this procedure to install the cover to access components or perform service.

About this task

To install the front cover, follow these steps:

Procedure

1. Push the cover onto the system.
2. Gently push the cover in until the four cover clips are seated in their respective mounting posts as shown in the following figure. The cover snaps into place and has an indentation where you can hold onto it more easily.

Note: Replacing the shipping screws is optional but should be done in geographic areas that are prone to seismic activity.

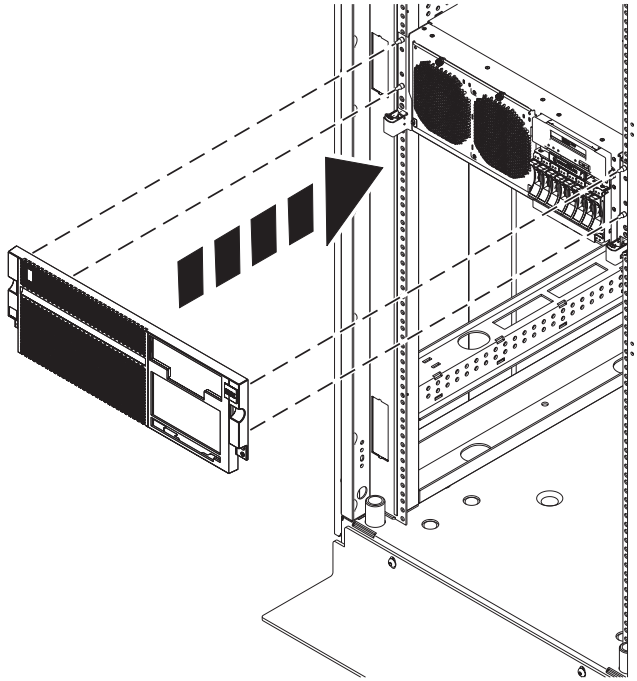


Figure 58. Removing the front cover

Installing the front cover and front door on a stand-alone 02E/4B, 02E/4C, or 05F/6B system

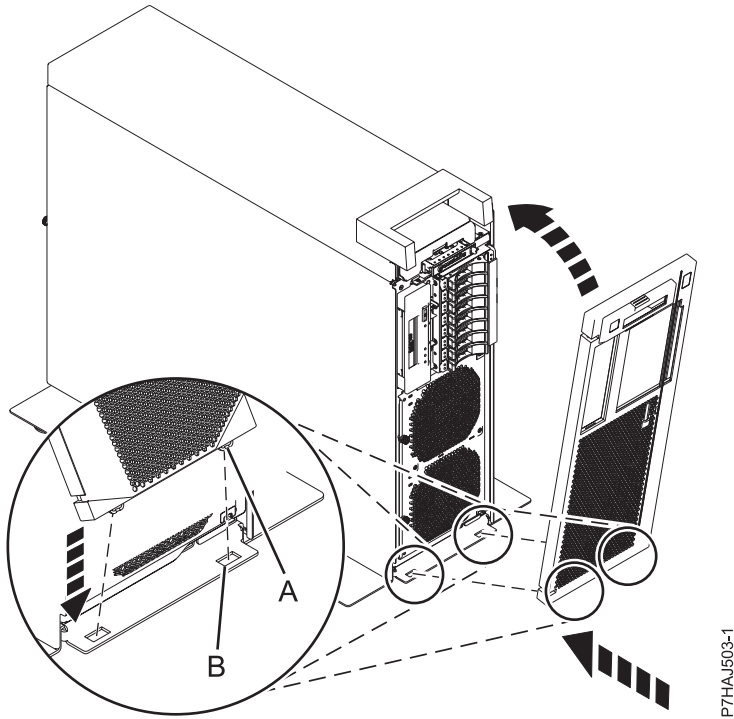
Use this procedure to install the cover to access components or perform service.

About this task

To install the front cover and front door, complete the following steps.

Procedure

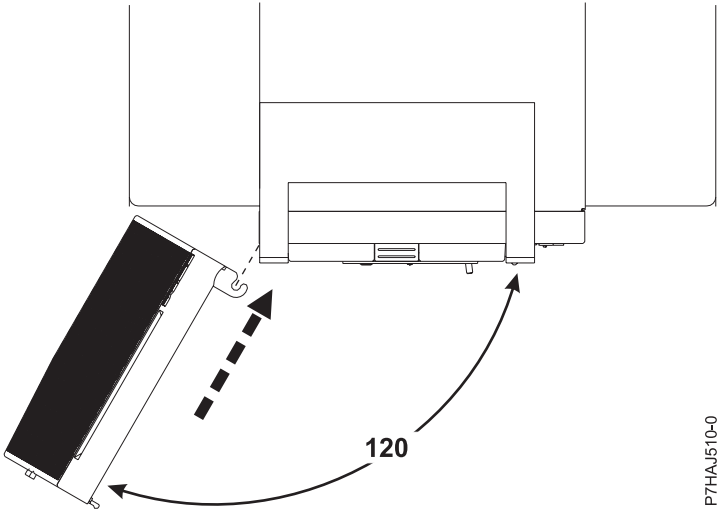
1. Align the cover (A) until the two cover tabs are seated into the slots on the base plate (B), as shown in the following figure.
2. Rotate the cover up and towards the system until the release latch is seated into its respective slot. The cover has an indentation where you can hold onto it more easily.



P7HAJ503-1

Figure 59. Installing the front cover

3. Hold the front door at an approximate 120 degree angle to the system as shown in the following figure. Engage the latches.



P7HAJ510-0

Figure 60. Installing the front door

Removing the service access cover on a rack-mounted 02E/4B, 02E/4C, 05F/6B, or 05E/6C system

Use this procedure to remove the service access cover.

Procedure

1. Loosen the two thumbscrews (A) located at the back of the cover.

2. Slide the cover toward the back of the system unit. When the front of the service access cover has cleared the upper frame ledge, lift the cover up and off the system unit.

Attention: When the service access cover is removed, the system powers down.

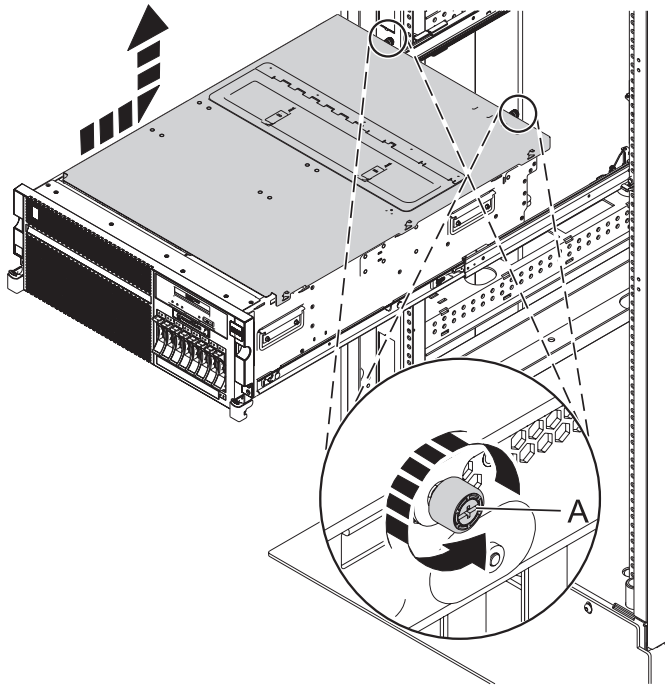


Figure 61. Removing the service access cover

Removing the service access cover on a stand-alone 02E/4B, 02E/4C, or 05F/6B system

Use this procedure to remove the service access cover.

Procedure

1. Loosen the thumbscrew (**A**) located at the back of the outside cover.
2. Slide the cover (**B**) toward the back of the system unit. When the front of the service access cover has cleared the upper frame ledge, lift the cover up and off the system unit.

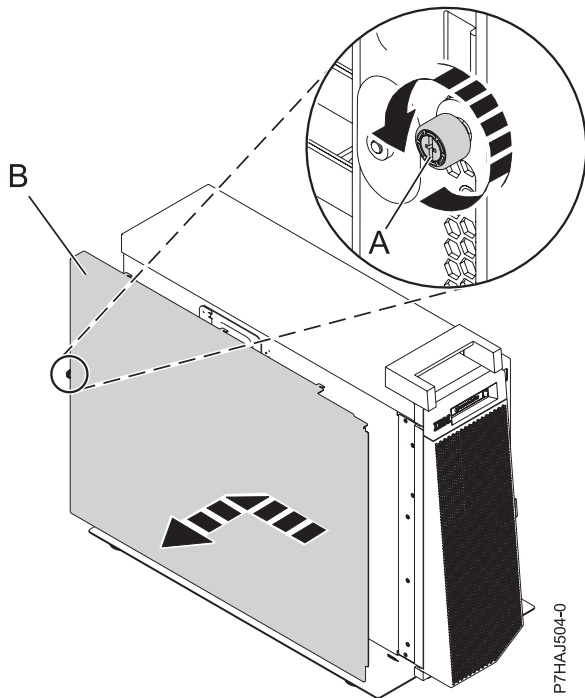


Figure 62. Installing the outside service access cover

3. Loosen the two thumbscrews (A) located at the back of the inside cover.
4. Slide the cover (B) toward the back of the system unit. When the front of the service access cover has cleared the upper frame ledge, lift the cover up and off the system unit.

Attention: When the service access cover is removed, the system powers down.

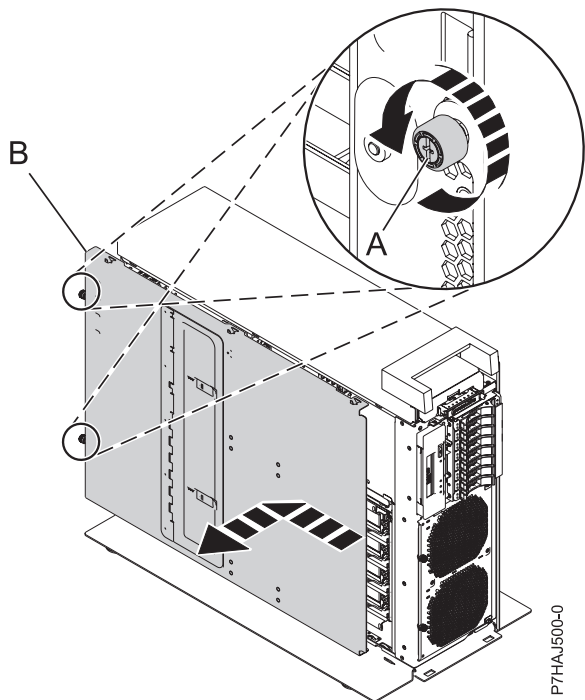


Figure 63. Removing the inside service access cover

Installing the service access cover on a rack-mounted 02E/4B, 02E/4C, 05F/6B, or 05E/6C system

Use this procedure to install the service access cover.

Procedure

1. Place the service access cover on top of the system, about 25 mm (1 in.) from the upper chassis ledge.
2. Hold the service access cover against the system unit and slide it toward the front of the system. The tabs of the service access cover slide beneath the upper chassis ledge.
3. Align the two thumbscrews (A) located on the back of the service access cover with the two holes on the back of the system chassis.
4. Tighten the thumbscrews to secure the service access cover.

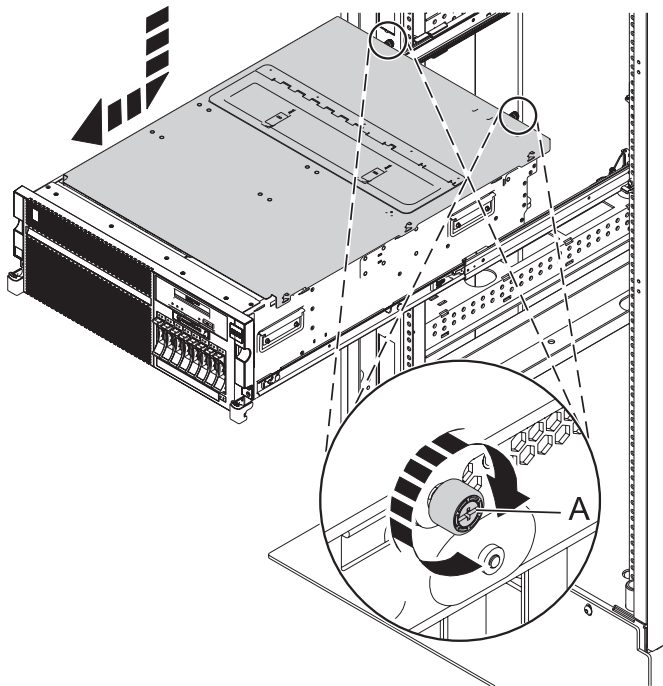


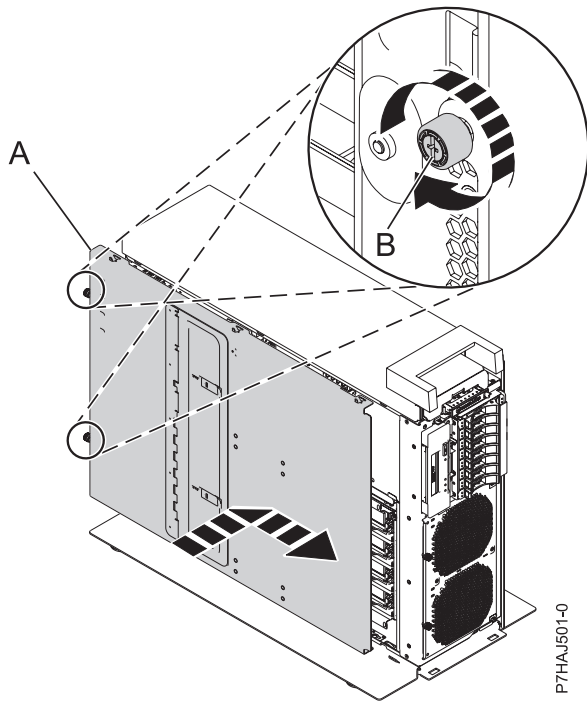
Figure 64. Installing the service access cover

Installing the service access cover on a stand-alone 02E/4B, 02E/4C, or 05F/6B system

Use this procedure to install the service access cover.

Procedure

1. Place the inside service access cover (A) on top of the system, about 25 mm (1 in.) from the upper chassis ledge.
2. Hold the service access cover against the system unit and slide it toward the front of the system. The tabs of the service access cover slide beneath the upper chassis ledge.
3. Align the two thumbscrews (B) located on the back of the service access cover with the two holes on the back of the system chassis.
4. Tighten the thumbscrews to secure the service access cover.



P7HAJ501-0

Figure 65. Installing the inside service access cover

5. Place the outside service access cover **(A)** on top of the system.
6. Hold the service access cover against the system unit and slide it toward the front of the system. The tabs of the service access cover slide beneath the upper chassis ledge.
7. Align the thumbscrew **(B)** located on the back of the service access cover with the hole on the back of the system chassis.
8. Tighten the thumbscrew to secure the service access cover.

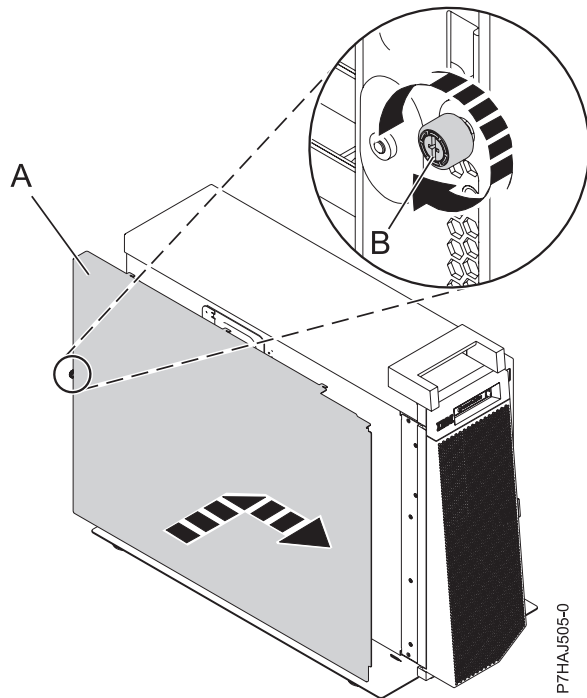


Figure 66. Installing the outside service access cover

Placing the 02E/4B, 02E/4C, 05F/6B, or 05E/6C system into the service or operating position

Use these procedures to place a system into the service position or operating position to perform service or to gain access to internal components.

Placing the rack-mounted 02E/4B, 02E/4C, 05F/6B, or 05E/6C system into the service position

Use this procedure to place the rack-mounted system into the service position.

Before you begin

Notes:

- When placing the system into the service position, it is essential that all stability plates are firmly in position to prevent the rack from toppling. Ensure that only one system unit is in the service position at a time.
- Ensure that the cables at the back of the system unit do not catch or bind as you pull the unit forward in the rack.
- When the system unit rails are fully extended, the rail safety latches lock into place. This action prevents the system from being pulled out too far.

Procedure

1. Open the front rack door.
2. Identify the system unit you are servicing in the rack.
3. Remove the two screws (A) (if present) that secure the system unit (B) to the rack.

Note: Replacing the shipping screws is optional but should be done in geographic areas that are prone to seismic activity.

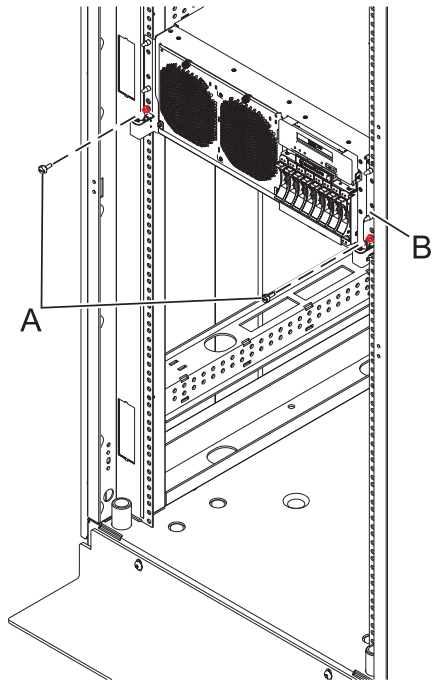
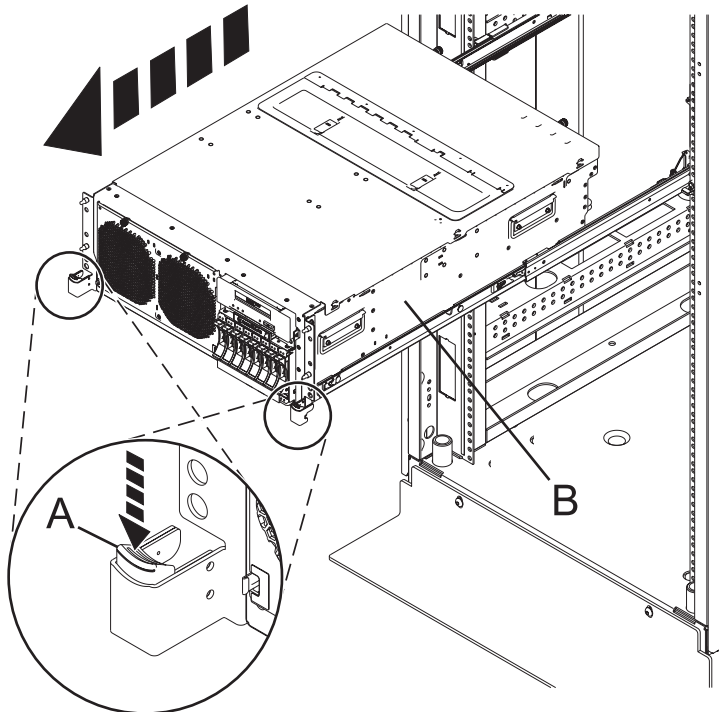


Figure 67. Placing the system in the service position

4. While holding the system unit release latches (A) down on both the left and right sides, pull the system unit (B) out from the rack until the rails are fully extended and locked.



Placing the rack-mounted 02E/4B, 02E/4C, 05F/6B, or 05E/6C system into the operating position

Use this procedure to place the rack-mounted system into the operating position.

Before you begin

When placing the system into operating position, ensure that the cables at the back of the system do not catch or bind as you push the system unit back into the rack.

Procedure

1. Unlock the blue rail safety latches (**A**) by lifting them upward. The rail safety latches are located near the middle of the system.

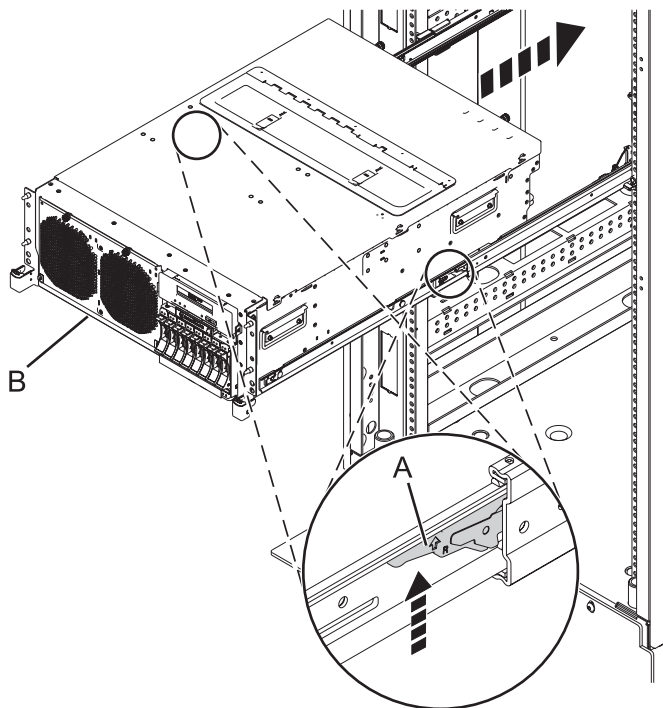


Figure 68. Placing the system into the operating position

2. Push the system unit (**B**) back into the rack until both system-unit release latches have locked into position.
3. Replace and tighten the two screws (if present) (**A**) that secure the system unit (**B**) to the rack.

Note: Replacing the two shipping screws is optional but should be done in geographic areas that are prone to seismic activity.

4. Close the front rack door of the unit you are servicing.

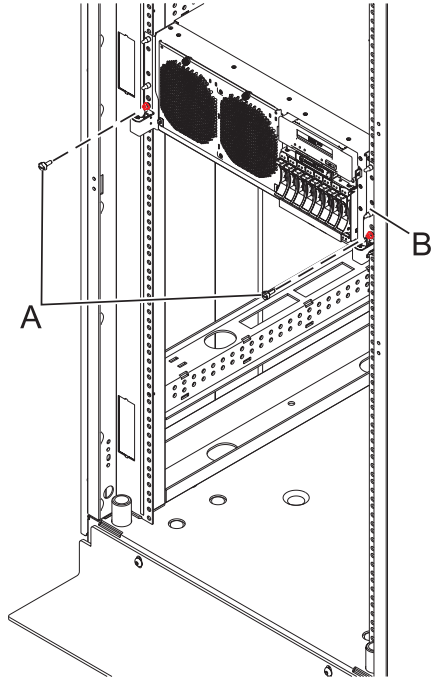


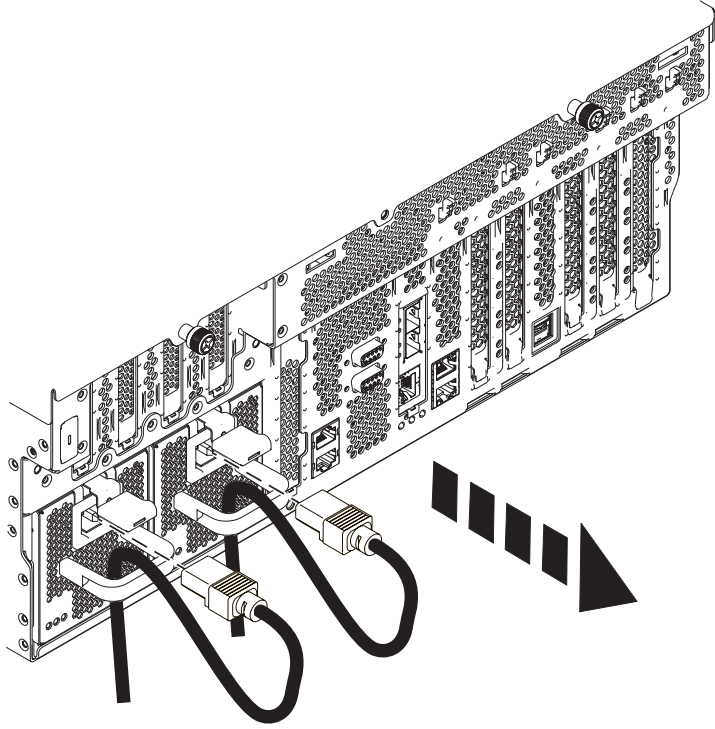
Figure 69. Placing the system into the operating position

Disconnecting the power cords from the 02E/4B, 02E/4C, 05F/6B, or 05E/6C system

Use these procedures to disconnect the power cords from the system.

Procedure

1. For a rack-mounted system, open the back rack door on the unit you are servicing and identify the system unit you are servicing in the rack.
2. For both a rack-mounted system and a stand-alone system, disconnect all power cords from the unit you are servicing. This system might be equipped with two power supplies. Before continuing with any remove and replace procedures that require the power off, ensure that both power sources to the system have been completely disconnected.



P7HAJ506-0

Figure 70. Removing the power cords for a rack-mounted system

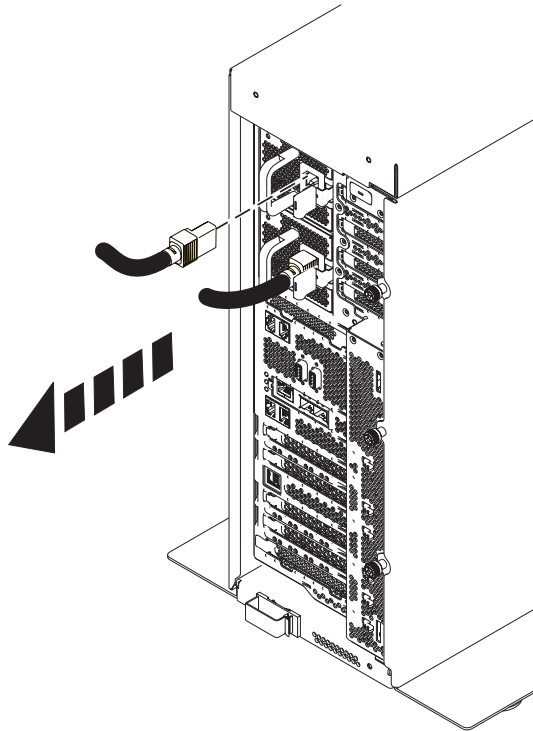


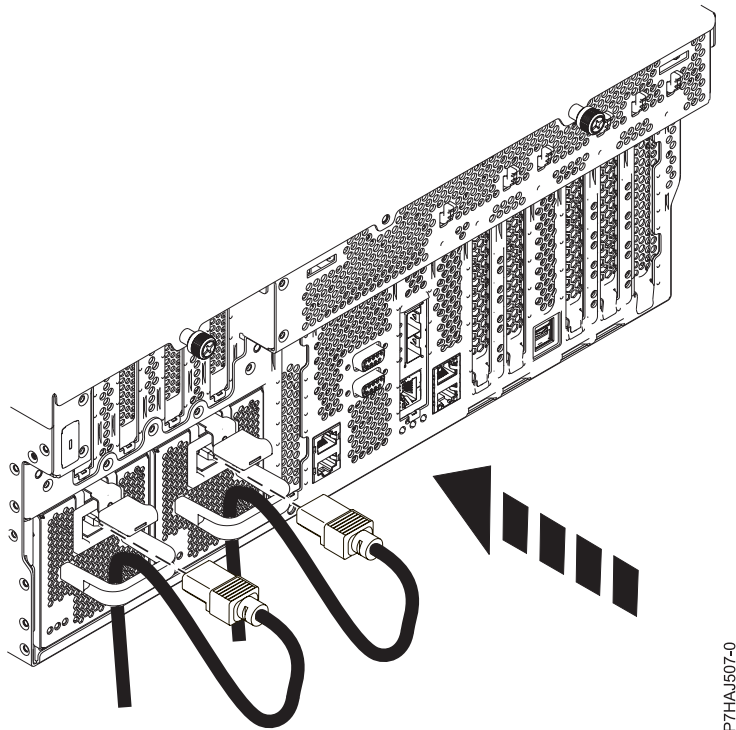
Figure 71. Removing the power cords for a stand-alone system

Connecting the power cords to the 02E/4B, 02E/4C, 05F/6B, or 05E/6C system

Use this procedure to connect the power cords to the system.

Procedure

1. Identify the system unit you are servicing in the rack.
2. Connect all power cords to the unit you are servicing. Ensure that the cords are threaded through the handles.



P7HAJ507-0

Figure 72. Connecting the power cords

3. Close the back rack door.

Installing a part by using the HMC

You can use the Hardware Management Console (HMC) to perform many service actions, including the installation of a new feature or part.

Before you begin

To use the HMC user interface to install a feature or part into a system or expansion unit that is managed by HMC Version 7, or later, complete the following steps:

Procedure

1. In the navigation area, expand **Systems Management > Servers**.
2. Select the managed system on which you will install the part.
3. In the Tasks area, expand **Serviceability > Hardware > MES Tasks > Open MES**.
4. Click **Add MES Order Number**.

5. Enter the number, and click **OK**.
6. Click the newly created order number, and click **Next**.
7. In the **Tasks** area, expand **Serviceability > Hardware > MES Tasks**.
8. Select **Add FRU** (field replaceable unit).
9. In the **Add/Install/Remove Hardware-Add FRU, Select FRU Type** window, select the system or enclosure into which you are installing the feature.
10. From the list, select the type of feature you are installing, and click **Next**.
11. From the list, select the location code where you will install the feature, and click **Add**.
12. After the part is listed in the **Pending Actions** section, click **Launch Procedure** and follow the instructions to install the feature.

Note: The HMC might open external instructions for installing the feature. If so, follow those instructions to install the feature.

Removing a part by using the HMC

You can use the Hardware Management Console (HMC) to perform many service actions, including the removal of a field replaceable unit (FRU) or part.

About this task

To use the HMC user interface to remove a part in a system or expansion unit that is managed by HMC Version 7, or later, follow these steps:

Procedure

1. In the navigation area, expand **Systems Management > Servers**.
2. Select the managed system from which you are removing a part.
3. In the **Tasks** area, expand **Serviceability > Hardware > MES Tasks > Remove FRU**.
4. In the **Add/Install/Remove Hardware - Remove FRU, Select FRU Type** window, select the system or enclosure from which you are removing the part.
5. From the list, select the type of part you are removing, and click **Next**.
6. From the list, select the location of the part you are removing, and click **Add**.
7. After the part is listed in the **Pending Actions** section, click **Launch Procedure** and follow the instructions to remove the part.

Note: The HMC might open the information center instructions for removing the part. If so, follow those instructions to remove the part.

Replacing a part by using the HMC

You can use the Hardware Management Console (HMC) to perform many service actions, including exchanging a field replaceable unit (FRU) or part.

About this task

If you are exchanging a part to repair a serviceable event, follow those instructions. If you are exchanging a part as a part of any other procedure by using HMC Version 7, or later, complete the following steps:

Procedure

1. In the navigation area, expand **Systems Management > Servers**.
2. Select the managed system in which you are exchanging a part.
3. In the **Tasks** area, expand **Serviceability > Hardware > Exchange FRU**.

4. Select the system or enclosure from which you want to exchange the part.
5. In the Replace Hardware - Replace FRU, Select FRU Type window, select the type of part you will exchange from the menu, and click **Next**
6. From the list, select the location code of the part you will exchange, and click **Add**.
7. After the part is listed in the **Pending Actions** section, click **Launch Procedure** and follow the instructions to exchange the part.

Note: The HMC might open external instructions for replacing the part. If so, follow those instructions to replace the part.

Verifying the installed part

You can verify a newly installed or replaced part on your system, logical partition, or expansion unit using the operating system, stand-alone diagnostics, or the Hardware Management Console (HMC).

Verifying an installed feature or replaced part in an AIX system or logical partition

If you installed feature or replaced a part, you might want to use the tools in the AIX operating system to verify that the feature or part is recognized by the system or logical partition.

About this task

To verify the operation of a newly installed feature or replacement part, select the appropriate procedure:

- Verify the installed feature using AIX
- Verifying the replaced part using AIX

Verify the installed feature by using the AIX operating system:

1. Log in as root user.
2. At the command line, type `diag` and press Enter.
3. Select **Advanced Diagnostics Routines** and press Enter.
4. From the **Diagnostic Mode Selection** menu, select **System Verification** and press Enter.
5. When the **Advanced Diagnostic Selection** menu appears, do one of the following:
 - To test a single resource, select the resource that you just installed from the list of resources and press Enter.
 - To test all the resources available to the operating system, select **All Resources** and press Enter.
6. Select **Commit**, and wait until the diagnostic programs run to completion, responding to any prompts that appear.
7. Did the diagnostics run to completion and display the message No trouble was found?
 - **No:** If a service request number (SRN) or other reference code is displayed, suspect a loose adapter or cable connection. Review the installation procedures to ensure that the new feature is installed correctly. If you cannot correct the problem, collect all SRNs or any other reference code information that you see. If the system is running in logical partitioning (LPAR) mode, note the logical partition in which you installed the feature. Contact your service provider for assistance.
 - **Yes:** The new device is installed correctly. Exit the diagnostic programs and return the system to normal operations.

Verify the replacement part by using the AIX operating system:

To verify the operation of a newly installed feature or replacement part, follow these steps:

1. Did you use either the AIX operating system or the online diagnostics service aid concurrent (hot-swap) service to replace the part?

- No:** Go to step 2.
Yes: Go to step 5.
2. Is the system powered off?

No: Go to step 4.
Yes: If the system supports slow boot, set the system to perform a slow boot. For information, see *Performing a slow boot*.
 3. Start the system and wait until the AIX operating system login prompt is displayed or until apparent system activity on the operator panel or display has stopped.

Did the AIX login prompt display?

 - **No:** If a service request number (SRN) or other reference code is displayed, suspect a loose adapter or cable connection. Review the procedures for the part that you replaced to ensure that the new part is installed correctly. If you cannot correct the problem, collect all SRNs or any other reference code information that you see. If the system does not start or you have no login prompt, see: *Problems with loading and starting the operating system*.
 If the system is partitioned, note the logical partition in which you replaced the part. Contact your service provider for assistance.
 - **Yes:** Go to step 4.
 4. At the command prompt, type `diag -a` and press Enter to check for missing resources. If you see a command prompt, go to step 5.

If the **Diagnostic selection** menu is shown with **M** appearing next to any resource, follow these steps:

 - a. Select the resource and press Enter.
 - b. Select **Commit**.
 - c. Follow any instructions that are shown.
 - d. If the *Do you want to review the previously displayed error?* message is shown, select **Yes** and press Enter.
 - e. If an SRN is shown, suspect a loose card or connection. If no obvious problem is shown, record the SRN and contact your service provider for assistance..
 - f. If no SRN is shown, go to step 5.
 5. Test the part by doing the following steps:
 - a. At the command line, type `diag` and press Enter.
 - b. From the **Function Selection** menu, select **Advanced Diagnostics Routines** and press Enter.
 - c. From the **Diagnostic Mode Selection** menu, select **System Verification** and press Enter.
 - d. Select **All Resources**, or select the diagnostics for the individual part to test only the part you replaced and any devices that are attached to the part you replaced and press Enter.

Did the **Resource Repair Action** menu appear?

No: Go to step 6.
Yes: Go to step 7.
 6. Did the *Testing Complete, No trouble was found* message appear?
 - **No:** There is still a problem. Contact your service provider. **This ends the procedure.**
 - **Yes:** Select **Log Repair Action**, if not previously logged, from the **Task Selection** menu to update the AIX error log. If the repair action was reseating a cable or adapter, select the resource associated with that repair action. If the resource associated with your action is not displayed on the resource list, select `sysplanar0` and press Enter.

Tip: This action changes the indicator light for the part from the fault state to the normal state. Go to step 9 on page 112.
 7. Select the resource for the replaced part from the **Resource Repair Action** menu. When a test is run on a resource in system verification mode, and that resource has an entry in the AIX error log, if the

test on the resource was successful, the **Resource Repair Action** menu appears. Complete the following steps to update the AIX error log to indicate that a system-detectable part has been replaced.

Note: On systems with an indicator light for the failing part, this action changes the indicator light to the normal state.

- a. Select the resource that has been replaced from the **Resource Repair Action** menu. If the repair action was reseating a cable or adapter, select the resource associated with that repair action. If the resource associated with your action does not appear on the resource list, select **sysplanar0** and press Enter.
- b. Select **Commit** after you make your selections. Did another **Resource Repair Action** display appear?

No: If the **No Trouble Found** display appears, go to step 9

Yes: Go to step 8.

8. Select the parent or child of the resource for the replaced part from the **Resource Repair Action** menu if necessary. When a test is run on a resource in system verification mode, and that resource has an entry in the AIX error log, if the test on the resource was successful, the **Resource Repair Action** menu appears. Complete the following steps to update the AIX error log to indicate that a system-detectable part has been replaced.

Note: This action changes the indicator light for the part from the fault state to the normal state.

- a. From the **Resource Repair Action** menu, select the parent or child of the resource that has been replaced. If the repair action was to reseat a cable or adapter, select the resource associated with that repair action. If the resource associated with your action does not appear on the resource list, select **sysplanar0** and press Enter.
- b. Select **Commit** after you make your selections.
- c. If the **No Trouble Found** display appears, go to step 9.
9. If you changed the service processor or network settings, as instructed in previous procedures, restore the settings to the values they had prior to servicing the system.
10. Did you do any hot-plug procedures before doing this procedure?
 - No:** Go to step 11.
 - Yes:** Go to step 12.
11. Start the operating system, with the system or logical partition in normal mode. Were you able to start the operating system?
 - No:** Contact your service provider. **This ends the procedure.**
 - Yes:** Go to step 12.
12. Are the indicator lights still on?
 - **No. This ends the procedure.**
 - **Yes.** Turn off the lights. See the following for instructions: Changing service indicators.

Verifying the installed part in a Linux system or logical partition

If you have installed a new part, learn how to verify that the system recognizes the part.

About this task

To verify the newly installed or replaced part, continue with “Verifying an installed part by using stand-alone diagnostics” on page 113.

Verifying an installed part by using stand-alone diagnostics

If you have installed or replaced a part, verify that the system recognizes the new part. You can use stand-alone diagnostics to verify an installed part in an AIX or Linux system, expansion unit, or logical partition.

Before you begin

- If this server is directly attached to another server or attached to a network, ensure communications with the other servers have stopped.
- The stand-alone diagnostics require use of all of the logical partition resources. No other activity can be running on the logical partition.
- The stand-alone diagnostics require access to the system console.

About this task

You access these diagnostics from a CD-ROM or from the Network Installation Management (NIM) server. This procedure describes how to use the diagnostics from a CD-ROM. For information on running diagnostics from the Network Installation Management (NIM) server, see *Running stand-alone diagnostics from a Network Installation Management server*.

To use stand-alone diagnostics, follow these steps:

Procedure

1. Stop all jobs and applications and then stop the operating system on the system or logical partition.
2. Remove all tapes, diskettes, and CD-ROM.
3. Turn off the system unit power. The next step boots the server or logical partition from the stand-alone diagnostics CD-ROM. If the optical drive is not available as the boot device on the server or logical partition on which you are working, follow these steps:
 - a. Access the ASMI. For information on using the ASMI, see *Accessing the ASMI for information on using the ASMI*.
 - b. On the ASMI main menu, click on **Power/Restart Control**.
 - c. Click **Power On/Off System**.
 - d. Select the **Service mode boot from default boot list** option in the AIX or Linux logical partition mode boot drop-down menu.
 - e. Click **Save settings and power on**. As soon as the optical drive has power, insert the standalone diagnostic CD-ROM.
 - f. Go to step 5.
4. Turn on the system unit power and immediately insert the diagnostics CD-ROM into the optical drive.
5. After the **keyboard** POST indicator displays on the system console and before the last POST indicator (**speaker**) displays, press the numeric 5 key on the system console to indicate that a service mode boot should be initiated using the default-service mode boot list.
6. Enter any requested password.
7. At the **Diagnostic Operating Instructions** display, press Enter.

Tip: If a service request number (SRN) or other reference code is displayed, suspect a loose adapter or cable connection.

Note: If you received an SRN or any other reference code when you attempted to start the system, contact your service provider for assistance.

8. If the terminal type is requested, select the **Initialize Terminal** option on the Function Selection menu to initialize the operating system.

9. From the Function Selection menu, select **Advanced Diagnostics Routines** and press Enter.
10. From the Diagnostic Mode Selection menu, select **System Verification** and press Enter.
11. When the Advanced Diagnostic Selection menu appears, select **All Resources**, or test only the part you replaced, and any devices that are attached to the part you replaced, by selecting the diagnostics for the individual part and press Enter.
12. Did the Testing Complete, No trouble was found message appear?
 - **No:** There is still a problem. Contact your service provider.
 - **Yes:** Go to step 13.
13. If you changed the service processor or network settings, as instructed in previous procedures, restore the settings to the value they had prior to servicing the system.
14. If the indicator lights are still on, follow these steps:
 - a. Select **Identify and Attention Indicators** from the Task Selection menu to turn off the system attention and indicator lights and press Enter.
 - b. Select **Set System Attention Indicator to NORMAL** and press Enter.
 - c. Select **Set All Identify Indicators to NORMAL** and press Enter.
 - d. Choose **Commit**.

Note: This changes the system attention and identify indicators from the *Fault* state to the *Normal* state.

- e. Exit to the command line.

Verifying the installed part by using the HMC

If you have installed or replaced a part, use the Hardware Management Console (HMC) to update your HMC records after you have completed a service action on your server. If you have reference codes, symptoms, or location codes that you used during the service action, locate the records for use during this procedure.

About this task

To verify the installed part, complete these steps:

Procedure

1. At the HMC, examine the service action event log for any open service action events. See “Viewing serviceable events by using the HMC” on page 116 for details.
2. Are there any service action events that are open?
 - No:** If the system attention LED is still on, use the HMC to turn off the LED. See “Activating and deactivating LEDs by using the HMC” on page 115. **This ends the procedure.**
 - Yes:** Continue with the next step.
3. Record the list of open service action events.
4. Examine the details of the open service action event. Is the error code associated with this service action event the same as you gathered earlier.
 - **No:** Select one of the following options:
 - Review the other serviceable events, find one that does match, and continue with the next step.
 - If the log does not match what you had gathered earlier, contact your service provider.
 - **Yes:** Continue with the next step.
5. Select and highlight the service action event from the Error Associated With This Serviceable Event window.
6. Click **Close Event**.
7. Add comments for the serviceable event. Include any unique additional information. Click **OK**.

8. Did you replace, add, or modify a field replaceable unit (FRU) of the open service action event?
 - **No:** Select the **No FRU Replaced for this Serviceable Event** option, and click **OK** to close the service action event.
 - **Yes:** Perform the following steps:
 - a. From the FRU list, select a FRU that you need to update.
 - b. Double-click the FRU and update the FRU information.
 - c. Click **OK** to close the service action event.
9. If you continue to have problems, contact your service provider.

Activating and deactivating LEDs by using the HMC

Use this procedure to activate or deactivate LEDs using Service Focal Point™ for the Hardware Management Console (HMC).

About this task

Choose from the following:

- “Deactivating a system attention LED or partition LED”
- “Activating or deactivating an identify LED”

Deactivating a system attention LED or partition LED:

About this task

You can deactivate the attention LED for a system or logical partition if you decide that a problem is not a high priority and you decide to repair the problem at a later time. The deactivation also allows the LED to be activated again when another problem occurs. To deactivate a system attention LED by using HMC, complete the following steps:

Procedure

1. In the navigation area, open **Systems Management**.
2. Open **Servers** and select the required system.
3. In the content area, select the required partition.
4. Select **Tasks > Operations > Deactivate Attention LED**. A confirmation window is displayed with an indication that there still might be open problems with the system.
5. Click **OK** to continue with the deactivation. A window is displayed that provides the details of the system or partition, and a confirmation that the system or logical partition attention LED was deactivated.

Activating or deactivating an identify LED:

About this task

The system provides several LEDs that help identify various components, such as enclosures or field replaceable units (FRUs), in the system. For this reason, they are called *identify LEDs*.

You can activate or deactivate the following types of identify LEDs:

- **Identify LED for an enclosure** If you want to add an adapter to a specific drawer (enclosure), you need to know the machine type, model, and serial number (MTMS) of the drawer. To determine whether you have the correct MTMS for the drawer that needs the new adapter, you can activate the LED for a drawer and verify that the MTMS corresponds to the drawer that requires the new adapter.
- **Identify LED for a FRU associated with a specified enclosure** If you want to hook up a cable to a specific I/O adapter, you can activate the LED for the adapter which is a field replaceable unit (FRU), and then physically check to see where you should hook up the cable. This is especially useful when you have several adapters with open ports.

To activate or deactivate an identify LED for an enclosure or FRU, follow these steps:

Procedure

1. In the navigation area, open **Systems Management**.
2. Select **Servers**.
3. In the content area, check the box for the appropriate System.
4. Select **Tasks > Operations > LED Status > Identify LED**.
5. To activate or deactivate an identify LED for an enclosure, select an enclosure from the table, and click either **Activate LED** or **Deactivate LED**. The associated LED is either turned on or off.
6. To activate or deactivate an identify LED for a FRU, select an enclosure from the table and click **List FRUs**.
7. Select one or more FRUs from the table, and click either **Activate LED** or **Deactivate LED**. The associated LED is either turned on or off.

Viewing serviceable events by using the HMC

Use this procedure to view a serviceable event, including details, comments, and service history.

About this task

To view serviceable events and other information about the events, you must be a member of one of the following roles:

- Super administrator
- Service representative
- Operator
- Product engineer
- Viewer

To view serviceable events, follow these steps:

Procedure

1. In the navigation area, select **Service Management**.
2. Select **Manage Serviceable Events**.
3. Select the criteria for the serviceable events that you want to view, and click **OK**. The Serviceable Event Overview window opens. The list shows all serviceable events that match your selection criteria. You can use the menu options to perform actions on the serviceable events.
4. Select a line in the Serviceable Event Overview window, and select **Selected > View Details**. The Serviceable Event Details window opens, showing detailed information about the serviceable event. The upper table shows information, such as problem number and reference code. The lower table shows the field replaceable units (FRUs) associated with this event.
5. Select the error for which you want to view comments and history, and follow these steps:
 - a. Select **Actions > View Comments**.
 - b. When you are finished viewing the comments, click **Close**.
 - c. Select **Actions > View Service History**. The Service History window opens, showing service history associated with the selected error.
 - d. When you are finished viewing the service history, click **Close**.
6. When you are finished, click **Cancel** twice to close the Serviceable Event Details window and the Serviceable Event Overview window.

Verifying the installed part by using the SDMC

If you installed or replaced a part, use the Systems Director Management Console (SDMC) to update your SDMC records after you have completed a service action on your server. If you have reference codes, symptoms, or location codes that you used during the service action, locate the records for use during this procedure.

About this task

To verify the installed part, complete these steps:

Procedure

1. From the SDMC, examine the service action event log for any open service action events. See “Viewing serviceable events by using the SDMC” on page 118 for details.
2. Are there any service action events that are open?
 - No:** If the system attention LED is still on, use the SDMC to turn off the LED. See “Activating and deactivating LEDs by using the SDMC.” **This ends the procedure.**
 - Yes:** Continue with the next step.
3. Record the list of open service action events.
4. Examine the details of the open service action event. Is the error code associated with this service action event the same as you gathered earlier.
 - **No:** Select one of the following options:
 - Review the other serviceable events, find one that does match, and continue with the next step.
 - If the log does not match what you had gathered earlier, contact your service provider.
 - **Yes:** Continue with the next step.
5. Select and highlight the service action event from the Error Associated With This Serviceable Event window.
6. Click **Delete** or **Ignore**.

Note: These options are only available from the problem event log.

Activating and deactivating LEDs by using the SDMC

Use this procedure to activate or deactivate LEDs by using the Systems Director Management Console (SDMC).

Deactivating a system attention LED or partition LED:

About this task

You can deactivate a system attention LED or a logical partition LED. For example, you might determine that a problem is not a high priority and decide to repair the problem at a later time. However, you want to be alerted if another problem occurs, so you must deactivate the system attention LED so that it can be activated again if another problem occurs.

Procedure

1. On the Resources tab, select the appropriate host or virtual server.
2. Select **Actions > Service and Support > Hardware > System Attention LED**.
3. Select **Deactivate System Attention LED**. A confirmation window is displayed that provides the following information:
 - A verification that the system attention LED was deactivated.
 - An indication that there still might be open problems within the system.
 - An indication that you cannot activate the system attention LED.

4. Select one of the virtual servers, and select **Deactivate System Attention LED**. A confirmation window is displayed that provides the following information:
 - A verification that the system attention LED was deactivated.
 - An indication that there still might be open problems within the logical partition.
 - An indication that you cannot activate the virtual server LED.

Activating or deactivating an identify LED by using the SDMC:

About this task

The system provides several LEDs that help identify various components, such as enclosures or field replaceable units (FRUs). For this reason, they are called *identify LEDs*.

You can activate or deactivate the following types of identify LEDs:

- **Identify LED for an enclosure** If you want to add an adapter to a specific drawer (enclosure), you need to know the machine type, model, and serial number (MTMS) of the drawer. To determine whether you have the correct MTMS for the drawer that needs the new adapter, you can activate the LED for a drawer and verify that the MTMS corresponds to the drawer that requires the new adapter.
- **Identify LED for a FRU associated with a specified enclosure** If you want to hook up a cable to a specific I/O adapter, you can activate the LED for the adapter which is a field replaceable unit (FRU), and then physically check to see where you should hook up the cable. This is especially useful when you have several adapters with open ports.

To activate or deactivate an identify LED for an enclosure or FRU, follow these steps:

Procedure

1. On the Resources tab, select the appropriate host or virtual server.
2. Select **Actions > Service and Support > Hardware > Identify LED**.
3. In the Identify LED, Select Enclosure window, select the system unit or enclosure.
4. To activate or deactivate an identify LED, click either **Activate LED** or **Deactivate LED**. The associated LED is either turned on or off.
5. To activate or deactivate an identify LED for a FRU, select a system or enclosure from the table, and then select **List FRUs...**
6. Select one or more FRUs from the table, and click either **Activate LED** or **Deactivate LED**. The associated LED is either turned on or off.

Viewing serviceable events by using the SDMC

Use this procedure to view a serviceable event, including details, comments, and service history.

About this task

To view serviceable events, follow these steps:

Procedure

1. On the Resources tab, select the appropriate host or virtual server.
2. Select **Actions > System Status and Health > Event Log**.
3. Optional: You can narrow the event criteria using the Event filter menu.
4. Select a line in the Events window, and select **Actions > Properties** The Properties window opens, showing detailed information about the serviceable event. The table shows information, such as problem number, reference code, and the field replaceable units (FRUs) associated with this event.

Verifying an installed part or replaced part on a system or logical partition by using Virtual I/O Server tools

If you installed or replaced a part, you might want to use the tools in Virtual I/O Server (VIOS) to verify that the part is recognized by the system or logical partition.

Verifying the installed part by using VIOS

To verify the operation of a newly installed part or replacement part, complete the following steps:

Procedure

1. Log in as root user.
2. At the command line, type `diagmenu` and press Enter.
3. Select **Advanced Diagnostics Routines** and press Enter.
4. From the **Diagnostic Mode Selection** menu, select **System Verification** and press Enter.
5. When the **Advanced Diagnostic Selection** menu appears, do one of the following steps:
 - To test a single resource, select the resource that you just installed from the list of resources and press Enter.
 - To test all the resources available to the operating system, select **All Resources** and press Enter.
6. Select **Commit**, and wait until the diagnostic programs run to completion, responding to any prompts that appear.
7. Did the diagnostics run to completion and display the message No trouble was found?
 - **No:** If a service request number (SRN) or other reference code is displayed, suspect a loose adapter or cable connection. Review the installation procedures to ensure that the new part is installed correctly. If you cannot correct the problem, collect all SRNs or any other reference code information that you see. If the system is running in LPAR mode, note the logical partition in which you installed the part. Contact your service provider for assistance.
 - **Yes:** The new device is installed correctly. Exit the diagnostic programs and return the system to normal operations.

Verify the replacement part by using VIOS

To verify the operation of a newly installed part or replacement part, complete the following steps:

Procedure

1. Did you replace the part by using either VIOS or the online diagnostics service aid's concurrent (hot-swap) service operation?
 - **No:** Go to step 2.
 - **Yes:** Go to step 5 on page 120.
2. Is the system powered off?
 - **No:** Go to step 4 on page 120.
 - **Yes:** If the system supports slow boot, set the system to perform a slow boot. For information, see *Performing a slow boot*.
3. Start the system and wait until the VIOS operating system login prompt displays or until apparent system activity on the operator panel or display has stopped. Did the VIOS login prompt display?
 - **No:** If an SRN or other reference code is displayed, suspect a loose adapter or cable connection. Review the procedures for the part that you replaced to ensure that the new part is installed correctly. If you cannot correct the problem, collect all SRNs or any other reference code information that you see. If the system does not start or you have no login prompt, see: *Problems with loading and starting the operating system*.
If the system is partitioned, note the logical partition in which you replaced the part. Contact your service provider for assistance.
 - **Yes:** Go to step 4 on page 120.

4. At the command prompt, type `diag -a` and press Enter to check for missing resources. If you see a command prompt, go to step 5.

If the **Diagnostic selection** menu is shown with **M** appearing next to any resource, follow these steps:

- a. Select the resource and press Enter.
 - b. Select **Commit**.
 - c. Follow any instructions that are shown.
 - d. If a *Do you want to review the previously displayed error?* message is shown, select **Yes** and press Enter.
 - e. If an SRN is shown, suspect a loose card or connection. If no obvious problem is shown, record the SRN and contact your service provider for assistance.
 - f. If no SRN is shown, go to 5.
5. Test the part by doing the following:
 - a. At the command line, type `diagmenu` and press Enter.
 - b. From the **Function Selection** menu, select **Advanced Diagnostics Routines** and press Enter.
 - c. From the **Diagnostic Mode Selection** menu, select **System Verification** and press Enter.
 - d. Select **All Resources**, or select the diagnostics for the individual part to test only the part you replaced, and any devices that are attached to the part you replaced and press Enter.

Did the **Resource Repair Action** menu appear?

- **No:** Go to step 6.
 - **Yes:** Go to step 7.
6. Did the *Testing Complete, No trouble was found* message appear?
 - **No:** There is still a problem. Contact your service provider. **This ends the procedure.**
 - **Yes:** Select **Log Repair Action**, if not previously logged, from the **Task Selection** menu to update the error log. If the repair action was reseating a cable or adapter, select the resource associated with that repair action. If the resource associated with your action is not displayed on the Resource List, select `sysplanar0` and press Enter.

Tip: This action changes the indicator light for the part from the fault state to the normal state. Go to step 9 on page 121.

7. Select the resource for the replaced part from the **Resource Repair Action** menu. When a test is run on a resource in system verification mode, and that resource has an entry in the error log, if the test on the resource was successful, the **Resource Repair Action** menu appears. Complete the following steps to update the error log to indicate that a system-detectable part has been replaced. On systems with a indicator light for the failing part, this changes the indicator light to the normal state.
 - a. Select the resource that has been replaced from the **Resource Repair Action** menu. If the repair action was reseating a cable or adapter, select the resource associated with that repair action. If the resource associated with your action does not appear on the Resource List, select `sysplanar0`. Press Enter.
 - b. Select **Commit** after you make your selections. Did another **Resource Repair Action** display appear?
 - **No:** If the **No Trouble Found** display appears, go to step 9 on page 121.
 - **Yes:** Go to step 8.
8. Select the parent or child of the resource for the replaced part from the **Resource Repair Action** menu if necessary. When a test is run on a resource in system verification mode, and that resource has an entry in the error log, if the test on the resource was successful, the **Resource Repair Action** menu appears. Complete the following steps to update the error log to indicate that a system-detectable part has been replaced. This changes the indicator light for the part from the fault state to the normal state.

- a. From the **Resource Repair Action** menu, select the parent or child of the resource that has been replaced. If the repair action was to reseal a cable or adapter, select the resource associated with that repair action. If the resource associated with your action does not appear on the Resource List, select **sysplanar0**. Press Enter.
 - b. Select **Commit** after you make your selections.
 - a. If the **No Trouble Found** display appears, go to step 9.
 9. If you changed the service processor or network settings, as instructed in previous procedures, restore the settings to the values they had prior to servicing the system.
 10. Did you do any hot-plug procedures before doing this procedure?
 - **No:** Go to step 11.
 - **Yes:** Go to step 12.
 11. Start the operating system, with the system or logical partition in normal mode. Were you able to start the operating system?
 - **No:** Contact your service provider. **This ends the procedure.**
 - **Yes:** Go to step 12.
 12. Are the indicator lights still on?
 - **No:** This ends the procedure.
 - **Yes.** Turn off the lights. See one of the following for instructions, see: Changing service indicators.
-

Installing a part by using the SDMC

You can use the Systems Director Management Console (SDMC) to perform many service actions, including the installation of a new field-replaceable unit (FRU) or part.

Before you begin

To use the SDMC user interface to install a part into a system or expansion unit that is managed by an SDMC, follow these steps:

Procedure

1. In the Power Systems Resources area, select the system on which you want to install a part.
2. From the **Actions** menu, expand **Service and Support > Hardware > MES Tasks > Add FRU**.
3. On the **Add FRU** page, select the system or enclosure type from the **Enclosure type** list.
4. From the list, select the FRU type you are installing, and click **Next**.
5. From the list, select the location code for the location to install, and then click **Add**.
6. After the part is placed in the **Pending Actions** section, click **Launch Procedure** and follow the instructions to install the part.

Note: The SDMC might open external instructions for installing the feature. If so, follow those instructions to install the part.

Replacing a part by using the Systems Director Management Console

You can use the Systems Director Management Console (SDMC) to perform many service actions, including exchanging a field-replaceable unit (FRU) or part.

About this task

If you are exchanging a part to repair a serviceable event, follow those instructions.

Procedure

1. In the Power Systems Resource area, select the managed system in which you are exchanging a part.
2. Select one of the following options:
 - If you are replacing a part that is not part of a serviceable event from the **Actions** menu, expand **Service and Support > Hardware > Exchange FRU**.
 - If you are exchanging a part to repair a serviceable event, see Starting a repair action.
3. On the **Exchange FRU** page, select the enclosure from which you want to replace the part from the **Installed Enclosure Types** list.
4. From the list, select the type of part you want to exchange, and click **Next**.
5. From the list, select the location code of the part you want to exchange, and click **Add**.
6. After the part is listed in the **Pending Actions** section, click **Launch Procedure** and follow the instructions to exchange the part.

Note: The SDMC might open external instructions for replacing the part. If so, follow those instructions to replace the part.

Removing a part by using the SDMC

You can use the Systems Director Management Console (SDMC) to perform many service actions, including the removal of a field-replaceable unit (FRU) or part.

About this task

To use the SDMC user interface to remove a part in a system or expansion unit that is managed by an SDMC, follow these steps:

Procedure

1. In the Power Systems Resources area, select the managed system from which you are removing a part.
2. From the **Actions** menu, expand **Service and Support > Hardware > MES Tasks > Remove FRU**.
3. On the **Remove FRU** page, select the enclosure from which you want to remove the part from the **Installed Enclosures** list.
4. From the list, select the type of part you are removing, and click **Next**.
5. From the list, select the location of the part you are removing, and click **Add**.
6. After the part is listed in the **Pending Actions** section, click **Launch Procedure** and follow the instructions to remove the part.

Note: The SDMC might open external instructions for removing the part. If so, follow those instructions to remove the part.

Notices

This information was developed for products and services offered in the U.S.A.

The manufacturer may not offer the products, services, or features discussed in this document in other countries. Consult the manufacturer's representative for information on the products and services currently available in your area. Any reference to the manufacturer's product, program, or service is not intended to state or imply that only that product, program, or service may be used. Any functionally equivalent product, program, or service that does not infringe any intellectual property right of the manufacturer may be used instead. However, it is the user's responsibility to evaluate and verify the operation of any product, program, or service.

The manufacturer may have patents or pending patent applications covering subject matter described in this document. The furnishing of this document does not grant you any license to these patents. You can send license inquiries, in writing, to the manufacturer.

The following paragraph does not apply to the United Kingdom or any other country where such provisions are inconsistent with local law: THIS PUBLICATION IS PROVIDED "AS IS" WITHOUT WARRANTY OF ANY KIND, EITHER EXPRESS OR IMPLIED, INCLUDING, BUT NOT LIMITED TO, THE IMPLIED WARRANTIES OF NON-INFRINGEMENT, MERCHANTABILITY OR FITNESS FOR A PARTICULAR PURPOSE. Some states do not allow disclaimer of express or implied warranties in certain transactions, therefore, this statement may not apply to you.

This information could include technical inaccuracies or typographical errors. Changes are periodically made to the information herein; these changes will be incorporated in new editions of the publication. The manufacturer may make improvements and/or changes in the product(s) and/or the program(s) described in this publication at any time without notice.

Any references in this information to websites not owned by the manufacturer are provided for convenience only and do not in any manner serve as an endorsement of those websites. The materials at those websites are not part of the materials for this product and use of those websites is at your own risk.

The manufacturer may use or distribute any of the information you supply in any way it believes appropriate without incurring any obligation to you.

Any performance data contained herein was determined in a controlled environment. Therefore, the results obtained in other operating environments may vary significantly. Some measurements may have been made on development-level systems and there is no guarantee that these measurements will be the same on generally available systems. Furthermore, some measurements may have been estimated through extrapolation. Actual results may vary. Users of this document should verify the applicable data for their specific environment.

Information concerning products not produced by this manufacturer was obtained from the suppliers of those products, their published announcements or other publicly available sources. This manufacturer has not tested those products and cannot confirm the accuracy of performance, compatibility or any other claims related to products not produced by this manufacturer. Questions on the capabilities of products not produced by this manufacturer should be addressed to the suppliers of those products.

All statements regarding the manufacturer's future direction or intent are subject to change or withdrawal without notice, and represent goals and objectives only.

The manufacturer's prices shown are the manufacturer's suggested retail prices, are current and are subject to change without notice. Dealer prices may vary.

This information is for planning purposes only. The information herein is subject to change before the products described become available.

This information contains examples of data and reports used in daily business operations. To illustrate them as completely as possible, the examples include the names of individuals, companies, brands, and products. All of these names are fictitious and any similarity to the names and addresses used by an actual business enterprise is entirely coincidental.

If you are viewing this information in softcopy, the photographs and color illustrations may not appear.

The drawings and specifications contained herein shall not be reproduced in whole or in part without the written permission of the manufacturer.

The manufacturer has prepared this information for use with the specific machines indicated. The manufacturer makes no representations that it is suitable for any other purpose.

The manufacturer's computer systems contain mechanisms designed to reduce the possibility of undetected data corruption or loss. This risk, however, cannot be eliminated. Users who experience unplanned outages, system failures, power fluctuations or outages, or component failures must verify the accuracy of operations performed and data saved or transmitted by the system at or near the time of the outage or failure. In addition, users must establish procedures to ensure that there is independent data verification before relying on such data in sensitive or critical operations. Users should periodically check the manufacturer's support websites for updated information and fixes applicable to the system and related software.

Ethernet connection usage restriction

This product is not intended to be connected directly or indirectly by any means whatsoever to interfaces of public telecommunications networks.

Trademarks

IBM, the IBM logo, and ibm.com are trademarks or registered trademarks of International Business Machines Corp., registered in many jurisdictions worldwide. Other product and service names might be trademarks of IBM or other companies. A current list of IBM trademarks is available on the web at www.ibm.com/legal/copytrade.shtml.

Linux is a registered trademark of Linus Torvalds in the United States, other countries, or both.

Other product and service names might be trademarks of IBM or other companies.

Electronic emission notices

When attaching a monitor to the equipment, you must use the designated monitor cable and any interference suppression devices supplied with the monitor.

Class A Notices

The following Class A statements apply to the servers.

Federal Communications Commission (FCC) statement

Note: This equipment has been tested and found to comply with the limits for a Class A digital device, pursuant to Part 15 of the FCC Rules. These limits are designed to provide reasonable protection against harmful interference when the equipment is operated in a commercial environment. This equipment generates, uses, and can radiate radio frequency energy and, if not installed and used in accordance with

the instruction manual, may cause harmful interference to radio communications. Operation of this equipment in a residential area is likely to cause harmful interference, in which case the user will be required to correct the interference at his own expense.

Properly shielded and grounded cables and connectors must be used in order to meet FCC emission limits. IBM is not responsible for any radio or television interference caused by using other than recommended cables and connectors or by unauthorized changes or modifications to this equipment. Unauthorized changes or modifications could void the user's authority to operate the equipment.

This device complies with Part 15 of the FCC rules. Operation is subject to the following two conditions: (1) this device may not cause harmful interference, and (2) this device must accept any interference received, including interference that may cause undesired operation.

Industry Canada Compliance Statement

This Class A digital apparatus complies with Canadian ICES-003.

Avis de conformité à la réglementation d'Industrie Canada

Cet appareil numérique de la classe A est conforme à la norme NMB-003 du Canada.

European Community Compliance Statement

This product is in conformity with the protection requirements of EU Council Directive 2004/108/EC on the approximation of the laws of the Member States relating to electromagnetic compatibility. IBM cannot accept responsibility for any failure to satisfy the protection requirements resulting from a non-recommended modification of the product, including the fitting of non-IBM option cards.

This product has been tested and found to comply with the limits for Class A Information Technology Equipment according to European Standard EN 55022. The limits for Class A equipment were derived for commercial and industrial environments to provide reasonable protection against interference with licensed communication equipment.

European Community contact:
IBM Deutschland GmbH
Technical Regulations, Department M456
IBM-Allee 1, 71139 Ehningen, Germany
Tele: +49 7032 15-2937
email: tjahn@de.ibm.com

Warning: This is a Class A product. In a domestic environment, this product may cause radio interference, in which case the user may be required to take adequate measures.

VCCI Statement - Japan

この装置は、クラスA 情報技術装置です。この装置を家庭環境で使用すると電波妨害を引き起こすことがあります。この場合には使用者が適切な対策を講ずるよう要求されることがあります。

VCCI-A

The following is a summary of the VCCI Japanese statement in the box above:

This is a Class A product based on the standard of the VCCI Council. If this equipment is used in a domestic environment, radio interference may occur, in which case, the user may be required to take corrective actions.

**Japanese Electronics and Information Technology Industries Association (JEITA)
Confirmed Harmonics Guideline (products less than or equal to 20 A per phase)**

高調波ガイドライン適合品

**Japanese Electronics and Information Technology Industries Association (JEITA)
Confirmed Harmonics Guideline with Modifications (products greater than 20 A per phase)**

高調波ガイドライン準用品

Electromagnetic Interference (EMI) Statement - People's Republic of China

声 明

此为 A 级产品,在生活环境中,
该产品可能会造成无线电干扰。
在这种情况下,可能需要用户对其
干扰采取切实可行的措施。

Declaration: This is a Class A product. In a domestic environment this product may cause radio interference in which case the user may need to perform practical action.

Electromagnetic Interference (EMI) Statement - Taiwan

警告使用者：

這是甲類的資訊產品，在
居住的環境中使用時，可
能會造成射頻干擾，在這
種情況下，使用者會被要
求採取某些適當的對策。

The following is a summary of the EMI Taiwan statement above.

Warning: This is a Class A product. In a domestic environment this product may cause radio interference in which case the user will be required to take adequate measures.

Electromagnetic Interference (EMI) Statement - Korea

이 기기는 업무용(A급)으로 전자파적합기기로서 판매자 또는 사용자는 이 점을 주의하시기 바라며, 가정외의 지역에서 사용하는 것을 목적으로 합니다.

Germany Compliance Statement

Deutschsprachiger EU Hinweis: Hinweis für Geräte der Klasse A EU-Richtlinie zur Elektromagnetischen Verträglichkeit

Dieses Produkt entspricht den Schutzanforderungen der EU-Richtlinie 2004/108/EG zur Angleichung der Rechtsvorschriften über die elektromagnetische Verträglichkeit in den EU-Mitgliedsstaaten und hält die Grenzwerte der EN 55022 Klasse A ein.

Um dieses sicherzustellen, sind die Geräte wie in den Handbüchern beschrieben zu installieren und zu betreiben. Des Weiteren dürfen auch nur von der IBM empfohlene Kabel angeschlossen werden. IBM übernimmt keine Verantwortung für die Einhaltung der Schutzanforderungen, wenn das Produkt ohne Zustimmung von IBM verändert bzw. wenn Erweiterungskomponenten von Fremdherstellern ohne Empfehlung von IBM gesteckt/eingebaut werden.

EN 55022 Klasse A Geräte müssen mit folgendem Warnhinweis versehen werden:

"Warnung: Dieses ist eine Einrichtung der Klasse A. Diese Einrichtung kann im Wohnbereich Funk-Störungen verursachen; in diesem Fall kann vom Betreiber verlangt werden, angemessene Maßnahmen zu ergreifen und dafür aufzukommen."

Deutschland: Einhaltung des Gesetzes über die elektromagnetische Verträglichkeit von Geräten

Dieses Produkt entspricht dem "Gesetz über die elektromagnetische Verträglichkeit von Geräten (EMVG)". Dies ist die Umsetzung der EU-Richtlinie 2004/108/EG in der Bundesrepublik Deutschland.

Zulassungsbescheinigung laut dem Deutschen Gesetz über die elektromagnetische Verträglichkeit von Geräten (EMVG) (bzw. der EMC EG Richtlinie 2004/108/EG) für Geräte der Klasse A

Dieses Gerät ist berechtigt, in Übereinstimmung mit dem Deutschen EMVG das EG-Konformitätszeichen - CE - zu führen.

Verantwortlich für die Einhaltung der EMV Vorschriften ist der Hersteller:

International Business Machines Corp.

New Orchard Road

Armonk, New York 10504

Tel: 914-499-1900

Der verantwortliche Ansprechpartner des Herstellers in der EU ist:

IBM Deutschland GmbH

Technical Regulations, Abteilung M456

IBM-Allee 1, 71139 Ehningen, Germany

Tel: +49 7032 15-2937

email: tjahn@de.ibm.com

Generelle Informationen:

Das Gerät erfüllt die Schutzanforderungen nach EN 55024 und EN 55022 Klasse A.

Electromagnetic Interference (EMI) Statement - Russia

ВНИМАНИЕ! Настоящее изделие относится к классу А.
В жилых помещениях оно может создавать радиопомехи, для снижения которых необходимы дополнительные меры

Class B Notices

The following Class B statements apply to features designated as electromagnetic compatibility (EMC) Class B in the feature installation information.

Federal Communications Commission (FCC) statement

This equipment has been tested and found to comply with the limits for a Class B digital device, pursuant to Part 15 of the FCC Rules. These limits are designed to provide reasonable protection against harmful interference in a residential installation.

This equipment generates, uses, and can radiate radio frequency energy and, if not installed and used in accordance with the instructions, may cause harmful interference to radio communications. However, there is no guarantee that interference will not occur in a particular installation.

If this equipment does cause harmful interference to radio or television reception, which can be determined by turning the equipment off and on, the user is encouraged to try to correct the interference by one or more of the following measures:

- Reorient or relocate the receiving antenna.
- Increase the separation between the equipment and receiver.
- Connect the equipment into an outlet on a circuit different from that to which the receiver is connected.
- Consult an IBM-authorized dealer or service representative for help.

Properly shielded and grounded cables and connectors must be used in order to meet FCC emission limits. Proper cables and connectors are available from IBM-authorized dealers. IBM is not responsible for any radio or television interference caused by unauthorized changes or modifications to this equipment. Unauthorized changes or modifications could void the user's authority to operate this equipment.

This device complies with Part 15 of the FCC rules. Operation is subject to the following two conditions: (1) this device may not cause harmful interference, and (2) this device must accept any interference received, including interference that may cause undesired operation.

Industry Canada Compliance Statement

This Class B digital apparatus complies with Canadian ICES-003.

Avis de conformité à la réglementation d'Industrie Canada

Cet appareil numérique de la classe B est conforme à la norme NMB-003 du Canada.

European Community Compliance Statement

This product is in conformity with the protection requirements of EU Council Directive 2004/108/EC on the approximation of the laws of the Member States relating to electromagnetic compatibility. IBM cannot accept responsibility for any failure to satisfy the protection requirements resulting from a non-recommended modification of the product, including the fitting of non-IBM option cards.

This product has been tested and found to comply with the limits for Class B Information Technology Equipment according to European Standard EN 55022. The limits for Class B equipment were derived for typical residential environments to provide reasonable protection against interference with licensed communication equipment.

European Community contact:
IBM Deutschland GmbH
Technical Regulations, Department M456
IBM-Allee 1, 71139 Ehningen, Germany
Tele: +49 7032 15-2937
email: tjahn@de.ibm.com

VCCI Statement - Japan

この装置は、クラスB情報技術装置です。この装置は、家庭環境で使用することを目的としていますが、この装置がラジオやテレビジョン受信機に近接して使用されると、受信障害を引き起こすことがあります。

取扱説明書に従って正しい取り扱いをして下さい。 VCCI-B

Japanese Electronics and Information Technology Industries Association (JEITA) Confirmed Harmonics Guideline (products less than or equal to 20 A per phase)

高調波ガイドライン適合品

Japanese Electronics and Information Technology Industries Association (JEITA) Confirmed Harmonics Guideline with Modifications (products greater than 20 A per phase)

高調波ガイドライン準用品

Electromagnetic Interference (EMI) Statement - Korea

이 기기는 가정용(B급)으로 전자파적합기기로서 주로 가정에서 사용하는 것을 목적으로 하며, 모든 지역에서 사용할 수 있습니다.

Germany Compliance Statement

Deutschsprachiger EU Hinweis: Hinweis für Geräte der Klasse B EU-Richtlinie zur Elektromagnetischen Verträglichkeit

Dieses Produkt entspricht den Schutzanforderungen der EU-Richtlinie 2004/108/EG zur Angleichung der Rechtsvorschriften über die elektromagnetische Verträglichkeit in den EU-Mitgliedsstaaten und hält die Grenzwerte der EN 55022 Klasse B ein.

Um dieses sicherzustellen, sind die Geräte wie in den Handbüchern beschrieben zu installieren und zu betreiben. Des Weiteren dürfen auch nur von der IBM empfohlene Kabel angeschlossen werden. IBM übernimmt keine Verantwortung für die Einhaltung der Schutzanforderungen, wenn das Produkt ohne Zustimmung von IBM verändert bzw. wenn Erweiterungskomponenten von Fremdherstellern ohne Empfehlung von IBM gesteckt/eingebaut werden.

Deutschland: Einhaltung des Gesetzes über die elektromagnetische Verträglichkeit von Geräten

Dieses Produkt entspricht dem "Gesetz über die elektromagnetische Verträglichkeit von Geräten (EMVG)". Dies ist die Umsetzung der EU-Richtlinie 2004/108/EG in der Bundesrepublik Deutschland.

Zulassungsbescheinigung laut dem Deutschen Gesetz über die elektromagnetische Verträglichkeit von Geräten (EMVG) (bzw. der EMC EG Richtlinie 2004/108/EG) für Geräte der Klasse B

Dieses Gerät ist berechtigt, in Übereinstimmung mit dem Deutschen EMVG das EG-Konformitätszeichen - CE - zu führen.

Verantwortlich für die Einhaltung der EMV Vorschriften ist der Hersteller:
International Business Machines Corp.
New Orchard Road
Armonk, New York 10504
Tel: 914-499-1900

Der verantwortliche Ansprechpartner des Herstellers in der EU ist:
IBM Deutschland GmbH
Technical Regulations, Abteilung M456
IBM-Allee 1, 71139 Ehningen, Germany
Tel: +49 7032 15-2937
email: tjahn@de.ibm.com

Generelle Informationen:

Das Gerät erfüllt die Schutzanforderungen nach EN 55024 und EN 55022 Klasse B.

Terms and conditions

Permissions for the use of these publications are granted subject to the following terms and conditions.

Applicability: These terms and conditions are in addition to any terms of use for the the manufacturer website.

Personal Use: You may reproduce these publications for your personal, noncommercial use provided that all proprietary notices are preserved. You may not distribute, display or make derivative works of these publications, or any portion thereof, without the express consent of the manufacturer.

Commercial Use: You may reproduce, distribute and display these publications solely within your enterprise provided that all proprietary notices are preserved. You may not make derivative works of

these publications, or reproduce, distribute or display these publications or any portion thereof outside your enterprise, without the express consent of the manufacturer.

Rights: Except as expressly granted in this permission, no other permissions, licenses or rights are granted, either express or implied, to the Publications or any information, data, software or other intellectual property contained therein.

The manufacturer reserves the right to withdraw the permissions granted herein whenever, in its discretion, the use of the publications is detrimental to its interest or, as determined by the manufacturer, the above instructions are not being properly followed.

You may not download, export or re-export this information except in full compliance with all applicable laws and regulations, including all United States export laws and regulations.

THE MANUFACTURER MAKES NO GUARANTEE ABOUT THE CONTENT OF THESE PUBLICATIONS. THE PUBLICATIONS ARE PROVIDED "AS-IS" AND WITHOUT WARRANTY OF ANY KIND, EITHER EXPRESSED OR IMPLIED, INCLUDING BUT NOT LIMITED TO IMPLIED WARRANTIES OF MERCHANTABILITY, NON-INFRINGEMENT, AND FITNESS FOR A PARTICULAR PURPOSE.

