

Hardware Information

Media device

ESCALA POWER5



REFERENCE
86 A1 15EW 00

ESCALA POWER5

Hardware Information

Media device

Hardware

July 2006

BULL CEDOC
357 AVENUE PATTON
B.P.20845
49008 ANGERS CEDEX 01
FRANCE

REFERENCE

86 A1 15EW 00

The following copyright notice protects this book under Copyright laws which prohibit such actions as, but not limited to, copying, distributing, modifying, and making derivative works.

Copyright © Bull SAS 1992, 2006

Printed in France

Suggestions and criticisms concerning the form, content, and presentation of this book are invited. A form is provided at the end of this book for this purpose.

To order additional copies of this book or other Bull Technical Publications, you are invited to use the Ordering Form also provided at the end of this book.

Trademarks and Acknowledgements

We acknowledge the right of proprietors of trademarks mentioned in this book.

AIX® is a registered trademark of International Business Machines Corporation, and is being used under licence.

UNIX® is a registered trademark in the United States of America and other countries licensed exclusively through the Open Group.

Linux® is the registered trademark of Linus Torvalds in the U.S. and other countries

Table of Contents

Media device	1
Printable PDF.....	1
Saving PDF files.....	1
Slimline media device for model ESCALA PL 250R-VL or ESCALA PL 450R-XS.....	2
Remove and replace a Slimline media device in model ESCALA PL 250R-VL or ESCALA PL 450R-XS.....	2
Media device for models 112/85, ESCALA PL 250T/R, PL 250T/R+ or PL 450T/R-L+, ESCALA PL 450T/R, PL 450T/R+ or PL 850T/R-L+,.....	6
Slimline media device for models 112/85, ESCALA PL 250T/R, PL 250T/R+ or PL 450T/R-L+, ESCALA PL 450T/R, PL 450T/R+ or PL 850T/R-L+,.....	7
SCSI media device for models 112/85, ESCALA PL 250T/R, PL 250T/R+ or PL 450T/R-L+, ESCALA PL 450T/R, PL 450T/R+ or PL 850T/R-L+,.....	11
Slimline media device for model ESCALA PL 250R-L, PL 250R-L+ or PL 450R-VL+.....	15
Remove and replace a Slimline media device in model ESCALA PL 250R-L, PL 250R-L+ or PL 450R-VL+.....	15
Media device for models ESCALA PL 1650R-L+ and ESCALA PL 850R/PL 1650R/R+.....	16
Install a Slimline media device for models ESCALA PL 1650R-L+ and ESCALA PL 850R/PL 1650R/R+.....	17
Remove and replace a Slimline media device for models ESCALA PL 1650R-L+ and ESCALA PL 850R/PL 1650R/R+.....	18
Media device for model ESCALA PL 245T/R.....	20
Install a media device for model 471/85 and ESCALA PL 245T/R.....	20
Remove and replace a media device for model 471/85 and ESCALA PL 245T/R.....	22
Media-device enclosure	27
Media-device enclosure for models 112/85, ESCALA PL 250T/R, PL 250T/R+ or PL 450T/R-L+, ESCALA PL 450T/R, PL 450T/R+ or PL 850T/R-L+,.....	27
Remove the media-device enclosure from models 112/85, ESCALA PL 250T/R, PL 250T/R+ or PL 450T/R-L+, ESCALA PL 450T/R, PL 450T/R+ or PL 850T/R-L+,.....	27
Replace the media-device enclosure in models 112/85, ESCALA PL 250T/R, PL 250T/R+ or PL 450T/R-L+, ESCALA PL 450T/R, PL 450T/R+ or PL 850T/R-L+,.....	28
Model ESCALA PL 850R/PL 1650R/R+ media-device enclosure.....	30
Remove the model ESCALA PL 850R/PL 1650R/R+ media-device enclosure.....	30
Replace the model ESCALA PL 850R/PL 1650R/R+ media-device enclosure.....	33
Media device in an expansion unit	37
Install a media device in an expansion unit.....	37
Install a media device in an expansion unit with the system power off.....	38
Remove and replace a media device in an expansion unit.....	40
Remove and replace a media device in an expansion unit with the system power off.....	41
Related information	43
Related procedures	45
Start or stop the system or logical partition.....	45
Before you begin.....	45
Gain access to the model ESCALA PL 250R-L, PL 250R-L+ or PL 450R-VL+ control panels.....	47
Place the rack-mounted system or expansion unit in the service position or operating position.....	48
Place the rack-mounted system or expansion unit in the service position.....	48
Place the rack-mounted system or expansion unit in the operating position.....	51
Place the model ESCALA PL 250R-L, PL 250R-L+ or PL 450R-VL+ or 7/10 in the service position.....	52
Place the model ESCALA PL 250R-L, PL 250R-L+ or PL 450R-VL+ or 7/10 in the operating position.....	54
Front cover.....	55
Remove the front cover from the model ESCALA PL 250R-L, PL 250R-L+ or PL 450R-VL+ or 7/10.....	55
Front cover for models 112/85, ESCALA PL 250T/R, PL 250T/R+ or PL 450T/R-L+, ESCALA PL 450T/R, PL 450T/R+ or PL 850T/R-L+, and the 05/95 expansion unit.....	56
Front cover for the model ESCALA PL 1650R-L+ or ESCALA PL 850R/PL 1650R/R+.....	60
Model 112/85, ESCALA PL 250T/R, PL 250T/R+ or PL 450T/R-L+, ESCALA PL 450T/R, PL 450T/R+ or PL 850T/R-L+, door.....	61
Remove the door from the model 112/85, ESCALA PL 250T/R, PL 250T/R+ or PL 450T/R-L+, ESCALA PL 450T/R, PL 450T/R+ or PL 850T/R-L+,.....	61
Install or replace the door on the model 112/85, ESCALA PL 250T/R, PL 250T/R+ or PL	

Table of Contents

Related procedures

450T/R-L+, ESCALA PL 450T/R, PL 450T/R+ or PL 850T/R-L+,.....	63
Expansion unit cover or door.....	65
Remove the front door from the 50/74 or 50/94 expansion unit.....	65
Remove the front door from the 50/79 or 52/94 expansion unit.....	65
Remove the back door from the 50/74, 50/79, and 50/94 expansion unit.....	66
Remove the front cover from the 50/95 expansion unit.....	66
Remove the back door and cover from the 50/95 expansion unit.....	67
Remove the back cover from the 05/88 expansion unit.....	69
Remove and install the front cover on the 57/91 or 57/94 expansion unit.....	69
Identify a failing part.....	70
Identify a failing part on an AIX system or logical partition.....	70
Identify a failing part on a Linux system or logical partition.....	71
Identify a failing part using the Advanced System Management Interface.....	74
Verify the installed part.....	74
Verify an installed feature or replaced part on an AIX system or logical partition.....	75
Verify the installed part on a Linux system or logical partition (run AIX diagnostics).....	77
Verify the presence of an installed part using Hardware Management Console (HMC).....	79
Verify the presence of an installed part using the Advanced System Management Interface (ASMI).....	80
Install a feature using the Hardware Management Console.....	80
Remove a part using the Hardware Management Console.....	81
Replace a part using the Hardware Management Console.....	81
Locations for expansion units.....	83

Media device

The following procedures describe how to install and replace a media device.

Installing or replacing these features is a customer task. You can perform these tasks yourself, or contact a service provider to perform the task for you. You might be charged a fee by the service provider for these services.

- **Printable PDF**
Use this to view and print a PDF of this information.
- **Slimline media device for model ESCALA PL 250R-VL or ESCALA PL 450R-XS**
- **Media device for models ESCALA PL 250T/R, PL 250T/R+ or PL 450T/R-L+, ESCALA PL 450T/R, PL 450T/R+ or PL 850T/R-L+,**
- **Slimline media device for model ESCALA PL 250R-L, PL 250R-L+ or PL 450R-VL+**
- **Media device for models ESCALA PL 1650R-L+ and ESCALA PL 850R/PL 1650R/R+**
- **Media device for model ESCALA PL 245T/R**

Related links:

[Media-device enclosure](#)

[Media device in an expansion unit](#) [Managing media devices](#) [Related information](#)

Related tasks:

[Manually removing a tape cartridge from a drive](#)

Printable PDF

Use this to view and print a PDF of this information.

To view or download the PDF version of this document, select [Media device and media device enclosure](#) (about 9.4 MB).

Saving PDF files

To save a PDF on your workstation for viewing or printing:

1. Right-click the PDF link in your browser.
2. Click the option that saves the PDF locally.
3. Navigate to the directory in which you want to save the PDF.
4. Click Save.

Downloading Adobe Reader

You need Adobe Reader installed on your system to view or print these PDFs. You can download a free copy from the [Adobe Web site](http://www.adobe.com/products/acrobat/readstep2.html) (www.adobe.com/products/acrobat/readstep2.html).

Parent topic: [Media device](#)

Slimline media device for model ESCALA PL 250R-VL or ESCALA PL 450R-XS

The following procedure describes the removal and replacement of the server ESCALA PL 250R-VL or ESCALA PL 450R-XS Slimline media device.

- [Remove and replace a Slimline media device in model ESCALA PL 250R-VL or ESCALA PL 450R-XS](#)

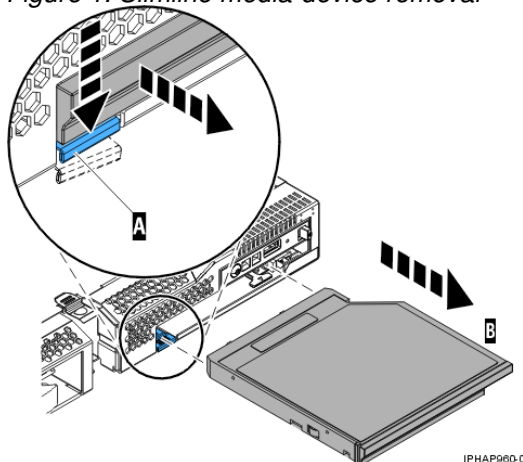
Parent topic: [Media device](#)

Remove and replace a Slimline media device in model ESCALA PL 250R-VL or ESCALA PL 450R-XS

Complete the following steps to remove and replace the Slimline media device:

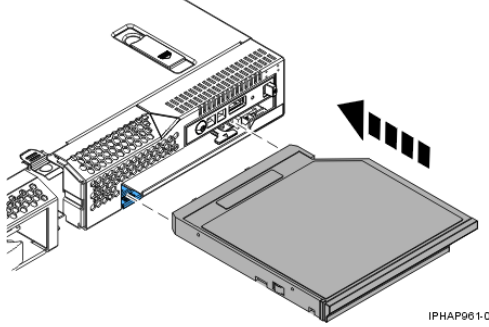
1. Perform the prerequisite tasks described in [Before you begin](#).
2. If you are removing the media device as part of another procedure, continue to the next step. If you are removing the device because of a system failure, refer to [Identify a failing part](#).
3. [Stop the system or logical partition](#).
4. Pull the release tab A on the bottom of the device or filler and slide the drive out approximately 0.6 cm (0.25 in.) until it stops. This action disengages the drive from its connectors.
5. Grasp the drive B and pull it from the system, as shown in the following figure.

Figure 1. Slimline media-device removal



6. Align the replacement device with the device enclosure and push it fully into the system, as shown in the following figure.

Figure 2. Slimline media-device installation



7. [Start the system or logical partition.](#)
8. If you replaced the media device as part of another procedure, return to that procedure now. If you replaced the device because of a system failure, verify that the new resource is functional. See [Verify the installed part.](#)

Parent topic: [Slimline media device for model ESCALA PL 250R-VL or ESCALA PL 450R-XS](#)

Stop the system or logical partition

Learn how to stop a system or logical partition.

Attention: Using either the power-on button on the control panel or entering commands at the Hardware Management Console (HMC) to stop the system can cause unpredictable results in the data files. Also, the next time you start the system, it might take longer if all applications are not ended before stopping the system.

To stop the system or logical partition, select the appropriate procedure:

- [Stop the system that is not managed by a Hardware Management Console](#)
- [Stop the system or logical partition using the Hardware Management Console](#)

Parent topic: [Start or stop the system or logical partition](#)

Related tasks

[Start the system or logical partition](#)

Stop the system that is not managed by a Hardware Management Console

The following procedure describes how to stop a system that is not managed by a Hardware Management Console (HMC).

Prepare to stop the system

Remove and replace a Slimline media device in model ESCALA PL250R-VL or ESCALA PL 450R-XS

Before you stop the system, do the following:

1. Ensure that all jobs are completed and end all applications.
2. Ensure that the operating system is stopped. Failure to do so can result in the loss of data.
3. Write down the information displayed on the control panel if you are stopping your system due to an error or to make a repair. For more information, see [Collecting reference codes and system information](#).

Stop the system

To stop a system, follow these steps:

1. Log in to the system as a user with the authority to run the `shutdown` or `pwrdownsys` (Power Down System) command.
2. At the command line, enter one of the following commands:
 - ◆ If your system is running AIX, type `shutdown`.
 - ◆ If your system is running Linux, type `shutdown -h now`.

The command stops the operating system. The system power turns off, the power-on light begins to slowly blink, and the system goes into a standby state.
3. Set the power switches of any devices connected to the system to off.
4. Unplug any power cables that are attached to the unit from electrical outlets. Ensure that you unplug power cables from peripheral devices, such as printers and expansion units.

Important: The system might be equipped with a second power supply. Before continuing with this procedure, ensure that all power sources to the system have been completely disconnected.

(L003)



or



Parent topic: [Stop the system or logical partition](#)

Stop the system or logical partition using the Hardware Management Console

You can use the Hardware Management Console (HMC) user interface to stop the system or a logical partition. For instructions on stopping the system, see [Powering off the managed system](#).

Parent topic: [Stop the system or logical partition](#)

Start the system or logical partition

Use these instructions to start a system or logical partition.

- [Start a system that is not managed by a Hardware Management Console](#)
- [Start the system or logical partition using the Hardware Management Console](#)

Parent topic: [Start or stop the system or logical partition](#)

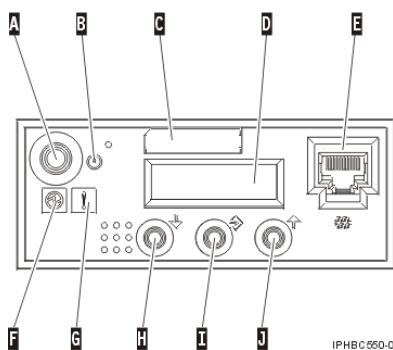
Related tasks

[Stop the system or logical partition](#)

Start a system that is not managed by a Hardware Management Console

To start a system that is not managed by a Hardware Management Console (HMC), follow these steps:

1. On a rack-mounted system unit, open the front rack door, if necessary. On a stand-alone system unit, open the front door.
2. Before you press the power button on the control panel, ensure that power is connected to the system unit as follows:
 - ◆ All system power cables are connected to a power source.
 - ◆ The power-on light F, as shown in the following figure, is slowly blinking.
 - ◆ The top of the display D, as shown in the following figure, contains 01 V=F.



Tip: The system attention light G, as shown in the previous figure, does not appear on the control panel on the model ESCALA PL 850R/PL 1650R/R+.

3. Press the power button A, as shown in the following figure, on the control panel.

Note: On the 7/10 or model ESCALA PL 250R-L, the power button is on the operations panel.

4. Observe the following after pressing the power button:
 - ◆ The power-on light begins to blink visibly faster.
 - ◆ The system cooling fans are activated after approximately 30 seconds and begin to accelerate to operating speed.
 - ◆ Progress indicators, also referred to as checkpoints, appear on the control panel display while the system is being started. The power-on light on the control panel stops blinking and remains on, indicating that system power is on.

Tip: If pressing the power button does not start the system, use the following instructions to start the system using the Advanced System Management Interface (ASMI).

- Set up access to the ASMI. For instructions, see [Accessing the ASMI](#).
- Start the system using the ASMI. For instructions, see [Powering the system on and off](#).

Parent topic: [Start the system or logical partition](#)

Start the system or logical partition using the Hardware Management Console

After the required cables are installed and the power cables are connected to a power source, you can use the Hardware Management Console (HMC) user interface to start the system or logical partition.

For instructions on working with the HMC, see [Managing the Hardware Management Console](#). For instructions on starting a logical partition, see [Activating a partition profile](#). For instructions on starting the system, see [Powering on the managed system](#).

Progress indicators, also referred to as checkpoints, appear on the control panel display while the system is being started. The power-on light on the control panel stops blinking and remains on, indicating that system power is on.

Parent topic: [Start the system or logical partition](#)

Media device for models 112/85, ESCALA PL 250T/R, PL 250T/R+ or PL 450T/R-L+, ESCALA PL 450T/R, PL 450T/R+ or PL 850T/R-L+,

These procedures describe the removal and replacement of the media device in the following models:

- 112/85
- ESCALA PL 250T/R or ESCALA PL 450T/R
- ESCALA PL 250T/R+ or ESCALA PL 450T/R+
- 7/20

The Slimline media-device enclosure can contain a CD-ROM or DVD-ROM device. The optional media-device bay can contain a Small Computer System Interface (SCSI) media device, such as a tape drive.

Note: The media bays in these models do not support removing or replacing devices with the system powered on.

- **Slimline media device for models ESCALA PL 250T/R, PL 250T/R+ or PL 450T/R-L+, ESCALA PL 450T/R, PL 450T/R+ or PL 850T/R-L+,**
- **SCSI media device for models ESCALA PL 250T/R, PL 250T/R+ or PL 450T/R-L+, ESCALA PL 450T/R, PL 450T/R+ or PL 850T/R-L+,**

Parent topic: [Media device](#)

Slimline media device for models 112/85, ESCALA PL 250T/R, PL 250T/R+ or PL 450T/R-L+, ESCALA PL 450T/R, PL 450T/R+ or PL 850T/R-L+,

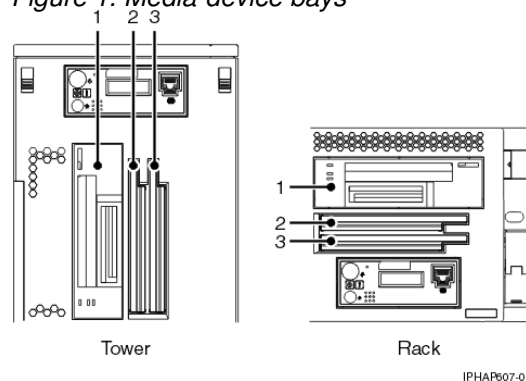
The following procedure describes the installation, removal, and replacement of the Slimline media devices. Before you begin the procedure, review the following Slimline media device guidelines. [Figure 1](#) shows the locations of the media bays referred to in the guidelines.

Slimline media device guidelines

The following numbers correspond to the following figure [Figure 1](#).

- Slimline media-devices are not hot-pluggable.
- The first Slimline media device must be plugged into media bay 2.
- The media-device in bay 2 should be set as an IDE master.
- Audio function is available only on the media device in bay 2.
- Media bay 3 will accept a second, Slimline media device.
- The media-device in bay 3 should be set as an IDE subordinate drive.

Figure 1. Media-device bays



- **Install a Slimline media device in models ESCALA PL 250T/R, PL 250T/R+ or PL 450T/R-L+, ESCALA PL 450T/R, PL 450T/R+ or PL 850T/R-L+,**
- **Remove and replace a Slimline media device in models ESCALA PL 250T/R, PL 250T/R+ or PL 450T/R-L+, ESCALA PL 450T/R, PL 450T/R+ or PL 850T/R-L+,**

Parent topic: [Media device for models ESCALA PL 250T/R, PL 250T/R+ or PL 450T/R-L+, ESCALA PL 450T/R, PL 450T/R+ or PL 850T/R-L+,](#)

Install a Slimline media device in models 112/85, ESCALA PL 250T/R, PL 250T/R+ or PL 450T/R-L+, ESCALA PL 450T/R, PL 450T/R+ or PL 850T/R-L+,

If your system is managed by the Hardware Management Console (HMC), you can use the HMC to complete the steps for installing a Slimline media device. For instructions, see [Install a feature using the Hardware Management Console](#).

The following procedure describes the installation of a Slimline media device.

Note: Before you install a Slimline media device, read [Slimline media device guidelines](#).

To install a Slimline media device, do the following:

1. Perform the prerequisite tasks described in [Before you begin](#).
2. [Stop the system or logical partition](#).
3. If you are servicing a rack-mounted system unit, continue to the next step. If you are servicing a stand-alone system unit, remove the front cover door as described in [Remove the door from the model 112/85, ESCALA PL 250T/R, PL 250T/R+ or PL 450T/R-L+, ESCALA PL 450T/R, PL 450T/R+ or PL 850T/R-L+, .](#)
4. [Remove the front cover from the model 112/85, ESCALA PL 250T/R, PL 250T/R+ or PL 450T/R-L+, ESCALA PL 450T/R, PL 450T/R+ or PL 850T/R-L+, or the 05/95 expansion unit.](#)
5. Ensure the Slimline media-device bay is ready to receive the device. If necessary, while holding the blue plastic retaining tab A, pull the filler panel or existing drive B out of the system as shown in the following figure.

Figure 1. Rack-mounted system unit filler panel removal

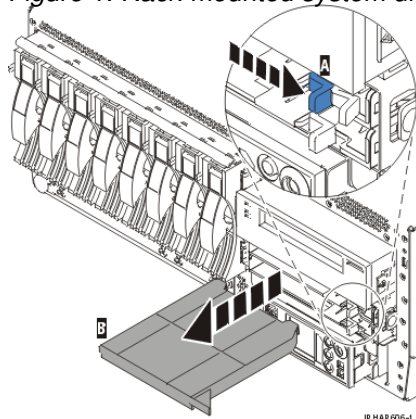
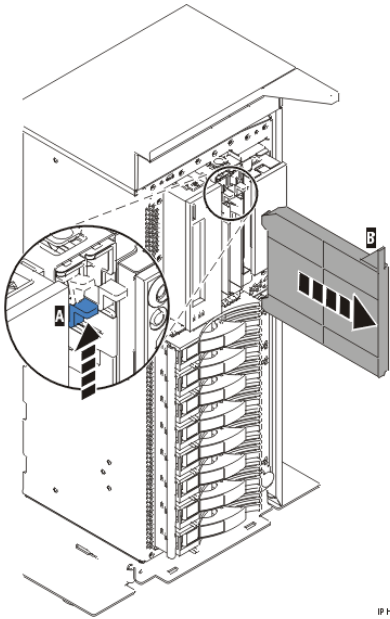


Figure 2. Stand-alone system unit filler panel removal



6. Align the new device with the Slimline media bay, then push it fully into the system as shown in the following figure..

Figure 3. Rack-mounted system unit Slimline media-device replacement

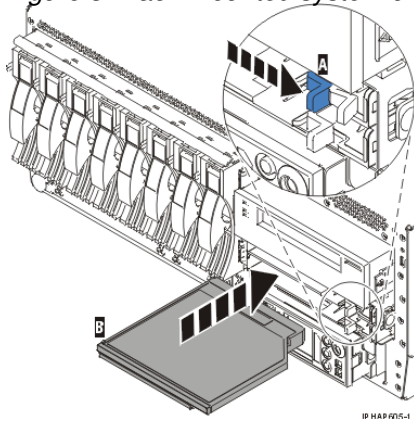
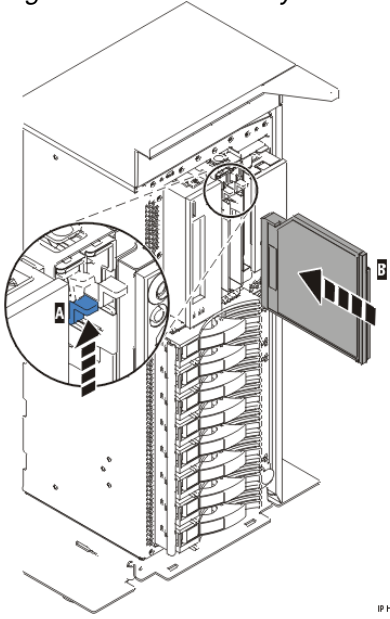


Figure 4. Stand-alone system unit Slimline media-device replacement



7. If you are servicing a rack-mounted system unit, continue to the next step. If you are servicing a stand-alone system unit, replace the front cover door as described in [Install or replace the door on the model 112/85, ESCALA PL 250T/R, PL 250T/R+ or PL 450T/R-L+, ESCALA PL 450T/R, PL 450T/R+ or PL 850T/R-L+, .](#)
8. [Install the front cover on the model 112/85, ESCALA PL 250T/R, PL 250T/R+ or PL 450T/R-L+, ESCALA PL 450T/R, PL 450T/R+ or PL 850T/R-L+, or the 05/95 expansion unit.](#)
9. [Start the system or logical partition.](#)
10. Verify that the new resource is functional. Refer to [Verify the installed part.](#)

Parent topic: [Slimline media device for models ESCALA PL 250T/R, PL 250T/R+ or PL 450T/R-L+, ESCALA PL 450T/R, PL 450T/R+ or PL 850T/R-L+,](#)

Remove and replace a Slimline media device in models 112/85, ESCALA PL 250T/R, PL 250T/R+ or PL 450T/R-L+, ESCALA PL 450T/R, PL 450T/R+ or PL 850T/R-L+,

To remove and replace a Slimline media device, do the following:

1. Perform the prerequisite tasks described in [Before you begin.](#)
2. If you are removing the media device as part of another procedure, continue to the next step. If you are removing the device because of a system failure, refer to [Identify a failing part.](#)
3. [Stop the system or logical partition.](#)
4. If you are servicing a rack-mounted system unit, continue to the next step. If you are servicing a stand-alone system unit, remove the front cover door as described in [Remove the door from the model 112/85, ESCALA PL 250T/R, PL 250T/R+ or PL 450T/R-L+, ESCALA PL 450T/R, PL 450T/R+ or PL 850T/R-L+, .](#)
5. [Remove the front cover from the model 112/85, ESCALA PL 250T/R, PL 250T/R+ or PL 450T/R-L+, ESCALA PL 450T/R, PL 450T/R+ or PL 850T/R-L+, or the 05/95 expansion unit.](#)
6. Push the blue plastic retaining tab away from the Slimline media device.
7. While holding the blue plastic retaining tab A, grasp the device B and pull it out of the system as shown in the following figure..

Figure 1. Rack-mounted system unit Slimline media-device removal

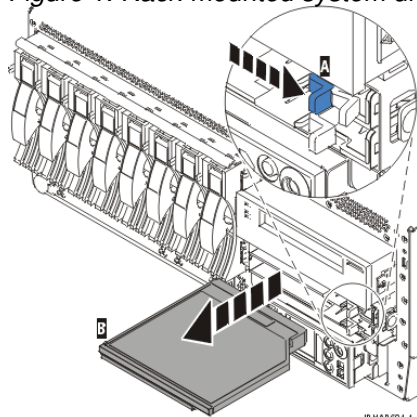
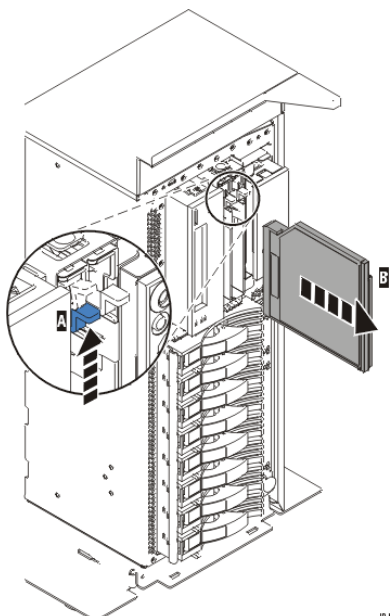


Figure 2. Stand-alone system unit Slimline media-device removal



8. Align the replacement device with the Slimline media bay and push it fully into the system.
9. If you are servicing a rack-mounted system unit, continue to the next step. If you are servicing a stand-alone system unit, replace the front cover door as described in [Install or replace the door on the model 112/85, ESCALA PL 250T/R, PL 250T/R+ or PL 450T/R-L+, ESCALA PL 450T/R, PL 450T/R+ or PL 850T/R-L+, .](#)
10. [Install the front cover on the model 112/85, ESCALA PL 250T/R, PL 250T/R+ or PL 450T/R-L+, ESCALA PL 450T/R, PL 450T/R+ or PL 850T/R-L+, or the 05/95 expansion unit.](#)
11. [Start the system or logical partition.](#)
12. If you replaced the media device as part of another procedure, return to that procedure now. If you replaced the device because of a system failure, verify that the new resource is functional. See [Verify the installed part.](#)

Parent topic: [Slimline media device for models ESCALA PL 250T/R, PL 250T/R+ or PL 450T/R-L+, ESCALA PL 450T/R, PL 450T/R+ or PL 850T/R-L+,](#)

SCSI media device for models 112/85, ESCALA PL 250T/R, PL 250T/R+ or PL 450T/R-L+, ESCALA PL 450T/R, PL 450T/R+ or PL 850T/R-L+,

The following procedure describes the replacement and installation of the SCSI media device.

A SCSI media device can be placed in the SCSI media-device bay. If a SCSI media device is installed in the system, a power cable and a SCSI cable will be connected to the back of the SCSI media device and routed to the appropriate connectors on the backplane or PCI adapter for the media-device enclosure.

For more information about media devices, see [Related information.](#)

Select the appropriate instructions from this list:

- [Install a SCSI media device in models ESCALA PL 250T/R, PL 250T/R+ or PL 450T/R-L+, ESCALA PL 450T/R, PL 450T/R+ or PL 850T/R-L+,](#)
- [Remove a SCSI media device in models ESCALA PL 250T/R, PL 250T/R+ or PL 450T/R-L+, ESCALA PL 450T/R, PL 450T/R+ or PL 850T/R-L+,](#)
- [Replace the SCSI media-device cables in a model 112/85,5/20, server](#)

Parent topic: [Media device for models ESCALA PL 250T/R, PL 250T/R+ or PL 450T/R-L+, ESCALA PL 450T/R, PL 450T/R+ or PL 850T/R-L+,](#)

Install a SCSI media device in models 112/85, ESCALA PL 250T/R, PL 250T/R+ or PL 450T/R-L+, ESCALA PL 450T/R, PL 450T/R+ or PL

850T/R-L+,

The following procedure describes the installation of a SCSI media device.

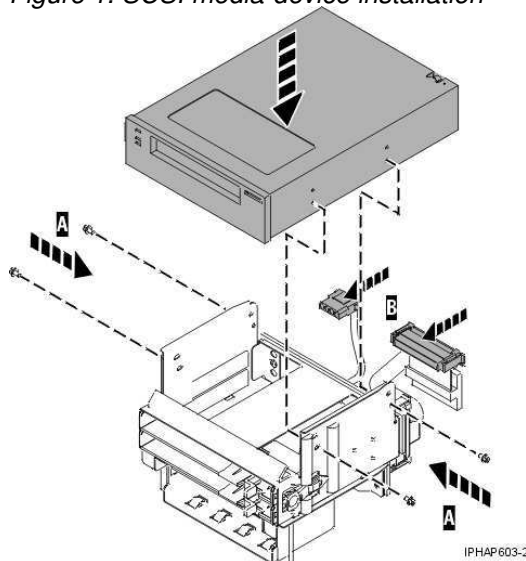
If your system is managed by the Hardware Management Console (HMC), you can use the HMC to complete the steps for installing a SCSI media device. For instructions, see [Install a feature using the Hardware Management Console](#).

Before you install a SCSI media device, perform the prerequisite tasks described in [Before you begin](#). Refer to [Remove a SCSI media device in models ESCALA PL 250T/R, PL 250T/R+ or PL 450T/R-L+, ESCALA PL 450T/R, PL 450T/R+ or PL 850T/R-L+](#), if a SCSI media device is present in the SCSI media-device bay.

To install a SCSI media device, do the following:

1. Remove the media enclosure. For instructions, see [Remove the media-device enclosure from models ESCALA PL 250T/R, PL 250T/R+ or PL 450T/R-L+, ESCALA PL 450T/R, PL 450T/R+ or PL 850T/R-L+](#), .
2. Attach the SCSI media device to the media-device enclosure using the retention screws. [Figure 1](#) shows the placement of the screws A.

Figure 1. SCSI media-device installation



3. As shown in [Figure 1](#), plug the SCSI cable and the power cable B into the back of the SCSI media device and into the backplane of the media-device enclosure.
4. Install the media enclosure. For instructions, see [Replace the media-device enclosure in models ESCALA PL 250T/R, PL 250T/R+ or PL 450T/R-L+, ESCALA PL 450T/R, PL 450T/R+ or PL 850T/R-L+](#), .
5. Reconnect the power source to the system.
6. If you are servicing a rack-mounted system unit, continue to the next step. If you are servicing a stand-alone system unit, replace the front cover door as described in [Install or replace the door on the model 112/85, ESCALA PL 250T/R, PL 250T/R+ or PL 450T/R-L+, ESCALA PL 450T/R, PL 450T/R+ or PL 850T/R-L+](#), .
7. Install the front cover on the model 112/85, ESCALA PL 250T/R, PL 250T/R+ or PL 450T/R-L+, ESCALA PL 450T/R, PL 450T/R+ or PL 850T/R-L+, or the 05/95 expansion unit.
8. [Start the system or logical partition](#).
9. Verify that the new resource is functional. Refer to [Verify the installed part](#).

Parent topic: [SCSI media device for models ESCALA PL 250T/R, PL 250T/R+ or PL 450T/R-L+, ESCALA PL 450T/R, PL 450T/R+ or PL 850T/R-L+](#),

Remove a SCSI media device in models 112/85, ESCALA PL 250T/R, PL 250T/R+ or PL 450T/R-L+, ESCALA PL 450T/R, PL 450T/R+ or PL 850T/R-L+,

To remove a SCSI media device, do the following:

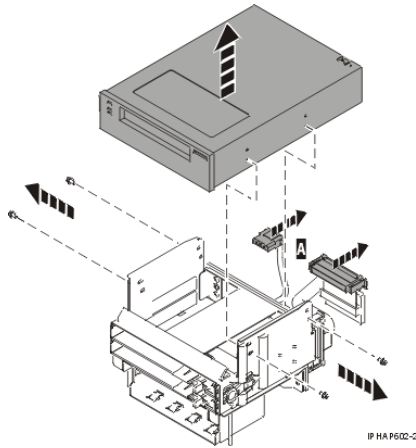
1. Perform the prerequisite tasks described in [Before you begin](#).
2. If you are removing the media device as part of another procedure, continue to the next step. If you are removing the device because of a system failure, refer to [Identify a failing part](#).
3. [Stop the system or logical partition](#).
4. If you are servicing a rack-mounted system unit, continue to the next step. If you are servicing a stand-alone system unit, remove the front cover door as described in [Remove the door from the model 112/85, ESCALA PL 250T/R, PL 250T/R+ or PL 450T/R-L+, ESCALA PL 450T/R, PL 450T/R+ or PL 850T/R-L+, .](#)
5. [Remove the front cover from the model 112/85, ESCALA PL 250T/R, PL 250T/R+ or PL 450T/R-L+, ESCALA PL 450T/R, PL 450T/R+ or PL 850T/R-L+, or the 05/95 expansion unit.](#)
6. [Remove the media-device enclosure from models ESCALA PL 250T/R, PL 250T/R+ or PL 450T/R-L+, ESCALA PL 450T/R, PL 450T/R+ or PL 850T/R-L+, .](#)

Note: Look to see if any cables in the system are plugged into the connectors on the media-device enclosure. If any are present, unplug the cables.

Attention:

- ◆ Attach a wrist strap to an unpainted metal surface of your hardware to prevent electrostatic discharge from damaging your hardware.
 - ◆ When using a wrist strap, follow all electrical safety procedures. A wrist strap is for static control. It does not increase or decrease your risk of receiving electric shock when using or working on electrical equipment.
 - ◆ If you do not have a wrist strap, just prior to removing the product from ESD packaging and installing or replacing hardware, touch an unpainted metal surface of the system for a minimum of 5 seconds.
7. Unplug the SCSI cable and power cable A from the back of the SCSI media device and the backplane at the back of the media-device enclosure. If necessary, unplug any other cables from the back of the SCSI media device or media-device enclosure.
 8. Remove the SCSI media device from the media-device enclosure by removing the retention screws and lifting it out of the media-device enclosure, as shown in the following figure.

Figure 1. SCSI media-device removal



9. Put the media device in a safe place.
10. To replace or install the media device, see [Install a SCSI media device in models ESCALA PL 250T/R, PL 250T/R+ or PL 450T/R-L+, ESCALA PL 450T/R, PL 450T/R+ or PL 850T/R-L+, .](#)

Parent topic: [SCSI media device for models ESCALA PL 250T/R, PL 250T/R+ or PL 450T/R-L+, ESCALA PL 450T/R, PL 450T/R+ or PL 850T/R-L+, .](#)

Replace the SCSI media-device cables in a model 112/85, ESCALA PL 250T/R, server

The following procedure describes the replacement of the SCSI media-device cables.

To replace a SCSI media-device cable, do the following:

1. Perform the prerequisite tasks described in [Before you begin](#).
2. If you are removing the media device as part of another procedure, continue to the next step. If you are removing the device because of a system failure, refer to [Identify a failing part](#).
3. Remove the media enclosure. For instructions, see [Remove the media-device enclosure from models ESCALA PL 250T/R, PL 250T/R+ or PL 450T/R-L+, ESCALA PL 450T/R, PL 450T/R+ or PL 850T/R-L+, .](#)

Attention:

- ◆ Attach a wrist strap to an unpainted metal surface of your hardware to prevent electrostatic discharge from damaging your hardware.
- ◆ When using a wrist strap, follow all electrical safety procedures. A wrist strap is for static control. It does not increase or decrease your risk of receiving electric shock when using or working on electrical equipment.
- ◆ If you do not have a wrist strap, just prior to removing the product from ESD packaging and installing or replacing hardware, touch an unpainted metal surface of the system for a minimum of 5 seconds.

4. Identify the cable you want to remove.
5. Unplug the cable from its connectors on the SCSI media device and on the media-device enclosure or audio card. If you are removing an audio-card cable, note how the cable is routed through the system so that you can replace it correctly.
6. Remove the cable from the media-device enclosure or the system.
7. Plug the replacement cable into the appropriate connectors on the SCSI media device and on the media-device enclosure or audio card. If you are replacing the audio-card cable, ensure that the cable is routed through the system correctly.
8. Replace the media enclosure. For instructions, see [Replace the media-device enclosure in models ESCALA PL 250T/R, PL 250T/R+ or PL 450T/R-L+, ESCALA PL 450T/R, PL 450T/R+ or PL 850T/R-L+, .](#)

9. If you replaced the media device cable as part of another procedure, return to that procedure now. If you replaced the device cable because of a system failure, verify that the new resource is functional. See [Verify the installed part](#).

Parent topic: [SCSI media device for models ESCALA PL 250T/R, PL 250T/R+ or PL 450T/R-L+, ESCALA PL 450T/R, PL 450T/R+ or PL 850T/R-L+](#)

Slimline media device for model ESCALA PL 250R-L, PL 250R-L+ or PL 450R-VL+

The following procedure describes the removal and replacement of the Slimline media device.

Note:

- Slimline media devices cannot be removed or replaced with the system power on.
- The device enclosure for the control panel and the media device does not need to be removed if you are replacing only the Slimline media device or filler.
- If you are replacing the control panel in addition to the Slimline media device, the control panel must be removed as part of the device enclosure. To remove the enclosure, complete the steps in [Model ESCALA PL 250R-L, PL 250R-L+ or PL 450R-VL+ control panels](#).

Select the following instruction:

- [Remove and replace a Slimline media device in model ESCALA PL 250R-L, PL 250R-L+ or PL 450R-VL+](#)

Parent topic: [Media device](#)

Remove and replace a Slimline media device in model ESCALA PL 250R-L, PL 250R-L+ or PL 450R-VL+

To remove and replace the Slimline media device, do the following:

1. Perform the prerequisite tasks described in [Before you begin](#).
2. If you are removing the media device as part of another procedure, continue to the next step. If you are removing the device because of a system failure, refer to [Identify a failing part](#).
3. [Stop the system or logical partition](#).
4. [Remove the front cover from the model ESCALA PL 250R-L, PL 250R-L+ or PL 450R-VL+](#) .
5. Push the retaining tab away from the Slimline media device.
6. While holding the retaining tab A as shown in the following figures, grasp the device or filler B and pull it out of the system as shown in the following figures.

Figure 1. Slimline media-device removal

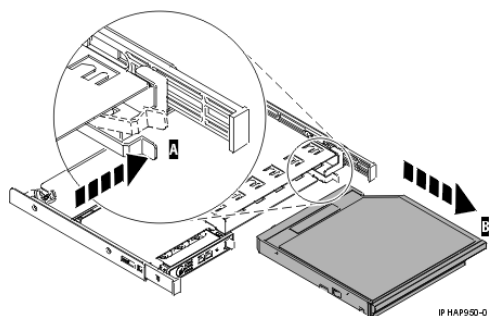
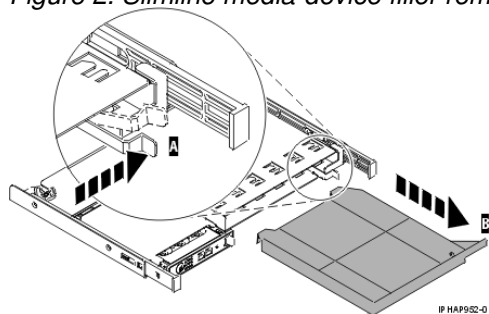
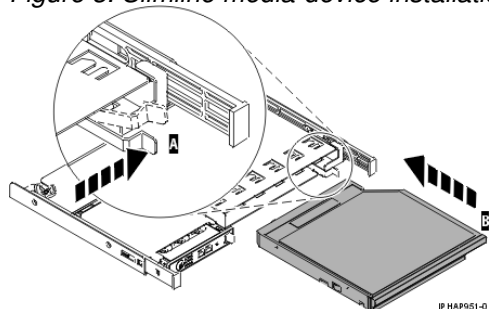


Figure 2. Slimline media-device filler removal



7. As shown in [Figure 3](#), align the replacement device B with the device enclosure and push it fully into the system as shown in the following figure.

Figure 3. Slimline media-device installation



8. Install the front cover on the model [ESCALA PL 250R-L](#), [PL 250R-L+](#) or [PL 450R-VL+](#) .
9. [Start the system or logical partition.](#)
10. If you replaced the media device as part of another procedure, return to that procedure now. If you replaced the device because of a system failure, verify that the new resource is functional. See [Verify the installed part.](#)

Parent topic: [Slimline media device for model ESCALA PL 250R-L, PL 250R-L+ or PL 450R-VL+](#)

Media device for models ESCALA PL 1650R-L+ and ESCALA PL 850R/PL 1650R/R+

The following procedure describes the removal and replacement for models ESCALA PL 1650R-L+ and ESCALA PL 850R/PL 1650R/R+ Slimline media devices.

Select the appropriate instructions from this list:

- [Install a Slimline media device for models ESCALA PL 1650R-L+ and ESCALA PL 850R/PL 1650R/R+](#)
- [Remove and replace a Slimline media device for models ESCALA PL 1650R-L+ and ESCALA PL 850R/PL 1650R/R+](#)

Parent topic: [Media device](#)

Install a Slimline media device for models ESCALA PL 1650R-L+ and ESCALA PL 850R/PL 1650R/R+

The following procedure describes the installation of the Slimline media devices.

If your system is managed by the Hardware Management Console (HMC), you can use the HMC to complete the steps for installing a Slimline media device. For instructions, see [Install a feature using the Hardware Management Console](#).

If the operating system on your system or partition is AIX or Linux, install the media device with the power off, see [Install a Slimline media device for models ESCALA PL 1650R-L+ and ESCALA PL 850R/PL 1650R/R+ with the system powered off](#).

- [Install a Slimline media device for models ESCALA PL 1650R-L+ and ESCALA PL 850R/PL 1650R/R+ with the system powered off](#)

Parent topic: [Media device for models ESCALA PL 1650R-L+ and ESCALA PL 850R/PL 1650R/R+](#)

Install a Slimline media device for models ESCALA PL 1650R-L+ and ESCALA PL 850R/PL 1650R/R+ with the system powered off

If your system is managed by the Hardware Management Console (HMC), you can use the HMC to complete the steps for installing a Slimline media device. For instructions, see [Install a feature using the Hardware Management Console](#).

To install a Slimline media device for models ESCALA PL 1650R-L+ and ESCALA PL 850R/PL 1650R/R+ with the system or partition powered off, follow these steps from the system or partition that controls the media device:

1. Stop the system. For instructions, see [Stop the system or logical partition](#).

Attention: Media devices are fragile. Handle with care.

2. Find the package that contains the new media device and remove it from the static-protective package.

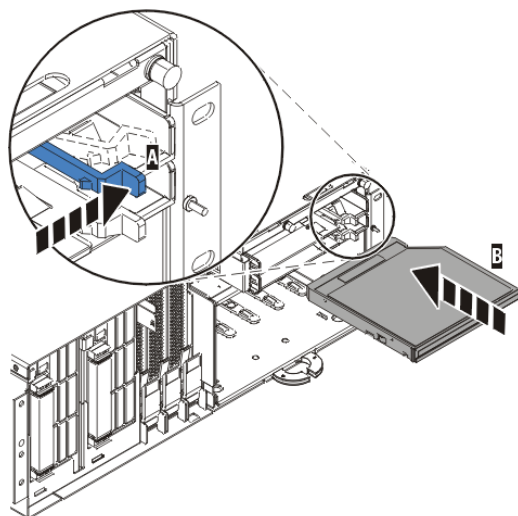
Attention:

- ◆ Attach a wrist strap to an unpainted metal surface of your hardware to prevent electrostatic discharge from damaging your hardware.
- ◆ When using a wrist strap, follow all electrical safety procedures. A wrist strap is for static control. It does not increase or decrease your risk of receiving electric shock when using or working on electrical equipment.
- ◆ If you do not have a wrist strap, just prior to removing the product from ESD packaging and installing or replacing hardware, touch an unpainted metal surface of the system for a minimum of 5 seconds.

3. Align the media device with the Slimline media bay and support the bottom of the device as you slide it halfway into the system unit.
4. While holding the blue plastic retaining tab A, push the device B fully into the system as shown in the

following figure.

Figure 1. Slimline media-device installation



5. Start the system. For instructions on starting the system, see [Start the system or logical partition](#).
6. Verify that the new resource is functional. Refer to [Verify the installed part](#).
7. Replace the system unit front cover. For instructions, see [Install the front cover on the model ESCALA PL 1650R-L+ or ESCALA PL 850R/PL 1650R/R+](#).
8. Close the front rack door.

Parent topic: [Install a Slimline media device for models ESCALA PL 1650R-L+ and ESCALA PL 850R/PL 1650R/R+](#)

Remove and replace a Slimline media device for models ESCALA PL 1650R-L+ and ESCALA PL 850R/PL 1650R/R+

To remove and replace a Slimline media device for models ESCALA PL 1650R-L+ and ESCALA PL 850R/PL 1650R/R+, do the following:

1. Perform the prerequisite tasks described in [Before you begin](#).
2. If you are removing a failing device, see [Identify a failing part](#). If you are removing the device for other reasons, continue to the next step.
3. Open the front rack door.
4. [Remove the front cover from the model ESCALA PL 1650R-L+ or ESCALA PL 850R/PL 1650R/R+](#).
 - [Remove and replace the model ESCALA PL 850R/PL 1650R/R+ media-device with the system power on using the ASMI](#)
The following procedure describes how to use the Advanced System Management Interface (ASMI) to remove and replace a media-device in a model ESCALA PL 850R/PL 1650R/R+ with the power on if the operating system is AIX or Linux.
 - [Remove and replace a Slimline media device for models ESCALA PL 1650R-L+ and ESCALA PL 850R/PL 1650R/R+ with the system powered off](#)

Parent topic: [Media device for models ESCALA PL 1650R-L+ and ESCALA PL 850R/PL 1650R/R+](#)

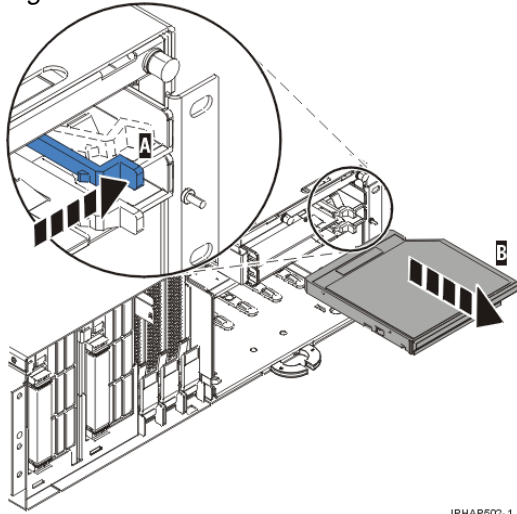
Remove and replace the model ESCALA PL 850R/PL 1650R/R+ media-device with the system power on using the ASMI

The following procedure describes how to use the Advanced System Management Interface (ASMI) to remove and replace a media-device in a model ESCALA PL 850R/PL 1650R/R+ with the power on if the operating system is AIX or Linux.

If you are using these

1. Perform the prerequisite tasks described in [Before you begin](#).
2. If you are removing the media device as part of another procedure, continue to the next step. If you are removing the device because of a system failure, refer to [Identify a failing part](#).
3. Ensure that any processes or applications that might use the media-device are stopped.
4. Access the Advanced System Management Interface (ASMI) for instructions see [Accessing the ASMI](#).
5. On the ASMI Welcome pane, specify your user ID and password, and click Log In. Ensure you are logged on with at least Administrator or Service provider level authority.
6. In the navigation area, expand Concurrent Maintenance.
7. Select IDE Device Control. The location code and current power state of each IDE device is displayed.
8. Click Power off to remove power from the IDE devices displayed in the list. To restore power to the IDE devices displayed in the list, click Power on.
9. While holding the blue plastic retaining tab A, grasp the device B and pull it out of the system unit as shown in the following figure.

Figure 1. Slimline media-device removal



IPHAP502-1

10. Align the replacement device with the Slimline media bay, then push it fully into the system.
11. From the ASMI, power on the media device as instructed in [step 8](#).
12. Verify that the new resource is functional. Refer to [Verify the installed part](#).
13. Replace the system unit front cover. For instructions, see [Install the front cover on the model ESCALA PL 1650R-L+ or ESCALA PL 850R/PL 1650R/R+](#).
14. Close the front rack door.

Parent topic: [Remove and replace a Slimline media device for models ESCALA PL 1650R-L+ and ESCALA PL 850R/PL 1650R/R+](#)

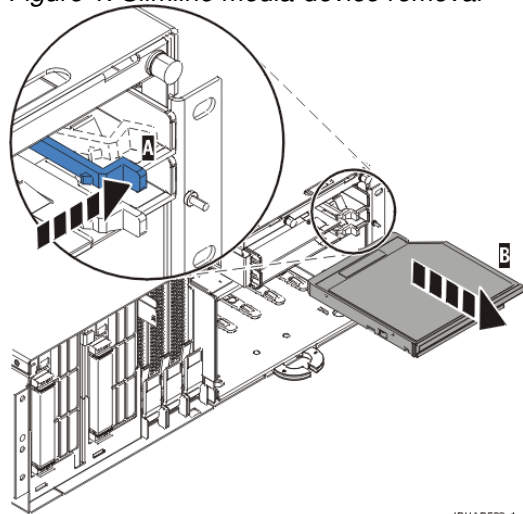
Remove and replace a Slimline media device for models ESCALA PL 1650R-L+ and ESCALA PL 850R/PL 1650R/R+ with the system powered off

To replace a Slimline media device for models ESCALA PL 1650R-L+ and ESCALA PL 850R/PL 1650R/R+ with the system or partition powered off, follow these steps from the system or partition that controls the media device:

1. Perform the prerequisite tasks described in [Before you begin](#).
2. If you are removing the media device as part of another procedure, continue to the next step. If you are removing the device because of a system failure, refer to [Identify a failing part](#).
3. Stop the system. For instructions, see [Stop the system or logical partition](#).

4. While holding the blue plastic retaining tab A, grasp the device B and pull it out of the system unit as shown in the following figure.

Figure 1. Slimline media-device removal



IPHAP507-1

5. Align the replacement device with the Slimline media bay, then push it fully into the system.
6. Start the system. For instructions on starting the system, see [Start the system or logical partition](#).
7. Verify that the new resource is functional. Refer to [Verify the installed part](#).
8. Replace the system unit front cover. For instructions, see [Install the front cover on the model ESCALA PL 1650R-L+ or ESCALA PL 850R/PL 1650R/R+](#).
9. Close the front rack door.
10. Verify that the new resource is functional. Refer to [Verify the installed part](#).

Parent topic: [Remove and replace a Slimline media device for models ESCALA PL 1650R-L+ and ESCALA PL 850R/PL 1650R/R+](#)

Media device for model ESCALA PL 245T/R

Select one of the following procedures for installing or removing and replacing Slimline or Small Computer System Interface (SCSI) media devices.

- [Install a media device for model ESCALA PL 245T/R](#)
- [Remove and replace a media device for model ESCALA PL 245T/R](#)

Parent topic: [Media device](#)

Install a media device for model 471/85 and ESCALA PL 245T/R

Note: If you are installing a 3.5-in. media device in the bay, you must attach the 5.25-in. conversion kit, which you can order from an authorized dealer.

To install a media device, complete the following steps:

1. Turn off the computer and peripheral devices, and disconnect the power cords and all external cables.

2. Remove the side cover. For instructions, see [Remove and replace model 471/85 or ESCALA PL 245T/R side cover](#).
3. Remove the front cover. For instructions, see [Remove and replace model ESCALA PL 245T/R front cover](#).
4. Open the drive cage by lifting the release tab A and lifting the cage up until it locks in place as shown in the following graphic.

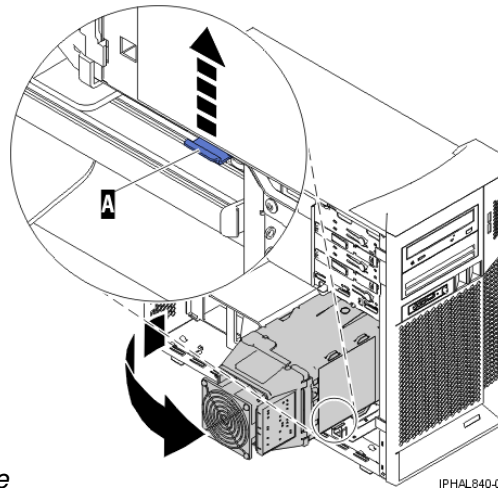


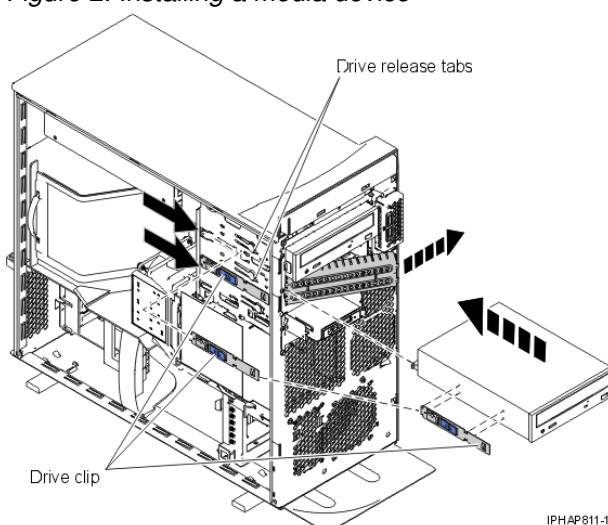
Figure 1. Lifting the disk drive cage

5. Touch the static-protective package containing the drive to any unpainted metal surface on the computer and remove the drive from the package and place it on a static-protective surface.
6. Set any jumpers or switches on the drive according to the documentation that comes with the drive.

Tip: You might find it easier to install the new drive from the front and then attach the cables.

7. Remove the drive bay cover.
8. Remove the drive clip that is attached to the side of the bay from the drive cage, as shown in the following figure.
 - a. Slide the drive clip to the left to disengage it from the drive cage
 - b. Snap the drive clip into the screw holes on the side of the device.

Figure 2. Installing a media device



9. Slide the drive into the device bay until it snaps in place.
10. Connect the power cable and one end of IDE or SCSI cable into the back of the drive, and make sure that the other end of this cable is connected into the applicable IDE or SCSI connector on the system board.
11. Route the signal cable so that it is flat alongside the air baffle and does not become tangled or twisted under the drive cage.

12. Connect the power cable to the back of the drive. The connectors are keyed and can be inserted in only one way.
13. Lower the drive cage by pushing it slightly to the front of the system, pressing the release tab A, and lowering the cage into the system as shown in the following figure.

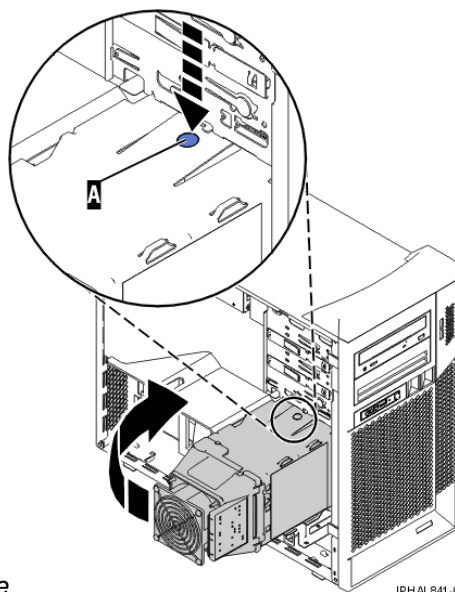


Figure 3. Lowering the drive cage

14. Replace the front cover. For instructions, see [Remove and replace model ESCALA PL 245T/R front cover](#).
15. Replace the side cover. For instructions, see [Remove and replace model 471/85 and ESCALA PL 245T/R side cover](#).
16. Reconnect the power cable to the back of the system and to any other peripheral devices that you unplugged.

Parent topic: [Media device for model ESCALA PL 245T/R](#)

Remove and replace a media device for model 471/85 and ESCALA PL 245T/R

To remove or replace a media device, complete the following steps:

1. Turn off the computer and peripheral devices, and disconnect the power cords and all external cables.
2. Remove the side cover. For instructions see, [Remove and replace model 471/85 and ESCALA PL 245T/R side cover](#).
3. Remove the front cover. For instructions see, [Remove and replace model ESCALA PL 245T/R front cover](#).
4. Open the disk drive cage by lifting up on the release tab A and lifting the cage up until it snaps into place as shown in the following graphic.

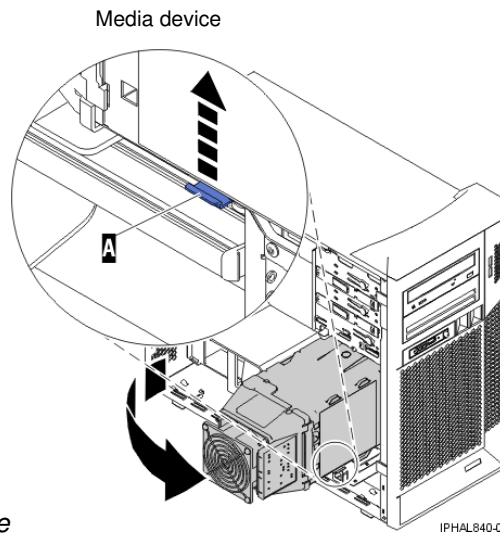


Figure 1. Lifting the disk drive cage

5. Disconnect the IDE or SCSI cable, depending on the type of media device, and the power cable from the back of the media device. Then unplug the IDE or SCSI cable from the system board.

Note: If you are replacing the media device with the same type of cable (IDE or SCSI) then you do not need to remove the cable from the system board.

6. Press the drive release tab that corresponds the media device you want to remove and slide the device out from the front of the case, as shown in the following figure.

Note: If you are not replacing a media device and you still have the drive bay cover slide the left end into the bay opening, and then snap the right side into place.

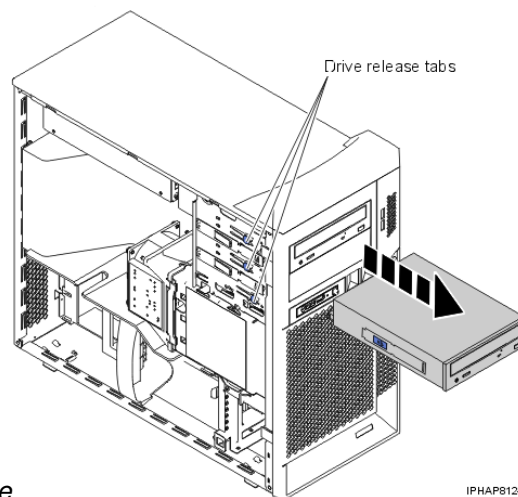
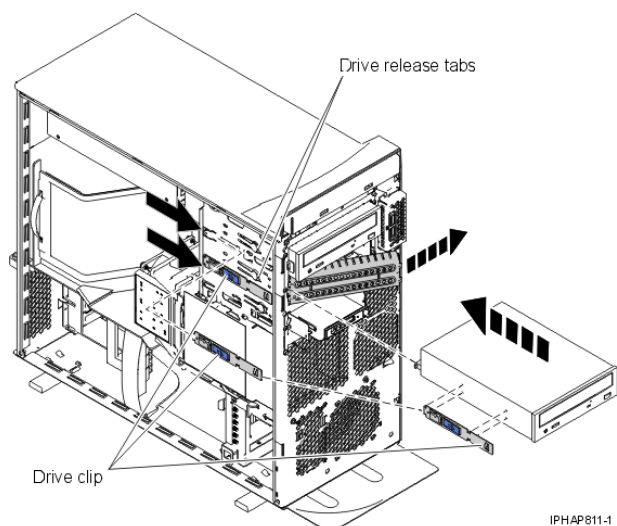


Figure 2. Removing a media device

7. Remove the drive clip that is attached to the side of the bay from the drive cage, as shown in the following figure.
 - a. Slide the drive clip to the front of the system unit to disengage it from the drive cage
 - b. Snap the drive clip into the screw holes on the side of the device.

Figure 3. Installing a media device

Media device



8. Slide the drive into the device bay until it snaps in place.

Note: If you are installing a 3.5-in. media device in the bay, you must attach the 5.25-in. conversion kit, which you can order from an authorized dealer.

9. Connect the power cable and one end of IDE or SCSI cable into the back of the media device, and make sure that the other end of this cable is connected into the applicable IDE or SCSI connector on the system board.
10. Route the signal cable so that it is flat alongside the air baffle and does not become twisted or tangled under the drive cage.
11. Connect the power cable to the back of the drive. The connectors are keyed and can be inserted in only one way.
12. Lower the drive cage by pushing it slightly forward, pressing the release tab A, and lowering the cage until it locks into place as shown in the following figure.

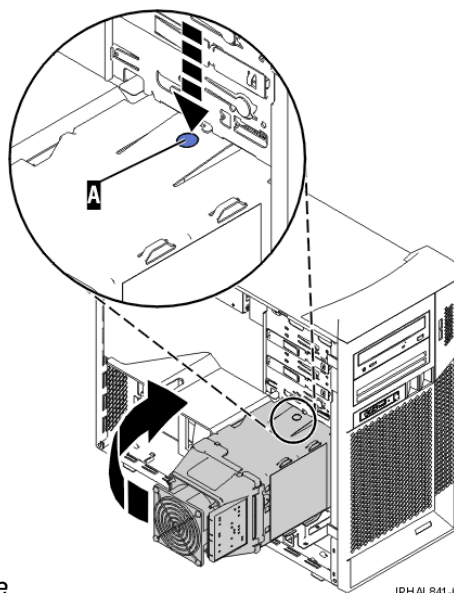


Figure 4. lowering the drive cage

13. Replace the front cover. For instructions see [Remove and replace model ESCALA PL 245T/R front cover](#).
14. Replace the side cover. For instructions see [Remove and replace model 471/85 and ESCALA PL 245T/R side cover](#).
15. Reconnect the power cable to the back of the system and to any other peripheral devices that you unplugged.

Parent topic: [Media device for model ESCALA PL 245T/R](#)

Media device

Media-device enclosure

Learn how to remove and replace a media-device enclosure to perform other service tasks or to service the media devices.

Replacing this feature is a customer task. You can perform these tasks yourself, or contact an authorized service provider to perform the task for you. You might be charged a fee by the service provider for these services.

- [Media-device enclosure for models ESCALA PL 250T/R, PL 250T/R+ or PL 450T/R-L+, ESCALA PL 450T/R, PL 450T/R+ or PL 850T/R-L+,](#)
 - [Model ESCALA PL 850R/PL 1650R/R+ media-device enclosure](#)
-

Media-device enclosure for models 112/85, ESCALA PL 250T/R, PL 250T/R+ or PL 450T/R-L+, ESCALA PL 450T/R, PL 450T/R+ or PL 850T/R-L+,

These procedures describe the removal and replacement of the media device in the following models:

- 112/85
- ESCALA PL 250T/R or ESCALA PL 450T/R
- ESCALA PL 250T/R or ESCALA PL 450T/R
- 7/20
- [Remove the media-device enclosure from models ESCALA PL 250T/R, PL 250T/R+ or PL 450T/R-L+, ESCALA PL 450T/R, PL 450T/R+ or PL 850T/R-L+,](#)
- [Replace the media-device enclosure in models ESCALA PL 250T/R, PL 250T/R+ or PL 450T/R-L+, ESCALA PL 450T/R, PL 450T/R+ or PL 850T/R-L+,](#)

Parent topic: [Media-device enclosure](#)

Remove the media-device enclosure from models 112/85, ESCALA PL 250T/R, PL 250T/R+ or PL 450T/R-L+, ESCALA PL 450T/R, PL 450T/R+ or PL 850T/R-L+,

The following procedure describes the removal of the media-device enclosure in the rack-mounted and stand-alone system units.

To remove the media-device enclosure, do the following:

1. Perform the prerequisite tasks described in [Before you begin](#).
2. If you are removing the media-device enclosure as part of another procedure, continue to the next step. If you are removing the enclosure because of a system failure, refer to [Identify a failing part](#).
3. [Stop the system or logical partition](#).
4. Remove the front cover. For instructions, see [Remove the front cover from the model 112/85, ESCALA PL 250T/R, PL 250T/R+ or PL 450T/R-L+, ESCALA PL 450T/R, PL 450T/R+ or PL 850T/R-L+, or the 05/95 expansion unit](#).
5. Press and hold the media-device enclosure latches A, then pull the enclosure B out of the system chassis as shown in the following figures.

Figure 1. Rack-mounted system unit media-device enclosure removal

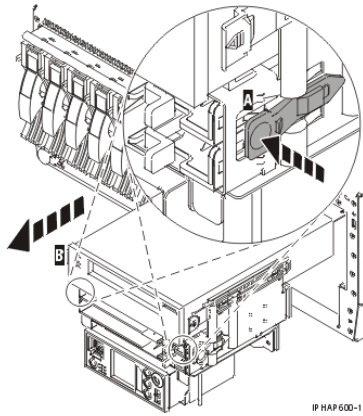
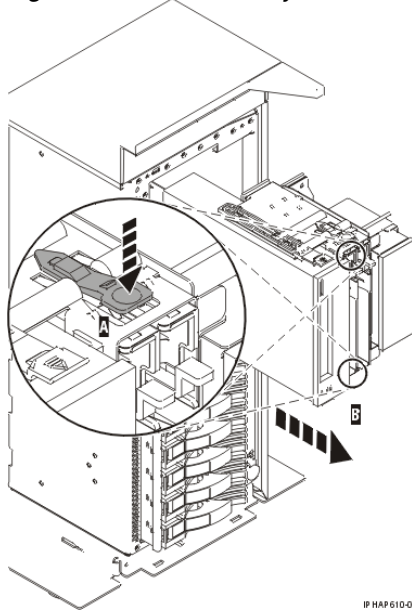


Figure 2. Stand-alone system unit media-device enclosure removal



6. If you are servicing a stand-alone system unit, unplug the control panel cable from the media-device enclosure while you remove the media-device enclosure from the system chassis. If you are servicing a rack-mounted system unit, the control panel will remain in the media-device enclosure while it is being removed. Disconnect any other cables that are connected to the media device enclosure.
7. If you are removing the media-device enclosure as part of another procedure, return to that procedure now. If you are removing a failing enclosure to replace it with a new one, ensure that you have removed all devices and needed parts from the failing unit and place them in the new unit.
8. To replace the media-device enclosure in the system unit, see [Replace the media-device enclosure in models ESCALA PL 250T/R, PL 250T/R+ or PL 450T/R-L+, ESCALA PL 450T/R, PL 450T/R+ or PL 850T/R-L+, .](#)

Parent topic: [Media-device enclosure for models ESCALA PL 250T/R, PL 250T/R+ or PL 450T/R-L+, ESCALA PL 450T/R, PL 450T/R+ or PL 850T/R-L+,](#)

Replace the media-device enclosure in models 112/85, ESCALA PL 250T/R, PL 250T/R+ or PL 450T/R-L+, ESCALA PL 450T/R, PL 450T/R+ or PL 850T/R-L+,

The following procedure describes the replacement of the media-device enclosure in the rack-mounted and stand-alone system units.

To replace the media-device enclosure, do the following:

Remove the media-device enclosure from models 112/85, ESCALA PL 250T/R, PL 250T/R+ or PL 450T/R-L+, ESCALA PL 450T/R, PL 450T/R+ or PL 850T/R-L+,

1. If you have not previously removed the media-device enclosure, do so now.
2. If you are servicing a stand-alone system unit, plug the control panel cable into the media-device enclosure as you replace the media-device enclosure in the system chassis.
3. Align the media-device enclosure with the chassis opening.
4. Reconnect any cables that were connected to the media-device enclosure when it was removed.
5. Press and hold the media-device enclosure latches A, then push the enclosure B into place until you feel the latches lock as shown in the following figure.

Figure 1. Rack-mounted system unit media-device enclosure replacement

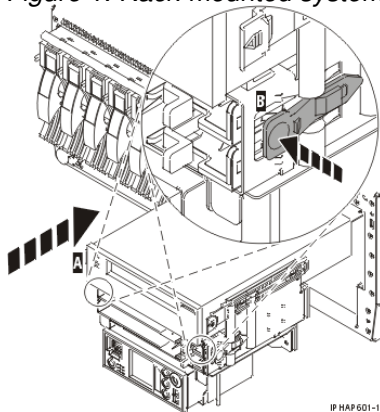
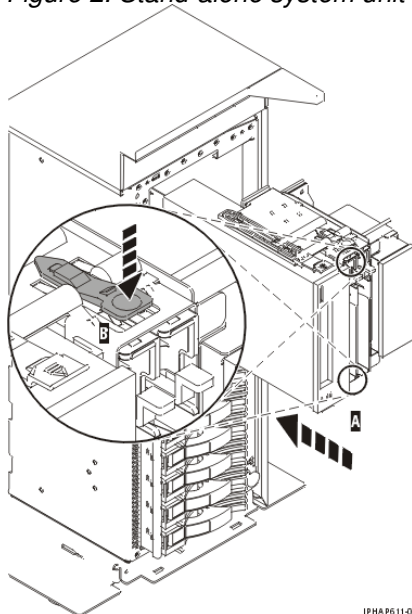


Figure 2. Stand-alone system unit media-device enclosure replacement



6. Reconnect all system power cables.
7. Install the front cover on the model 112/85, ESCALA PL 250T/R, PL 250T/R+ or PL 450T/R-L+, ESCALA PL 450T/R, PL 450T/R+ or PL 850T/R-L+, or the 05/95 expansion unit.
8. Place the rack-mounted system or expansion unit in the operating position.
9. Start the system or logical partition.
10. If you replaced the media-device enclosure as part of another procedure, return to that procedure now. If you replaced the enclosure because of a system failure, verify that the new resource is functional. See [Verify the installed part](#).

Parent topic: [Media-device enclosure for models ESCALA PL 250T/R, PL 250T/R+ or PL 450T/R-L+, ESCALA PL 450T/R, PL 450T/R+ or PL 850T/R-L+,](#)

Model ESCALA PL 850R/PL 1650R/R+ media-device enclosure

The following procedures describe the removal and replacement of the ESCALA PL 850R/PL 1650R/R+ media-device enclosure in rack-mounted system units.

- [Remove the model ESCALA PL 850R/PL 1650R/R+ media-device enclosure](#)
- [Replace the model ESCALA PL 850R/PL 1650R/R+ media-device enclosure](#)

Parent topic: [Media-device enclosure](#)

Remove the model ESCALA PL 850R/PL 1650R/R+ media-device enclosure

The following procedures describe the removal of the model ESCALA PL 850R/PL 1650R/R+ media-device enclosure.

- [Remove the model ESCALA PL 850R/PL 1650R/R+ media-device enclosure with the system power on using the ASMI](#)

The following procedure describes how to remove a media-device enclosure in a model ESCALA PL 850R/PL 1650R/R+ with the power on if the operating system is AIX or Linux using the Advanced System Management Interface (ASMI).

- [Remove the model ESCALA PL 850R/PL 1650R/R+ media-device enclosure with the system power off](#)

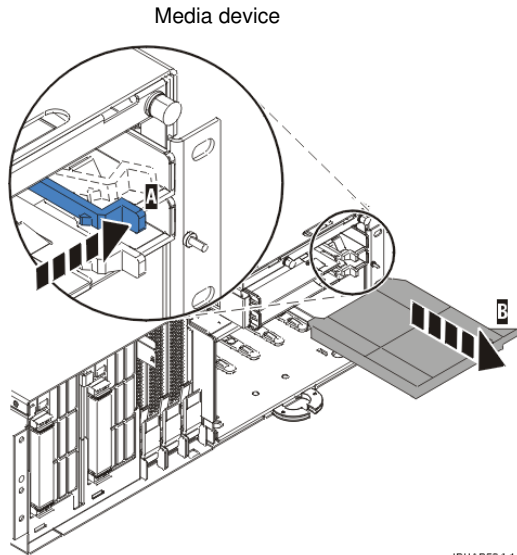
Parent topic: [Model ESCALA PL 850R/PL 1650R/R+ media-device enclosure](#)

Remove the model ESCALA PL 850R/PL 1650R/R+ media-device enclosure with the system power on using the ASMI

The following procedure describes how to remove a media-device enclosure in a model ESCALA PL 850R/PL 1650R/R+ with the power on if the operating system is AIX or Linux using the Advanced System Management Interface (ASMI).

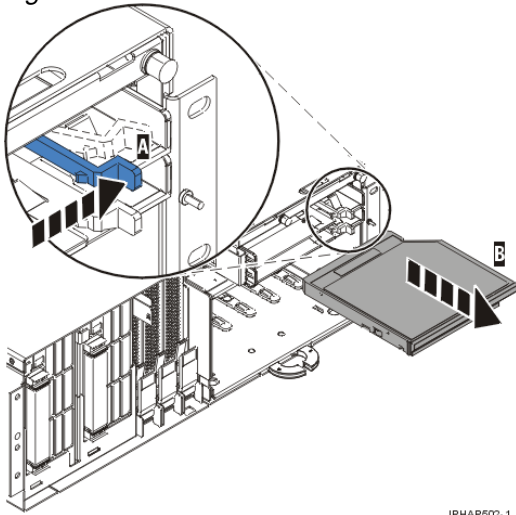
1. Perform the prerequisite tasks described in [Before you begin](#).
2. If you are removing the media device as part of another procedure, continue to the next step. If you are removing the device because of a system failure, refer to [Identify a failing part](#).
3. Ensure that any processes or applications that might use the media-device(s) are stopped.
4. Access the Advanced System Management Interface (ASMI) for instructions see [Accessing the ASMI](#).
5. From the ASMI, power down the media device(s) for instructions see [Controlling power to IDE devices](#).
6. Remove the front cover. For instructions, see [Remove the front cover from the model ESCALA PL 1650R-L+ or ESCALA PL 850R/PL 1650R/R+](#).
7. If there is a filler panel present in the media-device enclosure:, while holding the blue plastic retaining tab A, pull the filler panel B out of the system unit. See [Figure 1](#).

Figure 1. media device filler panel removal



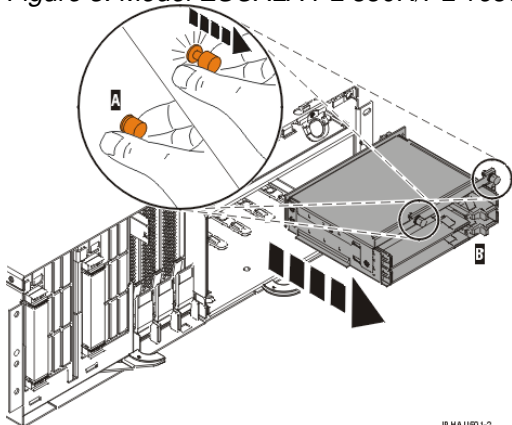
8. If there is a media device in the media-device enclosure, while holding the blue plastic retaining tab A, grasp the device B and pull it out of the system unit as shown in the following figure.

Figure 2. Slimline media device removal



9. Pull the two orange locking knobs B out until they unlock, then pull the enclosure A out of the system chassis.

Figure 3. Model ESCALA PL 850R/PL 1650R/R+ media-device enclosure removal



10. If you are removing the media-device enclosure as part of another procedure, return to that procedure now. If you are removing a failing enclosure to replace it with a new one, ensure that you have removed all devices and needed parts from the failing unit and placed them in the new unit.
11. To replace the media-device enclosure in the system unit, see [Replace the model ESCALA PL 850R/PL 1650R/R+ media-device enclosure with the system power on using the ASMI.](#)

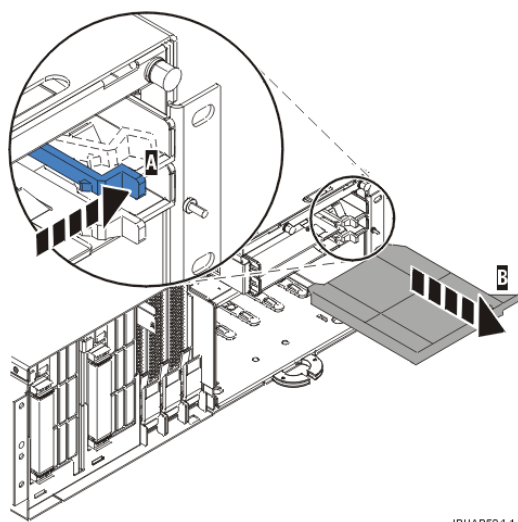
Remove the model ESCALA PL 850R/PL 1650R/R+ media-device enclosure with the system power off

The following procedure describes the removal of the model ESCALA PL 850R/PL 1650R/R+ media-device enclosure with the system power off.

To remove the media-device enclosure, do the following:

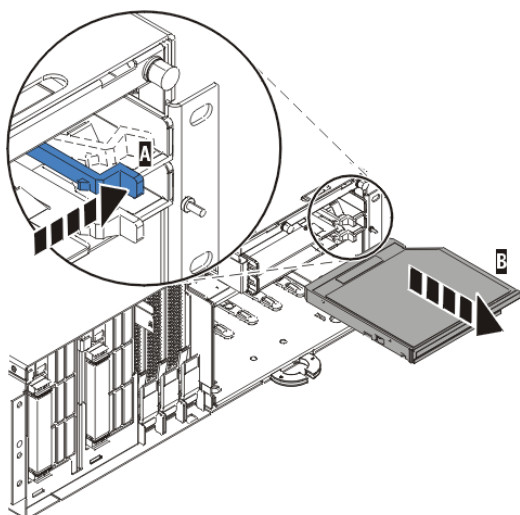
1. Perform the prerequisite tasks described in [Before you begin](#).
2. If you are removing the media-device enclosure as part of another procedure, continue to the next step. If you are removing the enclosure because of a system failure, refer to [Identify a failing part](#).
3. [Stop the system or logical partition](#).
4. Remove the front cover. For instructions, see [Remove the front cover from the model ESCALA PL 1650R-L+ or ESCALA PL 850R/PL 1650R/R+](#).
5. If there is a filler panel present in the media-device enclosure:, while holding the blue plastic retaining tab A, pull the filler panel B out of the system unit. See [Figure 1](#).

Figure 1. Slimline media device removal



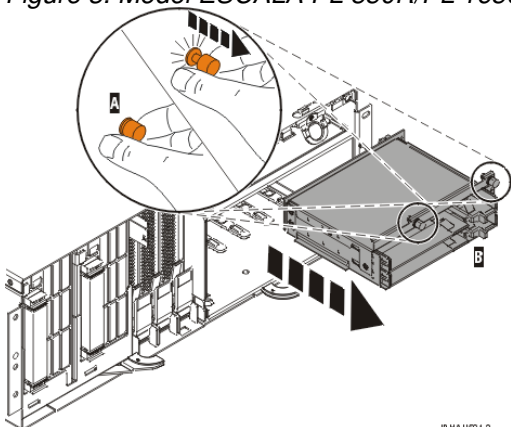
6. If there is a media device is present in the media-device enclosure, while holding the blue plastic retaining tab A, grasp the device B and pull it out of the system unit as shown in the following figure.

Figure 2. Media device filler panel removal



7. Pull the two orange locking knobs A out until they unlock, then pull the enclosure B out of the system chassis.

Figure 3. Model ESCALA PL 850R/PL 1650R/R+ media-device enclosure removal



8. If you are removing the media-device enclosure as part of another procedure, return to that procedure now. If you are removing a failing enclosure to replace it with a new one, ensure that you have removed all devices and needed parts from the failing unit and placed them in the new unit.
9. To replace the media-device enclosure in the system unit, see [Replace the model ESCALA PL 850R/PL 1650R/R+ media-device enclosure with the system power off](#).

Parent topic: [Remove the model ESCALA PL 850R/PL 1650R/R+ media-device enclosure](#)

Replace the model ESCALA PL 850R/PL 1650R/R+ media-device enclosure

The following procedures describe the replacement of the Model ESCALA PL 850R/PL 1650R/R+ media-device enclosure.

- [Replace the model ESCALA PL 850R/PL 1650R/R+ media-device enclosure with the system power on using the ASMI](#)
Learn how to replace the media-device enclosure with the power on using the Advanced System Management Interface (ASMI) to perform.
- [Replace the model ESCALA PL 850R/PL 1650R/R+ media-device enclosure with the system power off](#)

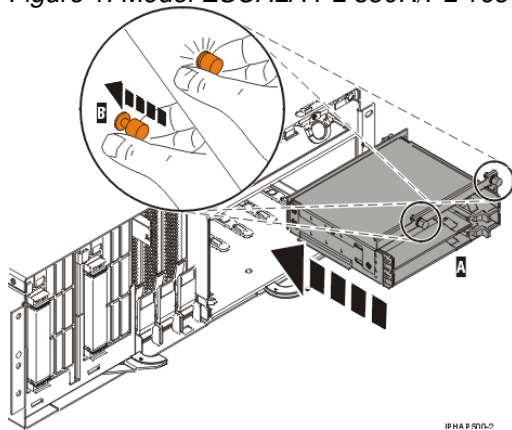
Parent topic: [Model ESCALA PL 850R/PL 1650R/R+ media-device enclosure](#)

Replace the model ESCALA PL 850R/PL 1650R/R+ media-device enclosure with the system power on using the ASMI

Learn how to replace the media-device enclosure with the power on using the Advanced System Management Interface (ASMI) to perform.

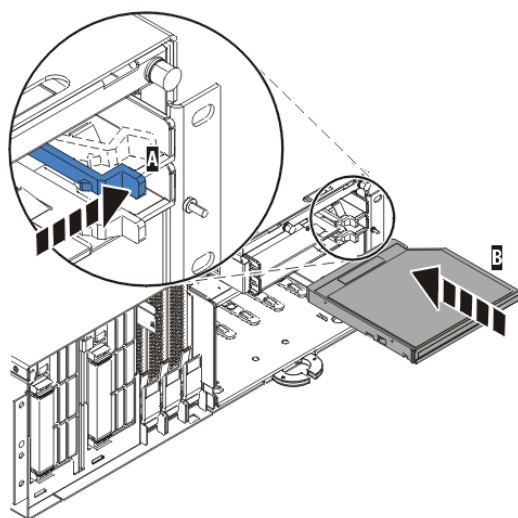
1. Remove the media-device enclosure from the system unit. See [Remove the model ESCALA PL 850R/PL 1650R/R+ media-device enclosure with the system power on using the ASMI](#).
2. Align the media-device enclosure with the chassis opening.
3. Push the media-device enclosure A into place, then push the two orange locking knobs B into the locked position as shown in the following figure.

Figure 1. Model ESCALA PL 850R/PL 1650R/R+ media-device enclosure replacement



4. If there was a media device present in the media-device enclosure, while holding the blue plastic retaining tab A, push the device B fully into the system as shown in [Figure 2](#).

Figure 2. Slimline media device replacement



5. If there was a filler panel present in the media-device enclosure, replace the filler panel.
6. From the ASMI, power on the media device for instructions see [Controlling power to IDE devices](#).
7. Verify that the new resource is functional. Refer to [Verify the installed part](#).
8. Replace the system unit front cover. For instructions, see [Install the front cover on the model ESCALA PL 1650R-L+ or ESCALA PL 850R/PL 1650R/R+](#).
9. Close the front rack door.

If you replaced the media-device enclosure as part of another procedure, return to that procedure now.

Parent topic: [Replace the model ESCALA PL 850R/PL 1650R/R+ media-device enclosure](#)

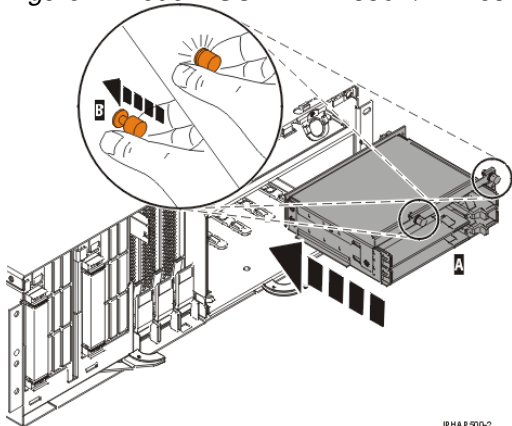
Replace the model ESCALA PL 850R/PL 1650R/R+ media-device enclosure with the system power off

The following procedure describes the replacement of the model ESCALA PL 850R/PL 1650R/R+ media-device enclosure with the system power off.

To replace the media-device enclosure, do the following:

1. Remove the media-device enclosure from the system unit. See [Remove the model ESCALA PL 850R/PL 1650R/R+ media-device enclosure with the system power off](#).
2. Align the media-device enclosure with the chassis opening.
3. Push the media-device enclosure A into place, then push the two orange locking knobs B into the locked position as shown in the following figure.

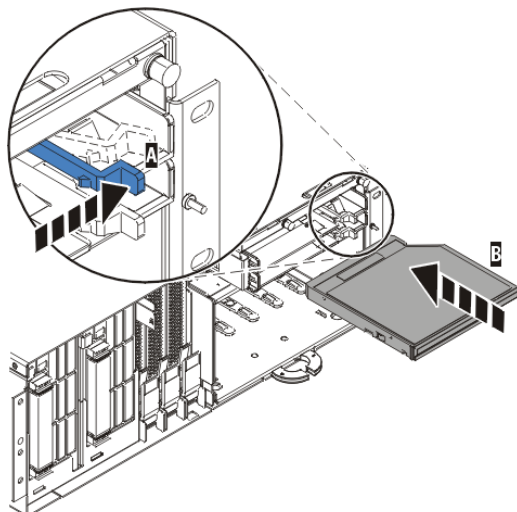
Figure 1. Model ESCALA PL 850R/PL 1650R/R+ media-device enclosure replacement



4. If there was a media device present in the media-device enclosure, while holding the blue plastic retaining tab A, push the device B fully into the system as shown in [Remove and replace a Slimline media device for models ESCALA PL 1650R-L+ and ESCALA PL 850R/PL 1650R/R+ with the system powered off](#).

Figure 2. Slimline media device replacement

Media device



IPHAP5/03-1

5. If there was a filler panel present in the media-device enclosure, replace the filler panel.
6. If you replaced the media-device enclosure as part of another procedure, return to that procedure now. If you replaced the enclosure because of a system failure, continue with the next step.
7. Reconnect all system power cables.
8. [Start the system or logical partition.](#)
9. [Install the front cover on the model ESCALA PL 1650R-L+ or ESCALA PL 850R/PL 1650R/R+.](#)
10. If you replaced the media-device enclosure as part of another procedure, return to that procedure now. If you replaced the enclosure because of a system failure, verify that the new resource is functional. See [Verify the installed part.](#)

Parent topic: [Replace the model ESCALA PL 850R/PL 1650R/R+ media-device enclosure](#)

Media device in an expansion unit

The following procedures describe the removal and replacement of media devices in expansion units.

- [Install a media device in an expansion unit](#)
 - [Remove and replace a media device in an expansion unit](#)
-

Install a media device in an expansion unit

This procedure gives you the steps you need to install media devices in your expansion unit. It will help you to decide between a concurrent media device installation and a shut-down media device installation. During a concurrent installation, you do not shut down your expansion unit.

If you encounter difficulties during the installation, contact your authorized dealer or service provider.

1. Perform prerequisite tasks as described in [Before you begin](#).
2. Open the front cover A (shown in [Figure 1](#) for feature 50/74, 50/94, 8093, or 9194; or in [Figure 2](#) for features 50/79, 52/94, or 8294).
3. Use the latch that is shown B to remove the cover as shown in the following figures.

Figure 1. Opening and removing the front cover door (50/74, 50/94, 8093, or 9194)

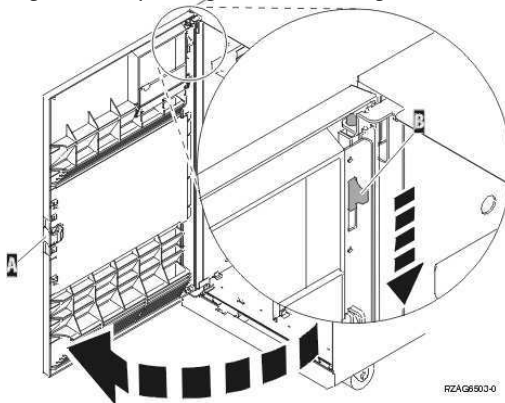
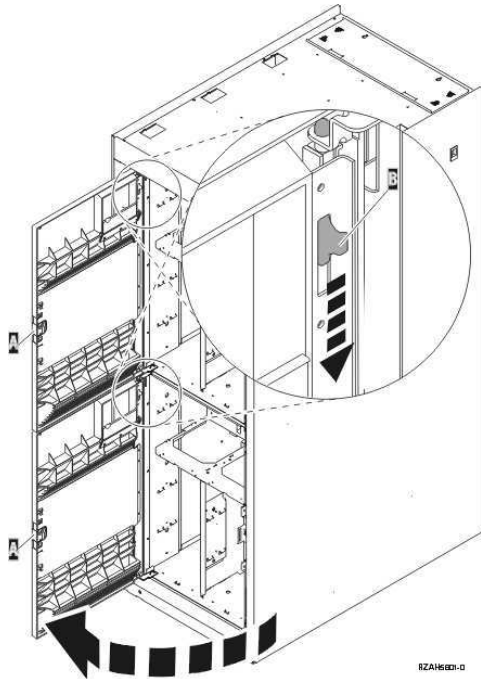


Figure 2. Opening and removing the front cover door (50/79, 52/94, or 8294)



If the server or the partition is running the AIX or Linux operating systems see [Remove the model ESCALA PL 850R/PL 1650R/R+ media-device enclosure with the system power on using the ASMI](#) or [Install a media device in an expansion unit with the system power off](#).

4.
 - ◆ [Install a media device in an expansion unit with the system power off](#). If you do not feel comfortable using the concurrent procedure, use this procedure.
- [Install a media device in an expansion unit with the system power off](#)

Parent topic: [Media device in an expansion unit](#)

Install a media device in an expansion unit with the system power off

To install the media device, follow these steps:

1. If you have installed logical partitions on your system unit, see the following instructions on shutting down a system with logical partitions:
 - ◆ [Restarting and shutting down AIX in a logical partition](#)
 - ◆ [Restarting and shutting down Linux in a logical partition](#)
2. [Stop the system or logical partition](#).
3. Open the front coverA (shown in [Figure 1](#) for features 50/74, 50/94, 8093, or 9194, or in [Figure 2](#) for features 50/79 or 52/94, or 8294).
4. If needed, use the latch B to remove the front cover ([Figure 1](#) for features 50/74, 50/94, 8093, or 9194, or in [Figure 2](#) for features 50/79 or 52/94, or 8294).

Attention:

- ◆ Attach a wrist strap to an unpainted metal surface of your hardware to prevent electrostatic discharge from damaging your hardware.
- ◆ When using a wrist strap, follow all electrical safety procedures. A wrist strap is for static control. It does not increase or decrease your risk of receiving electric shock when using or working on electrical equipment.
- ◆ If you do not have a wrist strap, just prior to removing the product from ESD packaging and installing or replacing hardware, touch an unpainted metal surface of the system for a minimum of 5 seconds.

5. Pull out the media filler bezel from the location in which you are installing the new device.
6. Follow the steps in [Details: Install a media device in an expansion unit with system power off](#) to install the new media device.

- [Details: Install a media device in an expansion unit with system power off](#)

Parent topic: [Install a media device in an expansion unit](#)

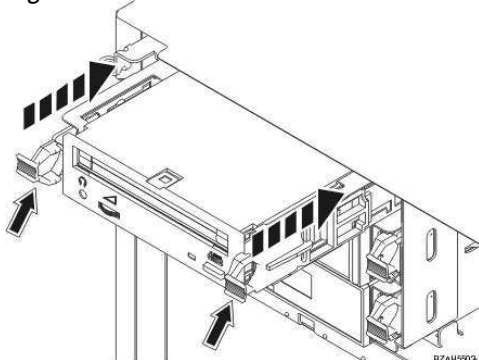
Details: Install a media device in an expansion unit with system power off

To install the media device, follow these steps:

Attention: Media devices are fragile. Handle with care.

1. Find the package that contains the new device and remove it from the static-protective package.
2. Ensure the media-device bay is empty by removing the filler bezel.
3. Hold the device upright and pull both handles on both sides of the device toward you.
4. Hold the device with the button in the upper right for tape units or lower right for CD-ROMs. Do not hold the device by the handles.
5. Refer to [Figure 1](#) and align the device with the position where you removed the filler bezel.
6. Slide it into the unit until it stops.
7. Push both handles in at the same time to lock the media device into place as shown in the following figure.

Figure 1. Install media device



8. Do you have any other devices to install?
 - ◆ No: Continue with the next step.
 - ◆ Yes: If you have another device such as a tape unit or a CD-ROM drive, refer to the instructions that came with that device.
9. Install the front cover.

DANGER An electrical outlet that is not correctly wired could place hazardous voltage on the metal parts of the system or the devices that attach to the system. It is the responsibility of the customer to ensure that the outlet is correctly wired and grounded to prevent an electrical shock. (D004)

10. Plug in the system unit and system unit console. Plug in all the components you previously unplugged such as printers and displays.
11. Power on all attached devices, such as printers and displays.
12. [Start the system or logical partition.](#)
13. Sign on the system unit. Ensure that you have service tools authority.
14. Do the following to verify your media device configuration:
 - a. On a command line, type `strsst`. Press Enter.
 - b. Type your service tools user ID and service tools password on the System Service Tools (SST) Sign On display.
 - c. When the System Service Tools (SST) display appears, select the Start a service tool option. Press Enter.
 - d. When the Start a Service Tool display appears, select the Hardware service manager option. Press Enter.
 - e. When the Hardware Service Manager display appears, select the Packaging hardware resources (system, frames, cards...) option. Press Enter.
 - f. On the Packaging Hardware Resources display, enter a 9 in the **Opt** column next to the expansion unit with the new media device. The **Description** and **Device Type-Model** will be displayed along with the position where your new media device was installed.
 - g. Press F3 to return to the Hardware Service Manager display.
 - h. At the Hardware Service Manager display, press F6 to print the configuration list if you have a printer. You or a service representative may refer to the configuration list in the future.
 - i. Press F12 twice and press Enter to return to the Main Menu.
 - j. Verify that the new resource is functional. Refer to [Verify the installed part.](#)

You have completed the installation.

Parent topic: [Install a media device in an expansion unit with the system power off](#)

Remove and replace a media device in an expansion unit

To remove and replace a media device, perform these tasks:

1. Perform prerequisite tasks as described in [Before you begin.](#)
2. Use the service action log to help identify the failing part. For instructions, see [Identify a failing part.](#)
3. Open the front cover A (shown in [Figure 1](#) for features 50/74, 50/94, 8093, or 9194, or in [Figure 2](#) for features 50/79, 52/94, or 8294).
4. Use the latch B to remove the cover as shown in the following figures.

Figure 1. Opening the front cover door (features 50/74, 50/94, 8093, or 9194)

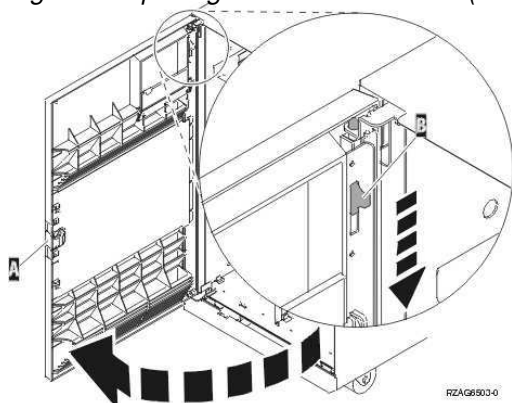
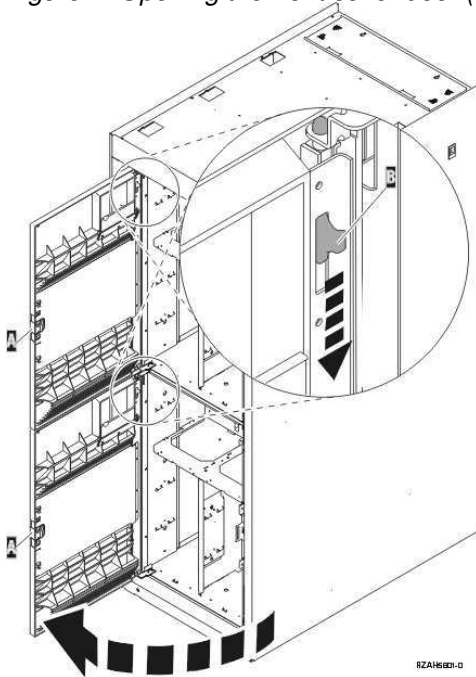


Figure 2. Opening the front cover door (50/79, 52/94, or 8294)



Attention: If the server or the partition is running the AIX or Linux operating systems see [Remove the model ESCALA PL 850R/PL 1650R/R+ media-device enclosure with the system power on using the ASMI](#) or [Install a media device in an expansion unit with the system power off](#).

- [Remove and replace a media device in an expansion unit with the system power off](#)

Parent topic: [Media device in an expansion unit](#)

Remove and replace a media device in an expansion unit with the system power off

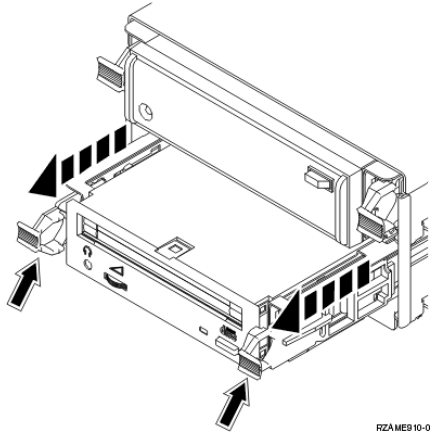
To help identify the failing part, see [Identify a failing part](#).

If you have installed logical partitions on your system unit, see the following appropriate instructions on shutting down a system with logical partitions:

- [Restarting and shutting down AIX in a logical partition](#)
- [Restarting and shutting down Linux in a logical partition](#)

If you do not have logical partitions on your system, see [Identify a failing part](#).

1. [Stop the system or logical partition](#).
2. Locate the device you want to replace.
3. Pull both handles on both sides of the device toward you as shown in the following figure.



4. Slide the device out.

Note: Do not hold the device by the handles.

5. Follow the instructions in [Details: Install a media device in an expansion unit with system power off](#) to install the new media device.

Parent topic: [Remove and replace a media device in an expansion unit](#)

Related information

For information on prerequisites and device operations related to specific media devices, refer to [Managing media devices](#).

For more information on media devices running in AIX, refer to the *60/150GB 8 mm Internal Tape Drive Installation and Using Guide*, SA23-1282, or the *80/160GB VXA-2 Internal Tape Drive Installation and Using Guide*, SA23-1297.

Media device

Related procedures

- **Before you begin**
Understand prerequisites for installing, removing, or replacing features and parts.
 - **Start or stop the system or logical partition**
Learn how to start or stop a system or logical partition.
 - **Gain access to the model ESCALA PL 250R-L, PL 250R-L+ or PL 450R-VL+ control panels**
 - **Place the rack-mounted system or expansion unit in the service position or operating position**
 - **Place the model ESCALA PL 250R-L, PL 250R-L+ or PL 450R-VL+ __ in the service position**
Learn how to place the unit into the service position.
 - **Place the model ESCALA PL 250R-L, PL 250R-L+ or PL 450R-VL+ __ in the operating position**
Learn how to place the unit into the operating position.
 - **Front cover**
The following procedures describe how to remove and install the front cover of the system or expansion unit.
 - **Model 112/85, ESCALA PL 250T/R, PL 250T/R+ or PL 450T/R-L+, ESCALA PL 450T/R, PL 450T/R+ or PL 850T/R-L+, door**
Learn how to remove and replace the front door of the stand-alone model 112/85, ESCALA PL 250T/R, PL 250T/R+ or PL 450T/R-L+, ESCALA PL 450T/R, PL 450T/R+ or PL 850T/R-L+, .
 - **Expansion unit cover or door**
Learn how to remove and install expansion unit covers and doors.
 - **Identify a failing part**
The following procedures describe how to locate and identify a failing part on your system or expansion unit.
 - **Verify the installed part**
 - **Install a feature using the Hardware Management Console**
 - **Remove a part using the Hardware Management Console**
 - **Replace a part using the Hardware Management Console**
-

Start or stop the system or logical partition

Learn how to start or stop a system or logical partition.

- **Start the system or logical partition**
Use these instructions to start a system or logical partition.
- **Stop the system or logical partition**
Learn how to stop a system or logical partition.

Parent topic: [Related procedures](#)

Before you begin

Understand prerequisites for installing, removing, or replacing features and parts.

DANGERWhen working on or around the system, observe the following precautions:

Electrical voltage and current from power, telephone, and communication cables are hazardous. To avoid a shock hazard:

- Connect power to this unit only with the provided power cord. Do not use the provided power cord for any other product.
- Do not open or service any power supply assembly.
- Do not connect or disconnect any cables or perform installation, maintenance, or reconfiguration of this product during an electrical storm.
- The product might be equipped with multiple power cords. To remove all hazardous voltages, disconnect all power cords.

- Connect all power cords to a properly wired and grounded electrical outlet. Ensure that the outlet supplies proper voltage and phase rotation according to the system rating plate.
- Connect any equipment that will be attached to this product to properly wired outlets.
- When possible, use one hand only to connect or disconnect signal cables.
- Never turn on any equipment when there is evidence of fire, water, or structural damage.
- Disconnect the attached power cords, telecommunications systems, networks, and modems before you open the device covers, unless instructed otherwise in the installation and configuration procedures.
- Connect and disconnect cables as described in the following procedures when installing, moving, or opening covers on this product or attached devices.

To Disconnect:

1. Turn off everything (unless instructed otherwise).
2. Remove the power cords from the outlets.
3. Remove the signal cables from the connectors.
4. Remove all cables from the devices

To Connect:

1. Turn off everything (unless instructed otherwise).
2. Attach all cables to the devices.
3. Attach the signal cables to the connectors.
4. Attach the power cords to the outlets.
5. Turn on the devices.

(D005)

DANGER Observe the following precautions when working on or around your IT rack system:

- Heavy equipment personal injury or equipment damage might result if mishandled.
- Always lower the leveling pads on the rack cabinet.
- Always install stabilizer brackets on the rack cabinet.
- To avoid hazardous conditions due to uneven mechanical loading, always install the heaviest devices in the bottom of the rack cabinet. Always install servers and optional devices starting from the bottom of the rack cabinet.
- Rack-mounted devices are not to be used as shelves or work spaces. Do not place objects on top of rack-mounted devices.



- Each rack cabinet might have more than one power cord. Be sure to disconnect all power cords in the rack cabinet when directed to disconnect power during servicing.
- Connect all devices installed in a rack cabinet to power devices installed in the same rack cabinet. Do not plug a power cord from a device installed in one rack cabinet into a power device installed in a different rack cabinet.
- An electrical outlet that is not correctly wired could place hazardous voltage on the metal parts of the system or the devices that attach to the system. It is the responsibility of the customer to ensure that the outlet is correctly wired and grounded to prevent an electrical shock.

CAUTION

- Do not install a unit in a rack where the internal rack ambient temperatures will exceed the manufacturer's recommended ambient temperature for all your rack-mounted devices.
- Do not install a unit in a rack where the air flow is compromised. Ensure that air flow is not blocked or reduced on any side, front, or back of a unit used for air flow through the unit.
- Consideration should be given to the connection of the equipment to the supply circuit so that overloading of the circuits does not compromise the supply wiring or overcurrent protection. To provide the correct power connection to a rack, refer to the rating labels located on the equipment in the rack to determine the total power requirement of the supply circuit.
- *(For sliding drawers.)* Do not pull out or install any drawer or feature if the rack stabilizer brackets are not attached to the rack. Do not pull out more than one drawer at a time. The rack might become unstable if you pull out more than one drawer at a time.

- (For fixed drawers.) This drawer is a fixed drawer and must not be moved for servicing unless specified by the manufacturer. Attempting to move the drawer partially or completely out of the rack might cause the rack to become unstable or cause the drawer to fall out of the rack.

(R001)

Before you begin a replacement or installation procedure, perform these tasks:

1. If you are installing a new feature, ensure that you have the software required to support the new feature and determine if there are any existing PTF prerequisites.
2. If you are performing an installation or replacement procedure that might put your data at risk, ensure, wherever possible, that you have a current backup of your system or logical partition (including operating systems, licensed programs, and data).

For information on backing up your system or logical partition, select from the following:

- ◆ [AIX backup](#)
- ◆ [Linux backup](#)

3. Review the installation or replacement procedure for the feature or part.
4. Note the significance of color on your system.

Blue or terra-cotta on a part of the hardware indicates a touch point where you can grip the hardware to remove it from or install it in the system, open or close a latch, and so on. Terra-cotta might also indicate that the part can be removed and replaced with the system or logical partition power on.

5. Ensure that you have access to a medium, flat-blade screwdriver.
6. If parts are incorrect, missing, or visibly damaged, do the following:
 - ◆ If you are replacing a part, contact your service provider or next level of support.
 - ◆ If you are installing a feature, contact one of the following:
 - ◇ Your service provider or next level of support.
7. If you encounter difficulties during the installation, contact your service provider, or your next level of support.
8. If you are installing new hardware in a logical partition, you need to understand and plan for the implications of partitioning your system. For information, see [Partitioning the server](#), and then return to these instructions.

Parent topic: [Related procedures](#)

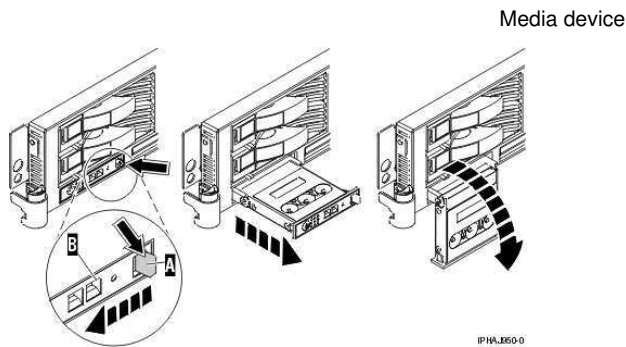
Gain access to the model ESCALA PL 250R-L, PL 250R-L+ or PL 450R-VL+ control panels

Because only part of the model ESCALA PL 250R-L, PL 250R-L+ or PL 450R-VL+ control panels control panel is visible from the front of the server, the following procedure describes how to gain access to all of the control panel's features, including the display.

To access all of the control panel's features, complete the following steps:

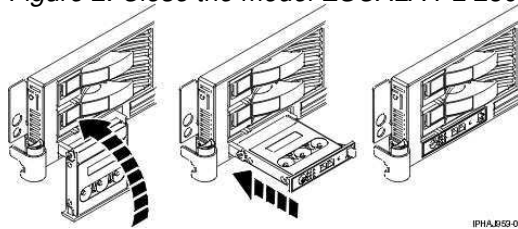
1. Press inward on the spring-loaded tab A located on the right side of the control panel B so that it pops out slightly, as shown in the following figure.

Figure 1. Gain access to the model ESCALA PL 250R-L, PL 250R-L+ or PL 450R-VL+ control panels



2. Pull the control panel out, toward the front of the system, until it can be pivoted downward on its hinge.
3. To move the control panel back into the device enclosure, lift the control panel up to align it with the opening and push it into place until you feel the tab lock, as shown in the following figure.

Figure 2. Close the model ESCALA PL 250R-L, PL 250R-L+ or PL 450R-VL+ control panels



Parent topic: [Related procedures](#)

Place the rack-mounted system or expansion unit in the service position or operating position

Learn how to place a rack-mounted system or expansion unit into the service position or the operating position.

- **Place the rack-mounted system or expansion unit in the service position**
By placing the rack-mounted system or expansion unit in the service position, you can access the inside of the unit.
- **Place the rack-mounted system or expansion unit in the operating position**
By placing the rack-mounted system or expansion unit in the operating position, you make the unit available for use.

Parent topic: [Related procedures](#)

Place the rack-mounted system or expansion unit in the service position

By placing the rack-mounted system or expansion unit in the service position, you can access the inside of the unit.

Note: Some of the figures in these procedures might not look exactly like the system or expansion unit that you have. However, the steps to perform the task are the same.

DANGER When working on or around the system, observe the following precautions:

Electrical voltage and current from power, telephone, and communication cables are hazardous. To avoid a shock hazard:

- Connect power to this unit only with the provided power cord. Do not use the provided power cord for any other product.
- Do not open or service any power supply assembly.
- Do not connect or disconnect any cables or perform installation, maintenance, or reconfiguration of this product during an electrical storm.
- The product might be equipped with multiple power cords. To remove all hazardous voltages, disconnect all power cords.
- Connect all power cords to a properly wired and grounded electrical outlet. Ensure that the outlet supplies proper voltage and phase rotation according to the system rating plate.
- Connect any equipment that will be attached to this product to properly wired outlets.
- When possible, use one hand only to connect or disconnect signal cables.
- Never turn on any equipment when there is evidence of fire, water, or structural damage.
- Disconnect the attached power cords, telecommunications systems, networks, and modems before you open the device covers, unless instructed otherwise in the installation and configuration procedures.
- Connect and disconnect cables as described in the following procedures when installing, moving, or opening covers on this product or attached devices.
 - To Disconnect:
 1. Turn off everything (unless instructed otherwise).
 2. Remove the power cords from the outlets.
 3. Remove the signal cables from the connectors.
 4. Remove all cables from the devices

To Connect:

1. Turn off everything (unless instructed otherwise).
2. Attach all cables to the devices.
3. Attach the signal cables to the connectors.
4. Attach the power cords to the outlets.
5. Turn on the devices.

(D005)

DANGER Observe the following precautions when working on or around your IT rack system:

- Heavy equipment personal injury or equipment damage might result if mishandled.
- Always lower the leveling pads on the rack cabinet.
- Always install stabilizer brackets on the rack cabinet.
- To avoid hazardous conditions due to uneven mechanical loading, always install the heaviest devices in the bottom of the rack cabinet. Always install servers and optional devices starting from the bottom of the rack cabinet.
- Rack-mounted devices are not to be used as shelves or work spaces. Do not place objects on top of rack-mounted devices.



- Each rack cabinet might have more than one power cord. Be sure to disconnect all power cords in the rack cabinet when directed to disconnect power during servicing.
- Connect all devices installed in a rack cabinet to power devices installed in the same rack cabinet. Do not plug a power cord from a device installed in one rack cabinet into a power device installed in a different rack cabinet.
- An electrical outlet that is not correctly wired could place hazardous voltage on the metal parts of the system or the devices that attach to the system. It is the responsibility of the customer to ensure that

the outlet is correctly wired and grounded to prevent an electrical shock.

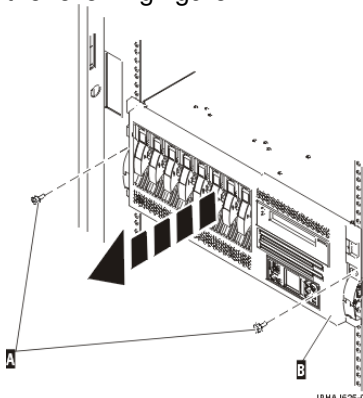
CAUTION

- Do not install a unit in a rack where the internal rack ambient temperatures will exceed the manufacturer's recommended ambient temperature for all your rack-mounted devices.
- Do not install a unit in a rack where the air flow is compromised. Ensure that air flow is not blocked or reduced on any side, front, or back of a unit used for air flow through the unit.
- Consideration should be given to the connection of the equipment to the supply circuit so that overloading of the circuits does not compromise the supply wiring or overcurrent protection. To provide the correct power connection to a rack, refer to the rating labels located on the equipment in the rack to determine the total power requirement of the supply circuit.
- *(For sliding drawers.)* Do not pull out or install any drawer or feature if the rack stabilizer brackets are not attached to the rack. Do not pull out more than one drawer at a time. The rack might become unstable if you pull out more than one drawer at a time.
- *(For fixed drawers.)* This drawer is a fixed drawer and must not be moved for servicing unless specified by the manufacturer. Attempting to move the drawer partially or completely out of the rack might cause the rack to become unstable or cause the drawer to fall out of the rack.

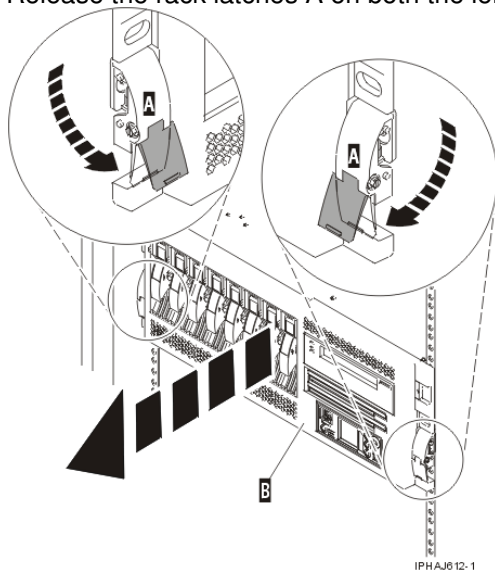
(R001)

To place the rack-mounted system or expansion unit into the service position, follow these steps:

1. If necessary, open the front rack door.
2. Remove the two thumbscrews A that secure the system or expansion unit B to the rack as shown in the following figure.



3. Release the rack latches A on both the left and right sides as shown in the following figure.



4. Review the following note, and then slowly pull the system or expansion unit out from the rack until the rails are fully extended and locked.

Note:

- ◆ If the procedure you are performing requires you to unplug cables from the back of the system or expansion unit, do so before you pull the unit out from the rack.
- ◆ Ensure that the cables at the rear of the system or expansion unit do not catch or bind as you pull the unit out from the rack.
- ◆ Ensure the rails are fully extended. When the rails are fully extended, the rail safety latches lock into place. This action prevents the system or expansion unit from being pulled out too far.

Parent topic: [Place the rack-mounted system or expansion unit in the service position or operating position](#)

Place the rack-mounted system or expansion unit in the operating position

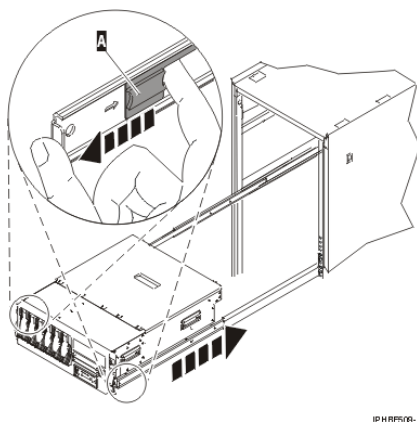
By placing the rack-mounted system or expansion unit in the operating position, you make the unit available for use.

Tip: Some of the figures in these procedures might not look exactly like the system or expansion unit that you have. However, the steps to perform the task are the same.

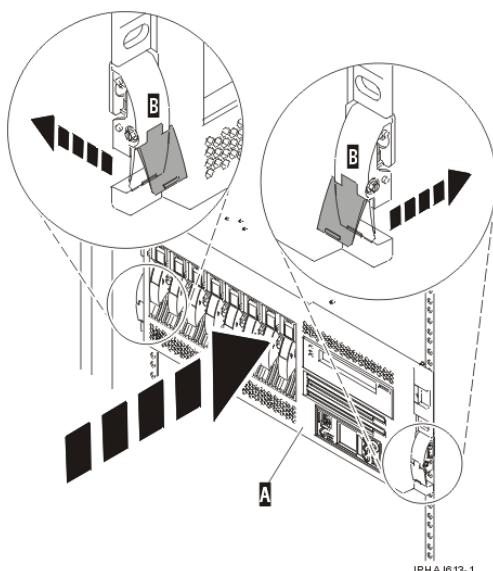
To place the rack-mounted system or expansion unit into the operating position, follow these steps:

1. Simultaneously release the blue rail safety latches A, located near the front of each rail, and push the system or expansion unit into the rack as shown in the following figure.

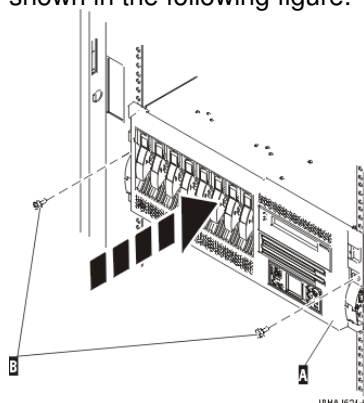
Note: Ensure that the cables at the rear of the system or expansion unit do not catch or bind as you push the unit back into the rack.



- a. Both rack latches B should lock into position as shown in the following figure.



2. Replace and tighten the two thumbscrews B that secure the system or expansion unit A to the rack as shown in the following figure.



3. Close the front rack door.

Parent topic: [Place the rack-mounted system or expansion unit in the service position or operating position](#)

Place the model ESCALA PL 250R-L, PL 250R-L+ or PL 450R-VL+ or 7/10 in the service position

Learn how to place the unit into the service position.

Note: Some of the figures in these procedures might not look exactly like the system unit that you have. However, the steps to perform the task are the same.

DANGERWhen working on or around the system, observe the following precautions:

Electrical voltage and current from power, telephone, and communication cables are hazardous. To avoid a shock hazard:

- Connect power to this unit only with the provided power cord. Do not use the provided power cord for any other product.
- Do not open or service any power supply assembly.

- Do not connect or disconnect any cables or perform installation, maintenance, or reconfiguration of this product during an electrical storm.
- The product might be equipped with multiple power cords. To remove all hazardous voltages, disconnect all power cords.
- Connect all power cords to a properly wired and grounded electrical outlet. Ensure that the outlet supplies proper voltage and phase rotation according to the system rating plate.
- Connect any equipment that will be attached to this product to properly wired outlets.
- When possible, use one hand only to connect or disconnect signal cables.
- Never turn on any equipment when there is evidence of fire, water, or structural damage.
- Disconnect the attached power cords, telecommunications systems, networks, and modems before you open the device covers, unless instructed otherwise in the installation and configuration procedures.
- Connect and disconnect cables as described in the following procedures when installing, moving, or opening covers on this product or attached devices.

To Disconnect:

1. Turn off everything (unless instructed otherwise).
2. Remove the power cords from the outlets.
3. Remove the signal cables from the connectors.
4. Remove all cables from the devices

To Connect:

1. Turn off everything (unless instructed otherwise).
2. Attach all cables to the devices.
3. Attach the signal cables to the connectors.
4. Attach the power cords to the outlets.
5. Turn on the devices.

(D005)

DANGER Observe the following precautions when working on or around your IT rack system:

- Heavy equipment personal injury or equipment damage might result if mishandled.
- Always lower the leveling pads on the rack cabinet.
- Always install stabilizer brackets on the rack cabinet.
- To avoid hazardous conditions due to uneven mechanical loading, always install the heaviest devices in the bottom of the rack cabinet. Always install servers and optional devices starting from the bottom of the rack cabinet.
- Rack-mounted devices are not to be used as shelves or work spaces. Do not place objects on top of rack-mounted devices.



- Each rack cabinet might have more than one power cord. Be sure to disconnect all power cords in the rack cabinet when directed to disconnect power during servicing.
- Connect all devices installed in a rack cabinet to power devices installed in the same rack cabinet. Do not plug a power cord from a device installed in one rack cabinet into a power device installed in a different rack cabinet.
- An electrical outlet that is not correctly wired could place hazardous voltage on the metal parts of the system or the devices that attach to the system. It is the responsibility of the customer to ensure that the outlet is correctly wired and grounded to prevent an electrical shock.

CAUTION

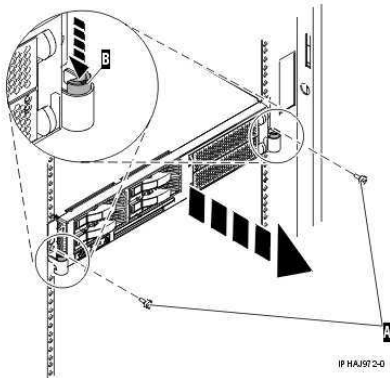
- Do not install a unit in a rack where the internal rack ambient temperatures will exceed the manufacturer's recommended ambient temperature for all your rack-mounted devices.
- Do not install a unit in a rack where the air flow is compromised. Ensure that air flow is not blocked or reduced on any side, front, or back of a unit used for air flow through the unit.
- Consideration should be given to the connection of the equipment to the supply circuit so that overloading of the circuits does not compromise the supply wiring or overcurrent protection. To provide the correct power connection to a rack, refer to the rating labels located on the equipment in the rack to determine the total power requirement of the supply circuit.

- (For sliding drawers.) Do not pull out or install any drawer or feature if the rack stabilizer brackets are not attached to the rack. Do not pull out more than one drawer at a time. The rack might become unstable if you pull out more than one drawer at a time.
- (For fixed drawers.) This drawer is a fixed drawer and must not be moved for servicing unless specified by the manufacturer. Attempting to move the drawer partially or completely out of the rack might cause the rack to become unstable or cause the drawer to fall out of the rack.

(R001)

To place the rack-mounted system unit into the service position, follow these steps:

1. If necessary, open the front rack door.
2. Remove the two thumbscrews A that secure the system unit to the rack as shown in the following figure.



3. Release the rack latches B on both the left and right sides as shown in the previous figure.
4. Review the following note, and then slowly pull the system unit out from the rack until the rails are fully extended and locked.

Note:

- ◆ If the procedure you are performing requires you to unplug cables from the back of the system unit, do so before you pull the unit out from the rack.
- ◆ Ensure that the cables at the rear of the system unit do not catch or bind as you pull the unit out from the rack.
- ◆ Ensure the rails are fully extended. When the rails are fully extended, the rail safety latches lock into place. This action prevents the system unit from being pulled out too far.

Parent topic: [Related procedures](#)

Place the model ESCALA PL 250R-L, PL 250R-L+ or PL 450R-VL+ or 7/10 in the operating position

Learn how to place the unit into the operating position.

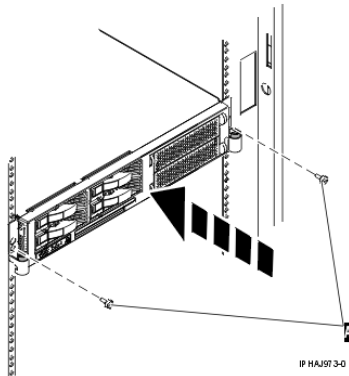
Tip: Some of the figures in these procedures might not look exactly like the system unit that you have. However, the steps to perform the task are the same.

To place the system unit into the operating position, follow these steps:

1. Simultaneously release the blue rail safety latches, located near the middle of each rail, and push the system unit into the rack. Both rack latches should lock into position.

Important: Ensure that the cables at the rear of the system unit do not catch or bind as you push the unit back into the rack.

2. Replace and tighten the two thumbscrews A that secure the system unit to the rack as shown in the following figure.



3. Close the front rack door.

Parent topic: [Related procedures](#)

Front cover

The following procedures describe how to remove and install the front cover of the system or expansion unit.

- **Remove the front cover from the model ESCALA PL 250R-L, PL 250R-L+ or PL 450R-VL+**
- **Front cover for models ESCALA PL 250T/R, PL 250T/R+ or PL 450T/R-L+, ESCALA PL 450T/R, PL 450T/R+ or PL 850T/R-L+, and the 05/95 expansion unit**

The following procedures describe how to remove and install the front cover of the model 112/85, ESCALA PL 250T/R, PL 250T/R+ or PL 450T/R-L+, ESCALA PL 450T/R, PL 450T/R+ or PL 850T/R-L+, , or the 05/95 expansion unit.

- **Front cover for the model ESCALA PL 1650R-L+ or ESCALA PL 850R/PL 1650R/R+**

The following procedures describe how to remove and install the front cover for rack-mounted ESCALA PL 1650R-L+ or ESCALA PL 850R/PL 1650R/R+ system units.

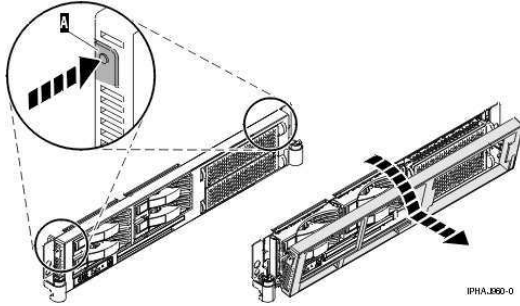
Parent topic: [Related procedures](#)

Remove the front cover from the model ESCALA PL 250R-L, PL 250R-L+ or PL 450R-VL+ or 7/10

To remove the front cover, follow these steps:

1. If necessary, open the front rack door.

2. Push both cover-release latches A down to release the cover as shown in the following figure.



3. Pivot the cover from the bottom and swing the top of the cover out.
4. Pull the bottom of the cover up and then away from the system unit. This releases the two tabs located on the bottom of the cover.
5. Put the cover in a safe place.

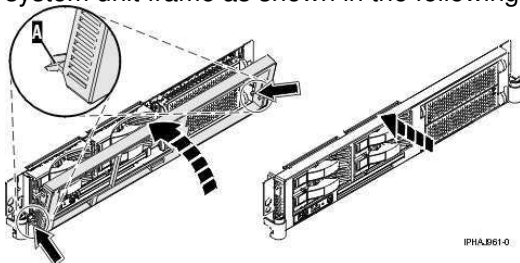
- **Install the front cover on the model ESCALA PL 250R-L, PL 250R-L+ or PL 450R-VL+**

Parent topic: [Front cover](#)

Install the front cover on the model ESCALA PL 250R-L, PL 250R-L+ or PL 450R-VL+ or 7/10

To install the front cover, follow these steps:

1. If necessary, open the front rack door.
2. Insert the two tabs A located on the bottom edge of the cover into their locking slots, located on the system unit frame as shown in the following figure.



3. Pivot the front cover up toward the top of the system unit frame.
4. Align the tabs to the matching slots located on the front of the system unit frame.
5. Gently push the tabs into the slots until the cover seats against the front of the system unit.
6. Close the front rack door.

Parent topic: [Remove the front cover from the model ESCALA PL 250R-L, PL 250R-L+ or PL 450R-VL+](#)

Front cover for models 112/85, ESCALA PL 250T/R, PL 250T/R+ or PL 450T/R-L+, ESCALA PL 450T/R, PL 450T/R+ or PL 850T/R-L+, and the 05/95 expansion unit

The following procedures describe how to remove and install the front cover of the model 112/85, ESCALA PL 250T/R, PL 250T/R+ or PL 450T/R-L+, ESCALA PL 450T/R, PL 450T/R+ or PL 850T/R-L+, , or the 05/95 expansion unit.

- **Remove the front cover from the model 112/85, ESCALA PL 250T/R, PL 250T/R+ or PL 450T/R-L+, ESCALA PL 450T/R, PL 450T/R+ or PL 850T/R-L+, or the 05/95 expansion unit**
The following procedures describe how to remove the front cover of the model 112/85, ESCALA PL 250T/R, PL 250T/R+ or PL 450T/R-L+, ESCALA PL 450T/R, PL 450T/R+ or PL 850T/R-L+, or the 05/95 expansion unit.
- **Install the front cover on the model 112/85, ESCALA PL 250T/R, PL 250T/R+ or PL 450T/R-L+, ESCALA PL 450T/R, PL 450T/R+ or PL 850T/R-L+, or the 05/95 expansion unit**
The following procedures describe how to install the front cover for the rack-mounted and stand-alone model 112/85, ESCALA PL 250T/R, PL 250T/R+ or PL 450T/R-L+, ESCALA PL 450T/R, PL 450T/R+ or PL 850T/R-L+, or the 05/95 expansion unit.

Parent topic: [Front cover](#)

Remove the front cover from the model 112/85, ESCALA PL 250T/R, PL 250T/R+ or PL 450T/R-L+, ESCALA PL 450T/R, PL 450T/R+ or PL 850T/R-L+, or the 05/95 expansion unit

The following procedures describe how to remove the front cover of the model 112/85, ESCALA PL 250T/R, PL 250T/R+ or PL 450T/R-L+, ESCALA PL 450T/R, PL 450T/R+ or PL 850T/R-L+, or the 05/95 expansion unit.

- **Remove the front cover from the rack-mounted model 112/85, ESCALA PL 250T/R, PL 250T/R+ or PL 450T/R-L+, ESCALA PL 450T/R, PL 450T/R+ or PL 850T/R-L+, and the 05/95 expansion unit**
- **Remove the front cover from the stand-alone model 112/85, ESCALA PL 250T/R, PL 250T/R+ or PL 450T/R-L+, ESCALA PL 450T/R, PL 450T/R+ or PL 850T/R-L+,**

Parent topic: [Front cover for models ESCALA PL 250T/R, PL 250T/R+ or PL 450T/R-L+, ESCALA PL 450T/R, PL 450T/R+ or PL 850T/R-L+, and the 05/95 expansion unit](#)

Remove the front cover from the rack-mounted model 112/85, ESCALA PL 250T/R, PL 250T/R+ or PL 450T/R-L+, ESCALA PL 450T/R, PL 450T/R+ or PL 850T/R-L+, and the 05/95 expansion unit

To remove the rack-mounted system or expansion unit front cover, follow these steps:

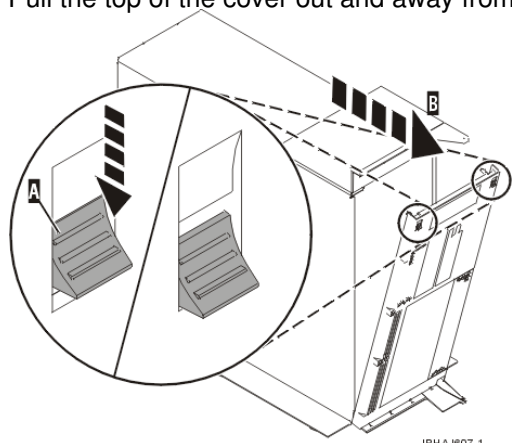
1. Open the front rack door.
2. Remove the two thumbscrews A that secure the system or expansion unit B to the rack as shown in the following figure.
3. Push both cover-release latches C in the direction of the arrows to release the cover from the system or expansion unit.
4. Pull the cover out and away from the system or expansion unit.

Parent topic: [Remove the front cover from the model 112/85, ESCALA PL 250T/R, PL 250T/R+ or PL 450T/R-L+, ESCALA PL 450T/R, PL 450T/R+ or PL 850T/R-L+, or the 05/95 expansion unit](#)

Remove the front cover from the stand-alone model 112/85, ESCALA PL 250T/R, PL 250T/R+ or PL 450T/R-L+, ESCALA PL 450T/R, PL 450T/R+ or PL 850T/R-L+,

To remove the stand-alone model 112/85, ESCALA PL 250T/R, PL 250T/R+ or PL 450T/R-L+, ESCALA PL 450T/R, PL 450T/R+ or PL 850T/R-L+, front cover, follow these steps:

1. Remove the door from the model 112/85, ESCALA PL 250T/R, PL 250T/R+ or PL 450T/R-L+, ESCALA PL 450T/R, PL 450T/R+ or PL 850T/R-L+, .
2. Press down on the two cover-release levers.
3. Pull the top of the cover out and away from the system as shown in the following figure.



4. Gently pull the cover up and off the base, releasing the lower cover-locking tabs.

Parent topic: [Remove the front cover from the model 112/85, ESCALA PL 250T/R, PL 250T/R+ or PL 450T/R-L+, ESCALA PL 450T/R, PL 450T/R+ or PL 850T/R-L+, or the 05/95 expansion unit](#)

Install the front cover on the model 112/85, ESCALA PL 250T/R, PL 250T/R+ or PL 450T/R-L+, ESCALA PL 450T/R, PL 450T/R+ or PL 850T/R-L+, or the 05/95 expansion unit

The following procedures describe how to install the front cover for the rack-mounted and stand-alone model 112/85, ESCALA PL 250T/R, PL 250T/R+ or PL 450T/R-L+, ESCALA PL 450T/R, PL 450T/R+ or PL 850T/R-L+, or the 05/95 expansion unit.

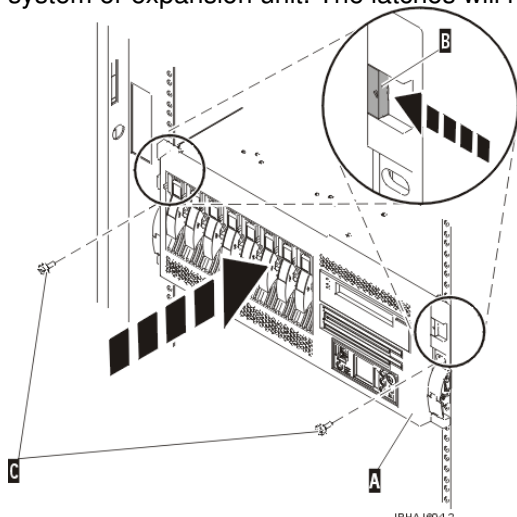
- [Install the front cover on the rack-mounted model 112/85, ESCALA PL 250T/R, PL 250T/R+ or PL 450T/R-L+, ESCALA PL 450T/R, PL 450T/R+ or PL 850T/R-L+, , or the 05/95 expansion unit](#)
- [Install the front cover on the stand-alone model 112/85, ESCALA PL 250T/R, PL 250T/R+ or PL 450T/R-L+, ESCALA PL 450T/R, PL 450T/R+ or PL 850T/R-L+,](#)

Parent topic: [Front cover for models ESCALA PL 250T/R, PL 250T/R+ or PL 450T/R-L+, ESCALA PL 450T/R, PL 450T/R+ or PL 850T/R-L+, and the 05/95 expansion unit](#)

Install the front cover on the rack-mounted model 112/85, ESCALA PL 250T/R, PL 250T/R+ or PL 450T/R-L+, ESCALA PL 450T/R, PL 450T/R+ or PL 850T/R-L+, , or the 05/95 expansion unit

To install the front cover on a rack-mounted model 112/85, ESCALA PL 250T/R, PL 250T/R+ or PL 450T/R-L+, ESCALA PL 450T/R, PL 450T/R+ or PL 850T/R-L+, or the 05/95, follow these steps:

1. Position the cover on the front of the system or expansion unit so that the two thumbscrews C align with the screw holes on the front of the system or expansion unit A, as shown in the following figure.
2. Push the cover-release latches B in the direction of the arrows to attach the cover to the front of the system or expansion unit. The latches will hold the cover in place.



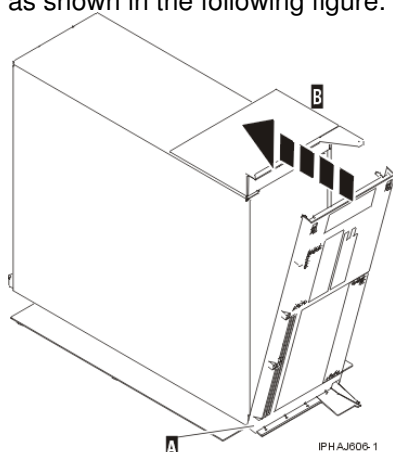
3. Tighten the thumbscrews.
4. Close the front rack door.

Parent topic: [Install the front cover on the model 112/85, ESCALA PL 250T/R, PL 250T/R+ or PL 450T/R-L+, ESCALA PL 450T/R, PL 450T/R+ or PL 850T/R-L+, or the 05/95 expansion unit](#)

Install the front cover on the stand-alone model 112/85, ESCALA PL 250T/R, PL 250T/R+ or PL 450T/R-L+, ESCALA PL 450T/R, PL 450T/R+ or PL 850T/R-L+,

To install the stand-alone model 112/85, ESCALA PL 250T/R, PL 250T/R+ or PL 450T/R-L+, ESCALA PL 450T/R, PL 450T/R+ or PL 850T/R-L+, front cover, follow these steps:

1. Place the two lower cover-locking tabs into the retaining slots located on the base of the system unit as shown in the following figure.



2. Rotate the cover up toward the top of the system, ensuring that the aligning pins are aligned with their matching slots located on the system.

3. Gently push the cover in until the two cover-release levers are seated in their respective slots.
4. Install or replace the door on the model 112/85, ESCALA PL 250T/R, PL 250T/R+ or PL 450T/R-L+, ESCALA PL 450T/R, PL 450T/R+ or PL 850T/R-L+, .

Parent topic: [Install the front cover on the model 112/85, ESCALA PL 250T/R, PL 250T/R+ or PL 450T/R-L+, ESCALA PL 450T/R, PL 450T/R+ or PL 850T/R-L+, or the 05/95 expansion unit](#)

Front cover for the model ESCALA PL 1650R-L+ or ESCALA PL 850R/PL 1650R/R+

The following procedures describe how to remove and install the front cover for rack-mounted ESCALA PL 1650R-L+ or ESCALA PL 850R/PL 1650R/R+ system units.

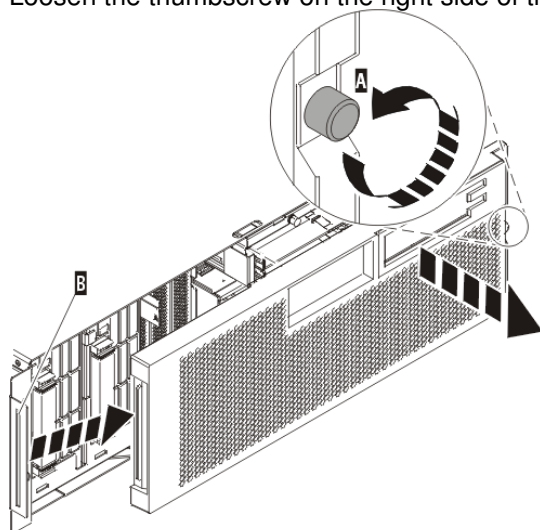
- [Remove the front cover from the model ESCALA PL 1650R-L+ or ESCALA PL 850R/PL 1650R/R+](#)
- [Install the front cover on the model ESCALA PL 1650R-L+ or ESCALA PL 850R/PL 1650R/R+](#)

Parent topic: [Front cover](#)

Remove the front cover from the model ESCALA PL 1650R-L+ or ESCALA PL 850R/PL 1650R/R+

To remove the front cover from the model ESCALA PL 1650R-L+ or ESCALA PL 850R/PL 1650R/R+, follow these steps:

1. If necessary, open the front rack door.
2. Loosen the thumbscrew on the right side of the cover as shown in the following figure.



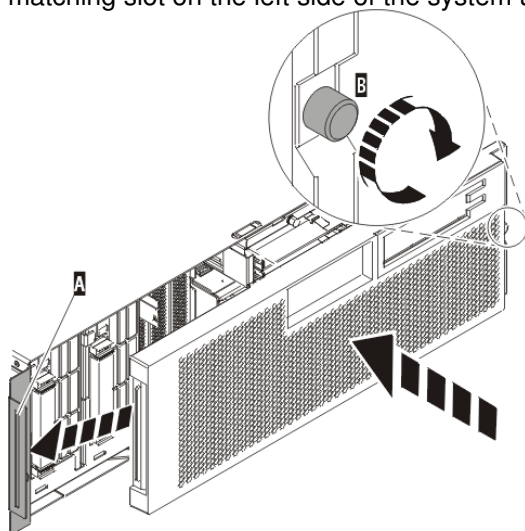
3. Slide the cover to the right and remove it from the system unit.

Parent topic: [Front cover for the model ESCALA PL 1650R-L+ or ESCALA PL 850R/PL 1650R/R+](#)

Install the front cover on the model ESCALA PL 1650R-L+ or ESCALA PL 850R/PL 1650R/R+

To install the front cover on the model ESCALA PL 1650R-L+ or ESCALA PL 850R/PL 1650R/R+, follow these steps:

1. Position the cover on the front of the system unit so that the tab on the left side of the cover is in the matching slot on the left side of the system unit as shown in the following figure.



2. Tighten the thumbscrew on the right side of the cover.
3. Close the front rack door.

Parent topic: [Front cover for the model ESCALA PL 1650R-L+ or ESCALA PL 850R/PL 1650R/R+](#)

Model 112/85, ESCALA PL 250T/R, PL 250T/R+ or PL 450T/R-L+, ESCALA PL 450T/R, PL 450T/R+ or PL 850T/R-L+, door

Learn how to remove and replace the front door of the stand-alone model 112/85, ESCALA PL 250T/R, PL 250T/R+ or PL 450T/R-L+, ESCALA PL 450T/R, PL 450T/R+ or PL 850T/R-L+, .

- [Remove the door from the model 112/85, ESCALA PL 250T/R, PL 250T/R+ or PL 450T/R-L+, ESCALA PL 450T/R, PL 450T/R+ or PL 850T/R-L+,](#)
- [Install or replace the door on the model 112/85, ESCALA PL 250T/R, PL 250T/R+ or PL 450T/R-L+, ESCALA PL 450T/R, PL 450T/R+ or PL 850T/R-L+,](#)

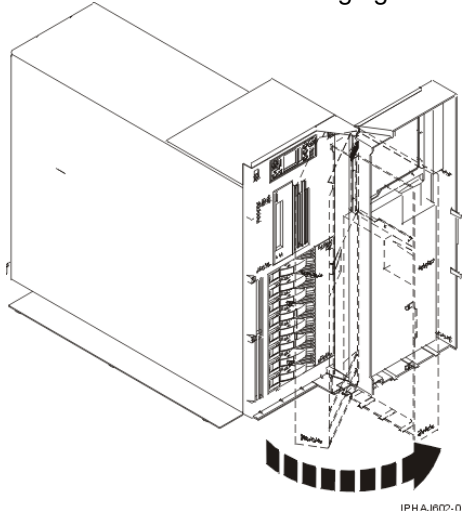
Parent topic: [Related procedures](#)

Remove the door from the model 112/85, ESCALA PL 250T/R, PL 250T/R+ or PL 450T/R-L+, ESCALA PL 450T/R, PL 450T/R+ or PL 850T/R-L+,

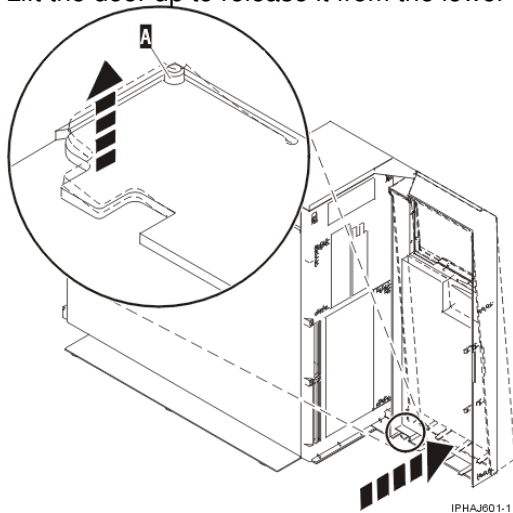
To remove the door from the model 112/85 or ESCALA PL 250T/R+ or ESCALA PL 450T/R-L+ see, [Remove the door from the model ESCALA PL 250T/R+ or ESCALA PL 450T/R-L+.](#)

To remove the ESCALA PL 250T/R, PL 250T/R+ or PL 450T/R-L+, ESCALA PL 450T/R, PL 450T/R+ or PL 850T/R-L+, door, do the following:

1. Open the front door by grasping the door handle and pulling the door out and away from the system unit as shown in the following figure.



2. To remove the door, press down on the top back edge of the door.
3. Gently swivel the top back edge of the door forward and out past the top of the system unit.
4. Lift the door up to release it from the lower retaining post.



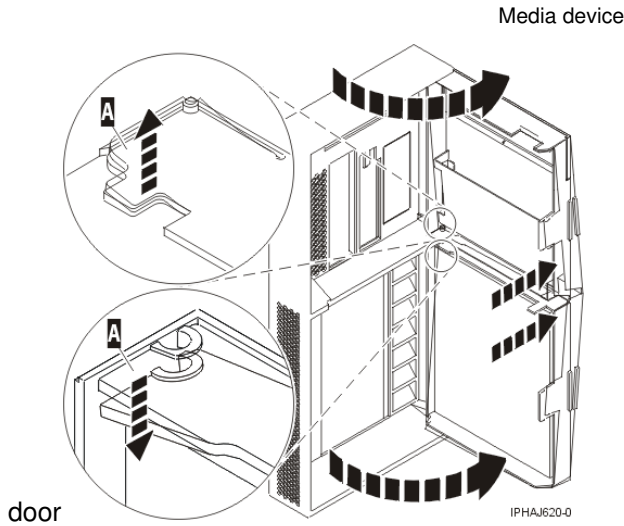
Parent topic: [Model 112/85, ESCALA PL 250T/R, PL 250T/R+ or PL 450T/R-L+, ESCALA PL 450T/R, PL 450T/R+ or PL 850T/R-L+, door](#)

Remove the door from the model ESCALA PL 250T/R+ or ESCALA PL 450T/R-L+

The model 112/85 or ESCALA PL 250T/R+ or ESCALA PL 450T/R-L+ has two doors. The top door allows access to the media and the bottom allows access to the DASD. Use the following procedure for removing both doors.

1. Open the door that you want to remove and release the tab at the center hinge point as shown in the following figure.
 - a. Lift up the bottom tab at hinge A to release the top door.
 - b. Press down on the top tab at the hinge A to release the bottom door
2. Gently swivel the top back edge of the door forward until it releases from the system unit.

Figure 1. Removing the model ESCALA PL 250T/R+ or ESCALA PL 450T/R-L+

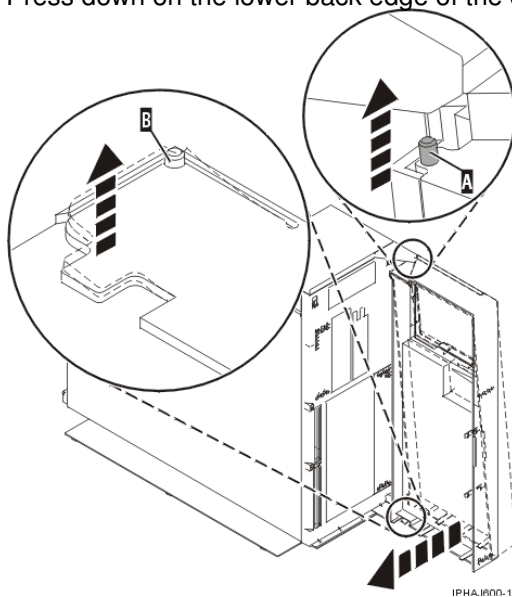


Install or replace the door on the model 112/85, ESCALA PL 250T/R, PL 250T/R+ or PL 450T/R-L+, ESCALA PL 450T/R, PL 450T/R+ or PL 850T/R-L+,

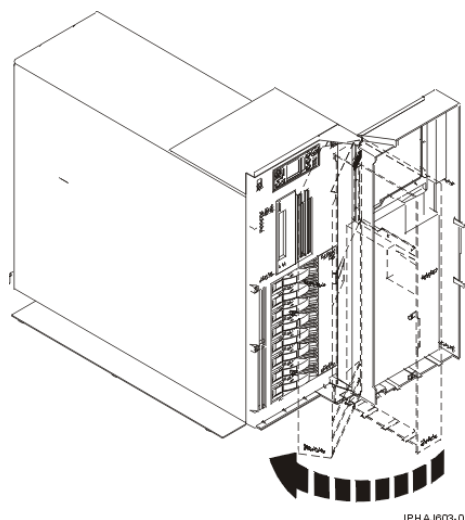
To install the model ESCALA PL 250T/R+ or ESCALA PL 450T/R-L+ with acoustic feature front door see, [Install the door on the model ESCALA PL 250T/R+ or ESCALA PL 450T/R-L+](#)

To install the model ESCALA PL 250T/R, PL 250T/R+ or PL 450T/R-L+, ESCALA PL 450T/R, PL 450T/R+ or PL 850T/R-L+, front door, do the following:

1. Set the door on the lower retaining post B, as shown in the following figure.
2. Rotate the door toward the top of the system unit.
3. Press down on the lower back edge of the door, and seat the top post A into its matching slot.



4. Close the door.



Parent topic: [Model 112/85, ESCALA PL 250T/R, PL 250T/R+ or PL 450T/R-L+, ESCALA PL 450T/R, PL 450T/R+ or PL 850T/R-L+, door](#)

Install the door on the model ESCALA PL 250T/R+ or ESCALA PL 450T/R-L+

The model 112/85 or ESCALA PL 250T/R+ or ESCALA PL 450T/R-L+ has two doors. The top door covers the media bays, and the bottom door covers the DASD bays.

1. Set the door into the retaining post A.

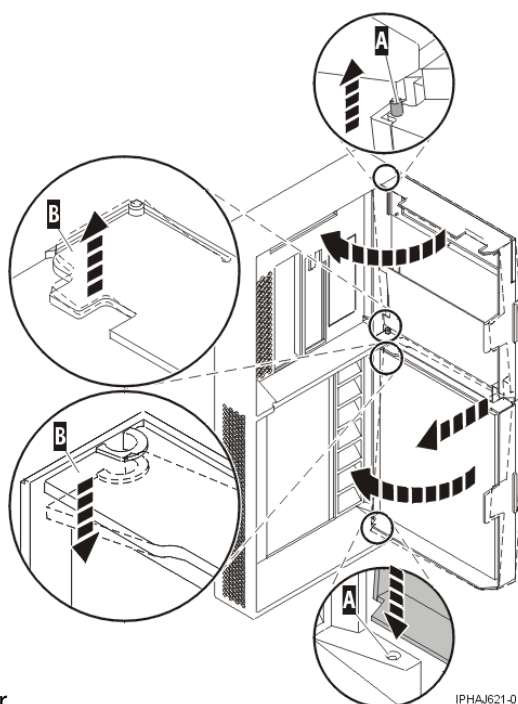


Figure 1. Installing the model 112/85 door

2. Rotate the door toward the system unit.
3. Press down on the back edge of the door, and seat the post B into its matching slot.
4. Close the door.

Expansion unit cover or door

Learn how to remove and install expansion unit covers and doors.

- **Remove the front door from the 50/74 or 50/94 expansion unit**
- **Remove the front door from the 50/79 or 52/94 expansion unit**
- **Remove the back door from the 50/74, 50/79, and 50/94 expansion unit**
- **Remove the front cover from the 50/95 expansion unit**
- **Remove the back door and cover from the 50/95 expansion unit**
- **Remove the back cover from the 05/88 expansion unit**
- **Remove and install the front cover on the 57/91 or 57/94 expansion unit**

These procedures describe how to remove and install the cover of the 57/91 or 57/94 expansion unit.

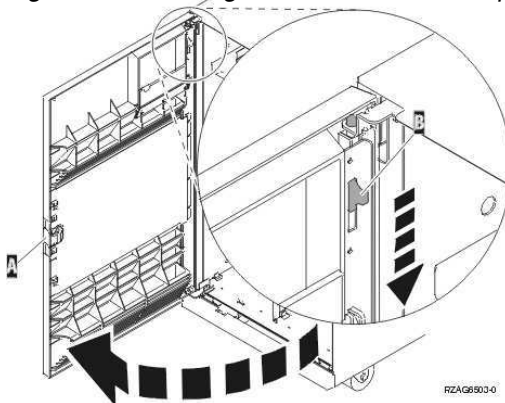
Parent topic: [Related procedures](#)

Remove the front door from the 50/74 or 50/94 expansion unit

To remove the front door from the expansion unit, follow these steps:

1. Open the front door A as shown in the following figure.
2. Press the latch B to remove the door.

Figure 1. Removing the 50/74 or 50/94 expansion unit front door



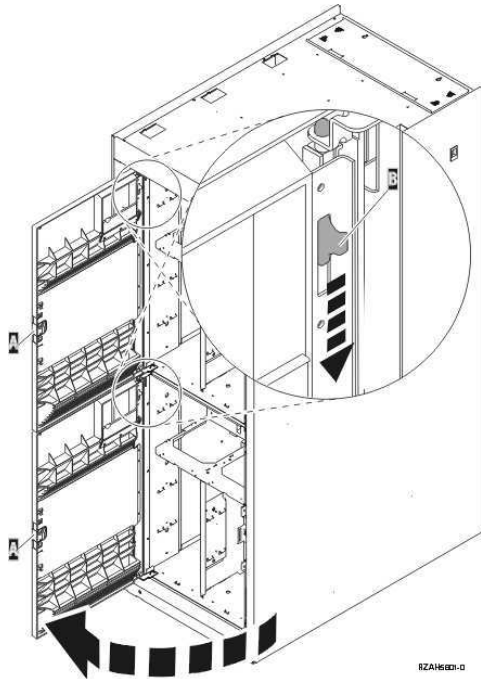
Parent topic: [Expansion unit cover or door](#)

Remove the front door from the 50/79 or 52/94 expansion unit

To remove the front door from the expansion unit, follow these steps:

1. Open the front door A as shown in the following figure.
2. Press the latch B to remove the door.

Figure 1. Removing the 50/79 or 52/94 expansion unit front door



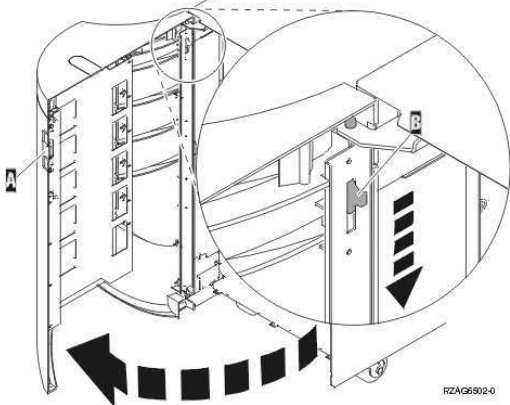
Parent topic: [Expansion unit cover or door](#)

Remove the back door from the 50/74, 50/79, and 50/94 expansion unit

To remove the back door from the expansion unit, follow these steps:

- Open the back door A as shown in the following figure.
- Press the latch B to remove the door.

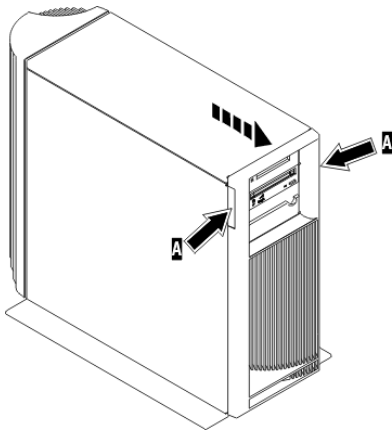
Figure 1. Removing 50/74, 50/79, and 50/94 expansion unit back door



Parent topic: [Expansion unit cover or door](#)

Remove the front cover from the 50/95 expansion unit

To remove the front cover from the expansion unit, grip the sides of the cover A and pull the cover toward you, as shown in the following figure.



Parent topic: [Expansion unit cover or door](#)

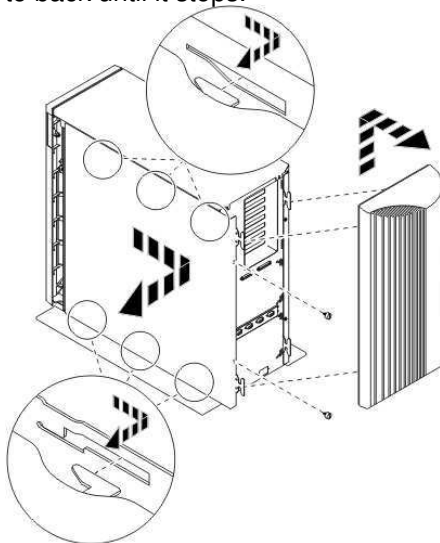
Remove the back door and cover from the 50/95 expansion unit

To remove the back door and cover from the expansion unit, follow these steps:

1. Place your hand near the bottom of the back cover and lift up and out.

Attention: If you remove the cover while the server is powered on, errors might occur due to electromagnetic interference.

2. Remove the left cover, view from back, by loosening the thumbscrews and sliding the cover from front to back until it stops.



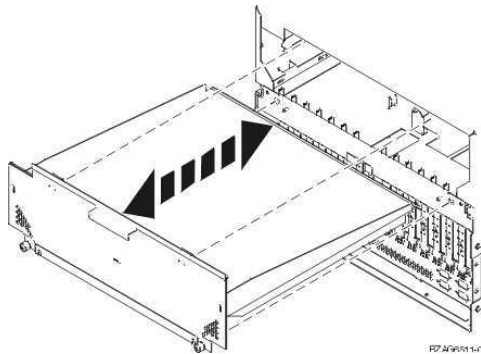
3. Pull the cover out.

Parent topic: [Expansion unit cover or door](#)

Media device

Remove the back cover from the 05/88 expansion unit

Open the back cover and remove the air flow shield, as shown in the following figure.



Parent topic: [Expansion unit cover or door](#)

Remove and install the front cover on the 57/91 or 57/94 expansion unit

These procedures describe how to remove and install the cover of the 57/91 or 57/94 expansion unit.

- [Remove the front cover from the 57/91 or 57/94 expansion unit](#)
- [Install the front cover on the 57/91 or 57/94 expansion unit](#)

Parent topic: [Expansion unit cover or door](#)

Remove the front cover from the 57/91 or 57/94 expansion unit

To remove the front cover, follow these steps:

1. Open the rack front door, if necessary.
2. Pull in the knobs on the left and right of the front cover as shown in the following

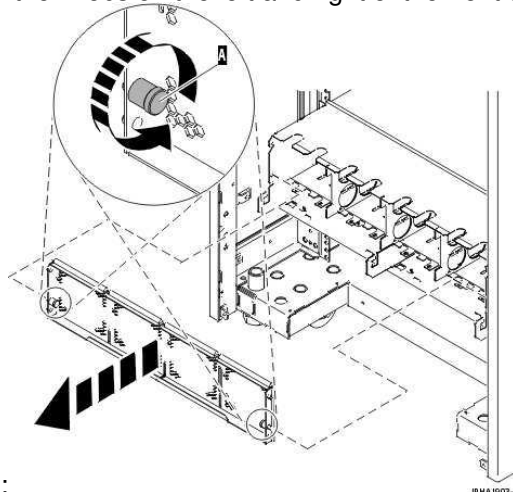


figure:

Remove the back cover from the 05/88 expansion unit

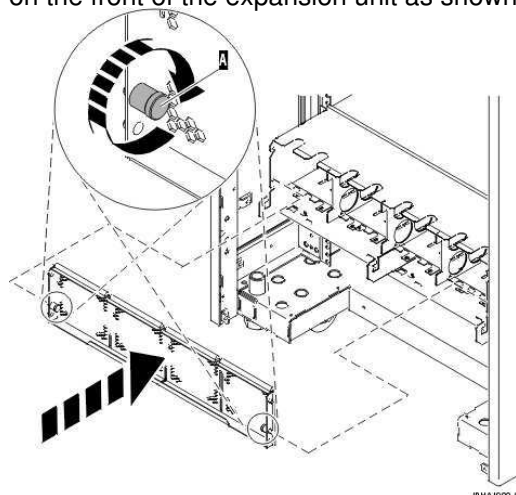
3. Pull the cover out and away from the expansion unit.

Parent topic: [Remove and install the front cover on the 57/91 or 57/94 expansion unit](#)

Install the front cover on the 57/91 or 57/94 expansion unit

To install the front cover, follow these steps:

1. Position the cover on the front of the expansion unit so that the pins on the cover line up with the slots on the front of the expansion unit as shown in the following figure:



2. Pull in the knobs on the left and right of the front cover.
3. Push the cover on to the front of the expansion unit.
4. Release the knobs on the left and right of the front cover.

Parent topic: [Remove and install the front cover on the 57/91 or 57/94 expansion unit](#)

Identify a failing part

The following procedures describe how to locate and identify a failing part on your system or expansion unit.

- [Identify a failing part on an AIX system or logical partition](#)
- [Identify a failing part on a Linux system or logical partition](#)
- [Identify a failing part using the Advanced System Management Interface](#)

Use this task to identify a failing part if the Linux operating system is running on the system or logical partition.

Parent topic: [Related procedures](#)

Identify a failing part on an AIX system or logical partition

To identify a failing part on a system or logical partition running AIX, you must locate the failing part, and then activate the indicator light for that part.

- [Locate a failing part in an AIX system or logical partition](#)

- [Activate the indicator light for the failing part](#)

Parent topic: [Identify a failing part](#)

Locate a failing part in an AIX system or logical partition

To locate the failing part in a system or logical partition running AIX, follow these steps:

1. Log in as root user or `celogin-`.
2. At the command line, type `diag` and press Enter.
3. From the **Function Selection** menu, select Task Selection and press Enter.
4. Select Display Previous Diagnostic Results and press Enter.
5. From the **Display Previous Diagnostic Results** display, select Display Diagnostic Log Summary. A **Display Diagnostic Log** display appears. This display contains a chronological list of events.
6. Look in the T column for the most recent S entry. Select this row in the table and press Enter.
7. Choose Commit. The details of this log entry are shown.
8. Record the location information and the SRN value shown near the end of the entry.
9. Exit to the command line.

Use the location information for the failing part to activate the indicator light that identifies the failing part. For instructions, see [Activate the indicator light for the failing part](#).

Parent topic: [Identify a failing part on an AIX system or logical partition](#)

Activate the indicator light for the failing part

The indicator light helps you locate which part to replace. To activate the indicator light, follow these steps:

1. Log in as root user.
2. At the command line, type `diag` and press Enter.
3. From the **Function Selection** menu, select Task Selection. Press Enter.
4. From the **Task Selection** menu, select Identify and Attention Indicators. Press Enter.
5. From the list of lights, select the location code for the failing part and press Enter.
6. Select Commit. This turns on the system attention and indicator light for the failing part.
7. Exit to the command line.

Parent topic: [Identify a failing part on an AIX system or logical partition](#)

Identify a failing part on a Linux system or logical partition

There are a number of methods to identify a failing part on a system or logical partition running Linux.

- **Locate a failing part and activate the indicator light**
Use this task to locate a failing part if the service aids have been installed.
- **Activate the indicator light for the failing part**
Use these instructions to activate the indicator light. The indicator light helps you locate which part to replace.
- **Deactivate the failing-part indicator light**
After replacing a failing part, use this task to deactivate the failing-part indicator light.
- **Identify a failing part using stand-alone diagnostics**
Use this task if the operating system is stopped or if you need to stop the system or logical partition to replace the failing part.

Parent topic: [Identify a failing part](#)

Locate a failing part and activate the indicator light

Use this task to locate a failing part if the service aids have been installed.

To identify a failing part on a system or logical partition running Linux, you must locate the failing part, and then activate the indicator light for that part.

- **Locate a failing part in a Linux system or logical partition**
Use these instructions if you do not know the location code of the failing part. If you know the location code proceed to the next task to activate the indicator light.

Parent topic: [Identify a failing part on a Linux system or logical partition](#)

Locate a failing part in a Linux system or logical partition

Use these instructions if you do not know the location code of the failing part. If you know the location code proceed to the next task to activate the indicator light.

To locate the failing part in a system or logical partition running Linux, follow these steps:

1. Log in as root user.
2. At the command line, type `grep diagela /var/log/platform` and press Enter.
3. Look for the most recent entry that contains a system reference code (SRC).
4. Record the location information.

Parent topic: [Locate a failing part and activate the indicator light](#)

Activate the indicator light for the failing part

Use these instructions to activate the indicator light. The indicator light helps you locate which part to replace.

To activate the indicator light, follow these steps:

1. Log in as root user.

2. At the command line, type `/usr/sbin/usysident -s identify -l<location code>` and press Enter. Substituting the location code of the failing unit for `<location code>`.
3. Look for the system attention light to identify the enclosure that contains the failing part.

Parent topic: [Identify a failing part on a Linux system or logical partition](#)

Deactivate the failing-part indicator light

After replacing a failing part, use this task to deactivate the failing-part indicator light.

After replacing a failing part, follow these steps to deactivate the failing-part indicator light:

1. Log in as root user.
2. At the command line, type `/usr/sbin/usysident -s normal -l<location code>` and press Enter. Substitute the location code of the failing unit for `<location code>`.
3. Look for the system attention light to identify the enclosure that contains the failing part.

Parent topic: [Identify a failing part on a Linux system or logical partition](#)

Identify a failing part using stand-alone diagnostics

Use this task if the operating system is stopped or if you need to stop the system or logical partition to replace the failing part.

You can use stand-alone diagnostics to identify a failing part in a Linux system, expansion unit, or logical partition. You access these diagnostics from a CD-ROM or from the Network Installation Management (NIM) server. This procedure describes how to use the diagnostics from a CD-ROM. For information on running diagnostics from the Network Installation Management (NIM) Server, see [Running the stand-alone diagnostics from a Network Installation Management server](#).

Prerequisites:

- If this server is directly attached to another server or attached to a network, be sure communications with the other servers are stopped.
- Ensure that no other activity is running on the logical partition. Stand-alone diagnostics require use of all of the logical partition resources. No other activity can be running on the logical partition.
- You must have access to the system console to use stand-alone diagnostics.

To use stand-alone diagnostics from a CD-ROM, follow these steps:

1. Stop all jobs and applications, and then stop the operating system on the system or logical partition.
2. Remove all tapes, diskettes, and CD-ROM.
3. Turn off the system unit power.

Note: The next step starts the server or logical partition from the stand-alone diagnostic CD-ROM. If the CD-ROM or DVD-ROM drive is not available as the startup device on the server or logical partition on which you are working, follow these steps:

- a. Access the Advanced System Management Interface (ASMI). See [Managing your server using the Advanced System Management Interface](#) for information on using the ASMI.
 - b. On the ASMI main menu, click **Power/Restart Control**.
 - c. Click **Power On/Off System**.
 - d. Select the **Service mode boot** from **default boot list** option in the AIX or Linux logical partition mode boot list.
 - e. Click **Save settings** and power on the system. As soon as the optical drive has power, insert the AIX diagnostic diskette.
 - f. Go to step 5.
4. Turn on the system unit power and insert the diagnostics CD-ROM into the CD-ROM drive.
 5. After the keyboard POST indicator displays on the firmware console and before the last POST indicator (speaker) displays, press the 5 key on either the directly attached keyboard or the ASCII terminal. This indicates that a service mode boot should be initiated using the default service mode boot list.
 6. Enter any requested password.
 7. At the Diagnostic Operating Instructions display, press Enter.

Tip: If the Diagnostic Operating Instructions display does not appear, contact your support center for assistance.

8. If the terminal type is requested, use the **Initialize Terminal** option on the **Function Selection** menu to initialize the operating system.

Parent topic: [Identify a failing part on a Linux system or logical partition](#)

Identify a failing part using the Advanced System Management Interface

Use this task to identify a failing part if the Linux operating system is running on the system or logical partition.

To activate the indicator light for a failing part, follow these steps:

1. If the unit ID does not match the label on the system or expansion unit, update the configuration information.
 - ◆ For information on setting up the ASMI refer to [Accessing the Advanced System Management Interface](#).
 - ◆ For information on using the ASMI, refer to [Managing your server using the Advanced System Management Interface](#)
2. Turn on the failing part indicator light. For instructions, see [Changing service indicators](#).

Parent topic: [Identify a failing part](#)

Verify the installed part

This topic describes how to verify a newly installed or replaced part on your system, logical partition, or expansion unit. Verify an installed feature or replaced part by selecting the appropriate procedure for the operating system or for the console as follows.

- [Verify an installed feature or replaced part on an AIX system or logical partition](#)
- [Verify the installed part on a Linux system or logical partition \(run AIX diagnostics\)](#)
- [Verify the presence of an installed part using Hardware Management Console \(HMC\)](#)
Use these instructions to verify an installed part using the Hardware Management Console (HMC). If you have reference codes, symptoms, or location codes that you used during the service action, locate the records to use during this procedure.
- [Verify the presence of an installed part using the Advanced System Management Interface \(ASMI\)](#)
Use these instructions to verify a newly installed part or replaced part using the Advanced System Management Interface (ASMI).

Parent topic: [Related procedures](#)

Verify an installed feature or replaced part on an AIX system or logical partition

To verify the operation of a newly installed feature or replacement part, select the appropriate procedure:

- [Verify the installed feature using AIX](#)
- [Verifying the replaced part using AIX](#)

Verify the installed feature using AIX:

1. Log in as root user.
2. At the command line, type `diag` and press Enter.
3. Select **Advanced Diagnostics Routines**. Press Enter.
4. From the **Diagnostic Mode Selection** menu, select **System Verification**. Press Enter.
5. When the **Advanced Diagnostic Selection** menu appears, do one of the following:
 - ◆ To test a single resource, select the resource that you just installed from the list of resources and press Enter.
 - ◆ To test all the resources available to the operating system, select **All Resources** and press Enter.
6. Select **Commit**, and wait until the diagnostic programs run to completion, responding to any prompts that appear.
7. Did the diagnostics run to completion and display the message `No trouble was found`?
 - ◆ **No:** If a service request number (SRN) or other reference code is displayed, suspect a loose adapter or cable connection. You can learn more about these codes in [Reference codes](#). Review the installation procedures to ensure that the new feature is installed correctly. If you cannot correct the problem, collect all SRNs or any other reference code information that you see. If the system is running in LPAR mode, note the logical partition in which you installed the feature. Contact your service provider for assistance.
 - ◆ **Yes:** The new device is installed correctly. Exit the diagnostic programs and return the system to normal operations.

Verify the replacement part using AIX

To verify the operation of a newly installed feature or replacement part, follow these steps:

1. Did you replace the part using either AIX or the online diagnostics service aid's concurrent (hot-swap) service operation?
 - ◆ **No:** Go to step 2.
 - ◆ **Yes:** Go to step 5.
2. Is the system powered off?
 - ◆ **Yes:** If the system supports slow boot, set the system to perform a slow boot. For information, see [Performing a slow boot](#).
 - ◆ **No:** Go to step 4.
3. Start the system and wait until the AIX operating system login prompt displays or until apparent system activity on the operator panel or display has stopped. Did the AIX login prompt display?
 - ◆ **Yes:** Go to step 4
 - ◆ **No:** If an SRN or other reference code is displayed, suspect a loose adapter or cable connection. You can learn more about these codes in the [Reference codes](#). Review the

procedures for the part that you replaced to ensure that the new part is installed correctly. If you cannot correct the problem, collect all SRNs or any other reference code information that you see. If the system does not start or you have no login prompt, see: [Problems with loading and starting the operating system](#).

If the system is partitioned, note the logical partition in which you replaced the part. Contact your service provider for assistance.

4. At the command prompt, type `diag a` and press Enter to check for missing resources. If you see a command prompt, go to step 5.

If the **Diagnostic selection** menu is shown with **M** appearing next to any resource, follow these steps:

- a. Select the resource and press Enter.
 - b. Select **Commit**.
 - c. Follow any instructions that are shown.
 - d. If a *Do you want to review the previously displayed error?* message is shown, select **Yes** and press Enter.
 - e. If an SRN is shown, suspect a loose card or connection. If no obvious problem is shown, record the SRN .
 - f. If no SRN is shown, go to 5.
5. Test the part by doing the following:
 - a. At the command line, type `diag` and press Enter.
 - b. From the **Function Selection** menu, select **Advanced Diagnostics Routines**. Press Enter.
 - c. From the **Diagnostic Mode Selection** menu, select **System Verification**. Press Enter.
 - d. Select **All Resources**, or select the diagnostics for the individual part to test only the part you replaced, and any devices that are attached to the part you replaced. Press Enter.

Did the **Resource Repair Action** menu appear?

- ◆ **No:** Go to step 6.
 - ◆ **Yes:** Go to step 7.
6. Did the *Testing Complete, No trouble was found* message appear?
 - ◆ **No:** There is still a problem. Contact your service provider. **This ends the procedure.**
 - ◆ **Yes:** Select **Log Repair Action**, if not previously logged, from the **Task Selection** menu to update the AIX error log. If the repair action was reseating a cable or adapter, select the resource associated with that repair action. If the resource associated with your action is not displayed on the Resource List, select **sysplanar0**. Press Enter.

Tip: This action changes the indicator light for the part from the fault state to the normal state.

Go to step 9

7. When a test is run on a resource in system verification mode, and that resource has an entry in the AIX error log, if the test on the resource was successful, the *Resource Repair Action* menu appears. After replacing a part, you must select the resource for that part from the *Resource Repair Action* menu. This updates the AIX error log to indicate that a system-detectable part has been replaced.

Note: On systems with a indicator light for the failing part, this changes the indicator light to the normal state.

Follow these steps:

- a. Select the resource that has been replaced from the *Resource Repair Action* menu. If the repair action was reseating a cable or adapter, select the resource associated with that repair action. If the resource associated with your action does not appear on the Resource List, select **sysplanar0**. Press Enter.
- b. Select **Commit** after you make your selections. Did another *Resource Repair Action* display appear?
 - ◆ **No:** If the *No Trouble Found* display appears, go to step 9
 - ◆ **Yes:** Go to step 8.

8. The parent or child of the resource you just replaced may also require that you run the Resource Repair Action option on it. When a test is run on a resource in system verification mode, and that resource has an entry in the AIX error log, if the test on the resource was successful, the *Resource Repair Action* menu appears. After replacing that part, you must select the resource for that part from the *Resource Repair Action* menu. This updates the AIX error log to indicate that a system-detectable part has been replaced.

Note: This changes the indicator light for the part from the fault state to the normal state.

Follow these steps:

- a. From the *Resource Repair Action* menu, select the parent or child of the resource that has been replaced. If the repair action was to reseal a cable or adapter, select the resource associated with that repair action. If the resource associated with your action does not appear on the Resource List, select **sysplanar0**. Press Enter.
- b. Select **Commit** after you make your selections.
- c. If the *No Trouble Found* display appears, go to step 9.
9. If you changed the service processor or network settings, as instructed in previous procedures, restore the settings to the value they had prior to servicing the system.
10. Did you do any hot-plug procedures before doing this procedure?
 - ◆ **No:** Go to step 11.
 - ◆ **Yes:** Go to step 12.
11. Start the operating system, with the system or logical partition in normal mode. Were you able to start the operating system?
 - ◆ **No:** Contact your service provider. **This ends the procedure.**
 - ◆ **Yes:** Go to step 12.
12. Are the indicator lights still on?
 - ◆ **No. This ends the procedure.**
 - ◆ **Yes.** Turn off the lights. See one of the following for instructions:
 - ◇ [Identify a failing part using stand-alone diagnostics](#)
 - ◇ [Running the stand-alone diagnostics from a Network Installation Management server](#)
 - ◇ [Changing service indicators with the ASMI menus](#)

Parent topic: [Verify the installed part](#)

Verify the installed part on a Linux system or logical partition (run AIX diagnostics)

To verify the newly installed or replaced part, choose one of the following:

- [Verify the presence of an installed part using the Advanced System Management Interface \(ASMI\)](#)
- [Verify an installed part using the stand-alone diagnostics](#)
Use these instructions to verify an installed part in a Linux system, expansion unit, or logical partition.

Parent topic: [Verify the installed part](#)

Verify an installed part using the stand-alone diagnostics

Use these instructions to verify an installed part in a Linux system, expansion unit, or logical partition.

You can use stand-alone diagnostics to verify an installed part in a Linux system, expansion unit, or logical partition. You access these diagnostics from a CD-ROM or from the Network Installation Management (NIM) server. This procedure describes how to use the diagnostics from a CD-ROM. For information on running diagnostics from the Network Installation Management (NIM) server, see [Running the stand-alone diagnostics from a Network Installation Management server](#).

Prerequisites

- If this server is directly attached to another server or attached to a network, be sure communication with the other servers is stopped.
- stand-alone diagnostics require use of all of the logical partition resources. No other activity can be running on the logical partition.
- stand-alone diagnostics require access to the system console.

To use stand-alone diagnostics, follow these steps:

1. Stop all jobs and applications and then stop the operating system on the system or logical partition.
2. Remove all tapes, diskettes, and CD-ROM.
3. Turn off the system unit power. The next step boots the server or logical partition from the stand-alone diagnostics CD-ROM. If the optical drive is not available as the boot device on the server or logical partition on which you are working, follow these steps:
 - a. Access the ASMI. See [Managing your server using the Advanced System Management Interface](#) for information on using the ASMI.
 - b. On the ASMI main menu, click on **Power/Restart Control**.
 - c. Click on Power On/Off System.
 - d. Select the **Service mode boot from default boot list** option in the AIX/Linux logical partition mode boot drop-down menu.
 - e. Click on **Save settings and power on**. As soon as the optical drive has power, insert the standalone diagnostic CD-ROM.
 - f. Go to step 5.
4. Turn on the system unit power and immediately insert the diagnostics CD-ROM into the optical drive.
5. After the **keyboard** POST indicator displays on the system console and before the last POST indicator (**speaker**) displays, press the numeric 5 key on the system console to indicate that a service mode boot should be initiated using the default service mode boot list.
6. Enter any requested password.
7. At the *Diagnostic Operating Instructions* display, press Enter.

Note: If an SRN or other reference code is displayed, suspect a loose adapter or cable connection. Review the procedures for the part that you replaced to ensure that the new part is installed correctly. If you cannot correct the problem, collect all SRNs or any other reference code information that you see. If the system will not boot or you have no login prompt go to [Problems with loading and starting the operating system](#).

Note: If you received an SRN or any other reference code when you attempted to start the system, you can learn more about these codes in [Reference codes](#).

8. If the terminal type is requested, you must use the **Initialize Terminal** option on the *Function Selection* menu to initialize the operating system before you can continue.
9. From the Function Selection menu, select **Advanced Diagnostics Routines**. Press Enter.
10. From the Diagnostic Mode Selection menu, select **System Verification**. Press Enter.
11. When the Advanced Diagnostic Selection menu appears, select **All Resources**, or test only the part you replaced, and any devices that are attached to the part you replaced, by selecting the diagnostics for the individual part. Press Enter.
12. Did the *Testing Complete, No trouble was found* message appear?
 - ◆ **No:** There is still a problem. Contact your service provider.
 - ◆ **Yes:** Go to step 13.

13. If you changed the service processor or network settings, as instructed in previous procedures, restore the settings to the value they had prior to servicing the system.
14. If the indicator lights are still on, follow these steps:
 - a. Select **Identify and Attention Indicators** from the *Task Selection* menu to turn off the system attention and indicator lights. Press Enter.
 - b. Select **Set System Attention Indicator to NORMAL** and press Enter.
 - c. Select **Set All Identify Indicators to NORMAL** and press Enter.
 - d. Choose **Commit**.

Note: This changes the system attention and identify indicators from the *Fault* state to the *Normal* state.

- e. Exit to the command line.

Parent topic: [Verify the installed part on a Linux system or logical partition \(run AIX diagnostics\)](#)

Verify the presence of an installed part using Hardware Management Console (HMC)

Use these instructions to verify an installed part using the Hardware Management Console (HMC). If you have reference codes, symptoms, or location codes that you used during the service action, locate the records to use during this procedure.

Use this procedure to update your HMC records after you have completed a service action on your server. If you have reference codes, symptoms, or location codes that you used during the service action, locate the records to use during this procedure.

1. At the HMC, examine the service action event log for any open service action events. See [Viewing serviceable events](#) for details.
2. Are there any service action events that are open?
 - ◆ **No:** If the system attention LED is still on, use the HMC to turn off the LED. See [Activating and Deactivating LEDs](#). **This ends the procedure.**
 - ◆ **Yes:** Continue with the next step.
3. Record the list of open service action events.
4. Examine the details of the open service action event. Is the error code associated with this service action event the same as you gathered earlier.
 - ◆ **Yes:** Continue with the next step.
 - ◆ **No:** Choose from the following options:
 - ◇ Review the other serviceable events and find one that does match and continue with the next step.
 - ◇ If the log does not match what you had gathered earlier, contact your service provider.
5. Select and highlight the service action event from the Error Associated With This Serviceable Event window.
6. Click **Close Event**.
7. Add comments for the serviceable event. Include any unique additional information. Click **OK**.
8. Did you replace, add, or modify a FRU of the open service action event?
 - ◆ **No:** Select the **No FRU Replaced for this Serviceable Event** option and click **OK** to close the service action event.
 - ◆ **Yes:** Perform the following steps:
 - a. From the FRU list, select a FRU that you need to update.
 - b. Double-click the FRU and update the FRU information.
 - c. Click **OK** to close the service action event.
9. If you continue to have problems, contact your service provider.

Parent topic: [Verify the installed part](#)

Verify the presence of an installed part using the Advanced System Management Interface (ASMI)

Use these instructions to verify a newly installed part or replaced part using the Advanced System Management Interface (ASMI).

To verify the newly installed or replaced part, follow these steps:

1. If the unit ID does not match the label on the system or expansion unit, update the configuration information.
 - ◆ For information on accessing up the ASMI, refer to [Accessing the Advanced System Management Interface](#)
 - ◆ For information on using the ASMI [Managing your server using the Advanced System Management Interface](#).
2. Turn off the failing part indicator light. For instructions, see [Changing service indicators](#).

Parent topic: [Verify the installed part](#)

Install a feature using the Hardware Management Console

To use the Hardware Management Console user interface to install a feature in a system or expansion unit that is managed by a Hardware Management Console (HMC), follow these steps:

1. In the navigation area, expand **Management Environment**.
2. Expand the managed system into which you are installing a feature.
3. Expand **Service Applications**.
4. Select **Service Focal Point**.
5. In the contents area, select **Install/Add/Remove Hardware**.
6. In the **Install/Add/Remove Hardware** window, highlight system or unit into which you are installing a feature.
7. Click **Selected**.
8. From the Selected menu, select **Add FRU**.
9. In the **Enclosure type** field, select the system or expansion unit into which you are installing a feature.
10. In the FRU types for selected enclosure, select the feature you are installing.
11. Click **Next**.
12. Follow the instructions to install the feature.

Note: The HMC might open the ESCALA Power5 Hardware Information instructions for installing the feature. If so, follow these instructions to install the feature.

Parent topic: [Related procedures](#)

Remove a part using the Hardware Management Console

To use the Hardware Management Console user interface to remove a part in a system or expansion unit that is managed by a Hardware Management Console (HMC), follow these steps:

1. In the navigation area, expand the **Management Environment**.
2. Expand the managed system in which you are replacing a part.
3. Expand **Service Applications**.
4. Select **Service Focal Point**.
5. In the contents area, select **Install/Add/Remove Hardware**.
6. In the **Install/Add/Remove Hardware** window, click System Processor.
7. From the Selected menu, select **Remove FRU**.
8. In the **Installed enclosure types** field, select the system or expansion unit from which you are removing a part.
9. In the Available FRU types for selected enclosure, select the part you are removing.
10. Click **Next**.
11. Follow the instructions to remove the part.

Note: The HMC might open the ESCALA Power5 Hardware Information instructions for removing the part. If so, follow these instructions to remove the part.

Parent topic: [Related procedures](#)

Replace a part using the Hardware Management Console

To use the Hardware Management Console user interface to replace a part in a system or expansion unit that is managed by a Hardware Management Console (HMC), follow these steps:

1. In the navigation area, expand the **Management Environment**.
2. Expand the managed system in which you are replacing a part.
3. Expand **Service Applications**.
4. Select **Service Focal Point**.
5. In the contents area, select **Repair Serviceable Event**.
6. Select the system and click **OK**.
7. In the window, click the problem number for the part you want to replace.
8. Follow the instructions to replace the part.

Note: The HMC might open the ESCALA Power5 Hardware Information instructions for replacing the part. If so, follow these instructions to replace the part.

Parent topic: [Related procedures](#)

Media device

Locations for expansion units

The following figures show the layout for the 50/74 Expansion Unit:

Figure 1. Locations for 50/74 Expansion Unit (single line cord)

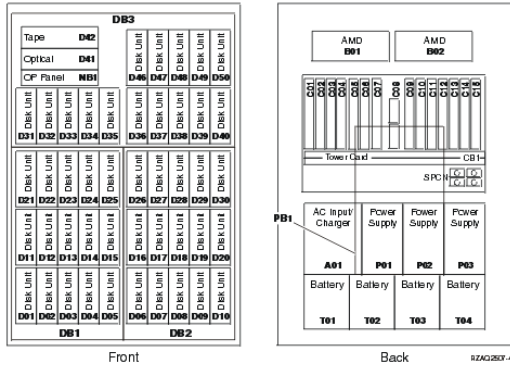
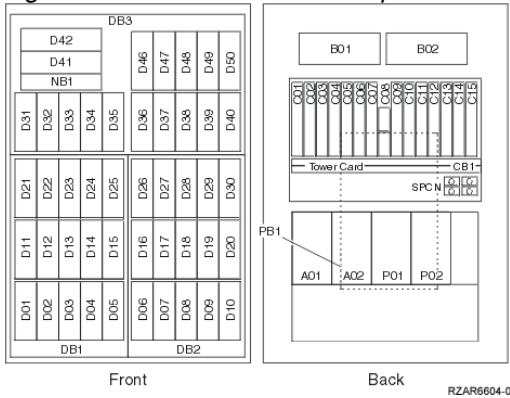
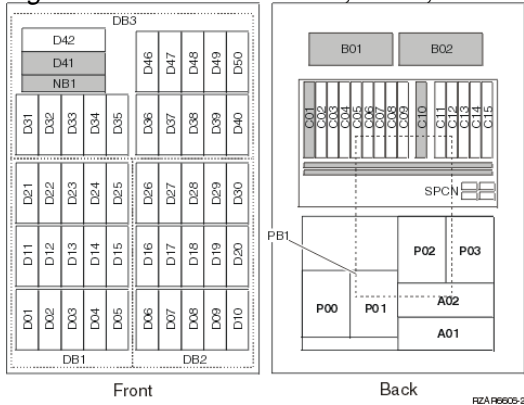


Figure 2. Locations for 50/74 Expansion Unit (dual line cord)



The following figure shows the layout for the 50/94, 52/94, or the 9194 Expansion Unit:

Figure 3. Locations for 50/94, 52/94, or the 9194 Expansion Unit



Media device

Technical publication remarks form

Title : ESCALA POWER5 Hardware Information Media device
--

Reference N° : 86 A1 15EW 00

Date: July 2006

ERRORS IN PUBLICATION

--

SUGGESTIONS FOR IMPROVEMENT TO PUBLICATION

--

Your comments will be promptly investigated by qualified technical personnel and action will be taken as required.
If you require a written reply, please include your complete mailing address below.

NAME : _____ Date : _____

COMPANY : _____

ADDRESS : _____

Please give this technical publication remarks form to your BULL representative or mail to:

Bull - Documentation Dept.
1 Rue de Provence
BP 208
38432 ECHIROLLES CEDEX
FRANCE
info@frec.bull.fr

Technical publications ordering form

To order additional publications, please fill in a copy of this form and send it via mail to:

BULL CEDOC
357 AVENUE PATTON
B.P.20845
49008 ANGERS CEDEX 01
FRANCE

Phone: +33 (0) 2 41 73 72 66
FAX: +33 (0) 2 41 73 70 66
E-Mail: srv.Duplicopy@bull.net

CEDOC Reference #	Designation	Qty
-- -- []		
-- -- []		
-- -- []		
-- -- []		
-- -- []		
-- -- []		
-- -- []		
-- -- []		
-- -- []		
-- -- []		
-- -- []		
-- -- []		
-- -- []		
-- -- []		
[] : The latest revision will be provided if no revision number is given.		

NAME: _____ Date: _____

COMPANY: _____

ADDRESS: _____

PHONE: _____ FAX: _____

E-MAIL: _____

For Bull Subsidiaries:

Identification: _____

For Bull Affiliated Customers:

Customer Code: _____

For Bull Internal Customers:

Budgetary Section: _____

For Others: Please ask your Bull representative.

BULL CEDOC
357 AVENUE PATTON
B.P.20845
49008 ANGERS CEDEX 01
FRANCE

REFERENCE
86 A1 15EW 00