

COVER Book Cover

IBM Store Systems

Parts Catalog

Document Number S131-0097-09

NOTICES Notices

+--- **Note** -----+
|
| Before using this information and the product it supports, be sure |
| to read the general information under "How To Use This Parts |
| Catalog" in topic FRONT_1. Translations of safety notices, if |
| required, can be found in the *IBM 4693/4694 Point of Sale* |
| *Terminals: Product Safety Information*, P/N 60G1330. |
|-----+
+

EDITION Edition Notice
Tenth Edition (September 1995)

This is the ninth edition of the *IBM Store Systems: Parts Catalog*. All previous editions are obsolete.

IBM has prepared this maintenance manual for the use of customer service representatives in the installation, maintenance, and repair of the specific machines indicated. IBM makes no representations that it is suitable for any other purpose.

References in this publication to IBM products, programs, or services do not imply that IBM intends to make these available in all countries in which IBM operates. Any reference to an IBM product, program, or service is not intended to state or imply that only IBM's product, program, or service may be used. Any functionally equivalent product, program, or service that does not infringe any of IBM's intellectual property rights may be used instead of the IBM product, program, or service. Evaluation and verification of operation in conjunction with other products, except those expressly designated by IBM, are the user's responsibility.

IBM may have patents or pending patent applications covering subject matter in this document. The furnishing of this document does not give you any license to these patents. You can send license inquiries, in writing, to the IBM Director of Licensing, IBM Corporation, 500 Columbus Avenue, Thornwood, NY 10594 USA.

Products are not stocked at the address below. Requests for copies of this publication and for technical information about IBM products should be made to your IBM Marketing Representative.

A form for readers' comments is provided at the back of this publication. If the form has been removed, address your comments to:

IBM Corporation, Information Development, Department CJMA
P.O. Box 12195
Research Triangle Park, North Carolina 27709-9990
USA

When you send information to IBM, you grant IBM a nonexclusive right to use or distribute the information in any way it believes appropriate without incurring any obligation to you.

**| Copyright International Business Machines Corporation 1989,1995.
All rights reserved.**

Note to U.S. Government Users -- Documentation related to restricted rights -- Use, duplication or disclosure is subject to restrictions set forth in GSA ADP Schedule Contract with IBM Corp.

CONTENTS Table of Contents

COVER	Book Cover
NOTICES	Notices
EDITION	Edition Notice
CONTENTS	Table of Contents
FRONT_1	How To Use This Parts Catalog
FRONT_1.1	Assembly n: Example Assembly
FRONT_2	Assemblies Listing
1.0	System Unit Assemblies
1.1	Assembly 1: System Units, 4683
1.2	Assembly 2: System Units, 4684
1.3	Assembly 3: System Units, 4693
1.4	Assembly 4: System Units, 4694, Models 001 and 004
1.5	Assembly 5: System Units, 4694, Model 024
1.6	Assembly 6: System Units, 4694, Models 041, 044, and 144
1.7	Assembly 7: System Units, 4695, Models 002 and 012
1.8	Assembly 8: System Units, 4695, Models 201 and 211
1.9	Assembly 9: System Units, 4695, Tablet, All Models
2.0	Printer Assemblies
2.1	Assembly 10: Printer, Models 1 and 2
2.2	Assembly 11: Printer, Covers, Models 3, 3R, 4, 4A, and 4R
2.3	Assembly 12: Printer, Models 3, 3R, 4, 4A, and 4R
3.0	Displays and Scanners
3.1	Assembly 13: Displays, Video
3.2	Assembly 14: Displays, 40-Character
3.3	Assembly 15: Displays, Flat Panel
3.4	Assembly 16: Displays, Sure Point Touch
3.5	Assembly 17: Displays, Shopper and Operator
3.6	Assembly 18: Hand-Held Readers and Scanners
4.0	Keyboard Assemblies
4.1	Assembly 19: Keyboard, 50-Key, 4683/4684
4.2	Assembly 20: Keyboard, Display, Combined 4683/4684
4.3	Assembly 21: Keyboard, Alphanumeric POS, 4683/4684
4.4	Assembly 22: Keyboard, Alphanumeric, 4683/4684
4.5	Assembly 23: Keyboard, Retail POS (50-Key), With or Without Card Reader, 4693/4694
4.6	Assembly 24: Keyboard, Retail POS, with Card Reader and Display, 4693/4694
4.7	Assembly 25: Keyboard, Modifiable Layout, with Card Reader, 4693/4694
4.8	Assembly 26: Keyboard, Retail A/N POS, with Card Reader, 4693/4694
5.0	Cash Drawers Assemblies
5.1	Assembly 27: Cash Drawer, 4683/4684
5.2	Assembly 28: Cash Drawer, 4693/4694
5.3	Assembly 29: Cash Drawer, Compact, 4694/4695
6.0	Cables, Locks, Adapters, and 4678 (OEM) Devices
6.1	Assembly 30: Line Cord and Cable Assemblies
6.2	Assembly 31: Lock Part Numbers
6.3	Assembly 32: Adapters
6.4	Assembly 33: IBM Wireless LAN
6.5	Assembly 34: 4678 (OEM) Devices
BACK_1	Part Number Index

FRONT_1 How To Use This Parts Catalog

This parts catalog contains reference drawings and a corresponding index for all field replaceable parts. The index provides the part number, the quantity required (units), and a description of the part.

You may locate specific assemblies by referring to the Table of Contents, the "Assemblies Listing" in topic FRONT_2, or the "Part Number Index" in topic BACK_1.

Listed below is additional information about the parts assembly index.

SIMILAR ASSEMBLIES: If two assemblies contain a majority of identical parts, they are broken down on the same list. Common parts are shown by one index number. Parts specific to one or the other of the assemblies are listed separately and identified by description.

AR: (As Required) in the Units column indicates that the quantity is not the same for all machines.

NP: (Non-Procurement) in the Units column indicates that the part is non-procurable and that the individual parts or the next higher assembly should be ordered.

NR: (Not Recommended) in the Units column indicates that the part is procurable, but not recommended for field replacement, and that the next higher assembly should be ordered.

R: (Restricted) in the Units column indicates the part has a restricted availability.

INDENTURE: The indenture is marked by a series of dots located before the parts description. The indenture indicates the relationship of a part to the next higher assembly. For example:

Indenture Relationship of Parts

(No dot) MAIN ASSEMBLY

(One dot) □ Detail parts of a main assembly

(One dot) □ Subassembly of the main assembly

(Two dots) □ □ Detail part of a one-dot subassembly

(Two dots) □ □ Subassembly of a one-dot subassembly

(Three dots) □ □ □ Detail part of a two-dot subassembly

Subtopics

FRONT_1.1 Assembly n: Example Assembly

Store Systems Parts Catalog
 Assembly n: Example Assembly

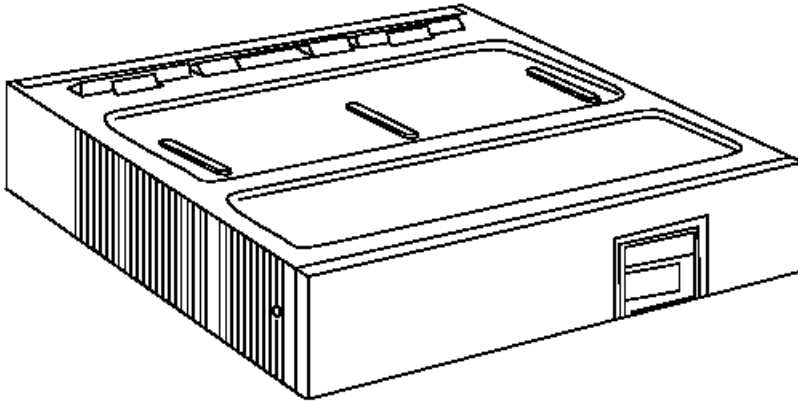
FRONT_1.1 Assembly n: Example Assembly

Asm- Index	Part Number	Units	Description
n-	2512667	1	Cover Assembly, Rear, Red
-	2512668	1	Cover Assembly, Rear, Yellow For Next Higher Assembly, See Assembly 1-2
-1	5373637	1	<input type="checkbox"/> Seal, Top
-2	5356429	2	<input type="checkbox"/> Clip, Retaining
-3	2513013	3	<input type="checkbox"/> Liner, Cover
-4	5373727	1	<input type="checkbox"/> Seal, Left Side
-5	513668	2	<input type="checkbox"/> Catch, Cover
-6	81693	4	<input type="checkbox"/> Screw, Mach, Bind Hd 6-32, 0.375 Long
-7	1847630	R	<input type="checkbox"/> Finger Stock Assembly
-8	1847602	NR	<input type="checkbox"/> Channel, Finger Stock
-9	1847604	NR	<input type="checkbox"/> Finger Stock, 2.00 Long
-10	5373639	AR	<input type="checkbox"/> Seal, Bottom

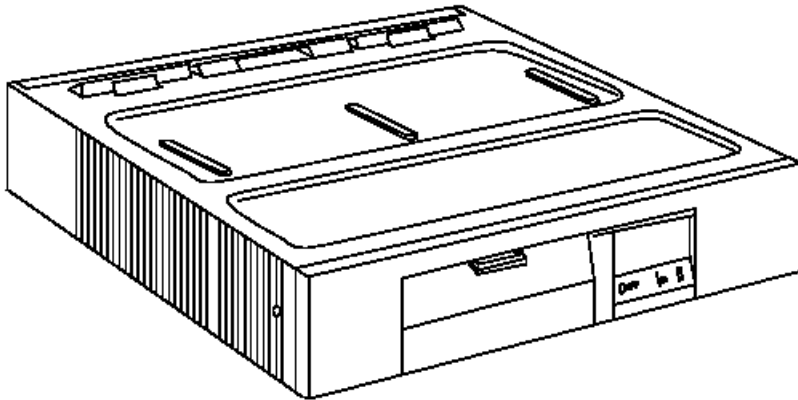
FRONT_2 Assemblies Listing

Adapters 6.3
 Cash Drawer, Compact, 4694/4695 5.3
 Cash Drawer, 4683/4684 5.1
 Cash Drawer, 4693/4694 5.2
 Displays, Flat Panel 3.3
 Displays, Shopper and Operator 3.5
 Displays, Sure Point Touch 3.4
 Displays, Video 3.1
 Displays, 40-Character 3.2
 Hand-Held Readers and Scanners 3.6
 IBM Wireless LAN 6.4
 Keyboard, Alphanumeric POS, 4683/4684 4.3
 Keyboard, Alphanumeric, 4683/4684 4.4
 Keyboard, Display, Combined 4683/4684 4.2
 Keyboard, Modifiable Layout, with Card Reader, 4693/4694 4.7
 Keyboard, Retail A/N POS, with Card Reader, 4693/4694 4.8
 Keyboard, Retail POS (50-Key), With or Without Card Reader,
 4693/4694 4.5
 Keyboard, Retail POS, with Card Reader and Display, 4693/4694 4.6
 Keyboard, 50-Key, 4683/4684 4.1
 Line Cord and Cable Assemblies 6.1
 Lock Part Numbers 6.2
 Printer, Covers, Models 3, 3R, 4, 4A, and 4R 2.2
 Printer, Models 1 and 2 2.1
 Printer, Models 3, 3R, 4, 4A, and 4R 2.3
 System Units, 4683 1.1
 System Units, 4684 1.2
 System Units, 4693 1.3
 System Units, 4694, Model 024 1.5
 System Units, 4694, Models 001 and 004 1.4
 System Units, 4694, Models 041, 044, and 144 1.6
 System Units, 4695, Models 002 and 012 1.7
 System Units, 4695, Models 201 and 211 1.8
 System Units, 4695, Tablet, All Models 1.9
 4678 (OEM) Devices 6.5

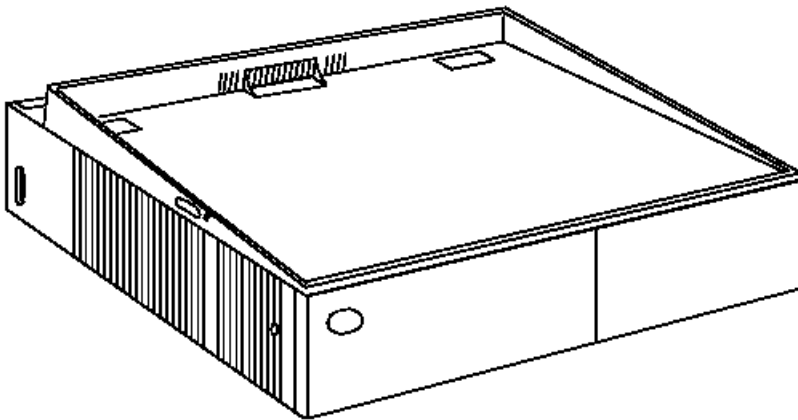
1.0 System Unit Assemblies



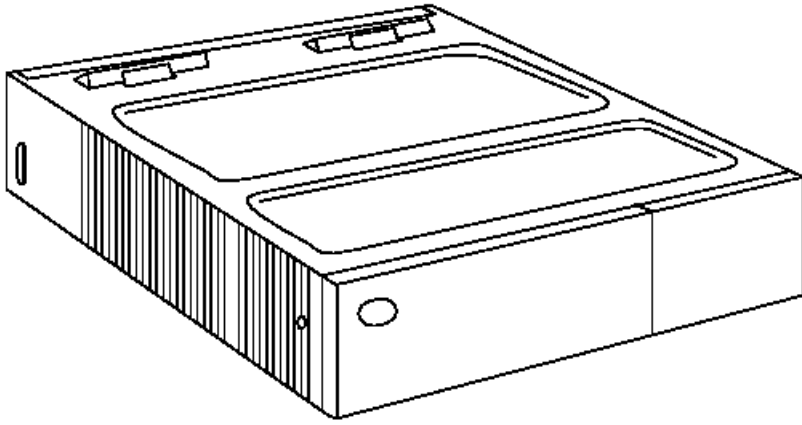
"Assembly 1: System Units, 4683" in topic 1.1



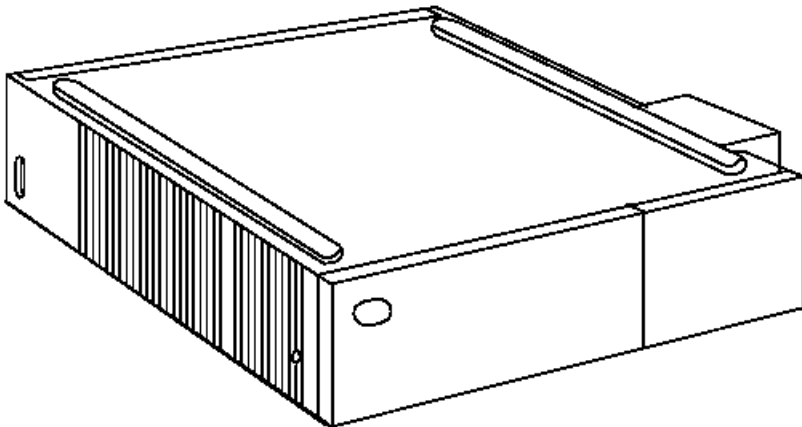
"Assembly 2: System Units, 4684" in topic 1.2



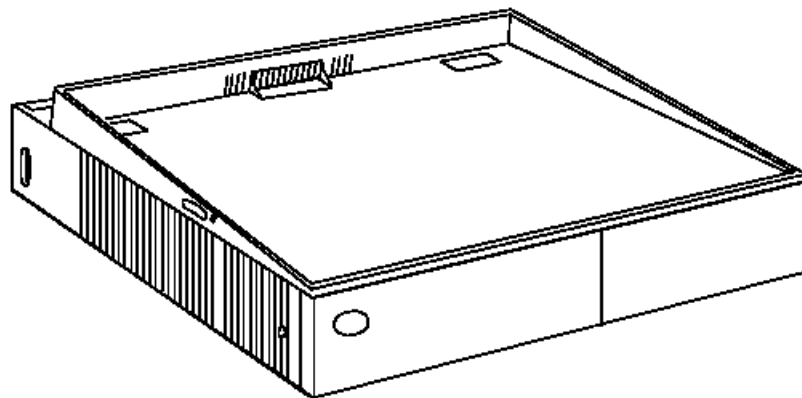
"Assembly 3: System Units, 4693" in topic 1.3



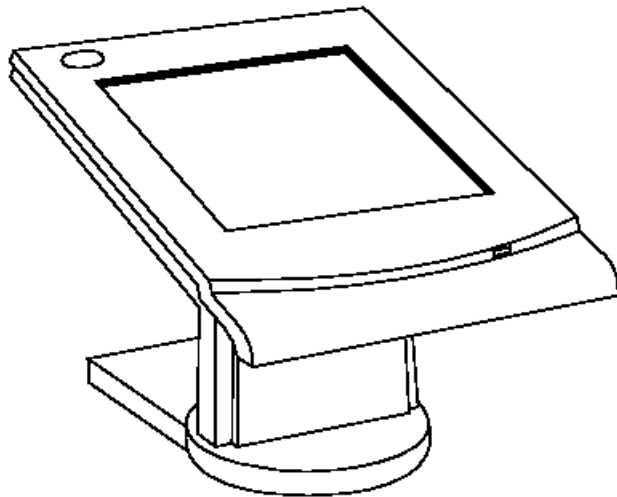
"Assembly 4: System Units, 4694, Models 001 and 004" in topic 1.4



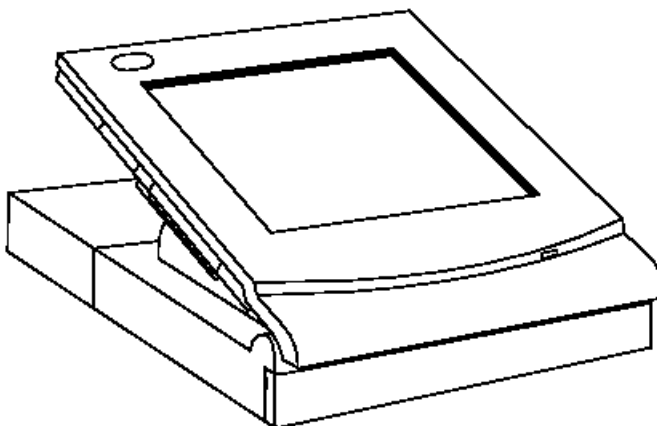
"Assembly 5: System Units, 4694, Model 024" in topic 1.5



"Assembly 6: System Units, 4694, Models 041, 044, and 144" in topic 1.6



"Assembly 7: System Units, 4695, Models 002 and 012" in topic 1.7

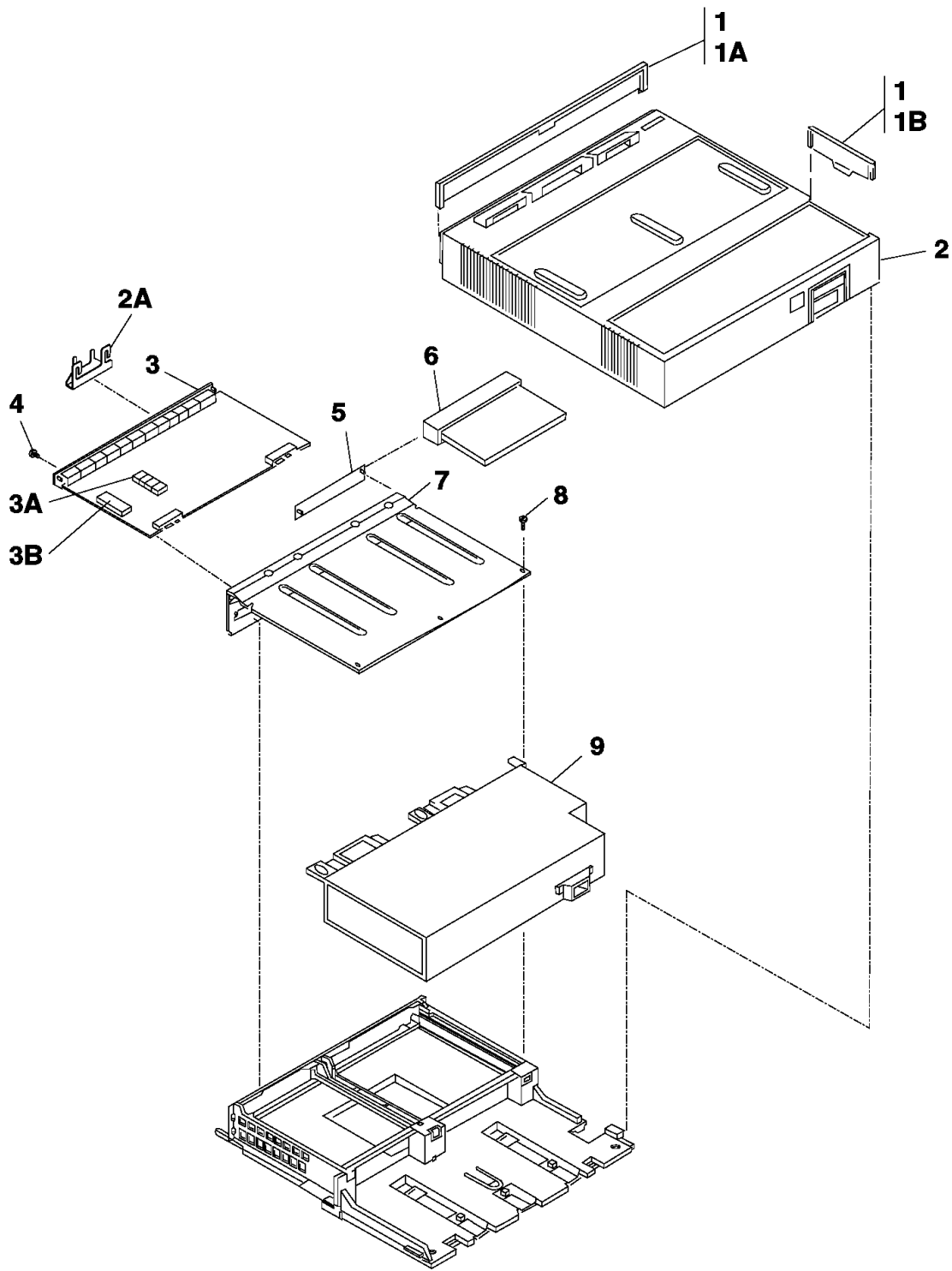


"Assembly 8: System Units, 4695, Models 201 and 211" in topic 1.8

Subtopics

- 1.1 Assembly 1: System Units, 4683
- 1.2 Assembly 2: System Units, 4684
- 1.3 Assembly 3: System Units, 4693
- 1.4 Assembly 4: System Units, 4694, Models 001 and 004
- 1.5 Assembly 5: System Units, 4694, Model 024
- 1.6 Assembly 6: System Units, 4694, Models 041, 044, and 144
- 1.7 Assembly 7: System Units, 4695, Models 002 and 012
- 1.8 Assembly 8: System Units, 4695, Models 201 and 211
- 1.9 Assembly 9: System Units, 4695, Tablet, All Models

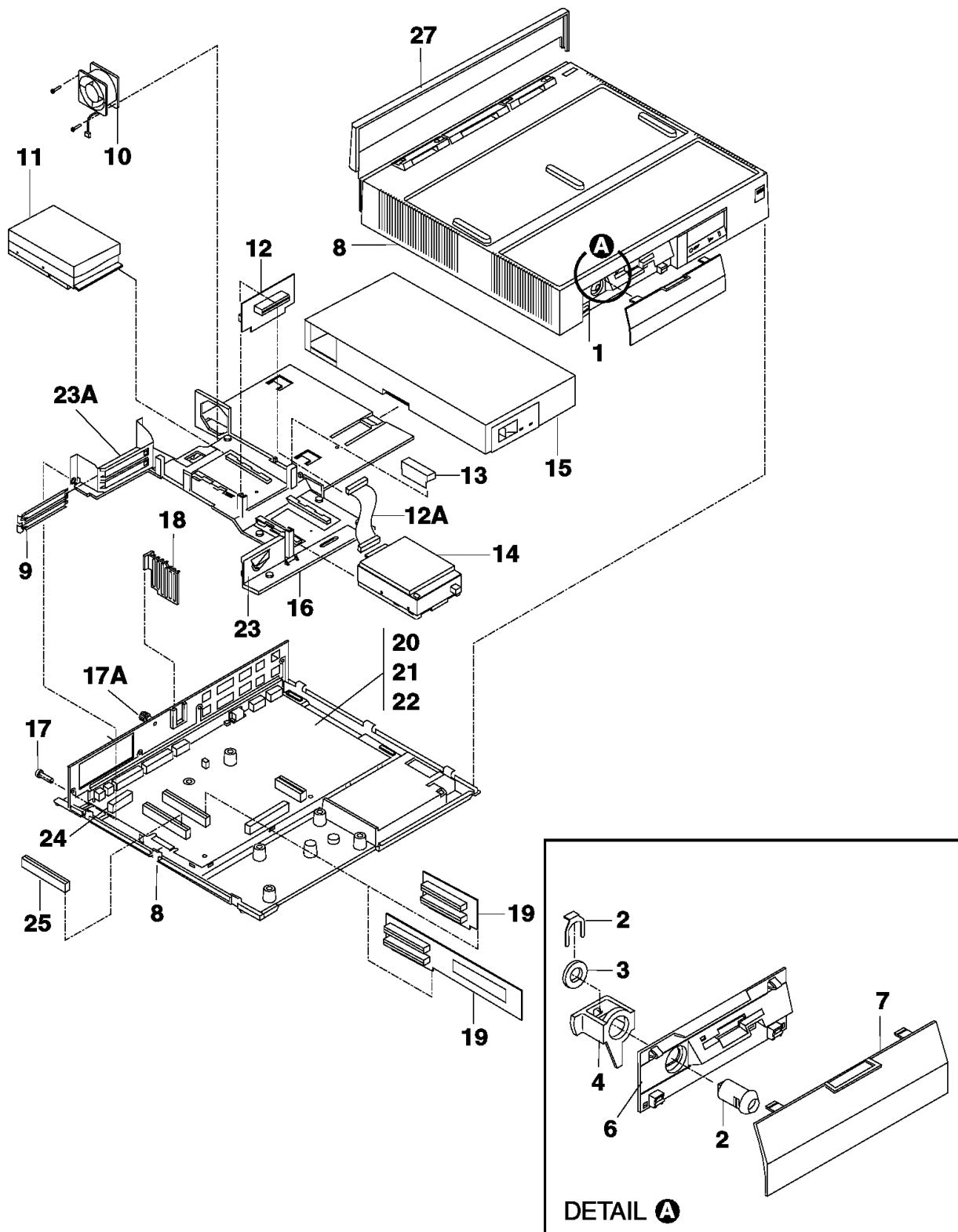
1.1 Assembly 1: *System Units, 4683*



Asm-Index	Part Number	Units	Description
1-		NP	System Unit Assembly, 4683
-1	6316727	1	□ Cover Asm, Rear Access and Battery
-1A	73G2186	1	□ Cover, Rear Access, Model 421
-1B	73G6440	1	□ Cover, Battery only
-2	6316725	1	□ Cover Asm, Top
-2A	96X4783	1	□ Retainer, Loop Cable
-3	73G2699	1	□ Card Assembly, Base, Model 421
-3	92F4604	1	□ Card Assembly, Base, Model 001
-3	92F4605	1	□ Card Assembly, Base, Model A01
-3	92F4606	1	□ Card Assembly, Base, Model 002
-3	92F4607	1	□ Card Assembly, Base, Model A02
-3	93F0542	1	□ Card Assembly, Base, P11, P21, P41
-3A	74F9914	AR	□ Module, ZIP, Model P11 (2), P21 (4)
-3A	74F9915	2	□ Module, ZIP, Model P41
-3B	74F9916	1	□ Module, SIMM, Model P11
-3B	74F9917	1	□ Module, SIMM, Model P21
-3B	74F9918	1	□ Module, SIMM, Model P41

Store Systems Parts Catalog
 Assembly 1: System Units, 4683

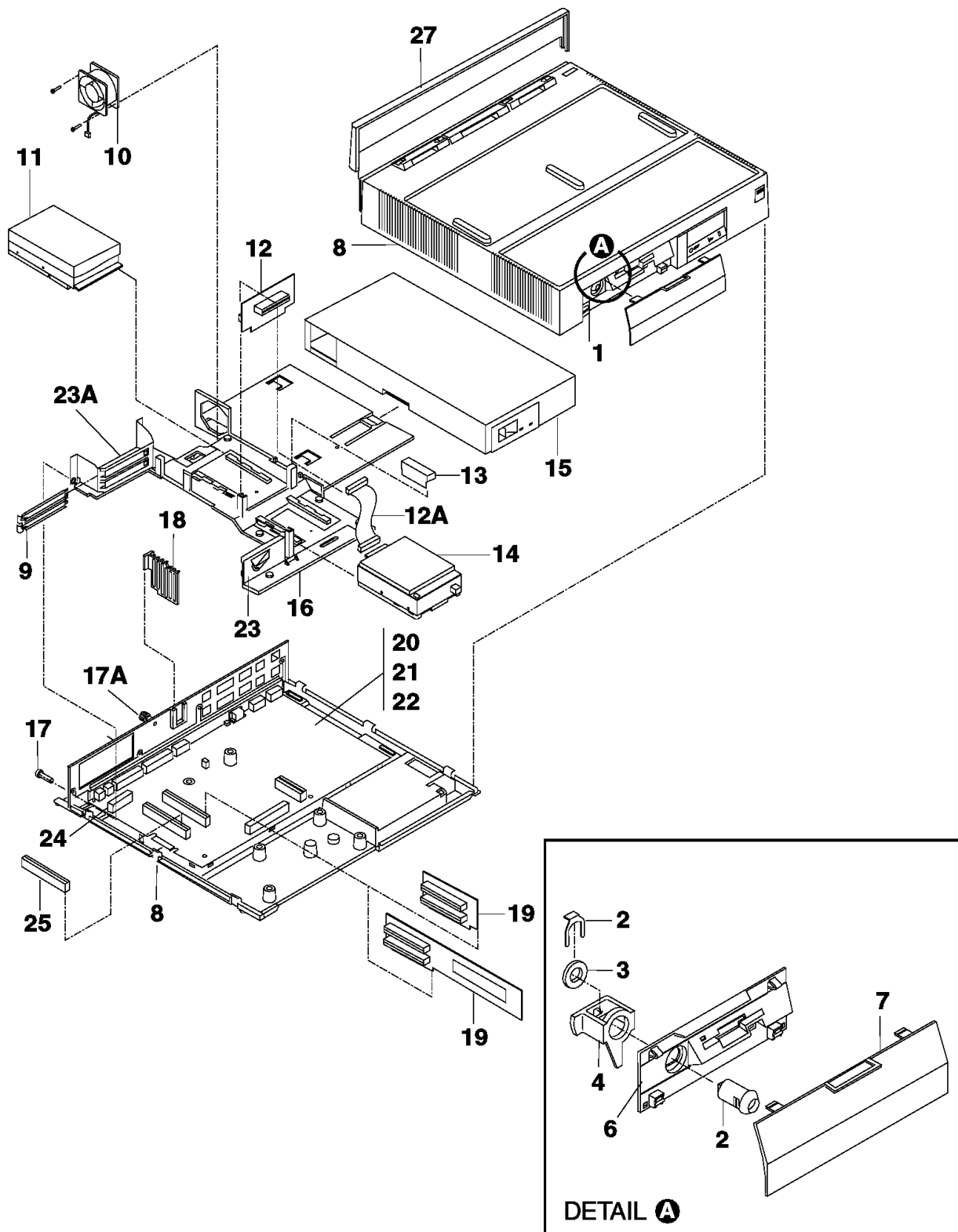
-3B	93F1830	AR	<input type="checkbox"/> Module, SIMM 2 MB, Model 421
-3B	93F1840	AR	<input type="checkbox"/> Module, SIMM 4 MB, Model 421
-3B	93F1850	AR	<input type="checkbox"/> Module, SIMM 8 MB, Model 421
-3C	73G2741	1	<input type="checkbox"/> Card Assembly, Token-Ring, Model 421 (not illustrated)
-3C	73G2742	1	<input type="checkbox"/> Card Assembly, Store Loop, Model 421 (not illustrated)
-4	1621661	5	<input type="checkbox"/> Screw, Pan HD
-5	83X7614	AR	<input type="checkbox"/> Plate Asm, Access
-6	4783791	1	<input type="checkbox"/> Card Asm, Feature, Expansion A Video, 5-in., 3161, 5144
-6	34G0214	1	<input type="checkbox"/> Card Asm, Feature, Expansion A Video, 5-in., 9-inch, PS/2's
-6	4783790	1	<input type="checkbox"/> Card Asm, Feature, Expansion B OCR/Scale/1520, Coin
-6	4783792	1	<input type="checkbox"/> Card Asm, Feature, Expansion C OCR/Scale/1520, RS232, Coin
-6	4783770	1	<input type="checkbox"/> Card Asm, Feature, Expansion D OCR/1520, Mgwnd, RS232, Coin
-6	39F6280	1	<input type="checkbox"/> Card Asm, Feature, Expansion E RS232, RS232CL
-7		NP	<input type="checkbox"/> Support
-8	1621668	6	<input type="checkbox"/> Screw, Thd Cut, Pan HD, M3.5 X 12 long
-9	04H7619	1	<input type="checkbox"/> Power Supply, Low Voltage
-9	6165741	1	<input type="checkbox"/> Power Supply, High Voltage
-	42H2354	1	<input type="checkbox"/> Fan, Power Supply (not illustrated)
-	4783797	1	<input type="checkbox"/> Base, Security (not illustrated)
-	83X7549	AR	<input type="checkbox"/> Plug, Security Base (not illustrated)



Asm-Index	Part Number	Units	Description
2-		NP	System Unit Assembly, 4684
-1	96X4995	1	<input type="checkbox"/> Face Asm (for Drive P/N 72X8523)
-1	39F6385	1	<input type="checkbox"/> Face Asm (for Drive P/N 92F5879)
-2	96X5000	1	<input type="checkbox"/> Lock Asm
-3		NP	<input type="checkbox"/> Retainer
-4		NP	<input type="checkbox"/> Lock Bar
-6		NP	<input type="checkbox"/> File Panel Asm (for Drive P/N 72X8523)
-6		NP	<input type="checkbox"/> File Panel Asm (for Drive P/N 92F5879)
-7	96X5002	1	<input type="checkbox"/> Door, File Access
-8	96X4991	1	<input type="checkbox"/> Cover, Top
-9	6279235	AR	<input type="checkbox"/> Filler

Store Systems Parts Catalog
 Assembly 2: System Units, 4684

-10	96X5022	1	<input type="checkbox"/> Fan Asm
-11	96X5001	1	<input type="checkbox"/> Fixed Disk Drive Asm, 30 MB (43 mm high), Models 130, 131
-11	6128249	1	<input type="checkbox"/> Fixed Disk Drive Asm, 30 MB (25 mm high), Models 130, 131 Note: 43 mm high drives and 25 mm high drives are not interchangeable. Replace only with the same size drives.
-11	56F8859	1	<input type="checkbox"/> Fixed Disk Drive Asm, 60 MB, Models 160, 161
-11	95F4703	1	<input type="checkbox"/> Fixed Disk Drive Asm, 40 MB, Models 200, 300
-11	95F4704	1	<input type="checkbox"/> Fixed Disk Drive Asm, 80 MB, Models 200, 300
-11	95F4705	1	<input type="checkbox"/> Fixed Disk Drive Asm, 160 MB, Models 200, 300
-12	96X6319	1	<input type="checkbox"/> Interposer Asm, Drive (for Diskette Drive 72X8523)
-12	39F6365	1	<input type="checkbox"/> Interposer Asm, Drive (for Diskette Drive 92F5879)
-12A	39F6367	1	<input type="checkbox"/> Cable Asm (for Diskette Drive P/N 92F5879)
-13	96X6323	1	<input type="checkbox"/> IP Asm, Power Supply
-14	72X8523	1	<input type="checkbox"/> Diskette Drive Asm (38 mm high)
-14	92F5879	1	<input type="checkbox"/> Diskette Drive Asm (25 mm high)
-15	96X5042	1	<input type="checkbox"/> Power Supply Asm, Low Voltage
-15	96X5043	1	<input type="checkbox"/> Power Supply Asm, High Voltage
-16	96X5010	1	<input type="checkbox"/> Inner Frame Asm
-17	6279212	7	<input type="checkbox"/> Screw
-17A	6279251	1	<input type="checkbox"/> Screw, Captive-Cover
-18	96X5034	1	<input type="checkbox"/> Guard, Fan
-19	96X5038	1	<input type="checkbox"/> Interposer Asm, Feature Card Expansion
-19	96X5039	1	<input type="checkbox"/> Feature and 1 MB Memory Card Expansion
-19	25F6520	1	<input type="checkbox"/> Feature and 2 MB Memory Card Expansion

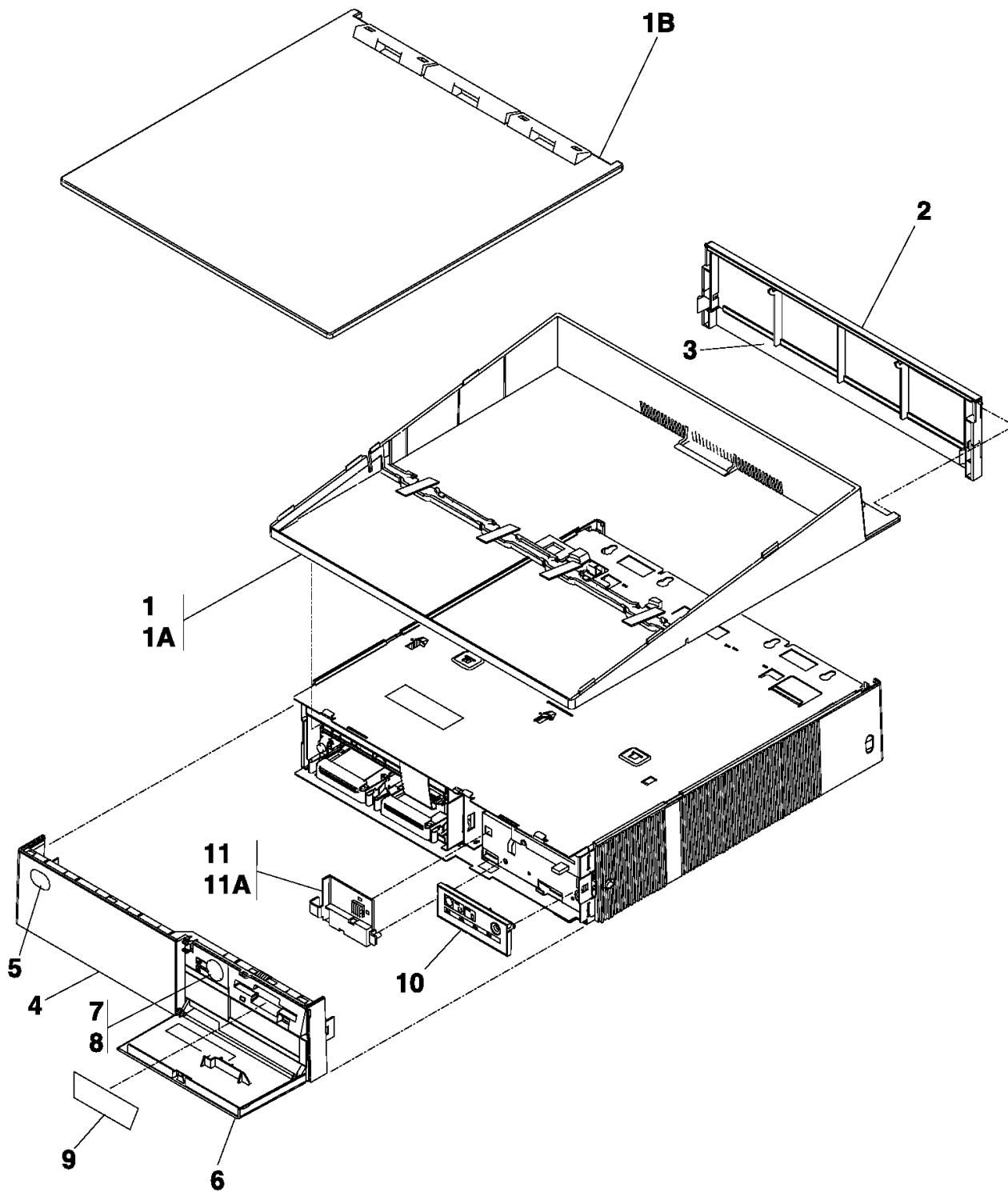


Asm-Index	Part Number	Units	Description
2-20		NP	<input type="checkbox"/> Card Assembly
-21	33G6003	1	<input type="checkbox"/> <input type="checkbox"/> Card Asm, Models 110, 130, and 160, LAN-less Model 200
-21	33G6004	1	<input type="checkbox"/> <input type="checkbox"/> Card Asm, Models 111, 131, and 161, LAN Model 200
-21	33G6251	1	<input type="checkbox"/> <input type="checkbox"/> Card, System, Model 300
-21	92F5844	1	<input type="checkbox"/> <input type="checkbox"/> Card, Type A Loop Adapter
-21	92F5846	1	<input type="checkbox"/> <input type="checkbox"/> Card, Side, Token-Ring
-21	92F5847	1	<input type="checkbox"/> <input type="checkbox"/> Card, Side, Baseband
-22	96X5032	1	<input type="checkbox"/> <input type="checkbox"/> Faceplate Kit, Models 110, 130, 160
-22	92X5031	1	<input type="checkbox"/> <input type="checkbox"/> Faceplate Kit, Models 111, 131, 161
-22	92X5871	1	<input type="checkbox"/> <input type="checkbox"/> Faceplate Kit, Token-Ring, Model 300
-22	92F5872	1	<input type="checkbox"/> <input type="checkbox"/> Faceplate Kit, Baseband LAN, Model 300

Store Systems Parts Catalog
Assembly 2: System Units, 4684

-23	57F2859	1	<input type="checkbox"/> <input type="checkbox"/> Lever, Snap Tool
-23A	93F1574	AR	<input type="checkbox"/> <input type="checkbox"/> Card, Undercover Modem Adapter
-24	72X8561	1	<input type="checkbox"/> <input type="checkbox"/> Fuse, 3 A
-25	68X6245	1	<input type="checkbox"/> <input type="checkbox"/> 1 MB Memory SIP, Models 131, 161
-25	42F2895	1	<input type="checkbox"/> <input type="checkbox"/> 1 MB Memory SIMM, Models 200, 300
-25	92F0104	1	<input type="checkbox"/> <input type="checkbox"/> 2 MB Memory SIMM, Models 200, 300
-25	74F9918	1	<input type="checkbox"/> <input type="checkbox"/> 4 MB Memory SIMM, Model 300
-26	72X8526	AR	<input type="checkbox"/> <input type="checkbox"/> Snap Kit (3 sets per kit)
-27	96X5004	1	<input type="checkbox"/> <input type="checkbox"/> Cover, Rear
-	4783797	1	<input type="checkbox"/> Base, Security (not illustrated)
-	83X7549	AR	<input type="checkbox"/> Plug, Security Base (not illustrated)

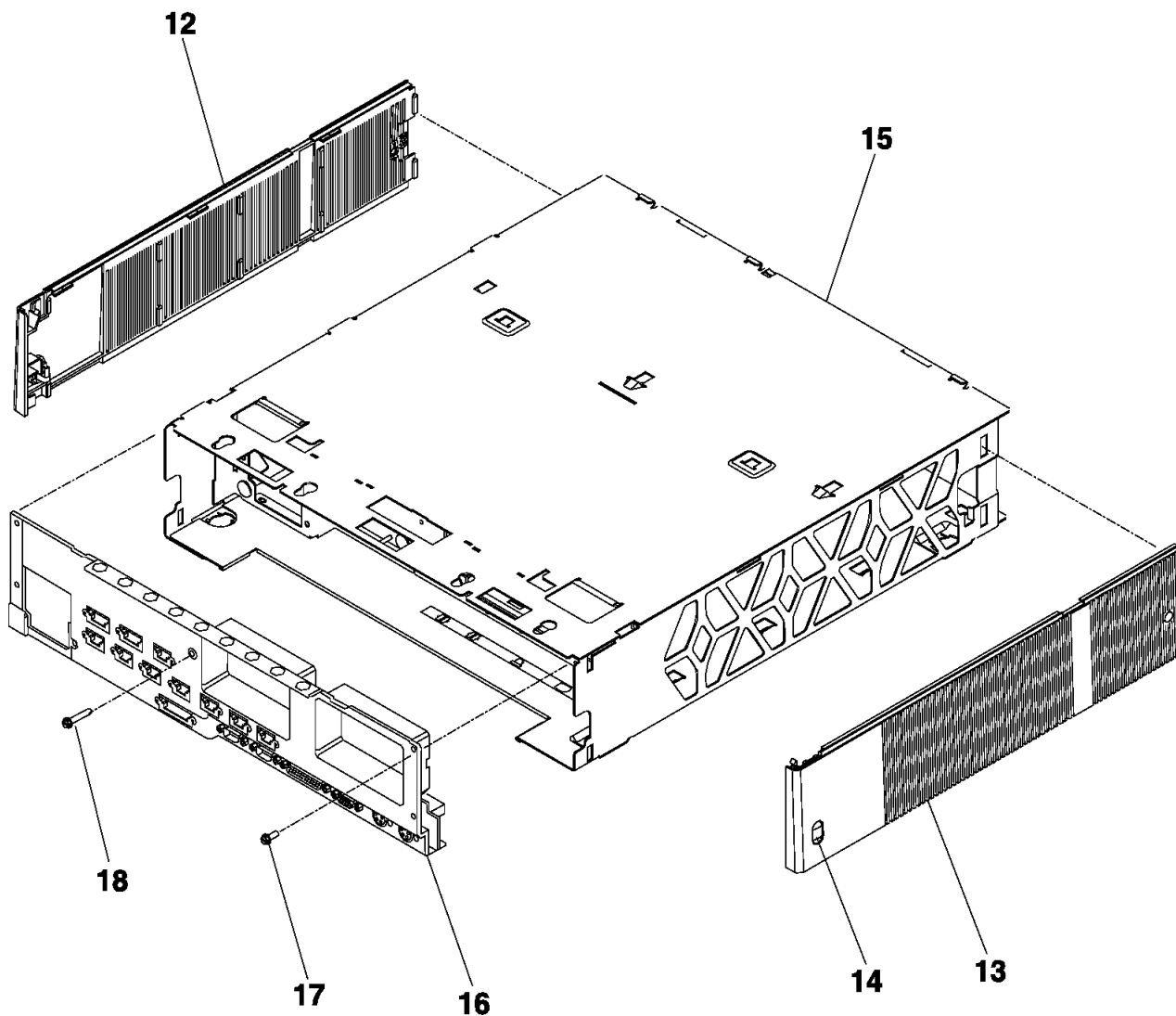
1.3 Assembly 3: *System Units, 4693*



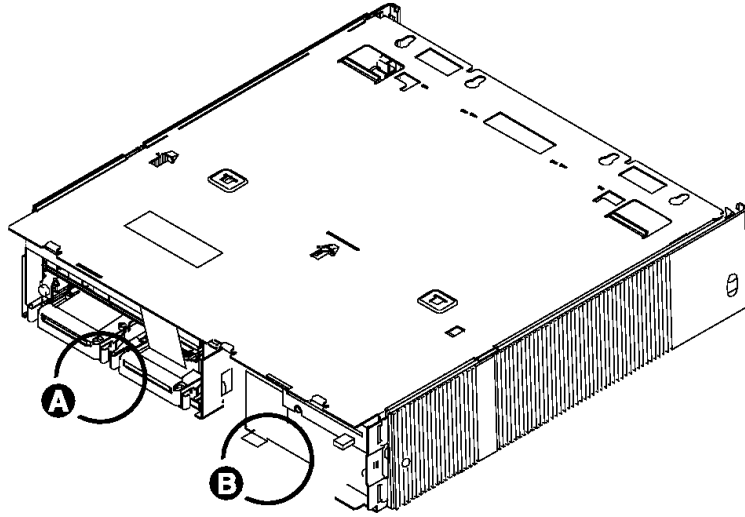
Asm-Index	Part Number	Units	Description
3-		NP	System Unit Assembly, 4693 Models 202, 321, 3W1, 421, 541, 741
-1	93F1795	1	□ Fence Asm, Integrated Models 202, 321, 3W1, 421, 541, 741
-1A	93F1889	1	□ Fence Asm, Integrated Fiscal Models 202, 321, 421, 541, 741
-1B	93F1860	1	□ Flat Top Asm, Distributed Models 202, 321, 3W1, 421, 541, 741
-2	93F1896	1	□ Panel, Rear Cover, Modesty, Tall Models 3W1, 541, 741
-2	93F1899	1	□ Panel, Rear Cover, Modesty, Short Models 202, 321, 421
-3	93F1818	1	□ Insert, Rear Cover Modesty Panel Models 202, 321, 3W1, 421, 541, 741
-4	93F1843	1	□ Cover Asm, Front Panel Models 3W1, 541, 741
-4	93F1880	1	□ Cover Asm, Front Panel Models 202, 321, 421
-5	93F1836	R	□ Logo Plate

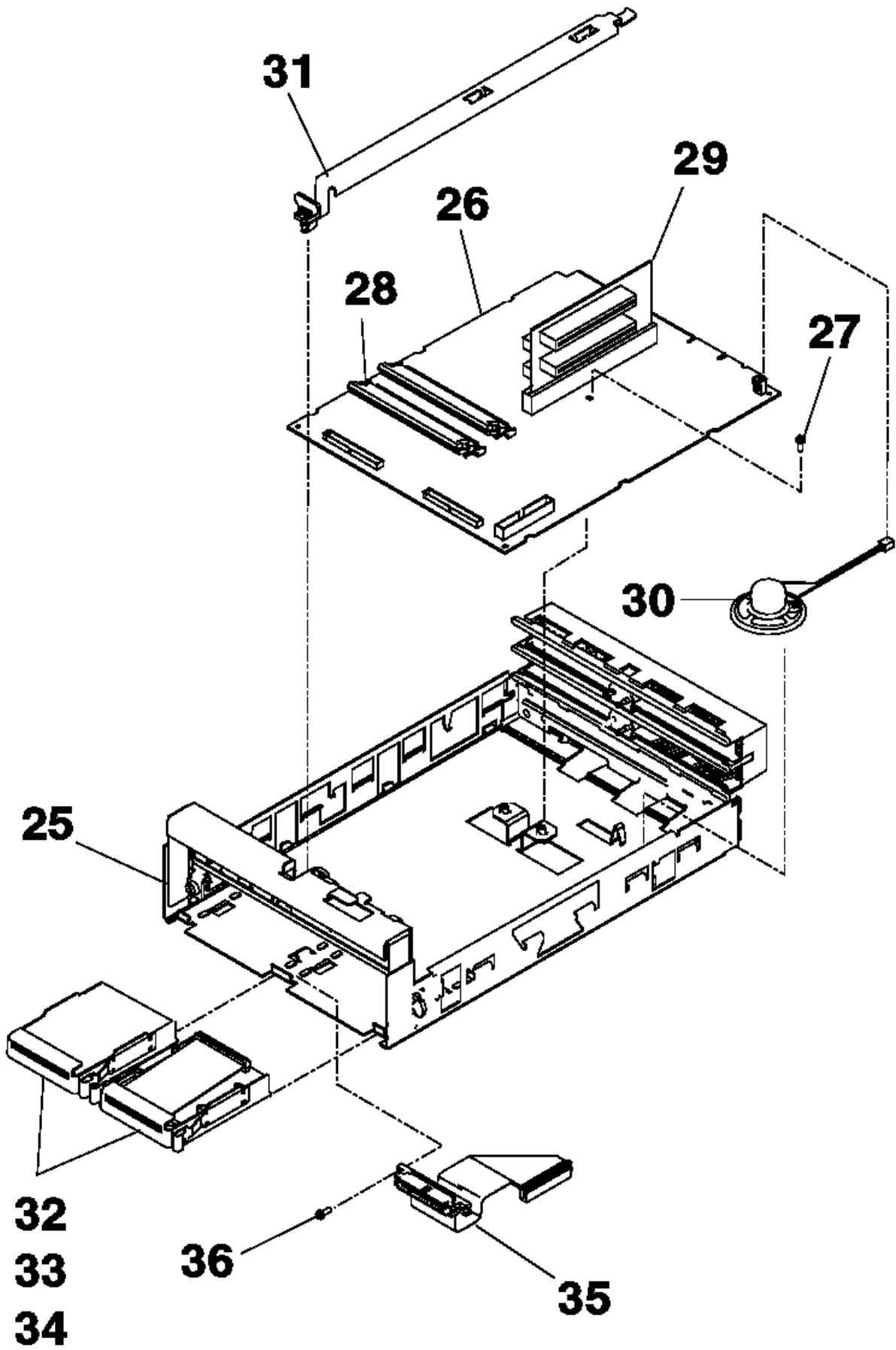
Store Systems Parts Catalog
 Assembly 3: System Units, 4693

-6	93F1847	1	□ Door Asm, Front Panel Tall Models 3W1, 541, 741
-6	93F1887	1	□ Door Asm, Front Panel Short Models 202, 321, 421
-7	93F1855	1	□ Lock Barrel and Clip Models 3W1, 541, 741
-8	93F1826	1	□ Lock Parts Kit Models 3W1, 541, 741
-9	93F1866	1	□ Panel, Blank Models 3W1, 541, 741
-10	93F1844	1	□ Panel Asm, Operator Models 3W1, 541, 741
-10	93F1845	1	□ Panel Asm, Operator Models 321, 421
-10	93F1846	1	□ Panel Asm, Operator Model 202 only
-11	93F1863	1	□ Interlock Asm, Battery Models 202, 321, 3W1, 421, 541, 741
-11A	93F1135	1	□ Battery Asm, Standard Duration Models 321, 3W1, 421, 541, 741 (Refer to DETAIL B for the Extended Duration Battery.)

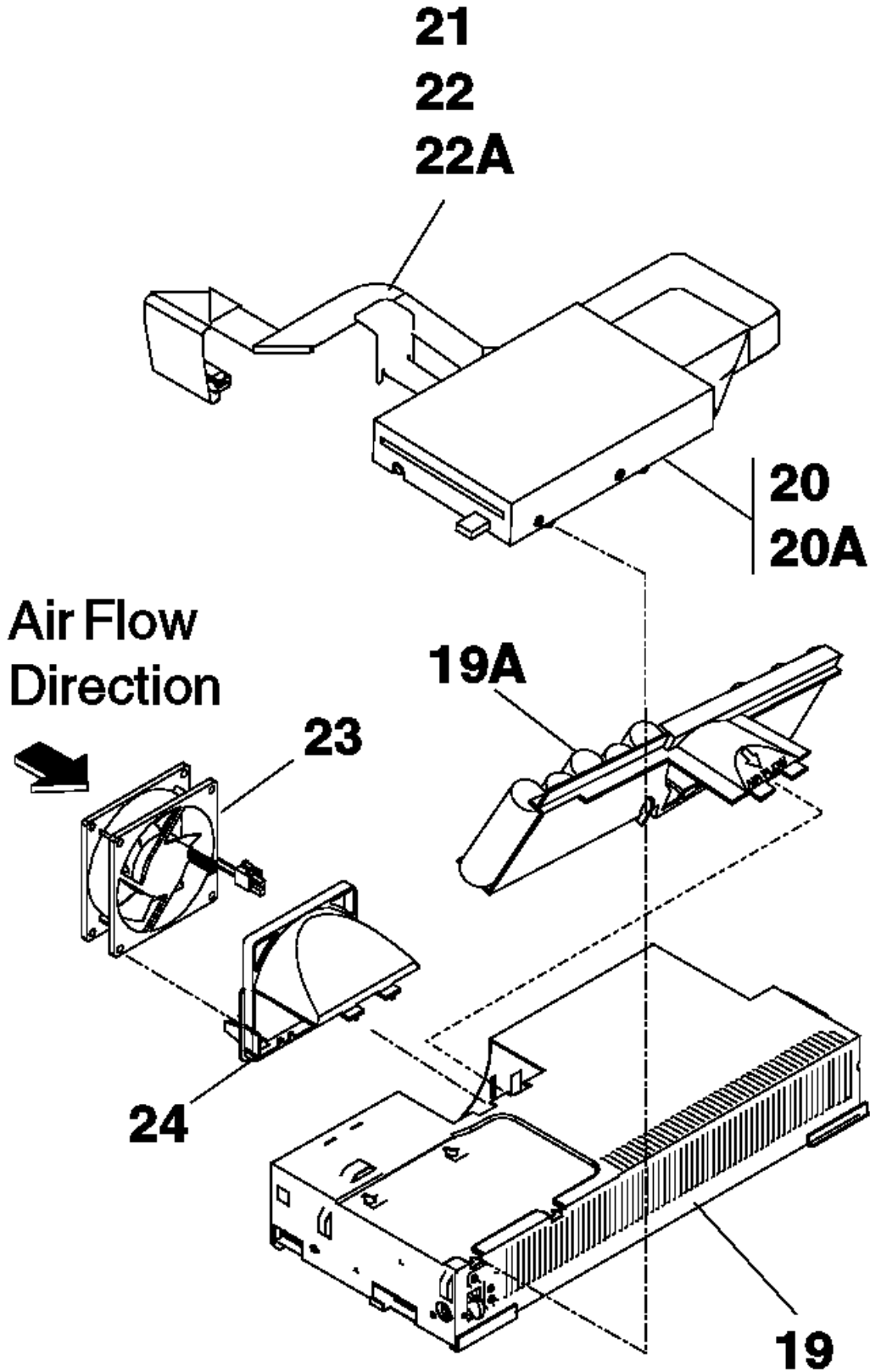


Asm-Index	Part Number	Units	Description
3-12	93F1842	1	□ Cover Asm, Right Side Models 3W1, 541, 741
-12	93F1852	1	□ Cover Asm, Right Side Models 202, 321, 421
-13	93F1841	1	□ Cover Asm, Left Side Models 3W1, 541, 741
-13	93F1851	1	□ Cover Asm, Left Side Models 202, 321, 421
-14	93F1902	1	□ Button Models 202, 321, 3W1, 421, 541, 741
-15		NP	□ Tunnel Asm Models 202, 321, 3W1, 421, 541, 741
-16	93F1813	1	□ Panel Asm, Rear Connector Model 202 only
-16	93F1823	1	□ Panel Asm, Rear Connector Model 212 only
-16	93F1792	1	□ Panel Asm, Rear Connector Model 321 only
-16	93F1793	1	□ Panel Asm, Rear Connector Model 331 only
-16	93F1824	1	□ Panel Asm, Rear Connector Model 3W1 only
-16	93F1812	1	□ Panel Asm, Rear Connector Model 421, 741
-16	93F1821	1	□ Panel Asm, Rear Connector Model 431 only
-16	93F1811	1	□ Panel Asm, Rear Connector Model 541 only
-16	93F1822	1	□ Panel Asm, Rear Connector Model 551 only
-17	61X8794	5	□ Screw, M3.5 Models 202, 321, 3W1, 421, 541, 741
-18	93F0738	1	□ Screw, M3.5 Models 202, 321, 3W1, 421, 541, 741





DETAIL A

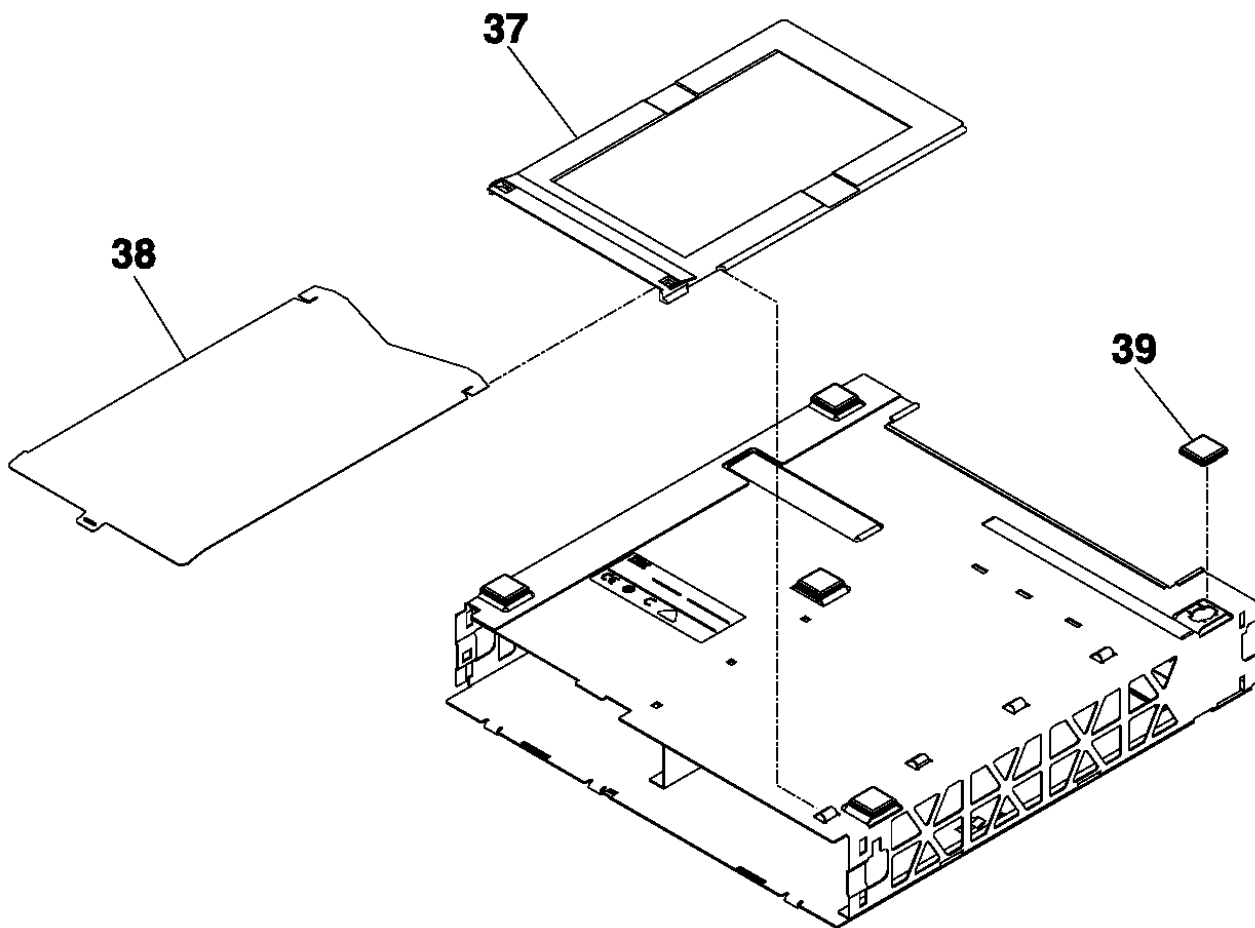


DETAIL B	Asm-	Part		
Index	Number	Units	Description	
	3-19	93F1861	1 □	
Power Supply Asm, Low Voltage, Models	202, 321, 421, 541, 741	-19	93F1829	1 □ Power

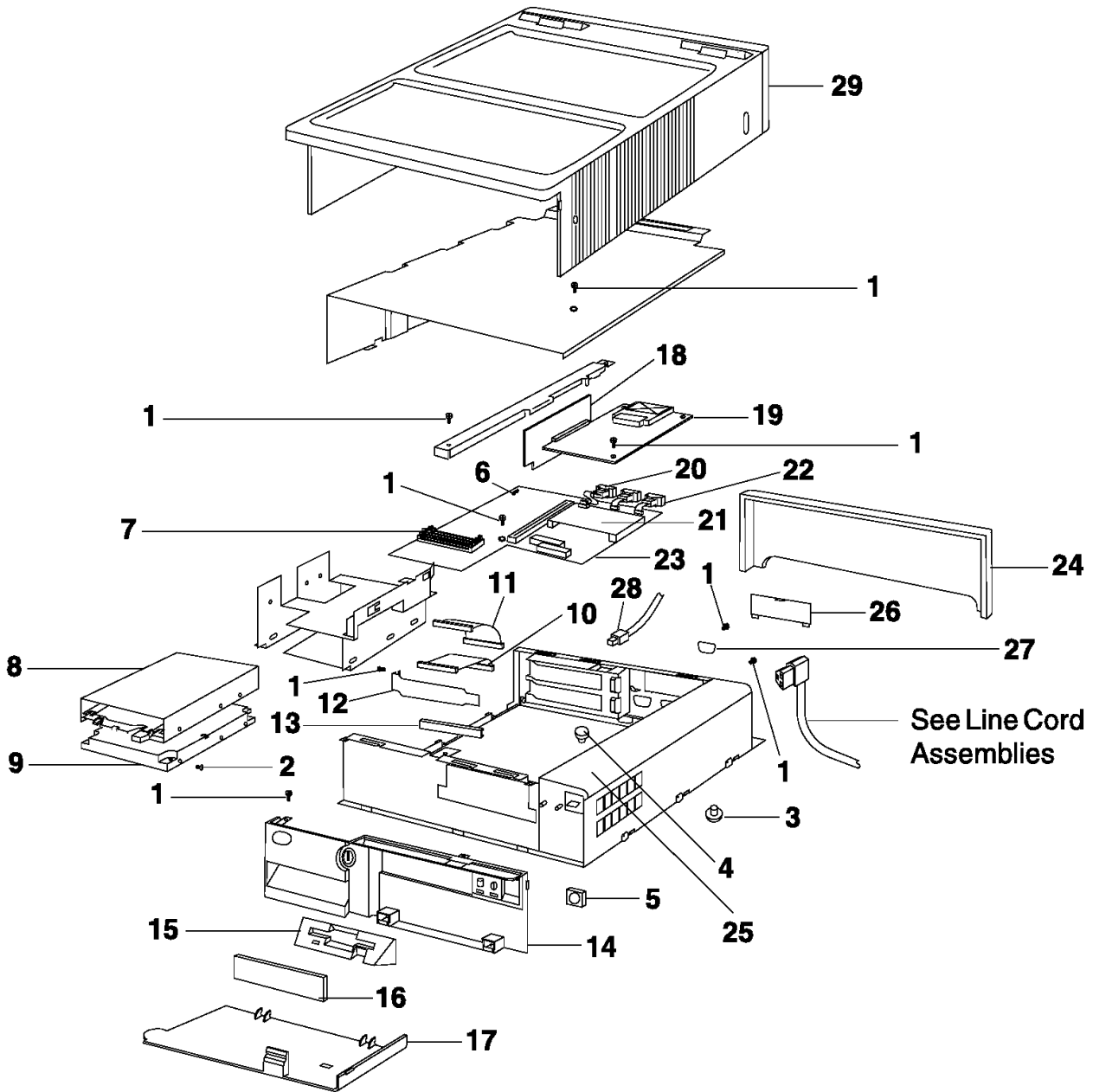
Store Systems Parts Catalog
 Assembly 3: System Units, 4693

Supply Asm, Low Voltage, Model 3W1 || | | | only || -19 |93F1862| 1 | □ Power Supply Asm,
 High Voltage, Models || | | | 202, 321, 421, 541, 741 || -19 |93F1123| 1 | □ Power Supply Asm, High
 Voltage, Model 3W1 || | | | only || -19A |93F1785| 1 | □ Battery Asm, Extended Duration
 Models || | | | 321, 421, 541 || |93F1853| 1 | □ Diskette Drive Asm, 1.44 Meg, Models 3W1,
 || | | | 541, 741 || -20 |93F1895| 1 | □ Diskette Drive Asm, 2.88 Meg, Models 3W1, ||
 | | | 541, 741 || -20A |93F0658| AR | □ Stud, M3, Model 541 only || -21 |93F1831| 1
 | □ Cable, Diskette Long, Models 3W1, 541, || | | | 741 || -22 |93F1848| 1 | □ Clip, Model
 541 only || -22A |1621176| AR | □ Screw, Pan HD, M3 X 4, Models 3W1, 541, || | | |
 741 || -23 |93F1834| 1 | □ Fan, 80 mm, Models 3W1, 541, 741 || -23 |93F1835| 1 | □ Fan, 60
 mm, Models 202, 321, 421 || -24 |93F1865| 1 | □ Plenum, Fan, 80 mm, Models 3W1, 541, 741 || -24 |93F1879| 1 | □
 Plenum, Fan, 60 mm, Models 202, 321, 421 || -25 |93F1825| 1 | □ Card Cage Asm, Models 3W1, 541, 741 || -25 |93F1891
 | 1 | □ Card Cage Asm, Models 202, 321, 421 || -26 |93F1128| 1 | □ System Board Asm, Model 741 only || -26 |
 93F1810| 1 | □ System Board Asm, Model 541 only || -26 |93F1802| 1 | □ System Board Asm, Model 421 only ||
 -26 |93F1804| 1 | □ System Board Asm, Model 321 only || -26 |93F1805| 1 | □ System Board Asm, Model 3W1
 only || -26 |93F1803| 1 | □ System Board Asm, Model 202 only || -27 |61X8794| 2 | □ Screw, M3.5, Models 202,
 321, 3W1, 421, || | | | 541, 741 || -28 |93F1830| AR | □ Memory SIMM, 2 Meg, Models 321,
 3W1, 421, || | | | 541, 741 || -28 |93F1840| AR | □ Memory SIMM, 4 Meg, Models 321, 3W1,
 421, || | | | 541, 741 || -28 |93F1850| AR | □ Memory SIMM, 8 Meg, Models 321, 3W1, 421, |
 | | | | 541, 741 || -29 |93F1790| 1 | □ Bus Adapter Card Asm, Feature, Model 541 || | | |
 | | only || -29 |93F1791| 1 | □ Bus Adapter Card Asm, Feature, Models || | | | 321,
 3W1, 421 || -30 |93F1833| 1 | □ Speaker Asm, || | | | Models 202, 321,
 3W1, 421, 541 || -31 |93F1819| 1 | □ Bus Adapter Retainer, || | | | Models 202, 321, 3W1, 421,
 541 || -32 |93F1849| AR | □ Fixed Disk, 80 MB, (Includes Cable and || | | | Bracket),
 | | | | Model 541 only || -32 |93F1877| AR | □ Fixed Disk, 160 MB, (Includes Cable and ||
 | | | | Bracket), || | | | Model 541 only || -32 |93F1132| AR | □ Fixed
 Disk, 360 MB, Models 3W1, 741 || -32 |93F1138| AR | □ Fixed Disk, 540 MB, Models 3W1, 741 || -33 |93F1858| 1 |
 □ Bracket Kit, Model 541 only || -33 |93F1137| 1 | □ Bracket Kit, Models 3W1, 741 || -34 |93F1857| 1 | □
 Cable Asm, Fixed Disk, Model 541 only || -34 |93F1129| 1 | □ Cable Asm, Fixed Disk, Single Disk
 Installation, Model 3W1, 741 || -34 |93F1133| 1 | □ Cable Asm, Fixed Disk, Dual Disk || | | |
 Installation, Model 3W1, 741 || -35 |93F1881| 1 | □ Cable, Diskette, Short, Model 541 only || -35 |93F1881| 1 | □
 Cable, Diskette, Short, Model 541 only || -36 |78X8993| 2 | □ Screw, M3, Model 541 only |

+-----+



Asm-Index	Part Number	Units	Description
3-37	93F1854	1	□ Document Tray Models 202, 321, 3W1, 421, 541, 741
-38	93F1070	1	□ Quick Reference Card, Danish Models 202, 321, 421, 541
-38	93F1071	1	□ Quick Reference Card, Brazilian Portuguese Models 202, 321, 421, 541
-38	93F1072	1	□ Quick Reference Card, English Models 202, 321, 421, 541
-38	93F1073	1	□ Quick Reference Card, Norwegian Models 202, 321, 421, 541
-38	93F1074	1	□ Quick Reference Card, Portuguese Models 202, 321, 421, 541
-38	93F1075	1	□ Quick Reference Card, Canadian French Models 202, 321, 421, 541
-38	93F1076	1	□ Quick Reference Card, German Models 202, 321, 421, 541
-38	93F1077	1	□ Quick Reference Card, Swedish Models 202, 321, 421, 541
-38	93F1078	1	□ Quick Reference Card, Spanish Models 202, 321, 421, 541
-38	93F1079	1	□ Quick Reference Card, Turkish Models 202, 321, 421, 541
-39	93F0663	4	□ Rubber Foot Models 202, 321, 3W1, 421, 541, 741
-	93F1894	1	□ Cover, Filter, Tall Models 3W1, 541, 741 (not illustrated)
-	93F1898	1	□ Cover, Filter, Short Models 202, 321, 421 (not illustrated)
-	73G0919	1	□ Filter Element (Customer Replaceable Unit, not illustrated)

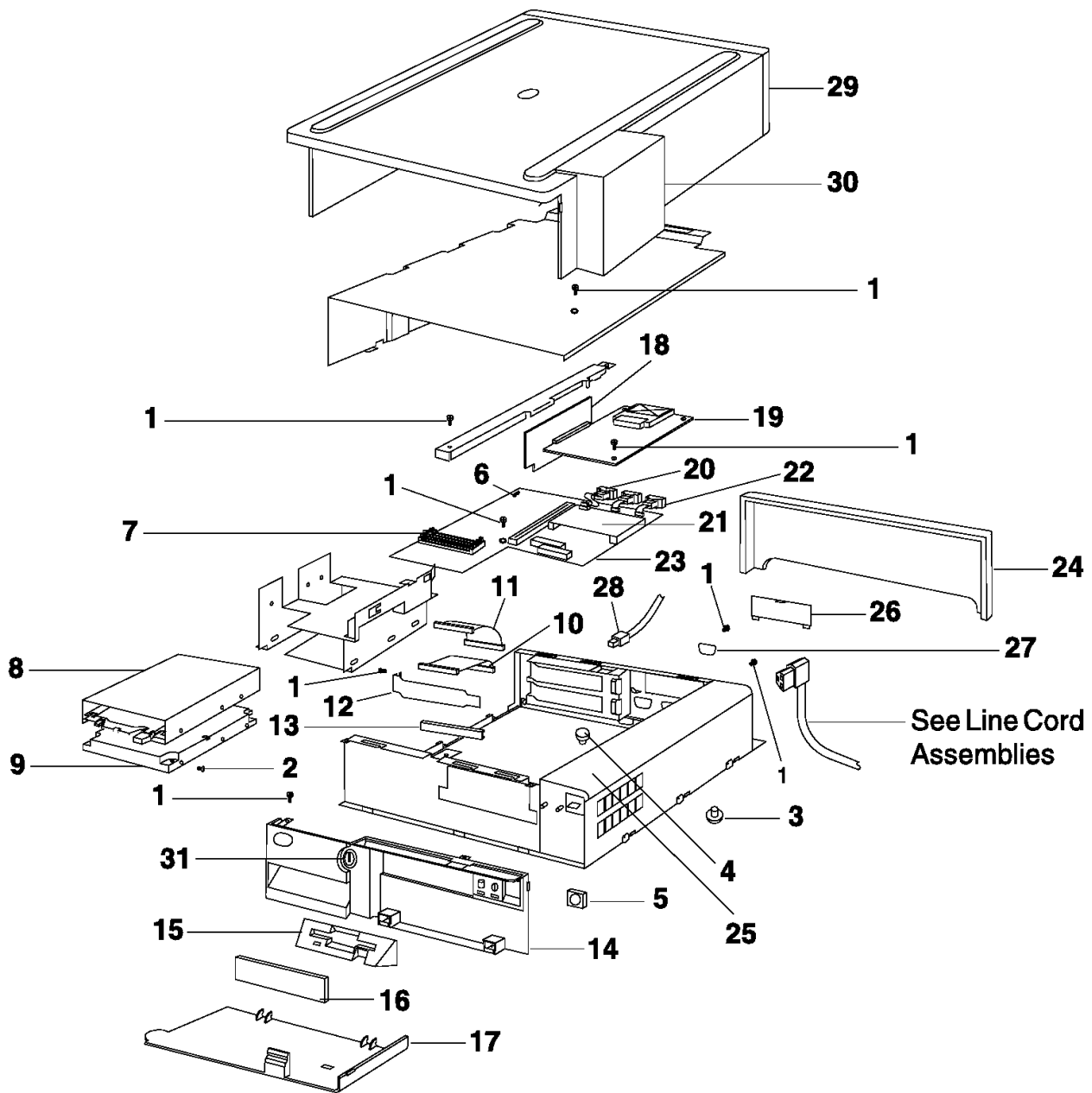


Asm-Index	Part Number	Units	Description
4-		NP	System Unit Assembly, 4694 Models 001, 004
-1		20	□ Screw, Washer Head, M3 x 5 mm (order Kit 59G8712, index 30)
-2		4	□ Screw, Pan Hd, 6-32 UNC x 4 mm (order Kit 59G8712, index 30)
-3		4	□ Foot (order Kit 59G8712, index 30)
-4		2	□ Spacer, System Board (order Kit 59G8712, index 30)
-5		1	□ Button, ON/OFF, White (order Kit 59G8712, index 30)
-6		1	□ Fuse, System Board, 5 A, 125 V (order Kit 59G8712, index 30)
-7	59G8690	1	□ 1 MB Memory Module (Qty/Mch=0, 2, or 4)
-7	59G8691	1	□ 4 MB Memory Module (Qty/Mch=0, 2, or 4)
-8	59G8678	1	□ 1.44 M Diskette Drive
-9	59G8676	1	□ 80 M Fixed Disk Drive, Model 001 only
-9	59G8677	1	□ 160 M Fixed Disk Drive, Model 001 only
-9	59G8787	1	□ 256 M Fixed Disk Drive
-10	59G8686	1	□ Cable Asm, Fixed Disk Drive
-11	59G8687	1	□ Cable Asm, Diskette Disk Drive
-12		2	□ Slot Cover, Feature Card (order Kit 59G8712, index 30)
-13		1	□ Slot Guide, Long, Feature Card (order Kit 59G8712, index 30)
-13		1	□ Slot Guide, Short, Feature Card (order Kit 59G8712, index 30)
-14	59G8715	R	□ Front Cover Asm, (includes Door, Logo, LED Label, FDD Bezel)

Store Systems Parts Catalog

Assembly 4: System Units, 4694, Models 001 and 004

-15	59G8688	1	<input type="checkbox"/> Cover, Diskette Drive
-16	59G8689	1	<input type="checkbox"/> Cover, No Diskette Drive Installed
-17	59G8694	1	<input type="checkbox"/> Door, Front
-18	59G8681	1	<input type="checkbox"/> Riser Card
-19	59G8695	1	<input type="checkbox"/> Card Asm, PCMCIA Feature
-20	59G8713	1	<input type="checkbox"/> Cable Asm, VGA Feature (includes 2 mounting screws)
-21	59G8679	1	<input type="checkbox"/> Card Asm, VGA Feature
-22	59G8714	2	<input type="checkbox"/> Cable Asm, RS232 (includes 2 mounting screws)
-23	59G8682	1	<input type="checkbox"/> System Board, 386 (includes Fuse, No Memory Modules, see Index 7), Model 001 only
-23	59G8786	1	<input type="checkbox"/> System Board, 486 (includes Fuse, No Memory Modules, see Index 7), Model 004 only
-24	59G8692	1	<input type="checkbox"/> Cover, Rear Modesty
-25	59G8755	1	<input type="checkbox"/> Power Supply, 200 V/240 V, 38 V Output, SBCS
-25	59G8684	1	<input type="checkbox"/> Power Supply, 100 V/127 V, 38 V Output, SBCS
-25	59G8685	1	<input type="checkbox"/> Power Supply, High Voltage, 24 V Output, DBCS, Japan
-25	59G8696	1	<input type="checkbox"/> Power Supply, Low Voltage, 24 V Output, DBCS, Japan
-26	59G8711	1	<input type="checkbox"/> Cover, No PCMCIA Feature Installed
-27	59G8680	1	<input type="checkbox"/> Cover, No VGA Feature Installed
-28	59G8730	1	<input type="checkbox"/> Cable Asm, LAN, 4.3 M
-29	59G8693	1	<input type="checkbox"/> Top Cover Asm
-30	59G8712	1	<input type="checkbox"/> Hardware Kit, Contents: Foot (X1) Slot Guide, Long, Feature Card (X1) Slot Guide, Short, Feature Card (X1) Slot Cover, Feature Card (X1) Button, ON/OFF, White (X1) Fuse, System Board, 5 A 125 V (X1) Screw, Washer Head, M3 x 5 mm (X5) Screw, Pan Head, 6-32 UNC x 4 mm (X2)
-	92G9475	1	<input type="checkbox"/> Button, Short, Diskette Drive (package of 10)

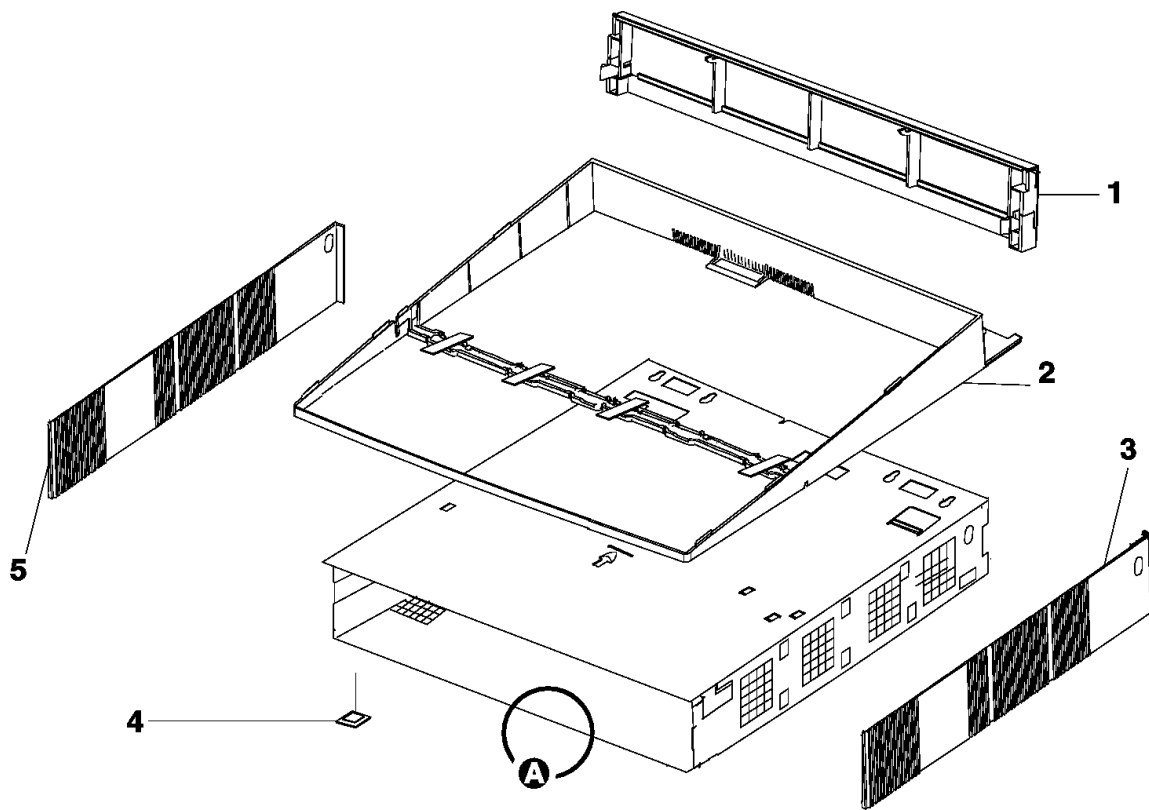


Asm-Index	Part Number	Units	Description
5-		NP	System Unit Assembly, 4694 Model 024
-1		20	□ Screw, Washer Head, M3 x 5 mm (order Kit 59G8712, index 32)
-2		4	□ Screw, Pan Head, 6-32 UNC x 4 mm (order Kit 59G8712, index 32)
-3		4	□ Foot (order Kit 59G8712, index 32)
-4		2	□ Spacer, System Board (order Kit 59G8712, index 32)
-5		1	□ Button, ON/OFF, White (order Kit 59G8712, index 32)
-6		1	□ Fuse, System Board, 5 A, 125 V (order Kit 59G8712, index 32)
-7	59G8690	1	□ 1 MB Memory Module (Qty/Mch=0, 2, or 4)
-7	59G8691	1	□ 4 MB Memory Module (Qty/Mch=0, 2, or 4)
-8	59G8678	1	□ 1.44 M Diskette Drive
-9	59G8787	1	□ 256 M Fixed Disk Drive
-10	59G8686	1	□ Cable Asm, Fixed Disk Drive
-11	59G8687	1	□ Cable Asm, Diskette Drive
-12		2	□ Slot Cover, Feature Card (order Kit 59G8712, index 32)
-13		1	□ Slot Guide, Long, Feature Card (order Kit 59G8712, index 32)
-13		1	□ Slot Guide, Short, Feature Card (order Kit 59G8712, index 32)
-14	59G8815	R	□ Front Cover Asm, (includes Door, Logo, LED Label, FDD Bezel)
-15	59G8688	1	□ Cover, Diskette Drive
-16	59G8689	1	□ Cover, No Diskette Drive Installed

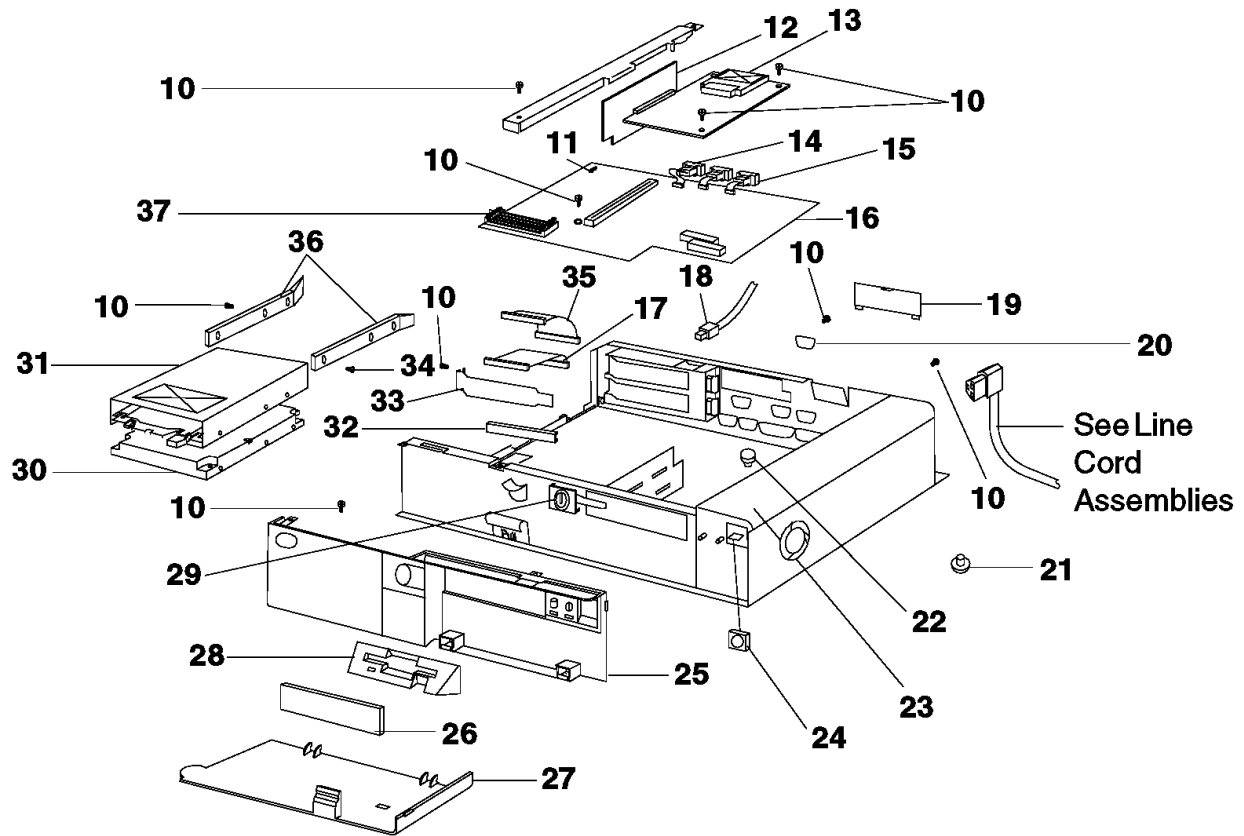
Store Systems Parts Catalog

Assembly 5: System Units, 4694, Model 024

-17	59G8816	1	<input type="checkbox"/> Door, Front
-18	59G8681	1	<input type="checkbox"/> Riser Card
-19	59G8695	1	<input type="checkbox"/> Card Asm, PCMCIA Feature
-20	59G8713	1	<input type="checkbox"/> Cable Asm, VGA Feature (includes 2 mounting screws)
-21	59G8679	1	<input type="checkbox"/> Card Asm, VGA Feature
-22	59G8714	2	<input type="checkbox"/> Cable Asm, RS232 (includes 2 mounting screws)
-23	59G8786	1	<input type="checkbox"/> System Board, 486 (includes Fuse, No Memory Modules, see Index 7)
-24	59G8692	1	<input type="checkbox"/> Cover, Rear, Modesty
-25	59G8755	1	<input type="checkbox"/> Power Supply, 200 V/240 V, 38 V Output, SBCS
-25	59G8684	1	<input type="checkbox"/> Power Supply, 100 V/127 V, 38 V Output, SBCS
-26	59G8711	1	<input type="checkbox"/> Cover, No PCMCIA Feature Installed
-27	59G8680	1	<input type="checkbox"/> Cover, No VGA Feature Installed
-28	59G8730	1	<input type="checkbox"/> Cable Asm, LAN, 4.3 M
-29	59G8817	1	<input type="checkbox"/> Top Cover Asm
-30	59G8818	1	<input type="checkbox"/> Cover, Spill Proof
-31	59G8819	1	<input type="checkbox"/> Lock Asm (includes Spacer, Clip, Barrel, Gear, Flag)
-32	59G8712	1	<input type="checkbox"/> Hardware Kit, Contents: Foot (X1) Slot Guide, Long, Feature Card (X1) Slot Guide, Short, Feature Card (X1) Slot Cover, Feature Card (X1) Button, ON/OFF, White (X1) Fuse, System Board, 5 A 125 V (X1) Screw, Washer Head, M3 x 5 mm (X5) Screw, Pan Head, 6-32 UNC x 4 mm (X2)
-	92G9475	1	<input type="checkbox"/> Button, Short, Diskette Drive (package of 10)

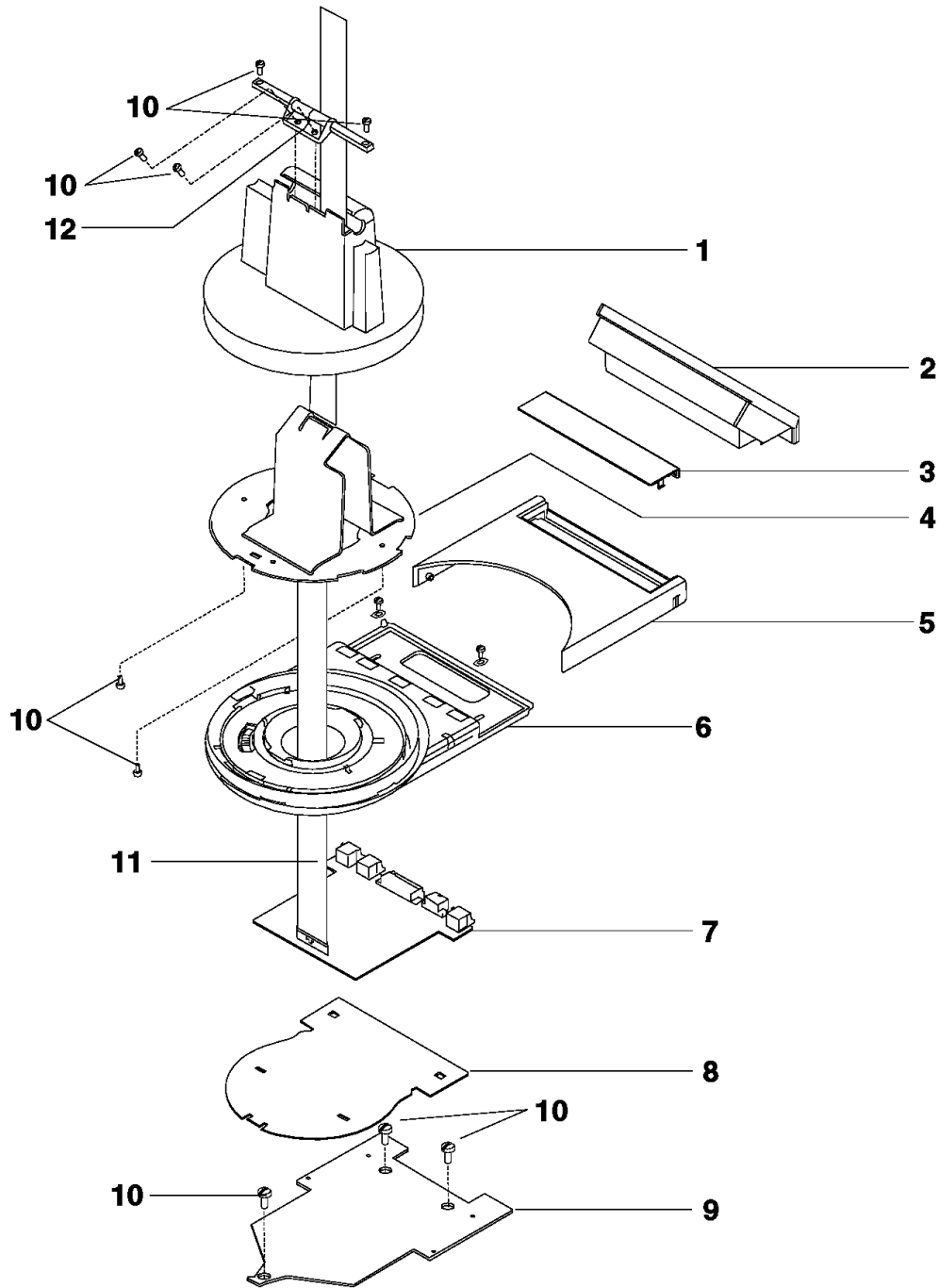


Asm-Index	Part Number	Units	Description
6-		NP	System Unit Assembly, 4694 Models 041, 044, 144
-1	93F1818	1	<input type="checkbox"/> Insert, Rear Cover Modesty Panel
-1	93F1899	1	<input type="checkbox"/> Panel, Rear Cover, Modesty
-2	93F1795	1	<input type="checkbox"/> I/O Frame (for non-fiscal printer)
-2	93F1889	1	<input type="checkbox"/> I/O Frame (for fiscal printer)
-3	93F1852	1	<input type="checkbox"/> Cover, Right Side
-4		4	<input type="checkbox"/> Foot (order Kit 92G9439, index 7)
-5	93F1851	1	<input type="checkbox"/> Cover, Left Side
-6	59G8712	1	<input type="checkbox"/> Hardware Kit, Contents: Button, ON/OFF, White (X1) Foot (X1), Models 001, 004, 024 only Slot Guide, Long, Feature Card (X1) Slot Guide, Short, Feature Card (X1) Slot Cover, AT, Feature Card (X1) Button, ON/OFF, White (X1) Fuse, System Board, 5 A 125 V (X1) Screw, Washer Head, M3 x 5 mm (X5) Screw, Pan Head, 6-32 UNC x 4 mm (X2)
-7	92G9439	1	<input type="checkbox"/> Hardware Kit, Contents: Mounting Bracket (X2) Foot (X2), Models 041, 044, and 144 only



DETAIL A

Asm-	Part	Index	Number	Units	Description		
			6-	NP	System		
Unit Assembly, Detail A, 4694 Models			041, 044, 144				
				-10	27	Screw, Washer Head, M3 x 5 mm (order Kit 59G8712, index 6)	
				-11	1	Fuse, System Board, 5 A, 125 V (order Kit 59G8712, index 6)	
				-12	59G8681	1	Riser Card
				-13	59G8695	1	Card Asm, PCMCIA Feature mounting screws
				-14	59G8713	1	Cable Asm, VGA Feature (includes 2 mounting screws)
				-15	59G8714	2	Cable Asm, RS232 (includes 2 mounting screws)
				-16	92G9435	1	System Board, Model 041 (includes Fuse, No Memory Modules, see Index 37)
				-16	92G9436	1	System Board, Model 044 (includes Fuse, No Memory Modules, see Index 37)
				-16	92G9452	1	System Board, Model 144 (includes Fuse, No Memory Modules, see Index 37)
				-17	59G8686	1	Cable Asm, Fixed Disk Drive
				-18	59G8730	1	Cable Asm, LAN, 4.3 M
				-19	59G8711	1	Cover, No PCMCIA Feature Installed
				-20	59G8680	1	Cover, No VGA Feature Installed
				-21	4	Foot (order Kit 92G9439, index 7)	
				-22	2	Spacer, System Board (order Kit 59G8712, index 6)	
				-23	92G9434	1	Power Supply, Autoswitching, 38 V Output, SBCS
				-24	1	Button, ON/OFF, White (order Kit 59G8712, index 6)	
				-25	92G9437	1	Front Cover Asm, (includes Door, Logo, LED Label, FDD Bezel)
				-26	92G9438	1	Door, Front
				-27	59G8689	1	Cover, No Diskette Drive Installed
				-28	59G8688	1	Cover, Diskette Drive
				-29	59G8819	1	Keylock Asm
				-30	59G8787	1	Fixed Disk Drive, 256 MB, Models 041, 044
				-30	92G9471	1	Fixed Disk Drive, 1 Gb HDD, Model 144 only
				-31	59G8678	1	1.44 M Diskette Drive
				-32	2	Slot Guide, Feature Card (order Kit 59G8712, index 6)	
				-33	2	Slot Cover, Feature Card (order Kit 59G8712, index 6)	
				-34	4	Screw, Pan Head, 6-32 UNC x 4 mm (order Kit 59G8712)	
				-35	59G8687	1	Cable Asm, Diskette Drive
				-36	AR	Mounting Bracket, X2 or 4 (order Kit 92G9439, index 7)	
				-37	59G8690	1	1 MB Memory Module (Qty/Mch=0, 2, or 4), Models 041, 044
				-37	59G8691	4	4 MB Memory Module (Qty/Mch=0, 2, or 4), Models 041, 044
				-37	92G9453	2	2 MB Memory Module (Qty/Mch=0, 2, or 4), Model 144 only
				-37	92G9454	4	4 MB Memory Module (Qty/Mch=0, 2, or 4), Model 144 only
				-37	92G9470	16	8 MB Memory Module (Qty/Mch=0, 2, or 4), Model 144 only
				-	92G9475	1	Button, Short, Diskette Drive (package of 10)



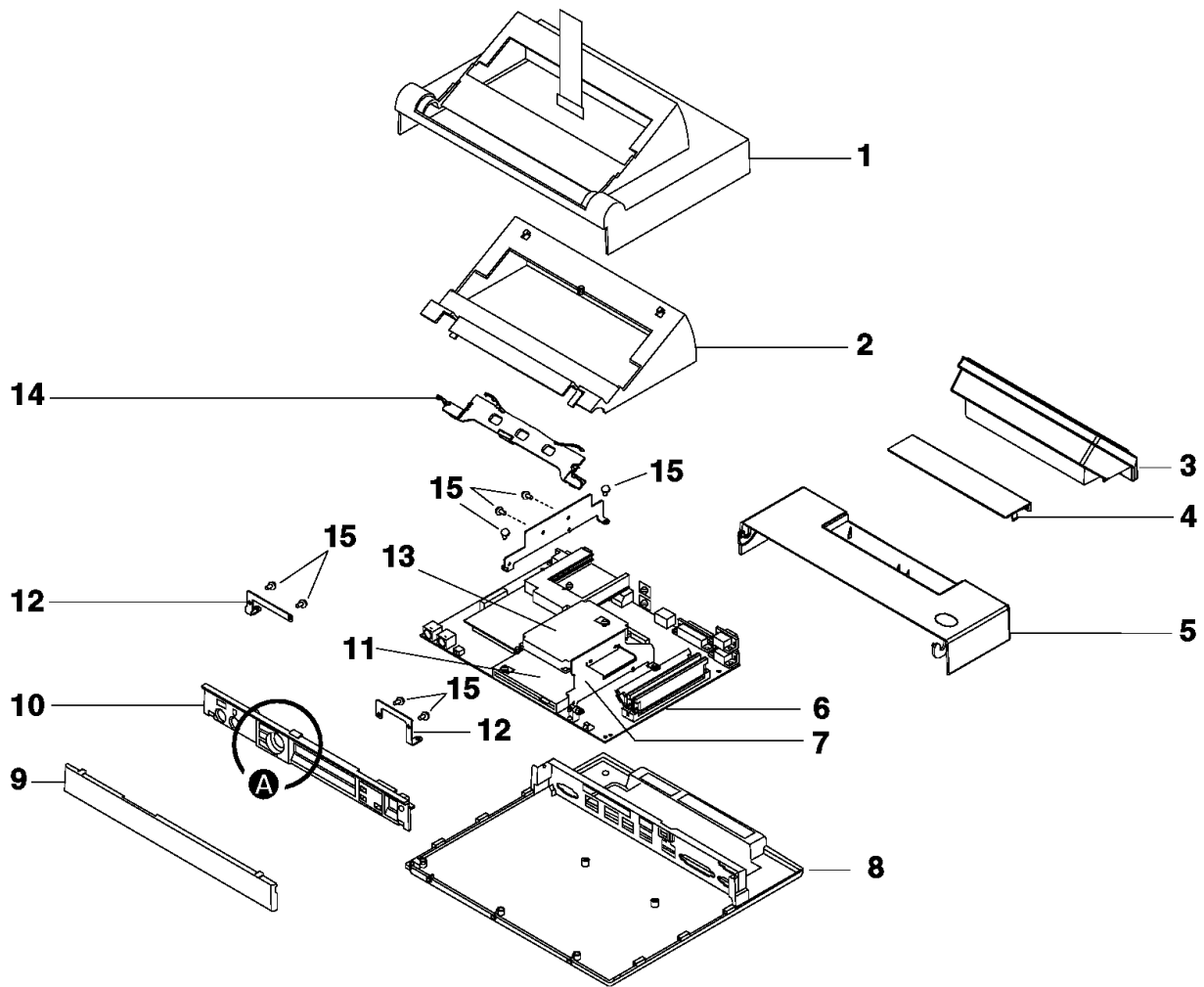
Asm-Index	Part Number	Units	Description
7-		NP	System Unit Assembly, 4695 Models 002, 012
-1	73G3046	1	□ Cover, Pedestal
-2	73G3004	1	□ Display Asm, Customer
-	73G3104	1	□ Cable Asm, Customer Display (not illustrated)
-3	73G3047	1	□ Blank, Customer Display
-4	73G3048	1	□ Stand, Pedestal
-5	73G3108	1	□ Door, Rear
-6	73G3050	1	□ Swivel Base
-7	73G2958	1	□ Card Asm, Interface
-8	73G3112	1	□ Shield, Interface Card
-9	73G3049	1	□ Mounting Plate
-10	73G3121	AR	□ Hardware Kit, Screws
-11	73G3040	1	□ Cable Asm, Digital Interface
-12	73G3045	1	□ Clutch Asm
-	73G2872	1	□ Power Supply (US) (not illustrated)
-	73G2874	1	□ Power Supply (WT) (not illustrated)
-	73G3053	1	□ Cable Asm, Controller Cable, 9 ft. (not illustrated)
-	73G3103	1	□ Cable Asm, Controller Cable, 25 ft. (not illustrated)

Store Systems Parts Catalog

Assembly 7: System Units, 4695, Models 002 and 012

-	73G3054	1	□ Cable Asm, Controller Cable, 50 ft. (not illustrated)
-	73G3055	1	□ Cable Asm, Controller Cable, 100 ft. (not illustrated)
-	13H6231	1	□ Wrap Plug, Test (not illustrated)

For Tablet FRUs see "Assembly 9: System Units, 4695, Tablet, All Models" in topic 1.9.

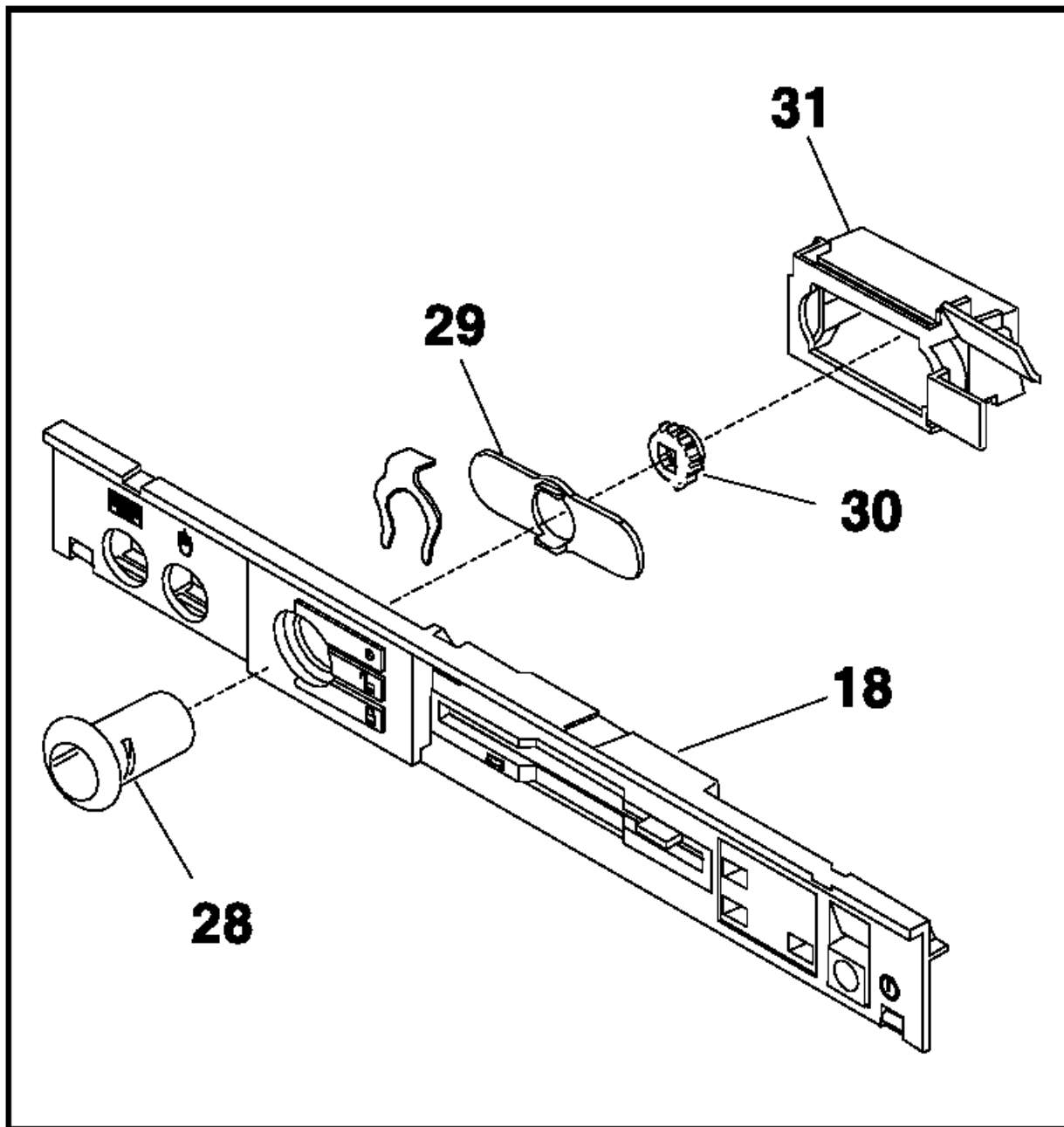


Asm-Index	Part Number	Units	Description
8-		NP	System Unit Assembly, 4695 Models 201, 211
-1	73G3058	1	<input type="checkbox"/> Wedge, Upper
-2	73G3059	1	<input type="checkbox"/> Wedge, Lower
-	10H3789	2	<input type="checkbox"/> Gear (not illustrated)
-	10H3808	1	<input type="checkbox"/> Shaft Asm (not illustrated)
-	10H3810	1	<input type="checkbox"/> Shield, Lower Wedge (not illustrated)
-3	73G3004	1	<input type="checkbox"/> Display Asm, Customer
-	73G3104	1	<input type="checkbox"/> Cable Asm, Customer Display (not illustrated)
-4	73G3047	1	<input type="checkbox"/> Blank, Customer Display
-5	73G3061	1	<input type="checkbox"/> Door, Rear
-6	73G3067	1	<input type="checkbox"/> Board Asm, System For Systems with Serial Numbers Below 41-D0000 and below 77-S2000
-6	41H8111	1	<input type="checkbox"/> Board Asm, System For Systems with Serial Numbers 41-D0000 and higher and 77-S2000 and higher
-	42H0082	AR	<input type="checkbox"/> Processor (not illustrated) For Systems with Serial Numbers 41-D0000 and higher and 77-S2000 and higher
-	10H3794	AR	<input type="checkbox"/> Memory Module, 2 MB (not illustrated)
-	10H3795	AR	<input type="checkbox"/> Memory Module, 4 MB (not illustrated)
-	10H3796	AR	<input type="checkbox"/> Memory Module, 8 MB (not illustrated)
-	25H4717	AR	<input type="checkbox"/> Memory Module, 16 MB (not illustrated)
-	25H4718	AR	<input type="checkbox"/> Memory Module, 32 MB (not illustrated)
-	13H6251	1	<input type="checkbox"/> Battery, Lithium (not illustrated) For Systems with Serial Numbers Below 41-D0000 and below 77-S2000
-	42H0081	1	<input type="checkbox"/> Battery, Lithium (not illustrated) For Systems with Serial Numbers 41-D0000 and higher and 77-S2000 and higher
-7	10H3798	1	<input type="checkbox"/> Bracket, Fixed Disk

Store Systems Parts Catalog

Assembly 8: System Units, 4695, Models 201 and 211

-8	10H3812	1	□ Base Asm
-	10H3811	1	□ Shield, Base Asm (not illustrated)
-9	73G3060	1	□ Door, Front
-10	10H3807	1	□ Bezel Asm, Front
-11	73G3066	1	□ Diskette Drive
-	73G3032	1	□ Cable Asm, Diskette Drive (not illustrated)
-12	10H3813	2	□ Bracket, Bezel Mounting
-13	73G3069	1	□ Fixed Disk Asm, 270 MB
-	73G3008	1	□ Cable Asm, Fixed Disk (not illustrated)
-14	10H3792	1	□ Latch, Tablet
-15	73G3121	AR	□ Hardware Kit, Screws
-	13H4850	1	□ Lens Kit, Customer Display (not illustrated)
-	93F0415	1	□ Grease, Upper/Lower Wedge (not illustrated)
-	73G2872	1	□ Power Supply (US) (not illustrated)
-	73G2874	1	□ Power Supply (WT) (not illustrated)
-	10H3797	1	□ Button, Power (not illustrated)
-	73G3070	1	□ Card Asm, PCMCIA Adapter (not illustrated)
-	73G3072	1	□ Blank, PCMCIA (not illustrated)
-	10H3784	4	□ Foot (not illustrated)



DETAIL A

Index	Number	Units	Asm- Part Description
-------	--------	-------	-----------------------

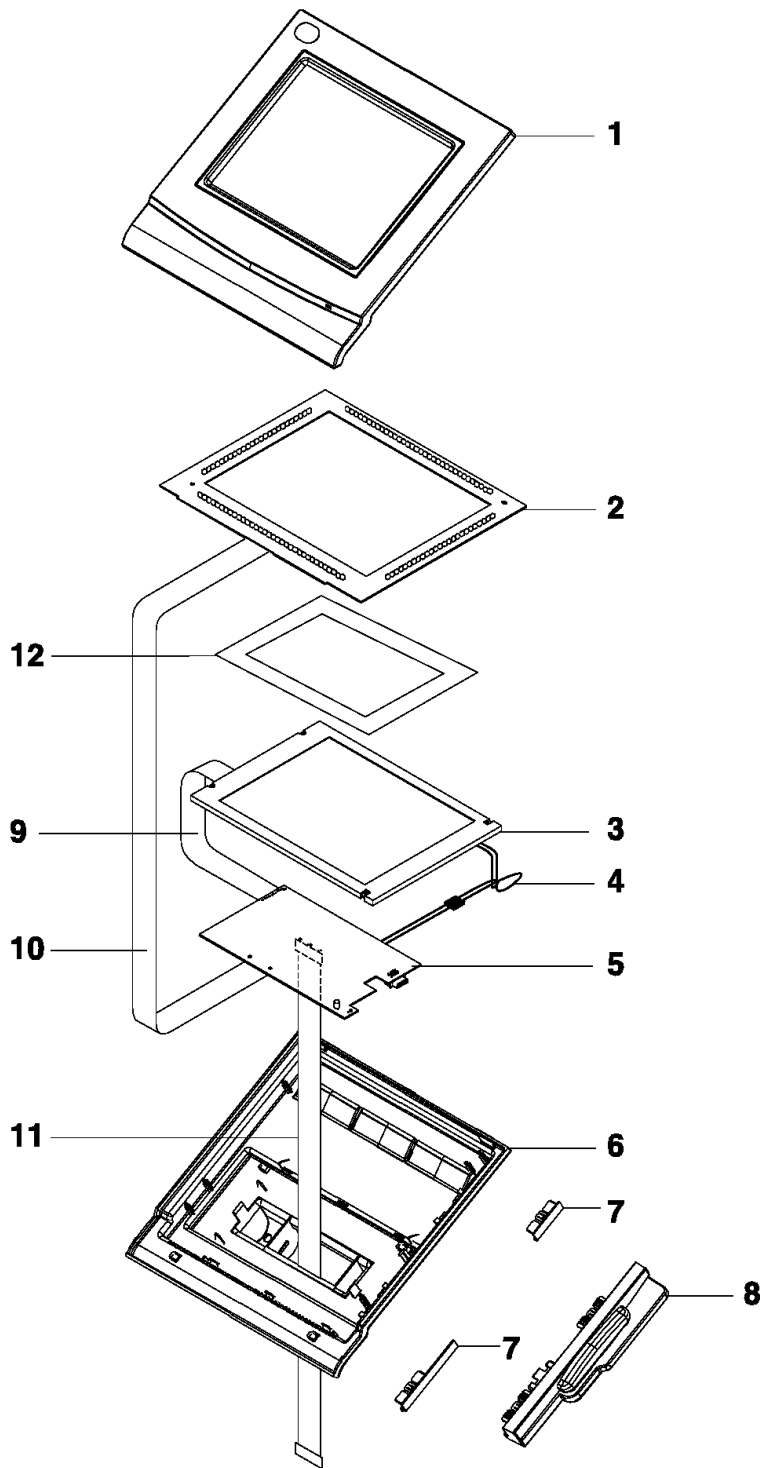
Store Systems Parts Catalog

Assembly 8: System Units, 4695, Models 201 and 211

DETAIL A									
8-18	10H3807	1	Bezel Asm, Front	-28	73G3065	1	Lock Asm	-29	
10H3778		1	Spacer, Lock	-30	10H3780	1	Gear, Lock	-31	10H3809
			Lock Flag Asm						1

For Tablet FRU's see "Assembly 9: System Units, 4695, Tablet, All Models" in topic 1.9.

-----+



Asm-Index	Part Number	Units	Description
9-		NP	Tablet Assembly, 4695, All Models
-1	25H3081	R	□ Cover, Bezel Asm, Front, All Models
-2	73G3036	1	□ Card Asm, Touch Ring, All Models
-3	73G3033	1	□ LCD Asm, Models 002 and 201
-3	73G2881	1	□ LCD Asm, Models 012 and 211, 9.5 in.
-3	25H3067	1	□ LCD Asm, Models 012 and 211, 10.4 in.
-4	73G3035	1	□ LCD Backlight, Models 002 and 201
-4	73G3102	1	□ LCD Backlight, Models 012 and 211, 9.5 in.
-4	25H3072	1	□ LCD Backlight, Models 012 and 211, 10.4 in.
-5	73G2953	1	□ Card Asm, Touch Screen Controller, Models 002 and 201
-5	73G2990	1	□ Card Asm, Touch Screen Controller, Models 012 and 211, 9.5 in.
-5	25H3071	1	□ Card Asm, Touch Screen Controller, Models 012 and 211, 10.4 in.

Store Systems Parts Catalog

Assembly 9: System Units, 4695, Tablet, All Models

-6	73G3042	1	□ Cover, Rear, Models 002 and 201
-6	73G3110	1	□ Cover, Rear, Models 012 and 211, 9.5 in.
-6	25H3070	1	□ Cover, Rear, Models 012 and 211, 10.4 in.
-7	73G3043	1	□ Blank, MSR (X2)
-8	73G2945	1	□ MSR Asm, 3-Track
-8	73G2824	1	□ MSR Asm, Dual/Single-Track
-9	73G3037	1	□ Cable Asm, LCD, Monochrome Models 002 and 201
-9	73G3071	1	□ Cable Asm, LCD, Color Models 012 and 211, 9.5 in.
-9	25H3068	1	□ Cable Asm, LCD, Color Models 012 and 211, 10.4 in.
-10	73G3039	1	□ Cable Asm, Touch Ring, All Models
-11	73G3040	1	□ Cable Asm, Digital Interface Models 002 and 201
-11	13H6254	1	□ Cable Asm, Digital Interface Models 012 and 211
-	25H3075	1	□ EMC Shields (Models 012 and 211 only)

Notes:

For system unit FRUs, see "Assembly 7: System Units, 4695, Models 002 and 012" in topic 1.7 or "Assembly 8: System Units, 4695, Models 201 and 211" in topic 1.8.

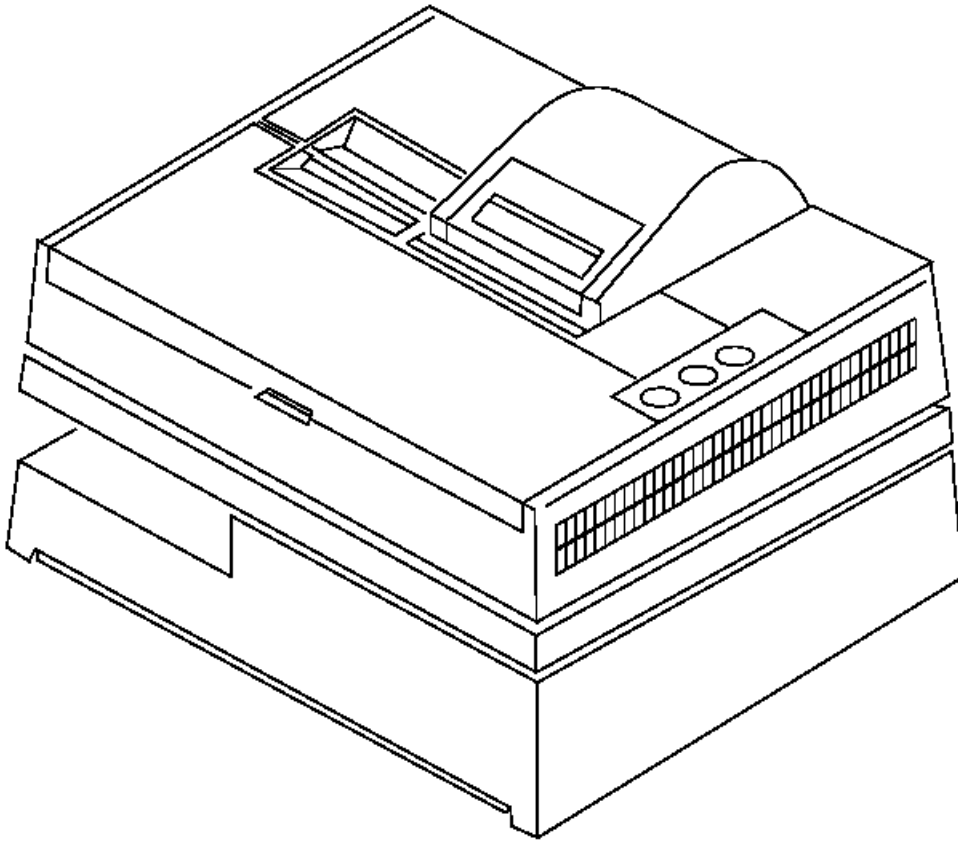
A replacement front cover for the 4695 Model 012 with a painted mask (Serial Number < 01298) requires:

- 25H3081, cover
- 73G3097, mask

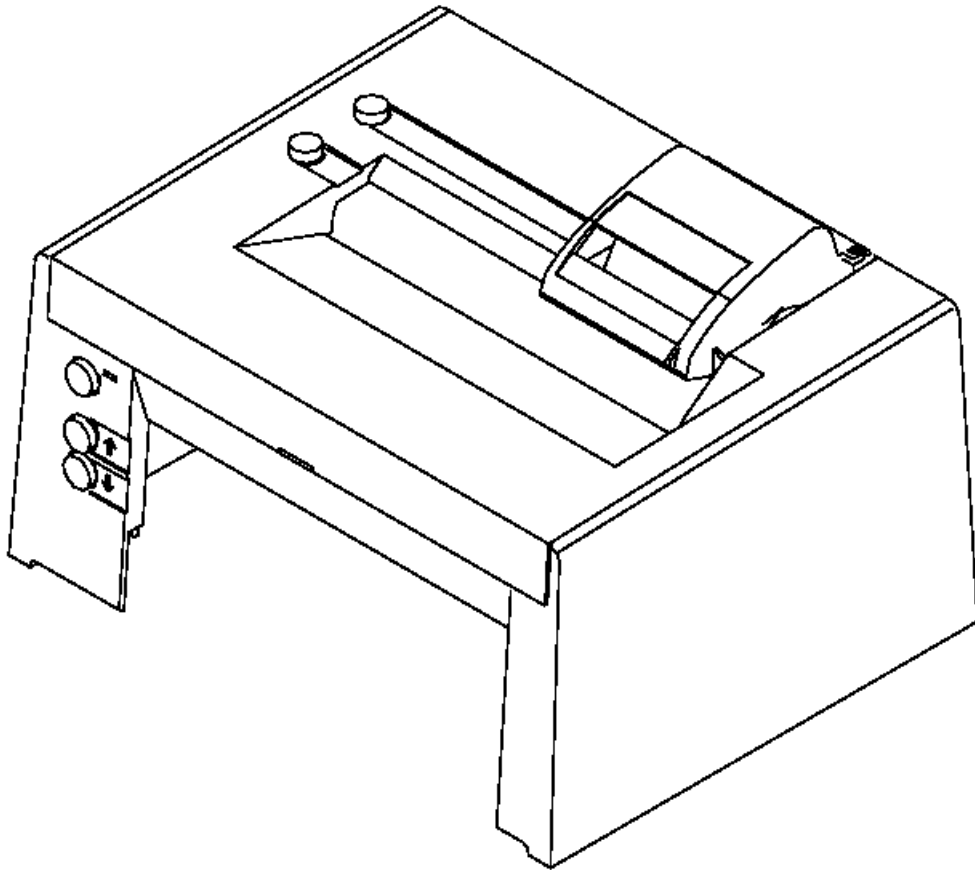
A larger 10.4 in. color LCD replaces the 9.5 in. color LCD starting at the following Serial Numbers and higher:

77-T0001	Model 012	Serial Numbers	41-05000 and serial numbers
77-S0001	Model 211	Serial Numbers	41-C2000 and serial numbers

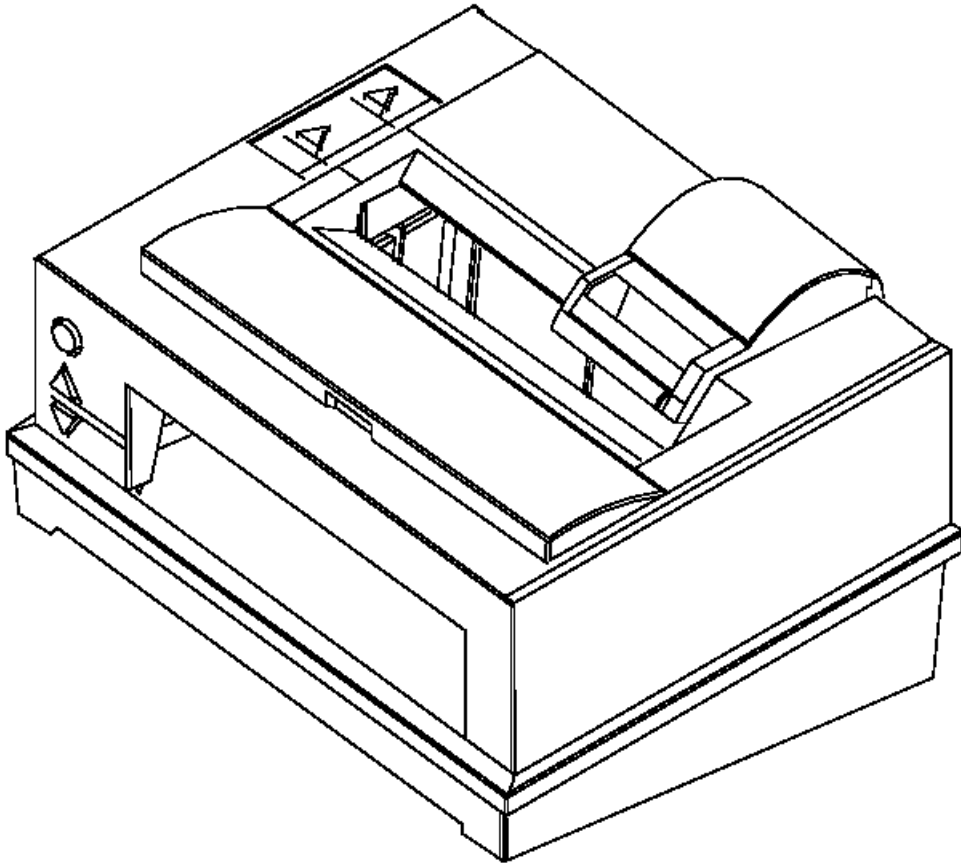
2.0 Printer Assemblies



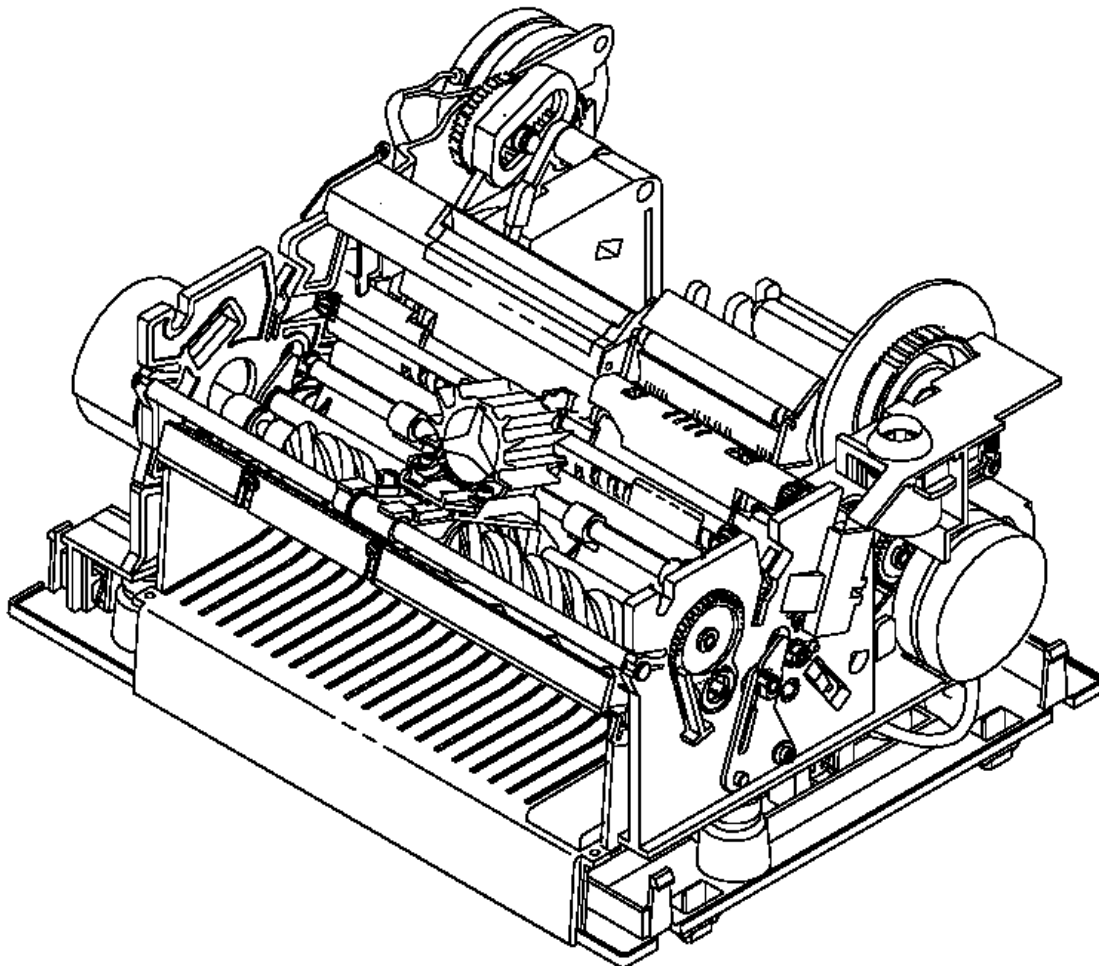
"Assembly 10: Printer, Models 1 and 2" in topic 2.1



"Assembly 11: Printer, Covers, Models 3, 3R, 4, 4A, and 4R" in topic 2.2



"Assembly 11: Printer, Covers, Models 3, 3R, 4, 4A, and 4R" in topic 2.2

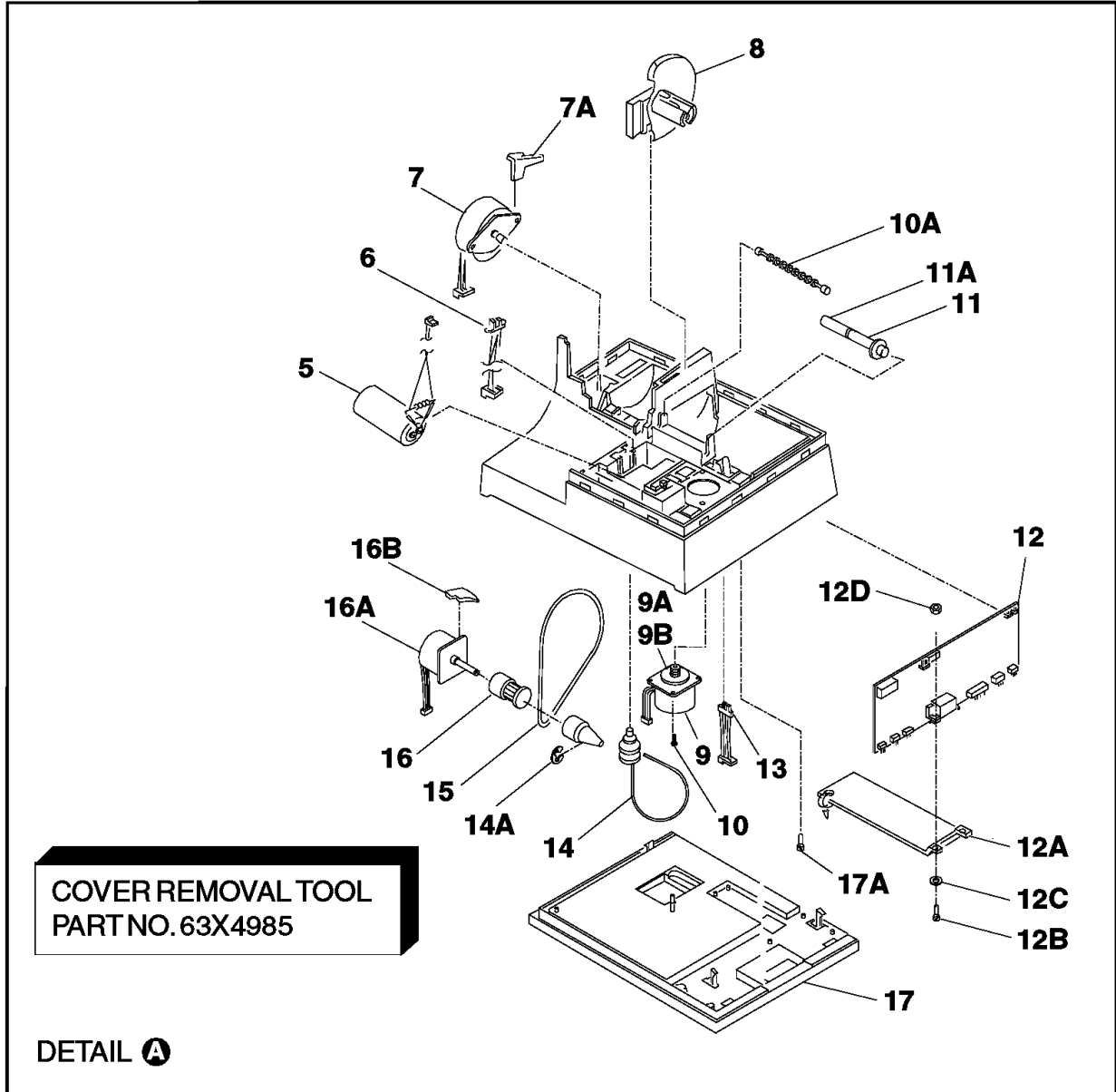
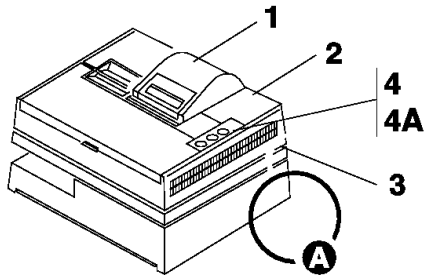


"Assembly 12: Printer, Models 3, 3R, 4, 4A, and 4R" in topic 2.3

Subtopics

- 2.1 Assembly 10: Printer, Models 1 and 2
- 2.2 Assembly 11: Printer, Covers, Models 3, 3R, 4, 4A, and 4R
- 2.3 Assembly 12: Printer, Models 3, 3R, 4, 4A, and 4R

2.1 Assembly 10: Printer, Models 1 and 2



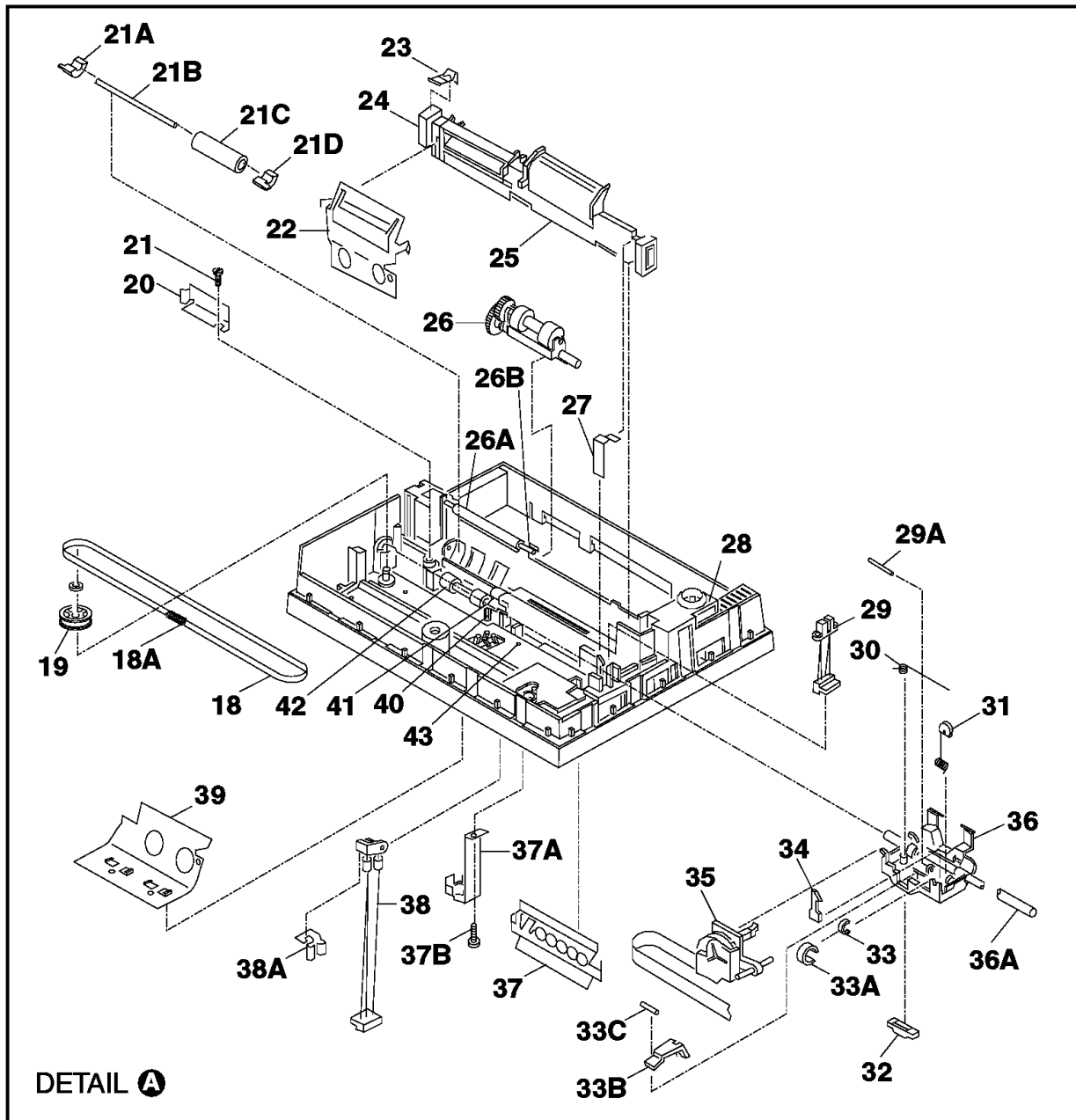
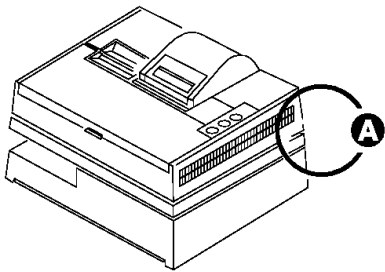
**COVER REMOVAL TOOL
 PART NO. 63X4985**

DETAIL A

Asm-Index	Part Number	Units	Description
10-	61X3949	NR	Printer Assembly, Model 1 without Print Head
-	25F6399	NR	Printer Assembly, Model 2 without Print Head
-1	4483104	1	<input type="checkbox"/> Cover, JNL
-2	76X0009	1	<input type="checkbox"/> Cover Access
-3	39F6358	R	<input type="checkbox"/> Cover Asm, Top
-4	4483092	1	<input type="checkbox"/> Keypad, 4-Position
-4A	74F5357	1	<input type="checkbox"/> Keypad, ESD Clip
-5	4483087	1	<input type="checkbox"/> Capacitor Asm
-6	4483070	1	<input type="checkbox"/> Sensor Asm, Home
-7	4483039	1	<input type="checkbox"/> Motor Asm, CR/DI, also order Shield, 83X8287 (index 7A)
-7A	83X8287	1	<input type="checkbox"/> Shield, CR Motor
-8	6429537	1	<input type="checkbox"/> Clutch Asm, JNL

Store Systems Parts Catalog
Assembly 10: Printer, Models 1 and 2

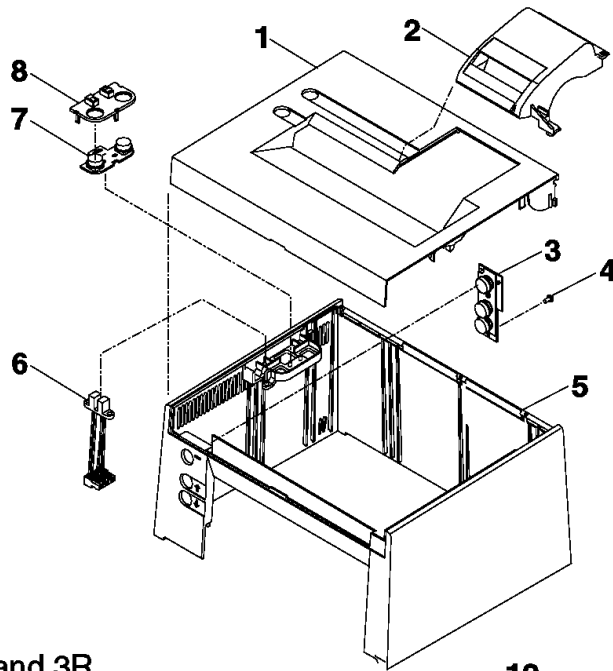
-9	4483066	1	<input type="checkbox"/> Motor Asm, Carriage
-9A	39F6362	1	<input type="checkbox"/> Pulley
-9B	4483067	4	<input type="checkbox"/> Motor Grommet
-10	1621509	2	<input type="checkbox"/> Screw, Hex Soc HD, M4 X 8
-10A	4483006	1	<input type="checkbox"/> Roller
-11	6428916	1	<input type="checkbox"/> Emitter Roller
-11A	4483023	1	<input type="checkbox"/> O-Ring
-12	6405605	1	<input type="checkbox"/> Card Asm, Logic for P/N 4483110 or 61X3949 (Model 1)
-12	25F6391	1	<input type="checkbox"/> Card Asm, Logic for P/N 25F6400 or 25F6399 (Model 2)
-12A	6429526	1	<input type="checkbox"/> Strap
-12B	1621170	2	<input type="checkbox"/> Screw, Pan HD, M3 X 6
-12C	1622344	2	<input type="checkbox"/> Washer, Lock Star, 3.2 ID X 6 OD X .4 T
-12D	1622401	2	<input type="checkbox"/> Nut, Hex, M3 X 5.5 Fl W X 2.4 Thick
-13	4483026	1	<input type="checkbox"/> Sensor Asm, JNL
-14	73G9903	1	<input type="checkbox"/> Ribbon Drive Shaft
-14A	4483025	2	<input type="checkbox"/> Clip
-15	4483032	1	<input type="checkbox"/> Belt, JNL
-16	16F0896	1	<input type="checkbox"/> JNL Pulley Asm
-16A	16F0878	1	<input type="checkbox"/> Motor Asm, JNL, also order Shield, 83X8286 (index 16B)
-16B	83X8286	1	<input type="checkbox"/> Shield, JNL Motor
-17	4483099	1	<input type="checkbox"/> Panel Asm
-17A	1621172	1	<input type="checkbox"/> Screw, Pan HD, M3 X 10
-	83X7613	1	<input type="checkbox"/> Pad, Paper Supply, JNL (not illustrated)
-	93F1886	1	<input type="checkbox"/> Slant Base, 4693 Attachment (not illustrated)



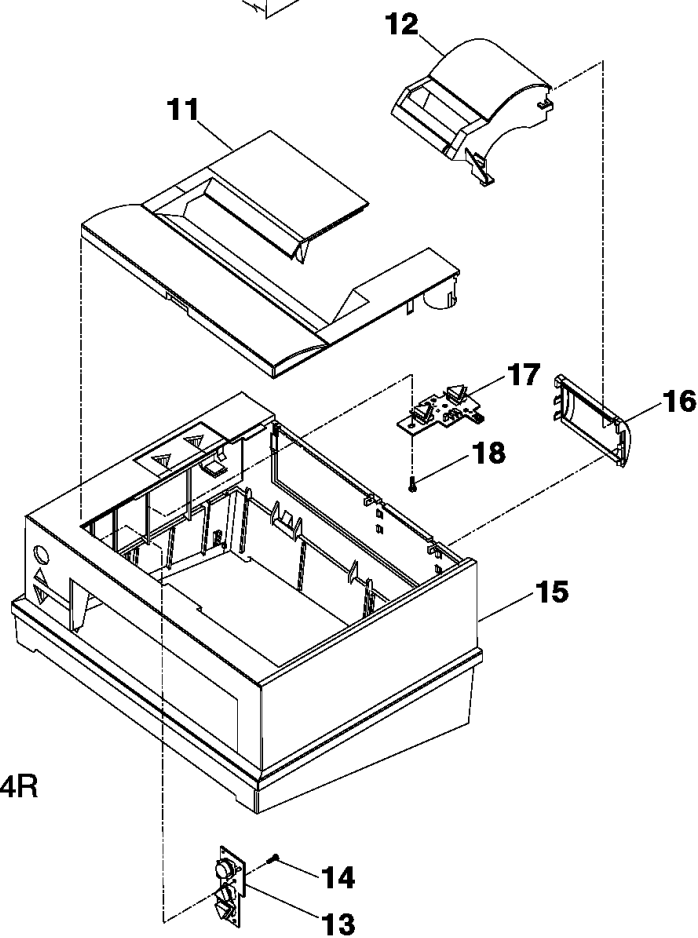
Asm-Index	Part Number	Units	Description
10-18	4483076	1	□ Belt Asm, Carriage
-18A	4483074	1	□ Spring
-19	4483068	1	□ Pulley, Idler
-20	4483061	1	□ Cam
-21	1621191	1	□ Screw, Pan HD, M4 X 10
-21A	6428936	1	□ Spacer, LH
-21B	4483049	1	□ Shaft
-21C	25F6389	1	□ Roller
-21D	6428937	1	□ Spacer, RH
-22	74F5354	1	□ Guide/Tear Bar (New Style)
-23	6428959	2	□ Retainer
-24	4483008	2	□ Grommet
-25	4483058	1	□ Platen, also order Retainer, 6428959 (index 23), and Grommet, 4483008 (index

Store Systems Parts Catalog
Assembly 10: Printer, Models 1 and 2

			24)
-26	4483040	1	<input type="checkbox"/> Toggle Asm, CR/DI
-26A	4483095	1	<input type="checkbox"/> Roller
-26B	6428962	1	<input type="checkbox"/> Shaft
-27	83X8253	1	<input type="checkbox"/> Clip, Ground
-28	4783939	1	<input type="checkbox"/> Keylock, Journal
-29	4483094	1	<input type="checkbox"/> Sensor Asm, Cover
-29A	4483081	1	<input type="checkbox"/> Pin, Spring
-30	4483079	1	<input type="checkbox"/> Spring, Head Unload
-31	4483077	1	<input type="checkbox"/> Spring, Head Load
-32	25F6388	1	<input type="checkbox"/> Wear shoe
-33	4483078	1	<input type="checkbox"/> Wiper, Shaft
-33A	4483083	1	<input type="checkbox"/> Retainer, Wiper
-33B	4483082	1	<input type="checkbox"/> Clamp, Belt
-33C	1693608	1	<input type="checkbox"/> Pin
-34	4483080	1	<input type="checkbox"/> Latch, Spring
-35	73G9890	1	<input type="checkbox"/> Print Head Asm (Preferred)
-35	13H4862	1	<input type="checkbox"/> Print Head Asm (Use when printing more than three-part forms)
-36	25F6393	1	<input type="checkbox"/> Carriage Flag Asm
-36A	4483064	1	<input type="checkbox"/> Carrier Shaft
-37	6428960	1	<input type="checkbox"/> Bail, JNL
-37A	6429527	1	<input type="checkbox"/> Strap
-37B	1621176	1	<input type="checkbox"/> Screw, Pan HD, M3 X 4
-38	4483046	1	<input type="checkbox"/> Sensor Asm, CR/DI
-38A	6428931	1	<input type="checkbox"/> Retailer
-39	4483071	1	<input type="checkbox"/> Guide, Document
-40	4483042	1	<input type="checkbox"/> Spring, Gate
-41	83X7651	1	<input type="checkbox"/> Gate Asm
-42	25F6398	1	<input type="checkbox"/> Roller, DI
-43	4483048	1	<input type="checkbox"/> Wear Plate



Model 3 and 3R



Model 4, 4A, and 4R

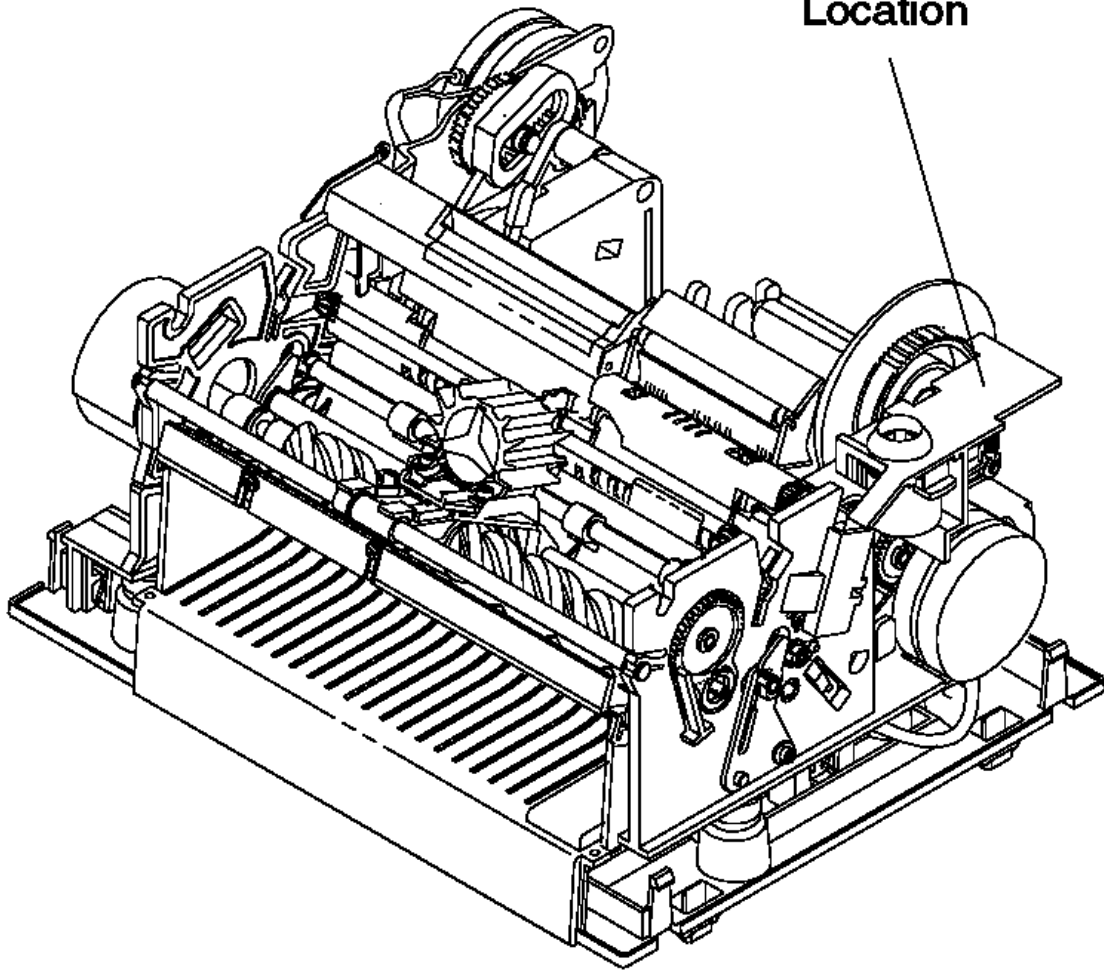
Asm-Index	Part Number	Units	Description
Models 3 and 3R Printer Covers			
11-1	93F0298	1	□ Access Cover Asm
-2	53F4834	1	□ Cover, JNL
-3	93F0245	1	□ Button Asm, Front
-4		2	□ □ Screw, Self-Tap, M3.5 X 6 (order Kit 93F0254)
-5	93F0246	R	□ Cover Asm, Model 3
-5	73G2618	R	□ Cover Asm, Model 3R
-6	53F4849	1	□ Sensor, Cover

Store Systems Parts Catalog

Assembly 11: Printer, Covers, Models 3, 3R, 4, 4A, and 4R

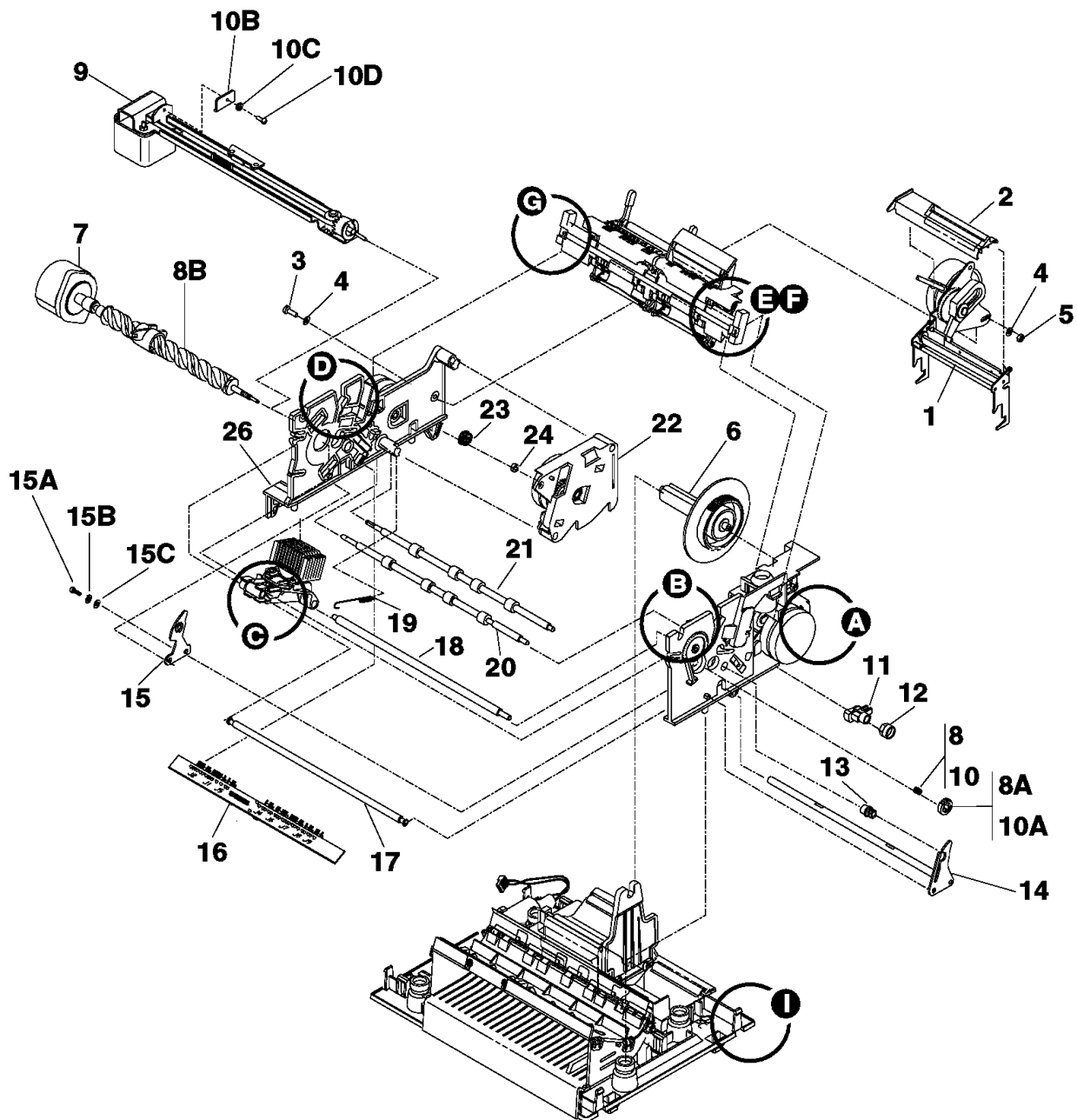
-7	53F4864	1	<input type="checkbox"/> Button Asm, Top
-8	93F0299	1	<input type="checkbox"/> Cover Asm, Top Button
-	73G2579	1	<input type="checkbox"/> Label, Check Orientation, Model 3R (not illustrated)
-	93F1886	1	<input type="checkbox"/> Slant Base, 4693 Attachment (not illustrated)
Models 4, 4A, and 4R Printer Covers			
-11	93F0466	1	<input type="checkbox"/> Access Cover Asm
-12	60G0574	1	<input type="checkbox"/> Cover, JNL
-13	60G0571	1	<input type="checkbox"/> Button Asm, Front
-14		2	<input type="checkbox"/> <input type="checkbox"/> Screw, Self-Tap, M3.5 X 6 (order Kit 93F0254)
-15	60G0570	R	<input type="checkbox"/> Cover Asm, Model 4
-15	73G2616	R	<input type="checkbox"/> Cover Asm, Model 4A
-15	73G2619	R	<input type="checkbox"/> Cover Asm, Model 4R
-16	60G0573	1	<input type="checkbox"/> Cover, JNL Extension
-17	60G0572	1	<input type="checkbox"/> Button/Cover Sensor Asm, Top
-18		3	<input type="checkbox"/> <input type="checkbox"/> Screw, Self-Tap, M3.5 X 6 (order Kit 93F0254)
-	73G2579	1	<input type="checkbox"/> Label, Check Orientation, Model 4R (not illustrated)

Serial Number Location



Asm- Index	Part Number	Units	Description
12-	93F0420	1	Printer Asm, Model 3
-	73G2605	1	Printer Asm, Model 3R
-	60G0578	1	Printer Asm, Model 4, 38 characters per line support, Printer Serial Numbers B4330 and below
-	10H2701	1	Printer Asm, Model 4, 42 characters per line support, Printer Serial Numbers B4331 and higher
-	73G2671	1	Printer Asm, Model 4A, Helix Drive Transport, Unidirectional printing
-	10H2663	1	Printer Asm, Model 4A, Belt Drive Transport, Bidirectional printing capability
-	73G2606	1	Printer Asm, Model 4R, 38 characters per line support, Printer Serial Numbers 15852 and below
-	10H2702	1	Printer Asm, Model 4R, 42 characters per line support, Printer Serial Numbers 15853 and higher

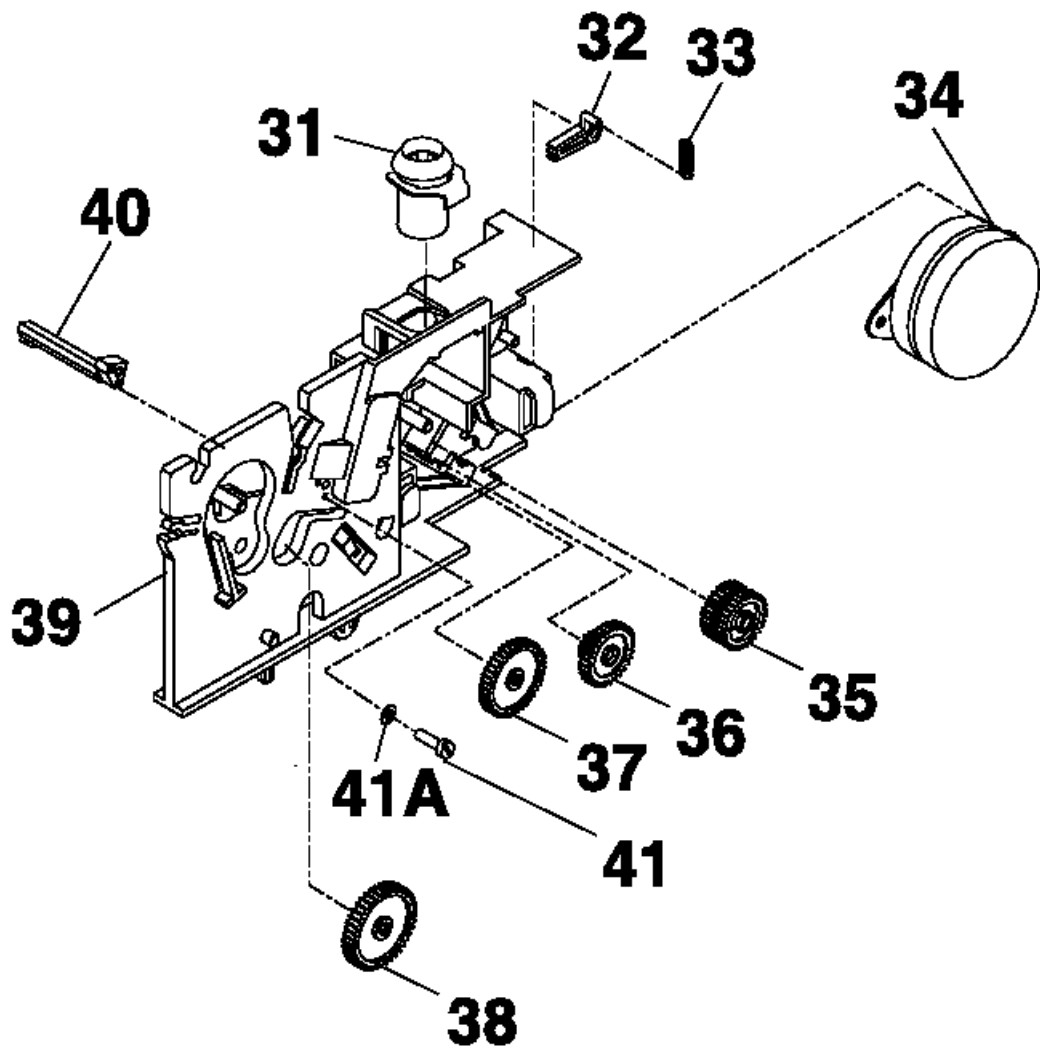
All of the Printer Assemblies above include the Printer Covers for the selected model.



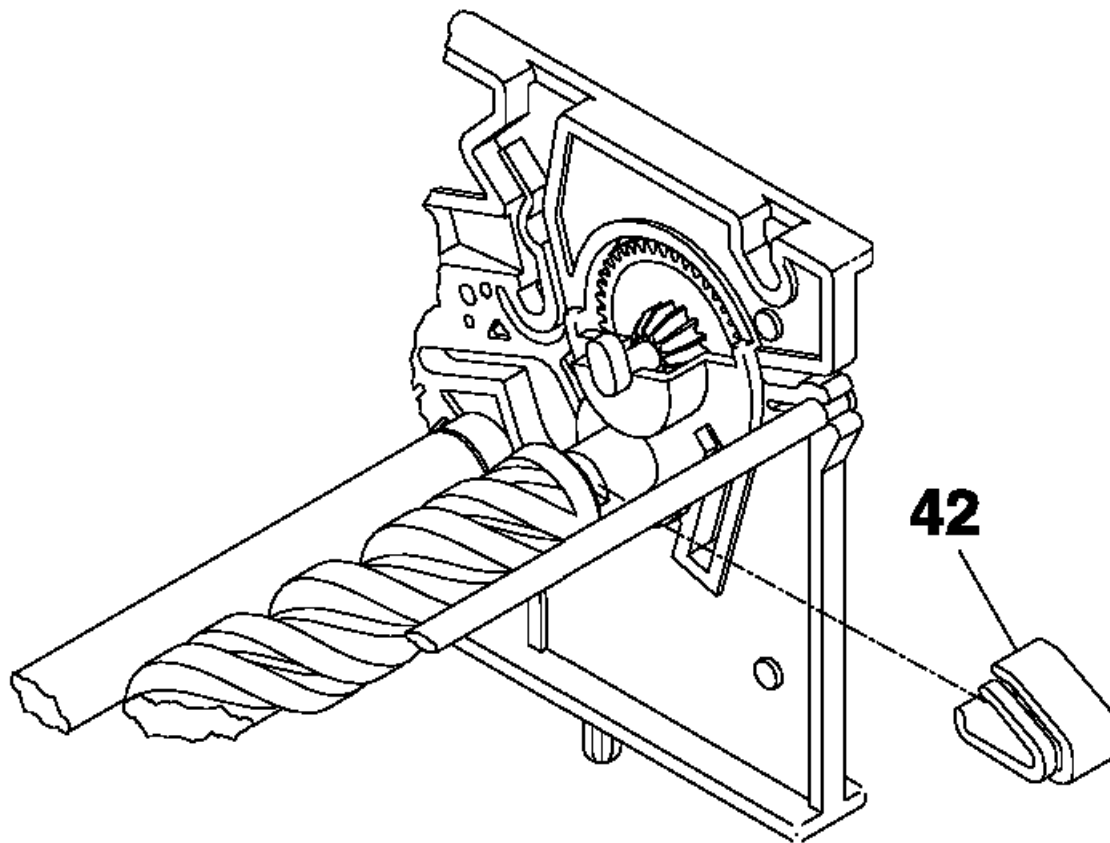
Asm-Index	Part Number	Units	Description
12-1	93F0255	1	<input type="checkbox"/> Paper Cutter Asm
-2	53F4860	1	<input type="checkbox"/> Cover, Paper Cutter
-3		1	<input type="checkbox"/> Screw, Pan Hd, M4 X 12 (order Kit 93F0254)
-4		2	<input type="checkbox"/> Washer, Flat, M4 (maybe part of nut/screw asm), order 93F0254
-5		1	<input type="checkbox"/> Nut, Lock, M4 (maybe part of nut/screw asm), order 93F0254
-6	53F4848	1	<input type="checkbox"/> Spool Asm
-7	93F0253	1	<input type="checkbox"/> Transport Asm (Helix Drive)
-8	53F4798	1	<input type="checkbox"/> Spring, Clutch (Helix Drive Transport Only)
-8A	53F4796	1	<input type="checkbox"/> Gear, Ribbon Drive (Helix Drive Transport Only)
-8B	53F4795	1	<input type="checkbox"/> Nut, Helix (Helix Drive Transport Only)
-9	10H2661	1	<input type="checkbox"/> Transport Asm (Belt Drive)
-10	10H2645	1	<input type="checkbox"/> Spring, Clutch (Belt Drive Transport Only)
-10A	10H2643	1	<input type="checkbox"/> Gear, Ribbon Drive (Belt Drive Transport Only)
-		2	<input type="checkbox"/> Screw, Torx Head M2.5 X 11 (Belt Drive Transport Only), order Kit 93F0254
-		2	<input type="checkbox"/> Washer, Rectangular (Belt Drive Transport Only), order Kit 93F0254
-10B	10H2664	1	<input type="checkbox"/> Clamp Asm (Belt Drive Only)

Store Systems Parts Catalog
Assembly 12: Printer, Models 3, 3R, 4, 4A, and 4R

-10B		1	<input type="checkbox"/> <input type="checkbox"/> <input type="checkbox"/> Clamp (Belt Drive Only)
-10C		1	<input type="checkbox"/> <input type="checkbox"/> <input type="checkbox"/> Washer, Lock, M3 (Belt Drive Transport Only)
-10D		1	<input type="checkbox"/> <input type="checkbox"/> <input type="checkbox"/> Screw, Self-Tap, M3 X 10 (Belt Drive Transport Only)
-	93F0415	AR	<input type="checkbox"/> <input type="checkbox"/> Lubricant, for Helix and Belt Drive Transport Assemblies
-11		NP	<input type="checkbox"/> Bearing, Forms Comp
-12		NP	<input type="checkbox"/> Cap, Eccentric
-13		NP	<input type="checkbox"/> Bushing, Eccentric RH
-14		NP	<input type="checkbox"/> Plate Asm, Forms Comp RH
-15		NP	<input type="checkbox"/> Plate Asm, LH Forms Comp
-15A		1	<input type="checkbox"/> Screw, M4 X 12 (order Kit 93F0254)
-15B		1	<input type="checkbox"/> Washer, Lock, M4 (order Kit 93F0254)
-15C		1	<input type="checkbox"/> Washer, Flat, M4 (order Kit 93F0254)
-16	53F4880	1	<input type="checkbox"/> Card, Extension Asm, Models 3, 4, and 4A
-16	73G2584	1	<input type="checkbox"/> Card, Extension Asm, Models 3R and 4R
-17	53F4846	1	<input type="checkbox"/> Shaft, Carrier, Front
-18		NP	<input type="checkbox"/> Shaft, Carrier, Rear
-19	53F4870	2	<input type="checkbox"/> Spring, Forms Compensation, Models 3, 4, and 4A only
-19	10H2617	2	<input type="checkbox"/> Spring, Forms Compensation, Models 3R and 4R only
-20		NP	<input type="checkbox"/> Shaft, Backup, DI
-21		NP	<input type="checkbox"/> Shaft, Feed Roll Asm, DI
-22	93F0247	1	<input type="checkbox"/> CR Motor Gear Asm
-23		1	<input type="checkbox"/> <input type="checkbox"/> Gear, Feed Roll, 15T (order Kit 73G2598)
-24	53F4982	1	<input type="checkbox"/> <input type="checkbox"/> Bearing, CR Drive
-26		NP	<input type="checkbox"/> Frame, Left Hand

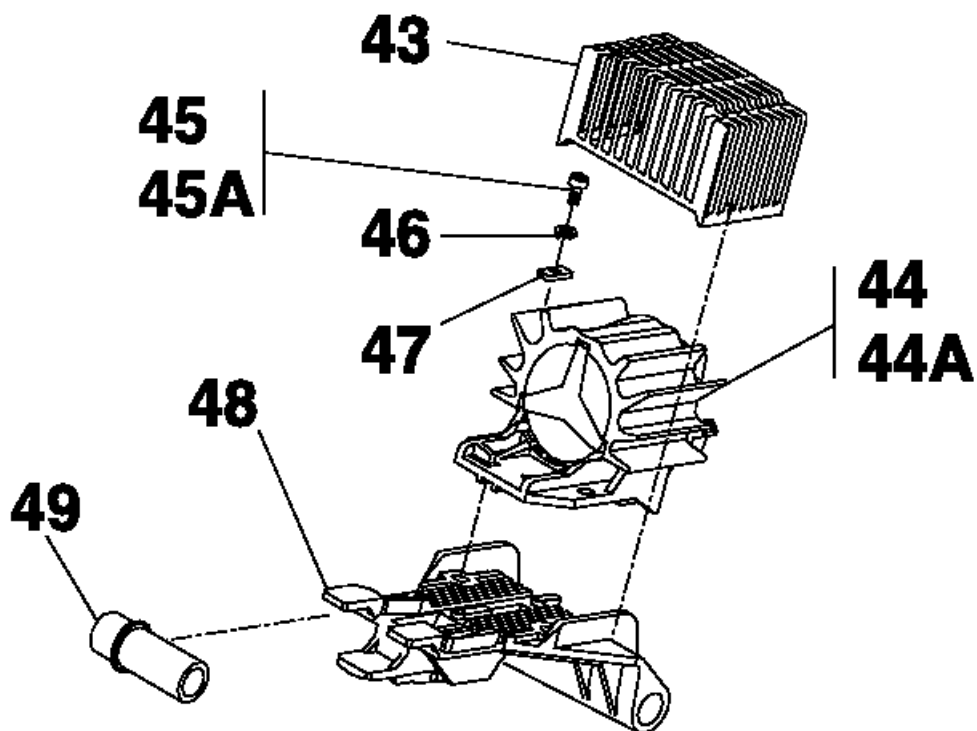


DETAIL A



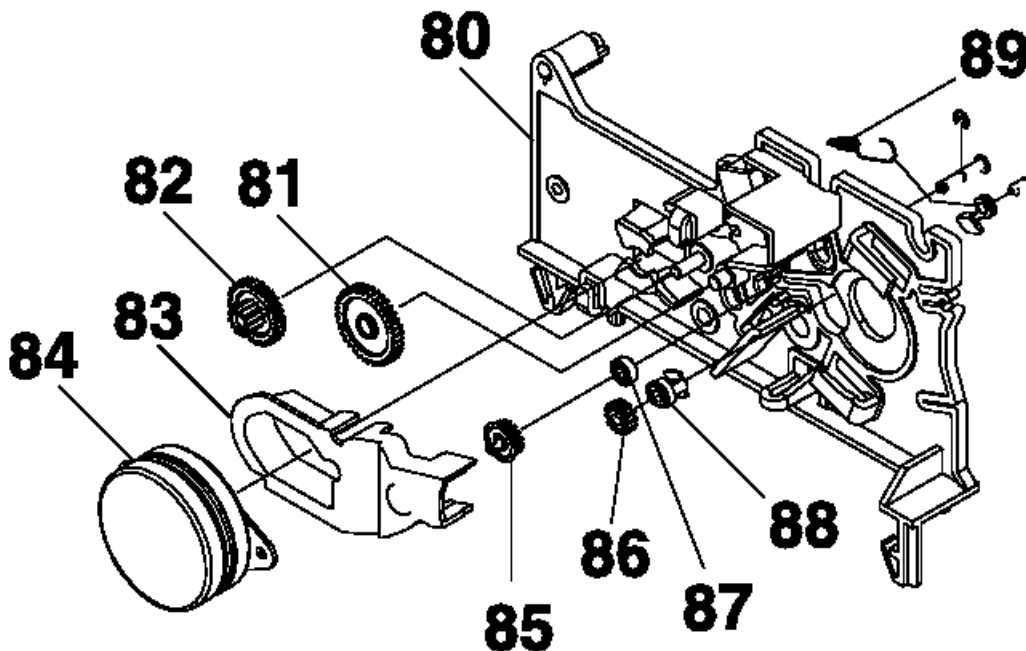
Helix Drive only

DETAIL B

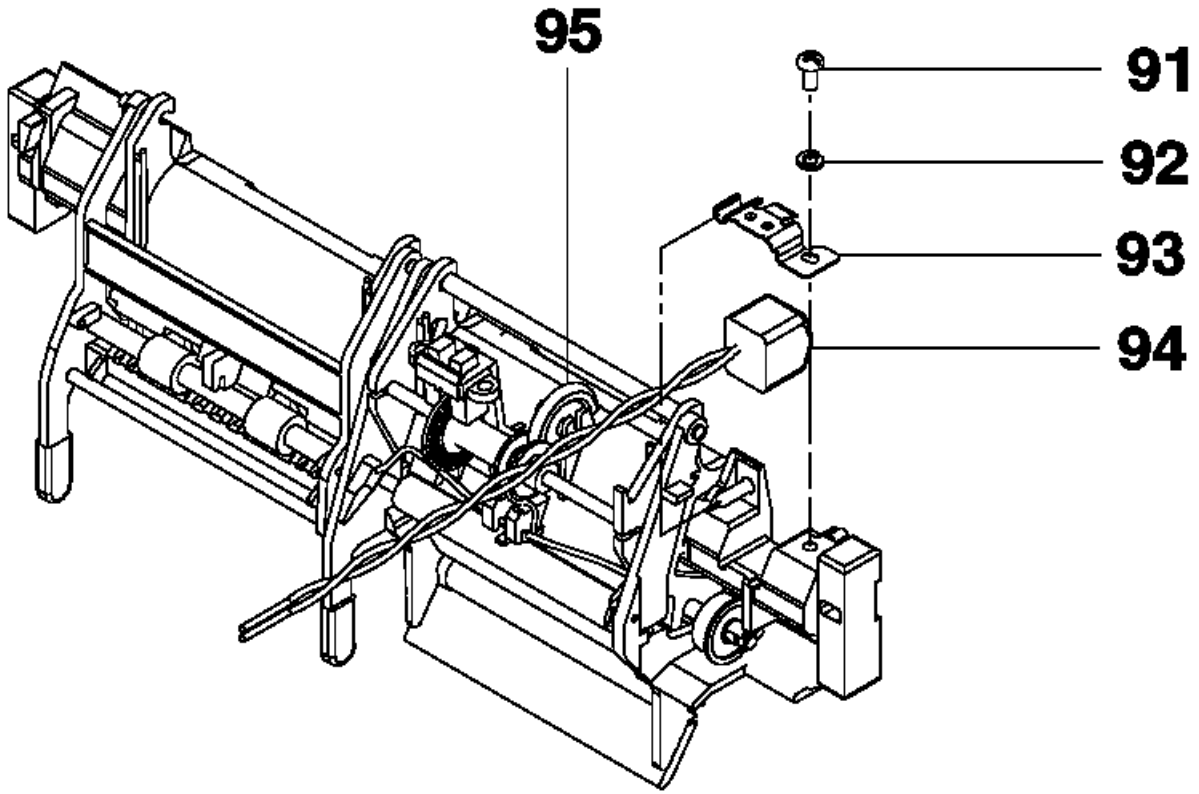


DETAIL C +-----+

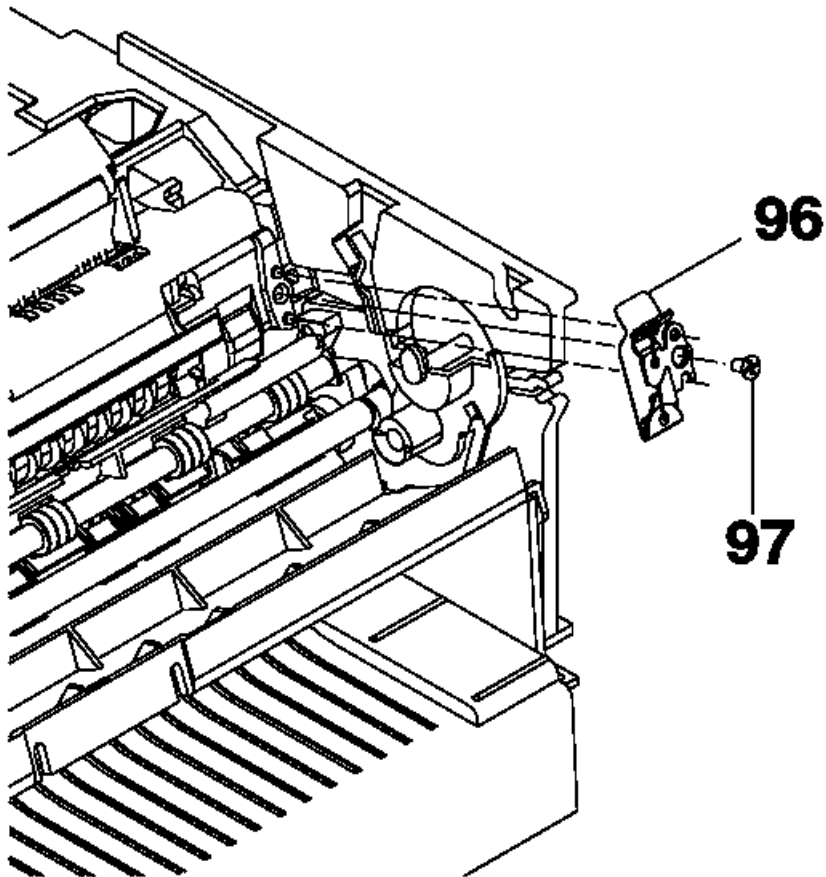
Asm-	Part	Index	Number	Units	Description							
DETAIL A												
12-31	93F0252	1	Lock Asm	-32	53F4876	1	Pawl, JNL	-33				
53F4890	1	Spring, Pawl JNL	-34	53F4839	1	Motor Asm, Paper Feed	-35					
93F0425	1	Clutch Asm, JNL Takeup	-36	1	Gear, 12T/30T (order Kit 73G2598)	-37						
1	Gear, 37T Idler (order Kit 73G2598)	-38	53F4797	1	Gear, Ribbon Bevel	-39	NP					
1	Frame, Right Hand	-40	73G2607	1	Sensor Asm, Upper DI Forms	-41	1					
Screw, M3 X 8 (maybe part of screw/washer assembly), order Kit												
93F0254	-41A	1	Washer, Flat, M3 (maybe part of assembly), order Kit	93F0254								
DETAIL B						-42	60G0590	1	Clip, Anti-chatter,			
Helix Drive Transport Assembly Only												
DETAIL C						-43	92F6486	1	Shield, Print			
Head only						-44	93F0248	1	Print Head Asm, Helix Drive Transport only,			
(order Kit 93F0254)						-45	2	Screw, Torx Head, M3 X 8 (Helix Drive Transport only),				
(order Kit 93F0254)						-46	2	Washer, Lock, M3, maybe part of screw assembly (Helix Drive Transport only),				
(order Kit 93F0254)						-47	2	Washer, Rectangular (Helix or Belt Drive Transport),				
(order Kit 93F0254)						-44A	10H2666	1	Print Head Asm, Helix or Belt Drive Transport only,			
(order Kit 93F0254)						-45	2	Screw, Torx Head, M3 X 8 (Helix Drive Transport only),				
(order Kit 93F0254)						-45A	2	Screw, Torx Head, M2.5 X 11 (Belt Drive Transport only),				
(order Kit 93F0254)						-47	2	Washer, Rectangular (Helix or Belt Drive Transport),				
(order Kit 93F0254)						-48	NP	Carrier Asm	-49	53F4810	1	Bushing, Carrier



DETAIL D



DETAIL E - Models 3R and 4R only

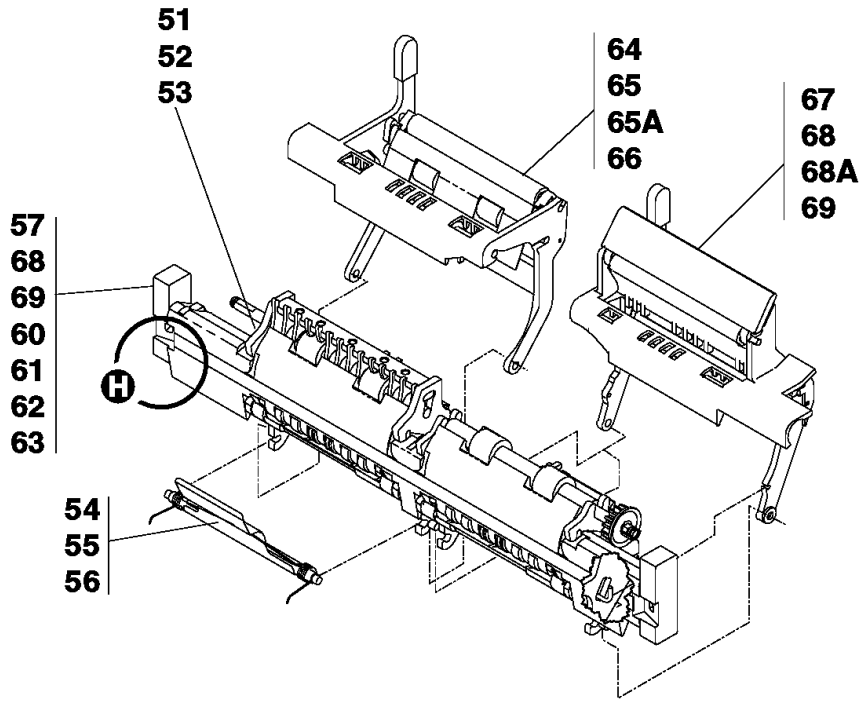


DETAIL F - Models 3R and 4R only

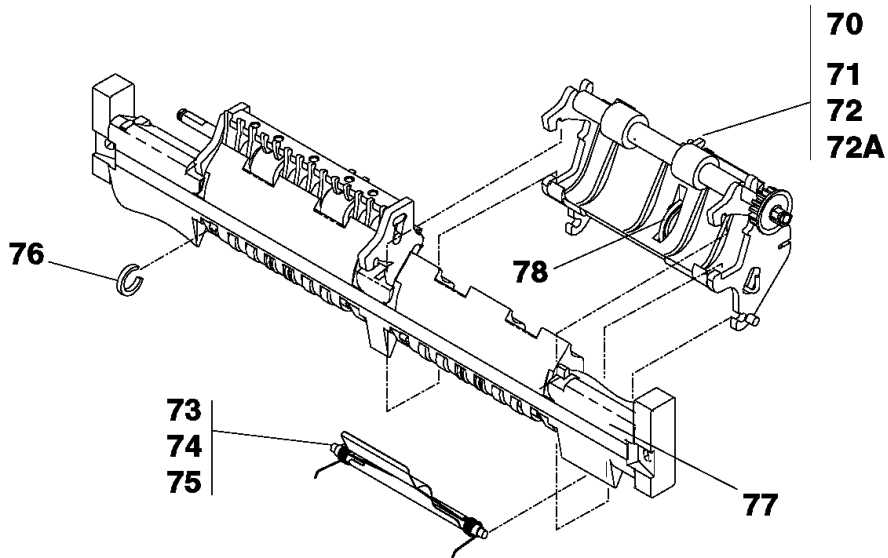
+-----+ | Asm- | Part |

Store Systems Parts Catalog
 Assembly 12: Printer, Models 3, 3R, 4, 4A, and 4R

Index	Number	Units	Description
			DETAIL D
			12-80 NP Frame, Left
Hand	-81	1	Gear, 37T Idler (order Kit 73G2598)
73G2598)	-83	1	Shield, Gear, Models 3R and 4R only
Feed, CR	-85	1	Gear, 15T (order Kit 73G2598)
73G2598)	-87	NP	Bearing, DI, Models 3R and 4R only
3R and 4R only	-89	2	Spring, Forms Compensation, Models 3R and 4R only
			DETAIL E - Models 3R and 4R Only
			-91 Screw, M3 X 6 (order Kit 93F0254)
Washer, Lock, M3 (order Kit 93F0254)	-93	1	Clamp, Read Head (includes screw, index 91, washer, index 92)
	-94	1	Read Head Asm (includes clamp, index 93, screw, index 91, washer, index 92, 10 test checks)
	-95	1	O-Ring (package of 10)
			DETAIL F - Models 3R and 4R Only
	-96	1	Pressure Plate Asm (includes screw, 6428682, 10 test checks)
93F0254)	-97	1	Screw, Flat Head, M3 X 6 (order Kit 93F0254)

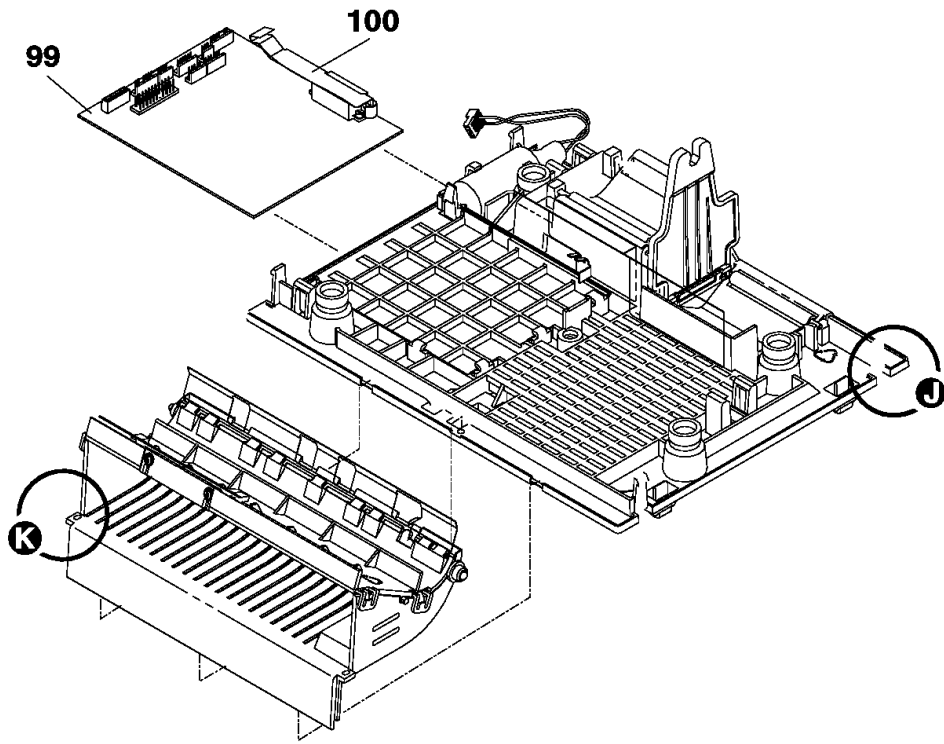


DETAIL G

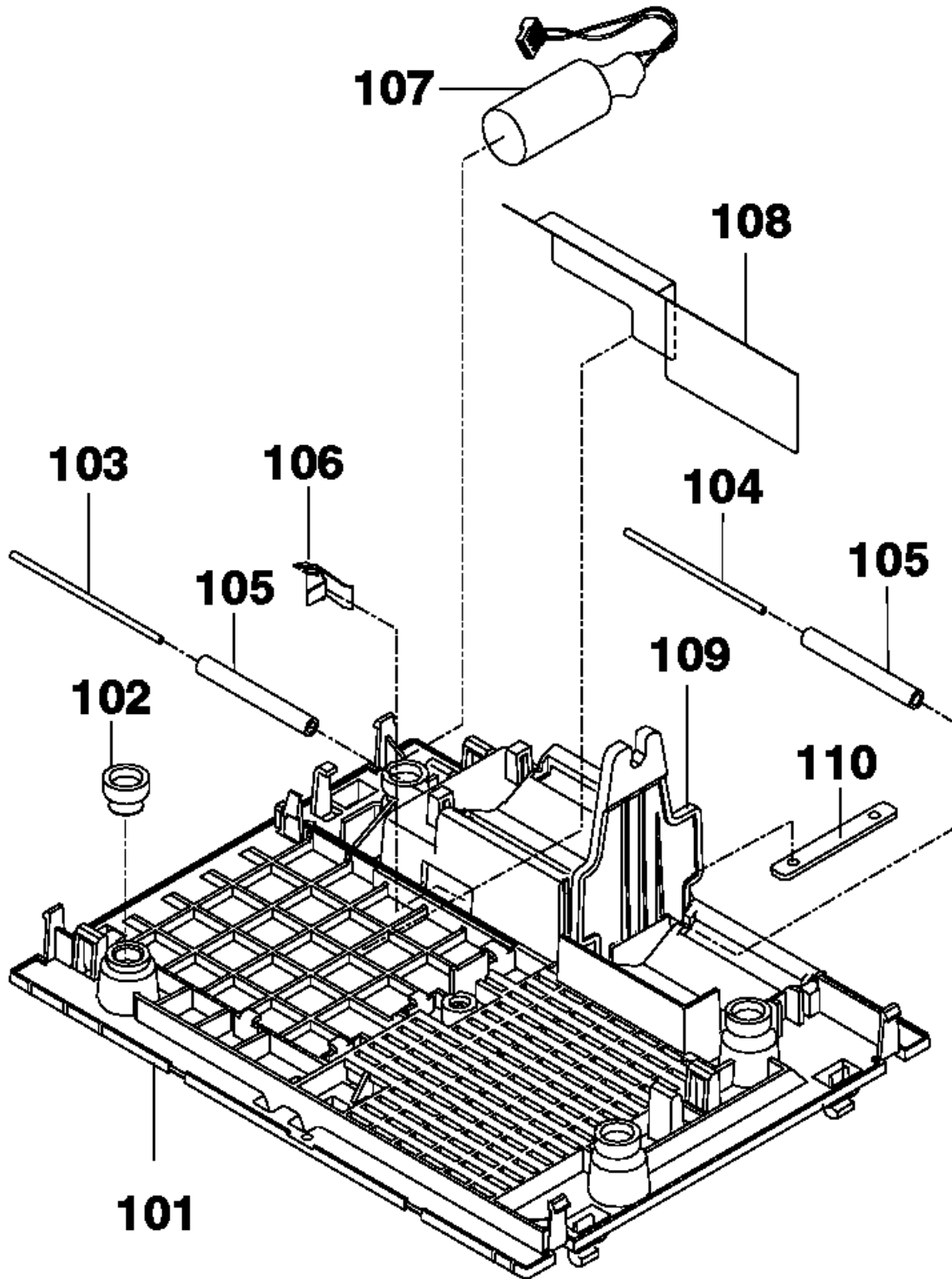


DETAIL H +-----+

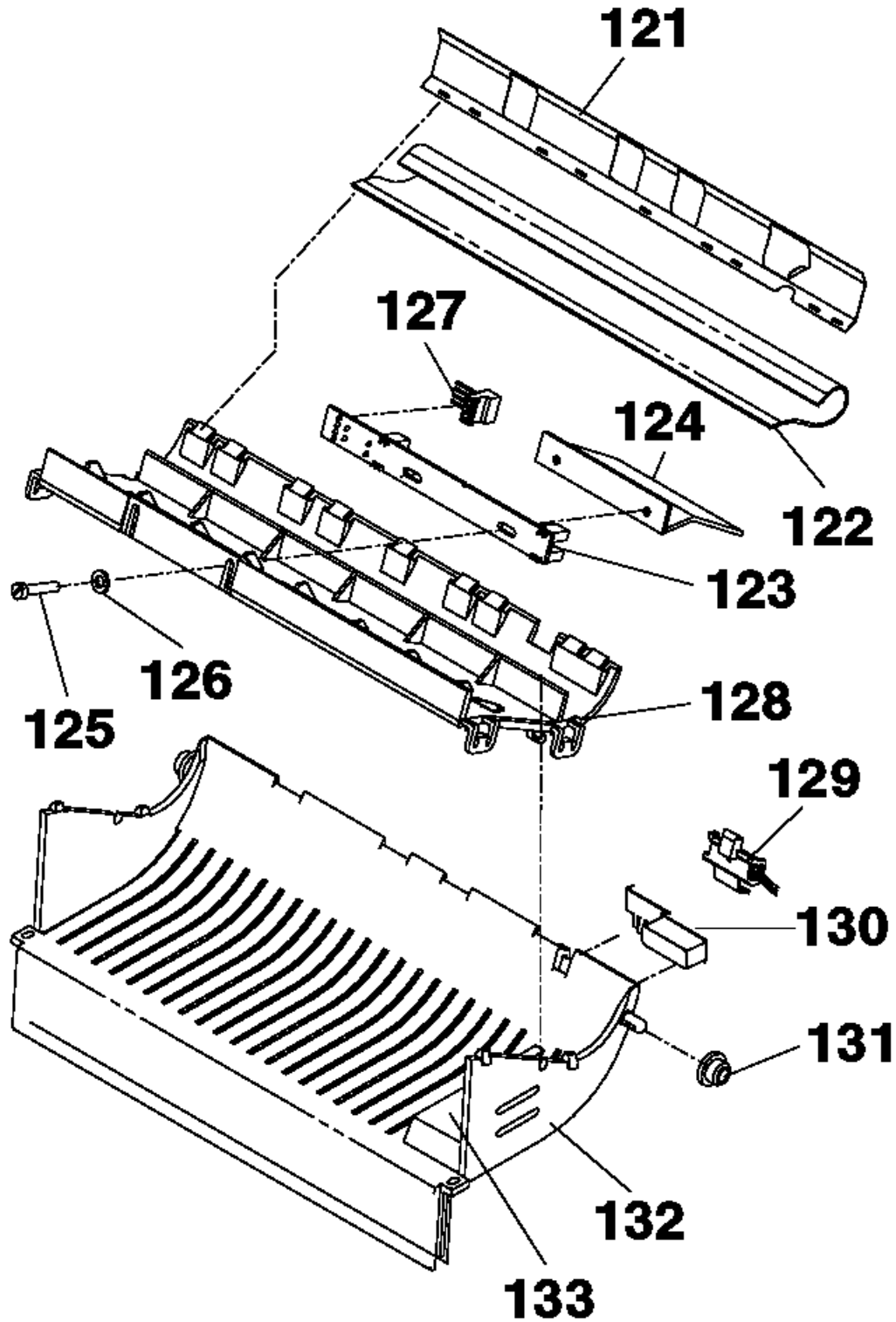
Asm-	Part	Index	Number	Units	Description
DETAIL G				12-51	93F0250 1 CR Frame
Asm	-52			1	Gear, 15T (order Kit 73G2598) -53 53F4982 1 Bearing, CR
Drive	-54			1	53F4866 1 Bail -55 53F4867 1 Spring, Bail
	-56			1	53F4898 1 Shaft, Bail -57 NP Platen Asm -58 2
				2	Screw, M3 X 22 (order Kit 93F0254) -59 2 Washer, Lock, M3 (order Kit 93F0254) -60 2
				2	Washer, M3 (order Kit 93F0254) -61 2 Nut, Platen (order Kit 93F0254) -62 53F4974 2
Roller, Platen				2	-63 53F4975 2 Shaft, Platen Roller -64 93F0239 1 CR Roller
Asm	-65			1	53F4946 1 Spring, CR Toggle -65A 93F0441 1 Roller,
Idler	-66			1	53F4805 1 Gear -67 93F0241 1 JNL Roller
Asm	-68			1	53F4874 1 Ledge, JNL -68A 93F0441 1 Roller,
Idler	-69			1	53F4946 1 Spring, JNL Toggle
					DETAIL H -70 93F0242 1 JNL
Frame Asm	-71			1	Gear, 15T (order Kit 73G2598) -72 93F0251 1 Sensor
Asm, JNL	-72A			1	92F5400 1 Shaft, JNL Sensor -73 53F4866 1
Bail	-74			1	53F4898 1 Shaft, Bail -75 53F4867 1 Spring,
Bail	-76			4	53F4976 4 Clip, Platen Roller (order Kit 93F0254) -77 73G2585 1 Filler (includes
only	-78			1	42H2352 1 O-Ring (package of 10)



DETAIL I



DETAIL J



DETAIL K

Asm-Index	Part Number	Units	Description
DETAIL I			
12-99	93F0238	1	<input type="checkbox"/> Card Asm, Printer, Model 3
-99	10H2698	1	<input type="checkbox"/> Card Asm, Printer, Model 4
-99	73G2617	1	<input type="checkbox"/> Card Asm, Printer, Model 4A, Helix drive transport, Unidirectional printing
-99	10H2662	1	<input type="checkbox"/> Card Asm, Printer, Model 4A, Belt drive transport, Bidirectional printing capability
-99	73G2583	1	<input type="checkbox"/> Card Asm, Printer, Model 3R (USA Only),

Store Systems Parts Catalog

Assembly 12: Printer, Models 3, 3R, 4, 4A, and 4R

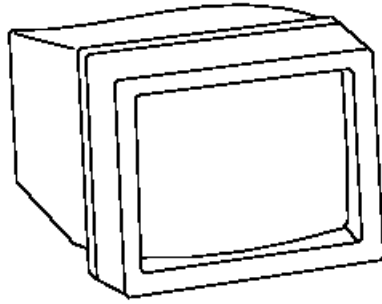
-99	10H2665	1	includes Test Checks (package of 10) <input type="checkbox"/> Card Asm, Printer, Models 3R (Worldwide) and 4R (USA and Worldwide), includes Test Checks (package of 10)
-100	53F4936	1	<input type="checkbox"/> Card Strap
DETAIL J			
-101		NP	<input type="checkbox"/> Base Asm
-102	53F4825	4	<input type="checkbox"/> <input type="checkbox"/> Mount, Isolation
-103	93F0436	2	<input type="checkbox"/> <input type="checkbox"/> Shaft, CR Bucket
-104	93F0435	2	<input type="checkbox"/> <input type="checkbox"/> Shaft, JNL Bucket
-105	93F0441	4	<input type="checkbox"/> <input type="checkbox"/> Roller, Idler
-106	93F0431	1	<input type="checkbox"/> <input type="checkbox"/> Clip, Ground (For early printers with brown bottom surface)
-106A	73G2575	1	<input type="checkbox"/> <input type="checkbox"/> Clip, Ground (For later printers with aluminum cladding on bottom surface)
-107	53F4963	1	<input type="checkbox"/> Capacitor Asm
-108	93F0288	1	<input type="checkbox"/> Barrier
-109	53F4969	1	<input type="checkbox"/> Post, JNL Support
-110	53F4971	1	<input type="checkbox"/> Plate, JNL Support
DETAIL K			
-121	73G2588	1	<input type="checkbox"/> Shield, Upper DI
-122	73G2613	1	<input type="checkbox"/> Flap, Acoustic
-122A	73G2603	1	<input type="checkbox"/> Flaps, Acoustic (package of 10)
-123	93F0249	1	<input type="checkbox"/> Home Sensor Asm
-124	93F0164	1	<input type="checkbox"/> <input type="checkbox"/> Nutplate (order Kit 93F0254)
-125		2	<input type="checkbox"/> <input type="checkbox"/> Screw, M3 X 8 (order Kit 93F0254)
-126		2	<input type="checkbox"/> <input type="checkbox"/> Washer, Flat, M3 (order Kit 93F0254), (may be part of screw)
-127	53F4922	1	<input type="checkbox"/> Cable, Home Sensor
-128		NP	<input type="checkbox"/> Forms Entry, Upper
-129	53F4929	1	<input type="checkbox"/> Sensor, Lower DI Forms, All Models
-130	73G2577	1	<input type="checkbox"/> Magnet Asm (includes clamp and 10 test checks), Models 3R and 4R only
-131		NP	<input type="checkbox"/> Mount, Forms Entry
-132		NP	<input type="checkbox"/> Forms Entry, Lower
-133	73G2579	1	<input type="checkbox"/> Label, Check Orientation, Models 3R and 4R
-	73G2598	AR	<input type="checkbox"/> Hardware Kit, Gears (4 included), All Models
-	73G2600	AR	<input type="checkbox"/> MICR Head Cleaner, Models 3R and 4R, Package of 10
-	73G2601	AR	<input type="checkbox"/> MICR Test Checks, Models 3R and 4R, Package of 10
-	93F0254	AR	<input type="checkbox"/> Hardware Kit, Contains: 4483178, Washer, Lock, M3 (2X) 4483179, Nut, M3 (2X) 53F4872, Washer, M3 (2X) 53F4893, Screw, M4 X 10 (2X) 53F4894, Screw, Spline Hd, M3 X 10 (2X) 53F4942, Washer, Lock, M3 (4X) 53F4943, Washer, Lock, M4 (2X) 53F4976, Clip, Platen Roller (4X) 53F4981, Screw, M3 X 22 (2X) 6428681, Screw, M3 X 6 (4X) 6428682, Screw, Flat Head, M3 X 6 (1X) 74F5228, Nut, Platen (2X) 74F5229, Washer, M3 (2X) 92F5403, Screw, Self-Tap, M3.5 X 6 (5X) 92F8349, Washer, Flat, M4 (1X) 93F0164, Nutplate (1X) 93F0434, Screw, Torx Head (2X) 93F0467, Screw, Flanged, M4 X 12 (1X) 93F0468, Locknut, Flanged, M4(1X) 93F0469, Screw, Flanged, M3 X 8 (3X) 10H2642, Screw, Torx Head, M2.5 X 11 (2X) 10H2652, Screw, Self-Tap, M3 X 10 (1X)
-	93F0464	AR	<input type="checkbox"/> Cover Magnet, for printer and sensor testing, Models 4, 4A, and 4R only

Store Systems Parts Catalog

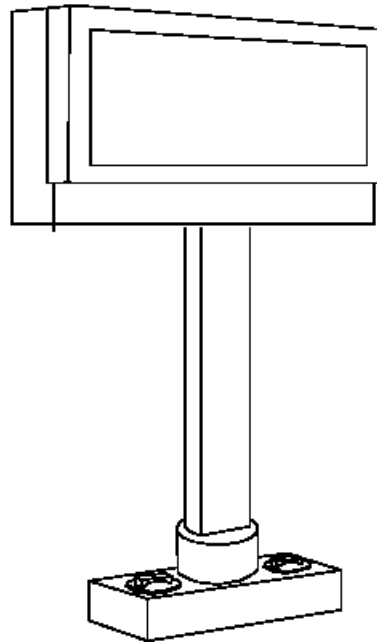
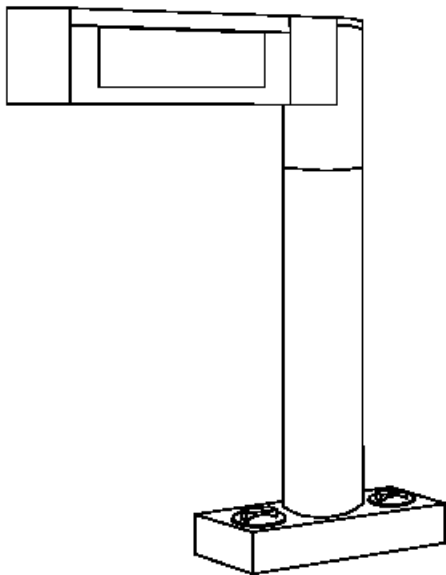
Assembly 12: Printer, Models 3, 3R, 4, 4A, and 4R

-	93F0415	AR	<input type="checkbox"/> Lubricant, Ribbon Drive Shaft on Helix or Belt Drive Transport Assemblies
-	73G2668	AR	<input type="checkbox"/> Card Coin Shield
-	73G2670	AR	<input type="checkbox"/> CR/JNL Motor Mount Kit
-	10H2669	AR	<input type="checkbox"/> CR/JNL Toggle Shield (package of 10)
-	10H2672	AR	<input type="checkbox"/> Bail Kit (replaces the bail, bail shaft, and retainer)

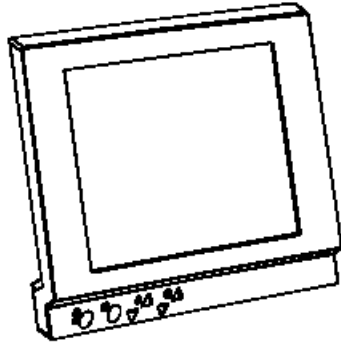
3.0 Displays and Scanners



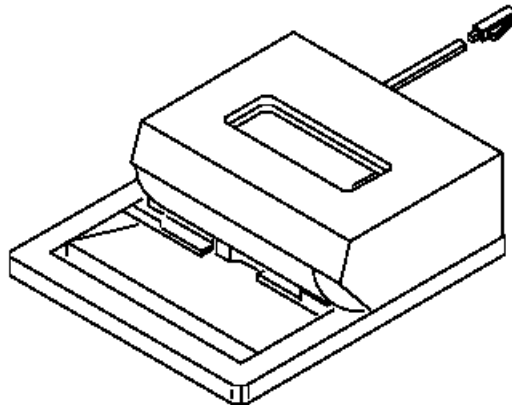
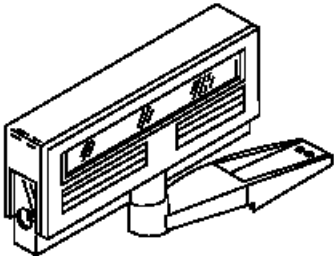
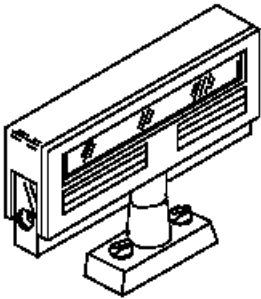
"Assembly 13: Displays, Video" in topic 3.1



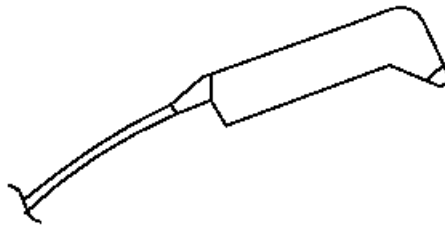
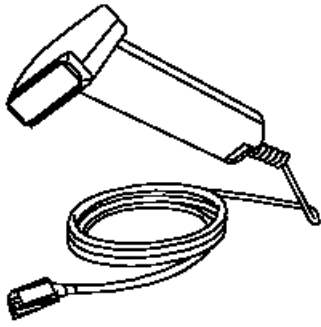
"Assembly 14: Displays, 40-Character" in topic 3.2



"Assembly 15: Displays, Flat Panel" in topic 3.3 and "Assembly 16: Displays, Sure Point Touch" in topic 3.4



"Assembly 17: Displays, Shopper and Operator" in topic 3.5



"Assembly 18: Hand-Held Readers and Scanners" in topic 3.6

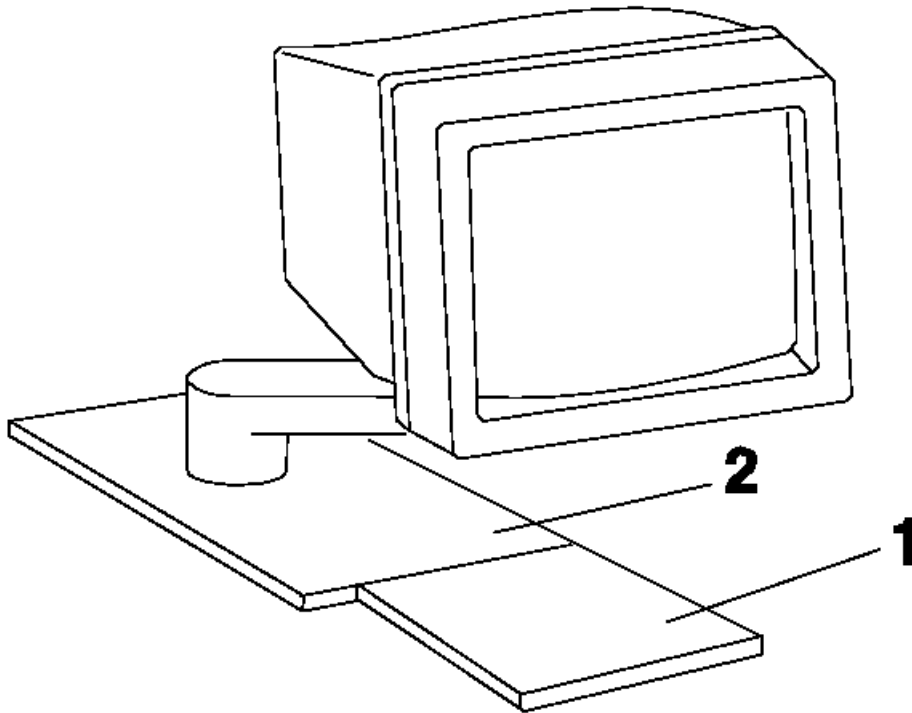
4678 (OEM) Devices

"Assembly 34: 4678 (OEM) Devices" in topic 6.5

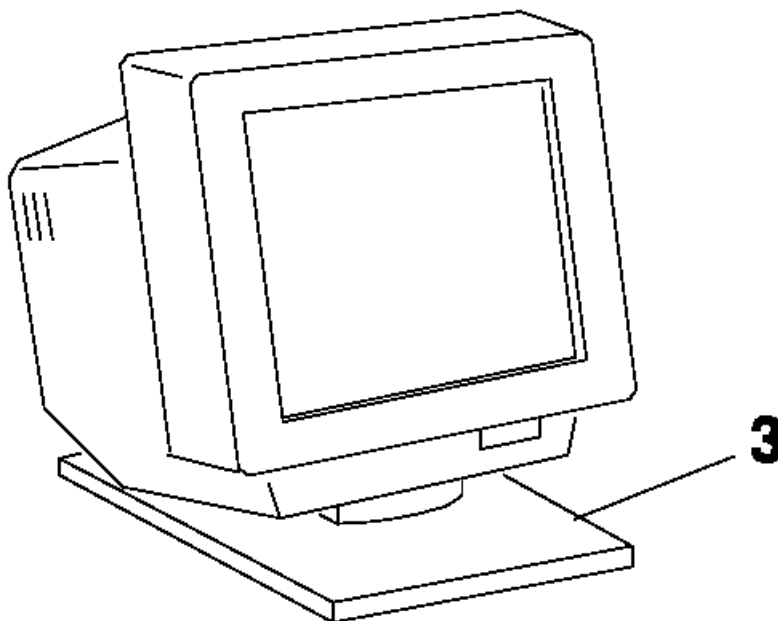
Subtopics

- 3.1 Assembly 13: Displays, Video
- 3.2 Assembly 14: Displays, 40-Character
- 3.3 Assembly 15: Displays, Flat Panel
- 3.4 Assembly 16: Displays, Sure Point Touch
- 3.5 Assembly 17: Displays, Shopper and Operator
- 3.6 Assembly 18: Hand-Held Readers and Scanners

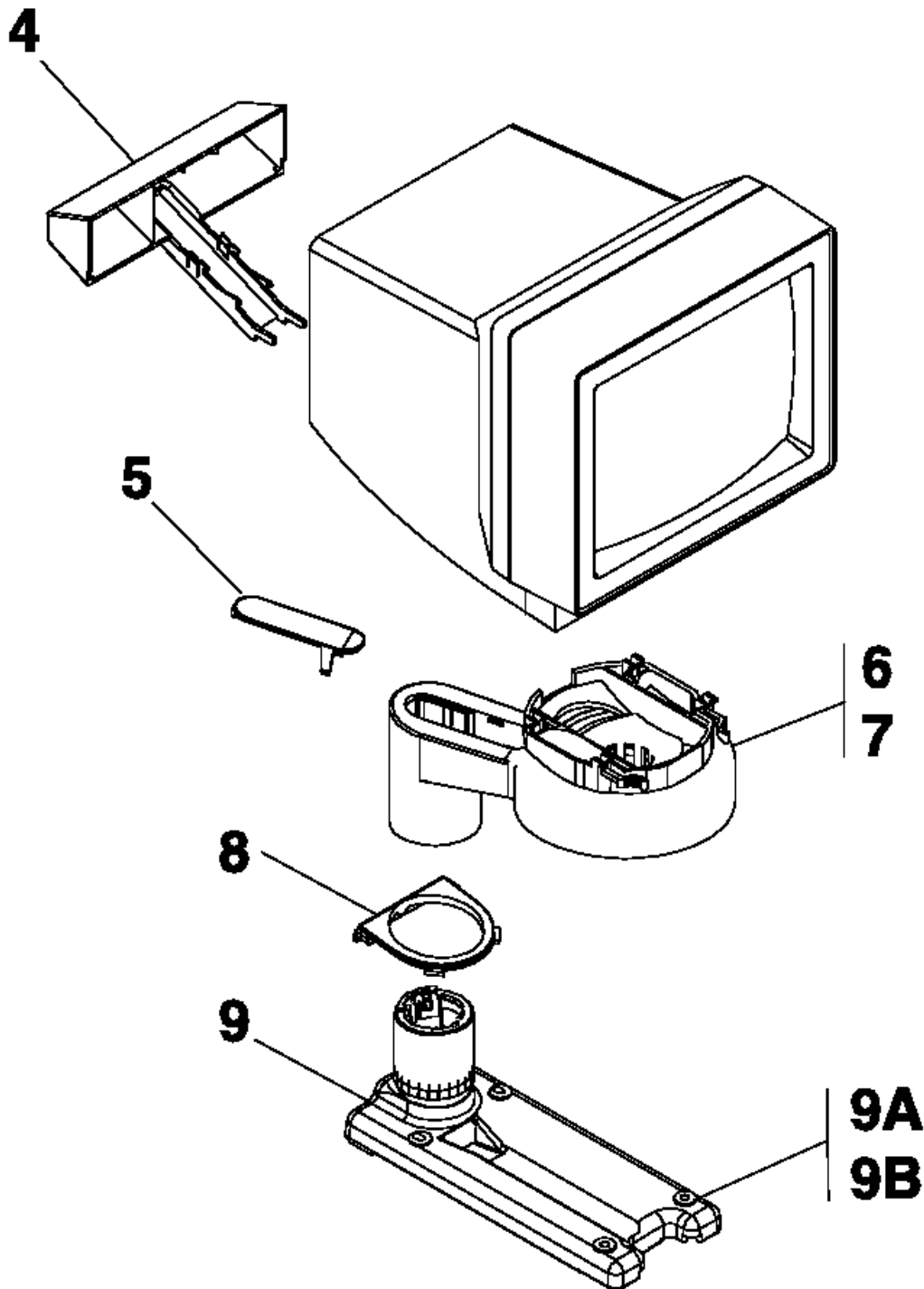
3.1 Assembly 13: Displays, Video



9-Inch Video Display - Integrated



9-Inch Video Display - Distributed

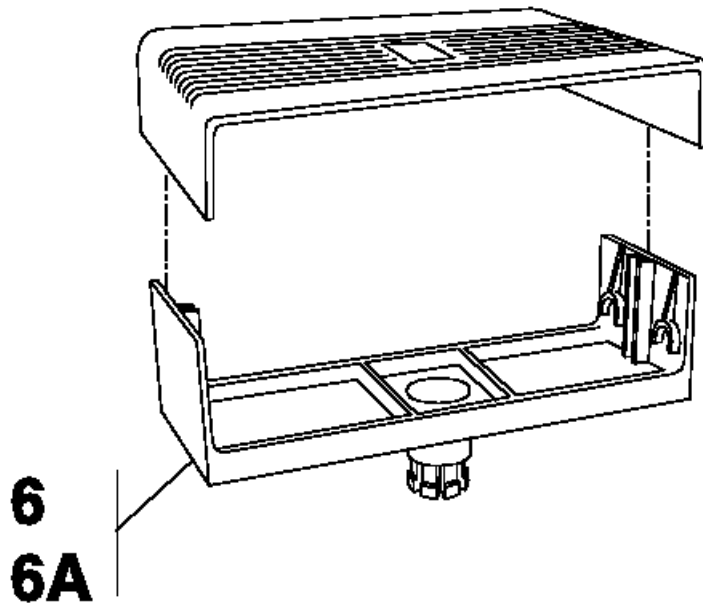
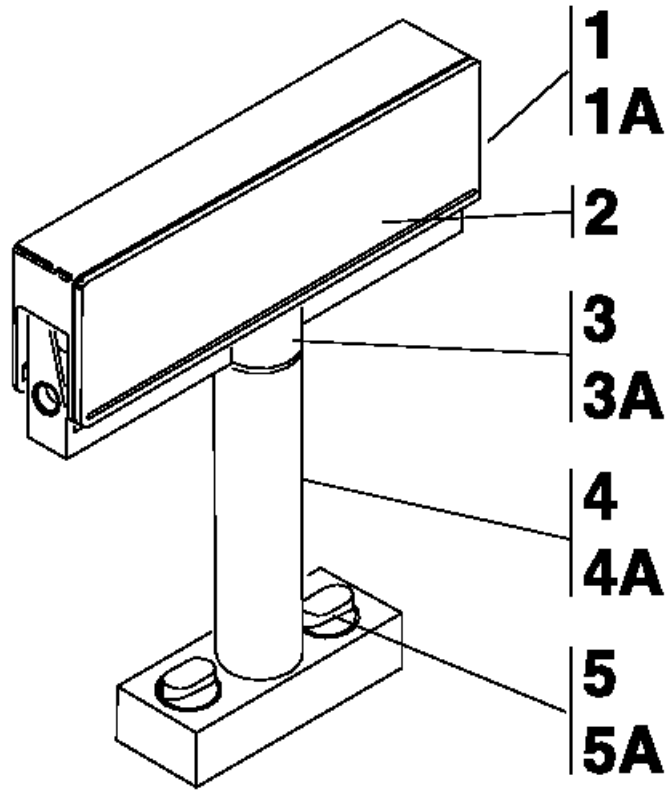


Monitor Mount Assembly		Index	Number	Units	Description
Asm-	Part	13-	92G7831	1	
Display, 9-in. Video Monochrome,			4683/4684/4693/4694		1.0 meter
Power Cable and Video	Cable		92G7832	1	Display, 9-in. Video
Monochrome,			4683/4684/4693/4694		2.6 meter Power Cable and
Video	Cable		60G1322	1	Display, 9-in. Video Monochrome,
	High Voltage, 4683/4684/4693/4694,				EMEA Countries only
Display, 9-in. Video Monochrome,			Low Voltage, 4683/4684/4693/4694		60G4130
Display, 9-in. Video Color, USA/Canada			Integrated 4693/4694		60G4133
9-in. Video Color, USA/Canada			Distributed 4693		60G4164
Color, World Trade			Integrated 4693/4694		60G4165
Trade,			Distributed 4693		60G4166
	Distributed 4694		60G4167	1	Display, 9-in. Video Color, World Trade,
	Distributed 4694	-1	93F1873	1	Filler, Keyboard
Video Display		-3	85X7418	1	Swivel, Stand, Distributed, Monochrome
Asm, Security Base			4683, 4684 only (not illustrated)		85X7421
					Tilt Swivel

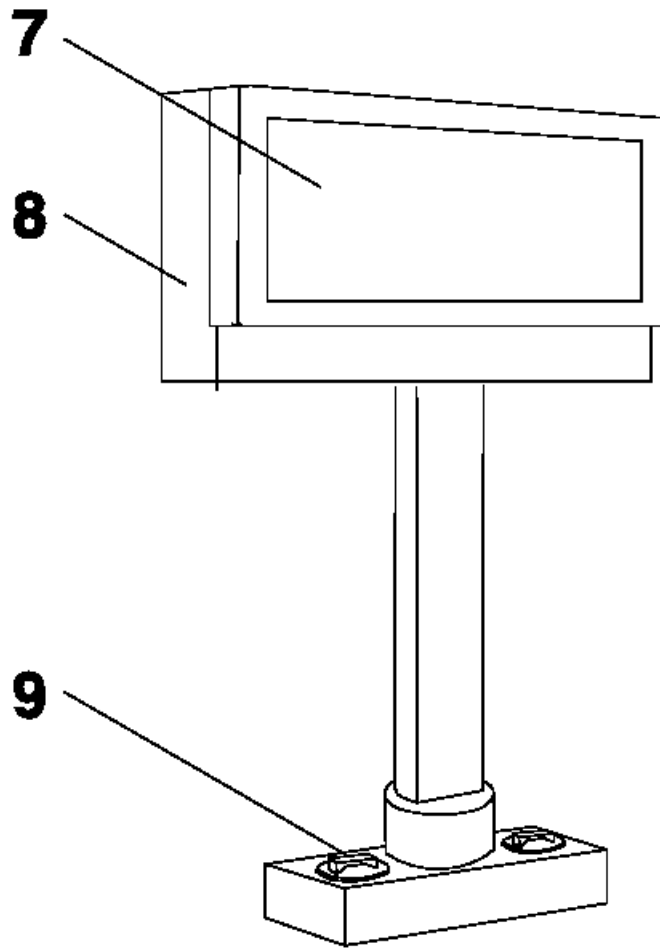
Store Systems Parts Catalog
Assembly 13: Displays, Video

! ! ! ! The entries below are for the ! ! ! ! ! Monitor Mount Assembly ! ! ! ! !
! ! -4 !93F1794! 1! □ Rear Cover ! ! -5 !93F1797! 1! □ Arm,
Plug ! ! -6 !93F1798! 1! □ Integrated Mount Subassembly, Monochrome ! ! -7 !60G4125! 1! □
Integrated Mount Subassembly, Color ! ! -8 !93F1827! 1! □ Alignment Ring, Video Display ! ! -9 !93F1796! 1! □
Casting Subassembly ! ! -9A !93F1832! 4! □ Screw, M5 ! ! -9B !60G1375! 4! □ Retainer,
Screw ! +-----+

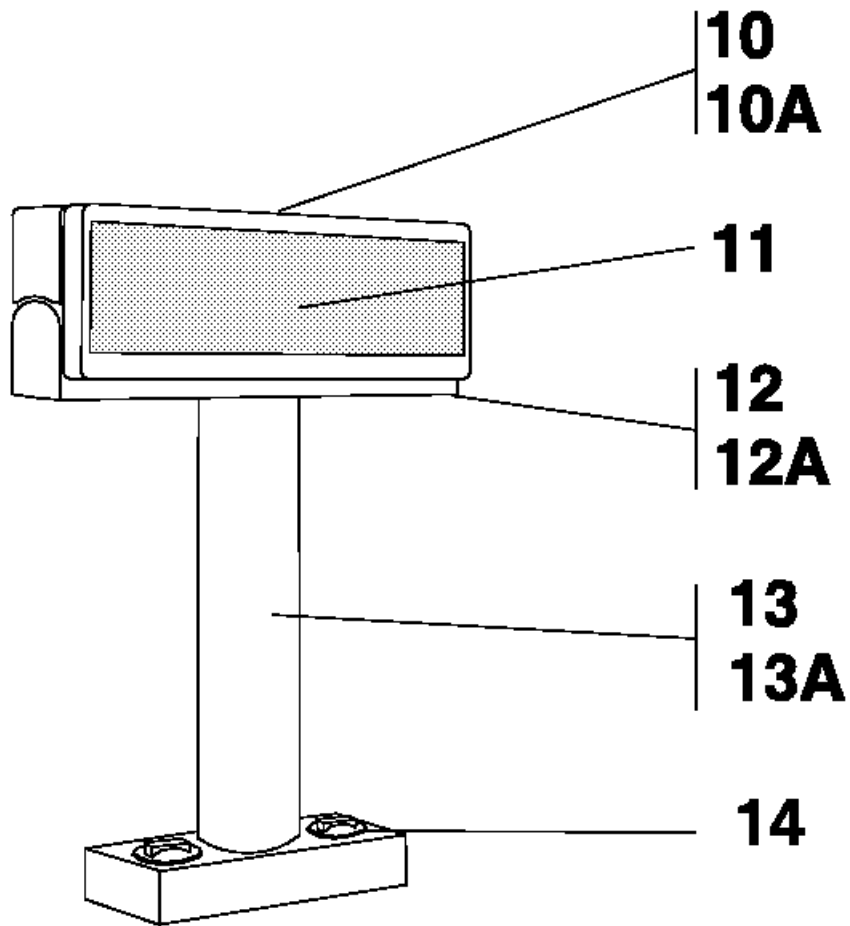
3.2 Assembly 14: Displays, 40-Character



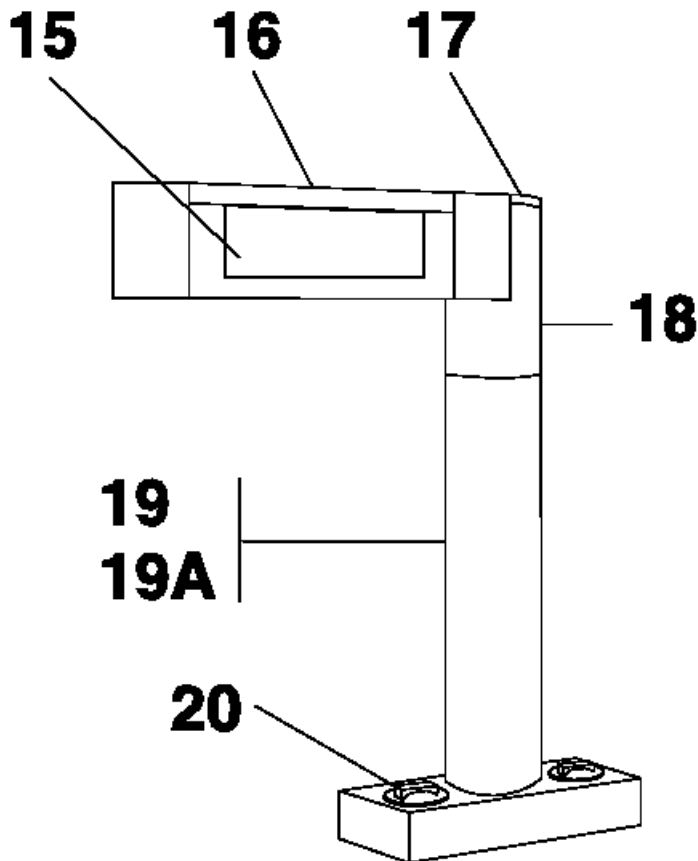
40-Character Alphanumeric Display



Character/Graphic Display



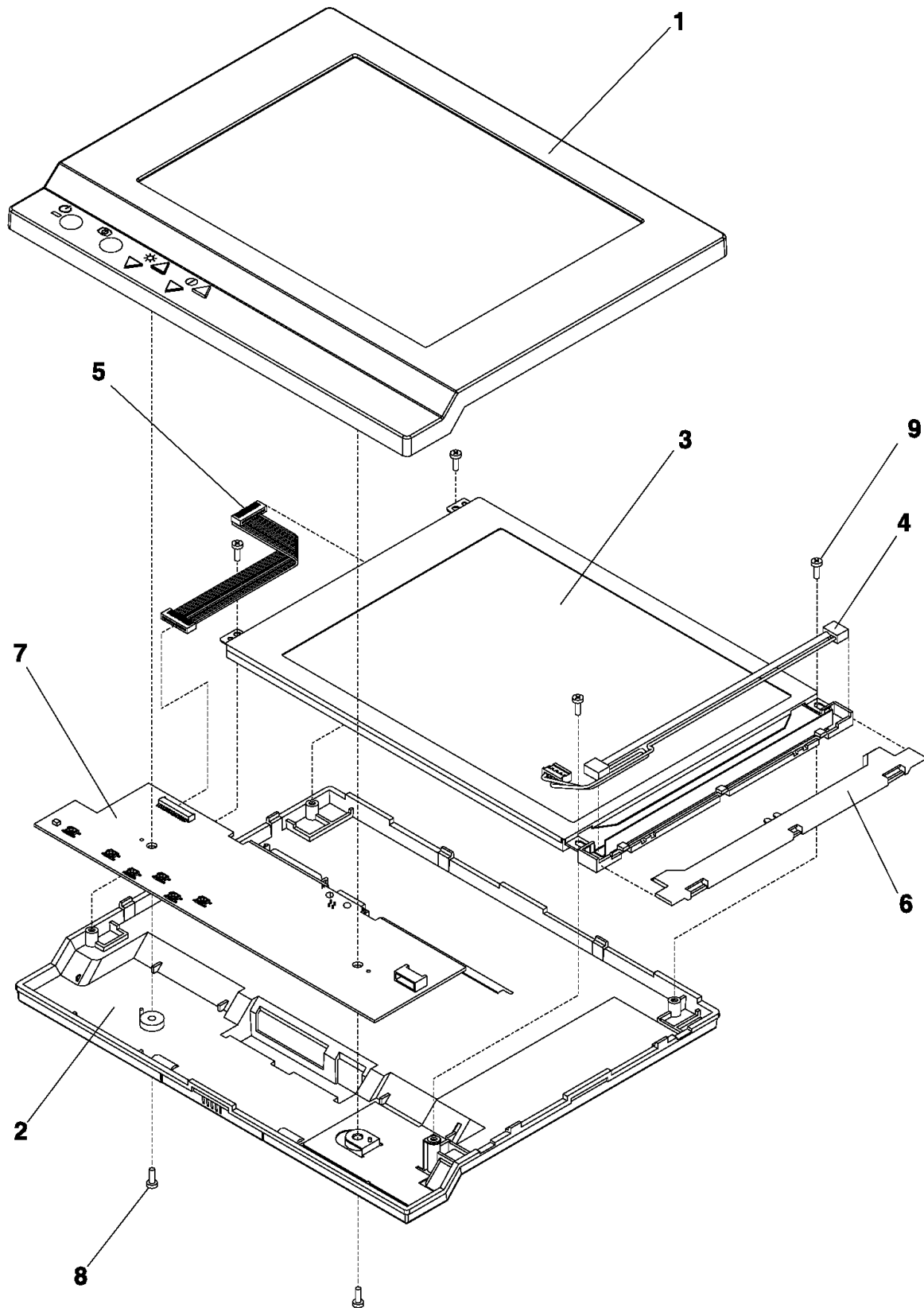
40-Character Vacuum Fluorescent Display II



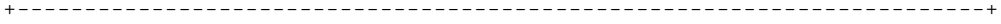
40-Character Liquid Crystal Display

Index	Number	Units	Description
			Alphanumeric, 4683/4684
-1	4783739	1	Head Asm, Light Gray, 4683/4684
-2	13H4852	1	Lens Kit, contains one (1) lens and instructions
-3	4783883	1	Yoke, Light Gray, 4683/4684
-4	6316688	1	Post, Short, Light Gray, 4683/4684
-4A	93F1110	1	Post, Short, Dark Gray, 4693/4694
-5	4783885	2	Thumbscrew, Light Gray, 4683/4684
-6	83X8280	1	Dual Display Asm, Light Gray, 4683/4684
-6A	93F1805	1	Dual Display Asm, Dark Gray, 4693/4694
-7	48G9018	1	Filter, Smoke
-8	48G9010	1	Display
-9	93F1809	2	Thumbscrew
-10	73G1105	1	Head Asm, Single-Sided
-11	13H4850	1	Lens Kit, contains one (1) lens and instructions
-12	73G1107	1	Yoke Asm, Single-Sided Display
-10	93F1808	1	Post Asm, Tall
-13A	93F1808	1	Post, Long, Dark Gray
-14	93F1809	2	Thumbscrew
-15	73G1203	NR	Head Asm
-17	73G1206	1	Cap, Post
-19	93F1110	1	Post, Short, Dark Gray, 4693/4694
-20	93F1809	2	Thumbscrew
-18	73G1204	1	Head Asm
-19A	93F1808	1	Post, Long, Dark Gray, 4693/4694
-	93F1111	1	Post, Extension, Dark Gray (not illustrated)
-	73G1212	1	Cable Asm, Y-Cable (not illustrated)

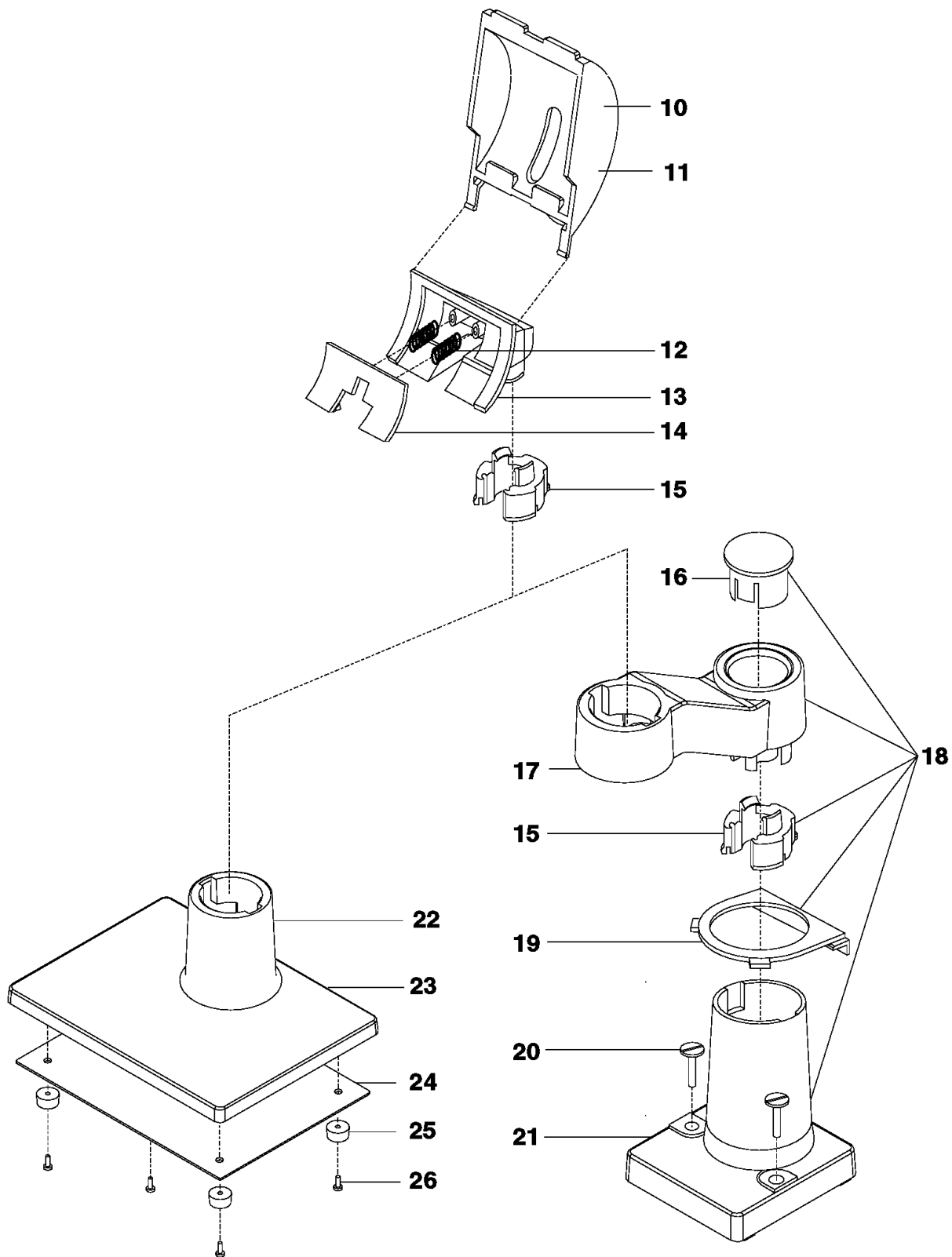
3.3 *Assembly 15: Displays, Flat Panel*



Asm-Index	Part Number	Units	Description
15-	66G4206	NP	Display Unit, Flat Panel, LCD, Monochrome
-1	66G4207	1	□ Cover Asm, Front
-2	66G4208	1	□ Cover Asm, Rear
-3	66G4209	1	□ LCD Module Asm
-4	66G4210	1	□ □ CCFL Asm, Backlight
-5	66G4211	1	□ □ Cable, LCD Module
-6	66G4222	NP	□ □ Cover, CCFL
-7	66G4230	1	□ Card Asm, LCD Panel
-8	66G4237	2	□ Screw, M3 12 mm
-9	95F3138	4	□ Screw, M3 8 mm



Store Systems Parts Catalog
 Assembly 15: Displays, Flat Panel

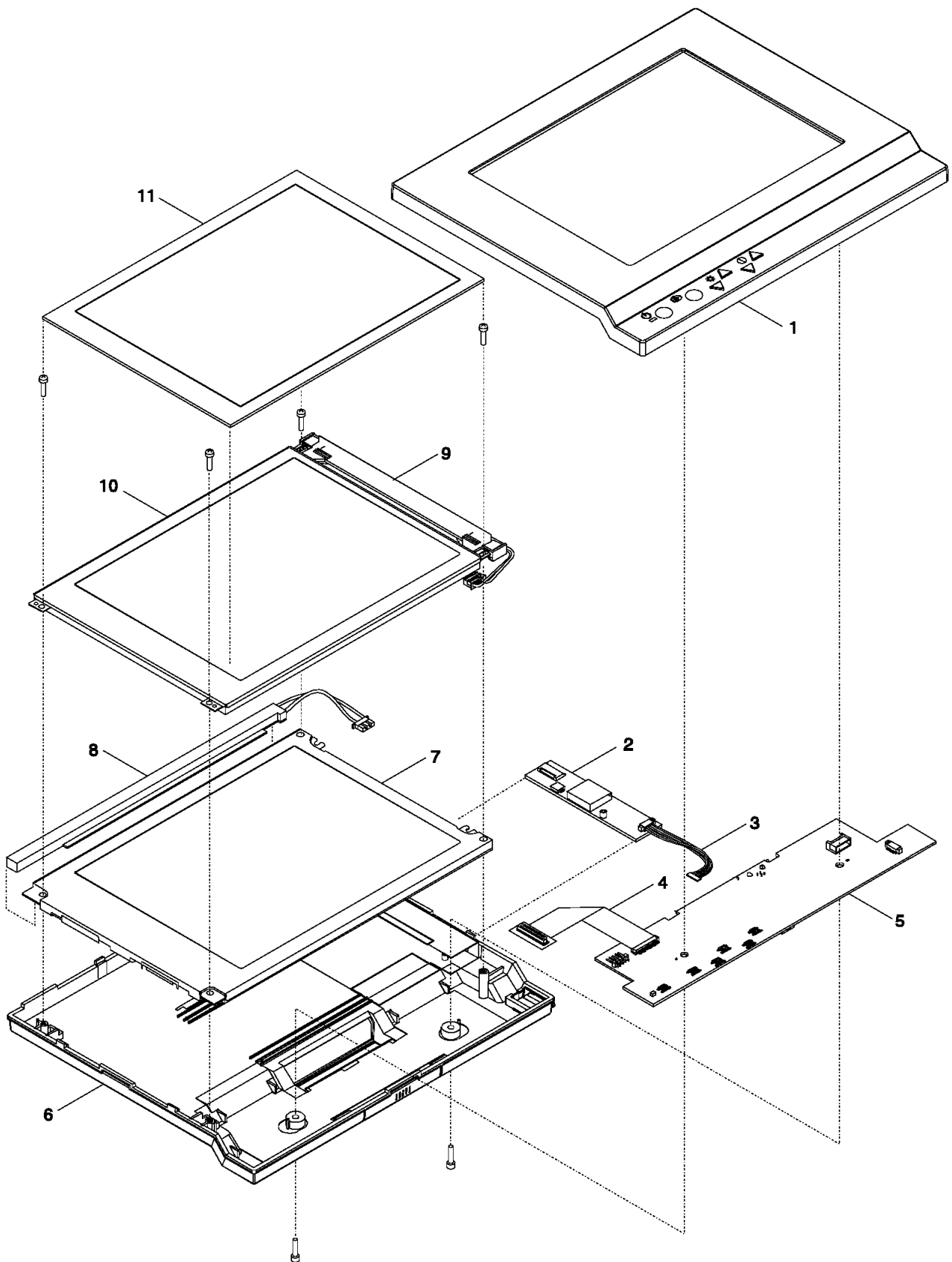


Asm-Index	Part Number	Units	Description
15-10	66G4242	1	<input type="checkbox"/> Base Asm, Display Holder (Use for Integrated and Distributed Base Pedestals)
-11	66G4243	NP	<input type="checkbox"/> <input type="checkbox"/> Tilt Attachment, Molded
-12	66G4244	NP	<input type="checkbox"/> <input type="checkbox"/> Spring (X2)
-13	66G4245	NP	<input type="checkbox"/> <input type="checkbox"/> Swivel Attachment, Molded
-14	66G4246	NP	<input type="checkbox"/> <input type="checkbox"/> Tilt Support
-15	85G6345	NP	<input type="checkbox"/> <input type="checkbox"/> Arm Support
-18	66G4250	1	<input type="checkbox"/> Base Asm, Integrated Display
-15	85G6345	NP	<input type="checkbox"/> <input type="checkbox"/> Arm Support
-16	66G4253	NP	<input type="checkbox"/> <input type="checkbox"/> Arm Plug, Molded

Store Systems Parts Catalog
Assembly 15: Displays, Flat Panel

-17	66G4251	NP	<input type="checkbox"/> <input type="checkbox"/> Arm, Molded
-19	74F6281	NP	<input type="checkbox"/> Alignment Ring
-20	48G9180	NP	<input type="checkbox"/> Screw, M5 20 mm
-21	66G4252	NP	<input type="checkbox"/> Pedestal, Molded, Integrated
-22	66G4255	1	<input type="checkbox"/> Base Asm, Distributed Display
-32	66G4256	NP	<input type="checkbox"/> <input type="checkbox"/> Pedestal, Molded, Distributed
-24	66G4257	NP	<input type="checkbox"/> <input type="checkbox"/> Plate, Base
-24	66G4258	NP	<input type="checkbox"/> <input type="checkbox"/> Foot, Base (X4)
-26	66G4259	NP	<input type="checkbox"/> <input type="checkbox"/> Screw, M3 15 mm (X4)
-	66G4267	1	<input type="checkbox"/> Cable Asm, Display, Flat Panel, 0.8 m (2 ft.)
-	66G4266	1	<input type="checkbox"/> Cable Asm, Display, Flat Panel, 3.8 m (12 ft.)

3.4 Assembly 16: *Displays, Sure Point Touch*



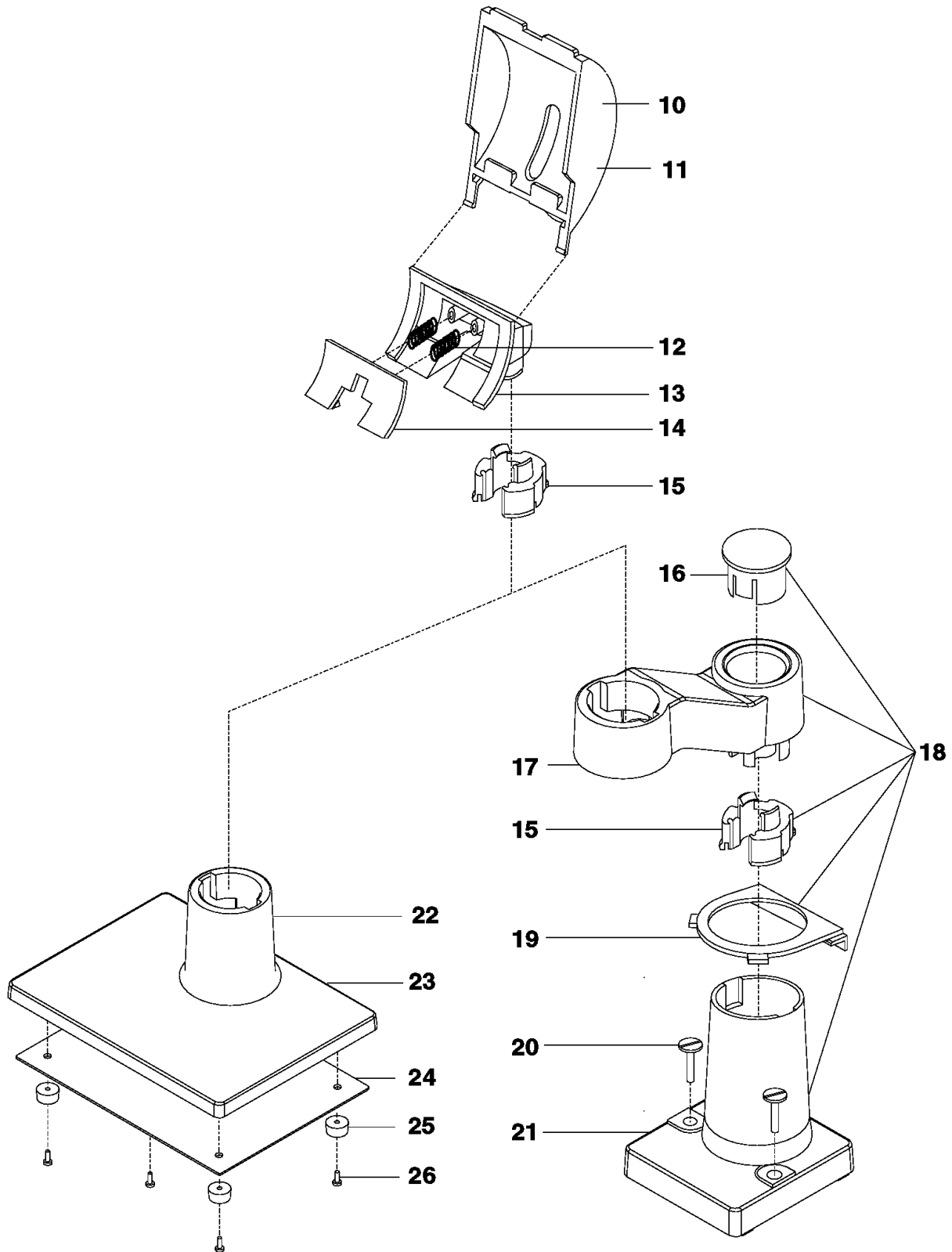
Asm-Index	Part Number	Units	Description
16-	85G6304	NP	Display Unit, Touch Screen, LCD, Monochrome
-	85G6305	NP	Display Unit, Touch Screen, LCD, Color
-1	85G6308	1	□ Cover Asm, Front, Monochrome
-1	85G6317	1	□ Cover Asm, Front, Color
-2	85G6310	1	□ Card Asm, LCD Panel, Monochrome
-2	85G6320	1	□ Card Asm, LCD Panel, Color
-3	85G6321	1	□ Cable Asm, LCD Module, Color only
-4	85G6320	1	□ Card and Cable Asm, Inverter Color only
-5	85G6309	1	□ Cover Asm, Rear, Monochrome
-5	85G6318	1	□ Cover Asm, Rear, Color
-6	73G3102	1	□ CCFL Asm, Backlight, LCD, Color only

Store Systems Parts Catalog

Assembly 16: Displays, Sure Point Touch

-7	73G2881	1	<input type="checkbox"/> LCD Module Asm, Color only
-8	66G4210	1	<input type="checkbox"/> CCFL Asm, Backlight, LCD, Monochrome only
-9	66G4209	1	<input type="checkbox"/> LCD Module Asm, Monochrome only
-10	85G6311	1	<input type="checkbox"/> Touch Screen Unit Asm, Monochrome and Color
-	85G6302	1	<input type="checkbox"/> MSR Asm, Dual Head (not illustrated)
-	85G6303	1	<input type="checkbox"/> MSR Asm, 3-Track (not illustrated)
-	93F1893	1	Filler Panel, Keyboard, Full Width, Available on the following POS terminals with a Sure Point Touch Screen: 4693 (all models), 4694 (models 041, 044, 144 only), and the Cash Drawer I/O Integration Kit

Store Systems Parts Catalog
 Assembly 16: Displays, Sure Point Touch



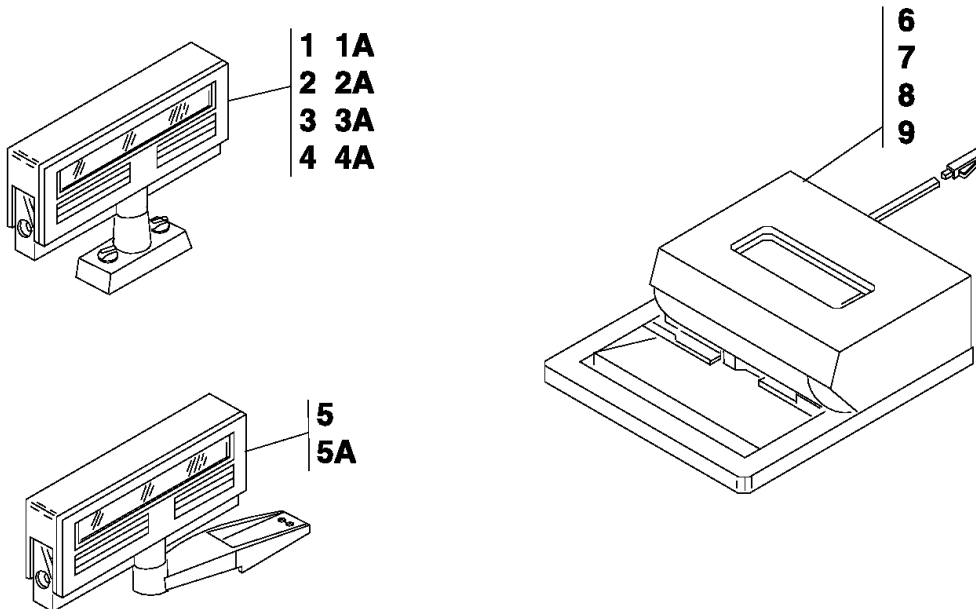
Asm-Index	Part Number	Units	Description
16-10	66G4242	1	<input type="checkbox"/> Base Asm, Display Holder (Use for Integrated and Distributed Base Pedestals)
-11	66G4243	NP	<input type="checkbox"/> <input type="checkbox"/> Tilt Attachment, Molded
-12	66G4244	NP	<input type="checkbox"/> <input type="checkbox"/> Spring (X2)
-13	66G4245	NP	<input type="checkbox"/> <input type="checkbox"/> Swivel Attachment, Molded
-14	66G4246	NP	<input type="checkbox"/> <input type="checkbox"/> Tilt Support
-15	85G6345	NP	<input type="checkbox"/> <input type="checkbox"/> Arm Support
-18	66G4250	1	<input type="checkbox"/> Base Asm, Integrated Display
-15	85G6345	NP	<input type="checkbox"/> <input type="checkbox"/> Arm Support
-16	66G4253	NP	<input type="checkbox"/> <input type="checkbox"/> Arm Plug, Molded

Store Systems Parts Catalog

Assembly 16: Displays, Sure Point Touch

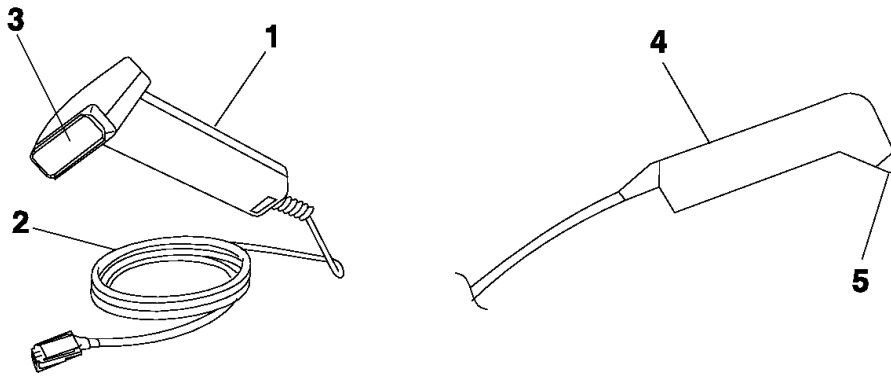
-17	66G4251	NP	<input type="checkbox"/> <input type="checkbox"/> Arm, Molded
-19	74F6281	NP	<input type="checkbox"/> Alignment Ring
-20	48G9180	NP	<input type="checkbox"/> Screw, M5 20 mm
-21	66G4252	NP	<input type="checkbox"/> Pedestal, Molded, Integrated
-22	66G4255	1	<input type="checkbox"/> Base Asm, Distributed Display
-23	66G4256	NP	<input type="checkbox"/> <input type="checkbox"/> Pedestal, Molded, Distributed
-24	66G4257	NP	<input type="checkbox"/> <input type="checkbox"/> Plate, Base
-25	66G4258	NP	<input type="checkbox"/> <input type="checkbox"/> Foot, Base (X4)
-26	66G4259	NP	<input type="checkbox"/> <input type="checkbox"/> Screw, M3 15 mm (X4)
-	66G4267	1	<input type="checkbox"/> Cable Asm, Display, Flat Panel, 0.8 m (2 ft.)
-	66G4266	1	<input type="checkbox"/> Cable Asm, Display, Flat Panel, 3.8 m (12 ft.)

3.5 Assembly 17: Displays, Shopper and Operator



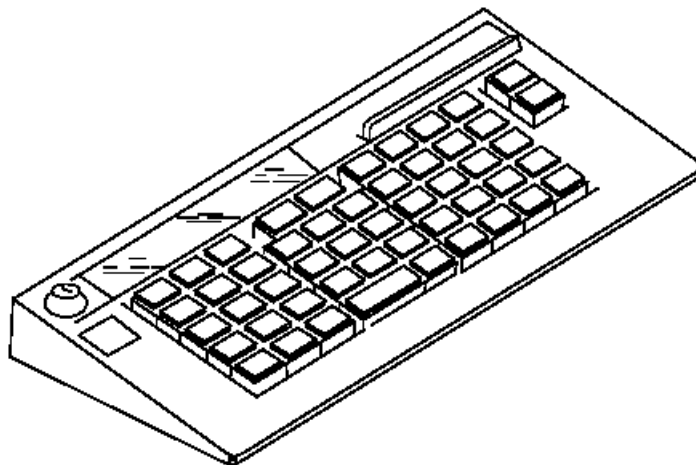
Asm-Index	Part Number	Units	Description
Shopper Display			
17-		NP	Display Assembly, Shopper, 4683/4684
-		NP	Display Assembly, Shopper, 4693/4694
-1	63X4999	1	□ Head Asm, Light Gray, 4683/4684
-1A	93F1814	1	□ Head Asm, Dark Gray, 4693/4694
-2	63X5003	1	□ Yoke, Light Gray, 4683/4684
-2A	93F1815	1	□ Yoke, Dark Gray, 4693/4694
-3	6316688	1	□ Base, Short, Light Gray, 4683/4684
-3A	93F1110	1	□ Base, Short, Dark Gray, 4693/4694
-4	4783885	2	□ Thumbscrew, Light Gray, 4683/4684
-4A	93F1809	2	□ Thumbscrew, Dark Gray, 4693/4694
-5	63X5004	1	□ Arm, Mounting, Light Gray, 4683/4684
-5A	93F1816	1	□ Arm, Mounting, Dark Gray, 4693/4694
Operator Display			
-		NP	Display Assembly, Operator, 4683/4684
-6	83X7579	1	□ Head Asm
-7	63X5203	1	□ Wedge
-8	83X7625	1	□ Base
-9	4783946	1	□ Bottom

3.6 Assembly 18: Hand-Held Readers and Scanners

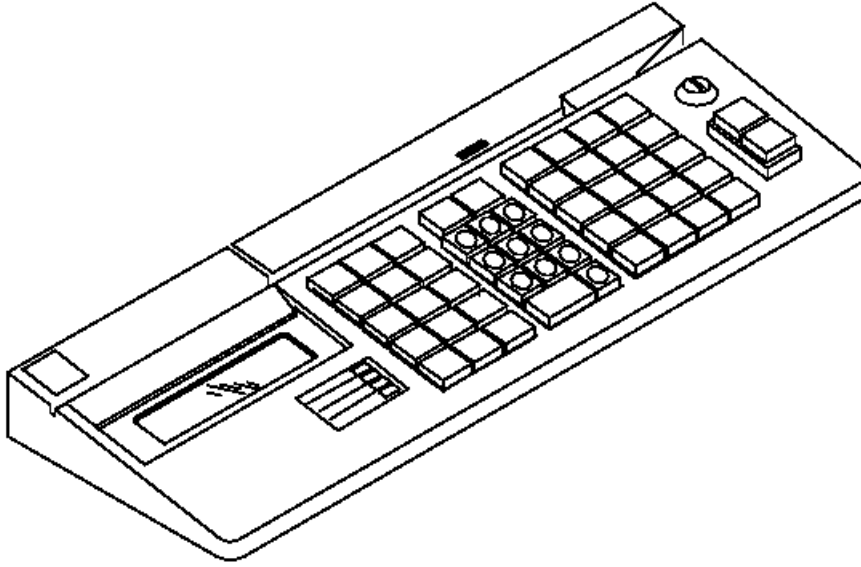


Asm-Index	Part Number	Units	Description
Hand-Held Scanner			
18-1	83X8985	1	Hand-Held Scanner
-2	83X8949	1	Cable Asm, Hand-Held Scanner
-3	83X8988	1	Face Window, Plastic
Magnetic Reader Wand			
-4	4783763	1	Wand, Magnetic Reader
-5	1756864	1	□ Tip

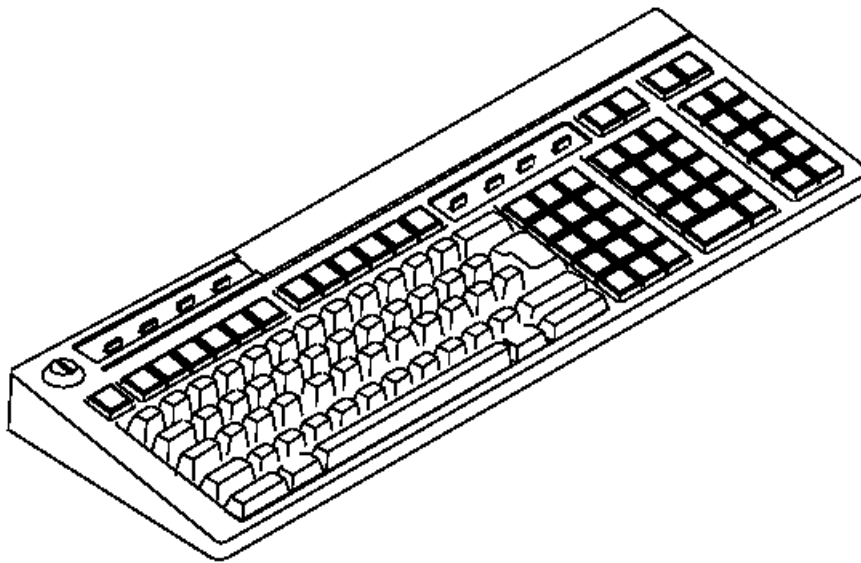
Keyboard Assemblies



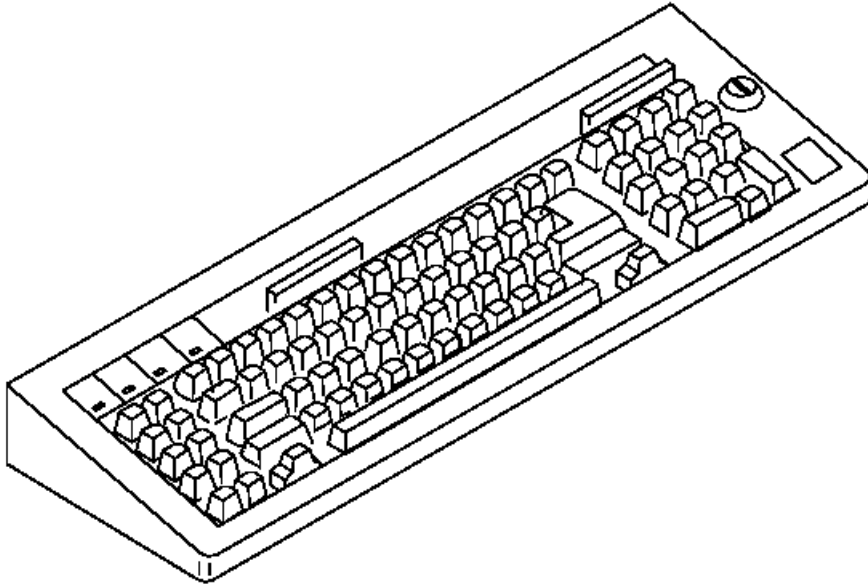
"Assembly 19: Keyboard, 50-Key, 4683/4684" in topic 4.1



"Assembly 20: Keyboard, Display, Combined 4683/4684" in topic 4.2

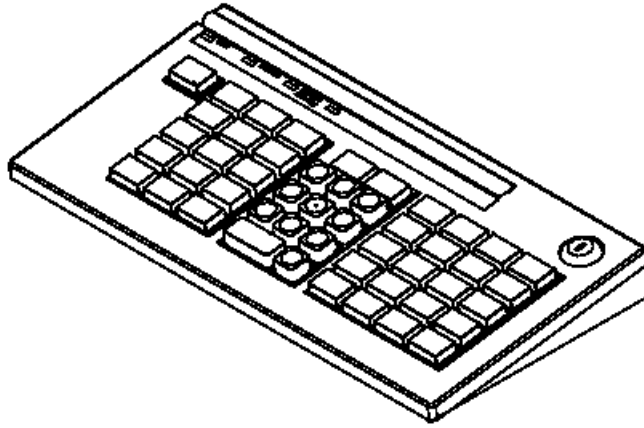


"Assembly 21: Keyboard, Alphanumeric POS, 4683/4684" in topic 4.3

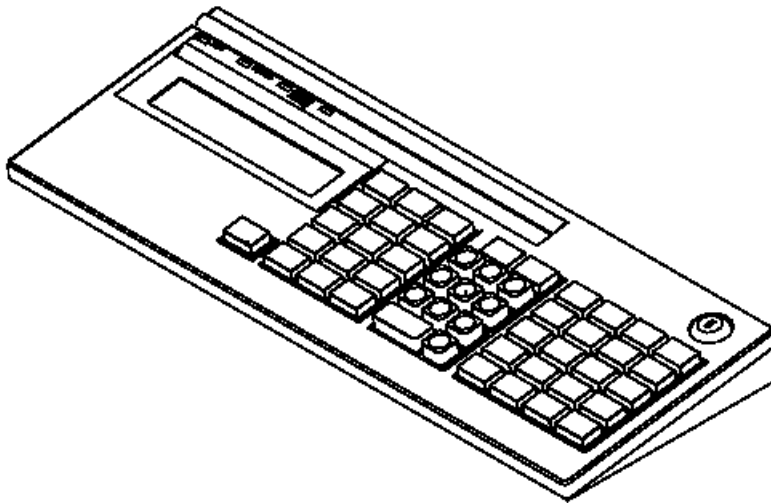


"Assembly 22: Keyboard, Alphanumeric, 4683/4684" in topic 4.4

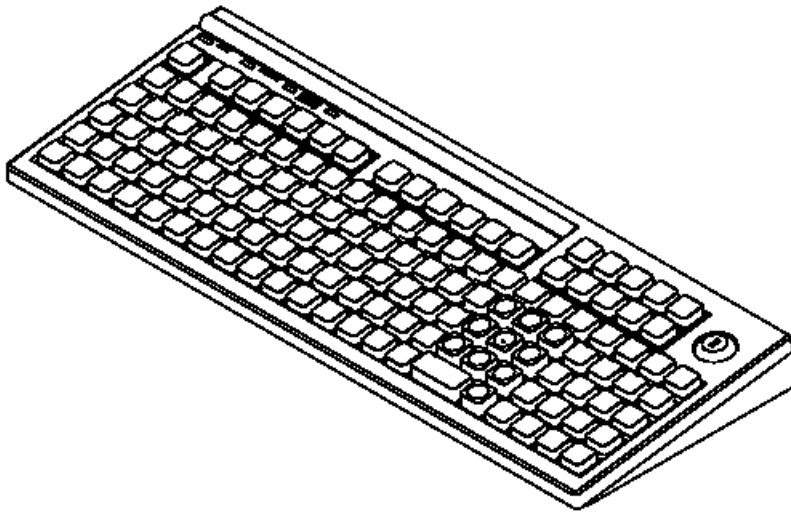
4.0 Keyboard Assemblies



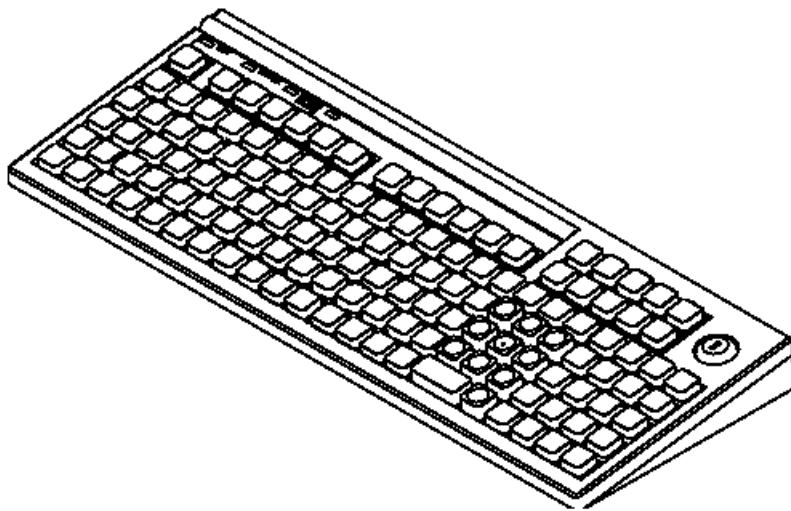
"Assembly 23: Keyboard, Retail POS (50-Key), With or Without Card Reader, 4693/4694" in topic 4.5



"Assembly 24: Keyboard, Retail POS, with Card Reader and Display, 4693/4694" in topic 4.6



"Assembly 25: Keyboard, Modifiable Layout, with Card Reader, 4693/4694" in topic 4.7

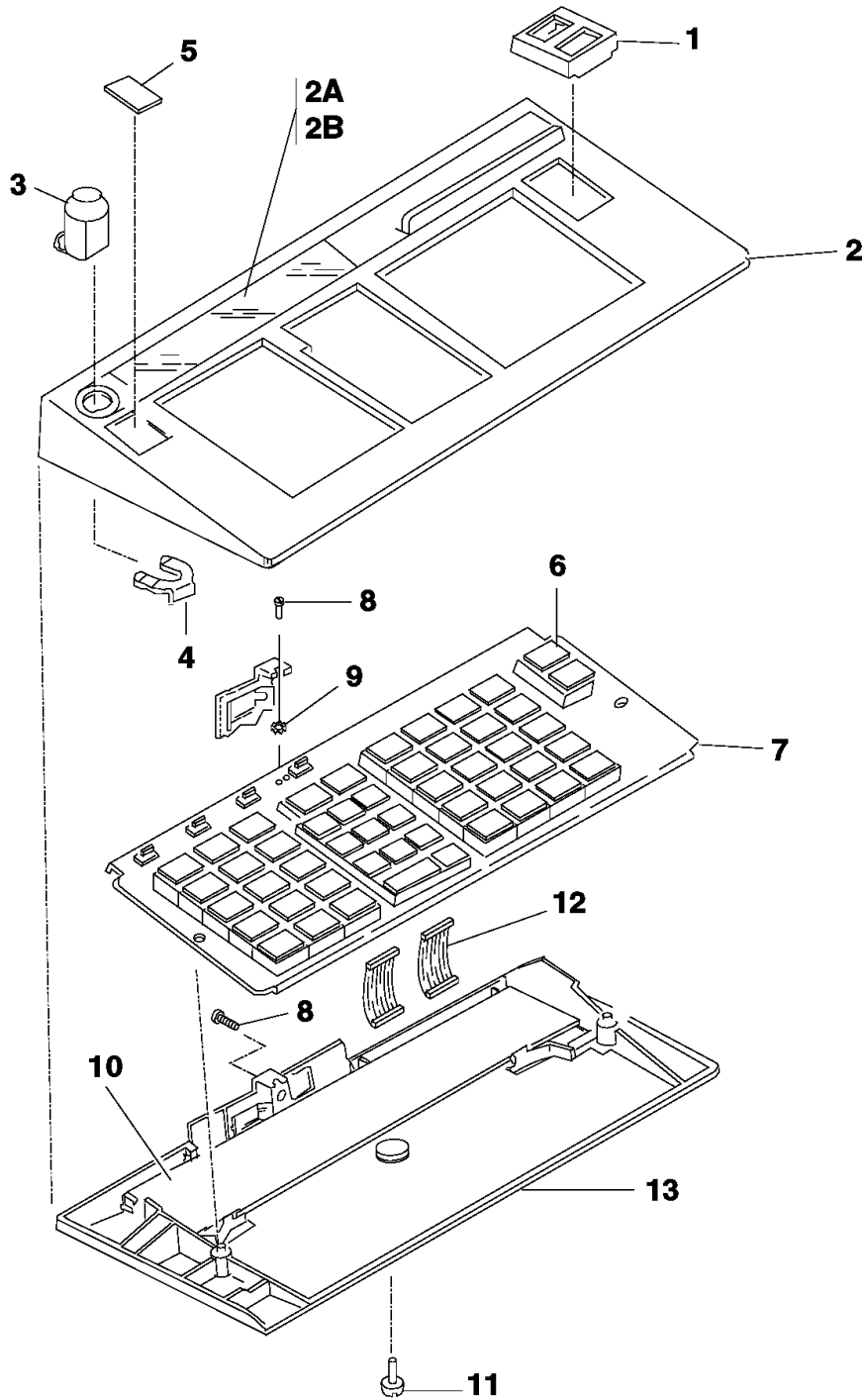


"Assembly 26: Keyboard, Retail A/N POS, with Card Reader, 4693/4694" in topic 4.8

Subtopics

- 4.1 Assembly 19: Keyboard, 50-Key, 4683/4684
- 4.2 Assembly 20: Keyboard, Display, Combined 4683/4684
- 4.3 Assembly 21: Keyboard, Alphanumeric POS, 4683/4684
- 4.4 Assembly 22: Keyboard, Alphanumeric, 4683/4684
- 4.5 Assembly 23: Keyboard, Retail POS (50-Key), With or Without Card Reader, 4693/4694
- 4.6 Assembly 24: Keyboard, Retail POS, with Card Reader and Display, 4693/4694
- 4.7 Assembly 25: Keyboard, Modifiable Layout, with Card Reader, 4693/4694
- 4.8 Assembly 26: Keyboard, Retail A/N POS, with Card Reader, 4693/4694

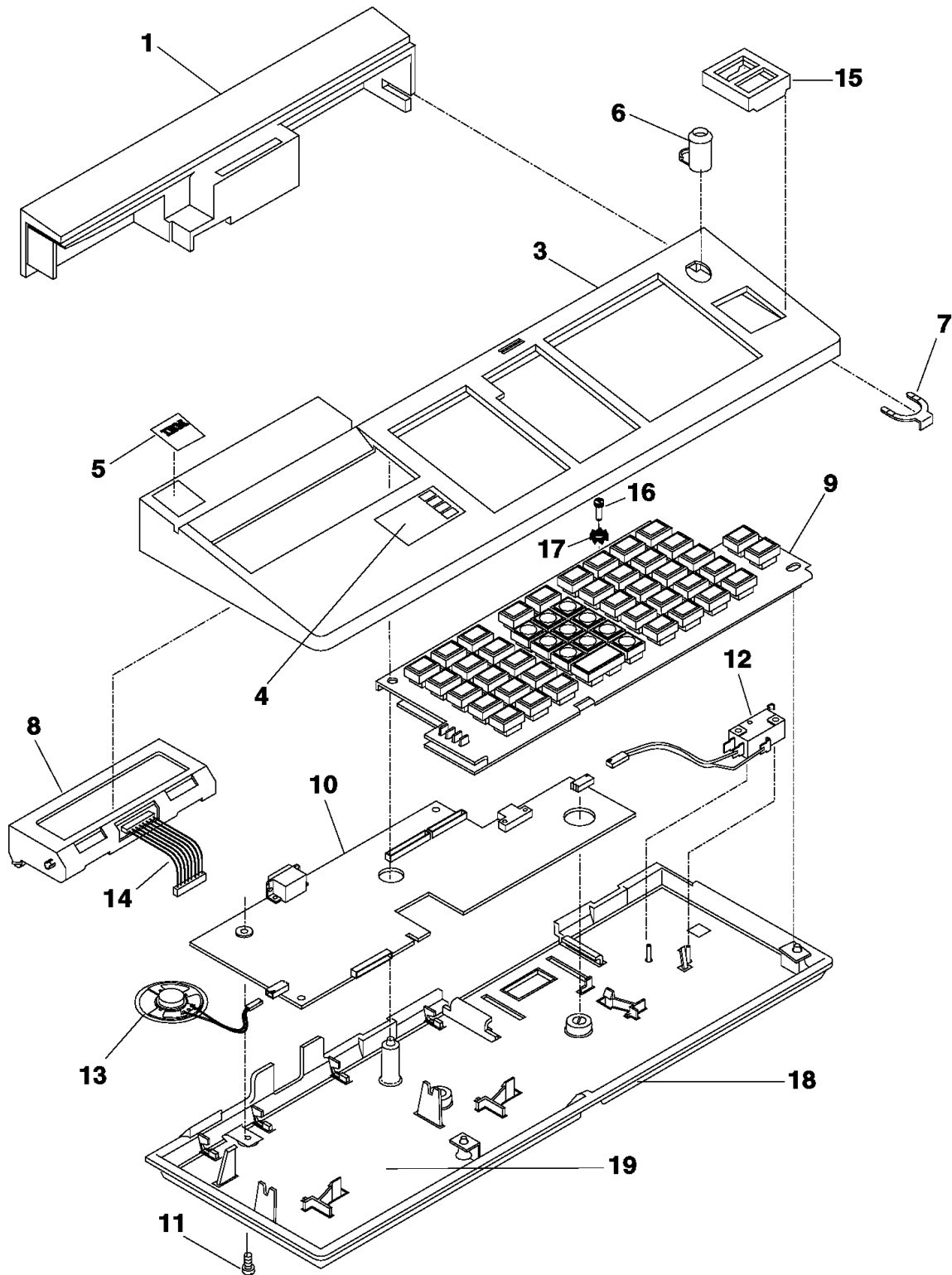
4.1 Assembly 19: Keyboard, 50-Key, 4683/4684



Asm-Index	Part Number	Units	Description
19-	59G9063	NR	Keyboard Assembly, 50-Key, 4683/4684
-1	83X7617	1	□ Cover, System Keys
-2	39F6434	1	□ Cover, Top
-2A	4783892	1	□ Lens Cover, Label
-2B	6316733	R	□ Label, USA English
-2B	6316734	R	□ Label, Canada
-2B	6316735	R	□ Label, World Trade (except Canada)
-3	4783940	1	□ Lock
-4	93F1910	1	□ □ Clip, Lock
-5	6429490	R	□ Logo
-6	6428693	1	□ Lens Kit, Keyboard (Order Keytop Puller 1647720, if needed)
-7	34G2377	1	□ Kit (for Calculator Numeric Pad) Replaces Key Switch Assembly in Factory Keyboard 4783896 (Keyboard with Dust Shield)
-7	34G2378	1	□ Kit (for Telephone Numeric Pad) Replaces Key Switch Assembly in

Store Systems Parts Catalog
Assembly 19: Keyboard, 50-Key, 4683/4684

			Factory Keyboard 4783896 (Keyboard with Dust Shield)
-7	59G9148	1	<input type="checkbox"/> Key Switch Assembly (For Calculator Numeric Pad)
			for Factory Keyboards 59G9063
-7	59G9064	1	<input type="checkbox"/> Key Switch Assembly (for Telephone Numeric Pad)
			For Factory Keyboards 59G9063
			Note: If ordering Kit 34G2377 or 34G2378, and Customer has Dual Legend Keys, also order 34G2373. If Customer has Elevated Numeric Key Tops, order 34G2372.
-8	1621170	1	<input type="checkbox"/> Screw, Pan HD, M3 X 6
-9	1622344	1	<input type="checkbox"/> Washer, Lock Star, 3.2 ID X 6 OD X.4 T
-10	53F5069	1	<input type="checkbox"/> Card Asm
-11	1621101	1	<input type="checkbox"/> Screw, Cheese HD, M6 X 16
-12	39F6439	1	<input type="checkbox"/> Kit, Cables, set of 2 (Security Base)
-13	73G6443	1	<input type="checkbox"/> Keyboard Base Cover
-	4783944	1	<input type="checkbox"/> Magnetic Stripe Reader Asm (not illustrated)
-	76X0192	1	<input type="checkbox"/> <input type="checkbox"/> Dual-track, MSR (1/2) (not illustrated)
-	76X0193	1	<input type="checkbox"/> <input type="checkbox"/> Dual-track, MSR (2/3) (not illustrated)
-	90X9640	1	<input type="checkbox"/> <input type="checkbox"/> Test Card, MSR (not illustrated)



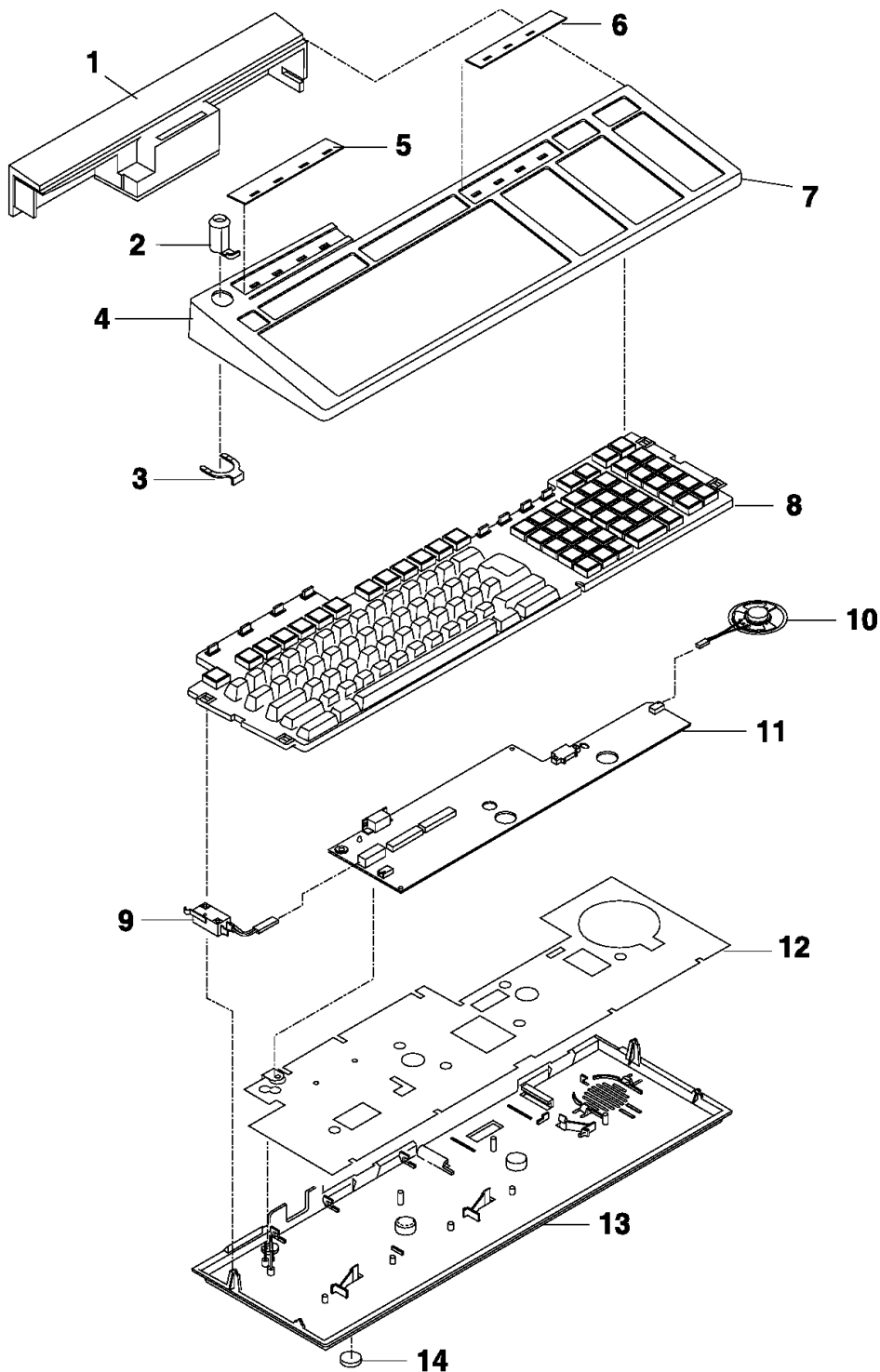
Asm-Index	Part Number	Units	Description
20-	34G0419	NR	Keyboard, Display, Combined Assembly, 4683/4684
-1	25F6301	1	□ Panel, Filler
-1	25F6310	1	□ MSR, Dual-track (1/2)
-1	25F6320	1	□ MSR, Dual-track (2/3)
-3	25F6287	1	□ Top Cover, Keyboard
-4	25F6303	R	□ □ Label, LED, USA
-4	25F6313	R	□ □ Label, LED, English, Non-USA
-5	6429490	R	□ □ Logo
-6	83X7560	1	□ Barrel
			See "Assembly 31: Lock Part Numbers" in topic 6.2
-7	93F1910	1	□ Clip, Lock
-8	33G4400	1	□ Display Asm

Store Systems Parts Catalog

Assembly 20: Keyboard, Display, Combined 4683/4684

-9	33G2883	1	<input type="checkbox"/> Keyswitch Asm
-10	34G0418	1	<input type="checkbox"/> Card Asm, Keyboard Logic
-11	1621197	1	<input type="checkbox"/> Screw, Pan Head, M4 X 6 (Security Base)
-12	76X0107	1	<input type="checkbox"/> Switch Asm, Mgr Lock
-13	63X5162	1	<input type="checkbox"/> Speaker Asm
-14	25F6307	1	<input type="checkbox"/> Cable Asm, Display
-15	83X7617	1	<input type="checkbox"/> Cover, System Keys
-16	1621170	1	<input type="checkbox"/> Screw, Pan HD, M3 X 6
-17	1622344	1	<input type="checkbox"/> Washer, Lock Star, 3.2 ID X 6 OD X .4 T
-18	73G6444	1	<input type="checkbox"/> Keyboard Base Cover
-19	73G6442	1	<input type="checkbox"/> Foil Shield

4.3 Assembly 21: *Keyboard, Alphanumeric POS, 4683/4684*



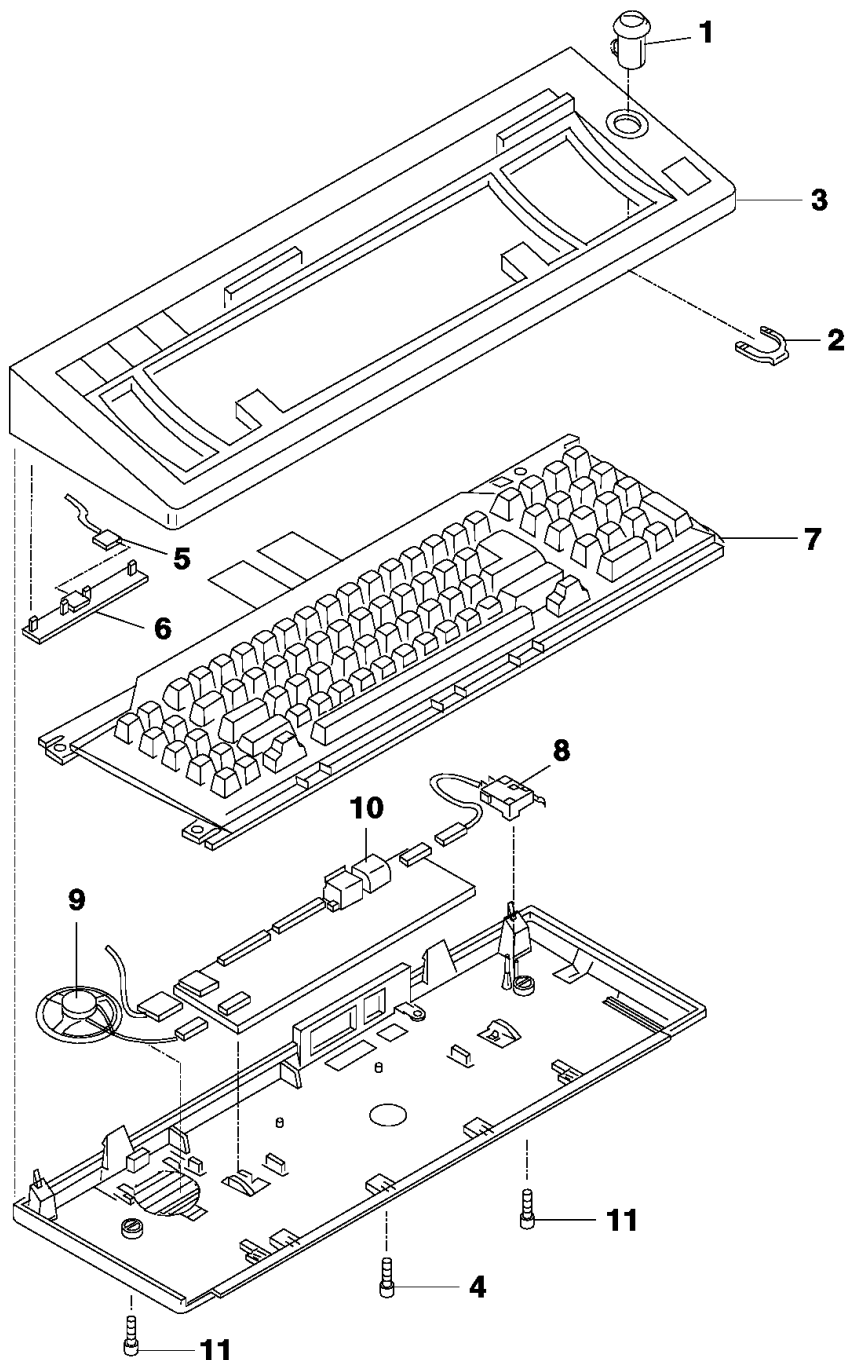
Asm-Index	Part Number	Units	Description
21-	25F6350	NR	Keyboard, A/N POS, 4683/4684
-1	25F6301	1	□ Panel, Filler Asm
-1	25F6310	1	□ MSR, Dual-track (1/2)
-1	25F6320	1	□ MSR, Dual-track (2/3)
-2	4783940	1	□ Barrel, Lock
-3	93F1910	1	□ Clip, Lock
-4	6429490	R	□ Logo
-5	25F6352	1	□ Label, LED, USA English
-5	25F6347	1	□ Label, LED, French
-5	25F6348	1	□ Label, LED, Canadian French
-5	25F6349	1	□ Label, LED, Italian
-5	25F6359	1	□ Label, LED, U.K. English
-5	25F6358	1	□ Label, LED, Spanish
-5	25F6357	1	□ Label, LED, German
-6	25F6353	1	□ Label, LED, USA English
-6	53F5158	1	□ Label, LED, French
-6	53F5159	1	□ Label, LED, Canadian French

Store Systems Parts Catalog

Assembly 21: Keyboard, Alphanumeric POS, 4683/4684

-6	53F5160	1	<input type="checkbox"/> Label, LED, Italian
-6	53F5163	1	<input type="checkbox"/> Label, LED, U.K. English
-6	53F5162	1	<input type="checkbox"/> Label, LED, Spanish
-6	53F5161	1	<input type="checkbox"/> Label, LED, German
-7	25F6336	1	<input type="checkbox"/> Cover, Top
-8	25F6340	1	<input type="checkbox"/> Key Switch Asm, USA English
-8	25F6379	1	<input type="checkbox"/> Key Switch Asm, French
-8	25F6380	1	<input type="checkbox"/> Key Switch Asm, Canadian French
-8	25F6381	1	<input type="checkbox"/> Key Switch Asm, Italian
-8	25F6382	1	<input type="checkbox"/> Key Switch Asm, U.K. English
-8	25F6383	1	<input type="checkbox"/> Key Switch Asm, Spanish
-8	25F6384	1	<input type="checkbox"/> Key Switch Asm, German
-9	76X0107	1	<input type="checkbox"/> Switch Asm
-10	63X5162	1	<input type="checkbox"/> Speaker Asm
-11	93F2557	1	<input type="checkbox"/> Card Asm
-12	25F6338	1	<input type="checkbox"/> Shield, Keyboard
-13	73G6445	1	<input type="checkbox"/> Keyboard Base Cover
-14	4783861	4	<input type="checkbox"/> Pad

4.4 Assembly 22: *Keyboard, Alphanumeric, 4683/4684*

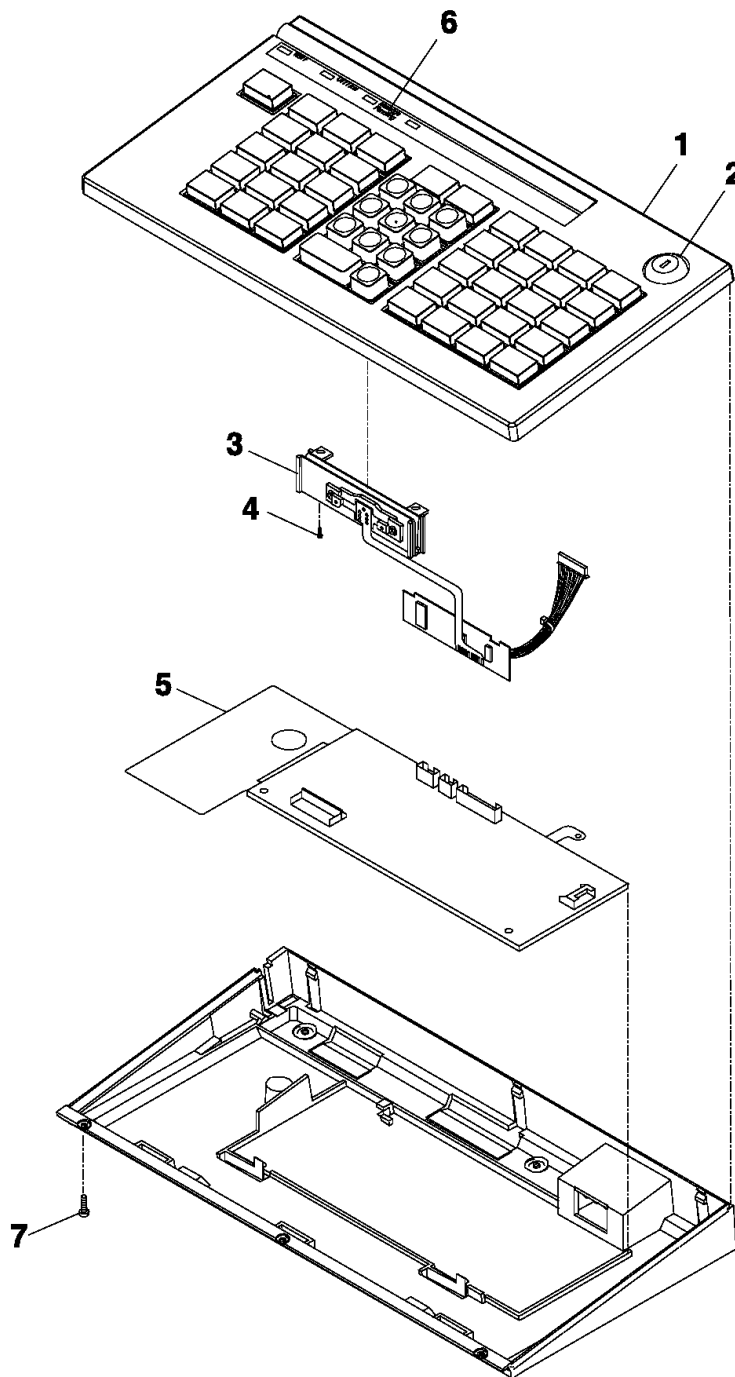


Asm- Index	Part Number	Units	Description
22-	76X0035	1	Keyboard Assembly, Alphanumeric, 4683/4684, English
-	76X0036	1	Keyboard Assembly, Alphanumeric, 4683/4684, Canadian French
-	76X0037	1	Keyboard Assembly, Alphanumeric, 4683/4684, Spanish
-	76X0039	1	Keyboard Assembly, Alphanumeric, 4683/4684, German
-	76X0040	1	Keyboard Assembly, Alphanumeric, 4683/4684, Norwegian
-	76X0041	1	Keyboard Assembly, Alphanumeric, 4683/4684, Danish
-	76X0042	1	Keyboard Assembly, Alphanumeric, 4683/4684, Swedish/Finnish
-	76X0043	1	Keyboard Assembly, Alphanumeric, 4683/4684, U.K. English
-	76X0044	1	Keyboard Assembly, Alphanumeric, 4683/4684, Spanish
-	76X0045	1	Keyboard Assembly, Alphanumeric, 4683/4684, French
-	76X0046	1	Keyboard Assembly, Alphanumeric, 4683/4684,

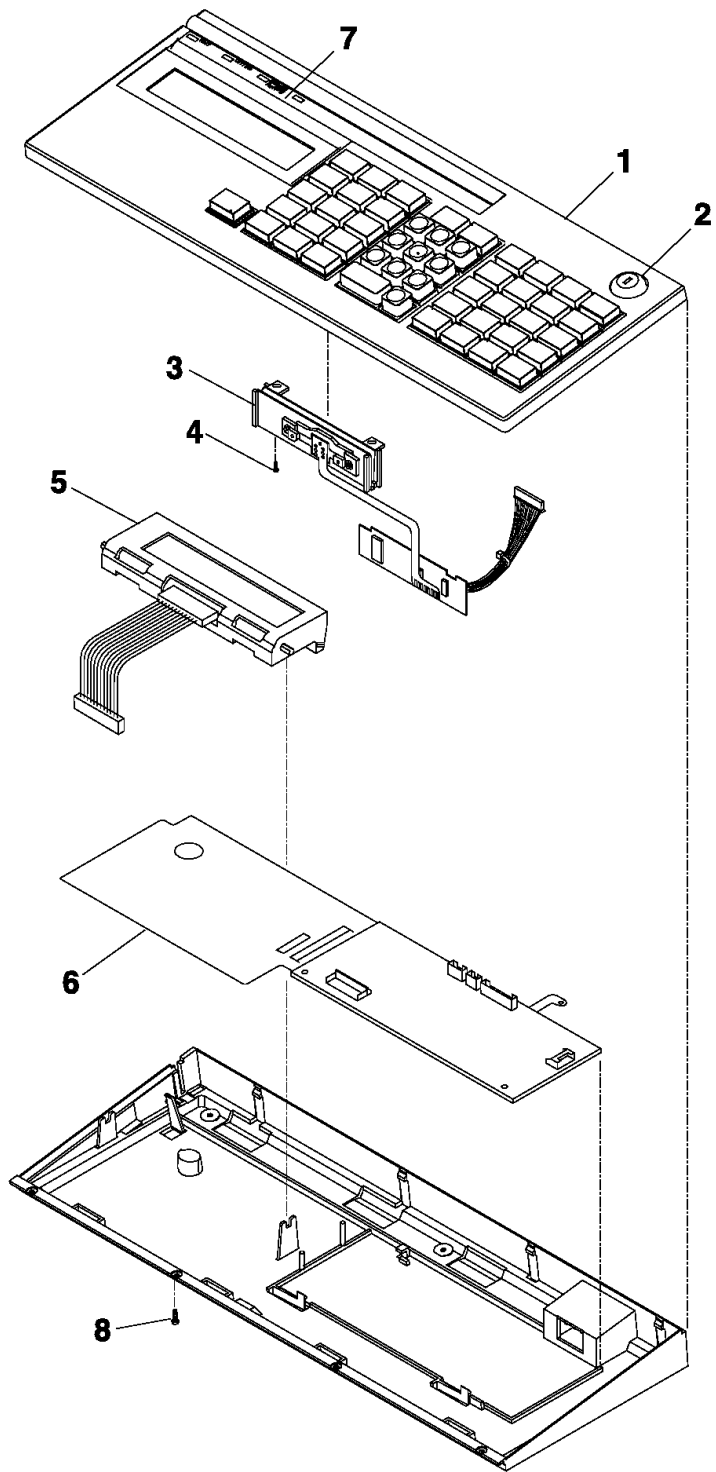
Store Systems Parts Catalog

Assembly 22: Keyboard, Alphanumeric, 4683/4684

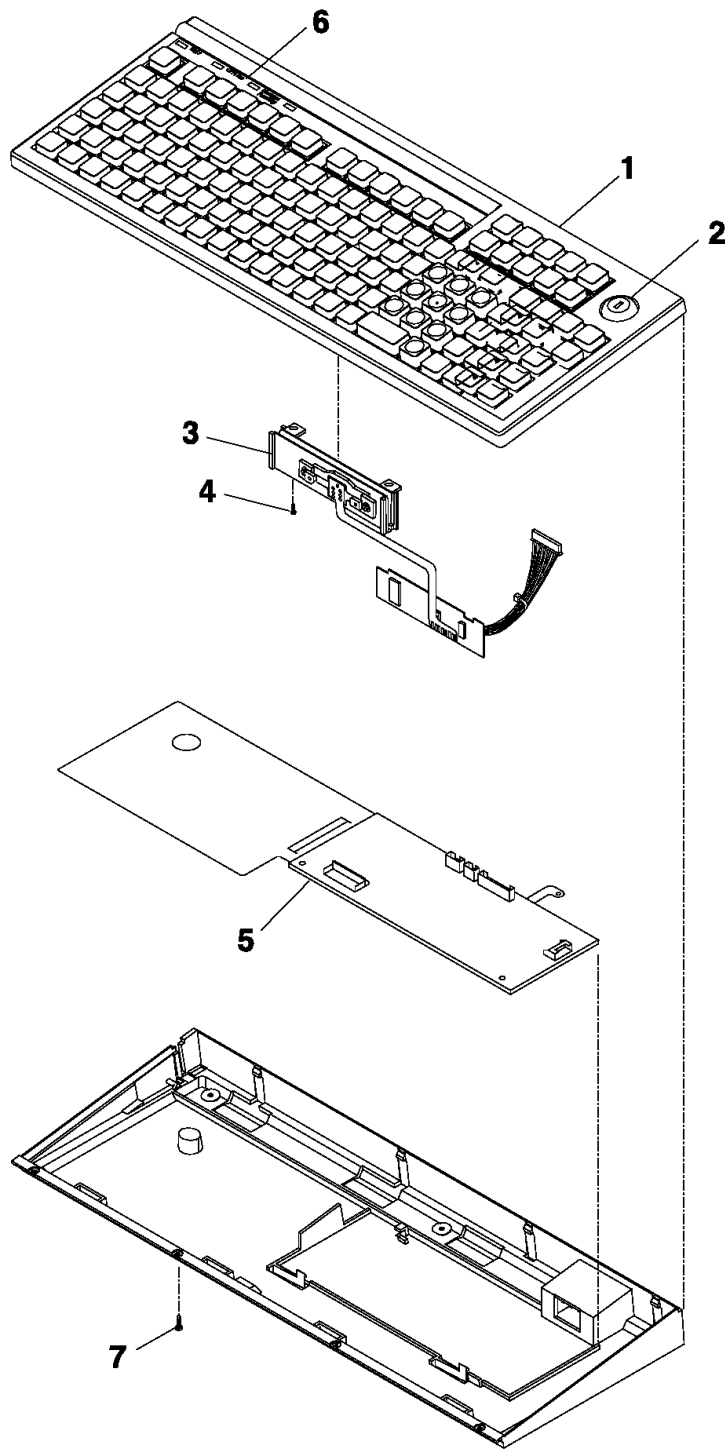
			Swiss (Fr/Ger)
-1	83X7560	1	<input type="checkbox"/> Barrel, see "Assembly 31: Lock Part Numbers" in topic 6.2.
-2	93F1910	1	<input type="checkbox"/> <input type="checkbox"/> Clip, Lock
-3	76X0027	1	<input type="checkbox"/> Cover, Top
-4	1621197	1	<input type="checkbox"/> Screw, Pan HD, M4 X 6
-5	63X5163	1	<input type="checkbox"/> Cable Asm, LED
-6	63X5164	1	<input type="checkbox"/> Card Asm, LED
-7	1390674	1	<input type="checkbox"/> Keyboard, Alphanumeric, English
-7	1392337	1	<input type="checkbox"/> Keyboard, Alphanumeric, Canadian French
-7	1392341	1	<input type="checkbox"/> Keyboard, Alphanumeric, Spanish
-7	1392340	1	<input type="checkbox"/> Keyboard, Alphanumeric, German
-7	1392514	1	<input type="checkbox"/> Keyboard, Alphanumeric, Norwegian
-7	1392515	1	<input type="checkbox"/> Keyboard, Alphanumeric, Danish
-7	1392516	1	<input type="checkbox"/> Keyboard, Alphanumeric, Swedish/Finnish
-7	1392338	1	<input type="checkbox"/> Keyboard, Alphanumeric, U.K. English
-7	1392336	1	<input type="checkbox"/> Keyboard, Alphanumeric, Spanish
-7	1392339	1	<input type="checkbox"/> Keyboard, Alphanumeric, French
-7	1392523	1	<input type="checkbox"/> Keyboard, Alphanumeric, Swiss (Fr/Ger)
-8	76X0107	1	<input type="checkbox"/> Switch Asm, Microswitch
-9	63X5162	1	<input type="checkbox"/> Speaker Asm
-10	25F7474	1	<input type="checkbox"/> Card Asm
-11	1621101	2	<input type="checkbox"/> Screw, Cheese HD, M6 X 16 (Security Base)
-	4783944	1	<input type="checkbox"/> Magnetic Stripe Reader Asm (not illustrated)
-	76X0192	1	<input type="checkbox"/> <input type="checkbox"/> Dual-track, MSR (1/2) (not illustrated)
-	76X0193	1	<input type="checkbox"/> <input type="checkbox"/> Dual-track, MSR (2/3) (not illustrated)
-	90X9640	1	<input type="checkbox"/> <input type="checkbox"/> Test Card, MSR (not illustrated)



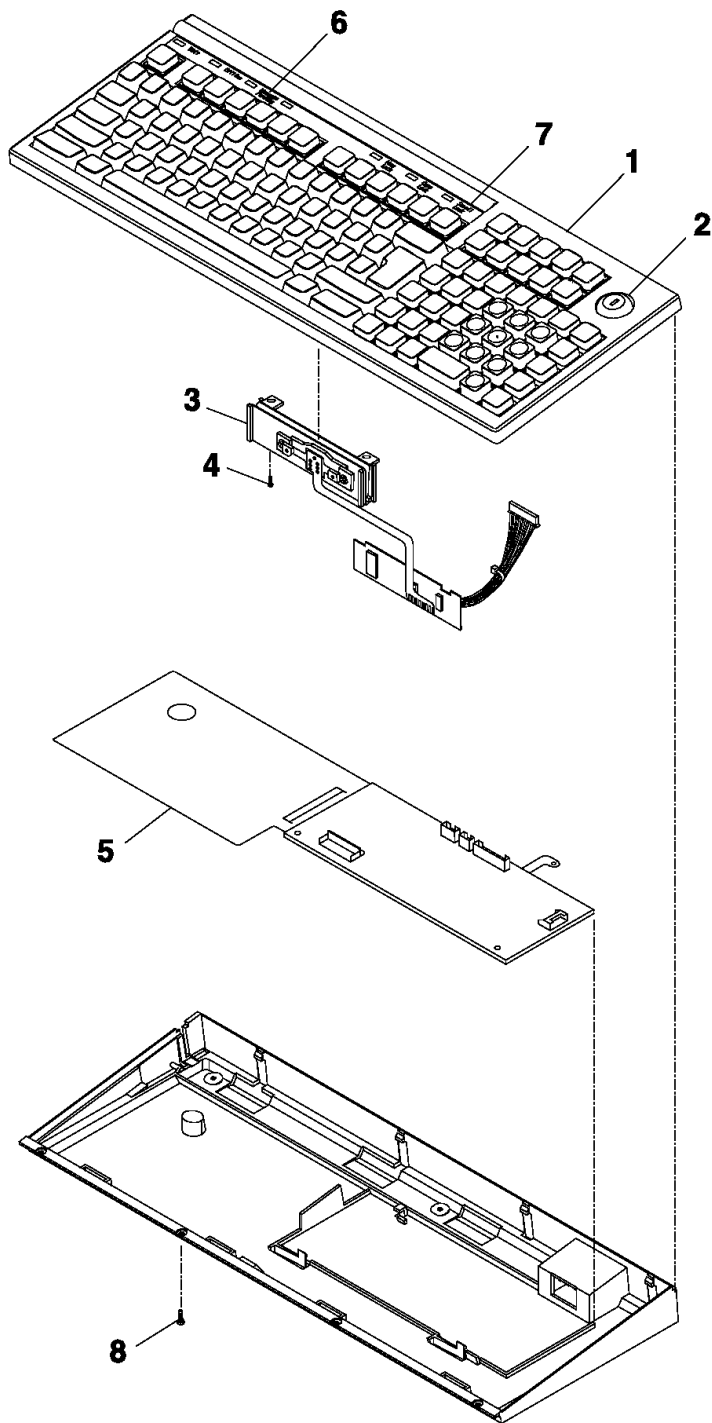
Asm-Index	Part Number	Units	Description
23-	93F1918	NR	Retail POS Keyboard, 4693/4694, with Card Reader
-	60G4138	NR	Retail POS Keyboard, 4693/4694, without Card Reader
-1	93F1762	1	<input type="checkbox"/> Keybutton Asm, Top, with Card Reader
-1	60G4139	1	<input type="checkbox"/> Keybutton Asm, Top, without Card Reader
-2	60G4140	1	<input type="checkbox"/> Keylock and Clip
-3	93F1766	1	<input type="checkbox"/> Magnetic Card Reader
-4	60G4142	1	<input type="checkbox"/> Screw
-5	93F1939	1	<input type="checkbox"/> Card Asm, Keyboard Logic
-6	93F1943	1	<input type="checkbox"/> LED Asm
-7	60G4142	AR	<input type="checkbox"/> Screw
-	90X9640	2	<input type="checkbox"/> Test Card, MSR (not illustrated)



Asm-Index	Part Number	Units	Description
24-	93F1919	NR	Retail POS Keyboard, with Card Reader and Display, 4693/4694
-1	93F1763	1	<input type="checkbox"/> Keybutton Asm, Top
-2	93F1768	1	<input type="checkbox"/> Keylock and Clip
-3	93F1766	1	<input type="checkbox"/> Magnetic Stripe Reader
-4	60G4142	AR	<input type="checkbox"/> Screw
-5	93F1770	1	<input type="checkbox"/> Display Asm, Operator
-6	93F1765	1	<input type="checkbox"/> Card Asm, Keyboard Logic
-7	93F1943	1	<input type="checkbox"/> LED Asm
-8	60G4142	AR	<input type="checkbox"/> Screw
-	90X9640	1	<input type="checkbox"/> Test Card, MSR (not illustrated)



Asm-Index	Part Number	Units	Description
25-	93F1920	NR	Keyboard, Modifiable Layout, with Card Reader, 4693/4694
-1	93F1764	1	□ Keybutton Asm, Top
-2	93F1768	1	□ Keylock and Clip
-3	93F1766	1	□ Magnetic Stripe Reader
-4	60G4142	AR	□ Screw
-5	93F1765	1	□ Card Asm, Keyboard Logic
-6	93F1943	1	□ LED Asm
-7	60G4142	AR	□ Screw
-	90X9640	1	□ Test Card, MSR (not illustrated)



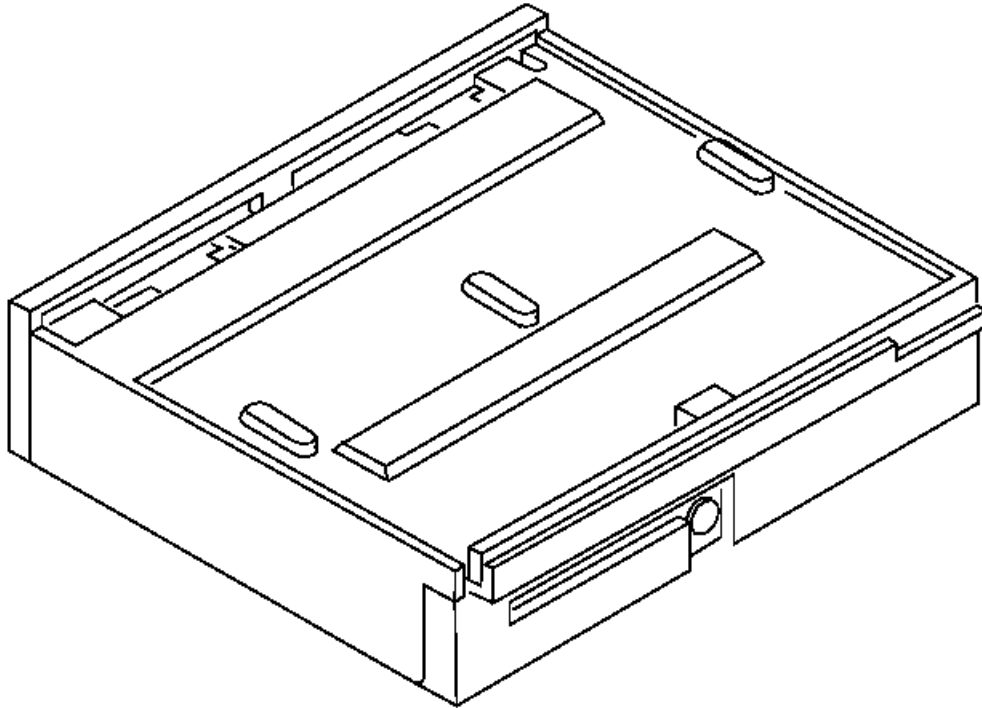
Asm-Index	Part Number	Units	Description
26-	93F1921	NR	Retail Alphanumeric POS Keyboard with Card Reader, 4693/4694 English
-	93F1922	NR	Retail Alphanumeric POS Keyboard with Card Reader, 4693/4694 Spanish
-	93F1923	NR	Retail Alphanumeric POS Keyboard with Card Reader, 4693/4694 Canadian French
-	93F1924	NR	Retail Alphanumeric POS Keyboard with Card Reader, 4693/4694 French
-	93F1925	NR	Retail Alphanumeric POS Keyboard with Card Reader, 4693/4694 U.K. English
-	93F1926	NR	Retail Alphanumeric POS Keyboard with Card Reader, 4693/4694 German
-	93F1927	NR	Retail Alphanumeric POS Keyboard with Card

Store Systems Parts Catalog

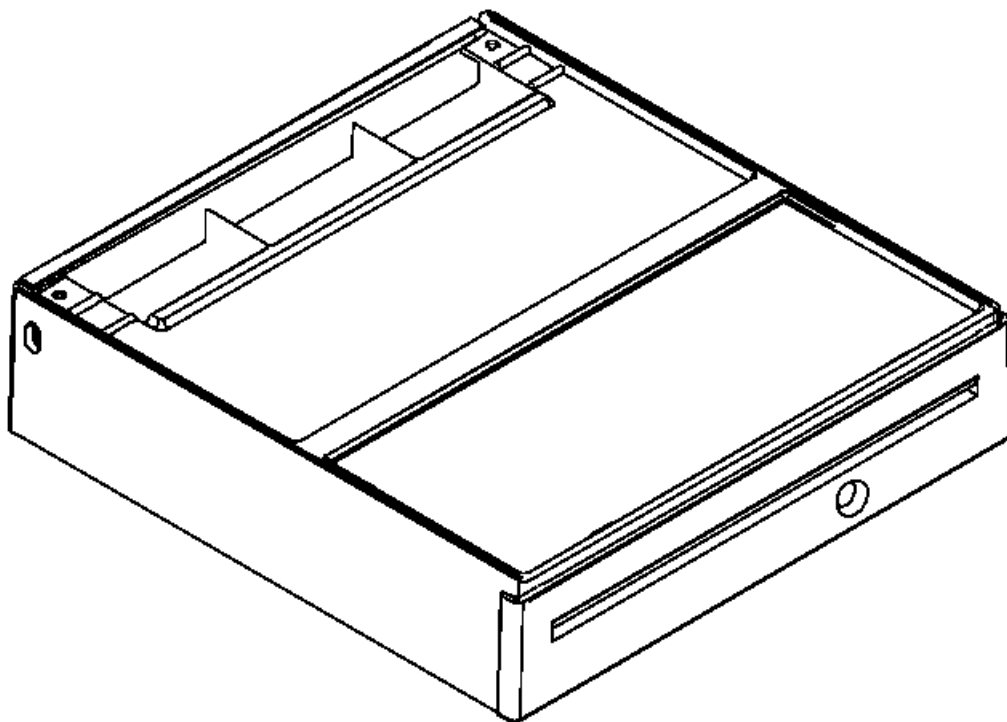
Assembly 26: Keyboard, Retail A/N POS, with Card Reader, 4693/4694

			Reader, 4693/4694
			Italian
-	93F1928	NR	Retail Alphanumeric POS Keyboard with Card Reader, 4693/4694
			Brazilian Portuguese
-	92F6315	1	Retail Alphanumeric POS Keyboard with Card Reader, 4693/4694
			Danish
-	92F6316	1	Retail Alphanumeric POS Keyboard with Card Reader, 4693/4694
			Finnish and Swedish
-	92F6317	1	Retail Alphanumeric POS Keyboard with Card Reader, 4693/4694
			Norwegian
-1	93F1931	1	<input type="checkbox"/> Keybutton Asm, Top, English
-1	93F1932	1	<input type="checkbox"/> Keybutton Asm, Top, Spanish
-1	93F1933	1	<input type="checkbox"/> Keybutton Asm, Top, Canadian French
-1	93F1934	1	<input type="checkbox"/> Keybutton Asm, Top, French
-1	93F1935	1	<input type="checkbox"/> Keybutton Asm, Top, U.K. English
-1	93F1936	1	<input type="checkbox"/> Keybutton Asm, Top, German
-1	93F1937	1	<input type="checkbox"/> Keybutton Asm, Top, Italian
-1	93F1938	1	<input type="checkbox"/> Keybutton Asm, Top, Brazilian Portuguese
-2	93F1768	1	<input type="checkbox"/> Keylock and Clip
-3	93F1766	1	<input type="checkbox"/> Magnetic Stripe Reader
-4	60G4142	AR	<input type="checkbox"/> Screw (order Kit 93F0254)
-5	93F1765	1	<input type="checkbox"/> Card Asm, Keyboard Logic
-6	93F1943	AR	<input type="checkbox"/> LED Asm, 4 lights
-7	93F1941	AR	<input type="checkbox"/> LED Asm, 3 lights
-8	60G4142	AR	<input type="checkbox"/> Screw
-	90X9640	1	<input type="checkbox"/> Test Card, MSR (not illustrated)

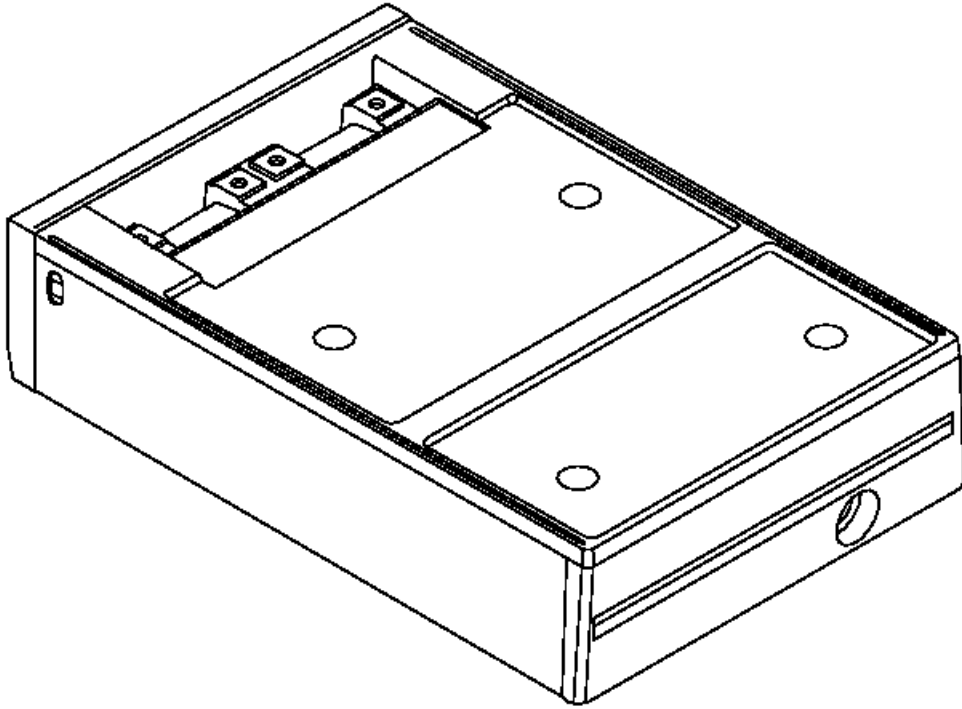
5.0 Cash Drawers Assemblies



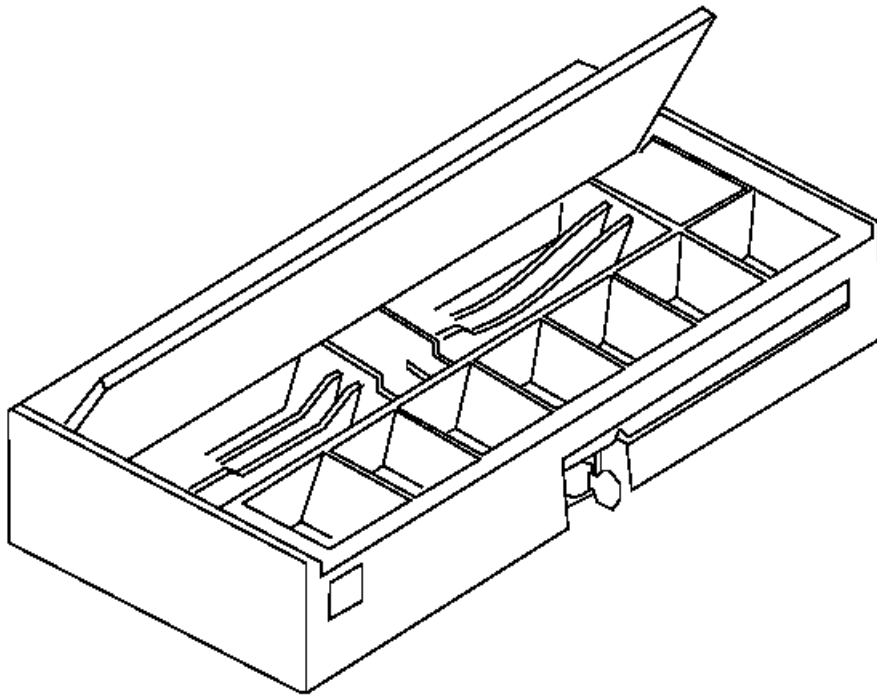
"Assembly 27: Cash Drawer, 4683/4684" in topic 5.1



"Assembly 28: Cash Drawer, 4693/4694" in topic 5.2



"Assembly 29: Cash Drawer, Compact, 4694/4695" in topic 5.3

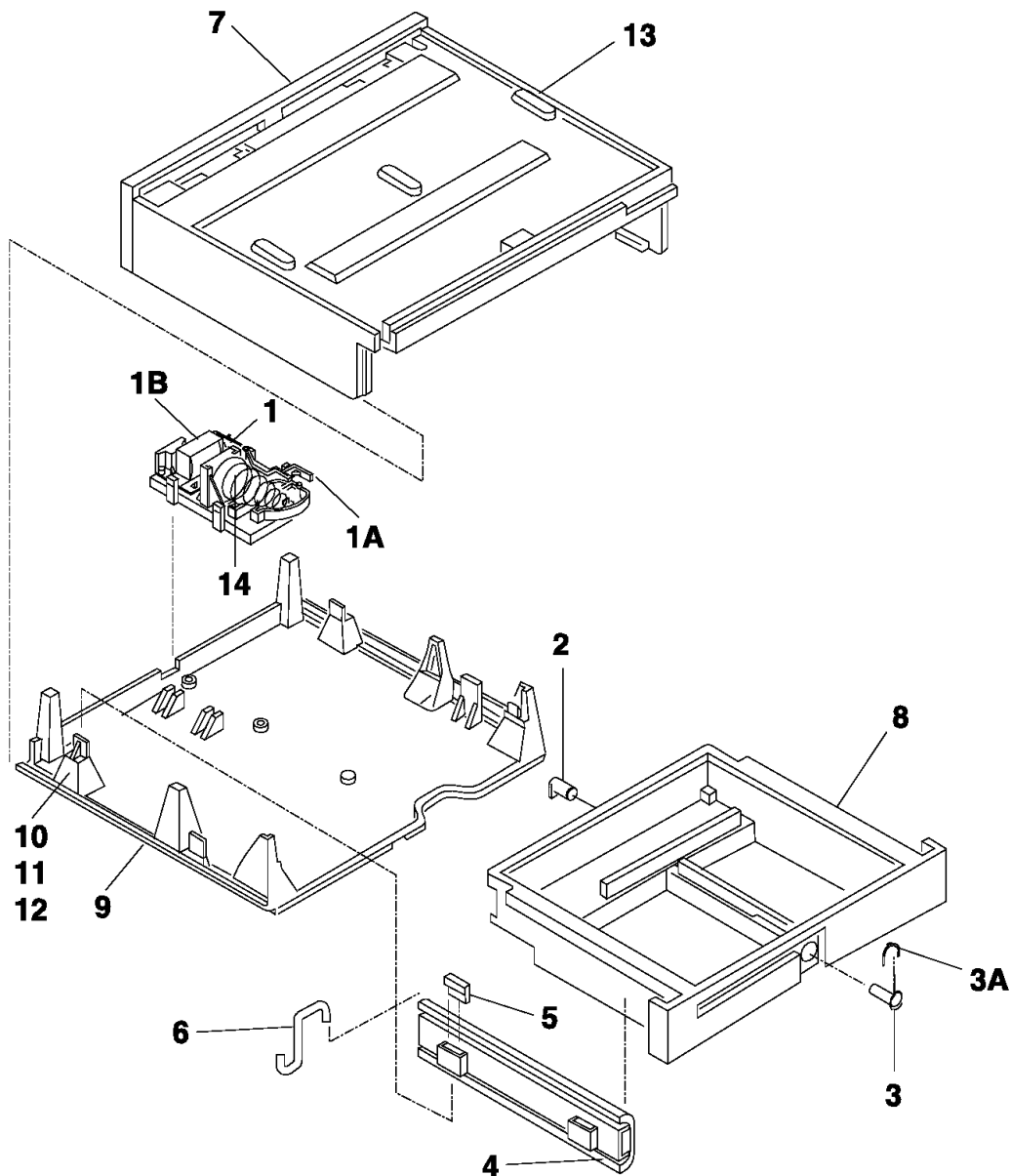


See "Assembly 28: Cash Drawer, 4693/4694" in topic 5.2 for the Flip Top Cash Till

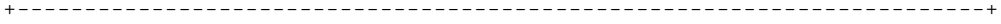
Subtopics

- 5.1 Assembly 27: Cash Drawer, 4683/4684
- 5.2 Assembly 28: Cash Drawer, 4693/4694
- 5.3 Assembly 29: Cash Drawer, Compact, 4694/4695

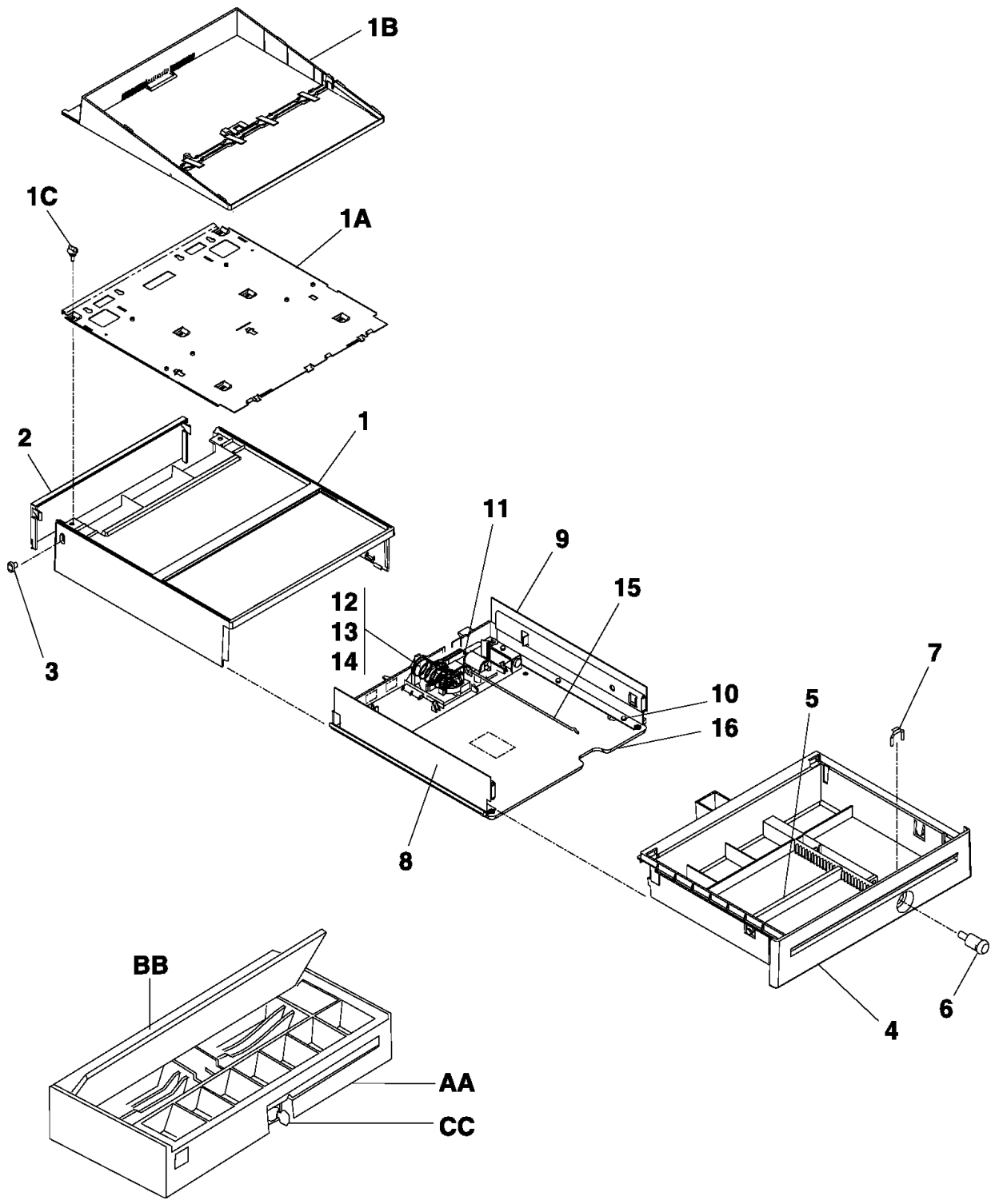
5.1 Assembly 27: Cash Drawer, 4683/4684



Asm-Index	Part Number	Units	Description
27-		NP	Cash Drawer Assembly, 4683/4684
-1	74F5300	1	□ Latch and Sensor Asm, with ESD Shield
-1A	96X4964	1	□ Latch Cam Arm
-1B		NP	□ Card Asm
-2	4783937	1	□ Cam
-3	4783938	1	□ Lock Asm Also order Cam (index 2), 4783937
-3A	93F1910	1	□ Clip, Lock
-4	4783821	2	□ Slide Also order Wedge (index 5), 6428695
-5	6428695	2	□ Wedge
-6	25F6269	1	□ Cash Drawer Rear Slide Mount Repair Kit
-7	4783820	1	□ Cover Asm, Rear
-8	4783868	1	□ Till Holder Tray
-9	4783867	1	□ Base
-10	25F6314	2	□ Clamp
-11	1622415	4	□ Nut
-12	1622302	4	□ Washer
-13	76X0246	1	□ Cover, Top
-14	93F1915	1	□ □ Spring, Propulsion
-	4783869	1	Till, Fixed (accessory, not illustrated)
-	4783870	1	Till, Adjustable (accessory, not illustrated)
-	4783875	AR	Flipper Mount (accessory, not illustrated)
-	4783876	AR	Bill Holder (accessory, not illustrated)
-	4783877	AR	Coin Divider (accessory, not illustrated)
-	4783878	AR	Bill Divider (accessory, not illustrated)



5.2 Assembly 28: Cash Drawer, 4693/4694



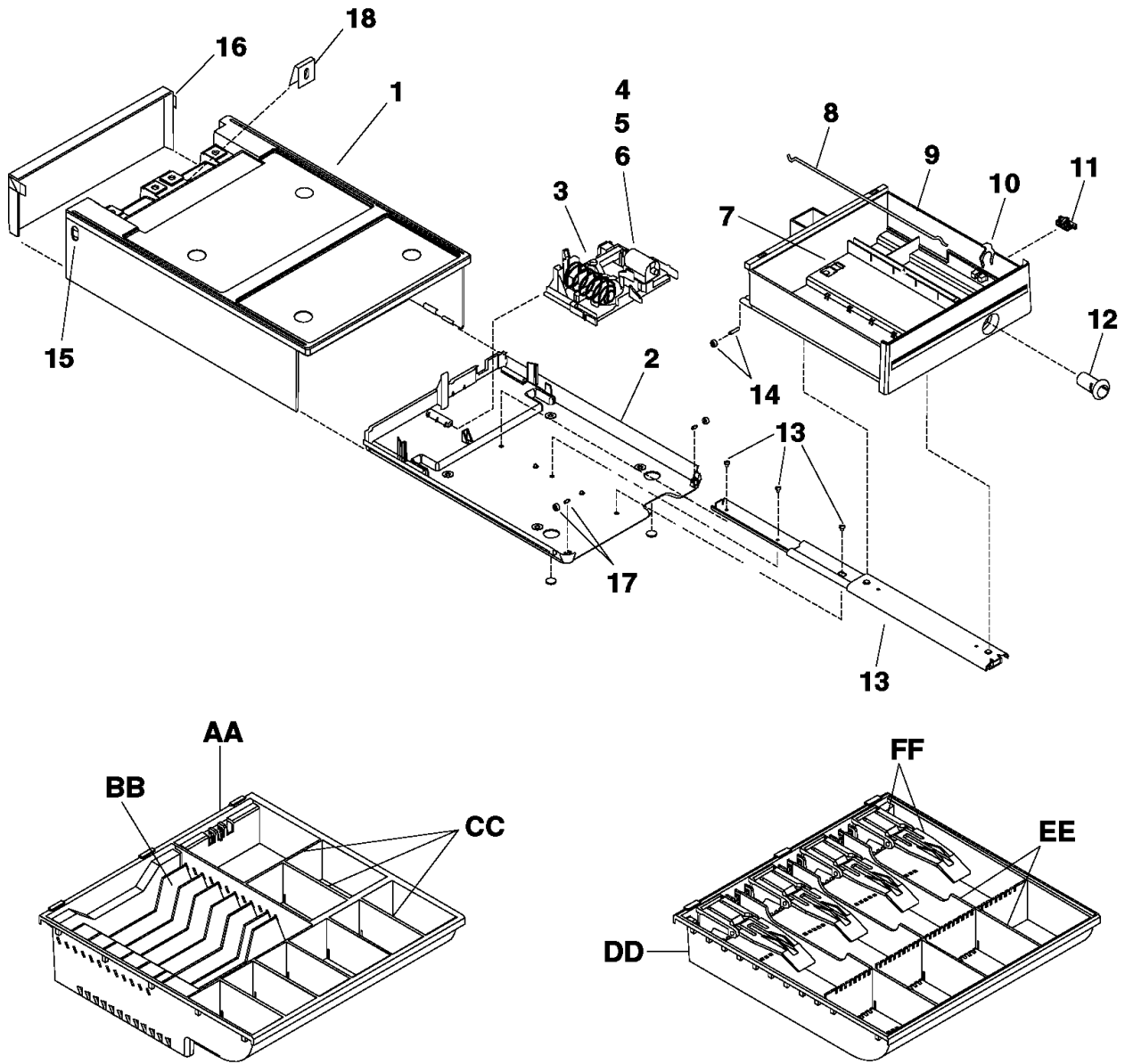
Asm-Index	Part Number	Units	Description
28-		NP	Cash Drawer Assembly, 4693/4694
-1	93F1900	1	<input type="checkbox"/> Cover, Top
-1A	93F1780	1	<input type="checkbox"/> Plate, I/O Mounting, Flat
-1B	93F1795	1	<input type="checkbox"/> Fence Asm, Integrated I/O (requires 93F1780, index 1A)
-1C	93F1779	2	<input type="checkbox"/> Screw, Mounting
-2	93F1901	1	<input type="checkbox"/> Panel, Rear
-3	93F1902	2	<input type="checkbox"/> Button
-4	93F1908	1	<input type="checkbox"/> Drawer
-5	93F1897	1	<input type="checkbox"/> Stop, Document
-6	93F1909	1	<input type="checkbox"/> Lock
-7	93F1910	1	<input type="checkbox"/> Lock, Clip
-8	93F1906	1	<input type="checkbox"/> Slide, Left
-9	93F1907	1	<input type="checkbox"/> Slide, Right
-10	1621594	6	<input type="checkbox"/> Screw
-11	93F1903	1	<input type="checkbox"/> Latch and Sensor Asm

Store Systems Parts Catalog

Assembly 28: Cash Drawer, 4693/4694

-12	93F1915	1	<input type="checkbox"/> Propulsion Spring
-13	93F1914	1	<input type="checkbox"/> Card Asm
-14	93F1913	1	<input type="checkbox"/> Cam, Pawl, and Spring Kit
-15	93F1905	1	<input type="checkbox"/> Actuator
-16	93F1904	1	<input type="checkbox"/> Base
-	4783879	AR	Till, Fixed (accessory, not illustrated)
-	4783880	AR	Till, Adjustable (accessory, not illustrated)
-	6316718	AR	Till Cover, Locking (accessory, not illustrated)
-	4783875	AR	Flipper Mount (accessory, not illustrated)
-	4783876	AR	Bill Holder (accessory, not illustrated)
-	4783877	AR	Coin Divider (accessory, not illustrated)
-	4783878	AR	Bill Divider (accessory, not illustrated)
-	76X0200	NR	Cash Drawer Asm, Tilt Top, Light Gray (4683, 4684), Single Byte
-	74F6307	NR	Cash Drawer Asm, Tilt Top, Light Gray (4683, 4684), Double Byte
-	25H4181	NR	Cash Drawer Asm, Tilt Top, Dark Gray (4693, 4694), Single Byte
-	25H4182	NR	Cash Drawer Asm, Tilt Top, Dark Gray (4693, 4694), Double Byte
-AA	25H4178	NR	<input type="checkbox"/> Housing Light Gray (4683, 4684)
-AA	25H4179	NR	<input type="checkbox"/> Housing Dark Gray (4693, 4694)
-BB	25H4176	1	<input type="checkbox"/> Release Mechanism Kit, Single-Byte
-BB	25H4177	1	<input type="checkbox"/> Release Mechanism Kit, Double-Byte
-CC	25H4183	1	<input type="checkbox"/> Keylock Asm

5.3 Assembly 29: *Cash Drawer, Compact, 4694/4695*



VERTICAL TILL

HORIZONTAL TILL

Asm-	Part	Index	Number	Units	Description
		29-			NP Cash
					Drawer, Compact, 4694 Models 001, 004, and 024, 4695 (includes index number 15, modesty panel buttons)
		-3	93F1903	1	Drawer Latch and Sensor Arm
		-5	93F1914	1	Spring Card Asm
		-7	10H3375	2	Kit Slide Latch, Cash Drawer
		-9	10H3317	1	Drawer Asm (includes index number 7, slide latches, and index number 14, rollers and shafts)
		-10	93F1910	1	Coin Roll Opener Asm
		-12	93F1909	1	Lock
		-14	10H3373	1	Kit (includes 3 screws) Roller and Shaft Kit (2 pairs)
		-16	10H3318	1	Modesty Panel
		-18	10H3378	1	Kit (2 pairs) Security Clip
		-AA	10H3331	AR	Vertical Till Asm
		-BB	10H3379	AR	Kit (includes 5 dividers and 1 storage partition) Bill Divider Kit
		-CC	10H3380	AR	Coin Divider Kit
		-	10H3340	AR	Locking Till Cover (not illustrated)
		-DD	10H3371	AR	Till Asm, Horizontal (includes 3 coin dividers, 3 bill dividers, and 1 document stop) (not illustrated)
		-FF	10H3319	AR	Kit (includes holder and mount) Bill Holder Kit
		-	10H3340	AR	Locking Till Cover (not illustrated)
		-1	10H3314	1	Cover, Top
		-2	10H3315	1	Base, Cash
		-4	93F1915	1	Propulsion
		-6	93F1913	1	Cam, Paw, and Spring
		-8	93F1905	1	Actuator
		-11	10H3355	1	Lock, Clip
		-13	10H3316	1	Slide Asm
		-15	93F1902	1	Button
		-17	10H3374	1	Bearing and Shaft Kit
		-EE	10H3381	AR	Horizontal Till Divider Kit

6.0 Cables, Locks, Adapters, and 4678 (OEM) Devices

Subtopics

- 6.1 Assembly 30: Line Cord and Cable Assemblies
- 6.2 Assembly 31: Lock Part Numbers
- 6.3 Assembly 32: Adapters
- 6.4 Assembly 33: IBM Wireless LAN
- 6.5 Assembly 34: 4678 (OEM) Devices

Store Systems Parts Catalog
Assembly 30: Line Cord and Cable Assemblies

6.1 Assembly 30: Line Cord and Cable Assemblies

Asm-Index	Part Number	Units	Description
LINE CORD ASSEMBLIES			
30-1	13F9937	1	Line Cord Asm, 2.8m Argentina, Australia, New Zealand
-2	13F9938	1	Line Cord Asm, 4.3m Argentina, Australia, China (PR), New Zealand, Paraguay, Uruguay
-3	13F9976	1	Line Cord Asm, 2.8 m, Euro Cord
-4	13F9977	1	Line Cord Asm, 4.3 m, Euro Plug Albania, Austria, Belgium, Bosnia, Bulgaria, Croatia, Czech Republic, Egypt, Finland, France, Germany, Greece, Hungary, Iceland, Indonesia, Macedonia, Netherlands, Norway, Poland, Portugal, Romania, Russia, Serbia, Slovakia, Slovenia, Spain, Sweden, Turkey
-5	13F9994	1	Line Cord Asm, 2.8 m Denmark, United Kingdom
-6	13F9995	1	Line Cord Asm, 4.3 m Denmark
-7	14F0013	1	Line Cord Asm, 4.3 m Pakistan, South Africa
-8	14F0017	1	Line Cord Asm, 2.8 m South Africa
-9	14F0030	1	Line Cord Asm, 2.8 m Hong Kong, Ireland, Malaysia, Singapore, United Kingdom
-10	14F0031	1	Line Cord Asm, 4.3 m Hong Kong, Ireland, Malaysia, Singapore, Sri Lanka, United Kingdom
-11	14F0048	1	Line Cord Asm, 2.8 m Switzerland
-12	14F0049	1	Line Cord Asm, 4.3 m Switzerland
-13	14F0066	1	Line Cord Asm, 2.8 m Chile, Italy
-14	14F0067	1	Line Cord Asm, 4.3 m Chile, Italy
-15	14F0084	1	Line Cord Asm, 2.8 m Israel
-16	14F0085	1	Line Cord Asm, 4.3 m Israel
-17	34G0230	1	Line Cord Asm, 100 V Japan
-18	65X7761	1	Line Cord, 0.7 m (non-locking), 4694 Video
-19	6952287	1	Line Cord Asm, 4.3 m Thailand
-20	6952296	1	Line Cord Asm, 4.3 m, (non-locking) Bolivia, Brazil, Colombia, Costa Rica, Dominican Republic, Ecuador, El Salvador, Guatemala, Honduras, Mexico, Panama, Peru, Philippines, Saudi Arabia, Taiwan, USA, Canada, Venezuela
-21	6952297	1	Line Cord Asm, 2.8 m (non-locking) Colombia, Mexico, Philippines, USA, Canada
-22	6952298	1	Line Cord Asm, 1.8 m (non-locking) USA, Canada
-23	6952397	1	Line Cord Asm, 2.8 m Peru, Thailand
-24	7842128	1	Line Cord Asm, 1.8 m (locking-plug) USA (Chicago), Canada
-25	7482130	1	Line Cord Asm, 4.3 m (locking-plug) USA (except Chicago), Canada, Taiwan
CABLE ASSEMBLIES			
30-30	16F0887	1	Cable Asm, Baseband LAN, 6 m, 4684
-31	16F0888	1	Cable Asm, Baseband LAN, 20 m, 4684
-32	16F0889	1	Cable Asm, Baseband LAN ICS, 4 m, 4684
-33	16F0920	1	Cable Asm, Non IBM-Serial Scale (U.K.)

Store Systems Parts Catalog

Assembly 30: Line Cord and Cable Assemblies

-34	25F6266	1	Cable Asm, Y-Connector
-35	25F6311	1	Cable Asm, Serial Printer/Current Loop, Port 25
-36	25F6312	1	Cable Asm, Serial Printer, Port 23
-37	25F6341	1	Cable Asm, Integrated AN/POS Keyboard (System Connector)
-38	25F6342	1	Cable Asm, Distributed AN/POS Keyboard
-39	33G4633	1	Cable Asm, 16 to 4 pin, SDL, 4.6 m (Port 9),
			4687, 4696, 4697 Scanners Cable Asm, Video Power, 1.0 m Cable Asm, Video Power, 4.3 m, 4693 Cable Asm, Keyboard, Integrated, 0.5 m, 4683/4684 (Cable 5) Cable Asm, Baseband, 4 m, 4684 Cable Asm, Baseband, 6 m, 4684 Cable Asm, Baseband, 20 m, 4684 Cable Asm, Loop-Wrap Asm, 4683 Cable Asm, Loop, 4 m, Self-Wrap (Clothes Pin Type),
			4683 (Cable 1) Cable Asm, 61.0 m (200 ft), 4693 Cable Asm, Serial Input/Output, 4.0 m/13 ft, (2 included) 4683 only Cable Asm, Print Head Cable Asm, Fixed Disk Drive, 4694 Cable Asm, Diskette Drive, 4694 Cable Asm, RS232, includes 2 Mounting Screws, 4694 Cable Asm, LAN, 4.3 m, 4694 Cable Asm, Keyboard, 475 mm, 4693 (Cable 5) Cable Asm, Display, 9-in. Video, Distributed, 4693/4694 Cable Asm, Wrap, Current Loop, 4683 Test Cable Asm, Wrap, EIA, 4683 Test Cable Asm, Enhanced A/N Keyboard, 2.0 m, Coiled Cable Asm, Display, 14-in. Color Cable Asm, Cash Drawer, Integrated, 0.5 m (Cable 3) Cable Asm, Cash Drawer, Distributed, 3.8 m (Cable 3) Cable Asm, Display, Shopper, Integrated, 0.5 m (Cable 4) Cable Asm, Distributed, Display, 40-Character, A/N, LCD, VFDII,
			3.8 m (12.5 ft.), (Cable 4) Cable Asm, Model 1 to Model 2, 6.0 m (20 ft.), 4683 (Cable 11) Cable Asm, Model 1 to Model 2, 20.0 m (66 ft.), 4683 (Cable 11) Cable Asm, Model 1 ICS Connector, 4 m, 4683 (Cable 11) Cable Asm, Loop, Manual Wrap, 4 m, Store Controller (Cable 1) Cable Asm, Models 1 and 2 Printer, Integrated, 0.5 m (Cable 7) Cable Asm, Models 1 and 2 Printer, Distributed, 3.8 m (Cable 7) Cable Asm, Async RS232C or Current Loop (Port 25) Cable Asm, Async RS232C (Port 23) Cable Asm, Non-IBM Coin Dispenser (Port 29) Cable Asm, Non-IBM OCR Hand-Held (Port 21) Cable Asm, Distributed 5-in. Display Cable (WT Only), 4 m Cable Asm, Keyboard, Distributed, 3.8 m or
			IBM 1520 A02 (Cable 5) Cable Asm, Cable 17, Scanner Attachment, 3687/4687 Cable Asm, Token-Ring Cable Asm, Special Attachment (Alarm), Non-IBM Cable Asm, Loop, RPQ, 4 m (Cable 1) Cable Asm, Shopper Display Extension, 2.8 m (Cable 4) Cable Asm, Display, 12-in. Monochrome, Distributed Cable Asm, Scanner/Adapter, 3687 Model 2 Cable Asm, Communication RS232 Cable Asm, Integrated, Display, 40-Character A/N, LCD, VFDII
			700 mm (2.3 ft.), 4693/4694 (Cable 4) Cable Asm, Y Cable Block, 4694 (Port 4) Cable Asm, Cable 11, (39 ft.), RPQ, 4683 only Cable Asm, Expansion, 4683 Model 421 Cable Asm, Model 1 ICS Connector, 4 m, 4693/4694 Cable Asm, Non-IBM Parallel Scale Cable Asm, Display Attachment, Short, 0.18 m, 4683 Cable Asm, Display Attachment, Long, 3.5 m, 4683 Cable Asm, Hand-Held Bar Code Reader Cable Asm, Scanner Adapter, 3687 Cable Asm, Flat, POS LCD Adapter Cable Asm, Models 3 and 4 Printer, 480 mm (Cable 7) Cable Asm, Models 3 and 4 Printer, 3.8 m (Cable 7) Cable Asm, Store Loop, Self-Shorting (Match Box Slide),
			4693, PS/2, and 4684 only (Cable 1) Cable Asm, Fixed Disk Drive, 4693 Models 3W1 and 741 only, Single Disk Installation Cable Asm, Fixed Disk Drive, 4693 Models 3W1 and 741 only, Dual Disk Installation Cable Asm, Wrap, Baseband, 4684 Test Cable Asm, Terminator, Baseband, 4684 Cable Asm, 9-in. CRT, Distributed, 4684 Cable Asm, Baseband Cable Adapter, 4684 Cable Asm, Wrap, (Parallel, Async, Bisync), 4684 Test

6.2 Assembly 31: Lock Part Numbers

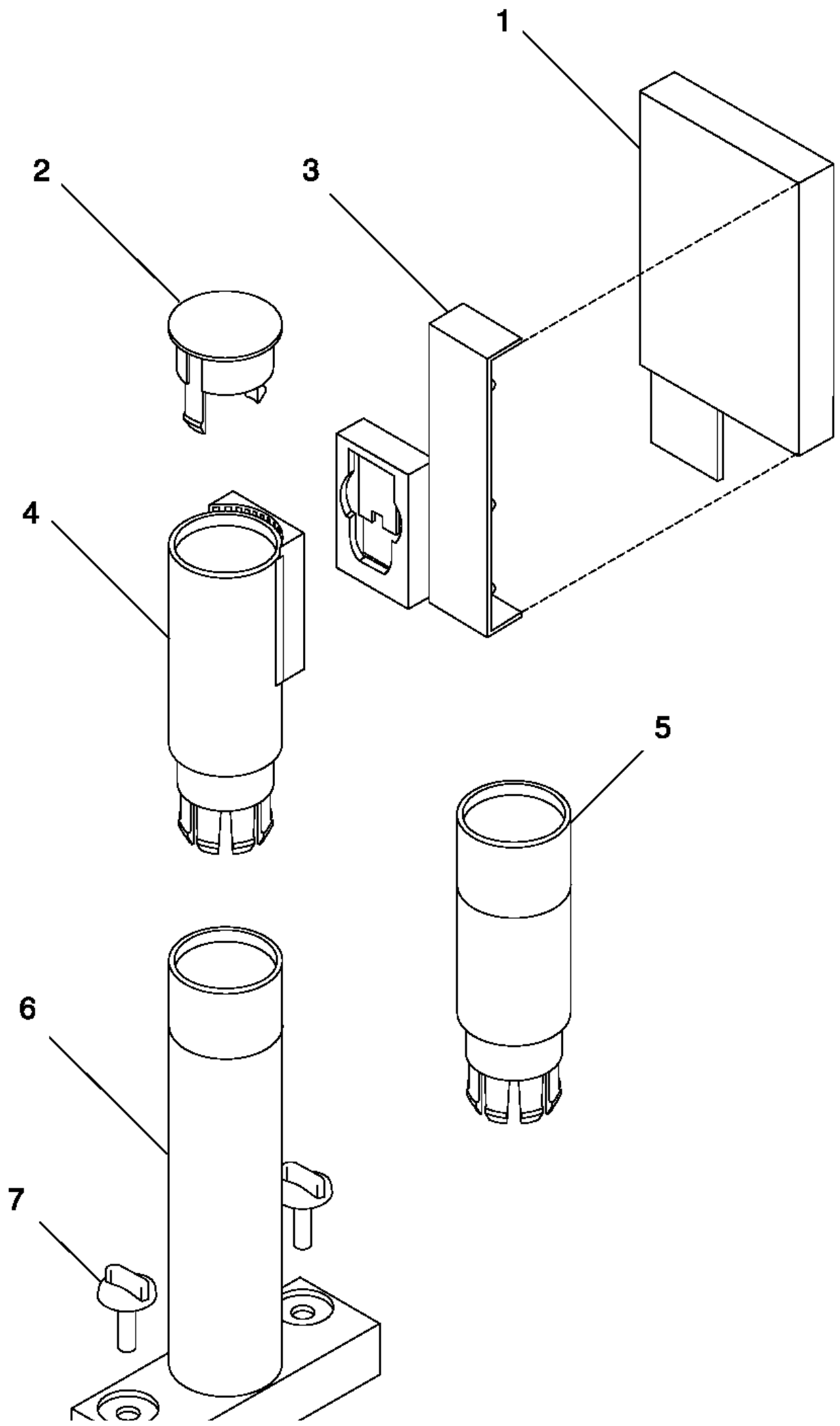
4683/4684		4693/4694	
LOCK STYLE	PART NO.	LOCK STYLE	PART NO.
MM750 Thru MM925 (Random Lock Asm)	4783901	9952	33G3352
MM926	4783902	9953	33G3353
MM927	4783903	9954	33G3354
MM987	4783904	9955	33G3355
MM929	4783905	9956	33G3356
MM930	4783906	9957	33G3357
MM931	4783907	9958	33G3358
MM932	4783908	9959	33G3359
MM933	4783909	9960	33G3360
MM934	4783910	9961	33G3361
MM935	4783911	3350	60G1400
MM936	4783912	3351	60G1401
MM937	4783913	3352	60G1402
MM938	4783914	3353	60G1403
MM939	4783915	3354	60G1404
MM940	4783916	3355	60G1405
MM941	4783917	3356	60G1406
MM942	4783918	3357	60G1407
MM943	4783919	3358	60G1408
MM944	4783920	3359	60G1409
MM945	4783921		
Blank	4783923		

4783922 Lock Installation and Removal Tool Kit

6.3 Assembly 32: Adapters

Asm- Index	Part Number	Units	Description
ADAPTERS			
32-1	13H5116	1	Adapter/A, Ethernet 10Base5, 10Base2 10BaseT (Micro Channel)
-1	25H1742	1	Adapter, Store Loop (Micro Channel), PS/2, 32K NVRAM and Dump
-1	25H2203	1	Adapter, Point-of-Sale Attachment (ISA), 4694
-1	25H4247	1	Adapter/A, Store Loop (Micro Channel), 4684 (Models 200 and 300), 4693
-1	25H7098	1	Adapter, Flat Panel Display
-1	41H7498	1	Adapter, PC 300 and PC 750 (ISA) Store Controller
-1	59G8831	1	Adapter, Parallel Port (ISA), 4694
-1	66G4260	1	Adapter/A, 4695 Point-of-Sale (Micro Channel), 4693
-1	66G4261	1	Adapter/A, Flat Panel Display (Micro Channel), 4693
-1	73G2758	1	Adapter, Point-of-Sale Expansion (Micro Channel), PS/2
-1	73G2759	1	Adapter, 5170 (ISA) Store Loop
-1	73G2854	1	Adapter, 4695 Point-of-Sale (ISA), 4694
-1	73G3224	1	Adapter, MPCA (ISA), 4694
-1	84F8976	1	Adapter, Kitchen Card (ISA)
-1	92G7923	1	Adapter, POS LCD (includes flat cable)

6.4 Assembly 33: IBM Wireless LAN



Asm- Index	Part Number	Units	Description
			Radio Modules
33-1		NP	ISA, Micro Channel Bus Radio Module (listed by country)
-	80G2708	1	<input type="checkbox"/> Australia
-	80G2714	1	<input type="checkbox"/> Egypt, South Africa
-	80G2702	1	<input type="checkbox"/> Austria, Belgium, Denmark, Finland, Germany, Greece, Hungary, Ireland, Italy, Netherlands, Norway, Portugal, Slovenia, Spain, Sweden, Switzerland, United Kingdom
-	80G2706	1	<input type="checkbox"/> France
-	80G2707	1	<input type="checkbox"/> Hong Kong
-	80G2703	1	<input type="checkbox"/> Japan
-	80G2715	1	<input type="checkbox"/> Korea
-	80G2705	1	<input type="checkbox"/> Mexico
-	80G2704	1	<input type="checkbox"/> New Zealand
-	80G2709	1	<input type="checkbox"/> Singapore
-	80G2701	1	<input type="checkbox"/> Argentina, Brazil, Canada, Chile, China, India, Indonesia, Malaysia, Philippines, Taiwan, Thailand, USA, Venezuela
-1		NP	PCMCIA Type II Radio Module (listed by country)
-	80G2733	1	<input type="checkbox"/> Australia
-	80G2738	1	<input type="checkbox"/> Egypt, South Africa
-	80G2727	1	<input type="checkbox"/> Austria, Belgium, Denmark, Finland, Germany, Greece, Hungary, Ireland, Italy, Netherlands, Norway, Portugal, Slovenia, Spain, Sweden, Switzerland, United Kingdom
-	80G2731	1	<input type="checkbox"/> France
-	80G2732	1	<input type="checkbox"/> Hong Kong
-	80G2728	1	<input type="checkbox"/> Japan
-	80G2739	1	<input type="checkbox"/> Korea
-	80G2730	1	<input type="checkbox"/> Mexico
-	80G2729	1	<input type="checkbox"/> New Zealand
-	80G2734	1	<input type="checkbox"/> Singapore
-	80G2726	1	<input type="checkbox"/> Argentina, Brazil, Canada, Chile, China, India, Indonesia, Malaysia, Philippines, Taiwan, Thailand, USA, Venezuela
			Mounting Post
-2	73G1206	1	Post Cap
-3	13H9042	1	Mounting Bracket
-4	73G1204	1	Post Assembly
-5	93F1111	1	Extension Post
-6	93F1808	1	Mounting Post Assembly
-7	93F1809	1	Thumbscrew
			Cables (Not Illustrated)
-	80G2737	1	0.4 meter Cable (PCMCIA Type II)
-	80G2713	1	1.5 meter Cable (ISA, Micro Channel Bus)
-	54G2016	1	4 meter Cable (ISA, Micro Channel Bus)
-	80G4320	1	100 meter Cable Kit (ISA, Micro Channel Bus)
			IBM Wireless LAN Adapter Card (Not Illustrated)
-	80G2700	1	IBM Wireless LAN Adapter Card (ISA, Micro Channel Bus)
-	80G2711	1	IBM Wireless LAN Non-Cipher Adapter Card (ISA, Micro Channel)
-	80G2725	1	IBM Wireless LAN Adapter Card (PCMCIA Type II)
-	80G2736	1	IBM Wireless LAN Non-Cipher Adapter Card (PCMCIA Type II)

Store Systems Parts Catalog
Assembly 34: 4678 (OEM) Devices

6.5 Assembly 34: 4678 (OEM) Devices

Asm- Index	Part Number	Units	Description
Signature Capture Devices			
34-	13H5559	1	4678 A01 (CM2020/RS485), Tablet only
-	13H5562	1	□ 4678 A01 (RS485), Interface Cable, 4 m
-	13H5560	1	4678 A02 (CM2020/RS232), Tablet only
-	13H5563	1	□ 4678 A02 (RS232), Interface Cable, 4 m
-	13H5564	1	□ 4678 A02, 15 V DC Power Supply, North America
-	13H5565	1	□ 4678 A02, 15 V DC Power Supply, Europe
-	13H5566	1	□ 4678 A02, 15 V DC Power Supply, U.K.
-	13H5567	1	□ 4678 A02, 15 V DC Power Supply, Australia
Scanners			
-	10H3430	1	4678 B01, LT-1730 Scanner (U.S. and Canada)
-	10H3431	1	4678 B01, LT-1730 Scanner (European)
-	10H3425	1	□ Cable Asm, Port 9, 9 ft., Coil, for LT-1730 Scanner
-	10H3432	1	4678 B02, LS-2030MX Scanner
-	10H3426	1	□ Cable Asm, Port 9, for LS-2030MX Scanner
-	10H3433	1	4678 B03, LS-9100 Scanner
-	10H3427	1	□ Cable Asm. Port 9, for LS-9100 Scanner
Electronic Self Labels			
-	13H7654	1	□ 4678 D01, Transceiver
-	13H7655	1	□ 4678 D01, Programmer
-	13H7569	1	□ 4678 D01, Antenna Switching Unit
-	13H7570	1	□ 4678 D01, Bar Code Reader
-	13H7572	1	□ 4678 D01, 4 Port Digiboard
-	13H7573	1	□ 4678 D01, 8 Port Digiboard
-	13H7574	1	□ 4678 D01, 4 Port MC Digiboard
-	13H7575	1	□ 4678 D01, 8 Port MC Digiboard

Store Systems Parts Catalog
Part Number Index

BACK_1 Part Number Index

Part	Asm- Number Index	Topic
----- 04H7619		
1-9	1.1 10H2617 12-19	2.3
12-89	2.3 10H2621 12-83	2.3 10H2643
12-10A	2.3 10H2645 12-10	2.3 10H2661
12-9	2.3 10H2662 12-99	2.3 10H2663
12-	2.3 10H2664 12-10B	2.3 10H2665
12-99	2.3 10H2666 12-44A	2.3 10H2669
12-	2.3 10H2672 12-	2.3 10H2698
12-99	2.3 10H2701 12-	2.3 10H2702
12-	2.3 10H3314 29-1	5.3 10H3315
29-2	5.3 10H3316 29-13	5.3 10H3317
29-9	5.3 10H3318 29-16	5.3 10H3319
29-FF	5.3 10H3331 29-AA	5.3 10H3340
29-	5.3 29-	5.3 10H3355
29-11	5.3 10H3371 29-DD	5.3 10H3373
29-14	5.3 10H3374 29-17	5.3 10H3375
29-7	5.3 10H3378 29-18	5.3 10H3379
29-BB	5.3 10H3380 29-CC	5.3 10H3381
29-EE	5.3 10H3425 34-	6.5 10H3426
34-	6.5 10H3427 34-	6.5 10H3430
34-	6.5 10H3431 34-	6.5 10H3432
34-	6.5 10H3433 34-	6.5 10H3778
8-29	1.8 10H3780 8-30	1.8 10H3784
8-	1.8 10H3789 8-	1.8 10H3792
8-14	1.8 10H3794 8-	1.8 10H3795
8-	1.8 10H3796 8-	1.8 10H3797
8-	1.8 10H3798 8-7	1.8 10H3807
8-10	1.8 8-18	1.8 10H3808
8-	1.8 10H3809 8-31	1.8 10H3810
8-	1.8 10H3811 8-	1.8 10H3812
8-8	1.8 10H3813 8-12	1.8 13F9937
30-1	6.1 13F9938 30-2	6.1 13F9976
30-3	6.1 13F9977 30-4	6.1 13F9994
30-5	6.1 13F9995 30-6	6.1 13H4850
8-	1.8 14-11	3.2 13H4852
14-2	3.2 13H4862 10-35	2.1 13H5116
32-1	6.3 13H5559 34-	6.5 13H5560
34-	6.5 13H5562 34-	6.5 13H5563
34-	6.5 13H5564 34-	6.5 13H5565
34-	6.5 13H5566 34-	6.5 13H5567
34-	6.5 13H6231 7-	1.7 13H6251
8-	1.8 13H6254 9-11	1.9 13H7569
34-	6.5 13H7570 34-	6.5 13H7572
34-	6.5 13H7573 34-	6.5 13H7574
34-	6.5 13H7575 34-	6.5 13H7654
34-	6.5 13H7655 34-	6.5 13H9042
33-3	6.4 1390674 22-7	4.4 1392336
22-7	4.4 1392337 22-7	4.4 1392338
22-7	4.4 1392339 22-7	4.4 1392340
22-7	4.4 1392341 22-7	4.4 1392514
22-7	4.4 1392515 22-7	4.4 1392516
22-7	4.4 1392523 22-7	4.4 14F0013
30-7	6.1 14F0017 30-8	6.1 14F0030
30-9	6.1 14F0031 30-10	6.1 14F0048
30-11	6.1 14F0049 30-12	6.1 14F0066
30-13	6.1 14F0067 30-14	6.1 14F0084
30-15	6.1 14F0085 30-16	6.1 16F0878
10-16A	2.1 16F0887 30-30	6.1 16F0888
30-31	6.1 16F0889 30-32	6.1 16F0896
10-16	2.1 16F0920 30-33	6.1 1621101
19-11	4.1 22-11	4.4 1621170
10-12B	2.1 19-8	4.1
20-16	4.2 1621172 10-17A	2.1 1621176
3-22A	1.3 10-37B	2.1 1621191
10-21	2.1 1621197 20-11	4.2
22-4	4.4 1621509 10-10	2.1 1621594
28-10	5.2 1621661 1-4	1.1 1621668
1-8	1.1 1622302 27-12	5.1 1622344
10-12C	2.1 19-9	4.1
20-17	4.2 1622401 10-12D	2.1 1622415
27-11	5.1 1693608 10-33C	2.1 1756864
18-5	3.6 25F6266 30-34	6.1 25F6269
27-6	5.1 25F6287 20-3	4.2 25F6301
20-1	4.2 21-1	4.3 25F6303
20-4	4.2 25F6307 20-14	4.2 25F6310
20-1	4.2 21-1	4.3 25F6311

Store Systems Parts Catalog
Part Number Index

30-35	6.1 25F6312 30-36	6.1 25F6313
20-4	4.2 25F6314 27-10	5.1 25F6320
20-1	4.2 21-1	4.3 25F6336
21-7	4.3 25F6338 21-12	4.3 25F6340
21-8	4.3 25F6341 30-37	6.1 25F6342
30-38	6.1 25F6347 21-5	4.3 25F6348
21-5	4.3 25F6349 21-5	4.3 25F6350
21-	4.3 25F6352 21-5	4.3 25F6353
21-6	4.3 25F6357 21-5	4.3 25F6358
21-5	4.3 25F6359 21-5	4.3 25F6379
21-8	4.3 25F6380 21-8	4.3 25F6381
21-8	4.3 25F6382 21-8	4.3 25F6383
21-8	4.3 25F6384 21-8	4.3 25F6388
10-32	2.1 25F6389 10-21C	2.1 25F6391
10-12	2.1 25F6393 10-36	2.1 25F6398
10-42	2.1 25F6399 10-	2.1 25F6490
14-	3.2 25F6520 2-19	1.2 25F7474
22-10	4.4 25H1742 32-1	6.3 25H2203
32-1	6.3 25H3067 9-3	1.9 25H3068
9-9	1.9 25H3070 9-6	1.9 25H3071
9-5	1.9 25H3072 9-4	1.9 25H3075
9-	1.9 25H3081 9-1	1.9 25H4176
28-BB	5.2 25H4177 28-BB	5.2 25H4178
28-AA	5.2 25H4179 28-AA	5.2 25H4181
28-	5.2 25H4182 28-	5.2 25H4183
28-CC	5.2 25H4247 32-1	6.3 25H4717
8-	1.8 25H4718 8-	1.8 25H7098
32-1	6.3 33G2883 20-9	4.2 33G4400
20-8	4.2 33G4633 30-39	6.1 33G6003
2-21	1.2 33G6004 2-21	1.2 33G6251
2-21	1.2 34G0214 1-6	1.1 34G0230
30-17	6.1 34G0238 30-40	6.1 34G0240
30-41	6.1 34G0418 20-10	4.2 34G0419
20-	4.2 34G2377 19-7	4.1 34G2378
19-7	4.1 34G2379 30-42	6.1 39F6280
1-6	1.1 39F6305 30-43	6.1 39F6306
30-44	6.1 39F6307 30-45	6.1 39F6310
30-46	6.1 39F6311 30-47	6.1 39F6358
10-3	2.1 39F6362 10-9A	2.1 39F6365
2-12	1.2 39F6367 2-12A	1.2 39F6368
30-48	6.1 39F6385 2-1	1.2 39F6434
19-2	4.1 39F6439 19-12	4.1 41H7498
32-1	6.3 41H8111 8-6	1.8 42F2895
2-25	1.2 42H0081 8-	1.8 42H0082
8-	1.8 42H2352 12-95	2.3
12-78	2.3 42H2354 1-	1.1 4483006
10-10A	2.1 4483008 10-24	2.1 4483023
10-11A	2.1 4483025 10-14A	2.1 4483026
10-13	2.1 4483032 10-15	2.1 4483039
10-7	2.1 4483040 10-26	2.1 4483042
10-40	2.1 4483046 10-38	2.1 4483048
10-43	2.1 4483049 10-21B	2.1 4483058
10-25	2.1 4483061 10-20	2.1 4483064
10-36A	2.1 4483066 10-9	2.1 4483067
10-9B	2.1 4483068 10-19	2.1 4483070
10-6	2.1 4483071 10-39	2.1 4483074
10-18A	2.1 4483076 10-18	2.1 4483077
10-31	2.1 4483078 10-33	2.1 4483079
10-30	2.1 4483080 10-34	2.1 4483081
10-29A	2.1 4483082 10-33B	2.1 4483083
10-33A	2.1 4483087 10-5	2.1 4483092
10-4	2.1 4483094 10-29	2.1 4483095
10-26A	2.1 4483099 10-17	2.1 4483104
10-1	2.1 4783739 14-1	3.2 4783763
18-4	3.6 4783770 1-6	1.1 4783789
30-49	6.1 4783790 1-6	1.1 4783791
1-6	1.1 4783792 1-6	1.1 4783797
1-	1.1 2-	1.2 4783820
27-7	5.1 4783821 27-4	5.1 4783861
21-14	4.3 4783867 27-9	5.1 4783868
27-8	5.1 4783869 27-	5.1 4783870
27-	5.1 4783875 27-	5.1
28-	5.2 4783876 27-	5.1
28-	5.2 4783877 27-	5.1
28-	5.2 4783878 27-	5.1
28-	5.2 4783879 28-	5.2 4783880
28-	5.2 4783883 14-3	3.2 4783884
14-4	3.2 4783885 14-5	3.2

Store Systems Parts Catalog
Part Number Index

17-4	3.5 4783892 19-2A	4.1 4783937
27-2	5.1 4783938 27-3	5.1 4783939
10-28	2.1 4783940 19-3	4.1
21-2	4.3 4783944 19-	4.1
22-	4.4 4783946 17-9	3.5 48G9010
14-8	3.2 48G9018 14-7	3.2 48G9180
15-20	3.3 16-20	3.4 53F4795
12-8B	2.3 53F4796 12-8A	2.3 53F4797
12-38	2.3 53F4798 12-8	2.3 53F4805
12-66	2.3 53F4810 12-49	2.3 53F4825
12-102	2.3 53F4834 11-2	2.2 53F4839
12-34	2.3 12-84	2.3 53F4846
12-17	2.3 53F4848 12-6	2.3 53F4849
11-6	2.2 53F4860 12-2	2.3 53F4864
11-7	2.2 53F4866 12-54	2.3
12-73	2.3 53F4867 12-55	2.3
12-75	2.3 53F4868 30-50	6.1 53F4870
12-19	2.3 53F4874 12-68	2.3 53F4876
12-32	2.3 53F4880 12-16	2.3 53F4890
12-33	2.3 53F4898 12-56	2.3
12-74	2.3 53F4922 12-127	2.3 53F4929
12-129	2.3 53F4936 12-100	2.3 53F4946
12-65	2.3 12-69	2.3 53F4963
12-107	2.3 53F4969 12-109	2.3 53F4971
12-110	2.3 53F4974 12-62	2.3 53F4975
12-63	2.3 53F4976 12-76	2.3 53F4982
12-24	2.3 12-53	2.3 53F5069
19-10	4.1 53F5158 21-6	4.3 53F5159
21-6	4.3 53F5160 21-6	4.3 53F5161
21-6	4.3 53F5162 21-6	4.3 53F5163
21-6	4.3 54G2016 33-	6.4 56F8859
2-11	1.2 57F2859 2-23	1.2 59G8676
4-9	1.4 59G8677 4-9	1.4 59G8678
4-8	1.4 5-8	1.5
6-31	1.6 59G8679 4-21	1.4
5-21	1.5 59G8680 4-27	1.4
5-27	1.5 6-20	1.6 59G8681
4-18	1.4 5-18	1.5
6-12	1.6 59G8682 4-23	1.4 59G8684
4-25	1.4 5-25	1.5 59G8685
4-25	1.4 59G8686 4-10	1.4
5-10	1.5 6-17	1.6
30-51	6.1 59G8687 4-11	1.4
5-11	1.5 6-35	1.6
30-52	6.1 59G8688 4-15	1.4
5-15	1.5 6-28	1.6 59G8689
4-16	1.4 5-16	1.5
6-27	1.6 59G8690 4-7	1.4
5-7	1.5 6-37	1.6 59G8691
4-7	1.4 5-7	1.5
6-37	1.6 59G8692 4-24	1.4
5-24	1.5 59G8693 4-29	1.4 59G8694
4-17	1.4 59G8695 4-19	1.4
5-19	1.5 6-13	1.6 59G8696
4-25	1.4 59G8711 4-26	1.4
5-26	1.5 6-19	1.6 59G8712
4-30	1.4 5-32	1.5
6-6	1.6 59G8713 4-20	1.4
5-20	1.5 6-14	1.6 59G8714
4-22	1.4 5-22	1.5
6-15	1.6 30-53	6.1 59G8715
4-14	1.4 59G8730 4-28	1.4
5-28	1.5 6-18	1.6
30-54	6.1 59G8755 4-25	1.4
5-25	1.5 59G8786 4-23	1.4
5-23	1.5 59G8787 4-9	1.4
5-9	1.5 6-30	1.6 59G8815
5-14	1.5 59G8816 5-17	1.5 59G8817
5-29	1.5 59G8818 5-30	1.5 59G8819
5-31	1.5 6-29	1.6 59G8831
32-1	6.3 59G9063 19-	4.1 59G9064
19-7	4.1 59G9146 30-55	6.1 59G9148
19-7	4.1 60G0570 11-15	2.2 60G0571
11-13	2.2 60G0572 11-17	2.2 60G0573
11-16	2.2 60G0574 11-12	2.2 60G0578
12-	2.3 60G0590 12-42	2.3 60G1321
13-	3.1 60G1322 13-	3.1 60G1375
13-9B	3.1 60G1377 30-56	6.1 60G4125

Store Systems Parts Catalog
Part Number Index

13-7	3.1 60G4130 13-	3.1 60G4133
13-	3.1 60G4138 23-	4.5 60G4139
23-1	4.5 60G4140 23-2	4.5 60G4142
23-4	4.5 23-7	4.5
24-4	4.6 24-8	4.6
25-4	4.7 25-7	4.7
26-4	4.8 26-8	4.8 60G4164
13-	3.1 60G4165 13-	3.1 60G4166
13-	3.1 60G4167 13-	3.1 61X3949
10-	2.1 61X8794 3-17	1.3
3-27	1.3 61X8898 30-59	6.1 6128249
2-11	1.2 6165741 1-9	1.1 6165745
30-57	6.1 6165746 30-58	6.1 6279212
2-17	1.2 6279235 2-9	1.2 6279251
2-17A	1.2 63X4997 30-79	6.1 63X4998
30-80	6.1 63X4999 17-1	3.5 63X5003
17-2	3.5 63X5004 17-5	3.5 63X5030
30-81	6.1 63X5162 20-13	4.2
21-10	4.3 22-9	4.4 63X5163
22-5	4.4 63X5164 22-6	4.4 63X5203
17-7	3.5 6316688 14-4	3.2
17-3	3.5 6316718 28-	5.2 6316725
1-2	1.1 6316727 1-1	1.1 6316733
19-2B	4.1 6316734 19-2B	4.1 6316735
19-2B	4.1 6316823 30-60	6.1 6316831
30-61	6.1 6316832 30-62	6.1 6316834
30-63	6.1 6316835 30-64	6.1 6316837
30-65	6.1 6316838 30-66	6.1 6316839
30-67	6.1 6316840 30-68	6.1 6316843
30-69	6.1 6316844 30-70	6.1 6316845
30-71	6.1 6316846 30-72	6.1 6316847
30-73	6.1 6316850 30-74	6.1 6316852
30-75	6.1 6316857 30-76	6.1 6316859
30-77	6.1 6339098 30-78	6.1 6405605
10-12	2.1 6428693 19-6	4.1 6428695
27-5	5.1 6428911 30-82	6.1 6428916
10-11	2.1 6428931 10-38A	2.1 6428936
10-21A	2.1 6428937 10-21D	2.1 6428942
30-83	6.1 6428959 10-23	2.1 6428960
10-37	2.1 6428962 10-26B	2.1 6429490
19-5	4.1 20-5	4.2
21-4	4.3 6429526 10-12A	2.1 6429527
10-37A	2.1 6429537 10-8	2.1 6450217
30-84	6.1 65X7761 30-18	6.1 66G4206
15-	3.3 66G4207 15-1	3.3 66G4208
15-2	3.3 66G4209 15-3	3.3
16-9	3.4 66G4210 15-4	3.3
16-8	3.4 66G4211 15-5	3.3 66G4222
15-6	3.3 66G4230 15-7	3.3 66G4237
15-8	3.3 66G4242 15-10	3.3
16-10	3.4 66G4243 15-11	3.3
16-11	3.4 66G4244 15-12	3.3
16-12	3.4 66G4245 15-13	3.3
16-13	3.4 66G4246 15-14	3.3
16-14	3.4 66G4250 15-18	3.3
16-18	3.4 66G4251 15-17	3.3
16-17	3.4 66G4252 15-21	3.3
16-21	3.4 66G4253 15-16	3.3
16-16	3.4 66G4255 15-22	3.3
16-22	3.4 66G4256 15-32	3.3
16-23	3.4 66G4257 15-24	3.3
16-24	3.4 66G4258 15-24	3.3
16-25	3.4 66G4259 15-26	3.3
16-26	3.4 66G4260 32-1	6.3 66G4261
32-1	6.3 66G4266 15-	3.3
16-	3.4 66G4267 15-	3.3
16-	3.4 68X6245 2-25	1.2 6952287
30-19	6.1 6952296 30-20	6.1 6952297
30-21	6.1 6952298 30-22	6.1 6952397
30-23	6.1 72X8523 2-14	1.2 72X8526
2-26	1.2 72X8561 2-24	1.2 73G0919
3-	1.3 73G0933 30-85	6.1 73G1105
14-10	3.2 73G1106 14-10A	3.2 73G1107
14-12	3.2 73G1108 14-12A	3.2 73G1203
14-15	3.2 73G1204 14-18	3.2
33-4	6.4 73G1205 14-16	3.2 73G1206
14-17	3.2 33-2	6.4 73G1212
14-	3.2 30-86	6.1 73G1399

Store Systems Parts Catalog
Part Number Index

30-88	6.1 73G1686 30-87	6.1 73G2186
1-1A	1.1 73G2575 12-106A	2.3 73G2577
12-130	2.3 73G2578 12-94	2.3 73G2579
11-	2.2 11-	2.2
12-133	2.3 73G2580 12-96	2.3 73G2581
12-93	2.3 73G2583 12-99	2.3 73G2584
12-16	2.3 73G2585 12-77	2.3 73G2588
12-121	2.3 73G2598 12-	2.3 73G2600
12-	2.3 73G2601 12-	2.3 73G2603
12-122A	2.3 73G2605 12-	2.3 73G2606
12-	2.3 73G2607 12-40	2.3 73G2613
12-122	2.3 73G2616 11-15	2.2 73G2617
12-99	2.3 73G2618 11-5	2.2 73G2619
11-15	2.2 73G2668 12-	2.3 73G2670
12-	2.3 73G2671 12-	2.3 73G2699
1-3	1.1 73G2741 1-3C	1.1 73G2742
1-3C	1.1 73G2758 32-1	6.3 73G2759
32-1	6.3 73G2824 9-8	1.9 73G2854
32-1	6.3 73G2872 7-	1.7
8-	1.8 73G2874 7-	1.7
8-	1.8 73G2881 9-3	1.9
16-7	3.4 73G2945 9-8	1.9 73G2953
9-5	1.9 73G2958 7-7	1.7 73G2990
9-5	1.9 73G3004 7-2	1.7
8-3	1.8 73G3008 8-	1.8 73G3032
8-	1.8 73G3033 9-3	1.9 73G3035
9-4	1.9 73G3036 9-2	1.9 73G3037
9-9	1.9 73G3039 9-10	1.9 73G3040
7-11	1.7 9-11	1.9 73G3042
9-6	1.9 73G3043 9-7	1.9 73G3045
7-12	1.7 73G3046 7-1	1.7 73G3047
7-3	1.7 8-4	1.8 73G3048
7-4	1.7 73G3049 7-9	1.7 73G3050
7-6	1.7 73G3053 7-	1.7 73G3054
7-	1.7 73G3055 7-	1.7 73G3058
8-1	1.8 73G3059 8-2	1.8 73G3060
8-9	1.8 73G3061 8-5	1.8 73G3065
8-28	1.8 73G3066 8-11	1.8 73G3067
8-6	1.8 73G3069 8-13	1.8 73G3070
8-	1.8 73G3071 9-9	1.9 73G3072
8-	1.8 73G3102 9-4	1.9
16-6	3.4 73G3103 7-	1.7 73G3104
7-	1.7 8-	1.8 73G3108
7-5	1.7 73G3110 9-6	1.9 73G3112
7-8	1.7 73G3121 7-10	1.7
8-15	1.8 73G3224 32-1	6.3 73G6440
1-1B	1.1 73G6442 20-19	4.2 73G6443
19-13	4.1 73G6444 20-18	4.2 73G6445
21-13	4.3 73G8856 30-89	6.1 73G9890
10-35	2.1 73G9903 10-14	2.1 74F5300
27-1	5.1 74F5354 10-22	2.1 74F5357
10-4A	2.1 74F6281 15-19	3.3
16-19	3.4 74F6307 28-	5.2 74F9914
1-3A	1.1 74F9915 1-3A	1.1 74F9916
1-3B	1.1 74F9917 1-3B	1.1 74F9918
1-3B	1.1 2-25	1.2 7482130
30-25	6.1 76X0003 30-90	6.1 76X0009
10-2	2.1 76X0027 22-3	4.4 76X0035
22-	4.4 76X0036 22-	4.4 76X0037
22-	4.4 76X0039 22-	4.4 76X0040
22-	4.4 76X0041 22-	4.4 76X0042
22-	4.4 76X0043 22-	4.4 76X0044
22-	4.4 76X0045 22-	4.4 76X0046
22-	4.4 76X0107 20-12	4.2
21-9	4.3 22-8	4.4 76X0192
19-	4.1 22-	4.4 76X0193
19-	4.1 22-	4.4 76X0200
28-	5.2 76X0246 27-13	5.1 78X8993
3-36	1.3 7842128 30-24	6.1 80G2700
33-	6.4 80G2701 33-	6.4 80G2702
33-	6.4 80G2703 33-	6.4 80G2704
33-	6.4 80G2705 33-	6.4 80G2706
33-	6.4 80G2707 33-	6.4 80G2708
33-	6.4 80G2709 33-	6.4 80G2711
33-	6.4 80G2713 33-	6.4 80G2714
33-	6.4 80G2715 33-	6.4 80G2725
33-	6.4 80G2726 33-	6.4 80G2727
33-	6.4 80G2728 33-	6.4 80G2729

Store Systems Parts Catalog
Part Number Index

33-	6.4 80G2730	33-	6.4 80G2731
33-	6.4 80G2732	33-	6.4 80G2733
33-	6.4 80G2734	33-	6.4 80G2736
33-	6.4 80G2737	33-	6.4 80G2738
33-	6.4 80G2739	33-	6.4 80G4320
33-	6.4 83X7549	1-	1.1
2-	1.2 83X7560	20-6	4.2
22-1	4.4 83X7579	17-6	3.5 83X7613
10-	2.1 83X7614	1-5	1.1 83X7617
19-1	4.1	20-15	4.2 83X7625
17-8	3.5 83X7651	10-41	2.1 83X8253
10-27	2.1 83X8277	30-91	6.1 83X8278
30-92	6.1 83X8280	14-6	3.2 83X8286
10-16B	2.1 83X8287	10-7A	2.1 83X8949
18-2	3.6	30-93	6.1 83X8985
18-1	3.6 83X8988	18-3	3.6 84F8976
32-1	6.3 85G6302	16-	3.4 85G6303
16-	3.4 85G6304	16-	3.4 85G6305
16-	3.4 85G6308	16-1	3.4 85G6309
16-5	3.4 85G6310	16-2	3.4 85G6311
16-10	3.4 85G6317	16-1	3.4 85G6318
16-5	3.4 85G6320	16-2	3.4
16-4	3.4 85G6321	16-3	3.4 85G6345
15-15	3.3	15-15	3.3
16-15	3.4	16-15	3.4 85X7418
13-3	3.1 85X7421	13-	3.1 8501823
30-94	6.1 90X9640	19-	4.1
22-	4.4	23-	4.5
24-	4.6	25-	4.7
26-	4.8 92F0104	2-25	1.2 92F4604
1-3	1.1 92F4605	1-3	1.1 92F4606
1-3	1.1 92F4607	1-3	1.1 92F5400
12-72A	2.3 92F5844	2-21	1.2 92F5846
2-21	1.2 92F5847	2-21	1.2 92F5872
2-22	1.2 92F5879	2-14	1.2 92F6315
26-	4.8 92F6316	26-	4.8 92F6317
26-	4.8 92F6486	12-43	2.3 92G7831
13-	3.1 92G7832	13-	3.1 92G7923
32-1	6.3 92G7924	30-95	6.1 92G9434
6-23	1.6 92G9435	6-16	1.6 92G9436
6-16	1.6 92G9437	6-25	1.6 92G9438
6-26	1.6 92G9439	6-7	1.6 92G9452
6-16	1.6 92G9453	6-37	1.6 92G9454
6-37	1.6 92G9455	6-37	1.6 92G9456
6-30	1.6 92G9470	6-37	1.6 92G9471
6-30	1.6 92G9475	4-	1.4
5-	1.5	6-	1.6 92X5031
2-22	1.2 92X5871	2-22	1.2 93F0164
12-124	2.3 93F0238	12-99	2.3 93F0239
12-64	2.3 93F0241	12-67	2.3 93F0242
12-70	2.3 93F0245	11-3	2.2 93F0246
11-5	2.2 93F0247	12-22	2.3 93F0248
12-44	2.3 93F0249	12-123	2.3 93F0250
12-51	2.3 93F0251	12-72	2.3 93F0252
12-31	2.3 93F0253	12-7	2.3 93F0254
12-	2.3 93F0255	12-1	2.3 93F0288
12-108	2.3 93F0298	11-1	2.2 93F0299
11-8	2.2 93F0415	8-	1.8
12-	2.3	12-	2.3 93F0420
12-	2.3 93F0425	12-35	2.3 93F0431
12-106	2.3 93F0435	12-104	2.3 93F0436
12-103	2.3 93F0441	12-65A	2.3
12-68A	2.3	12-105	2.3 93F0464
12-	2.3 93F0466	11-11	2.2 93F0533
30-96	6.1 93F0534	30-97	6.1 93F0542
1-3	1.1 93F0658	3-20A	1.3 93F0663
3-39	1.3 93F0738	3-18	1.3 93F0808
30-98	6.1 93F1070	3-38	1.3 93F1071
3-38	1.3 93F1072	3-38	1.3 93F1073
3-38	1.3 93F1074	3-38	1.3 93F1075
3-38	1.3 93F1076	3-38	1.3 93F1077
3-38	1.3 93F1078	3-38	1.3 93F1079
3-38	1.3 93F1110	14-4A	3.2
14-13	3.2	14-19	3.2
17-3A	3.5 93F1111	14-	3.2
14-	3.2	14-	3.2
33-5	6.4 93F1123	3-19	1.3 93F1128
3-26	1.3 93F1129	3-34	1.3

Store Systems Parts Catalog
Part Number Index

30-99	6.1 93F1132 3-32	1.3 93F1133
3-34	1.3 30-100	6.1 93F1135
3-11A	1.3 93F1137 3-33	1.3 93F1138
3-32	1.3 93F1574 2-23A	1.2 93F1762
23-1	4.5 93F1763 24-1	4.6 93F1764
25-1	4.7 93F1765 24-6	4.6
25-5	4.7 26-5	4.8 93F1766
23-3	4.5 24-3	4.6
25-3	4.7 26-3	4.8 93F1768
24-2	4.6 25-2	4.7
26-2	4.8 93F1770 24-5	4.6 93F1779
28-1C	5.2 93F1780 28-1A	5.2 93F1785
3-19A	1.3 93F1790 3-29	1.3 93F1791
3-29	1.3 93F1792 3-16	1.3 93F1793
3-16	1.3 93F1794 13-4	3.1 93F1795
3-1	1.3 6-2	1.6
28-1B	5.2 93F1796 13-9	3.1 93F1797
13-5	3.1 93F1798 13-6	3.1 93F1802
3-26	1.3 93F1803 3-26	1.3 93F1804
3-26	1.3 93F1805 3-26	1.3
14-6A	3.2 93F1806 14-1A	3.2 93F1807
14-3A	3.2 93F1808 14-4A	3.2
14-10	3.2 14-13A	3.2
14-19A	3.2 33-6	6.4 93F1809
14-5A	3.2 14-9	3.2
14-14	3.2 14-20	3.2
17-4A	3.5 33-7	6.4 93F1810
3-26	1.3 93F1811 3-16	1.3 93F1812
3-16	1.3 93F1813 3-16	1.3 93F1814
17-1A	3.5 93F1815 17-2A	3.5 93F1816
17-5A	3.5 93F1818 3-3	1.3
6-1	1.6 93F1819 3-31	1.3 93F1821
3-16	1.3 93F1822 3-16	1.3 93F1823
3-16	1.3 93F1824 3-16	1.3 93F1825
3-25	1.3 93F1826 3-8	1.3 93F1827
13-8	3.1 93F1829 3-19	1.3 93F1830
1-3B	1.1 3-28	1.3 93F1831
3-21	1.3 93F1832 13-9A	3.1 93F1833
3-30	1.3 93F1834 3-23	1.3 93F1835
3-23	1.3 93F1836 3-5	1.3 93F1840
1-3B	1.1 3-28	1.3 93F1841
3-13	1.3 93F1842 3-12	1.3 93F1843
3-4	1.3 93F1844 3-10	1.3 93F1845
3-10	1.3 93F1846 3-10	1.3 93F1847
3-6	1.3 93F1848 3-22	1.3 93F1849
3-32	1.3 93F1850 1-3B	1.1
3-28	1.3 93F1851 3-13	1.3
6-5	1.6 93F1852 3-12	1.3
6-3	1.6 93F1853 3-20	1.3 93F1854
3-37	1.3 93F1855 3-7	1.3 93F1857
3-34	1.3 93F1858 3-33	1.3 93F1860
3-1B	1.3 93F1861 3-19	1.3 93F1862
3-19	1.3 93F1863 3-11	1.3 93F1864
13-2	3.1 93F1865 3-24	1.3 93F1866
3-9	1.3 93F1873 13-1	3.1 93F1877
3-32	1.3 93F1879 3-24	1.3 93F1880
3-4	1.3 93F1881 3-35	1.3
3-35	1.3 93F1886 10-	2.1
11-	2.2 93F1887 3-6	1.3 93F1889
3-1A	1.3 6-2	1.6 93F1891
3-25	1.3 93F1893 16-	3.4 93F1894
3-	1.3 93F1895 3-20	1.3 93F1896
3-2	1.3 93F1897 28-5	5.2 93F1898
3-	1.3 93F1899 3-2	1.3
6-1	1.6 93F1900 28-1	5.2 93F1901
28-2	5.2 93F1902 3-14	1.3
28-3	5.2 29-15	5.3 93F1903
28-11	5.2 29-3	5.3 93F1904
28-16	5.2 93F1905 28-15	5.2
29-8	5.3 93F1906 28-8	5.2 93F1907
28-9	5.2 93F1908 28-4	5.2 93F1909
28-6	5.2 29-12	5.3 93F1910
19-4	4.1 20-7	4.2
21-3	4.3 22-2	4.4
27-3A	5.1 28-7	5.2
29-10	5.3 93F1913 28-14	5.2
29-6	5.3 93F1914 28-13	5.2
29-5	5.3 93F1915 27-14	5.1

Store Systems Parts Catalog
Part Number Index

28-12	5.2 29-4	5.3 93F1918
23-	4.5 93F1919 24-	4.6 93F1920
25-	4.7 93F1921 26-	4.8 93F1922
26-	4.8 93F1923 26-	4.8 93F1924
26-	4.8 93F1925 26-	4.8 93F1926
26-	4.8 93F1927 26-	4.8 93F1928
26-	4.8 93F1931 26-1	4.8 93F1932
26-1	4.8 93F1933 26-1	4.8 93F1934
26-1	4.8 93F1935 26-1	4.8 93F1936
26-1	4.8 93F1937 26-1	4.8 93F1938
26-1	4.8 93F1939 23-5	4.5 93F1941
26-7	4.8 93F1943 23-6	4.5
24-7	4.6 25-6	4.7
26-6	4.8 93F2557 21-11	4.3 93F3241
14-	3.2 95F3138 15-9	3.3 95F4703
2-11	1.2 95F4704 2-11	1.2 95F4705
2-11	1.2 96X4783 1-2A	1.1 96X4964
27-1A	5.1 96X4974 30-101	6.1 96X4975
30-102	6.1 96X4991 2-8	1.2 96X4995
2-1	1.2 96X5000 2-2	1.2 96X5001
2-11	1.2 96X5002 2-7	1.2 96X5004
2-27	1.2 96X5010 2-16	1.2 96X5022
2-10	1.2 96X5027 30-103	6.1 96X5032
2-22	1.2 96X5034 2-18	1.2 96X5037
30-104	6.1 96X5038 2-19	1.2 96X5039
2-19	1.2 96X5042 2-15	1.2 96X5043
2-15	1.2 96X5047 30-105	6.1 96X6319
2-12	1.2 96X6323 2-13	1.2