

RS/6000 and @server pSeries



# Adapter Placement Reference for AIX



RS/6000 and @server pSeries



# Adapter Placement Reference for AIX

**Twenty-Fifth Edition (August 2004)**

Before using this information and the products it supports, read the information in Appendix A, "Notices," on page 227.

A reader's comment form is provided at the back of this publication. If the form has been removed, address comments to Information Development, Department H6DS-905-6C006, 11501 Burnet Road, Austin, Texas 78758-3493. To send comments electronically, use this commercial internet address: [aix6kpub@austin.ibm.com](mailto:aix6kpub@austin.ibm.com). Any information that you supply may be used without incurring any obligation to you.

© **International Business Machines Corporation 1996, 2003, 2004. All rights reserved.**

Note to U.S. Government Users Restricted Rights--Use, duplication or disclosure restricted by GSA ADP Schedule Contract with IBM Corp.

---

# Contents

<b>About This Book</b> . . . . .	vii
ISO 9000 . . . . .	vii
Highlighting . . . . .	vii
Accessing Information . . . . .	vii
References to AIX Operating System . . . . .	vii
Related Publications . . . . .	vii
Trademarks . . . . .	viii
<b>Chapter 1. Peripheral Component Interconnect Overview</b> . . . . .	1
System Performance . . . . .	1
PCI Slots . . . . .	1
Secondary PCI Bus . . . . .	2
Multiple Primary PCI Buses . . . . .	2
Hot Pluggable PCI Slots . . . . .	2
Integrated Adapters . . . . .	3
32-Bit Versus 64-Bit PCI Slots . . . . .	3
33 MHz versus 50/66 MHz 64-Bit PCI Slots . . . . .	3
Connectivity versus Performance Overview . . . . .	4
Other Restrictions . . . . .	4
<b>Chapter 2. Models S70, S7A, and S80</b> . . . . .	5
Performance Limits . . . . .	13
Models S70, S7A, and S80 Configuration Details . . . . .	14
<b>Chapter 3. pSeries 680 Model S85</b> . . . . .	17
Performance Limits . . . . .	24
pSeries 680 Model S85 Configuration Details . . . . .	26
<b>Chapter 4. 7024 Models E20 and E30</b> . . . . .	27
7024 Models E20 and E30 Adapter Placement Guide . . . . .	27
<b>Chapter 5. 7025 Model 6F0, 7025 Model 6F1 and 7025 Model F80</b> . . . . .	31
7025 Model 6F0, 7025 Model 6F1 and 7025 Model F80 . . . . .	32
<b>Chapter 6. 7025 Model F30</b> . . . . .	37
7025 Model F30 Adapter Placement Guide . . . . .	37
<b>Chapter 7. 7025 Model F40</b> . . . . .	41
7025 Model F40 Adapter Placement Guide . . . . .	41
7025 Model F40 Multiple Graphics Adapter Placement Guide . . . . .	45
<b>Chapter 8. 7025 Model F50</b> . . . . .	47
7025 Model F50 Adapter Placement Guide . . . . .	47
<b>Chapter 9. 7026 Model 6M1 and 7026 Model M80</b> . . . . .	55
7026 Model 6M1 and 7026 Model M80 Adapter Placement Guide . . . . .	56
<b>Chapter 10. 7026 Model B80</b> . . . . .	61
7026 Model B80 Adapter Placement Guide . . . . .	61
<b>Chapter 11. 7026 Model H10</b> . . . . .	65
7026 Model H10 Adapter Placement Guide . . . . .	65

<b>Chapter 12. 7026 Model H50</b> . . . . .	69
7026 Model H50 Adapter Placement Guide . . . . .	69
<b>Chapter 13. 7026 Model H70</b> . . . . .	75
7026 Model H70 Adapter Placement Guide . . . . .	75
<b>Chapter 14. 7026 Model 6H0, 7026 Model 6H1, and 7026 Model H80</b> . . . . .	83
7026 Model 6H0, 7026 Model 6H1, and 7026 Model H80 Adapter Placement Guide . . . . .	84
<b>Chapter 15. 7028 Models 6C1 and 6E1</b> . . . . .	91
7028 Models 6C1 and 6E1 Adapter Placement Guide . . . . .	92
<b>Chapter 16. 7028 Models 6C4 and 6E4 (@server pSeries 630)</b> . . . . .	95
Logical Partition (LPAR) Considerations . . . . .	95
7028 Models 6C4 and 6E4 (@server pSeries 630) Adapter Placement Guide (4-Slot PCI Riser) . . . . .	96
7028 Models 6C4 and 6E4 (@server pSeries 630) Adapter Placement Guide (6-Slot PCI Riser) . . . . .	100
<b>Chapter 17. 7029 Models 6C3 and 6E3 (@server pSeries 615)</b> . . . . .	105
Logical Partition (LPAR) Considerations . . . . .	105
7029 Models 6C3 and 6E3 (@server pSeries 615) Adapter Placement Guide . . . . .	106
<b>Chapter 18. 7038 Model 6M2 (@server pSeries 650)</b> . . . . .	109
Logical Partition (LPAR) Considerations . . . . .	109
7038 Model 6M2 (@server pSeries 650) Adapter Placement Guide . . . . .	110
<b>Chapter 19. 7039 Model 651 (@server pSeries 655)</b> . . . . .	115
Logical Partition (LPAR) Considerations . . . . .	115
7039 Model 651 (@server pSeries 655) Adapter Placement Guide . . . . .	115
<b>Chapter 20. 7040 Model 61D (@server pSeries 670)</b> . . . . .	129
Logical Partition (LPAR) Considerations . . . . .	131
7040 Model 61D (@server pSeries 670) Adapter Placement Guide . . . . .	131
<b>Chapter 21. 7040 Model 61D (@server pSeries 690)</b> . . . . .	141
Logical Partition (LPAR) Considerations . . . . .	143
7040 Model 61D (@server pSeries 690) Adapter Placement Guide . . . . .	143
<b>Chapter 22. 7043 Model 140</b> . . . . .	153
7043 Model 140 Adapter Placement Guide . . . . .	153
7043 Model 140 Multiple Graphics Adapter Placement Guide . . . . .	158
<b>Chapter 23. 7043 Model 150</b> . . . . .	161
7043 Model 150 Adapter Placement Guide . . . . .	161
7043 Model 150 Multiple Graphics Adapter Placement Guide . . . . .	166
<b>Chapter 24. 7043 Model 240</b> . . . . .	169
7043 Model 240 Adapter Placement Guide . . . . .	169
7043 Model 240 Multiple Graphics Adapter Placement Guide . . . . .	172
<b>Chapter 25. 7043 Model 260</b> . . . . .	175
7043 Model 260 Adapter Placement Guide . . . . .	175
7043 Model 260 Multiple Graphics Adapter Placement Guide . . . . .	179
<b>Chapter 26. 7044 Model 170</b> . . . . .	181
7044 Model 170 Adapter Placement Guide . . . . .	182
7044 Model 170 Multiple Graphics Adapter Placement Guide . . . . .	187

<b>Chapter 27. 7044 Model 270</b>	189
7044 Model 270 Adapter Placement Guide	189
7044 Model 270 Multiple Graphics Adapter Placement Guide	194
<b>Chapter 28. 7046 Model B50</b>	195
7046 Model B50 Adapter Placement Guide	196
<b>Chapter 29. 7248 Model 100, 120, or 132</b>	199
7248 Model 100, 120, or 132 Adapter Placement Guide	200
7248 Model 100, 120, or 132 Multiple Graphics Adapter Placement Guide	201
<b>Chapter 30. 7311 Model D10</b>	203
Logical Partition (LPAR) Considerations	203
7311 Model D10 Adapter Placement Guide	204
<b>Chapter 31. 7311 Model D20</b>	207
Logical Partition (LPAR) Considerations	207
7311 Model D20 Adapter Placement Guide	208
<b>Chapter 32. 9076 RS/6000 SP Systems</b>	211
<b>Chapter 33. 9112 Model 265</b>	213
9112 Model 265 Adapter Placement Guide	214
<b>Chapter 34. 9114 Model 275</b>	217
9114 Model 275 Adapter Placement Guide	217
<b>Chapter 35. Digital Trunk PCI Adapter Placement Considerations</b>	221
<b>Chapter 36. FC 2854: POWER GXT500P (Type 1-I) and FC 2855: POWER GXT500P (Type 1-J) Support Configurations</b>	223
<b>Chapter 37. FC 2853: POWER GXT800P (Type 1-K) Support Configurations</b>	225
<b>Appendix A. Notices</b>	227
<b>Appendix B. High-Performance Adapters</b>	229





---

## About This Book

This book outlines system-specific PCI adapter slot placement and adapter support configurations. Not all of the adapters supported in stated maximum configurations run at per adapter maximum performance.

This book identifies Peripheral Component Interconnect (PCI) protocols with a 'P' in document figures and tables. The book identifies International Standard Architecture (ISA) and Extended International Standard Architecture (EISA) with an 'I' or with an 'E,' respectively, in figures and tables.

---

## ISO 9000

ISO 9000 registered quality systems were used in the development and manufacturing of this product.

---

## Highlighting

The following highlighting conventions are used in this book:

<b>Bold</b>	Identifies commands, subroutines, keywords, files, structures, directories, and other items whose names are predefined by the system. Also identifies graphical objects such as buttons, labels, and icons that the user selects.
<i>Italics</i>	Identifies parameters whose actual names or values are to be supplied by the user.
Monospace	Identifies examples of specific data values, examples of text similar to what you might see displayed, examples of portions of program code similar to what you might write as a programmer, messages from the system, or information you should actually type.

---

## Accessing Information

IBM @server pSeries hardware publications are available online. To access the online hardware publications, see the IBM @server pSeries and AIX Information Center at <http://publib16.boulder.ibm.com/pseries/index.htm>. Click **hardware documentation**

Documentation for the AIX operating system is available at the IBM @server pSeries and AIX Information Center at <http://publib16.boulder.ibm.com/pseries/index.htm>. Click **AIX documentation**. The AIX Documentation CD contains the base set of publications for the operating system, including system-management and end-user documentation.

---

## References to AIX Operating System

This document may contain references to the AIX operating system. If you are using another operating system, consult the appropriate documentation for that operating system.

This document may describe hardware features and functions. While the hardware supports them, the realization of these features and functions depends upon support from the operating system. AIX provides this support. If you are using another operating system, consult the appropriate documentation for that operating system regarding support for those features and functions.

---

## Related Publications

Use this book with your system unit documentation and with your adapter's installation and user's guide to accurately place one or more adapters in your system unit.

*Adapters, Devices and Cable Information for Multiple Bus Systems*, (SA38-0516) provides specific technical information about adapters. Also use the publication to identify an adapter.

The *RS/6000 SP Planning Volume 1, Hardware and Physical Environment* (GA22-7280), contains adapter slot restriction information for SP nodes.

---

## **Trademarks**

The following terms are trademarks of the International Business Machines Corporation in the United States, other countries, or both:

- AIX
- IBM ARTIC960
- ESCON
- PowerPC
- @server
- pSeries
- RS/6000
- SP
- TURBOWAYS

Microsoft and Windows NT are trademarks of Microsoft Corporation in the United States, other countries, or both.

Other company, product, and service names may be trademarks or service marks of others.

---

## Chapter 1. Peripheral Component Interconnect Overview

This chapter presents a brief overview of some factors and issues related to Peripheral Component Interconnect (PCI) bus adapter placement. The user can gain a better understanding of system configurations, adapter placement, and performance issues by using the reference. Each of the following chapters provides system-specific slot placement information.

You can install PCI adapters with the power on in some systems. These adapters are referred to as *hot-pluggable* PCI adapters. **Do not hot-plug any PCI adapter supporting the system's boot device or system console.**

Refer to your system unit documentation to determine if your system unit supports hot-plugging adapters.

If an adapter is listed as a *Type \**, this adapter has not been assigned an adapter type.

---

### System Performance

This book provides performance information related to PCI adapter placement. Understand that maximizing system performance is relative to software and hardware. Information in this book may change as new products are announced.

---

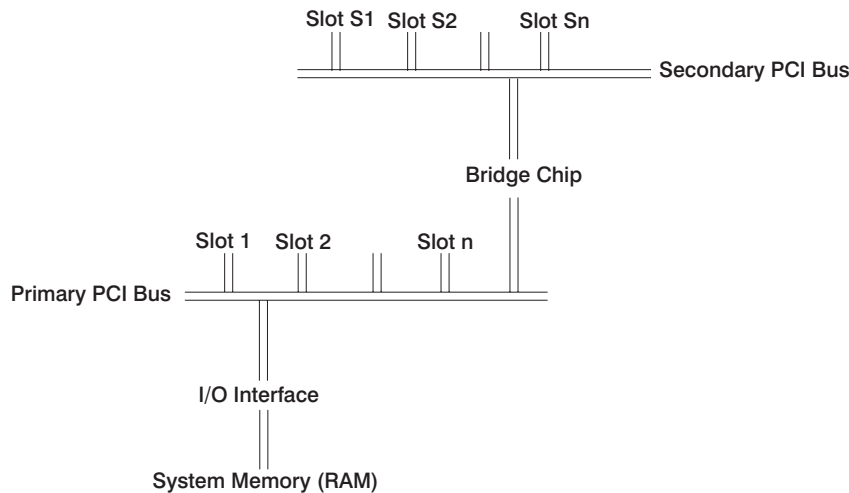
### PCI Slots

Each PCI bus has a limit on the number of adapters it can support. Typically, this limit can range from two adapters to six adapters per bus. To overcome this limit, the system design can implement multiple PCI buses. You can use two different methods to add PCI buses to your system. These two methods are:

- Adding secondary PCI buses off the primary PCI bus
- Implementing multiple primary buses

## Secondary PCI Bus

If you want to increase the number of PCI slots when designing a system, add a secondary PCI bus. A PCI-to-PCI bridge chip can connect a secondary bus to a primary bus. The following illustration shows how to use a primary PCI bus to increase the total number of PCI slots.

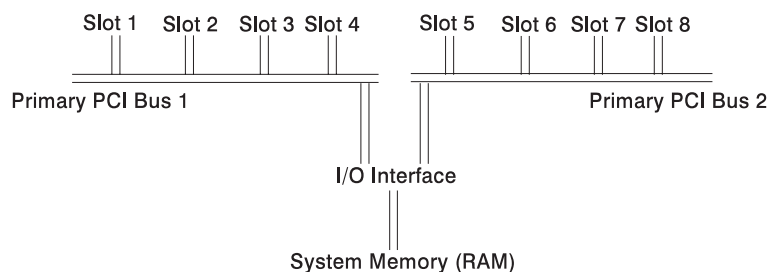


Because the slots on the secondary PCI bus must pass through the bridge chip, certain adapters on a secondary PCI bus may experience lower performance.

Some of the systems in this book implement a secondary PCI bus. On these systems, place higher-speed adapters on the primary bus to optimize performance.

## Multiple Primary PCI Buses

To add more PCI slots in a different way, design the system with 2 or more primary PCI buses. This design requires a more sophisticated I/O interface with the system memory. The following illustration shows another method of increasing the number of PCI slots.

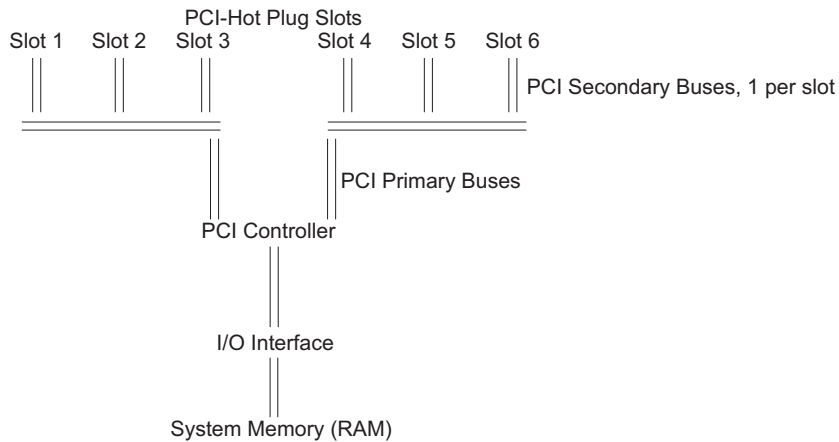


This design improves I/O performance over the secondary bus method because the I/O interface has created multiple parallel paths into the system memory.

## Hot Pluggable PCI Slots

Certain newer systems contain hot-plug enabled PCI slots. These systems dedicate a PCI bus to each PCI slot, which allows the adapter to be removed or added without effecting other adapters. This architecture uses one or more PCI primary buses that are bridged to multiple PCI secondary buses. Each

PCI secondary bus has a single PCI slot.



---

## Integrated Adapters

The main processor board now integrates a number of devices, but they physically connect to one of the PCI buses. For this reason, some of the buses may only have two or three slots available to install adapters. Integrated PCI adapters include SCSI adapters and Ethernet adapters.

---

## 32-Bit Versus 64-Bit PCI Slots

Choosing between 32-bit and 64-bit slots influences slot placement and affects performance. Higher-speed adapters use 64-bit slots because they can transfer 64 bits of data for each data transfer phase.

32-bit adapters can typically function in 64-bit PCI slots; however, 32-bit adapters still operate in 32-bit mode and offer no performance advantage in a 64-bit slot. Likewise, most 64-bit adapters can operate in 32-bit PCI slots but the 64-bit adapter operates in 32-bit mode and reduces performance potential.

---

## 33 MHz versus 50/66 MHz 64-Bit PCI Slots

Some systems (for example, 7025 Model F50 and 7026 Model H50) offer 50 MHz capability on 64-bit slots. Adapters capable of functioning at 50 MHz may take advantage of this. If you plug a 33 MHz adapter into a 50 MHz 64-bit slot, the slot switches to 33 MHz and also switches the remaining slots on this PCI bus to 33 MHz. For systems with hot plug PCI slots, adapters are not affected by the clock rate of other adapters because each has its own PCI bus.

The following adapters run at 50 or 66 mhz when placed on a 50 or 66 mhz PCI bus, or 33 mhz when placed on a 33 mhz PCI bus. If you place a 33 Mhz adapter on the same 50/66 Mhz PCI bus with any of these adapters, the bus will run in 33 Mhz mode, which will reduce the performance potential of the following 50/66 MHz adapters:

- FC 2969: Gigabit Ethernet Fibre, 1000BaseT, 64-bit, 3.3/5V (Type 9-U)
- FC 2851: POWER GXT250P (Type 1-M)
- FC 2852: POWER GXT255P (Type 1-N)
- FC 2841: POWER GXT300P (Type1-U)
- FC 2823: POWER GXT2000P (Type 1-S)
- FC 2825: POWER GXT3000P (Type 1-R)
- FC 2946: PCI TURBOWAYS 622 PCI MMF ATM, 64-bit, 3.3/5V (Type A-B)
- FC 6228: 2 Gigabit Fibre Channel Adapter for 32/64-bit, 3.3/5V PCI Bus (Type 4-W)
- FC 2975: Gigabit Ethernet (UTP) 1000BaseT, 64-bit, 3.3/5V (Type A-A)

- FC 6205: PCI Dual Channel Ultra2 SCSI (Type 4-R)
- FC 2498: PCI 4-Channel Ultra3 SCSI RAID, 32/64-bit, 3.3/5V (Type 4-X)

---

## Connectivity versus Performance Overview

You must consider some performance trade-offs when configuring your system. Installing the maximum number of adapters might affect system performance. The following paragraphs provide an overview of these considerations and how they are documented in later sections of this book.

Connectivity limits define how many specified adapters can be physically plugged into a system. This limit defines how many adapters the software and hardware can support. Some adapters have specific placement guidelines. Connectivity limits define the maximum number of adapters for connecting to networks or disks. In many cases, a disk or network has a low duty-cycle and the system needs additional adapters to retain the physical connection to all resources. In these cases, you should follow connectivity limits.

This book also provides suggested performance limits, established to determine how many concurrently running adapters can provide good performance. As you add adapters (with each adapter performing at close to its rated speed), additional adapters continue to provide an incremental performance increase. Once the system reaches its performance limit, adding more adapters does not provide an increase in I/O throughput.

A number of factors can determine the performance limit. Bus speed, memory speed, adapter design, or processor speed can influence performance. Quite often, the system processor's speed may limit how many adapters of a given type the system can support while maintaining maximum performance. Once a system uses 90 percent of its system processor, adding more adapters only provides a minor throughput increase.

Due to the wide variety of workloads, this book provides performance-limit guidelines only. The guidelines are based on I/O streaming of large reads or writes to a disk or network. They are not based on small I/Os, which are more transaction-rate limited. Small I/O workloads probably use more system processor capacity and result in fewer supported adapters for maximum performance.

The book bases these guidelines on the maximum number of processors supported for multi-processor systems. If your system runs less than the maximum number of processors supported, then typically you must reduce the maximum number of adapters by the same ratio. For example, if a system with a maximum of twelve processors can support twelve ATM adapters for maximum performance, then the same system with eight processors can only support eight ATM adapters for maximum performance.

If your system uses disk and communication adapters concurrently, use a more conservative estimate of the number of supported adapters.

If your configured system runs close to its performance limits, take extra care to ensure that your system type or configuration provides the desired performance. In these cases, you may need to contact your marketing support personnel for more detailed information.

---

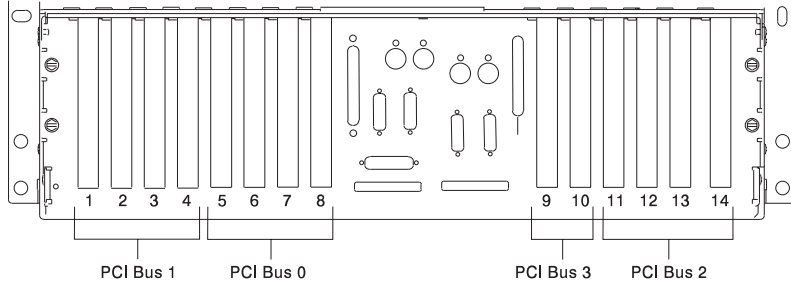
## Other Restrictions

You must install some adapters in specific PCI slots in various systems. Physical size limits, I/O address considerations, thermal limitations, and other factors influence these specifications.

This book lists slot placement information for PCI adapters in system units that have specific restrictions or guidelines. However, *this book does not list all system-compatible PCI adapters.*

## Chapter 2. Models S70, S7A, and S80

These systems are designed for service representatives to install adapters. Use this guide to determine if there are specific slot requirements for adapters that your service representative may be installing.



### I/O Drawer Rear View with 14 Slots and 4 PCI Buses

**Note:** Each drawer has four PCI buses per drawer: Slots 1-4 (PCI Bus 1), 5-8 (PCI Bus 0), 9-10 (PCI Bus 3), 11-14 (PCI Bus 2). Slots 1, 5, 9, 10 and 14 are 64-bit slots. Remaining slots are 32-bit. The 32-bit adapters also function in the 64-bit slots. Each bus is considered a primary bus. All slots are 33 MHz.

Some adapters must be placed in specific I/O drawer slots to function correctly and to achieve optimum performance.

Many of the following notes refer to optimizing system performance. Read “System Performance” on page 1 for more performance-related information.

The following table shows the slot-plugging guidelines for Models S70, S7A, and S80 systems.

If two different adapters can be placed in the same slot, the highest priority adapter starts at the top of the table. The list of slot numbers represent the order that the slots should be used in a drawer.

For complete system placement, the first slot for a group of adapters is selected in the first drawer, and then the first slot is selected in the next drawer. After the first slot selection has been used for each drawer, the second slot in the list is used. This also rotates through the available drawers. If a card has already been placed in a slot, the slot is not available for future adapter placement.

If a table row lists more than one adapter, the adapters may be mixed, but the total number of adapters in the combination cannot exceed the number stated in the Maximum column.

The primary drawer referenced in the following table is the I/O drawer that has a service processor card installed in slot 8. Secondary drawers are additional I/O drawers that may be added to a Models S70, S7A, and S80 configuration. Secondary drawers do not have a service processor installed.

Table 1. Models S70, S7A, and S80

Adapter	Slot Usage	S70 Max	S7A Max	S80 Max
FC 6326: Service Processor	Primary drawer slot 8	1 per system	1 per system	1 per system

Table 1. Models S70, S7A, and S80 (continued)

Adapter	Slot Usage	S70 Max	S7A Max	S80 Max
<p>FC 8396: SP System Attachment, 32-bit, 5V, 2-slot (Type 6-F)</p> <p>FC 8397: SP System Attachment, 64-bit, 3.3/5V, 2-slot</p> <p>See Chapter 32, "9076 RS/6000 SP Systems," on page 211.</p>	<p>Primary drawer slot 10; slots 9 and 11 must be empty</p>	1 per system	1 per system	1 per system
<p>FC 6310: IBM ARTIC960 RxD Quad Digital Trunk PCI, 32-bit, 3.3/5V (Type 6-E)</p>	<p>Primary drawer - slots 1, 3, 4, 2</p> <p>Secondary drawer - slots 1, 3, 4, 2</p> <p>See Chapter 35, "Digital Trunk PCI Adapter Placement Considerations," on page 221 and note 12 on page 13.</p>	4 per system	4 per system	4 per system
<p>FC 6311: IBM ARTIC960 RxF PCI, 32-bit, 3.3/5V (Type 6-G)</p>	<p>Primary drawer slots 3, 2, 4</p> <p>Secondary drawer slots - 3, 2, 4</p> <p>See Chapter 35, "Digital Trunk PCI Adapter Placement Considerations," on page 221 and note 12 on page 13.</p>	Not Supported	3 per system	Not Supported
<p>FC 2751: S/390 ESCON Channel, 32-bit, 5V, (Type 5-5)</p>	<p>Primary drawer slots 14, 10</p> <p>Secondary drawer slots 14, 10</p> <p>FC 2751: S/390 ESCON Channel, 32-bit, 5V, (Type 5-5) adapters can only be installed in the primary I/O drawer and the secondary I/O drawer that are cabled in the same RIO loop.</p> <p>See note 11 on page 12.</p>	4 per system	4 per system	4 per system
<p>FC 6208: PCI SCSI-2 Single Ended Fast/Wide (Type 4-A)</p> <p>Factory installed to support internal media and SCSI drives.</p> <p>For information regarding placement of additional, non-factory installed 4-A adapters, please reference further ahead in this table.</p>	<p>Primary drawer - for media devices: slot 7; for SCSI devices: slot 13</p> <p>Secondary drawer - for media devices: slot 8 (as required); for SCSI devices: slot 13 (as required).</p> <p>Systems manufactured before October 23, 1998 may have this adapter installed in slot 2 for supporting media devices, and slot 9 for supporting SCSI devices.</p>	2 per drawer	Not Supported	Not Supported



Table 1. Models S70, S7A, and S80 (continued)

Adapter	Slot Usage	S70 Max	S7A Max	S80 Max
<p>FC 6206: Single-Ended Ultra SCSI Adapter, 32-bit, 5V (Type 4-K)</p> <p>Slot 7 is SCSI Media, slots 13 and 6 are SCSI drive.</p> <p>For information regarding placement of additional, non-factory installed 4-K adapters, please reference further ahead in this table.</p>	<p>Primary drawer - slot 7, 13, 6</p> <p>Secondary drawer - slot 13, 6 (As required)</p>	<p>Not Supported</p>	<p>3 per drawer</p>	<p>3 per drawer</p>
<p>FC 6227: Gigabit Fibre Channel PCI (Type 4-S)</p> <p>See note 5 on page 12.</p> <p>This adapter may already be installed in the S80 system in slots 4 and/or 9, which is acceptable. However, to optimize system performance, place this adapter into the drawer slots listed.</p>	<p>Primary drawer - slots 14, 10, 1</p> <p>Secondary drawer - slots 1, 5, 10, 14</p>	<p>4 per system 4 per I/O drawer</p> <p>See note 16 on page 13.</p>	<p>15 per system, 4 per I/O drawer</p> <p>See note 16 on page 13.</p>	<p>15 per system, 4 per I/O drawer</p> <p>See note 16 on page 13.</p>
<p>FC 6228: 2 Gigabit Fibre Channel Adapter for 32/64-bit, 3.3/5V PCI Bus (Type 4-W)</p> <p>See note 15 on page 13.</p> <p>This adapter may already be installed in the S80 system in slots 4 and/or 9, which is acceptable. However, to optimize system performance, place this adapter into the drawer slots listed.</p>	<p>Primary drawer - slots 14, 10, 1</p> <p>Secondary drawer - slots 1, 5, 10, 14</p>	<p>Not Supported</p>	<p>15 per system, 4 per I/O drawer</p> <p>See note 16 on page 13.</p>	<p>15 per system, 4 per I/O drawer</p> <p>See note 16 on page 13.</p>
<p>FC 2946: PCI TURBOWAYS 622 PCI MMF ATM, 64-bit, 3.3/5V (Type A-B)</p>	<p>Primary drawer - slots 10, 14, 1, 9</p> <p>Secondary drawer - slots 1, 5, 9, 14, 10, 2, 6, 11, 3, 7, 12, 4, 8, 13</p> <p>(See "Performance Limits" on page 13).</p>	<p>Not Supported</p>	<p>19 per system, max of 4 in primary and 5 in secondary drawers</p>	<p>19 per system, max of 4 in primary and 5 in secondary drawers</p>

Table 1. Models S70, S7A, and S80 (continued)

Adapter	Slot Usage	S70 Max	S7A Max	S80 Max
<p>FC 2975: Gigabit Ethernet (UTP) 1000BaseT, 64-bit, 3.3/5V (Type A-A)</p> <p>This adapter may already be installed in the S80 system in slots 11 and/or 13, which is <i>not</i> acceptable and severely impacts system performance. To optimize system performance, place this adapter into the drawer slots listed.</p>	<p>Primary drawer - slots 10, 1, 9, 3, 4, 2</p> <p>Secondary drawer - slots 1, 5, 10, 9, 3, 7</p>	Not Supported	<p>24 per system</p> <p>See “Performance Limits” on page 13 and note 13 on page 13.</p>	<p>24 per system</p> <p>See “Performance Limits” on page 13 and note 13 on page 13.</p>
<p>FC 2493: PCI SCSI-2 Fast/Wide RAID (Type 4-H)</p>	<p>Primary drawer - slots 10, 14, 1</p> <p>Secondary drawer - slots 1, 5, 10, 14</p>	12	Not Supported	Not Supported
<p>FC 6215: PCI SSA Multi-Initiator/RAID EL (Type 4-N)</p> <p>See notes 1 on page 12 and 2 on page 12.</p>	<p>Primary drawer - slots 3, 14, 10, 12, 1, 9</p> <p>See note 17 on page 13.</p> <p>Secondary drawer - slots 1, 5, 10, 14, 3, 7, 12, 9</p> <p>See note 17 on page 13.</p>	26 per system	26 per system	26 per system
<p>FC 6225: Advanced SSA SerialRAID (Type 4-P)</p>	<p>Primary drawer - slots 3, 14, 10, 12, 1, 9</p> <p>See note 17 on page 13.</p> <p>Secondary drawer - slots 1, 5, 10, 14, 3, 7, 12, 9</p> <p>See note 17 on page 13.</p>	26 per system	26 per system	26 per system
<p>FC 6230: Advanced SerialRAID Plus, 32-bit, 3.3/5V (Type 4-P)</p> <p>FC 6230+6231: 4 Port SSA 40 w/128MB DIMM</p>	<p>Primary drawer - slots 3, 14, 10, 12, 1, 9</p> <p>See note 17 on page 13.</p> <p>Secondary drawer - slots 1, 5, 10, 14, 3, 7, 12, 9</p> <p>See note 17 on page 13.</p>	26 per system	26 per system	26 per system
<p>FC 6205: PCI Dual Channel Ultra2 SCSI (Type 4-R)</p>	<p>Primary drawer - slots 3, 14, 10, 12, 1, 9</p> <p>Secondary drawer - slots 1, 5, 10, 14, 3, 7, 12, 9</p>	Not Supported	26 per system	<p>26 per system, 11 per drawer</p> <p>See note 10 on page 12.</p>
<p>FC 6203: Dual-Channel Ultra3 SCSI, 32/64-bit, 3.3/5V (Type 4-Y)</p>	<p>Primary drawer - slots 3, 14, 10, 12, 1, 9</p> <p>Secondary drawer - slots 1, 5, 10, 14, 3, 7, 12, 9</p>	Not Supported	Not Supported	<p>26 per system, 11 per drawer</p> <p>See note 10 on page 12.</p>
<p>FC 2498: PCI 4-Channel Ultra3 SCSI RAID, 32/64-bit, 3.3/5V (Type 4-X)</p>	<p>Primary drawer - slots 3, 14, 10, 12, 1</p> <p>Secondary drawer - slots 1, 5, 10, 14, 3, 7, 12</p>	Not Supported	15 per system	Not Supported

Table 1. Models S70, S7A, and S80 (continued)

Adapter	Slot Usage	S70 Max	S7A Max	S80 Max
FC 4961: 10/100 4-Port Ethernet, 32/64-bit, 3.3/5V (Type A-E) See note 14 on page 13.	Primary drawer slots - 3, 10, 1, 9, 4, 2 Secondary drawer slots - 1, 5, 10, 3, 7, 9, 4	Not Supported	19 per system	19 per system
FC 2838: POWER GXT120P (Type 1-P) See note 3 on page 12.	Primary drawer - slots 1, 4	1 per system	1 per system	1 per system
FC 2830: POWER GXT130P (Type 1-T) See note 3 on page 12.	Primary drawer - slots 1, 4, 2, 3	1 per system	1 per system	1 per system
FC 2969: Gigabit Ethernet Fibre, 1000BaseT, 64-bit, 3.3/5V (Type 9-U)  This adapter may already be installed in the S80 system in slots 11 and/or 13, which is <i>not</i> acceptable and severely impacts system performance. To optimize system performance, place this adapter into the drawer slots listed.	Primary drawer slots - 10, 1, 9, 3, 4, 2 Secondary drawer slots - 1, 5, 10, 9, 3, 7	8 See note 5 on page 12.	8 See note 5 on page 12.	24 per system See note 5 on page 12.
FC 2963: TURBOWAYS 155 PCI UTP ATM (Type 9-J)  FC 2988: TURBOWAYS 155 PCI MMF ATM (Type 9-F)	Primary drawer - slots 2, 4, 9, 11, 13, 3, 10, 12, 6, 1, 5, 7 Secondary drawer - slots 2, 4, 6, 8, 9, 11, 13, 3, 7, 10, 12, 14, 1, 5 See note 11 on page 12.	16 per system See note 6 on page 12.	16 per system See note 6 on page 12.	26 per system 11 per drawer See note 6 on page 12.
FC 4953: 64-bit/66MHz PCI ATM 155 UTP, 3.3/5V (Type A-C)  FC 4957: 64-bit/66MHz PCI ATM 155 MMF, 3.3/5V (Type A-D) See note 8 on page 12.	Primary drawer - slots 10, 14, 1, 5, 9, 3, 12, 2, 11, 13, 6 Secondary drawer - slots 1, 5, 10, 14, 9, 10, 2, 6, 11, 3, 7, 12, 4, 8, 3 See note 11 on page 12	Not Supported	Not Supported	26 per system
FC 2968: 10/100 Mbps Ethernet Tx PCI (Type 9-P) See note 8 on page 12.	Primary drawer - slots 2, 4, 9, 11, 13, 3, 10, 12, 6, 1, 5, 7 Secondary drawer - slots 2, 4, 6, 8, 9, 11, 13, 3, 7, 10, 12, 14, 1, 5 See note 11 on page 12.	26 per system See note 6 on page 12.	26 per system See note 6 on page 12.	26 per system 11 per drawer See note 6 on page 12.

Table 1. Models S70, S7A, and S80 (continued)

Adapter	Slot Usage	S70 Max	S7A Max	S80 Max
FC 4962: Ethernet/LAN Encryption 10/100BaseT, 32-bit, 3.3/5V (Type A-F)  See note 8 on page 12.	Primary drawer - slots 2, 4, 9, 11, 13, 3, 10, 12, 6, 1, 5, 7  Secondary drawer - slots 2, 4, 6, 8, 9, 11, 13, 3, 7, 10, 12, 14, 1, 5  See note 11 on page 12.	Not Supported	Not Supported	26 per system  11 per drawer  See note 6 on page 12.
FC 4959: High-Speed Token Ring PCI, 32-bit, 3.3/5V (Type 9-Y)	Primary drawer - slots 2, 4, 9, 11, 13, 3, 10, 12, 6, 1, 5, 7  Secondary drawer - slots 2, 4, 6, 8, 9, 11, 13, 3, 7, 10, 12, 14, 1, 5	26 per system	26 per system	26 per system
FC 2743: SysKonnnect SK-NET FDDI-UP SAS PCI (Type *)  FC 2742: SysKonnnect SK-NET FDDI-LP DAS PCI, 32-bit, 3.3/5V (Type *)  FC 2741: SysKonnnect SK-NET FDDI-LP SAS PCI, 32-bit, 3.3/5V (Type *)	Primary drawer - slots 2, 4, 9, 11, 13, 3, 10, 12, 6, 1, 5, 7  Secondary drawer - slots 2, 4, 6, 8, 9, 11, 13, 3, 7, 10, 12, 14, 1, 5	12 per system  See note 6 on page 12.	26 per system  See note 6 on page 12.	26 per system  See note 6 on page 12.
FC 2947: IBM ARTIC960Hx 4-Port Selectable PCI (Type 9-R)	Primary drawer - slots 1, 3, 5, 10, 12, 14  Secondary drawer - slots 1, 3, 5, 7, 10, 12, 14	7 per system	14 per system	14 per system
FC 2948: IBM ARTIC960 4-Port T1/E1 PCI (Type 9-S)	Primary drawer - slots 1, 3, 5, 10, 12, 14  Secondary drawer - slots 1, 3, 5, 7, 10, 12, 14	14 per system	14 per system	Not Supported
FC 2943: 8-Port Asynchronous EIA-232E/RS-422A PCI, 32-bit, 3.3/5V (Type 3-B)	Primary drawer - slots 1, 3, 4, 11, 12, 13, 14, 10, 5, 9  Secondary drawer - slots 1, 5, 10, 11, 3, 6, 12, 14, 2, 9, 13, 4, 7	8 per system	8 per system	16 per system
FC 2944: 128-Port Async Controller PCI, 32-bit, 3.3/5V (Type 3-C)	Primary drawer - slots 1, 3, 4, 11, 12, 13, 14, 10, 5, 9, 7  Secondary drawer - slots 1, 5, 10, 11, 3, 6, 12, 14, 2, 9, 13, 4, 7	8 per system	16 per system	32 per system

Table 1. Models S70, S7A, and S80 (continued)

Adapter	Slot Usage	S70 Max	S7A Max	S80 Max
<p>FC 6208: PCI SCSI-2 Single Ended Fast/Wide (Type 4-A)</p> <p>FC 6206: Single-Ended Ultra SCSI (Type 4-K) (S7A, S80 only)</p> <p>For information regarding placement of factory installed, type 4-A or 4-K adapters, please reference further back in this table.</p>	<p>Primary drawer - slots 1, 10, 14, 3, 9, 4, 12, 11, 5, 6, 2, 7</p> <p>Secondary drawer - slots 9, 2, 1, 5, 10, 11, 3, 6, 12, 4, 7, 13, 8, 14</p> <p>See note 4 on page 12.</p>	<p>40 per system</p> <p>See note 4 on page 12.</p>	<p>40 per system</p> <p>See note 4 on page 12.</p>	<p>40 per system</p> <p>See note 4 on page 12.</p>
<p>FC 6209: PCI SCSI-2 Differential Fast/Wide (Type 4-B)</p> <p>FC 6207: PCI Differential Ultra SCSI (Type 4-L)</p>	<p>Primary drawer - slots 1, 10, 14, 3, 13, 4, 12, 11, 5, 6, 7</p> <p>Secondary drawer - slots 1, 5, 10, 11, 3, 6, 12, 4, 7, 13, 8, 14</p>	<p>40 per system</p> <p>See note 4 on page 12.</p>	<p>40 per system</p> <p>See note 4 on page 12.</p>	<p>40 per system</p> <p>See note 4 on page 12.</p>
<p>FC 6204: PCI Universal Differential Ultra SCSI, 32-bit, 3.3/5V (Type 4-U)</p>	<p>Primary drawer - slots 1, 10, 14, 3, 13, 4, 12, 11, 5, 6, 7</p> <p>Secondary drawer - slots 1, 5, 10, 11, 3, 6, 12, 4, 7, 13, 8, 14</p>	<p>Not Supported</p>	<p>Not Supported</p>	<p>40 per system</p> <p>See note 4 on page 12.</p>
<p>FC 2708: ISDN Basic Rate PCI (Type 9-N)</p>	<p>Primary drawer - slots 10, 14, 3, 13, 4, 12, 11, 5, 9, 1, 2, 5</p> <p>Secondary drawer - slots 1, 5, 10, 11, 3, 6, 12, 4, 7, 13, 8, 14, 9, 2</p>	<p>1 per system</p>	<p>1 per system</p>	<p>1 per system</p>
<p>FC 2920: 16Mbps PCI Token-Ring (Type 9-O)</p>	<p>Primary drawer - slots 10, 14, 3, 13, 4, 12, 11, 5, 9, 1, 2</p> <p>Secondary drawer - slots 1, 5, 10, 11, 3, 6, 12, 4, 7, 13, 8, 14, 9, 2</p>	<p>9 per drawer</p> <p>24 per system</p>	<p>9 per drawer</p> <p>24 per system</p>	<p>9 per drawer</p> <p>24 per system</p>
<p>FC 2962: 2-Port Multiprotocol PCII, 32-bit, 3.3/5V (Type 9-V)</p>	<p>Primary drawer - slots 10, 14, 3, 13, 4, 12, 11, 5, 9, 1, 2</p> <p>Secondary drawer - slots 1, 5, 10, 11, 3, 6, 12, 4, 7, 13, 8, 14, 9, 2</p>	<p>9 per drawer</p> <p>18 per system</p>	<p>18 per system</p>	<p>18 per system</p>
<p>FC 2986: 10/100 Mbps PCI Fast Etherlink XL (Type *)</p>	<p>Primary drawer - slots 10, 14, 3, 13, 4, 12, 11, 5, 9, 1, 2</p> <p>Secondary drawer - slots 1, 5, 10, 11, 3, 6, 12, 4, 7, 13, 8, 14, 9, 2</p>	<p>4 per drawer</p> <p>12 per system</p> <p>See note 6 on page 12.</p>	<p>4 per drawer</p> <p>12 per system</p> <p>See note 6 on page 12.</p>	<p>4 per drawer</p> <p>12 per system</p> <p>See note 6 on page 12.</p>
<p>FC 2979: PCI Auto LANstreamer Token Ring (Type 8-T)</p>	<p>Primary drawer - slots 10, 14, 3, 13, 4, 12, 11, 5, 9, 1, 2</p> <p>Secondary drawer - slots 1, 5, 10, 11, 3, 6, 12, 4, 7, 13, 8, 14, 9, 2</p>	<p>24 per system</p>	<p>24 per system</p>	<p>24 per system</p>
<p>FC 2985: Ethernet 10base2 PCI (Type 8-Y)</p> <p>See note 7 on page 12.</p>	<p>Primary drawer - slots 10, 14, 3, 13, 4, 12, 11, 5, 9, 1, 2</p> <p>Secondary drawer - slots 1, 5, 10, 11, 3, 6, 12, 4, 7, 13, 8, 14, 9, 2</p>	<p>24 per system</p>	<p>24 per system</p>	<p>24 per system</p>

Table 1. Models S70, S7A, and S80 (continued)

Adapter	Slot Usage	S70 Max	S7A Max	S80 Max
FC 4960: IBM Cryptographic Accelerator, 32-bit, 3.3/5V (Type 6-J)	Primary drawer - slots 10, 14, 3, 13, 4, 12, 11, 5, 9, 1, 2	Not Supported	Not Supported	8 per system
	Secondary drawer - slots 1, 5, 10, 11, 3, 6, 12, 4, 7, 13, 8, 14, 9, 2			4 per drawer 4 per drawer
FC 2987: Ethernet 10base5 PCI (Type 8-Z)	Primary drawer - slots 10, 14, 3, 13, 4, 12, 11, 5, 9, 1, 2	24 per system	24 per system	24 per system
	Secondary drawer - slots 1, 5, 10, 11, 3, 6, 12, 4, 7, 13, 8, 14, 9, 2			

**Notes:**

- The use of the FC 6215: PCI SSA Multi-Initiator/RAID EL (Type 4-N) in the S70 I/O drawer limits the system usage to a 28°C (82°F) environment maximum.  
If installing a FC 6215: PCI SSA Multi-Initiator/RAID EL (Type 4-N) adapter, remove the screws from the blue plastic adapter guide and remove the guide before you install it in your S70 (save the guide and screws if you plan to install this adapter in a different system later).  
For maximum system performance, use a maximum of 16 adapters per system. Use 1 adapter per bus and 4 adapters per drawer.
- Remove handle from the FC 6215: PCI SSA Multi-Initiator/RAID EL (Type 4-N) adapter before installation.
- The manufacturer strongly recommends you locate the FC 2838: POWER GXT120P (Type 1-P) and FC 2830: POWER GXT130P (Type 1-T) adapters in the primary I/O drawer. This placement provides you with the maximum amount of diagnostic feedback if your system encounters errors. *Do not* use the FC 2830: POWER GXT130P (Type 1-T) in I/O drawers 3 or 4.
- When using a non-Ultra2/LVD SCSI adapter, use a maximum of 40 storage adapters per system and 10 storage adapters per I/O drawer. See “Performance Limits” on page 13 for more performance-related system information.
- Contact your marketing representative for information about this adapter. For performance-related information, see “Performance Limits” on page 13.
- See “Performance Limits” on page 13 for more performance-related system information.
- For optimum system performance, the FC 2968: 10/100 Mbps Ethernet Tx PCI (Type 9-P ) adapter or FC 2986: 10/100 Mbps PCI Fast Etherlink XL (Type \*) adapters are recommended instead of this adapter.
- For optimum system performance, models S70, S7A and S80 support any combination of the following adapters, but the maximum combination varies according to your system. See “Performance Limits” on page 13 for more information.
  - 155 TURBOWAYS ATM PCI MMF, when used in LAN emulation (LANE) mode
  - 155 TURBOWAYS ATM PCI UTP, when used in LAN emulation (LANE) mode
  - 10/100 Mbps Ethernet PCI, when used in 100 Mbps mode
- See “Performance Limits” on page 13 for performance-related information. Because only three adapters are recommended per bus, limit placement to 11 adapters per drawer for optimum performance.
- For optimum system performance, install a maximum of two FC 6205: PCI Dual Channel Ultra2 SCSI (Type 4-R) and/or FC 6203: Dual-Channel Ultra3 SCSI, 32/64-bit, 3.3/5V (Type 4-Y) adapters per bus, 7 per drawer and 26 per system.
- Do not install the following adapters in the slot to the right (looking from the rear) of the FC 2751: S/390 ESCON Channel, 32-bit, 5V, (Type 5-5) adapter.
  - FC 2988: TURBOWAYS 155 PCI MMF ATM (Type 9-F)
  - FC 2968: 10/100 Mbps Ethernet Tx PCI (Type 9-P )

- FC 2733: Serial HIPPI, Long-Wave Optics (Type 9-W)
12. Do not install more than a combination of six FC 6310: IBM ARTIC960 RxD Quad Digital Trunk PCI, 32-bit, 3.3/5V (Type 6-E)s and FC 6311: IBM ARTIC960 RxF PCI, 32-bit, 3.3/5V (Type 6-G)s in this system.
  13. This placement is for connectivity, and not all adapters will run at rated throughput. There are certain applications where it is advantageous to have one LAN adapter per processor. This placement supports a 24 way with this configuration.
  14. For optimum performance using the FC 4961: 10/100 4-Port Ethernet, 32/64-bit, 3.3/5V (Type A-E) adapter, use only two ports per adapter, two adapters per I/O drawer, and eight per system. Install the adapters on separate PCI buses.
  15. FC 6228: 2 Gigabit Fibre Channel Adapter for 32/64-bit, 3.3/5V PCI Bus (Type 4-W) will operate in 32-bit slots, but at a decrease in performance.
  16. Use of one FC 6227: Gigabit Fibre Channel PCI (Type 4-S) or FC 6228: 2 Gigabit Fibre Channel Adapter for 32/64-bit, 3.3/5V PCI Bus (Type 4-W) per bus is recommended. More than one of these adapters can be installed per bus, but system performance may not be increased by adding additional adapters to a bus.
  17. Because of potential thermal problems, only one of the following adapters can be installed in either slot 9 or 10:
    - FC 6215: PCI SSA Multi-Initiator/RAID EL (Type 4-N)
    - FC 6225: Advanced SSA SerialRAID (Type 4-P)
    - FC 6230: Advanced SerialRAID Plus, 32-bit, 3.3/5V (Type 4-P)

---

## Performance Limits

This section contains system maximum suggestions for certain adapters. Apply these suggestions for optimum system performance and use the table above for specific slot-plugging guidelines. For more performance-related information, see “System Performance” on page 1.

The quantity of installed processors affects the performance of installed adapters. The table below provides some guidelines that compare performance characteristics of certain adapters. These performance characteristics vary according to the number of installed processors in a system.

The following table provides adapter maximum information for running up to 12 processors (12-way) in the Models S70, S7A, and S80 systems. It also provides adapter maximum information for running up to 24 processors (24-way) in the S80 system only.

*Table 2. Models S70, S7A, and S80 Performance Limits*

Adapter	S70 Max 12 Way 125 MHz	S7A Max 12 Way 262 MHz	S80Max 12 Way 450 MHz	S80 Max 24 Way 450 MHz
FC 2969: Gigabit Ethernet Fibre, 1000BaseT, 64-bit, 3.3/5V (Type 9-U) MTU 1500 MTU 9000 (Jumbo) See note 3 on page 14.	Not Tested	2	6	8
	Not Tested	4	7	8
			See note 1 on page 14.	See note 1 on page 14.
FC 2975: Gigabit Ethernet (UTP) 1000BaseT, 64-bit, 3.3/5V (Type A-A) MTU 1500 MTU 9000 (Jumbo)	Not Tested	2	6	8
	Not Tested	4	7	8



Table 2. Models S70, S7A, and S80 Performance Limits (continued)

Adapter	S70 Max 12 Way 125 MHz	S7A Max 12 Way 262 MHz	S80Max 12 Way 450 MHz	S80 Max 24 Way 450 MHz
See note 3.			See note 1.	See note 1.
FC 2968: 10/100 Mbps Ethernet Tx PCI (Type 9-P )				
10 Mbs FDX	26	26	26	26
100 Mbs FDX	5	10	15	22
See note 3.				
TURBOWAYS 155 PCI MMF/UTP ATM				
MTU 1500	5	10	15	18
MTU 9180	10	14	22	26
See note 3.				
FDDI SK-NET	6	12	20	26
See notes 2 and 3.				
FC 2946: PCI TURBOWAYS 622 PCI MMF ATM, 64-bit, 3.3/5V (Type A-B)				
MTU 1500	Not tested	8	16	16
MTU 9180	Not tested	4	8	8
			See note 4.	See note 4.

**Notes:**

- For maximum performance, install only two FC 2969: Gigabit Ethernet Fibre, 1000BaseT, 64-bit, 3.3/5V (Type 9-U) or two FC 2975: Gigabit Ethernet (UTP) 1000BaseT, 64-bit, 3.3/5V (Type A-A) adapters (or one of each) per I/O drawer, 1 per bus.
- This includes the following adapters:
  - FC 2743: SysKonnnect SK-NET FDDI-UP SAS PCI (Type \*)
  - FC 2742: SysKonnnect SK-NET FDDI-LP DAS PCI, 32-bit, 3.3/5V (Type \*)
  - FC 2741: SysKonnnect SK-NET FDDI-LP SAS PCI, 32-bit, 3.3/5V (Type \*)
- For maximum performance, limit these adapters to 8 per drawer, 2 per bus.\
- For best performance, limit FC 2946: PCI TURBOWAYS 622 PCI MMF ATM, 64-bit, 3.3/5V (Type A-B) to 4 adapters per I/O drawer, and 1 adapter per PCI bus.

---

**Models S70, S7A, and S80 Configuration Details**

- The recommended location for the boot device (SCSI or Network) and graphics adapter is within the primary I/O drawer (Drawer 0). This configuration provides service personnel with the maximum amount of diagnostic information if your system encounters errors in the boot sequence.
- Consider placing the AIX rootvg volume group in the primary I/O drawer. This allows AIX to boot if other I/O drawers are found offline during boot.
- The default Boot Drive is in the center disk bay's lowest slot in the S70. In the S7A and S80, the default Boot Drive is also in the center disk's bay's lowest slot if only one backplane is installed. If two backplanes are installed in the S7A and S80, the default Boot Drive resides in the lowest slot in the right-hand bay.

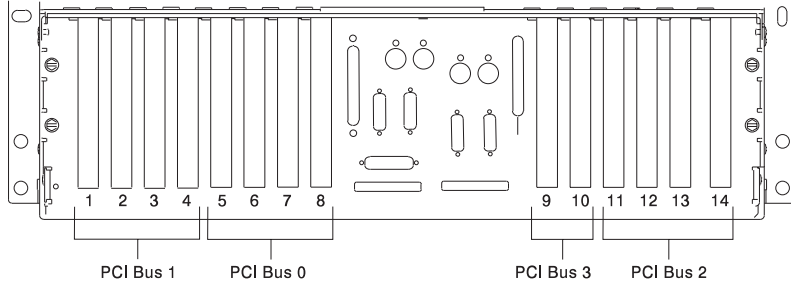


- SCSI-2 disk bays in an I/O drawer are connected and driven by a single SCSI adapter, installed in **slot 9** or **slot 13**. Ultra SCSI disk bays (in S7A and S80) are driven by separate Ultra SCSI adapters. Slot 13 drives the center bay, and slot 6 drives the right-hand bay (if present). These adapters are optional on secondary I/O drawers.
- SCSI-2 media bays in the i/o drawers are driven by a single SCSI adapter in either **slot 2** or **slot 7** depending on manufacture date of the system. Systems manufactured before November 1998 will have this adapter in **slot 2**, all others in **slot 7**. Ultra systems have the media bay driven from **slot 7**. This adapter is optional on secondary I/O drawers.
- The Service Processor must occupy **slot 8** of the primary I/O drawer.
- The FC 2493: PCI SCSI-2 Fast/Wide RAID (Type 4-H) adapter installed in the primary SCSI I/O drawer can only be connected to external devices. The SCSI RAID Adapter installed in secondary I/O drawers can be connected to internal disk bays.
- When possible, place the FC 6215: PCI SSA Multi-Initiator/RAID EL (Type 4-N), the FC 6225: Advanced SSA SerialRAID (Type 4-P) , the FC 6230: Advanced SerialRAID Plus, 32-bit, 3.3/5V (Type 4-P), and the FC 2493: PCI SCSI-2 Fast/Wide RAID (Type 4-H) on their own buses.
- Maximum limitations exist on adapters and devices that are specific to the adapter or device and are not interaction limits with others. This information can be found in the product sales manual.
- I/O slot 9 does not support any long PCI adapter with backside components.



## Chapter 3. pSeries 680 Model S85

These systems are designed for service representatives to install adapters. Use this guide to determine if there are specific slot requirements for adapters that your service representative may be installing.



### I/O Drawer Rear View with 14 Slots and 4 PCI Buses

**Note:** Each drawer has four PCI buses per drawer: Slots 1-4 (PCI Bus 1), 5-8 (PCI Bus 0), 9-10 (PCI Bus 3), 11-14 (PCI Bus 2). Slots 1, 5, 9, 10 and 14 are 64-bit slots. Remaining slots are 32-bit. The 32-bit adapters also function in the 64-bit slots. Each bus is considered a primary bus. All slots are 33 MHz.

Some adapters must be placed in specific I/O drawer slots to function correctly and to achieve optimum performance.

Many of the following notes refer to optimizing system performance. Read “System Performance” on page 1 for more performance-related information.

The following table shows the slot-plugging guidelines for pSeries 680 Model S85 systems.

If two different adapters can be placed in the same slot, the highest priority adapter starts at the top of the table. The list of slot numbers represent the order that the slots should be used in a drawer.

For complete system placement, the first slot for a group of adapters is selected in the first drawer, and then the first slot is selected in the next drawer. After the first slot selection has been used for each drawer, the second slot in the list is used. This also rotates through the available drawers. If a card has already been placed in a slot, the slot is not available for future adapter placement.

If a table row lists more than one adapter, the adapters may be mixed, but the total number of adapters in the combination cannot exceed the number stated in the Maximum column.

The primary drawer referenced in the following table is the I/O drawer that has a service processor card installed in slot 8. Secondary drawers are additional I/O drawers that may be added to a pSeries 680 Model S85 configuration. Secondary drawers do not have a service processor installed.

Table 3. pSeries 680 Model S85

Adapter	Slot Usage	Max
FC 6326: Service Processor	Primary drawer slot 8	1 per system
FC 8396: SP System Attachment, 32-bit, 5V, 2-slot (Type 6-F)  FC 8397: SP System Attachment, 64-bit, 3.3/5V, 2-slot  See Chapter 32, "9076 RS/6000 SP Systems," on page 211.	Primary drawer slot 10; slots 9 and 11 must be empty	1 per system
FC 2751: S/390 ESCON Channel, 32-bit, 5V, (Type 5-5)	Primary drawer slots 14, 10  Secondary drawer slots 14, 10  FC 2751: S/390 ESCON Channel, 32-bit, 5V, (Type 5-5) adapters can only be installed in the primary I/O drawer and the secondary I/O drawer that are cabled in the same RIO loop.  See note 9 on page 22.	4 per system
FC 6206: Single-Ended Ultra SCSI Adapter, 32-bit, 5V (Type 4-K)  Slot 7 is SCSI Media, slots 13 and 6 are SCSI drive.	Primary drawer - slot 7, 13, 6  Secondary drawer - slot 8 (As required)  See note 14 on page 23.	3 per drawer
FC 6227: Gigabit Fibre Channel PCI (Type 4-S)  See note 4 on page 22.  This adapter may already be installed in the system in slots 4 and/or 9, which is acceptable. However, to optimize system performance, place this adapter into the drawer slots listed.	Primary drawer - slots 14, 10, 1  Secondary drawer - slots 1, 5, 10, 14	15 per system 4 per I/O drawer  See note 19 on page 23.
FC 2946: PCI TURBOWAYS 622 PCI MMF ATM, 64-bit, 3.3/5V (Type A-B)	Primary drawer - slots 10, 14, 1, 9  Secondary drawer - slots 1, 5, 9, 14, 10, 2, 6, 11, 3, 7, 12, 4, 8, 13	19 per system, max of 4 in primary and 5 in secondary drawers  See "Performance Limits" on page 24.

Table 3. pSeries 680 Model S85 (continued)

Adapter	Slot Usage	Max
<p>FC 6228: 2 Gigabit Fibre Channel Adapter for 32/64-bit, 3.3/5V PCI Bus (Type 4-W)</p> <p>This adapter may already be installed in the system in slots 4 and/or 9, which is acceptable. However, to optimize system performance, place this adapter into the drawer slots listed.</p>	<p>Primary drawer - slots 14, 10, 1</p> <p>Secondary drawer - slots 1, 5, 10, 14</p> <p>See note 18 on page 23.</p>	<p>15 per system, 4 per I/O drawer</p> <p>See note 19 on page 23.</p>
<p>FC 6230: Advanced SerialRAID Plus, 32-bit, 3.3/5V (Type 4-P)</p> <p>See note 1 on page 22.</p> <p>FC 6230+6231: 4 Port SSA 40 w/128MB DIMM</p>	<p>Primary drawer - slots 3, 14, 10, 12, 1, 9</p> <p>See note 20 on page 23.</p> <p>Secondary drawer - slots 1, 5, 10, 14, 3, 7, 12</p>	<p>26 per system</p>
<p>FC 6205: PCI Dual Channel Ultra2 SCSI (Type 4-R)</p> <p>FC 6203: Dual-Channel Ultra3 SCSI, 32/64-bit, 3.3/5V (Type 4-Y)</p>	<p>Primary drawer slots - 3, 14, 10, 12, 1, 9</p> <p>Secondary drawer slots - 1, 5, 10, 14, 3, 7, 12, 9</p>	<p>26 per system, 11 per drawer</p> <p>See note 10 on page 22.</p>
<p>FC 4961: 10/100 4-Port Ethernet, 32/64-bit, 3.3/5V (Type A-E)</p>	<p>Primary drawer slots - 3, 10, 1, 9, 4, 2</p> <p>Secondary drawer slots - 1, 5, 10, 3, 7, 9, 4</p>	<p>19 per system</p> <p>See note 17 on page 23.</p>
<p>FC 2830: POWER GXT130P (Type 1-T)</p> <p>See note 2 on page 22</p> <p>FC 2849: POWER GXT135P Graphics Accelerator, 32-bit, 3.3/5V (Type 2849)</p>	<p>Primary drawer - slots 1, 4, 2, 3</p>	<p>1 per system</p>
<p>FC 5707: 2-Port Gigabit Ethernet-SX PCI-X, 32/64-bit, 3.3/5V (Type 5707)</p> <p>FC 5706: 2-Port 10/100/1000 Base-TX Ethernet PCI-X, 32/64-bit, 3.3/5V (Type 5706)</p>	<p>Primary 9, 1, 10, 14</p> <p>Secondary 9, 1, 5, 10, 14</p>	<p>20 per system, 5 per I/O drawer.</p>

Table 3. pSeries 680 Model S85 (continued)

Adapter	Slot Usage	Max
<p>FC 2969: Gigabit Ethernet Fibre, 1000BaseT, 64-bit, 3.3/5V (Type 9-U)</p> <p>This adapter may already be installed in the system in slots 11 and/or 13, which is <i>not</i> acceptable and severely impacts system performance. To optimize system performance, place this adapter into the drawer slots listed.</p>	<p>Primary drawer slots - 10, 1, 9, 3, 4, 2</p> <p>Secondary drawer slots - 1, 5, 10, 9, 3, 7</p>	<p>24 per system</p> <p>See note 16 on page 23 and "Performance Limits" on page 24.</p>
<p>FC 2975: Gigabit Ethernet (UTP) 1000BaseT, 64-bit, 3.3/5V (Type A-A)</p> <p>This adapter may already be installed in the system in slots 11 and/or 13, which is <i>not</i> acceptable and severely impacts system performance. To optimize system performance, place this adapter into the drawer slots listed.</p>	<p>Primary drawer slots - 10, 1, 9, 3, 4, 2</p> <p>Secondary drawer slots - 1, 5, 10, 9, 3, 7</p>	<p>24 per system</p> <p>See note 16 on page 23 and "Performance Limits" on page 24.</p>
<p>FC 5700: Gigabit Ethernet, 1000 Base-SX, 32/64-bit, 3.3/5V</p>	<p>Primary drawer - slots 10, 1, 9, 3, 4, 2</p> <p>Secondary drawer - slots 1,5,10,9,3,7, 13, 4, 2</p>	<p>24 per system, 6 per drawer</p>
<p>FC 5701: 10/100/1000 Base-TX Ethernet, 32/64-bit, 3.3/5V</p>	<p>Primary drawer - slots 10, 1, 9, 3, 4, 2</p> <p>Secondary drawer - slots 1,5,10,9,3,7, 13, 4, 2</p>	<p>24 per system, 6 per drawer</p>
<p>FC 2963: TURBOWAYS 155 PCI UTP ATM (Type 9-J)</p> <p>FC 2988: TURBOWAYS 155 PCI MMF ATM (Type 9-F)</p> <p>FC 4953: 64-bit/66MHz PCI ATM 155 UTP, 3.3/5V (Type A-C)</p> <p>FC 4957: 64-bit/66MHz PCI ATM 155 MMF, 3.3/5V (Type A-D)</p> <p>See note 7 on page 22</p>	<p>Primary drawer - slots 2, 4, 9, 11, 13, 3, 10, 12, 6, 1, 5, 7</p> <p>Secondary drawer - slots 2, 4, 6, 8, 9, 11, 13, 3, 7, 10, 12, 14, 1, 5</p> <p>See note 9 on page 22.</p>	<p>26 per system, 11 per drawer</p> <p>See note 5 on page 22.</p>

Table 3. pSeries 680 Model S85 (continued)

Adapter	Slot Usage	Max
<p>FC 2968: 10/100 Mbps Ethernet Tx PCI (Type 9-P)</p> <p>FC 4962: Ethernet/LAN Encryption 10/100BaseT, 32-bit, 3.3/5V (Type A-F)</p> <p>See note 7 on page 22.</p>	<p>Primary drawer - slots 2, 4, 9, 11, 13, 3, 10, 12, 6, 1, 5, 7</p> <p>Secondary drawer - slots 2, 4, 6, 8, 9, 11, 13, 3, 7, 10, 12, 14, 1, 5</p> <p>See note 9 on page 22.</p>	<p>26 per system, 11 per drawer</p> <p>See note 5 on page 22.</p>
<p>FC 4959: High-Speed Token Ring PCI, 32-bit, 3.3/5V (Type 9-Y)</p>	<p>Primary drawer - slots 2, 4, 9, 11, 13, 3, 10, 12, 6, 1, 5, 7</p> <p>Secondary drawer - slots 2, 4, 6, 8, 9, 11, 13, 3, 7, 10, 12, 14, 1, 5</p>	<p>26 per system</p>
<p>FC 2743: SysKonnnect SK-NET FDDI-UP SAS PCI (Type *)</p> <p>FC 2742: SysKonnnect SK-NET FDDI-LP DAS PCI, 32-bit, 3.3/5V (Type *)</p> <p>FC 2741: SysKonnnect SK-NET FDDI-LP SAS PCI, 32-bit, 3.3/5V (Type *)</p>	<p>Primary drawer - slots 2, 4, 9, 11, 13, 3, 10, 12, 6, 1, 5, 7</p> <p>Secondary drawer - slots 2, 4, 6, 8, 9, 11, 13, 3, 7, 10, 12, 14, 1, 5</p>	<p>26 per system</p> <p>See note 5 on page 22.</p>
<p>FC 2947: IBM ARTIC960Hx 4-Port Selectable PCI (Type 9-R)</p>	<p>Primary drawer - slots 1, 3, 5, 10, 12, 14, 7</p> <p>Secondary drawer - slots 1, 3, 5, 7, 10, 12, 14</p>	<p>14 per system</p>
<p>FC 2943: 8-Port Asynchronous EIA-232E/RS-422A PCI, 32-bit, 3.3/5V (Type 3-B)</p>	<p>Primary drawer - slots 1, 3, 4, 11, 12, 13, 14, 10, 5, 9, 7</p> <p>Secondary drawer - slots 1, 5, 10, 11, 3, 6, 12, 14, 2, 9, 13, 4, 7</p>	<p>16 per system</p>
<p>FC 2944: 128-Port Async Controller PCI, 32-bit, 3.3/5V (Type 3-C)</p>	<p>Primary drawer - slots 1, 3, 4, 11, 12, 13, 14, 10, 5, 9, 7</p> <p>Secondary drawer - slots 1, 5, 10, 11, 3, 6, 12, 14, 2, 9, 13, 4, 7</p>	<p>32 per system</p>
<p>FC 6206: Single-Ended Ultra SCSI Adapter, 32-bit, 5V (Type 4-K)</p>	<p>Primary drawer - slots 1, 10, 14, 3, 9, 4, 12, 11, 5, 6, 2, 7</p> <p>Secondary drawer - slots 9, 2, 1, 5, 10, 11, 3, 6, 12, 4, 7, 13, 8, 14</p>	<p>40 per system</p> <p>See note 3 on page 22.</p>
<p>FC 6204: PCI Universal Differential Ultra SCSI, 32-bit, 3.3/5V (Type 4-U)</p>	<p>Primary drawer - slots 1, 10, 14, 3, 13, 4, 12, 11, 5, 6, 9, 2, 7</p> <p>Secondary drawer - slots 1, 5, 10, 11, 3, 6, 12, 4, 7, 13, 8, 14, 9, 2</p>	<p>40 per system</p> <p>See note 3 on page 22.</p>

Table 3. pSeries 680 Model S85 (continued)

Adapter	Slot Usage	Max
FC 2962: 2-Port Multiprotocol PCII, 32-bit, 3.3/5V (Type 9-V)	Primary drawer - slots 10, 14, 3, 13, 4, 12, 11, 5, 9, 1, 2, 7 Secondary drawer - slots 1, 5, 10, 11, 3, 6, 12, 4, 7, 13, 8, 14, 9, 2	18 per system 9 per drawer
FC 2985: Ethernet 10base2 PCI (Type 8-Y)  See note 6.	Primary drawer - slots 10, 14, 3, 13, 4, 12, 11, 5, 9, 1, 2 Secondary drawer - slots 1, 5, 10, 11, 3, 6, 12, 4, 7, 13, 8, 14, 9, 2	24 per system
FC 4960: IBM Cryptographic Accelerator, 32-bit, 3.3/5V (Type 6-J)	Primary drawer - slots 10, 14, 3, 13, 4, 12, 11, 5, 9, 1, 2 Secondary drawer - slots 1, 5, 10, 11, 3, 6, 12, 4, 7, 13, 8, 14, 9, 2	8 per system 4 per drawer

**Notes:**

1. Remove the handle from your SSA adapter after you have installed it.
2. The manufacturer strongly recommends you locate FC 2830: POWER GXT130P (Type 1-T) in the primary I/O drawer. This placement provides you with the maximum amount of diagnostic feedback if your system encounters errors. *Do not* use the FC 2830: POWER GXT130P (Type 1-T) in I/O drawers 3 or 4.
3. When using a non-Ultra2/LVD SCSI adapter, use a maximum of 40 storage adapters per system and 10 storage adapters per I/O drawer. See “Performance Limits” on page 24 for more performance-related system information.
4. Contact your marketing representative for information about this adapter. For performance-related information, see “Performance Limits” on page 24.
5. See “Performance Limits” on page 24 for more performance-related system information.
6. For optimum system performance, the FC 2968: 10/100 Mbps Ethernet Tx PCI (Type 9-P ) adapter is recommended instead of this adapter.
7. For optimum system performance, this model supports any combination of the following adapters, but the maximum combination varies according to your system. See “Performance Limits” on page 24 for more information.
  - 155 TURBOWAYS ATM PCI MMF, when used in LAN emulation (LANE) mode
  - 155 TURBOWAYS ATM PCI UTP, when used in LAN emulation (LANE) mode
  - 10/100 Mbps Ethernet PCI, when used in 100 Mbps mode
8. See “Performance Limits” on page 24 for performance-related information. Because only three adapters are recommended per bus, limit placement to 11 adapters per drawer for optimum performance.
9. Do not install the following adapters in the slot to the right (looking from the rear) of the FC 2751: S/390 ESCON Channel, 32-bit, 5V, (Type 5-5) adapter:
  - FC 2988: TURBOWAYS 155 PCI MMF ATM (Type 9-F)
  - FC 2968: 10/100 Mbps Ethernet Tx PCI (Type 9-P )
  - FC 4962: Ethernet/LAN Encryption 10/100BaseT, 32-bit, 3.3/5V (Type A-F)
10. For optimum system performance, install a maximum of two FC 6205: PCI Dual Channel Ultra2 SCSI (Type 4-R) and/or FC 6203: Dual-Channel Ultra3 SCSI, 32/64-bit, 3.3/5V (Type 4-Y) adapters per bus, 7 per drawer and 26 per system.
11. Install a maximum of three adapters per primary I/O drawer and four adapters per secondary I/O drawer in this system.



12. If there is more than one FC 6310: IBM ARTIC960 RxD Quad Digital Trunk PCI, 32-bit, 3.3/5V (Type 6-E), there must be a second I/O Drawer, and the adapter must be placed in slots 1-4 (1-8 with an 8 drop cable) of that drawer.
13. Because of the local bus cable, FC 6310: IBM ARTIC960 RxD Quad Digital Trunk PCI, 32-bit, 3.3/5V (Type 6-E) must be within range of a cable that can reach four adjacent slots.
14. If there are insufficient FC 6206: Single-Ended Ultra SCSI Adapter, 32-bit, 5V (Type 4-K) adapters to connect all the internal Media/DASD, then any FC 6206 adapters should be used first for media.
15. If there is no other single-ended SCSI adapters other than FC 6205: PCI Dual Channel Ultra2 SCSI (Type 4-R), it is assumed the customer intent is to use FC 6205 to save slots on the internal Media/DASD. FC 6205 plugs into slot 13 when used for this purpose, but this practice is no longer recommended. The rules for 7/drawer and 26/system for FC 6205 are not altered by this use.
16. This placement is for connectivity, and not all adapters will run at rated throughput. In certain applications, it is advantageous to have one LAN adapter per processor. This placement supports a 24-way with this configuration.
17. For optimum system performance, do not use more than 2 of the 4 ports on the FC 4961: 10/100 4-Port Ethernet, 32/64-bit, 3.3/5V (Type A-E). Limit adapter placement to two per I/O drawer on separate PCI buses, and a total of 8 per system.
18. FC 6228: 2 Gigabit Fibre Channel Adapter for 32/64-bit, 3.3/5V PCI Bus (Type 4-W) will operate in 32-bit slots, but at a decrease in performance.
19. Use of one FC 6227: Gigabit Fibre Channel PCI (Type 4-S) or FC 6228: 2 Gigabit Fibre Channel Adapter for 32/64-bit, 3.3/5V PCI Bus (Type 4-W) per bus is recommended. More than one of these adapters can be installed per bus, but system performance may not be increased by installing additional adapters to a bus.
20. Because of potential thermal problems, FC 6230: Advanced SerialRAID Plus, 32-bit, 3.3/5V (Type 4-P) can be installed in either slot 9 or 10 (not both).
21. For optimum system performance, the combined maximum of high-performance adapters should not exceed the maximums listed for FC 5706: 2-Port 10/100/1000 Base-TX Ethernet PCI-X, 32/64-bit, 3.3/5V (Type 5706) or FC 5707: 2-Port Gigabit Ethernet-SX PCI-X, 32/64-bit, 3.3/5V (Type 5707) if either of these adapters is installed in the system. For a list of high-performance adapters, see Appendix B, "High-Performance Adapters," on page 229.

## Performance Limits

This section contains system maximum suggestions for certain adapters. Apply these suggestions for optimum system performance and use the table above for specific slot-plugging guidelines. For more performance-related information, see “System Performance” on page 1.

The quantity of installed processors affects the performance of installed adapters. The table below provides some guidelines that compare performance characteristics of certain adapters. These performance characteristics vary according to the number of installed processors in a system.

The following table provides adapter maximum information for running up to 24 processors (24-way) in the pSeries 680 Model S85 system.

Table 4. pSeries 680 Model S85 Performance Limits

Adapter	S85 Max 12 Way 600 MHz	S85 Max 24 Way 600 MHz
FC 2969: Gigabit Ethernet Fibre, 1000BaseT, 64-bit, 3.3/5V (Type 9-U)		
MTU 1500	6	8
MTU 9000 (Jumbo)	7	8
See note 3 on page 25.	See note 1.	See note 1.
FC 2975: Gigabit Ethernet (UTP) 1000BaseT, 64-bit, 3.3/5V (Type A-A)		
MTU 1500	6	8
MTU 9000 (Jumbo)	7	8
See note 3 on page 25.	See note 1.	See note 1.
FC 2968: 10/100 Mbps Ethernet Tx PCI (Type 9-P )		
10 Mbs FDX	26	26
100 Mbs FDX	15	22
See note 3 on page 25.		
TURBOWAYS 155 PCI MMF/UTP ATM		
MTU 1500	15	18
MTU 9180	22	26
See note 3 on page 25.		
FDDI SK-NET	20	26
See notes 2 on page 25 and 3 on page 25.		
FC 2946: PCI TURBOWAYS 622 PCI MMF ATM, 64-bit, 3.3/5V (Type A-B)		
MTU 1500	8	16
MTU 9180	4	8
		See note4 on page 25.

### Notes:

- For maximum performance, install only two FC 2969: Gigabit Ethernet Fibre, 1000BaseT, 64-bit, 3.3/5V (Type 9-U) or two FC 2975: Gigabit Ethernet (UTP) 1000BaseT, 64-bit, 3.3/5V (Type A-A) adapters (or one of each) per I/O drawer, 1 per bus.

2. This includes the following adapters:
  - FC 2743: SysKonnnect SK-NET FDDI-UP SAS PCI (Type \*)
  - FC 2742: SysKonnnect SK-NET FDDI-LP DAS PCI, 32-bit, 3.3/5V (Type \*)
  - FC 2741: SysKonnnect SK-NET FDDI-LP SAS PCI, 32-bit, 3.3/5V (Type \*)
3. For maximum performance, limit these adapters to 8 per drawer, 2 per bus.
4. For optimum performance, limit FC 2946: PCI TURBOWAYS 622 PCI MMF ATM, 64-bit, 3.3/5V (Type A-B) to 4 per I/O drawer, one per PCI bus.

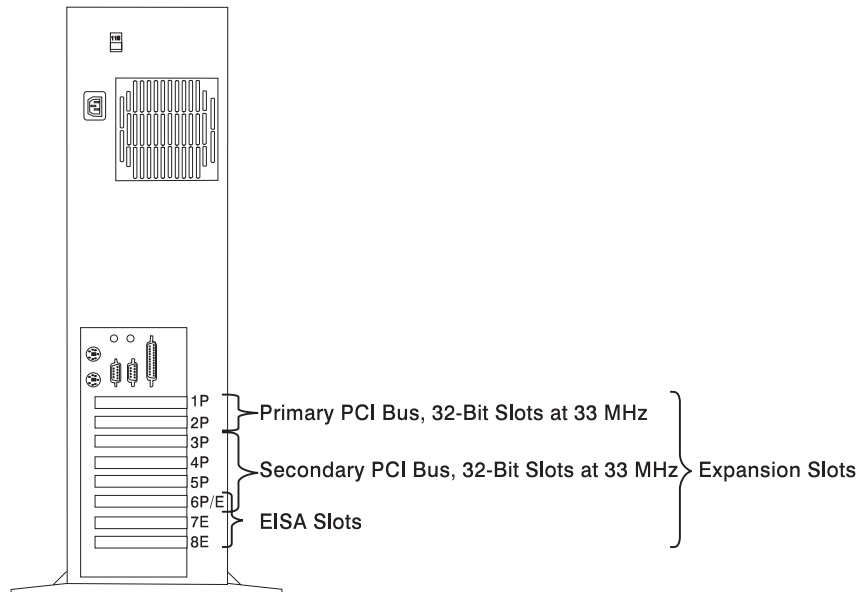
---

## pSeries 680 Model S85 Configuration Details

- The recommended location for the boot device (SCSI or Network) and graphics adapter is within the primary I/O drawer (Drawer 0). This configuration provides service personnel with the maximum amount of diagnostic information if your system encounters errors in the boot sequence.
- Consider placing the AIX rootvg volume group in the primary I/O drawer. This allows AIX to boot if other I/O drawers are found offline during boot.
- The default Boot Drive is in the lowest location in the center bay six-pack of the primary SCSI I/O drawer. Manufacturing installs the SCSI boot adapter in **slot 9**. If a boot source other than the internal SCSI disk is configured, the supporting SCSI adapter must also be in the primary I/O drawer.
- SCSI-2 disk bays in an I/O drawer are connected and driven by a single SCSI adapter, installed in **slot 9** or **slot 13**. Ultra SCSI disk bays can each be driven from separate Ultra SCSI adapters. In this configuration, slot 13 drives the default boot device and slot 6 drives the second Ultra SCSI disk bay. These adapters are optional on secondary I/O drawers.
- SCSI-2 Media bays in an I/O drawer are connected and driven by a single SCSI adapter, installed in **slot 2**. Ultra systems have the media bay driven from Slot 7. This adapter is optional on secondary I/O drawers.
- The Service Processor must occupy **slot 8** of the primary I/O drawer.
- The FC 2493: PCI SCSI-2 Fast/Wide RAID (Type 4-H) adapter installed in the primary SCSI I/O drawer can only be connected to external devices. The SCSI RAID Adapter installed in secondary I/O drawers can be connected to internal disk bays.
- When possible, place the FC 6230: Advanced SerialRAID Plus, 32-bit, 3.3/5V (Type 4-P) and the FC 2493: PCI SCSI-2 Fast/Wide RAID (Type 4-H) on their own buses.
- Maximum limitations exist on adapters and devices that are specific to the adapter or device and are not interaction limits with others. This information can be found in the product sales manual.
- I/O slot 9 does not support any long PCI adapter with backside components.

## Chapter 4. 7024 Models E20 and E30

Customers can install adapters on this system. Use this guide to determine specific adapter slot requirements.



### System Unit Rear View with Numbered Slots

You must place some adapters in specific system unit slots for them to function correctly and to achieve optimum performance. Use the table under “7024 Models E20 and E30 Adapter Placement Guide” to determine where to install an adapter in your 7024 Model E20 or E30.

Many of the following notes refer to optimizing system performance. Read “System Performance” on page 1 for more performance-related information.

If you are running AIX on your system unit, the 7024 Models E20 and E30 support configurations with 0, 1, or 2 graphics adapters for FC 2839: POWER GXT110P (Type \*), FC 2851: POWER GXT250P (Type 1-M), or FC 2657: S15 Graphics Adapter (Type \*). Windows NT (PowerPC Edition) only supports configurations with one graphics adapter.

Use the rear-view diagram above to identify slot locations described in the following table.

## 7024 Models E20 and E30 Adapter Placement Guide

Table 5. 7024 Models E20 and E30

Adapter	AIX	Windows NT
FC 2986: 10/100 Mbps PCI Fast Etherlink XL (Type *)	Slots 3P - 6P  See the notes following this table.	
FC 2839: POWER GXT110P (Type *)	Slots 1P - 2P  See the notes following this table.	Slots 1P - 2P

Table 5. 7024 Models E20 and E30 (continued)

Adapter	AIX	Windows NT
FC 2851: POWER GXT250P (Type 1-M)	Slots 1P - 5P, 6P/E  See the notes following this table.  Max. 4 per system	Slots 1P - 5P, 6P/E
FC 6215: PCI SSA Multi-Initiator/RAID EL (Type 4-N)	Slots 3P - 5P, 6P/E  Max. 3 per system.  See the notes following this table.	
FC 2657: S15 Graphics Adapter (Type *)	Slots 1P - 5P, 6P/E  See the notes following this table.	Slots 1P - 5P, 6P/E
FC 6218: PCI SSA 4-Port RAID (Type 4-J)	Slots 3P - 5P, 6P/E  Max. 3 per system.  See the notes following this table.	
FC 2988: TURBOWAYS 155 PCI MMF ATM (Type 9-F)	See the notes following this table.	
FC 2963: TURBOWAYS 155 PCI UTP ATM (Type 9-J)	See the notes following this table.	
FC 2968: 10/100 Mbps Ethernet Tx PCI (Type 9-P )	See the notes following this table.	
FC 2493: PCI SCSI-2 Fast/Wide RAID (Type 4-H)	See the notes following this table.	
FC 2742: SysKonnnect SK-NET FDDI-LP DAS PCI, 32-bit, 3.3/5V (Type *)	See the notes following this table.	
FC 2741: SysKonnnect SK-NET FDDI-LP SAS PCI, 32-bit, 3.3/5V (Type *)	See the notes following this table.	
FC 2743: SysKonnnect SK-NET FDDI-UP SAS PCI (Type *)	See the notes following this table.	

**Notes:**

1. AIX supports any combination of two FC 2839: POWER GXT110P (Type \*), FC 2851: POWER GXT250P (Type 1-M), or FC 2657: S15 Graphics Adapter (Type \*) on the 7024 Models E20 and E30. Follow the same slot guidelines outlined for single installations.
2. **Connectivity Notes:** For connectivity purposes, the 7024 Model E20 or E30 supports any combination of the following adapters, but that *combination* cannot exceed a total of four:
  - FC 2988: TURBOWAYS 155 PCI MMF ATM (Type 9-F)
  - FC 2963: TURBOWAYS 155 PCI UTP ATM (Type 9-J)
  - FC 2986: 10/100 Mbps PCI Fast Etherlink XL (Type \*)
  - FC 2968: 10/100 Mbps Ethernet Tx PCI (Type 9-P )
  - FC 2493: PCI SCSI-2 Fast/Wide RAID (Type 4-H)
  - FC 2742: SysKonnnect SK-NET FDDI-LP DAS PCI, 32-bit, 3.3/5V (Type \*)
  - FC 2741: SysKonnnect SK-NET FDDI-LP SAS PCI, 32-bit, 3.3/5V (Type \*)
  - FC 2743: SysKonnnect SK-NET FDDI-UP SAS PCI (Type \*)

**Performance Notes:** For optimum performance, follow the guidelines below.

Install a maximum of one of the following adapters in a Primary PCI slot of a 7024 Model E20 or E30:

- FC 2988: TURBOWAYS 155 PCI MMF ATM (Type 9-F)
- FC 2963: TURBOWAYS 155 PCI UTP ATM (Type 9-J)

Install a maximum of one of the following adapters in any PCI slot of a 7024 Model E20 or E30:

- FC 2986: 10/100 Mbps PCI Fast Etherlink XL (Type \*)
- FC 2968: 10/100 Mbps Ethernet Tx PCI (Type 9-P )
- FC 2742: SysKonnnect SK-NET FDDI-LP DAS PCI, 32-bit, 3.3/5V (Type \*)
- FC 2741: SysKonnnect SK-NET FDDI-LP SAS PCI, 32-bit, 3.3/5V (Type \*)
- FC 2743: SysKonnnect SK-NET FDDI-UP SAS PCI (Type \*)

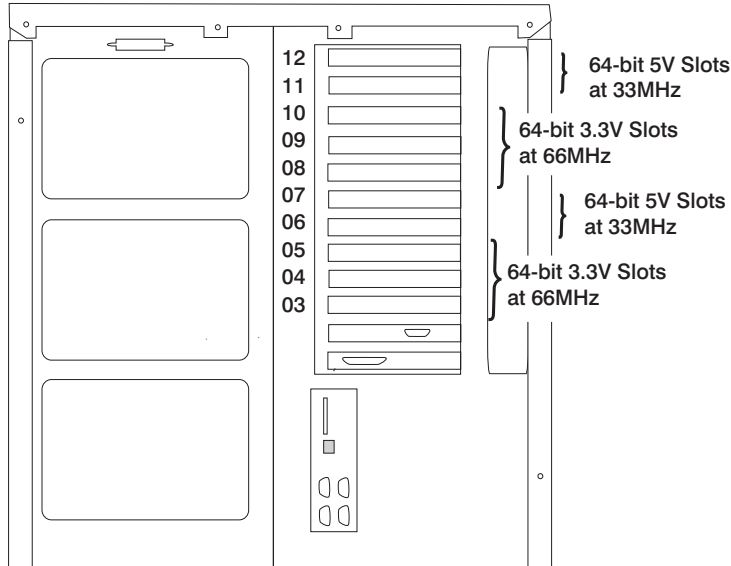
3. The 7024 Model E20 or E30 supports a maximum of three FC 6218: PCI SSA 4-Port RAID (Type 4-J) or three FC 6215: PCI SSA Multi-Initiator/RAID EL (Type 4-N) adapters. If you choose to install both of these adapters in your 7024 Model E20 or E30, the combined total for both adapters must not exceed three.



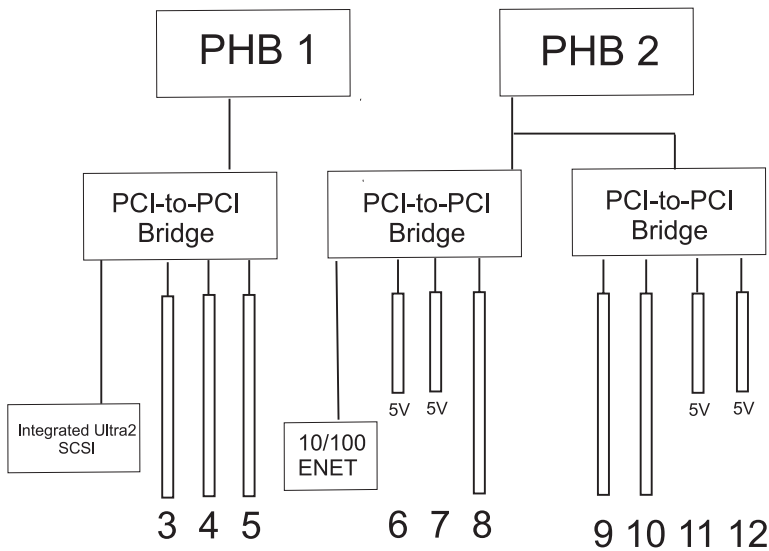


# Chapter 5. 7025 Model 6F0, 7025 Model 6F1 and 7025 Model F80

This system is designed for service representatives to install adapters. Use this guide to determine if there are specific slot requirements for adapters that your service representative may be installing.



**System Unit Rear View with Numbered Slots**



**Example of Slot Usage at PCI Host Bridge (PHB) Level**

The 7025 Model 6F0 or 7025 Model 6F1 can accommodate a maximum of 10 feature adapters based on the PCI bus. All slots are 64 bit with slots 6, 7, 11 and 12 supplying +5v and running at 33Mhz. The remaining slots are 3.3v slots capable of running at 66 Mhz. The slots are numbered 3-12 (C03-C12) starting from the bottom of the machine.

Adapter cards that require +5v supply to operate must be plugged into slots 6, 7, 11 or 12. Adapter cards requiring +3.3v supply must be plugged into slots 3, 4, 5, 8, 9, or 10. Adapter cards that are universal (that is, they run on either voltage) can be plugged into any of the 10 slots.

Some adapters must be placed in specific system unit slots to function correctly at optimum performance. Use the table under “7025 Model 6F0, 7025 Model 6F1 and 7025 Model F80” to determine where to install these adapters in your system.

Many of the following notes refer to optimizing system performance. Read “System Performance” on page 1 for more performance-related information.

Use the rear-view diagram above to identify slot locations described in the following tables.

## 7025 Model 6F0, 7025 Model 6F1 and 7025 Model F80

Use the following table to identify adapter slot location options for the following adapters in your system.

Table 6. 7025 Model 6F0, 7025 Model 6F1 and 7025 Model F80

Adapter	Slot Usage	System Maximum	Hot-Pluggable?
5V Adapters			
FC 2830: POWER GXT130P (Type 1-T)	6, 11, 7, 12	1	N
FC 2838: POWER GXT120P (Type 1-P)	6, 11, 7, 12 Supported only on F80 systems	1	N
FC 2708: ISDN Basic Rate PCI (Type 9-N)	6, 11, 7, 12 Supported only on F80 systems	1	Y
FC 2751: S/390 ESCON Channel, 32-bit, 5V, (Type 5-5)	6, 11, 7, 12	3	Y
FC 6207: PCI Differential Ultra SCSI (Type 4-L)	6, 7, 11, 12 Supported only on F80 systems	4	Y
FC 6206: Single-Ended Ultra SCSI Adapter, 32-bit, 5V (Type 4-K)	6, 11, 7, 12	4	Y
FC 2985: Ethernet 10base2 PCI (Type 8-Y)	6, 11, 7, 12	4	Y
FC 2987: Ethernet 10base5 PCI (Type 8-Z)	6, 11, 7, 12 Supported only on F80 and 6F1 systems	4	Y
High-Performance Adapters (for optimum system performance, a maximum of one high-performance adapter per PHB is recommended)			
FC 5707: 2-Port Gigabit Ethernet-SX PCI-X, 32/64-bit, 3.3/5V (Type 5707)	9, 8, 3, 4, 10, 5, 6, 11, 7, 12 Supported only on 6F0 and 6F1 systems	2 See note 4 on page 35.	Y
FC 5706: 2-Port 10/100/1000 Base-TX Ethernet PCI-X, 32/64-bit, 3.3/5V (Type 5706)	9, 8, 3, 4, 10, 5, 6, 11, 7, 12 Supported only on 6F0 and 6F1 systems	2 See note 4 on page 35.	Y
FC 5700: Gigabit Ethernet, 1000 Base-SX, 32/64-bit, 3.3/5V	9, 8, 3, 4, 10, 5, 6, 11, 7, 12 Supported only on 6F0 and 6F1 systems	6 See note 4 on page 35.	Y

Table 6. 7025 Model 6F0, 7025 Model 6F1 and 7025 Model F80 (continued)

Adapter	Slot Usage	System Maximum	Hot-Pluggable?
FC 5701: 10/100/1000 Base-TX Ethernet, 32/64-bit, 3.3/5V	9, 8, 3, 4, 10, 5, 6, 11, 7, 12 Supported only on 6F0 and 6F1 systems	6  See note 4 on page 35.	Y
FC 2969: Gigabit Ethernet Fibre, 1000BaseT, 64-bit, 3.3/5V (Type 9-U)	9, 8, 3, 4, 10, 5, 6, 11, 7, 12	6  See note 4 on page 35.	Y
FC 2975: Gigabit Ethernet (UTP) 1000BaseT, 64-bit, 3.3/5V (Type A-A)	9, 8, 3, 4, 10, 5, 6, 11, 7, 12	6  See note 4 on page 35.	Y
FC 6239: 2 Gigabit Fibre Channel Adapter, 32/64-bit, 3.3V (Type 5704)	9, 8, 3, 4, 10, 5, 6, 11, 7, 12 Supported only on 6F0 and 6F1 systems	6	Y
FC 6228: 2 Gigabit Fibre Channel Adapter for 32/64-bit, 3.3/5V PCI Bus (Type 4-W)	9, 8, 3, 4, 10, 5, 6, 11, 7, 12	6	Y
FC 6227: Gigabit Fibre Channel PCI (Type 4-S)	9, 8, 3, 4, 10, 5, 6, 11, 7, 12	6	Y
FC 2498: PCI 4-Channel Ultra3 SCSI RAID, 32/64-bit, 3.3/5V (Type 4-X)	9, 8, 3, 4, 10, 5, 6, 11, 7, 12	6	Y
FC 6207: PCI Differential Ultra SCSI (Type 4-L)	6, 11, 7, 12 Supported only on F80 systems	6	Y
FC 6203: Dual-Channel Ultra3 SCSI, 32/64-bit, 3.3/5V (Type 4-Y)	9, 8, 3, 4, 10, 5, 6, 11, 7, 12	6	Y
FC 2494: PCI 3-Channel Ultra2 SCSI RAID (Type 4-T)	9, 8, 3, 4, 10, 5, 6, 11, 7, 12	4	Y
FC 6205: PCI Dual Channel Ultra2 SCSI (Type 4-R)	9, 8, 3, 4, 10, 5, 6, 11, 7, 12	6	Y
FC 6230: Advanced SerialRAID Plus, 32-bit, 3.3/5V (Type 4-P)  FC 6235: Fast Write Cache Option for FC 6225 and FC 6230  FC 6230+6231: 4 Port SSA 40 w/128MB DIMM  FC 6225: Advanced SSA SerialRAID (Type 4-P) Supported only on F80 systems  FC 6215: PCI SSA Multi-Initiator/RAID EL (Type 4-N) Supported only on F80 systems	9, 8, 3, 4, 10, 5, 6, 11, 7, 12	6	Y

Table 6. 7025 Model 6F0, 7025 Model 6F1 and 7025 Model F80 (continued)

Adapter	Slot Usage	System Maximum	Hot-Pluggable?
FC 2946: PCI TURBOWAYS 622 PCI MMF ATM, 64-bit, 3.3/5V (Type A-B)	9, 8, 3, 4, 10, 5, 6, 11, 7, 12	4	Y
Medium-Performance Adapters			
FC 6310: IBM ARTIC960 RxD Quad Digital Trunk PCI, 32-bit, 3.3/5V (Type 6-E)	9, 8, 3, 4, 10, 5, 6, 11, 7, 12 See note3 on page 35.	4	Y
FC 6311: IBM ARTIC960 RxF PCI, 32-bit, 3.3/5V (Type 6-G)	9, 8, 3, 4, 10, 5, 6, 11, 7, 12 See note 3 on page 35.	4	N
FC 2848: GXT135P Graphics Adapter, 32-bit, 3.3/5V (Type 1-X)	9, 8, 3, 4, 10, 5, 6, 11, 7, 12 Supported only on 6F0 and 6F1 systems	1	N
FC 2849: POWER GXT135P Graphics Accelerator, 32-bit, 3.3/5V (Type 2849)	9, 8, 3, 4, 10, 5, 6, 11, 7, 12 Supported only on 6F0 and 6F1 systems	1	N
FC 2947: IBM ARTIC960Hx 4-Port Selectable PCI, 32-bit, 3.3/5V (Type 9-R)	9, 8, 3, 4, 10, 5, 6, 11, 7, 12	4	Y
FC 4961: 10/100 4-Port Ethernet, 32/64-bit, 3.3/5V (Type A-E)	9, 8, 3, 4, 10, 5, 6, 11, 7, 12	6 See notes 5 on page 35.	Y
FC 4953: 64-bit/66MHz PCI ATM 155 UTP, 3.3/5V (Type A-C)	9, 8, 3, 4, 10, 5, 6, 11, 7, 12	4	Y
FC 4957: 64-bit/66MHz PCI ATM 155 MMF, 3.3/5V (Type A-D)	9, 8, 3, 4, 10, 5, 6, 11, 7, 12	4	Y
FC 2963: TURBOWAYS 155 PCI UTP ATM (Type 9-J)	9, 8, 3, 4, 10, 5, 6, 11, 7, 12	4	Y
FC 2988: TURBOWAYS 155 PCI MMF ATM (Type 9-F)	9, 8, 3, 4, 10, 5, 6, 11, 7, 12	4	Y
FC 2742: SysKonnnect SK-NET FDDI-LP DAS PCI, 32-bit, 3.3/5V (Type *)	9, 8, 3, 4, 10, 5, 6, 11, 7, 12	4	Y
FC 2741: SysKonnnect SK-NET FDDI-LP SAS PCI, 32-bit, 3.3/5V (Type *)	9, 8, 3, 4, 10, 5, 6, 11, 7, 12	4	Y
FC 2743: SysKonnnect SK-NET FDDI-UP SAS PCI (Type *)	9, 8, 3, 4, 10, 5, 6, 11, 7, 12 Supported only on F80 and 6F1 systems	4	Y
FC 4959: High-Speed Token Ring PCI, 32-bit, 3.3/5V (Type 9-Y)	9, 8, 3, 4, 10, 5, 6, 11, 7, 12	9	Y

Table 6. 7025 Model 6F0, 7025 Model 6F1 and 7025 Model F80 (continued)

Adapter	Slot Usage	System Maximum	Hot-Pluggable?
FC 6204: PCI Universal Differential Ultra SCSI, 32-bit, 3.3/5V (Type 4-U)	9, 8, 3, 4, 10, 5, 6, 11, 7, 12	10	Y
FC 2968: 10/100 Mbps Ethernet Tx PCI (Type 9-P)	9, 8, 3, 4, 10, 5, 6, 11, 7, 12	10	Y
FC 4962: Ethernet/LAN Encryption 10/100BaseT, 32-bit, 3.3/5V (Type A-F)	9, 8, 3, 4, 10, 5, 6, 11, 7, 12	10	Y
FC 4958: Cryptographic Coprocessor (Type 6-H)	9, 8, 3, 4, 10, 5, 6, 11, 7, 12	4 See note 6.	Y See note 7.
FC 4963: Cryptographic Coprocessor, FIPS-4, 32-bit, 3.3/5V (Type 6-I)	9, 8, 3, 4, 10, 5, 6, 11, 7, 12	4 See note 6.	Y
FC 4960: IBM Cryptographic Accelerator, 32-bit, 3.3/5V (Type 6-J)	9, 8, 3, 4, 10, 5, 6, 11, 7, 12	4	Y See note 8.
Low-Performance Adapters			
FC 2943: 8-Port Asynchronous EIA-232E/RS-422A PCI, 32-bit, 3.3/5V (Type 3-B)	9, 8, 3, 4, 10, 5, 6, 11, 7, 12	10	Y
FC 2944: 128-Port Async Controller PCI, 32-bit, 3.3/5V (Type 3-C)	9, 8, 3, 4, 10, 5, 6, 11, 7, 12	10	Y
FC 2962: 2-Port Multiprotocol PCII, 32-bit, 3.3/5V (Type 9-V)	6, 11, 7, 12 See note 9.	4	N

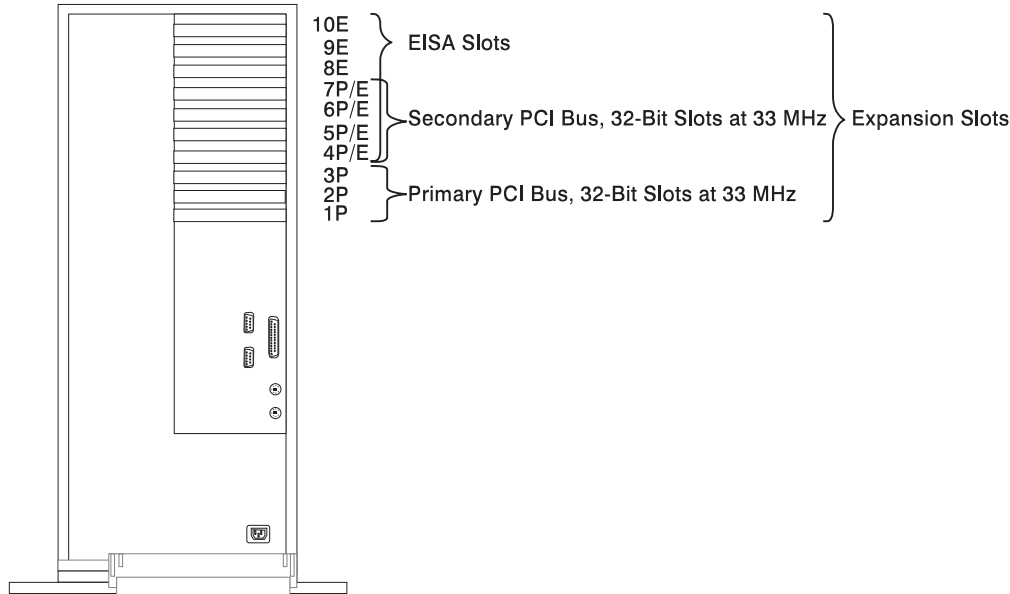
**Notes:**

1. FC 6231 can only be selected along with FC 6230.
2. FC 6235 can only be selected along with FC 6230.
3. FC 6311 requires FC 6310; additionally:
  - They should be installed in adjacent slots and
  - FC 2877 or FC 4353 must be used to connect FC 6310 and FC 6311.
4. For optimum performance, a maximum of two gigabit ethernet ports per system is recommended.
5. For optimum performance using the FC 4961, use only 2 of the 4 ports if the ports will all be running at media speed.
6. Any combination of the following adapters may be installed, but the combined total should not exceed four per system: FC 4958 and FC 4963 (also referred to as RPQ 8A1162).
7. Before hot-plugging this adapter, see the installation chapter in the *PCI Cryptographic Coprocessor Installation and Using Guide* (SA23-1235) for the required procedures.
8. Before hot-plugging this adapter, see the installation chapter in the *PCI Cryptographic Accelerator Installation and Using Guide* (SA23-1254) for the required procedures.
9. FC 2962 migration may require the use of a 5V slot.



## Chapter 6. 7025 Model F30

This system is designed for customers to install adapters. Use this guide to determine if there are specific slot requirements for adapters that you may be installing.



### System Unit Rear View with Numbered Slots

Some adapters must be placed in specific system unit slots to function correctly and to achieve optimum performance. Use the table under “7025 Model F30 Adapter Placement Guide” to determine where to install an adapter in your 7025 Model F30.

Many of the following notes refer to optimizing system performance. Read “System Performance” on page 1 for more performance-related information.

If you are running AIX on your system unit, the 7025 Model F30 supports configurations with 0, 1, or 2 graphics adapters for FC 2839: POWER GXT110P (Type \*) and FC 2657: S15 Graphics Adapter (Type \*). Systems running Windows NT (PowerPC Edition) only support configurations with one graphics adapter.

Use the rear-view diagram above to identify slot locations described in the following table.

## 7025 Model F30 Adapter Placement Guide

Table 7. 7025 Model F30

Adapter	AIX	Windows NT
FC 2986: 10/100 Mbps PCI Fast Etherlink XL (Type *)	Slots 4P - 7P  See the notes following this table.	
FC 2839: POWER GXT110P (Type *)	Slots 1P - 3P  See the notes following this table.	Slots 1P - 3P

Table 7. 7025 Model F30 (continued)

Adapter	AIX	Windows NT
FC 2851: POWER GXT250P (Type 1-M)	Slots 1P - 7P/E  Max. 4 per system.  See the notes following this table.	Slots 1P - 7P/E
FC 6215: PCI SSA Multi-Initiator/RAID EL (Type 4-N)	Slots 4P/E - 7P/E  Max. 4 per system.  See the notes following this table.	
FC 2657: S15 Graphics Adapter (Type *)	Slots 1P - 7P/E  See the notes following this table.	Slots 1P - 7P/E
FC 6218: PCI SSA 4-Port RAID (Type 4-J)	Slots 4P/E - 7P/E  Max. 3 per system.  See the notes following this table.	
FC 2949: IBM ARTIC960 Hx DSP Resource PCI (Type 9-T)	Slots 7P/E - 1P  If available, install first adapter in slot 7P/E. Install in descending order from 7P/E to slot 1P.	
FC 2493: PCI SCSI-2 Fast/Wide RAID (Type 4-H)	Max. 2 per system	
FC 2988: TURBOWAYS 155 PCI MMF ATM (Type 9-F)	See the notes following this table.	
FC 2963: TURBOWAYS 155 PCI UTP ATM (Type 9-J)	See the notes following this table.	
FC 2968: 10/100 Mbps Ethernet Tx PCI (Type 9-P)	See the notes following this table.	
FC 2742: SysKonnnect SK-NET FDDI-LP DAS PCI, 32-bit, 3.3/5V (Type *)	See the notes following this table.	
FC 2741: SysKonnnect SK-NET FDDI-LP SAS PCI, 32-bit, 3.3/5V (Type *)	See the notes following this table.	
FC 2743: SysKonnnect SK-NET FDDI-UP SAS PCI (Type *)	See the notes following this table.	

**Notes:**

1. If you are running AIX, any combination of two FC 2839: POWER GXT110P (Type \*), FC 2851: POWER GXT250P (Type 1-M), or FC 2657: S15 Graphics Adapter (Type \*) is supported on your 7025 Model F30. Follow the same slot guidelines outlined for single installations.
2. **Connectivity Notes:** For connectivity purposes, the 7025 Model F30 supports any combination of the following adapters, but that *combination* cannot exceed a total of four:
  - FC 2988: TURBOWAYS 155 PCI MMF ATM (Type 9-F)
  - FC 2963: TURBOWAYS 155 PCI UTP ATM (Type 9-J)
  - FC 2986: 10/100 Mbps PCI Fast Etherlink XL (Type \*)



- FC 2968: 10/100 Mbps Ethernet Tx PCI (Type 9-P )
- FC 2493: PCI SCSI-2 Fast/Wide RAID (Type 4-H)
- FC 2742: SysKonnnect SK-NET FDDI-LP DAS PCI, 32-bit, 3.3/5V (Type \*)
- FC 2741: SysKonnnect SK-NET FDDI-LP SAS PCI, 32-bit, 3.3/5V (Type \*)
- FC 2743: SysKonnnect SK-NET FDDI-UP SAS PCI (Type \*)

**Performance Notes:** For optimum performance, follow the guidelines below.

A maximum of one of the following adapters installed in a Primary PCI slot of a 7025 Model F30.

- FC 2988: TURBOWAYS 155 PCI MMF ATM (Type 9-F)
- FC 2963: TURBOWAYS 155 PCI UTP ATM (Type 9-J)

A maximum of one of the following adapters installed in any PCI slot of a 7025 Model F30.

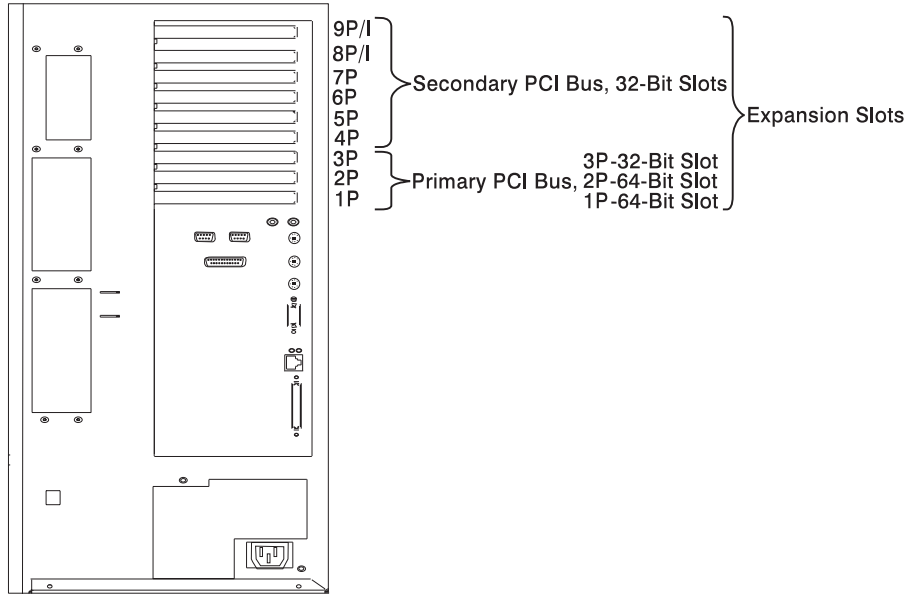
- FC 2986: 10/100 Mbps PCI Fast Etherlink XL (Type \*)
- FC 2968: 10/100 Mbps Ethernet Tx PCI (Type 9-P )
- FC 2742: SysKonnnect SK-NET FDDI-LP DAS PCI, 32-bit, 3.3/5V (Type \*)
- FC 2741: SysKonnnect SK-NET FDDI-LP SAS PCI, 32-bit, 3.3/5V (Type \*)
- FC 2743: SysKonnnect SK-NET FDDI-UP SAS PCI (Type \*)

3. The 7025 Model F30 supports a maximum of three FC 6218: PCI SSA 4-Port RAID (Type 4-J) or three FC 6215: PCI SSA Multi-Initiator/RAID EL (Type 4-N) adapters. If you choose to install both of these adapters in your 7025 Model F30, the combined total for both adapters must not exceed three.



## Chapter 7. 7025 Model F40

This system is designed for customers to install adapters. Use this guide to determine if there are specific slot requirements for adapters that you may be installing.



### System Unit Rear View with Numbered Slots

Some adapters must be placed in specific system unit slots to function correctly at optimum performance. Use the table under “7025 Model F40 Adapter Placement Guide” to determine where to install an adapter in your 7025 Model F40.

Many of the following notes refer to optimizing system performance. Read “System Performance” on page 1 for more performance-related information.

If you are running AIX on your system unit, refer to “7025 Model F40 Multiple Graphics Adapter Placement Guide” on page 45 to configure two or more adapters in your 7025 Model F40. Windows NT (PowerPC Edition) does not support more than one graphics adapter in a system unit.

Use the rear-view diagram above to identify slot locations described in the following tables.

## 7025 Model F40 Adapter Placement Guide

Use the following table to identify adapter slot location options for these adapters in your 7025 Model F40.

Table 8. 7025 Model F40.

Adapter	AIX	Windows NT
FC 2947: IBM ARTIC960Hx 4-Port Selectable PCI (Type 9-R)	Slot 3P - 9P/I See note 7 on page 43.	
FC 2948: IBM ARTIC960 4-Port T1/E1 PCI (Type 9-S)	Slot 3P - 9P/I See note 7 on page 43.	
FC 2949: IBM ARTIC960 Hx DSP Resource PCI (Type 9-T)	Slot 3P - 9P/I See note 7 on page 43.	
FC 2839: POWER GXT110P (Type *)	Slot 3P	Slot 3P

Table 8. 7025 Model F40. (continued)

Adapter	AIX	Windows NT
FC 2838: POWER GXT120P (Type 1-P)	Slots 1P - 9P/I See note 9 on page 44.	
FC 2830: POWER GXT130P (Type 1-T)	Slots 1P - 9P/I See note 9 on page 44.	
FC 2851: POWER GXT250P (Type 1-M) or FC 2852: POWER GXT255P (Type 1-N)	Slots 1P - 9P/I (1P - 2P Best)	Slots 1P - 9P/I
FC 2854: POWER GXT500P (Type 1-I) or FC 2855: POWER GXT550P (Type 1-J)	Slots 1P - 3P (1P - 2P Best)	
FC 2853: POWER GXT800P (Type 1-K)	Slots 2P - 3P (2P Best) See note 3 on page 43.	
FC 2856: POWER GXT1000 (Type 1-H)	Slots 1P - 3P	
FC 2639: Ultimedia Video Capture (Type 7-9)	Slots 1P - 9P/I Max. 1 per system See notes 4 on page 43 and 10 on page 44.	
FC 6309: Digital Trunk Quad PCI (Type 6-B)	Max. 3 per system in any slot See note 7 on page 43.	
FC 6205: PCI Dual Channel Ultra2 SCSI (Type 4-R)	Any slot Max. 9 per system See notes 2 on page 43 and 9 on page 44.	
FC 6215: PCI SSA Multi-Initiator/RAID EL (Type 4-N)	Max. of 1 in slot 1P or 2P Max. of 1 in slot 3P Max. of 1 in slot 4P, or 5P, or 6P, or 7P, 8P/I, or 9P/I Max. 3 Per Machine See note 6 on page 43.	
FC 6225: Advanced SSA SerialRAID (Type 4-P)	Max. of 1 in slot 1P or 2P Max. of 1 in slot 3P Max. of 1 in slot 4P, or 5P, or 6P, or 7P, 8P/I, or 9P/I Max. 3 Per Machine See note 6 on page 43.	
FC 6230: Advanced SerialRAID Plus, 32-bit, 3.3/5V (Type 4-P)	Max. of 1 in slot 1P or 2P Max. of 1 in slot 3P Max. of 1 in slot 4P, or 5P, or 6P, or 7P, 8P/I, or 9P/I Max. 3 Per Machine See note 6 on page 43.	
FC 4959: High-Speed Token Ring PCI, 32-bit, 3.3/5V (Type 9-Y)	Any slot	
FC 2493: PCI SCSI-2 Fast/Wide RAID (Type 4-H)	Any slot Max. 2 per system See note 5 on page 43.	
FC 2494: PCI 3-Channel Ultra2 SCSI RAID (Type 4-T)	Any slot Max. 2 per system See note 10 on page 44.	
FC 2988: TURBOWAYS 155 PCI MMF ATM (Type 9-F)	See notes 5 on page 43 and 8 on page 43.	
FC 2963: TURBOWAYS 155 PCI UTP ATM (Type 9-J)	See note 5 on page 43.	

Table 8. 7025 Model F40. (continued)

Adapter	AIX	Windows NT
FC 2986: 10/100 Mbps PCI Fast Etherlink XL (Type *)	See note 5.	
FC 2968: 10/100 Mbps Ethernet Tx PCI (Type 9-P )	See notes 5 and 8	
FC 2742: SysKonnnect SK-NET FDDI-LP DAS PCI, 32-bit, 3.3/5V (Type *)	See note 5.	
FC 2741: SysKonnnect SK-NET FDDI-LP SAS PCI, 32-bit, 3.3/5V (Type *)	See note 5.	
FC 2743: SysKonnnect SK-NET FDDI-UP SAS PCI (Type *)	See note 5.	
FC 2751: S/390 ESCON Channel, 32-bit, 5V, (Type 5-5)	See notes 7 and 8.	

**Notes:**

1. "Best" means optimum performance achieved if installed in this slot.
2. For optimum system performance, install a maximum of 3 FC 6205: PCI Dual Channel Ultra2 SCSI (Type 4-R) adapters. Place them in slots 1P, 2P, and 3P.
3. The FC 2853: POWER GXT800P (Type 1-K) takes the physical space of up to four adapters in the 7025 Model F40.
4. Only one FC 2639: Ultimedia Video Capture (Type 7-9) adapter is supported per machine.
5. The 7025 Model F40 supports any combination of the following adapters, but that *combination* cannot exceed a total of four. For optimum performance, a maximum of one of any of the following adapters installed in a primary PCI bus slot is recommended: (This restriction does not apply if the FC 2968: 10/100 Mbps Ethernet Tx PCI (Type 9-P ) adapter is used in 10 Mbps mode.)
  - FC 2988: TURBOWAYS 155 PCI MMF ATM (Type 9-F)
  - FC 2963: TURBOWAYS 155 PCI UTP ATM (Type 9-J)
  - FC 2986: 10/100 Mbps PCI Fast Etherlink XL (Type \*)
  - FC 2968: 10/100 Mbps Ethernet Tx PCI (Type 9-P )
  - FC 2493: PCI SCSI-2 Fast/Wide RAID (Type 4-H)
  - FC 2742: SysKonnnect SK-NET FDDI-LP DAS PCI, 32-bit, 3.3/5V (Type \*)
  - FC 2741: SysKonnnect SK-NET FDDI-LP SAS PCI, 32-bit, 3.3/5V (Type \*)
  - FC 2743: SysKonnnect SK-NET FDDI-UP SAS PCI (Type \*)
6. The 7025 Model F40 supports any combination of the following adapters, but that *combination* cannot exceed a total of three:
  - FC 6218: PCI SSA 4-Port RAID (Type 4-J)
  - FC 6215: PCI SSA Multi-Initiator/RAID EL (Type 4-N)
  - FC 6225: Advanced SSA SerialRAID (Type 4-P)
  - FC 6230: Advanced SerialRAID Plus, 32-bit, 3.3/5V (Type 4-P)
7. The 7025 Model F40 supports any combination of the following adapters, but that *combination* cannot exceed a total of seven:
  - FC 2947: IBM ARTIC960Hx 4-Port Selectable PCI (Type 9-R)
  - FC 2948: IBM ARTIC960 4-Port T1/E1 PCI (Type 9-S)
  - FC 2949: IBM ARTIC960 Hx DSP Resource PCI (Type 9-T)
  - FC 2751: S/390 ESCON Channel, 32-bit, 5V, (Type 5-5)
  - FC 6309: Digital Trunk Quad PCI (Type 6-B)
8. Do not install an FC 2988: TURBOWAYS 155 PCI MMF ATM (Type 9-F) or FC 2968: 10/100 Mbps Ethernet Tx PCI (Type 9-P ) adapter in the slot to the right (looking from the rear) of the FC 2751: S/390 ESCON Channel, 32-bit, 5V, (Type 5-5) adapter.

9. Do not install an FC 6205: PCI Dual Channel Ultra2 SCSI (Type 4-R) adapter in the same PCI bus as a FC 2838: POWER GXT120P (Type 1-P) or a FC 2830: POWER GXT130P (Type 1-T)
10. Do not install an FC 2494: PCI 3-Channel Ultra2 SCSI RAID (Type 4-T) and a FC 2639: Ultimedia Video Capture (Type 7-9) adapter on the same PCI bus.

## 7025 Model F40 Multiple Graphics Adapter Placement Guide

Use the following table to identify slot location combination options for the following adapters in your 7025 Model F40.

Do not install more than four graphics adapters in your 7025 Model F40.

Table 9. 7025 Model F40

Adapter	Slot
FC 2839: POWER GXT110P (Type *) with a	Slot 3P
FC 2838: POWER GXT120P (Type 1-P) or FC 2830: POWER GXT130P (Type 1-T) or FC 2851: POWER GXT250P (Type 1-M) or FC 2852: POWER GXT255P (Type 1-N)	Slot 1P - 2P
FC 2839: POWER GXT110P (Type *) with a	Slot 3P
FC 2854: POWER GXT500P (Type 1-I) or FC 2855: POWER GXT550P (Type 1-J)	Slot 1P - 2P
FC 2839: POWER GXT110P (Type *) with a	Slot 3P
FC 2853: POWER GXT800P (Type 1-K)	Slot 2P
FC 2839: POWER GXT110P (Type *) with a	Slot 3P
FC 2856: POWER GXT1000 (Type 1-H)	Any slot
FC 2838: POWER GXT120P (Type 1-P) or FC 2830: POWER GXT130P (Type 1-T) or FC 2851: POWER GXT250P (Type 1-M) or FC 2852: POWER GXT255P (Type 1-N) with a	Any slot
FC 2838: POWER GXT120P (Type 1-P) or FC 2830: POWER GXT130P (Type 1-T) or FC 2851: POWER GXT250P (Type 1-M) or FC 2852: POWER GXT255P (Type 1-N)	Any slot (1P - 2P Best)
FC 2838: POWER GXT120P (Type 1-P) or FC 2830: POWER GXT130P (Type 1-T) or FC 2851: POWER GXT250P (Type 1-M) or FC 2852: POWER GXT255P (Type 1-N) with a	Any slot (1P - 2P Best)
FC 2854: POWER GXT500P (Type 1-I) or FC 2855: POWER GXT550P (Type 1-J)	Slots 1P - 3P (1P - 2P Best)

Table 10. 7025 Model F40

Adapter	Slot
FC 2838: POWER GXT120P (Type 1-P) or FC 2830: POWER GXT130P (Type 1-T) or FC 2851: POWER GXT250P (Type 1-M) or FC 2852: POWER GXT255P (Type 1-N) with a	Slots 3P - 9P/I, Slot 4P - 9P/I  <b>OR</b>

Table 10. 7025 Model F40 (continued)

Adapter	Slot
FC 2853: POWER GXT800P (Type 1-K)	Slot 2P only (Best), Slot 3P only
FC 2838: POWER GXT120P (Type 1-P) or FC 2830: POWER GXT130P (Type 1-T) or FC 2851: POWER GXT250P (Type 1-M) or FC 2852: POWER GXT255P (Type 1-N)  with a	Any slot (1P - 2P Best)
FC 2856: POWER GXT1000 (Type 1-H)	Any slot

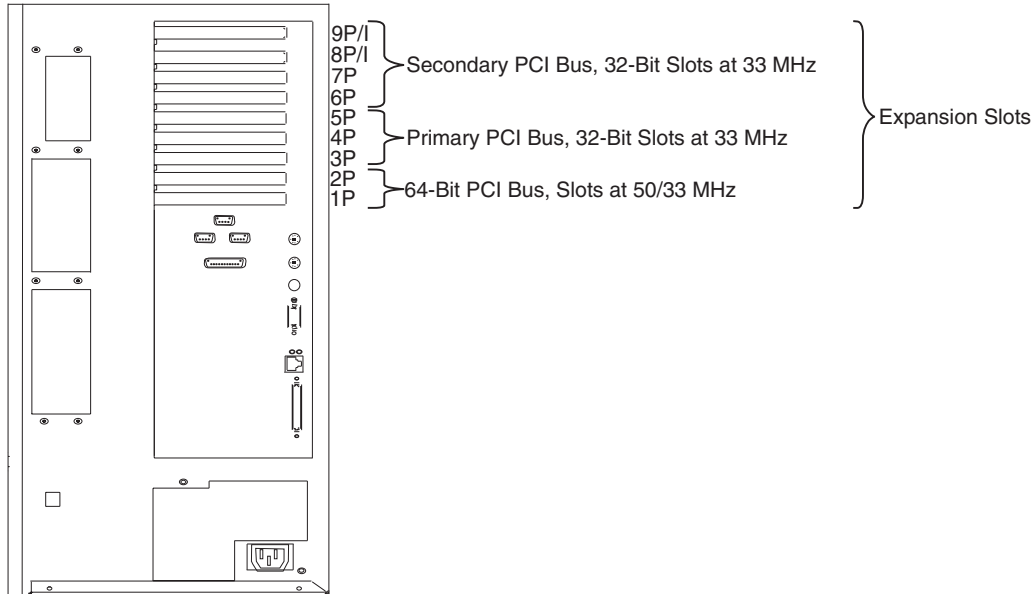
**Notes:**

1. "Best" means optimum performance achieved if installed in this slot.
2. Up to four FC 2851: POWER GXT250P (Type 1-M) adapters or FC 2852: POWER GXT255P (Type 1-N) adapters are supported in any combination.



## Chapter 8. 7025 Model F50

This system is designed for customers to install adapters. Use this guide to determine if there are specific slot requirements for adapters that you may be installing.



### System Unit Rear View with Numbered Slots

**Note:** The 7025 Model F50 has three PCI buses, with Slots 1 - 2 on one bus, Slots 3 - 5 on a bus, and Slots 6 - 9 on a bus.

Some adapters must be placed in specific system unit slots to function correctly at optimum performance. Use the table under “7025 Model F50 Adapter Placement Guide” to determine where to install these adapters in your 7025 Model F50.

Many of the following notes refer to optimizing system performance. Read “System Performance” on page 1 for more performance-related information.

Use the rear-view diagram above to identify slot locations described in the following table.

### 7025 Model F50 Adapter Placement Guide

Use the following table to identify adapter slot locations for these adapters in your 7025 Model F50.

Table 11. 7025 Model F50

Adapter	Usage
FC 2853: POWER GXT800P (Type 1-K)	Slot 3P  Max. 1 per system, see note 1 on page 51  Slots 1P, 2P, and 4P cannot be used when a FC 2853: POWER GXT800P (Type 1-K) is installed in slot 3P.

Table 11. 7025 Model F50 (continued)

Adapter	Usage
FC 2859: GXT800P 3-slot Graphics (Type 1-K)	<p>Slot 3P</p> <p>Max. 1 per system</p> <p>Slots 1P, 2P, and 4P cannot be used when FC 2859: GXT800P 3-slot Graphics (Type 1-K) is installed in slot 3P.</p> <p>Only one FC 2859: GXT800P 3-slot Graphics (Type 1-K) graphics adapter is supported per system.</p>
FC 2839: POWER GXT110P (Type *)	<p>Slot 3P, 4P, or 5P</p> <p>Max. 2 per system, see note 1 on page 51</p>
FC 6228: 2 Gigabit Fibre Channel Adapter for 32/64-bit, 3.3/5V PCI Bus (Type 4-W)	<p>Slots 1P and 2P</p> <p>Max. 3 per system, 1 per bus</p> <p>See notes 19 on page 53 and 20 on page 53.</p>
FC 6227: Gigabit Fibre Channel PCI (Type 4-S)	<p>Max. 3 per system, 1 per bus</p> <p>See note 20 on page 53.</p>
FC 6230: Advanced SerialRAID Plus, 32-bit, 3.3/5V (Type 4-P)	<p>Max. 4 per system, 2 per bus</p> <p>See notes 5 on page 52 and 7 on page 52.</p>
FC 6230+6231: 4 Port SSA 40 w/128MB DIMM	<p>Max 4 per system</p>
FC 6225: Advanced SSA SerialRAID (Type 4-P)	<p>Max. 4 per system, 2 per bus</p> <p>See notes 5 on page 52 and 7 on page 52.</p>
FC 6235: Fast Write Cache Option for FC 6225 and FC 6230	<p>Plugs into FC 6225 or FC 6230</p>
FC 6215: PCI SSA Multi-Initiator/RAID EL (Type 4-N)	<p>Max. 4 per system, 2 per bus</p> <p>See notes 5 on page 52 and 7 on page 52.</p>
FC 6222: 4-Port, SSA-RAID1 Fast Write Cache Option (Type 4-N)	<p>Plugs into Campbell adapter (FC 6215)</p>
FC 2751: S/390 ESCON Channel, 32-bit, 5V, (Type 5-5)	<p>See Chapter 35, "Digital Trunk PCI Adapter Placement Considerations," on page 221 If less than 2GB of system memory is installed, a maximum of 3 adapters combined total per system.</p> <p>Max. of 3 in slots 1P, 2P, 3P, 4P, or 5P</p> <p>Max. of 2 in slots 6P, 7P, 8P/I, or 9P/I.</p> <p>If more than 2GB of system memory is installed, a maximum of 3 adapters combined total per system:</p> <p>Max. of 1 in slots 1P or 2P</p> <p>Max. of 2 in slots 3P, 4P, or 5P</p> <p>Max. of 1 in slots 6P, 7P, 8P/I, or 9P/I</p> <p>See notes 3 on page 52, 4 on page 52, and 10 on page 52.</p>

Table 11. 7025 Model F50 (continued)

Adapter	Usage
FC 2830: POWER GXT130P (Type 1-T)	<p>Any slot</p> <p>Max. 2 per system</p> <p>See notes 1 on page 51 and 11 on page 53.</p>
FC 2838: POWER GXT120P (Type 1-P)	<p>Any slot</p> <p>Max. 2 per system</p> <p>See notes 1 on page 51 and 11 on page 53.</p>
FC 6309: Digital Trunk Quad PCI (Type 6-B)	<p>See Chapter 35, "Digital Trunk PCI Adapter Placement Considerations," on page 221. If less than 2GB of system memory is installed, a maximum of 3 adapters combined total per system.</p> <p>Max. of 3 in slots 1P, 2P, 3P, 4P, or 5P</p> <p>Max. of 2 in slots 6P, 7P, 8P/I, or 9P/I.</p> <p>If more than 2GB of system memory is installed, a maximum of 3 adapters combined total per system:</p> <p>Max. of 1 in slots 1P or 2P</p> <p>Max. of 2 in slots 3P, 4P, or 5P</p> <p>Max. of 1 in slots 6P, 7P, 8P/I, or 9P/I</p> <p>See notes 3 on page 52, 4 on page 52, and 10 on page 52.</p>
FC 6310: IBM ARTIC960 RxD Quad Digital Trunk PCI, 32-bit, 3.3/5V (Type 6-E)	<p>Any slot</p> <p>Max. 4 per system</p> <p>See Chapter 35, "Digital Trunk PCI Adapter Placement Considerations," on page 221 and note 12 on page 53.</p>
FC 6311: IBM ARTIC960 RxF PCI, 32-bit, 3.3/5V (Type 6-G)	<p>Any slot</p> <p>See Chapter 35, "Digital Trunk PCI Adapter Placement Considerations," on page 221 and note 12 on page 53.</p>
FC 2969: Gigabit Ethernet Fibre, 1000BaseT, 64-bit, 3.3/5V (Type 9-U)	<p>- Max. of 1 in slots 1P, 2P, 3P, 4P, or 5P</p> <p>- Max. of 1 in slots 6P, 7P, 8P/I, or 9P/I</p> <p>See notes 5 on page 52, 6 on page 52 and 13 on page 53.</p>
FC 2975: Gigabit Ethernet (UTP) 1000BaseT, 64-bit, 3.3/5V (Type A-A)	<p>Max. of 1 in slots 1P, 2P, 3P, 4P, or 5P</p> <p>Max. of 1 in slots 6P, 7P, 8P/I, or 9P/I</p> <p>See notes 5 on page 52 and 13 on page 53.</p>
FC 2732, 2733: Serial HIPPI PCI (Types 9-W and 9-X)	<p>Max. 1 per bus, 2 per system</p> <p>See note 5 on page 52.</p>
FC 2494: PCI 3-Channel Ultra2 SCSI RAID (Type 4-T)	<p>Any slot</p> <p>Max. 3 per system</p> <p>See notes 5 on page 52 and 9 on page 52.</p>

Table 11. 7025 Model F50 (continued)

Adapter	Usage
FC 2498: PCI 4-Channel Ultra3 SCSI RAID, 32/64-bit, 3.3/5V (Type 4-X)	Any slot Max. 3 per system See note 5 on page 52.
FC 4951: 10/100 4-Port Ethernet (Type 9-Z)	Max 9 per system. Install first adapter in Slots 6P, 7P, 8P, 9P. Install second adapter in slots 3P, 4P, 5P See note 15 on page 53.
FC 4958: Cryptographic Coprocessor (Type 6-H)	Max 4 per system. Install first adapter into Slots 6P, 7P, 8P, 9P. Install subsequent adapters as required. Do not install in slots 3, 4 or 5. See note 18 on page 53.
FC 4963: Cryptographic Coprocessor, FIPS-4, 32-bit, 3.3/5V (Type 6-I)	Max 4 per system. Install first adapter into Slots 6P, 7P, 8P, 9P. Install subsequent adapters as required. Do not install in slots 3, 4 or 5. See note 18 on page 53.
FC 4960: IBM Cryptographic Accelerator, 32-bit, 3.3/5V (Type 6-J)	Max 4 per system
FC 6205: PCI Dual Channel Ultra2 SCSI (Type 4-R)	Any slot Max. 9 per system, see notes 8 and 11 See notes 8 on page 52 and 11 on page 53.
FC 6203: Dual-Channel Ultra3 SCSI, 32/64-bit, 3.3/5V (Type 4-Y)	Any slot Max. 9 per system, see notes 8 and 11 See notes 8 on page 52 and 11 on page 53.
FC 6206: Single-Ended Ultra SCSI Adapter, 32-bit, 5V (Type 4-K)	Max 9 per system
FC 6208: PCI SCSI-2 Single Ended Fast/Wide (Type 4-A)	Max 9 per system
FC 2968: 10/100 Mbps Ethernet Tx PCI (Type 9-P )	Max 8 per system See note 2 on page 52.
FC 4962: Ethernet/LAN Encryption 10/100BaseT, 32-bit, 3.3/5V (Type A-F)	Max 8 per system See note 2 on page 52.
FC 2742: SysKonnect SK-NET FDDI-LP DAS PCI, 32-bit, 3.3/5V (Type *)	See notes 2 on page 52 and 17 on page 53.
FC 2741: SysKonnect SK-NET FDDI-LP SAS PCI, 32-bit, 3.3/5V (Type *)	See notes 2 on page 52 and 17 on page 53.
FC 2743: SysKonnect SK-NET FDDI-UP SAS PCI (Type *)	See notes 2 on page 52 and 17 on page 53.
FC 2988: TURBOWAYS 155 PCI MMF ATM (Type 9-F)	Max 4 per system See notes 2 on page 52, 10 on page 52, and 17 on page 53.
FC 4957: 64-bit/66MHz PCI ATM 155 MMF, 3.3/5V (Type A-D)	Max 4 per system See notes 2 on page 52, 10 on page 52, and 17 on page 53.

Table 11. 7025 Model F50 (continued)

Adapter	Usage
FC 2946: PCI TURBOWAYS 622 PCI MMF ATM, 64-bit, 3.3/5V (Type A-B)	Max. of 1 in slots 1P, 2P, 3P, 6P, 4P, 7P, 5P, 8P/I, 9P/I See notes 5 on page 52 and 14 on page 53.
FC 2963: TURBOWAYS 155 PCI UTP ATM (Type 9-J)	Max 4 per system See note 2 on page 52.
FC 4953: 64-bit/66MHz PCI ATM 155 UTP, 3.3/5V (Type A-C)	Max 4 per system See notes 2 on page 52, and 10 on page 52.
FC 2987: Ethernet 10base5 PCI (Type 8-Z)	Max 9 per system
FC 2985: Ethernet 10base2 PCI (Type 8-Y)	Max 9 per system
FC 4959: High-Speed Token Ring PCI, 32-bit, 3.3/5V (Type 9-Y)	Any slot
FC 2979: PCI Auto LANstreamer Token Ring (Type 8-T)	Max 9 per system
FC 2920: 16Mbps PCI Token-Ring (Type 9-0)	Max 9 per system
FC 2962: 2-Port Multiprotocol PCII, 32-bit, 3.3/5V (Type 9-V)	Max 9 per system
FC 3131: RAID INT Port to EXT Connector Cable	See note 16 on page 53.
FC 2944: 128-Port Async Controller PCI, 32-bit, 3.3/5V (Type 3-C)	Max 9 per system
FC 2708: ISDN Basic Rate PCI (Type 9-N)	Max 9 per system
FC 2998: TURBOWAYS 25 ATM PCI (Type *)	Max 9 per system
FC 2943: 8-Port Asynchronous EIA-232E/RS-422A PCI, 32-bit, 3.3/5V (Type 3-B)	Max 8 per system
FC 6207: PCI Differential Ultra SCSI (Type 4-L)	Max 9 per system
FC 6209: PCI SCSI-2 Differential Fast/Wide (Type 4-B)	Max 9 per system
FC 2947: IBM ARTIC960Hx 4-Port Selectable PCI (Type 9-R)	See note 3 on page 52.
FC 2948: IBM ARTIC960 4-Port T1/E1 PCI (Type 9-S)	See note 3 on page 52.
FC 2949: IBM ARTIC960 Hx DSP Resource PCI (Type 9-T)	See note 3 on page 52.
FC 2493: PCI SCSI-2 Fast/Wide RAID (Type 4-H)	Any slot. Max. 3 per system See note 2 on page 52.
FC 2986: 10/100 Mbps PCI Fast Etherlink XL (Type *)	See notes 2 on page 52 and 10 on page 52.

**Notes:**

- Any combination of the following adapters may be installed, but the combined total should not exceed two per system:
  - FC 2839: POWER GXT110P (Type \*)
  - FC 2838: POWER GXT120P (Type 1-P)

- FC 2830: POWER GXT130P (Type 1-T)
  - FC 2853: POWER GXT800P (Type 1-K)
2. For optimum system performance, any combination of the following adapters may be installed, but the combined total should not exceed four per system or two per PCI bus:
    - FC 2988: TURBOWAYS 155 PCI MMF ATM (Type 9-F)
    - FC 4957: 64-bit/66MHz PCI ATM 155 MMF, 3.3/5V (Type A-D)
    - FC 2963: TURBOWAYS 155 PCI UTP ATM (Type 9-J)
    - FC 4953: 64-bit/66MHz PCI ATM 155 UTP, 3.3/5V (Type A-C)
    - FC 2986: 10/100 Mbps PCI Fast Etherlink XL (Type \*)
    - FC 2493: PCI SCSI-2 Fast/Wide RAID (Type 4-H)
    - FC 2968: 10/100 Mbps Ethernet Tx PCI (Type 9-P)
    - FC 4962: Ethernet/LAN Encryption 10/100BaseT, 32-bit, 3.3/5V (Type A-F)
    - FC 2742: SysKonnect SK-NET FDDI-LP DAS PCI, 32-bit, 3.3/5V (Type \*)
    - FC 2741: SysKonnect SK-NET FDDI-LP SAS PCI, 32-bit, 3.3/5V (Type \*)
    - FC 2743: SysKonnect SK-NET FDDI-UP SAS PCI (Type \*)
    - FC 4951: 10/100 4-Port Ethernet (Type 9-Z) (when in 100 Mbps mode)
    - FC 2975: Gigabit Ethernet (UTP) 1000BaseT, 64-bit, 3.3/5V (Type A-A) (when in 100 Mbps mode)
  3. Any combination of the following adapters may be installed, but the combined total should not exceed seven per system
    - FC 2947: IBM ARTIC960Hx 4-Port Selectable PCI (Type 9-R)
    - FC 2948: IBM ARTIC960 4-Port T1/E1 PCI (Type 9-S)
    - FC 2949: IBM ARTIC960 Hx DSP Resource PCI (Type 9-T)
    - FC 2751: S/390 ESCON Channel, 32-bit, 5V, (Type 5-5)
    - FC 6309: Digital Trunk Quad PCI (Type 6-B)
  4. Any combination of the following adapters may be installed, but the combined total should not exceed three per system
    - FC 6309: Digital Trunk Quad PCI (Type 6-B)
    - FC 2751: S/390 ESCON Channel, 32-bit, 5V, (Type 5-5)
  5. For optimum system performance, the combination of the following adapters should not exceed a maximum of one adapter per bus:
    - FC 6215: PCI SSA Multi-Initiator/RAID EL (Type 4-N)
    - FC 6225: Advanced SSA SerialRAID (Type 4-P)
    - FC 6230: Advanced SerialRAID Plus, 32-bit, 3.3/5V (Type 4-P)
    - FC 2494: PCI 3-Channel Ultra2 SCSI RAID (Type 4-T)
    - FC 2969: Gigabit Ethernet Fibre, 1000BaseT, 64-bit, 3.3/5V (Type 9-U)
    - FC 2732, 2733: Serial HIPPI PCI (Types 9-W and 9-X)
    - FC 2975: Gigabit Ethernet (UTP) 1000BaseT, 64-bit, 3.3/5V (Type A-A)
    - FC 2498: PCI 4-Channel Ultra3 SCSI RAID, 32/64-bit, 3.3/5V (Type 4-X)
    - FC 2946: PCI TURBOWAYS 622 PCI MMF ATM, 64-bit, 3.3/5V (Type A-B)
  6. For optimum system performance, a maximum of one FC 2969: Gigabit Ethernet Fibre, 1000BaseT, 64-bit, 3.3/5V (Type 9-U) adapter per system is recommended. Use slots 1 or 2 if available.
  7. Any combination of the following adapters may be installed, but the combined total should not exceed four per system:
    - FC 6215: PCI SSA Multi-Initiator/RAID EL (Type 4-N)
    - FC 6225: Advanced SSA SerialRAID (Type 4-P)
    - FC 6230: Advanced SerialRAID Plus, 32-bit, 3.3/5V (Type 4-P)
  8. For optimum system performance, a maximum of 4 FC 6205: PCI Dual Channel Ultra2 SCSI (Type 4-R) or FC 6203: Dual-Channel Ultra3 SCSI, 32/64-bit, 3.3/5V (Type 4-Y) adapters is recommended.
  9. Do not install the FC 2494: PCI 3-Channel Ultra2 SCSI RAID (Type 4-T) adapter on the PCI Bus with the Service Processor card.
  10. Do not install an FC 2988: TURBOWAYS 155 PCI MMF ATM (Type 9-F), FC 2986: 10/100 Mbps PCI Fast Etherlink XL (Type \*), FC 4953: 64-bit/66MHz PCI ATM 155 UTP, 3.3/5V (Type A-C), FC 4957: 64-bit/66MHz PCI ATM 155 MMF, 3.3/5V (Type A-D), FC 2963: TURBOWAYS 155 PCI UTP ATM

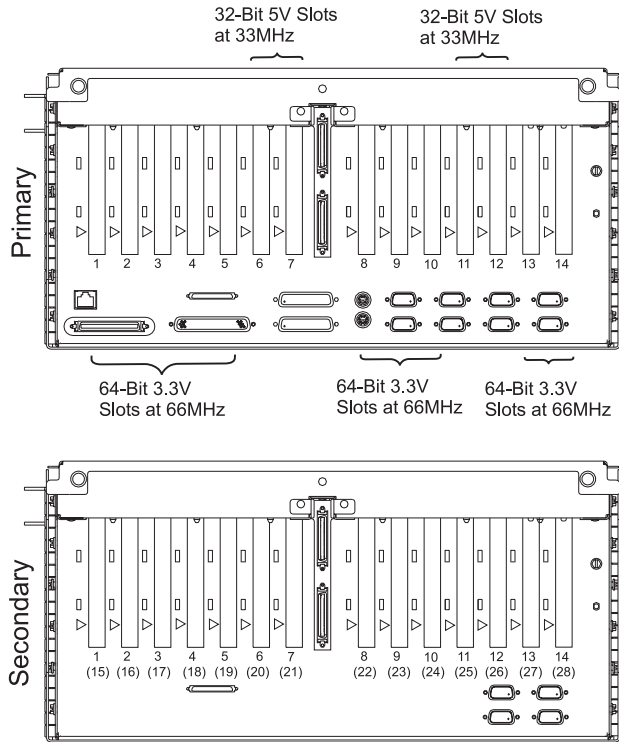
- (Type 9-J), or FC 2968: 10/100 Mbps Ethernet Tx PCI (Type 9-P ) adapter in the slot to the right (higher numbered slot) of the FC 2751: S/390 ESCON Channel, 32-bit, 5V, (Type 5-5) adapter.
11. Do not install an FC 6205: PCI Dual Channel Ultra2 SCSI (Type 4-R) or FC 6203: Dual-Channel Ultra3 SCSI, 32/64-bit, 3.3/5V (Type 4-Y) adapter on the same PCI bus as a FC 2838: POWER GXT120P (Type 1-P) or a FC 2830: POWER GXT130P (Type 1-T).
  12. Install FC 6310: IBM ARTIC960 RxD Quad Digital Trunk PCI, 32-bit, 3.3/5V (Type 6-E) and FC 6311: IBM ARTIC960 RxF PCI, 32-bit, 3.3/5V (Type 6-G) starting at the bottom-most available slot, with FC 6310: IBM ARTIC960 RxD Quad Digital Trunk PCI, 32-bit, 3.3/5V (Type 6-E) being installed in the lower numbered slots first. Do not install more than a combination of six FC 6310: IBM ARTIC960 RxD Quad Digital Trunk PCI, 32-bit, 3.3/5V (Type 6-E) and FC 6311: IBM ARTIC960 RxF PCI, 32-bit, 3.3/5V (Type 6-G) adapters.
  13. For optimum system performance, install a maximum of one FC 2969: Gigabit Ethernet Fibre, 1000BaseT, 64-bit, 3.3/5V (Type 9-U) or one FC 2975: Gigabit Ethernet (UTP) 1000BaseT, 64-bit, 3.3/5V (Type A-A) (when configured to run at 1000 Mbps) adapter per system. If one of each or two of either are installed, a maximum of one adapter per bus is recommended.
  14. For optimum system performance, a maximum of one FC 2946: PCI TURBOWAYS 622 PCI MMF ATM, 64-bit, 3.3/5V (Type A-B) per system is recommended.
  15. For optimum system performance using the FC 4951: 10/100 4-Port Ethernet (Type 9-Z) adapter in 100 Mbps mode, use only two of the four ports. Install a maximum of two adapters per system, putting each on its own PCI bus.
  16. FC 3131: RAID INT Port to EXT Connector Cable placements may extend beyond the one slot used by FC 2493: PCI SCSI-2 Fast/Wide RAID (Type 4-H) to two additional slots in that order. The FC 3131 Connector Cables are not actual adapters; however, they do occupy one slot for each placement.
  17. Any combination of the following adapters may be installed, but the combined total should not exceed four per system: FC 2741, FC 2742, FC 2743, FC 2986, FC 2988, FC 4962, FC 4957.
  18. Any combination of the following adapters may be installed, but the combined total should not exceed four per system: FC 4958: Cryptographic Coprocessor (Type 6-H) and FC 4963: Cryptographic Coprocessor, FIPS-4, 32-bit, 3.3/5V (Type 6-I), also referred to as RPQ 8A1162: Cryptographic Coprocessor.
  19. FC 6228: 2 Gigabit Fibre Channel Adapter for 32/64-bit, 3.3/5V PCI Bus (Type 4-W) will operate in 32-bit slots, but at a decrease in performance.
  20. Use of one FC 6227: Gigabit Fibre Channel PCI (Type 4-S) or FC 6228: 2 Gigabit Fibre Channel Adapter for 32/64-bit, 3.3/5V PCI Bus (Type 4-W) per bus is recommended. More than one of these adapters can be installed per bus, but system performance may not be increased by installing additional adapters to a bus.



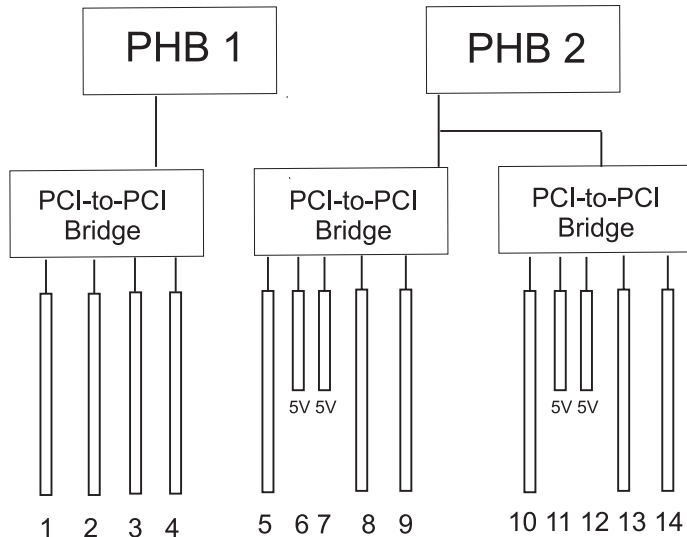


# Chapter 9. 7026 Model 6M1 and 7026 Model M80

This system is designed for service representatives to install adapters. Use this guide to determine if there are specific slot requirements for adapters that your service representative may be installing.



I/O Drawer Rear View with Numbered Slots



Example of Slot Usage at PCI Host Bridge (PHB) Level

**Note:** The 7026 Model 6M1 and 7026 Model M80 has two PCI-to-PCI host bridges, with Slots 1 - 4 on one PCI bridge and Slots 5 - 14 on the second PCI bridge.

Some adapters must be placed in specific system unit slots to function correctly at optimum performance. Use the table below to determine where to install these adapters in your system. For best performance when using two drawers, space adapter usage evenly between the drawers.

If a table row lists more than one adapter, the adapters may be mixed, but the total number of adapters in the combination cannot exceed the number stated in the Maximum column.

**Note:** The adapters with the highest slot placement priority are listed at the top of the table. The slot numbers in the Slot Usage column represent slot location priorities. Use the first numbered slot in the primary drawer first, then go to the secondary drawer(s) for the next adapter, spreading the adapters evenly across the drawers. If an adapter has already filled the first slot in the list, go to the next number in the list.

## 7026 Model 6M1 and 7026 Model M80 Adapter Placement Guide

Use the following table to identify adapter slot location options for the following adapters in your 7026 Model 6M1 and 7026 Model M80.

Table 12. 7026 Model 6M1 and 7026 Model M80

Adapter	Slot Usage	System Maximum	Hot-Pluggable?
5V Adapters			
FC 2830: POWER GXT130P (Type 1-T)	6, 11, 7, 12	1/1	N
FC 2751: S/390 ESCON Channel, 32-bit, 5V, (Type 5-5)	6, 11, 7, 12	2/4	Y
FC 2708: ISDN Basic Rate PCI (Type 9-N)	6, 11, 7, 12 Supported only on M80 systems	1	Y
High-Performance Adapters (for optimum performance, a maximum of one high-performance adapter per PHB is recommended)			
FC 5707: 2-Port Gigabit Ethernet-SX PCI-X, 32/64-bit, 3.3/5V (Type 5707)	1, 5, 10, 2, 8, 13, 4, 14, 3, 9 Supported only on 6M1 systems	10/20 See note 4 on page 59.	Y
FC 5706: 2-Port 10/100/1000 Base-TX Ethernet PCI-X, 32/64-bit, 3.3/5V (Type 5706)	1, 5, 10, 2, 8, 13, 4, 14, 3, 9 Supported only on 6M1 systems	10/20 See note 4 on page 59.	Y
FC 5700: Gigabit Ethernet, 1000 Base-SX, 32/64-bit, 3.3/5V	1, 5, 10, 2, 8, 4, 13, 3, 9, 14, 6, 11, 7, 12 Supported only on 6M1 systems	10/20 See note 4 on page 59.	Y
FC 5701: 10/100/1000 Base-TX Ethernet, 32/64-bit, 3.3/5V	1, 5, 10, 2, 8, 4, 13, 3, 9, 14, 6, 11, 7, 12 Supported only on 6M1 systems	10/20 See note 4 on page 59.	Y
FC 2975: Gigabit Ethernet (UTP) 1000BaseT, 64-bit, 3.3/5V (Type A-A)	1, 5, 10, 2, 8, 4, 13, 3, 9, 14, 6, 11, 7, 12	10/20 See note 4 on page 59.	Y
FC 2969: Gigabit Ethernet Fibre, 1000BaseT, 64-bit, 3.3/5V (Type 9-U)	1, 5, 10, 2, 8, 4, 13, 3, 9, 14, 6, 11, 7, 12	10/20 See note 4 on page 59.	Y
FC 6228: 2 Gigabit Fibre Channel Adapter for 32/64-bit, 3.3/5V PCI Bus (Type 4-W)	1, 5, 10, 2, 8, 4, 13, 3, 9, 14	8/16	Y

Table 12. 7026 Model 6M1 and 7026 Model M80 (continued)

Adapter	Slot Usage	System Maximum	Hot-Pluggable?
FC 6227: Gigabit Fibre Channel PCI (Type 4-S)	1, 5, 10, 2, 8, 4, 13, 3, 9, 14, 6, 11, 7, 12	8/16	N
FC 6230: Advanced SerialRAID Plus, 32-bit, 3.3/5V (Type 4-P) FC 6230+6231: 4 Port SSA 40 w/128MB DIMM FC 6235: Fast Write Cache Option for FC 6225 and FC 6230 FC 6225: Advanced SSA SerialRAID (Type 4-P) Supported only on M80 systems	2	8/32	Y
SP-attached Adapters			
FC 8396: SP System Attachment (Type 6-F)	6	1/1	N
FC 8397: SP System Attachment, 64-bit, 3.3/5V	5, 3	2/2	N
Medium-Performance Adapters			
FC 6310: IBM ARTIC960 RxD Quad Digital Trunk PCI, 32-bit, 3.3/5V (Type 6-E)	2 See notes 3 on page 59.	4/4	N
FC 6311: IBM ARTIC960 RxF PCI, 32-bit, 3.3/5V (Type 6-G)	9, 11, 10, 12 See note 3 on page 59.	3/3	N
FC 2947: IBM ARTIC960Hx 4-Port Selectable PCI, 32-bit, 3.3/5V (Type 9-R)	1, 5, 10, 2, 8, 4, 13, 3, 9, 14, 6, 11, 7, 12	14/14	Y
FC 2848: GXT135P Graphics Adapter, 32-bit, 3.3/5V (Type 1-X) FC 2849: POWER GXT135P Graphics Accelerator, 32-bit, 3.3/5V (Type 2849)	1, 5, 10, 2, 8, 4, 13, 3, 9, 14, 6, 11, 7, 12	1/1	N
FC 4953: 64-bit/66MHz PCI ATM 155 UTP, 3.3/5V (Type A-C) FC 4957: 64-bit/66MHz PCI ATM 155 MMF, 3.3/5V (Type A-D)	1, 5, 10, 2, 8, 4, 13, 3, 9, 14, 6, 11, 7, 12	14/28	Y
FC 4961: 10/100 4-Port Ethernet (Type A-E)	1, 5, 10, 2, 8, 4, 13, 3, 9, 14, 6, 11, 7, 12 See note 5 on page 59.	10/20	Y

Table 12. 7026 Model 6M1 and 7026 Model M80 (continued)

Adapter	Slot Usage	System Maximum	Hot-Pluggable?
FC 2963: TURBOWAYS 155 PCI UTP ATM (Type 9-J)  FC 2988: TURBOWAYS 155 PCI MMF ATM (Type 9-F)	1, 5, 10, 2, 8, 4, 13, 3, 9, 14, 6, 11, 7, 12	7/7	Y
FC 2946: PCI TURBOWAYS 622 PCI MMF ATM, 64-bit, 3.3/5V (Type A-B)	1, 5, 10, 2, 8, 4, 13, 3, 9, 14, 6, 11, 7, 12	10/20	Y
FC 2741: SysKonnnect SK-NET FDDI-LP SAS PCI, 32-bit, 3.3/5V (Type *)  FC 2742: SysKonnnect SK-NET FDDI-LP DAS PCI, 32-bit, 3.3/5V (Type *)  FC 2743: SysKonnnect SK-NET FDDI-UP SAS PCI (Type *)	1, 5, 10, 2, 8, 4, 13, 3, 9, 14, 6, 11, 7, 12	14/28	Y
FC 6204: PCI Universal Differential Ultra SCSI, 32-bit, 3.3/5V (Type 4-U)	1, 5, 10, 2, 8, 4, 13, 3, 9, 14, 6, 11, 7, 12	10/20	Y
FC 2968: 10/100 Mbps Ethernet Tx PCI (Type 9-P )  FC 4962: Ethernet/LAN Encryption 10/100BaseT, 32-bit, 3.3/5V (Type A-F)  FC 4959: High-Speed Token Ring PCI, 32-bit, 3.3/5V (Type 9-Y)	1, 5, 10, 2, 8, 4, 13, 3, 9, 14, 6, 11, 7, 12	14/28	Y
FC 4958: Cryptographic Coprocessor (Type 6-H)  FC 4963: Cryptographic Coprocessor, FIPS-4, 32-bit, 3.3/5V (Type 6-I)	1, 5, 10, 2, 8, 4, 13, 3, 9, 14, 6, 11, 7, 12	4/4 See note 6 on page 59.	Y See notes 7 on page 59 and 8 on page 59.
FC 4960: IBM Cryptographic Accelerator, 32-bit, 3.3/5V (Type 6-J)	1, 5, 10, 2, 8, 4, 13, 3, 9, 14, 6, 11, 7, 12	4/8	Y See notes 7 on page 59 and 8 on page 59.
FC 3154: Internal Attachment Card	7, 9, 2, 3, 4, 5, 8, 10, 13, 14, 11, 12 See note 59.	1/1 (refer to card installation instructions for more information).	N
Low-Performance Adapters			

Table 12. 7026 Model 6M1 and 7026 Model M80 (continued)

Adapter	Slot Usage	System Maximum	Hot-Pluggable?
FC 2943: 8-Port Asynchronous EIA-232E/RS-422A PCI, 32-bit, 3.3/5V (Type 3-B)  FC 2944: 128-Port Async Controller PCI, 32-bit, 3.3/5V (Type 3-C)	1, 5, 10, 2, 8, 4, 13, 3, 9, 14, 6, 11, 7, 12	14/32	Y
FC 2962: 2-Port Multiprotocol PCII, 32-bit, 3.3/5V (Type 9-V)	1, 5, 10, 2, 8, 4, 13, 3, 9, 14, 6, 11, 7, 12 See note 9.	5/20	N

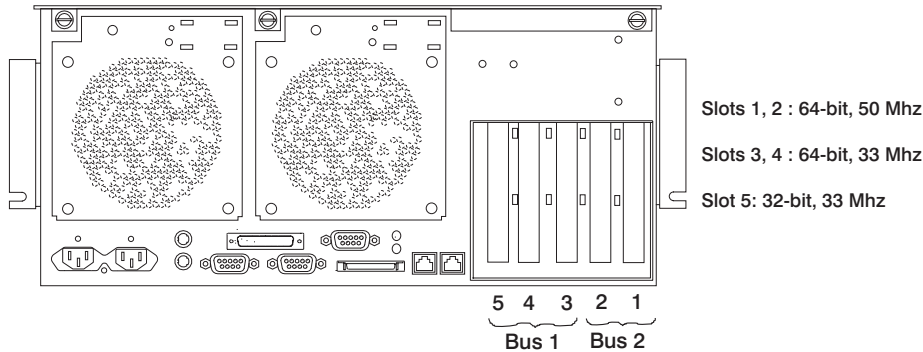
**Notes:**

1. FC 6231 can only be selected along with FC 6230.
2. FC 6235 can only be selected along with FC 6230.
3. FC 6311 requires FC 6310; additionally:
  - They should be installed in adjacent slots and
  - FC 2877 or FC 4353 must be used to connect FC 6310 and FC 6311.
4. For optimum performance, a maximum of two gigabit ethernet ports per system is recommended.
5. For optimum performance using the FC 4961, use only 2 of the 4 ports if the ports will all be running at media speed.
6. Any combination of the following adapters may be installed, but the combined total should not exceed four per system: FC 4958 and FC 4963 (also referred to as RPQ 8A1162).
7. Before hot-plugging this adapter, see the installation chapter in the *PCI Cryptographic Coprocessor Installation and Using Guide* (SA23-1235) for the required procedures.
8. Before hot-plugging this adapter, see the installation chapter in the *PCI Cryptographic Accelerator Installation and Using Guide* (SA23-1254) for the required procedures.
9. FC 2962 migration may require the use of a 5V slot.
10. FC 3154 must have a FC 2968 adapter installed in slot 1 in the system. FC 8396 must have FC 3154 installed in the system. FC 8396 must be placed in slot 6, FC 3154 in slot 7, and FC 2698 in slot 1 (see respective adapter instructions). The FC 8396 and FC 3154 adapters are *not* recognized without PSSP software, except by HTX.



## Chapter 10. 7026 Model B80

This system is designed for customers to install adapters. Use this guide to determine if there are specific slot requirements for adapters that you may be installing.



### System Unit Rear View with Numbered Slots

Some adapters must be placed in specific system unit slots to function correctly at optimum performance. Use the table under “7026 Model B80 Adapter Placement Guide” to determine where to install an adapter in your system unit.

Many of the following notes refer to optimizing system performance. Read “System Performance” on page 1 for more performance-related information.

Use the rear-view diagram above to identify slot locations described in the following tables.

### 7026 Model B80 Adapter Placement Guide

Use the following table to identify specific slot location options for the following adapters in your 7026 Model B80 system.

If two different adapters can be placed in the same slot, the highest priority adapter starts at the top of the table. The list of slot numbers represent the order that the slots should be used.

Table 13. 7026 Model B80

Adapter	Slot Usage	System Maximum
FC 2830: POWER GXT130P (Type 1-T)	5, 4, 3	1
FC 4951: 10/100 4-Port Ethernet (Type 9-Z)	4, 3	2
FC 4958: Cryptographic Coprocessor (Type 6-H)	2, 1	2
FC 4963: Cryptographic Coprocessor, FIPS-4, 32-bit, 3.3/5V (Type 6-I)	2, 1	2
FC 6239: 2 Gigabit Fibre Channel Adapter, 32/64-bit, 3.3V (Type 5704)	4, 3, 2, 1, 5	2 See notes 8 on page 64 and 9 on page 64.
FC 6228: 2 Gigabit Fibre Channel Adapter for 32/64-bit, 3.3/5V PCI Bus (Type 4-W)	4, 3, 2, 1, 5	2 See notes 8 on page 64 and 9 on page 64.

Table 13. 7026 Model B80 (continued)

Adapter	Slot Usage	System Maximum
FC 6227: Gigabit Fibre Channel PCI (Type 4-S)	5, 4, 3, 2, 1	2 See note 7 on page 64 and 9 on page 64.
FC 2962: 2-Port Multiprotocol PCII, 32-bit, 3.3/5V (Type 9-V)	3, 4, 5	3
FC 5700: Gigabit Ethernet, 1000 Base-SX, 32/64-bit, 3.3/5V	1, 2, 3, 4, 5	5
FC 5701: 10/100/1000 Base-TX Ethernet, 32/64-bit, 3.3/5V	1, 2, 3, 4, 5	5
FC 5706: 2-Port 10/100/1000 Base-TX Ethernet PCI-X, 32/64-bit, 3.3/5V (Type 5706)	1, 2, 3, 4	4
FC 5707: 2-Port Gigabit Ethernet-SX PCI-X, 32/64-bit, 3.3/5V (Type 5707)	1, 2, 3, 4	4
FC 5712: Dual Channel Ultra320 SCSI 32/64-bit, 3.3V (Type 5702)	1, 2, 3, 4	2
FC 2969: Gigabit Ethernet Fibre, 1000BaseT, 64-bit, 3.3/5V (Type 9-U)	1, 2, 3, 4, 5	5 See notes 1 on page 63 and 3 on page 64.
FC 2498: PCI 4-Channel Ultra3 SCSI RAID, 32/64-bit, 3.3/5V (Type 4-X)	1, 2, 3, 4	4
FC 6205: PCI Dual Channel Ultra2 SCSI (Type 4-R)	1, 2, 3, 4	4
FC 6206: Single-Ended Ultra SCSI Adapter, 32-bit, 5V (Type 4-K)	5, 4, 3	2
FC 6203: Dual-Channel Ultra3 SCSI, 32/64-bit, 3.3/5V (Type 4-Y)	1, 2, 3, 4	4
FC 6230: Advanced SerialRAID Plus, 32-bit, 3.3/5V (Type 4-P)  FC 6230+6231: 4 Port SSA 40 w/128MB DIMM  FC 6235: Fast Write Cache Option for FC 6225 and FC 6230	4, 3, 2, 1 See notes 5 on page 64 and 6 on page 64.	2
FC 2947: IBM ARTIC960Hx 4-Port Selectable PCI, 32-bit, 3.3/5V (Type 9-R)	4, 3, 2, 1	4
FC 6310: IBM ARTIC960 RxD Quad Digital Trunk PCI, 32-bit, 3.3/5V (Type 6-E)	4, 3, 2, 1	4
FC 6311: IBM ARTIC960 RxF PCI, 32-bit, 3.3/5V (Type 6-G)	4, 3, 2, 1	3 See Chapter 35, "Digital Trunk PCI Adapter Placement Considerations," on page 221.
FC 4961: 10/100 4-Port Ethernet, 32/64-bit, 3.3/5V (Type A-E)	4, 3, 2, 1	4 See notes 1 on page 63 and 4 on page 64.



Table 13. 7026 Model B80 (continued)

Adapter	Slot Usage	System Maximum
FC 4962: Ethernet/LAN Encryption 10/100BaseT, 32-bit, 3.3/5V (Type A-F)	5, 4, 3, 2, 1	5 See note 2 on page 64.
FC 2849: POWER GXT135P Graphics Accelerator, 32-bit, 3.3/5V (Type 2849)	5, 4, 3, 2, 1	1
FC 2848: GXT135P Graphics Adapter, 32-bit, 3.3/5V (Type 1-X)	5, 4, 3, 2, 1	1
FC 2943: 8-Port Asynchronous EIA-232E/RS-422A PCI, 32-bit, 3.3/5V (Type 3-B)	5, 4, 3, 2, 1	5
FC 2944: 128-Port Async Controller PCI, 32-bit, 3.3/5V (Type 3-C)	5, 4, 3, 2, 1	5
FC 2946: PCI TURBOWAYS 622 PCI MMF ATM, 64-bit, 3.3/5V (Type A-B)	5, 4, 3, 2, 1	5 See note 1.
FC 4953: 64-bit/66MHz PCI ATM 155 UTP, 3.3/5V (Type A-C)	5, 4, 3, 2, 1	5
FC 4957: 64-bit/66MHz PCI ATM 155 MMF, 3.3/5V (Type A-D)	5, 4, 3, 2, 1	5
FC 2963: TURBOWAYS 155 PCI UTP ATM (Type 9-J)	5, 4, 3, 2, 1	5
FC 2988: TURBOWAYS 155 PCI MMF ATM (Type 9-F)	5, 4, 3, 2, 1	5
FC 2742: SysKconnect SK-NET FDDI-LP DAS PCI, 32-bit, 3.3/5V (Type *)	5, 4, 3, 2, 1	5
FC 2741: SysKconnect SK-NET FDDI-LP SAS PCI, 32-bit, 3.3/5V (Type *)	5, 4, 3, 2, 1	5
FC 2743: SysKconnect SK-NET FDDI-UP SAS PCI (Type *)	5, 4, 3, 2, 1	5
FC 4959: High-Speed Token Ring PCI, 32-bit, 3.3/5V (Type 9-Y)	5, 4, 3, 2, 1	5
FC 2968: 10/100 Mbps Ethernet Tx PCI (Type 9-P)	5, 4, 3, 2, 1	5 See note 2 on page 64.
FC 6204: PCI Universal Differential Ultra SCSI, 32-bit, 3.3/5V (Type 4-U)	5, 4, 3, 2, 1	5
FC 2975: Gigabit Ethernet (UTP) 1000BaseT, 64-bit, 3.3/5V (Type A-A)	5, 4, 3, 2, 1	5 See notes 1 and 3 on page 64.
FC 4960: IBM Cryptographic Accelerator, 32-bit, 3.3/5V (Type 6-J)	5, 4, 3, 2, 1	4

1. For optimum system performance, a *combination* of the following adapters should not exceed a maximum of two adapters per system:

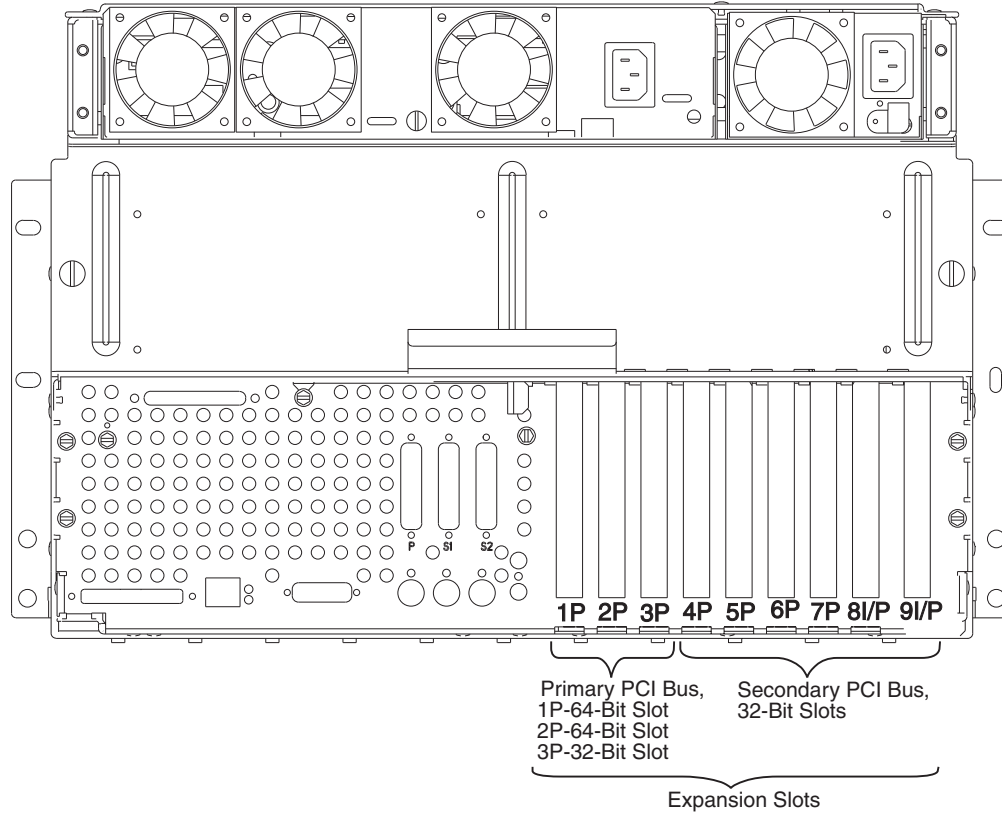
- FC 2969: Gigabit Ethernet Fibre, 1000BaseT, 64-bit, 3.3/5V (Type 9-U)
- FC 2975: Gigabit Ethernet (UTP) 1000BaseT, 64-bit, 3.3/5V (Type A-A)
- FC 2946: PCI TURBOWAYS 622 PCI MMF ATM, 64-bit, 3.3/5V (Type A-B)

Install one in slots 1 or 2 and the other in slots 3 or 4.

2. This system supports up to five FC 2968: 10/100 Mbps Ethernet Tx PCI (Type 9-P ) or FC 4962: Ethernet/LAN Encryption 10/100BaseT, 32-bit, 3.3/5V (Type A-F) adapters per system, making the total six if you use the Integrated Ethernet port.
3. For optimum system performance, install a maximum of two FC 2975: Gigabit Ethernet (UTP) 1000BaseT, 64-bit, 3.3/5V (Type A-A) or two FC 2969: Gigabit Ethernet Fibre, 1000BaseT, 64-bit, 3.3/5V (Type 9-U) adapters per system (or one of each), when configured to run at 1000 Mbps. If the adapter is configured for 100 Mbps mode, use up to four of these adapters (plus the two integrated 100Mbps ports) for optimum performance.
4. For optimum system performance, install a maximum of two FC 4951: 10/100 4-Port Ethernet (Type 9-Z) adapters in 100 Mbps mode per system.
5. FC 6230: Advanced SerialRAID Plus, 32-bit, 3.3/5V (Type 4-P) can be selected with or without the cache upgrade (FC 6235: Fast Write Cache Option for FC 6225 and FC 6230).
6. FC 6235: Fast Write Cache Option for FC 6225 and FC 6230 is a cache upgrade for the FC 6225: Advanced SSA SerialRAID (Type 4-P) adapter and can only be selected along with FC 6230: Advanced SerialRAID Plus, 32-bit, 3.3/5V (Type 4-P) (maximum 1 per 6230).
7. If two FC 6227: Gigabit Fibre Channel PCI (Type 4-S) adapters are to be used, the first must be placed in slots 1 or 2, and the second must be placed in slots 3, 4, or 5.
8. FC 6228: 2 Gigabit Fibre Channel Adapter for 32/64-bit, 3.3/5V PCI Bus (Type 4-W) and FC 6239: 2 Gigabit Fibre Channel Adapter, 32/64-bit, 3.3V (Type 5704) will operate in 32-bit slots, but at a decrease in performance.
9. Use of one FC 6227: Gigabit Fibre Channel PCI (Type 4-S), FC 6228: 2 Gigabit Fibre Channel Adapter for 32/64-bit, 3.3/5V PCI Bus (Type 4-W), or FC 6239: 2 Gigabit Fibre Channel Adapter, 32/64-bit, 3.3V (Type 5704) per bus is recommended. More than one of these adapters can be installed per bus, but system performance may not be increased by installing additional adapters to a bus.
10. For optimum system performance, the combined maximum of high-performance adapters should not exceed the maximums listed for FC 5706: 2-Port 10/100/1000 Base-TX Ethernet PCI-X, 32/64-bit, 3.3/5V (Type 5706) or FC 5707: 2-Port Gigabit Ethernet-SX PCI-X, 32/64-bit, 3.3/5V (Type 5707) if either of these adapters is installed in the system. For a list of high-performance adapters, see Appendix B, "High-Performance Adapters," on page 229.

## Chapter 11. 7026 Model H10

This system is designed for service representatives to install adapters. Use this guide to determine if there are specific slot requirements for adapters that your service representative may be installing.



### System Unit Rear View with Numbered Slots

Some adapters must be placed in specific system unit slots to function correctly at optimum performance. Use the table under “7026 Model H10 Adapter Placement Guide” to determine where to install an adapter in your 7026 Model H10.

Many of the following notes refer to optimizing system performance. Read “System Performance” on page 1 for more performance-related information.

Use the rear-view diagram above to identify slot locations described in the following tables.

### 7026 Model H10 Adapter Placement Guide

Use the following table to identify adapter slot location options for the following adapters in your 7026 Model H10.

Table 14. 7026 Model H10

Adapter	Usage
FC 2839: POWER GXT110P (Type *)	Slot 3P
FC 2838: POWER GXT120P (Type 1-P)	Slots 1P - 9P
FC 2830: POWER GXT130P (Type 1-T)	Slots 1P - 9P

Table 14. 7026 Model H10 (continued)

Adapter	Usage
FC 6215: PCI SSA Multi-Initiator/RAID EL (Type 4-N)	Max. of 1 in slots 1P or 2P Max. of 1 in slot 3P Max. of 1 in slots 4P, or 5P, or 7P, or 8I/P, or 9I/P Max. 3 per Machine, see the notes following this section.
FC 6218: PCI SSA 4-Port RAID (Type 4-J)	Max. of 1 in slots 1P or 2P Max. of 1 in slot 3P Max. of 1 in slots 4P, or 5P, or 6P, or 7P, or 8I/P, or 9I/P Max. 3 per Machine, see the notes following this section.
FC 2988: TURBOWAYS 155 PCI MMF ATM (Type 9-F)	See the notes following this section.
FC 2963: TURBOWAYS 155 PCI UTP ATM (Type 9-J)	See the notes following this section.
FC 2986: 10/100 Mbps PCI Fast Etherlink XL (Type *)	See the notes following this section.
FC 2968: 10/100 Mbps Ethernet Tx PCI (Type 9-P )	See the notes following this section.
FC 2493: PCI SCSI-2 Fast/Wide RAID (Type 4-H)	See the notes following this section.
FC 2742: SysKonnnect SK-NET FDDI-LP DAS PCI, 32-bit, 3.3/5V (Type *)	See the notes following this section.
FC 2741: SysKonnnect SK-NET FDDI-LP SAS PCI, 32-bit, 3.3/5V (Type *)	See the notes following this section.
FC 2743: SysKonnnect SK-NET FDDI-UP SAS PCI (Type *)	See the notes following this section.

**Notes:**

1. **Connectivity Note:** The 7026 Model H10 supports any combination of the following adapters, but that *combination* cannot exceed a total of four:

- FC 2988: TURBOWAYS 155 PCI MMF ATM (Type 9-F)
- FC 2963: TURBOWAYS 155 PCI UTP ATM (Type 9-J)
- FC 2986: 10/100 Mbps PCI Fast Etherlink XL (Type \*)
- FC 2968: 10/100 Mbps Ethernet Tx PCI (Type 9-P )
- FC 2493: PCI SCSI-2 Fast/Wide RAID (Type 4-H)
- FC 2742: SysKonnnect SK-NET FDDI-LP DAS PCI, 32-bit, 3.3/5V (Type \*)
- FC 2741: SysKonnnect SK-NET FDDI-LP SAS PCI, 32-bit, 3.3/5V (Type \*)
- FC 2743: SysKonnnect SK-NET FDDI-UP SAS PCI (Type \*)

**Performance Note:** For optimum system performance, a maximum of one of the following adapters is recommended. Also, these adapters should be placed in a primary PCI bus slot (slots 1-3) of this system unit. (This restriction does not apply if the FC 2968: 10/100 Mbps Ethernet Tx PCI (Type 9-P ) adapter is used in 10 Mbps mode.)

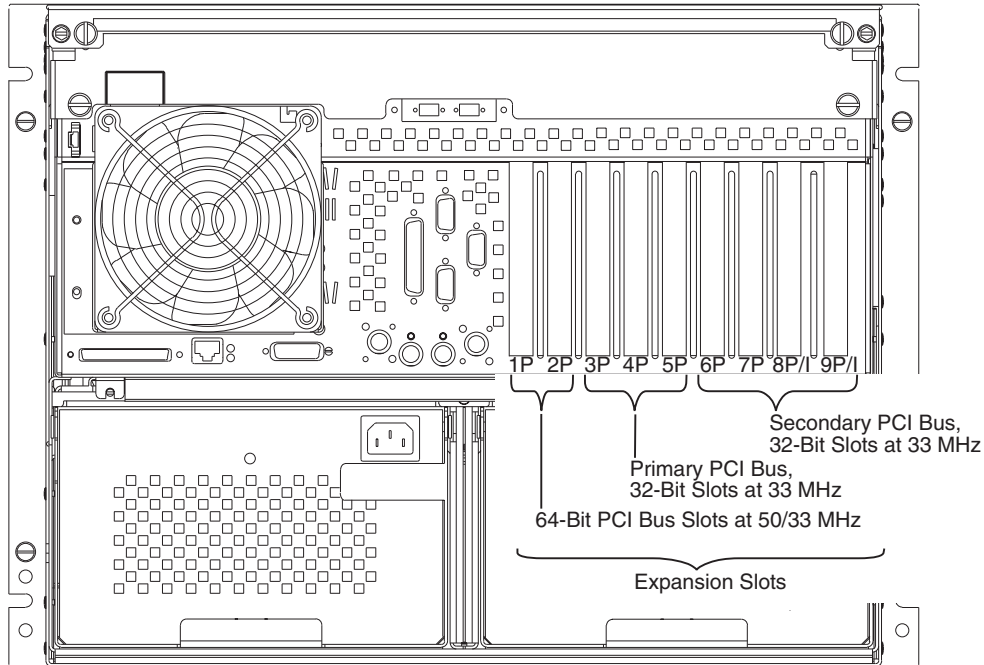
- FC 2988: TURBOWAYS 155 PCI MMF ATM (Type 9-F)
- FC 2963: TURBOWAYS 155 PCI UTP ATM (Type 9-J)
- FC 2986: 10/100 Mbps PCI Fast Etherlink XL (Type \*)
- FC 2968: 10/100 Mbps Ethernet Tx PCI (Type 9-P )
- FC 2493: PCI SCSI-2 Fast/Wide RAID (Type 4-H)
- FC 2742: SysKonnnect SK-NET FDDI-LP DAS PCI, 32-bit, 3.3/5V (Type \*)

- FC 2741: SysKonnnect SK-NET FDDI-LP SAS PCI, 32-bit, 3.3/5V (Type \*)
  - FC 2743: SysKonnnect SK-NET FDDI-UP SAS PCI (Type \*)
2. The 7026 Model H10 supports a maximum of three FC 6218: PCI SSA 4-Port RAID (Type 4-J) or three FC 6215: PCI SSA Multi-Initiator/RAID EL (Type 4-N) adapters. If you choose to install both of these adapters in your 7026 Model H10, the combined total for both adapters must not exceed three.



## Chapter 12. 7026 Model H50

This system is designed for service representatives to install adapters. Use this guide to determine if there are specific slot requirements for adapters that your service representative may be installing.



### System Unit Rear View with Numbered Slots

**Note:** The 7026 Model H50 has three PCI buses, with Slots 1 - 2 on one bus, Slots 3 - 5 on a bus, and Slots 6 - 9 on a bus.

Some adapters must be placed in specific system unit slots to function correctly at optimum performance. Use the table under “7026 Model H50 Adapter Placement Guide” to determine where to install these adapters in your 7026 Model H50.

Many of the following notes refer to optimizing system performance. Read “System Performance” on page 1 for more performance-related information.

Use the rear-view diagram above to identify slot locations described in the following tables.

### 7026 Model H50 Adapter Placement Guide

Use the following table to identify adapter slot location options for the following adapters in your 7026 Model H50.

Table 15. 7026 Model H50

Adapter	Usage
FC 2853: POWER GXT800P (Type 1-K)	Slot 3P only Max. 1 per system
FC 2859: GXT800P 3-slot Graphics (Type 1-K)	Slot 3P only Max. 1 per system

Table 15. 7026 Model H50 (continued)

Adapter	Usage
FC 2839: POWER GXT110P (Type *)	Slots 3P, 4P, and 5P Max. 2 per system
FC 6227: Gigabit Fibre Channel PCI (Type 4-S)	Slots 1P or 2P See notes 10 on page 74 and 15 on page 74.
FC 6228: 2 Gigabit Fibre Channel Adapter for 32/64-bit, 3.3/5V PCI Bus (Type 4-W)	Slots 1P or 2P Max. 3 per system See notes 14 on page 74 and 15 on page 74.
FC 6230: Advanced SerialRAID Plus, 32-bit, 3.3/5V (Type 4-P) FC 6230+6231: 4 Port SSA 40 w/128MB DIMM FC 6235: Fast Write Cache Option for FC 6225 and FC 6230	Any slot Max. 4 per system, 2 per bus See note 5 on page 74.
FC 6225: Advanced SSA SerialRAID (Type 4-P)	Any slot Max. 4 per system, 2 per bus See note 5 on page 74.
FC 6215: PCI SSA Multi-Initiator/RAID EL (Type 4-N)	Slots 1P, 4P, 7P, 9P/I See notes 5 on page 74 and 1 on page 73.
FC 6222: 4-Port, SSA-RAID1 Fast Write Cache Option (Type 4-N)	Any slot
FC 2751: S/390 ESCON Channel, 32-bit, 5V, (Type 5-5)	See Chapter 35, "Digital Trunk PCI Adapter Placement Considerations," on page 221 If less than 2GB of system memory is installed, a maximum of 3 adapters combined per system. Max. of 3 in slots 1P, 2P, 3P, 4P, or 5P Max. of 2 in slots 6P, 7P, 8P/I, or 9P/I If more than 2GB of system memory is installed, a maximum of 3 adapters combined per system: Max. of 1 in slots 1 or 2 Max. of 2 in slots 3, 4, or 5 Max. of 1 in slots 6, 7, 8, or 9 See notes 3 on page 73, 4 on page 74, and 9 on page 74.
FC 2838: POWER GXT120P (Type 1-P)	Any slot
FC 2830: POWER GXT130P (Type 1-T)	Max. 2 per system, see note 11



Table 15. 7026 Model H50 (continued)

Adapter	Usage
FC 6309: Digital Trunk Quad PCI (Type 6-B)	<p>See Chapter 35, "Digital Trunk PCI Adapter Placement Considerations," on page 221. If less than 2GB of system memory is installed, a maximum of 3 adapters combined per system.</p> <p>Max. of 3 in slots 1P, 2P, 3P, 4P, or 5P</p> <p>Max. of 2 in slots 6P, 7P, 8P/I, or 9P/I</p> <p>If more than 2GB of system memory is installed, a maximum of 3 adapters combined per system:</p> <p>Max. of 1 in slots 1 or 2</p> <p>Max. of 2 in slots 3, 4, or 5</p> <p>Max. of 1 in slots 6, 7, 8, or 9</p> <p>See notes 3 on page 73, 4 on page 74, and 9 on page 74.</p>
FC 6310: IBM ARTIC960 RxD Quad Digital Trunk PCI, 32-bit, 3.3/5V (Type 6-E)	<p>Any slot</p> <p>Max. 4 per system</p> <p>See Chapter 35, "Digital Trunk PCI Adapter Placement Considerations," on page 221.</p>
FC 6311: IBM ARTIC960 RxF PCI, 32-bit, 3.3/5V (Type 6-G)	<p>Any slot</p> <p>See Chapter 35, "Digital Trunk PCI Adapter Placement Considerations," on page 221</p>
FC 2969: Gigabit Ethernet Fibre, 1000BaseT, 64-bit, 3.3/5V (Type 9-U)	<p>Max. of 1 in slots 1P, 2P, 3P, 4P, or 5P</p> <p>Max. of 1 in slots 6P, 7P, 8P/I, or 9P/I</p> <p>See notes 5 on page 74 and 6 on page 74.</p>
FC 2975: Gigabit Ethernet (UTP) 1000BaseT, 64-bit, 3.3/5V (Type A-A)	<p>Max. of 1 in slots 1P, 2P, 3P, 4P, or 5P</p> <p>Max. of 1 in slots 6P, 7P, 8P/I, or 9P/I</p> <p>See notes 5 on page 74 and 6 on page 74.</p>
FC 2732, 2733: Serial HIPPI PCI (Types 9-W and 9-X)	<p>1 per bus, 2 per system</p> <p>See note 5 on page 74.</p>
FC 2733: Serial HIPPI, Long-Wave Optics (Type 9-W)	<p>Slots 1P, 2P (max. 1)</p> <p>Slots 3P, 4P, 5P (max 1)</p>
FC 2494: PCI 3-Channel Ultra2 SCSI RAID (Type 4-T)	<p>Any slot</p> <p>Max. 4 per system, see notes 8 and 5</p>
FC 2498: PCI 4-Channel Ultra3 SCSI RAID, 32/64-bit, 3.3/5V (Type 4-X)	<p>Max. of 4 in any slot</p>
FC 4951: 10/100 4-Port Ethernet (Type 9-Z)	<p>Max. of 9 in slots 6P, 7P, 8P, 9P</p> <p>Second adapter into Slots 3P, 4P, 5P</p> <p>See note 13 on page 74.</p>

Table 15. 7026 Model H50 (continued)

Adapter	Usage
FC 4958: Cryptographic Coprocessor (Type 6-H)	First adapter - Slots 6P, 7P, 8P, 9P Do not install in Slots 3, 4, and 5 Subsequent adapters as required
FC 6205: PCI Dual Channel Ultra2 SCSI (Type 4-R)	Any slot Max. 9 per system, see notes 7, 11, 12 See note 12 on page 74.
FC 6206: Single-Ended Ultra SCSI Adapter, 32-bit, 5V (Type 4-K)	Any slot Max. 9 per system
FC 6208: PCI SCSI-2 Single Ended Fast/Wide (Type 4-A)	Any slot Max. 9 per system
FC 2968: 10/100 Mbps Ethernet Tx PCI (Type 9-P )	Max 8 per system for connectivity, see note 2
FC 2742: SysKonnnect SK-NET FDDI-LP DAS PCI, 32-bit, 3.3/5V (Type *)	See note 2 on page 73.
FC 2741: SysKonnnect SK-NET FDDI-LP SAS PCI, 32-bit, 3.3/5V (Type *)	See note 2 on page 73.
FC 2743: SysKonnnect SK-NET FDDI-UP SAS PCI (Type *)	Any slot Max. 4 per system
FC 2988: TURBOWAYS 155 PCI MMF ATM (Type 9-F)	See notes 2 on page 73 and 9 on page 74.
FC 2946: PCI TURBOWAYS 622 PCI MMF ATM, 64-bit, 3.3/5V (Type A-B)	Max. of 9 in slots 1P, 2P, 3P, 6P, 4P, 7P,5P, 8P/I, 9P/I See notes 5 on page 74 and 6 on page 74.
FC 2963: TURBOWAYS 155 PCI UTP ATM (Type 9-J)	Max 4 See note 2 on page 73.
FC 2987: Ethernet 10base5 PCI (Type 8-Z)	Any slot Max. 9 per system
FC 2985: Ethernet 10base2 PCI (Type 8-Y)	Any slot Max. 9 per system
FC 4959: High-Speed Token Ring PCI, 32-bit, 3.3/5V (Type 9-Y)	Any slot
FC 2979: PCI Auto LANstreamer Token Ring (Type 8-T)	Any slot Max. 9 per system
FC 2920: 16Mbps PCI Token-Ring (Type 9-0)	Any slot Max. 9 per system
FC 2962: 2-Port Multiprotocol PCII, 32-bit, 3.3/5V (Type 9-V)	Any slot Max. 9 per system
FC 2493: PCI SCSI-2 Fast/Wide RAID (Type 4-H)	Any slot Max. 3 per system

Table 15. 7026 Model H50 (continued)

Adapter	Usage
FC 3131: RAID INT Port to EXT Connector Cable	Any slot
FC 2944: 128-Port Async Controller PCI, 32-bit, 3.3/5V (Type 3-C)	Any slot Max. 9 per system
FC 2708: ISDN Basic Rate PCI (Type 9-N)	Any slot Max. 9 per system
FC 2998: TURBOWAYS 25 ATM PCI (Type *)	Any slot Max. 9 per system
FC 2943: 8-Port Asynchronous EIA-232E/RS-422A PCI, 32-bit, 3.3/5V (Type 3-B)	Any slot Max. 8 per system
FC 6207: PCI Differential Ultra SCSI (Type 4-L)	Any slot Max. 9 per system
FC 6208 + 2445: EB+,SE SCSI (w/int.drives)	Any slot Max. 9 per system
FC 2947: IBM ARTIC960Hx 4-Port Selectable PCI (Type 9-R)	Any slot Max. 7 per system
FC 2948: IBM ARTIC960 4-Port T1/E1 PCI (Type 9-S)	Any slot Max. 7 per system
FC 2949: IBM ARTIC960 Hx DSP Resource PCI (Type 9-T)	Any slot Max. 7 per system
FC 2741: SysKonnnect SK-NET FDDI-LP SAS PCI, 32-bit, 3.3/5V (Type *)	See note 2.

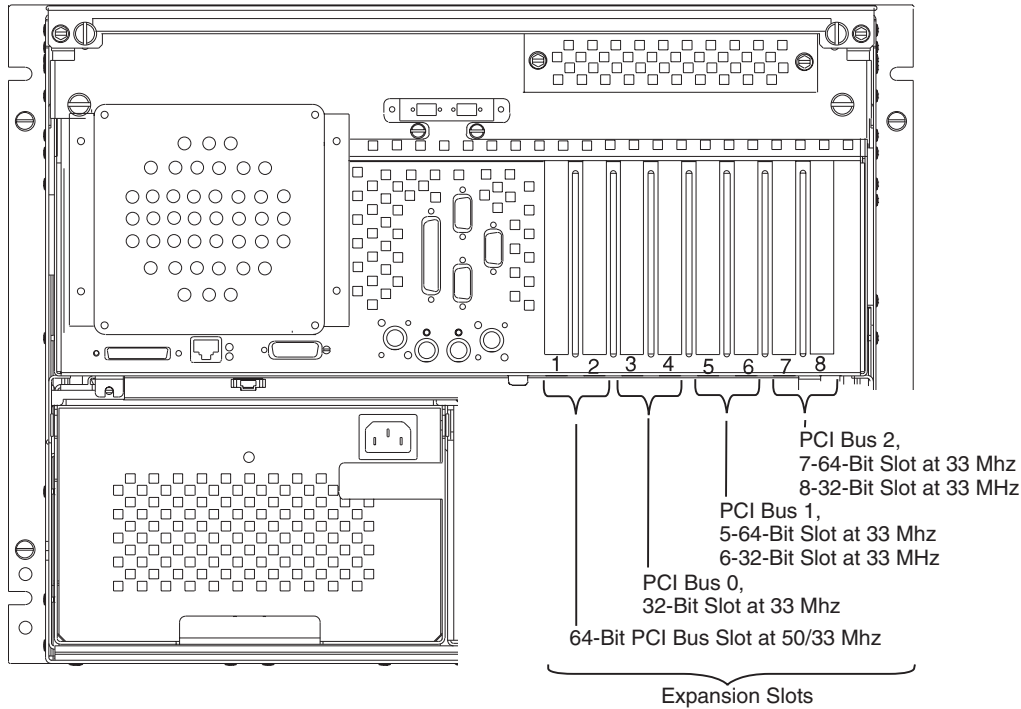
**Notes:**

1. A FC 6215: PCI SSA Multi-Initiator/RAID EL (Type 4-N) adapter *cannot* be plugged into a slot adjacent to a slot occupied by a full length adapter.
2. For optimum system performance, the 7026 Model H50 supports any combination of the following adapters, but that *combination* cannot exceed a total of four per system. The *combination* should not exceed two of these adapters per PCI bus.
  - FC 2988: TURBOWAYS 155 PCI MMF ATM (Type 9-F)
  - FC 2963: TURBOWAYS 155 PCI UTP ATM (Type 9-J)
  - FC 2986: 10/100 Mbps PCI Fast Etherlink XL (Type \*)
  - FC 2968: 10/100 Mbps Ethernet Tx PCI (Type 9-P )
  - FC 2493: PCI SCSI-2 Fast/Wide RAID (Type 4-H)
  - FC 2742: SysKonnnect SK-NET FDDI-LP DAS PCI, 32-bit, 3.3/5V (Type \*)
  - FC 2741: SysKonnnect SK-NET FDDI-LP SAS PCI, 32-bit, 3.3/5V (Type \*)
  - FC 2743: SysKonnnect SK-NET FDDI-UP SAS PCI (Type \*)
3. The 7026 Model H50 supports any combination of the following adapters, but that *combination* cannot exceed a total of seven:
  - FC 2947: IBM ARTIC960Hx 4-Port Selectable PCI (Type 9-R)
  - FC 2948: IBM ARTIC960 4-Port T1/E1 PCI (Type 9-S)
  - FC 2949: IBM ARTIC960 Hx DSP Resource PCI (Type 9-T)
  - FC 2751: S/390 ESCON Channel, 32-bit, 5V, (Type 5-5)

- FC 6309: Digital Trunk Quad PCI (Type 6-B)
4. The 7026 Model H50 supports any combination of the following adapters, but that *combination* cannot exceed a total of three:
    - FC 6309: Digital Trunk Quad PCI (Type 6-B)
    - FC 2751: S/390 ESCON Channel, 32-bit, 5V, (Type 5-5)
  5. For optimum system performance, the combination of the following adapters should not exceed a maximum of one adapter per bus:
    - FC 6215: PCI SSA Multi-Initiator/RAID EL (Type 4-N)
    - FC 6225: Advanced SSA SerialRAID (Type 4-P)
    - FC 6230: Advanced SerialRAID Plus, 32-bit, 3.3/5V (Type 4-P)
    - FC 2494: PCI 3-Channel Ultra2 SCSI RAID (Type 4-T)
    - FC 2969: Gigabit Ethernet Fibre, 1000BaseT, 64-bit, 3.3/5V (Type 9-U)
    - FC 2732, 2733: Serial HIPPI PCI (Types 9-W and 9-X)
    - FC 2975: Gigabit Ethernet (UTP) 1000BaseT, 64-bit, 3.3/5V (Type A-A)
    - FC 2946: PCI TURBOWAYS 622 PCI MMF ATM, 64-bit, 3.3/5V (Type A-B)
  6. For optimum system performance, a *combination* of the following adapters should not exceed a maximum of one adapter per system:
    - FC 2969: Gigabit Ethernet Fibre, 1000BaseT, 64-bit, 3.3/5V (Type 9-U)
    - FC 2975: Gigabit Ethernet (UTP) 1000BaseT, 64-bit, 3.3/5V (Type A-A)
    - FC 2946: PCI TURBOWAYS 622 PCI MMF ATM, 64-bit, 3.3/5V (Type A-B)
  7. For optimum system performance, a maximum of 4 FC 6205: PCI Dual Channel Ultra2 SCSI (Type 4-R) adapters is recommended.
  8. Do not install the FC 2494: PCI 3-Channel Ultra2 SCSI RAID (Type 4-T) adapter on the PCI Bus with the Service Processor card.
  9. Do not install a FC 2988: TURBOWAYS 155 PCI MMF ATM (Type 9-F) or FC 2968: 10/100 Mbps Ethernet Tx PCI (Type 9-P ) adapter in the slot to the right (looking from the rear) of the FC 2751: S/390 ESCON Channel, 32-bit, 5V, (Type 5-5) adapter.
  10. If you install an additional FC 6227: Gigabit Fibre Channel PCI (Type 4-S), put it in slots 3P, 4P, or 5P. Install a third FC 6227: Gigabit Fibre Channel PCI (Type 4-S) in slot 8P, making sure that slot 7P is not occupied.
  11. Do not install a FC 6205: PCI Dual Channel Ultra2 SCSI (Type 4-R) Adapter on the same PCI bus as a FC 2838: POWER GXT120P (Type 1-P) or FC 2830: POWER GXT130P (Type 1-T).
  12. The FC 6205: PCI Dual Channel Ultra2 SCSI (Type 4-R) provides two (2) internal SCSI (P-Type) connectors, which allow it to drive two (2) internal SCSI 6-pack backplanes. This attachment will require the use of two (2) SCSI cables (FC 2447 / FBM 40H0036) from the Ultra-2 SCSI adapter to each of the two 6-pack backplanes.
  13. For optimum system performance using the FC 4951: 10/100 4-Port Ethernet (Type 9-Z) adapter in 100 Mbps mode, use only two of the four ports. Install a maximum of two adapters per system, putting each on its own PCI bus.
  14. FC 6228: 2 Gigabit Fibre Channel Adapter for 32/64-bit, 3.3/5V PCI Bus (Type 4-W) will operate in 32-bit slots, but at a decrease in performance.
  15. Use of one FC 6227: Gigabit Fibre Channel PCI (Type 4-S) or FC 6228: 2 Gigabit Fibre Channel Adapter for 32/64-bit, 3.3/5V PCI Bus (Type 4-W) per bus is recommended. More than one of these adapters can be installed per bus, but system performance may not be increased by installing additional adapters to a bus.

## Chapter 13. 7026 Model H70

This system is designed for service representatives to install adapters. Use this guide to determine if there are specific slot requirements for adapters that your service representative may be installing.



### System Unit Rear View with Numbered Slots

Some adapters must be placed in specific system unit slots to function correctly at optimum performance. Use the table under “7026 Model H70 Adapter Placement Guide” to determine where to install an adapter in your system unit.

Many of the following notes refer to optimizing system performance. Read “System Performance” on page 1 for more performance-related information.

Use the rear-view diagram above to identify slot locations described in the following tables.

### 7026 Model H70 Adapter Placement Guide

Use the following table to identify specific slot location options for the following adapters in your 7026 Model H70 system.

Table 16. 7026 Model H70

Adapter	Slot Usage	System Maximum
FC 2969: Gigabit Ethernet Fibre, 1000BaseT, 64-bit, 3.3/5V (Type 9-U)	Slots 1, 5, 2, 7	4  See notes 3 on page 79, 6 on page 79, 13 on page 80, 15 on page 80, and 16 on page 80.

Table 16. 7026 Model H70 (continued)

Adapter	Slot Usage	System Maximum
FC 2975: Gigabit Ethernet (UTP) 1000BaseT, 64-bit, 3.3/5V (Type A-A)	Slots 1, 5, 2, 7	4  See notes 1 on page 79, 3 on page 79, 6 on page 79, and 13 on page 80.
FC 6230: Advanced SerialRAID Plus, 32-bit, 3.3/5V (Type 4-P)  FC 6230+6231: 4 Port SSA 40 w/128MB DIMM  FC 6235: Fast Write Cache Option for FC 6225 and FC 6230	Any slot	4  See notes 3 on page 79 and 16 on page 80.
FC 6225: Advanced SSA SerialRAID (Type 4-P)	Any slot	4  See notes 3 on page 79 and 16 on page 80.
FC 6231: 128 MByte DRAM Option Card for FC 6225 and FC 6230	Plugs into FC 6225 or 6230	1
FC 6215: PCI SSA Multi-Initiator/RAID EL (Type 4-N)	Any slot  See notes 3 on page 79 and 5 on page 79.	4
FC 6222: 4-Port, SSA-RAID1 Fast Write Cache Option (Type 4-N)	Plugs into FC 6215	1
FC 6227: Gigabit Fibre Channel PCI (Type 4-S)	Slot 3 or 4  See notes 10 on page 80, 16 on page 80, and 21 on page 81.	4
FC 6228: 2 Gigabit Fibre Channel Adapter for 32/64-bit, 3.3/5V PCI Bus (Type 4-W)	Slot 1, 2, 5, or 7  See notes 20 on page 80 and 21 on page 81.	4
FC 2732, 2733: Serial HIPPI PCI (Types 9-W and 9-X)	Any slot  See note 3 on page 79.	2
FC 2494: PCI 3-Channel Ultra2 SCSI RAID (Type 4-T)	Any slot  See notes 3 on page 79, 8 on page 80, and 16 on page 80.	4
FC 2498: PCI 4-Channel Ultra3 SCSI RAID, 32/64-bit, 3.3/5V (Type 4-X)	Any slot	4
FC 4958: Cryptographic Coprocessor (Type 6-H)	Do not install in slots 3 or 4	4
FC 4951: 10/100 4-Port Ethernet (Type 9-Z)	1, 5, 7, 3	8  See note 19 on page 80.
FC 2968: 10/100 Mbps Ethernet Tx PCI (Type 9-P )	Any slot	8  See note 1 on page 79.

Table 16. 7026 Model H70 (continued)

Adapter	Slot Usage	System Maximum
FC 4962: Ethernet/LAN Encryption 10/100BaseT, 32-bit, 3.3/5V (Type A-F)	Any slot	8 See note 1 on page 79 and note 9 on page 80.
FC 2742: SysKonnnect SK-NET FDDI-LP DAS PCI, 32-bit, 3.3/5V (Type *)	Any slot	8
FC 2741: SysKonnnect SK-NET FDDI-LP SAS PCI, 32-bit, 3.3/5V (Type *)	Any slot	8
FC 2743: SysKonnnect SK-NET FDDI-UP SAS PCI (Type *)	Any slot	8
FC 2988: TURBOWAYS 155 PCI MMF ATM (Type 9-F)	Any slot	8 See notes 1 on page 79 and 9 on page 80.
FC 4957: 64-bit/66MHz PCI ATM 155 MMF, 3.3/5V (Type A-D)	Any slot	8 See notes 1 on page 79 and 9 on page 80.
FC 2946: PCI TURBOWAYS 622 PCI MMF ATM, 64-bit, 3.3/5V (Type A-B)	Slots 1, 5, 7, 2, 3, 6, 8, 4	8 See notes 3 on page 79, 12 on page 80, and 6 on page 79.
FC 2963: TURBOWAYS 155 PCI UTP ATM (Type 9-J)	Any slot	8 See notes 1 on page 79 and 9 on page 80.
FC 4953: 64-bit/66MHz PCI ATM 155 UTP, 3.3/5V (Type A-C)	Any slot	8 See notes 1 on page 79 and 9 on page 80.
FC 2751: S/390 ESCON Channel, 32-bit, 5V, (Type 5-5)	Any slot See notes 4 on page 79 and 9 on page 80.	3 See note 2 on page 79.
FC 2947: IBM ARTIC960Hx 4-Port Selectable PCI (Type 9-R)	Any slot	7 See note 2 on page 79.
FC 2948: IBM ARTIC960 4-Port T1/E1 PCI (Type 9-S)	Any slot	7 See note 2 on page 79.
FC 2949: IBM ARTIC960 Hx DSP Resource PCI (Type 9-T)	Any slot	7 See note 2 on page 79.
FC 2830: POWER GXT130P (Type 1-T) or FC 2838: POWER GXT120P (Type 1-P)	Any slot See notes 3 on page 79 and 11 on page 80.	2
FC 6207: PCI Differential Ultra SCSI (Type 4-L)	Any slot	8

Table 16. 7026 Model H70 (continued)

Adapter	Slot Usage	System Maximum
FC 6205: PCI Dual Channel Ultra2 SCSI (Type 4-R)	Any slot See notes 11 on page 80 and 18 on page 80.	8 See note 7 on page 80.
FC 6203: Dual-Channel Ultra3 SCSI, 32/64-bit, 3.3/5V (Type 4-Y)	Any slot	8 See note 7 on page 80.
FC 6206: Single-Ended Ultra SCSI Adapter, 32-bit, 5V (Type 4-K)	Any slot	8
FC 4959: High-Speed Token Ring PCI, 32-bit, 3.3/5V (Type 9-Y)	Any slot	8
FC 2920: 16Mbps PCI Token-Ring (Type 9-0)	Any slot	8
FC 2962: 2-Port Multiprotocol PCII, 32-bit, 3.3/5V (Type 9-V)	Any slot	8
FC 2944: 128-Port Async Controller PCI, 32-bit, 3.3/5V (Type 3-C)	Any slot	8
FC 2708: ISDN Basic Rate PCI (Type 9-N)	Any slot	1
FC 2943: 8-Port Asynchronous EIA-232E/RS-422A PCI, 32-bit, 3.3/5V (Type 3-B)	Any slot	8
FC 6310: IBM ARTIC960 RxD Quad Digital Trunk PCI, 32-bit, 3.3/5V (Type 6-E)	Any slot See Chapter 35, "Digital Trunk PCI Adapter Placement Considerations," on page 221 and note 17 on page 80.	4
FC 6208: PCI SCSI-2 Single Ended Fast/Wide (Type 4-A)	Any slot	8
FC 6209: PCI SCSI-2 Differential Fast/Wide (Type 4-B)	Any slot	8
FC 2979: PCI Auto LANstreamer Token Ring (Type 8-T)	Any slot	8
FC 2985: Ethernet 10base2 PCI (Type 8-Y)	Any slot	8
FC 2987: Ethernet 10base5 PCI (Type 8-Z)	Any slot	8
FC 2988: TURBOWAYS 155 PCI MMF ATM (Type 9-F)	Any slot	8
FC 6309: Digital Trunk Quad PCI (Type 6-B)	Any slot	3 See note 2 on page 79.



## Notes:

1. For optimum performance the 7026 Model H70 supports any combination of the following adapters, but that *combination* should not exceed a total of six per system:
  - FC 2988: TURBOWAYS 155 PCI MMF ATM (Type 9-F), when used in LAN emulation (LANE) mode.
  - FC 2963: TURBOWAYS 155 PCI UTP ATM (Type 9-J), when used in LAN emulation (LANE) mode.
  - FC 4953: 64-bit/66MHz PCI ATM 155 UTP, 3.3/5V (Type A-C), when used in LAN emulation (LANE) mode.
  - FC 4957: 64-bit/66MHz PCI ATM 155 MMF, 3.3/5V (Type A-D), when used in LAN emulation (LANE) mode.
  - FC 2975: Gigabit Ethernet (UTP) 1000BaseT, 64-bit, 3.3/5V (Type A-A), when used in 100 Mbps mode
  - FC 2968: 10/100 Mbps Ethernet Tx PCI (Type 9-P ), when used in 100 Mbps mode. If the integrated 10/100 Mbps controller is also being used at 100 Mbps, then the number of FC 2968: 10/100 Mbps Ethernet Tx PCI (Type 9-P ) should be limited to five.
  - FC 4962: Ethernet/LAN Encryption 10/100BaseT, 32-bit, 3.3/5V (Type A-F), when used in 100 Mbps mode. If the integrated 10/100 Mbps controller is also being used at 100 Mbps, then the number of FC 4962: Ethernet/LAN Encryption 10/100BaseT, 32-bit, 3.3/5V (Type A-F) should be limited to five.
2. The 7026 Model H70 supports any combination of the following adapters, but that *combination* cannot exceed a total of seven:
  - FC 2948: IBM ARTIC960 4-Port T1/E1 PCI (Type 9-S)
  - FC 2969: Gigabit Ethernet Fibre, 1000BaseT, 64-bit, 3.3/5V (Type 9-U)
  - FC 6225: Advanced SSA SerialRAID (Type 4-P)
  - FC 6230: Advanced SerialRAID Plus, 32-bit, 3.3/5V (Type 4-P)
  - FC 6227: Gigabit Fibre Channel PCI (Type 4-S)
  - FC 2494: PCI 3-Channel Ultra2 SCSI RAID (Type 4-T)
  - FC 2947: IBM ARTIC960Hx 4-Port Selectable PCI (Type 9-R)
  - FC 2949: IBM ARTIC960 Hx DSP Resource PCI (Type 9-T)
  - FC 2751: S/390 ESCON Channel, 32-bit, 5V, (Type 5-5)
  - FC 6309: Digital Trunk Quad PCI (Type 6-B)
3. For optimum performance, the combination of the following adapters should not exceed one per PCI bus:
  - FC 2969: Gigabit Ethernet Fibre, 1000BaseT, 64-bit, 3.3/5V (Type 9-U)
  - FC 6225: Advanced SSA SerialRAID (Type 4-P)
  - FC 6230: Advanced SerialRAID Plus, 32-bit, 3.3/5V (Type 4-P)
  - FC 2494: PCI 3-Channel Ultra2 SCSI RAID (Type 4-T)
  - FC 6215: PCI SSA Multi-Initiator/RAID EL (Type 4-N)
  - FC 2732, 2733: Serial HIPPI PCI (Types 9-W and 9-X)
  - FC 2975: Gigabit Ethernet (UTP) 1000BaseT, 64-bit, 3.3/5V (Type A-A)
  - FC 2946: PCI TURBOWAYS 622 PCI MMF ATM, 64-bit, 3.3/5V (Type A-B)
  - FC 2830: POWER GXT130P (Type 1-T)
  - FC 2838: POWER GXT120P (Type 1-P)
4. The 7026 Model H70 supports any combination of the following adapters, but only one of these adapters can be installed in slots 5 and 6.
  - FC 2751: S/390 ESCON Channel, 32-bit, 5V, (Type 5-5)
  - FC 6309: Digital Trunk Quad PCI (Type 6-B)
5. A FC 6215: PCI SSA Multi-Initiator/RAID EL (Type 4-N) adapter *cannot* be plugged into a slot adjacent to a slot occupied by a full length adapter.
6. For optimum system performance, a *combination* of the following adapters should not exceed a maximum of two adapters per system:
  - FC 2969: Gigabit Ethernet Fibre, 1000BaseT, 64-bit, 3.3/5V (Type 9-U)
  - FC 2975: Gigabit Ethernet (UTP) 1000BaseT, 64-bit, 3.3/5V (Type A-A)
  - FC 2946: PCI TURBOWAYS 622 PCI MMF ATM, 64-bit, 3.3/5V (Type A-B)

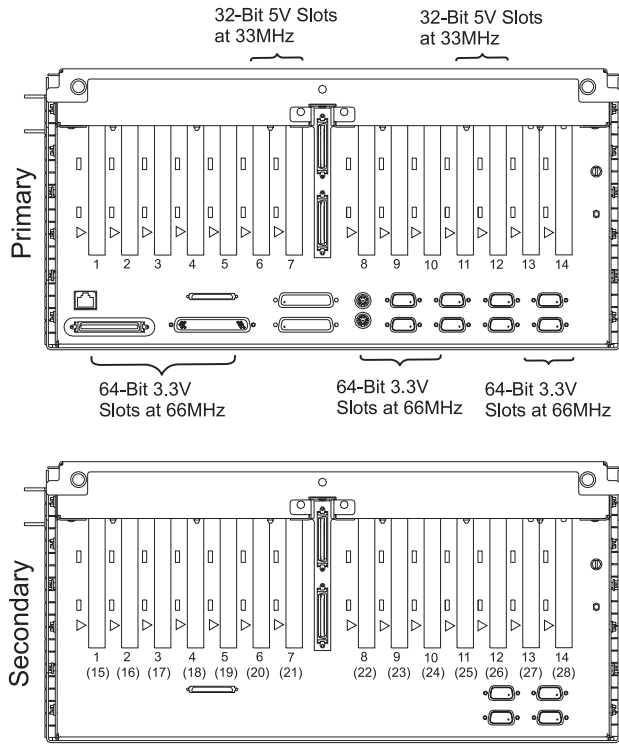
7. For optimum system performance a maximum of 4 FC 6205: PCI Dual Channel Ultra2 SCSI (Type 4-R) or FC 6203: Dual-Channel Ultra3 SCSI, 32/64-bit, 3.3/5V (Type 4-Y) adapters is recommended.
8. Do not install the FC 2494: PCI 3-Channel Ultra2 SCSI RAID (Type 4-T) adapter on the PCI Bus with the Service Processor card.
9. Do not install the following adapters in the slot to the right (looking from the rear) of the FC 2751: S/390 ESCON Channel, 32-bit, 5V, (Type 5-5) adapter:
  - FC 2988: TURBOWAYS 155 PCI MMF ATM (Type 9-F)
  - FC 2968: 10/100 Mbps Ethernet Tx PCI (Type 9-P)
  - FC 4953: 64-bit/66MHz PCI ATM 155 UTP, 3.3/5V (Type A-C)
  - FC 4957: 64-bit/66MHz PCI ATM 155 MMF, 3.3/5V (Type A-D)
  - FC 2963: TURBOWAYS 155 PCI UTP ATM (Type 9-J)
  - FC 4962: Ethernet/LAN Encryption 10/100BaseT, 32-bit, 3.3/5V (Type A-F)
10. Install a second FC 6227: Gigabit Fibre Channel PCI (Type 4-S) in slots 1 or 2. Put a third FC 6227: Gigabit Fibre Channel PCI (Type 4-S) in slot 5. Install a fourth FC 6227: Gigabit Fibre Channel PCI (Type 4-S) in slot 8, making sure that slot 7 is not occupied.
11. Do not install a FC 6205: PCI Dual Channel Ultra2 SCSI (Type 4-R) Adapter in the same PCI bus as a FC 2838: POWER GXT120P (Type 1-P) or a FC 2830: POWER GXT130P (Type 1-T).
12. For optimum system performance, a maximum of one FC 2946: PCI TURBOWAYS 622 PCI MMF ATM, 64-bit, 3.3/5V (Type A-B) adapter per bus is recommended, and should be placed in 64-bit slots.
13. For optimum system performance, a maximum of one FC 2975: Gigabit Ethernet (UTP) 1000BaseT, 64-bit, 3.3/5V (Type A-A) adapter per system is recommended when configured to run at 1000 Mbps. If available, install in slots 1, 5, 2, or 7 (in that order).  
If your adapter is configured for 100 Mbps mode, use up to six adapters for optimum performance.
14. For optimum system performance, install up to six FC 2968: 10/100 Mbps Ethernet Tx PCI (Type 9-P) adapters in 100 Mbps mode.
15. If there are less than 8 total adapters, place the first FC 2969: Gigabit Ethernet Fibre, 1000BaseT, 64-bit, 3.3/5V (Type 9-U) in slot 1 and leave slot 2 empty. If there are 8 total adapters and there are multiple FC 2969, place the FC 2969 adapters in slot 1 and slot 2.
16. For optimum system performance, a *combination* of the following adapters should not exceed a maximum of four adapters per system:
  - FC 2969: Gigabit Ethernet Fibre, 1000BaseT, 64-bit, 3.3/5V (Type 9-U)
  - FC 6225: Advanced SSA SerialRAID (Type 4-P)
  - FC 6230: Advanced SerialRAID Plus, 32-bit, 3.3/5V (Type 4-P)
  - FC 6227: Gigabit Fibre Channel PCI (Type 4-S)
  - FC 2494: PCI 3-Channel Ultra2 SCSI RAID (Type 4-T)
 These adapters should be placed one per bus, if possible.
17. If multiple FC 6310: IBM ARTIC960 RxD Quad Digital Trunk PCI, 32-bit, 3.3/5V (Type 6-E) and FC 6311: IBM ARTIC960 RxF PCI, 32-bit, 3.3/5V (Type 6-G) adapters are on the order, FC 2877: Quad DTA, H.100, 4-Drop Cable or FC 4353: Internal H100 BUS, 8-Position Cable must be used to connect FC 6310 and FC 6311.
18. The FC 6205: PCI Dual Channel Ultra2 SCSI (Type 4-R) provides two (2) internal SCSI (P-Type) connectors, which allow it to drive two (2) internal SCSI 6-pack backplanes. This attachment will require the use of two (2) SCSI cables (FC 2447 / FBM 40H0036) from the FC 6205 adapter to each of the two 6-pack backplanes.
19. For optimum system performance using the FC 4951: 10/100 4-Port Ethernet (Type 9-Z) adapter, use only 2 of the 4 ports and a maximum of 2 adapters per system. Install on separate PCI buses.
20. FC 6228: 2 Gigabit Fibre Channel Adapter for 32/64-bit, 3.3/5V PCI Bus (Type 4-W) will operate in 32-bit slots, but at a decrease in performance.

21. Use of one FC 6227: Gigabit Fibre Channel PCI (Type 4-S) or FC 6228: 2 Gigabit Fibre Channel Adapter for 32/64-bit, 3.3/5V PCI Bus (Type 4-W) per bus is recommended. More than one of these adapters can be installed per bus, but system performance may not be increased by installing additional adapters to a bus.

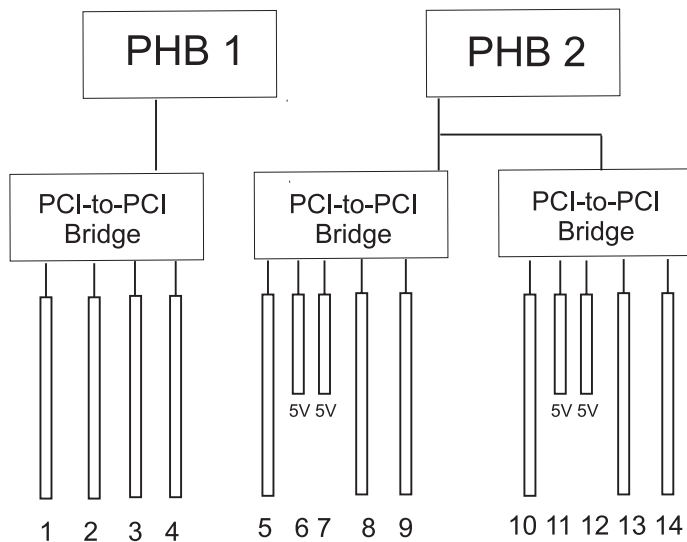


# Chapter 14. 7026 Model 6H0, 7026 Model 6H1, and 7026 Model H80

This system is designed for customers to install adapters. Use this guide to determine if there are specific slot requirements for adapters that you may be installing.



I/O Drawer Rear View with Numbered Slots



Example of Slot Usage at PCI Host Bridge (PHB) Level

**Note:** The 7026 Model H80, 7026 Model 6H0, and 7026 Model 6H1 have two PCI Host Bridges, with Slots 1-4 on one and Slots 5-14 on another.

Some adapters must be placed in specific system unit slots to function correctly at optimum performance. Use the table below to determine where to install these adapters in your system. For best performance when using two drawers, space adapter usage evenly between the drawers.

If a table row lists more than one adapter, the adapters may be mixed, but the total number of adapters in the combination cannot exceed the number stated in the Maximum column.

**Note:** The adapters with the highest slot placement priority are listed at the top of the table. The slot numbers in the Slot Usage column represent slot location priorities. Use the first numbered slot in the primary drawer first, then go to the secondary drawer(s) for the next adapter, spreading the adapters evenly across the drawers. If an adapter has already filled the first slot in the list, go to the next number in the list.

---

## 7026 Model 6H0, 7026 Model 6H1, and 7026 Model H80 Adapter Placement Guide

Use the following table to identify specific slot location options for the following adapters in your system. The slot placement is handled as if the slots were numbered 1 - 28 with 1 - 14 primary and 15 - 28 secondary. The slot labeled 1 in the secondary will be labeled 15 for this table. For performance reasons, it is preferable to place higher-performance cards in the secondary drawer when possible.

If a table row lists more than one adapter, the adapters may be mixed, but the total number of adapters in the combination cannot exceed the number stated in the Maximum column.

**Note:** The adapters with the highest slot placement priority are listed at the top of the table. The slot numbers in the Slot Usage column represent slot-location priorities. Use the first numbered slot first. If an adapter has already filled the first slot in the list, go to the next number in the list.

**Note:** Adapters listed as "(Supported)" may be incorporated from MES upgrades. They will operate in the H80 system but have lower performance characteristics than newer adapters.

Table 17. 7026 Model 6H0, 7026 Model 6H1, and 7026 Model H80

Adapter	Slot Usage	System Maximum	Hot-Pluggable?
5V Adapters			
FC 2830: POWER GXT130P (Type 1-T)	20, 25, 21, 26, 6, 11, 7, 12	1/1	N
FC 2838: POWER GXT120P (Type 1-P)	20, 25, 21, 26, 6, 11, 7, 12 Supported only on H80 systems	1/1	N
FC 2751: S/390 ESCON Channel, 32-bit, 5V, (Type 5-5)	20, 25, 21, 26, 6, 11, 7, 12	3/3	Y
FC 6206: Single-Ended Ultra SCSI Adapter, 32-bit, 5V (Type 4-K)	20, 25, 21, 26, 6, 11, 7, 12 Supported only on H80 systems	4/8	Y
FC 6207: PCI Differential Ultra SCSI (Type 4-L)	20, 25, 21, 26, 6, 11, 7, 12 Supported only on H80 systems	4/8	Y
FC 2708: ISDN Basic Rate PCI (Type 9-N)	20, 25, 21, 26, 6, 11, 7, 12 Supported only on H80 systems	1	Y
High-Performance Adapters (for optimum performance, one high-performance adapter per PHB is recommended)			

Table 17. 7026 Model 6H0, 7026 Model 6H1, and 7026 Model H80 (continued)

Adapter	Slot Usage	System Maximum	Hot-Pluggable?
FC 5707: 2-Port Gigabit Ethernet-SX PCI-X, 32/64-bit, 3.3/5V (Type 5707)	15, 19, 1, 24, 16, 5, 22, 18, 10, 27, 17, 2, 23, 28, 8, 4, 13, 3, 9, 14, 20, 25, 21, 26, 6, 11, 7, 12 Supported only on 6H1 and 6H0 systems	10/20 See note 4 on page 88.	Y
FC 5706: 2-Port 10/100/1000 Base-TX Ethernet PCI-X, 32/64-bit, 3.3/5V (Type 5706)	15, 19, 1, 24, 16, 5, 22, 18, 10, 27, 17, 2, 23, 28, 8, 4, 13, 3, 9, 14, 20, 25, 21, 26, 6, 11, 7, 12 Supported only on 6H1 and 6H0 systems	10/20 See note 4 on page 88.	Y
FC 5700: Gigabit Ethernet, 1000 Base-SX, 32/64-bit, 3.3/5V	15, 19, 1, 24, 16, 5, 22, 18, 10, 27, 17, 2, 23, 28, 8, 4, 13, 3, 9, 14, 20, 25, 21, 26, 6, 11, 7, 12 Supported only on 6H1 and 6H0 systems	10/20 See note 4 on page 88.	Y
FC 5701: 10/100/1000 Base-TX Ethernet, 32/64-bit, 3.3/5V	15, 19, 1, 24, 16, 5, 22, 18, 10, 27, 17, 2, 23, 28, 8, 4, 13, 3, 9, 14, 20, 25, 21, 26, 6, 11, 7, 12 Supported only on 6H1 and 6H0 systems	10/20 See note 4 on page 88.	Y
FC 2975: Gigabit Ethernet (UTP) 1000BaseT, 64-bit, 3.3/5V (Type A-A)	15, 19, 1, 24, 16, 5, 22, 18, 10, 27, 17, 2, 23, 28, 8, 4, 13, 3, 9, 14, 20, 25, 21, 26, 6, 11, 7, 12	10/20 See note 4 on page 88.	Y
FC 2969: Gigabit Ethernet Fibre, 1000BaseT, 64-bit, 3.3/5V (Type 9-U)	15, 19, 1, 24, 16, 5, 22, 18, 10, 27, 17, 2, 23, 28, 8, 4, 13, 3, 9, 14, 20, 25, 21, 26, 6, 11, 7, 12	10/20 See note 4 on page 88.	Y
FC 6239: 2 Gigabit Fibre Channel Adapter, 32/64-bit, 3.3V (Type 5704)	15, 19, 1, 24, 16, 5, 22, 18, 10, 27, 17, 2, 23, 28, 8, 4, 13, 3, 9, 14, 20, 25, 21, 26, 6, 11, 7, 12 Supported only on 6H1 and 6H0 systems	8/32	Y
FC 6228: 2 Gigabit Fibre Channel Adapter for 32/64-bit, 3.3/5V PCI Bus (Type 4-W)	15, 19, 1, 24, 16, 5, 22, 18, 10, 27, 17, 2, 23, 28, 8, 4, 13, 3, 9, 14, 20, 25, 21, 26, 6, 11, 7, 12	8/16	Y
FC 6227: Gigabit Fibre Channel PCI (Type 4-S)	15, 19, 1, 24, 16, 5, 22, 18, 10, 27, 17, 2, 23, 28, 8, 4, 13, 3, 9, 14, 20, 25, 21, 26, 6, 11, 7, 12	8/16	Y
FC 6225: Advanced SSA SerialRAID (Type 4-P)	15, 19, 1, 24, 16, 5, 22, 18, 10, 27, 17, 2, 23, 28, 8, 4, 13, 3, 9, 14, 20, 25, 21, 26, 6, 11, 7, 12 Supported only on H80 systems	8/16	Y

Table 17. 7026 Model 6H0, 7026 Model 6H1, and 7026 Model H80 (continued)

Adapter	Slot Usage	System Maximum	Hot-Pluggable?
FC 6203: Dual-Channel Ultra3 SCSI, 32/64-bit, 3.3/5V (Type 4-Y)  FC 2498: PCI 4-Channel Ultra3 SCSI RAID, 32/64-bit, 3.3/5V (Type 4-X)  FC 6205: PCI Dual Channel Ultra2 SCSI (Type 4-R)	15, 19, 1, 24, 16, 5, 22, 18, 10, 27, 17, 2, 23, 28, 8, 4, 13, 3, 9, 14, 20, 25, 21, 26, 6, 11, 7, 12	10/20	Y
FC 2494: PCI 3-Channel Ultra2 SCSI RAID (Type 4-T)	15, 19, 1, 24, 16, 5, 22, 18, 10, 27, 17, 2, 23, 28, 8, 4, 13, 3, 9, 14, 20, 25, 21, 26, 6, 11, 7, 12 Supported only on H80 systems	4/8	Y
FC 6230: Advanced SerialRAID Plus, 32-bit, 3.3/5V (Type 4-P)  FC 6230+6231: 4 Port SSA 40 w/128MB DIMM  FC 6235: Fast Write Cache Option for FC 6225 and FC 6230  FC 6215: PCI SSA Multi-Initiator/RAID EL (Type 4-N) Supported only on H80 systems	15, 19, 1, 24, 16, 5, 22, 18, 10, 27, 17, 2, 23, 28, 8, 4, 13, 3, 9, 14, 20, 25, 21, 26, 6, 11, 7, 12	8/16 See notes 1 on page 88 and 2 on page 88.	Y
FC 2946: PCI TURBOWAYS 622 PCI MMF ATM, 64-bit, 3.3/5V (Type A-B)	15, 19, 1, 24, 16, 5, 22, 18, 10, 27, 17, 2, 23, 28, 8, 4, 13, 3, 9, 14, 20, 25, 21, 26, 6, 11, 7, 12	10/20 May require the use of a 5V slot.	Y
<b>SP-attached Adapters</b>			
FC 8396: SP System Attachment (Type 6-F)	6	1/1	N
FC 8397: SP System Attachment, 64-bit, 3.3/5V	5, 3	2/2	N
<b>Medium-Performance Adapters</b>			
FC 6310: IBM ARTIC960 RxD Quad Digital Trunk PCI, 32-bit, 3.3/5V (Type 6-E)	15, 19, 1, 24, 16, 5, 22, 18, 10, 27, 17, 2, 23, 28, 8, 4, 13, 3, 9, 14, 20, 25, 21, 26, 6, 11, 7, 12	4/4	Y See notes 3 on page 88.
FC 6311: IBM ARTIC960 RxF PCI, 32-bit, 3.3/5V (Type 6-G)	15, 19, 1, 24, 16, 5, 22, 18, 10, 27, 17, 2, 23, 28, 8, 4, 13, 3, 9, 14, 20, 25, 21, 26, 6, 11, 7, 12	3/3	Y See notes 3 on page 88.



Table 17. 7026 Model 6H0, 7026 Model 6H1, and 7026 Model H80 (continued)

Adapter	Slot Usage	System Maximum	Hot-Pluggable?
<p>FC 2848: GXT135P Graphics Adapter, 32-bit, 3.3/5V (Type 1-X)</p> <p>FC 2849: POWER GXT135P Graphics Accelerator, 32-bit, 3.3/5V (Type 2849)</p>	15, 19, 1, 24, 16, 5, 22, 18, 10, 27, 17, 2, 23, 28, 8, 4, 13, 3, 9, 14, 20, 25, 21, 26, 6, 11, 7, 12	1/1	N
FC 2947: IBM ARTIC960Hx 4-Port Selectable PCI, 32-bit, 3.3/5V (Type 9-R)	15, 19, 1, 24, 16, 5, 22, 18, 10, 27, 17, 2, 23, 28, 8, 4, 13, 3, 9, 14, 20, 25, 21, 26, 6, 11, 7, 12	14/14	Y
<p>FC 4953: 64-bit/66MHz PCI ATM 155 UTP, 3.3/5V (Type A-C)</p> <p>FC 4957: 64-bit/66MHz PCI ATM 155 MMF, 3.3/5V (Type A-D)</p>	15, 19, 1, 24, 16, 5, 22, 18, 10, 27, 17, 2, 23, 28, 8, 4, 13, 3, 9, 14, 20, 25, 21, 26, 6, 11, 7, 12	14/28	Y
FC 4961: 10/100 4-Port Ethernet (Type A-E)	15, 19, 1, 24, 16, 5, 22, 18, 10, 27, 17, 2, 23, 28, 8, 4, 13, 3, 9, 14, 20, 25, 21, 26, 6, 11, 7, 12	10/20 See note 5 on page 89.	Y
<p>FC 2963: TURBOWAYS 155 PCI UTP ATM (Type 9-J)</p> <p>FC 2988: TURBOWAYS 155 PCI MMF ATM (Type 9-F)</p>	15, 19, 1, 24, 16, 5, 22, 18, 10, 27, 17, 2, 23, 28, 8, 4, 13, 3, 9, 14, 20, 25, 21, 26, 6, 11, 7, 12	7/7	Y
<p>FC 2741: SysKonnnect SK-NET FDDI-LP SAS PCI, 32-bit, 3.3/5V (Type *)</p> <p>FC 2742: SysKonnnect SK-NET FDDI-LP DAS PCI, 32-bit, 3.3/5V (Type *)</p> <p>FC 2743: SysKonnnect SK-NET FDDI-UP SAS PCI (Type *) Supported only on 6H1 and H80 systems</p>	15, 19, 1, 24, 16, 5, 22, 18, 10, 27, 17, 2, 23, 28, 8, 4, 13, 3, 9, 14, 20, 25, 21, 26, 6, 11, 7, 12	14/28	Y
FC 6204: PCI Universal Differential Ultra SCSI, 32-bit, 3.3/5V (Type 4-U)	15, 19, 1, 24, 16, 5, 22, 18, 10, 27, 17, 2, 23, 28, 8, 4, 13, 3, 9, 14, 20, 25, 21, 26, 6, 11, 7, 12	10/20	Y
FC 2968: 10/100 Mbps Ethernet Tx PCI (Type 9-P)	15, 19, 1, 24, 16, 5, 22, 18, 10, 27, 17, 2, 23, 28, 8, 4, 13, 3, 9, 14, 20, 25, 21, 26, 6, 11, 7, 12	14/28	Y
FC 4962: Ethernet/LAN Encryption 10/100BaseT, 32-bit, 3.3/5V (Type A-F)	15, 19, 1, 24, 16, 5, 22, 18, 10, 27, 17, 2, 23, 28, 8, 4, 13, 3, 9, 14, 20, 25, 21, 26, 6, 11, 7, 12	14/28	Y

Table 17. 7026 Model 6H0, 7026 Model 6H1, and 7026 Model H80 (continued)

Adapter	Slot Usage	System Maximum	Hot-Pluggable?
FC 4959: High-Speed Token Ring PCI, 32-bit, 3.3/5V (Type 9-Y)	15, 19, 1, 24, 16, 5, 22, 18, 10, 27, 17, 2, 23, 28, 8, 4, 13, 3, 9, 14, 20, 25, 21, 26, 6, 11, 7, 12	14/28	Y
FC 4958: Cryptographic Coprocessor (Type 6-H)  FC 4963: Cryptographic Coprocessor, FIPS-4, 32-bit, 3.3/5V (Type 6-I)	15, 19, 1, 24, 16, 5, 22, 18, 10, 27, 17, 2, 23, 28, 8, 4, 13, 3, 9, 14, 20, 25, 21, 26, 6, 11, 7, 12	4/4 See note 6 on page 89.	Y See note 7 on page 89 and 8 on page 89.
FC 4960: IBM Cryptographic Accelerator, 32-bit, 3.3/5V (Type 6-J)	15, 19, 1, 24, 16, 5, 22, 18, 10, 27, 17, 2, 23, 28, 8, 4, 13, 3, 9, 14, 20, 25, 21, 26, 6, 11, 7, 12	4/4	Y See note 7 on page 89 and 8 on page 89.
FC 3154: Internal Attachment Card	1, 5, 10, 2, 8, 4, 13, 3, 9, 14, 6, 11, 7, 12	1/1	N
Low-Performance Adapters			
FC 2943: 8-Port Asynchronous EIA-232E/RS-422A PCI, 32-bit, 3.3/5V (Type 3-B)  FC 2944: 128-Port Async Controller PCI, 32-bit, 3.3/5V (Type 3-C)	15, 19, 1, 24, 16, 5, 22, 18, 10, 27, 17, 2, 23, 28, 8, 4, 13, 3, 9, 14, 20, 25, 21, 26, 6, 11, 7, 12	14/32	Y
FC 2962: 2-Port Multiprotocol PCII, 32-bit, 3.3/5V (Type 9-V)	15, 19, 1, 24, 16, 5, 22, 18, 10, 27, 17, 2, 23, 28, 8, 4, 13, 3, 9, 14, 20, 25, 21, 26, 6, 11, 7, 12 See note 9 on page 89.	5/20	N
FC 2920: 16Mbps PCI Token-Ring (Type 9-0)	15, 19, 1, 24, 16, 5, 22, 18, 10, 27, 17, 2, 23, 28, 8, 4, 13, 3, 9, 14, 20, 25, 21, 26, 6, 11, 7, 12 Supported only on H80 systems	8/8	N
FC 2979: PCI Auto LANstreamer Token Ring (Type 8-T)	15, 19, 1, 24, 16, 5, 22, 18, 10, 27, 17, 2, 23, 28, 8, 4, 13, 3, 9, 14, 20, 25, 21, 26, 6, 11, 7, 12 Supported only on H80 systems	8/8	N

**Notes:**

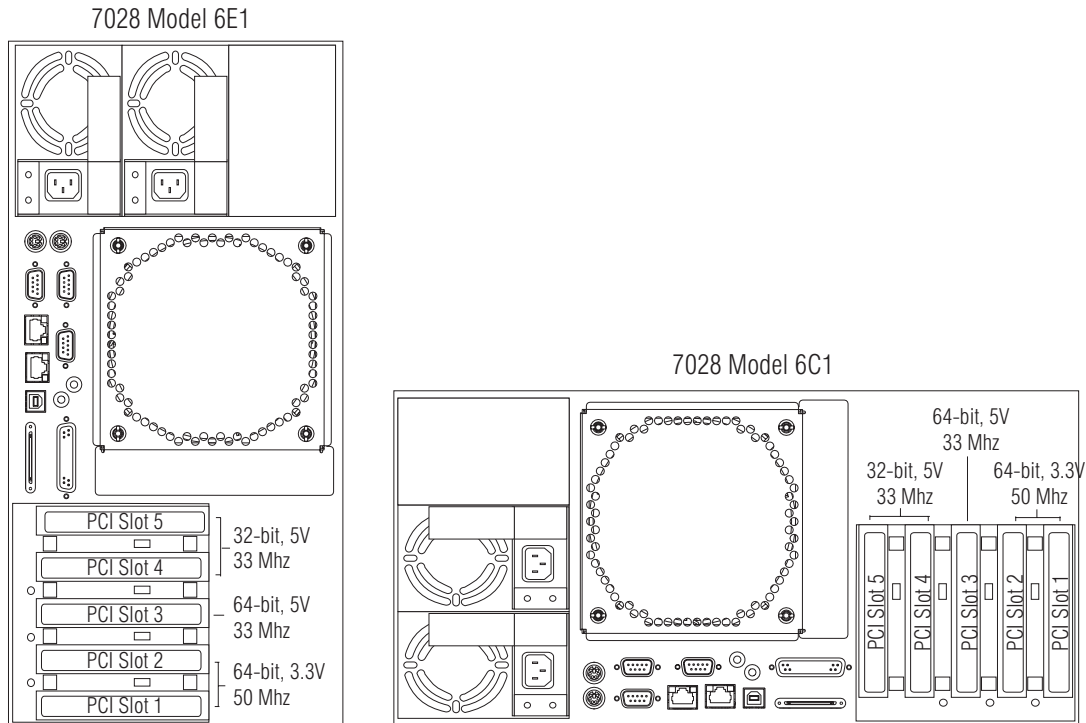
1. FC 6231 can only be selected along with FC 6230.
2. FC 6235 can only be selected along with FC 6230.
3. FC 6311 requires FC 6310; additionally:
  - They should be installed in adjacent slots and
  - FC 2877 or FC 4353 must be used to connect FC 6310 and FC 6311.
4. For optimum performance, a maximum of two gigabit ethernet ports per system is recommended.

5. For optimum performance using the FC 4961, use only 2 of the 4 ports if the ports will all be running at media speed.
6. Any combination of the following adapters may be installed, but the combined total should not exceed four per system: FC 4958 and FC 4963 (also referred to as RPQ 8A1162).
7. Before hot-plugging this adapter, see the installation chapter in the *PCI Cryptographic Coprocessor Installation and Using Guide* (SA23-1235) for the required procedures.
8. Before hot-plugging this adapter, see the installation chapter in the *PCI Cryptographic Accelerator Installation and Using Guide* (SA23-1254) for the required procedures.
9. FC 2962 migration may require the use of a 5V slot.
10. FC 3154 must have a FC 2968 adapter installed in slot 1 in the system. FC 8396 must have FC 3154 installed in the system. FC 8396 must be placed in slot 6, FC 3154 in slot 7, and FC 2698 in slot 1 (see respective adapter instructions). The FC 8396 and FC 3154 adapters are *not* recognized without PSSP software, except by HTX.



## Chapter 15. 7028 Models 6C1 and 6E1

This system is designed for customers to install adapters. Use this guide to determine if there are specific slot requirements for adapters that you may be installing.



### System Unit Rear View with Numbered Slots

Some adapters must be placed in specific system unit slots to function correctly at optimum performance. Use the table under “7028 Models 6C1 and 6E1 Adapter Placement Guide” on page 92 to determine where to install an adapter in your system unit.

Many of the following notes refer to optimizing system performance. Read “System Performance” on page 1 for more performance-related information.

Use the rear-view diagram above to identify slot locations described in the following tables.

## 7028 Models 6C1 and 6E1 Adapter Placement Guide

Use the following table to identify specific slot location options for the following adapters in your 7028 Models 6C1 and 6E1 system.

Table 18. 7028 Models 6C1 and 6E1

Adapter	Slot Usage	System Maximum
FC 4963: Cryptographic Coprocessor, FIPS-4, 32-bit, 3.3/5V (Type 6-I)	1, 2	2 See note 9 on page 94
FC 5707: 2-Port Gigabit Ethernet-SX PCI-X, 32/64-bit, 3.3/5V (Type 5707)	1, 2	2
FC 5706: 2-Port 10/100/1000 Base-TX Ethernet PCI-X, 32/64-bit, 3.3/5V (Type 5706)	1, 2	2
FC 2830: POWER GXT130P (Type 1-T)	5, 4, 3	2
FC 2751: S/390 ESCON Channel, 32-bit, 5V, (Type 5-5)	3, 4, 5	2
FC 6206: Single-Ended Ultra SCSI Adapter, 32-bit, 5V (Type 4-K)	5, 4, 3	2
FC 6228: 2 Gigabit Fibre Channel Adapter for 32/64-bit, 3.3/5V PCI Bus (Type 4-W)	1, 3, 2, 4, 5	2 to 4 See notes 8 on page 94 and 10 on page 94.
FC 6239: 2 Gigabit Fibre Channel Adapter, 32/64-bit, 3.3V (Type 5704)	1, 3, 2, 4, 5	2 to 4 See notes 8 on page 94 and 10 on page 94.
FC 2969: Gigabit Ethernet Fibre, 1000BaseT, 64-bit, 3.3/5V (Type 9-U)	1, 2, 3, 4, 5	5 See note 4 on page 94.
FC 2975: Gigabit Ethernet (UTP) 1000BaseT, 64-bit, 3.3/5V (Type A-A)	1, 2, 3, 4, 5	5 See note 4 on page 94.
FC 5700: Gigabit Ethernet, 1000 Base-SX, 32/64-bit, 3.3/5V	1, 2, 3, 4, 5	5
FC 5701: 10/100/1000 Base-TX Ethernet, 32/64-bit, 3.3/5V	1, 2, 3, 4, 5	5
FC 2849: POWER GXT135P Graphics Accelerator, 32-bit, 3.3/5V (Type 2849)	1, 2, 3, 4, 5	4
FC 2848: GXT135P Graphics Adapter, 32-bit, 3.3/5V (Type 1-X)	1, 2, 3, 4, 5	2
FC 2962: 2-Port Multiprotocol PCII, 32-bit, 3.3/5V (Type 9-V)	5, 4, 3, 2, 1	2
FC 5712: Dual Channel Ultra320 SCSI 32/64-bit, 3.3V (Type 5702)	1, 2, 3, 4, 5	5
FC 5703: PCI-X Dual Channel Ultra320 SCSI RAID Adapter, 32/64-bit, 3.3V (Type 5703)	1, 2, 3, 4, 5	5
FC 2498: PCI 4-Channel Ultra3 SCSI RAID, 32/64-bit, 3.3/5V (Type 4-X)	1, 2, 3, 4, 5	5

Table 18. 7028 Models 6C1 and 6E1 (continued)

Adapter	Slot Usage	System Maximum
FC 6203: Dual-Channel Ultra3 SCSI, 32/64-bit, 3.3/5V (Type 4-Y)	1, 2, 3, 4, 5	5
FC 6230: Advanced SerialRAID Plus, 32-bit, 3.3/5V (Type 4-P)  FC 6230+6231: 4 Port SSA 40 w/128MB DIMM  FC 6235: Fast Write Cache Option for FC 6225 and FC 6230	1, 2, 3, 4, 5	2  See notes 1 on page 94 and 2 on page 94.
FC 4960: IBM Cryptographic Accelerator, 32-bit, 3.3/5V (Type 6-J)	5, 4, 3, 2, 1	4
FC 2947: IBM ARTIC960Hx 4-Port Selectable PCI, 32-bit, 3.3/5V (Type 9-R)	1, 2, 3, 4, 5	4
FC 6310: IBM ARTIC960 RxD Quad Digital Trunk PCI, 32-bit, 3.3/5V (Type 6-E)	1, 2, 3, 4, 5	3
FC 2732: Serial HIPPI, Short-Wave Optics (Type 9-W)	1, 2, 3, 4, 5	2
FC 2733: Serial HIPPI, Long-Wave Optics (Type 9-W)	1, 2, 3, 4, 5	2
FC 4961: 10/100 4-Port Ethernet, 32/64-bit, 3.3/5V (Type A-E)	5, 4, 3, 2, 1	5  See notes 5 on page 94 and 7 on page 94.
FC 2943: 8-Port Asynchronous EIA-232E/RS-422A PCI, 32-bit, 3.3/5V (Type 3-B)	5, 4, 3, 2, 1	5
FC 2944: 128-Port Async Controller PCI, 32-bit, 3.3/5V (Type 3-C)	5, 4, 3, 2, 1	5
FC 4959: High-Speed Token Ring PCI, 32-bit, 3.3/5V (Type 9-Y)	5, 4, 3, 2, 1	4
FC 4962: Ethernet/LAN Encryption 10/100BaseT, 32-bit, 3.3/5V (Type A-F)	5, 4, 3, 2, 1	5  See note 6 on page 94.
FC 6204: PCI Universal Differential Ultra SCSI, 32-bit, 3.3/5V (Type 4-U)	5, 4, 3, 2, 1	5
FC 4953: 64-bit/66MHz PCI ATM 155 UTP, 3.3/5V (Type A-C)	5, 4, 3, 2, 1	5  See note 5 on page 94.
FC 4957: 64-bit/66MHz PCI ATM 155 MMF, 3.3/5V (Type A-D)	5, 4, 3, 2, 1	5  See note 5 on page 94.
FC 2946: PCI TURBOWAYS 622 PCI MMF ATM, 64-bit, 3.3/5V (Type A-B)	1, 2, 3, 4, 5	5  See note 4 on page 94.

**Notes:**

1. FC 6230: Advanced SerialRAID Plus, 32-bit, 3.3/5V (Type 4-P) or FC 6230+6231: 4 Port SSA 40 w/128MB DIMM can be selected with or without the cache upgrade (FC 6235: Fast Write Cache Option for FC 6225 and FC 6230).
2. FC 6235: Fast Write Cache Option for FC 6225 and FC 6230 is a cache upgrade for the FC 6230+6231: 4 Port SSA 40 w/128MB DIMM adapter and can only be selected along with FC 6230: Advanced SerialRAID Plus, 32-bit, 3.3/5V (Type 4-P) or FC 6230+6231: 4 Port SSA 40 w/128MB DIMM (max 1 per FC 6230/FC 6230+6231).
3. FC 6227: Gigabit Fibre Channel PCI (Type 4-S) is restricted to only one adapter in slot 1 or 2 and/or one adapter in slot 3, 4 or 5.
4. For optimum system performance, a *combination* of the following adapters should not exceed a maximum of one adapter per system:
  - FC 2969: Gigabit Ethernet Fibre, 1000BaseT, 64-bit, 3.3/5V (Type 9-U)
  - FC 2975: Gigabit Ethernet (UTP) 1000BaseT, 64-bit, 3.3/5V (Type A-A)
  - FC 2946: PCI TURBOWAYS 622 PCI MMF ATM, 64-bit, 3.3/5V (Type A-B)Use 64-bit slots (1, 2, or 3) if available.
5. For optimum system performance, install up to 5 FC 4953: 64-bit/66MHz PCI ATM 155 UTP, 3.3/5V (Type A-C), or FC 4957: 64-bit/66MHz PCI ATM 155 MMF, 3.3/5V (Type A-D) adapters. Install up to 3 of these adapters if you are in MTU 1500 mode. Use 64-bit slots (1, 2, or 3) if available.
6. For optimum system performance, install up to three FC 4962: Ethernet/LAN Encryption 10/100BaseT, 32-bit, 3.3/5V (Type A-F) adapters in this system.
7. For optimum system performance, a maximum of one FC 4961: 10/100 4-Port Ethernet, 32/64-bit, 3.3/5V (Type A-E) adapter per system (with a maximum of three ports) is recommended.
8. FC 6228: 2 Gigabit Fibre Channel Adapter for 32/64-bit, 3.3/5V PCI Bus (Type 4-W) and FC 6239: 2 Gigabit Fibre Channel Adapter, 32/64-bit, 3.3V (Type 5704) will operate in 32-bit slots, but at a decrease in performance. If RPQ# 8A1209 is in the system, the number of FC 6228 and FC 6239 adapters in the system can be increased to four, but system performance will decrease.
9. Any combination of the following adapters may be installed, but the combined total should not exceed two per system: FC 4958: Cryptographic Coprocessor (Type 6-H) and FC 4963: Cryptographic Coprocessor, FIPS-4, 32-bit, 3.3/5V (Type 6-I), also referred to as RPQ 8A1162: Cryptographic Coprocessor.
10. Use of one FC 6228: 2 Gigabit Fibre Channel Adapter for 32/64-bit, 3.3/5V PCI Bus (Type 4-W) or FC 6239: 2 Gigabit Fibre Channel Adapter, 32/64-bit, 3.3V (Type 5704) per PCI Host Bridge (PHB) chip is recommended. More than three of these adapters can be installed per PHB, but system performance may not be increased by installing additional adapters to a PHB.
11. For optimum system performance, the combined maximum of high-performance adapters should not exceed the maximums listed for FC 5706: 2-Port 10/100/1000 Base-TX Ethernet PCI-X, 32/64-bit, 3.3/5V (Type 5706) or FC 5707: 2-Port Gigabit Ethernet-SX PCI-X, 32/64-bit, 3.3/5V (Type 5707) if either of these adapters is installed in the system. For a list of high-performance adapters, see Appendix B, "High-Performance Adapters," on page 229.



---

## Chapter 16. 7028 Models 6C4 and 6E4 (@server pSeries 630)

This system is designed for customers to install adapters. Use this guide to determine if there are specific slot requirements for adapters that you may be installing.

Some adapters must be placed in specific system unit slots to function correctly at optimum performance. Use the information in the following sections of this chapter to determine where to install adapters in your system unit.

---

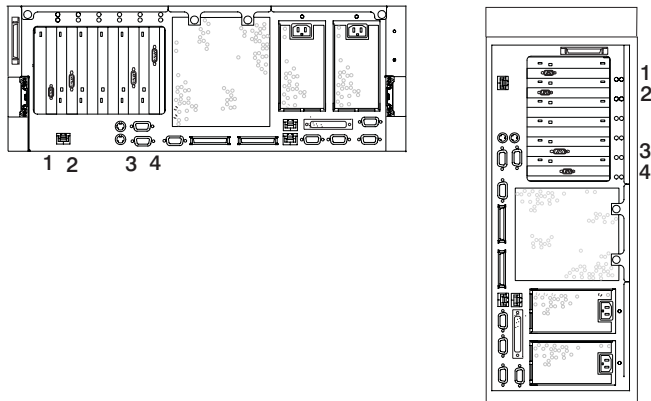
### Logical Partition (LPAR) Considerations

Place redundant devices in separate I/O drawers for best availability performance. Place nonredundant devices in the same I/O drawer. If you place nonredundant devices in one drawer, the system is less exposed to other-drawer failures.

Some devices do not have enhanced error handling (EEH) capabilities built in to their device drivers. If these devices fail, the PCI Host Bridge (PHB) in which they are placed are affected. If the I/O subsystem encounters a severe error, all slots in the PHB are also affected. To clear this condition, you may reboot the system. In addition, it is also possible to remove the failed PCI slots on an affected PHB from the partition profile or profiles that include these PCI slots, and reboot the partition or partitions that terminated at the time of the error.

To avoid PHB errors related to non-EEH adapters, it is strongly recommended that if a non-EEH adapter is used, all slots on that PHB should be assigned to a single LPAR. For additional information about LPAR (logical partitioning) considerations, refer to the tables in this chapter.

## 7028 Models 6C4 and 6E4 (@server pSeries 630) Adapter Placement Guide (4-Slot PCI Riser)



### System Unit Rear View with 4-Slot PCI Riser Numbered Slots

Table 19. Slot Location Reference

Slot	PHB	Planar	Loc. Code	Slot Characteristics
1	1	1	Ux.y-P2-I1	64-bit 3.3V, 133 MHz
2	1	1	Ux.y-P2-I2	64-bit 3.3V, 133 MHz
3	0	1	Ux.y-P2-I3	64-bit 3.3V, 133 MHz
4	0	1	Ux.y-P2-I4	64-bit 3.3V, 133 MHz

**Note:** In Table 19, Ux.y represents the Hardware Management Console (HMC) location code where x is the rack location and y is the drawer position.

Use the following table to identify specific slot location options for the adapters in the 4-Slot PCI Riser of your 7028 Models 6C4 and 6E4 (@server pSeries 630) system.

Table 20. Slot Location Options

4-Slot PCI Riser Slot Location Options					
Adapter	Slot Usage	Max per Riser/System	Max per LPAR	EEH	Hot-Plug
FC 8397: SP System Attachment, 64-bit, 3.3/5V, 2-slot	3 See note 4 on page 99.	1/1	1	Y	Y
FC 2842: POWER GXT4500P Graphics Adapter (Type 1-Y)	4, 3	1/1 See note 6 on page 99.	1	Y	N
FC 2843: POWER GXT6500P Graphics Adapter (Type 1-Z)	4, 3	1/1 See note 6 on page 99.	1	Y	N
FC 8244: Audio PCI Adapter for Workstations (Type 8244)	1, 2 See note 8 on page 99.	1/1	1	N	N
FC 6312: Quad Digital Trunk Telephony PCI, 32/64-bit, 3.3/5V (Type 6312)	4, 3, 2, 1	4/16	4	Y	Y

Table 20. Slot Location Options (continued)

4-Slot PCI Riser Slot Location Options					
Adapter	Slot Usage	Max per Riser/System	Max per LPAR	EEH	Hot-Plug
FC 6310: IBM ARTIC960 Rx/D Quad Digital Trunk PCI, 32-bit, 3.3/5V (Type 6-E)	4, 3, 2, 1	4/16	4	N	N
FC 4963: Cryptographic Coprocessor, FIPS-4, 32-bit, 3.3/5V (Type 6-I)	4, 3, 2, 1	4/4	4	Y	Y See note 1 on page 99.
FC 2498: PCI 4-Channel Ultra3 SCSI RAID, 32/64-bit, 3.3/5V (Type 4-X)	3, 2, 1	3/17	17	Y	Y
FC 4960: IBM Cryptographic Accelerator, 32-bit, 3.3/5V (Type 6-J)	4, 3, 2, 1	4/18	18	Y	Y See note 2 on page 99.
FC 5700: Gigabit Ethernet, 1000 Base-SX, 32/64-bit, 3.3/5V	4, 3, 2, 1	4/18	18	Y	Y
FC 5707: 2-Port Gigabit Ethernet-SX PCI-X, 32/64-bit, 3.3/5V (Type 5707)	4, 3, 2, 1	4/18	18	Y	Y
FC 5701: 10/100/1000 Base-TX Ethernet, 32/64-bit, 3.3/5V	4, 3, 2, 1	4/18	18	Y	Y
FC 5706: 2-Port 10/100/1000 Base-TX Ethernet PCI-X, 32/64-bit, 3.3/5V (Type 5706)	4, 3, 2, 1	4/18	18	Y	Y
FC 6239: 2 Gigabit Fibre Channel Adapter, 32/64-bit, 3.3V (Type 5704)	4, 3, 2, 1	4/18 See note 3 on page 99.	18	Y	Y
FC 2969: Gigabit Ethernet Fibre, 1000BaseT, 64-bit, 3.3/5V (Type 9-U)	4, 3, 2, 1	4/4	4	Y	Y
FC 2975: Gigabit Ethernet (UTP) 1000BaseT, 64-bit, 3.3/5V (Type A-A)	4, 3, 2, 1	4/4	4	Y	Y
FC 6228: 2 Gigabit Fibre Channel Adapter for 32/64-bit, 3.3/5V PCI Bus (Type 4-W)	4, 3, 2, 1	4/18 See note 3 on page 99.	18	Y	Y
FC 6230: Advanced SerialRAID Plus, 32-bit, 3.3/5V (Type 4-P)	4, 3, 2, 1	4/18	18	Y	Y
FC 6231: 128 MByte DRAM Option Card for FC 6225 and FC 6230	4, 3, 2, 1	4/18	18	N/A	N/A
FC 6235: Fast Write Cache Option for FC 6225 and FC 6230	4, 3, 2, 1	4/18	18	N/A	N/A
FC 5712: Dual Channel Ultra320 SCSI 32/64-bit, 3.3V (Type 5702)	4, 3, 2, 1	4/18	18	Y	Y

Table 20. Slot Location Options (continued)

4-Slot PCI Riser Slot Location Options					
Adapter	Slot Usage	Max per Riser/System	Max per LPAR	EEH	Hot-Plug
FC 5703: PCI-X Dual Channel Ultra320 SCSI RAID Adapter, 32/64-bit, 3.3V (Type 5703)	4, 3, 2, 1	4/18	18	Y	Y
FC 6203: Dual-Channel Ultra3 SCSI, 32/64-bit, 3.3/5V (Type 4-Y)	4, 3, 2, 1	4/18	18	Y	Y
FC 6204: PCI Universal Differential Ultra SCSI, 32-bit, 3.3/5V (Type 4-U)	4, 3, 2, 1	4/18	18	Y	Y
FC 2849: POWER GXT135P Graphics Accelerator, 32-bit, 3.3/5V (Type 2849)	4, 3, 2, 1	4/4	1	Y	N
FC 2848: GXT135P Graphics Adapter, 32-bit, 3.3/5V (Type 1-X)	4, 3, 2, 1	4/4	1	Y	N
FC 2946: PCI TURBOWAYS 622 PCI MMF ATM, 64-bit, 3.3/5V (Type A-B)	4, 3, 2, 1	4/10	10	Y	Y
FC 2733: Serial HIPPI, Long-Wave Optics (Type 9-W)	4, 3, 2, 1	2/2 See note 7 on page 99.	1	Y	Y
FC 2732: Serial HIPPI, Short-Wave Optics (Type 9-W)	4, 3, 2, 1	2/2 See note 7 on page 99.	1	Y	Y
FC 4962: Ethernet/LAN Encryption 10/100BaseT, 32-bit, 3.3/5V (Type A-F)	4, 3, 2, 1	4/18	18	Y	Y
FC 4953: 64-bit/66MHz PCI ATM 155 UTP, 3.3/5V (Type A-C)	4, 3, 2, 1	4/10	10	Y	Y
FC 4957: 64-bit/66MHz PCI ATM 155 MMF, 3.3/5V (Type A-D)	4, 3, 2, 1	4/10	10	Y	Y
FC 2947: IBM ARTIC960Hx 4-Port Selectable PCI, 32-bit, 3.3/5V (Type 9-R)	4, 3, 2, 1	4/14	14 See note 5 on page 99.	Y	Y
FC 4959: High-Speed Token Ring PCI, 32-bit, 3.3/5V (Type 9-Y)	4, 3, 2, 1	4/18	18	Y	Y
FC 4961: 10/100 4-Port Ethernet, 32/64-bit, 3.3/5V (Type A-E)	4, 3, 2, 1	4/18	18	Y	Y
FC 2737: Keyboard / Mouse Attachment Card - PCI, 32-bit, 3.3/5V	4, 3, 2, 1	4/4	1	Y	N
FC 2741: SysKonnect SK-NET FDDI-LP SAS PCI, 32-bit, 3.3/5V (Type *)	4, 3, 2, 1	4/6	6	N	Y

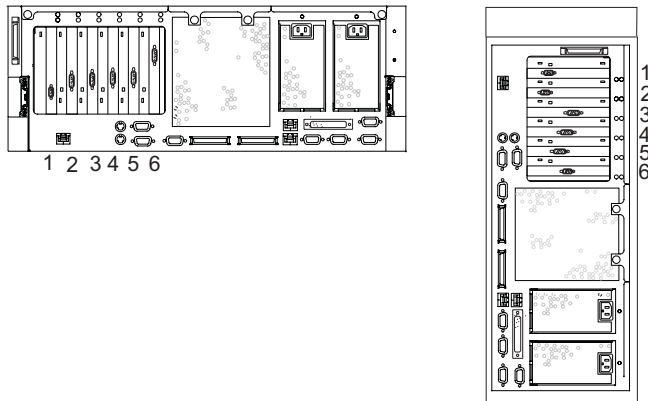
Table 20. Slot Location Options (continued)

4-Slot PCI Riser Slot Location Options					
Adapter	Slot Usage	Max per Riser/System	Max per LPAR	EEH	Hot-Plug
FC 2742: SysKonnnect SK-NET FDDI-LP DAS PCI, 32-bit, 3.3/5V (Type *)	4, 3, 2, 1	4/6	6	N	Y
FC 2943: 8-Port Asynchronous EIA-232E/RS-422A PCI, 32-bit, 3.3/5V (Type 3-B)	4, 3, 2, 1	4/18	18	Y	Y
FC 2944: 128-Port Async Controller PCI, 32-bit, 3.3/5V (Type 3-C)	4, 3, 2, 1	4/18	18	Y	Y
FC 2962: 2-Port Multiprotocol PCII, 32-bit, 3.3/5V (Type 9-V)	4, 3, 2, 1	4/18	18 See note 5.	Y	N

**Notes:**

1. Before hot-plugging this adapter, see the installation chapter in the *PCI Cryptographic Coprocessor Installation and Using Guide* (SA23-1235) for the required procedures.
2. Before hot-plugging this adapter, see the installation chapter in the *PCI Cryptographic Accelerator Installation and Using Guide* (SA23-1254) for the required procedures.
3. Use of one FC 6228: 2 Gigabit Fibre Channel Adapter for 32/64-bit, 3.3/5V PCI Bus (Type 4-W) or FC 6239: 2 Gigabit Fibre Channel Adapter, 32/64-bit, 3.3V (Type 5704) per PCI Host Bridge (PHB) chip is recommended. More than three of these adapters can be installed per PHB, but system performance may not be increased by installing additional adapters to a PHB.
4. Use of FC 8397: SP System Attachment, 64-bit, 3.3/5V, 2-slot is for 7028 Model 6C4 only. If the adapter is installed in slot 3, no adapter can be installed in slot 4, and the divider between slot 3 and slot 4 must be removed.
5. The total of any combination of FC 2947: IBM ARTIC960Hx 4-Port Selectable PCI, 32-bit, 3.3/5V (Type 9-R) and FC 2962: 2-Port Multiprotocol PCII, 32-bit, 3.3/5V (Type 9-V) must not exceed 14 per LPAR.
6. The total of FC 2842: POWER GXT4500P Graphics Adapter (Type 1-Y) and FC 2843: POWER GXT6500P Graphics Adapter (Type 1-Z) must not exceed 1 per riser and 1 per system. If one 3D graphics adapter is installed in either slot 3 or 4, no adapter can be installed in other slot of this pair.
7. The total of any combination of FC 2732: Serial HIPPI, Short-Wave Optics (Type 9-W) and FC 2733: Serial HIPPI, Long-Wave Optics (Type 9-W) must not exceed 2 per system.
8. Use of FC 8244: Audio PCI Adapter for Workstations (Type 8244) is for the 7028 Model 6E4 only.
9. For optimum system performance, the combined maximum of high-performance adapters should not exceed the maximums listed for FC 5706: 2-Port 10/100/1000 Base-TX Ethernet PCI-X, 32/64-bit, 3.3/5V (Type 5706) or FC 5707: 2-Port Gigabit Ethernet-SX PCI-X, 32/64-bit, 3.3/5V (Type 5707) if either of these adapters is installed in the system. For a list of high-performance adapters, see Appendix B, "High-Performance Adapters," on page 229.

## 7028 Models 6C4 and 6E4 (@server pSeries 630) Adapter Placement Guide (6-Slot PCI Riser)



### System Unit Rear View with 6-Slot PCI Riser Numbered Slots

All slots in the 6-Slot PCI Riser are capable of using full-length PCI-X adapters.

Table 21. 6-Slot PCI Riser Slot Location Reference

Slot	PHB	Planar	Loc. Code	Slot Characteristics
1	1	1	Ux.y-P2-I1	64-bit 3.3V, 66 MHz
2	1	1	Ux.y-P2-I2	64-bit 3.3V, 66 MHz
3	2	1	Ux.y-P2-I3	64-bit 3.3V, 133 MHz
4	2	1	Ux.y-P2-I4	64-bit 3.3V, 133 MHz
5	0	1	Ux.y-P2-I5	64-bit 3.3V, 133 MHz
6	0	1	Ux.y-P2-I6	64-bit 3.3V, 133 MHz

**Note:** In Table 21, Ux.y represents the Hardware Management Console (HMC) location code where x is the rack location and y is the drawer position.

Use the following table to identify specific slot location options for the adapters in the 6-Slot PCI Riser of your 7028 Models 6C4 and 6E4 (@server pSeries 630) system.

Table 22. Slot Location Options

6-Slot PCI Riser Slot Location Options					
Adapter	Slot Usage	Max per Riser/System	Max per LPAR	EEH	Hot-Plug
FC 8397: SP System Attachment, 64-bit, 3.3/5V, 2-slot	5 See note 3 on page 103.	1/1	1	Y	Y
FC 8398: SP Switch2 PCI-X Attachment, 64-bit, 3.3V, 1-slot	3 See note 7 on page 103.	1/2	1	Y	N
FC 2842: POWER GXT4500P Graphics Adapter (Type 1-Y)	3, 4	1/1 See note 4 on page 103.	1	N	N

Table 22. Slot Location Options (continued)

6-Slot PCI Riser Slot Location Options					
Adapter	Slot Usage	Max per Riser/System	Max per LPAR	EEH	Hot-Plug
FC 2843: POWER GXT6500P Graphics Adapter (Type 1-Z)	3, 4	1/1 See note 4 on page 103.	1	N	N
FC 8244: Audio PCI Adapter for Workstations (Type 8244)	1, 2 See note 6 on page 103.	1/1	1	N	N
FC 6312: Quad Digital Trunk Telephony PCI, 32/64-bit, 3.3/5V (Type 6312)	3, 4, 5, 6, 1, 2	6/16	4	Y	Y
FC 6310: IBM ARTIC960 RxD Quad Digital Trunk PCI, 32-bit, 3.3/5V (Type 6-E)	3, 4, 5, 6, 1, 2	6/16	4	N	N
FC 4963: Cryptographic Coprocessor, FIPS-4, 32-bit, 3.3/5V (Type 6-l)	3, 4, 5, 6, 1, 2	6/16	4	Y	Y See note 1 on page 103.
FC 2498: PCI 4-Channel Ultra3 SCSI RAID, 32/64-bit, 3.3/5V (Type 4-X)	3, 4, 5, 6, 1, 2	3/11	11	Y	Y
FC 2975: Gigabit Ethernet (UTP) 1000BaseT, 64-bit, 3.3/5V (Type A-A)	3, 4, 5, 6, 1, 2	4/4	4	Y	Y
FC 6228: 2 Gigabit Fibre Channel Adapter for 32/64-bit, 3.3/5V PCI Bus (Type 4-W)	3, 4, 5, 6, 1, 2	4/18 See note 8 on page 103.	18	Y	Y
FC 6239: 2 Gigabit Fibre Channel Adapter, 32/64-bit, 3.3V (Type 5704)	3, 4, 5, 6, 1, 2	4/18 See note 8 on page 103.	18	Y	Y
FC 6230: Advanced SerialRAID Plus, 32-bit, 3.3/5V (Type 4-P)	3, 4, 5, 6, 1, 2	4/18	18	Y	Y
FC 6231: 128 MByte DRAM Option Card for FC 6225 and FC 6230	3, 4, 5, 6, 1, 2	4/18	18	N/A	N/A
FC 6235: Fast Write Cache Option for FC 6225 and FC 6230	3, 4, 5, 6, 1, 2	4/18	18	N/A	N/A
FC 2849: POWER GXT135P Graphics Accelerator, 32-bit, 3.3/5V (Type 2849)	3, 4, 5, 6, 1, 2	4/4	1	Y	N
FC 2848: GXT135P Graphics Adapter, 32-bit, 3.3/5V (Type 1-X)	3, 4, 5, 6, 1, 2	4/4	1	Y	N
FC 5712: Dual Channel Ultra320 SCSI 32/64-bit, 3.3V (Type 5702)	3, 4, 5, 6, 1, 2	5/19	19	Y	Y
FC 5703: PCI-X Dual Channel Ultra320 SCSI RAID Adapter, 32/64-bit, 3.3V (Type 5703)	3, 4, 5, 6, 1, 2	5/19	19	Y	Y

Table 22. Slot Location Options (continued)

6-Slot PCI Riser Slot Location Options					
Adapter	Slot Usage	Max per Riser/System	Max per LPAR	EEH	Hot-Plug
FC 4960: IBM Cryptographic Accelerator, 32-bit, 3.3/5V (Type 6-J)	3, 4, 5, 6, 1, 2	6/20	20	Y	Y See note 2 on page 103.
FC 5700: Gigabit Ethernet, 1000 Base-SX, 32/64-bit, 3.3/5V	3, 4, 5, 6, 1, 2	6/20	20	Y	Y
FC 5707: 2-Port Gigabit Ethernet-SX PCI-X, 32/64-bit, 3.3/5V (Type 5707)	3, 4, 5, 6, 1, 2	6/20	20	Y	Y
FC 5701: 10/100/1000 Base-TX Ethernet, 32/64-bit, 3.3/5V	3, 4, 5, 6, 1, 2	6/20	20	Y	Y
FC 5706: 2-Port 10/100/1000 Base-TX Ethernet PCI-X, 32/64-bit, 3.3/5V (Type 5706)	3, 4, 5, 6, 1, 2	6/20	20	Y	Y
FC 2969: Gigabit Ethernet Fibre, 1000BaseT, 64-bit, 3.3/5V (Type 9-U)	3, 4, 5, 6, 1, 2	6/6	6	Y	Y
FC 6203: Dual-Channel Ultra3 SCSI, 32/64-bit, 3.3/5V (Type 4-Y)	3, 4, 5, 6, 1, 2	6/20	20	N	Y
FC 6204: PCI Universal Differential Ultra SCSI, 32-bit, 3.3/5V (Type 4-U)	3, 4, 5, 6, 1, 2	6/20	20	Y	Y
FC 2946: PCI TURBOWAYS 622 PCI MMF ATM, 64-bit, 3.3/5V (Type A-B)	3, 4, 5, 6, 1, 2	6/20	16	Y	Y
FC 2733: Serial HIPPI, Long-Wave Optics (Type 9-W)	3, 4, 5, 6, 1, 2	2/2 See note 5 on page 103.	2	Y	Y
FC 2732: Serial HIPPI, Short-Wave Optics (Type 9-W)	3, 4, 5, 6, 1, 2	2/2 See note 5 on page 103.	2	Y	Y
FC 4962: Ethernet/LAN Encryption 10/100BaseT, 32-bit, 3.3/5V (Type A-F)	3, 4, 5, 6, 1, 2	6/20	20	Y	Y
FC 4953: 64-bit/66MHz PCI ATM 155 UTP, 3.3/5V (Type A-C)	3, 4, 5, 6, 1, 2	6/20	16	Y	Y
FC 4957: 64-bit/66MHz PCI ATM 155 MMF, 3.3/5V (Type A-D)	3, 4, 5, 6, 1, 2	6/20	16	Y	Y
FC 2947: IBM ARTIC960Hx 4-Port Selectable PCI, 32-bit, 3.3/5V (Type 9-R)	3, 4, 5, 6, 1, 2	6/20	20	Y	Y
FC 4959: High-Speed Token Ring PCI, 32-bit, 3.3/5V (Type 9-Y)	3, 4, 5, 6, 1, 2	6/20	20	Y	Y



Table 22. Slot Location Options (continued)

6-Slot PCI Riser Slot Location Options					
Adapter	Slot Usage	Max per Riser/System	Max per LPAR	EEH	Hot-Plug
FC 4961: 10/100 4-Port Ethernet, 32/64-bit, 3.3/5V (Type A-E)	3, 4, 5, 6, 1, 2	6/20	20	Y	Y
FC 2737: Keyboard / Mouse Attachment Card - PCI, 32-bit, 3.3/5V	3, 4, 5, 6, 1, 2	4/4	1	Y	N
FC 2741: SysKonnnect SK-NET FDDI-LP SAS PCI, 32-bit, 3.3/5V (Type *)	3, 4, 5, 6, 1, 2	4/6	6	N	Y
FC 2742: SysKonnnect SK-NET FDDI-LP DAS PCI, 32-bit, 3.3/5V (Type *)	3, 4, 5, 6, 1, 2	6/6	6	N	Y
FC 2943: 8-Port Asynchronous EIA-232E/RS-422A PCI, 32-bit, 3.3/5V (Type 3-B)	3, 4, 5, 6, 1, 2	6/20	20	Y	Y
FC 2944: 128-Port Async Controller PCI, 32-bit, 3.3/5V (Type 3-C)	3, 4, 5, 6, 1, 2	6/20	20	Y	Y
FC 2962: 2-Port Multiprotocol PCII, 32-bit, 3.3/5V (Type 9-V)	3, 4, 5, 6, 1, 2	6/20	20	Y	Y

**Notes:**

1. Before hot-plugging this adapter, see the installation chapter in the *PCI Cryptographic Coprocessor Installation and Using Guide* (SA23-1235) for the required procedures.
2. Before hot-plugging this adapter, see the installation chapter in the *PCI Cryptographic Accelerator Installation and Using Guide* (SA23-1254) for the required procedures.
3. Use of FC 8397: SP System Attachment, 64-bit, 3.3/5V, 2-slot is for 7028 Model 6C4 only. This adapter must be installed in slot 5, and no other adapter can be installed in slot 6. Remove the divider between slots 5 and 6 before installing this adapter.
4. Use of FC 2842: POWER GXT4500P Graphics Adapter (Type 1-Y) and FC 2843: POWER GXT6500P Graphics Adapter (Type 1-Z) is for the 7028 Model 6E4 only. The total of FC 2842: POWER GXT4500P Graphics Adapter (Type 1-Y) and FC 2843: POWER GXT6500P Graphics Adapter (Type 1-Z) must not exceed 1 per riser and 1 per system.
5. The total of any combination of FC 2732: Serial HIPPI, Short-Wave Optics (Type 9-W) and FC 2733: Serial HIPPI, Long-Wave Optics (Type 9-W) must not exceed not exceed 2 per system.
6. Use of FC 8244: Audio PCI Adapter for Workstations (Type 8244) is for the 7028 Model 6E4 only.
7. Use of FC 8398: SP Switch2 PCI-X Attachment, 64-bit, 3.3V, 1-slot is for 7028 Model 6C4 only.
8. Use of one FC 6228: 2 Gigabit Fibre Channel Adapter for 32/64-bit, 3.3/5V PCI Bus (Type 4-W) or FC 6239: 2 Gigabit Fibre Channel Adapter, 32/64-bit, 3.3V (Type 5704) per PCI Host Bridge (PHB) chip is recommended. More than three of these adapters can be installed per PHB, but system performance may not be increased by installing additional adapters to a PHB.
9. For optimum system performance, the combined maximum of high-performance adapters should not exceed the maximums listed for FC 5706: 2-Port 10/100/1000 Base-TX Ethernet PCI-X, 32/64-bit, 3.3/5V (Type 5706) or FC 5707: 2-Port Gigabit Ethernet-SX PCI-X, 32/64-bit, 3.3/5V (Type 5707) if either of these adapters is installed in the system. For a list of high-performance adapters, see Appendix B, "High-Performance Adapters," on page 229.



---

## Chapter 17. 7029 Models 6C3 and 6E3 (@server pSeries 615)

This system is designed for customers to install adapters. Use this guide to determine if there are specific slot requirements for adapters that you may be installing.

Some adapters must be placed in specific system unit slots to function correctly at optimum performance. Use the information in the following sections of this chapter to determine where to install adapters in your system unit.

---

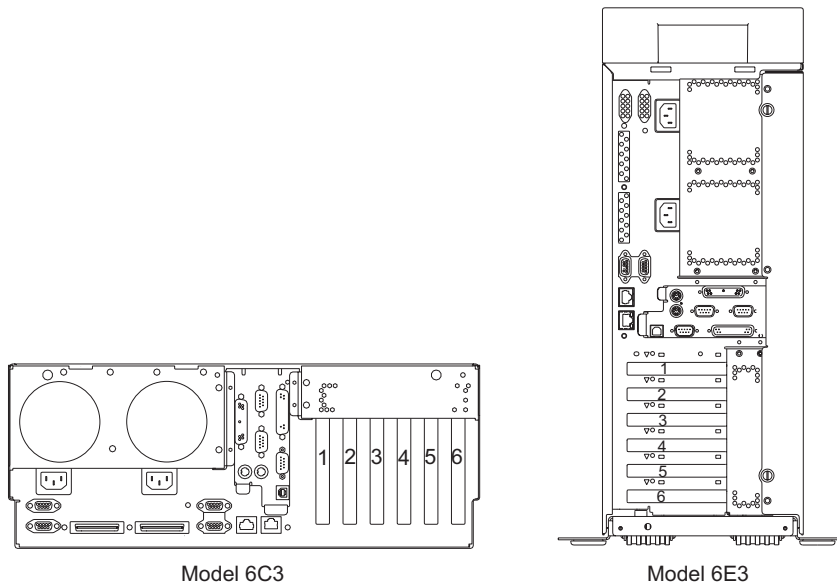
### Logical Partition (LPAR) Considerations

Place redundant devices in separate I/O drawers for best availability performance. Place nonredundant devices in the same I/O drawer. If you place nonredundant devices in one drawer, the system is less exposed to other-drawer failures.

Some devices do not have enhanced error handling (EEH) capabilities built in to their device drivers. If these devices fail, the PCI Host Bridge (PHB) in which they are placed are affected. If the I/O subsystem encounters a severe error, all slots in the PHB are also affected. To clear this condition, you may reboot the system. In addition, it is also possible to remove the failed PCI slots on an affected PHB from the partition profile or profiles that include these PCI slots, and reboot the partition or partitions that terminated at the time of the error.

To avoid PHB errors related to non-EEH adapters, it is strongly recommended that if a non-EEH adapter is used, all slots on that PHB should be assigned to a single LPAR. For additional information about LPAR (logical partitioning) considerations, refer to the tables in this chapter.

## 7029 Models 6C3 and 6E3 (@server pSeries 615) Adapter Placement Guide



### System Unit Rear View with Numbered Slots

All slots in the system are capable of using PCI-X adapters. Slots 1, 4, 5, and 6 support full-length PCI-X adapters. Slots 2 and 3 support half-length PCI-X adapters.

Table 23. Slot Location Reference

Slot	PHB	Planar	Loc. Code	Slot Characteristics
1	1	1	Ux.y-P1-I1	64-bit 3.3V, 133 MHz
2	1	1	Ux.y-P1-I2	32-bit 3.3V, 66 MHz
3	1	1	Ux.y-P1-I3	32-bit 3.3V, 66 MHz
4	1	1	Ux.y-P1-I4	64-bit 3.3V, 133 MHz
5	1	1	Ux.y-P1-I5	64-bit 3.3V, 133 MHz
6	1	1	Ux.y-P1-I6	64-bit 3.3V, 133 MHz

**Note:** In Table 23, Ux.y represents the Hardware Management Console (HMC) location code where *x* is the rack location and *y* is the drawer position.

Use the following table to identify specific slot location options for the adapters in your 7029 Models 6C3 and 6E3 (@server pSeries 615) system.

Table 24. Slot Location Options

Adapter	Slot Usage	Max per System	EEH	Hot-Plug
FC 5709: Dual Channel SCSI RAID Enablement Card (Type 5709)	N/A	1	N/A	N
FC 6312: Quad Digital Trunk Telephony PCI, 32/64-bit, 3.3/5V (Type 6312)	4, 5, 6 See note 2 on page 108.	3	Y	Y

Table 24. Slot Location Options (continued)

Adapter	Slot Usage	Max per System	EEH	Hot-Plug
FC 6310: IBM ARTIC960 RxD Quad Digital Trunk PCI, 32-bit, 3.3/5V (Type 6-E)	4, 5, 6 See note 2 on page 108.	3	N	N
FC 6230: Advanced SerialRAID Plus, 32-bit, 3.3/5V (Type 4-P)	4, 5, 6	3	Y	Y
FC 6231: 128 MByte DRAM Option Card for FC 6225 and FC 6230	4, 5, 6	3	N/A	N/A
FC 6235: Fast Write Cache Option for FC 6225 and FC 6230	4, 5, 6	3	N/A	N/A
FC 5712: Dual Channel Ultra320 SCSI 32/64-bit, 3.3V (Type 5702)	4, 5, 6	3	Y	Y
FC 2498: PCI 4-Channel Ultra3 SCSI RAID, 32/64-bit, 3.3/5V (Type 4-X)	4, 5, 6	3	Y	Y
FC 6203: Dual-Channel Ultra3 SCSI, 32/64-bit, 3.3/5V (Type 4-Y)	4, 5, 6	3	Y	Y
FC 5703: PCI-X Dual Channel Ultra320 SCSI RAID Adapter, 32/64-bit, 3.3V (Type 5703)	4, 5, 6	3	Y	Y
FC 5700: Gigabit Ethernet, 1000 Base-SX, 32/64-bit, 3.3/5V	1, 4, 5, 6	4	Y	Y
FC 5701: 10/100/1000 Base-TX Ethernet, 32/64-bit, 3.3/5V	1, 4, 5, 6	4	Y	Y
FC 2946: PCI TURBOWAYS 622 PCI MMF ATM, 64-bit, 3.3/5V (Type A-B)	1, 4, 5, 6	4	Y	Y
FC 5707: 2-Port Gigabit Ethernet-SX PCI-X, 32/64-bit, 3.3/5V (Type 5707)	1, 4, 5, 6	4	Y	Y
FC 5706: 2-Port 10/100/1000 Base-TX Ethernet PCI-X, 32/64-bit, 3.3/5V (Type 5706)	1, 4, 5, 6	4	Y	Y
FC 6239: 2 Gigabit Fibre Channel Adapter, 32/64-bit, 3.3V (Type 5704)	1, 4, 5, 6	4 See note 4 on page 108.	Y	Y
FC 8244: Audio PCI Adapter for Workstations (Type 8244)	2, 3 See note 3 on page 108.	1	N	N
FC 4960: IBM Cryptographic Accelerator, 32-bit, 3.3/5V (Type 6-J)	1, 4, 2, 3, 5, 6	6	Y	Y See note 1 on page 108.
FC 6204: PCI Universal Differential Ultra SCSI, 32-bit, 3.3/5V (Type 4-U)	1, 4, 2, 3, 5, 6	6	Y	Y
FC 2849: POWER GXT135P Graphics Accelerator, 32-bit, 3.3/5V (Type 2849)	1, 4, 2, 3, 5, 6	4	Y	N
FC 2947: IBM ARTIC960Hx 4-Port Selectable PCI, 32-bit, 3.3/5V (Type 9-R)	4, 5, 6	3	Y	Y
FC 4961: 10/100 4-Port Ethernet, 32/64-bit, 3.3/5V (Type A-E)	4, 5, 6	3	Y	Y

Table 24. Slot Location Options (continued)

Adapter	Slot Usage	Max per System	EEH	Hot-Plug
FC 2732: Serial HIPPI, Short-Wave Optics (Type 9-W)	4, 5, 6	2	Y	Y
FC 4953: 64-bit/66MHz PCI ATM 155 UTP, 3.3/5V (Type A-C)	1, 4, 5, 6	4	Y	Y
FC 4957: 64-bit/66MHz PCI ATM 155 MMF, 3.3/5V (Type A-D)	1, 4, 5, 6	4	Y	Y
FC 4962: Ethernet/LAN Encryption 10/100BaseT, 32-bit, 3.3/5V (Type A-F)	1, 4, 2, 3, 5, 6	6	Y	Y
FC 4959: High-Speed Token Ring PCI, 32-bit, 3.3/5V (Type 9-Y)	1, 4, 2, 3, 5, 6	6	Y	Y
FC 2943: 8-Port Asynchronous EIA-232E/RS-422A PCI, 32-bit, 3.3/5V (Type 3-B)	1, 4, 2, 3, 5, 6	6	Y	Y
FC 2944: 128-Port Async Controller PCI, 32-bit, 3.3/5V (Type 3-C)	1, 4, 2, 3, 5, 6	6	Y	Y
FC 2962: 2-Port Multiprotocol PCII, 32-bit, 3.3/5V (Type 9-V)	1, 4, 2, 3, 5, 6	6	Y	Y

**Notes:**

1. Before hot-plugging this adapter, see the installation chapter in the *PCI Cryptographic Accelerator Installation and Using Guide* (SA23-1254) for the required procedures.
2. Digital Trunk adapters have an internal cable and must be in contiguous slots.
3. Use of FC 8244: Audio PCI Adapter for Workstations (Type 8244) is for 7029 Model 6E3 only.
4. Use of one FC 6239: 2 Gigabit Fibre Channel Adapter, 32/64-bit, 3.3V (Type 5704) per PCI Host Bridge (PHB) chip is recommended. More than three of these adapters can be installed per PHB, but system performance may not be increased by installing additional adapters to a PHB.
5. For optimum system performance, the combined maximum of high-performance adapters should not exceed the maximums listed for FC 5706: 2-Port 10/100/1000 Base-TX Ethernet PCI-X, 32/64-bit, 3.3/5V (Type 5706) or FC 5707: 2-Port Gigabit Ethernet-SX PCI-X, 32/64-bit, 3.3/5V (Type 5707) if either of these adapters is installed in the system. For a list of high-performance adapters, see Appendix B, "High-Performance Adapters," on page 229.

---

## Chapter 18. 7038 Model 6M2 (@server pSeries 650)

This system is designed for customers to install adapters. Use this guide to determine if there are specific slot requirements for adapters that you may be installing.

Some adapters must be placed in specific system unit slots to function correctly at optimum performance. Use the information in the following sections of this chapter to determine where to install adapters in your system unit.

---

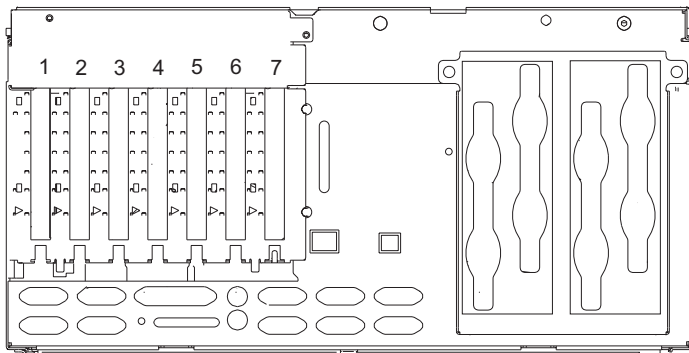
### Logical Partition (LPAR) Considerations

Place redundant devices in separate I/O drawers for best availability performance. Place nonredundant devices in the same I/O drawer. If you place nonredundant devices in one drawer, the system is less exposed to other-drawer failures.

Some devices do not have enhanced error handling (EEH) capabilities built in to their device drivers. If these devices fail, the PCI Host Bridge (PHB) in which they are placed are affected. If the I/O subsystem encounters a severe error, all slots in the PHB are also affected. To clear this condition, you may reboot the system. In addition, it is also possible to remove the failed PCI slots on an affected PHB from the partition profile or profiles that include these PCI slots, and reboot the partition or partitions that terminated at the time of the error.

To avoid PHB errors related to non-EEH adapters, it is strongly recommended that if a non-EEH adapter is used, all slots on that PHB should be assigned to a single LPAR. For additional information about LPAR (logical partitioning) considerations, refer to the tables in this chapter.

## 7038 Model 6M2 (@server pSeries 650) Adapter Placement Guide



### System Unit Rear View with Numbered Slots

Table 25. Slot Location Reference

Slot	PHB	Planar	Loc. Code	Slot Characteristics
1	1	1	Ux.y-P2-I1	64-bit 3.3V, 133 MHz
2	1	1	Ux.y-P2-I2	64-bit 3.3V, 133 MHz
3	1	1	Ux.y-P2-I3	64-bit 3.3V, 133 MHz
4	1	1	Ux.y-P2-I4	64-bit 3.3V, 133 MHz
5	2	1	Ux.y-P2-I5	64-bit 3.3V, 133 MHz
6	2	1	Ux.y-P2-I6	64-bit 3.3V, 133 MHz
7	2	1	Ux.y-P2-I7	32-bit 3.3V, 133 MHz

**Note:** In Table 25, Ux.y represents the Hardware Management Console (HMC) location code where *x* is the rack location and *y* is the drawer position.

Use the following table to identify specific slot location options for the following adapters in your 7038 Model 6M2 (@server pSeries 650) system.

Table 26. Slot Location Options

Adapter	Slot Usage	Max. per 6M2 Drawer/System	Max. per LPAR	EEH	Hot-Plug
High-Performance Adapters (for optimum performance, a maximum of three high-performance adapters per PHB is recommended)					
FC 5718: 10 Gigabit Ethernet-SR PCI-X Adapter (requires a 64-bit, 133-Mhz 3.3V PCI-X slot)	1, 6, 2, 5, 3, 4	See note 5 on page 113.	See note 5 on page 113.	Y	Y
FC 5707: 2-Port Gigabit Ethernet-SX PCI-X, 32/64-bit, 3.3/5V (Type 5707)	1, 6, 2, 5, 3, 4 See note 4 on page 113.	6/30	30	Y	Y
FC 5706: 2-Port 10/100/1000 Base-TX Ethernet PCI-X, 32/64-bit, 3.3/5V (Type 5706)	1, 6, 2, 5, 3, 4 See note 4 on page 113.	6/30	30	Y	Y
FC 5701: 10/100/1000 Base-TX Ethernet, 32/64-bit, 3.3/5V	1, 6, 2, 5, 3, 4 See note 4 on page 113.	6/30	30	Y	Y



Table 26. Slot Location Options (continued)

Adapter	Slot Usage	Max. per 6M2 Drawer/System	Max. per LPAR	EEH	Hot-Plug
FC 5700: Gigabit Ethernet, 1000 Base-SX, 32/64-bit, 3.3/5V	1, 6, 2, 5, 3, 4 See note 4 on page 113.	6/30	30	Y	Y
FC 5716: FCAL(2GBS), PCIX/SHORT/32 OR 64BIT/3.3 OR 5V,(FLIPPER-X,CR)	1, 6, 2, 5, 3, 4	6/32	32	Y	Y
FC 6239: 2 Gigabit Fibre Channel Adapter, 32/64-bit, 3.3V (Type 5704)	1, 6, 2, 5, 3, 4 See note 4 on page 113.	6/32	32	Y	Y
FC 6228: 2 Gigabit Fibre Channel Adapter for 32/64-bit, 3.3/5V PCI Bus (Type 4-W)	1, 6, 2, 5, 3, 4 See note 4 on page 113.	6/32	32	Y	Y
FC 5710: PCI-X Dual Channel Ultra320 SCSI Blind Swap Adapter, 32/64-bit, 3.3V (Type 5702)	1, 6, 2, 5, 3, 4	6/30	30	Y	Y
FC 5711: PCI-X Dual Channel Ultra320 SCSI RAID Blind Swap Adapter, 32/64-bit, 3.3V (Type 5711)	1, 6, 2, 5, 3, 4	6/30	30	Y	Y
FC 6203: Dual-Channel Ultra3 SCSI, 32/64-bit, 3.3/5V (Type 4-Y)	1, 6, 2, 5, 3, 4	6/30	30	Y	Y
FC 2498: PCI 4-Channel Ultra3 SCSI RAID, 32/64-bit, 3.3/5V (Type 4-X)	1, 6, 2, 5, 3, 4	4/30	30	Y	Y
FC 6230: Advanced SerialRAID Plus, 32-bit, 3.3/5V (Type 4-P)	1, 6, 2, 5, 3, 4	6/32	32	Y	Y
FC 6231: SSA (Option for FC 6225/6230)	1, 6, 2, 5, 3, 4	4/32	32	N/A	N/A
FC 6235: Fast Write Cache Option for FC 6225 and FC 6230	1, 6, 2, 5, 3, 4	4/32	32	N/A	N/A
FC 2946: PCI TURBOWAYS 622 PCI MMF ATM, 64-bit, 3.3/5V (Type A-B)	1, 6, 2, 5, 3, 4	6/30	30	Y	Y
<b>SP-attached Adapters</b>					
FC 8398: SP Switch2 PCI-X Attachment, 64-bit, 3.3V, 1-slot	3, 5	2/2	1	Y	N
<b>Medium-Performance Adapters</b>					
FC 4963: Cryptographic Coprocessor, FIPS-4, 32-bit, 3.3/5V (Type 6-I)	1, 6, 2, 5, 3, 4, 7	6/32	4	Y	Y See note 1 on page 112.
FC 4960: IBM Cryptographic Accelerator, 32-bit, 3.3/5V (Type 6-J)	1, 6, 2, 5, 3, 4, 7	7/15	15	Y	Y See note 2 on page 112.
FC 4962: Ethernet/LAN Encryption 10/100BaseT, 32-bit, 3.3/5V (Type A-F)	1, 6, 2, 5, 3, 4, 7 See note 4 on page 113.	6/55	55	Y	Y

Table 26. Slot Location Options (continued)

Adapter	Slot Usage	Max. per 6M2 Drawer/System	Max. per LPAR	EEH	Hot-Plug
FC 4953: 64-bit/66MHz PCI ATM 155 UTP, 3.3/5V (Type A-C)	1, 6, 2, 5, 3, 4, 7	6/30	30	Y	Y
FC 4957: 64-bit/66MHz PCI ATM 155 MMF, 3.3/5V (Type A-D)	1, 6, 2, 5, 3, 4, 7	6/30	30	Y	Y
FC 2947: IBM ARTIC960Hx 4-Port Selectable PCI, 32-bit, 3.3/5V (Type 9-R)	1, 6, 2, 5, 3, 4	6/54	14	Y	Y
FC 2849: POWER GXT135P Graphics Accelerator, 32-bit, 3.3/5V (Type 2849)	1, 6, 2, 5, 3, 4, 7	7/8	1	Y	N
FC 2848: GXT135P Graphics Adapter, 32-bit, 3.3/5V (Type 1-X)	1, 6, 2, 5, 3, 4, 7	7/8	1	Y	N
FC 4961: 10/100 4-Port Ethernet (Type A-E)	1, 6, 2, 5, 3, 4 See note 4 on page 113.	6/20	20	Y	Y
FC 6204: PCI Universal Differential Ultra SCSI, 32-bit, 3.3/5V (Type 4-U)	1, 6, 2, 5, 3, 4, 7	7/40	40	Y	Y
FC 6313: Quad Digital Trunk Telephony PCI Blind Swap, 32/64-bit, 3.3/5V (Type 6313)	1, 2, 3, 4, 5, 6	4/28 See note 3 on page 113.	4	Y	Y
FC 4959: High-Speed Token Ring PCI, 32-bit, 3.3/5V (Type 9-Y)	1, 6, 2, 5, 3, 4, 7	7/30	30	Y	Y
Low-Performance Adapters					
FC 2737: Keyboard / Mouse Attachment Card - PCI, 32-bit, 3.3/5V	7, 4, 3, 5, 2, 6, 1	7/8	1	Y	N
FC 5723: 2-PORT EIA-232 ASYNCH, SHORT/32BIT/3.3 OR 5V	7, 4, 3, 5, 2, 6, 1	7/8	8		
FC 2943: 8-Port Asynchronous EIA-232E/RS-422A PCI, 32-bit, 3.3/5V (Type 3-B)	7, 4, 3, 5, 2, 6, 1	7/32	32	Y	Y
FC 2944: 128-Port Async Controller PCI, 32-bit, 3.3/5V (Type 3-C)	7, 4, 3, 5, 2, 6, 1	7/32	32	Y	Y
FC 2962: 2-Port Multiprotocol PCII, 32-bit, 3.3/5V (Type 9-V)	7, 4, 3, 5, 2, 6, 1	5/53	14	Y	Y

**Notes:**

1. Before hot-plugging this adapter, see the installation chapter in the *PCI Cryptographic Coprocessor Installation and Using Guide* (SA23-1235) for the required procedures.
2. Before hot-plugging this adapter, see the installation chapter in the *PCI Cryptographic Accelerator Installation and Using Guide* (SA23-1254) for the required procedures.

3. FC 2877: Quad DTA, H.100, 4-Drop Cable or FC 4353: Internal H100 BUS, 8-Position Cable can be used to daisy chain up to four FC 6313: Quad Digital Trunk Telephony PCI Blind Swap, 32/64-bit, 3.3/5V (Type 6313) adapters that are placed adjacent to each other. All FC 6313 adapters must be placed adjacent to each other. If either one FC 2877 or one FC 4353 is on the order, use FC 2877 to connect all FC 6313 adapters.
4. For optimum performance, a maximum of three gigabit ethernet) ports per PHB is allowed.
5. FC 5718 must follow the following requirements:
  - No FC 5718 adapters are allowed in two-way I/O drawer systems.
  - A total of one FC 5718 adapter is allowed in four- or six-way I/O drawer systems.
  - A total of two FC 5718 adapters are allowed in eight-way I/O drawer systems.
  - If using a FC 5718 adapter, no other high-performance adapters may be installed on the same PHB.



---

## Chapter 19. 7039 Model 651 (@server pSeries 655)

Some adapters must be placed in specific system unit slots to function correctly at optimum performance. Use the information in the following sections of this chapter to determine where to install adapters in your system unit.

---

### Logical Partition (LPAR) Considerations

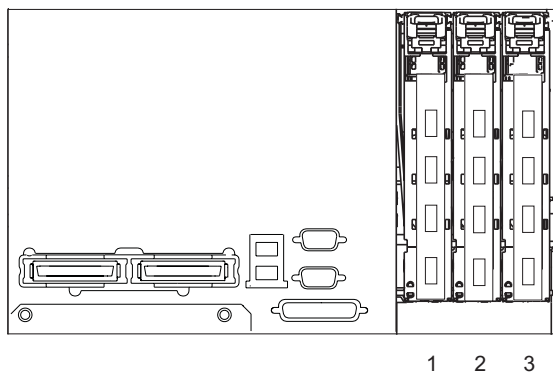
Place redundant devices in separate I/O drawers for best availability performance. Place nonredundant devices in the same I/O drawer. If you place nonredundant devices in one drawer, the system is less exposed to other-drawer failures.

Some devices do not have enhanced error handling (EEH) capabilities built in to their device drivers. If these devices fail, the PCI Host Bridge (PHB) in which they are placed are affected. If the I/O subsystem encounters a severe error, all slots in the PHB are also affected. To clear this condition, you may reboot the system. In addition, it is also possible to remove the failed PCI slots on an affected PHB from the partition profile or profiles that include these PCI slots, and reboot the partition or partitions that terminated at the time of the error.

To avoid PHB errors related to non-EEH adapters, it is strongly recommended that if a non-EEH adapter is used, all slots on that PHB should be assigned to a single LPAR. For additional information about LPAR (logical partitioning) considerations, refer to the tables in this chapter.

---

### 7039 Model 651 (@server pSeries 655) Adapter Placement Guide

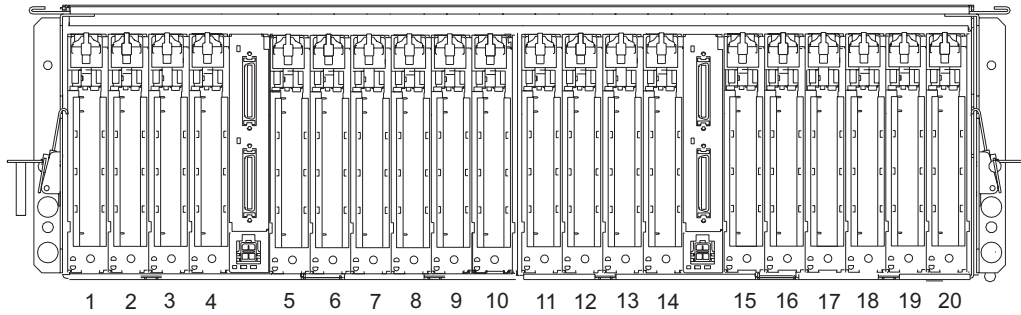


#### 651 Rear View with Numbered Slots

Table 27. Slot Location Reference

Slot	PHB	Planar	Loc. Code	Slot Characteristics
1	1	1	Ux.y-P1-I1	64-bit 3.3V, 133 MHz
2	1	1	Ux.y-P1-I2	64-bit 3.3V, 133 MHz
3	1	1	Ux.y-P1-I3	64-bit 3.3V, 133 MHz

**Note:** In Table 27, Ux.y represents the Hardware Management Console (HMC) location code where x is the rack location and y is the drawer position.



**61D Rear View with Numbered Slots**

*Table 28. Slot Location Reference*

Slot	PHB	Planar	Loc. Code See note 2.	Slot Characteristics (FC 6563)	Slot Characteristics (FC 6571)
1	1	1	Ux.y-P1-I1	64-bit 3.3V, 33/66 MHz	64-bit 3.3V, 66/133 MHz
2	1	1	Ux.y-P1-I2	64-bit 3.3V, 33/66 MHz	64-bit 3.3V, 66/133 MHz
3	1	1	Ux.y-P1-I3	64-bit 3.3V, 33/66 MHz	64-bit 3.3V, 66/133 MHz
4	1	1	Ux.y-P1-I4	64-bit 3.3V, 33/66 MHz	64-bit 3.3V, 66/133 MHz
5	2	1	Ux.y-P1-I5	64-bit 3.3V, 33/66 MHz	64-bit 3.3V, 66/133 MHz
6	2	1	Ux.y-P1-I6	64-bit 3.3V, 33/66 MHz	64-bit 3.3V, 66/133 MHz
7	2	1	Ux.y-P1-I7	64-bit 3.3V, 33/66 MHz	64-bit 3.3V, 66/133 MHz
See note1.	2	1	Ux.y-P1-Z1	64-bit 3.3V, 33/66 MHz	64-bit 3.3V, 66/133 MHz
8	3	1	Ux.y-P1-I8	64-bit 5V, 33 MHz	64-bit 3.3V, 66/133 MHz
9	3	1	Ux.y-P1-I9	64-bit 5V, 33 MHz	64-bit 3.3V, 66/133 MHz
10	3	1	Ux.y-P1-I10	64-bit 5V, 33 MHz	64-bit 3.3V, 66/133 MHz
See note1.	3	1	Ux.y-P1-Z2	64-bit 5V, 33 MHz	64-bit 3.3V, 66/133 MHz
11	1	2	Ux.y-P2-I1	64-bit 3.3V, 33/66 MHz	64-bit 3.3V, 66/133 MHz
12	1	2	Ux.y-P2-I2	64-bit 3.3V, 33/66 MHz	64-bit 3.3V, 66/133 MHz
13	1	2	Ux.y-P2-I3	64-bit 3.3V, 33/66 MHz	64-bit 3.3V, 66/133 MHz
14	1	2	Ux.y-P2-I4	64-bit 3.3V, 33/66 MHz	64-bit 3.3V, 66/133 MHz
15	2	2	Ux.y-P2-I5	64-bit 3.3V, 33/66 MHz	64-bit 3.3V, 66/133 MHz
16	2	2	Ux.y-P2-I6	64-bit 3.3V, 33/66 MHz	64-bit 3.3V, 66/133 MHz
17	2	2	Ux.y-P2-I7	64-bit 3.3V, 33/66 MHz	64-bit 3.3V, 66/133 MHz
See note1.	2	2	Ux.y-P2-Z1	64-bit 3.3V, 33/66 MHz	64-bit 3.3V, 66/133 MHz
18	3	2	Ux.y-P2-I8	64-bit 5V, 33 MHz	64-bit 3.3V, 66/133 MHz
19	3	2	Ux.y-P2-I9	64-bit 5V, 33 MHz	64-bit 3.3V, 66/133 MHz
20	3	2	Ux.y-P2-I10	64-bit 5V, 33 MHz	64-bit 3.3V, 66/133 MHz
See note1.	3	2	Ux.y-P2-Z2	64-bit 5V, 33 MHz	64-bit 3.3V, 66/133 MHz

**Notes:**

1. Integrated SCSI adapter.
2. Ux.y represents the Hardware Management Console (HMC) location code where x is the rack location and y is the drawer position.

Use the following table to identify specific slot location options for the adapters in your 7039 Model 651 (@server pSeries 655) system.

Table 29. Slot Location Options

Adapter	Slot Usage for 61D when there are two 651 and one 61D See note 9 on page 126.	Slot Usage for 61D when there is one 651 with single loop connection to one 61D See note 10 on page 126.	Slot Usage for 61D when there is connection to one 61D planar See note 11 on page 127.	Slot Usage for 61D when there is one 651 and one 61D with mixed planars See note 12 on page 127.	Slot Usage for one 651	Max. per 61D Planar: 6563 / 6571	Max. per 651	EEH	Hot-Plug
FC 8398: SP Switch2 PCI-X Attachment, 64-bit, 3.3V, 1-slot	If 2 FC 6571: 13, 3, 15, 5 If mixed planars: 3, 5	If 2 FC 6571: 3, 13, 5, 15	If 2 FC 6571: 13, 15	3, 5	3, 1	0/2	2	Y	N
FC 6206: Single-Ended Ultra SCSI Adapter, 32-bit, 5V (Type 4-K)	If 2 FC 6563: 20, 10 If mixed planars: 20	If 2 FC 6563: 10, 20	If 2 FC 6563: 20	0	0	1/0	0	Y	Y
FC 2751: S/390 ESCON Channel, 32-bit, 5V, (Type 5-5)	If 2 FC 6563: 19, 9, 20, 10 If mixed planars: 19, 20	If 2 FC 6563: 19, 10, 20	If 2 FC 6563: 19, 20	0	0	2/0	0	Y	Y
FC 6228: 2 Gigabit Fibre Channel Adapter for 32/64-bit, 3.3/5V PCI Bus (Type 4-W) See note 7 on page 126.	If 2 FC 6563: 11, 1, 13, 3, 15, 5, 17, 7, 19, 9 If 2 FC 6571: 11, 1, 15, 5, 18, 8, 12, 2, 16, 6, 19, 9, 13, 3, 17, 7, 20, 10, 14, 4 If mixed planars: 11, 1, 13, 5, 15, 8, 17, 2, 19, 6, 9, 3, 7, 10, 4	If 2 FC 6563: 1, 11, 3, 13, 5, 15, 7, 17, 9, 19 If 2 FC 6571: 1, 11, 5, 15, 8, 18, 2, 12, 6, 16, 9, 19, 3, 13, 7, 17, 10, 20, 4, 14	If mixed planars or 2 FC 6563: 11, 13, 15, 17, 19 If 2 FC 6571: 11, 15, 18, 12, 16, 19, 13, 17, 20, 14	1, 5, 8, 2, 6, 9, 3, 7, 10, 4	3, 2, 1	5/10	3	Y	Y



Table 29. Slot Location Options (continued)

Adapter	Slot Usage for 61D when there are two 651 and one 61D See note 9 on page 126.	Slot Usage for 61D when there is one 651 with single loop connection to one 61D See note 10 on page 126.	Slot Usage for 61D when there is connection to one 61D planar See note 11 on page 127.	Slot Usage for 61D when there is one 651 and one 61D with mixed planars See note 12 on page 127.	Slot Usage for one 651	Max. per 61D Planar: 6563 / 6571	Max. per 651	EEH	Hot-Plug
FC 6239: 2 Gigabit Fibre Channel Adapter, 32/64-bit, 3.3V (Type 5704) See note 7 on page 126.	If 2 FC 6563: 11, 1, 13, 3, 15, 5, 17, 7, 19, 9 If 2 FC 6571: 11, 1, 15, 5, 18, 8, 12, 2, 16, 6, 19, 9, 13, 3, 17, 7, 20, 10, 14, 4 If mixed planars: 11, 1, 13, 5, 15, 8, 17, 2, 19, 6, 9, 3, 7, 10, 4	If 2 FC 6563: 1, 11, 3, 13, 5, 15, 7, 17, 9, 19 If 2 FC 6571: 1, 11, 5, 15, 8, 18, 2, 12, 6, 16, 9, 19, 3, 13, 7, 17, 10, 20, 4, 14	If mixed planars or 2 FC 6563: 11, 13, 15, 17, 19 If 2 FC 6571: 11, 15, 18, 12, 16, 19, 13, 17, 20, 14	1, 5, 8, 2, 6, 9, 3, 7, 10, 4	3, 2, 1	5/10	3	Y	Y
FC 6230: Advanced SerialRAID Plus, 32-bit, 3.3/5V (Type 4-P)	If mixed planars or 2 FC 6563: 11, 1, 13, 3, 14, 4, 15, 5, 17, 7, 19, 9 If 2 FC 6571: 11, 1, 15, 5, 18, 8, 12, 2, 16, 6, 19, 9, 13, 3, 17, 7, 20, 10, 14, 4	If 2 FC 6563: 1, 11, 3, 13, 4, 14, 5, 15, 7, 17, 9, 19 If 2 FC 6571: 1, 11, 5, 15, 8, 18, 2, 12, 6, 16, 9, 19, 3, 13, 7, 17, 10, 20, 4, 14	If mixed planars or 2 FC 6563: 11, 13, 14, 15, 17, 19 If 2 FC 6571: 11, 15, 18, 12, 16, 19, 13, 17, 20, 14	1, 5, 8, 2, 6, 9, 3, 7, 10, 4	3, 2, 1	6	2	Y	Y
FC 5707: 2-Port Gigabit Ethernet-SX PCI-X, 32/64-bit, 3.3/5V (Type 5707)	If 2 FC 6563: 11, 1, 13, 3, 15, 5, 17, 7, 19, 9 If 2 FC 6571: 11, 1, 15, 5, 18, 8, 12, 2, 16, 6, 19, 9, 13, 3, 17, 7, 20, 10, 14, 4 If mixed planars: 11, 1, 13, 5, 15, 8, 17, 2, 19, 6, 9, 3, 7, 10, 4	If 2 FC 6563: 1, 11, 3, 13, 5, 15, 7, 17, 9, 19 If 2 FC 6571: 1, 11, 5, 15, 8, 18, 2, 12, 6, 16, 9, 19, 3, 13, 7, 17, 10, 20, 4, 14	If mixed planars or 2 FC 6563: 11, 13, 15, 17, 19 If 2 FC 6571: 11, 15, 18, 12, 16, 19, 13, 17, 20, 14	1, 5, 8, 2, 6, 9, 3, 7, 10, 4	2, 1	5/10	2	Y	Y

Table 29. Slot Location Options (continued)

Adapter	Slot Usage for 61D when there are two 651 and one 61D See note 9 on page 126.	Slot Usage for 61D when there is one 651 with single loop connection to one 61D See note 10 on page 126.	Slot Usage for 61D when there is connection to one 61D planar See note 11 on page 127.	Slot Usage for 61D when there is one 651 and one 61D with mixed planars See note 12 on page 127.	Slot Usage for one 651	Max. per 61D Planar: 6563 / 6571	Max. per 651	EEH	Hot-Plug
FC 5706: 2-Port 10/100/1000 Base-TX Ethernet PCI-X, 32/64-bit, 3.3/5V (Type 5706)	If 2 FC 6563: 11, 1, 13, 3, 15, 5, 17, 7, 19, 9 If 2 FC 6571: 11, 1, 15, 5, 18, 8, 12, 2, 16, 6, 19, 9, 13, 3, 17, 7, 20, 10, 14, 4 If mixed planars: 11, 1, 13, 5, 15, 8, 17, 2, 19, 6, 9, 3, 7, 10, 4	If 2 FC 6563: 1, 11, 3, 13, 5, 15, 7, 17, 9, 19 If 2 FC 6571: 1, 11, 5, 15, 8, 18, 2, 12, 6, 16, 9, 19, 3, 13, 7, 17, 10, 20, 4, 14	If mixed planars or 2 FC 6563: 11, 13, 15, 17, 19 If 2 FC 6571: 11, 15, 18, 12, 16, 19, 13, 17, 20, 14	1, 5, 8, 2, 6, 9, 3, 7, 10, 4	2, 1	5/10	2	Y	Y
FC 5700: Gigabit Ethernet, 1000 Base-SX, 32/64-bit, 3.3/5V	If 2 FC 6563: 11, 1, 13, 3, 15, 5, 17, 7, 19, 9 If 2 FC 6571: 11, 1, 15, 5, 18, 8, 12, 2, 16, 6, 19, 9, 13, 3, 17, 7, 20, 10, 14, 4 If mixed planars: 11, 1, 13, 5, 15, 8, 17, 2, 19, 6, 9, 3, 7, 10, 4	If 2 FC 6563: 1, 11, 3, 13, 5, 15, 7, 17, 9, 19 If 2 FC 6571: 1, 11, 5, 15, 8, 18, 2, 12, 6, 16, 9, 19, 3, 13, 7, 17, 10, 20, 4, 14	If mixed planars or 2 FC 6563: 11, 13, 15, 17, 19 If 2 FC 6571: 11, 15, 18, 12, 16, 19, 13, 17, 20, 14	1, 5, 8, 2, 6, 9, 3, 7, 10, 4	2, 1	5/10	2	Y	Y

Table 29. Slot Location Options (continued)

Adapter	Slot Usage for 61D when there are two 651 and one 61D See note 9 on page 126.	Slot Usage for 61D when there is one 651 with single loop connection to one 61D See note 10 on page 126.	Slot Usage for 61D when there is connection to one 61D planar See note 11 on page 127.	Slot Usage for 61D when there is one 651 and one 61D with mixed planars See note 12 on page 127.	Slot Usage for one 651	Max. per 61D Planar: 6563 / 6571	Max. per 651	EEH	Hot-Plug
FC 5701: 10/100/1000 Base-TX Ethernet, 32/64-bit, 3.3/5V	If 2 FC 6563: 11, 1, 13, 3, 15, 5, 17, 7, 19, 9 If 2 FC 6571: 11, 1, 15, 5, 18, 8, 12, 2, 16, 6, 19, 9, 13, 3, 17, 7, 20, 10, 14, 4 If mixed planars: 11, 1, 13, 5, 15, 8, 17, 2, 19, 6, 9, 3, 7, 10, 4	If 2 FC 6563: 1, 11, 3, 13, 5, 15, 7, 17, 9, 19 If 2 FC 6571: 1, 11, 5, 15, 8, 18, 2, 12, 6, 16, 9, 19, 3, 13, 7, 17, 10, 20, 4, 14	If mixed planars or 2 FC 6563: 11, 13, 15, 17, 19 If 2 FC 6571: 11, 15, 18, 12, 16, 19, 13, 17, 20, 14	1, 5, 8, 2, 6, 9, 3, 7, 10, 4	2, 1	5/10	2	Y	Y
FC 6203: Dual-Channel Ultra3 SCSI, 32/64-bit, 3.3/5V (Type 4-Y)	If mixed planars or 2 FC 6563: 11, 1, 13, 3, 15, 5, 17, 7, (20 or 19), (10 or 9) If 2 FC 6571: 11, 1, 15, 5, 18, 8, 12, 2, 16, 6, 19, 9, 13, 3, 17, 7, 20, 10, 14, 4	If 2 FC 6563: 1, 11, 3, 13, 5, 15, 7, 17, (10 or 9), (20 or 19) If 2 FC 6571: 1, 11, 5, 15, 8, 18, 2, 12, 6, 16, 9, 19, 3, 13, 7, 17, 10, 20, 4, 14	If mixed planars or 2 FC 6563: 11, 13, 15, 17, (20 or 19) If 2 FC 6571: 11, 15, 18, 12, 16, 19, 13, 17, 20, 14	1, 5, 8, 2, 6, 9, 3, 7, 10, 4	3, 2, 1	5	3	Y	Y
FC 5710: PCI-X Dual Channel Ultra320 SCSI Blind Swap Adapter, 32/64-bit, 3.3V (Type 5702)	If 2 FC 6563: 11, 1, 13, 3, 15, 5, 17, 7, 20, 10 If 2 FC 6571: 11, 1, 15, 5, 18, 8, 12, 2, 16, 6, 19, 9, 13, 3, 17, 7, 20, 10, 14, 4 If mixed planars: 11, 1, 13, 5, 15, 8, 17, 2, 19, 6, 9, 3, 7, 10, 4	If 2 FC 6563: 1, 11, 3, 13, 5, 15, 7, 17, 10, 20 If 2 FC 6571: 1, 11, 5, 15, 8, 18, 2, 12, 6, 16, 9, 19, 3, 13, 7, 17, 10, 20, 4, 14	If mixed planars or 2 FC 6563: 11, 13, 15, 17, 20 If 2 FC 6571: 11, 15, 18, 12, 16, 19, 13, 17, 20, 14	1, 5, 8, 2, 6, 9, 3, 7, 10, 4	3, 2, 1	5/10	3	Y	Y

Table 29. Slot Location Options (continued)

Adapter	Slot Usage for 61D when there are two 651 and one 61D See note 9 on page 126.	Slot Usage for 61D when there is one 651 with single loop connection to one 61D See note 10 on page 126.	Slot Usage for 61D when there is connection to one 61D planar See note 11 on page 127.	Slot Usage for 61D when there is one 651 and one 61D with mixed planars See note 12 on page 127.	Slot Usage for one 651	Max. per 61D Planar: 6563 / 6571	Max. per 651	EEH	Hot-Plug
FC 5711: PCI-X Dual Channel Ultra320 SCSI RAID Blind Swap Adapter, 32/64-bit, 3.3V (Type 5711)	If 2 FC 6563: 11, 1, 13, 3, 15, 5, 17, 7, 20, 10 If 2 FC 6571: 11, 1, 15, 5, 18, 8, 12, 2, 16, 6, 19, 9, 13, 3, 17, 7, 20, 10, 14, 4 If mixed planars: 11, 1, 13, 5, 15, 8, 17, 2, 19, 6, 9, 3, 7, 10, 4	If 2 FC 6563: 1, 11, 3, 13, 5, 15, 7, 17, 10, 20 If 2 FC 6571: 1, 11, 5, 15, 8, 18, 2, 12, 6, 16, 9, 19, 3, 13, 7, 17, 10, 20, 4, 14	If mixed planars or 2 FC 6563: 11, 13, 15, 17, 20 If 2 FC 6571: 11, 15, 18, 12, 16, 19, 13, 17, 20, 14	1, 5, 8, 2, 6, 9, 3, 7, 10, 4	3, 2, 1	5/10	3	Y	Y
FC 2946: PCI TURBOWAYS 622 PCI MMF ATM, 64-bit, 3.3/5V (Type A-B)	If 2 FC 6563: 11, 1, 13, 3, 15, 5, 17, 7, 19, 9 If 2 FC 6571: 11, 1, 15, 5, 18, 8, 12, 2, 16, 6, 19, 9, 13, 3, 17, 7, 20, 10, 14, 4 If mixed planars: 11, 1, 13, 5, 15, 8, 17, 2, 19, 6, 9, 3, 7, 10, 4	If 2 FC 6563: 1, 11, 3, 13, 5, 15, 7, 17, 9, 19 If 2 FC 6571: 1, 11, 5, 15, 8, 18, 2, 12, 6, 16, 9, 19, 3, 13, 7, 17, 10, 20, 4, 14	If mixed planars or 2 FC 6563: 11, 13, 15, 17, 19 If 2 FC 6571: 11, 15, 18, 12, 16, 19, 13, 17, 20, 14	1, 5, 8, 2, 6, 9, 3, 7, 10, 4	3, 2, 1	5/10	3	Y	Y
FC 2849: POWER GXT135P Graphics Accelerator, 32-bit, 3.3/5V (Type 2849)	(15, 16, 17); (5, 6, 7); (11, 12, 13, 14); (1, 2, 3, 4); (18, 19, 20); (8, 9, 10) See note 3 on page 126.	(5, 6, 7); (15, 16, 17); (1, 2, 3, 4); (11, 12, 13, 14); (8, 9, 10); (18, 19, 20) See note 3 on page 126.	(15, 16, 17); (11, 12, 13, 14); (18, 19, 20) See note 3 on page 126.	(5, 6, 7); (1, 2, 3, 4); (8, 9, 10)	1, 2, 3	2	1	Y	N

Table 29. Slot Location Options (continued)

Adapter	Slot Usage for 61D when there are two 651 and one 61D See note 9 on page 126.	Slot Usage for 61D when there is one 651 with single loop connection to one 61D See note 10 on page 126.	Slot Usage for 61D when there is connection to one 61D planar See note 11 on page 127.	Slot Usage for 61D when there is one 651 and one 61D with mixed planars See note 12 on page 127.	Slot Usage for one 651	Max. per 61D Planar: 6563 / 6571	Max. per 651	EEH	Hot-Plug
FC 2848: GXT135P Graphics Adapter, 32-bit, 3.3/5V (Type 1-X) FC 2737: Keyboard / Mouse Attachment Card - PCI, 32-bit, 3.3/5V	(15, 16, 17); (5, 6, 7); (11, 12, 13, 14); (1, 2, 3, 4); (18, 19, 20); (8, 9, 10) See note 3 on page 126.	(5, 6, 7); (15, 16, 17); (1, 2, 3, 4); (11, 12, 13, 14); (8, 9, 10); (18, 19, 20) See note 3 on page 126.	(15, 16, 17); (11, 12, 13, 14); (18, 19, 20) See note 3 on page 126.	(5, 6, 7); (1, 2, 3, 4); (8, 9, 10) See note 12 on page 127.	1, 2, 3	2	1	Y	N
FC 2733: Serial HIPPI, Long-Wave Optics (Type 9-W)	11, 1, 12, 2, 13, 3, 14, 4, 15, 5, 16, 6, 17, 7, 18, 8, 19, 9, 20, 10	1, 11, 2, 12, 3, 13, 4, 14, 5, 15, 6, 16, 7, 17, 8, 18, 9, 19, 10, 20	11, 12, 13, 14, 15, 16, 17, 18, 19, 20	1, 2, 3, 4, 5, 6, 7, 8, 9, 10	0	2	0	Y	Y
FC 2732: Serial HIPPI, Short-Wave Optics (Type 9-W)	11, 1, 12, 2, 13, 3, 14, 4, 15, 5, 16, 6, 17, 7, 18, 8, 19, 9, 20, 10	1, 11, 2, 12, 3, 13, 4, 14, 5, 15, 6, 16, 7, 17, 8, 18, 9, 19, 10, 20	11, 12, 13, 14, 15, 16, 17, 18, 19, 20	1, 2, 3, 4, 5, 6, 7, 8, 9, 10	0	2	0	Y	Y
FC 4962: Ethernet/LAN Encryption 10/100BaseT, 32-bit, 3.3/5V (Type A-F)	11, 1, 12, 2, 13, 3, 14, 4, 15, 5, 16, 6, 17, 7, 18, 8, 19, 9, 20, 10	1, 11, 2, 12, 3, 13, 4, 14, 5, 15, 6, 16, 7, 17, 8, 18, 9, 19, 10, 20	11, 12, 13, 14, 15, 16, 17, 18, 19, 20	1, 2, 3, 4, 5, 6, 7, 8, 9, 10	1, 2, 3	10	3	Y	Y
FC 4961: 10/100 4-Port Ethernet, 32/64-bit, 3.3/5V (Type A-E)	11, 1, 12, 2, 13, 3, 14, 4, 15, 5, 16, 6, 17, 7, 18, 8, 19, 9, 20, 10	1, 11, 2, 12, 3, 13, 4, 14, 5, 15, 6, 16, 7, 17, 8, 18, 9, 19, 10, 20	11, 12, 13, 14, 15, 16, 17, 18, 19, 20	1, 2, 3, 4, 5, 6, 7, 8, 9, 10	1, 2, 3	5/10	3	Y	Y
FC 2944: 128-Port Async Controller PCI, 32-bit, 3.3/5V (Type 3-C)	20, 10, 19, 9, 18, 8, 17, 7, 16, 6, 15, 5, 14, 4, 13, 3, 12, 2, 11, 1	10, 20, 9, 19, 8, 18, 7, 17, 6, 16, 5, 15, 4, 14, 3, 13, 2, 12, 1, 11	20, 19, 18, 17, 16, 15, 14, 13, 12, 11	10, 9, 8, 7, 6, 5, 4, 3, 2, 1	0	10	0	Y	Y

Table 29. Slot Location Options (continued)

Adapter	Slot Usage for 61D when there are two 651 and one 61D See note 9 on page 126.	Slot Usage for 61D when there is one 651 with single loop connection to one 61D See note 10 on page 126.	Slot Usage for 61D when there is connection to one 61D planar See note 11 on page 127.	Slot Usage for 61D when there is one 651 and one 61D with mixed planars See note 12 on page 127.	Slot Usage for one 651	Max. per 61D Planar: 6563 / 6571	Max. per 651	EEH	Hot-Plug
FC 2943: 8-Port Asynchronous EIA-232E/RS-422A PCI, 32-bit, 3.3/5V (Type 3-B)	20, 10, 19, 9, 18, 8, 17, 7, 16, 6, 15, 5, 14, 4, 13, 3, 12, 2, 11, 1	10, 20, 9, 19, 8, 18, 7, 17, 6, 16, 5, 15, 4, 14, 3, 13, 2, 12, 1, 11	20, 19, 18, 17, 16, 15, 14, 13, 12, 11	10, 9, 8, 7, 6, 5, 4, 3, 2, 1	0	4	0	Y	Y
FC 4957: 64-bit/66MHz PCI-ATM 155 MMF, 3.3/5V (Type A-D)	20, 10, 19, 9, 18, 8, 17, 7, 16, 6, 15, 5, 14, 4, 13, 3, 12, 2, 11, 1	10, 20, 9, 19, 8, 18, 7, 17, 6, 16, 5, 15, 4, 14, 3, 13, 2, 12, 1, 11	20, 19, 18, 17, 16, 15, 14, 13, 12, 11	10, 9, 8, 7, 6, 5, 4, 3, 2, 1	1, 2, 3	10	3	Y	Y
FC 4953: 64-bit/66MHz PCI-ATM 155 UTP, 3.3/5V (Type A-C)	20, 10, 19, 9, 18, 8, 17, 7, 16, 6, 15, 5, 14, 4, 13, 3, 12, 2, 11, 1	10, 20, 9, 19, 8, 18, 7, 17, 6, 16, 5, 15, 4, 14, 3, 13, 2, 12, 1, 11	20, 19, 18, 17, 16, 15, 14, 13, 12, 11	10, 9, 8, 7, 6, 5, 4, 3, 2, 1	1, 2, 3	10	3	Y	Y
FC 4959: High-Speed Token Ring PCI, 32-bit, 3.3/5V (Type 9-Y)	20, 10, 19, 9, 18, 8, 17, 7, 16, 6, 15, 5, 14, 4, 13, 3, 12, 2, 11, 1	10, 20, 9, 19, 8, 18, 7, 17, 6, 16, 5, 15, 4, 14, 3, 13, 2, 12, 1, 11	20, 19, 18, 17, 16, 15, 14, 13, 12, 11	10, 9, 8, 7, 6, 5, 4, 3, 2, 1	1, 2, 3	10	3	Y	Y
FC 2742: SysConnect SK-NET FDDI-LP DAS PCI, 32-bit, 3.3/5V (Type *)	20, 10, 19, 9, 18, 8, 17, 7, 16, 6, 15, 5, 14, 4, 13, 3, 12, 2, 11, 1	10, 20, 9, 19, 8, 18, 7, 17, 6, 16, 5, 15, 4, 14, 3, 13, 2, 12, 1, 11	20, 19, 18, 17, 16, 15, 14, 13, 12, 11	10, 9, 8, 7, 6, 5, 4, 3, 2, 1	0	4	0	N	Y
FC 2741: SysConnect SK-NET FDDI-LP SAS PCI, 32-bit, 3.3/5V (Type *)	20, 10, 19, 9, 18, 8, 17, 7, 16, 6, 15, 5, 14, 4, 13, 3, 12, 2, 11, 1	10, 20, 9, 19, 8, 18, 7, 17, 6, 16, 5, 15, 4, 14, 3, 13, 2, 12, 1, 11	20, 19, 18, 17, 16, 15, 14, 13, 12, 11	10, 9, 8, 7, 6, 5, 4, 3, 2, 1	0	4	0	N	Y

Table 29. Slot Location Options (continued)

Adapter	Slot Usage for 61D when there are two 651 and one 61D See note 9 on page 126.	Slot Usage for 61D when there is one 651 with single loop connection to one 61D See note 10 on page 126.	Slot Usage for 61D when there is connection to one 61D planar See note 11 on page 127.	Slot Usage for 61D when there is one 651 and one 61D with mixed planars See note 12 on page 127.	Slot Usage for one 651	Max. per 61D Planar: 6563 / 6571	Max. per 651	EEH	Hot-Plug
FC 2962: 2-Port Multiprotocol PCI, 32-bit, 3.3/5V (Type 9-V)	If 2 FC 6563: 20, 10, 19, 9, 18, 8 If 2 FC 6571: 20, 10, 19, 9, 18, 8, 17, 16, 6, 15, 14, 4, 13, 3, 12, 2, 11, 1 If mixed planars: 20, 19, 18, 10, 9, 8, 7, 6, 5, 4, 3, 2, 1	If 2 FC 6563: 10, 20, 9, 19, 8, 18 If 2 FC 6571: 10, 20, 9, 19, 8, 18, 7, 17, 6, 16, 5, 15, 14, 3, 13, 2, 12, 1, 11	If mixed planars or 2 FC 6563: 20, 19, 18 If 2 FC 6571: 20, 19, 18, 17, 16, 15, 14, 13, 12, 11	10, 9, 8, 7, 6, 4, 3, 2, 1	0	3	0	Y	Y
FC 2947: IBM ARTIC960Hx 4-Port Selectable PCI, 32-bit, 3.3/5V (Type 9-R)	20, 10, 19, 9, 18, 8, 17, 7, 16, 6, 15, 5, 14, 4, 13, 3, 12, 2, 11, 1	10, 20, 9, 19, 8, 18, 7, 17, 6, 16, 5, 15, 4, 14, 3, 13, 2, 12, 1, 11	20, 19, 18, 17, 16, 15, 14, 13, 12, 11	10, 9, 8, 7, 6, 4, 3, 2, 1	1, 2, 3	8	3	Y	Y
FC 4960: IBM Cryptographic Accelerator, 32-bit, 3.3/5V (Type 6-J)	20, 10, 19, 9, 18, 8, 17, 7, 16, 6, 15, 5, 14, 4, 13, 3, 12, 2, 11, 1	10, 20, 9, 19, 8, 18, 7, 17, 6, 16, 5, 15, 4, 14, 3, 13, 2, 12, 1, 11	20, 19, 18, 17, 16, 15, 14, 13, 12, 11	10, 9, 8, 7, 6, 5, 4, 3, 2, 1	1, 2, 3	4	1	Y	See note 2 on page 126.
FC 4963: Cryptographic Coprocessor, FIPS-4, 32-bit, 3.3/5V (Type 6-I)	20, 10, 19, 9, 18, 8, 17, 7, 16, 6, 15, 5, 14, 4, 13, 3, 12, 2, 11, 1	10, 20, 9, 19, 8, 18, 7, 17, 6, 16, 5, 15, 4, 14, 3, 13, 2, 12, 1, 11	20, 19, 18, 17, 16, 15, 14, 13, 12, 11	10, 9, 8, 7, 6, 5, 4, 3, 2, 1	1, 2, 3	4	3	Y	See note 1 on page 126.
FC 6204: PCI Universal Differential Ultra SCSI, 32-bit, 3.3/5V (Type 4-U)	20, 10, 19, 9, 18, 8, 17, 7, 16, 6, 15, 5, 14, 4, 13, 3, 12, 2, 11, 1	10, 20, 9, 19, 8, 18, 7, 17, 6, 16, 5, 15, 4, 14, 3, 13, 2, 12, 1, 11	20, 19, 18, 17, 16, 15, 14, 13, 12, 11	10, 9, 8, 7, 6, 5, 4, 3, 2, 1	1, 2, 3	5	3	Y	Y

**Notes:**

1. Before hot-plugging this adapter, see the installation chapter in the *PCI Cryptographic Coprocessor Installation and Using Guide* (SA23-1235) for the required procedures.
2. Before hot-plugging this adapter, see the installation chapter in the *PCI Cryptographic Accelerator Installation and Using Guide* (SA23-1254) for the required procedures.
3. FC 2848: GXT135P Graphics Adapter, 32-bit, 3.3/5V (Type 1-X) and FC 2737: Keyboard / Mouse Attachment Card - PCI, 32-bit, 3.3/5V must be placed on the same PHB. All other adapters on that PHB must be on the same LPAR.
4. FC 3145: Remote I/O Cable, 0.5 M, is used to connect between the left and right sections of an I/O drawer containing multiple I/O sections. It can also be used to connect two adjacent I/O drawers.
5. This column of the table addresses the case when only one side (slots 11 through 20) of a 61D I/O drawer is connected to a 651 drawer. If more than 10 adapters are present, use both sides of the 61D I/O drawer, and refer to one of the other slot usage columns for the 61D drawer (listed in this table).
6. High performance adapters that are installed in FC 6563: I/O Drawer PCI Planar, 10 Slot, 2 Integrated Ultra3 SCSI Ports have the following limitations:
  - 2 per first PHB on each planar
  - 2 per second PHB on each planar
  - 1 per third PHB on each planar
7. Use of one FC 6228: 2 Gigabit Fibre Channel Adapter for 32/64-bit, 3.3/5V PCI Bus (Type 4-W) or FC 6239: 2 Gigabit Fibre Channel Adapter, 32/64-bit, 3.3V (Type 5704) per PCI Host Bridge (PHB) chip is recommended. More than three of these adapters can be installed per PHB, but system performance may not be increased by installing additional adapters to a PHB.
8. For optimum system performance, the combined maximum of high-performance adapters should not exceed the maximums listed for FC 5706: 2-Port 10/100/1000 Base-TX Ethernet PCI-X, 32/64-bit, 3.3/5V (Type 5706) or FC 5707: 2-Port Gigabit Ethernet-SX PCI-X, 32/64-bit, 3.3/5V (Type 5707) if either of these adapters is installed in the system. For a list of high-performance adapters, see Appendix B, "High-Performance Adapters," on page 229.
9. This configuration represents one 61D with one planar connected to one 651 and a second 61D planar connected to second 651. The following list contains features that may be present in this configuration:
  - Two FC 6563: I/O Drawer PCI Planar, 10 Slot, 2 Integrated Ultra3 SCSI Ports and four FC 3164: RIO to RIO-2 Remote I/O Cable, 1.0M or FC 3165: RIO to RIO-2 Remote I/O Cable, 3.0M
  - Two FC 6571: I/O Drawer PCI-X Planar, 10 Slot, 2 Integrated Ultra3 SCSI Ports and four FC 3146: RIO-2 (Remote I/O-2) Cable, 1.2M or FC 3168: RIO-2 (Remote I/O-2) Cable, 2.5M
  - One FC 6563: I/O Drawer PCI Planar, 10 Slot, 2 Integrated Ultra3 SCSI Ports and one FC 6571: I/O Drawer PCI-X Planar, 10 Slot, 2 Integrated Ultra3 SCSI Ports (mixed planars) and two FC 3164: RIO to RIO-2 Remote I/O Cable, 1.0M or two FC 3165: RIO to RIO-2 Remote I/O Cable, 3.0M and two FC 3146: RIO-2 (Remote I/O-2) Cable, 1.2M or two FC 3168: RIO-2 (Remote I/O-2) Cable, 2.5M
10. This configuration represents one 61D with both planars connected to one 651 by a single loop. A single-loop connection cannot be used with mixed planars. The following list contains features that may be present in this configuration:
  - Two FC 6563: I/O Drawer PCI Planar, 10 Slot, 2 Integrated Ultra3 SCSI Ports, two FC 3164: RIO to RIO-2 Remote I/O Cable, 1.0M or FC 3165: RIO to RIO-2 Remote I/O Cable, 3.0M, and one FC 3145: Remote I/O Cable, 0.5 M
  - Two FC 6571: I/O Drawer PCI-X Planar, 10 Slot, 2 Integrated Ultra3 SCSI Ports and three FC 3146: RIO-2 (Remote I/O-2) Cable, 1.2M
  - Two FC 6571: I/O Drawer PCI-X Planar, 10 Slot, 2 Integrated Ultra3 SCSI Ports, one FC 3146: RIO-2 (Remote I/O-2) Cable, 1.2M, and two FC 3168: RIO-2 (Remote I/O-2) Cable, 2.5M



11. This configuration represents one 61D with one planar (slots 11 to 20) connected to one 651. The following list contains features that may be present in this configuration:
  - Two FC 6563: I/O Drawer PCI Planar, 10 Slot, 2 Integrated Ultra3 SCSI Ports and two FC 3164: RIO to RIO-2 Remote I/O Cable, 1.0M or FC 3165: RIO to RIO-2 Remote I/O Cable, 3.0M
  - Two FC 6571: I/O Drawer PCI-X Planar, 10 Slot, 2 Integrated Ultra3 SCSI Ports and two FC 3146: RIO-2 (Remote I/O-2) Cable, 1.2M or FC 3168: RIO-2 (Remote I/O-2) Cable, 2.5M
  - One FC 6563: I/O Drawer PCI Planar, 10 Slot, 2 Integrated Ultra3 SCSI Ports and one FC 6571: I/O Drawer PCI-X Planar, 10 Slot, 2 Integrated Ultra3 SCSI Ports (mixed planars) and two FC 3164: RIO to RIO-2 Remote I/O Cable, 1.0M or FC 3165: RIO to RIO-2 Remote I/O Cable, 3.0M
12. This configuration represents one 61D with mixed planars (slots 1 to 10) connected to one 651. This configuration contains one FC 6563: I/O Drawer PCI Planar, 10 Slot, 2 Integrated Ultra3 SCSI Ports, one FC 6571: I/O Drawer PCI-X Planar, 10 Slot, 2 Integrated Ultra3 SCSI Ports, and two FC 3146: RIO-2 (Remote I/O-2) Cable, 1.2M or FC 3168: RIO-2 (Remote I/O-2) Cable, 2.5M



---

## Chapter 20. 7040 Model 61D (@server pSeries 670)

Adapter cards for the 7040 Model 61D (@server pSeries 670) plug into PCI adapter slots in the left or right side of the I/O subsystem (some system configurations contain only the left side PCI adapter slots). Each drawer is capable of handling up to 20 PCI adapters. Slots 1 through 7 and 11 through 17 have 3.3V signaling and can support 33MHz or 66MHz operation depending on the adapter's capability. 5V only adapters cannot be used in these slots. Slots 8, 9, 10 and 18,19, 20 have 5V signaling and can only run at 33MHz. 5V only adapters must use these slots. All slots provide both 3.3V and 5V power for the adapters.

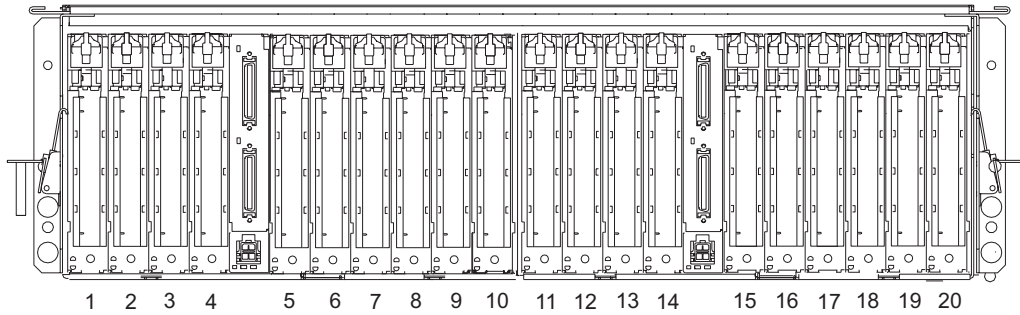


Table 30. Slot Location Reference

Slot	PHB	Planar	Loc. Code See note 2.	Slot Characteristics (FC 6563)	Slot Characteristics (FC 6571)
1	1	1	Ux.y-P1-I1	64-bit 3.3V, 33/66 MHz	64-bit 3.3V, 66/133 MHz
2	1	1	Ux.y-P1-I2	64-bit 3.3V, 33/66 MHz	64-bit 3.3V, 66/133 MHz
3	1	1	Ux.y-P1-I3	64-bit 3.3V, 33/66 MHz	64-bit 3.3V, 66/133 MHz
4	1	1	Ux.y-P1-I4	64-bit 3.3V, 33/66 MHz	64-bit 3.3V, 66/133 MHz
5	2	1	Ux.y-P1-I5	64-bit 3.3V, 33/66 MHz	64-bit 3.3V, 66/133 MHz
6	2	1	Ux.y-P1-I6	64-bit 3.3V, 33/66 MHz	64-bit 3.3V, 66/133 MHz
7	2	1	Ux.y-P1-I7	64-bit 3.3V, 33/66 MHz	64-bit 3.3V, 66/133 MHz
See note1.	2	1	Ux.y-P1-Z1	64-bit 3.3V, 33/66 MHz	64-bit 3.3V, 66/133 MHz
8	3	1	Ux.y-P1-I8	64-bit 5V, 33 MHz	64-bit 3.3V, 66/133 MHz
9	3	1	Ux.y-P1-I9	64-bit 5V, 33 MHz	64-bit 3.3V, 66/133 MHz
10	3	1	Ux.y-P1-I10	64-bit 5V, 33 MHz	64-bit 3.3V, 66/133 MHz
See note1.	3	1	Ux.y-P1-Z2	64-bit 5V, 33 MHz	64-bit 3.3V, 66/133 MHz
11	1	2	Ux.y-P2-I1	64-bit 3.3V, 33/66 MHz	64-bit 3.3V, 66/133 MHz
12	1	2	Ux.y-P2-I2	64-bit 3.3V, 33/66 MHz	64-bit 3.3V, 66/133 MHz
13	1	2	Ux.y-P2-I3	64-bit 3.3V, 33/66 MHz	64-bit 3.3V, 66/133 MHz
14	1	2	Ux.y-P2-I4	64-bit 3.3V, 33/66 MHz	64-bit 3.3V, 66/133 MHz
15	2	2	Ux.y-P2-I5	64-bit 3.3V, 33/66 MHz	64-bit 3.3V, 66/133 MHz
16	2	2	Ux.y-P2-I6	64-bit 3.3V, 33/66 MHz	64-bit 3.3V, 66/133 MHz
17	2	2	Ux.y-P2-I7	64-bit 3.3V, 33/66 MHz	64-bit 3.3V, 66/133 MHz
See note1.	2	2	Ux.y-P2-Z1	64-bit 3.3V, 33/66 MHz	64-bit 3.3V, 66/133 MHz
18	3	2	Ux.y-P2-I8	64-bit 5V, 33 MHz	64-bit 3.3V, 66/133 MHz
19	3	2	Ux.y-P2-I9	64-bit 5V, 33 MHz	64-bit 3.3V, 66/133 MHz
20	3	2	Ux.y-P2-I10	64-bit 5V, 33 MHz	64-bit 3.3V, 66/133 MHz
See note1.	3	2	Ux.y-P2-Z2	64-bit 5V, 33 MHz	64-bit 3.3V, 66/133 MHz

**Notes:**

1. Integrated SCSI adapter.
2. Ux.y represents the Hardware Management Console (HMC) location code where x is the rack location and y is the drawer position.

Use the preceding illustration to identify slot locations described in Table 31 on page 132. The first adapter from an adapter group is placed in the first slot (per the table) in the drawer. After the first slot selection has been used, use the second slot in the list. If a designated slot is filled, move to the next available slot.

**Note:** The default configuration of a 7040 Model 61D (@server pSeries 670)'s I/O Subsystem contains only one Planar in the drawer. If your system contains only Planar 1, then ignore the slot restrictions listed in Table 31 on page 132 for Planar 2 (P2-I).

---

## Logical Partition (LPAR) Considerations

Place redundant devices in separate I/O drawers for best availability performance. Place nonredundant devices in the same I/O drawer. If you place nonredundant devices in one drawer, the system is less exposed to other-drawer failures.

Some devices do not have enhanced error handling (EEH) capabilities built in to their device drivers. If these devices fail, the PCI Host Bridge (PHB) in which they are placed are affected. If the I/O subsystem encounters a severe error, all slots in the PHB are also affected. To clear this condition, you may reboot the system. In addition, it is also possible to remove the failed PCI slots on an affected PHB from the partition profile or profiles that include these PCI slots, and reboot the partition or partitions that terminated at the time of the error.

To avoid PHB errors related to non-EEH adapters, it is strongly recommended that if a non-EEH adapter is used, all slots on that PHB should be assigned to a single LPAR. For additional information about LPAR (logical partitioning) considerations, refer to the tables in this chapter.

---

## 7040 Model 61D (@server pSeries 670) Adapter Placement Guide

Use the following table to identify specific slot locations for the following adapters in your 7040 Model 61D (@server pSeries 670). The slots listed refer to the HMC (Hardware Management Console) location codes detailed in the preceding illustration.

Table 31. 7040 Model 61D (@server\_pSeries 670)

Adapter	Slot Usage when there are 2 FC 6563 or 2 FC 6571 Planars	Slot Usage when there is 1 FC 6563 and 1 FC 6571 Planar	Max. per FC 6563 or FC 6571 Planar	Max. per Drawer when there are 2 FC 6563 or 2 FC 6571 Planars	Max. per LPAR	Max. per System when there are 2 FC 6563 or 2 FC 6571 Planars	EEH	Hot-Plug
FC 8398: SP Switch2 PCI-X Attachment, 64-bit, 3.3V, 1-slot	3, 13, 5, 15 See note 19 on page 140.	3, 5 See note 19 on page 140.	0/2	0/4	2	0/8	Y	N
FC 8397: SP System Attachment, 64-bit, 3.3/5V, 2-slot	3+4, 13+14, 5+6, 15+16 See note 20 on page 140.	3+4, 13+14, 5+6, 15+16 See note 20 on page 140.	2/0	4/0	2	8/0	Y	Y
FC 8396: SP System Attachment, 32-bit, 5V, 2-slot (Type 6-F)	8+9, 18+19 See note 20 on page 140.	18+19 See note 20 on page 140.	1/0	2/0	1	4/0	N	N
FC 5718: 10 Gigabit Ethernet PCI-X SR Short, 32-64 but, 3.3V	5,15,8,18,1,11 (if 6571 x 2..not supported in 6563)	5,15,8,18,1,11 (if 6571 x 2..not supported in 6563)						
FC 5719: 10 Gigabit Ethernet PCI-X LR Short, 32-64 but, 3.3V								
FC 6206: Single-Ended Ultra SCSI Adapter, 32-bit, 5V (Type 4-K)	10, 20 See note 20 on page 140.	20 See note 20 on page 140.	1/0	2/0	2	2/0 See notes 4 on page 139, 10 on page 139, and 11 on page 139.	Y	Y
FC 6203: Dual-Channel Ultra3 SCSI, 32/64-bit, 3.3/5V (Type 4-Y)	10, 20	10, 20	5	10	30	30 See notes 4 on page 139 and 11 on page 139.	Y	Y
FC 2751: S/390 ESCON Channel, 32-bit, 5V, (Type 5-5)	9, 19, 10, 20 See note 20 on page 140.	19, 20 See note 20 on page 140.	2/0	4/0	4	8/0	Y	Y

Table 31. 7040 Model 61D (@server pSeries 670) (continued)

Adapter	Slot Usage when there are 2 FC 6563 or 2 FC 6571 Planars	Slot Usage when there is 1 FC 6563 and 1 FC 6571 Planar	Max. per FC 6563 or FC 6571 Planar	Max. per Drawer when there are 2 FC 6563 or 2 FC 6571 Planars	Max. per LPAR	Max. per System when there are 2 FC 6563 or 2 FC 6571 Planars	EEH	Hot-Plug
FC 6239: 2 Gigabit Fibre Channel Adapter, 32/64-bit, 3.3V (Type 5704) See note 23 on page 140.	2 FC 6563: 1, 11, 3, 13, 5, 15, 7, 17, 9, 19 2 FC 6571: 1, 11, 5, 15, 8, 18, 2, 12, 6, 16, 9, 19, 3, 13, 7, 17, 10, 20, 4, 14	1, 5, 8, 2, 6, 9, 3, 7, 10, 4, 11, 13, 15, 17, 19	5/10	10/20	50	30/50 See note 15 on page 139.	Y	Y
FC 6228: 2 Gigabit Fibre Channel Adapter for 32/64-bit, 3.3/5V PCI Bus (Type 4-W) See note 23 on page 140.	2 FC 6563: 1, 11, 3, 13, 5, 15, 7, 17, 9, 19 2 FC 6571: 1, 11, 5, 15, 8, 18, 2, 12, 6, 16, 9, 19, 3, 13, 7, 17, 10, 20, 4, 14	1, 5, 8, 2, 6, 9, 3, 7, 10, 4, 11, 13, 15, 17, 19	5/10	10/20	50	30/50 See note 15 on page 139.	Y	Y
FC 2969: Gigabit Ethernet Fibre, 1000BaseT, 64-bit, 3.3/5V (Type 9-U)	2 FC 6563: 1, 11, 3, 13, 5, 15, 7, 17, 9, 19 2 FC 6571: 1, 11, 5, 15, 8, 18, 2, 12, 6, 16, 9, 19, 3, 13, 7, 17, 10, 20, 4, 14	1, 5, 8, 2, 6, 9, 3, 7, 10, 4, 11, 13, 15, 17, 19	5	10	30	30 See note 3 on page 139.	Y	Y
FC 2975: Gigabit Ethernet (UTP) 1000BaseT, 64-bit, 3.3/5V (Type A-A)	2 FC 6563: 1, 11, 3, 13, 5, 15, 7, 17, 9, 19 2 FC 6571: 1, 11, 5, 15, 8, 18, 2, 12, 6, 16, 9, 19, 3, 13, 7, 17, 10, 20, 4, 14	1, 5, 8, 2, 6, 9, 3, 7, 10, 4, 11, 13, 15, 17, 19	5	10	30	30 See note 3 on page 139.	Y	Y

Table 31. 7040 Model 61D (@server\_pSeries 670) (continued)

Adapter	Slot Usage when there are 2 FC 6563 or 2 FC 6571 Planars	Slot Usage when there is 1 FC 6563 and 1 FC 6571 Planar	Max. per FC 6563 or FC 6571 Planar	Max. per Drawer when there are 2 FC 6563 or 2 FC 6571 Planars	Max. per LPAR	Max. per System when there are 2 FC 6563 or 2 FC 6571 Planars	EEH	Hot-Plug
FC 6230: Advanced SerialRAID Plus, 32-bit, 3.3/5V (Type 4-P)  FC 6230+6231: 4 Port SSA 40 w/128MB DIMM  FC 6235: Fast Write Cache Option for FC 6225 and FC 6230	2 FC 6563: 1, 11, 3, 13, 4, 14, 5, 15, 7, 17, 9, 19  2 FC 6571: 1, 11, 5, 15, 8, 18, 2, 12, 6, 16, 9, 19, 3, 13, 7, 17, 10, 20, 4, 14  See notes 1 on page 139, 2 on page 139, 12 on page 139, and 13 on page 139.	1, 5, 8, 2, 6, 9, 3, 7, 10, 4, 11, 13, 15, 17, 19  See notes 1 on page 139, 2 on page 139, 12 on page 139, and 13 on page 139.	6	12	30	30	Y	Y
FC 5700: Gigabit Ethernet, 1000 Base-SX, 32/64-bit, 3.3/5V	2 FC 6563: 1, 11, 5, 15, 8, 18, 2, 12, 6, 16, 9, 19, 3, 13, 4, 14  2 FC 6571: 1, 11, 5, 15, 8, 18, 2, 12, 6, 16, 9, 19, 3, 13, 7, 17, 10, 20, 4, 14	1, 5, 8, 2, 6, 9, 3, 7, 10, 4, 11, 13, 15, 17, 19	5/10	10/20	30	30/60	Y	Y
FC 5701: 10/100/1000 Base-TX Ethernet, 32/64-bit, 3.3/5V	2 FC 6563: 1, 11, 5, 15, 8, 18, 2, 12, 6, 16, 9, 19, 3, 13, 4, 14  2 FC 6571: 1, 11, 5, 15, 8, 18, 2, 12, 6, 16, 9, 19, 3, 13, 7, 17, 10, 20, 4, 14	1, 5, 8, 2, 6, 9, 3, 7, 10, 4, 11, 13, 15, 17, 19	5/10	10/20	30	30/60	Y	Y
FC 5707: 2-Port Gigabit Ethernet-SX PCI-X, 32/64-bit, 3.3/5V (Type 5707)	2 FC 6563: 1, 11, 5, 15, 8, 18, 2, 12, 6, 16, 9, 19, 3, 13, 4, 14  2 FC 6571: 1, 11, 5, 15, 8, 18, 2, 12, 6, 16, 9, 19, 3, 13, 7, 17, 10, 20, 4, 14	1, 5, 8, 2, 6, 9, 3, 7, 10, 4, 11, 13, 15, 17, 19	5/10	10/20	40	20/40	Y	Y



Table 31. 7040 Model 61D (@server pSeries 670) (continued)

Adapter	Slot Usage when there are 2 FC 6563 or 2 FC 6571 Planars	Slot Usage when there is 1 FC 6563 and 1 FC 6571 Planar	Max. per FC 6563 or FC 6571 Planar	Max. per Drawer when there are 2 FC 6563 or 2 FC 6571 Planars	Max. per LPAR	Max. per System when there are 2 FC 6563 or 2 FC 6571 Planars	EEH	Hot-Plug
FC 5706: 2-Port 10/100/1000 Base-TX Ethernet PCI-X, 32/64-bit, 3.3/5V (Type 5706)	2 FC 6563: 1, 11, 5, 15, 8, 18, 2, 12, 6, 16, 9, 19, 3, 13, 4, 14 2 FC 6571: 1, 11, 5, 15, 8, 18, 2, 12, 6, 16, 9, 19, 3, 13, 7, 17, 10, 20, 4, 14	1, 5, 8, 2, 6, 9, 3, 7, 10, 4, 11, 13, 15, 17, 19	5/10	10/20	40	20/40	Y	Y
FC 6203: Dual-Channel Ultra3 SCSI, 32/64-bit, 3.3/5V (Type 4-Y)	2 FC 6563: 1, 11, 3, 13, 5, 15, 7, 17, (9 or 10), (20 or 19) 2 FC 6571: 1, 11, 5, 15, 8, 18, 2, 12, 6, 16, 9, 19, 3, 13, 7, 17, 10, 20, 4, 14	1, 5, 8, 2, 6, 9, 3, 7, 10, 4, 11, 13, 15, 17, 19	5	10	30	30	Y	Y
FC 5710: PCI-X Dual Channel Ultra320 SCSI Blind Swap Adapter, 32/64-bit, 3.3V (Type 5702)	2 FC 6563: 1, 11, 3, 13, 5, 15, 7, 17, 10, 20 2 FC 6571: 1, 11, 5, 15, 8, 18, 2, 12, 6, 16, 9, 19, 3, 13, 7, 17, 10, 20, 4, 14	1, 5, 8, 2, 6, 9, 3, 7, 10, 4, 11, 13, 15, 17, 19	5/10	10/20	20	30	Y	Y
FC 5711: PCI-X Dual Channel Ultra320 SCSI RAID Blind Swap Adapter, 32/64-bit, 3.3V (Type 5711)	2 FC 6563: 1, 11, 3, 13, 5, 15, 7, 17, 10, 20 2 FC 6571: 1, 11, 5, 15, 8, 18, 2, 12, 6, 16, 9, 19, 3, 13, 7, 17, 10, 20, 4, 14	1, 5, 8, 2, 6, 9, 3, 7, 10, 4, 11, 13, 15, 17, 19	5/10	10/20	20	30	Y	Y

Table 31. 7040 Model 61D (@server\_pSeries 670) (continued)

Adapter	Slot Usage when there are 2 FC 6563 or 2 FC 6571 Planars	Slot Usage when there is 1 FC 6563 and 1 FC 6571 Planar	Max. per FC 6563 or FC 6571 Planar	Max. per Drawer when there are 2 FC 6563 or 2 FC 6571 Planars	Max. per LPAR	Max. per System when there are 2 FC 6563 or 2 FC 6571 Planars	EEH	Hot-Plug
FC 2946: PCI TURBOWAYS 622 PCI MMF ATM, 64-bit, 3.3/5V (Type A-B)	2 FC 6563: 1, 11, 3, 13, 5, 15, 7, 17, 9, 19 2 FC 6571: 1, 11, 5, 15, 8, 18, 2, 12, 6, 16, 9, 19, 3, 13, 7, 17, 10, 20, 4, 14	1, 5, 8, 2, 6, 9, 3, 7, 10, 4, 11, 13, 15, 17, 19	5/10	10/20	30	30 See note 5 on page 139.	Y	Y
FC 2849: POWER GXT135P Graphics Accelerator, 32-bit, 3.3/5V (Type 2849)	(5, 6, 7); (15, 16, 17); (1, 2, 3, 4); (11, 12, 13, 14); (8, 9, 10); (18, 19, 20) See note 6 on page 139	(5, 6, 7); (15, 16, 17); (1, 2, 3, 4); (11, 12, 13, 14); (8, 9, 10); (18, 19, 20) See note 6 on page 139	2	4	1	8	Y	N
FC 2848: GXT135P Graphics Adapter, 32-bit, 3.3/5V (Type 1-X)	(5, 6, 7); (15, 16, 17); (1, 2, 3, 4); (11, 12, 13, 14); (8, 9, 10); (18, 19, 20) See note 6 on page 139	(5, 6, 7); (15, 16, 17); (1, 2, 3, 4); (11, 12, 13, 14); (8, 9, 10); (18, 19, 20) See note 6 on page 139	2	4	1	8	Y	N
FC 2737: Keyboard / Mouse Attachment Card - PCI, 32-bit, 3.3/5V								
FC 2733: Serial HIPPI, Long-Wave Optics (Type 9-W)	1, 11, 2, 12, 3, 13, 4, 14, 5, 15, 6, 16, 7, 17, 8, 18, 9, 19, 10, 20	1, 11, 2, 12, 3, 13, 4, 14, 5, 15, 6, 16, 7, 17, 8, 18, 9, 19, 10, 20	2	4	2	8 See note 7 on page 139.	Y	Y
FC 2732: Serial HIPPI, Short-Wave Optics (Type 9-W)	1, 11, 2, 12, 3, 13, 4, 14, 5, 15, 6, 16, 7, 17, 8, 18, 9, 19, 10, 20	1, 11, 2, 12, 3, 13, 4, 14, 5, 15, 6, 16, 7, 17, 8, 18, 9, 19, 10, 20	2	4	2	8 See note 7 on page 139.	Y	Y
FC 4962: Ethernet/LAN Encryption 10/100BaseT, 32-bit, 3.3/5V (Type A-F)	1, 11, 2, 12, 3, 13, 4, 14, 5, 15, 6, 16, 7, 17, 8, 18, 9, 19, 10, 20 See note 13 on page 139.	1, 11, 2, 12, 3, 13, 4, 14, 5, 15, 6, 16, 7, 17, 8, 18, 9, 19, 10, 20 See note 13 on page 139.	10	20	60	60	Y	Y
FC 4961: 10/100 4-Port Ethernet, 32/64-bit, 3.3/5V (Type A-E)	1, 11, 2, 12, 3, 13, 4, 14, 5, 15, 6, 16, 7, 17, 8, 18, 9, 19, 10, 20	1, 11, 2, 12, 3, 13, 4, 14, 5, 15, 6, 16, 7, 17, 8, 18, 9, 19, 10, 20	5	10	20	20/40	Y	Y

Table 31. 7040 Model 61D (@server pSeries 670) (continued)

Adapter	Slot Usage when there are 2 FC 6563 or 2 FC 6571 Planars	Slot Usage when there is 1 FC 6563 and 1 FC 6571 Planar	Max. per FC 6563 or FC 6571 Planar	Max. per Drawer when there are 2 FC 6563 or 2 FC 6571 Planars	Max. per LPAR	Max. per System when there are 2 FC 6563 or 2 FC 6571 Planars	EEH	Hot-Plug
FC 2944: 128-Port Async Controller PCI, 32-bit, 3.3/5V (Type 3-C)	10, 20, 9, 19, 8, 18, 7, 17, 6, 16, 5, 15, 4, 14, 3, 13, 2, 12, 1, 11	10, 20, 9, 19, 8, 18, 7, 17, 6, 16, 5, 15, 4, 14, 3, 13, 2, 12, 1, 11	10	20	32	32 See note 8 on page 139.	Y	Y
FC 2943: 8-Port Asynchronous EIA-232E/RS-422A PCI, 32-bit, 3.3/5V (Type 3-B)	10, 20, 9, 19, 8, 18, 7, 17, 6, 16, 5, 15, 4, 14, 3, 13, 2, 12, 1, 11	10, 20, 9, 19, 8, 18, 7, 17, 6, 16, 5, 15, 4, 14, 3, 13, 2, 12, 1, 11	4	8	16	16 See notes 8 on page 139, and 14 on page 139.	Y	Y
FC 4957: 64-bit/66MHz PCI ATM 155 MMF, 3.3/5V (Type A-D)	10, 20, 9, 19, 8, 18, 7, 17, 6, 16, 5, 15, 4, 14, 3, 13, 2, 12, 1, 11	10, 20, 9, 19, 8, 18, 7, 17, 6, 16, 5, 15, 4, 14, 3, 13, 2, 12, 1, 11	10	20	40	40 See note 5 on page 139.	Y	Y
FC 4953: 64-bit/66MHz PCI/ATM 155 UTP, 3.3/5V (Type A-C)	10, 20, 9, 19, 8, 18, 7, 17, 6, 16, 5, 15, 4, 14, 3, 13, 2, 12, 1, 11	10, 20, 9, 19, 8, 18, 7, 17, 6, 16, 5, 15, 4, 14, 3, 13, 2, 12, 1, 11	10	20	40	40 See note 5 on page 139.	Y	Y
FC 4959: High-Speed Token Ring PCI, 32-bit, 3.3/5V (Type 9-Y)	10, 20, 9, 19, 8, 18, 7, 17, 6, 16, 5, 15, 4, 14, 3, 13, 2, 12, 1, 11	10, 20, 9, 19, 8, 18, 7, 17, 6, 16, 5, 15, 4, 14, 3, 13, 2, 12, 1, 11	10	20	40	40	Y	Y
FC 2742: SysConnect SK-NET FDDI-LP DAS PCI, 32-bit, 3.3/5V (Type *)	10, 20, 9, 19, 8, 18, 7, 17, 6, 16, 5, 15, 4, 14, 3, 13, 2, 12, 1, 11	10, 20, 9, 19, 8, 18, 7, 17, 6, 16, 5, 15, 4, 14, 3, 13, 2, 12, 1, 11	8	8	8	8 See note 9 on page 139.	N	Y
FC 2741: SysConnect SK-NET FDDI-LP SAS PCI, 32-bit, 3.3/5V (Type *)	10, 20, 9, 19, 8, 18, 7, 17, 6, 16, 5, 15, 4, 14, 3, 13, 2, 12, 1, 11	10, 20, 9, 19, 8, 18, 7, 17, 6, 16, 5, 15, 4, 14, 3, 13, 2, 12, 1, 11	8	8	8	8 See note 9 on page 139.	N	Y
FC 2962: 2-Port Multiprotocol PCI, 32-bit, 3.3/5V (Type 9-V)	2 FC 6563: 10, 20, 9, 19, 8, 18 2 FC 6571: 10, 20, 9, 19, 8, 18, 7, 17, 6, 16, 5, 15, 4, 14, 3, 13, 2, 12, 1, 11	10, 20, 9, 19, 8, 18, 7, 6, 5, 4, 3, 2, 1	3/6	6	18	18 See note 21 on page 140.	Y	Y

Table 31. 7040 Model 61D (@server pSeries 670) (continued)

Adapter	Slot Usage when there are 2 FC 6563 or 2 FC 6571 Planars	Slot Usage when there is 1 FC 6563 and 1 FC 6571 Planar	Max. per FC 6563 or FC 6571 Planar	Max. per Drawer when there are 2 FC 6563 or 2 FC 6571 Planars	Max. per LPAR	Max. per System when there are 2 FC 6563 or 2 FC 6571 Planars	EEH	Hot-Plug
FC 2947: IBM ARTIC960Hx 4-Port Selectable PCI, 32-bit, 3.3/5V (Type 9-R)	10, 20, 9, 19, 8, 18, 7, 17, 6, 16, 5, 15, 4, 14, 3, 13, 2, 12, 1, 11	10, 20, 9, 19, 8, 18, 7, 17, 6, 16, 5, 15, 4, 14, 3, 13, 2, 12, 1, 11	10	16	14	16	Y	Y
FC 4960: IBM Cryptographic Accelerator, 32-bit, 3.3/5V (Type 6-J)	10, 20, 9, 19, 8, 18, 7, 17, 6, 16, 5, 15, 4, 14, 3, 13, 2, 12, 1, 11	10, 20, 9, 19, 8, 18, 7, 17, 6, 16, 5, 15, 4, 14, 3, 13, 2, 12, 1, 11	4	8	24	24	Y	Y See note 17 on page 139.
FC 4963: Cryptographic Coprocessor, FIPS-4, 32-bit, 3.3/5V (Type 6-I)	10, 20, 9, 19, 8, 18, 7, 17, 6, 16, 5, 15, 4, 14, 3, 13, 2, 12, 1, 11	10, 20, 9, 19, 8, 18, 7, 17, 6, 16, 5, 15, 4, 14, 3, 13, 2, 12, 1, 11	4 See note 18 on page 140.	8 See note 18 on page 140.	4 See note 18 on page 140.	24 See note 18 on page 140.	Y	Y See note 16 on page 139.
FC 6204: PCI Universal Differential Ultra SCSI, 32-bit, 3.3/5V (Type 4-U)	10, 20, 9, 19, 8, 18, 7, 17, 6, 16, 5, 15, 4, 14, 3, 13, 2, 12, 1, 11	10, 20, 9, 19, 8, 18, 7, 17, 6, 16, 5, 15, 4, 14, 3, 13, 2, 12, 1, 11	5	10	20	20 See note 10 on page 139.	Y	Y

## Notes:

1. FC 6231: 128 MByte DRAM Option Card for FC 6225 and FC 6230 is a 128 MB memory DIMM option for the FC 6225: Advanced SSA SerialRAID (Type 4-P) adapter and can only be selected along with FC 6230: Advanced SerialRAID Plus, 32-bit, 3.3/5V (Type 4-P) (max 1 per 6230).
2. FC 6235: Fast Write Cache Option for FC 6225 and FC 6230 is a RAID cache upgrade for the FC 6225: Advanced SSA SerialRAID (Type 4-P) adapter and can only be selected along with FC 6230: Advanced SerialRAID Plus, 32-bit, 3.3/5V (Type 4-P) (max 1 per 6230).
3. A combined maximum of 30 FC 2969: Gigabit Ethernet Fibre, 1000BaseT, 64-bit, 3.3/5V (Type 9-U) and FC 2975: Gigabit Ethernet (UTP) 1000BaseT, 64-bit, 3.3/5V (Type A-A) adapters is allowed per system.
4. FC 6203: Dual-Channel Ultra3 SCSI, 32/64-bit, 3.3/5V (Type 4-Y) with FC 2118 or FC 6206: Single-Ended Ultra SCSI Adapter, 32-bit, 5V (Type 4-K) is required with FC 4609 to drive the media subsystem with up to two media devices. FC 6206 has first priority. If FC 6203 is used, then FC 2118 will be placed with the drawer.
5. A combined maximum of 40 FC 4957: 64-bit/66MHz PCI ATM 155 MMF, 3.3/5V (Type A-D), FC 4953: 64-bit/66MHz PCI ATM 155 UTP, 3.3/5V (Type A-C), and FC 2946: PCI TURBOWAYS 622 PCI MMF ATM, 64-bit, 3.3/5V (Type A-B) adapters is allowed per system.
6. FC 2849: POWER GXT135P Graphics Accelerator, 32-bit, 3.3/5V (Type 2849), FC 2848: GXT135P Graphics Adapter, 32-bit, 3.3/5V (Type 1-X) and FC 2737: Keyboard / Mouse Attachment Card - PCI, 32-bit, 3.3/5V must be placed on the same PHB. All other adapters on that PHB must be on the same LPAR. In the table, the slots of each PHB are divided into parentheses for reference.
7. A combined maximum of 8 FC 2732: Serial HIPPI, Short-Wave Optics (Type 9-W) and FC 2733: Serial HIPPI, Long-Wave Optics (Type 9-W) adapters is allowed per system.
8. A combined maximum of 32 FC 2943: 8-Port Asynchronous EIA-232E/RS-422A PCI, 32-bit, 3.3/5V (Type 3-B) and FC 2944: 128-Port Async Controller PCI, 32-bit, 3.3/5V (Type 3-C) adapters is allowed per system.
9. A combined maximum of 8 FC 2741: SysKonnnect SK-NET FDDI-LP SAS PCI, 32-bit, 3.3/5V (Type \*), and FC 2742: SysKonnnect SK-NET FDDI-LP DAS PCI, 32-bit, 3.3/5V (Type \*) adapters is allowed per system.
10. A maximum of 20 FC 6204: PCI Universal Differential Ultra SCSI, 32-bit, 3.3/5V (Type 4-U) and FC 6206: Single-Ended Ultra SCSI Adapter, 32-bit, 5V (Type 4-K) adapters is allowed per system.
11. FC 6206: Single-Ended Ultra SCSI (Type 4-K) may be utilized to connect media devices located in the media subsystem. If no FC 6206 is present in the system, FC 6203: Dual-Channel Ultra3 SCSI, 32/64-bit, 3.3/5V (Type 4-Y) may be used to connect the media devices in the media subsystem.
12. A maximum of three SSA adapters are allowed in PHB1 of each planar (slots P1-I1, P2-I1, P1-I3, P2-I3, P1-I4, and P2-I4).
13. If three FC 6230: Advanced SerialRAID Plus, 32-bit, 3.3/5V (Type 4-P) adapters are populated in PHB1, then only FC 4962: Ethernet/LAN Encryption 10/100BaseT, 32-bit, 3.3/5V (Type A-F) may be populated in the remaining slot of that PHB. It must be placed in slots P1-I2 or P2-I2. This allows for 6 high-performance adapters if the first three in each IO planar are FC 6230.
14. When installing FC 2943: 8-Port Asynchronous EIA-232E/RS-422A PCI, 32-bit, 3.3/5V (Type 3-B) in slots P1-I1, P2-I1, P1-I10, and P2-I10, the metal tab on the adapter should be pushed down to assist in plugging.
15. When installing FC 6228: 2 Gigabit Fibre Channel Adapter for 32/64-bit, 3.3/5V PCI Bus (Type 4-W) or FC 6239: 2 Gigabit Fibre Channel Adapter, 32/64-bit, 3.3V (Type 5704) in slot 1, the metal tab on the adapter should be pushed down to assist in plugging.
16. Before hot-plugging this adapter, see the installation chapter in the *PCI Cryptographic Coprocessor Installation and Using Guide* (SA23-1235) for the required procedures.
17. Before hot-plugging this adapter, see the installation chapter in the *PCI Cryptographic Accelerator Installation and Using Guide* (SA23-1254) for the required procedures.

18. Any combination of the following adapters may be installed, but the combined total should not exceed four per planar or LPAR, eight per drawer, or 24 per system: FC 4958: Cryptographic Coprocessor (Type 6-H) and FC 4963: Cryptographic Coprocessor, FIPS-4, 32-bit, 3.3/5V (Type 6-I), also referred to as RPQ 8A1162: Cryptographic Coprocessor.
19. The slot usage applies to only FC 6571: I/O Drawer PCI-X Planar, 10 Slot, 2 Integrated Ultra3 SCSI Ports.
20. The slot usage applies to only FC 6563: I/O Drawer PCI Planar, 10 Slot, 2 Integrated Ultra3 SCSI Ports.
21. If only one FC 6563: I/O Drawer PCI Planar, 10 Slot, 2 Integrated Ultra3 SCSI Ports is installed in the system, FC 2962: 2-Port Multiprotocol PCII, 32-bit, 3.3/5V (Type 9-V) is limited to a maximum of 3 per LPAR.
22. High performance adapters that are installed in FC 6563: I/O Drawer PCI Planar, 10 Slot, 2 Integrated Ultra3 SCSI Ports have the following limitations:
  - 2 per first PHB on each planar
  - 2 per second PHB on each planar
  - 1 per third PHB on each planar
23. Use of one FC 6228: 2 Gigabit Fibre Channel Adapter for 32/64-bit, 3.3/5V PCI Bus (Type 4-W) or FC 6239: 2 Gigabit Fibre Channel Adapter, 32/64-bit, 3.3V (Type 5704) per PCI Host Bridge (PHB) chip is recommended. More than three of these adapters can be installed per PHB, but system performance may not be increased by installing additional adapters to a PHB.
24. For optimum system performance, the combined maximum of high-performance adapters should not exceed the maximums listed for FC 5706: 2-Port 10/100/1000 Base-TX Ethernet PCI-X, 32/64-bit, 3.3/5V (Type 5706) or FC 5707: 2-Port Gigabit Ethernet-SX PCI-X, 32/64-bit, 3.3/5V (Type 5707) if either of these adapters is installed in the system. For a list of high-performance adapters, see Appendix B, "High-Performance Adapters," on page 229.

---

## Chapter 21. 7040 Model 61D (@server pSeries 690)

Adapter cards for the 7040 Model 61D (@server pSeries 690) plug into PCI adapter slots in the left or right side in the I/O subsystem. Each drawer is capable of handling up to 20 PCI adapters. Slots 1 through 7 and 11 through 17 have 3.3V signaling and can support 33MHz or 66MHz operation depending on the adapter's capability. 5V only adapters cannot be used in these slots. Slots 8, 9, 10 and 18,19, 20 have 5V signaling and can only run at 33MHz. 5V only adapters must use these slots. All slots provide both 3.3V and 5V power for the adapters.

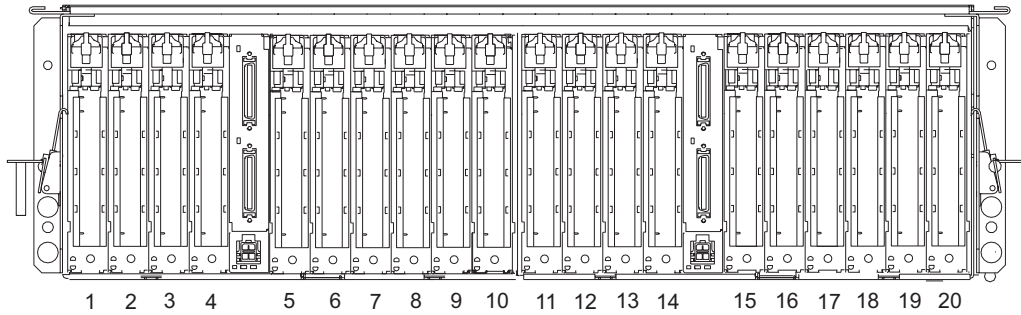


Table 32. Slot Location Reference

Slot	PHB	Planar	Loc. Code See note 2.	Slot Characteristics (FC 6563)	Slot Characteristics (FC 6571)
1	1	1	Ux.y-P1-I1	64-bit 3.3V, 33/66 MHz	64-bit 3.3V, 66/133 MHz
2	1	1	Ux.y-P1-I2	64-bit 3.3V, 33/66 MHz	64-bit 3.3V, 66/133 MHz
3	1	1	Ux.y-P1-I3	64-bit 3.3V, 33/66 MHz	64-bit 3.3V, 66/133 MHz
4	1	1	Ux.y-P1-I4	64-bit 3.3V, 33/66 MHz	64-bit 3.3V, 66/133 MHz
5	2	1	Ux.y-P1-I5	64-bit 3.3V, 33/66 MHz	64-bit 3.3V, 66/133 MHz
6	2	1	Ux.y-P1-I6	64-bit 3.3V, 33/66 MHz	64-bit 3.3V, 66/133 MHz
7	2	1	Ux.y-P1-I7	64-bit 3.3V, 33/66 MHz	64-bit 3.3V, 66/133 MHz
See note1.	2	1	Ux.y-P1-Z1	64-bit 3.3V, 33/66 MHz	64-bit 3.3V, 66/133 MHz
8	3	1	Ux.y-P1-I8	64-bit 5V, 33 MHz	64-bit 3.3V, 66/133 MHz
9	3	1	Ux.y-P1-I9	64-bit 5V, 33 MHz	64-bit 3.3V, 66/133 MHz
10	3	1	Ux.y-P1-I10	64-bit 5V, 33 MHz	64-bit 3.3V, 66/133 MHz
See note1.	3	1	Ux.y-P1-Z2	64-bit 5V, 33 MHz	64-bit 3.3V, 66/133 MHz
11	1	2	Ux.y-P2-I1	64-bit 3.3V, 33/66 MHz	64-bit 3.3V, 66/133 MHz
12	1	2	Ux.y-P2-I2	64-bit 3.3V, 33/66 MHz	64-bit 3.3V, 66/133 MHz
13	1	2	Ux.y-P2-I3	64-bit 3.3V, 33/66 MHz	64-bit 3.3V, 66/133 MHz
14	1	2	Ux.y-P2-I4	64-bit 3.3V, 33/66 MHz	64-bit 3.3V, 66/133 MHz
15	2	2	Ux.y-P2-I5	64-bit 3.3V, 33/66 MHz	64-bit 3.3V, 66/133 MHz
16	2	2	Ux.y-P2-I6	64-bit 3.3V, 33/66 MHz	64-bit 3.3V, 66/133 MHz
17	2	2	Ux.y-P2-I7	64-bit 3.3V, 33/66 MHz	64-bit 3.3V, 66/133 MHz
See note1.	2	2	Ux.y-P2-Z1	64-bit 3.3V, 33/66 MHz	64-bit 3.3V, 66/133 MHz
18	3	2	Ux.y-P2-I8	64-bit 5V, 33 MHz	64-bit 3.3V, 66/133 MHz
19	3	2	Ux.y-P2-I9	64-bit 5V, 33 MHz	64-bit 3.3V, 66/133 MHz
20	3	2	Ux.y-P2-I10	64-bit 5V, 33 MHz	64-bit 3.3V, 66/133 MHz
See note1.	3	2	Ux.y-P2-Z2	64-bit 5V, 33 MHz	64-bit 3.3V, 66/133 MHz

**Notes:**

1. Integrated SCSI adapter.
2. Ux.y represents the Hardware Management Console (HMC) location code where x is the rack location and y is the drawer position.



Use the preceding illustration to identify slot locations described in Table 33 on page 144. The first adapter from an adapter group is placed in the first slot (per the table) in the drawer. After the first slot selection has been used, use the second slot in the list. If a designated slot is filled, move to the next available slot.

---

## Logical Partition (LPAR) Considerations

Place redundant devices in separate I/O drawers for best availability performance. Place nonredundant devices in the same I/O drawer. If you place nonredundant devices in one drawer, the system is less exposed to other-drawer failures.

Some devices do not have enhanced error handling (EEH) capabilities built in to their device drivers. If these devices fail, the PCI Host Bridge (PHB) in which they are placed are affected. If the I/O subsystem encounters a severe error, all slots in the PHB are also affected. To clear this condition, you may reboot the system. In addition, it is also possible to remove the failed PCI slots on an affected PHB from the partition profile or profiles that include these PCI slots, and reboot the partition or partitions that terminated at the time of the error.

To avoid PHB errors related to non-EEH adapters, it is strongly recommended that if a non-EEH adapter is used, all slots on that PHB should be assigned to a single LPAR. For additional information about LPAR (logical partitioning) considerations, refer to the tables in this chapter.

---

## 7040 Model 61D (@server pSeries 690) Adapter Placement Guide

Use the following table to identify specific slot locations for the following adapters in your 7040 Model 61D (@server pSeries 690). The slots listed refer to the HMC (Hardware Management Console) location codes detailed in the preceding illustration.

Table 33. 7040 Model 61D (@server pSeries 690)

Adapter	Slot Usage when there are 2 FC 6563 or 2 FC 6571 Planars	Slot Usage when there is 1 FC 6563 and 1 FC 6571 Planar	Max. per FC 6563 or FC 6571 Planar	Max. per Drawer when there are 2 FC 6563 or 2 FC 6571 Planars	Max. per LPAR	Max. per System when there are 2 FC 6563 or 2 FC 6571 Planars	EEH	Hot-Plug
FC 8398: SP Switch2 PCI-X Attachment, 64-bit, 3.3V, 1-slot	3, 13, 5, 15 See note 19 on page 152.	3, 5 See note 19 on page 152.	0/2	0/4	2	0/32	Y	N
FC 8397: SP System Attachment, 64-bit, 3.3/5V, 2-slot	3+4, 13+14, 5+6, 15+16 See note 20 on page 152.	13+14, 15+16 See note 20 on page 152.	2/0	4/0	2	32/0	Y	Y
FC 8396: SP System Attachment, 32-bit, 5V, 2-slot (Type 6-F)	8+9, 18+19 See note 20 on page 152.	18+19 See note 20 on page 152.	1/0	2/0	1	8/0	N	N
FC 6206: Single-Ended Ultra SCSI Adapter, 32-bit, 5V (Type 4-K)	10, 20 See note 20 on page 152.	20 See note 20 on page 152.	1/0	2/0	2	2/0 See notes 4 on page 151, 10 on page 151, and 11 on page 151.	Y	Y
FC 6203: Dual-Channel Ultra3 SCSI, 32/64-bit, 3.3/5V (Type 4-Y)	10, 20	10, 20	5	10	30	30 See notes 4 on page 151 and 11 on page 151.	Y	Y
FC 2751: S/390 ESCON Channel, 32-bit, 5V, (Type 5-5)	9, 19, 10, 20 See note 20 on page 152.	19, 20 See note 20 on page 152.	2/0	4/0	4	8/0	Y	Y
FC 6239: 2 Gigabit Fibre Channel Adapter, 32/64-bit, 3.3V (Type 5704) See note 22 on page 152.	2 FC 6563: 1, 11, 3, 13, 5, 15, 7, 17, 9, 19 2 FC 6571: 1, 11, 5, 15, 8, 18, 2, 12, 6, 16, 9, 19, 3, 13, 7, 17, 10, 20, 4, 14	1, 5, 8, 2, 6, 9, 3, 7, 10, 4, 11, 13, 15, 17, 19	5/10	10/20	140	80/140 See note 15 on page 151.	Y	Y

Table 33. 7040 Model 61D (@server pSeries 690) (continued)

Adapter	Slot Usage when there are 2 FC 6563 or 2 FC 6571 Planars	Slot Usage when there is 1 FC 6563 and 1 FC 6571 Planar	Max. per FC 6563 or FC 6571 Planar	Max. per Drawer when there are 2 FC 6563 or 2 FC 6571 Planars	Max. per LPAR	Max. per System when there are 2 FC 6563 or 2 FC 6571 Planars	EEH	Hot-Plug
FC 6228: 2 Gigabit Fibre Channel Adapter for 32/64-bit, 3.3/5V PCI Bus (Type 4-W) See note 22 on page 152.	2 FC 6563: 1, 11, 3, 13, 5, 15, 7, 17, 9, 19 2 FC 6571: 1, 11, 5, 15, 8, 18, 2, 12, 6, 16, 9, 19, 3, 13, 7, 17, 10, 20, 4, 14	1, 5, 8, 2, 6, 9, 3, 7, 10, 4, 11, 13, 15, 17, 19	5/10	10/20	80	80/140 See note 15 on page 151.	Y	Y
FC 6229: 2 Gigabit Fibre Channel Adapter for 32/64-bit, 3.3V PCI Bus	2 FC 6563: 1, 11, 5, 15, 2, 12, 6, 16, 3, 13, 7, 17, 4, 14 2 FC 6571: 1, 11, 5, 15, 8, 18, 2, 12, 6, 16, 9, 19, 3, 13, 7, 17, 10, 20, 4, 14	1, 5, 8, 2, 6, 9, 3, 7, 10, 4, 11, 15, 12, 16, 13, 17, 14	5/10	10/20	16	80/140	Y	Y
FC 2969: Gigabit Ethernet Fibre, 1000BaseT, 64-bit, 3.3/5V (Type 9-U)	2 FC 6563: 1, 11, 3, 13, 5, 15, 7, 17, 9, 19 2 FC 6571: 1, 11, 5, 15, 8, 18, 2, 12, 6, 16, 9, 19, 3, 13, 7, 17, 10, 20, 4, 14	1, 5, 8, 2, 6, 9, 3, 7, 10, 4, 11, 13, 15, 17, 19	5	10	80	80 See note 3 on page 151.	Y	Y
FC 2975: Gigabit Ethernet (UTP) 1000BaseT, 64-bit, 3.3/5V (Type A-A)	2 FC 6563: 1, 11, 3, 13, 5, 15, 7, 17, 9, 19 2 FC 6571: 1, 11, 5, 15, 8, 18, 2, 12, 6, 16, 9, 19, 3, 13, 7, 17, 10, 20, 4, 14	1, 5, 8, 2, 6, 9, 3, 7, 10, 4, 11, 13, 15, 17, 19	5	10	80	80 See note 3 on page 151.	Y	Y

Table 33. 7040 Model 61D (@server\_pSeries 690) (continued)

Adapter	Slot Usage when there are 2 FC 6563 or 2 FC 6571 Planars	Slot Usage when there is 1 FC 6563 and 1 FC 6571 Planar	Max. per FC 6563 or FC 6571 Planar	Max. per Drawer when there are 2 FC 6563 or 2 FC 6571 Planars	Max. per LPAR	Max. per System when there are 2 FC 6563 or 2 FC 6571 Planars	EEH	Hot-Plug
FC 6230: Advanced SerialRAID Plus, 32-bit, 3.3/5V (Type 4-P)  FC 6230+6231: 4 Port SSA 40 w/128MB DIMM  FC 6235: Fast Write Cache Option for FC 6225 and FC 6230	2 FC 6563: 1, 11, 3, 13, 4, 14, 5, 15, 7, 17, 9, 19  2 FC 6571: 1, 11, 5, 15, 8, 18, 2, 12, 6, 16, 9, 19, 3, 13, 7, 17, 10, 20, 4, 14  See notes 1 on page 151, 2 on page 151, 12 on page 151, and 13 on page 151.	1, 5, 8, 2, 6, 9, 3, 7, 10, 4, 11, 13, 15, 17, 19  See notes 1 on page 151, 2 on page 151, 12 on page 151, and 13 on page 151.	6	12	64	64	Y	Y
FC 5700: Gigabit Ethernet, 1000 Base-SX, 32/64-bit, 3.3/5V	2 FC 6563: 1, 11, 5, 15, 8, 18, 2, 12, 6, 16, 9, 19, 3, 13, 4, 14  2 FC 6571: 1, 11, 5, 15, 8, 18, 2, 12, 6, 16, 9, 19, 3, 13, 7, 17, 10, 20, 4, 14	1, 5, 8, 2, 6, 9, 3, 7, 10, 4, 11, 13, 15, 17, 19	5/10	10/20	80	80/140	Y	Y
FC 5701: 10/100/1000 Base-TX Ethernet, 32/64-bit, 3.3/5V	2 FC 6563: 1, 11, 5, 15, 8, 18, 2, 12, 6, 16, 9, 19, 3, 13, 4, 14  2 FC 6571: 1, 11, 5, 15, 8, 18, 2, 12, 6, 16, 9, 19, 3, 13, 7, 17, 10, 20, 4, 14	1, 5, 8, 2, 6, 9, 3, 7, 10, 4, 11, 13, 15, 17, 19	5/10	10/20	80	80/140	Y	Y
FC 5707: 2-Port Gigabit Ethernet-SX PCI-X, 32/64-bit, 3.3/5V (Type 5707)	2 FC 6563: 1, 11, 5, 15, 8, 18, 2, 12, 6, 16, 9, 19, 3, 13, 4, 14  2 FC 6571: 1, 11, 5, 15, 8, 18, 2, 12, 6, 16, 9, 19, 3, 13, 7, 17, 10, 20, 4, 14	1, 5, 8, 2, 6, 9, 3, 7, 10, 4, 11, 13, 15, 17, 19	5/10	10/20	40	40/80	Y	Y

Table 33. 7040 Model 61D (@server pSeries 690) (continued)

Adapter	Slot Usage when there are 2 FC 6563 or 2 FC 6571 Planars	Slot Usage when there is 1 FC 6563 and 1 FC 6571 Planar	Max. per FC 6563 or FC 6571 Planar	Max. per Drawer when there are 2 FC 6563 or 2 FC 6571 Planars	Max. per LPAR	Max. per System when there are 2 FC 6563 or 2 FC 6571 Planars	EEH	Hot-Plug
FC 5706: 2-Port 10/100/1000 Base-TX Ethernet PCI-X, 32/64-bit, 3.3/5V (Type 5706)	2 FC 6563: 1, 11, 5, 15, 8, 18, 2, 12, 6, 16, 9, 19, 3, 13, 4, 14 2 FC 6571: 1, 11, 5, 15, 8, 18, 2, 12, 6, 16, 9, 19, 3, 13, 7, 17, 10, 20, 4, 14	1, 5, 8, 2, 6, 9, 3, 7, 10, 4, 11, 13, 15, 17, 19	5/10	10/20	40	40/80	Y	Y
FC 6203: Dual-Channel Ultra3 SCSI, 32/64-bit, 3.3/5V (Type 4-Y)	2 FC 6563: 1, 11, 3, 13, 5, 15, 7, 17, (10 or 9), (20 or 19) 2 FC 6571: 1, 11, 5, 15, 8, 18, 2, 12, 6, 16, 9, 19, 3, 13, 7, 17, 10, 20, 4, 14	1, 5, 8, 2, 6, 9, 3, 7, 10, 4, 11, 13, 15, 17, 19	5/10	10	30	30	Y	Y
FC 5710: PCI-X Dual Channel Ultra320 SCSI Blind Swap Adapter, 32/64-bit, 3.3V (Type 5702)	2 FC 6563: 1, 11, 3, 13, 5, 15, 7, 17, 10, 20 2 FC 6571: 1, 11, 5, 15, 8, 18, 2, 12, 6, 16, 9, 19, 3, 13, 7, 17, 10, 20, 4, 14	1, 5, 8, 2, 6, 9, 3, 7, 10, 4, 11, 13, 15, 17, 19	5/10	10/20	40	40	Y	Y
FC 5711: PCI-X Dual Channel Ultra320 SCSI RAID Blind Swap Adapter, 32/64-bit, 3.3V (Type 5711)	2 FC 6563: 1, 11, 3, 13, 5, 15, 7, 17, 10, 20 2 FC 6571: 1, 11, 5, 15, 8, 18, 2, 12, 6, 16, 9, 19, 3, 13, 7, 17, 10, 20, 4, 14	1, 5, 8, 2, 6, 9, 3, 7, 10, 4, 11, 13, 15, 17, 19	5/10	10/20	40	40	Y	Y

Table 33. 7040 Model 61D (@server\_pSeries 690) (continued)

Adapter	Slot Usage when there are 2 FC 6563 or 2 FC 6571 Planars	Slot Usage when there is 1 FC 6563 and 1 FC 6571 Planar	Max. per FC 6563 or FC 6571 Planar	Max. per Drawer when there are 2 FC 6563 or 2 FC 6571 Planars	Max. per LPAR	Max. per System when there are 2 FC 6563 or 2 FC 6571 Planars	EEH	Hot-Plug
FC 2946: PCI TURBOWAYS 622 PCI MMF ATM, 64-bit, 3.3/5V (Type A-B)	2 FC 6563: 1, 11, 3, 13, 5, 15, 7, 17, 9, 19 2 FC 6571: 1, 11, 5, 15, 8, 18, 2, 12, 6, 16, 9, 19, 3, 13, 7, 17, 10, 20, 4, 14	1, 5, 8, 2, 6, 9, 3, 7, 10, 4, 11, 13, 15, 17, 19	5/10	10/20	40	40 See note 5 on page 151.	Y	Y
FC 2849: POWER GXT135P Graphics Accelerator, 32-bit, 3.3/5V (Type 2849)	(5, 6, 7); (15, 16, 17); (1, 2, 3, 4); (11, 12, 13, 14); (8, 9, 10); (18, 19, 20) See note 6 on page 151.	(5, 6, 7); (15, 16, 17); (1, 2, 3, 4); (11, 12, 13, 14); (8, 9, 10); (18, 19, 20) See note 6 on page 151.	2	4	1	8	Y	N
FC 2848: GXT135P Graphics Adapter, 32-bit, 3.3/5V (Type 1-X)	(5, 6, 7); (15, 16, 17); (1, 2, 3, 4); (11, 12, 13, 14); (8, 9, 10); (18, 19, 20) See note 6 on page 151.	(5, 6, 7); (15, 16, 17); (1, 2, 3, 4); (11, 12, 13, 14); (8, 9, 10); (18, 19, 20) See note 6 on page 151.	2	4	1	8	Y	N
FC 2737: Keyboard / Mouse Attachment Card - PCI, 32-bit, 3.3/5V								
FC 2733: Serial HIPPI, Long-Wave Optics (Type 9-W)	1, 11, 2, 12, 3, 13, 4, 14, 5, 15, 6, 16, 7, 17, 8, 18, 9, 19, 10, 20	1, 11, 2, 12, 3, 13, 4, 14, 5, 15, 6, 16, 7, 17, 8, 18, 9, 19, 10, 20	2	4	2	8 See note 7 on page 151.	Y	Y
FC 2732: Serial HIPPI, Short-Wave Optics (Type 9-W)	1, 11, 2, 12, 3, 13, 4, 14, 5, 15, 6, 16, 7, 17, 8, 18, 9, 19, 10, 20	1, 11, 2, 12, 3, 13, 4, 14, 5, 15, 6, 16, 7, 17, 8, 18, 9, 19, 10, 20	2	4	2	8 See note 7 on page 151.	Y	Y
FC 4962: Ethernet/LAN Encryption 10/100BaseT, 32-bit, 3.3/5V (Type A-F)	1, 11, 2, 12, 3, 13, 4, 14, 5, 15, 6, 16, 7, 17, 8, 18, 9, 19, 10, 20 See note 13 on page 151.	1, 11, 2, 12, 3, 13, 4, 14, 5, 15, 6, 16, 7, 17, 8, 18, 9, 19, 10, 20 See note 13 on page 151.	10	20	80	80/140	Y	Y
FC 4961: 10/100 4-Port Ethernet, 32/64-bit, 3.3/5V (Type A-E)	1, 11, 2, 12, 3, 13, 4, 14, 5, 15, 6, 16, 7, 17, 8, 18, 9, 19, 10, 20	1, 11, 2, 12, 3, 13, 4, 14, 5, 15, 6, 16, 7, 17, 8, 18, 9, 19, 10, 20	5/10	10/20	20	20/40	Y	Y

Table 33. 7040 Model 61D (@server pSeries 690) (continued)

Adapter	Slot Usage when there are 2 FC 6563 or 2 FC 6571 Planars	Slot Usage when there is 1 FC 6563 and 1 FC 6571 Planar	Max. per FC 6563 or FC 6571 Planar	Max. per Drawer when there are 2 FC 6563 or 2 FC 6571 Planars	Max. per LPAR	Max. per System when there are 2 FC 6563 or 2 FC 6571 Planars	EEH	Hot-Plug
FC 2944: 128-Port Async Controller PCI, 32-bit, 3.3/5V (Type 3-C)	10, 20, 9, 19, 8, 18, 7, 17, 6, 16, 5, 15, 4, 14, 3, 13, 2, 12, 1, 11	10, 20, 9, 19, 8, 18, 7, 17, 6, 16, 5, 15, 4, 14, 3, 13, 2, 12, 1, 11	10	20	32	32 See note 8 on page 151.	Y	Y
FC 2943: 8-Port Asynchronous EIA-232E/RS-422A PCI, 32-bit, 3.3/5V (Type 3-B)	10, 20, 9, 19, 8, 18, 7, 17, 6, 16, 5, 15, 4, 14, 3, 13, 2, 12, 1, 11	10, 20, 9, 19, 8, 18, 7, 17, 6, 16, 5, 15, 4, 14, 3, 13, 2, 12, 1, 11	4	8	16	16 See notes 8 on page 151, and 14 on page 151.	Y	Y
FC 4957: 64-bit/66MHz PCI ATM 155 MMF, 3.3/5V (Type A-D)	10, 20, 9, 19, 8, 18, 7, 17, 6, 16, 5, 15, 4, 14, 3, 13, 2, 12, 1, 11	10, 20, 9, 19, 8, 18, 7, 17, 6, 16, 5, 15, 4, 14, 3, 13, 2, 12, 1, 11	10	20	40	40 See note 5 on page 151.	Y	Y
FC 4953: 64-bit/66MHz PCI/ATM 155 UTP, 3.3/5V (Type A-C)	10, 20, 9, 19, 8, 18, 7, 17, 6, 16, 5, 15, 4, 14, 3, 13, 2, 12, 1, 11	10, 20, 9, 19, 8, 18, 7, 17, 6, 16, 5, 15, 4, 14, 3, 13, 2, 12, 1, 11	10	20	40	40 See note 5 on page 151.	Y	Y
FC 4959: High-Speed Token Ring PCI, 32-bit, 3.3/5V (Type 9-Y)	10, 20, 9, 19, 8, 18, 7, 17, 6, 16, 5, 15, 4, 14, 3, 13, 2, 12, 1, 11	10, 20, 9, 19, 8, 18, 7, 17, 6, 16, 5, 15, 4, 14, 3, 13, 2, 12, 1, 11	10	20	40	40	Y	Y
FC 2742: SysConnect SK-NET FDDI-LP DAS PCI, 32-bit, 3.3/5V (Type *)	10, 20, 9, 19, 8, 18, 7, 17, 6, 16, 5, 15, 4, 14, 3, 13, 2, 12, 1, 11	10, 20, 9, 19, 8, 18, 7, 17, 6, 16, 5, 15, 4, 14, 3, 13, 2, 12, 1, 11	8	8	8	8 See note 9 on page 151.	N	Y
FC 2741: SysConnect SK-NET FDDI-LP SAS PCI, 32-bit, 3.3/5V (Type *)	10, 20, 9, 19, 8, 18, 7, 17, 6, 16, 5, 15, 4, 14, 3, 13, 2, 12, 1, 11	10, 20, 9, 19, 8, 18, 7, 17, 6, 16, 5, 15, 4, 14, 3, 13, 2, 12, 1, 11	8	8	8	8 See note 9 on page 151.	N	Y
FC 2962: 2-Port Multiprotocol PCI, 32-bit, 3.3/5V (Type 9-V)	2 FC 6563: 10, 20, 9, 19, 8, 18 2 FC 6571: 10, 20, 9, 19, 8, 18, 7, 17, 6, 16, 5, 15, 4, 14, 3, 13, 2, 12, 1, 11	10, 20, 9, 19, 8, 18, 7, 6, 5, 4, 3, 2, 1	3/6	6/12	20	20	Y	Y

Table 33. 7040 Model 61D (@server pSeries 690) (continued)

Adapter	Slot Usage when there are 2 FC 6563 or 2 FC 6571 Planars	Slot Usage when there is 1 FC 6563 and 1 FC 6571 Planar	Max. per FC 6563 or FC 6571 Planar	Max. per Drawer when there are 2 FC 6563 or 2 FC 6571 Planars	Max. per LPAR	Max. per System when there are 2 FC 6563 or 2 FC 6571 Planars	EEH	Hot-Plug
FC 2947: IBM ARTIC960Hx 4-Port Selectable PCI, 32-bit, 3.3/5V (Type 9-R)	10, 20, 9, 19, 8, 18, 7, 17, 6, 16, 5, 15, 4, 14, 3, 13, 2, 12, 1, 11	10, 20, 9, 19, 8, 18, 7, 17, 6, 16, 5, 15, 4, 14, 3, 13, 2, 12, 1, 11	10	16	14	16	Y	Y
FC 4960: IBM Cryptographic Accelerator, 32-bit, 3.3/5V (Type 6-J)	10, 20, 9, 19, 8, 18, 7, 17, 6, 16, 5, 15, 4, 14, 3, 13, 2, 12, 1, 11	10, 20, 9, 19, 8, 18, 7, 17, 6, 16, 5, 15, 4, 14, 3, 13, 2, 12, 1, 11	4	8	32	32	Y	Y See note 17 on page 151.
FC 4963: Cryptographic Coprocessor, FIPS-4, 32-bit, 3.3/5V (Type 6-I)	10, 20, 9, 19, 8, 18, 7, 17, 6, 16, 5, 15, 4, 14, 3, 13, 2, 12, 1, 11	10, 20, 9, 19, 8, 18, 7, 17, 6, 16, 5, 15, 4, 14, 3, 13, 2, 12, 1, 11	4 See note 18 on page 152.	8 See note 18 on page 152.	4 See note 18 on page 152.	32 See note 18 on page 152.	Y	Y See note 16 on page 151.
FC 6204: PCI Universal Differential Ultra SCSI, 32-bit, 3.3/5V (Type 4-U)	10, 20, 9, 19, 8, 18, 7, 17, 6, 16, 5, 15, 4, 14, 3, 13, 2, 12, 1, 11	10, 20, 9, 19, 8, 18, 7, 17, 6, 16, 5, 15, 4, 14, 3, 13, 2, 12, 1, 11	5	10	20	20 See note 10 on page 151.	Y	Y



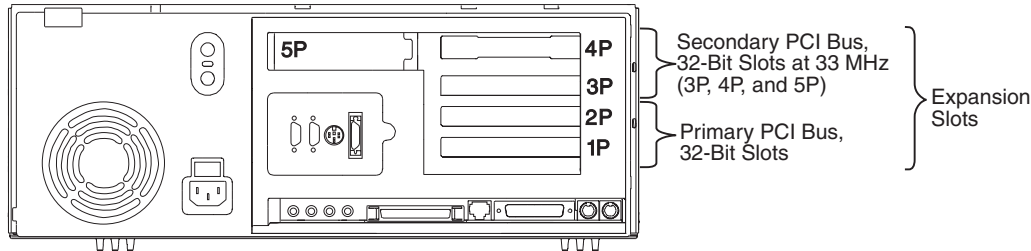
## Notes:

1. FC 6231: 128 MByte DRAM Option Card for FC 6225 and FC 6230 is a 128 MB memory DIMM option for the FC 6225: Advanced SSA SerialRAID (Type 4-P) adapter and can only be selected along with FC 6230: Advanced SerialRAID Plus, 32-bit, 3.3/5V (Type 4-P) (max 1 per 6230).
2. FC 6235: Fast Write Cache Option for FC 6225 and FC 6230 is a RAID cache upgrade for the FC 6225: Advanced SSA SerialRAID (Type 4-P) adapter and can only be selected along with FC 6230: Advanced SerialRAID Plus, 32-bit, 3.3/5V (Type 4-P) (max 1 per 6230).
3. A combined maximum of 40 FC 2969: Gigabit Ethernet Fibre, 1000BaseT, 64-bit, 3.3/5V (Type 9-U) and FC 2975: Gigabit Ethernet (UTP) 1000BaseT, 64-bit, 3.3/5V (Type A-A) adapters is allowed per system.
4. FC 6203: Dual-Channel Ultra3 SCSI, 32/64-bit, 3.3/5V (Type 4-Y) with FC 2118 or FC 6206: Single-Ended Ultra SCSI Adapter, 32-bit, 5V (Type 4-K) is required with FC 4609 to drive the media subsystem with up to two media devices. FC 6206 has first priority. If FC 6203 is used, then FC 2118 will be placed with the drawer.
5. A combined maximum of 30 FC 4957: 64-bit/66MHz PCI ATM 155 MMF, 3.3/5V (Type A-D), FC 4953: 64-bit/66MHz PCI ATM 155 UTP, 3.3/5V (Type A-C), and FC 2946: PCI TURBOWAYS 622 PCI MMF ATM, 64-bit, 3.3/5V (Type A-B) adapters is allowed per system.
6. FC 2849: POWER GXT135P Graphics Accelerator, 32-bit, 3.3/5V (Type 2849), FC 2848: GXT135P Graphics Adapter, 32-bit, 3.3/5V (Type 1-X) and FC 2737: Keyboard / Mouse Attachment Card - PCI, 32-bit, 3.3/5V must be placed on the same PHB. All other adapters on that PHB must be on the same LPAR. In the table, the slots of each PHB are divided into parentheses for reference.
7. A combined maximum of 8 FC 2732: Serial HIPPI, Short-Wave Optics (Type 9-W) and FC 2733: Serial HIPPI, Long-Wave Optics (Type 9-W) adapters is allowed per system.
8. A combined maximum of 32 FC 2943: 8-Port Asynchronous EIA-232E/RS-422A PCI, 32-bit, 3.3/5V (Type 3-B) and FC 2944: 128-Port Async Controller PCI, 32-bit, 3.3/5V (Type 3-C) adapters is allowed per system.
9. A combined maximum of 8 FC 2741: SysKonnnect SK-NET FDDI-LP SAS PCI, 32-bit, 3.3/5V (Type \*), and FC 2742: SysKonnnect SK-NET FDDI-LP DAS PCI, 32-bit, 3.3/5V (Type \*) adapters is allowed per system.
10. A maximum of 20 FC 6204: PCI Universal Differential Ultra SCSI, 32-bit, 3.3/5V (Type 4-U) and FC 6206: Single-Ended Ultra SCSI Adapter, 32-bit, 5V (Type 4-K) adapters is allowed per system.
11. FC 6206: Single-Ended Ultra SCSI (Type 4-K) may be utilized to connect media devices located in the media subsystem. If no FC 6206 is present in the system, FC 6203: Dual-Channel Ultra3 SCSI, 32/64-bit, 3.3/5V (Type 4-Y) may be used to connect the media devices in the media subsystem.
12. A maximum of three SSA adapters are allowed in PHB1 of each planar (slots 1, 3, 4 and 11, 13, 14).
13. If three FC 6230: Advanced SerialRAID Plus, 32-bit, 3.3/5V (Type 4-P) adapters are populated in PHB1, then only FC 4962: Ethernet/LAN Encryption 10/100BaseT, 32-bit, 3.3/5V (Type A-F) may be populated in the remaining slot of that PHB. It must be placed in slots 2 or 12. This allows for 6 high-performance adapters if the first three in each IO planar are FC 6230.
14. When installing FC 2943: 8-Port Asynchronous EIA-232E/RS-422A PCI, 32-bit, 3.3/5V (Type 3-B) in slots P1-I1, P1-I10, P2-I1, or P2-I10, the metal tab on the adapter should be pushed down to assist in plugging.
15. When installing FC 6228: 2 Gigabit Fibre Channel Adapter for 32/64-bit, 3.3/5V PCI Bus (Type 4-W) or FC 6239: 2 Gigabit Fibre Channel Adapter, 32/64-bit, 3.3V (Type 5704) in slots P1-I1 or P2-I1 the metal tab on the adapter should be pushed down to assist in plugging.
16. Before hot-plugging this adapter, see the installation chapter in the *PCI Cryptographic Coprocessor Installation and Using Guide* (SA23-1235) for the required procedures.
17. Before hot-plugging this adapter, see the installation chapter in the *PCI Cryptographic Accelerator Installation and Using Guide* (SA23-1254) for the required procedures.

18. Any combination of the following adapters may be installed, but the combined total should not exceed four per planar or LPAR, eight per drawer, or 32 per system: FC 4958: Cryptographic Coprocessor (Type 6-H) and FC 4963: Cryptographic Coprocessor, FIPS-4, 32-bit, 3.3/5V (Type 6-I), also referred to as RPQ 8A1162: Cryptographic Coprocessor.
19. The slot usage applies to only FC 6571: I/O Drawer PCI-X Planar, 10 Slot, 2 Integrated Ultra3 SCSI Ports.
20. The slot usage applies to only FC 6563: I/O Drawer PCI Planar, 10 Slot, 2 Integrated Ultra3 SCSI Ports.
21. High performance adapters that are installed in FC 6563: I/O Drawer PCI Planar, 10 Slot, 2 Integrated Ultra3 SCSI Ports have the following limitations:
  - 2 per first PHB on each planar
  - 2 per second PHB on each planar
  - 1 per third PHB on each planar
22. Use of one FC 6228: 2 Gigabit Fibre Channel Adapter for 32/64-bit, 3.3/5V PCI Bus (Type 4-W) or FC 6239: 2 Gigabit Fibre Channel Adapter, 32/64-bit, 3.3V (Type 5704) per PCI Host Bridge (PHB) chip is recommended. More than three of these adapters can be installed per PHB, but system performance may not be increased by installing additional adapters to a PHB.
23. For optimum system performance, the combined maximum of high-performance adapters should not exceed the maximums listed for FC 5706: 2-Port 10/100/1000 Base-TX Ethernet PCI-X, 32/64-bit, 3.3/5V (Type 5706) or FC 5707: 2-Port Gigabit Ethernet-SX PCI-X, 32/64-bit, 3.3/5V (Type 5707) if either of these adapters is installed in the system. For a list of high-performance adapters, see Appendix B, "High-Performance Adapters," on page 229.

## Chapter 22. 7043 Model 140

This system is designed for customers to install adapters. Use this guide to determine if there are specific slot requirements for adapters that you may be installing.



### System Unit Rear View with Numbered Slots

Some adapters must be placed in specific system unit slots to function correctly at optimum performance. Use the table under “7043 Model 140 Adapter Placement Guide” to determine where to install an adapter in your system unit.

Many of the following notes refer to optimizing system performance. Read “System Performance” on page 1 for more performance-related information.

If you are running AIX, refer to “7043 Model 140 Multiple Graphics Adapter Placement Guide” on page 158 to install two or more adapters in your 7043 Model 140. Windows NT (PowerPC Edition) does not support more than one graphics adapter in a system unit.

Use the rear-view diagram above to identify slot locations described in the following tables.

## 7043 Model 140 Adapter Placement Guide

Use the following table to identify specific slot locations for the following adapters in your 7043 Model 140.

Table 34. 7043 Model 140

Adapter	AIX	Windows NT
FC 4951: 10/100 4-Port Ethernet (Type 9-Z)	Slots 2P  Max. 1 per system, See note 4 and 9 on page 157.	
FC 2859: GXT800P 3-slot Graphics (Type 1-K)	Slot 2P  See notes 5 on page 157 and 6 on page 157.	
FC 2853: POWER GXT800P (Type 1-K)	Slot 2P  See notes 5 on page 157, 6 on page 157, and 11 on page 157.	
FC 2854: POWER GXT500P (Type 1-I)	Slot 2P	
FC 2855: POWER GXT550P (Type 1-J)	Slot 2P	
FC 2856: POWER GXT1000 (Type 1-H)	Slots 1P - 2P  One max.	

Table 34. 7043 Model 140 (continued)

Adapter	AIX	Windows NT
FC 2837: Dual S3	Slot 2P See note 8 on page 157.	
FC 2638: Stream	Slots 2P, 3P, 4P Max. 1 per system See note 11 on page 157.	
FC 2639: Ultimedia Video Capture (Type 7-9)	Slots 2P, 3P, 4P Max. 1 per system See note 11 on page 157.	
FC 2823: POWER GXT2000P (Type 1-S)	Slots 2P, 3P, 1P, 4P Max. 4 per system See note 9 on page 157.	
FC 2841: POWER GXT300P (Type1-U)	Slots 2P, 3P, 1P, 4P Max. 4 per system See note 9 on page 157.	
FC 2830: POWER GXT130P (Type 1-T)	Slots 1P - 5P Max. 4 per system	
FC 2851: POWER GXT250P (Type 1-M)	Slots 1P - 5P Max. 4 per system See notes 7 on page 157, 8 on page 157, and 9 on page 157.	Slots 1P - 2P
FC 2852: POWER GXT255P (Type 1-N)	Slots 1P - 5P Max. 4 per system See notes 7 on page 157, 8 on page 157, and 9 on page 157.	
FC 2838: POWER GXT120P (Type 1-P)	Slots 1P - 5P Max. 4 per system	
FC 2839: POWER GXT110P (Type *)	Slots 1P - 2P Max. 2 per system See note 7 on page 157.	Slots 1P - 2P
FC 2933: 128-port RS232 (Type 3-9)	Slots 3P, 2P (two max.)	
FC 2931: 8-port RS232 (Type 3-8)	Slots 3P, 2P (two max.)	
FC 2932: 8-port (Type 3-A)	Slots 3P, 2P (two max.)	
FC 2961: X.25, SDLC C1X	Slots 3P, 2P (two max.)	
FC 2701: 4-port SDLC	Slots 3P, 2P (two max.)	

Table 34. 7043 Model 140 (continued)

Adapter	AIX	Windows NT
FC 6230: Advanced SerialRAID Plus, 32-bit, 3.3/5V (Type 4-P)  FC 6230+6231: 4 Port SSA 40 w/128MB DIMM  FC 6235: Fast Write Cache Option for FC 6225 and FC 6230	Slot 2P only	
FC 6215: PCI SSA Multi-Initiator/RAID EL (Type 4-N)	Slot 2P  See notes 12 on page 157 and 13 on page 157.	
FC 6222: 4-Port, SSA-RAID1 Fast Write Cache Option (Type 4-N)	N/A  See note 13 on page 157.	
FC 6310: IBM ARTIC960 RxD Quad Digital Trunk PCI, 32-bit, 3.3/5V (Type 6-E)	Slots 2P, 3P, 4P  Max. 3 per system  See Chapter 35, "Digital Trunk PCI Adapter Placement Considerations," on page 221 and note 3 on page 157.	
FC 6311: IBM ARTIC960 RxF PCI, 32-bit, 3.3/5V (Type 6-G)	Slots 2P, 3P, 4P  Max. 3 per system  See Chapter 35, "Digital Trunk PCI Adapter Placement Considerations," on page 221 and note 3 on page 157.	
FC 2949: IBM ARTIC960 Hx DSP Resource PCI (Type 9-T)	Slots 2P, 3P, 4P  Max. 3 per system	
FC 2948: IBM ARTIC960 4-Port T1/E1 PCI (Type 9-S)	Slots 2P, 3P, 4P  Max. 3 per system	
FC 2947: IBM ARTIC960Hx 4-Port Selectable PCI (Type 9-R)	Slots 2P, 3P, 4P  Max. 3 per system	
FC 6206: Single-Ended Ultra SCSI Adapter, 32-bit, 5V (Type 4-K)	Slot 5P, 4P, 3P, 2P, 1P  Max. 2 per system	
FC 2405 + 6206: Internal Ultra SCSI (requires one FC 6206)	Slot 5P	
FC 2943: 8-Port Asynchronous EIA-232E/RS-422A PCI, 32-bit, 3.3/5V (Type 3-B)	Slots 5P ,4P , 1P, 3P , 2P (two max.)	
FC 2944: 128-Port Async Controller PCI, 32-bit, 3.3/5V (Type 3-C)	Slots 5P ,4P , 1P, 3P , 2P (two max.)	
FC 6207: PCI Differential Ultra SCSI (Type 4-L)	Slots 4P , 3P , 2P , 1P, 5P (two max.)	
FC 6218: PCI SSA 4-Port RAID (Type 4-J)	Slot 2P	

Table 34. 7043 Model 140 (continued)

Adapter	AIX	Windows NT
FC 2962: 2-Port Multiprotocol PCII, 32-bit, 3.3/5V (Type 9-V)	Slots 5P, 4P, 3P (two max.)	
FC 2963: TURBOWAYS 155 PCI UTP ATM (Type 9-J)	Slots 5P, 4P, 3P, 2P, 1P Max. 2 per system See note 2.	
FC 2988: TURBOWAYS 155 PCI MMF ATM (Type 9-F)	Slots 5P, 4P, 3P, 2P, 1P Max. 4 per system See note 2.	
FC 2708: ISDN Basic Rate PCI (Type 9-N)	Slots 5P, 4P, 1P, 3P, 2P (one max.)	
FC 2968: 10/100 Mbps Ethernet Tx PCI (Type 9-P )	Slots 5P, 4P, 3P, 2P, 1P Max. 4 per system See note 1.	
FC 2998: TURBOWAYS 25 ATM PCI (Type *)	Slots 5P, 4P, 1P, 3P, 2P Max. 4 per system	
FC 6309: Digital Trunk Quad PCI (Type 6-B)	Slots 2P, 3P, 4P Max. 2 per system	
FC 2979: PCI Auto LANstreamer Token Ring (Type 8-T)	Slots 5P, 4P, 1P, 3P, 2P (4 max.)	
FC 2986: 10/100 Mbps PCI Fast Etherlink XL (Type *)	Slots 5P, 4P, 3P, 2P, 1P Max. 4 per system	
FC 2985: Ethernet 10base2 PCI (Type 8-Y)	Slots 5P, 4P, 1P, 3P, 2P (2 max.)	
FC 2987: Ethernet 10base5 PCI (Type 8-Z)	Slots 5P, 4P, 1P, 3P, 2P (2 max.)	
FC 6208: PCI SCSI-2 Single Ended Fast/Wide (Type 4-A)	Slots 5P, 4P, 1P, 3P, 2P (2 max.)	
FC 6208 + 2445: EB+,SE SCSI (w/int.drives)	Slot 5P	
FC 6209: PCI SCSI-2 Differential Fast/Wide (Type 4-B)	Slots 5P, 4P, 1P, 3P, 2P (2 max.)	
FC 2742: SysKonnnect SK-NET FDDI-LP DAS PCI, 32-bit, 3.3/5V (Type *)	Slots 5P, 4P, 1P, 3P, 2P (2 max.) See note 10 on page 157.	
FC 2741: SysKonnnect SK-NET FDDI-LP SAS PCI, 32-bit, 3.3/5V (Type *)	Slots 5P, 4P, 1P, 3P, 2P (2 max.) See note 10 on page 157.	
FC 2743: SysKonnnect SK-NET FDDI-UP SAS PCI (Type *)	Slots 5P, 4P, 1P, 3P, 2P (2 max.) See note 10 on page 157.	
FC 4959: High-Speed Token Ring PCI, 32-bit, 3.3/5V (Type 9-Y)	Slots 5P, 4P, 1P, 3P, 2P (4 max.)	
FC 2920: 16Mbps PCI Token-Ring (Type 9-0)	Slots 5P, 4P, 1P, 3P, 2P (4 max.)	
FC 6227: Gigabit Fibre Channel PCI (Type 4-S)	Slots 2P, 3P, 4P	

**Notes:**

1. A maximum of four FC 2968: 10/100 Mbps Ethernet Tx PCI (Type 9-P ) adapters can be used in the 7043 Model 140. For optimum system performance, one FC 2968: 10/100 Mbps Ethernet Tx PCI (Type 9-P ) adapter operating in 100 Mbps mode is recommended.
2. For optimum system performance, when using a 155 TURBOWAYS ATM PCI MMF adapter or 155 TURBOWAYS ATM PCI UTP adapter in LAN emulation (LANE), a maximum of one adapter per system is recommended.
3. Do not install more than a combination of three FC 6310: IBM ARTIC960 RxD Quad Digital Trunk PCI, 32-bit, 3.3/5V (Type 6-E)and FC 6311: IBM ARTIC960 RxF PCI, 32-bit, 3.3/5V (Type 6-G)adapters in this system.
4. For optimum system performance, use only one 100 Mbs port per system.
5. FC 2859: GXT800P 3-slot Graphics (Type 1-K) and FC 2853: POWER GXT800P (Type 1-K) must be installed in the slot 2. In addition, slots 3 and 4 will not available because of thermal and power requirements.
6. FC 2859: GXT800P 3-slot Graphics (Type 1-K) and FC 2853: POWER GXT800P (Type 1-K) both require a bracket assembly FBM 93H3627.
7. Only one FC 2839: POWER GXT110P (Type \*) can be installed along with only one FC 2851: POWER GXT250P (Type 1-M) or FC 2852: POWER GXT255P (Type 1-N). In addition, FC 2851 and FC 2852 must be in a primary slot (1 or 2).
8. Only one FC 2837: Dual S3 can be installed along with only one FC 2851: POWER GXT250P (Type 1-M) or FC 2852: POWER GXT255P (Type 1-N). In addition, FC 2851 and FC 2852 must be in a primary slot (1 or 2).
9. When FC 4951: 10/100 4-Port Ethernet (Type 9-Z) is installed, the following adapters must be installed in slots 3P, 4P, or 5P: FC 2823, FC 2841, FC 2851, and FC 2852.
10. Two FC 2741, FC 2742, or FC 2743 adapters are allowed in the system, but they cannot be in slots next to each other, because of EMC reasons.
11. When installed with a FC 2853: POWER GXT800P (Type 1-K), FC 2638: Stream must be istalled in slot 1 with a mounting bracket (93H7863). The FC 2639: Ultimedia Video Capture (Type 7-9) doesn't require the bracket.
12. FC 6215: PCI SSA Multi-Initiator/RAID EL (Type 4-N) can be selected with or without the cache upgrade (F/C 6222).
13. FC 6222: 4-Port, SSA-RAID1 Fast Write Cache Option (Type 4-N) is a cache upgrade for the Campbell RAID adapter and can only be selected along with FC 6215.

## 7043 Model 140 Multiple Graphics Adapter Placement Guide

Use the following table to identify adapter location combination options for these adapters in your 7043 Model 140.

Do not install more than four graphics adapters in your 7043 Model 140.

Table 35. 7043 Model 140

Adapter	Slot
FC 2839: POWER GXT110P (Type *) with a FC 2838: POWER GXT120P (Type 1-P) or FC 2830: POWER GXT130P (Type 1-T) or FC 2851: POWER GXT250P (Type 1-M) or FC 2852: POWER GXT255P (Type 1-N)	Slot 1P      Slot 2P  <b>OR</b>  Slot 2P      Slot 1P
FC 2839: POWER GXT110P (Type *) with a FC 2854: POWER GXT500P (Type 1-I) or FC 2855: POWER GXT550P (Type 1-J) or FC 2841: POWER GXT300P (Type1-U)	Slot 1P  Slot 2P
FC 2839: POWER GXT110P (Type *) with a FC 2853: POWER GXT800P (Type 1-K)	Slot 1P  Slot 2P
FC 2839: POWER GXT110P (Type *) with a FC 2856: POWER GXT1000 (Type 1-H)	Slot 1P      Slot 2P  <b>OR</b> Slot 2P      Slot 1P
FC 2838: POWER GXT120P (Type 1-P) or FC 2830: POWER GXT130P (Type 1-T) or FC 2851: POWER GXT250P (Type 1-M) or FC 2852: POWER GXT255P (Type 1-N) or FC 2823: POWER GXT2000P (Type 1-S) or FC 2841: POWER GXT300P (Type1-U) with a FC 2838: POWER GXT120P (Type 1-P) or FC 2830: POWER GXT130P (Type 1-T) or FC 2851: POWER GXT250P (Type 1-M) or FC 2852: POWER GXT255P (Type 1-N) or FC 2823: POWER GXT2000P (Type 1-S) or FC 2841: POWER GXT300P (Type1-U)	Slot 1P - 5P  Slot 1P - 5P



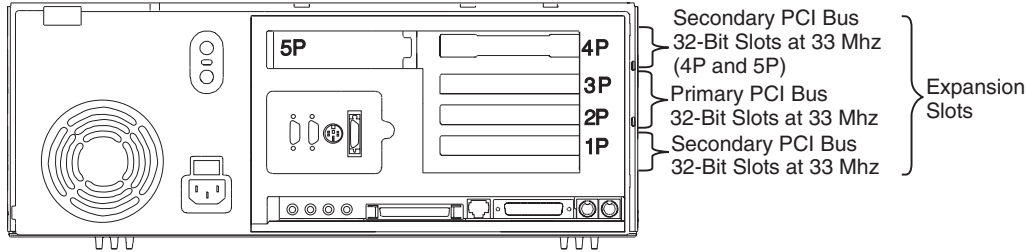
Table 36. 7043 Model 140

Adapter	Slot
FC 2838: POWER GXT120P (Type 1-P) or FC 2830: POWER GXT130P (Type 1-T) or FC 2851: POWER GXT250P (Type 1-M) or FC 2852: POWER GXT255P (Type 1-N) or FC 2823: POWER GXT2000P (Type 1-S) or FC 2841: POWER GXT300P (Type1-U) with a FC 2853: POWER GXT800P (Type 1-K)	Slot 1P  Slot 2P
FC 2639: Ultimedia Video Capture (Type 7-9) with a FC 2853: POWER GXT800P (Type 1-K)	Slot 1P  Slot 2P
FC 2838: POWER GXT120P (Type 1-P) or FC 2830: POWER GXT130P (Type 1-T) or FC 2851: POWER GXT250P (Type 1-M) or FC 2852: POWER GXT255P (Type 1-N) or FC 2841: POWER GXT300P (Type1-U) with a FC 2856: POWER GXT1000 (Type 1-H)	Slot 1P                  Slot 2P  <b>OR</b> Slot 2P                  Slot 1P
FC 2639: Ultimedia Video Capture (Type 7-9) with a FC 2823: POWER GXT2000P (Type 1-S)	Slot 1P - 4P  Slot 1P - 5P
FC 2823: POWER GXT2000P (Type 1-S) with a FC 2853: POWER GXT800P (Type 1-K)	Slot 1P  Slot 2P
FC 2639: Ultimedia Video Capture (Type 7-9) with a FC 2841: POWER GXT300P (Type1-U)	Slot 1P - 4P  Slot 1P - 5P



## Chapter 23. 7043 Model 150

This system is designed for customers to install adapters. Use this guide to determine if there are specific slot requirements for adapters that you may be installing.



### System Unit Rear View with Numbered Slots

Some adapters must be placed in specific system unit slots to function correctly at optimum performance. Use the table under “7043 Model 150 Adapter Placement Guide” to determine where to install an adapter in your system unit.

Many of the following notes refer to optimizing system performance. Read “System Performance” on page 1 for more performance-related information.

If you are running AIX, refer to “7043 Model 150 Multiple Graphics Adapter Placement Guide” on page 166 to install adapter combinations for your 7043 Model 150. Windows NT (Power PC Edition) does not support more than one graphics adapter in a system unit.

Use the rear-view diagram above to identify slot locations described in the following tables.

## 7043 Model 150 Adapter Placement Guide

Use the following table to identify specific slot-location options for the following adapters in your 7043 Model 150 system.

Table 37. 7043 Model 150

Adapter	Slot Usage	System Maximum
FC 4951: 10/100 4-Port Ethernet (Type 9-Z)	2P or 3P	2 See notes 11 on page 165, 13 on page 165.
FC 2842: POWER GXT4500P Graphics Adapter (Type 1-Y)	2P, 3P, 4P	3
FC 2825: POWER GXT3000P (Type 1-R)	3P See note 1 on page 164.	1
FC 2845: Mint 3DX (GXT550P)	2P, 3P	1
FC 2823: POWER GXT2000P (Type 1-S)	2P, 3P, 1P, 4P See note 13 on page 165.	4
FC 2841: POWER GXT300P (Type1-U)	2P, 3P, 1P, 4P See note 13 on page 165.	4 See notes 2 on page 164, 13 on page 165.

Table 37. 7043 Model 150 (continued)

Adapter	Slot Usage	System Maximum
FC 2830: POWER GXT130P (Type 1-T)	2P, 3P, 1P, 4P, 5P  See notes 2 on page 164, 7 on page 165 and 8 on page 165.	4
FC 2848: GXT135P Graphics Adapter, 32-bit, 3.3/5V (Type 1-X)	2P, 3P, 1P, 4P, 5P	4
FC 2849: POWER GXT135P Graphics Accelerator, 32-bit, 3.3/5V (Type 2849)	2P, 3P, 1P, 4P, 5P	4
FC 2852: POWER GXT255P (Type 1-N)  See note 2 on page 164.	2P, 3P, 1P, 4P, 5P  See note 13 on page 165.	4
FC 2851: POWER GXT250P (Type 1-M)	2P, 3P, 1P, 4P, 5P  See note 13 on page 165.	4
FC 2838: POWER GXT120P (Type 1-P)	2P, 3P, 1P, 4P, 5P  See notes 2 on page 164, 7 on page 165 and 8 on page 165.	4
FC 2639: Ultimedia Video Capture (Type 7-9)	1P, 2P, 3P, 4P, 5P  See note 10 on page 165 and 15 on page 165.	1
FC 4958: Cryptographic Coprocessor (Type 6-H)	3P, 4P	2  See note 16 on page 165.
FC 6205: PCI Dual Channel Ultra2 SCSI (Type 4-R)	2P, 3P, 4P, 5P  See notes 7 on page 165, 8 on page 165, and 14 on page 165.	2
FC 6203: Dual-Channel Ultra3 SCSI, 32/64-bit, 3.3/5V (Type 4-Y)	2P, 3P, 4P, 5P  See notes 7 on page 165 and 8 on page 165.	2
FC 6206: Single-Ended Ultra SCSI Adapter, 32-bit, 5V (Type 4-K)	5P, 4P, 3P, 2P, 1P  See note 14 on page 165.	2
FC 6207: PCI Differential Ultra SCSI (Type 4-L)	1P, 2P, 3P, 4P, 5P	2
FC 2494: PCI 3-Channel Ultra2 SCSI RAID (Type 4-T)	2P, 3P  See notes 10 on page 165 and 15 on page 165.	2
FC 6225: Advanced SSA SerialRAID (Type 4-P)	2P, 3P	1  See note 6 on page 164.

Table 37. 7043 Model 150 (continued)

Adapter	Slot Usage	System Maximum
FC 6230: Advanced SerialRAID Plus, 32-bit, 3.3/5V (Type 4-P)  FC 6230+6231: 4 Port SSA 40 w/128MB DIMM  FC 6235: Fast Write Cache Option for FC 6225 and FC 6230	2P, 3P	1  See note 6 on page 164.
FC 6215: PCI SSA Multi-Initiator/RAID EL (Type 4-N)	2P, 3P	1  See note 6 on page 164.
FC 2498: PCI 4-Channel Ultra3 SCSI RAID, 32/64-bit, 3.3/5V (Type 4-X)	2P, 3P	2
FC 6310: IBM ARTIC960 RxD Quad Digital Trunk PCI, 32-bit, 3.3/5V (Type 6-E)	4P, 3P, 2P  (see Chapter 35, "Digital Trunk PCI Adapter Placement Considerations," on page 221, and note 9 on page 165.	3
FC 6311: IBM ARTIC960 RxF PCI, 32-bit, 3.3/5V (Type 6-G)	4P, 3P, 2P  (see Chapter 35, "Digital Trunk PCI Adapter Placement Considerations," on page 221, and note 9 on page 165.	2
FC 2947: IBM ARTIC960Hx 4-Port Selectable PCI, 32-bit, 3.3/5V (Type 9-R)	4P, 3P, 2P	3
FC 2948: IBM ARTIC960 4-Port T1/E1 PCI (Type 9-S)	4P, 3P, 2P	3
FC 4959: High-Speed Token Ring PCI, 32-bit, 3.3/5V (Type 9-Y)	1P, 2P, 3P, 4P, 5P	4
FC 2920: 16Mbps PCI Token-Ring (Type 9-0)	1P, 2P, 3P, 4P, 5P	4
FC 2968: 10/100 Mbps Ethernet Tx PCI (Type 9-P )	2P, 3P, 1P, 4P, 5P	4  See note 4 on page 164.
FC 4962: Ethernet/LAN Encryption 10/100BaseT, 32-bit, 3.3/5V (Type A-F)	2P, 3P, 1P, 4P, 5P	4  See note 4 on page 164.
FC 2943: 8-Port Asynchronous EIA-232E/RS-422A PCI, 32-bit, 3.3/5V (Type 3-B)	1P, 2P, 3P, 4P, 5P	2
FC 2944: 128-Port Async Controller PCI, 32-bit, 3.3/5V (Type 3-C)	1P, 2P, 3P, 4P, 5P	2
FC 2962: 2-Port Multiprotocol PCII, 32-bit, 3.3/5V (Type 9-V)	5P, 4P, 1P	2

Table 37. 7043 Model 150 (continued)

Adapter	Slot Usage	System Maximum
FC 2963: TURBOWAYS 155 PCI UTP ATM (Type 9-J)	1P, 2P, 3P, 4P, 5P	2 See note 5.
FC 4953: 64-bit/66MHz PCI ATM 155 UTP, 3.3/5V (Type A-C)	1P, 2P, 3P, 4P, 5P	2 See note 5.
FC 2988: TURBOWAYS 155 PCI MMF ATM (Type 9-F)	1P, 2P, 3P, 4P, 5P	2 See note 5.
FC 4957: 64-bit/66MHz PCI ATM 155 MMF, 3.3/5V (Type A-D)	1P, 2P, 3P, 4P, 5P	2 See note 5.
FC 2708: ISDN Basic Rate PCI (Type 9-N)	2P, 3P	1
FC 2998: TURBOWAYS 25 ATM PCI (Type *)	1P, 2P, 3P, 4P, 5P	4
FC 2742: SysKonnnect SK-NET FDDI-LP DAS PCI, 32-bit, 3.3/5V (Type *)	1P, 2P, 3P, 4P, 5P See note 3.	2
FC 2741: SysKonnnect SK-NET FDDI-LP SAS PCI, 32-bit, 3.3/5V (Type *)	1P, 2P, 3P, 4P, 5P See note 3.	2
FC 2743: SysKonnnect SK-NET FDDI-UP SAS PCI (Type *)	1P, 2P, 3P, 4P, 5P See note 3.	2
FC 4960: IBM Cryptographic Accelerator, 32-bit, 3.3/5V (Type 6-J)	1P, 2P, 3P, 4P, 5P	4

**Notes:**

1. The FC 2825: POWER GXT3000P (Type 1-R) occupies the physical space of two adapters in the 7043 Model 150, and, if installed, will fill slots 1 and 2.
2. If both the FC 2838: POWER GXT120P (Type 1-P) or FC 2830: POWER GXT130P (Type 1-T) and the FC 2852: POWER GXT255P (Type 1-N) or FC 2841: POWER GXT300P (Type 1-U) are installed, the FC 2852: POWER GXT255P (Type 1-N) or FC 2841: POWER GXT300P (Type 1-U) must be installed in slot 2 or 3.
3. If two SysKonnnect SK-NET FDDI PCI adapters are installed, they cannot be installed in slots next to each other.
4. For optimum system performance, place FC 2968: 10/100 Mbps Ethernet Tx PCI (Type 9-P ) or FC 4962: Ethernet/LAN Encryption 10/100BaseT, 32-bit, 3.3/5V (Type A-F) in slots 2 and 3, with no more than 2 per system. You may have a total of 5 per system for connectivity, including integrated ethernet.
5. For optimum system performance, when using a FC 2988: TURBOWAYS 155 PCI MMF ATM (Type 9-F), FC 2963: TURBOWAYS 155 PCI UTP ATM (Type 9-J), FC 4953: 64-bit/66MHz PCI ATM 155 UTP, 3.3/5V (Type A-C), or FC 4957: 64-bit/66MHz PCI ATM 155 MMF, 3.3/5V (Type A-D) adapter in LAN Emulation (LANE) a maximum of one adapter per system is recommended.
6. Install only *one* of the following adapters:
  - FC 6215: PCI SSA Multi-Initiator/RAID EL (Type 4-N)
  - FC 6225: Advanced SSA SerialRAID (Type 4-P)
  - FC 6230: Advanced SerialRAID Plus, 32-bit, 3.3/5V (Type 4-P)

7. Do not install an FC 6205: PCI Dual Channel Ultra2 SCSI (Type 4-R) or FC 6203: Dual-Channel Ultra3 SCSI, 32/64-bit, 3.3/5V (Type 4-Y) adapter on the same PCI bus as a FC 2838: POWER GXT120P (Type 1-P) or older versions of the FC 2830: POWER GXT130P (Type 1-T). To determine if you have an older version of the FC 2830: POWER GXT130P (Type 1-T), remove the card and examine the bar code label on the back side. If it has a number starting with **11S94H1235**, you have an older version of the card.
8. If the FC 6205: PCI Dual Channel Ultra2 SCSI (Type 4-R) or FC 6203: Dual-Channel Ultra3 SCSI, 32/64-bit, 3.3/5V (Type 4-Y) adapter is plugged into slot 2 or 3, then the POWER GXT120P or the POWER GXT130P can only be plugged in slots 1, 4, or 5. If you plug the POWER GXT120P or the POWER GXT130P in slots 2 or 3, then you must plug the Ultra2 SCSI adapter in slots 1, 4 or 5.
9. Do not install more than a combination of three FC 6311: IBM ARTIC960 RxF PCI, 32-bit, 3.3/5V (Type 6-G) and FC 6310: IBM ARTIC960 RxD Quad Digital Trunk PCI, 32-bit, 3.3/5V (Type 6-E) adapters in this system.
10. Do not install an FC 2494: PCI 3-Channel Ultra2 SCSI RAID (Type 4-T) and a FC 6311: IBM ARTIC960 RxF PCI, 32-bit, 3.3/5V (Type 6-G) adapter on the same bus.
11. For optimum system performance, use only two 100 Mbs ports per system.
12. Do not install the FC 6205: PCI Dual Channel Ultra2 SCSI (Type 4-R) adapter in slots 2 or 3 if you also have a FC 2823: POWER GXT2000P (Type 1-S) installed on this system.
13. When FC 4951: 10/100 4-Port Ethernet (Type 9-Z) is installed, the following adapters must be installed in slots 1, 4, or 5: FC 2823, FC 2841, FC 2851, and FC 2852.
14. FC 2445 is the internal SCSI cable used with FC 6206: Single-Ended Ultra SCSI Adapter, 32-bit, 5V (Type 4-K), or with FC 6205: PCI Dual Channel Ultra2 SCSI (Type 4-R). The SCSI adapter card (FC 6206 or FC 6205), which is to be connected to the internal drives using FC 2445, *must be installed* in Slot 5. If FC 2445 and either FC 6206 or FC 6205 are on the order, slot location placement for FC 6206 and FC 6205 is slot 5 first priority.
15. FC 2494: PCI 3-Channel Ultra2 SCSI RAID (Type 4-T) and FC 2639: Ultimedia Video Capture (Type 7-9) adapters cannot be installed together.
16. Any combination of the following adapters may be installed, but the combined total should not exceed two per system: FC 4958: Cryptographic Coprocessor (Type 6-H) and FC 4963: Cryptographic Coprocessor, FIPS-4, 32-bit, 3.3/5V (Type 6-I), also referred to as RPQ 8A1162: Cryptographic Coprocessor.
17. For optimum system performance, the combined maximum of high-performance adapters should not exceed the maximums listed for FC 5706: 2-Port 10/100/1000 Base-TX Ethernet PCI-X, 32/64-bit, 3.3/5V (Type 5706) or FC 5707: 2-Port Gigabit Ethernet-SX PCI-X, 32/64-bit, 3.3/5V (Type 5707) if either of these adapters is installed in the system. For a list of high-performance adapters, see Appendix B, "High-Performance Adapters," on page 229.

## 7043 Model 150 Multiple Graphics Adapter Placement Guide

Use the following table to identify adapter location combination options for these adapters in your 7043 Model 150.

Do not install more than four graphics adapters in your 7043 Model 150.

Table 38. 7043 Model 150

Adapter	Slot
FC 2838: POWER GXT120P (Type 1-P) or FC 2830: POWER GXT130P (Type 1-T) or FC 2851: POWER GXT250P (Type 1-M) or FC 2852: POWER GXT255P (Type 1-N) or FC 2823: POWER GXT2000P (Type 1-S) or FC 2841: POWER GXT300P (Type1-U) or FC 2848: GXT135P Graphics Adapter, 32-bit, 3.3/5V (Type 1-X) or FC 2842: POWER GXT4500P Graphics Adapter (Type 1-Y)  with a  FC 2838: POWER GXT120P (Type 1-P) or FC 2830: POWER GXT130P (Type 1-T) or FC 2851: POWER GXT250P (Type 1-M) or FC 2852: POWER GXT255P (Type 1-N) or FC 2823: POWER GXT2000P (Type 1-S) or FC 2841: POWER GXT300P (Type1-U) or FC 2848: GXT135P Graphics Adapter, 32-bit, 3.3/5V (Type 1-X) or FC 2842: POWER GXT4500P Graphics Adapter (Type 1-Y)	1P - 5P
FC 2838: POWER GXT120P (Type 1-P) or FC 2830: POWER GXT130P (Type 1-T) or FC 2851: POWER GXT250P (Type 1-M) or FC 2852: POWER GXT255P (Type 1-N) or FC 2823: POWER GXT2000P (Type 1-S) or FC 2841: POWER GXT300P (Type1-U) or FC 2848: GXT135P Graphics Adapter, 32-bit, 3.3/5V (Type 1-X) or FC 2842: POWER GXT4500P Graphics Adapter (Type 1-Y)  with a  FC 2855: POWER GXT550P (Type 1-J)	1P - 5P
FC 2838: POWER GXT120P (Type 1-P) or FC 2830: POWER GXT130P (Type 1-T) or FC 2851: POWER GXT250P (Type 1-M) or FC 2852: POWER GXT255P (Type 1-N) or FC 2823: POWER GXT2000P (Type 1-S) or FC 2841: POWER GXT300P (Type1-U) or FC 2848: GXT135P Graphics Adapter, 32-bit, 3.3/5V (Type 1-X) or FC 2842: POWER GXT4500P Graphics Adapter (Type 1-Y)  with a  FC 2855: POWER GXT550P (Type 1-J)	1P
FC 2838: POWER GXT120P (Type 1-P) or FC 2830: POWER GXT130P (Type 1-T) or FC 2851: POWER GXT250P (Type 1-M) or FC 2852: POWER GXT255P (Type 1-N) or FC 2823: POWER GXT2000P (Type 1-S) or FC 2841: POWER GXT300P (Type1-U) or FC 2848: GXT135P Graphics Adapter, 32-bit, 3.3/5V (Type 1-X) or FC 2842: POWER GXT4500P Graphics Adapter (Type 1-Y)  with a  FC 2825: POWER GXT3000P (Type 1-R)	2P or 3P
FC 2838: POWER GXT120P (Type 1-P) or FC 2830: POWER GXT130P (Type 1-T) or FC 2851: POWER GXT250P (Type 1-M) or FC 2852: POWER GXT255P (Type 1-N) or FC 2823: POWER GXT2000P (Type 1-S) or FC 2841: POWER GXT300P (Type1-U) or FC 2848: GXT135P Graphics Adapter, 32-bit, 3.3/5V (Type 1-X) or FC 2842: POWER GXT4500P Graphics Adapter (Type 1-Y)  with a  FC 2825: POWER GXT3000P (Type 1-R)	1P or 4P or 5P
FC 2639: Ultimedia Video Capture (Type 7-9)  with a  FC 2825: POWER GXT3000P (Type 1-R)	3P
FC 2639: Ultimedia Video Capture (Type 7-9)  with a  FC 2825: POWER GXT3000P (Type 1-R)	1P or 4P or 5P
FC 2639: Ultimedia Video Capture (Type 7-9)  with a  FC 2825: POWER GXT3000P (Type 1-R)	3P
FC 2639: Ultimedia Video Capture (Type 7-9)  with a  FC 2823: POWER GXT2000P (Type 1-S)	1P - 5P
FC 2639: Ultimedia Video Capture (Type 7-9)	1P - 5P



Table 38. 7043 Model 150 (continued)

Adapter	Slot
with a FC 2841: POWER GXT300P (Type1-U)	1P - 5P

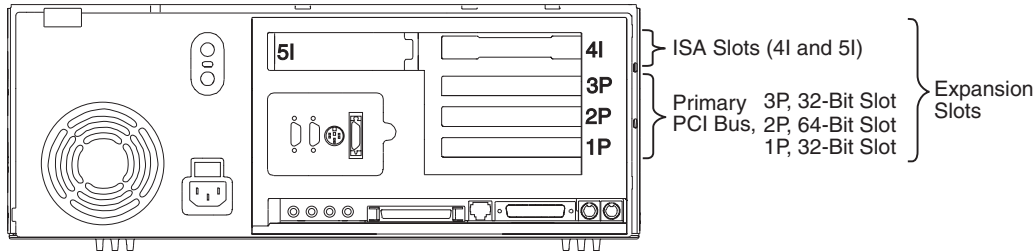
**Notes:**

1. The FC 2825: POWER GXT3000P (Type 1-R) occupies the physical space of two adapters in the 7043 Model 150.



## Chapter 24. 7043 Model 240

This system is designed for customers to install adapters. Use this guide to determine if there are specific slot requirements for adapters that you may be installing.



### System Unit Rear View with Numbered Slots

**Note:** In the figure above, slots 1P and 3P are on a primary PCI bus running at 33 MHz. Slot 2P is on a separate primary PCI bus running at 50/33 MHz.

Some adapters must be placed in specific system unit slots to function correctly and to achieve optimum performance. Use the table under “7043 Model 240 Adapter Placement Guide” to determine where to install an adapter in your system unit.

Many of the following notes refer to optimizing system performance. Read “System Performance” on page 1 for more performance-related information.

If you are running AIX, refer to “7043 Model 240 Multiple Graphics Adapter Placement Guide” on page 172 to install adapter combinations for your 7043 Model 240. Windows NT (PowerPC Edition) does not support more than one graphics adapter in a system unit.

Use the rear-view diagram above to identify slot locations described in the following tables.

## 7043 Model 240 Adapter Placement Guide

Use the following table to identify slot-location options for the following adapters in your 7043 Model 240.

Table 39. 7043 Model 240

Adapter	AIX	Windows NT
FC 6309: Digital Trunk Quad PCI (Type 6-B)	Slot 2P, Slot 3P Max. 2 per system	
FC 2839: POWER GXT110P (Type *)	Slot 1P, Slot 3P	Slot 1P, Slot 3P
FC 2838: POWER GXT120P (Type 1-P)	Slot 1P - 3P	
FC 2851: POWER GXT250P (Type 1-M) or FC 2852: POWER GXT255P (Type 1-N)	Slots 1P - 3P (2P Best)	Slots 1P - 3P
FC 2854: POWER GXT500P (Type 1-I) or FC 2855: POWER GXT550P (Type 1-J)	Slot 2P See note 4 on page 171.	

Table 39. 7043 Model 240 (continued)

Adapter	AIX	Windows NT
FC 2853: POWER GXT800P (Type 1-K)	Slot 2P  See note 3 on page 171.	
FC 2856: POWER GXT1000 (Type 1-H)	Slots 1P - 3P (2P Best)	
FC 6215: PCI SSA Multi-Initiator/RAID EL (Type 4-N)	Slots 2P - 3P	
FC 6218: PCI SSA 4-Port RAID (Type 4-J)	Slots 2P - 3P	
FC 2639: Ultimedia Video Capture (Type 7-9)	Slots 1P, 2P, or 3P  Max. 1 per system	
FC 2988: TURBOWAYS 155 PCI MMF ATM (Type 9-F)	See note 2.	
FC 2963: TURBOWAYS 155 PCI UTP ATM (Type 9-J)	See note 2.	
FC 2986: 10/100 Mbps PCI Fast Etherlink XL (Type *)	See note 2.	
FC 2968: 10/100 Mbps Ethernet Tx PCI (Type 9-P )	See note 2.	
FC 2493: PCI SCSI-2 Fast/Wide RAID (Type 4-H)	See note 2.	
FC 2742: SysKonnnect SK-NET FDDI-LP DAS PCI, 32-bit, 3.3/5V (Type *)	See note 2.	
FC 2741: SysKonnnect SK-NET FDDI-LP SAS PCI, 32-bit, 3.3/5V (Type *)	See note 2.	
FC 2743: SysKonnnect SK-NET FDDI-UP SAS PCI (Type *)	See note 2.	

**Notes:**

1. "Best" means optimum performance achieved if installed in this slot.
2. **Connectivity Note:** The 7043 Model 240 supports any combination of the following adapters, but that *combination* cannot exceed a total of two:
  - FC 2988: TURBOWAYS 155 PCI MMF ATM (Type 9-F)
  - FC 2963: TURBOWAYS 155 PCI UTP ATM (Type 9-J)
  - FC 2986: 10/100 Mbps PCI Fast Etherlink XL (Type \*)
  - FC 2968: 10/100 Mbps Ethernet Tx PCI (Type 9-P )
  - FC 2493: PCI SCSI-2 Fast/Wide RAID (Type 4-H)
  - FC 2742: SysKonnnect SK-NET FDDI-LP DAS PCI, 32-bit, 3.3/5V (Type \*)
  - FC 2741: SysKonnnect SK-NET FDDI-LP SAS PCI, 32-bit, 3.3/5V (Type \*)
  - FC 2743: SysKonnnect SK-NET FDDI-UP SAS PCI (Type \*)

**Performance Notes:** For optimum system performance, a maximum of one of the following adapters is recommended. (This restriction does not apply if the FC 2968: 10/100 Mbps Ethernet Tx PCI (Type 9-P ) adapter is used in 10 Mbps mode.)

- FC 2988: TURBOWAYS 155 PCI MMF ATM (Type 9-F)
- FC 2963: TURBOWAYS 155 PCI UTP ATM (Type 9-J)
- FC 2986: 10/100 Mbps PCI Fast Etherlink XL (Type \*)
- FC 2968: 10/100 Mbps Ethernet Tx PCI (Type 9-P )
- FC 2493: PCI SCSI-2 Fast/Wide RAID (Type 4-H)
- FC 2742: SysKonnnect SK-NET FDDI-LP DAS PCI, 32-bit, 3.3/5V (Type \*)
- FC 2741: SysKonnnect SK-NET FDDI-LP SAS PCI, 32-bit, 3.3/5V (Type \*)

- FC 2743: SysKonnnect SK-NET FDDI-UP SAS PCI (Type \*)
3. The FC 2853: POWER GXT800P (Type 1-K) occupies the physical space of three adapters in the 7043 Model 240.
  4. When installing a FC 2855: POWER GXT550P (Type 1-J) in the 7043 Model 240, an electrical grounding tab is installed on the front of the adapter to allow connection to the 7043 Model 240 frame. Follow the instructions that are supplied with the adapter to attach the grounding tab.

## 7043 Model 240 Multiple Graphics Adapter Placement Guide

Use the following table to identify slot location combination options for the following adapters in your 7043 Model 240.

Do not install more than four graphics adapters in your 7043 Model 240.

Table 40. 7043 Model 240

Adapter	Slot
FC 2839: POWER GXT110P (Type *) with a FC 2838: POWER GXT120P (Type 1-P) or FC 2851: POWER GXT250P (Type 1-M) or FC 2852: POWER GXT255P (Type 1-N)	Slot 1P                      Slot 3P  <b>OR</b>  Slot 2P Best or 3P                      Slots 2P Best or 1P
FC 2839: POWER GXT110P (Type *) with a FC 2854: POWER GXT500P (Type 1-I) or FC 2855: POWER GXT550P (Type 1-J)	Slot 1P, Slot 3P  Slot 2P
FC 2839: POWER GXT110P (Type *) with a FC 2853: POWER GXT800P (Type 1-K)	Slot 1P  Slot 2P
FC 2839: POWER GXT110P (Type *) with a FC 2856: POWER GXT1000 (Type 1-H)	Slot 1P                      Slot 3P  <b>OR</b>  Slot 2P Best or 3P                      Slots 2P Best or 1P

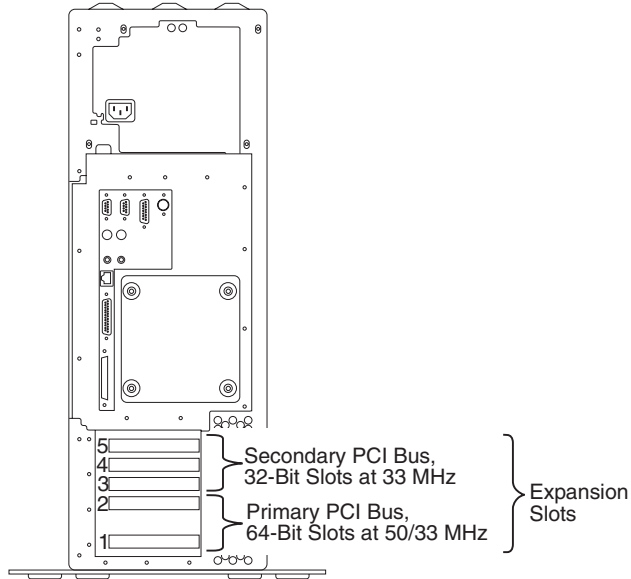






## Chapter 25. 7043 Model 260

This system is designed for customers to install adapters. Use this guide to determine if there are specific slot requirements for adapters that you may be installing.



### System Unit Rear View with Numbered Slots

Some adapters must be placed in specific system unit slots to function correctly at optimum performance. Use the table under “7043 Model 260 Adapter Placement Guide” to determine where to install an adapter in your system unit.

Many of the following notes refer to optimizing system performance. Read “System Performance” on page 1 for more performance-related information.

Use the rear-view diagram above to identify slot locations described in the following tables.

### 7043 Model 260 Adapter Placement Guide

Use the following table to identify specific slot location options for the following adapters in your 7043 Model 260 system.

If two different adapters can be placed in the same slot, the highest priority adapter starts at the top of the table. The list of slot numbers represents the order that the slots should be used.

Table 42. 7043 Model 260

Adapter	Slot Usage	Max. per System
FC 2825: POWER GXT3000P (Type 1-R)	Slot 2, 4 See note 12 on page 178.	2
FC 2823: POWER GXT2000P (Type 1-S)	Any slot	4
FC 2851: 3MB (GXT250P) 64-BIT, 3.3 or 5V, Graphics Adapter (Type 1-M)	Any slot	4
FC 2852: 3MB (GXT255P) 64-BIT, 3.3 or 5V, Graphics Adapter (Type 1-N)	Any slot	4
FC 2841: POWER GXT300P (Type1-U)	Any slot	4

Table 42. 7043 Model 260 (continued)

Adapter	Slot Usage	Max. per System
FC 2838: POWER GXT120P (Type 1-P)	Any slot See note 6 on page 178.	4
FC 2830: POWER GXT130P (Type 1-T)	Any slot See note 6 on page 178.	4
FC 2975: Gigabit Ethernet (UTP) 1000BaseT, 64-bit, 3.3/5V (Type A-A)	Slot 1, 2	2 See notes 9 on page 178 and 2 on page 177.
FC 2969: Gigabit Ethernet Fibre, 1000BaseT, 64-bit, 3.3/5V (Type 9-U)	Slot 1, 2	2 See note 2 on page 177.
FC 6310: IBM ARTIC960 RxD Quad Digital Trunk PCI, 32-bit, 3.3/5V (Type 6-E)	Slots 3, 4, 5 See Chapter 35, "Digital Trunk PCI Adapter Placement Considerations," on page 221 and note 7 on page 178.	1
FC 6311: IBM ARTIC960 RxF PCI, 32-bit, 3.3/5V (Type 6-G)	Slots 3, 4, 5 See Chapter 35, "Digital Trunk PCI Adapter Placement Considerations," on page 221 and note 7 on page 178.	3
FC 2494: PCI 3-Channel Ultra2 SCSI RAID (Type 4-T)	Any slot See note 8 on page 178.	2
FC 2708: ISDN Basic Rate PCI (Type 9-N)	Any slot	1
FC 6227: Gigabit Fibre Channel PCI (Type 4-S)	Slots 5, 4, 3, 2, 1	1
FC 2639: Ultimedia Video Capture (Type 7-9)	Any slot See note 8 on page 178.	1
FC 6215: PCI SSA Multi-Initiator/RAID EL (Type 4-N)	Any slot	2
FC 6222: 4-Port, SSA-RAID1 Fast Write Cache Option (Type 4-N)	N/A See note 13 on page 178.	1
FC 6230: Advanced SerialRAID Plus, 32-bit, 3.3/5V (Type 4-P)  FC 6230+6231: 4 Port SSA 40 w/128MB DIMM  FC 6235: Fast Write Cache Option for FC 6225 and FC 6230	Any slot	2 See notes 4 on page 178 and 14 on page 178.
FC 6225: Advanced SSA SerialRAID (Type 4-P)	Any slot	2 See note 4 on page 178.
FC 6231: 128 MByte DRAM Option Card for FC 6225 and FC 6230	N/A	1
FC 2947: IBM ARTIC960Hx 4-Port Selectable PCI, 32-bit, 3.3/5V (Type 9-R)	Any slot	2
FC 2948: IBM ARTIC960 4-Port T1/E1 PCI (Type 9-S)	Any slot	2
FC 2943: 8-Port Asynchronous EIA-232E/RS-422A PCI, 32-bit, 3.3/5V (Type 3-B)	Any slot	2

Table 42. 7043 Model 260 (continued)

Adapter	Slot Usage	Max. per System
FC 2944: 128-Port Async Controller PCI, 32-bit, 3.3/5V (Type 3-C)	Any slot	2
FC 2962: 2-Port Multiprotocol PCII, 32-bit, 3.3/5V (Type 9-V)	Any slot	2
FC 2946: PCI TURBOWAYS 622 PCI MMF ATM, 64-bit, 3.3/5V (Type A-B)	1, 2, 3, 4, 5	5 See note 2.
FC 2963: TURBOWAYS 155 PCI UTP ATM (Type 9-J)	Any slot	2 See notes 3 and 10 on page 178.
FC 2988: TURBOWAYS 155 PCI MMF ATM (Type 9-F)	Any slot	2 See note 3.
FC 2742: SysKonnnect SK-NET FDDI-LP DAS PCI, 32-bit, 3.3/5V (Type *)	Any slot	2
FC 2741: SysKonnnect SK-NET FDDI-LP SAS PCI, 32-bit, 3.3/5V (Type *)	Any slot	2
FC 2743: SysKonnnect SK-NET FDDI-UP SAS PCI (Type *)	Any slot	2
FC 6205: PCI Dual Channel Ultra2 SCSI (Type 4-R)	Any slot See notes 5 on page 178 and 6 on page 178.	2
FC 2498: PCI 4-Channel Ultra3 SCSI RAID, 32/64-bit, 3.3/5V (Type 4-X)	Any slot	2
FC 4959: High-Speed Token Ring PCI, 32-bit, 3.3/5V (Type 9-Y)	5, 4, 3, 2, 1	3
FC 2920: 16Mbps PCI Token-Ring (Type 9-0)	Any slot	4
FC 6206: Single-Ended Ultra SCSI Adapter, 32-bit, 5V (Type 4-K)	Any slot	4
FC 6207: PCI Differential Ultra SCSI (Type 4-L)	Any slot	4
FC 2968: 10/100 Mbps Ethernet Tx PCI (Type 9-P)	Any slot	4 See note 1.
FC 2998: TURBOWAYS 25 ATM PCI (Type *)	Any slot	4
FC 4951: 10/100 4-Port Ethernet (Type 9-Z)	5, 4, 3, 2, 1	5 See note 11 on page 178.
FC 2851: POWER GXT250P (Type 1-M)	Any slot	4
FC 2852: POWER GXT255P (Type 1-N)	Any slot	4

**Notes:**

- For optimum system performance, if the FC 2968: 10/100 Mbps Ethernet Tx PCI (Type 9-P ) is used in 100 Mbps mode then a maximum of three adapters is recommended per system unit.
- For optimum system performance, a maximum of one of the following adapters is recommended per system:
  - FC 2969: Gigabit Ethernet Fibre, 1000BaseT, 64-bit, 3.3/5V (Type 9-U)
  - FC 2975: Gigabit Ethernet (UTP) 1000BaseT, 64-bit, 3.3/5V (Type A-A)
  - FC 2946: PCI TURBOWAYS 622 PCI MMF ATM, 64-bit, 3.3/5V (Type A-B)
- When in LAN emulation mode, install a maximum of three 155 TURBOWAYS ATM PCI MMFs for optimum system performance.

4. You may install any combination of FC 6225: Advanced SSA SerialRAID (Type 4-P) and FC 6230: Advanced SerialRAID Plus, 32-bit, 3.3/5V (Type 4-P) adapters, as long as that combination does not exceed two per system unit.
5. For optimum system performance, put the FC 6205: PCI Dual Channel Ultra2 SCSI (Type 4-R) adapters in slots 1-2.
6. Do not install a FC 6205: PCI Dual Channel Ultra2 SCSI (Type 4-R) Adapter in the same PCI bus as a FC 2838: POWER GXT120P (Type 1-P) or a FC 2830: POWER GXT130P (Type 1-T).
7. Do not install more than a combination of four FC 6311: IBM ARTIC960 RxF PCI, 32-bit, 3.3/5V (Type 6-G)s and FC 6310: IBM ARTIC960 RxD Quad Digital Trunk PCI, 32-bit, 3.3/5V (Type 6-E)s in this system.
8. The FC 2639: Ultimedia Video Capture (Type 7-9) adapter may not occupy the same PCI bus as the FC 2494: PCI 3-Channel Ultra2 SCSI RAID (Type 4-T) adapters.
9. Install a maximum of one FC 2975: Gigabit Ethernet (UTP) 1000BaseT, 64-bit, 3.3/5V (Type A-A) adapter per system (if configured to run at 1000 Mbps) for optimum performance. If you have configured the adapter to run at 100 Mbps, use up to three for optimum performance.
10. Install a maximum of one FC 2963: TURBOWAYS 155 PCI UTP ATM (Type 9-J) adapter per system for optimum system performance.
11. Install a maximum of one FC 4951: 10/100 4-Port Ethernet (Type 9-Z) adapters configured to run at 100 Mbps mode per system for optimum performance.
12. If two FC 2825: POWER GXT3000P (Type 1-R) adapters are placed in slots 2 and 4, then slot 3 is covered and cannot be used.
13. FC 6222: 4-Port, SSA-RAID1 Fast Write Cache Option (Type 4-N) is a cache upgrade for the Campbell RAID adapter and can only be selected along with FC 6215: PCI SSA Multi-Initiator/RAID EL (Type 4-N) (maximum 1 per 6215).
14. FC 6235: Fast Write Cache Option for FC 6225 and FC 6230 is a cache upgrade for the FC 6225: Advanced SSA SerialRAID (Type 4-P) adapter and can only be selected along with FC 6225 or FC 6230: Advanced SerialRAID Plus, 32-bit, 3.3/5V (Type 4-P) (maximum 1 per 6225/6230).

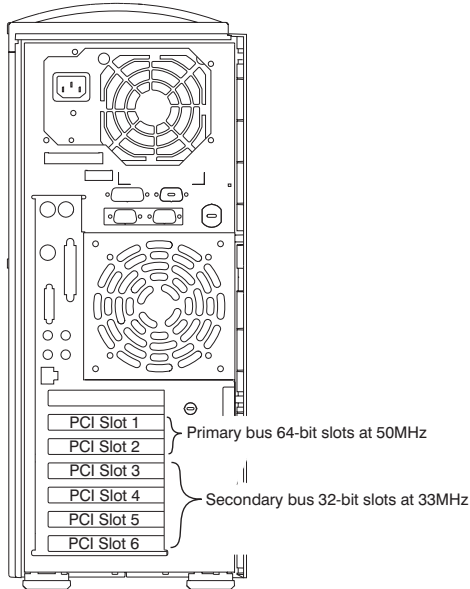




---

## Chapter 26. 7044 Model 170

This system is designed for customers to install adapters. Use this guide to determine if there are specific slot requirements for adapters that you may be installing.



### System Unit Rear View with Numbered Slots

Some adapters must be placed in specific system unit slots to function correctly at optimum performance. Use the table under “7044 Model 170 Adapter Placement Guide” on page 182 to determine where to install an adapter in your system unit.

Many of the following notes refer to optimizing system performance. Read “System Performance” on page 1 for more performance-related information.

Use the rear-view diagram above to identify slot locations described in the following tables.

## 7044 Model 170 Adapter Placement Guide

Use the following table to identify specific slot location options for the following adapters in your 7044 Model 170 system.

Table 44. 7044 Model 170

Adapter	Slot Usage	System Maximum
FC 2827: POWER GXT6000P (Type 1-W)	1, 2, 3, 4, 5, 6	2
FC 2843: POWER GXT6500P Graphics Adapter (Type 1-Z)	1, 2, 3, 4, 5, 6	4
FC 2842: POWER GXT4500P Graphics Adapter (Type 1-Y)	1, 2, 3, 4, 5, 6	2
FC 2825: POWER GXT3000P (Type 1-R)	2 See note 11 on page 185.	1
FC 2969: Gigabit Ethernet Fibre, 1000BaseT, 64-bit, 3.3/5V (Type 9-U)	1, 2, 3, 4, 5, 6	6 See note 2 on page 184.
FC 2975: Gigabit Ethernet (UTP) 1000BaseT, 64-bit, 3.3/5V (Type A-A)	1, 2, 3, 4, 5, 6	6 See notes 2 on page 184 and 6 on page 185.
FC 5707: 2-Port Gigabit Ethernet-SX PCI-X, 32/64-bit, 3.3/5V (Type 5707)	1, 2	2
FC 5706: 2-Port 10/100/1000 Base-TX Ethernet PCI-X, 32/64-bit, 3.3/5V (Type 5706)	1, 2	2
FC 5700: Gigabit Ethernet, 1000 Base-SX, 32/64-bit, 3.3/5V	1, 2, 3, 4, 5, 6	6
FC 5701: 10/100/1000 Base-TX Ethernet, 32/64-bit, 3.3/5V	1, 2, 3, 4, 5, 6	6
FC 2826: POWER GXT4000P (Type 1-V)	1, 2, 3, 4, 5, 6	4
FC 2830: POWER GXT130P (Type 1-T)	6, 5, 4, 3	4
FC 2849: POWER GXT135P Graphics Accelerator, 32-bit, 3.3/5V (Type 2849)	1, 2, 3, 4, 5, 6	4 See note 17 on page 185.
FC 2848: GXT135P Graphics Adapter, 32-bit, 3.3/5V (Type 1-X)	1, 2, 3, 4, 5, 6	4 See note 17 on page 185.
FC 2823: POWER GXT2000P (Type 1-S)	1, 2, 3, 4, 5, 6	4
FC 2841: POWER GXT300P (Type 1-U)	1, 2, 3, 4, 5, 6	4
FC 2498: PCI 4-Channel Ultra3 SCSI RAID, 32/64-bit, 3.3/5V (Type 4-X)	1, 2, 6, 5, 4, 3	4 See note 10 on page 185.
FC 4958: Cryptographic Coprocessor (Type 6-H)	1, 2	2 See note 19 on page 185.
FC 4963: Cryptographic Coprocessor, FIPS-4, 32-bit, 3.3/5V (Type 6-I)	1, 2	2 See note 19 on page 185.
FC 2494: PCI 3-Channel Ultra2 SCSI RAID (Type 4-T)	6, 5, 4, 3 See note 1 on page 184.	2
FC 2943: 8-Port Asynchronous EIA-232E/RS-422A PCI, 32-bit, 3.3/5V (Type 3-B)	6, 5, 4, 3	2



Table 44. 7044 Model 170 (continued)

Adapter	Slot Usage	System Maximum
FC 2944: 128-Port Async Controller PCI, 32-bit, 3.3/5V (Type 3-C)	6, 5, 4, 3	2
FC 2962: 2-Port Multiprotocol PCII, 32-bit, 3.3/5V (Type 9-V)	6, 5, 4, 3	2
FC 6206: Single-Ended Ultra SCSI Adapter, 32-bit, 5V (Type 4-K)	6, 5, 4, 3	4
FC 6203: Dual-Channel Ultra3 SCSI, 32/64-bit, 3.3/5V (Type 4-Y)	6, 5, 4, 3, 2, 1	4
FC 2639: Ultimedia Video Capture (Type 7-9)	6, 5, 4, 3 See note 1 on page 184.	1
FC 4951: 10/100 4-Port Ethernet (Type 9-Z)	6, 5, 4, 3	4 See note 13 on page 185.
FC 2985: Ethernet 10base2 PCI (Type 8-Y)	6, 5, 4, 3	4
FC 2987: Ethernet 10base5 PCI (Type 8-Z)	6, 5, 4, 3	4
FC 2968: 10/100 Mbps Ethernet Tx PCI (Type 9-P)	6, 5, 4, 3, 2, 1	4 See note 5 on page 185.
FC 4962: Ethernet/LAN Encryption 10/100BaseT, 32-bit, 3.3/5V (Type A-F)	6, 5, 4, 3, 2, 1	4 See note 5 on page 185.
FC 4961: 10/100 4-Port Ethernet, 32/64-bit, 3.3/5V (Type A-E)	6, 5, 4, 3, 2, 1	5 See note 13 on page 185.
FC 6228: 2 Gigabit Fibre Channel Adapter for 32/64-bit, 3.3/5V PCI Bus (Type 4-W)	6, 5, 4, 3, 1, 2 See notes 18 on page 185 and 20 on page 185.	2 See note 16 on page 185.
FC 6227: Gigabit Fibre Channel PCI (Type 4-S)	6, 5, 4, 3, 2, 1 See note 20 on page 185.	2 See note 9 on page 185.
FC 6239: 2 Gigabit Fibre Channel Adapter, 32/64-bit, 3.3V (Type 5704)	6, 5, 4, 3, 2, 1 See notes 18 on page 185 and 20 on page 185.	2 See note 21 on page 186.
FC 6204: PCI Universal Differential Ultra SCSI, 32-bit, 3.3/5V (Type 4-U)	6, 5, 4, 3, 2, 1	4
FC 6205: PCI Dual Channel Ultra2 SCSI (Type 4-R)	6, 5, 4, 3, 2, 1	4
FC 4959: High-Speed Token Ring PCI, 32-bit, 3.3/5V (Type 9-Y)	6, 5, 4, 3, 2, 1	4
FC 2998: TURBOWAYS 25 ATM PCI (Type *)	6, 5, 4, 3, 2, 1	4
FC 6310: IBM ARTIC960 RxD Quad Digital Trunk PCI, 32-bit, 3.3/5V (Type 6-E)	6, 5, 4, 3, 2, 1	3
FC 6311: IBM ARTIC960 RxF PCI, 32-bit, 3.3/5V (Type 6-G)	6, 5, 4, 3, 2, 1	2 See Chapter 35, "Digital Trunk PCI Adapter Placement Considerations," on page 221.

Table 44. 7044 Model 170 (continued)

Adapter	Slot Usage	System Maximum
FC 6230: Advanced SerialRAID Plus, 32-bit, 3.3/5V (Type 4-P) FC 6235: Fast Write Cache Option for FC 6225 and FC 6230 FC 6230+6231: 4 Port SSA 40 w/128MB DIMM	6, 5, 4, 3, 2, 1	2 See notes 7 on page 185 and 8 on page 185.
FC 5712: Dual Channel Ultra320 SCSI 32/64-bit, 3.3V (Type 5702)	6, 5, 4, 3, 2, 1	4
FC 2708: ISDN Basic Rate PCI (Type 9-N)	6, 5, 4, 3, 2, 1	1
FC 2947: IBM ARTIC960Hx 4-Port Selectable PCI, 32-bit, 3.3/5V (Type 9-R)	6, 5, 4, 3, 2, 1	2
FC 2946: PCI TURBOWAYS 622 PCI MMF ATM, 64-bit, 3.3/5V (Type A-B)	6, 5, 4, 3, 2, 1	6 See note 2.
FC 2963: TURBOWAYS 155 PCI UTP ATM (Type 9-J)	6, 5, 4, 3, 2, 1	6 See notes 3 on page 185, 14 on page 185, and 15 on page 185.
FC 4953: 64-bit/66MHz PCI ATM 155 UTP, 3.3/5V (Type A-C)	6, 5, 4, 3, 2, 1	6 See notes 3 on page 185, 14 on page 185, and 15 on page 185.
FC 2988: TURBOWAYS 155 PCI MMF ATM (Type 9-F)	6, 5, 4, 3, 2, 1	6 See notes 3 on page 185, 14 on page 185, and 15 on page 185.
FC 4957: 64-bit/66MHz PCI ATM 155 MMF, 3.3/5V (Type A-D)	6, 5, 4, 3, 2, 1	6 See notes 3 on page 185, 14 on page 185, and 15 on page 185.
FC 2742: SysKonnnect SK-NET FDDI-LP DAS PCI, 32-bit, 3.3/5V (Type *)	6, 5, 4, 3, 2, 1	6 See notes 4 on page 185 and 12 on page 185.
FC 2741: SysKonnnect SK-NET FDDI-LP SAS PCI, 32-bit, 3.3/5V (Type *)	6, 5, 4, 3, 2, 1	6 See notes 4 on page 185 and 12 on page 185.
FC 2743: SysKonnnect SK-NET FDDI-UP SAS PCI (Type *)	6, 5, 4, 3, 2, 1	6 See notes 4 on page 185 and 12 on page 185.
FC 4960: IBM Cryptographic Accelerator, 32-bit, 3.3/5V (Type 6-J)	6, 5, 4, 3, 2, 1	4

**Notes:**

- Do not install FC 2494: PCI 3-Channel Ultra2 SCSI RAID (Type 4-T) and FC 2639: Ultimedia Video Capture (Type 7-9) adapters on the same system.
- For optimum system performance, a *combination* of the following adapters should not exceed a maximum of one adapter per system:
  - FC 2969: Gigabit Ethernet Fibre, 1000BaseT, 64-bit, 3.3/5V (Type 9-U)
  - FC 2975: Gigabit Ethernet (UTP) 1000BaseT, 64-bit, 3.3/5V (Type A-A)

- FC 2946: PCI TURBOWAYS 622 PCI MMF ATM, 64-bit, 3.3/5V (Type A-B)

Use slots 1 or 2 if available.

3. For optimum system performance, install up to 5 FC 2963: TURBOWAYS 155 PCI UTP ATM (Type 9-J), FC 2988: TURBOWAYS 155 PCI MMF ATM (Type 9-F), FC 4953: 64-bit/66MHz PCI ATM 155 UTP, 3.3/5V (Type A-C), or FC 4957: 64-bit/66MHz PCI ATM 155 MMF, 3.3/5V (Type A-D) adapters. Install up to 3 of these adapters if you are in MTU 1500 mode.
4. For optimum system performance, install up to five SysKconnect adapters in this system.
5. For optimum system performance, install up to three FC 2968: 10/100 Mbps Ethernet Tx PCI (Type 9-P ) or FC 4962: Ethernet/LAN Encryption 10/100BaseT, 32-bit, 3.3/5V (Type A-F) adapters in this system.
6. If your adapter is configured for 100 Mbps mode, install a maximum of two for optimum performance.
7. FC 6230: Advanced SerialRAID Plus, 32-bit, 3.3/5V (Type 4-P) can be selected with or without the cache upgrade (FC 6235).
8. FC 6235: Fast Write Cache Option for FC 6225 and FC 6230 is a cache upgrade for the FC 6225: Advanced SSA SerialRAID (Type 4-P) adapter and can only be selected along with FC 6230 (1 maximum).
9. A maximum of two FC 6227: Gigabit Fibre Channel PCI (Type 4-S) adapters are supported. One must be in slot 3, 4, 5 or 6; the second in either slot 1 or 2.
10. For FC 2498: PCI 4-Channel Ultra3 SCSI RAID, 32/64-bit, 3.3/5V (Type 4-X) adapter cards shipping in 7044-170, the plastic handle on the end of the card must be replaced by a Metal Handle (PN 09P1971) and 2 screws (PN 1621170).
11. When placed in slot 2, the FC 2825: POWER GXT3000P (Type 1-R) covers both slots 2 and 3.
12. For optimum system performance, a maximum of five FC 2741: SysKconnect SK-NET FDDI-LP SAS PCI, 32-bit, 3.3/5V (Type \*), FC 2742: SysKconnect SK-NET FDDI-LP DAS PCI, 32-bit, 3.3/5V (Type \*), and FC 2743: SysKconnect SK-NET FDDI-UP SAS PCI (Type \*) adapters per system is recommended.
13. For optimum system performance, a maximum of one FC 4961: 10/100 4-Port Ethernet, 32/64-bit, 3.3/5V (Type A-E) or FC 4951: 10/100 4-Port Ethernet (Type 9-Z) adapters per system (with a maximum of three ports) is recommended.
14. For optimum system performance, a maximum of 3 is recommended for the FC 2963: TURBOWAYS 155 PCI UTP ATM (Type 9-J) and FC 4953: 64-bit/66MHz PCI ATM 155 UTP, 3.3/5V (Type A-C) MTU 1500, and FC 2988: TURBOWAYS 155 PCI MMF ATM (Type 9-F) and FC 4957: 64-bit/66MHz PCI ATM 155 MMF, 3.3/5V (Type A-D) MTU 1500 adapters.
15. For optimum system performance, a maximum of 5 per system is recommended for both the FC 2963: TURBOWAYS 155 PCI UTP ATM (Type 9-J) and FC 4953: 64-bit/66MHz PCI ATM 155 UTP, 3.3/5V (Type A-C) MTU 9180 adapters, and FC 2988: TURBOWAYS 155 PCI MMF ATM (Type 9-F) and FC 4957: 64-bit/66MHz PCI ATM 155 MMF, 3.3/5V (Type A-D) MTU 9180 adapters.
16. A maximum of two FC 6228: 2 Gigabit Fibre Channel Adapter for 32/64-bit, 3.3/5V PCI Bus (Type 4-W) adapters are supported. One must be in slot 3, 4, 5 or 6; the second in either slot 1 or 2.
17. A maximum of three FC 2848: GXT135P Graphics Adapter, 32-bit, 3.3/5V (Type 1-X) or FC 2849: POWER GXT135P Graphics Accelerator, 32-bit, 3.3/5V (Type 2849) adapters are supported in slots 3 through 6.
18. FC 6228: 2 Gigabit Fibre Channel Adapter for 32/64-bit, 3.3/5V PCI Bus (Type 4-W) and FC 6239: 2 Gigabit Fibre Channel Adapter, 32/64-bit, 3.3V (Type 5704) will operate in 32-bit slots, but at a decrease in performance.
19. Any combination of the following adapters may be installed, but the combined total should not exceed two per system: FC 4958: Cryptographic Coprocessor (Type 6-H) and FC 4963: Cryptographic Coprocessor, FIPS-4, 32-bit, 3.3/5V (Type 6-I), also referred to as RPQ 8A1162: Cryptographic Coprocessor.
20. Use of one FC 6227: Gigabit Fibre Channel PCI (Type 4-S), FC 6228: 2 Gigabit Fibre Channel Adapter for 32/64-bit, 3.3/5V PCI Bus (Type 4-W), or FC 6239: 2 Gigabit Fibre Channel Adapter,

32/64-bit, 3.3V (Type 5704) per bus is recommended. More than one of these adapters can be installed per bus, but system performance may not be increased by installing additional adapters to a bus.

21. A maximum of two FC 6239: 2 Gigabit Fibre Channel Adapter, 32/64-bit, 3.3V (Type 5704) adapters are supported. One must be in slot 3, 4, 5 or 6; the second in either slot 1 or 2.
22. For optimum system performance, the combined maximum of high-performance adapters should not exceed the maximums listed for FC 5706: 2-Port 10/100/1000 Base-TX Ethernet PCI-X, 32/64-bit, 3.3/5V (Type 5706) or FC 5707: 2-Port Gigabit Ethernet-SX PCI-X, 32/64-bit, 3.3/5V (Type 5707) if either of these adapters is installed in the system. For a list of high-performance adapters, see Appendix B, "High-Performance Adapters," on page 229.

## 7044 Model 170 Multiple Graphics Adapter Placement Guide

Use the following table to identify adapter location combination options for these adapters in your 7044 Model 170

Do not install more than 4 graphics adapters in your 7044 Model 170.

Table 45. 7044 Model 170

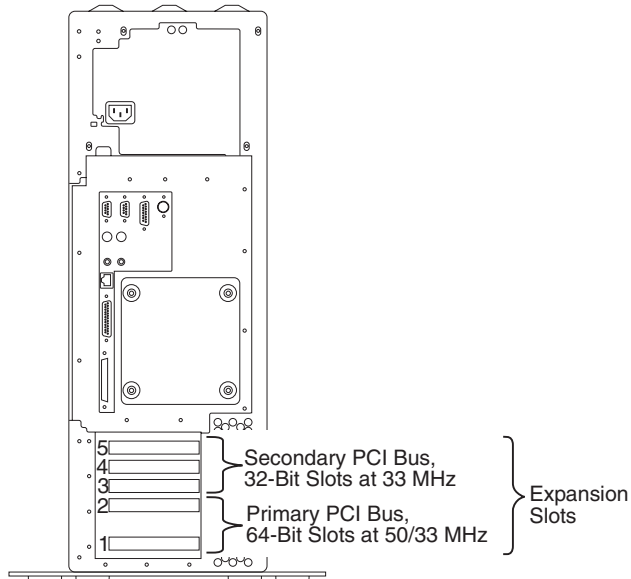
Adapter	Slots
FC 2823: POWER GXT2000P (Type 1-S) or FC 2841: POWER GXT300P (Type1-U) with a FC 2825: POWER GXT3000P (Type 1-R) or FC 2827: POWER GXT6000P (Type 1-W) or FC 2843: POWER GXT6500P Graphics Adapter (Type 1-Z)	1 - 6  2 - 4, See note
FC 2827: POWER GXT6000P (Type 1-W) or FC 2843: POWER GXT6500P Graphics Adapter (Type 1-Z) with a FC 2825: POWER GXT3000P (Type 1-R) or FC 2827: POWER GXT6000P (Type 1-W) or FC 2843: POWER GXT6500P Graphics Adapter (Type 1-Z) or FC 2826: POWER GXT4000P (Type 1-V) or FC 2842: POWER GXT4500P Graphics Adapter (Type 1-Y)	2, See note  4
FC 2639: Ultimedia Video Capture (Type 7-9) with a FC 2825: POWER GXT3000P (Type 1-R) or FC 2827: POWER GXT6000P (Type 1-W) or FC 2843: POWER GXT6500P Graphics Adapter (Type 1-Z)	3, 4, 5, 6  2 (see note 1)
FC 2639: Ultimedia Video Capture (Type 7-9) with a FC 2823: POWER GXT2000P (Type 1-S) or FC 2826: POWER GXT4000P (Type 1-V) or FC 2842: POWER GXT4500P Graphics Adapter (Type 1-Y)	3, 4, 5, 6  1 or 2, See note
FC 2639: Ultimedia Video Capture (Type 7-9) with a FC 2841: POWER GXT300P (Type1-U)	3 - 6  1 - 6
FC 2830: POWER GXT130P (Type 1-T) or FC 2848: GXT135P Graphics Adapter, 32-bit, 3.3/5V (Type 1-X) with a FC 2823: POWER GXT2000P (Type 1-S)	3 - 6  1 or 2
FC 2830: POWER GXT130P (Type 1-T) or FC 2848: GXT135P Graphics Adapter, 32-bit, 3.3/5V (Type 1-X) with a FC 2825: POWER GXT3000P (Type 1-R)	3, 4, 5, 6  2, See note
FC 2830: POWER GXT130P (Type 1-T) or FC 2848: GXT135P Graphics Adapter, 32-bit, 3.3/5V (Type 1-X) with a FC 2841: POWER GXT300P (Type1-U) or FC 2639: Ultimedia Video Capture (Type 7-9)	3 - 6  3 - 6

**Note:**

Since slots 1 and 2 are capable of running at 50 mhz, the FC 2823: POWER GXT2000P (Type 1-S) and FC 2825: POWER GXT3000P (Type 1-R) should be placed in these slots for optimum performance. Take care when placing any 33 Mhz PCI adapter in slots 1 and 2, because this forces the slots to run at 33 Mhz.

## Chapter 27. 7044 Model 270

This system is designed for customers to install adapters. Use this guide to determine if there are specific slot requirements for adapters that you may be installing.



### System Unit Rear View with Numbered Slots

Some adapters must be placed in specific system unit slots to function correctly at optimum performance. Use the table under “7044 Model 270 Adapter Placement Guide” to determine where to install an adapter in your system unit.

Many of the following notes refer to optimizing system performance. Read “System Performance” on page 1 for more performance-related information.

Use the rear-view diagram above to identify slot locations described in the following tables.

### 7044 Model 270 Adapter Placement Guide

Use the following table to identify specific slot location options for the following adapters in your 7044 Model 270 system.

If two different adapters can be placed in the same slot, the highest priority adapter starts at the top of the table. The list of slot numbers represent the order that the slots should be used.

Table 46. 7044 Model 270

Adapter	Slot Usage	System Maximum
FC 2827: POWER GXT6000P (Type 1-W)	2, 4	2
FC 2825: POWER GXT3000P (Type 1-R)	2, 4 See note 8 on page 193.	2
FC 2830: POWER GXT130P (Type 1-T)	5, 4, 3	3

Table 46. 7044 Model 270 (continued)

Adapter	Slot Usage	System Maximum
FC 5706: 2-Port 10/100/1000 Base-TX Ethernet PCI-X, 32/64-bit, 3.3/5V (Type 5706)	1, 2	2
FC 5707: 2-Port Gigabit Ethernet-SX PCI-X, 32/64-bit, 3.3/5V (Type 5707)	1, 2	2
FC 5712: Dual Channel Ultra320 SCSI 32/64-bit, 3.3V (Type 5702)	1, 2, 3, 4, 5	2
FC 6239: 2 Gigabit Fibre Channel Adapter, 32/64-bit, 3.3V (Type 5704)	1, 2, 3, 4, 5 See notes 9 on page 193 and 10 on page 193.	2
FC 6228: 2 Gigabit Fibre Channel Adapter for 32/64-bit, 3.3/5V PCI Bus (Type 4-W)	2, 1 See notes 9 on page 193, 10 on page 193, and 12 on page 193.	2
FC 6227: Gigabit Fibre Channel PCI (Type 4-S)	Any slot See notes 9 on page 193 and 12 on page 193.	2
FC 2843: POWER GXT6500P Graphics Adapter (Type 1-Z)	1, 2, 3, 4, 5	2
FC 2826: POWER GXT4000P (Type 1-V)	1, 2, 3, 4, 5	4
FC 2842: POWER GXT4500P Graphics Adapter (Type 1-Y)	1, 2, 3, 4, 5	4
FC 2848: GXT135P Graphics Adapter, 32-bit, 3.3/5V (Type 1-X)	1, 2, 3, 4, 5	4
FC 2849: POWER GXT135P Graphics Accelerator, 32-bit, 3.3/5V (Type 2849)	1, 2, 3, 4, 5	4
FC 2969: Gigabit Ethernet Fibre, 1000BaseT, 64-bit, 3.3/5V (Type 9-U)	1, 2, 3, 4, 5 See notes 2 on page 192 and 4 on page 192.	5
FC 2975: Gigabit Ethernet (UTP) 1000BaseT, 64-bit, 3.3/5V (Type A-A)	1, 2, 3, 4, 5 See notes 2 on page 192 and 4 on page 192.	5
FC 2823: POWER GXT2000P (Type 1-S)	1, 2, 3, 4, 5	4
FC 2841: POWER GXT300P (Type 1-U)	1, 2, 3, 4, 5	4
FC 2708: ISDN Basic Rate PCI (Type 9-N)	5, 4, 3	1
FC 4961: 10/100 4-Port Ethernet, 32/64-bit, 3.3/5V (Type A-E)	1, 2, 3, 4, 5	5 See note 5 on page 192.
FC 4951: 10/100 4-Port Ethernet (Type 9-Z)	5, 4, 3	3 See note 5 on page 192.
FC 4958: Cryptographic Coprocessor (Type 6-H)	2, 1	2 See note 11 on page 193.
FC 4963: Cryptographic Coprocessor, FIPS-4, 32-bit, 3.3/5V (Type 6-I)	2, 1	2 See note 11 on page 193.



Table 46. 7044 Model 270 (continued)

Adapter	Slot Usage	System Maximum
FC 2494: PCI 3-Channel Ultra2 SCSI RAID (Type 4-T)	5, 4, 3	2 See note 1 on page 192.
FC 2639: Ultimedia Video Capture (Type 7-9)	5, 4, 3	1 See note 1 on page 192.
FC 2962: 2-Port Multiprotocol PCII, 32-bit, 3.3/5V (Type 9-V)	5, 4, 3	2
FC 6206: Single-Ended Ultra SCSI Adapter, 32-bit, 5V (Type 4-K)	5, 4, 3	3
FC 6203: Dual-Channel Ultra3 SCSI, 32/64-bit, 3.3/5V (Type 4-Y)	1, 2, 3, 4, 5	2
FC 6205: PCI Dual Channel Ultra2 SCSI (Type 4-R)	1, 2, 3, 4, 5	2
FC 2498: PCI 4-Channel Ultra3 SCSI RAID, 32/64-bit, 3.3/5V (Type 4-X)	1, 2, 3, 4, 5	4
FC 6310: IBM ARTIC960 RxD Quad Digital Trunk PCI, 32-bit, 3.3/5V (Type 6-E)	5, 4, 3, 2, 1	3
FC 6311: IBM ARTIC960 RxF PCI, 32-bit, 3.3/5V (Type 6-G)	5, 4, 3, 2, 1	3 See Chapter 35, "Digital Trunk PCI Adapter Placement Considerations," on page 221.
FC 5700: Gigabit Ethernet, 1000 Base-SX, 32/64-bit, 3.3/5V	1, 2, 3, 4, 5	5
FC 5701: 10/100/1000 Base-TX Ethernet, 32/64-bit, 3.3/5V	1, 2, 3, 4, 5	5
FC 4962: Ethernet/LAN Encryption 10/100BaseT, 32-bit, 3.3/5V (Type A-F)	1, 2, 3, 4, 5	5 See note 3 on page 192.
FC 6230: Advanced SerialRAID Plus, 32-bit, 3.3/5V (Type 4-P)  FC 6230+6231: 4 Port SSA 40 w/128MB DIMM  FC 6235: Fast Write Cache Option for FC 6225 and FC 6230	1, 2, 3, 4, 5	2 See notes 6 on page 192 and 7 on page 192.
FC 2947: IBM ARTIC960Hx 4-Port Selectable PCI, 32-bit, 3.3/5V (Type 9-R)	1, 2, 3, 4, 5	2
FC 2943: 8-Port Asynchronous EIA-232E/RS-422A PCI, 32-bit, 3.3/5V (Type 3-B)	1, 2, 3, 4, 5	2
FC 2944: 128-Port Async Controller PCI, 32-bit, 3.3/5V (Type 3-C)	1, 2, 3, 4, 5	2
FC 2946: PCI TURBOWAYS 622 PCI MMF ATM, 64-bit, 3.3/5V (Type A-B)	1, 2, 3, 4, 5	5 See note 2 on page 192.
FC 4953: 64-bit/66MHz PCI ATM 155 UTP, 3.3/5V (Type A-C)	1, 2, 3, 4, 5	5
FC 4957: 64-bit/66MHz PCI ATM 155 MMF, 3.3/5V (Type A-D)	1, 2, 3, 4, 5	5

Table 46. 7044 Model 270 (continued)

Adapter	Slot Usage	System Maximum
FC 2963: TURBOWAYS 155 PCI UTP ATM (Type 9-J)	1, 2, 3, 4, 5	5
FC 2988: TURBOWAYS 155 PCI MMF ATM (Type 9-F)	1, 2, 3, 4, 5	5
FC 2742: SysKconnect SK-NET FDDI-LP DAS PCI, 32-bit, 3.3/5V (Type *)	1, 2, 3, 4, 5	5
FC 2741: SysKconnect SK-NET FDDI-LP SAS PCI, 32-bit, 3.3/5V (Type *)	1, 2, 3, 4, 5	5
FC 2743: SysKconnect SK-NET FDDI-UP SAS PCI (Type *)	1, 2, 3, 4, 5	5
FC 4959: High-Speed Token Ring PCI, 32-bit, 3.3/5V (Type 9-Y)	1, 2, 3, 4, 5	4
FC 2968: 10/100 Mbps Ethernet Tx PCI (Type 9-P )	1, 2, 3, 4, 5	5 See note 3.
FC 2998: TURBOWAYS 25 ATM PCI (Type *)	1, 2, 3, 4, 5	4
FC 6204: PCI Universal Differential Ultra SCSI, 32-bit, 3.3/5V (Type 4-U)	1, 2, 3, 4, 5	4 See note 2.
FC 4960: IBM Cryptographic Accelerator, 32-bit, 3.3/5V (Type 6-J)	5, 4, 3, 2, 1	4

- Do not install FC 2639: Ultimedia Video Capture (Type 7-9) and FC 2494: PCI 3-Channel Ultra2 SCSI RAID (Type 4-T) adapters on the same system.
- For optimum system performance, a *combination* of the following adapters should not exceed a maximum of two adapters per system:
  - FC 2969: Gigabit Ethernet Fibre, 1000BaseT, 64-bit, 3.3/5V (Type 9-U)
  - FC 2975: Gigabit Ethernet (UTP) 1000BaseT, 64-bit, 3.3/5V (Type A-A)
  - FC 2946: PCI TURBOWAYS 622 PCI MMF ATM, 64-bit, 3.3/5V (Type A-B)

Install them in slots 1 and 2 (if available).
- 7044 Model 270 supports up to five FC 2968: 10/100 Mbps Ethernet Tx PCI (Type 9-P ) or FC 4962: Ethernet/LAN Encryption 10/100BaseT, 32-bit, 3.3/5V (Type A-F) adapters per system, making the total six if you use the Integrated Ethernet port.
- For optimum system performance, install a maximum combination of two FC 2975: Gigabit Ethernet (UTP) 1000BaseT, 64-bit, 3.3/5V (Type A-A) adapters per system, or two FC 2969: Gigabit Ethernet Fibre, 1000BaseT, 64-bit, 3.3/5V (Type 9-U), or one of each, when configured to run at 1000 Mbps. If the adapter is configured for 100 Mbps mode, use up to five of these adapters (plus the integrated 100Mbps port) for optimum performance.
- For optimum system performance, install a maximum of two FC 4951: 10/100 4-Port Ethernet (Type 9-Z) or FC 4961: 10/100 4-Port Ethernet, 32/64-bit, 3.3/5V (Type A-E) adapters in 100 Mbps mode per system.
- FC 6230: Advanced SerialRAID Plus, 32-bit, 3.3/5V (Type 4-P) can be selected with or without the cache upgrade (FC 6235: Fast Write Cache Option for FC 6225 and FC 6230).
- FC 6235: Fast Write Cache Option for FC 6225 and FC 6230 is a cache upgrade for the FC 6225: Advanced SSA SerialRAID (Type 4-P) adapter and can only be selected along with FC 6230: Advanced SerialRAID Plus, 32-bit, 3.3/5V (Type 4-P) (maximum 1 per 6230).

8. If two FC 2825: POWER GXT3000P (Type 1-R) adapters are placed in slots 2 and 4, then slot 3 is covered and cannot be used.
9. FC 6227: Gigabit Fibre Channel PCI (Type 4-S), FC 6228: 2 Gigabit Fibre Channel Adapter for 32/64-bit, 3.3/5V PCI Bus (Type 4-W), and FC 6239: 2 Gigabit Fibre Channel Adapter, 32/64-bit, 3.3V (Type 5704) adapters are restricted to only one adapter in slot 1 or 2 and/or one adapter in slot 3 or 4 or 5.
10. FC 6228: 2 Gigabit Fibre Channel Adapter for 32/64-bit, 3.3/5V PCI Bus (Type 4-W) and FC 6239: 2 Gigabit Fibre Channel Adapter, 32/64-bit, 3.3V (Type 5704) will operate in 32-bit slots, but at a decrease in performance.
11. Any combination of the following adapters may be installed, but the combined total should not exceed two per system: FC 4958: Cryptographic Coprocessor (Type 6-H) and FC 4963: Cryptographic Coprocessor, FIPS-4, 32-bit, 3.3/5V (Type 6-I), also referred to as RPQ 8A1162: Cryptographic Coprocessor.
12. Use of one FC 6227: Gigabit Fibre Channel PCI (Type 4-S), FC 6228: 2 Gigabit Fibre Channel Adapter for 32/64-bit, 3.3/5V PCI Bus (Type 4-W), or FC 6239: 2 Gigabit Fibre Channel Adapter, 32/64-bit, 3.3V (Type 5704) per bus is recommended. More than one of these adapters can be installed per bus, but system performance may not be increased by installing additional adapters to a bus.
13. For optimum system performance, the combined maximum of high-performance adapters should not exceed the maximums listed for FC 5706: 2-Port 10/100/1000 Base-TX Ethernet PCI-X, 32/64-bit, 3.3/5V (Type 5706) or FC 5707: 2-Port Gigabit Ethernet-SX PCI-X, 32/64-bit, 3.3/5V (Type 5707) if either of these adapters is installed in the system. For a list of high-performance adapters, see Appendix B, "High-Performance Adapters," on page 229.

## 7044 Model 270 Multiple Graphics Adapter Placement Guide

Use the following table to identify adapter location combination options for these adapters in your 7044 Model 270.

Do not install more than four graphics adapters in your 7044 Model 270.

Table 47. 7044 Model 270

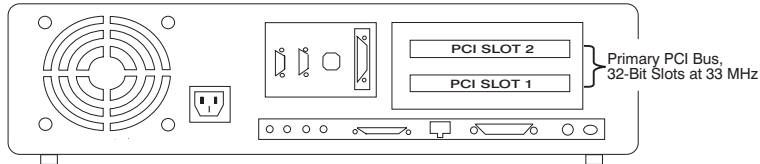
Adapter	AIX
FC 2830: POWER GXT130P (Type 1-T) (see note 2) or FC 2848: GXT135P Graphics Adapter, 32-bit, 3.3/5V (Type 1-X) or FC 2823: POWER GXT2000P (Type 1-S) or FC 2841: POWER GXT300P (Type1-U)  with a  FC 2825: POWER GXT3000P (Type 1-R) or FC 2827: POWER GXT6000P (Type 1-W) or FC 2843: POWER GXT6500P Graphics Adapter (Type 1-Z)	Slot 1 - 5   Slot 2  See note 1.
FC 2827: POWER GXT6000P (Type 1-W) or FC 2843: POWER GXT6500P Graphics Adapter (Type 1-Z)  with a  FC 2825: POWER GXT3000P (Type 1-R) or FC 2827: POWER GXT6000P (Type 1-W) or FC 2826: POWER GXT4000P (Type 1-V) or FC 2842: POWER GXT4500P Graphics Adapter (Type 1-Y)	Slot 2  See note 1.   Slot 4
FC 2639: Ultimedia Video Capture (Type 7-9) See note 3  with a  FC 2825: POWER GXT3000P (Type 1-R) or FC 2827: POWER GXT6000P (Type 1-W) or FC 2843: POWER GXT6500P Graphics Adapter (Type 1-Z)	1, 3, 4, 5   Slot 2  See note 1.
FC 2639: Ultimedia Video Capture (Type 7-9) See note 3  with a  FC 2823: POWER GXT2000P (Type 1-S) or FC 2826: POWER GXT4000P (Type 1-V) or FC 2842: POWER GXT4500P Graphics Adapter (Type 1-Y)	Slot 1, 3, 4, 5   Slot 2  See note 1.
FC 2639: Ultimedia Video Capture (Type 7-9) See note 3  with a  FC 2841: POWER GXT300P (Type1-U)	1-5   1-5

### Notes:

1. Since slots 1 and 2 are capable of running at 50 mhz, the GXT 2000P and GXT 3000P should be placed in these slots for optimum performance.
2. FC 2830: POWER GXT130P (Type 1-T) cannot be placed in either slot 1 or 2.
3. FC 2639: Ultimedia Video Capture (Type 7-9) cannot be placed in slot 1.

## Chapter 28. 7046 Model B50

This system is designed for customers to install adapters. Use this guide to determine if there are specific slot requirements for adapters that you may be installing.



### System Unit Rear View with Numbered Slots

Some adapters must be placed in specific system unit slots to function correctly at optimum performance. Use the table under “7046 Model B50 Adapter Placement Guide” on page 196 to determine where to install an adapter in your system unit. Please note that PCI slot 1 can hold short cards only.

Many of the following notes refer to optimizing system performance. Read “System Performance” on page 1 for more performance-related information.

Use the rear-view diagram above to identify slot locations described in the following tables.

## 7046 Model B50 Adapter Placement Guide

Use the following table to identify specific slot location options for the following adapters in your 7046 Model B50 system.

Table 48. 7046 Model B50

Adapter	Slot Usage	System Maximum
FC 2830: POWER GXT130P (Type 1-T)	1, 2	1
FC 2841: Mirage 2D(GTX300P)	1, 2	1
FC 2848: GXT135P Graphics Adapter, 32-bit, 3.3/5V (Type 1-X)	1	1
FC 2849: POWER GXT135P Graphics Accelerator, 32-bit, 3.3/5V (Type 2849)	1	1
FC 6206: Single-Ended Ultra SCSI Adapter, 32-bit, 5V (Type 4-K)	1, 2	2
FC 6207: PCI Differential Ultra SCSI (Type 4-L)	1, 2	2
FC 6203: Dual-Channel Ultra3 SCSI, 32/64-bit, 3.3/5V (Type 4-Y)	1, 2	1
FC 6205: PCI Dual Channel Ultra2 SCSI (Type 4-R)	2	1
FC 2494: PCI 3-Channel Ultra2 SCSI RAID (Type 4-T)	2	1
FC 6230: Advanced SerialRAID Plus, 32-bit, 3.3/5V (Type 4-P) FC 6230+6231: 4 Port SSA 40 w/128MB DIMM FC 6235: Fast Write Cache Option for FC 6225 and FC 6230	2	1
FC 6204: PCI Universal Differential Ultra SCSI, 32-bit, 3.3/5V (Type 4-U)	2	1
FC 2498: PCI 4-Channel Ultra3 SCSI RAID, 32/64-bit, 3.3/5V (Type 4-X)	2	1
FC 6231: 128 MByte DRAM Option Card for FC 6225 and FC 6230	N/A	1
FC 2947: IBM ARTIC960Hx 4-Port Selectable PCI, 32-bit, 3.3/5V (Type 9-R)	2	1
FC 2948: IBM ARTIC960 4-Port T1/E1 PCI (Type 9-S)	2	1
FC 2968: 10/100 Mbps Ethernet Tx PCI (Type 9-P)	1, 2	2 See note 1 on page 197.
FC 4962: Ethernet/LAN Encryption 10/100BaseT, 32-bit, 3.3/5V (Type A-F)	1, 2	2 See note 1 on page 197.

Table 48. 7046 Model B50 (continued)

Adapter	Slot Usage	System Maximum
FC 2943: 8-Port Asynchronous EIA-232E/RS-422A PCI, 32-bit, 3.3/5V (Type 3-B)	1, 2	2
FC 2944: 128-Port Async Controller PCI, 32-bit, 3.3/5V (Type 3-C)	1, 2	2
FC 2962: 2-Port Multiprotocol PCII, 32-bit, 3.3/5V (Type 9-V)	1, 2	2
FC 2963: TURBOWAYS 155 PCI UTP ATM (Type 9-J)	1, 2	2 See note 2.
FC 4953: 64-bit/66MHz PCI ATM 155 UTP, 3.3/5V (Type A-C)	1, 2	2 See note 2.
FC 2988: TURBOWAYS 155 PCI MMF ATM (Type 9-F)	1, 2	2 See note 2.
FC 4957: 64-bit/66MHz PCI ATM 155 MMF, 3.3/5V (Type A-D)	1, 2	2 See note 2.
FC 2708: ISDN Basic Rate PCI (Type 9-N)	1, 2	2
FC 2742: SysKonnnect SK-NET FDDI-LP DAS PCI, 32-bit, 3.3/5V (Type *)	1, 2	1
FC 2741: SysKonnnect SK-NET FDDI-LP SAS PCI, 32-bit, 3.3/5V (Type *)	1, 2	1
FC 2743: SysKonnnect SK-NET FDDI-UP SAS PCI (Type *)	1, 2	1
FC 4959: High-Speed Token Ring PCI, 32-bit, 3.3/5V (Type 9-Y)	1, 2	2
FC 4951: 10/100 4-Port Ethernet (Type 9-Z)	2	1 See note 3 on page 198.
FC 4960: IBM Cryptographic Accelerator, 32-bit, 3.3/5V (Type 6-J)	2	1
FC 4961: 10/100 4-Port Ethernet, 32/64-bit, 3.3/5V (Type A-E)	2	1
FC 4963: Cryptographic Coprocessor, FIPS-4, 32-bit, 3.3/5V (Type 6-I)	2	1 See note 4 on page 198.
FC 4958: Cryptographic Coprocessor (Type 6-H)	2	1 See note 4 on page 198.
FC 6225: Advanced SSA SerialRAID (Type 4-P)	2	1

**Notes:**

1. For optimum system performance, if the FC 2968: 10/100 Mbps Ethernet Tx PCI (Type 9-P ) or FC 4962: Ethernet/LAN Encryption 10/100BaseT, 32-bit, 3.3/5V (Type A-F) is used in 100 Mbps mode, then a maximum of one adapter is recommended per system unit.
2. For optimum system performance, when using a FC 2988: TURBOWAYS 155 PCI MMF ATM (Type 9-F), FC 2963: TURBOWAYS 155 PCI UTP ATM (Type 9-J), FC 4953: 64-bit/66MHz PCI ATM 155

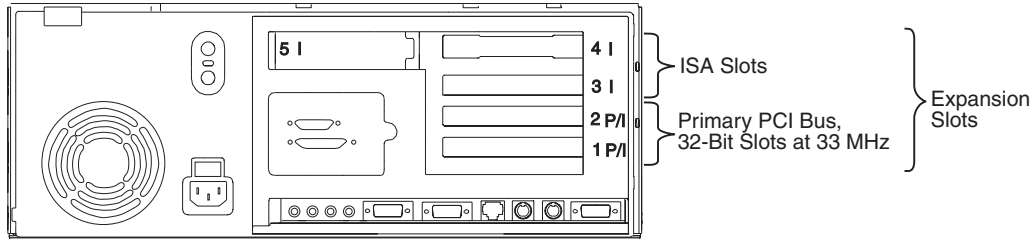
UTP, 3.3/5V (Type A-C), or FC 4957: 64-bit/66MHz PCI ATM 155 MMF, 3.3/5V (Type A-D) adapter in LAN Emulation (LANE), a maximum of one adapter per system is recommended.

3. For optimum system performance, use only two 100 Mbs ports per system.
4. Only one of the following adapters may be installed per system: FC 4958: Cryptographic Coprocessor (Type 6-H) and FC 4963: Cryptographic Coprocessor, FIPS-4, 32-bit, 3.3/5V (Type 6-I), also referred to as RPQ 8A1162: Cryptographic Coprocessor.
5. For optimum system performance, the combined maximum of high-performance adapters should not exceed the maximums listed for FC 5706: 2-Port 10/100/1000 Base-TX Ethernet PCI-X, 32/64-bit, 3.3/5V (Type 5706) or FC 5707: 2-Port Gigabit Ethernet-SX PCI-X, 32/64-bit, 3.3/5V (Type 5707) if either of these adapters is installed in the system. For a list of high-performance adapters, see Appendix B, "High-Performance Adapters," on page 229.



## Chapter 29. 7248 Model 100, 120, or 132

This system is designed for customers to install adapters. Use this guide to determine if there are specific slot requirements for adapters that you may be installing.



### System Unit Rear View with Numbered Slots

Some adapters must be placed in specific system unit slots to function correctly at optimum performance. Use the table under “7248 Model 100, 120, or 132 Adapter Placement Guide” on page 200 to determine where to install an adapter in your 7248 Model 100, 120, or 132.

If you are running AIX, refer to “7248 Model 100, 120, or 132 Multiple Graphics Adapter Placement Guide” on page 201, to install two adapters in your 7248 Model 100, 120, or 132. Windows NT (PowerPC Edition) does not support more than one graphics adapter in a system unit.

Use the rear-view diagram above to identify slot locations described in the following tables.

---

## 7248 Model 100, 120, or 132 Adapter Placement Guide

Use the following table to identify slot locations for adapters in the 7248 Model 100, 120, or 132.

Table 49. 7248 Model 100, 120, or 132

Adapter	AIX	Windows NT
FC 2767: POWER GXT150P (Type 1-D)	Slots 1P/I - 2P/I	Slots 1P/I - 2P/I
FC 2851: POWER GXT250P (Type 1-M) or FC 2852: POWER GXT255P (Type 1-N)	Slots 1P/I - 2P/I	Slots 1P/I - 2P/I
FC 2856: POWER GXT1000 (Type 1-H)	Slots 1P/I - 2P/I	
FC 2657: S15 Graphics Adapter (Type *)	Slots 1P/I - 2P/I	Slots 1P/I - 2P/I
FC 2639: Ultimedia Video Capture (Type 7-9)	Slots 1P/I - 2P/I Max. 1 Per Machine	

## 7248 Model 100, 120, or 132 Multiple Graphics Adapter Placement Guide

Use the following table to identify adapter location combination options for these adapters in your 7248 Model 100, 120, or 132.

Do not install more than four graphics adapters in your 7248 Model 100, 120, or 132.

Table 50. 7248 Model 100, 120, or 132

Adapter	AIX	Windows NT
FC 2767: POWER GXT150P (Type 1-D) with a	Slot 1P <b>OR</b>	Slot 2P
FC 2851: POWER GXT250P (Type 1-M) or FC 2852: POWER GXT255P (Type 1-N)	Slot 2P	Slot 1P
FC 2657: S15 Graphics Adapter (Type *) with a	Slot 1P <b>OR</b>	Slot 2P
FC 2767: POWER GXT150P (Type 1-D)	Slot 2P	Slot 1P
FC 2657: S15 Graphics Adapter (Type *) with a	Slot 1P <b>OR</b>	Slot 2P
FC 2851: POWER GXT250P (Type 1-M) or FC 2852: POWER GXT255P (Type 1-N)	Slot 2P	Slot 1P
FC 2856: POWER GXT1000 (Type 1-H) with a	Slot 1P <b>OR</b>	Slot 2P
FC 2767: POWER GXT150P (Type 1-D)	Slot 2P	Slots 1P
FC 2856: POWER GXT1000 (Type 1-H) with a	Slot 1P <b>OR</b>	Slot 2P
FC 2851: POWER GXT250P (Type 1-M) or FC 2852: POWER GXT255P (Type 1-N)	Slot 2P	Slot 1P
FC 2856: POWER GXT1000 (Type 1-H) with an	Slot 1P <b>OR</b>	Slot 2P
FC 2657: S15 Graphics Adapter (Type *)	Slot 2P	Slot 1P

### Note:

This system supports two FC 2767: POWER GXT150P (Type 1-D), two FC 2851: POWER GXT250P (Type 1-M) or two FC 2852: POWER GXT255P (Type 1-N) in adapter slots 1P and 2P.



---

## Chapter 30. 7311 Model D10

Adapter cards for the 7311 Model D10 plug into PCI adapter slots in the I/O subsystem. Each drawer is capable of handling up to 6 PCI adapters. All slots in the drawer are capable of using PCI-X adapters.

Some adapters must be placed in specific slots to function correctly at optimum performance. Use the information in the following sections of this chapter to determine where to install adapters in your system unit.

---

### Logical Partition (LPAR) Considerations

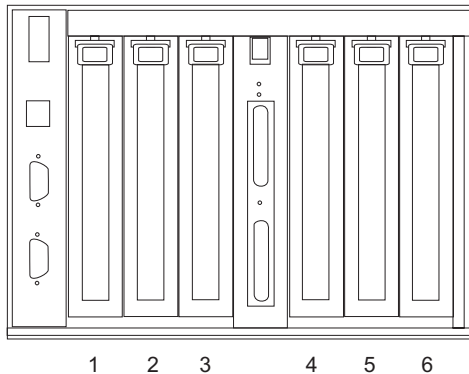
Place redundant devices in separate I/O drawers for best availability performance. Place non-redundant devices in the same I/O drawer. If you place non-redundant devices in one drawer, the system is less exposed to other-drawer failures.

Some devices do not have enhanced error handling (EEH) capabilities built in to their device drivers. If these devices fail, the PCI Host Bridge (PHB) in which they are placed will be affected. If the I/O subsystem encounters a severe error, all slots in the PHB are also affected. To clear this condition, you may reboot the system. In addition, it is also possible to remove the failed PCI slots on an affected PHB from the partition profile or profiles that include these PCI slots, and reboot the partition or partitions that terminated at the time of the error.

To avoid PHB errors related to non-EEH adapters, it is strongly recommended that if a non-EEH adapter is used, then all slots on that PHB should be assigned to a single LPAR. Refer to the tables in this chapter for additional information about LPAR (logical partitioning) considerations.

**Note:** For information about the maximum number of adapters per LPAR, refer to the PCI adapter placement information for your system.

## 7311 Model D10 Adapter Placement Guide



### 7311 Model D10 Numbered Slots

Table 51. Slot Location Reference

Slot	PHB	Planar	Loc. Code	Slot Characteristics
1	1	1	Ux.y-P1-I1	64-bit 5 V, 33 MHz
2	1	1	Ux.y-P1-I2	64-bit 3.3V, 133 MHz
3	1	1	Ux.y-P1-I3	64-bit 3.3V, 133 MHz
4	2	1	Ux.y-P1-I4	64-bit 3.3V, 133 MHz
5	2	1	Ux.y-P1-I5	64-bit 3.3V, 133 MHz
6	2	1	Ux.y-P1-I6	64-bit 3.3V, 133 MHz

### Notes:

1. In Table 51, Ux.y represents the Hardware Management Console (HMC) location code where x is the rack location and y is the drawer position.
2. Slot 1 is a PCI slot. Slots 2 through 6 are PCI-X slots.

Use the following table to identify specific slot location options for the adapters in your 7311 Model D10 drawer.

Table 52. Slot Location Options

Adapter	Slot Usage	Max. per Drawer	EEH	Hot-Plug
FC 6313: Quad Digital Trunk Telephony PCI Blind Swap, 32/64-bit, 3.3/5V (Type 6313)	(1, 2, 3), (4, 5, 6) See note 3 on page 206.	3	Y	N
FC 2751: S/390 ESCON Channel, 32-bit, 5V, (Type 5-5)	1	1	Y	Y
FC 6206: Single-Ended Ultra SCSI Adapter, 32-bit, 5V (Type 4-K)	1	1	Y	Y
FC 4963: Cryptographic Coprocessor, FIPS-4, 32-bit, 3.3/5V (Type 6-I)	1, 6, 2, 5, 3, 4	6	Y	Y See note 1 on page 206.
FC 4960: IBM Cryptographic Accelerator, 32-bit, 3.3/5V (Type 6-J)	1, 6, 2, 5, 3, 4	6	Y	Y See note 2 on page 206.
FC 5707: 2-Port Gigabit Ethernet-SX PCI-X, 32/64-bit, 3.3/5V (Type 5707)	2, 4, 3, 5, 6, 1	6	Y	Y

Table 52. Slot Location Options (continued)

Adapter	Slot Usage	Max. per Drawer	EEH	Hot-Plug
FC 5706: 2-Port 10/100/1000 Base-TX Ethernet PCI-X, 32/64-bit, 3.3/5V (Type 5706)	2, 4, 3, 5, 6, 1	6	Y	Y
FC 5700: Gigabit Ethernet, 1000 Base-SX, 32/64-bit, 3.3/5V	2, 4, 3, 5, 6, 1	6	Y	Y
FC 5701: 10/100/1000 Base-TX Ethernet, 32/64-bit, 3.3/5V	2, 4, 3, 5, 6, 1	6	Y	Y
FC 6228: 2 Gigabit Fibre Channel Adapter for 32/64-bit, 3.3/5V PCI Bus (Type 4-W)	2, 4, 3, 5, 6, 1	6 See note 5 on page 206.	Y	Y
FC 6239: 2 Gigabit Fibre Channel Adapter, 32/64-bit, 3.3V (Type 5704)	2, 4, 3, 5, 6,	5 See note 5 on page 206.	Y	Y
FC 6203: Dual-Channel Ultra3 SCSI, 32/64-bit, 3.3/5V (Type 4-Y)	2, 4, 3, 5, 6, 1	6	Y	Y
FC 5710: PCI-X Dual Channel Ultra320 SCSI Blind Swap Adapter, 32/64-bit, 3.3V (Type 5702)	2, 4, 3, 5, 6,	5	Y	Y
FC 6230: Advanced SerialRAID Plus, 32-bit, 3.3/5V (Type 4-P)	2, 4, 3, 5, 6, 1	4	Y	Y
FC 6231: 128 MByte DRAM Option Card for FC 6225 and FC 6230	N/A	4	N/A	N/A
FC 6235: Fast Write Cache Option for FC 6225 and FC 6230	N/A	4	N/A	N/A
FC 2498: PCI 4-Channel Ultra3 SCSI RAID, 32/64-bit, 3.3/5V (Type 4-X)	2, 4, 3, 5, 6, 1	4	Y	Y
FC 5711: PCI-X Dual Channel Ultra320 SCSI RAID Blind Swap Adapter, 32/64-bit, 3.3V (Type 5711)	2, 4, 3, 5, 6,	5	Y	Y
FC 6204: PCI Universal Differential Ultra SCSI, 32-bit, 3.3/5V (Type 4-U)	1, 6, 2, 5, 3, 4	6	Y	Y
FC 2849: POWER GXT135P Graphics Accelerator, 32-bit, 3.3/5V (Type 2849)	1, 6, 2, 5, 3, 4	6	Y	N
FC 2848: GXT135P Graphics Adapter, 32-bit, 3.3/5V (Type 1-X)	1, 6, 2, 5, 3, 4	6	Y	N
FC 2946: PCI TURBOWAYS 622 PCI MMF ATM, 64-bit, 3.3/5V (Type A-B)	2, 4, 3, 5, 6, 1	6	Y	Y
FC 2732: Serial HIPPI, Short-Wave Optics (Type 9-W)	2, 4, 3, 5, 6, 1	2	Y	Y
FC 4962: Ethernet/LAN Encryption 10/100BaseT, 32-bit, 3.3/5V (Type A-F)	2, 4, 3, 5, 6, 1	6	Y	Y
FC 4953: 64-bit/66MHz PCI ATM 155 UTP, 3.3/5V (Type A-C)	2, 4, 3, 5, 6, 1	6	Y	Y
FC 4957: 64-bit/66MHz PCI ATM 155 MMF, 3.3/5V (Type A-D)	2, 4, 3, 5, 6, 1	6	Y	Y

Table 52. Slot Location Options (continued)

Adapter	Slot Usage	Max. per Drawer	EEH	Hot-Plug
FC 2947: IBM ARTIC960Hx 4-Port Selectable PCI, 32-bit, 3.3/5V (Type 9-R)	1, 2, 5, 3, 4, 6	6	Y	Y
FC 4959: High-Speed Token Ring PCI, 32-bit, 3.3/5V (Type 9-Y)	1, 6, 2, 5, 3, 4	6	Y	Y
FC 4961: 10/100 4-Port Ethernet, 32/64-bit, 3.3/5V (Type A-E)	2, 4, 3, 5, 6, 1	6	Y	Y
FC 2737: Keyboard / Mouse Attachment Card - PCI, 32-bit, 3.3/5V	2, 4, 3, 5, 6, 1	6	Y	N
FC 2943: 8-Port Asynchronous EIA-232E/RS-422A PCI, 32-bit, 3.3/5V (Type 3-B)	1, 6, 2, 5, 3, 4	6	Y	Y
FC 2944: 128-Port Async Controller PCI, 32-bit, 3.3/5V (Type 3-C)	1, 6, 2, 5, 3, 4	6	Y	Y
FC 2962: 2-Port Multiprotocol PCII, 32-bit, 3.3/5V (Type 9-V)	1, 6, 2, 5, 3, 4	6	Y	Y

**Notes:**

1. Before hot-plugging this adapter, see the installation chapter in the *PCI Cryptographic Coprocessor Installation and Using Guide* (SA23-1235) for the required procedures.
2. Before hot-plugging this adapter, see the installation chapter in the *PCI Cryptographic Accelerator Installation and Using Guide* (SA23-1254) for the required procedures.
3. The slot usage for FC 6313: Quad Digital Trunk Telephony PCI Blind Swap, 32/64-bit, 3.3/5V (Type 6313) is valid when FC 2877: Quad DTA, H.100, 4-Drop Cable *is* used.
4. The slot usage for FC 6313: Quad Digital Trunk Telephony PCI Blind Swap, 32/64-bit, 3.3/5V (Type 6313) is valid when FC 2877: Quad DTA, H.100, 4-Drop Cable is *not* used.
5. Use of one FC 6228: 2 Gigabit Fibre Channel Adapter for 32/64-bit, 3.3/5V PCI Bus (Type 4-W) or FC 6239: 2 Gigabit Fibre Channel Adapter, 32/64-bit, 3.3V (Type 5704) per bus is recommended. More than one of these adapters can be installed per bus, but system performance may not be increased by installing additional adapters to a bus.
6. For optimum system performance, the combined maximum of high-performance adapters should not exceed the maximums listed for FC 5706: 2-Port 10/100/1000 Base-TX Ethernet PCI-X, 32/64-bit, 3.3/5V (Type 5706) or FC 5707: 2-Port Gigabit Ethernet-SX PCI-X, 32/64-bit, 3.3/5V (Type 5707) if either of these adapters is installed in the system. For a list of high-performance adapters, see Appendix B, "High-Performance Adapters," on page 229.



---

## Chapter 31. 7311 Model D20

Adapter cards for the 7311 Model D20 plug into PCI adapter slots in the in the I/O subsystem. Each drawer is capable of handling up to 7 PCI adapters. All slots in the drawer are capable of using PCI-X adapters.

Some adapters must be placed in specific slots to function correctly at optimum performance. Use the information in the following sections of this chapter to determine where to install adapters in your system unit.

---

### Logical Partition (LPAR) Considerations

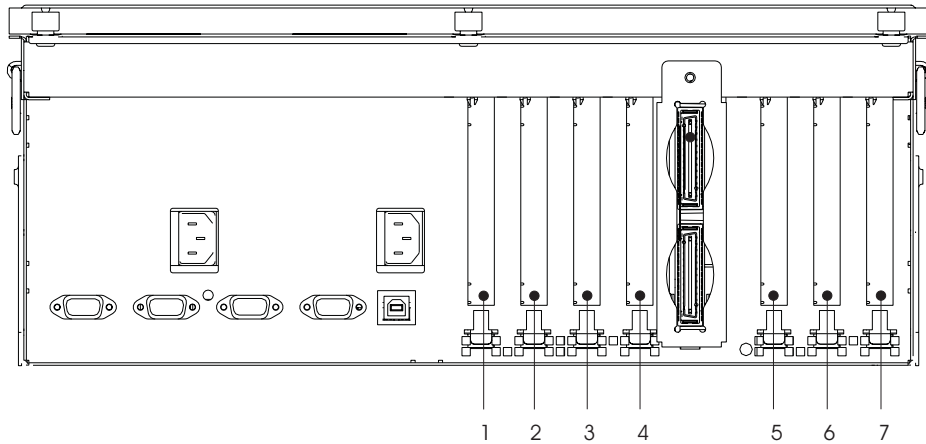
Place redundant devices in separate I/O drawers for best availability performance. Place non-redundant devices in the same I/O drawer. If you place non-redundant devices in one drawer, the system is less exposed to other-drawer failures.

Some devices do not have enhanced error handling (EEH) capabilities built in to their device drivers. If these devices fail, the PCI Host Bridge (PHB) in which they are placed will be affected. If the I/O subsystem encounters a severe error, all slots in the PHB are also affected. To clear this condition, you may reboot the system. In addition, it is also possible to remove the failed PCI slots on an affected PHB from the partition profile or profiles that include these PCI slots, and reboot the partition or partitions that terminated at the time of the error.

To avoid PHB errors related to non-EEH adapters, it is strongly recommended that if a non-EEH adapter is used, then all slots on that PHB should be assigned to a single LPAR. Refer to the tables in this chapter for additional information about LPAR (logical partitioning) considerations.

**Note:** For information about the maximum number of adapters per LPAR, refer to the PCI adapter placement information for your system.

## 7311 Model D20 Adapter Placement Guide



### 7311 Model D20 Numbered Slots

Table 53. Slot Location Reference

Slot	PHB	Planar	Loc. Code	Slot Characteristics
1	1	1	Ux.y-P1-I1	64-bit 3.3V, 133 MHz
2	1	1	Ux.y-P1-I2	64-bit 3.3V, 133 MHz
3	1	1	Ux.y-P1-I3	64-bit 3.3V, 133 MHz
4	1	1	Ux.y-P1-I4	64-bit 3.3V, 133 MHz
5	2	1	Ux.y-P1-I5	64-bit 3.3V, 133 MHz
6	2	1	Ux.y-P1-I6	64-bit 3.3V, 133 MHz
7	2	1	Ux.y-P1-I7	64-bit 3.3V, 133 MHz

**Note:** In Table 53, Ux.y represents the Hardware Management Console (HMC) location code where x is the rack location and y is the drawer position.

Use the following table to identify specific slot location options for the adapters in your 7311 Model D20 drawer.

Table 54.

Adapter	Slot Usage	Max. per Drawer	EEH	Hot-Plug
FC 6312: Quad Digital Trunk Telephony PCI, 32/64-bit, 3.3/5V (Type 6312)	(1, 2, 3, 4); (5, 6, 7) See note 3 on page 210.	4	Y	N
FC 8398: SP Switch2 PCI-X Attachment, 64-bit, 3.3V, 1-slot	3, 5	2	Y	N
FC 2732: Serial HIPPI, Short-Wave Optics (Type 9-W)	3, 6, 1, 5, 2	2	Y	Y
FC 2733: Serial HIPPI, Long-Wave Optics (Type 9-W)	3, 6, 1, 5, 2	2	Y	Y
FC 5712: Dual Channel Ultra320 SCSI 32/64-bit, 3.3V (Type 5702)	7, 4, 1, 5, 2, 6, 3	7	Y	Y
FC 6203: Dual-Channel Ultra3 SCSI, 32/64-bit, 3.3/5V (Type 4-Y)	7, 4, 1, 5, 2, 6, 3	7	Y	Y

Table 54. (continued)

Adapter	Slot Usage	Max. per Drawer	EEH	Hot-Plug
FC 2498: PCI 4-Channel Ultra3 SCSI RAID, 32/64-bit, 3.3/5V (Type 4-X)	7, 4, 5, 2, 6, 3, 1	4	Y	Y
FC 5703: PCI-X Dual Channel Ultra320 SCSI RAID Adapter, 32/64-bit, 3.3V (Type 5703)	7, 4, 5, 2, 6, 3, 1	7	Y	Y
FC 6310: IBM ARTIC960 RxD Quad Digital Trunk PCI, 32-bit, 3.3/5V (Type 6-E)	1, 5, 2, 6, 3, 7, 4	7	N	N
FC 4963: Cryptographic Coprocessor, FIPS-4, 32-bit, 3.3/5V (Type 6-I)	1, 5, 2, 6, 3, 7, 4	7	Y	Y See note 1 on page 210.
FC 4960: IBM Cryptographic Accelerator, 32-bit, 3.3/5V (Type 6-J)	1, 5, 2, 6, 3, 7, 4	7	Y	Y See note 2 on page 210.
FC 5700: Gigabit Ethernet, 1000 Base-SX, 32/64-bit, 3.3/5V	1, 5, 2, 6, 3, 7, 4	7	Y	Y
FC 5707: 2-Port Gigabit Ethernet-SX PCI-X, 32/64-bit, 3.3/5V (Type 5707)	1, 5, 2, 6, 3, 7, 4	7	Y	Y
FC 5701: 10/100/1000 Base-TX Ethernet, 32/64-bit, 3.3/5V	1, 5, 2, 6, 3, 7, 4	7	Y	Y
FC 5706: 2-Port 10/100/1000 Base-TX Ethernet PCI-X, 32/64-bit, 3.3/5V (Type 5706)	1, 5, 2, 6, 3, 7, 4	7	Y	Y
FC 6239: 2 Gigabit Fibre Channel Adapter, 32/64-bit, 3.3V (Type 5704)	1, 5, 2, 6, 3, 7, 4	7 See note 4 on page 210.	Y	Y
FC 6228: 2 Gigabit Fibre Channel Adapter for 32/64-bit, 3.3/5V PCI Bus (Type 4-W)	1, 5, 2, 6, 3, 7, 4	7 See note 4 on page 210.	Y	Y
FC 6230: Advanced SerialRAID Plus, 32-bit, 3.3/5V (Type 4-P)	1, 5, 2, 6, 3, 7, 4	4	Y	Y
FC 6231: 128 MByte DRAM Option Card for FC 6225 and FC 6230	N/A	4	N/A	N/A
FC 6235: Fast Write Cache Option for FC 6225 and FC 6230	N/A	4	N/A	N/A
FC 6204: PCI Universal Differential Ultra SCSI, 32-bit, 3.3/5V (Type 4-U)	1, 5, 2, 6, 3, 7, 4	7	Y	Y
FC 2849: POWER GXT135P Graphics Accelerator, 32-bit, 3.3/5V (Type 2849)	1, 5, 2, 6, 3, 7, 4	4	Y	N
FC 2848: GXT135P Graphics Adapter, 32-bit, 3.3/5V (Type 1-X)	1, 5, 2, 6, 3, 7, 4	4	Y	N
FC 2946: PCI TURBOWAYS 622 PCI MMF ATM, 64-bit, 3.3/5V (Type A-B)	1, 5, 2, 6, 3, 7, 4	7	Y	Y
FC 4962: Ethernet/LAN Encryption 10/100BaseT, 32-bit, 3.3/5V (Type A-F)	1, 5, 2, 6, 3, 7, 4	7	Y	Y
FC 4953: 64-bit/66MHz PCI ATM 155 UTP, 3.3/5V (Type A-C)	1, 5, 2, 6, 3, 7, 4	7	Y	Y

Table 54. (continued)

Adapter	Slot Usage	Max. per Drawer	EEH	Hot-Plug
FC 4957: 64-bit/66MHz PCI ATM 155 MMF, 3.3/5V (Type A-D)	1, 5, 2, 6, 3, 7, 4	7	Y	Y
FC 2947: IBM ARTIC960Hx 4-Port Selectable PCI, 32-bit, 3.3/5V (Type 9-R)	1, 5, 2, 6, 3, 7, 4	7	Y	Y
FC 4959: High-Speed Token Ring PCI, 32-bit, 3.3/5V (Type 9-Y)	1, 5, 2, 6, 3, 7, 4	7	Y	Y
FC 4961: 10/100 4-Port Ethernet, 32/64-bit, 3.3/5V (Type A-E)	1, 5, 2, 6, 3, 7, 4	7	Y	Y
FC 2737: Keyboard / Mouse Attachment Card - PCI, 32-bit, 3.3/5V	1, 5, 2, 6, 3, 7, 4	7	Y	N
FC 2741: SysKonnnect SK-NET FDDI-LP SAS PCI, 32-bit, 3.3/5V (Type *)	1, 5, 2, 6, 3, 7, 4	7	Y	Y
FC 2742: SysKonnnect SK-NET FDDI-LP DAS PCI, 32-bit, 3.3/5V (Type *)	1, 5, 2, 6, 3, 7, 4	7	Y	Y
FC 2943: 8-Port Asynchronous EIA-232E/RS-422A PCI, 32-bit, 3.3/5V (Type 3-B)	1, 5, 2, 6, 3, 7, 4	7	Y	Y
FC 2944: 128-Port Async Controller PCI, 32-bit, 3.3/5V (Type 3-C)	1, 5, 2, 6, 3, 7, 4	7	Y	Y
FC 2962: 2-Port Multiprotocol PCII, 32-bit, 3.3/5V (Type 9-V)	1, 5, 2, 6, 3, 7, 4	7	Y	Y

**Notes:**

1. Before hot-plugging this adapter, see the installation chapter in the *PCI Cryptographic Coprocessor Installation and Using Guide* (SA23-1235) for the required procedures.
2. Before hot-plugging this adapter, see the installation chapter in the *PCI Cryptographic Accelerator Installation and Using Guide* (SA23-1254) for the required procedures.
3. The slot usage for FC 6312: Quad Digital Trunk Telephony PCI, 32/64-bit, 3.3/5V (Type 6312) is valid when FC 4353: Internal H100 BUS, 8-Position Cable or FC 2877: Quad DTA, H.100, 4-Drop Cable is used. FC 2877 and FC 4353 can daisy chain up to four FC 6312 that are adjacent to each other. All FC 6312 will be placed adjacent to each other and if either one FC 2877 or one FC 4353 is on the order, all FC 6312 will be connected together with a single cable
4. Use of one FC 6228: 2 Gigabit Fibre Channel Adapter for 32/64-bit, 3.3/5V PCI Bus (Type 4-W) or FC 6239: 2 Gigabit Fibre Channel Adapter, 32/64-bit, 3.3V (Type 5704) per bus is recommended. More than one of these adapters can be installed per bus, but system performance may not be increased by installing additional adapters to a bus.
5. For optimum system performance, the combined maximum of high-performance adapters should not exceed the maximums listed for FC 5706: 2-Port 10/100/1000 Base-TX Ethernet PCI-X, 32/64-bit, 3.3/5V (Type 5706) or FC 5707: 2-Port Gigabit Ethernet-SX PCI-X, 32/64-bit, 3.3/5V (Type 5707) if either of these adapters is installed in the system. For a list of high-performance adapters, see Appendix B, "High-Performance Adapters," on page 229.

---

## Chapter 32. 9076 RS/6000 SP Systems

These systems are designed for service representatives to install adapters. For information about specific slot requirements for adapters that your service representative may be installing, customers and service representatives can refer to *RS/6000 SP Planning Volume 1, Hardware and Physical Environment* (GA22-7280). Service representatives can also refer to *Installation Instructions for PCI Adapters in RS/6000 SP (M/T 9076) Nodes* for this information.

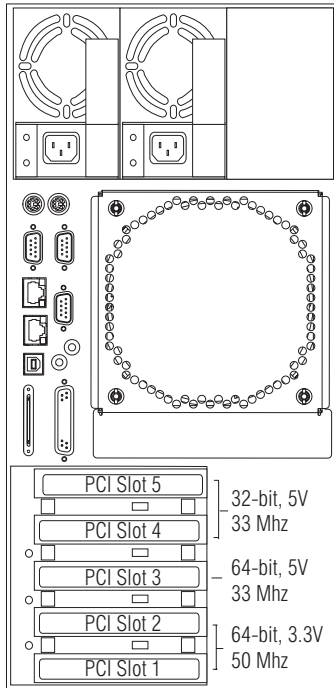
The Models S70, S7A, and S80 systems can function as attached SP servers within the RS/6000 SP environment operating under control of the Parallel Systems Support Programs (PSSP) for AIX. This interconnection can be accomplished using the SP System Attachment for PCI or through an Ethernet connection. Some I/O adapters available on these systems are not supported on the SP environment and must be removed. Refer to the RS/6000 SP 9076-550 sales manual for a list of currently supported adapters.

A minimum of one Ethernet adapter is required for Models S70, S7A, and S80 systems to function as an attached servers within the IBM RS/6000 SP environment.



## Chapter 33. 9112 Model 265

This system is designed for customers to install adapters. Use this guide to determine if there are specific slot requirements for adapters that you may be installing.



### System Unit Rear View with Numbered Slots

Some adapters must be placed in specific system unit slots to function correctly at optimum performance. Use the table under “9112 Model 265 Adapter Placement Guide” on page 214 to determine where to install an adapter in your system unit.

Many of the following notes refer to optimizing system performance. Read “System Performance” on page 1 for more performance-related information.

Use the rear-view diagram above to identify slot locations described in the following tables.

## 9112 Model 265 Adapter Placement Guide

Use the following table to identify specific slot location options for the following adapters in your 9112 Model 265 system.

Table 55. 9112 Model 265

Adapter	Slot Usage	System Maximum
FC 5707: 2-Port Gigabit Ethernet-SX PCI-X, 32/64-bit, 3.3/5V (Type 5707)	1, 2	2
FC 5706: 2-Port 10/100/1000 Base-TX Ethernet PCI-X, 32/64-bit, 3.3/5V (Type 5706)	1, 2	2
FC 6206: Single-Ended Ultra SCSI Adapter, 32-bit, 5V (Type 4-K)	5, 4, 3	2
FC 2842: POWER GXT4500P Graphics Adapter (Type 1-Y)	1, 3, 2, 4, 5	2
FC 2843: POWER GXT6500P Graphics Adapter (Type 1-Z)	1, 3, 2, 4, 5	2
FC 6228: 2 Gigabit Fibre Channel Adapter for 32/64-bit, 3.3/5V PCI Bus (Type 4-W)	1, 3, 2, 4, 5	2 See notes 8 on page 216 and 9 on page 216.
FC 6239: 2 Gigabit Fibre Channel Adapter, 32/64-bit, 3.3V (Type 5704)	1, 3, 2, 4, 5	2 See notes 8 on page 216 and 9 on page 216.
FC 2969: Gigabit Ethernet Fibre, 1000BaseT, 64-bit, 3.3/5V (Type 9-U)	1, 2, 3, 4, 5	5 See note 4 on page 215.
FC 2975: Gigabit Ethernet (UTP) 1000BaseT, 64-bit, 3.3/5V (Type A-A)	1, 2, 3, 4, 5	5 See note 4 on page 215.
FC 5700: Gigabit Ethernet, 1000 Base-SX, 32/64-bit, 3.3/5V	1, 2, 3, 4, 5	5
FC 5701: 10/100/1000 Base-TX Ethernet, 32/64-bit, 3.3/5V	1, 2, 3, 4, 5	5
FC 8244: Audio PCI Adapter for Workstations (Type 8244)	1, 2, 3, 4, 5	1
FC 2849: POWER GXT135P Graphics Accelerator, 32-bit, 3.3/5V (Type 2849)	1, 2, 3, 4, 5	4
FC 2848: GXT135P Graphics Adapter, 32-bit, 3.3/5V (Type 1-X)	1, 2, 3, 4, 5	4
FC 2962: 2-Port Multiprotocol PCII, 32-bit, 3.3/5V (Type 9-V)	5, 4, 3, 2, 1	2
FC 5712: Dual Channel Ultra320 SCSI 32/64-bit, 3.3V (Type 5702)	1, 2, 3, 4, 5	5
FC 5703: PCI-X Dual Channel Ultra320 SCSI RAID Adapter, 32/64-bit, 3.3V (Type 5703)	1, 2, 3, 4, 5	5
FC 2498: PCI 4-Channel Ultra3 SCSI RAID, 32/64-bit, 3.3/5V (Type 4-X)	1, 2, 3, 4, 5	5
FC 6203: Dual-Channel Ultra3 SCSI, 32/64-bit, 3.3/5V (Type 4-Y)	1, 2, 3, 4, 5	5



Table 55. 9112 Model 265 (continued)

Adapter	Slot Usage	System Maximum
FC 6230: Advanced SerialRAID Plus, 32-bit, 3.3/5V (Type 4-P)  FC 6230+6231: 4 Port SSA 40 w/128MB DIMM  FC 6235: Fast Write Cache Option for FC 6225 and FC 6230	1, 2, 3, 4, 5	2 See notes 1 and 2.
FC 4960: IBM Cryptographic Accelerator, 32-bit, 3.3/5V (Type 6-J)	5, 4, 3, 2, 1	4
FC 4961: 10/100 4-Port Ethernet, 32/64-bit, 3.3/5V (Type A-E)	5, 4, 3, 2, 1	5 See notes 5 on page 216 and 7 on page 216.
FC 2943: 8-Port Asynchronous EIA-232E/RS-422A PCI, 32-bit, 3.3/5V (Type 3-B)	5, 4, 3, 2, 1	5
FC 2944: 128-Port Async Controller PCI, 32-bit, 3.3/5V (Type 3-C)	5, 4, 3, 2, 1	5
FC 4959: High-Speed Token Ring PCI, 32-bit, 3.3/5V (Type 9-Y)	5, 4, 3, 2, 1	4
FC 4962: Ethernet/LAN Encryption 10/100BaseT, 32-bit, 3.3/5V (Type A-F)	5, 4, 3, 2, 1	5 See note 6 on page 216.
FC 6204: PCI Universal Differential Ultra SCSI, 32-bit, 3.3/5V (Type 4-U)	5, 4, 3, 2, 1	5
FC 4953: 64-bit/66MHz PCI ATM 155 UTP, 3.3/5V (Type A-C)	5, 4, 3, 2, 1	5 See note 5 on page 216.
FC 4957: 64-bit/66MHz PCI ATM 155 MMF, 3.3/5V (Type A-D)	5, 4, 3, 2, 1	5 See note 5 on page 216.
FC 2946: PCI TURBOWAYS 622 PCI MMF ATM, 64-bit, 3.3/5V (Type A-B)	1, 2, 3, 4, 5	5 See note 4.

**Notes:**

1. FC 6230: Advanced SerialRAID Plus, 32-bit, 3.3/5V (Type 4-P) or FC 6230+6231: 4 Port SSA 40 w/128MB DIMM can be selected with or without the cache upgrade (FC 6235: Fast Write Cache Option for FC 6225 and FC 6230).
2. FC 6235: Fast Write Cache Option for FC 6225 and FC 6230 is a cache upgrade for the FC 6230+6231: 4 Port SSA 40 w/128MB DIMM adapter and can only be selected along with FC 6230: Advanced SerialRAID Plus, 32-bit, 3.3/5V (Type 4-P) or FC 6230+6231: 4 Port SSA 40 w/128MB DIMM (maximum 1 per FC 6230/FC 6230+6231).
3. FC 6227: Gigabit Fibre Channel PCI (Type 4-S) is restricted to only one adapter in slot 1 or 2 and/or one adapter in slot 3, 4, or 5.
4. For optimum system performance, a *combination* of the following adapters should not exceed a maximum of one adapter per system:
  - FC 2969: Gigabit Ethernet Fibre, 1000BaseT, 64-bit, 3.3/5V (Type 9-U)
  - FC 2975: Gigabit Ethernet (UTP) 1000BaseT, 64-bit, 3.3/5V (Type A-A)
  - FC 2946: PCI TURBOWAYS 622 PCI MMF ATM, 64-bit, 3.3/5V (Type A-B)
 Use 64-bit slots (1, 2, or 3) if available.

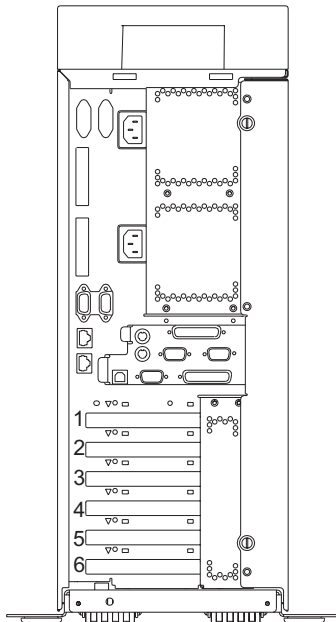
5. For optimum system performance, install up to 5 FC 4953: 64-bit/66MHz PCI ATM 155 UTP, 3.3/5V (Type A-C), or FC 4957: 64-bit/66MHz PCI ATM 155 MMF, 3.3/5V (Type A-D) adapters. Install up to 3 of these adapters if you are in MTU 1500 mode. Use 64-bit slots (1, 2, or 3) if available.
6. For optimum system performance, install up to three FC 4962: Ethernet/LAN Encryption 10/100BaseT, 32-bit, 3.3/5V (Type A-F) adapters in this system.
7. For optimum system performance, a maximum of one FC 4961: 10/100 4-Port Ethernet, 32/64-bit, 3.3/5V (Type A-E) adapter per system (with a maximum of three ports) is recommended.
8. FC 6228: 2 Gigabit Fibre Channel Adapter for 32/64-bit, 3.3/5V PCI Bus (Type 4-W) and FC 6239: 2 Gigabit Fibre Channel Adapter, 32/64-bit, 3.3V (Type 5704) will operate in 32-bit slots, but at a decrease in performance.
9. Use of one FC 6228: 2 Gigabit Fibre Channel Adapter for 32/64-bit, 3.3/5V PCI Bus (Type 4-W) or FC 6239: 2 Gigabit Fibre Channel Adapter, 32/64-bit, 3.3V (Type 5704) per bus is recommended. More than one of these adapters can be installed per bus, but system performance may not be increased by installing additional adapters to a bus.
10. For optimum system performance, the combined maximum of high-performance adapters should not exceed the maximums listed for FC 5706: 2-Port 10/100/1000 Base-TX Ethernet PCI-X, 32/64-bit, 3.3/5V (Type 5706) or FC 5707: 2-Port Gigabit Ethernet-SX PCI-X, 32/64-bit, 3.3/5V (Type 5707) if either of these adapters is installed in the system. For a list of high-performance adapters, see Appendix B, "High-Performance Adapters," on page 229.

## Chapter 34. 9114 Model 275

This system is designed for customers to install adapters. Use this guide to determine if there are specific slot requirements for adapters that you may be installing.

Some adapters must be placed in specific system unit slots to function correctly at optimum performance. Use the information in the following sections of this chapter to determine where to install adapters in your system unit.

### 9114 Model 275 Adapter Placement Guide



#### System Unit Rear View with Numbered Slots

All slots in the system are capable of using PCI-X adapters. Slots 1, 4, 5, and 6 support full-length PCI-X adapters and are 64-bit capable at 133 MHz, 3.3 volts. Slots 2 and 3 support half-length PCI-X adapters and are 32-bit capable at 66 MHz, 3.3 volts.

Use the following table to identify specific slot location options for the adapters in your 9114 Model 275 system.

Table 56. Slot Location Options

Adapter	Slot Usage	Max per System
FC 5709: Dual Channel SCSI RAID Enablement Card (Type 5709)	N/A	1
FC 2843: POWER GXT6500P Graphics Adapter (Type 1-Z)	4	1
FC 2842: POWER GXT4500P Graphics Adapter (Type 1-Y)	4, 5 6	2
FC 6312: Quad Digital Trunk Telephony PCI, 32/64-bit, 3.3/5V (Type 6312)	5, 6	2
FC 6310: IBM ARTIC960 RxD Quad Digital Trunk PCI, 32-bit, 3.3/5V (Type 6-E)	5, 6	2

Table 56. Slot Location Options (continued)

Adapter	Slot Usage	Max per System
FC 6230: Advanced SerialRAID Plus, 32-bit, 3.3/5V (Type 4-P)	5, 6	2
FC 6231: 128 MByte DRAM Option Card for FC 6225 and FC 6230		
FC 6235: Fast Write Cache Option for FC 6225 and FC 6230		
FC 5712: Dual Channel Ultra320 SCSI 32/64-bit, 3.3V (Type 5702)	5, 6	2
FC 2498: PCI 4-Channel Ultra3 SCSI RAID, 32/64-bit, 3.3/5V (Type 4-X)	5, 6	2
FC 6203: Dual-Channel Ultra3 SCSI, 32/64-bit, 3.3/5V (Type 4-Y)	5, 6	2
FC 5703: PCI-X Dual Channel Ultra320 SCSI RAID Adapter, 32/64-bit, 3.3V (Type 5703)	5, 6	2
FC 5701: 10/100/1000 Base-TX Ethernet, 32/64-bit, 3.3/5V	1, 5, 6	3
FC 5700: Gigabit Ethernet, 1000 Base-SX, 32/64-bit, 3.3/5V	1, 5, 6	3
FC 2946: PCI TURBOWAYS 622 PCI MMF ATM, 64-bit, 3.3/5V (Type A-B)	1, 5, 6	3
FC 5707: 2-Port Gigabit Ethernet-SX PCI-X, 32/64-bit, 3.3/5V (Type 5707)	1, 5, 6	3
FC 5706: 2-Port 10/100/1000 Base-TX Ethernet PCI-X, 32/64-bit, 3.3/5V (Type 5706)	1, 5, 6	3
FC 6239: 2 Gigabit Fibre Channel Adapter, 32/64-bit, 3.3V (Type 5704)	1, 5, 6	3 See note 1 on page 219.
FC 8244: Audio PCI Adapter for Workstations (Type 8244)	2, 3.	1
FC 4960: IBM Cryptographic Accelerator, 32-bit, 3.3/5V (Type 6-J)	1, 2, 3, 5, 6	4
FC 6204: PCI Universal Differential Ultra SCSI, 32-bit, 3.3/5V (Type 4-U)	1, 2, 3, 5, 6	4
FC 2849: POWER GXT135P Graphics Accelerator, 32-bit, 3.3/5V (Type 2849)	1, 2, 3, 5, 6	2
FC 2947: IBM ARTIC960Hx 4-Port Selectable PCI, 32-bit, 3.3/5V (Type 9-R)	5, 6	2
FC 4953: 64-bit/66MHz PCI ATM 155 UTP, 3.3/5V (Type A-C)	1, 5, 6	3
FC 4957: 64-bit/66MHz PCI ATM 155 MMF, 3.3/5V (Type A-D)	1, 5, 6	3
FC 4962: Ethernet/LAN Encryption 10/100BaseT, 32-bit, 3.3/5V (Type A-F)	1, 2, 3, 5, 6	4
FC 4959: High-Speed Token Ring PCI, 32-bit, 3.3/5V (Type 9-Y)	1, 2, 3, 5, 6	4
FC 2943: 8-Port Asynchronous EIA-232E/RS-422A PCI, 32-bit, 3.3/5V (Type 3-B)	1, 2, 3, 5, 6	4

Table 56. Slot Location Options (continued)

Adapter	Slot Usage	Max per System
FC 2944: 128-Port Async Controller PCI, 32-bit, 3.3/5V (Type 3-C)	1, 2, 3, 5, 6	4
FC 2962: 2-Port Multiprotocol PCII, 32-bit, 3.3/5V (Type 9-V)	1, 2, 3, 5, 6	4

**Notes:**

1. Use of one FC 6239: 2 Gigabit Fibre Channel Adapter, 32/64-bit, 3.3V (Type 5704) per bus is recommended. More than one of these adapters can be installed per bus, but system performance may not be increased by installing additional adapters to a bus.
2. For optimum system performance, the combined maximum of high-performance adapters should not exceed the maximums listed for FC 5706: 2-Port 10/100/1000 Base-TX Ethernet PCI-X, 32/64-bit, 3.3/5V (Type 5706) or FC 5707: 2-Port Gigabit Ethernet-SX PCI-X, 32/64-bit, 3.3/5V (Type 5707) if either of these adapters is installed in the system. For a list of high-performance adapters, see Appendix B, "High-Performance Adapters," on page 229.



---

## Chapter 35. Digital Trunk PCI Adapter Placement Considerations

To ensure optimum system performance, you must follow additional guidelines when installing these adapters:

- FC 6309: Digital Trunk Quad PCI (Type 6-B)
- FC 6310: IBM ARTIC960 RxD Quad Digital Trunk PCI, 32-bit, 3.3/5V (Type 6-E)
- FC 6311: IBM ARTIC960 RxF PCI, 32-bit, 3.3/5V (Type 6-G)

Read the following guidelines to learn more about Digital Trunk PCI adapter placement considerations.

1. If a system has a FC 2979: PCI Auto LANstreamer Token Ring (Type 8-T) or a FC 2920: 16Mbps PCI Token-Ring (Type 9-0) installed along with either a FC 6309: Digital Trunk Quad PCI (Type 6-B) or FC 6310: IBM ARTIC960 RxD Quad Digital Trunk PCI, 32-bit, 3.3/5V (Type 6-E) adapter, then the FC 2979: PCI Auto LANstreamer Token Ring (Type 8-T) or FC 2920: 16Mbps PCI Token-Ring (Type 9-0) adapters must be installed in a lower slot number relative to the Digital Trunk PCI adapters.
2. Whenever multiple FC 6309: Digital Trunk Quad PCI (Type 6-B) or FC 6310: IBM ARTIC960 RxD Quad Digital Trunk PCI, 32-bit, 3.3/5V (Type 6-E) adapters are installed in the same system, install them in adjacent slots.
3. Do not install FC 6309: Digital Trunk Quad PCI (Type 6-B) and FC 6310: IBM ARTIC960 RxD Quad Digital Trunk PCI, 32-bit, 3.3/5V (Type 6-E) adapters in the same PCI bus as a POWER GXT 110P, 120P, or 130P graphics adapter.
4. FC 6309: Digital Trunk Quad PCI (Type 6-B) and FC 6310: IBM ARTIC960 RxD Quad Digital Trunk PCI, 32-bit, 3.3/5V (Type 6-E) adapters installed in the same system with an ISA adapter should not be installed on the same PCI bus as the ISA bridge.
5. If you install multiple FC 6310: IBM ARTIC960 RxD Quad Digital Trunk PCI, 32-bit, 3.3/5V (Type 6-E) and FC 6311: IBM ARTIC960 RxF PCI, 32-bit, 3.3/5V (Type 6-G)s in a system, you must install the adapters in adjacent slots. Install the FC 6310: IBM ARTIC960 RxD Quad Digital Trunk PCI, 32-bit, 3.3/5V (Type 6-E)s first in the lower numbered slots and then put the FC 6311: IBM ARTIC960 RxF PCI, 32-bit, 3.3/5V (Type 6-G)s in subsequent slots.
6. You may install up to three FC 6311: IBM ARTIC960 RxF PCI, 32-bit, 3.3/5V (Type 6-G)s per FC 6310: IBM ARTIC960 RxD Quad Digital Trunk PCI, 32-bit, 3.3/5V (Type 6-E), but the sum of FC 6310: IBM ARTIC960 RxD Quad Digital Trunk PCI, 32-bit, 3.3/5V (Type 6-E)s and FC 6311: IBM ARTIC960 RxF PCI, 32-bit, 3.3/5V (Type 6-G)s cannot exceed six.
7. For optimum performance, install FC 6310: IBM ARTIC960 RxD Quad Digital Trunk PCI, 32-bit, 3.3/5V (Type 6-E)s on their own bus.





---

## Chapter 36. FC 2854: POWER GXT500P (Type 1-I) and FC 2855: POWER GXT550P (Type 1-J) Support Configurations

The FC 2854: POWER GXT500P (Type 1-I) and FC 2855: POWER GXT550P (Type 1-J) graphics adapters support machine types 7025 and 7043. Nevertheless, the adapters are not interchangeable within all of these machine types. If you install one of these adapters in an unsupported adapter-machine combination, it may appear to function properly. However, unsupported adapter-machine combinations experience intermittent problems. The information in this chapter guides you through a process to determine if your FC 2854: POWER GXT500P (Type 1-I) or your FC 2855: POWER GXT550P (Type 1-J) is compatible with the system unit in which you would like to install it.

Table 57. Support Configurations

System Unit	Device Specific (Z1) for FC 2854: POWER GXT500P (Type 1-I) or FC 2855: POWER GXT550P (Type 1-J)	Supported Slots
7043 Model 140	T or C	2
7043 Model 240	0 or C	2
7025 Model F40	0 or C	1, 2, 3

Find your adapter device driver name. Use this information to find the Device Specific Code (Z1) listed by machine type in the above table. Check the table to ensure that your adapter is used in your machine type and that it is in a supported slot.

### Verify Adapter Placement and Part Number

1. To find your adapter device name, type:

```
lsdisp
```

Your device name (for example `mint0`) appears under the heading `DEV_NAME`.

**Note:** You must type your specific device driver name after the `-l` in the following instruction. In this instruction, `mint0` is an example of a device driver name.

2. To find your adapter part number, type:

```
lscfg -v -lmint0
```

The following is an example of data from lscfg:

```
mint0          04-02          GXT550P Graphics Adapter

Part Number .....040H7745
EC Level .....00D74509
Serial Number .....00000000
FRU Number .....040H4962
Manufacturer .....IBM97N
Device Driver Level .....00
Diagnostic Level .....00
Displayable Message .....GXT550P
Loadable Microcode Level ...0000
ROS Level and ID .....0000
Device Specific .(Z0) .....84808084C0C0C0C0
Device Specific .(Z1) .....0
```

3. Find the Device Specific (Z1) row at the end of the above screen. Verify that this code (for example, 0) is consistent with your system unit as shown in Table 57 on page 223.
4. Verify slot location by reading the last two digits of the header, 04-02. The 02 tells you the adapter is in slot 2. Go to Table 57 on page 223 to verify the slot location is supported.
5. Refer to your adapter installation guide for additional troubleshooting measures.

---

## Chapter 37. FC 2853: POWER GXT800P (Type 1-K) Support Configurations

The FC 2853: POWER GXT800P (Type 1-K) graphics adapters (with base memory or with base memory and texture) support machine types 7025 and 7043. Nevertheless, the adapters are not interchangeable within all of these machine types. If you install one of these adapters in an unsupported adapter-machine combination, it may appear to function properly. However, unsupported adapter-machine combinations experience intermittent problems. The information in this chapter guides you through a process to determine if your FC 2853: POWER GXT800P (Type 1-K) is compatible with the system unit in which you would like to install it.

Table 58. Support Configurations

System Unit	Device Specific (Z1) for FC 2853: POWER GXT800P (Type 1-K)	Supported Slots
7043 Model 140	T or C	2
7043 Model 240	0 or C	2
7025 Model F40	0 or C	2, 3
7025 Model F50 (see note below)	C	3

**Note:** The ROS level and ID of the adapter must be 0005 or greater to support installation in a 7025 Model F50. Use the following procedure to determine the ROS level and ID for your FC 2853: POWER GXT800P (Type 1-K).

Find your adapter device driver name. Use this information to find the Device Specific Code (Z1) listed by machine type in the above table. Check the table to ensure that your adapter is used in your machine type and that it is in a supported slot.

### Verify Adapter Placement using Device Name

1. To find your adapter device name, type:

```
lscfg
```

Your device name (for example `smint0`) will appear under `DEV_NAME`.

**Note:** You must type your specific device driver name after the `-l` in the following instruction. In this instruction, `smint0` is an example of a device driver name.

2. To find your adapter device specific code, type:

```
lscfg -v -lsmint0
```

The following is an example of data from lscfg:

```
smint0      04-02      GXT800P Graphics Adapter

Part Number .....039H8699
EC Level .....00D74274
Serial Number .....00000000
FRU Number .....039H8700
Manufacturer .....XYC97N
Device Driver Level .....00
Diagnostic Level .....00
Displayable Message .....GXT800P
Loadable Microcode Level ...0000
ROS Level and ID .....0000
Device Specific .(Z0) .....84808084C0C0C0C0
Device Specific .(Z1) .....0
```

3. Find the Device Specific (Z1) row at the end of the above screen. Verify that this code (for example, 0) and the slot number are consistent with your system unit as shown in Table 58 on page 225.
4. Verify slot location by reading the last two digits of the header, 04-02. The 02 tells you the adapter is in slot 2. Go to Table 58 on page 225 to verify the slot location is supported.
5. Refer to your adapter installation guide for additional troubleshooting measures.

---

## Appendix A. Notices

This information was developed for products and services offered in the U.S.A.

The manufacturer may not offer the products, services, or features discussed in this document in other countries. Consult the manufacturer's representative for information on the products and services currently available in your area. Any reference to the manufacturer's product, program, or service is not intended to state or imply that only that product, program, or service may be used. Any functionally equivalent product, program, or service that does not infringe any intellectual property right of the manufacturer may be used instead. However, it is the user's responsibility to evaluate and verify the operation of any product, program, or service.

The manufacturer may have patents or pending patent applications covering subject matter described in this document. The furnishing of this document does not give you any license to these patents. You can send license inquiries, in writing, to the manufacturer.

**The following paragraph does not apply to the United Kingdom or any country where such provisions are inconsistent with local law:** THIS MANUAL IS PROVIDED "AS IS" WITHOUT WARRANTY OF ANY KIND, EITHER EXPRESSED OR IMPLIED, INCLUDING, BUT NOT LIMITED TO, THE IMPLIED WARRANTIES OF NON-INFRINGEMENT, MERCHANTABILITY OR FITNESS FOR A PARTICULAR PURPOSE. Some states do not allow disclaimer of express or implied warranties in certain transactions; therefore, this statement may not apply to you.

This information could include technical inaccuracies or typographical errors. Changes are periodically made to the information herein; these changes will be incorporated in new editions of the publication. The manufacturer may make improvements and/or changes in the product(s) and/or the program(s) described in this publication at any time without notice.

Information concerning products made by other than the manufacturer was obtained from the suppliers of those products, their published announcements, or other publicly available sources. The manufacturer has not tested those products and cannot confirm the accuracy of performance, compatibility or any other claims related to products made by other than the manufacturer. Questions on the capabilities of products made by other than the manufacturer should be addressed to the suppliers of those products.



---

## Appendix B. High-Performance Adapters

The following is a list of high-performance adapters. To improve system performance, combinations of these adapters may be limited to a lower maximum number than the maximum number permitted for individual adapters used in a system or drawer. For additional information about these limitations, see the notes section of the placement rules for each system.

- FC 2946: PCI TURBOWAYS 622 PCI MMF ATM, 64-bit, 3.3/5V (Type A-B)
- FC 2969: Gigabit Ethernet Fibre, 1000BaseT, 64-bit, 3.3/5V (Type 9-U)
- FC 2975: Gigabit Ethernet (UTP) 1000BaseT, 64-bit, 3.3/5V (Type A-A)
- FC 5700: Gigabit Ethernet, 1000 Base-SX, 32/64-bit, 3.3/5V
- FC 5701: 10/100/1000 Base-TX Ethernet, 32/64-bit, 3.3/5V
- FC 5712: Dual Channel Ultra320 SCSI 32/64-bit, 3.3V (Type 5702)
- FC 5706: 2-Port 10/100/1000 Base-TX Ethernet PCI-X, 32/64-bit, 3.3/5V (Type 5706)
- FC 5707: 2-Port Gigabit Ethernet-SX PCI-X, 32/64-bit, 3.3/5V (Type 5707)
- FC 6203: Dual-Channel Ultra3 SCSI, 32/64-bit, 3.3/5V (Type 4-Y)
- FC 6228: 2 Gigabit Fibre Channel Adapter for 32/64-bit, 3.3/5V PCI Bus (Type 4-W)
- FC 6230: Advanced SerialRAID Plus, 32-bit, 3.3/5V (Type 4-P)
- FC 6239: 2 Gigabit Fibre Channel Adapter, 32/64-bit, 3.3V (Type 5704)
- FC 8396: SP System Attachment (Type 6-F)
- FC 8397: SP System Attachment, 64-bit, 3.3/5V, 2-slot
- FC 8398: SP Switch2 PCI-X Attachment, 64-bit, 3.3V, 1-slot





---

# Readers' Comments — We'd Like to Hear from You

RS/6000 and @server pSeries  
Adapter Placement Reference for AIX

Publication No. SA38-0538-24

Overall, how satisfied are you with the information in this book?

	Very Satisfied	Satisfied	Neutral	Dissatisfied	Very Dissatisfied
Overall satisfaction	<input type="checkbox"/>	<input type="checkbox"/>	<input type="checkbox"/>	<input type="checkbox"/>	<input type="checkbox"/>

How satisfied are you that the information in this book is:

	Very Satisfied	Satisfied	Neutral	Dissatisfied	Very Dissatisfied
Accurate	<input type="checkbox"/>	<input type="checkbox"/>	<input type="checkbox"/>	<input type="checkbox"/>	<input type="checkbox"/>
Complete	<input type="checkbox"/>	<input type="checkbox"/>	<input type="checkbox"/>	<input type="checkbox"/>	<input type="checkbox"/>
Easy to find	<input type="checkbox"/>	<input type="checkbox"/>	<input type="checkbox"/>	<input type="checkbox"/>	<input type="checkbox"/>
Easy to understand	<input type="checkbox"/>	<input type="checkbox"/>	<input type="checkbox"/>	<input type="checkbox"/>	<input type="checkbox"/>
Well organized	<input type="checkbox"/>	<input type="checkbox"/>	<input type="checkbox"/>	<input type="checkbox"/>	<input type="checkbox"/>
Applicable to your tasks	<input type="checkbox"/>	<input type="checkbox"/>	<input type="checkbox"/>	<input type="checkbox"/>	<input type="checkbox"/>

Please tell us how we can improve this book:

Thank you for your responses. May we contact you?  Yes  No

When you send comments to IBM, you grant IBM a nonexclusive right to use or distribute your comments in any way it believes appropriate without incurring any obligation to you.

---

Name

---

Address

---

Company or Organization

---

Phone No.



Fold and Tape

Please do not staple

Fold and Tape



NO POSTAGE  
NECESSARY  
IF MAILED IN THE  
UNITED STATES

# BUSINESS REPLY MAIL

FIRST-CLASS MAIL PERMIT NO. 40 ARMONK, NEW YORK

POSTAGE WILL BE PAID BY ADDRESSEE

Information Development  
Department H6DS-905-6C006  
11501 Burnet Road  
Austin, TX 78758-3493



Fold and Tape

Please do not staple

Fold and Tape





Printed in USA

SA38-0538-24



Spine information:



RS/6000 and @server pSeries Adapter Placement Reference for AIX

SA38-0538-24