



US00D341359S

United States Patent [19]

[11] Patent Number: Des. 341,359

Falkenberg et al.

[45] Date of Patent: ** Nov. 16, 1993

[54] BACK PANEL FOR A COMPUTER

D. 315,339 3/1991 Yang D14/115
D. 330,546 10/1992 Herrick D14/115

[75] Inventors: **Elke D. R. Falkenberg**, West Palm Beach; **Vincent S. Garmon**, Boynton Beach, both of Fla.

Primary Examiner—Wallace R. Burke
Assistant Examiner—Freda S. Nunn
Attorney, Agent, or Firm—Romualdas Strimaitis

[73] Assignee: **International Business Machines Corp.**, Armonk, N.Y.

[57] CLAIM

[**] Term: **14 Years**

The ornamental design for a back panel for a computer, as shown and described.

[21] Appl. No.: **712,806**

DESCRIPTION

[22] Filed: **Jun. 10, 1991**

[52] U.S. Cl. **D14/115**

[58] Field of Search D14/100, 102, 109, 114,
D14/115; D13/184, 199; 361/390, 395;
358/249, 254

FIG. 1 is a top front left perspective view of a back panel for a computer;

FIG. 2 is a top rear left perspective view of a back panel for a computer;

FIG. 3 is a frontal view of a back panel for a computer;

FIG. 4 is a rear view of a back panel for a computer;

FIG. 5 is an enlarged left side view of a back panel for a computer;

FIG. 6 is an enlarged right side view of a back panel for a computer;

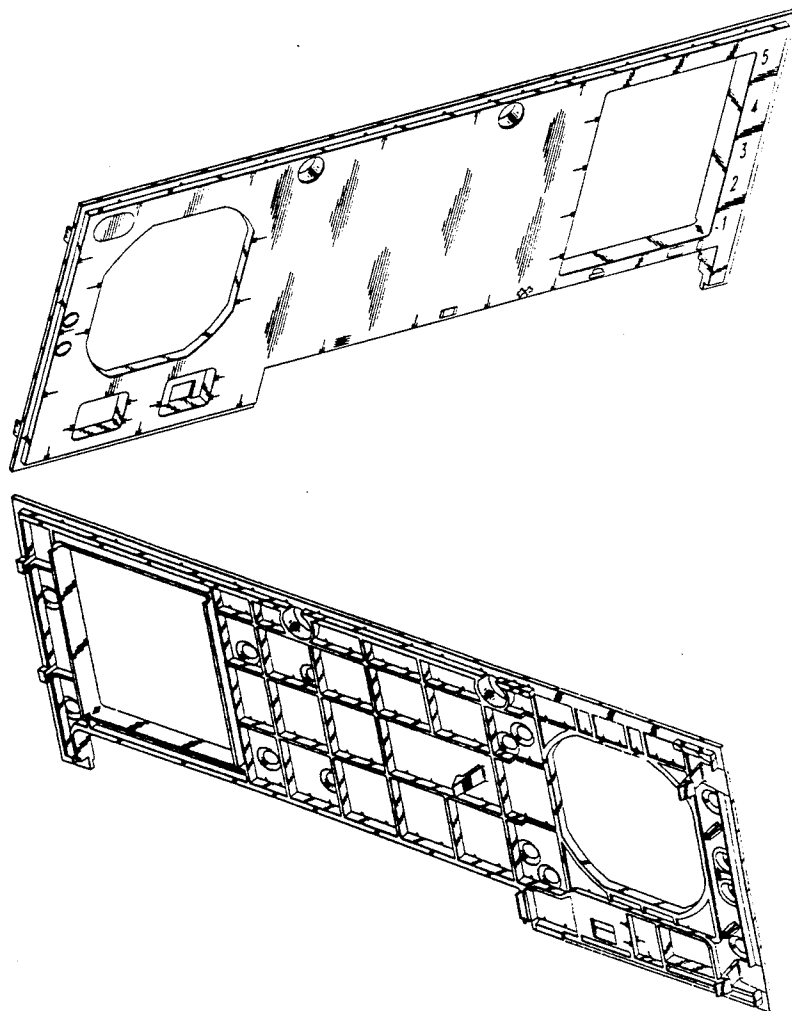
FIG. 7 is a top view of a back panel for a computer; and,

FIG. 8 is a bottom view of a back panel for a computer.

[56] References Cited

U.S. PATENT DOCUMENTS

D. 257,510	11/1980	Fow et al.	D14/115
D. 313,982	1/1991	Eilert et al.	D14/115
D. 314,192	1/1991	Lawlor	D14/114
D. 314,568	2/1991	Martin	D14/115



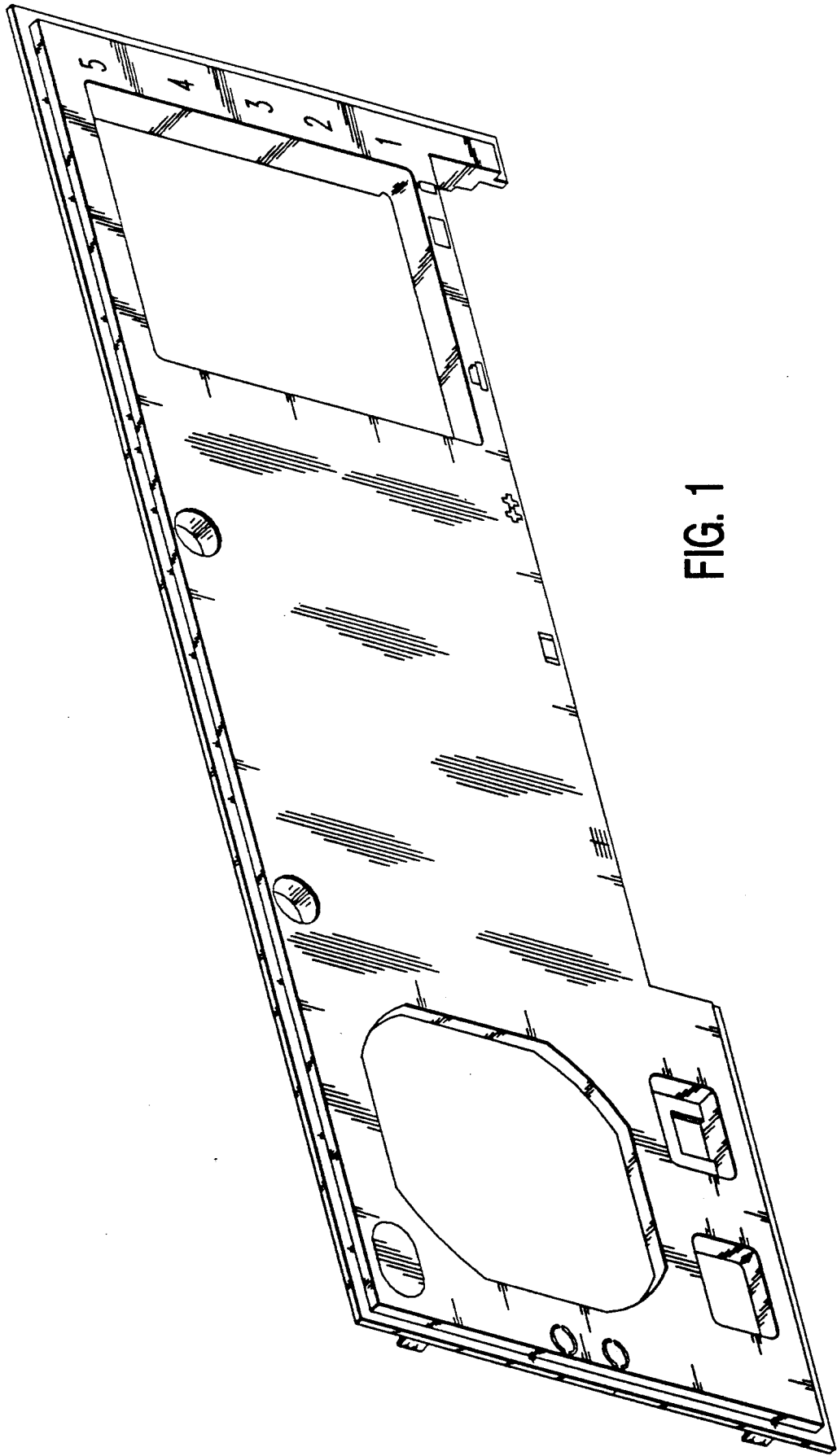


FIG. 1

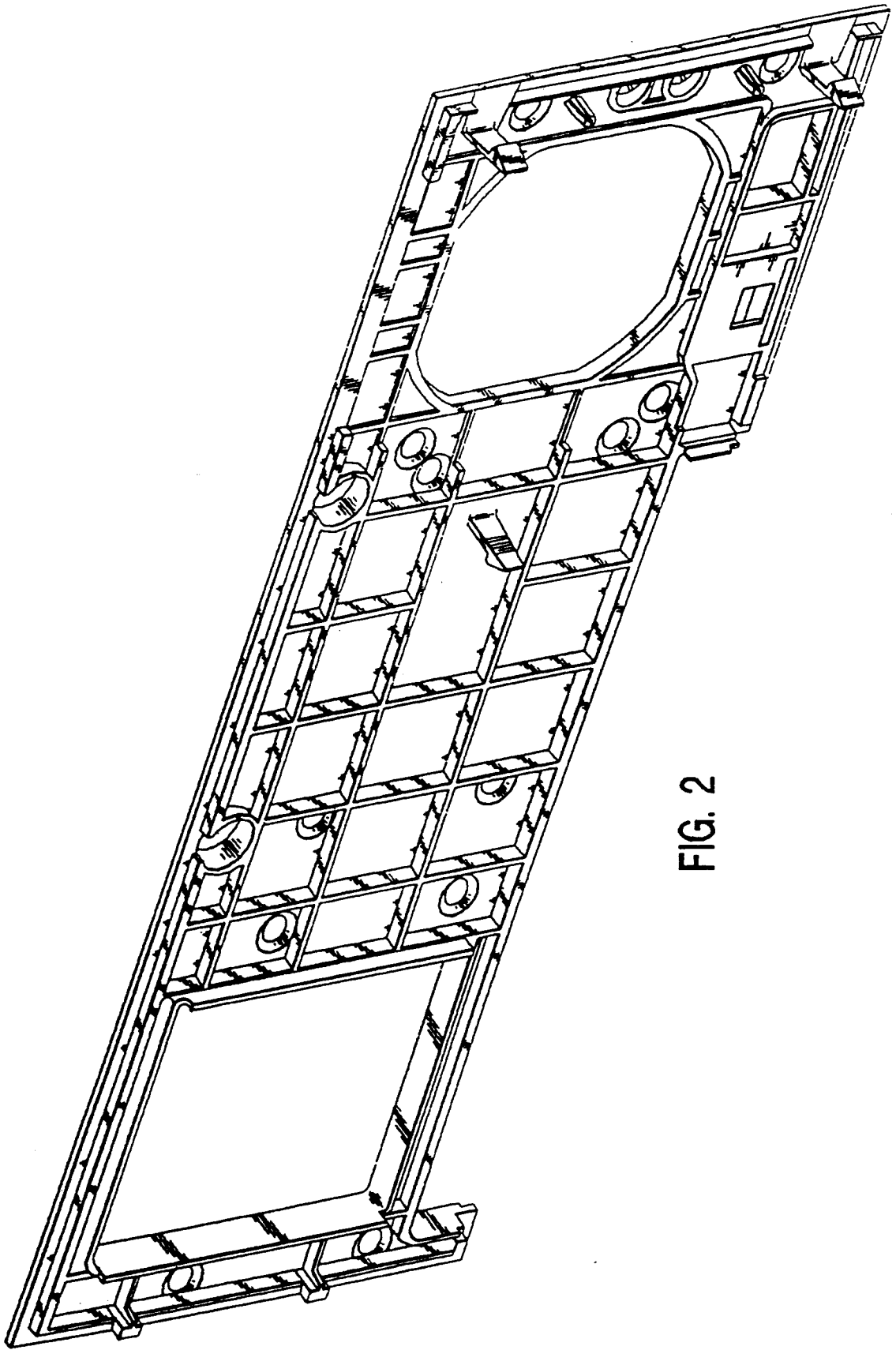


FIG. 2

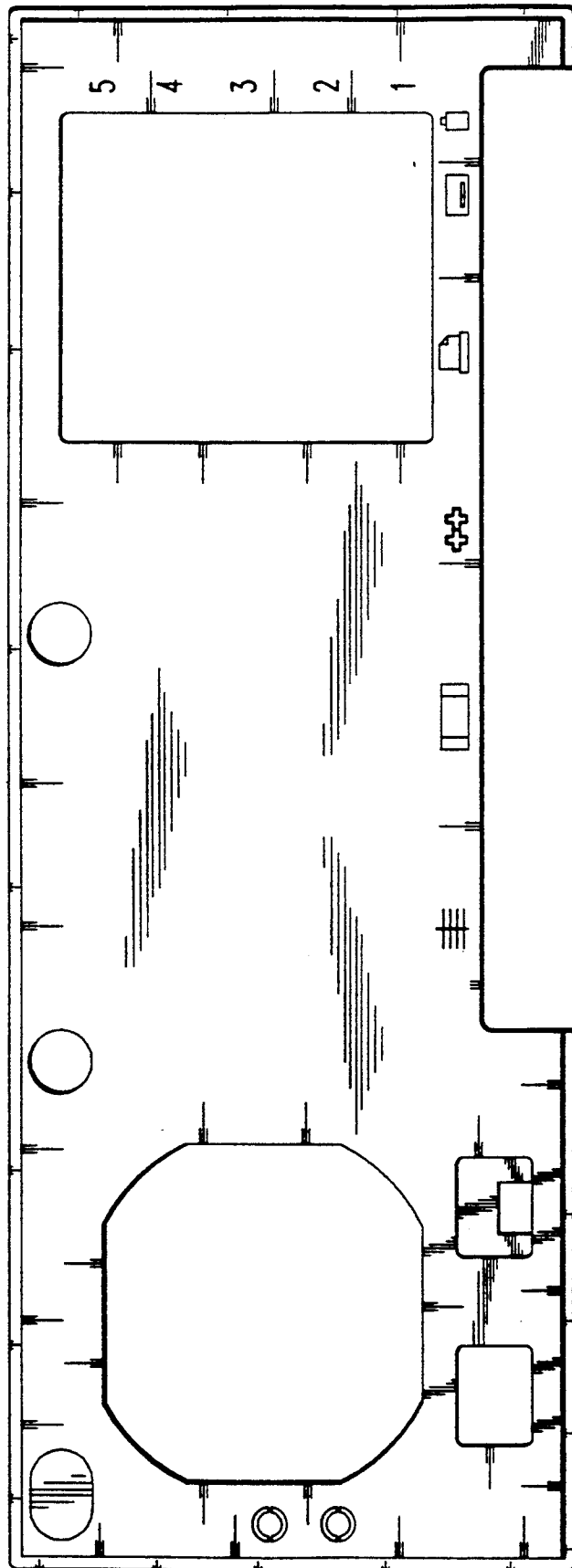


FIG. 3

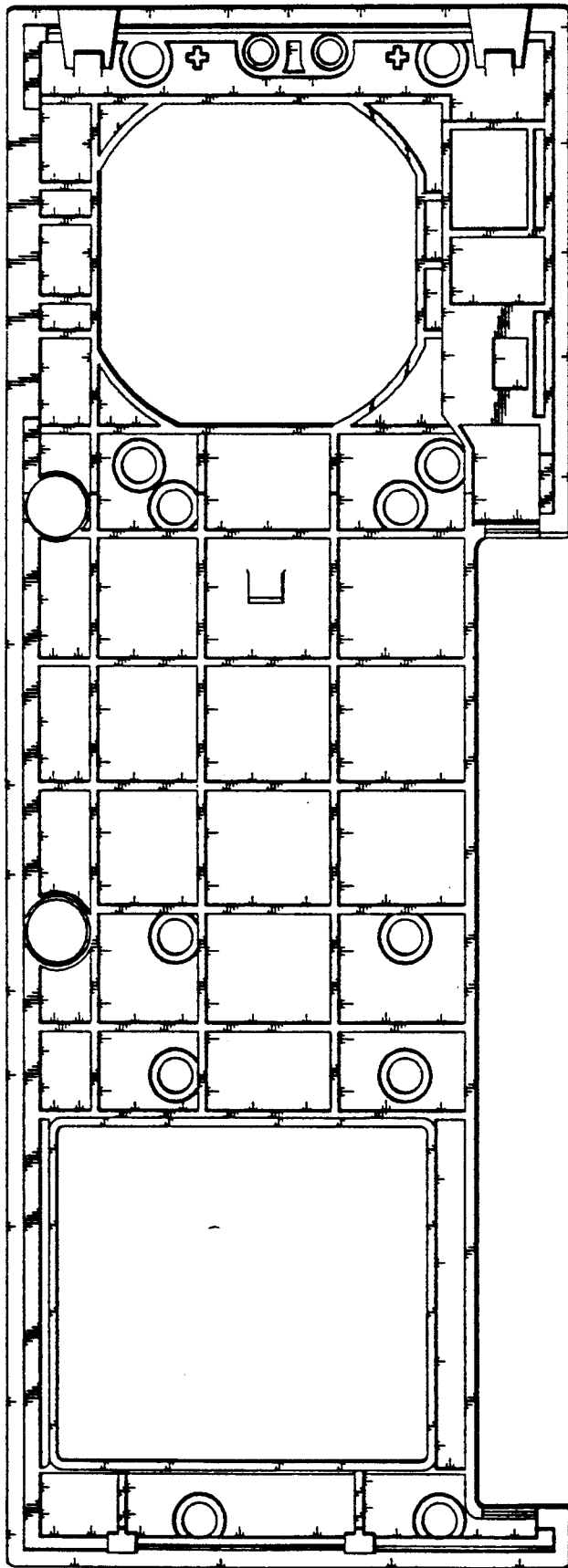


FIG. 4

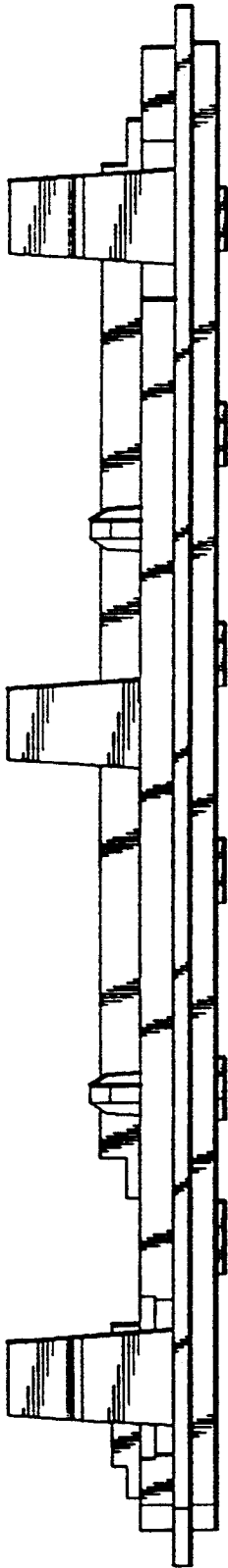


FIG. 5



FIG. 6



FIG. 7



FIG. 8