



US00D334741S

United States Patent [19]

Pangburn et al.

[11] Patent Number: **Des. 334,741**

[45] Date of Patent: **** Apr. 13, 1993**

[54] **DISPLAY FOR COMPUTER**

[75] Inventors: **Thomas E. Pangburn**, Lexington, Ky.; **John A. Wiseman**, Winchester, England

[73] Assignee: **International Business Machines Corporation**, Armonk, N.Y.

[**] Term: **14 Years**

[21] Appl. No.: **505,945**

[22] Filed: **Apr. 4, 1990**

[30] **Foreign Application Priority Data**

- Oct. 5, 1989 [GB] United Kingdom 2001488
- [52] U.S. Cl. **D14/113**
- [58] Field of Search D14/100, 101, 105, 106, D14/113; D18/1, 7, 11, 12; 340/700, 706, 711, 712; 358/248, 249, 254, 255; 364/706-709.09

[56] **References Cited**

U.S. PATENT DOCUMENTS

- D. 295,863 5/1988 Sacherman D14/113
- D. 303,380 9/1989 Grange et al. D14/113
- D. 305,755 1/1990 Suyama et al. D14/113
- D. 306,159 2/1990 Grange et al. D14/113
- D. 321,344 11/1991 Steinbugler et al. D14/113
- D. 321,345 11/1991 Foster et al. D14/113

Primary Examiner—Wallace R. Burke
Assistant Examiner—Freda S. Nunn
Attorney, Agent, or Firm—Joscelyn G. Cockburn

[57] **CLAIM**

The ornamental design for a display for computer, as shown and described.

DESCRIPTION

FIG. 1 is a reduced perspective view of a display for computer showing our new design;
FIG. 2 is a front elevational view thereof;
FIG. 3 is a rear elevational view thereof;
FIG. 4 is a right-side elevational view thereof;
FIG. 5 is a left-side elevational view thereof;
FIG. 6 is a top plan view thereof; and,
FIG. 7 is a bottom plan view thereof.

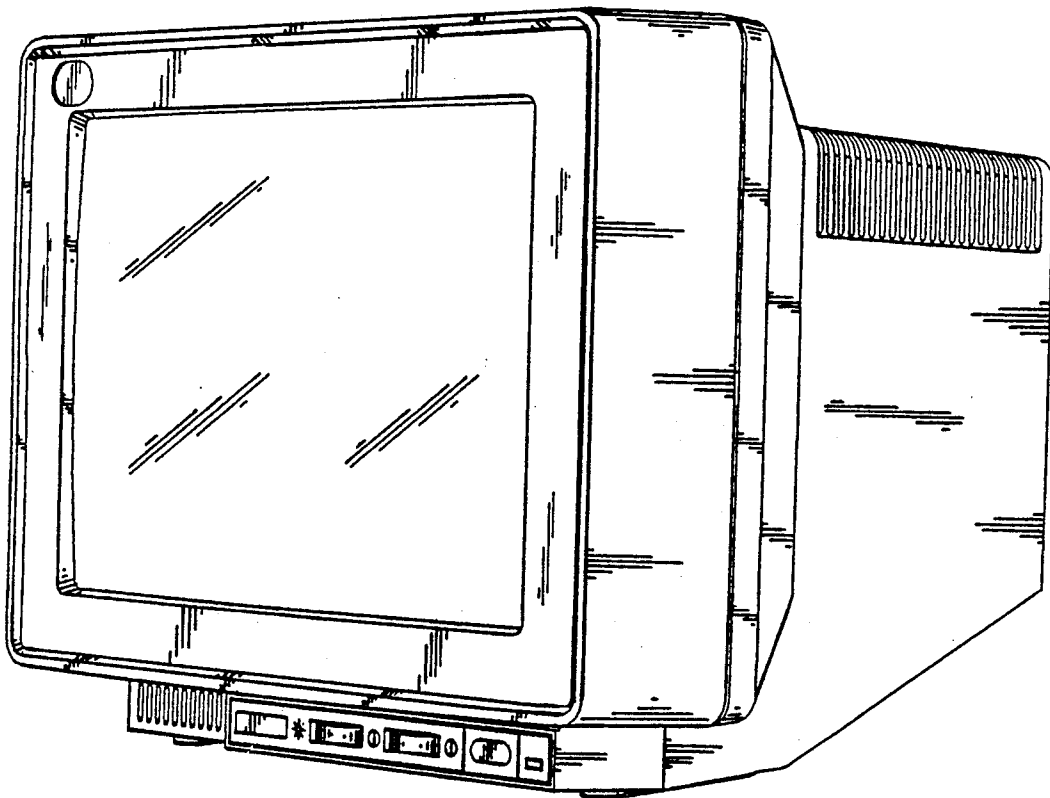


FIG. 1

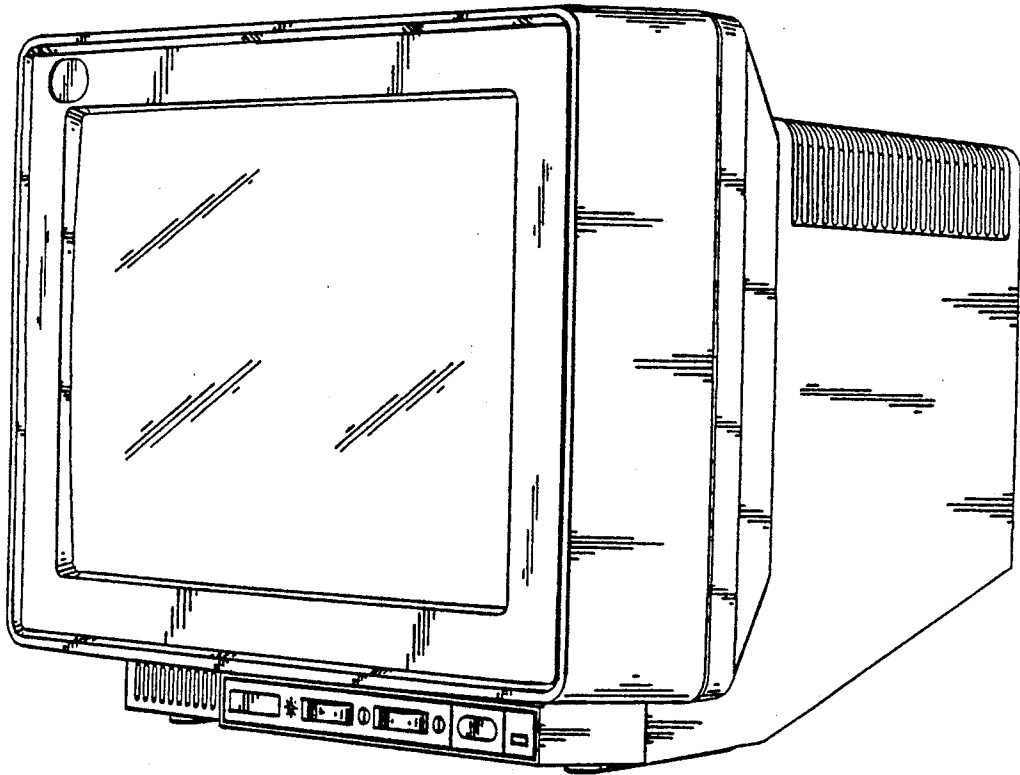


FIG. 2

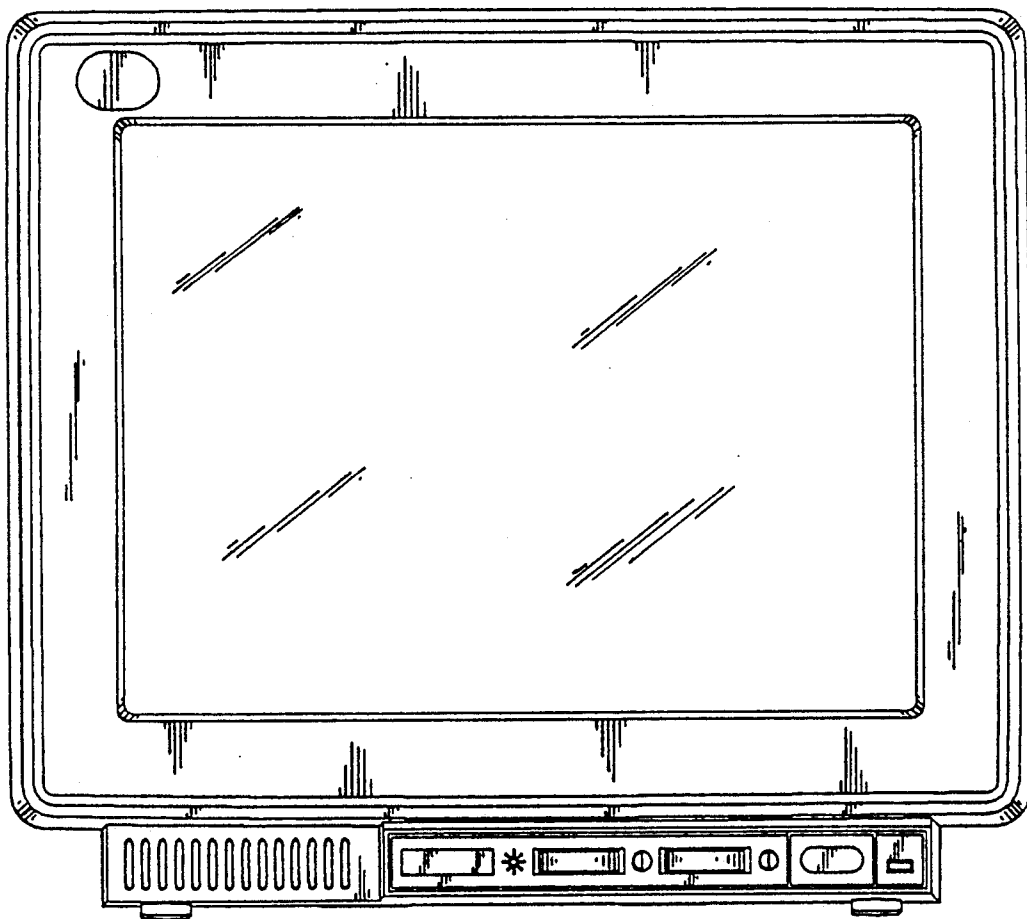


FIG. 3

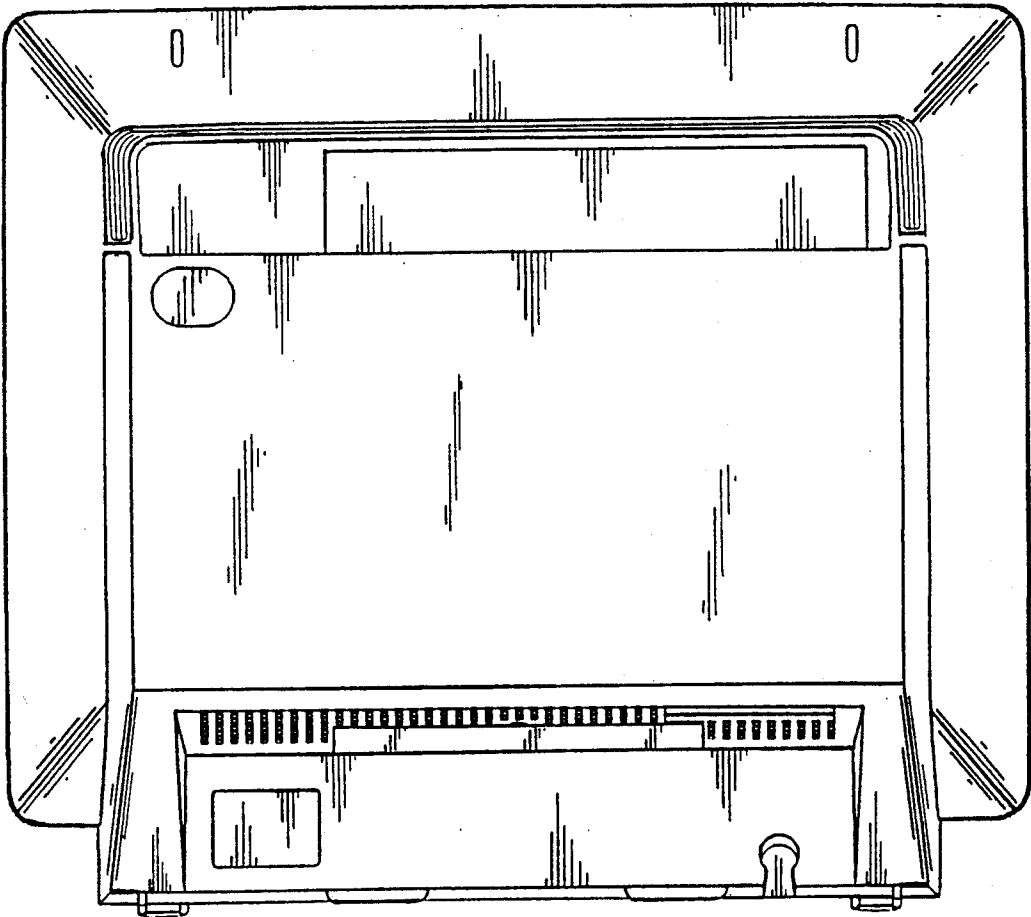


FIG. 4

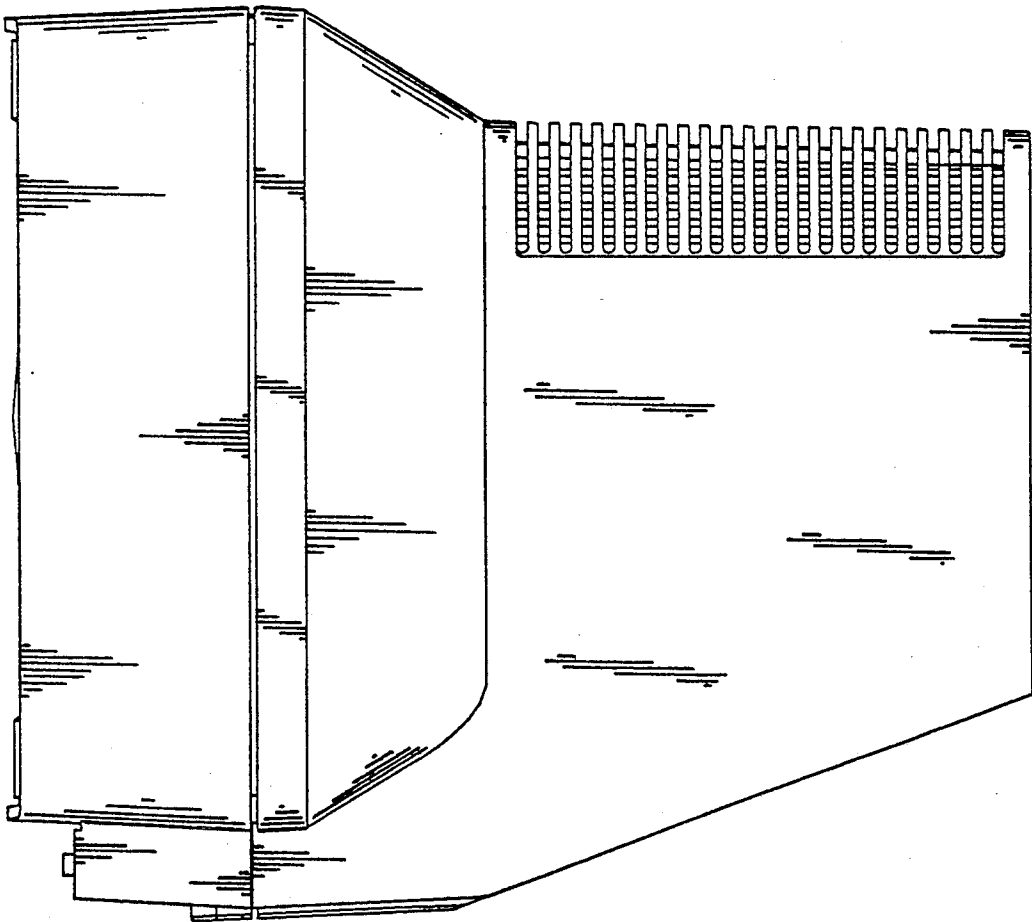


FIG. 5

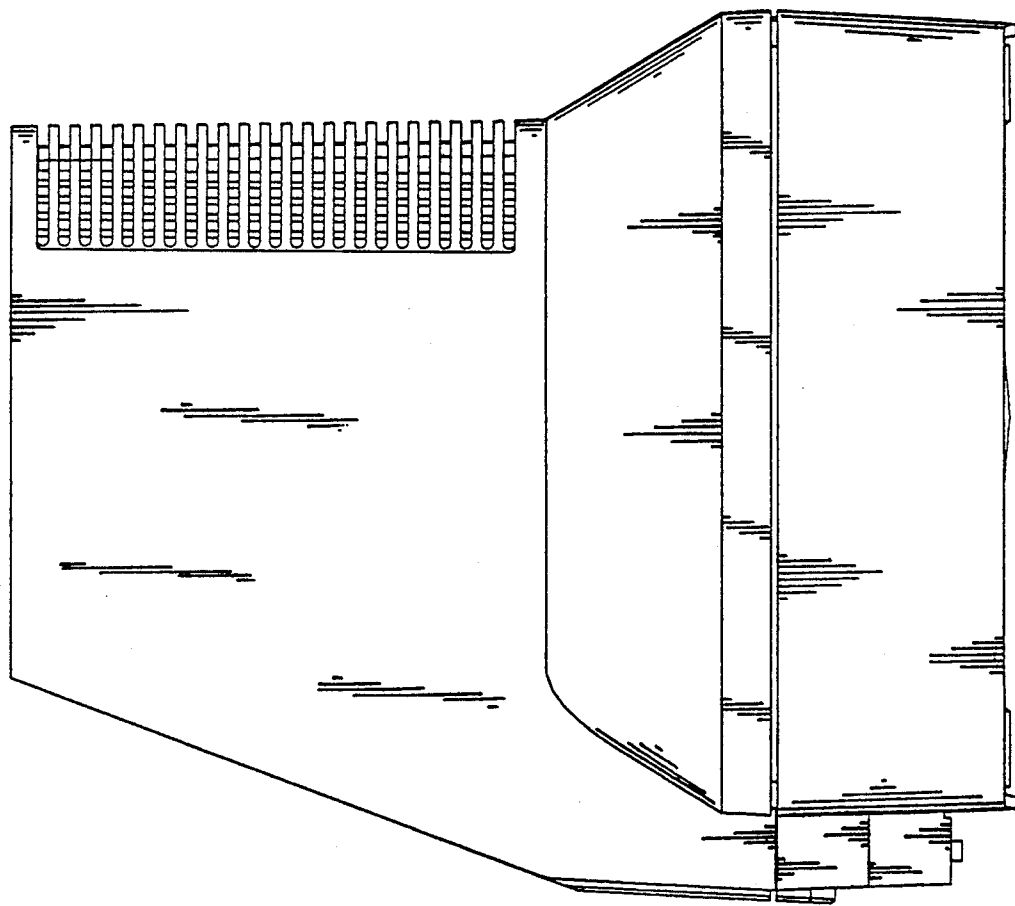


FIG. 6

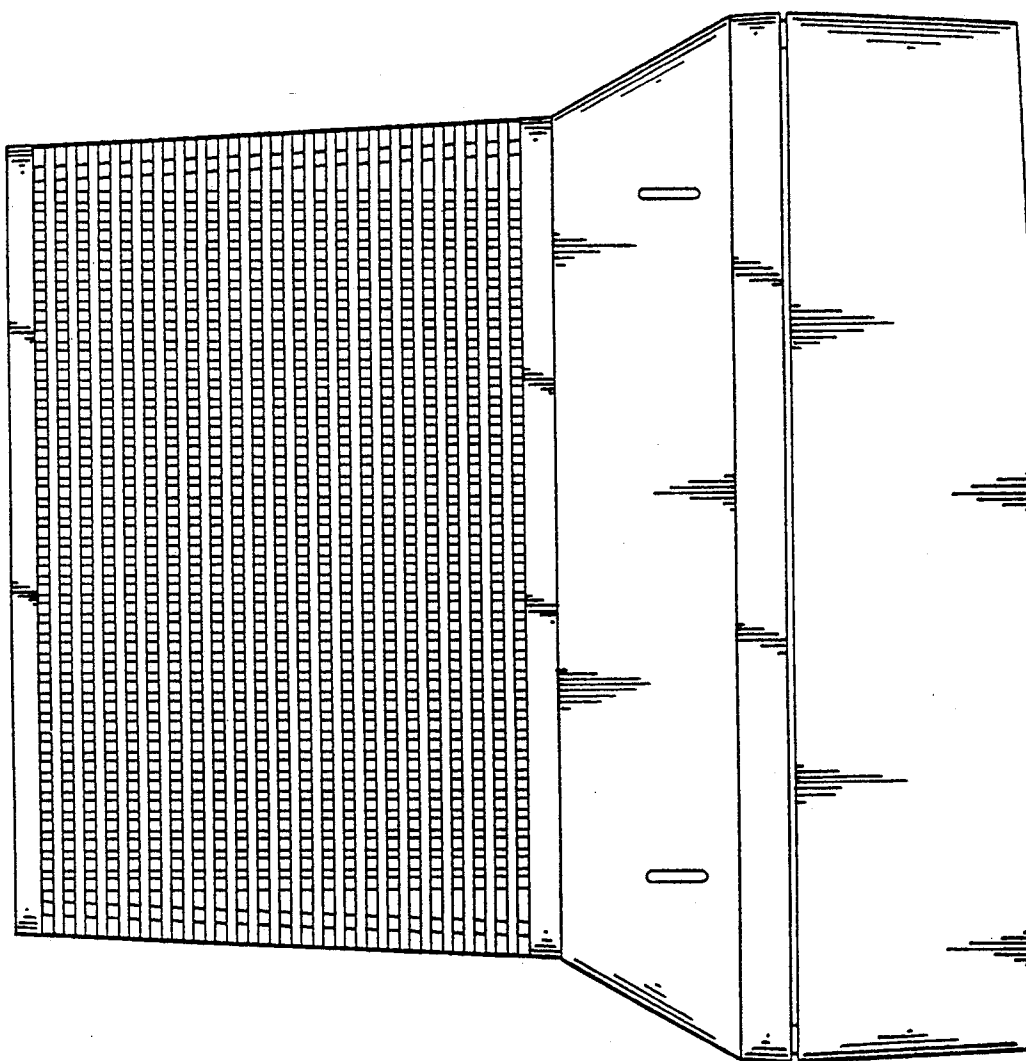


FIG. 7

