

[54] COMPUTER HOUSING

[75] Inventors: Jeffrey L. Kline, Austin; Edward J. Sabella, Georgetown, both of Tex.

[73] Assignee: International Business Machines Corporation, Armonk, N.Y.

[**] Term: 14 Years

[21] Appl. No.: 471,985

[22] Filed: Jan. 29, 1990

[52] U.S. Cl. D14/100; D14/109

[58] Field of Search D14/100, 108, 109; D13/162, 163, 184, 199; 174/52.1; 360/97.01-99.12, 132, 133; 361/330-332, 334, 335, 380-385, 390-395, 415, 426; 364/130, 144, 708

[56] References Cited

U.S. PATENT DOCUMENTS

- D. 279,374 6/1985 Benigni et al. D14/100
- D. 280,410 9/1985 Sakamoto D14/100
- D. 281,245 11/1985 Lewis D14/100
- D. 289,056 3/1987 Davis et al. D14/100
- D. 294,577 3/1988 Kline D14/100
- D. 304,327 10/1989 Kagayama et al. D14/100
- D. 307,135 4/1990 Sato et al. D14/109 X

Primary Examiner—Wallace R. Burke
Assistant Examiner—Freda S. Nunn

Attorney, Agent, or Firm—Thomas E. Tyson

[57] CLAIM

The ornamental design for a computer housing, as shown and described.

DESCRIPTION

FIG. 1 is a top front side perspective view of a computer housing showing our new design and in a horizontal position;

FIG. 2 is a front elevational view thereof;

FIG. 3 is a rear elevational view thereof;

FIG. 4 is a top plan view thereof;

FIG. 5 is a bottom plan view thereof;

FIG. 6 is a right side elevational view thereof;

FIG. 7 is a left side elevational view thereof;

FIG. 8 is a front side bottom perspective view thereof shown in an alternate vertical position;

FIG. 9 is a front elevational view thereof;

FIG. 10 is a rear elevational view thereof;

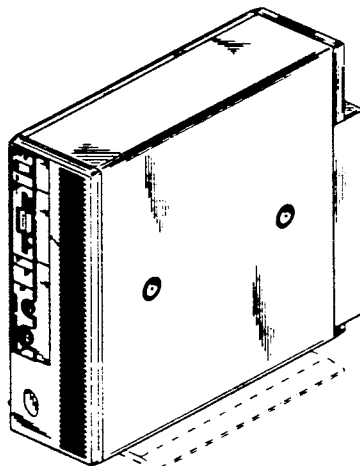
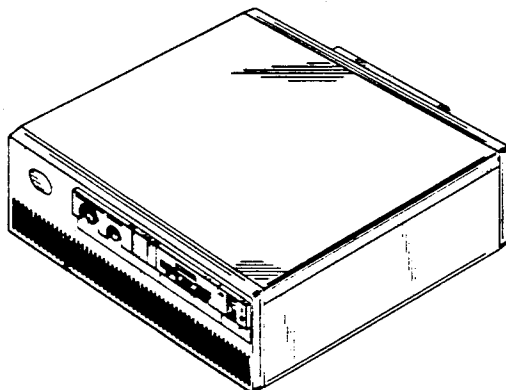
FIG. 11 is a plan view as seen from the top of FIG. 8;

FIG. 12 is a plan view as seen from the bottom of FIG. 8;

FIG. 13 is a side elevational view as seen from the side of FIG. 8;

FIG. 14 is a side elevational view as seen from the opposite side of FIG. 8.

The computer support base is shown in broken lines in FIGS. 2, 3 and 5-14 for illustrative purposes only and forms no part of the claimed design.



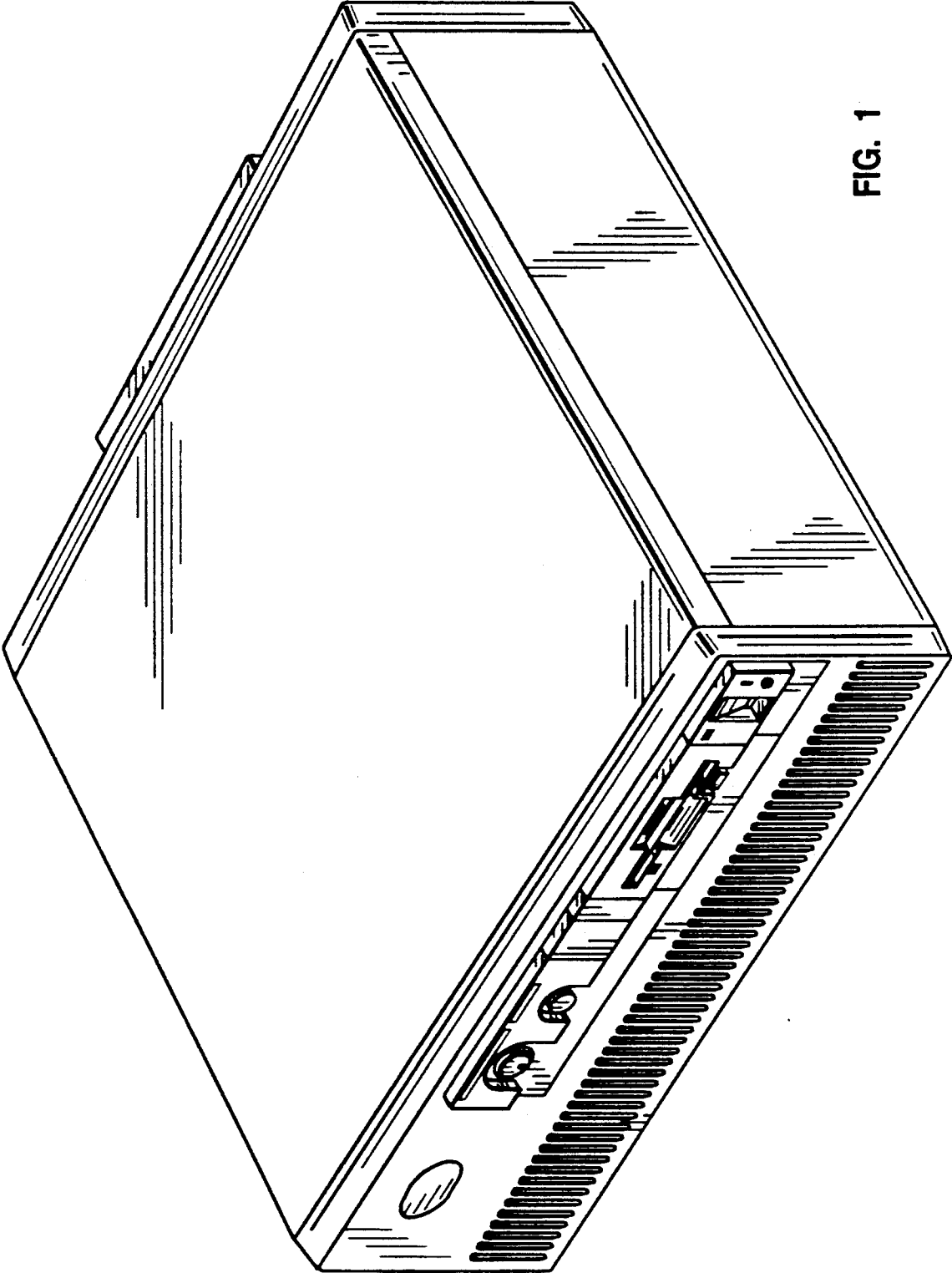


FIG. 1

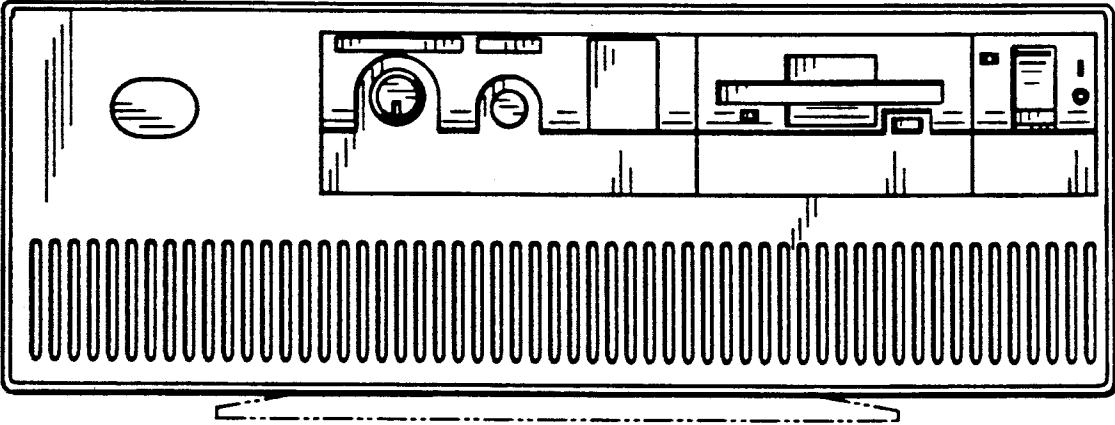


FIG. 2

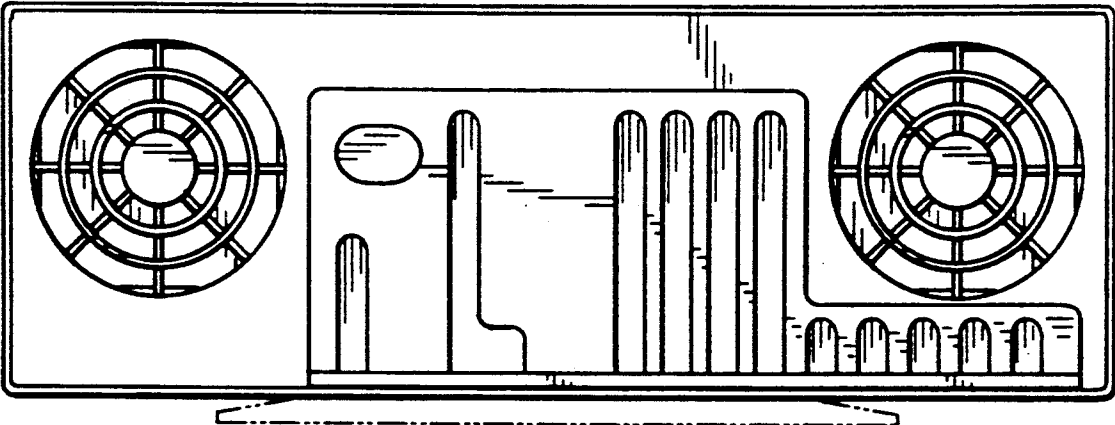


FIG. 3

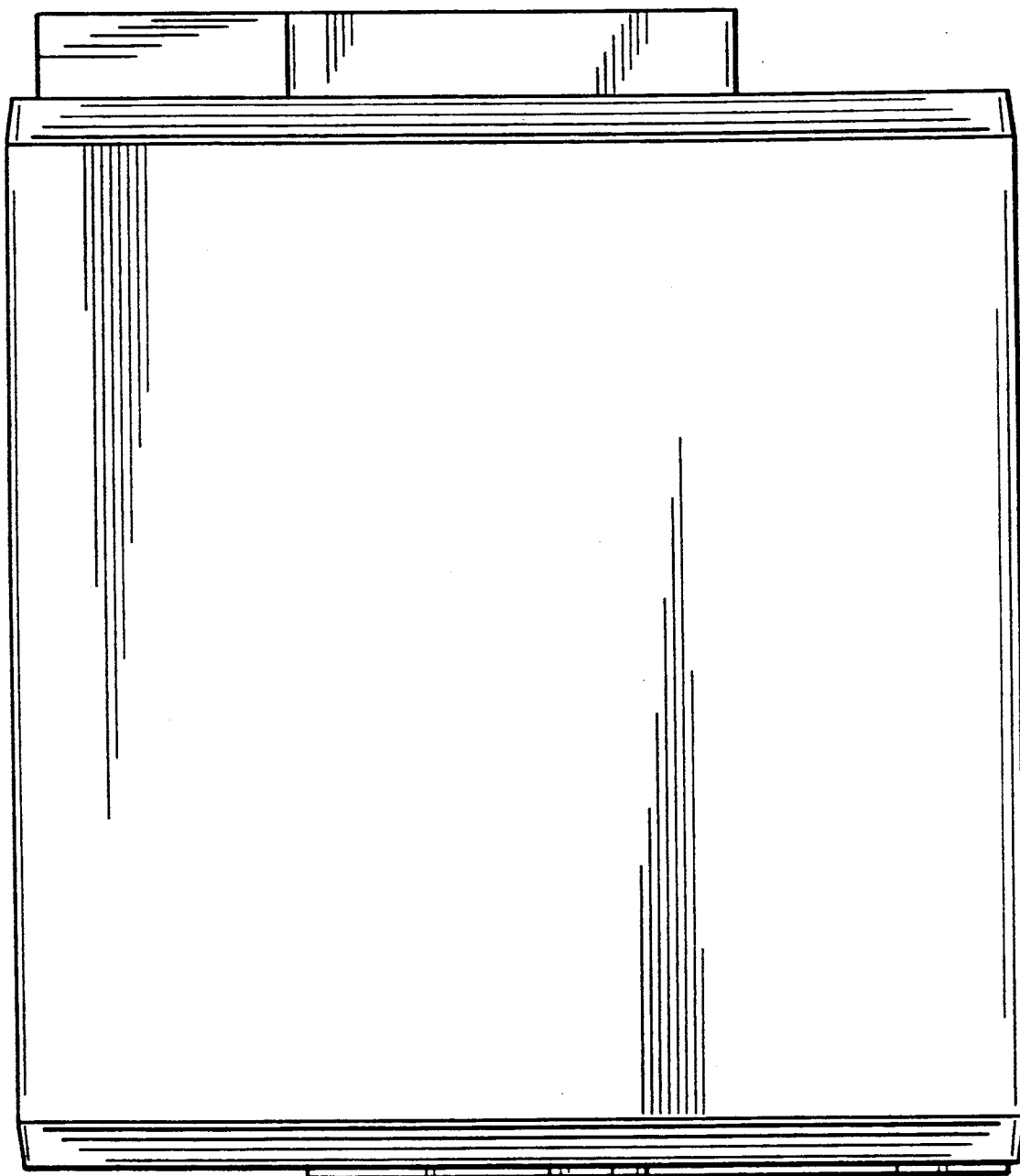


FIG. 4

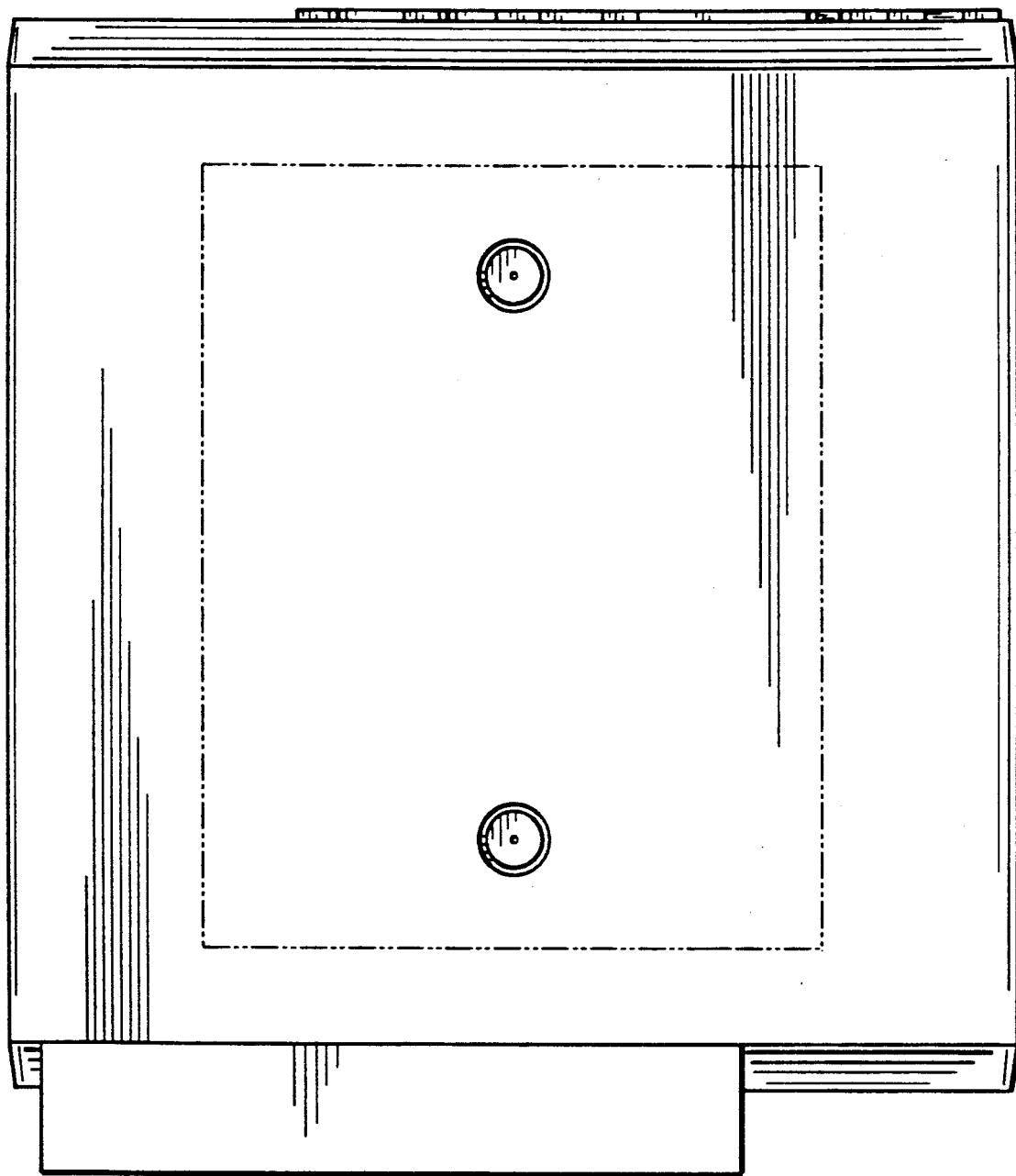


FIG. 5

FIG. 6

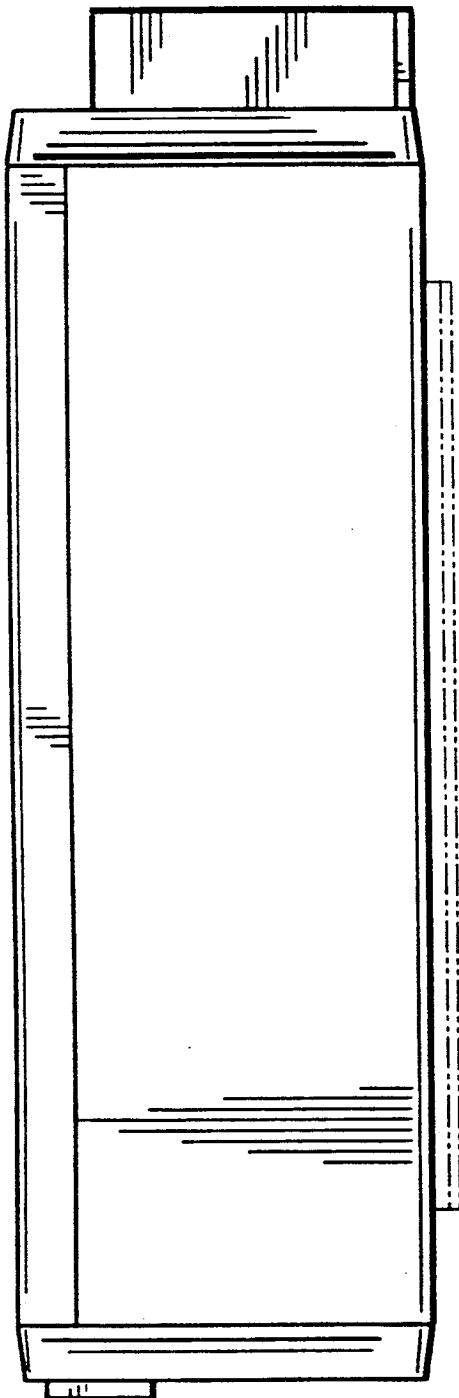
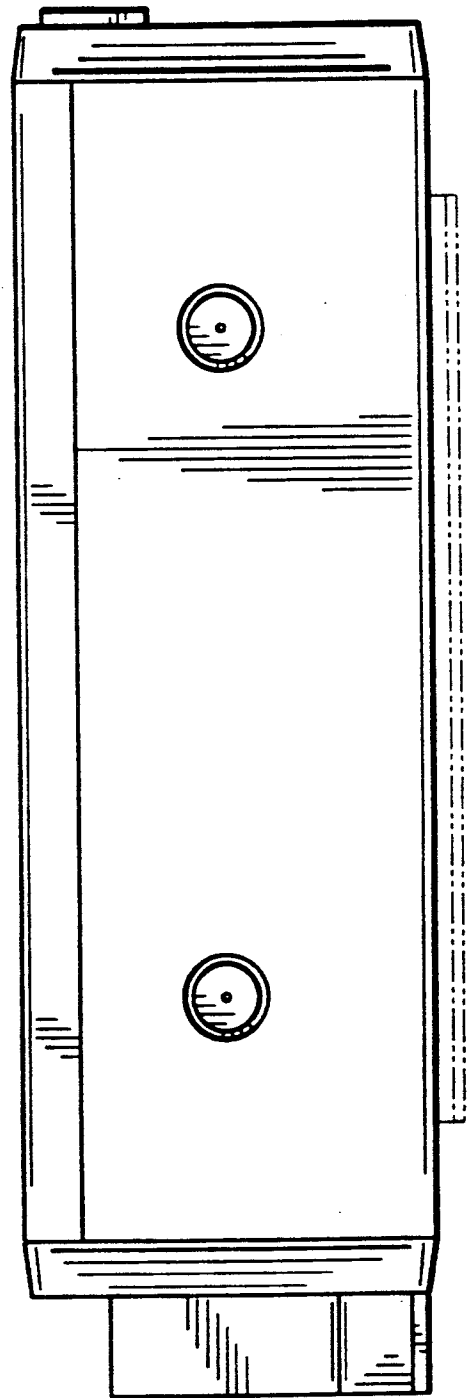


FIG. 7



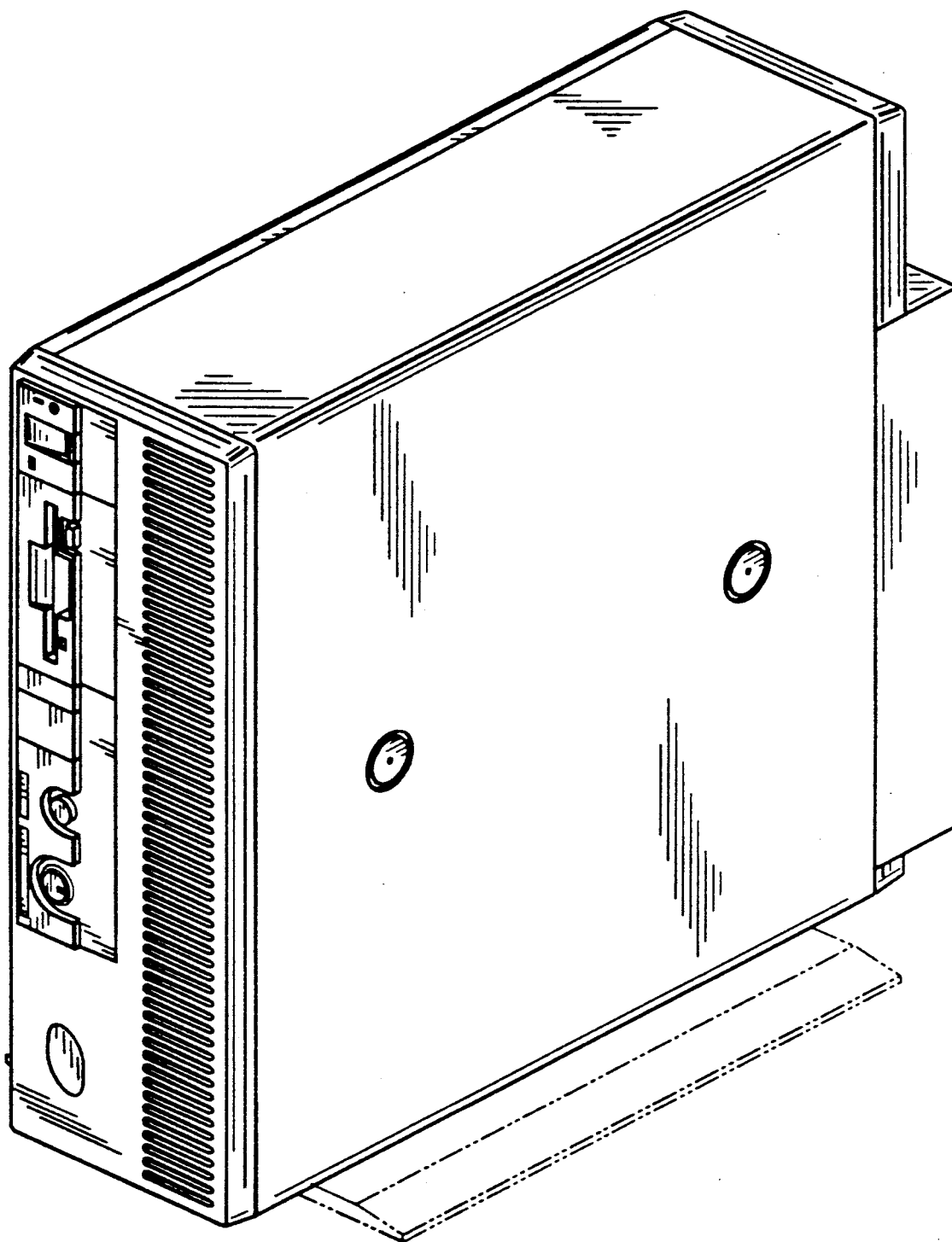


FIG. 8

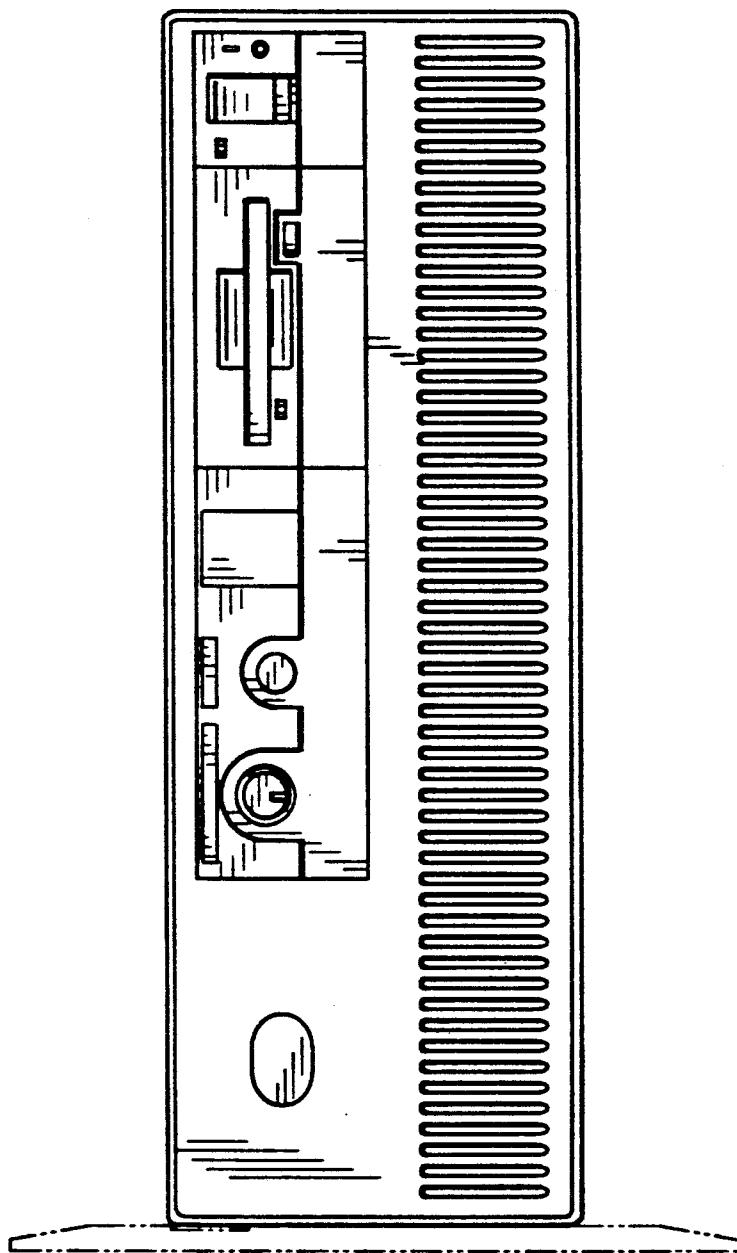


FIG. 9

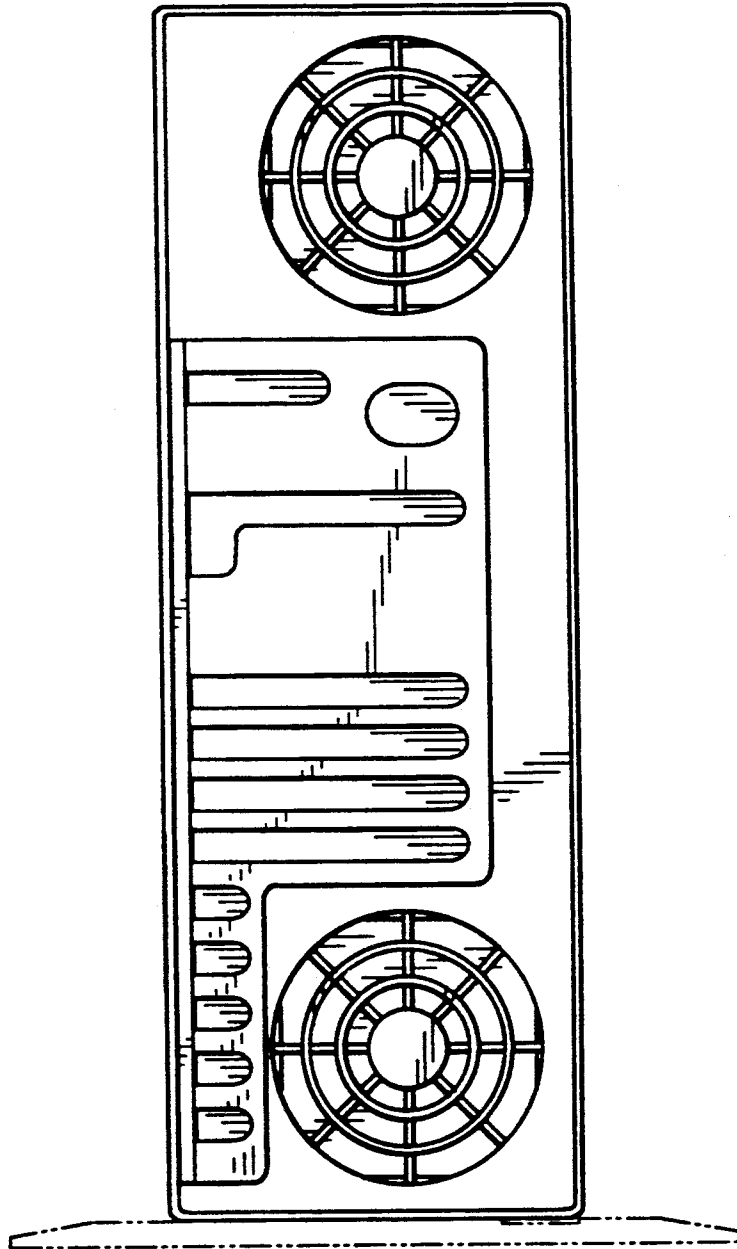


FIG. 10

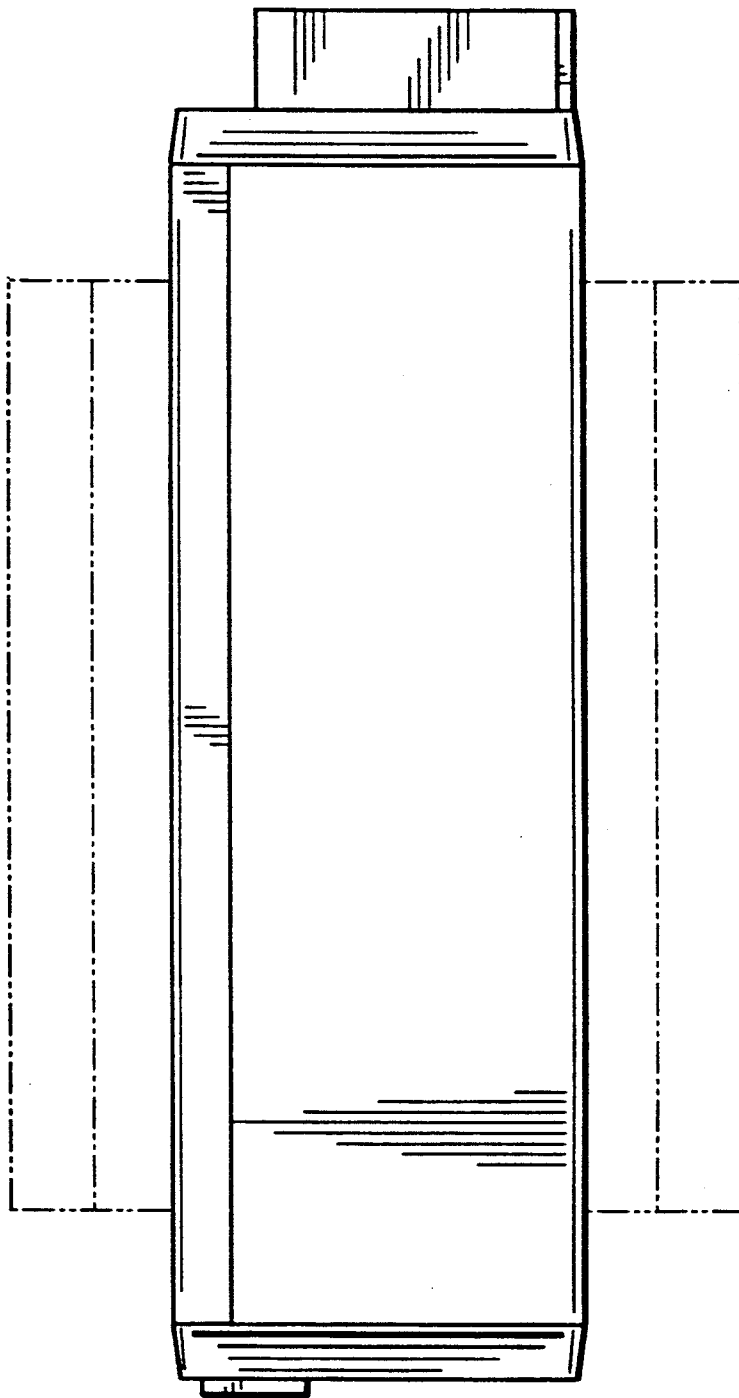


FIG. 11

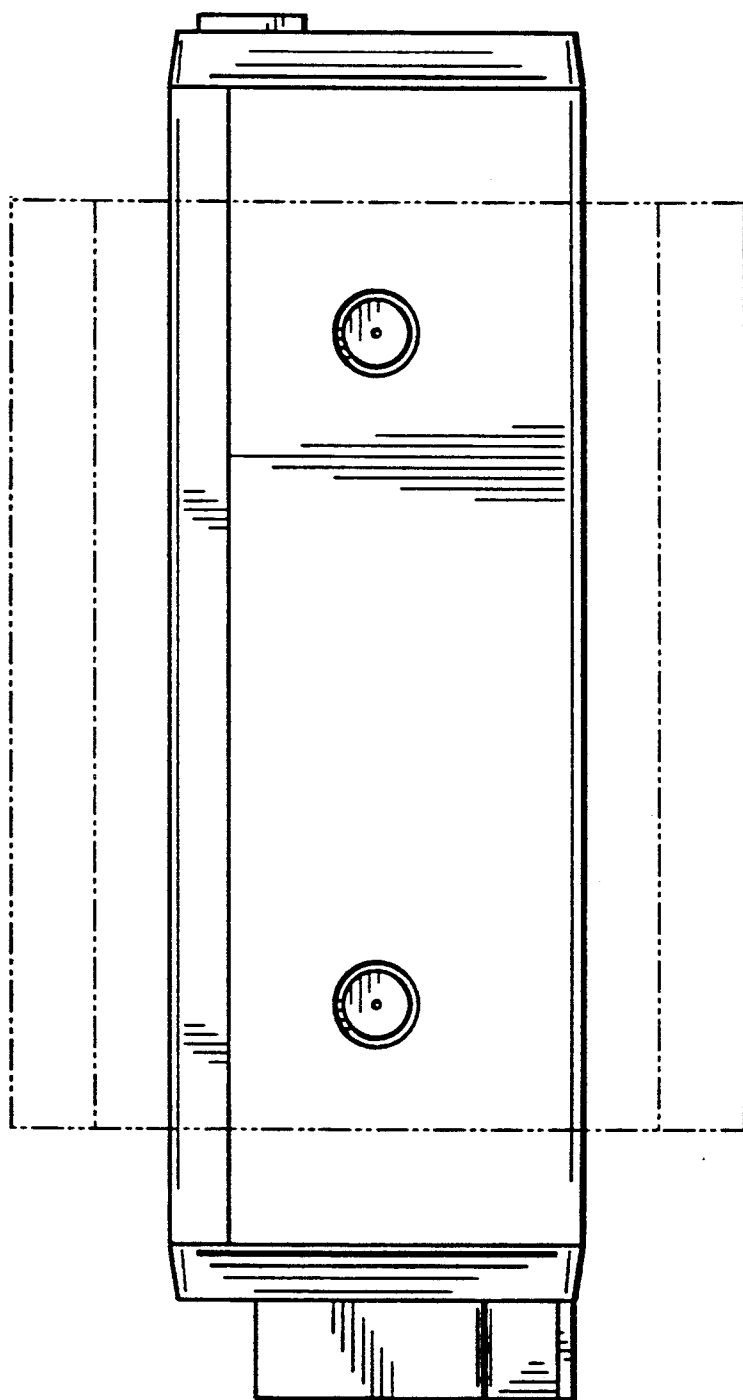


FIG. 12

FIG. 13

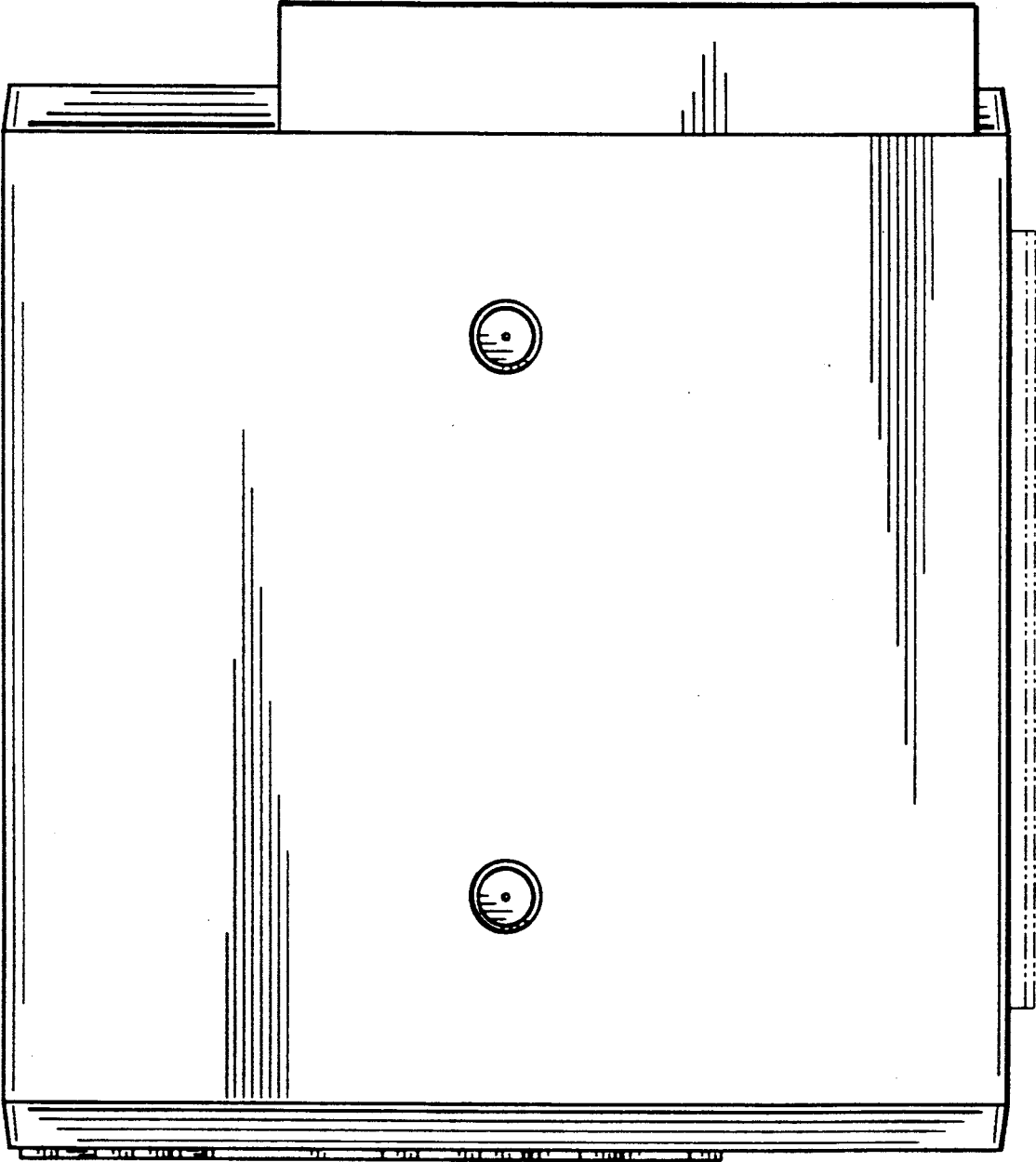


FIG. 14

