

[54] PROGRAM FUNCTION KEYBOARD

[75] Inventor: David L. Schaum, Woodstock, N.Y.

[73] Assignee: International Business Machines Corporation, Armonk, N.Y.

[**] Term: 14 Years

[21] Appl. No.: 41,791

[22] Filed: Apr. 23, 1987

[52] U.S. Cl. D14/100; D14/115

[58] Field of Search D14/100, 102, 103, 106, D14/107, 113, 114, 115; D18/1, 2, 7, 11, 13, 22; 364/706-708, 709.01, 709.12, 130, 144, 189; 400/467, 489, 496, 118, 689-694; 235/145 A, 145 R, 375, 382, 482, 483, 449; 340/700, 706, 711, 712; 341/22, 23; 200/5 A, 5 R, 6 A, 6 R; 361/398

[56] References Cited

U.S. PATENT DOCUMENTS

D. 272,624	2/1984	Genaro et al.	D18/7 X
D. 278,709	5/1985	Xanthopoulos	D14/100
D. 290,373	6/1987	Yubisui et al.	D18/7
D. 292,801	11/1987	Davis, Jr. et al.	D14/100
4,527,149	7/1985	Swensen	341/22

OTHER PUBLICATIONS

Five photographs of a prior art Lighted Program Function Keyboard—submitted Aug. 25, 1987.

Primary Examiner—Susan J. Lucas

Assistant Examiner—Freda S. Nunn

Attorney, Agent, or Firm—Mark S. Walker; J. D. Moore; George E. Clark

[57] CLAIM

The ornamental design for program function keyboard, as shown and described.

DESCRIPTION

FIG. 1 is a right front perspective view of a program function keyboard showing my new design, the keyboard in a raised position;

FIG. 2 is a left front perspective view thereof, the keyboard in a lowered position;

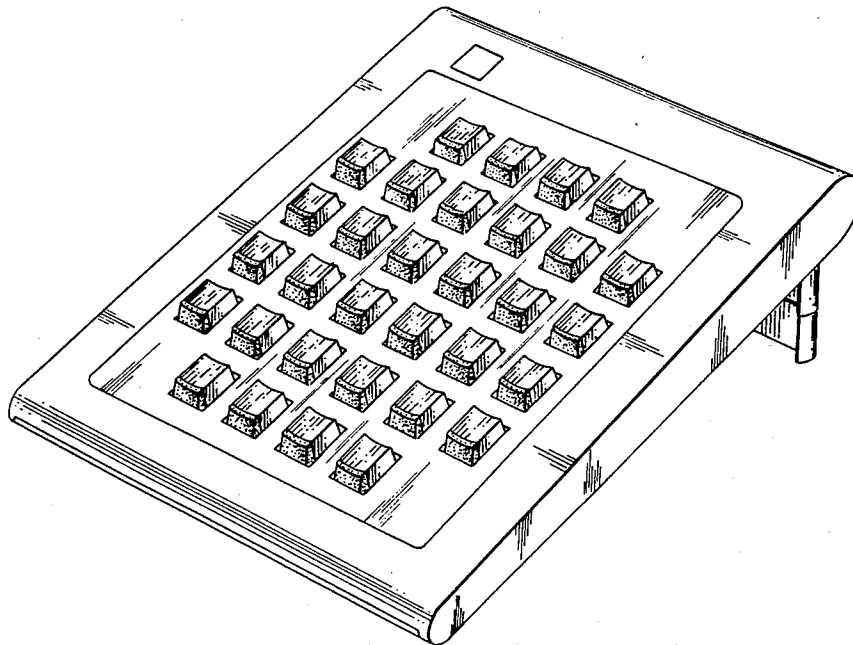
FIG. 3 is a front elevational view thereof;

FIG. 4 is a rear plan view thereof;

FIG. 5 is a rear perspective view thereof, the keyboard in a lowered position;

FIG. 6 is a rear perspective view thereof, the keyboard in a raised position;

FIG. 7 is a rear plan view thereof, the keyboard in a raised position.



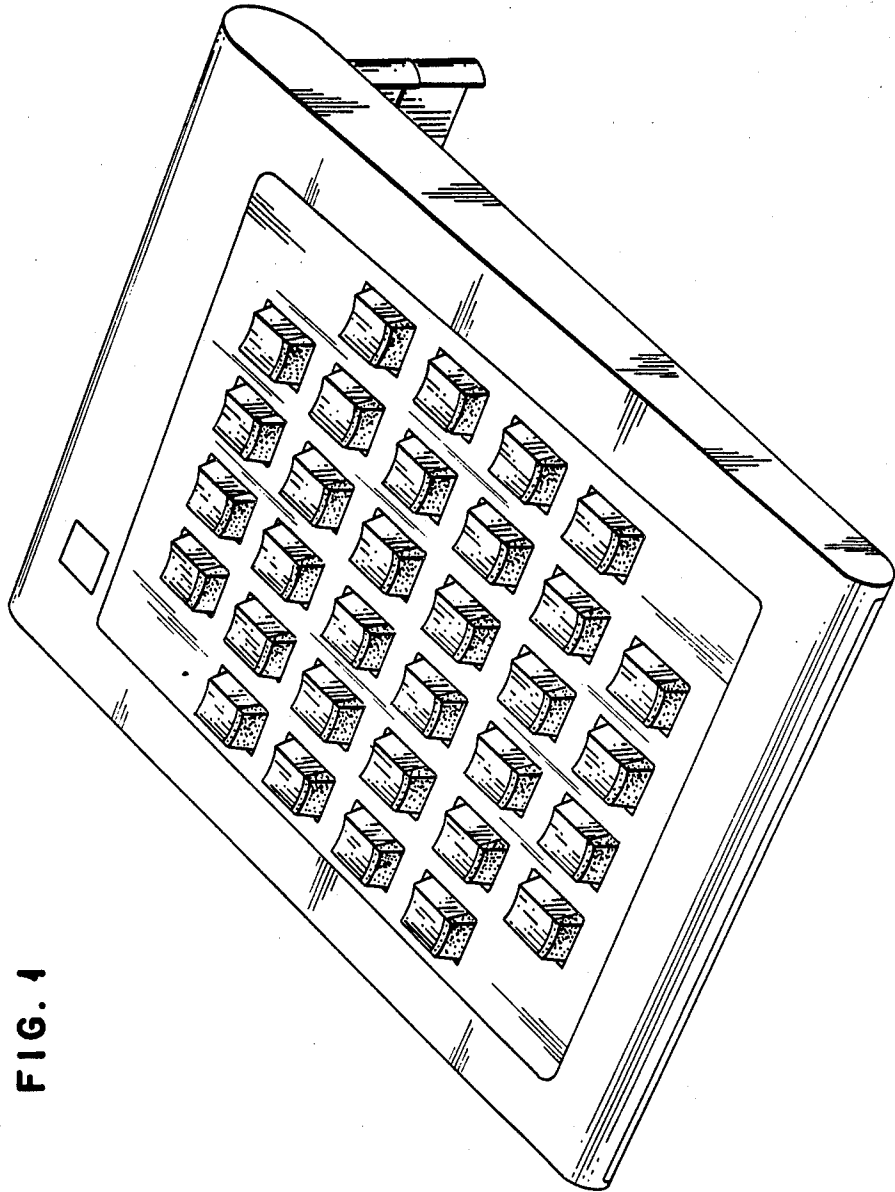


FIG. 1

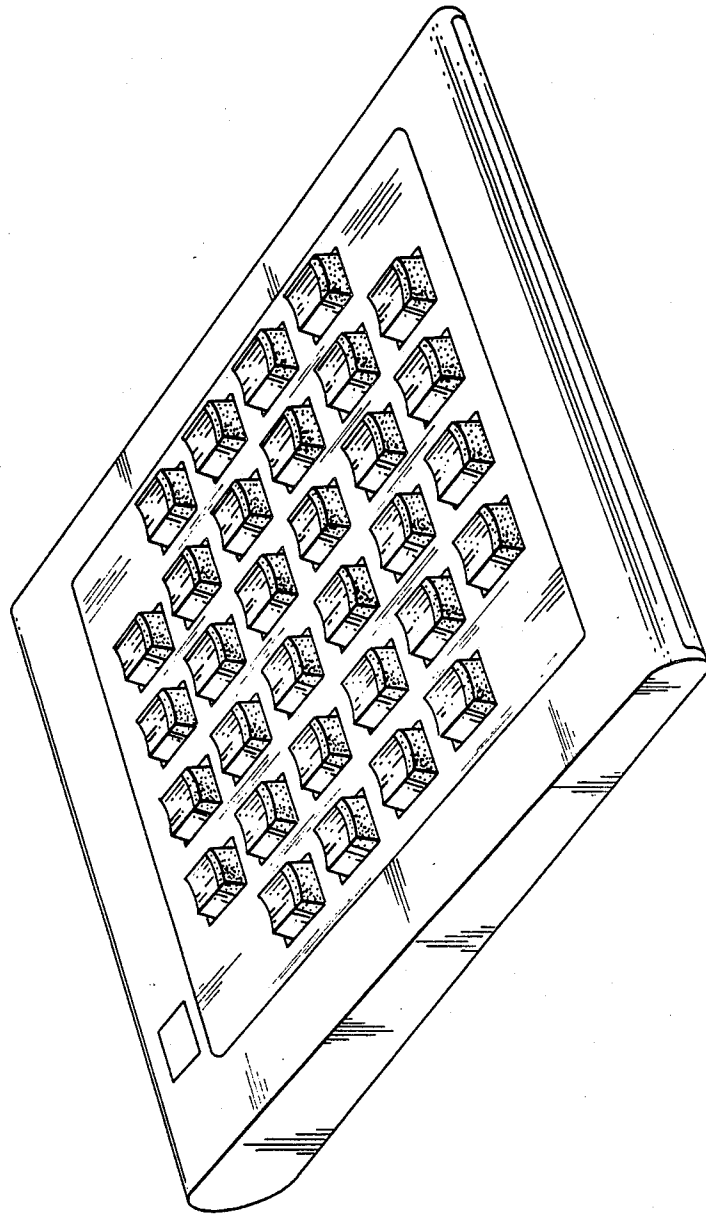


FIG. 2

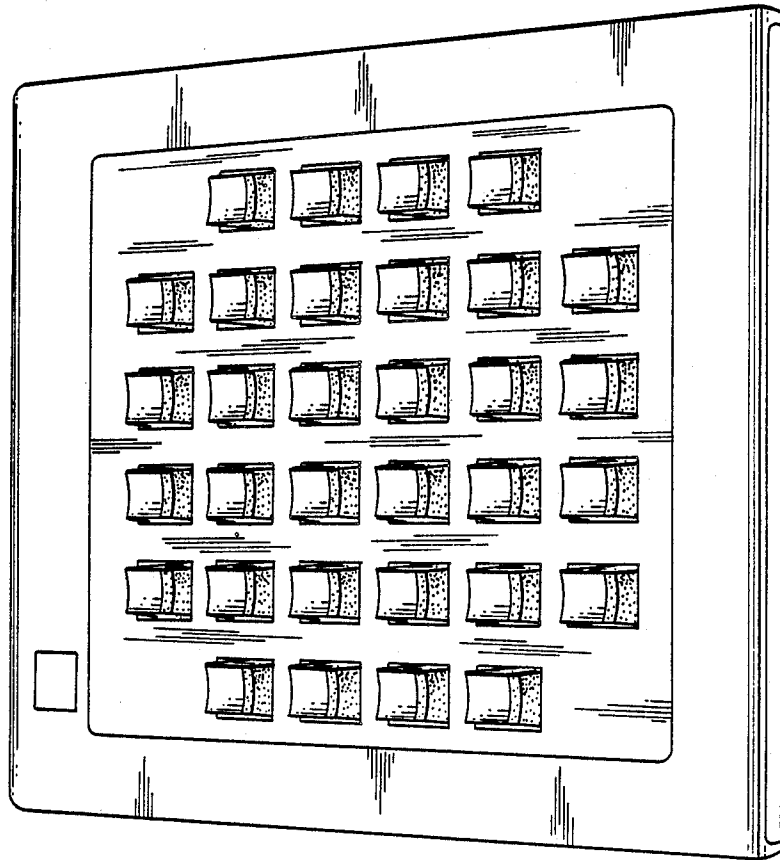


FIG. 3

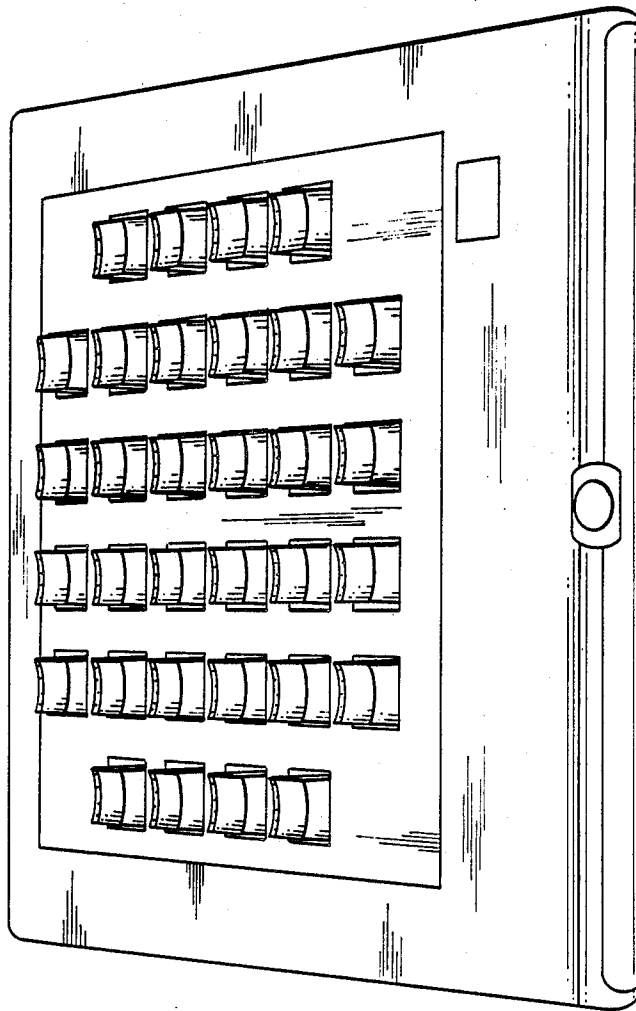


FIG. 4

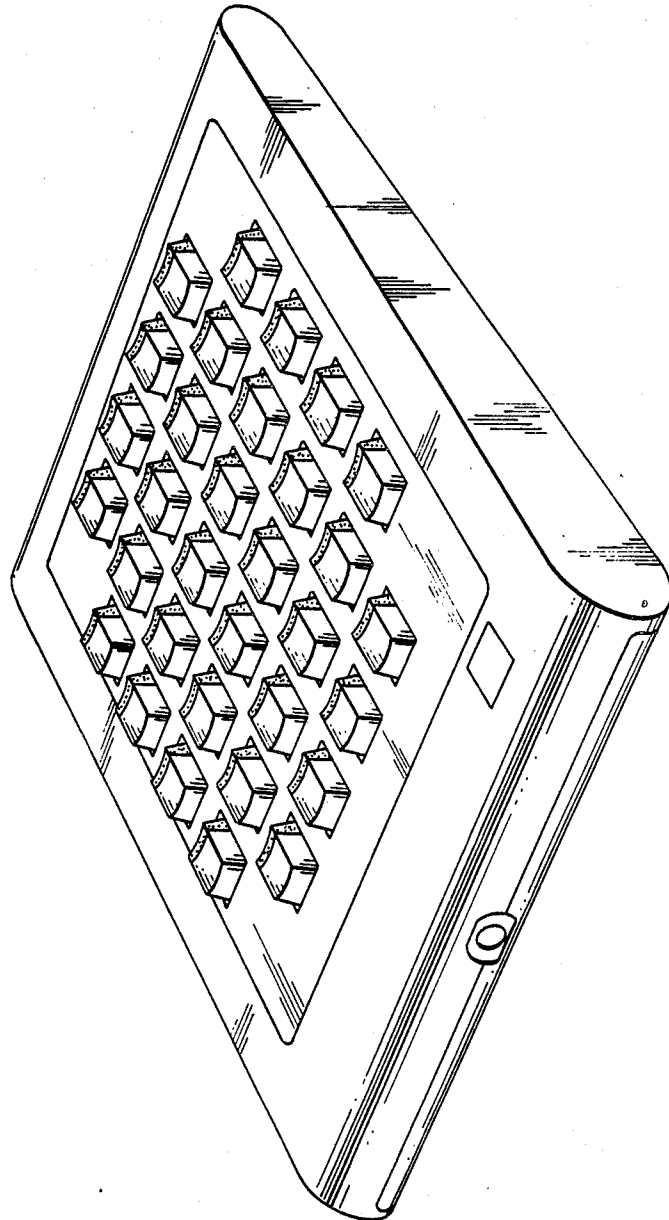
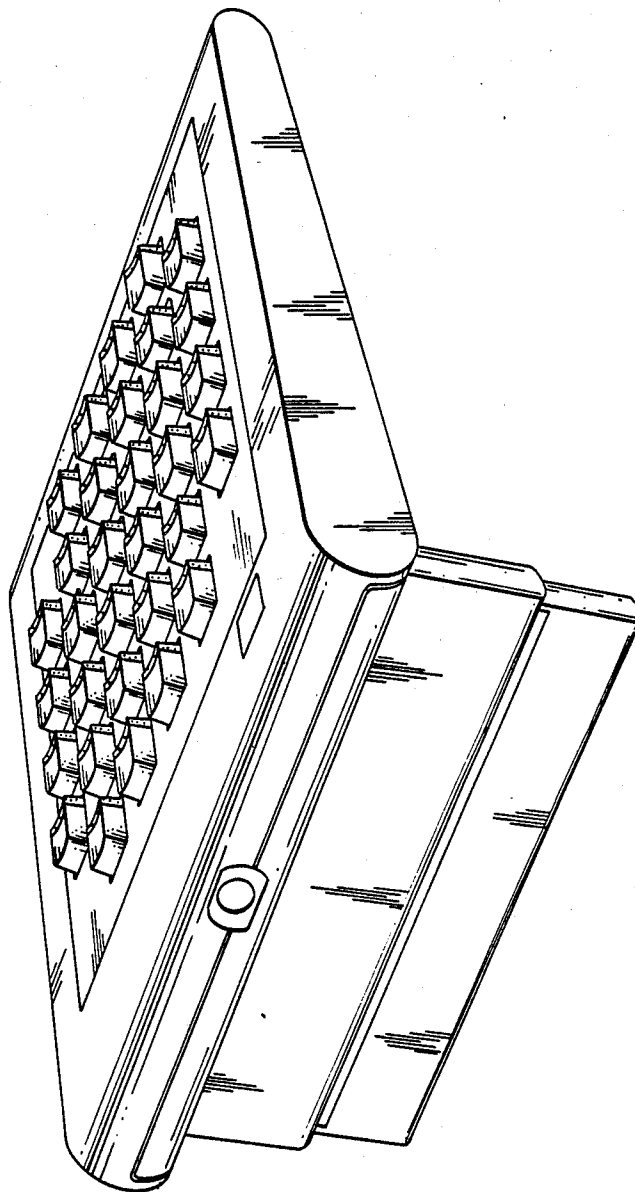


FIG. 5

FIG. 6



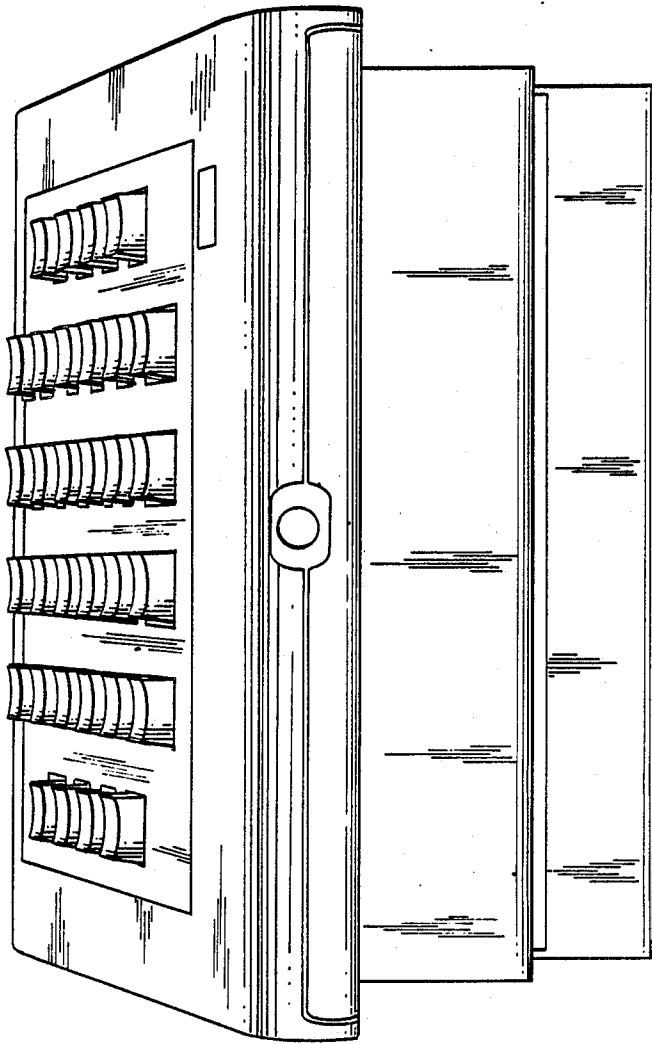


FIG. 7