

[54] FLOOR STANDING COMPUTER

[75] Inventor: Myron F. Davis, Boca Raton, Fla.

[73] Assignee: International Business Machines Corporation, Armonk, N.Y.

[**] Term: 14 Years

[21] Appl. No.: 12,851

[22] Filed: Feb. 20, 1987

[52] U.S. Cl. D14/100; D14/109

[58] Field of Search D14/100, 102, 106, 107, D14/109, 114; 360/97, 98; 364/708

[56] References Cited

U.S. PATENT DOCUMENTS

D. 288,094 2/1987 Davis et al. D14/100

OTHER PUBLICATIONS

Computer Design, 6-15-1984, p. 167, CI-Micro-11 Computer System.

Computer Products, 11-1985, p. 23, MC-5317 Multibus Mass Storage Controller.

Design, 12-1980, p. 49, Disk Drive Unit.

Primary Examiner—Susan J. Lucas

[57] CLAIM

The ornamental design for a floor standing computer, as shown and described.

DESCRIPTION

FIG. 1 is a top, front, and left side perspective view of the floor standing computer showing my new design; FIG. 2 is a front elevational view thereof on an enlarged scale;

FIG. 3 is a rear elevational view thereof on an enlarged scale;

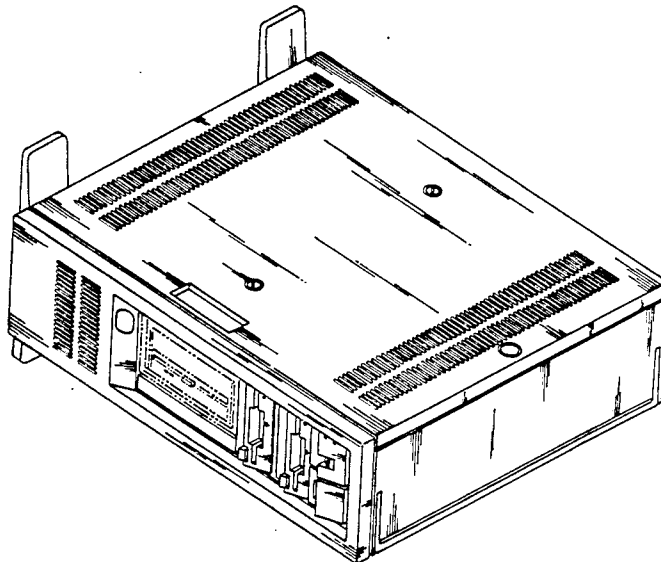
FIG. 4 is a top plan view thereof on an enlarged scale; FIG. 5 is a bottom plan view thereof on an enlarged scale;

FIG. 6 is a right side elevational view thereof on an enlarged scale;

FIG. 7 is a left side elevational view thereof on an enlarged scale;

FIG. 8 is a top, front, and left side perspective view of a second embodiment of my design.

The optical disk file is shown in the front of the housing of the first embodiment in broken line form for illustrative purposes only. The top, bottom, rear and right side of the second embodiment are identical to those of the first embodiment. The handle in the top of the computer is shown in the folded, stored position in the disclosure of the first embodiment and in the raised, carrying position in the disclosure of the second embodiment.



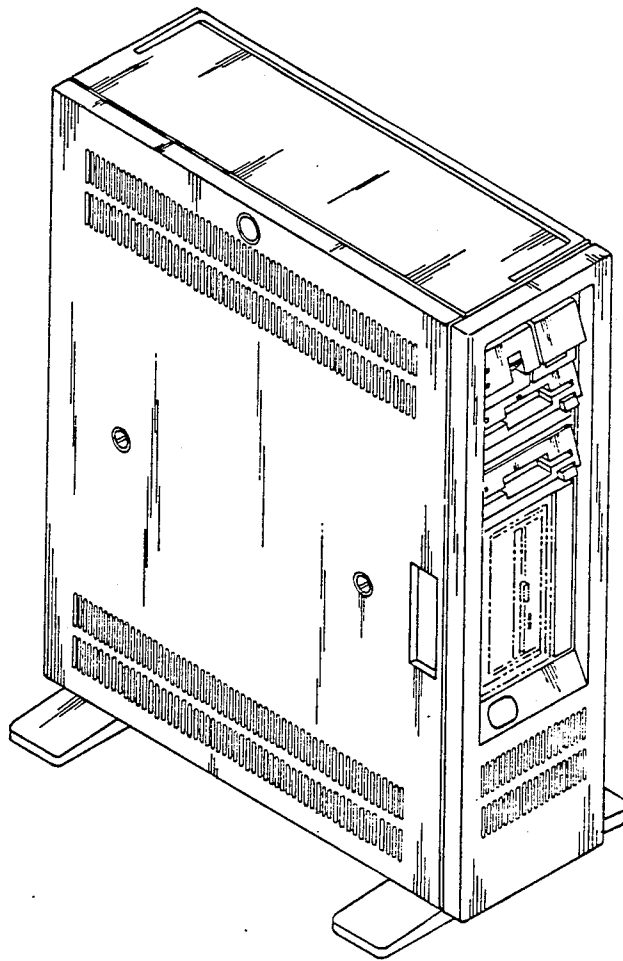


FIG. 1

FIG. 2

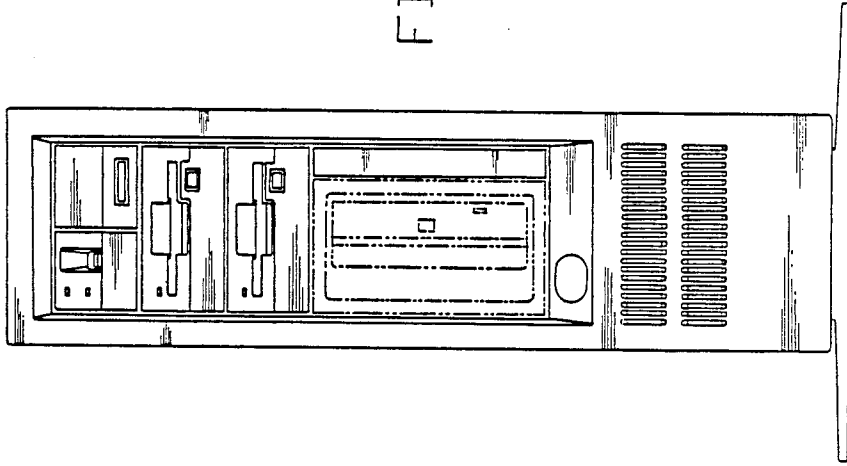
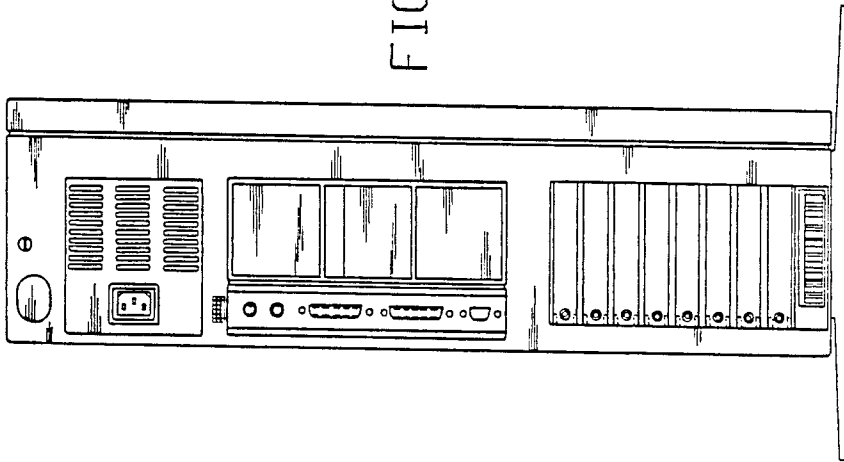


FIG. 3



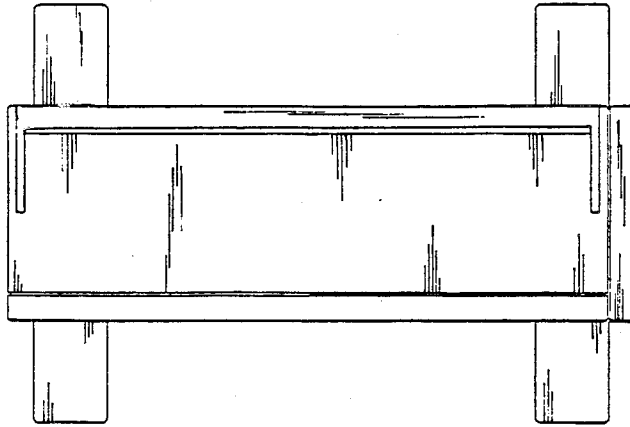


FIG. 4

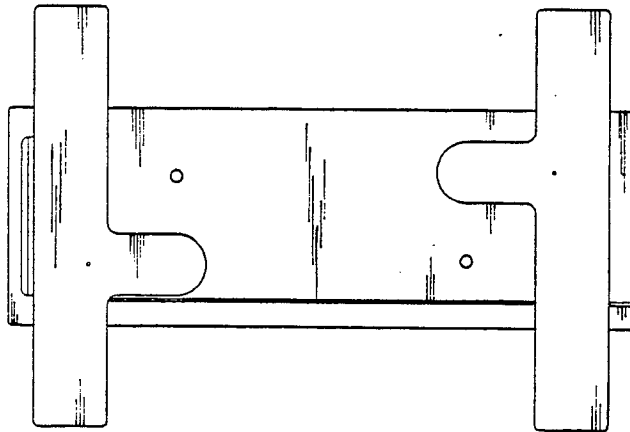


FIG. 5

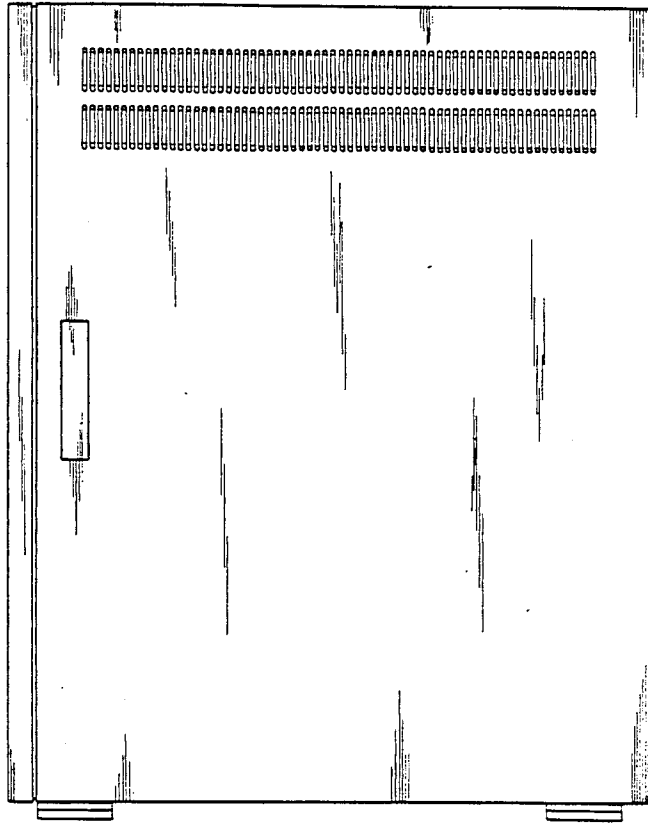


FIG. 6

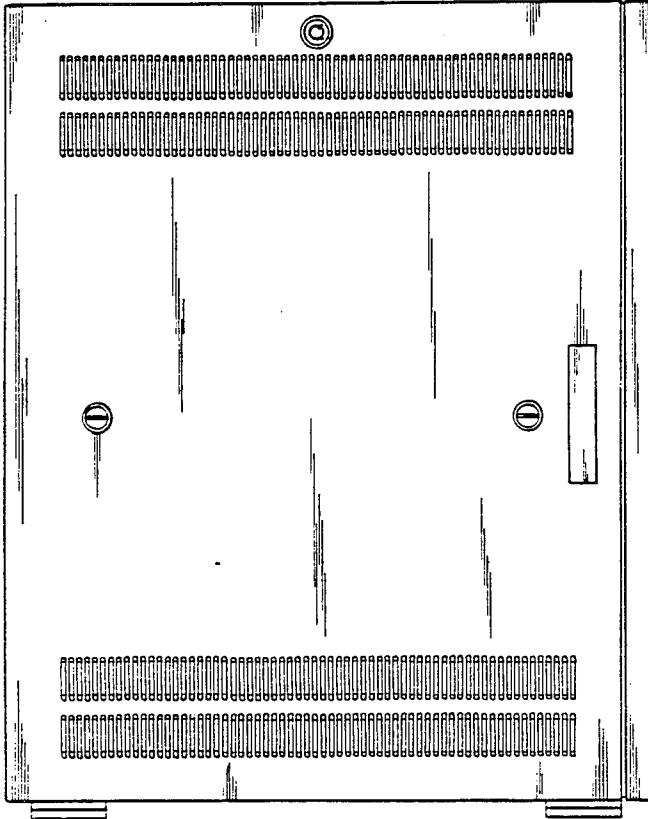


FIG. 7

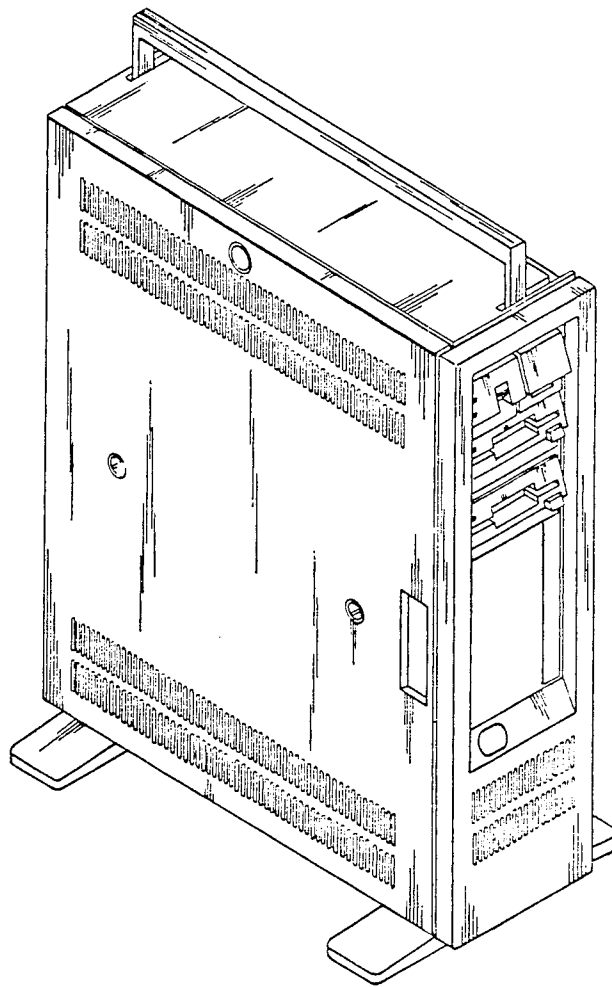


FIG. 8