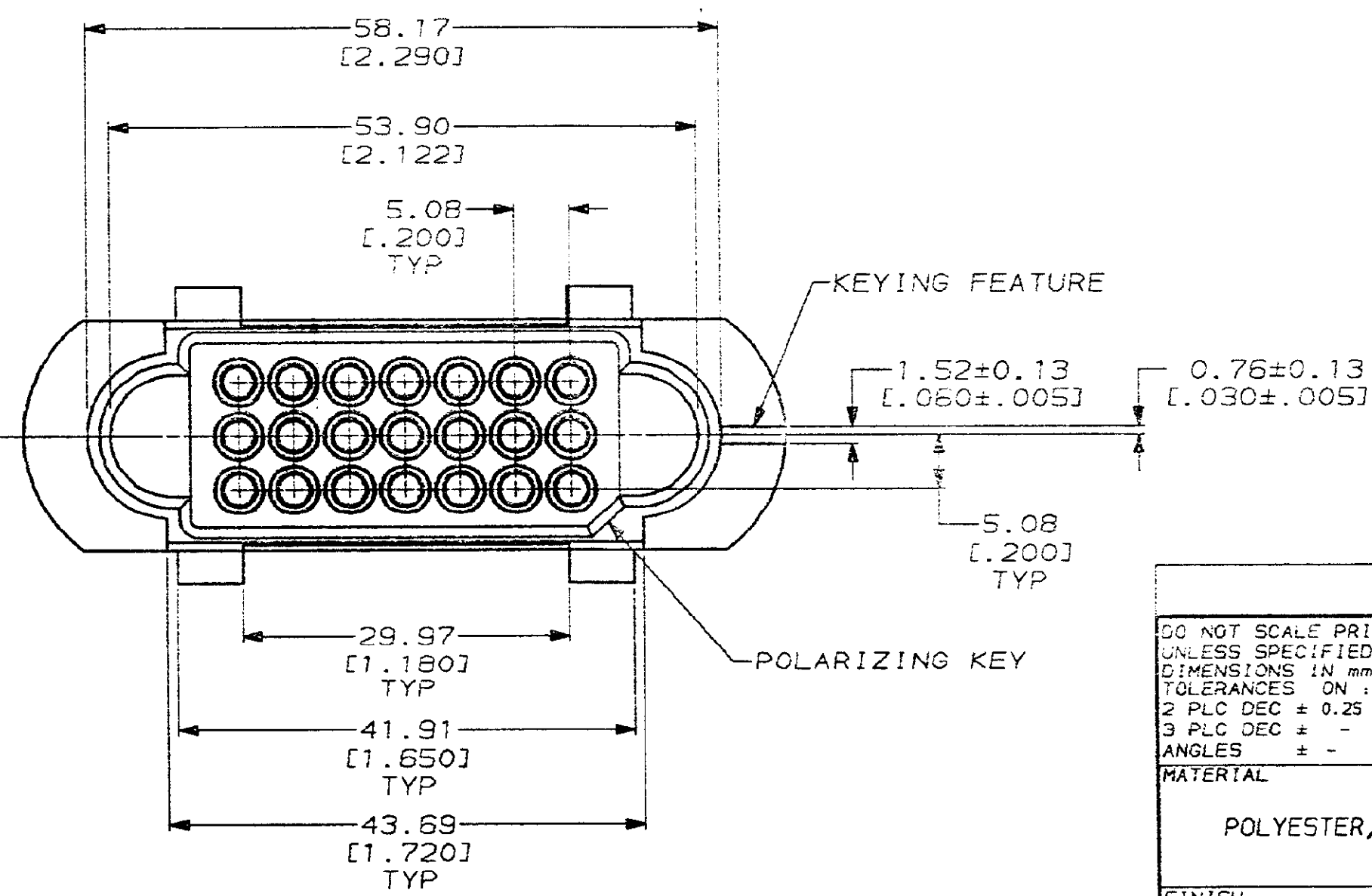
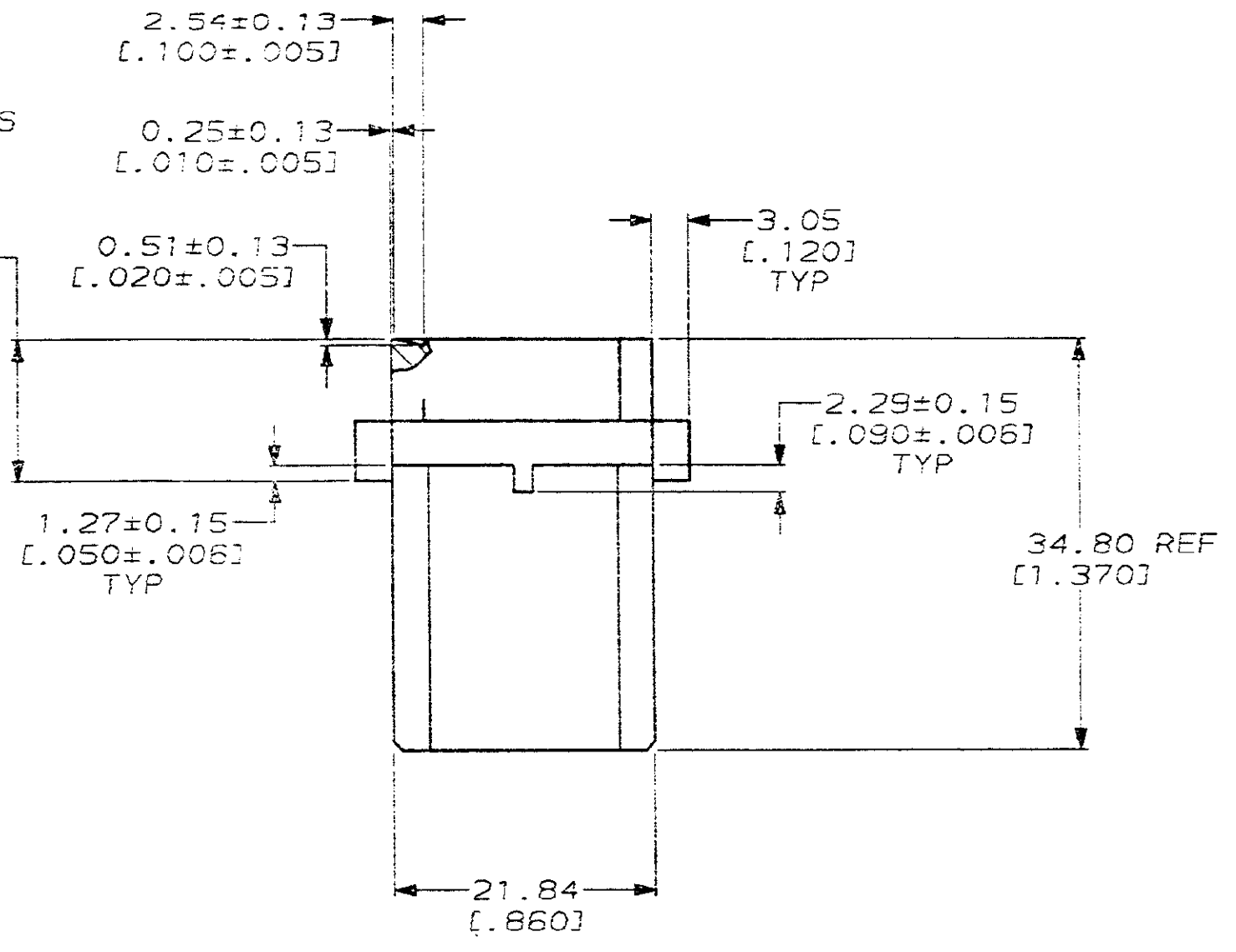
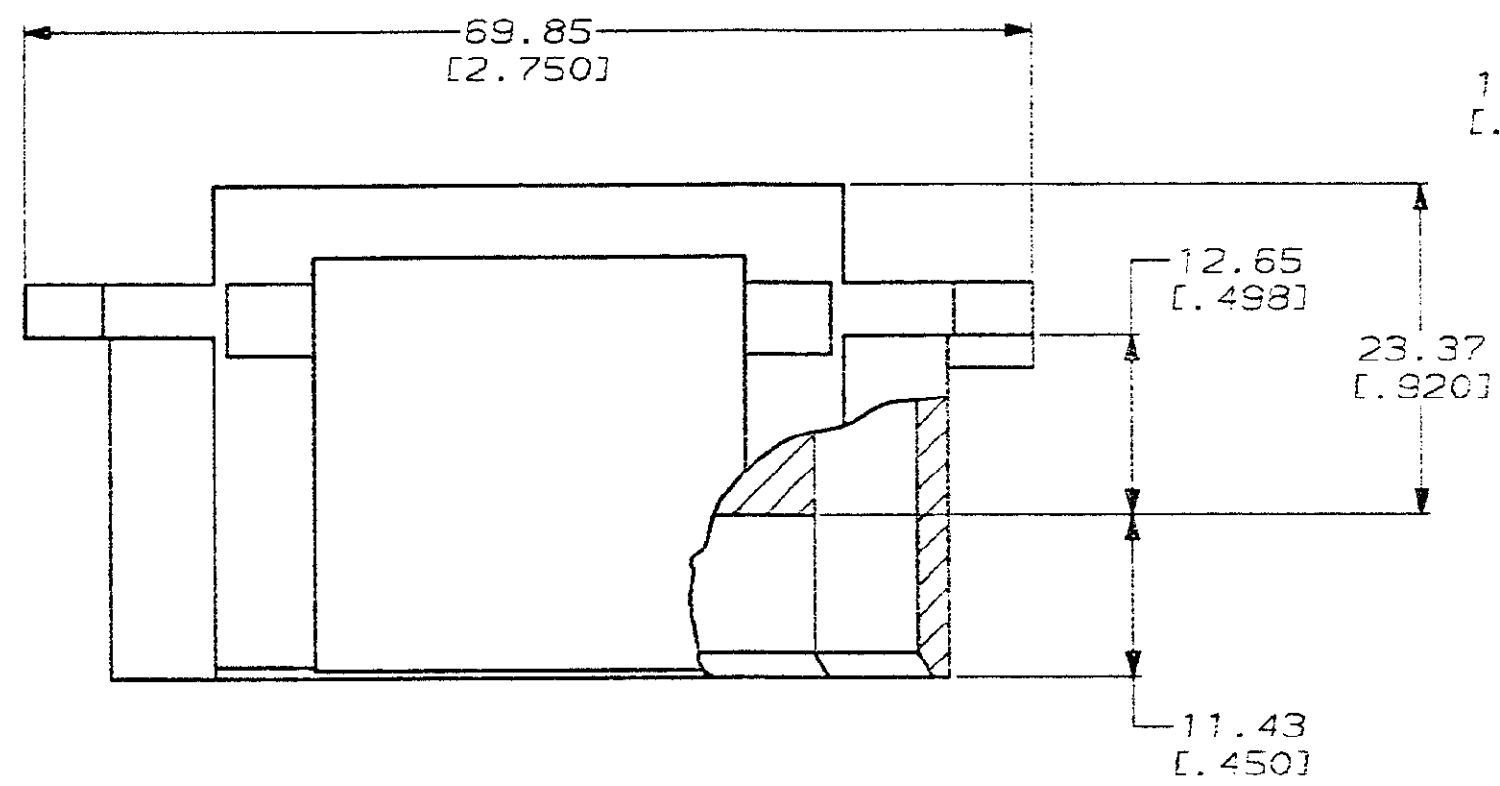
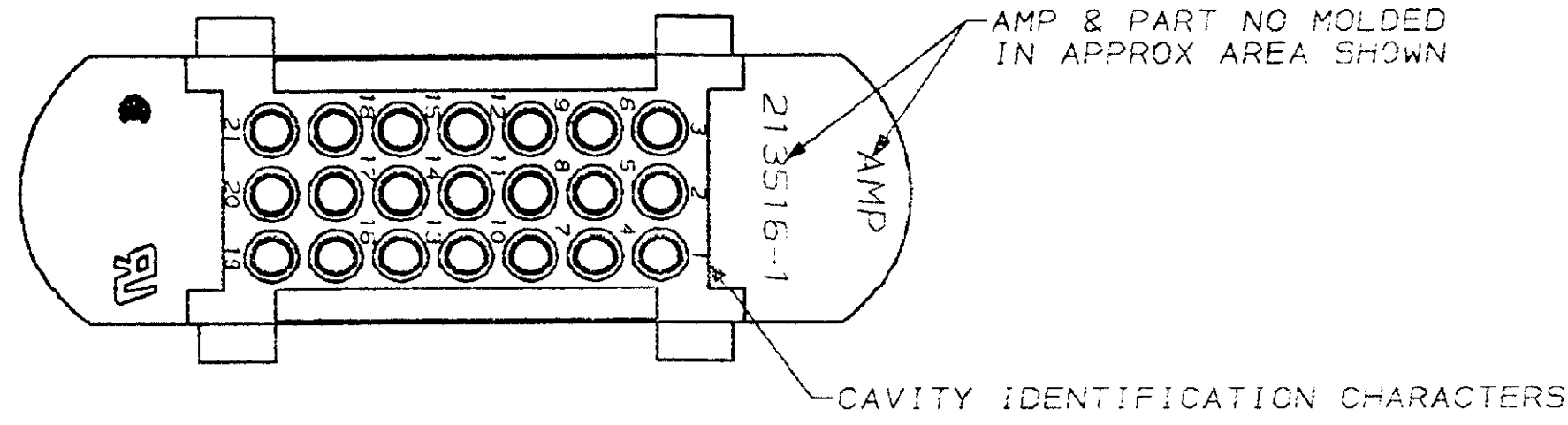


REVISONS		DATE	APPD
D	REDRAWN WITHOUT CHANGE	09/09/92	-
E	REV PER EC 0020-206-92	12/16/92	RW



213516-1
PART NO

DO NOT SCALE PRINT. UNLESS SPECIFIED DIMENSIONS IN mm [INCHES] TOLERANCES ON: 2 PLC DEC ± 0.25 [.010] 3 PLC DEC ± - ANGLES ± -	DR 09/09/92 L.SIPE CHK 10-14-92 W.LENKER APPD 10-14-92 R.WALTER APPD 10-14-92 C.ROHDE PRODUCT SPEC - APPLICATION SPEC - WEIGHT -
---	--

AMP AMP Incorporated Harleburg, PA 17105-3508		
NAME RECEPTACLE, 21 POSITION, 43°, METRIMATE		
SIZE C	CAGE CODE 00779	DRAWING NO C-213516
SCALE 2:1	SHEET 1 OF 1	

THIS DRAWING IS A CONTROLLED DOCUMENT FOR AMP INCORPORATED. IT IS SUBJECT TO CHANGE AND THE CONTROLLING ENGINEERING ORGANIZATION SHOULD BE CONTACTED FOR THE LATEST REVISION.