



**9.1GB 10K ULTRA SCSI Hot-Swap Disk
Drive Unit
Installation and Using Guide**

Note

Before you install this product and use this information, be sure to read the product warranties and notices information included with the system unit into which you are installing the product.

Second Edition (February 2000)

The following paragraph does not apply to the United Kingdom or any country where such provisions are inconsistent with local law: THIS PUBLICATION IS PROVIDED "AS IS" WITHOUT WARRANTY OF ANY KIND, EITHER EXPRESS OR IMPLIED, INCLUDING, BUT NOT LIMITED TO, THE IMPLIED WARRANTIES OF MERCHANTABILITY OR FITNESS FOR A PARTICULAR PURPOSE. Some states do not allow disclaimer of express or implied warranties in certain transactions, therefore, this statement may not apply to you.

This publication could include technical inaccuracies or typographical errors. Changes are periodically made to the information herein; these changes will be incorporated in new editions of the publication. The manufacturer may make improvements and/or changes in the product(s) and/or the program(s) described in this publication at any time, without notice.

It is possible that this publication may contain reference to, or information about, products (machines and programs), programming, or services that are not announced in your country. Such references or information must not be construed to mean that these products, programming, or services will be announced in your country. Any reference to a specific licensed program in this publication is not intended to state or imply that you can use only that licensed program. You can use any functionally equivalent program instead.

Requests for technical information about products should be made to your authorized reseller or marketing representative.

© International Business Machines Corporation 1999, 2000. All rights reserved.

Note to U.S. Government Users -- Documentation related to restricted rights -- Use, duplication or disclosure is subject to restrictions set forth in GSA ADP Schedule Contract with IBM Corp.

Contents

Safety Information	v
Handling Static Sensitive Devices	vii
About This Book	ix
ISO 9000	ix
Related Publications	ix
Trademarks	ix
Chapter 1. Overview	1
Chapter 2. Adding a Hot-Swap Disk Drive	3
Installing the Disk Drive	3
Configuring the Disk Drive	4
Verifying the Disk Drive Configuration	4
Running Diagnostics	5
Appendix A. Communications Statements	7
Federal Communications Commission (FCC) Statement	7
European Union (EU) Statement	8
International Electrotechnical Commission (IEC) Statement	8
United Kingdom Telecommunications Safety Requirements	8
Avis de conformité aux normes du ministère des Communications du Canada	10
Canadian Department of Communications Compliance Statement	10
VCCI Statement	10
Radio Protection for Germany	10
Reader's Comments — We'd Like to Hear From You	11

Safety Information

DANGER

An electrical outlet that is not correctly wired could place hazardous voltage on metal parts of the system or the devices that attach to the system. It is the responsibility of the customer to ensure that the outlet is correctly wired and grounded to prevent an electrical shock.

Before installing or removing signal cables, ensure that the power cables for the system unit and all attached devices are unplugged.

When adding or removing any additional devices to or from the system, ensure that the power cables for those devices are unplugged before the signal cables are connected. If possible, disconnect all power cables from the existing system before you add a device.

Use one hand, when possible, to connect or disconnect signal cables to prevent a possible shock from touching two surfaces with different electrical potentials.

During an electrical storm, do not connect cables for display stations, printers, telephones, or station protectors for communication lines.

Handling Static Sensitive Devices

Attention: Static electricity can damage this device and your system unit. To avoid damage, keep this device in its static protective bag until you are ready to install it. To reduce the possibility of electrostatic discharge, follow the precautions listed below:

- Limit your movement. Movement can cause static electricity to build up around you.
- Handle the device carefully, holding it by its edges or its frame.
- Do not touch solder joints, pins, or exposed printed circuitry.
- Do not leave the device where others can handle and possibly damage the device.
- While the device is still in its anti-static package, touch it to an unpainted metal part of the system unit for at least two seconds. (This drains static electricity from the package and from your body.)
- Remove the device from its package and install it directly into your system unit without setting it down. If it is necessary to set the device down, place it on its static-protective package. (If your device is an adapter, place it component-side up.) Do not place the device on your system unit cover or on a metal table.
- Take additional care when handling devices during cold weather, as heating reduces indoor humidity and increases static electricity.

About This Book

This book provides information about the 9.1GB 10K ULTRA SCSI Hot-Swap Disk Drive Unit, installing the drive using the hot-swap feature, and configuration information. Use this book together with your specific system unit and operating system documentation.

ISO 9000

ISO 9000 registered quality systems were used in the development and manufacturing of this product.

Related Publications

The following publications contain related information:

- System unit and operating system documentation for information specific to your hardware and software configuration

Trademarks

The following terms are trademarks of International Business Machines Corporation in the United States, other countries, or both:

- AIX

Other company, product, and service names may be trademarks or service marks of others.

Chapter 1. Overview

The 9.1GB 10K ULTRA SCSI Hot-Swap Disk Drive Unit is a 3.5" form factor disk drive. The disk drive is mounted on a hot-swap carrier and may or may not contain a plastic spacer. If your disk drive has a plastic spacer, when assembled, the disk drive, spacer, and carrier occupy the space equivalent to a 1.6" high disk drive. If your disk drive does not have a plastic spacer, when assembled, the disk drive and carrier occupy the space equivalent to a 1.0" high disk drive.

The disk drive supports both Fast/Wide SCSI and Ultra-SCSI synchronous data transfer rates up to 40MB per second. The feature capacity of the 9.1GB 10K ULTRA SCSI Hot-Swap Disk Drive Unit is 9, 100, 369, 920 bytes. The hot-swap carrier is used in systems in which disk drives can be removed or inserted without turning off the machine. Refer to the illustration on page 3.

The disk drive meets the Small Computer System Interface-2 (SCSI-2) standards set by the American National Standards Institute (ANSI).

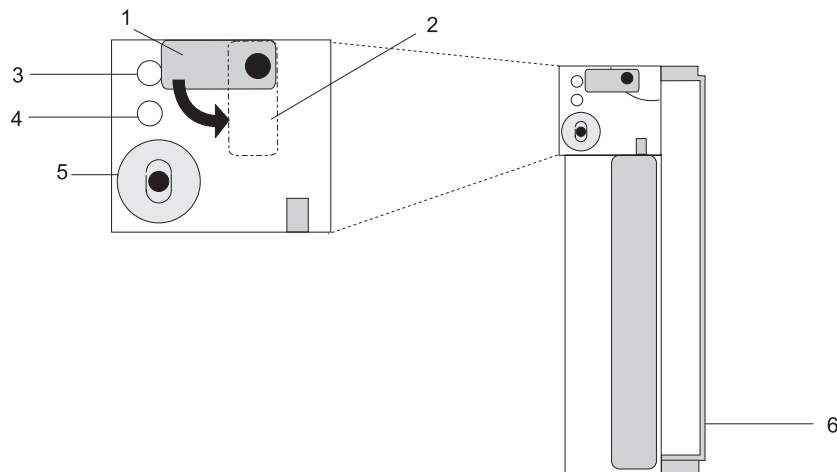
Chapter 2. Adding a Hot-Swap Disk Drive

This chapter describes how to add a disk drive to your system unit without turning off the system unit. The 9.1GB 10K ULTRA SCSI Hot-Swap Disk Drive Unit is supported on several operating systems. This chapter also includes instructions for configuring the disk drive on an AIX system. If you use another operating system, refer to your operating system documentation for information about configuring a hot-swap disk drive.

Installing the Disk Drive

To install the disk drive, do the following:

1. Your disk drive may or may not have a plastic spacer. Refer to the illustration below to determine whether your disk drive has a plastic spacer. If your disk drive has the plastic spacer, *do not* remove the plastic spacer. Continue with step 2.



- 1 Unlocked Position
- 2 Locked Position
- 3 Amber LED's
- 4 Green LED's
- 5 Spin Down Button
- 6 Plastic Spacer

- ___ 2. Install the 9.1GB 10K ULTRA SCSI Hot-Swap Disk Drive Unit into your system unit according to the installation procedures provided in your system unit documentation, then return here.

Note: The SCSI address for the disk drive is automatically set when the disk drive is installed into your system. Do not attempt to set the SCSI address for the drive using jumpers.

- ___ 3. Check that the green LED is on. If the green LED is blinking or does not appear, there is a problem with the drive. Repeat step 2 above. If the problem still exists after repeating step 2, see “Running Diagnostics” on page 5.

Configuring the Disk Drive

See the instructions provided in your operating system documentation for configuring the disk drive. To configure the disk drive on an AIX system, do the following:

- ___ 1. Log in as **root** user at the system prompt, then press Enter.
- ___ 2. Type
`cfgmgr -v`
at the system prompt and press Enter. The solid amber LED turns on. If it is not on, this suggests a device error. Run diagnostics to determine the reason for the device error, then repeat this step.

Verifying the Disk Drive Configuration

To verify the disk drive configuration on an AIX system, do the following:

- ___ 1. Type
`smitty`
at the system prompt and press Enter.
- ___ 2. Select **Devices**.
- ___ 3. Select **Fixed Disk**.
- ___ 4. Select **List all Defined Disks**.
- ___ 5. Verify that the disk drive you installed is *Available*.
If the device is not available, check that:
 - ___ The disk drive's solid green LED is on.
 - ___ The disk drive's solid amber LED is on.

- ___ The disk drive is inserted into an active bay for the SCSI adapter you are using.
- ___ 6. If the disk drive has no previous data installed, see "Making an Available Disk a Physical Volume" in the *System Management Guide: Operating System and Devices*.

If the disk drive contains previous data installed, see "Importing or Exporting a Volume Group" in the *System Management Guide: Operating System and Devices*.

Note: If you are using an operating system other than AIX, see the instructions for verifying the disk drive configuration provided in your operating system documentation.

Running Diagnostics

Refer to your operating system or system unit documentation for information about running diagnostics.

You can also run diagnostics to test the disk drive and reduce the possibility of:

- Unpredictable SCSI errors
- System hangs
- System damage (to a device, backplane, or adapter)

Appendix A. Communications Statements

The following statement applies to this product. The statement for other products intended for use with this product appears in their accompanying documentation.

Federal Communications Commission (FCC) Statement

Note: The ULTRA SCSI Disk Drive Unit has been tested and found to comply with the limits for a Class B digital device, pursuant to Part 15 of the FCC Rules. These limits are designed to provide reasonable protection against harmful interference in a residential installation. This equipment generates, uses, and can radiate radio frequency energy and, if not installed and used in accordance with the instructions, may cause harmful interference to radio communications. However, there is no guarantee that interference will not occur in a particular installation. If this equipment does cause harmful interference to radio or television reception, which can be determined by turning the equipment off and on, the user is encouraged to try to correct the interference by one or more of the following measures:

- Reorient or relocate the receiving antenna.
- Increase the separation between the equipment and receiver.
- Connect the equipment into an outlet on a circuit different from that to which the receiver is connected.
- Consult an authorized dealer or service representative for help.

Properly shielded and grounded cables and connectors must be used in order to meet FCC emission limits. Proper cables and connectors are available from authorized dealers. Neither the provider nor the manufacturer are responsible for any radio or television interference caused by using other than recommended cables and connectors or by unauthorized changes or modifications to this equipment. Unauthorized changes or modifications could void the user's authority to operate the equipment.

This device complies with Part 15 of the FCC Rules. Operation is subject to the following two conditions: (1) this device may not cause harmful interference, and (2) this device must accept any interference received, including interference that may cause undesired operation.

Responsible Party:

International Business Machines Corporation
New Orchard Road
Armonk, New York 10504
Telephone: (919) 543-2193



Tested to Comply
With FCC Standards

FOR HOME OR OFFICE USE

European Union (EU) Statement

This product is in conformity with the protection requirements of EU Council Directive 89/336/EEC on the approximation of the laws of the Member States relating to electromagnetic compatibility. The manufacturer cannot accept responsibility for any failure to satisfy the protection requirements resulting from a non-recommended modification of the product, including the fitting of option cards supplied by third parties. Consult with your dealer or sales representative for details on your specific hardware.

This product has been tested and found to comply with the limits for Class B Information Technology Equipment according to CISPR 22 / European Standard EN 55022. The limits for Class B equipment were derived for typical residential environments to provide reasonable protection against interference with licensed communication devices.

International Electrotechnical Commission (IEC) Statement

This product has been designed and built to comply with IEC Standard 950.

United Kingdom Telecommunications Safety Requirements

This equipment is manufactured to the International Safety Standard EN60950 and as such is approved in the UK under the General Approval Number NS/G/1234/J/100003 for indirect connection to the public telecommunication network.

The network adapter interfaces housed within this equipment are approved separately, each one having its own independent approval number. These interface adapters, supplied by the manufacturer, do not use or contain excessive voltages. An excessive voltage is one which exceeds 70.7 V peak ac or 120 V dc. They interface with this equipment using Safe Extra Low Voltages only. In order to

maintain the separate (independent) approval of the manufacturer's adapters, it is essential that other optional cards, not supplied by the manufacturer, do not use main voltages or any other excessive voltages. Seek advice from a competent engineer before installing other adapters not supplied by the manufacturer.

Avis de conformité aux normes du ministère des Communications du Canada

Cet appareil numérique de la classe B est conform à la norme NMB-003 du Canada.

Canadian Department of Communications Compliance Statement

This Class B digital apparatus complies with Canadian ICES-003.

VCCI Statement

この装置は、情報処理装置等電波障害自主規制協議会（VCCI）の基準に基づきクラスB情報技術装置です。この装置は、家庭環境で使用することを目的としていますが、この装置がラジオやテレビジョン受信機に近接して使用されると、受信障害を引き起こすことがあります。
取扱説明書に従って正しい取り扱いをして下さい。

The following is a summary of the VCCI Japanese statement in the box above.

This product is a Class B Information Technology Equipment and conforms to the standards set by the Voluntary Control Council for Interference by Information Technology Equipment (VCCI). This product is aimed to be used in a domestic environment. When used near a radio or TV receiver, it may become the cause of radio interference. Read the instructions for correct handling.

Radio Protection for Germany

Dieses Gerät ist berechtigt in Übereinstimmung mit dem deutschen EMVG vom 9.Nov.92 das EG-Konformitätszeichen zu führen.

Der Aussteller der Konformitätserklärung ist die IBM Germany.

Dieses Gerät erfüllt die Bedingungen der EN 55022 Klasse B.

Reader's Comments — We'd Like to Hear From You

9.1GB 10K ULTRA SCSI Hot-Swap Disk Drive Unit Installation and Using Guide

Order Number: 11K0529

Overall how satisfied are you with the information in this book?

	Very Satisfied	Satisfied	Neutral	Dissatisfied	Very Dissatisfied
Overall Satisfaction	<input type="checkbox"/>	<input type="checkbox"/>	<input type="checkbox"/>	<input type="checkbox"/>	<input type="checkbox"/>

How satisfied are you that the information in this book is:

	Very Satisfied	Satisfied	Neutral	Dissatisfied	Very Dissatisfied
Accurate	<input type="checkbox"/>	<input type="checkbox"/>	<input type="checkbox"/>	<input type="checkbox"/>	<input type="checkbox"/>
Complete	<input type="checkbox"/>	<input type="checkbox"/>	<input type="checkbox"/>	<input type="checkbox"/>	<input type="checkbox"/>
Easy to find	<input type="checkbox"/>	<input type="checkbox"/>	<input type="checkbox"/>	<input type="checkbox"/>	<input type="checkbox"/>
Easy to understand	<input type="checkbox"/>	<input type="checkbox"/>	<input type="checkbox"/>	<input type="checkbox"/>	<input type="checkbox"/>
Well organized	<input type="checkbox"/>	<input type="checkbox"/>	<input type="checkbox"/>	<input type="checkbox"/>	<input type="checkbox"/>
Applicable to your tasks	<input type="checkbox"/>	<input type="checkbox"/>	<input type="checkbox"/>	<input type="checkbox"/>	<input type="checkbox"/>

Please tell us how we can improve this book:

Thank you for your response. May we contact you? Yes No

When you send comments to us, you grant us a nonexclusive right to use or distribute your comments in any way we believe appropriate without incurring any obligation to you.

Name

Address

Company or Organization

Phone Number

Cut or Fold
Along Line

Fold and Tape

Please do not Staple

Fold and Tape



NO POSTAGE
NECESSARY
IF MAILED IN THE
UNITED STATES

BUSINESS REPLY MAIL



POSTAGE WILL BE PAID BY ADDRESSEE

Information Development
Department H6DS-9561
11400 Burnet Road
Austin, TX 78758-3493



Fold and Tape

Please do not Staple

Fold and Tape

Cut or Fold
Along Line



Part Number: 11K0529



Printed in the United States of America
on recycled paper containing 10%
recovered post-consumer fiber.

11K0529

