

IBM TotalStorage Enterprise Automated Tape
Library



3494 Parts Catalog

IBM TotalStorage Enterprise Automated Tape
Library



3494 Parts Catalog

Note

This Parts Catalog (PC) contains listings and illustrations of all replaceable assemblies, subassemblies, and detail parts released on or before October 31, 2003, for IBM TotalStorage Enterprise Automated Tape Library 3494 Parts Catalog.

Sixteenth Edition (October 2003)

This catalog may contain reference to, or information about, IBM products (machines and programs), programming, or services that are not announced in your country. Such references or information must not be construed to mean that IBM intends to announce such IBM products, programming, or services in your country.

Publications are not stocked at the address given below; requests for IBM publications should be made to your IBM representative or to the IBM branch office serving your locality.

A form is provided at the back of this manual for reader's comments. Either mail or fax it to (520) 799-6487. If this form has been removed, comments may be sent to the address below.

IBM Corporation, Department 61C, 9000 South Rita Road, Tucson, Arizona 85744-0001, U.S.A

IBM may use or distribute any of the information you supply in any way it believes appropriate without incurring any obligation whatever. You may, of course, continue to use the information you supply.

IBM has prepared this maintenance manual for the use of IBM customer service representatives in the installation, maintenance, and repair of the specific machines indicated. IBM makes no representations that it is suitable for any other purpose.

The drawings and specifications contained herein shall not be reproduced in whole or in part without written permission.

© Copyright International Business Machines Corporation 1993, 2003. All rights reserved.

US Government Users Restricted Rights – Use, duplication or disclosure restricted by GSA ADP Schedule Contract with IBM Corp.

How to Use This Parts Catalog

- **SIMILAR ASSEMBLIES:** If two assemblies contain a majority of identical parts, they are broken down on the same list. Common parts are shown by one index number. Parts peculiar to one or the other of the assemblies are listed separately and identified by description.
- **AR:** (As Required) in the Units column indicates the quantity of the part is used as required.
- **NP:** (Non-Procurable) in the Units column indicates that the part is non-procurable and that the individual parts or the next higher assembly should be ordered.
- **NR:** (Not Recommended) in the Units column indicates that the part is procurable but not recommended for field replacement, and that the next higher assembly should be ordered.
- **R:** (Restricted) in the Units column indicates the part has a restricted availability.
- **INDENTURE:** The indenture is marked by a series of dots located before the parts description. The indenture indicates the relationship of a part to the next higher assembly. For example:

Indenture	Relationship of Parts
(No dots)	MAIN ASSEMBLY
(One dot)	• Detail parts of a main assembly
(One dot)	• Subassembly of the main assembly
(Two dots)	•• Detail part of a one-dot subassembly
(Two dots)	•• Subassembly of a one-dot subassembly
(Three dots)	••• Detail part of a two-dot subassembly

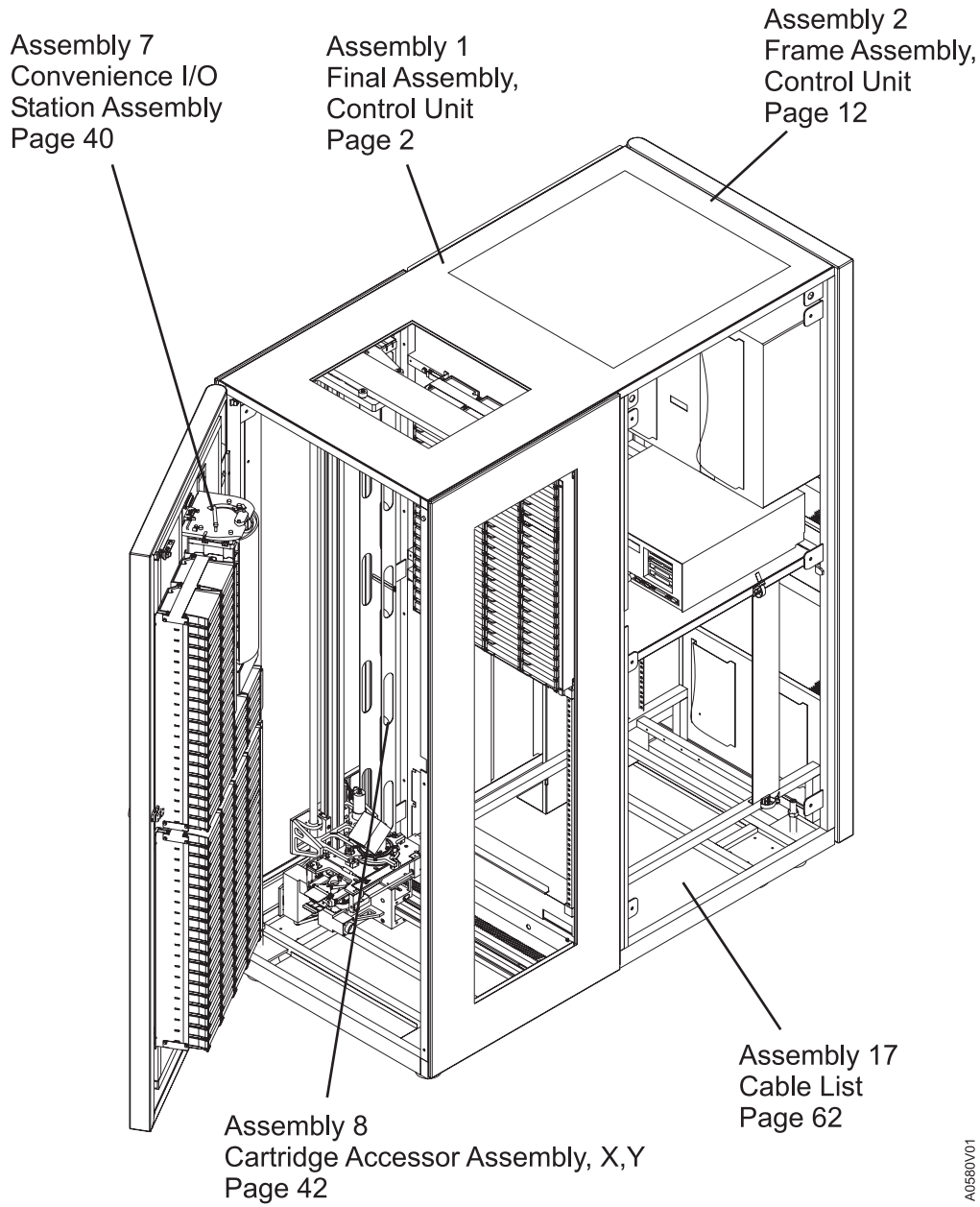
Assembly 1: Cover Assembly (Sample)

Asm- Index	Part Number	Units	Description
1-	2512667	1	Cover Assembly, Rear, Red
-	2512668	1	Cover Assembly, Rear, Yellow
-	2512669	1	Cover Assembly, Rear, Blue
-	2512670	1	Cover Assembly, Rear, Gray
-	2513714	1	Cover Assembly, Rear, White For Next Higher Assembly, See 1-2 on page 15
-1	5373637	1	• Seal, Top
-2	5356429	2	• Clip, Retaining
-3	2513013	3	• Liner, Cover
-4	5373727	1	• Seal, Left Side
-5	5356429	3	• Clip, Retaining
-6	513668	2	• Catch, Cover
-7	81693	4	• Screw, Mach Bind Hd- 6-32, X 0.375 Long
-8	1847630	R	• Finger Stock Assembly
-9	1847602	NR	•• Channel, Finger Stock
-10	1847604	NR	•• Finger Stock, 2.00 Long
-11	5373639	AR	• Seal, Bottom
-12	5356429	2	• Clip, Retaining
-13		NP	• Cover, Rear, without Paint

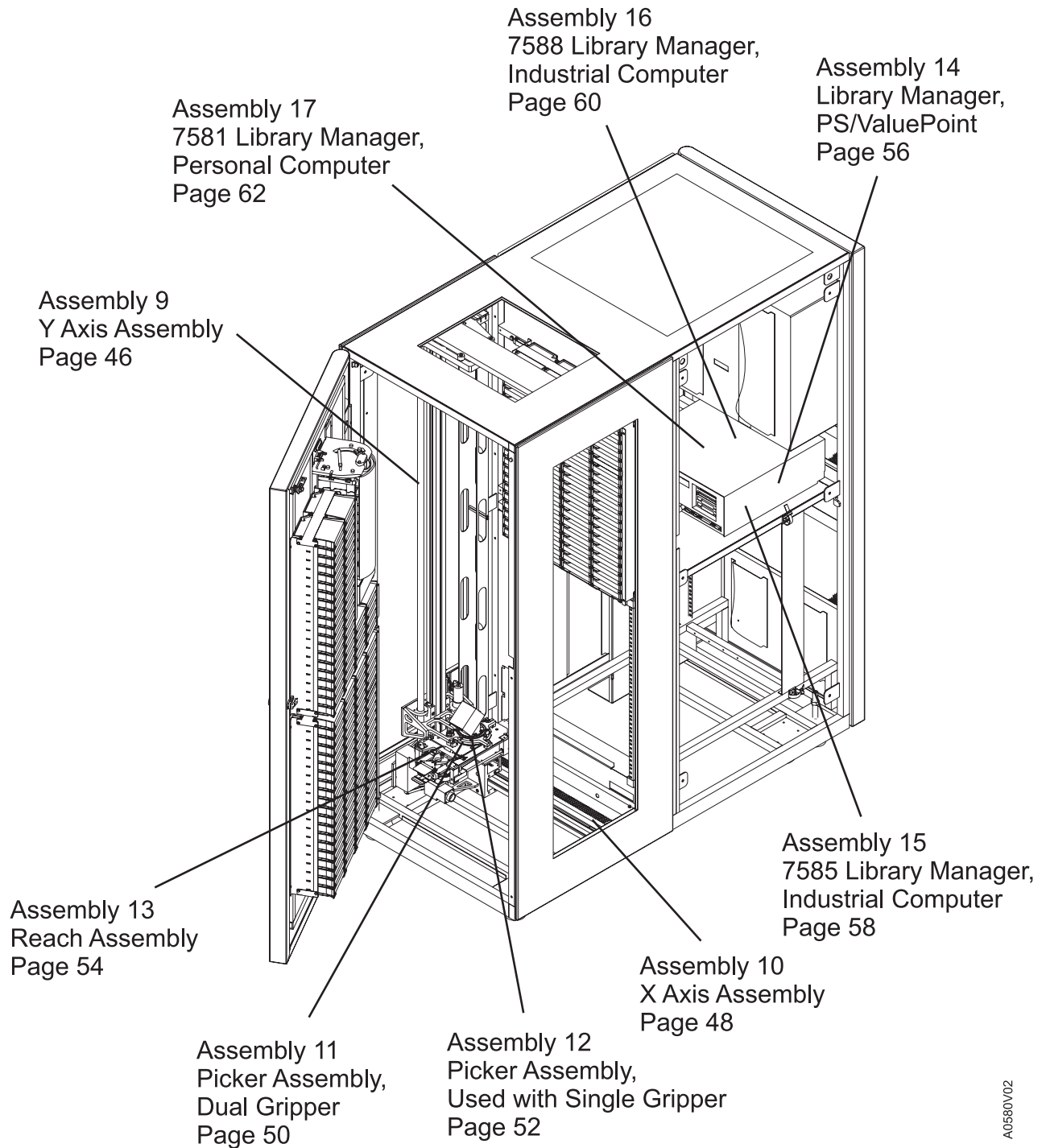
Assemblies List

Cable List	66
Cartridge Accessor Assembly, X,Y	44
Convenience I/O Station Assembly	42
Final Assembly, B16 Virtual Tape Server Unit	20
Final Assembly, Control Unit	2
Frame Assembly, Control Unit	12
Frame Assembly, Drive Unit.	22
Frame Assembly, Storage Unit	34
HA1 Service Bay Assembly	40
Library Manager, 7581 Personal Computer	64
Library Manager, 7585 Industrial Computer	60
Library Manager, 7588 Industrial Computer	62
Library Manager, PS/ValuePoint	58
Picker Assembly, Dual Gripper	52
Picker Assembly, Used with Single Gripper.	54
Reach Assembly	56
X Axis Assembly	50
Y Axis Assembly	48

Visual Index I Model L10, L12, L14 and L22 Control Unit

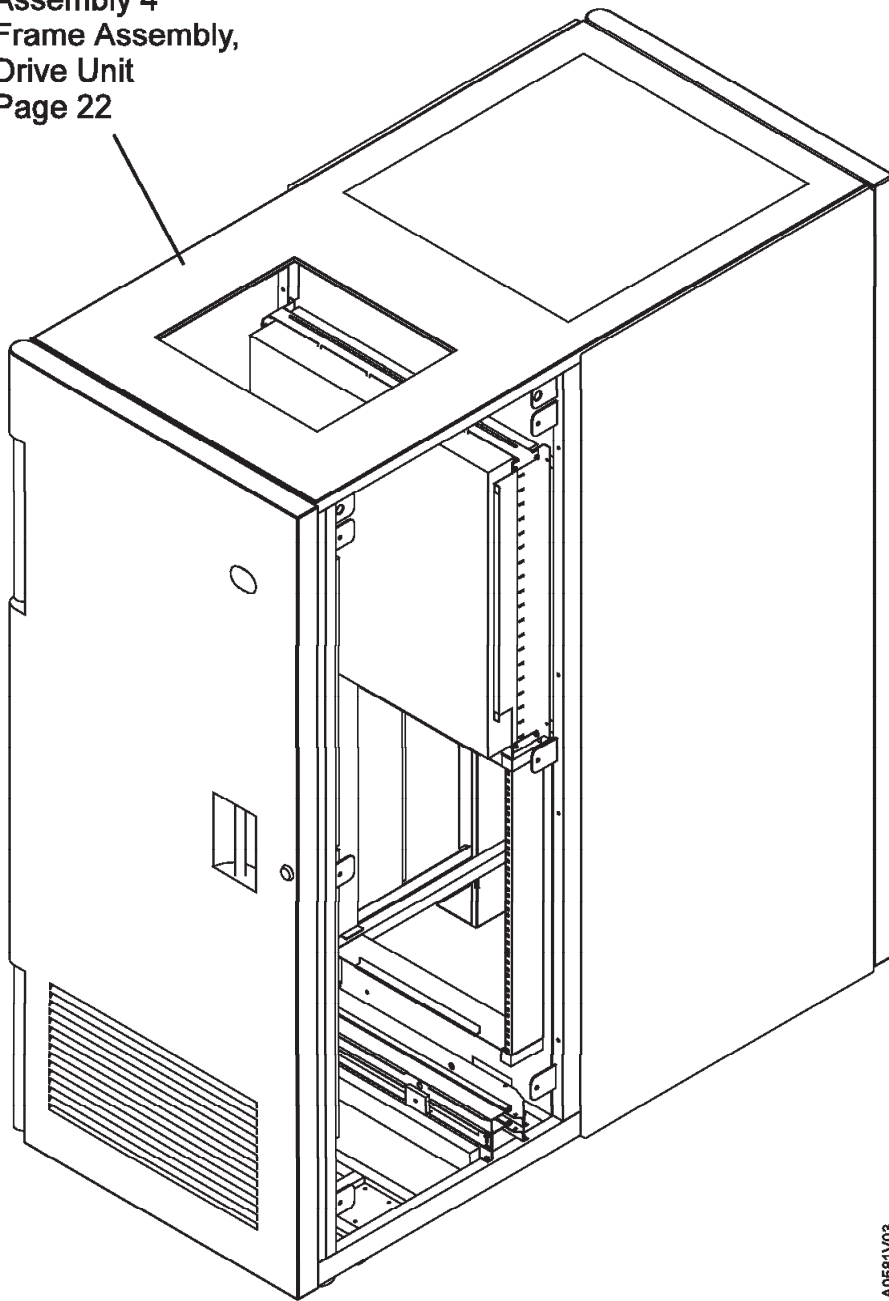


Visual Index II Model L10, L12, L14 and L22 Control Unit



Visual Index III Model D10, D12, D14, D22 and D24 Drive Unit

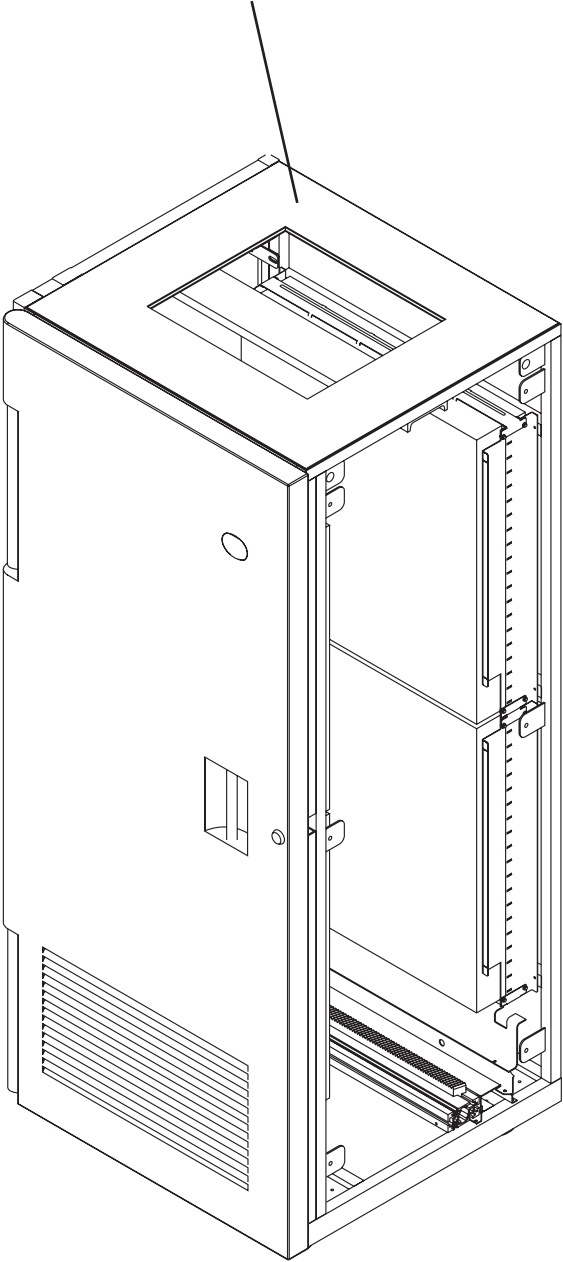
Assembly 4
Frame Assembly,
Drive Unit
Page 22



A0581V03

Visual Index IV Model S10 Storage Unit

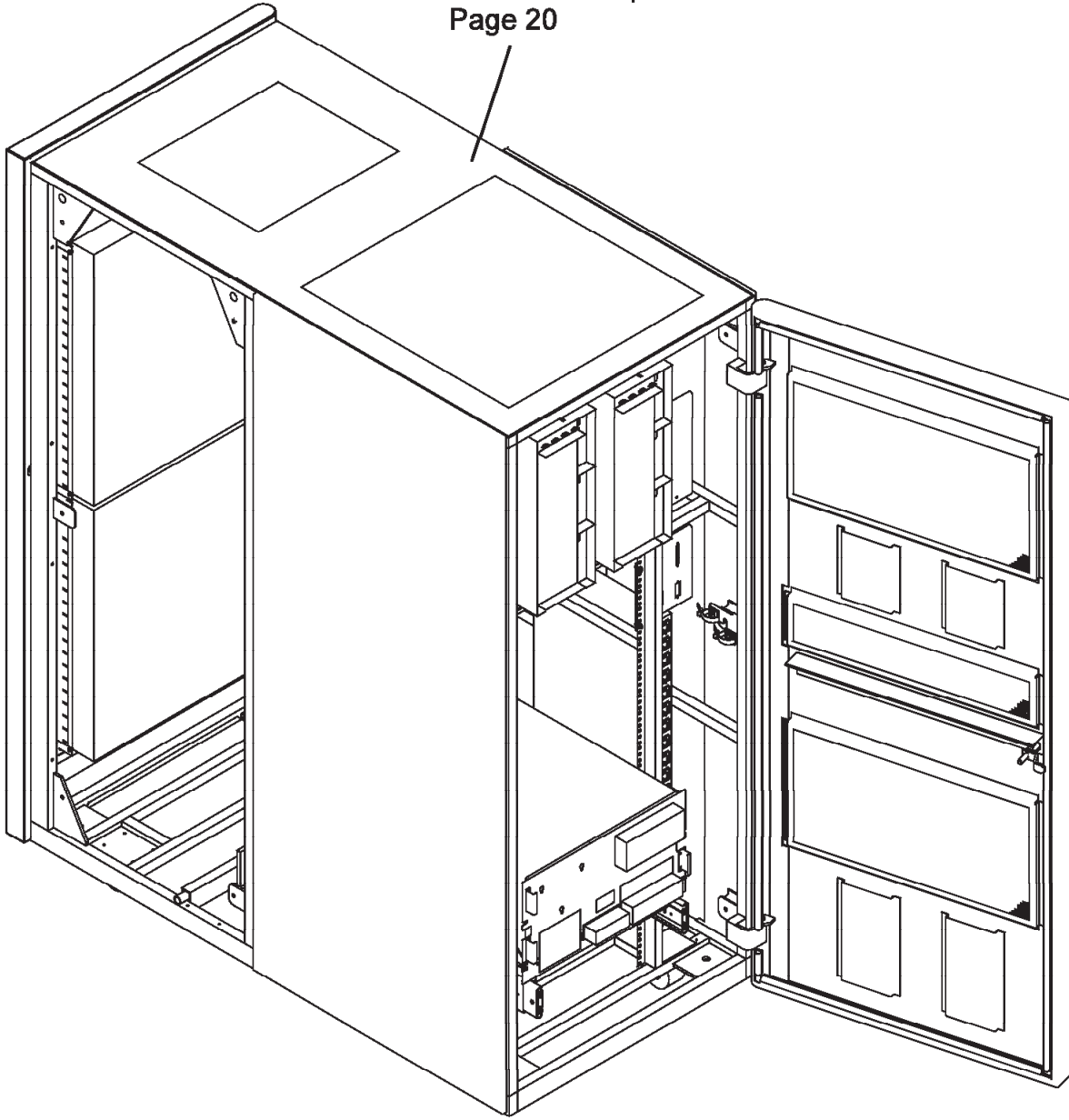
Assembly 5
Frame Assembly,
Storage Unit
Page 32



A0580V04

Visual Index V Model B16 Virtual Tape Server Unit

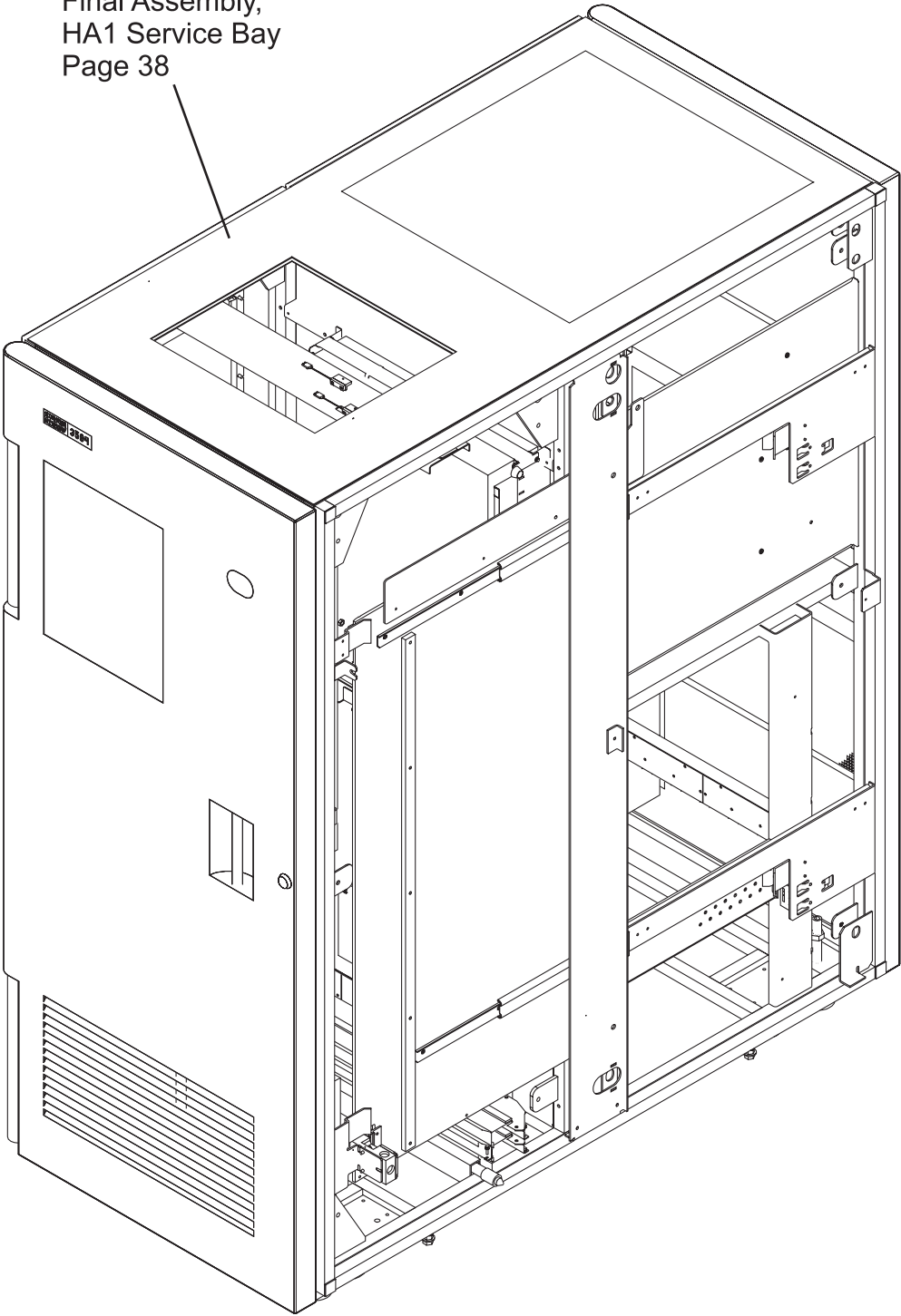
Assembly 3
Final Assembly,
B16 Virtual Tape Server
Page 20



A0584V05

Visual Index VI Service Bay

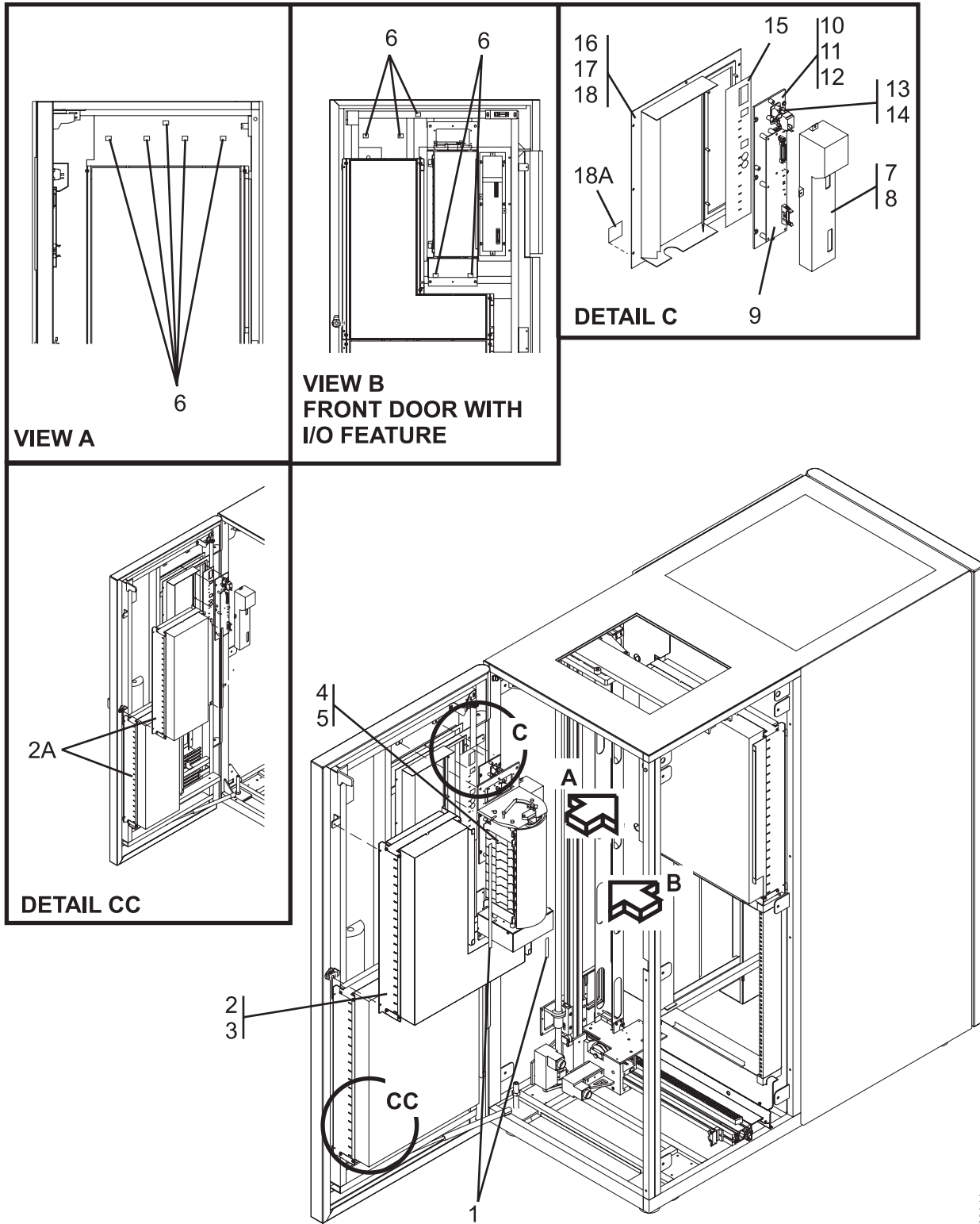
Assembly 6
Final Assembly,
HA1 Service Bay
Page 38



A0585V06

Catalog Section

Assembly 1: Final Assembly, Control Unit

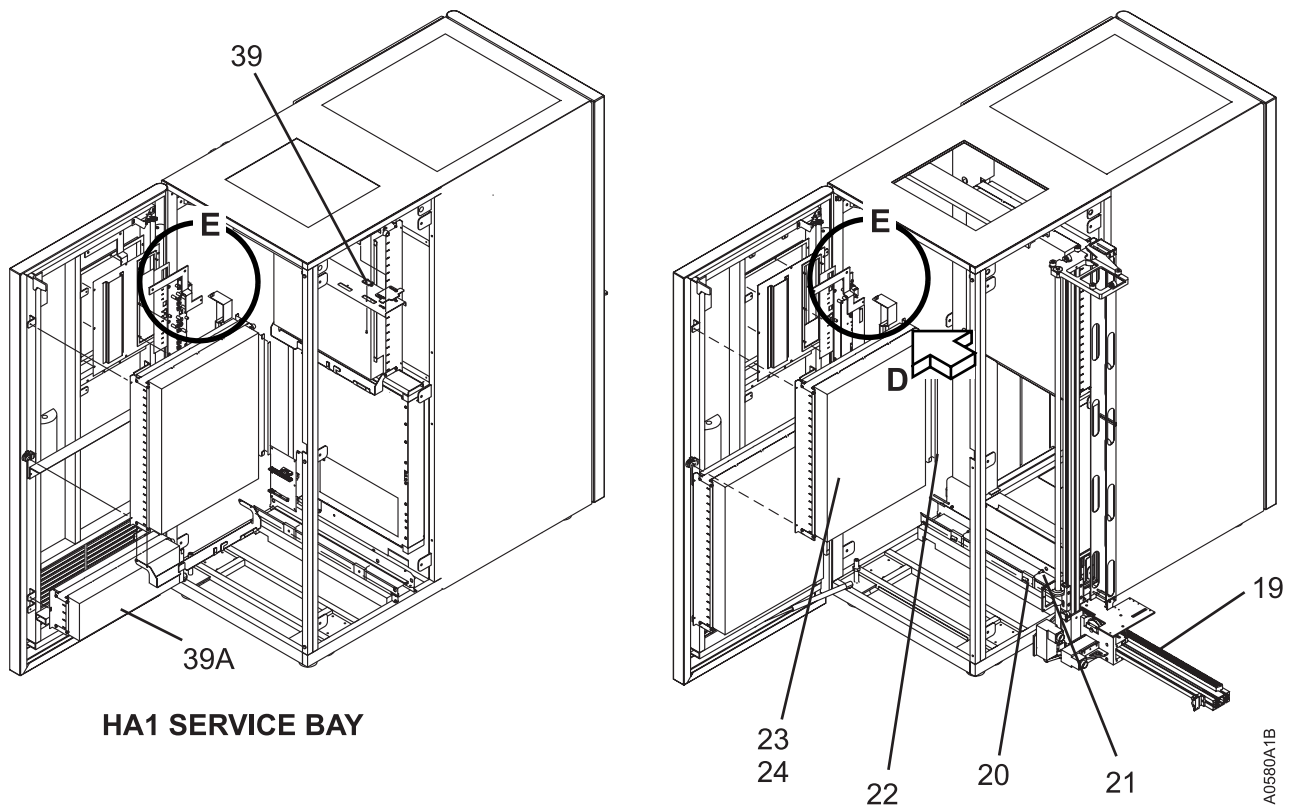
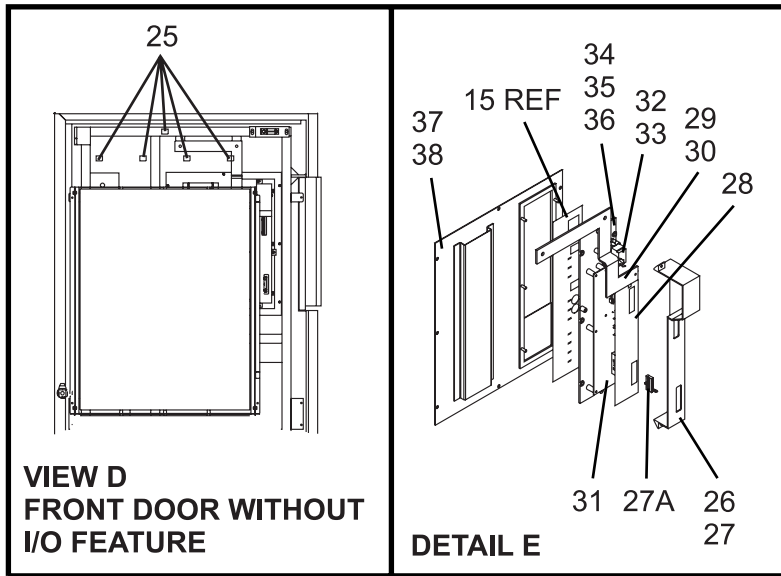


A0580A1A

Assembly 1: (continued)

Asm- Index	Part Number	Units	Description
1-		NP	Final Assembly, Control Unit (Sheet 1 of 5)
-1	62G1543	AR	• Label, Control Unit Row
-2	34G9671	1	• Rack Assembly, Storage, (Used with Convenience I/O Station)
-2A	05H7578	AR	• Rack Assembly, 2 X 20, (Used with 30 Cartridge CIO)
-3		NP	• Screw, Metric-Hex Flng Hd M4 X 12 mm Long
-4	50G0100	1	• Convenience I/O Station Assembly For Detail Breakdown, See "Assembly 7: Convenience I/O Station Assembly" on page 42
-4	05H7580	1	• Convenience I/O Station Assembly (30 Cartridge)
-5	1624790	4	• Screw, Metric-Hex Flng Hd M6 X 12 mm Long
-6	62G1541	AR	• Label, Control Unit Matrix/Column
-7		NP	• Cover, Card
-8		NP	• Screw, Metric-Thd Rolling Pan Hd M2.9 X 12 mm Long
-9	19P4961	1	• Card, Operator Panel
-10		NP	• Operator Panel Assembly
-11		NP	• Nut, Metric-Hex M4 Double Chamfer
-12		NP	• Lockwasher, Metric-Spring 4.1 ID X 7.5 OD
-13	4451772	1	• Switch, UEPO
-14	1622533	AR	• Screw, Metric-Thd Rolling Pan Hd M2.9 X 12 mm Long
-15	61G9966	1	• Label, Operator Panel, English
-15	61G9968	1	• Label, Operator Panel, French
-15	61G9970	1	• Label, Operator Panel, Italian
-15	61G9972	1	• Label, Operator Panel, Japanese
-15	61G9974	1	• Label, Operator Panel, Spanish
-16		NP	• Panel, I/O Port
-17		NP	• Screw, Metric-Hex Flng Hd M4 X 12 mm Long
-18		NP	• Lockwasher, Metric-Spring 4.1 ID X 7.5 OD
-18A	05H7455	1	• Label, Cartridge Placement

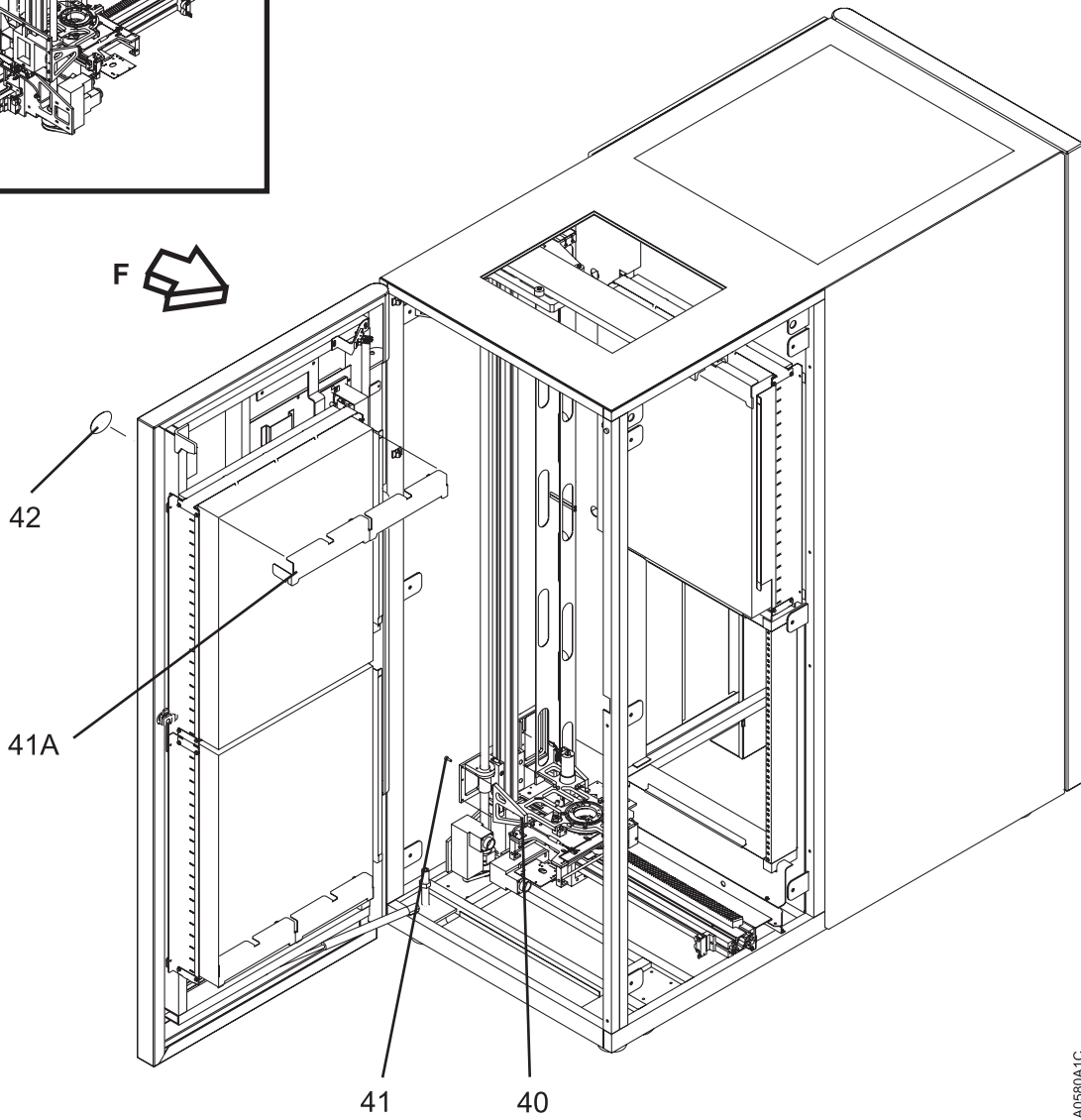
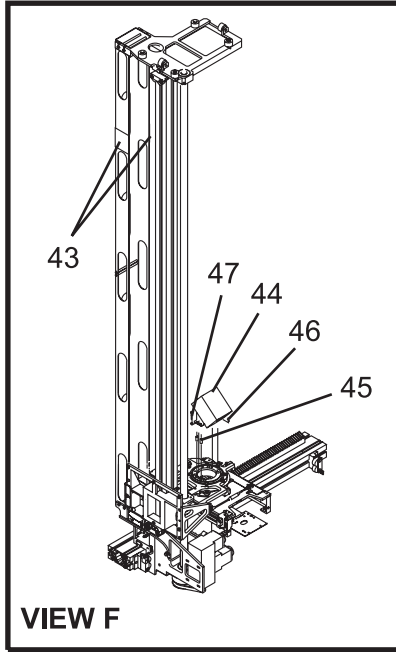
Assembly 1: (continued)



Assembly 1: (continued)

Asm- Index	Part Number	Units	Description
1-		NP	Final Assembly, Control Unit (Sheet 2 of 5)
-19		NP	• Cartridge Accessor Assembly, X,Y For Detail Breakdown, See "Assembly 8: Cartridge Accessor Assembly, X,Y" on page 44
-20		NP	• T-Nut
-21		NP	• Screw, Metric-Cap Soc Hd M6 X 12 mm Long
-22	62G1545	1	• Label, Row
-23	34G9670	1	• Rack Assembly, 4 X 20 Storage
-24		NP	• Screw, Metric-Hex Flng Hd M4 X 12 mm Long
-25	62G1541	AR	• Label, Control Unit Column
-26		NP	• Cover, Card
-27		NP	• Screw, Metric-Thd Rolling Pan Hd M3 X 12 mm Long
-27A	50G1049	1	• Jumper, I/O Station Not Present
-28		NP	• Shield, Card
-29		NP	• Bracket, Storage Mounting
-30		NP	• Screw, Metric-Hex Flng Hd M6 X 12 mm Long
-31	19P4961	1	• Card, Operator Panel
-32	4451772	1	• Switch, UEPO
-33		NP	• Screw, Metric-Thd Rolling Pan Hd M3 X 12 mm Long
-34		NP	• Operator Panel Assembly
-35		NP	• Nut, Metric-Hex M4 Double Chamfer
-36		NP	• Lockwasher, Metric-Spring 4.1 ID X 7.5 OD
-37		NP	• Panel, Filler
-38		NP	• Screw, Metric-Hex Flng Hd M4 X 12 mm Long
-39	05H7338	1	• In-Bay Switch Assembly Only Used with HA1 Service Bay
-39A	05H7181	1	• Rack Assembly, 4 X 5 Storage Only Used with HA1 Service Bay

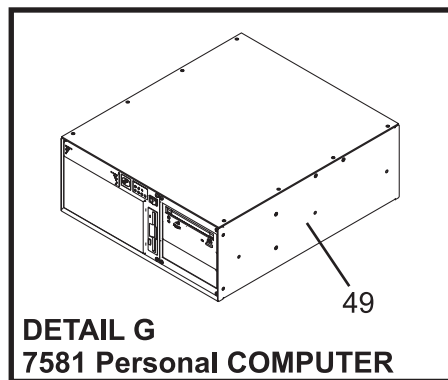
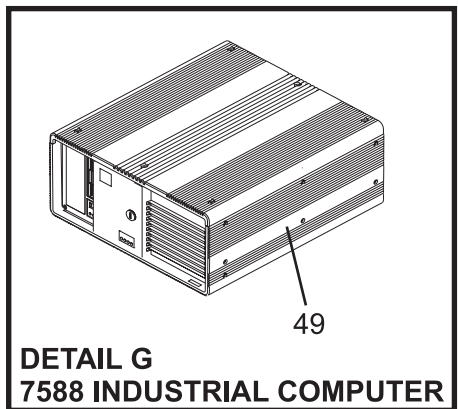
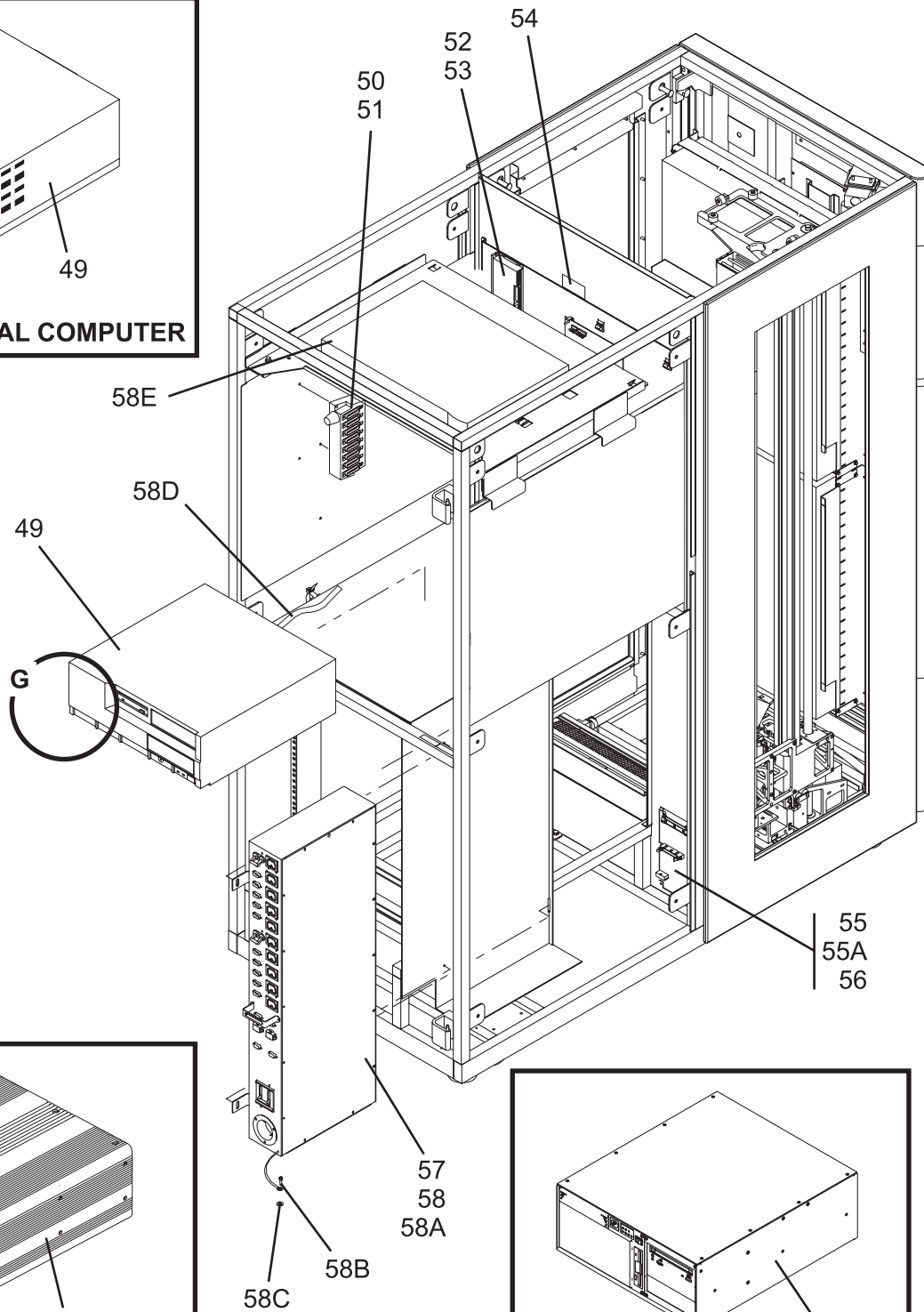
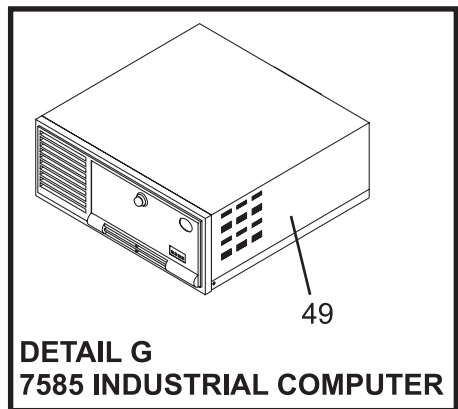
Assembly 1: (continued)



Assembly 1: (continued)

Asm-Index	Part Number	Units	Description
1-		NP	Final Assembly, Control Unit (Sheet 3 of 5)
-40		NP	• Picker Assembly, Used with Single Gripper For Detail Breakdown, See "Assembly 12: Picker Assembly, Used with Single Gripper" on page 54
-40		NP	• Picker Assembly, Dual Gripper, Used with Dual Gripper Feature For Detail Breakdown, See "Assembly 11: Picker Assembly, Dual Gripper" on page 52
-41	1621510	4	• Screw, Metric-Cap Soc Hd M4 X 10 mm Long
-41A	05H4105	AR	• Storage Blank, Insert, 2 X 2 Used with Dual Gripper Feature
-42		NP	• Logo, IBM 3494
-43	50G0321	2	• Label, Laser Safety, English
-43	50G0324	2	• Label, Laser Safety, Belgian (Dutch/French)
-43	50G0326	2	• Label, Laser Safety, Brazilian Portuguese
-43	50G0328	2	• Label, Laser Safety, Canadian (French/English)
-43	50G0330	2	• Label, Laser Safety, Danish
-43	50G0332	2	• Label, Laser Safety, Finnish
-43	50G0334	2	• Label, Laser Safety, French
-43	50G0336	2	• Label, Laser Safety, German
-43	50G0338	2	• Label, Laser Safety, Italian
-43	50G0340	2	• Label, Laser Safety, Japanese
-43	50G0342	2	• Label, Laser Safety, Norwegian
-43	50G0344	2	• Label, Laser Safety, Portuguese
-43	50G0346	2	• Label, Laser Safety, Spanish
-43	50G0348	2	• Label, Laser Safety, Swedish
-43	50G0350	2	• Label, Laser Safety, Swiss (French/German/Italian)
-44	05H4155	1	• Bar-Code Reader Assembly
-45	34G9343	2	• Spring, Reader Adjustment
-46	50G0108	2	• Screw, Metric-Cap Soc Hd M3 X 6 mm Long
-47	50G0109	1	• Screw, Metric-Cap Soc Hd M3 X 12 mm Long

Assembly 1: (continued)

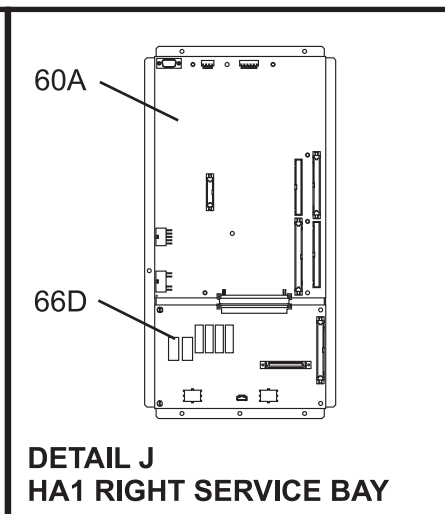
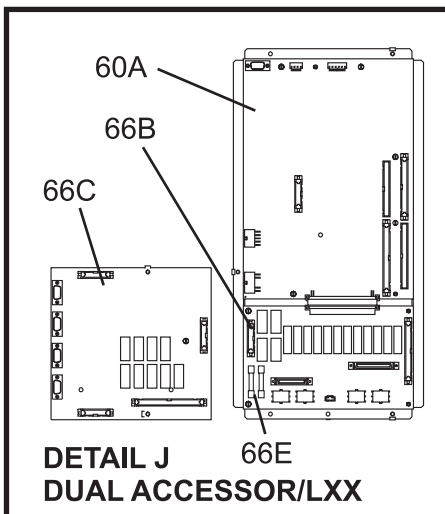
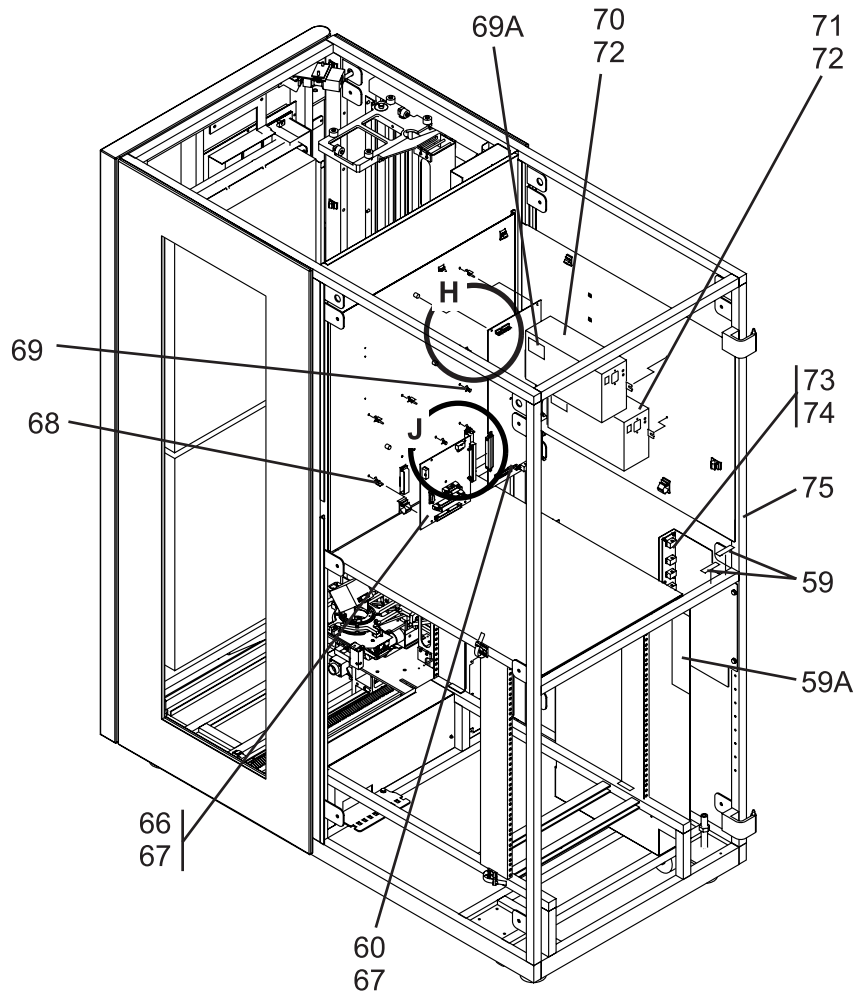
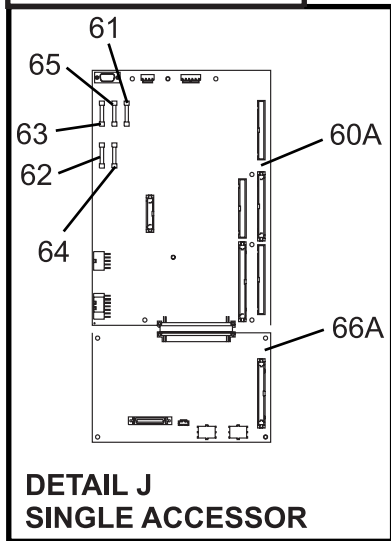
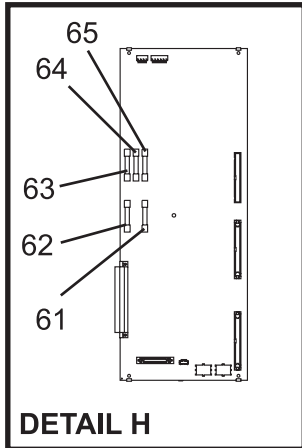


A0580A1D

Assembly 1: (continued)

Asm- Index	Part Number	Units	Description
1-		NP	Final Assembly, Control Unit (Sheet 4 of 5)
-49		NP	• Library Manager, PS/ValuePoint For Detail Breakdown, See "Assembly 14: Library Manager, PS/ValuePoint" on page 58
-49		NP	• Library Manager, 7585 Industrial Computer For Detail Breakdown, See "Assembly 15: Library Manager, 7585 Industrial Computer" on page 60
-49		NP	• Library Manager, 7588 Industrial Computer For Detail Breakdown, See "Assembly 16: Library Manager, 7588 Industrial Computer" on page 62
-49		NP	• Library Manager, 7581 Personal Computer For Detail Breakdown, See "Assembly 17: Library Manager, 7581 Personal Computer" on page 64
-50	00F5531	1	• Cable, Real-Time Interface Coprocessor
-51		NP	• Screw, Metric-Hex Flng Hd M5 X 25 mm Long
-52	61G9893	2	• X/Y Axis Power Amplifier
-53	1624746	4	• Screw, Metric-Hex Flng Hd M3 X 12 mm Long
-54	62G1482	1	• Label, Hazardous Area, English
-54	62G1484	1	• Label, Hazardous Area, Belgian (Dutch/French)
-54	62G1486	1	• Label, Hazardous Area, Brazilian Portuguese
-54	62G1488	1	• Label, Hazardous Area, Canadian (French/English)
-54	62G1490	1	• Label, Hazardous Area, Danish
-54	62G1492	1	• Label, Hazardous Area, French
-54	62G1494	1	• Label, Hazardous Area, German
-54	62G1496	1	• Label, Hazardous Area, Italian
-54	62G1498	1	• Label, Hazardous Area, Japanese
-54	62G1500	1	• Label, Hazardous Area, Norwegian
-54	62G1502	1	• Label, Hazardous Area, Portuguese
-54	62G1504	1	• Label, Hazardous Area, Swedish
-54	62G1506	1	• Label, Hazardous Area, Spanish
-55	62G1190	1	• Card, Bulkhead Interface, BIC1 (Single Accessor Only)
-55	05H8247	1	• Card, Bulkhead Interface, BIC2 (Dual Accessor Only)
-55A	62G1195	AR	• Jumper, PCC Connector
-56	1621509	6	• Screw, Metric-Cap Soc Hd M4 X 8 mm Long
-57	21F9008	1	• Power Control Compartment, 25A 1PH
-58	1624767	AR	• Screw, Metric-Hex Flng Hd M4 X 12 mm Long
-58A	1622275	2	• Washer, Flat M4
-58B		NP	• Screw, Metric-Hex Flng Hd M5 X 6 mm Long
-58C		NP	• Washer, External Tooth, M5
-58D	50G1046	1	• Jumper, Braided Shield
-58E	19P0758	1	• IBM 8271 Ethernet Switch Installed if 3494 VTS or HA1 is attached

Assembly 1: (continued)

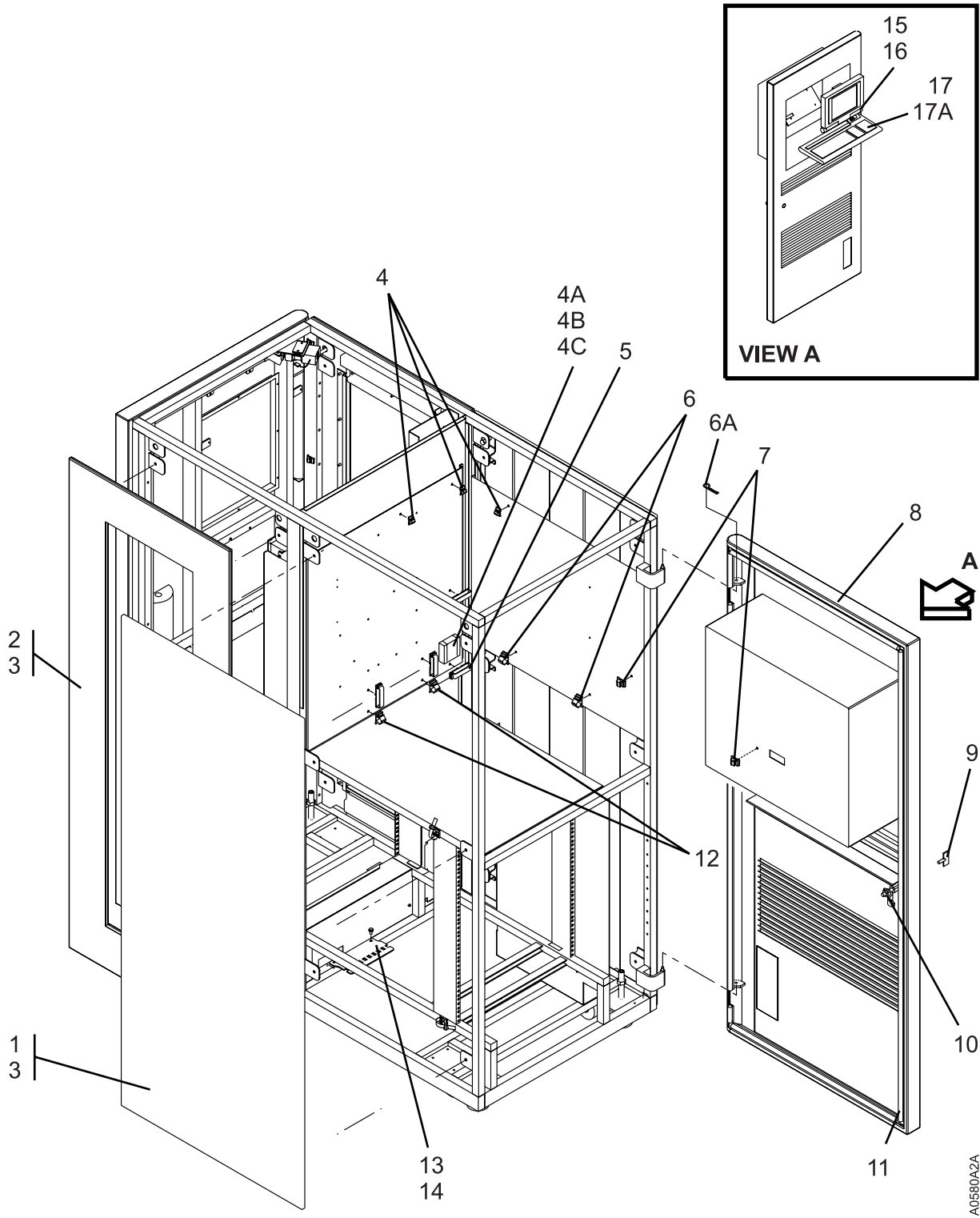


A0560A1E

Assembly 1: (continued)

Asm-Index	Part Number	Units	Description
1-		NP	Final Assembly, Control Unit (Sheet 5 of 5)
-59	44F0924	2	• Label, Self-Destruct
-59A	50G1043	1	• Label, Safety, Current Leak
-60	61G9905	1	• Card, Machine Interface Control 1
-60A	19P4960	1	• Card, Machine Interface Control 2/3/4
-61	1176668	1	• Fuse, F2 1.5 A SB, 24 V, Sensors
-62	1176668	1	• Fuse, F5 1.5 A SB, 24 V, Motors/Solenoid
-63	1176668	1	• Fuse, F4 1.5 A SB, 24 V, UEPO Detect
-64	0123786	1	• Fuse, F3 5 A, 36 V, Servo
-65	1176668	1	• Fuse, F1 1.5 A SB, 24 V, Operator Panel
-66	50G1053	1	• Card, Library Interconnect (LCC) Only Used with Card, Machine Interface Control 1, Part Number 61G9905
-66A	09L5370	1	• Card, Library Power Control Only Used with Card, Machine Interface Control 2/3/4
-66B	19P4964	1	• Card, DSW3 Only Used with Dual Accessor/LXX
-66C	09L4561	1	• Card, UEP3 Only Used with Dual Accessor/LXX
-66D	05H8239	1	• Card, DBF2 Only Used with HA1 Right Service Bay
-66E	303549	2	• Fuse, 1 A, Time Delay, Type MDL
-67	1621509	4	• Screw, Metric-Cap Soc Hd M4 X 8 mm Long
-68	34G8117	3	• Support, Card Holding
-69	34G8118	3	• Spacer, Nylon
-69A	50G0396	2	• Label, Warning
-70	05H9615	1	• Power Supply, 24 V dc
-71	05H9616	1	• Power Supply, 36 V dc
-72		NP	• Screw, Metric-Hex Flng Hd M4 X 12 mm Long
-73	50G0353	1	• Card, Remote Power Control
-74	50G0108	8	• Screw, Metric-Cap Soc Hd M3 X 6 mm Long
-75		NP	• Frame Assembly, Control Unit For Detail Breakdown, See "Assembly 2: Frame Assembly, Control Unit" on page 12

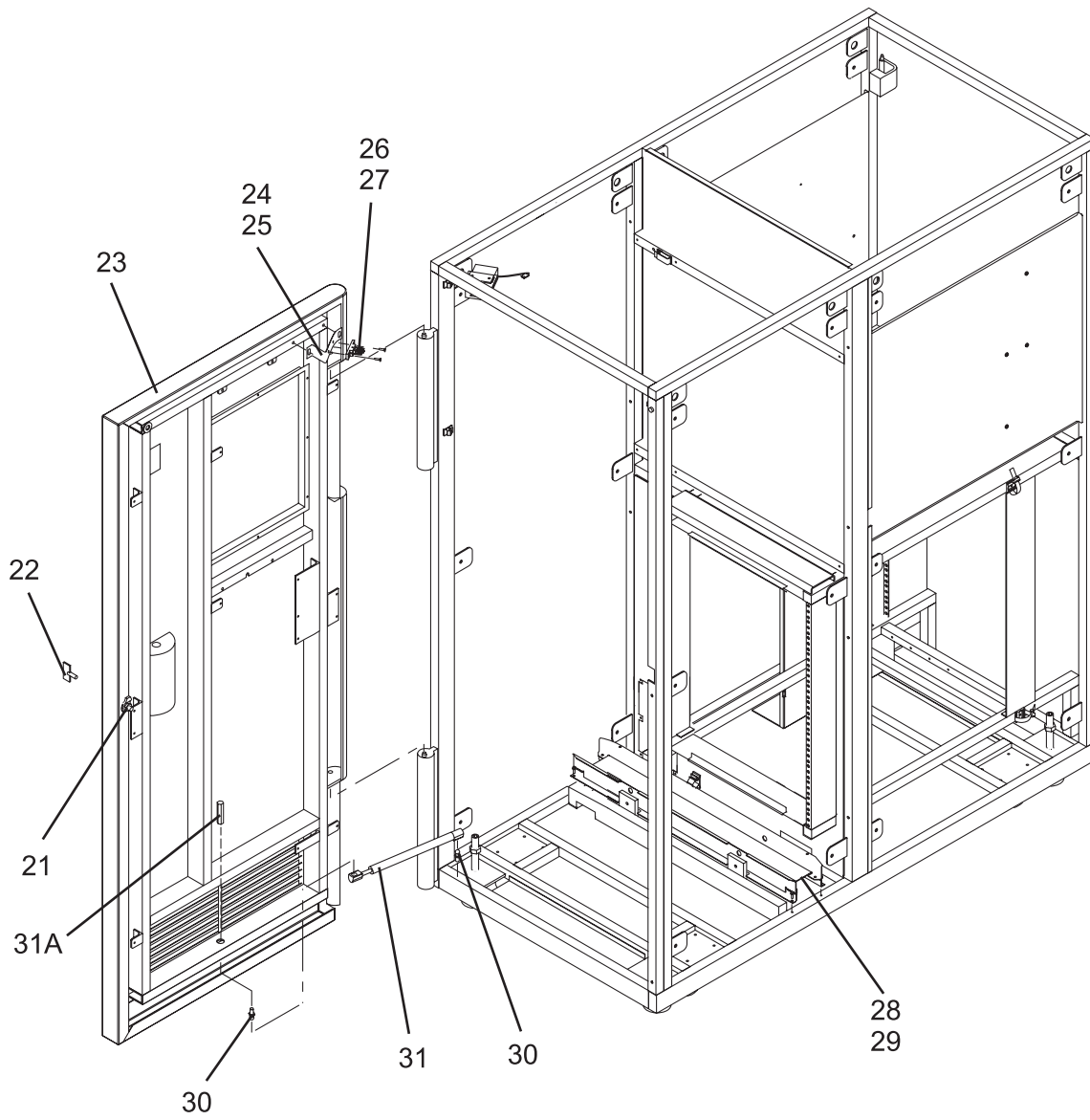
Assembly 2: Frame Assembly, Control Unit



Assembly 2: (continued)

Asm-Index	Part Number	Units	Description
2-		NP	Frame Assembly, Control Unit (Sheet 1 of 4) For Next Higher Assembly, See 1-75 on page 11
-1	61G9867	2	• Cover, Side, Rear
-2	61G9866	2	• Cover, Side, Front
-3	1624794	24	• Screw, Metric-Hex Flng Hd M6 X 25 mm Long
-4	65F6124	3	• Clamp, Cable
-4A	61G8661	1	• Housing, Ferrite
-4B	33F9903	2	• Ferrite, Cable
-4C	5715054	AR	• Tape
-5	6390817	4	• Clamp, Cable
-6		NP	• Clamp, Cable
-6A		NP	• Pin, Hair and Cotter
-7	65F6125	2	• Clamp, Cable
-8	61G9903	1	• Door, Rear, Control Unit
-9	62G1580	1	• Key, Door Latch, Rear
-10	62G1557	1	• Latch Assembly
-11	65F3658	AR	• Seal
-12	65F6126	2	• Clamp, Cable
-13		NP	• Bracket, Grounding
-14		NP	• Screw, Metric-Thd Form Hex Wshr Hd M6 X 10 mm Long
-15	05H7718	1	• Display, Flat Panel
-16	1624769	2	• Screw, Metric-Hex Flng Hd M4 X 16 mm Long
-16	1624766	2	• Screw, Metric-Hex Flng Hd M4 X 10 mm Long
-17	18P7970	1	• Keyboard, Track Ball, English and Japanese
-17	18P7974	1	• Keyboard, Track Ball, Spanish
-17	18P7973	1	• Keyboard, Track Ball, Italian
-17	18P7972	1	• Keyboard, Track Ball, French
-17	18P7971	1	• Keyboard, Track Ball, French/Canadian
-17A	72X8537	1	• Cable Assembly, Keyboard (if not attached)

Assembly 2: (continued)

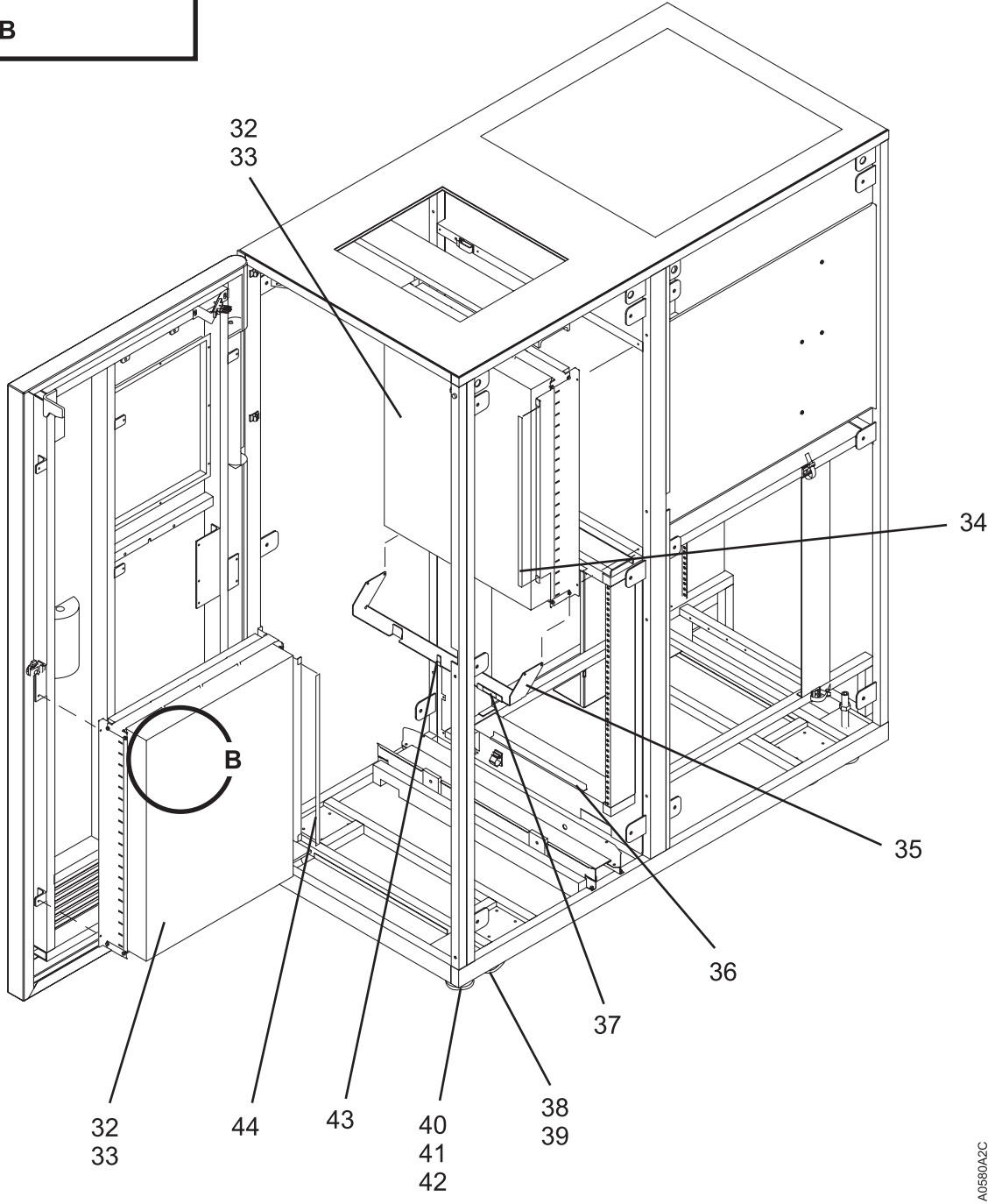
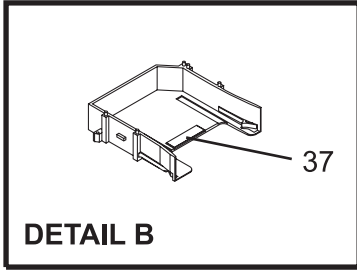


A0580A2B

Assembly 2: (continued)

Asm-Index	Part Number	Units	Description
2-		NP	Frame Assembly, Control Unit (Sheet 2 of 4) For Next Higher Assembly, See 1-75 on page 11
-21	05H8454	1	• Latch Assembly
-22	61G9870	1	• Key, Door Latch, Front
-23	50G0412	1	• Door, Front
-24		NP	• Bracket, Striker
-25		NP	• Screw, Metric-Hex Flng Hd M6 X 12 mm Long
-26	34G9212	1	• Switch, Key
-27		NP	• Screw, Metric-Soc Flt Hd M5 X 15 mm Long
-28		NP	• Track, X Axis Flex Cable
-29		NP	• Screw, Metric-Hex Flng Hd M4 X 12 mm Long
-30	61G9924	2	• Stud, Ball, Cylinder
-31	61G9923	1	• Cylinder, Door Dampener
-31A	05H8269	1	• Nut, Door Stud Mounting

Assembly 2: (continued)

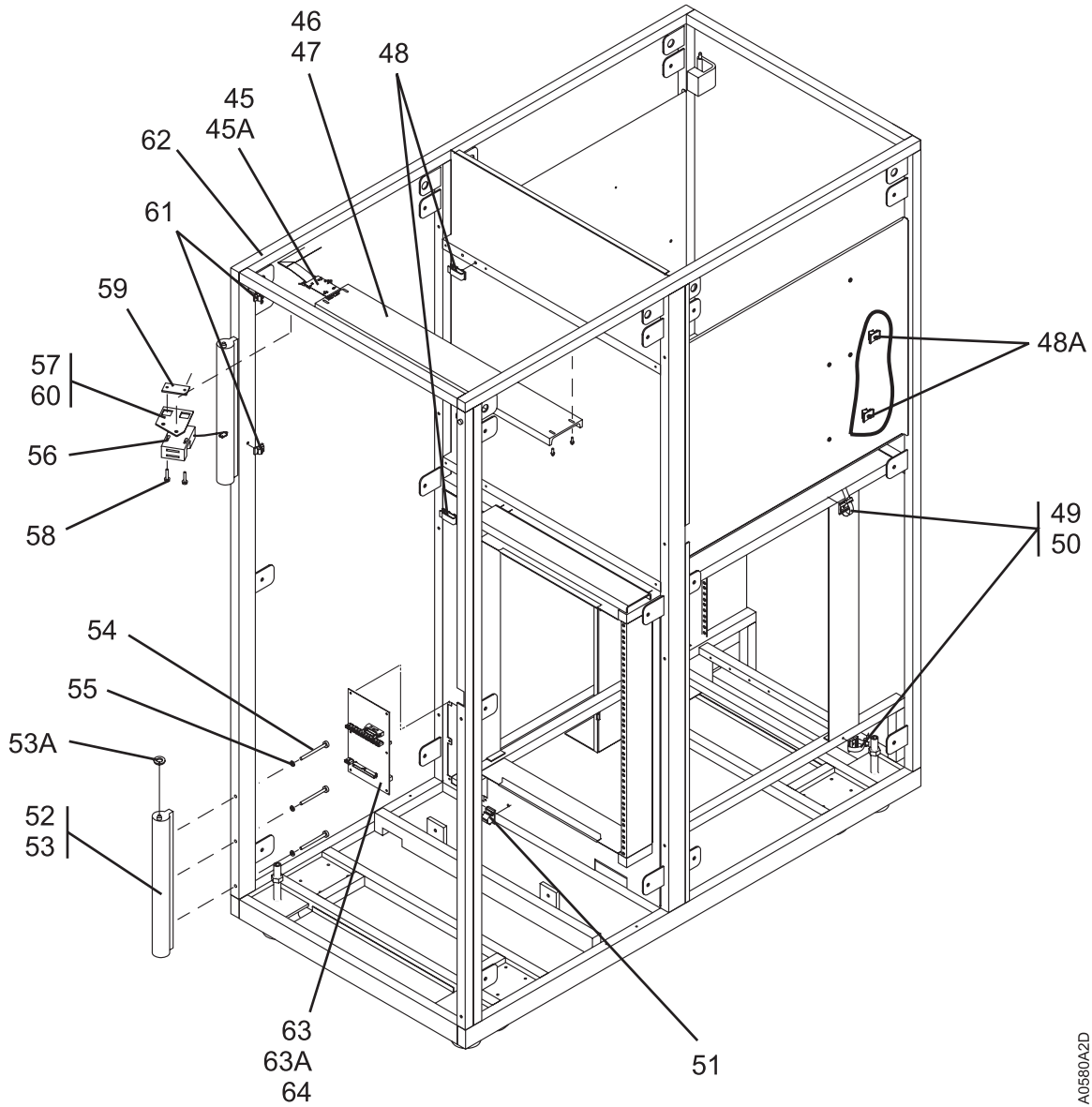


A0580A2C

Assembly 2: (continued)

Asm- Index	Part Number	Units	Description
2-		NP	Frame Assembly, Control Unit (Sheet 3 of 4) For Next Higher Assembly, See 1-75 on page 11
-32	34G9670	2	• Rack Assembly, 4 X 20 Storage
-33		NP	• Screw, Metric-Hex Flng Hd M4 X 12 mm Long
-34	62G1545	1	• Label, Row 2-16
-35		NP	• Bracket, Teach Mastering
-36	62G1481	AR	• Seal
-37	61G9885	AR	• Label, Bar-Code, Empty Cell
-37	05H8855	AR	• Label, Offset Kit
-38	68F7250	4	• Caster
-38	14F6780	4	• Caster (Japan Only)
-39	1621823	16	• Screw, Metric-Thd Form Hex Wshr Hd M6 X 16 mm Long
-40	50G0314	4	• Leveling Pad
-41	50G0400	4	• Setscrew, 5/8-11UNC X 5
-42	50G0401	4	• Nut, 5/8-11UNC
-43	61G9995	AR	• Label, Fiducial Target
-44	62G1547	1	• Label, Row 22-36

Assembly 2: (continued)

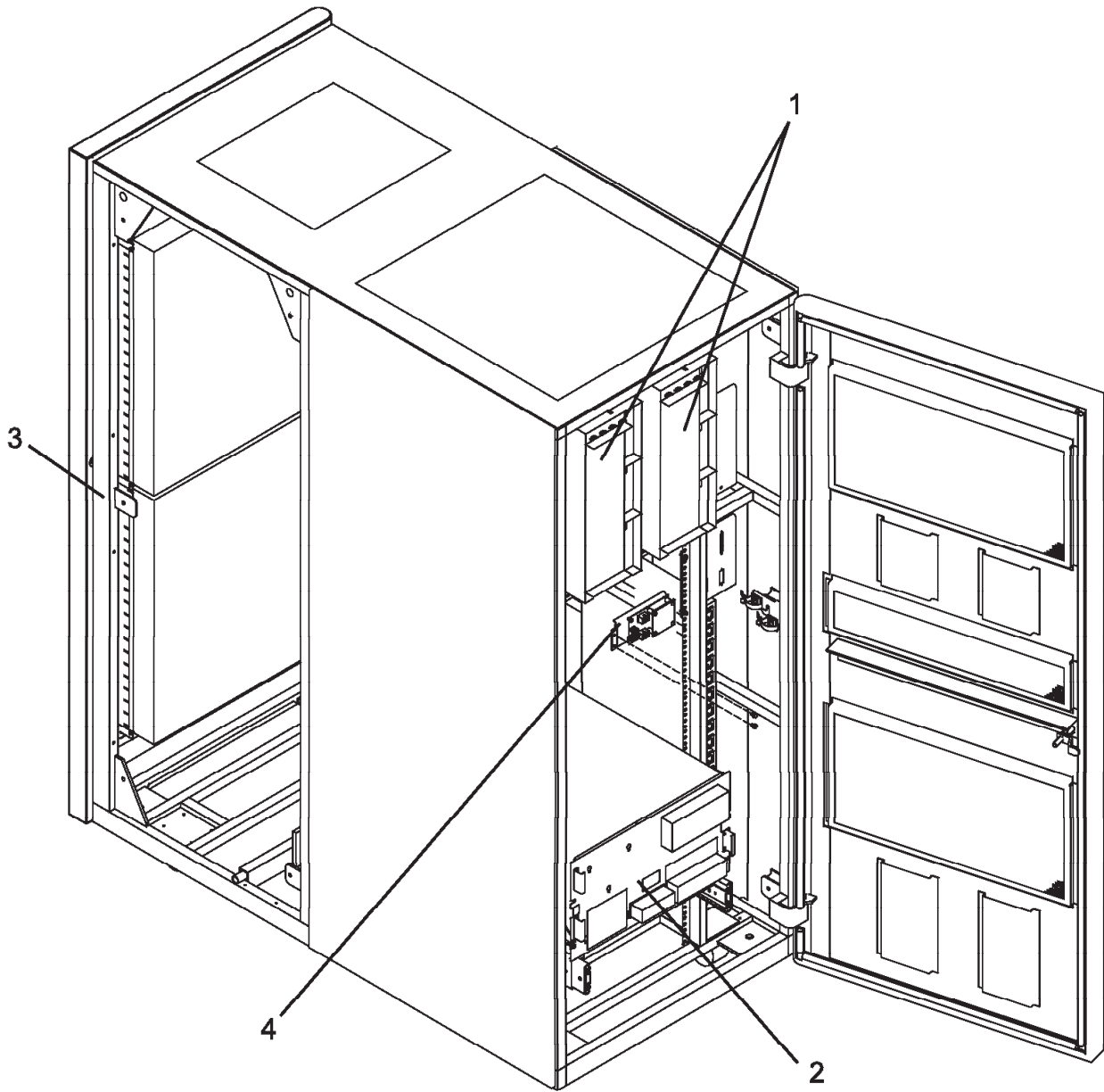


A0580A2D

Assembly 2: (continued)

Asm-Index	Part Number	Units	Description
2-		NP	Frame Assembly, Control Unit (Sheet 4 of 4) For Next Higher Assembly, See 1-75 on page 11
-45	62G1217	AR	• Card, Door Interlock
-45A	1624744	4	• Screw, Metric-Hex Flng Hd M3 X 8 mm Long
-46	05H7815	1	• Rail, Guide Channel (LXX)
-46	05H7816	1	• Rail, Guide Channel (SXX/DXX)
-47	19P0320	4	• Screw, Metric-Hex Flng Hd M4 X 12 mm Long
-48	13F1698	2	• Clamp, Cable
-48A		NP	• Clamp, Cable
-49		NP	• Clamp, Cable
-50		NP	• Rivet, Pop
-51		NP	• Clamp, Cable
-52		NP	• Hinge Post
-53		NP	• Hinge Spacer
-53A	50G0944	2	• Washer, Nylon
-54		NP	• Screw, Metric-Cap Hex Hd M6 X 75 mm Long
-55		NP	• Lockwasher, Metric-Spring 6.1 ID X 11.8 OD
-56	62G2745	1	• Switch/Cable Assembly, Door Interlock (See 6-19 for Switch Actuator Key)
-57		NP	• Plate, Switch Mounting
-58		NP	• Screw, Metric-Hex Flng Hd M5 X 25 mm Long
-59		NP	• Plate, Nut
-60		NP	• Screw, Metric-Hex Flng Hd M6 X 12 mm Long
-61		NP	• Clamp, Cable
-62		NP	• Frame Control Unit/Drive Unit
-63	05H8247	1	• Card, BIC2, HA Only
-63A	62G1190	1	• Card, BIC1, Single AccessorOnly
-64	1621509	6	• Screw, Metric-Hex Flng Hd M4 X 12 mm Long

Assembly 3: Final Assembly, B16 Virtual Tape Server Unit

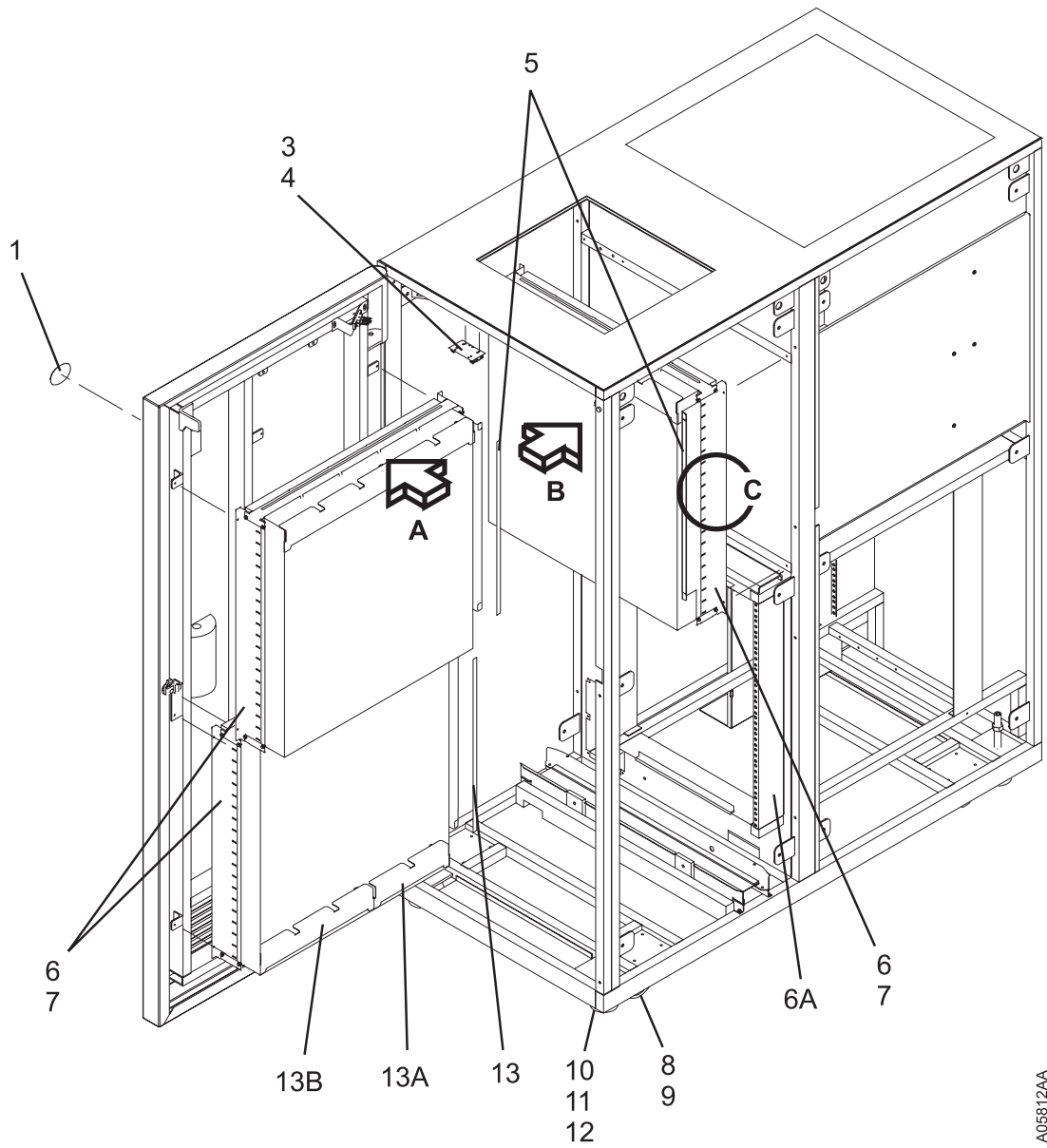
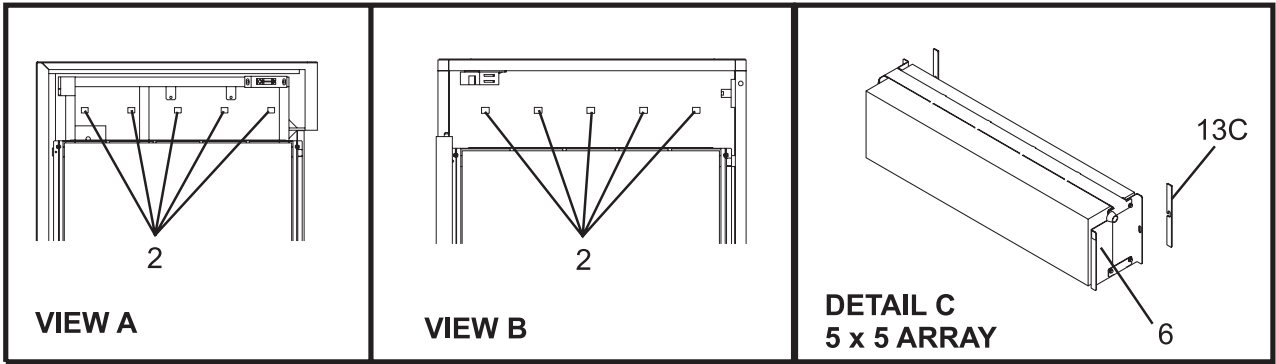


A0584A12

Assembly 3: (continued)

Asm-Index	Part Number	Units	Description
3-		NP	Final Assembly, B16 Virtual Tape Server Unit
-1		NP	• 7133 DASD See 7133 SSA Disk Subsystem: Service Guide, SY33-0185 for Parts Information
-2		NP	• RS/6000 R20 See 7015 Models R10, R20, and R21 CPU Drawer Install and Service Guide, SA23-2708 for Parts Information.
-3		NP	• Frame Assembly, Drive Unit For Detail Breakdown, See "Assembly 4: Frame Assembly, Drive Unit" on page 22
-4	05H9629	1	• Card, SEQ (Dual Accessor Library Only)

Assembly 4: Frame Assembly, Drive Unit

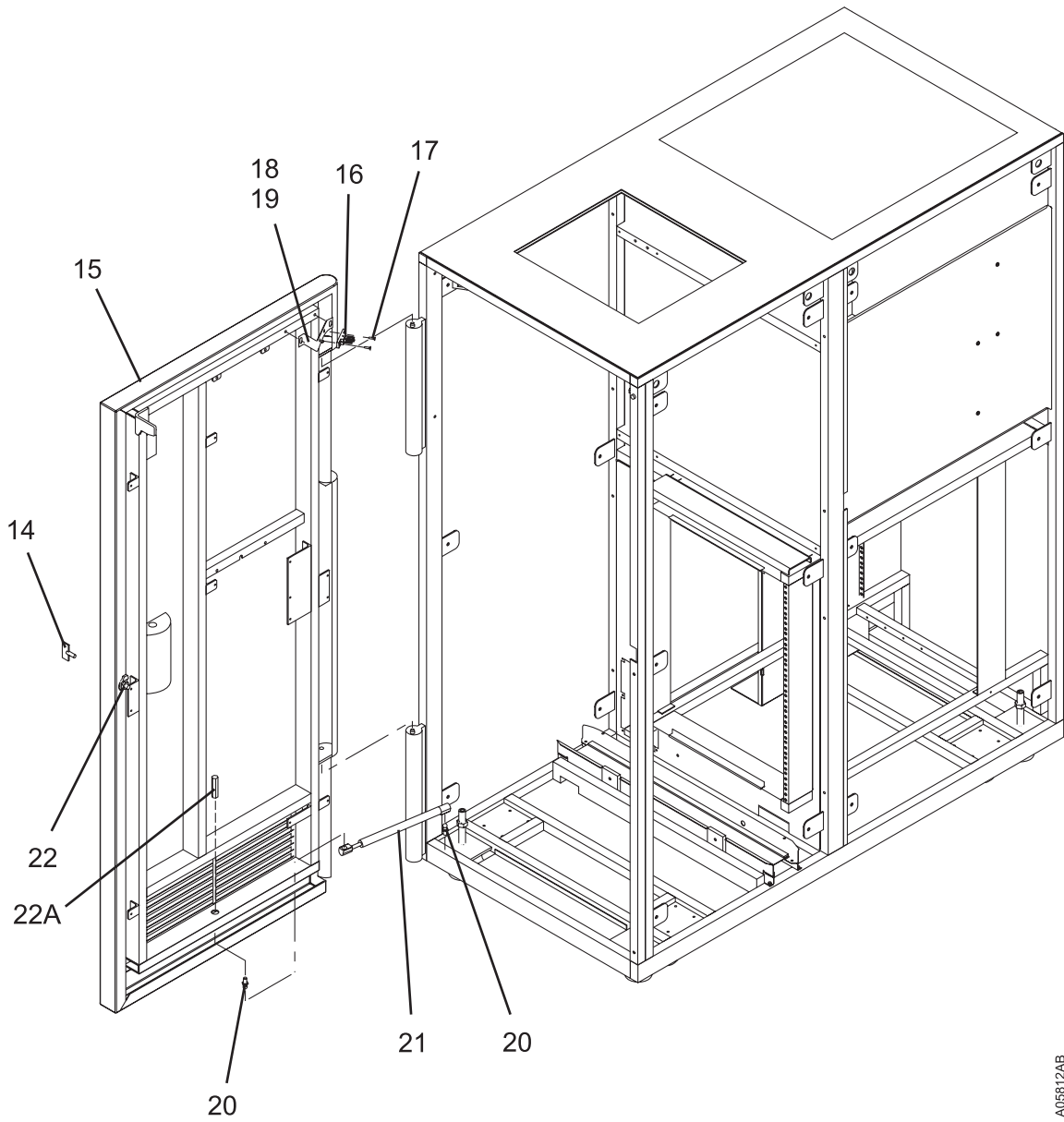


A05812AA

Assembly 4: (continued)

Asm-Index	Part Number	Units	Description
4-		NP	Frame Assembly, Drive Unit (Sheet 1 of 6) For Next Higher Assembly, See 3-3 on page 21
-1		NP	• Logo, IBM 3494
-2	62G1549	AR	• Label, DU/SU Column
-3	62G1217	AR	• Card, Door Interlock
-4	1624744	4	• Screw, Metric-Hex Flng Hd M3 X 8 mm Long
-5	62G1545	1	• Label, Row 2-16
-5	05H4066	1	• Label, Row 11-14 Used on Model D14 with Rack Assembly Part Number 05H1875
-5	05H4064	1	• Label, Row 25-28 Used on Model D12 with Rack Assembly Part Number 05H1875
-6	34G9672	AR	• Rack Assembly, 5 X 20 Storage Used on Models L10 and D12
-6	05H1849	AR	• Rack Assembly, 5 X 7 Storage Used on Model D12
-6	05H1852	AR	• Rack Assembly, 5 X 13 Storage Used on Models D12 and D14
-6	05H1875	AR	• Rack Assembly, 5 X 5 Storage Used on Models D12 and D14
-6	05H1931	AR	• Rack Assembly, 5 X 16 Storage Used on Model D14
-6A		NP	• 3490 Drive Mounting Shroud Used on Model D10
-6A	05H1842	AR	• 3590 Drive Mounting Shroud Used on Model D12 and D14
-7		NP	• Screw, Metric-Hex Flng Hd M4 X 12 mm Long
-8	68F7250	4	• Caster
-9	1621823	16	• Screw, Metric-Thd Form Hex Wshr Hd M6 X 16 mm Long
-10	50G0314	4	• Leveling Pad
-11	50G0400	4	• Setscrew, 5/8-11UNC X 5
-12	50G0401	4	• Nut, 5/8-11UNC
-13	62G1547	1	• Label, Row 22-36
-13A	05H4105	AR	• Storage Blank, Insert, 2 X 2 Used with Dual Gripper Feature
-13B	05H4207	AR	• Storage Blank, Insert, 2 X 3 Used with Dual Gripper Feature
-13C	35L0869	2	• Shim, 5 X 5 Array

Assembly 4: (continued)

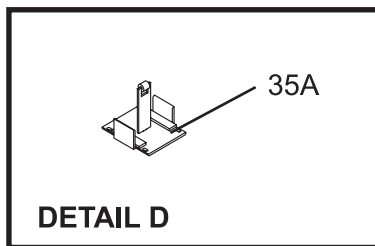
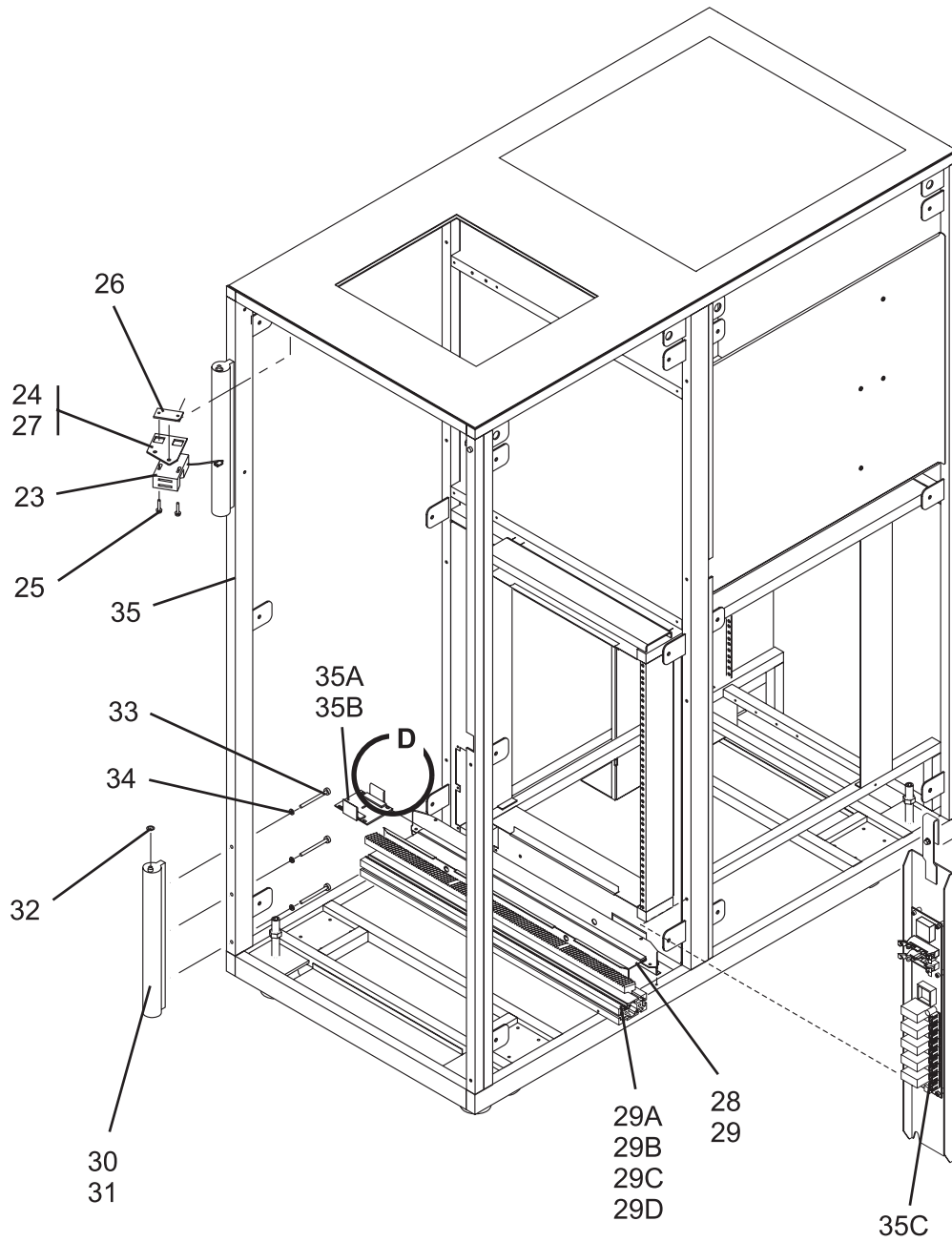


A06812AB

Assembly 4: (continued)

Asm-Index	Part Number	Units	Description
4-		NP	Frame Assembly, Drive Unit (Sheet 2 of 6)
-14	61G9870	1	• Key, Door Latch, Front
-15	50G0413	1	• Door, Front
-16	34G9212	AR	• Switch, Key
-17		NP	• Screw, Metric-Soc Flt Hd M5 X 15 mm Long
-18		NP	• Bracket, Striker
-19		NP	• Screw, Metric-Hex Flng Hd M6 X 12 mm Long
-20	61G9924	2	• Stud, Ball, Cylinder
-21	61G9923	1	• Cylinder, Door Dampener
-22	05H8454	1	• Latch Assembly
-22A	05H8269	1	• Nut, Door Stud Mounting

Assembly 4: (continued)

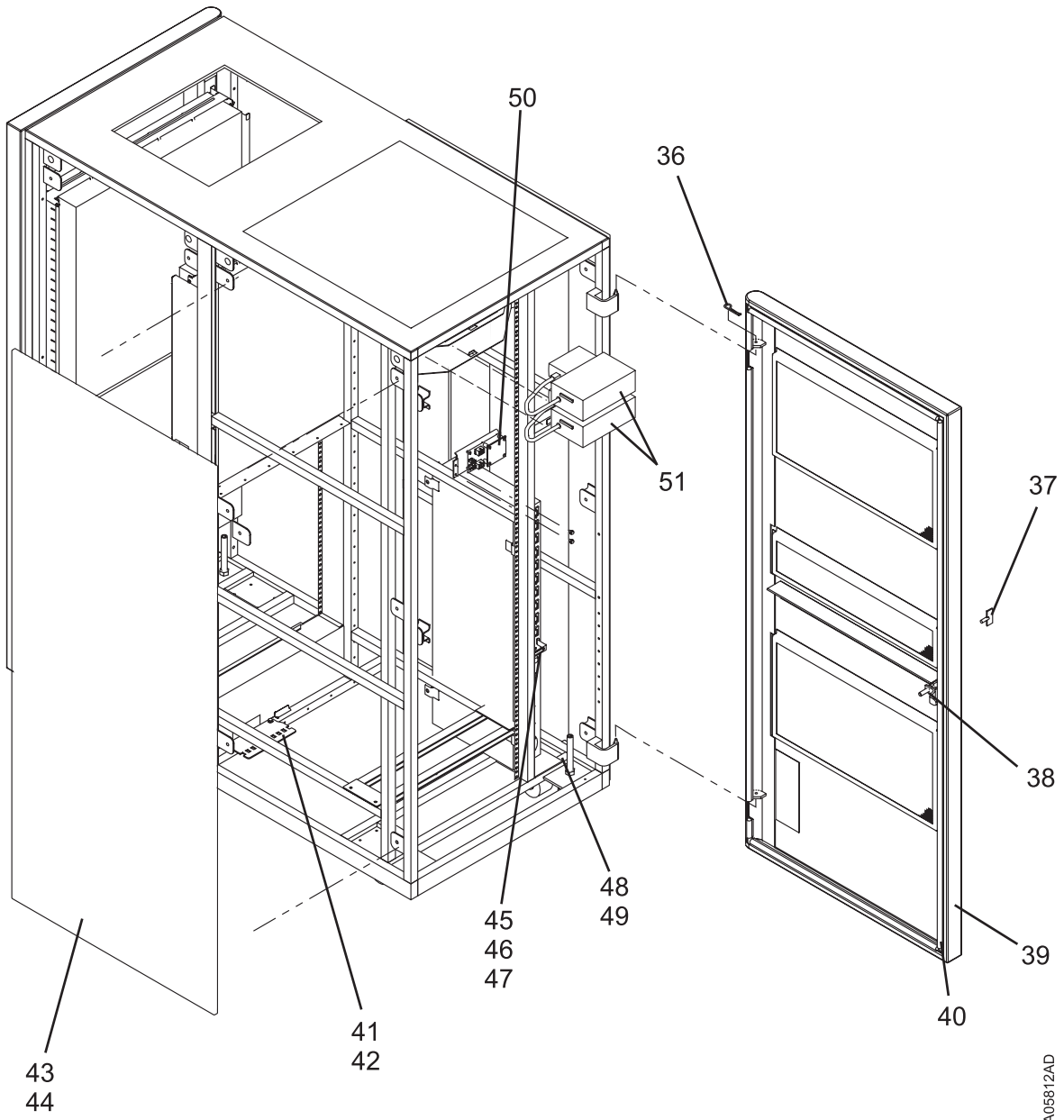


A05812AC

Assembly 4: (continued)

Asm- Index	Part Number	Units	Description
4-		NP	Frame Assembly, Drive Unit (Sheet 3 of 6)
-23	62G2745	1	• Switch/Cable Assembly, Door Interlock (See 6-19 for Switch Actuator Key)
-24		NP	• Plate, Switch Mounting
-25		NP	• Screw, Metric-Hex Flng Hd M5 X 25 mm Long
-26		NP	• Plate, Nut
-27		NP	• Screw, Metric-Hex Flng Hd M6 X 12 mm Long
-28		NP	• Track, X Axis Flex Cable
-29		NP	• Screw, Metric-Hex Flng Hd M4 X 12 mm Long
-29A	34G9611	1	• X Rail Assembly
-29B		NP	• T-Nut
-29C		NP	• Screw, Metric-Cap Soc Hd M6 X 12 mm Long
-29D	34G9622	2	• Rods, Bearing
-30		NP	• Hinge Post
-31		NP	• Hinge Spacer
-32	50G0944	2	• Washer, Nylon
-33		NP	• Screw, Metric-Cap Hex Hd M6 X 75 mm Long
-34		NP	• Lockwasher, Metric-Spring 6.1 ID X 11.8 OD
-35		NP	• Frame Control Unit/Drive Unit
-35A	05H7247	AR	• Spacer, X Axis Cable Trough
-35A	05H1986	AR	• Cable Support, X Axis Used with Flex Cable, X Axis, Part Number 62G1192
-35B	1621032	4	• Screw, Metric-Slot Cheese Hd M3.5 X 8 mm Long
-35C	05H7993	1	• Supplemental Power Control Card, 9 - 16 Frames Installed Between Frames 8 and 9. (Single Accessor Library Only)

Assembly 4: (continued)

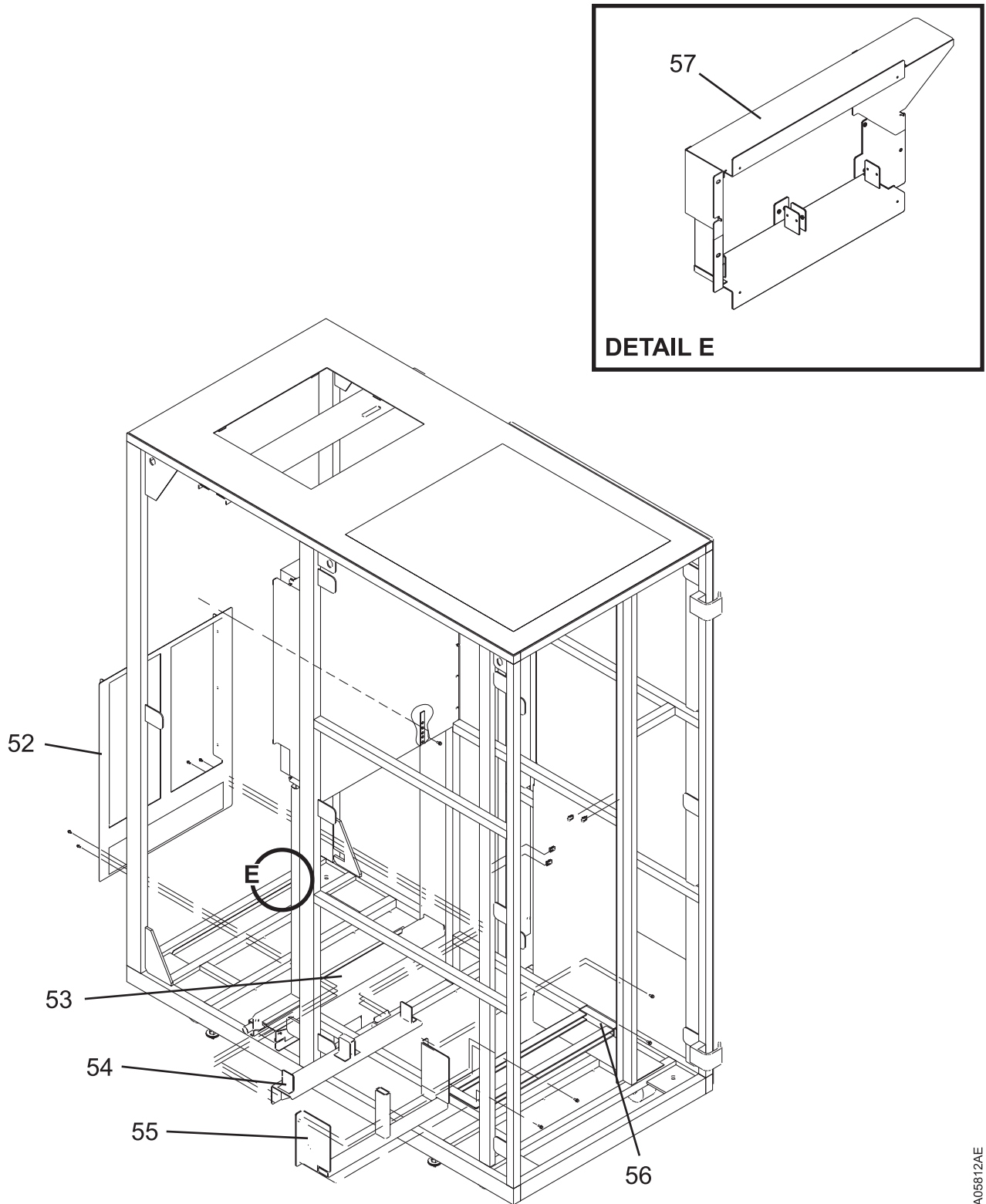


A05812AD

Assembly 4: (continued)

Asm- Index	Part Number	Units	Description
4-		NP	Frame Assembly, Drive Unit (Sheet 4 of 6)
-36		NP	• Pin, Hair and Cotter
-37	62G1580	1	• Key, Door Latch, Rear
-38	62G1557	1	• Latch Assembly
-39	62G1025	1	• Door, Rear, Drive Unit
-40	65F3658	AR	• Seal
-41		NP	• Bracket, Grounding
-42		NP	• Screw, Metric-Thd Form Hex Wshr Hd M6X 10 mm Long
-43	61G9867	2	• Cover, Side, Rear
-44		NP	• Screw, Metric-Hex Flng Hd M6 X 25 mm Long
-45	21F9008	1	• Power Control Compartment, 25A 1PH
-46	1624767	AR	• Screw, Metric-Hex Flng Hd M4 X 12 mm Long
-47	1622275	2	• Washer, Flat M4
-48		NP	• Screw, Metric-Hex Flng Hd M5 X 6 mm Long
-49		NP	• Washer, External Tooth, M5
-50	05H9629	1	• Card, SEQ (Dual Accessor Library Only) Assembly
-51	19P3813	2	• SCSI Extender Installed if 3494 B18 is attached

Assembly 4: (continued)

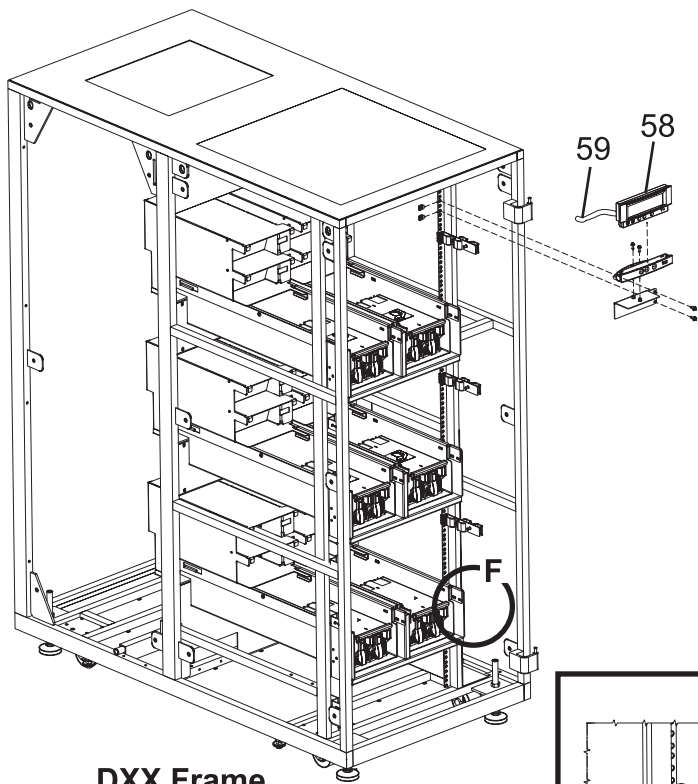


A05812AE

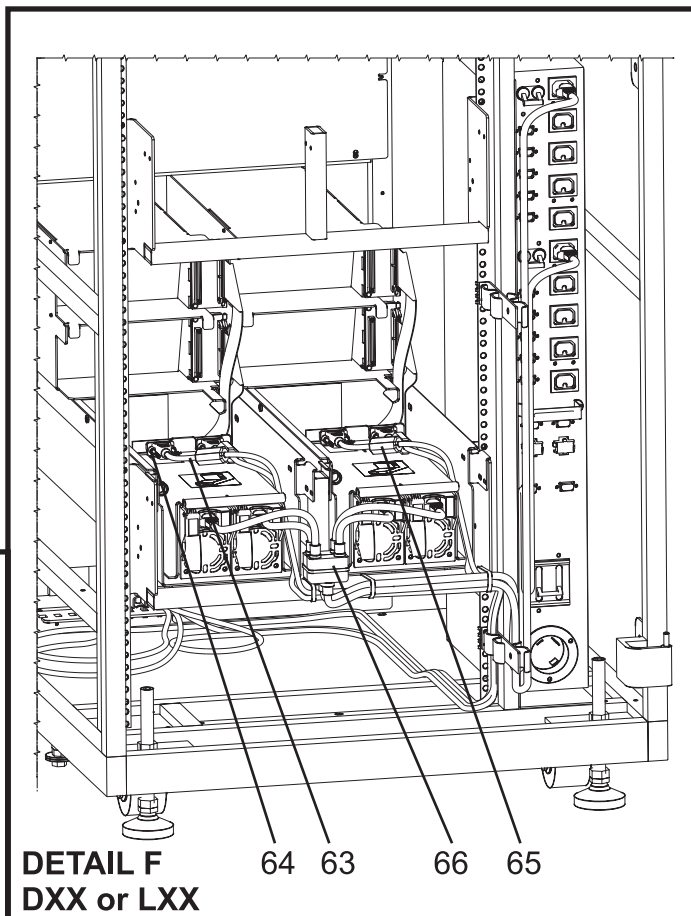
Assembly 4: (continued)

Asm- Index	Part Number	Units	Description
4-		NP	Frame Assembly, Drive Unit (Sheet 5 of 6)
-52		NP	• Cover, Firewall
-53		NP	• Bracket, 19 inch
-54		NP	• Bracket, Front Slide Mount
-55		NP	• Bracket, Rear Slide Mount
-56		NP	• Bracket, Tailgate
-57		NP	• Rack Bracket, 19 inch

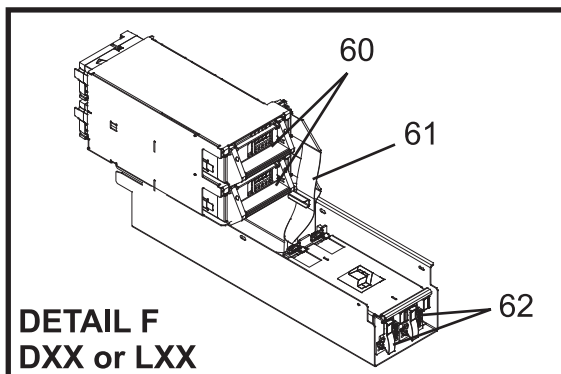
Assembly 4: (continued)



DXX Frame



DETAIL F
DXX or LXX



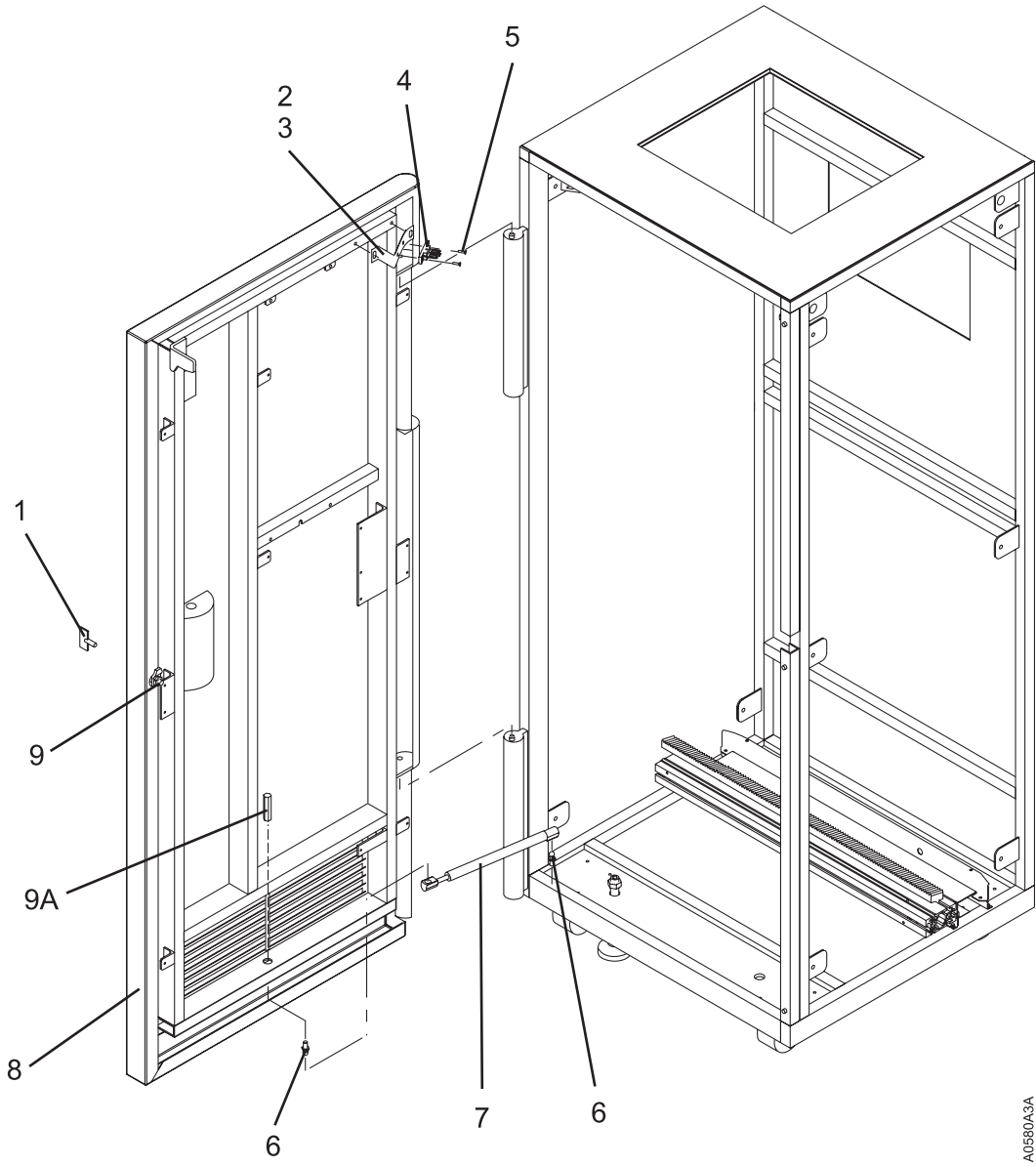
DETAIL F
DXX or LXX

A05812AF

Assembly 4: (continued)

Asm- Index	Part Number	Units	Description
4-		NP	Frame Assembly, Drive Unit (Sheet 6 of 6)
-58	39F3450	AR	• Service Panel, CE
-59	19P1684	AR	• Cable, Service Panel to Drive
-60		AR	• Drive, J1A See 3592 J1A MI for PN and write off against the 3592 serial number.
-61	18P8135	AR	• Kit, Cradle Cards and Cables
-62	49P2155	AR	• Power Supply
-63	18P9289	AR	• Cable, DXX RS422 LM (ARTIC)
-63	18P9288	AR	• Cable, LXX RS422 LM (ARTIC)
-64	18P9125	AR	• Screw, Slotted, RS422
-65	18P9186	AR	• Ferrite, RS422 LM Cable
-66	09L5361	AR	• Cable, Bi-Frucated, Power

Assembly 5: Frame Assembly, Storage Unit

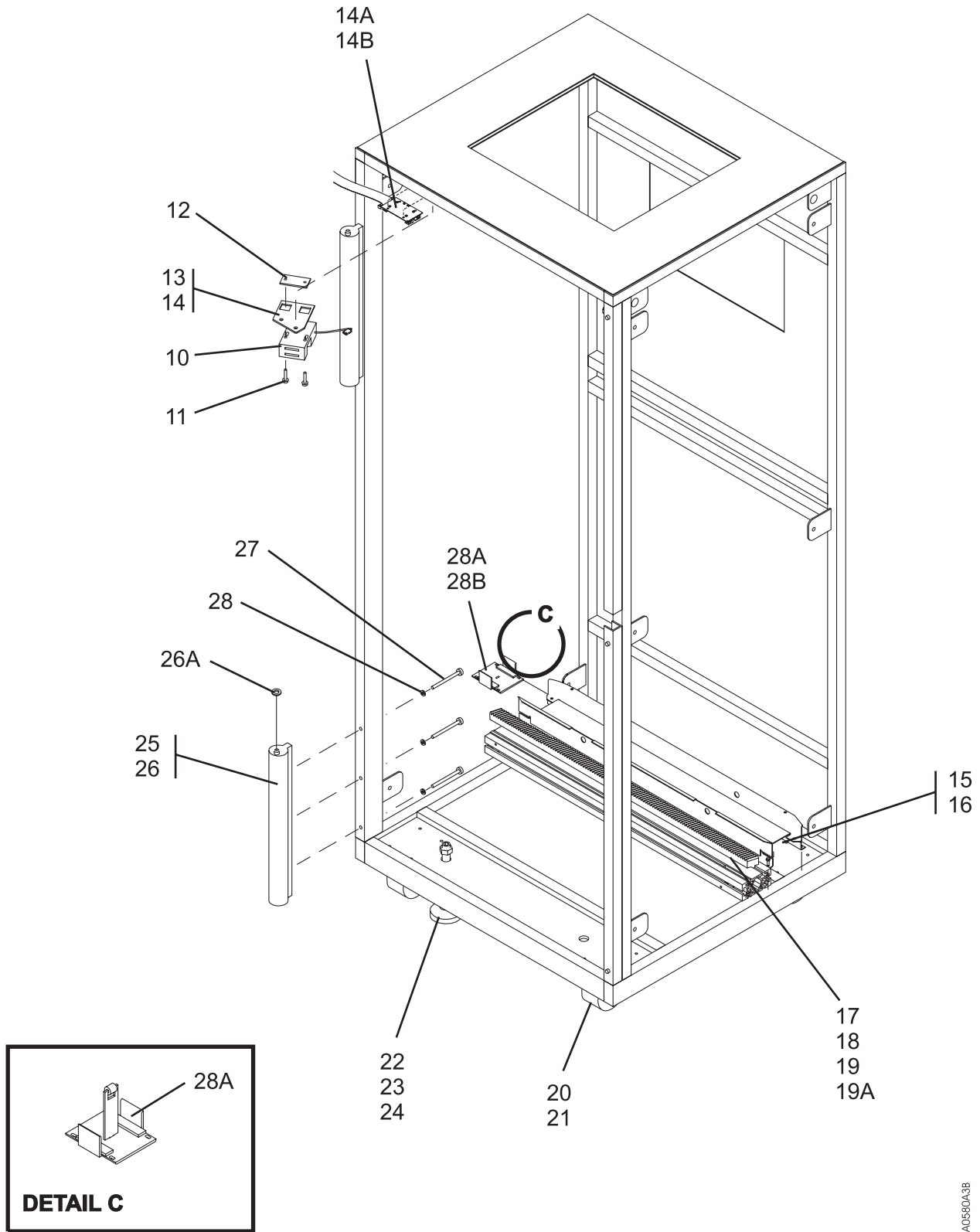


A0580A3A

Assembly 5: (continued)

Asm- Index	Part Number	Units	Description
5-		NP	Frame Assembly, Storage Unit (Sheet 1 of 3)
-1	61G9870	1	• Key, Door Latch, Front
-2		NP	• Bracket, Striker
-3		NP	• Screw, Metric-Hex Flng Hd M6 X 12 mm Long
-4	34G9212	AR	• Switch, Key
-5		NP	• Screw, Metric-Soc Flt Hd M5 X 15 mm Long
-6	61G9924	2	• Stud, Ball, Cylinder
-7	61G9923	1	• Cylinder, Door Damper
-8	50G0413	1	• Door, Front
-9	05H8454	1	• Latch Assembly
-9A	05H8269	1	• Nut, Door Stud Mounting

Assembly 5: (continued)

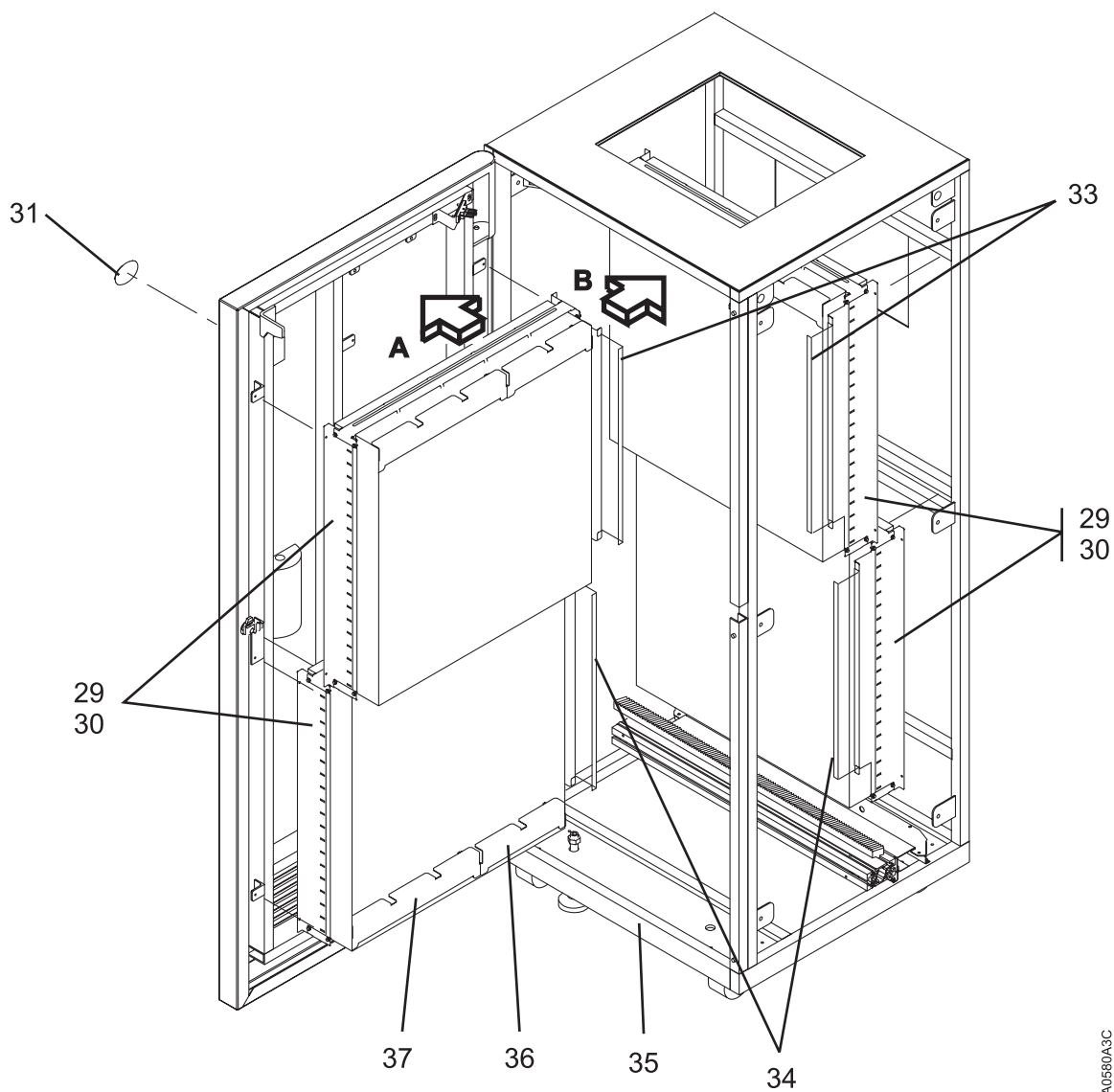
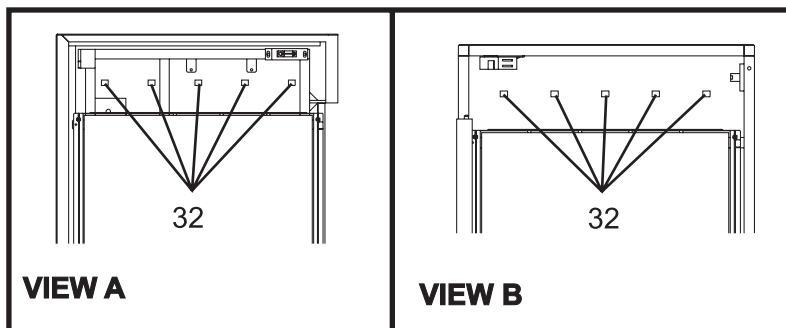


AC550A3B

Assembly 5: (continued)

Asm-Index	Part Number	Units	Description
5-		NP	Frame Assembly, Storage Unit (Sheet 2 of 3)
-10	62G2745	1	• Switch/Cable Assembly, Door Interlock (See 6-19 for Switch Actuator Key)
-11		NP	• Screw, Metric-Hex Flng Hd M5 X 25 mm Long
-12		NP	• Plate, Nut
-13		NP	• Plate, Switch Mounting
-14		NP	• Screw, Metric-Hex Flng Hd M6 X 12 mm Long
-14A	62G1217	AR	• Card, Door Interlock
-14B	1624744	4	• Screw, Metric-Hex Flng Hd M3 X 8 mm Long
-15		NP	• Cable Track, X Axis
-16		NP	• Screw, Metric-Hex Flng Hd M4 X 12 mm Long
-17	34G9611	1	• X Rail Assembly
-18	34G9647	2	• T-Nut
-19		NP	• Screw, Metric-Cap Soc Hd M6 X 12 mm Long
-19A	34G9622	2	• Rods, Bearing
-20	68F7250	4	• Caster
-21	1621823	16	• Screw, Metric-Thd Form Hex Wshr Hd M6 X 16 mm Long
-22	50G0314	4	• Leveling Pad
-23	50G0400	4	• Setscrew, 5/8-11 UNC
-24	50G0401	4	• Nut, 5/8-11 UNC
-25		NP	• Hinge Post
-26		NP	• Hinge Spacer
-26A	50G0944	2	• Washer, Nylon
-27		NP	• Screw, Metric-Cap Hex Hd M6 X 75 mm Long
-28	1622320	NP	• Lockwasher, Metric-Spring 6.1 ID X 11.8 OD
-28A	05H7247	AR	• Spacer, X Axis Cable Trough
-28A	05H1986	AR	• Cable Support, X Axis Used with Flex Cable, X Axis, Part Number 62G1192
-28B	1621032	4	• Screw, Metric-Slot Cheese Hd M3.5 X 8 mm Long

Assembly 5: (continued)

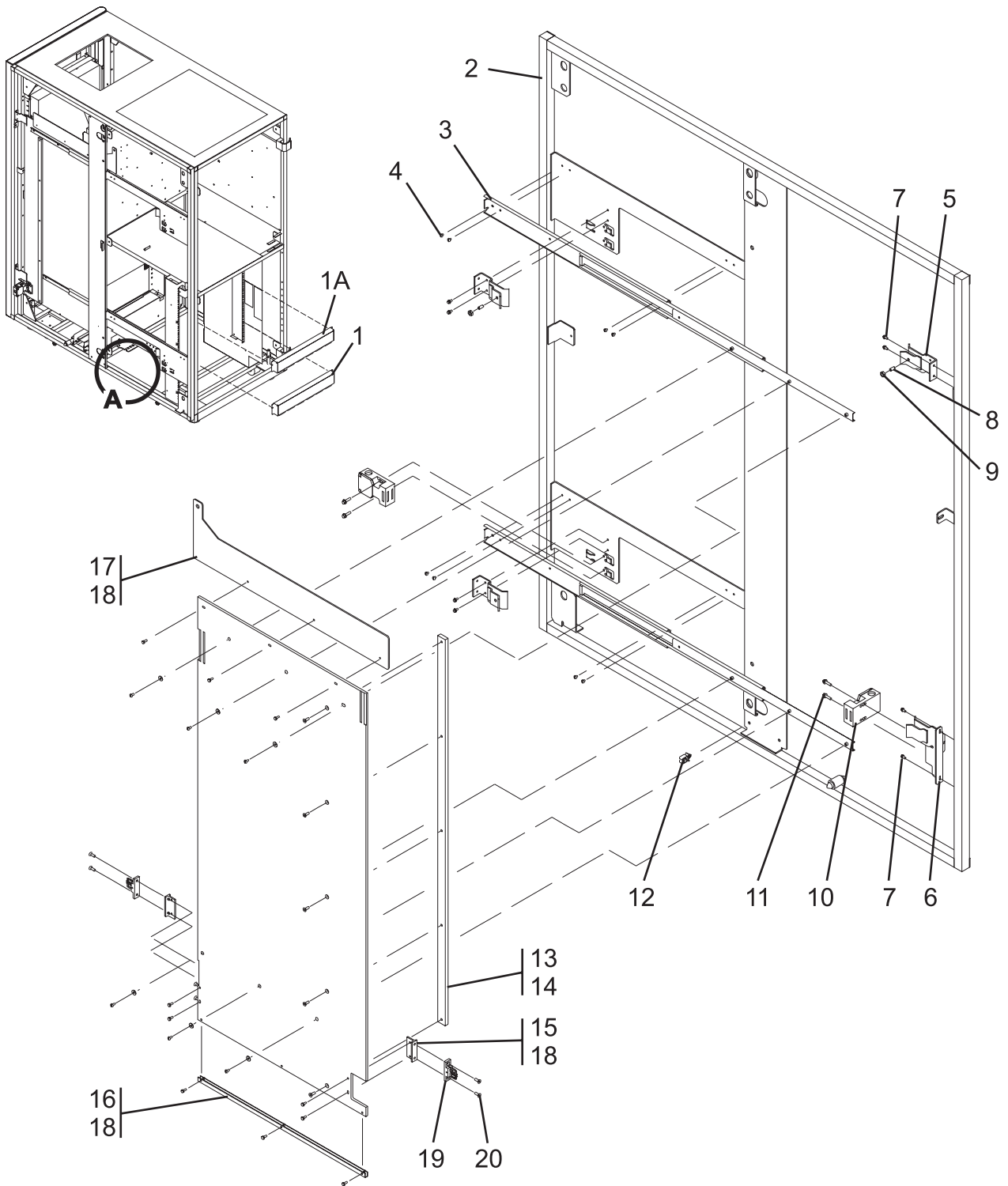


A0580A3C

Assembly 5: (continued)

Asm- Index	Part Number	Units	Description
5-		NP	Frame Assembly, Storage Unit (Sheet 3 of 3)
-29	34G9672	4	• Rack Assembly, 5 X 20 Storage
-30		NP	• Screw, Metric-Hex Flng Hd M4 X 12 mm Long
-31		NP	• Logo, IBM 3494
-32		NP	• Label, DU/SU Column
-33	62G1545	AR	• Label, Row 2-16
-34	62G1547	AR	• Label, Row 22-36
-35		NP	• Frame, Storage Unit
-36	05H4105	AR	• Storage Blank, Insert, 2 X 2
			Used with Dual Gripper Feature
-37	05H4207	AR	• Storage Blank, Insert, 2 X 3
			Used with Dual Gripper Feature

Assembly 6: HA1 Service Bay Assembly



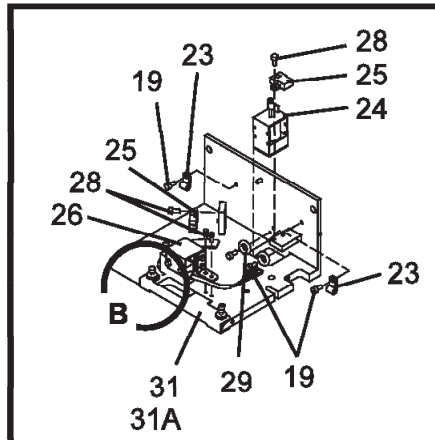
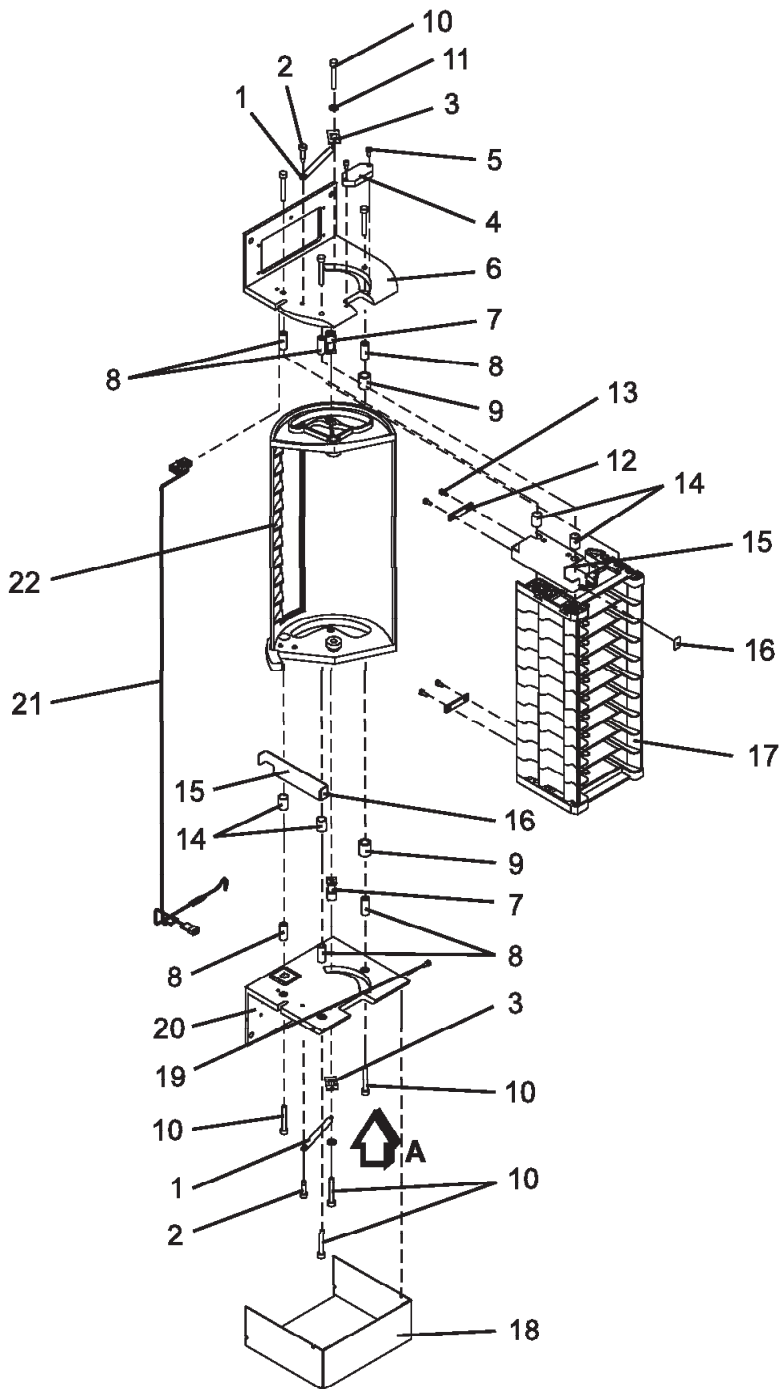
**DETAIL A
BARRIER ASSEMBLY**

A0685001

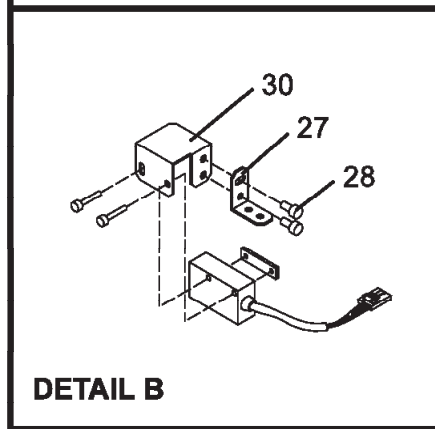
Assembly 6: (continued)

Asm-Index	Part Number	Units	Description
6-		NP	Service Bay
-1	05H9828	AR	• PMX1 Card/Bracket Assembly Installed in left Service Bay only for 1st and 2nd ARTICs
-1A	19P1059	AR	• PMX2 Card/Bracket Assembly Installed in left Service Bay only for 3rd and 4th ARTICs with FC 5227
-2		NP	• Frame, Barrier Weldment
-3		NP	• Slide, Barrier Door
-4		NP	• Screw, Metric-Pan Hd M4 X 5 mm Long
-5		NP	• Bracket, Door Guide
-6		NP	• Bracket, Barrier Switch Mounting
-7		NP	• Screw, Metric-Flng Hd M4 X 8 mm Long
-8		NP	• Plunger, Set Screw Ball
-9		NP	• 1/4 20 UNC Hex Lock Nut
-10	62G2745	2	• Switch Assembly, Door Interlock (Includes 6-19, Switch Actuator Key)
-11		NP	• Screw, Metric-Flng Hd M5 X 20 mm Long
-12		NP	• Clamp, Cable
-13		NP	• Bar, Barrier Door Support
-14		NP	• Screw, Metric-Soc Flat Hd M5 X 14 mm Long
-15		NP	• Bracket, Switch Actuator Mounting
-16		NP	• Channel, Bottom Support
-17		NP	• Handle, Door
-18		NP	• Screw, Metric-Shallow Hex Hd M4 X 10 mm Long
-19		NP	• Key, Switch Actuator (Included in 6-10, part number 62G2745)
-20		NP	• Screw, Metric-Soc Flat Hd M5 X 10 mm Long

Assembly 7: Convenience I/O Station Assembly



VIEW A

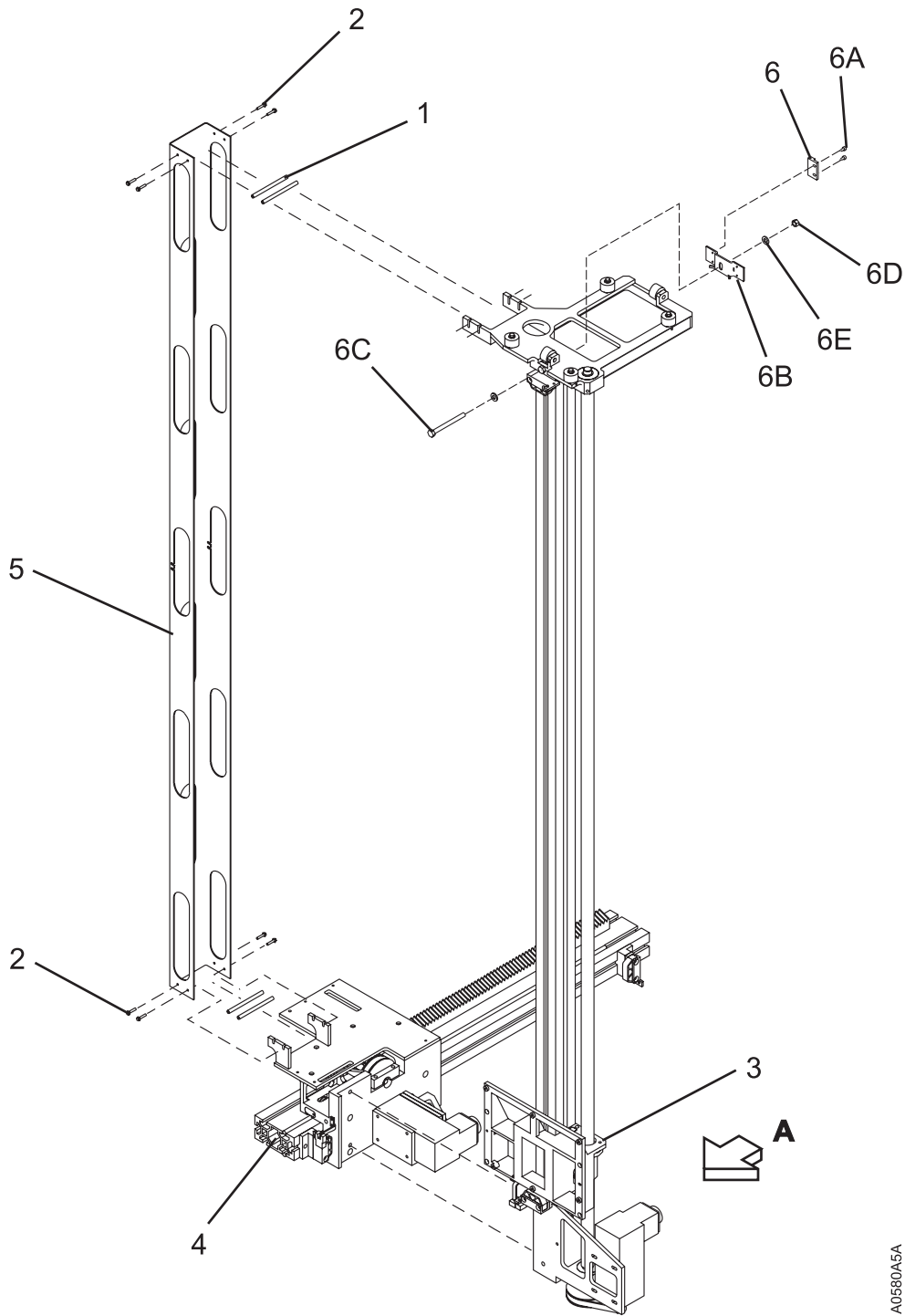


DETAIL B

AG680A04

Asm-Index	Part Number	Units	Description
7-	50G0100	1	Convenience I/O Station Assembly For Next Higher Assembly, See 1-4 on page 3
-	05H7580	1	Convenience I/O Station Assembly (30 Cartridge)
-1	94F6819	2	• Spring
-2		NP	• Screw, Metric-Shoulder Diameter 6 X 16 mm Long
-3		NP	• Flag, Door
-4		NP	• Reflector Order FRU PN 18P7922, (Sensor and Reflector)
-5		NP	• Screw, Metric-Cap Soc Hd M4 X 16 mm Long
-6		NP	• Top Bracket Assembly
-7		NP	• Spacer, Door Flag
-8		NP	• Spacer, Bracket
-9	94F6813	2	• Bumper
-10		NP	• Screw, Metric-Cap Soc Hd M6 X 40 mm Long
-11		NP	• Washer, Metric-Flat 6.6 ID X 12.5 OD X 1.6 Thick
-12	94F6807	2	• Clamp
-13	1621509	4	• Screw, Metric-Cap Soc Hd M4 X 8 mm Long
-14	34G9728	4	• Spring, Fiducial Target Bracket
-15	34G9727	2	• Bracket, Fiducial Target
-16	61G9995	2	• Label, Fiducial Target
-17		NP	• Cage Assembly
-18		NP	• Cover
-19	1621509	6	• Screw, Metric-Cap Soc Hd M4 X 8 mm Long
-20		NP	• Bottom Bracket Assembly
-21	09G7554	1	• Cable (10 Cartridge CIO)
-21	62G1415	1	• Cable (30 Cartridge CIO)
-22		NP	• Door Assembly
-23		NP	• Clamp, Dia 0.250 Mtg Hole 0.177
-24	94F6802	1	• Solenoid, Convenience I/O Door Locked
-25	05H8407	2	• Sensor, Convenience I/O Door Closed or Locked
-26	18P7342	1	• Sensor, Convenience I/O Cartridge Present (10 Cartridge CIO) New Sensor (Yellow and Black)
-26	94F6803	1	• Sensor, Convenience I/O Cartridge Present (10 Cartridge CIO) Old Sensor (Blue)
-26		NP	• Sensor, Convenience I/O Cartridge Present (30 Cartridge CIO) New Sensor (Yellow and Black) Order FRU PN 18P7922, (Sensor and Reflector)
-26	62G1418	1	• Sensor, Convenience I/O Cartridge Present (30 Cartridge CIO) Old Sensor (Blue)
-27		NP	• Bracket, Roll
-28	1621493	6	• Screw, Metric-Cap Soc Hd M3 X 8 mm Long
-29	1622304	2	• Washer, Metric-Flat 4.3 ID X 9 OD X 0.8 Thick
-30		NP	• Bracket, Pitch
-31	05H8236	1	• Bracket, Shutter, 30 Cartridge CIO
-31A	1621509	1	• Screw, Metric-Cap Soc Hd M4 X 8 mm Long

Assembly 8: Cartridge Accessor Assembly, X,Y

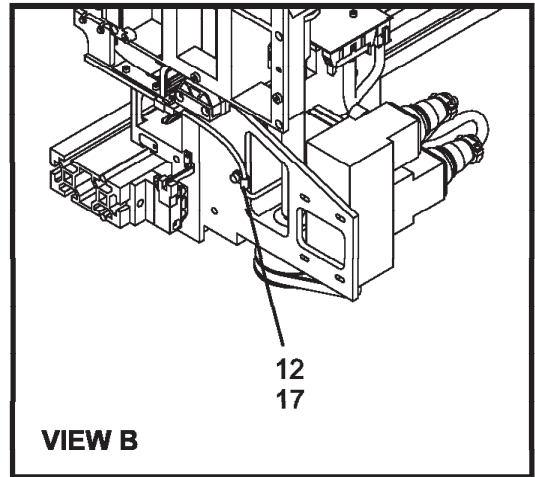
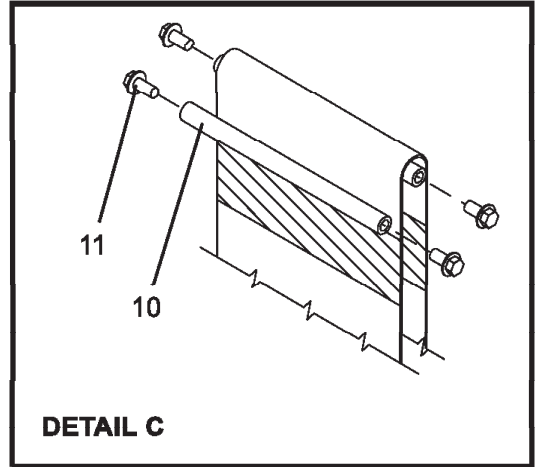
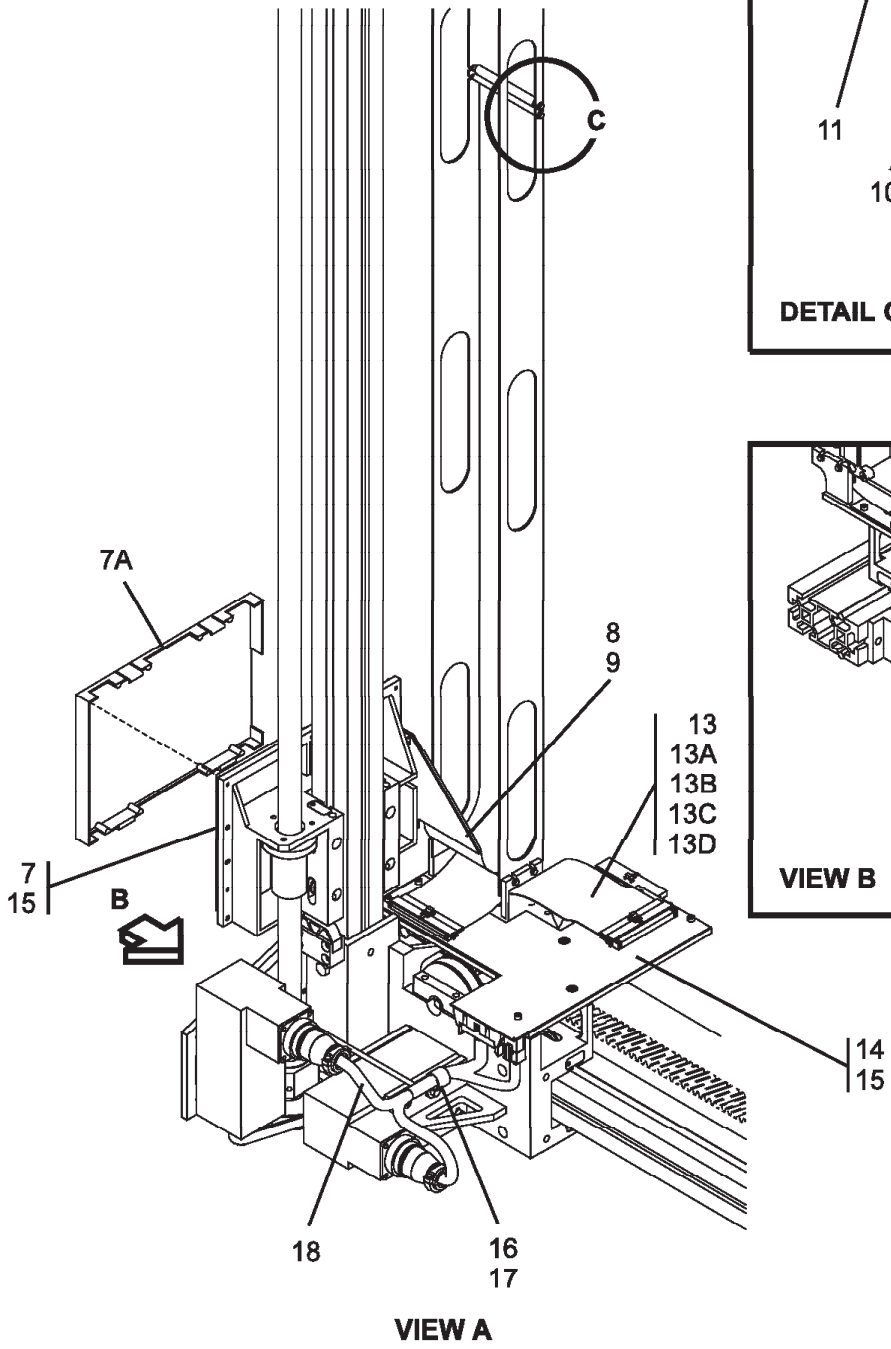


A0580A5A

Assembly 8: (continued)

Asm- Index	Part Number	Units	Description
8-		NP	Cartridge Accessor Assembly, X,Y (Sheet 1 of 2) For Next Higher Assembly, See 1-19 on page 5
-1	62G1200	AR	• Spacer, Y Channel
-2	1624744	AR	• Screw, Metric-Hex Flng Hd M3 X 8 mm Long
-3	05H8063	1	• Y Axis Assembly (C and A Code 49 — Heavy Weight/Oversize Part) For Detail Breakdown, See “Assembly 9: Y Axis Assembly” on page 48
-4	05H7264	1	• X Axis Assembly, HA (C and A Code 49 — Heavy Weight/Oversize Part)
-4	05H4146	1	• X Axis Assembly, LXX (C and A Code 49 — Heavy Weight/Oversize Part) For Detail Breakdown, See “Assembly 10: X Axis Assembly” on page 50
-5	62G1201	1	• Channel, Y Axis Flex Cable
-6	05H7268	1	• In Bay Switch Magnet (Dual Accessor Library Only)
-6A	1621170	2	• Screw, Metric-Pan Hd M3 X 6 mm Long
-6B	05H8593	1	• Bracket, Magnet Mounting
-6C	1621606	1	• Screw, Metric-Hex Flng Hd M6 X 65 mm Long
-6D	1622405	1	• Nut, M6 Hex
-6E	1622306	2	• Washer, M6 Flat

Assembly 8: (continued)

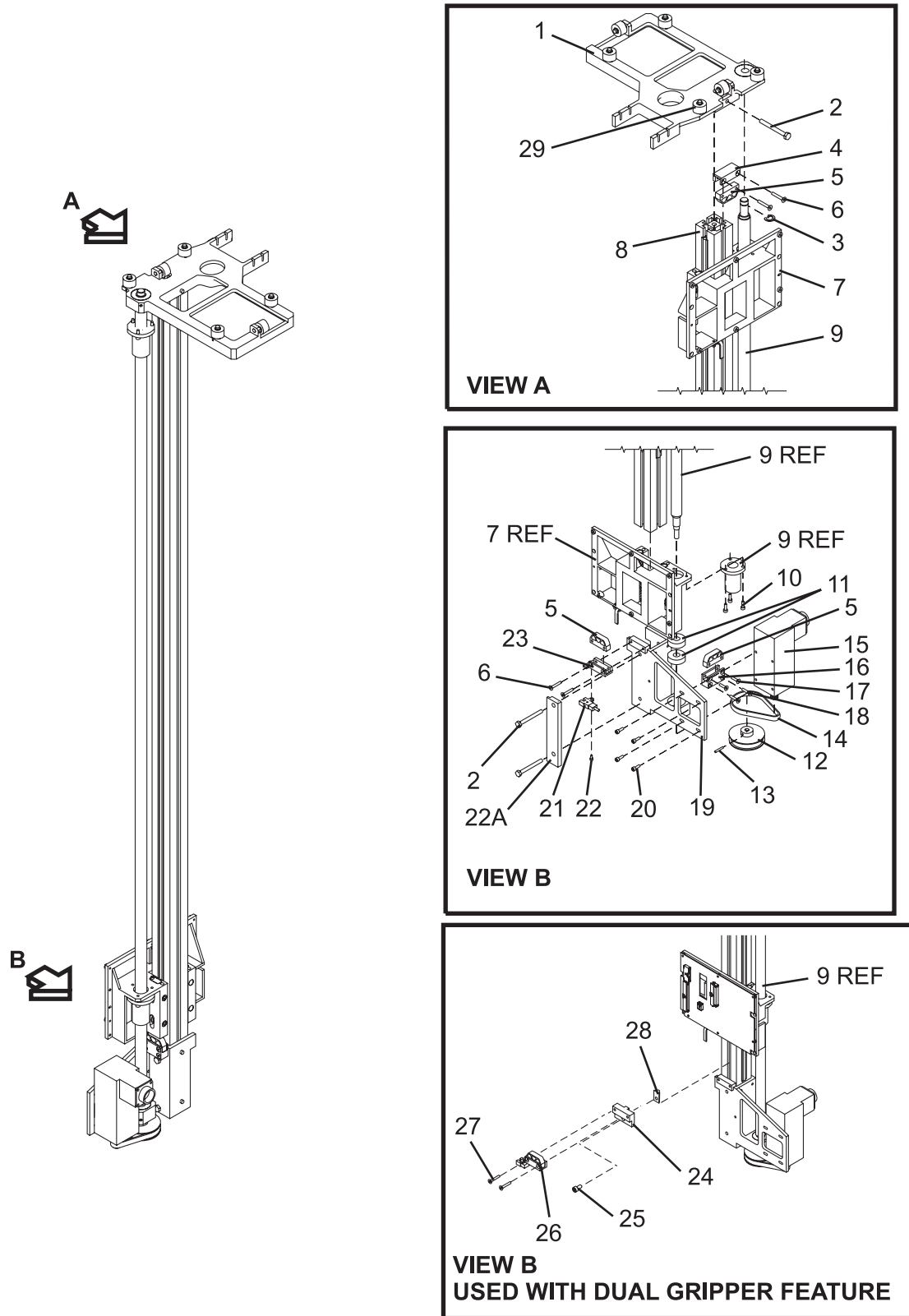


AC660A6B

Assembly 8: (continued)

Asm-Index	Part Number	Units	Description
8-		NP	Cartridge Accessor Assembly, X,Y (Sheet 2 of 2) For Next Higher Assembly, See 1-19 on page 5
-7	05H8492	1	• Card, Picker
-7A	05H4135	1	• Cover, Card, Picker
-8	61G9685	1	• Cable Assembly, Y Axis Flex
-9		NP	• Screw, Hex Flng M3 X 6 mm Long
-10	62G1200	AR	• Spacer, Y Axis, Cable Mounting
-11	1624744	AR	• Screw, Metric-Hex Flng Hd M3 X 6 mm Long
-12		NP	• Clamp, 3/16 inch
-13	50G1047	1	• Flex Cable, X Axis 1-2 Frame Single Accessor (Old Style)
-13	62G1191	1	• Flex Cable, X Axis 3-4 Frame Single Accessor, Metal Band (Old Style)
-13	62G1192	1	• Flex Cable, X Axis 5-8 Frame Single Accessor, Metal Band (Old Style)
-13	05H8040	AR	• Flex Cable, X Axis 9-16 Frame Single Accessor 16/2 Frame Dual Accessor
-13	05H7280	AR	• Flex Cable, X Axis 12/2 Frame Dual Accessor
-13	05H7281	AR	• Flex Cable, X Axis 10/2 Frame Dual Accessor
-13	05H7282	AR	• Flex Cable, X Axis 8/2 Frame Dual Accessor
-13	05H7283	AR	• Flex Cable, X Axis 5-8 Frame Single Accessor 6/2 Frame Dual Accessor
-13	05H7284	AR	• Flex Cable, X Axis 3-4 Frame Single Accessor 4/2 Frame Dual Accessor
-13	05H7285	AR	• Flex Cable, X Axis 3/2 Frame Dual Accessor
-13	05H7361	1	• Flex Cable, X Axis 1-2 Frame Single Accessorr
-13A	1621510	AR	• Screws, M4 X 10 mm Long, Cable Clamp
-13B	05H7964	AR	• Cover, Trough (CU Only)
-13C	05H7965	AR	• Cover, Trough (DU/SU)
-13D	05H7979	AR	• Liner, Trough
-14	05H8142	1	• Card Assembly, X/Y Axis (XAX) Single Accessor, Accessor A (Left)
-14	05H8245	1	• Card Assembly, X/Y Axis (XAX3) Accessor B (Right)
-15	50G0108	5	• Screw, Metric-Cap Soc Hd M3 X 6 mm Long
-16		NP	• Clamp, 1/2 inch
-17		NP	• Screw, Metric-Cap Soc Hd M4 X 8 mm Long
-18	61G9682	1	• Cable Assembly, X/Y Motors to XAX P3/P4

Assembly 9: Y Axis Assembly

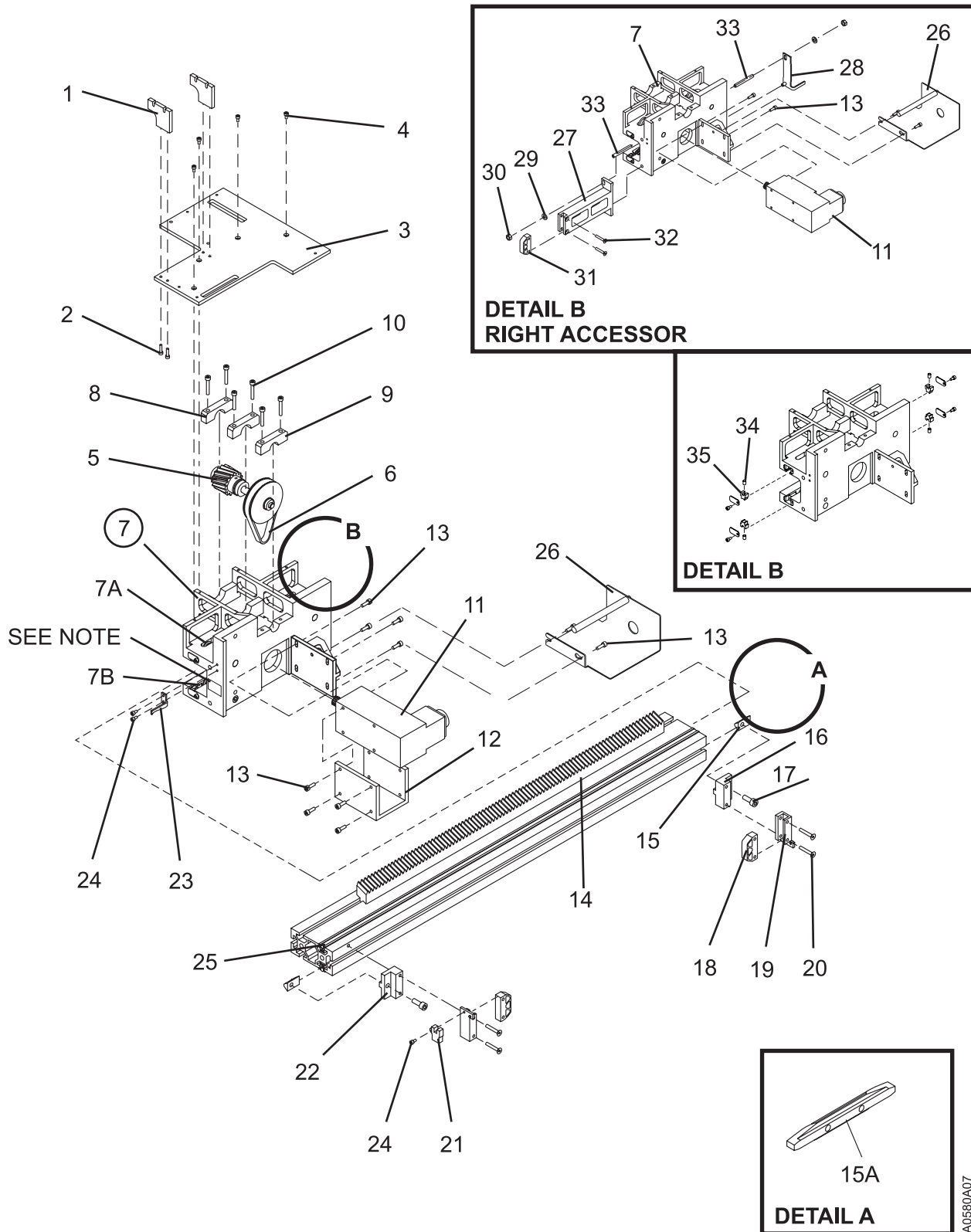


AG580A06

Assembly 9: (continued)

Asm-Index	Part Number	Units	Description
9-	05H8063	1	Y Axis Assembly For Next Higher Assembly, See 8-3 on page 45
-1		NP	• Y Axis Guide Assembly
-2		NP	• Screw, Metric-Cap Hex Hd M6 X 55 mm Long
-3		NP	• E Clip
-4		NP	• Bracket, Upper Y Bumper
-5	61G9841	2	• Bumper
-6		NP	• Screw, Metric-Flat Hd Cap M4 X 25 mm Long
-7		NP	• Y Bearing Assembly
-8		NP	• Y Rail Assembly
-9		NP	• Lead Screw and Nut
-10		NP	• Screw, Shoulder
-11		NP	• Bearing
-12		NP	• Pulley, 60 Groove
-13		NP	• Roll Pin, Diameter 3.2 X 19 mm
-14	34G9629	1	• Belt
-15	05H8249	1	• Y Axis Motor
-16		NP	• Bracket, Bumper
-17		NP	• Screw, Flat Hd Cp M4 X 16 mm Long
-18		NP	• Screw, Flat Hd Cp M4 X 20 mm Long
-19		NP	• Casting
-20	1621511	4	• Screw, Metric-Cap Soc Hd M4 X 12 mm Long
-21	05H8407	1	• Sensor
-22	50G0108	1	• Screw, Metric-Cap Soc Hd M3 X 6 mm Long
-22A	08L5872	1	• FRU Kit, Y Mast Clamp
-23		NP	• Bracket
-24		NP	• Bumper Assembly, Dual Gripper
-25		NP	• Screw, Metric-Cap Soc Hd M6 X 20 mm Long
-26		NP	• Bracket, Y Bumper
-27		NP	• Screw, Metric-Flat Hd Cap M4 X 25 mm Long
-28		NP	• Nut, T Slot
-29	34G9599	6	• Guide Roller, Urethane

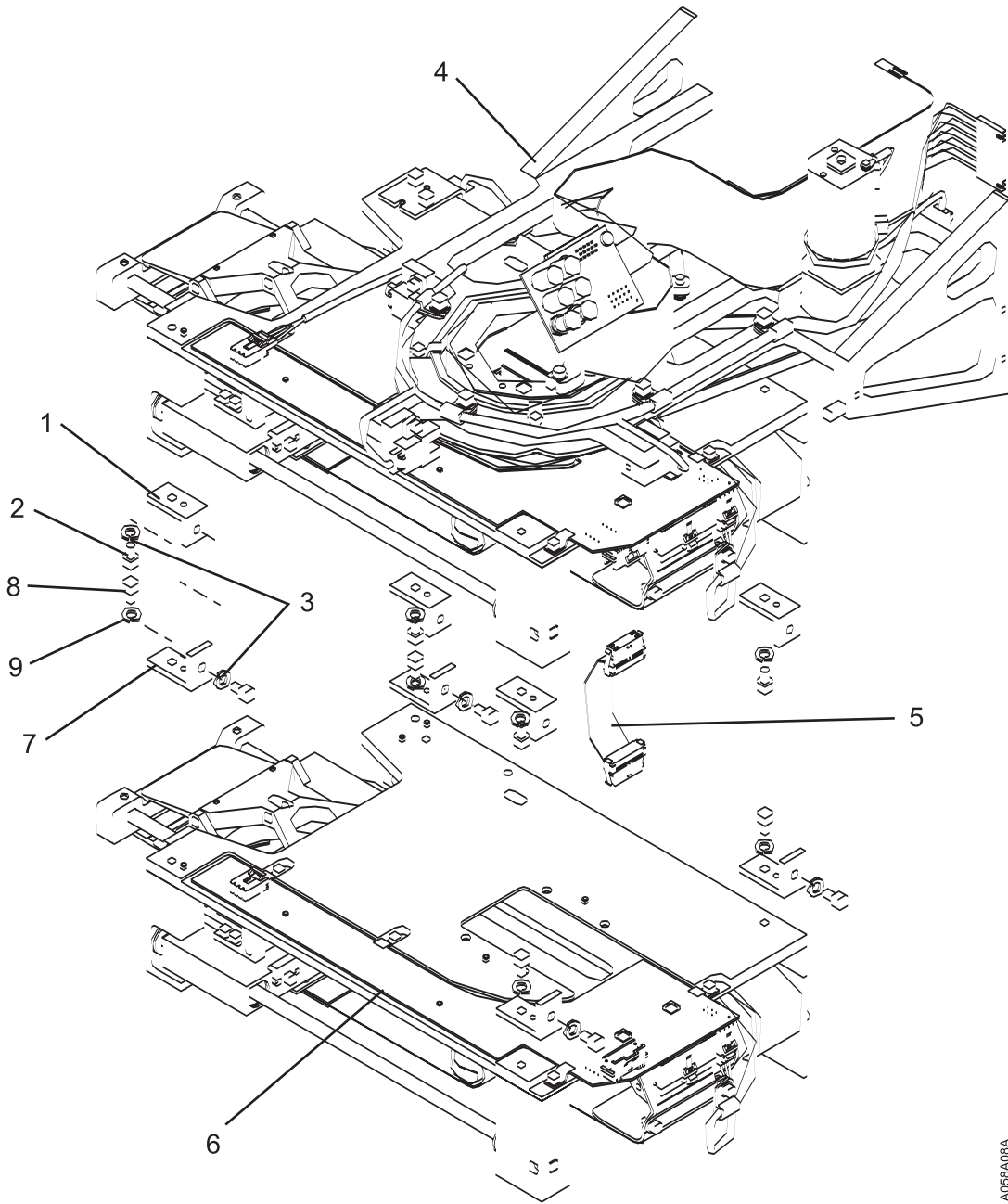
Assembly 10: X Axis Assembly



Assembly 10: (continued)

Asm-Index	Part Number	Units	Description
10-		NP	X Axis Assembly For Next Higher Assembly, See 8-4 on page 45
-1		NP	• Bracket, Y Channel Mounting
-2	50G0107	4	• Screw, Metric-Cap Soc Hd M3 X 12 mm Long
-3		NP	• Plate, Card Support
-4	50G0108	4	• Screw, Metric-Cap Soc Hd M3 X 6 mm Long
-5	05H4148	1	• Pinion Shaft Assembly Used with New X Axis Bearing Assembly (See Note)
-5	05H1760	1	• Pinion Shaft Assembly Used with Old X Axis Bearing Assembly (Part Number not Shown on Casting) (See Note)
-6	34G9629	1	• Belt, X Axis
-7		NP	• X Axis Bearing Assembly (See Note)
-7A	05H4138	2	• • Roller Bearing, Large Used with New X Axis Bearing Assembly (See Note)
-7B	61G9698	4	• • Roller Bearing, Small Used with Both New and Old X Axis Bearing Assembly
-8		NP	• • Block
-9		NP	• • Block
-10	61G9843	6	• • Screw, Metric-Cap Soc Hd M4 X 25 mm Long
-11	05H8249	2	• X Axis Motor
-12		NP	• Bracket, Used with Old Style Motors Only
-13	1621511	AR	• Screw, Metric-Cap Soc Hd M4 X 12 mm Long
-14	34G9605	1	• X Rail Assembly
-15	34G9647	2	• T-Nut Short, M6
-15A	34G9644	2	• T-Nut Long, M6, Used with Frame to Frame Assemblies
-16	05H1965	1	• Bracket, Riser
-17	1621527	AR	• Screw, Metric-Cap Soc Hd M6 X 16 mm Long
-18	61G9841	AR	• Bumper, Rubber
-19	34G9593	1	• Bracket
-20	61G9843	2	• Screw, Metric-Flat Hd Cap M4 X 25 mm Long
-21	05H8407	1	• Sensor, Home, X Axis
-22		NP	• Bracket, Riser
-23		NP	• Bracket
-24	50G0108	3	• Screw, Metric-Cap Soc Hd M3 X 6 mm Long
-25	34G9622	2	• Rods, Bearing, Used on Expansion Frames
-25	34G9620	2	• Rods, Bearing, Used on CU Only
-26	05H8779	2	• Bracket, Cartridge Protector
-27		NP	• Bracket, X Axis Bumper
-28	05H6950	1	• Bracket, X Sensor Flag
-29		NP	• Washer, M6 Flat
-30		NP	• Nut, M6 Hex
-31	61G9841	AR	• Bumper, Rubber
-32		NP	• Screw, Metric-Flat Hd Cap M4 X 20 mm Long
-33	19P1043	2	• Set Screw Kit (Old Style)
-33	1621529	2	• Screw, Metric-Cap Soc Hd M6 X 20 mm Long (New Style)
-34	61G9699	4	• Spring, Wiper Pad
-35	61G9696	4	• Wiper Pad, (Oil Wick, Felt) Note: New X Axis Bearing Assembly is identified by part number and serial number located on home side.

Assembly 11: Picker Assembly, Dual Gripper

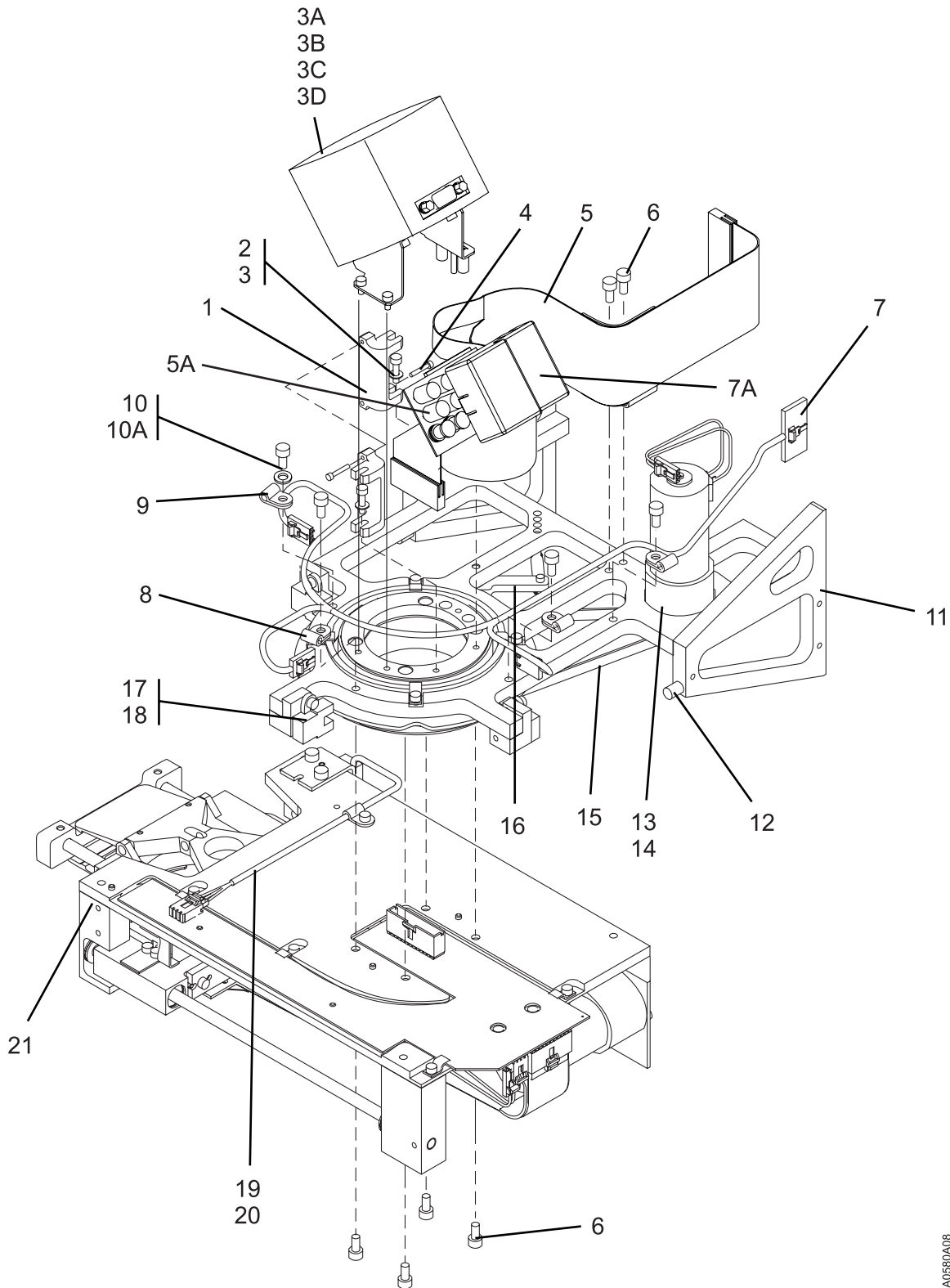


A058A08A

Assembly 11: (continued)

Asm- Index	Part Number	Units	Description
11-		NP	Picker Assembly, Dual Gripper For Next Higher Assembly, See 1-40 on page 7
-1	05H1998	4	• Bracket, Upper
-2	1621509	8	• Screw, Metric-Cap Soc Hd M4 X 8 mm Long
-3	1622259	8	• Lockwasher, Metric-Helical Spring 4.1 ID X 7 OD
-4		1	• Picker Assembly For Detail Breakdown, See "Assembly 12: Picker Assembly, Used with Single Gripper" on page 54
-5	05H4058	1	• Cable Assembly, Dual Gripper Interface
-6	05H7196	1	• Reach Assembly, Second Gripper For Detail Breakdown, See "Assembly 13: Reach Assembly" on page 56
-7	05H1999	4	• • Bracket, Lower
-8	1621509	4	• • Screw, Metric-Cap Soc Hd M4 X 8 mm Long
-9	1622259	4	• • Lockwasher, Metric-Helical Spring 4.1 ID X 7 OD

Assembly 12: Picker Assembly, Used with Single Gripper

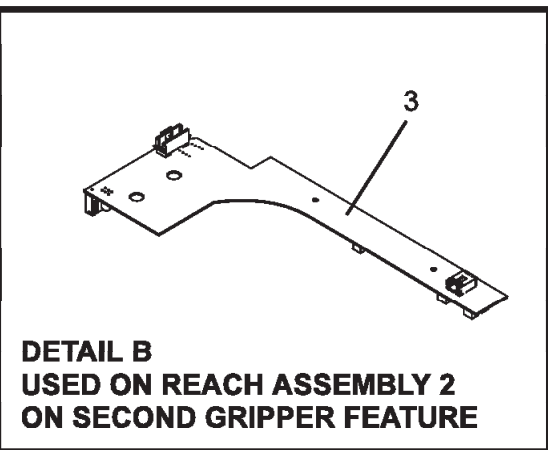
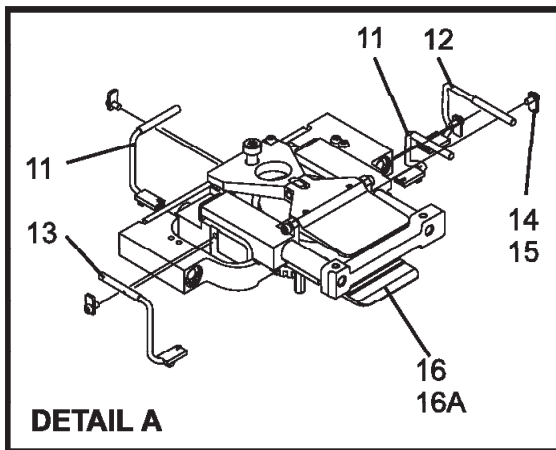
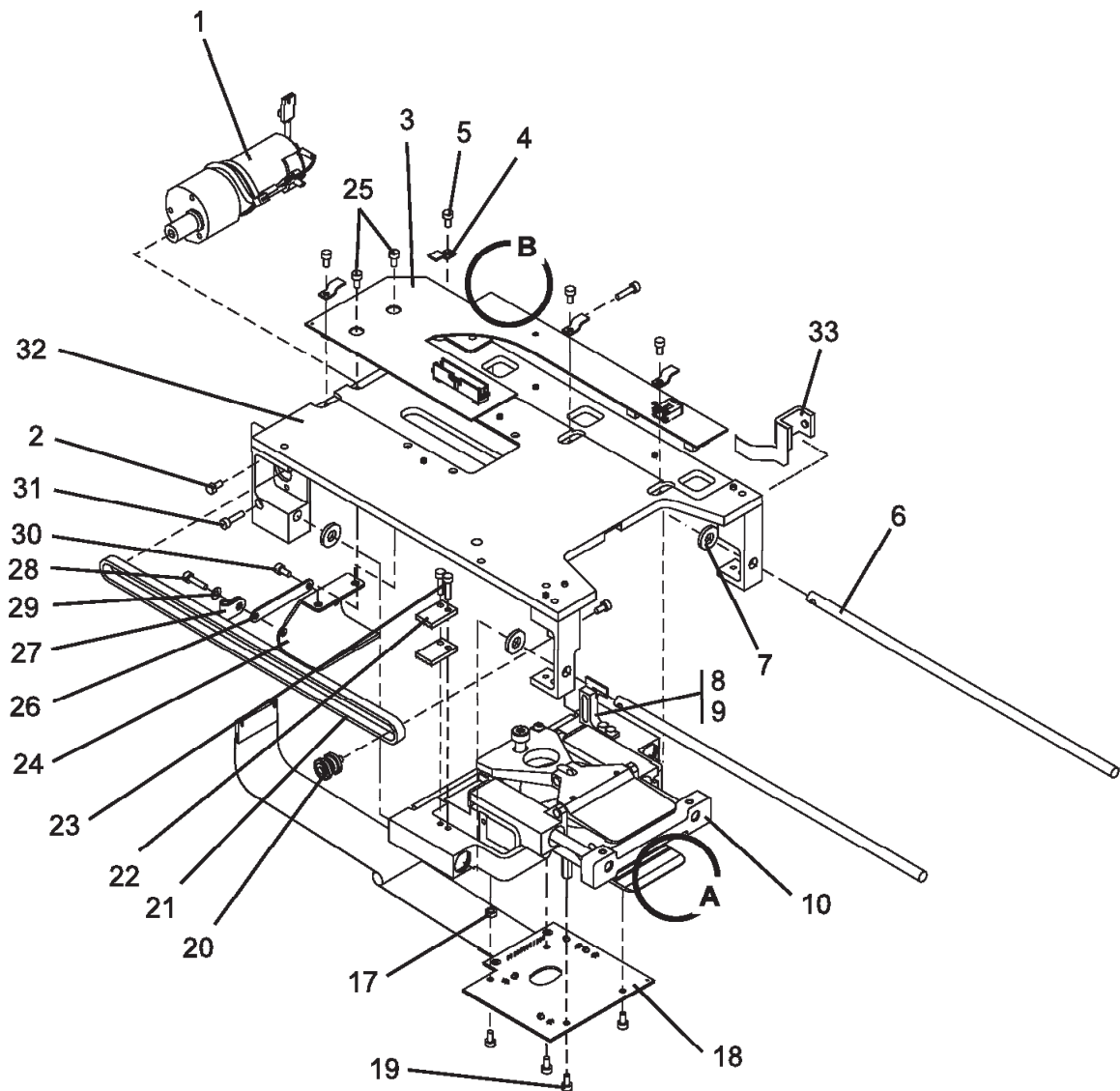


AG550A08

Assembly 12: (continued)

Asm-Index	Part Number	Units	Description
12-		NP	Picker Assembly, Used with Single Gripper For Next Higher Assembly, See 11-4 on page 53 and 1-40 on page 7
-1		NP	• Clamp, Cable
-2		NP	• Screw, Metric-Cap Soc Hd M3 X 12 mm Long
-3		NP	• Washer, Metric-Flat 3.2 ID X 7 OD X 0.5 Thick
-3A	05H7772	1	• Bar-Code Reader Assembly
-3B	34G9343	2	• Spring
-3C	50G0108	2	• Screw, Metric-Cap Soc Hd M3 X 6 mm Long
-3D	50G0109	1	• Screw, Metric-Cap Soc Hd M3 X 12 mm Long
-4		NP	• Screw, Metric-Cap Soc Hd M2.2 X 12 mm Long
-5	61G9679	1	• Flex Cable, Pivot, without EC C88830 (See Note)
-5	05H6975	1	• Flex Cable, Pivot, with EC C88830 (See Note)
-5A	05H8447	1	• Card, BCD2, with EC C88830 (See Note)
-6	1621509	6	• Screw, Metric-Cap Soc Hd M4 X 8 mm Long
-7	61G9681	1	• Cable, Pivot Sensor
-7A		NP	• Cover, Scanner Card
-8	0169698	3	• P Clamp, 3/16 inch Nylon
-9	34G9230	1	• P Clamp, 1/8 inch Nylon
-10	1621509	4	• Screw, Metric-Cap Soc Hd M4 X 8 mm Long
-10A	1622304	4	• Washer, Metric-Flat 4.3 ID X 9 OD X 0.8 Thick
-11	09L5064	1	• Pivot Assembly
-12	34G9352	2	• • Bumper, Pivot
-13	19P4628	1	• • Motor Assembly, Pivot
-14	50G0108	3	• • Screw, Metric-Cap Soc Hd M3 X 6 mm Long
-15	34G9342	1	• • Belt, Pivot
-16	34G9360	1	• • Detent Arm Assembly
-17	05H8407	3	• • Sensor, Pivot, Front, Center, Rear
-18	1621509	3	• • Screw, Metric-Cap Soc Hd M4 X 8 mm Long
-19	05H8041	1	• Calibration Sensor Assembly
-20	1621509	3	• Screw, Metric-Cap Soc Hd M4 X 8 mm Long
-21	05H7195	1	• Reach Assembly For Detail Breakdown, See "Assembly 13: Reach Assembly" on page 56 Note: Picker Assemblies without EC C88830 have an old vintage Pivot Flex Cable, part number 61G9679, with the BCD1 card soldered to it. Picker Assemblies with EC C88830 have the Pivot Flex Cable and the BCD2 card as separate parts that plug together.

Assembly 13: Reach Assembly



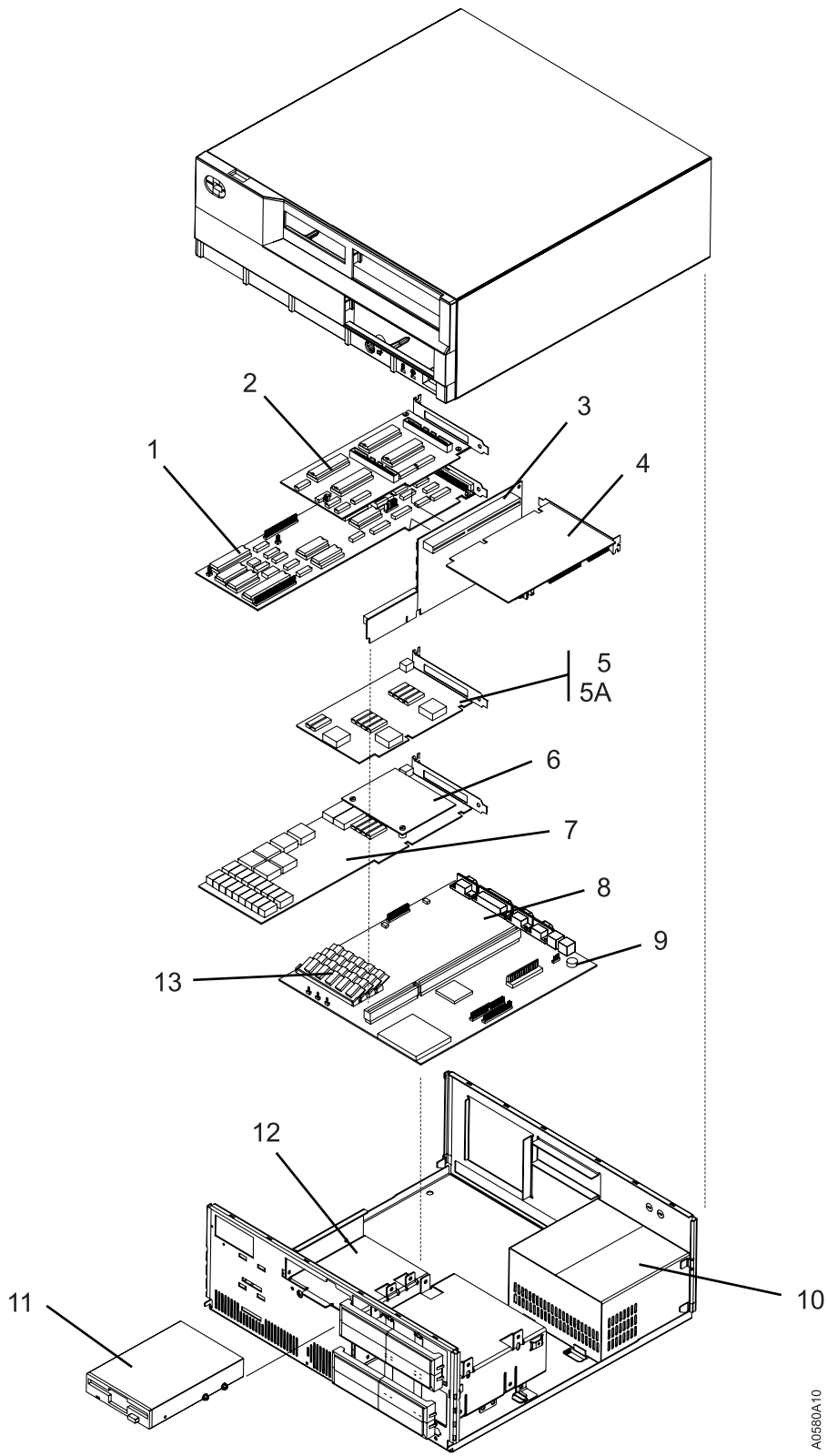
A0580A09

Asm-Index	Part Number	Units	Description
13-	05H7195	1	Reach Assembly, Gripper 1 For Next Higher Assembly, See 12-21 on page 55
-	05H7196	1	Reach Assembly, Second Gripper, Used with Dual Gripper Feature For Next Higher Assembly, See 11-6 on page 53
-1	19P4628	1	• Gear Motor, Reach
-2	50G0108	3	• Screw, Metric-Cap Soc Hd M3 X 6 mm Long
-3	05H7437	1	• Card, Reach (RCH2) (See Note) Used on Reach Assembly 1, Gripper 1 without EC D19249
-3	05H7438	1	• Card, Reach (RCX2) (See Note) Used on Reach Assembly 2, Second Gripper without EC D19249
-3	05H9591	1	• Card, Reach (RCH3) (See Note) Used on Reach Assembly 1, Gripper 1 with EC D19249
-3	05H9593	1	• Card, Reach (RCX3) (See Note) Used on Reach Assembly 2, Second Gripper with EC D19249
-4	94F6796	4	• Clamp
-5	50G0108	4	• Screw, Metric-Cap Soc Hd M3 X 6 mm Long
-6		NP	• Shaft
-7		NP	• Bumper
-8	34G9332	1	• Flag, Reach, End of Travel
-9	50G0108	2	• Screw, Metric-Cap Soc Hd M3 X 6 mm Long
-10	05H8107	1	• Grip Assembly
-11	94F6454	2	• • Sensor, Thumb Open or Compliance
-12	34G9339	1	• • Sensor, Cartridge Seated
-13	94F6457	1	• • Sensor, Grip Cartridge Present
-14	39F4143	4	• • Clamp, Sensor
-15	50G0108	2	• • Screw, Metric-Cap Soc Hd M3 X 6 mm Long
-16	50G0111	1	• • Grip Finger
-16A	94F6927	2	• • Screw, Metric-Torx Flt Hd M4 X 8 mm Long
-17		NP	• • Spacer
-18	50G1041	1	• Grip Card/Cable Assembly
-19	50G0108	4	• Screw, Metric-Cap Soc Hd M3 X 6 mm Long
-20	34G9335	1	• Reach Belt Idler Assembly
-21	19P0962	1	• Reach Belt
-22	05H7945	2	• Belt Clamp
-23		NP	• Screw, Metric-Cap Soc Hd M3 X 16 mm Long
-24		NP	• Bracket, Reach Cable
-25	50G0108	2	• Screw, Metric-Cap Soc Hd M3 X 6 mm Long
-26		NP	• Strain Relief
-27	0169698	1	• P Clamp, Nylon
-28	05H1779	1	• Screw, Metric-Cap Soc Hd M3 X 10 mm Long
-29		NP	• Washer, Metric-Flat 3.2 ID X 7 OD X 0.5 Thick
-30	50G0108	3	• Screw, Metric-Cap Soc Hd M3 X 6 mm Long
-31	50G0107	2	• Screw, Metric-Cap Soc Hd M3 X 12 mm Long
-32		NP	• Platform
-33	05H7560	1	• Clip, Gripper
-33A	05H9790	1	• Screw, Metric-Cap Flat Hd M3 X 10 mm Long

Note: Reach Assemblies with EC D19249 are identified as follows:

1. The Reach Card part number is on the top of the card near the middle card retaining clamp.
2. The distance between the front and middle optical sensors on the bottom of the Reach Card is 55mm (2.2in) center to center.

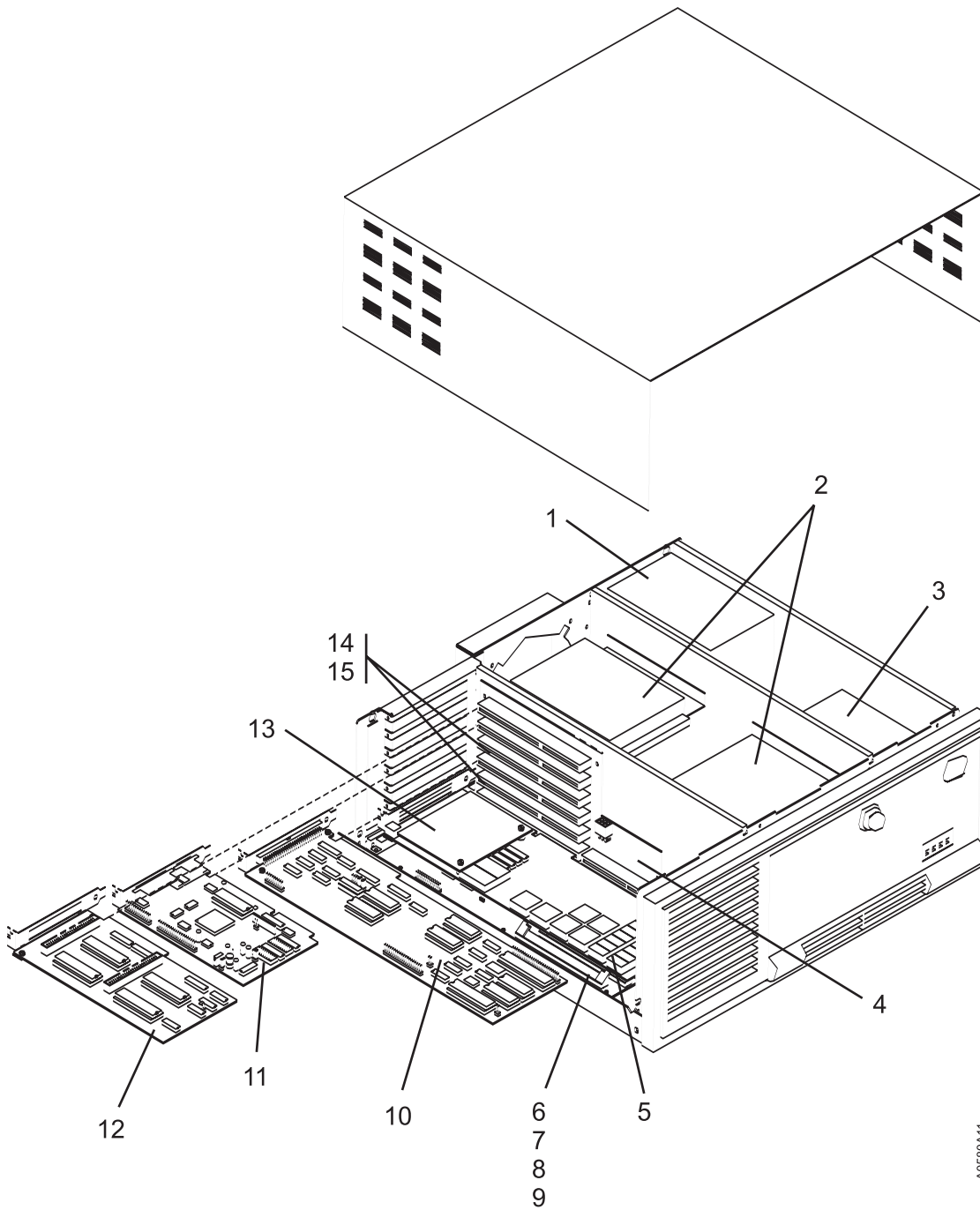
Assembly 14: Library Manager, PS/ValuePoint



AG580A10

Asm-Index	Part Number	Units	Description
14-		NP	Library Manager, PS/ValuePoint For Next Higher Assembly, See 1-49 on page 9
-1	61G9945	1	• Card, Servo Controller
-2	61G9946	1	• Card, DI/DO
-3	92F0392	1	• Card, Riser, (6384/D)
-4	62G2762	1	• Card, Display Adapter
-5	19P0102	1	• Card, Ethernet Feature Includes Diskette Kit, Installation Instructions, and Ethernet Card. Ethernet Card Only FRU is part number 19P0011.
-5A	19P0101	1	• Diskette Kit Used with Ethernet Card 19P0011
-5	08L6045	1	• Card, Token Ring Feature
-5A	6339098	1	• • Cable, Wall Jack Used with Token Ring Feature
-6	09F1937	1	• Card, RTIC RS422 Replace with single ARTIC186 card listed below
-7	47L8834	1	• Card, ARTIC186 8-Port Adapter, Version 2 Replaces all previous versions including FRU part numbers 87H3601 ARTIC186, and 61G3863/09F1937 RTIC card set. Refer to "Library Manager Cards, ARTIC186 8-Port Adapter in Chapter 5 of the 3494 Tape Library Maintenance Information Manual "for replacement instructions.
-7	61G3863	1	• Card, RTIC Multiport with 512KB Memory Replace with single ARTIC186 card listed above
-8	92F0396	1	• Board, System, 433DX without Memory
-9	33F8354	1	• Lithium Battery, CR2032
-10	92F0411	1	• Power Supply, 200 W (6384/D)
-11	93F2361	1	• Diskette Drive, 3.5 inch, 1.44MB
-12	18P6627	AR	• Hard Disk Drive, 40 GB Clipped to 20.5 GB Includes HDD clipping tool and Installation Instructions.
-13	92F3337	4	• 4MB Memory Module, 72 Pin, 80 ns
-13	64F3607	2	• 8MB Memory Module, 72 Pin, 80 ns
-13	92F0105	4	• 4MB Memory Module, 72 Pin, 70 ns
-13	64F3606	2	• 8MB Memory Module, 72 Pin, 70 ns
-13	60G2950	1	• 16MB Memory Module, 72 Pin, 80 ns

Assembly 15: Library Manager, 7585 Industrial Computer

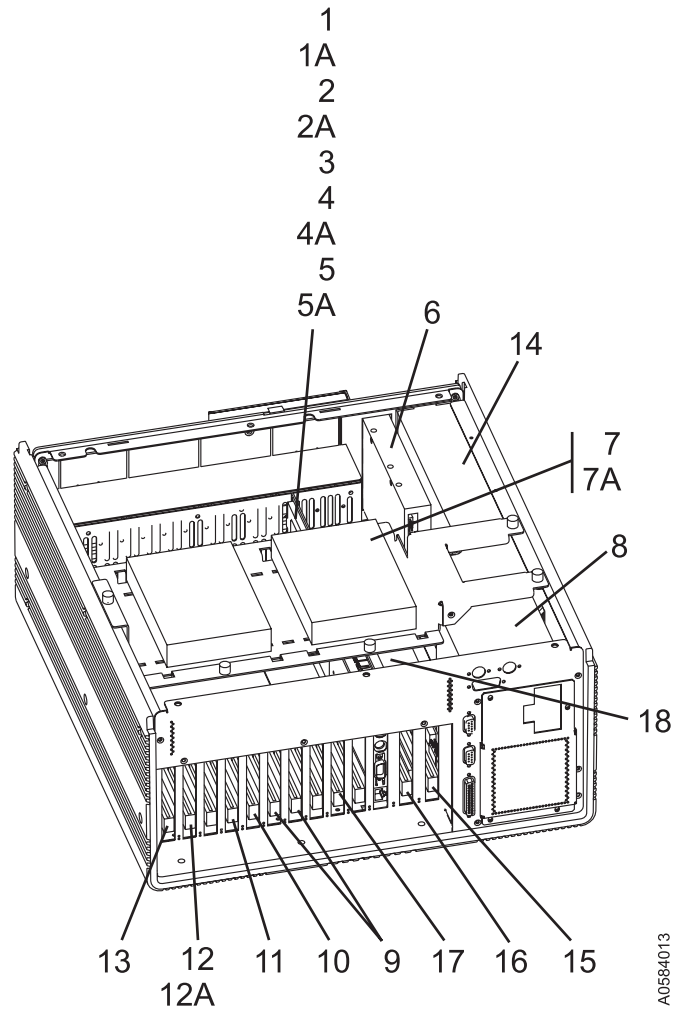


A0560A11

Assembly 15: (continued)

Asm-Index	Part Number	Units	Description
15-		NP	Library Manager, 7585 Industrial Computer For Next Higher Assembly, See 1-49 on page 9
-1	06H3989	1	• Power Supply, 200 W
-2	18P6627	AR	• Hard Disk Drive, 40 GB Clipped to 20.5 GB Includes HDD clipping tool and Installation Instructions
-3	06H5412	1	• Diskette Drive, 3.5 inch, 1.44MB
-4	06H4271	1	• Card, Riser
-5	47L8834	1	• Card, ARTIC186 8-Port Adapter, Version 2 Replaces all previous versions including FRU part numbers 87H3601 ARTIC186, and 61G3863/09F1937 RTIC card set. Refer to "Library Manager Cards, ARTIC186 8-Port Adapter in Chapter 5 of the 3494 Tape Library Maintenance Information Manual "for replacement instructions.
-5	61G3863	1	• Card, RTIC Multiport with 512KB Memory Replace with single ARTIC186 card listed above
-6	82G2397	1	• Board, System Memory and Processor Not Included
-7	71G0791	1	• Processor, 486SX-33
-8	73G3233	4	• 4MB Memory Module, 72 Pin, 70 ns
-8	73G3234	2	• 8MB Memory Module, 72 Pin, 70 ns
-9	33F8354	1	• Lithium Battery, CR2032
-10	61G9945	1	• Card, Servo Controller
-11	05H7719	1	• Card, Display Adapter
-12	61G9946	1	• Card, DI/DO
-13	09F1937	1	• Card, RTIC RS422 Replace with single ARTIC186 card listed above
-14	19P0102	1	• Card, Ethernet Feature Includes Diskette Kit, Installation Instructions, and Ethernet Card. Ethernet Card Only FRU is part number 19P0011.
-15	19P0101	1	• Diskette Kit Used with Ethernet Card 19P0011
-14	08L6045	1	• Card, Token Ring Feature
-15	6339098	1	• • Cable, Wall Jack Used with Token Ring Feature Note: For most recent part number information, refer to "7585 Industrial Computer Information: Installation, Operation, Hardware Maintenance Manual", Form Number S06H-2298.

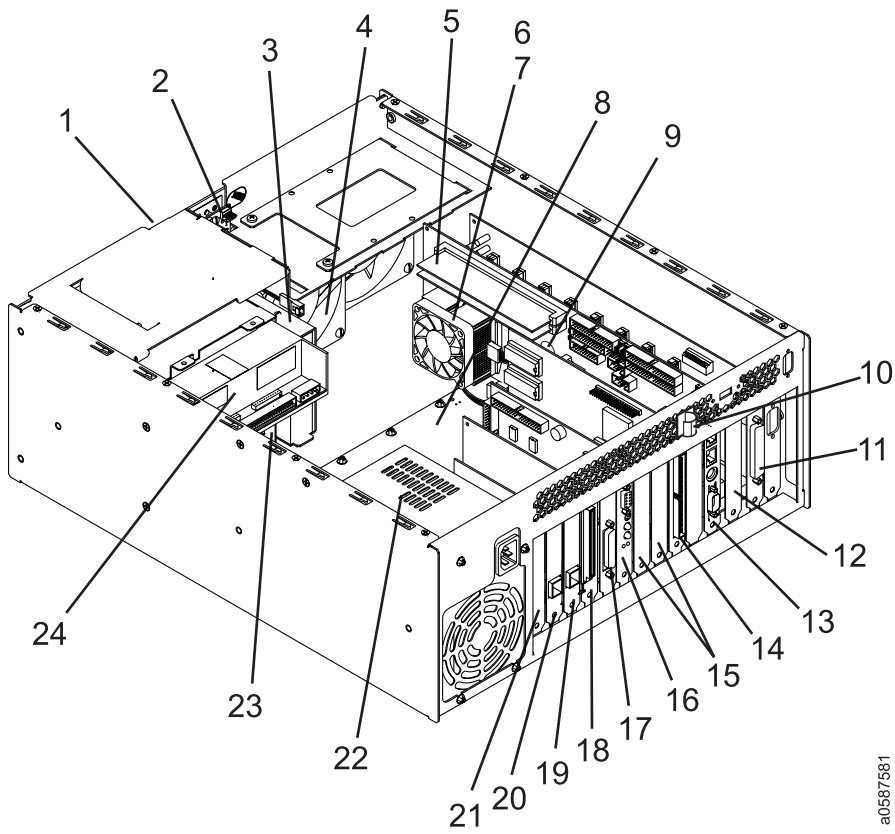
Assembly 16: Library Manager, 7588 Industrial Computer



Assembly 16: (continued)

Asm-Index	Part Number	Units	Description
16-		NP	Library Manager, 7588 Industrial Computer For Next Higher Assembly, See 1-49 on page 9
-1	19P6118	1	• IBM 586VE SBC with Processor 400 MHZ and Memory, 256MB DIMM
-1	08L5881	1	• IBM 586 SBC with Processor 166 MHZ If part number 08L5881 is not available, order part numbers 76H4841, 76H4382, 33F8354, 76H4390, 76H4391, 76H4388, and 76H4389.
-1A	76H4841	1	• IBM 586 SBC
-1A		NP	• IBM 586VE SBC (Order part number 19P6118 listed above)
-2	76H4382	1	• Processor 166 MHZ, for 586 SBC
-2		NP	• Processor 400 MHZ, for 586VE SBC (Order complete 586VE SBC, part number 19P6118 listed above)
-2A	11N9605	1	• Fan Sink for Processor, for 586VE SBC
-3	33F8354	1	• Battery, Lithium, for 586 SBC
-4	76H4390	1	• Cache, 256K, for 586 SBC
-4A	76H4391	1	• Cache, 512K, for 586 SBC
-5	76H4388	2	• Memory, 16MB, for 586 SBC
-5	47L2744	1	• Memory, 256MB DIMM, for 586VE SBC
-5		NP	• Memory, 64MB DIMM, for 586VE SBC (Order part number 19P6118 listed above)
-5A	76H4389	2	• Memory, 32MB, for 586 SBC
-6	06H8161	1	• Diskette Drive, 3.5 inch
-7	18P6627	2	• Hard Disk Drive, 40 GB Clipped to 20.5 GB Includes HDD clipping tool and Installation Instructions
-7A	05H7333	1	• Adapter, Primary IDE
-8	40H7566	1	• Power Supply
-9	47L8834	1	• Card, ARTIC186 8 Port Adapter, Version 2
-9	87H3601	1	• Card, ARTIC186 8 Port Adapter, Version 1 Replace with FRU part number 47L8834 listed above
-10	61G9945	1	• Card, Servo Controller
-11	61G9946	1	• Card, DI/DO
-12	19P0102	1	• Card, Ethernet Feature Includes Diskette Kit, Installation Instructions, and Ethernet Card. Ethernet Card Only FRU is part number 19P0011.
-12A	19P0101	1	• Diskette Kit, Used with Ethernet Card 19P0011
-12A	09L4289	1	• Diskette Kit, Used with previous Ethernet Card 85H3371
-12	08L6045	1	• Card, Token Ring Feature
-12A	6339098	1	• Cable, Wall Jack, Used with Token Ring Feature
-13	05H7719	1	• Card, Display Adapter
-14	24P3603	1	• CD-ROM Drive, 48x
-14	36L8713	1	• CD-ROM Drive, 40x
-14	09N0879	1	• CD-ROM Drive, 18x-40x
-15	19P1830	1	• Etherjet Adapter, Secondary Link (Model HA1and/or Model B18), for IBM 586 SBC (166MHZ)
-15	34L1209	1	• Etherjet Adapter, Secondary Link, for IBM 586VE SBC (400 MHZ)
-16	19P1830	1	• Etherjet Adapter, Primary Link (Model HA1 Only), for IBM 586 SBC (166 MHZ)
-16	34L1209	1	• Etherjet Adapter, Primary Link, for IBM 586VE SBC (400 MHZ)
-17	09L5355	1	• Mirrored Hard Drive Card
-18	76H4355	1	• Backplane, 7588-01 (12 ISA, 2 PCI - 2 Shared) Note: For most recent part number information, refer to "IBM 7588 Industrial Computer Information: Installation, Operation, Hardware Maintenance Manual", Form Number S20L-2782 or part number 20L2782.

Assembly 17: Library Manager, 7581 Personal Computer



a0587581

Asm-Index	Part Number	Units	Description
17-		NP	Library Manager, 7581 Personal Computer For Next Higher Assembly, See 1-49 on page 9
-1	18P7347	1	• Switch Assembly, Power On/Off
-2	18P7348	1	• Card, Front Panel Display
-3	93F2361	1	• Floppy Disk Drive
-4	19P5162	1	• Fan, Large
-5	18P7172	1	• Memory Module, 256 MB DIMM
-6	19P5244	1	• Processor, 1.26 GHz CPU
-7	19P5245	1	• Processor Fan Heatsink
-8	18P7350	1	• Backplane
-9	33F8354	1	• Battery, 3 V Lithium
-10	19P5247	1	• Y Clip, Y cable Retainer
-11	47L8834	1	• Card, ARTIC 0 Adapter
-12	47L8834	1	• Card, ARTIC 2 Adapter
-13	18P7829	1	• Card, 1.26 GHz SBC Processor Card
-14	18P7171	1	• Card, Servo Control
-15	47L8834	1	• Card, ARTIC 3 and ARTIC 1 Adapter
-16	19P5161	1	• Card, DupliDisk2 Mirroring
-17	19P5158	1	• Card, PCI Densitron Display Adapter
-18	19P5156	1	• Card, PCI DI/DO Adapter
-19	19P5248	1	• Etherjet Adapter, Secondary
-20	19P5248	1	• Etherjet Adapter, Primary
-21	35P5409	1	• Card, Token Feature
-21	22P6519	1	• Card, Ethernet Feature
-22	01K9866	1	• Power Supply
-23	18P6627	2	• Hard Disk Drive, 40 GB Clipped to 20.5 GB The Primary Hard Disk Drive is located on the bottom. The Mirror Hard Disk Drive is located above the Primary.
-24	33P3203	1	• CDROM Drive Note: For most recent part number information, refer to "IBM 7581 Library Manager Console Maintenance Information" manual, part number 18P7157.

Assembly 18: Cable List

Asm- Index	Part Number	Units	Description
18-		NP	Cable List (Sheet 1 of 3)
-	05H1772	AR	• Cable Assembly, Remote Power Control to Host (15200 mm)
-	05H1773	AR	• Cable Assembly, Remote Power Control to Host (121900 mm)
-	05H1774	AR	• Cable Assembly, RS232 LM Interface to Host (15200 mm)
-	05H2914	AR	• Cable Assembly, Ethernet LMA to LMB (Model HA1)
-	05H2915	AR	• Cable Assembly, X Home Sensor to BIC2 J5 (Model HA1)
-	05H2916	AR	• Cable Assembly, RSB BIC2 J6 to DIL2 J2 (End) (Model HA1)
-	05H3256	AR	• Cable Assembly, LM to Tape Subsystem Extention Cable
-	05H3834	AR	• Cable Assembly, Interposer
-	05H6970	AR	• Cable Assembly, PCC J17 to SEQ3 J4 (Model HA1)
-	05H6972	AR	• Cable Assembly, BIC2 PCCn to PCC J13 (9-16) (Model HA1)
-	05H6987	AR	• Cable Assembly, SEQ3 J1 to SEQ3 J2 or BIC2 J24 (Model HA1)
-	05H7180	AR	• Cable Assembly, L1x PCC J18 to DSW2 J5 (Model HA1)
-	05H7280	AR	• X Cable/Track Assembly, 12/2 Frame Dual Accessor
-	05H7281	AR	• X Cable/Track Assembly, 10/2 Frame Dual Accessor
-	05H7282	AR	• X Cable/Track Assembly, 8/2 Frame Dual Accessor
-	05H7283	AR	• X Cable/Track Assembly, 5-8 Frame Single Accessor 6/2 Frame Dual Accessor
-	05H7284	AR	• X Cable/Track Assembly, 3-4 Frame Single Accessor 4/2 Frame Dual Accessor
-	05H7285	AR	• X Cable/Track Assembly, 3/2 Frame Dual Accessor
-	05H7322	AR	• Cable Assembly, DSW2 J11 to LSB PCC J17 (Model HA1)
-	05H7361	AR	• X Cable/Track Assembly, 1-2 Frames
-	05H7502	AR	• Cable Assembly, SRV to MIC P12
-	05H7503	AR	• Cable Assembly, DI/DO P1,P2 to MIC P5,P4
-	05H7504	AR	• Cable Assembly, MIC P1 to BIC P2,P3
-	05H7878	AR	• Cable Assembly, RS-232 RS/6000 to Service Panel
-	05H7939	AR	• Connector, Gender Change, VTS Controller
-	05H8015	AR	• Cable Assembly, SCSI RS/6000 to R20 Interface
-	05H8040	AR	• Cable Assembly, X-Axis Flex (9-16 Frames) 16/2 Frame Dual Accessor
-	05H8085	AR	• Cable Assembly, DIL to Remote UEPO Switch (9-16 Frames)
-	05H8086	AR	• Cable Assembly, SPC to DIL8/DIL9 (9-16 Frames)
-	05H8087	AR	• Cable Assembly, DIL to LPN/UEPO (9-16 Frames)
-	05H8088	AR	• Cable Assembly, BIC PCC8 to SPC J3 (9-16 Frames)
-	05H8093	AR	• Cable Assembly, 24/36 V to MIC P2,P3
-	05H8219	AR	• Cable Assembly, RS-232 ASYNC Block to ARTIC Breakout
-	05H8234	AR	• Cable Assembly, ESCON 2.5 m
-	05H8256	AR	• Cable Assembly, UEP2 J1 to BIC2 J22 (Model HA1)
-	05H8258	AR	• Cable Assembly, DSW2 J16 to UEP2 J18 (Model HA1)
-	05H8259	AR	• Cable Assembly, BIC2 J23 to 4 Service Bay Switches (Model HA1)
-	05H8260	AR	• Cable Assembly, Local UEPO to Remote UEPO (Model HA1)
-	05H8261	AR	• Cable Assembly, Upper ARTIC Extender, LMA (Model HA1)
-	05H8262	AR	• Cable Assembly, Upper ARTIC Extender, LMB (Model HA1)
-	05H8263	AR	• Cable Assembly, Lxx MIC3 J16 to UEP2 J11 (Model HA1)
-	05H8264	AR	• Cable Assembly, LM A Serial Port B to UEP2 J10 (Model HA1)
-	05H8265	AR	• Cable Assembly, LM B Serial Port B to UEP2 J20 (Model HA1)
-	05H8266	AR	• Cable Assembly, RSB MIC3 J16 to UEP2 J21 (Model HA1)
-	05H8267	AR	• Cable Assembly, UEP2 J5 to Frm 9 DIL2 J1 (Model HA1)
-	05H8544	2	• Jumper, Sensor (Model HA1)

Assembly 18: (continued)

Asm- Index	Part Number	Units	Description
18-		NP	Cable List (Sheet 2 of 3)
-	05H8596	AR	• Cable Assembly, Ethernet Switch to LMA (Model HA1) or LM (non-HA1) (Only if B18 or A60 LAN Attached)
-	05H8712	AR	• Cable Assembly, Ethernet Switch to LMB (Model HA1 and B18 or A60 LAN Attached), Ethernet Switch to B18, Ethernet Switch to A60 (A60 LAN Attached)
-	05H8953	AR	• Cable Assembly, Control Unit 3590 Tape Subsystem to Library Manager
-	05H8981	AR	• Cable Assembly, D12 3590 Tape Drive to Library Manager
-	07H9163	AR	• Cable Assembly, SSA Jumper
-	08J5792	AR	• Terminator, Token Ring, 7581
-	08L5796	1	• Cable Assembly, Frame 8 DIL2 J2 to Frame 9 DIL2 J4 (Model HA1)
-	09F1801	AR	• Cable Assembly, RTIC Multiport
-	18P6598	AR	• Cable Assembly, 24/36 V Power Distribution, 7581
-	18P6599	AR	• Cable Assembly, DI/DO, 7581
-	18P7349	AR	• Cable Assembly, DC Power Supply, 7581
-	18P9097	AR	• Cable Assembly, LM SBC to HDD, Non Mirrored, 7588
-	18P9366	AR	• Cable Assembly, FRU Kit, LM Mirrored HDD, 7588
-	19P5160	AR	• Cable Assembly, Front Panel Display, 7581
-	19P5239	AR	• Cable Assembly, IDE Primary/Mirror DD2, 7581
-	19P5240	AR	• Cable Assembly, IDE CDROM, 7581
-	19P5241	AR	• Cable Assembly, IDE FDD, 7581
-	19P5242	AR	• Cable Assembly, Serial A and B, 7581
-	19P5243	AR	• Cable Assembly, IDE, Host SBC to DD2, 7581
-	19P5246	AR	• Cable Assembly, Keyboard/Mouse Y-Cable, 7581
-	2317361	AR	• Pillow, Mineral Filled
-	46F4593	AR	• Line Cord, Chicago
-	46F4594	AR	• Line Cord, U.S. and World Trade
-	46F6063	AR	• Line Cord, World Trade Hardwired
-	49G6459	AR	• Cable Assembly, RSB Frame J3 to L1X Frame DSW2 J3
-	50G0316	AR	• Cable Assembly, D10/D14 Tape Control Unit to Library Manager
-	50G0945	AR	• Cable Assembly, Flat Panel Display
-	50G0946	AR	• Cable Assembly, RS422 LM Interface to Host (121900 mm)
-	50G0947	AR	• Converter Assembly, RS232 to RS422
-	50G1036	AR	• Cable Assembly, LCC P3 or MIC P15 to X/Y Power Amplifier P2
-	50G1046	AR	• Jumper, Braided Shield
-	50G1047	AR	• Cable Assembly, X-Axis Flex (1-2 Frames) (Old Style)
-	50G1049	AR	• Jumper, I/O Station not Present
-	61G9676	AR	• Cable Assembly, LCC P5 to BIC P2,P3 X/Y
-	61G9682	AR	• Cable Assembly, X/Y Motors to XAX P3/P4
-	61G9685	AR	• Cable Assembly, Y-Axis Flex
-	61G9686	AR	• Cable Assembly, LCC P2 or MIC P14 to BIC P4 X/Y
-	61G9815	AR	• Cable Assembly, LM RTIC to AS/400
-	62G1171	AR	• Cable Assembly, LM Power Supply to PCC
-	62G1173	AR	• Cable Assembly, MIC P10 to PCC P17
-	62G1174	AR	• Cable Assembly, MIC P8 to PCC P13
-	62G1175	AR	• Cable Assembly, Jumper, Remote Power Control
-	62G1176	AR	• Cable Assembly, LCC P4 or MIC P13 to X/Y Power Amplifier P1
-	62G1178	AR	• Cable Assembly, DI/DO P1,P2 to MIC P5,P4
-	62G1179	AR	• Cable Assembly, Servo Controller to LCC P1

Assembly 18: (continued)

Asm- Index	Part Number	Units	Description
18-		NP	Cable List (Sheet 3 of 3)
-	62G1180	AR	• Cable Assembly, MIC P6 to BIC P7
-	62G1181	AR	• Cable Assembly, LM COMM Port B to LCC P7 or MIC P16
-	62G1182	AR	• Cable Assembly, MIC P7 to LPN P1
-	62G1183	AR	• Cable Assembly, Control Unit 3490 Tape Subsystem to Library Manager
-	62G1187	AR	• Cable Assembly, Door Interlock, BIC P6 to DIL P1 Control Unit
-	62G1189	AR	• Cable Assembly, BIC P5 to X Axis
-	62G1191	AR	• Cable Assembly, X-Axis Flex (3-4 Frames) (Old Style)
-	62G1192	AR	• Cable Assembly, X-Axis Flex (5-8 Frames) (Old Style)
-	62G1195	AR	• Cable Assembly, Jumper, BIC and SPC PCC Connector
-	62G1202	AR	• Cable Assembly, CU/DU PCC to DU PCC
-	62G1207	AR	• Cable Assembly, EPO Switch
-	62G1208	AR	• Cable Assembly, DU PCC to CU BIC
-	62G1215	AR	• Jumper, Door Interlock
-	62G1216	AR	• Cable Assembly, Remote Power Control
-	62G1218	AR	• Cable Assembly, Door Interlock, Drive Unit/Storage Unit
-	62G2057	AR	• Converter Assembly, RS-422 to RS-232
-	67G1246	AR	• Cable Assembly, 7133 Power Cord
-	72X8537	AR	• Cable Assembly, Keyboard
-	88G6404	AR	• Cable Assembly, SSA Host 5.0 m
-	92F0423	AR	• Cable Assembly, Diskette Drive
-	92F0424	AR	• Cable Assembly, Signal, Hard Disk Drive
-	93F2388	AR	• Cable Assembly, Hard Disk Drive to LED
-	93F2389	AR	• Cable Assembly, Library Manager Power Supply to LED

Part Number Index

Part Number	Asm-Index	Page	Part Number	Asm-Index	Page	Part Number	Asm-Index	Page
00F5531	1-50	9	05H7196	13-	57	05H8041	12-19	55
0123786	1-64	11	05H7247	4-35A	27	05H8063	8-3	45
0169698	12-8	55	05H7247	5-28A	37	05H8063	9-	49
0169698	13-27	57	05H7264	8-4	45	05H8085	18-	66
01K9866	17-22	65	05H7268	8-6	45	05H8086	18-	66
05H1760	10-5	51	05H7280	18-	66	05H8087	18-	66
05H1772	18-	66	05H7280	8-13	47	05H8088	18-	66
05H1773	18-	66	05H7281	18-	66	05H8093	18-	66
05H1774	18-	66	05H7281	8-13	47	05H8107	13-10	57
05H1779	13-28	57	05H7282	18-	66	05H8142	8-14	47
05H1842	4-6A	23	05H7282	8-13	47	05H8219	18-	66
05H1849	4-6	23	05H7283	18-	66	05H8234	18-	66
05H1852	4-6	23	05H7283	8-13	47	05H8236	7-31	43
05H1875	4-6	23	05H7284	18-	66	05H8239	1-66D	11
05H1931	4-6	23	05H7284	8-13	47	05H8245	8-14	47
05H1965	10-16	51	05H7285	18-	66	05H8247	1-55	9
05H1986	4-35A	27	05H7285	8-13	47	05H8247	2-63	19
05H1986	5-28A	37	05H7322	18-	66	05H8249	10-11	51
05H1998	11-1	53	05H7333	16-7A	63	05H8249	9-15	49
05H1999	11-7	53	05H7338	1-39	5	05H8256	18-	66
05H2914	18-	66	05H7361	18-	66	05H8258	18-	66
05H2915	18-	66	05H7361	8-13	47	05H8259	18-	66
05H2916	18-	66	05H7437	13-3	57	05H8260	18-	66
05H3256	18-	66	05H7438	13-3	57	05H8261	18-	66
05H3834	18-	66	05H7455	1-18A	3	05H8262	18-	66
05H4058	11-5	53	05H7502	18-	66	05H8263	18-	66
05H4064	4-5	23	05H7503	18-	66	05H8264	18-	66
05H4066	4-5	23	05H7504	18-	66	05H8265	18-	66
05H4105	1-41A	7	05H7560	13-33	57	05H8266	18-	66
05H4105	4-13A	23	05H7578	1-2A	3	05H8267	18-	66
05H4105	5-36	39	05H7580	1-4	3	05H8269	2-31A	15
05H4135	8-7A	47	05H7580	7-	43	05H8269	4-22A	25
05H4138	10-7A	51	05H7718	2-15	13	05H8269	5-9A	35
05H4146	8-4	45	05H7719	15-11	61	05H8407	10-21	51
05H4148	10-5	51	05H7719	16-13	63	05H8407	12-17	55
05H4155	1-44	7	05H7772	12-3A	55	05H8407	7-25	43
05H4207	4-13B	23	05H7815	2-46	19	05H8407	9-21	49
05H4207	5-37	39	05H7816	2-46	19	05H8447	12-5A	55
05H6950	10-28	51	05H7878	18-	66	05H8454	2-21	15
05H6970	18-	66	05H7939	18-	66	05H8454	4-22	25
05H6972	18-	66	05H7945	13-22	57	05H8454	5-9	35
05H6975	12-5	55	05H7964	8-13B	47	05H8492	8-7	47
05H6987	18-	66	05H7965	8-13C	47	05H8544	18-	66
05H7180	18-	66	05H7979	8-13D	47	05H8593	8-6B	45
05H7181	1-39A	5	05H7993	4-35C	27	05H8596	18-	67
05H7195	12-21	55	05H8015	18-	66	05H8712	18-	67
05H7195	13-	57	05H8040	18-	66	05H8779	10-26	51
05H7196	11-6	53	05H8040	8-13	47	05H8855	2-37	17

Part Number	Asm-Index	Page	Part Number	Asm-Index	Page	Part Number	Asm-Index	Page
05H8953	18-	67	1621509	7-13	43	18P7974	2-17	13
05H8981	18-	67	1621509	7-19	43	18P8135	4-61	33
05H9591	13-3	57	1621509	7-31A	43	18P9097	18-	67
05H9593	13-3	57	1621510	1-41	7	18P9125	4-64	33
05H9615	1-70	11	1621510	8-13A	47	18P9186	4-65	33
05H9616	1-71	11	1621511	10-13	51	18P9288	4-63	33
05H9629	3-4	21	1621511	9-20	49	18P9289	4-63	33
05H9629	4-50	29	1621527	10-17	51	18P9366	18-	67
05H9790	13-33A	57	1621529	10-33	51	19P0101	14-5A	59
05H9828	6-1	41	1621606	8-6C	45	19P0101	15-15	61
06H3989	15-1	61	1621823	2-39	17	19P0101	16-12A	63
06H4271	15-4	61	1621823	4-9	23	19P0102	14-5	59
06H5412	15-3	61	1621823	5-21	37	19P0102	15-14	61
06H8161	16-6	63	1622259	11-3	53	19P0102	16-12	63
07H9163	18-	67	1622259	11-9	53	19P0320	2-47	19
08J5792	18-	67	1622275	1-58A	9	19P0758	1-58E	9
08L5796	18-	67	1622275	4-47	29	19P0962	13-21	57
08L5872	9-22A	49	1622304	12-10A	55	19P1043	10-33	51
08L5881	16-1	63	1622304	7-29	43	19P1059	6-1A	41
08L6045	14-5	59	1622306	8-6E	45	19P1684	4-59	33
08L6045	15-14	61	1622320	5-28	37	19P1830	16-15	63
08L6045	16-12	63	1622405	8-6D	45	19P1830	16-16	63
09F1801	18-	67	1622533	1-14	3	19P3813	4-51	29
09F1937	14-6	59	1624744	2-45A	19	19P4628	12-13	55
09F1937	15-13	61	1624744	4-4	23	19P4628	13-1	57
09G7554	7-21	43	1624744	5-14B	37	19P4960	1-60A	11
09L4289	16-12A	63	1624744	8-11	47	19P4961	1-31	5
09L4561	1-66C	11	1624744	8-2	45	19P4961	1-9	3
09L5064	12-11	55	1624746	1-53	9	19P4964	1-66B	11
09L5355	16-17	63	1624766	2-16	13	19P5156	17-18	65
09L5361	4-66	33	1624767	1-58	9	19P5158	17-17	65
09L5370	1-66A	11	1624767	4-46	29	19P5160	18-	67
09N0879	16-14	63	1624769	2-16	13	19P5161	17-16	65
1176668	1-61	11	1624790	1-5	3	19P5162	17-4	65
1176668	1-62	11	1624794	2-3	13	19P5239	18-	67
1176668	1-63	11	18P6598	18-	67	19P5240	18-	67
1176668	1-65	11	18P6599	18-	67	19P5241	18-	67
11N9605	16-2A	63	18P6627	14-12	59	19P5242	18-	67
13F1698	2-48	19	18P6627	15-2	61	19P5243	18-	67
14F6780	2-38	17	18P6627	16-7	63	19P5244	17-6	65
1621032	4-35B	27	18P6627	17-23	65	19P5245	17-7	65
1621032	5-28B	37	18P7171	17-14	65	19P5246	18-	67
1621170	8-6A	45	18P7172	17-5	65	19P5247	17-10	65
1621493	7-28	43	18P7342	7-26	43	19P5248	17-19	65
1621509	1-56	9	18P7347	17-1	65	19P5248	17-20	65
1621509	1-67	11	18P7348	17-2	65	19P6118	16-1	63
1621509	11-2	53	18P7349	18-	67	21F9008	1-57	9
1621509	11-8	53	18P7350	17-8	65	21F9008	4-45	29
1621509	12-10	55	18P7829	17-13	65	22P6519	17-21	65
1621509	12-18	55	18P7970	2-17	13	2317361	18-	67
1621509	12-20	55	18P7971	2-17	13	24P3603	16-14	63
1621509	12-6	55	18P7972	2-17	13	303549	1-66E	11
1621509	2-64	19	18P7973	2-17	13	33F8354	14-9	59

Part Number	Asm-Index	Page	Part Number	Asm-Index	Page	Part Number	Asm-Index	Page
33F8354	15-9	61	46F6063	18-	67	50G0400	2-41	17
33F8354	16-3	63	47L2744	16-5	63	50G0400	4-11	23
33F8354	17-9	65	47L8834	14-7	59	50G0400	5-23	37
33F9903	2-4B	13	47L8834	15-5	61	50G0401	2-42	17
33P3203	17-24	65	47L8834	16-9	63	50G0401	4-12	23
34G8117	1-68	11	47L8834	17-11	65	50G0401	5-24	37
34G8118	1-69	11	47L8834	17-12	65	50G0412	2-23	15
34G9212	2-26	15	47L8834	17-15	65	50G0413	4-15	25
34G9212	4-16	25	49G6459	18-	67	50G0413	5-8	35
34G9212	5-4	35	49P2155	4-62	33	50G0944	2-53A	19
34G9230	12-9	55	50G0100	1-4	3	50G0944	4-32	27
34G9332	13-8	57	50G0100	7-	43	50G0944	5-26A	37
34G9335	13-20	57	50G0107	10-2	51	50G0945	18-	67
34G9339	13-12	57	50G0107	13-31	57	50G0946	18-	67
34G9342	12-15	55	50G0108	1-46	7	50G0947	18-	67
34G9343	1-45	7	50G0108	1-74	11	50G1036	18-	67
34G9343	12-3B	55	50G0108	10-24	51	50G1041	13-18	57
34G9352	12-12	55	50G0108	10-4	51	50G1043	1-59A	11
34G9360	12-16	55	50G0108	12-14	55	50G1046	1-58D	9
34G9593	10-19	51	50G0108	12-3C	55	50G1046	18-	67
34G9599	9-29	49	50G0108	13-15	57	50G1047	18-	67
34G9605	10-14	51	50G0108	13-19	57	50G1047	8-13	47
34G9611	4-29A	27	50G0108	13-2	57	50G1049	1-27A	5
34G9611	5-17	37	50G0108	13-25	57	50G1049	18-	67
34G9620	10-25	51	50G0108	13-30	57	50G1053	1-66	11
34G9622	10-25	51	50G0108	13-5	57	5715054	2-4C	13
34G9622	4-29D	27	50G0108	13-9	57	60G2950	14-13	59
34G9622	5-19A	37	50G0108	8-15	47	61G3863	14-7	59
34G9629	10-6	51	50G0108	9-22	49	61G3863	15-5	61
34G9629	9-14	49	50G0109	1-47	7	61G8661	2-4A	13
34G9644	10-15A	51	50G0109	12-3D	55	61G9676	18-	67
34G9647	10-15	51	50G0111	13-16	57	61G9679	12-5	55
34G9647	5-18	37	50G0314	2-40	17	61G9681	12-7	55
34G9670	1-23	5	50G0314	4-10	23	61G9682	18-	67
34G9670	2-32	17	50G0314	5-22	37	61G9682	8-18	47
34G9671	1-2	3	50G0316	18-	67	61G9685	18-	67
34G9672	4-6	23	50G0321	1-43	7	61G9685	8-8	47
34G9672	5-29	39	50G0324	1-43	7	61G9686	18-	67
34G9727	7-15	43	50G0326	1-43	7	61G9696	10-35	51
34G9728	7-14	43	50G0328	1-43	7	61G9698	10-7B	51
34L1209	16-15	63	50G0330	1-43	7	61G9699	10-34	51
34L1209	16-16	63	50G0332	1-43	7	61G9815	18-	67
35L0869	4-13C	23	50G0334	1-43	7	61G9841	10-18	51
35P5409	17-21	65	50G0336	1-43	7	61G9841	10-31	51
36L8713	16-14	63	50G0338	1-43	7	61G9841	9-5	49
39F3450	4-58	33	50G0340	1-43	7	61G9843	10-10	51
39F4143	13-14	57	50G0342	1-43	7	61G9843	10-20	51
40H7566	16-8	63	50G0344	1-43	7	61G9866	2-2	13
4451772	1-13	3	50G0346	1-43	7	61G9867	2-1	13
4451772	1-32	5	50G0348	1-43	7	61G9867	4-43	29
44F0924	1-59	11	50G0350	1-43	7	61G9870	2-22	15
46F4593	18-	67	50G0353	1-73	11	61G9870	4-14	25
46F4594	18-	67	50G0396	1-69A	11	61G9870	5-1	35

Part Number	Asm-Index	Page	Part Number	Asm-Index	Page	Part Number	Asm-Index	Page
61G9885	2-37	17	62G1217	2-45	19	68F7250	2-38	17
61G9893	1-52	9	62G1217	4-3	23	68F7250	4-8	23
61G9903	2-8	13	62G1217	5-14A	37	68F7250	5-20	37
61G9905	1-60	11	62G1218	18-	68	71G0791	15-7	61
61G9923	2-31	15	62G1415	7-21	43	72X8537	18-	68
61G9923	4-21	25	62G1418	7-26	43	72X8537	2-17A	13
61G9923	5-7	35	62G1481	2-36	17	73G3233	15-8	61
61G9924	2-30	15	62G1482	1-54	9	73G3234	15-8	61
61G9924	4-20	25	62G1484	1-54	9	76H4355	16-18	63
61G9924	5-6	35	62G1486	1-54	9	76H4382	16-2	63
61G9945	14-1	59	62G1488	1-54	9	76H4388	16-5	63
61G9945	15-10	61	62G1490	1-54	9	76H4389	16-5A	63
61G9945	16-10	63	62G1492	1-54	9	76H4390	16-4	63
61G9946	14-2	59	62G1494	1-54	9	76H4391	16-4A	63
61G9946	15-12	61	62G1496	1-54	9	76H4841	16-1A	63
61G9946	16-11	63	62G1498	1-54	9	82G2397	15-6	61
61G9966	1-15	3	62G1500	1-54	9	87H3601	16-9	63
61G9968	1-15	3	62G1502	1-54	9	88G6404	18-	68
61G9970	1-15	3	62G1504	1-54	9	92F0105	14-13	59
61G9972	1-15	3	62G1506	1-54	9	92F0392	14-3	59
61G9974	1-15	3	62G1541	1-25	5	92F0396	14-8	59
61G9995	2-43	17	62G1541	1-6	3	92F0411	14-10	59
61G9995	7-16	43	62G1543	1-1	3	92F0423	18-	68
62G1025	4-39	29	62G1545	1-22	5	92F0424	18-	68
62G1171	18-	67	62G1545	2-34	17	92F3337	14-13	59
62G1173	18-	67	62G1545	4-5	23	93F2361	14-11	59
62G1174	18-	67	62G1545	5-33	39	93F2361	17-3	65
62G1175	18-	67	62G1547	2-44	17	93F2388	18-	68
62G1176	18-	67	62G1547	4-13	23	93F2389	18-	68
62G1178	18-	67	62G1547	5-34	39	94F6454	13-11	57
62G1179	18-	67	62G1549	4-2	23	94F6457	13-13	57
62G1180	18-	68	62G1557	2-10	13	94F6796	13-4	57
62G1181	18-	68	62G1557	4-38	29	94F6802	7-24	43
62G1182	18-	68	62G1580	2-9	13	94F6803	7-26	43
62G1183	18-	68	62G1580	4-37	29	94F6807	7-12	43
62G1187	18-	68	62G2057	18-	68	94F6813	7-9	43
62G1189	18-	68	62G2745	2-56	19	94F6819	7-1	43
62G1190	1-55	9	62G2745	4-23	27	94F6927	13-16A	57
62G1190	2-63A	19	62G2745	5-10	37			
62G1191	18-	68	62G2745	6-10	41			
62G1191	8-13	47	62G2762	14-4	59			
62G1192	18-	68	6339098	14-5A	59			
62G1192	8-13	47	6339098	15-15	61			
62G1195	1-55A	9	6339098	16-12A	63			
62G1195	18-	68	6390817	2-5	13			
62G1200	8-1	45	64F3606	14-13	59			
62G1200	8-10	47	64F3607	14-13	59			
62G1201	8-5	45	65F3658	2-11	13			
62G1202	18-	68	65F3658	4-40	29			
62G1207	18-	68	65F6124	2-4	13			
62G1208	18-	68	65F6125	2-7	13			
62G1215	18-	68	65F6126	2-12	13			
62G1216	18-	68	67G1246	18-	68			

Readers' Comments — We'd Like to Hear from You

IBM TotalStorage Enterprise Automated Tape Library
3494 Parts Catalog

Part Number 18P9782

Overall, how satisfied are you with the information in this book?

	Very Satisfied	Satisfied	Neutral	Dissatisfied	Very Dissatisfied
Overall satisfaction	<input type="checkbox"/>	<input type="checkbox"/>	<input type="checkbox"/>	<input type="checkbox"/>	<input type="checkbox"/>

How satisfied are you that the information in this book is:

	Very Satisfied	Satisfied	Neutral	Dissatisfied	Very Dissatisfied
Accurate	<input type="checkbox"/>	<input type="checkbox"/>	<input type="checkbox"/>	<input type="checkbox"/>	<input type="checkbox"/>
Complete	<input type="checkbox"/>	<input type="checkbox"/>	<input type="checkbox"/>	<input type="checkbox"/>	<input type="checkbox"/>
Easy to find	<input type="checkbox"/>	<input type="checkbox"/>	<input type="checkbox"/>	<input type="checkbox"/>	<input type="checkbox"/>
Easy to understand	<input type="checkbox"/>	<input type="checkbox"/>	<input type="checkbox"/>	<input type="checkbox"/>	<input type="checkbox"/>
Well organized	<input type="checkbox"/>	<input type="checkbox"/>	<input type="checkbox"/>	<input type="checkbox"/>	<input type="checkbox"/>
Applicable to your tasks	<input type="checkbox"/>	<input type="checkbox"/>	<input type="checkbox"/>	<input type="checkbox"/>	<input type="checkbox"/>

Please tell us how we can improve this book:

Thank you for your responses. May we contact you? Yes No

When you send comments to IBM, you grant IBM a nonexclusive right to use or distribute your comments in any way it believes appropriate without incurring any obligation to you.

Name

Address

Company or Organization

Phone No.



Fold and Tape

Please do not staple

Fold and Tape



NO POSTAGE
NECESSARY
IF MAILED IN THE
UNITED STATES

BUSINESS REPLY MAIL

FIRST-CLASS MAIL PERMIT NO. 40 ARMONK, NEW YORK

POSTAGE WILL BE PAID BY ADDRESSEE

International Business Machines Corporation
Department GZW,
9032 South Rita Road,
Tucson, Arizona 85747-9108



Fold and Tape

Please do not staple

Fold and Tape



Part Number: 18P9782

Printed in USA

EC Number
H80395A

(1P) P/N: 18P9782

