

Enterprise Storage Server



# Parts Catalog

## 2105 Models E10/E20/F10/F20 and Expansion Enclosure



Enterprise Storage Server



# Parts Catalog

## 2105 Models E10/E20/F10/F20 and Expansion Enclosure

This Parts Catalog (PC) contains listings and illustrations of all replaceable assemblies, subassemblies, and detail parts released on or before December 1, 2000 for:

IBM Enterprise Storage Server  
Parts Catalog  
2105 Models E10/E20/F10/F20 and  
Expansion Rack

### **Seventh Edition (December, 2000)**

This catalog S127-0974-06 is a major revision and makes obsolete all previous editions. Changes that affect this catalog are made periodically; any such changes will be reported in subsequent revisions.

This catalog may contain reference to, or information about, IBM products (machines and programs), programming, or services that are not announced in your country. Such references or information must not be construed to mean that IBM intends to announce such IBM products, programming, or services in your country.

Publications are not stocked at the address given below; request for IBM publications should be made to your IBM representative or to the IBM branch office serving your locality.

This catalog was prepared by:

IBM  
Technical Writing and Editing Services  
Department G26 / Building 050  
5600 Cottle Road  
San Jose, California 95193-0001  
U.S.A.

A form is provided at the back of this manual for reader's comments. If this form has been removed, comments may be sent to the above address. IBM may use or distribute any of the information you supply in any way it believes appropriate without incurring any obligation whatever. You may, of course, continue to use the information you supply.

IBM has prepared this maintenance manual for the use of IBM customer service representatives in the installation, maintenance, and repair of the specific machines indicated. IBM makes no representations that it is suitable for any other purpose.

The drawings and specifications contained herein shall not be reproduced in whole or in part without written permission.

© **Copyright International Business Machines Corporation 1999, 2000. All rights reserved.**

US Government Users Restricted Rights – Use, duplication or disclosure restricted by GSA ADP Schedule Contract with IBM Corp.

# How To Use This Parts Catalog

## How to Find a Part

WHEN ASSEMBLY NAME IS KNOWN	WHEN ASSEMBLY LOCATION IS KNOWN	WHEN PART NUMBER IS KNOWN
<i>See Contents Page</i>	<i>See Visual Index</i>	<i>See Numerical Index</i>

## Definition Of Terms

- **Similar Assemblies:** If two assemblies contain a majority of identical parts, they are broken down on the same list. Common parts are shown by one index number. Parts peculiar to one or the other of the assemblies are listed separately and identified by description.
- **AR:** (As Required) in the Units column indicates that the units per assembly are not the same for all machines.
- **NR:** (Not Replaceable): This entry replaces the part number when the part or assembly is not recommended for field replacement and the next higher assembly must be ordered.
- **REF:** (Reference): Used primarily on the illustration next to a item number. It denotes the item number is repeated for reference purposes only.
- **Indenture:** The indenture is marked by a series of dots located before the parts description. The indenture indicates the relationship of a part to the next higher assembly. For example:

Indenture	Relationship of Parts
(No dots)	Main assembly
(One dot)	• Detail part of a main assembly
(One dot)	• Assembly within main assembly
(Two dots)	• • Detail part of a one-dot assembly
(Two dots)	• • Assembly within one-dot assembly
(Three dots)	• • • Detail part of a two-dot assembly

## Example of a Parts Listing

### Assembly n: Cover Assembly

Asm – Index	Part Number	Units	Description
<i>n</i> —	2512667		Cover Asm, Rear, Red
—	2512668		Cover Asm, Rear, Yellow
—	2512669		Cover Asm, Rear, Blue
—	2512670		Cover Asm, Rear, Gray
—	2513714		Cover Asm, Rear, White
			For Next Higher Asm See 1–2 on page x

Asm – Index	Part Number	Units	Description
—1	5373637	1	• Seal, Top
—2	5356429	2	• Clip, Retaining
—3	2513013	3	• Liner, Cover
—4	5373727	1	• Seal, Left Side
—5	5356429	3	• Clip, Retaining
—6	0513668	2	• Catch, Cover
—7	1622676	4	• Screw, Metric Hx Wshr Hd Thd Roll M3.5 X 10mm Lg
—8	1847630	1	• Finger Stock Asm
—9	NR	1	•• Channel, Finger Stock
—10	NR	1	•• Finger Stock, 2.00 Long
—11	5373639	AR	• Seal, Bottom
—12	5356429	2	• Clip, Retaining
—13	NR	1	• Cover, Rear (Without Paint)
			End of Assembly

---

# Contents

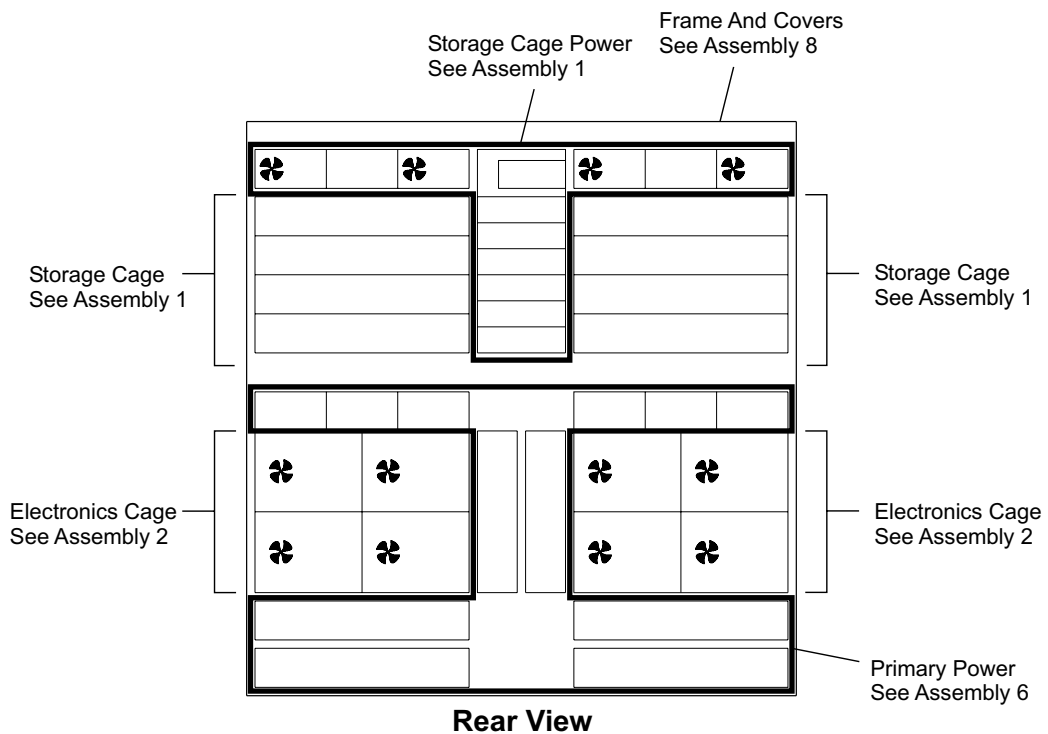
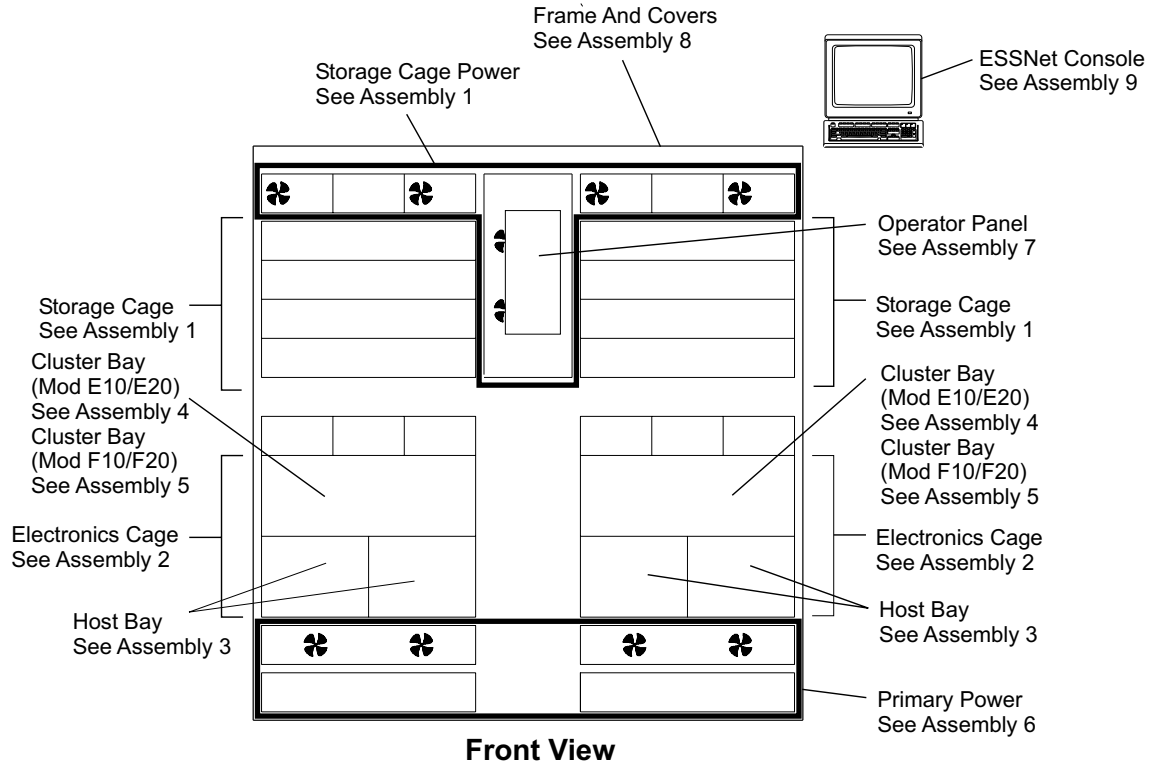
<b>How To Use This Parts Catalog</b> . . . . .	iii
How to Find a Part . . . . .	iii
Definition Of Terms . . . . .	iii
Example of a Parts Listing . . . . .	iii
Assembly n: Cover Assembly . . . . .	iii
<b>Visual Indexes</b> . . . . .	vii
Visual Index 1. Final Assembly, 2105 (Mod E10/E20/F10 and F20) . . . . .	vii
Visual Index 2. Final Assembly, 2105 (Mod E20/F20 Expansion Rack) . . . . .	viii
Visual Index 3. 2105 Model 100 Attachment to ESS (Front View). . . . .	ix
<b>Catalog Section</b> . . . . .	1
Assembly 1: Storage Cage And Storage Cage Power . . . . .	2
Assembly 2: Electronics Cage . . . . .	16
Assembly 3: Host Bay . . . . .	28
Assembly 4: Cluster Bay, Mod E10/E20 . . . . .	32
Assembly 5: Cluster Bay, Mod F10/F20 . . . . .	46
Assembly 6: Primary Power . . . . .	58
Assembly 7: Operator Panel . . . . .	76
Assembly 8: Frame And Covers. . . . .	80
Assembly 9: ESSNet Console . . . . .	84
Assembly 10: Cable List . . . . .	90
<b>Part Number Index</b> . . . . .	91



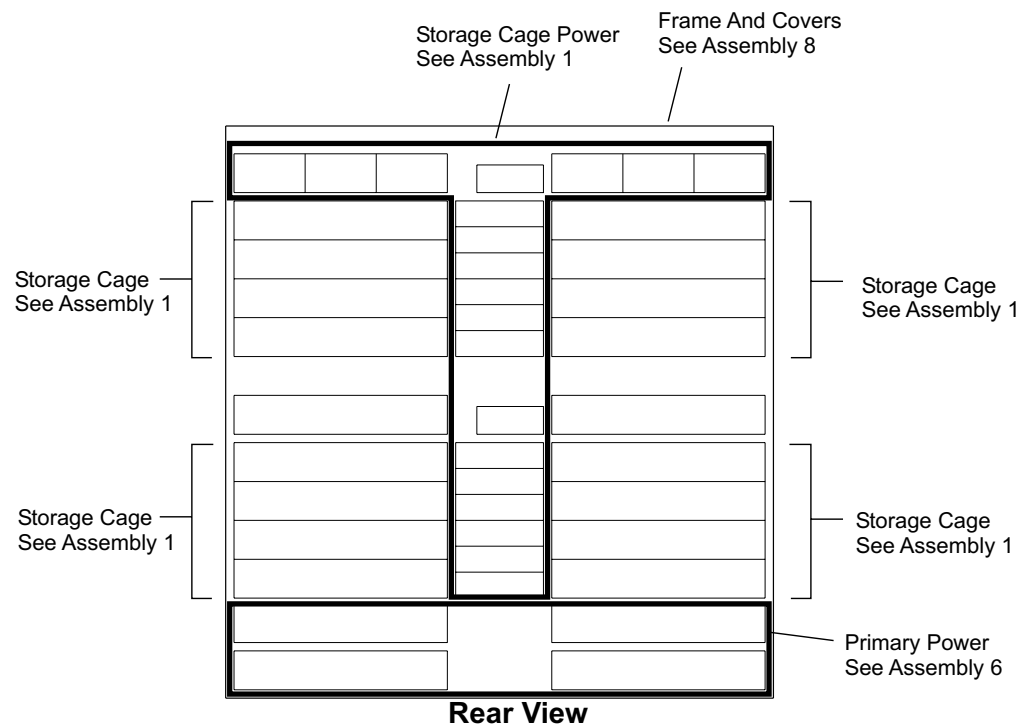
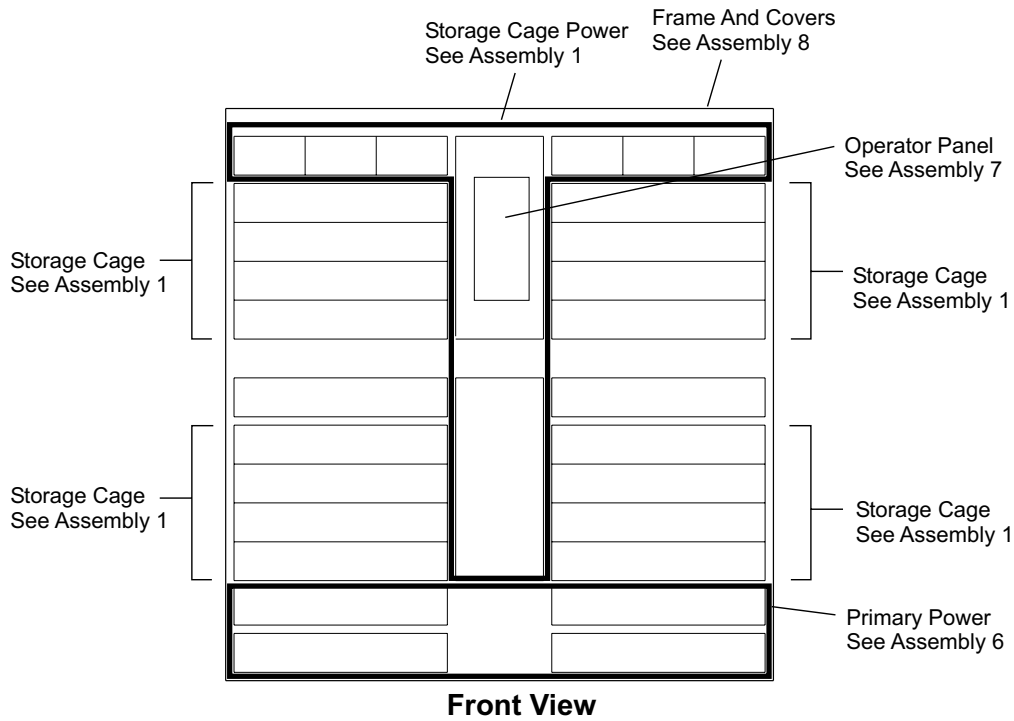


# Visual Indexes

## Visual Index 1. Final Assembly, 2105 (Mod E10/E20/F10 and F20)

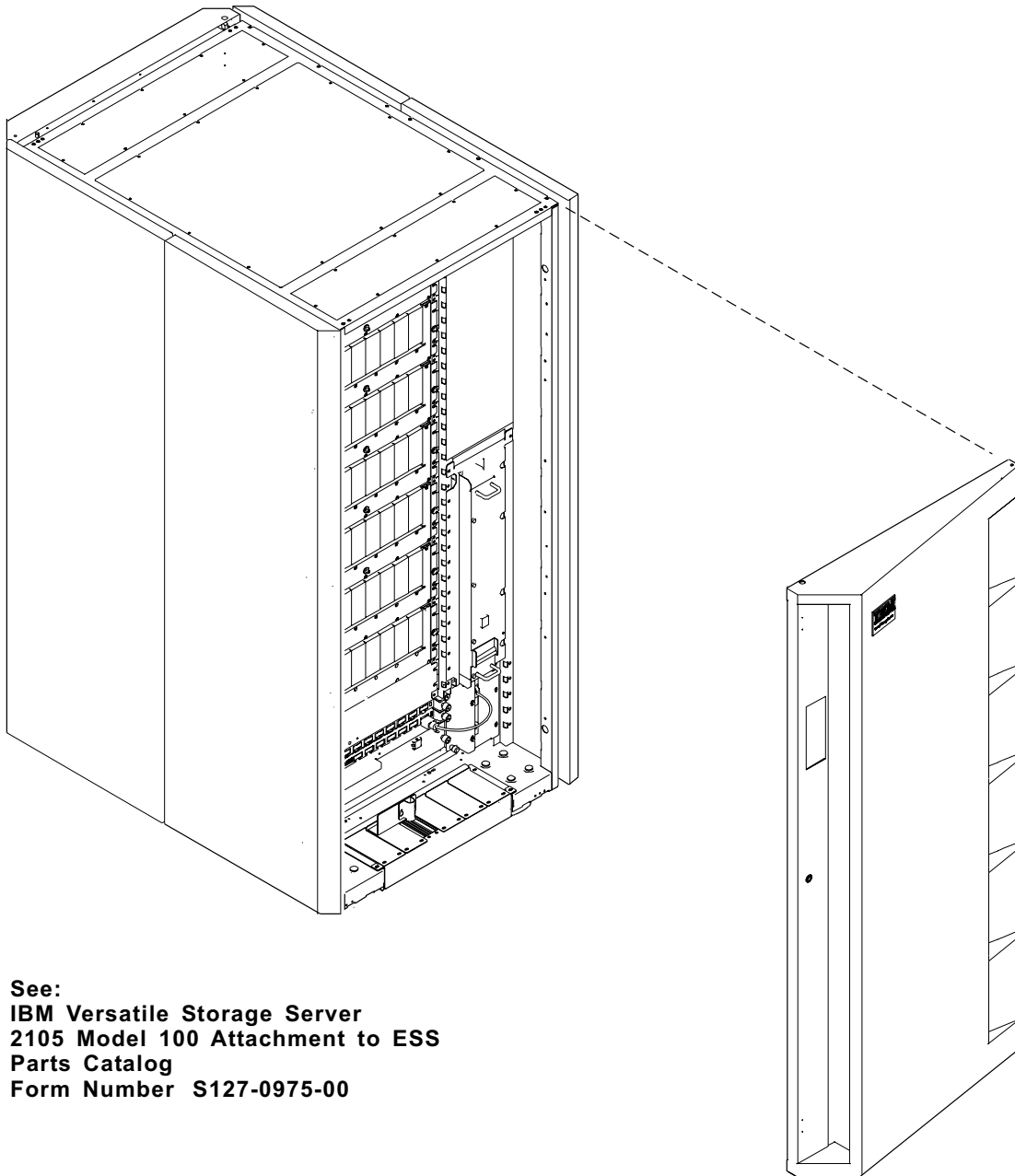


## Visual Index 2. Final Assembly, 2105 (Mod E20/F20 Expansion Rack)



---

## Visual Index 3. 2105 Model 100 Attachment to ESS (Front View)



See:  
IBM Versatile Storage Server  
2105 Model 100 Attachment to ESS  
Parts Catalog  
Form Number S127-0975-00



---

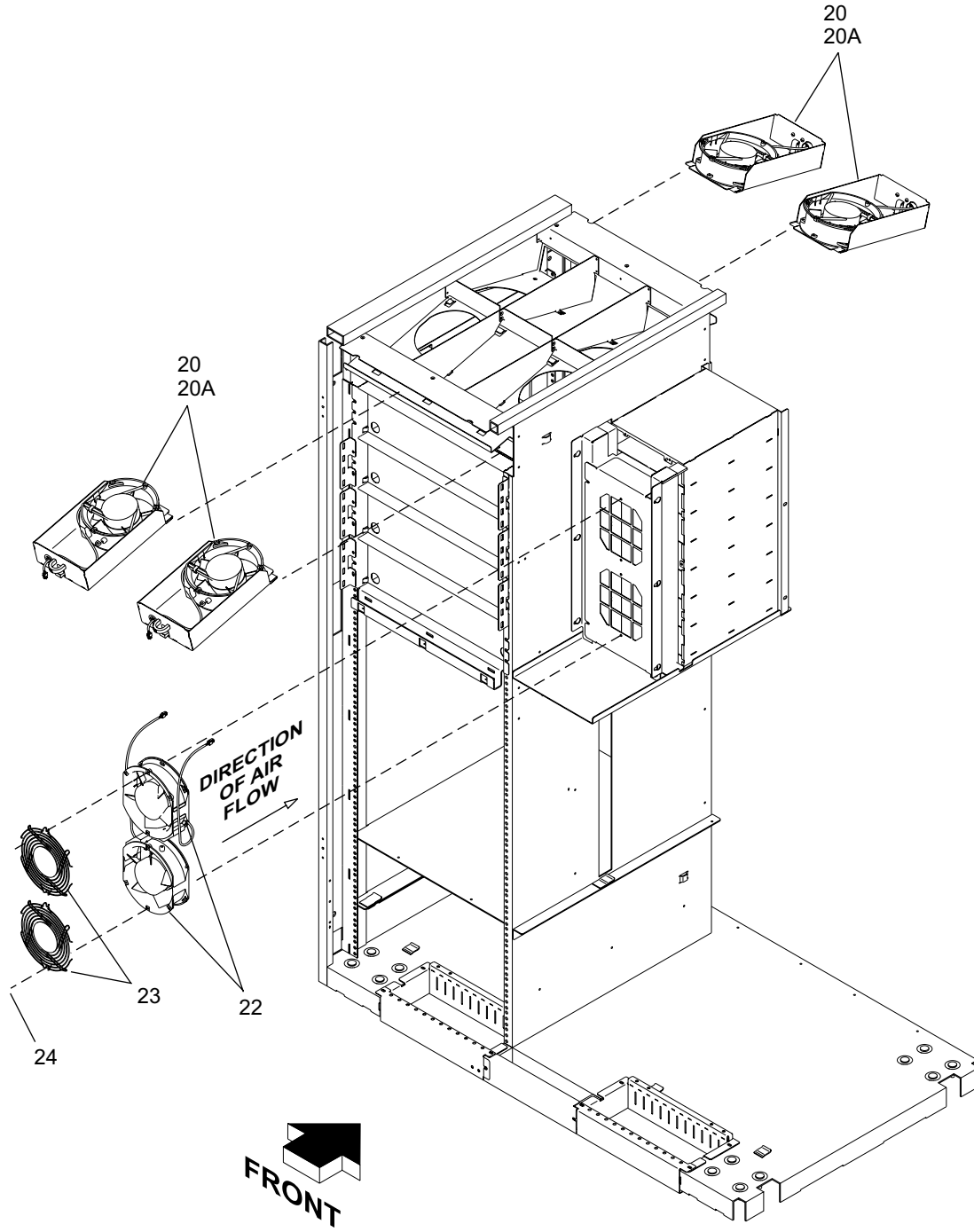
# Catalog Section



Assembly 1: (continued)

Asm-Index	Part Number	Units	Description
1-	NR	REF	Storage Cage And Storage Cage Power Sheet 1 Of 7
-2	09L2543	AR	• Bracket, Cable Routing - DDM Bay
-3	77G0599	AR	• Screw Metric Hex Head Flange-Black M5 X 16mm Long
-7	34L5560	AR	• <b>DDM Bay Frame</b>
-7A	34L5389	AR	• <b>Host Bypass Card</b>
-7B	34L7608	AR	• <b>Controller Card</b>
-7C	34L3248	AR	• <b>Passthru Card</b>
-7D	NR	AR	• Backplane (Part Of DDM Bay Frame)
-7E	34L6412	AR	• <b>SSA Disk Drive Module, 9.1 GB (10,000 RPM)</b>
-7E	34L7769	AR	• <b>SSA Disk Drive Module, 9.1 GB (10,000 RPM)</b>
-7E	34L8484	AR	• <b>SSA Disk Drive Module, 9.1 GB (10,000 RPM)</b>
-7E	34L6478	AR	• <b>SSA Disk Drive Module, 9.1 GB (10,000 RPM Hyundai Module)</b>
-7E	34L6474	AR	• <b>SSA Disk Drive Module, 9.1 GB (10,000 RPM)</b>
-7E	34L6413	AR	• <b>SSA Disk Drive Module, 18.2 GB (10,000 RPM)</b>
-7E	34L7770	AR	• <b>SSA Disk Drive Module, 18.2 GB (10,000 RPM)</b>
-7E	34L8486	AR	• <b>SSA Disk Drive Module, 18.2 GB (10,000 RPM)</b>
-7E	34L6480	AR	• <b>SSA Disk Drive Module, 18.2 GB (10,000 RPM Hyundai Module)</b>
-7E	34L6472	AR	• <b>SSA Disk Drive Module, 18.2 GB (10,000 RPM)</b>
-7E	34L6414	AR	• <b>SSA Disk Drive Module, 36.4 GB (7,200 RPM)</b>
-7E	34L7771	AR	• <b>SSA Disk Drive Module, 36.4 GB (7,200 RPM)</b>
-7E	34L6482	AR	• <b>SSA Disk Drive Module, 36.4 GB (7,200 RPM Hyundai Module)</b>
-7E	34L6476	AR	• <b>SSA Disk Drive Module, 36.4 GB (10,000 RPM)</b>
-7F	77G0599	AR	• Screw Metric Hex Head Flange-Black M5 X 16mm Long
-8	34L8549	AR	• <b>SSA Cable FRU Kit</b>
-8A	08L7910	AR	• • Cable Asm, 5 Meter SSA
-8B	34L8550	AR	• • Label Sheet, Position Designation
-8C	34L8551	AR	• • Label Sheet, Loop Colors
			End Of Sheet 1 Of 7

**Assembly 1: (continued)**



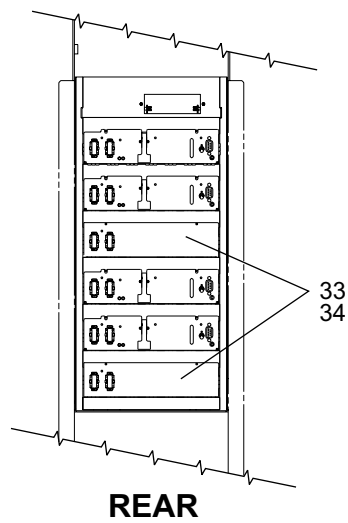
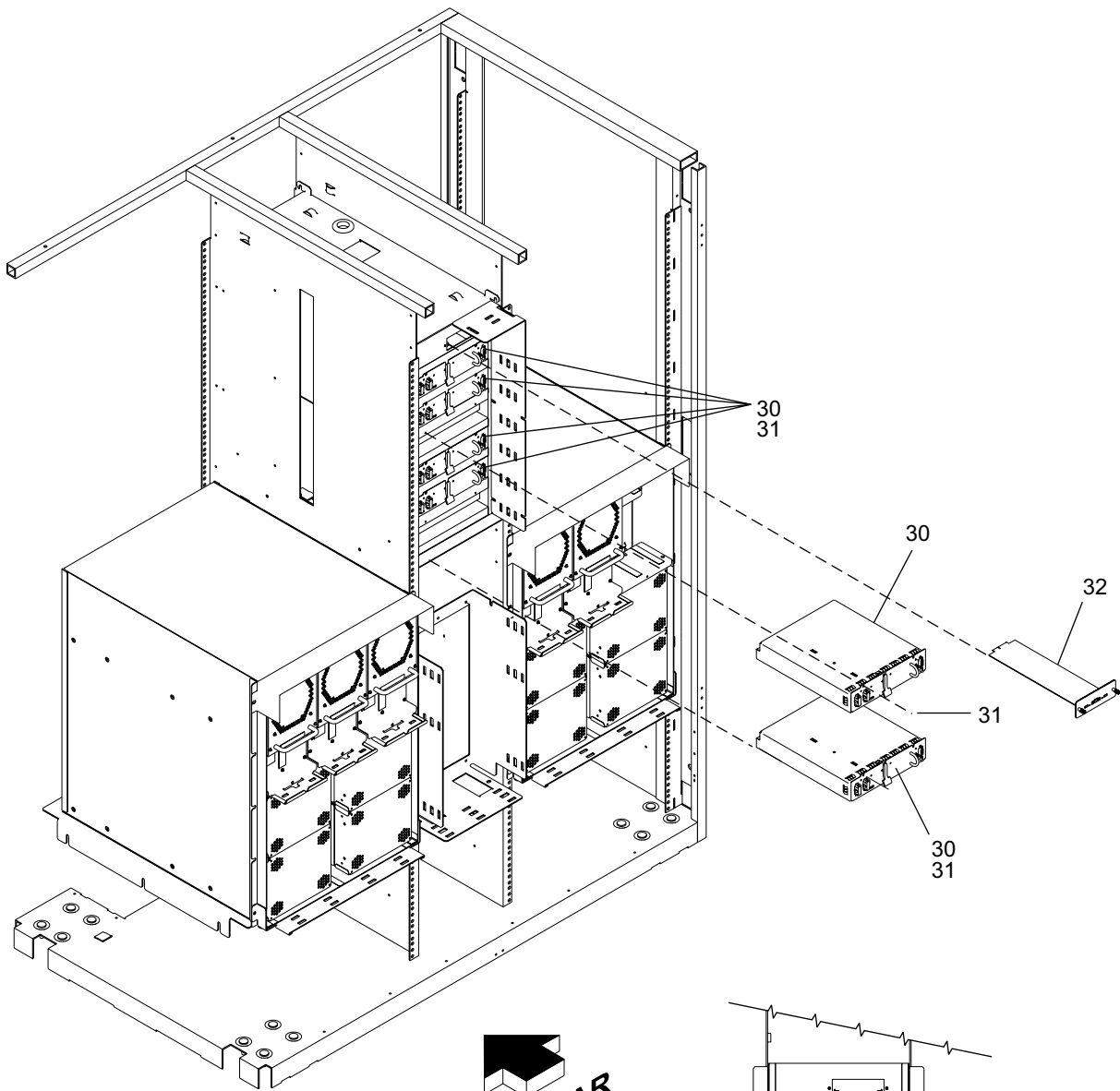
**MANY PARTS NOT SHOWN  
FOR CLARITY**



**Assembly 1: (continued)**

<b>Asm-Index</b>	<b>Part Number</b>	<b>Units</b>	<b>Description</b>
1-1	NR	REF	Storage Cage And Storage Cage Power Sheet 2 Of 7
-20	09L0158	4	• <b>Storage Cage Fan, Low Speed</b> Mod E10/E20 Rack Only
-20A	09L0287	1	• <b>Storage Cage Fan Cable Kit (FRU)</b> Mod E10/E20 Rack Only
-20	34L7919	6	• <b>Storage Cage Fan, High Speed</b> Mod E20 Expansion Rack Only
-20A	34L7161	1	• <b>Storage Cage Fan Cable Kit (FRU)</b> Mod E20 Expansion Rack Only
-22	34L2493	2	• <b>Storage Cage Power Fan</b>
-23	34L3080	2	• Guard, Storage Cage Power Fan
-24	1621208	4	• Screw, Pan Head Slotted M4 X 60mm Long
			End Of Sheet 2 Of 7

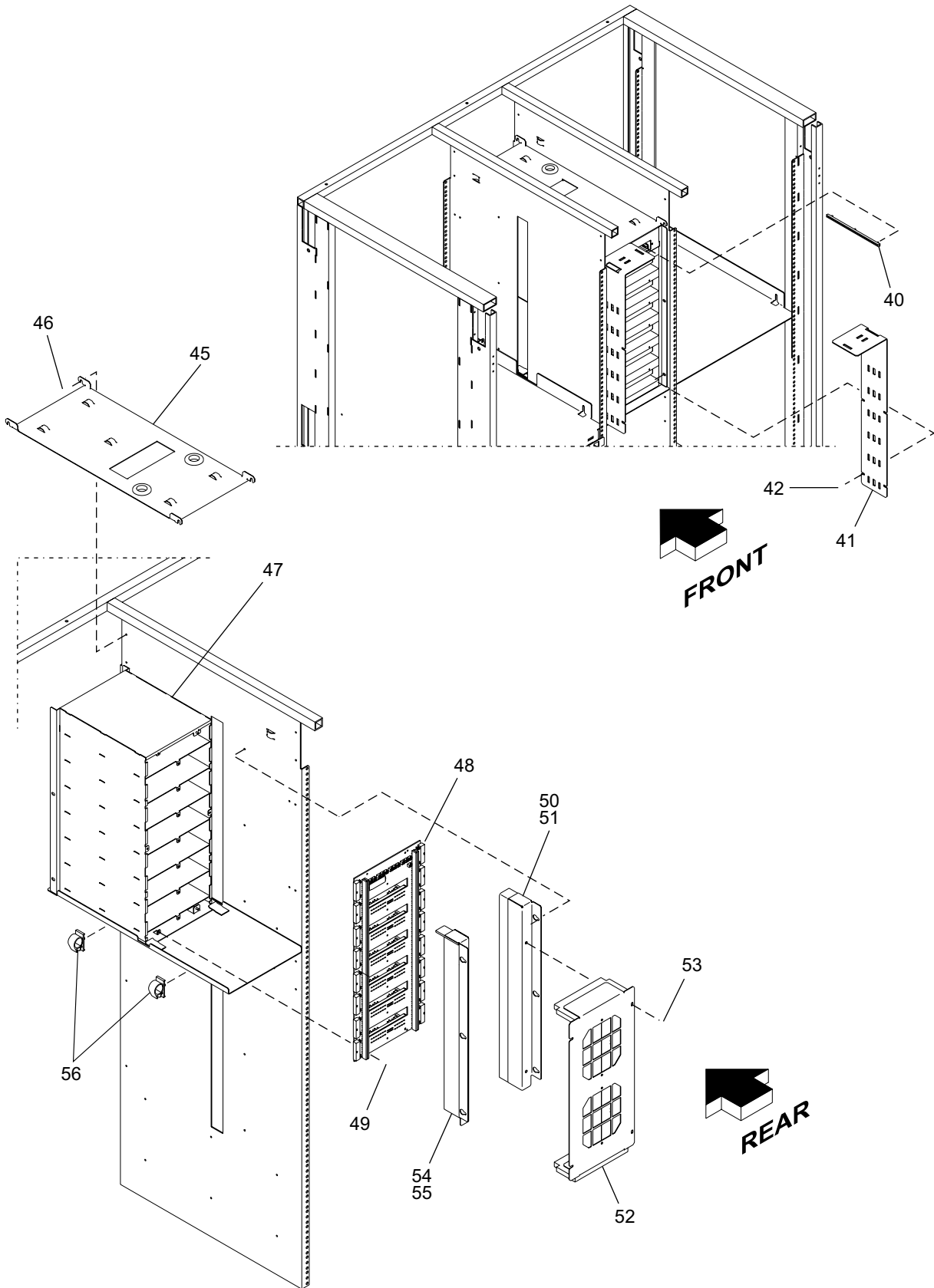
**Assembly 1: (continued)**



**Assembly 1: (continued)**

<b>Asm- Index</b>	<b>Part Number</b>	<b>Units</b>	<b>Description</b>
1-0	NR	REF	Storage Cage And Storage Cage Power Sheet 3 Of 7
-30	09L0260	AR	• <b>Storage Cage Power Supply</b>
-31	04G1559	AR	• Screw, Hex Head Flange Slotted M3 X 6mm Log
-32	34L6724	AR	• <b>Fan Sense Card</b>
-33	09L2575	AR	• Plate (Used When Storage Cage Power Supply Not Installed)
-34	04G1559	AR	• Screw, Hex Head Flange Slotted M3 X 6mm Log
			End Of Sheet 3 Of 7

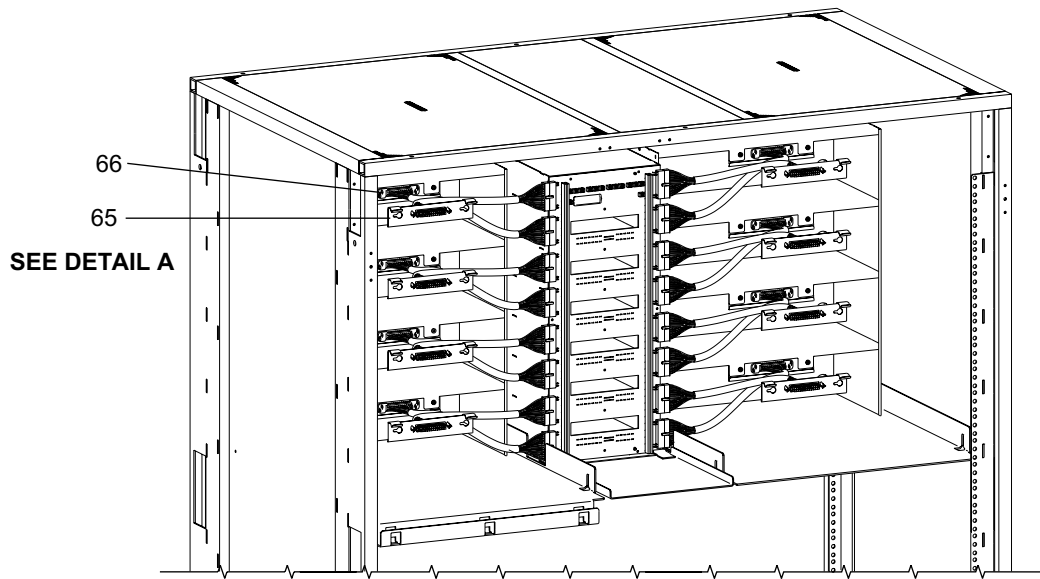
# Assembly 1: (continued)



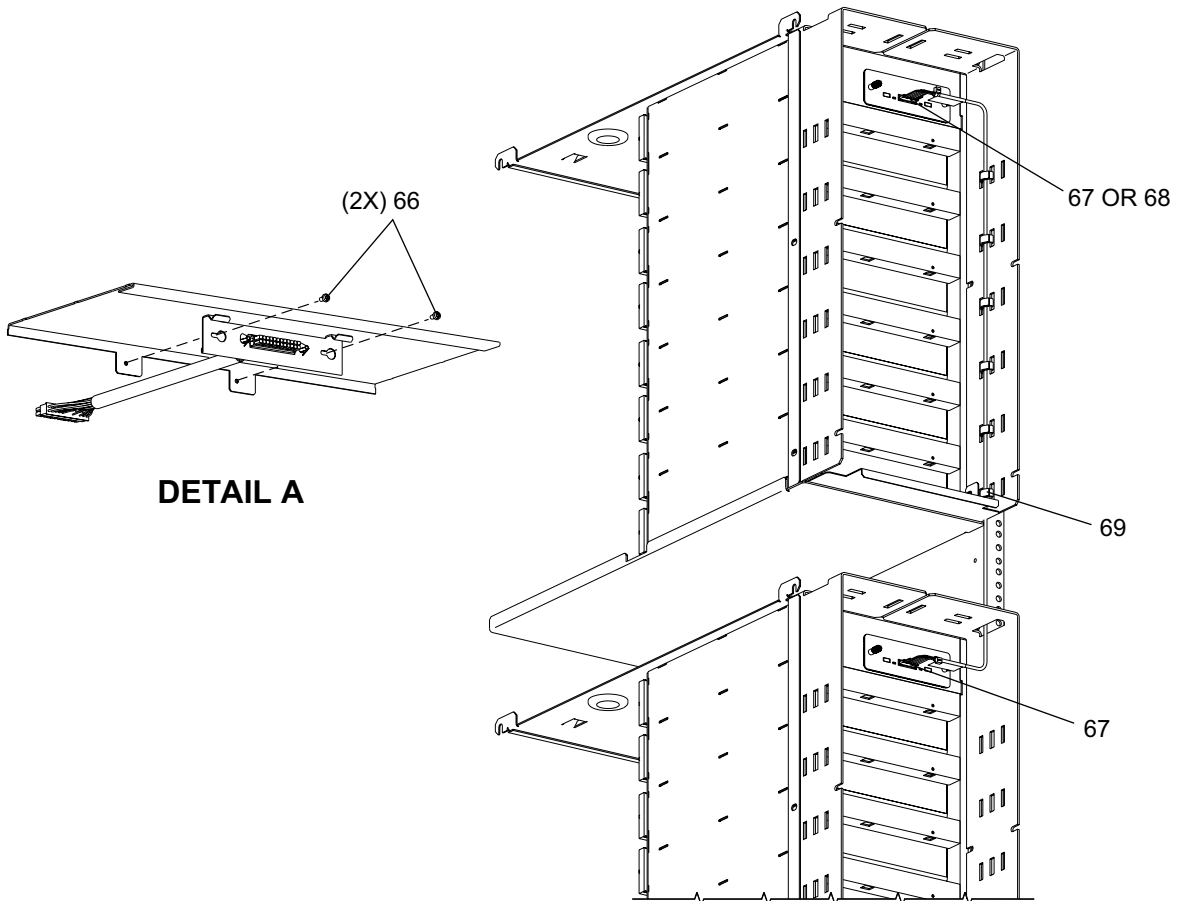
Assembly 1: (continued)

Asm-Index	Part Number	Units	Description
1-0	NR	REF	Storage Cage And Storage Cage Power Sheet 4 Of 7
-40	09L2500	2	• Card Guide
-41	34L3512	AR	• Bracket, Cable
-42	54G2882	AR	• Screw, Metric Hex Head Flange-Black M5 X 10mm Long
-45	34L3525	1	• Shelf
-46	54G2882	4	• Screw, Metric Hex Head Flange-Black M5 X 10mm Long
-47	09L0221	1	• Enclosure, Storage Cage Power
-48	34L3786	1	• <b>Storage Cage Power Planar</b>
-49	05J7942	13	• Screw, Pan Head/T-10 With External Washer M3 X 6mm Long
-50	09L2499	1	• Bracket, Right
-51	54G2882	3	• Screw, Metric Hex Head Flange-Black M5 X 10mm Long
-52	09L0222	1	• Plenum
-53	54G2882	4	• Screw Metric Hex Head Flange-Black M5 X 10mm Long
-54	09L0243	1	• Bracket, Left
-55	54G2882	3	• Screw, Metric Hex Head Flange-Black M5 X 10mm Long
-56	08L7827	4	• Clamp, Cable
			End Of Sheet 4 Of 7

**Assembly 1: (continued)**



**FRONT**



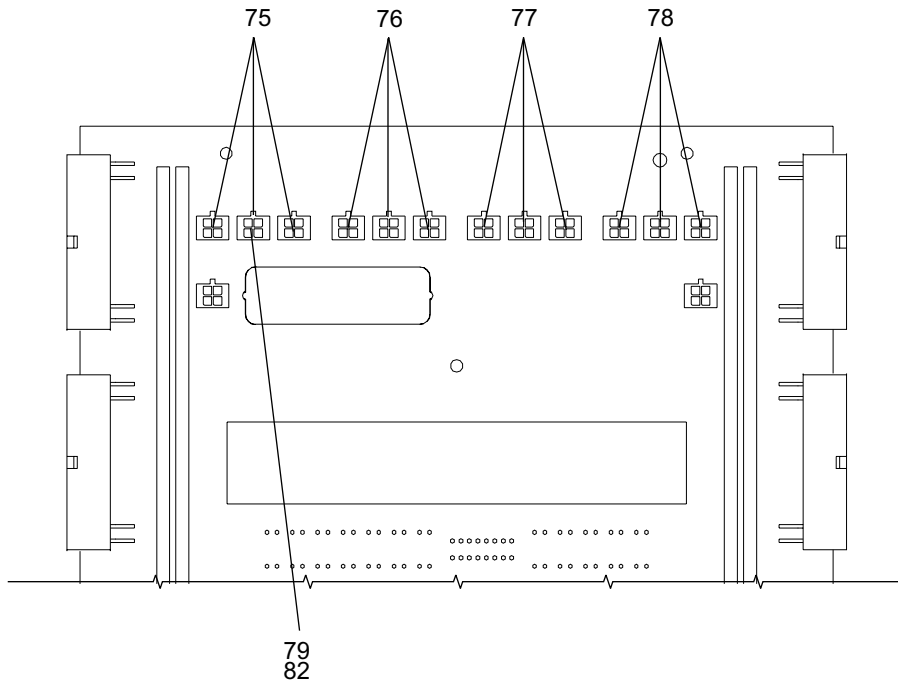
**DETAIL A**

**REAR**

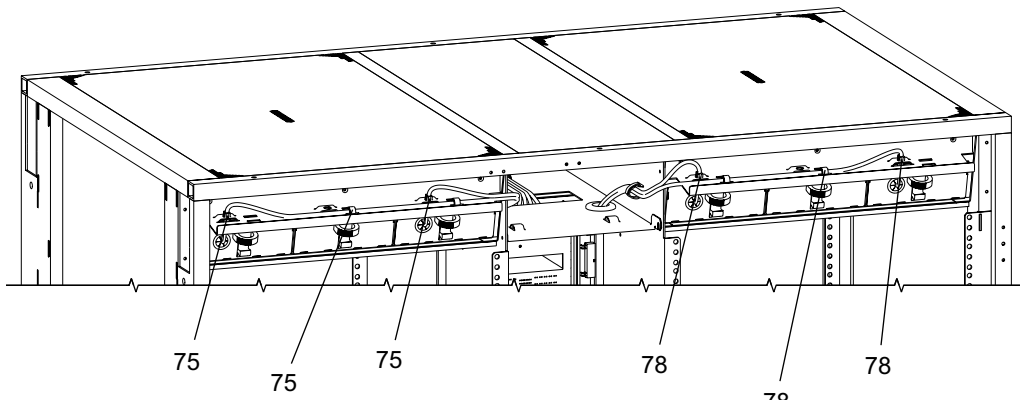
**Assembly 1: (continued)**

<b>Asm-Index</b>	<b>Part Number</b>	<b>Units</b>	<b>Description</b>
1-0	NR	REF	Storage Cage And Storage Cage Power Sheet 5 Of 7
-65	09L3011	AR	• Power Planar To DDM Bay Planar Cable
-66	90H9940	AR	• Screw, Metric Pan Head Slotted M4 X 8mm Long
-67	34L3516	1	• Jumper Asm, Fan Sense (R1) Mod E10/E20 Rack Only
-67	34L5559	1	• Jumper Asm, Fan Sense (R2) Mod E20 Expansion Rack Only
-68	34L3515	1	• Cable Asm, Fan Sense Communication Mod E20 Expansion Rack Only
-69	07H6655	AR	• Soft Cable Tie, 150mm Long
			End Of Sheet 5 Of 7

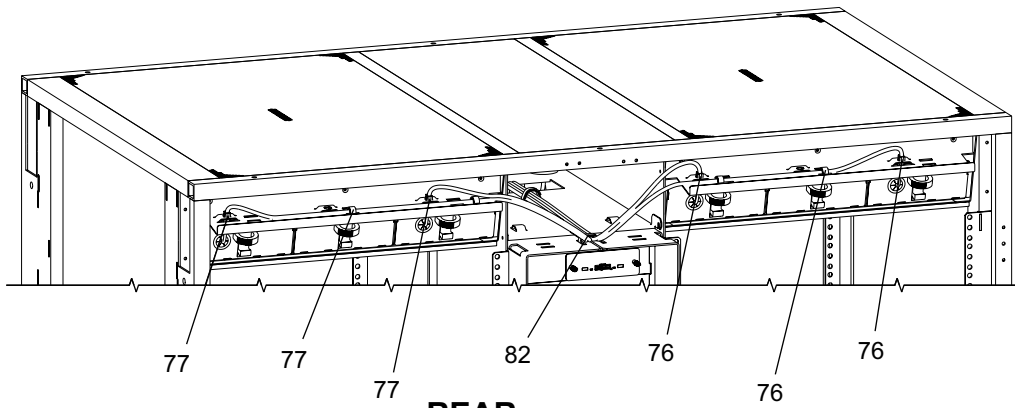
**Assembly 1: (continued)**



**FRONT (POWER PLANAR)**



**FRONT**



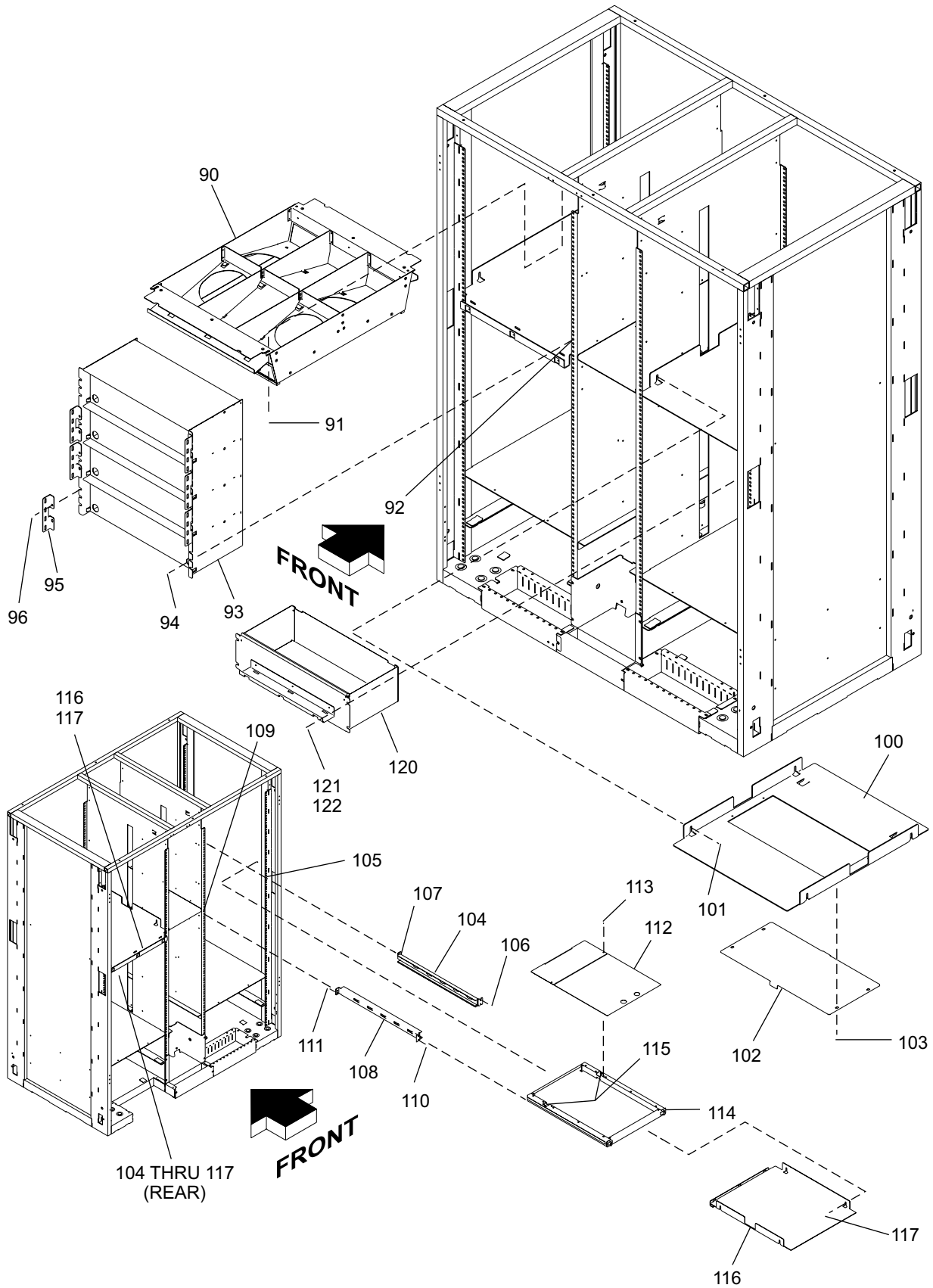
**REAR**



**Assembly 1: (continued)**

<b>Asm- Index</b>	<b>Part Number</b>	<b>Units</b>	<b>Description</b>
1-0	NR	REF	Storage Cage And Storage Cage Power Sheet 6 Of 7
-75	09L0282	1	• Storage Cage Fan Cable Assembly Mod E10/E20 Rack Only
-75	34L7920	1	• Storage Cage Fan Cable Assembly Mod E20 Expansion Rack Only
-76	09L0283	1	• Storage Cage Fan Cable Assembly Mod E10/E20 Rack Only
-76	34L7921	1	• Storage Cage Fan Cable Assembly Mod E20 Expansion Rack Only
-77	09L0285	1	• Storage Cage Fan Cable Assembly Mod E10/E20 Rack Only
-77	34L7923	1	• Storage Cage Fan Cable Assembly Mod E20 Expansion Rack Only
-78	09L0284	1	• Storage Cage Fan Cable Assembly Mod E10/E20 Rack Only
-78	34L7922	1	• Storage Cage Fan Cable Assembly Mod E20 Expansion Rack Only
-79	09L2552	AR	• Jumper Asm (Any Position Where Fan Is Not Installed)
-82	07H6655	AR	• Soft Cable Tie, 150mm Long
			End Of Sheet 6 Of 7

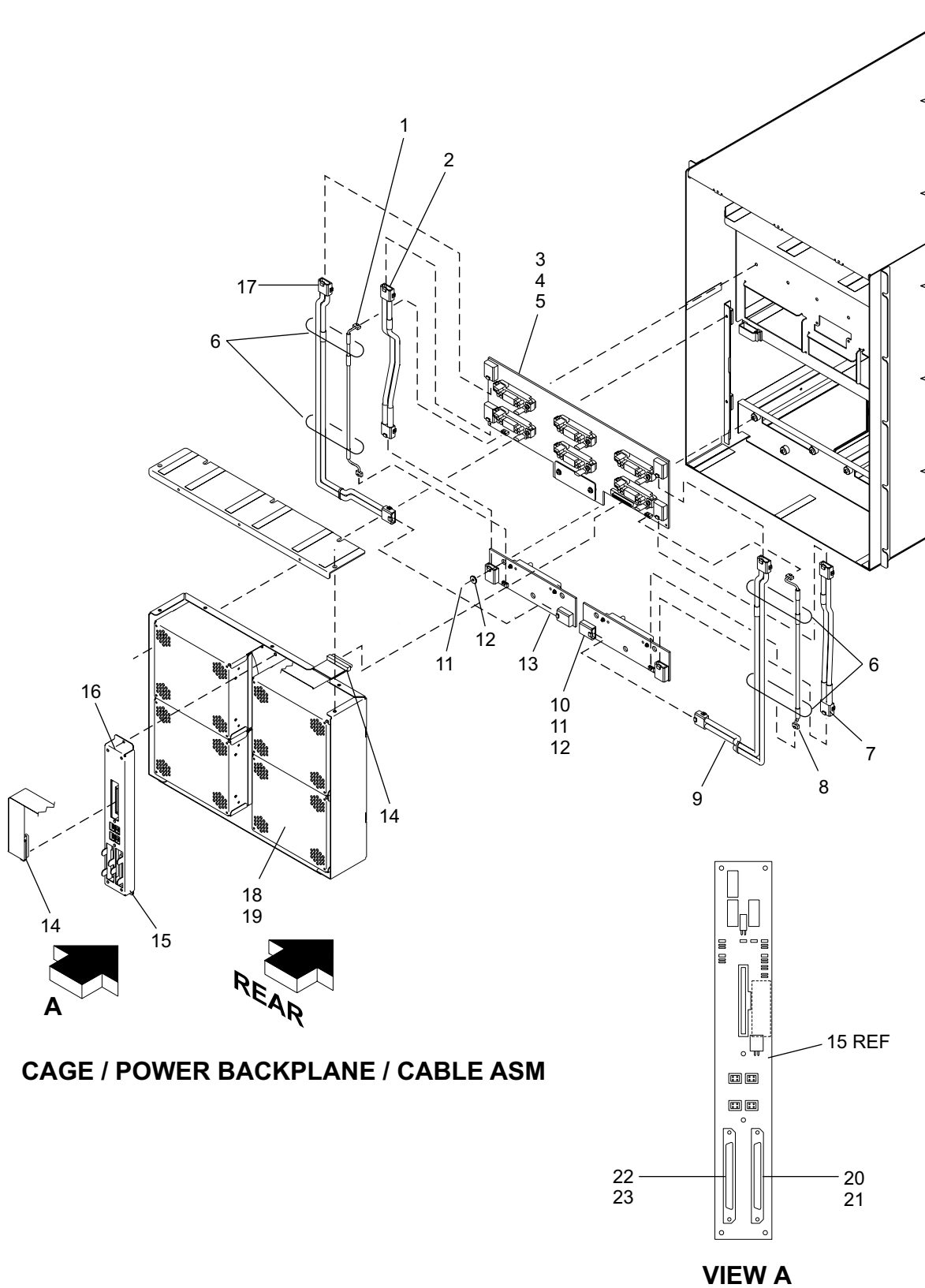
**Assembly 1: (continued)**



**Assembly 1: (continued)**

<b>Asm-Index</b>	<b>Part Number</b>	<b>Units</b>	<b>Description</b>
1-0	NR	REF	Storage Cage And Storage Cage Power Sheet 7 Of 7
-90	34L8249	AR	• Plenum, DDM Bay Mod E10/E20 Rack Only
-90	34L7902	AR	• Plenum, DDM Bay Mod E20 Expansion Rack Only
-91	54G2882	AR	• Screw, Metric Hex Head Flange-Black M5 X 10mm Long
-92	74F1823	AR	• Nutclip M5 X 0.8
-93	09L0161	AR	• Enclosure, Storage Cage
-94	54G2882	AR	• Screw Metric Hex Head Flange-Black M5 X 10m Long
-95	09L2543	AR	• Bracket, Cable-DDM Bay
-96	77G0599	AR	• Screw Metric Hex Head Flange-Black M5 X 16mm Long
-100	34L3116	AR	• Shelf, Flapper Weldment Mod E20 Expansion Rack Only
-101	54G2882	AR	• Screw, Metric Hex Head Flange-Black M5 X 10mm Long Mod E20 Expansion Rack Only
-102	34L7876	AR	• Plate, Blank Shelf Mod E20 Expansion Rack Only
-103	54G2882	AR	• Screw, Metric Hex Head Flange-Black M5 X 10mm Long Mod E20 Expansion Rack Only
-104	34L3082	1	• Rail, Right - Laptop/Document Enclosure
-105	74F1823	2	• Nutclip, M5 X 0.8
-106	54G2882	2	• Screw, Metric Hex Head Flange-Black M5 X 10mm Long
-107	77G0599	1	• Screw, Metric Hex Head Flange-Black M5 X 16mm Long
-108	34L3083	1	• Rail, Left - Laptop/Document Enclosure
-109	74F1823	2	• Nutclip, M5 x 0.8
-110	54G2882	2	• Screw, Metric Hex Head Flange-Black M5 X 1mm Long
-111	77G0599	1	• Screw Metric Hex Head Flange-Black M5 X 16mm Long
-112	34L3084	1	• Cover, Laptop Shelf
-113	90H9940	2	• Screw, Metric Pan Head Slotted M4 X 8mm Long
-114	34L3081	1	• Shelf, Laptop/Document Enclosure
-115	90H9940	2	• Screw, Metric Pan Head Slotted M4 X 8mm Long
-116	09L0209	2	• Shelf, Storage Cage
-117	54G2882	8	• Screw, Metric Hex Head Flange-Black M5 X 1mm Long
-120	34L7825	AR	• Plenum-Baffle mm Long Mod E20 Expansion Rack Only
-121	54G2882	AR	• Screw, Metric Hex Head Flange-Black M5 X mm Long Mod E20 Expansion Rack Only
-122	74F1823	AR	• Nutclip, M5 X 0.8 Mod E20 Expansion Rack Only
			End Of Assembly

# Assembly 2: Electronics Cage



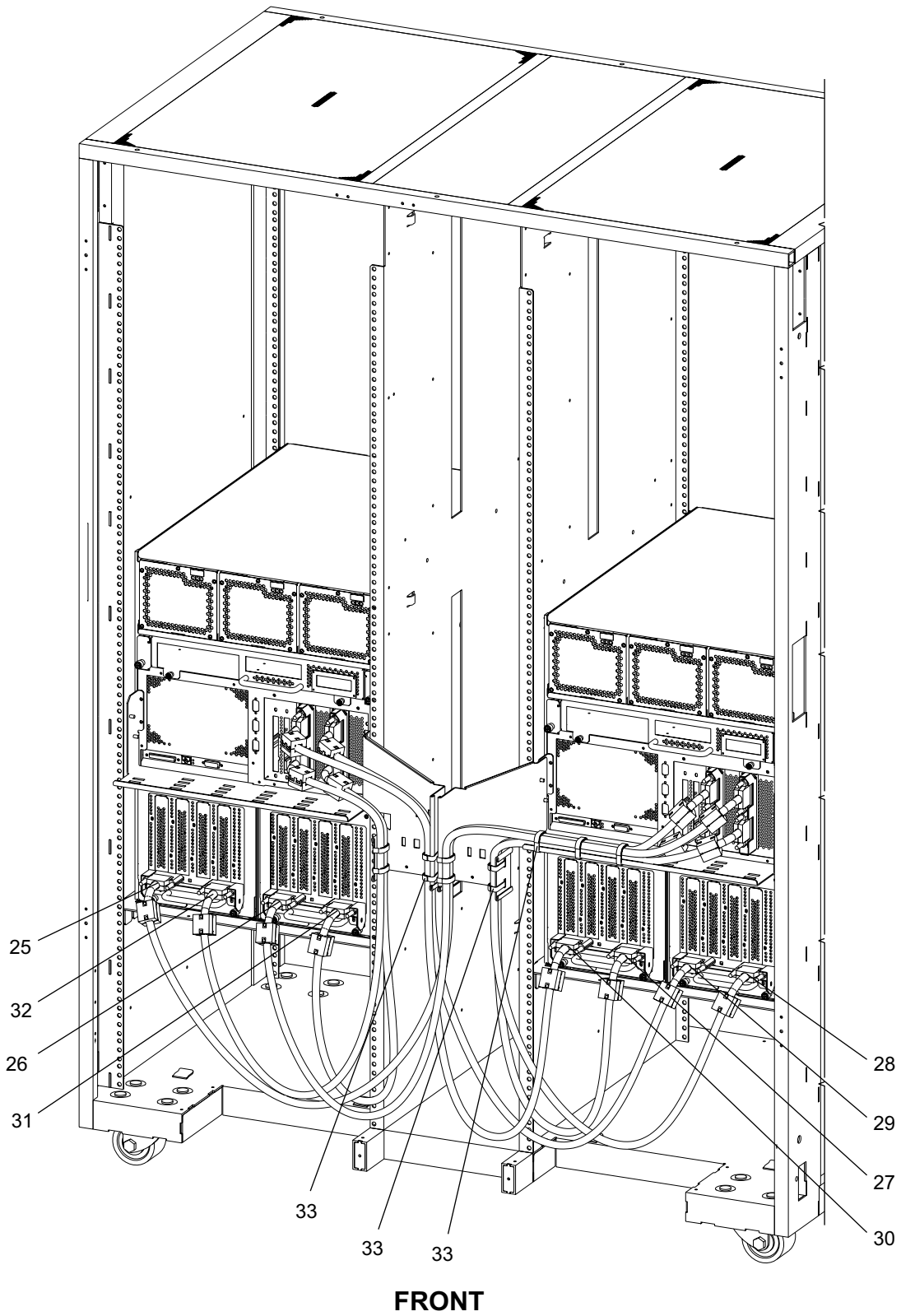
**CAGE / POWER BACKPLANE / CABLE ASM**

**VIEW A**

Assembly 2: (continued)

Asm-Index	Part Number	Units	Description
2-0	NR	REF	Electronics Cage Sheet 1 Of 6
-1	34L3113	1	• Cable Asm-V2, Upper To Lower Right Backplane CN143 To CN243
-2	34L3112	1	• Cable Asm-V2, Upper To Lower Right Backplane CN142 To CN242
-3	34L6728	1	• <b>Electronics Cage Power Planar</b>
-4	1621307	12	• Screw, Flat Head Slotted M4 X 6mm Long
-5	1621198	2	• Screw, Pan Head Slotted M4 X 5mm Long
-6	07H6655	4	• Soft Cable Tie, 150mm Long
-7	34L3115	1	• Cable Asm-V3, Upper To Lower Backplane CN132 To CN332
-8	34L3125	1	• Cable Asm-V3, Upper To Lower Backplane CN133 To CN333
-9	34L3114	1	• Cable Asm-V3, Upper To Lower Backplane CN131 To CN331
-10	34L3534	1	• <b>Host Bay Power Planar 2</b>
-11	1621190	6	• Screw, Pan Head Slotted M4 X 8mm Long (Lower Board Mount)
-12	09L2451	6	• Washer, Lower Board Mount
-13	34L3536	1	• <b>Host Bay Power Planar 3</b>
-14	34L7009	1	• Cable Asm - Fan/RPC To Upper Backplane
-15	34L3530	1	• <b>Electronics Cage Sense Card</b>
-16	90H9940	2	• Screw, Metric Pan Head Slotted M4 X 8mm Long
-17	34L3111	1	• Cable Asm-V2, Upper To Lower Backplane CN141 To CN241
-18	34L2493	4	• <b>Electronics Cage Fan</b> For Detail Breakdown Of Fan Hardware See Page 24
-19	1621208	8	• Screw, Pan Head Slotted M4 X 60mm Long
-20	09L0290	1	• Cable Asm, RPC-2 - Electronics Cage 2
-21	09L0291	1	• Cable Asm, RPC-2 - Electronics Cage 2
-22	09L0288	1	• Cable Asm, RPC-1 - Electronics Cage 1
-23	09L0289	1	• Cable Asm, RPC-1 - Electronics Cage 1
			End Of Sheet 1 Of 6

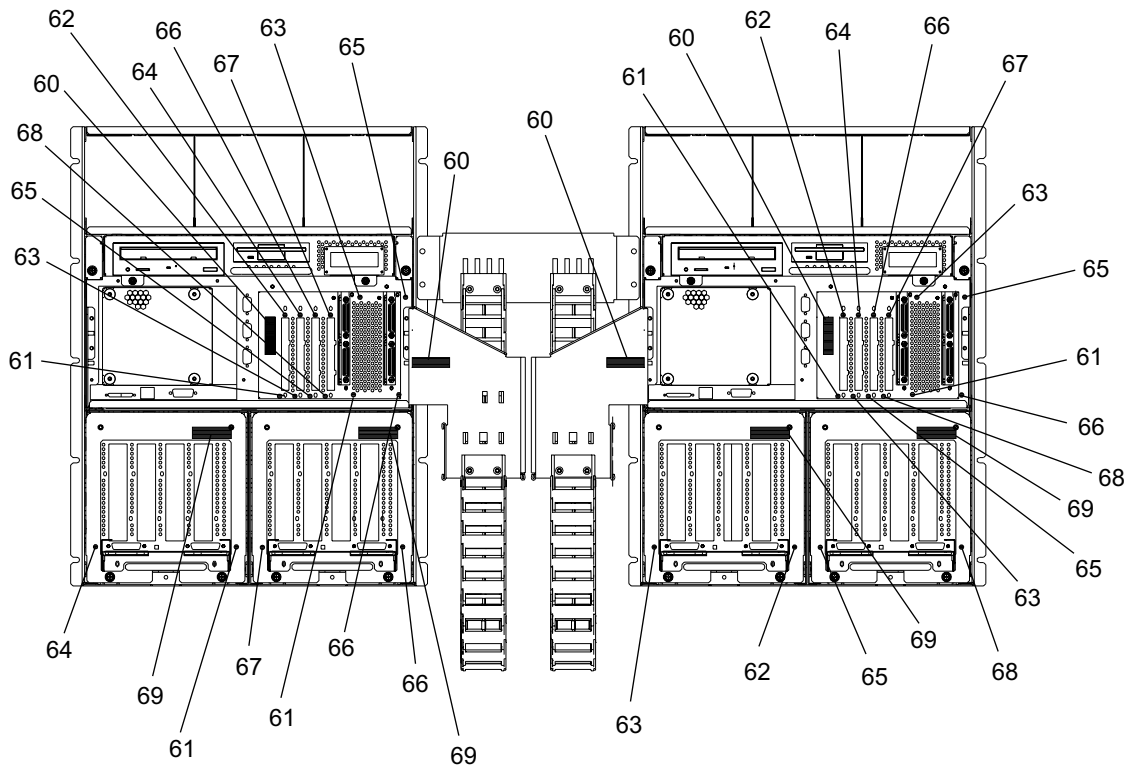
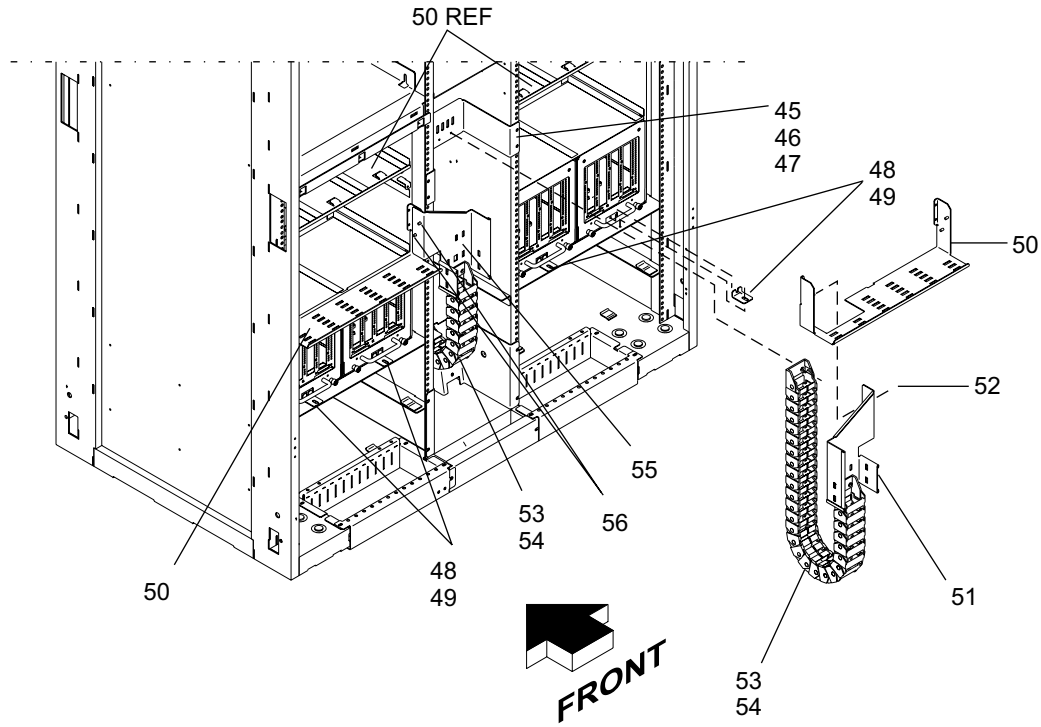
Assembly 2: (continued)



**Assembly 2: (continued)**

<b>Asm-Index</b>	<b>Part Number</b>	<b>Units</b>	<b>Description</b>
2-0	NR	REF	Electronics Cage Cables Sheet 2 Of 6
-25	09L2540	1	• <b>Cable Asm, CPI Remote</b>
-26	09L2541	1	• <b>Cable Asm, CPI Remote</b>
-27	09L2538	1	• <b>Cable Asm, CPI Local</b>
-28	09L2539	1	• <b>Cable Asm, CPI Local</b>
-29	09L0298	1	• <b>Cable Asm, CPI Remote</b>
-30	09L0297	1	• <b>Cable Asm, CPI Remote</b>
-31	09L0296	1	• <b>Cable Asm, CPI Local</b>
-32	09L0295	1	• <b>Cable Asm, CPI Local</b>
-33	07H6655	AR	• Soft Cable Tie, 150mm Long
			End Of Sheet 2 Of 6

**Assembly 2: (continued)**



**FRONT VIEW - CLUSTER BAY LABELS / COLOR CODING LABELS**

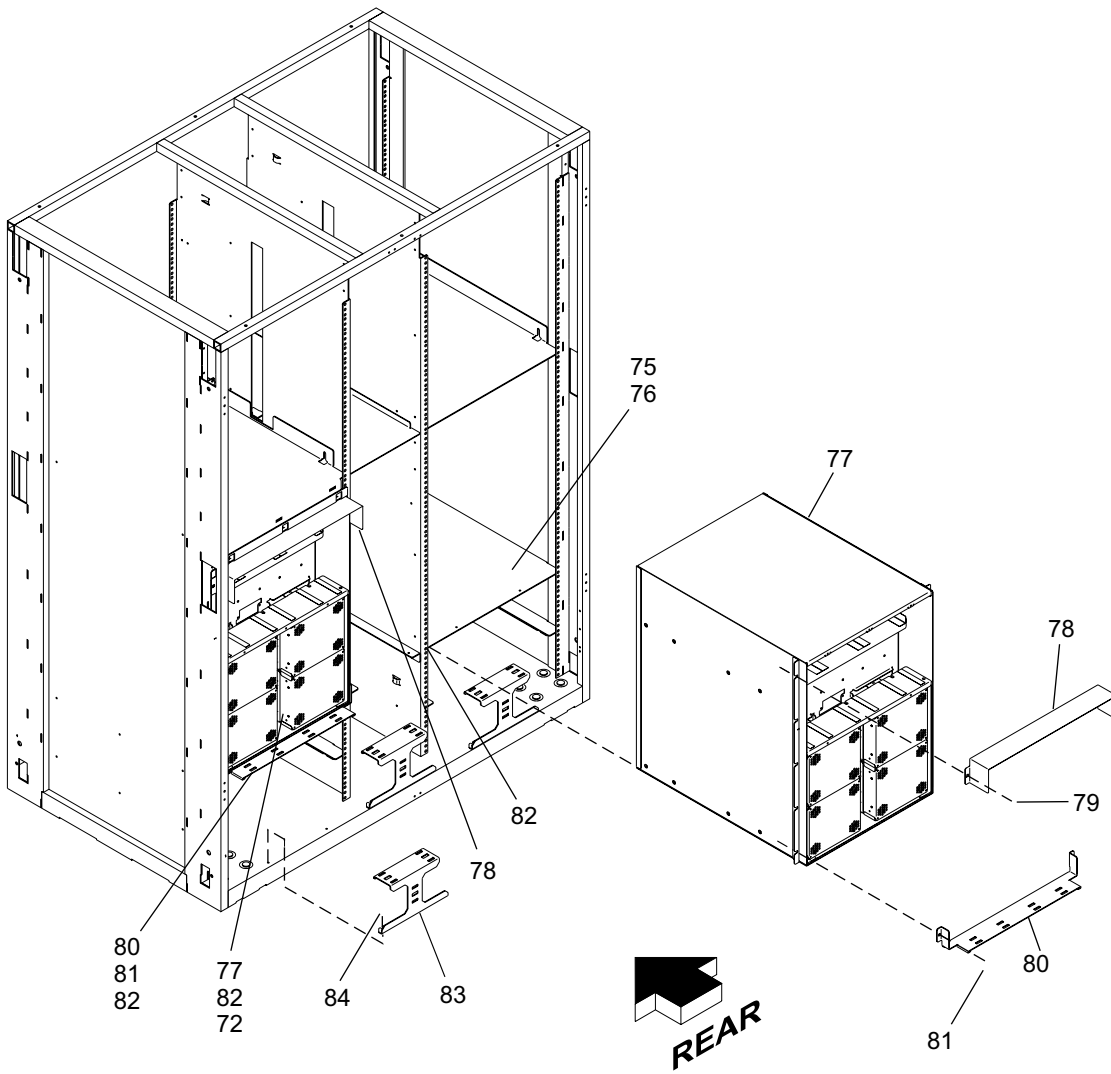
**Mod E10/E20 shown, Mod F10/F20 uses same part numbers**



**Assembly 2: (continued)**

<b>Asm- Index</b>	<b>Part Number</b>	<b>Units</b>	<b>Description</b>
2-0	NR	REF	Electronics Cage Sheet 3 Of 6
-45	09L2533	1	• Bracket, Track Support - SSA Cables
-46	74F1823	4	• Nutclip, M5 X 0.8
-47	54G2882	4	• Screw, Metric Hex Head Flange-Black M5 x 10mm Long
-48	09L0299	4	• Bracket, Electronic Cage Mounting
-49	54G2882	8	• Screw, Metric Hex Head Flange-Black M5 X 10mm Long
-50	34L8541	2	• Shelf, Cable Routing - Cage
-51	09L2531	1	• Bracket, Right Cage - SSA Cables
-52	1622418	2	• Lock Nut, M5 X 0.8
-53	09L2534	2	• Track - SSA Cables
-54	90H9940	8	• Screw, Metric Pan Head Slotted M4 X 8mm Long
-55	09L2532	1	• Bracket, Left Cage - SSA Cables
-56	1622418	2	• Lock Nut, M5 X 0.8
-60	34L5494	1	• Label Set, Cluster Bay 1/Cluster Bay 2
-61	34L7000	AR	• Label, Green
-62	34L7004	AR	• Label, Red
-63	34L7002	AR	• Label, Gray
-64	34L7006	AR	• Label, Orange
-65	34L7003	AR	• Label, Violet
-66	34L7001	AR	• Label, Yellow
-67	34L7007	AR	• Label, Brown
-68	34L7005	AR	• Label, Blue
-69	34L7016	1	• Label Set, Host Bay 1-4
			End Of Sheet 3 Of 6

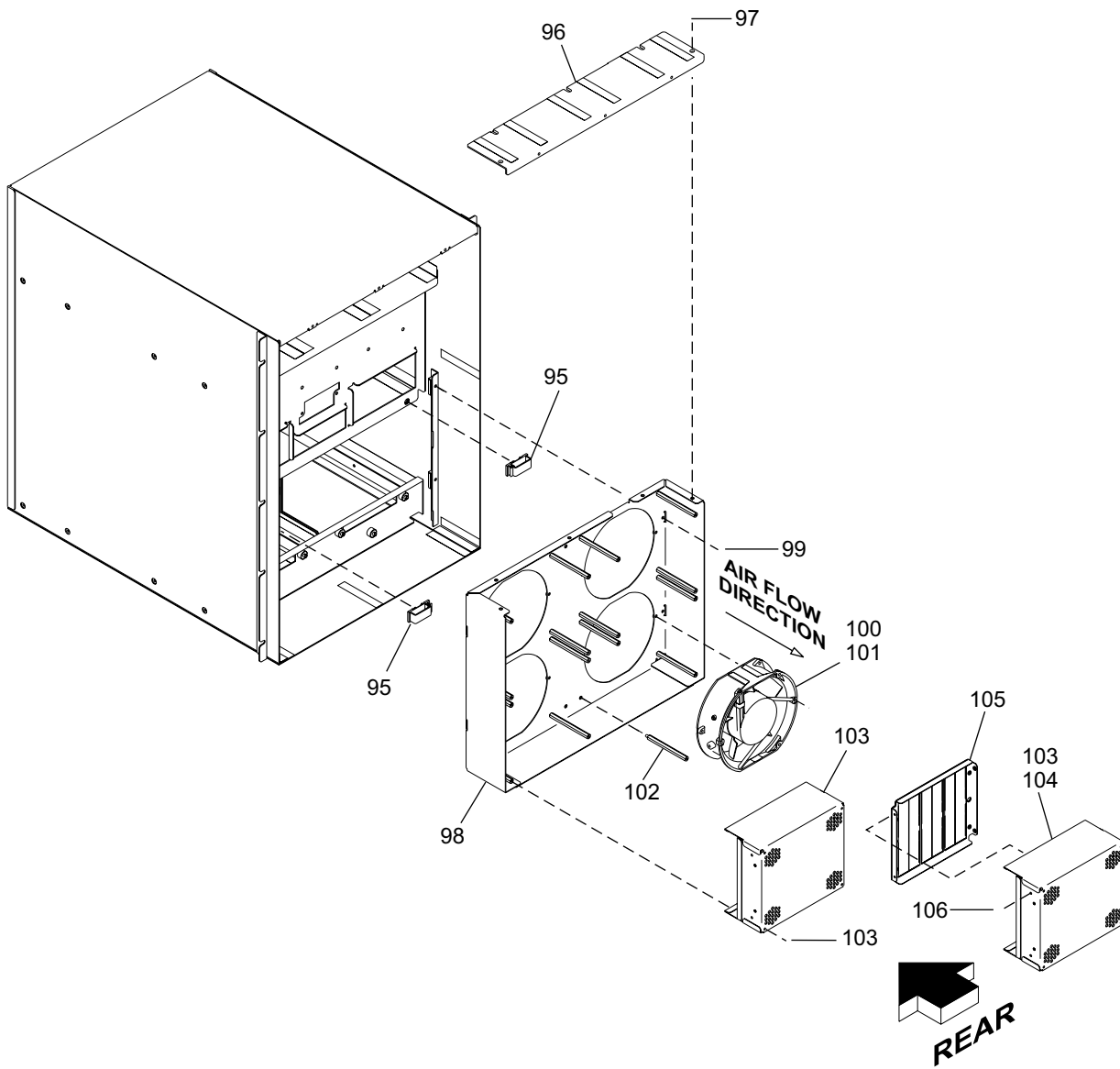
# Assembly 2: (continued)



**Assembly 2: (continued)**

<b>Asm-Index</b>	<b>Part Number</b>	<b>Units</b>	<b>Description</b>
2-0	NR	REF	Electronics Cage Sheet 4 Of 6
-75	09L0205	2	• Shelf, Electronics Cage
-76	54G2882	12	• Screw, Metric Hex Head Flange-M5 X 10mm Long
-77	09L0319	2	• Enclosure, Electronics Cage
-78	34L3477	2	• Bracket, Baffle - Electronics Cage
-79	54G2882	AR	• Screw, Metric Hex Head Flange-Black M5 X 10mm Long
-80	34L3526	2	• Bracket, Cable Routing-Cage Rear
-81	77G0599	4	• Screw, Metric Hex Head Flange-Black M5 X 16mm Long
-82	74F1823	AR	• Nutclip, M5 X 0.8
-83	34L2482	3	• Bracket, Cable Routing-PPS
-84	54G2882	6	• Screw, Metric Hex Head Flange-M5 X 10mm Long
			End Of Sheet 4 Of 6

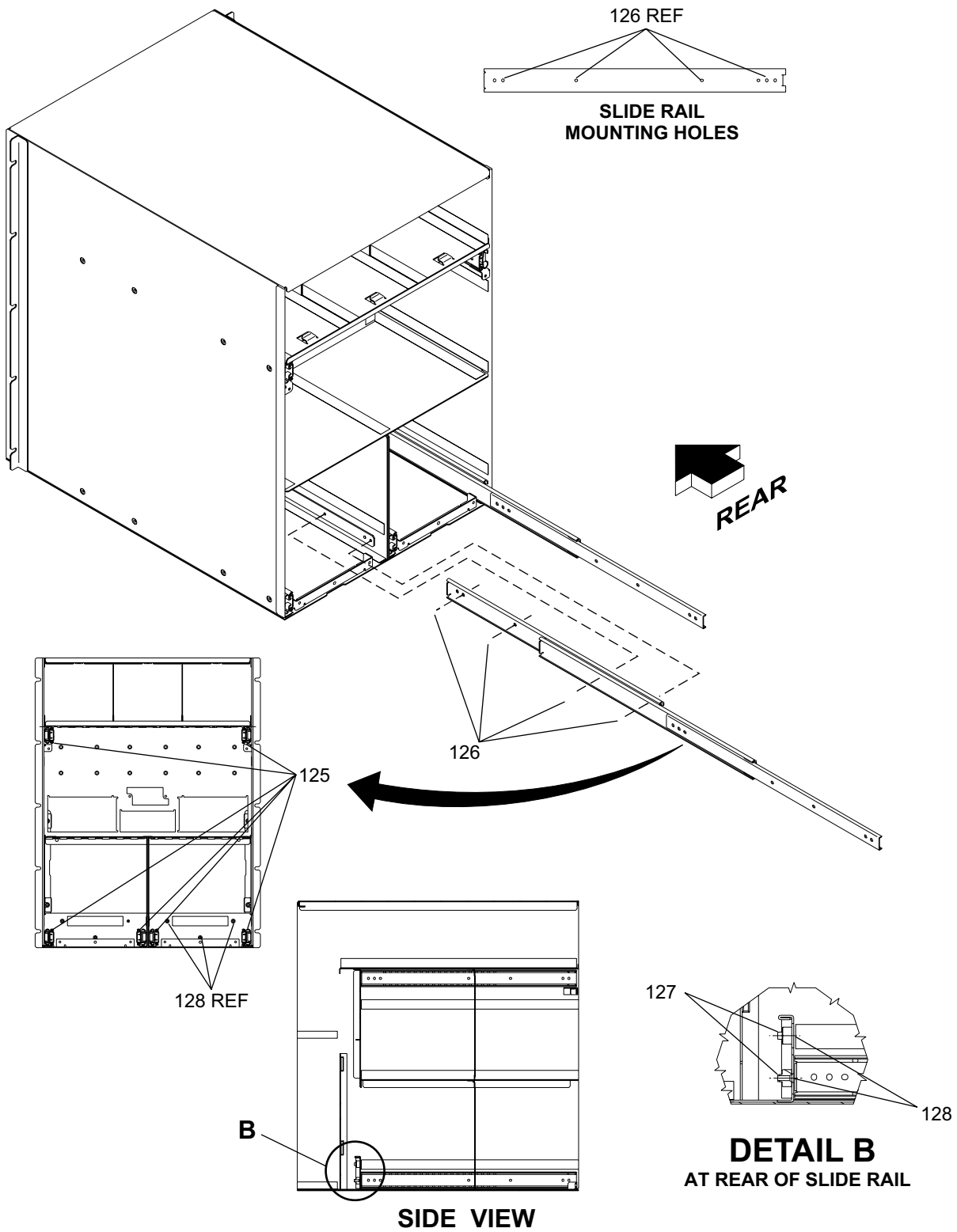
**Assembly 2: (continued)**



Assembly 2: (continued)

Asm-Index	Part Number	Units	Description
2-0	NR	REF	Electronics Cage Sheet 5 Of 6
-95	44F0832	2	• Clamp, Cable
-96	09L3013	1	• Cover, Fan Mounting Bracket
-97	1621285	5	• Screw, Flat Head Slotted M3 X 6mm Long
-98	09L2385	1	• Bracket, Fan Mounting
-99	90H9940	4	• Screw, Metric Pan Head Slotted M4 X 8mm Long
-100	34L9620	4	• <b>Electronics Cage Fan</b>
-101	1621208	8	• Screw, Pan Head Slotted M4 X 60mm Long
-102	09L3014	16	• Standoff, Fan Guard Mounting - M4 Male Thread
-103	09L2387	4	• Fan Guard
-104	1621187	16	• Screw, Pan Head Slotted M3 X 5mm
-105	09L2388	4	• Flapper Asm, Fan Guard
-106	1621187	16	• Screw, Hex Head Slotted M3 X 6mm Long
			End Of Sheet 5 Of 6

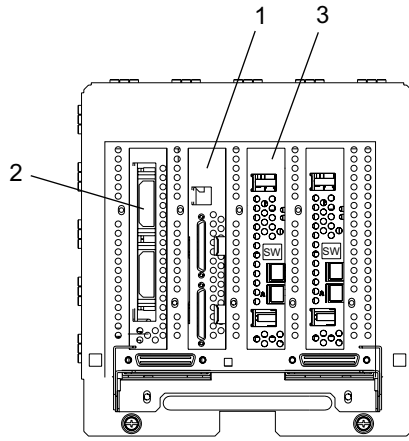
**Assembly 2: (continued)**



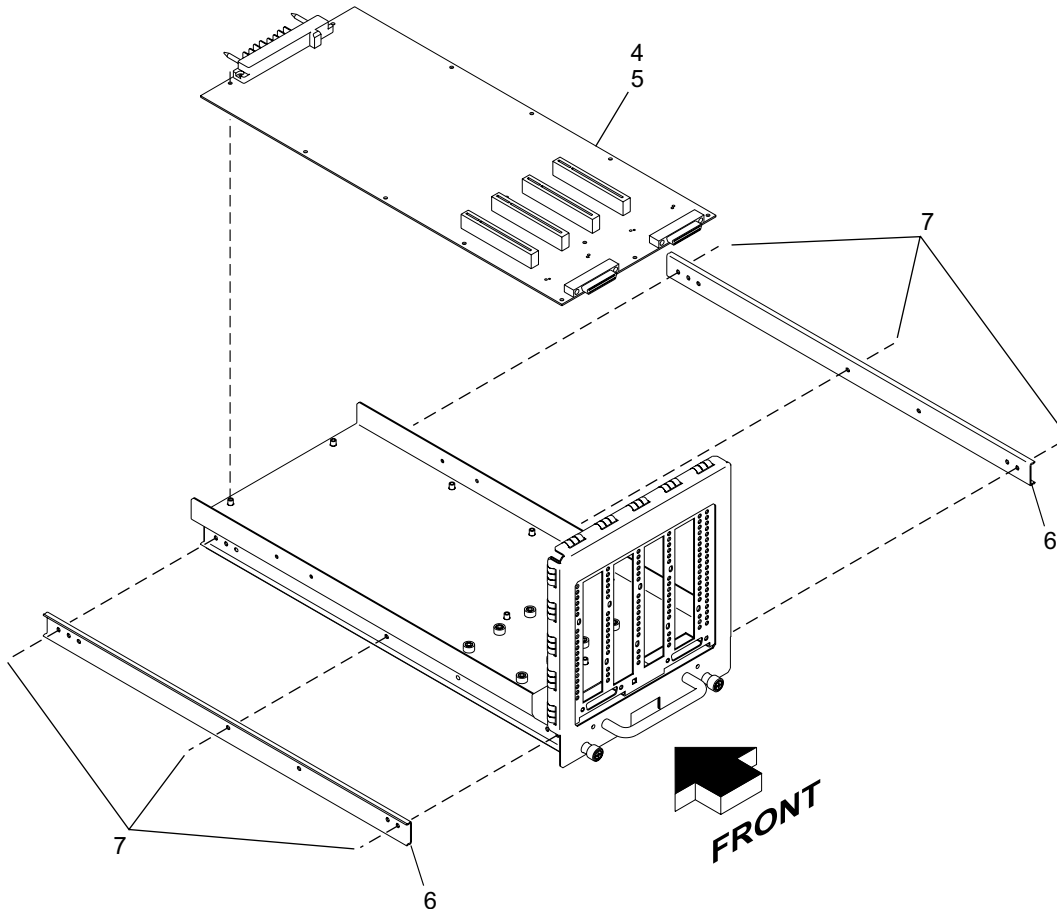
**Assembly 2: (continued)**

<b>Asm- Index</b>	<b>Part Number</b>	<b>Units</b>	<b>Description</b>
2-0	NR	REF	Electronics Cage Sheet 6 Of 6
-125	09L2391	6	• Slide Rail
-126	1621198	24	• Screw, Pan Head Slotted M4 X 5mm
-127	09L2450	6	• Stud Lower Backplanes, Left and Right
-128	1621307	6	• Screw, Flat Head Slotted M4 X 6mm Long
			End Of Assembly

## Assembly 3: Host Bay



**FRONT**  
**FRONT VIEW OF HOST CARDS**

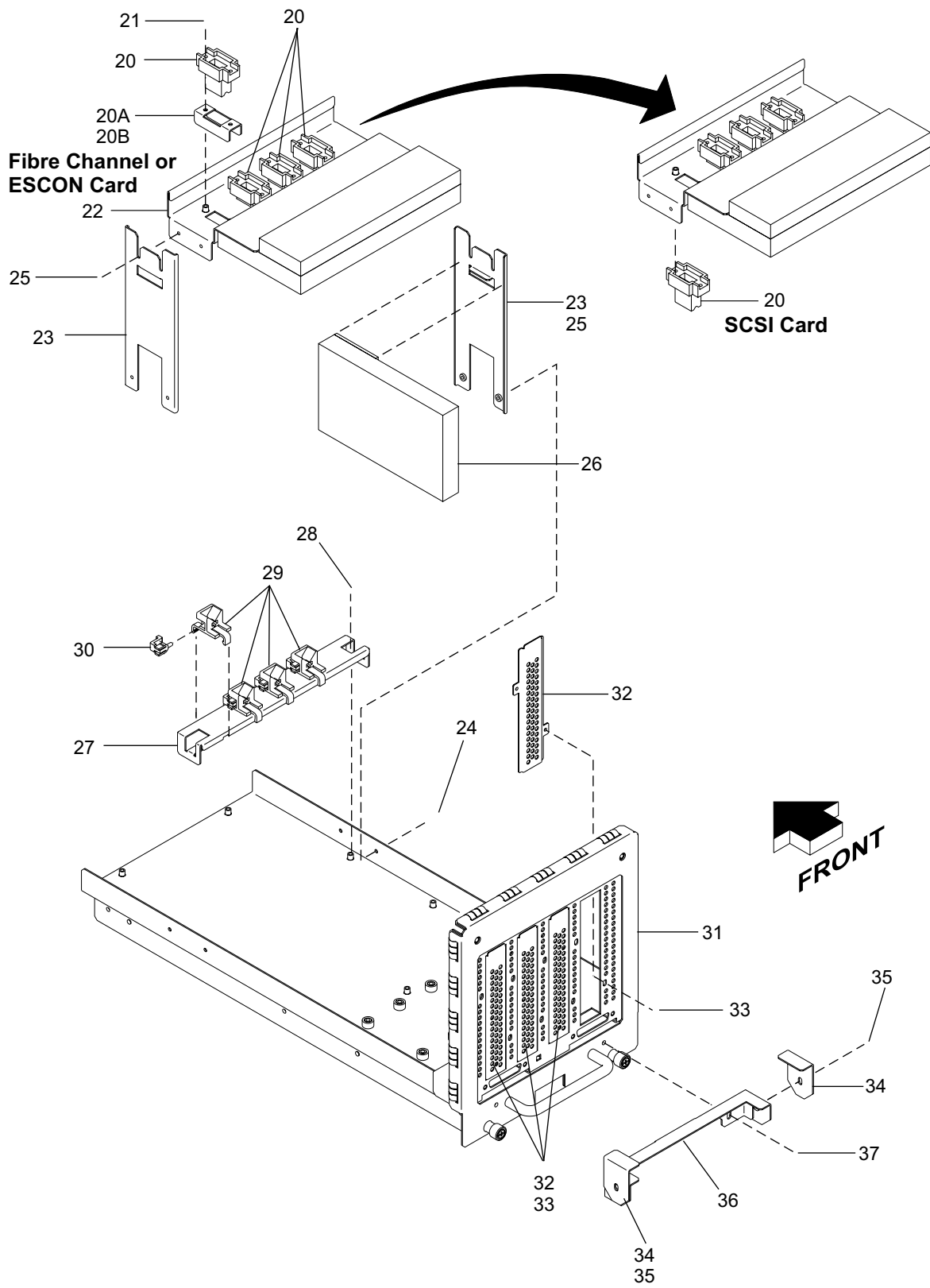




**Assembly 3: (continued)**

<b>Asm-Index</b>	<b>Part Number</b>	<b>Units</b>	<b>Description</b>
3-0	NR	REF	Host Bay Sheet 1 Of 2
-1	34L3280	AR	• <b>Ultra SCSI Host Card</b>
-2	34L2510	AR	• <b>Escon Host Card</b>
-3	18P1470	AR	• <b>Fibre Channel Host Adapter Card (Short Wave)</b>
-4	35L1796	1	• <b>Host Bay Planar (S3)</b>
-5	04G1559	11	• Screw, Hex Head Flange Slotted M3 X 6mm Long
-6	09L2391	2	• Slide Rail
-7	1621198	6	• Screw, Pan Head Slotted M4 X 5mm
			End Of Sheet 1 Of 2

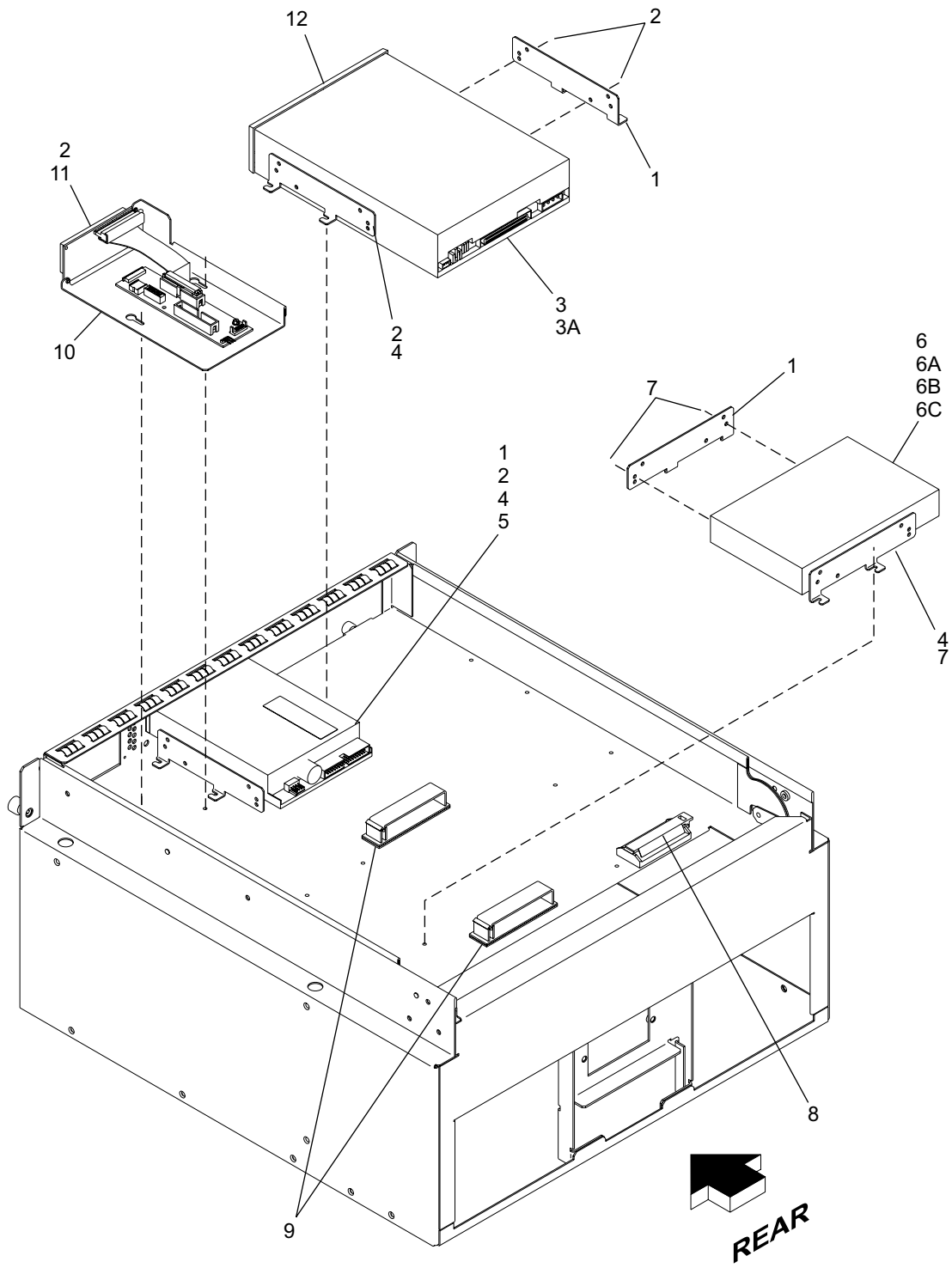
### Assembly 3: (continued)



**Assembly 3: (continued)**

<b>Asm-Index</b>	<b>Part Number</b>	<b>Units</b>	<b>Description</b>
3-0	NR	REF	Host Bay Sheet 2 Of 2
-20	09L2411	4	• Retainer, Host Card (Bottom)
-20A	34L3275	AR	• Spacer, ESCON Only
-20B	34L3551	AR	• Spacer, Fibre Channel Only
-21	1621175	8	• Screw, Pan Head Slotted M3 X 20mm
-22	34L2471	1	• Bracket, Top
-23	34L2470	2	• Bracket, Side
-24	04G1559	4	• Screw, Hex Head Flange Slotted M3 X 6mm Long
-25	18P0427	4	• Screw, Pan Head T10 Slotted M3 X 6mm Long
-26	34L2477	1	• Foam, Card Side
-27	09L2473	1	• Bar, Flat Pack
-28	04G1559	2	• Screw, Hex Head Flange Slotted M3 X 6mm Long
-29	34L2475	4	• Bracket, Card Catcher
-30	34L2473	4	• Pin, Card Catcher
-31	09L2408	1	• Base, Host Card Bay
-32	34L2474	AR	• Plate, Dummy
-33	04G1559	8	• Screw, Hex Head Flange Slotted M3 X 6mm Long
-34	34L2496	2	• Bracket, CPI Support-Upper
-35	1624764	2	• Screw, Hex Head Flange M3 X 6mm Long
-36	34L2472	1	• Bracket, CPI Support
-37	90H9940	2	• Screw, Metric Pan Head Slotted M4 X 8mm Long
			End Of Assembly

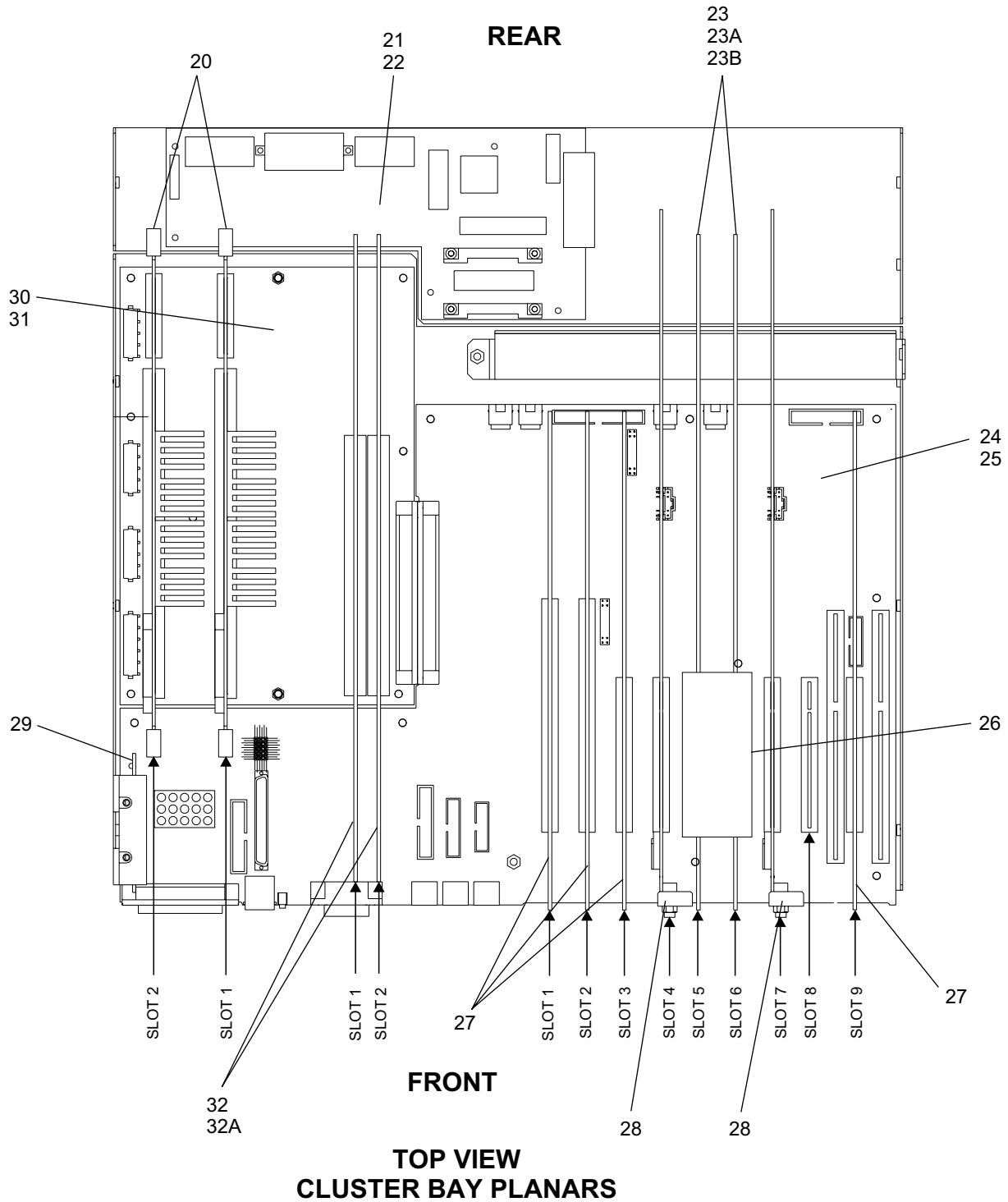
# Assembly 4: Cluster Bay, Mod E10/E20



**Assembly 4: (continued)**

<b>Asm-Index</b>	<b>Part Number</b>	<b>Units</b>	<b>Description</b>
4-0	NR	REF	Cluster Bay, Mod E10/E20 Sheet 1 Of 7
-1	09L2406	3	• Bracket, Right Side-Drives
-2	04G1559	AR	• Screw, Hex Head Flange Slotted M3 X 6mm Long
-3	97H7796	1	• <b>CD-ROM Drive</b>
-3A	8193233	3	• Jumper
-4	34L2494	3	• Bracket, Left Side-Drives
-5	93F2361	1	• <b>Diskette Drive</b>
-6	18P2138	1	• <b>SCSI Hard Drive FRU Kit</b> (Requires External Terminator On Cable)
-6A	07N3721	1	• • <b>SCSI Hard Drive</b>
-6B	18P2137	1	• • <b>SCSI Interposer/Terminator Cable Assembly</b>
-6C	18P2146	1	• • <b>Installation Instruction</b>
-6A	8193233	1	• Jumper
-7	0055726	4	• Screw, Binding Head Slotted 6-32 X 4.8mm Long
-8	08L7114	1	• Clamp, Cable-CDROM
-9	34L3523	2	• Clamp, Cable-Op Shelf
-10	34L8136	1	• <b>Cluster Bay Operator Panel</b> Includes Module, VPD Program
-11	08L8050	1	• • Module, VPD Program Part Of Cluster Bay Operator Panel
-12	97H7612	1	• Bezel, CD-ROM Drive
			End Of Sheet 1 Of 7

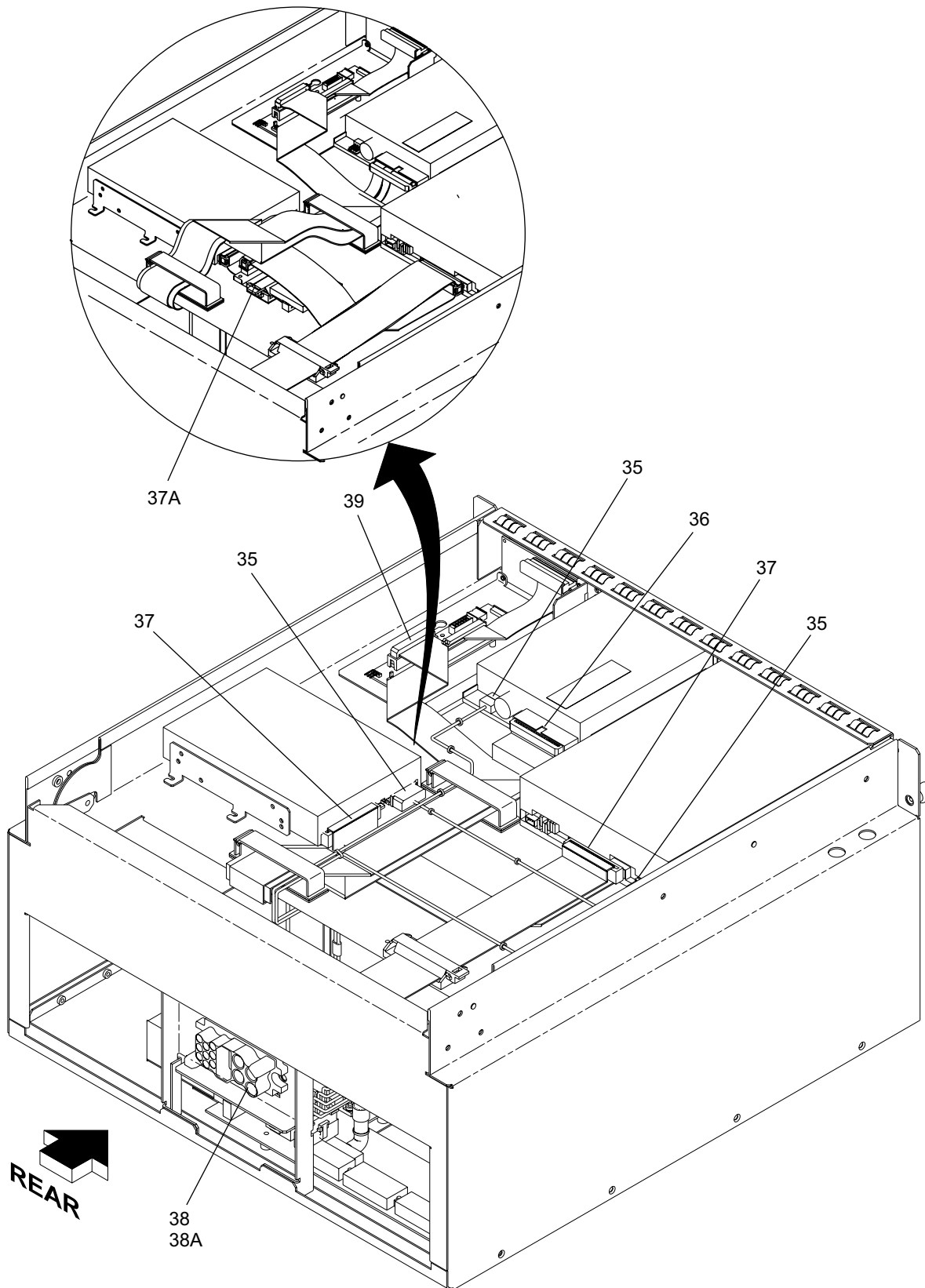
**Assembly 4: (continued)**



Assembly 4: (continued)

Asm-Index	Part Number	Units	Description
4-0	NR	REF	Cluster Bay, Mod E10/E20 Sheet 2 Of 7
-20	05J8910	2	• <b>332 MHz CPU Card</b>
-21	09L2571	1	• <b>Cluster Bay Power Planar</b>
-22	04G1559	6	• Screw, Hex Head Flange Slotted M3 X 6mm Long
-23	34L8277	2	• <b>NVS Memory Card With Cache Modules</b>
-23A	09L2105	6	• • <b>NVS Cache Module</b>
-23B	44L0305	6	• • • <b>NVS Battery Pack</b>
-24	34L7606	1	• <b>I/O Planar</b>
-25	04G1559	11	• Screw, Hex Head Flange Slotted M3 X 6mm Long
-26	34L3584	1	• <b>NVS Top Card Crossover (Includes Cables)</b>
-27	18P0399	4	• <b>SSA Device Card</b>
-28	18P0418	2	• <b>I/O Attachment Card With Memory</b>
-29	34L7852	1	• <b>Service Processor Card</b>
-30	05J8908	1	• <b>System Planar</b>
-31	04G1559	7	• Screw, Hex Head Flange Slotted M3 X 6mm Long
-32	05J8911	2	• <b>Memory Card</b>
-32A	93H4702	AR	• • <b>128 MB Memory DIMM,Replace In Pairs Only</b>
			End Of Sheet 2 Of 7

**Assembly 4: (continued)**

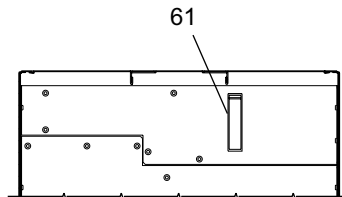
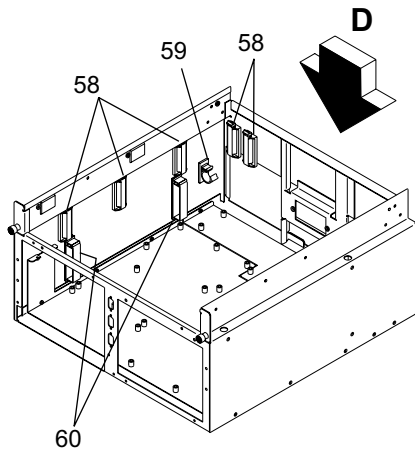
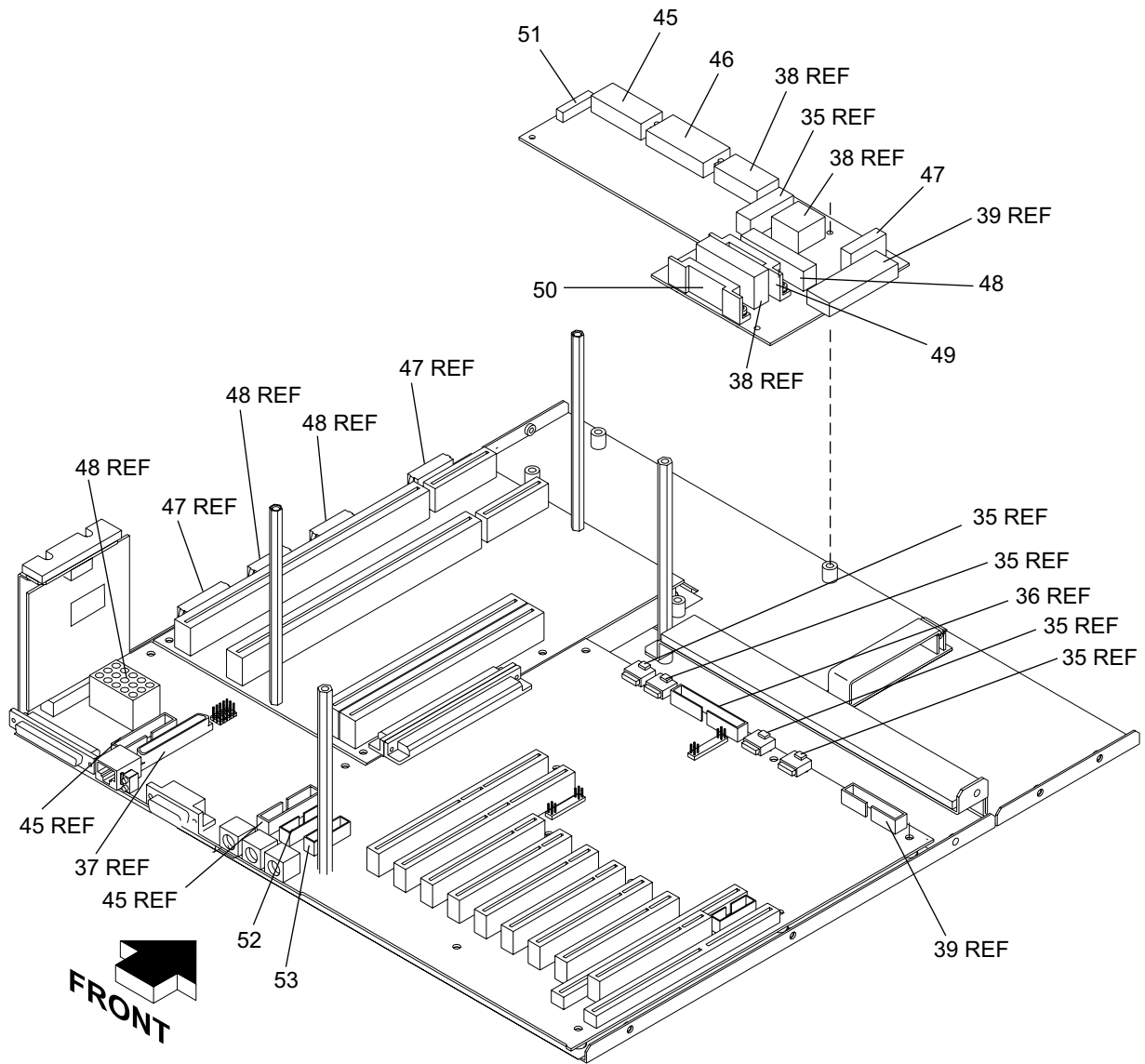




**Assembly 4: (continued)**

<b>Asm-Index</b>	<b>Part Number</b>	<b>Units</b>	<b>Description</b>
4-0	NR	REF	Cluster Bay, Mod E10/E20 Sheet 3 Of 7
-35	09L2464	1	• <b>Cluster Drive Power Cable (IB16)</b>
-36	34L7035	1	• <b>Diskette Drive Signal Cable</b>
-37	09L2399	1	• <b>SCSI Drive Signal Cable</b> (Does Not Include Terminator)
-37A	18P2137	1	• <b>SCSI Interposer/Terminator Cable Assembly</b>
-38	09L2404	1	• <b>Cluster Bay Power Planar To Docking Connector Cable (IB01, IB02, IB03)</b>
-38A	34L2464	2	• • Screw, Connector
-39	34L7034	1	• <b>Cluster Operator Panel Cable (IB18)</b>
			End Of Sheet 3 Of 7

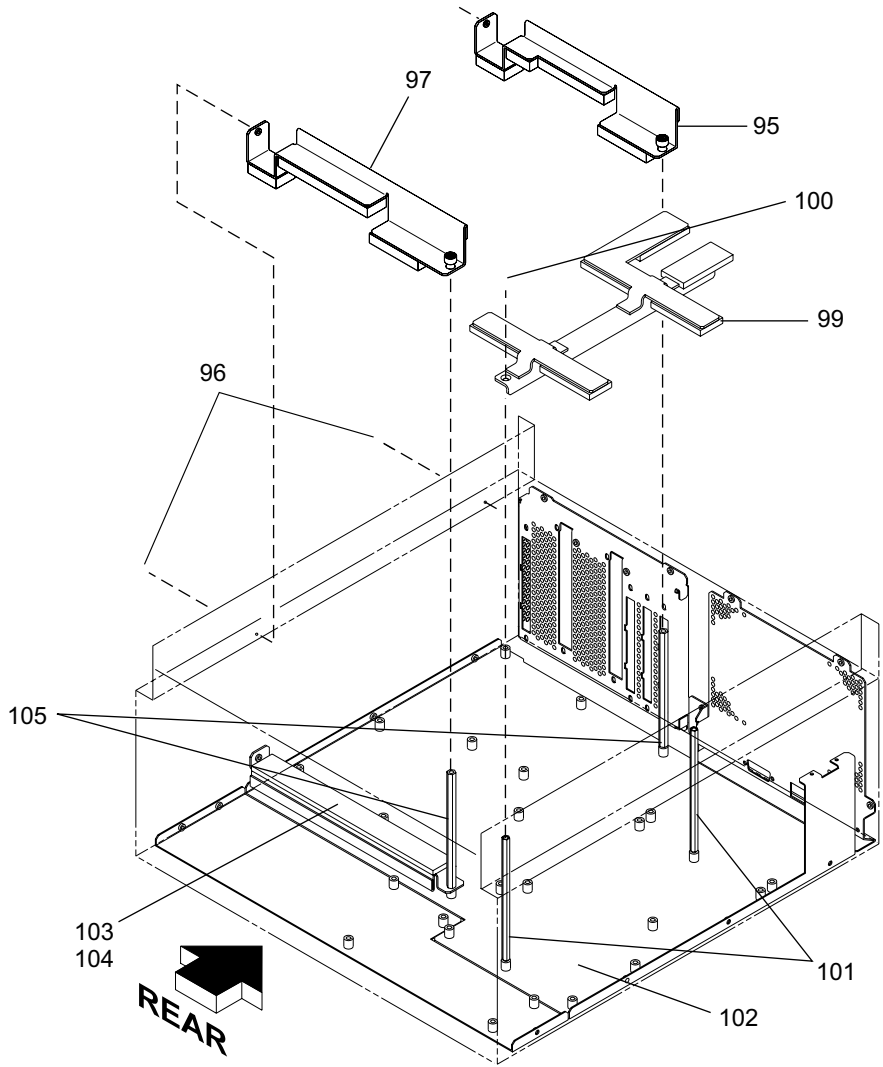
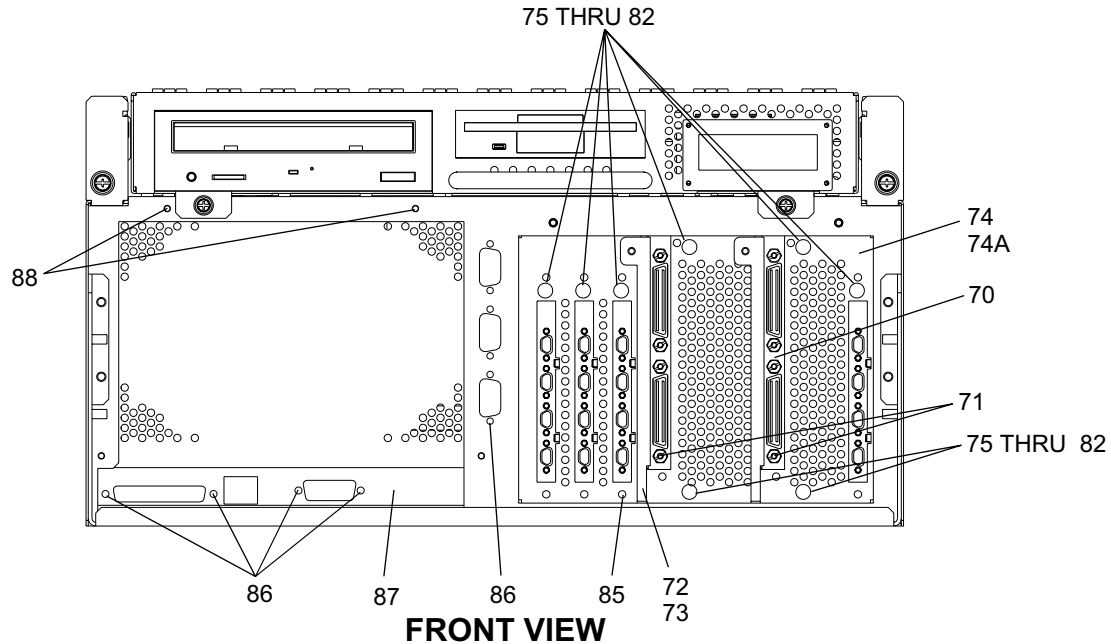
# Assembly 4: (continued)



Assembly 4: (continued)

Asm-Index	Part Number	Units	Description
4-0	NR	REF	Cluster Bay, Mod E10/E20 Sheet 4 Of 7
-35	09L2464	REF	• <b>Cluster Drive Power Cable (IB16)</b>
-36	34L7035	REF	• <b>Diskette Drive Signal Cable</b>
-37	09L2399	REF	• <b>SCSI Drive Signal Cable</b>
-38	09L2404	REF	• <b>Cluster Bay Power Planar To Docking Connector Cable (IB01, IB02, IB03)</b>
-39	34L7034	REF	• <b>Cluster Operator Panel Cable (IB18)</b>
-45	09L2459	1	• <b>Power Planar Cable (IB12)</b>
-46	09L3015	1	• <b>NVS Card Cable (IB19)</b>
-47	09L2463	1	• <b>Power Planar Cable (IB15)</b>
-48	09L2458	1	• <b>Power Planar Cable (IB11)</b>
-49	09L2461	1	• <b>CPU Card 1 Cable (IB13)</b>
-50	09L2462	1	• <b>CPU Card 2 Cable (IB14)</b>
-51	09L2465	1	• <b>Service Processor Card Cable (IB17)</b>
-52	09L2401	1	• <b>Serial Interface Cable (S1/S2)</b>
-53	09L2402	1	• <b>Serial Interface Cable (S3)</b>
-58	08L7114	5	• Clamp, Cable Retainer
-59	09L2470	1	• Clamp, Cable Retainer
-60	34L3523	2	• Clamp, Cable Retainer
-61	34L3523	1	• Clamp, Cable Retainer
			End Of Sheet 4 Of 7

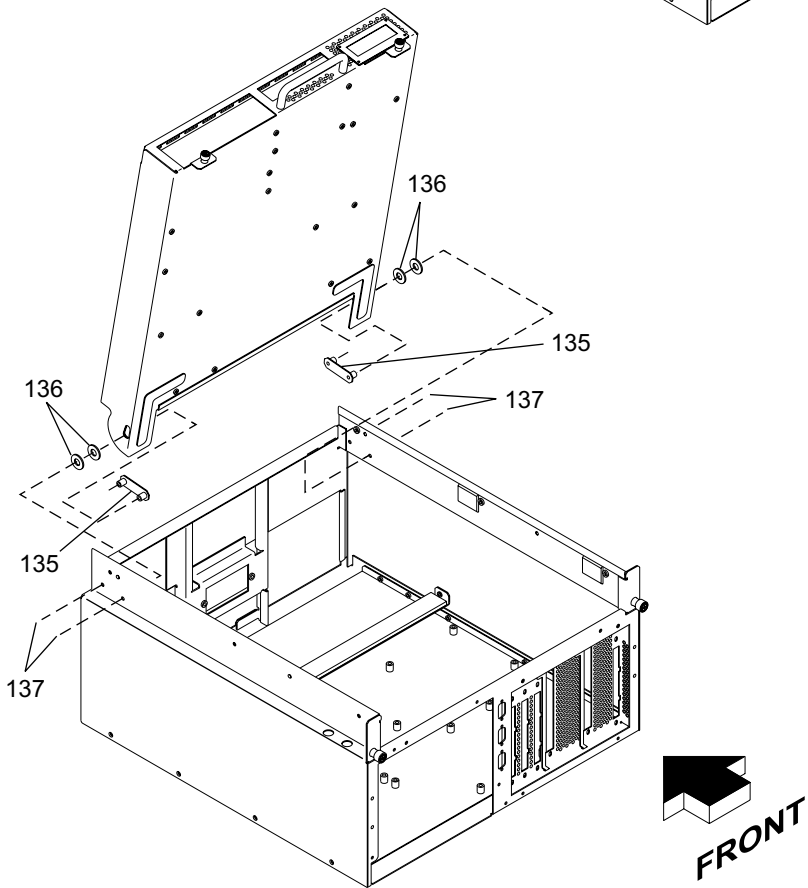
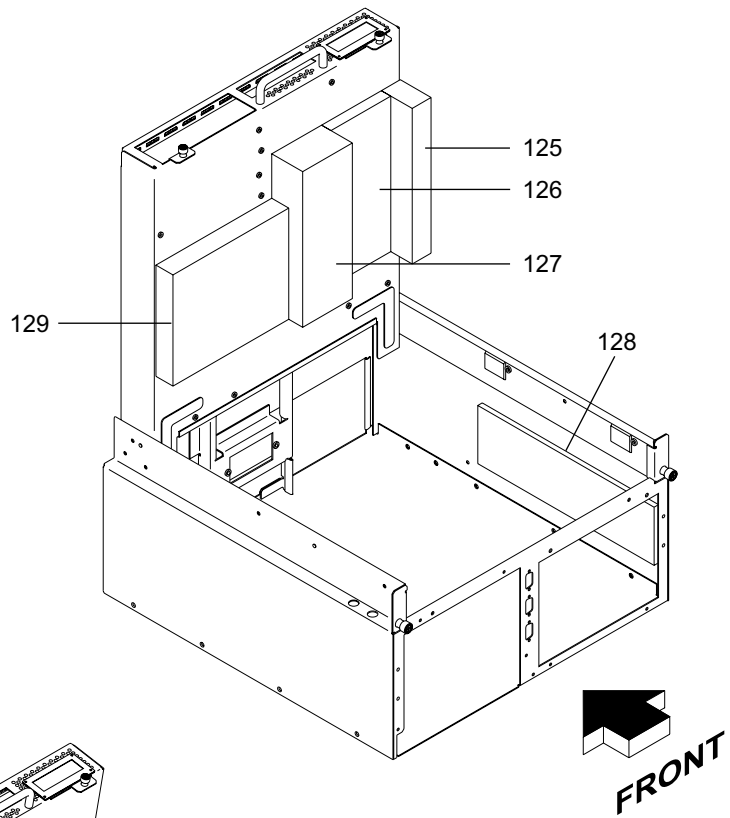
**Assembly 4: (continued)**



Assembly 4: (continued)

Asm-Index	Part Number	Units	Description
4-0	NR	REF	Cluster Bay, Mod E10/E20 Sheet 5 Of 7
-70	34L7010	2	• Bracket, CPI Cable Retention
-71	17H5072	4	• Screw, Hex Head Slotted M3 X 10mm Long
-72	34L3524	2	• Bracket, Cover Plate S21A
-73	04G1559	2	• Screw, Hex Head Flange Slotted M3 X 6mm Long
-74	34L7797	1	• Guide Plate - DA/NVS
-74A	04G1559	4	• Screw, Hex Head Flange Slotted M3 X 6mm Long
-75	34L7000	AR	• Label, Green
-76	34L7001	AR	• Label, Yellow
-77	34L7002	AR	• Label, Gray
-78	34L7003	AR	• Label, Violet
-79	34L7004	AR	• Label, Red
-80	34L7005	AR	• Label, Blue
-81	34L7006	AR	• Label, Orange
-82	34L7007	AR	• Label, Brown
-85	04G1559	AR	• Screw, Hex Head Flange Slotted M3 X 6mm Long
-86	6495342	10	• Standoff-Female Screwlock
-87	09L2454	1	• Guide, I/O Planar Connector
-88	04G1559	5	• Screw, Hex Head Flange Slotted M3 X 6mm Long
-95	34L8524	1	• Retainer, Card Top-Front
-96	46G0411	2	• Screw, Flat Head Cap M3 X 8mm Long
-97	34L8525	1	• Retainer, Card Top-Rear
-99	34L3520	1	• Retainer, Card
-100	1621307	2	• Screw, Flat Head Slotted M3 X 6mm Long
-101	34L3521	2	• Standoff, 332 MHz CPU Card
-102	05J8835	1	• Insulator, Sheet
-103	09L2397	1	• Retainer, Card Bottom
-104	46G0411	1	• Screw, Flat Head Cap M3 X 8mm Long
-105	09L2455	2	• Standoff, Retainer
			End Of Sheet 5 Of 7

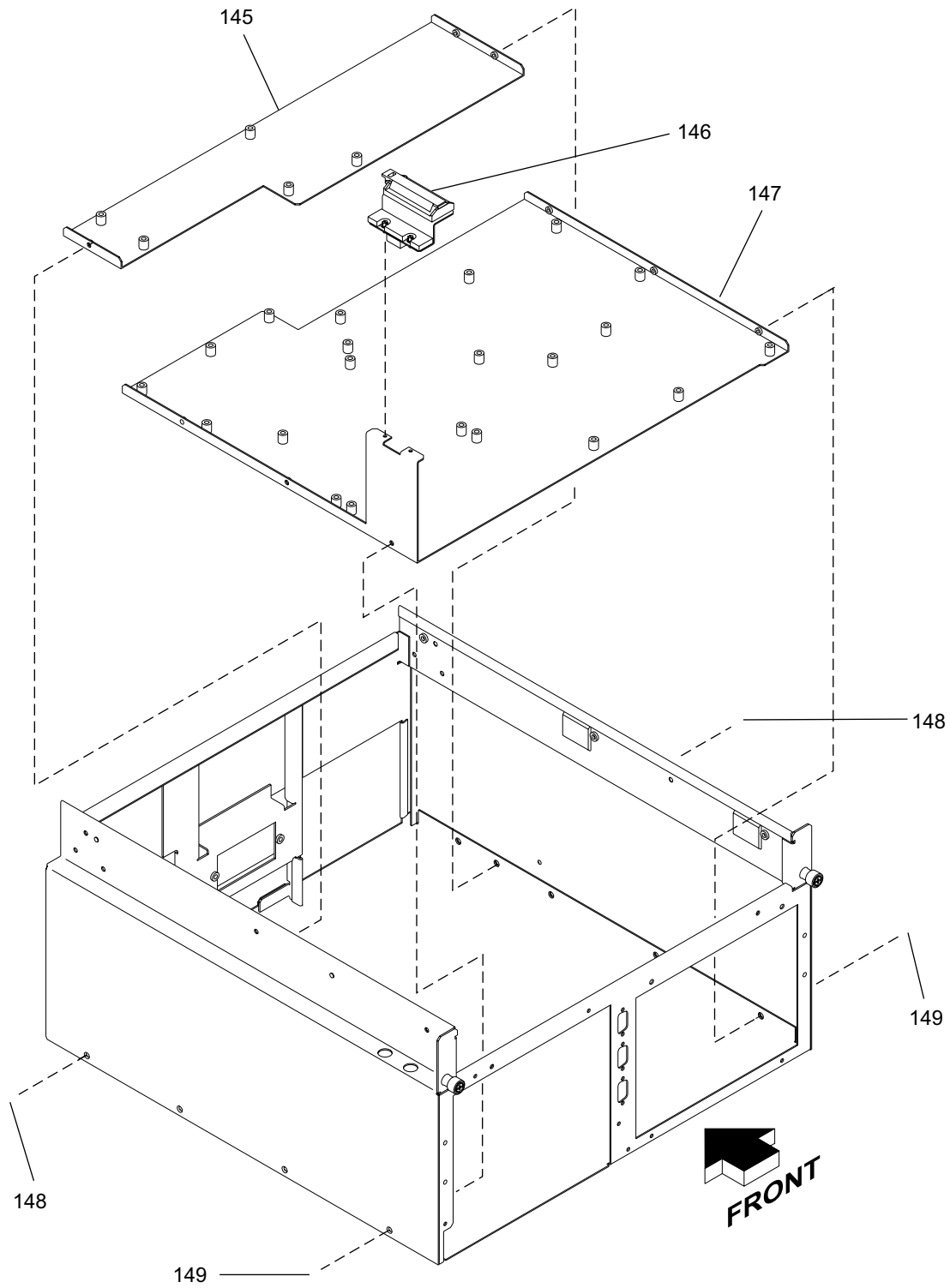
Assembly 4: (continued)



**Assembly 4: (continued)**

<b>Asm-Index</b>	<b>Part Number</b>	<b>Units</b>	<b>Description</b>
4-0	NR	REF	Cluster Bay, Mod E10/E20 Sheet 6 Of 7
-125	34L2468	1	• Foam, DA4 Top
-126	34L2467	1	• Foam, IA2/NVS
-127	34L2466	1	• Foam, DA1 To DA3
-128	34L2469	1	• Foam, DA4 Side
-129	34L2465	1	• Foam, CPU
-135	09L2398	2	• Pivot, Shelf
-136	09L2471	4	• Washer, Pivot
-137	1621198	4	• Screw, Pan Head Slotted M4 X 5mm
			End Of Sheet 6 Of 7

**Assembly 4: (continued)**

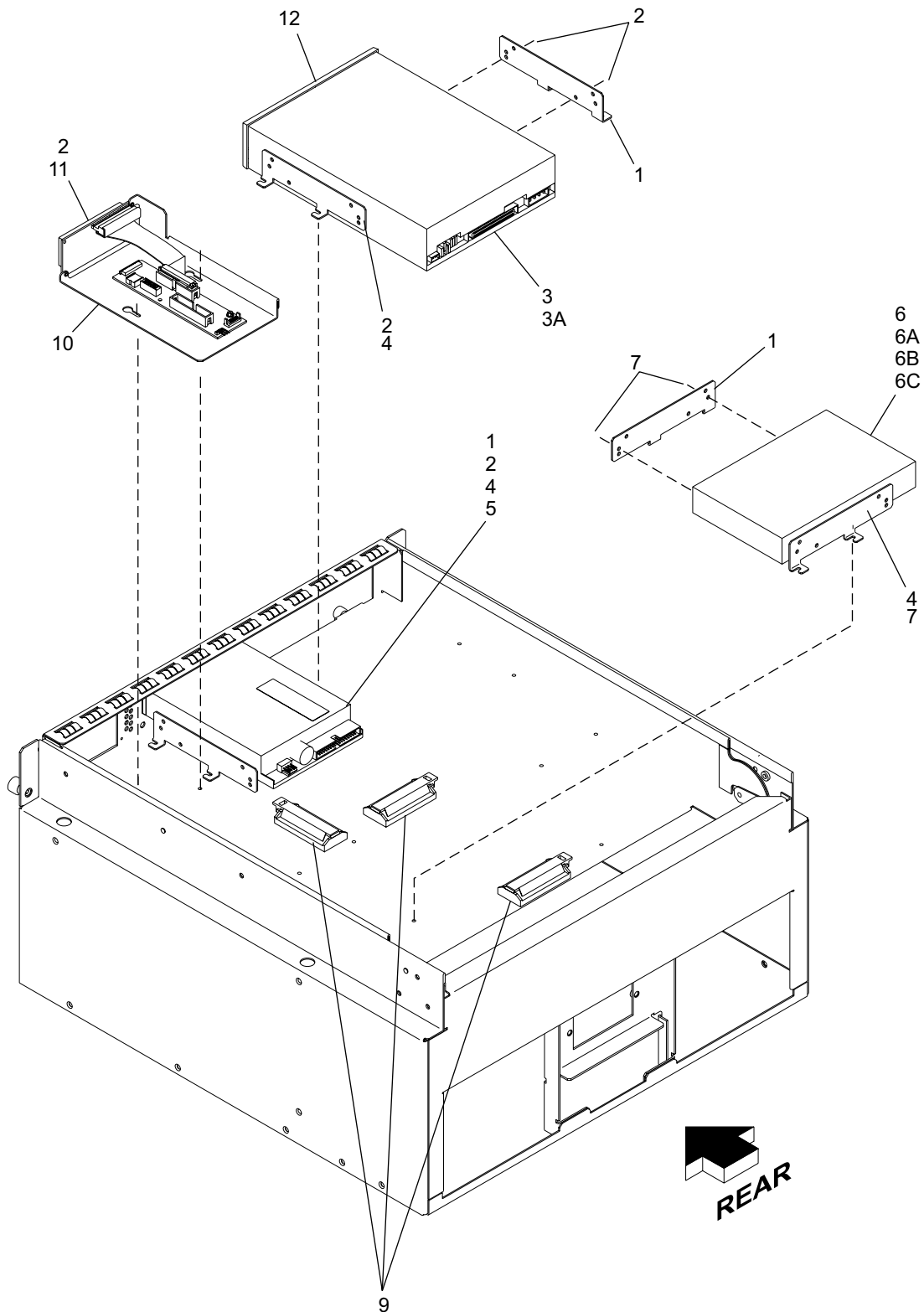




**Assembly 4: (continued)**

<b>Asm- Index</b>	<b>Part Number</b>	<b>Units</b>	<b>Description</b>
4-0	NR	REF	Cluster Bay, Mod E10/E20 Sheet 7 Of 7
-145	34L2462	1	• Tray, Distribution Board
-146	34L7036	1	• Retainer, Service Processor
-147	34L2461	1	• Tray, I/O Planar
-148	46G0411	3	• Screw, Flat Head Cap M3 X 8mm Long
-149	46G0411	6	• Screw, Flat Head Cap M3 X 8mm Long
			End Of Assembly

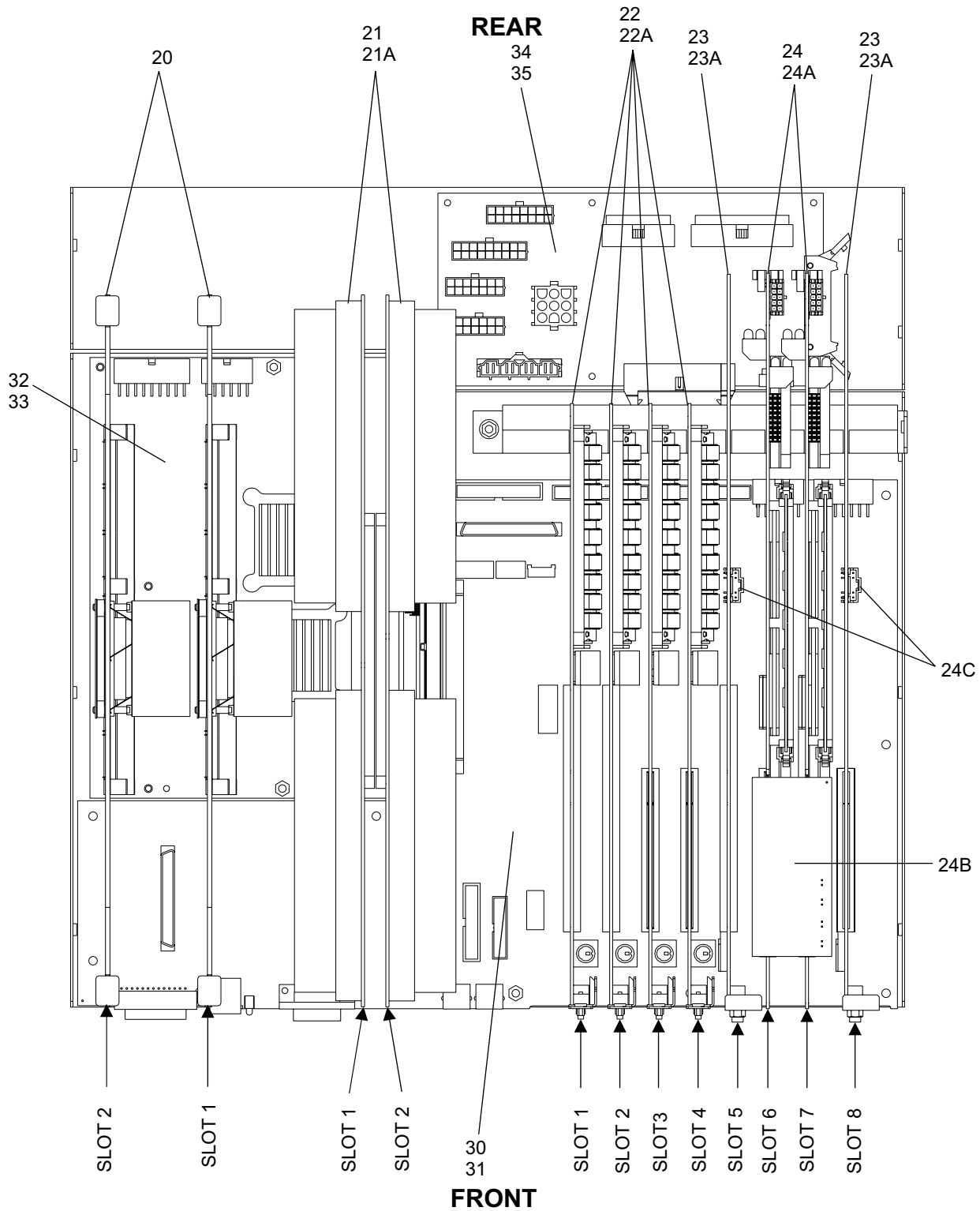
# Assembly 5: Cluster Bay, Mod F10/F20



Assembly 5: (continued)

Asm-Index	Part Number	Units	Description
5-0	NR	REF	Cluster Bay, Mod F10/F20 Sheet 1 Of 6
-1	34L2494	3	• Bracket, Left Side-Drives
-2	04G1559	AR	• Screw, Hex Head Flange Slotted M3 X 6mm Long
-3	97H7796	1	• <b>CD-ROM Drive</b>
-3A	8193233	3	• Jumper
-4	09L2406	3	• Bracket, Right Side-Drives
-5	76H4091	1	• <b>Diskette Drive</b>
-6	18P2138	1	• <b>SCSI Hard Drive FRU Kit</b> (Requires External Terminator On Cable)
-6A	07N3721	1	• • <b>SCSI Hard Drive</b>
-44A	18P2137	1	• • <b>SCSI Interposer/Terminator Cable Assembly</b>
-6C	18P2146	1	• • <b>Installation Instruction</b>
-6A	8193233	1	• Jumper
-7	0055726	4	• Screw, Binding Head Slotted 6-32 X 4.8mm Long
-9	08L7114	3	• Clamp, Cable
-10	34L8136	1	• <b>Cluster Bay Operator Panel</b> Includes Module, VPD Program
-11	89G2004	1	• • Module, VPD Program Part Of Cluster Bay Operator Panel
-12	97H7612	1	• Bezel, CD-ROM Drive
			End Of Sheet 1 Of 6

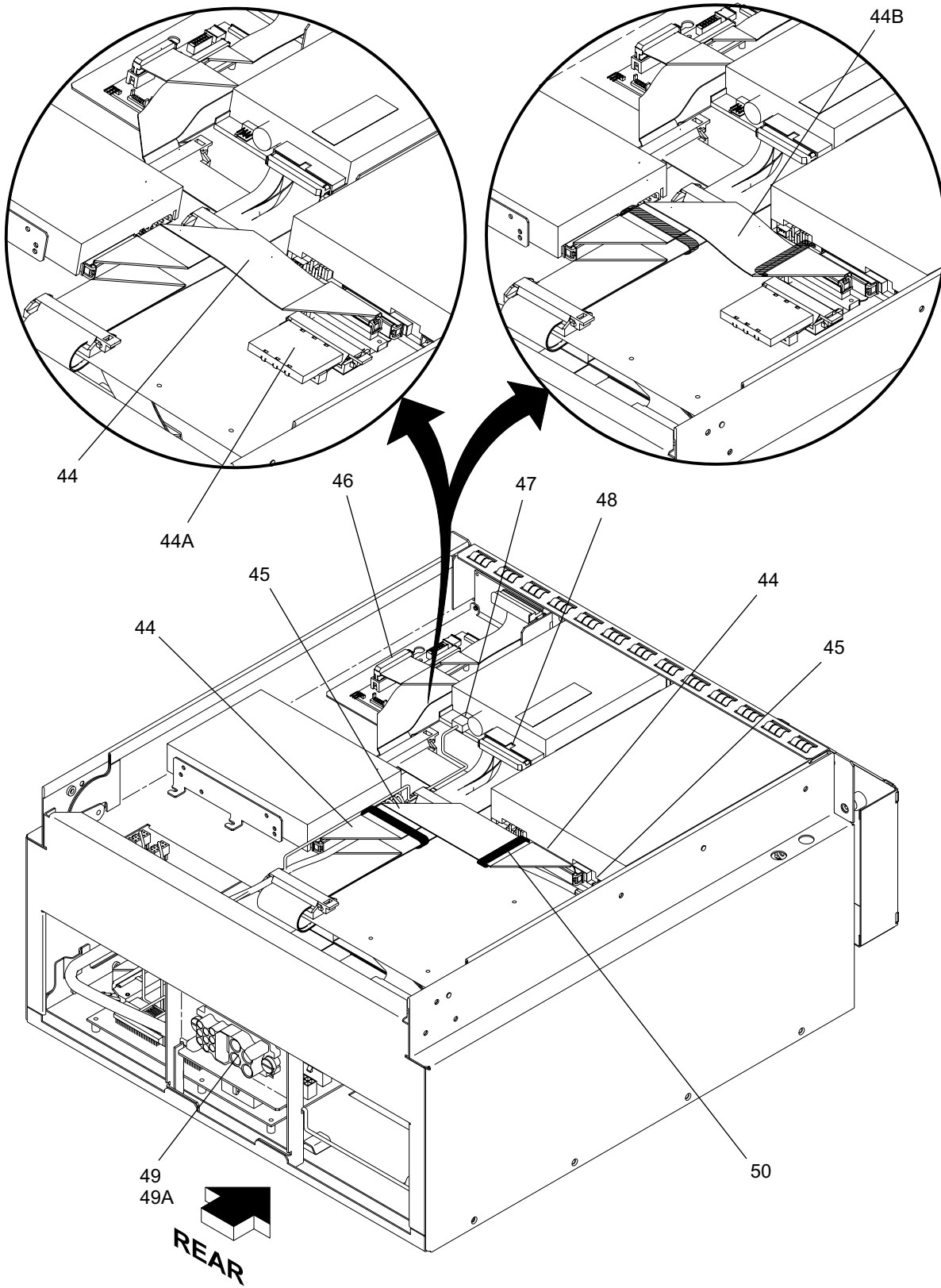
**Assembly 5: (continued)**



Assembly 5: (continued)

Asm-Index	Part Number	Units	Description
5-0	NR	REF	Cluster Bay, Mod F10/F20 Sheet 2 Of 6
-20	35L0817	2	• <b>255 MHz SMP Card, 64 Bit Bus</b>
-21	34L2835	2	• <b>Memory Card</b>
-21A	07L9030	AR	• • <b>256 MB Memory DIMM, Replace In Pairs Only</b>
-21B	07L9758	AR	• • <b>512 MB Memory DIMM, Replace In Pairs Only</b>
-22	18P0399	4	• <b>SSA Device Card</b>
-22A	04G1559	8	• Screw, Hex Head Flange Slotted M3 X 6mm Long
-23	18P0418	2	• <b>I/O Attachment Card With Memory (S3IA)</b>
-23A	05J8911	2	• • I/O Attachment Card Memory DIMM
-24	34L8277	2	• <b>NVS Card FRU Kit</b>
-24A	34L7017	2	• • <b>NVS Memory Card With Cache Modules</b>
-24B	34L3584	1	• • <b>NVS Top Card Crossover</b>
-24C	34L7935	1	• • <b>NVS Crossover To I/O Attachment Card Cable</b>
-30	34L2832	1	• <b>I/O Planar</b>
-31	04G1559	11	• Screw, Hex Head Flange Slotted M3 X 6mm Long
-32	34L2834	1	• <b>System Planar</b>
-33	04G1559	8	• Screw, Hex Head Flange Slotted M3 X 6mm Long
-34	18P0520	1	• <b>Cluster Bay Power Planar</b>
-35	04G1559	6	• Screw, Hex Head Flange Slotted M3 X 6mm Long
			End Of Sheet 2 Of 6

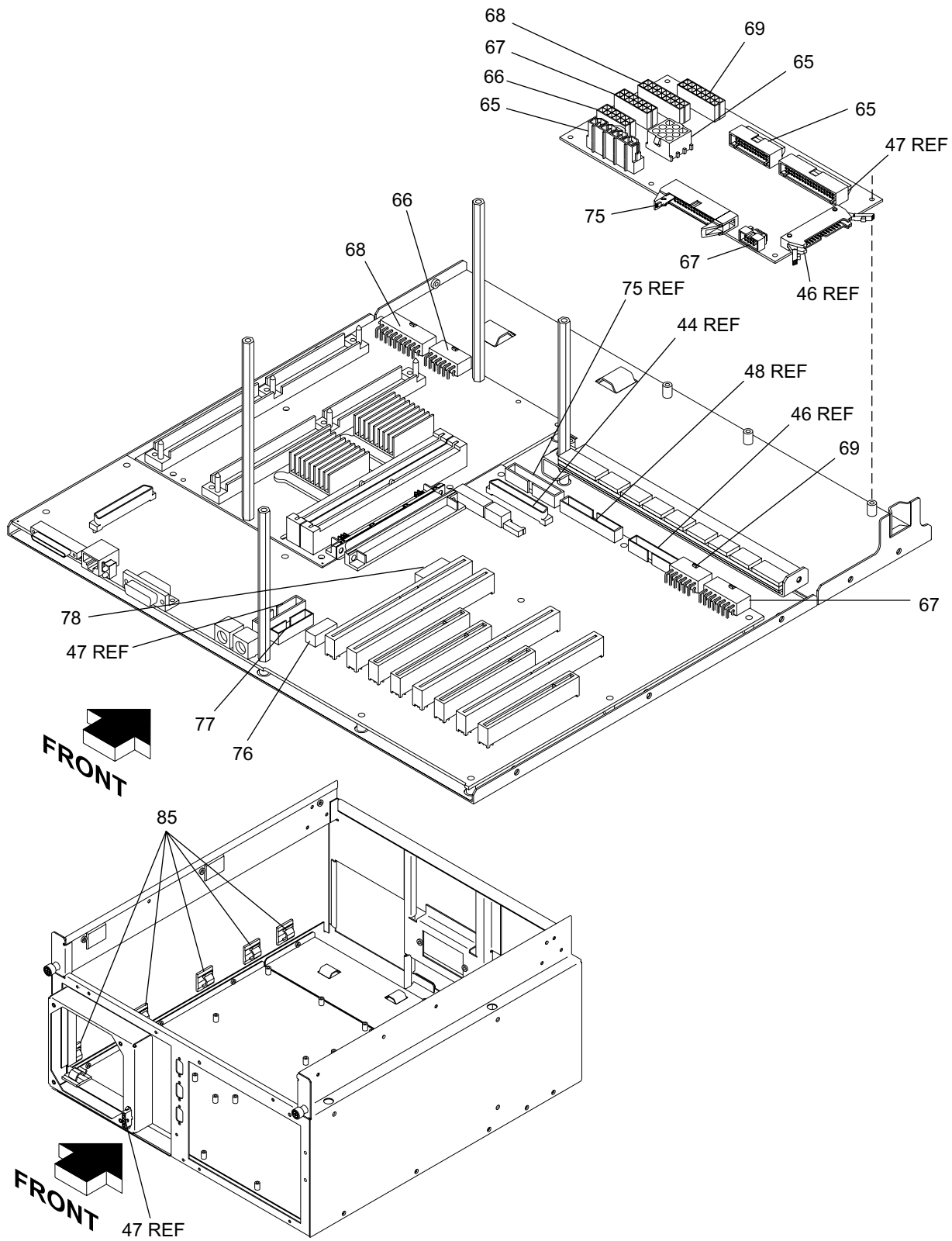
**Assembly 5: (continued)**



**Assembly 5: (continued)**

<b>Asm- Index</b>	<b>Part Number</b>	<b>Units</b>	<b>Description</b>
5-0	NR	REF	Cluster Bay, Mod F10/F20 Sheet 3 Of 6
-44	34L7186	1	• <b>SCSI Drive Signal Cable</b> (Does Not Include Terminator)
-44A	18P2137	1	• <b>SCSI Interposer/Terminator Cable Assembly</b>
-44B	18P2136	1	• <b>SCSI Internal Cable Assembly</b> (Includes External Terminator)
-45	34L7187	1	• <b>Cluster Drive Power Cable</b>
-46	34L7941	1	• <b>Cluster Operator Panel Cable</b>
-47	34L7946	1	• <b>Cluster Internal Power Cable</b>
-48	34L7943	1	• <b>Diskette Drive Signal Cable</b>
-49	34L7936	1	• <b>Cluster Bay Power Planar To Docking Connector Cable</b>
-49A	34L2464	2	• • Screw, Connector
-50	07H6655	AR	• Soft Cable Tie, 150mm Long
			End Of Sheet 3 Of 6

# Assembly 5: (continued)

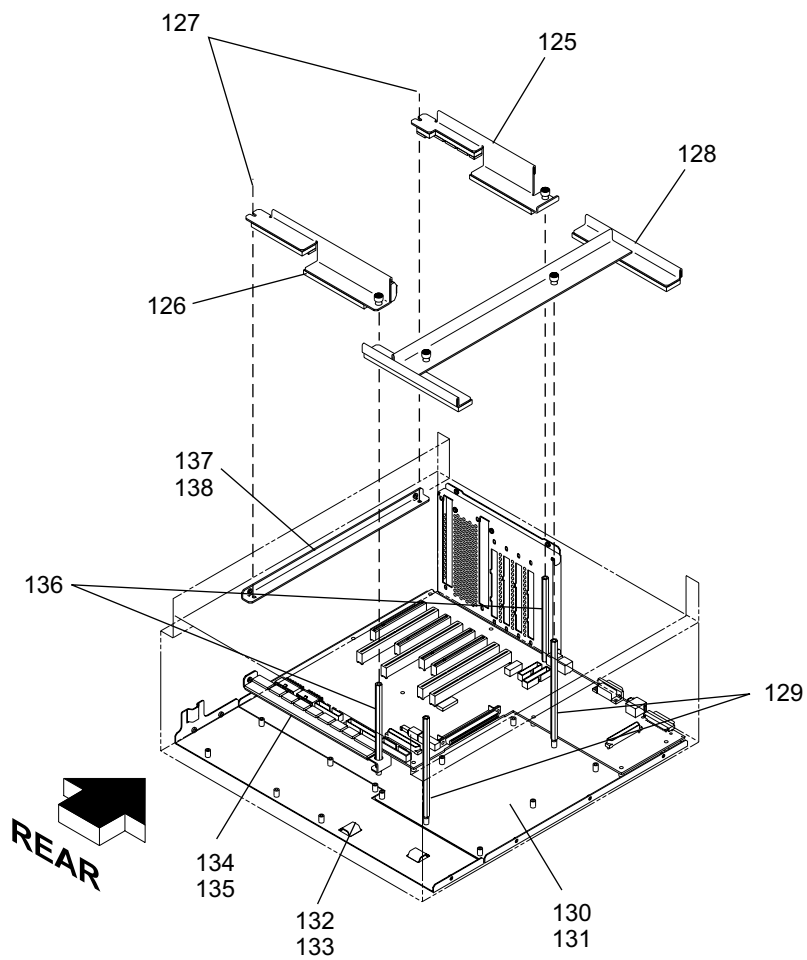
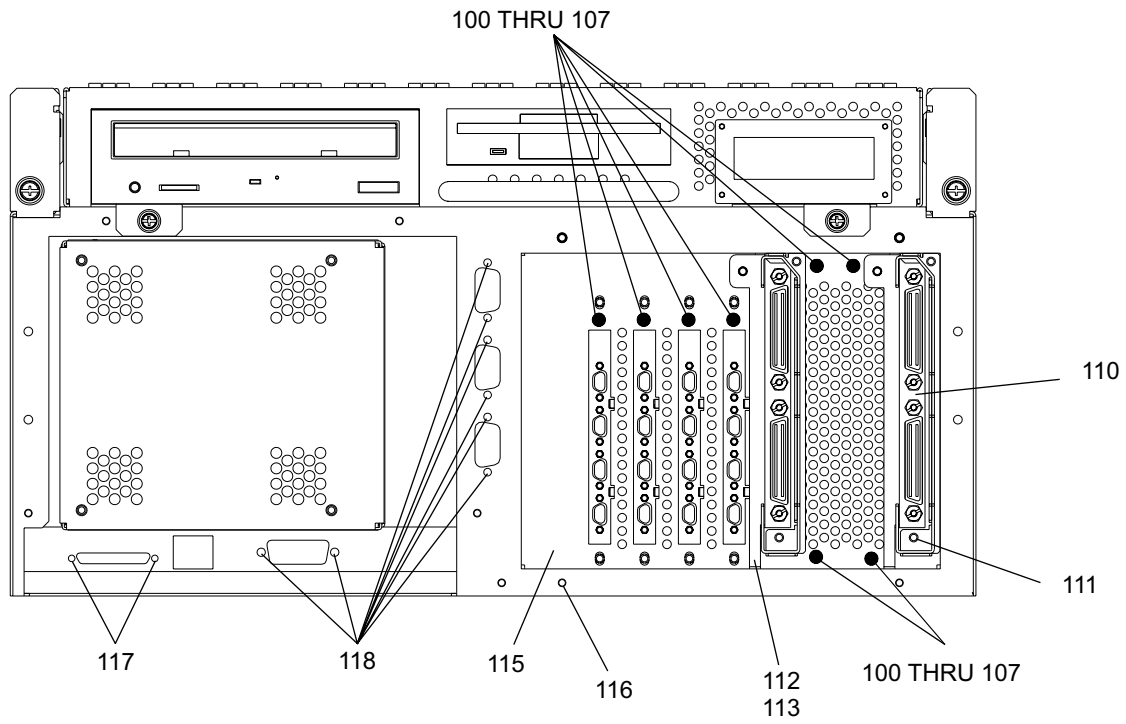




**Assembly 5: (continued)**

<b>Asm- Index</b>	<b>Part Number</b>	<b>Units</b>	<b>Description</b>
5-0	NR	REF	Cluster Bay, Mod F10/F20 Sheet 4 Of 6
-44	34L7186	REF	• <b>SCSI Drive Signal Cable</b>
-46	34L7941	REF	• <b>Cluster Operator Panel Cable</b>
-47	34L7946	REF	• <b>Cluster Internal Power Cable</b>
-48	34L7943	REF	• <b>Diskette Drive Signal Cable</b>
-65	34L7936	1	• <b>Power Planar Cable (IB01/IB02/IB03)</b>
-66	34L7937	1	• <b>Power Planar Cable (IB11)</b>
-67	34L7938	1	• <b>Power Planar Cable (IB12)</b>
-68	34L7939	1	• <b>Power Planar Cable (IB13)</b>
-69	34L7187	1	• <b>Power Planar Cable (IB18)</b>
-75	34L7940	1	• <b>Power Planar Cable (IB14)</b>
-76	34L7945	1	• <b>Serial Interface Cable (S3)</b>
-77	34L7942	1	• <b>Serial Interface Cable (S1/S2)</b>
-78	34L7948	1	• <b>Power Planar Cable (IB15)</b>
-85	11H3380	5	• <b>Clamp, Cable Retainer</b>
			End Of Sheet 4 Of 6

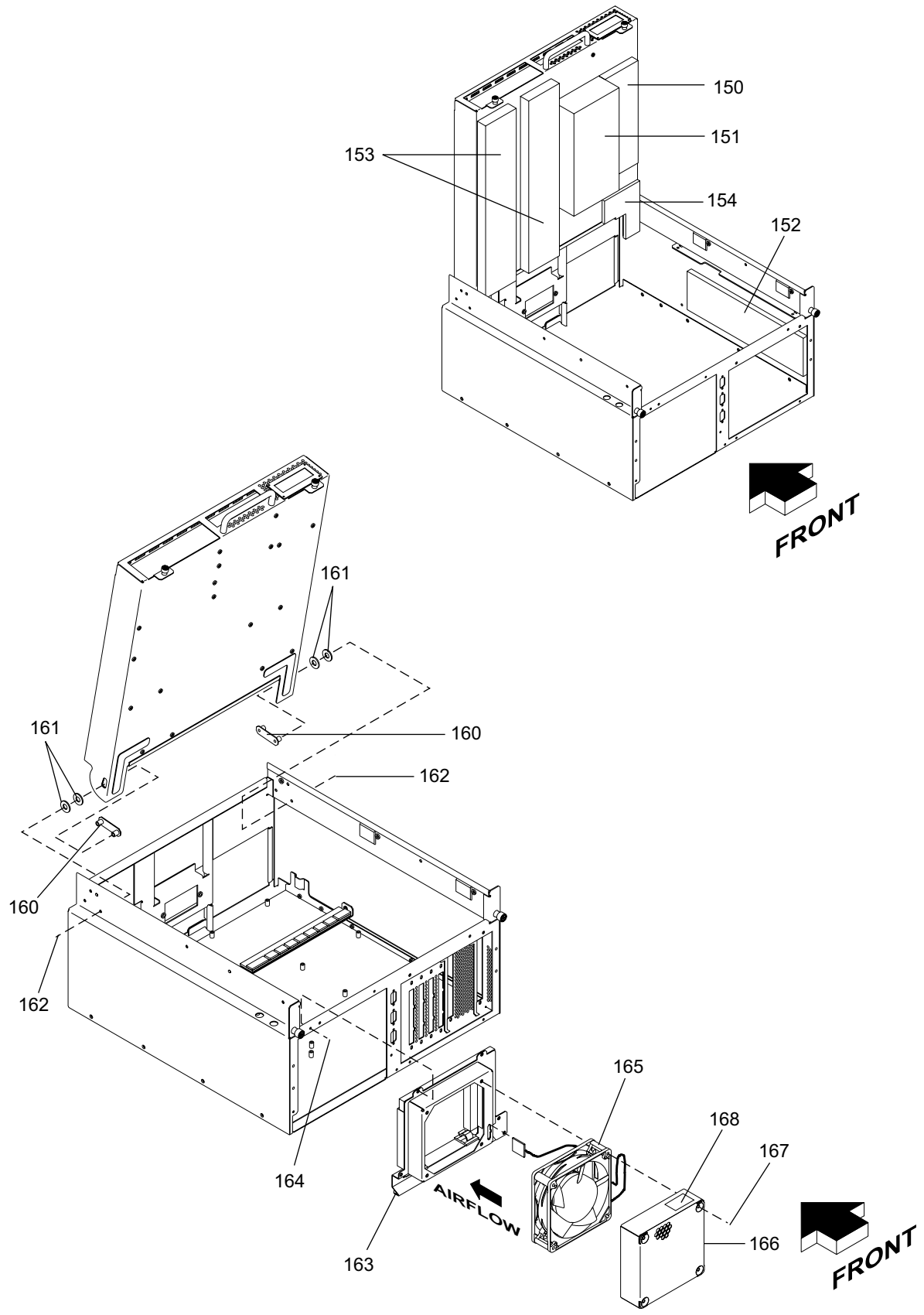
**Assembly 5: (continued)**



Assembly 5: (continued)

Asm-Index	Part Number	Units	Description
5-0	NR	REF	Cluster Bay, Mod F10/F20 Sheet 5 Of 6
-100	34L7000	AR	• Label, Green
-101	34L7001	AR	• Label, Yellow
-102	34L7002	AR	• Label, Gray
-103	34L7003	AR	• Label, Violet
-104	34L7004	AR	• Label, Red
-105	34L7005	AR	• Label, Blue
-106	34L7006	AR	• Label, Orange
-107	34L7007	AR	• Label, Brown
-110	34L7010	2	• Bracket, CPI Cable Retention
-111	17H5072	4	• Screw, Hex Head Slotted M3 X 10mm Long
-112	34L3524	2	• Bracket, Cover Plate S21A
-113	04G1559	2	• Screw, Hex Head Flange Slotted M3 X 6mm Long
-115	34L8054	1	• Guide Plate - DA/NVS
-116	04G1559	4	• Screw, Hex Head Flange Slotted M3 X 6mm Long
-117	07L7411	2	• Standoff-Female Screwlock
-118	6495342	8	• Standoff-Female Screwlock
-125	34L8052	1	• Retainer, Card Top-Front
-126	34L8051	1	• Retainer, Card Top-Rear
-127	17H5072	2	• Screw, Hex Head Slotted M3 X 10mm Long
-128	09L3022	1	• Retainer, Card
-129	09L3023	2	• Standoff, Retainer
-130	34L8085	1	• Insulator, Sheet
-131	46G0411	6	• Screw, Flat Head Cap M3 X 8mm Long
-132	09L3025	1	• Tray, Distribution Board
-133	46G0411	3	• Screw, Flat Head Cap M3 X 8mm Long
-134	34L8050	1	• Retainer, Card Bottom
-135	46G0411	1	• Screw, Flat Head Cap M3 X 8mm Long
-136	09L2455	2	• Standoff, Retainer
-137	34L8053	1	• Bracket, Retainer
-138	05J7943	2	• Screw, Flat Head M3 X 6mm Long
			End Of Sheet 5 Of 6

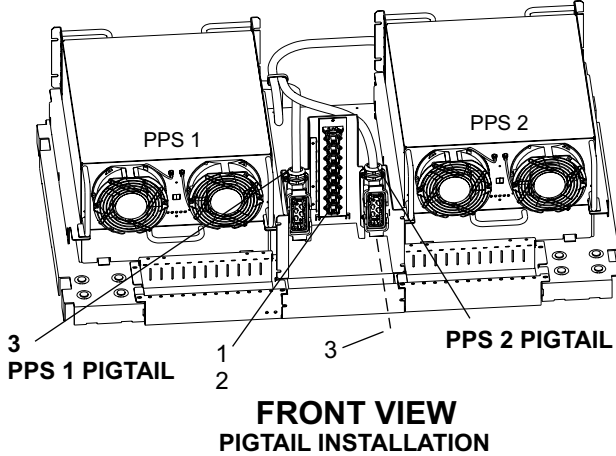
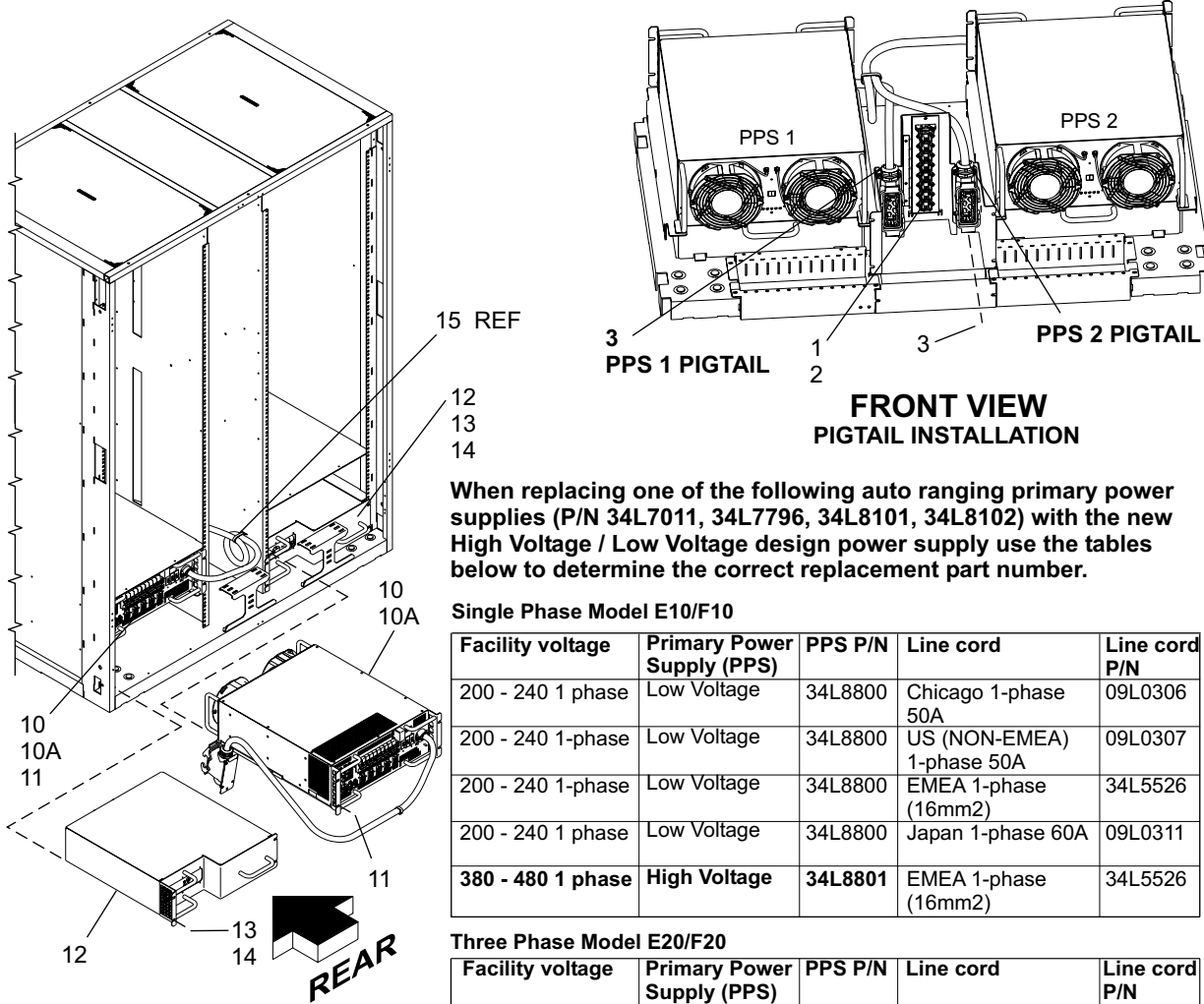
# Assembly 5: (continued)



**Assembly 5: (continued)**

<b>Asm-Index</b>	<b>Part Number</b>	<b>Units</b>	<b>Description</b>
5-0	NR	REF	Cluster Bay, Mod F10/F20 Sheet 6 Of 6
-150	09L3028	1	• Foam, IA2/NVS
-151	09L3027	1	• Foam, DA
-152	09L3030	1	• Foam, DA Side
-153	34L7163	2	• Foam, CPU
-154	34L9138	1	• Foam, NVS Power Connector
-160	09L2398	2	• Pivot, Shelf
-161	09L2471	4	• Washer, Pivot
-162	1621198	4	• Screw, Pan Head Slotted M4 X 5mm
-163	34L9135	1	• Guide, Fan Mounting Plate
-164	04G1559	5	• Screw, Hex Head Flange Slotted M3 X 6mm Long
-165	34L9005	1	• <b>Cluster Bay Fan</b>
-166	34L9136	1	• Guard, Fan
-167	1621201	4	• Screw, Pan Head Slotted M4 X 45mm Long
-168	34L9192	1	• Label, Fan Safety
			End Of Assembly

# Assembly 6: Primary Power



When replacing one of the following auto ranging primary power supplies (P/N 34L7011, 34L7796, 34L8101, 34L8102) with the new High Voltage / Low Voltage design power supply use the tables below to determine the correct replacement part number.

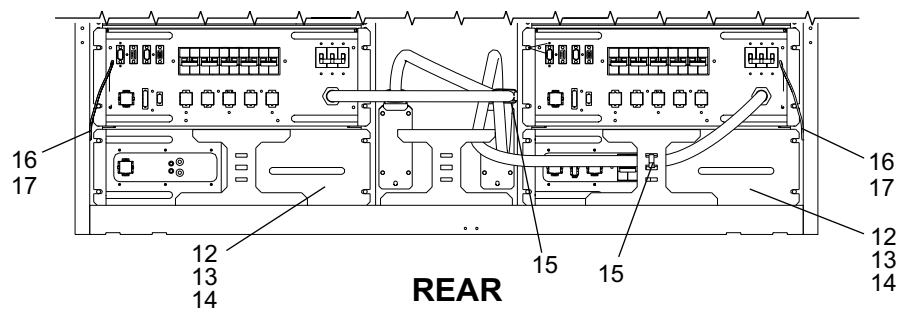
**Single Phase Model E10/F10**

Facility voltage	Primary Power Supply (PPS)	PPS P/N	Line cord	Line cord P/N
200 - 240 1 phase	Low Voltage	34L8800	Chicago 1-phase 50A	09L0306
200 - 240 1-phase	Low Voltage	34L8800	US (NON-EMEA) 1-phase 50A	09L0307
200 - 240 1-phase	Low Voltage	34L8800	EMEA 1-phase (16mm <sup>2</sup> )	34L5526
200 - 240 1 phase	Low Voltage	34L8800	Japan 1-phase 60A	09L0311
<b>380 - 480 1 phase</b>	<b>High Voltage</b>	<b>34L8801</b>	EMEA 1-phase (16mm <sup>2</sup> )	34L5526

**Three Phase Model E20/F20**

Facility voltage	Primary Power Supply (PPS)	PPS P/N	Line cord	Line cord P/N
200 - 240 3 phase	Low Voltage	34L8800	Chicago 3-phase 50A	09L0303
200 - 240 3-phase	Low Voltage	34L8800	Chicago 3-phase 60A	09L0309
200 - 240 3-phase	Low Voltage	34L8800	US (NON EMEA) 3-phase 50A	09L0304
200 - 240 3 phase	Low Voltage	34L8800	US (NON EMEA) 3-phase 60A	09L3012
200 - 240 3-phase	Low Voltage	34L8800	Japan 3-phase 60A	09L0312
<b>380 - 480 3 phase</b>	<b>High Voltage</b>	<b>34L8801</b>	EMEA 3-phase (2.2mm <sup>2</sup> )	09L0305

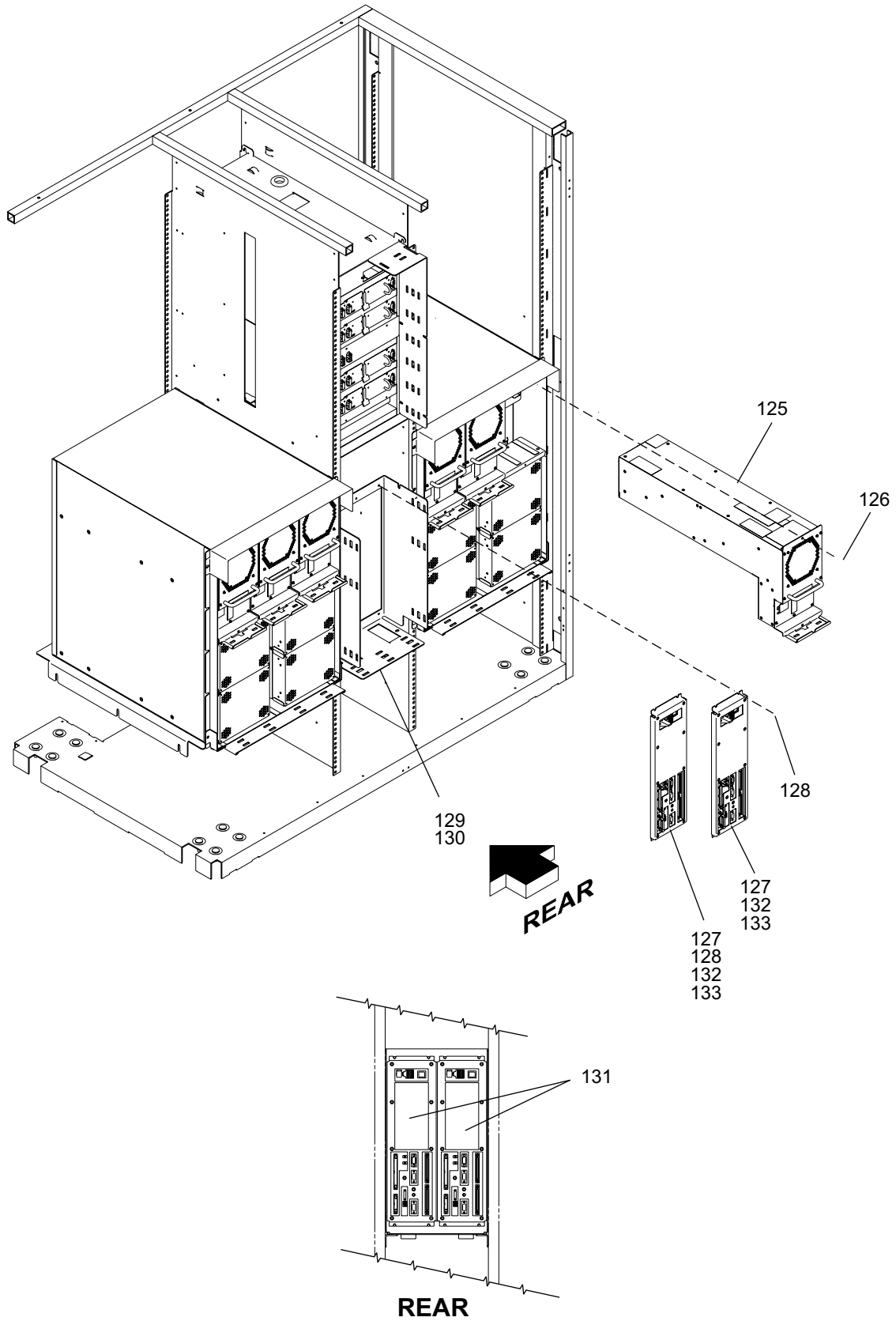
(Also see page 62, 63 item 140, for line cord replacement)



**Assembly 6: (continued)**

<b>Asm- Index</b>	<b>Part Number</b>	<b>Units</b>	<b>Description</b>
6-0	NR	REF	Primary Power Sheet 1 Of 9
-1	59H7318	1	• <b>HDI Card</b>
-2	54G2882	1	• Screw, Hex Head Flange-Black M5 X10mm Long
-3	54G2882	2	• Screw, Metric Hex Head Flange-Black M5 X 10mm Long (Pigtail)
			See Chart (Opposite Page) For Replacement Of Power Supplies (Item 10)
-10	34L7796	2	• <b>Later Auto-ranging 8.5 KW Power Supply</b>
-10	34L8101	2	• <b>Later Auto-ranging 6 KW Power Supply For Mod E10/E20 Only</b>
-10	34L8102	2	• <b>Latest Auto-ranging 6 KW Power Supply</b>
-10	34L8800	2	• <b>Latest Low Voltage Power Supply (200V-240V)</b>
-10	34L8801	2	• <b>Latest High Voltage Power Supply (380V-480V)</b>
-10A	34L2493	4	• <b>Fan, Power Supply (12VDC)</b>
-10B		4	• Screw, Metric Phillips Pan Head M4 X 60mm Long
-10C		4	• Split Lock Washer
-10D		4	• Flat Washer
-11	54G2882	8	• Screw, Metric Hex Head Flange-Black M5 X 10mm Long
			Note: Always use the latest available primary power supply P/N. When the low voltage and high voltage primary power supplies become available, they should be used for all replacements.
			<b>ATTENTION:</b> Do not connect a Low Voltage power supply into a High Voltage power source. Do not connect a High Voltage power supply into a Low Voltage power source. Doing so will damage the power supply and it will be unusable.
-12	09L2426	1	• <b>Battery Set</b> (Includes Left And Right Batteries)
-13	54G2882	8	• Screw, Metric Hex Head Flange-Black M5 X 10mm Long
-14	74F1823	8	• Nutclip, M5 X 0.8 - Battery Mounting
-15	07H6655	2	• Soft Cable Tie, 150mm Long
-16	54G2882	2	• Screw, Metric Hex Head Flange-Black M5 X 10mm Long (Gnd)
-17	1622347	2	• Lock Washer, External Tooth-ID 5.3mm, OD 10mm, 0.6mm Thick
			End Of Sheet 1 Of 9

**Assembly 6: (continued)**

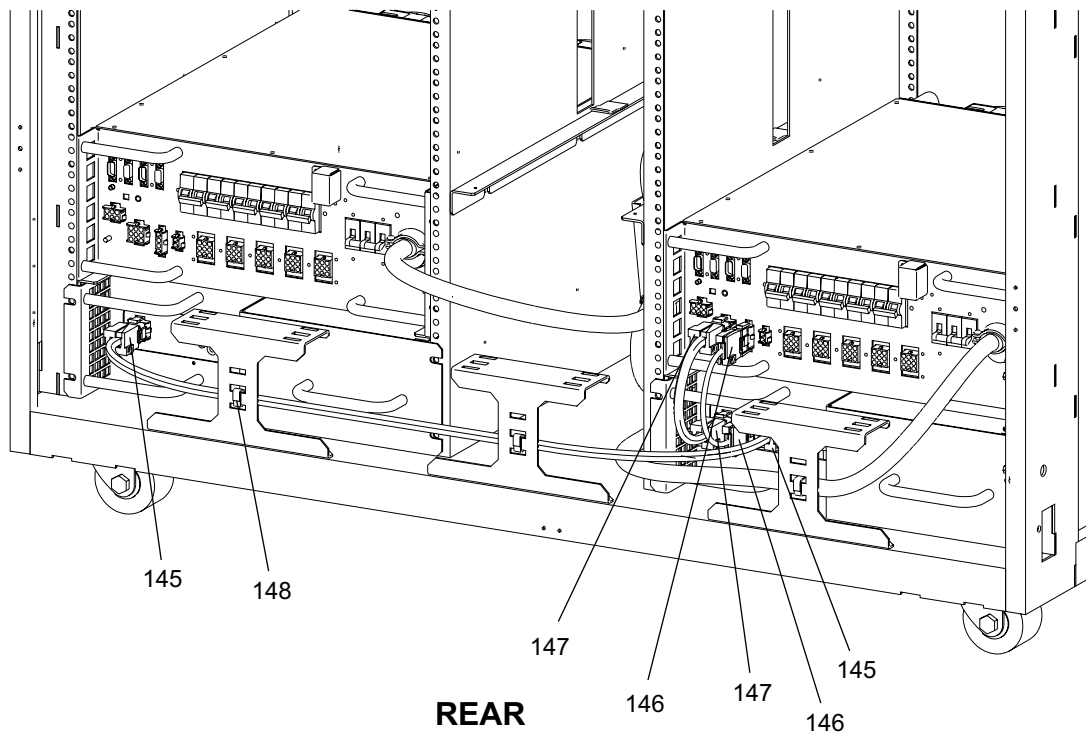
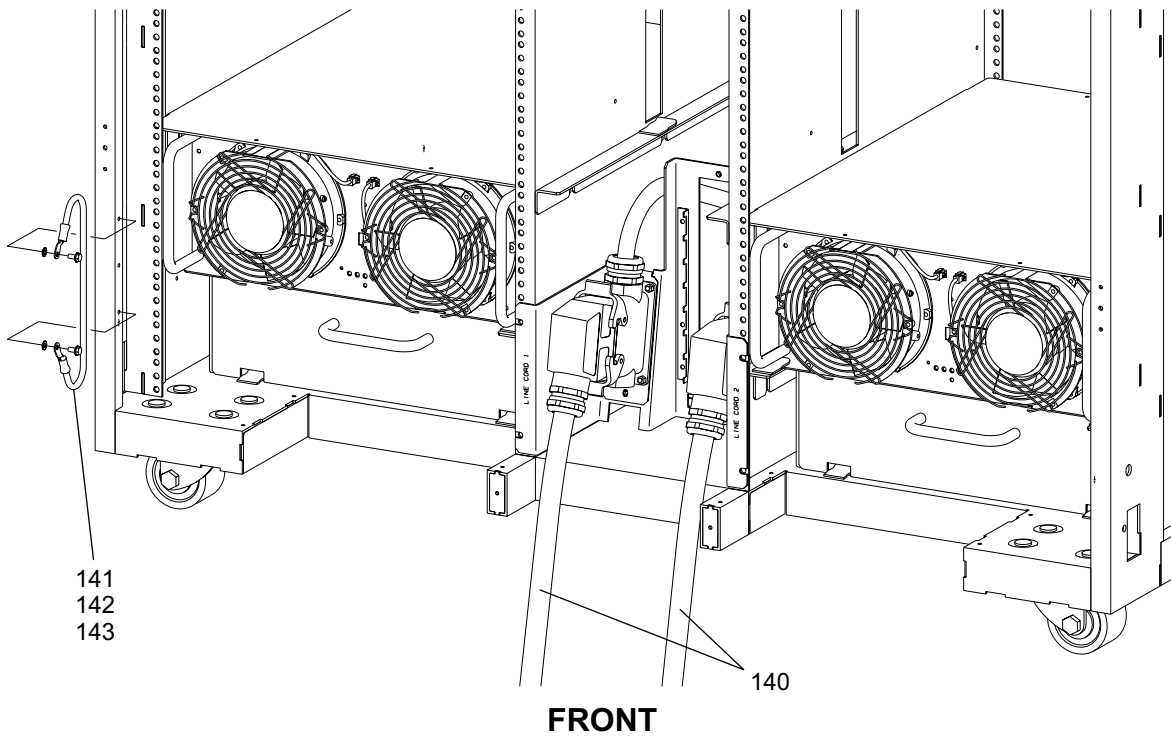




**Assembly 6: (continued)**

<b>Asm-Index</b>	<b>Part Number</b>	<b>Units</b>	<b>Description</b>
6-0	NR	REF	Primary Power Sheet 2 Of 9
-125	18P1388	6	• <b>Electronics Cage Power Supply</b>
-126	90H9940	12	• Screw, Metric Pan Head Slotted M4 X 8mm Long
-127	09L5182	2	• <b>Rack Power Control Card (RPC)</b>
-128	54G2882	8	• Screw, Hex Head Flange-Black M5 X 10mm Long
-129	09L0245	1	• Bracket, Rack Power Control Card
-130	1624775	4	• Screw, Metric Hex Head Flange-M5 X 6mm Long
-131	34L5494	1	• Label Set, Rack Power Control Card
-132	09L0244	2	• Cover, Rack Power Control Card
-133	1621190	20	• Screw, Pan Head Slotted M4 X 8mm Long Cover To Rack Power Control Card Mounting
			End Of Sheet 2 Of 9

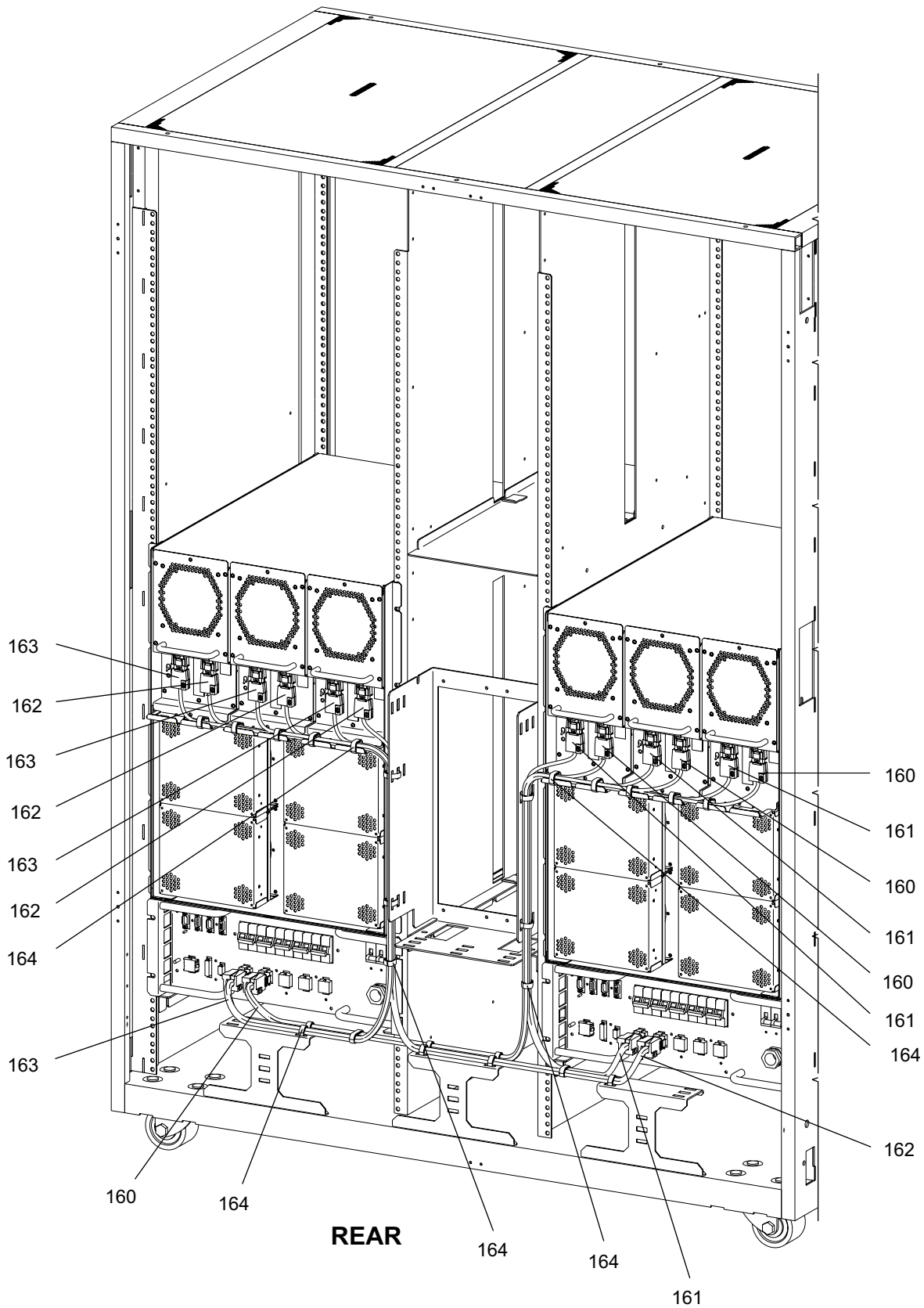
## Assembly 6: (continued)



**Assembly 6: (continued)**

<b>Asm-Index</b>	<b>Part Number</b>	<b>Units</b>	<b>Description</b>
6-0	NR	REF	Primary Power Sheet 3 Of 9  Also See Chart, Page 58 For Replacement Of Line Cords (Item 140)
-140	09L0303	2	• Line Cord, 3 Phase, W/50 Amp Connector (Chicago)
-140	09L0304	2	• Line Cord, 3 Phase, W/50 Amp Connector (Non-EMEA)
-140	09L0305	2	• Line Cord, 3 Phase, No Connector (EMEA)
-140	09L0306	2	• Line Cord, 1 Phase, W/50 Amp Connector (Chicago)
-140	09L0307	2	• Line Cord, 1 Phase, W/50 Amp Connector (Non-EMEA)
-140	34L5526	2	• Line Cord, 1 Phase, No Connector (EMEA)
-140	09L0309	2	• Line Cord, 3 Phase, W/60 Amp Connector (Chicago)
-140	09L3012	2	• Line Cord, 3 Phase, W/60 Amp Connector (Non-EMEA)
-140	09L0311	2	• Line Cord, 1 Phase, W/60 Amp connector (Japan)
-140	09L0312	2	• Line Cord, 3 Phase, W/60 Amp connector (Japan)
-141	34L3506	1	• Jumper Asm, Mod E20 Rack To Expansion Rack Mod E20 Expansion Rack Only
-142	54G2882	2	• Screw, Hex Head Flange-Black M5 X 10mm Long Mod E20 Expansion Rack Only
-143	1622347	2	• Lock Washer, External Tooth-ID 5.3mm, OD 10mm, 0.6mm Thick Mod E20 Expansion Rack Only
-145	09L0286	1	• Cable Asm, Battery 1 To Battery 2
-146	09L0264	1	• Cable Asm, PPS-1 Battery 1 (Signal)
-147	09L0263	1	• Cable Asm, PPS-1 Battery 1 (Power)
-148	07H6655	2	• Soft Cable Tie, 150mm Long
			End Of Sheet 3 Of 9

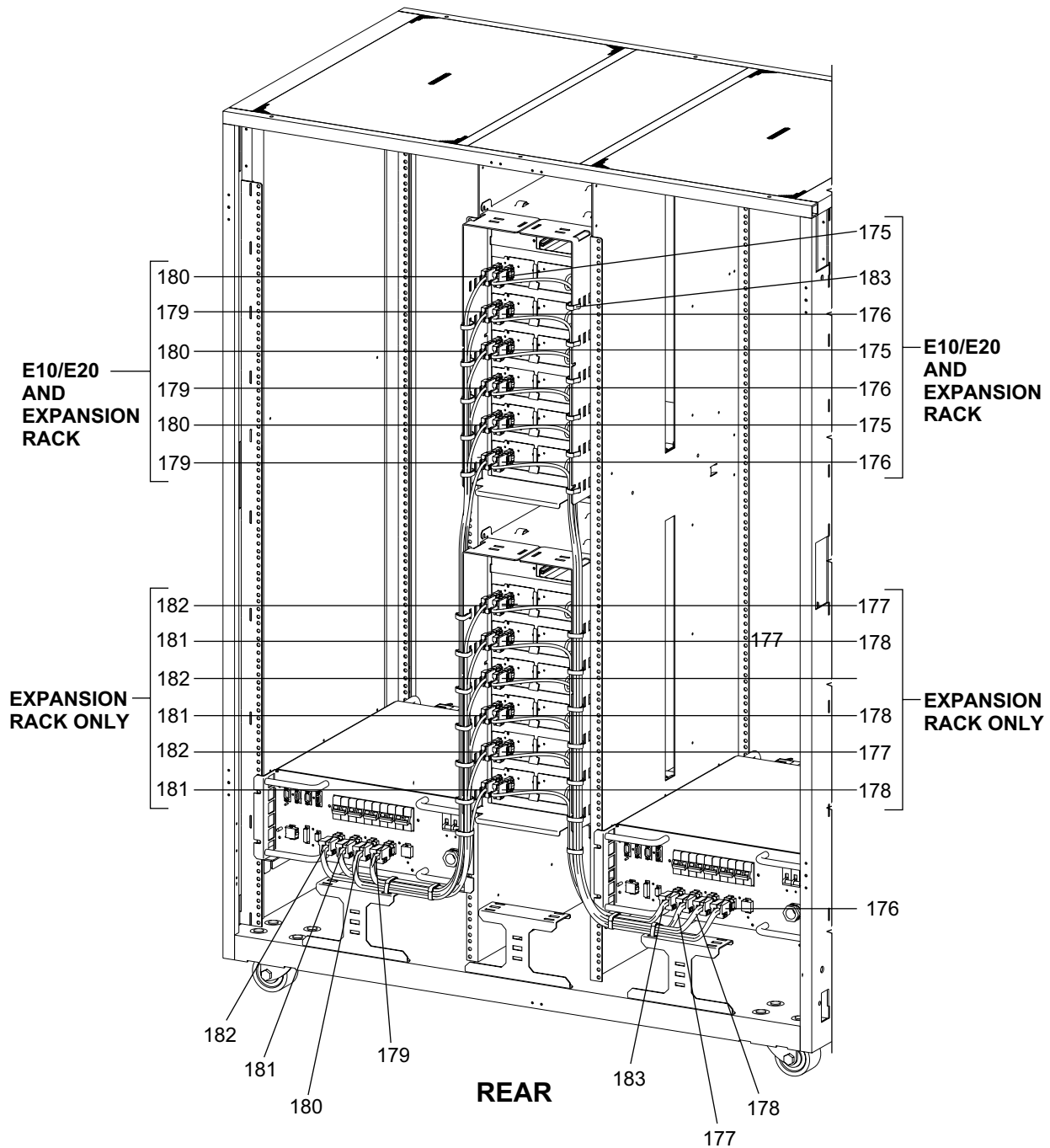
# Assembly 6: (continued)



**Assembly 6: (continued)**

<b>Asm-Index</b>	<b>Part Number</b>	<b>Units</b>	<b>Description</b>
6-0	NR	REF	Primary Power Sheet 4 Of 9
-160	09L0275	1	• Cable Asm, PPS-2 - 1/PS1, 2, 3
-161	09L0272	1	• Cable Asm, PPS-1 - 1/PS1, 2, 3
-162	09L0273	1	• Cable Asm, PPS-1 - 2/PS1, 2, 3
-163	09L0274	1	• Cable Asm, PPS-2 - 2/PS1, 2, 3
-164	07H6655	AR	• Soft Cable Tie, 150mm Long
			End Of Sheet 4 Of 9

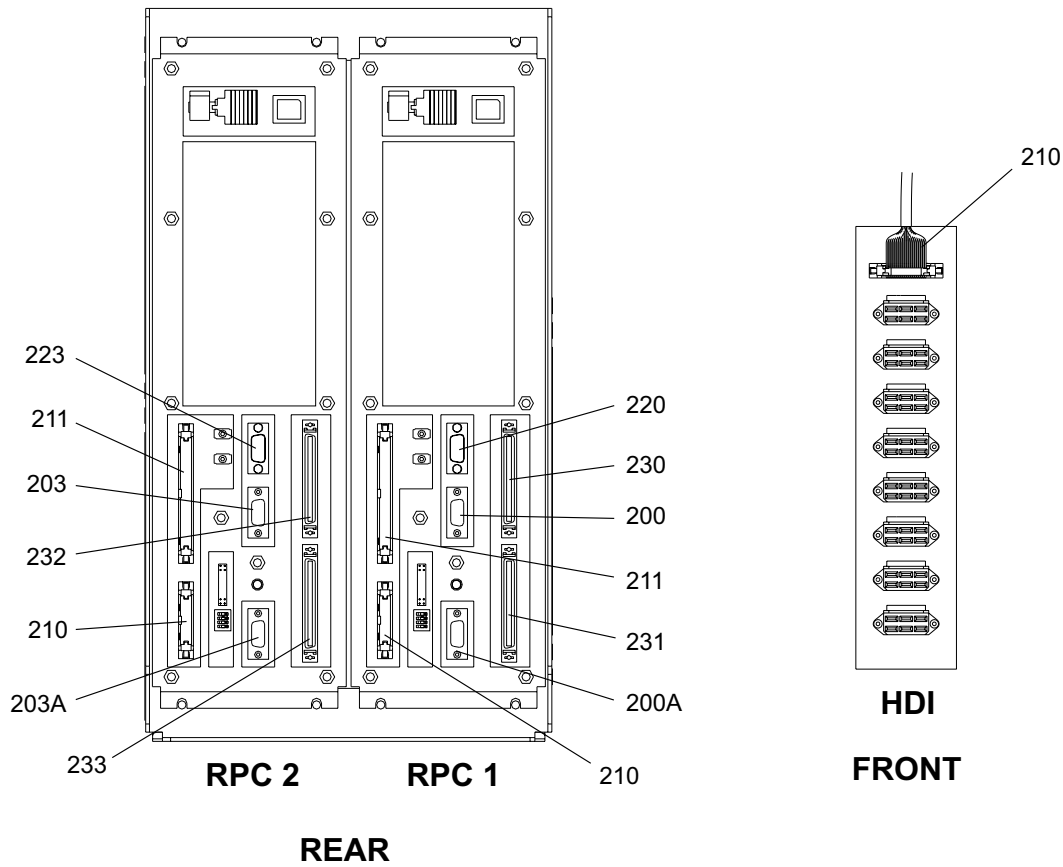
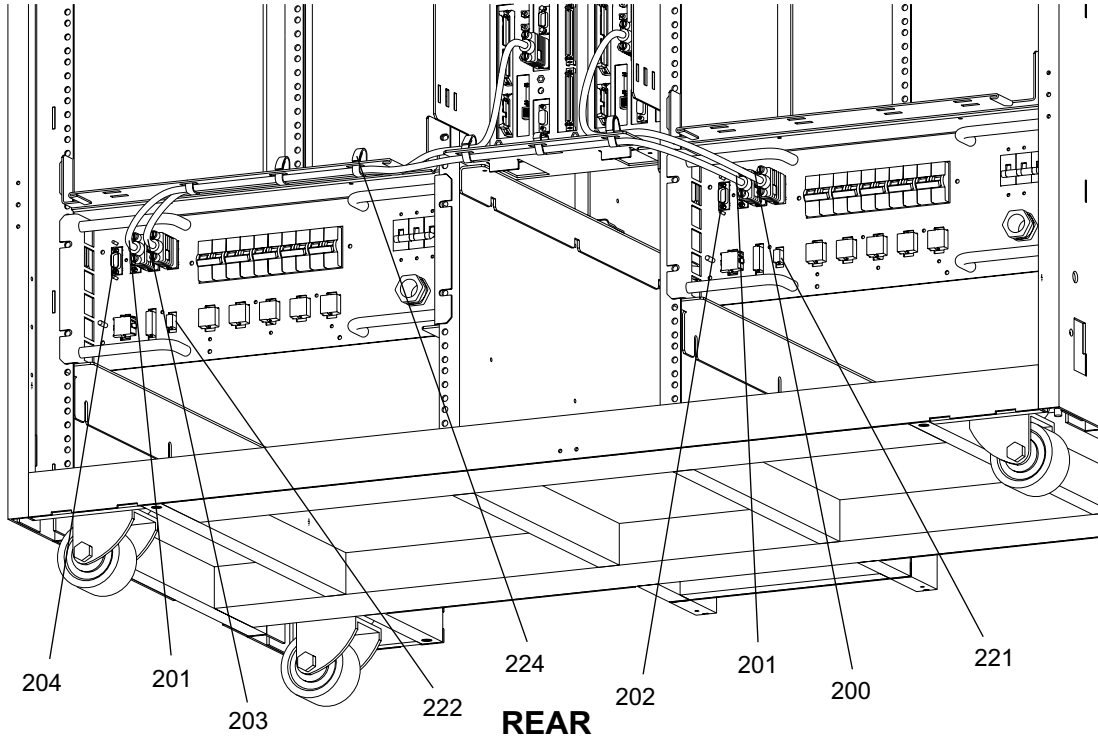
**Assembly 6: (continued)**



**Assembly 6: (continued)**

<b>Asm-Index</b>	<b>Part Number</b>	<b>Units</b>	<b>Description</b>
6-0	NR	REF	Primary Power Sheet 5 Of 9
-175	09L0276	1	• Cable Asm, PPS-1 To SBPS-1, 3, 5
-176	09L0277	1	• Cable Asm, PPS-1 To SBPS-2, 4, 6
-177	34L3087	1	• Cable Asm, PPS-1 To 2/SBPS-1, 3, 5 Mod E20 Expansion Rack Only
-178	34L3088	1	• Cable Asm, PPS-1 To 2/SBPS-2, 4, 6 Mod E20 Expansion Rack Only
-179	09L0279	1	• Cable Asm, PPS-2 To SBPS-2, 4, 6
-180	09L0278	1	• Cable Asm, PPS-2 To SBPS-1, 3, 5
-181	34L3090	1	• Cable Asm, PPS-2 To 2/SBPS-2, 4, 6 Mod E20 Expansion Rack Only
-182	34L3089	1	• Cable Asm, PPS-2 To 2/SBPS-1, 3, 5 Mod E20 Expansion Rack Only
-183	07H6655	AR	• Soft Cable Tie, 150mm Long
			End Of Sheet 5 Of 9

**Assembly 6: (continued)**

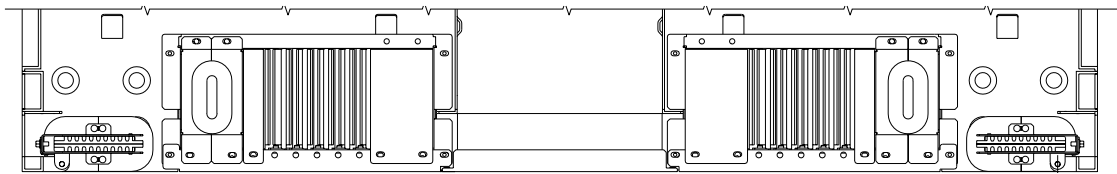
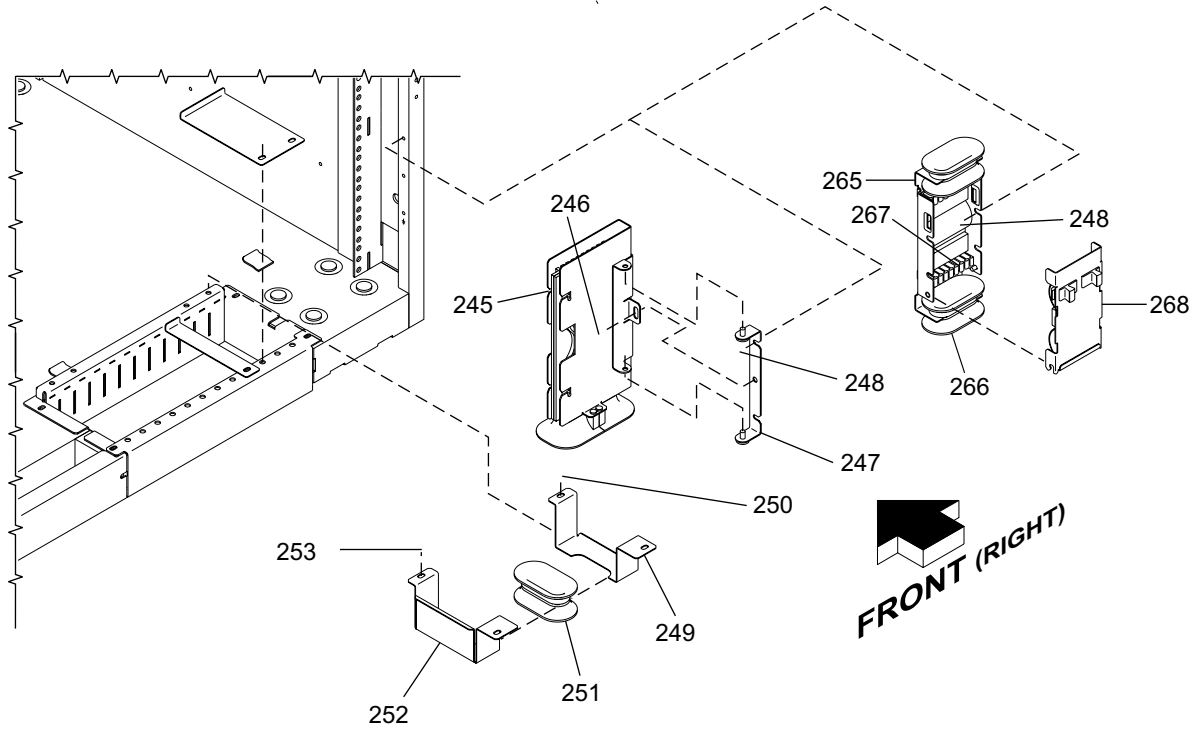




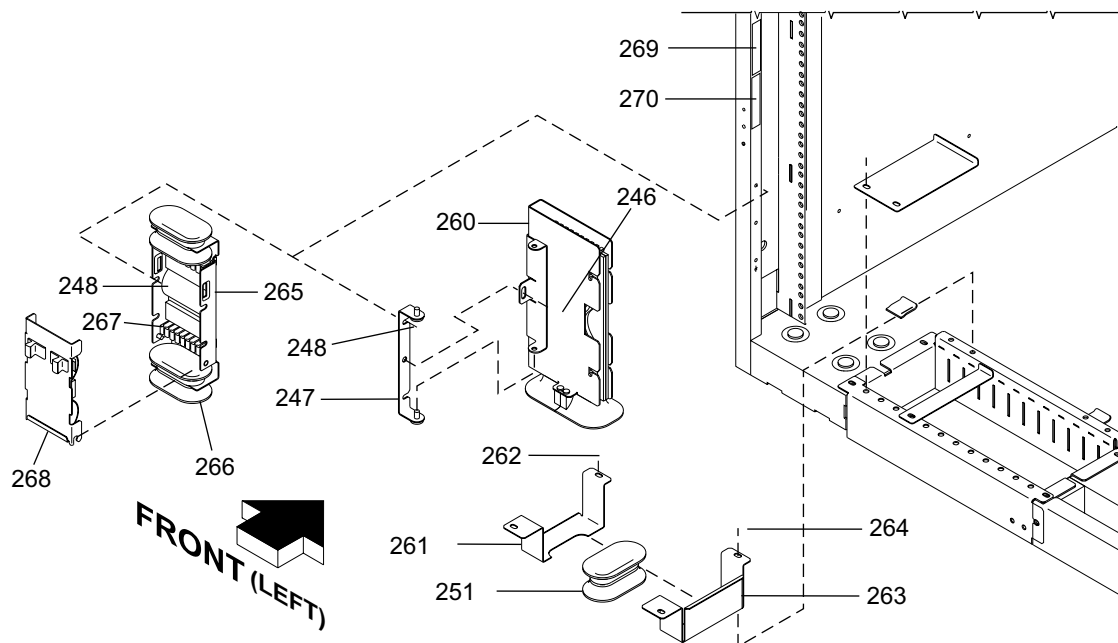
Assembly 6: (continued)

Asm-Index	Part Number	Units	Description
6-0	NR	REF	Primary Power Sheet 6 Of 9
-200	09L0265	1	• Cable Asm, PPS-1 - RPC-1 Mod E10/E20 Rack Only
-200	34L3085	1	• Cable Asm, PPS-1 - A-Box RPC-1 Mod E20 Expansion Rack Only
-201	34L3041	1	• Cable Asm, PPS-1 - PPS-2
-202	34L3091	1	• Cable Asm, PPS-1 - Operator Panel Mod E20 Expansion Rack Only
-203	09L0266	1	• Cable Asm, PPS-2 - RPC-2 Mod E10/E20 Rack Only
-203A	34L3086	1	• Cable Asm, PPS-2 - A-Box RPC-2 Mod E20 Expansion Rack Only
-204	34L3092	1	• Cable Asm, PPS-2 - Operator Panel Mod E20 Expansion Rack Only
-210	09L0293	1	• Cable Asm, RPC-1 - RPC-2 - HDI
-211	05J7268	1	• Cable Asm, RPC-1 - RPC-2
-220	09L0268	1	• Cable Asm, RPC-1 - Operator Panel
-221	09L0270	1	• Cable Asm, PPS-1 - UEPO Card
-222	09L0271	1	• Cable Asm, PPS-2 - UEPO Card
-223	09L0269	1	• Cable Asm, RPC-2 - Operator Panel
-224	07H6655	AR	• Soft Cable Tie, 150mm Long
-230	09L0288	1	• Cable Asm, RPC-1 - Electronics Cage 1
-231	09L0289	1	• Cable Asm, RPC-1 - Electronics Cage 1
-232	09L0290	1	• Cable Asm, RPC-2 - Electronics Cage 2
-233	09L0291	1	• Cable Asm, RPC-2 - Electronics Cage 2
			End Of Sheet 6 Of 9

**Assembly 6: (continued)**



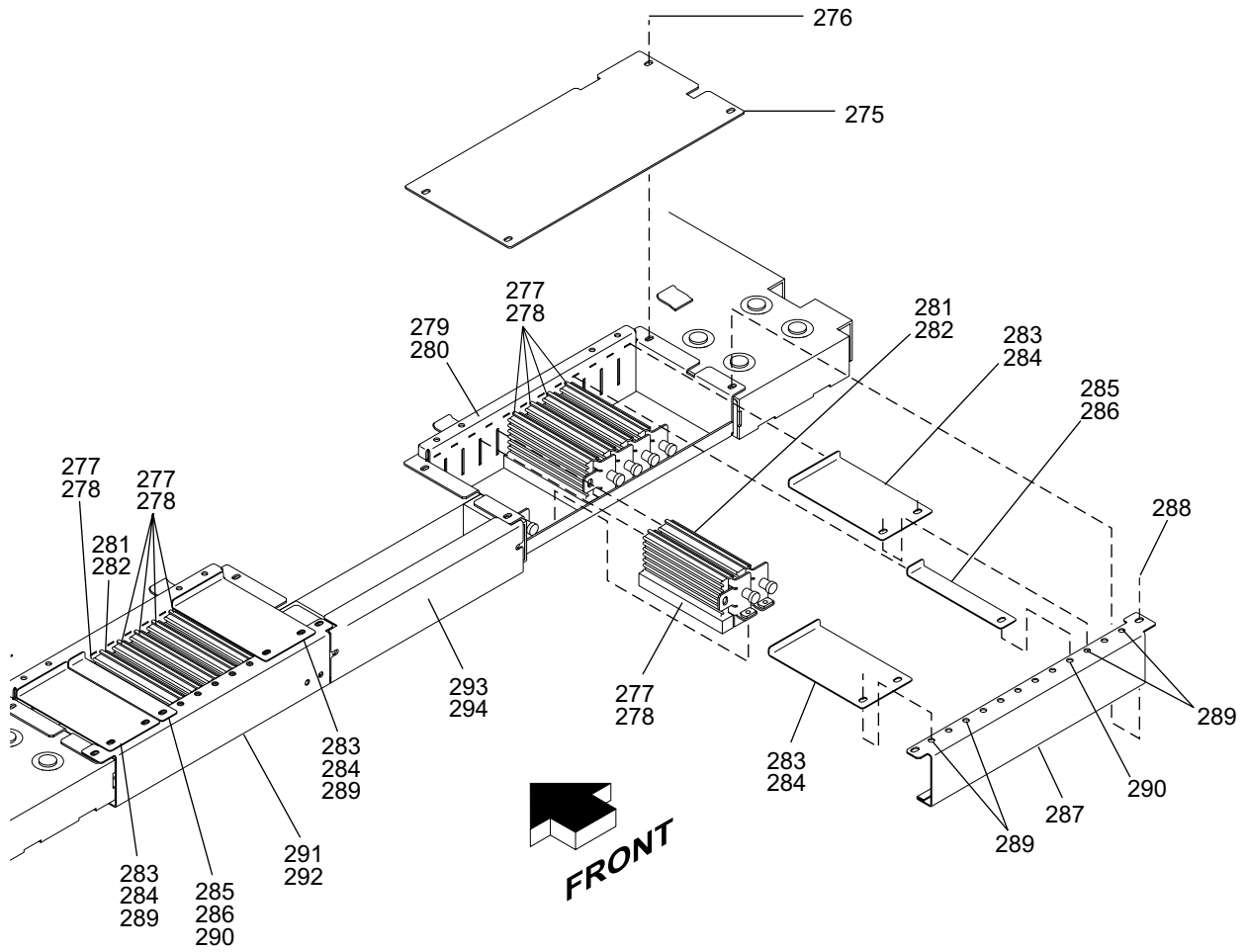
**TOP VIEW - TAILGATE WITH ESCON/FIBER CHANNEL**



**Assembly 6: (continued)**

<b>Asm- Index</b>	<b>Part Number</b>	<b>Units</b>	<b>Description</b>
6-0	NR	REF	Primary Power Sheet 7 Of 9 Items 245 Through 248 Are Used For ESCON Only
-245	09L2561	1	• Strain Relief Asm, Right
-246	77G0599	2	• Screw, Metric Hex Head Flange Black M5 X 16mm Long
-247	09L2560	2	• Bracket, Hinge Mount
-248	54G2882	4	• Screw, Metric Hex Head Flange Black M5 X 10mm Long
-249	09L2556	1	• Bracket, Grommet - Right Side, Right Tailgate
-250	54G2882	2	• Screw, Metric Hex Head Flange Black M5 X 10mm Long
-251	93G2645	2	• Grommet
-252	09L2555	1	• Bracket, Grommet - Left Side, Right Tailgate
-253	54G2882	2	• Screw, Metric Hex Head Flange Black M5 X 10mm Long
-260	09L2562	1	• Strain Relief Asm, Left
-261	09L2553	1	• Bracket, Grommet - Left Side, Left Tailgate
-262	54G2882	2	• Screw, Metric Hex Head Flange Black M5 X 10mm Long
-263	09L2554	1	• Bracket, Grommet - Right Side, Left Tailgate
-264	54G2882	2	• Screw, Metric Hex Head Flange Black M5 X 10mm Long
			Items 265 Through 268 Are Used For Fiber Channel/Fiber Channel And ESCON
-265	18P0352	2	• Mounting Bracket, Fiber Strain Relief
-266	93G2645	4	• Grommet
-267	18P0438	4	• Cable Comb
-268	18P0353	2	• Top Bracket, Fiber Strain Relief
-269	80X3015	1	• Label, ESD Pad
-270	80X2990	1	• Pad, ESD Discharge
			End Of Sheet 7 Of 9

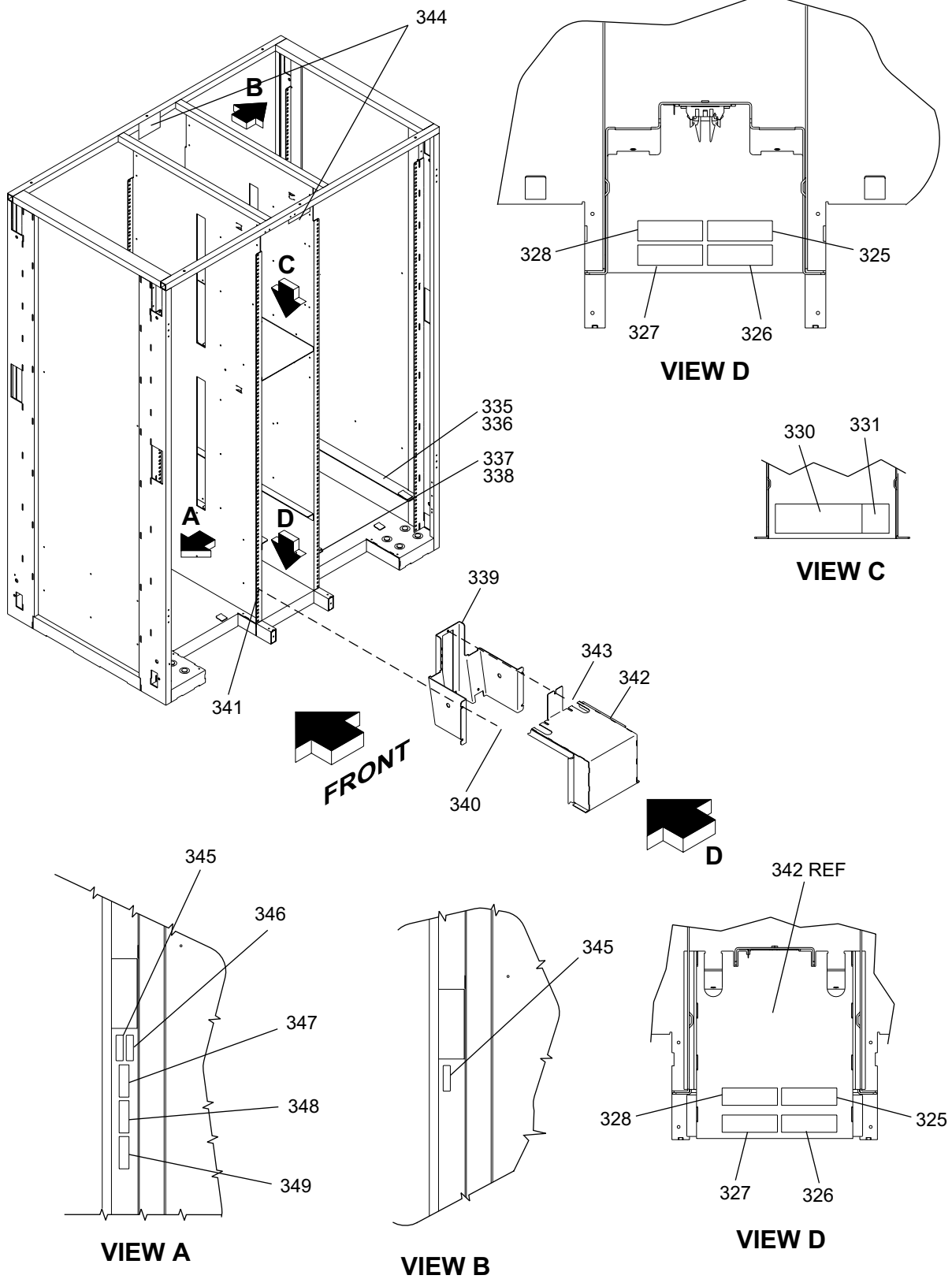
# Assembly 6: (continued)



**Assembly 6: (continued)**

<b>Asm-Index</b>	<b>Part Number</b>	<b>Units</b>	<b>Description</b>
6-0	NR	REF	Primary Power Sheet 8 Of 9
-275	34L3119	2	• Plate, Tailgate Mod E20 Expansion Rack Only
-276	54G2882	4	• Screw, Metric Hex Head Flange-Black M5 X 10mm Long Mod E20 Expansion Rack Only
-277	08L8077	10	• Bracket, Clamp-11 X 6 Rubber Blocks W/EMC Gaskets
-278	54G2882	10	• Screw, Metric Hex Head Flange-Black M5 X 10mm Long
-279	09L2557	2	• Tailgate Chassis
-280	54G2882	4	• Screw, Metric Hex Head Flange-Black M5 X 10mm Long
-281	07H6824	2	• Bracket, Clamp-14 X 6 Rubber Blocks
-282	54G2882	2	• Screw, Metric Hex Head Flange-Black M5 X 10mm Long
-283	07H6763	4	• Plate - 3 Position
-284	54G2882	8	• Screw, Metric Hex Head Flange-Black M5 X 10mm Long
-285	07H6764	2	• Plate - 1 Position
-286	54G2882	2	• Screw, Metric Hex Head Flange-Black M5 X 10mm Long
-287	34L3483	1	• Tailgate Bar - Right
-288	77G0599	2	• Screw, Metric Hex Head Flange-Black M5 X 16mm Long
-289	74F1823	8	• Nutclip
-290	74F1823	2	• Nutclip
-291	34L7735	1	• Tailgate Bar - Left
-292	77G0599	2	• Screw, Metric Hex Head Flange-Black M5 X 16mm Long
-293	34L3482	1	• Tailgate Bar - Center
-294	77G0599	2	• Screw, Metric Hex Head Flange-Black M5 X 16mm Long
			End Of Sheet 8 Of 9

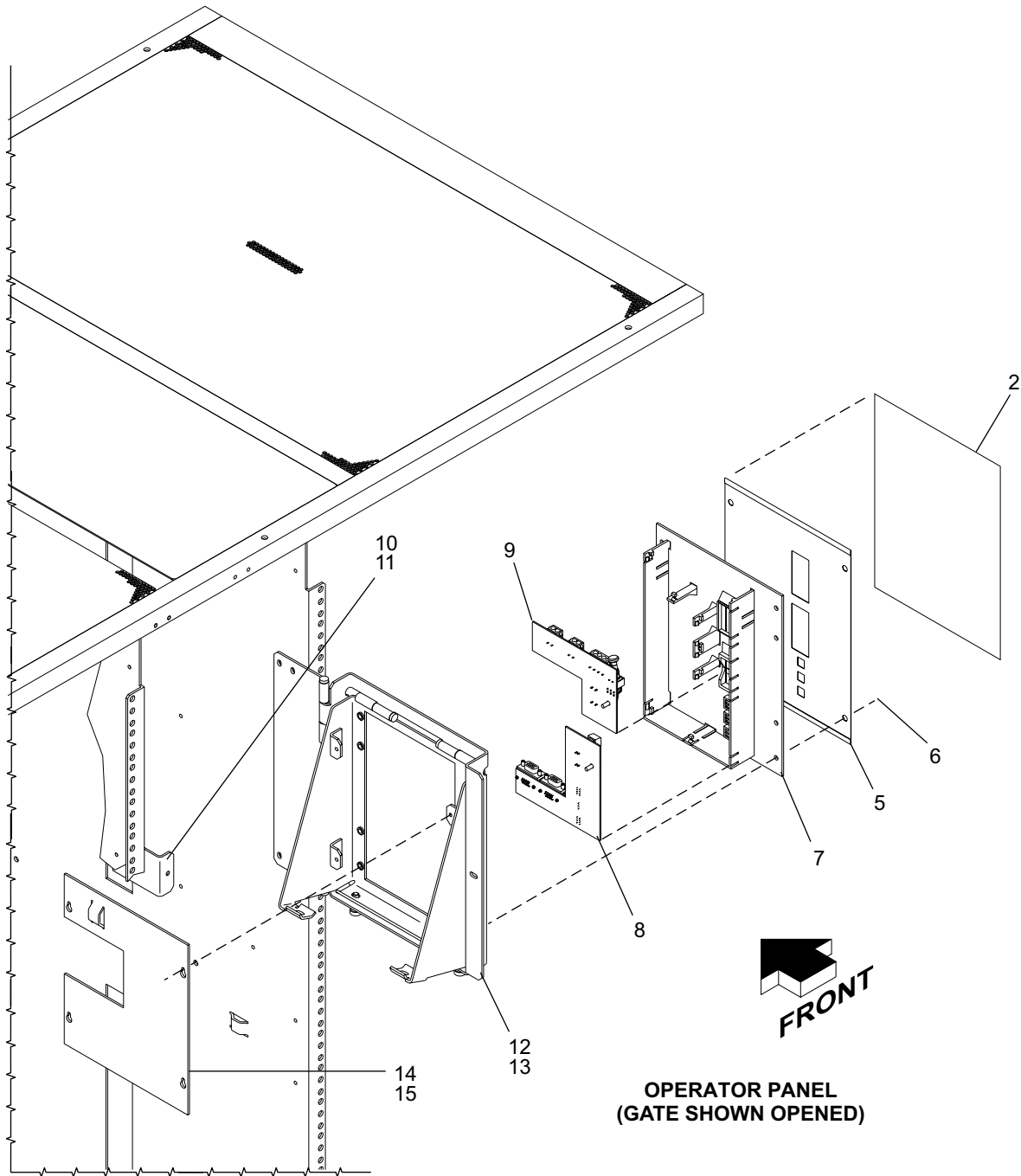
**Assembly 6: (continued)**



Assembly 6: (continued)

Asm-Index	Part Number	Units	Description
6-0	NR	REF	Primary Power Sheet 9 Of 9
-325	05J9063	AR	• Label, High Leakage Current (Spanish)
-326	05J9063	AR	• Label, Dual Line Cord (Spanish)
-325	05J9065	AR	• Label, High Leakage Current (German)
-326	05J5511	AR	• Label, Dual Line Cord (German)
-325	34L5538	AR	• Label, High Leakage Current (Hungarian)
-326	34L5539	AR	• Label, Dual Line Cord (Hungarian)
-325	05J9071	AR	• Label, High Leakage Current (French)
-326	09G5517	AR	• Label, Dual Line Cord (French)
-325	05J9089	AR	• Label, High Leakage Current (Brazil/Portuguese)
-326	05J7398	AR	• Label, Dual Line Cord (Brazil/Portuguese)
-325	34L5554	AR	• Label, High Leakage Current (French/Dutch)
-326	09G5519	AR	• Label, Dual Line Cord (French/Dutch)
-325	05J9079	AR	• Label, High Leakage Current (Korean)
-326	09G5525	AR	• Label, Dual Line Cord (Korean)
-325	34L5540	AR	• Label, High Leakage Current (Greek)
-326	34L5541	AR	• Label, Dual Line Cord (Greek)
-325	34L5555	AR	• Label, High Leakage Current (Italian)
-326	09G5521	AR	• Label, Dual Line Cord (Italian)
-325	34L5556	AR	• Label, High Leakage Current (Japanese)
-326	09G5523	AR	• Label, Dual Line Cord (Japanese)
-325	34L5557	AR	• Label, High Leakage Current (Chinese-PRC)
-326	34L5558	AR	• Label, Dual Line Cord (Chinese-PRC)
-327	09G4108	AR	• Label, Dual Line Cord, (English)
-328	05J8627	AR	• Label, High Leakage Current (English)
-330	18P0394	1	• Label, Information Agency
-331	18P0391	1	• Label, Power Rating (Mod E10/F10 Rack Only)
-331	18P0395	1	• Label, Power Rating (Mod E20 Expansion Rack Only)
-331	18P0393	1	• Label, Power Rating (Mod E20/F20 Rack Only)
-339	09L0246	1	• Bracket, Line Cord / HDI Card
-340	54G2882	4	• Screw, Metric Hex Head Flange-Black M5 X 10mm Long
-341	74F1823	4	• Nutclip, M5 X 0.8 - HDI Bracket
-342	34L7874	AR	• Bracket, Baffle (Mod E20 Expansion Rack Only)
-343	54G2882	AR	• Screw, Metric Hex Head Flange-Black M5 X 10mm Long Mod E20 Expansion Rack Only
-344	09L2638	2	• Label, Warning-Trained Service Personnel Only
-345	44F0924	2	• Label, Serial Number
-346	44F0924	1	• Label, WEB ID
-347	0855262	1	• Label, Leased Only USA
-347	0960746	1	• Label, Leased Only Canada
-347	0855263	1	• Label, Leased Only WTC
-347	1976194	1	• Label, Leased Only Tokyo/Japan
-348	0855264	1	• Label, New Machines USA (External To USA Ships)
-348	93G1555	1	• Label, New Machines USA (Domestic Ships Only)
-348	0855265	1	• Label, New Machines Canada
-348	0855266	1	• Label, New Machines WTC
-348	1976589	1	• Label, New Machines Tokyo/Japan
-348	27H1504	1	• Label, New Machines Mfg For IBM By Hungary
-349	0855284	1	• Label, Export Machines USA
-349	4056413	1	• Label, Export Machines Germany
			End Of Assembly

## Assembly 7: Operator Panel

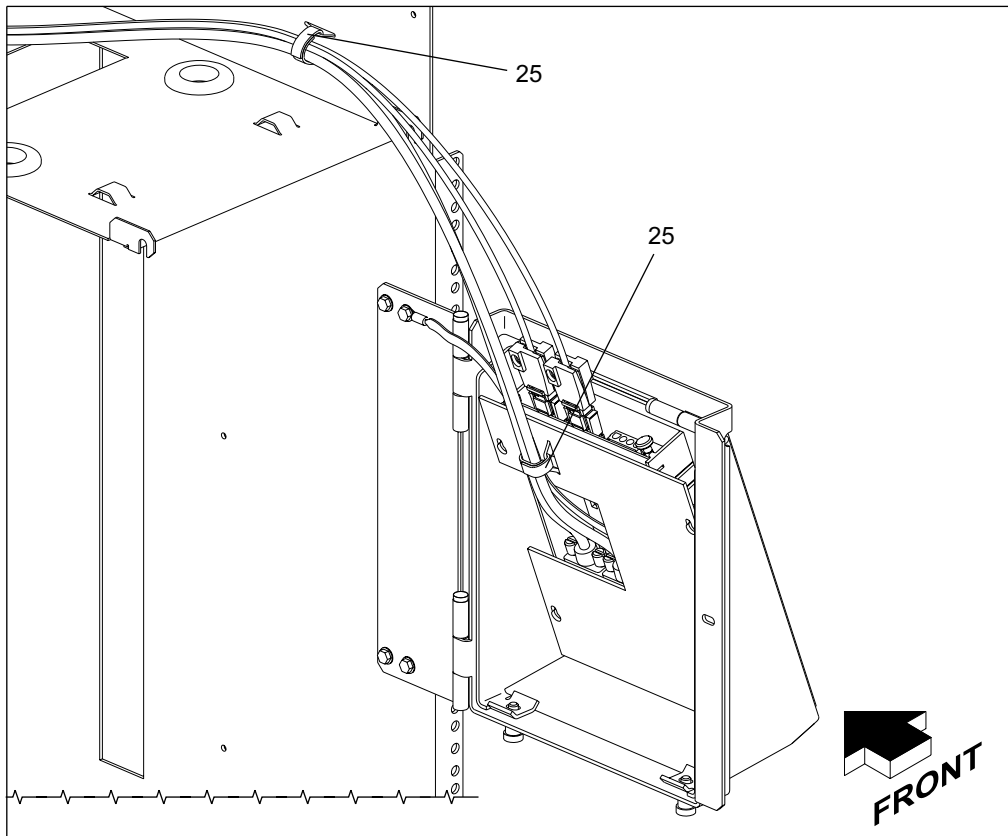
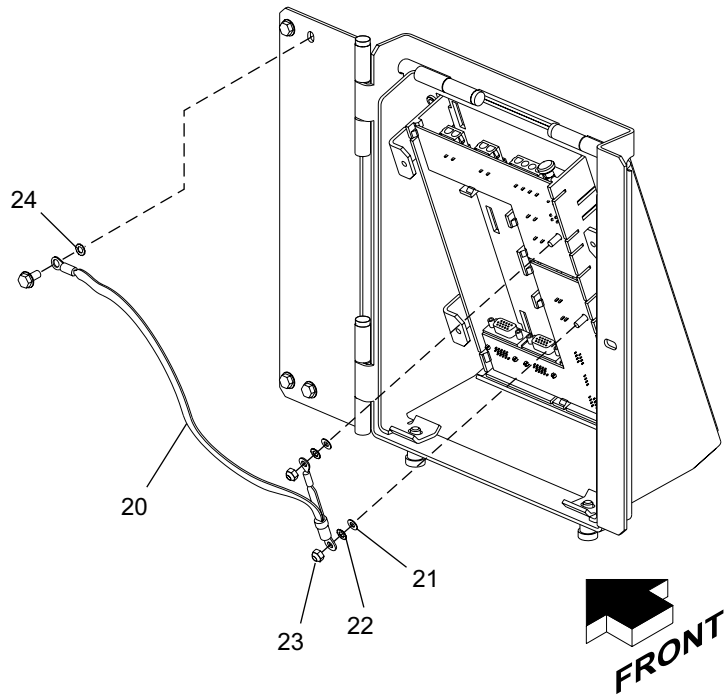




Assembly 7: (continued)

Asm-Index	Part Number	Units	Description
7-0	NR	REF	Operator Panel Sheet 1 Of 2
			<b>Specify One Of The Following Labels For Each Model E10/E20/F10/F20:</b>
-2	34L2408	1	• Label-Operator Panel, English
-2	34L2409	1	• Label-Operator Panel, French
-2	34L2410	1	• Label-Operator Panel, German
-2	34L2411	1	• Label-Operator Panel, Japanese
-2	34L2412	1	• Label-Operator Panel, Korean
-2	34L2413	1	• Label-Operator Panel, Spanish
-2	34L2414	1	• Label-Operator Panel, Italian
-2	34L2415	1	• Label-Operator Panel, Chinese ROC
-2	34L2418	1	• Label-Operator Panel, Brazil/Portuguese
-2	34L2419	1	• Label-Operator Panel, Belgium/Dutch
			<b>Specify One Of The Following Labels For Each Model E20 Expansion Rack:</b>
-2	34L3311	1	• Label-Operator Panel, English
-2	34L3312	1	• Label-Operator Panel, French
-2	34L3313	1	• Label-Operator Panel, German
-2	34L3314	1	• Label-Operator Panel, Japanese
-2	34L3315	1	• Label-Operator Panel, Korean
-2	34L3316	1	• Label-Operator Panel, Spanish
-2	34L3317	1	• Label-Operator Panel, Italian
-2	34L3318	1	• Label-Operator Panel, Chinese ROC
-2	34L6760	1	• Label-Operator Panel, Brazil/Portuguese
-2	34L7071	1	• Label-Operator Panel, Belgium/Dutch
-5	34L3794	1	• EMC Shield, Operator Panel
-6	54G2882	4	• Screw, Hex Head Flange-Black M5 X 10mm Long
-7	34L8251	1	• Housing, Operator Panel
-8	09L3004	1	• <b>Operator Panel On/Off Card</b>
-9	09L2430	1	• <b>Operator Panel UEPO Card</b>
-10	09L0225	1	• Latch, Operator Panel
-11	54G2882	2	• Screw, Metric Hex Head Flange-Black M5 X 10mm Long
-12	34L3511	1	• Gate, Operator Panel
-13	54G2882	4	• Screw, Metric Hex Head Flange-Black M5 X 10mm Long
-14	34L3510	1	• ESD Cover, Operator Panel
-15	90H9940	4	• Screw, Metric Pan Head Slotted M4 X 8mm Long
			End Of Sheet 1 Of 2

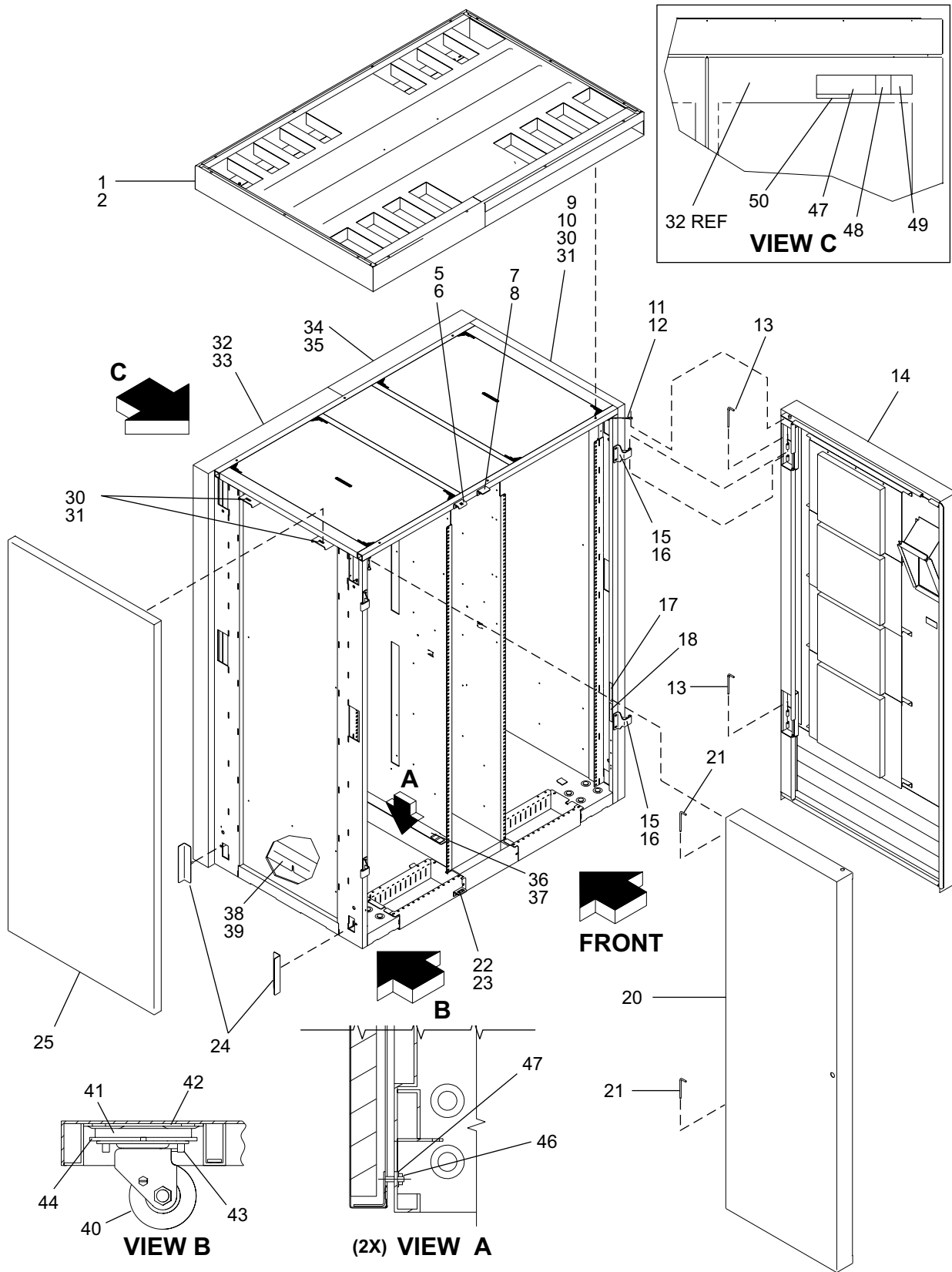
Assembly 7: (continued)



**Assembly 7: (continued)**

<b>Asm- Index</b>	<b>Part Number</b>	<b>Units</b>	<b>Description</b>
7-0	NR	REF	Operator Panel Sheet 2 Of 2
-20	34L3492	1	• Jumper Asm, Operator Panel/UEPO Ground
-21	1622303	2	• Washer, M4 Flat
-22	1622346	2	• Lock Washer, M4 External Tooth
-23	1622417	2	• Lock Nut, M4 Hex
-24	1622347	1	• Lock Washer, External Tooth-ID 5.3mm, OD 10mm, 0.6mm Thick
-25	07H6655	2	• Soft Cable Tie, 150mm Long
			End Of Assembly

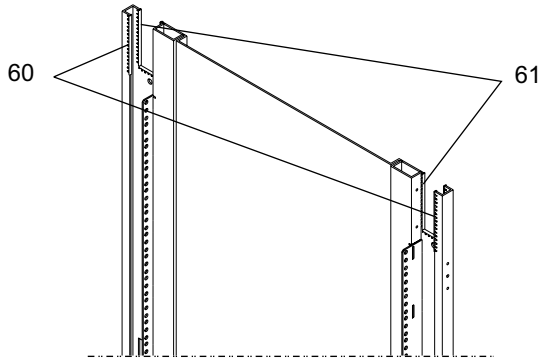
# Assembly 8: Frame And Covers



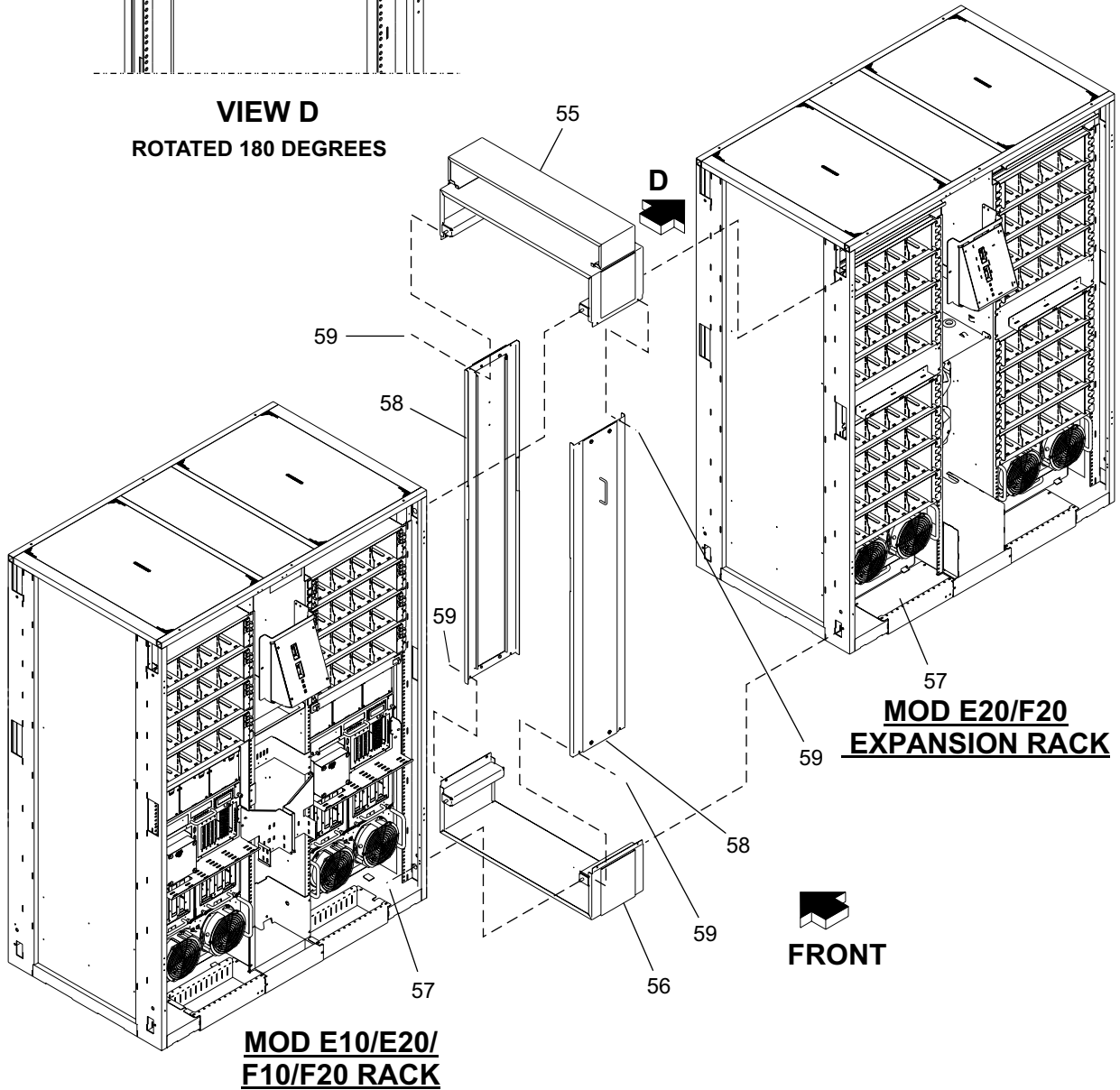
Assembly 8: (continued)

Asm-Index	Part Number	Units	Description
8-0	NR	REF	Frame And Covers Sheet 1 Of 2
-1	09L0239	1	• Cover, Top Hat
-2	54G2882	6	• Screw, Metric Hex Head Flange-Black M5 X 10mm Long
-5	34L8109	2	• Striker-Top-Front And Rear Left Cover
-6	54G2882	4	• Screw, Metric Hex Head Flange-Black M5 X 10mm Long
-7	34L3051	2	• Bracket, Ramp-Front/Rear Right Cover
-8	54G2882	4	• Screw, Metric Hex Head Flange-Black M5 X 10mm Long
-9	09L0237	1	• Cover Assembly, Right End
-10	34L5529	2	• Bracket, End Cover (Bottom)
-11	34L7746	4	• Cable, Stay-Front/Rear Covers
-12	4457486	4	• Screw, Cable Stay
-13	34L2486	2	• Pin, Hinge
-14	34L7030	1	• Cover Assembly, Front Right
-15	34L7026	8	• Hinge, Front And Rear Covers
-16	54G2882	16	• Screw, Metric Hex Head Flange-Black M5 X 10mm Long
-17	80X3012	1	• Label, ESD Pad
-18	80X2990	1	• Pad, ESD Discharge
-20	09L0231	1	• Cover Assembly, Front Left
-21	34L2486	2	• Pin, Hinge
-22	34L3058	2	• Striker-Bottom-Front/Rear Left Cover
-23	54G2882	4	• Screw, Metric Hex Head Flange-Black M5 X 10mm Long
-24	34L5529	2	• Bracket, End Cover (Bottom)
-25	09L0237	1	• Cover Assembly, Left End
-30	34L3068	4	• Bracket, End Cover (Top)
-31	54G2882	8	• Screw, Metric Hex Head Flange-Black M5 X 10mm Long
-32	34L7075	1	• Cover Assembly, Rear Left (Mod E10/E20 Rack Only)
-32	34L7878	1	• Cover Assembly, Rear Left Mod E20 Expansion Rack Only
-33	34L2486	2	• Pin, Hinge
-34	34L7073	1	• Cover Assembly, Rear Right (Mod E10/E20 Rack Only)
-34	34L7877	1	• Cover Assembly, Rear Right Mod E20 Expansion Rack Only
-35	34L2486	2	• Pin, Hinge
-36	09L0203	2	• Bracket, Right Support-PPS
-37	1624775	6	• Screw, Metric Hex Head Flange-M5 X 6mm Long
-38	09L0204	2	• Bracket, Left Support-PPS
-39	1624775	6	• Screw, Metric Hex Head Flange-M5 X 6mm Long
-40	31L7521	4	• Caster
-41	74X3431	4	• Shockpad
-42	34L6653	4	• Plate, Caster
-43	1622420	16	• Lock Nut
-44	34L7027	4	• Plate, Shockpad
-47	18P0394	1	• Label, Information Agency
-48	18P0395	1	• Label, Power Rating (Mod E20 Expansion Rack Only)
-48	18P0391	1	• Label, Power Rating (Mod E10/F10 Rack Only)
-48	18P0393	1	• Label, Power Rating (Mod E20/F20 Rack Only)
-49	18P0928	1	• Label, Country Of Origin (USA)
-49	18P0929	1	• Label, Country Of Origin (Hungary)
-50	34L7070	1	• Label, Microcode/Copyright
			End Of Sheet 1 Of 2

**Assembly 8: (continued)**



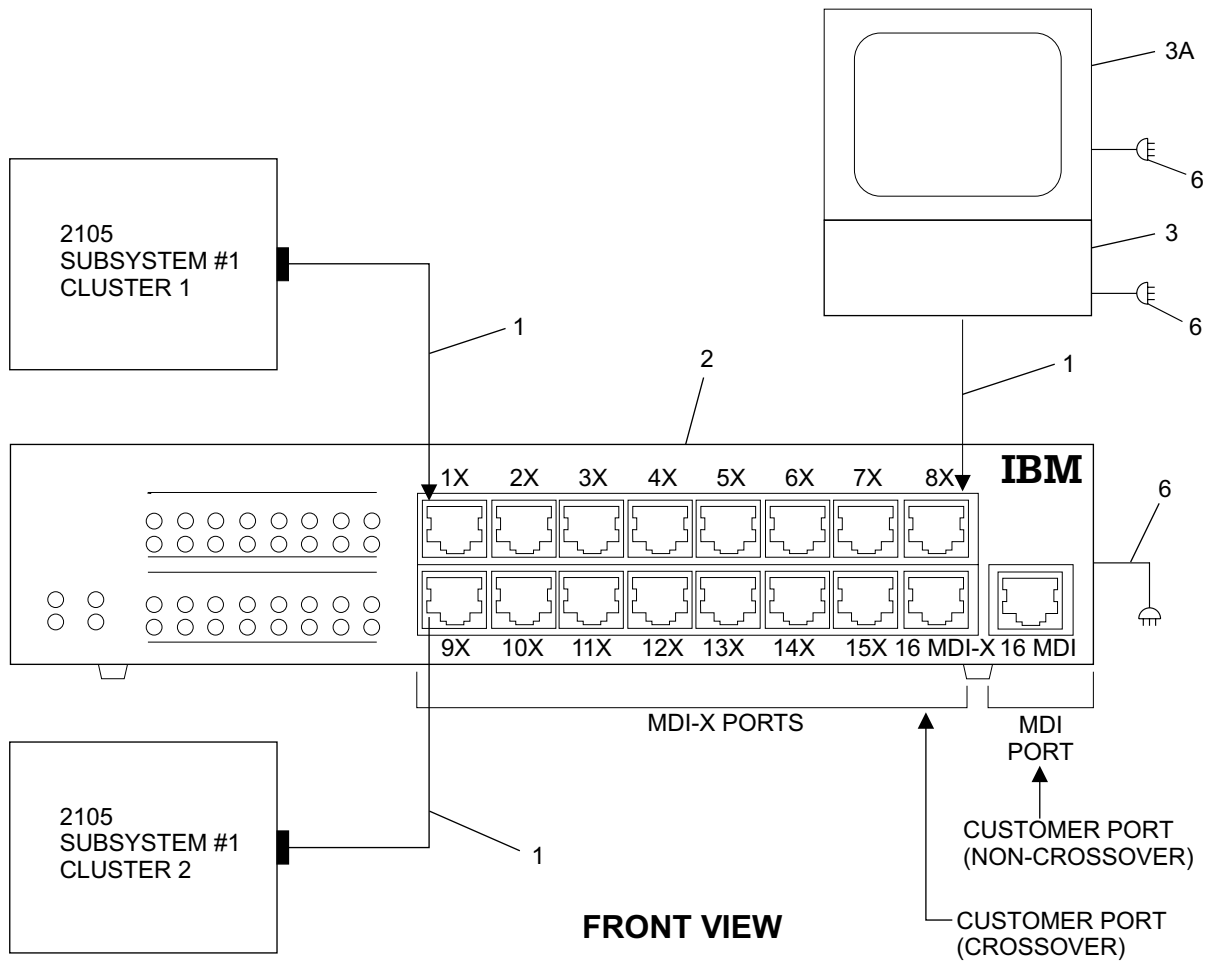
**VIEW D**  
**ROTATED 180 DEGREES**



**Assembly 8: (continued)**

<b>Asm- Index</b>	<b>Part Number</b>	<b>Units</b>	<b>Description</b>
8-1	NR	REF	Frame And Covers Sheet 2 Of 2
-55	34L5478	1	• Spacer Asm, Frame Top
-56	34L5479	1	• Spacer Asm, Frame Bottom
-57	19F1586	8	• Nut, Spacer Frame Mounting
-58	34L5480	2	• Panel Asm, Removable
-59	92G8546	8	• Screw, Pan Head M4 X 8mm Long
-60	34L6654	AR	• Grommet, Inner Edge (Frame Member)
-61	34L6654	AR	• Grommet, Frame Cut Out
			End Of Assembly

# Assembly 9: ESSNet Console



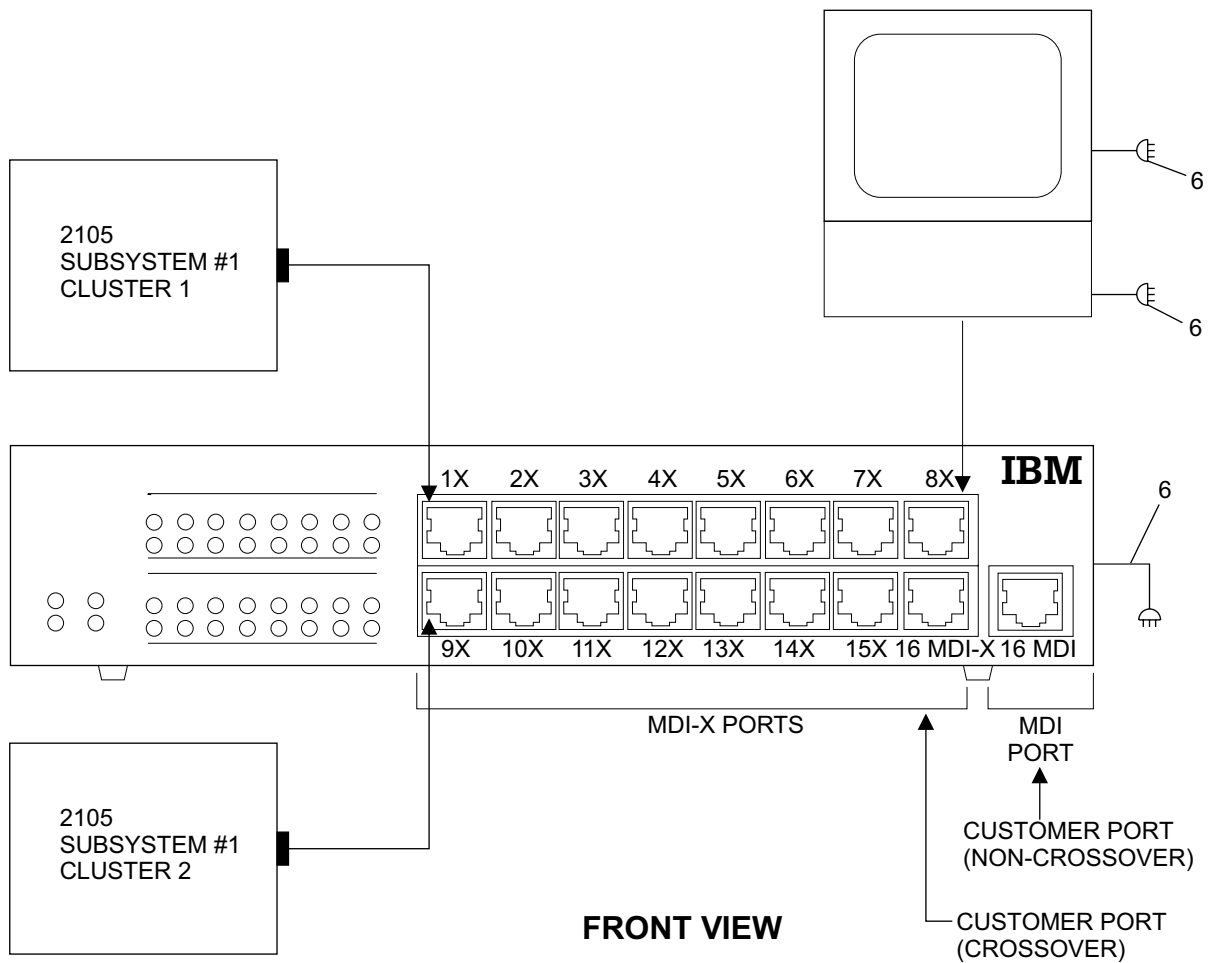
**FRONT VIEW**



Assembly 9: (continued)

Asm-Index	Part Number	Units	Description
9-0	NR	REF	ESSNet Console Sheet 1 Of 2
-1	18P1896	3	• 10/100 MB ESS Ethernet RJ45 Cable
-2	18P2140	1	• Kit Part Number For 10/100 MB ESSNet Hub This Hub Will Not Work With The Old ESS Ethernet RJ45 Cable Part Number 34L7143
-3	34L8056	1	• ESSNet Console PC Unit
-3A	11L2908	1	• <b>ESSNet Console Monitor (G54)</b> USA, Canada, Republic Of China, Peoples Republic Of China, Nepal
-3A	04N7612	1	• <b>ESSNet Console Monitor (E54)</b> USA, Canada
-3A	04N7593	1	• <b>ESSNet Console Monitor (E54)</b> Republic Of China, Peoples Republic Of China, Nepal
-3A	11L2839	1	• <b>ESSNet Console Monitor (G54)</b>
-3A	04N7616	1	• <b>ESSNet Console Monitor (E54)</b> Aruba, Bahamas, Barbados, Bermuda, Bolivia, Cayman Islands, Columbia, Costa Rica, Curacao, Dominican Republic, El Salvador, Ecuador, Guatemala, Guyana, Haiti, Honduras, Jamaica, Mexico, Netherlands Antilles, Nicaragua, Panama, Surinam, Trinidad Tobago, Venezuela, Peru, Chile, Argentina, Brazil, Paraguay, Uruguay, Algeria, Andorra, Angola, Benin, Burundi, Cameroon, Central African Republic, Chad, Congo, Brazzaville, French Guyana, Guinea, Ivory Coast, Kenya, Malagasy, Mali, Martinique, Mauritania, Mauritius, Morocco, Mozambique, Niger, Senegal, Sudan, togo, Tunisia, Upper Volta, Zaire, Zimbabwe, South Africa, Antiqua, Ghana, Malawi, Nigeria, Sierra Leone, Tanzania, Uganda, Zambia
-3A	61H3623	1	• <b>ESSNet Console Monitor (G54)</b>
-3A	04N7618	1	• <b>ESSNet Console Monitor (E54)</b> Japan, Liberia, Saudi Arabia, Isreal, Ethiopia, Italy Libya, Somalia, Afghanistan, Austria, Belgium, Bosnia, Herzegovina, Bulgaria, Croatia, Czech Republic, Egypt, France, Greece, Hungary, Iceland, Iran, Jordan, Lebanon, Luxembourg, Monaco, Netherlands, Poland, Portugal, Romania, Slovakia, Slovenia, Spain, Syria, Turkey, Russia, Yugoslavia, Korea, Liechtenstein, Switzerland, Bahrain, Channel Islands, Cyprus, Iraq, Ireland, Kuwait Malta, Oman, Qatar, United Arab Emirates, United Kingdom, Yemen
-3A	11L2872	1	• <b>ESSNet Console Monitor (G54)</b>
-3A	04N7626	1	• <b>ESSNet Console Monitor (E54)</b> Philippines, Thailand, Indonesia, Macao, New Caledonia, Vietnam, Papua New Guinea, Western Samoa, Bangladesh, Burma, Pakistan, Sri Lanka, Brunel, Fiji, India, Hong Kong, Malaysia, Polynesia, Singapore
-3A	11L2874	1	• <b>ESSNet Console Monitor (G54)</b>
-3A	04N7628	1	• <b>ESSNet Console Monitor (E54)</b> Australia, New Zealand
-3A	61H3662	1	• <b>ESSNet Console Monitor (G54)</b>
-3A	04N7619	1	• <b>ESSNet Console Monitor (E54)</b> Germany, Denmark, Sweden, Finland, Norway
-6			• See Sheet 2 For Power Cord Part Numbers And Countries
			End Of Sheet 1 Of 2

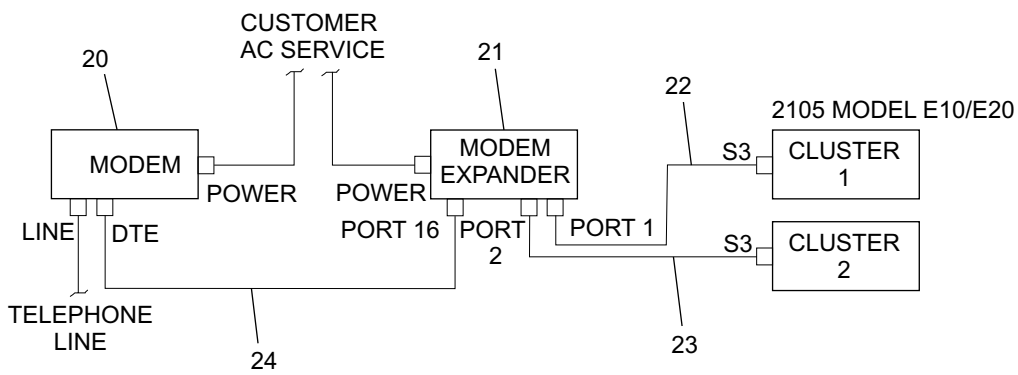
**Assembly 9: (continued)**



Assembly 9: (continued)

Asm-Index	Part Number	Units	Description
9-0	NR	REF	ESSNet Console Sheet 2 Of 3
-6	08L8038	1	• ESSNet Power Cord USA, Canada, Brazil
-6	6952299	3	• ESSNet Power Cord Aruba, Bahamas, Barbados, Bermuda, Bolivia, Cayman Islands, Columbia, Costa Rica, Curacao, Dominican Republic, El Salvador, Equador, Guatemala, Guyana, Haiti, Honduras, Jamaica, Japan, Liberia, Mexico, Netherlands Antilles, Nicaragua, Panama, Phillipines, Republic Of China, Saudi Arabia, Suriname, Trinidad Tobago, Venezuela
-6	1838573	3	• ESSNet Power Cord Thailand, Peru
-6	14F0088	3	• ESSNet Power Cord Isreal
-6	14F0070	3	• ESSNet Power Cord Chile, Ethiopia, Italy, Libya, Somalia
-6	13F9980	3	• ESSNet Power Cord Afghanistan, Algeria, Andorra, Angola, Austria, Belgium, Benin, Bosnia Herzegovina, Bulgaria, Burundi, Cameroon, Central African Republic, Chad, Congo Brazzaville, Croatia, Czech Republic, Egypt, Finland, France, French Guiana, Germany, Greece, Guiana, Hungary, Iceland, Indonesia, Iran, Ivory Coast, Jordan, Kenya, Lebanon, Luxemborg, Macau, Malagasy, Mali, Martinique, Mauritania, Mauritius, Monaco, Morocco, Mozambique, Netherlands, New Caledonia Niger, Norway, Poland, Portugal, Romania, Senegal, Slovakia, Slovenia, Spain, Sudan, Sweden, Syria, Togo, Tunisia, Turkey, Upper Volta, Russia, Vietnam, Yugoslavia, Zaire, Zimbabwe, Korea
-6	13F9998	3	• ESSNet Power Cord Denmark
-6	13F9941	3	• ESSNet Power Cord Argentina, Paraguay, Uruguay
-6	14F0052	3	• ESSNet Power Cord Liechtenstein, Switzerland
-6	13F9941	3	• ESSNet Power Cord Australia, Peoples Republic Of China, New Zealand, Papua New Guinea, Western Somoa
-6	14F0016	3	• ESSNet Power Cord Bangladesh, Burma, Pakistan, South Africa, Sri Lanka
-6	14F0034	3	• ESSNet Power Cord Antigua, Bahrain, Brunei, Channel Islands, Cyprus, Fiji, Ghana, Hong Kong, India, Iraq, Ireland, Kuwait, Malawi, Malaysia, Malta, Nepal. Nigeria, Oman, Polynesia, Qatar, Sierra Leone, Singapore, Tanzania, Uganda, United Arab Emirates, United Kingdom, Yemen, Zambia
			End Of Sheet 2 Of 3

**Assembly 9: (continued)**



**MODEM AND MODEM EXPANDER LOCATIONS**

**Assembly 9: (continued)**

<b>Asm- Index</b>	<b>Part Number</b>	<b>Units</b>	<b>Description</b>
9-0	NR	REF	ESSNet Console Sheet 3 Of 3
-20	05H9044	1	• Modem, Brazil, Canada, Mexico, USA
-20	05H7024	1	• Modem, Croatia, Czech Republic, Hungary, Jorday, Kazakhstan, Russia, Slovakia, Ukraine
-20	05H7027	1	• Modem, Germany
-20	05H7030	1	• Modem, Israel
-20	05H7033	1	• Modem, France, Italy, Portugal
-20	05H7036	1	• Modem, Japan
-20	05H7039	1	• Modem, Belgium, Netherlands
-20	05H7042	1	• Modem, New Zealand
-20	05H7045	1	• Modem, Denmark, Iceland, Norway, Poland, Sweden
-20	05H7048	1	• Modem, Mozambique, Nigeria, South Africa
-20	05H7051	1	• Modem, Cyprus, Great Britain/UK, Oman, United Arab Emirates
-20	05H7054	1	• Modem, Colombia, Costa Rica, Ecuador, Taiwan, Venezuela, Uruguay, Peru
-20	05H7057	1	• Modem, Argentina, Chile, Egypt, Greece, India, Indonesia, Korea, Lebanon, Philippines, Saudi Arabia, Spain, Thailand, Turkey
-20	05H7060	1	• Modem, Austria
-20	05H7063	1	• Modem, Switzerland
-20	05H7066	1	• Modem, Finland
-20	05H7069	1	• Modem, Australia
-20	05H7075	1	• Modem, Peoples Republic Of China, Hong Kong, Malaysia, Singapore
-21	05H9742	1	• Modem Expander
-22	34L7144	1	• Cluster-1 To Modem Expander Cable
-23	34L7144	1	• Cluster-2 To Modem Expander Cable
-24	05H3299	1	• Modem Expander To Modem Cable
			End Of Assembly

## Assembly 10: Cable List

Asm-Index	Part Number	Units	Description
10-9	NR	REF	Cable List
-0	07H6655	AR	• Soft Cable Tie, 150mm Long
-0	09L0294	AR	• Cable Asm, CPU E' Cage 1 - CPU E' Cage 2
-0	09L2529	AR	• Jumper Asm, DDM Bay To DDM Bay Mod E10/E20 Rack Only
-0	34L2452	AR	• Cable Asm, Cage 1 Front DDM Bay To DA Cards
-0	34L2453	AR	• Cable Asm, Cage 1 Front DDM Bay To DA Cards
-0	34L2454	AR	• Cable Asm, Cage 1 Rear DDM Bay To DA Cards
-0	34L2455	AR	• Cable Asm, Cage 1 Rear DDM Bay To DA Cards
-0	34L2456	AR	• Cable Asm, Cage 2 Front DDM Bay To DA Cards
-0	34L2457	AR	• Cable Asm, Cage 2 Front DDM Bay To DA Cards
-0	34L2458	AR	• Cable Asm, Cage 2 Rear DDM Bay To DA Cards
-0	34L2459	AR	• Cable Asm, Cage 2 Rear DDM Bay To DA Cards
-0	34L7145	AR	• Harness Asm, Cage 1 R/DDM Bay To Cage 2 R/DDM Bays
-0	34L7146	AR	• Harness Asm, Cage 1 R/DDM Bay To Cage 2 R/DDM Bays
-0	34L7147	AR	• Harness Asm, Cage 1 F/DDM Bay To Cage 2 F/DDM Bays
-0	34L7148	AR	• Harness Asm, Cage 1 F/DDM Bay To Cage 2 F/DDM Bays
-0	34L7800	AR	• Harness Asm, R1/Cage 1 Front To R2/Cage 1 Front Mod E20 Expansion Rack Only
-0	34L7801	AR	• Harness Asm, R1/Cage 1 Front To R2/Cage 1 Front Mod E20 Expansion Rack Only
-0	34L7802	AR	• Harness Asm, R1/Cage 2 Front To R2/Cage 2 Front Mod E20 Expansion Rack Only
-0	34L7803	AR	• Harness Asm, R1/Cage 2 Front To R2/Cage 2 Front Mod E20 Expansion Rack Only
-0	34L7804	AR	• Harness Asm, R1/Cage 1 Rear To R2/Cage 1 Rear Mod E20 Expansion Rack Only
-0	34L7805	AR	• Harness Asm, R1/Cage 1 Rear To R2/Cage 1 Rear Mod E20 Expansion Rack Only
-0	34L7806	AR	• Harness Asm, R1/Cage 2 Rear To R2/Cage 2 Rear Mod E20 Expansion Rack Only
-0	34L7807	AR	• Harness Asm, R1/Cage 2 Rear To R2/Cage 2 Rear Mod E20 Expansion Rack Only
-0	34L7808	AR	• Harness Asm, R2/Cage 1 Front To R2/Cage 3 Front Mod E20 Expansion Rack Only
-0	34L7809	AR	• Harness Asm, R1/Cage 1 Front To R2/Cage 3 Front Mod E20 Expansion Rack Only
-0	34L7810	AR	• Harness Asm, R2/Cage 2 Front To R2/Cage 4 Front Mod E20 Expansion Rack Only
-0	34L7811	AR	• Harness Asm, R1/Cage 2 Front To R2/Cage 4 Front Mod E20 Expansion Rack Only
-0	34L7812	AR	• Harness Asm, R2/Cage 1 Rear To R2/Cage 3 Rear Mod E20 Expansion Rack Only
-0	34L7813	AR	• Harness Asm, R1/Cage 1 Rear To R2/Cage 3 Rear Mod E20 Expansion Rack Only
-0	34L7814	AR	• Harness Asm, R2/Cage 2 Rear To R2/Cage 4 Rear Mod E20 Expansion Rack Only
-0	34L7843	AR	• Harness Asm, R1/Cage 2 Rear To R2/Cage 4 Rear Mod E20 Expansion Rack Only
			End Of Assembly

## Part Number Index

Part Number	Asm-Index	Page	Part Number	Asm-Index	Page
0055726	4-7	33	05H9742	9-21	89
0055726	5-7	47	05J5511	6-326	75
04G1559	1-31	7	05J7268	6-211	69
04G1559	1-34	7	05J7398	6-326	75
04G1559	3-24	31	05J7942	1-49	9
04G1559	3-28	31	05J7943	5-138	55
04G1559	3-33	31	05J8627	6-328	75
04G1559	3-5	29	05J8835	4-102	41
04G1559	4-2	33	05J8908	4-30	35
04G1559	4-22	35	05J8910	4-20	35
04G1559	4-25	35	05J8911	4-32	35
04G1559	4-31	35	05J8911	5-23A	49
04G1559	4-73	41	05J9063	6-325	75
04G1559	4-74A	41	05J9063	6-326	75
04G1559	4-85	41	05J9065	6-325	75
04G1559	4-88	41	05J9071	6-325	75
04G1559	5-113	55	05J9079	6-325	75
04G1559	5-116	55	05J9089	6-325	75
04G1559	5-164	57	07H6655	1-69	11
04G1559	5-2	47	07H6655	1-82	13
04G1559	5-22A	49	07H6655	10-0	90
04G1559	5-31	49	07H6655	2-33	19
04G1559	5-33	49	07H6655	2-6	17
04G1559	5-35	49	07H6655	5-50	51
04N7593	9-3A	85	07H6655	6-148	63
04N7612	9-3A	85	07H6655	6-15	59
04N7616	9-3A	85	07H6655	6-164	65
04N7618	9-3A	85	07H6655	6-183	67
04N7619	9-3A	85	07H6655	6-224	69
04N7626	9-3A	85	07H6655	7-25	79
04N7628	9-3A	85	07H6763	6-283	73
05H3299	9-24	89	07H6764	6-285	73
05H7024	9-20	89	07H6824	6-281	73
05H7027	9-20	89	07L7411	5-117	55
05H7030	9-20	89	07L9030	5-21A	49
05H7033	9-20	89	07L9758	5-21B	49
05H7036	9-20	89	07N3721	4-6A	33
05H7039	9-20	89	07N3721	5-6A	47
05H7042	9-20	89	0855262	6-347	75
05H7045	9-20	89	0855263	6-347	75
05H7048	9-20	89	0855264	6-348	75
05H7051	9-20	89	0855265	6-348	75
05H7054	9-20	89	0855266	6-348	75
05H7057	9-20	89	0855284	6-349	75
05H7060	9-20	89	08L7114	4-58	39
05H7063	9-20	89	08L7114	4-8	33
05H7066	9-20	89	08L7114	5-9	47
05H7069	9-20	89	08L7827	1-56	9
05H7075	9-20	89	08L7910	1-8A	3
05H9044	9-20	89	08L8038	9-6	87

Part Number	Asm-Index	Page
08L8050	4-11	33
08L8077	6-277	73
0960746	6-347	75
09G4108	6-327	75
09G5517	6-326	75
09G5519	6-326	75
09G5521	6-326	75
09G5523	6-326	75
09G5525	6-326	75
09L0158	1-20	5
09L0161	1-93	15
09L0203	8-36	81
09L0204	8-38	81
09L0205	2-75	23
09L0209	1-116	15
09L0221	1-47	9
09L0222	1-52	9
09L0225	7-10	77
09L0231	8-20	81
09L0237	8-25	81
09L0237	8-9	81
09L0239	8-1	81
09L0243	1-54	9
09L0244	6-132	61
09L0245	6-129	61
09L0246	6-339	75
09L0260	1-30	7
09L0263	6-147	63
09L0264	6-146	63
09L0265	6-200	69
09L0266	6-203	69
09L0268	6-220	69
09L0269	6-223	69
09L0270	6-221	69
09L0271	6-222	69
09L0272	6-161	65
09L0273	6-162	65
09L0274	6-163	65
09L0275	6-160	65
09L0276	6-175	67
09L0277	6-176	67
09L0278	6-180	67
09L0279	6-179	67
09L0282	1-75	13
09L0283	1-76	13
09L0284	1-78	13
09L0285	1-77	13
09L0286	6-145	63
09L0287	1-20A	5
09L0288	2-22	17
09L0288	6-230	69
09L0289	2-23	17
09L0289	6-231	69

Part Number	Asm-Index	Page
09L0290	2-20	17
09L0290	6-232	69
09L0291	2-21	17
09L0291	6-233	69
09L0293	6-210	69
09L0294	10-0	90
09L0295	2-32	19
09L0296	2-31	19
09L0297	2-30	19
09L0298	2-29	19
09L0299	2-48	21
09L0303	6-140	63
09L0304	6-140	63
09L0305	6-140	63
09L0306	6-140	63
09L0307	6-140	63
09L0309	6-140	63
09L0311	6-140	63
09L0312	6-140	63
09L0319	2-77	23
09L2105	4-23A	35
09L2385	2-98	25
09L2387	2-103	25
09L2388	2-105	25
09L2391	2-125	27
09L2391	3-6	29
09L2397	4-103	41
09L2398	4-135	43
09L2398	5-160	57
09L2399	4-37	37
09L2399	4-37	39
09L2401	4-52	39
09L2402	4-53	39
09L2404	4-38	37
09L2404	4-38	39
09L2406	4-1	33
09L2406	5-4	47
09L2408	3-31	31
09L2411	3-20	31
09L2426	6-12	59
09L2430	7-9	77
09L2450	2-127	27
09L2451	2-12	17
09L2454	4-87	41
09L2455	4-105	41
09L2455	5-136	55
09L2458	4-48	39
09L2459	4-45	39
09L2461	4-49	39
09L2462	4-50	39
09L2463	4-47	39
09L2464	4-35	37
09L2464	4-35	39



Part Number	Asm-Index	Page
09L2465	4-51	39
09L2470	4-59	39
09L2471	4-136	43
09L2471	5-161	57
09L2473	3-27	31
09L2499	1-50	9
09L2500	1-40	9
09L2529	10-0	90
09L2531	2-51	21
09L2532	2-55	21
09L2533	2-45	21
09L2534	2-53	21
09L2538	2-27	19
09L2539	2-28	19
09L2540	2-25	19
09L2541	2-26	19
09L2543	1-2	3
09L2543	1-95	15
09L2552	1-79	13
09L2553	6-261	71
09L2554	6-263	71
09L2555	6-252	71
09L2556	6-249	71
09L2557	6-279	73
09L2560	6-247	71
09L2561	6-245	71
09L2562	6-260	71
09L2571	4-21	35
09L2575	1-33	7
09L2638	6-344	75
09L3004	7-8	77
09L3011	1-65	11
09L3012	6-140	63
09L3013	2-96	25
09L3014	2-102	25
09L3015	4-46	39
09L3022	5-128	55
09L3023	5-129	55
09L3025	5-132	55
09L3027	5-151	57
09L3028	5-150	57
09L3030	5-152	57
09L5182	6-127	61
11H3380	5-85	53
11L2839	9-3A	85
11L2872	9-3A	85
11L2874	9-3A	85
11L2908	9-3A	85
13F9941	9-6	87
13F9941	9-6	87
13F9980	9-6	87
13F9998	9-6	87
14F0016	9-6	87

Part Number	Asm-Index	Page
14F0034	9-6	87
14F0052	9-6	87
14F0070	9-6	87
14F0088	9-6	87
1621175	3-21	31
1621187	2-104	25
1621187	2-106	25
1621190	2-11	17
1621190	6-133	61
1621198	2-126	27
1621198	2-5	17
1621198	3-7	29
1621198	4-137	43
1621198	5-162	57
1621201	5-167	57
1621208	1-24	5
1621208	2-101	25
1621208	2-19	17
1621285	2-97	25
1621307	2-128	27
1621307	2-4	17
1621307	4-100	41
1622303	7-21	79
1622346	7-22	79
1622347	6-143	63
1622347	6-17	59
1622347	7-24	79
1622417	7-23	79
1622418	2-52	21
1622418	2-56	21
1622420	8-43	81
1624764	3-35	31
1624775	6-130	61
1624775	8-37	81
1624775	8-39	81
17H5072	4-71	41
17H5072	5-111	55
17H5072	5-127	55
1838573	9-6	87
18P0352	6-265	71
18P0353	6-268	71
18P0391	6-331	75
18P0391	8-48	81
18P0393	6-331	75
18P0393	8-48	81
18P0394	6-330	75
18P0394	8-47	81
18P0395	6-331	75
18P0395	8-48	81
18P0399	4-27	35
18P0399	5-22	49
18P0418	4-28	35
18P0418	5-23	49

Part Number	Asm-Index	Page
18P0427	3-25	31
18P0438	6-267	71
18P0520	5-34	49
18P0928	8-49	81
18P0929	8-49	81
18P1388	6-125	61
18P1470	3-3	29
18P1896	9-1	85
18P2136	5-44B	51
18P2137	4-37A	37
18P2137	4-6B	33
18P2137	5-44A	47
18P2137	5-44A	51
18P2138	4-6	33
18P2138	5-6	47
18P2140	9-2	85
18P2146	4-6C	33
18P2146	5-6C	47
1976194	6-347	75
1976589	6-348	75
19F1586	8-57	83
27H1504	6-348	75
31L7521	8-40	81
34L2408	7-2	77
34L2409	7-2	77
34L2410	7-2	77
34L2411	7-2	77
34L2412	7-2	77
34L2413	7-2	77
34L2414	7-2	77
34L2415	7-2	77
34L2418	7-2	77
34L2419	7-2	77
34L2452	10-0	90
34L2453	10-0	90
34L2454	10-0	90
34L2455	10-0	90
34L2456	10-0	90
34L2457	10-0	90
34L2458	10-0	90
34L2459	10-0	90
34L2461	4-147	45
34L2462	4-145	45
34L2464	4-38A	37
34L2464	5-49A	51
34L2465	4-129	43
34L2466	4-127	43
34L2467	4-126	43
34L2468	4-125	43
34L2469	4-128	43
34L2470	3-23	31
34L2471	3-22	31
34L2472	3-36	31

Part Number	Asm-Index	Page
34L2473	3-30	31
34L2474	3-32	31
34L2475	3-29	31
34L2477	3-26	31
34L2482	2-83	23
34L2486	8-13	81
34L2486	8-21	81
34L2486	8-33	81
34L2486	8-35	81
34L2493	1-22	5
34L2493	2-18	17
34L2493	6-10A	59
34L2494	4-4	33
34L2494	5-1	47
34L2496	3-34	31
34L2510	3-2	29
34L2832	5-30	49
34L2834	5-32	49
34L2835	5-21	49
34L3041	6-201	69
34L3051	8-7	81
34L3058	8-22	81
34L3068	8-30	81
34L3080	1-23	5
34L3081	1-114	15
34L3082	1-104	15
34L3083	1-108	15
34L3084	1-112	15
34L3085	6-200	69
34L3086	6-203A	69
34L3087	6-177	67
34L3088	6-178	67
34L3089	6-182	67
34L3090	6-181	67
34L3091	6-202	69
34L3092	6-204	69
34L3111	2-17	17
34L3112	2-2	17
34L3113	2-1	17
34L3114	2-9	17
34L3115	2-7	17
34L3116	1-100	15
34L3119	6-275	73
34L3125	2-8	17
34L3248	1-7C	3
34L3275	3-20A	31
34L3280	3-1	29
34L3311	7-2	77
34L3312	7-2	77
34L3313	7-2	77
34L3314	7-2	77
34L3315	7-2	77
34L3316	7-2	77

Part Number	Asm-Index	Page
34L3317	7-2	77
34L3318	7-2	77
34L3477	2-78	23
34L3482	6-293	73
34L3483	6-287	73
34L3492	7-20	79
34L3506	6-141	63
34L3510	7-14	77
34L3511	7-12	77
34L3512	1-41	9
34L3515	1-68	11
34L3516	1-67	11
34L3520	4-99	41
34L3521	4-101	41
34L3523	4-60	39
34L3523	4-61	39
34L3523	4-9	33
34L3524	4-72	41
34L3524	5-112	55
34L3525	1-45	9
34L3526	2-80	23
34L3530	2-15	17
34L3534	2-10	17
34L3536	2-13	17
34L3551	3-20B	31
34L3584	4-26	35
34L3584	5-24B	49
34L3786	1-48	9
34L3794	7-5	77
34L5389	1-7A	3
34L5478	8-55	83
34L5479	8-56	83
34L5480	8-58	83
34L5494	2-60	21
34L5494	6-131	61
34L5526	6-140	63
34L5529	8-10	81
34L5529	8-24	81
34L5538	6-325	75
34L5539	6-326	75
34L5540	6-325	75
34L5541	6-326	75
34L5554	6-325	75
34L5555	6-325	75
34L5556	6-325	75
34L5557	6-325	75
34L5558	6-326	75
34L5559	1-67	11
34L5560	1-7	3
34L6412	1-7E	3
34L6413	1-7E	3
34L6414	1-7E	3
34L6472	1-7E	3

Part Number	Asm-Index	Page
34L6474	1-7E	3
34L6476	1-7E	3
34L6478	1-7E	3
34L6480	1-7E	3
34L6482	1-7E	3
34L6653	8-42	81
34L6654	8-60	83
34L6654	8-61	83
34L6724	1-32	7
34L6728	2-3	17
34L6760	7-2	77
34L7000	2-61	21
34L7000	4-75	41
34L7000	5-100	55
34L7001	2-66	21
34L7001	4-76	41
34L7001	5-101	55
34L7002	2-63	21
34L7002	4-77	41
34L7002	5-102	55
34L7003	2-65	21
34L7003	4-78	41
34L7003	5-103	55
34L7004	2-62	21
34L7004	4-79	41
34L7004	5-104	55
34L7005	2-68	21
34L7005	4-80	41
34L7005	5-105	55
34L7006	2-64	21
34L7006	4-81	41
34L7006	5-106	55
34L7007	2-67	21
34L7007	4-82	41
34L7007	5-107	55
34L7009	2-14	17
34L7010	4-70	41
34L7010	5-110	55
34L7016	2-69	21
34L7017	5-24A	49
34L7026	8-15	81
34L7027	8-44	81
34L7030	8-14	81
34L7034	4-39	37
34L7034	4-39	39
34L7035	4-36	37
34L7035	4-36	39
34L7036	4-146	45
34L7070	8-50	81
34L7071	7-2	77
34L7073	8-34	81
34L7075	8-32	81
34L7144	9-22	89

Part Number	Asm-Index	Page
34L7144	9-23	89
34L7145	10-0	90
34L7146	10-0	90
34L7147	10-0	90
34L7148	10-0	90
34L7161	1-20A	5
34L7163	5-153	57
34L7186	5-44	51
34L7186	5-44	53
34L7187	5-45	51
34L7187	5-69	53
34L7606	4-24	35
34L7608	1-7B	3
34L7735	6-291	73
34L7746	8-11	81
34L7769	1-7E	3
34L7770	1-7E	3
34L7771	1-7E	3
34L7796	6-10	59
34L7797	4-74	41
34L7800	10-0	90
34L7801	10-0	90
34L7802	10-0	90
34L7803	10-0	90
34L7804	10-0	90
34L7805	10-0	90
34L7806	10-0	90
34L7807	10-0	90
34L7808	10-0	90
34L7809	10-0	90
34L7810	10-0	90
34L7811	10-0	90
34L7812	10-0	90
34L7813	10-0	90
34L7814	10-0	90
34L7825	1-120	15
34L7843	10-0	90
34L7852	4-29	35
34L7874	6-342	75
34L7876	1-102	15
34L7877	8-34	81
34L7878	8-32	81
34L7902	1-90	15
34L7919	1-20	5
34L7920	1-75	13
34L7921	1-76	13
34L7922	1-78	13
34L7923	1-77	13
34L7935	5-24C	49
34L7936	5-49	51
34L7936	5-65	53
34L7937	5-66	53
34L7938	5-67	53

Part Number	Asm-Index	Page
34L7939	5-68	53
34L7940	5-75	53
34L7941	5-46	51
34L7941	5-46	53
34L7942	5-77	53
34L7943	5-48	51
34L7943	5-48	53
34L7945	5-76	53
34L7946	5-47	51
34L7946	5-47	53
34L7948	5-78	53
34L8050	5-134	55
34L8051	5-126	55
34L8052	5-125	55
34L8053	5-137	55
34L8054	5-115	55
34L8056	9-3	85
34L8085	5-130	55
34L8101	6-10	59
34L8102	6-10	59
34L8109	8-5	81
34L8136	4-10	33
34L8136	5-10	47
34L8249	1-90	15
34L8251	7-7	77
34L8277	4-23	35
34L8277	5-24	49
34L8484	1-7E	3
34L8486	1-7E	3
34L8524	4-95	41
34L8525	4-97	41
34L8541	2-50	21
34L8549	1-8	3
34L8550	1-8B	3
34L8551	1-8C	3
34L8800	6-10	59
34L8801	6-10	59
34L9005	5-165	57
34L9135	5-163	57
34L9136	5-166	57
34L9138	5-154	57
34L9192	5-168	57
34L9620	2-100	25
35L0817	5-20	49
35L1796	3-4	29
4056413	6-349	75
4457486	8-12	81
44F0832	2-95	25
44F0924	6-345	75
44F0924	6-346	75
44L0305	4-23B	35
46G0411	4-104	41
46G0411	4-148	45

Part Number	Asm-Index	Page
46G0411	4-149	45
46G0411	4-96	41
46G0411	5-131	55
46G0411	5-133	55
46G0411	5-135	55
54G2882	1-101	15
54G2882	1-103	15
54G2882	1-106	15
54G2882	1-110	15
54G2882	1-117	15
54G2882	1-121	15
54G2882	1-42	9
54G2882	1-46	9
54G2882	1-51	9
54G2882	1-53	9
54G2882	1-55	9
54G2882	1-91	15
54G2882	1-94	15
54G2882	2-47	21
54G2882	2-49	21
54G2882	2-76	23
54G2882	2-79	23
54G2882	2-84	23
54G2882	6-11	59
54G2882	6-128	61
54G2882	6-13	59
54G2882	6-142	63
54G2882	6-16	59
54G2882	6-2	59
54G2882	6-248	71
54G2882	6-250	71
54G2882	6-253	71
54G2882	6-262	71
54G2882	6-264	71
54G2882	6-276	73
54G2882	6-278	73
54G2882	6-280	73
54G2882	6-282	73
54G2882	6-284	73
54G2882	6-286	73
54G2882	6-3	59
54G2882	6-340	75
54G2882	6-343	75
54G2882	7-11	77
54G2882	7-13	77
54G2882	7-6	77
54G2882	8-16	81
54G2882	8-2	81
54G2882	8-23	81
54G2882	8-31	81
54G2882	8-6	81
54G2882	8-8	81
59H7318	6-1	59

Part Number	Asm-Index	Page
61H3623	9-3A	85
61H3662	9-3A	85
6495342	4-86	41
6495342	5-118	55
6952299	9-6	87
74F1823	1-105	15
74F1823	1-109	15
74F1823	1-122	15
74F1823	1-92	15
74F1823	2-46	21
74F1823	2-82	23
74F1823	6-14	59
74F1823	6-289	73
74F1823	6-290	73
74F1823	6-341	75
74X3431	8-41	81
76H4091	5-5	47
77G0599	1-107	15
77G0599	1-111	15
77G0599	1-3	3
77G0599	1-7F	3
77G0599	1-96	15
77G0599	2-81	23
77G0599	6-246	71
77G0599	6-288	73
77G0599	6-292	73
77G0599	6-294	73
80X2990	6-270	71
80X2990	8-18	81
80X3012	8-17	81
80X3015	6-269	71
8193233	4-3A	33
8193233	4-6A	33
8193233	5-3A	47
8193233	5-6A	47
89G2004	5-11	47
90H9940	1-113	15
90H9940	1-115	15
90H9940	1-66	11
90H9940	2-16	17
90H9940	2-54	21
90H9940	2-99	25
90H9940	3-37	31
90H9940	6-126	61
90H9940	7-15	77
92G8546	8-59	83
93F2361	4-5	33
93G1555	6-348	75
93G2645	6-251	71
93G2645	6-266	71
93H4702	4-32A	35
97H7612	4-12	33
97H7612	5-12	47

<b>Part Number</b>	<b>Asm- Index</b>	<b>Page</b>
97H7796	4-3	33
97H7796	5-3	47
NR	1-	3
NR	1-0	7
NR	1-0	9
NR	1-0	11
NR	1-0	13
NR	1-0	15
NR	1-1	5
NR	1-7D	3
NR	10-9	90
NR	2-0	17
NR	2-0	19
NR	2-0	21
NR	2-0	23
NR	2-0	25
NR	2-0	27
NR	3-0	29
NR	3-0	31
NR	4-0	33
NR	4-0	35
NR	4-0	37
NR	4-0	39
NR	4-0	41
NR	4-0	43
NR	4-0	45
NR	5-0	47
NR	5-0	49
NR	5-0	51
NR	5-0	53
NR	5-0	55
NR	5-0	57
NR	6-0	59
NR	6-0	61
NR	6-0	63
NR	6-0	65
NR	6-0	67
NR	6-0	69
NR	6-0	71
NR	6-0	73
NR	6-0	75
NR	7-0	77
NR	7-0	79
NR	8-0	81
NR	8-1	83
NR	9-0	85
NR	9-0	87
NR	9-0	89

# Readers' Comments — We'd Like to Hear from You

Enterprise Storage Server  
Parts Catalog  
2105 Models E10/E20/F10/F20 and  
Expansion Enclosure

Publication No. S127-0974-06

Overall, how satisfied are you with the information in this book?

	Very Satisfied	Satisfied	Neutral	Dissatisfied	Very Dissatisfied
Overall satisfaction	<input type="checkbox"/>	<input type="checkbox"/>	<input type="checkbox"/>	<input type="checkbox"/>	<input type="checkbox"/>

How satisfied are you that the information in this book is:

	Very Satisfied	Satisfied	Neutral	Dissatisfied	Very Dissatisfied
Accurate	<input type="checkbox"/>	<input type="checkbox"/>	<input type="checkbox"/>	<input type="checkbox"/>	<input type="checkbox"/>
Complete	<input type="checkbox"/>	<input type="checkbox"/>	<input type="checkbox"/>	<input type="checkbox"/>	<input type="checkbox"/>
Easy to find	<input type="checkbox"/>	<input type="checkbox"/>	<input type="checkbox"/>	<input type="checkbox"/>	<input type="checkbox"/>
Easy to understand	<input type="checkbox"/>	<input type="checkbox"/>	<input type="checkbox"/>	<input type="checkbox"/>	<input type="checkbox"/>
Well organized	<input type="checkbox"/>	<input type="checkbox"/>	<input type="checkbox"/>	<input type="checkbox"/>	<input type="checkbox"/>
Applicable to your tasks	<input type="checkbox"/>	<input type="checkbox"/>	<input type="checkbox"/>	<input type="checkbox"/>	<input type="checkbox"/>

Please tell us how we can improve this book:

Thank you for your responses. May we contact you?  Yes  No

When you send comments to IBM, you grant IBM a nonexclusive right to use or distribute your comments in any way it believes appropriate without incurring any obligation to you.

\_\_\_\_\_  
Name

\_\_\_\_\_  
Address

\_\_\_\_\_  
Company or Organization

\_\_\_\_\_  
Phone No.



Fold and Tape

**Please do not staple**

Fold and Tape

PLACE  
POSTAGE  
STAMP  
HERE

International Business Machines Corporation  
RCF Processing Department  
G26/050  
5600 Cottle Road  
San Jose, CA 95193-0001

Fold and Tape

**Please do not staple**

Fold and Tape







Printed in U.S.A.

S127-0974-06

