

Versatile Storage Server



Parts Catalog
2105 Model 100
Attachment to ESS

Versatile Storage Server



Parts Catalog
2105 Model 100
Attachment to ESS

This Parts Catalog (PC) contains listings and illustrations of all replaceable assemblies, subassemblies, and detail parts released on or before December 1, 2000 for:

IBM Versatile Storage Server
Parts Catalog
2105 Model 100
Attachment to ESS

First Edition (December, 2000)

This catalog S127-0975-00 is a major revision and makes obsolete all previous editions. Changes that affect this catalog are made periodically; any such changes will be reported in subsequent revisions.

This catalog may contain reference to, or information about, IBM products (machines and programs), programming, or services that are not announced in your country. Such references or information must not be construed to mean that IBM intends to announce such IBM products, programming, or services in your country.

Publications are not stocked at the address given below; request for IBM publications should be made to your IBM representative or to the IBM branch office serving your locality.

This catalog was prepared by:

IBM
Technical Writing and Editing Services
Department G26 / Building 050
5600 Cottle Road
San Jose, California 95193-0001
U.S.A.

A form is provided at the back of this manual for reader's comments. If this form has been removed, comments may be sent to the above address. IBM may use or distribute any of the information you supply in any way it believes appropriate without incurring any obligation whatever. You may, of course, continue to use the information you supply.

IBM has prepared this maintenance manual for the use of IBM customer service representatives in the installation, maintenance, and repair of the specific machines indicated. IBM makes no representations that it is suitable for any other purpose.

The drawings and specifications contained herein shall not be reproduced in whole or in part without written permission.

© **Copyright International Business Machines Corporation 1999, 2000. All rights reserved.**

US Government Users Restricted Rights – Use, duplication or disclosure restricted by GSA ADP Schedule Contract with IBM Corp.

How To Use This Parts Catalog

How to Find a Part

WHEN ASSEMBLY NAME IS KNOWN	WHEN ASSEMBLY LOCATION IS KNOWN	WHEN PART NUMBER IS KNOWN
<i>See Contents Page</i>	<i>See Visual Index</i>	<i>See Numerical Index</i>

Definition Of Terms

- **Similar Assemblies:** If two assemblies contain a majority of identical parts, they are broken down on the same list. Common parts are shown by one index number. Parts peculiar to one or the other of the assemblies are listed separately and identified by description.
- **AR:** (As Required) in the Units column indicates that the units per assembly are not the same for all machines.
- **NR:** (Not Replaceable): This entry replaces the part number when the part or assembly is not recommended for field replacement and the next higher assembly must be ordered.
- **REF:** (Reference): Used primarily on the illustration next to a item number. It denotes the item number is repeated for reference purposes only.
- **Indenture:** The indenture is marked by a series of dots located before the parts description. The indenture indicates the relationship of a part to the next higher assembly. For example:

Indenture	Relationship of Parts
(No dots)	Main assembly
(One dot)	• Detail part of a main assembly
(One dot)	• Assembly within main assembly
(Two dots)	• • Detail part of a one-dot assembly
(Two dots)	• • Assembly within one-dot assembly
(Three dots)	• • • Detail part of a two-dot assembly

Example of a Parts Listing

Assembly n: Cover Assembly

Asm – Index	Part Number	Units	Description
<i>n</i> —	2512667		Cover Asm, Rear, Red
—	2512668		Cover Asm, Rear, Yellow
—	2512669		Cover Asm, Rear, Blue
—	2512670		Cover Asm, Rear, Gray
—	2513714		Cover Asm, Rear, White
			For Next Higher Asm See 1–2 on page x

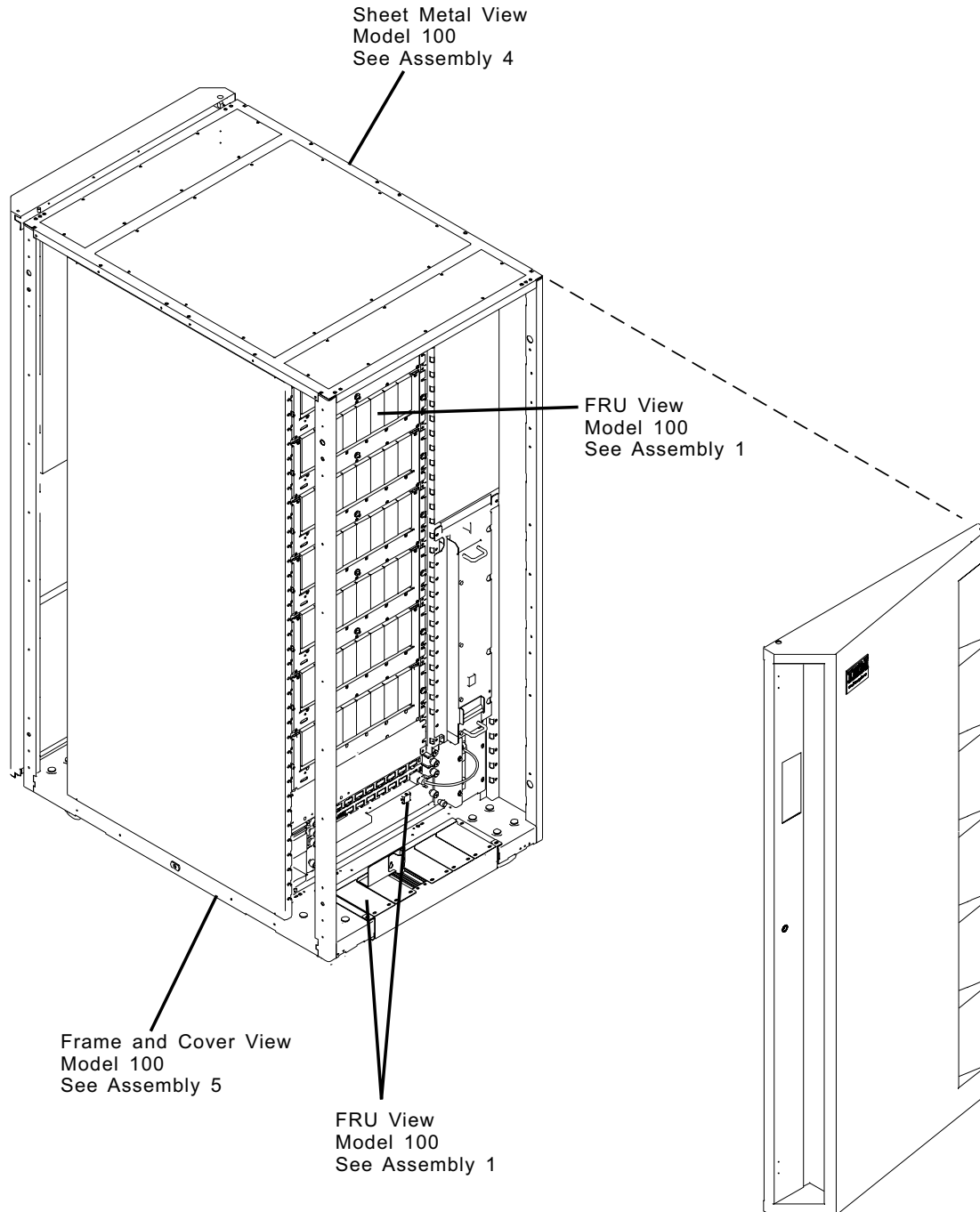
Asm – Index	Part Number	Units	Description
—1	5373637	1	• Seal, Top
—2	5356429	2	• Clip, Retaining
—3	2513013	3	• Liner, Cover
—4	5373727	1	• Seal, Left Side
—5	5356429	3	• Clip, Retaining
—6	0513668	2	• Catch, Cover
—7	1622676	4	• Screw, Metric Hx Wshr Hd Thd Roll M3.5 X 10mm Lg
—8	1847630	1	• Finger Stock Asm
—9	NR	1	•• Channel, Finger Stock
—10	NR	1	•• Finger Stock, 2.00 Long
—11	5373639	AR	• Seal, Bottom
—12	5356429	2	• Clip, Retaining
—13	NR	1	• Cover, Rear (Without Paint)
			End of Assembly

Contents

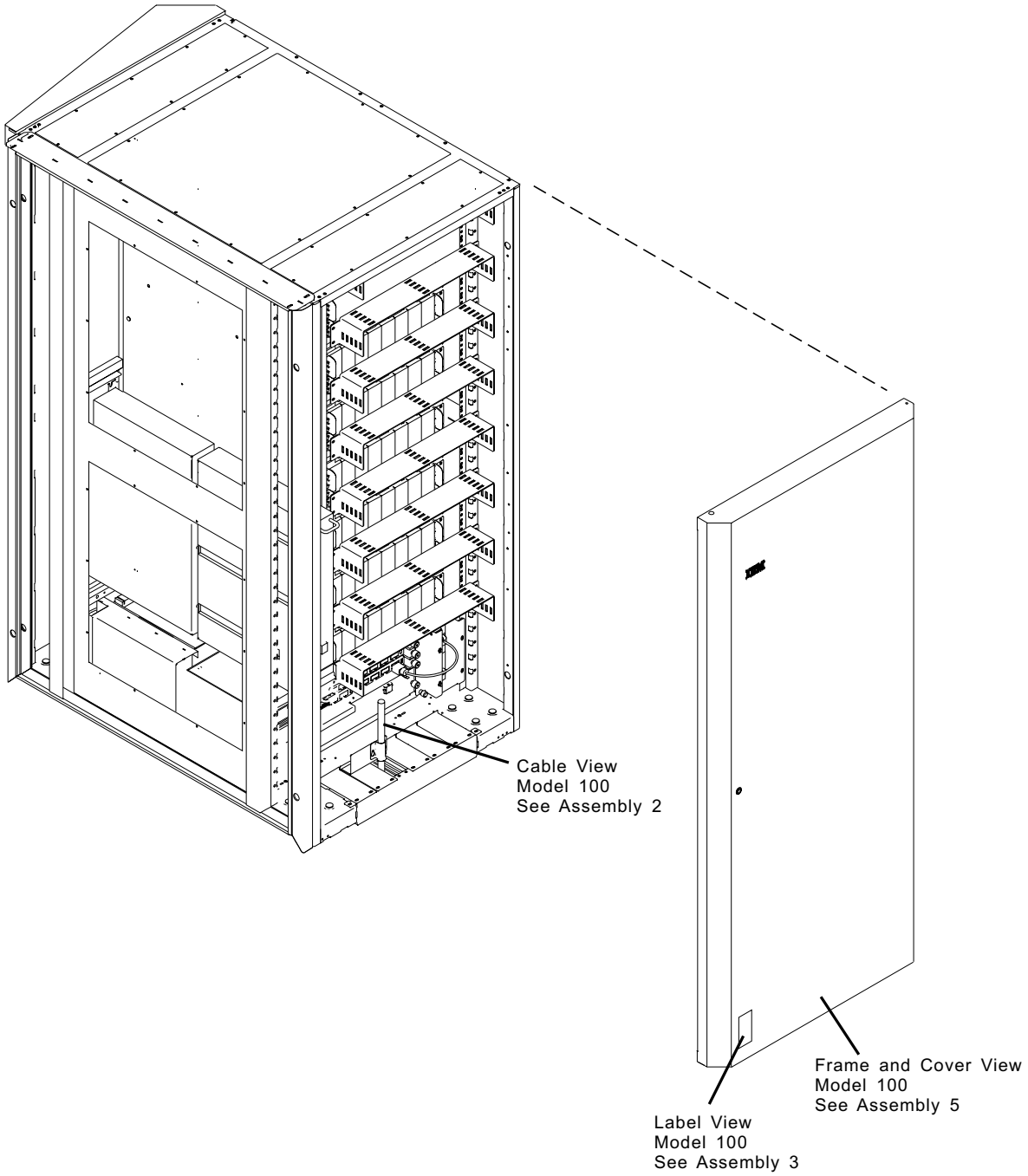
How To Use This Parts Catalog	iii
How to Find a Part	iii
Definition Of Terms	iii
Example of a Parts Listing	iii
Assembly n: Cover Assembly	iii
Visual Indexes	vii
Visual Index 1. Final Assembly, 2105 (Mod 100 Front View)	vii
Visual Index 2. Final Assembly, 2105 (Mod 100 Rear View)	viii
Catalog Section	1
Assembly 1: Final Asm, Model 100 FRU View	2
Assembly 2: Final Asm, Model 100 Cable View	12
Assembly 3: Final Asm, Model 100 Label View	22
Assembly 4: Final Asm, Model 100 Sheet Metal View	28
Assembly 5: Final Asm, Model 100 Frame/Cover View	32
Part Number Index	43

Visual Indexes

Visual Index 1. Final Assembly, 2105 (Mod 100 Front View)

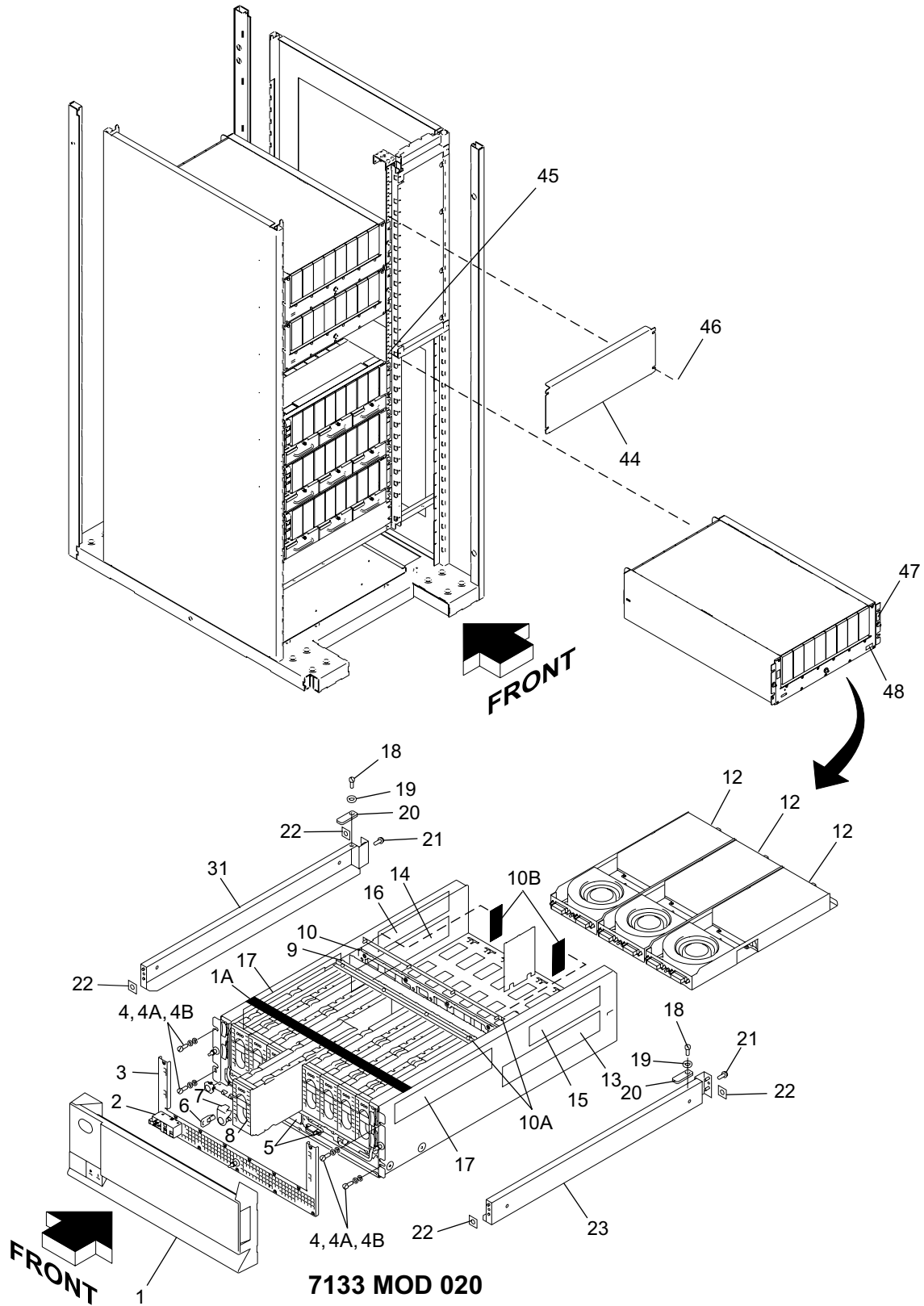


Visual Index 2. Final Assembly, 2105 (Mod 100 Rear View)



Catalog Section

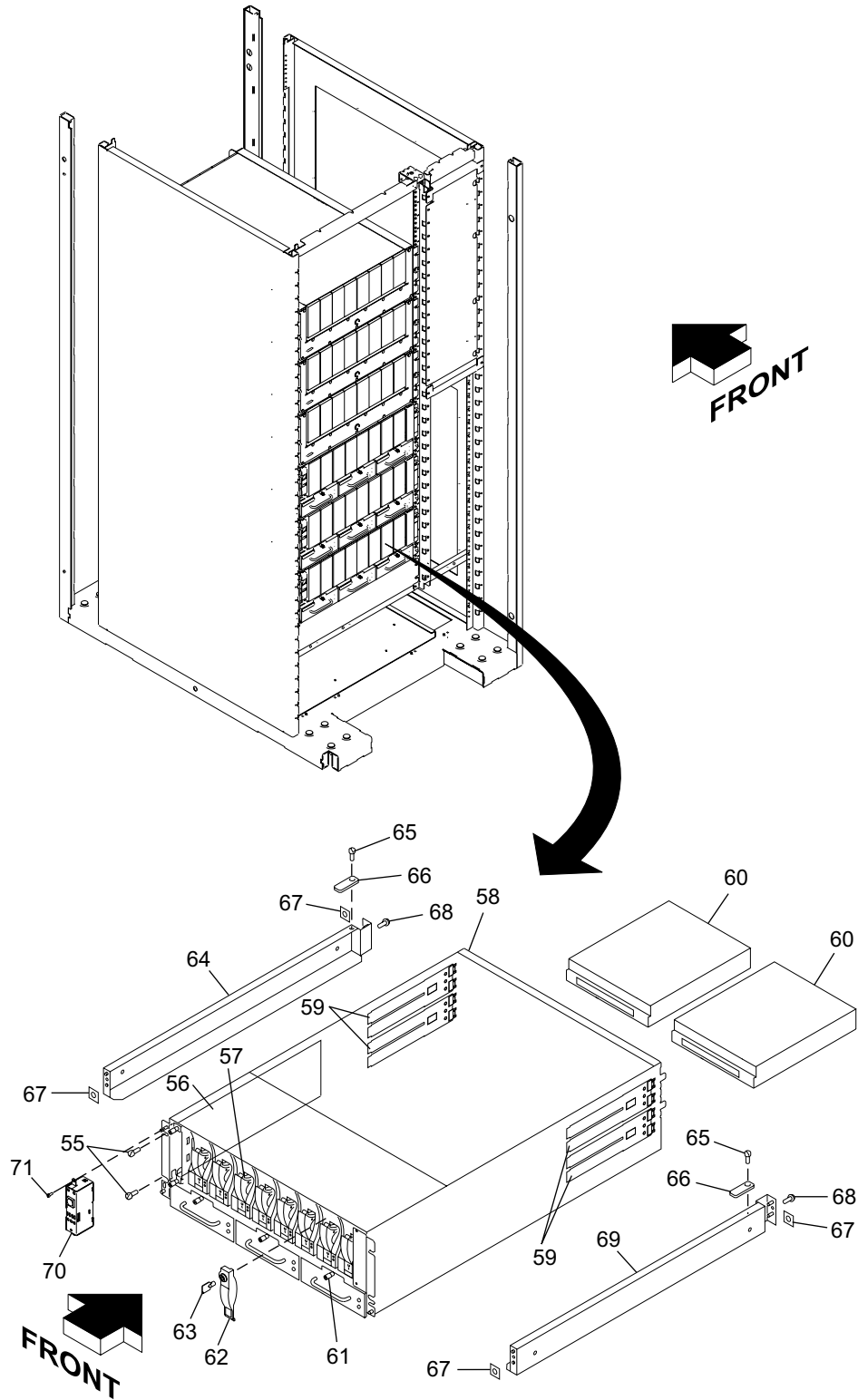
Assembly 1: Final Asm, Model 100 FRU View



Assembly 1: (continued)

Asm-Index	Part Number	Units	Description
1-	NR	REF	Final Asm, Model 100 FRU View Sht 1 Of 5
-1	88G6397	AR	• Front Cover Asm, Early Type
-1	32H5669	AR	• Front Cover Asm, Late Type
-1A	32H7060	AR	• Baffle Foam
-2	32H1452	AR	• Control Panel Asm For 7133s With An Early Type Of Front Cover
-2	32H5675	AR	• Drawer Power Control Panel For 7133s With A Late Type Of Front Cover
-3	32H0118	AR	• RFI Shield For 7133s With Serial Numbers 139 And Above And With An Early Type Of Front Cover
-3	32H5684	AR	• RFI Shield For 7133s With Serial Numbers 139 And Above And With A Late Type Of Front Cover
-4	1624779	AR	• Screw, Metric Hex Wshr Hd M5 X 14mm Long
-4A	1622260	AR	• Lock Washer
-4B	1622276	AR	• Washer
-5	02L7794	AR	• Power Distribution Tray Asm
-6	07H8238	AR	• Key
-7	31H7969	AR	• Lock Asm For Disk Drive Module
-8	09L2273	AR	• 4.5GB SSA Disk Drive Module (Model 020)
-8	09L2274	AR	• 9.1GB SSA Disk Drive Module (Model 020)
-8	88G6369	AR	• Dummy Disk Drive Module
-9	32H7072	AR	• Front Backplane Asm (Model 020)
-10	97H0429	AR	• Back Backplane Asm (Model 020)
-10A	32H1464	AR	• Bracket Asm
-10B	32H8722	AR	• Air Baffle (Model 020)
-12	88G6202	AR	• Fan And Power Supply Asm (Model 020)
-13	25L5890	AR	• Lower Left Bypass Card (Model 020)
-14	25L5891	AR	• Lower Right Bypass Card (Model 020)
-15	25L5888	AR	• Upper Left Bypass Card (Model 020)
-16	25L5889	AR	• Upper Right Bypass Card (Model 020)
-17	88G6485	AR	• Back Power Card, Left/Right
-18	1624779	AR	• Screw, Metric Hex Wshr Hd M5 X 14mm Long
-19	1622305	AR	• Washer
-20	07H8896	AR	• Back Clamp Plate
-21	1624779	AR	• Screw, Metric Hex Wshr Hd M5 X 14mm Long
-22	0375867	AR	• Nut, Clip
-23	07H8605	AR	• Support Rail, Right, For Full Height Rack
-31	07H8604	AR	• Support Rail, Left, For Full Height Rack
-44	47H0443	AR	• Plate, Drawer Cover
-45	74F1823	AR	• Nutclip
-46	54G2882	AR	• Screw, Metric Hex Hd Flange-Black M5 X 10mm Long
-47	44F0924	AR	• Label, Large Bar Code Serial Number
-48	05J7400	AR	• Label, Serial Number
			End Of Sheet 1 Of 5

Assembly 1: (continued)

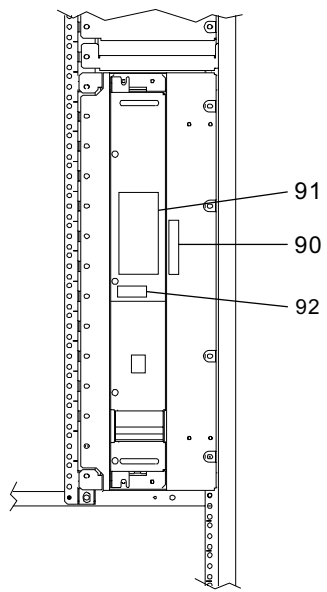
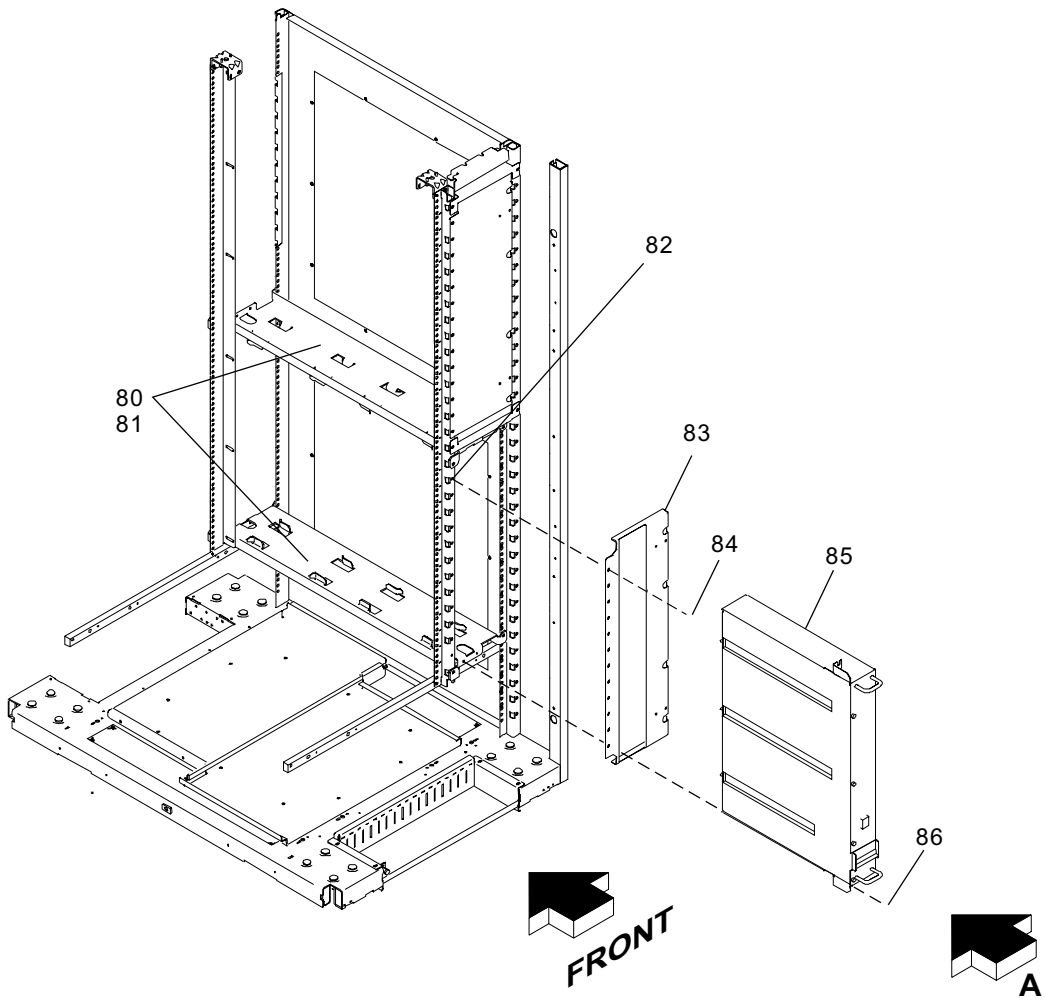


7133 MOD D40

Assembly 1: (continued)

Asm-Index	Part Number	Units	Description
1-	NR	REF	Final Asm, Model 100 FRU View Sht 2 Of 5
-55	77G0599	4	• Screw, Metric Hex Hd Flange-Black M5 X 16mm Long
-56	34L3820	1	• Controller Card Asm
-57	09L1848	AR	• 4.5GB SSA Disk Drive Module (Model D40 Only)
-57	09L1847	AR	• 9.1GB SSA Disk Drive Module (Model D40 Only)
-57	09L1849	AR	• 18.2GB SSA Disk Drive Module (Model D40 Only)
-57	34L7771	AR	• 36.4GB SSA Disk Drive Module (Model D40 Only)
-57	05J8006	AR	• Dummy Disk Drive Module (Model D40 Only)
-58	09L1850	4	• Frame Asm (Including Foam Baffle And Labels)
-59	09L5510	4	• Bypass (SNBC) Card
-60	09L4299	2	• Power Supply Asm, 220V AC/DC
-61	09L2794	3	• Fan Asm
-62	09L1846	AR	• Lock Asm For Disk Drive Module
-63	NR	AR	• Key (Included With Lock)
-64	51H8803	1	• Rail, Left - For Full Height Rack
-65	77G0599	2	• Screw, Metric Hex Hd Flange-Black M5 X 16mm Long
-66	51H8804	2	• Back Clamp Plate
-67	74F1823	4	• Nutclip
			End Of Sheet 2 Of 5

Assembly 1: (continued)

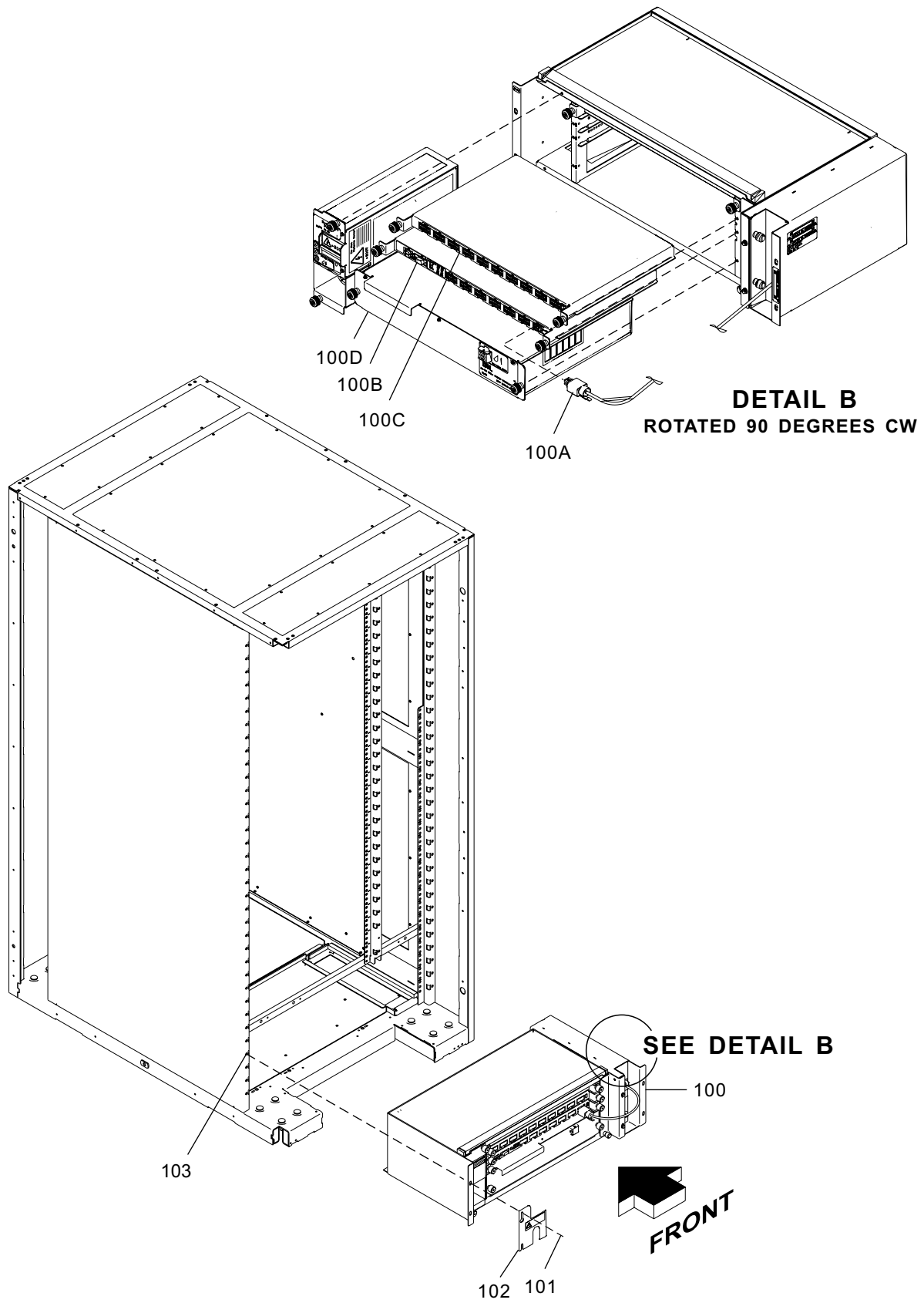


VIEW A

Assembly 1: (continued)

Asm-Index	Part Number	Units	Description
1-	NR	REF	Final Asm, Model 100 FRU View Sht 3 Of 5
-80	51H9236	2	• Bracket, Battery
-81	77G0599	4	• Screw, Metric Hex Hd Flange-Black M5 X 16mm Long
-82	74F1823	AR	• Nutclip
-83	51H9541	2	• Plate, Battery Filler
-84	54G2882	8	• Screw, Metric Hex Hd Flange-Black M5 X 10mm Long
-85	44H2790	2	• 350V Battery
-86	77G0599	4	• Screw, Metric Hex Hd Flange-Black M5 X 16mm Long
-90	05J8081	2	• Label, Battery Front
-91	09L2791	2	• Label, Battery Recycle
-92	44F0924	1	• Label, Serial Number — Battery (IBF)
			End Of Sheet 3 Of 5

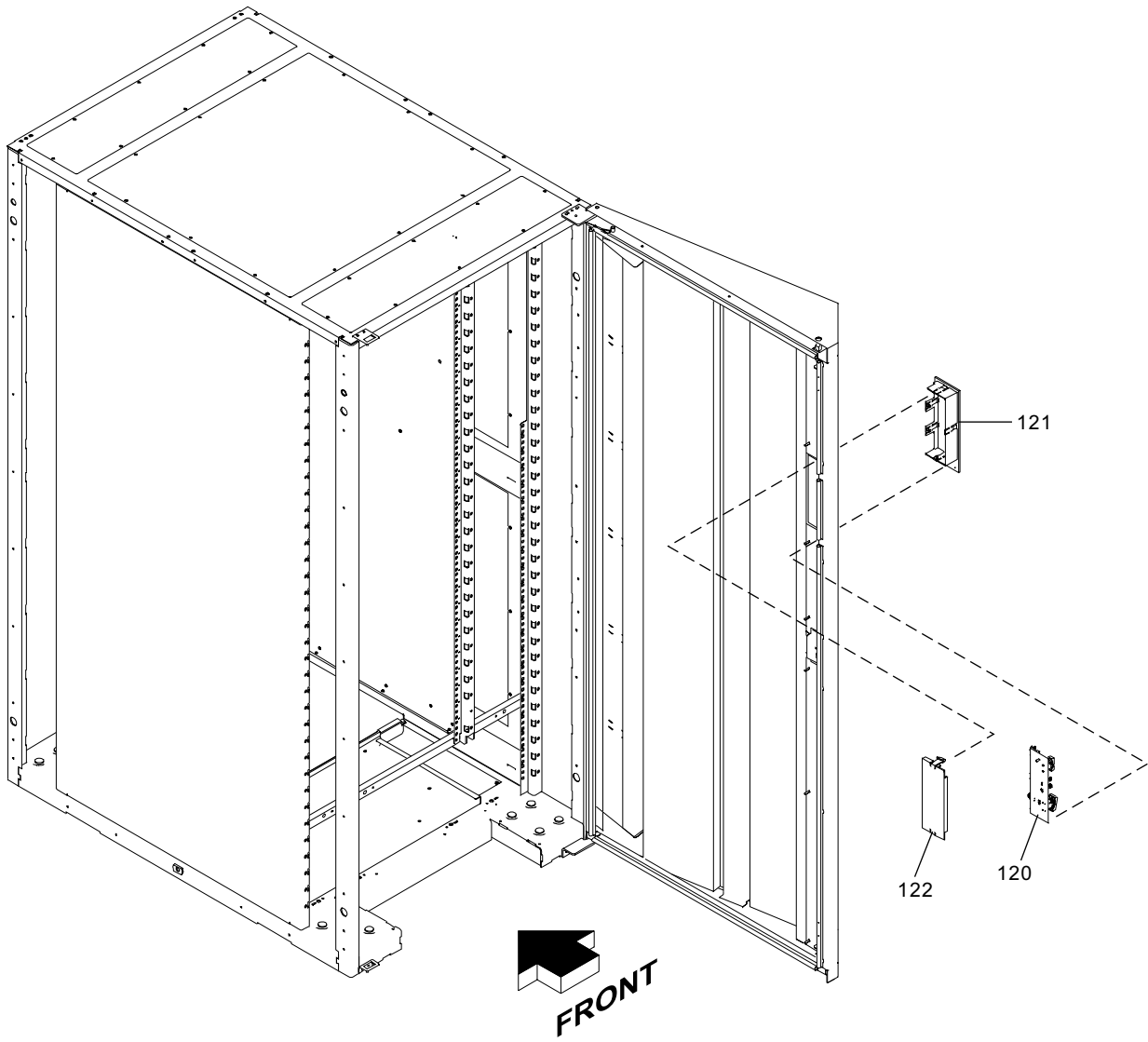
Assembly 1: (continued)



Assembly 1: (continued)

Asm- Index	Part Number	Units	Description
1-	NR	REF	Final Asm, Model 100 FRU View Sht 4 Of 5
-100	08L8068	2	• Bulk Power Supply, Front/Rear
-100A	44H2785	2	• Bulk Power Fan (BPF)
-100B	09L3589	2	• Bulk Power Control (BPC)
-100C	44H2762	2	• Bulk Power Distribution (BPD)
-100D	09L3590	2	• Bulk Power Regulator (BPR)
-101	77G0599	8	• Screw, Metric Hex Hd Flange-Black M5 X 16mm Long
-102	08L7128	2	• Bracket, Plate - Line Cord
-103	74F1823	8	• Nutclip
			End Of Sheet 4 Of 5

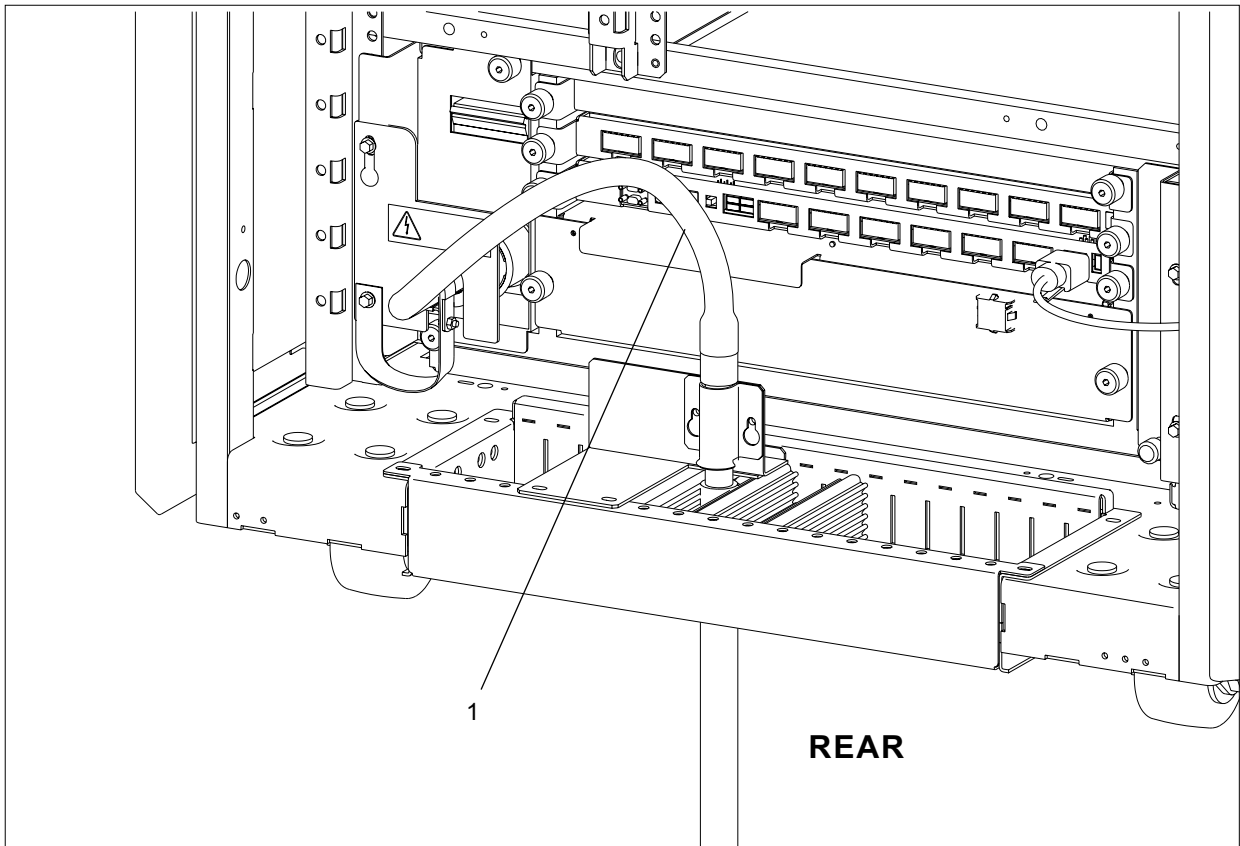
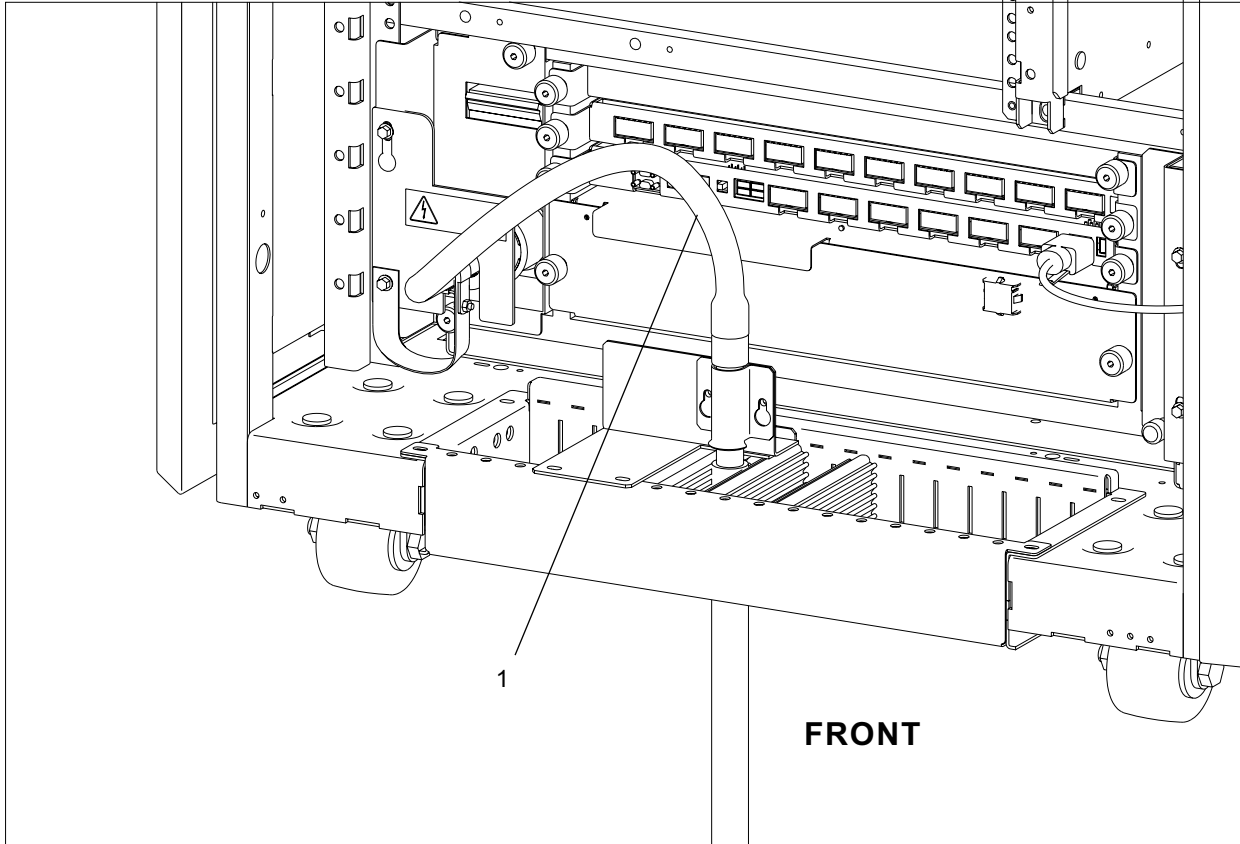
Assembly 1: (continued)



Assembly 1: (continued)

Asm- Index	Part Number	Units	Description
1-	NR	REF	Final Asm, Model 100 FRU View Sht 5 Of 5
-120	08L8042	1	• Rack Operator Panel
-121	05J7344	1	• Housing, Operator Panel
-122	08L8032	1	• Cover, Operator Panel
			End Of Assembly

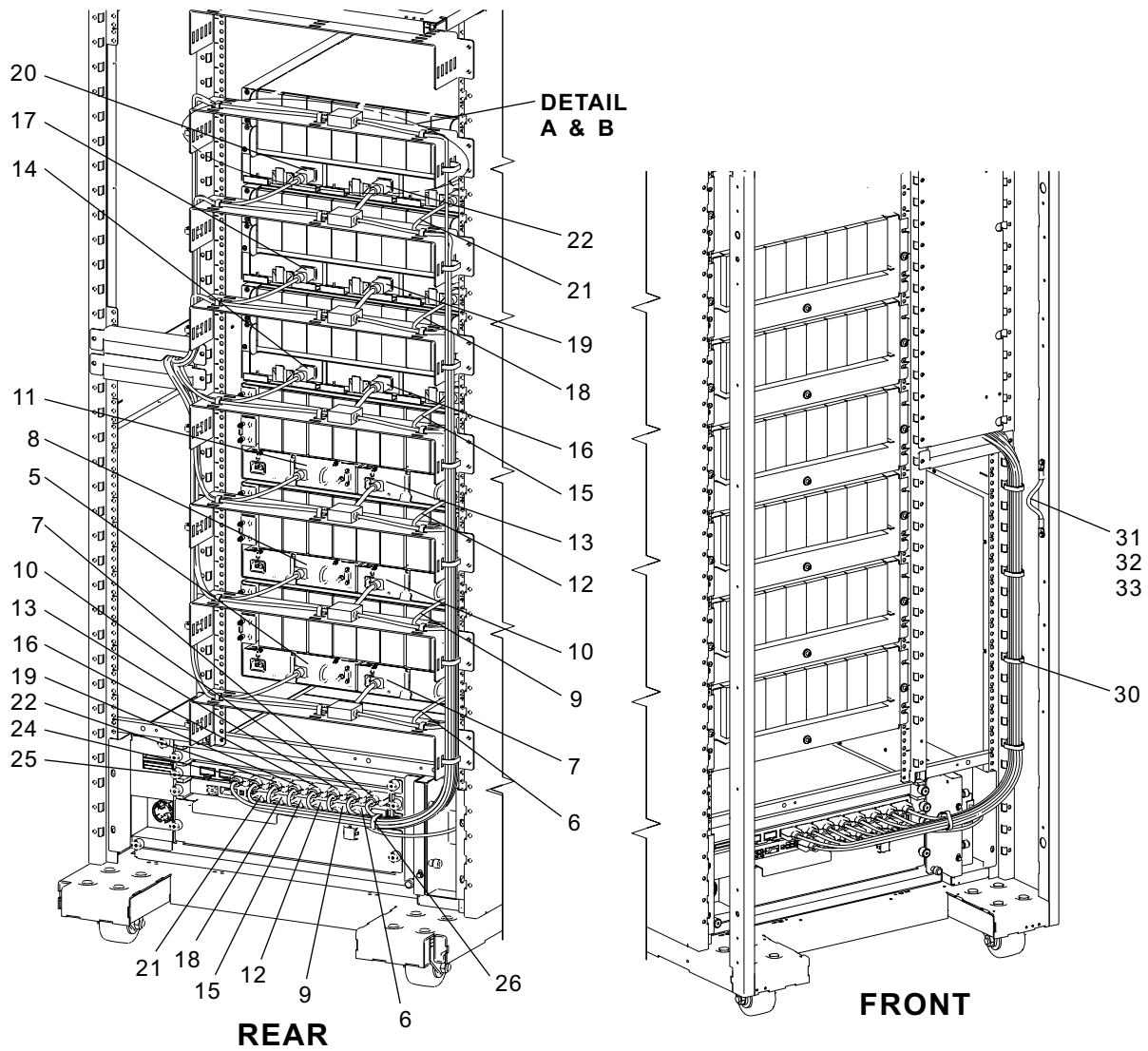
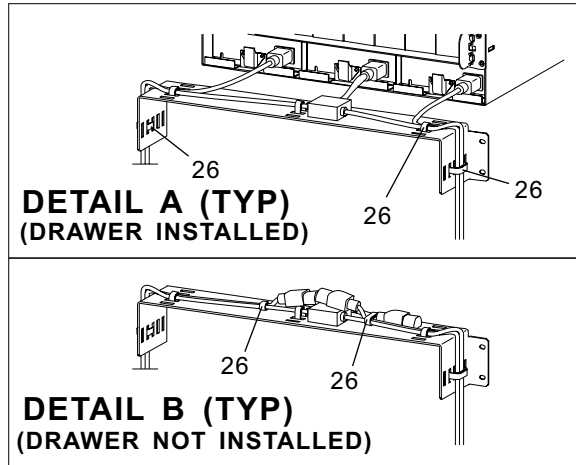
Assembly 2: Final Asm, Model 100 Cable View



Assembly 2: (continued)

Asm- Index	Part Number	Units	Description
2-	NR	REF	Final Asm, Model 100 Cable View Sht 1 Of 5
-1	05J9231	2	• Mainline Power Cable, 50A-3 Phase 50/60 Hz (Chicago)
-1	05J9232	2	• Mainline Power Cable, 50A-3 Phase-50/60 Hz (Non-EMEA)
-1	05J9233	2	• Mainline Power Cable, 50A-3 Phase-50 Hz (EMEA)
-1	08L8000	2	• Mainline Power Cable, 60A-1 Phase-50/60 Hz (Japan)
-1	08L8001	2	• Mainline Power Cable, 60A-3 Phase-50/60 Hz (Japan)
-1	08L7995	2	• Mainline Power Cable, 50A-1 Phase-50/60 Hz (Chicago)
-1	08L7996	2	• Mainline Power Cable, 50A-1 Phase-50/60 Hz (Non-EMEA)
-1	08L7997	2	• Mainline Power Cable, 50A-1 Phase-50 Hz (EMEA)
-1	08L7998	2	• Mainline Power Cable, 60A-3 Phase-50/60 Hz (Chicago)
-1	08L7999	2	• Mainline Power Cable, 60A-3 Phase-50/60 Hz (Non-EMEA)
			End Of Sheet 1 Of 5

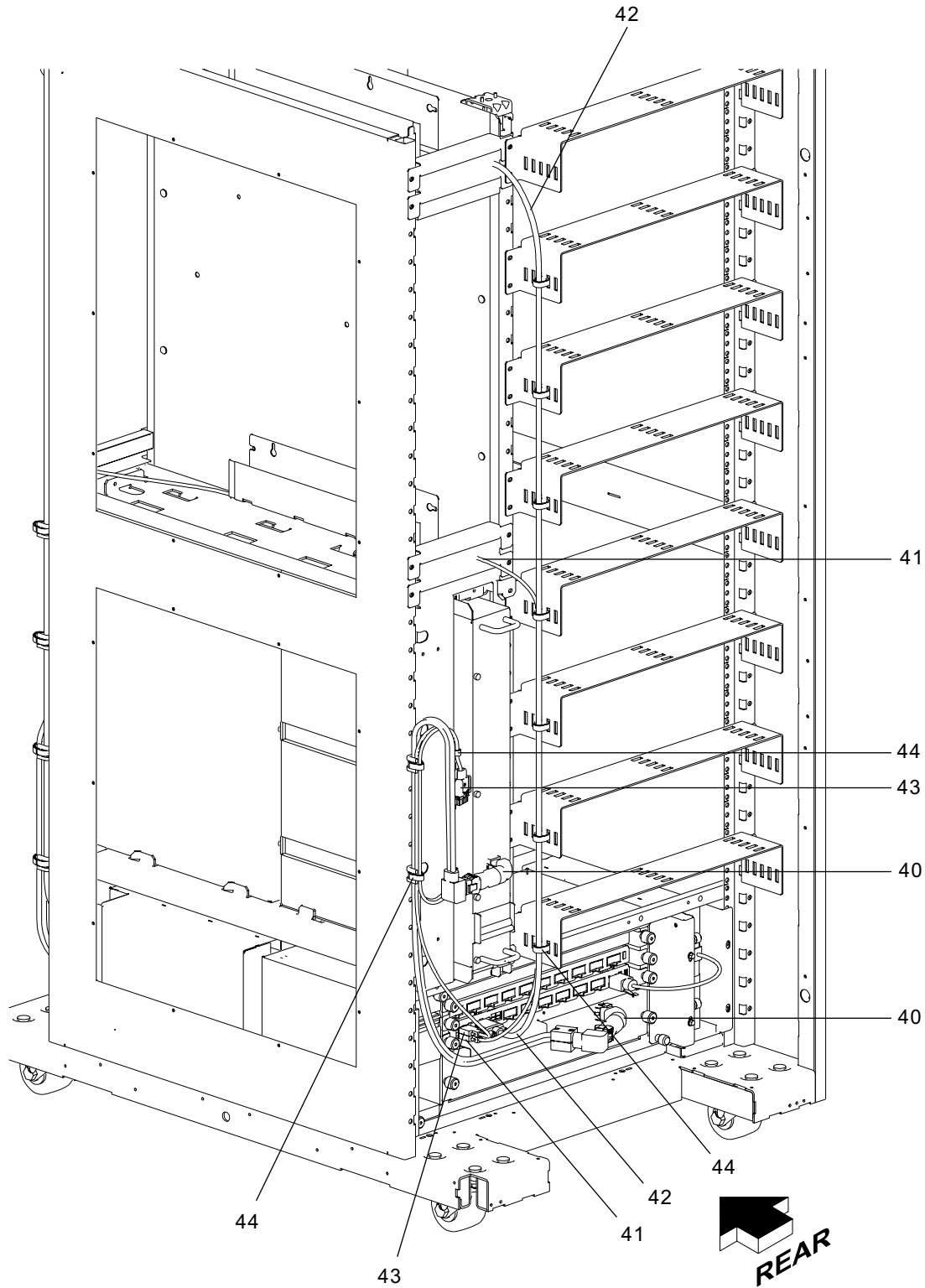
Assembly 2: (continued)



Assembly 2: (continued)

Asm-Index	Part Number	Units	Description
2-	NR	REF	Final Asm, Model 100 Cable View Sht 2 Of 5
-5	05J9208	1	• Drawer Power Cable (Drawer 0 Left)
-6	05J9209	1	• Drawer Power Cable (Drawer 0 Right)
-7	05J9222	1	• Drawer Power Cable (Drawer 0 Center)
-8	05J9210	1	• Drawer Power Cable (Drawer 1 Left)
-9	05J9211	1	• Drawer Power Cable (Drawer 1 Right)
-10	05J9223	1	• Drawer Power Cable (Drawer 1 Center)
-11	05J9212	1	• Drawer Power Cable (Drawer 2 Left)
-12	05J9213	1	• Drawer Power Cable (Drawer 2 Right)
-13	05J9224	1	• Drawer Power Cable (Drawer 2 Center)
-14	05J9214	1	• Drawer Power Cable (Drawer 3 Left)
-15	05J9215	1	• Drawer Power Cable (Drawer 3 Right)
-16	05J9225	1	• Drawer Power Cable (Drawer 3 Center)
-17	05J9216	1	• Drawer Power Cable (Drawer 4 Left)
-18	05J9217	1	• Drawer Power Cable (Drawer 4 Right)
-19	05J9226	1	• Drawer Power Cable (Drawer 4 Center)
-20	05J9218	1	• Drawer Power Cable (Drawer 5 Left)
-21	05J9219	1	• Drawer Power Cable (Drawer 5 Right)
-22	05J9227	1	• Drawer Power Cable (Drawer 5 Center)
-26	07H6655	AR	• Soft Cable Tie, 150mm
-30	07H6655	5	• Soft Cable Tie, 150mm
-31	08L8064	1	• Jumper Asm, Frame To Frame Ground
-32	54G2882	2	• Screw, Metric Hex Hd Flange-Black M5 X 10mm Long
-33	1622347	2	• Washer, M5 External Tooth
			End Of Sheet 2 Of 5

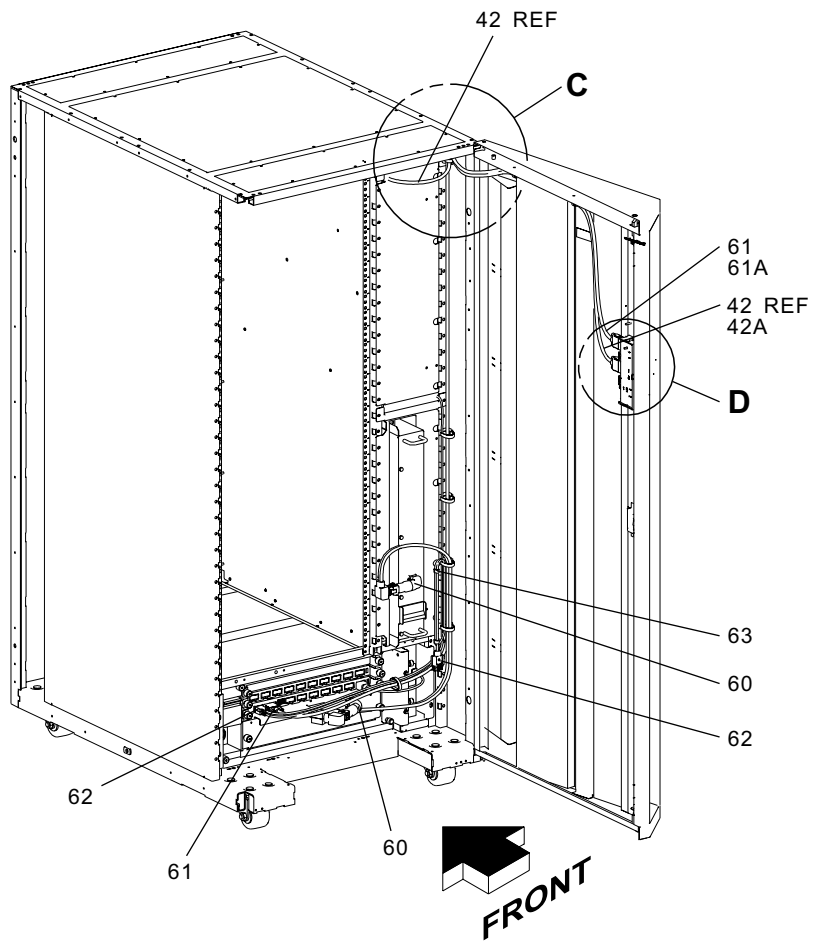
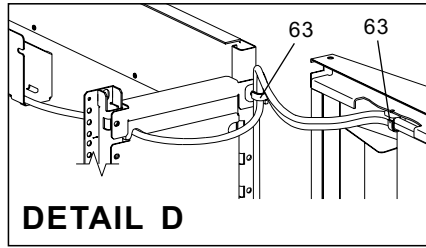
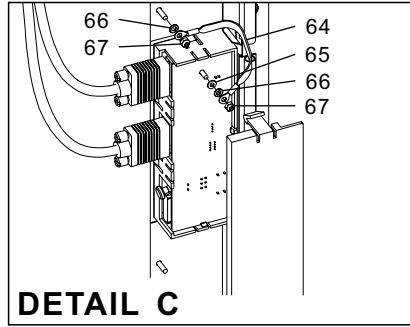
Assembly 2: (continued)



Assembly 2: (continued)

Asm-Index	Part Number	Units	Description
2-	NR	REF	Final Asm,Model 100 Cable View Sht 3 Of 5
-40	09L2795	1	• Bulk P.S. to 350V Battery Cable
-41	11J4166	1	• Bulk P.S. Interconnect Cable
-42	05J9243	1	• Bulk P.S. To UEPO P2 Cable
-43	11J4172	1	• Bulk P.S. To B09 Interconnect Cable
-44	07H6655	AR	• Soft Cable Tie, 150mm
			End Of Sheet 3 Of 5

Assembly 2: (continued)



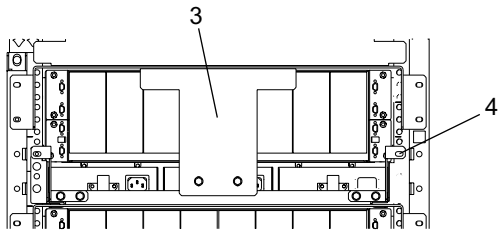
Assembly 2: (continued)

Asm-Index	Part Number	Units	Description
2-	NR	REF	Final Asm, Model 100 Cable View Sht 4 Of 5
-42	05J9243	REF	• Bulk P.S. To UEPO P2 Cable
-42A	34L5522	AR	• Power Interconnect Cable (3750mm Long) Used For Attachment To Mod EXX/FXX
-60	08L8065	1	• Bulk P.S. To 350V Battery Cable
-61	05J9242	1	• Bulk P.S. To UEPO P1 Cable
-61A	34L5521	AR	• Power Interconnect Cable (3120mm Long) Used For Attachment To Mod EXX/FXX
-62	11J4171	1	• Bulk P.S. To B09 Interconnect Cable
-63	07H6655	AR	• Soft Cable Tie, 150mm
-64	08L8047	1	• Jumper Asm, Operator Panel Ground
-65	1622303	1	• Washer, M4 Flat
-66	1622346	2	• Washer, M4 External Tooth
-67	1622417	2	• Lock Nut, M4 Hex
			End Of Sheet 4 Of 5

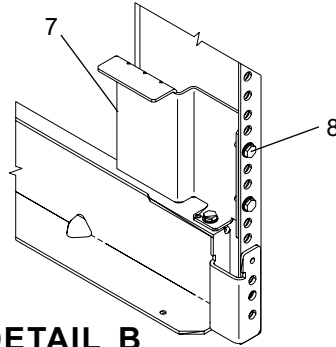
Assembly 2: (continued)

Asm-Index	Part Number	Units	Description
2-	NR	REF	Final Asm, Model 100 Cable View Sht 5 Of 5
-75	08L7908	AR	• Cable Asm, 1 Meter SSA
-75	08L7909	AR	• Cable Asm, 2.5 Meter SSA
-	34L8549	AR	• SSA Cable FRU Kit, 5 Meter
-75	08L7910	AR	• • Cable Asm, 5 Meter SSA
-	34L8550	AR	• • Label Sheet, Position Designation
-	34L8551	AR	• • Label Sheet, Loop Colors
-	34L8985	AR	• SSA Cable FRU Kit, 10 Meter
-75	08L7911	AR	• • Cable Asm, 10 Meter SSA
-	34L8550	AR	• • Label Sheet, Position Designation
-	34L8551	AR	• • Label Sheet, Loop Colors
-76	07H6655	AR	• Soft Cable Tie, 150mm
			End Of Assembly

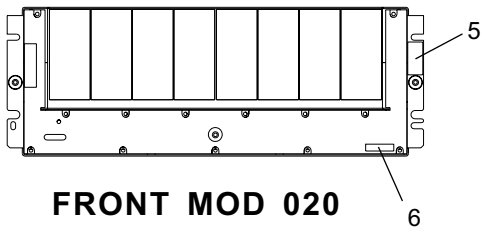
Assembly 3: Final Asm, Model 100 Label View



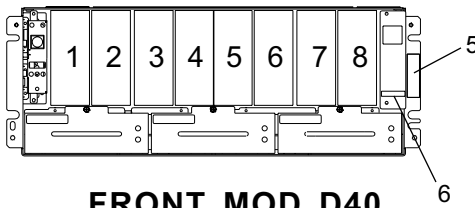
DETAIL A



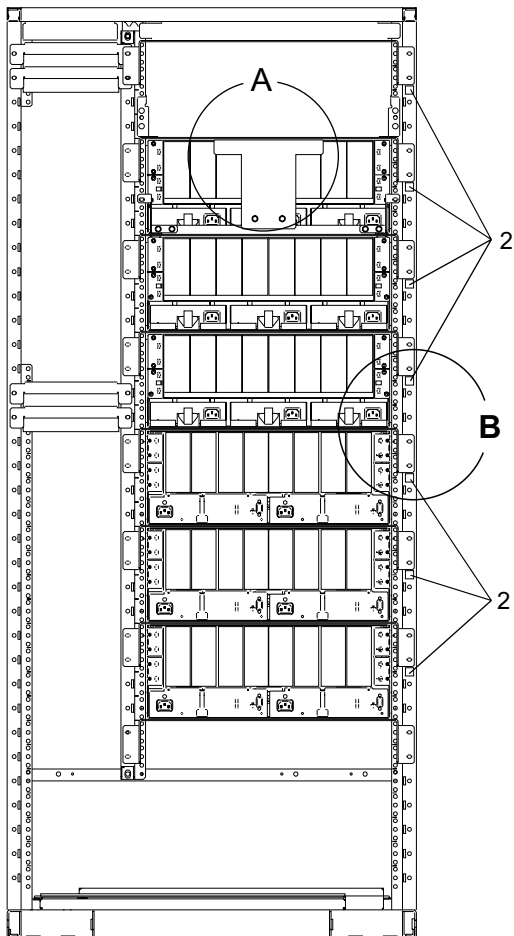
DETAIL B



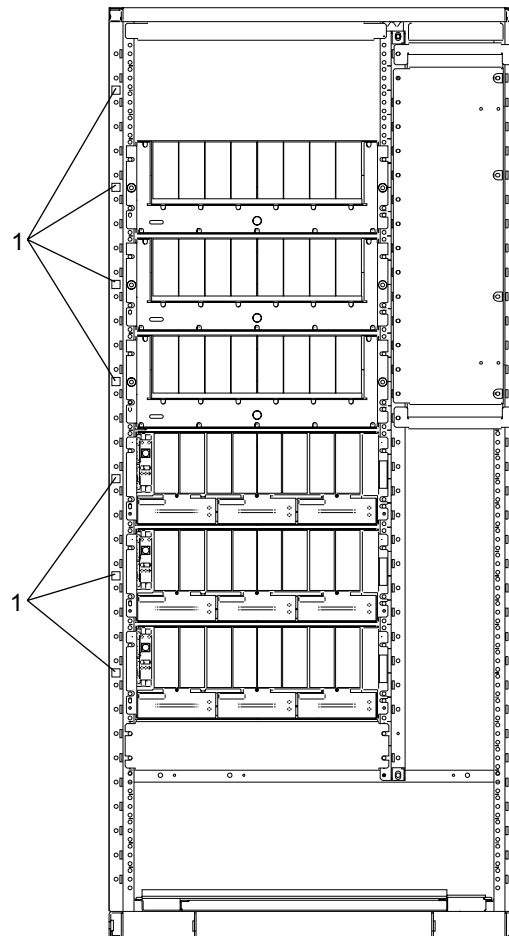
FRONT MOD 020



FRONT MOD D40



REAR

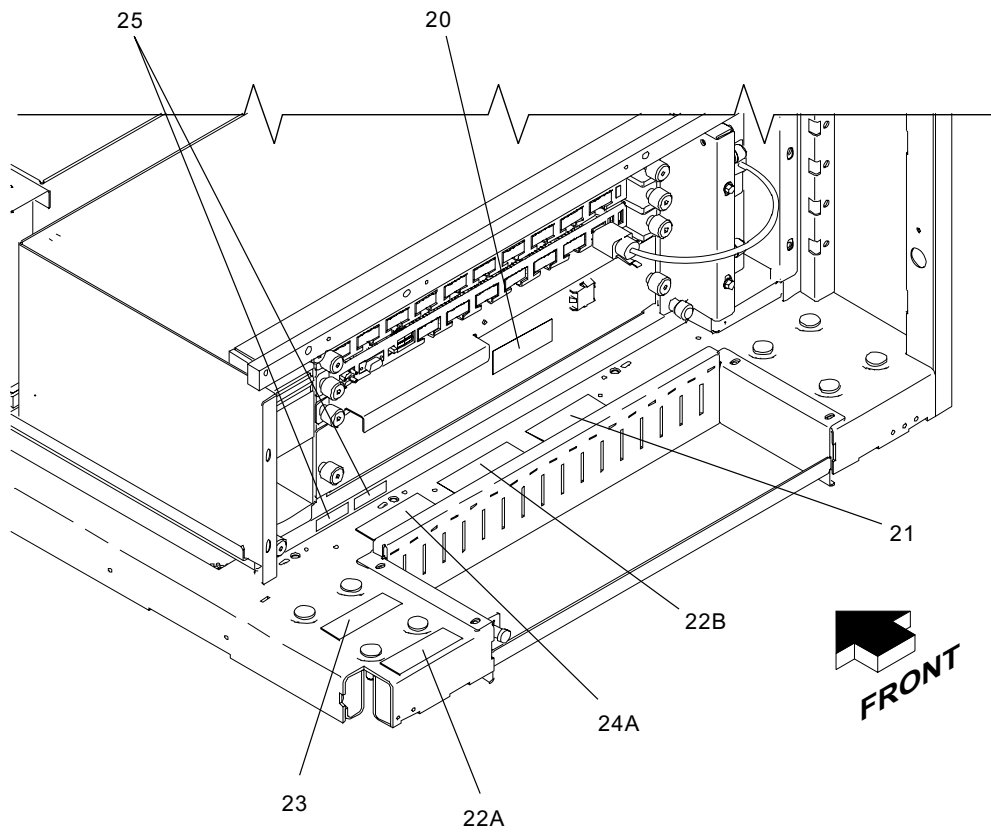
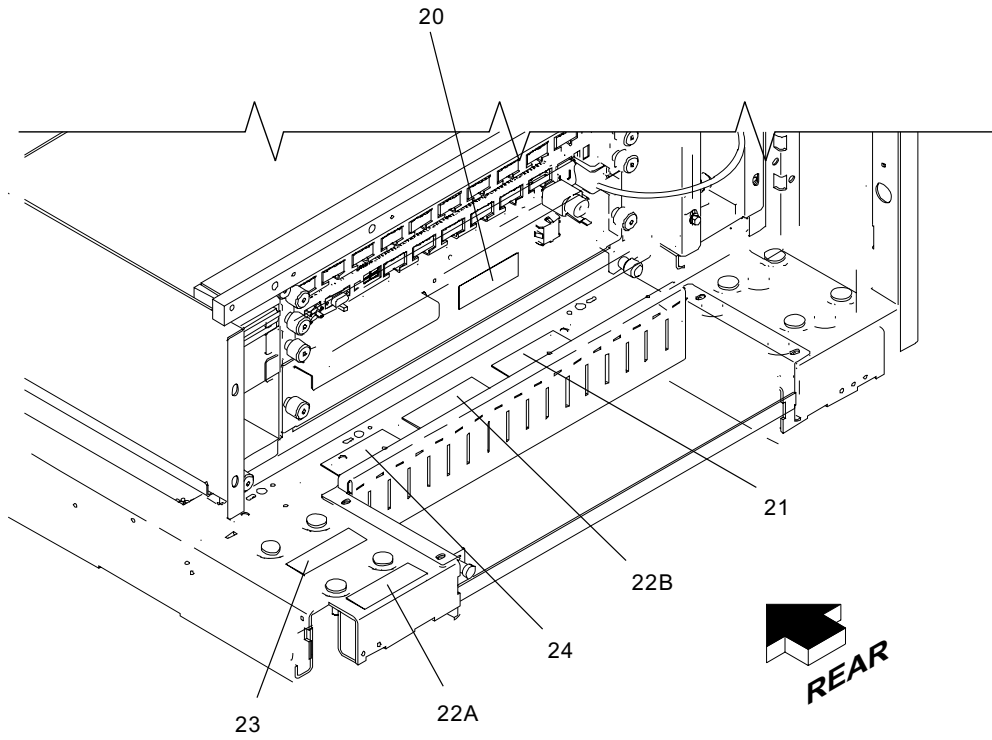


FRONT

Assembly 3: (continued)

Asm-Index	Part Number	Units	Description
3-	NR	REF	Final Asm, Model 100 Label View Sht 1 Of 3
-1	05J8081	AR	• Label, Drawer Number (Front)
-2	05J8081	AR	• Label, Drawer Number (Rear)
-3	51H9540	AR	• Bracket, Shipping
-4	54G2882	AR	• Screw, Metric Hex Hd Flange-Black M5 X 10mm Long
-5	44F0924	AR	• Label, Large Bar Code Serial Number (Drawer)
-6	05J7400	AR	• Label, Serial Number (Drawer)
-7	09L4372	AR	• Bracket, Holddown And Shipping (Right)
-7	09L4373	AR	• Bracket, Holddown And Shipping (Left)
-8	54G2882	AR	• Screw, Metric Hex Hd Flange-Black M5 X 10mm Long
			End Of Sheet 1 Of 3

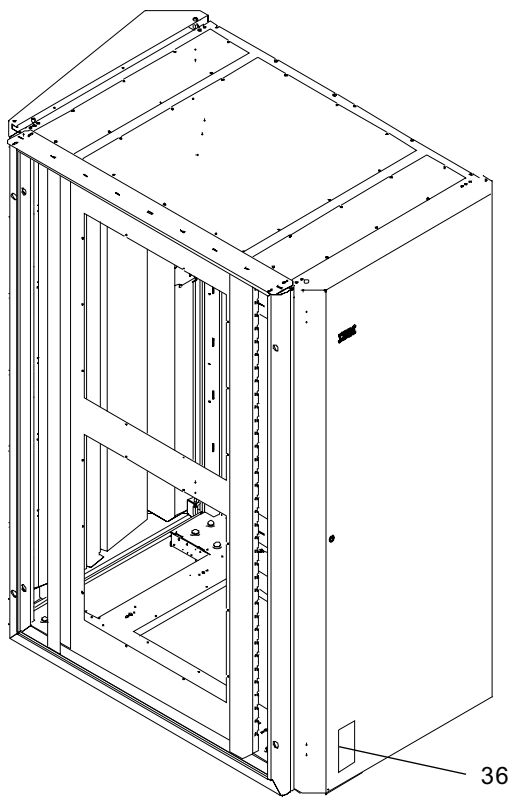
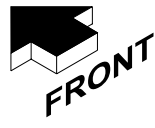
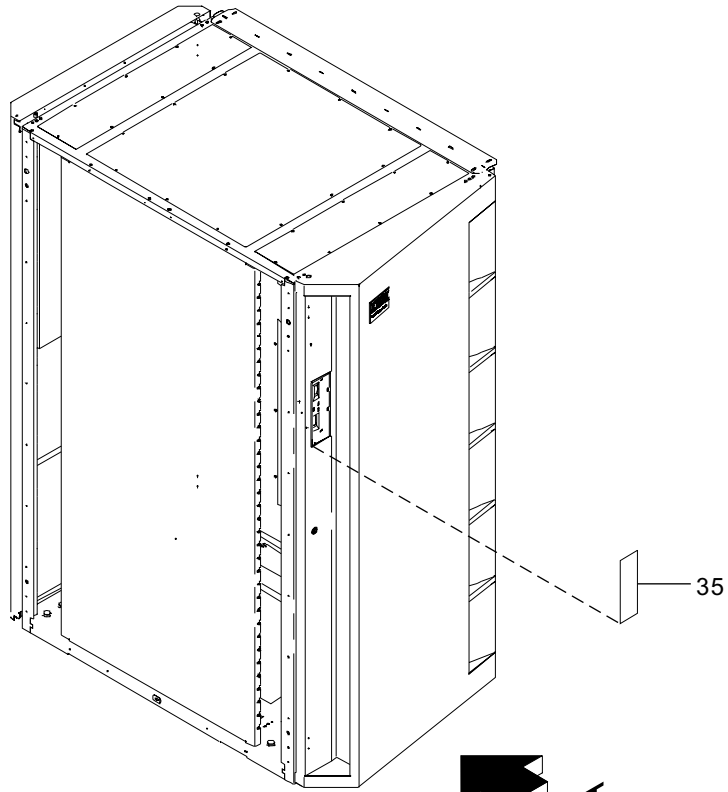
Assembly 3: (continued)



Assembly 3: (continued)

Asm-Index	Part Number	Units	Description
3-	NR	REF	Final Asm, Model 100 Label View Sht 2 Of 3
-20	08L8069	1	• Label, 300VDC Safety
-21	05J8081	1	• Label, Bulk Power
-22A	08L8107	2	• Label, Caution/2 Main Breaker (Spanish)
-22B	05J9063	2	• Label, High Leakage Current (Spanish)
-22A	08L8109	2	• Label, Caution/2 Main Breaker (German/Austrian)
-22B	05J9065	2	• Label, High Leakage Current (German/Austrian)
-22A	08L8111	2	• Label, Caution/2 Main Breaker (French/Canadian)
-22B	05J9071	2	• Label, High Leakage Current (French/Canadian)
-22A	08L8113	2	• Label, Caution/2 Main Breaker (Korean)
-22B	05J9079	2	• Label, High Leakage Current (Korean)
-22A	08L8115	2	• Label, Caution/2 Main Breaker (Brazilian/Portuguese)
-22B	05J9089	2	• Label, High Leakage Current (Brazilian/Portuguese)
-23	08L8071	2	• Label, Caution/2 Main Breaker (English)
-24	05J8627	2	• Label, High Leakage Current (English)
-25	44F0924	2	• Label, Serial Number — Bulk Power Asm (BPA)
			End Of Sheet 2 Of 3

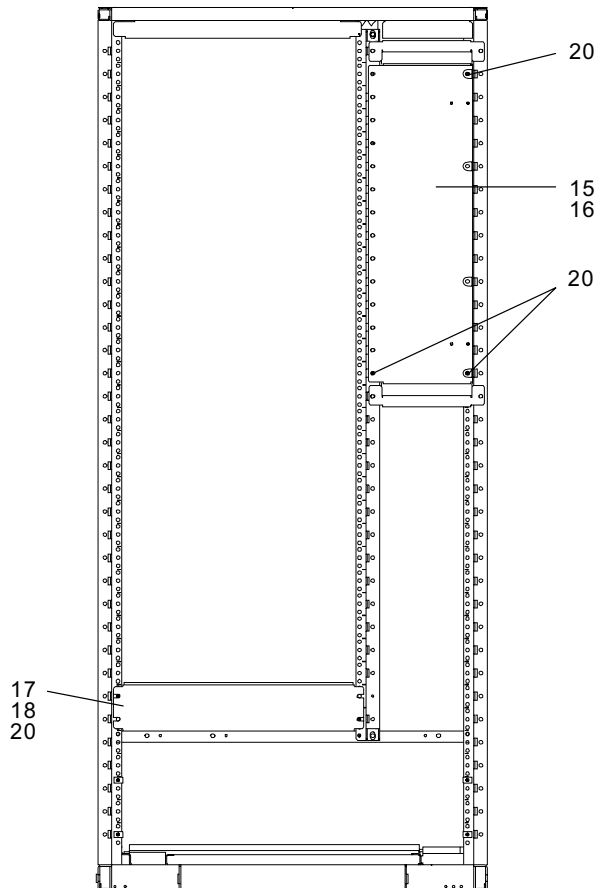
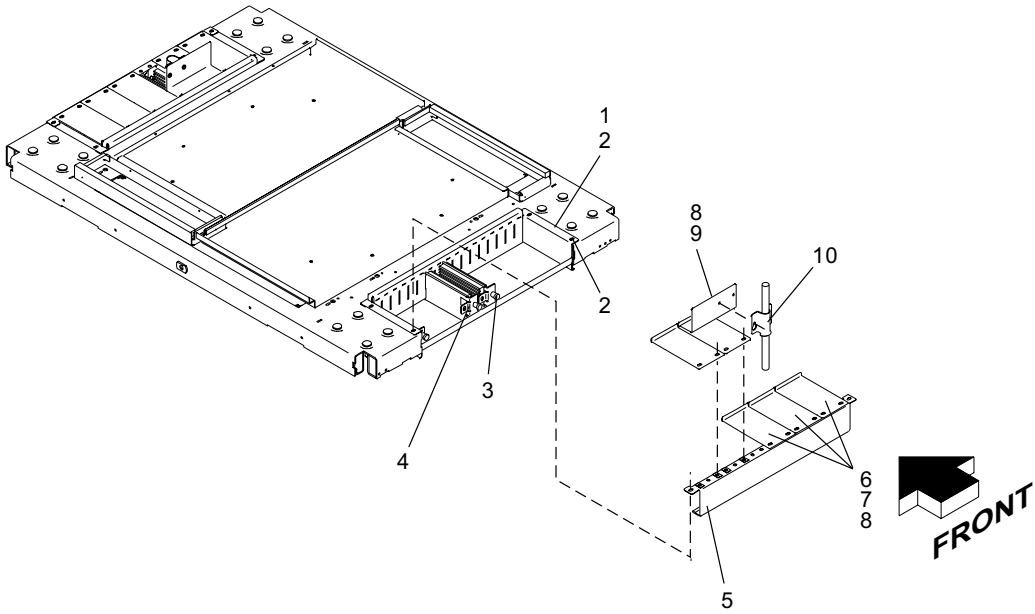
Assembly 3: (continued)



Assembly 3: (continued)

Asm-Index	Part Number	Units	Description
3-	NR	REF	Final Asm, Model 100 Label View Sht 3 Of 3
-35	05J7393	1	• Label, Operator Panel (English)
-35	05J8138	1	• Label, Operator Panel (French)
-35	05J8140	1	• Label, Operator Panel (German)
-35	05J8141	1	• Label, Operator Panel (Japanese)
-35	05J8139	1	• Label, Operator Panel (Korean)
-35	05J8142	1	• Label, Operator Panel (Spanish)
-35	05J8143	1	• Label, Operator Panel (Italian)
-35	05J8144	1	• Label, Operator Panel (Chinese-ROC)
-35	05J8145	1	• Label, Operator Panel (Chinese-PRC)
-35	05J8146	1	• Label, Operator Panel (Portuguese)
-35	05J8147	1	• Label, Operator Panel (Brazilian/Portuguese)
-35	05J8148	1	• Label, Operator Panel (Belgium/Dutch)
-36	08L8075	1	• Label, Combination Plate
			End Of Assembly

Assembly 4: Final Asm, Model 100 Sheet Metal View

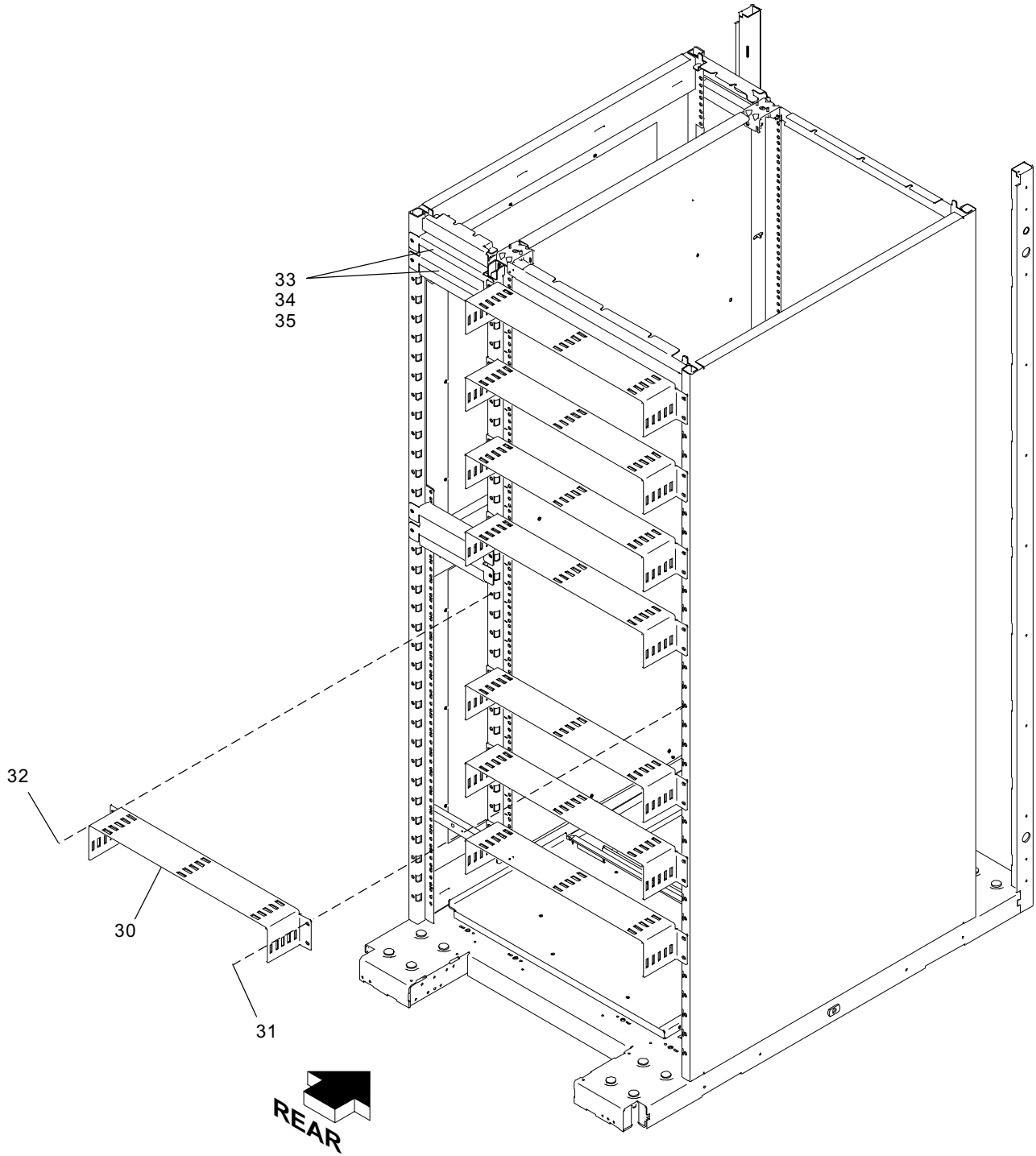


FRONT VIEW

Assembly 4: (continued)

Asm-Index	Part Number	Units	Description
4-	NR	REF	Final Asm, Model 100 Sheet Metal View Sht 1 Of 2
-1	07H7083	2	• Bracket, Tailgate
-2	54G2882	8	• Screw, Metric Hex Hd Flange-Black M5 X 10mm Long
-3	07H6824	2	• Clamp, 14 X 6
-4	11J6413	2	• Clamp, 0 X 14
-5	07H5882	2	• Bracket, Tailgate Filler Plates
-6	74F1823	AR	• Nutclip
-7	07H6763	8	• Plate, Filler-3 Position
-8	54G2882	AR	• Screw, Metric Hex Hd Flange-Black M5 X 10mm Long
-9	08L8078	2	• Plate, Filler-EMC Ground
-10	08L8079	2	• Clamp, EMC Ground
-15	51H9542	1	• Bracket, 14 EIA Cover
-16	54G2882	AR	• Screw, Metric Hex Hd Flange-Black M5 X 10mm Long
-17	05J7380	1	• Plate, 2 EIA (Blank)
-18	54G2882	2	• Screw, Metric Hex Hd Flange-Black M5 X 10mm Long
-20	74F1823	AR	• Nutclip
			End Of Sheet 1 Of 2

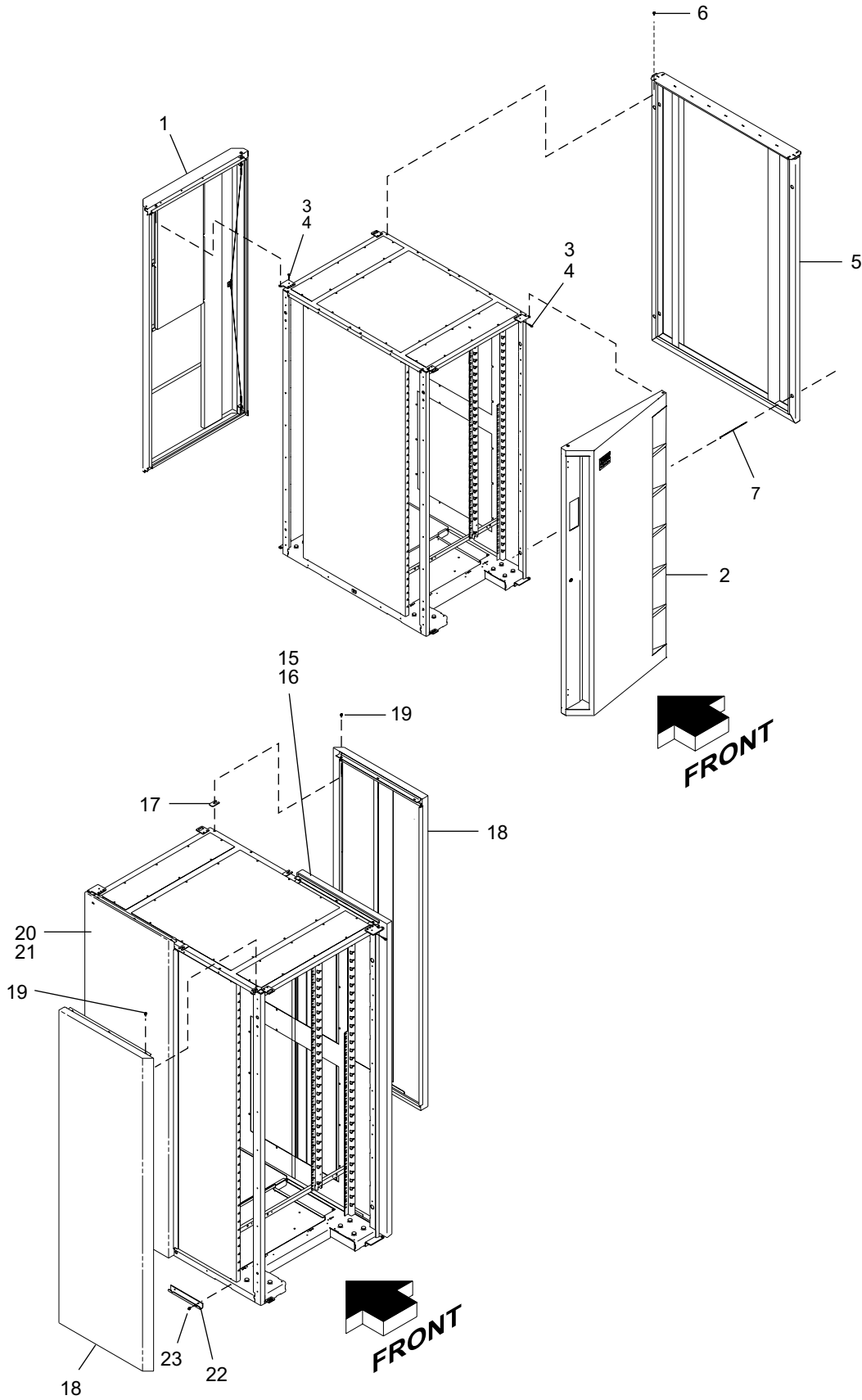
Assembly 4: (continued)



Assembly 4: (continued)

Asm-Index	Part Number	Units	Description
4-	NR	REF	Final Asm, Model 100 Sheet Metal View Sht 2 Of 2
-30	05J8631	AR	• Bracket, Cable Shelf
-31	54G2882	AR	• Screw, Metric Hex Hd Flange-Black M5 X 10mm Long
-32	77G0599	AR	• Screw, Metric Hex Hd Flange-Black M5 X 16mm Long
-33	47H0442	2	• Bracket, Foam
-34	74F1823	3	• Nutclip
-35	54G2882	4	• Screw, Metric Hex Hd Flange-Black M5 X 10mm Long
			End Of Assembly

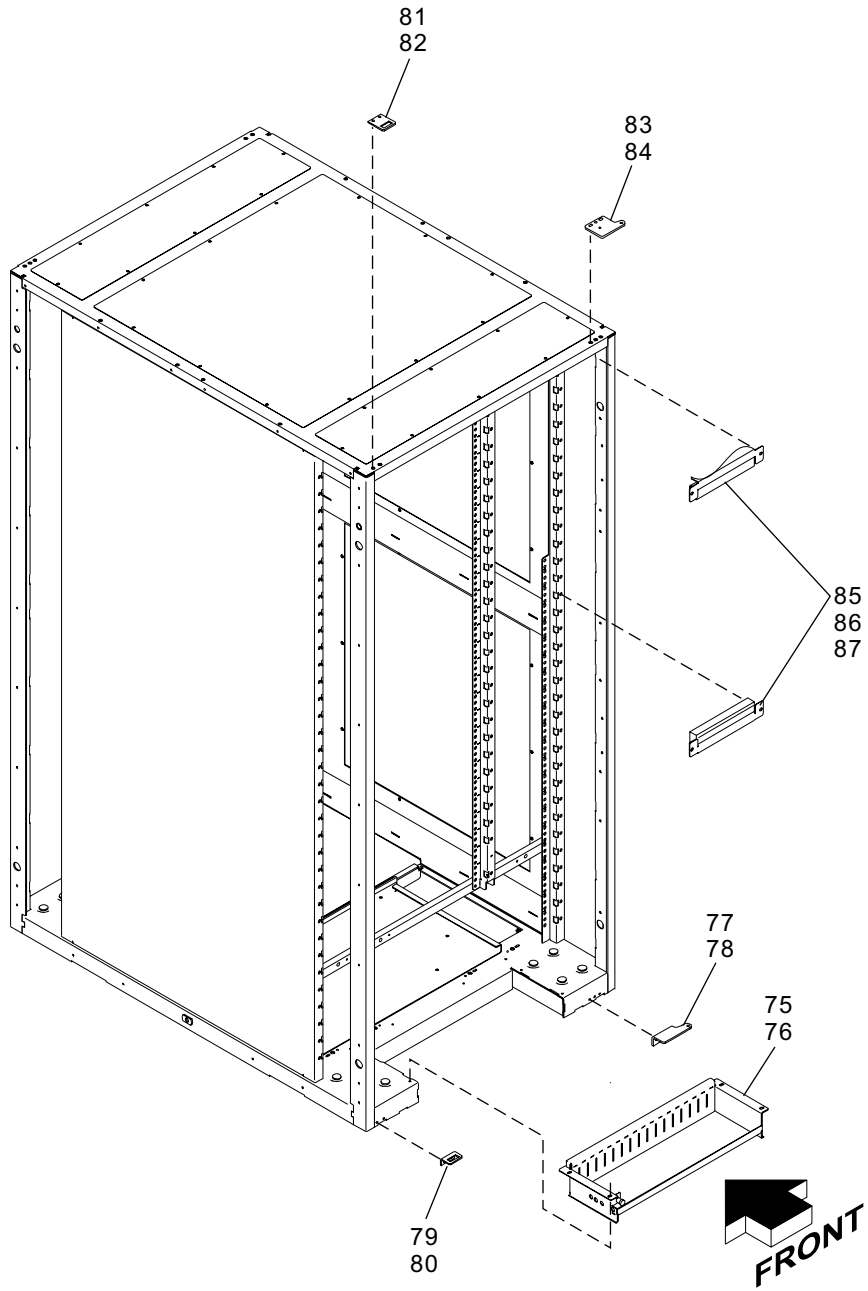
Assembly 5: Final Asm, Model 100 Frame/Cover View



Assembly 5: (continued)

Asm-Index	Part Number	Units	Description
5-	NR	REF	Final Asm, Model 100 Frame/Covers View Sht 1 Of 5
-1	05J7287	AR	• Cover Asm, Rear
-2	05J7288	AR	• Cover Asm, Front
-3	35F2003	AR	• Stay, Covers
-4	4457486	AR	• Screw, Slotted Shoulder M5 X 0.8mm Long
-5	05J9101	AR	• Weldment-Spacer, Frame
-6	54G2882	AR	• Screw, Metric Hex Hd Flange-Black M5 X 10mm Long
-7	7331381	AR	• Tie Wrap-Spacer Tie Down, Shipment
			The Following Side Covers Are Used When Attaching One Box To Mod EXX/FXX
-15	05J7284	AR	• Cover Asm, Side (Right Front)
-16	54G2882	AR	• Screw, Metric Hex Hd Flange-Black M5 X 10mm Long
-17	2760781	AR	• Shim, 0.5mm
-17	09L3581	AR	• Shim, 2mm
-18	05J7390	AR	• Cover Asm, Side (Right Rear/Left Front)
-19	54G2882	AR	• Screw, Metric Hex Hd Flange-Black M5 X 10mm Long
-20	05J7388	AR	• Cover Asm, Side (Left/Rear)
-21	54G2882	AR	• Screw, Metric Hex Hd Flange-Black M5 X 10mm Long
-22	99F0606	AR	• Bracket-J, Side Covers
-23	54G2882	AR	• Screw, Metric Hex Hd Flange-Black M5 X 10mm Long
			End Of Sheet 1 Of 5

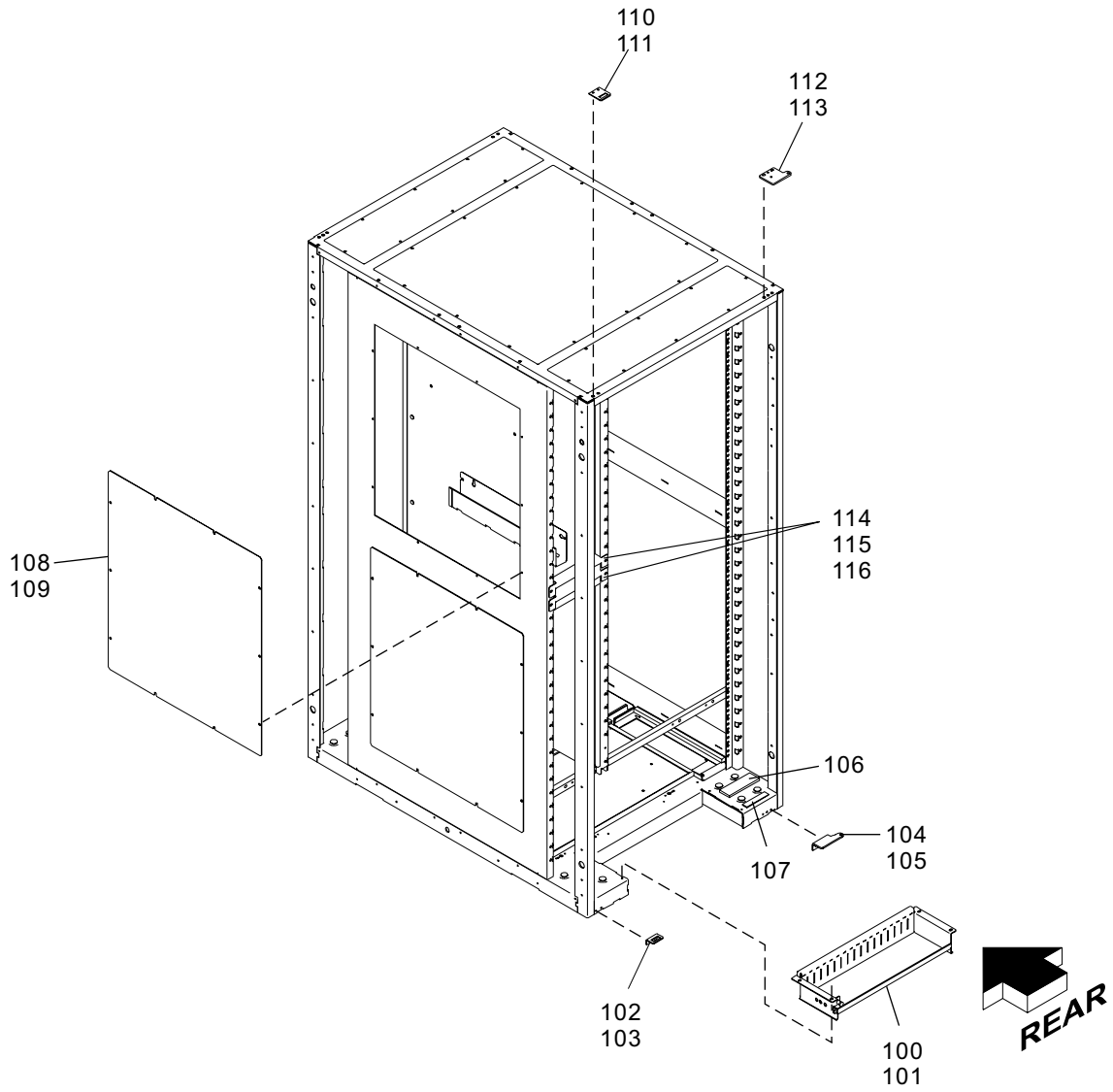
Assembly 5: (continued)



Assembly 5: (continued)

Asm-Index	Part Number	Units	Description
5-	NR	REF	Final Asm, Model 100 Frame/Covers View Sht 2 Of 5
-75	07H7083	1	• Bracket, Tailgate (Front)
-76	54G2882	4	• Screw, Metric Hex Hd Flange-Black M5 X 10mm Long
-77	99F0558	1	• Hinge, Front Bottom
-78	54G2882	2	• Screw, Metric Hex Hd Flange-Black M5 X 10mm Long
-79	08L7145	1	• Striker, Front Bottom
-80	54G2882	2	• Screw, Metric Hex Hd Flange-Black M5 X 10mm Long
-81	08L7144	1	• Striker, Front Top
-82	54G2882	2	• Screw, Metric Hex Hd Flange-Black M5 X 10mm Long
-83	09L3582	1	• Hinge, Front Top
-84	54G2882	2	• Screw, Metric Hex Hd Flange-Black M5 X 10mm Long
-85	47H0442	2	• Bracket, Foam
-86	54G2882	4	• Screw, Metric Hex Hd Flange-Black M5 X 10mm Long
-87	74F1823	4	• Nutclip, M5 X 0.8
			End Of Sheet 2 Of 5

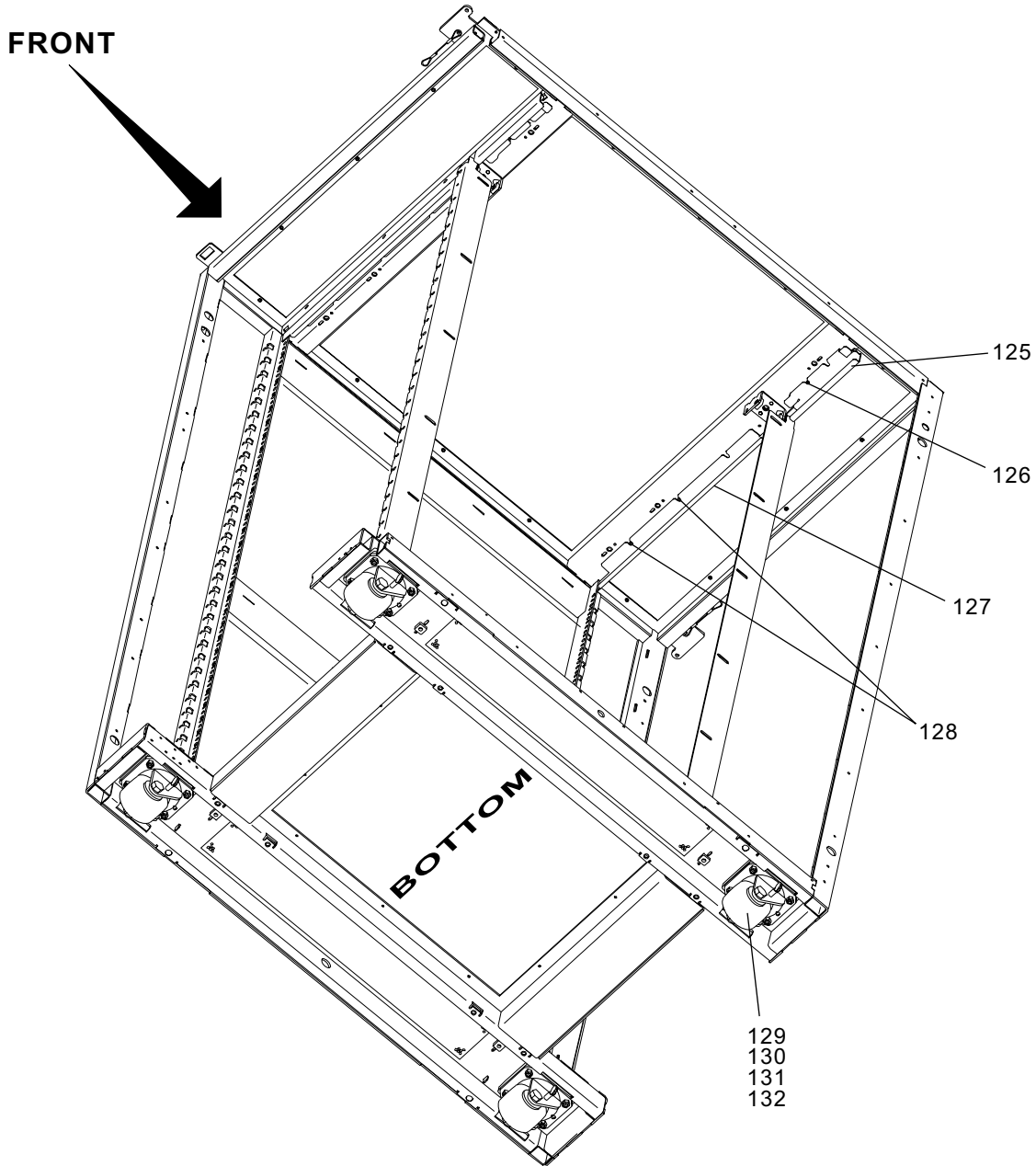
Assembly 5: (continued)



Assembly 5: (continued)

Asm-Index	Part Number	Units	Description
5-	NR	REF	Final Asm, Model 100 Frame/Covers View Sht 3 Of 5
-100	07H7083	1	• Bracket, Tailgate (Front)
-101	54G2882	4	• Screw, Metric Hex Hd Flange-Black M5 X 10mm Long
-102	08L7145	1	• Striker, Rear Bottom
-103	54G2882	2	• Screw, Metric Hex Hd Flange-Black M5 X 10mm Long
-104	99F0558	1	• Hinge, Rear Bottom
-105	54G2882	2	• Screw, Metric Hex Hd Flange-Black M5 X 10mm Long
-106	80X2990	1	• Pad, EDS Discharge
-107	80X3015	1	• Label, EDS Pad
-108	77G0585	2	• Plate, Side
-109	54G2882	16	• Screw, Metric Hex Hd Flange-Black M5 X 10mm Long
-110	08L7144	1	• Striker, Rear Top
-111	54G2882	2	• Screw, Metric Hex Hd Flange-Black M5 X 10mm Long
-112	09L3582	1	• Hinge, Rear Top
-113	54G2882	2	• Screw, Metric Hex Hd Flange-Black M5 X 10mm Long
-114	47H0442	2	• Bracket, Foam (Rear)
-115	54G2882	4	• Screw, Metric Hex Hd Flange-Black M5 X 10mm Long
-116	74F1823	4	• Nutclip, M5 X 0.8
			End Of Sheet 3 Of 5

Assembly 5: (continued)

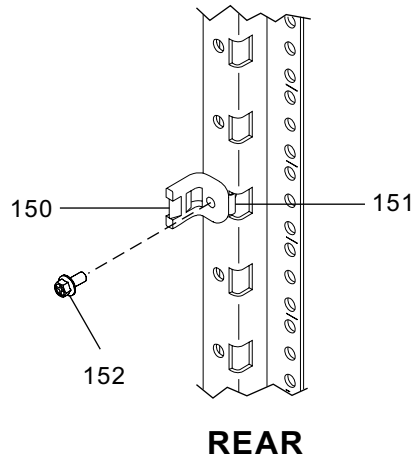
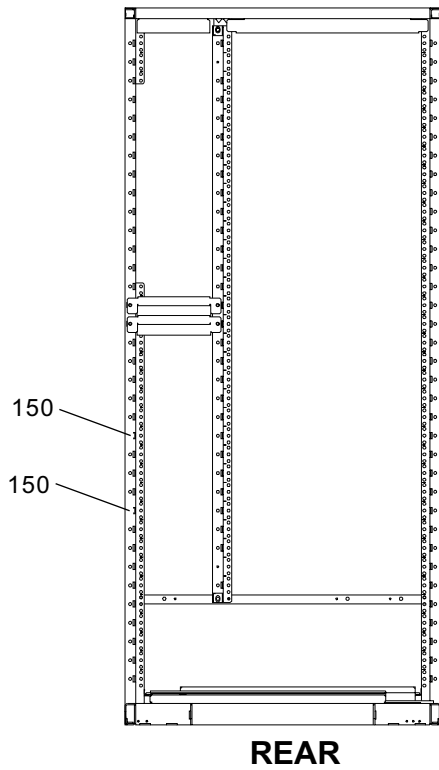
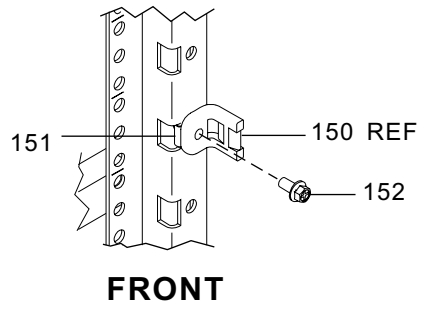
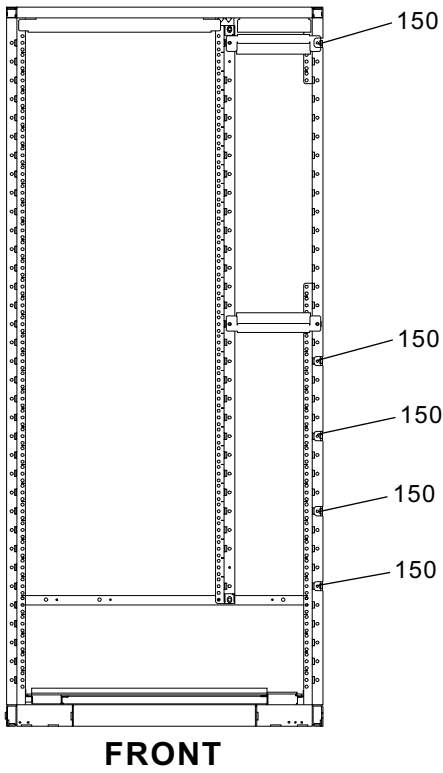


**UNDERSIDE OF TOP PLATE
SEVERAL ITEMS NOT SHOWN FOR CLARITY ONLY**

Assembly 5: (continued)

Asm-Index	Part Number	Units	Description
5-	NR	REF	Final Asm, Model 100 Frame/Covers View Sht 4 Of 5
-125	07H6712	2	• Bracket, Frame Top (Small)
-126	54G2882	2	• Screw, Metric Hex Hd Flange-Black M5 X 10mm Long
-127	07H7092	2	• Bracket, Frame Top (19 Inch Side)
-128	54G2882	4	• Screw, Metric Hex Hd Flange-Black M5 X 10mm Long
-129	31L7521	4	• Caster
-130	74X3431	4	• Shock Pad, Caster
-131	1622420	16	• Nut, Metric Hex Lock M8
-132	12K0701	4	• Spacer
			End Of Sheet 4 Of 5

Assembly 5: (continued)



Assembly 5: (continued)

Asm-Index	Part Number	Units	Description
5-	NR	REF	Final Asm, Model 100 Frame/Covers View Sht 5 Of 5
-150	07H6865	AR	• Bracket, Tie Wrap
-151	74F1823	AR	• Nutclip, M5 X 0.8
-152	77G0559	2	• Screw, Metric Hex Hd Flange-Black M5 X 16mm Long
			End Of Assembly

Part Number Index

Part Number	Asm-Index	Page	Part Number	Asm-Index	Page
02L7794	1-5	3	05J9224	2-13	15
0375867	1-22	3	05J9225	2-16	15
05J7284	5-15	33	05J9226	2-19	15
05J7287	5-1	33	05J9227	2-22	15
05J7288	5-2	33	05J9231	2-1	13
05J7344	1-121	11	05J9232	2-1	13
05J7380	4-17	29	05J9233	2-1	13
05J7388	5-20	33	05J9242	2-61	19
05J7390	5-18	33	05J9243	2-42	17
05J7393	3-35	27	05J9243	2-42	19
05J7400	1-48	3	07H5882	4-5	29
05J7400	3-6	23	07H6655	2-26	15
05J8006	1-57	5	07H6655	2-30	15
05J8081	1-90	7	07H6655	2-44	17
05J8081	3-1	23	07H6655	2-63	19
05J8081	3-2	23	07H6655	2-76	21
05J8081	3-21	25	07H6712	5-125	39
05J8138	3-35	27	07H6763	4-7	29
05J8139	3-35	27	07H6824	4-3	29
05J8140	3-35	27	07H6865	5-150	41
05J8141	3-35	27	07H7083	4-1	29
05J8142	3-35	27	07H7083	5-100	37
05J8143	3-35	27	07H7083	5-75	35
05J8144	3-35	27	07H7092	5-127	39
05J8145	3-35	27	07H8238	1-6	3
05J8146	3-35	27	07H8604	1-31	3
05J8147	3-35	27	07H8605	1-23	3
05J8148	3-35	27	07H8896	1-20	3
05J8627	3-24	25	08L7128	1-102	9
05J8631	4-30	31	08L7144	5-110	37
05J9063	3-22B	25	08L7144	5-81	35
05J9065	3-22B	25	08L7145	5-102	37
05J9071	3-22B	25	08L7145	5-79	35
05J9079	3-22B	25	08L7908	2-75	21
05J9089	3-22B	25	08L7909	2-75	21
05J9101	5-5	33	08L7910	2-75	21
05J9208	2-5	15	08L7911	2-75	21
05J9209	2-6	15	08L7995	2-1	13
05J9210	2-8	15	08L7996	2-1	13
05J9211	2-9	15	08L7997	2-1	13
05J9212	2-11	15	08L7998	2-1	13
05J9213	2-12	15	08L7999	2-1	13
05J9214	2-14	15	08L8000	2-1	13
05J9215	2-15	15	08L8001	2-1	13
05J9216	2-17	15	08L8032	1-122	11
05J9217	2-18	15	08L8042	1-120	11
05J9218	2-20	15	08L8047	2-64	19
05J9219	2-21	15	08L8064	2-31	15
05J9222	2-7	15	08L8065	2-60	19
05J9223	2-10	15	08L8068	1-100	9

Part Number	Asm-Index	Page	Part Number	Asm-Index	Page
08L8069	3-20	25	32H1452	1-2	3
08L8071	3-23	25	32H1464	1-10A	3
08L8075	3-36	27	32H5669	1-1	3
08L8078	4-9	29	32H5675	1-2	3
08L8079	4-10	29	32H5684	1-3	3
08L8107	3-22A	25	32H7060	1-1A	3
08L8109	3-22A	25	32H7072	1-9	3
08L8111	3-22A	25	32H8722	1-10B	3
08L8113	3-22A	25	34L3820	1-56	5
08L8115	3-22A	25	34L5521	2-61A	19
09L1846	1-62	5	34L5522	2-42A	19
09L1847	1-57	5	34L7771	1-57	5
09L1848	1-57	5	34L8549	2-	21
09L1849	1-57	5	34L8550	2-	21
09L1850	1-58	5	34L8550	2-	21
09L2273	1-8	3	34L8551	2-	21
09L2274	1-8	3	34L8551	2-	21
09L2791	1-91	7	34L8985	2-	21
09L2794	1-61	5	35F2003	5-3	33
09L2795	2-40	17	4457486	5-4	33
09L3581	5-17	33	44F0924	1-47	3
09L3582	5-112	37	44F0924	1-92	7
09L3582	5-83	35	44F0924	3-25	25
09L3589	1-100B	9	44F0924	3-5	23
09L3590	1-100D	9	44H2762	1-100C	9
09L4299	1-60	5	44H2785	1-100A	9
09L4372	3-7	23	44H2790	1-85	7
09L4373	3-7	23	47H0442	4-33	31
09L5510	1-59	5	47H0442	5-114	37
11J4166	2-41	17	47H0442	5-85	35
11J4171	2-62	19	47H0443	1-44	3
11J4172	2-43	17	51H8803	1-64	5
11J6413	4-4	29	51H8804	1-66	5
12K0701	5-132	39	51H9236	1-80	7
1622260	1-4A	3	51H9540	3-3	23
1622276	1-4B	3	51H9541	1-83	7
1622303	2-65	19	51H9542	4-15	29
1622305	1-19	3	54G2882	1-46	3
1622346	2-66	19	54G2882	1-84	7
1622347	2-33	15	54G2882	2-32	15
1622417	2-67	19	54G2882	3-4	23
1622420	5-131	39	54G2882	3-8	23
1624779	1-18	3	54G2882	4-16	29
1624779	1-21	3	54G2882	4-18	29
1624779	1-4	3	54G2882	4-2	29
25L5888	1-15	3	54G2882	4-31	31
25L5889	1-16	3	54G2882	4-35	31
25L5890	1-13	3	54G2882	4-8	29
25L5891	1-14	3	54G2882	5-101	37
2760781	5-17	33	54G2882	5-103	37
31H7969	1-7	3	54G2882	5-105	37
31L7521	5-129	39	54G2882	5-109	37
32H0118	1-3	3	54G2882	5-111	37

Part Number	Asm-Index	Page
54G2882	5-113	37
54G2882	5-115	37
54G2882	5-126	39
54G2882	5-128	39
54G2882	5-16	33
54G2882	5-19	33
54G2882	5-21	33
54G2882	5-23	33
54G2882	5-6	33
54G2882	5-76	35
54G2882	5-78	35
54G2882	5-80	35
54G2882	5-82	35
54G2882	5-84	35
54G2882	5-86	35
7331381	5-7	33
74F1823	1-103	9
74F1823	1-45	3
74F1823	1-67	5
74F1823	1-82	7
74F1823	4-20	29
74F1823	4-34	31
74F1823	4-6	29
74F1823	5-116	37
74F1823	5-151	41
74F1823	5-87	35
74X3431	5-130	39
77G0559	5-152	41
77G0585	5-108	37
77G0599	1-101	9
77G0599	1-55	5
77G0599	1-65	5
77G0599	1-81	7
77G0599	1-86	7
77G0599	4-32	31
80X2990	5-106	37
80X3015	5-107	37
88G6202	1-12	3
88G6369	1-8	3
88G6397	1-1	3
88G6485	1-17	3
97H0429	1-10	3
99F0558	5-104	37
99F0558	5-77	35
99F0606	5-22	33
NR	1-	3
NR	1-	5
NR	1-	7
NR	1-	9
NR	1-	11
NR	1-63	5
NR	2-	15
NR	2-	17

Part Number	Asm-Index	Page
NR	2-	19
NR	2-	21
NR	2-	13
NR	3-	23
NR	3-	25
NR	3-	27
NR	4-	29
NR	4-	31
NR	5-	33
NR	5-	35
NR	5-	37
NR	5-	39
NR	5-	41

Readers' Comments — We'd Like to Hear from You

**Versatile Storage Server
Parts Catalog
2105 Model 100
Attachment to ESS**

Publication No. S127-0975-00

Overall, how satisfied are you with the information in this book?

	Very Satisfied	Satisfied	Neutral	Dissatisfied	Very Dissatisfied
Overall satisfaction	<input type="checkbox"/>	<input type="checkbox"/>	<input type="checkbox"/>	<input type="checkbox"/>	<input type="checkbox"/>

How satisfied are you that the information in this book is:

	Very Satisfied	Satisfied	Neutral	Dissatisfied	Very Dissatisfied
Accurate	<input type="checkbox"/>	<input type="checkbox"/>	<input type="checkbox"/>	<input type="checkbox"/>	<input type="checkbox"/>
Complete	<input type="checkbox"/>	<input type="checkbox"/>	<input type="checkbox"/>	<input type="checkbox"/>	<input type="checkbox"/>
Easy to find	<input type="checkbox"/>	<input type="checkbox"/>	<input type="checkbox"/>	<input type="checkbox"/>	<input type="checkbox"/>
Easy to understand	<input type="checkbox"/>	<input type="checkbox"/>	<input type="checkbox"/>	<input type="checkbox"/>	<input type="checkbox"/>
Well organized	<input type="checkbox"/>	<input type="checkbox"/>	<input type="checkbox"/>	<input type="checkbox"/>	<input type="checkbox"/>
Applicable to your tasks	<input type="checkbox"/>	<input type="checkbox"/>	<input type="checkbox"/>	<input type="checkbox"/>	<input type="checkbox"/>

Please tell us how we can improve this book:

Thank you for your responses. May we contact you? Yes No

When you send comments to IBM, you grant IBM a nonexclusive right to use or distribute your comments in any way it believes appropriate without incurring any obligation to you.

Name

Address

Company or Organization

Phone No.

Readers' Comments — We'd Like to Hear from You
S127-0975-00



Cut or Fold
Along Line

Fold and Tape

Please do not staple

Fold and Tape

PLACE
POSTAGE
STAMP
HERE

International Business Machines Corporation
RCF Processing Department
G26/050
5600 Cottle Road
San Jose, CA 95193-0001

Fold and Tape

Please do not staple

Fold and Tape

S127-0975-00

Cut or Fold
Along Line



Printed in U.S.A.

S127-0975-00

