

IBM TotalStorage FAStT FC2-133 Host
Bus Adapter



Installation and User's Guide



IBM TotalStorage FAStT FC2-133 Host Bus Adapter



Installation and User's Guide

Note: Before using this information and the product it supports, be sure to read the general information under Appendix B, “Warranty information” on page 29 and Appendix C, “Notices” on page 41.

First Edition (July 2002)

© Copyright International Business Machines Corporation 2002. All rights reserved.

US Government Users Restricted Rights – Use, duplication or disclosure restricted by GSA ADP Schedule Contract with IBM Corp.

Safety

Before installing this product, read the Safety Information.

قبل تركيب هذا المنتج، يجب قراءة الملاحظات الأمنية

Antes de instalar este produto, leia as Informações de Segurança.

在安装本产品之前，请仔细阅读 **Safety Information** (安全信息)。

安裝本產品之前，請先閱讀「安全資訊」。

Prije instalacije ovog produkta obavezno pročitajte Sigurnosne Upute.

Před instalací tohoto produktu si přečtěte příručku bezpečnostních instrukcí.

Læs sikkerhedsforskrifterne, før du installerer dette produkt.

Lees voordat u dit product installeert eerst de veiligheidsvoorschriften.

Ennen kuin asennat tämän tuotteen, lue turvaohjeet kohdasta Safety Information.

Avant d'installer ce produit, lisez les consignes de sécurité.

Vor der Installation dieses Produkts die Sicherheitshinweise lesen.

Πριν εγκαταστήσετε το προϊόν αυτό, διαβάστε τις πληροφορίες ασφάλειας (safety information).

לפני שתתקינו מוצר זה, קראו את הוראות הבטיחות.

A termék telepítése előtt olvassa el a Biztonsági előírásokat!

Prima di installare questo prodotto, leggere le Informazioni sulla Sicurezza.

製品の設置の前に、安全情報をお読みください。

본 제품을 설치하기 전에 안전 정보를 읽으십시오.

Пред да се инсталира овој продукт, прочитајте информацијата за безбедност.

Les sikkerhetsinformasjonen (Safety Information) før du installerer dette produktet.

Przed zainstalowaniem tego produktu, należy zapoznać się z książką "Informacje dotyczące bezpieczeństwa" (Safety Information).

Antes de instalar este produto, leia as Informações sobre Segurança.

Перед установкой продукта прочтите инструкции по технике безопасности.

Pred inštaláciou tohto zariadenia si pečítajte Bezpečnostné predpisy.

Pred namestitvijo tega proizvoda preberite Varnostne informacije.

Antes de instalar este producto, lea la información de seguridad.

Läs säkerhetsinformationen innan du installerar den här produkten.

Statement 1:



DANGER

Electrical current from power, telephone, and communication cables is hazardous.

To avoid a shock hazard:

- **Do not connect or disconnect any cables or perform installation, maintenance, or reconfiguration of this product during an electrical storm.**
- **Connect all power cords to a properly wired and grounded electrical outlet.**
- **Connect to properly wired outlets any equipment that will be attached to this product.**
- **When possible, use one hand only to connect or disconnect signal cables.**
- **Never turn on any equipment when there is evidence of fire, water, or structural damage.**
- **Disconnect the attached power cords, telecommunications systems, networks, and modems before you open the device covers, unless instructed otherwise in the installation and configuration procedures.**
- **Connect and disconnect cables as described in the following table when installing, moving, or opening covers on this product or attached devices.**

To Connect:	To Disconnect:
1. Turn everything OFF.	1. Turn everything OFF.
2. First, attach all cables to devices.	2. First, remove power cords from outlet.
3. Attach signal cables to connectors.	3. Remove signal cables from connectors.
4. Attach power cords to outlet.	4. Remove all cables from devices.
5. Turn device ON.	

Statement 3:



CAUTION:

When laser products (such as CD-ROMs, DVD drives, fiber optic devices, or transmitters) are installed, note the following:

- Do not remove the covers. Removing the covers of the laser product could result in exposure to hazardous laser radiation. There are no serviceable parts inside the device.
- Use of controls or adjustments or performance of procedures other than those specified herein might result in hazardous radiation exposure.



DANGER

Some laser products contain an embedded Class 3A or Class 3B laser diode. Note the following.

Laser radiation when open. Do not stare into the beam, do not view directly with optical instruments, and avoid direct exposure to the beam.

Class 1 Laser Statement

Class 1 Laser Product

Laser Klasse 1

Laser Klass 1

Luokan 1 Laserlaite

Appareil À Laser de Classe 1

IEC 825-11993 CENELEC EN 60 825

Contents

Safety	iii
Tables	ix
About this book	xi
How this book is organized.	xi
Notices used in this book	xii
Related publications	xii
Chapter 1. Preparing and installing the IBM TotalStorage FAStT FC2-133	
Host Bus Adapter	1
Overview	1
Fibre Channel defined.	1
FAStT FC2-133 Adapter features.	2
Preinstallation procedures	2
Handling static-sensitive devices	3
What you need for the installation	4
FAStT FC2-133 Adapter components	4
Installing the FAStT FC2-133 Adapter	5
Chapter 2. Updating the FAStT FC2-133 Adapter BIOS code and installing	
device drivers	9
Updating the FAStT FC2-133 Adapter BIOS code from the Support CD	9
Using the flasutil command prompt (from the Support CD)	9
Command-line options	9
Using the flasutil BIOS Update Utility menu (from the Support CD)	11
Updating the FAStT FC2-133 Adapter BIOS code from the BIOS Update Utility	
diskette	12
Creating the BIOS Update Utility diskette	12
For Microsoft Windows NT 4.0 or Windows 2000	12
For Linux	12
Using the flasutil command prompt (from the diskette)	13
Command-line options	13
Using the flasutil BIOS Update Utility menu (from the diskette)	15
Installing the FAStT FC2-133 Adapter device drivers	16
Chapter 3. Using IBM Fast!UTIL	17
Starting Fast!UTIL.	17
Configuration Settings menu options	17
Host Adapter Settings	17
Selectable Boot Settings	19
Restore Default Settings	19
Raw NOVRAM data	19
Advanced Adapter Settings	19
Extended Firmware Settings	20
Scan Fibre Channel devices	21
Fibre Channel disk utility	21
Loopback data test	21
Select host adapter	22
ExitFast!UTIL	22
Chapter 4. Adapter operating environment and specifications	23

Chapter 5. Troubleshooting	25
Hardware problems	25
Software problems	25
System configuration problems	25
Fibre Channel problems	26
Appendix A. Getting help and technical assistance	27
Before you call	27
Using the documentation	27
Getting help and information from the World Wide Web	27
Software service and support	28
Hardware service and support	28
Appendix B. Warranty information	29
Warranty period	29
Problem determination	29
Running diagnostics	29
Checking software	29
Warranty service and support	30
International Warranty Service	30
Purchasing additional services	31
IBM Statement of Limited Warranty Z125-4753-06 8/2000	32
Part 1 - General Terms	32
Part 2 - Country-unique Terms	34
Appendix C. Notices	41
Edition notice	41
Trademarks	42
Important notes.	42
Electronic emission notices	43
Class B statements	43
Federal Communications Commission (FCC) statement	43
Industry Canada Class B emission compliance statement	43
Avis de conformité à la réglementation d'Industrie Canada	43
Japanese electromagnetic interference (EMI) statement	44
Class A statements	44
Federal Communications Commission (FCC) statement	44
Industry Canada Class A emission compliance statement	44
Avis de conformité à la réglementation d'Industrie Canada	44
Australia and New Zealand Class A statement	44
United Kingdom telecommunications safety requirement.	44
European Union EMC Directive conformance statement.	45
Taiwan electrical emission statement	45
Japanese Voluntary Control Council for Interference (VCCI) statement	45
Index	47

Tables

1. FAST FC2-133 Adapter activity	5
2. Modifiable host adapter default settings	17
3. Nonmodifiable Host adapter settings and examples	18
4. Advanced adapter settings	19
5. Extended firmware settings	20
6. RIO options and operation modes	21
7. Connection options	21
8. Data rate options.	21
9. Adapter operating environment.	23
10. Adapter specifications	23

About this book

This book provides instructions for installing and customizing the configuration of your IBM® TotalStorage™ FAStT FC2-133 Host Bus Adapter and connected devices. It also provides information on troubleshooting your IBM TotalStorage FAStT FC2-133 Host Bus Adapter.

How this book is organized

Chapter 1, “Preparing and installing the IBM TotalStorage FAStT FC2-133 Host Bus Adapter” on page 1 describes the IBM TotalStorage FAStT FC2-133 Host Bus Adapter. This chapter includes an overview of the IBM TotalStorage FAStT FC2-133 Host Bus Adapter features and contains the information and instructions needed to prepare and install the IBM TotalStorage FAStT FC2-133 Host Bus Adapter.

Chapter 2, “Updating the FAStT FC2-133 Adapter BIOS code and installing device drivers” on page 9 provides information for updating the IBM TotalStorage FAStT FC2-133 Host Bus Adapter BIOS code.

Chapter 3, “Using IBM Fast!UTIL” on page 17 provides detailed configuration information for users who want to customize the configuration of the IBM TotalStorage FAStT FC2-133 Host Bus Adapter and connected Fibre Channel devices.

Chapter 4, “Adapter operating environment and specifications” on page 23 contains the IBM TotalStorage FAStT FC2-133 Host Bus Adapter operating environment and specification information.

Chapter 5, “Troubleshooting” on page 25 covers the types of installation problems that can cause the IBM TotalStorage FAStT FC2-133 Host Bus Adapter to function incorrectly.

Appendix A, “Getting help and technical assistance” on page 27 describes how to obtain help, service, and information about IBM products.

Appendix B, “Warranty information” on page 29 provides warranty statements for the IBM TotalStorage FAStT FC2-133 Host Bus Adapter.

Appendix C, “Notices” on page 41 provides product notices.

Notices used in this book

The caution and danger statements used in this book also appear in the multilingual *Safety Information* book provided with your IBM TotalStorage FASiT FC2-133 Host Bus Adapter. Each caution and danger statement is numbered for easy reference to the corresponding statements in the safety book.

The following types of notices and statements are used in this book:

- **Note:** These notices provide important tips, guidance, or advice.
- **Important:** These notices provide information or advice that might help you avoid inconvenient or problem situations.
- **Attention:** These notices indicate possible damage to programs, devices, or data. An attention notice is placed just before the instruction or situation in which damage could occur.
- **Caution:** These statements indicate situations that can be potentially hazardous to you. A caution statement is placed just before the description of a potentially hazardous procedure step or situation.
- **Danger:** These statements indicate situations that can be potentially lethal or extremely hazardous to you. A danger statement is placed just before the description of a potentially lethal or extremely hazardous procedure step or situation.

Related publications

The following publications are available in Adobe Acrobat Portable Document Format (PDF) on the World Wide Web at <http://www.ibm.com/pc/support/>.

- *IBM LC-SC Fibre Channel Cable Adapter Option Installation Information*
- *IBM LC-LC Fibre Channel Cable Option Installation Information*
- *IBM FASiT700 Fibre Channel Cabling Instructions*
- *IBM Small Form-Factor Pluggable Module Option Installation Information*
- *IBM Fibre Channel Problem Determination Guide*

Chapter 1. Preparing and installing the IBM TotalStorage FASTT FC2-133 Host Bus Adapter

This chapter contains instructions for preparing and installing the IBM TotalStorage FASTT FC2-133 Host Bus Adapter and describes the adapter components.

Overview

The IBM TotalStorage FASTT FC2-133 Host Bus Adapter is a 2 GB high-performance, direct memory access (DMA), bus master, Fibre Channel host adapter designed for high-end systems. The function and performance are derived from the ISP2312 chip (see Figure 2 on page 4), making this IBM TotalStorage FASTT FC2-133 Host Bus Adapter a leading-edge host adapter.

The ISP2312 chip combines a powerful, reduced instruction set computer (RISC) processor, a Fibre Channel protocol manager (FPM) with one 2 GB Fibre Channel transceiver, and a peripheral component interconnect (PCI) or peripheral component interconnect-extended (PCI-X) local bus interface in a single-chip solution. The IBM TotalStorage FASTT FC2-133 Host Bus Adapter supports all Fibre Channel (FC) peripheral devices that support private-loop direct attach (PLDA) and fabric-loop attach (FLA).

The IBM TotalStorage FASTT FC2-133 Host Bus Adapter connects the following:

- Mainframe computers
- Super computers
- Workstations
- Storage devices
- Servers

The IBM TotalStorage FASTT FC2-133 Host Bus Adapter is referred to throughout this book as the FASTT FC2-133 Adapter.

Fibre Channel defined

Fibre Channel technology is outlined in the *SCSI-3 Fibre Channel Protocol* (SCSI-FCP) standard. Fibre Channel is a high-speed data transport technology used for mass storage and networking.

Using a Fibre Channel Arbitrated loop (FC-AL), 126 Fibre Channel devices can be supported, compared to 15 small computer system interface (SCSI) devices with Ultra SCSI.

The FASTT FC2-133 Adapter uses a multimode shortwave optical interface for distances up to 500 meters.

The FASTT FC2-133 Adapter is a 2 GB Fibre Channel device that supports data transfer rates up to 200 MB per second half-duplex and 400 MB per second full-duplex on optical interfaces.

FASTT FC2-133 Adapter features

The FASTT FC2-133 Adapter has the following features:

- Compliance with Intel® PCI Local Bus version 2.2 specification
- Compliance with peripheral component interconnect-extended (PCI-X) addendum, revision 1.0 to the Intel PCI Local Bus version 2.2 specification
- Compliance with Third Generation Fibre Channel Physical and Signaling Interface (PC-PH-3), revision 9.2
- Compliance with Fibre Channel Arbitrated Loop (FC-AL-2) standard
- Compliance with U.S. and international safety and emissions standards
- Support for direct memory access (DMA)
- Support for bus master
- Fast!UTIL basic input/output system (BIOS) utility program to customize the configuration parameters on the FASTT FC2-133 Adapter and attached drives
- Support for Fibre Channel protocol SCSI (FCP-SCSI) and Fibre Channel Internet protocol (FCP-IP)
- Support for point-to-point fabric connection (F-PORT FABRIC LOGIN)
- Support for Fibre Channel service (Classes 2 and 3)

Preinstallation procedures

Before you begin the FASTT FC2-133 Adapter installation, do the following:

- Read “Handling static-sensitive devices” on page 3.
- Read “What you need for the installation” on page 4.
- Write down the serial number of the FASTT FC2-133 Adapter. Each adapter has a unique serial number. If the nonvolatile random access memory (NVRAM) (also referred to as NOVRAM) is damaged, the system prompts you for the FASTT FC2-133 Adapter serial number. Figure 1 on page 3 shows the serial number label location.

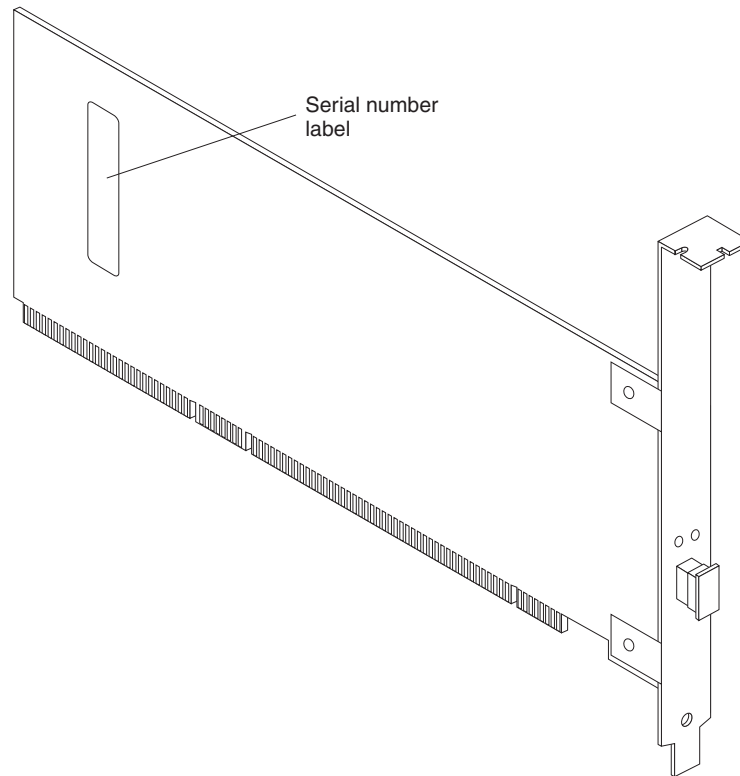


Figure 1. FASiT FC2-133 Adapter serial number label

Handling static-sensitive devices

Attention: Static electricity can damage electronic devices and your system. To avoid damage, keep static-sensitive devices in their static-protective package until you are ready to install them.

To reduce the possibility of electrostatic discharge, observe the following precautions:

- Limit your movement. Movement can cause static electricity to build up around you.
- Handle the device carefully, holding it by its edges or its frame.
- Do not touch solder joints, pins, or exposed printed circuitry.
- Do not leave the device where others can handle and possibly damage the device.
- While the device is still in its static-protective package, touch it to an unpainted metal part of the system unit for at least 2 seconds. (This drains static electricity from the package and from your body.)
- Remove the device from its package and install it directly into your system unit without setting it down. If it is necessary to set the device down, place it in its static-protective package. Do not place the device on your system unit cover or on a metal table.
- Take additional care when handling devices during cold weather because heating reduces indoor humidity and increases static electricity.

What you need for the installation

To install the FAStT FC2-133 Adapter in your server, you will need a small Phillips screwdriver. Depending on your configuration, you might need the following two items:

- An LC-LC Fibre Channel Cable¹ (enables you to connect Fibre Channel nodes to a loop)
- LC-SC Fibre Channel Cable¹ (enables you to connect an LC-LC Fibre Channel cable to a device that requires an SC connector)

FAStT FC2-133 Adapter components

Figure 2 identifies the FAStT FC2-133 Adapter components that are referred to in this book.

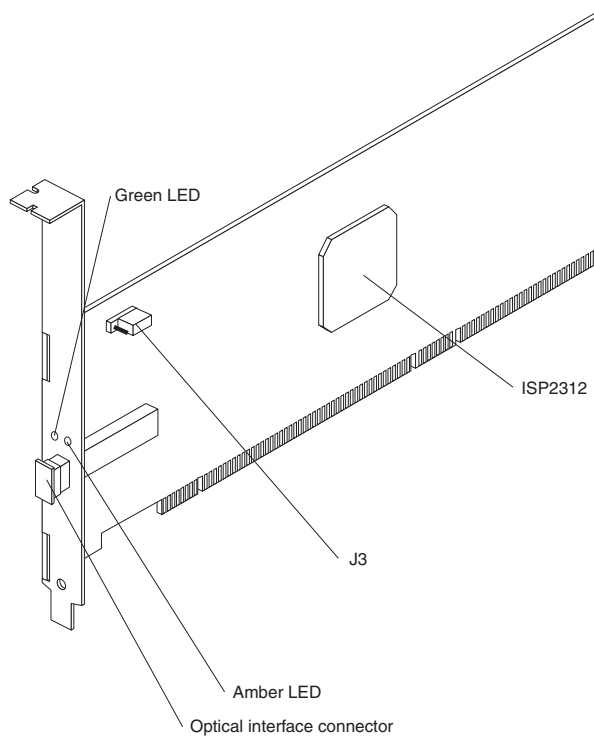


Figure 2. FAStT FC2-133 Adapter components

1. This option does not come with the IBM TotalStorage FAStT FC2-133 Host Bus Adapter. It must be ordered separately.

Table 1 describes the green and amber light emitting diodes (LEDs) and the activity of the FAStT FC2-133 Adapter. For more information about the FAStT FC2-133 Adapter LED activity, see the *IBM Fibre Channel Problem Determination Guide*.

Table 1. FAStT FC2-133 Adapter activity

Green LED	Amber LED	Activity	Description
On	On	Power	The FAStT FC2-133 Adapter is receiving power from the PCI or PCI-X slot but is not initialized by the adapter firmware.
On	Off	Online	The FAStT FC2-133 Adapter is successfully initialized by the adapter firmware and is in a ready state. The adapter firmware is initialized when the adapter BIOS code is loaded, Ctrl-Q is pressed, or the operating system driver is loaded.
Off	On	Signal acquired	The FAStT FC2-133 Adapter firmware is performing or waiting to perform Fibre Channel loop initialization.
Off	Flashing	Loss of synchronization	The FAStT FC2-133 Adapter has detected a loss of synchronization condition from the adapter Fibre Channel receiver and is attempting to resynchronize. A loss of synchronization condition might occur when a degraded optical signal is received from the LC-LC Fibre Channel cable or optical interface connector.
Flashing	Flashing	Firmware error	The FAStT FC2-133 Adapter firmware has detected an unrecoverable error condition.

Installing the FAStT FC2-133 Adapter

Attention: To avoid damage to your fiber-optic cables, follow these guidelines:

- Do not route the cable along a folding cable-management arm.
- When attaching fiber-optic cables to a Fibre Channel device on slide rails, leave enough slack in the cables so that they do not bend to an angle smaller than 38 mm (1.5 in.) when extended or become pinched when retracted.
- Route the cable away from places where it can snag on other Fibre Channel devices in the rack.
- Do not overtighten the cable straps or bend the cables to an angle smaller than 38 mm (1.5 in.).
- Do not put excess weight on the cable at the connection point and be sure that the cable is well supported.

The FAStT FC2-133 Adapter comes with an attached standard 3U adapter bracket as shown in Figure 2 on page 4. An additional Low Profile 2U bracket also comes with the adapter. Before you install the FAStT FC2-133 Adapter, verify whether you need the Fibre Channel Low Profile 2U adapter bracket. If you need to install the Low Profile 2U bracket, continue with step 1. Otherwise, go to step 2.

1. Complete the following steps to install the Fibre Channel Low Profile 2U adapter bracket:

- a. Remove your FAStT FC2-133 Adapter from the static-protective package. Set the adapter down on a nonconductive, static-protected surface (place it component side up). Do not place the adapter on your system unit cover or on a metal table.
 - b. Use your small Phillips screwdriver to carefully remove the two bracket screws from your 3U adapter (you will reuse the two adapter screws). Take off the 3U bracket and set it aside.
 - c. Align the two screw holes in the 2U adapter bracket with the two screw holes on the adapter. Using the two screws you removed in step 1a, secure the bracket to the adapter.
 - d. Return the adapter to the static-protective package until you are ready for installation.
2. Check the system board and make any configuration changes needed to accommodate the FAStT FC2-133 Adapter.

Note: The FAStT FC2-133 Adapter is self-configuring; however, some system boards require manual configuration. For example, some systems have a PCI Device Configuration menu in the system board setup BIOS code where you must enable host adapters, bus-master slots, and interrupt request (IRQ) levels. If the system board supports triggering, use level triggering for the FAStT FC2-133 Adapter. For system specific configuration, refer to the documentation that comes with your server, or contact your IBM technical support representative to determine if your system board requires configuration.

3. Turn off the peripheral devices. Then, turn off the server.
4. Disconnect the power cords.
5. Remove the server cover.
6. Choose a PCI bus-master slot that supports bus mastering. Most system boards automatically assign an IRQ level and interrupt line. If your system board does not automatically assign an IRQ level and interrupt line, you must assign an IRQ level and use interrupt line A for this PCI bus-master slot. Before installing your adapter into a PCI bus-master slot, note the following:
 - Some system boards have two kinds of PCI bus slots: master and subordinate. The FAStT FC2-133 Adapter must be in a PCI bus-master slot. (Some system boards have PCI bus-master slots that are shared with on-board devices. The FAStT FC2-133 Adapter does not work in shared PCI bus-master slots.)
 - PCI connectors vary among system board manufacturers. The FAStT FC2-133 Adapter is a 64-bit PCI device that can function in a 32-bit PCI bus-master slot.
 - The FAStT FC2-133 Adapter is designed and tested to operate at PCI bus speeds up to 66 MHz and PCI-X bus speeds up to 133 MHz.
 - PCI and PCI-X slots look the same. If the server contains both PCI and PCI-X bus-master slots, refer to the documentation that comes with the server to determine the slot type.
7. Remove the expansion slot cover. Before you remove the cover, refer to the documentation that comes with the server for specific removal instructions.

Attention: If you try to install the FAStT FC2-133 Adapter into a PCI bus-master slot that does not conform to the PCI specification, you might damage the FAStT FC2-133 Adapter.
8. Align the adapter with the expansion slot. Carefully press the adapter into the PCI bus-master slot until it is fully seated and secure.

9. Connect one end of an LC-LC Fibre Channel cable to the optical interface connector on the FAStT FC2-133 Adapter. Connect the other end to a Fibre Channel device.
10. Carefully install and secure the server cover.
11. Connect the power cables.
12. Turn on all external Fibre Channel devices; then, turn on the server. The following information is displayed:

```
QLogic Corporation  
QLA2312 PCI Fibre Channel ROM BIOS Version X.XX  
Copyright (C) QLogic Corporation 1993-2002 All Rights Reserved.  
www.qlogic.com
```

```
Press <Ctrl+Q> for Fast!UTIL
```

```
BIOS for Adapter 0 is disabled
```

```
ROM BIOS not installed
```

To display the Fibre Channel devices, press Ctrl+Q, and then use the Fast!UTIL program. See Chapter 3, “Using IBM Fast!UTIL” on page 17 for detailed utility program information.

If the information displayed is not correct and you have checked the adapter configuration, go to Chapter 5, “Troubleshooting” on page 25 for problem solving information.

If the information displayed is correct, go to Chapter 2, “Updating the FAStT FC2-133 Adapter BIOS code and installing device drivers” on page 9 for detailed instructions on how to update the FAStT FC2-133 Adapter BIOS code.

Chapter 2. Updating the FAStT FC2-133 Adapter BIOS code and installing device drivers

After you install your FAStT FC2-133 Adapter, you must update the adapter BIOS code, nonvolatile random access memory, and install the adapter device drivers.

To update the adapter BIOS code, you can use the BIOS Update Utility on the Support CD that comes with the adapter or you can create and use a BIOS Update Utility diskette. To install the adapter device drivers, see “Installing the FAStT FC2-133 Adapter device drivers” on page 16.

Note: For the latest information about supported operating systems, versions of device drivers, utilities, and documentation, go to <http://www.ibm.com/pc/support/>.

Updating the FAStT FC2-133 Adapter BIOS code from the Support CD

To update the FAStT FC2-133 Adapter BIOS code and NVRAM using the BIOS Update Utility on the Support CD, choose one of the following methods:

- flasutil command prompt. Use this method to type in command-line options.
- flasutil BIOS Update Utility menu. Use this method to select a command-line option from the menu.

Using the flasutil command prompt (from the Support CD)

Complete the following steps to update your FAStT FC2-133 Adapter BIOS code and NVRAM:

1. Insert the *IBM TotalStorage FAStT FC2-133 Host Bus Adapter Support CD* into the CD-ROM drive. Restart the server. Your server starts to a DOS prompt.
2. To update the BIOS code in the flash utility, do the following:
From the DOS prompt, type:
`flasutil /f`
3. Press Enter.
4. To update the NVRAM, do the following:
From the DOS prompt, type:
`flasutil /l`
5. Press Enter.
6. To update the standard BIOS defaults in the flash utility to the new defaults from the NVRAM files, do the following:
At the DOS prompt, type:
`flasutil /u`
7. Press Enter.
8. To review additional command-line options that you can use, go to “Command-line options”; then, return to step 9.
9. Remove the CD from the CD-ROM drive and restart the server.
10. Go to “Installing the FAStT FC2-133 Adapter device drivers” on page 16.

Command-line options

This section describes additional command-line options that you can use. Complete the following steps to review these command-line options:

1. At the DOS prompt, type:

```
flasutil /?
```

2. Press Enter.

The following command-line options display:

```
/F xxxx = Write Flash, adapter address = xxxx
    If no address specified then write Flash to all adapters
/W xxxx = Copy Flash to file: QLxxRIM.SAV, adapter type = xxxx
/O <filename.ext> = Use <filename.ext> instead of QLxxROM.BIN
/I = Ignore Subsystem ID
/P = Program all adapters
/M = Don't prompt for I/O address
/Q = Quiet Mode, no messages will be displayed
/S xxxx = Display serial number of adapter at address xxxx
    If no address specified then display the serial number of all adapters
/V xxxx = Display current version number of BIOS on adapters at address xxxx
    If no address specified then display the BIOS version of all adapters
/C xxxx = Verify Flash of adapter at address xxxx
    If no address specified verify the Flash of all adapters
/Y xxxx = Display port name of adapter at address xxxx
    If no address specified then display port name of all adapters
/L xxxx = Write NOVRAM, adapter address = xxxx
    If no address specified then write NOVRAM to all adapters
/D xxxx = Copy NOVRAM to file: QL1xNVRM.SAV, adapter address = xxxx
/U xxxx = Update BIOS NOVRAM defaults, adapter address = xxxx
    If no address specified then write then update all adapters
/N <filename.ext> = Use <filename.ext> instead of NVRMxx0.DAT
/T = Multiport Fibre Channel adapter
/X xxxx = Verify NOVRAM of adapter at address xxxx
```

Note: All of the options listed are supported and you can run them from the command line. Options /L, /D, /U, /N, /T, and /X might not display.

The following list describes examples of additional command-line options that you can use.

- To write NVRAM on all FASTT Host Adapters in a system without being prompted for an I/O address, type:

```
flasutil /L
```

Press Enter.

- To save the existing flash code to file QL2312RM.SAV, type:

```
flasutil /W F600
```

Press Enter.

- To write NVRAM to the adapter at I/O address f400, type:

```
flasutil /L f400
```

Press Enter

- To write NVRAM and flash an adapter at I/O address f800, type:

```
flasutil /L f800 /F f800
```

Press Enter.

- To write NVRAM and flash all adapters, type:

```
flasutil /L /F
```

Press Enter.

- To save NVRAM to file QL1xNVRM.SAV, type:

```
flasutil /D
```


Press Enter.

- To update BIOS NVRAM defaults, type:
flasutil /U

Press Enter.

- To verify NVRAM in all adapters, type:
flasutil /X

Press Enter.

Using the flasutil BIOS Update Utility menu (from the Support CD)

Complete the following steps to update the FAStT FC2-133 Adapter BIOS code using the flasutil BIOS Update Utility menu:

1. Insert the *IBM TotalStorage FAStT FC2-133 Host Bus Adapter Support CD* into the CD-ROM drive. Restart the server. Your server starts to a DOS prompt.
2. From the DOS prompt, type:
flasutil
3. Press Enter.
4. If you have only one adapter installed, go to step 5. If you have more than one adapter installed, a list of adapters and I/O addresses displays. At the command prompt, type the appropriate I/O address and press Enter.
5. The following option menu displays.

```
F = Write Flash
W = Copy Flash to file: QLxxROM.SAV
S = Display serial number
V = Display current BIOS version
C = Verify Flash
Y = Display port name
L = Write NOVRAM
A = Write NOVRAM and defaults
D = Copy NOVRAM to file:QLxxNVRM.SAV
U = Update BIOS NOVRAM defaults
X = Verify NOVRAM
```

Notes:

- a. All of the listed options are supported and you can run them from the command line. Options L, A, D, U, and X might not display.
 - b. Each adapter can be configured with more than one option.
6. Type the letter for the option you want and press Enter.
 7. If you have additional adapters installed or if you want to configure your adapter with more than one option, continue with step 8. Otherwise, go to step 9.
 8. Repeat steps 2 through 6 for each additional adapter or if you want to configure your adapter with more than one option.
 9. Remove the CD from the CD-ROM drive and restart the server.
 10. Go to "Installing the FAStT FC2-133 Adapter device drivers" on page 16.

Updating the FAStT FC2-133 Adapter BIOS code from the BIOS Update Utility diskette

If you cannot use the Support CD to update the adapter BIOS code, you can create a diskette using the Support CD. Instructions for creating and using the diskette are described in the following sections.

Note: For a Novell NetWare environment, you will need to unpack the BIOS Update Utility diskette using a server that is running a Microsoft® Windows NT®, Windows® 2000 or Linux® operating system.

Creating the BIOS Update Utility diskette

Create the BIOS Update Utility diskette by copying the image you need from the *IBM TotalStorage FAStT FC2-133 Host Bus Adapter Support CD* or by downloading the image from the <http://www.ibm.com/pc/support/> IBM Web site.

For Microsoft Windows NT 4.0 or Windows 2000

Complete the following steps to create a BIOS Update Utility diskette for Microsoft Windows NT 4.0 or Windows 2000 from the *IBM TotalStorage FAStT FC2-133 Host Bus Adapter Support CD*:

1. Insert the *IBM TotalStorage FAStT FC2-133 Host Bus Adapter Support CD* into the CD-ROM drive.
2. Insert a diskette into the diskette drive.
3. At the command prompt, type:

```
d:\tools\dsk4w32 d:\images\biosnvr\23x0\2340_xxx.img a:
```

Where *d* is the CD-ROM drive and *a* is the diskette drive.

4. Press Enter.
5. Remove the *IBM TotalStorage FAStT FC2-133 Host Bus Adapter Support CD* from the CD-ROM drive.
6. Remove the diskette from the diskette drive and label the diskette appropriately.

For Linux

Complete the following steps to create a BIOS Update Utility diskette for Linux from the *IBM TotalStorage FAStT FC2-133 Host Bus Adapter Support CD*:

1. Insert the *IBM TotalStorage FAStT FC2-133 Host Bus Adapter Support CD* into the CD-ROM drive and restart the server.
2. Insert a diskette into the diskette drive.
3. At the command prompt, type:

```
mount -t iso9660/dev/cdromdevicefile /mnt
```

Where *cdromdevicefile* is the specific device file for the CD-ROM block device.

4. Press Enter.
5. Type:

```
dd if=/mnt/images/biosnvr/23x0/2340_xxx.img of=/dev/diskettefile bs=32
```
6. Press Enter.
7. Unmount the CD-ROM by typing:

```
umount /mnt
```
8. Remove the *IBM TotalStorage FAStT FC2-133 Host Bus Adapter Support CD* from the CD-ROM drive.

9. Remove the diskette from the diskette drive and label the diskette appropriately.
10. To update the FAStT FC2-133 Adapter BIOS code and NVRAM using the BIOS Update Utility from the diskette, choose one of the following methods:
 - flasutil command prompt. Use this method to type in command-line options.
 - flasutil BIOS Update Utility menu. Use this method to select a command-line option from the menu.

Using the flasutil command prompt (from the diskette)

Complete the following steps to update your FAStT FC2-133 Adapter BIOS code and NVRAM using the flasutil command prompt:

1. Insert the BIOS Update Utility diskette that you created into the diskette drive and restart the server. Your server starts to a DOS prompt.
2. To update the BIOS in the flash utility, do the following:
From the DOS prompt, type:

```
flasutil /f
```
3. Press Enter.
4. To update the NVRAM, do the following:
From the DOS prompt, type:

```
flasutil /l
```
5. Press Enter.
6. To update the standard BIOS defaults in the flash utility to the new defaults from the NVRAM files, do the following:
At the DOS prompt, type:

```
flasutil /u
```
7. Press Enter.
8. To review additional command-line options that you can use, continue with “Command-line options”. Otherwise, continue with step 9.
9. Remove the diskette from the diskette drive and restart the server.
10. Go to “Installing the FAStT FC2-133 Adapter device drivers” on page 16.

Command-line options

This section describes additional command-line options that you can use. Complete the following steps to review these command-line options:

1. At the DOS prompt, type:

```
flasutil /?
```

2. Press Enter.

The following command-line options display:

```
/F xxxx = Write Flash, adapter address = xxxx
    If no address specified then write Flash to all adapters
/W xxxx = Copy Flash to file: QLxxRIM.SAV, adapter type = xxxx
/O <filename.ext> = Use <filename.ext> instead of QLxxROM.BIN
/I = Ignore Subsystem ID
/P = Program all adapters
/M = Don't prompt for I/O address
/Q = Quiet Mode, no messages will be displayed
/S xxxx = Display serial number of adapter at address xxxx
    If no address specified then display the serial number of all adapters
/V xxxx = Display current version number of BIOS on adapters at address xxxx
    If no address specified then display the BIOS version of all adapters
/C xxxx = Verify Flash of adapter at address xxxx
    If no address specified verify the Flash of all adapters
```

```

/Y xxxx = Display port name of adapter at address xxxx
           If no address specified, then display port name of all adapters
/L xxxx = Write NOVRAM, adapter address = xxxx
           If no address specified then write NOVRAM to all adapters
/D xxxx = Copy NOVRAM to file: QL1xNVRM.SAV, adapter address = xxxx
/U xxxx = Update BIOS NOVRAM defaults, adapter address = xxxx
           If no address specified then write then update all adapters
/N <filename.ext> = Use <filename.ext> instead of NVRMxx0.DAT
/T = Multiport Fibre Channel adapter
/X xxxx = Verify NOVRAM of adapter at address xxxx

```

Note: All of the listed options are supported and you can run them from the command line. Options /L, /D, /U, /N, /T, and /X might not display.

The following list describes examples of additional command-line options that you can use.

- To write NVRAM on all FAStT Host Adapters in a system without being prompted for I/O address, type:

```
flasutil /L
```

Press Enter.

- To save the existing flash code to file QL2312RM.SAV, type:

```
flasutil /W F600
```

Press Enter.

- To write NVRAM to the adapter at I/O address f400, type:

```
flasutil /L f400
```

Press Enter

- To write NVRAM and flash an adapter at I/O address f800, type:

```
flasutil /L f800 /F f800
```

Press Enter.

- To write NVRAM and flash all adapters, type:

```
flasutil /L /F
```

Press Enter.

- To save NVRAM to file QL1xNVRM.SAV, type:

```
flasutil /D
```

Press Enter.

- To update BIOS NVRAM defaults, type:

```
flasutil /U
```

Press Enter.

- To verify NVRAM in all adapters, type:

```
flasutil /X
```

Press Enter.

Using the flasutil BIOS Update Utility menu (from the diskette)

Complete the following steps to update your FAStT FC2-133 Adapter BIOS code and NVRAM using the flasutil BIOS Update Utility:

1. Insert the BIOS Update Utility diskette into the diskette drive and restart the server. Your server starts to a DOS prompt:
2. From the DOS prompt, type:

```
flasutil
```

3. Press Enter.

4. If you have only one adapter installed, go to step 5. If you have more than one adapter installed, a list of adapters and I/O addresses displays. At the command prompt, type the appropriate I/O address and press Enter.

5. The following option menu displays.

F = Write Flash

W = Copy Flash to file: QLxxROM.SAV

S = Display serial number

V = Display current BIOS version

C = Verify Flash

Y = Display port name

L = Write NOVRAM

A = Write NOVRAM and defaults

D = Copy NOVRAM to file:QLxxNVRM.SAV

U = Update BIOS NOVRAM defaults

X = Verify NOVRAM

Notes:

- a. All of the listed options are supported and you can run them from the command line. Options L, A, D, U, and X might not display.
 - b. You can configure each adapter with more than one option.
6. Type the letter for the option you want and press Enter.
 7. If you have additional adapters installed or if you want to configure your adapter with more than one option, continue with step 8. Otherwise, go to step 9.
 8. Repeat steps 2 through 6 for each additional adapter or if you want to configure your adapter with more than one option.
 9. Remove the CD from the CD-ROM drive and restart the server.
 10. Go to "Installing the FAStT FC2-133 Adapter device drivers" on page 16.

Installing the FAStT FC2-133 Adapter device drivers

The device drivers and installation instructions for the following supported operating systems are provided on the *IBM TotalStorage FAStT FC2-133 Host Bus Adapter Support CD*:

- Microsoft Windows
- Windows NT
- Novell NetWare
- Linux

The installation instructions are in a README file located in the appropriate operating system directory.

Note: For the latest supported operating systems, versions of the device drivers, utilities, and documentation, go to <http://www.ibm.com/pc/support/>.

Chapter 3. Using IBM Fast!UTIL

This chapter provides detailed configuration information for advanced users who want to customize the configuration of the FASTt FC2-133 Adapter and the connected Fibre Channel devices. You can configure the adapter using the Fast!UTIL utility.

Starting Fast!UTIL

To access Fast!UTIL, press Ctrl+Q during the adapter BIOS initialization (it might take a few seconds for the Fast!UTIL menu to display). If you have more than one FASTt FC2-133 Adapter, Fast!UTIL prompts you to select the adapter you want to configure. After changing the settings that are described in the “Configuration Settings menu options” section, Fast!UTIL restarts your system to enable the new parameters.

Important: If the configuration settings are incorrect, your FASTt FC2-133 Adapter will not function properly. Do not modify the default configuration settings unless you are instructed to do so by an IBM support representative or in the installation instructions.

Configuration Settings menu options

The options described in this section configure the Fibre Channel devices and the FASTt FC2-133 Adapter to which they are attached. The Configuration Settings menu displays several options that you can use to configure your adapter.

Host Adapter Settings

You can access this option from the Configuration Settings menu in Fast!UTIL by selecting **Host Adapter Settings**. The current default settings for the host adapter are listed in Table 2 and are described in this section. You can modify the default host adapter settings that are listed in Table 2.

Table 2. Modifiable host adapter default settings

Setting	Options	Default
Host adapter BIOS	Enabled or Disabled	Disabled
Frame size	512, 1024, 2048	2048
Loop reset delay	0-60 seconds	5 seconds
Adapter hard loop ID	Enabled or Disabled	Enabled
Hard loop ID	0-125	125
Spin up delay	Enabled or Disabled	Disabled

Host adapter BIOS: When this option is set to Disabled, the read-only memory (ROM) BIOS code on the FASTt FC2-133 Adapter is disabled, freeing space in upper memory. You must enable this setting if you are starting your operating system from an external Fibre Channel hard disk that is attached to the FASTt FC2-133 Adapter. The default is Disabled.

Frame size: This setting specifies the maximum frame length supported by the FASTt FC2-133 Adapter. The default size is 2048. If you are using F-Port (point-to-point) connections, use the default for maximum performance.

Loop reset delay: When you reset the Fibre Channel loop, the firmware does not initiate any loop activity for the number of seconds specified in this setting. The default is 5 seconds.

Adapter hard loop ID: This setting forces the adapter to use the ID specified in the Hard loop ID setting. The default is Enabled.

Hard loop ID: When the adapter hard loop ID is set to Enabled, the adapter uses the ID specified in this setting. The default ID is 125. If there are multiple host bus adapters in the Fibre Channel loop, each adapter must be assigned a unique address.

Spin up delay: When this setting is Enabled, the BIOS code waits up to five minutes to find the first drive. The default is Disabled.

Note: The FAStT FC2-133 Adapter settings and default values will vary, based on the version of BIOS code installed for the adapter.

There are specific host-adapter settings that you cannot modify. Table 3 describes these host-adapter settings and gives examples.

Note: See the device driver installation instructions for the required operating-system specific modifications to the NVRAM.

Table 3. Nonmodifiable Host adapter settings and examples

Setting	example
BIOS address	CD400
Revision	1.25
Adapter serial number	E59719
Interrupt level	3
Adapter port name	210000E08B07C703

BIOS address: The BIOS address is the I/O address where the BIOS code is stored when you press Ctrl+Q or have the BIOS code enabled for starting from the root directory. This is the address of the BIOS code in ROM shadow memory. Multiple adapters can be installed in the server but only one BIOS instance will be loaded for all of the adapters. The BIOS code is loaded from the first adapter the server recognizes and is used for all remaining FAStT FC2-133 Adapters that are installed in the same server. The level of BIOS code loaded does not affect other adapters with earlier BIOS code levels.

Revision: The BIOS revision is the revision number of the loaded BIOS code, which is from the first FAStT FC2-133 Adapter that the server recognizes. Each FAStT FC2-133 Adapter in the server will have the same BIOS code revision number because only one BIOS code instance is loaded.

Adapter serial number: The adapter serial number is located on the noncomponent side of the adapter. See Figure 1 on page 3 for the location of the serial number label.

Interrupt level: The interrupt level is the interrupt that is used by the FAStT FC2-133 Adapter. The interrupt level can change when the operating system is installed.

Adapter port name: World-wide port name.

Selectable Boot Settings

You can access the Selectable Boot Settings option for the FAStT FC2-133 Adapter from the Configuration Settings menu. When this option is set to Enabled, you can select the world-wide port name of the Fibre Channel hard disk from which you want to start up (boot). When this option is set to Enabled, the node starts from the selected Fibre Channel hard disk, ignoring any IDE or SCSI hard disks attached to your server. When this option is set to Disabled, the Boot ID and Boot LUN parameters have no effect.

The BIOS code in some new systems supports selectable start up, which supersedes the Fast!UTIL selectable start up setting. To start from a Fibre Channel hard disk attached to the FAStT FC2-133 Adapter, select the attached Fibre Channel hard disk from the system BIOS menu.

Note: The Selectable Boot Settings option for the FAStT FC2-133 Adapter applies to only Fibre Channel hard disk drives.

Restore Default Settings

You can access this option from the Configuration Settings menu. It restores the FAStT FC2-133 Adapter default settings and NVRAM.

Raw NOVRAM data

This option displays the adapter NVRAM contents in hexadecimal format. This is a troubleshooting tool; you cannot modify the data.

Advanced Adapter Settings

You can access this option from the Configuration Settings menu by selecting **Advanced Adapter Settings**. The current default settings for the FAStT FC2-133 Adapter are listed in Table 4 and are described in this section.

Table 4. Advanced adapter settings

Setting	Options	Default
Execution throttle	1-256	256
>4GByte addressing	Enabled or Disabled	Disabled
LUNs per target	0, 8, 16, 32, 64, 128, 256	0
Enable LIP reset	Yes or No	No
Enable LIP full login	Yes or No	Yes
Enable target reset	Yes or No	Yes
Login retry count	0-255	30
Port down retry count	0-255	30
IOCB allocation	1-512 buffers	256 buffers
Extended error logging	Enabled or Disabled	Disabled

Execution throttle: This setting specifies the maximum number of commands running on any one port. When a port reaches its execution throttle, Fast!UTIL does not run any new commands until the current command is completed. The valid options for this setting are 1 through 256. The default (optimum) is 256.

>4GByte addressing: Enable this setting when the system has more than 4 GB of memory available. The default is Disabled.

LUNs per target: This setting specifies the number of LUNs per device. Multiple logical unit number (LUN) support is typically for redundant array of independent disks (RAID) enclosures that use LUNs to map drives. The default is 0.

Enable LIP reset: This setting determines the type of loop initialization process (LIP) reset that is used when the operating system initiates a bus reset routine. When this option is set to Yes, the device driver initiates a global LIP reset to clear the target device reservations. When this option is set to No, the device driver initiates a global LIP reset with full login. The default is No.

Enable LIP full logon: This setting instructs the internet service provider (ISP) chip to log into all ports after any LIP. The default is Yes.

Enable target reset: This setting enables the device drivers to issue a Target Reset command to all devices on the loop when a SCSI Bus Reset command is issued. The default is Yes.

Login retry count: This setting specifies the number of times the software tries to log into a device. The default is 30 retries.

Port down retry count: This setting specifies the number of times the software retries a command to a port that is returning port-down status. The default is 30 retries.

IOCB allocation: This setting specifies the maximum number of buffers from the firmware buffer pool that are allocated to any one port. The default setting is 256 buffers.

Extended error logging: This setting provides additional error and debugging information to the operating system. When this option is set to Enabled, events are logged into the Windows NT Event Viewer or the Windows 2000 Event Viewer (depending on the environment you are in). The default is Disabled.

Extended Firmware Settings

You can access this option from the Configuration Settings menu by selecting **Extended Firmware Settings**. The current default settings for the FASiT FC2-133 Adapter are listed in Table 5 and are described in this section.

Table 5. Extended firmware settings

Setting	Options	Default
RIO operation mode	0, 5	0
Connection Options	0, 1, 2	2
Fibre Channel tape support	Enabled or Disabled	Disabled
Interrupt delay timer	0-255	0
Data rate	0, 1, 2	2

RIO operation mode: This setting specifies the reduced interrupt operation (RIO) mode, if supported by the software device driver. The RIO mode enables you to post multiple command completions in a single interrupt (see Table 6 on page 21). The default is 0.

Table 6. RIO options and operation modes

Option	Operation mode
0	No multiple responses
5	Multiple responses with minimal interrupts

Connection options: This setting defines the type of connection (loop or point-to-point) or connection preference (see Table 7). The default is 2.

Table 7. Connection options

Option	Type of connection
0	Loop only
1	Point-to-point only
2	Loop preferred; otherwise, point-to-point

Fibre Channel tape support: This setting is reserved for Fibre Channel tape support. The default is Disabled.

Interrupt delay timer: This setting contains the value (in 100-microsecond increments) used by a timer to set the wait time between accessing a set of handles and generating an interrupt using direct memory access (DMA). The default is 0.

Data rate: This setting determines the data rate. The default setting is 2.

Table 8. Data rate options

Option	Data rate
0	1 GB/s
1	2 GB/s
2	Auto select

Scan Fibre Channel devices

Use this option to scan the Fibre Channel loop and list all the connected devices by loop ID. Information about each device is listed, for example, vendor name, product name, and revision. This information is useful when you are configuring your FASTT FC2-133 Adapter and attached devices.

Fibre Channel disk utility

Attention: Performing a low-level format removes all data on the disk.

Use this option to scan the Fibre Channel loop bus and list all the connected devices by loop ID. You can select a disk device and perform a low-level format or verify the disk media or data.

Loopback data test

Use this option to verify the adapter basic transmit and receive functions. A Fibre Channel loop back connector option must be installed into the optical interface connector on the FASTT FC2-133 Adapter before starting the test. See Figure 2 on page 4 for the location of the optical interface connector.

Select host adapter

Use this option to select, configure, or view a specific adapter if you have multiple adapters in your system.

ExitFast!UTIL

After you complete the configuration, use the ExitFast!UTIL option to exit the menu and restart the system.

Chapter 4. Adapter operating environment and specifications

This chapter contains the FAStT FC2-133 Adapter operating environment and specification information.

Table 9. Adapter operating environment

Environment	Minimum	Maximum
Operating temperature	0°C (32°F)	55°C (131°F)
Storage temperature	-20°C (-4°F)	70°C (158°F)
Relative humidity (noncondensing)	10%	90%
Storage humidity (noncondensing)	5%	95%

Table 10. Adapter specifications

Type	Specification
Host bus	Conforms to Intel <i>PCI Local Bus Specification</i> , revision 2.2 and the <i>PCI-X Addendum</i> , revision 1.0.
PCI/PCI-X signaling environment	3.3 V and 5.0 V buses supported
PCI/PCI-X transfer rate	<ul style="list-style-type: none"> Support for 32 bit and 64 bit PCI bus at 33 MHz and 64 MHz Support for 64 bit PCI-X bus at 50 MHz, 100 MHz, and 133 MHz PCI transfer rate 264 MB per second maximum burst rate for 33 MHz operation (ISP2312 chip) Support for dual address bus cycles
Fibre Channel specifications	<ul style="list-style-type: none"> Fiber-optic media (shortwave multimode 50 micron cable) Bus transfer rate: 200 MB per second maximum at half-duplex and 400 MB per second maximum at full-duplex. Interface chip: ISP2312 (PCI-X QLA23xx boards) Support for both FCP-SCSI and IP protocols Support for point-to-point fabric connection: F-Port Fabric Login Support for FCAL public loop profile: FL-Port Login Support for Fibre Channel services class 2 and 3 Support for FCP SCSI initiator and target operation Support for full-duplex operation
Processor	Single-chip design that includes a RISC processor, Fibre Channel protocol manager, PCI or PCI-X DMA controller, and integrated serializer/deserializer (SERDES) and electrical transceivers that can auto-negotiate a data rate of 2 GB per second.
Host data transfer	64-bit, bus-master DMA data transfers to 1056 MB per second
RAM	RAM 256 KB of SRAM supporting parity protection
BIOS ROM	BIOS ROM 128 KB of flash ROM in two 64 KB, software selectable banks. The flash is field programmable.
NVRAM	NVRAM 256 bytes, field programmable

Table 10. Adapter specifications (continued)

Type	Specification
Onboard DMA	Five-channel DMA controller: two data, one command, one auto-DMA request, and one auto-DMA response.
Frame buffer FIFO	Integrated 4 KB transmit and 6 KB receive frame buffer FIFO for each data channel
Connectors (external)	<ul style="list-style-type: none">• LC-style connector that supports non-OFC, multimode fiber-optic cabling using a small form factor (SFF) fiber-optic transceiver module.• Total cable length cannot exceed 500 meters.
Form factor	6.47 cm x 16.75 cm (2.54 in. x 6.6 in.)
Operating power	Less than 15 watts

Chapter 5. Troubleshooting

The following four types of installation problems might cause your FAST FC2-133 Adapter to function incorrectly:

- Hardware problems
- Software problems
- System configuration problems
- Fibre Channel problems

If you are having problems, use the following information to help you determine the cause of the problem and the action to take.

Note: Additional troubleshooting and debugging procedures are available in the *IBM Fibre Channel Hardware Maintenance Manual* and *IBM Fibre Channel Problem Determination Guide* at <http://www.ibm.com/pc/support>.

Hardware problems

To determine if your installation problem is caused by the hardware, perform the following tasks:

- Verify that all cables are attached securely to the correct connectors. Be sure that one end of the LC-LC Fibre Channel cable is attached to the optical interface connector (located at J1 on the adapter) and that the other end is connected to the Fibre Channel device.
- Verify that the FAST FC2-133 Adapter is installed correctly and is fully seated in the expansion slot. Check for interference due to nonstandard PCI connectors.
- Verify that the Fast!UTIL data-rate setting is correct. The Fast!UTIL data-rate setting must match the speed of the device to which you are connected. See “Extended Firmware Settings” on page 20.
- Verify that all peripheral devices are turned on. See “Scan Fibre Channel devices” on page 21 for information about displaying attached Fibre Channel devices.

Software problems

To determine if your installation problem is caused by the software, perform the following tasks:

- Verify that the correct device driver is installed.
- Verify that your adapter is at the correct BIOS version.
- Verify that you have the correct adapter NVRAM settings for your Storage Area Network (SAN) and operating system.

System configuration problems

To determine if your installation problem is caused by the system configuration, check your server to ensure that it is configured properly. For more information, see “Configuration Settings menu options” on page 17.

Note: All PCI-compliant and PCI-X-compliant systems automatically detect 32-bit or 64-bit adapters and set the appropriate bus speed (for example, 66 MHz or 133 MHz).

If you still have a system configuration problem, refer to the documentation that comes with your server, or contact your IBM technical-support representative to determine if your system board requires special configuration.

Fibre Channel problems

To determine if your installation problem is caused by an attached Fibre Channel device, perform the following tasks:

- Verify that all of the Fibre Channel devices were turned on before you turned on the server.
- Ensure that all cables are connected properly.
- Verify that you configured your RAID storage subsystems using the utilities provided by the manufacturer.
- If your Fibre Channel switch supports zoning, make sure that your peripheral device is configured to the same switch zone as the FAStT FC2-133 Adapter. For more information, refer to your Fibre Channel switch documentation.

Appendix A. Getting help and technical assistance

If you need help, service, or technical assistance or just want more information about IBM® products, you will find a wide variety of sources available from IBM to assist you. This appendix contains information about where to go for additional information about IBM and IBM products, what to do if you experience a problem with your xSeries or IntelliStation® system, and whom to call for service, if it is necessary.

Before you call

Before you call, make sure that you have taken these steps to try to solve the problem yourself:

- Check all cables to make sure that they are connected.
- Check the power switches to make sure that the system is turned on.
- Use the troubleshooting information in your system documentation, and use the diagnostic tools that come with your system.
- Go to the IBM Support Web site at <http://www.ibm.com/pc/support/> to check for technical information, hints, tips, and new device drivers.
- Use an IBM discussion forum on the IBM Web site to ask questions.

You can solve many problems without outside assistance by following the troubleshooting procedures that IBM provides in the online help or in the publications that are provided with your system and software. The information that comes with your system also describes the diagnostic tests that you can perform. Most xSeries and IntelliStation systems, operating systems, and programs come with information that contains troubleshooting procedures and explanations of error messages and error codes. If you suspect a software problem, see the information for the operating system or program.

Using the documentation

Information about your IBM xSeries or IntelliStation system and preinstalled software, if any, is available in the documentation that comes with your system. That documentation includes printed books, online books, README files, and help files. See the troubleshooting information in your system documentation for instructions for using the diagnostic programs. The troubleshooting information or the diagnostic programs might tell you that you need additional or updated device drivers or other software. IBM maintains pages on the World Wide Web where you can get the latest technical information and download device drivers and updates. To access these pages, go to <http://www.ibm.com/pc/support/> and follow the instructions. Also, you can order publications through the IBM Publications Ordering System at <http://www.elink.ibm.com/public/applications/publications/cgibin/pbi.cgi>.

Getting help and information from the World Wide Web

On the World Wide Web, the IBM Web site has up-to-date information about IBM xSeries and IntelliStation products, services, and support. The address for IBM xSeries information is <http://www.ibm.com/eserver/xseries/>. The address for IBM IntelliStation information is <http://www.ibm.com/pc/intellistation/>.

You can find service information for your IBM products, including supported options, at <http://www.ibm.com/pc/support/>. If you click **Profile** from the support page, you can create a customized support page. The support page has many sources of information and ways for you to solve problems, including:

- Diagnosing problems, using the IBM Online Assistant
- Downloading the latest device drivers and updates for your products
- Viewing Frequently Asked Questions (FAQ)
- Viewing hints and tips to help you solve problems
- Participating in IBM discussion forums
- Setting up e-mail notification of technical updates about your products

Software service and support

Through IBM Support Line, you can get telephone assistance, for a fee, with usage, configuration, and software problems with xSeries servers, IntelliStation workstations, and appliances. For information about which products are supported by Support Line in your country or region, go to <http://www.ibm.com/services/sl/products/>.

For more information about Support Line and other IBM services, go to <http://www.ibm.com/services/>, or go to <http://www.ibm.com/planetwide/> for support telephone numbers.

Hardware service and support

You can receive hardware service through IBM Integrated Technology Services or through your IBM reseller, if your reseller is authorized by IBM to provide warranty service. Go to <http://www.ibm.com/planetwide/> for support telephone numbers.

In the U.S. and Canada, hardware service and support is available 24 hours a day, 7 days a week. In the U.K., these services are available Monday through Friday, from 9 a.m. to 6 p.m.

Appendix B. Warranty information

This section contains information about your warranty period and the service and support that are provided by your warranty.

Warranty period

The warranty period varies by machine type and country or region.

Contact your place of purchase for warranty service information. Some IBM Machines are eligible for on-site warranty service depending on the country or region where service is performed.

Prior to on-site warranty service, you are required to go through problem determination with an IBM service specialist call center technician.

A warranty period of 3 years on parts and 1 year on labor means that IBM will provide warranty service without charge for:

1. parts and labor during the first year of the warranty period
2. parts only, on an exchange basis, in the second and third years of the warranty period. IBM will charge you for any labor it provides in performance of the repair or replacement.

The IBM Machine Warranties Web site at http://www.ibm.com/servers/support/machine_warranties/ contains a worldwide overview of the IBM Statement of Limited Warranty for IBM Machines, a glossary of terms used in the Statement of Limited Warranty, Frequently Asked Questions (FAQ), and links to Product Support Web pages. The IBM Statement of Limited Warranty is available from this Web site in 29 languages in Portable Document Format (PDF).

Machine - IBM TotalStorage FAStT FC2-133 Host Bus Adapter

Country or region	Warranty period	Service delivery method
Worldwide	3 years	On-site

Problem determination

Prior to on-site warranty service, you are required to go through problem determination with an IBM service specialist call center technician. The service specialist will run diagnostic tests on the hardware and check the software.

Running diagnostics

The IBM service specialist will help you determine whether your equipment is functioning as specified. It might be necessary to isolate the failing xSeries, Netfinity®, or IntelliStation system; IBM component; or both from any active production environment to run diagnostics and perform defect-isolation programs. You are responsible for making the system, IBM component, or both available for running diagnostics and defect-isolation programs.

Checking software

The IBM service specialist will help you ensure that the correct BIOS code, firmware, device drivers, and other supporting IBM software are installed and correctly configured. It might be necessary to manually gather information about the relevant software levels or run IBM-approved utility programs to gather this

information. It might be necessary to isolate the failing system from any active production environment to gather this information. You are responsible, with assistance from the service specialist, for gathering this information. The IBM Statement of Limited Warranty does not include on-site assistance with this activity.

Warranty service and support

With the original purchase of an IBM xSeries or IntelliStation system, you have access to extensive service and support. During the IBM Machine warranty period, you may call IBM or your reseller for problem-determination assistance under the terms of the IBM Statement of Limited Warranty.

The following services are available during the warranty period:

- **Problem determination** - Trained personnel are available to assist you with determining if you have a hardware problem and deciding what action is necessary to fix the problem.
- **IBM hardware repair** - If the problem is determined to be caused by IBM hardware under warranty, trained service personnel are available to provide the applicable level of service, either on-site or at an IBM service center as determined by IBM.
- **Engineering Change management** - Occasionally, there might be changes that are required after a product has been shipped from IBM. In those instances, IBM will make Engineering Changes (ECs) available that apply to your hardware.
- **Customer replaceable units (CRUs)** - Some parts of IBM xSeries and IntelliStation systems are designated as customer replaceable units. IBM ships CRUs to you for replacement by you. CRUs include keyboards, monitors, memory, diskette drives, hard disk drives, and mice (this list is not inclusive of all CRUs).

The following items are not covered under warranty service:

- Replacement or use of non-IBM parts. All IBM parts contain a 7-character identification in the format IBM FRU XXXXXXXX.
- Identification of software problem sources.
- Installation of customer replaceable units (CRUs).
- Installation and configuration of BIOS code, firmware, or device drivers that are designated as customer installable.

See the IBM Statement of Limited Warranty for a full explanation of IBM warranty terms. Be sure to retain your proof of purchase to obtain warranty service.

Please have the following information ready when you call:

- The machine type and model of your IBM hardware product (if available)
- Serial numbers of your IBM hardware products
- A description of the problem
- The exact wording of any error messages
- Hardware and software configuration information

International Warranty Service

If you travel with your xSeries or IntelliStation system or relocate it to a country or region where your system is sold and serviced by IBM or IBM resellers authorized to perform warranty service, International Warranty Service (IWS) is available during the warranty period. Eligible IBM systems are identified by their four-digit machine types.

You can obtain IWS through the service delivery method (such as depot, carry-in, or on-site) provided in the servicing country or region. Service methods and procedures vary by country or region, and some service or parts might not be available in all countries and regions. Service centers in certain countries or regions might not be able to service all models of a particular machine type. In addition, some countries or regions might have fees and restrictions that apply at the time of service.

To determine whether your system is eligible for IWS, go to <http://www.ibm.com/pc/support/> and click **Warranty lookup**.

Purchasing additional services

During and after the warranty period, you can purchase additional services, such as support for IBM and non-IBM hardware, operating systems, and application programs; network setup and configuration; upgraded or extended hardware repair services; and custom installations. Service availability and service name might vary by country or region.

For more information about these services, contact your IBM marketing representative.

IBM Statement of Limited Warranty Z125-4753-06 8/2000

Part 1 - General Terms

This Statement of Limited Warranty includes Part 1 - General Terms and Part 2 - Country-unique Terms. The terms of Part 2 replace or modify those of Part 1. The warranties provided by IBM in this Statement of Limited Warranty apply only to Machines you purchase for your use, and not for resale, from IBM or your reseller. The term "Machine" means an IBM machine, its features, conversions, upgrades, elements, or accessories, or any combination of them. The term "Machine" does not include any software programs, whether pre-loaded with the Machine, installed subsequently or otherwise. Unless IBM specifies otherwise, the following warranties apply only in the country where you acquire the Machine. Nothing in this Statement of Limited Warranty affects any statutory rights of consumers that cannot be waived or limited by contract. If you have any questions, contact IBM or your reseller.

The IBM Warranty for Machines: IBM warrants that each Machine 1) is free from defects in materials and workmanship and 2) conforms to IBM's Official Published Specifications ("Specifications"). The warranty period for a Machine is a specified, fixed period commencing on its Date of Installation. The date on your sales receipt is the Date of Installation unless IBM or your reseller informs you otherwise.

If a Machine does not function as warranted during the warranty period, and IBM or your reseller are unable to either 1) make it do so or 2) replace it with one that is at least functionally equivalent, you may return it to your place of purchase and your money will be refunded.

Extent of Warranty: The warranty does not cover the repair or exchange of a Machine resulting from misuse, accident, modification, unsuitable physical or operating environment, improper maintenance by you, or failure caused by a product for which IBM is not responsible. The warranty is voided by removal or alteration of Machine or parts identification labels.

THESE WARRANTIES ARE YOUR EXCLUSIVE WARRANTIES AND REPLACE ALL OTHER WARRANTIES OR CONDITIONS, EXPRESS OR IMPLIED, INCLUDING, BUT NOT LIMITED TO, THE IMPLIED WARRANTIES OR CONDITIONS OF MERCHANTABILITY AND FITNESS FOR A PARTICULAR PURPOSE. THESE WARRANTIES GIVE YOU SPECIFIC LEGAL RIGHTS AND YOU MAY ALSO HAVE OTHER RIGHTS WHICH VARY FROM JURISDICTION TO JURISDICTION. SOME JURISDICTIONS DO NOT ALLOW THE EXCLUSION OR LIMITATION OF EXPRESS OR IMPLIED WARRANTIES, SO THE ABOVE EXCLUSION OR LIMITATION MAY NOT APPLY TO YOU. IN THAT EVENT, SUCH WARRANTIES ARE LIMITED IN DURATION TO THE WARRANTY PERIOD. NO WARRANTIES APPLY AFTER THAT PERIOD.

Items Not Covered by Warranty: IBM does not warrant uninterrupted or error-free operation of a Machine. Any technical or other support provided for a Machine under warranty, such as assistance via telephone with "how-to" questions and those regarding Machine set-up and installation, will be provided **WITHOUT WARRANTIES OF ANY KIND.**

Warranty Service: To obtain warranty service for a Machine, contact IBM or your reseller. If you do not register your Machine with IBM, you may be required to present proof of purchase.

During the warranty period, IBM or your reseller, if approved by IBM to provide warranty service, provides without charge certain types of repair and exchange service to keep Machines in, or restore them to, conformance with their Specifications. IBM or your reseller will inform you of the available types of service for a Machine based on its country of installation. At its discretion, IBM or your reseller will 1) either repair or exchange the failing Machine and 2) provide the service either at your location or a service center. IBM or your reseller will also manage and install selected engineering changes that apply to the Machine.

Some parts of IBM Machines are designated as Customer Replaceable Units (called "CRUs"), e.g., keyboards, memory, or hard disk drives. IBM ships CRUs to you for replacement by you. You must return all defective CRUs to IBM within 30 days of your receipt of the replacement CRU. You are responsible for downloading designated Machine Code and Licensed Internal Code updates from an IBM Internet Web site or from other electronic media, and following the instructions that IBM provides.

When warranty service involves the exchange of a Machine or part, the item IBM or your reseller replaces becomes its property and the replacement becomes yours. You represent that all removed items are genuine and unaltered. The replacement may not be new, but will be in good working order and at least functionally equivalent to the item replaced. The replacement assumes the warranty service status of the replaced item. Many features, conversions, or upgrades involve the removal of parts and their return to IBM. A part that replaces a removed part will assume the warranty service status of the removed part.

Before IBM or your reseller exchanges a Machine or part, you agree to remove all features, parts, options, alterations, and attachments not under warranty service.

You also agree to

1. ensure that the Machine is free of any legal obligations or restrictions that prevent its exchange;
2. obtain authorization from the owner to have IBM or your reseller service a Machine that you do not own; and
3. where applicable, before service is provided:
 - a. follow the problem determination, problem analysis, and service request procedures that IBM or your reseller provides;
 - b. secure all programs, data, and funds contained in a Machine;
 - c. provide IBM or your reseller with sufficient, free, and safe access to your facilities to permit them to fulfill their obligations; and
 - d. inform IBM or your reseller of changes in a Machine's location.

IBM is responsible for loss of, or damage to, your Machine while it is 1) in IBM's possession or 2) in transit in those cases where IBM is responsible for the transportation charges.

Neither IBM nor your reseller is responsible for any of your confidential, proprietary or personal information contained in a Machine which you return to IBM or your reseller for any reason. You should remove all such information from the Machine prior to its return.

Limitation of Liability: Circumstances may arise where, because of a default on IBM's part or other liability, you are entitled to recover damages from IBM. In each such instance, regardless of the basis on which you are entitled to claim damages from IBM (including fundamental breach, negligence, misrepresentation, or other

contract or tort claim), except for any liability that cannot be waived or limited by applicable laws, IBM is liable for no more than

1. damages for bodily injury (including death) and damage to real property and tangible personal property; and
2. the amount of any other actual direct damages, up to the charges (if recurring, 12 months' charges apply) for the Machine that is subject of the claim. For purposes of this item, the term "Machine" includes Machine Code and Licensed Internal Code.

This limit also applies to IBM's suppliers and your reseller. It is the maximum for which IBM, its suppliers, and your reseller are collectively responsible.

UNDER NO CIRCUMSTANCES IS IBM LIABLE FOR ANY OF THE FOLLOWING: 1) THIRD-PARTY CLAIMS AGAINST YOU FOR DAMAGES (OTHER THAN THOSE UNDER THE FIRST ITEM LISTED ABOVE); 2) LOSS OF, OR DAMAGE TO, YOUR RECORDS OR DATA; OR 3) SPECIAL, INCIDENTAL, OR INDIRECT DAMAGES OR FOR ANY ECONOMIC CONSEQUENTIAL DAMAGES, LOST PROFITS OR LOST SAVINGS, EVEN IF IBM, ITS SUPPLIERS OR YOUR RESELLER IS INFORMED OF THEIR POSSIBILITY. SOME JURISDICTIONS DO NOT ALLOW THE EXCLUSION OR LIMITATION OF INCIDENTAL OR CONSEQUENTIAL DAMAGES, SO THE ABOVE LIMITATION OR EXCLUSION MAY NOT APPLY TO YOU.

Governing Law: Both you and IBM consent to the application of the laws of the country in which you acquired the Machine to govern, interpret, and enforce all of your and IBM's rights, duties, and obligations arising from, or relating in any manner to, the subject matter of this Agreement, without regard to conflict of law principles.

Part 2 - Country-unique Terms

AMERICAS

BRAZIL

Governing Law: *The following is added after the first sentence:* Any litigation arising from this Agreement will be settled exclusively by the court of Rio de Janeiro.

NORTH AMERICA

Warranty Service: *The following is added to this Section:* To obtain warranty service from IBM in Canada or the United States, call 1-800-IBM-SERV (426-7378).

CANADA

Governing Law: *The following replaces "laws of the country in which you acquired the Machine" in the first sentence:* laws in the Province of Ontario.

UNITED STATES

Governing Law: *The following replaces "laws of the country in which you acquired the Machine" in the first sentence:* laws of the State of New York.

ASIA PACIFIC

AUSTRALIA

The IBM Warranty for Machines: *The following paragraph is added to this Section:* The warranties specified in this Section are in addition to any rights you may have under the Trade Practices Act 1974 or other similar legislation and are only limited to the extent permitted by the applicable legislation.

Limitation of Liability: *The following is added to this Section:* Where IBM is in breach of a condition or warranty implied by the Trade Practices Act 1974 or other similar legislation, IBM's liability is limited to the repair or replacement of the goods or the supply of equivalent goods. Where that condition or warranty relates to right to sell, quiet possession or clear title, or the goods are of a kind ordinarily acquired for personal, domestic or household use or consumption, then none of the limitations in this paragraph apply.

Governing Law: *The following replaces "laws of the country in which you acquired the Machine" in the first sentence:* laws of the State or Territory.

CAMBODIA, LAOS, AND VIETNAM

Governing Law: *The following replaces "laws of the country in which you acquired the Machine" in the first sentence:* laws of the State of New York.

The following is added to this Section: Disputes and differences arising out of or in connection with this Agreement shall be finally settled by arbitration which shall be held in Singapore in accordance with the rules of the International Chamber of Commerce (ICC). The arbitrator or arbitrators designated in conformity with those rules shall have the power to rule on their own competence and on the validity of the Agreement to submit to arbitration. The arbitration award shall be final and binding for the parties without appeal and the arbitral award shall be in writing and set forth the findings of fact and the conclusions of law.

All proceedings shall be conducted, including all documents presented in such proceedings, in the English language. The number of arbitrators shall be three, with each side to the dispute being entitled to appoint one arbitrator.

The two arbitrators appointed by the parties shall appoint a third arbitrator before proceeding upon the reference. The third arbitrator shall act as chairman of the proceedings. Vacancies in the post of chairman shall be filled by the president of the ICC. Other vacancies shall be filled by the respective nominating party. Proceedings shall continue from the stage they were at when the vacancy occurred.

If one of the parties refuses or otherwise fails to appoint an arbitrator within 30 days of the date the other party appoints its, the first appointed arbitrator shall be the sole arbitrator, provided that the arbitrator was validly and properly appointed.

The English language version of this Agreement prevails over any other language version.

HONG KONG AND MACAU

Governing Law: *The following replaces "laws of the country in which you acquired the Machine" in the first sentence:* laws of Hong Kong Special Administrative Region.

INDIA

Limitation of Liability: *The following replaces items 1 and 2 of this Section:*

1. liability for bodily injury (including death) or damage to real property and tangible personal property will be limited to that caused by IBM's negligence;
2. as to any other actual damage arising in any situation involving nonperformance by IBM pursuant to, or in any way related to the subject of this Statement of Limited Warranty, IBM's liability will be limited to the charge paid by you for the individual Machine that is the subject of the claim.

JAPAN

Governing Law: *The following sentence is added to this Section:* Any doubts concerning this Agreement will be initially resolved between us in good faith and in accordance with the principle of mutual trust.

NEW ZEALAND

The IBM Warranty for Machines: *The following paragraph is added to this Section:* The warranties specified in this Section are in addition to any rights you may have under the Consumer Guarantees Act 1993 or other legislation which cannot be excluded or limited. The Consumer Guarantees Act 1993 will not apply in respect of any goods which IBM provides, if you require the goods for the purposes of a business as defined in that Act.

Limitation of Liability: *The following is added to this Section:* Where Machines are not acquired for the purposes of a business as defined in the Consumer Guarantees Act 1993, the limitations in this Section are subject to the limitations in that Act.

PEOPLE'S REPUBLIC OF CHINA (PRC)

Governing Law: *The following replaces this Section:* Both you and IBM consent to the application of the laws of the State of New York (except when local law requires otherwise) to govern, interpret, and enforce all your and IBM's rights, duties, and obligations arising from, or relating in any manner to, the subject matter of this Agreement, without regard to conflict of law principles.

Any disputes arising from or in connection with this Agreement will first be resolved by friendly negotiations, failing which either of us has the right to submit the dispute to the China International Economic and Trade Arbitration Commission in Beijing, the PRC, for arbitration in accordance with its arbitration rules in force at the time. The arbitration tribunal will consist of three arbitrators. The language to be used therein will be English and Chinese. An arbitral award will be final and binding on all the parties, and will be enforceable under the Convention on the Recognition and Enforcement of Foreign Arbitral Awards (1958).

The arbitration fee will be borne by the losing party unless otherwise determined by the arbitral award.

During the course of arbitration, this Agreement will continue to be performed except for the part which the parties are disputing and which is undergoing arbitration.

EUROPE, MIDDLE EAST, AFRICA (EMEA)

THE FOLLOWING TERMS APPLY TO ALL EMEA COUNTRIES: The terms of this Statement of Limited Warranty apply to Machines purchased from IBM or an IBM reseller.

Warranty Service: If you purchase an IBM Machine in Austria, Belgium, Denmark, Estonia, Finland, France, Germany, Greece, Iceland, Ireland, Italy, Latvia, Lithuania, Luxembourg, Netherlands, Norway, Portugal, Spain, Sweden, Switzerland or United Kingdom, you may obtain warranty service for that Machine in any of those countries from either (1) an IBM reseller approved to perform warranty service or (2) from IBM. If you purchase an IBM Personal Computer Machine in Albania, Armenia, Belarus, Bosnia and Herzegovina, Bulgaria, Croatia, Czech Republic, Georgia, Hungary, Kazakhstan, Kirghizia, Federal Republic of Yugoslavia, Former Yugoslav Republic of Macedonia (FYROM), Moldova, Poland, Romania, Russia, Slovak Republic, Slovenia, or Ukraine, you may obtain warranty service for that Machine in any of those countries from either (1) an IBM reseller approved to perform warranty service or (2) from IBM.

If you purchase an IBM Machine in a Middle Eastern or African country, you may obtain warranty service for that Machine from the IBM entity within the country of purchase, if that IBM entity provides warranty service in that country, or from an IBM reseller, approved by IBM to perform warranty service on that Machine in that country. Warranty service in Africa is available within 50 kilometers of an IBM authorized service provider. You are responsible for transportation costs for Machines located outside 50 kilometers of an IBM authorized service provider.

Governing Law: The applicable laws that govern, interpret and enforce rights, duties, and obligations of each of us arising from, or relating in any manner to, the subject matter of this Statement, without regard to conflict of laws principles, as well as Country-unique terms and competent court for this Statement are those of the country in which the warranty service is being provided, except that in 1) Albania, Bosnia-Herzegovina, Bulgaria, Croatia, Hungary, Former Yugoslav Republic of Macedonia, Romania, Slovakia, Slovenia, Armenia, Azerbaijan, Belarus, Georgia, Kazakhstan, Kyrgyzstan, Moldova, Russia, Tajikistan, Turkmenistan, Ukraine, and Uzbekistan, the laws of Austria apply; 2) Estonia, Latvia, and Lithuania, the laws of Finland apply; 3) Algeria, Benin, Burkina Faso, Cameroon, Cape Verde, Central African Republic, Chad, Congo, Djibouti, Democratic Republic of Congo, Equatorial Guinea, France, Gabon, Gambia, Guinea, Guinea-Bissau, Ivory Coast, Lebanon, Mali, Mauritania, Morocco, Niger, Senegal, Togo, and Tunisia, this Agreement will be construed and the legal relations between the parties will be determined in accordance with the French laws and all disputes arising out of this Agreement or related to its violation or execution, including summary proceedings, will be settled exclusively by the Commercial Court of Paris; 4) Angola, Bahrain, Botswana, Burundi, Egypt, Eritrea, Ethiopia, Ghana, Jordan, Kenya, Kuwait, Liberia, Malawi, Malta, Mozambique, Nigeria, Oman, Pakistan, Qatar, Rwanda, Sao Tome, Saudi Arabia, Sierra Leone, Somalia, Tanzania, Uganda, United Arab Emirates, United Kingdom, West Bank/Gaza, Yemen, Zambia, and Zimbabwe, this Agreement will be governed by English Law and disputes relating to it will be submitted to the exclusive jurisdiction of the English courts; and 5) in Greece, Israel, Italy, Portugal, and Spain any legal claim arising out of this Statement will be brought before, and finally settled by, the competent court of Athens, Tel Aviv, Milan, Lisbon, and Madrid, respectively.

THE FOLLOWING TERMS APPLY TO THE COUNTRY SPECIFIED:

AUSTRIA AND GERMANY

The IBM Warranty for Machines: *The following replaces the first sentence of the first paragraph of this Section:* The warranty for an IBM Machine covers the functionality of the Machine for its normal use and the Machine's conformity to its Specifications.

The following paragraphs are added to this Section:

The minimum warranty period for Machines is six months. In case IBM or your reseller is unable to repair an IBM Machine, you can alternatively ask for a partial refund as far as justified by the reduced value of the unrepaired Machine or ask for a cancellation of the respective agreement for such Machine and get your money refunded.

Extent of Warranty: *The second paragraph does not apply.*

Warranty Service: *The following is added to this Section:* During the warranty period, transportation for delivery of the failing Machine to IBM will be at IBM's expense.

Limitation of Liability: *The following paragraph is added to this Section:* The limitations and exclusions specified in the Statement of Limited Warranty will not apply to damages caused by IBM with fraud or gross negligence and for express warranty.

The following sentence is added to the end of item 2: IBM's liability under this item is limited to the violation of essential contractual terms in cases of ordinary negligence.

EGYPT

Limitation of Liability: *The following replaces item 2 in this Section:* as to any other actual direct damages, IBM's liability will be limited to the total amount you paid for the Machine that is the subject of the claim. For purposes of this item, the term "Machine" includes Machine Code and Licensed Internal Code.

Applicability of suppliers and resellers (unchanged).

FRANCE

Limitation of Liability: *The following replaces the second sentence of the first paragraph of this Section:*In such instances, regardless of the basis on which you are entitled to claim damages from IBM, IBM is liable for no more than: *(items 1 and 2 unchanged).*

IRELAND

Extent of Warranty: *The following is added to this Section:* Except as expressly provided in these terms and conditions, all statutory conditions, including all warranties implied, but without prejudice to the generality of the foregoing all warranties implied by the Sale of Goods Act 1893 or the Sale of Goods and Supply of Services Act 1980 are hereby excluded.

Limitation of Liability: *The following replaces items one and two of the first paragraph of this Section:*1. death or personal injury or physical damage to your real property solely caused by IBM's negligence; and 2. the amount of any other actual direct damages, up to 125 percent of the charges (if recurring, the 12 months' charges apply) for the Machine that is the subject of the claim or which otherwise gives rise to the claim.

Applicability of suppliers and resellers (unchanged).

The following paragraph is added at the end of this Section: IBM's entire liability and your sole remedy, whether in contract or in tort, in respect of any default shall be limited to damages.

ITALY

Limitation of Liability: *The following replaces the second sentence in the first paragraph: In each such instance unless otherwise provided by mandatory law, IBM is liable for no more than: 1. (unchanged) 2. as to any other actual damage arising in all situations involving nonperformance by IBM pursuant to, or in any way related to the subject matter of this Statement of Warranty, IBM's liability, will be limited to the total amount you paid for the Machine that is the subject of the claim. Applicability of suppliers and resellers (unchanged).*

The following replaces the third paragraph of this Section: Unless otherwise provided by mandatory law, IBM and your reseller are not liable for any of the following: (items 1 and 2 unchanged) 3) indirect damages, even if IBM or your reseller is informed of their possibility.

SOUTH AFRICA, NAMIBIA, BOTSWANA, LESOTHO AND SWAZILAND

Limitation of Liability: *The following is added to this Section: IBM's entire liability to you for actual damages arising in all situations involving nonperformance by IBM in respect of the subject matter of this Statement of Warranty will be limited to the charge paid by you for the individual Machine that is the subject of your claim from IBM.*

UNITED KINGDOM

Limitation of Liability: *The following replaces items 1 and 2 of the first paragraph of this Section:*

1. death or personal injury or physical damage to your real property solely caused by IBM's negligence;
2. the amount of any other actual direct damages or loss, up to 125 percent of the charges (if recurring, the 12 months' charges apply) for the Machine that is the subject of the claim or which otherwise gives rise to the claim;

The following item is added to this paragraph: 3. breach of IBM's obligations implied by Section 12 of the Sale of Goods Act 1979 or Section 2 of the Supply of Goods and Services Act 1982.

Applicability of suppliers and resellers (unchanged).

The following is added to the end of this Section: IBM's entire liability and your sole remedy, whether in contract or in tort, in respect of any default shall be limited to damages.

Appendix C. Notices

This publication was developed for products and services offered in the U.S.A.

IBM may not offer the products, services, or features discussed in this document in other countries. Consult your local IBM representative for information on the products and services currently available in your area. Any reference to an IBM product, program, or service is not intended to state or imply that only that IBM product, program, or service may be used. Any functionally equivalent product, program, or service that does not infringe any IBM intellectual property right may be used instead. However, it is the user's responsibility to evaluate and verify the operation of any non-IBM product, program, or service.

IBM may have patents or pending patent applications covering subject matter described in this document. The furnishing of this document does not give you any license to these patents. You can send license inquiries, in writing, to:

*IBM Director of Licensing
IBM Corporation
North Castle Drive
Armonk, NY 10504-1785
U.S.A.*

INTERNATIONAL BUSINESS MACHINES CORPORATION PROVIDES THIS PUBLICATION "AS IS" WITHOUT WARRANTY OF ANY KIND, EITHER EXPRESS OR IMPLIED, INCLUDING, BUT NOT LIMITED TO, THE IMPLIED WARRANTIES OF NON-INFRINGEMENT, MERCHANTABILITY OR FITNESS FOR A PARTICULAR PURPOSE. Some jurisdictions do not allow disclaimer of express or implied warranties in certain transactions, therefore, this statement may not apply to you.

This information could include technical inaccuracies or typographical errors. Changes are periodically made to the information herein; these changes will be incorporated in new editions of the publication. IBM may make improvements and/or changes in the product(s) and/or the program(s) described in this publication at any time without notice.

Any references in this publication to non-IBM Web sites are provided for convenience only and do not in any manner serve as an endorsement of those Web sites. The materials at those Web sites are not part of the materials for this IBM product, and use of those Web sites is at your own risk.

IBM may use or distribute any of the information you supply in any way it believes appropriate without incurring any obligation to you.

Edition notice

**© COPYRIGHT INTERNATIONAL BUSINESS MACHINES CORPORATION, 2002.
All rights reserved.**

Note to U.S. Government Users — Documentation related to restricted rights — Use, duplication or disclosure is subject to restrictions set forth in GSA ADP Schedule Contract with IBM Corp.

Trademarks

The following terms are trademarks of International Business Machines Corporation in the United States, other countries, or both:

IBM	xSeries
e-business logo	ServerProven
IntelliStation	TotalStorage
Netfinity	Update Connector

Intel, Celeron, MMX, LANDesk, Pentium, Pentium II Xeon, Pentium III Xeon, and Xeon are trademarks of Intel Corporation in the United States, other countries, or both.

Microsoft, Windows, and Windows NT are trademarks of Microsoft Corporation in the United States, other countries, or both.

Java and all Java-based trademarks and logos are trademarks or registered trademarks of Sun Microsystems, Inc. in the United States, other countries, or both.

Linux is a registered trademark of Linus Torvalds.

Other company, product, or service names may be the trademarks or service marks of others.

Important notes

Processor speeds indicate the internal clock speed of the microprocessor; other factors also affect application performance.

CD-ROM drive speeds list the variable read rate. Actual speeds vary and are often less than the maximum possible.

When referring to processor storage, real and virtual storage, or channel volume, KB stands for approximately 1024 bytes, MB stands for approximately 1 000 000 bytes, and GB stands for approximately 1 000 000 000 bytes.

When referring to hard disk drive capacity or communications volume, MB stands for 1 000 000 bytes, and GB stands for 1 000 000 000 bytes. Total user-accessible capacity may vary depending on operating environments.

Maximum internal hard disk drive capacities assume the replacement of any standard hard disk drives and population of all hard disk drive bays with the largest currently supported drives available from IBM.

Maximum memory may require replacement of the standard memory with an optional memory module.

IBM makes no representation or warranties regarding non-IBM products and services that are ServerProven[®], including but not limited to the implied warranties of merchantability and fitness for a particular purpose. These products are offered and warranted solely by third parties.

IBM makes no representations or warranties with respect to non-IBM products. Support (if any) for the non-IBM products is provided by the third party, not IBM.

Some software may differ from its retail version (if available), and may not include user manuals or all program functionality.

Electronic emission notices

Class B statements

This device has been tested to the FCC limits and found compliant to the Class B limits when installed in a host system found compliant to the Class B limits.

Federal Communications Commission (FCC) statement

IBM TotalStorage FAStT FC2-133 Host Bus Adapter


Note: This equipment has been tested and found to comply with the limits for a Class B digital device, pursuant to Part 15 of the FCC Rules. These limits are designed to provide reasonable protection against harmful interference in a residential installation. This equipment generates, uses, and can radiate radio frequency energy and, if not installed and used in accordance with the instructions, may cause harmful interference to radio communications. However, there is no guarantee that interference will not occur in a particular installation. If this equipment does cause harmful interference to radio or television reception, which can be determined by turning the equipment off and on, the user is encouraged to try to correct the interference by one or more of the following measures:

- Reorient or relocate the receiving antenna.
- Increase the separation between the equipment and receiver.
- Connect the equipment into an outlet on a circuit different from that to which the receiver is connected.
- Consult an IBM authorized dealer or service representative for help.

Properly shielded and grounded cables and connectors must be used in order to meet FCC emission limits. Proper cables and connectors are available from IBM authorized dealers. IBM is not responsible for any radio or television interference caused by using other than recommended cables and connectors or by unauthorized changes or modifications to this equipment. Unauthorized changes or modifications could void the user's authority to operate the equipment.

This device complies with Part 15 of the FCC Rules. Operation is subject to the following two conditions: (1) this device may not cause harmful interference, and (2) this device must accept any interference received, including interference that may cause undesired operation.

Responsible party:
International Business Machines
Corporation
New Orchard Road
Armonk, NY 10504
Telephone: 1-919-543-2193

 Tested To Comply
With FCC Standards
FOR HOME OR OFFICE USE

Industry Canada Class B emission compliance statement

This Class B digital apparatus complies with Canadian ICES-003.

Avis de conformité à la réglementation d'Industrie Canada

Cet appareil numérique de la classe B est conforme à la norme NMB-003 du Canada.

Japanese electromagnetic interference (EMI) statement

この装置は、情報処理装置等電波障害自主規制協議会（VCCI）の基準に基づくクラスB情報技術装置です。この装置は、家庭環境で使用することを目的としていますが、この装置がラジオやテレビジョン受信機に近接して使用されると、受信障害を引き起こすことがあります。
取扱説明書に従って正しい取り扱いをして下さい。

Class A statements

This device has been tested to the FCC limits and found compliant to the Class B limits. However, when this device is installed in a host system that complies with the Class A limits, the FCC compliance will be defined by the host system. Refer to the documentation that comes with the host system for the appropriate FCC emission statement.

Federal Communications Commission (FCC) statement

Note: This equipment has been tested and found to comply with the limits for a Class A digital device, pursuant to Part 15 of the FCC Rules. These limits are designed to provide reasonable protection against harmful interference when the equipment is operated in a commercial environment. This equipment generates, uses, and can radiate radio frequency energy and, if not installed and used in accordance with the instruction manual, may cause harmful interference to radio communications. Operation of this equipment in a residential area is likely to cause harmful interference, in which case the user will be required to correct the interference at his own expense.

Properly shielded and grounded cables and connectors must be used in order to meet FCC emission limits. Properly shielded and grounded cables and connectors must be used in order to meet FCC emission limits. IBM is not responsible for any radio or television interference caused by using other than recommended cables and connectors or by using other than recommended cables and connectors or by unauthorized changes or modifications to this equipment. Unauthorized changes or modifications could void the user's authority to operate the equipment.

This device complies with Part 15 of the FCC Rules. Operation is subject to the following two conditions: (1) this device may not cause harmful interference, and (2) this device must accept any interference received, including interference that may cause undesired operation.

Industry Canada Class A emission compliance statement

This Class A digital apparatus complies with Canadian ICES-003.

Avis de conformité à la réglementation d'Industrie Canada

Cet appareil numérique de la classe A est conforme à la norme NMB-003 du Canada.

Australia and New Zealand Class A statement

Attention: This is a Class A product. In a domestic environment this product may cause radio interference in which case the user may be required to take adequate measures.

United Kingdom telecommunications safety requirement

Notice to Customers

This apparatus is approved under approval number NS/G/1234/J/100003 for indirect connection to public telecommunication systems in the United Kingdom.

European Union EMC Directive conformance statement

This product is in conformity with the protection requirements of EU Council Directive 89/336/EEC on the approximation of the laws of the Member States relating to electromagnetic compatibility. IBM cannot accept responsibility for any failure to satisfy the protection requirements resulting from a nonrecommended modification of the product, including the fitting of non-IBM option cards.

This product has been tested and found to comply with the limits for Class A Information Technology Equipment according to CISPR 22/European Standard EN 55022. The limits for Class A equipment were derived for commercial and industrial environments to provide reasonable protection against interference with licensed communication equipment.

Attention: This is a Class A product. In a domestic environment this product may cause radio interference in which case the user may be required to take adequate measures.

Taiwan electrical emission statement

警告使用者：
這是甲類的資訊產品，在
居住的環境中使用時，可
能會造成射頻干擾，在這
種情況下，使用者會被要
求採取某些適當的對策。

Japanese Voluntary Control Council for Interference (VCCI) statement

この装置は、情報処理装置等電波障害自主規制協議会（VCCI）の基準に基づくクラスA情報技術装置です。この装置を家庭環境で使用すると電波妨害を引き起こすことがあります。この場合には使用者が適切な対策を講ずるよう要求されることがあります。

Index

A

- about this book xi
- adapter
 - activity indicators 5
 - components 4
 - installing 5
 - operating environment 23
 - overview 1
 - preinstallation procedures 2
 - specifications 23
 - storage temperature 23
- adapter default settings
 - >4GByte addressing 19
 - enable LIP full login 19
 - enable LIP reset 19
 - enable target reset 19
 - execution throttle 19
 - extended error logging 19
 - IOCB allocation 19
 - login retry count 19
 - LUNs per target 19
 - port down retry count 19
- adapter features 2

B

- before you begin installing
 - the FASiT FC2-133 Host Bus Adapter 2
- BIOS code update 9
 - from Support CD 9
 - from Update Utility diskette 12

C

- cables
 - connecting fiber optic 5
 - LC-LC Fibre Channel 7
 - routing 5

D

- device drivers 16
- devices, handling static-sensitive 3

E

- extended firmware settings
 - connection options 20
 - data rate 20
 - Fibre Channel tape support 20
 - interrupt delay timer 20
 - RIO operation mode 20

F

- Fast!UTIL options
 - advanced adapter settings 19
 - extended firmware settings 20
 - raw NOVRAM data 19
 - restore default settings 19
 - scan Fibre Channel devices 21
 - scan Fibre Channel disk utility 21
 - select host adapter 22
- Fast!UTIL settings
 - Configuration Settings menu 19
 - host adapter settings 17
 - selectable boot settings 19
 - starting 17
 - using 17
- FAST FC2-133 Host Bus Adapter
 - features 2
 - installation 5
- Fibre Channel overview 2
- form factor 24

H

- handling static-sensitive devices 3
- host adapter bracket
 - installation 5
 - removal 6
- host adapter settings
 - BIOS 17
 - frame size 17
 - hard loop ID 17
 - loop reset delay 17

I

- installing
 - adapter device drivers 16
 - FAST FC2-133 Adapter 4

L

- LC-LC Fibre Channel cable 4

N

- notes, important 42
- notices
 - FCC statement 43
 - used in this book xii

O

- operating environment 23

P

- PCI bus slot
 - master 6
 - subordinate 6
- PCI bus-master slot defined 6
- PCI-X bus-master slot defined 6
- PCI/PCI-X
 - signaling 23
 - transfer rate 23

R

- restore default settings 19

S

- selectable boot settings 19
- specifications, adapter 23, 24

T

- trademarks 42
- troubleshooting
 - Fibre Channel 26
 - hardware 25
 - installation problems 25
 - system configuration 25

U

- updating the BIOS code
 - using the command prompt 9
 - using the utility diskette 11



Part Number: 48P9823

Printed in U.S.A.

(1P) P/N: 48P9823

