

IBM RS/6000 7043 Model 260



Setup Instructions

First Edition (October 1998)

The following paragraph does not apply to the United Kingdom or any country where such provisions are inconsistent with local law: THIS PUBLICATION IS PROVIDED "AS IS" WITHOUT WARRANTY OF ANY KIND, EITHER EXPRESS OR IMPLIED, INCLUDING, BUT NOT LIMITED TO, THE IMPLIED WARRANTIES OF MERCHANTABILITY OR FITNESS FOR A PARTICULAR PURPOSE. Some states do not allow disclaimer of express or implied warranties in certain transactions, therefore, this statement may not apply to you.

This publication could include technical inaccuracies or typographical errors. Changes are periodically made to the information herein; these changes will be incorporated in new editions of the publication. The manufacturer may make improvements and/or changes in the product(s) and/or the program(s) described in this publication at any time, without notice.

It is possible that this publication may contain reference to, or information about, products (machines and programs), programming, or services that are not announced in your country. Such references or information must not be construed to mean that these products, programming, or services will be announced in your country. Any reference to a specific licensed program in this publication is not intended to state or imply that you can use only that licensed program. You can use any functionally equivalent program instead.

Requests for technical information about products should be made to your authorized reseller or marketing representative.

© International Business Machines Corporation 1998. All rights reserved.

Note to U.S. Government Users -- Documentation related to restricted rights -- Use, duplication or disclosure is subject to restrictions set forth in GSA ADP Schedule Contract with IBM Corp.

Step 1: Check Your Inventory

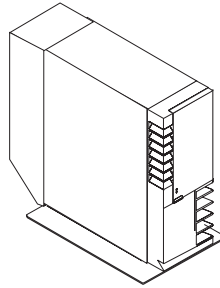
- Books, CD-ROM's, & other media



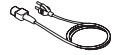
- The "About Your Machine" document



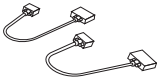
- System Unit



- Display and System Unit Power Cords



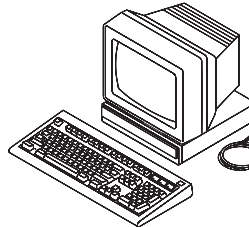
- 9-pin to 25-pin Serial Converters (2)



- SCSI Converter Cable



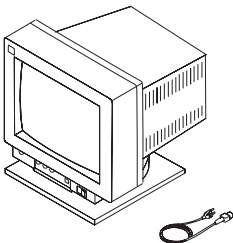
- ASCII Terminal (optional)



- Keyboard (optional)
Wrist/Palm Rest (optional)



- Display and Cable (optional)



- Mouse (optional)

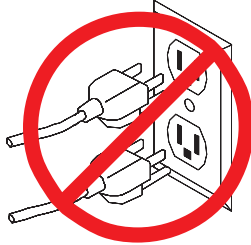


- Display Cable Toroid (optional)



Step 2: Read the Safety Notices

Safety Note: Before continuing, refer to the System Unit Safety Information book for Danger and Caution notices. Do not plug any cables into the system unit, adapters, or electrical outlets until you have reviewed this information. Make sure none of the power cords are connected before continuing to the next step.



Step 3: Need Help?

If you encounter difficulties while setting up your system unit, contact your sales representative for assistance.

Step 4: Are All of the Internal Options Installed?

These instructions are for 7043 Model 260 systems that have internal options (such as adapters, disk drives, or memory upgrades) already installed. If you have internal options that are not installed, go to "Installing Options" in the User's Guide, order number SA38-0553, shipped with your system.

Step 5: Position the System Unit and Display

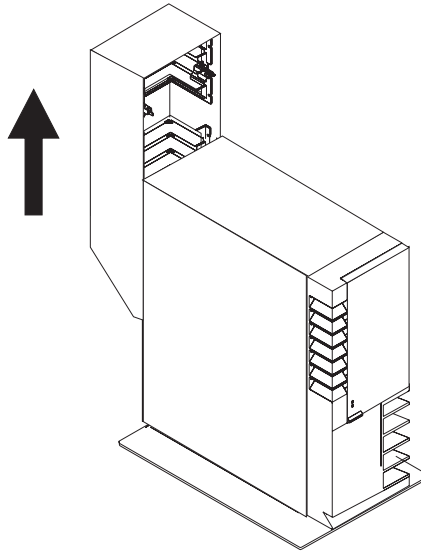
Position the system unit and display (optional) at or near their finished location.

Observe the following guidelines when positioning the system unit:

- Leave enough space around the system unit to safely and easily complete the setup procedures.
- Observe standard ergonomic guidelines while arranging your system unit so that you may work comfortably and safely. For more information on arranging your workstation, visit the Healthy Computing web site at:
<http://www.pc.ibm.com/us/healthycomputing>
- The system unit weighs between 32 kg (70.5 pounds) and 55 kg (121.2 pounds). Three people are required to safely move it. Do not try to lift the system unit by yourself.
- Be sure to maintain at least 51 mm (2 inches) of space on all sides of the system unit to allow the system unit to cool properly. Blocking the air vents can cause overheating, which might result in a malfunction or permanent damage to the system unit.
- Place the system unit in a location where it can safely and easily reach any necessary power outlets and network connections.
- Displays or ASCII terminals can weigh as much as 35 kg (77 pounds). Use caution when lifting or moving the display or ASCII terminal.
- Place the display or ASCII terminal in a stable and sturdy location.

Step 6: Remove the Rear System Unit Cover

Remove the rear system unit cover by grasping the cover firmly by the sides and lifting the cover up and away from the system unit.



Step 7: Check Your Display Type

If you ordered a display with your system unit, the system unit has been set to use the highest display resolution and refresh rate available for that display. If you want to:

- Attach a different display to your system unit
- Change the default display resolution or refresh rate

then after completing the installation steps, refer to the Customer Installable Options Library CD-ROM for the documentation for the graphics adapter. Change the settings for the display you are installing.

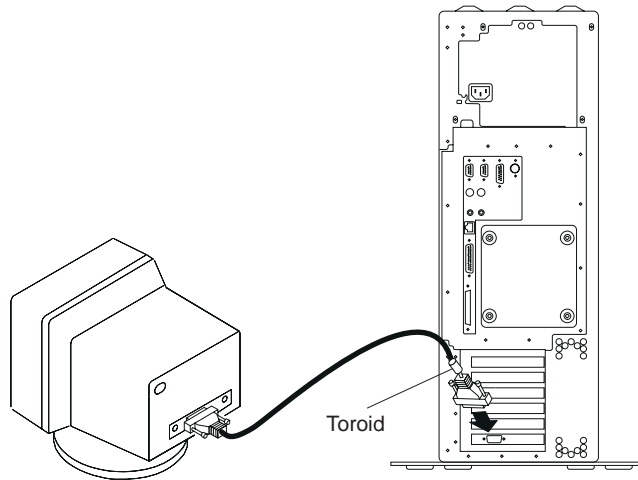
Step 8: Connect the Display

Connect the graphics display cable to the back of the display and to the graphics adapter connector. Consult the "About Your Machine" document for the locations of installed adapters.

If you are installing an ASCII terminal, go to "Step 10: Connect the Adapter Cables" on page 6 and continue the installation process in sequence until you are instructed to install the ASCII terminal in "Step 14: Connect the Serial Devices" on page 9.

For more display instructions, see your display documentation.

Note: Some displays require an additional cable.

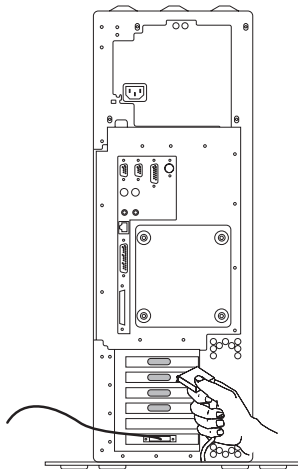


Step 9: Attach the Display Cable Toroid

If the cable for your display does not include a toroid, locate the toroid shipped with your system unit and follow the installation instructions included with the toroid.

Step 10: Connect the Adapter Cables

If you are using any optional adapters (such as Token-Ring or 8-port EIA-232), connect the cables to the appropriate connectors in slots 1, 2, 3, 4, or 5. Consult the "About Your Machine" document for the locations of installed adapters.



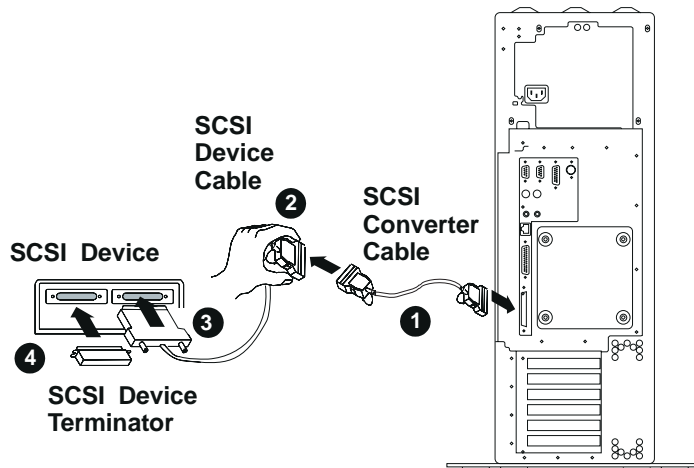
Step 11: Connect the First External SCSI Device

If you have no SCSI devices to attach, skip to “Step 13: Connect the Parallel Device” on page 9.

1. Connect the SCSI converter cable to the SCSI connector on the system unit.
2. Connect the other end of the SCSI converter cable to the SCSI device cable.
3. Connect the other end of the SCSI device cable to the SCSI device.
4. Connect the SCSI device terminator (If this is the last device connected).

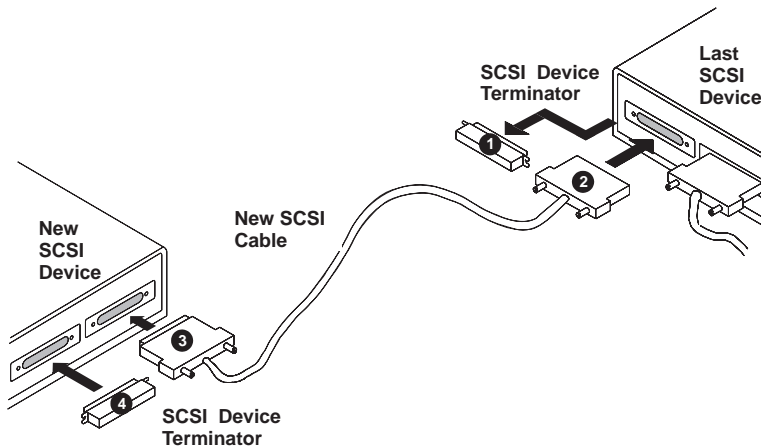
Note: The built-in SCSI interface is Fast/Wide 16-bit SCSI-2 SE. When a cable is not attached to the SCSI connector on the system unit, the connector is automatically terminated.

5. Refer to the SCSI device documentation to set the SCSI device address. For future reference, you can record the address in Appendix A of the User's Guide.



Step 12: Connect Any Additional External SCSI Devices

1. Locate the last SCSI device in the chain from the system unit. Remove the SCSI device terminator.
2. Connect the new SCSI cable where you just removed the SCSI device terminator.
3. Connect the other end of the SCSI cable to the new SCSI device.
4. Connect the SCSI device terminator.
5. Refer to the SCSI device documentation to set the SCSI device address. For future reference, you can record the address in Appendix A of the User's Guide.
6. Repeat this step for each additional SCSI device you are attaching.



Step 13: Connect the Parallel Device

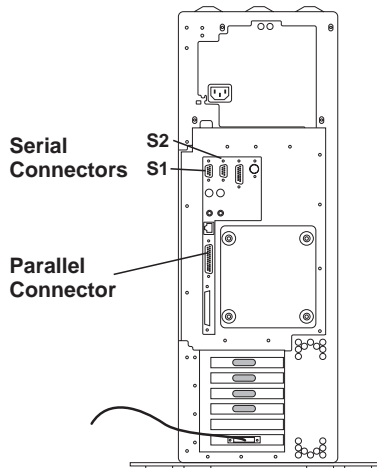
If you have a parallel device (such as a printer), connect it to the parallel connector. If you have no parallel devices, skip to “Step 14: Connect the Serial Devices.”

Step 14: Connect the Serial Devices

If you have one serial device, connect it to the serial connector S1. If you have an ASCII terminal, you must connect it to the serial connector S1. An additional serial device may be connected to the S2 connector.

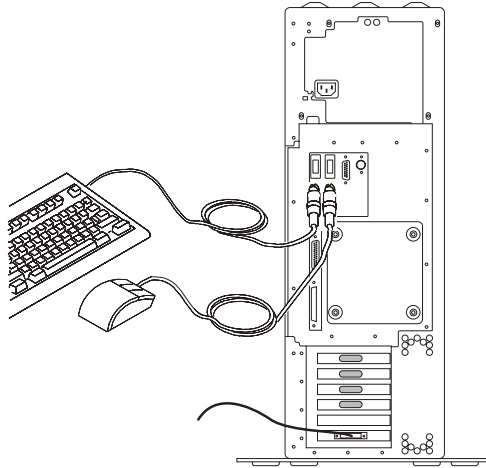
Two 9-to-25-pin serial converters are provided with your system unit

If you have no serial devices to connect, skip to “Step 15: Connect the Keyboard, Mouse, and Tablet” on page 10.



Step 15: Connect the Keyboard, Mouse, and Tablet

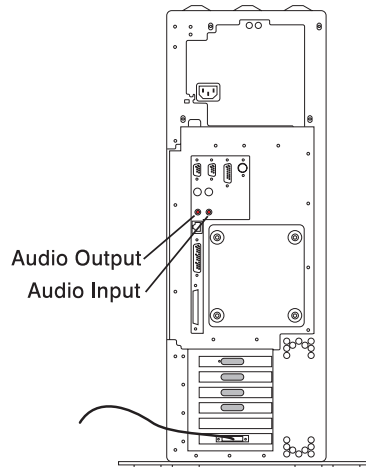
If you are using a keyboard, mouse, tablet, or other input device with your system unit, connect them to the appropriate connectors.



If a wrist/palm rest was included with your keyboard and you wish to attach it, refer to the keyboard documentation for installation instructions.

Step 16: Connect the Audio Cables

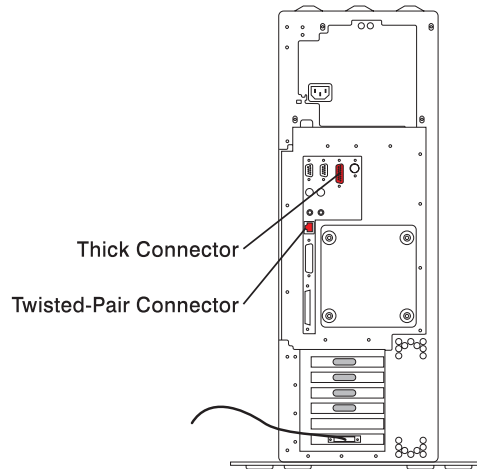
If you are using earphones, microphone or audio equipment, connect the cables to the appropriate connector.



Step 17: Are You Using an Ethernet Connection?

Ask your system administrator if you are not sure. If you are not using Ethernet, go to “Step 20: Plug in the Power Cables” on page 14. To connect the Ethernet cable:

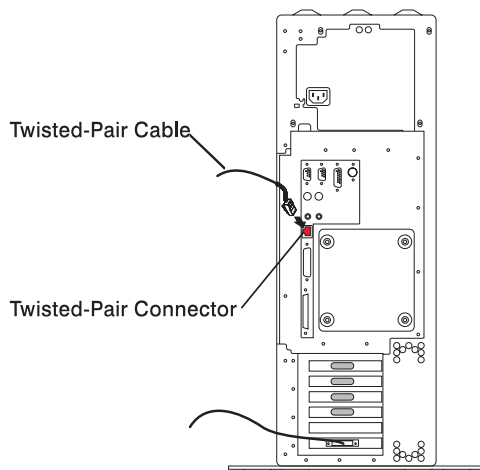
- For Twisted-Pair (10 Base T), go to “Step 18: Connect Twisted-Pair Ethernet” on page 12.
- For Thick (10 Base 5), go to “Step 19: Connect Thick Ethernet” on page 13.
- For Thin (10 Base 2), connect the Thin (10 Base 2) cable to the optional 10 Base 2 Transceiver, then go to “Step 19: Connect Thick Ethernet” on page 13



Step 18: Connect Twisted-Pair Ethernet

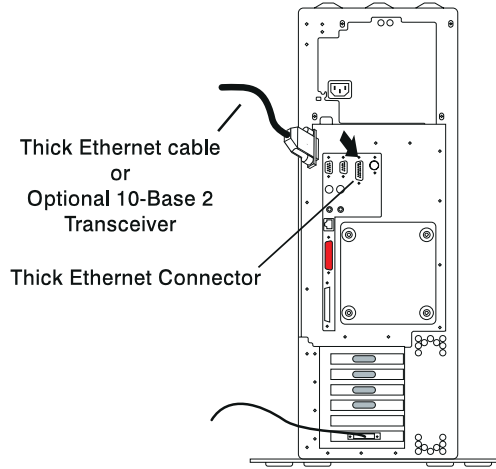
Note: The twisted-pair connector is compatible with the IEEE 802.3 Ethernet network (10 Base T link enabled).

- Connect the twisted-pair cable to the Twisted-Pair connector.
- The twisted-pair Ethernet cable is now installed; go to “Step 20: Plug in the Power Cables” on page 14.

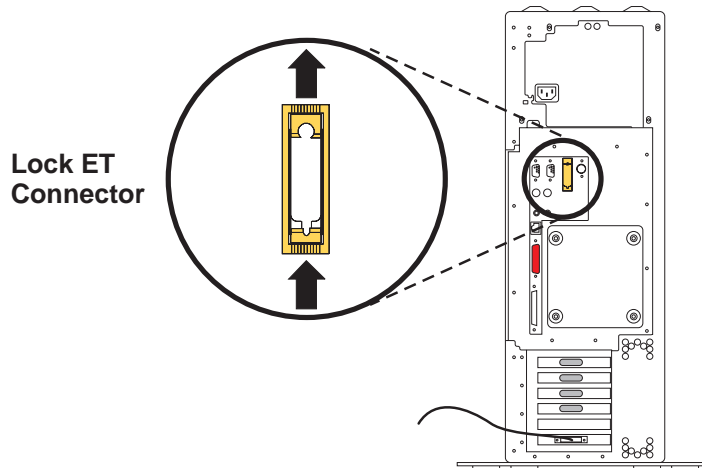


Step 19: Connect Thick Ethernet

1. Connect your thick Ethernet cable to the ET connector.



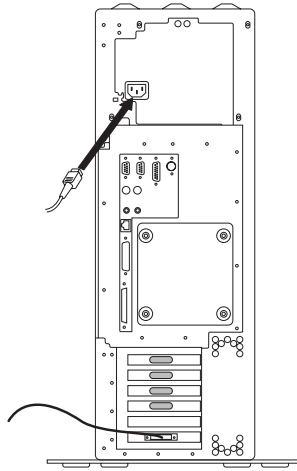
2. Lock the thick cable to the Ethernet connector by sliding the Ethernet connector toward the large notch.



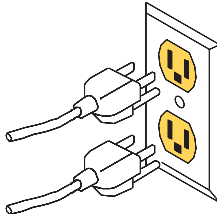
3. The thick Ethernet cable is now installed. Go to “Step 20: Plug in the Power Cables” on page 14.

Step 20: Plug in the Power Cables

1. Plug the power cable into the system unit. It is recommended that you insert the power cable into the black plastic cable holder located to the right and slightly below the power cable connector.



2. Plug the power cables into the display and attached devices.
3. Plug these power cables into electrical outlets.



CAUTION:

This product is equipped with a three-wire power cable and plug for your safety. Use this power cable with a properly grounded electrical outlet to avoid electrical shock.

Step 21: Replacing the Rear System Unit Cover

To replace the rear cover, align the tabs on the side covers with the slots on the rear cover and slide the cover down until it latches into place.

There is a small opening at the top of the rear cover that allows you to run the mouse and keyboard cables out of the top instead of the bottom of the system unit cover.

Step 22: Your System Unit Is Now Set Up

Arrange your system unit and attached devices so you can use them comfortably.

To power on your system unit, open the front panel and press the white power switch.

Note: Be sure to maintain at least 50 mm (2 in.) of space at the rear of the system unit to allow for proper cooling.

Step 23: Go to Your Operating System Documentation

If an operating system has been preinstalled in your 7043 Model 260 system, or if you are installing one, please refer to the operating system installation documentation.

Reader's Comments — We'd Like to Hear From You

IBM RS/6000 7043 Model 260 Setup Instructions

Form Number: SA38-0555-00

Overall how satisfied are you with the information in this book?

	Very Satisfied	Satisfied	Neutral	Dissatisfied	Very Dissatisfied
Overall Satisfaction	<input type="checkbox"/>	<input type="checkbox"/>	<input type="checkbox"/>	<input type="checkbox"/>	<input type="checkbox"/>

How satisfied are you that the information in this book is:

	Very Satisfied	Satisfied	Neutral	Dissatisfied	Very Dissatisfied
Accurate	<input type="checkbox"/>	<input type="checkbox"/>	<input type="checkbox"/>	<input type="checkbox"/>	<input type="checkbox"/>
Complete	<input type="checkbox"/>	<input type="checkbox"/>	<input type="checkbox"/>	<input type="checkbox"/>	<input type="checkbox"/>
Easy to find	<input type="checkbox"/>	<input type="checkbox"/>	<input type="checkbox"/>	<input type="checkbox"/>	<input type="checkbox"/>
Easy to understand	<input type="checkbox"/>	<input type="checkbox"/>	<input type="checkbox"/>	<input type="checkbox"/>	<input type="checkbox"/>
Well organized	<input type="checkbox"/>	<input type="checkbox"/>	<input type="checkbox"/>	<input type="checkbox"/>	<input type="checkbox"/>
Applicable to your tasks	<input type="checkbox"/>	<input type="checkbox"/>	<input type="checkbox"/>	<input type="checkbox"/>	<input type="checkbox"/>

Please tell us how we can improve this book:

Thank you for your response. May we contact you? Yes No

When you send comments to us, you grant us a nonexclusive right to use or distribute your comments in any way we believe appropriate without incurring any obligation to you.

Name

Address

Company or Organization

Phone Number

Cut or Fold
Along Line

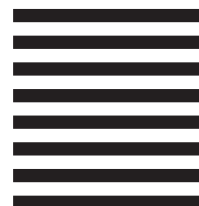
Fold and Tape

Please do not Staple

Fold and Tape



NO POSTAGE
NECESSARY
IF MAILED IN THE
UNITED STATES



BUSINESS REPLY MAIL

POSTAGE WILL BE PAID BY ADDRESSEE

Information Development
Department H6DS-9561
11400 Burnet Road
Austin, TX 78758-3493



Fold and Tape

Please do not Staple

Fold and Tape

Cut or Fold
Along Line



Part Number: 08L0639



Printed in the United States of America
on recycled paper containing 10%
recovered post-consumer fiber.

October 1998

SA38-0555-00



08L0639

