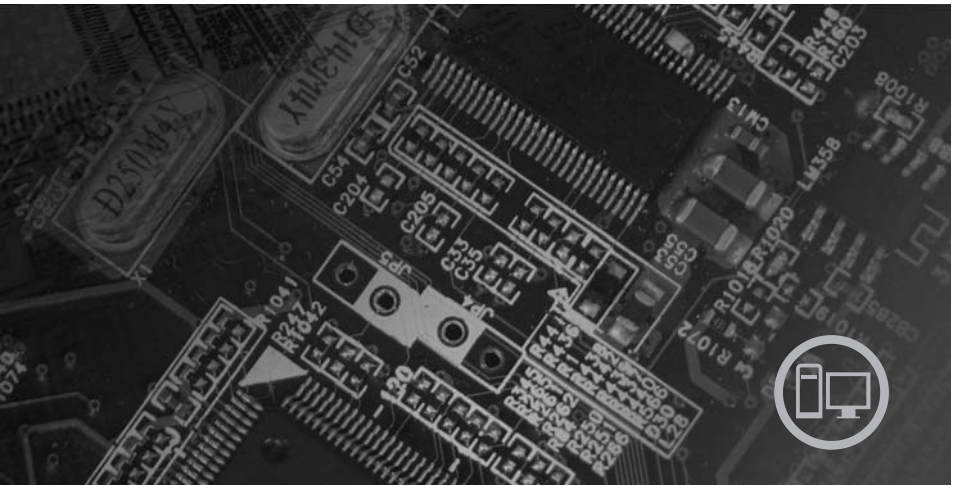




ThinkStation Safety and Warranty Guide



Inside

- Important safety information
- Information resources
- Warranty and other notices
- Customer Replaceable Units (CRUs)

lenovo

ThinkStation
Safety and Warranty Guide

Note:

Before using this information and the product it supports, be sure to read the following:

- Chapter 1, "Important safety information," on page 9
- Chapter 3, "Lenovo Limited Warranty," on page 27
- Chapter 6, "Notices," on page 43

First Edition (December, 2007)

© Copyright Lenovo 2005, 2007.

Portions © Copyright International Business Machines Corporation 2005.

All rights reserved.

LENOVO products, data, computer software, and services have been developed exclusively at private expense and are sold to governmental entities as commercial items as defined by 48 C.F.R. 2.101 with limited and restricted rights to use, reproduction and disclosure.

LIMITED AND RESTRICTED RIGHTS NOTICE: If products, data, computer software, or services are delivered pursuant a General Services Administration "GSA" contract, use, reproduction, or disclosure is subject to restrictions set forth in Contract No. GS-35F-05925.

Contents

Chapter 1. Important safety information	9
Conditions that require immediate action	9
General safety guidelines	10
Service and upgrades	10
Static electricity prevention	11
Power cords and power adapters	12
Voltage-selection switch.	13
Extension cords and related devices	13
Plugs and outlets	13
External devices	14
Batteries	14
Heat and product ventilation	15
Operating environment.	16
Electrical current safety information	16
Lithium battery notice	17
Modem safety information	18
Laser compliance statement	18
Power supply statement	19
Products with television tuner options installed	19
Note to CATV system installer	19
Example of antenna grounding	20
Data safety	21
Cleaning and maintenance	22
Using headphones or earphones	22
Additional safety information	22
Additional safety requirements for machine types 6427, 6493	22
Chapter 2. Information resources	23
Online Books folder	23
ThinkVantage Productivity Center	24
Access Help	24
www.lenovo.com	24
Recording your computer information	25
Chapter 3. Lenovo Limited Warranty	27
Warranty Information	32
Guarantee supplement for Mexico	34
Chapter 4. Worldwide telephone list	37
Chapter 5. Customer Replaceable Units	41
Chapter 6. Notices	43

Television output notice	44
Trademarks	44
Electronic emissions notices	44
Federal Communications Commission (FCC) Declaration of Conformity	45
Industry Canada Class B emission compliance statement	45
European Union EMC Directive conformance statement	46
Korean Class B statement.	47
Japanese VCCI Class B statement	47
Japanese compliance for products less than or equal to 20A per phase	47
Keyboard and mouse compliance statement for Taiwan.	47
Lenovo product service information for Taiwan	48
Federal Communications Commission (FCC) and telephone company	
requirements	48
Canadian Department of Communications certification label	49
Power cord notice	50
Polyvinyl Chloride (PVC) cable and cord notice	52
China substance disclosure table	53
Waste electrical and electronic equipment (WEEE) notices	53
European Union (EU) WEEE statement	53
Japanese recycling statement.	54
Collecting and recycling a disused Lenovo computer or monitor	54
Disposing of a Lenovo computer component	54
Disposing of disused lithium batteries from Lenovo computers	54

Table des matières

Avis aux lecteurs canadiens57
Chapitre 1. Consignes de sécurité	61
Conditions qui nécessitent une action immédiate	62
Consignes générales de sécurité	63
Maintenance et mises à niveau	63
Protection antistatique	64
Cordons et adaptateurs d'alimentation.	65
Sélecteur de tension	66
Prolongateurs et dispositifs associés	66
Fiches et prises	67
Périphériques externes	67
Piles et batteries	68
Chaleur et ventilation des produits	68
Environnement d'exploitation.	69
Informations relatives à la sécurité du courant électrique	70
Pile au lithium	71
Informations relatives au modem	72
Conformité aux normes relatives aux appareils à laser	72
Instruction concernant le bloc d'alimentation	73
Produits disposant de syntoniseurs TV	73
Remarque à l'intention des installateurs de systèmes CATV	74
Exemple de mise à la terre d'une antenne	74
Sécurité des données	75
Entretien et maintenance	76
Utilisation de casques et d'écouteurs	76
Autres consignes de sécurité.	77
Consignes de sécurité supplémentaires pour les types de machine 6427, 6493	77
Chapitre 2. Sources d'informations.	79
Dossier Online Books	79
ThinkVantage Productivity Center	80
Access Help	80
www.lenovo.com	81
Tableau d'informations	81
Chapitre 3. Déclaration de Garantie Lenovo.	83
Informations relatives à la Garantie	89
Annexe à la Garantie pour le Mexique	91
Chapitre 4. Liste de numéros de téléphone pour le monde entier	93

Chapitre 5. Unités remplaçables par l'utilisateur	97
Chapitre 6. Remarques	99
Consigne relative à la sortie télévision	100
Marques	101
Bruits radioélectriques.	101
Déclaration de conformité de la Federal Communications Commission (FCC)	101
Avis de conformité à la réglementation d'Industrie Canada pour la classe B	102
Avis de conformité à la directive de l'Union européenne	102
Corée - Avis de conformité pour la classe B.	104
Japon - Avis de conformité aux exigences du Voluntary Control Council for Interference (VCCI) pour la classe B	104
Avis de conformité aux normes japonaises pour les produits dont l'intensité est inférieure ou égale à 20 A par phase	104
Conformité aux normes relatives au clavier et à la souris pour Taïwan	104
Taïwan - Informations de maintenance pour les produits Lenovo	104
Recommandations de la Federal Communications Commission (FCC) et des entreprises de télécommunications [Etats Unis]	105
Recommandation d'Industrie Canada	106
Cordons d'alimentation	107
Cordons d'alimentation et câbles sous enveloppe de PVC (chlorure de polyvinyle).	109
Directive RoHS pour la Chine	111
Déchets d'Equipements Electriques et Electroniques (DEEE)	111
Avis de conformité à la directive DEEE de l'Union Européenne	111
Japon - Déclaration relative au recyclage.	112
Collecte et recyclage d'un ordinateur ou d'un écran Lenovo usagé	112
Mise au rebut de composants d'ordinateur Lenovo	112
Mise au rebut des piles au lithium usagées des ordinateurs Lenovo	112

Inhaltsverzeichnis

Kapitel 1. Wichtige Sicherheitshinweise	113
Situationen, die sofortige Maßnahmen erfordern	113
Allgemeine Sicherheitsrichtlinien	115
Service und Upgrades	115
Statische Aufladung vermeiden	116
Netzkabel und Netzteile	117
Spannungsauswahlschalter	118
Verlängerungskabel und verwandte Einheiten	118
Netzstecker und Steckdosen	118
Externe Einheiten.	119
Batterien und Akkus.	119
Erwärmung und Lüftung des Produkts	120
Betriebsumgebung	121
Sicherheitshinweise zur elektrischen Sicherheit	122
Hinweis zur Lithiumbatterie.	123
Sicherheitshinweise zu Modems	123
Lasersicherheit	124
Hinweise zu Netzteilen	125
Produkte mit installierter TV-Empfangeinheit.	125
Hinweis an Installationsverantwortliche für Kabel-/CATV-Systeme.	125
Beispiel für die Erdung der Antenne	126
Datensicherheit	127
Reinigung und Wartung	128
Verwendung von Kopf- und Ohrhörern	128
Zusätzliche Sicherheitshinweise.	129
Zusätzliche Sicherheitsanforderungen für die Maschinentypen 6427, 6493	129
Kapitel 2. Informationsquellen	131
Ordner mit Onlinebüchern	131
ThinkVantage Productivity Center.	132
Access Help	132
www.lenovo.com	133
Computerdaten notieren	133
Kapitel 3. Lenovo Gewährleistung	135
Gewährleistungsinformationen	141
Ergänzung zu den Gewährleistungsbestimmungen für Mexiko	142
Kapitel 4. Liste der weltweit gültigen Telefonnummern	147
Kapitel 5. CRUs (Customer Replaceable Units - durch den Kunden austauschbare Funktionseinheiten)	151

Kapitel 6. Bemerkungen	153
Hinweise zur TV-Ausgabe	154
Marken.	155
Hinweise zur elektromagnetischen Verträglichkeit	155
FCC-Konformitätserklärung (Federal Communications Commission)	155
Kanada - Hinweis zur elektromagnetischen Verträglichkeit (Klasse B)	156
EU-Richtlinie zur elektromagnetischen Verträglichkeit	156
Federal Communications Commission (FCC) and telephone company requirements	157
Canadian Department of Communications certification label	157
Hinweise zu Netzkabeln	159
Hinweis zu Elektro- und Elektronikaltgeräten (WEEE)	162
EU-Hinweis zu Elektro- und Elektronikaltgeräten (WEEE).	162

Indice

Capitolo 1. Informazioni importanti sulla sicurezza	163
Condizioni che richiedono un intervento immediato	163
Indicazioni di sicurezza generali.	164
Servizio ed aggiornamenti	165
Prevenzione dell'elettricità statica	166
Cavi e adattatori di alimentazione	166
Cambio di selezione del voltaggio	167
Cavi di estensione e dispositivi correlati	168
Spine e prese	168
Periferiche esterne	169
Batterie	169
Surriscaldamento e ventilazione del prodotto	170
Ambiente di lavoro	171
Informazioni sulla sicurezza della corrente elettrica	171
Avviso sulla batteria al litio	172
Informazioni sulla sicurezza del modem	173
Dichiarazione di conformità relativa al laser	173
Alimentatore	174
Prodotti con installato sintonizzatore TV.	174
Nota per gli installatori di sistemi CATV	175
Esempio di messa a terra di una antenna	175
Sicurezza dei dati	176
Pulizia e manutenzione	177
Utilizzo di cuffie o auricolari	177
Ulteriori informazioni sulla sicurezza.	177
Ulteriori informazioni sulla sicurezza per tipi di macchine 6427, 6493	177
Capitolo 2. Informazioni.	179
Cartella Online Books	179
ThinkVantage Productivity Center.	180
Accesso all'Help.	180
www.lenovo.com	180
Registrazione delle informazioni del computer.	181
Capitolo 3. Garanzia limitata Lenovo	182
Informazioni sulla garanzia	189
Integrazione di Garanzia per il Messico	191
Capitolo 4. Elenco telefonico internazionale	193
Capitolo 5. Unità sostitutive per i clienti	197
Capitolo 6. Informazioni particolari.	197

Informazioni particolari sull'uscita TV	200
Marchi	200
Informazioni sulle emissioni elettromagnetiche	201
Dichiarazione di conformità FCC (Federal Communications Commission)	201
Dichiarazione di conformità industriale delle emissioni di Classe B per il	
Canada	202
Dichiarazione di conformità per la comunità europea	202
Dichiarazione di Classe B per la Corea	203
Dichiarazione di Classe B VCCI per il Giappone	203
Conformità per il Giappone per i prodotti inferiori o uguali a 20A per	
fase	203
Dichiarazione di conformità di tastiera e mouse per Taiwan	204
Informazioni sull'assistenza dei prodotti Lenovo per Taiwan	204
Federal Communications Commission (FCC) and telephone company	
requirements	204
Canadian Department of Communications certification label	205
Informazioni relative ai cavi di alimentazione	206
Informazioni sui cavi PVC (Polyvinyl Chloride)	208
Tabella di comunicazione sostanza per Cina	209
Informazioni particolari su WEEE (waste electrical and electronic	
equipment).	209
Dichiarazione WEEE EU (European Union).	209
Dichiarazione di riciclo per il Giappone	210
Raccolta e riciclo di video o computer Lenovo in disuso	210
Smaltimento di un componente di un computer Lenovo	210
Smaltimento di batterie al litio in disuso da computer Lenovo	211

Chapter 1. Important safety information

Note

Please read important safety information first.

This information can help you safely use your desktop, workstation, or notebook personal computer. Follow and retain all information included with your computer. The information in this document does not alter the terms of your purchase agreement or the Lenovo™ Limited Warranty. For more information, refer to Chapter 3, “Lenovo Limited Warranty,” on page 27.

Customer safety is important. Our products are developed to be safe and effective. However, personal computers are electronic devices. Power cords, power adapters, and other features can create potential safety risks that can result in physical injury or property damage, especially if misused. To reduce these risks, follow the instructions included with your product, observe all warnings on the product and in the operating instructions, and review the information included in this document carefully. By carefully following the information contained in this document and provided with your product, you can help protect yourself from hazards and create a safer computer work environment.

Note: This information includes references to power adapters and batteries. In addition to notebook computers, some products (such as speakers and monitors) ship with external power adapters. If you have such a product, this information applies to your product. In addition, computer products contain a coin-sized internal battery that provides power to the system clock even when the computer is unplugged, so the battery safety information applies to all computer products.

Conditions that require immediate action

Products can become damaged due to misuse or neglect. Some product damage is serious enough that the product should not be used again until it has been inspected and, if necessary, repaired by an authorized service provider.

As with any electronic device, pay close attention to the product when it is turned on. On very rare occasions, you might notice an odor or see a puff of smoke or sparks vent from your product. Or you might hear sounds like popping, cracking, or hissing. These conditions might merely mean that an internal electronic component has failed in a safe and controlled manner. Or, they might indicate a potential safety issue. However, do not take risks or attempt to diagnose the situation yourself. Contact the Customer Support

Center for further guidance. For a list of Service and Support phone numbers, see Chapter 4, “Worldwide telephone list,” on page 37.

Frequently inspect your computer and its components for damage, wear, or signs of danger. If you have any question about the condition of a component, do not use the product. Contact the Customer Support Center or the product manufacturer for instructions on how to inspect the product and have it repaired, if necessary.

In the unlikely event that you notice any of the following conditions, or if you have any safety concerns with your product, stop using the product and unplug it from the power source and telecommunication lines until you can speak to the Customer Support Center for further guidance.

- Power cords, plugs, power adapters, extension cords, surge protectors, or power supplies that are cracked, broken, or damaged.
- Signs of overheating, smoke, sparks, or fire.
- Damage to a battery (such as cracks, dents, or creases), discharge from a battery, or a buildup of foreign substances on the battery.
- A cracking, hissing, or popping sound, or strong odor that comes from the product.
- Signs that liquid has been spilled or an object has fallen onto the computer product, the power cord, or power adapter.
- The computer product, power cord, or power adapter has been exposed to water.
- The product has been dropped or damaged in any way.
- The product does not operate normally when you follow the operating instructions.

Note: If you notice these conditions with a product (such as an extension cord) that is not manufactured for or by Lenovo, stop using that product until you can contact the product manufacturer for further instructions, or until you get a suitable replacement.

General safety guidelines

Always observe the following precautions to reduce the risk of injury and property damage.

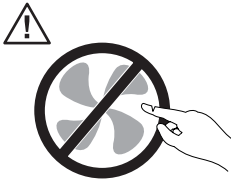
Service and upgrades

Do not attempt to service a product yourself unless instructed to do so by the Customer Support Center or your documentation. Only use a service provider who is approved to repair your particular product.

Note: Some computer parts can be upgraded or replaced by the customer. Upgrades typically are referred to as options. Replacement parts approved for customer installation are referred to as Customer Replaceable Units, or CRUs. Lenovo provides documentation with instructions when it is appropriate for customers to install options or replace CRUs. You must closely follow all instructions when installing or replacing parts. The Off state of a power indicator does not necessarily mean that voltage levels inside a product are zero. Before you remove the covers from a product equipped with an ac power cord, always make sure that the power is turned off and that the product is unplugged from any power source. For more information about CRUs, refer to *ThinkStation Hardware Installation and Replacement Guide* for this product. If you have any questions or concerns, contact the Customer Support Center.

Although there are no moving parts in your computer after the power cord has been disconnected, the following warnings are required for your safety.

Danger



Hazardous moving parts. Keep fingers and other body parts away.

Attention



Before replacing any CRUs, turn off the computer and wait three to five minutes to let the computer cool before opening the cover.

Static electricity prevention

Static electricity, although harmless to you, can seriously damage computer components and options. Improper handling of static-sensitive parts can cause damage to the part. When you unpack an option or CRU, do not open the static-protective package containing the part until the instructions direct you to install it.

When you handle options or CRUs, or perform any work inside the computer, take the following precautions to avoid static-electricity damage:

- Limit your movement. Movement can cause static electricity to build up around you.
- Always handle components carefully. Handle adapters, memory modules, and other circuit boards by the edges. Never touch exposed circuitry.
- Prevent others from touching components.
- When you install a static-sensitive option or CRU, touch the static-protective package containing the part to a metal expansion-slot cover or other unpainted metal surface on the computer for at least two seconds. This reduces static electricity in the package and your body.
- When possible, remove the static-sensitive part from the static-protective packaging and install the part without setting it down. When this is not possible, place the static-protective packaging on a smooth, level surface and place the part on it.
- Do not place the part on the computer cover or other metal surface.

Power cords and power adapters

Use only the power cords and power adapters supplied by the product manufacturer.

The power cords shall be safety approved. For Germany, it shall be H05VV-F, 3G, 0.75 mm², or better. For other countries, the suitable types shall be used accordingly.

Never wrap a power cord around a power adapter or other object. Doing so can stress the cord in ways that can cause the cord to fray, crack, or crimp. This can present a safety hazard.

Always route power cords so that they will not be walked on, tripped over, or pinched by objects.

Protect power cord and power adapters from liquids. For instance, do not leave your power cord or power adapter near sinks, tubs, toilets, or on floors that are cleaned with liquid cleansers. Liquids can cause a short circuit, particularly if the power cord or power adapter has been stressed by misuse. Liquids also can cause gradual corrosion of power cord terminals and/or the connector terminals on a power adapter, which can eventually result in overheating.

Always connect power cords and signal cables in the correct order and ensure that all power cord connectors are securely and completely plugged into receptacles.

Do not use any power adapter that shows corrosion at the ac input pins or shows signs of overheating (such as deformed plastic) at the ac input or anywhere on the power adapter.

Do not use any power cords where the electrical contacts on either end show signs of corrosion or overheating or where the power cord appears to have been damaged in any way.

Voltage-selection switch

Some computers are equipped with a voltage-selection switch located near the power-cord connection point on the computer. If your computer has a voltage-selection switch, ensure that you set the switch to match the voltage available at your electrical outlet. Setting the voltage-selection switch incorrectly can cause permanent damage to the computer.

If your computer does not have a voltage-selection switch, your computer is designed to operate only at the voltage provided in the country or region where the computer was originally purchased.

If you relocate your computer to another country, be aware of the following:

- If your computer does not have a voltage-selection switch, do not connect the computer to an electrical outlet until you have verified that the voltage provided is the same as it was in the country or region where the computer was originally purchased.
- If your computer has a voltage selection switch, do not connect the computer to an electrical outlet until you have verified that the voltage-selection switch is set to match the voltage provided in that country or region.

If you are not sure of the voltage provided at your electrical outlet, contact your local electric company or refer to official Web sites or other literature for travelers to the country or region where you are located.

Extension cords and related devices

Ensure that extension cords, surge protectors, uninterruptible power supplies, and power strips that you use are rated to handle the electrical requirements of the product. Never overload these devices. If power strips are used, the load should not exceed the power strip input rating. Consult an electrician for more information if you have questions about power loads, power requirements, and input ratings.

Plugs and outlets

If a receptacle (power outlet) that you intend to use with your computer equipment appears to be damaged or corroded, do not use the outlet until it is replaced by a qualified electrician.

Do not bend or modify the plug. If the plug is damaged, contact the manufacturer to obtain a replacement.

Do not share an electrical outlet with other home or commercial appliances that draw large amounts of electricity; otherwise, unstable voltage might damage your computer, data, or attached devices.

Some products are equipped with a three-pronged plug. This plug fits only into a grounded electrical outlet. This is a safety feature. Do not defeat this safety feature by trying to insert it into a non-grounded outlet. If you cannot insert the plug into the outlet, contact an electrician for an approved outlet adapter or to replace the outlet with one that enables this safety feature. Never overload an electrical outlet. The overall system load should not exceed 80 percent of the branch circuit rating. Consult an electrician for more information if you have questions about power loads and branch circuit ratings.

Be sure that the power outlet you are using is properly wired, easily accessible, and located close to the equipment. Do not fully extend power cords in a way that will stress the cords.

Be sure that the power outlet provides the correct voltage and current for the product you are installing.

Carefully connect and disconnect the equipment from the electrical outlet.

External devices

Do not connect or disconnect any external device cables other than USB and 1394 cables while the computer power is on; otherwise, you might damage your computer. To avoid possible damage to attached devices, wait at least five seconds after the computer is shut down to disconnect external devices.

Batteries

All personal computers manufactured by Lenovo contain a non-rechargeable coin cell battery to provide power to the system clock. In addition, many mobile products, such as notebook computers, utilize a rechargeable battery pack to provide system power when in portable mode. Batteries supplied by Lenovo for use with your product have been tested for compatibility and should only be replaced with approved parts.

Never attempt to open or service any battery. Do not crush, puncture, or incinerate batteries or short circuit the metal contacts. Do not expose the battery to water or other liquids. Only recharge the battery pack strictly according to instructions included in the product documentation.

Battery abuse or mishandling can cause the battery to overheat, which can cause gasses or flame to “vent” from the battery pack or coin cell. If your battery is damaged, or if you notice any discharge from your battery or the buildup of foreign materials on the battery leads, stop using the battery and obtain a replacement from the battery manufacturer.

Batteries can degrade when they are left unused for long periods of time. For some rechargeable batteries (particularly Lithium Ion batteries), leaving a battery unused in a discharged state could increase the risk of a battery short circuit, which could shorten the life of the battery and can also pose a safety hazard. Do not let rechargeable Lithium-Ion batteries completely discharge or store these batteries in a discharged state.

Heat and product ventilation

Computers, AC adapters, and many accessories can generate heat when turned on and when batteries are charging. Always follow these basic precautions:

- Do not leave your computer, AC adapter, or accessories in contact with your lap or any part of your body for an extended period when the products are functioning or when the battery is charging. Your computer, AC adapter, and many accessories produce some heat during normal operation. Extended contact with the body could cause discomfort or, potentially, a skin burn.
- Do not charge the battery or operate your computer, AC adapter, or accessories near flammable materials or in explosive environments.
- Ventilation slots, fans, and heat sinks are provided with the product for safety, comfort, and reliable operation. These features might inadvertently become blocked by placing the product on a bed, sofa, carpet, or other flexible surface. Never block, cover, or disable these features.

Inspect your computer for dust accumulation at least once every three months. Before inspecting your computer, turn off the power and unplug the computer’s power cord from the electrical outlet; then remove any dust from vents and perforations in the bezel. If you notice external dust accumulation, then examine and remove dust from the inside of the computer including heat sink inlet fins, power supply vents, and fans. Always turn off and unplug the computer before opening the cover. If possible, avoid operating your computer within 2 feet of high-traffic areas. If you must operate your computer in or near a high-traffic area, inspect and, if necessary, clean your computer more frequently.

For your safety and to maintain optimum computer performance, always follow these basic precautions with your computer:

- Keep the cover closed whenever the computer is plugged in.
- Regularly inspect the outside of the computer for dust accumulation.
- Remove dust from vents and any perforations in the bezel. More frequent cleaning might be required for computers in dusty or high-traffic areas.

- Do not restrict or block any ventilation openings.
- Do not store or operate your computer inside furniture, as this might increase the risk of overheating.
- Airflow temperatures into the computer should not exceed 35° C (95° F).
- Do not use non-desktop air filtration devices.

Operating environment

The optimal environment in which to use your computer is 10°C-35°C (50°F-95°F) with humidity ranging between 35% and 80%. If your computer is stored or transported in temperatures less than 10°C (50°F), allow the cold computer to rise slowly to an optimal operating temperature of 10°C-35°C (50°F-95°F) before use. This process could take two hours in extreme conditions. Failure to allow your computer to rise to an optimal operating temperature before use could result in irreparable damage to your computer.

If possible, place your computer in a well-ventilated and dry area without direct exposure to sunshine.

Keep electrical appliances such as an electric fan, radio, high-powered speakers, air conditioner, and microwave oven away from your computer because the strong magnetic fields generated by these appliances can damage the monitor and data on the hard disk drive.

Do not place any beverages on top of or beside the computer or other attached devices. If liquid is spilled on or in the computer or an attached device, a short circuit or other damage might occur.

Do not eat or smoke over your keyboard. Particles that fall into your keyboard can cause damage.

Electrical current safety information

Danger

Electrical current from power, telephone, and communication cables is hazardous.

To avoid a shock hazard:

- **To prevent possible shock hazard, do not use your computer during a lightning storm.**
- **Do not connect or disconnect any cables or perform installation, maintenance, or reconfiguration of this product during an electrical storm.**

- Connect all power cords to a properly wired and grounded electrical outlet.
- Connect to properly wired outlets any equipment that will be attached to this product.
- When possible, use one hand only to connect or disconnect signal cables.
- Never turn on any equipment when there is evidence of fire, water, or structural damage.
- Disconnect the attached power cords, telecommunications systems, networks, and modems before you open the device covers, unless instructed otherwise in the installation and configuration procedures.
- Connect and disconnect cables as described in the following table when installing, moving, or opening covers on this product or attached devices.

<p>To connect:</p> <ol style="list-style-type: none"> 1. Turn everything OFF. 2. First, attach all cables to devices. 3. Attach signal cables to connectors. 4. Attach power cords to outlet. 5. Turn device ON. 	<p>To disconnect:</p> <ol style="list-style-type: none"> 1. Turn everything OFF. 2. First, remove power cords from outlet. 3. Remove signal cables from connectors. 4. Remove all cables from devices.
--	---

Lithium battery notice

<p>Caution Danger of explosion if battery is incorrectly replaced.</p>

When replacing the lithium coin cell battery, use only the same or an equivalent type that is recommended by the manufacturer. The battery contains lithium and can explode if not properly used, handled, or disposed of.

Do not:

- Throw or immerse into water
- Heat to more than 100°C (212°F)
- Repair or disassemble

Dispose of the battery as required by local ordinances or regulations.

The following statement applies to users in the state of California, U.S.A.

Perchlorate material: Special handling may apply. See www.dtsc.ca.gov/hazardouswaste/perchlorate.

Modem safety information

Caution

To reduce the risk of fire, use only No. 26 AWG or larger telecommunication line cord.

To reduce the risk of fire, electrical shock, or injury when using telephone equipment, always follow basic safety precautions, such as:

- Never install telephone wiring during a lightning storm.
- Never install telephone jacks in wet locations unless the jack is specifically designed for wet locations.
- Never touch uninsulated telephone wires or terminals unless the telephone line has been disconnected at the network interface.
- Use caution when installing or modifying telephone lines.
- Avoid using a telephone (other than a cordless type) during an electrical storm. There may be a remote risk of electric shock from lightning.
- Do not use the telephone to report a gas leak in the vicinity of the leak.

Laser compliance statement

Some personal computer models are equipped from the factory with a CD or DVD drive. CD and DVD drives are also sold separately as options. CD and DVD drives are laser products. These drives are certified in the U.S. to conform to the requirements of the Department of Health and Human Services 21 Code of Federal Regulations (DHHS 21 CFR) Subchapter J for Class 1 laser products. Elsewhere, these drives are certified to conform to the requirements of the International Electrotechnical Commission (IEC) 60825-1 and CENELEC EN 60825-1 for Class 1 laser products.

When a CD or DVD drive is installed, note the following handling instructions.

Caution

Use of controls or adjustments or performance of procedures other than those specified herein might result in hazardous radiation exposure.

Do not remove the drive covers. Removing the covers of the CD or DVD drive could result in exposure to hazardous laser radiation. There are no serviceable parts inside the CD or DVD drive.

Some CD and DVD drives contain an embedded Class 3A or Class 3B laser diode. Note the following statement.

Danger

Laser radiation when open. Do not stare into the beam, do not view directly with optical instruments, and avoid direct exposure to the beam.

Power supply statement

Never remove the cover on a power supply or any part that has the following label attached.



Hazardous voltage, current, and energy levels are present inside any component that has this label attached. There are no serviceable parts inside these components. If you suspect a problem with one of these parts, contact a service technician.

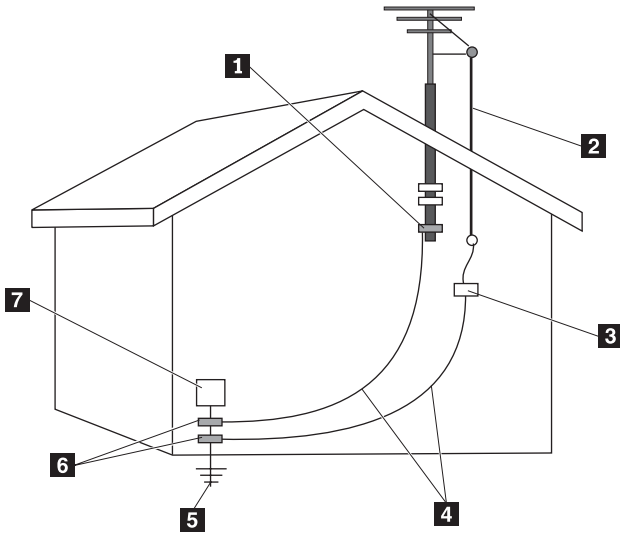
Products with television tuner options installed

The notice below applies to products containing television (TV) tuner devices that connect to external antennas or to cable/CATV systems, or both, and that are intended to be installed in North America. Users and installers in other countries should follow local codes and ordinances when installing appliances that connect to external antennas and cable/CATV systems. If local codes are not applicable, it is recommended that users/installers follow guidelines similar to those that follow.

Note to CATV system installer

This reminder is provided to call the CATV system installer's attention to Article 820-40 of the National Electrical Code (NEC) that provides guidelines for proper grounding and, in particular, specifies that the cable ground shall be connected to the grounding system of the building, as close as possible to the point of cable entry as practical.

Example of antenna grounding



- | | | | |
|----------|---|----------|--|
| 1 | Ground clamp | 5 | Power service grounding electrode system (NEC Article 250, Part H) |
| 2 | Antenna lead-in wire | 6 | Ground clamps |
| 3 | Antenna discharge unit (NEC Section 810-20) | 7 | Electronic service equipment |
| 4 | Grounding conductors (NEC Section 810-21) | | |

Figure 1. Proper grounding for the cable

The following notice applies to all countries and regions:

Danger



Outdoor antenna grounding

If an outside antenna or cable system is connected to the equipment, be sure the antenna or cable system is grounded as to provide some protection against voltage surges and built-up static charges.

Lightning

For added protection for this equipment during a lightning storm, or when it is left unattended and unused for long periods of time, unplug it from the wall outlet and disconnect the antenna or cable system. This will prevent damage to the video product due to lightning and power line surges.

Power lines

An outside antenna system should not be located in the vicinity of overhead power lines or where it can fall into such power lines or circuits. When installing an outside antenna system, extreme care should be taken to keep from touching such power lines or circuits, as contact with them may be fatal.

Data safety

Do not delete unknown files or change the name of files or directories that were not created by you; otherwise, your computer software might fail to work.

Be aware that accessing network resources can leave your computer vulnerable to computer viruses, hackers, spyware, and other malicious activities that might damage your computer, software, or data. It is your responsibility to ensure that you have adequate protection in the form of firewalls, antivirus software, and anti-spyware software and keep this software up to date.

Cleaning and maintenance

Keep your computer and workspace clean. Shut down the computer and then disconnect the power cord before cleaning the computer. Do not spray any liquid detergent directly on the computer or use any detergent containing flammable material to clean the computer. Spray the detergent on a soft cloth and then wipe the computer surfaces.

Using headphones or earphones

If your computer has both a headphone connector and an audio-out connector, always use the headphone connector for headphones (also called a headset) or earphones.

Excessive sound pressure from earphones and headphones can cause hearing loss. Adjustment of the equalizer to maximum increases the earphones and headphones output voltage and therefore the sound pressure level.

Excessive use of headphones or earphones for a long period of time at high volume can be dangerous if the output of the headphones or earphone connectors do not comply with specifications of EN 50332-2. The headphone output connector of your computer complies with EN 50332-2 Sub clause 7. This specification limits the computer's maximum wide band true RMS output voltage to 150 mV. To help protect against hearing loss, ensure that the headphones or earphones you use also comply with EN 50332-2 (Clause 7 limits) for a wide band characteristic voltage of 75 mV. Using headphones that do not comply with EN50332-2 can be dangerous due to excessive sound pressure levels.

If your Lenovo computer came with headphones or earphones in the package, as a set, the combination of the headphones or earphones and the computer already complies with the specifications of EN 50332-1. If different headphones or earphones are used, ensure that they comply with EN 50332-1. (Clause 6.5 Limitation Values), Using headphones that do not comply with EN 50332-1 can be dangerous due to excessive sound pressure levels.

Additional safety information

Plastic bags can be dangerous. Keep plastic bags away from babies and children to avoid danger of suffocation.

Additional safety requirements for machine types 6427, 6493

ThinkStation machine types 6427, 6493 require two persons to lift and or carry.

Chapter 2. Information resources

After you have set up your computer using the provided setup poster, you can use the information in this chapter to access useful resources relating to your computing needs.

Online Books folder

The Online Books folder provides publications to help you set up and use your computer. The Online Books folder is preinstalled on your computer and requires no Internet access to view the publications. The following publications are available in the Online Books folder:

- *ThinkStation User Guide*

This publication provides information on setting up your computer, installing options, recovering software, using the Setup Utility, updating system programs, and troubleshooting problems.

- *ThinkStation Hardware Installation and Replacement Guide*

This publication provides step-by-step instructions for replacing Customer Replaceable Units (CRUs) in your computer. CRUs are computer parts that can be upgraded or replaced by the customer.

- *IBM Lotus® Software Offer Publet*

To view a publication, open the **Start** menu from the Windows desktop, select **All Programs**, select **Online Books**, and click **Online Books**. Double-click on the appropriate publication for your computer. The publications also are available on the Lenovo Web site at <http://www.lenovo.com>.

Notes:

1. These publications are in Portable Document Format (PDF), which requires Adobe Acrobat Reader to be installed. If Adobe Acrobat Reader has not yet been installed on your computer, a message will appear when you attempt to view the PDF file and you will be guided through the Adobe Acrobat Reader installation.
2. The publications that are preinstalled on your computer are available in other languages on the Lenovo Support Web site at <http://www.lenovo.com/support/>.
3. If you want to install a different language version of Adobe Acrobat Reader than the version provided on your computer, go to the Adobe Web site at <http://www.adobe.com> and download the version you want to use.

ThinkVantage Productivity Center

The ThinkVantage® Productivity Center program guides you to a host of information sources and tools designed to make computing simpler and more secure while helping to reduce costs and increase productivity. The ThinkVantage Productivity Center program helps you set up, understand, and enhance your computer.

The ThinkVantage Productivity Center program provides information about your computer and easy access to various technologies, such as:

- The Rescue and Recovery™ program
- Productivity Center
- Client Security Solutions
- Factory Recovery
- System Updates
- Service and support

Note: ThinkVantage Technologies are only available on select Lenovo computers.

To access the ThinkVantage Productivity Center program, open the **Start** menu from the Windows desktop, select **All Programs**, select **ThinkVantage**, and click **Productivity Center**.

Access Help

The Access Help online help system provides information about getting started, doing basic tasks, customizing settings for your personal preference, protecting data, expanding and upgrading, and troubleshooting.

To open Access Help, open the **Start** menu from the Windows desktop, select **All Programs**, select **ThinkVantage**, and click **Productivity Center**. After you have opened Access Help, use the left panel to make a selection from the Contents or Index tab, or use the Search tab to find a particular word or phrase.

www.lenovo.com

The Lenovo Web site (www.lenovo.com) provides an extensive amount of information and services to help you buy, upgrade, and maintain your computer. You can access the most up-to-date information for your computer on the Lenovo Web site. From the www.lenovo.com Web site, you can also:

- Shop for desktop and notebook computers, monitors, projectors, upgrades and accessories for your computer, and special offers.

- Purchase additional services, such as support for hardware, operating systems, application programs, network setup and configuration, and custom installations.
- Purchase upgrades and extended hardware repair services.
- Download the latest device drivers and software updates for your computer model.
- Access the online manuals for your products.
- Access the Lenovo Limited Warranty.
- Access troubleshooting and support information for your computer model and other supported products.
- Find the service and support phone number for your country or region.
- Find a service provider located near you.

Recording your computer information

Recording information about your computer can be helpful if you ever need to have your computer serviced. The service technician will probably ask you for this information.

The machine type, model, and serial number are labeled on your computer. Use the following table to record this information.

Product name	_____
Machine type and model	_____
Serial number (S/N)	_____
Date of purchase	_____

You can register your computer over the Internet at the following Web site:

<http://www.lenovo.com/register>

When you register your computer, you will receive the following benefits:

- Faster service when you call for help
- Automatic notification of free software and special promotional offers

For more information about registering your computer, refer to the Access Help online help system. See “Access Help” on page 24 for instructions on how to open the online help system.

Chapter 3. Lenovo Limited Warranty

This Lenovo Limited Warranty applies only to Lenovo hardware products you purchased for your own use and not for resale. This warranty may sometimes be referred to as the "Statement of Limited Warranty" (SOLW) in other documents from Lenovo.

What this Warranty Covers

Lenovo warrants that each hardware product is free from defects in materials and workmanship under normal use during the warranty period. The warranty period for the product starts on the original date of purchase specified on your invoice unless Lenovo informs you otherwise in writing. The warranty period and type of warranty service that apply to your product are designated below under the section titled "**Warranty Information.**"

THIS WARRANTY IS YOUR EXCLUSIVE WARRANTY AND REPLACES ALL OTHER WARRANTIES OR CONDITIONS, EXPRESS OR IMPLIED, INCLUDING, BUT NOT LIMITED TO, THE IMPLIED WARRANTIES OR CONDITIONS OF MERCHANTABILITY AND FITNESS FOR A PARTICULAR PURPOSE. SOME STATES OR JURISDICTIONS DO NOT ALLOW THE EXCLUSION OF EXPRESS OR IMPLIED WARRANTIES, SO THE ABOVE EXCLUSION MAY NOT APPLY TO YOU. IN THAT EVENT, SUCH WARRANTIES APPLY ONLY TO THE EXTENT REQUIRED BY LAW AND ARE LIMITED IN DURATION TO THE WARRANTY PERIOD. NO WARRANTIES APPLY AFTER THAT PERIOD. SOME STATES OR JURISDICTIONS DO NOT ALLOW LIMITATIONS ON HOW LONG AN IMPLIED WARRANTY LASTS, SO THE ABOVE LIMITATION ON DURATION MAY NOT APPLY TO YOU.

How to Obtain Warranty Service

If the product does not function as warranted during the warranty period, you may obtain warranty service by contacting Lenovo or an approved service provider. Each of them is referred to as a "Service Provider." A list of Service Providers and their telephone numbers is available at www.lenovo.com/support/phone.

Warranty service may not be available in all locations and may differ from location to location. Charges may apply outside a Service Provider's normal service area. Contact a local Service Provider for location-specific information.

What Your Service Provider Will Do to Correct Problems

When you contact a Service Provider, you must follow the problem determination and resolution procedures specified.

Your Service Provider will attempt to diagnose and resolve your problem over the telephone or through remote assistance. Your Service Provider may direct you to download and install designated software updates.

Some problems can be resolved with a replacement part that you install yourself (such as keyboard, mouse, speaker, memory, hard disk drive, or port replicator), called a "Customer Replaceable Unit" or "CRU." If so, your Service Provider will ship the CRU to you for you to install.

If your problem cannot be resolved over the telephone or remotely, through your application of software updates, or with a CRU, your Service Provider will arrange for service under the type of warranty service designated for the product under the section titled "**Warranty Information.**"

If your Service Provider determines that it is unable to repair your product, your Service Provider will replace it with one that is at least functionally equivalent.

If your Service Provider determines that it is unable to either repair or replace your product, your sole remedy is to return the product to your place of purchase or to Lenovo and your purchase price will be refunded.

Exchange of a Product or Part

When the warranty service involves the exchange of a product or part, the item your Service Provider replaces becomes Lenovo's property and the replacement becomes yours. All removed items must be genuine and unaltered. The replacement may not be new, but will be in good working order and at least functionally equivalent to the item replaced. The replacement assumes the warranty status of the replaced item.

Before your Service Provider exchanges a product or part, you agree to:

1. remove all features, parts, options, alterations, and attachments not under warranty service;
2. ensure that the product is free of any legal obligations or restrictions that prevent its exchange; and
3. obtain authorization from the owner to have your Service Provider service a product that you do not own.

Your Additional Responsibilities

Where applicable, before service is provided, you agree to:

1. follow the service request procedures that your Service Provider specifies;

2. backup or secure all programs and data contained in the product;
3. provide your Service Provider with all system keys or passwords and sufficient, free, and safe access to your facilities to permit the terms of this warranty to be fulfilled; and
4. ensure that all information about identified or identifiable individuals ("Personal Data") is deleted from the product or that, with respect to any remaining Personal Data you did not delete, you are in compliance with all applicable laws.

Use of Personal Information

If you obtain service under this warranty, Lenovo will store, use, and process information about your warranty issue and your contact information, including name, phone numbers, address, and e-mail address. Lenovo will use this information to perform service under this warranty and to improve our business relationship with you, such as to conduct internal reviews of the efficiency of the warranty service we provide to you. We may contact you to inquire about your satisfaction regarding our warranty service or to notify you about any product recalls or safety issues. In accomplishing these purposes, we may transfer your information to any country where we do business and may provide it to entities acting on our behalf. We also may disclose it where required by law or legal authorities to do so.

What this Warranty Does not Cover

This warranty does not cover the following:

- uninterrupted or error-free operation of a product;
- loss of, or damage to, your data;
- any software programs, whether provided with the product or installed subsequently;
- failure or damage resulting from misuse, accident, modification, unsuitable physical or operating environment, natural disasters, power surges, or improper maintenance by you;
- any third party products, including those that Lenovo may procure and provide with or integrate into the Lenovo product at your request; and
- any technical or other support, such as assistance with "how-to" questions and those regarding product set-up and installation.

This warranty is voided by removal or alteration of identification labels on the product or its parts.

Limitation of Liability

Lenovo is responsible for loss of, or damage to, your product only while it is 1) in your Service Provider's possession or 2) in transit in those cases in which the Service Provider is responsible for the transportation.

Neither Lenovo nor your Service Provider is responsible for any of your data including confidential, proprietary, or personal data contained in a product. You should remove and/or backup all such information from the product prior to its service or return.

Circumstances may arise where, because of a default on Lenovo's part or other liability, you may be entitled to recover damages from Lenovo. In each such instance, regardless of the basis on which you are entitled to claim damages from Lenovo (including fundamental breach, negligence, misrepresentation, or other contract or tort claim), except and to the extent that liability cannot be waived or limited by applicable laws, Lenovo is liable for no more than the amount of actual direct damages suffered by you, up to the amount you paid for the product. This limit does not apply to damages for bodily injury (including death) and damage to real property and tangible personal property for which Lenovo is required by law to be liable.

This limit also applies to Lenovo's suppliers, resellers, and your Service Provider. It is the maximum for which Lenovo, its suppliers, resellers, and your Service Provider are collectively responsible.

UNDER NO CIRCUMSTANCES IS LENOVO, ITS SUPPLIERS, RESELLERS, OR SERVICE PROVIDERS LIABLE FOR ANY OF THE FOLLOWING EVEN IF INFORMED OF THEIR POSSIBILITY: 1) THIRD PARTY CLAIMS AGAINST YOU FOR DAMAGES; 2) LOSS OF, OR DAMAGE TO, YOUR DATA; OR 3) SPECIAL, INCIDENTAL, OR INDIRECT DAMAGES OR FOR ANY ECONOMIC CONSEQUENTIAL DAMAGES, INCLUDING LOST PROFITS, BUSINESS REVENUE, GOODWILL, OR ANTICIPATED SAVINGS. SOME STATES OR JURISDICTIONS DO NOT ALLOW THE EXCLUSION OR LIMITATION OF INCIDENTAL OR CONSEQUENTIAL DAMAGES, SO THE ABOVE LIMITATION OR EXCLUSION MAY NOT APPLY TO YOU.

Dispute Resolution

If you acquired the product in **Cambodia, Indonesia, Philippines, Vietnam or Sri Lanka**, disputes arising out of or in connection with this warranty shall be finally settled by arbitration held in Singapore and this warranty shall be governed, construed and enforced in accordance with the laws of Singapore, without regard to conflict of laws. If you acquired the product in **India**, disputes arising out of or in connection with this warranty shall be finally settled by arbitration held in Bangalore, India. Arbitration in Singapore shall be held in accordance with the Arbitration Rules of Singapore International Arbitration Center ("SIAC Rules") then in effect. Arbitration in India shall be held in accordance with the laws of India then in effect. The arbitration award shall be final and binding for the parties without appeal and shall be in writing and set forth the findings of fact and the conclusions of law. All

arbitration proceedings shall be conducted, including all documents presented in such proceedings, in the English language, and the English language version of this warranty prevails over any other language version in such proceedings.

Other Rights

THIS WARRANTY GIVES YOU SPECIFIC LEGAL RIGHTS AND YOU MAY HAVE OTHER RIGHTS WHICH VARY FROM STATE TO STATE OR JURISDICTION TO JURISDICTION. YOU ALSO MAY HAVE OTHER RIGHTS UNDER APPLICABLE LAW OR WRITTEN AGREEMENT WITH LENOVO. NOTHING IN THIS WARRANTY AFFECTS STATUTORY RIGHTS, INCLUDING RIGHTS OF CONSUMERS UNDER NATIONAL LEGISLATION GOVERNING THE SALE OF CONSUMER GOODS THAT CANNOT BE WAIVED OR LIMITED BY CONTRACT.

European Economic Area (EEA)

Customers in the EEA may contact Lenovo at the following address: Lenovo Warranty & Service Quality Dept., PO Box 19547, Inverkip Road, Greenock, Scotland PA16 9WX. Service under this warranty for Lenovo hardware products purchased in EEA countries may be obtained in any EEA country in which the product has been announced and made available by Lenovo.

This Lenovo Limited Warranty is available in other languages at www.lenovo.com/warranty.

Warranty Information

Machine Type	Country or Region of Purchase	Warranty Period	Type of Warranty Service
6423	United States, Canada, Latin America, Brazil, Europe, Middle East, Africa, Australia, New Zealand, Singapore, India, Malaysia, Thailand, Indonesia, Philippines, Vietnam, Brunei, Sri Lanka, Bangladesh, Korea, PRC (China), China (Hong Kong S.R.A.), Taiwan	Parts and labor - 3 years	1 and 2
	Japan	Parts and labor - 1 year	1 and 3
6427	United States, Canada, Latin America, Brazil, Europe, Middle East, Africa, Australia, New Zealand, Singapore, India, Malaysia, Thailand, Indonesia, Philippines, Vietnam, Brunei, Sri Lanka, Bangladesh, Korea, PRC (China), China (Hong Kong S.R.A.), Taiwan	Parts and labor - 3 years	1 and 2
	Japan	Parts and labor - 1 year	1 and 3
6483	United States, Canada, Latin America, Brazil, Europe, Middle East, Africa, Australia, New Zealand, Singapore, India, Malaysia, Thailand, Indonesia, Philippines, Vietnam, Brunei, Sri Lanka, Bangladesh, Korea, PRC (China), China (Hong Kong S.R.A.), Taiwan	Parts and labor - 3 years	1 and 2
	Japan	Parts and labor - 1 year	1 and 3
6493	United States, Canada, Latin America, Brazil, Europe, Middle East, Africa, Australia, New Zealand, Singapore, India, Malaysia, Thailand, Indonesia, Philippines, Vietnam, Brunei, Sri Lanka, Bangladesh, Korea, PRC (China), China (Hong Kong S.R.A.), Taiwan	Parts and labor - 3 years	1 and 2
	Japan	Parts and labor - 1 year	1 and 3

If required, your Service Provider will provide repair or exchange service depending on the type of warranty service specified for your product and the available service. Scheduling of service will depend upon the time of your call, parts availability, and other factors.

A warranty period of 3 years on parts and 1 year on labor means that Lenovo provides warranty service without charge for:

- a. parts and labor during the first year of the warranty period (or a longer period as required by law); and
- b. parts only, on an exchange basis, in the second and third years of the warranty period. Your Service Provider will charge you for any labor provided in performance of the repair or replacement(s) in the second and third year of warranty period.

Types of Warranty Service

1. Customer Replaceable Unit ("CRU") Service

Under CRU Service, your Service Provider will ship CRUs to you for you to install. Most CRUs are easy to install whereas others may require some technical skill and tools. CRU information and replacement instructions are shipped with your product and are available from Lenovo at any time upon request. You may request that a Service Provider install some CRUs under one of the other types of warranty service designated for your product. Installation of external CRUs (such as mice, keyboards, or monitors) is your responsibility. Lenovo specifies in the materials shipped with a replacement CRU whether the defective CRU must be returned. When return is required, 1) return instructions, a prepaid return shipping label, and a container are included with the replacement CRU, and 2) you may be charged for the replacement CRU if your Service Provider does not receive the defective CRU within thirty (30) days of your receipt of the replacement.

2. On-site Service

Under On-Site Service, your Service Provider will either repair or exchange the product at your location. You must provide a suitable working area to allow disassembly and reassembly of the Lenovo product. For some products, certain repairs may require your Service Provider to send the product to a designated service center.

3. Courier or Depot Service

Under Courier or Depot Service, your product will be repaired or exchanged at a designated service center, with shipping arranged by your Service Provider.

You are responsible for disconnecting the product. A shipping container will be provided to you for you to return your product to a designated service center. A courier will pick up your product and deliver it to the designated service center. Following its repair or exchange, the service center will arrange the return delivery of the product to you.

4. Customer Carry-In or Mail-In Service

Under Customer Carry-In or Mail-In Service, your product will be repaired or exchanged at a designated service center, with delivery or shipping arranged by you. You are responsible to deliver or mail, as your Service Provider specifies, (prepaid unless specified otherwise) the product suitably packaged to a designated location. After the product has been repaired or exchanged, it will be made available for your collection. Failure to collect the product may result in your Service Provider disposing of the product as it sees fit. For Mail-in Service, the product will be returned to you at Lenovo's expense, unless your Service Provider specifies otherwise.

Guarantee supplement for Mexico

This supplement is considered part of the Lenovo Limited Warranty and shall be effective solely and exclusively for products distributed and commercialized within Territory of the Mexican United States. In the event of a conflict, the terms of this supplement shall apply.

All software programs pre-loaded in the equipment shall only have a thirty-(30) day guarantee for installation defects from the date of purchase. Lenovo is not responsible for the information in such software programs and/or any additional software programs installed by you or installed after purchase of the product.

Services not chargeable to the guarantee shall be charged to the final user, prior an authorization.

In the event that warranty repair is required please call the Customer Support Center at 001-866-434-2080, where you will be directed to the nearest Authorized Service Center. Should no Authorized Service Center exist in your city, location or within 70 kilometers of your city or location, the guarantee includes any reasonable delivery charges related to the transportation of the product to our nearest Authorized Service Center. Please call the nearest Authorized Service Center to obtain the necessary approvals or information concerning the shipment of the product and the shipment address.

To obtain a list of Authorized Service Centers, please visit:

<http://www.lenovo.com/mx/es/servicios>

Manufactured by:
SCI Systems de México, S.A. de C.V.
Av. De la Solidaridad Iberoamericana No. 7020
Col. Club de Golf Atlas
El Salto, Jalisco, México
C.P. 45680,
Tel. 01-800-3676900

Marketing by:
Lenovo de México, Comercialización y
Servicios, S. A. de C. V.
Alfonso Nápoles Gándara No 3111
Parque Corporativo de Peña Blanca
Delegación Álvaro Obregón
México, D.F., México
C.P. 01210,
Tel. 01-800-00-325-00

Chapter 4. Worldwide telephone list

Country or Region	Telephone Number
Africa	Africa: +44 (0)1475-555-055 South Africa: +27-11-3028888 and 0800110756 Central Africa: Contact the nearest Lenovo Business Partner
Argentina	0800-666-0011 (Spanish)
Australia	1300-880-917 (English)
Austria	Up and running support: 01-24592-5901 Warranty service and support: 01-211-454-610 (German)
Belgium	Up and running support: 02-210-9820 (Dutch) Up and running support: 02-210-9800 (French) Warranty service and support: 02-225-3611 (Dutch, French)
Bolivia	0800-0189 (Spanish)
Brazil	Sao Paulo region: (11) 3889-8986 Outside Sao Paulo region: 0800-701-4815 (Brazilian Portuguese)
Brunei	801-1041
Canada	Toronto: 416-383-3344 Outside Toronto: 1-800-565-3344 (English, French)
Chile	1-800-224-488 (Spanish)
China (Hong Kong S.A.R.)	Notebooks: 852-2516-3919 Desktops: 800-938-008 (Cantonese, English, Mandarin)
China (Macau S.A.R.)	Notebooks: 0800-689 Desktops: 0800-686 (Cantonese, English, Mandarin)
Colombia	1-800-912-3021 (Spanish)
Costa Rica	0-800-011-1029 (Spanish)
Croatia	0800-0426
Cyprus	+357-22-841100
Czech Republic	+420-2-7213-1316
Denmark	Up and running support: 4520-8200 Warranty service and support: 7010-5150 (Danish)
Dominican Republic	1-866-434-2080 (Spanish)
Ecuador	1-800-426911 (Spanish)
El Salvador	800-6264 (Spanish)
Estonia	+372 67767934

Country or Region	Telephone Number
Finland	Up and running support: 09-459-6960 Warranty service and support: +358-800-1-4260 (Finnish)
France	Up and running support: 0238-557-450 Warranty service and support (hardware): 0810-631-213 Warranty service and support (software): 0810-631-020 (French)
Germany	Up and running support: 07032-15-49201 Warranty service and support: 01805-25-35-58 (German)
Greece	+30-210-680-1700
Guatemala	1800-624-0051 (Spanish)
Honduras	Tegucigalpa: 232-4222 San Pedro Sula: 552-2234 (Spanish)
Hungary	+36-1-382-5720
India	1800-425-6666 +91-80-2678-8970 (English)
Indonesia	001-803-606-282
Ireland	Up and running support: 01-815-9202 Warranty service and support: 01-881-1444 (English)
Israel	Givat Shmuel Service Center: +972-3-531-3900 Haifa Service Center: +972-4-849-4608 (Hebrew, English)
Italy	Up and running support: 02-7031-6101 Warranty service and support: +39-800-820094 (Italian)
Japan	Desktops: 0120-000-817 Notebooks: 0570-064-400
Korea	1588-6782 (Korean)
Latvia	+371 7070360
Lithuania	+370 5 278 66 00
Luxembourg	+352-298-977-5063 (French)
Malaysia	1800-88-1889
Malta	+35621445566
Mexico	001-866-434-2080 (Spanish)
Middle East	+44 (0)1475-555-055
Netherlands	+31-20-514-5770 (Dutch)
New Zealand	0800-777-217 (English)

Country or Region	Telephone Number
Nicaragua	001-800-220-1830 (Spanish)
Norway	Up and running support: 6681-1100 Warranty service and support: 8152-1550 (Norwegian)
Panama	Toll Free: 001-866-434-2080 (Spanish)
Peru	0-800-50-866 (Spanish)
Philippines	1800-1601-0033
Poland	+48-22-878-6999
Portugal	+351-21-892-7147 (Portuguese)
Romania	+4-021-224-4015
Russian Federation	+7-495-940-2000 (Russian)
Singapore	800-6011-343
Slovakia	+421-2-4954-5555
Slovenia	+386-1-4796-699
Spain	91-714-7983 0901-100-000 (Spanish)
Sri Lanka	+94-11-249-3523 (English)
Sweden	Up and running support: 08-477-4420 Warranty service and support: 077-117-1040 (Swedish)
Switzerland	Up and running support: 058-333-0900 Warranty service and support: 0800-55-54-54 (German, French, Italian)
Taiwan	0800-000-701 (Mandarin)
Thailand	1-800-060-066 (Thai)
Turkey	00800-4463-2041 (Turkish)
United Kingdom	Up and running support: 01475-555-055 Warranty support: 08705-500-900 (English)
United States	1-800-426-7378 (English)
Uruguay	000-411-005-6649 (Spanish)
Venezuela	0-800-100-2011 (Spanish)
Vietnam	For northern area and Hanoi: 84-4-843-6675 For southern area and Ho Chi Minh City: 84-8-829-5160 (English, Vietnamese)

Chapter 5. Customer Replaceable Units

Customer Replaceable Units (CRUs) are computer parts that can be upgraded or replaced by the customer. There are two types of CRUs: internal and external. External CRUs are easy to install, whereas internal CRUs require some technical skill and in some cases might require tools such as a screwdriver. However, both external and internal CRUs are safe for removal by the customer. Internal CRUs can be removed and installed by customers or by a Lenovo service technician during the warranty period.

Customers are responsible for replacing all external CRUs.

Computers contain external and internal CRUs. External CRUs are located outside the computer. Examples of external CRUs include the keyboard, the mouse, any USB device, and the power cord. Internal CRUs cannot be removed without first opening the cover of the computer. Examples of internal CRUs include memory modules, optical drives, adapter cards, and the power supply.

The *User Guide* and *Hardware Installation and Replacement Guide* provide instructions for replacing external and internal CRUs. Refer to Table 2 on page 42 to determine which publication contains the instructions you need. To view a publication, open the Start menu from the Windows desktop, select **All Programs**, select **Online Books**, and click **Online Books**. Double-click on the appropriate publication.

The publications also are available on the Lenovo Web site at <http://www.lenovo.com>.

Note: Only use computer parts provided by Lenovo. Refer to Chapter 3, "Lenovo Limited Warranty," on page 27 for warranty information about the CRUs for your machine type.

Table 1. External CRU table

List of Machine Types: 6423, 6427, 6483, 6493	User Guide	Hardware Installation and Replacement Guide
External CRUs		
Keyboard	X	X
Mouse	X	X
Power cord	X	

Table 2. Internal CRU Table

List of Machine Types: 6423, 6427, 6483, 6493	User Guide	Hardware Installation and Replacement Guide
Internal CRUs		
Hard disk drive		X
Memory		X
Adapter card		X
Internal speakers		X
Optical drive		X
Diskette drive		X
Power supply		X
System fans		X
Heatsink		X
Fans		X
Front USB		X
CMOS Battery		X
Serial port		X

Chapter 6. Notices

Lenovo may not offer the products, services, or features discussed in this document in all countries. Consult your local Lenovo representative for information on the products and services currently available in your area. Any reference to a Lenovo product, program, or service is not intended to state or imply that only that Lenovo product, program, or service may be used. Any functionally equivalent product, program, or service that does not infringe any Lenovo intellectual property right may be used instead. However, it is the user's responsibility to evaluate and verify the operation of any other product, program, or service.

Lenovo may have patents or pending patent applications covering subject matter described in this document. The furnishing of this document does not give you any license to these patents. You can send license inquiries, in writing, to:

*Lenovo (United States), Inc.
1009 Think Place - Building One
Morrisville, NC 27560
U.S.A.
Attention: Lenovo Director of Licensing*

LENOVO PROVIDES THIS PUBLICATION "AS IS" WITHOUT WARRANTY OF ANY KIND, EITHER EXPRESS OR IMPLIED, INCLUDING, BUT NOT LIMITED TO, THE IMPLIED WARRANTIES OF NON-INFRINGEMENT, MERCHANTABILITY OR FITNESS FOR A PARTICULAR PURPOSE. Some jurisdictions do not allow disclaimer of express or implied warranties in certain transactions, therefore, this statement may not apply to you.

This information could include technical inaccuracies or typographical errors. Changes are periodically made to the information herein; these changes will be incorporated in new editions of the publication. Lenovo may make improvements and/or changes in the product(s) and/or the program(s) described in this publication at any time without notice.

The products described in this document are not intended for use in implantation or other life support applications where malfunction may result in injury or death to persons. The information contained in this document does not affect or change Lenovo product specifications or warranties. Nothing in this document shall operate as an express or implied license or indemnity under the intellectual property rights of Lenovo or third parties. All information contained in this document was obtained in specific environments and is presented as an illustration. The result obtained in other operating environments may vary.

Lenovo may use or distribute any of the information you supply in any way it believes appropriate without incurring any obligation to you.

Any references in this publication to non-Lenovo Web sites are provided for convenience only and do not in any manner serve as an endorsement of those Web sites. The materials at those Web sites are not part of the materials for this Lenovo product, and use of those Web sites is at your own risk.

Any performance data contained herein was determined in a controlled environment. Therefore, the result obtained in other operating environments may vary significantly. Some measurements may have been made on development-level systems and there is no guarantee that these measurements will be the same on generally available systems. Furthermore, some measurements may have been estimated through extrapolation. Actual results may vary. Users of this document should verify the applicable data for their specific environment.

Television output notice

The following notice applies to models that have the factory-installed television-output feature.

This product incorporates copyright protection technology that is protected by method claims of certain U.S. patents and other intellectual property rights owned by Macrovision Corporation and other rights owners. Use of this copyright protection technology must be authorized by Macrovision Corporation, and is intended for home and other limited viewing uses only unless otherwise authorized by Macrovision Corporation. Reverse engineering or disassembly is prohibited.

Trademarks

Lenovo, the Lenovo logo, Rescue and Recovery, ThinkCentre, ThinkVantage, and ThinkStation are trademarks of Lenovo in the United States, other countries, or both.

IBM is a trademark of International Business Machines Corporation in the United States, other countries, or both.

Other company, product, or service names may be trademarks or service marks of others.

Electronic emissions notices

The following information refers to Lenovo personal computer machine type: 6423, 6427, 6483, 6493

Federal Communications Commission (FCC) Declaration of Conformity

This equipment has been tested and found to comply with the limits for a Class B digital device, pursuant to Part 15 of the FCC Rules. These limits are designed to provide reasonable protection against harmful interference in a residential installation. This equipment generates, uses, and can radiate radio frequency energy and, if not installed and used in accordance with the instructions, may cause harmful interference to radio communications. However, there is no guarantee the interference will not occur in a particular installation. If this equipment does cause harmful interference to radio or television reception, which can be determined by turning the equipment off and on, the user is encouraged to try to correct the interference by one or more of the following measures:

- Reorient or relocate the receiving antenna.
- Increase the separation between the equipment and receiver.
- Connect the equipment into an outlet on a circuit different from that to which the receiver is connected.
- Consult an authorized dealer or service representative for help.

Lenovo is not responsible for any radio or television interference caused by using other than recommended cables or connectors or by unauthorized changes or modifications to this equipment. Unauthorized changes or modifications could void the user's authority to operate the equipment.

This device complies with Part 15 of the FCC Rules. Operation is subject to the following two conditions: (1) this device may not cause harmful interference, and (2) this device must accept any interference received, including interference that may cause undesired operation.

Responsible party:

Lenovo (United States) Incorporated
1009 Think Place - Building One
Morrisville, NC 27560
U.S.A.
Phone Number: (919) 294-5900



**Tested To Comply
With FCC Standards**

FOR HOME OR OFFICE USE

Industry Canada Class B emission compliance statement

This Class B digital apparatus complies with Canadian ICES-003.

Cet appareil numérique de la classe B est conforme à la norme NMB-003 du Canada.

European Union EMC Directive conformance statement

This product is in conformity with the protection requirements of EU Council Directive 2004/108/EC on the approximation of the laws of the Member States relating to electromagnetic compatibility. Lenovo cannot accept responsibility for any failure to satisfy the protection requirements resulting from a nonrecommended modification of the product, including the installation of option cards from other manufacturers.

This product has been tested and found to comply with the limits for Class B Information Technology Equipment according to CISPR 22/European Standard EN 55022. The limits for Class B equipment were derived for typical residential environments to provide reasonable protection against interference with licensed communication devices.

EU-EMC Directive (2004/108/EC) EN 55022 class B Statement of Compliance

Deutschsprachiger EU Hinweis:

Hinweis für Geräte der Klasse B EU-Richtlinie zur Elektromagnetischen Verträglichkeit

Dieses Produkt entspricht den Schutzanforderungen der EU-Richtlinie 2004/108/EG (früher 89/336/EWG) zur Angleichung der Rechtsvorschriften über die elektromagnetische Verträglichkeit in den EU-Mitgliedsstaaten und hält die Grenzwerte der EN 55022 Klasse B ein.

Um dieses sicherzustellen, sind die Geräte wie in den Handbüchern beschrieben zu installieren und zu betreiben. Des Weiteren dürfen auch nur von der Lenovo empfohlene Kabel angeschlossen werden. Lenovo übernimmt keine Verantwortung für die Einhaltung der Schutzanforderungen, wenn das Produkt ohne Zustimmung der Lenovo verändert bzw. wenn Erweiterungskomponenten von Fremdherstellern ohne Empfehlung der Lenovo gesteckt/eingebaut werden.

Deutschland: Einhaltung des Gesetzes über die elektromagnetische Verträglichkeit von Betriebsmitteln

Dieses Produkt entspricht dem "Gesetz über die elektromagnetische Verträglichkeit von Betriebsmitteln" EMVG (früher "Gesetz über die elektromagnetische Verträglichkeit von Geräten"). Dies ist die Umsetzung der EU-Richtlinie 2004/108/EG (früher 89/336/EWG) in der Bundesrepublik Deutschland.

Zulassungsbescheinigung laut dem Deutschen Gesetz über die elektromagnetische Verträglichkeit von Betriebsmitteln, EMVG vom 20. Juli 2007 (früher "Gesetz über die elektromagnetische Verträglichkeit von Geräten"), bzw. der EMV EG Richtlinie 2004/108/EC (früher 89/336/EWG), für Geräte der Klasse B.

Dieses Gerät ist berechtigt, in Übereinstimmung mit dem Deutschen EMVG das EG-Konformitätszeichen - CE - zu führen. Verantwortlich für die Konformitätserklärung nach Paragraf 5 des EMVG ist die Lenovo (Deutschland) GmbH, Pascalstr. 100, D-70569 Stuttgart.

Informationen in Hinsicht EMVG Paragraf 4 Abs. (1) 4:
Das Gerät erfüllt die Schutzanforderungen nach EN 55024 und EN 55022 Klasse B.

Korean Class B statement

이 기기는 가정용으로 전자파 적합등록을 한 기기로서
주거지역에서는 물론 모든 지역에서 사용할 수 있습니다.

Japanese VCCI Class B statement

この装置は、情報処理装置等電波障害自主規制協議会（VCCI）の基準に基づくクラスB情報技術装置です。この装置は、家庭環境で使用することを目的としていますが、この装置がラジオやテレビジョン受信機に近接して使用されると、受信障害を引き起こすことがあります。
取扱説明書に従って正しい取り扱いをして下さい。

Japanese compliance for products less than or equal to 20A per phase

高調波電流規格 JIS C 61000-3-2 適合品

Keyboard and mouse compliance statement for Taiwan

本產品隨貨附已取得經濟部標準檢驗局認可之PS/2或USB的鍵盤與滑鼠一組

Lenovo product service information for Taiwan

台灣 **Lenovo** 產品服務資訊如下：
荷蘭商思惟個人電腦產品股份有限公司台灣分公司
台北市信義區信義路五段七號十九樓之一
服務電話: 0800-000-700

Federal Communications Commission (FCC) and telephone company requirements

1. This device complies with Part 68 of the FCC rules. A label is affixed to the device that contains, among other things, the FCC registration number, USOC, and Ringer Equivalency Number (REN) for this equipment. If these numbers are requested, provide this information to your telephone company.

Note: If the device is an internal modem, a second FCC registration label is also provided. You may attach the label to the exterior of the computer in which you install the Lenovo modem, or you may attach the label to the external DAA, if you have one. Place the label in a location that is easily accessible, should you need to provide the label information to the telephone company.

2. The REN is useful to determine the quantity of devices you may connect to your telephone line and still have those devices ring when your number is called. In most, but not all areas, the sum of the RENs of all devices should not exceed five (5). To be certain of the number of devices you may connect to your line, as determined by the REN, you should call your local telephone company to determine the maximum REN for your calling area.
3. If the device causes harm to the telephone network, the telephone company may discontinue your service temporarily. If possible, they will notify you in advance; if advance notice is not practical, you will be notified as soon as possible. You will be advised of your right to file a complaint with the FCC.
4. Your telephone company may make changes in its facilities, equipment, operations, or procedures that could affect the proper operation of your equipment. If they do, you will be given advance notice to give you an opportunity to maintain uninterrupted service.

5. If you experience trouble with this product, contact your authorized reseller or call the Customer Support Center. In the United States, call **1-800-426-7378**. In Canada, call **1-800-565-3344**. You may be required to present proof of purchase.

The telephone company may ask you to disconnect the device from the network until the problem has been corrected, or until you are sure the device is not malfunctioning.

6. No customer repairs are possible to the device. If you experience trouble with the device, contact your Authorized Reseller or see the Diagnostics section of this manual for information.
7. This device may not be used on coin service provided by the telephone company. Connection to party lines is subject to state tariffs. Contact your state public utility commission or corporation commission for information.
8. When ordering network interface (NI) service from the local Exchange Carrier, specify service arrangement USOC RJ11C.

Canadian Department of Communications certification label

NOTICE: The Industry Canada label identifies certified equipment. This certification means that the equipment meets telecommunications network protective, operational and safety requirements as prescribed in the appropriate Terminal Equipment Technical Requirements documents. The Department does not guarantee the equipment will operate to the user's satisfaction.

Before installing this equipment, users should ensure that it is permissible to be connected to the facilities of the local telecommunications company. The equipment must also be installed using an acceptable method of connection. The customer should be aware that compliance with the above conditions may not prevent degradation of service in some situations. Repairs to certified equipment should be coordinated by a representative designated by the supplier. Any repairs or alterations made by the user to this equipment, or equipment malfunctions, may give the telecommunications company cause to request the user to disconnect the equipment.

Users should ensure for their own protection that the electrical ground connections of the power utility, telephone lines, and internal metallic water pipe system, if present, are connected together. This precaution may be particularly important in rural areas.

Caution: Users should not attempt to make such connections themselves, but should contact the appropriate electric inspection authority, or electrician, as appropriate.

NOTICE: The Ringer Equivalence Number (REN) assigned to each terminal device provides an indication of the maximum number of terminals allowed to

be connected to a telephone interface. The termination on an interface may consist of any combination of devices subject only to the requirement that the sum of the Ringer Equivalence Numbers of all the devices does not exceed 5.

Power cord notice

For your safety, Lenovo provides a power cord with a grounded attachment plug to use with this product. To avoid electrical shock, always use the power cord and plug with a properly grounded outlet.

Power cords provided by Lenovo in the United States and Canada are listed by Underwriter's Laboratories (UL) and certified by the Canadian Standards Association (CSA).

For units intended to be operated at 115 volts: Use a UL-listed and CSA-certified cord set consisting of a minimum 18 AWG, Type SVT or SJT, three-conductor cord, a maximum of 15 feet in length and a parallel blade, grounding-type attachment plug rated 15 amperes, 125 volts.

For units intended to be operated at 230 volts (U.S. use): Use a UL-listed and CSA-certified cord set consisting of a minimum 18 AWG, Type SVT or SJT, three-conductor cord, a maximum of 15 feet in length and a tandem blade, grounding-type attachment plug rated 15 amperes, 250 volts.

For units intended to be operated at 230 volts (outside the U.S.): Use a cord set with a grounding-type attachment plug. The cord set should have the appropriate safety approvals for the country in which the equipment will be installed.

Power cords provided by Lenovo for a specific country or region are usually available only in that country or region.

For units intended to be operated in Germany: The power cords shall be safety approved. For Germany, it shall be H05VV-F, 3G, 0.75 mm², or better. For other countries, the suitable types shall be used accordingly.

Power cord part number	Used in these countries and regions
24R2633	Japan
39M5067	Argentina, Paraguay, Uruguay

Power cord part number	Used in these countries and regions
39M5080	Antigua and Barbuda, Aruba, Bahamas, Barbados, Belize, Bermuda, Bolivia, Turks and Caicos Islands, Canada, Cayman Islands, Costa Rica, Columbia, Cuba, Dominican Republic, Ecuador, El Salvador, Guam, Guatemala, Haiti, Honduras, Jamaica, Mexico, Micronesia (Federal States of), Netherlands Antilles, Nicaragua, Panama, Peru, Philippines, Saudi Arabia, Thailand, Taiwan, United States, Venezuela
39M5102	Australia, New Zealand
39M5122	Afghanistan, Albania, Algeria, Andorra, Angola, Armenia, Austria, Azerbaijan, Belarus, Belgium, Benin, Bosnia and Herzegovina, Bulgaria, Burkina Faso, Burundi, Cambodia, Cameroon, Cape Verde, Central African Republic, Chad, Comoros, Congo (Democratic Republic of), Congo (Republic of), Cote D'Ivoire (Ivory Coast), Croatia (Republic of), Czech Republic, Dahomey, Djibouti, Egypt, Equatorial Guinea, Eritrea, Estonia, Ethiopia, Finland, France, French Guyana, French Polynesia, Gabon, Georgia, Germany, Greece, Guadeloupe, Guinea, Guinea Bissau, Hungary, Iceland, Indonesia, Iran, Kazakhstan, Kyrgyzstan, Laos (Peoples Democratic Republic of), Latvia, Lebanon, Lithuania, Luxembourg, Macedonia (former Yugoslav Republic of), Madagascar, Mali, Martinique, Mauritania, Mauritius, Mayotte, Moldova (Republic of), Monaco, Mongolia, Morocco, Mozambique, Netherlands, New Caledonia, Niger, Norway, Poland, Portugal, Reunion, Romania, Russian Federation, Rwanda, Sao Tome and Principe, Saudi Arabia, Senegal, Serbia, Slovakia, Slovenia (Republic of), Somalia, Spain, Suriname, Sweden, Syrian Arab Republic, Tajikistan, Tahiti, Togo, Tunisia, Turkey, Turkmenistan, Ukraine, Upper Volta, Uzbekistan, Vanuatu, Vietnam, Wallis and Futuna, Yugoslavia (Federal Republic of), Zaire
39M5129	Denmark
39M5143	Bangladesh, Lesotho, Macao S.A.R of China, Maldives, Namibia, Nepal, Pakistan, Samoa, South Africa, Sri Lanka, Swaziland, Uganda
39M5150	Abu Dhabi, Australia, Bahrain, Botswana, Brunei Darussalam, Channel Islands, Cyprus, Dominica, Fiji, Gambia, Ghana, Grenada, Guyana, Hong Kong S.A.R. of China, Iraq, Ireland, Jordan, Kenya, Kiribati, Kuwait, Liberia, Malawi, Malaysia, Malta, Myanmar (Burma), Nauru, New Zealand, Nigeria, Oman, Papua New Guinea, Qatar, Saint Kitts and Nevis, Saint Lucia, Saint Vincent and the Grenadines, Seychelles, Sierra Leone, Singapore, Sudan, Tanzania (United Republic of), Trinidad & Tobago, United Arab Emirates (Dubai), United Kingdom, Yemen, Zambia, Zimbabwe
39M5151	Hong Kong S.A.R. of China, Korea
39M5157	Liechtenstein, Switzerland
39M5164	Chile, Italy, Libya Arab Jamahiriya

Power cord part number	Used in these countries and regions
39M5171	Israel
39M5205	China
39M5212	Korea
39M5232	Brazil
39M5246	Taiwan
41R3175	India

Polyvinyl Chloride (PVC) cable and cord notice

WARNING: Handling the cord on this product or cords associated with accessories sold with this product will expose you to lead, a chemical known to the State of California to cause cancer, and birth defects or other reproductive harm. *Wash hands after handling.*

China substance disclosure table

产品中有毒有害物质或元素的名称及含量

部件名称	有毒有害物质或元素					
	铅(Pb)	汞(Hg)	镉(Cd)	六价铬 (Cr(VI))	多溴连苯 (PBB)	多溴二苯醚 (PBDE)
印刷电路板组件*	X	O	O	O	O	O
硬盘	X	O	O	O	O	O
光驱	X	O	O	O	O	O
内存	X	O	O	O	O	O
电脑I/O 附件	X	O	O	O	O	O
电源	X	O	O	O	O	O
键盘	X	O	O	O	O	O
鼠标	X	O	O	O	O	O
机箱/附件	X	O	O	O	O	O

○:表示该有毒有害物质在该部件所有均质材料中的含量均在SJ/T11363-2006标准规定的限量要求以下
 ×:表示该有毒有害物质至少在该部件的某一均质材料中的含量超出SJ/T11363-2006标准规定的限量要求
 表中标有“×”的所有部件都符合欧盟RoHS 法规.

印刷电路板组件*: 包括印刷电路板及其零部件、电容和连接器
 根据型号的不同,可能不会含有以上的所有部件,请以实际购买机型为准



在中华人民共和国境内销售的电子信息产品必须标识此标志,标志内的数字代表在正常使用状态下的产品的环保使用期限

Waste electrical and electronic equipment (WEEE) notices

Lenovo encourages owners of information technology (IT) equipment to responsibly recycle their equipment when it is no longer needed. Lenovo offers a variety of programs and services to assist equipment owners in recycling their IT products. Information on product recycling offerings can be found on Lenovo's Internet site at <http://www.pc.ibm.com/ww/lenovo/about/environment/>.

European Union (EU) WEEE statement

The WEEE mark applies only to countries within the European Union (EU) and Norway. Appliances are labeled in accordance with European Directive 2002/96/EC concerning waste electrical and electronic equipment (WEEE). The Directive determines the framework for the return and recycling of used appliances as applicable throughout the European Union. This label is applied

to various products to indicate that the product is not to be thrown away, but rather reclaimed upon end of life per this Directive.

Users of electrical and electronic equipment (EEE) with the WEEE marking per Annex IV of the WEEE Directive must not dispose of end of life EEE as unsorted municipal waste, but use the collection framework available to them for the return, recycle, recovery of WEEE and minimize any potential effects of EEE on the environment and human health due to the presence of hazardous substances. For additional WEEE information go to:
<http://www.lenovo.com/lenovo/environment>.

Japanese recycling statement

Collecting and recycling a disused Lenovo computer or monitor

If you are a company employee and need to dispose of a Lenovo computer or monitor that is the property of the company, you must do so in accordance with the Law for Promotion of Effective Utilization of Resources. Computers and monitors are categorized as industrial waste and should be properly disposed of by an industrial waste disposal contractor certified by a local government. In accordance with the Law for Promotion of Effective Utilization of Resources, Lenovo Japan provides, through its PC Collecting and Recycling Services, for the collecting, reuse, and recycling of disused computers and monitors. For details, visit the Lenovo Web site at www.ibm.com/jp/pc/service/recycle/pcrecycle/

Pursuant to the Law for Promotion of Effective Utilization of Resources, the collecting and recycling of home-used computers and monitors by the manufacturer was begun on October 1, 2003. This service is provided free of charge for home-used computers sold after October 1, 2003. For details, visit the Lenovo Web site at www.ibm.com/jp/pc/service/recycle/personal/.

Disposing of a Lenovo computer component

Some Lenovo computer products sold in Japan may have components that contain heavy metals or other environmental sensitive substances. To properly dispose of disused components, such as a printed circuit board or drive, use the methods described above for collecting and recycling a disused computer or monitor.

Disposing of disused lithium batteries from Lenovo computers

A button-shaped lithium battery is installed on the system board of your Lenovo computer to provide power to the computer clock while the computer is off or disconnected from the main power source. If you want to replace it

with a new one, contact your place of purchase or ask for a repair service provided by Lenovo. If you have replaced it by yourself and want to dispose of the disused lithium battery, insulate it with vinyl tape, contact your place of purchase, and follow their instructions. If you use a Lenovo computer at home and need to dispose of a lithium battery, you must comply with local ordinances and regulations.

Avis aux lecteurs canadiens

Le présent document a été traduit en France. Voici les principales différences et particularités dont vous devez tenir compte.

Illustrations

Les illustrations sont fournies à titre d'exemple. Certaines peuvent contenir des données propres à la France.

Terminologie

La terminologie des titres peut différer d'un pays à l'autre. Reportez-vous au tableau ci-dessous, au besoin.

France	Canada
ingénieur commercial	représentant
agence commerciale	succursale
ingénieur technico-commercial	informaticien
inspecteur	technicien du matériel

Claviers

Les lettres sont disposées différemment : le clavier français est de type AZERTY, et le clavier français-canadien, de type QWERTY.








Paramètres canadiens

Au Canada, on utilise :

- les pages de codes 850 (multilingue) et 863 (français-canadien),
- le code pays 002,
- le code clavier CF.

Nomenclature

Les touches présentées dans le tableau d'équivalence suivant sont libellées différemment selon qu'il s'agit du clavier de la France, du clavier du Canada ou du clavier des États-Unis. Reportez-vous à ce tableau pour faire correspondre les touches françaises figurant dans le présent document aux touches de votre clavier.

France	Canada	Etats-Unis
 (Pos1)		Home
Fin	Fin	End
 (PgAr)		PgUp
 (PgAv)		PgDn
Inser	Inser	Ins
Suppr	Suppr	Del
Echap	Echap	Esc
Attn	Intrp	Break
Impr écran	ImpEc	PrtSc
Verr num	Num	Num Lock
Arrêt défil	Défil	Scroll Lock
 (Verr maj)	FixMaj	Caps Lock
AltGr	AltCar	Alt (à droite)

Recommandations à l'utilisateur

Ce matériel utilise et peut émettre de l'énergie radiofréquence. Il risque de parasiter les communications radio et télévision s'il n'est pas installé et utilisé conformément aux instructions du constructeur (instructions d'utilisation, manuels de référence et manuels d'entretien).

Si cet équipement provoque des interférences dans les communications radio ou télévision, mettez-le hors tension puis sous tension pour vous en assurer. Il est possible de corriger cet état de fait par une ou plusieurs des mesures suivantes :

- Réorienter l'antenne réceptrice ;
- Déplacer l'équipement par rapport au récepteur ;
- Éloigner l'équipement du récepteur ;

- Brancher l'équipement sur une prise différente de celle du récepteur pour que ces unités fonctionnent sur des circuits distincts ;
- S'assurer que les vis de fixation des cartes et des connecteurs ainsi que les fils de masse sont bien serrés ;
- Vérifier la mise en place des obturateurs sur les connecteurs libres.

Si vous utilisez des périphériques non Lenovo avec cet équipement, nous vous recommandons d'utiliser des câbles blindés mis à la terre, à travers des filtres si nécessaire.

En cas de besoin, adressez-vous à votre détaillant.

Le fabricant n'est pas responsable des interférences radio ou télévision qui pourraient se produire si des modifications non autorisées ont été effectuées sur l'équipement.

L'obligation de corriger de telles interférences incombe à l'utilisateur.

Au besoin, l'utilisateur devrait consulter le détaillant ou un technicien qualifié pour obtenir de plus amples renseignements.

Brevets

Lenovo peut détenir des brevets ou des demandes de brevet couvrant les produits mentionnés dans le présent document. La remise de ce document ne vous donne aucun droit de licence sur ces brevets ou demandes de brevet. Si vous désirez recevoir des informations concernant l'acquisition de licences, veuillez en faire la demande par écrit à l'adresse suivante :

*Lenovo (United States), Inc.
500 Park Offices Drive, Hwy. 54
Research Triangle Park, NC 27709
Etats-Unis
Attention: Lenovo Director of Licensing*

Assistance téléphonique

Pour toute question ou pour obtenir de l'assistance, veuillez composer le 1 866 428-4465.

Chapitre 1. Consignes de sécurité

Important

Veuillez lire en premier les consignes de sécurité.

Ces informations peuvent vous aider à utiliser votre ordinateur personnel de bureau, votre poste de travail ou votre portable en toute sécurité. Suivez et conservez toutes les instructions fournies avec votre ordinateur. Les informations de ce document ne modifient pas les dispositions de votre contrat de vente ou de la Déclaration de Garantie Lenovo. Pour plus d'informations, voir Chapitre 3, «Déclaration de Garantie Lenovo», à la page 83.

La sécurité des clients est au coeur des préoccupations de Lenovo. Nos produits sont développés dans une optique de sécurité et d'efficacité. Cependant, les ordinateurs personnels sont des appareils électroniques. Les cordons d'alimentation, les adaptateurs d'alimentation et d'autres dispositifs présentent un danger potentiel pour la sécurité et peuvent provoquer des blessures ou des dommages matériels, surtout s'ils sont mal utilisés. Pour réduire ces risques, suivez les instructions accompagnant votre produit, respectez tous les avertissements figurant sur le produit ainsi que dans les instructions d'utilisation et lisez soigneusement les informations de ce document. Ce faisant, vous vous prémunirez contre les risques et vous renforcerez la sécurité de l'environnement de travail informatique.

Remarque : Ces informations comprennent des références aux adaptateurs d'alimentation et aux piles et batteries. Outre les ordinateurs personnels portables, certains produits (tels que des haut-parleurs et des écrans) sont dotés d'adaptateurs d'alimentation externes. Si vous possédez un tel produit, ces informations sont applicables. En outre, les produits informatiques contiennent une pile interne de la taille d'une pièce de monnaie qui fournit une alimentation à l'horloge système même lorsque l'ordinateur est débranché. Les consignes de sécurité concernant les piles s'appliquent donc à tous les produits informatiques.

Conditions qui nécessitent une action immédiate

Des produits peuvent être endommagés à la suite d'une mauvaise utilisation ou d'une négligence. Ces dommages peuvent être trop sérieux pour que le produit puisse être utilisé tant qu'il n'aura pas été examiné et réparé, le cas échéant, par un fournisseur de services agréé.

Comme avec tout appareil électronique, examinez attentivement le produit lors de sa mise sous tension. Dans quelques rares cas, vous pourriez remarquer une odeur, de la fumée ou des étincelles en provenance de votre produit. Il se peut également que vous entendiez des claquements, des craquements ou des sifflements. Cela peut signifier simplement qu'un composant électronique interne est tombé en panne en mode contrôlé sans conséquence pour votre sécurité. Mais cela peut aussi indiquer un danger potentiel. Ne prenez pas de risques et ne tentez pas de diagnostiquer vous-même l'incident. Pour obtenir de l'assistance, contactez le service clients. Pour obtenir la liste des numéros de téléphone du support technique en ligne, voir Chapitre 4, «Liste de numéros de téléphone pour le monde entier», à la page 93.

Inspectez régulièrement votre ordinateur et ses composants pour détecter tout dommage, signe d'usure ou source de danger. Si vous avez des doutes sur l'état d'un composant, n'utilisez pas le produit. Prenez contact avec le centre de support ou avec le fabricant du produit pour savoir comment diagnostiquer l'incident et, si nécessaire, faites réparer le produit.

Dans l'éventualité peu probable où vous constateriez l'une des manifestations décrites ci-après, ou en cas d'incidents remettant en cause la sécurité d'utilisation, cessez d'utiliser le produit et débranchez-le de sa source d'alimentation et des lignes téléphoniques jusqu'à ce que vous ayez pu obtenir des instructions du centre de support.

- Cordons d'alimentation, prises, adaptateurs d'alimentation, rallonges, dispositifs de protection contre les surtensions ou boîtiers d'alimentation fendus, cassés ou endommagés.
- Signes de surchauffe, fumée, étincelles.
- Pile ou batterie endommagée (par exemple, fentes, bosses ou plis), décharge en provenance d'une pile ou d'une batterie ou accumulation de substances étrangères sur une pile.
- Craquement, sifflement, bruit sec ou odeur forte émanant du produit.
- Signes que du liquide a été renversé ou qu'un objet est tombé sur l'ordinateur, le cordon d'alimentation ou l'adaptateur d'alimentation.
- Exposition de l'ordinateur, du cordon d'alimentation ou de l'adaptateur d'alimentation à l'eau.
- Chute du produit ou tout autre dommage.

- Le produit ne fonctionne pas correctement lorsque vous suivez les instructions d'utilisation.

Remarque : Si vous constatez l'une de ces manifestations au niveau d'un produit non Lenovo (par exemple, un prolongateur), cessez de l'utiliser tant que vous n'avez pas obtenu d'instructions auprès du fabricant ou que vous n'avez pas obtenu de pièce de rechange.

Consignes générales de sécurité

Respectez toujours les précautions ci-après pour réduire les risques de blessure ou de dommages matériels.

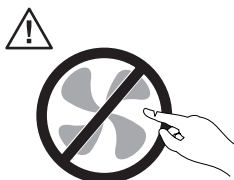
Maintenance et mises à niveau

Ne tentez pas de réparer un produit vous-même, à moins d'y avoir été invité par le centre de support ou la documentation. Faites uniquement appel à un fournisseur de services ayant reçu l'agrément pour réparer ce produit en particulier.

Remarque : Certains composants de l'ordinateur peuvent être mis à niveau ou remplacés par le client. Les mises à niveau sont généralement appelées des options. Les composants de rechange dont l'installation par le client est approuvée sont appelés des unités remplaçables par le client, ou CRU. Lenovo fournit une documentation qui contient des instructions indiquant dans quels cas le client peut installer des options ou remplacer des CRU. Vous devez suivre scrupuleusement toutes les instructions lorsque vous installez ou remplacez des composants. L'extinction d'un voyant d'alimentation ne signifie pas nécessairement que les niveaux de tension à l'intérieur d'un produit sont nuls. Avant d'effectuer la dépose des carters d'un produit équipé d'un cordon d'alimentation secteur, vérifiez toujours que l'alimentation est coupée et que le produit est débranché de toute source d'alimentation. Pour plus d'informations sur les CRU, consultez le manuel *ThinkStation - Guide d'installation et de remplacement d'options matérielles*. Si vous avez des questions ou des doutes, adressez-vous au centre de support.

Bien qu'il n'y ait plus de pièce en mouvement dans votre ordinateur une fois le cordon d'alimentation débranché, les avertissements suivants sont requis pour votre sécurité.

Danger



Pièces en mouvement dangereuses. Évitez tout contact avec les doigts et toute autre partie du corps.

Attention



Avant de remplacer des CRU, mettez l'ordinateur hors tension et attendez de trois à cinq minutes que l'ordinateur refroidisse avant d'ouvrir le carter.

Protection antistatique

Si l'électricité statique est inoffensive pour votre santé, elle risque en revanche de causer des dommages importants aux composants et options de votre ordinateur. Une manipulation incorrecte de composants sensibles à l'électricité statique risque de causer de les endommager. Lorsque vous déballez une option ou une CRU, n'ouvrez pas l'emballage antistatique qui contient le composant avant que les instructions ne vous demandent de l'installer.

Lorsque vous manipulez des options ou des CRU, ou que vous réalisez des interventions à l'intérieur de l'ordinateur, prenez les précautions suivantes afin d'éviter les dommages liés à l'électricité statique :

- Limitez vos mouvements, car ceux-ci provoquent une accumulation d'électricité statique.
- Manipulez toujours les composants avec précaution. Manipulez les adaptateurs, modules mémoire et autres cartes à circuits imprimés en les tenant par les bords. Ne touchez jamais directement des circuits.
- Empêchez toute autre personne de toucher les composants.

- Lorsque vous installez une option ou une CRU sensible à l'électricité statique, mettez l'emballage antistatique du composant en contact avec le carter d'un logement d'extension en métal ou toute autre surface métallique non peinte de l'ordinateur pendant au moins deux secondes. Cela permet de dissiper l'électricité statique présente dans l'emballage et votre corps.
- Lorsque cela est possible, retirez le composant de son emballage antistatique au dernier moment et installez-le sans le poser. Sinon, posez-le sur son emballage antistatique, sur une surface plane et lisse.
- Ne mettez pas le composant en contact avec le carter de l'ordinateur ou toute autre surface métallique.

Cordons et adaptateurs d'alimentation

N'utilisez que les cordons et les blocs d'alimentation fournis par le fabricant du produit.

Les cordons d'alimentation doivent être conformes aux normes de sécurité. En Allemagne, ils doivent être de type H05VV-F, 3G, 0,75 mm² ou de section supérieure. Dans les autres pays, utilisez les types de câble appropriés.

N'enroulez jamais un cordon d'alimentation autour de l'adaptateur d'alimentation ou de tout autre objet. Une telle contrainte risque d'effiloche, de fissurer ou de plisser le cordon. Cela peut représenter un danger pour la sécurité.

Disposez les cordons d'alimentation de manière à ce qu'ils ne soient pas piétinés, ni coincés.

Évitez d'exposer le cordon et les adaptateurs d'alimentation à des liquides. Ainsi, ne laissez pas le cordon ou l'adaptateur d'alimentation à proximité d'éviers, de bassines, de toilettes ou sur des sols nettoyés avec des détergents liquides. Les liquides risquent de provoquer des court-circuits, surtout si le cordon ou l'adaptateur d'alimentation a été soumis à des contraintes résultant d'une mauvaise utilisation. Les liquides peuvent également entraîner une corrosion progressive des terminaisons du cordon d'alimentation ou des connecteurs susceptibles de provoquer une surchauffe.

Connectez toujours les cordons d'alimentation et les câbles d'interface dans le bon ordre et assurez-vous que tous leurs connecteurs sont bien enfoncés et fixés dans les prises.

N'utilisez pas d'adaptateur d'alimentation présentant des signes de corrosion sur les broches d'entrée secteur ou des signes de surchauffe (déformation du plastique, par exemple) sur l'entrée secteur ou à tout autre endroit du cordon d'alimentation.

N'utilisez pas de cordons d'alimentation sur lesquels les contacts électriques à l'une ou l'autre des extrémités présentent des signes de corrosion ou de surchauffe, ou qui semblent être endommagés.

Sélecteur de tension

Certains ordinateurs sont équipés d'un sélecteur de tension qui est situé à côté du point de connexion du cordon d'alimentation de l'ordinateur. Si votre ordinateur dispose d'un tel sélecteur, assurez-vous qu'il est configuré pour correspondre au voltage disponible à la sortie de la prise de courant. Une mauvaise configuration du sélecteur de tension peut occasionner des dommages irréversibles sur votre ordinateur.

Si votre ordinateur ne dispose pas d'un sélecteur de tension, il est conçu pour fonctionner uniquement selon le voltage fourni dans le pays ou la région où il a été acheté.

Si vous déplacez votre ordinateur dans un autre pays, tenez compte des remarques suivantes :

- Si votre ordinateur ne dispose pas d'un sélecteur de tension, ne le branchez pas à une prise de courant tant que vous n'avez pas vérifié que le voltage est le même que celui fourni dans le pays ou la région où l'ordinateur a été acheté.
- Si votre ordinateur dispose d'un sélecteur de tension, ne le branchez pas à une prise de courant tant que vous n'avez pas vérifié que le sélecteur est configuré pour correspondre au voltage fourni dans ce pays ou cette région.

Si vous n'êtes pas sûr du voltage à la sortie de vos prises de courant, contactez votre compagnie d'électricité ou reportez-vous aux sites web officiels ou à d'autres documentations pour les voyageurs.

Prolongateurs et dispositifs associés

Assurez-vous que les prolongateurs, les dispositifs de protection contre les surtensions, les blocs d'alimentation de secours et les multiprises que vous utilisez ont des caractéristiques de tension correspondant aux besoins électriques du produit. Ne surchargez jamais ces dispositifs. Si vous utilisez des multiprises, la charge ne doit pas dépasser la tension d'entrée.

Adressez-vous à un électricien pour plus de détails ou si vous avez des questions concernant les charges de courant, les besoins en alimentation et les tensions d'entrée.

Fiches et prises

Si une prise de courant destinée au matériel de votre ordinateur semble être endommagée ou corrodée, ne l'utilisez pas et attendez qu'elle soit remplacée par un électricien qualifié.

Ne tordez pas ou ne modifiez pas une fiche électrique. Si une fiche est endommagée, prenez contact avec le fabricant pour la remplacer.

Ne partagez pas une prise électrique avec d'autres appareils domestiques ou professionnels consommant une grande quantité d'électricité, car une tension instable risquerait d'endommager votre ordinateur, vos données ou les périphériques connectés.

Certains produits sont équipés d'une fiche à trois broches. Cette fiche s'adapte uniquement à une prise de courant mise à la terre. Il s'agit d'un dispositif de sécurité. Ne le désactivez pas en tentant d'insérer la fiche dans une prise non reliée à la terre. Si vous ne pouvez pas enfoncer la fiche dans la prise, demandez à un électricien de vous fournir un adaptateur de prise approuvé ou de remplacer la prise par une autre prise prenant en charge ce dispositif de sécurité. Ne surchargez jamais une prise de courant. La charge totale du système ne doit pas dépasser 80 pour cent de la tension du circuit de dérivation. Adressez-vous à un électricien pour plus de détails ou si vous avez des questions concernant les charges de courant et les tensions des circuits de dérivation.

Assurez-vous que la prise de courant utilisée est correctement câblée, facilement accessible et placée à proximité du matériel. Ne tendez pas complètement les cordons d'alimentation pour éviter toute contrainte.

Assurez-vous que la prise électrique délivre une tension et un courant adaptés au produit que vous installez.

Branchez et débranchez avec précaution le matériel de la prise de courant.

Périphériques externes

Ne branchez ou ne débranchez pas de câbles de périphérique externe autres que des câbles USB et 1394 quand l'ordinateur est sous tension, car vous risqueriez de l'endommager. Afin d'éviter d'endommager les périphériques connectés, patientez au moins cinq secondes après la mise hors tension de l'ordinateur pour déconnecter les périphériques externes.

Piles et batteries

Tous les PC Lenovo contiennent une pile format bouton non rechargeable destinée à alimenter l'horloge système. En outre, de nombreux produits mobiles, tels que les ordinateurs portables, utilisent un bloc de piles rechargeables qui fournissent du courant au système en mode portable. La compatibilité des piles fournies par Lenovo en vue d'être utilisées avec votre produit a été testée. Ces piles doivent être uniquement remplacées par des composants agréés.

Ne tentez jamais d'ouvrir ou de réparer une pile ou une batterie. Ne broyez pas, ne percez pas et n'incinerez pas les piles ou les batteries et ne provoquez pas de court-circuit sur les contacts en métal. N'exposez pas la pile ou la batterie à l'eau ou à tout autre liquide. Rechargez uniquement le bloc de piles en vous conformant strictement aux instructions fournies dans la documentation du produit.

Un mauvais traitement ou une mauvaise utilisation risque d'entraîner une surchauffe de la pile pouvant se traduire par une émission de gaz ou de flammes de la part du bloc de piles ou de la pile cellulaire. Si votre pile ou batterie est endommagée ou que vous remarquez des décharges en provenance de celle-ci ou l'accumulation de substances étrangères sur ses composants en plomb, arrêtez de l'utiliser et procurez-vous une pile ou une batterie de rechange auprès du fabricant.

Les piles ou les batteries peuvent se dégrader lorsqu'elles restent inutilisées pendant un long moment. Dans le cas de certaines piles et batteries rechargeables (en particulier celles au lithium-ion), le fait de laisser une pile ou une batterie déchargée peut augmenter les risques de court-circuits susceptibles de diminuer leur durée de vie et de présenter un danger pour la sécurité. Ne laissez pas des piles ou batteries au lithium-ion rechargeables se décharger complètement et ne les rangez pas déchargées.

Chaleur et ventilation des produits

Les ordinateurs, les boîtiers d'alimentation et de nombreux accessoires dégagent de la chaleur lorsqu'ils sont sous tension et que les piles sont en charge. Respectez toujours ces précautions de base :

- Ne laissez pas l'ordinateur, le boîtier d'alimentation ou les accessoires en contact prolongé avec vos genoux ou avec une partie quelconque de votre corps lorsque ces produits sont en fonctionnement ou que la batterie est en cours de chargement. L'ordinateur, le bloc d'alimentation et de nombreux accessoires dégagent de la chaleur lorsqu'ils fonctionnent. Un contact prolongé avec votre peau peut provoquer des lésions, voire des brûlures.
- Ne mettez pas la pile en charge et ne mettez pas sous tension l'ordinateur, le bloc d'alimentation ou les accessoires à proximité de matériaux inflammables ou dans un environnement présentant des risques d'explosion.

- Votre produit est équipé d'ouvertures de ventilation, de ventilateurs et de dissipateurs thermiques à des fins de sécurité, de confort et de fiabilité de fonctionnement. Vous risquez de bloquer ces dispositifs par inadvertance si vous placez le produit sur un lit, un canapé, un tapis ou toute autre surface souple. Vous ne devez jamais bloquer, couvrir ou désactiver ces dispositifs.

Vous devez inspecter votre ordinateur au moins une fois par trimestre pour vérifier que de la poussière ne s'est pas accumulée. Avant de procéder à cette opération, mettez l'ordinateur hors tension et débranchez-le. Vous pouvez ensuite retirer la poussière qui se trouve dans les ventilateurs ou les trous du panneau frontal. Si vous remarquez que de la poussière s'est accumulée à l'extérieur, vous devez également examiner et retirer la poussière se trouvant à l'intérieur de l'ordinateur, notamment dans les ventilateurs (du dissipateur thermique, du bloc d'alimentation et de l'ordinateur). Avant de retirer le carter, mettez toujours l'ordinateur hors tension et débranchez-le. Il est recommandé d'éviter d'utiliser l'ordinateur à moins de 50 centimètres d'un lieu de passage important. Si vous ne pouvez pas faire autrement, inspectez et nettoyez l'ordinateur plus souvent.

Respectez toujours les précautions suivantes pour assurer votre sécurité et des performances optimales de votre ordinateur :

- Lorsque l'ordinateur est branché, ne retirez jamais le carter.
- Vérifiez régulièrement l'extérieur de l'ordinateur pour rechercher les éventuelles accumulations de poussière.
- Retirez la poussière qui se trouve dans les ventilateurs ou les trous du panneau frontal. Si vous travaillez dans un environnement poussiéreux ou près d'un lieu de passage important, nettoyez plus souvent votre ordinateur.
- Ne réduisez pas et ne bloquez pas les ouvertures de ventilation.
- Afin d'éviter tout risque de surchauffe, n'installez et n'utilisez pas l'ordinateur dans un meuble.
- La température de l'air circulant dans l'ordinateur ne doit pas dépasser 35 °C.
- N'utilisez pas de dispositifs de filtration de l'air non destinés à un ordinateur.

Environnement d'exploitation

L'environnement optimal dans lequel utiliser votre ordinateur est une température comprise entre 10 °C et 35 °C et un taux d'humidité compris entre 35 % et 80 %. Si votre ordinateur a été stocké ou transporté à des températures inférieures à 10 °C, laissez-le reprendre progressivement la température optimale de 10 °C à 35 °C avant de l'utiliser. Cela peut durer deux heures dans des conditions extrêmes. Si vous ne laissez pas votre ordinateur reprendre une température de fonctionnement optimale avant de l'utiliser, vous risquez de provoquer des dommages irréparables.

Si possible, placez votre ordinateur dans un endroit correctement ventilé et sec et évitez de l'exposer directement au soleil.

Tenez les appareils électriques tels que les ventilateurs, radios, haut-parleurs, climatiseurs et fours micro-ondes à l'écart de votre ordinateur, car les puissants champs magnétiques qu'ils génèrent risqueraient d'endommager l'écran et les données stockées sur l'unité de disque dur.

Ne posez pas de boissons sur ou à côté de l'ordinateur ou d'autres périphériques connectés. Le renversement de liquides sur ou dans l'ordinateur ou un périphérique connecté risquerait de provoquer un court-circuit ou d'autres dommages.

Ne mangez pas ou ne fumez pas au-dessus de votre clavier. Les chutes de particules dans votre clavier risqueraient de provoquer des dommages.

Informations relatives à la sécurité du courant électrique

Danger

Le courant électrique provenant de l'alimentation, du téléphone et des câbles de transmission peut présenter un danger.

Pour éviter tout risque de choc électrique :

- Afin d'éviter les risques de surtension, évitez d'utiliser votre ordinateur pendant un orage.
- Ne manipulez aucun câble et n'effectuez aucune opération d'installation, d'entretien ou de reconfiguration de ce produit au cours d'un orage.
- Branchez tous les cordons d'alimentation sur un socle de prise de courant correctement câblé et mis à la terre.
- Branchez sur des socles de prise de courant correctement câblés tout équipement connecté à ce produit.
- Lorsque cela est possible, n'utilisez qu'une seule main pour connecter ou déconnecter les câbles d'interface.
- Ne mettez jamais un équipement sous tension en cas d'incendie ou d'inondation, ou en présence de dommages matériels.
- Avant de retirer les carters de l'unité, mettez celle-ci hors tension et déconnectez ses cordons d'alimentation, ainsi que les câbles qui la relient aux réseaux, aux systèmes de télécommunication et aux modems (sauf instruction contraire mentionnée dans les procédures d'installation et de configuration).

- Lorsque vous installez, que vous déplacez, ou que vous manipulez le présent produit ou des périphériques qui lui sont raccordés, reportez-vous aux instructions ci-dessous pour connecter et déconnecter les différents cordons.

<p>Connexion :</p> <ol style="list-style-type: none"> 1. Mettez les unités hors tension. 2. Commencez par brancher tous les cordons sur les unités. 3. Branchez les câbles d'interface sur des connecteurs. 4. Branchez les cordons d'alimentation sur des prises. 5. Mettez les unités sous tension. 	<p>Déconnexion :</p> <ol style="list-style-type: none"> 1. Mettez les unités hors tension. 2. Débranchez les cordons d'alimentation des prises. 3. Débranchez les câbles d'interface des connecteurs. 4. Débranchez tous les câbles des unités.
---	--

Pile au lithium

Attention
Danger d'explosion en cas de remplacement incorrect de la pile.

Remplacer la pile cellulaire au lithium usagée par une pile de référence identique exclusivement ou suivre les instructions du fabricant qui en définit les équivalences. La pile contient du lithium et peut exploser en cas de mauvaise utilisation, de mauvaise manipulation ou de mise au rebut inappropriée.

Ne pas :

- la jeter à l'eau,
- l'exposer à une température supérieure à 100 °C,
- chercher à la réparer ou à la démonter.

Ne pas mettre la pile à la poubelle. Pour la mise au rebut, se reporter à la réglementation en vigueur.

Les déclarations qui suivent s'appliquent aux utilisateurs de l'état de Californie, aux États-Unis.

Produits à base de perchlorate : des consignes de manipulation spéciales peuvent s'appliquer. Voir : www.dtsc.ca.gov/hazardouswaste/perchlorate.

Informations relatives au modem

Attention

Pour réduire le risque d'incendie, utiliser seulement la référence 26 AWG ou un câble avec des caractéristiques supérieures.

Lors de l'utilisation de votre matériel téléphonique, il est important de respecter les consignes ci-après afin de réduire les risques d'incendie, d'électrocution et d'autres blessures :

- N'installez jamais de cordons téléphoniques durant un orage.
- Les prises téléphoniques ne doivent pas être installées dans des endroits humides, excepté si le modèle a été conçu à cet effet.
- Ne touchez jamais un cordon téléphonique ou un terminal non isolé avant que la ligne ait été déconnectée du réseau téléphonique.
- Soyez toujours prudent lorsque vous procédez à l'installation ou à la modification de lignes téléphoniques.
- Si vous devez téléphoner pendant un orage, pour éviter tout risque de choc électrique, utilisez toujours un téléphone sans fil.
- En cas de fuite de gaz, n'utilisez jamais un téléphone situé à proximité de la fuite.

Conformité aux normes relatives aux appareils à laser

Certains modèles d'ordinateurs personnels sont équipés en usine d'une unité de CD ou de DVD. Ces unités sont également vendues séparément en tant qu'options. L'unité de CD/DVD est un appareil à laser. Aux Etats-Unis, l'unité de CD-ROM/DVD-ROM est certifiée conforme aux normes indiquées dans le sous-chapitre J du DHHS 21 CFR relatif aux produits à laser de classe 1. Dans les autres pays, elles sont certifiées être des produits à laser de classe 1 conformes aux normes IEC 60825-1 et CENELEC EN 60 825-1.

Lorsqu'une unité de CD ou de DVD est installée, tenez compte des remarques suivantes.

Attention

Pour éviter tout risque d'exposition au rayon laser, respectez les consignes de réglage et d'utilisation des commandes, ainsi que les procédures décrites dans le présent manuel.

Ne retirez pas le carter de l'unité. En ouvrant l'unité de CD ou de DVD, vous vous exposez au rayonnement dangereux du laser. Aucune pièce de l'unité n'est réparable.

Certaines unités de CD ou de DVD peuvent contenir une diode à laser de classe 3A ou 3B. Prenez connaissance des informations suivantes.

Danger

Rayonnement laser lorsque le carter est ouvert. Évitez toute exposition directe au rayon laser. Évitez de regarder fixement le faisceau ou de l'observer à l'aide d'instruments optiques.

Instruction concernant le bloc d'alimentation

Ne retirez jamais le carter d'un bloc d'alimentation ni toute autre partie portant l'étiquette ci-dessous.



Les composants portant cette étiquette présentent un danger électrique. Aucune pièce de ces composants n'est réparable. Si vous pensez qu'ils peuvent être à l'origine d'un incident, contactez un technicien de maintenance.

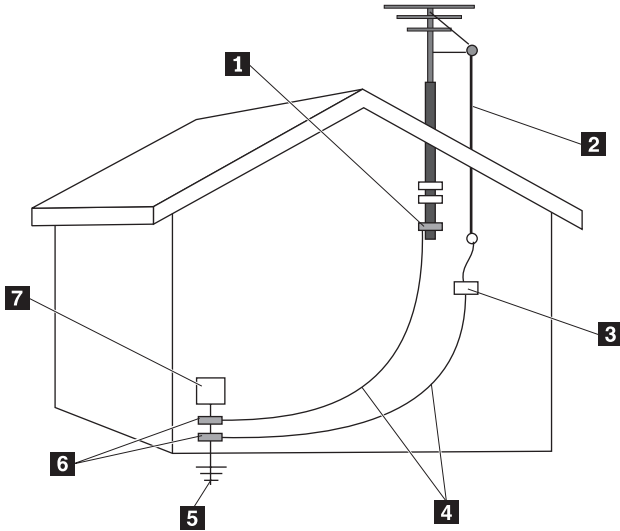
Produits disposant de syntoniseurs TV

Les consignes ci-dessous concernent les produits, installés en Amérique du Nord, intégrant des syntoniseurs TV connectés à des antennes externes et/ou à des réseaux câblés/CATV. Les utilisateurs et les installateurs des autres pays doivent suivre les recommandations et réglementations en vigueur lors de l'installation d'appareils qui se connectent à des antennes externes et à des réseaux câblés/CATV. Si les réglementations en vigueur ne sont pas applicables, les utilisateurs/installateurs doivent suivre des procédures similaires à celles qui suivent.

Remarque à l'intention des installateurs de systèmes CATV

Les installateurs de systèmes CATV doivent consulter l'Article 820-40 des directives NEC (National Electrical Code) qui fournit des instructions pour une bonne mise à la terre et précise notamment que le câble de mise à la terre doit être connecté au système de mise à la terre du bâtiment, aussi près que possible du point d'entrée du câble.

Exemple de mise à la terre d'une antenne



- | | | | |
|----------|---|----------|--|
| 1 | Bride de mise à la terre | 5 | Système conducteur de terre pour la distribution d'alimentation (Article 250, Partie H des directives NEC) |
| 2 | Câble de descente d'antenne | 6 | Brides de mise à la terre |
| 3 | Unité de décharge d'antenne (Section 810-20 des directives NEC) | 7 | Equipement électronique |
| 4 | Fils électriques de mise à la terre (Section 810-21 des directives NEC) | | |

Figure 1. Schéma de mise à la terre correcte du câble

Les informations qui suivent s'appliquent à tous les pays et régions :

Danger



Mise à la terre d'une antenne extérieure

Si une antenne extérieure ou un réseau câblé est connecté à l'équipement, vérifiez que l'antenne ou le réseau câblé est mis à la terre de manière à assurer une protection contre les surtensions et les accumulations de charges électrostatiques.

Foudre Pour renforcer la protection de l'équipement en cas d'orage ou lorsque l'équipement est laissé sans surveillance et n'est pas utilisé pendant de longues périodes, débranchez-le de sa prise murale et débranchez l'antenne ou le réseau câblé. Ceci protégera l'appareil vidéo de tout risque de dommages liés à la foudre et à des surtensions sur la ligne d'alimentation.

Lignes d'alimentation

Vous ne devez pas installer un système d'antenne extérieure à proximité de lignes électriques aériennes ou à un endroit d'où le système risque de tomber sur de telles lignes ou circuits. Lorsque vous installez une antenne extérieure, faites très attention à ne pas toucher ce type de lignes électriques ou de circuits, car tout contact pourrait vous être fatal.

Sécurité des données

Ne supprimez pas des fichiers inconnus ou ne changez pas le nom des fichiers ou répertoires que vous n'avez pas créé, car votre ordinateur ou vos logiciels risqueraient de ne plus fonctionner.

Sachez que l'accès aux ressources réseau peut exposer votre ordinateur à des virus informatiques, des pirates, des logiciels espions et d'autres activités malveillantes risquant d'endommager votre système, vos logiciels ou vos données. Il vous incombe de prendre les mesures de protection adéquates en déployant des pare-feu, des logiciels antivirus et des logiciels de protection contre les logiciels espions, et de tenir ces logiciels à jour.

Entretien et maintenance

Nettoyez régulièrement votre ordinateur et votre espace de travail. Éteignez votre ordinateur, puis débranchez le cordon d'alimentation avant de le nettoyer. Ne vaporisez pas de détergent directement sur l'ordinateur et n'utilisez pas de détergent contenant des produits inflammables pour le nettoyer. Vaporisez le détergent sur un chiffon doux et essuyez les surfaces de l'ordinateur.

Utilisation de casques et d'écouteurs

Si votre ordinateur est équipé à la fois d'un connecteur pour casque et d'un connecteur de sortie audio, utilisez toujours le connecteur pour casque pour les casques (également appelés micro-casques) ou les écouteurs.

Une pression sonore excessive dans les casques ou les oreillettes peut entraîner une perte de l'audition. En réglant le volume au maximum augmente la tension de sortie dans le casque ou l'oreillette et donc le niveau de pression sonore.

L'utilisation prolongée d'un casque ou d'écouteurs à un volume élevé peut se révéler nocif si la sortie du casque ou des écouteurs n'est pas conforme aux spécifications de la norme NF EN 50332-2. Le connecteur de sortie casque de votre ordinateur est conforme au sous-alinéa 7 de la norme NF EN 50332-2. Ces spécifications limitent le voltage maximal de sortie efficace de la bande large de l'ordinateur à 150 mV. Pour vous protéger contre toute perte auditive, assurez-vous que les casques ou les écouteurs que vous utilisez sont également conformes aux spécifications de la norme NF EN 50332-2 (limites énoncées à la clause 7) concernant le voltage de bande large de 75 mV. Toute utilisation de casques non conformes aux spécifications de la norme NF EN 50332-2 peut se révéler dangereuse en raison des niveaux excessifs de pression acoustique.

Si votre ordinateur Lenovo est livré avec un casque ou des écouteurs, l'association de ces dispositifs à l'ordinateur respecte les spécifications de la norme NF EN 50332-1. Si vous utilisez d'autres casques ou écouteurs, assurez-vous qu'ils sont conformes aux spécifications de la norme NF EN 50332-1 (valeurs limites énoncées à la clause 6.5). Toute utilisation de casques non conformes aux spécifications de la norme NF EN 50332-1 peut se révéler dangereuse en raison des niveaux excessifs de pression acoustique.

Autres consignes de sécurité

Les sacs en plastique peuvent être dangereux. Tenez-les à l'écart des bébés et des enfants afin d'éviter tout risque de suffocation.

Consignes de sécurité supplémentaires pour les types de machine 6427, 6493

Les ordinateurs ThinkStation de type 6427, 6493 doivent être soulevés ou transportés par deux personnes.

Chapitre 2. Sources d'informations

Après avoir configuré votre ordinateur à l'aide du livret d'installation fourni, vous pouvez utiliser les informations de ce chapitre pour accéder aux ressources utiles liées à vos besoins informatiques.

Dossier Online Books

Ce dossier contient des publications destinées à vous aider lors de la configuration et de l'utilisation de votre ordinateur. Il est préinstallé sur votre ordinateur et aucun accès Internet n'est requis pour l'affichage des publications. Les documents suivants sont disponibles dans le dossier Online Books :

- *ThinkStation - Guide d'utilisation*

Cette publication contient des informations sur la configuration de l'ordinateur, l'installation des options, la restauration des logiciels, l'emploi de l'utilitaire de configuration, la mise à jour des programmes système et la résolution des incidents.

- *ThinkStation - Guide d'installation et de remplacement d'options matérielles*

Ce document fournit des instructions détaillées pour le remplacement des unités remplaçables par le client (CRU) sur votre ordinateur. Les CRU sont des composant qui peuvent être mis à niveau ou remplacés par le client.

- *Publication des offres de logiciels IBM Lotus*

Pour afficher une publication, ouvrez le menu **Démarrer** à partir du bureau Windows, sélectionnez **Tous les programmes**, puis **Online Books** et cliquez sur **Online Books**. Cliquez deux fois sur la publication correspondant à votre ordinateur. Ces publications sont également disponibles sur le site Web Lenovo à l'adresse <http://www.lenovo.com>.

Remarques :

1. Ces publications étant au format PDF, elles nécessitent l'installation d'Adobe Acrobat Reader. Si ce programme n'est pas installé sur votre ordinateur, un message s'affiche lorsque vous tenter de visualiser le fichier PDF et des instructions s'affichent pour vous permettre de l'installer.
2. Les publications préinstallées sur votre ordinateur sont disponibles dans d'autres langues sur le site Web de support de Lenovo à l'adresse : <http://www.lenovo.com/support/>.
3. Si vous souhaitez installer une version d'Adobe Acrobat Reader dans une autre langue que celle de la version fournie, accédez au site Web d'Adobe à l'adresse <http://www.adobe.com> pour télécharger la version souhaitée.

ThinkVantage Productivity Center

Le programme ThinkVantage Productivity Center vous guide vers un hôte de sources d'informations et d'outils conçus pour simplifier et sécuriser le traitement informatique tout en réduisant les coûts et en augmentant la productivité. Le programme ThinkVantage Productivity Center vous aide à installer et comprendre votre ordinateur ainsi qu'à y apporter des améliorations.

Le programme ThinkVantage Productivity Center fournit des informations sur votre ordinateur ainsi qu'un accès simplifié à de nombreuses technologies telles que :

- Rescue and Recovery ;
- Productivity Center ;
- Client Security Solutions ;
- Factory Recovery ;
- System Update ;
- assistance technique.

Remarque : Les technologies ThinkVantage sont uniquement disponibles sur certains ordinateurs Lenovo.

Pour accéder au programme ThinkVantage Productivity Center, à partir du bureau Windows, ouvrez le menu **Démarrer**, sélectionnez **Tous les programmes**, sélectionnez **ThinkVantage** puis cliquez sur **Productivity Center**.

Access Help

Le système d'aide en ligne Access Help fournit des informations sur la mise en route, l'exécution des tâches de base, la personnalisation des paramètres, la protection des données, l'extension et les mises à niveau et la résolution des incidents.

Pour ouvrir Access Help, à partir du bureau Windows, ouvrez le menu **Démarrer**, sélectionnez **Tous les programmes**, sélectionnez **ThinkVantage** puis cliquez sur **Productivity Center**. Dans Access Help, effectuez une sélection dans l'onglet Table des matières ou Index du panneau de gauche, ou faites une recherche sur un terme particulier ou une expression dans l'onglet Recherche.

www.lenovo.com

Le site Web de Lenovo (www.lenovo.com) contient un grand nombre d'informations et de services concernant l'achat, la mise à niveau et la maintenance de votre ordinateur. Vous y trouverez les informations les plus récentes concernant votre ordinateur. Le site www.lenovo.com vous permet également :

- d'acheter des ordinateurs portables et de bureau, des écrans, des projecteurs, des mises à niveau et des accessoires pour votre ordinateur, ainsi que de bénéficier d'offres spéciales ;
- d'acquérir des services supplémentaires, tels que le support pour le matériel, les systèmes d'exploitation, les programmes d'application, la configuration du réseau et les installations personnalisées ;
- d'acheter des mises à niveau et des services de réparation du matériel étendus ;
- de télécharger les mises à jour logicielles et les pilotes de périphérique les plus récents pour votre modèle d'ordinateur ;
- d'accéder aux manuels en ligne relatifs à vos produits ;
- d'accéder à la Déclaration de Garantie Lenovo ;
- d'accéder aux informations du support et de résolution des incidents relatives à votre ordinateur ainsi qu'à d'autres produits pris en charge ;
- de rechercher le numéro de téléphone du support et de la maintenance pour votre pays ou votre région ;
- de trouver un fournisseur de services situé à proximité.

Tableau d'informations

Il peut être utile de noter les informations relatives à votre ordinateur, dans l'éventualité d'une opération de maintenance. Le technicien du support vous demandera probablement ces renseignements.

Le type, le modèle et le numéro de série de la machine sont indiqués sur l'ordinateur. Le formulaire ci-dessous vous permet de noter ces informations :

Nom du produit	_____
Type et modèle de machine	_____
Numéro de série	_____
Date d'acquisition	_____

Enregistrez votre ordinateur sur le site Web suivant :

<http://www.lenovo.com/register>

Vous pourrez alors bénéficier des avantages suivants :

- Un service plus rapide lorsque vous téléphonerez pour obtenir de l'aide
- L'envoi automatique de logiciels gratuits et d'offres promotionnelles

Pour plus d'informations sur l'enregistrement de votre ordinateur, consultez le système d'aide en ligne Access Help. Pour savoir comment accéder à l'aide, voir «Access Help», à la page 80.

Chapitre 3. Déclaration de Garantie Lenovo

La présente Déclaration de Garantie Lenovo s'applique uniquement au matériel Lenovo acheté en vue d'un usage personnel et non à des fins de revente.

Etendue de cette garantie

Lenovo garantit que chaque produit matériel est exempt de défaut matériel ou de fabrication dans des conditions normales d'utilisation au cours de la période de garantie. La période de garantie du produit commence à la date d'achat initiale indiquée sur la facture, sauf indication contraire par écrit de Lenovo. La période de garantie et le type de garantie s'appliquant à votre produit sont désignés ci-dessous sous la section intitulée **Informations relatives à la Garantie**"

CETTE GARANTIE EST LA SEULE GARANTIE DONT BENEFICIE LE CLIENT. ELLE REMPLACE TOUTES AUTRES GARANTIES OU CONDITIONS, EXPLICITES OU IMPLICITES, Y COMPRIS, ET DE FAÇON NON LIMITATIVE, TOUTE GARANTIE OU CONDITION IMPLICITE D'APTITUDE A L'EXECUTION D'UN TRAVAIL DONNE. CERTAINS ETATS OU LEGISLATIONS N'AUTORISENT PAS L'EXCLUSION DES GARANTIES EXPLICITES OU IMPLICITES, AUQUEL CAS, L'EXCLUSION CI-DESSUS NE VOUS SERA PAS APPLICABLE DANS CE CAS, CES GARANTIES S'APPLIQUENT UNIQUEMENT DANS LES DOMAINES PREVUS PAR LA LOI ET SONT LIMITEES DANS LE TEMPS A LA PERIODE DE GARANTIE. PASSEE CETTE PERIODE, AUCUNE GARANTIE NE S'APPLIQUERA. CERTAINS ETATS OU LEGISLATIONS N'AUTORISENT PAS LES LIMITATIONS DE DUREE DES GARANTIES IMPLICITES, AUQUEL CAS, L'EXCLUSION OU LA LIMITATION CI-DESSUS NE VOUS SERA PAS APPLICABLE.

Procédure d'obtention du service prévu par la Garantie

Si le produit ne fonctionne pas, tel que le prévoit la garantie, pendant la période de garantie, prenez contact avec Lenovo ou un fournisseur de service agréé afin de bénéficier du service prévu par la Garantie. Chacun de ces intervenants est appelé "Fournisseur de Services." Une liste des fournisseurs de services, ainsi que leur numéro de téléphone, est disponible à l'adresse Internet www.lenovo.com/support/phone.

Le service prévu par la Garantie n'est pas disponible dans tous les pays et il peut varier d'un pays à l'autre. Des frais s'appliquent lorsque le service n'est pas du ressort habituel de votre fournisseur de services. Pour obtenir des informations spécifiques selon le pays, contactez un fournisseur de services local.

Résolution d'incidents par le fournisseur de services

Lorsque vous prenez contact avec un fournisseur de services, vous devez suivre les procédures de détermination et de résolution d'incident spécifiées.

Le fournisseur de services s'efforce systématiquement d'établir un diagnostic et de résoudre les incidents par téléphone ou par le biais de l'assistance à distance. Il peut vous demander de télécharger et d'installer des mises à jour de logiciel désignées.

Certains incidents peuvent être résolus en installant soi-même un composant de rechange (clavier, souris, haut-parleur, mémoire, unité de disque dur ou réplicateur de port) appelée "Unité remplaçable par l'utilisateur" ou "unité CRU." Dans ce cas, le fournisseur de services vous envoie l'unité CRU que vous devrez installer.

Si l'incident ne peut être résolu ni par téléphone ni à distance par l'application de mises à jour de logiciel ou l'installation d'une unité CRU, le fournisseur de services organisera le service prévu par la garantie désignée pour le produit sous la section intitulée "**Informations relatives à la Garantie.**"

Si le fournisseur de services se déclare incapable de réparer le produit, il le remplacera par un autre doté de fonctionnalités au moins équivalentes.

Si le fournisseur de services se déclare incapable de réparer ou de remplacer le produit, la seule solution consiste à retourner ce dernier au lieu d'achat ou à Lenovo pour remboursement.

Echange d'un produit ou d'un composant

Lorsque le service prévu par la Garantie implique le remplacement d'un produit ou d'un composant, l'élément remplacé par votre Fournisseur de Services devient la propriété de Lenovo et l'élément de remplacement votre propriété. Tous les éléments démontés doivent être authentiques et non modifiés. L'élément de remplacement peut ne pas être neuf mais doit être en bon état de fonctionnement et remplir au moins la même fonction que l'élément remplacé. Il bénéficiera du service prévu par la Garantie de l'élément remplacé.

Avant que le fournisseur de services ne remplace un produit ou un composant, vous vous engagez à :

1. retirer tous les dispositifs et tous les composants, options, modifications et adjonctions, qui ne sont pas couverts par la garantie ;
2. vérifier que le produit n'est soumis à aucune disposition et restriction légales qui en empêche le remplacement ;
3. obtenir du propriétaire une autorisation permettant à votre fournisseur de services d'intervenir sur un produit dont vous n'êtes pas propriétaire.

Vos autres obligations

Le cas échéant, avant l'intervention :

1. suivre les procédures de demande de service spécifiées par votre fournisseur de services ;
2. sauvegarder ou sécuriser tous les logiciels et données contenus dans le produit ;
3. fournir à votre fournisseur de services tous les mots de passe ou clés système, ainsi qu'un accès suffisant, libre et sûr à vos installations afin d'autoriser la mise en oeuvre du service prévu par la Garantie ;
4. s'assurer que toutes les informations relatives aux personnes identifiées ou identifiables ("Données personnelles") sont supprimées du produit ou que le fait d'en conserver certaines est conforme à toutes les lois applicables.

Utilisation des informations personnelles

Si vous bénéficiez du service prévu par cette Garantie, Lenovo stocke, utilise et traite les informations concernant vos garanties et vos contacts, telles que le nom, le numéro de téléphone, l'adresse postale et l'adresse électronique. Lenovo utilisera ces informations pour fournir le service prévu par cette garantie et améliorer ses relations avec le client en effectuant des vérifications internes sur l'efficacité du service offert à ce dernier. Nous pouvons mener une enquête de satisfaction auprès de vous concernant le service prévu par la garantie ou vous informer des rappels de produits ou des dangers potentiels. Lors de l'exécution de ces opérations, nous pouvons transférer vos informations dans tout pays dans lequel nous sommes représentés et les fournir aux entités mandatées pour agir en notre nom. Nous pouvons également les divulguer si la loi l'exige ou si nous disposons des droits nécessaires pour le faire.

Limitation de cette Garantie

Cette garantie ne couvre pas :

- le fonctionnement ininterrompu ou sans erreur d'un produit ;
- la perte ou la détérioration des données ;
- les logiciels, qu'ils soient fournis avec le produit ou installés ultérieurement ;
- une défaillance ou détérioration découlant d'une utilisation incorrecte, d'un accident, d'une modification, d'une exploitation dans un environnement physique ou opérationnel inadapté, d'une catastrophe naturelle, d'une surtension ou d'une maintenance inappropriée par vous-même ;
- tout produit tiers, y compris les produits que Lenovo peut se procurer et fournir avec ou intégrer à un produit Lenovo à votre demande ;
- tout support technique ou support d'une autre nature, telle que l'assistance de type aide à l'utilisation ou celle concernant la configuration et l'installation du produit.

Tout retrait, toute altération des étiquettes servant à l'identification du produit ou des composants entraîne l'annulation de cette garantie.

Limitation de responsabilité

Lenovo est responsable des dommages subis par votre produit ou de la perte de celui-ci uniquement lorsqu'il se trouve 1) en la possession de votre fournisseur de services, ou 2) en transit au cas où le fournisseur de services prendrait en charge les frais de transport.

Ni Lenovo, ni votre Fournisseur de Services ne peut être tenu pour responsable des informations confidentielles, propriétaire ou personnelles contenues dans un produit. Toutes ces informations doivent être supprimées et/ou sauvegardées avant que le produit ne soit retourné ou transmis au service de maintenance.

Des circonstances peuvent survenir où, en raison d'une défaillance du fait de Lenovo ou de toute autre responsabilité, vous avez droit à recouvrer des dommages de Lenovo. Quels que soient la nature, le fondement et les modalités de l'action engagée contre Lenovo (y compris rupture fondamentale, négligence, déclaration inexacte ou toute autre base contractuelle ou délictuelle), sauf responsabilités qui ne peuvent être supprimées ou limitées par la loi, Lenovo ne sera responsable qu'à concurrence des dommages directs réels, à hauteur de la somme payée pour acquérir le produit. Cette limite ne s'applique pas aux dommages corporels (incluant le décès) et aux dommages aux biens matériels, mobiliers et immobiliers pour lesquels Lenovo est légalement responsable.

Cette limitation de responsabilité s'applique également aux fournisseurs et revendeurs de Lenovo et à votre Fournisseur de Services. C'est le maximum pour lequel Lenovo, ses fournisseurs, ses revendeurs et votre Fournisseur de Services sont collectivement responsables.

LENOVO, SES FOURNISSEURS, SES REVENDEURS ET LES FOURNISSEURS DE SERVICES NE PEUVENT EN AUCUN CAS ETRE TENUS RESPONSABLES DES DOMMAGES SUIVANTS, ET CE, MEME S'ILS ONT ETE INFORMES DE LEUR POSSIBLE SURVENANCE : 1) TOUTE RECLAMATION OU ACTION DIRIGEE CONTRE VOUS PAR UN TIERS AU TITRE DE PERTES OU DE DOMMAGES ENCOURUS ; 2) PERTE OU DETERIORATION DE DONNEES ; OU 3) DOMMAGES INDIRECTS OU SPECIAUX OU PREJUDICE ECONOMIQUE INDIRECT COMPRENANT LA PERTE DE BENEFICES, DE CHIFFRE D'AFFAIRES, DE CLIENTELE OU D'ECONOMIES ESCOMPTEES. CERTAINS ETATS OU LEGISLATIONS N'AUTORISENT PAS LA LIMITATION OU L'EXCLUSION DE PREJUDICES ACCESSOIRES OU INDIRECTS, AUQUEL CAS L'EXCLUSION OU LA LIMITATION QUI PRECEDE NE VOUS SERA PAS APPLICABLE.

Règlement des différends

Si vous avez acquis le produit **au Cambodge, en Indonésie, aux Philippines, au Vietnam ou au Sri Lanka**, les différends directement ou indirectement liés à la présente Garantie feront l'objet d'un arbitrage définitif à Singapour et cette Garantie sera régie, interprétée et appliquée conformément aux lois en vigueur à Singapour sans tenir compte des conflits de lois. Si vous avez acquis le produit en **Inde**, les différends directement ou indirectement liés à la présente Garantie feront l'objet d'un arbitrage définitif à Bangalore (Inde). L'arbitrage à Singapour s'effectuera selon les règles d'arbitrage du Centre d'Arbitrage International de Singapour ("Règles SIAC") en vigueur à ce moment-là. L'arbitrage en Inde s'effectuera conformément aux lois en vigueur en Inde. La sentence arbitrale sera définitive et liera les parties, sans possibilité d'appel. Elle sera sous forme écrite, et énoncera les faits et les conclusions de la loi. La totalité des débats d'arbitrage, ainsi que tous les documents présentés dans le cadre de ceux-ci, seront en langue anglaise et la version anglaise de la présente Garantie prévaut sur toute autre version dans une autre langue.

Autres droits

CETTE GARANTIE VOUS CONFERE DES DROITS SPECIFIQUES, ET IL EST POSSIBLE QUE VOUS DETENIEZ D'AUTRES DROITS, DONT LA NATURE VARIE SELON LA LEGISLATION QUI VOUS EST APPLICABLE. IL EST POSSIBLE QUE VOUS DETENIEZ D'AUTRES DROITS CONFORMEMENT A LA LOI EN VIGUEUR OU A UN ACCORD ECRIT AVEC LENOVO. LA PRESENTE DECLARATION DE GARANTIE NE PORTE ATTEINTE A AUCUNE DES DISPOSITIONS D'ORDRE PUBLIC RELATIVES AUX DROITS DES CONSOMMATEURS, Y COMPRIS CEUX QUI SONT LIES A LA LOI NATIONALE EN VIGUEUR REGISSANT LA VENTE DE BIENS DE CONSOMMATION.

Espace économique européen (EEA)

Les clients qui se trouvent dans l'espace économique européen peuvent contacter Lenovo à l'adresse suivante : Lenovo Warranty & Service Quality Dept., PO Box 19547, Inverkip Road, Greenock, Scotland PA16 9WX. Le service prévu par la présente Garantie concernant les produits matériels Lenovo achetés dans les pays appartenant à l'espace économique européen est disponible dans tout pays de cette zone dans lequel le produit a été annoncé et commercialisé par Lenovo.

La présente Garantie Lenovo est disponible dans d'autres langues à l'adresse www.lenovo.com/warranty.

Informations relatives à la Garantie

Type de machine	Pays ou Région d'acquisition	Période de garantie	Type de service prévu par la garantie
6423	Etats-Unis, Canada, Amérique latine, Brésil, Europe, Moyen Orient, Afrique, Australie, Nouvelle-Zélande, Singapour, Inde, Malaisie, Thaïlande, Indonésie, Philippines, Vietnam, Brunei, Sri Lanka, Bangladesh, Corée, République populaire de Chine, Hong Kong (R.A.S), Taïwan	Pièces et main-d'oeuvre - 3 ans	1 et 2
	Japon	Pièces et main-d'oeuvre - 1 an	1 et 3
6427	Etats-Unis, Canada, Amérique latine, Brésil, Europe, Moyen Orient, Afrique, Australie, Nouvelle-Zélande, Singapour, Inde, Malaisie, Thaïlande, Indonésie, Philippines, Vietnam, Brunei, Sri Lanka, Bangladesh, Corée, République populaire de Chine, Hong Kong (R.A.S), Taïwan	Pièces et main-d'oeuvre - 3 ans	1 et 2
	Japon	Pièces et main-d'oeuvre - 1 an	1 et 3
6483	Etats-Unis, Canada, Amérique latine, Brésil, Europe, Moyen Orient, Afrique, Australie, Nouvelle-Zélande, Singapour, Inde, Malaisie, Thaïlande, Indonésie, Philippines, Vietnam, Brunei, Sri Lanka, Bangladesh, Corée, République populaire de Chine, Hong Kong (R.A.S), Taïwan	Pièces et main-d'oeuvre - 3 ans	1 et 2
	Japon	Pièces et main-d'oeuvre - 1 an	1 et 3
6493	Etats-Unis, Canada, Amérique latine, Brésil, Europe, Moyen Orient, Afrique, Australie, Nouvelle-Zélande, Singapour, Inde, Malaisie, Thaïlande, Indonésie, Philippines, Vietnam, Brunei, Sri Lanka, Bangladesh, Corée, République populaire de Chine, Hong Kong (R.A.S), Taïwan	Pièces et main-d'oeuvre - 3 ans	1 et 2
	Japon	Pièces et main-d'oeuvre - 1 an	1 et 3

Si nécessaire, votre fournisseur de services vous fournira un service de réparation ou de remplacement selon le type de service prévu par la garantie correspondant à votre produit et du service disponible. Le planning du service sera fonction de l'heure de votre appel, de la disponibilité des composants et d'autres facteurs.

Une période de garantie de 3 ans pour les pièces et d'1 an pour la main-d'oeuvre signifie que Lenovo fournit à titre gratuit le service prévu par la garantie :

- a. pour les pièces et la main-d'oeuvre pendant la première année de la période de garantie (ou sur une période plus longue selon la loi) ;
- b. uniquement pour les pièces, sous forme de remplacement, au cours de la deuxième et de la troisième année de la période de garantie. Votre fournisseur de services vous facturera toute main-d'oeuvre fournie pour l'exécution de la réparation ou du/des remplacement(s) au cours de la deuxième et de la troisième année de la période garantie.

Types de services prévus par la garantie

1. Service pour les unités remplaçables par l'utilisateur (CRU)

Dans le cadre de ce service, votre fournisseur de services vous livrera ces unités pour que vous effectuiez leur installation. La plupart d'entre elles sont faciles à installer tandis que pour d'autres, certaines compétences techniques et outils sont requis. Les informations sur les CRU et les instructions de remplacement sont fournies avec le produit et sont disponibles auprès de Lenovo à tout moment sur simple demande. Vous pouvez demander à un fournisseur de services d'installer certains types d'unités CRU conformément à l'une ou l'autre des dispositions de garantie prévues pour le produit. L'installation des unités CRU externes (telles que la souris, les claviers ou les moniteurs) vous incombe. Lenovo précise dans les éléments fournis avec une CRU de remplacement si l'unité défectueuse doit lui être renvoyée. Si c'est le cas, 1) les instructions de retour, ainsi qu'un numéro de référence pour la livraison et un conteneur sont fournis avec le matériel et 2) l'unité CRU de remplacement peut vous être facturée si le fournisseur de services ne reçoit pas l'unité défectueuse dans un délai de trente (30) jours à compter de la réception de l'unité de remplacement.

2. Service sur site

Dans le cadre du service sur site, votre fournisseur de services réparera ou remplacera le produit dans vos locaux. Vous devez mettre à disposition une zone de travail appropriée permettant le démontage et le remontage du produit Lenovo. Pour certains produits et certaines réparations, votre fournisseur de services peut être amené à envoyer le produit à un centre de maintenance désigné.

3. Service de collecte ou de dépôt

Dans le cadre du service de collecte ou de dépôt, le produit sera réparé ou remplacé dans un centre de maintenance désigné, l'acheminement du matériel étant organisé par votre fournisseur de services. Il vous incombe de déconnecter le produit. Il vous sera fourni un conteneur d'expédition pour que vous renvoyiez le produit à un centre de maintenance désigné. Un transporteur récupérera le produit et le livrera au centre de maintenance désigné. A la suite de la réparation ou du remplacement du produit, le centre de maintenance organisera la livraison en retour du produit à votre site.

4. Service de livraison ou d'expédition par le client

Dans le cadre du service de livraison ou d'expédition par le client, le produit sera réparé ou remplacé dans un centre de maintenance désigné, l'organisation de l'expédition ou de la livraison étant de votre ressort. Vous êtes chargé de livrer ou d'expédier, selon les instructions de votre fournisseur de services (frais de transport payés d'avance, sauf indication contraire), le produit convenablement conditionné à un site désigné. Une fois réparé ou remplacé, le produit sera mis à votre disposition à des fins de collecte. Si vous ne le récupérez pas, le fournisseur de services pourra en disposer comme il l'entend. Dans le cadre du service d'expédition, Lenovo vous renverra le produit réparé ou remplacé en port payé, sauf indication contraire de votre fournisseur de services.

Annexe à la Garantie pour le Mexique

La présente annexe est considérée comme faisant partie intégrante de la Déclaration de Garantie Lenovo et sera effective uniquement et exclusivement pour les produits distribués et commercialisés sur le Territoire des Etats-Unis du Mexique. En cas de contradiction entre les documents, les dispositions de la présente annexe prévaudront.

Tous les logiciels préchargés sur le matériel auront uniquement une garantie de trente (30) jours pour les incidents d'installation à compter de la date d'achat.

Lenovo ne pourra être tenue responsable pour les informations de ces logiciels, ni pour tout logiciel supplémentaire installé par vous-même ou installé après l'achat du produit.

Les services non couverts par la garantie seront facturés à l'utilisateur final, avant autorisation.

Si une réparation couverte par la garantie est requise, appelez le centre de support au 001-866-434-2080, qui vous dirigera vers le centre de maintenance agréé le plus proche. S'il n'existe aucun centre de maintenance agréé dans votre ville, votre zone d'implantation, ni dans un rayon de 70 kilomètres autour de votre ville ou de votre zone d'implantation, la garantie inclut tous les frais de livraison raisonnables liés au transport du produit jusqu'à notre centre de maintenance agréé le plus proche. Veuillez appeler le centre de maintenance agréé le plus proche pour obtenir les approbations et les informations nécessaires concernant l'expédition du produit et l'adresse d'expédition.

Pour obtenir la liste des services d'assistance agréés, consultez le site :

<http://www.lenovo.com/mx/es/servicios>

Fabriqué par :

SCI Systems de México, S.A. de C.V.

Av. De la Solidaridad Iberoamericana No. 7020

Col. Club de Golf Atlas

El Salto, Jalisco, México

C.P. 45680,

Tél : 01-800-3676900

Commercialisé par :

Lenovo de México, Comercialización y Servicios, S. A. de C. V.

Alfonso Nápoles Gándara No 3111

Parque Corporativo de Peña Blanca

Delegación Álvaro Obregón

México, D.F., México

C.P. 01210,

Tél : 01-800-00-325-00

Chapitre 4. Liste de numéros de téléphone pour le monde entier

Pays ou Région	Numéro de téléphone
Afrique	Afrique : +44 (0)1475-555-055 555 055 Afrique du Sud : +27-11-3028888 et 0800110756 Afrique centrale : Prenez contact avec le partenaire commercial Lenovo le plus proche.
Allemagne	Support prévu pour le fonctionnement : 07032-15-49201 Support et services prévus par la garantie : 01805-25-35-58 (allemand)
Argentine	0800-666-0011 (espagnol)
Australie	1300-880-917 (anglais)
Autriche	Support prévu pour le fonctionnement : 01-24592-5901 Support et services prévus par la garantie : 01-211-454-610 (allemand)
Belgique	Support prévu pour le fonctionnement : 02-210-9820 (néerlandais) Support prévu pour le fonctionnement : 02-210-9800 (français) Support et services prévus par la garantie : 02-225-3611 (néerlandais, français)
Bolivie	0800-0189 (espagnol)
Brésil	Région de Sao Paulo : (11) 3889-8986 En dehors de la région de Sao Paulo : 0800-701-4815 (brésilien)
Brunei	801-1041
Canada	Toronto : 416-383-3344 Hors Toronto : 1-800-565-3344 (anglais, français)
Chili	1-800-224-488 (espagnol)
Chine (Région administrative spéciale de Hong Kong)	Ordinateurs portables : 852-2516-3919 Ordinateurs de bureau : 800-938-008 (cantonais, anglais, mandarin)
Chine (Région administrative spéciale de Macao)	Ordinateurs portables : 0800-689 Ordinateurs de bureau : 0800-686 (cantonais, anglais, mandarin)
Chypre	+357-22-841100
Colombie	1-800-912-3021 (espagnol)

Pays ou Région	Numéro de téléphone
Corée	1588-6782 (coréen)
Costa Rica	0-800-011-1029 (espagnol)
Croatie	0800-0426
Danemark	Support prévu pour le fonctionnement : 4520-8200 Support et services prévus par la garantie : 7010-5150 (danois)
El Salvador	800-6264 (espagnol)
Équateur	1-800-426911 (espagnol)
Espagne	91-714-7983 0901-100-000 (espagnol)
Estonie	+372 67767934
Etats-Unis	1-800-426-7378 (anglais)
Fédération de Russie	+7-495-940-2000 (russe)
Finlande	Support prévu pour le fonctionnement : 09-459-6960 Support et services prévus par la garantie : +358-800-1-4260 (finnois)
France	Support prévu pour le fonctionnement : 0238-557-450 Support et services prévus par la garantie : Matériel : 0810-631-213 Logiciel : 0810-631-020 (français)
Grèce	+30-210-680-1700
Guatemala	1800-624-0051 (espagnol)
Honduras	Tegucigalpa : 232-4222 San Pedro Sula : 552-2234 (espagnol)
Hongrie	+36-1-382-5720
Inde	1800-425-6666 +91-80-2678-8970 (anglais)
Indonésie	001-803-606-282
Irlande	Support prévu pour le fonctionnement : 01-815-9202 Support et services prévus par la garantie : 01-881-1444 (anglais)
Israël	Service d'assistance de Givat Shmuel : +972-3-531-3900 Service d'assistance d'Haïfa : +972-4-849-4608 (hébreu, anglais)
Italie	Support prévu pour le fonctionnement : 02-7031-6101 Support et services prévus par la garantie : +39-800-820094 (italien)

Pays ou Région	Numéro de téléphone
Japon	Ordinateurs de bureau : 0120-000-817 Ordinateurs portables : 0570-064-400
Lettonie	+371 7070360
Lituanie	+370 5 278 66 00
Luxembourg	+352-298-977-5063 (français)
Malaisie	1800-88-1889
Malte	+35621445566
Mexique	001-866-434-2080 (espagnol)
Moyen Orient	+44 (0)1475-555-055
Nicaragua	001-800-220-1830 (espagnol)
Norvège	Support prévu pour le fonctionnement : 6681-1100 Support et services prévus par la garantie : 8152-1550 (norvégien)
Nouvelle-Zélande	0800-777-217 (anglais)
Panama	Numéro vert : 001-866-434-2080 (espagnol)
Pays-Bas	+31-20-514-5770 (néerlandais)
Pérou	0-800-50-866 (espagnol)
Philippines	1800-1601-0033
Pologne	+48-22-878-6999
Portugal	+351-21-892-7147 (portugais)
République dominicaine	1-866-434-2080 (espagnol)
République tchèque	+420-2-7213-1316
Roumanie	+4-021-224-4015
Royaume-Uni	Support prévu pour le fonctionnement : 01475-555-055 Support prévu par la garantie : 08705-500-900 (anglais)
Singapour	800-6011-343
Slovaquie	+421-2-4954-5555
Slovénie	+386-1-4796-699
Sri Lanka	+94-11-249-3523 (anglais)
Suède	Support prévu pour le fonctionnement : 08-477-4420 Support et services prévus par la garantie : 077-117-1040 (suédois)
Suisse	Support prévu pour le fonctionnement : 058-333-0900 Support et services prévus par la garantie : 0800-55-54-54 (allemand, français, italien)
Taiwan	0800-000-701 (mandarin)

Pays ou Région	Numéro de téléphone
Thaïlande	1-800-060-066 (thai)
Turquie	00800-4463-2041 (turc)
Uruguay	000-411-005-6649 (espagnol)
Venezuela	0-800-100-2011 (espagnol)
Viet-Nam	Pour la partie nord et Hanoï : 84-4-843-6675 Pour la partie sud et Ho Chi Minh Ville : 84-8-829-5160 (anglais, vietnamien)

Chapitre 5. Unités remplaçables par l'utilisateur

Les unités remplaçables par l'utilisateur (CRU) sont des éléments de l'ordinateur pouvant être mis à niveau ou remplacés par l'utilisateur. Il existe deux types de CRU : les CRU internes et les CRU externes. Les unités CRU externes sont faciles à installer, tandis que les unités CRU internes nécessitent des compétences techniques et dans certains cas des outils tels qu'un tournevis. Elles peuvent toutes les deux être retirées en toute sécurité par l'utilisateur. Les unités CRU internes peuvent être remplacées et installées par les utilisateurs ou par un technicien de maintenance Lenovo au cours de la période de garantie.

Le remplacement des unités CRU externes est à la charge des utilisateurs.

Les ordinateurs contiennent des unités CRU externes et internes. Les unités CRU externes sont situées à l'extérieur de l'ordinateur. Le clavier, la souris et tout périphérique USB ainsi que le cordon d'alimentation sont des unités de ce type. Le retrait des unités CRU internes ne peut s'effectuer sans ouvrir la capot de l'ordinateur. Les modules mémoire, les unités de disque optique, les cartes et le bloc d'alimentation sont des unités CRU internes.

Les manuels *Guide d'utilisation* et *Guide d'installation et de remplacement d'options matérielles* fournissent les instructions à suivre pour remplacer les unités CRU internes et externes. Pour savoir quelle publication consulter selon vos besoins, reportez-vous au tableau 2, à la page 98 ci-dessous. Pour afficher une publication, ouvrez le menu Démarrer à partir du bureau Windows, puis sélectionnez **Tous les programmes, Online Books** et cliquez sur **Online Books**. Cliquez deux fois sur la publication correspondant à votre ordinateur.

Ces publications sont également disponibles sur le site Web Lenovo à l'adresse <http://www.lenovo.com>.

Remarque : Utilisez uniquement des composants fournis par Lenovo. Pour obtenir des informations de garantie sur les CRU pour le type de votre machine, voir Chapitre 3, «Déclaration de Garantie Lenovo», à la page 83.

Tableau 1. CRU externes

Types de machine : 6423, 6427, 6483, 6493	Guide d'utilisation	Guide d'installation et de remplacement d'options matérielles
CRU externes		
Clavier	X	X
Souris	X	X
Cordon d'alimentation	X	

Tableau 2. CRU internes

Types de machine : 6423, 6427, 6483, 6493	Guide d'utilisation	Guide d'installation et de remplacement d'options matérielles
CRU internes		
Unité de disque dur		X
Mémoire		X
Carte		X
Haut-parleurs internes		X
Unité de disque optique		X
Unité de disquette		X
Bloc d'alimentation		X
Ventilateurs système		X
Dissipateur thermique		X
Ventilateurs		X
USB avant		X
Batterie CMOS		X
Port série		X

Chapitre 6. Remarques

Le présent document peut contenir des informations ou des références concernant certains produits, logiciels ou services Lenovo non annoncés dans ce pays. Pour plus de détails, référez-vous aux documents d'annonce disponibles dans votre pays, ou adressez-vous à votre partenaire commercial Lenovo. Toute référence à un produit, logiciel ou service Lenovo n'implique pas que seul ce produit, logiciel ou service puisse être utilisé. Tout autre élément fonctionnellement équivalent peut être utilisé, s'il n'enfreint aucun droit de Lenovo. Il est de la responsabilité de l'utilisateur d'évaluer et de vérifier lui-même les installations et applications réalisées avec des produits, logiciels ou services non expressément référencés par Lenovo.

Lenovo peut détenir des brevets ou des demandes de brevet couvrant les produits mentionnés dans le présent document. La remise de ce document ne vous donne aucun droit de licence sur ces brevets ou demandes de brevet. Si vous désirez recevoir des informations concernant l'acquisition de licences, veuillez en faire la demande par écrit à l'adresse suivante :

*Lenovo (United States), Inc.
1009 Think Place - Building One
Morrisville, NC 27560
U.S.A.
Attention: Lenovo Director of Licensing*

LE PRESENT DOCUMENT EST LIVRE «EN L'ETAT» SANS AUCUNE GARANTIE EXPLICITE OU IMPLICITE. LENOVO IBM DECLINE NOTAMMENT TOUTE RESPONSABILITE RELATIVE A CES INFORMATIONS EN CAS DE CONTREFAÇON AINSI QU'EN CAS DE DEFAUT D'APTITUDE A L'EXECUTION D'UN TRAVAIL DONNE. Certaines juridictions n'autorisent pas l'exclusion des garanties implicites, auquel cas l'exclusion ci-dessus ne vous sera pas applicable.

Le présent document peut contenir des inexactitudes ou des coquilles. Ce document est mis à jour périodiquement. Chaque nouvelle édition inclut les mises à jour. Lenovo peut modifier sans préavis les produits et logiciels décrits dans ce document.

Les produits décrits dans ce document ne sont pas conçus pour être implantés ou utilisés dans un environnement où un dysfonctionnement pourrait entraîner des dommages corporels ou le décès de personnes. Les informations contenues dans ce document n'affectent ni ne modifient les garanties ou les spécifications des produits Lenovo. Rien dans ce document ne doit être considéré comme une licence ou une garantie explicite ou implicite en matière de droits de propriété intellectuelle de Lenovo ou de tiers. Toutes les informations contenues dans ce document ont été obtenues dans des environnements spécifiques et sont présentées en tant qu'illustration. Les résultats peuvent varier selon l'environnement d'exploitation utilisé.

Lenovo pourra utiliser ou diffuser, de toute manière qu'elle jugera appropriée et sans aucune obligation de sa part, tout ou partie des informations qui lui seront fournies.

Les références à des sites Web non Lenovo sont fournies à titre d'information uniquement et n'impliquent en aucun cas une adhésion aux données qu'ils contiennent. Les éléments figurant sur ces sites Web ne font pas partie des éléments du présent produit Lenovo et l'utilisation de ces sites relève de votre seule responsabilité.

Les données de performance indiquées dans ce document ont été déterminées dans un environnement contrôlé. Par conséquent, les résultats peuvent varier de manière significative selon l'environnement d'exploitation utilisé. Certaines mesures évaluées sur des systèmes en cours de développement ne sont pas garanties sur tous les systèmes disponibles. En outre, elles peuvent résulter d'extrapolations. Les résultats peuvent donc varier. Il incombe aux utilisateurs de ce document de vérifier si ces données sont applicables à leur environnement d'exploitation.

Consigne relative à la sortie télévision

La consigne ci-après s'applique aux modèles dotés en usine d'une sortie télévision.

Ce produit contient une technologie anti-duplication protégée par des brevets américains et autres droits de propriété intellectuelle appartenant à Macrovision Corporation et autres. Cette technologie ne peut être utilisée que pour un usage privé et des usages limités de visualisation. Tout autre visualisation de cette technologie doit recevoir l'accord explicite de Macrovision Corporation. Tout désassemblage et ingénierie inverse sont strictement interdits sauf si la loi vous y autorise expressément nonobstant toute interdiction contractuelle.

Marques

Lenovo, le logo Lenovo, Rescue and Recovery, ThinkCentre, ThinkVantage et ThinkStation sont des marques de Lenovo aux Etats-Unis et/ou dans certains autres pays.

IBM est une marque d'International Business Machines Corporation aux Etats-Unis et/ou dans certains autres pays.

Les autres noms de sociétés, de produits et de services peuvent appartenir à des tiers.

Bruits radioélectriques

Les informations qui suivent concernent les ordinateurs personnels Lenovo des types suivants : 6423, 6427, 6483, 6493

Déclaration de conformité de la Federal Communications Commission (FCC)

Cet appareil respecte les limites des caractéristiques d'immunité des appareils numériques définies par la classe B, conformément au chapitre 15 de la réglementation de la FCC. La conformité aux spécifications de la classe B offre une garantie acceptable contre les perturbations électromagnétiques dans les zones résidentielles. Ce matériel génère, utilise et peut émettre de l'énergie radiofréquence. Il risque de parasiter les communications radio s'il n'est pas installé conformément aux instructions du constructeur. Toutefois, il n'est pas garanti que des perturbations n'interviendront pas pour une installation particulière. Si cet appareil provoque des perturbations gênantes dans les communications radio ou télévision, mettez-le hors tension puis sous tension pour vous en assurer. L'utilisateur peut tenter de remédier à cet incident en appliquant une ou plusieurs des mesures suivantes :


- Réorienter ou déplacer l'antenne réceptrice.
- Eloigner l'appareil du récepteur.
- Brancher l'appareil sur une prise différente de celle du récepteur, sur un circuit distinct.
- Prendre contact avec un distributeur agréé ou un représentant commercial pour obtenir de l'aide.

Lenovo ne peut pas être tenue pour responsable du brouillage des réceptions radio ou télévision résultant de l'utilisation de câbles ou connecteurs inadaptés ou de modifications non autorisées apportées à cet appareil. Toute modification non autorisée pourra annuler le droit d'utilisation de cet appareil.

Cet appareil est conforme aux restrictions définies dans le chapitre 15 de la réglementation de la FCC. Son utilisation est soumise aux deux conditions suivantes : (1) il ne peut pas causer de perturbations électromagnétiques gênantes et (2) il doit accepter toutes les perturbations reçues, y compris celles susceptibles d'occasionner un fonctionnement indésirable.

Partie compétente :

Lenovo (United States) Incorporated
1009 Think Place - Building One
Morrisville, NC 27560
U.S.A.
Téléphone : (919) 294-5900

 Conforme aux normes de la
Federal Communications Commission
USAGE PROFESSIONNEL ET DOMESTIQUE

Avis de conformité à la réglementation d'Industrie Canada pour la classe B

Cet appareil numérique de la classe B est conforme à la norme NMB-003 du Canada.

Avis de conformité à la directive de l'Union européenne

Le présent produit satisfait aux exigences de protection énoncées dans la directive 2004/108/CE concernant le rapprochement des législations des Etats membres relatives à la compatibilité électromagnétique. Lenovo décline toute responsabilité en cas de non-respect de cette directive résultant d'une modification non recommandée du produit, y compris l'installation de cartes en option non Lenovo.

Ce produit respecte les limites des caractéristiques d'immunité des appareils de traitement de l'information définies par la classe B de la norme européenne EN 55022 (CISPR 22). La conformité aux spécifications de la classe B offre une garantie acceptable contre les perturbations avec les appareils de communication agréés, dans les zones résidentielles.

Avis de conformité à la directive 2004/108/CE du Parlement européen et du Conseil (EN 55022) pour la classe B

Deutschsprachiger EU Hinweis:

Hinweis für Geräte der Klasse B EU-Richtlinie zur Elektromagnetischen Verträglichkeit

Dieses Produkt entspricht den Schutzanforderungen der EU-Richtlinie 2004/108/EG (früher 89/336/EWG) zur Angleichung der Rechtsvorschriften über die elektromagnetische Verträglichkeit in den EU-Mitgliedsstaaten und hält die Grenzwerte der EN 55022 Klasse B ein.

Um dieses sicherzustellen, sind die Geräte wie in den Handbüchern beschrieben zu installieren und zu betreiben. Des Weiteren dürfen auch nur von der Lenovo empfohlene Kabel angeschlossen werden. Lenovo übernimmt keine Verantwortung für die Einhaltung der Schutzanforderungen, wenn das Produkt ohne Zustimmung der Lenovo verändert bzw. wenn Erweiterungskomponenten von Fremdherstellern ohne Empfehlung der Lenovo gesteckt/eingebaut werden.

Deutschland: Einhaltung des Gesetzes über die elektromagnetische Verträglichkeit von Betriebsmitteln

Dieses Produkt entspricht dem "Gesetz über die elektromagnetische Verträglichkeit von Betriebsmitteln" EMVG (früher "Gesetz über die elektromagnetische Verträglichkeit von Geräten"). Dies ist die Umsetzung der EU-Richtlinie 2004/108/EG (früher 89/336/EWG) in der Bundesrepublik Deutschland.

Zulassungsbescheinigung laut dem Deutschen Gesetz über die elektromagnetische Verträglichkeit von Betriebsmitteln, EMVG vom 20. Juli 2007 (früher "Gesetz über die elektromagnetische Verträglichkeit von Geräten"), bzw. der EMV EG Richtlinie 2004/108/EC (früher 89/336/EWG), für Geräte der Klasse B.

Dieses Gerät ist berechtigt, in Übereinstimmung mit dem Deutschen EMVG das EG-Konformitätszeichen - CE - zu führen. Verantwortlich für die Konformitätserklärung nach Paragraf 5 des EMVG ist die Lenovo (Deutschland) GmbH, Pascalstr. 100, D-70569 Stuttgart.

Informationen in Hinsicht EMVG Paragraf 4 Abs. (1) 4:

Das Gerät erfüllt die Schutzanforderungen nach EN 55024 und EN 55022 Klasse B.

Corée - Avis de conformité pour la classe B

이 기기는 가정용으로 전자파 적합등록을 한 기기로서
주거지역에서는 물론 모든 지역에서 사용할 수 있습니다.

Japon - Avis de conformité aux exigences du Voluntary Control Council for Interference (VCCI) pour la classe B

この装置は、情報処理装置等電波障害自主規制協議会（VCCI）の基準に基づきクラスB情報技術装置です。この装置は、家庭環境で使用することを目的としていますが、この装置がラジオやテレビジョン受信機に近接して使用されると、受信障害を引き起こすことがあります。
取扱説明書に従って正しい取り扱いをして下さい。

Avis de conformité aux normes japonaises pour les produits dont l'intensité est inférieure ou égale à 20 A par phase

高調波電流規格 JIS C 61000-3-2 適合品

Conformité aux normes relatives au clavier et à la souris pour Taïwan

本產品隨貨附已取得經濟部標準檢驗局認可之PS/2或USB的鍵盤與滑鼠一組

Taïwan - Informations de maintenance pour les produits Lenovo

台灣 Lenovo 產品服務資訊如下：
荷蘭商思惟個人電腦產品股份有限公司台灣分公司
台北市信義區信義路五段七號十九樓之一
服務電話：0800-000-700

Recommandations de la Federal Communications Commission (FCC) et des entreprises de télécommunications [Etats Unis]

1. Cet appareil est conforme aux restrictions définies dans le chapitre 68 de la réglementation de la FCC. Une étiquette est apposée sur le dispositif qui contient, entre autres, le numéro d'enregistrement FCC, le numéro USOC et l'équivalent sonnerie relatifs à cet appareil. Si ces numéros sont requis, fournissez-les à votre entreprise de télécommunications.

Remarque : Si le dispositif est un modem interne, une seconde étiquette d'enregistrement FCC est également fournie. Vous pouvez fixer cette étiquette à l'extérieur de l'ordinateur dans lequel le modem Lenovo est installé, ou le cas échéant, au dispositif externe d'accès au réseau (DAA). Placez l'étiquette dans un endroit facilement accessible, au cas où vous auriez besoin de communiquer à votre entreprise de télécommunications les informations qui y sont contenues.

2. L'équivalent sonnerie (REN) permet de déterminer le nombre de dispositifs que vous pouvez raccorder à votre ligne téléphonique et qui continueront à sonner lorsque votre numéro est appelé. Dans presque la plupart des zones, la somme de tous les équivalents sonnerie de tous les dispositifs ne doit pas excéder cinq (5). Pour connaître le nombre de dispositifs que vous pouvez raccorder à votre ligne et le nombre maximal d'équivalents sonnerie pour votre zone d'appel, adressez-vous à votre entreprise de télécommunications.
3. Si le dispositif endommage le réseau téléphonique, l'entreprise de télécommunications peut temporairement interrompre votre service. Si possible, vous serez averti à l'avance. Sinon, vous serez informé dès que possible. Vous serez également informé de vos droits en matière de recours auprès de la FCC.
4. Votre entreprise de télécommunications peut apporter des modifications à ses installations, son équipement, son fonctionnement ou ses procédures, qui risquent d'affecter le bon fonctionnement de votre appareil. Si tel est le cas, vous serez informé à l'avance de façon à ce que votre activité ne s'en ressente pas.
5. Si vous rencontrez des difficultés lors de l'utilisation de ce produit, prenez contact avec votre revendeur agréé ou appelez le centre de support. Aux États-Unis, appelez le **1-800-426-7378**. Au Canada, appelez le **1-800-565-3344**. Vous pouvez être amené à fournir la preuve d'achat.
L'entreprise de télécommunications peut vous demander de débrancher le dispositif du réseau tant que l'incident n'a pas été résolu, ou jusqu'à ce que vous puissiez garantir que le dispositif fonctionne normalement.
6. Le dispositif ne peut pas faire l'objet d'une réparation client. Si l'utilisation du dispositif provoque des incidents, prenez contact avec votre revendeur agréé ou consultez la section relative aux diagnostics du présent manuel.

7. Ce dispositif ne peut pas être utilisé sur le réseau des téléphones publics fourni par l'entreprise de télécommunications. Les connexions à des lignes d'autres fournisseurs sont assujetties aux tarifs régionaux. Pour plus d'informations, prenez contact avec votre entreprise de télécommunications (publique ou privée).
8. Lorsque vous demandez un service d'interface réseau (NI) à une entreprise de télécommunications locales, faites mention du règlement USOC RJ11C.

Recommandation d'Industrie Canada

AVIS : L'étiquette d'Industrie Canada identifie le matériel homologué. Cette étiquette certifie que le matériel est conforme à certaines normes de protection, d'exploitation et de sécurité des réseaux de télécommunications, comme le prescrivent les documents concernant les exigences techniques relatives au dispositif terminal. Industrie Canada ne garantit toutefois pas que le matériel fonctionnera à la satisfaction de l'utilisateur.

Avant d'installer ce matériel, l'utilisateur doit s'assurer qu'il est permis de le raccorder aux installations de l'entreprise locale de télécommunications. Le matériel doit également être installé en suivant une méthode de raccordement autorisée. L'abonné ne doit pas oublier qu'il est possible que la conformité aux conditions énoncées ci-dessus n'empêche pas la dégradation du service dans certaines situations. Les réparations du matériel homologué doivent être coordonnées par un représentant désigné par le fournisseur. L'entreprise de télécommunications peut demander de débrancher un appareil parce qu'il a été réparé ou modifié par l'utilisateur ou à cause d'un mauvais fonctionnement.

Pour sa propre protection, l'utilisateur doit s'assurer que toutes les mises à la terre de l'installation électrique, des lignes téléphoniques et des canalisations d'eau à tuyaux métalliques, s'il y en a, sont raccordés ensemble. Cette précaution est particulièrement importante dans les régions rurales.

Avertissement : L'utilisateur ne doit pas tenter de faire ces raccordements lui-même ; il doit avoir recours à un service d'inspection des installations électriques ou à un électricien, selon le cas.

AVIS : L'équivalent sonnerie (REN) assigné à chaque dispositif terminal indique le nombre maximal de terminaux qui peuvent être raccordés à une interface. La terminaison d'une interface téléphonique peut consister en une combinaison de dispositifs, à la seule condition que la somme d'équivalents sonnerie de tous les dispositifs n'excède pas 5.

Cordons d'alimentation

Pour votre sécurité Lenovo fournit un cordon d'alimentation avec une prise de terre à utiliser avec le présent produit. Pour éviter les chocs électriques, utilisez toujours le cordon d'alimentation et la fiche avec une prise correctement mise à terre.

Les cordons d'alimentation fournis par Lenovo avec les appareils distribués aux Etats-Unis et au Canada sont répertoriés par l'Underwriter's Laboratories (UL) et certifiés par l'Association canadienne de normalisation (CSA).

Pour une tension de 115 volts, utilisez un ensemble répertorié par l'UL, composé d'un cordon à trois conducteurs de type SVT ou SJT, de diamètre au moins égal au numéro 18 AWG et de longueur n'excédant pas 4,6 mètres, et d'une fiche de prise de courant (15 A - 125 V) à lames en parallèle, avec mise à terre.

Pour une tension de 230 volts (Etats-Unis), utilisez un ensemble répertorié par l'UL, composé d'un cordon à trois conducteurs de type SVT ou SJT, de diamètre au moins égale au numéro 18 AWG et de longueur n'excédant pas 4,6 mètres, et d'une fiche de prise de courant (15 A - 250 V) à lames en tandem, avec mise à terre.

Pour une tension de 230 volts (hors des Etats-Unis), utilisez un cordon muni d'une prise de terre. Assurez-vous que le cordon d'alimentation est conforme aux normes de sécurité en vigueur dans le pays où l'unité sera installée.

Les cordons d'alimentation fournis par Lenovo et destinés à une région ou un pays particulier ne sont généralement disponibles que dans cette région ou dans ce pays.

Pour les unités devant être utilisées en Allemagne : la sécurité des cordons d'alimentation doit être approuvée. En Allemagne, ils doivent être de type H05VV-F, 3G, 0,75 mm² ou de section supérieure. Dans les autres pays, utilisez les types de cordon appropriés.

Réf. du cordon d'alimentation	Pays
24R2633	Japon
39M5067	Argentine, Paraguay, Uruguay
39M5080	Antigua et Barbuda, Aruba, Bahamas, Barbade, Belize, Bermudes, Bolivie, Ile Turks, Canada, Iles Caïmans, Costa Rica, Colombie, Cuba, République Dominicaine, Equateur, Salvador, Guam, Guatemala, Haïti, Honduras, Jamaïque, Mexique, Micronésie, Antilles néerlandaises, Nicaragua, Panama, Pérou, Philippines, Arabie Saoudite, Thaïlande, Taïwan, Etats-Unis, Venezuela
39M5102	Australie, Nouvelle-Zélande
39M5122	Afghanistan, Albanie Algérie, Andorre, Angola, Arménie, Autriche, Azerbaïdjan, Bélarus, Belgique, Bénin, Bosnie-Herzégovine, Bulgarie, Burkina Faso, Burundi, Cambodge, Cameroun, Cap Vert, République centrafricaine, Tchad, Comores, Congo (République démocratique de), Congo (République de), Cote D'Ivoire, Croatie (République de), République tchèque, Dahomey, Djibouti, Egypte, Guinée équatoriale, Erythrée, Estonie, Ethiopie, Finlande, France, Guyane française, Polynésie française, Gabon, Géorgie, Allemagne, Grèce, Guadeloupe, Guinée, Guinée Bissau, Hongrie, Islande, Indonésie, Iran, Kazakhstan, Kirghizistan, Laos (République populaire démocratique de), Lettonie, Liban, Lituanie, Luxembourg, Macédoine (anciennement République yougoslave de), Madagascar, Mali, Martinique, Mauritanie, Maurice, Mayotte, Moldavie (République de), Monaco, Mongolie, Maroc, Mozambique, Pays-Bas, Nouvelle-Calédonie, Niger, Norvège, Pologne, Portugal, Réunion, Roumanie, Fédération de Russie, Rwanda, Sao Tomé et Principe, Arabie Saoudite, Sénégal, Serbie, Slovaquie, Slovénie (République de), Somalie, Espagne, Surinam, Suède, Syrie, Tadjikistan, Tahiti, Togo, Tunisie, Turquie, Turkménistan, Ukraine, Haute Volta, Ouzbékistan, Vanuatu, Viet-Nam, Wallis et Futuna, Yougoslavie (République fédérale de), Zaïre
39M5129	Danemark
39M5143	Bangladesh, Lesotho, Macao, Maldives, Namibie, Népal, Pakistan, Samoa, Afrique du Sud, Sri Lanka, Swaziland, Ouganda

Réf. du cordon d'alimentation	Pays
39M5150	Abu Dhabi, Australie, Bahreïn, Botswana, Brunei Darussalam, Iles Anglo-Normandes, Chypre, Dominique, Fidji, Gambie, Ghana, Grenade, Guyana, Région administrative spéciale de Hong Kong, Irak, Irlande, Jordanie, Kenya, Kiribati, Koweït, Libéria, Malawi, Malaisie, Malte, Birmanie, République de Nauru, Nouvelle-Zélande, Nigéria, Oman, Papouasie-Nouvelle-Guinée, Qatar, Saint Kitts et Nevis, Sainte-Lucie, Saint-Vincent-et-les Grenadines, Seychelles, Sierra Leone, Singapour, Soudan, Tanzanie (République unie de), Trinidad et Tobago, Emirats arabes unis (Dubai), Royaume-Uni, Yémen, Zambie, Zimbabwe
39M5151	Hong Kong (Région administrative spéciale), Corée
39M5157	Liechtenstein, Suisse
39M5164	Chili, Italie, Libye
39M5171	Israël
39M5205	Chine
39M5212	Corée
39M5232	Brésil
39M5246	Taiwan
41R3175	Inde

Cordons d'alimentation et câbles sous enveloppe de PVC (chlorure de polyvinyle)

AVERTISSEMENT : Tout contact avec le câble de ce produit ou avec les câbles des accessoires vendus avec ce produit peuvent vous exposer au plomb, produit chimique reconnu par l'état de Californie comme pouvant entraîner des cancers et des anomalies congénitales ou d'autres dommages liés à la reproduction. *Prenez soin de vous laver les mains après toute manipulation.*

Directive RoHS pour la Chine

产品中有毒有害物质或元素的名称及含量

部件名称	有毒有害物质或元素					
	铅(Pb)	汞(Hg)	镉(Cd)	六价铬 (Cr(VI))	多溴联苯 (PBB)	多溴二苯醚 (PBDE)
印刷电路板组件*	X	O	O	O	O	O
硬盘	X	O	O	O	O	O
光驱	X	O	O	O	O	O
内存	X	O	O	O	O	O
电脑I/O 附件	X	O	O	O	O	O
电源	X	O	O	O	O	O
键盘	X	O	O	O	O	O
鼠标	X	O	O	O	O	O
机箱/ 附件	X	O	O	O	O	O

○:表示该有毒有害物质在该部件所有均质材料中的含量均在SJ/T11363-2006标准规定的限量要求以下
 ×:表示该有毒有害物质至少在该部件的某一均质材料中的含量超出SJ/T11363-2006标准规定的限量要求
 表中标有“×”的所有部件都符合欧盟RoHS 法规.

印刷电路板组件*: 包括印刷电路板及其零部件、电容和连接器
 根据型号的不同, 可能不会含有以上的所有部件, 请以实际购买机型为准



在中华人民共和国境内销售的电子信息产品必须标识此标志, 标志内的数字代表在正常使用状态下的产品的环保使用期限

Déchets d'Équipements Électriques et Électroniques (DEEE)

Lenovo encourage les propriétaires de matériel informatique (IT) à recycler leur matériel dès lors que celui-ci n'est plus utilisé. Lenovo propose une gamme de programmes et services concernant le recyclage du matériel informatique. Des informations relatives à ces offres de recyclage sont disponibles sur le site Internet de Lenovo à l'adresse :

<http://www.pc.ibm.com/ww/lenovo/about/environment/>.

Avis de conformité à la directive DEEE de l'Union Européenne

Ce marquage (DEEE) s'applique uniquement aux pays de l'Union Européenne (EU) et à la Norvège. Les appareils sont marqués conformément à la Directive européenne 2002/96/CE en matière des Déchets d'Équipements Électriques et Électroniques (DEEE). Cette directive, applicable à l'ensemble de l'Union Européenne, concerne la collecte et le recyclage des appareils usagés. Cette marque est apposée sur différents produits pour indiquer que ces derniers ne doivent pas être jetés, mais récupérés en fin de vie, conformément à cette directive.

Les utilisateurs d'équipements électriques et électroniques portant la marque DEEE, conformément à l'Annexe IV de la Directive DEEE, ne doivent pas mettre au rebut ces équipements comme des déchets municipaux non triés, mais ils doivent utiliser la structure de collecte mise à leur disposition pour le retour, le recyclage et la récupération des déchets d'équipements électriques et électroniques et pour réduire tout effet potentiel des équipements électriques et électroniques sur l'environnement et la santé en raison de la présence possible de substances dangereuses. Pour plus d'informations sur les équipements portant la marque DEEE, consultez le site :

<http://www.lenovo.com/lenovo/environment>.

Japon - Déclaration relative au recyclage

Collecte et recyclage d'un ordinateur ou d'un écran Lenovo usagé

Si vous devez mettre au rebut un ordinateur ou un écran Lenovo appartenant à la société qui vous emploie, vous devez vous conformer à la Loi pour la promotion de l'utilisation efficace des ressources. Les ordinateurs et les écrans sont catégorisés comme des déchets industriels et doivent être mis au rebut par une société d'élimination des déchets industriels certifiée par un organisme public local. Conformément à la Loi pour la promotion de l'utilisation efficace des ressources, Lenovo Japan assure, par le biais de ses services de collecte et de recyclage des PC, la collecte, la réutilisation et le recyclage des ordinateurs et écrans usagés. Pour plus de détails, visitez le site Web de Lenovo à l'adresse suivante :

www.ibm.com/jp/pc/service/recycle/pcrecycle/

Conformément à la Loi pour la promotion de l'utilisation efficace des ressources, la collecte et le recyclage par le fabricant des ordinateurs et écrans familiaux a commencé le 1er octobre 2003. Ce service est assuré gratuitement pour les ordinateurs familiaux vendus après le 1er octobre 2003. Pour plus de détails, visitez le site Web de Lenovo à l'adresse suivante :

www.ibm.com/jp/pc/service/recycle/personal/

Mise au rebut de composants d'ordinateur Lenovo

Certains produits informatiques Lenovo vendus au Japon peuvent intégrer des composants contenant des métaux lourds ou d'autres substances dangereuses pour l'environnement. Pour mettre au rebut des composants usagés de manière adéquate, tels qu'une carte de circuit imprimé ou une unité, suivez les méthodes de collecte et de recyclage d'un ordinateur ou d'un écran usagé décrites ci-dessus.

Mise au rebut des piles au lithium usagées des ordinateurs Lenovo

Une pile au lithium en forme de bouton est installée sur la carte mère de votre ordinateur Lenovo afin d'alimenter l'horloge système lorsque l'ordinateur est hors tension ou déconnecté de la source d'alimentation principale. Si vous voulez la remplacer par une nouvelle pile, prenez contact avec votre revendeur ou adressez une demande de réparation à Lenovo. Si vous l'avez remplacée vous-même et que vous souhaitez mettre au rebut la pile au lithium usagée, isolez-la avec une bande adhésive en vinyle, prenez contact avec votre revendeur et suivez ses instructions. Si vous utilisez un ordinateur Lenovo chez vous et que vous devez mettre au rebut une pile au lithium, vous devez vous conformer à la réglementation locale en vigueur.

Kapitel 1. Wichtige Sicherheitshinweise

Anmerkung

Lesen Sie zunächst die wichtigen Sicherheitshinweise.

Diese Informationen ermöglichen Ihnen einen sicheren Umgang mit Ihrem Desktop-, Workstation- oder Notebook-Computer. Beachten Sie alle Informationen, die im Lieferumfang Ihres Computers enthalten sind, und bewahren Sie sie auf. Durch die Informationen in diesem Dokument werden die Bedingungen Ihrer Kaufvereinbarung oder der Lenovo™ Gewährleistung nicht außer Kraft gesetzt. Weitere Informationen finden Sie in Kapitel 3, „Lenovo Gewährleistung“, auf Seite 135.

Die Sicherheit unserer Kunden spielt eine große Rolle. Unsere Produkte werden mit dem Ziel entwickelt, sicher und effektiv zu sein. Dennoch sollten Sie immer beachten, dass es sich bei Computern um elektronische Geräte handelt. Netzkabel, Netzteile und andere Komponenten können Sicherheitsrisiken verursachen, die vor allem bei falscher Verwendung dieser Komponenten zu Personen- oder Sachschäden führen können. Um diese Risiken zu verringern, befolgen Sie die im Lieferumfang enthaltenen Anweisungen, beachten Sie alle Warnungen, die auf dem Produkt und in der Bedienungsanleitung ausgewiesen sind, und lesen Sie die Informationen in diesem Dokument sorgfältig. Sie können sich selbst vor Gefahren schützen und eine sichere Umgebung für die Arbeit mit dem Computer schaffen, indem Sie sich sowohl an die Informationen in diesem Dokument als auch an die im Lieferumfang des Produkts enthaltenen Anweisungen halten.

Anmerkung: Diese Informationen enthalten Hinweise zu Netzteilen, Akkus und Batterien. Wie bei Notebook-Computern sind auch im Lieferumfang einiger anderer Produkte (wie z. B. Lautsprecher und Bildschirme) externe Netzteile enthalten. Wenn Sie über ein solches Produkt verfügen, gelten die Informationen zu Netzteilen für Ihr Produkt. Zusätzlich verfügen Computer über eine interne Knopfzellenbatterie, die die Systemuhr mit Strom versorgt, wenn der Computer nicht angeschlossen ist. Daher gelten die Sicherheitshinweise zu Batterien für alle Computer.

Situationen, die sofortige Maßnahmen erfordern

Produkte können durch falsche Verwendung oder Nachlässigkeit beschädigt werden. Einige Schäden an Produkten können so beträchtlich sein, dass das Produkt vor einer erneuten Verwendung von einem autorisierten Service-Provider überprüft und ggf. repariert werden sollte.

Lassen Sie das Produkt, wie jedes andere elektronische Gerät, nicht unbeaufsichtigt, wenn es eingeschaltet ist. In sehr seltenen Fällen kann es zum Auftreten von Gerüchen oder zum Austritt von Rauch und Funken aus der Maschine kommen. Es können auch Geräusche wie Knallen, Knacken oder Rauschen zu hören sein. Dies kann lediglich bedeuten, dass eine interne elektronische Komponente in einer sicheren und kontrollierten Weise ausgefallen ist. Allerdings kann dies auch auf ein potenzielles Sicherheitsrisiko hindeuten. Gehen Sie in diesem Fall keine Risiken ein, und versuchen Sie nicht, die Ursache selbst herauszufinden. Wenden Sie sich an das Customer Support Center, um weitere Anweisungen zu erhalten. Eine Liste der Service- und Unterstützungstelefonnummern finden Sie in Kapitel 4, „Liste der weltweit gültigen Telefonnummern“, auf Seite 147.

Überprüfen Sie in regelmäßigen Abständen, ob Ihr Computer und die zugehörigen Komponenten Schäden, Verschleißspuren oder Anzeichen eines Sicherheitsrisikos aufweisen. Verwenden Sie das Produkt nicht, wenn Sie Zweifel am einwandfreien Zustand einer Komponente haben. Wenden Sie sich an das Customer Support Center oder den Produkthersteller, um Anweisungen zur Überprüfung und, falls erforderlich, zur Reparatur des Produkts zu erhalten.

Für den unwahrscheinlichen Fall, dass einer der folgenden Umstände eintritt, oder wenn Sie irgendwelche Sicherheitsbedenken bezüglich Ihres Produkts haben, beenden Sie die Verwendung des Produkts, und unterbrechen Sie die Verbindung zur Stromquelle und zu Telekommunikationsleitungen, bis Sie mit dem Customer Support Center Kontakt aufnehmen können und Anweisungen zur weiteren Vorgehensweise erhalten.

- Netzkabel, Netzstecker, Netzteile, Verlängerungskabel oder Überspannungsschutzeinrichtungen sind rissig, brüchig oder beschädigt.
- Anzeichen von Überhitzung wie Rauch, Funken oder Feuer treten auf.
- Schäden am Akku, selbständiges Entladen des Akkus oder Ablagerung von Korrosionsmaterial am Akku treten auf.
- Geräusche wie Knacken, Rauschen, Knallen oder strenge Gerüche gehen von dem Produkt aus.
- Es gibt Anzeichen dafür, dass eine Flüssigkeit auf den Computer, das Netzkabel oder das Netzteil verschüttet wurde oder ein Gegenstand auf eines dieser Teile gefallen ist.
- Der Computer, das Netzkabel oder das Netzteil sind mit Wasser in Berührung gekommen.
- Das Produkt wurde fallen gelassen oder auf irgendeine andere Weise beschädigt.
- Das Produkt funktioniert nicht ordnungsgemäß, wenn Sie die Bedienungsanweisungen befolgen.

Anmerkung: Treten diese Situationen bei Produkten eines anderen Herstellers auf (z. B. bei einem Verlängerungskabel), verwenden Sie diese nicht weiter, bis Sie vom Produkthersteller weitere Anweisungen oder einen geeigneten Ersatz erhalten haben.

Allgemeine Sicherheitsrichtlinien

Befolgen Sie immer die folgenden Vorsichtsmaßnahmen, um das Risiko eines Personen- oder Sachschadens zu verringern.

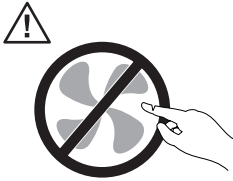
Service und Upgrades

Versuchen Sie nicht, ein Produkt selbst zu warten, wenn Sie dazu nicht vom Customer Support Center angewiesen wurden oder entsprechende Anweisungen in der zugehörigen Dokumentation vorliegen. Wenden Sie sich ausschließlich an einen Service-Provider, der für Reparaturen an dem von Ihnen verwendeten Produkt zugelassen ist.

Anmerkung: Einige Computerteile können vom Kunden selbst aufgerüstet oder ersetzt werden. Upgrades werden in der Regel als Zusatzeinrichtungen bezeichnet. Ersatzteile, die für die Installation durch den Kunden zugelassen sind, werden als CRUs (Customer Replaceable Units - durch den Kunden austauschbare Funktionseinheiten) bezeichnet. Lenovo stellt Dokumentation mit Anweisungen zur Verfügung, wenn der Kunde diese CRUs selbst ersetzen kann. Befolgen Sie bei der Installation oder beim Austauschen von Teilen sorgfältig alle Anweisungen. Wenn sich die Betriebsanzeige im Status "Aus" (Off) befindet, bedeutet dies nicht, dass im Inneren des Produkts keine elektrischen Spannungen anliegen. Stellen Sie immer sicher, dass die Stromversorgung ausgeschaltet ist und dass das Produkt nicht mit einer Stromquelle verbunden ist, bevor Sie die Abdeckung eines Produkts entfernen, das über ein Netzkabel verfügt. Weitere Informationen zu CRUs finden Sie im ThinkStation Handbuch zum Installieren und Austauschen von Hardware für dieses Produkt. Wenden Sie sich bei Fragen an das Customer Support Center.

Obwohl sich nach dem Abziehen des Netzkabels in Ihrem Computer keine beweglichen Teile befinden, ist der folgende Warnhinweis für Ihre Sicherheit nötig.

VORSICHT



Gefährliche bewegliche Teile. Nicht mit den Fingern oder anderen Körperteilen berühren.

Achtung



Schalten Sie vor dem Austauschen von CRUs (Customer Replaceable Units, durch den Kunden austauschbare Funktionseinheiten) den Computer aus, und warten Sie 3 bis 5 Minuten, damit der Computer abkühlen kann, bevor Sie die Abdeckung öffnen.

Statische Aufladung vermeiden

Statische Aufladung ist harmlos für den Menschen, kann jedoch Computerkomponenten und Zusatzeinrichtungen stark beschädigen. Wenn Sie ein aufladungsempfindliches Teil nicht ordnungsgemäß handhaben, kann dadurch das Teil beschädigt werden. Wenn Sie eine Zusatzeinrichtung oder eine CRU auspacken, öffnen Sie die antistatische Verpackung, die das Teil enthält, erst, wenn dies in den Anweisungen angegeben ist.

Wenn Sie Zusatzeinrichtungen oder CRUs handhaben oder Arbeiten im Inneren des Computers ausführen, treffen Sie die folgenden Vorsichtsmaßnahmen, um Beschädigungen durch statische Aufladung zu vermeiden:

- Bewegen Sie sich möglichst wenig. Durch Bewegung kann sich die Umgebung um Sie herum statisch aufladen.
- Gehen Sie vorsichtig mit Computerkomponenten um. Fassen Sie Adapter, Speichermodule und andere Schaltkarten nur an den Kanten an. Berühren Sie keine offen liegende Schaltlogik.
- Achten Sie darauf, dass die Komponenten nicht von anderen Personen berührt werden.

- Berühren Sie vor der Installation einer aufladungsempfindlichen Einheit oder einer CRU mit der antistatischen Verpackung, in der die Komponente enthalten ist, mindestens zwei Sekunden lang eine Metallabdeckung für einen Erweiterungssteckplatz oder eine andere unlackierte Oberfläche am Computer. Dadurch wird die statische Aufladung der Verpackung und Ihres Körpers verringert.
- Nehmen Sie das aufladungsempfindliche Teil aus der antistatischen Schutzhülle, und installieren Sie es möglichst, ohne es zuvor abzusetzen. Sollte dies nicht möglich sein, legen Sie die antistatische Schutzhülle auf eine glatte und ebene Fläche und das Teil auf die Schutzhülle.
- Legen Sie die Komponente nicht auf der Computeroberfläche oder auf einer anderen Metalloberfläche ab.

Netzkabel und Netzteile

Verwenden Sie nur vom Hersteller empfohlene Netzkabel und Netzteile.

Als Netzkabel muss eine geprüfte Leitung verwendet werden. In Deutschland sollten die Netzkabel mindestens dem Sicherheitsstandard H05VV-F, 3G, 0,75 mm² entsprechen. In anderen Ländern müssen die entsprechenden Typen verwendet werden.

Wickeln Sie das Netzkabel niemals um ein Netzteil oder um ein anderes Objekt. Das Kabel kann dadurch so stark beansprucht werden, dass es beschädigt wird. Dies kann ein Sicherheitsrisiko darstellen.

Achten Sie darauf, alle Netzkabel so zu verlegen, dass sie keine Gefahr für Personen darstellen und nicht beschädigt werden können.

Schützen Sie Netzkabel und Netzteile vor Flüssigkeiten. Legen Sie Netzkabel und Netzteile beispielsweise nicht in der Nähe von Waschbecken, Badewannen, Toiletten oder auf Böden ab, die mit Flüssigkeiten gereinigt werden. Flüssigkeiten können Kurzschlüsse verursachen, insbesondere wenn das Kabel oder das Netzteil durch nicht sachgerechte Verwendung stark beansprucht wurde. Flüssigkeiten können außerdem eine allmähliche Korrosion der Netzkabelanschlüsse und/oder der Anschlussenden am Netzteil verursachen. Dies kann schließlich zu Überhitzung führen.

Schließen Sie Netzkabel und Signalkabel immer in der richtigen Reihenfolge an, und stellen Sie sicher, dass alle Netzkabelanschlüsse fest und vollständig in die Netzsteckdosen gesteckt sind.

Verwenden Sie keine Netzteile, die Korrosionsschäden am Stecker und/oder Schäden durch Überhitzung (wie z. B. verformte Plastikteile) am Stecker oder an anderen Komponenten des Netzteils aufweisen.

Verwenden Sie keine Netzkabel, bei denen die elektrischen Kontakte Anzeichen von Korrosion oder Überhitzung aufweisen oder die auf eine andere Weise beschädigt sind.

Spannungsauswahlschalter

Manche Computer sind mit einem Spannungsauswahlschalter neben dem Netzteilanschluss am Computer ausgestattet. Wenn Ihr Computer über einen Spannungsauswahlschalter verfügt, stellen Sie sicher, dass der Schalter auf die an der Netzsteckdose verfügbare Spannung eingestellt ist. Durch falsches Einstellen des Spannungsauswahlschalters kann der Computer dauerhaft beschädigt werden.

Wenn der Computer über keinen Spannungsauswahlschalter verfügt, ist der Computer nur geeignet für die Verwendung mit der Spannung des Landes oder der Region, in der er erworben wurde.

Wenn der Computer in einem anderen Land verwendet werden soll, achten Sie auf Folgendes:

- Wenn Ihr Computer über keinen Spannungsauswahlschalter verfügt, schließen Sie ihn erst dann an eine Netzsteckdose an, wenn Sie sichergestellt haben, dass die bereitgestellte Spannung dieselbe ist wie in dem Land oder der Region, in der der Computer erworben wurde.
- Wenn Ihr Computer über einen Spannungsauswahlschalter verfügt, schließen Sie ihn erst dann an eine Netzsteckdose an, wenn Sie sichergestellt haben, dass der Spannungsauswahlschalter auf die korrekte Spannung eingestellt ist.

Wenn Sie nicht sicher sind, welche Spannung an der Netzsteckdose bereitgestellt wird, wenden Sie sich an Ihren Stromversorger vor Ort, oder informieren Sie sich auf entsprechenden offiziellen Webseiten oder über Reiseliteratur für das Land oder die Region, in der Sie sich befinden.

Verlängerungskabel und verwandte Einheiten

Stellen Sie sicher, dass verwendete Verlängerungskabel, Überspannungsschutzeinrichtungen, unterbrechungsfreie Netzteile und Verteilerleisten so eingestuft sind, dass sie den elektrischen Anforderungen des Produkts genügen. Überlasten Sie diese Einheiten niemals. Wenn eine Verteilerleiste verwendet wird, sollte die Belastung den Eingangsspannungsbereich der Verteilerleiste nicht überschreiten. Wenden Sie sich für weitere Informationen zu Netzbelastungen, Anschlusswerten und Eingangsspannungsbereichen an einen Elektriker.

Netzstecker und Steckdosen

Wenn eine Netzsteckdose, die Sie verwenden möchten, Anzeichen einer Beschädigung oder Korrosion aufweist, verwenden Sie die Netzsteckdose erst nachdem sie von einem qualifizierten Elektriker ausgetauscht wurde.

Verbiegen oder verändern Sie den Netzstecker nicht. Wenn der Netzstecker beschädigt ist, wenden Sie sich an den Hersteller, um Ersatz zu erhalten.

Verwenden Sie eine Netzsteckdose nicht zusammen mit anderen privaten oder kommerziellen Geräten, die große Mengen an Elektrizität verbrauchen, da durch instabile Spannungen der Computer, Ihre Daten oder angeschlossene Einheiten beschädigt werden können.

Einige Produkte sind mit einem 3-poligen Netzstecker ausgestattet. Dieser Netzstecker ist nur für die Verwendung mit geerdeten Netzsteckdosen geeignet. Hierbei handelt es sich um eine Sicherheitsvorkehrung. Versuchen Sie nicht, diese Sicherheitsvorkehrung zu umgehen, indem Sie den Netzstecker an eine nicht geerdete Netzsteckdose anschließen. Wenn Sie den Stecker nicht in die Netzsteckdose stecken können, wenden Sie sich an einen Elektriker, um einen zugelassenen Steckdosenadapter zu erhalten, oder lassen Sie die Steckdose durch eine andere ersetzen, die für diese Sicherheitsvorkehrung ausgestattet ist. Überlasten Sie niemals eine Netzsteckdose. Die gesamte Systembelastung darf 80 % des Wertes für den Netzstromkreis nicht überschreiten. Wenden Sie sich bei Fragen zu Netzbelastungen und Werten für den Netzstromkreis an einen Elektriker.

Vergewissern Sie sich, dass die verwendete Netzsteckdose ordnungsgemäß angeschlossen ist, dass Sie sie auf einfache Weise erreichen können und dass sie sich in der Nähe der Einheiten befindet. Wenn Sie ein Netzkabel mit einer Netzsteckdose verbinden, dürfen Sie das Kabel nicht übermäßig dehnen, damit es nicht beschädigt wird.

Stellen Sie sicher, dass über die Netzsteckdose die richtige Spannung und die richtige Stromstärke für das Produkt zur Verfügung gestellt werden, das Sie installieren.

Gehen Sie sowohl beim Anschließen der Einheit an die Netzsteckdose als auch beim Trennen dieser Verbindung vorsichtig vor.

Externe Einheiten

Lösen oder schließen Sie keine Kabel für externe Einheiten (außer USB- und 1394-Kabel) an, während der Computer eingeschaltet ist, da sonst der Computer beschädigt werden kann. Um die mögliche Beschädigung angeschlossener Einheiten zu vermeiden, warten Sie mindestens fünf Sekunden, nachdem der Computer heruntergefahren wurde, und unterbrechen Sie erst dann die Verbindung zu den externen Einheiten.

Batterien und Akkus

Alle Lenovo PCs enthalten für die Stromversorgung der Systemuhr eine nicht aufladbare Knopfzellenbatterie. Zusätzlich werden bei vielen tragbaren Produkten wie etwa bei Notebook-Computern aufladbare Akkus verwendet, um das

System auch unterwegs mit Strom zu versorgen. Batterien und Akkus, die im Lieferumfang des Lenovo Produkts enthalten sind, wurden auf Kompatibilität getestet und sollten nur durch von Lenovo zugelassene Komponenten ersetzt werden.

Öffnen, zerlegen oder warten Sie den Akku nicht. Beschädigen Sie den Akku nicht; schließen Sie die Metallkontakte nicht kurz. Schützen Sie den Akku vor Feuchtigkeit und Nässe. Befolgen Sie beim Aufladen des Akkus genau die Anweisungen in der Produktdokumentation.

Die Knopfzellenbatterie bzw. der Akku können durch unsachgemäße Handhabung überhitzen, so dass Gase oder Flammen austreten können. Um die Gefahr eines Feuers zu vermeiden, beachten Sie auf jeden Fall Folgendes: Verwenden Sie den Akku nicht, wenn er beschädigt ist oder sich selbständig entlädt oder wenn sich an den Kontakten des Akkus Korrosionsmaterial abgelagert. Erwerben Sie in diesem Fall einen Ersatzakku vom Hersteller.

Akkus können sich entladen, wenn sie längere Zeit nicht verwendet werden. Bei einigen wiederaufladbaren Akkus (besonders bei Lithiumionenakkus) steigt das Risiko eines Kurzschlusses, wenn der Akku im entladenen Zustand aufbewahrt wird. Dies kann die Lebensdauer des Akkus verringern und ein Sicherheitsrisiko darstellen. Entladen Sie wiederaufladbare Lithiumionenakkus niemals vollständig. Bewahren Sie diese Art von Akkus nicht im entladenen Zustand auf.

Erwärmung und Lüftung des Produkts

Computer, Netzteile und viele Zubehörgeräte erzeugen Wärme beim Betrieb und beim Aufladen von Akkus. Beachten Sie immer folgende Vorsichtsmaßnahmen:

- Vermeiden Sie es, den Computer, das Netzteil oder Zubehör über einen längeren Zeitraum mit den Oberschenkeln oder einem anderen Teil des Körpers in Berührung zu lassen, wenn das Produkt in Betrieb ist oder der Akku aufgeladen wird. Der Computer, das Netzteil und viele Zubehörgeräte erzeugen im normalen Betrieb Wärme. Längerer Kontakt mit dem Körper kann zu Hautreizungen und möglicherweise sogar zu Verbrennungen führen.
- Vermeiden Sie das Arbeiten mit Ihrem Computer, Netzteil oder Zubehör oder das Laden des Akkus in der Nähe von brennbaren Materialien oder in explosionsgefährdeter Umgebung.
- Das Produkt enthält Lüftungsschlitze, Lüfter und Kühlkörper für einen sicheren, komfortablen und zuverlässigen Betrieb. Diese Komponenten könnten unabsichtlich blockiert werden, wenn das Produkt auf ein Bett, ein Sofa, einen Teppich oder andere weiche Oberflächen gestellt wird. Diese Komponenten dürfen niemals blockiert, abgedeckt oder beschädigt werden.

Der Computer sollte mindestens alle drei Monate auf Staubansammlungen überprüft werden. Bevor Sie den Computer überprüfen, schalten Sie den Netzstrom aus, und ziehen Sie das Netzkabel des Computers von der Netzsteckdose ab; entfernen Sie dann den Staub von den Entlüftungsschlitzen und Perforationen in der Frontblende. Wenn Sie außen am Computer Staubansammlungen feststellen, sollten Sie auch den inneren Bereich des Computers überprüfen und eventuelle Staubansammlungen auf der Luftzufuhr des Kühlkörpers, auf den Entlüftungsschlitzen des Netzteils sowie auf den Lüftern entfernen. Schalten Sie den Computer aus, und ziehen Sie das Netzkabel des Computers aus der Netzsteckdose, bevor Sie mit der Überprüfung beginnen. Vermeiden Sie es, den Computer in unmittelbarer Nähe von stark frequentierten Bereichen zu verwenden. Wenn Sie den Computer in stark frequentierten Bereichen verwenden müssen, sollten Sie die Sauberkeit des Computers häufiger überprüfen und ihn gegebenenfalls häufiger reinigen.

Zu Ihrer eigenen Sicherheit und zur Aufrechterhaltung einer optimalen Computerleistung müssen Sie immer die folgenden grundlegenden Vorsichtsmaßnahmen beachten:

- Öffnen Sie die Abdeckung nicht, wenn der Computer an den Netzstrom angeschlossen ist.
- Überprüfen Sie die Außenseite des Computers in regelmäßigen Abständen auf Staubablagerungen hin.
- Entfernen Sie Staubablagerungen von den Entlüftungsschlitzen und Perforationen in der Frontblende. Bei Verwendung des Computers in stark frequentierten Bereichen oder in Bereichen, in denen viel Staub entsteht, ist möglicherweise ein häufigeres Reinigen des Computers erforderlich.
- Blockieren Sie nicht die Lüftungsöffnungen des Computers.
- Achten Sie darauf, dass der Computer nicht in Möbeln gelagert oder betrieben wird, um die Gefahr einer Überhitzung zu verringern.
- Achten Sie darauf, dass die in den Computer hineinströmende Luft 35 °C nicht übersteigt.
- Verwenden Sie keine Lüftungseinheiten, die nicht für Desktop-Computer bestimmt sind.

Betriebsumgebung

Die optimale Umgebung, in der Sie Ihren Computer verwenden sollten, weist eine Temperatur zwischen 10 und 35 °C bei einer Luftfeuchtigkeit von 35 bis 80 % auf. Wenn Ihr Computer bei Temperaturen von weniger als 10 °C aufbewahrt oder transportiert wird, muss der kalte Computer vor Inbetriebnahme langsam auf eine optimale Betriebstemperatur von 10 bis 35 °C akklimatisiert werden. Unter extremen Bedingungen kann dieser Vorgang bis zu zwei Stunden dauern. Wenn Sie Ihren Computer nicht auf eine optimale Betriebstemperatur bringen, bevor Sie ihn benutzen, kann dies dauerhafte Schäden an Ihrem Computer hervorrufen.

Wenn möglich, sollten Sie Ihren Computer in einem gut belüfteten und trockenen Bereich ohne direkte Sonneneinstrahlung aufstellen.

Halten Sie elektrische Geräte wie z. B. einen elektrischen Ventilator, ein Radio, leistungsfähige Lautsprecher, eine Klimaanlage oder eine Mikrowelle von Ihrem Computer fern, da diese Geräte starke magnetische Felder erzeugen, die den Bildschirm und die Daten auf dem Festplattenlaufwerk beschädigen können.

Stellen Sie keine Getränke auf oder neben den Computer oder andere angeschlossene Einheiten. Wenn Flüssigkeit auf oder in dem Computer oder einer angeschlossenen Einheit verschüttet wurde, kann ein Kurzschluss oder ein anderer Schaden auftreten.

Essen und rauchen Sie nicht über Ihrer Tastatur. Partikel, die in die Tastatur fallen, können zu Beschädigungen führen.

Sicherheitshinweise zur elektrischen Sicherheit

VORSICHT

An Netz-, Telefon- oder Datenleitungen können gefährliche Spannungen anliegen.

Aus Sicherheitsgründen:

- Bei einem Gewitter den Computer nicht benutzen, um die Gefahr eines elektrischen Schlages zu vermeiden.
- Bei Gewitter an diesem Gerät keine Kabel anschließen oder lösen. Ferner keine Installations-, Wartungs- oder Rekonfigurationsarbeiten durchführen.
- Alle Netzkabel nur an eine Schutzkontaktsteckdose mit ordnungsgemäß geerdetem Schutzkontakt anschließen.
- Alle angeschlossenen Geräte ebenfalls an Schutzkontaktsteckdosen mit ordnungsgemäß geerdetem Schutzkontakt anschließen.
- Die Signalkabel nach Möglichkeit einhändig anschließen oder lösen, um einen Stromschlag durch Berühren von Oberflächen mit unterschiedlichem elektrischem Potenzial zu vermeiden.
- Geräte niemals einschalten, wenn Hinweise auf Feuer, Wasser oder Gebäudeschäden vorliegen.
- Die Verbindung zu den angeschlossenen Netzkabeln, Telekommunikationssystemen, Netzwerken und Modems ist vor dem Öffnen des Gehäuses zu unterbrechen, sofern in den Installations- und Konfigurationsprozeduren keine anders lautenden Anweisungen enthalten sind.

- **Zum Installieren, Transportieren und Öffnen der Abdeckungen des Computers oder der angeschlossenen Einheiten die Kabel gemäß der folgenden Tabelle anschließen und abziehen.**

Verbindungen herstellen:	Verbindungen trennen:
<ol style="list-style-type: none"> 1. Schalten Sie alle Geräte aus. 2. Schließen Sie die Einheitenkabel an. 3. Schließen Sie die Signalkabel an die entsprechenden Anschlüsse an. 4. Schließen Sie die Netzkabel an eine Netzsteckdose an. 5. Schalten Sie Ihr System ein. 	<ol style="list-style-type: none"> 1. Schalten Sie alle Geräte aus. 2. Ziehen Sie die Netzkabel aus der Netzsteckdose. 3. Ziehen Sie die Signalkabel von ihren Anschlüssen ab. 4. Entfernen Sie alle Kabel von den Geräten.

Hinweis zur Lithiumbatterie

Achtung
Die Batterie kann bei unsachgemäßem Austauschen explodieren.

Eine verbrauchte Lithium-Knopfzellenbatterie nur durch eine gleichwertige oder eine vom Hersteller empfohlene Batterie ersetzen. Die Batterie enthält Lithium und kann bei unsachgemäßer Verwendung, Handhabung oder Entsorgung explodieren.

Die Batterie nicht

- mit Wasser in Berührung bringen
- über 100 °C erhitzen
- reparieren oder zerlegen.

Bei der Entsorgung von Batterien die örtlichen Richtlinien für Sondermüll sowie die allgemeinen Sicherheitsbestimmungen beachten.

Sicherheitshinweise zu Modems

Achtung
Zur Vermeidung von Brandgefahr nur Telekommunikationsleitungskabel mit mindestens 26 AWG verwenden.

Um bei der Verwendung von Telefonanlagen Brandgefahr, die Gefahr eines elektrischen Schlages oder die Gefahr von Verletzungen zu vermeiden, die folgenden grundlegenden Sicherheitshinweise beachten:

- Während eines Gewitters keine Telefonleitungen installieren.
- An feuchten Orten keine Telefonanschlüsse installieren, die nicht speziell für Feuchträume geeignet sind.
- Blanke Telefonkabel oder Terminals nicht berühren, bevor die Telefonleitung von der Netzschnittstelle getrennt wurde.
- Vorsicht bei der Installation oder Änderung von Telefonleitungen.
- Während eines Gewitters kein Telefon (außer ein drahtloses Modell) benutzen, da die Gefahr eines elektrischen Schlages besteht.
- Das Telefon nicht in der Nähe der undichten Stelle einer Gasleitung benutzen, um den Leitungsbruch zu melden. Es besteht Explosionsgefahr.

Lasersicherheit

Einige PC-Modelle sind werkseitig mit einem CD- oder DVD-Laufwerk ausgestattet. CD- und DVD-Laufwerke können auch gesondert als Zusatzeinrichtung erworben werden. CD- und DVD-Laufwerke sind Laserprodukte. Diese Laufwerke sind gemäß Europäischer Norm IEC/EN 60 825-1 sicherheitsgeprüft und als Geräte der Klasse 1 zugelassen.

Wenn ein CD- oder DVD-Laufwerk installiert ist, beachten Sie die folgenden Anweisungen für den Umgang mit dem Laufwerk:

Achtung

Werden Steuerelemente, Einstellungen oder Durchführungen von Prozeduren anders als hier angegeben verwendet, kann gefährliche Laserstrahlung auftreten.

Laufwerkabdeckungen nicht entfernen. Die Abdeckungen des CD- oder DVD-Laufwerks wegen möglicher Laserstrahlung nicht entfernen. In dem CD- oder DVD-Laufwerk sind keine zu wartenden Teile vorhanden.

Einige CD- und DVD-Laufwerke enthalten einen Laser der Klasse 3A oder 3B. Beachten Sie den folgenden Hinweis.

VORSICHT

Laserstrahlung bei geöffneter Verkleidung. Nicht in den Strahl blicken. Nicht in den Strahl blicken. Keine Lupen oder Spiegel verwenden. Strahlungsbereich meiden.

Hinweise zu Netzteilen

Die Abdeckung des Netzteils oder einer Komponente, die mit dem folgenden Etikett versehen ist, darf niemals entfernt werden.



In Komponenten, die dieses Etikett aufweisen, treten gefährliche Spannungen und Energien auf. Diese Komponenten enthalten keine Teile, die gewartet werden müssen. Besteht der Verdacht eines Fehlers an einem dieser Teile, ist ein Kundendiensttechniker zu verständigen.

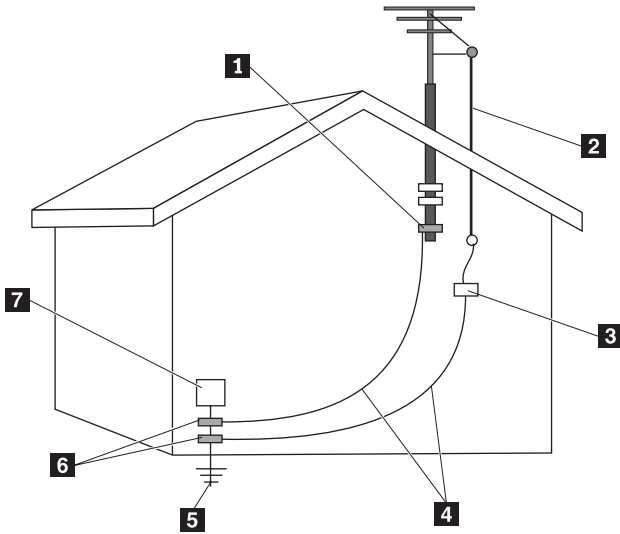
Produkte mit installierter TV-Empfangseinheit

Dieser Hinweis gilt für Produkte mit TV-Empfangseinheit, die mit externen Antennen und/oder Kabel-/CATV-Systemen oder beiden verbunden sind und die in Nordamerika installiert werden sollen. Benutzer und Installationsverantwortliche in anderen Ländern sollten lokale Bestimmungen befolgen, wenn sie Geräte installieren, die mit externen Antennen und Kabel-/CATV-Systemen verbunden sind. Wenn keine lokalen Bestimmungen zum Tragen kommen, empfiehlt es sich, dass Benutzer/Installationsverantwortliche ähnliche Richtlinien wie die folgenden verwenden.

Hinweis an Installationsverantwortliche für Kabel-/CATV-Systeme

Dieser Hinweis lenkt die Aufmerksamkeit des Installationsverantwortlichen für das Kabel-/CATV-System auf Artikel 820-40 des National Electrical Code (NEC), der Richtlinien für die ordnungsgemäße Erdung bereitstellt und insbesondere angibt, dass die Kabelerdung möglichst nahe am Kabeleingangspunkt mit dem Erdungssystem des Gebäudes verbunden werden soll.

Beispiel für die Erdung der Antenne



- | | | | |
|----------|---|----------|--|
| 1 | Erdungsklemme | 5 | Erdungsanlage des Stromanbieters (NEC Artikel 250, Teil H) |
| 2 | Antenneneingangskabel | 6 | Erdungsklemmen |
| 3 | Antennenentladeeinheit (NEC Abschnitt 810-20) | 7 | Ausstattung für den elektronischen Service |
| 4 | Schutzleiter (NEC Abschnitt 810-21) | | |

Abbildung 1. Ordnungsgemäße Erdung des Kabels

Der folgende Hinweis gilt für alle Länder und Regionen

VORSICHT



Erdung der Außenantenne

Wenn eine Außenantenne oder ein Kabelanschluss mit dem Gerät verbunden ist, achten Sie darauf, dass die Antenne oder das Kabel als Schutz gegen Stromstöße und statische Entladungen geerdet ist.

Blitzschlag

Für zusätzlichen Schutz des Gerätes während eines Gewitters oder wenn es für längere Zeit unbeaufsichtigt bleibt oder nicht verwendet wird, ziehen Sie den Netzstecker ab, und trennen Sie die Verbindung zur Antenne bzw. zum Kabelanschluss. Dadurch wird eine Beschädigung des Videoprodukts aufgrund von Blitzschlag oder Stromstößen vermieden.

Elektrische Leitungen

Eine Außenantenne sollte nicht in der Nähe von Freileitungen betrieben werden oder in Bereichen, wo sie elektrische Leitungen berühren oder auf diese fallen könnte. Bitte seien Sie extrem vorsichtig, wenn Sie eine Außenantenne installieren - das Berühren von Stromleitungen kann tödlich sein.

Datensicherheit

Löschen Sie keine unbekanntenen Dateien und ändern Sie nicht die Namen von Dateien oder Verzeichnissen, die Sie nicht selbst erstellt haben. Dies kann zu Softwarefehlern führen.

Beachten Sie, dass Ihr Computer durch den Zugriff auf Netzressourcen anfällig für Computerviren, Hacker, Spyware und andere zerstörerische Aktivitäten ist, durch die der Computer, die Software oder Ihre Daten beschädigt werden können. Sie sind selbst dafür verantwortlich, entsprechende Schutzmaßnahmen in Form von Firewalls, Antivirensoftware und Anti-Spyware-Software einzurichten und diese Software immer auf dem neuesten Stand zu halten.

Reinigung und Wartung

Halten Sie den Computer und Ihren Arbeitsbereich sauber. Schalten Sie den Computer aus, und ziehen Sie das Netzkabel ab, bevor Sie den Computer reinigen. Sprühen Sie keine flüssigen Reinigungsmittel direkt auf den Computer, und verwenden Sie auch keine Reinigungsmittel, die leicht entzündbare Stoffe enthalten, um den Computer zu reinigen. Sprühen Sie das Reinigungsmittel auf ein weiches Tuch, und wischen Sie damit die Oberflächen des Computers ab.

Verwendung von Kopf- und Ohrhörern

Wenn Ihr Computer sowohl über einen Kopfhöreranschluss als auch über einen Audioausgangsanschluss verfügt, schließen Sie Kopfhörer (ggf. auch als "Headset" bezeichnet) und Ohrhörer immer an den Kopfhöreranschluss an.

Übermäßiger Schalldruck von Ohrhörern bzw. Kopfhörern kann einen Hörverlust bewirken. Eine Einstellung des Equalizers auf andere als von der Mittelstellung vorgegebene Einstellungen kann die Ausgangsspannung am Ohrhörer- bzw. Kopfhörerausgang und damit auch den Schalldruckpegel erhöhen. Andere als die vom Hersteller spezifizierten kopfhörerausgangrelevanten Einflussfaktoren (wie z. B. Betriebssystem, andere Equalizersoftware, Firmware, Treiber) können die Ausgangsspannung am Ohrhörer- bzw. Kopfhörerausgang und damit auch den Schalldruckpegel erhöhen.

Der exzessive Gebrauch von Kopfhörern oder Ohrhörern über einen langen Zeitraum bei starker Lautstärke kann zu Schäden führen, wenn die Ausgabe der Kopfhörer oder Ohrhörern nicht den EN 50332-2-Spezifikationen entspricht. Der Ausgangsanschluss für Kopfhörer Ihres Computers entspricht der EN 50332-2-Spezifikation Abschnitt 7. Durch diese Spezifikation wird die Ausgabespannung für den maximalen tatsächlichen Breitband-RMS-Wert des Computers auf 150 mV beschränkt. Um Hörschäden zu vermeiden, stellen Sie sicher, dass die von Ihnen verwendeten Kopfhörer oder Ohrhörer ebenfalls der EN 50332-2-Spezifikation (Abschnitt 7 zu Grenzwerten) für eine für den Breitbandbetrieb charakteristische Spannung von 75 mV entsprechen. Der Gebrauch von Kopfhörern, die der EN 50332-2-Spezifikation nicht entsprechen, kann aufgrund von erhöhten Schalldruckpegeln eine Gefahr darstellen.

Wenn im Lieferumfang Ihres Lenovo Computers Kopfhörer oder Ohrhörer als Set enthalten sind, entspricht die Kombination aus Kopfhörer oder Ohrhörer und aus Computer bereits den EN 50332-1-Spezifikationen. Wenn andere Kopfhörer oder Ohrhörer verwendet werden, stellen Sie sicher, dass die von Ihnen verwendeten Kopfhörer oder Ohrhörer der EN 50332-1-Spezifikation (Abschnitt 6.5 zu Begrenzungswerten) entsprechen. Der Gebrauch von Kopfhörern, die der EN 50332-2-Spezifikation nicht entsprechen, kann aufgrund von erhöhten Schalldruckpegeln eine Gefahr darstellen.

Zusätzliche Sicherheitshinweise

Plastiktüten können gefährlich sein. Bewahren Sie Plastiktüten nicht in Reichweite von Kleinkindern und Kindern auf, um eine Erstickungsgefahr zu vermeiden.

Zusätzliche Sicherheitsanforderungen für die Maschinentypen 6427, 6493

Zum Anheben oder Tragen der ThinkStation Maschinentypen 6427, 6493 sind zwei Personen erforderlich.

Kapitel 2. Informationsquellen

Nachdem Sie den Computer mit Hilfe des im Lieferumfang enthaltenen Installationsposters installiert haben, können Sie die Informationen in diesem Kapitel verwenden, um auf nützliche Ressourcen zuzugreifen, die Ihnen das Arbeiten mit dem Computer erleichtern.

Ordner mit Onlinebüchern

Der Ordner mit Onlinebüchern enthält Veröffentlichungen, die Ihnen bei der Konfiguration und Verwendung des Computers helfen. Der Ordner mit Onlinebüchern ist bereits auf Ihrem Computer installiert, Sie benötigen also keinen Zugriff auf das Internet, um die Veröffentlichungen anzuzeigen. Die folgenden Veröffentlichungen sind im Ordner mit Onlinebüchern enthalten:

- *ThinkStation Benutzerhandbuch*
In dieser Veröffentlichung finden Sie Informationen zur Konfiguration Ihres Computers, zum Installieren von Zusatzeinrichtungen, zum Wiederherstellen von Software, zum Verwenden des Konfigurationsdienstprogramms, zum Aktualisieren von Systemprogrammen sowie zur Fehlerbehebung.
- *ThinkStation Handbuch zum Installieren und Austauschen von Hardware*
Diese Veröffentlichung enthält schrittweise Anweisungen zum Ersetzen von CRUs (Customer Replaceable Units, durch den Kunden austauschbare Funktionseinheiten) in Ihrem Computer. CRUs sind Computerteile, die vom Kunden selbst aufgerüstet oder ersetzt werden könnten.
- *IBM Lotus® Software-Angebot*

Klicken Sie zum Anzeigen einer Veröffentlichung auf dem Windows-Desktop auf das Menü **Start**, wählen Sie **Alle Programme** und dann **Onlinebücher** aus, und klicken Sie anschließend auf **Onlinebücher**. Klicken Sie doppelt auf die Veröffentlichung zum gewünschten Computer. Diese Veröffentlichungen sind auch auf der Lenovo Website unter der Adresse <http://www.lenovo.com> zu finden.

Anmerkungen:

1. Zum Öffnen dieser Veröffentlichungen im PDF-Format muss der Adobe Acrobat Reader installiert sein. Ist der Adobe Acrobat Reader noch nicht auf dem Computer installiert, wird beim Öffnen einer PDF-Datei eine entsprechende Nachricht angezeigt, und Sie werden durch die Installation des Adobe Acrobat Readers geführt.
2. Die auf Ihrem Computer vorinstallierten Veröffentlichungen sind auch in anderen Sprachen auf der Lenovo Unterstützungswebsite unter der folgenden Adresse erhältlich: <http://www.lenovo.com/support/>.

3. Wenn Sie eine andere Sprachversion von Adobe Acrobat Reader als die auf dem Computer verfügbare Version installieren möchten, rufen Sie die Adobe-Website unter der Adresse <http://www.adobe.com> auf, und laden Sie die gewünschte Sprachversion herunter.

ThinkVantage Productivity Center

Das Programm "ThinkVantage® Productivity Center" führt Sie zu einer Vielzahl von Informationsquellen und Tools, die für eine einfachere und sichere Handhabung des Computers entwickelt wurden und die gleichzeitig für eine Senkung der Kosten und eine Zunahme der Produktivität sorgen. Das Programm "ThinkVantage Productivity Center" unterstützt Sie beim Konfigurieren und Erweitern der Funktionen Ihres Computers und hilft Ihnen bei allen Fragen.

Das Programm "ThinkVantage Productivity Center" enthält Informationen zu Ihrem Computer und ermöglicht den einfachen Zugriff auf verschiedene Technologien, wie z. B. folgende:

- Das Programm "Rescue and Recovery"
- Productivity Center
- Client Security Solutions
- Wiederherstellung des werkseitig vorinstallierten Festplatteninhalts
- Systemaktualisierungen
- Service und Unterstützung

Anmerkung: Die ThinkVantage Technologies sind nur auf bestimmten Lenovo Computern verfügbar.

Um auf das Programm "ThinkVantage Productivity Center" zuzugreifen, rufen Sie auf dem Windows-Desktop das Menü **Start** auf, wählen Sie **Alle Programme** und dann **ThinkVantage** aus, und klicken Sie anschließend auf **Productivity Center**.

Access Help

Die Onlinehilfefunktion "Access Help" bietet Informationen zu den ersten Schritten, zur Durchführung von grundlegenden Tasks, zur Anpassung der Einstellungen an Ihre persönlichen Vorgaben, zum Schutz von Daten, zum Erweitern und zum Durchführen von Upgrades sowie zur Fehlerbehebung.

Um "Access Help" zu öffnen, rufen Sie auf dem Windows-Desktop das Menü **Start** auf, wählen Sie **Alle Programme** und dann **ThinkVantage** aus, und klicken Sie auf **Productivity Center**. Nach dem Öffnen von Access Help können Sie im linken Teilfenster eine Auswahl aus der Registerkarte "Inhalt" oder "Index" treffen. Sie können auch die Registerkarte "Suchen" verwenden, um nach einem bestimmten Wort oder einem Ausdruck zu suchen.

Die Lenovo Website (www.lenovo.com) bietet eine große Menge an Informationen und Services, die Ihnen beim Erwerb, beim Durchführen von Upgrades und bei der Wartung des Computers helfen. Aktuelle Informationen zu Ihrem Computer finden Sie auf der Lenovo Website. Auf dieser Website haben Sie außerdem folgende Möglichkeiten:

- Sie können Desktop- und Notebook-Computer, Bildschirme, Projektoren, Upgrades und Zubehör für Ihren Computer erwerben. Hier finden Sie außerdem Sonderangebote.
- Sie können Nebenleistungen, wie z. B. Hardwareunterstützung, Betriebssysteme, Anwendungsprogramme, Netzinstallationen und -konfigurationen sowie angepasste Installationen erwerben.
- Sie können Upgrades und erweiterte Hardwarereparaturservices erwerben.
- Sie können aktuelle Einheitentreiber und Softwareaktualisierungen für Ihr Computermodell herunterladen.
- Sie können auf die Onlinehandbücher für Ihre Produkte zugreifen.
- Sie können auf die Lenovo Gewährleistung zugreifen.
- Sie können auf Informationen zu Fehlerbehebung und Unterstützung für Ihr Computermodell und weitere unterstützte Produkte zugreifen.
- Hier finden Sie die Service- und Unterstützungstelefonnummern für Ihr Land oder Ihre Region.
- Hier finden Sie einen Service-Provider in Ihrer Nähe.

Computerdaten notieren

Die notierten Computerdaten könnten Sie gebrauchen, wenn Sie Ihren Computer vom Kundendienst überprüfen lassen müssen. Der Kundendiensttechniker fragt Sie möglicherweise nach diesen Daten.

Maschinentyp, Modell und Seriennummer stehen auf dem Computer. Notieren Sie die Daten in der folgenden Tabelle.

Produktname	_____
Maschinentyp und Modell	_____
Seriennummer (S/N)	_____
Kaufdatum	_____

Registrieren Sie Ihren Computer über das Internet auf der folgenden Website:

<http://www.lenovo.com/register>

Wenn Sie Ihren Computer registrieren, können Sie folgende Vorteile nutzen:

- Schnellerer Service, wenn Sie Hilfe anfordern
- Automatische Benachrichtigung über kostenlose Software und Angebote

Weitere Informationen zur Registrierung Ihres Computers finden Sie in der Onlinehilfefunktion "Access Help". Im Abschnitt „Access Help“ auf Seite 132 finden Sie Anweisungen zum Aufrufen der Onlinehilfefunktion.

Kapitel 3. Lenovo Gewährleistung

Diese begrenzte Lenovo Gewährleistung wird nur für Lenovo Hardwareprodukte erbracht, die für den Eigenbedarf erworben wurden, und nicht für zum Wiederverkauf erworbene Produkte. In anderen Dokumenten von Lenovo wird diese begrenzte Gewährleistung gelegentlich auch als "Lenovo Erklärung über begrenzte Gewährleistung" oder "Statement of Limited Warranty" (SOLW) bezeichnet.

Umfang dieser Gewährleistung

Lenovo gewährleistet, dass jedes Hardwareprodukt während des Gewährleistungszeitraums bei normalem Gebrauch in Material und Ausführung fehlerfrei ist. Der Gewährleistungszeitraum für das Produkt beginnt mit dem Kaufdatum, das auf der Rechnung des Kunden angegeben ist, es sei denn, der Kunde wird von Lenovo anderweitig schriftlich informiert. Im Abschnitt **Gewährleistungsinformationen** ist angegeben, welcher Gewährleistungszeitraum und welche Art von Gewährleistungsservice für das Produkt des Kunden gelten.

DIESE GEWÄHRLEISTUNG IST ABSCHLIESSEND UND ERSETZT SÄMTLICHE ETWAIGE SONSTIGE GEWÄHRLEISTUNGSANSPRÜCHE. EINIGE LÄNDER ODER RECHTSORDNUNGEN ERLAUBEN NICHT DEN AUSSCHLUSS VERÖFFENTLICHTER ODER STILLSCHWEIGENDER GEWÄHRLEISTUNGEN, SO DASS OBIGE EINSCHRÄNKUNGEN MÖGLICHERWEISE NICHT ANWENDBAR SIND. IN DIESEM FALL SIND DERARTIGE GEWÄHRLEISTUNGEN AUF DIE GESETZLICHEN BESTIMMUNGEN SOWIE AUF DIE ZEITDAUER DES GEWÄHRLEISTUNGSZEITRAUMS BEGRENZT. NACH ABLAUF DES GEWÄHRLEISTUNGSZEITRAUMS WIRD KEINERLEI GEWÄHRLEISTUNG MEHR ERBRACHT. EINIGE LÄNDER ODER RECHTSORDNUNGEN ERLAUBEN NICHT DIE BEGRENZUNG DER ZEITDAUER EINER STILLSCHWEIGENDEN GEWÄHRLEISTUNG, SO DASS OBIGE EINSCHRÄNKUNG DER ZEITDAUER MÖGLICHERWEISE NICHT ANWENDBAR IST.

Gewährleistungsservice

Funktioniert das Produkt während des Gewährleistungszeitraums nicht wie zugesagt, kann der Kunde von Lenovo oder von einem autorisierten Service-Provider, beide im Folgenden als "Service-Provider" bezeichnet, den entsprechenden Gewährleistungsservice erhalten. Ein Verzeichnis der Service-Provider und der jeweiligen Rufnummern ist unter www.lenovo.com/support/phone verfügbar.

Der Gewährleistungsservice ist m"glichlicherweise nicht an allen Standorten verfgbar und kann je nach Standort unterschiedlich sein. Außerhalb des üblichen Servicebereichs eines Service-Providers k"nnen zusätzliche Gebühren anfallen. Informationen über bestimmte Standorte erhält der Kunde bei dem für ihn zuständigen Service-Provider.

Fehlerbehebung durch den Service-Provider

Wenn sich der Kunde an einen Service-Provider wendet, muss er die angegebenen Fehlerbestimmungs- und Fehlerbehebungsprozeduren befolgen.

Der Service-Provider versucht, per Telefon oder über Remotezugriff eine Fehlerdiagnose vorzunehmen und den Fehler zu beheben. Der Kunde wird vom Service-Provider m"glichlicherweise angewiesen, bestimmte Software-Updates herunterzuladen und zu installieren.

Kann der Fehler mithilfe einer durch den Kunden austauschbaren Funktionseinheit ("CRU"), z. B. Tastatur, Maus, Lautsprecher, Speicher, Festplattenlaufwerk, Anschlussreplikator und andere leicht austauschbare Teile, behoben werden, liefert der Service-Provider dem Kunden die CRU zur Eigeninstallation.

Kann der Fehler per Telefon oder über Remotezugriff, durch Installation von Software-Updates oder durch eine CRU nicht behoben werden, wird der Service-Provider abhängig von der im Abschnitt **Gewährleistungsinformationen** beschriebenen Art des für das Produkt geltenden Gewährleistungsservice entsprechende Serviceleistungen veranlassen.

Stellt der Service-Provider fest, dass das Produkt nicht repariert werden kann, ersetzt der Service-Provider das Produkt durch ein funktionell mindestens gleichwertiges Produkt.

Stellt der Service-Provider fest, dass es nicht m"glich ist, das Produkt zu reparieren oder einen Ersatz zu beschaffen, kann der Kunde das Produkt an die Verkaufsstelle oder an Lenovo zurückgeben und er erhält daraufhin eine Rückerstattung. Weitere Rechte sind ausgeschlossen.

Austausch eines Produkts oder eines Teils

Muss ein Produkt oder ein Teil des Produkts im Rahmen des Gewährleistungsservice ausgetauscht werden, geht das vom Service-Provider ausgetauschte Produkt bzw. das ausgetauschte Teil in das Eigentum von Lenovo über, während das Ersatzprodukt oder das Ersatzteil in das Eigentum des Kunden übergeht. Bei allen entfernten Teilen muss es sich um unveränderte Originalteile handeln. Das Ersatzprodukt oder die Ersatzteile sind unter Umständen nicht neu, befinden sich jedoch in einem einwandfreien Betriebszustand und sind

dem ersetzten Teil funktionell mindestens gleichwertig. Das Ersatzprodukt oder das Ersatzteil erhält den Gewährleistungsstatus des ausgetauschten Produkts oder des ausgetauschten Teils.

Bevor der Service-Provider ein Produkt oder ein Teil austauscht, erklärt sich der Kunde mit Folgendem einverstanden:

1. alle nicht durch diesen Gewährleistungsservice abgedeckten Features, Teile, Optionen, Änderungen und Zubehörteile zu entfernen;
2. sicherzustellen, dass keine rechtlichen Verpflichtungen bzw. Einschränkungen bestehen, die dem Ersetzen des Produkts oder eines Teils entgegenstehen und
3. bei einem Produkt, das nicht das Eigentum des Kunden ist, die Genehmigung des Eigentümers für den Gewährleistungsservice dieses Produkts durch den Service-Provider einzuholen.

Weitere Zuständigkeiten des Kunden

Soweit zutreffend, erklärt sich der Kunde vor Erbringung des Gewährleistungsservice mit Folgendem einverstanden:

1. die vom Service-Provider vorgegebene Vorgehensweise zur Serviceanforderung zu befolgen,
2. alle auf dem Produkt befindlichen Programme und Daten zu sichern,
3. dem Service-Provider alle für die Erbringung des Gewährleistungsservice erforderlichen Systemberechtigungen und Kennwörter sowie den hierfür erforderlichen freien und sicheren Zugang zu seinen Räumlichkeiten und Systemen zu gewähren und
4. sicherzustellen, dass alle Informationen über identifizierte oder identifizierbare Personen ("persönliche Daten") auf dem Produkt gelöscht werden oder dass für den Fall, dass nicht gelöschte persönliche Daten auf dem Produkt vorhanden sind, alle einschlägigen Rechtsvorschriften eingehalten werden.

Nutzung von persönlichen Informationen

Im Rahmen der Durchführung von Gewährleistungsservices werden von Lenovo Daten bezüglich der Fehlermeldung und Kontaktinformationen, darunter Name, Adresse, Rufnummer und E-Mail-Adresse, erhoben, verarbeitet, gespeichert und verwendet. Diese Daten werden im Rahmen der Abwicklung dieser Gewährleistung sowie zur Verbesserung der Geschäftsbeziehung mit dem Kunden, z. B. zur Durchführung interner Bewertungen der Effizienz des erbrachten Gewährleistungsservice, verwendet. Lenovo ist zur Kontaktaufnahme berechtigt, um die Kundenzufriedenheit bezüglich der erbrachten Services zu erfragen und den Kunden auf etwaige Rückrufaktionen und Sicherheitsprobleme hinzuweisen. Zu diesen Zwecken können die Kundendaten an Unternehmensstandorte in anderen Ländern oder an im Auftrag von

Lenovo tätige Unternehmen weitergegeben werden. Lenovo kann die Kontaktdaten des Kunden offenlegen, sofern dies gesetzlich oder gerichtlich erforderlich ist.

Gewährleistungsausschluss

Folgendes ist nicht Bestandteil dieser Gewährleistung:

- unterbrechungsfreier oder fehlerfreier Betrieb eines Produkts;
- Verlust oder Beschädigung von Daten des Kunden;
- vorinstallierte oder nachträglich installierte Softwareprogramme;
- Störungen oder Schäden, die durch nicht sachgerechte Verwendung, Unfälle, Änderungen, ungeeignete Betriebsumgebung, Naturkatastrophen, Spannungsschwankungen oder unsachgemäße Wartung durch den Kunden verursacht wurden;
- Produkte anderer Hersteller, einschließlich der Produkte, die Lenovo auf Kundenanfrage hin zusammen mit einem Lenovo Produkt beschafft und bereitstellt oder in ein Lenovo Produkt integriert;
- technische oder andere Unterstützung, wie z. B. Unterstützung bei Fragen zu Vorgehensweisen und solchen Fragen, die sich auf die Einrichtung und Installation des Produkts beziehen.

Bei Entfernung oder Veränderung der Typenschilder bzw. Teilenummern am Produkt oder an den Produktteilen erlischt die Gewährleistung.

Haftungsbegrenzung

Lenovo trägt die Verantwortung für den Verlust bzw. die Beschädigung des Produkts, 1) während es sich im Besitz des Service-Providers befindet oder 2) in Fällen, in denen der Service-Provider für den Transport verantwortlich ist, während es sich auf dem Transportweg befindet.

Weder Lenovo noch der Service-Provider ist verantwortlich für Kundendaten, wie z. B. vertrauliche, private oder persönliche Daten, die auf einem Produkt vorhanden sind. Solche Daten müssen vor der Wartung oder der Rückgabe des Produkts entfernt und/oder gesichert werden.

Soweit der Kunde aus Verschulden von Lenovo oder aus sonstigen Gründen von Lenovo Schadensersatz verlangen kann, ist die Haftung von Lenovo unabhängig von der Rechtsgrundlage, auf der der Schadensersatzanspruch gegen Lenovo beruht (einschließlich Verletzung wesentlicher Vertragspflichten, Fahrlässigkeit, unrichtiger Angaben oder anderer Ansprüche aus dem Vertrag oder auf Grund unerlaubter Handlungen), und außer in Fällen der gesetzlich zwingenden Haftung begrenzt auf die Höhe der tatsächlichen direkten Schäden, die der Kunde erlitten hat, sowie auf die Höhe des Kaufpreises, den der Kunde für das Produkt gezahlt hat.

Diese Haftungsbeschränkung gilt nicht für Körperverletzung (einschließlich Tod) und Schäden an Immobilien und beweglichen Sachen, für die Lenovo rechtlich haftbar ist.

Diese Haftungsbeschränkung gilt auch für die Lieferanten und Reseller von Lenovo sowie für den Service-Provider. Dies ist der maximale Betrag, für den Lenovo, die Lieferanten, Reseller und der Service-Provider insgesamt haftbar gemacht werden können.

AUF KEINEN FALL SIND LENOVO, DIE LIEFERANTEN, RESELLER ODER SERVICE-PROVIDER IN FOLGENDEN FÄLLEN HAFTBAR, AUCH WENN AUF DIE MÖGLICHKEIT SOLCHER SCHÄDEN HINGEWIESEN WURDE: 1) ANSPRÜCHE DRITTER AUF SCHADENSERSATZ GEGENÜBER DEM KUNDEN; 2) VERLUST ODER BESCHÄDIGUNG VON DATEN DES KUNDEN; 3) SPEZIELLE, MITTELBARE ODER FOLGESCHÄDEN ODER ANDERE WIRTSCHAFTLICHE FOLGESCHÄDEN, EINSCHLIESSLICH ENTGANGENER GEWINNE, GESCHÄFTSABSCHLÜSSE, UMSÄTZE, SCHÄDIGUNG DES GUTEN NAMENS ODER VERLUST ERWARTETER EINSPARUNGEN. EINIGE LÄNDER ODER RECHTSORDNUNGEN ERLAUBEN NICHT DEN AUSSCHLUSS ODER DIE BEGRENZUNG VON FOLGESCHÄDEN, SO DASS OBIGE EINSCHRÄNKUNGEN UND AUSSCHLÜSSE MÖGLICHERWEISE NICHT ANWENDBAR SIND.

Schlichtung

Wenn der Kunde das Produkt in **Kambodscha, Indonesien, Vietnam, Sri Lanka** oder auf den **Philippinen** erworben hat, werden Verfahren und Streitigkeiten, die sich aus dieser Vereinbarung ergeben oder damit in Zusammenhang stehen, in Singapur durch Schiedsspruch geregelt bzw. beigelegt, und diese Vereinbarung wird in Übereinstimmung mit den Gesetzen Singapurs geregelt, ausgelegt und durchgeführt, ungeachtet unterschiedlicher Rechtsgrundlagen. Wenn der Kunde das Produkt in **Indien** erworben hat, werden Verfahren und Streitigkeiten, die sich aus dieser Vereinbarung ergeben oder damit in Zusammenhang stehen, in Bangalore, Indien, durch Schiedsspruch geregelt bzw. beigelegt. Schiedsverfahren in Singapur werden in Übereinstimmung mit den geltenden Richtlinien des Singapore International Arbitration Center ("SIAC-Richtlinien") durchgeführt. Schiedsverfahren in Indien werden in Übereinstimmung mit den geltenden Gesetzen Indiens durchgeführt. Der in Schriftform abzufassende Schiedsspruch ist endgültig und bindend für alle Parteien ohne Einspruchsmöglichkeit und muss eine Darlegung der Fakten sowie eine Begründung enthalten. Die Verkehrssprache für sämtliche Schiedsverfahren ist Englisch (die zum Verfahren gehörenden Dokumente müssen ebenfalls in Englisch abgefasst sein). Die englische Version dieser Vereinbarung ist in solchen Verfahren die verbindliche und hat Vorrang vor allen anderen Sprachen.

Weitere Rechte

DIESE GEWÄHRLEISTUNG ERMÖGLICHT DEM KUNDEN DIE GELTENDMACHUNG BESTIMMTER RECHTE, DIE ABHÄNGIG VOM JEWEILIGEN LAND ODER DER JEWEILIGEN RECHTSORDNUNG VONEINANDER ABWEICHEN KÖNNEN. DER KUNDE HAT MÖGLICHERWEISE IM RAHMEN GELTENDEN RECHTS ODER IM RAHMEN SCHRIFTLICHER VEREINBARUNGEN MIT LENOVO WEITERE RECHTE. GESETZLICH UNABDINGBARE RECHTE, EINSCHLIESSLICH DER VERBRAUCHERSCHUTZRECHTE IM RAHMEN NATIONALER RECHTLICHER BESTIMMUNGEN FÜR DEN VERKAUF VON KONSUMGÜTERN, GEHEN DIESEN BESTIMMUNGEN VOR.

Europäischer Wirtschaftsraum (EWR)

Kunden im Europäischen Wirtschaftsraum (EWR) können über die folgende Adresse mit Lenovo Kontakt aufnehmen: Lenovo Warranty & Service Quality Dept., PO Box 19547, Inverkip Road, Greenock, Scotland PA16 9WX. Serviceleistungen im Rahmen dieser Gewährleistung für Lenovo Hardwareprodukte, die in EWR-Ländern erworben wurden, können in allen EWR-Ländern in Anspruch genommen werden, in denen das Produkt von Lenovo angekündigt und zur Verfügung gestellt wurde.

Diese begrenzte Lenovo Gewährleistung steht unter www.lenovo.com/warranty auch in anderen Sprachen zur Verfügung.

Gewährleistungsinformationen

Maschinentyp	Land oder Region des Erwerbs	Gewährleistungszeitraum	Art des Gewährleistungsservice
6423	Vereinigte Staaten, Kanada, Lateinamerika, Brasilien, Europa, Naher und Mittlerer Osten, Afrika, Australien, Neuseeland, Singapur, Indien, Malaysia, Thailand, Indonesien, Philippinen, Vietnam, Brunei, Sri Lanka, Bangladesch, Korea, VR China, China (Sonderverwaltungsregion Hongkong), Taiwan	Teile und Serviceleistungen - 3 Jahre	1 und 2
	Japan	Teile und Serviceleistungen - 1 Jahr	1 und 3
6427	Vereinigte Staaten, Kanada, Lateinamerika, Brasilien, Europa, Naher und Mittlerer Osten, Afrika, Australien, Neuseeland, Singapur, Indien, Malaysia, Thailand, Indonesien, Philippinen, Vietnam, Brunei, Sri Lanka, Bangladesch, Korea, VR China, China (Sonderverwaltungsregion Hongkong), Taiwan	Teile und Serviceleistungen - 3 Jahre	1 und 2
	Japan	Teile und Serviceleistungen - 1 Jahr	1 und 3
6483	Vereinigte Staaten, Kanada, Lateinamerika, Brasilien, Europa, Naher und Mittlerer Osten, Afrika, Australien, Neuseeland, Singapur, Indien, Malaysia, Thailand, Indonesien, Philippinen, Vietnam, Brunei, Sri Lanka, Bangladesch, Korea, VR China, China (Sonderverwaltungsregion Hongkong), Taiwan	Teile und Serviceleistungen - 3 Jahre	1 und 2
	Japan	Teile und Serviceleistungen - 1 Jahr	1 und 3

Maschinentyp	Land oder Region des Erwerbs	Gewährleistungszeitraum	Art des Gewährleistungsservice
6493	Vereinigte Staaten, Kanada, Lateinamerika, Brasilien, Europa, Naher und Mittlerer Osten, Afrika, Australien, Neuseeland, Singapur, Indien, Malaysia, Thailand, Indonesien, Philippinen, Vietnam, Brunei, Sri Lanka, Bangladesch, Korea, VR China, China (Sonderverwaltungsregion Hongkong), Taiwan	Teile und Serviceleistungen - 3 Jahre	1 und 2
	Japan	Teile und Serviceleistungen - 1 Jahr	1 und 3

Falls erforderlich, leistet der Service-Provider Reparatur- oder Austauschservice, abhängig von der für das Produkt angegebenen Art des Gewährleistungsservice sowie abhängig vom verfügbaren Service. Der Zeitrahmen des Service ist abhängig von der Uhrzeit des Anrufs, der Verfügbarkeit der Teile und anderen Faktoren.

Eine Gewährleistung von 3 Jahren für Teile und von 1 Jahr für Serviceleistungen bedeutet beispielsweise, dass Lenovo kostenlosen Gewährleistungsservice bereitstellt für:

- a. Teile und Serviceleistungen im ersten Jahr der Gewährleistung (oder bei entsprechenden gesetzlichen Bestimmungen über einen längeren Zeitraum); und
- b. nur Teile (auf Austauschbasis) im zweiten oder dritten Jahr der Gewährleistung. Die Serviceleistungen, die im zweiten und dritten Jahr der Gewährleistung für Reparaturen oder den Ersatz von Teilen und Produkten anfallen, werden dem Kunden vom Service-Provider in Rechnung gestellt.

Arten des Gewährleistungsservice

1. CRU-Service

Im Rahmen des CRU-Service liefert der Service-Provider dem Kunden CRUs (Customer Replaceable Units, durch den Kunden austauschbare Funktionseinheiten), damit der Kunde die Installation selbst vornehmen kann. Die meisten CRUs sind leicht zu installieren, für einige CRUs sind jedoch bestimmte technische Kenntnisse und Werkzeuge erforderlich. CRU-Informationen sowie Anweisungen zum Austausch der CRU werden mit dem Produkt geliefert und sind auf Anfrage jederzeit bei Lenovo erhältlich. Im Rahmen einer anderen für

das Produkt geltenden Art von Gewährleistungsservice kann der Kunde die Installation einiger CRUs von einem Service-Provider durchführen lassen. Die Installation externer CRUs (z. B. Mäuse, Tastaturen oder Bildschirme) liegt in der Zuständigkeit des Kunden. In dem mit einer Ersatz-CRU gelieferten Material ist angegeben, ob die fehlerhafte CRU an Lenovo zurückgegeben werden muss. Ist eine Rückgabe vorgesehen, 1) sind im Lieferumfang der Ersatz-CRU Anweisungen für die Rückgabe, ein bereits frankierter Versandaufkleber und ein Versandkarton enthalten, und 2) kann der Service-Provider dem Kunden die Ersatz-CRU in Rechnung stellen, falls der Kunde die fehlerhafte CRU nicht innerhalb von dreißig (30) Tagen nach Erhalt der Ersatz-CRU an den Service-Provider zurückschickt.

2. Vor-Ort-Service

Im Rahmen des Vor-Ort-Service wird das Produkt vom Service-Provider vor Ort repariert oder ausgetauscht. Der Kunde muss dafür Sorge tragen, dass am Standort des Lenovo Produkts ausreichend Platz zum Zerlegen und erneuten Zusammenbauen des Lenovo Produkts vorhanden ist. Manche Produkte müssen zur Durchführung bestimmter Reparaturen eventuell an ein Service-Center eingeschickt werden.

3. Kurier- oder Aufbewahrungsservice

Im Rahmen des Kurier- oder Aufbewahrungsservice wird das Produkt in einem bestimmten Service-Center repariert oder ausgetauscht. Der Transport wird vom Service-Provider organisiert. Die entsprechende Vorbereitung des Produkts liegt in der Zuständigkeit des Kunden. Ein Versandkarton wird dem Kunden zur Verfügung gestellt, in dem der Kunde das Produkt an das angegebene Service-Center schicken kann. Ein Kurierdienst holt das Produkt ab und transportiert es zum angegebenen Service-Center. Nach der Reparatur oder dem Austausch veranlasst das Service-Center den Rücktransport des Produkts an den Standort des Kunden.

4. Anlieferung durch den Kunden oder per Versand

Im Rahmen der Anlieferung durch den Kunden oder des Versandservice wird das Produkt in einem bestimmten Service-Center repariert oder ausgetauscht. Der Transport oder der Versand liegt in der Zuständigkeit des Kunden. Der Kunde ist dafür verantwortlich, das Produkt gut verpackt entsprechend den Angaben des Service-Providers an den angegebenen Standort zu transportieren oder einzuschicken (vorab bezahlt, sofern nichts anderes angegeben ist). Nachdem das Produkt repariert oder ausgetauscht wurde, wird es für den Kunden zum Abholen bereitgehalten.

Wird das Produkt nicht abgeholt, entscheidet der Service-Provider nach eigenem Ermessen über den weiteren Verbleib des Produkts. Im Rahmen des Versandservice wird das Produkt auf Kosten von Lenovo an den Kunden zurückgeschickt, sofern der Service-Provider nichts anderes angegeben hat.

Ergänzung zu den Gewährleistungsbestimmungen für Mexiko

Diese Ergänzung ist Teil der begrenzten Lenovo Gewährleistung und gilt ausschließlich für Produkte, die auf dem Gebiet von Mexiko geliefert und vertrieben werden. Im Falle eines Rechtsstreites gelten die Bestimmungen dieser Ergänzung.

Für alle bei Lieferung auf den Geräten vorinstallierten Softwareprogramme gilt eine Gewährleistung von dreißig (30) Tagen für Installationsfehler ab dem Datum des Erwerbs. Lenovo ist nicht verantwortlich für in diesen Softwareprogrammen enthaltene Daten und/oder zusätzliche Softwareprogramme, die vom Kunden oder nach dem Erwerb des Produkts installiert wurden.

Services, die nicht der Gewährleistung zugerechnet werden können, werden nach vorheriger Genehmigung dem Endbenutzer in Rechnung gestellt.

Wenn der Kunde einen Reparaturservice, der der Gewährleistung unterliegt, in Anspruch nehmen möchte, wendet er sich telefonisch an das zuständige Customer Support Center (Telefonnummer 001-866-434-2080). Hier wird ihm die Adresse des nächstgelegenen autorisierten Service-Centers genannt. Sollte sich in der Stadt, am Standort oder im Umkreis von 70 km um den Standort des Kunden kein autorisiertes Service-Center befinden, beinhaltet die Gewährleistung die üblichen Transportkosten für den Transport des Produkts zum nächstgelegenen autorisierten Service-Center. Der Kunde muss sich telefonisch an das nächstgelegene autorisierte Service-Center wenden, um die erforderlichen Einverständniserklärungen oder Informationen zum Transport des Produkts und der Adresse des Service-Centers einzuholen.

Eine Liste von autorisierten Service-Centern ist unter der folgenden Adresse erhältlich:

<http://www.lenovo.com/mx/es/servicios>

Fertigung:

SCI Systems de México, S.A. de C.V.
Av. De la Solidaridad Iberoamericana No. 7020
Col. Club de Golf Atlas
El Salto, Jalisco, México
C.P. 45680,
Tel. 01-800-3676900

Marketing:

Lenovo de México, Comercialización y
Servicios, S. A. de C. V.
Alfonso Nápoles Gándara No 3111
Parque Corporativo de Peña Blanca
Delegación Álvaro Obregón
México, D.F., México
C.P. 01210,
Tel. 01-800-00-325-00

Kapitel 4. Liste der weltweit gültigen Telefonnummern

Land oder Region	Telefonnummer
Afrika	Afrika: +44 (0)1475-555-055 Südafrika: +27-11-3028888 und 0800110756 Zentralafrika: Der Kunde muss sich an einen Lenovo Business Partner in der Nähe wenden.
Argentinien	0800-666-0011 (Spanisch)
Australien	1300-880-917 (Englisch)
Belgien	Technische Unterstützung: 02-210-9820 (Flämisch) Technische Unterstützung: 02-210-9800 (Französisch) Gewährleistungsservice und Unterstützung: 02-225-3611 (Flämisch, Französisch)
Bolivien	0800-0189 (Spanisch)
Brasilien	Region Sao Paulo: (11) 3889-8986 Außerhalb der Region Sao Paulo: 0800-701-4815 (Brasilianisches Portugiesisch)
Brunei	801-1041
Chile	1-800-224-488 (Spanisch)
China (Sonderverwaltungsregion Hongkong)	Notebooks: 852-2516-3919 Desktops: 800-938-008 (Kantonesisch, Englisch, Mandarin)
China (Sonderverwaltungsregion Macau)	Notebooks: 0800-689 Desktops: 0800-686 (Kantonesisch, Englisch, Mandarin)
Costa Rica	0-800-011-1029 (Spanisch)
Dänemark	Technische Unterstützung: 4520-8200 Gewährleistungsservice und Unterstützung: 7010-5150 (Dänisch)
Deutschland	Technische Unterstützung: 07032-15-49201 Gewährleistungsservice und Unterstützung: 01805-25-35-58 (Deutsch)
Dominikanische Republik	1-866-434-2080 (Spanisch)
Ecuador	1-800-426911 (Spanisch)
El Salvador	800-6264 (Spanisch)
Estland	+372 67767934
Finnland	Technische Unterstützung: 09-459-6960 Gewährleistungsservice und Unterstützung: +358-800-1-4260 (Finnisch)

Land oder Region	Telefonnummer
Frankreich	Technische Unterstützung: 0238-557-450 Gewährleistungsservice und Unterstützung (Hardware): 0810-631-213 Gewährleistungsservice und Unterstützung (Software): 0810-631-020 (Französisch)
Griechenland	+30-210-680-1700
Großbritannien	Technische Unterstützung: 01475-555-055 Unterstützung im Rahmen der Gewährleistung: 08705-500-900 (Englisch)
Guatemala	1800-624-0051 (Spanisch)
Honduras	Tegucigalpa: 232-4222 San Pedro Sula: 552-2234 (Spanisch)
Indien	1800-425-6666 +91-80-2678-8970 (Englisch)
Indonesien	001-803-606-282
Irland	Technische Unterstützung: 01-815-9202 Gewährleistungsservice und Unterstützung: 01-881-1444 (Englisch)
Israel	Service-Center Givat Shmuel: +972-3-531-3900 Service-Center Haifa: +972-4-849-4608 (Hebräisch, Englisch)
Italien	Technische Unterstützung: 02-7031-6101 Gewährleistungsservice und Unterstützung: +39-800-820094 (Italienisch)
Japan	Desktops: 0120-000-817 Notebooks: 0570-064-400
Kanada	Toronto: 416-383-3344 Außerhalb von Toronto: 1-800-565-3344 (Englisch, Französisch)
Kolumbien	1-800-912-3021 (Spanisch)
Korea	1588-6782 (Koreanisch)
Kroatien	0800-0426
Lettland	+371 7070360
Litauen	+370 5 278 66 00
Luxemburg	+352-298-977-5063 (Französisch)
Malaysia	1800-88-1889
Malta	+35621445566
Mexiko	001-866-434-2080 (Spanisch)

Land oder Region	Telefonnummer
Naher und Mittlerer Osten	+44 (0)1475-555-055
Niederlande	+31-20-514-5770 (Niederländisch)
Neuseeland	0800-777-217 (Englisch)
Nicaragua	001-800-220-1830 (Spanisch)
Norwegen	Technische Unterstützung: 6681-1100 Gewährleistungsservice und Unterstützung: 8152-1550 (Norwegisch)
Österreich	Technische Unterstützung: 01-24592-5901 Gewährleistungsservice und Unterstützung: 01-211-454-610 (Deutsch)
Panama	Gebührenfrei: 001-866-434-2080 (Spanisch)
Peru	0-800-50-866 (Spanisch)
Philippinen	1800-1601-0033
Polen	+48-22-878-6999
Portugal	+351-21-892-7147 (Portugiesisch)
Rumänien	+4-021-224-4015
Russische Föderation	+7-495-940-2000 (Russisch)
Schweden	Technische Unterstützung: 08-477-4420 Gewährleistungsservice und Unterstützung: 077-117-1040 (Schwedisch)
Schweiz	Technische Unterstützung: 058-333-0900 Gewährleistungsservice und Unterstützung: 0800-55-54-54 (Deutsch, Französisch, Italienisch)
Singapur	800-6011-343
Slowakei	+421-2-4954-5555
Slowenien	+386-1-4796-699
Spanien	91-714-7983 0901-100-000 (Spanisch)
Sri Lanka	+94-11-249-3523 (Englisch)
Taiwan	0800-000-701 (Mandarin)
Thailand	1-800-060-066 (Thailändisch)
Tschechische Republik	+420-2-7213-1316
Türkei	00800-4463-2041 (Türkisch)
Ungarn	+36-1-382-5720
Uruguay	000-411-005-6649 (Spanisch)
Venezuela	0-800-100-2011 (Spanisch)

Land oder Region	Telefonnummer
Vereinigte Staaten von Amerika	1-800-426-7378 (Englisch)
Vietnam	Nördliches Gebiet und Hanoi: 84-4-843-6675 Südliches Gebiet und Ho-Chi-Minh-Stadt: 84-8-829-5160 (Englisch, Vietnamesisch)
Zypern	+357-22-841100

Kapitel 5. CRUs (Customer Replaceable Units - durch den Kunden austauschbare Funktionseinheiten)

CRUs (Customer Replaceable Units - durch den Kunden austauschbare Funktionseinheiten) sind Computerteile, die vom Kunden selbst aufgerüstet oder ersetzt werden können. Es gibt zwei Arten von CRUs: interne und externe. Externe CRUs lassen sich einfach installieren, während für interne CRUs bestimmte technische Kenntnisse erforderlich sind und möglicherweise in manchen Fällen Werkzeuge wie zum Beispiel Schraubendreher benötigt werden. Jedoch lassen sich sowohl externe als auch interne CRUs sicher durch den Kunden entfernen. Interne CRUs können durch die Kunden oder während der Gewährleistungsdauer durch die Lenovo Servicetechniker ausgebaut und installiert werden.

Die Kunden sind für den Austausch aller externen CRUs verantwortlich.

Computer enthalten externe und interne CRUs. Externe CRUs befinden sich außerhalb des Computers. Beispiele für externe CRUs umfassen die Tastatur, die Maus, beliebige USB-Einheiten und das Netzkabel. Zum Entfernen von internen CRUs muss zunächst die Abdeckung des Computers geöffnet werden. Beispiele für interne CRUs umfassen Speichermodule, optische Laufwerke, Adapterkarten und das Netzteil.

Im Benutzerhandbuch und im Handbuch zum Installieren und Austauschen von Hardware finden Sie Anweisungen zum Austauschen externer und interner CRUs. Anhand von Tabelle 2 auf Seite 152 können Sie feststellen, welche Veröffentlichung die von Ihnen benötigten Anweisungen enthält. Klicken Sie zum Anzeigen einer Veröffentlichung auf dem Windows-Desktop auf das Menü "Start", wählen Sie **Alle Programme** und dann **Onlinebücher** aus, und klicken Sie anschließend auf **Onlinebücher**. Klicken Sie doppelt auf die geeignete Veröffentlichung.

Diese Veröffentlichungen sind auch auf der Lenovo Website unter der Adresse <http://www.lenovo.com> zu finden.

Anmerkung: Verwenden Sie nur Computerteile von Lenovo. In Kapitel 3, „Lenovo Gewährleistung“, auf Seite 135 finden Sie Gewährleistungsinformationen zu den CRUs für Ihren Maschinentyp.

Tabelle 1. Tabelle der externen CRUs

Liste der Maschinentypen: 6423, 6427, 6483, 6493	Benutzerhandbuch	Handbuch zum Installieren und Austauschen von Hardware
Externe CRUs		
Tastatur	X	X
Maus	X	X
Netzkabel	X	

Tabelle 2. Tabelle der internen CRUs

Liste der Maschinentypen: 6423, 6427, 6483, 6493	Benutzerhandbuch	Handbuch zum Installieren und Austauschen von Hardware
Interne CRUs		
Festplattenlaufwerk		X
Speicher		X
Adapterkarte		X
Interne Lautsprecher		X
Optisches Laufwerk		X
Diskettenlaufwerk		X
Netzteil		X
Systemlüfter		X
Kühlkörper		X
Lüfter		X
USB-Anschluss an der Vor- derseite		X
CMOS-Batterie		X
Serieller Anschluss		X

Kapitel 6. Bemerkungen

Möglicherweise bietet Lenovo die in dieser Dokumentation beschriebenen Produkte, Services oder Funktionen nicht in allen Ländern an. Informationen über die gegenwärtig im jeweiligen Land verfügbaren Produkte und Services sind beim Lenovo Ansprechpartner erhältlich. Hinweise auf Lenovo Lizenzprogramme oder andere Lenovo Produkte bedeuten nicht, dass nur Programme, Produkte oder Services von Lenovo verwendet werden können. Anstelle der Lenovo Produkte, Programme oder Services können auch andere, ihnen äquivalente Produkte, Programme oder Services verwendet werden, solange diese keine gewerblichen oder anderen Schutzrechte von Lenovo verletzen. Die Verantwortung für den Betrieb von Fremdprodukten, Fremdprogrammen und Fremdservices liegt beim Kunden.

Für in diesem Handbuch beschriebene Erzeugnisse und Verfahren kann es Lenovo Patente oder Patentanmeldungen geben. Mit der Auslieferung dieses Handbuchs ist keine Lizenzierung dieser Patente verbunden. Lizenzanfragen sind schriftlich an die nachstehende Adresse zu richten. Anfragen an diese Adresse müssen auf Englisch formuliert werden.

*Lenovo (United States), Inc.
1009 Think Place - Building One
Morrisville, NC 27560
U.S.A.
Lenovo Director of Licensing*

Lenovo stellt die Veröffentlichung ohne Wartung (auf "as-is"-Basis) zur Verfügung und übernimmt keine Gewährleistung für die Handelsüblichkeit, die Verwendungsfähigkeit für einen bestimmten Zweck und die Freiheit der Rechte Dritter. Einige Rechtsordnungen erlauben keine Gewährleistungsausschlüsse bei bestimmten Transaktionen, so dass dieser Hinweis möglicherweise nicht zutreffend ist.

Trotz sorgfältiger Bearbeitung können technische Ungenauigkeiten oder Druckfehler in dieser Veröffentlichung nicht ausgeschlossen werden. Die Angaben in diesem Handbuch werden in regelmäßigen Zeitabständen aktualisiert. Die Änderungen werden in Überarbeitungen oder in Technical News Letters (TNLs) bekannt gegeben. Lenovo kann jederzeit Verbesserungen und/oder Änderungen an den in dieser Veröffentlichung beschriebenen Produkten und/oder Programmen vornehmen.

Die in diesem Dokument beschriebenen Produkte sind nicht zur Verwendung bei Implantationen oder anderen lebenserhaltenden Anwendungen, bei denen ein Nichtfunktionieren zu Verletzungen oder zum Tod führen könnte, vorgesehen.

Die Informationen in diesem Dokument beeinflussen oder ändern nicht die Lenovo Produktspezifikationen oder Gewährleistungen. Keine Passagen dieses Dokuments sollen als explizite oder implizite Lizenz oder Schadensersatzklärung unter den gewerblichen Schutzrechten von Lenovo oder anderer Firmen dienen. Alle Informationen in dieser Dokumentation beziehen sich auf eine bestimmte Betriebsumgebung und dienen zur Veranschaulichung. In anderen Betriebsumgebungen werden möglicherweise andere Ergebnisse erzielt.

Werden an Lenovo Informationen eingesandt, können diese beliebig verwendet werden, ohne dass eine Verpflichtung gegenüber dem Einsender entsteht.

Verweise in dieser Veröffentlichung auf Websites anderer Anbieter dienen lediglich als Benutzerinformationen und stellen keinerlei Billigung des Inhalts dieser Websites dar. Das über diese Websites verfügbare Material ist nicht Bestandteil des Materials für dieses Lenovo Produkt. Die Verwendung dieser Websites geschieht auf eigene Verantwortung.

Alle in diesem Dokument enthaltenen Leistungsdaten stammen aus einer gesteuerten Umgebung. Die Ergebnisse, die in anderen Betriebsumgebungen erzielt werden, können daher erheblich von den hier erzielten Ergebnissen abweichen. Einige Daten stammen möglicherweise von Systemen, deren Entwicklung noch nicht abgeschlossen ist. Eine Gewährleistung, dass diese Daten auch in allgemein verfügbaren Systemen erzielt werden, kann nicht gegeben werden. Darüber hinaus wurden einige Daten unter Umständen durch Extrapolation berechnet. Die tatsächlichen Ergebnisse können abweichen. Benutzer dieses Dokuments sollten die entsprechenden Daten in ihrer spezifischen Umgebung prüfen.

Hinweise zur TV-Ausgabe

Der folgende Hinweis gilt für Modelle mit werkseitig installierter TV-Ausgabefunktion.

Dieses Produkt ist mit Copyright-geschützter Technologie ausgestattet, die durch bestimmte US-Patente und andere intellektuelle Eigentumsrechte geschützt ist, deren Eigentümer die Macrovision Corporation und andere rechtliche Eigner sind. Die Verwendung dieser Copyright-geschützten Technologie muss von der Macrovision Corporation genehmigt sein und beschränkt sich ausschließlich auf den privaten Gebrauch und andere eingeschränkte Anzeigemöglichkeiten, sofern von der Macrovision Corporation nicht anders angegeben. Zurückentwicklung oder Disassemblierung ist verboten.

Marken

Lenovo, das Lenovo-Logo, Rescue and Recovery, ThinkCentre, ThinkVantage und ThinkStation sind in gewissen Ländern Marken von Lenovo.

IBM ist in gewissen Ländern eine Marke der International Business Machines Corporation.

Die Namen anderer Unternehmen, Produkte oder Services können Marken oder Servicemarken anderer Unternehmen sein.

Hinweise zur elektromagnetischen Verträglichkeit

Die folgenden Informationen beziehen sich auf Maschinentypen von Lenovo Personal Computern: 6423, 6427, 6483, 6493.

FCC-Konformitätserklärung (Federal Communications Commission)

Dieses Gerät wurde getestet und liegt gemäß Teil 15 der FCC-Regeln innerhalb der Grenzwerte für digitale Geräte der Klasse B. Diese Grenzwerte sind dafür gedacht, einen ausreichenden Schutz gegen Störungen zu bieten, wenn das Gerät in einem Wohngebiet betrieben wird. Dieses Gerät erzeugt, verwendet und strahlt Hochfrequenzenergie ab. Werden bei der Installation und dem Betrieb die Anweisungen nicht befolgt, können eventuell HF-Kommunikationseinrichtungen gestört werden. Es besteht jedoch keine Gewährleistung, dass bei einer bestimmten Installation keine Interferenzen auftreten. Wenn dieses Gerät Störungen beim Radio- oder Fernsehempfang verursacht - dies kann durch Ein- und Ausschalten des Geräts festgestellt werden - wird dem Benutzer empfohlen, die Störungen mit Hilfe einer der folgenden Maßnahmen zu beseitigen:

- Empfangsantenne neu ausrichten oder anders positionieren.
- Abstand zwischen Gerät und Empfänger vergrößern.
- Gerät an einer Steckdose anschließen, die sich an einem anderen Stromkreis befindet als die Steckdose, an die der Empfänger angeschlossen ist.
- Sich mit weiteren Fragen an Ihren Vertragshändler oder Ansprechpartner wenden.

Lenovo übernimmt keine Verantwortung für Störungen beim Radio- oder Fernsehempfang, die durch ungeeignete Kabel oder Stecker bzw. eigenmächtige Änderungen am Gerät entstehen. Durch eigenmächtige Änderungen kann die Berechtigung des Benutzers zum Betrieb des Gerätes erlöschen.

Dieses Gerät entspricht Teil 15 der FCC-Regeln. Der Betrieb unterliegt den folgenden zwei Bedingungen: (1) Dieses Gerät darf keine Störungen verursachen, und (2) dieses Gerät muss gegen Störungen von außen abgeschirmt sein, auch gegen Störungen, die den Betrieb beeinträchtigen können.

Verantwortlich:

Lenovo (United States) Incorporated
1009 Think Place - Building One
Morrisville, NC 27560
U.S.A.
Telefon: (919) 294-5900



Tested To Comply
With FCC Standards

FOR HOME OR OFFICE USE

Kanada - Hinweis zur elektromagnetischen Verträglichkeit (Klasse B)

Dieses Digitalgerät nach Klasse B stimmt mit der kanadischen Norm ICES-003 überein.

Cet appareil numérique de la classe B est conforme à la norme NMB-003 du Canada.

EU-Richtlinie zur elektromagnetischen Verträglichkeit

Dieses Produkt entspricht den Schutzanforderungen der EU-Richtlinie 2004/108/EC zur Angleichung der Rechtsvorschriften über die elektromagnetische Verträglichkeit in den EU-Mitgliedsstaaten. Lenovo übernimmt keine Verantwortung für die Einhaltung der Schutzanforderungen, wenn das Produkt ohne Zustimmung von Lenovo verändert wird bzw. wenn Erweiterungskarten von Fremdherstellern ohne Empfehlung von Lenovo eingebaut oder eingesteckt werden.

Dieses Produkt wurde getestet und hält die Grenzwerte nach EN 55022 Klasse B (bzw. der internationalen Norm CISPR 22) für informationstechnische Geräte (Information Technology Equipment = ITE) ein. Die Grenzwerte für Geräte der Klasse B gelten für den Wohnbereich, um ausreichenden Schutz vor Interferenzen von zugelassenen Kommunikationseinrichtungen zu gewährleisten.

EU-Richtlinie zur elektromagnetischen Verträglichkeit (2004/108/EC) EN 55022 der Klasse B

Deutschsprachiger EU Hinweis:

Hinweis für Geräte der Klasse B EU-Richtlinie zur Elektromagnetischen Verträglichkeit

Dieses Produkt entspricht den Schutzanforderungen der EU-Richtlinie 2004/108/EG (früher 89/336/EWG) zur Angleichung der Rechtsvorschriften über die elektromagnetische Verträglichkeit in den EU-Mitgliedsstaaten und hält die Grenzwerte der EN 55022 Klasse B ein.

Um dieses sicherzustellen, sind die Geräte wie in den Handbüchern beschrieben zu installieren und zu betreiben. Des Weiteren dürfen auch nur von Lenovo empfohlene Kabel angeschlossen werden. Lenovo übernimmt keine Verantwortung für die Einhaltung der Schutzanforderungen, wenn das Produkt ohne Zustimmung von Lenovo verändert bzw. wenn Erweiterungskomponenten von Fremdherstellern ohne Empfehlung von Lenovo gesteckt/eingebaut werden.

Deutschland: Einhaltung des Gesetzes über die elektromagnetische Verträglichkeit von Betriebsmitteln

Dieses Produkt entspricht dem "Gesetz über die elektromagnetische Verträglichkeit von Betriebsmitteln" EMVG (früher "Gesetz über die elektromagnetische Verträglichkeit von Geräten"). Dies ist die Umsetzung der EU-Richtlinie 2004/108/EG (früher 89/336/EWG) in der Bundesrepublik Deutschland.

Zulassungsbescheinigung laut dem Deutschen Gesetz über die elektromagnetische Verträglichkeit von Betriebsmitteln, EMVG vom 20. Juli 2007 (früher "Gesetz über die elektromagnetische Verträglichkeit von Geräten"), bzw. der EMV EG Richtlinie 2004/108/EC (früher 89/336/EWG), für Geräte der Klasse B.

Dieses Gerät ist berechtigt, in Übereinstimmung mit dem Deutschen EMVG das EG-Konformitätszeichen - CE - zu führen. Verantwortlich für die Konformitätserklärung nach Paragraph 5 des EMVG ist die Lenovo (Deutschland) GmbH, Pascalstr. 100, D-70569 Stuttgart.

Informationen in Hinsicht EMVG Paragraph 4 Abs. (1) 4:
Das Gerät erfüllt die Schutzanforderungen nach EN 55024 und EN 55022 Klasse B.

Federal Communications Commission (FCC) and telephone company requirements

1. This device complies with Part 68 of the FCC rules. A label is affixed to the device that contains, among other things, the FCC registration number, USOC, and Ringer Equivalency Number (REN) for this equipment. If these numbers are requested, provide this information to your telephone company.

Anmerkung: If the device is an internal modem, a second FCC registration label is also provided. You may attach the label to the exterior of the computer in which you install the Lenovo modem, or you may attach the label to the external DAA, if you have one. Place the label in a location that is easily accessible, should you need to provide the label information to the telephone company.

2. The REN is useful to determine the quantity of devices you may connect to your telephone line and still have those devices ring when your number is called. In most, but not all areas, the sum of the RENs of all devices should not exceed five (5). To be certain of the number of devices you may connect to your line, as determined by the REN, you should call your local telephone company to determine the maximum REN for your calling area.
3. If the device causes harm to the telephone network, the telephone company may discontinue your service temporarily. If possible, they will notify you in advance; if advance notice is not practical, you will be notified as soon as possible. You will be advised of your right to file a complaint with the FCC.
4. Your telephone company may make changes in its facilities, equipment, operations, or procedures that could affect the proper operation of your equipment. If they do, you will be given advance notice to give you an opportunity to maintain uninterrupted service.
5. If you experience trouble with this product, contact your authorized reseller or call the Customer Support Center. In the United States, call **1-800-426-7378**. In Canada, call **1-800-565-3344**. You may be required to present proof of purchase.

The telephone company may ask you to disconnect the device from the network until the problem has been corrected, or until you are sure the device is not malfunctioning.

6. No customer repairs are possible to the device. If you experience trouble with the device, contact your Authorized Reseller or see the Diagnostics section of this manual for information.
7. This device may not be used on coin service provided by the telephone company. Connection to party lines is subject to state tariffs. Contact your state public utility commission or corporation commission for information.
8. When ordering network interface (NI) service from the local Exchange Carrier, specify service arrangement USOC RJ11C.

Canadian Department of Communications certification label

NOTICE: The Industry Canada label identifies certified equipment. This certification means that the equipment meets telecommunications network protective, operational and safety requirements as prescribed in the appropriate Terminal Equipment Technical Requirements documents. The Department does not guarantee the equipment will operate to the user's satisfaction.

Before installing this equipment, users should ensure that it is permissible to be connected to the facilities of the local telecommunications company. The equipment must also be installed using an acceptable method of connection. The customer should be aware that compliance with the above conditions may not prevent degradation of service in some situations. Repairs to certified equipment should be coordinated by a representative designated by the supplier. Any repairs or alterations made by the user to this equipment, or equipment malfunctions, may give the telecommunications company cause to request the user to disconnect the equipment.

Users should ensure for their own protection that the electrical ground connections of the power utility, telephone lines, and internal metallic water pipe system, if present, are connected together. This precaution may be particularly important in rural areas.

Caution: Users should not attempt to make such connections themselves, but should contact the appropriate electric inspection authority, or electrician, as appropriate.

NOTICE: The Ringer Equivalence Number (REN) assigned to each terminal device provides an indication of the maximum number of terminals allowed to be connected to a telephone interface. The termination on an interface may consist of any combination of devices subject only to the requirement that the sum of the Ringer Equivalence Numbers of all the devices does not exceed 5.

Hinweise zu Netzkabeln

Zu Ihrer Sicherheit stellt Ihnen Lenovo ein Netzkabel mit geerdetem Anschluss-Stecker zur Verwendung in Verbindung mit diesem Lenovo Produkt zur Verfügung. Verwenden Sie Netzkabel und Netzstecker immer in Verbindung mit einer ordnungsgemäß geerdeten Steckdose, um eine Gefährdung durch Stromschlag zu vermeiden.

In den Vereinigten Staaten und Kanada verwendete Lenovo Netzkabel sind von anerkannten Testlabors (Underwriter's Laboratories (UL) in den USA und Canadian Standards Association (CSA) in Kanada) registriert und geprüft.

Für Einheiten, die mit 115 Volt betrieben werden sollen, gilt: Verwenden Sie ein von UL registriertes und von CSA geprüftes Kabelset, das aus einem höchstens 5 Meter langen Kabel des Typs SVT oder SJT mit drei 18 AWG (mindestens) Adern sowie einem geerdeten 15 A und 125 V Stecker mit parallelen Steckerklingen (Parallel Blade) besteht.

Für Einheiten, die mit 230 Volt betrieben werden sollen, gilt (Nutzung in den Vereinigten Staaten): Verwenden Sie ein von UL registriertes und von CSA geprüftes Kabelset, das aus einem höchstens 5 Meter langen Kabel des Typs SVT oder SJT mit drei 18 AWG (mindestens) Adern sowie einem geerdeten 15 A und 250 V Stecker mit waagerechten Steckerklingen (Tandem Blade) besteht.

Für Einheiten mit 230-Volt-Betrieb (außerhalb der Vereinigten Staaten): Verwenden Sie ein Kabelset mit geerdetem Netzanschluss-Stecker. Das Kabelset sollte über die jeweiligen Sicherheitsgenehmigungen des Landes verfügen, in dem das Gerät installiert wird.

Von Lenovo bereitgestellte Netzkabel für bestimmte Länder oder Regionen sind üblicherweise nur in diesen Ländern und Regionen erhältlich.

Für Einheiten, die in Deutschland betrieben werden: Als Netzkabel muss eine geprüfte Leitung verwendet werden. In Deutschland sollten die Netzkabel mindestens dem Sicherheitsstandard H05VV-F, 3G, 0,75 mm² entsprechen. In anderen Ländern müssen die entsprechenden Typen verwendet werden.

Teilenummer des Netzkabels	In folgenden Ländern verwendet
24R2633	Japan
39M5067	Argentinien, Paraguay, Uruguay
39M5080	Antigua und Barbuda, Aruba, Bahamas, Barbados, Belize, Bermuda, Bolivien, Turks- und Caicos-Inseln, Kanada, Kaimaninseln, Costa Rica, Kolumbien, Kuba, Dominikanische Republik, Ecuador, El Salvador, Guam, Guatemala, Haiti, Honduras, Jamaika, Mexiko, Mikronesien (Föderation), Niederländische Antillen, Nicaragua, Panama, Peru, Philippinen, Saudi-Arabien, Thailand, Taiwan, USA, Venezuela
39M5102	Australien, Neuseeland

Teilenummer des Netzkabels	In folgenden Ländern verwendet
39M5122	Afghanistan, Albanien, Algerien, Andorra, Angola, Armenien, Österreich, Aserbaidschan, Weißrussland, Belgien, Benin, Bosnien-Herzegowina, Bulgarien, Burkina Faso, Burundi, Kambodscha, Kamerun, Kap Verde, Zentralafrikanische Republik, Tschad, Komoren, Kongo (Demokratische Republik), Kongo (Republik), Cote D'Ivoire (Elfenbeinküste), Kroatien (Republik), Tschechische Republik, Dahomey, Dschibuti, Ägypten, Äquatorialguinea, Eritrea, Estland, Äthiopien, Finnland, Frankreich, Französisch-Guayana, Französisch-Polynesien, Gabun, Georgien, Deutschland, Griechenland, Guadeloupe, Guinea, Guinea-Bissau, Ungarn, Island, Indonesien, Iran, Kasachstan, Kirgisien, Laos (Volksrepublik), Lettland, Libanon, Litauen, Luxemburg, Mazedonien (ehemalige jugoslawische Republik), Madagaskar, Mali, Martinique, Mauretanien, Mauritius, Mayotte, Moldawien (Republik), Monaco, Mongolei, Marokko, Mosambik, Niederlande, Neukaledonien, Niger, Norwegen, Polen, Portugal, Réunion, Rumänien, Russische Föderation, Ruanda, Sao Tome und Principe, Saudi-Arabien, Senegal, Serbien, Slowakei, Slowenien (Republik), Somalia, Spanien, Surinam, Schweden, Arabische Republik Syrien, Tadschikistan, Tahiti, Togo, Tunesien, Türkei, Turkmenistan, Ukraine, Usbekistan, Vanuatu, Vietnam, Wallis und Futuna, Jugoslawien (Bundesrepublik), Zaire
39M5129	Dänemark
39M5143	Bangladesch, Lesotho, Macao (Sonderverwaltungsregion der VR China), Malediven, Namibia, Nepal, Pakistan, Samoa, Südafrika, Sri Lanka, Swasiland, Uganda
39M5150	Abu Dhabi, Australien, Bahrain, Botsuana, Brunei Darussalam, Kanalinseln, Zypern, Dominica, Fidschi, Gambia, Ghana, Grenada, Guyana, Hongkong (Sonderverwaltungsregion der VR China), Irak, Irland, Jordanien, Kenia, Kiribati, Kuwait, Liberia, Malawi, Malaysia, Malta, Myanmar (Burma), Nauru, Neuseeland, Nigeria, Oman, Papua-Neuguinea, Katar, St. Kitts und Nevis, St. Lucia, St. Vincent und die Grenadinen, Seychellen, Sierra Leone, Singapur, Sudan, Tansania (Vereinigte Republik), Trinidad und Tobago, Vereinigte Arabische Emirate (Dubai), Großbritannien, Jemen, Sambia, Simbabwe
39M5151	Sonderverwaltungsregion Hongkong, Korea
39M5157	Liechtenstein, Schweiz
39M5164	Chile, Italien, Libysch-Arabische Dschamahirija
39M5171	Israel
39M5205	China
39M5212	Korea
39M5232	Brasilien
39M5246	Taiwan
41R3175	Indien

Hinweis zu Elektro- und Elektronikgeräten (WEEE)

Lenovo bittet die Besitzer von IT-Geräten darum, diese Geräte nach ihrer Nutzung ordnungsgemäß der Wiederverwertung zuzuführen. Lenovo bietet Kunden entsprechende Programme zur umweltgerechten Wiederverwertung/Entsorgung ihrer IT-Produkte an. Informationen über diese Angebote stehen auf der Lenovo Internetseite unter <http://www.pc.ibm.com/ww/lenovo/about/environment/>.

EU-Hinweis zu Elektro- und Elektronikgeräten (WEEE)

Die WEEE-Kennzeichnung gilt nur in Ländern der Europäischen Union und in Norwegen. Geräte werden gemäß der Richtlinie 2002/96/EC der Europäischen Union über Elektro- und Elektronikaltgeräte (WEEE) gekennzeichnet. Die Richtlinie regelt die Rückgabe und Wiederverwertung von Altgeräten innerhalb der Europäischen Union. Mit dieser Kennzeichnung versehene Altgeräte dürfen gemäß dieser Richtlinie nicht weggeworfen werden, sondern müssen zurückgegeben werden.

Anwender von Elektro- und Elektronikgeräten mit der WEEE-Kennzeichnung dürfen diese gemäß Annex IV der WEEE-Richtlinie nach ihrem Gebrauch nicht als allgemeinen Hausmüll entsorgen. Stattdessen müssen diese Geräte im verfügbaren Sammelsystem zurückgegeben werden und damit einem Recycling- oder Wiederherstellungsprozess zugeführt werden, bei dem mögliche Auswirkungen der Geräte auf die Umwelt und den menschlichen Organismus aufgrund gefährlicher Substanzen minimiert werden. Weitere Informationen zur Entsorgung von Elektro- und Elektronikaltgeräten finden Sie unter der Adresse:

<http://www.lenovo.com/lenovo/environment>.

Capitolo 1. Informazioni importanti sulla sicurezza

Nota

Leggere prima le informazioni importanti sulla sicurezza.

Queste informazioni consentono di utilizzare correttamente il computer desktop o notebook. Attenersi alle informazioni fornite insieme al computer. Le informazioni in questo documento non modificano i termini dell'accordo di acquisto o della Dichiarazione di Garanzia limitata della Lenovo™. Per ulteriori informazioni consultare il Capitolo 3, "Garanzia limitata Lenovo", a pagina 183.

La sicurezza del consumatore è importante. I prodotti IBM sono sviluppati per essere sicuri ed efficienti. Tuttavia, i personal computer sono dei dispositivi elettronici. I cavi dell'alimentazione, gli adattatori ed altre funzioni, se non utilizzate correttamente, possono esporre i clienti a potenziali rischi di sicurezza e provocare danni fisici o alla proprietà personale. Per ridurre tali rischi, seguire le istruzioni fornite con il prodotto e leggere attentamente tutte le avvertenze presenti sul prodotto e nelle istruzioni sul funzionamento. Osservando quanto esposto nelle informazioni contenute in questo manuale e in quelle fornite con il prodotto, è possibile proteggersi da eventuali rischi e creare un ambiente di lavoro più sicuro.

Nota: queste informazioni contengono riferimenti alle batterie e agli adattatori di alimentazione. Oltre ai notebook, alcuni prodotti (come altoparlanti e video) vengono forniti con adattatori di alimentazione esterni. Le presenti informazioni sono applicabili a tali prodotti. Inoltre, i prodotti del computer potrebbero contenere una piccola batteria interna delle dimensioni di una moneta che fornisce energia per il clock di sistema anche quando il computer è scollegato, quindi le informazioni sulla sicurezza della batteria sono applicabili a tutti i prodotti del computer.

Condizioni che richiedono un intervento immediato

I prodotti possono essere danneggiati a causa di negligenza o di un utilizzo non adeguato. Alcuni danni sono abbastanza seri ed il prodotto non può essere utilizzato fino a quando non viene effettuata un'ispezione e, se necessario, una riparazione da parte dei tecnici dell'assistenza autorizzata.

Prestare particolare attenzione al prodotto al momento dell'accensione. In rarissimi casi, il computer potrebbe produrre un odore o una nuvola di fumo o delle scintille. Oppure è possibile che si sentano rumori provenire dal computer. Queste condizioni potrebbero indicare che un componente elettronico interno al computer è in stato di malfunzionamento. Oppure può indicare un potenziale problema di sicurezza. Tuttavia, non correte rischi

cercando di fare una diagnosi voi stessi. Contattate il Supporto tecnico per ulteriori informazioni. Per un elenco dei numeri di telefono del centro di assistenza e supporto, consultare Capitolo 4, "Elenco telefonico internazionale", a pagina 193.

Verificare frequentemente che il computer e i relativi componenti non presentino segni di usura, danni e conseguenti segni di pericolo. Se si dubita dell'integrità di un componente, non utilizzare il prodotto. Rivolgersi al Centro supporto clienti o all'azienda produttrice per informazioni relative alla verifica del funzionamento del prodotto ed all'eventuale riparazione.

Nell'eventualità venga riscontrata una delle seguenti condizioni, o se si hanno dubbi sulla sicurezza del prodotto, si raccomanda di interrompere l'uso del prodotto e di scollegarsi dalle fonti di alimentazione e dalle linee di telecomunicazione fino a che non si contatta il Supporto tecnico per ricevere assistenza.

- Cavi di alimentazione, prese elettriche, adattatori di alimentazione, cavi di estensione, dispositivi di protezione o alimentatori danneggiati o rotti.
- Segni di surriscaldamento, fumo, scintille o fuoco.
- Danni di qualsiasi genere alla batteria (ad esempio, ammaccature, pieghe o fessure), fuoriuscita di eventuali materiali o sostanze dalla batteria.
- Emissione di rumori o forti odori derivanti dal prodotto.
- Segni di liquido versato o di un oggetto caduto sul computer, sul cavo di alimentazione o sull'adattatore di alimentazione.
- Il computer stesso, il cavo di alimentazione, l'adattatore di alimentazione sono stati esposti all'acqua.
- Caduta o danneggiamento del computer.
- Il prodotto non funziona correttamente seguendo le relative istruzioni.

Nota: se queste condizioni si verificano con un prodotto (come ad esempio un cavo di estensione) non fabbricato per o dalla Lenovo, interrompere immediatamente l'utilizzo di tale prodotto fino a quando non si ha la possibilità di contattare l'azienda produttrice per ulteriori istruzioni o fino a quando non è possibile sostituire tale prodotto.

Indicazioni di sicurezza generali

E' necessario osservare sempre le seguenti precauzioni per ridurre i rischi di pericolo e di danni alla proprietà.



Servizio ed aggiornamenti

Non tentare di provvedere personalmente alla manutenzione di un prodotto, a meno che non indicato direttamente dal Supporto tecnico o dalla documentazione inclusa. Rivolgersi solo a personale di assistenza autorizzato a riparare lo specifico prodotto.

Nota: alcune parti possono essere aggiornate o sostituite dall'utente. Gli aggiornamenti sono in genere anche noti come opzioni. Queste parti di sostituzione approvate per l'installazione del cliente sono denominate CRU (Customer Replaceable Unit). La Lenovo fornisce la documentazione con le istruzioni per la sostituzione o installazione di CRU che può essere effettuata dal cliente. È necessario seguire attentamente le istruzioni durante la sostituzione o l'installazione delle unità. Lo stato spento (Off) di un indicatore di potenza non indica necessariamente che i livelli di voltaggio in un prodotto siano pari a zero. Prima di rimuovere il coperchio da un prodotto fornito di un cavo di alimentazione CA, verificare sempre che la corrente sia spenta e che il computer non sia collegato alla presa di corrente. Per ulteriori informazioni sulle parti CRU, fare riferimento al manuale *ThinkStation - Guida all'installazione e alla sostituzione dell'hardware* relativo a questo prodotto. Per qualsiasi domanda, contattare il Supporto tecnico.

Sebbene non siano presenti parti mobili nel computer una volta scollegato il cavo di alimentazione, è importante osservare le seguenti avvertenze per la sicurezza.

Pericolo



Parti rimovibili pericolose. Tenere lontane dita e altre parti del corpo.

Attenzione



Prima di sostituire qualsiasi CRU, spegnere il computer e attendere dai tre ai cinque minuti per farlo raffreddare prima di aprirne il coperchio.

Prevenzione dell'elettricità statica

L'elettricità statica, sebbene inoffensiva per le persone, può danneggiare seriamente i componenti e le opzioni di un computer. Una gestione impropria delle parti sensibili alla staticità può provocare danni all'unità. Quando si estrae dall'imballaggio un'opzione o un CRU, non aprire l'involucro antistatico finché non espressamente richiesto dalle istruzioni per l'installazione.

Nel maneggiare opzioni o CRU, oppure nell'eseguire operazioni all'interno del computer, rispettare le seguenti avvertenze per evitare danni causati dall'elettricità statica:

- Limitare i movimenti. Il movimento potrebbe provocare la creazione di energia statica tutt'intorno.
- Maneggiare sempre attentamente i componenti. Maneggiare gli adattatori, i moduli di memoria ed altri microprocessori del circuito dai bordi. Non toccare mai i circuiti scoperti.
- Evitare che altri tocchino i componenti.
- Quando si installa una opzione o CRU sensibile all'elettricità statica, poggiare l'involucro antistatico che contiene il componente sul coperchio metallico degli alloggiamenti di espansione o su di un'altra superficie metallica non verniciata del computer per almeno due secondi. Ciò riduce l'elettricità statica nel pacchetto e nel corpo.
- Quando possibile, rimuovere l'unità sensibile all'elettricità statica dal relativo imballaggio ed installarla senza poggiarla su altre superfici. Quando ciò non è possibile, poggiare l'involucro antistatico su una superficie liscia e piana, quindi poggiare la parte su di esso.
- Non poggiare la parte sul coperchio del computer o su altre superfici metalliche.

Cavi e adattatori di alimentazione

Utilizzare solo cavi e adattatori forniti dal produttore.

I cavi di alimentazione dovranno essere approvati a norma di sicurezza. Per la Germania, sarà H05VV-F, 3G, 0.75 mm², o superiore. Per tutti gli altri paesi, i tipi appropriati devono essere utilizzati di conseguenza.

Mai avvolgere un cavo di alimentazione intorno alla scheda di alimentazione o altri oggetti. In questo modo il cavo può esser sottoposto ad una sollecitazione che lo può danneggiare. Ciò potrebbe risultare in un rischio per la sicurezza.

Posizionare sempre i cavi di alimentazione in modo da non intralciare il passaggio o rischiare di comprimerli.

Tenere il cavo di alimentazione e i trasformatori al riparo dai liquidi. Ad esempio, non lasciare un cavo o un adattatore di alimentazione in prossimità di lavandini, vasche da bagno, gabinetti o su pavimenti che vengono lavati con detergenti liquidi. I liquidi possono causare un corto circuito, in particolare se il cavo di alimentazione o il trasformatore non sono stati utilizzati nella maniera corretta. I liquidi possono anche causare la graduale corrosione dei terminali dei cavi e/o dei connettori su un adattatore di corrente che risulta surriscaldato.

Collegare sempre i cavi di alimentazione e di segnale nell'ordine appropriato e verificare che i connettori del cavo di alimentazione siano installati e fissati correttamente.

Non utilizzare una scheda di alimentazione con pin di input CA corrosi o segni di surriscaldamento (come ad esempio plastica degradata) all'input CA o in qualsiasi altro punto della scheda di alimentazione.

Non utilizzare cavi danneggiati o i cui contatti elettrici sugli estremi presentano dei segni di corrosione o di surriscaldamento.

Cambio di selezione del voltaggio

Alcuni computer sono dotati di un interruttore di selezione del voltaggio posizionato vicino al punto di connessione del cavo di alimentazione sul computer. Se il computer dispone di un interruttore di selezione del voltaggio, verificare di averlo impostato nella posizione corrispondente alla disponibilità di voltaggio della presa elettrica. L'impostazione dell'interruttore di selezione del voltaggio in modo non corretto, potrebbe essere causa di danni al computer.

Se il computer non dispone di un interruttore di selezione del voltaggio, il computer è progettato per operare soltanto al voltaggio fornito nel paese o regione dove è stato originariamente acquistato.

Se si dovesse spostare il computer in un altro paese, fare attenzione a quanto segue:

- Se il computer non dispone di un interruttore di selezione del voltaggio, non collegare il computer ad una presa elettrica finché non si è sicuri che il voltaggio fornito sia lo stesso di quello fornito nel paese o regione dove il computer è stato originariamente acquistato.
- Se il computer dispone di un interruttore di selezione del voltaggio, non collegarlo ad una presa elettrica finché non si è sicuri che lo stesso non sia impostato nella posizione corrispondente al voltaggio fornito nel paese o regione in cui si è collocati.

Se non si è sicuri del voltaggio fornito dalla presa elettrica, contattare l'azienda locale fornitrice di energia elettrica o fare riferimento ai siti Web ufficiali o ad altri scritti per i viaggiatori nel paese o regione dove si è collocati.

Cavi di estensione e dispositivi correlati

Verificare che i cavi telefonici, i dispositivi di protezione, gli alimentatori e i nastri di alimentazione utilizzati siano in grado di gestire i requisiti elettrici del prodotto. Non sovraccaricare questi dispositivi. Se si utilizzano i nastri dell'alimentazione, il carico non deve superare il potenziamento di immissione dei nastri dell'alimentazione. Per ulteriori informazioni sui carichi dell'alimentazione, sui requisiti dell'alimentazione e sui potenziamenti di immissione, rivolgersi ad un elettricista.

Spine e prese

Se la presa elettrica che si intende utilizzare per l'apparecchiatura sembra danneggiata o corrosa, non utilizzarla fino a quando non viene sostituita da un elettricista specializzato.

Non piegare o modificare in alcun modo la spina. Se la spina è danneggiata, rivolgersi all'azienda produttrice per ottenerne la sostituzione.

Non condividere una presa elettrica con altri dispositivi domestici o commerciali che utilizzano grandi quantità di elettricità; una tensione non stabile potrebbe, altrimenti, causare danni al computer, ai dati o alle periferiche collegate.

Alcuni prodotti dispongono di una spina a tre prolunghe. Questa spina può essere collegata solo ad una presa elettrica dotata di messa a terra di sicurezza. Si tratta di una funzione di sicurezza. Non tentare di inserire questa spina in una presa elettrica non dotata di messa a terra di sicurezza. Se non si riesce ad inserire la spina nella presa elettrica, richiedere ad un elettricista un'adattatore per la presa elettrica o la sostituzione di quest'ultima con una presa con la quale è possibile utilizzare questa funzione di sicurezza. Non sovraccaricare le prese elettriche. Il carico generale del sistema non deve superare l'80 per cento

del potenziamento del circuito derivato. Per ulteriori informazioni sui carichi dell'alimentazione e sul potenziamento del circuito derivato, rivolgersi ad un elettricista.

Verificare che la presa elettrica utilizzata sia collegata correttamente, sia facilmente accessibile e collocata vicino all'apparecchiatura. Non sottoporre ad eccessiva tensione i cavi.

Assicurarsi che la presa di corrente fornisca la corretta tensione per il prodotto.

Collegare e scollegare con cautela l'apparecchiatura dalla presa elettrica.

Periferiche esterne

Non collegare o scollegare cavi di periferiche esterne tranne quelli USB e 1394, finché il computer è acceso, poiché ciò potrebbe causare danni al computer. Per evitare eventuali danni alle periferiche collegate, attendere almeno cinque secondi dopo che il computer è stato spento prima di scollegare le periferiche esterne.

Batterie

Tutti i personal computer prodotti dalla Lenovo contengono una piccola batteria non ricaricabile per alimentare l'orologio del sistema. Inoltre, molti prodotti mobili, quali i notebook, utilizzano batterie ricaricabili per alimentare il sistema quando non è possibile collegarlo ad un'alimentazione elettrica. Le batterie fornite dalla Lenovo sono state collaudate per verificarne la compatibilità, quindi è necessario sostituirle solo con parti approvate.

Non aprire o riparare la batteria. Non rompere, forare o incenerire la batteria oppure cortocircuitare i contatti della batteria stessa. Non esporre la batteria a sostanze liquide. Ricaricare la batteria seguendo le istruzioni che si trovano nella documentazione del prodotto.

Una errata manutenzione della batteria può causarne il surriscaldamento, che a sua volta comporta la "fuoriuscita" di gas o liquido infiammabile dalla batteria. Se la batteria è danneggiata oppure si verifica la perdita di qualsiasi sostanza dalla batteria, richiederne la sostituzione.

Le batterie possono deteriorarsi se non vengono utilizzate per lunghi periodi di tempo. Per alcune batterie (in particolare quelle al Litio), il non utilizzo potrebbe aumentare i rischi di corto circuito della batteria stessa che potrebbe diminuire la durata della batteria e creare situazioni di pericolo per l'utente. Evitare di lasciare le batterie ricaricabili al litio completamente scariche.

Surriscaldamento e ventilazione del prodotto

Computer, adattatori CA e molti altri accessori possono generare calore quando accesi e quando le batterie sono in carica. Attenersi alle precauzioni fondamentali di seguito riportate:

- Non lasciare il computer, l'adattatore CA o altri accessori in contatto con la pelle o altre parti del corpo per un periodo prolungato durante il caricamento della batteria o quando il computer è in funzione. Il computer, l'adattatore CA ed altri accessori producono calore durante la normale operatività. Il contatto prolungato con il corpo può causare bruciate della pelle.
- Non caricare la batteria o far funzionare il computer, l'adattatore CA o gli accessori nei pressi di materiali infiammabili o in ambienti con pericolo di esplosioni.
- Per la sicurezza del prodotto, comfort e affidabilità, con il prodotto vengono forniti alloggiamenti di ventilazione, ventole e dissipatori di calore. Queste funzioni possono essere bloccate inavvertitamente posizionando il computer sul letto, sul divano, sul tappeto o su superfici flessibili. Mai bloccare, occludere o disabilitare queste funzioni.

È necessario controllare l'accumulo di polvere nel computer almeno una volta ogni tre mesi. Prima di effettuare qualsiasi controllo, scollegare il computer e disinserire i cavi di alimentazione della presa elettrica poi rimuovere qualsiasi accumulo di polvere dai fori di ventilazione e dai fori della mascherina. Se si nota un accumulo di polvere all'esterno del computer, controllare e rimuovere la polvere al suo interno includendo le alette di aspirazione del dissipatore di calore, l'alimentatore dei fori di ventilazione e le ventole. Spegnerne sempre il computer e scollegarlo prima di aprire il coperchio. Se possibile, evitare di operare sul computer vicino ad aree a traffico intenso. Se è necessario lavorare in un'area trafficata o vicino ad essa, allora controllare e, se necessario, pulire il computer più frequentemente.

Per motivi di sicurezza e di mantenimento delle prestazioni del computer a un livello ottimale, seguire sempre queste precauzioni basilari riguardanti il desktop:

- Tenere sempre chiuso il computer quando è collegato alla rete elettrica.
- Controllare regolarmente la parte esterna del computer per evitare accumulo di polvere.
- Rimuovere la polvere dalle fessure di ventilazione e dai fori nella mascherina. Effettuare controlli più frequenti, se si lavora in ambienti polverosi o in aree a traffico intenso.
- Non restringere o ostruire alcuna apertura per la ventilazione.
- Non posizionare e non lavorare con il computer all'interno di mobili chiusi, in quanto si potrebbero verificare problemi di surriscaldamento.

- Le temperature dei flussi di aria all'interno del computer non devono superare i 35° C 95° F).
- Non utilizzare dispositivi di filtraggio aria diversi dal desktop.

Ambiente di lavoro

L'ambiente ottimale in cui utilizzare il computer corrisponde a 10°C-35°C (50°F-95°F) con un intervallo di umidità tra il 35% e l'80%. Se il computer è conservato o trasportato con temperature inferiori ai 10°C (50°F), attendere che lo stesso arrivi gradualmente ad una temperatura di esercizio ottimale di 10°C-35°C (50°F-95°F) prima di utilizzarlo. Tale processo potrebbe richiedere due ore in condizioni particolarmente rigide. La mancata osservanza di questa precauzione potrebbe causare danni irreparabili al computer.

Se possibile, sistemare il computer in aree ventilate e asciutte senza esposizione diretta al sole.

Tenere dispositivi elettronici come ventole elettriche, radio, altoparlanti di grande potenza, condizionatori e forni a microonde lontano dal computer, poiché i forti campi magnetici generati da tali dispositivi possono danneggiare il monitor e i dati contenuti nel disco rigido.

Non mettere bevande sopra o al lato del computer o di altre periferiche collegate. Se il liquido si sparge nel computer o nelle periferiche collegate potrebbe verificarsi un corto circuito o altri danni.

Non mangiare o fumare davanti alla tastiera. Le particelle che vi finiscono dentro possono provocare danni.

Informazioni sulla sicurezza della corrente elettrica

Pericolo

La corrente elettrica proveniente dai cavi di alimentazione, del telefono e di comunicazione può essere pericolosa.

Per evitare il pericolo di scosse elettriche:

- Per prevenire il rischio di di scosse, non utilizzare il computer durante una tempesta di lampi.
- Durante i temporali, non collegare o scollegare cavi, non effettuare l'installazione, la manutenzione o la riconfigurazione di questo prodotto.
- Collegare tutti i cavi di alimentazione ad una presa elettrica collegata correttamente e con presa di terra.

- Collegare alle prese elettriche appropriate tutte le apparecchiature che verranno utilizzate per questo prodotto.
- Quando possibile, utilizzare una sola mano per collegare o scollegare i cavi di segnale.
- Non accendere assolutamente apparecchiature in presenza di incendi, perdite d'acqua o danno strutturale.
- Scollegare i cavi di alimentazione, i sistemi di telecomunicazione, le reti e il modem prima di aprire i coperchi del dispositivo, salvo istruzioni contrarie relative alle procedure di installazione e configurazione.
- Collegare e scollegare i cavi come di seguito indicato quando si installano, si trasportano o si aprono i coperchi di questo prodotto e delle unità ad esso collegate.

<p>Per collegare:</p> <ol style="list-style-type: none"> 1. Spegnerne tutto. 2. Prima di tutto, collegare tutti i cavi alle unità. 3. Collegare i cavi di segnale ai rispettivi connettori. 4. Inserire i cavi di alimentazione nelle prese elettriche. 5. Accendere l'unità (ON). 	<p>Per scollegare:</p> <ol style="list-style-type: none"> 1. Spegnerne tutte le unità. 2. Rimuovere i cavi di alimentazione dalle prese elettriche. 3. Rimuovere i cavi di segnale dai connettori. 4. Rimuovere tutti i cavi dalle unità.
--	--

Avviso sulla batteria al litio

Attenzione
Pericolo di esplosione se la batteria non è sostituita correttamente.

Quando si sostituisce la batteria al litio a forma di moneta, utilizzare solo quelle dello stesso tipo o di tipo equivalente, raccomandato dal costruttore. La batteria contiene litio e può esplodere se usata, maneggiata o smaltita in modo non corretto.

Non:

- Gettare o immergere la batteria nell'acqua
- Riscaldarla a una temperatura superiore ai 100°C
- Smontarla, ricaricarla o tentare di ripararla

Le batterie usate vanno smaltite in accordo alla normativa in vigore (DPR 915/82 e successive disposizioni e disposizioni locali).

Le seguenti istruzioni vengono applicate dagli utenti dello Stato della California, U.S.A.

Materiale perclorato: è possibile applicare una gestione speciale. Fare riferimento a www.dtsc.ca.gov/hazardouswaste/perchlorate.

Informazioni sulla sicurezza del modem

Attenzione

Per evitare il rischio di incendio, utilizzare solamente un cavo di linea di comunicazione No. 26 AWG o più grande.

Per evitare il rischio di incendio, scosse elettriche o danni personali nell'uso di un'apparecchiatura telefonica, seguire sempre alcune precauzioni di base, quali quelle riportate di seguito:

- Non installare un collegamento telefonico durante un temporale.
- Non installare connettori telefonici in ambienti umidi, a meno che si utilizzi un connettore specificamente progettato per questi ambienti.
- Non toccare cavi telefonici non isolati o terminali finché l'interfaccia di rete non viene scollegata dalla linea telefonica.
- Effettuare con cautela le operazioni di installazione o modifica delle linee telefoniche.
- Evitare di utilizzare un telefono (eccetto uno wireless) durante un temporale. In casi rari potrebbe verificarsi il rischio di scosse elettriche a causa dei lampi.
- Per denunciare una fuga di gas, non utilizzare il telefono in prossimità della fuga stessa.

Dichiarazione di conformità relativa al laser

Alcuni modelli di personal computer vengono forniti con un'unità CD o DVD. Le unità CD e DVD sono vendute separatamente come opzioni. Le unità CD e DVD sono prodotti laser. L'unità CD-ROM è certificata negli U.S.A. in conformità ai requisiti del Department of Health and Human Services 21 Code of Federal Regulations (DHHS 21 CFR) Subchapter J per i prodotti laser di Classe 1. Negli altri Paesi queste unità sono certificate in conformità ai requisiti della International Electrotechnical Commission (IEC) 60825-1 e CENELEC EN 60 825-1 per i prodotti laser di Classe 1.

Quando un'unità CD o DVD viene installata, tenere presente quanto riportato di seguito.

Attenzione

L'utilizzo di controlli, regolazioni o l'esecuzione di procedure non descritte nel presente manuale possono provocare l'esposizione a radiazioni pericolose.

Non rimuovere i coperchi delle unità. L'apertura di un'unità CD o DVD può determinare l'esposizione a raggi laser pericolosi. All'interno dell'unità CD o DVD non vi sono parti su cui l'utente può intervenire personalmente.

Alcune unità CD o DVD contengono un diodo laser di Classe 3A o Classe 3B. Tenere presente quanto riportato di seguito.

Pericolo

Aperto l'unità vengono emesse radiazioni laser. Non fissare il fascio, non guardarlo direttamente con strumenti ottici ed evitare l'esposizione al fascio.

Alimentatore

Non rimuovere mai il coperchio di un alimentatore o qualsiasi componente dotato della seguente etichetta allegata.



I livelli di energia, di tensione e corrente sono presenti all'interno dei componenti dotati di questa etichetta allegata. All'interno dell'unità non vi sono parti su cui effettuare l'assistenza tecnica. Se si sospetta di un problema relativo ad uno di questi componenti, contattare l'assistenza tecnica.

Prodotti con installato sintonizzatore TV

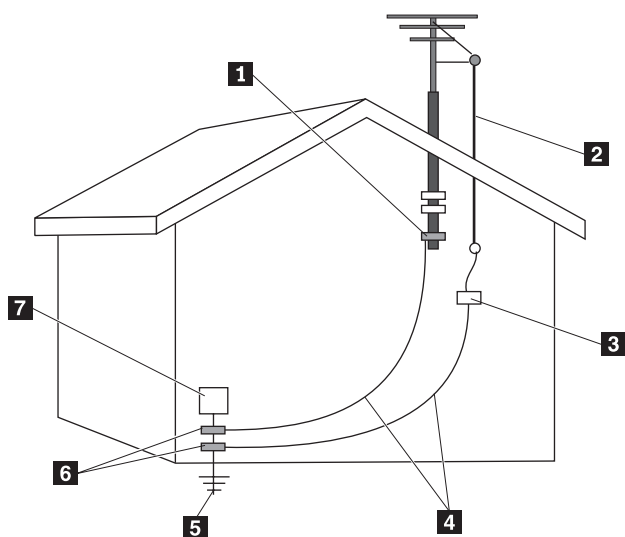
L'avviso riportato di seguito viene applicato ai prodotti contenenti periferiche di sintonizzazione TV che vengono connesse ad antenne esterne o a sistemi via cavo/CATV o entrambi, progettati per essere installati in Nord America. Gli utenti e gli installatori in altri paesi devono seguire le norme e le ordinanze locali per le installazioni di apparecchiature che necessitano di connessione ad

antenne esterne o a sistemi via cavo/CATV. Se le norme locali non dovessero essere applicabili, si raccomanda che gli utenti/installatori seguano direttive simili alle seguenti.

Nota per gli installatori di sistemi CATV

Questo promemoria viene fornito per richiamare l'attenzione dell'installatore di sistemi CATV in base all'articolo 820-40 del NEC (National Electrical Code) (NEC) che stabilisce le direttive per l'opportuna messa a terra e che specifica, in particolare, che la messa a terra vada collegata al sistema di alimentazione dell'edificio, il più vicino possibile all'ingresso del cavo, per praticità.

Esempio di messa a terra di una antenna



- | | | | |
|----------|--|----------|--|
| 1 | Morsetto a terra | 5 | Sistema di elettrodi con messa a terra del servizio di alimentazione (articolo NEC 250, parte H) |
| 2 | Cavo lead-in antenna | 6 | Morsetti a terra |
| 3 | Unità di scaricamento antenna (sezione NEC 810-20) | 7 | Equipaggiamento assistenza elettronica |
| 4 | Conduttori messa a terra (sezione NEC 810-21) | | |

Figura 1. Corretta messa a terra del cavo

Il seguente avviso viene applicato a tutti i paesi e regioni:

Pericolo



Messa a terra di una antenna all'aperto

Se sono collegati all'equipaggiamento un'antenna esterna o un cavo di sistema, assicurarsi che l'antenna o il cavo siano collegati a massa per fornire una protezione contro l'aumento di tensione e l'incremento di cariche statiche.

Fulmine

Per ulteriore protezione di questo equipaggiamento durante una tempesta di fulmini o quando viene lasciato incustodito ed inutilizzato per un lungo periodo di tempo, scollegarlo dalla presa a parete e disconnettere l'antenna o il cavo di sistema. Questo preverrà danni al prodotto video causati da fulmini e dall'aumento di energia delle linee di alimentazione.

Linee di alimentazione

Un sistema ad antenna esterna non deve essere posizionato in vicinanza di linee di alimentazione aeree o laddove venga convogliato in tali circuiti o linee di alimentazione. Durante l'installazione di un sistema ad antenna esterna, è necessario avere estrema cura nel toccare tali circuiti o linee di alimentazione, in quanto il contatto potrebbe essere fatale.

Sicurezza dei dati

Non eliminare file sconosciuti, né modificare il nome di file o directory non direttamente create o altrimenti il software del computer può smettere di funzionare.

Quando si accede alle risorse di rete il computer è vulnerabile a virus, hacker, spyware ed altre malevoli attività che possono causare danni al computer, ai dati o al software. È responsabilità dell'utente assicurarsi che il computer abbia una protezione adeguata tramite firewall, software antivirus e antispyware e aggiornare regolarmente il software.

Pulizia e manutenzione

Tenere puliti il computer e l'area di lavoro. Spegnerne il computer e quindi scollegare il cavo di alimentazione prima di pulirlo. Non spruzzare detergenti liquidi direttamente sul computer e non utilizzare detergenti che contengano materiale infiammabile per pulire il computer. Spruzzare il detergente su un panno morbido e passarlo sulle superfici del computer.

Utilizzo di cuffie o auricolari

Se il computer dispone di un connettore delle cuffie e un connettore di uscita audio, utilizzare sempre il connettore delle cuffie per le cuffie (anche chiamate cuffie auricolari) o auricolari.

Un'eccessiva pressione sonora dagli auricolari e cuffie può provocare la perdita dell'udito. La regolazione dell'equalizzatore al massimo aumenta la tensione di uscita di auricolari e cuffie e quindi il livello di pressione sonora.

L'eccessivo uso di cuffie o auricolari per un lungo periodo di tempo ad alto volume può essere pericoloso se le cuffie o le auricolari non sono conformi alle specifiche dell'EN 50332-2. Il connettore di uscita cuffie del computer è conforme con la sotto clausola 7 dell'EN 50332-2. Questa specifica limita il voltaggio massimo di output RMS reale della banda larga del computer a 150 mV. Per evitare la perdita dell'udito, assicurarsi che le cuffie o gli auricolari utilizzati siano conformi con l'EN 50332-2 (limiti Clausola 7) per caratteristiche a banda larga con voltaggio di 75 mV. L'utilizzo di cuffie non conformi con la EN50332-2 può essere pericoloso a causa degli eccessivi livelli di pressione del suono.

Se il computer Lenovo è fornito di cuffie o auricolari nell'imballaggio, come un set, la combinazione di cuffie o auricolari ed il computer sono già conformi con le specifiche della EN 50332-1. Se vengono utilizzate diverse cuffie o auricolari, assicurarsi che siano conformi con la EN 50332-1. (Valori di limitazione Clausola 6.5) L'utilizzo di cuffie non conformi con la EN 50332-1 può essere pericoloso a causa degli eccessivi livelli di pressione del suono.

Ulteriori informazioni sulla sicurezza

Le buste di plastica possono essere pericolose. Tenerle lontane da neonati e bambini per prevenire il rischio di soffocamento.

Ulteriori informazioni sulla sicurezza per tipi di macchine 6427, 6493

I tipi di macchine ThinkStation 6427, 6493 richiedono due persone per il sollevamento o il trasporto.

Capitolo 2. Informazioni

Dopo aver installato il computer seguendo le operazioni descritte nel poster di installazione allegato, fare uso delle informazioni contenute in questa pagina per avere accesso ad utili risorse relative alle vostre esigenze di elaborazione.

Cartella Online Books

La cartella Manuali in linea fornisce pubblicazioni che aiutano a eseguire le operazioni di set up e ad utilizzare il computer. La cartella Manuali in linea è preinstallata sul computer e non richiede di accedere ad internet per visualizzare le pubblicazioni. Nella cartella Online Books sono disponibili le seguenti pubblicazioni:

- *ThinkStation - Guida per l'utente*

Questa pubblicazione fornisce informazioni relative all'installazione del computer, nonché di contenuti opzionali e software di ripristino, all'utilizzo della Setup Utility, all'aggiornamento dei programmi di sistema e alla risoluzione dei problemi.

- *ThinkStation - Guida all'installazione e alla sostituzione dell'hardware*

Questa pubblicazione fornisce istruzioni dettagliate per la sostituzione delle CRU (Customer Replaceable Unit) nel computer. Le CRU sono parti del computer che possono essere aggiornate o sostituite dall'utente.

- *IBM Lotus® Software Offer Publet*

Per visualizzare una pubblicazione, aprire il menu **Start** dal desktop di Windows, selezionare **Tutti i programmi, Manuali in linea** e poi fare clic su **Manuali in linea**. Fare doppio clic sulla pubblicazione appropriata per il proprio computer. Le pubblicazioni sono disponibili anche sul sito Lenovo all'indirizzo <http://www.lenovo.com>.

Note:

1. Queste pubblicazioni sono in formato PDF (Portable Document Format), che necessita dell'installazione di Adobe Acrobat Reader. Se non è ancora stato installato Adobe Acrobat Reader sul vostro computer, sarà visualizzato un messaggio ogni volta che si cerca di visualizzare un file in formato PDF e si sarà guidati all'installazione di Adobe Acrobat Reader.
2. Le pubblicazioni che sono preinstallate sul vostro computer sono disponibili in altre lingue sul sito di supporto Lenovo all'indirizzo <http://www.lenovo.com/support/>.
3. Se si desidera installare una versione di Adobe Acrobat Reader in una lingua diversa da quella fornita sul computer, consultare il sito Adobe <http://www.adobe.com> e scaricare la versione che si desidera utilizzare.

ThinkVantage Productivity Center

Il programma ThinkVantage® Productivity Center conduce l'utente a un host di fonti di informazioni e strumenti concepiti per semplificare e rendere più sicura l'elaborazione, consentendo una riduzione dei costi e un aumento della produttività. Il programma ThinkVantage Productivity Center consente di configurare, comprendere e ottimizzare il proprio computer.

Il programma ThinkVantage Productivity Center fornisce informazioni sul proprio computer e un accesso semplice a varie tecnologie, come ad esempio:

- Il programma Rescue and Recovery
- Productivity Center
- Client Security Solutions
- Factory Recovery
- Aggiornamenti del sistema
- Assistenza e supporto

Nota: Le tecnologie ThinkVantage sono disponibili solo su computer Lenovo selezionati.

Per accedere al programma ThinkVantage Productivity Center, aprire il menu **Start** dal desktop di Windows, selezionare **Tutti i programmi**, selezionare **ThinkVantage** e fare clic su **Productivity Center**.

Accesso all'Help

Il sistema di aiuto in linea Access Help fornisce informazioni relative al primo approccio, alle attività di base, alla personalizzazione delle impostazioni personali, alla protezione dei dati, all'espansione e all'aggiornamento, e alla risoluzione dei problemi.

Per aprire Access Help, aprire il menu **Start** dal desktop di Windows, selezionare **Tutti i programmi**, selezionare **ThinkVantage** e fare clic su **Productivity Center**. Dopo aver aperto Access Help, utilizzare il pannello a sinistra per selezionare dalla scheda Contenuti oppure Indice, oppure utilizzare la scheda Ricerca per trovare una particolare parola o espressione.

www.lenovo.com

Il sito Web Lenovo (www.lenovo.com) fornisce una grande quantità di informazioni e servizi per aiutarvi ad acquistare, aggiornare e gestire il vostro computer. È possibile accedere alle più aggiornate informazioni relative al proprio computer collegandosi al sito web Lenovo. Dal sito www.lenovo.com, è altresì possibile:

- Acquistare computer da tavolo e notebook, schermi, proiettori, aggiornamenti e accessori per il computer, offerte speciali.
- Acquistare servizi addizionali, quali il supporto per l'hardware, sistemi operativi, programmi applicativi, l'installazione e la configurazione di rete, e le installazioni personalizzate.
- Acquistare aggiornamenti e servizi estesi di riparazione hardware.
- Scaricare i driver più recenti per le unità e aggiornamenti software per il proprio computer.
- Accedere ai manuali in linea per i prodotti.
- Accedere alla Garanzia limitata Lenovo
- Accedere ad informazioni sulla risoluzione dei problemi e al supporto per il proprio modello di computer e altri prodotti supportati.
- Trovare il numero di telefono del centro di assistenza e supporto della propria regione o del proprio paese.
- Trovare il fornitore di servizi più vicino.

Registrazione delle informazioni del computer

La registrazione delle informazioni sul computer può essere utile nel caso in cui sia necessario richiedere assistenza tecnica. I tecnici probabilmente richiederanno tali informazioni.

Il tipo di macchina, il modello e il numero di serie sono riportati su un'etichetta posta sul computer. Per registrare tali informazioni, utilizzare la tabella riportata di seguito.

Nome prodotto	_____
Tipo di macchina e modello	_____
Numero di serie (S/N)	_____
Data di acquisto	_____

È possibile registrare il computer in Internet al seguente sito Web:

<http://www.lenovo.com/register>

La registrazione del computer comporta i seguenti vantaggi:

- Un servizio più rapido per le richieste di assistenza

- Un avviso automatico del software gratis disponibile e delle offerte promozionali particolari

Per ulteriori informazioni relative alla registrazione del computer, fare riferimento al sistema di aiuto in linea Accesso all'help. Consultare "Accesso all'Help" a pagina 180 per istruzioni su come aprire il sistema di assistenza in linea.

Capitolo 3. Garanzia limitata Lenovo

La presente Garanzia limitata Lenovo si applica solo ai prodotti hardware Lenovo acquistati per uso diretto e non anche a quelli destinati alla rivendita. In altri documenti Lenovo è possibile che venga fatto riferimento a questa garanzia con la denominazione "Statement of Limited Warranty" (SOLW) o "Dichiarazione di Garanzia limitata".

Cosa comprende questa Garanzia

Lenovo garantisce che i propri prodotti hardware sono esenti da vizi materiali e di fabbricazione per tutto il periodo di durata della garanzia, a condizione che vengano sottoposti ad un normale utilizzo. Il periodo di garanzia del prodotto ha inizio dalla data di acquisto così come indicata nella fattura, salvo diversa indicazione scritta da parte di Lenovo. La durata della garanzia ed il tipo di servizio prestato al prodotto in garanzia vengono definiti nella sezione intitolata **Informazioni sulla garanzia**.

LA PRESENTE GARANZIA COSTITUISCE LA GARANZIA ESCLUSIVA DELL'UTILIZZATORE E SOSTITUISCE TUTTE LE ALTRE GARANZIE O CONDIZIONI, ESPRESSE O IMPLICITE, IVI INCLUSE, MA NON LIMITATE A, GARANZIE O CONDIZIONI IMPLICITE DI COMMERCIALIZZABILITÀ ED IDONEITÀ PER UNO SCOPO PARTICOLARE. POICHÉ LA LEGISLAZIONE DI ALCUNI PAESI NON CONSENTE L'ESCLUSIONE DELLE GARANZIE ESPRESSE O IMPLICITE, LA SUDETTA ESCLUSIONE POTREBBE NON ESSERE APPLICABILE. IN TAL CASO, LE GARANZIE TROVERANNO APPLICAZIONI SOLO NEI LIMITI CONSENTITI DALLA LEGGE E SARANNO LIMITATE ALLA DURATA DEL PERIODO DI GARANZIA. NESSUNA GARANZIA E' PREVISTA DOPO QUESTO PERIODO. ALCUNI STATI O GIURISDIZIONI NON CONSENTONO LIMITAZIONI SULLA DURATA DEL PERIODO DI GARANZIA IMPLICITA, PERTANTO LE SUDETTE LIMITAZIONI TEMPORALI POTREBBERO NON ESSERE APPLICABILI NEL PROPRIO PAESE.

Come ottenere il Servizio di Garanzia

Se il prodotto non funziona come garantito durante il periodo di garanzia, contattare Lenovo o un centro di assistenza autorizzato per ottenere il servizio di garanzia. A tali centri viene fatto riferimento con il nome di "Provider del servizio". All'indirizzo Internet www.lenovo.com/support/phone è possibile consultare un elenco di tali centri con i relativi numeri di telefono.

Il Servizio di Garanzia potrebbe non essere disponibile in tutte le località e potrebbe variare in funzione delle caratteristiche dei luoghi in cui viene prestato. Al di fuori delle normali aree di competenza di un Provider, il servizio potrebbe essere soggetto a pagamento. Contattare il Provider del servizio locale per ottenere informazioni in merito alla copertura territoriale.

Risoluzione dei problemi da parte del Provider del servizio

Quando si richiede assistenza ad un Provider del servizio, è necessario seguire le specifiche procedure di determinazione e risoluzione del problema.

Il Provider del servizio tenterà di individuare e risolvere il problema via telefono o attraverso l'assistenza remota. Potrà inoltre fornire istruzioni per eseguire il download e l'installazione dei necessari aggiornamenti software.

Alcuni problemi possono essere risolti con la sostituzione di un'unità CRU (Customer Replaceable Unit) che l'utente può sostituire personalmente, come nel caso di tastiere, mouse, altoparlanti, memorie, unità disco fisso o replicatori di porte. In questo caso, il Provider del servizio fornirà l'unità da installare.

Nel caso in cui il problema non potesse essere risolto via telefono o attraverso l'assistenza remota, né tanto meno con l'installazione di un aggiornamento software o la sostituzione di una CRU, il Provider del servizio provvederà ad effettuare l'intervento tecnico stabilito dal tipo di assistenza in garanzia che la sezione "**Informazioni sulla garanzia**" prevede per i diversi prodotti.

Se invece il Provider del servizio dovesse rilevare un guasto non riparabile, provvederà a sostituire il prodotto con un altro funzionalmente equivalente.

E se, in quest'ultimo caso, anche la sostituzione del prodotto dovesse risultare impossibile, l'utente avrà diritto unicamente a richiedere la restituzione del prezzo di acquisto, previa restituzione del prodotto difettoso a Lenovo o al rivenditore.

Sostituzione di un prodotto o di una parte di ricambio

Se la garanzia prevede la sostituzione del prodotto o di una parte di esso, il componente che il Provider del servizio sostituisce diventa proprietà di Lenovo mentre quello fornito in sostituzione diventa proprietà dell'utente. Tutti i componenti rimossi devono essere originali e non manomessi. Le parti fornite in sostituzione potrebbero non essere nuove, ma in buone condizioni di funzionamento e funzionalmente equivalenti al componente sostituito. Per tale componente viene fornito lo stesso tipo di garanzia valido per il componente sostituito.

Per poter ottenere la sostituzione del prodotto o di una sua parte, l'utente deve:

1. rimuovere tutti i dispositivi, componenti, opzioni, collegamenti non coperti da garanzia;
2. assicurare che il prodotto sia libero da qualsiasi vincolo giuridico che ne impedisca la sostituzione;
3. ottenere autorizzazione dal proprietario in modo da consentire al Provider del servizio di fornire assistenza per un prodotto di cui non si è proprietari.

Ulteriori responsabilità dell'utente

Prima che il servizio venga fornito, laddove possibile:

1. seguire le procedure di richiesta assistenza indicate dal Provider del servizio;
2. effettuare il backup o assicurare tutti i programmi e i dati contenuti nel prodotto;
3. fornire al Provider del servizio tutte le chiavi o le password di sistema e consentirgli libero, adeguato e sicuro accesso agli impianti in cui deve essere prestato il servizio di assistenza previsto da questa Garanzia;
4. verificare di aver rimosso dal prodotto tutti i dati sensibili utili ad identificare persone ("Dati personali") o, in alternativa, per quei "dati personali" non rimossi dal prodotto, assicurarsi di aver rispetto della normativa vigente in materia.

Uso di informazioni personali

Per ottenere il servizio di assistenza previsto dalla presente Garanzia, Lenovo archivia, utilizza ed elabora le informazioni connesse con la problematica oggetto di garanzia insieme alle informazioni di contatto quali nome, numeri di telefono, indirizzo ed indirizzo e-mail. Lenovo utilizzerà queste informazioni per prestare l'assistenza prevista dalla presente garanzia e per migliorare la qualità del proprio servizio commerciale verso il cliente, svolgendo ad esempio indagini interne circa l'efficienza del servizio di garanzia prestato. Lenovo potrà contattare l'utente per conoscere il suo grado di soddisfazione relativo al servizio ottenuto o per informarlo su eventuali richiami di prodotti o comunicazioni sulla sicurezza. Per tali finalità, Lenovo potrà comunicare i dati dell'utente a soggetti che agiscono per suo conto, in tutti quei Paesi in cui l'azienda ha un'attività commerciale. Lenovo sarà inoltre tenuta a comunicare i dati dell'utente qualora ciò fosse previsto dalla legge o imposto dalle autorità giudiziarie.

Cosa non comprende questa Garanzia

Questa garanzia non comprende quanto segue:

- il funzionamento ininterrotto o privo di errori di un prodotto;
- danni o perdite di dati;

- eventuali programmi software, siano esso pre-caricati con il prodotto o installati in seguito;
- danni o malfunzionamenti causati da uso improprio, incidenti, modifiche, ambienti di utilizzo o sistemi operativi non adatti, disastri naturali, fonti di alimentazione, manutenzione non corretta eseguita da parte dell'utente;
- prodotti non Lenovo, inclusi quelli prodotti e forniti da Lenovo o integrati in un prodotto Lenovo su richiesta dell'utente;
- qualsiasi supporto tecnico o di altro tipo, quale assistenza con domande relative al "come fare" e quelle relative all'impostazione e all'installazione del prodotto.

La presente garanzia risulta invalidata in caso di rimozione o alterazione delle etichette identificative del prodotto o dei relativi componenti.

Limitazione di responsabilità

Lenovo è responsabile per l'eventuale perdita o danneggiamento del prodotto solo durante il periodo in cui è in possesso del Provider del servizio o durante il trasporto del prodotto, limitatamente ai casi in cui il trasporto è previsto a carico del Provider del servizio.

Né Lenovo, né il Provider del servizio hanno responsabilità in merito alle informazioni che l'utente non rimuove dal prodotto, ivi inclusi i dati personali, i dati sulla proprietà o altri dati comunque riservati. È nella responsabilità dell'utente provvedere alla rimozione e/o al backup di questo genere di informazioni presenti nel prodotto, prima di affidarlo all'assistenza o prima di procedere alla restituzione.

Possono verificarsi circostanze in cui, a causa di un errore da parte di Lenovo o per altre responsabilità, si ha diritto di richiedere il risarcimento dei danni a Lenovo. In tal caso, senza considerare la base sulla quale si ha il diritto di risarcimento danni da Lenovo (inclusi reato grave, negligenza, erronea dichiarazione o altre pretese relative al contratto o al torto), fatta salva qualsiasi responsabilità a cui non si può rinunciare o limitata dalle leggi applicabili e nei limiti da queste previsti, Lenovo è responsabile solo entro il valore del danno diretto sofferto dall'utente e comunque non oltre il valore corrisposto per l'acquisto del prodotto. Le precedenti limitazioni non si applicano ai danni alla persona (inclusa la morte) e alla proprietà reale per i quali Lenovo è legalmente responsabile.

Tali limitazioni sono applicabili anche ai fornitori, ai rivenditori e al Provider del servizio Lenovo. Ciò rappresenta il massimo per cui Lenovo, i suoi fornitori, rivenditori e il Provider del servizio sono collettivamente responsabili.

IN NESSUN CASO LENOVO, I SUOI FORNITORI, RIVENDITORI O PROVIDER DI SERVIZI SONO RESPOSNABILI PER: 1) RECLAMI DI DANNI DA PARTE DI TERZI; 2) PERDITA O DANNI AI DATI; 3) DANNI INDIRETTI O ACCIDENTALI O EVENTUALI DANNI ECONOMICI CONSEQUENZIALI O 4)MANCATI GUADAGNI O RISPARMI, ANCHE NEL CASO IN CUI FOSSERO STATI PREVENTIVAMENTE INFORMATI SU QUESTA EVENTUALITÀ. POICHÉ LA LEGISLAZIONE DI ALCUNI PAESI NON CONSENTE L'ESCLUSIONE O LA LIMITAZIONE DI DANNI INCIDENTALI O CONSEQUENZIALI, LE SUDETTE ESCLUSIONI O LIMITAZIONI POTREBBERO NON ESSERE APPLICABILI.

Risoluzione delle controversie

Se il prodotto è stato acquistato in **Cambogia, Indonesia, Filippine, Vietnam o Sri Lanka**, ogni controversia nascente in relazione all'applicazione della presente Garanzia dovrà essere decisa da un arbitrato avente sede a Singapore e le norme della Garanzia dovranno essere lette, interpretate e applicate in base alla normativa vigente a Singapore, che prevarrà sulle disposizioni qui contenute. Se il prodotto è stato acquistato in **India**, ogni controversia nascente in relazione all'applicazione della presente Garanzia dovrà essere decisa da un arbitrato avente sede a Bangalore, India. L'arbitrato con sede a Singapore dovrà essere regolato dalle regole sull'arbitrato del SIAC (Singapore International Arbitration Center) in vigore. L'arbitrato con sede in India dovrà essere regolato dalle norme vigenti in materia in India. The arbitration award shall be final and binding for the parties without appeal and shall be in writing and set forth the findings of fact and the conclusions of law. Verrà adottata la lingua inglese per tutti i procedimenti e i documenti che dovranno essere presentati nel corso di tali procedimenti. La versione inglese della presente Garanzia ha prevalenza su qualsiasi altra versione in lingua.

Altri diritti

QUESTA GARANZIA FORNISCE DIRITTI SPECIFICI E, IN ALCUNI CASI, ALTRI DIRITTI CHE VARIANO IN BASE ALLO STATO O ALLA GIURISDIZIONE. ULTERIORI FACOLTÀ O DIRITTI POSSONO ESSERE PREVISTI IN VIRTÙ DI LEGGI APPLICABILI O ACCORDI SCRITTI CON LENOVO. NESSUNA PREVISIONE DI QUESTA GARANZIA PUÒ LEDERE DIRITTI RICONOSCIUTI DALLA LEGGE, IVI INCLUSI I DIRITTI PREVISTI PER IL CONSUMATORE DALLE LEGISLAZIONI NAZIONALI IN MATERIA DI VENDITA DEI PRODOTTI AL CONSUMO, CHE NON POSSONO ESSERE ESCLUSI O LIMITATI PER CONTRATTO..

Area Economica Europea (EEA)

I clienti dell'EEA possono contattare Lenovo al seguente indirizzo: Lenovo Warranty & Service Quality Dept., PO Box 19547, Inverkip Road, Greenock,

Scotland PA16 9WX. L'assistenza prevista dalla presente garanzia per i prodotti hardware Lenovo acquistati nei paesi dell'EEA, potrà essere richiesta in ciascuno dei Paesi EEA in cui il prodotto è stato pubblicizzato o reso disponibile da Lenovo.

Il presente documento è disponibile in altre lingue sul sito www.lenovo.com/warranty.

Informazioni sulla garanzia

Tipo di macchina	Paese o regione di acquisto	Periodo di garanzia	Tipi di servizi di garanzia
6423	Stati Uniti, Canada, America latina, Brasile, Europa, Medio Oriente, Africa, Australia, Nuova Zelanda, Singapore, India, Malesia, Tailandia, Indonesia, Filippine, Vietnam, Brunei, Sri Lanka, Bangladesh, Corea, Cina, Cina (Hong Kong S.A.R.), Taiwan	Parti di ricambio e manodopera - 3 anni	1 e 2
	Giappone	Parti di ricambio e manodopera - 1 anno	1 e 3
6427	Stati Uniti, Canada, America latina, Brasile, Europa, Medio Oriente, Africa, Australia, Nuova Zelanda, Singapore, India, Malesia, Tailandia, Indonesia, Filippine, Vietnam, Brunei, Sri Lanka, Bangladesh, Corea, Cina, Cina (Hong Kong S.A.R.), Taiwan	Parti di ricambio e manodopera - 3 anni	1 e 2
	Giappone	Parti di ricambio e manodopera - 1 anno	1 e 3
6483	Stati Uniti, Canada, America latina, Brasile, Europa, Medio Oriente, Africa, Australia, Nuova Zelanda, Singapore, India, Malesia, Tailandia, Indonesia, Filippine, Vietnam, Brunei, Sri Lanka, Bangladesh, Corea, Cina, Cina (Hong Kong S.A.R.), Taiwan	Parti di ricambio e manodopera - 3 anni	1 e 2
	Giappone	Parti di ricambio e manodopera - 1 anno	1 e 3
6493	Stati Uniti, Canada, America latina, Brasile, Europa, Medio Oriente, Africa, Australia, Nuova Zelanda, Singapore, India, Malesia, Tailandia, Indonesia, Filippine, Vietnam, Brunei, Sri Lanka, Bangladesh, Corea, Cina, Cina (Hong Kong S.A.R.), Taiwan	Parti di ricambio e manodopera - 3 anni	1 e 2
	Giappone	Parti di ricambio e manodopera - 1 anno	1 e 3

Se richiesto, il Provider del servizio fornisce il servizio di assistenza e sostituzione a seconda del tipo di garanzia specificato per il singolo prodotto e del servizio disponibile. La pianificazione del servizio dipende dal momento in cui viene effettuata la chiamata ed è soggetta alla disponibilità delle parti di ricambio e ad altri fattori.

Un periodo di garanzia di 3 anni per le parti e di 1 anno per l'assistenza indica che Lenovo fornisce il servizio di garanzia senza spese per:

- a. parti e manodopera durante il primo anno di garanzia (o un periodo più lungo se previsto dalla legge);
- b. solo parti, che saranno sostituite, nel secondo e terzo anno del periodo di garanzia. Il Provider del servizio richiederà il pagamento della manodopera necessaria a riparare o sostituire le parti nel secondo e terzo anno.

Tipi di servizio di garanzia

1. Servizio CRU (Customer Replaceable Unit)

Il servizio CRU prevede che il Provider del servizio fornirà le singole unità CRU che l'utente dovrà provvedere ad installare. La maggior parte delle CRU sono facili da installare, mentre solo alcune richiedono strumenti e conoscenze tecniche. Le istruzioni sulla sostituzione e le informazioni su CRU vengono fornite con il prodotto e possono inoltre essere richieste in qualsiasi momento a Lenovo. È possibile richiedere ad un Provider del servizio di installare alcune unità CRU utilizzando uno degli altri tipi di servizio di garanzia previsto per il prodotto. L'installazione di CRU esterne (quali mouse, tastiere o monitor) deve essere eseguita dall'utente. Lenovo specifica nel materiale fornito con un'unità CRU di sostituzione se è necessario restituire l'unità CRU difettosa. Quando viene richiesta la restituzione, 1) nella confezione dell'unità inviata in sostituzione sono accluse le istruzioni di restituzione, unitamente ad una confezione pre-affrancata e 2) se l'unità CRU difettosa da restituire non viene spedita entro 30 giorni, ne potrà essere addebitato il costo all'utente.

2. Servizio a domicilio

Il Provider del servizio riparerà o sostituirà il prodotto difettoso direttamente a domicilio. L'utente dovrà mettere a disposizione del Provider un luogo adeguato in cui sarà possibile disassemblare e poi riassemblare il prodotto Lenovo. Alcuni interventi di riparazione potrebbero richiedere l'invio del prodotto ad un centro di assistenza specializzato.

3. Servizio di corriere o deposito

Il servizio di corriere o deposito prevede che il prodotto venga riparato o sostituito presso un centro di assistenza specializzato, mediante una spedizione organizzata dal Provider del servizio. L'utente dovrà occuparsi dello scollegamento del prodotto e della relativa sistemazione all'interno del contenitore da trasporto che gli sarà fornito per eseguire la spedizione del prodotto al centro di assistenza specializzato. Il prodotto sarà ritirato da un corriere che lo consegnerà al centro di assistenza specializzato. Una volta riparato o sostituito, il prodotto verrà quindi riconsegnato all'utente.

4. Assistenza presso il rivenditore

Questo tipo di servizio di assistenza prevede che il prodotto venga riparato o sostituito presso un centro di assistenza specializzato, mediante una spedizione a carico dell'utente, che provvederà a consegnare o spedire per posta il prodotto difettoso correttamente imballato al centro di assistenza stabilito dal Provider del servizio. Una volta riparato o sostituito, il prodotto potrà essere ritirato dall'utente. Il mancato ritiro da parte dell'utente darà diritto al Provider del servizio di procedere allo smaltimento del prodotto stesso. Il servizio di spedizione a carico di Lenovo prevede che il prodotto venga rispedito da Lenovo, se non diversamente indicato da parte del Provider del servizio.

Integrazione di Garanzia per il Messico

Questa integrazione è parte della Dichiarazione di Garanzia Lenovo e sarà effettiva unicamente ed esclusivamente per i prodotti distribuiti e venduti all'interno del Territorio Messicano degli Stati Uniti. In caso di conflitto, si applicheranno le clausole di questa integrazione.

Tutti i programmi software pre-caricati nell'apparecchiatura avranno solo una garanzia di trenta (30) giorni per difetti di installazione dalla data dell'acquisto. Lenovo non è responsabile per le informazioni in tali programmi software e/o per qualsiasi programma software aggiuntivo installato dall'utilizzatore o dopo l'acquisto del prodotto.

I servizi non pagabili a chi fornisce la garanzia saranno addebitati all'utente finale, previa autorizzazione.

Per richiedere il servizio di garanzia, chiamare il Centro supporto dei clienti al numero 001-866-434-2080, dove sarete indirizzati al Centro di Assistenza autorizzato più vicino. Se non dovesse esistere alcun Centro di Assistenza Autorizzato nella propria città, ubicazione o entro le 70 miglia dalla propria città o ubicazione, la garanzia include qualsiasi spesa di consegna ragionevole relativa al trasporto del prodotto al Centro di Assistenza più vicino. Contattare il Centro di Assistenza Autorizzato più vicino per ottenere le necessarie autorizzazioni o informazioni relative alla consegna del prodotto e all'indirizzo della consegna.

Per ottenere un elenco dei Centri di assistenza autorizzati, visitare il sito:

<http://www.lenovo.com/mx/es/servicios>

Prodotto da:

SCI Systems de México, S.A. de C.V.
Av. De la Solidaridad Iberoamericana No. 7020
Col. Club de Golf Atlas
El Salto, Jalisco, México
C.P. 45680,
Tel. 01-800-3676900

Commercializzato da:

Lenovo de México, Comercialización y
Servicios, S. A. de C. V.
Alfonso Nápoles Gándara No 3111
Parque Corporativo de Peña Blanca
Delegación Álvaro Obregón
México, D.F., México
C.P. 01210,
Tel. 01-800-00-325-00

Capitolo 4. Elenco telefonico internazionale

Paese o regione	Numero di telefono
Africa	Africa: +44 (0)1475-555-055 Sud Africa: +27-11-3028888 e 0800110756 Africa centrale: Contattare i Business Partner Lenovo più vicini
Argentina	0800-666-0011 (Spagnolo)
Australia	1300-880-917 (Inglese)
Austria	Supporto attivo e in esecuzione: 01-24592-5901 Supporto e servizio di garanzia: 01-211-454-610 (Tedesco)
Belgio	Supporto attivo e in esecuzione: 02-210-9820 (olandese) Supporto attivo e in esecuzione: 02-210-9800 (francese) Supporto e servizio di garanzia: 02-225-3611 (olandese, francese)
Bolivia	0800-0189 (Spagnolo)
Brasile	San Paolo: (11) 3889-8986 Al di fuori della regione di San Paolo: 0800-701-4815 (Portoghese brasiliano)
Brunei	801-1041
Canada	Toronto: 416-383-3344 Al di fuori di Toronto: 1-800-565-3344 (Inglese, Francese)
Cile	1-800-224-488 (Spagnolo)
Cina (Hong Kong S.A.R.)	Notebook: 852-2516-3919 Desktop: 800-938-008 (Cantonese, Inglese, Mandarino)
Cina (Macau S.A.R.)	Notebook: 0800-689 Desktop: 0800-686 (Cantonese, Inglese, Mandarino)
Colombia	1-800-912-3021 (Spagnolo)
Costa Rica	0-800-011-1029 (Spagnolo)
Croazia	0800-0426
Cipro	+357-22-841100
Repubblica ceca	+420-2-7213-1316
Danimarca	Supporto attivo e in esecuzione: 4520-8200 Supporto e servizio di garanzia: 7010-5150 (Danese)
Repubblica Dominicana	1-866-434-2080 (Spagnolo)
Ecuador	1-800-426911 (Spagnolo)

Paese o regione	Numero di telefono
El Salvador	800-6264 (Spagnolo)
Estonia	+372 67767934
Finlandia	Supporto attivo e in esecuzione: 09-459-6960 Supporto e servizio di garanzia: +358-800-1-4260 (Finlandese)
Francia	Supporto attivo e in esecuzione: 0238-557-450 Supporto e servizio di garanzia (hardware): 0810-631-213 Supporto e servizio di garanzia (software): 0810-631-020 (Francese)
Germania	Supporto attivo e in esecuzione: 07032-15-49201 Supporto e servizio di garanzia: 01805-25-35-58 (Tedesco)
Grecia	+30-210-680-1700
Guatemala	1800-624-0051 (Spagnolo)
Honduras	Tegucigalpa: 232-4222 San Pedro Sula: 552-2234 (Spagnolo)
Ungheria	+36-1-382-5720
India	1800-425-6666 +91-80-2678-8970 (Inglese)
Indonesia	001-803-606-282
Irlanda	Supporto attivo e in esecuzione: 01-815-9202 Supporto e servizio di garanzia: 01-881-1444 (Inglese)
Israele	Givat Shmuel Service Center: +972-3-531-3900 Centro di servizio Haifa: +972-4-849-4608 (Ebraico, Inglese)
Italy	Supporto attivo e in esecuzione: 02-7031-6101 Supporto e servizio di garanzia: +39-800-820094 (Italiano)
Giappone	Desktop: 0120-000-817 Notebook: 0570-064-400
Corea	1588-6782 (Coreano)
Latvia	+371 7070360
Lituania	+370 5 278 66 00
Lussemburgo	+352-298-977-5063 (Francese)
Malesia	1800-88-1889
Malta	+35621445566
Messico	001-866-434-2080 (Spagnolo)
Medio Oriente	+44(0)1475-555-055

Paese o regione	Numero di telefono
Paesi Bassi	+31-20-514-5770 (Olandese)
Nuova Zelanda	0800-777-217 (Inglese)
Nicaragua	001-800-220-1830 (Spagnolo)
Norvegia	Supporto attivo e in esecuzione: 6681-1100 Supporto e servizio di garanzia: 8152-1550 (Norvegese)
Panama	Numero gratuito: 001-866-434-2080 (Spagnolo)
Perù	0-800-50-866 (Spagnolo)
Filippine	1800-1601-0033
Polonia	+48-22-878-6999
Portogallo	+351-21-892-7147 (Portoghese)
Romania	+4-021-224-4015
Federazione russa	+7-495-940-2000 (Russo)
Singapore	800-6011-343
Slovacchia	+421-2-4954-5555
Slovenia	+386-1-4796-699
Spagna	91-714-7983 0901-100-000 (Spagnolo)
Sri Lanka	+94-11-249-3523 (Inglese)
Svezia	Supporto attivo e in esecuzione: 08-477-4420 Supporto e servizio di garanzia: 077-117-1040 (Svedese)
Svizzera	Supporto attivo e in esecuzione: 058-333-0900 Supporto e servizio di garanzia: 0800-55-54-54 (Tedesco, Francese, Italiano)
Taiwan	0800-000-701 (Mandarino)
Tailandia	1-800-060-066 (Tailandese)
Turchia	00800-4463-2041 (Turco)
Regno Unito	Supporto attivo e in esecuzione: 01475-555-055 Supporto garanzia: 08705-500-900 (Inglese)
Stati Uniti	1-800-426-7378 (Inglese)
Uruguay	000-411-005-6649 (Spagnolo)
Venezuela	0-800-100-2011 (Spagnolo)
Vietnam	Per l'area settentrionale e Hanoi: 84-4-843-6675 Per l'area meridionale e Ho Chi Minh City: 84-8-829-5160 (Inglese, Vietnamese)

Capitolo 5. Unità sostitutive per i clienti

Le CRU (Customer Replaceable Units) sono parti del computer che possono essere aggiornate o sostituite dall'utente. Esistono due tipi di CRU: interna ed esterna. Le CRU esterne sono di semplice installazione, al contrario di quelle interne che richiedono una certa competenza tecnica e talvolta possono necessitare di alcuni attrezzi, come ad esempio un cacciavite. Tuttavia, entrambi i tipi di CRU possono essere rimossi in modo sicuro dal cliente. Le CRU interne possono essere rimosse ed installate sia dall'utente finale che da un tecnico dell'assistenza Lenovo durante il periodo di garanzia.

La sostituzione delle CRU esterne è affidata all'utente finale.

I computer desktop contengono CRU interne ed esterne. Le CRU esterne sono presenti fuori dal computer. un esempio la tastiera, il mouse ed il cavo di alimentazione. Le CRU non possono essere rimosse senza aver prima aperto il coperchio del computer. Esempi di CRU interne includono moduli di memoria, unità ottiche, scheda adattatori e l'alimentatore.

La *Guida per l'utente* e la *Guida all'installazione e alla sostituzione hardware* forniscono le istruzioni necessarie per la sostituzione delle CRU interne ed esterne. Fare riferimento alla seguente pubblicazione Tabella 2 a pagina 198 per stabilire quale pubblicazione contenga le istruzioni necessarie. Per visualizzare una pubblicazione, aprire il menu Start, selezionare **Tutti i programmi**, selezionare **Online Books** e fare clic su **Online Books**. Fare doppio clic sulla pubblicazione appropriata.

Le pubblicazioni sono disponibili anche sul sito Lenovo all'indirizzo <http://www.lenovo.com>.

Nota: utilizzare solo parti di computer fornite da Lenovo. Fare riferimento al Capitolo 3, "Garanzia limitata Lenovo", a pagina 183 per informazioni di garanzia relative alle CRU per il proprio tipo di macchina.

Tabella 1. Tabella di CRU esterne

Elenco di macchine: 6423, 6427, 6483, 6493	Guida per l'utente	Guida all'installazione e alla sostituzione hardware
CRU esterne		
Tastiera	X	X
Mouse	X	X
Cavo di alimentazione	X	

Tabella 2. Tabella di CRU interne

Elenco di macchine: 6423, 6427, 6483, 6493	Guida per l'utente	Guida all'installazione e alla sostituzione hardware
CRU interne		
Unità disco fisso		X
Memoria		X
Scheda adattatore		X
Altoparlanti interni		X
Unità in fibra ottica		X
Unità dischetto		X
Alimentatore		X
Ventole di sistema		X
Diffusore di calore		X
Ventole		X
Porta USB frontale		X
Batteria CMOS		X
Porta seriale		X

Capitolo 6. Informazioni particolari

È possibile che Lenovo non offra i prodotti, i servizi o le funzioni illustrate in questo documento in tutti i paesi. Consultare il rappresentante Lenovo locale per informazioni sui prodotti e i servizi attualmente disponibili nel proprio paese. Qualsiasi riferimento a programmi, prodotti o servizi Lenovo contenuto in questa pubblicazione non significa che soltanto tali prodotti, programmi o servizi possano essere utilizzati. In sostituzione a quelli forniti dalla Lenovo, possono essere utilizzati prodotti, programmi o servizi funzionalmente equivalenti che non comportino violazione di diritti di proprietà intellettuale o di altri diritti della Lenovo. È responsabilità dell'utente valutare o verificare la possibilità di utilizzare altri prodotti, programmi o servizi non Lenovo.

Lenovo può avere brevetti o domande di brevetti in corso relativi a quanto trattato in questa pubblicazione. La fornitura di questa pubblicazione non implica la concessione di alcuna licenza su di essi. È possibile inviare richieste relative alle licenze, scrivendo a:

*Lenovo (United States), Inc.
1009 Think Place - Building One
Morrisville, NC 27560
U.S.A.
Attention: Lenovo Director of Licensing*

LENOVO FORNISCE QUESTA PUBBLICAZIONE "COSÌ COM'È" SENZA ALCUN TIPO DI GARANZIA, SIA ESPRESSA CHE IMPLICITA, INCLUSE EVENTUALI GARANZIE DI COMMERCIALIZZABILITÀ ED IDONEITÀ AD UNO SCOPO PARTICOLARE. Alcune giurisdizioni non escludono le garanzie implicite; di conseguenza la suddetta esclusione potrebbe, in questo caso, non essere applicabile.

Queste informazioni potrebbero contenere imprecisioni tecniche o errori tipografici. Le informazioni incluse in questo documento vengono modificate periodicamente; queste modifiche vengono inserite nelle nuove versioni della pubblicazione. La Lenovo si riserva il diritto di apportare miglioramenti e/o modifiche al prodotto e/o al programma descritto nella pubblicazione in qualsiasi momento e senza preavviso.

I prodotti descritti nel presente documento non implicano che possano essere utilizzati in impianti o in altre applicazioni di supporto delle funzioni vitali in cui il malfunzionamento può provocare danni a persone, incluso il decesso. Le informazioni contenute in questa documentazione non modificano o non influiscono sulle specifiche dei prodotti Lenovo o sulla garanzia. Nessuna parte di questo documento può essere interpretata come licenza espressa o implicita o indennità rispetto ai diritti di proprietà intellettuale di Lenovo o di terzi.

Tutte le informazioni contenute in questo documento sono state ottenute in ambienti specifici e vengono presentate come un'illustrazione. Quindi, è possibile che il risultato, ottenuto in altri ambienti operativi, vari significativamente.

Lenovo potrebbe utilizzare o divulgare le informazioni ricevute dagli utenti secondo le modalità ritenute appropriate senza alcun obbligo nei loro confronti.

Tutti i riferimenti a siti Web non Lenovo contenuti in questo documento sono forniti solo per consultazione. I materiali disponibili in questi siti non fanno parte di questo prodotto e l'utilizzo di questi è a discrezione dell'utente.

I dati di prestazioni contenuti sono stati determinati in un ambiente controllato. Pertanto, il risultato ottenuto in altri ambienti operativi può variare significativamente. È possibile che alcune misurazioni siano state eseguite su sistemi in via di sviluppo e non vi è alcuna garanzia che tali misurazioni siano uguali a quelle dei sistemi immessi sul mercato. Inoltre, alcune misurazioni possono essere valutate tramite estrapolazione. I risultati reali possono variare. Gli utenti di questo documento dovrebbero verificare i dati applicativi per il loro ambiente specifico.

Informazioni particolari sull'uscita TV

Le seguenti informazioni riguardano i modelli che dispongono di un'uscita TV preinstallata.

Questo prodotto include la tecnologia per la protezione del copyright a sua volta protetta da normative sulle licenze U.S. e da altri diritti sulla proprietà intellettuale della Macrovision Corporation ed altri. L'utilizzo di tale tecnologia per la protezione del copyright deve essere autorizzato dalla Macrovision Corporation ed è destinato ad usi domestici o comunque ad usi che implicano una visione limitata, se non diversamente specificato dalla Macrovision Corporation. È proibita la retroingegnerizzazione o il disimballaggio.

Marchi

Lenovo, il logo Lenovo, Rescue and Recovery, ThinkCentre, ThinkVantage e ThinkStation sono marchi della Lenovo Corporation negli Stati Uniti e/o in altri paesi.

IBM è un marchio di International Business Machines Corporation negli Stati Uniti, altri paesi o entrambi.

I nomi di altre società, prodotti o servizi potrebbero essere marchi di altre società.

Informazioni sulle emissioni elettromagnetiche

Le seguenti informazioni fanno riferimento a questi tipi di macchine Lenovo: 6423, 6427, 6483, 6493

Dichiarazione di conformità FCC (Federal Communications Commission)

Quest'apparecchiatura è stata sottoposta a verifiche e trovata conforme con le limitazioni dei dispositivi digitali di classe B, secondo l'articolo 15 delle norme FCC. Queste limitazioni sono state progettate per fornire un'adeguata protezione contro interferenze nocive in caso di installazione domestica. Quest'apparecchiatura genera, utilizza, e può irradiare emissioni elettromagnetiche e, se non installata ed utilizzata secondo le istruzioni, potrebbe causare interferenze nocive alle comunicazioni radio. Tuttavia, non sussiste garanzia che non siano prodotte interferenze in una determinata installazione. Se l'apparecchiatura dovesse causare interferenze nocive alle ricezioni radiofoniche e televisive, determinate dallo spegnimento e dall'accensione del dispositivo, l'utente è invitato a ovviare a tali interferenze seguendo la\le fasi di seguito riportate:

- Riorientare o riposizionare l'antenna ricevente.
- Increase the separation between the equipment and receiver.
- Connect the equipment into an outlet on a circuit different from that to which the receiver is connected.
- Per informazioni, consultare un rivenditore autorizzato oppure un rappresentante del servizio assistenza.

La Lenovo non è responsabile per alcuna interferenza radiofonica o televisiva causata dall'utilizzo di cavi e connettori non consigliati, o da cambiamenti e modifiche dell'apparecchiatura effettuate da personale non autorizzato. Unauthorized changes or modifications could void the user's authority to operate the equipment.

Questo prodotto è conforme alle norme FCCT Part 15. Operation is subject to the following two conditions: (1) this device may not cause harmful interference, and (2) this device must accept any interference received, including interference that may cause undesired operation.

Responsible party:

Lenovo (United States) Incorporated
1009 Think Place - Building One
Morrisville, NC 27560
U.S.A.
Phone Number: (919) 294-5900

Dichiarazione di conformità industriale delle emissioni di Classe B per il Canada

Quest'apparecchiatura digitale di Classe B è conforme alla ICES-003 del Canada.

Cet appareil numérique de la classe B est conforme à la norme NMB-003 du Canada.

Dichiarazione di conformità per la comunità europea

Questo prodotto è conforme ai requisiti di protezione della Direttiva del Consiglio 2004/108/EC per il riavvicinamento delle legislazioni degli stati membri relative alla compatibilità elettromagnetica. Lenovo non accetta alcuna responsabilità per gli errori derivanti dall'osservazione dei requisiti di protezione risultanti da eventuali modifiche non consigliate del prodotto, compreso l'installazione di schede opzionali di altri costruttori.

Questo prodotto soddisfa i limiti di emissione della norma EN 55022 Classe B. Le limitazioni per le apparecchiature di classe B sono tese a una protezione adeguata, in ambienti tipici residenziali, contro le interferenze con i dispositivi di comunicazione.

Direttiva EU-EMC (2004/108/EC) EN 55022 classe B Istruzione di conformità

Deutschsprachiger EU Hinweis:

Hinweis für Geräte der Klasse B EU-Richtlinie zur Elektromagnetischen Verträglichkeit

Dieses Produkt entspricht den Schutzanforderungen der EU-Richtlinie 2004/108/EG (früher 89/336/EWG) zur Angleichung der Rechtsvorschriften über die elektromagnetische Verträglichkeit in den EU-Mitgliedsstaaten und hält die Grenzwerte der EN 55022 Klasse B ein.

Um dieses sicherzustellen, sind die Geräte wie in den Handbüchern beschrieben zu installieren und zu betreiben. Des Weiteren dürfen auch nur von der Lenovo empfohlene Kabel angeschlossen werden. Lenovo übernimmt keine Verantwortung für die Einhaltung der Schutzanforderungen, wenn das Produkt ohne Zustimmung der Lenovo verändert bzw. wenn Erweiterungskomponenten von Fremdherstellern ohne Empfehlung der Lenovo gesteckt/eingebaut werden.

Deutschland: Einhaltung des Gesetzes über die elektromagnetische Verträglichkeit von Betriebsmitteln

Dieses Produkt entspricht dem "Gesetz über die elektromagnetische Verträglichkeit von Betriebsmitteln" EMVG (früher "Gesetz über die elektromagnetische Verträglichkeit von Geräten"). Dies ist die Umsetzung der EU-Richtlinie 2004/108/EG (früher 89/336/EWG) in der Bundesrepublik Deutschland.

Zulassungsbescheinigung laut dem Deutschen Gesetz über die elektromagnetische Verträglichkeit von Betriebsmitteln, EMVG vom 20. Juli 2007 (früher "Gesetz über die elektromagnetische Verträglichkeit von Geräten"), bzw. der EMV EG Richtlinie 2004/108/EC (früher 89/336/EWG), für Geräte der Klasse B.

Dieses Gerät ist berechtigt, in Übereinstimmung mit dem Deutschen EMVG das EG-Konformitätszeichen - CE - zu führen. Verantwortlich für die Konformitätserklärung nach Paragraf 5 des EMVG ist die Lenovo (Deutschland) GmbH, Pascalstr. 100, D-70569 Stuttgart.

Informationen in Hinsicht EMVG Paragraf 4 Abs. (1) 4:
Das Gerät erfüllt die Schutzanforderungen nach EN 55024 und EN 55022 Klasse B.

Dichiarazione di Classe B per la Corea

이 기기는 가정용으로 전자파 적합등록을 한 기기로서
주거지역에서는 물론 모든 지역에서 사용할 수 있습니다.

Dichiarazione di Classe B VCCI per il Giappone

この装置は、情報処理装置等電波障害自主規制協議会（VCCI）の基準に基づくクラスB情報技術装置です。この装置は、家庭環境で使用することを目的としていますが、この装置がラジオやテレビジョン受信機に近接して使用されると、受信障害を引き起こすことがあります。
取扱説明書に従って正しい取り扱いをして下さい。

Conformità per il Giappone per i prodotti inferiori o uguali a 20A per fase

高調波電流規格 JIS C 61000-3-2 適合品

Dichiarazione di conformità di tastiera e mouse per Taiwan

本產品隨貨附已取得經濟部標準檢驗局認可之PS/2或USB的鍵盤與滑鼠一組

Informazioni sull'assistenza dei prodotti Lenovo per Taiwan

台灣 Lenovo 產品服務資訊如下：
荷蘭商思惟個人電腦產品股份有限公司台灣分公司
台北市信義區信義路五段七號十九樓之一
服務電話：0800-000-700

Federal Communications Commission (FCC) and telephone company requirements

1. This device complies with Part 68 of the FCC rules. A label is affixed to the device that contains, among other things, the FCC registration number, USOC, and Ringer Equivalency Number (REN) for this equipment. If these numbers are requested, provide this information to your telephone company.

Nota: If the device is an internal modem, a second FCC registration label is also provided. You may attach the label to the exterior of the computer in which you install the Lenovo modem, or you may attach the label to the external DAA, if you have one. Place the label in a location that is easily accessible, should you need to provide the label information to the telephone company.

2. The REN is useful to determine the quantity of devices you may connect to your telephone line and still have those devices ring when your number is called. In most, but not all areas, the sum of the RENs of all devices should not exceed five (5). To be certain of the number of devices you may connect to your line, as determined by the REN, you should call your local telephone company to determine the maximum REN for your calling area.
3. If the device causes harm to the telephone network, the telephone company may discontinue your service temporarily. If possible, they will notify you in advance; if advance notice is not practical, you will be notified as soon as possible. You will be advised of your right to file a complaint with the FCC.
4. Your telephone company may make changes in its facilities, equipment, operations, or procedures that could affect the proper operation of your

equipment. If they do, you will be given advance notice to give you an opportunity to maintain uninterrupted service.

5. If you experience trouble with this product, contact your authorized reseller or call the Customer Support Center. In the United States, call **1-800-426-7378**. In Canada, call **1-800-565-3344**. You may be required to present proof of purchase.

The telephone company may ask you to disconnect the device from the network until the problem has been corrected, or until you are sure the device is not malfunctioning.

6. No customer repairs are possible to the device. If you experience trouble with the device, contact your Authorized Reseller or see the Diagnostics section of this manual for information.
7. This device may not be used on coin service provided by the telephone company. Il collegamento alle linee telefoniche è soggetto alle tariffe dello stato. Contact your state public utility commission or corporation commission for information.
8. When ordering network interface (NI) service from the local Exchange Carrier, specify service arrangement USOC RJ11C.

Canadian Department of Communications certification label

NOTICE: The Industry Canada label identifies certified equipment. This certification means that the equipment meets telecommunications network protective, operational and safety requirements as prescribed in the appropriate Terminal Equipment Technical Requirements documents. The Department does not guarantee the equipment will operate to the user's satisfaction.

Before installing this equipment, users should ensure that it is permissible to be connected to the facilities of the local telecommunications company. The equipment must also be installed using an acceptable method of connection. The customer should be aware that compliance with the above conditions may not prevent degradation of service in some situations. * Repairs to certified equipment should be coordinated * by a representative designated by * the supplier. Any repairs or alterations made by the user to this equipment, or equipment malfunctions, may give the telecommunications company cause to request the user to disconnect the equipment.

Users should ensure for their own protection that the electrical ground connections of the power utility, telephone lines, and internal metallic water pipe system, if present, are connected together. This precaution may be particularly important in rural areas.

Caution: Users should not attempt to make such connections themselves, but should contact the appropriate electric inspection authority, or electrician, as appropriate.

NOTICE: The Ringer Equivalence Number (REN) assigned to each terminal device provides an indication of the maximum number of terminals allowed to be connected to a telephone interface. * The termination on an * interface may consist of any combination * of devices subject only to the requirement * that the sum of the Ringer Equivalence * Numbers of all the devices does not exceed 5.

Informazioni relative ai cavi di alimentazione

Per la sicurezza dell'utente, la Lenovo fornisce un cavo di alimentazione con spina munita di terra di sicurezza da utilizzare con questo prodotto. Per evitare pericolose scosse elettriche, utilizzare sempre il cavo di alimentazione e la spina con una presa di corrente munita di alveolo correttamente collegato alla terra di protezione.

I cavi di alimentazione forniti dalla Lenovo utilizzati negli Stati Uniti e in Canada sono accettati dai laboratori UL (Underwriter's Laboratories) e certificati dall'associazione CSA (Canadian Standards Association).

Per unità che devono funzionare a 115 volt: Utilizzare cavi di alimentazione approvati dai laboratori UL e certificati dalla CSA, con AWG 18 (minimo), di tipo SVT o SJT, con cavo a tre conduttori, di lunghezza massima di circa 4,5 metri con lama a tandem, con spina dotata di messa a terra da 15 Amp e 125 volt.

Per unità che devono funzionare a 230 volt (U.S.A): Utilizzare cavi di alimentazione approvati dai laboratori UL e certificati dalla CSA, con AWG 18 (minimo), di tipo SVT o SJT, con cavo a tre conduttori, di lunghezza massima di circa 4,5 metri con lama a tandem, con spina dotata di messa a terra da 15 Amp e 250 volt.

Per unità che devono funzionare a 230 volt (in nazioni diverse dagli Stati Uniti): Utilizzare un cavo con una spina munita di spinotto di terra. Il cavo deve essere conforme alle norme di sicurezza relative al paese in cui l'apparecchiatura viene installata.

I cavi di alimentazione forniti dalla Lenovo per un paese specifico sono reperibili solo in quel paese:

Per le unità funzionanti in Germania: i cavi di alimentazione devono essere approvati a norma di legge. Per la Germania, devono essere H05VV-F, 3G, 0,75 mm² o superiore. Per tutti gli altri paesi, i tipi appropriati devono essere utilizzati di conseguenza.

Numero parte del cavo di alimentazione	Utilizzato in questi Paesi
24R2633	Giappone
39M5067	Argentina, Paraguay, Uruguay
39M5080	Antille Olandesi, Antigua e Barbuda, Arabia Saudita, Aruba, Bahamas, Barbados, Belize, Bermuda, Bolivia, Canada, Costa Rica, Columbia, Cuba, Repubblica Dominicana, Ecuador, El Salvador, Filippine Guam, Guatemala, Haiti, Honduras, Isole Calicos, Isole Cayman, Giamaica, Messico, Micronesia (Stati Federali), Nicaragua, Panama, Perù, Stati Uniti, Thailandia, Taiwan, Venezuela
39M5102	Australia, Nuova Zelanda
39M5122	Afghanistan, Albania, Algeria, Andorra, Angola, Armenia, Austria, Azerbaijan, Bielorussia, Belgio, Benin, Bosnia Erzegovina, Bulgaria, Burkina Faso, Burundi, Cambogia, Camerun, Capo Verde, Repubblica Centrafricana, Ciad, Comoros, Congo (Repubblica democratica del), Congo (Repubblica del), Costa D'Avorio, Croazia (Repubblica di), Repubblica Ceca, Dahomey, Gibuti, Egitto, Guinea Equatoriale, Eritrea, Estonia, Etiopia, Finlandia, Francia, Guyana Francese, Polinesia Francese, Gabon, Georgia, Germania, Grecia, Guadalupe, Guinea, Guinea Bissau, Ungheria, Islanda, Indonesia, Iran, Kazakistan, Kirgizstan, Laos (Repubblica popolare democratica del), Lettonia, Libano, Lituania, Lussemburgo, Macedonia (ex-Repubblica Jugoslava di), Madagascar, Mali, Martinica, Mauritania, Mauritius, Mayotte, Moldova (Repubblica di), Monaco, Mongolia, Marocco, Mozambico, Paesi Bassi, Nuova Caledonia, Niger, Norvegia, Polonia, Portogallo, Reunion, Romania, Federazione Russa, Rwanda, Sao Tome e Principe, Arabia Saudita, Senegal, Serbia, Slovacchia, Slovenia (Repubblica di), Somalia, Spagna, Suriname, Svezia, Siria, Tajikistan, Tahiti, Togo, Tunisia, Turchia, Turkmenistan, Ucraina, Alto Volta, Uzbekistan, Vanuatu, Vietnam, Wallis e Futuna, Jugoslavia (Repubblica federale di), Zaire
39M5129	Danimarca
39M5143	Bangladesh, Lesotho, Macao S.A.R, Maldive, Namibia, Nepal, Pakistan, Samoa, Sud Africa, Sri Lanka, Swaziland, Uganda
39M5150	Abu Dhabi, Australia, Bahrain, Botswana, Brunei Darussalam, Channel Islands, Cipro, Dominica, Fiji, Gambia, Ghana, Grenada, Guyana, Hong Kong S.A.R. della Cina, Iraq, Irlanda, Giordania, Kenya, Kiribati, Kuwait, Liberia, Malawi, Malaysia, Malta, Myanmar (Burma), Nauru, Nuova Zelanda, Nigeria, Oman, Papua Nuova Guinea, Qatar, Saint Kitts e Nevis, Saint Lucia, Saint Vincent e Grenadines, Seychelles, Sierra Leone, Singapore, Sudan, Tanzania (Repubblica unita di), Trinidad & Tobago, Emirati Arabi Uniti (Dubai), Regno Unito, Yemen, Zambia, Zimbabwe
39M5151	Hong Kong S.A.R. della Cina, Corea
39M5157	Liechtenstein, Svizzera

Numero parte del cavo di alimentazione	Utilizzato in questi Paesi
39M5164	Cile, Italia, Libyan Arab Jamahiriya
39M5171	Israele
39M5205	Cina
39M5212	Corea
39M5232	Brasile
39M5246	Taiwan
41R3175	India

Informazioni sui cavi PVC (Polyvinyl Chloride)

AVVERTENZA: maneggiare i cavi di questo prodotto o quelli degli accessori forniti con questo prodotto potrebbe causare il cancro, difetti di nascita o altre malattie legate alla riproduzione, a causa dell'esposizione a un componente chimico noto in California.

Tabella di comunicazione sostanza per Cina

产品中有毒有害物质或元素的名称及含量

部件名称	有毒有害物质或元素					
	铅(Pb)	汞(Hg)	镉(Cd)	六价铬 (Cr(VI))	多溴联苯 (PBB)	多溴二苯醚 (PBDE)
印刷电路板组件*	X	O	O	O	O	O
硬盘	X	O	O	O	O	O
光驱	X	O	O	O	O	O
内存	X	O	O	O	O	O
电脑I/O 附件	X	O	O	O	O	O
电源	X	O	O	O	O	O
键盘	X	O	O	O	O	O
鼠标	X	O	O	O	O	O
机箱/附件	X	O	O	O	O	O

○:表示该有毒有害物质在该部件所有均质材料中的含量均在SJ/T11363-2006标准规定的限量要求以下
 ×:表示该有毒有害物质至少在该部件的某一均质材料中的含量超出SJ/T11363-2006标准规定的限量要求
 表中标有“×”的所有部件都符合欧盟RoHS 法规。

印刷电路板组件*: 包括印刷电路板及其零部件、电容和连接器
 根据型号的不同,可能不会含有以上的所有部件,请以实际购买机型为准



在中华人民共和国境内销售的电子信息产品必须标识此标志,标志内的数字代表在正常使用状态下的产品的环保使用期限

Informazioni particolari su WEEE (waste electrical and electronic equipment)

Lenovo incoraggia i proprietari di apparecchiature IT (Information Technology) a riciclarle in modo responsabile qualora non siano più necessarie. Lenovo mette a disposizione una serie di programmi e servizi che forniscono ausilio ai proprietari di apparecchiature nel riciclare i relativi prodotti IT. Le informazioni relative al riciclo di prodotti sono disponibili sul sito Internet di Lenovo all'indirizzo

<http://www.pc.ibm.com/ww/lenovo/about/environment/>.

Dichiarazione WEEE EU (European Union)

Il marchio WEEE è valido solo per paesi della Comunità europea e per la Norvegia. I dispositivi sono etichettati in base alle Direttiva Europea 2002/96/EC relativa a WEEE (waste electrical and electronic equipment). Tale

Direttiva determina la struttura per la restituzione e il riciclaggio dei dispositivi utilizzati in base a quanto stabilito dall'Unione europea. Questo contrassegno viene applicato a diversi prodotti per indicare che il prodotto non deve essere gettato via ma deve essere smaltito in base a quanto riportato nella Direttiva.

Gli utenti (electrical and electronic equipment) con marchio WEEE per Annex IV della Direttiva WEEE non devono eliminare l'EEE come normale rifiuto urbano, ma devono utilizzare la struttura di raccolta indicata per la restituzione, il riciclo e il recupero di WEEE e ridurre gli effetti potenziali di EEE sull'ambiente e sulla salute dell'operatore dovuti alla presenza di sostanze tossiche. Per ulteriori informazioni WEEE visitare il sito:
<http://www.lenovo.com/lenovo/environment>.

Dichiarazione di riciclo per il Giappone

Raccolta e riciclo di video o computer Lenovo in disuso

Se si è un dipendente di un'azienda e si desidera smaltire un video o computer Lenovo di proprietà dell'azienda stessa, è necessario effettuare tale operazione in accordo con la normativa per la promozione dell'utilizzo efficace delle risorse (Law for Promotion of Effective Utilization of Resources). I computer ed i video sono considerati rifiuti industriali e devono essere smaltiti da un apposito contraente che si occupi dello smaltimento dei rifiuti industriali certificato dalle autorità locali. In accordo con la normativa per la promozione dell'utilizzo efficace delle risorse (Law for Promotion of Effective Utilization of Resources), in Giappone Lenovo provvede, mediante i relativi servizi di raccolta e riciclo PC, alla raccolta, al riutilizzo e al riciclo di computer e video in disuso. Per informazioni dettagliate, consultare il sito Web Lenovo all'indirizzo
www.ibm.com/jp/pc/service/recycle/pcrecycle/

In conformità alla normativa per la promozione dell'utilizzo efficace delle risorse (Law for Promotion of Effective Utilization of Resources), la raccolta e il riciclo di computer e video di uso domestico da parte dei produttori è iniziata il 1 ottobre 2003. Tale servizio è fornito gratuitamente per computer di uso domestico venduti a partire dal 1 ottobre 2003. Per informazioni dettagliate, consultare il sito Web Lenovo all'indirizzo www.ibm.com/jp/pc/service/recycle/personal/.

Smaltimento di un componente di un computer Lenovo

Alcuni computer Lenovo venduti in Giappone possono disporre di componenti che contengono metalli pesanti o altre sostanze che possono avere un impatto ambientale. Per smaltire correttamente i componenti in disuso, come unità o schede a circuito stampato, utilizzare i metodi descritti in precedenza relativi alla raccolta e al riciclo di un video o computer in disuso.

Smaltimento di batterie al litio in disuso da computer Lenovo

Sulla scheda di sistema del computer Lenovo in uso è installata una batteria al litio a forma di pulsante che fornisce alimentazione all'orologio di sistema mentre il computer è spento o scollegato dalla fonte di alimentazione principale. Se si desidera sostituirla con una nuova, contattare il punto vendita oppure rivolgersi al servizio di assistenza Lenovo. Se si è provveduto alla sostituzione e si desidera smaltire la batteria al litio in disuso, isolarla con del nastro vinilico, contattare il punto vendita e seguire le relative istruzioni. Se si utilizza un computer Lenovo presso il proprio domicilio e si desidera smaltire una batteria al litio, è necessario effettuare tale operazione in conformità alle normative e alle ordinanze locali.

lenovo[™]

Part Number: 43C8973

Printed in USA

(1P) P/N: 43C8973

