



Rack Installation Instructions

Review the documentation that comes with your rack cabinet for safety and cabling information. When installing your storage expansion unit in a rack cabinet, consider the following:

- Two or more people are required to install the device in a rack cabinet.
- Ensure the room air temperature is below 35°C (95°F).
- Do not block any air vents, usually 15 cm (6 in.) of air space provides proper airflow.
- Plan the device installation starting from the bottom of the rack cabinet.
- Install the heaviest device in the bottom of the rack cabinet.
- Position the attached template to the rack so that the edges of the template do not overlap any other devices.
- Do not leave open spaces above or below devices installed in a rack cabinet. To help prevent damage to device components, always install a blank filler panel to cover the open space and to help ensure proper air circulation.
- Do not extend more than one device out of the rack cabinet at the same time.
- Connect all power cords to properly wired and grounded electrical outlets.
- Take precaution to prevent overloading the power outlets when you install multiple devices in a rack cabinet.



Use safe practices when lifting.



≥18 kg (39.7 lb)



≥32 kg (70.5 lb)



≥55 kg (121.2 lb)



Do not place any object weighing more than 50 kg (110 lb) on top of rack-mounted devices.

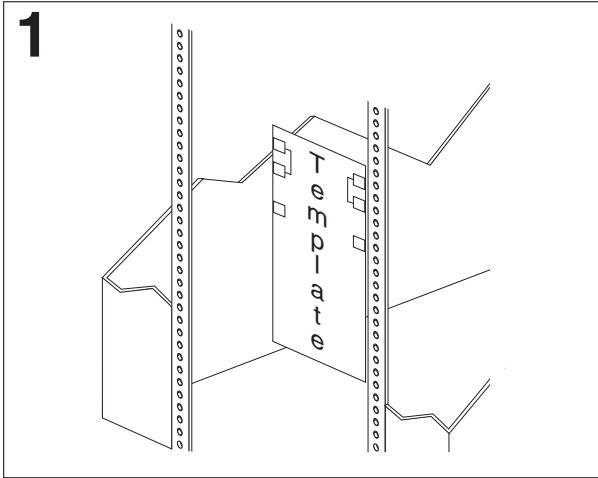


≥50 kg (110 lb)

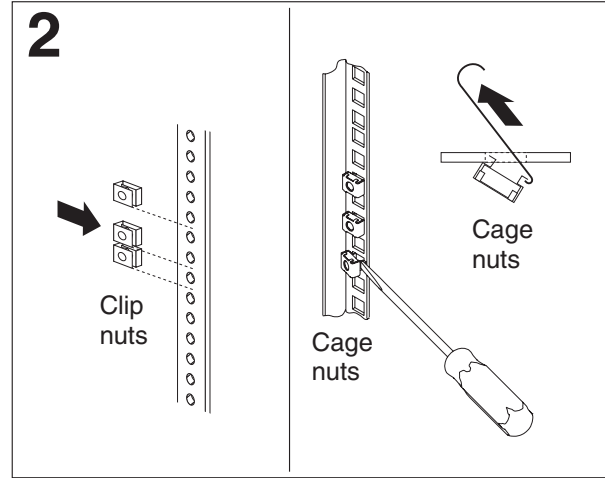
You will need a flat-blade and a Phillips screwdriver during the installation. The following is a list of items that come with your rack installation kit. If any items are missing or damaged, contact your place of purchase.

- Cage nuts (10)
- Clip nuts (10)
- M6 screws (10)
- M5 screws (2)
- Rail assembly, right (1)
- Rail assembly, left (1)

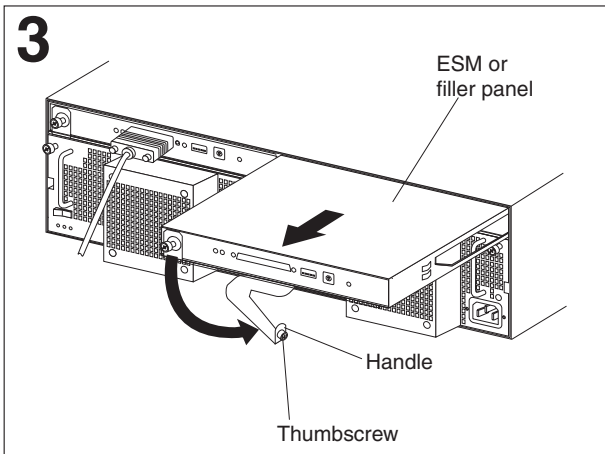
Note: Refer to your expansion unit documentation for handling guidelines before removing any static-sensitive devices.



Use the attached rack-mounting template to locate the holes on the front and rear rack-mounting flanges.



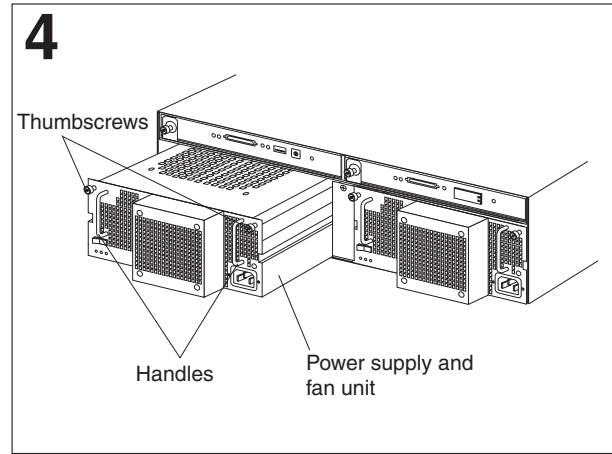
Install cage nuts or clip nuts as required for your rack cabinet. Use a flat-blade screwdriver to install cage nuts.



Note: Removing components from the expansion unit reduces the weight of the unit for easier installation. Steps 3, 4, and 5 of the installation procedure show how to remove components.

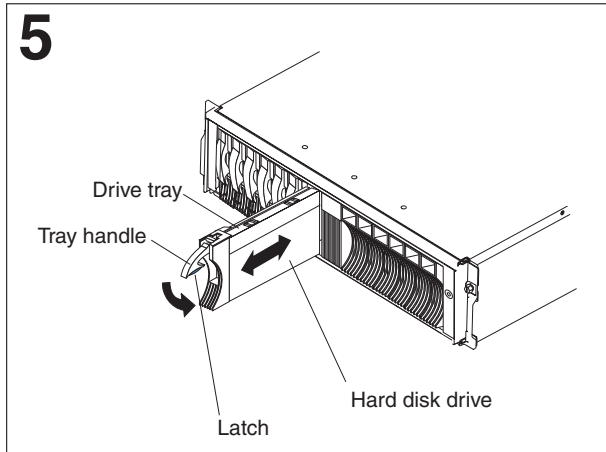
To remove an ESM or filler panel, loosen the thumbscrew and move the handle out to the right; then, slide the ESM or filler panel out of the expansion unit.

Repeat this step for the other ESM or filler panel and set the ESMs aside for later installation.



To remove a power supply with fan unit, loosen the two thumbscrews; then, grasp the handles on each side of the unit and remove it from the expansion unit.

Repeat this step for the other power supply with fan unit; then, set both units aside for later installation.

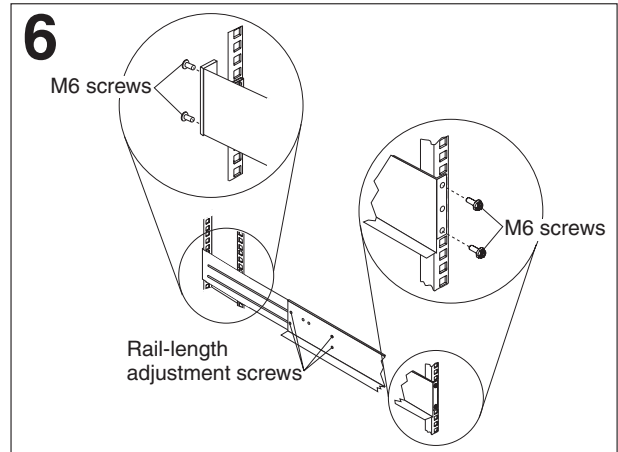


To remove a hard disk drive, press the latch and pull up the handle; then, carefully pull the drive from the expansion unit.

Notes:

1. Before you remove any hard disk drives, make sure that you mark their location so that you can reinstall them in the same location.
2. Handle hard disk drives gently and do not stack them. Follow all precautions for static-sensitive devices.

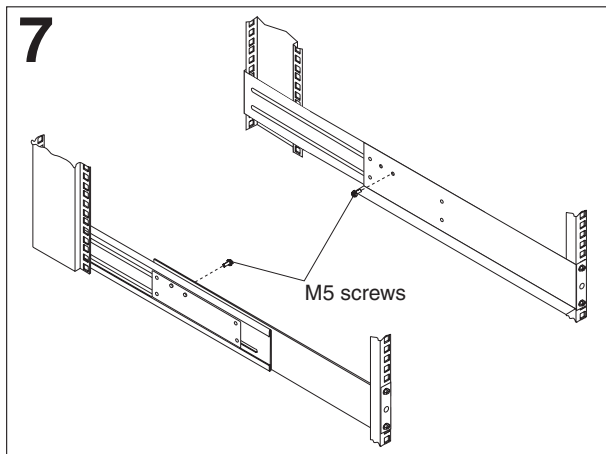
Repeat this step for all hard disk drives.



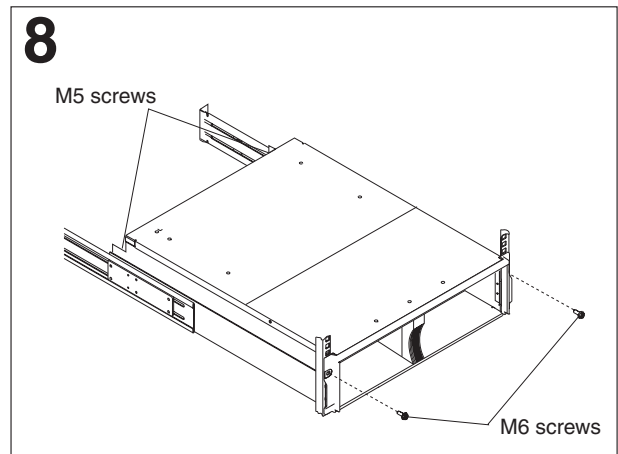
On the rail marked **R**, loosen the four rail-length adjustment screws; then, hold the front of the rail against the outside of the right front rack mounting flange and loosely install two M6 screws.

Extend the rear of the rail outside of the rear rack mounting flange; then, install and tighten two M6 screws.

Tighten the four rail-length adjustment screws; then, repeat this step for the rail marked **L** on the left side of your rack.



Loosely insert the M5 screws in each rail to secure the rear of the chassis to the rail.



Slide the expansion unit all the way into the rack; then, secure the front of the expansion unit with two M6 screws.

Tighten both M5 screws; then, reverse the procedures in step 3 through step 5 to reinstall the components that you removed.

Refer to your expansion unit documentation to complete your installation. Store this information with your expansion unit documentation for future use.

First Edition (September 2003)

Part number: 88P9253

Printed in the U.S.A.

IBM is a trademark of the International Business Machines Corporation in the United States, other countries, or both.

© Copyright International Business Machines Corporation 2003. All rights reserved.

US Government Users Restricted Rights – Use, duplication or disclosure restricted by GSA ADP Schedule Contract with IBM Corp.

(1P) P/N: 88P9253

