



## Rack Installation Instructions

Review the documentation that comes with your rack cabinet for safety and cabling information. Before installing your server in a rack cabinet, consider the following guidelines:

- Two or more people are required to install the device in a rack cabinet.
- Ensure that the room air temperature is below 35°C (95°F).
- Do not block any air vents, usually 15 cm (6 in.) of space provides proper airflow.
- Do not leave open spaces above or below an installed server in your rack cabinet. To help prevent damage to server components, always install a blank filler panel to cover the open space and to help ensure proper air circulation.
- Install your server only in a rack cabinet with perforated doors.
- Plan the device installation starting from the bottom of the rack cabinet.
- Install the heaviest device in the bottom of the rack cabinet.
- Do not extend more than one device out of the rack cabinet at the same time.
- Remove the rack doors and side panels to provide easier access during installation.
- Do not overload the power outlet when installing multiple devices in the rack cabinet.



Use safe practices when lifting.



≥18 kg (39.7 lb)



≥32 kg (70.5 lb)



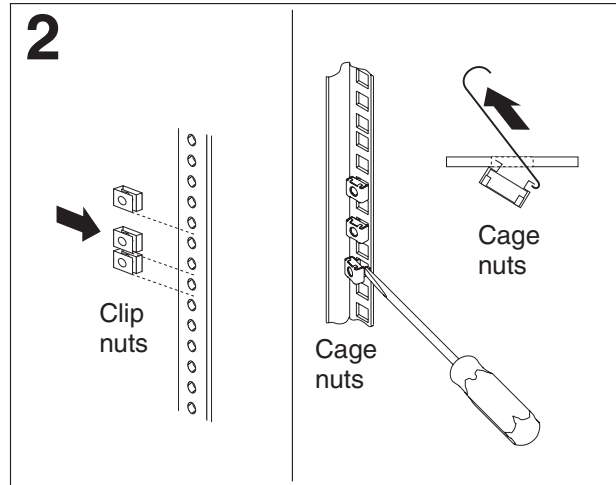
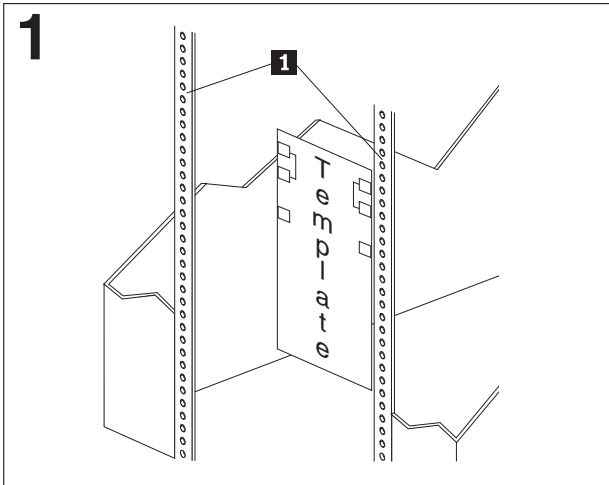
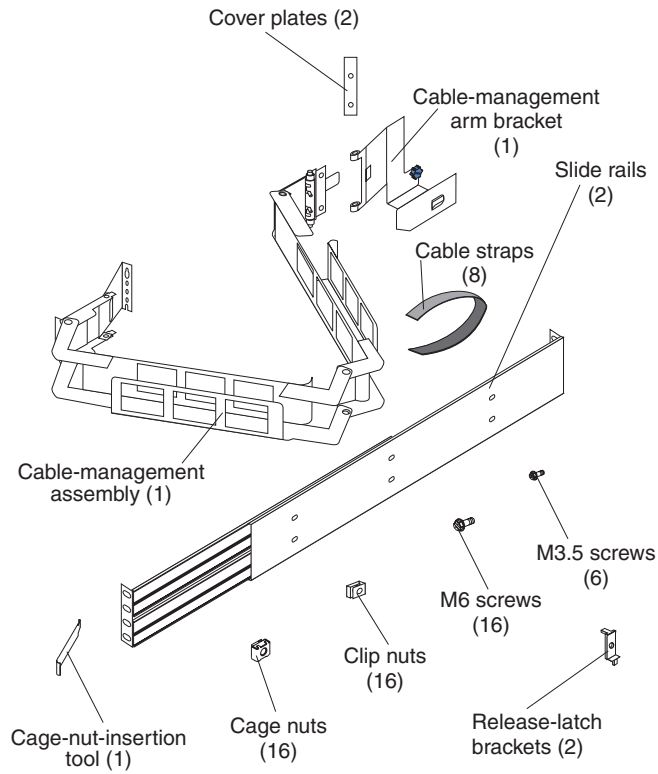
≥55 kg (121.2 lb)



Do not place any object on top of rack-mounted devices.



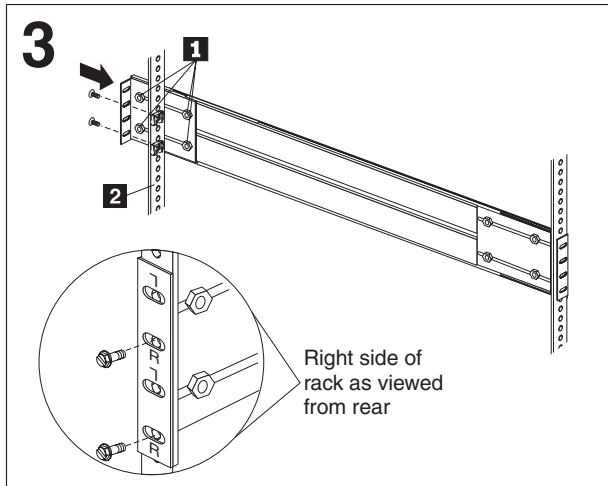
You will need a flat-blade and a Phillips screwdriver during the installation. The following illustration shows the items that come with the server that you need to install the server in the rack cabinet. If any items are missing or damaged, contact your place of purchase.



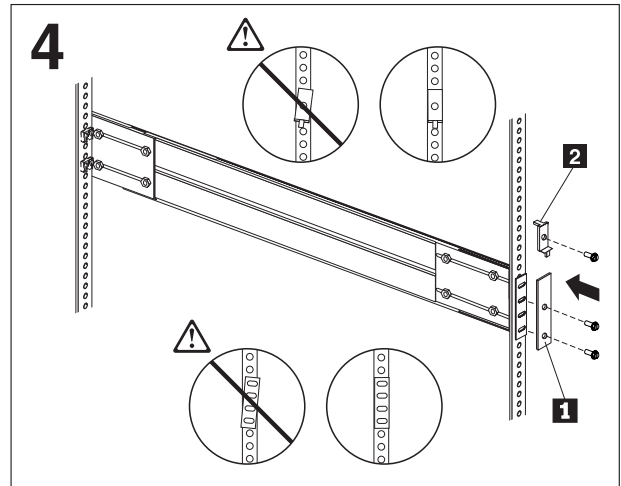
Use the arrows on the rack-mounting template to identify the locations to insert the clip nuts or cage nuts on the front and rear rack-mounting flanges **1**.

**Note:** The rack mounting template is the same height as the server.

Install clip nuts or cage nuts as required for your rack cabinet (clip nuts for round-hole mounting flanges; cage nuts for square-hole mounting flanges). Use the cage-nut-insertion tool or a flat-blade screwdriver to install cage nuts.



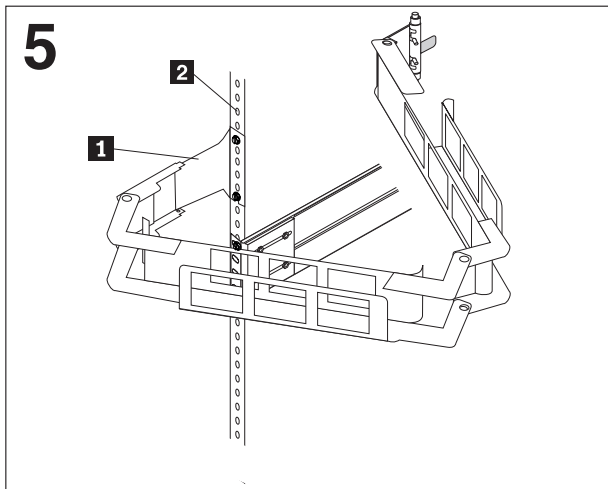
Align the slide rail to the rack-mounting flanges (front and rear). If it is necessary to adjust the length of the slide rail, loosen the nuts on the rear of the slide rail **1**; then, tighten the nuts. Insert and tighten two M6 screws to secure the slide rail to the rear-mounting flange **2**. Ensure that the rail is aligned vertically.



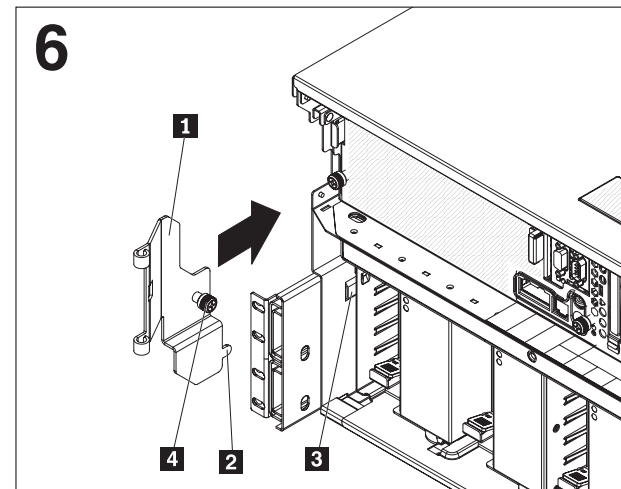
Position the cover plate **1** over the front of the slide rail; then, insert and tighten the two M6 screws. Ensure that the slide rail and cover plate are aligned vertically.

Position the release-latch bracket **2** on the front rack-mounting flange and insert and tighten the M6 screw. Ensure that the bracket is aligned vertically.

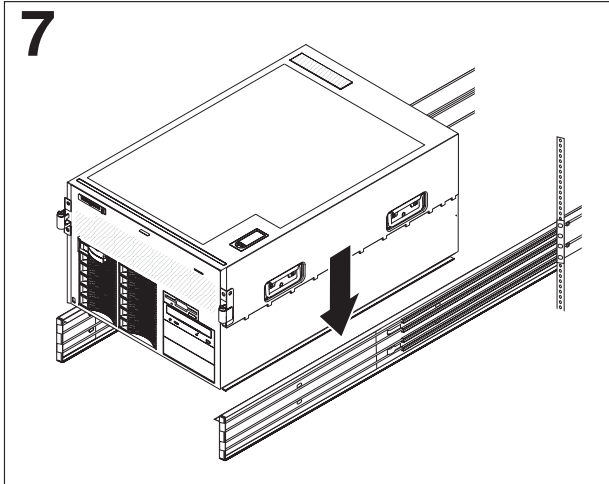
Repeat steps 3 and 4 to install the other slide rail, cover plate, and release-latch bracket.



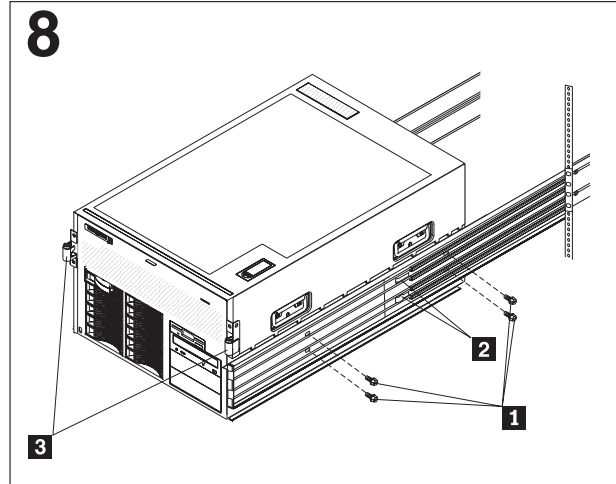
Position the cable-management arm **1** on the left rear rack-mounting flange **2** (as viewed from the back of the server) above the slide rail. Then, insert and tighten the two M6 screws to secure the arm of the flange.



Attach the cable-management arm bracket **1** to the rear of the server by sliding tab **2** into slot **3**; then, tighten the captive screw **4**.

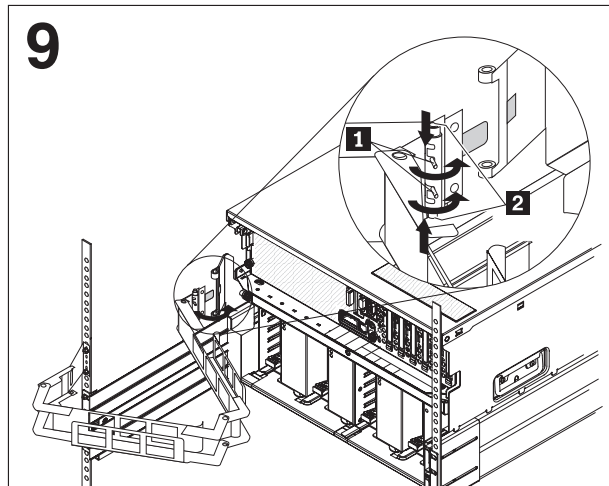


Extend both slide rails out of the rack cabinet until they lock. Align and slide the server onto the rails.

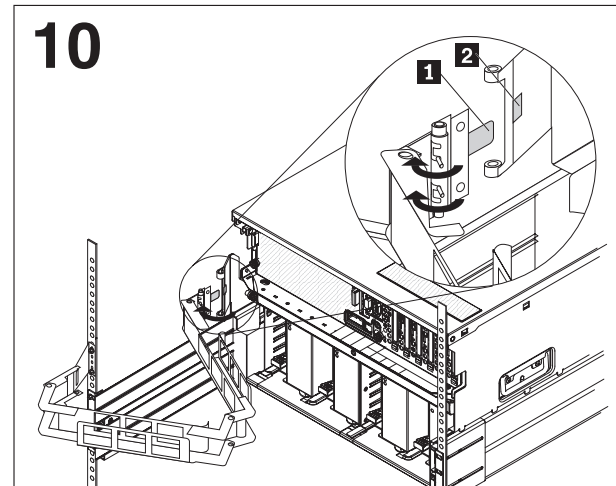


Secure the server to the rails with two M3.5 screws **1** on each side of the server; then, install the server cover.

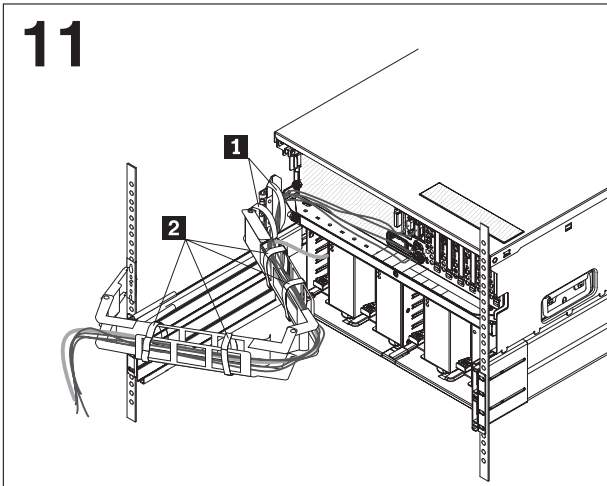
Release the rail locks **2** and slide the server into the cabinet until the release latches **3** lock.



Using the handles **1** on the free end of the cable-management arm, retract the spring-loaded hinge pins **2**; then, rotate the handles to lock the pins in the retracted position.



Slide the tab **1** on the cable-management arm into the slot **2** in the cable-management arm bracket; then, release the hinge pins into the holes in the bracket.

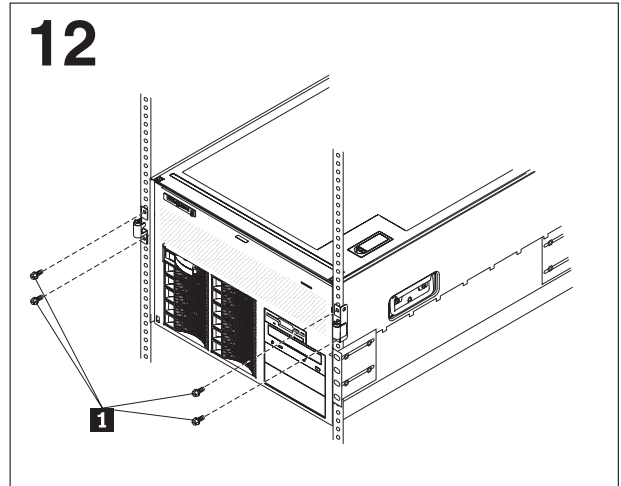


Attach the power cords and the keyboard, mouse, and USB cables to the server. Use two cable straps **1** to secure the cables to the cable-management-arm bracket.

Route all cables through the cable-management arm and secure them with cable straps **2**.

**Note:** Leave enough slack in the cables to allow for sliding the server in or out of the cabinet.

To remove the server from the rack, reverse these instructions. Store this information with your server documentation for future use.



Insert the optional M6 screws **1** when moving the rack cabinet or if you install the rack cabinet in a vibration-prone area.

---

**First Edition (July 2005)**

**Part number: 25R3481**

**Printed in the U.S.A.**

IBM is a trademark of the IBM Corporation in the United States, other countries, or both.

**© Copyright International Business Machines Corporation 2005. All rights reserved.**

US Government Users Restricted Rights – Use, duplication or disclosure restricted by GSA ADP Schedule Contract with IBM Corp.

(1P) P/N: 25R3481

