

---

# IBM xSeries 135 Appliance Server Quick Setup Guide

The IBM® @server xSeries 135 appliance server is a modular, single-use server with preinstalled operating system and application software. This appliance is designed to be mounted in a rack and is ready for use with minimal installation and setup procedures.

**Note:** For additional information, see the *IBM xSeries 135 Appliance Server User's Reference and Installation Guide*, which are included on the *IBM xSeries Documentation CD*.

Use these instructions to:

- Install your appliance server in a rack
- Connect your appliance server to an existing network
- Manage your appliance remotely from a computer on the network.

**Note:** You must have Microsoft® Internet Explorer 5.0 or Netscape Communicator 4.7 or later installed on the computer.

Review the documentation that comes with your rack cabinet for safety and cabling information. When installing your server in a rack, consider the following:

- Ensure that the room air temperature is below 35°C (95°F).
- Do not block any air vents; typically 15 cm (6 in.) of space provides proper airflow.
- Install your server in a rack with perforated doors.
- Plan the device installation starting from the bottom of the rack.
- Install the heaviest device in the bottom of the rack.
- Remove the rack doors and side panels to provide easier access during installation.
- Connect all power cords to properly wired and grounded electrical outlets.
- Take precautions to prevent overloading the power outlets when you install multiple devices in a rack.



Use safe practices when lifting.



≥18 kg (39.7 lbs)



≥32 kg (70.5 lbs)



≥55 kg (121.2 lbs)



Do not place any object weighing more than 50 kg (110 lbs) on top of rack-mounted devices.



>50 kg (110 lbs)

---

## Components

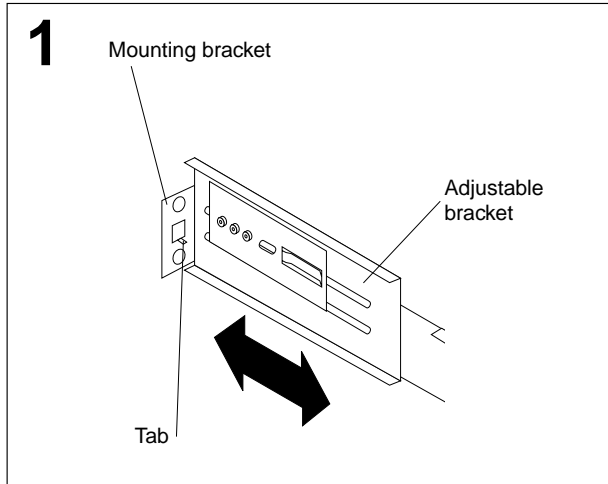
Make sure that your box contains the following items:

- IBM xSeries 135 appliance server
- *IBM xSeries Quick Setup Guide*
- *IBM xSeries 135 Appliance Server Recovery CD*
- *IBM xSeries 135 Appliance Server Supplementary CD*
- *IBM xSeries 135 Appliance Server Documentation CD*
- Rack mounting kit
  - One set of rack rails
  - One bag of Phillips head screws
  - Cage nuts
  - C2T device breakout cable
  - Power cord
  - Cable ties

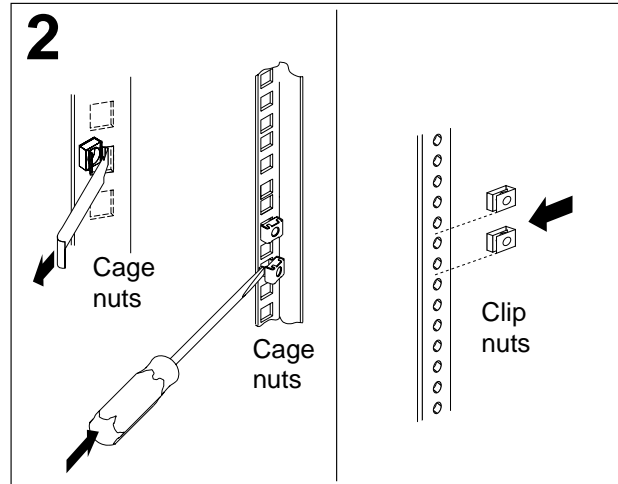
## Installing your IBM xSeries 135 appliance server in the rack

You will need the following items to complete the server installation:

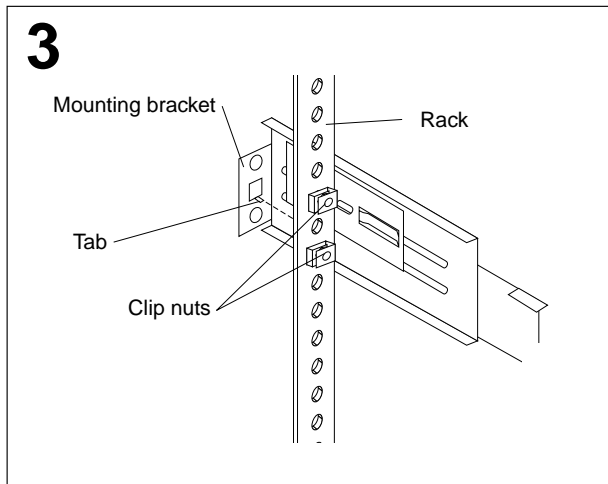
- Flat-blade screwdriver
- Phillips screwdriver
- Mounting brackets and hardware
- Cage nuts or clip nuts



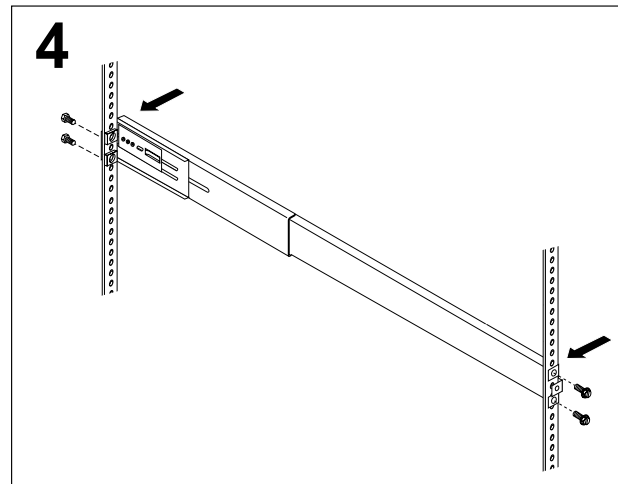
Adjust each rear mounting bracket (by loosening the screws) so that the inside distance between the two ends is equal to the outside dimension of the rack rails.



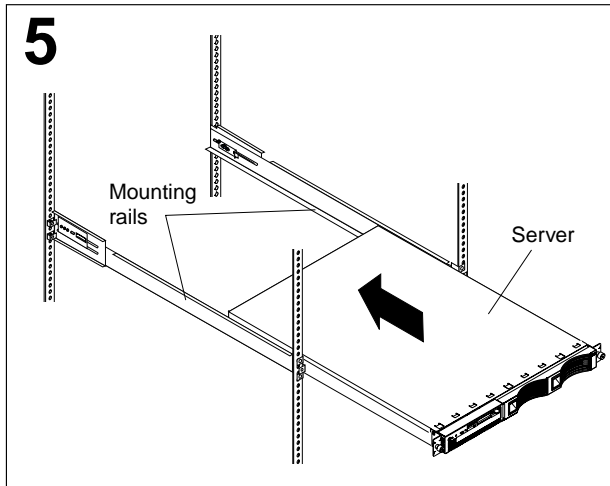
Select a one-U size location in the rack. Install a cage nut or clip nut in the top and bottom position of the one-U location that you selected (both sides, front and rear of the rack).



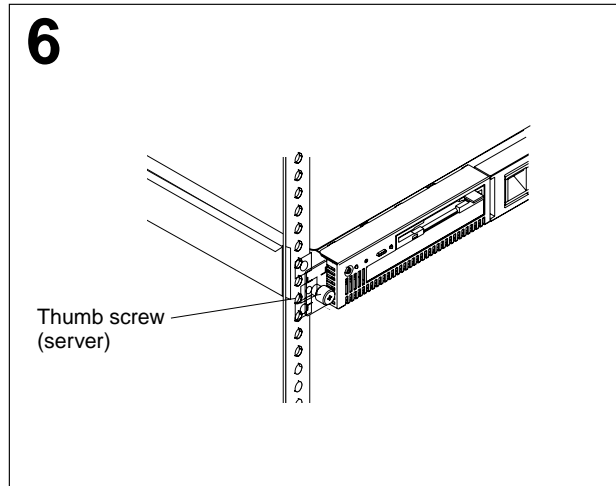
Insert the bracket tab through the center hole between the two clip nuts on the rear rail. (The right and left rails are labeled.)



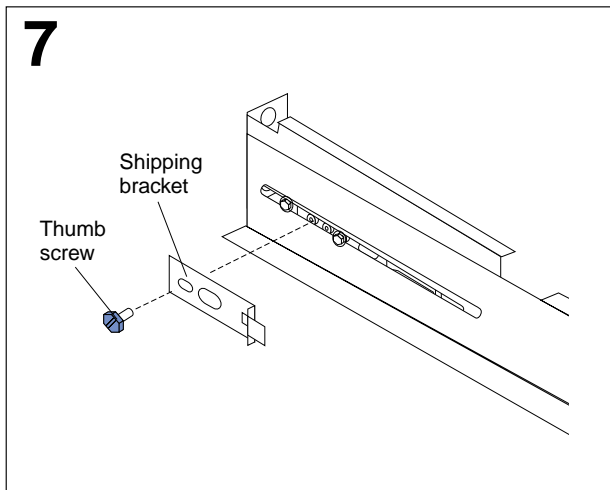
Loosely install two mounting screws through the back end of the bracket. Position the mounting bracket so that it lines up with the clip nuts. Install the remaining mounting screws; then, tighten all the screws with a screwdriver. Repeat these steps for each mounting bracket.



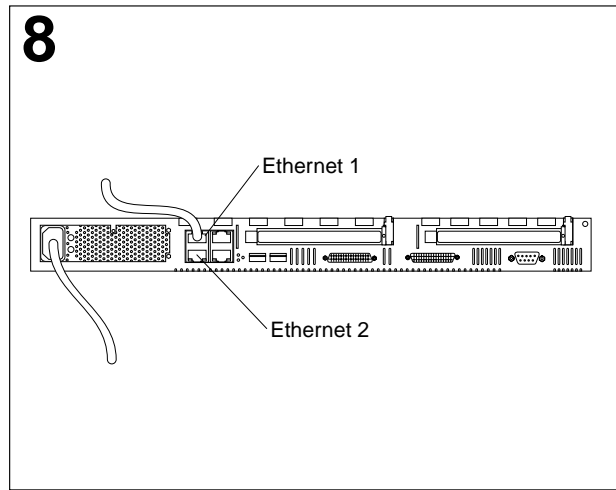
Place the server on the mounting brackets; then, slide it in as far as it will go.



Tighten the thumb screws on the front of the server to secure it to the rack.



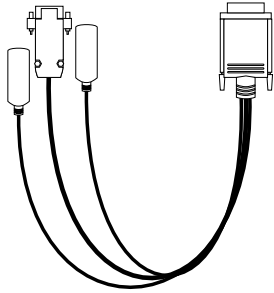
If you want to ship your rack with the server installed, install the shipping brackets on each side of the server. Insert the shipping bracket tab into the slot on the back of the server. Then, use the blue thumb screw to secure the back of the server and the shipping bracket to the mounting bracket.



Connect the power cord and Ethernet cable.

**Note:** Ethernet port 1 is for managing the appliance server. Ethernet port 2 is for serving Internet content.

**9**



You can manage your server remotely from another computer on the network or locally with a keyboard, monitor, and mouse or other pointing device connected to your server. If you manage your server locally, you must use the C2T device breakout cable. Connect the large connector on the C2T cable to the rear of your server; then, connect your keyboard, mouse, and monitor to the connectors on the other end of the C2T cable.

**Note:** The keyboard and mouse connectors on the C2T cable have keyboard and mouse icons to differentiate them from each other. The monitor connector is the dark blue connector.

**10** Repeat step 1 through step 9 for each server that you install in the rack.

- For information about using your appliance server configuration program, see the *Installation Guide* on the *IBM xSeries Documentation CD*.
- For more information about input output (I/O) ports and cabling your server, see the *User's Reference* on the *IBM xSeries Documentation CD*.

---

## Setting up your IBM xSeries 135 appliance server

There are two methods of setting up the IBM xSeries 135 appliance server using Appliance System Manager. One method uses a Web browser installed on a computer that is on the same subnet as the appliance server. The other method uses a command-line script. The following paragraphs provide information for both methods.

Remote management of your IBM xSeries 135 appliance server using Appliance System Manager requires a workstation that is on the same subnet as the IBM xSeries 135 appliance server and has Microsoft Internet Explorer 5.0 or Netscape Communicator 4.7 or later installed. You also can manage the IBM xSeries 135 appliance server using the IBM Advanced Appliance Configuration Utility, which is included on the *Supplementary CD*. IBM Advanced Appliance Configuration Utility offers a quick and easy method for configuring and managing groups of IBM appliances. For additional appliance setup instructions, see the *IBM xSeries 135 Appliance Server Installation Guide* or *User's Reference*.

To set up your IBM xSeries 135 appliance server, do the following:

1. Turn on your IBM xSeries 135 appliance server and wait five minutes.
2. From a computer that is attached to the same physical network, open a Web browser and open `http://ip_address:3939`, where *ip\_address* is the IP address that you want to assign to the appliance server.  
**Note:** You might need to try several times.
3. Logon as user administrator, password password.
4. Type a new root password, the requested nameserver addresses, routing information, and operating system configuration.
5. Click **Next** to make the changes take effect. A Machine rebooting message appears. If the page does not load by itself in five minutes, click **Refresh**.

A command-line script also is provided to set the initial IP address. To use this method, do the following:

1. Attach a C2T device breakout cable to the appliance. For instructions, see the *IBM xSeries 135 Appliance Server Installation Guide* or the *IBM xSeries 135 Appliance Server User's Reference*.
2. Attach a keyboard, mouse, and monitor to the C2T device breakout cable.
3. Login as user administrator, password password.
4. Type the following command:  
`/opt/CSM/scripts/setup.pl`  
then, press Enter. A series of prompts appears.
5. Follow the instructions on the screen to set the root password; then press Enter. A Welcome to the Appliance Setup Program screen appears, with prompts that ask you to fill in some configuration information.
6. Type the information at each prompt and press Enter.
7. Press Enter to restart the appliance.
8. Continue to configure using a browser-based configuration utility, such as Microsoft Internet Explorer or Netscape Communicator.

---

IBM, xSeries, and the @ logo are trademarks of IBM Corporation in the United States or other countries or both. Microsoft, Windows, and Windows NT are trademarks of Microsoft Corporation in the United States, other countries, or both. Other company, product, and service names may be trademarks or service marks of others. © Copyright International Business Machines Corporation 2000. All rights reserved.

Note to U.S. Government Users — Documentation related to restricted rights — Use, duplication or disclosure is subject to restrictions set forth in GSA ADP Schedule Contract with IBM Corp.



Part Number: 24P2794  
Printed in the USA