



Personal System/2

Models 56 SLC and 56 SLC LS

Models 56 SX and 56 LS

Advanced features—enhanced value

Power for every purpose These new Micro Channel® PS/2s® offer a host of features packed into a small footprint along with a growth path for the future!

- Standard in Models 56 SLC and 56 SLC LS, the 20 MHz IBM 386SLC processor is the fastest in its class. These desktop PS/2s bring you speedy, super-reliable performance at prices that are right.
- Models 56 SX and 56 LS are solid performers that can grow with you. When you're ready, the Intel386™ SX processor can be upgraded to super-fast SLC performance with the PS/2 Cached Processor Option.

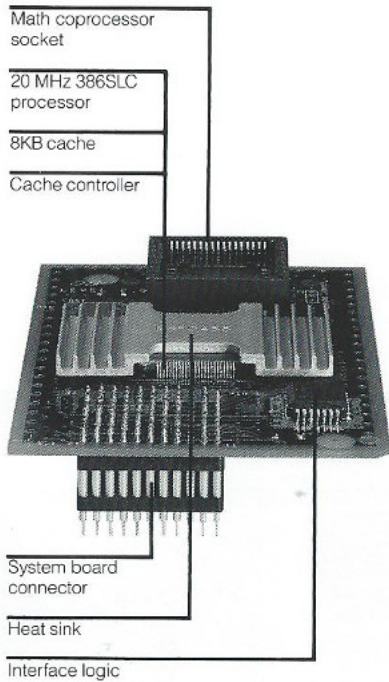
A whole lot more In the same price range as the Personal System/2® Model 55 SX, the 56 SLC and 56 SX give you everything you liked about that popular system—and more. Here's a taste:

- 4MB standard memory
- 8KB internal cache (SLC models only)
- 40, 80 or 160MB internal hard disk storage (except LAN models)
- 2.88MB diskette drive (except LAN models)
- Preinstalled Token-Ring or Ethernet adapters (LAN models only)
- Built-in SCSI support
- Micro Channel architecture
- Choice of three keyboards
- Optional Japanese language keyboard
- Selectable boot
- One of the smallest footprints available

You can depend on IBM Built to meet high standards of quality and reliability, you can be assured that your 56 SLC or 56 SX is made to last.



Feature	Benefit
IBM 20 MHz 386SLC microprocessor	<ul style="list-style-type: none">• Delivers 32-bit applications at faster speeds than anything in the 20 MHz 386 SX class• Includes 8KB internal cache• Comes integrated on system planar of Model 56 SLC; is an option for Model 56 SX
20 MHz i386™ SX microprocessor	<ul style="list-style-type: none">• Produces speed, power and performance—and support for 32-bit, 386-based applications (Model 56 SX only)
Built-in SCSI controller	<ul style="list-style-type: none">• Lets you attach as many as seven SCSI devices (both IBM and non-IBM) without using a single expansion slot
2.88MB diskette drive	<ul style="list-style-type: none">• Reduces the number of diskettes required• Includes media-sense capability for full read/write support of 1MB, 2MB and 4MB diskettes• Allows faster, more efficient data management
4MB memory, expandable to 16MB on planar	<ul style="list-style-type: none">• Offers plenty of speed, plus workspace for large programs and files• Saves expansion slots for other options• Provides ample standard memory for most OS/2® environments
Micro Channel	<ul style="list-style-type: none">• Maintains system reliability at the highest levels and protects data integrity• Supports busmaster adapters for improved system throughput and for offloading tasks from the CPU• Provides efficient data paths for fast, balanced performance
Selectable boot	<ul style="list-style-type: none">• Allows you to boot from any diskette or disk drive, or certain network adapters, so using different operating systems is simple
3270 terminal emulation	<ul style="list-style-type: none">• Offers 132 columns of text and advanced 3270 attributes• Supports 122-key keyboard



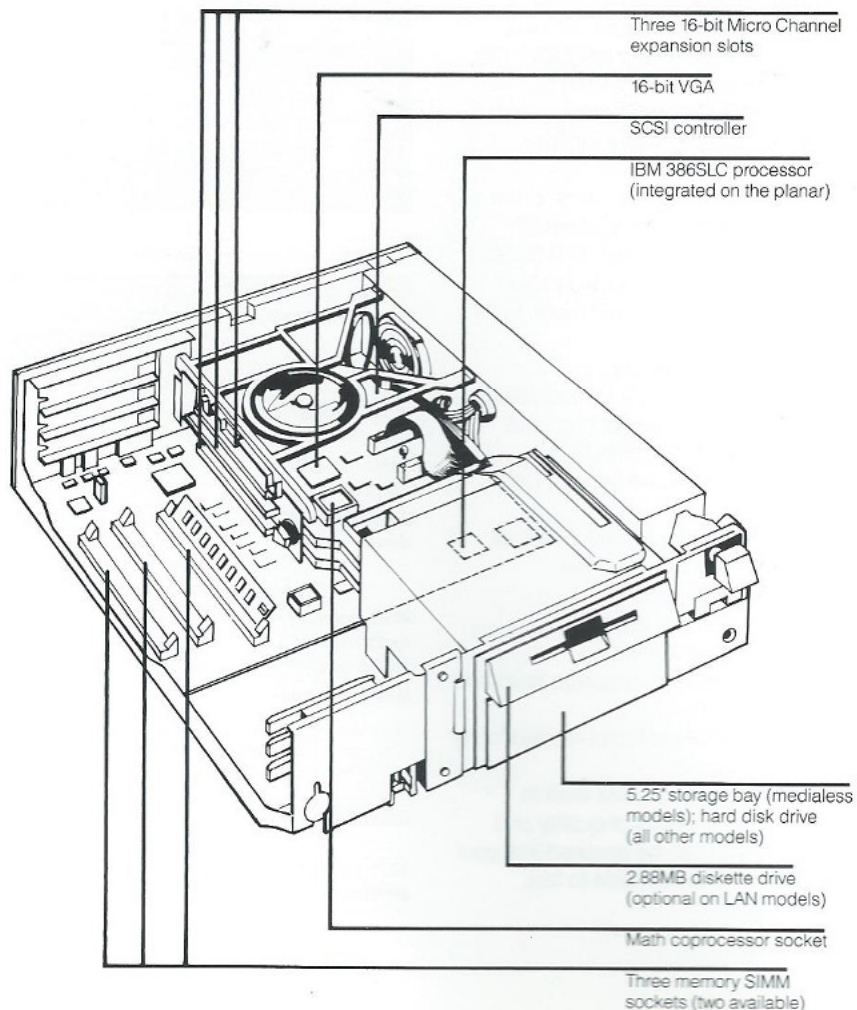
Models 56 SLC and 56 SX at work

Here are some of the ways you can put Models 56 SLC and SX to work for you:

- Increase productivity by using advanced word processing programs, project management packages, spreadsheets and electronic mail
- Use SCSI devices to set up a desktop publishing center—complete with scanners, printers and plotters, and libraries of stored documents and clip art
- Add computing power to your network and enhance security at the same time with medialess LAN stations—available in 16/4 Token-Ring and twisted-pair Ethernet models
- Do more work in less time with busmaster adapters that offload tasks from the CPU and support advanced graphics, imaging and other special functions
- Support double byte character set (DBCS) Japanese language applications with seamless switching to English applications (except LAN models)
- Enhance reliability in critical business areas like banking, travel and retail—the Micro Channel protects data integrity by reducing the effects of electrical interference

The IBM 386SLC processor: standard for the 56 SLC models; optional for the 56 SX models

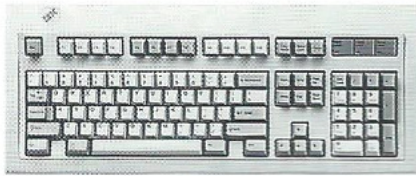
- Applications run substantially faster with the IBM 386SLC processor than on systems with 20 MHz i386 SX processors. For example, up to 88 percent faster with a leading DOS-based spreadsheet application, up to 79 percent faster with a leading CAD application on OS/2, and up to 54 percent faster with a leading DOS-based word processor
- Integrated 32-bit-wide 8KB cache and cache controller for "no-wait" processing
- Compatibility with i386 technology—no reprogramming, no replacing adapters and/or peripherals
- Designed and manufactured by IBM; available exclusively from IBM



Model 56 SLC shown above



IBM Host-Connected Keyboard (122 keys), available in one of eleven languages



PS/2 Enhanced Keyboard (101 keys), available in one of eleven languages



Space Saving Keyboard (84 keys), available in one of three languages (U.S. English, Canadian French and Spanish)



PS/2 Japanese Language Keyboard (106 keys) (optional)

Wide range of options²

Processor option for PS/2 Model 56 SX

- PS/2 Cached Processor Option 6451231

Storage devices

- 3.5" 1.44MB Slim High Diskette Drive 6451130
- 3.5" 2.88MB Slim High Diskette Drive 6451106
- 5.25" 360KB External Diskette Drive 4869001
- 5.25" 1.2MB External Diskette Drive 4869002
- 5.25" 1.2MB Slim High Diskette Drive 6451066
- 80MB SCSI Fixed Disk Drive 6451045
- 160MB SCSI Fixed Disk Drive 6451046
- 400MB SCSI Fixed Disk Drive 6451235
- CD-ROM Drive (internal) 6451113
- External CD-ROM Drive 3510001
- 2.3GB SCSI External Tape Drive 3532023
- Internal Tape Backup Unit 30F5279
- 3.5" Rewritable Optical Drive 6450162
- External Storage Enclosure for SCSI Devices 3511003

Scanners

- 2456 Scanner 64F7495
- 3119 PageScanner 94X2410

Connectivity/communications

- Token-Ring Network Adapter/A 69X8138
- Token-Ring Network 16/4 Adapter/A 74F9410
- Token-Ring Network 16/4 Trace and Performance Adapter/A 74F5130
- Token-Ring Network Busmaster Adapter/A 74F4140
- PC Network Baseband Adapter/A 1501223
- PC Network Broadband Adapter II/A 1501222
- PC Network Adapter II/A—Frequency 2 96X5647
- PC Network Adapter II/A—Frequency 3 96X5648
- Realtime Interface Co-Processor Multiport/2 and related features 09F1897³
- Realtime Interface Co-Processor Portmaster Adapter/A and related features 53F2601³
- X.25 Interface Co-Processor/2 16F1858
- Dual Async Adapter/A 6451013
- Multi-Protocol Adapter/A 6451003
- 3270 Connection 74F3465
- 300/1200/2400 Internal Modem/A 94X1755
- Leased Line Modem 26F1862
- System 36/38 W/S Emulation Adapter/A 69X6279
- System/370™ Channel Emulation Adapter/A 1674899
- Fax Concentrator Adapter/A 94X2530

Graphics and multimedia

- XGA Display Adapter/A 75X5887
- Display Adapter 8514/A 1887972
- M-Audio Capture/Playback Adapter/A 34F3087
- Enhanced M-Motion Video Adapter/A 95F1091
- PS/2 Japanese Language Solution
 - Japanese Keyboard (106 keys) 07G1451
 - Japanese Display Adapter 07G1450
 - OS/2 EE 1.32 Japanese Version 5605-PDE

Other features

- Micro Channel SCSI Adapter 6451109
- Micro Channel SCSI Adapter with Cache 6451110
- PS/2 Mouse 6450350
- Vertical Stand 95F5606
- PS/2 Cable Cover 95F5610

Memory matrix table

Memory on system board

Standard memory
Maximum memory supported
System board memory expansion kits

All models

4MB (70ns)
16MB
2MB: 70ns (6450902)
4MB: 70ns (6450128)
8MB: 70ns (6450130)

Number of memory kits that can be added on system board (available sockets)
Memory configurations possible on system board

2
Various configurations from 4MB to 16MB

IBM Personal System/2 56 SLC models and 56 SX models at a glance

Machine numbers	8556-055, 059	8556-15X, 25X	8556-043, 045	8556-14X, 24X
Microprocessor				
Standard	386SLC	386SLC	80386 SX	80386 SX
Clock speed	20 MHz	20 MHz	20 MHz	20 MHz
Wait states	0-2	0-2	0-2	0-2
Other functions	Socket for i387™ SX math coprocessor		Socket for i387 SX math coprocessor/PS/2 Cached Processor Option	
Bus architecture				
Data path	Micro Channel 16-bit	Micro Channel 16-bit	Micro Channel 16-bit	Micro Channel 16-bit
Memory (RAM)				
Standard	4MB (70ns)	4MB (70ns)	4MB (70ns)	4MB (70ns)
Maximum on system board	16MB	16MB	16MB	16MB
System maximum	16MB	16MB	16MB	16MB
Integrated functions				
16-bit Video Graphics Array (VGA) with display port, serial port, DMA serial port, parallel port, DMA parallel port, keyboard port, pointing device port, diskette controller, SCSI port, SCSI controller, twisted-pair Ethernet adapter (14X, 15X), or Token-Ring Network 16/4 Adapter/A (24X, 25X)				
Available expansion slots				
	Three 16-bit	Two 16-bit	Three 16-bit	Two 16-bit
Diskette storage (internal)				
Standard (3.5-inch)	2.88MB	—	2.88MB	—
Optional	—	144MB or 2.88MB	—	144MB or 2.88MB
Diskette storage (external)				
Optional (5.25-inch)	360KB	360KB	360KB	360KB
Hard disk storage (internal)				
Standard	055: 80MB (17ms) 059: 160MB	—	043: 40MB 045: 80MB (17ms)	—
Optional SCSI	—	80, 160 or 400MB internal SCSI drive	—	80, 160 or 400MB internal SCSI drive
Display modes				
Text	VGA (includes all EGA, CGA and MCGA modes) 360 or 720 x 400; 9 x 16 pel character matrix; 80 columns x 25 rows; 80 columns x 50 rows; up to 16 colors			
APA modes	320 x 200 x 256 colors or 64 gray shades; 640 x 480 x 16 colors or 16 gray shades; palette of 256,000 colors or 64 gray shades			
Optional graphics	Expanded graphics modes, including 1024 x 768 x 256 colors or 64 gray shades, are supported via the PS/2 Display Adapter 8514/A or PS/2 XGA Display Adapter/A and related features; full 3270 dependent display functionality			
Supported displays				
IBM Personal System/2 Color Displays 8512, 8514, 8515, 8516 and 8518; IBM Personal System/2 Monochrome Display 8504				
Supported printers/plotters/scanners				
IBM Proprinter® 24P, IBM Personal Printer Series II family, IBM LaserPrinter family, IBM ExecJet™ Printer, IBM Page Printer 3816, IBM PS/1™ Printer, IBM 618X and 737X Color Plotters and IBM 2456 Scanner				
Choice of keyboards⁴				
PS/2 Enhanced Keyboard (1393990); 101 keys, including 12 function keys, 3 lighted mode indicators; Space Saving Keyboard (1396050); 84 keys, including 12 function keys; IBM Host-Connected Keyboard (1396400); 122 keys; ⁵ DBCS Japanese Language Keyboard (07G1451); 106 keys; a serial keyboard cable is standard with all keyboards				
Power supply				
118-watt worldwide, autosensing and autoswitching				
Operating systems				
DOS 5.0, IBM Operating System/2® Standard or Extended Edition 1.3 (at refresh level 130.1), OS/2 2.0, AIX® Personal System/2 1.2.1				
Size				
Approx. 4.3"H x 14.2"W x 15.6"D (115mm x 360mm x 395mm) Weight: 055, 059, 045: 24.4 lbs. (11.1 kg); 043: 24 lbs. (10.9 kg); 15X, 14X: 21.4 lbs. (9.7 kg); 25X, 24X: 21.1 lbs. (9.6 kg)				
Warranty				
One-year limited warranty				

® IBM, Micro Channel, PS/2, Personal System/2, OS/2, Proprinter, Operating System/2, and AIX are registered trademarks of International Business Machines Corporation. PageMaker is a registered trademark of Aldus Corporation.

™ System/370, ExecJet and PS/1 are trademarks of International Business Machines Corporation. Intel386, i386 and i387 are trademarks of Intel Corporation.

¹ IBM intends to provide a processor upgrade for PS/2 Models 56 SLC and 56 SX systems.

² The options listed may require other features for the desired function or for installation.

³ There is more than one part number for this type of option depending on the amount of on-card memory and other functions desired.

⁴ A keyboard must be selected; keyboards are available in a variety of languages.

⁵ Keys and features on this keyboard that are not on the 101-key keyboard are supported on the 56 SLC and 56 SX by Personal Communications/3270 V.2.0 and 3270 Emulation Entry Level V.2.0 using DOS 5.0.



© International Business Machines Corporation 1992

IBM United States
Department ZV0
1133 Westchester Avenue
White Plains, NY 10604

Printed in the United States of America
2-92
All Rights Reserved

References in this publication to IBM products or services do not imply that IBM intends to make them available outside the United States.

This document was created on an IBM Personal System/2 Model 70 386 with Aldus PageMaker® 4.0 desktop publishing software.



G221-3207-00