

[54] WORD PROCESSOR SYSTEM UNIT

[75] Inventors: Darell D. Cronch, Georgetown; Freddie M. Lawson, Mt. Sterling; Robert F. McDaniel, Paris; James P. Wang, Lexington, all of Ky.

[73] Assignee: Lexmark International, Inc., Greenwich, Conn.

[**] Term: 14 Years

[21] Appl. No.: 380,043

[22] Filed: Jul. 14, 1989

[52] U.S. Cl. D14/100; D14/109

[58] Field of Search D14/100-117; D13/163, 184, 199; 360/97.01-99.12, 132, 133, 137; 361/330-335, 380-385, 390-395; 200/5 A, 5 R, 6 A, 6 R; 174/52.1

[56] References Cited

U.S. PATENT DOCUMENTS

- D. 293,675 1/1988 Yokoi et al. D14/100
- D. 293,910 1/1988 Alfonso et al. D14/100

- D. 295,749 5/1988 Kelley, Jr. et al. D14/100
- D. 296,696 7/1988 Yokoi et al. D14/100
- D. 296,697 7/1988 Takahashi et al. D14/100
- D. 307,746 5/1990 Armstrong et al. D14/100

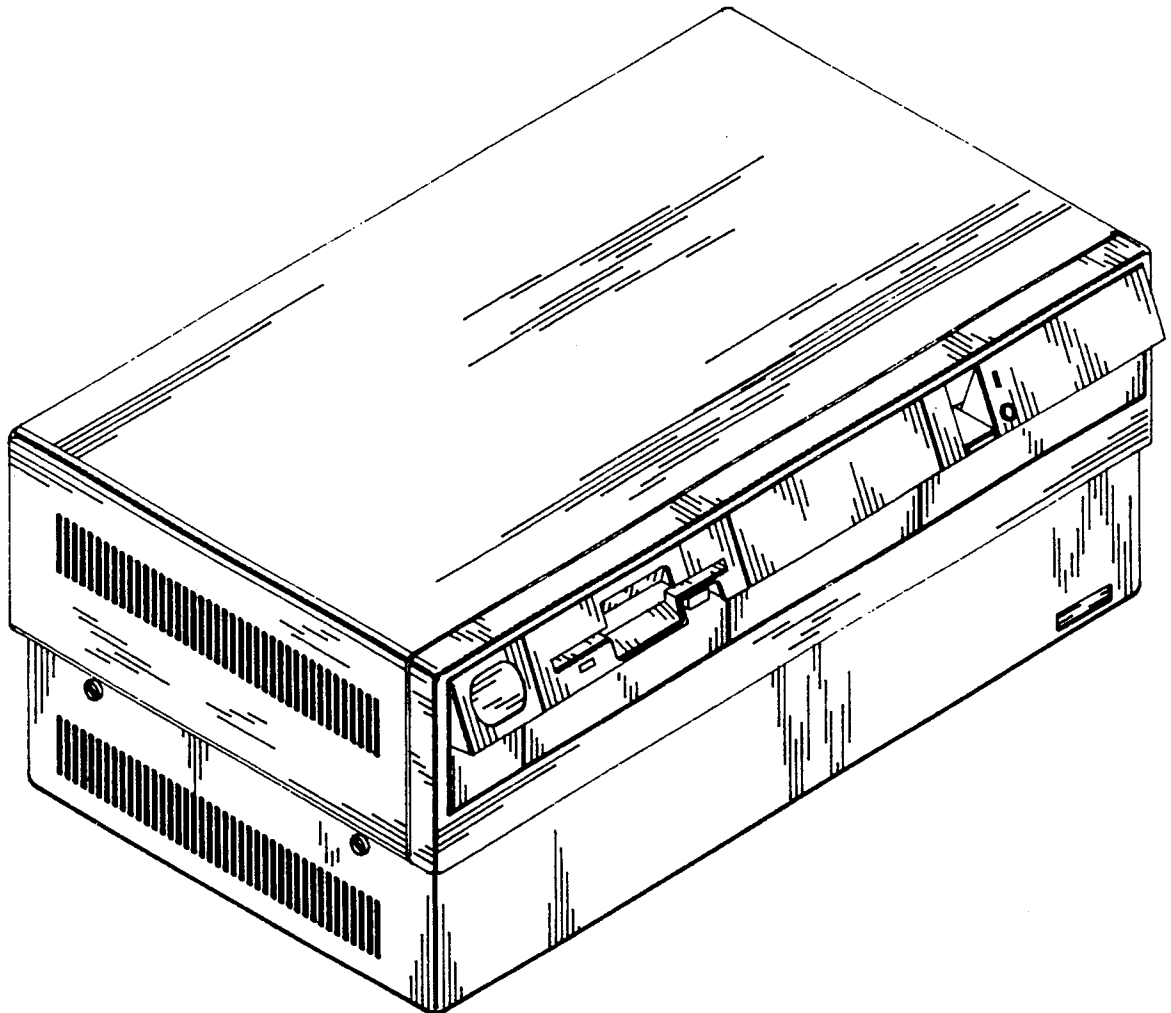
Primary Examiner—Wallace R. Burke
Assistant Examiner—Freda S. Nunn
Attorney, Agent, or Firm—Laurence R. Letson

[57] CLAIM

The ornamental design for a word processor system unit, as shown and described.

DESCRIPTION

FIG. 1 is a front elevational view of the word processor system unit showing our new design;
 FIG. 2 is a top plan view thereof;
 FIG. 3 is a left side elevational view thereof;
 FIG. 4 is a right side elevational view thereof;
 FIG. 5 is a rear elevational view thereof;
 FIG. 6 is a bottom plan view thereof;
 FIG. 7 is a reduced top front left side perspective view thereof;
 FIG. 8 is a reduced top rear right side perspective view thereof.



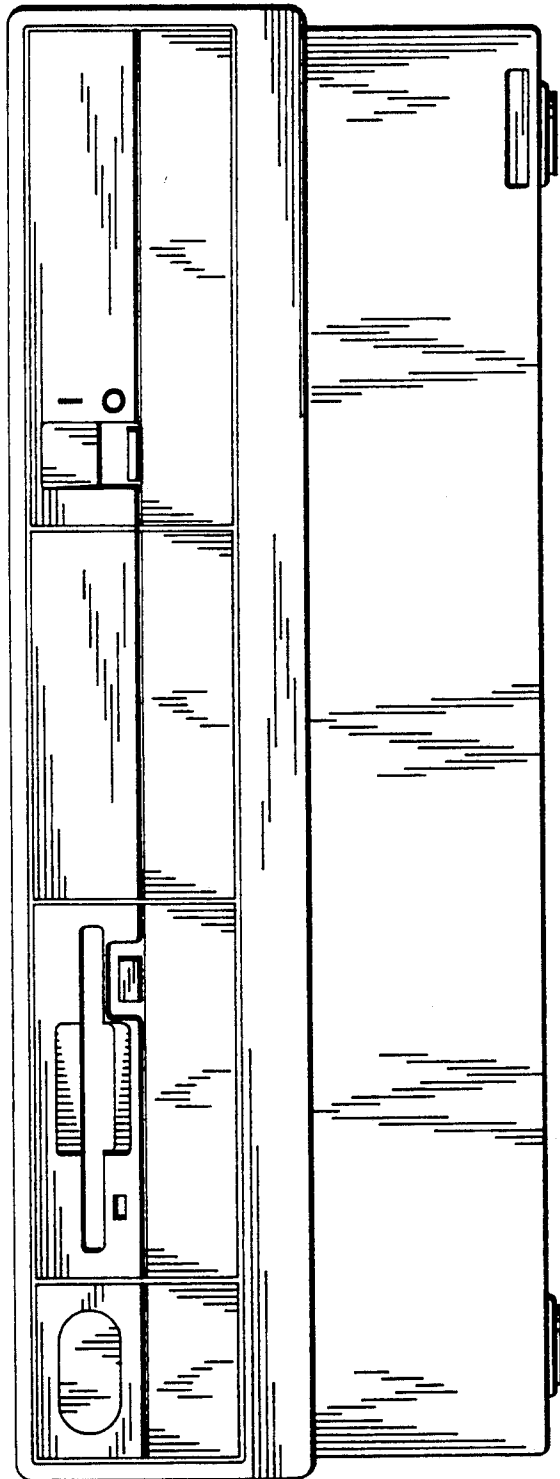


FIG. 1

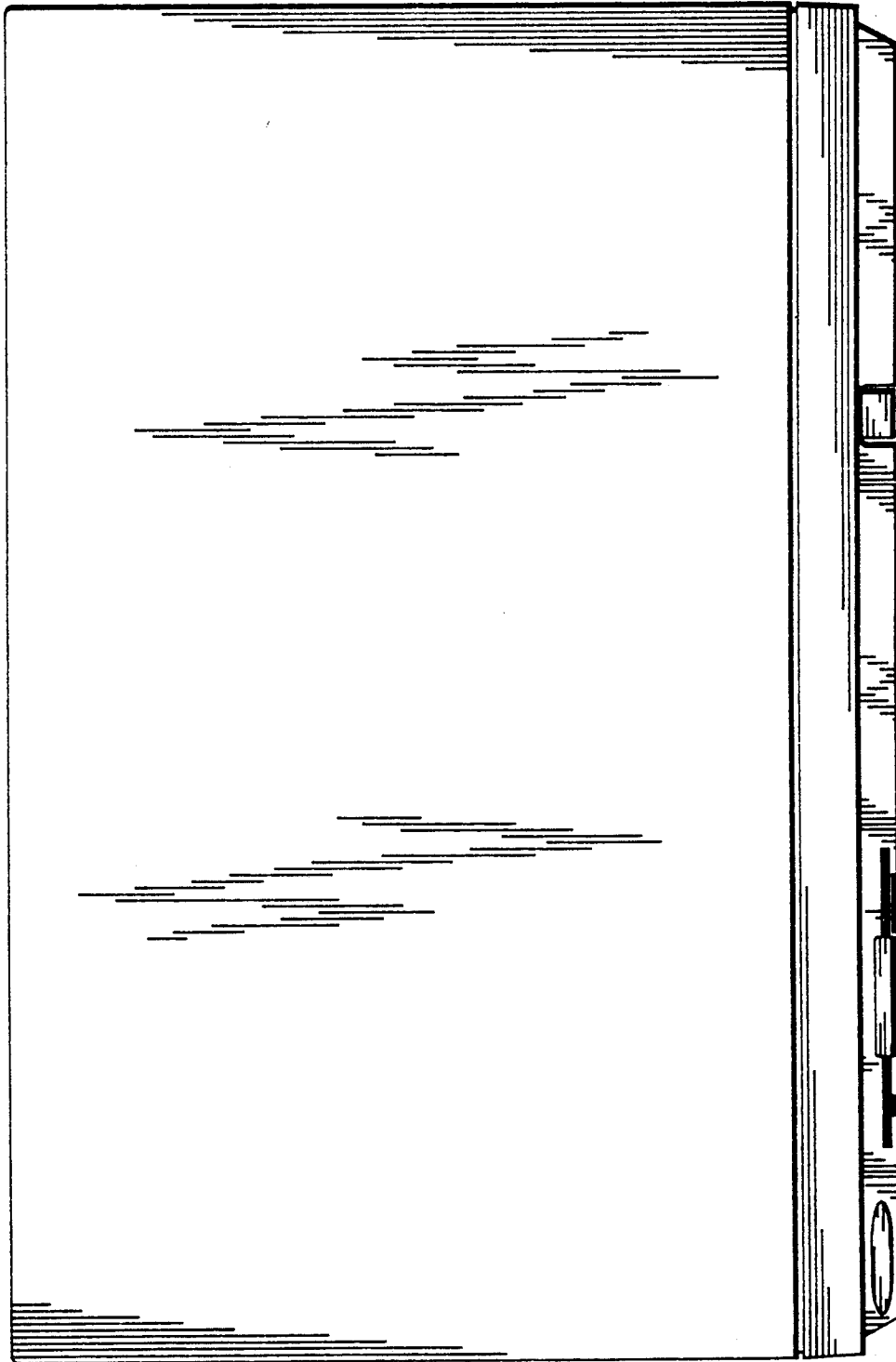


FIG. 2

FIG. 3

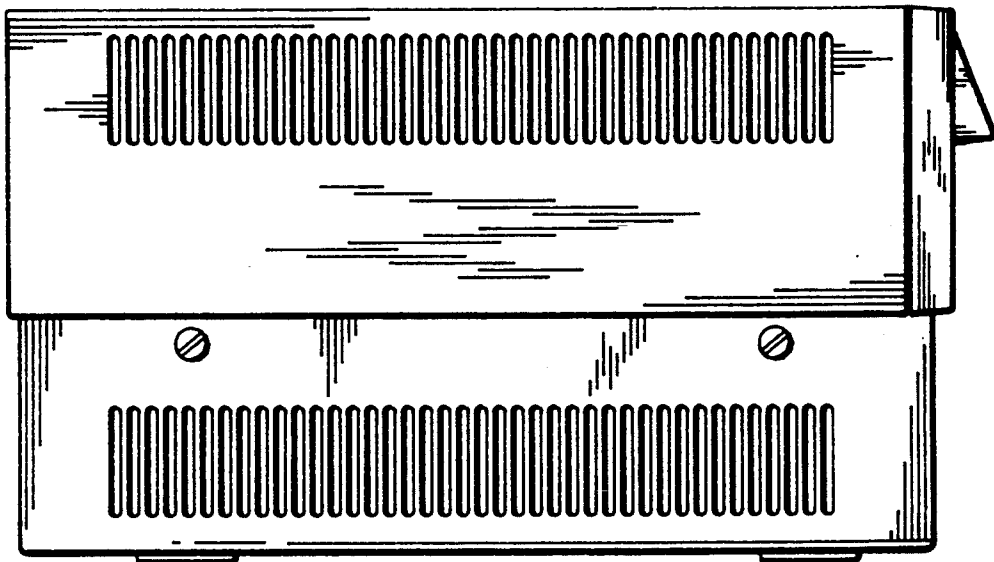


FIG. 4



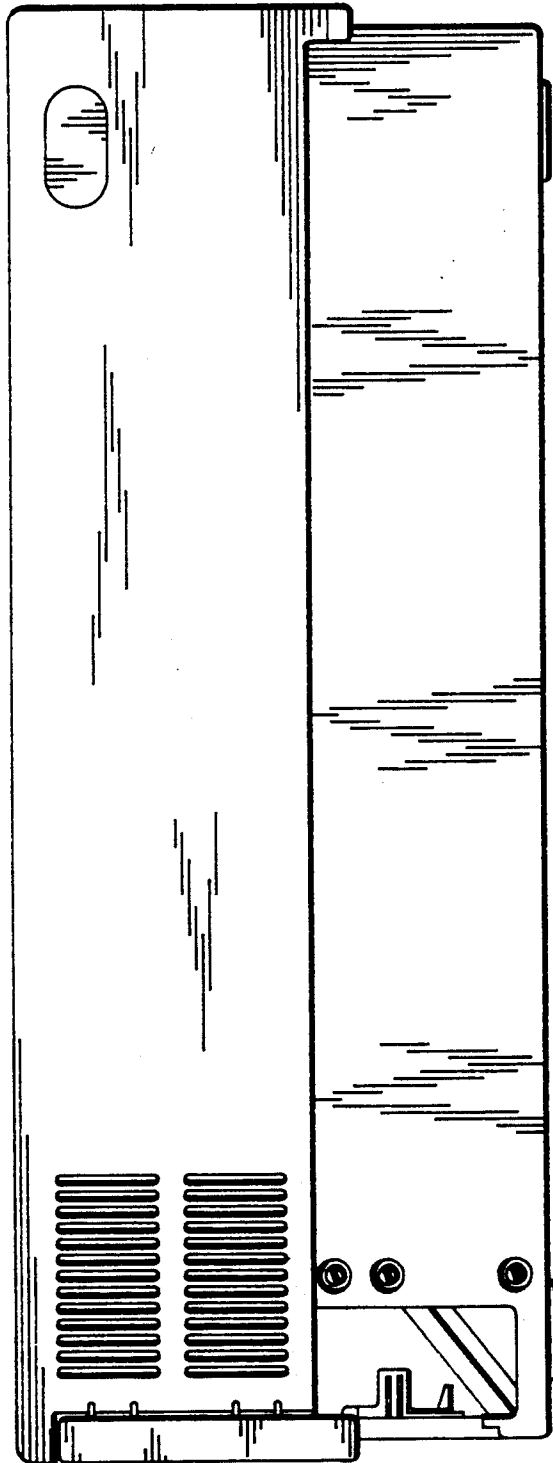


FIG. 5

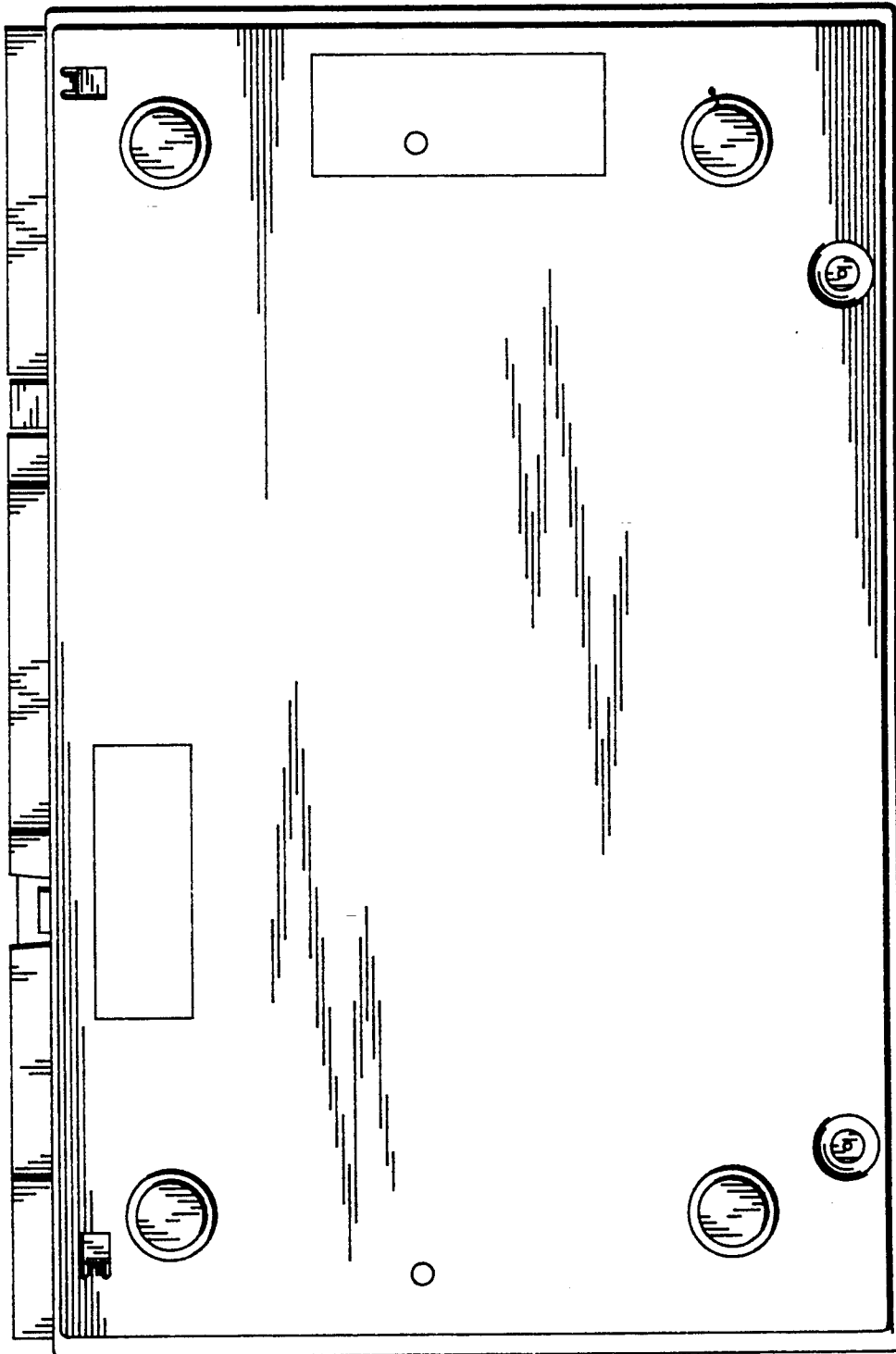


FIG. 6

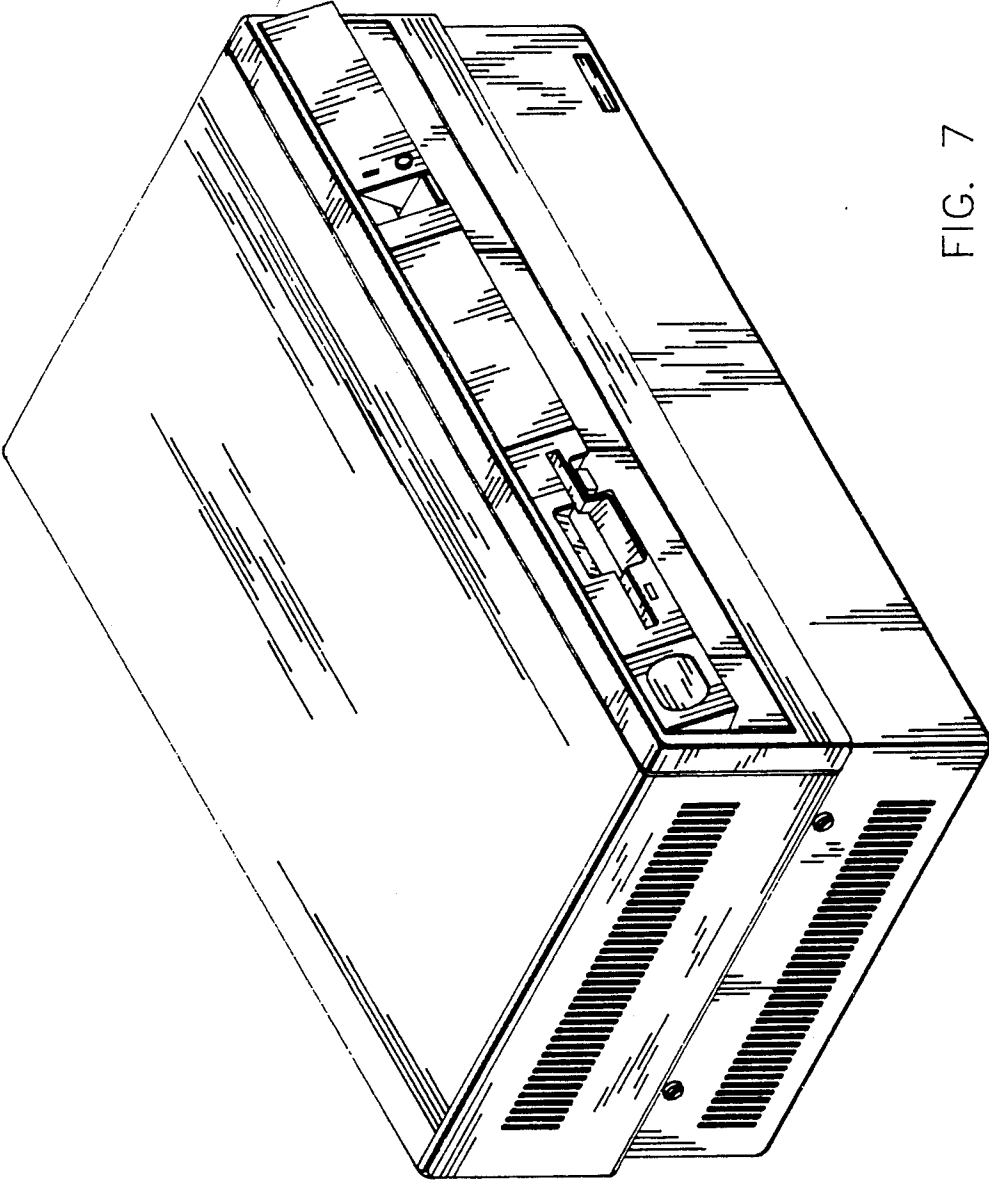


FIG. 7

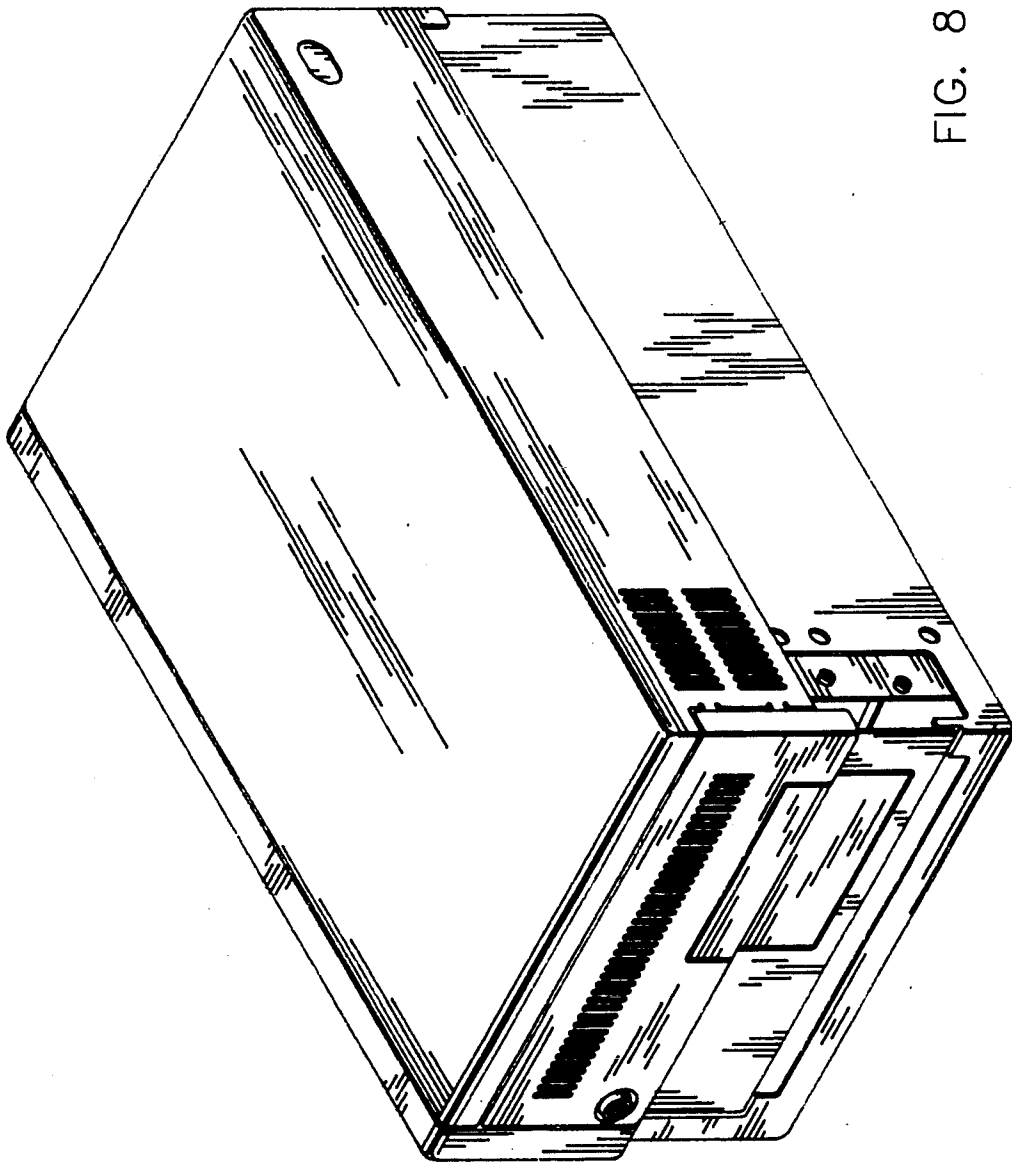


FIG. 8