

[54] DISPLAY FOR COMPUTER

[75] Inventor: John A. Wiseman, Winchester, England

[73] Assignee: International Business Machines Corporation, Armonk, N.Y.

[**] Term: 14 Years

[21] Appl. No.: 400,895

[22] Filed: Aug. 30, 1989

[30] Foreign Application Priority Data

Mar. 9, 1989 [GB] United Kingdom 1057862

[52] U.S. Cl. D14/113

[58] Field of Search D14/100, 101, 105, 106, D14/113, 115, 124-126; 340/700, 706, 707, 711, 712; 341/22, 23; 358/248, 249, 254; 364/706-710.14, 200, 900

[56] References Cited

U.S. PATENT DOCUMENTS

D. 282,846 3/1986 Tsuburaya et al. D14/113

D. 300,829	4/1989	Morgan	D14/113
D. 300,929	5/1989	Satherley	D14/113
D. 302,151	7/1989	Ji	D14/113
D. 309,896	4/1990	Schaum	D14/113
D. 310,356	9/1990	Barron et al.	D14/113
D. 310,829	9/1990	Suyama et al.	D14/113
D. 312,453	11/1990	Oh	D14/113

Primary Examiner—Wallace R. Burke
Assistant Examiner—Freda S. Nunn
Attorney, Agent, or Firm—Joscelyn G. Cockburn

[57] CLAIM

The ornamental design for display for computer, as shown and described.

DESCRIPTION

FIG. 1 is a top, front, left side perspective view of a display for computer showing my new design; FIG. 2 is a front elevational view thereof; FIG. 3 is a right-side elevational view thereof; FIG. 4 is a left-side elevational view thereof; FIG. 5 is a rear elevational view thereof; FIG. 6 is a top plan view thereof; FIG. 7 is a bottom plan view thereof.

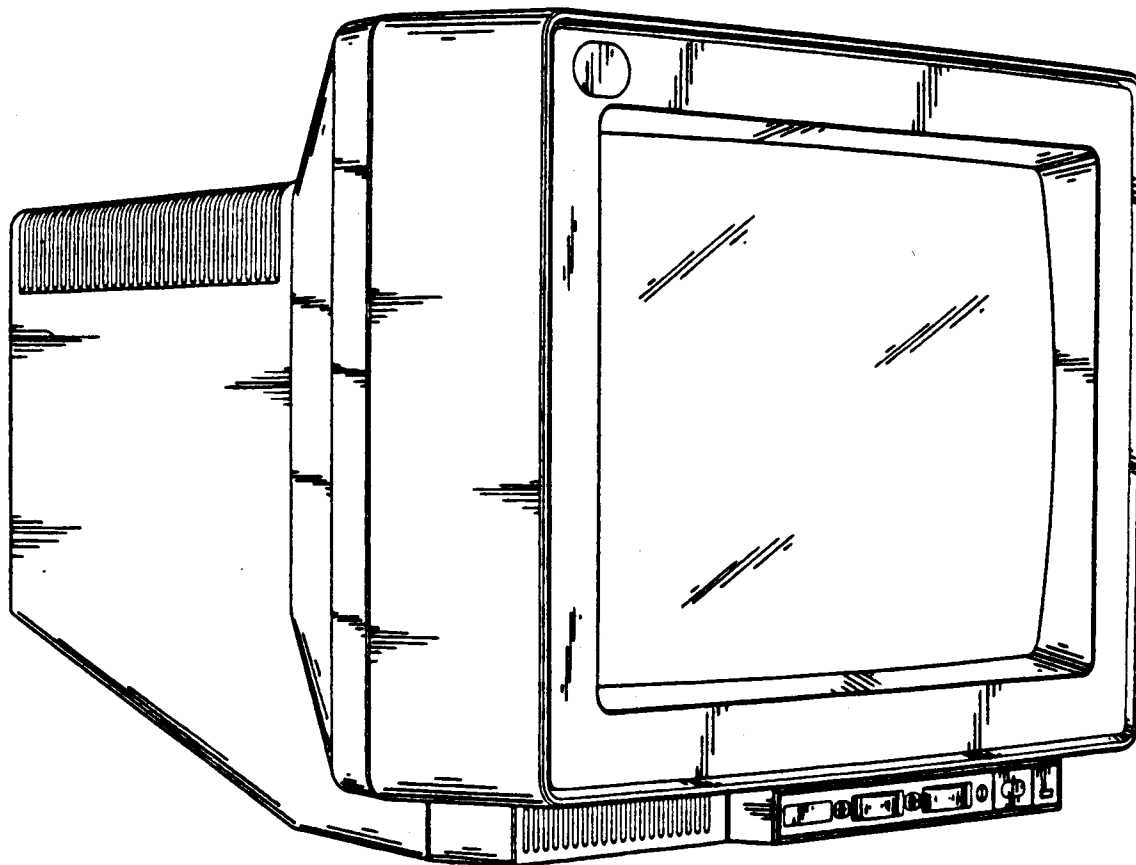
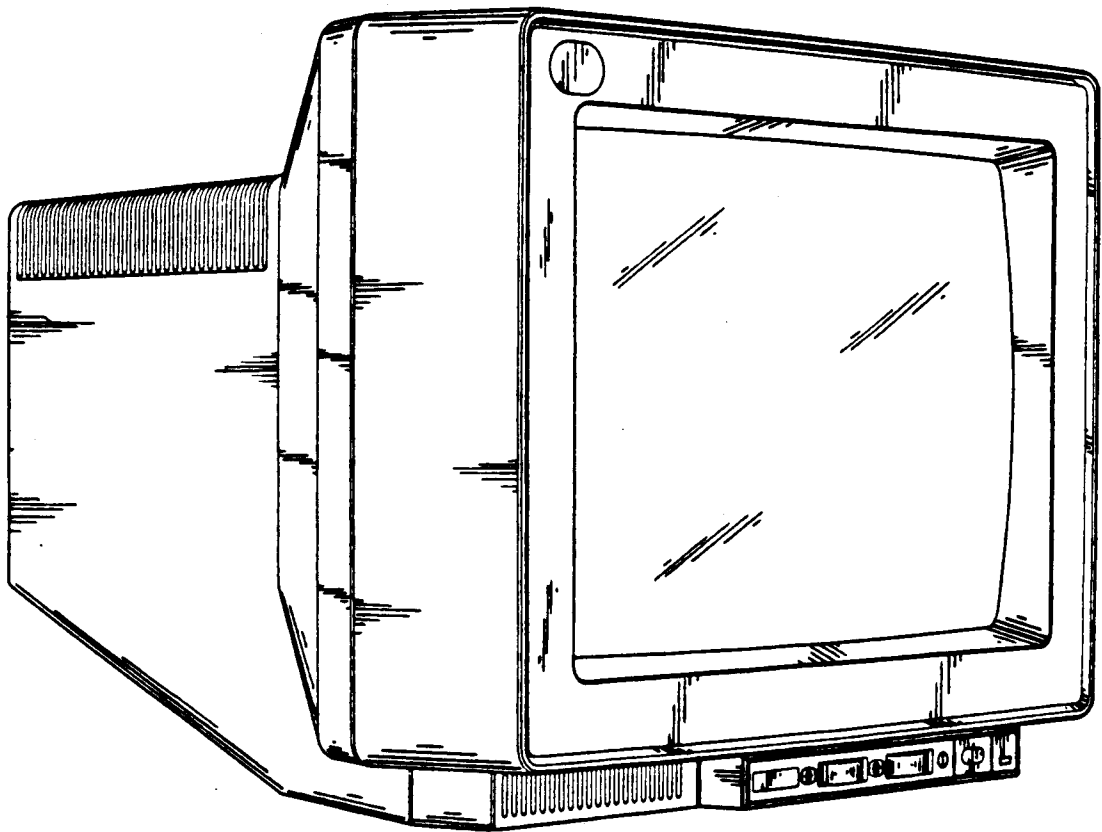


FIG. 1



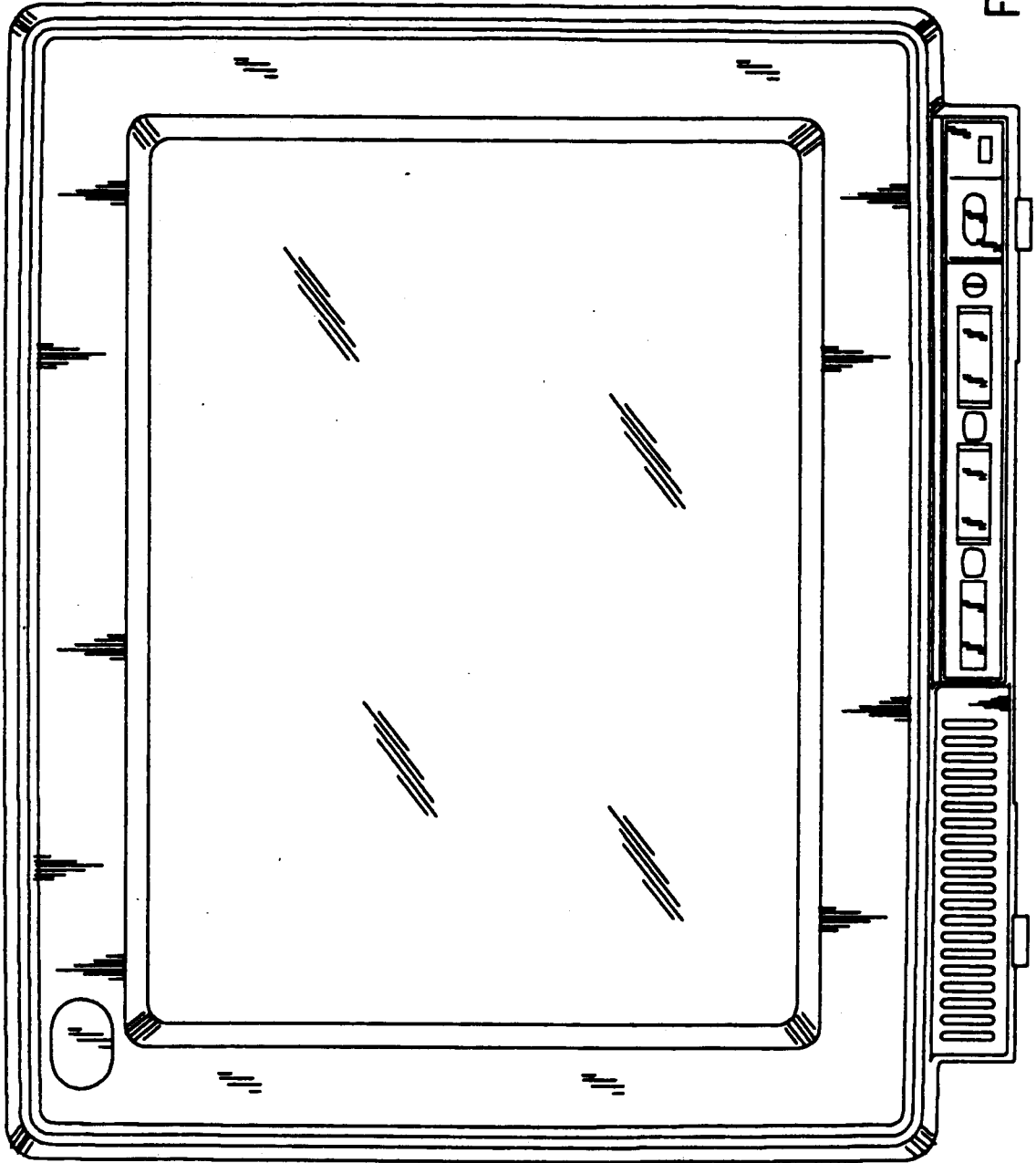


FIG. 2

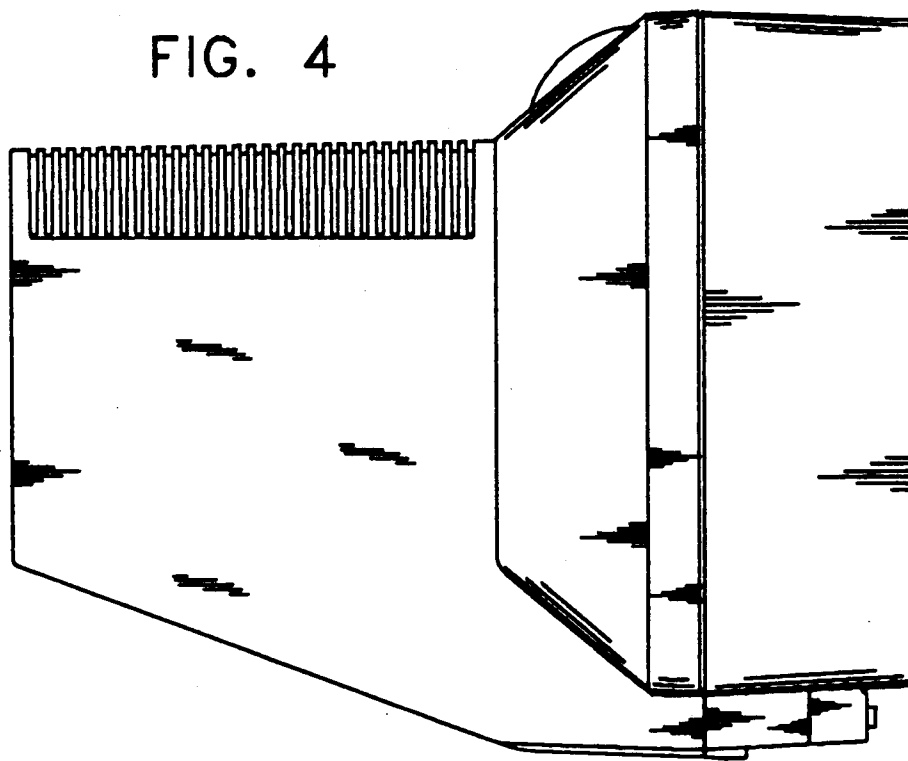
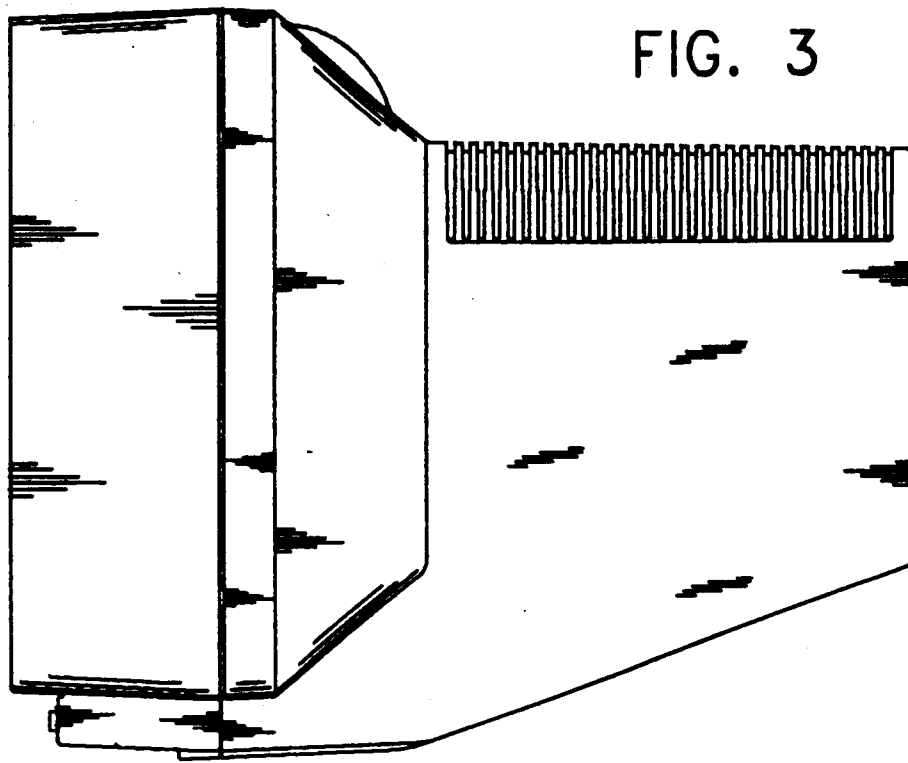


FIG. 5

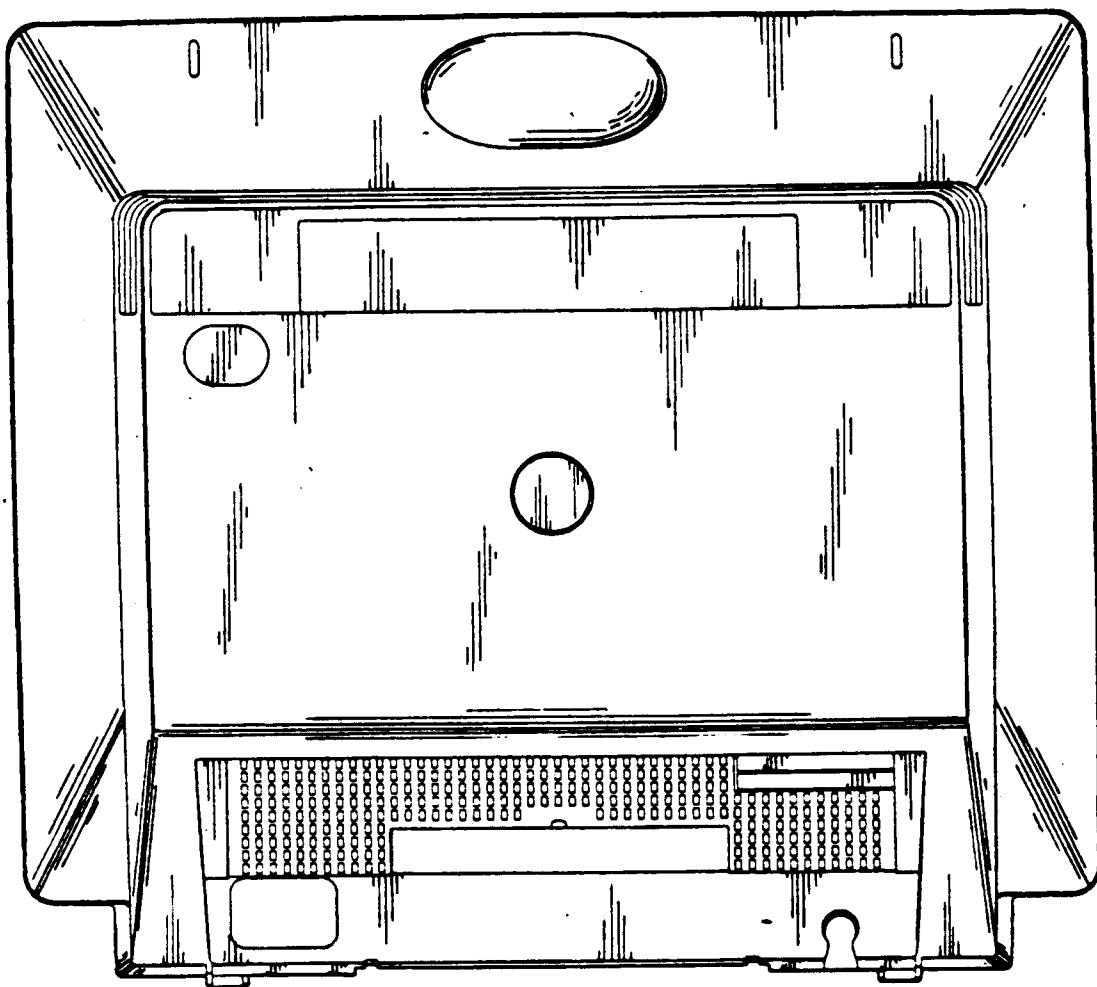


FIG. 6

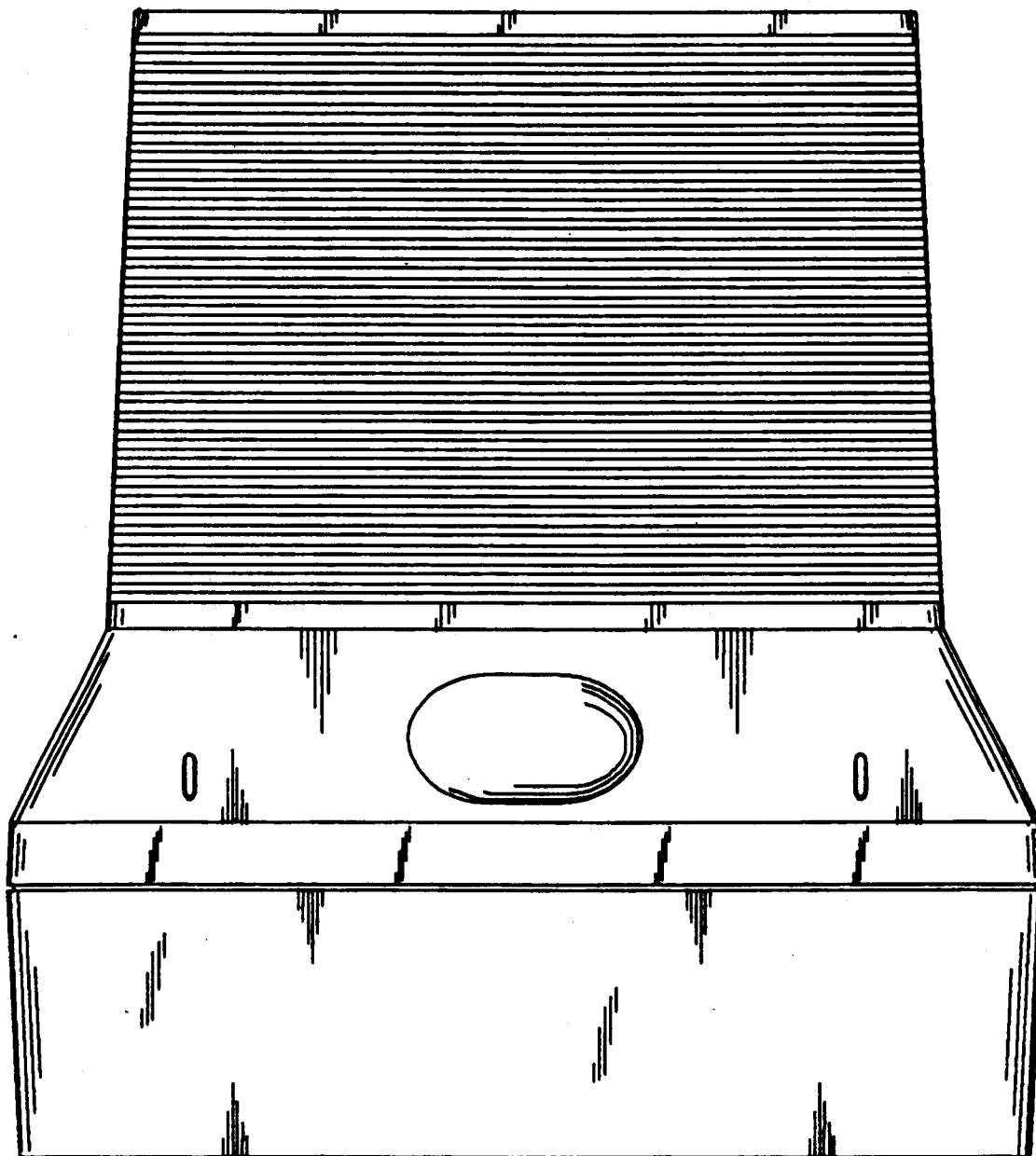


FIG. 7

