

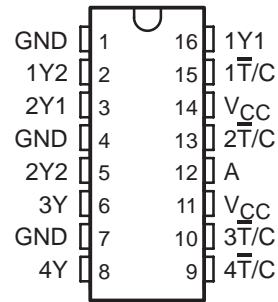
# CDC328

## 1-LINE TO 6-LINE CLOCK DRIVER WITH SELECTABLE POLARITY

SCBS116B – JANUARY 1991 – REVISED MARCH 1994

- Replaces SN74ABT328
- Low Output Skew for Clock-Distribution and Clock-Generation Applications
- TTL-Compatible Inputs and Outputs
- Distributes One Clock Input to Six Clock Outputs
- Polarity Control Selects True or Complementary Outputs
- Distributed  $V_{CC}$  and GND Pins Reduce Switching Noise
- High-Drive Outputs ( $-15\text{-mA } I_{OH}$ ,  $64\text{-mA } I_{OL}$ )
- State-of-the-Art *EPIC-II B*™ BiCMOS Design Significantly Reduces Power Dissipation
- Package Options Include Plastic Small-Outline (D) and Shrink Small-Outline (DB) Packages

D OR DB PACKAGE  
(TOP VIEW)



### description

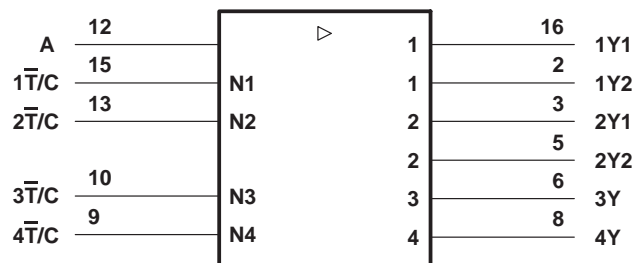
The CDC328 contains a clock-driver circuit that distributes one input signal to six outputs with minimum skew for clock distribution. Through the use of the polarity-control inputs ( $\overline{T/C}$ ), various combinations of true and complementary outputs can be obtained.

The CDC328 is characterized for operation from  $-40^{\circ}\text{C}$  to  $85^{\circ}\text{C}$ .

FUNCTION TABLE

INPUTS		OUTPUT Y
$\overline{T/C}$	A	
L	L	L
L	H	H
H	L	H
H	H	L

### logic symbol†



† This symbol is in accordance with ANSI/IEEE Std 91-1984 and IEC Publication 617-12.

EPIC-II B is a trademark of Texas Instruments Incorporated.

PRODUCTION DATA information is current as of publication date. Products conform to specifications per the terms of Texas Instruments standard warranty. Production processing does not necessarily include testing of all parameters.



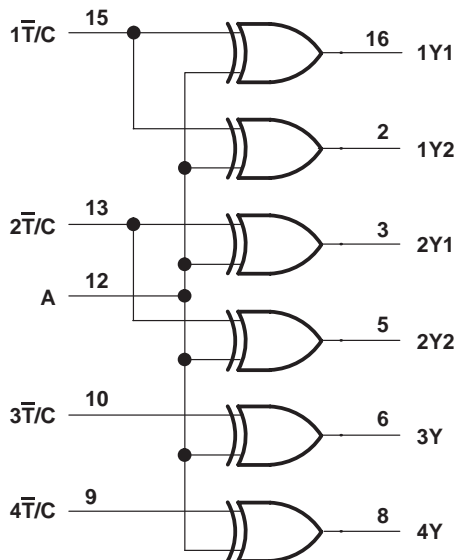
Copyright © 1994, Texas Instruments Incorporated

# CDC328

## 1-LINE TO 6-LINE CLOCK DRIVER WITH SELECTABLE POLARITY

SCBS116B – JANUARY 1991 – REVISED MARCH 1994

### logic diagram (positive logic)



### absolute maximum ratings over operating free-air temperature range (unless otherwise noted)†

Supply voltage range, $V_{CC}$ .....	-0.5 V to 7 V
Input voltage range, $V_I$ (see Note 1) .....	-0.5 V to 7 V
Voltage range applied to any output in the high state or power-off state, $V_O$ (see Note 1) .....	-0.5 V to $V_{CC} + 0.5$ V
Current into any output in the low state, $I_O$ .....	128 mA
Input clamp current, $I_{IK}$ ( $V_I < 0$ ) .....	-18 mA
Output clamp current, $I_{OK}$ ( $V_O < 0$ ) .....	-50 mA
Continuous total power dissipation at (or below) 25°C free-air temperature (see Note 2) .....	1000 mW
Storage temperature range, $T_{stg}$ .....	-65°C to 150°C

† Stresses beyond those listed under "absolute maximum ratings" may cause permanent damage to the device. These are stress ratings only, and functional operation of the device at these or any other conditions beyond those indicated under "recommended operating conditions" is not implied. Exposure to absolute-maximum-rated conditions for extended periods may affect device reliability.

- NOTES: 1. The input and output negative-voltage ratings may be exceeded if the input and output clamp-current ratings are observed.  
2. For operation above 25°C free-air temperature, derate to 478 mW at 85°C at the rate of 8.7 mW/°C.

### recommended operating conditions (see Note 3)

		MIN	NOM	MAX	UNIT
$V_{CC}$	Supply voltage	4.75	5	5.25	V
$V_{IH}$	High-level input voltage	2			V
$V_{IL}$	Low-level input voltage			0.8	V
$V_I$	Input voltage	0		$V_{CC}$	V
$I_{OH}$	High-level output current			-15	mA
$I_{OL}$	Low-level output current			64	mA
$\Delta t/\Delta v$	Input transition rise or fall rate			5	ns/V
$f_{clock}$	Input clock frequency			80	MHz
$T_A$	Operating free-air temperature	-40		85	°C

NOTE 3: Unused inputs must be held high or low.



electrical characteristics over recommended operating free-air temperature range (unless otherwise noted)

PARAMETER	TEST CONDITIONS		MIN	TYP†	MAX	UNIT
$V_{IK}$	$V_{CC} = 4.75\text{ V}$ ,	$I_I = -18\text{ mA}$			-1.2	V
$V_{OH}$	$V_{CC} = 4.75\text{ V}$ ,	$I_{OH} = -15\text{ mA}$	2.5			V
$V_{OL}$	$V_{CC} = 4.75\text{ V}$ ,	$I_{OL} = 64\text{ mA}$			0.55	V
$I_I$	$V_{CC} = 5.25\text{ V}$ ,	$V_I = V_{CC}$ or GND			$\pm 1$	$\mu\text{A}$
$I_{O\ddagger}$	$V_{CC} = 5.25\text{ V}$ ,	$V_O = 2.5\text{ V}$	-15		-100	mA
$I_{CC}$	$V_{CC} = 5.25\text{ V}$ , $V_I = V_{CC}$ or GND	$I_O = 0$ ,	Outputs high		50	$\mu\text{A}$
			Outputs low		20	30
$C_i$	$V_I = 2.5\text{ V}$ or $0.5\text{ V}$			3		pF

† All typical values are at  $V_{CC} = 5\text{ V}$ ,  $T_A = 25^\circ\text{C}$

‡ Not more than one output should be tested at a time, and the duration of the test should not exceed one second.

switching characteristics over recommended ranges of supply voltage and operating free-air temperature (see Figures 1 and 2)

PARAMETER	FROM (INPUT)	TO (OUTPUT)	MIN	TYP	MAX	UNIT
$t_{PLH}$	A	Any Y	1.7		7	ns
$t_{PHL}$			1.5		5.4	
$t_{PLH}$	$\bar{T}/C$	Any Y	1.5		8	ns
$t_{PHL}$			1.4		6.6	
$t_{sk(o)}$	A	Any Y (same phase)			0.7	ns
		Any Y (any phase)			2.6	
$t_r$				1.2		ns
$t_f$				0.5		ns

switching characteristics,  $V_{CC} = 5\text{ V} \pm 0.25\text{ V}$ ,  $T_A = 25^\circ\text{C}$  to  $70^\circ\text{C}$  (see Figures 1 and 2)

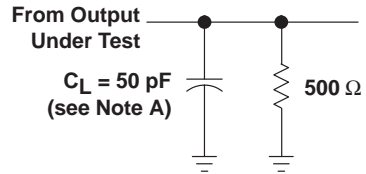
PARAMETER	FROM (INPUT)	TO (OUTPUT)	MIN	MAX	UNIT
$t_{PLH}$	A	Any Y	2.1	6.1	ns
$t_{PHL}$			1.7	4.8	
$t_{sk(o)}$	A	Any Y (same phase)		0.7	ns
		Any Y (any phase)		2.1	

# CDC328

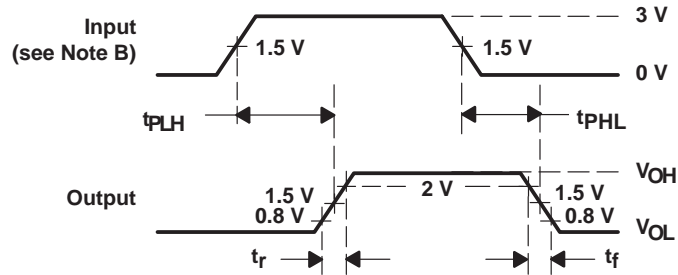
## 1-LINE TO 6-LINE CLOCK DRIVER WITH SELECTABLE POLARITY

SCBS116B – JANUARY 1991 – REVISED MARCH 1994

### PARAMETER MEASUREMENT INFORMATION



LOAD CIRCUIT FOR OUTPUTS

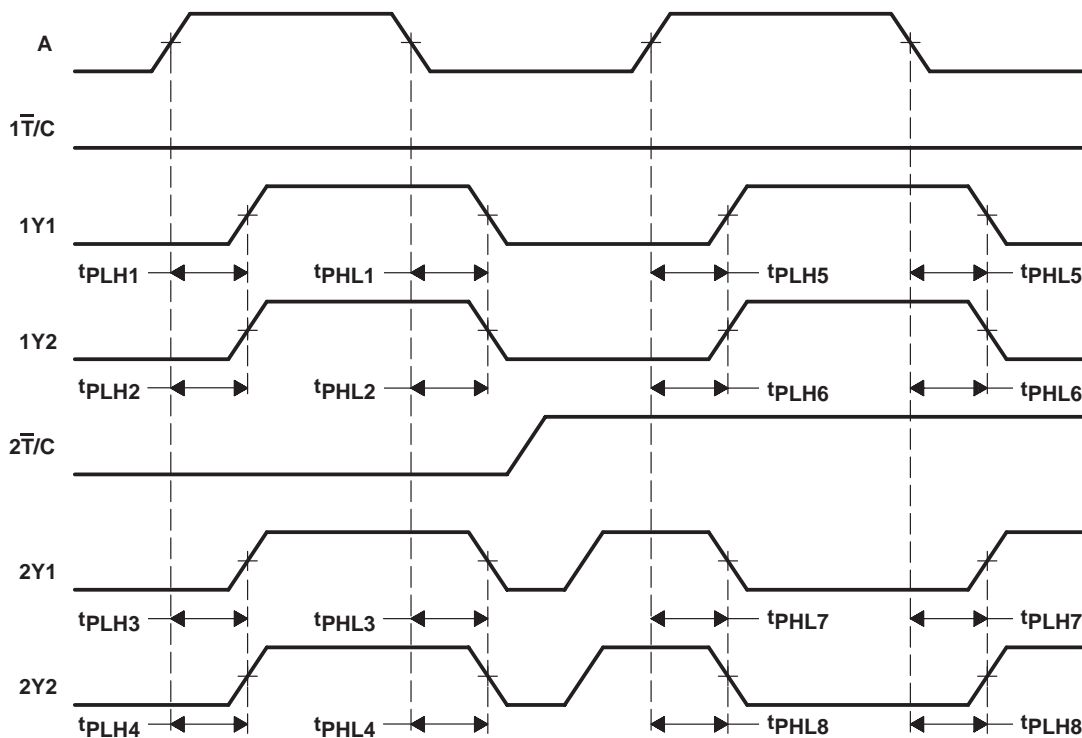


VOLTAGE WAVEFORMS  
PROPAGATION DELAY TIMES

- NOTES: A.  $C_L$  includes probe and jig capacitance.  
B. All input pulses are supplied by generators having the following characteristics:  $PRR \leq 10$  MHz,  $Z_O = 50 \Omega$ ,  $t_r \leq 2.5$  ns,  $t_f \leq 2.5$  ns.

Figure 1. Load Circuit and Voltage Waveforms

**PARAMETER MEASUREMENT INFORMATION**



- NOTES: A. Output skew,  $t_{sk(o)}$ , from A to any Y (same phase), can be measured only between outputs for which the respective polarity-control inputs ( $\overline{T/C}$ ) are at the same logic level. It is calculated as the greater of:
- The difference between the fastest and slowest of  $t_{PLH}$  from  $A\uparrow$  to any Y (e.g.,  $t_{PLHn}$ ,  $n = 1$  to 4; or  $t_{PLHn}$ ,  $n = 5$  to 6)
  - The difference between the fastest and slowest of  $t_{PHL}$  from  $A\downarrow$  to any Y (e.g.,  $t_{PHLn}$ ,  $n = 1$  to 4; or  $t_{PHLn}$ ,  $n = 5$  to 6)
  - The difference between the fastest and slowest of  $t_{PLH}$  from  $A\downarrow$  to any Y (e.g.,  $t_{PLHn}$ ,  $n = 7$  to 8)
  - The difference between the fastest and slowest of  $t_{PHL}$  from  $A\uparrow$  to any Y (e.g.,  $t_{PHLn}$ ,  $n = 7$  to 8)
- B. Output skew,  $t_{sk(o)}$ , from A to any Y (any phase), can be measured between outputs for which the respective polarity-control inputs ( $\overline{T/C}$ ) are at the same or different logic levels. It is calculated as the greater of:
- The difference between the fastest and slowest of  $t_{PLH}$  from  $A\uparrow$  to any Y or  $t_{PHL}$  from  $A\uparrow$  to any Y (e.g.,  $t_{PLHn}$ ,  $n = 1$  to 4; or  $t_{PLHn}$ ,  $n = 5$  to 6, and  $t_{PHLn}$ ,  $n = 7$  to 8)
  - The difference between the fastest and slowest of  $t_{PHL}$  from  $A\downarrow$  to any Y or  $t_{PLH}$  from  $A\downarrow$  to any Y (e.g.,  $t_{PHLn}$ ,  $n = 1$  to 4; or  $t_{PHLn}$ ,  $n = 5$  to 6, and  $t_{PLHn}$ ,  $n = 7$  to 8)

**Figure 2. Waveforms for Calculation of  $t_{sk(o)}$**



## IMPORTANT NOTICE

Texas Instruments Incorporated and its subsidiaries (TI) reserve the right to make corrections, modifications, enhancements, improvements, and other changes to its products and services at any time and to discontinue any product or service without notice. Customers should obtain the latest relevant information before placing orders and should verify that such information is current and complete. All products are sold subject to TI's terms and conditions of sale supplied at the time of order acknowledgment.

TI warrants performance of its hardware products to the specifications applicable at the time of sale in accordance with TI's standard warranty. Testing and other quality control techniques are used to the extent TI deems necessary to support this warranty. Except where mandated by government requirements, testing of all parameters of each product is not necessarily performed.

TI assumes no liability for applications assistance or customer product design. Customers are responsible for their products and applications using TI components. To minimize the risks associated with customer products and applications, customers should provide adequate design and operating safeguards.

TI does not warrant or represent that any license, either express or implied, is granted under any TI patent right, copyright, mask work right, or other TI intellectual property right relating to any combination, machine, or process in which TI products or services are used. Information published by TI regarding third-party products or services does not constitute a license from TI to use such products or services or a warranty or endorsement thereof. Use of such information may require a license from a third party under the patents or other intellectual property of the third party, or a license from TI under the patents or other intellectual property of TI.

Reproduction of TI information in TI data books or data sheets is permissible only if reproduction is without alteration and is accompanied by all associated warranties, conditions, limitations, and notices. Reproduction of this information with alteration is an unfair and deceptive business practice. TI is not responsible or liable for such altered documentation. Information of third parties may be subject to additional restrictions.

Resale of TI products or services with statements different from or beyond the parameters stated by TI for that product or service voids all express and any implied warranties for the associated TI product or service and is an unfair and deceptive business practice. TI is not responsible or liable for any such statements.

TI products are not authorized for use in safety-critical applications (such as life support) where a failure of the TI product would reasonably be expected to cause severe personal injury or death, unless officers of the parties have executed an agreement specifically governing such use. Buyers represent that they have all necessary expertise in the safety and regulatory ramifications of their applications, and acknowledge and agree that they are solely responsible for all legal, regulatory and safety-related requirements concerning their products and any use of TI products in such safety-critical applications, notwithstanding any applications-related information or support that may be provided by TI. Further, Buyers must fully indemnify TI and its representatives against any damages arising out of the use of TI products in such safety-critical applications.

TI products are neither designed nor intended for use in military/aerospace applications or environments unless the TI products are specifically designated by TI as military-grade or "enhanced plastic." Only products designated by TI as military-grade meet military specifications. Buyers acknowledge and agree that any such use of TI products which TI has not designated as military-grade is solely at the Buyer's risk, and that they are solely responsible for compliance with all legal and regulatory requirements in connection with such use.

TI products are neither designed nor intended for use in automotive applications or environments unless the specific TI products are designated by TI as compliant with ISO/TS 16949 requirements. Buyers acknowledge and agree that, if they use any non-designated products in automotive applications, TI will not be responsible for any failure to meet such requirements.

Following are URLs where you can obtain information on other Texas Instruments products and application solutions:

### Products

Amplifiers	<a href="http://amplifier.ti.com">amplifier.ti.com</a>
Data Converters	<a href="http://dataconverter.ti.com">dataconverter.ti.com</a>
DLP® Products	<a href="http://www.dlp.com">www.dlp.com</a>
DSP	<a href="http://dsp.ti.com">dsp.ti.com</a>
Clocks and Timers	<a href="http://www.ti.com/clocks">www.ti.com/clocks</a>
Interface	<a href="http://interface.ti.com">interface.ti.com</a>
Logic	<a href="http://logic.ti.com">logic.ti.com</a>
Power Mgmt	<a href="http://power.ti.com">power.ti.com</a>
Microcontrollers	<a href="http://microcontroller.ti.com">microcontroller.ti.com</a>
RFID	<a href="http://www.ti-rfid.com">www.ti-rfid.com</a>
RF/IF and ZigBee® Solutions	<a href="http://www.ti.com/lprf">www.ti.com/lprf</a>

### Applications

Audio	<a href="http://www.ti.com/audio">www.ti.com/audio</a>
Automotive	<a href="http://www.ti.com/automotive">www.ti.com/automotive</a>
Broadband	<a href="http://www.ti.com/broadband">www.ti.com/broadband</a>
Digital Control	<a href="http://www.ti.com/digitalcontrol">www.ti.com/digitalcontrol</a>
Medical	<a href="http://www.ti.com/medical">www.ti.com/medical</a>
Military	<a href="http://www.ti.com/military">www.ti.com/military</a>
Optical Networking	<a href="http://www.ti.com/opticalnetwork">www.ti.com/opticalnetwork</a>
Security	<a href="http://www.ti.com/security">www.ti.com/security</a>
Telephony	<a href="http://www.ti.com/telephony">www.ti.com/telephony</a>
Video & Imaging	<a href="http://www.ti.com/video">www.ti.com/video</a>
Wireless	<a href="http://www.ti.com/wireless">www.ti.com/wireless</a>

Mailing Address: Texas Instruments, Post Office Box 655303, Dallas, Texas 75265  
Copyright © 2009, Texas Instruments Incorporated