

EMC Components

ZJY Series

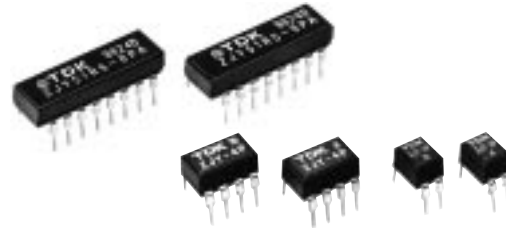
Common-Mode Choke Coils for Signal Line and DC Power Line DIP

FEATURES

- A common-mode filter for distortion-free removal of noise from transmitted signals. Best common-mode filter for transmission of high quality signals.
- Best filter for countering the common-mode noise resulting from data signal processing by PCs, phone equipment, etc.
- Highly appropriate for IC board mounting due to DIP type structure.
- Due to a maximum current tolerance of 3A, can also be used to counter power line noise.

APPLICATIONS

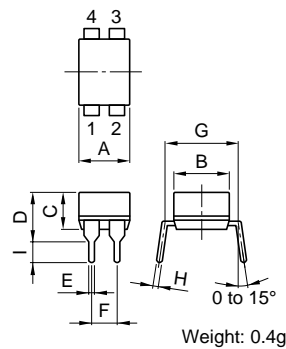
Personal computers, telephones, LANs, ISDNs, digital PBXs, electronic games, CTVs, CD-ROM drives, 8mm video equipment, and other electronic devices.



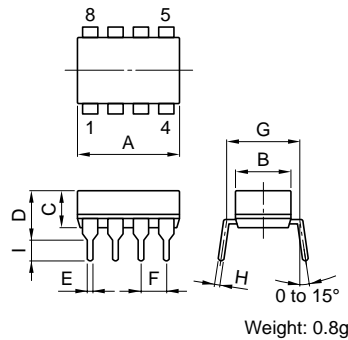
SHAPES AND DIMENSIONS

TRANSFER MOLD

ZJY51R5-2P, -2PB, -2PL
ZJY5103-2PL

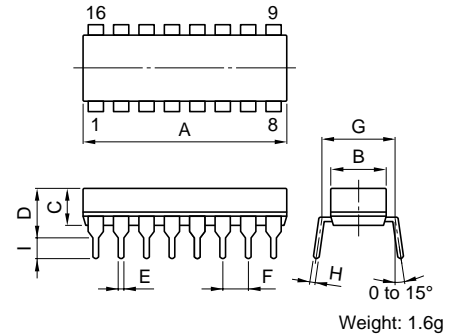


ZJY51R5-4P, -M4PA



PLASTIC CASE

ZJY51R5-8PA

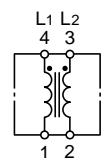


Dimensions in mm

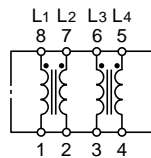
Part No.	A max.	B max.	C max.	D max.	E	F±0.25	G	H	I
ZJY51R5-2P, -2PB, -2PL, 5103-2PL	5.5	6.86	4.57	5.84	0.5	2.54	7.62	0.25	2.54
ZJY51R5-4P, -M4PA	10.5	6.86	4.57	5.84	0.5	2.54	7.62	0.25	2.54
ZJY51R5-8PA	23.5	7	4.6	6.3	0.5	2.54	7.62	0.25	2.54

CIRCUIT DIAGRAMS

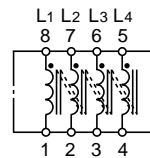
ZJY51R5-2P(T), -2PB(T), -2PL(T)
ZJY5103-2PL(T)



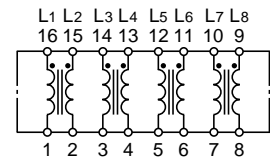
ZJY51R5-4P



ZJY51R5-M4PA



ZJY51R5-8PA



ELECTRICAL CHARACTERISTICS

Part No.	ZJY51R5-2P, -2PB*1, -2PL*2, -4P	ZJY5103-2PL	ZJY51R5-M4PA	ZJY51R5-8PA
Rated voltage Edc(V)	50	50	50	50
Rated current (A)	2	3	0.5	0.5
Test voltage Edc(V) [Between terminals for 5s]	125	125	125	125
Insulation resistance (MΩ) [Between terminals at DC.50V for 1min]	100min.	100min.	100min.	100min.
DC resistance (Ω) [Each line]	0.06max.	0.03max.	0.2max.	0.06max.
Operating temperature range (°C)	-25 to +85	-25 to +85	-25 to +85	-25 to +85
Impedance (Ω) [+5 to +35°C]	200min. [20 to 300MHz]	100min. [100 to 300MHz]	200min. [20 to 300MHz]	200min. [20 to 300MHz]

*1 This type has improved low-range characteristics.

*2 This type is wrapped separately (for communication lines).

EMC Components

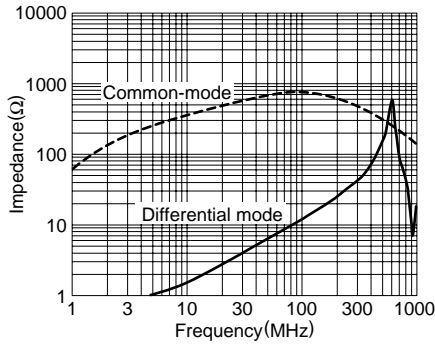
ZJY Series

Common-Mode Choke Coils for Signal Line and DC Power Line DIP

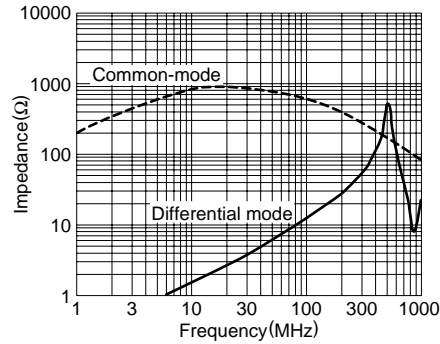
TYPICAL ELECTRICAL CHARACTERISTICS

IMPEDANCE CHARACTERISTICS (for 1 element)

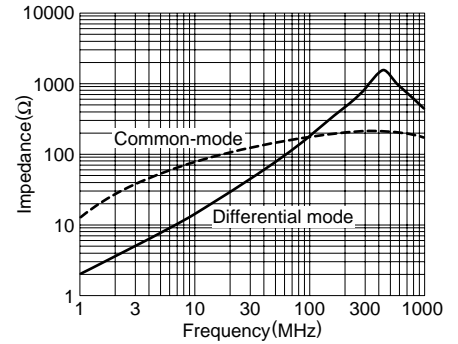
ZJY51R5-2P, -4P, -8PA



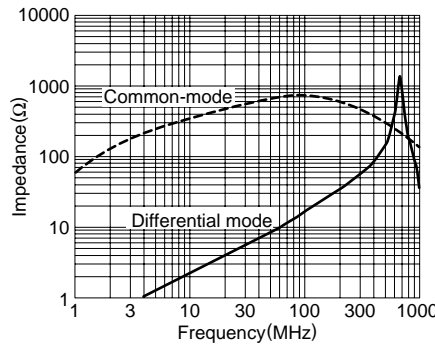
ZJY51R5-2PB



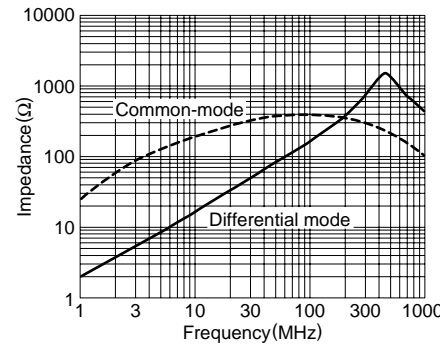
ZJY5103-2PL



ZJY51R5-M4PA



ZJY51R5-2PL

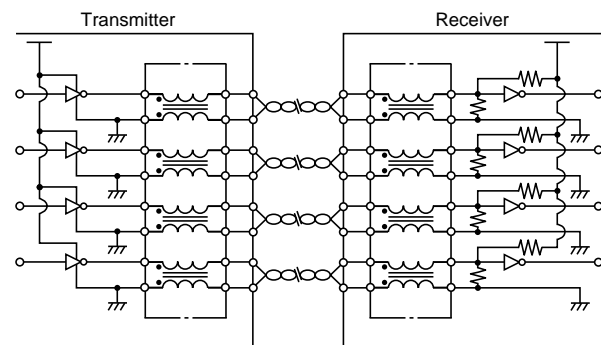


PACKAGING STYLE AND QUANTITIES (Tube)

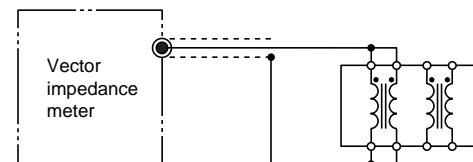
ZJY51R5-2P	80 pieces
ZJY51R5-2PB	80 pieces
ZJY51R5-2PL	80 pieces
ZJY5103-2PL	80 pieces
ZJY51R5-4P	40 pieces
ZJY51R5-M4PA	40 pieces
ZJY51R5-8PA	20 pieces

TYPICAL APPLICATION

An application example showing how radiation noise is prevented when transmitter and receiver are connected via twisted pair cabling.



MEASURING CIRCUIT



Vector impedance meter (YHP 4191A equivalent)
Measuring at each common-mode choke coil