



TMS320C1x/C2x/C2xx/C5x Assembly Language Tools

User's Guide

1995

Microprocessor Development Systems





*User's
Guide*

**TMS320C1x/C2x/C2xx/C5x
Assembly Language Tools**

1995

***TMS320C1x/C2x/C2xx/C5x
Assembly Language Tools
User's Guide***



IMPORTANT NOTICE

Texas Instruments (TI) reserves the right to make changes to its products or to discontinue any semiconductor product or service without notice, and advises its customers to obtain the latest version of relevant information to verify, before placing orders, that the information being relied on is current.

TI warrants performance of its semiconductor products and related software to the specifications applicable at the time of sale in accordance with TI's standard warranty. Testing and other quality control techniques are utilized to the extent TI deems necessary to support this warranty. Specific testing of all parameters of each device is not necessarily performed, except those mandated by government requirements.

Certain applications using semiconductor products may involve potential risks of death, personal injury, or severe property or environmental damage ("Critical Applications").

TI SEMICONDUCTOR PRODUCTS ARE NOT DESIGNED, INTENDED, AUTHORIZED, OR WARRANTED TO BE SUITABLE FOR USE IN LIFE-SUPPORT APPLICATIONS, DEVICES OR SYSTEMS OR OTHER CRITICAL APPLICATIONS.

Inclusion of TI products in such applications is understood to be fully at the risk of the customer. Use of TI products in such applications requires the written approval of an appropriate TI officer. Questions concerning potential risk applications should be directed to TI through a local SC sales offices.

In order to minimize risks associated with the customer's applications, adequate design and operating safeguards should be provided by the customer to minimize inherent or procedural hazards.

TI assumes no liability for applications assistance, customer product design, software performance, or infringement of patents or services described herein. Nor does TI warrant or represent that any license, either express or implied, is granted under any patent right, copyright, mask work right, or other intellectual property right of TI covering or relating to any combination, machine, or process in which such semiconductor products or services might be or are used.

Preface

Read This First

What Is This Book About?

The *TMS320C1x/C2x/C2xx/C5x Assembly Language Tools User's Guide* tells you how to use these assembly language tools:

- Assembler
- Archiver
- Linker
- Absolute lister
- Cross-reference lister
- Hex conversion utility

Before you can use this book, you should read the *TMS320C1x/C2x/ C2xx/ C5x Code Generation Tools Getting Started* to install the assembly language tools.

How to Use This Manual

The goal of this book is to help you learn how to use the Texas Instruments assembly language tools specifically designed for the TMS320 fixed-point DSPs. This book is divided into four distinct parts:

- Part I: Introductory Information** gives you an overview of the assembly language development tools and also discusses common object file format (COFF) which helps you to use the TMS320C1x/C2x/C2xx/C5x tools more efficiently. *Read Chapter 2 before using the assembler and linker.*
- Part II: Assembler Description** contains detailed information about using the assembler. This section explains how to invoke the assembler and discusses source statement format, valid constants and expressions, assembler output, and assembler directives. It also summarizes the TMS320C1x, TMS320C2x, TMS320C2xx, and TMS320C5x instruction sets alphabetically and describes macro elements.

- ❑ **Part III: Additional Assembly Language Tools** describes in detail each of the tools provided with the assembler to help you create assembly language source files. For example, Chapter 8 explains how to invoke the linker, how the linker operates, and how to use linker directives. Chapter 11 explains how to use the hex conversion utility.
- ❑ **Part IV: Reference Material** provides supplementary information. This section contains technical data about the internal format and structure of COFF object files. It discusses symbolic debugging directives that the TMS320C2x/C5x C compiler uses. Finally, it includes sample linker command files, assembler and linker error messages, and a glossary.

Notational Conventions

This document uses the following conventions.

- ❑ Program listings, program examples, and interactive displays are shown in a special font. Examples use a bold version of the special font for emphasis. Here is a sample program listing:

```
11 0005 0001      .field    1, 2
12 0005 0003      .field    3, 4
13 0005 0006      .field    6, 3
14 0006           .even
```

- ❑ In syntax descriptions, the instruction, command, or directive is in a **bold face** font and parameters are in an *italics*. Portions of a syntax that are in **bold face** should be entered as shown; portions of a syntax that are in *italics* describe the type of information that should be entered. Syntax that will be entered on a command line is centered in a bounded box. Syntax that will be used in a text file is left-justified in an unbounded box. Here is an example of command line syntax:

dspabs *filename*

dspabs is a command. The command invokes the absolute lister and has one parameter, indicated by *filename*. When you invoke the absolute lister, you supply the name of the file that the absolute lister uses as input.

- ❑ Square brackets ([and]) identify an optional parameter. If you use an optional parameter, you specify the information within the brackets; you don't enter the brackets themselves. Here's an example of an instruction that has an optional parameter:

dsphex [*-options*] *filename*

The **dsphex** command has two parameters. The first parameter, *-options*, is optional. Since *options* is plural, you may select several options. The second parameter, *filename*, is required.

Square brackets are also used as part of the pathname specification for VMS pathnames; in this case, the brackets are actually part of the path-name (they are not optional).

- In assembler syntax statements, column one is reserved for the first character of a label or symbol. If the label or symbol is **optional**, it is usually not shown. If it is a **required** parameter, then it will be shown starting against the left margin of the shaded box, as in the example below. No instruction, command, directive, or parameter, other than a symbol or label, should begin in column one.

```
symbol .usect "section name", size in bytes
```

The *symbol* is **required** for the `.usect` directive and must begin in **column one**. The *section name* must be enclosed in quotes, and the *section size in bytes* must be separated from the *section name* by a comma.

- Some directives can have a varying number of parameters. For example, the `.byte` directive can have up to 100 parameters. The syntax for this directive is:

```
.byte value1 [, ... , valuen]
```

Note that **.byte** does not begin in column one.

This syntax shows that `.byte` must have at least one value parameter, but you have the option of supplying additional value parameters, separated by commas.

- Braces ({ and }) indicate a list. The symbol | (read as *or*) separates items within the list. Here's an example of a list:

```
{ * | *+ | *- }
```

This provides three choices: `*`, `*+`, or `*-`.

Unless the list is enclosed in square brackets, you must choose one item from the list.

Related Documentation From Texas Instruments

The following books describe the TMS320C1x, 'C2x, 'C2xx, and 'C5x devices and related support tools. To obtain a copy of any of these TI documents, call the Texas Instruments Literature Response Center at (800) 477–8924. When ordering, please identify the book by its title and literature number.

TMS320C1x User's Guide (literature number SPRU013) discusses the hardware aspects of the 'C1x generation of CMOS fixed-point digital signal processors. It describes pin assignments, architecture, instruction set, and software and hardware applications. This book also features a section with analog interface peripherals and applications for the 'C1x DSPs, and includes a consolidated data sheet with electrical specifications and package information for all 'C1x devices.

TMS320C2x User's Guide (literature number SPRU014) discusses the hardware aspects of the 'C2x fixed-point digital signal processors. It describes pin assignments, architecture, instruction set, and software and hardware applications. It also includes electrical specifications and package mechanical data for all 'C2x devices. The book features a section with a 'C1x-to-'C2x DSP system migration.

TMS320C2xx User's Guide (literature number SPRU127) discusses the hardware aspects of the 'C2xx fixed-point digital signal processors. It describes pin assignments, architecture, instruction set, and software and hardware applications. It also includes electrical specifications and package mechanical data for all 'C2xx devices. The book features a section comparing instructions from 'C2x to 'C2xx.

TMS320C5x User's Guide (literature number SPRU056) describes the TMS320C5x 16-bit, fixed-point, general-purpose digital signal processors. Covered are its architecture, internal register structure, instruction set, pipeline, specifications, DMA, and I/O ports. Software applications are covered in a dedicated chapter.

TMS320C2x/C2xx/C5x Optimizing C Compiler User's Guide (literature number SPRU024) describes the 'C2x/'C2xx/C5x C compiler. This C compiler accepts ANSI standard C source code and produces TMS320 assembly language source code for the 'C2x, 'C2xx, and 'C5x generations of devices.

TMS320 Family Development Support Reference Guide (literature number SPRU011) describes the '320 family of digital signal processors and covers the various products that support this product line. This includes code-generation tools (compilers, assemblers, linkers, etc.) and system integration and debug tools (simulators, emulators, evaluation modules, etc.). Also covered are available documentation, seminars, the university program, and factory repair and exchange.

TMS320 Third-Party Support Reference Guide (literature number SPRU052) alphabetically lists over 100 third parties that provided various products that serve the family of '320 digital signal processors. A myriad of products and applications are offered—software and hardware development tools, speech recognition, image processing, noise cancellation, modems, etc.

Digital Signal Processing Applications with the TMS320 Family, Volumes 1, 2, and 3 (literature numbers SPRA012, SPRA016, SPRA017) Volumes 1 and 2 cover applications using the 'C10 and 'C20 families of fixed-point processors. Volume 3 documents applications using both fixed-point processors as well as the 'C30 floating-point processor.

TMS320C2x C Source Debugger User's Guide (literature number SPRU070) tells how to invoke the debugger with the TMS320C2x simulator version of the C source debugger interface. This book discusses various aspects of the debugger interface, including window management, command entry, code execution, data management, and breakpoints, and includes a tutorial that introduces basic debugger functionality.

TMS320C5x C Source Debugger User's Guide (literature number SPRU055) tells you how to invoke the 'C5x emulator, EVM, and simulator versions of the C source debugger interface. This book discusses various aspects of the debugger interface, including window management, command entry, code execution, data management, and breakpoints, and includes a tutorial that introduces basic debugger functionality.

If You Need Assistance. . .

If you want to. . .	Do this. . .
Request more information about Texas Instruments Digital Signal Processing (DSP) products	Call the DSP hotline: (713) 274-2320 FAX: (713) 274-2324
Order Texas Instruments documentation	Call the TI Literature Response Ctr: (800) 477-8924
Ask questions about product operation or report suspected problems	Call the DSP hotline: (713) 274-2320 FAX: (713) 274-2324
Report mistakes or make comments about this, or any other TI documentation	Send your comments to comments@books.sc.ti.com
Please mention the full title of the book and the date of publication (from the spine and/or front cover) in your correspondence.	Texas Instruments Incorporated Technical Publications Mgr, MS 702 P.O. Box 1443 Houston, Texas 77251-1443

Trademarks

IBM, PC, PC-DOS and OS/2 are trademarks of International Business Machines Corp.

MS, MS-DOS, and MS-Windows are registered trademarks of Microsoft Corp.

SPARC is a trademark of SPARC International, Inc.

SunView, SunWindows, and Sun Workstation are trademarks of Sun Microsystems, Inc.

UNIX is a registered trademark of Unix System Laboratories, Inc.

XDS is a trademark of Texas Instruments Incorporated.

Contents

1	Introduction	1-1
	<i>Provides an overview of the assembly language development tools.</i>	
1.1	Tools Overview and Development Flow	1-2
1.2	Tools Descriptions	1-3
2	Introduction to Common Object File Format	2-1
	<i>Discusses the basic COFF concept of sections and how they can help you use the assembler and linker more efficiently. Common object file format, or COFF, is the object file format used by the TMS320 fixed-point tools. Read Chapter 2 before using the assembler and linker.</i>	
2.1	Sections	2-2
2.2	How the Assembler Handles Sections	2-4
2.2.1	Uninitialized Sections	2-4
2.2.2	Initialized Sections	2-5
2.2.3	Named Sections	2-6
2.2.4	Section Program Counters	2-7
2.2.5	Absolute Sections	2-7
2.2.6	An Example That Uses Sections Directives	2-7
2.3	How the Linker Handles Sections	2-10
2.3.1	Default Memory Allocation	2-11
2.3.2	Placing Sections in the Memory Map	2-14
2.4	Relocation	2-18
2.5	Runtime Relocation	2-20
2.6	Loading a Program	2-21
2.7	Symbols in a COFF File	2-22
2.7.1	External Symbols	2-22
2.7.2	The Symbol Table	2-23
3	Assembler Description	3-1
	<i>Explains how to invoke the assembler and discusses source statement format, valid constants and expressions, and assembler output.</i>	
3.1	Assembler Overview	3-2
3.2	Assembler Development Flow	3-3
3.3	Invoking the Assembler	3-4
3.4	Upward Compatibility Within the TMS320C1x/C2x/C2xx/C5x Processors	3-6
3.4.1	Porting Inconsistencies (-p Option)	3-6
3.4.2	Porting Code Written for 'C2x or 'C5x to the 'C2xx (-pp Option)	3-8
3.4.3	Programming the TMS320 Pipeline (-w Option)	3-10

3.5	Naming Alternate Directories for Assembler Input	3-12
3.5.1	-i Assembler Option	3-12
3.5.2	A_DIR Environment Variable	3-13
3.6	Source Statement Format	3-15
3.6.1	Label Field	3-15
3.6.2	Mnemonic Field	3-16
3.6.3	Operand Field	3-16
3.6.4	Comment Field	3-16
3.7	Constants	3-17
3.7.1	Binary Integers	3-17
3.7.2	Octal Integers	3-17
3.7.3	Decimal Integers	3-17
3.7.4	Hexadecimal Integers	3-18
3.7.5	Character Constants	3-18
3.7.6	Assembly-Time Constants	3-18
3.8	Character Strings	3-19
3.9	Symbols	3-20
3.9.1	Labels	3-20
3.9.2	Symbolic Constants	3-20
3.9.3	Defining Symbolic Constants (-d Option)	3-21
3.9.4	Predefined Symbolic Constants	3-21
3.9.5	Substitution Symbols	3-23
3.9.6	Local Labels	3-24
3.10	Expressions	3-25
3.10.1	Operators	3-26
3.10.2	Expression Overflow and Underflow	3-26
3.10.3	Well-Defined Expressions	3-27
3.10.4	Conditional Expressions	3-27
3.10.5	Relocatable Symbols and Legal Expressions	3-27
3.11	Source Listings	3-30
3.12	Cross-Reference Listings	3-33
3.13	Enhanced Instruction Forms	3-34
4	Assembler Directives	4-1
	<i>Describes the directives according to function, and presents the directives in alphabetical order.</i>	
4.1	Directives Summary	4-2
4.2	Directives That Define Sections	4-6
4.3	Directives That Initialize Constants	4-8
4.4	Directives That Align the Section Program Counter	4-11
4.5	Directives That Format the Output Listing	4-12
4.6	Directives That Reference Other Files	4-14
4.7	Conditional Assembly Directives	4-15
4.8	Assembly-Time Symbol Directives	4-16
4.9	Miscellaneous Directives	4-18
4.10	Directives Reference	4-20

5	Instruction Set Summary	5-1
	<i>Summarizes the TMS320C1x, TMS320C2x, TMS320C2xx, and TMS320C5x instruction sets alphabetically. This chapter also discusses enhanced instructions.</i>	
5.1	Using the Summary Table	5-2
5.2	Enhanced Instructions	5-5
5.3	Instruction Set Summary Table	5-6
6	Macro Language	6-1
	<i>Describes macro directives, substitution symbols used as macro parameters, and how to create macros.</i>	
6.1	Using Macros	6-2
6.2	Defining Macros	6-3
6.3	Macro Parameters/Substitution Symbols	6-5
6.3.1	Substitution Symbols	6-5
6.3.2	Directives That Define Substitution Symbols	6-6
6.3.3	Built-In Substitution Symbol Functions	6-7
6.3.4	Recursive Substitution Symbols	6-9
6.3.5	Forced Substitution	6-9
6.3.6	Accessing Individual Characters of Subscripted Substitution Symbols	6-10
6.3.7	Substitution Symbols as Local Variables in Macros	6-12
6.4	Macro Libraries	6-13
6.5	Using Conditional Assembly in Macros	6-14
6.6	Using Labels in Macros	6-16
6.7	Producing Messages in Macros	6-17
6.8	Formatting the Output Listing	6-18
6.9	Using Recursive and Nested Macros	6-19
6.10	Macro Directives Summary	6-21
7	Archiver Description	7-1
	<i>Contains instructions for invoking the archiver, creating new archive libraries, and modifying existing libraries.</i>	
7.1	Archiver Overview	7-2
7.2	Archiver Development Flow	7-3
7.3	Invoking the Archiver	7-4
7.4	Archiver Examples	7-6
8	Linker Description	8-1
	<i>Explains how to invoke the linker, provides details about linker operation, discusses linker directives, and presents a detailed linking example.</i>	
8.1	Linker Development Flow	8-2
8.2	Invoking the Linker	8-3
8.3	Linker Options	8-5
8.3.1	Relocation Capabilities (-a and -r Options)	8-6
8.3.2	Disable Merge of Symbolic Debugging Information (-b Option)	8-7

8.3.3	C Language Options (<code>-c</code> and <code>-cr</code> Options)	8-8
8.3.4	Define an Entry Point (<code>-e</code> global symbol Option)	8-8
8.3.5	Set Default Value (<code>-f cc</code> Option)	8-8
8.3.6	Make All Global Symbols Static (<code>-h</code> Option)	8-9
8.3.7	Define Heap Size (<code>-heap</code> constant Option)	8-9
8.3.8	Alter the Library Search Algorithm (<code>-i dir</code> Option/ <code>C_DIR</code>)	8-10
8.3.9	Create a Map File (<code>-m filename</code> Option)	8-12
8.3.10	Name an Output Module (<code>-o filename</code> Option)	8-12
8.3.11	Specify a Quiet Run (<code>-q</code> Option)	8-12
8.3.12	Strip Symbolic Information (<code>-s</code> Option)	8-13
8.3.13	Define Stack Size (<code>-stack</code> constant Option)	8-13
8.3.14	Introduce an Unresolved Symbol (<code>-u symbol</code> Option)	8-13
8.3.15	Generate Version 0 COFF format (<code>-v0</code> Option)	8-14
8.3.16	Warning Switch (<code>-w</code> Option)	8-14
8.3.17	Exhaustively Read Libraries (<code>-x</code> Option)	8-15
8.4	Linker Command Files	8-16
8.5	Object Libraries	8-19
8.6	The MEMORY Directive	8-21
8.6.1	Default Memory Model	8-21
8.6.2	MEMORY Directive Syntax	8-21
8.7	The SECTIONS Directive	8-24
8.7.1	Default Sections Configuration	8-24
8.7.2	SECTIONS Directive Syntax	8-24
8.7.3	Specifying the Address of Output Sections (Allocation)	8-27
8.7.4	Specifying Input Sections	8-30
8.8	Specifying a Section's Runtime Address	8-33
8.8.1	Specifying Load and Run Addresses	8-33
8.8.2	Uninitialized Sections	8-34
8.8.3	Referring to the Load Address by Using the <code>.label</code> Directive	8-34
8.9	Using UNION and GROUP Statements	8-37
8.9.1	Overlaying Sections With the UNION Statement	8-37
8.9.2	Grouping Output Sections Together	8-39
8.10	Overlay Pages	8-40
8.10.1	Using the MEMORY Directive to Define Overlay Pages	8-40
8.10.2	Using Overlay Pages With the SECTIONS Directive	8-42
8.10.3	Page Definition Syntax	8-43
8.11	Default Allocation Algorithm	8-45
8.11.1	Allocation Algorithm	8-45
8.11.2	General Rules for Forming Output Sections	8-47
8.12	Special Section Types (DSECT, COPY, and NOLOAD)	8-49
8.13	Assigning Symbols at Link Time	8-50
8.13.1	Syntax of Assignment Statements	8-50
8.13.2	Assigning the SPC to a Symbol	8-50
8.13.3	Assignment Expressions	8-51
8.13.4	Symbols Defined by the Linker	8-53

8.14	Creating and Filling Holes	8-54
8.14.1	Initialized and Uninitialized Sections	8-54
8.14.2	Creating Holes	8-54
8.14.3	Filling Holes	8-56
8.14.4	Explicit Initialization of Uninitialized Sections	8-57
8.15	Partial (Incremental) Linking	8-58
8.16	Linking C Code	8-60
8.16.1	Runtime Initialization	8-60
8.16.2	Object Libraries and Runtime Support	8-60
8.16.3	Setting the Size of the Heap and Stack Sections	8-61
8.16.4	Autoinitialization (ROM and RAM Models)	8-61
8.16.5	The <code>-c</code> and <code>-cr</code> Linker Options	8-63
8.17	Linker Example	8-64
9	Absolute Lister Description	9-1
	<i>Explains how to invoke the absolute lister to obtain a listing of the absolute addresses of an object file.</i>	
9.1	Producing an Absolute Listing	9-2
9.2	Invoking the Absolute Lister	9-3
9.3	Absolute Lister Example	9-5
10	Cross-Reference Lister	10-1
	<i>Explains how to invoke the cross-reference lister to obtain a listing of symbols, their definitions, and their references in the linked source files.</i>	
10.1	Producing a Cross-Reference Listing	10-2
10.2	Invoking the Cross-Reference Lister	10-3
10.3	Cross-Reference Listing Example	10-4
11	Hex Conversion Utility Description	11-1
	<i>Explains how to invoke the hex utility to convert a COFF object file into one of several standard hexadecimal formats suitable for loading into an EPROM programmer.</i>	
11.1	Hex Conversion Utility Development Flow	11-2
11.2	Invoking the Hex Conversion Utility	11-3
11.3	Command Files	11-5
11.4	Understanding Memory Widths	11-7
11.4.1	Target Width	11-8
11.4.2	Data Width	11-8
11.4.3	Memory Width	11-8
11.4.4	ROM Width	11-9
11.4.5	A Memory Configuration Example	11-12
11.4.6	Specifying Word Order for Output Words	11-12
11.5	The ROMS Directive	11-14
11.5.1	When to Use the ROMS Directive	11-16
11.5.2	An Example of the ROMS Directive	11-17
11.5.3	Creating a Map File of the ROMS directive	11-19

11.6	The SECTIONS Directive	11-20
11.7	Output Filenames	11-22
11.8	Image Mode and the <code>-fill</code> Option	11-24
	11.8.1 The <code>-image</code> Option	11-24
	11.8.2 Specifying a Fill Value	11-25
	11.8.3 Steps to Follow in Image Mode	11-25
11.9	Building a Table for an On-Chip Boot Loader	11-26
	11.9.1 Description of the Boot Table	11-26
	11.9.2 The Boot Table Format	11-26
	11.9.3 How to Build the Boot Table	11-27
	11.9.4 Booting From a Device Peripheral	11-28
	11.9.5 Setting the Entry Point for the Boot Table	11-29
	11.9.6 Using the 'C26 Boot Loader	11-30
	11.9.7 Using the 'C5x Boot Loader	11-32
11.10	Controlling the ROM Device Address	11-34
	11.10.1 Controlling the Starting Address	11-34
	11.10.2 Controlling the Address Increment Index	11-36
	11.10.3 The <code>-byte</code> Option	11-36
	11.10.4 Dealing With Address Holes	11-37
11.11	Description of the Object Formats	11-38
	11.11.1 ASCII-Hex Object Format (<code>-a</code> Option)	11-39
	11.11.2 Intel MCS-86 Object Format (<code>-i</code> Option)	11-40
	11.11.3 Motorola Exorciser Object Format (<code>-m</code> Option)	11-41
	11.11.4 Texas Instruments SDSMAC Object Format (<code>-t</code> Option)	11-42
	11.11.5 Extended Tektronix Object Format (<code>-x</code> Option)	11-43
11.12	Hex Conversion Utility Error Messages	11-44
A	Common Object File Format	A-1
	<i>Contains supplemental technical data about the internal format and structure of COFF object files.</i>	
A.1	COFF File Structure	A-2
A.2	File Header Structure	A-4
A.3	Optional File Header Format	A-6
A.4	Section Header Structure	A-7
A.5	Structuring Relocation Information	A-9
A.6	Line Number Table Structure	A-11
A.7	Symbol Table Structure and Content	A-13
	A.7.1 Special Symbols	A-15
	A.7.2 Symbol Name Format	A-17
	A.7.3 String Table Structure	A-17
	A.7.4 Storage Classes	A-18
	A.7.5 Symbol Values	A-19
	A.7.6 Section Number	A-20
	A.7.7 Type Entry	A-20
	A.7.8 Auxiliary Entries	A-22

B	Symbolic Debugging Directives	B-1
	<i>Discusses symbolic debugging directives that the TMS320C2x/C5x C compiler uses.</i>	
C	Example Linker Command Files	C-1
	<i>Provides examples of linker command files for the TMS320C10, TMS320C25, TMS320C50, and TMS320C51.</i>	
C.1	Linker Command Files for the TMS320C10	C-2
C.2	Linker Command Files for the TMS320C25	C-3
C.3	Linker Command Files for the TMS320C50	C-5
C.4	Linker Command Files for the TMS320C51	C-7
D	Hex Conversion Utility Examples	D-1
	<i>Illustrates command file development for a variety of memory systems and situations.</i>	
D.1	Example 1: Building a Hex Command File for Two 8-Bit EPROMs	D-2
D.2	Example 2: Avoiding Holes With Multiple Sections	D-7
D.3	Example 3: Generating a Boot Table for a 'C50	D-9
D.4	Example 4: Generating a Boot Table for a 'C26	D-18
E	Assembler Error Messages	E-1
	<i>Lists the error messages that the assembler issues, and gives a description of the condition which caused each error.</i>	
F	Linker Error Messages	F-1
	<i>Lists the syntax and command, allocation, and I/O error messages that the linker issues, and gives a description of the condition which caused each error.</i>	
G	Glossary	G-1
	<i>Defines terms and acronyms used in this book.</i>	

Figures

1-1	TMS320C1x/C2x/C2xx/C5x Assembly Language Development Flow	1-2
2-1	Partitioning Memory Into Logical Blocks	2-3
2-2	Object Code Generated by the Listing in Example 2-1	2-9
2-3	Default Allocation for the Object Code in Figure 2-2	2-12
2-4	Combining Input Sections From Two Files (Default Allocation)	2-13
2-5	Memory Map Defined by Example 2-2	2-16
2-6	Allocating the Sections With the Linker	2-17
3-1	Assembler Development Flow	3-3
4-1	The .space and .bes Directives	4-8
4-2	The .field Directive	4-9
4-3	Initialization Directives	4-10
4-4	The .align Directive	4-11
4-5	The .even Directive	4-11
4-6	The .align Directive	4-21
4-7	Allocating .bss Blocks Within a Page	4-26
4-8	The .even Directive	4-38
4-9	The .field Directive	4-42
4-10	The .usect Directive	4-78
7-1	Archiver Development Flow	7-3
8-1	Linker Development Flow	8-2
8-2	Defined in Example 8-4	8-23
8-3	Section Allocation Defined by Example 8-5	8-27
8-4	Runtime Execution of Example 8-7	8-36
8-5	Memory Allocation Defined by Example 8-8 and Example 8-9	8-38
8-6	Overlay Pages Defined by Example 8-12 and Example 8-13	8-41
8-7	RAM Model of Autoinitialization	8-62
8-8	ROM Model of Autoinitialization	8-62
9-1	Absolute Lister Development Flow	9-2
10-1	Cross-Reference Lister Development Flow	10-2
11-1	Hex Conversion Utility Development Flow	11-2
11-2	Hex Conversion Utility Process Flow	11-7
11-3	Data and Memory Widths	11-9
11-4	Data, Memory, and ROM Widths	11-11
11-5	'C2x/C2xx/C5x Memory Configuration Example	11-12
11-6	Varying the Word Order	11-13
11-7	The infile.out File From Example 11-1 Partitioned Into Four Output Files	11-18

11-8	Sample Command File for Booting From a 'C5x EPROM	11-33
11-9	Hex Command File for Avoiding a Hole at the Beginning of a Section	11-37
11-10	ASCII-Hex Object Format	11-39
11-11	Intel Hex Object Format	11-40
11-12	Motorola-S Format	11-41
11-13	TI-Tagged Object Format	11-42
11-14	Extended Tektronix Object Format	11-43
A-1	COFF File Structure	A-2
A-2	COFF Object File	A-3
A-3	Section Header Pointers for the .text Section	A-8
A-4	Line Number Blocks	A-11
A-5	Line Number Entries	A-12
A-6	Symbol Table Contents	A-13
A-7	Symbols for Blocks	A-16
A-8	Symbols for Functions	A-16
A-9	String Table	A-17
D-2	Data From Output File	D-5
D-3	EPROM System for a 'C50	D-9
D-4	Sample EPROM System for a 'C26	D-18

Tables

1-1	Fixed-Point Debugging Support on Various Systems	1-4
3-1	Operators Used in Expressions (Precedence)	3-26
3-2	Expressions With Absolute and Relocatable Symbols	3-28
3-3	Symbol Attributes	3-33
4-1	Assembler Directives Summary	4-2
4-2	Memory-Mapped Registers	5-58
5-1	Symbols and Acronyms Used in the Instruction Set Summary	5-3
5-2	Summary of Enhanced Instructions	5-5
6-1	Substitution Symbol Functions	6-8
6-2	Creating Macros	6-21
6-3	Manipulating Substitution Symbols	6-21
6-4	Conditional Assembly	6-21
6-5	Producing Assembly-Time Messages	6-22
6-6	Formatting the Listing	6-22
8-1	Linker Options Summary	8-5
8-2	Operators in Assignment Expressions	8-52
10-1	Symbol Attributes	10-5
11-1	Basic Options	11-4
11-2	Boot-Loader Utility Options	11-27
11-3	Options for Specifying Hex Conversion Formats	11-38
A-1	File Header Contents for COFF Version 0	A-4
A-2	File Header Contents for COFF Version 1	A-5
A-3	File Header Flags (Bytes 18 and 19)	A-5
A-4	Optional File Header Contents	A-6
A-5	Section Header Contents	A-7
A-6	Section Header Flags (Bytes 36 and 37)	A-7
A-7	Relocation Entry Contents for COFF Version 0	A-9
A-8	Relocation Entry Contents for COFF Version 1	A-9
A-9	Relocation Types (Bytes 8 and 9)	A-10
A-10	Line Number Entry Format	A-11
A-11	Symbol Table Entry Contents	A-14
A-12	Special Symbols in the Symbol Table	A-15
A-13	Symbol Storage Classes	A-18
A-14	Special Symbols and Their Storage Classes	A-19
A-15	Symbol Values and Storage Classes	A-19
A-16	Section Numbers	A-20

A-17	Basic Types	A-21
A-18	Derived Types	A-21
A-19	Auxiliary Symbol Table Entries Format	A-22
A-20	Filename Format for Auxiliary Table Entries	A-23
A-21	Section Format for Auxiliary Table Entries	A-23
A-22	Tag Name Format for Auxiliary Table Entries	A-23
A-23	End-of-Structure Format for Auxiliary Table Entries	A-24
A-24	Function Format for Auxiliary Table Entries	A-24
A-25	Array Format for Auxiliary Table Entries	A-25
A-26	End-of-Blocks/Functions Format for Auxiliary Table Entries	A-25
A-27	Beginning-of-Blocks/Functions Format for Auxiliary Table Entries	A-26
A-28	Structure, Union, and Enumeration Names Format for Auxiliary Table Entries	A-26

Examples

2-1	Using Sections Directives	2-8
2-2	TMS320C25 MEMORY and SECTIONS Directives	2-15
2-3	Code That Generates Relocation Entries	2-18
3-1	-p Option and -v50 Option Effect on Ported Code	3-7
3-2	Basic TMS320C25 and TMS320C50 Assembly Construct	3-8
3-3	Porting TMS320C25 and TMS320C50 to TMS320C2xx	3-9
3-4	-w Option Effect on Ported Code	3-11
3-5	An Assembler Listing	3-32
3-6	An Assembler Cross-Reference Listing	3-33
4-1	Sections Directives	4-7
6-1	Macro Definition, Call, and Expansion	6-4
6-2	Calling a Macro With Varying Numbers of Arguments	6-6
6-3	Using the .asg Directive	6-6
6-4	Using the .eval Directive	6-7
6-5	Using Built-In Substitution Symbol Functions	6-8
6-6	Recursive Substitution	6-9
6-7	Using the Forced Substitution Operator	6-10
6-8	Using Subscripted Substitution Symbols to Redefine an Instruction	6-11
6-9	Using Subscripted Substitution Symbols to Find Substrings	6-11
6-10	The .loop/.break/.endloop Directives	6-15
6-11	Nested Conditional Assembly Directives	6-15
6-12	Built-In Substitution Symbol Functions Used in a Conditional Assembly Code Block ..	6-15
6-13	Unique Labels in a Macro	6-16
6-14	Producing Messages in a Macro	6-17
6-15	Using Nested Macros	6-19
6-16	Using Recursive Macros	6-20
8-1	Linker Command File	8-16
8-2	Command File With Linker Directives	8-17
8-3	Linker Command File	8-18
8-4	The MEMORY Directive	8-22
8-5	The SECTIONS Directive	8-26
8-6	The Most Common Method of Specifying Section Contents	8-31
8-7	Copying a Section From ROM to RAM	8-35
8-8	The UNION Statement	8-37
8-9	Separate Load Addresses for UNION Sections	8-37
8-10	Allocate Sections Together	8-39

8-11	Specify One Run Address and Separate Load Addresses	8-39
8-12	Memory Directive With Overlay Pages	8-40
8-13	SECTIONS Directive Definition for Overlays in Figure 8-6	8-42
8-14	Linker Command File, demo.cmd	8-65
8-15	Output Map File, demo.map	8-66
11-1	A ROMS Directive Example	11-17
11-2	Map File Output From Example 11-1 Showing Memory Ranges	11-19
11-3	Sample Command File for Booting From a 'C26 Serial Port	11-31
C-1	TMS320C10 in Microcomputer Mode	C-2
C-2	TMS320C10 in Microprocessor Mode	C-2
C-3	TMS320C25 in Microprocessor Mode, Block B0 as Data Memory	C-3
C-4	TMS320C25 in Microcomputer Mode, Block B0 as Data Memory	C-3
C-5	TMS320C25 in Microprocessor Mode, Block B0 as Program Memory	C-4
C-6	TMS320C25 in Microcomputer Mode, Block B0 as Program Memory	C-4
C-7	TMS320C50 in Microcomputer Mode, Block B0 as Data Memory	C-5
C-8	TMS320C50 in Microprocessor Mode, Block B0 as Data Memory	C-5
C-9	TMS320C50 in Microcomputer Mode, Block B0 as Program Memory	C-6
C-10	TMS320C51 in Microcomputer Mode, Block B0 as Data Memory	C-7
C-11	TMS320C51 in Microcomputer Mode, Block B0 as Program Memory	C-7
D-1	A Two 8-Bit EPROM System	D-2
D-1	Assembly Code for Hex Conversion Utility Examples	D-1
D-2	A Linker Command File for Two 8-Bit EPROMs	D-3
D-3	A Hex Command File for Two 8-Bit EPROMs	D-4
D-4	Map File Resulting From Hex Command File in Example D-3	D-6
D-5	Linker Command File: Method One for Avoiding Holes	D-7
D-6	Hex Command File: Method One for Avoiding Holes	D-8
D-7	Linker Command File: Method Two for Avoiding Holes	D-8
D-8	Hex Command File: Method Two for Avoiding Holes	D-8
D-9	C Code for a 'C50	D-9
D-10	Linker Command File to Form a Single Boot Section for a 'C50	D-11
D-11	Section Allocation Portion of Map File Resulting From the Command File in Example D-10	D-12
D-12	Linker Command for Setting the Boot Routine Selection Word for a 'C50	D-14
D-13	Hex Command File for Converting a COFF File	D-16
D-14	Map File Resulting From the Command File in Example D-13	D-17
D-15	Hex Conversion Utility Output File Resulting From the Command File in Example D-13	D-17
D-16	C Code for a 'C26	D-18
D-17	Linker Command File for 'C26 With Parent and Child CPUs	D-19
D-18	Section Allocation Portion of Map File Resulting From the Command File in Example D-17	D-20
D-19	Hex Command File for 'C26 With Parent and Child CPUs	D-22
D-21	Map File (c26boot.mxp) Resulting From the Command File in Example D-19	D-23
D-22	Output File (c26boot.hex) Resulting From the Command File in Example D-19	D-24

Notes

Default Section Directive	2-4
The .asect Directive Is Obsolete	2-7
Examples in This Section Are for the TMS320C25	2-10
–w Does Not Provide Warnings for All Pipeline Conflicts	3-10
Register Symbols	3-23
The .byte, .word, .int, .long, .string, .float, and .field Directives in a .struct/.endstruct Sequence	4-10
The .asect Directive Is Obsolete	4-22
Use .endm to End a Macro	4-36
Creating a Listing File (-l option)	4-51
Directives That Can Appear in a .struct/.endstruct Sequence	4-72
Naming Library Members	7-4
Compatibility With Previous Versions	8-24
Binding and Alignment or Named Memory Are Incompatible	8-29
The .asect Directive Is Obsolete	8-34
Union and Overlay Page Are Not the Same	8-38
The PAGE Option	8-48
Filling Sections	8-57
The TI-Tagged Format Is 16 Bits Wide	11-10
When the –order Option Applies	11-13
Sections Generated by the C Compiler	11-20
Using the –boot Option and the SECTIONS Directive	11-21
Defining the Ranges of Target Memory	11-24
Valid Entry Points	11-29

Introduction

The TMS320C1x/C2x/C2xx/C5x fixed-point DSPs are supported by the following assembly language tools:

- Assembler
- Archiver
- Linker
- Absolute lister
- Cross-reference lister
- Hex conversion utility

This chapter shows how these tools fit into the general software tools development flow and gives a brief description of each tool. For convenience, it also summarizes the C compiler and debugging tools; however, the compiler and debugger are not shipped with the assembly language tools. For detailed information on the compiler and debugger and for complete descriptions of the TMS320C1x/C2x/C2xx/C5x devices, refer to books listed in *Related Documentation From Texas Instruments* on page vi.

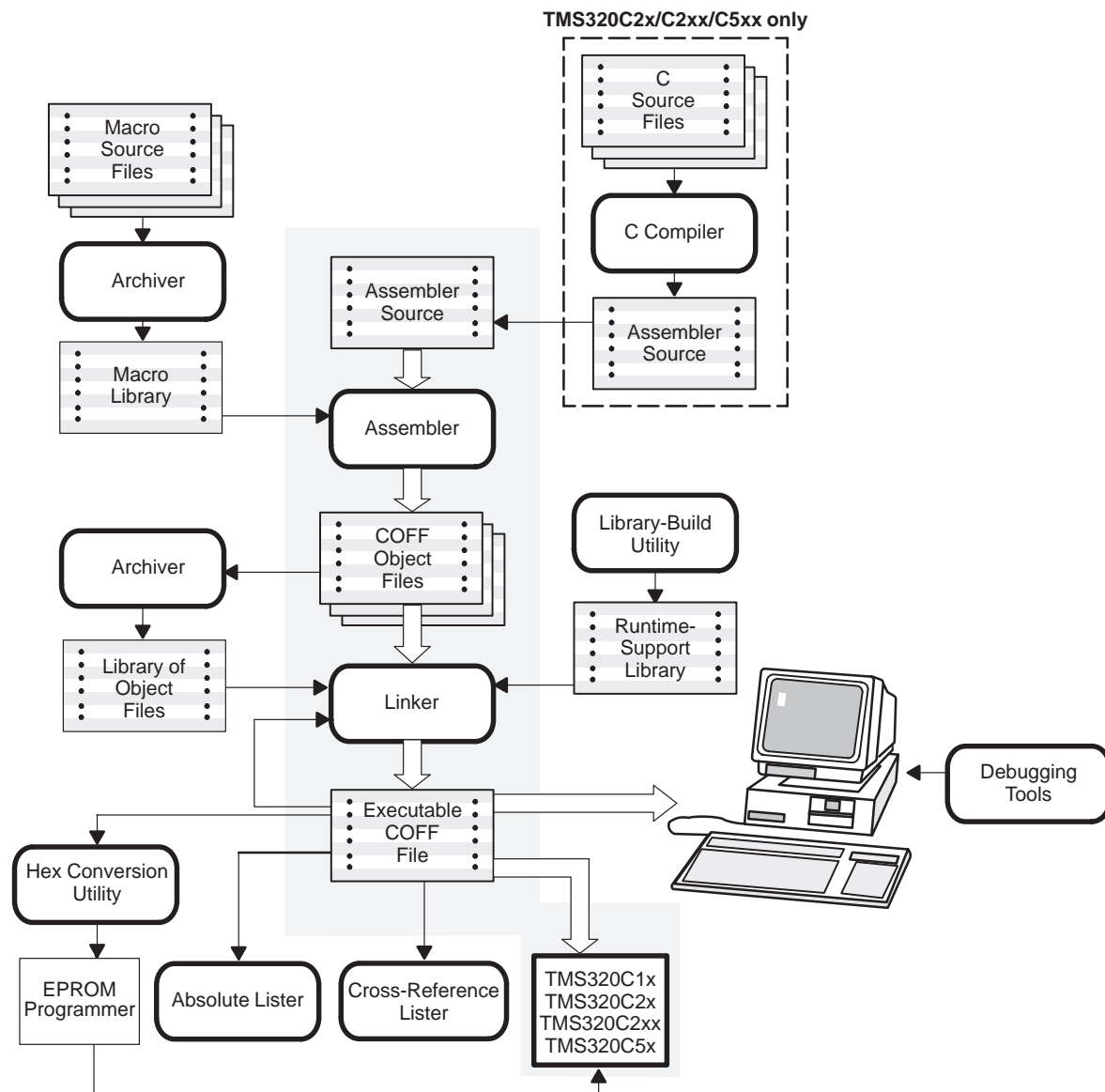
The assembly language tools create and use object files in common object file format (COFF) to facilitate modular programming. Object files contain separate blocks (called sections) of code and data that you can load into TMS320 memory spaces. You can program the TMS320 devices more efficiently if you have a basic understanding of COFF. Chapter 2, *Introduction to Common Object File Format*, discusses this object format in detail.

Topic	Page
1.1 Tools Overview and Development Flow	1-2
1.2 Tools Descriptions	1-3

1.1 Tools Overview and Development Flow

Figure 1–1 shows the assembly language development flow. The shaded portion highlights the most common development path; the other portions are optional.

Figure 1–1. TMS320C1x/C2x/C2xx/C5x Assembly Language Development Flow



1.2 Tools Descriptions

- ❑ The **TMS320C2x/C2xx/C5x C compiler** translates C source code into TMS320C2x/C2xx/C5x assembly language source code. The C compiler is not shipped with the assembly language tools package.
- ❑ The **assembler** translates assembly language source files into machine language COFF object files. Source files can contain instructions, assembler directives, and macro directives. You can use assembler directives to control various aspects of the assembly process, such as the source listing format, data alignment, and section content.
- ❑ The **archiver** allows you to collect a group of files into a single archive file. For example, you can collect several macros into a macro library. The assembler will search the library and use the members that are called as macros by the source file. You can also use the archiver to collect a group of object files into an object library. The linker will include in the library the members that resolve external references during the link.
- ❑ The **linker** combines object files into a single executable COFF object module. As it creates the executable module, it performs relocation and resolves external references. The linker accepts relocatable COFF object files (created by the assembler) as input. It also accepts archiver library members and output modules created by a previous linker run. Linker directives allow you to combine object file sections, bind sections or symbols to addresses or within memory ranges, and define or redefine global symbols.
- ❑ The **absolute lister** generates a file that can be reassembled to produce a listing of the absolute addresses of an object file.
- ❑ The **cross-reference lister** uses object files to produce a cross-reference listing showing symbols, their definition, and their references in the linked source files.
- ❑ The TMS320C1x/C2x/C2xx/C5x debugging tools accept COFF files as input, but most EPROM programmers do not. The **hex conversion utility** converts a COFF object file into TI-Tagged, Intel, Motorola, or Tektronix object format. The converted file can be downloaded to an EPROM programmer.
- ❑ Table 1–1 lists debugging tools that you can use on various systems to refine and correct your code before you download it.

Table 1–1. Fixed-Point Debugging Support on Various Systems

Debugging Tools	'C1x	'C2x	'C2xx	'C5x
Simulator	PC	PC	PC	PC
		SPARC	SPARC	SPARC
Evaluation Module	PC	PC	PC	PC
		SPARC	SPARC	SPARC
Emulator	PC	PC	PC	PC
			SPARC	SPARC

Note: PC running under MS-DOS or OS/2.
SPARC running under UNIX.

Introduction to Common Object File Format

The assembler and linker create object files that can be executed by a TMS320C1x/C2x/C2xx/C5x. The format of these object files is called common object file format, or COFF.

COFF makes modular programming easier because it encourages you to think in terms of blocks of code and data when you write an assembly language program. These blocks are known as sections. Both the assembler and the linker provide directives that allow you to create and manipulate sections.

This chapter provides an overview of COFF sections and includes the following topics:

Topic	Page
2.1 Sections	2-2
2.2 How the Assembler Handles Sections	2-4
2.3 How the Linker Handles Sections	2-10
2.4 Relocation	2-18
2.5 Runtime Relocation	2-20
2.6 Loading a Program	2-21
2.7 Symbols in a COFF File	2-22

For additional information, see Appendix A, which details COFF object file structure.

2.1 Sections

The smallest unit of an object file is called a **section**. A section is a block of code or data that will ultimately occupy contiguous space in the memory map. Each section of an object file is separate and distinct. COFF object files always contain three default sections:

.text section	usually contains executable code.
.data section	usually contains initialized data.
.bss section	usually reserves space for uninitialized variables.

In addition, the assembler and linker allow you to create, name, and link **named** sections that are used like the .data, .text, and .bss sections.

There are two basic types of sections:

Initialized sections contain data or code. The .text and .data sections are initialized; named sections created with the .sect assembler directive are also initialized.

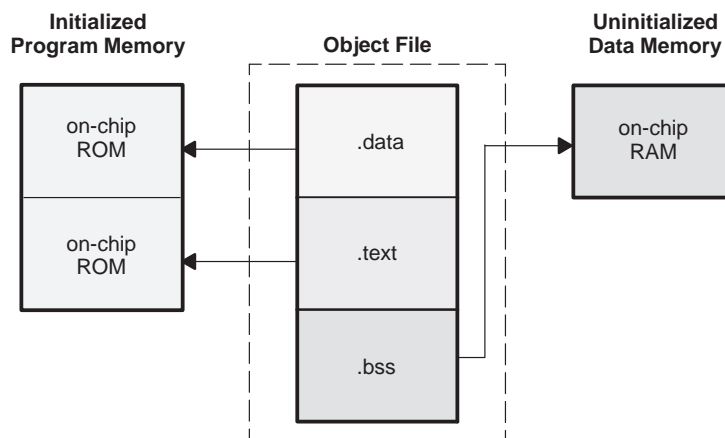
Uninitialized sections reserve space in the memory map for uninitialized data. The .bss section is uninitialized; named sections created with the .usect assembler directive are also uninitialized.

Several assembler directives allow you to associate various portions of code and data with the appropriate sections. The assembler builds these sections during the assembly process, creating an object file organized as shown in Figure 2–1.

One of the linker's functions is to relocate sections into the target memory map; this function is called **allocation**. Because most systems contain several types of memory, using sections can help you use target memory more efficiently. All sections are independently relocatable; you can place any section into any allocated block of target memory. For example, you can define a section that contains an initialization routine and then allocate the routine into a portion of the memory map that contains EPROM.

Figure 2–1 shows the relationship between sections in an object file and a hypothetical target memory.

Figure 2–1. Partitioning Memory Into Logical Blocks



2.2 How the Assembler Handles Sections

The assembler identifies the portions of an assembly language program that belong in a section. The assembler has six directives that support this function:

- .bss**
- .usect**
- .text**
- .data**
- .sect**
- .asect**

The `.bss` and `.usect` directives create *uninitialized sections*; the `.text`, `.data`, `.sect`, and `.asect` directives create *initialized sections*.

Note: Default Section Directive

If you don't use any of the sections directives, the assembler assembles everything into the `.text` section.

2.2.1 Uninitialized Sections

Uninitialized sections reserve space in TMS320 memory; they are usually allocated into RAM. These sections have no actual contents in the object file; they simply reserve memory. A program can use this space at runtime for creating and storing variables.

Uninitialized data areas are built by using the `.bss` and `.usect` assembler directives. The `.bss` directive reserves space in the `.bss` section. The `.usect` directive reserves space in a specific uninitialized named section. Each time you invoke the `.bss` directive, the assembler reserves more space in the `.bss` section. Each time you invoke the `.usect` directive, the assembler reserves more space in the specified named section.

The syntax for these directives is:

```
.bss symbol, size in words [blocking flag]
```

```
symbol .usect "section name", size in words, [blocking flag]
```

symbol points to the first byte reserved by this invocation of the `.bss` or `.usect` directive. The *symbol* corresponds to the name of the variable that you're reserving space for. It can be referenced by any other section and can also be declared as a global symbol (with the `.global` assembler directive).

size in words is an absolute expression. The `.bss` directive reserves *size* words in the `.bss` section; the `.usect` directive reserves *size* words in *section name*.

- blocking flag* is an optional parameter. If you specify a value greater than 0 for this parameter, the assembler associates size words contiguously; the allocated space will not cross a page boundary, unless size is greater than a page, in which case the object will start on a page boundary.
- section name* tells the assembler which named section to reserve space in. For more information about named sections, refer to subsection 2.2.3.

The `.text`, `.data`, `.sect`, and `.asect` directives tell the assembler to stop assembling into the current section and begin assembling into the indicated section. The `.bss` and `.usect` directives, however, *do not* end the current section and begin a new one; they simply “escape” from the current section temporarily. The `.bss` and `.usect` directives can appear anywhere in an initialized section without affecting its contents.

2.2.2 Initialized Sections

Initialized sections contain executable code or initialized data. The contents of these sections are stored in the object file and placed in TMS320 memory when the program is loaded. Each initialized section is separately relocatable and may reference symbols that are defined in other sections. The linker automatically resolves these section-relative references.

Four directives tell the assembler to place code or data into a section. The syntaxes for these directives are:

```
.text
.data
.sect "section name"
.asect "section name", address
```

When the assembler encounters one of these directives, it stops assembling into the current section (acting as an implied “end current section” command). It then assembles subsequent code into the designated section until it encounters another `.text`, `.data`, `.sect`, or `.asect` directive.

Sections are built through an iterative process. For example, when the assembler first encounters a `.data` directive, the `.data` section is empty. The statements following this first `.data` directive are assembled into the `.data` section (until the assembler encounters a `.text`, `.sect`, or `.asect` directive). If the assembler encounters subsequent `.data` directives, it adds the statements following these `.data` directives to the statements already in the `.data` section. This creates a single `.data` section that can be allocated contiguously into memory.

2.2.3 Named Sections

Named sections are sections that *you* create. You can use them like the default `.text`, `.data`, and `.bss` sections, but they are assembled separately.

For example, repeated use of the `.text` directive builds up a single `.text` section in the object file. When linked, this `.text` section is allocated into memory as a single unit. Suppose there is a portion of executable code (perhaps an initialization routine) that you don't want allocated with `.text`. If you assemble this segment of code into a named section, it will be assembled separately from `.text`, and you will be able to allocate it into memory separately. You can also assemble initialized data that is separate from the `.data` section, and you can reserve space for uninitialized variables that is separate from the `.bss` section.

Three directives let you create named sections:

- The **`.usect`** directive creates sections that are used like the `.bss` section. These sections reserve space in RAM for variables.
- The **`.sect`** and **`.asect`** directives create sections, like the default `.text` and `.data` sections, that can contain code or data. The `.sect` directive creates named sections with relocatable addresses; the `.asect` directive creates named sections with absolute addresses.

The syntaxes for these directives are:

```
symbol .usect "section name", size in words, [blocking flag]
.sect "section name"
.asect "section name", address
```

The *section name* parameter is the name of the section. Section names are significant to 8 characters. You can create up to 32,767 separate named sections.

Each time you invoke one of these directives with a new name, you create a new named section. Each time you invoke one of these directives with a name that was already used, the assembler assembles code or data (or reserves space) into the section with that name. *You cannot use the same names with different directives.* That is, you cannot create a section with the `.usect` directive and then try to use the same section with `.sect`.

The `.asect` *address* identifies the section's absolute starting address in target memory. This address is required the first time that you assemble into a specific absolute section. If you use `.asect` to continue assembling into an absolute section that already contains code, you *cannot* use the address parameter.

2.2.4 Section Program Counters

The assembler maintains a separate program counter for each section. These program counters are known as *section program counters*, or **SPCs**.

An SPC represents the current address within a section of code or data. Initially, the assembler sets each SPC to 0. As the assembler fills a section with code or data, it increments the appropriate SPC. If you resume assembling into a section, the assembler remembers the appropriate SPC's previous value and continues incrementing the SPC at that point.

The assembler treats each section as if it began at address 0. The linker relocates each section according to its final location in the memory map.

2.2.5 Absolute Sections

The `.asect` directive defines a named section whose addresses are absolute with respect to a specified address. Absolute sections are useful for loading code from off-chip memory into faster on-chip memory.

Note: The `.asect` Directive Is Obsolete

The `.asect` directive is obsolete because the linker's `SECTIONS` directive now allows separate load and run addresses for any section; however, the `.asect` directive is fully functional to allow compatibility with previous versions of the assembler. For more information, refer to Section 8.7, page 8-24.

2.2.6 An Example That Uses Sections Directives

Figure 2–1 shows how you can build COFF sections incrementally, using the sections directives to swap back and forth between the different sections. You can use sections directives to begin assembling into a section for the first time, or to continue assembling into a section that already contains code. In the latter case, the assembler simply appends the new code to the code that is already in the section.

The format in Example 2–1 is a listing file. Example 2–1 shows how the SPCs are modified during assembly. A line in a listing file has four fields:

- Field 1** contains the source code line counter.
- Field 2** contains the section program counter.
- Field 3** contains the object code.
- Field 4** contains the original source statement.

Example 2-1. Using Sections Directives

```

1
2      *****
3      ** assemble an initialized table into .data **
4      *****
5 0000      .data
6 0000 0011 coeff  .word  011h, 022h, 033h
   0001 0022
   0002 0033
7
8      *****
9      ** reserve space in .bss for two variables **
10     *****
10 0000      .bss  var1, 1
11 0001      .bss  buffer, 10
12     *****
13     ** still in data **
14     *****
15 0003 0123 ptr  .word  0123h
16     *****
17     ** assemble code into .text section **
18     *****
19 0000      .text
20 0000 200f add:  LAC    0Fh
21 0001 d003 aloop: SBLK   1
   0002 0001
22 0003 f280      BLEZ   aloop
   0004 0001'
23 0005 6000-      SACL   var1, 0
24
25     *****
26     ** assemble another initialized table into **
27     ** the .data section **
28     *****
28 0004      .data
29 0004 00aa ivals  .word  0AAh, 0BBh
   0005 00bb
30     *****
31     ** define the named section ``newvars`` **
32     *****
33 0000      var2  .usect  "newvars", 1
34 0001      inbuf .usect  "newvars", 7
35     *****
36     ** assemble more code into .text **
37     *****
38 0006      .text
39 0006 ccff      ADD #0FFh

```

Field 1 Field 2 Field 3 Field 4

As Figure 2–2 shows, the file in Example 2–1 creates four sections:

- .text** contains 7 words of object code.
- .data** contains 5 words of object code.
- .bss** reserves 11 words in memory.
- newvars** is a named section created with the `.usect` directive; it reserves 8 words in memory.

The second column shows the object code that is assembled into these sections; the third column shows the source statements that generated the object code.

Figure 2–2. Object Code Generated by the Listing in Example 2–1

Line Numbers	Object Code	Section
20	200F	.text
21	D003	
21	0001	
22	F280	
22	0001	
23	6000	
39	CCFF	
6	0011	.data
6	0022	
6	0033	
29	00AA	
29	00BB	
10	No data—	.bss
11	11 words reserved	
33	No data—	newvars
34	8 words reserved	

2.3 How the Linker Handles Sections

The linker has two main functions in regard to sections. First, the linker uses the sections in COFF object files as building blocks; it combines input sections (when more than one file is being linked) to create output sections in an executable COFF output module. Second, the linker chooses memory addresses for the output sections.

Two linker directives support these functions:

- The **MEMORY directive** allows you to define the memory map of a target system. You can name portions of memory and specify their starting addresses and their lengths.
- The **SECTIONS directive** tells the linker how to combine input sections and where to place the output sections in memory.

It is not always necessary to use linker directives. If you don't use them, the linker uses the target processor's default allocation algorithm described in subsection 2.3.1. When you *do* use linker directives, you must specify them in a linker command file.

Refer to the following sections for more information about linker command files and linker directives:

Section	Page
8.4 Linker Command Files	8-16
8.6 The MEMORY Directive	8-21
8.7 The SECTIONS Directive	8-24
8.11 Default Allocation Algorithm	8-45

Note that the linker refers to program memory as PAGE 0 and to data memory as PAGE 1; these pages are separate from and should not be confused with the data page memory format of the TMS320C1x/C2x/C2xx/C5x devices.

Note: Examples in This Section Are for the TMS320C25

Section allocation is based on the configuration of target memory. The examples in this section illustrate this concept using the TMS320C25 as the target processor. Each processor has its own programmable memory configuration.

2.3.1 Default Memory Allocation

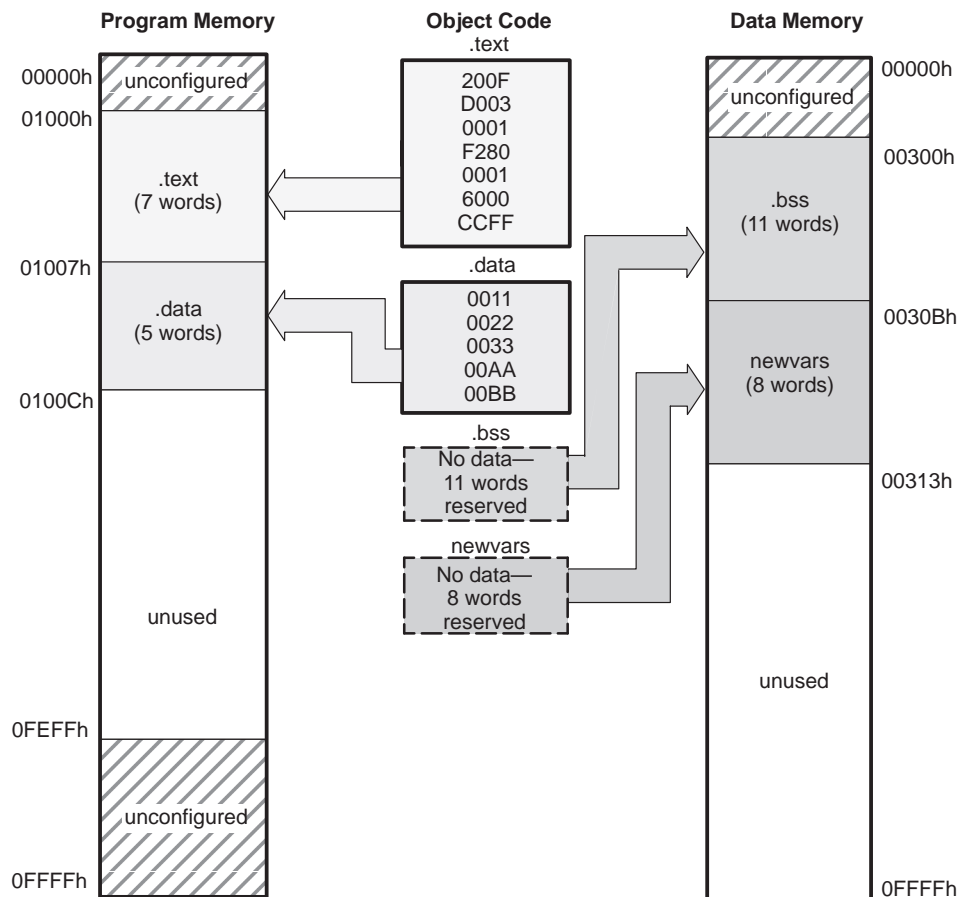
You can link files without specifying a MEMORY or SECTIONS directive. The linker uses a default model to combine sections (if necessary) and allocate them into memory. When using the default model, the linker:

- 1) Reads the object file to determine the correct target processor.
- 2) Assuming the target processor is the TMS320C25, the following memory locations are available:
 - Program memory
 - External locations* 1000h–0FEFFh
 - Data memory
 - On-chip locations* 300h–3FFh (on-chip block B1)
 - External locations* 400h–0FFFFh
- 3) Allocates .text into program memory, beginning at address 1000h.
- 4) Allocates .data into program memory, immediately following .text.
- 5) Allocates any *initialized* named sections into program memory, immediately following .data. Named sections are allocated in the order that the linker encounters them in the input files.
- 6) Allocates .bss into data memory, beginning at address 300h.
- 7) Allocates any *uninitialized* named sections into data memory, immediately following .bss. Named sections are allocated in the order that the linker encounters them in the input files.

Figure 2–3 shows how a single file would be allocated into memory using default allocation for the TMS320C25. Note that the linker does not actually place object code into memory; it assigns addresses to sections so that a loader can place the code in memory.

For information about the default allocation for the TMS320C1x, TMS320C2x, TMS320C2xx, and TMS320C5x, refer to Section 8.11, page 8-45.

Figure 2–3. Default Allocation for the Object Code in Figure 2–2



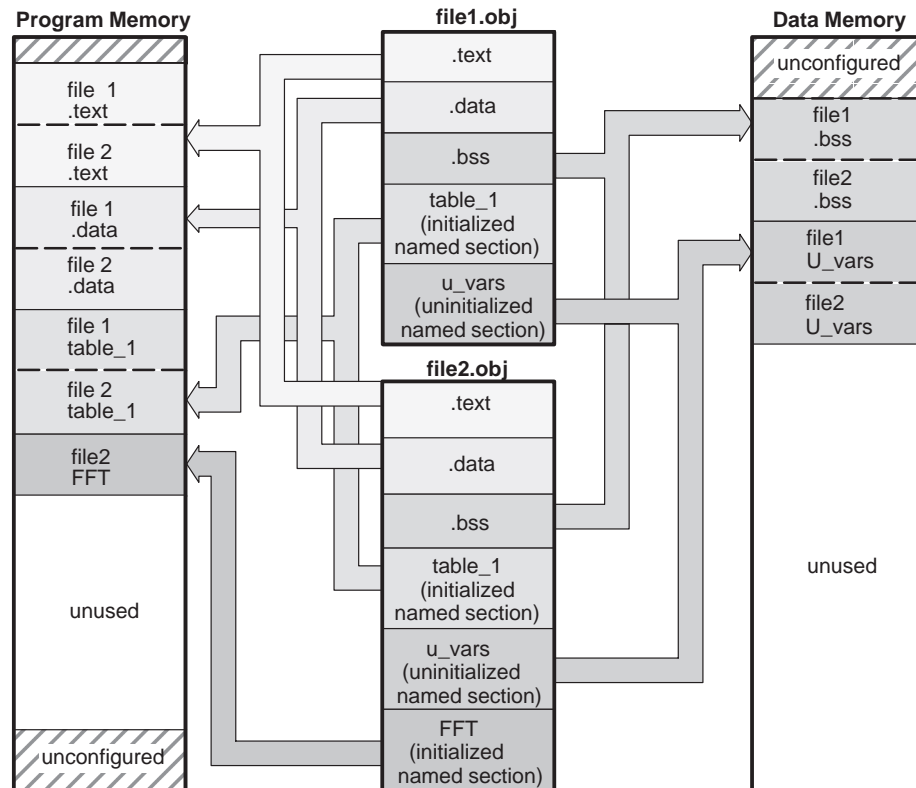
As Figure 2–3 shows, the linker:

- 1) Allocates the .text section first, beginning at address 1000h in program memory. The .text section contains 7 words of object code.
- 2) Allocates the .data section next, beginning at address 1007h in program memory. The .data section contains 5 words of object code.
- 3) Allocates the .bss section, beginning at address 300h in data memory. The .bss section reserves 11 words in memory.
- 4) Allocates the uninitialized named section newvars at address 30Bh in data memory. The newvars section reserves 8 words in memory.

Note that the space in address range 0100Ch–0FFFFh in program memory and 0313h–0FFFFh in data memory is not used.

Figure 2–4 shows a simple example of how two files would be linked together. When you link several files by using the default algorithm, the linker combines all input sections that have the same name into one output section that has this same name. For example, the linker combines the `.text` sections from two input files to create one `.text` output section.

Figure 2–4. Combining Input Sections From Two Files (Default Allocation)



In Figure 2–4, file1.obj and file2.obj each contain the `.text`, `.data`, and `.bss` default sections; an initialized named section called `Table_1`; and an uninitialized named section called `U_vars`. file2.obj also contains an initialized named section called `FFT`. As Figure 2–4 shows, the linker:

- 1) Combines file1 `.text` with file2 `.text` to form one `.text` output section. The `.text` output section is allocated at address 1000h in program memory.
- 2) Combines file1 `.data` with file2 `.data` to form the `.data` output section. The `.data` output section is allocated into program memory following the `.text` output section.

- 3) Combines file1 table_1 with file2 table_1 to form the table_1 output section. The table_1 section is the first initialized named section that the linker encounters, so it is allocated before the second initialized named section, FFT. The table_1 output section is allocated into program memory following the .data output section.
- 4) Allocates the FFT section from file2 after the table_1 section.
- 5) Combines file1 .bss with file2 .bss to form the .bss output section. The .bss output section is allocated at address 300h in data memory.
- 6) Combines file1 U_vars with file2 U_vars to form the U_vars output section. The U_vars output section is allocated into data memory following the .bss output section.

For more information about default allocation algorithms, refer to Section 8.11, page 8-45.

2.3.2 Placing Sections in the Memory Map

Figure 2–3 and Figure 2–4 illustrate the linker's default methods for combining sections and allocating them into memory. Sometimes you may not want to use the default setup. For example, you may not want to combine all of the .data sections into a single .data output section. Or, you might want to place a named section instead of the .text section at program memory address 1000h. Most memory maps contain various types of memories (DRAM, ROM, EPROM, etc.) in varying amounts; you may want to place a section in a type of memory.

The next illustrations show another possible combination of the sections from Figure 2–3. Assume that a CNFD instruction defined block B0 as data memory and that microcomputer mode is selected ($MP/\overline{MC}=0$).

Example 2–2 contains TMS320C25 MEMORY and SECTIONS definitions.

Figure 2–5 shows how the ranges defined in Example 2–2 fit into the TMS320C25 memory map, and

Figure 2–6 shows how the sections from Figure 2–3 are allocated into the memory map.

For examples of linker command files for the TMS320C10, TMS320C25, and TMS320C50 in other modes, refer to Appendix C.

Example 2–2. TMS320C25 MEMORY and SECTIONS Directives

```

MEMORY
{
    /* Program Memory */
    PAGE 0 : VECS:  origin =  0h,  length = 020h
            CODE:  origin = 020h,  length = 0F90h
    /* Data Memory */
    PAGE 1 : RAMB2: origin = 060h,  length = 020h
            RAMB0: origin = 200h,  length = 100h
            RAMB1: origin = 300h,  length = 100h
}

SECTIONS
{
    vectors:          > 000000h
    .text:            > CODE

    .data:            > RAMB2
    .bss:              > RAMB0
    newvars:          > RAMB1
}

```

- The MEMORY directive in Example 2–2 defines five memory ranges:

VECS	CODE
RAMB2	RAMB0
RAMB1	

The *PAGE* option identifies the type of memory that the range occupies. PAGE 0 identifies program memory, and PAGE 1 identifies data memory. The *origin* for each of these ranges identifies the range's starting address in memory. The *length* specifies the length of the range.

For example, memory range RAMB0 on PAGE 1 has a starting address of 200h and a length of 100h; it defines the addresses 0200h through 02FFh in data memory.

Note that this MEMORY definition does not define the following ranges:

- 0FB0h–0FFFFh in program memory
- 0h–05Fh in data memory
- 080h–01FFh in data memory
- 0400h–0FFFFh in data memory

These undefined ranges are **unconfigured**. As far as the linker is concerned, these areas do not exist, and no code or data can be loaded into them. Whenever you use the MEMORY directive, only the memory ranges that the directive defines can contain code or data.

- The SECTIONS directive in Example 2–2 defines the order in which the sections are allocated into memory. The vectors section must begin at address 0 in program memory; .text is allocated into the CODE range in program memory. The .data section is allocated into the RAMB2 range in data memory, .bss is allocated into RAMB0 in data memory, and newvars is allocated into RAMB1 in data memory.

Figure 2–5. Memory Map Defined by Example 2–2

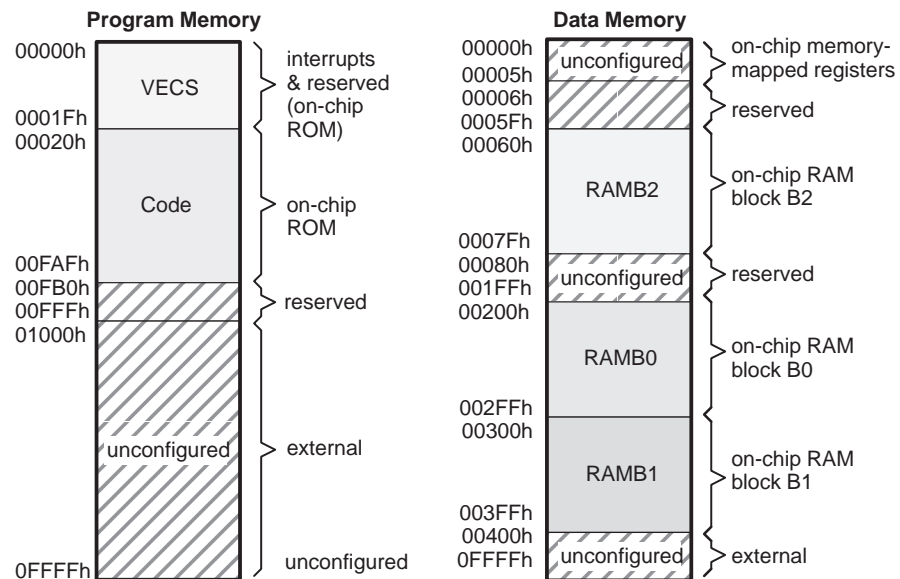


Figure 2–5 shows how the ranges defined by the MEMORY directive in Example 2–2 fit into the memory map.

- In program memory, the VECS range occupies the addresses that are usually used for interrupts. The CODE range occupies the on-chip ROM area. The reserved and external memory locations are unconfigured.
- In data memory, the RAMB2 range occupies the addresses used by on-chip RAM block B2, RAMB0 occupies block B0, and RAMB1 occupies block B1. The on-chip memory-mapped registers and the reserved and external memory locations are unconfigured.

Figure 2–6. Allocating the Sections With the Linker

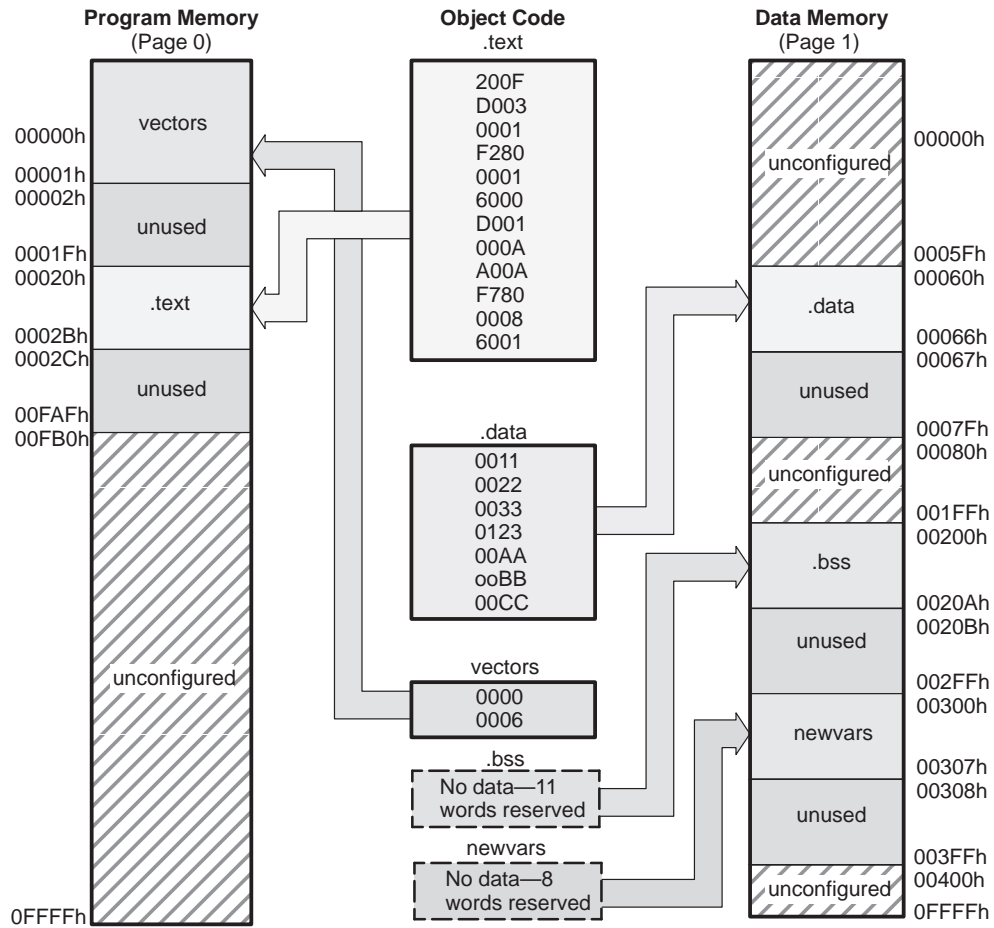


Figure 2–6 shows how the sections are allocated into the memory ranges defined in Example 2–2. Note that some of the memory is configured but unused. For example, the .text section is allocated into the CODE area. The length of the CODE range is 0F90h words; however, the .text section contains only 12 words. Thus, locations 02Ch–0FAFh are unused.

2.4 Relocation

The assembler treats each section as if it began at address 0. All relocatable symbols (labels) are relative to address 0 in their sections. Of course, all sections can't actually begin at address 0 in memory, so the linker **relocates** sections by:

- Allocating them into the memory map so that they begin at the appropriate address
- Adjusting symbol values to correspond to the new section addresses
- Adjusting references to relocated symbols to reflect the adjusted symbol values

The linker uses *relocation entries* to adjust references to symbol values. The assembler creates a relocation entry each time a relocatable symbol is referenced. The linker then uses these entries to patch the references after the symbols are relocated. Example 2–3 contains a code segment for the TMS320C25 that generates relocation entries.

Example 2–3. Code That Generates Relocation Entries

```
1      .ref      X
2 0000      .text
3 0000 FF80   B      X ; Generates a relocation entry
   0001 0000!
4 0002 D001   LALK   Y ; Generates a relocation entry
   0003 0004'
5 0004 CE1F   Y:    IDLE
```

In Example 2–3, both symbols X and Y are relocatable. Y is defined in the .text section of this module; X is defined in another module. When the code is assembled, X has a value of 0 (the assembler assumes all undefined external symbols have values of 0), and Y has a value of 4 (relative to address 0 in the .text section). The assembler generates two relocation entries, one for X and one for Y. The reference to X is an external reference (indicated by the ! character in the listing). The reference to Y is to an internally defined relocatable symbol (indicated by the ' character in the listing).

After the code is linked, suppose that X is relocated to address 0x0100. Suppose also that the .text section is relocated to begin at address 0x0200; Y now has a relocated value of 0x0204. The linker uses the two relocation entries to patch the two references in the object code:

```
FF80  B    X  becomes  FF80
0000                                     0100
D001  LALK Y  becomes  D001
0004                                     0204
```

Each section in a COFF object file has a table of relocation entries. The table contains one relocation entry for each relocatable reference in the section. The linker usually removes relocation entries after it uses them. This prevents the output file from being relocated again (if it is relinked or when it is loaded). A file that contains no relocation entries is an *absolute file* (all its addresses are absolute addresses). If you want the linker to retain relocation entries, invoke the linker with the `-r` option.

2.5 Runtime Relocation

At times you may want to load code into one area of memory and run it in another. For example, you may have performance-critical code in a ROM-based system. The code must be loaded into ROM but would run faster in RAM.

The linker provides a simple way to specify this. Using the `SECTIONS` directive, you can optionally direct the linker to allocate a section twice: once to set its load address, and again to set its run address. Use the *load* keyword for the load address and the *run* keyword for the run address.

The load address determines where a loader will place the raw data for the section. Any references to the section (such as labels in it) refer to its run address. The application must copy the section from its load address to its run address; this does *not* happen automatically simply because you specify a separate run address. For an example that illustrates how to move a block of code at runtime, see Example 8–7, page 8-35.

If you provide only one allocation (either load or run) for a section, the section is allocated only once and will load and run at the same address. If you provide both allocations, the section is actually allocated as if it were two separate sections of the same size.

Uninitialized sections (such as `.bss`) are not loaded, so the only significant address is the run address. The linker allocates uninitialized sections only once: if you specify both run and load addresses, the linker warns you and ignores the load address.

For a complete description of runtime relocation, see Section 8.8, page 8-33.

2.6 Loading a Program

The linker produces executable COFF object modules. An executable object file has the same COFF format as object files that are used as linker input; the sections in an executable object file, however, are combined and relocated into target memory.

To run a program, the data in the executable object module must be transferred, or *loaded*, into target system memory. Several methods can be used for loading a program, depending on the execution environment. Three common methods are described below.

- The TMS320C1x/C2x/C2xx/C5x debugging tools, including the software simulator, XDS emulator, and software development system, have built-in loaders. Each of these tools has a LOAD command that invokes a loader; the loader reads the executable file and copies the program into target memory.
- You can use the hex conversion utility (the dsphex, which is shipped as part of the assembly language package) to convert the executable COFF object module into one of several object file formats. You can then use the converted file with an EPROM programmer to burn the program into an EPROM.
- Some TMS320C1x/C2x/C2xx/C5x programs are loaded under the control of an operating system or monitor software running directly on the target system. In this type of application, the target system usually has an interface to the file system on which the executable module is stored. You must write a custom loader for this type of system. Refer to Appendix A for supplementary information about the internal format of COFF object files. The loader must comprehend the file system (in order to access the file) and the memory organization of the target system (to load the program into memory).

2.7 Symbols in a COFF File

A COFF file contains a symbol table that stores information about symbols in the program. The linker uses this table when it performs relocation. Debugging tools can also use the symbol table to provide symbolic debugging.

2.7.1 External Symbols

External symbols are symbols that are defined in one module and referenced in another module. You can use the **.def**, **.ref**, or **.global** directives to identify symbols as external:

Defined (.def)	Defined in the current module and used in another module
Referenced (.ref)	Referenced in the current module, but defined in another module
Global (.global)	May be either of the above

The following code segment illustrates these definitions.

```
x:      ADD      056h      ; Define x
        MPY      y        ; Reference y
        .global  x        ; DEF of x
        .global  y        ; REF of y
```

The **.global** definition of **x** says that it is an external symbol defined in this module and that other modules can reference **x**. The **.global** definition of **y** says that it is an undefined symbol that is defined in another module.

The assembler places both **x** and **y** in the object file's symbol table. When the file is linked with other object files, the entry for **x** defines unresolved references to **x** from other files. The entry for **y** causes the linker to look through the symbol tables of other files for **y**'s definition.

The linker must match all references with corresponding definitions. If the linker cannot find a symbol's definition, it prints an error message about the unresolved reference. This type of error prevents the linker from creating an executable object module.

2.7.2 The Symbol Table

The assembler always generates an entry in the symbol table when it encounters an external symbol (both definitions and references). The assembler also creates special symbols that point to the beginning of each section; the linker uses these symbols to relocate references to other symbols in a section.

The assembler does not usually create symbol table entries for any symbol other than those described above, because the linker does not use them. For example, labels are not included in the symbol table unless they are declared with `.global`. For symbolic debugging purposes, it is sometimes useful to have entries in the symbol table for each symbol in a program. To accomplish this, invoke the assembler with the `-s` option.

Assembler Description

The assembler translates assembly language source files into machine language object files. These files are in common object file format (COFF), which is discussed in Chapter 2 and Appendix A. Source files can contain the following assembly language elements:

Assembler directives	described in Chapter 4
Assembly language instructions	described in Chapter 5
Macro directives	described in Chapter 6

Topic	Page
3.1 Assembler Overview	3-2
3.2 Assembler Development Flow	3-3
3.3 Invoking the Assembler	3-4
3.4 Upward Compatibility Within the TMS320C1x/C2x/C2xx/C5x Processors	3-6
3.5 Naming Alternate Directories for Assembler Input	3-12
3.6 Source Statement Format	3-15
3.7 Constants	3-17
3.8 Character Strings	3-19
3.9 Symbols	3-20
3.10 Expressions	3-25
3.11 Source Listings	3-30
3.12 Cross-Reference Listing	3-33
3.13 Enhanced Instruction Forms	3-34

3.1 Assembler Overview

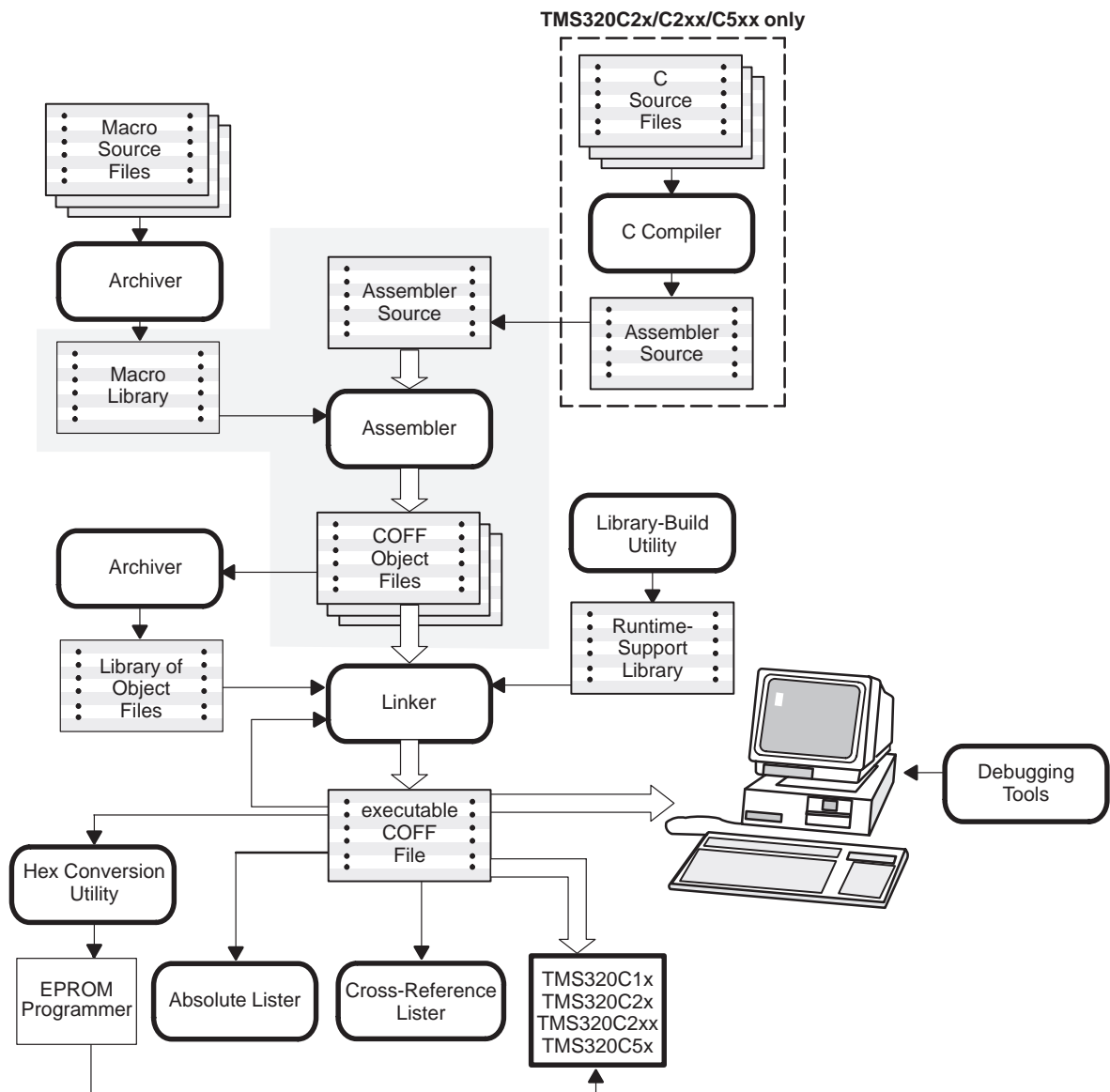
The two-pass assembler does the following:

- Processes the source statements in a text file to produce a relocatable object file
- Produces a source listing (if requested) and provides you with control over this listing
- Allows you to segment your code into sections and maintain an SPC (section program counter) for each section of object code
- Defines and references global symbols and appends a cross-reference listing to the source listing (if requested)
- Assembles conditional blocks
- Supports macros, allowing you to define macros inline or in a library
- Allows you to assemble TMS320C1x, TMS320C2x, TMS320C2xx, or TMS320C5x code

3.2 Assembler Development Flow

Figure 3–1 illustrates the assembler's role in the assembly language development flow. The assembler accepts assembly language source files as input. The TMS320C1x/C2x/C2xx/C5x assembler also accepts assembly language files created by the TMS320C2x/C2xx/C5x C compiler.

Figure 3–1. Assembler Development Flow



3.3 Invoking the Assembler

To invoke the assembler, enter the following:

```
dspa [input file [object file [listing file]]] [–options]
```

- dspa** is the command that invokes the assembler.
- input file* names the assembly language source file. If you do not supply an extension, the assembler uses the default extension *.asm*. If you do not supply an input filename, the assembler will prompt you for one.
- object file* names the object file that the assembler creates. If you do not supply an extension, the assembler uses *.obj* as a default. If you do not supply an object file, the assembler creates a file that uses the input filename with the *.obj* extension.
- listing file* names the optional listing file that the assembler can create. If you do not supply a listing filename, *the assembler does not create one* unless you use the *–l* (lowercase L) option. In this case, the assembler uses the input filename. If you do not supply an extension, the assembler uses *.lst* as a default.
- options* identifies the assembler options that you want to use. Options are not case-sensitive and can appear anywhere on the command line, following the command. Precede each option with a hyphen. Single-letter options without parameters can be combined: for example, *–lc* is equivalent to *–l –c*. Options that have parameters, such as *–i*, must be specified separately.
- a** creates an absolute listing. When you use *–a*, the assembler does not produce an object file. The *–a* option is used in conjunction with the absolute lister.
 - c** makes case insignificant in the assembly language files. For example, *–c* will make the symbols ABC and abc equivalent. *If you do not use this option, case is significant* (default).
 - d** **–dname** [=value] sets the *name* symbol. This is equivalent to inserting *name .set [value]* at the beginning of the assembly file. If *value* is omitted, the symbol is set to 1. For more information, see subsection 3.9.3, page 3-21.
 - i** specifies a directory where the assembler can find files named by the *.copy*, *.include*, or *.mlib* directives. The format of the *–i* option is *–ipathname*. You can specify up to 10 directories in this manner; each pathname must be preceded by the *–i* option. For more information, see subsection 3.5.1, page 3-12.

- l** (lowercase L) produces a listing file.
- p** enables the porting of TMS320C2x code to the TMS320C5x or the TMS320C2xx (see subsection 3.4.1, page 3-6).
- pp** lets you port TMS320C2x code to the TMS320C2xx and defines the .TMS32025 and .TMS3202xx symbols. The **-pp** option can be used with code that was written using the .TMS32025 and .TMS32050 symbols so that the code compiles for either processor (see subsection 3.4.2, page 3-8).
- q** (quiet) suppresses the banner and all progress information.
- s** puts all defined symbols in the object file's symbol table. The assembler usually puts only global symbols into the symbol table. When you use **-s**, symbols defined as labels or as assembly-time constants are also placed in the table.
- v** specifies a version. The version tells the assembler which of the following TMS320 devices it should produce code for (the default is **-v25**):
 - v10** selects the TMS320C1x
 - v16** selects the TMS320C16
 - v20** selects the TMS320C20
 - v25** selects the TMS320C2x
 - v2xx** selects the TMS320C2xx
 - v50** selects the TMS320C5x
- w** detects pipeline conflicts in TMS320C5x code. This is basically a warning switch. This option is valid for the TMS320C5x only. For more information, see subsection 3.4.3.
- x** produces a cross-reference table and appends it to the end of the listing file; also adds cross-reference information to the object file for use by the cross-reference utility. If you do not request a listing file, the assembler creates one anyway.

3.4 Upward Compatibility Within the TMS320C1x/C2x/C2xx/C5x Processors

The TMS320C1x/C2x/C2xx/C5x fixed-point processors are upwardly source code compatible. For example, code originally written for the TMS320C10 can be assembled for the TMS320C25 with `-v25` assembler option. The `-v` option is explained in detail on page 3-5.

All of the processors are capable of handling upwardly ported code as long as the target processor's number is the same as or greater than the original target processor. Porting code downward, however, produces undefined results; in most cases, the code will fail to assemble.

This section explains how to use the `-p` and `-w` options to ease porting.

3.4.1 Porting Inconsistencies (`-p` Option)

The TMS320C5x's and TMS320C2xx's hardware enhancements have resulted in several code porting inconsistencies. The following three cases are either not supported on the TMS320C5x or TMS320C2xx or might indirectly alter the original algorithm.

- The TMS320C5x and TMS320C2xx do not support conditional branches with ARP or AR update. For example:
`bgz label, *, ar6`
- The NORM instruction modifies the AR on the fourth phase of the instruction pipe and therefore might cause a pipeline conflict.
- These TMS320C2x serial port commands are not valid for the TMS320C5x or TMS320C2xx: RFSM, SFSM, RTXM, STXM, and FORT.

You should be aware of these porting inconsistencies so that you can find and fix them. To enable you to port code quickly, however, the `-p` assembler option is available. The `-p` option handles two of the cases and produces a flag in the third case. Use the `-p` option with the appropriate version option (`-v50` or `-v2xx`). Specifically, the `-p` option performs these actions:

- Translates conditional branches with ARP updates into a branch-on-condition delayed-MAR-NOP instruction sequence. For example:

TMS320C5x

```
bgz label, *, ar6 translates to bcndd label, GT
                                mar *, ar6
                                nop
```

TMS320C2xx

```
bgz label, *, ar6 translates to mar *, ar6
                                BCND gt
```

- Inserts two NOP instructions after a NORM instruction to protect the pipeline.
- Flags the serial port control register instructions as invalid opcodes, because the instructions cannot be translated directly by the assembler into valid TMS320C5x instructions.

Example 3–1 shows how TMS320C25 code is affected when `-p` is used with `-v50`.

Example 3–1. `-p` Option and `-v50` Option Effect on Ported Code

```

1  *-p option branch with ARP update
2
3 0000 b90a      LACK  10
4 0001 7c01    L1  SBRK  1
5 0002 90aa      SACL  *+,AR2
6 0003 90a0      SACL  *+
7 0004 f304      BGZ L1, AR1 ; arp update not supported on 'C5x
0005 001' ; *** DELAYED BRANCH REPLACES PREVIOUS INSTRUCTION ***
0006 8b09      MAR ; *** UPDATE ARx AS IN PREVIOUS BRANCH ***
0007 8b00      NOP ; *** INSERTED FOR PIPELINE ALIGNMENT ***
8
9 0008 2080    L2  ADD *
10 0009 f100     BBNZ L2,AR1
000a 0008 ; *** DELAYED BRANCH REPLACES PREVIOUS INSTRUCTION ***
000b 8b09     MAR ; *** UPDATE ARx AS IN PREVIOUS BRANCH ***
000c 8b00     NOP ; *** INSERTED FOR PIPELINE ALIGNMENT ***
11
12          * -p option indirect addressing after NORM instruction
13
14 000d 8b8a     LARP  AR2
15 000e a080     NORM  *
000f 8b00     NOP ; *** INSERTED FOR PIPELINE PROTECTION ***
0010 8b00     NOP ; *** INSERTED FOR PIPELINE PROTECTION ***
16 0011 8213'   SAR 2,x ; pipeline conflict
17 0012 8280   SAR AR2,* ; pipeline conflict
18
19 0013 0000   x .word 00h
No Errors, No Warnings

```

For a detailed description of porting TMS320C2x code to the TMS320C5x, refer to the *TMS320C5x User's Guide*. For a detailed description of porting TMS320C2x code to the TMS320C2xx, refer to the *TMS320C2xx User's Guide* (scheduled to be published in the second quarter of 1995).

3.4.2 Porting Code Written for 'C2x or 'C5x to the 'C2xx (–pp Option)

If you have an existing body of code that was written using the .TMS32025 and .TMS32050 symbols so that the code compiles for either processor, you can easily port this code to the TMS320C2xx with the –v2xx option and the –pp option combined. The –pp option defines both the .TMS32025 and the .TMS3202xx symbols and resolves the porting inconsistencies described in subsection 3.4.1. This allows you to port code written as shown in Example 3–2 directly to the TMS320C2xx without modification.

Example 3–2. Basic TMS320C25 and TMS320C50 Assembly Construct

```
.if .tms32050
.
.
code specific to 'C50
.
.
.endif
.if .tms32025
.
.
code specific to 'C25
.
.
.endif
```

If Example 3–3 was assembled for the TMS320C2xx without the –pp switch, the line .if .tms32025 would have to be changed to .if .tms32025 || .tms3202xx in order to assemble properly. With the –pp switch, since the .tms32025 symbol is defined by the assembler, the code segment does not have to be changed.

Example 3–3. Porting TMS320C25 and TMS320C50 to TMS320C2xx

```
    .  
    .  
    .if .tms32050  
    BD label      ; delayed branch, specific to 'C50  
    .endif  
  
    INSTR1  
    INSTR2  
  
    .if .tms32025  
    B  label      ; C25 does not have delayed branch  
    .endif  
    .  
    .
```

This option is provided as a convenience for porting existing code to the TMS320C2xx devices. The `-pp` option will work only if the `-v2xx` option is used when assembling.

3.4.3 Programming the TMS320 Pipeline (–w Option)

The TMS320C1x and TMS320C2x processors use a pipelined instruction execution. This pipeline is basically transparent, except in cases where it is broken, such as by branch instructions. For more information about each of the processor’s pipelines, refer to the appropriate TMS320 user’s guide.

Because of the TMS320C5x hardware enhancements, such as the four-phase pipeline and memory-mapped registers, there may be pipeline conflicts. The –w assembler option warns you of the following pipeline conflicts:

WARNING – CONTEXT SWITCH IN DELAYED SEQUENCE

This warning indicates a context switch during a delayed sequence context change. The following instructions change the processor context:

TRAP[D]	CALA[D]	BACC[D]	RETI
BCND[D]	CC[D]	RETC[D]	RETE
B[D]	CALL[D]	BANZ[D]	INTR

WARNING – POSSIBLE PIPE HIT AT BRANCH ADDRESS

This warning indicates that a NORM instruction was found during a delayed sequence context change. The NORM instruction may cause a pipeline conflict.

WARNING – DELAYED JUMP MISSES SECOND WORD

This warning indicates that a two-word instruction is in the second word of a delayed sequence context switch. The second word will be fetched from the branch address.

WARNING – POSSIBLE PIPE CONFLICT WITH NORM

This warning indicates use of indirect addressing in the two words following a NORM instruction. This may cause a pipeline conflict.

WARNING – POSSIBLE PIPE HIT WITH ARx ACCESS

This warning indicates an access to an AR register as a memory address. This may cause a pipeline conflict.

Note: – w Does Not Provide Warnings for All Pipeline Conflicts

Be aware of the effects of pipelined execution when you program the TMS320C5x. The –w switch does not provide warnings for all pipeline conflicts. There are subtle situations that the assembler cannot detect.

Example 3–4 shows the –w option’s effect on TMS320C25 code.

Example 3-4. -w Option Effect on Ported Code

```

1      * -w switch context switch
2
3 0000 8b89      LARP  AR1
4 0000 3080  x  SUB *
5
6 0002 f388      BCNDD x,eq
   0003 0001'
7 0004 2080      ADD *
8 0005 7980      B Y ; context switch during delayed sequence
   0006 0009'
***** WARNING - CONTEXT SWITCH IN DELAYED SEQUENCE
9
10 0007 2080      ADD *
11 0008 2080      ADD *
12
13 0009 8B00  y  NOP
14
15
16      * -w switch norm pipeline conflict
17
18 000a 8b8a      LARP  AR2
19 000B a080      NORM  * ; norm hits ar2 in execute phase
20 000c 820e      SARAR2,exp
***** WARNING - PROBABLE PIPE CONFLICT WITH NORM
LAST ERROR AT 8
0021 000d0200    LARAR2,0
***** WARNING - PROBABLE PIPE CONFLICT WITH NORM
LAST ERROR AT 20
22
23 000e 0000  exp.WORD OOh
24
25      * -w switch arx as an address pipeline conflict
26
27
28 000f 101b      LACAR3,AR3 ; modifies ar3 in fourth phase
***** WARNING - POSSIBLE PIPE HIT WITH ARx ACCESS
LAST ERROR AT 21
29 0010 2080      ADD * ; uses ar3 in second phase

No Errors, 4 Warnings

```

For a detailed description of pipeline conflicts, including a list of the instructions that will potentially cause conflicts and methods for using these instructions, refer to the *TMS320C5x User's Guide*.

3.5 Naming Alternate Directories for Assembler Input

The `.copy`, `.include`, and `.mlib` directives tell the assembler to use code from external files. The `.copy` and `.include` directives tell the assembler to read source statements from another file, and the `.mlib` directive names a library that contains macro functions. Chapter 4, *Assembler Directives*, contains examples of the `.copy`, `.include`, and `.mlib` directives. The syntax for these directives is:

```
.copy "filename"  
.include "filename"  
.mlib "filename"
```

The *filename* names a copy/include file that the assembler reads statements from or a macro library that contains macro definitions. The filename may be a complete pathname, a partial pathname, or a filename with no path information. The assembler searches for the file in:

- 1) The directory that contains the current source file. The current source file is the file being assembled when the `.copy`, `.include`, or `.mlib` directive is encountered.
- 2) Any directories named with the `-i` assembler option
- 3) Any directories set with the environment variable `A_DIR`

You can augment the assembler's directory search algorithm by using the `-i` assembler option or the environment variable.

3.5.1 `-i` Assembler Option

The `-i` assembler option names an alternate directory that contains copy/include files or macro libraries. The format of the `-i` option is as follows:

```
dspa -ipathname source filename
```

You can use up to 10 `-i` options per invocation; each `-i` option names one pathname. In assembly source, you can use the `.copy`, `.include`, or `.mlib` directive without specifying path information. If the assembler doesn't find the file in the directory that contains the current source file, it searches the paths designated by the `-i` options.

For example, assume that a file called `source.asm` is in the current directory; `source.asm` contains the following directive statement:

```
.copy "copy.asm"
```

	Pathname for <code>copy.asm</code>	Invocation Command
DOS	<code>c:\dsp\files\copy.asm</code>	<code>dspa -ic:\dsp\files source.asm</code>
UNIX	<code>/dsp/files/copy.asm</code>	<code>dspa -i/dsp/files source.asm</code>

The assembler first searches for `copy.asm` in the current directory because `source.asm` is in the current directory. Then the assembler searches in the directory named with the `-i` option.

3.5.2 A_DIR Environment Variable

An environment variable is a system symbol that you define and assign a string to. The assembler uses the environment variable **A_DIR** to name alternate directories that contain copy/include files or macro libraries. The command syntax for assigning the environment variable is as follows:

```
DOS  set A_DIR = pathname;another pathname ...
UNIX setenv A_DIR "pathname;another pathname ..."
```

The *pathnames* are directories that contain copy/include files or macro libraries. You can separate the pathnames with a semicolon or with blanks. In assembly source, you can use the `.copy`, `.include`, or `.mlib` directive without specifying any path information. If the assembler doesn't find the file in the directory that contains the current source file or in directories named by `-i`, it searches the paths named by the environment variable.

For example, assume that a file called `source.asm` contains these statements:

```
.copy "copy1.asm"
.copy "copy2.asm"
```

	Pathname	Invocation Command
DOS	<code>c:\320\files\copy1.asm</code> <code>c:\dsys\copy2.asm</code>	<code>set A_DIR=c:\dsys; c:\exec\source</code> <code>dspa -ic:\320\files source.asm</code>
UNIX	<code>/320/files/copy1.asm</code> <code>/dsys/copy2.asm</code>	<code>set A_DIR=/dsys; /exec.source</code> <code>dspa -i/320/files source.asm</code>

Naming Alternate Directories for Assembler Input

The assembler first searches for copy1.asm and copy2.asm in the current directory because source.asm is in the current directory. Then the assembler searches in the directory named with the `-i` option and finds copy1.asm. Finally, the assembler searches the directory named with `A_DIR` and finds copy2.asm.

The environment variable remains set until you reboot the system or reset the variable by entering one of these commands:

```
DOS    set A_DIR=  
UNIX   setenv A_DIR " "
```

3.6 Source Statement Format

TMS320 assembly language source programs consist of source statements that can contain assembler directives, assembly language instructions, macro directives, and comments. Source statement lines can be as long as the source file format allows, but the assembler reads up to 200 characters per line. If a statement contains more than 200 characters, the assembler truncates the line and issues a warning.

The following are examples of source statements:

```
SYM1      .set      2      ; Symbol SYM1 = 2
Begin:    LDPK      SYM1   ; Load DP with 2
          .word     016h   ; Initialize a word with 016h
```

A source statement can contain four ordered fields. The general syntax for source statements is as follows:

```
[label] [:]  mnemonic  [operand list]  [;comment]
```

Follow these guidelines:

- All statements must begin with a label, a blank, an asterisk, or a semicolon.
- Labels are optional; if used, they must begin in column 1.
- One or more blanks must separate each field. Tab characters are equivalent to blanks.
- Comments are optional. Comments that begin in column 1 can begin with an asterisk or a semicolon (* or ;), but comments that begin in any other column **must** begin with a semicolon.

3.6.1 Label Field

Labels are optional for all assembly language instructions and for most (but not all) assembler directives. When used, a label must begin in column 1 of a source statement. A label can contain up to 32 alphanumeric characters (A–Z, a–z, 0–9, _, and \$). Labels are case sensitive, and the first character cannot be a number. A label can be followed by a colon (:); the colon is not treated as part of the label name. If you don't use a label, the first character position must contain a blank, a semicolon, or an asterisk.

When you use a label, its value is the current value of the section program counter (the label points to the statement it's associated with). If, for example, you use the `.word` directive to initialize several words, a label would point to the first word. In the following example, the label `Start` has the value `40h`.

```
.      .      .      .  
.      .      .      .  
.      .      .      .  
9      003F      * Assume some other code was assembled  
10     0040      000A Start: .word 0Ah,3,7  
      0041      0003  
      0042      0007
```

A label on a line by itself is a valid statement. The label assigns the current value of the section program counter to the label; this is equivalent to the following directive statement:

```
label .set $ ; $ provides the current value of the SPC
```

When a label appears on a line by itself, it points to the instruction on the next line (the SPC is not incremented):

```
3      0050      Here:  
4      0050      0003      .word 3
```

3.6.2 Mnemonic Field

The mnemonic field follows the label field. The mnemonic field must not start in column 1; if it does, it will be interpreted as a label. The mnemonic field can contain one of the following opcodes:

- Machine-instruction (such as ABS, MPYU, SPH)
- Assembler directive (such as .data, .list, .set)
- Macro directive (such as .macro, .var, .mexit)
- Macro call

3.6.3 Operand Field

The operand field is a list of operands that follow the mnemonic field. An operand can be a constant (see Section 3.7, page 3-17), a symbol (see Section 3.9, page 3-20), or a combination of constants and symbols in an expression (see Section 3.10, page 3-25). You must separate operands with commas.

3.6.4 Comment Field

A comment can begin in any column and extends to the end of the source line. A comment can contain any ASCII character, including blanks. Comments are printed in the assembly source listing, but they do not affect the assembly.

A source statement that contains only a comment is valid. If it begins in column 1, it can start with semicolon (;) or asterisk (*). Comments that begin anywhere else on the line must begin with a semicolon. The asterisk identifies a comment only if it appears in column 1.

3.7 Constants

The assembler supports six types of constants:

- Binary integer
- Octal integer
- Decimal integer
- Hexadecimal integer
- Character
- Assembly-time

The assembler maintains each constant internally as a 32-bit quantity. Constants are not sign-extended. For example, the constant 0FFH is equal to 00FF (base 16) or 255 (base 10); it does not equal -1 .

3.7.1 Binary Integers

A binary integer constant is a string of up to 16 binary digits (0s and 1s) followed by the suffix **B** (or **b**). If fewer than 16 digits are specified, the assembler right-justifies the value and zero-fills the unspecified bits. These are examples of valid binary constants:

00000000B Constant equal to 0_{10} or 0_{16}
0100000b Constant equal to 32_{10} or 20_{16}
01b Constant equal to 1_{10} or 1_{16}
1111000B Constant equal to 248_{10} or $0F8_{16}$

3.7.2 Octal Integers

An octal integer constant is a string of up to 6 octal digits (0 through 7) followed by the suffix **Q** (or **q**). These are examples of valid octal constants:

10Q Constant equal to 8_{10} or 8_{16}
10000Q Constant equal to $32,768_{10}$ or $8,000_{16}$
226q Constant equal to 150_{10} or 96_{16}

3.7.3 Decimal Integers

A decimal integer constant is a string of decimal digits, ranging from $-32,768$ to $65,535$. These are examples of valid decimal constants:

1000 Constant equal to 1000_{10} or $3E8_{16}$
-32768 Constant equal to $-32,768_{10}$ or $8,000_{16}$
25 Constant equal to 25_{10} or 19_{16}

3.7.4 Hexadecimal Integers

A hexadecimal integer constant is a string of up to 4 hexadecimal digits followed by the suffix **H** (or **h**). Hexadecimal digits include the decimal values 0–9 and the letters A–F and a–f. A hexadecimal constant must begin with a decimal value (0–9). If fewer than 4 hexadecimal digits are specified, the assembler right-justifies the bits. These are examples of valid hexadecimal constants:

78h	Constant equal to 120_{10} or 0078_{16}
0FH	Constant equal to 15_{10} or $000F_{16}$
37ACh	Constant equal to $14,252_{10}$ or $37AC_{16}$

3.7.5 Character Constants

A character constant is a string of one or two characters enclosed in single quotes. The characters are represented internally as 8-bit ASCII characters. Two consecutive single quotes are required to represent each single quote that is part of a character constant. A character constant consisting only of two single quotes is valid and is assigned the value 0. If only one character is specified, the assembler right-justifies the bits. These are examples of valid character constants:

'a'	Defines the character constant <i>a</i> and is represented internally as 61_{16}
'C'	Defines the character constant <i>C</i> and is represented internally as 43_{16}
''	Defines the character constant <i>'</i> and is represented internally as 27_{16}
''	Defines a null character and is represented internally as 00_{16}

Note the difference between character constants and character strings (Section 3.8, page 3-19, discusses character strings). A character constant represents a single integer value; a string is a list of characters.

3.7.6 Assembly-Time Constants

If you use the `.set` directive to assign a value to a symbol, the symbol becomes a constant. To use this constant in expressions, the value that is assigned to it must be absolute. For example:

```
shift3    .set    3
          LAC *, shift3, AR1
```

You can also use the `.set` directive to assign symbolic constants for register names. In this case, the symbol becomes a synonym for the register:

```
AuxR1    .set    AR1
          LAC *, 0, AuxR1
```

3.8 Character Strings

A character string is a string of characters enclosed in *double* quotes. Double quotes that are part of character strings are represented by two consecutive double quotes. The maximum length of a string varies and is defined for each directive that requires a character string. Characters are represented internally as 8-bit ASCII characters.

These are examples of valid character strings:

"sample program" defines the 14-character string *sample program*.

"PLAN ""C""" defines the 8-character string *PLAN "C"*.

Character strings are used for the following:

- Filenames as in `.copy "filename"`
- Section names as in `.sect "section name"`
- Data initialization directives as in `.byte "charstring"`
- Operand of `.string` directive

3.9 Symbols

Symbols are used as labels, constants, and substitution symbols. A symbol name is a string of up to 32 alphanumeric characters (A–Z, a–z, 0–9, \$, and _). The first character in a symbol cannot be a number, and symbols cannot contain embedded blanks. The symbols you define are case sensitive; for example, the assembler recognizes ABC, Abc, and abc as three unique symbols. You can override case sensitivity with the `-c` assembler option. A symbol is valid only during the assembly in which it is defined, unless you use the `.global` directive to declare it as an external symbol.

3.9.1 Labels

Symbols used as labels become symbolic addresses associated with locations in the program. Labels used locally within a file must be unique. Mnemonic opcodes and assembler directive names (without the `.` prefix) are valid label names.

Labels can also be used as the operands of `.global`, `.ref`, `.def`, or `.bss` directives; for example:

```
        .global  label1

label2  nop
        add    label1
        b      label2
```

3.9.2 Symbolic Constants

Symbols can be set to constant values. By using constants, you can equate meaningful names with constant values. The `.set` and `.struct/.tag/.endstruct` directives enable you to set constants to symbolic names. Symbolic constants **cannot** be redefined. The following example shows how these directives can be used:

```
K      .set  1024           ; constant definitions
maxbuf .set  2*K

item   .struct              ; item structure definition
       .int  value         ; constant offsets value = 0
       .int  delta        ; constant offsets delta = 1
i_len  .endstruct

array  .tag   item          ; array declaration
       .bss  array, i_len*K

       .ADD  array.delta    ; array+1
```

The assembler also has several predefined symbolic constants; these are discussed in the next section.

3.9.3 Defining Symbolic Constants (-d Option)

The `-d` option equates a constant value with a symbol. The symbol can then be used in place of a value in assembly source. The format of the `-d` option is as follows:

```
dsps -dname=[value]
```

The *name* is the name of the symbol you want to define. The *value* is the value you want to assign to the symbol. If the *value* is omitted, the symbol will be set to 1.

Within assembler source, you may test the symbol with the following directives:

Type of Test	Directive Usage
Existence	<code>.if \$isdefed("name")</code>
Nonexistence	<code>.if \$isdefed("name") = 0</code>
Equal to value	<code>.if name = value</code>
Not equal to value	<code>.if name != value</code>

Note that the argument to the `$isdefed` built-in function must be enclosed in quotes. The quotes cause the argument to be interpreted literally rather than as a substitution symbol.

3.9.4 Predefined Symbolic Constants

The assembler has several predefined symbols, including the following:

- \$**, the dollar sign character, represents the current value of the section program counter (SPC).
- Register symbols**, including:
 - AR0–AR1 for the TMS320C1x and
 - AR0–AR7 for the TMS320C2x/C2xx/5x
- Port address symbols**, including:
 - PA0–PA7 for the TMS320C1x and
 - PA0–PA15 for the TMS320C2x/C2xx/5x

- **Version symbols** are predefined assembler constants that you can use to direct the assembler to produce code for various target processors. Use the version symbols with the target version switch or the `.version` directive.

Version Symbols	-Version Option	.version Directive
<code>.TMS32010</code>	<code>-v10</code>	10
<code>.TMS32016</code>	<code>-v16</code>	16
<code>.TMS32020</code>	<code>-v20</code>	20
<code>.TMS32025</code>	<code>-v25</code>	25
<code>.TMS3202XX</code>	<code>-v2xx</code>	29
<code>.TMS32050</code>	<code>-v50</code>	50
<code>.TMS320XX</code>	processor version	

The `.TMS320XX` constant is set to the value of the version switch. For example, if the assembler is invoked with the following command:

```
dspa -v20 filename
```

then `.TMS320XX` equals 20; therefore, `TMS32020` equals one or true and `TMS32010`, `TMS32016`, `TMS32025`, `TMS32050`, and `TMS3202XX` all equal zero or false.

You can use the version symbols to direct the assembler to produce code for specific target devices. For example, the following example can produce code for differing target devices, depending on how you invoked the assembler.

```
if      .TMS320xx = 50
      :
      :
      .endif
      .if      .TMS32020
      :
      :
      .endif
```

- **Symbols** that are defined by using the `.mmregs` directive.

Note: Register Symbols

The values of **register symbols** are AR0 = 0, AR1 = 1, AR2 = 2, and so forth on TMS320C1x/C2x/C2xx devices; but on TMS320C5x devices, they equal their memory-mapped addresses and values. In other words, the assembler interprets the context of symbols as follows:

```
ADD *, AR7
ADD AR7
```

In the first example above, AR7 has a value of 7; in the second example, AR7 is the address of AR7, which has a value of 17.

3.9.5 Substitution Symbols

Symbols can be assigned a string value (variable). This enables you to alias character strings by equating them to symbolic names. Symbols that represent character strings are called substitution symbols. When the assembler encounters a substitution symbol, its string value is substituted for the symbol name. Unlike symbolic constants, substitution symbols can be redefined.

A string can be assigned to a substitution symbol anywhere within a program; for example:

```
.asg "ar0", SP ; stack pointer
.asg "+", INC ; indirect auto-increment
.asg "*-", DEC ; indirect auto-decrement

ADD label, INC, SP
```

When you are using macros, substitution symbols are important because macro parameters are actually substitution symbols that are assigned a macro argument. The following code shows how substitution symbols are used in macros:

```
add2 .macro src,dest ; add2 macro definition

    lac a
    add b
    sac dest

.endm

*add2 invocation
add2 loc1, loc2 ; assign "loc1" argument to a
```

For more information about macros, see Chapter 6.

3.9.6 Local Labels

Local labels are special labels whose scope and effect are temporary. A local label has the form \$n, where n is a decimal digit in the range 0–9. For example, \$4 and \$1 are valid local labels.

Normal labels must be unique (they can be declared only once), and they can be used as constants in the operand field. Local labels, however, can be undefined and defined again.

A local label can be undefined, or reset, in one of four ways:

- By using the `.newblock` directive
- By changing sections (using a `.sect`, `.text`, or `.data` directive)
- By entering an include file (specified by the `.include` or `.copy` directive)
- By leaving an include file (specified by the `.include` or `.copy` directive)

This is an example of code that declares and uses a local label legally:

```
Label1:  lac a
         sub b
         blz $1
         lac b
         b $2
$1       lac a
$2       add c
         .newblock ; Undefine $1 so it can be used again
         blez $1
         sacl c
$1       nop
```

The following code uses a local label illegally:

```
Label1:  lac a
         sub b
         blz $1
         lac b
         b $2
$1       lac a
$2       add c
         blez $1 ;
         sacl c
$1       nop    ; WRONG $1 is multiply defined
```

Local labels are especially useful in macros. If a macro contains a normal label and is called more than once, the assembler issues a multiple-definition error. However, if you use a local label and `.newblock` within a macro, the local label is used and reset each time the macro is expanded.

Up to ten local labels can be in effect at one time. After you undefine a local label, you can define it and use it again. Local labels do not appear in the object code symbol table.

3.10 Expressions

An expression is a constant, a symbol, or a series of constants and symbols separated by arithmetic operators. The range of valid expression values is $-32,768$ to $32,767$. Three main factors influence the order of expression evaluation:

- Parentheses** Expressions enclosed in parentheses are always evaluated first.
 $8/(4/2) = 4$, but $8/4/2 = 1$
You **cannot** substitute braces ({ }) or brackets ([]) for parentheses.
- Precedence groups** Operators, listed in Table 3–1, are divided into four precedence groups. When parentheses do not determine the order of expression evaluation, the highest precedence operation is evaluated first.
 $8 + 4/2 = 10$ ($4/2$ is evaluated first)
- Left-to-right evaluation** When parentheses and precedence groups do not determine the order of expression evaluation, the expressions are evaluated from left to right, except for Group 1, which is evaluated from right to left.
 $8/4*2 = 4$, but $8/(4*2) = 1$

3.10.1 Operators

Table 3–1 lists the operators that can be used in expressions. They are listed according to precedence group.

Table 3–1. Operators Used in Expressions (Precedence)

Group	Operator	Description
1	+	Unary plus
	–	Unary minus
	~	1s complement
2	*	Multiplication
	/	Division
	%	Modulo
	<<	Left shift
	>>	Right shift
3	+	Addition
	–	Subtraction
	^	Bitwise exclusive-OR
		Bitwise OR
	&	Bitwise AND
4	<	Less than
	>	Greater than
	<=	Less than or equal to
	>=	Greater than or equal to
	= or ==	Equal to
	!=	Not equal to

Note: Group 1 operators are evaluated right to left. All other operators are evaluated left to right.

3.10.2 Expression Overflow and Underflow

The assembler checks for overflow and underflow conditions when arithmetic operations are performed at assembly time. It issues a Value Truncated warning whenever an overflow or underflow occurs. The assembler **does not** check for overflow or underflow in multiplication.

3.10.3 Well-Defined Expressions

Some assembler directives require well-defined expressions as operands. Well-defined expressions contain only symbols or assembly-time constants that are defined before they are encountered in the expression. The evaluation of a well-defined expression must be absolute.

This is an example of a well-defined expression:

```
1000h+x
```

where X was previously defined as an absolute symbol.

3.10.4 Conditional Expressions

The assembler supports relational operators that can be used in any expression; they are especially useful for conditional assembly. Relational operators include the following:

=	Equal to	==	Equal to
!=	Not equal to		
<	Less than	<=	Less than or equal to
>	Greater than	>=	Greater than or equal to

Conditional expressions evaluate to 1 if true and 0 if false; they can be used only on operands of equivalent types, e.g., absolute value compared to absolute value, but not absolute value compared to relocatable value.

3.10.5 Relocatable Symbols and Legal Expressions

Table 3–2 summarizes valid operations on absolute, relocatable, and external symbols. An expression cannot multiply or divide by a relocatable or external symbol. An expression cannot contain unresolved symbols that are relocatable with respect to other sections.

Symbols or registers that have been defined as global with the `.global` directive can also be used in expressions; in Table 3–2, these symbols and registers are referred to as *external*.

Relocatable registers can be used in expressions; the addresses of these registers are relocatable with respect to the register section they were defined in, unless they have been declared as external.

Table 3–2. Expressions With Absolute and Relocatable Symbols

If A is...	and	If B is... , then	A + B is...	and	A – B is...
absolute		absolute	absolute		absolute
absolute		external	external		illegal
absolute		relocatable	relocatable		illegal
relocatable		absolute	relocatable		relocatable
relocatable		relocatable	illegal		absolute †
relocatable		external	illegal		illegal
external		absolute	external		external
external		relocatable	illegal		illegal
external		external	illegal		illegal

† A and B must be in the same section; otherwise, this is illegal.

Following examples of expressions that use relocatable and absolute symbols. These examples use four symbols that are defined in the same section:

```
.global extern_1      ; Defined in an external module
intern_1: .word 'D' ; Relocatable, defined in current module
LAB1: .set 2          ; LAB1 = 2
intern_2             ; Relocatable, defined in current module
```

□ Example 1

The statements in this example use an absolute symbol, LAB1 (which is defined above to have a value of 2). The first statement loads the value 51 into the accumulator. The second statement loads the value 27 into the accumulator.

```
LACK LAB1 + ((4+3) * 7) ; ACC = 51
LACK LAB1 + 4 + (3*7)   ; ACC = 27
```

□ Example 2

All legal expressions can be reduced to one of two forms:

relocatable symbol ± *absolute symbol*

or

absolute value

Unary operators can be applied only to absolute values; they cannot be applied to relocatable symbols. Expressions that cannot be reduced to contain only one relocatable symbol are illegal. The first statement in the following example is valid; the statements that follow it are invalid.

```
LACK extern_1 - 10      ; Legal
LACK 10-extern_1       ; Can't negate reloc. symbol
LACK -(intern_1)       ; Can't negate reloc. symbol
LACK extern_1/10       ; / isn't an additive operator
LACK intern_1 + extern_1 ; Multiple relocatables
```

□ Example 3

The first statement below is legal; although `intern_1` and `intern_2` are relocatable, their difference is absolute because they're in the same section. Subtracting one relocatable symbol from another reduces the expression to *relocatable symbol + absolute value*. The second statement is illegal because the sum of two relocatable symbols is not an absolute value.

```
LACK  intern_1 - intern_2 + extern_1    ; Legal
LACK  intern_1 + intern_2 + extern_1    ; Illegal
```

□ Example 4

An external symbol's placement is important to expression evaluation. Although the statement below is similar to the first statement in the previous example, it is illegal due to left-to-right operator precedence; the assembler attempts to add `intern_1` to `extern_1`.

```
LACK  intern_1 + extern_1 - intern_2    ; Illegal
```

3.11 Source Listings

A source listing shows source statements and the object code they produce. To obtain a listing file, invoke the assembler with the `-l` (lowercase L) option.

Two banner lines, a blank line, and a title line are at the top of each source listing page. Any title supplied by a `.title` directive is printed on this line; a page number is printed to the right of the title. If you don't use the `.title` directive, the title area is left blank. The assembler inserts a blank line below the title line.

Each line in the source file may produce a line in the listing file that shows a source statement number, an SPC value, the object code assembled, and the source statement (see Example 3–5). A source statement may produce more than one word of object code. The assembler lists the SPC value and object code on a separate line for each additional word. Each additional line is listed immediately following the source statement line.

Field 1: Source Statement Number

Line Number

The source statement number is decimal. The assembler numbers source lines as it encounters them in the source file; some statements increment the line counter but are not listed. (For example, `.title` statements and statements following a `.nolist` are not listed.) The difference between two consecutive source line numbers indicates the number of intervening statements in the source file that are not listed.

Include File Letter

The assembler may precede a line with a letter; the letter indicates that the line is assembled from an included file.

Nesting Level Number

The assembler may precede a line with a number; the number indicates the nesting level of macro expansions or loop blocks.

Field 2: Section Program Counter

This field contains the section program counter (SPC) value, which is hexadecimal. All sections (`.text`, `.data`, `.bss`, and named sections) maintain separate SPCs. Some directives do not affect the SPC and leave this field blank.

Field 3: Object Code

This field contains the hexadecimal representation of the object code. All machine instructions and directives use this field to list object code. This field also indicates the relocation type by appending one of the following characters to the end of the field:

- ! undefined external reference
- ' .text relocatable
- " .data relocatable
- + .sect relocatable
- .bss, .usect relocatable
- ^ .asect relocatable

Field 4: Source Statement Field

This field contains the characters of the source statement as they were scanned by the assembler. The assembler accepts a maximum line length of 200 characters. Spacing in this field is determined by the spacing in the source statement.

Example 3–5 shows an assembler listing with each of the four fields identified.

Example 3–5. An Assembler Listing

```

2          .global  RESET, INT0 INT1, INT2
3          .global  TINT, RINT, XINT, USER
4          .global  ISR0, ISR1, ISR2
5          .global  time, rcv, xmt, proc
6
7          .copy  "init.inc"
A 1        initmac  .macro
A 2          ! initialize macro
A 3          rovm   ; disable oflow
A 4          ldpk  0 ; dp = 0
A 5          larp  7 ; arp = ar7
A 6          lack  03fh ; acc = 03fh
A 7          sacl  4 ; enable ints
A 8          .endm
8          *
9          *****
10         * Reset and interrupt vectors      *
11         *****
12 0000          .sect  "reset"
13 0000  ff80  RESET: B  init
14         0001  0008+
15 0002  ff80  INT0: B  ISR0
16         0003  0000!
17 0004  ff809  INT1: B  ISR1
18         0005  0000!
19 0006  ff80  INT2  B  ISR2
20         0007  0000!
21         *
22 0000          .sect  "ints"
23 0000  ff80  TINT  B  time
24         0001  0000!
25 0002  ff80  RINT  B  rcv
26         0003  0000!
27 0004  ff80  XINT  B  xmt
28         0005  0000!
29 0006  ff80  USER  B  proc
30         0007  0000!
31         *****
32         * Initialize processor      *
33         *****
34 0008          init:  initmac
35 1 0008  ce02      rovm   ; disable oflow
36 1 0009  c800      ldpk  0 ; dp = 0
37 1 000a  558f      larp  7 ; arp = ar7
38 1 000b  ca3f      lack  03fh ; acc = 03fh
39 1 000c  6004      sacl14 ; enable ints
40 27 000d  ca00      zac ; zero acc
41 28 000e  c760      lark  ar7, 060h   ; ar7 -> B2
42 29 000f  cb1f      rptk  31
43 30 0010  60a0      sacl  *+   ; zero out

```

Field 1 Field 2
Field 3
Field 4

3.12 Cross-Reference Listings

A cross-reference listing shows symbols and their definitions. To obtain a cross-reference listing, invoke the assembler with the `-x` option or use the `.option` directive. The assembler will append the cross-reference to the end of the source listing.

Example 3–6. An Assembler Cross-Reference Listing

LABEL	VALUE	DEFN	REF		
INT0	0002+	14	2		
INT1	0004+	15	2		
INT2	0006+	16	2		
ISR0	REF			4	14
ISR1	REF			4	15
ISR2	REF			4	16
RESET	0000+	13	2		
RINT	0002+	24	3		
TINT	0000+	23	3		
VECS	0006+	26	3		
XINT	0004+	27			
init	0000+	34	13		

Label	column contains each symbol that was defined or referenced during the assembly.
Value	column contains a 4-digit hexadecimal number, which is the value assigned to the symbol <i>or</i> a name that describes the symbol's attributes. A value may be followed by a character that describes the symbol's attributes. Table 3–3 lists these characters and names.
Definition	(DEFN) column contains the statement number that defines the symbol. This column is blank for undefined symbols.
Reference	(REF) column lists the line numbers of statements that reference the symbol. A blank in this column indicates that the symbol was never used.

Table 3–3. Symbol Attributes

Character or Name	Meaning
REF	External reference (.global symbol)
UNDF	Undefined
'	Symbol defined in a .text section
"	Symbol defined in a .data section
+	Symbol defined in a .sect section
-	Symbol defined in a .bss or .usect section

3.13 Enhanced Instruction Forms

Enhanced instructions are single mnemonics that perform the functions of several similar instructions. These instructions are valid for the TMS320C2x, TMS320C2xx, and TMS320C5x devices.

The assembler interprets the operands of enhanced instructions to determine the correct opcode, as shown below:

Enhanced Instructions		Base Instructions	
ADD	x	ADD	x
ADD	*+	ADD	*+
ADD	#100	ADDK	100
ADD	#3000	ADLK	3000
ADD	*+,16	ADDH	*+

For more information about enhanced instructions, see Section 5.2, page 5-5.

Assembler Directives

Assembler directives supply program data and control the assembly process. Assembler directives enable you to do the following:

- Assemble code and data into specified sections
- Reserve space in memory for uninitialized variables
- Control the appearance of listings
- Initialize memory
- Assemble conditional blocks
- Define global variables
- Specify libraries from which the assembler can obtain macros
- Examine symbolic debugging information

The first part of this chapter (Sections 4.1 through 4.9) describes the directives according to function, and the second part (Section 4.10) is an alphabetical reference. This chapter includes the following topics:

Topic	Page
4.1 Directives Summary	4-2
4.2 Directives That Define Sections	4-6
4.3 Directives That Initialize Constants	4-8
4.4 Directives That Align the Section Program Counter	4-11
4.5 Directives That Format the Output Listing	4-12
4.6 Directives That Reference Other Files	4-14
4.7 Conditional Assembly Directives	4-15
4.8 Assembly-Time Symbol Directives	4-16
4.9 Miscellaneous Directives	4-18
4.10 Directives Reference	4-20

4.1 Directives Summary

Table 4–1 summarizes the assembler directives. All source statements that contain a directive may have a label and a comment. To improve readability, they are not shown as part of the directive syntax.

Table 4–1. Assembler Directives Summary

Directives That Define Sections	
<i>Mnemonic and Syntax</i>	<i>Description</i>
.asect "section name", address	Assemble into an absolute named (initialized) section (This directive is obsolete)
.bss symbol, size in words [, blocking flag]	Reserve size words in the .bss (uninitialized data) section
.data	Assemble into the .data (initialized data) section
.sect "section name"	Assemble into a named (initialized) section
.text	Assemble into the .text (executable code) section
symbol .usect "section name", size in words, [blocking flag]	Reserve size words in a named (uninitialized) section
Directives That Initialize Constants (Data and Memory)	
<i>Mnemonic and Syntax</i>	<i>Description</i>
.bes size in bits	Reserve size bits in the current section; a label points to the end of the reserved space
.bfloat value	Initialize a 32-bit, IEEE single-precision, floating-point constant; do not allow object to span a page boundary
.blong value ₁ [, ... , value _n]	Initialize one or more 32-bit integers; do not allow object to span a page boundary
.byte value ₁ [, ... , value _n]	Initialize one or more successive bytes in the current section
.field value [, size in bits]	Initialize a variable-length field
.float value	Initialize a 32-bit, IEEE single-precision, floating-point constant
.int value ₁ [, ... , value _n]	Initialize one or more 16-bit integers
.long value ₁ [, ... , value _n]	Initialize one or more 32-bit integers
.space size in bits	Reserve size bits in the current section; a label points to the beginning of the reserved space
.string "string ₁ " [, ... , "string _n "]	Initialize one or more text strings
.word value ₁ [, ... , value _n]	Initialize one or more 16-bit integers

Table 4–1. Directives Summary (Continued)

Directives That Align the Section Program Counter (SPC)	
<i>Mnemonic and Syntax</i>	<i>Description</i>
.align	Align the SPC on a page boundary
.even	Align the SPC on an even word boundary
Directives That Format the Output Listing	
<i>Mnemonic and Syntax</i>	<i>Description</i>
.drlist	Enable listing of all directive lines (default)
.drnolist	Inhibit listing of certain directive lines
.fclist	Allow false conditional code block listing (default)
.fcnolist	Inhibit false conditional code block listing
.length <i>page length</i>	Set the page length of the source listing
.list	Restart the source listing
.mlist	Allow macro listings and loop blocks (default)
.mnolist	Inhibit macro listings and loop blocks
.nolist	Stop the source listing
.option { <i>B D F L M T X</i> }	Select output listing options
.page	Eject a page in the source listing
.sslist	Allow expanded substitution symbol listing
.ssnolist	Inhibit expanded substitution symbol listing (default)
.tab <i>size</i>	Set tab size
.title <i>"string"</i>	Print a title in the listing page heading
.width <i>page width</i>	Set the page width of the source listing

Table 4–1. Directives Summary (Continued)

Directives That Reference Other Files	
<i>Mnemonic and Syntax</i>	<i>Description</i>
.copy ["filename"]	Include source statements from another file
.def <i>symbol</i> ₁ [, ... , <i>symbol</i> _{<i>n</i>}]	Identify one or more symbols that are defined in the current module and used in other modules
.global <i>symbol</i> ₁ [, ... , <i>symbol</i> _{<i>n</i>}]	Identify one or more global (external) symbols
.include ["filename"]	Include source statements from another file
.mlib ["filename"]	Define macro library
.ref <i>symbol</i> ₁ [, ... , <i>symbol</i> _{<i>n</i>}]	Identify one or more symbols that are used in the current module but defined in another module
Conditional Assembly Directives	
<i>Mnemonic and Syntax</i>	<i>Description</i>
.break [<i>well-defined expression</i>]	End .loop assembly if condition is true. The .break construct is optional.
.else	Assemble code block if the .if condition is false. The .else construct is optional.
.elseif <i>well-defined expression</i>	Assemble code block if the .if condition is false and the .elseif condition is true. The .elseif construct is optional.
.endif	End .if code block
.endloop	End .loop code block
.if <i>well-defined expression</i>	Assemble code block if the condition is true
.loop [<i>well-defined expression</i>]	Begin repeatable assembly of a code block

Table 4–1. Directives Summary (Concluded)

Assembly-Time Symbols	
<i>Mnemonic and Syntax</i>	<i>Description</i>
.asg [<i>"] character string ["]</i> , <i>substitution symbol</i>	Assign a character string to a substitution symbol
.endstruct	End structure definition
.equ	Equate a value with a symbol
.eval <i>well-defined expression</i> , <i>substitution symbol</i>	Perform arithmetic on numeric substitution symbols
.newblock	Undefine local labels
.set	Equate a value with a symbol
.struct	Begin structure definition
.tag	Assign structure attributes to a label
Miscellaneous Directives	
<i>Mnemonic and Syntax</i>	<i>Description</i>
.emsg <i>string</i>	Send user-defined error messages to the output device
.end	End program
.label <i>symbol</i>	Define a loadtime relocatable label in a section
.mmregs	Enter memory-mapped registers into symbol table
.mmsg <i>string</i>	Send user-defined messages to the output device
.port	Turn on the assembler porting switch
.sblock <i>"section name" [, "section name", . . .]</i>	Designate sections for blocking
.version <i>generation #number</i>	Set processor version
.wmsg <i>string</i>	Send user-defined warning messages to the output device

4.2 Directives That Define Sections

Six directives associate the various portions of an assembly language program with the appropriate sections:

- .asect** creates initialized named sections that have *absolute addresses*. A section defined with **.asect** can contain code or data. (Within an absolute section, you can use the **.label** directive to define relocatable labels.)
- .bss** reserves space in the **.bss** section for uninitialized variables.
- .data** identifies portions of code in the **.data** section. The **.data** section usually contains initialized data.
- .sect** defines initialized named sections and associates subsequent code or data with that section. A section defined with **.sect** can contain code or data.
- .text** identifies portions of code in the **.text** section. The **.text** section usually contains executable code.
- .usect** reserves space in an uninitialized named section. The **.usect** directive is similar to the **.bss** directive, but it allows you to reserve space separately from the **.bss** section.

Chapter 2 discusses COFF sections in detail.

Example 4–1 shows how you can use sections directives to associate code and data with the proper sections. This is an output listing; column 1 shows line numbers, and column 2 shows the SPC values. (Each section has its own program counter, or SPC.) When code is first placed in a section, its SPC equals 0. When you resume assembling into a section after other code is assembled, the section's SPC resumes counting as if there had been no intervening code.

In each section listed below, the directives in Example 4–1 perform the tasks indicated:

- .text** initializes words with the values 1, 2, 3, 4, 5, 6, 7, and 8.
- .data** initializes words with the values 9, 10, 11, 12, 13, 14, 15, and 16.
- var_defs** initializes words with the values 17 and 18.
- .bss** reserves 19 words.
- xy** reserves 20 words.

The **.bss** and **.usect** directives do not end the current section or begin new sections; they reserve the specified amount of space, and then the assembler resumes assembling code or data into the current section.

Example 4-1. Sections Directives

```

1          *****
2          * Start assembling into the .text section *
3          *****
4 0000          .text
5 0000 0001          .word      1, 2
   0001 0002
6 0002 0003          .word      3, 4
   0003 0004
7
8          *****
9          * Start assembling into the .data section *
10         *****
11 0000          .data
12 0000 0009          .word      9, 10
   0001 000A
13 0002 000B          .word      11, 12
   0003 000C
14
15         *****
16         * Start assembling into a named, initial- *
17         * ized section, var_defs *
18         *****
19 0000          .sect      "var_defs"
20 0000 0011          .word      17, 18
   0001 0012
21
22         *****
23         * Resume assembling into the .data section *
24         *****
25 0004          .data
26 0004 000D          .word      13, 14
   0005 000E
27 0000          .bss      sym, 19      ; Reserve space
28                                     ; in .bss
29 0006 000F          .word      15, 16      ; Still in .data
   0007 0010
30
31         *****
32         ** Resume assembling into the .text section *
33         *****
34 0004          .text
35 0004 0005          .word      5, 6
   0005 0006
36 0000          usym     .usect     "xy",20      ; Reserve space
37                                     ; in xy
38 0006 0007          .word      7, 8      ; Still in .text
   0007 0008

```

4.3 Directives That Initialize Constants

Several directives assemble values for the current section:

- The **.bes** and **.space** directives reserve a specified number of bits in the current section. The assembler fills these reserved bits with 0s.

You can reserve a specified number of words by multiplying the number of bits by 16.

- When you use a label with **.space**, it points to the *first* word that contains reserved bits.
- When you use a label with **.bes**, it points to the *last* word that contains reserved bits.

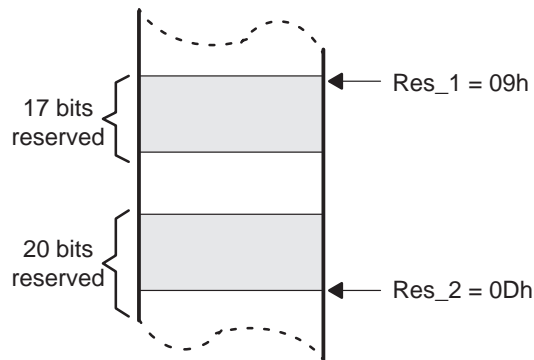
Figure 4–1 shows the **.space** and **.bes** directives. Assume that the following code has been assembled for this example:

```

45 0007 0100                .word 100h,200h
    0008 0200
46 0009                Res_1: .space 17
47 000B 000F                .word 15
48 000C                Res_2: .bes 20
49 000E 00BA                .byte 0BAh
    
```

Res_1 points to the first word in the space reserved by **.space**. Res_2 points to the last word in the space reserved by **.bes**.

Figure 4–1. The **.space** and **.bes** Directives



- **.byte** places one or more 8-bit values into consecutive words of the current section. This directive is similar to **.word**, except that the width of each value is restricted to 8 bits.

- The **.field** directive places a single value into a specified number of bits in the current word. With a field, you can pack multiple fields into a single word; the assembler does not increment the SPC until a word is filled.

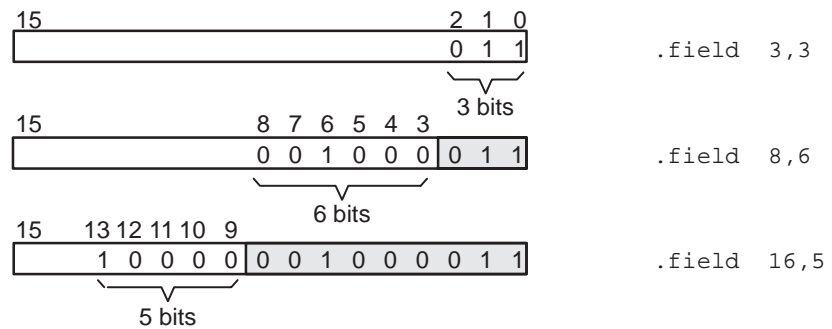
Figure 4–2 shows how fields are packed into a word. For this example, assume the following code has been assembled. Notice that the SPC doesn't change (the fields are packed into the same word):

```

1  0000  0003      .field  3,3
2  0000  0008      .field  8,6
3  0000  0010      .field 16,5

```

Figure 4–2. The **.field** Directive



- **.float** and **.bfloat** calculate the single-precision 32-bit IEEE floating-point representation of a single floating-point value and store it in two consecutive words in the current section. The least significant word is stored first. The **.bfloat** directive guarantees the object will not span a page boundary.
- **.int** and **.word** place one or more 16-bit values into consecutive words in the current section.
- **.long** and **.blong** place 32-bit values into consecutive two-word blocks in the current section. The least significant word is stored first. The **.blong** directive guarantees the object will not span a page boundary.
- **.string** places 8-bit characters from one or more character strings into the current section. This directive is similar to **.byte**, except that two characters are packed into each word. The last word in a string is padded with null characters (0s) if necessary.

Note: The .byte, .word, .int, .long, .string, .float, and .field Directives in a .struct/.endstruct Sequence

The .byte, .word, .int, .long, .string, .float, and .field directives *do not* initialize memory when they are part of a .struct/.endstruct sequence; rather, they define a member's size. For more information about the .struct/.endstruct directives, refer to Section 4.8.

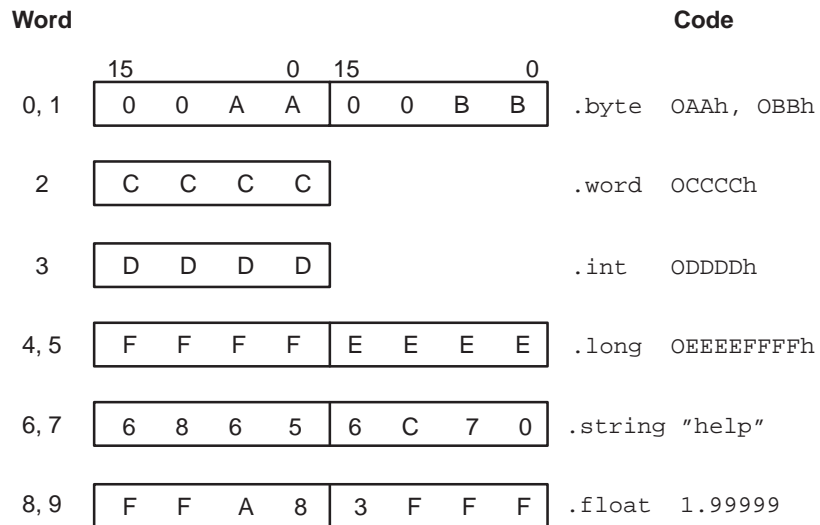
Figure 4–3 compares the .byte, .int, .long, .float, .word, and .string directives. For this example, assume the following code has been assembled:

```

1  0000    aa                .byte    0AAh, 0BBh
   0001    bb
2  0002    cccc             .word    0CCCCh
3  0003    dddd             .int     0DDDDh
4  0004    ffff             .long    0EEEEFFFFh
   0005    eeee
5  0006    6865             .string  "help"
   0007    6c70
6  0008    ffa8             .float   1.99999
   0009    3fff

```

Figure 4–3. Initialization Directives



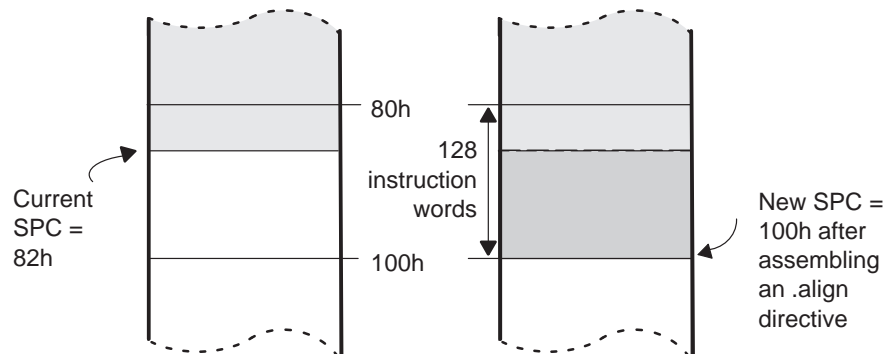
4.4 Directives That Align the Section Program Counter

- The **.align** directive aligns the SPC at a 128-word boundary. This ensures that the code following the **.align** directive begins on a page boundary. If the SPC is already aligned at a page boundary, it is not incremented. Figure 4–4 shows the **.align** directive; assume that the following code has been assembled:

```

1 0000 0004 .byte 4
2 0080 .align
3 0080 4572 .string "Error"
   0081 726F
   0082 7200
4 0100 .align
5 0100 0004 .byte 4
    
```

Figure 4–4. The **.align** Directive



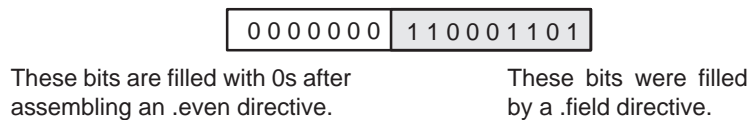
- The **.even** directive aligns the SPC so that it points to the next full word. You should use **.even** after using the **.field** directive; if the **.field** directive doesn't fill a word, the **.even** directive forces the assembler to write out the full word and fill the unused bits with 0s.

Figure 4–2, page 4-9, illustrates the **.field** directive; Figure 4–5 shows the effect of assembling an **.even** directive after a **.field** directive. Assume that the following code has been assembled:

```

11 0005 0001 .field 1,2
12 0005 0003 .field 3,4
13 0005 0006 .field 6,3
14 0006 .even
    
```

Figure 4–5. The **.even** Directive



4.5 Directives That Format the Output Listing

The following directives format the listing file:

- The **.drlist** and **.drnolist** directives turn the printing of directive lines to the listing file on and off. You can use the **.drnolist** directive to inhibit the printing of the following directives: **.asg**, **.eval**, **.var**, **.sslist**, **.mlist**, **.fclist**, **.ssnolist**, **.mnolist**, **.fcnolist**, **.emsg**, **.wmsg**, **.mmsg**, **.length**, **.width**, and **.break**. You can use the **.drlist** directive to turn the listing on again.
- The source code contains a listing of false conditional blocks that do not generate code. The **.fclist** and **.fcnolist** directives turn this listing on and off. You can use the **.fclist** directive to list false conditional blocks exactly as they appear in the source code. You can use the **.fcnolist** directive to list only the conditional blocks that are actually assembled.
- The **.length** directive controls the page length of the listing file. You can use this directive to adjust listings for various output devices.
- The **.list** and **.nolist** directives turn the output listing on and off. You can use the **.nolist** directive to prevent the assembler from printing selected source statements in the listing file. Use the **.list** directive to turn the listing on again.
- The **.mlist** and **.mnolist** directives allow and inhibit macro expansion and loop block listings. You can use the **.mlist** directive to print all macro expansions and loop blocks to the listing.
- The **.option** directive controls certain features in the listing file. This directive has the following operands:
 - B** limits the listing of **.byte** directives to one line.
 - D** limits the listing of **.int** and **.word** directives to one line.
 - F** resets the **B**, **D**, **L**, **M**, and **T** directives.
 - L** limits the listing of **.long** directives to one line.
 - M** turns off macro expansions in the listing.
 - T** limits the listing of **.string** directives to one line.
 - X** produces a cross-reference listing of symbols. (You can also obtain a cross-reference listing by invoking the assembler with the **-x** option.)
- The **.page** directive causes a page eject in the output listing.

- The **.solist** and **.ssnolist** directives allow and inhibit substitution symbol expansion listing. These directives are useful for debugging the expansion of substitution symbols.
- The **.tab directive** defines tab size.
- The **.title** directive supplies a title that the assembler prints at the top of each page.
- The **.width** directive controls the page width of the listing file. You can use this directive to adjust listings for various output devices.

4.6 Directives That Reference Other Files

These directives supply information for or about other files:

- The **.copy** and **.include** directives tell the assembler to begin reading source statements from another file. When the assembler finishes reading the source statements in the copy/include file, it resumes reading source statements from the current file. The statements read from a copied file are printed in the listing file; the statements read from an included file are *not* printed in the listing file.
- The **.def** directive identifies a symbol that is defined in the current module and that can be used by another module. The assembler enters the symbol in the symbol table.
- The **.global** directive declares a symbol external so that it is available to other modules at link time. (For more information on external symbols see subsection 2.7.1, page 2-22.) The **.global** directive does double duty, acting as a **.def** for defined symbols and as a **.ref** for undefined symbols. The linker will resolve an undefined global symbol only if it is used in the program.
- The **.mlib** directive supplies the assembler with the name of an archive library that contains macro definitions. When the assembler encounters a macro that is not defined in the current module, it searches for it in the macro library specified with **.mlib**.
- The **.ref** directive identifies a symbol that is used in the current module but defined in another module. The assembler marks the symbol as an undefined external symbol and puts it in the object symbol table so that the linker can resolve its definition.

4.7 Conditional Assembly Directives

Conditional assembly directives enable you to instruct the assembler to assemble certain sections of code according to a true or false evaluation of an expression. Two sets of directives allow you to assemble conditional blocks of code:

- The **.if/.elseif/.else/.endif** directives tell the assembler to conditionally assemble a block of code according to the evaluation of an expression.

.if *expression* marks the beginning of a conditional block and assembles code if the **.if** condition is true.

.elseif *expression* marks a block of code to be assembled if **.if** is false and **.elseif** is true.

.else marks a block of code to be assembled if **.if** is false.

.endif marks the end of a conditional block and terminates the block.

- The **.loop/.break/.endloop** directives tell the assembler to repeatedly assemble a block of code according to the evaluation of an expression.

.loop *expression* marks the beginning of a repeatable block of code.

.break *expression* tells the assembler to continue to repeatedly assemble when the **.break** expression is false, and to go to the code immediately after **.endloop** if the expression is true.

.endloop marks the end of a repeatable block.

The assembler supports several relational operators that are useful for conditional expressions. For more information about relational operators, refer to subsection 3.10.4, page 3-27.

4.8 Assembly-Time Symbol Directives

Assembly-time symbol directives equate meaningful symbol names to constant values or strings.

- The **.asg** directive assigns a character string to a substitution symbol. The value is stored in the substitution symbol table. When the assembler encounters a substitution symbol, it replaces the symbol with its character string value. Substitution symbols can be redefined.

```
.asg  "10, 20, 30, 40", coefficients
     .byte  coefficients
```

- The **.set** and **.equ** directives set a constant value to a symbol. The symbol is stored in the symbol table and cannot be refined; for example:

```
bval  .set  0100h
     .byte  bval, bval*2, bval+12
     B      bval
```

The **.set** and **.equ** directives produce no object code. The two directives are identical and can be used interchangeably.

- The **.struct/endstruct** directives set up C-like structure definitions, and the **.tag** directive assigns the C-like structure characteristics to a label.

The C-like structure definition enables you to group similar elements together. Element offset calculation is then left to the assembler. The **.struct/endstruct** directives do not allocate memory. They simply create a symbolic template that can be used repeatedly.

By assigning structure characteristics to a label, the **.tag** directive simplifies the symbolic representation and provides the ability to define structures that contain other structures. The **.tag** directive does not allocate memory, and the structure tag (**stag**) must be defined before it's used.

```
type  .struct                ; structure tag definition
x     .int
y     .int
t_len .endstruct

coord .tag  type             ; declare coord (coordinate)

add   coord.y

     .bss  coord, t_len ; actual memory allocation
```

- The **.eval** directive evaluates an expression, translates the results into a character, and assigns the character string to a substitution symbol. This directive is useful for manipulating counters; for example:

```
.asg      1 , x
.loop
.byte    x*10h
.break   x = 4
.eval    x+1, x
.endloop
```

- The **.newblock** directive resets local labels. Local labels are symbols of the form $\$n$. (n is a decimal digit.) They are defined when they appear in the label field. Local labels are temporary labels that can be used as operands for jump instructions. The **.newblock** directive undefines local labels, thus limiting their scope. (For more information on local labels, see subsection 3.9.6, page 3-24.)

4.9 Miscellaneous Directives

These directives enable miscellaneous functions or features:

- The **.end** directive terminates assembly. It should be the last source statement of a program. This directive has the same effect as an end-of-file.
- The **.label** directive defines a special symbol that refers to the loadtime address within the current section. This is useful when a section loads at one address but runs at another. For example, you may want to load a block of performance-critical code into slower off-chip memory to save space, and move it to high-speed memory to run.
- The **.mmregs** directive defines symbolic names for the memory-mapped register. Using **.mmregs** is the same as executing a **.set** for all memory-mapped registers—for example, `greg .set 5`—and makes it unnecessary to define these symbols. See Table 4–2, page 4-58, for a list of memory-mapped registers.
- The **.port** directive turns on the assembler porting switch. It is equivalent to using the `-p` command line switch (see Section 3.4, page 3-6). If you use the **.port** directive while assembling for a target other than a TMS320C5x, it will have no effect.
- The **.sblock** directive designates sections for blocking. Blocking is an address alignment mechanism similar to page alignment, but weaker. A blocked section is guaranteed to not cross a page boundary (128 words) if it is smaller than a page, or to start on a page boundary if it is larger than a page. The **.sblock** directive allows specification of blocking for initialized sections only, not uninitialized sections declared with **.usect** or the **.bss** section. The section names may or may not be enclosed in quotes.
- The **.version** directive is the same as the `-v` assembler option. This tells the assembler which generation processor the code is for. Valid device numbers are 10, 16, 20, 25, and 50. The default is 25. The **.version** directive must appear before an instruction, or else an error will occur.

These three directives enable you to define your own error and warning messages:

- The **.emsg** directive sends error messages to the standard output device. The **.emsg** directive generates errors in the same manner as the assembler, incrementing the error count and preventing the assembler from producing an object file.
- The **.mmsg** directive sends assembly-time messages to the standard output device. The **.mmsg** directive functions in the same manner as the **.emsg** and **.wmsg** directives, but it does not set the error or warning counts and does not prevent the assembler from producing an object file.
- The **.wmsg** directive sends warning messages to the standard output device. The **.wmsg** directive functions in the same manner as the **.emsg** directive, but it increments the warning count and does not prevent the assembler from producing an object file.

4.10 Directives Reference

The remainder of this chapter is a reference. Generally, the directives are organized alphabetically, one directive per page; however, related directives (such as `.if/.else/.endif`) are presented together on one page. Here's an alphabetical table of contents for the directives reference:

Directive	Page	Directive	Page
<code>.align</code>	4-21	<code>.length</code>	4-50
<code>.asect</code>	4-22	<code>.list</code>	4-51
<code>.asg</code>	4-23	<code>.long</code>	4-53
<code>.bes</code>	4-68	<code>.loop</code>	4-54
<code>.bfloat</code>	4-43	<code>.mlib</code>	4-55
<code>.blong</code>	4-53	<code>.mlist</code>	4-57
<code>.break</code>	4-54	<code>.mmregs</code>	4-58
<code>.bss</code>	4-25	<code>.mmsg</code>	4-34
<code>.byte</code>	4-28	<code>.mnoist</code>	4-57
<code>.copy</code>	4-29	<code>.newblock</code>	4-60
<code>.data</code>	4-31	<code>.nolist</code>	4-51
<code>.def</code>	4-44	<code>.option</code>	4-61
<code>.drlist</code>	4-32	<code>.page</code>	4-63
<code>.drnolist</code>	4-32	<code>.port</code>	4-64
<code>.else</code>	4-46	<code>.ref</code>	4-44
<code>.elseif</code>	4-46	<code>.sblock</code>	4-65
<code>.emsg</code>	4-34	<code>.sect</code>	4-66
<code>.end</code>	4-36	<code>.set</code>	4-67
<code>.endloop</code>	4-54	<code>.space</code>	4-68
<code>.endif</code>	4-46	<code>.sslist</code>	4-69
<code>.endstruct</code>	4-71	<code>.ssnolist</code>	4-69
<code>.equ</code>	4-67	<code>.string</code>	4-70
<code>.eval</code>	4-23	<code>.struct</code>	4-71
<code>.even</code>	4-37	<code>.tab</code>	4-74
<code>.fclist</code>	4-39	<code>.tag</code>	4-71
<code>.fcnolist</code>	4-39	<code>.text</code>	4-75
<code>.field</code>	4-40	<code>.title</code>	4-76
<code>.float</code>	4-43	<code>.usect</code>	4-77
<code>.global</code>	4-44	<code>.version</code>	4-79
<code>.if</code>	4-46	<code>.width</code>	4-50
<code>.include</code>	4-29	<code>.wmsg</code>	4-34
<code>.int</code>	4-48	<code>.word</code>	4-48
<code>.label</code>	4-49		

Syntax**.align****Description**

The **.align** directive aligns the section program counter (SPC) on the next 128-word boundary. This ensures that subsequent code begins on a page boundary. The assembler assembles words containing NOPs up to the next 128-word boundary. This directive is useful for aligning code on a page boundary.

Using the **.align** directive has two effects:

- The assembler aligns the SPC on a 128-word boundary *within* the current section.
- The assembler sets a flag that forces the linker to align the section so that individual alignments remain intact when a section is loaded into memory.

Example

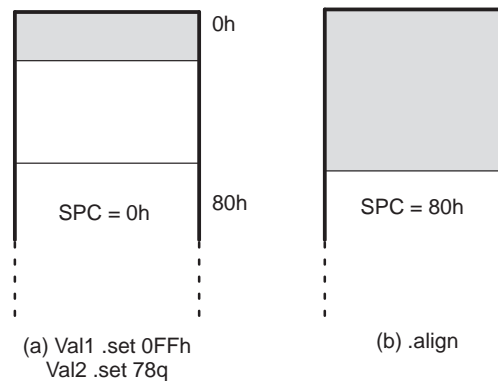
In this example, SPC is aligned on the next 128-word boundary to ensure that the code that follows it starts on a new page of memory. Figure 4–6 shows how this code aligns the SPC.

```

1  0000                .data
2      00FF  Val1      .set  0FFh
3      0076  Val2      .set  76q
4      0001  PP1       .set  1
5      0002  PP2       .set  2
6      0003  PP3       .set  3
7                ;      .
8                ;      .
9                ;      .
10  0080                .align
11  0080  5202  Page_2: LDP  PP2
12  0081  207F                LAC  Val1
13  0082  0076                ADD  Val2

```

Figure 4–6. The **.align** Directive



Syntax

```
.asect "section name",address
```

Description

The **.asect** directive defines a named section whose addresses are absolute with respect to *address*. This command is obsolete. Any section can now be loaded and run at two separate addresses with the linker. The command functions as before for compatibility.

- The *section name* identifies the name of the absolute section. The *name* must be enclosed in double quotes.
- The *address* identifies the section's absolute starting address in target memory. This address is required the first time that you assemble into a specific absolute section. If you use **.asect** to continue assembling into an absolute section that already contains code, you *cannot* use the address parameter.

Absolute sections are useful for loading sections of code from off-chip memory into faster on-chip memory. In order to use an absolute section, you must specify the location you want the section to execute from as the address parameter.

Most sections directives create sections with relocatable addresses. The starting SPC value for these sections is always zero; the linker then relocates them where appropriate. The starting SPC value for an absolute section, however, is the specified *address*. The addresses of all code assembled into an absolute section are offsets from the specified address. The linker *does* relocate sections defined with **.asect**; any labels defined within an absolute section, however, retain their absolute (runtime) addresses. Thus, references to these labels refer to their runtime addresses, even though the section is not initially loaded at its runtime address.

All labels in an absolute section have absolute addresses. The **.label** directive creates labels with relocatable addresses; this allows you to define a symbol that points to the section's loadtime location in off-chip memory.

After you define a section with **.asect**, you can use the **.sect** directive later in the program to continue assembling code into the absolute section.

Note: The .asect Directive Is Obsolete

The **.asect** directive is obsolete because the **SECTIONS** directive now allows separate load and run addresses for *any* section; however, the **.asect** directive is fully functional to allow compatibility with previous versions of the assembler. For more information, refer to Section 8.7, page 8-24.

Syntax

.asg ["] *character string* ["], *substitution symbol*
.eval *well-defined expression*, *substitution symbol*

Description

The **.asg** directive assigns character strings to substitution symbols. It can be used in many of the same ways as the **.set** directive, but while **.set** assigns a constant value (cannot be redefined) to a symbol, **.asg** assigns a character string (can be redefined) to a substitution symbol.

- The assembler assigns the *character string* to the substitution symbol. The quotation marks are optional. If there are no quotation marks, the assembler reads characters up to the first comma and removes leading and trailing blanks. In either case, a character string is read and assigned to the substitution symbol.
- The *substitution symbol* is a required parameter that must be a valid symbol name. The substitution symbol may be 32 characters long and must begin with a letter. Remaining characters of the symbol can be a combination of alphanumeric characters, underscores, and dollar signs.
- The *well-defined expression* is a required parameter for the **.eval** directive. A well-defined expression contains only symbols or assembly-time constants that have been defined before they appear in the expression.

The **.eval** directive performs arithmetic on substitution symbols. This directive evaluates the expression and assigns the string value of the result to the substitution symbol. The **.eval** directive is especially useful as a counter in **.loop/.endloop** blocks.

Example

This example shows how .asg and .eval can be used.

```
1          .sslist ; show expanded sub. symbols
2
3          *
4          * .asg/.eval example
5          *
6          .asg      +,      INC
7          .asg      ar0,    FP
8
9          0000 cc64   add     #100
10         0001 55a8   mar     INC,  FP
#         mar      +,      ar0
11
12         .asg      0,      x
13         .loop     5
14         .eval     x+1,   x
15         .word     x
16         .endloop
1         .eval     x+1,   x
#         .eval     0+1,   x
1         0002 0001   .word   x
#         .word     1
1         .eval     x+1,   x
#         .eval     1+1,   x
1         0003 0002   .word   x
#         .word     2
1         .eval     x+1,   x
#         .eval     2+1,   x
1         0004 0003   .word   x
#         .word     3
1         .eval     x+1,   x
#         .eval     3+1,   x
1         0005 0004   .word   x
#         .word     4
1         .eval     x+1,   x
#         .eval     4+1,   x
1         0006 0005   .word   x
#         .word     5
```

Syntax**.bss** *symbol, size in words* [, *blocking flag*]**Description**

The **.bss** directive reserves space for variables in the .bss section. Use this directive to allocate variables in RAM.

- The *symbol* is a required parameter. It defines a symbol that points to the first location reserved by the directive. The symbol name should correspond to the variable that you're reserving space for.
- The *size* is a required parameter. It must be an absolute expression. The assembler allocates size words in the .bss section. There is no default size.
- The *blocking flag* is an optional parameter. If you specify a value greater than 0 for this parameter, the assembler allocates size words contiguously. This means that the allocated space will not cross a page boundary unless size is greater than a page, in which case, the object will start on a page boundary.

The assembler follows two rules when it allocates space in the .bss section:

Rule 1 Whenever a hole is left in memory (as shown in Figure 4–7), the .bss directive attempts to fill it. When a .bss directive is assembled, the assembler searches its list of holes left by previous .bss directives and tries to allocate the current block into one of the holes. (This is the standard procedure, whether the blocking flag option has been specified or not.)

Rule 2 If the assembler does not find a hole large enough to contain the requested space, it checks to see whether the blocking flag option is requested.

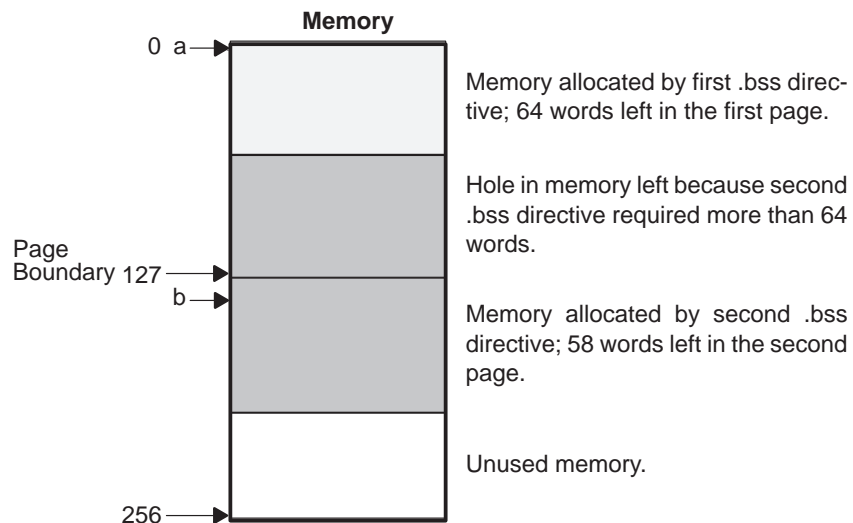
- If you do not request blocking, the memory is allocated at the current SPC.
- If you request blocking, the assembler checks to see whether there is enough space between the current SPC and the page boundary. If there is not enough space here, the assembler creates another hole and allocates the space on the next page.

The blocking option allows you to reserve up to 128 words in the .bss section and ensure that they fit on one page of memory. (Of course, you can reserve more than 128 words at a time, but they cannot fit on a single page.) The following example code reserves two blocks of space in the .bss section.

```
memptr:   .bss    a,64,1
memptr1:  .bss    b,70,1
```

Each block must be contained within the boundaries of a single page; after the first block is allocated, however, the second block cannot fit on the current page. As Figure 4–7 shows, the second block is allocated on the next page.

Figure 4–7. Allocating .bss Blocks Within a Page



Section directives for initialized sections (.text, .data, .sect, and .asect) end the current section and tell the assembler to begin assembling into another section. Section directives for uninitialized sections (.bss and .usect), however, do not affect the current section. The assembler assembles the .bss or .usect directive and then resumes assembling code into the current section. For more information about COFF sections, see Chapter 2.

Example

In this example, the .bss directive is used to allocate space for two variables, temp and array. The symbol temp points to 4 words of uninitialized space (at .bss SPC = 04h). The symbol array points to 100 words of uninitialized space (at .bss SPC = 0); this space must be allocated contiguously within a page. Symbols declared with the .bss directive can be referenced in the same manner as other symbols and can also be declared external.

```

1          *****
2          *   Begin assembling into .text   *
3          *****
4 0000          .text
5 0000  CA00      LACK      0
6
7          *****
8          *   Allocate 4 words in .bss for the *
9          *   symbol named temp               *
10         *****
11 0000      Var_1: .bss      temp, 4
12
13         *****
14         *   Still in .text                   *
15         *****
16 0001  0056      ADD      56h
17 0002  3873      MPY      73h
18
19         *****
20         *   Allocate 100 words in .bss for the *
21         *   symbol named array; this part of   *
22         *   bss must fit on a single page     *
23         *****
24 0004          .bss      array, 100 , 1
25
26         *****
27         *   Still in .text                   *
28         *****
29 0003  6000      SACL      Var_1
30
31         *****
32         *   Declare external .bss symbols     *
33         *****
34          .global  array, temp

```

Syntax

```
.byte value1 [, ... , valuen]
```

Description

The **.byte** directive places one or more 8-bit values into consecutive words in the current section. Each *value* can be either:

- An expression that the assembler evaluates and treats as an 8-bit signed number, or
- A character string enclosed in double quotes. Each character in a string represents a separate value.

Values are not packed or sign-extended; each byte occupies the 8 least significant bits of a full 16-bit word. The assembler truncates values that are greater than 8 bits. You can define up to 100 values per **.byte** instruction. However, the line length, including label (if any), the **.byte** directive itself and all values, cannot exceed 200 characters. Each character in a string is counted as a separate operand.

If you use a label, it points to the location where the assembler places the first byte.

When you use **.byte** in a **.struct/.endstruct** sequence, **.byte** defines a member's size; it does not initialize memory. For more information about **.struct/.endstruct**, refer to Section 4.8.

Example

In this example, several 8-bit values—10, -1, abc, and a—are placed into consecutive words in memory. The label *strx* has the value 100h, which is the location of the first initialized word.

```
0  0000          .space  100h * 16
1  0100  0A  strx  .byte  10,-1,"abc",'a'
   0101  FF
   0102  61
   0103  62
   0104  63
   0105  61
```

Syntax

```
.copy ["filename"]  
.include ["filename"]
```

Description

The **.copy** and **.include** directives tell the assembler to read source statements from a different file. The statements that are assembled from a copy file are printed in the assembly listing. The statements that are assembled from an included file are *not* printed in the assembly listing, regardless of the number of **.list/.nolist** directives that are assembled. The assembler:

- 1) Stops assembling statements in the current source file
- 2) Assembles the statements in the copied/included file
- 3) Resumes assembling statements in the main source file, starting with the statement that follows the **.copy** or **.include** directive

The *filename* is a required parameter that names a source file. It may be enclosed in double quotes and must follow operating system conventions. You can specify a full pathname (for example, c:\320\file1.asm). If you do not specify a full pathname, the assembler searches for the file in:

- 1) The directory that contains the current source file
- 2) Any directories named with the **-i** assembler option
- 3) Any directories specified by the environment variable **A_DIR**

For more information about the **-i** option and the environment variable, see Section 3.5, page 3-12.

The **.copy** and **.include** directives can be nested within a file being copied or included. The assembler limits this type of nesting to ten levels; the host operating system may set additional restrictions. The assembler precedes the line numbers of copied files with a letter code to identify the level of copying. An **A** indicates the first copied file, **B** indicates a second copied file, etc.

.copy/include *Copy Source File*

Example 1 In this example, the `.copy` directive is used to read and assemble source statements from other files; then the assembler resumes assembling into the current file.

copy.asm (source file)	byte.asm (first copy file)	word.asm (second copy file)
<code>.space 29</code> <code>.copy "byte.asm"</code> <code>**Back in original file</code> <code>.string "done"</code>	<code>** In byte.asm</code> <code>.byte 32,1+ 'A'</code> <code>.copy "word.asm"</code> <code>** Back in byte.asm</code> <code>.byte 67h + 3q</code>	<code>** In word.asm</code> <code>.word 0ABCDh, 56q</code>

Listing file:

```

      1 0000          .space 29
      2          .copy "byte.asm"
A     1          ** In byte.asm
A     2 0002      20    .byte 32, 1 + 'A'
      0003      42
A     3          .copy "word.asm"
B     1          ** In word.asm
B     2 0004      ABCD  .word 0ABCDh, 56q
      0005      002E
A     4          ** Back in byte.asm
A     5 0006      6A    .byte 67h+3
      0003
      0004
      0005      0007  446F .string "Done"
      0008      6E65
```

Example 2 In this example, the `.include` directive is used to read and assemble source statements from other files; then the assembler resumes assembling into the current file.

include.asm (source file)	byte2.asm (first include file)	word2.asm (second include file)
<code>.space 29</code> <code>.include "byte2.asm"</code> <code>**Back in original file</code> <code>.string "done"</code>	<code>** In byte2.asm</code> <code>.byte 32,1+ 'A'</code> <code>.include "word2.asm"</code> <code>** Back in byte2.asm</code> <code>.byte 67h + 3q</code>	<code>** In word2.asm</code> <code>.word 0ABCDh, 56q</code>

Listing file:

```

      1 0000          .space 29
      2          .include "byte2.asm"
      3
      4          ** Back in original file
      5 0007      446F .string "Done"
      0008      6E65
```

Syntax**.data****Description**

The **.data** directive tells the assembler to begin assembling source code into the .data section; .data becomes the current section. The .data section is normally used to contain tables of data or preinitialized variables.

The assembler assumes that .text is the default section. Therefore, at the beginning of an assembly, the assembler assembles code into the .text section unless you use a section control directive.

For more information about COFF sections, see Chapter 2.

Example

In this example, code is assembled into the .data and .text sections.

```

1          *****
2          **      Reserve space in .data      **
3          *****
4 0000          .data
5 0000          .space    0CCh
6
7          *****
8          **      Assemble into .text      **
9          *****
10 0000         .text
11          0000 Index    .set    0
12 0000 2000    LAC      Index
13
14          *****
15          **      Assemble into .data      **
16          *****
17 000C         Table:  .data
18 000D  FFFF    .word    -1      ; Assemble 16-bit
19                                ; constant into .data
20 000E  FF      .byte    0FFh    ; Assemble 8-bit
21                                ; constant into .data
22
23          *****
24          **      Assemble into .text      **
25          *****
26 0001         .text
27 0001  000C    ADD      Table
28
29          *****
30          ** Resume assembling into .data at **
31          ** address 0Fh                      **
32          *****
33 000F         .data

```

Syntax

.drlist
.drnolist

Description

Two directives enable you to control the printing of assembler directives to the listing file:

The **.drlist** directive enables the printing of all directives to the listing file.

The **.drnolist** directive suppresses the printing of the following directives to the listing file:

- | | | |
|----------------------------------|------------------------------------|------------------------------------|
| <input type="checkbox"/> .asg | <input type="checkbox"/> .fcnolist | <input type="checkbox"/> .sslist |
| <input type="checkbox"/> .break | <input type="checkbox"/> .length | <input type="checkbox"/> .ssnolist |
| <input type="checkbox"/> .emsg | <input type="checkbox"/> .mlist | <input type="checkbox"/> .var |
| <input type="checkbox"/> .eval | <input type="checkbox"/> .mmsg | <input type="checkbox"/> .width |
| <input type="checkbox"/> .fclist | <input type="checkbox"/> .mnolist | <input type="checkbox"/> .wmsg |

By default, the assembler prints all directives to the listing file as if the **.drlist** directive had been used.

Example

This example shows how `.drnolist` inhibits the listing of the directives listed on the previous page.

Source file:

```
*
* .drlist/.drnolist example
*
    .length 65
    .width 85
    .asg 0, x
    .loop 2
    .eval x+1, x
    .endloop

.drnolist

    .length 55
    .width 95
    .asg 1, x
    .loop 3
    .eval x+1, x
    .endloop
```

Listing file:

```

1
2
3
4
5
6
7
8
9
1
1
10
12
16
17
18
*
* .drlist/.drnolist example
*
    .length 65
    .width 85
    .asg 0, x
    .loop 2
    .eval x+1, x
    .endloop
    .eval 0+1, x
    .eval 1+1, x

    .loop 3
    .eval x+1, x
    .endloop
```


Syntax

```
.emsg string  
.mmsg string  
.wmsg string
```

Description

These directives allow you to define your own error and warning messages. The assembler tracks the number of errors and warnings it encounters and prints these numbers on the last line of the listing file.

- The **.emsg** directive sends error messages to the standard output device in the same manner as the assembler, incrementing the error count and preventing the assembler from producing an object file.
- The **.wmsg** directive sends warning messages to the standard output device in the same manner as the **.emsg** directive, but it increments the warning count rather than the error count, and it does not prevent the assembler from producing an object file.
- The **.mmsg** directive sends assembly-time messages to the standard output device in the same manner as the **.emsg** and **.wmsg** directives, but it does not set the error or warning counts, and it does not prevent the assembler from producing an object file.

Example

In this example, the macro **MSG_EX** requires one parameter. The first time the macro is invoked, it has a parameter, **PARAM**, and it assembles normally. The second time, the parameter is missing, and an error is generated.

Source file:

```
MSG_EX    .macro a  
          .if    $symlen(a) = 0  
          .emsg "ERROR -- MISSING PARAMETER"  
          .else  
            ADDI    @a, R4  
          .endif  
          .endm  
  
MSG_EX
```

Listing file:

```
2 MSG_EX .macro a
3         .if $symlen(a) = 0
4         .emsg "ERROR -- MISSING PARAMETER"
5         .else
6         ADDI @a,R4
7         .endif
8
9         .endm
10
11 00000000 MSG_EX
1         .if $symlen(a) = 0
1         .emsg "ERROR -- MISSING PARAMETER"
***** USER ERROR - ERROR -- MISSING PARAMETER
1         .else
1         ADDI @a,R4
1         .endif
1
```

1 Error, No Warnings

The following message is sent to standard output when the file is assembled:

```
"emsg.asm" line 11: ** USER ERROR **
ERROR -- MISSING PARAMETER
```

1 Error, No Warnings

Errors in source - Assembler Aborted

.end *End Assembly*

Syntax

```
.end
```

Description

The **.end** directive is optional and terminates assembly. It should be the last source statement of a program. The assembler will ignore any source statements that follow an **.end** directive.

This directive has the same effect as an end-of-file character. You can use **.end** when you're debugging and would like to stop assembling at a specific point in your code.

Note: Use .endm to End a Macro

Do not use the **.end** directive to terminate a macro; use the **.endm** macro directive instead.

Example

This example shows how the **.end** directive terminates assembly. If any source statements follow the **.end** directive, the assembler ignores them.

```
1 0000          Start: .space    300
2          000F temp    .set      15
3 0000          .bss      loc1,48h
4 0013 CE1B          ABS
5 0014 000F          ADD      temp
6 0015 6000          SACL     loc1
7                      .end
```

Syntax**.even****Description**

The **.even** directive aligns the section program counter (SPC) at the next full word. When you use the **.field** directive, you can follow it with the **.even** directive. This forces the assembler to write out a partially filled word before initializing fields in the next word. The assembler will fill the unused bits with 0s. If the SPC is already on a word boundary (no word is partially filled), **.even** has no effect.

When you use **.even** in a **.struct/.endstruct** sequence, **.even** aligns structure members; it does not initialize memory. For more information about **.struct/.endstruct**, refer to Section 4.8, page 4-16.

Example

In this example, word 0 is initialized with several fields; the **.even** directive causes the next field to be placed in word 1.

```

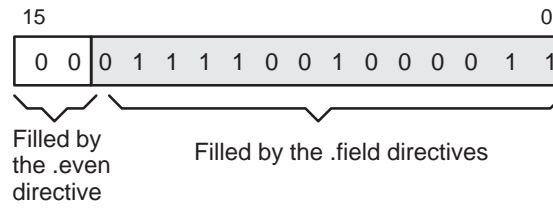
1          *****
2          *   Initialize a 3-bit field   *
3          *****
4      0000    0003          .field    03h,3
5
6          *****
7          *   Initialize a 6-bit field   *
8          *****
9      0000    0008          .field    08h,6
10
11         *****
12         *   Initialize a 5-bit field   *
13         *****
14      0000    000F          .field    0Fh,5
15
16         *****
17         *       Write out the word     *
18         *****
19      0001
20
21         *****
22         *   This field is in the next   *
23         *           word                 *
24         *****
25      0001    0002          .field    02h,2

```

Figure 4–8 shows how this example initializes word 0. The first 14 bits are initialized by **.field** directives; the remaining bits are set to 0 by the **.even** directive.

.even Align SPC at Next Word Boundary

Figure 4–8. The .even Directive



Syntax

```
.fclist
.fcno list
```

Description

Two directives enable you to control the listing of false conditional blocks:

The **.fclist** directive allows the listing of false conditional blocks (conditional blocks that do not produce code).

The **.fcno list** directive suppresses the listing of false conditional blocks until a **.fclist** directive is encountered. With **.fcno list**, only code in conditional blocks that are actually assembled appears in the listing. The **.if**, **.elseif**, **.else**, and **.endif** directives do not appear.

By default, all conditional blocks are listed; the assembler acts as if the **.fclist** directive had been used.

Example

This example shows the assembly language file and the listing file for code with and without the conditional blocks listed.

Source file:

```
a .set 1
b .set 0

.fclist
.if a
addk #1024
.else
adlk #1024*10
.endif

.fcno list
.if b
addk #1024
.else
adlk #1024*10
.endif
```

Listing file:

```
1 0001 a .set 1
2 0000 b .set 0
3 .fclist
4
5 .if a
6 0000 d002 addk #1024
0001 0400
7 .else
8 adlk #1024*10
9 .endif
10
11 .fcno list
12
17 0002 d002 adlk #1024*10
0003 2800
```

Syntax

```
.field value [, size in bits]
```

Description

The **.field** directive initializes multiple-bit fields within a single word of memory. This directive has two operands:

- ❑ *Value* is a required parameter; it is an expression that is evaluated and placed in the field. If the value is relocatable, *size* must be 16.
- ❑ *Size* is an optional parameter; it specifies a number from 1 to 16, which is the number of bits in the field. If you do not specify a size, the assembler assumes the size is 16 bits. If you specify a value that cannot fit into size bits, the assembler truncates the value and issues a warning message. For example, `.field 3,1` causes the assembler to truncate the value 3 to 1; the assembler also prints the message:

```
***warning - value truncated
```

Successive field directives pack values into the specified number of bits in the current word, starting at the least significant bit. If the assembler encounters a field size that does not fit into the current word, it writes out the word, increments the SPC, and begins packing fields into the next word. You can use the `.even` directive to force the next `.field` directive to begin packing into a new word.

If you use a label, it points to the word that contains the field.

When you use `.field` in a `.struct/.endstruct` sequence, `.field` defines a member's size; it does not initialize memory. For more information about `.struct/.endstruct`, refer to Section 4.8, page 4-16.

Example

This example shows how fields are packed into a word. Notice that the SPC does not change until a word is filled and the next word is begun.

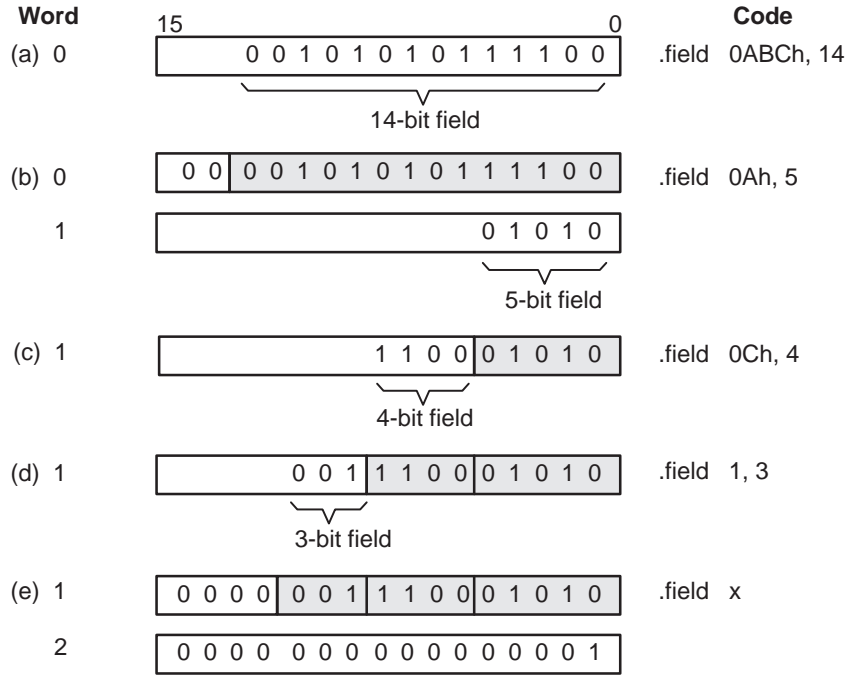
```

1          *****
2          *   Initialize a 14-bit field   *
3          *****
4 0000 0ABC          .field  0ABCh, 14
5
6          *****
7          *   Initialize a 5-bit field   *
8          *   in a new word             *
9          *****
10 0001 000A L_F:   .field  0Ah, 5
11
12          *****
13          *   Initialize a 4-bit field   *
14          *   in the same word         *
15          *****
16 0001 000C          .field  0Ch,4
17
18          *****
19          *   Initialize a 3-bit field   *
20          *   in the same word         *
21          *****
22 0001 0001 x:     .field  01h,3
23
24          *****
25          *   16-bit relocatable field   *
26          *   in the next word         *
27          *****
28 0002 0001'        .field  x

```

Figure 4–9 shows how the directives in this example affect memory.

Figure 4–9. The .field Directive



Syntax

```
.float value
.bfloat value
```

Description

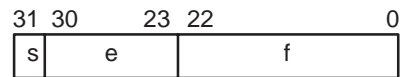
The **.float** and **.bfloat** directives place the floating-point representation of a single floating-point constant into a word in the current section. The **.bfloat** directive guarantees that the object will not span a page boundary.

Value must be a floating-point constant or a symbol that has been equated to a floating-point constant. Each constant is converted to a floating-point value in IEEE single-precision (32-bit) format.

The 32-bit value consists of three fields:

- A 1-bit sign field (*s*)
- An 8-bit biased exponent (*e*)
- A 23-bit fraction (*f*)

The value is stored least significant word first, most significant word second, in the following format:



When you use **.float** in a **.struct/.endstruct** sequence, **.float** defines a member's size; it does not initialize memory. For more information about **.struct/.endstruct**, refer to Section 4.8, page 4-16.

Example

This example shows **.float** and **.bfloat** directives:

```
1  0000  594f      .float    -1.0e25
   0001  e904
2  0002  0000      .bfloat     3
   0003  4040
3  0004  0000      .float     123
   0005  42f6
```

Syntax

```
.global symbol1 [, ... , symboln]  
.def symbol1 [, ... , symboln]  
.ref symbol1 [, ... , symboln]
```

Description

The **.global**, **.def**, and **.ref** directives identify global symbols, which are defined externally or can be referenced externally.

The **.def** directive identifies a symbol that is defined in the current module and can be accessed by other files. The assembler places this symbol in the symbol table.

The **.ref** directive identifies a symbol that is used in the current module but defined in another module. The linker resolves this symbol's definition at link time.

The **.global** directive acts as a **.ref** or a **.def**, as needed.

A global *symbol* is defined in the same manner as any other symbol; that is, it appears as a label or is defined by the **.set**, **.bss**, or **.usect** directive. As with all symbols, if a global symbol is defined more than once, the linker issues a multiple-definition error. **.ref** always creates a symbol table entry for a symbol, whether the module uses the symbol or not; **.global**, however, creates an entry only if the module actually uses the symbol.

A symbol may be declared global for two reasons:

- If the symbol is *not defined in the current module* (including macro, copy, and include files), the **.global** or **.ref** directive tells the assembler that the symbol is defined in an external module. This prevents the assembler from issuing an unresolved reference error. At link time, the linker looks for the symbol's definition in other modules.
- If the symbol *is defined in the current module*, the **.global** or **.def** directive declares that the symbol and its definition can be used externally by other modules. These types of references are resolved at link time.

Example

This example shows four files:

file1.lst and **file3.lst** are equivalent. Both files define the symbol **Init** and make it available to other modules; both files use the external symbols **x**, **y**, and **z**. **file1.lst** uses the **.global** directive to identify these global symbols; **file3.lst** uses **.ref** and **.def** to identify the symbols.

file2.lst and **file4.lst** are equivalent. Both files define the symbols **x**, **y**, and **z** and make them available to other modules; both files use the external symbol **Init**. **file2.lst** uses the **.global** directive to identify these global symbols; **file4.lst** uses **.ref** and **.def** to identify the symbols.

file1.lst:

```
1           ; Global symbol defined in this file
2           global  Init
3           ; Global symbols defined in file2.lst
4           .global  x, y, z
5 0000      Init:
6 0000 0056          ADD      56h
7 0001 0000          .word    x
8           ;
9           ;
10          ;
11          .end
```

file2.lst:

```
1           ; Global symbols defined in this file
2           .global  x, y, z
3           ; Global symbol defined in file1.lst
4           .global  Init
5           0001      x:      .set    1
6           0002      y:      .set    2
7           0003      z:      .set    3
8 0000 0000          .word    Init
9           ;
10          ;
11          ;
12          .end
```

file3.lst:

```
1           ; Global symbol defined in this file
2           .def     Init
3           ; Global symbols defined in file4.lst
4           .ref     x, y, z
5 0000      Init:
6 0000 0056          ADD      56h
7 0001 0000          .word    x
8           ;
9           ;
10          ;
11          .end
```

file4.lst:

```
1           ; Global symbols defined in this file
2           .def     x, y, z
3           ; Global symbol defined in file3.lst
4           .ref     Init
5           0001      x:      .set    1
6           0002      y:      .set    2
7           0003      z:      .set    3
8 0000 0000          .word    Init
9           ;
10          ;
11          ;
12          .end
```

Syntax

```
.if well-defined expression
.elseif well-defined expression
.else
.endif
```

Description

Four directives provide conditional assembly:

The **.if** directive marks the beginning of a conditional block. The *well-defined expression* is a required parameter.

- If the expression evaluates to *true* (nonzero), the assembler assembles the code that follows the expression (up to a **.elseif**, **.else**, or **.endif**).
- If the expression evaluates to *false* (0), the assembler assembles code that follows a **.elseif** (if present), **.else** (if present), or **.endif** (if no **.elseif** or **.else** is present).

The **.elseif** directive identifies a block of code to be assembled when the **.if** expression is false (0) and the **.elseif** expression is true (nonzero). When the **.elseif** expression is false, the assembler continues to the next **.elseif** (if present), **.else** (if present), or **.endif**. The **.elseif** directive is optional in the conditional block, and more than one **.elseif** can be used. If an expression is false and there is no **.elseif** statement, the assembler continues with the code that follows a **.else** (if present) or **.endif**.

The **.else** directive identifies a block of code that the assembler assembles when the **.if** expression and all **.elseif** expressions are false (0). This directive is optional in the conditional block; if an expression is false and there is no **.else** statement, the assembler continues with the code that follows the **.endif**.

The **.endif** directive terminates a conditional block.

The **.elseif** and **.else** directives can be used in the same conditional assembly block, and the **.elseif** directive can be used more than once within a conditional assembly block.

For information about relational operators, see subsection 3.10.4, page 3-27.

Example

This example shows conditional assembly.

```
1      0001  sym1  .set  1
2      0002  sym2  .set  2
3      0003  sym3  .set  3
4      0004  sym4  .set  4
5      If_4: .if  sym4 = sym2 * sym2
6 0000 0004      .byte  sym4   ; Equal values
7              .else
8              .byte  sym2 * sym2; Unequal values
9              .endif
10     If_5: .if  sym1 <= 10
11 0001 000A      .byte  10     ; Less than/equal
12              .else
13              .byte  sym1   ; Greater than
14              .endif
15     If_6:  .if  sym3 * sym2 != sym4 + sym2
16              .byte  sym3 * sym2 ;Unequal values
17              .else
18 0002 0006      .byte  sym4 + sym2 ;Equal values
19              .endif
20     If_7  .if  sym1 = 2
21              .byte  sym1
22              .elseif sym2 + sym3 = 5
23 0003 0005      .byte  sym2 + sym3
24              .endif
```

Syntax

```
.int value1 [, ... , valuen]  
.word value1 [, ... , valuen]
```

Description

The **.int** and **.word** directives are equivalent; they place one or more values into consecutive 16-bit fields in the current section.

The *values* can be either absolute or relocatable expressions. If an expression is relocatable, the assembler generates a relocation entry that refers to the appropriate symbol; the linker can then correctly patch (relocate) the reference. This allows you to initialize memory with pointers to variables or labels.

You can use as many values as fit on a single line. If you use a label, it points to the first initialized word.

When you use **.int** or **.word** in a **.struct/.endstruct** sequence, they define a member's size; they do not initialize memory. For more information about **.struct/.endstruct**, refer to Section 4.8, page 4-16.

Example 1

This example uses the **.int** directive to initialize words.

```
1 0000                .space 73h  
2 0000                .bss  page,128  
3 0080                .bss  symptr,3  
4 0008 2056  Inst:  LAC  056h  
5 0009 000A          .int  10, symptr, -1, 35+'a', Inst  
   000A 0080  
   000B FFFF  
   000C 0084  
   000D 0008
```

Example 2

In this example, the **.word** directive is used to initialize words. The symbol **WordX** points to the first word that is reserved.

```
1 0000 0C80  WordX: .word 3200, 1+'AB', -0AFh, 'X'  
   0001 4143  
   0002 FF51  
   0003 0058
```

Syntax**.label** *symbol***Description**

The **.label** directive defines a special *symbol* that refers to the loadtime address rather than the runtime address within the current section. Most sections created by the assembler have relocatable addresses. The assembler assembles each section as if it started at 0, and the linker relocates it to the address at which it loads and runs.

For some applications, it is desirable to have a section load at one address and run at a *different* address. For example, you may wish to load a block of performance-critical code into slower off-chip memory to save space, and then move the code to high-speed on-chip memory to run it.

Such a section is assigned two addresses at link time, a load address and a run address. All labels defined in the section are relocated to refer to the runtime address so that references to the section (such as branches) are correct when the code runs.

The **.label** directive creates a special label that refers to the *loadtime* address. The label is useful primarily to designate where the section was loaded for purposes of the code that relocates the section.

Example

This example shows the use of a loadtime address label.

```

;-----
; .label Example
;-----
        .sect  ".examp"
        .label examp_load; load address of section
start:          ; run address of section
        <code>
finish:         ; run address of section end
        .label examp_end ; load address of section end

```

For more information about assigning runtime and loadtime addresses in the linker, refer to Section 8.8, page 8-33.

Syntax

```
.length page length
.width  page width
```

Description

The **.length** directive sets the page length of the output listing file. It affects the current and following pages; you can reset the page length with another **.length** directive.

- Default length: 60 lines
- Minimum length: 1 line
- Maximum length: 32,767 lines

The **.width** directive sets the page width of the output listing file. It affects the next line assembled and the lines following; you can reset the page width with another **.width** directive.

- Default width: 80 characters
- Minimum width: 80 characters
- Maximum width: 200 characters

The width refers to a full line in a listing file; the line counter value, SPC value, and object code are counted as part of the width of a line. Comments and other portions of a source statement that extend beyond the page width are truncated in the listing.

The assembler does not list the **.width** and **.length** directives.

Example

In this example, the page length and width are changed.

```
*****
**          Page length = 65 lines          **
**          Page width  = 85 characters     **
*****
          .length    65
          .width     85

*****
**          Page length = 55 lines          **
**          Page width  = 100 characters    **
*****
          .length    55
          .width     100
```

Syntax

```
.list  
.nolist
```

Description

Two directives enable you to control the printing of the source listing:

The **.list** directive allows the printing of the source listing.

The **.nolist** directive suppresses the source listing output until a **.list** directive is encountered. The **.nolist** directive can be used to reduce assembly time and the source listing size. It can be used in macro definitions to inhibit the listing of the macro expansion.

The assembler does not print the **.list** or **.nolist** directives or the source statements that appear after a **.nolist** directive. However, it continues to increment the line counter. You can nest the **.list/.nolist** directives. Each **.nolist** needs a matching **.list** to restore the listing.

By default, the source listing is printed to the listing file; the assembler acts as if a **.list** directive has been used.

Note: Creating a Listing File (-l option)

If you don't request a listing file when you invoke the assembler, the assembler ignores the **.list** directive.

Example

This example shows how the **.copy** directive inserts source statements from another file. The first time this directive is encountered, the assembler lists the copied source lines in the listing file. The second time this directive is encountered, the assembler does not list the copied source lines, because a **.nolist** directive was assembled. Note that the **.nolist**, the second **.copy**, and the **.list** directives do not appear in the listing file. Note also that the line counter is incremented, even when source statements are not listed.

Source file:

```
        .copy      "copy2.asm"
* Back in original file
        .nolist
        .copy      "copy2.asm"
        .list
* Back in original file
        .string    "Done"
```

Listing file:

```
        1                .copy      "copy2.asm"
A      1                * In copy2.asm (copy file)
A      2 0000    0020    .word     32, 1+'A'
        0001    0042
        2
        3                * Back in original file
        9 0004    446F    .string  "Done"
        0005    6E65
```

Syntax

```
.long value1 [, ... , valuen]
.blong value1 [, ... , valuen]
```

Description

The **.long** and **.blong** directives place one or more 32-bit values into consecutive words in the current section. The least significant word is stored first. The **.blong** directive guarantees that the object will not span a page boundary.

The *value* operand can be either an absolute or relocatable expression. If an expression is relocatable, the assembler generates a relocation entry that refers to the appropriate symbol; the linker can then correctly patch (relocate) the reference. This allows you to initialize memory with pointers to variables or with labels.

You can use up to 100 values, but they must fit on a single source statement line. If you use a label, it points to the first word that is initialized.

When you use **.long** in a **.struct/.endstruct** sequence, **.long** defines a member's size; it does not initialize memory. For more information about **.struct/.endstruct**, refer to Section 4.8, page 4-16.

Example

This example shows how the **.long** and **.blong** directives initialize double words.

```
2  0008  ABCD  Dat1: .long      0ABCDh, 'A'+100h, 'g', 'o'
   0009  0000
   000A  0041
   000B  0000
   000C  0067
   000D  0000
   000E  006F
   000F  0000
3  0010  0008          .blong    Dat1, 0AABCCDDh
   0011  0000
   0012  CCDD
   0013  AABB
```

Syntax

```
.loop [well-defined expression]
.break [well-defined expression]
.endloop
```

Description

Three directives enable you to repeatedly assemble a block of code:

The **.loop** directive begins a repeatable block of code. The optional expression evaluates to the loop count (the number of loops to be performed). If there is no expression, the loop count defaults to 1024, unless the assembler first encounters a **.break** directive with an expression that is true (nonzero) or omitted.

The **.break** directive is optional, along with its expression. When the expression is false (0), the loop continues. When the expression is true (non-zero) or omitted, the assembler breaks the loop and assembles the code after the **.endloop** directive.

The **.endloop** directive terminates a repeatable block of code; it executes when the **.break** directive is true (nonzero) or when number of loops performed equals the loop count given by **.loop**

Example

This example illustrates how **.loop**, **.break**, and **.endloop** can be used with the **.eval** directive. The code in the first six lines expands to the code listed immediately afterward.

```
1          .eval 0, x
2          coef .loop
3             .word      x*100
4             .eval      x+1, x
5             .break    x = 6
6             .endloop
1 0000 0000 .word      0*100
1          .eval      0+1, x
1          .break    1 = 6
1 0001 0064 .word      1*100
1          .eval      1+1, x
1          .break    2 = 6
1 0002 00c8 .word      2*100
1          .eval      2+1, x
1          .break    3 = 6
1 0003 012c .word      3*100
1          .eval      3+1, x
1          .break    4 = 6
1 0004 0190 .word      4*100
1          .eval      4+1, x
1          .break    5 = 6
1 0005 01f4 .word      5*100
1          .eval      5+1, x
1          .break    6 = 6
```

Syntax

```
.mlib ["filename"]
```

Description

The **.mlib** directive provides the assembler with the name of a macro library. A macro library is a collection of files that contain macro definitions. These files are bound into a single file (called a library or archive) by the archiver. Each member of a macro library may contain one macro definition that corresponds to the name of the file. Macro library members must be *source* files (not object files).

The *filename* of a macro library member must be the same as the macro name, and its extension must be `.asm`. The filename must follow host operating system conventions; it may be enclosed in double quotes. You can specify a full pathname (for example, `c:\320\macs.lib`). If you do not specify a full pathname, the assembler searches for the file in:

- 1) The directory that contains the current source file
- 2) Any directories named with the `-i` assembler option
- 3) Any directories specified by the environment variable `A_DIR`

For more information about the `-i` option and the environment variable, see Section 3.5, page 3-12.

When the assembler encounters a `.mlib` directive, it opens the library and creates a table of the library's contents. The assembler enters the names of the individual library members into the opcode table as library entries. This redefines any existing opcodes or macros that have the same name. If one of these macros is called, the assembler extracts the entry from the library and loads it into the macro table. The assembler expands the library entry in the same way it expands other macros, but it does not place the source code into the listing. Only macros that are actually called from the library are extracted, and they are extracted only once.

Example

In this example, a macro library is created that defines two macros, inc1 and dec1. The file inc1.asm contains the definition of inc1, and dec1.asm contains the definition of dec1.

inc1.asm	dec1.asm
<pre>* Macro for incrementing incl .MACRO reg LARP reg ADRK 1 .ENDM</pre>	<pre>* Macro for decrementing decl .MACRO reg LARP reg SBRK 1 .ENDM</pre>

Use the archiver to create a macro library:

```
dspar -a mac incl.asm decl.asm
```

Now you can use the .mlib directive to reference the macro library and define the inc1 and dec1 macros:

```
1 0000 .mlib "mac.lib"
2 0000 incl AR0 ; Macro call
1 0000 5588 LARP AR0
1 0001 7E01 ADRK 1
3 0002 decl AR1 ; Macro call
1 0002 5589 LARP AR1
1 0003 7F01 SBRK 1
```

Syntax

```
.mlist
.mno
```

Description

Two directives enable you to control the listing of macro and repeatable block expansions in the listing file:

The **.mlist** directive allows macro and `.loop/.endloop` block expansions in the listing file.

The **.mno** directive suppresses macro and `.loop/.endloop` block expansions in the listing file.

By default, all code encountered in macros and `.loop/.endloop` blocks is listed; the assembler acts as if the **.mlist** directive had been used.

Example

In this example, a macro named `str_3` is defined. The first time the macro is called, the macro expansion is listed (by default). The second time the macro is called, the macro expansion is not listed, because a **.mno** directive was assembled. The third time the macro is called, the macro expansion is again listed because a **.mlist** directive was assembled.

```

1          str_3  .MACRO    p1,p2,p3
2          .string  ":p1:",":p2:",":p3:"
3          .ENDM
4
5 0000          str_3  "red","green","blue"
1          0000 7265  .string  "red","green","blue"
           0001 6467
           0002 7265
           0003 656e
           0004 626c
           0005 7565
6
7          .mno
8 0006          str_3  "red","green","blue"
9
10         .mlist
11 000c          str_3  "red","green","blue"
1          000c 7265  .string  "red","green","blue"
           000d 6467
           000e 7265
           000f 656e
           0010 626c
           0011 7565
```


Syntax

.mmregs

Description

The **.mmregs** directive defines global symbolic names for the TMS320 registers and places them in the global symbol table. It is equivalent to executing `greg .set 5, imr .set 4, etc.` The symbols are local and absolute. Using the **.mmregs** directive makes it unnecessary to define these symbols.

If you use TMS320C50, TMS320C25, or TMS320C2xx, the symbols are placed as shown in Table 4–2.

Table 4–2. Memory-Mapped Registers

Name	C2x		C5x Address		Description
	Only	C2xx Only	Dec	Hex	
			0–3	0–3	Reserved
IMR	4	4	4	4	Interrupt mask register
GREG	5	5	5	5	Global memory allocation register
IFR		6	6	6	Interrupt flag register
PMST			7	7	Processor mode status register
RPTC			8	8	Repeat counter register
BRCR			9	9	Block repeat counter register
PASR			10	A	Block repeat program address start register
PAER			11	B	Block repeat program address end register
TREG0			12	C	Temporary register used for multiplier
TREG1			13	D	Temporary register used for dynamic shift count
TREG2			14	E	Temporary register used as bit pointer in dynamic bit test
DBMR			15	F	Dynamic bit manipulation register
AR0			16	10	Auxiliary register zero
AR1			17	11	Auxiliary register one
AR2			18	12	Auxiliary register two
AR3			19	13	Auxiliary register three

Table 4–2. Memory-Mapped Registers (Continued)

Name	C2x		C5x Address		Description
	Only	Only	Dec	Hex	
AR4			20	14	Auxiliary register four
AR5			21	15	Auxiliary register five
AR6			22	16	Auxiliary register six
AR7			23	17	Auxiliary register seven
INDX			24	18	Index register
ARCR			25	19	Auxiliary register compare register
CBSR1			26	1A	Circular buffer 1 start register
CBER1			27	1B	Circular buffer 1 end register
CBSR2			28	1C	Circular buffer 2 start register
CBER2			29	1D	Circular buffer 2 end register
CBCR			30	1E	Circular buffer control register
BMAR			31	1F	Block move address register
DRR	0	0	32	20	Data receive register
DXR	1	1	33	21	Data transmit register
SPC			34	22	Serial port control register
			35	23	Reserved
TIM	2	2	36	24	Timer register
PRD	3	3	37	25	Period register
TCR			38	26	Timer control register
			39	27	Reserved
PDWSR			40	28	Program S/W wait-state register
IOWSR			41	29	I/O S/W wait-state register
CWSR			42	2A	S/W wait-state control register
			43–47	2B–2F	Reserved

Syntax

.newblock

Description

The **.newblock** directive undefines any local labels currently defined. Local labels are temporary; the **.newblock** directive resets them and terminates their scope.

A local label is a label in the form \$n, where n is a single decimal digit. A local label, like other labels, points to an instruction word. Unlike other labels, local labels cannot be used in expressions. Local labels are not included in the symbol table.

After a local label has been defined and (perhaps) used, you should use the **.newblock** directive to reset it. The **.text**, **.data**, and **.sect** directives also reset local labels. Local labels that are defined within an include file are not valid outside of the include file.

Example

This example shows how the local label \$1 is declared, reset, and then declared again.

```
1 0000 2000- Label1: lac    a
2 0001 1001-         sub    b
3 0002 f380         blz    $1
   0003 0007
4 0004 2001-         lac    b
5 0005 ff80         b      $2
   0006 0008
6 0007 2000- $1     lac    a
7 0008 0002- $2     add    c
8                                     .newblock ; Undefine $1 to use it again
9 0009 f280         blez   $1
   000a 000c
10 000b 6002-       sac1   c
11 000c 5500 $1     nop
```

Syntax**.option** *option list***Description**

The **.option** directive selects several options for the assembler output listing. *Option list* is a list of options separated by commas; each option selects a listing feature. These are valid options:

- B** limits the listing of `.byte` directives to one line.
- D** limits the listing of `.int` and `.word` directives to one line.
- F** resets the `B`, `D`, `L`, `M`, and `T` directives.
- L** limits the listing of `.long` directives to one line.
- M** turns off macro expansions in the listing.
- T** limits the listing of `.string` directives to one line.
- X** produces a symbol cross-reference listing.

Options *are not* case-sensitive.

Example

This example shows how to limit the listings of the `.byte`, `.word`, `.long`, and `.string` directives to one line each.

```
1          *****
2          * Limit the listing of .byte, .int, .word,*
3          * .long, and .string directives to 1 line *
4          * each                                     *
5          *****
6 0000          .option  B,D,L,T
7 0000 00BD          .byte   -'C',0B0h,5
8 0003 CCDD          .long   0AABBCCDDh,536+'A'
9 0007 15AA          .word   5546,78h
10 0009 0015         .int    010101b,356q,85
11 000C 4578         .string  "Extended Registers"
12
13          *****
14          * Reset the listing options             *
15          *****
16 0015          .option  f
17 0015  BD          .byte   -'C',0B0h,5
   0016  B0
   0017
18 0018 CCDD          .long   0AABBCCDDh,536+'A'
   0018 AABB
   001A 0259
   001A 0000
19 001C 15AA          .word   5546,78h
   001D 0078
20 001E 0015         .int    010101b,356q,85
   001F 00EE
   0020 0055
21 0021 4578         .string  "Extended Registers"
   0022 7465
   0023 6E64
   0024 6564
   0025 2052
   0026 6567
   0027 6973
   0028 7465
   0029 7273
```

Syntax**.page****Description**

The **.page** directive produces a page eject in the listing file. The **.page** directive is not printed in the source listing, but the assembler increments the line counter when it encounters it. Using the **.page** directive to divide the source listing into logical divisions improves program readability.

Example

This example shows how the **.page** directive causes the assembler to begin a new page of the source listing.

Source file:

```
.title    "**** Page Directive Example ****"
;
;
;
        .page
```

Listing file:

```
DSP COFF Assembler, Version X.XX      Tue Feb 7 1:29:32 1995
Copyright (c) 1987-1995 Texas Instruments Incorporated

**** Page Directive Example ****                                PAGE    1

    2          ;          .
    3          ;          .
    4          ;          .
DSP COFF Assembler, Version X.XX      Tue Feb 7 1:29:32 1995
Copyright (c) 1987-1995 Texas Instruments Incorporated

**** Page Directive Example ****                                PAGE    2
```

Syntax

.port

Description

The **.port** directive turns on the assembler porting switch and is equivalent to using the **-p** command line switch (see subsection 3.4.1, page 3-6). If you use the **.port** directive while assembling for a target other than a TMS320C2xx or TMS320C5x, it will have no effect. Use the corresponding **-v** option on the command line to tell the assembler whether to create code for the TMS320C2xx or the TMS320C5x.

Example

In this example, the 'C2x to 'C5x porting switch is turned on.

```
1 *****
2 ** Turn on C2x to C5x port switch **
3 *****
4     .port
5 0000 b90a     LACK    10
6 0001 7c01    L1 SBRK   1
7 0002 90aa     SACL   +,AR2
8 0003 90a0     SACL   +
9 0004 f304     BGZL1, AR1
   0005 001'    ; *** DELAYED BRANCH REPLACES PREVIOUS INSTRUCTION ***
   0006 8b09     MAR; *** UPDATE ARx AS IN PREVIOUS BRANCH ***
   0007 8b00     NOP; *** INSERTED FOR PIPELINE ALIGNMENT ***
10
11 0008 2080    L2 ADD *
12 0009 f100     BBNZ   L2,AR1
   000a 0008    ; *** DELAYED BRANCH REPLACES PREVIOUS INSTRUCTION ***
   000b 8b09     MAR; *** UPDATE ARx AS IN PREVIOUS BRANCH ***
   000c 8b00     NOP; *** INSERTED FOR PIPELINE ALIGNMENT ***
13
14 000d 8b8a     LARP   AR2
15 000e a080     NORM   *
   000f 8b00     NOP; *** INSERTED FOR PIPELINE PROTECTION ***
   0010 8b00     NOP; *** INSERTED FOR PIPELINE PROTECTION ***
16 0011 8213'    SAR2,x      ; pipeline conflict
17 0012 8280     SARAR2,*    ; pipeline conflict
18
19 0013 0000    x .word 00h
```

Syntax

```
.sblock ["section name"] [, "section name", . . . ]
```

Description

The **.sblock** directive designates sections for blocking. Blocking is an address alignment mechanism similar to page alignment, but weaker. A blocked section is guaranteed to not cross a page boundary (128 words) if it is smaller than a page, or to start on a page boundary if it is larger than a page. This directive allows specification of blocking for initialized sections only, not uninitialized sections declared with the `.usect` or `.bss` directives. The *section names* may or may not be enclosed in quotes.

Example

In this example, the `.text` and `.data` sections are designated for blocking.

```
1 *****
2 ** Specify blocking for the .text      **
3 ** and .data sections                  **
4 *****
5          .sblock      .text, .data
```


Syntax

```
.sect "section name"
```

Description

The **.sect** directive defines a named section that can be used like the default **.text** and **.data** sections. The **.sect** directive begins assembling source code into the named section.

The *section name* identifies a section that the assembler assembles code into. The name is significant to eight characters and must be enclosed in double quotes.

The **.sect** directive is similar to the **.asect** directive; however, **.asect** creates a named section that has *absolute addresses*. If you use the **.asect** directive to define an absolute named section, you can use the **.sect** directive later in the program to continue assembling code into the absolute section.

For more information about COFF sections, see Chapter 2.

Example

This example shows how two special-purpose sections, **Sym_Defs** and **Vars**, are defined and how code assembles into them.

```
1          *****
2          **   Begin assembling into .text section   **
3 0000          .text
4 0000 2078          LAC    78h ; Assembled into .text
5 0001 0036          ADD    36h ; Assembled into .text
6
7          *****
8          **   Begin assembling into Sym_Defs section **
9          0000          .sect  "Sym_Defs"
10 0000 CCCC          .float 0.05; Assembled into Sym_Defs
11 0001 3D4C
11 0002 00AA X:      .word  0AAh; Assembled into Sym_Defs
12 0003 0002          ADD    X ; Assembled into Sym_Defs
13
14          *****
15          **   Begin assembling into Vars section   **
16 0000          .sect  "Vars"
17 0010          Word_Len .set  16
18 0020          DWord_Len .set Word_Len * 2
19 0008          Byte_Len .set  Word_Len / 2
20 0053          Str      .set  53h
21
22          *****
23          **   Resume assembling into .text section **
24 0002          .text
25 0002 0042          ADD    42h ; Assembled into .text
26 0003 03          .byte  3, 4; Assembled into .text
27 0004 04
28
29          *****
30          **   Resume assembling into Vars section   **
31 0000          .sect  "Vars"
31 0000 000D          .field 13, Word_Len
32 0001 000A          .field 0Ah, Byte_Len
33 0001 0008          .field 10q, DWord_Len / 8
```

Syntax

```
symbol .set value
symbol .equ value
```

Description

The **.set** and **.equ** directives equate a constant value with a symbol. The symbol can then be used in place of a value in assembly source. This allows you to equate meaningful names with constants and other values. The **.set** and **.equ** directives are identical and can be used interchangeably.

- The *symbol* must appear in the label field.
- The symbols in the *value* expression must be previously defined.

Undefined external symbols and symbols that are defined later in the module cannot be used in the expression. If the expression is relocatable, the symbol to which it is assigned is also relocatable.

The value of the expression appears in the object field of the listing. This value is not part of the actual object code and is not written to the output file.

Symbols defined with **.set** can be made externally visible with the **.def** or **.global** directive. In this way, you can define global absolute constants.

Example

This example shows how symbols can be assigned with **.set** and **.equ**.

```

1          *****
2          * Equate symbol FP to register R31 *
3          * and use it instead of R31      *
4          *****
5          001f          FP          .set   R31
6 0000    9a1f          MOV          *FP, A
7
8          *****
9          * Set symbol count to an integer *
10         * expression and use it as an    *
11         * immediate operand              *
12         *****
13         0035          count       .equ   100/2 + 3
14 0002    2235          MOV          #count, A
15
16         *****
17         * Set symbol symtab to relocatable *
18         * expression                      *
19         *****
20 0004    000a          label       .word  10
21         '0005          symtab     .set   label+1
22 0006    '0005          .word     symtab
23
24         *****
25         * Set symbol nsyms to another    *
26         * symbol (count) and use it instead *
27         * of count                       *
28         *****
29         0035          nsyms       .equ   count
30 0008    2235          MOV          #nsyms, A
```

Syntax

```
.space size in bits
.bes size in bits
```

Description

The **.space** and **.bes** directives reserve *size* number of bits in the current section and fill them with 0s. The section program counter is incremented to point to the word following the reserved space.

When you use a label with the **.space** directive, it points to the *first* word reserved. When you use a label with the **.bes** directive, it points to the *last* word reserved.

Example

This example shows how memory is reserved with **.space** and **.bes**.

```
1          *****
2          * Begin assembling into .text      *
3          *****
4      0000          .text
5
6          *****
7          * Reserve 0F0h bits (15 words) in  *
8          * the .text section                *
9          *****
10     0000          .space    0F0h
11     000F 0100          .word    100h,200h
12     0010 0200
13
14          *****
15          * Begin assembling into .data    *
16          *****
17     0000          .data
18     0000 496E          .string  "In .data"
19     0001 202E
20     0002 6461
21     0003 7461
22
23          *****
24          * Reserve 100 bits in the .data  *
25          * section; Res_1 points to the  *
26          * first word that contains reserved *
27          * bits                            *
28          *****
29     0004          Res_1:    .space    100
30     000B 000F          .word    15
31     000C 0004          .word    Res_1
32
33          *****
34          * Reserve 20 bits in the .data  *
35          * section; Res_2 points to the  *
36          * last word that contains reserved *
37          * bits                            *
38          *****
39     000E          Res_2:    .bes      20
40     000F 003          .word    36h
41     0010 000E          .word    Res_2
```

Syntax

```
.sslist
.ssnolist
```

Description

Two directives enable you to control substitution symbol expansion in the listing file:

The **.sslist** directive allows substitution symbol expansion in the listing file. The expanded line appears below the actual source line.

The **.ssnolist** directive suppresses substitution symbol expansion in the listing file.

By default, all substitution symbol expansion in the listing file is suppressed; the assembler acts as if the **.ssnolist** directive had been used. Lines with the pound (#) character denote expanded substitution symbols.

Example

This example shows code that, by default, suppresses the listing of substitution symbol expansion, and it shows the **.sslist** directive assembled, instructing the assembler to list substitution symbol code expansion.

```

1 0000 .bss x, 1
2 0001 .bss y, 1
3 ADD2 .macro a,b
4 LAC a
5 ADD b
6 SACL b
7 .endm
8
9 .asg "+", INC
10 .asg ar0 , FP
11
12 0000 5588 LARP FP
13 0001 55a0 MAR INC
14
15 0002 ADD2 x,y
1 0002 2000- LAC x
1 0003 0001- ADD y
1 0004 6001- SACL y
16
17 .sslist
18
19 0005 5588 LARP FP
# LARP ar0
20 0006 55a0 MAR INC
# MAR +
21
22 0007 ADD2 x,y
1 0007 2000- LAC a
# LAC x
1 0008 0001- ADD b
# ADD y
1 0009 6001 SACL b
# SACL y
```

Syntax

```
.string "string1" [, ... , "stringn"]
```

Description

The **.string** directive places 8-bit characters from a character string into the current section. The data is packed so that each word contains two 8-bit bytes. Each *string* is either:

- An expression that the assembler evaluates and treats as a 16-bit signed number, or
- A character string enclosed in double quotes. Each character in a string represents a separate byte.

Values are packed into words, starting with the most significant byte of the word. Any unused space is padded with null bytes (0s). This directive differs from **.byte** in that **.byte** does not pack values into words.

The assembler truncates any values that are greater than 8 bits. You may have up to 100 operands, but they must fit on a single source statement line.

If you use a label, it points to the first word that is initialized.

When you use **.string** in a **.struct/.endstruct** sequence, **.string** defines a member's size; it does not initialize memory. For more information about **.struct/.endstruct**, refer to Section 4.8, page 4-16.

Example

This example shows 8-bit values placed into words in the current section.

```
1 0000 4142  Str_Ptr:.string "ABCD"
   0001 4344
2 0002 4142          .string 41h,42h,43h,44h
   0003 4344
3 0004 4175          .string "Austin","SanAntonio","Houston"
   0005 7374
   0006 696E
   0007 5361
   0008 6E20
   0009 416E
   000A 746F
   000B 6E69
   000C 6F48
   000D 6F75
   000E 7374
   000F 6F6E
4 0010 3000          .string 36 + 12
```

Syntax

```

[ stag ]   .struct      [ expr ]
[ mem0 ] element      [ expr0 ]
[ mem1 ] element      [ expr1 ]
.           .           .
.           .           .
.           .           .
[ memn ] .tag stag    [ exprn ]
.           .           .
.           .           .
[ memN ] element      [ exprN ]
[ size ]   .endstruct
label     .tag         stag

```

Description

The **.struct** directive assigns symbolic offsets to the elements of a data structure definition. This enables you to group similar data elements together and then let the assembler calculate the element offset. This is similar to a C structure or a Pascal record. The **.struct** directive does not allocate memory; it merely creates a symbolic template that can be used repeatedly.

The **.endstruct** directive terminates the structure definition.

The **.tag** directive gives structure characteristics to a *label*, simplifying the symbolic representation and providing the ability to define structures that contain other structures. The **.tag** directive does not allocate memory. The structure tag (*stag*) of a **.tag** directive must have been previously defined.

stag is the structure's tag. Its value is associated with the beginning of the structure. If no *stag* is present, the assembler puts the structure members in the global symbol table with the value of their absolute offset from the top of the structure.

expr is an optional expression indicating the beginning offset of the structure. Structures default to start at 0.

mem_n is an optional label for a member of the structure. This label is absolute and equates to the present offset from the beginning of the structure. A label for a structure member cannot be declared global.

element is one of the following descriptors: **.string**, **.byte**, **.word**, **.float**, **.tag**, or **.field**. All of these, except **.tag**, are typical directives that initialize memory. Following a **.struct** directive, these directives describe the structure element's size. They do not allocate memory. A **.tag** directive is a special case because a *stag* must be used (as in the definition).

expr_n is an optional expression for the number of elements described. This value defaults to 1. A .string element is considered to be one byte in size, and a .field element is one bit.

size is an optional label for the total size of the structure.

Note: Directives That Can Appear in a .struct/.endstruct Sequence

The only directives that can appear in a .struct/.endstruct sequence are element descriptors, conditional assembly directives, the .align directive (which aligns the member offsets on byte boundaries) and the .even directive (which aligns the member offsets on word boundaries). Empty structures are illegal.

These examples show various uses of the .struct, .tag, and .endstruct directives.

Example 1

```
1          0000  real_rec  .struct                ; stag
2          0000  nom      .int                    ; member1 = 0
3          0001  den      .int                    ; member2 = 1
4          0002  real_len .endstruct            ; real_len = 2
5
6 0000 2001-          add  real+real_rec.den      ; access structure elem
7
8 0000          .bss  real, real_len             ; allocate
```

Example 2

```
1
2 0000 0000  cplx_rec  .struct                ; stag
3          0000  reali  .tag      real_rec    ; member1 = 0
4          0002  imagi  .tag      real_rec    ; member2 = 2
5          0004  cplx_len .endstruct        ; cplx_len = 4
6
7          complex .tag      cplx_rec        ; assign structure attrib
8
9 0001 2002-          add      complex.reali  ; access structure
10 0002 9002-         sac1     complex.reali
11
12 0003 2005-         add      complex.imagi
13
14 0002          .bss      complex,cplx_len ; allocate space
```

Example 3

```

1 0000          .struct                ; no stag puts memNs into
2                                     ; global symbol table
3 0000    x     .int                      ; create 3 dim templates
4 0001    y     .int
5 0002    x     .int
6 0003          .endstruct

```

Example 4

```

1          0000 bit_rec .struct        ; stag
2          0000 stream .string    64
3          0040 bit7   .field      7     ; bits1 = 64
4          0040 bit9   .field      9     ; bits2 = 64
5          0041 bit10  .field     10    ; bits3 = 65
6          0042 x_int  .int
7          0042 bit_len .endstruct    ; length = 68
8
9          bits      .tag      bit_rec
10 0004 2046-      add          bits.bit7 ; move into acc
11 0005 bfb0      add    #007Fh         ; mask off garbage bits
    007f
12
13 0006          .bss bits, bit_rec

```


.tab *Define Tab Size*

Syntax

```
.tab size
```

Description

The **.tab** directive defines the tab size. Tabs encountered in the source input will be translated to *size* spaces in the listing. The default tab size is eight spaces.

Example

Each of the following lines consists of a single tab character followed by a NOP instruction.

```
1                               ;default tab size
2 0000 5500                    nop
3 0001 5500                    nop
4 0002 5500                    nop
5                               .tab 4
6 0003 5500                    nop
7 0004 5500                    nop
8 0005 5500                    nop
9
10                              .tab 16
11 0006 5500                    nop
12 0007 5500                    nop
13 0008 5500                    nop
13
```

Syntax**.text****Description**

The **.text** directive tells the assembler to begin assembling into the **.text** section, which usually contains executable code. The section program counter is set to 0 if nothing has yet been assembled into the **.text** section. If code has already been assembled into the **.text** section, the section program counter is restored to its previous value in the section.

.text is the default section. Therefore, at the beginning of an assembly, the assembler assembles code into the **.text** section unless you specify another sections directive (**.data** or **.sect**).

For more information about COFF sections, see Chapter 2.

Example

This example shows code assembled into the **.text** and **.data** sections. The **.data** section contains integer constants, and the **.text** section contains character strings.

```

1          *****
2          *   Begin assembling into .data section   *
3          *****
4 0000          .data
5 0000    0A    .byte    0Ah,0Bh
6          0001    0B
7
8          *****
9          *   Begin assembling into .text section   *
10         *****
11 0000          .text
11 0000    4142  Start: .string  "A", "B", "C"
12         0001    4300
12 0002    5859  End:   .string  "X", "Y", "Z"
13         0003    5A00
13 0004    0000          ADD      Start
14 0005    0002          ADD      End
15
16         *****
17         *   Resume assembling into .data section   *
18         *****
19 0002          .data
20 0002    0C    .byte    0Ch,0Dh
21         0003    0D
22
23         *****
24         *   Resume assembling into .text section   *
25         *****
25 0006          .text
26 0006    5175  .string  "Quit"
27         0007    6974

```

Syntax

```
.title "string"
```

Description

The **.title** directive supplies a title that is printed in the heading on each listing page. The source statement itself is not printed, but the line counter is incremented.

The *string* is a quote-enclosed title of up to 65 characters. If you supply more than 65 characters, the assembler truncates the string and issues a warning.

The assembler prints the title on the page that follows the directive and on subsequent pages until another **.title** directive is processed. If you want a title on the first page, the first source statement must contain a **.title** directive.

Example

In this example, one title is printed on the first page and a different title on succeeding pages.

Source file:

```
        .title    "**** Fast Fourier Transforms ****"  
;      .  
;      .  
;      .  
        .title    "**** Floating Point Routines ****"  
        .page
```

Listing file:

```
DSP COFF Assembler, Version X.XX      Tue Feb 7 13:47:26 1995  
Copyright (c) 1987-1995 Texas Instruments Incorporated
```

```
**** Fast Fourier Transforms ****                                PAGE    1  
  
2          ;          .  
3          ;          .  
4          ;          .
```

```
DSP COFF Assembler, Version X.XX      Tue Feb 7 13:47:26 1995  
Copyright (c) 1987-1995 Texas Instruments Incorporated
```

```
**** Floating Point Routines ****                                PAGE    2
```

Syntax

```
symbol .usect "section name", size in words , [blocking flag]
```

Description

The **.usect** directive reserves space for variables in an uninitialized, named section. This directive is similar to the **.bss** directive; both simply reserve space for data and have no contents. However, **.usect** defines sections that can be placed anywhere in memory, independently of the **.bss** section.

- The *symbol* points to the first location reserved by this invocation of the **.usect** directive. The symbol corresponds to the name of the variable for which you're reserving space.
- The *section name* must be enclosed in double quotes; only the first 8 characters are significant. This parameter names the uninitialized section.
- The *size* is an expression that defines the number of words that are reserved in section *name*.
- The *blocking flag* is optional. If specified and nonzero, the flag means that this section will be blocked. Blocking is an address mechanism similar to alignment, but weaker. It means that a section is guaranteed not to cross a page boundary (128 words) if it is smaller than a page, and to start on a page boundary if it is larger than a page. This blocking applies to the section, not to the object declared with this instance of the **.usect** directive.

Other sections directives (**.text**, **.data**, **.sect**, and **.asect**) end the current section and tell the assembler to begin assembling into another section. The **.usect** and the **.bss** directives, however, do not affect the current section. The assembler assembles the **.usect** and the **.bss** directives and then resumes assembling into the current section.

Variables that can be located contiguously in memory can be defined in the same specified section; to do so, repeat the **.usect** directive with the same section name.

For more information about COFF sections, see Chapter 2.

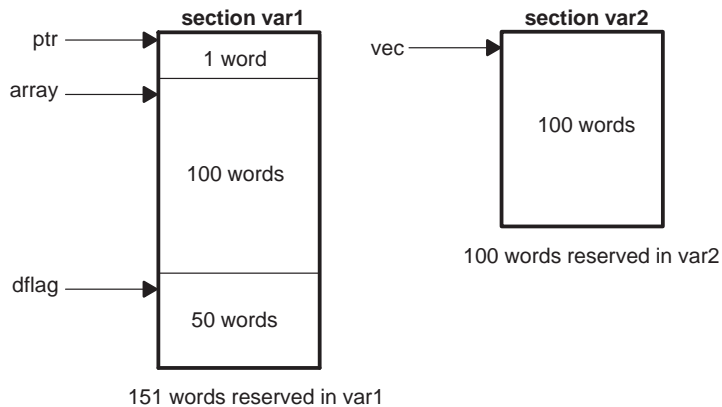
Example

This example shows how to use the **.usect** directive to define two uninitialized, named sections, **var1** and **var2**. The symbol **ptr** points to the first word reserved in the **var1** section. The symbol **array** points to the first word in a block of 100 words reserved in **var1**, and **dflag** points to the first word in a block of 50 words in **var1**. The symbol **vec** points to the first word reserved in the **var2** section.

Figure 4–10, page 4-78, shows how this example reserves space in two uninitialized sections, **var1** and **var2**.

```
1          *****
2          *      Assemble into .text      *
3          *****
4 0000          .text
5 0000 2003          LAC      03h
6
7          *****
8          *      Reserve 1 word in var1    *
9          *****
10 0000      ptr      .usect      "var1", 1
11
12          *****
13          *      Reserve 100 more words in var1    *
14          *****
15 0001      array    .usect      "var1", 100
16
17 0001 0037          ADD      037h      ; Still in .text
18
19          *****
20          *      Reserve 50 more words in var1    *
21          *****
22 0065      dflag    .usect      "var1", 50
23
24 0002 0065          ADD      dflag     ; Still in .text
25
26          *****
27          *      Reserve 100 words in var2    *
28          *****
29 0000      vec      .usect      "var2", 100
30
31 0003 0000          ADD      vec       ; Still in .text
32
33          *****
34          *      Declare an external .usect symbol *
35          *****
36          .global   array
```

Figure 4–10. The `.usect` Directive



Syntax**.version** *generation #number***Description**

The **.version** directive tells the assembler which generation processor this code is for. Valid device numbers are 10, 16, 20, 25, and 50. The version directive must appear before an instruction, or else an error will occur. The version directive can be used instead of the `-v` command line option.

10 refers to TMS320C1x devices

16 refers to the TMS320C16 device

20 refers to TMS320C20 device

25 refers to the TMS320C2x devices

29 refers to the TMS320C2xx devices

50 refers to TMS320C5x devices

Instruction Set Summary

The TMS320C1x, TMS320C2x, TMS320C2xx, and TMS320C5x devices support a base set of general-purpose instructions as well as arithmetic-intensive instructions that are particularly suited for DSP and other numeric-intensive applications.

This chapter contains a table that summarizes the TMS320C1x, TMS320C2x, TMS320C2xx, and TMS320C5x instructions alphabetically. Each table entry shows the syntax for the instruction, indicates which devices support the instruction, and describes instruction operation. Section 5.1 describes the abbreviations used in the table and shows a sample table entry.

The TMS320C2x, TMS320C2xx and TMS320C5x devices have *enhanced instructions*; enhanced instructions are single mnemonics that perform the functions of several similar instructions. Section 5.2 summarizes the enhanced instructions.

This chapter does not cover topics such as opcodes, instruction timing, or addressing modes; the following documents cover such topics in detail:

<i>TMS320C1x User's Guide</i>	(literature number SPRU013)
<i>TMS320C2x User's Guide</i>	(literature number SPRU014)
<i>TMS320C2xx User's Guide</i>	(literature number SPRU127)
<i>TMS320C5x User's Guide</i>	(literature number SPRU056)

These user's guides also contain alphabetical presentations of the instruction sets, similar to the directives reference that begins on page 4-20.

Topic	Page
5.1 Using the Summary Table	5-2
5.2 Enhanced Instructions	5-5
5.3 Instruction Set Summary Table	5-6

5.1 Using the Summary Table

To help you read the summary table, this section provides an example of a table entry and a list of acronyms.

An Example of a Table Entry

In cases where more than one syntax is used, the first syntax is usually for direct addressing, and the second is usually for indirect addressing. Where three or more syntaxes are used, the syntaxes are normally specific to the device.

This is how the AND instruction appears in the table:

Syntax	1x	2x	2xx	5x	Description
AND <i>dma</i>	√	√	√	√	AND With Accumulator TMS320C1x and TMS320C2x devices: AND the contents of the addressed data memory location with the 16 LSBs of the accumulator. The 16 MSBs of the accumulator are ANDed with 0s. TMS320C2xx and TMS320C5x devices: AND the contents of the addressed data or a 16-bit immediate value to memory location of the accumulator. The 16 MSBs of the accumulator are ANDed with 0s. If a shift is specified, left-shift the constant before the AND. Low-order bits below and high-order bits above the shifted value are treated as 0s.
AND { <i>ind</i> } [, <i>next ARP</i>]	√	√	√	√	
AND # <i>lk</i> [, <i>shift</i>]			√	√	

The first column, *Syntax*, states the mnemonic and the syntaxes for the AND instruction.

The checks in the second through the fifth columns, (*1x*, *2x*, *2xx*, *5x*), indicate the devices that can be used with each of the syntaxes.

- 1x refers to the TMS320C1x devices
- 2x refers to the TMS320C2x devices, including TMS320C25
- 2xx refers to the TMS320C2xx devices
- 5x refers to the TMS320C5x devices

In this example, you can use the first two syntaxes with TMS320C1x, TMS320C2x, TMS320C2xx, and TMS320C5x devices, but you can use the last syntax only with TMS320C2xx, and TMS320C5x devices.

The sixth column, *Description*, briefly describes how the instruction functions. Often, an instruction functions slightly differently for the different devices: read the entire description before using the instruction.

Symbols and Acronyms

The following table lists the instruction set symbols and acronyms used throughout this chapter:

Table 5–1. Symbols and Acronyms Used in the Instruction Set Summary

Symbol	Description	Symbol	Description
# lk	16-bit immediate value	INTM	interrupt mask bit
# k	8-bit immediate value	INTR	interrupt mode bit
{ind}	indirect address	OV	overflow bit
ACC	accumulator	P	program bus
ACCB	accumulator buffer	PA	port address
AR	auxiliary register	PC	program counter
ARCR	auxiliary register compare	PM	product shifter mode
ARP	auxiliary register pointer	pma	program memory address
BMAR	block move address register	RPTC	repeat counter
BRCR	block repeat count register	shiftn	shift data
C	carry bit	src	source address
DBMR	dynamic bit manipulation register	ST	status register
dma	data memory address	SXM	sign-extension mode bit
DP	data memory page pointer	TC	test/control bit
dst	destination address	T	temporary register
FO	format status list	TREGn	TMS320C5x temporary register (0–2)
FSX	external framing pulse	TXM	transmit mode status register
IMR	interrupt mask register	XF	XF pin status bit

Based on the device, this is how the indirect address {ind} is interpreted:

{ind}	'C1x:	{ * * + *- }
	'C2x:	{ * * + *- *0+ *0- *BR0+ *BR0- }
	'C2xx:	{ * * + *- *0+ *0- *BR0+ *BR0- }
	'C5x:	{ * * + *- *0+ *0- *BR0+ *BR0- }

For example:

ADD {ind}

is interpreted as:

'C1x devices	ADD { * * + *- }
'C2x devices	ADD { * * + *- *0+ *0- *BR0+ *BR0- }
'C2xx devices	ADD { * * + *- *0+ *0- *BR0+ *BR0- }
'C5x devices	ADD { * * + *- *0+ *0- *BR0+ *BR0- }

Based on the device, this is the valid entries for shift*n* are:

shift	'C1x:	0–15 bits
	'C2x:	0–15 bits
	'C2xx:	0–16 bits
	'C5x:	0–16 bits
shift1	'C1x:	n/a
	'C2x:	0–15 bits
	'C2xx:	0–16 bits
	'C5x:	0–16 bits
shift2	'C1x:	n/a
	'C2x:	n/a
	'C2xx:	0–15 bits
	'C5x:	0–15 bits

5.2 Enhanced Instructions

An enhanced instruction is a single mnemonic that performs the functions of several similar instructions. For example, one mnemonic, ADD, performs the ADD, ADDH, ADDK, and ADLK functions. These enhanced instructions are valid for TMS320C2x, TMS320C2xx, and TMS320C5x devices (not TMS320C1x).

Table 5–2 below summarizes the enhanced instructions and the functions that the enhanced instructions perform (based on TMS320C1x/2x mnemonics).

Table 5–2. Summary of Enhanced Instructions

Enhanced Instruction	Includes These Operations
ADD	ADD, ADDH, ADDK, ADLK
AND	AND, ANDK
BCND	BBNZ, BBZ, BC, BCND, BGEZ, BGZ, BIOZ, BLEZ, BLZ, BNC, BNV, BNZ, BV, BZ
BLDD	BLDD, BLKD
BLDP	BLDP, BLKP
CLRC	CLRC, CNFD, EINT, RC, RHM, ROVM, RSXM, RTC, RXF
LACC	LAC, LACC, LALK, ZALH
LACL	LACK, LACL, ZAC, ZALS
LAR	LAR, LARK, LRLK
LDP	LDP, LDPK
LST	LST, LST1
MAR	LARP, MAR
MPY	MPY, MPYK
OR	OR, ORK
RPT	RPT, RPTK
SETC	CNFP, DINT, SC, SETC, SHM, SOVM, SSXM, STC, SXF
SUB	SUB, SUBH, SUBK

For more information about enhanced instructions, refer to Section 3.13, page 3-34.

5.3 Instruction Set Summary Table

Syntax	1x	2x	2xx	5x	Description
ABS	√	√	√	√	Absolute Value of Accumulator If the contents of the accumulator are less than zero, replace the contents with the 2s complement of the contents. If the contents are ≥ 0 , the accumulator is not affected.
ADCB				√	Add ACCB to Accumulator With Carry Add the contents of the ACCB and the value of the carry bit to the accumulator. If the result of the addition generates a carry from the accumulator's MSB, the carry bit is set to 1.
ADD <i>dma</i> [, <i>shift</i>] ADD { <i>ind</i> } [, <i>shift</i> [, <i>next ARP</i>]] ADD # <i>k</i> ADD # <i>lk</i> [, <i>shift2</i>]	√	√	√	√	Add to Accumulator With Shift TMS320C1x and TMS320C2x devices: add the contents of the addressed data memory location to the accumulator; if a shift is specified, left-shift the contents of the location before the add. During shifting, low-order bits are zero-filled, and high-order bits are sign-extended. TMS320C2xx and TMS320C5x devices: add the contents of the addressed data memory location or an immediate value to the accumulator; if a shift is specified, left-shift the data before the add. During shifting, low-order bits are zero-filled, and high-order bits are sign-extended if SXM = 1.
ADDB				√	Add ACCB to Accumulator Add the contents of the ACCB to the accumulator.
ADDC <i>dma</i> ADDC { <i>ind</i> } [, <i>next ARP</i>]		√	√	√	Add to Accumulator With Carry Add the contents of the addressed data memory location and the carry bit to the accumulator.
ADDH <i>dma</i> ADDH { <i>ind</i> } [, <i>next ARP</i>]	√	√	√	√	Add High to Accumulator Add the contents of the addressed data memory location to the 16 MSBs of the accumulator. The LSBs are not affected. If the result of the addition generates a carry, the carry bit is set to 1. TMS320C2x, TMS320C2xx, and TMS320C5x devices: If the result of the addition generates a carry from the accumulator's MSB, the carry bit is set to 1.

Syntax	1x	2x	2xx	5x	Description
ADDK # k		√	√	√	<p>Add to Accumulator Short Immediate</p> <p>TMS320C1x devices: Add an 8-bit immediate value to the accumulator.</p> <p>TMS320C2x, TMS320C2xx, and TMS320C5x devices: Add an 8-bit immediate value, right-justified, to the accumulator with the result replacing the accumulator contents. The immediate value is treated as an 8-bit positive number; sign extension is suppressed.</p>
ADDS dma ADDS {ind} [,next ARP]	√	√	√	√	<p>Add to Accumulator With Sign Extension Suppressed</p> <p>Add the contents of the addressed data memory location to the accumulator. The value is treated as a 16-bit unsigned number; sign extension is suppressed.</p>
ADDT dma ADDT {ind} [,next ARP]		√	√	√	<p>Add to Accumulator With Shift Specified by T Register</p> <p>Left-shift the contents of the addressed data memory location by the value in the 4 LSBs of the T register; add the result to the accumulator. If a shift is specified, left-shift the data before the add. During shifting, low-order bits are zero-filled, and high-order bits are sign-extended if SXM = 1.</p> <p>TMS320C2xx and TMS320C5x devices: If the result of the addition generates a carry from the accumulator's MSB, the carry bit is set to 1.</p>
ADLK # lk [,shift]		√	√	√	<p>Add to Accumulator Long Immediate With Shift</p> <p>Add a 16-bit immediate value to the accumulator; if a shift is specified, left-shift the value before the add. During shifting, low-order bits are zero-filled, and high-order bits are sign-extended if SXM = 1.</p>
ADRK # k		√	√	√	<p>Add to Auxiliary Register Short Immediate</p> <p>Add an 8-bit immediate value to the current auxiliary register.</p>

Instruction Set Summary Table

Syntax	1x	2x	2xx	5x	Description
AND <i>dma</i> AND { <i>ind</i> } [, <i>next ARP</i>] AND # <i>lk</i> [, <i>shift</i>]	√	√	√	√	AND With Accumulator TMS320C1x and TMS320C2x devices: AND the contents of the addressed data memory location with the 16 LSBs of the accumulator. The 16 MSBs of the accumulator are ANDed with 0s. TMS320C2xx and TMS320C5x devices: AND the contents of the addressed data memory location or a 16-bit immediate value with the contents of the accumulator. The 16 MSBs of the accumulator are ANDed with 0s. If a shift is specified, left-shift the constant before the AND. Low-order bits below and high-order bits above the shifted value are treated as 0s.
ANDB				√	AND ACCB to Accumulator AND the contents of the ACCB to the accumulator.
ANDK # <i>lk</i> [, <i>shift</i>]		√	√	√	AND Immediate With Accumulator With Shift AND a 16-bit immediate value with the contents of the accumulator; if a shift is specified, left-shift the constant before the AND.
APAC	√	√	√	√	Add P Register to Accumulator Add the contents of the P register to the accumulator. TMS320C2x, TMS320C2xx, and TMS320C5x devices: before the add, left-shift the contents of the P register as defined by the PM status bits.
APL [# <i>lk</i>] , <i>dma</i> APL [# <i>lk</i> ,] { <i>ind</i> } [, <i>next ARP</i>]				√ √	AND Data Memory Value With DBMR or Long Constant AND the data memory value with the contents of the DBMR or a long constant. If a long constant is specified, it is ANDed with the contents of the data memory location. The result is written back into the data memory location previously holding the first operand. If the result is 0, the TC bit is set to 1; otherwise, the TC bit is cleared.
B <i>pma</i> B <i>pma</i> [, { <i>ind</i> } [, <i>next ARP</i>]]	√		√		Branch Unconditionally Branch to the specified program memory address. TMS320C2x and TMS320C2xx devices: modify the current AR and ARP as specified.

Syntax	1x	2x	2xx	5x	Description
B [<i>D</i>] <i>pma</i> [, { <i>ind</i> } [, <i>next ARP</i>]]				√	<p>Branch Unconditionally With Optional Delay</p> <p>Modify the current auxiliary register and ARP as specified and pass control to the designated program memory address. If you specify a delayed branch (BD), the next two instruction words (two 1-word instructions or one 2-word instruction) are fetched and executed before branching.</p>
BACC		√	√		<p>Branch to Address Specified by Accumulator</p> <p>Branch to the location specified by the 16 LSBs of the accumulator.</p>
BACC [<i>D</i>]				√	<p>Branch to Address Specified by Accumulator With Optional Delay</p> <p>Branch to the location specified by the 16 LSBs of the accumulator.</p> <p>If you specify a delayed branch (BACCD), the next two instruction words (two 1-word instructions or one 2-word instruction) are fetched and executed before branching.</p>
BANZ <i>pma</i> BANZ <i>pma</i> [, { <i>ind</i> } [, <i>next ARP</i>]]	√		√	√	<p>Branch on Auxiliary Register Not Zero</p> <p>If the contents of the 9 LSBs of the current auxiliary register (TMS320C1x) or the contents of the entire current auxiliary register (TMS320C2x) are ≠ 0, branch to the specified program memory address.</p> <p>TMS320C2x and TMS320C2xx devices: modify the current AR and ARP (if specified) or decrement the current AR (default). TMS320C1x devices: decrement the current AR.</p>
BANZ [<i>D</i>] <i>pma</i> [, { <i>ind</i> } [, <i>next ARP</i>]]				√	<p>Branch on Auxiliary Register Not Zero With Optional Delay</p> <p>If the contents of the current auxiliary register are ≠ 0, branch to the specified program memory address. Modify the current AR and ARP as specified, or decrement the current AR.</p> <p>If you specify a delayed branch (BANZD), the next two instruction words (two 1-word instructions or one 2-word instruction) are fetched and executed before branching.</p>

Instruction Set Summary Table

Syntax	1x	2x	2xx	5x	Description
BBNZ <i>pma</i> [, { <i>ind</i> } [, <i>next ARP</i>]]		√	√	√	<p>Branch on Bit ≠ Zero</p> <p>If the TC bit = 1, branch to the specified program memory address.</p> <p>TMS320C2x devices: modify the current AR and ARP as specified.</p> <p>TMS320C2xx and TMS320C5x devices: if the –p porting switch is used, modify the current AR and ARP as specified.</p>
BBZ <i>pma</i> [, { <i>ind</i> } [, <i>next ARP</i>]] BBZ <i>pma</i>		√	√	√	<p>Branch on Bit = Zero</p> <p>If the TC bit = 0, branch to the specified program memory address.</p> <p>TMS320C2x devices: modify the current AR and ARP as specified.</p> <p>TMS320C2xx and TMS320C5x devices: modify the current AR and ARP as specified when the –p porting switch is used.</p>
BC <i>pma</i> [, { <i>ind</i> } [, <i>next ARP</i>]] BC <i>pma</i>		√	√	√	<p>Branch on Carry</p> <p>If the C bit = 1, branch to the specified program memory address.</p> <p>TMS320C2x devices: modify the current AR and ARP as specified.</p> <p>TMS320C2xx and TMS320C5x devices: modify the current AR and ARP as specified when the –p porting switch is used.</p>
BCND <i>pma</i> [<i>cond</i> ₁] [, <i>cond</i> ₂] [...]			√		<p>Branch Conditionally</p> <p>Branch to the program memory address if the specified conditions are met. Not all combinations of conditions are meaningful.</p>
BCND [<i>D</i>] <i>pma</i> [<i>cond</i> ₁] [, <i>cond</i> ₂] [...]				√	<p>Branch Conditionally With Optional Delay</p> <p>Branch to the program memory address if the specified conditions are met. Not all combinations of conditions are meaningful.</p> <p>If you specify a delayed branch (BCNDD), the next two instruction words (two 1-word instructions or one 2-word instruction) are fetched and executed before branching.</p>

Syntax	1x	2x	2xx	5x	Description
BGEZ <i>pma</i> BGEZ <i>pma</i> [{ <i>ind</i> } [, <i>next ARP</i>]]	√		√	√	Branch if Accumulator ≥ Zero If the contents of the accumulator ≥ 0, branch to the specified program memory address. TMS320C2x devices: modify the current AR and ARP as specified. TMS320C2xx and TMS320C5x devices: modify the current AR and ARP as specified when the –p porting switch is used.
BGZ <i>pma</i> BGZ <i>pma</i> [{ <i>ind</i> } [, <i>next ARP</i>]]	√		√	√	Branch if Accumulator > Zero If the contents of the accumulator are > 0, branch to the specified program memory address. TMS320C2x devices: modify the current AR and ARP as specified. TMS320C2xx and TMS320C5x devices: modify the current AR and ARP as specified when the –p porting switch is used.
BIOZ <i>pma</i> BIOZ <i>pma</i> [{ <i>ind</i> } [, <i>next ARP</i>]]	√		√	√	Branch on I/O Status = Zero If the $\overline{\text{BIO}}$ pin is low, branch to the specified program memory address. TMS320C2x devices: modify the current AR and ARP as specified. TMS320C2xx and TMS320C5x devices: modify the current AR and ARP as specified when the –p porting switch is used.
BIT <i>dma, bit code</i> BIT { <i>ind</i> }, <i>bit code</i> [, <i>next ARP</i>]		√	√	√	Test Bit Copy the specified bit of the data memory value to the TC bit in ST1.
BITT <i>dma</i> BITT { <i>ind</i> } [, <i>next ARP</i>]		√	√	√	Test Bit Specified by T Register TMS320C1x, TMS320C2x, TMS320C2xx devices: copy the specified bit of the data memory value to the TC bit in ST1. The 4 LSBs of the T register specify which bit is copied. TMS320C5x devices: copy the specified bit of the data memory value to the TC bit in ST1. The 4 LSBs of the TREG2 specify which bit is copied.

Instruction Set Summary Table

Syntax	1x	2x	2xx	5x	Description
BLDD #lk, dma BLDD #lk, {ind} [,next ARP] BLDD dma, #lk BLDD {ind}, #lk [,next ARP] BLDD BMAR, dma BLDD BMAR, {ind} [,next ARP] BLDD dma BMAR BLDD {ind}, BMAR [,next ARP]			✓ ✓ ✓ ✓	✓ ✓ ✓ ✓	Block Move From Data Memory to Data Memory Copy a block of data memory into data memory. The block of data memory is pointed to by <i>src</i> , and the destination block of data memory is pointed to by <i>dst</i> . TMS320C2xx devices: the word of the source and/or the destination space can be pointed at with a long immediate value or a data memory address. You can use the RPT instruction with BLDD to move consecutive words, pointed at indirectly in data memory, to a contiguous program memory space. The number of words to be moved is one greater than the number contained in the RPTC at the beginning of the instruction. TMS320C5x devices: the word of the source and/or the destination space can be pointed at with a long immediate value, the contents of the BMAR, or a data memory address. You can use the RPT instruction with BLDD to move consecutive words, that are pointed at indirectly in data memory, to a contiguous program memory space. The number of words to be moved is one greater than the number contained in the RPTC at the beginning of the instruction.
BLDP dma BLDP {ind} [,next ARP]				✓ ✓	Block Move From Data Memory to Program Memory Copy a block of data memory into program memory pointed to by the BMAR. You can use the RPT instruction with BLDP to move consecutive words, that are pointed indirectly at in data memory to a contiguous program memory space pointed at by the BMAR.
BLEZ pma BLEZ pma [, {ind} [,next ARP]]	✓	✓	✓ ✓	✓ ✓	Branch if Accumulator ≤ Zero If the contents of the accumulator are ≤ 0, branch to the specified program memory address. TMS320C2x devices: modify the current AR and ARP as specified. TMS320C2xx and TMS320C5x devices: modify the current AR and ARP as specified when the –p porting switch is used.

Syntax	1x	2x	2xx	5x	Description
BLKD <i>dma1, dma2</i> BLKD <i>dma1, {ind} [,next ARP]</i>		√	√	√	Block Move From Data Memory to Data Memory Move a block of words from one location in data memory to another location in data memory. Modify the current AR and ARP as specified. RPT or RPTK must be used with BLKD, in the indirect addressing mode, if more than one word is to be moved. The number of words to be moved is one greater than the number contained in RPTC at the beginning of the instruction.
BLKP <i>pma, dma</i> BLKP <i>pma, {ind} [,next ARP]</i>		√	√	√	Block Move From Program Memory to Data Memory Move a block of words from a location in program memory to a location in data memory. Modify the current AR and ARP as specified. RPT or RPTK must be used with BLKD, in the indirect addressing mode, if more than one word is to be moved. The number of words to be moved is one greater than the number contained in RPTC at the beginning of the instruction.
BLPD <i>#pma, dma</i> BLPD <i># pma, {ind} [,next ARP]</i> BLPD <i>BMAR, dma</i> BLPD <i>BMAR, {ind} [,next ARP]</i>			√	√	Block Move From Program Memory to Data Memory Copy a block of program memory into data memory. The block of program memory is pointed to by <i>src</i> , and the destination block of data memory is pointed to by <i>dst</i> . TMS320C2xx devices: the word of the source space can be pointed at with a long immediate value. You can use the RPT instruction with BLPD to move consecutive words, that are pointed at indirectly in data memory to a contiguous program memory space. TMS320C5x devices: the word of the source space can be pointed at with a long immediate value, or the contents of the BMAR. You can use the RPT instruction with BLPD to move consecutive words, that are pointed at indirectly in data memory to a contiguous program memory space.
BLZ <i>pma</i> BLZ <i>pma [, {ind} [,next ARP]]</i>	√		√	√	Branch if Accumulator < Zero If the contents of the accumulator are < 0, branch to the specified program memory address. TMS320C2x devices: modify the current AR and ARP as specified. TMS320C2xx and TMS320C5x devices: modify the current AR and ARP as specified when the <i>-p</i> porting switch is used.

Instruction Set Summary Table

Syntax	1x	2x	2xx	5x	Description
BNC <i>pma</i> [, { <i>ind</i> } [, <i>next ARP</i>]]		√	√	√	<p>Branch on No Carry</p> <p>If the C bit = 0, branch to the specified program memory address.</p> <p>TMS320C2x devices: modify the current AR and ARP as specified.</p> <p>TMS320C2xx and TMS320C5x devices: modify the current AR and ARP as specified when the –p porting switch is used.</p>
BNV <i>pma</i> [, { <i>ind</i> } [, <i>next ARP</i>]]		√	√	√	<p>Branch if No Overflow</p> <p>If the OV flag is clear, branch to the specified program memory address.</p> <p>TMS320C2x devices: modify the current AR and ARP as specified.</p> <p>TMS320C2xx and TMS320C5x devices: modify the current AR and ARP as specified when the –p porting switch is used.</p>
BNZ <i>pma</i> BNZ <i>pma</i> [, { <i>ind</i> } [, <i>next ARP</i>]]	√	√	√	√	<p>Branch if Accumulator ≠ Zero</p> <p>If the contents of the accumulator ≠ 0, branch to the specified program memory address.</p> <p>TMS320C2x devices: modify the current AR and ARP as specified.</p> <p>TMS320C2xx and TMS320C5x devices: modify the current AR and ARP as specified when the –p porting switch is used.</p>
BSAR [<i>shift</i>]				√	<p>Barrel Shift</p> <p>In a single cycle, execute a 1- to 16-bit right-barrel arithmetic shift of the accumulator. The sign extension is determined by the sign-extension mode bit in ST1.</p>
BV <i>pma</i> BV <i>pma</i> [, { <i>ind</i> } [, <i>next ARP</i>]]	√	√	√	√	<p>Branch on Overflow</p> <p>If the OV flag is set, branch to the specified program memory address and clear the OV flag.</p> <p>TMS320C2x, TMS320C2xx, and TMS320C5x devices: modify the current AR and ARP as specified.</p> <p>TMS320C2xx and TMS320C5x devices: to modify the AR and ARP, use the –p porting switch.</p>

Syntax	1x	2x	2xx	5x	Description
BZ <i>pma</i> BZ <i>pma</i> [, { <i>ind</i> } [, <i>next ARP</i>]]	√		√	√	Branch if Accumulator = Zero If the contents of the accumulator = 0, branch to the specified program memory address. TMS320C2x, TMS320C2xx and TMS320C5x devices: modify the current AR and ARP as specified. TMS320C2xx and TMS320C5x devices: to modify the AR and ARP, use the –p porting switch.
CALA	√	√	√		Call Subroutine Indirect The contents of the accumulator specify the address of a subroutine. Increment the PC, push the PC onto the stack, then load the 12 (TMS320C1x) or 16 (TMS320C2x/C2xx) LSBs of the accumulator into the PC.
CALA [<i>D</i>]				√	Call Subroutine Indirect With Optional Delay The contents of the accumulator specify the address of a subroutine. Increment the PC and push it onto the stack; then load the 16 LSBs of the accumulator into the PC. If you specify a delayed branch (CALAD), the next two instruction words (two 1-word instructions or one 2-word instruction) are fetched and executed before the call.
CALL <i>pma</i> CALL <i>pma</i> [, { <i>ind</i> } [, <i>next ARP</i>]]	√		√		Call Subroutine The contents of the addressed program memory location specify the address of a subroutine. Increment the PC by 2, push the PC onto the stack, then load the specified program memory address into the PC. TMS320C2x and TMS320C2xx devices: modify the current AR and ARP as specified.
CALL [<i>D</i>] <i>pma</i> [, { <i>ind</i> } [, <i>next ARP</i>]]				√	Call Unconditionally With Optional Delay The contents of the addressed program memory location specify the address of a subroutine. Increment the PC and push the PC onto the stack; then load the specified program memory address (symbolic or numeric) into the PC. Modify the current AR and ARP as specified. If you specify a delayed branch (CALLD), the next two instruction words (two 1-word instructions or one 2-word instruction) are fetched and executed before the call.

Instruction Set Summary Table

Syntax	1x	2x	2xx	5x	Description
CC <i>pma</i> [<i>cond</i> ₁] [, <i>cond</i> ₂] [,...]			√		Call Conditionally If the specified conditions are met, control is passed to the pma. Not all combinations of conditions are meaningful.
CC[D] <i>pma</i> [<i>cond</i> ₁] [, <i>cond</i> ₂] [,...]				√	Call Conditionally With Optional Delay If the specified conditions are met, control is passed to the pma. Not all combinations of conditions are meaningful. If you specify a delayed branch (CCD), the next two instruction words (two 1-word instructions or one 2-word instruction) are fetched and executed before the call.
CLRC <i>control bit</i>			√	√	Clear Control Bit Set the specified control bit to a logic 0. Maskable interrupts are enabled immediately after the CLRC instruction executes.
CMPL		√	√	√	Complement Accumulator Complement the contents of the accumulator (1s complement).
CMPR <i>CM</i>		√	√	√	Compare Auxiliary Register With AR0 Compare the contents of the current auxiliary register to AR0, based on the following cases: If CM = 00 ₂ , test whether AR(ARP) = AR0. If CM = 01 ₂ , test whether AR(ARP) < AR0. If CM = 10 ₂ , test whether AR(ARP) > AR0. If CM = 11 ₂ , test whether AR(ARP) ≠ AR0. If the result is true, load a 1 into the TC status bit; otherwise, load a 0 into the TC bit. The comparison does not affect the tested registers. TMS320C5x devices: compare the contents of the auxiliary register with the ARCR.
CNFD		√	√	√	Configure Block as Data Memory Configure on-chip RAM block B0 as data memory. Block B0 is mapped into data memory locations 512h–767h. TMS320C5x devices: block B0 is mapped into data memory locations 512h–1023h.

Syntax	1x	2x	2xx	5x	Description
CNFP		√	√	√	<p>Configure Block as Program Memory</p> <p>Configure on-chip RAM block B0 as program memory. Block B0 is mapped into program memory locations 65280h–65535h.</p> <p>TMS320C5x devices: block B0 is mapped into data memory locations 65024h–65535h.</p>
CONF <i>2-bit constant</i>		√			<p>Configure Block as Program Memory</p> <p>Configure on-chip RAM block B0/B1/B2/B3 as program memory. For information on the memory mapping of B0/B1/B2/B3, refer to the <i>TMS320C2x User's Guide</i>.</p>
CPL [<i>, # lk</i>] <i>dma</i> CPL [<i>, # lk</i>] { <i>ind</i> } [<i>,next ARP</i>]				√	<p>Compare DBMR or Immediate With Data Value</p> <p>Compare two quantities: if the two quantities are equal, set the TC bit to 1; otherwise, clear the TC bit.</p>
CRGT				√	<p>Test for ACC > ACCB</p> <p>Compare the contents of the ACC with the contents of the ACCB. Then load the larger signed value into both registers and modify the carry bit according to the comparison result. If the contents of ACC are greater than or equal to the contents of ACCB, set the carry bit to 1.</p>
CRLT				√	<p>Test for ACC < ACCB</p> <p>Compare the contents of the ACC with the contents of the ACCB. Then load the smaller signed value into both registers and modify the carry bit according to the comparison result. If the contents of ACC are less than the contents of ACCB, clear the carry bit.</p>
DINT	√	√	√	√	<p>Disable Interrupts</p> <p>Disable all interrupts; set the INTM to 1. Maskable interrupts are disabled immediately after the DINT instruction executes. DINT does not disable the unmaskable interrupt \overline{RS}; DINT does not affect the IMR.</p>
DMOV <i>dma</i> DMOV { <i>ind</i> } [<i>,next ARP</i>]	√	√	√	√	<p>Data Move in Data Memory</p> <p>Copy the contents of the addressed data memory location into the next higher address. DMOV moves data only within on-chip RAM blocks.</p> <p>TMS320C2x, TMS320C2xx, and TMS320C5x devices: the on-chip RAM blocks are B0 (when configured as data memory), B1, and B2.</p>

Instruction Set Summary Table

Syntax	1x	2x	2xx	5x	Description
EINT	√	√	√	√	Enable Interrupts Enable all interrupts; clear the INTM to 0. Maskable interrupts are enabled immediately after the EINT instruction executes.
EXAR				√	Exchange ACCB With ACC Exchange the contents of the ACC with the contents of the ACCB.
FORT <i>1-bit constant</i>		√			Format Serial Port Registers Load the FO with a 0 or a 1. If FO = 0, the registers are configured to receive/transmit 16-bit words. If FO = 1, the registers are configured to receive/transmit 8-bit bytes.
IDLE		√	√	√	Idle Until Interrupt Forces an executing program to halt execution and wait until it receives a reset or an interrupt. The device remains in an idle state until it is interrupted.
IDLE2				√	Idle Until Interrupt—Low-Power Mode Removes the functional clock input from the internal device; this allows for an extremely low-power mode. The IDLE2 instruction forces an executing program to halt execution and wait until it receives a reset or unmasked interrupt.
IN <i>dma, PA</i>	√	√	√	√	Input Data From Port Read a 16-bit value from one of the external I/O ports into the addressed data memory location. TMS320C1x devices: this is a 2-cycle instruction. During the first cycle, the port address is sent to address lines A2/PA2–A0/PA0; \overline{DEN} goes low, strobing in the data that the addressed peripheral places on data bus D15–D0. TMS320C2x devices: the \overline{IS} line goes low to indicate an I/O access, and the \overline{STRB} , R/W, and READY timings are the same as for an external data memory read. TMS320C2xx, and TMS320C5x devices: the \overline{IS} line goes low to indicate an I/O access, and the \overline{STRB} , RD, and READY timings are the same as for an external data memory read.
IN <i>{ind}, PA [,next ARP]</i>	√	√	√	√	

Syntax	1x	2x	2xx	5x	Description																																																			
INTR <i>k</i>			√	√	<p>Soft Interrupt</p> <p>Transfer program control to the program memory address specified by <i>k</i> (<i>k</i> is defined in the table below). This instruction allows you to use your software to execute any interrupt service routine.</p> <table border="1"> <thead> <tr> <th><i>k</i></th> <th>Interrupt</th> <th>Location</th> </tr> </thead> <tbody> <tr><td>0</td><td>\overline{RS}</td><td>0h</td></tr> <tr><td>1</td><td>$\overline{INT1}$</td><td>2h</td></tr> <tr><td>2</td><td>$\overline{INT2}$</td><td>4h</td></tr> <tr><td>3</td><td>$\overline{INT3}$</td><td>6h</td></tr> <tr><td>4</td><td>TINT</td><td>8h</td></tr> <tr><td>5</td><td>RINT</td><td>Ah</td></tr> <tr><td>6</td><td>XINT</td><td>Ch</td></tr> <tr><td>7</td><td>TRNT</td><td>Eh</td></tr> <tr><td>8</td><td>\overline{TXNT}</td><td>10h</td></tr> <tr><td>9</td><td>$\overline{INT4}$</td><td>12h</td></tr> <tr><td>10</td><td>reserved interrupt</td><td>14h</td></tr> <tr><td>11</td><td>reserved interrupt</td><td>16h</td></tr> <tr><td>12</td><td>reserved interrupt</td><td>18h</td></tr> <tr><td>13</td><td>reserved interrupt</td><td>20h</td></tr> <tr><td>14</td><td>TRAP</td><td>22h</td></tr> <tr><td>15</td><td>NMI</td><td>24h</td></tr> </tbody> </table>	<i>k</i>	Interrupt	Location	0	\overline{RS}	0h	1	$\overline{INT1}$	2h	2	$\overline{INT2}$	4h	3	$\overline{INT3}$	6h	4	TINT	8h	5	RINT	Ah	6	XINT	Ch	7	TRNT	Eh	8	\overline{TXNT}	10h	9	$\overline{INT4}$	12h	10	reserved interrupt	14h	11	reserved interrupt	16h	12	reserved interrupt	18h	13	reserved interrupt	20h	14	TRAP	22h	15	NMI	24h
<i>k</i>	Interrupt	Location																																																						
0	\overline{RS}	0h																																																						
1	$\overline{INT1}$	2h																																																						
2	$\overline{INT2}$	4h																																																						
3	$\overline{INT3}$	6h																																																						
4	TINT	8h																																																						
5	RINT	Ah																																																						
6	XINT	Ch																																																						
7	TRNT	Eh																																																						
8	\overline{TXNT}	10h																																																						
9	$\overline{INT4}$	12h																																																						
10	reserved interrupt	14h																																																						
11	reserved interrupt	16h																																																						
12	reserved interrupt	18h																																																						
13	reserved interrupt	20h																																																						
14	TRAP	22h																																																						
15	NMI	24h																																																						
LAC <i>dma</i> [, <i>shift</i>] LAC { <i>ind</i> } [, <i>shift</i> [, <i>next ARP</i>]]	√	√	√	√	<p>Load Accumulator With Shift</p> <p>Load the contents of the addressed data memory location into the accumulator. If a shift is specified, left-shift the value before loading it into the accumulator. During shifting, low-order bits are zero-filled, and high-order bits are sign-extended if SXM = 1.</p>																																																			
LACB				√	<p>Load Accumulator With ACCB</p> <p>Load the contents of the accumulator buffer into the accumulator.</p>																																																			
LACC <i>dma</i> [, <i>shift</i> ₁] LACC { <i>ind</i> } [, <i>shift</i> ₁ [, <i>next ARP</i>]] LACC # <i>lk</i> [, <i>shift</i> ₂]		√	√	√	<p>Load Accumulator With Shift</p> <p>Load the contents of the addressed data memory location or the 16-bit constant into the accumulator. If a shift is specified, left-shift the value before loading it into the accumulator. During shifting, low-order bits are zero-filled, and high-order bits are sign-extended if SXM = 1.</p>																																																			
LACK <i>8-bit constant</i>	√	√	√	√	<p>Load Accumulator Immediate Short</p> <p>Load an 8-bit constant into the accumulator. The 24 MSBs of the accumulator are zeroed.</p>																																																			

Instruction Set Summary Table

Syntax	1x	2x	2xx	5x	Description
LACL <i>dma</i> LACL { <i>ind</i> } [, <i>next ARP</i>] LACL # <i>k</i>			√ √ √	√ √ √	Load Low Accumulator and Clear High Accumulator Load the contents of the addressed data memory location or zero-extended 8-bit constant into the 16 LSBs of the accumulator. The MSBs of the accumulator are zeroed. The data is treated as a 16-bit unsigned number. TMS320C2xx: a constant of 0 will clear the contents of the accumulator to 0 with no sign-extension.
LACT <i>dma</i> LACT { <i>ind</i> } [, <i>next ARP</i>]		√ √	√ √	√ √	Load Accumulator With Shift Specified by T Register Left-shift the contents of the addressed data memory location by the value specified in the 4 LSBs of the T register; load the result into the accumulator. If a shift is specified, left-shift the value before loading it into the accumulator. During shifting, low-order bits are zero-filled, and high-order bits are sign-extended if SXM = 1.
LALK # <i>lk</i> [, <i>shift</i>]		√	√	√	Load Accumulator Long Immediate With Shift Load a 16-bit immediate value into the accumulator. If a shift is specified, left-shift the constant before loading it into the accumulator. During shifting, low-order bits are zero-filled, and high-order bits are sign-extended if SXM = 1.
LAMM <i>dma</i> LAMM { <i>ind</i> } [, <i>next ARP</i>]				√ √	Load Accumulator With Memory-Mapped Register Load the contents of the addressed memory-mapped register into the low word of the accumulator. The 9 MSBs of the data memory address are cleared, regardless of the current value of DP or the 9 MSBs of AR (ARP).
LAR <i>AR, dma</i> LAR <i>AR, {ind}</i> [, <i>next ARP</i>] LAR <i>AR, # k</i> LAR <i>AR, # lk</i>	√ √	√ √	√ √ √	√ √ √	Load Auxiliary Register TMS320C1x and TMS320C2x devices: load the contents of the addressed data memory location into the designated auxiliary register. TMS320C25, TMS320C2xx, and TMS320C5x devices: load the contents of the addressed data memory location or an 8-bit or 16-bit immediate value into the designated auxiliary register.
LARK <i>AR, 8-bit constant</i>	√	√	√	√	Load Auxiliary Register Immediate Short Load an 8-bit positive constant into the designated auxiliary register.

Syntax	1x	2x	2xx	5x	Description
LARP <i>1-bit constant</i> LARP <i>3-bit constant</i>	√				Load Auxiliary Register Pointer TMS320C1x devices: load a 1-bit constant into the auxiliary register pointer (specifying AR0 or AR1). TMS320C2x, TMS320C2xx, and TMS320C5x devices: load a 3-bit constant into the auxiliary register pointer (specifying AR0–AR7).
LDP <i>dma</i> LDP <i>{ind} [,next ARP]</i> LDP <i># k</i>	√	√	√	√	Load Data Memory Page Pointer TMS320C1x devices: load the LSB of the contents of the addressed data memory location into the DP register. All high-order bits are ignored. DP = 0 defines page 0 (words 0–127), and DP = 1 defines page 1 (words 128–143/255). TMS320C2x, TMS320C2xx, and TMS320C5x devices: load the 9 LSBs of the addressed data memory location or a 9-bit immediate value into the DP register. The DP and 7-bit data memory address are concatenated to form 16-bit data memory addresses.
LDPK <i>1-bit constant</i> LDPK <i>9-bit constant</i>	√				Load Data Memory Page Pointer Immediate TMS320C1x devices: load a 1-bit immediate value into the DP register. DP = 0 defines page 0 (words 0–127), and DP = 1 defines page 1 (words 128–143/255). TMS320C2x, TMS320C2xx, and TMS320C5x devices: load a 9-bit immediate into the DP register. The DP and 7-bit data memory address are concatenated to form 16-bit data memory addresses. DP ≥ 8 specifies external data memory. DP = 4 through 7 specifies on-chip RAM blocks B0 or B1. Block B2 is located in the upper 32 words of page 0.
LMMR <i>dma, # lk</i> LMMR <i>{ind}, # lk [,next ARP]</i>				√	Load Memory-Mapped Register Load the contents of the memory-mapped register pointed at by the 7 LSBs of the direct or indirect data memory value into the long immediate addressed data memory location. The 9 MSBs of the data memory address are cleared, regardless of the current value of DP or the 9 MSBs of AR (ARP).
LPH <i>dma</i> LPH <i>{ind} [,next ARP]</i>		√	√	√	Load High P Register Load the contents of the addressed data memory location into the 16 MSBs of the P register; the LSBs are not affected.
LRLK <i>AR, lk</i>		√	√	√	Load Auxiliary Register Long Immediate Load a 16-bit immediate value into the designated auxiliary register.

Instruction Set Summary Table

Syntax	1x	2x	2xx	5x	Description
LST <i>dma</i> LST { <i>ind</i> } [, <i>next ARP</i>]	√	√	√	√	Load Status Register Load the contents of the addressed data memory location into the ST (TMS320C1x) or into ST0 (TMS320C2x/2xx/5x).
LST # <i>n</i> , <i>dma</i> LST # <i>n</i> , { <i>ind</i> } [, <i>next ARP</i>]		√	√	√	Load Status Register n Load the contents of the addressed data memory location into ST <i>n</i> .
LST1 <i>dma</i> LST1 { <i>ind</i> } [, <i>next ARP</i>]		√	√	√	Load ST1 Load the contents of the addressed data memory location into ST1.
LT <i>dma</i> LT { <i>ind</i> } [, <i>next ARP</i>]	√	√	√	√	Load T Register Load the contents of the addressed data memory location into the T register (TMS320C1x/2x/2xx) or TREG0 (TMS320C5x).
LTA <i>dma</i> LTA { <i>ind</i> } [, <i>next ARP</i>]	√	√	√	√	Load T Register and Accumulate Previous Product Load the contents of the addressed data memory location into T register (TMS320C1x/2x/2xx) or TREG0 (TMS320C5x) and add the contents of the P register to the accumulator. TMS320C2x, TMS320C2xx, and TMS320C5x devices: before the add, shift the contents of the P register as specified by the PM status bits.
LTD <i>dma</i> LTD { <i>ind</i> } [, <i>next ARP</i>]	√	√	√	√	Load T Register, Accumulate Previous Product, and Move Data Load the contents of the addressed data memory location into the T register (TMS320C1x/2x/2xx) or TREG0 (TMS320C5x), add the contents of the P register to the accumulator, and copy the contents of the specified location into the next higher address (note that both data memory locations must reside in on-chip data RAM). TMS320C2x, TMS320C2xx, and TMS320C5x devices: before the add, shift the contents of the P register as specified by the PM status bits.
LTP <i>dma</i> LTP { <i>ind</i> } [, <i>next ARP</i>]		√	√	√	Load T Register, Store P Register in Accumulator Load the contents of the addressed data memory location into the T register (TMS320C1x/2x/2xx) or TREG0 (TMS320C5x). Store the contents of the product register into the accumulator.

Syntax	1x	2x	2xx	5x	Description
LTS <i>dma</i> LTS { <i>ind</i> } [, <i>next ARP</i>]		√	√	√	Load T Register, Subtract Previous Product Load the contents of the addressed data memory location into the T register (TMS320C1x/2x/2xx) or TREG0 (TMS320C5x). Shift the contents of the product register as specified by the PM status bits, and subtract the result from the accumulator.
MAC <i>pma, dma</i> MAC <i>pma</i> , { <i>ind</i> } [, <i>next ARP</i>]		√	√	√	Multiply and Accumulate Multiply a data memory value by a program memory value and add the previous product (shifted as specified by the PM status bits) to the accumulator.
MACD <i>dma, pma</i> MACD <i>pma</i> , { <i>ind</i> } [, <i>next ARP</i>]		√	√	√	Multiply and Accumulate With Data Move Multiply a data memory value by a program memory value and add the previous product (shifted as specified by the PM status bits) to the accumulator. If the data memory address is in on-chip RAM block B0, B1, or B2, copy the contents of the address to the next higher address.
MADD <i>dma</i> MADD { <i>ind</i> } [, <i>next ARP</i>]				√	Multiply and Accumulate With Data Move and Dynamic Addressing Multiply a data memory value by a program memory value and add the previous product (shifted as defined by the PM status bits) into the accumulator. The program memory address is contained in the BMAR; this allows for dynamic addressing of coefficient tables. MADD functions the same as the MADS, with the addition of data move for on-chip RAM blocks.
MADS <i>dma</i> MADS { <i>ind</i> } [, <i>next ARP</i>]		√	√	√	Multiply and Accumulate With Dynamic Addressing Multiply a data memory value by a program memory value and add the previous product (shifted as defined by the PM status bits) into the accumulator. The program memory address is contained in the BMAR; this allows for dynamic addressing of coefficient tables.
MAR <i>dma</i> MAR { <i>ind</i> } [, <i>next ARP</i>]	√	√	√	√	Modify Auxiliary Register Modify the current AR or ARP as specified. MAR acts as NOP in indirect addressing mode.

Instruction Set Summary Table

Syntax	1x	2x	2xx	5x	Description
MPY <i>dma</i> MPY { <i>ind</i> } [, <i>next ARP</i>] MPY # <i>k</i> MPY # <i>lk</i>	√	√	√	√	Multiply TMS320C1x and TMS320C2x devices: multiply the contents of the T register by the contents of the addressed data memory location; place the result in the P register. TMS320C2xx and TMS320C5x devices: multiply the contents of the T register (TMS320C2xx) or TREG0 (TMS320C5x) by the contents of the addressed data memory location or a 13-bit or 16-bit immediate value; place the result in the P register.
MPYA <i>dma</i> MPYA { <i>ind</i> } [, <i>next ARP</i>]		√	√	√	Multiply and Accumulate Previous Product Multiply the contents of the T register (TMS320C2x/2xx) or TREG0 (TMS320C5x) by the contents of the addressed data memory location; place the result in the P register. Add the previous product (shifted as specified by the PM status bits) to the accumulator.
MPYK <i>13-bit constant</i>	√	√	√	√	Multiply Immediate Multiply the contents of the T register (TMS320C2x/2xx) or TREG0 (TMS320C5x) by a signed 13-bit constant; place the result in the P register.
MPYS <i>dma</i> MPYS { <i>ind</i> } [, <i>next ARP</i>]		√	√	√	Multiply and Subtract Previous Product Multiply the contents of the T register (TMS320C2x/2xx) or TREG0 (TMS320C5x) by the contents of the addressed data memory location; place the result in the P register. Subtract the previous product (shifted as specified by the PM status bits) from the accumulator.
MPYU <i>dma</i> MPYU { <i>ind</i> } [, <i>next ARP</i>]		√	√	√	Multiply Unsigned Multiply the unsigned contents of the T register (TMS320C2x/2xx) or TREG0 (TMS320C5x) by the unsigned contents of the addressed data memory location; place the result in the P register.
NEG		√	√	√	Negate Accumulator Negate (2s complement) the contents of the accumulator.
NMI			√	√	Nonmaskable Interrupt Force the program counter to the nonmaskable interrupt vector location 24h. NMI has the same effect as a hardware nonmaskable interrupt.
NOP	√	√	√	√	No Operation Perform no operation.

Syntax	1x	2x	2xx	5x	Description
NORM		√	√	√	Normalize Contents of Accumulator
NORM { <i>ind</i> }		√	√	√	Normalize a signed number in the accumulator.
OPL [# <i>lk</i> ,] <i>dma</i>				√	OR With DBMR or Long Immediate If a long immediate is specified, OR it with the value at the specified data memory location; otherwise, the second operand of the OR operation is the contents of the DBMR. The result is written back into the data memory location previously holding the first operand.
OPL [# <i>lk</i> ,] { <i>ind</i> } [, <i>next ARP</i>]				√	
OR <i>dma</i>	√	√	√	√	OR With Accumulator TMS320C1x and TMS320C2x devices: OR the 16 LSBs of the accumulator with the contents of the addressed data memory location. The 16 MSBs of the accumulator are ORed with 0s. TMS320C2xx and TMS320C5x devices: OR the 16 LSBs of the accumulator or a 16-bit immediate value with the contents of the addressed data memory location. If a shift is specified, left-shift before ORing. Low-order bits below and high-order bits above the shifted value are treated as 0s.
OR { <i>ind</i> } [, <i>next ARP</i>]	√	√	√	√	
OR # <i>lk</i> [, <i>shift</i>]			√	√	
ORB				√	OR ACCB With Accumulator OR the contents of the ACCB with the contents of the accumulator. ORB places the result in the accumulator.
ORK # <i>lk</i> [, <i>shift</i>]		√	√	√	OR Immediate With Accumulator with Shift OR a 16-bit immediate value with the contents of the accumulator. If a shift is specified, left-shift the constant before ORing. Low-order bits below and high-order bits above the shifted value are treated as 0s.
OUT <i>dma</i> , <i>PA</i>	√	√	√	√	Output Data to Port Write a 16-bit value from a data memory location to the specified I/O port. TMS320C1x devices: the first cycle of this instruction places the port address onto address lines A2/PA2–A0/PA0. During the same cycle, WE goes low, and the data word is placed on the data bus D15–D0. TMS320C2x, TMS320C2xx, and TMS320C5x devices: the \overline{IS} line goes low to indicate an I/O access; the STRB, R/W, and READY timings are the same as for an external data memory write.
OUT { <i>ind</i> }, <i>PA</i> [, <i>next ARP</i>]	√	√	√	√	

Instruction Set Summary Table

Syntax	1x	2x	2xx	5x	Description
PAC	√	√	√	√	Load Accumulator With P Register Load the contents of the P register into the accumulator. TMS320C2x, TMS320C2xx, and TMS320C5x devices: before the load, shift the P register as specified by the PM status bits.
POP	√	√	√	√	Pop Top of Stack to Low Accumulator Copy the contents of the top of the stack into the 12 (TMS320C1x) or 16 (TMS320C2x/2xx/5x) LSBs of the accumulator and then pop the stack one level. The MSBs of the accumulator are zeroed.
POPD <i>dma</i> POPD { <i>ind</i> } [, <i>next ARP</i>]		√	√	√	Pop Top of Stack to Data Memory Transfer the value on the top of the stack into the addressed data memory location and then pop the stack one level.
PSHD <i>dma</i> PSHD { <i>ind</i> } [, <i>next ARP</i>]		√	√	√	Push Data Memory Value Onto Stack Copy the addressed data memory location onto the top of the stack. The stack is pushed down one level before the value is copied.
PUSH	√	√	√	√	Push Low Accumulator Onto Stack Copy the contents of the 12 (TMS320C1x) or 16 (TMS320C2x/2xx/5x) LSBs of the accumulator onto the top of the hardware stack. The stack is pushed down one level before the value is copied.
RC		√	√	√	Reset Carry Bit Reset the C status bit to 0.
RET	√	√	√		Return From Subroutine Copy the contents of the top of the stack into the PC and pop the stack one level.
RET [<i>D</i>]				√	Return From Subroutine With Optional Delay Copy the contents of the top of the stack into the PC and pop the stack one level. If you specify a delayed branch (RETD), the next two instruction words (two 1-word instructions or one 2-word instruction) are fetched and executed before the return.
RETC [<i>cond</i> ₁] [, <i>cond</i> ₂] [,...]			√		Return Conditionally If the specified conditions are met, RETC performs a standard return. Not all combinations of conditions are meaningful.

Syntax	1x	2x	2xx	5x	Description
RETC[D] [cond ₁] [,cond ₂] [,...]				√	<p>Return Conditionally With Optional Delay</p> <p>If the specified conditions are met, RETC performs a standard return. Not all combinations of conditions are meaningful.</p> <p>If you specify a delayed branch (RETCD), the next two instruction words (two 1-word instructions or one 2-word instruction) are fetched and executed before the return.</p>
RETE				√	<p>Enable Interrupts and Return From Interrupt</p> <p>Copy the contents of the top of the stack into the PC and pop the stack one level. RETE automatically clears the global interrupt enable bit and pops the shadow registers (stored when the interrupt was taken) back into their corresponding strategic registers. The following registers are shadowed: ACC, ACCB, PREG, ST0, ST1, PMST, ARCR, INDX, TREG0, TREG1, TREG2.</p>
RETI				√	<p>Return From Interrupt</p> <p>Copy the contents of the top of the stack into the PC and pop the stack one level. RETI also pops the values in the shadow registers (stored when the interrupt was taken) back into their corresponding strategic registers. The following registers are shadowed: ACC, ACCB, PREG, ST0, ST1, PMST, ARCR, INDX, TREG0, TREG1, TREG2.</p>
RFSM		√			<p>Reset Serial Port Frame Synchronization Mode</p> <p>Reset the FSM status bit to 0.</p>
RHM		√	√	√	<p>Reset Hold Mode</p> <p>Reset the HM status bit to 0.</p>
ROL		√	√	√	<p>Rotate Accumulator Left</p> <p>Rotate the accumulator left one bit.</p>
ROLB				√	<p>Rotate ACCB and Accumulator Left</p> <p>Rotate the ACCB and the accumulator left by one bit; this results in a 65-bit rotation.</p>
ROR		√	√	√	<p>Rotate Accumulator Right</p> <p>Rotate the accumulator right one bit.</p>
RORB				√	<p>Rotate ACCB and Accumulator Right</p> <p>Rotate the ACCB and the accumulator right one bit; this results in a 65-bit rotation.</p>

Instruction Set Summary Table

Syntax	1x	2x	2xx	5x	Description
ROVM	√	√	√	√	Reset Overflow Mode Reset the OVM status bit to 0; this disables overflow mode.
RPT <i>dma</i> RPT { <i>ind</i> } [, <i>next ARP</i>] RPT # <i>k</i> RPT # <i>lk</i>		√	√	√	Repeat Next Instruction TMS320C2x devices: load the 8 LSBs of the addressed value into the RPTC; the instruction following RPT is executed the number of times indicated by RPTC + 1. TMS320C2xx and TMS320C5x devices: load the 8 LSBs of the addressed value or an 8-bit or 16-bit immediate value into the RPTC; the instruction following RPT is repeated <i>n</i> times, where <i>n</i> is RPTC+1.
RPTB <i>pma</i>				√	Repeat Block RPTB repeats a block of instructions the number of times specified by the memory-mapped BRCCR without any penalty for looping. The BRCCR must be loaded before RPTB is executed.
RPTK # <i>k</i>		√	√	√	Repeat Instruction as Specified by Immediate Value Load the 8-bit immediate value into the RPTC; the instruction following RPTK is executed the number of times indicated by RPTC + 1.
RPTZ # <i>lk</i>				√	Repeat Preceded by Clearing the Accumulator and P Register Clear the accumulator and product register and repeat the instruction following RPTZ <i>n</i> times, where <i>n</i> = <i>lk</i> + 1.
RSXM		√	√	√	Reset Sign-Extension Mode Reset the SXM status bit to 0; this suppresses sign extension on shifted data values for the following arithmetic instructions: ADD, ADDT, ADLK, LAC, LACT, LALK, SBLK, SUB, and SUBT.
RTC		√	√	√	Reset Test/Control Flag Reset the TC status bit to 0.
RTXM		√			Reset Serial Port Transmit Mode Reset the TXM status bit to 0; this configures the serial port transmit section in a mode where it is controlled by an FSX.
RXF		√	√	√	Reset External Flag Reset XF pin and the XF status bit to 0.

Syntax	1x	2x	2xx	5x	Description
SACB				√	Store Accumulator in ACCB Copy the contents of the accumulator into the ACCB.
SACH <i>dma</i> [,shift] SACH {ind} [,shift [,next ARP]]	√	√	√	√	Store High Accumulator With Shift Copy the contents of the accumulator into a shifter. Shift the entire contents 0, 1, or 4 bits (TMS320C1x) or from 0 to 7 bits (TMS320C2x/2xx/5x), and then copy the 16 MSBs of the shifted value into the addressed data memory location. The accumulator is not affected.
SACL <i>dma</i> SACL <i>dma</i> [,shift] SACL {ind} [,shift [,next ARP]]	√	√	√	√	Store Low Accumulator With Shift TMS320C1x devices: Store the 16 LSBs of the accumulator into the addressed data memory location. A shift value of 0 must be specified if the ARP is to be changed. TMS320C2x, TMS320C2xx, and TMS320C5x devices: Store the 16 LSBs of the accumulator into the addressed data memory location. If a shift is specified, shift the contents of the accumulator before storing. Shift values are 0, 1, or 4 bits (TMS320C20) or from 0 to 7 bits (TMS320C2x/2xx/5x).
SAMM <i>dma</i> SAMM {ind} [,next ARP]				√	Store Accumulator in Memory-Mapped Register Store the low word of the accumulator in the addressed memory-mapped register. The upper 9 bits of the data address are cleared, regardless of the current value of DP or the 9 MSBs of AR (ARP).
SAR <i>AR, dma</i> SAR <i>AR, {ind} [,next ARP]</i>	√	√	√	√	Store Auxiliary Register Store the contents of the specified auxiliary register in the addressed data memory location.
SATH				√	Barrel-Shift Accumulator as Specified by T Register 1 If bit 4 of TREG1 is a 1, barrel-shift the accumulator right by 16 bits; otherwise, the accumulator is unaffected.
SATL				√	Barrel-Shift Low Accumulator as Specified by T Register 1 Barrel-shift the accumulator right by the value specified in the 4 LSBs of TREG1.
SBB				√	Subtract ACCB From Accumulator Subtract the contents of the ACCB from the accumulator. The result is stored in the accumulator; the accumulator buffer is not affected.

Instruction Set Summary Table

Syntax	1x	2x	2xx	5x	Description
SBBB				√	Subtract ACCB From Accumulator With Borrow Subtract the contents of the ACCB and the logical inversion of the carry bit from the accumulator. The result is stored in the accumulator; the accumulator buffer is not affected. Clear the carry bit if the result generates a borrow.
SBLK # lk [,shift]		√	√	√	Subtract From Accumulator Long Immediate With Shift Subtract the immediate value from the accumulator. If a shift is specified, left-shift the value before subtracting. During shifting, low-order bits are zero-filled, and high-order bits are sign-extended if SXM = 1.
SBRK # k		√	√	√	Subtract From Auxiliary Register Short Immediate Subtract the 8-bit immediate value from the designated auxiliary register.
SC		√	√	√	Set Carry Bit Set the C status bit to 1.
SETC control bit			√	√	Set Control Bit Set the specified control bit to a logic 1. Maskable interrupts are disabled immediately after the SETC instruction executes.
SFL		√	√	√	Shift Accumulator Left Shift the contents of the accumulator left one bit.
SFLB				√	Shift ACCB and Accumulator Left Shift the concatenation of the accumulator and the ACCB left one bit. The LSB of the ACCB is cleared to 0, and the MSB of the ACCB is shifted into the carry bit.
SFR		√	√	√	Shift Accumulator Right Shift the contents of the accumulator right one bit. If SXM = 1, SFR produces an arithmetic right shift. If SXM = 0, SFR produces a logic right shift.
SFRB				√	Shift ACCB and Accumulator Right Shift the concatenation of the accumulator and the ACCB right 1 bit. The LSB of the ACCB is shifted into the carry bit. If SXM = 1, SFRB produces an arithmetic right shift. If SXM = 0, SFRB produces a logic right shift.
SFSM		√			Set Serial Port Frame Synchronization Mode Set the FSM status bit to 1.

Syntax	1x	2x	2xx	5x	Description
SHM		√	√	√	Set Hold Mode Set the HM status bit to 1.
SMMR <i>dma, # lk</i> SMMR { <i>ind</i> }, # <i>lk</i> [, <i>next ARP</i>]				√ √	Store Memory-Mapped Register Store the memory-mapped register value, pointed at by the 7 LSBs of the data memory address, into the long immediate addressed data memory location. The 9 MSBs of the data memory address of the memory-mapped register are cleared, regardless of the current value of DP or the upper 9 bits of AR(ARP).
SOVM	√	√	√	√	Set Overflow Mode Set the OVM status bit to 1; this enables overflow mode. (The ROVM instruction clears OVM.)
SPAC	√	√	√	√	Subtract P Register From Accumulator Subtract the contents of the P register from the contents of the accumulator. TMS320C2x, TMS320C2xx, and TMS320C5x devices: before the subtraction, shift the contents of the P register as specified by the PM status bits.
SPH <i>dma</i> SPH { <i>ind</i> } [, <i>next ARP</i>]		√ √	√ √	√ √	Store High P Register Store the high-order bits of the P register (shifted as specified by the PM status bits) at the addressed data memory location.
SPL <i>dma</i> SPL { <i>ind</i> } [, <i>next ARP</i>]		√ √	√ √	√ √	Store Low P Register Store the low-order bits of the P register (shifted as specified by the PM status bits) at the addressed data memory location.
SPLK # <i>lk, dma</i> SPLK # <i>lk</i> , { <i>ind</i> } [, <i>next ARP</i>]			√	√ √	Store Parallel Long Immediate Write a full 16-bit pattern into a memory location. The parallel logic unit (PLU) supports this bit manipulation independently of the ALU, so the accumulator is unaffected.
SPM <i>2-bit constant</i>		√	√	√	Set P Register Output Shift Mode Copy a 2-bit immediate value into the PM field of ST1. This controls shifting of the P register as shown below: PM = 00 ₂ Multiplier output is not shifted. PM = 01 ₂ Multiplier output is left-shifted one place and zero-filled. PM = 10 ₂ Multiplier output is left-shifted four places and zero-filled. PM = 11 ₂ Multiplier output is right-shifted six places and sign-extended; the LSBs are lost.

Instruction Set Summary Table

Syntax	1x	2x	2xx	5x	Description
SQRA <i>dma</i> SQRA { <i>ind</i> } [,next ARP]		√	√	√	Square and Accumulate Previous Product Add the contents of the P register (shifted as specified by the PM status bits) to the accumulator. Then load the contents of the addressed data memory location into the T register (TMS320C2x/2xx) or TREG0 (TMS320C5x), square the value, and store the result in the P register.
SQRS <i>dma</i> SQRS { <i>ind</i> } [,next ARP]		√	√	√	Square and Subtract Previous Product Subtract the contents of the P register (shifted as specified by the PM status bits) to the accumulator. Then load the contents of the addressed data memory location into the T register (TMS320C2x/2xx) or TREG0 (TMS320C5x), square the value, and store the result in the P register.
SST <i>dma</i> SST { <i>ind</i> } [,next ARP]	√	√	√	√	Store Status Register Store the contents of the ST (TMS320C1x) or ST0 (TMS320C2x/2xx/5x) in the addressed data memory location.
SST # <i>n</i> <i>dma</i> SST # <i>n</i> { <i>ind</i> } [,next ARP]			√	√	Store Status Register n Store ST <i>n</i> in data memory.
SST1 <i>dma</i> SST1 { <i>ind</i> } [,next ARP]		√	√	√	Store Status Register ST1 Store the contents of ST1 in the addressed data memory location.
SSXM		√	√	√	Set Sign-Extension Mode Set the SXM status bit to 1; this enables sign extension.
STC		√	√	√	Set Test/Control Flag Set the TC flag to 1.
STXM		√			Set Serial Port Transmit Mode Set the TXM status bit to 1.

Syntax	1x	2x	2xx	5x	Description
SUB <i>dma</i> [, <i>shift</i>] SUB { <i>ind</i> } [, <i>shift</i> [, <i>next ARP</i>]] SUB # <i>k</i> SUB # <i>lk</i> [, <i>shift2</i>]	√	√	√	√	Subtract From Accumulator With Shift TMS320C1x and TMS320C2x devices: subtract the contents of the addressed data memory location from the accumulator. If a shift is specified, left-shift the value before subtracting. During shifting, low-order bits are zero-filled, and high-order bits are sign-extended if SXM = 1. TMS320C2xx and TMS320C5x devices: subtract the contents of the addressed data memory location or an 8- or 16-bit constant from the accumulator. If a shift is specified, left-shift the data before subtracting. During shifting, low-order bits are zero-filled, and high-order bits are sign-extended if SXM = 1.
SUBB <i>dma</i> SUBB { <i>ind</i> } [, <i>next ARP</i>]		√	√	√	Subtract From Accumulator With Borrow Subtract the contents of the addressed data memory location and the value of the carry bit from the accumulator. The carry bit is affected in the normal manner.
SUBC <i>dma</i> SUBC { <i>ind</i> } [, <i>next ARP</i>]	√	√	√	√	Conditional Subtract Perform conditional subtraction. SUBC can be used for division.
SUBH <i>dma</i> SUBH { <i>ind</i> } [, <i>next ARP</i>]	√	√		√	Subtract From High Accumulator Subtract the contents of the addressed data memory location from the 16 MSBs of the accumulator. The 16 LSBs of the accumulator are not affected.
SUBK # <i>k</i>		√	√	√	Subtract From Accumulator Short Immediate Subtract an 8-bit immediate value from the accumulator. The data is treated as an 8-bit positive number; sign extension is suppressed.
SUBS <i>dma</i> SUBS { <i>ind</i> } [, <i>next ARP</i>]	√	√	√	√	Subtract From Low Accumulator With Sign Extension Suppressed Subtract the contents of the addressed data memory location from the accumulator. The data is treated as a 16-bit unsigned number; sign extension is suppressed.

Instruction Set Summary Table

Syntax	1x	2x	2xx	5x	Description
SUBT <i>dma</i> SUBT { <i>ind</i> } [, <i>next ARP</i>]		√	√	√	Subtract From Accumulator With Shift Specified by T Register Left-shift the data memory value as specified by the 4 LSBs of the T register (TMS320C2x/2xx) or TREG1 (TMS320C5x), and subtract the result from the accumulator. If a shift is specified, left-shift the data memory value before subtracting. During shifting, low-order bits are zero-filled, and high-order bits are sign-extended if SXM = 1.
SXF		√	√	√	Set External Flag Set the XF pin and the XF status bit to 1.
TBLR <i>dma</i> TBLR { <i>ind</i> } [, <i>next ARP</i>]	√	√	√	√	Table Read Transfer a word from program memory to a data memory location. The program memory address is in the 12 (TMS320C1x) or 16 (TMS320C2x/2xx/5x) LSBs of the accumulator.
TBLW <i>dma</i> TBLW { <i>ind</i> } [, <i>next ARP</i>]	√	√	√	√	Table Write Transfer a word from data memory to a program memory location. The program memory address is in the 12 (TMS320C1x) or 16 (TMS320C2x/2xx/5x) LSBs of the accumulator.
TRAP		√	√	√	Software Interrupt The TRAP instruction is a software interrupt that transfers program control to program memory address 30h (TMS320C2x) or 22h (TMS320C2xx/5x) and pushes the PC + 1 onto the hardware stack. The instruction at address 30h or 22h may contain a branch instruction to transfer control to the TRAP routine. Putting the PC + 1 on the stack enables an RET instruction to pop the return PC.
XC <i>n</i> [, <i>cond</i> ₁] [, <i>cond</i> ₂] [,...]				√	Execute Conditionally Execute conditionally the next <i>n</i> instruction words where $1 \leq n \leq 2$. Not all combinations of conditions are meaningful.

Syntax	1x	2x	2xx	5x	Description
XOR <i>dma</i> XOR { <i>ind</i> } [, <i>next ARP</i>] XOR # <i>lk</i> [, <i>shift</i>]	√	√	√	√	Exclusive-OR With Accumulator TMS320C1x and TMS320C2x devices: exclusive-OR the contents of the addressed data memory location with 16 LSBs of the accumulator. The MSBs are not affected. TMS320C2xx and TMS320C5x devices: exclusive-OR the contents of the addressed data memory location or a 16-bit immediate value with the accumulator. If a shift is specified, left-shift the value before XORing. Low-order bits below and high-order bits above the shifted value are treated as 0s.
XORB				√	Exclusive-OR of ACCB With Accumulator Exclusive-OR the contents of the accumulator with the contents of the ACCB. The results are placed in the accumulator.
XORK # <i>lk</i> [, <i>shift</i>]		√	√	√	XOR Immediate With Accumulator With Shift Exclusive-OR a 16-bit immediate value with the accumulator. If a shift is specified, left-shift the value before XORing. Low-order bits below and high-order bits above the shifted value are treated as 0s.
XPL [# <i>lk</i>], <i>dma</i> XPL [# <i>lk</i> ,] { <i>ind</i> } [, <i>next ARP</i>]				√ √	Exclusive-OR of Long Immediate or DBMR With Addressed Data Memory Value If a long immediate value is specified, XOR it with the addressed data memory value; otherwise, XOR the DBMR with the addressed data memory value. Write the result back to the data memory location. The accumulator contents are not disturbed.
ZAC	√	√	√	√	Zero Accumulator Clear the contents of the accumulator to 0.
ZALH <i>dma</i> ZALH { <i>ind</i> } [, <i>next ARP</i>]	√	√	√	√	Zero Low Accumulator and Load High Accumulator Clear the 16 LSBs of the accumulator to 0 and load the contents of the addressed data memory location into the 16 MSBs of the accumulator.
ZALR <i>dma</i> ZALR { <i>ind</i> } [, <i>next ARP</i>]		√	√	√	Zero Low Accumulator, Load High Accumulator With Rounding Load the contents of the addressed data memory location into the 16 MSBs of the accumulator. The value is rounded by 1/2 LSB; that is, the 15 LSBs of the accumulator (0–14) are cleared, and bit 15 is set to 1.

Instruction Set Summary Table

Syntax	1x	2x	2xx	5x	Description
ZALS <i>dma</i> ZALS { <i>ind</i> } [, <i>next ARP</i>]	√	√	√	√	Zero Accumulator, Load Low Accumulator With Sign Extension Suppressed Load the contents of the addressed data memory location into the 16 LSBs of the accumulator. The 16 MSBs are zeroed. The data is treated as a 16-bit unsigned number.
ZAP				√	Zero the Accumulator and Product Register The accumulator and product register are zeroed. The ZAP instruction speeds up the preparation for a repeat multiply/accumulate.
ZPR				√	Zero the Product Register The product register is cleared.

Macro Language

The assembler supports a macro language that enables you to create your own “instructions.” This is especially useful when a program executes a particular task several times. The macro language lets you:

- Define your own macros and redefine existing macros
- Simplify long or complicated assembly code
- Access macro libraries created with the archiver
- Define conditional and repeatable blocks within a macro
- Manipulate strings within a macro
- Control expansion listing

This chapter discusses the following topics:

Topic	Page
6.1 Using Macros	6-2
6.2 Defining Macros	6-3
6.3 Macro Parameters/Substitution Symbols	6-5
6.4 Macro Libraries	6-13
6.5 Using Conditional Assembly in Macros	6-14
6.6 Using Labels in Macros	6-16
6.7 Producing Messages in Macros	6-17
6.8 Formatting the Output Listing	6-18
6.9 Using Recursive and Nested Macros	6-19
6.10 Macro Directives Summary	6-21

6.1 Using Macros

Programs often contain routines that are executed several times. Instead of repeating the source statements for a routine, you can define the routine as a macro and call the macro in the places where you would normally repeat the routine. This simplifies and shortens your source program.

Using a macro is a three-step process.

Step 1: Define the macro. You must define macros before you can use them in your program. There are two methods for defining macros:

- Macros can be defined at the beginning of a **source file** or in a **.include/.copy** file. Refer to Section 6.2 for more information.
- Macros can also be defined in a **macro library**. A macro library is a collection of files in archive format created by the archiver. Each member of the archive file (macro library) may contain one macro definition corresponding to the member name. You can access a macro library by using the `.mlib` directive. Macro libraries are discussed in Section 6.4, page 6-13.

Step 2: Call the macro. After you have defined a macro, you can call it by using the macro name as an opcode in the source program. This is referred to as a *macro call*.

Step 3: Expand the macro. The assembler expands your macros when the source program calls them. During expansion, the assembler passes arguments by variable to the macro parameters, replaces the macro call statement with the macro definition, then assembles the source code. By default, the macro expansions are printed in the listing file. You can turn off expansion listing by using the `.mno` directive. For more information, refer to Section 6.8, page 6-18.

When the assembler encounters a macro definition, it places the macro name in the opcode table. This redefines any previously defined macro, library entry, directive, or instruction mnemonic that has the same name as the encountered macro. This allows you to expand the functions of directives and instructions, as well as to add new instructions.

6.2 Defining Macros

You can define a macro anywhere in your program, but you must define it before you can use it. Macros can be defined at the beginning of a source file or in an `.include/.copy` file; they can also be defined in a macro library. For more information about macro libraries, refer to Section 6.4, page 6-13.

Macro definitions can be nested, and they can call other macros, but all elements of the macro must be defined in the same file. Nested macros are discussed in Section 6.9, page 6-19.

A macro definition is a series of source statements in the following format:

```

macname .macro [parameter1] [,parameter2] ... [,parametern]
           model statements or macro directives
           [.mexit]
           .endm

```

<i>macname</i>	names the macro. You must place the name in the source statement's label field. The first 32 characters of a macro name are significant. The assembler places the macro name in the internal opcode table, replacing any instruction or previous macro definition with the same name.
.macro	is a directive that identifies the source statement as the first line of a macro definition. You must place .macro in the opcode field.
[<i>parameters</i>]	are optional substitution symbols that appear as operands for the .macro directive. Parameters are discussed in Section 6.3, page 6-5.
<i>model statements</i>	are instructions or assembler directives that are executed each time the macro is called.
<i>macro directives</i>	are used to control macro expansion.
[.mexit]	functions as a "goto .endm ". The .mexit directive is useful when error testing confirms that macro expansion will fail.
.endm	terminates the macro definition.

Example 6–1 shows the definition, call, and expansion of a macro.

Example 6–1. Macro Definition, Call, and Expansion

Macro definition: The following code defines a macro, add3, with 3 parameters:

```
3 *   add3   p1, p2, p3
4 *           p3 = p1 + p2 + p3
5
6   add3   .macro p1, p2, p3
7
8           lac    p1
9           add    p2
10          add    p3
11          sac1   p3
12          .endm
```

Macro Call: The following code calls the add3 macro with 3 arguments:

```
13
14 0000      add3   a, b, c
```

Macro Expansion: The following code shows the substitution of the macro definition for the macro call. The assembler passes the arguments (supplied in the macro call) by variable to the parameters (substitution symbols).

```
    0000 2000 lac    a
    0001 0001 add    b
    0002 0002 add    c
    0003 6002 sac1   c

15
16
17 *   Reserve space for vars
18 0000      .bss   a,1
19 0001      .bss   b,1
20 0002      .bss   c,1
```

If you want to include comments with your macro definition but *don't* want those comments to appear in the macro expansion, use an exclamation point to precede your comments. If you *do* want your comments to appear in the macro expansion, use an asterisk or semicolon. For more information about macro comments, refer to Section 6.7, page 6-17.

6.3 Macro Parameters/Substitution Symbols

If you want to call a macro several times, with different data each time, you can assign parameters to it. This enables you to pass information to the macro each time you call it. The macro language supports a special symbol called a **substitution symbol**, which is used for macro parameters. In this chapter, we use the terms *macro parameters* and *substitution symbols* interchangeably.

6.3.1 Substitution Symbols

Macro parameters are substitution symbols that represent a character string. These symbols can also be used outside of macros to equate a character string to a symbol name.

Valid substitution symbols may be 32 characters long and *must begin with a letter*. The remainder of the symbol can be a combination of alphanumeric characters, underscores, and dollar signs.

Substitution symbols used as macro parameters are local to the macro they are defined in. You can define up to 32 local substitution symbols (including substitution symbols defined with the `.var` directive) per macro. For more information about the `.var` directive, refer to page 6-12.

During macro expansion, the assembler passes arguments by variable to the macro parameters. The character-string equivalent of each argument is assigned to the corresponding parameter. Parameters without corresponding arguments are set to the null string. If the number of arguments exceeds the number of parameters, the last parameter is assigned the character-string equivalent of all remaining arguments.

If you pass a list of arguments to one parameter, or if you pass a comma or semicolon to a parameter, you must enclose the arguments in quotation marks.

At assembly time, the assembler first replaces the substitution symbol with its corresponding character string, then translates the source code into object code.

Example 6–2 shows the expansion of a macro with varying numbers of arguments.

Example 6–2. Calling a Macro With Varying Numbers of Arguments

```

Macro Definition

Parms .macro a,b,c
;     a = :a:
;     b = :b:
;     c = :c:
      .endm

Calling the macro Parms

      Parms 100,label          Parms 100,label,x,y
;         a = 100              ;     a = 100
;         b = label           ;     b = label
;         c = " "             ;     c = x,y

      Parms 100, , x          Parms "100,200,300",x,y
;         a = 100              ;     a = 100,200,300
;         b = " "             ;     b = x
;         c = x                ;     c = y

      Parms ""string"",x,y
;         a = "string"
;         b = x
;         c = y

```

6.3.2 Directives That Define Substitution Symbols

You can manipulate substitution symbols with the **.asg** and **.eval** directives.

- The **.asg** directive assigns a character string to a substitution symbol.

The syntax of the **.asg** directive is:

```
.asg ["character string"], substitution symbol
```

The quotation marks are optional. If there are no quotation marks, the assembler reads characters up to the first comma and removes leading and trailing blanks. In either case, a character string is read and assigned to the substitution symbol.

Example 6–3 shows character strings being assigned to substitution symbols.

Example 6–3. Using the **.asg** Directive

```

.asg ar0 ,FP          ; frame pointer
.asg *+ ,Ind         ; indirect addressing
.asg *bro+,Rc_Prop   ; reverse carry propagation
.asg ""string"",strng ; string
.asg "a,b,c" ,parms  ; parameters
mar Ind,FP           ; mar *+, AR0

```

- The **.eval** directive performs arithmetic on numeric substitution symbols.

The syntax of the **.eval** directive is:

```
.eval well-defined expression, substitution symbol
```

The **.eval** directive evaluates the expression and assigns the **string value** of the result to the substitution symbol. If the expression is not well defined, the assembler generates an error and assigns the null string to the symbol.

Example 6–4 shows arithmetic being performed on substitution symbols.

Example 6–4. Using the **.eval** Directive

```
.asg      1,counter
.loop    100
.word    counter
.eval    counter + 1,counter
.endloop
```

In Example 6–4, the **.asg** directive could be replaced with the **.eval** directive (**.eval 1, counter**) without changing the output. In simple cases like this, you can use **.eval** and **.asg** interchangeably. However, you must use **.eval** if you want to calculate a *value* from an expression. While **.asg** only assigns a character string to a substitution symbol, **.eval** evaluates an expression and then assigns the character string equivalent to a substitution symbol.

6.3.3 Built-In Substitution Symbol Functions

The following built-in substitution symbol functions enable you to make decisions based on the string value of substitution symbols. These functions always return a value, and they can be used in expressions. Built-in substitution symbol functions are especially useful in conditional assembly expressions. Parameters to these functions are substitution symbols or character-string constants.

In Table 6–1 function definitions, *a* and *b* are parameters that represent substitution symbols or character string constants. The term *string* refers to the string value of the parameter.

Table 6–1. Substitution Symbol Functions

Function	Return Value
\$symlen (<i>a</i>)	length of string <i>a</i>
\$symcmp (<i>a,b</i>)	< 0 if <i>a</i> < <i>b</i> 0 if <i>a</i> = <i>b</i> > 0 if <i>a</i> > <i>b</i>
\$firstch (<i>a,ch</i>)	index of the first occurrence of character constant <i>ch</i> in string <i>a</i>
\$lastch (<i>a,ch</i>)	index of the last occurrence of character constant <i>ch</i> in string <i>a</i>
\$isdefed (<i>a</i>)	1 if string <i>a</i> is defined in the symbol table 0 if string <i>a</i> is not defined in the symbol table
\$ismember (<i>a,b</i>)	top member of list <i>b</i> is assigned to string <i>a</i> 0 if <i>b</i> is a null string
\$iscons (<i>a</i>)	1 if string <i>a</i> is a binary constant 2 if string <i>a</i> is an octal constant 3 if string <i>a</i> is a hexadecimal constant 4 if string <i>a</i> is a character constant 5 if string <i>a</i> is a decimal constant
\$isname (<i>a</i>)	1 if string <i>a</i> is a valid symbol name 0 if string <i>a</i> is not a valid symbol name
\$isreg (<i>a</i>) [†]	1 if string <i>a</i> is a valid predefined register name 0 if string <i>a</i> is not a valid predefined register name

[†] For more information about predefined register names, refer to Section 3.9, page 3-20.

Example 6–5 shows built-in substitution symbol functions.

Example 6–5. Using Built-In Substitution Symbol Functions

```

.asg label, a ; a = label
.if ($symcmp(a,"label") = 0) ; evaluates to true
sub a
.endif
.asg "x,y,z" , list ; list = x,y,z
.if ($ismember(a, list)) ; a = x list = y,z
suba ; sub x
.endif

```

6.3.4 Recursive Substitution Symbols

When the assembler encounters a substitution symbol, it attempts to substitute the corresponding character string. If that string is also a substitution symbol, the assembler performs substitution again. The assembler continues doing this until it encounters a token that is not a substitution symbol or until it encounters a substitution symbol that it has already encountered during this evaluation.

In Example 6–6, the `x` is substituted for `z`, `z` is substituted for `y`, and `y` is substituted for `x`. The assembler recognizes this as infinite recursion and ceases substitution.

Example 6–6. Recursive Substitution

```
.asg  "x",z  ; declare z and assign z = "x"
.asg  "z",y  ; declare y and assign y = "z"
.asg  "y",x  ; declare x and assign x = "y"
add x

*      add x      ; recursive expansion
```

6.3.5 Forced Substitution

In some cases, substitution symbols are not recognizable to the assembler. The forced substitution operator, which is a set of colons, enables you to force the substitution of a symbol's character string. Simply enclose a symbol in colons to force the substitution. Do not include any spaces between the colons and the symbol.

The syntax for the forced substitution operator is:

```
:symbol:
```

The assembler expands substitution symbols enclosed in colons before expanding other substitution symbols.

You can use the forced substitution operator only inside macros, and you cannot nest a forced substitution operator within another forced substitution operator.

Example 6–7 shows how the forced substitution operator is used.

Example 6–7. Using the Forced Substitution Operator

```
force .macro x
      .asg      0,x
      .loop 8   ;.loop/.endloop are discussed on page 6-14
AUX:x: .set    x
      .eval  x+1,x
      .endloop
      .endm
```

The force macro would generate the following source code:

```
AUX0 .set  0
AUX1 .set  1
.
.
.
AUX7 .set  7
```

6.3.6 Accessing Individual Characters of Subscripted Substitution Symbols

In a macro, you can access the individual characters (substrings) of a substitution symbol with subscripted substitution symbols. You must use the forced substitution operator for clarity.

You can access substrings in two ways:

□ *:symbol (well-defined expression):*

This method of subscripting evaluates to a character string with one character.

□ *:symbol (well-defined expression₁, well-defined expression₂):*

In this method, expression₁ represents the substring's starting position, and expression₂ represents the substring's length. You can specify exactly where to begin subscripting and the exact length of the resulting character string. *The index of substring characters begins with 1, not 0.*

Example 6–8 and Example 6–9 show built-in substitution symbol functions used with subscripted substitution symbols.

Example 6–8. Using Subscripted Substitution Symbols to Redefine an Instruction

```

addx      .macro      a
          .var        tmp
          .asg        :a(1):,tmp
          .if         $symcmp(tmp,"#") = 0
addk      a
          .elseif    $symcmp(tmp,"*") = 0
add      a
          .else
          .emsg      "Bad Macro Parameter"
          .endif
          .endm

          addx      #100      ;macro call
          addx      *+        ;macro call

```

In Example 6–8, subscripted substitution symbols redefine the add instruction so that it handles short immediates.

Example 6–9. Using Subscripted Substitution Symbols to Find Substrings

```

substr    .macro      start,strg1,strg2,pos
          .var        len1,len2,i,tmp
          .if         $symlen(start) = 0
          .eval      start,1
          .endif
          .eval      0,pos
          .eval      1,i
          .eval      $symlen(strg1),len1
          .eval      $symlen(strg2),len2
          .loop
          .break     i = (len2 - len1 + 1)
          .asg      ":strg2(i,len1):",tmp
          .if         $symcmp(strg1,tmp) = 0
          .eval      i,pos
          .break
          .else
          .eval      i + 1,i
          .endif
          .endloop
          .endm

          .asg      0,pos
          .asg      "ar1 ar2 ar3 ar4",regs
          substr    1,"ar2",regs,pos
          .word     pos

```

In Example 6–9, the subscripted substitution symbol is used to find a substring strg1, beginning at position start in the string strg2. The position of the substring strg1 is assigned to the substitution symbol pos.

6.3.7 Substitution Symbols as Local Variables in Macros

If you want to use substitution symbols as local variables within a macro, you can use the `.var` directive to define up to 32 local macro substitution symbols (including parameters) per macro. The `.var` directive creates temporary substitution symbols with the initial value of the null string. These symbols are not passed in as parameters, and they are lost after expansion.

```
.var sym1 [,sym2] ... [,symn]
```

The `.var` directive is used in Example 6–8 and Example 6–9.

6.4 Macro Libraries

One way to define macros is by creating a macro library. A macro library is a collection of files that contain macro definitions. You must use the archiver to collect these files, or members, into a single file (called an archive). Each member of a macro library contains one macro definition. The files must be unassembled source files. The macro name and the member name must be the same, and the macro filename's extension must be `.asm`. For example:

Macro Name	Filename in Macro Library
<code>simple</code>	<code>simple.asm</code>
<code>add3</code>	<code>add3.asm</code>

You can access the macro library by using the `.mlib` assembler directive. The syntax for `.mlib` is:

```
.mlib macro library filename
```

When the assembler encounters an `.mlib` directive, it opens the library and creates a table of the library's contents. The assembler enters the names of the individual members into the opcode tables as library entries; this redefines any existing opcodes or macros that have the same name. If one of these macros is called, the assembler extracts the entry from the library and loads it into the macro table.

The assembler expands the library entry in the same way it expands other macros. You can control the listing of library entry expansions with the `.mlist` directive. For more information about the `.mlist` directive, refer to Section 6.8, page 6-18. Only macros that are actually called from the library are extracted, and they are extracted only once. For more information about the `.mlib` directive, refer to page 4-55.

You can create a macro library with the archiver by simply including the desired files in an archive. A macro library is no different from any other archive, except that the assembler expects the macro library to contain macro definitions. The assembler expects *only* macro definitions in a macro library; putting object code or miscellaneous source files into the library may produce undesirable results.

6.5 Using Conditional Assembly in Macros

The conditional assembly directives are **.if/elseif/else/endif** and **.loop/break/endloop**. They can be nested within each other up to 32 levels. The format of a conditional block is:

```
.if well-defined expression  
[.elseif well-defined expression  
[.else]  
.endif
```

The **.elseif** and **.else** directives are optional, and the **.elseif** directive can be used more than once within a conditional assembly code block. When **.elseif** and **.else** are omitted and the **.if** expression is false (zero), the assembler continues to the code following the **.endif** directive. For more information on the **.if/elseif/else/endif** directives, see page 4-46.

The **.loop/break/endloop** directives enable you to assemble a code block repeatedly. The format of a repeatable block is:

```
.loop [well-defined expression]  
[.break [well-defined expression]]  
.endloop
```

The **.loop** directive's optional expression evaluates to the loop count (the number of loops to be performed). If the expression is omitted, the loop count defaults to 1024 unless the assembler encounters a **.break** directive with an expression that is true (nonzero). For more information on the **.loop/break/endloop** directives, see page 4-54.

The **.break** directive and its expression are optional. If the expression evaluates to false, the loop continues. The assembler breaks the loop when the **.break** expression evaluates to true or when the **.break** expression is omitted. When the loop is broken, the assembler continues with the code after the **.endloop** directive.

Example 6–10, Example 6–11, and Example 6–12 show the **.loop/break/endloop** directives, properly nested conditional assembly directives, and built-in substitution symbol functions are used in a conditional assembly code block.

Example 6–10. The .loop/.break/.endloop Directives

```

.asg 1,x
.loop           ; "infinite"

.break (x == 10) ; if x == 10, quit loop/break with
*                expression

.eval x+1,x
.endloop

```

Example 6–11. Nested Conditional Assembly Directives

```

.asg 1,x
.loop           ; "infinite"

.if (x == 10) ; if x == 10 quit loop
.break        ; force break
.endif

.eval x+1,x
.endloop

```

Example 6–12. Built-In Substitution Symbol Functions Used in a Conditional Assembly Code Block

```

.fcnolist
*
*Subtract Double
*
subx .macro a           ; subtract double

.if $symcmp(a,"*")
subh *+                ; subtract high
subs *-                ; subtract low
.elseif $symcmp(a,"*+")
subh *+                ; subtract high
subs *+                ; subtract low
.elseif $symcmp(a,"*-")
subs *-                ; subtract low
subh *-                ; subtract high
.else
subh a                 ; subtract high
subs a + 1             ; subtract low
.endif

.endm

*Macro Call
subx *+

```

For more information about conditional assembly directives, refer to Section 4.7, page 4-15.

6.6 Using Labels in Macros

All labels in an assembly language program must be unique. This includes labels in macros. If a macro is expanded more than once, its labels are defined more than once. *Defining a label more than once is illegal.* The macro language provides a method of defining labels in macros so that the labels are unique. Simply follow the label with a question mark, and the assembler will replace the question mark with a unique number. When the macro is expanded, *you will not see the unique number in the listing file.* Your label will appear with the question mark, as it did in the macro definition. You cannot declare this label as global. The syntax for a unique label is:

```
label?
```

Example 6–13 shows unique label generation in a macro.

Example 6–13. Unique Labels in a Macro

```
; define macro
MIN      .macro    a,b
          lac      a
          sub      b
          blz      m1?
          lac      b
          b        m2?
m1?      lac      a
m2?
          .endm

; call macro
          MIN      x,#100

; expand macro
          lac      x
          sub      #100
          blz      m1?
          lac      #100
          b        m2?
m1?      lac      x
m2?
```

The maximum label length is shortened to allow for the unique suffix. For example, if the macro is expanded fewer than 10 times, the maximum label length is 126 characters. If the macro is expanded from 10 to 99 times, the maximum label length is 125. The label with its unique suffix is shown in the cross-listing file.

6.7 Producing Messages in Macros

The macro language supports three directives that enable you to define your own assembly-time error and warning messages. These directives are useful when you want to create messages specific to your needs. The last line of the listing file shows the error and warning counts. These counts alert you to problems in your code and are especially useful during debugging.

- .emsg** sends error messages to the listing file. The `.emsg` directive generates errors in the same manner as the assembler, incrementing the error count and preventing the assembler from producing an object file.
- .wmsg** sends warning messages to the listing file. The `.wmsg` directive functions in the same manner as the `.emsg` directive but increments the warning count and does not prevent the generation of an object file.
- .mmsg** sends warnings or assembly-time messages to the listing file. The `.mmsg` directive functions in the same manner as the `.emsg` directive but does not set the error count or prevent the generation of an object file.

Macro comments are comments that appear in the definition of the macro *but do not show up in the expansion of the macro*. An exclamation point in column 1 identifies a macro comment. If you want your comments to appear in the macro expansion, precede your comment with an asterisk or semicolon.

Example 6–14 shows user messages in macros and macro comments that will not appear in the macro expansion.

Example 6–14. Producing Messages in a Macro

```
TEST  .MACRO    x,y
!
!   This macro checks for the correct number of parameters.
!   The macro generates an error message if x and y are not
!                                     present.
!
      .if      ($symlen(x) == 0 | $symlen(y) == 0) ; Test for
                                           ; proper input
      .emsg   "ERROR - missing parameter in call to TEST"
      .mexit
      .else
      .
      .endif
      .if
      .
      .endif
      .endm

1 error, no warnings
```

6.8 Formatting the Output Listing

Macros, substitution symbols, and conditional assembly directives may hide information. You may need to see this hidden information, so the macro language supports an expanded listing capability.

By default, the assembler shows macro expansions and false conditional blocks in the list output file. You may want to turn this listing off or on within your listing file. Four sets of directives enable you to control the listing of this information:

Macro and Loop Expansion Listing

.mlist expands macros and `.loop/.endloop` blocks. The `.mlist` directive prints all code encountered in those blocks..

.mnolist suppresses the listing of macro expansions and `.loop/.endloop` blocks.

For macro and loop expansion listing, `.mlist` is the default.

False Conditional Block Listing

.fclist causes the assembler to include in the listing file all conditional blocks that do not generate code (false conditional blocks). Conditional blocks appear in the listing exactly as they appear in the source code.

.fcnolist suppresses the listing of false conditional blocks. Only the code in conditional blocks that actually assemble appears in the listing. The `.if`, `.elseif`, `.else`, and `.endif` directives do not appear in the listing.

For false conditional block listing, `.fclist` is the default.

Substitution Symbol Expansion Listing

.sslist expands substitution symbols in the listing. This is useful for debugging the expansion of substitution symbols. The expanded line appears below the actual source line.

.ssnolist turns off substitution symbol expansion in the listing.

For substitution symbol expansion listing, `.ssnolist` is the default.

Directive Listing

.drlist causes the assembler to print to the listing file all directive lines.

.drnolist suppresses the printing of the following directives in the listing file: `.asg`, `.eval`, `.var`, `.sslist`, `.mlist`, `.fclist`, `.ssnolist`, `.mnolist`, `.fcnolist`, `.emsg`, `.wmsg`, `.mmsg`, `.length`, `.width`, and `.break`.

For directive listing, `.drlist` is the default.

6.9 Using Recursive and Nested Macros

The macro language supports recursive and nested macro calls. This means that you can call other macros in a macro definition. You can nest macros up to 32 levels deep. When you use recursive macros, you call a macro from its own definition (the macro calls itself).

When you create recursive or nested macros, you should pay close attention to the arguments that you pass to macro parameters because the assembler uses dynamic scoping for parameters. This means that the called macro uses the environment of the macro from which it was called.

Example 6–15 shows nested macros. Note that the `y` in the `in_block` macro hides the `y` in the `out_block` macro. The `x` and `z` from the `out_block` macro, however, are accessible to the `in_block` macro.

Example 6–15. Using Nested Macros

```
in_block .macro y,a
        .          ; visible parameters are y,a and
        .          ;      x,z from the calling macro
        .endm

out_block .macro x,y,z
        .          ; visible parameters are x,y,z
        .
        in_block x,y ; macro call with x and y as
        .          ;      arguments
        .
        .endm
out_block      ; macro call
```

Example 6–16 shows recursive macros. The fact macro produces assembly code necessary to calculate the factorial of n where n is an immediate value. The result is placed in data memory address loc. The fact macro accomplishes this by calling fact1, which calls itself recursively.

Example 6–16. Using Recursive Macros

```
fact .macro n,loc      ; n is an integer constant
                        ; loc memory address = n!
                        ; 0! = 1! = 1
    .if    n < 2
    lack  1
    sacl  loc
    .else
    lack  n          ; n >= 2 so, store n at loc
    sacl  loc        ; decrement n, and do the
    .eval n - 1,n    ; factorial of n - 1
    fact1          ; call fact with current
                    ; environment
    .endif

    .endm

fact1 .macro
    .if    n > 1
    lt    loc        ; multiply present factorial
    mpyk  n          ; by present position
    pac
    sacl  loc        ; save result
    .eval n - 1,n    ; decrement position
    fact1          ; recursive call
    .endif

    .endm
```

6.10 Macro Directives Summary

Table 6–2. Creating Macros

Mnemonic and Syntax	Description
macname .macro [<i>parameter</i> ₁]...[<i>parameter</i> _{<i>n</i>}]	Define macro
.mlib <i>filename</i>	Identify library containing macro definitions
.mexit	Go to .endm
.endm	End macro definition

Table 6–3. Manipulating Substitution Symbols

Mnemonic and Syntax	Description
.asg [" <i>character string</i> "], <i>substitution symbol</i>	Assign character string to substitution symbol
.eval <i>well-defined expression</i> , <i>substitution symbol</i>	Perform arithmetic on numeric substitution symbols
.var <i>substitution symbol</i> ₁ ... <i>substitution symbol</i> _{<i>n</i>}	Define local macro symbols

Table 6–4. Conditional Assembly

Mnemonic and Syntax	Description
.if <i>well-defined expression</i>	Assemble code block if the condition is true
.elseif <i>well-defined expression</i>	Assemble code block if the .if condition is false and the .elseif condition is true. The .elseif construct is optional.
.else	Assemble code block if the .if condition is false. The .else construct is optional.
.endif	End .if code block
.loop [<i>well-defined expression</i>]	Begin repeatable assembly of a code block
.break [<i>well-defined expression</i>]	End .loop assembly if condition is true. The .break construct is optional.
.endloop	End .loop code block

Table 6–5. Producing Assembly-Time Messages

Mnemonic and Syntax	Description
<code>.emsg</code>	Send error message to standard output
<code>.wmsg</code>	Send warning message to standard output
<code>.mmsg</code>	Send assembly-time message to standard output

Table 6–6. Formatting the Listing

Mnemonic and Syntax	Description
<code>.drlist</code>	Enable listing of all directive lines (default)
<code>.drnolist</code>	Inhibit listing of the following directives lines: <code>.asg</code> , <code>.eval</code> , <code>.var</code> , <code>.sslist</code> , <code>.mlist</code> , <code>.fclist</code> , <code>.ssnolist</code> , <code>.mnolist</code> , <code>.fcnolist</code> , <code>.emsg</code> , <code>.mmsg</code> , <code>.wmsg</code> , <code>.length</code> , <code>.width</code> , and <code>.break</code>
<code>.fclist</code>	Allow false conditional code block listing (default)
<code>.fcnolist</code>	Inhibit false conditional code block listing
<code>.mlist</code>	Allow macro listings (default)
<code>.mnolist</code>	Inhibit macro listings
<code>.sslist</code>	Allow expanded substitution symbol listing
<code>.ssnolist</code>	Inhibit expanded substitution symbol listing (default)

Archiver Description

The **archiver** allows you to collect a group of files into a single archive file. For example, you can collect several macros into a macro library. The assembler will search the library and use the members that are called as macros by the source file. You can also use the archiver to collect a group of object files into an object library. The linker will include in the library the members that resolve external references during the link.

These are the topics covered in this chapter:

Topic	Page
7.1 Archiver Overview	7-2
7.2 Archiver Development Flow	7-3
7.3 Invoking the Archiver	7-4
7.4 Archiver Examples	7-6

7.1 Archiver Overview

The TMS320C1x/C2x/C2xx/C5x archiver lets you combine several individual files into a single file called an archive or a library. Each file within the archive is called a member. Once you have created an archive, you can use the archiver to add, delete, or extract members.

You can build libraries from any type of file. Both the assembler and the linker accept archive libraries as input; the assembler can use libraries that contain individual source files, and the linker can use libraries that contain individual object files.

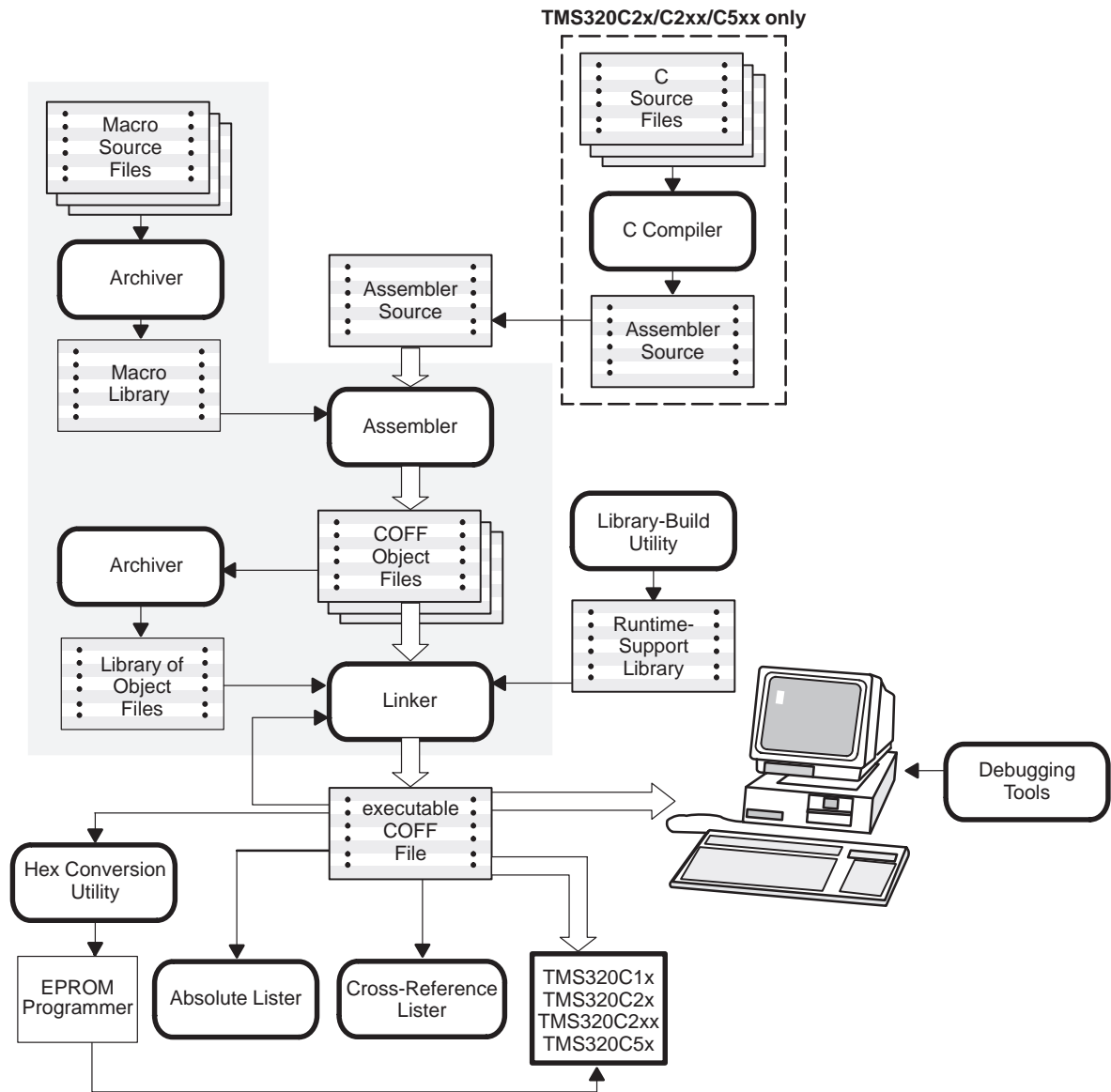
One of the most useful applications of the archiver is building libraries of object modules. For example, you can write several arithmetic routines, assemble them, and use the archiver to collect the object files into a single, logical group. You can then specify the object library as linker input. The linker will search the library and include members that resolve external references.

You can also use the archiver to build macro libraries. You can create several source files, each of which contains a single macro, and use the archiver to collect these macros into a single, functional group. The `.mlib` assembler directive lets you specify the name of a macro library; during the assembly process, the assembler will search the specified library for the macros that you call. Chapter 6 discusses macros and macro libraries in detail.

7.2 Archiver Development Flow

Figure 7–1 shows the archiver’s role in the assembly language development process. Both the assembler and the linker accept libraries as input.

Figure 7–1. Archiver Development Flow



7.3 Invoking the Archiver

To invoke the archiver, enter:

```
dspar [-]command[option] libname [filename1 ... filenamen]
```

- dspar** is the command that invokes the archiver.
- libname* names an archive library. If you don't specify an extension for *libname*, the archiver uses the default extension *.lib*.
- filename* names individual member files that are associated with the library. If you don't specify an extension for a *filename*, the archiver uses the default extension *.obj*.

Note: Naming Library Members

It is possible (but not desirable) for a library to contain several members with the same name. If you attempt to delete, replace, or extract a member, and the library contains more than one member with the specified name, the archiver deletes, replaces, or extracts the first member with that name.

- command* tells the archiver how to manipulate the library members. A command can be preceded by an optional hyphen. You must use one of the following commands when you invoke the archiver, but you can use only one command per invocation. Valid archiver commands are:
- a** adds the specified files to the library. This command does not replace an existing member that has the same name as an added file; it simply *appends* new members to the end of the archive.
 - d** deletes the specified members from the library.
 - r** replaces the specified members in the library. If you don't specify filenames, the archiver replaces the library members with files of the same name in the current directory. If the specified file is not found in the library, the archiver adds it instead of replacing it.
 - t** prints a table of contents of the library. If you specify filenames, only those files are listed. If you don't specify any filenames, the archiver lists all the members in the specified library.

- x** extracts the specified files. If you don't specify member names, the archiver extracts all library members. When the archiver extracts a member, it simply copies the member into the current directory; it *doesn't* remove it from the library.

In addition to one of the *commands*, you can specify the following *options*:

- e** tells the archiver not to use the default extension `.obj` for member names. This allows the use of filenames without extensions.
- q** (quiet) suppresses the banner and status messages.
- s** prints a list of the global symbols that are defined in the library. (This option is valid only with the `-a`, `-r`, and `-d` commands.)
- v** (verbose) provides a file-by-file description of the creation of a new library from an old library and its constituent members.

7.4 Archiver Examples

The following are examples of how to use the archiver:

❑ Example 1

This example creates a library called `function.lib` that contains the files `sine.obj`, `cos.obj`, and `flt.obj`.

```
dspar -a function sine cos flt
DSP Archiver                Version x.xx
Copyright (c) 1987-1995 Texas Instruments Incorporated
==>  new archive 'function.lib'
==>  building archive 'function.lib'
```

Because Example 1 and 2 use the default extensions (`.lib` for the library and `.obj` for the members), it is not necessary to specify extensions in these examples.

❑ Example 2

You can print a table of contents of `function.lib` with the `-t` option:

```
dspar -t function
DSP Archiver                Version x.xx
Copyright (c) 1987-1995 Texas Instruments Incorporated
      FILE NAME      SIZE  DATE
-----
      sine.obj       248   Mon Nov 19 01:25:44 1984
      cos.obj        248   Mon Nov 19 01:25:44 1984
      flt.obj        248   Mon Nov 19 01:25:44 1984
```

❑ Example 3

You can explicitly specify extensions if you don't want the archiver to use the default extensions; for example:

```
dspar -av function.fn sine.asm cos.asm flt.asm
DSP Archiver                Version x.xx
Copyright (c) 1987-1995 Texas Instruments Incorporated
==>  add 'sine.asm'
==>  add 'cos.asm'
==>  add 'flt.asm'
==>  building archive 'function.fn'
```

This creates a library called `function.fn` that contains the files `sine.asm`, `cos.asm`, and `flt.asm`. (`-v` is the verbose option.)

❑ Example 4

If you want to add new members to the library, specify:

```
dspar -as function tan.obj arctan.obj area.obj
DSP Archiver                Version x.xx
Copyright (c) 1987-1995 Texas Instruments Incorporated
==>  symbol defined: 'K2'
==>  symbol defined: 'Rossignol'
==>  building archive 'function.lib'
```

Because this example doesn't specify an extension for the libname, the archiver adds the files to the library called `function.lib`. If `function.lib` didn't exist, the archiver would create it. (The `-s` option tells the archiver to list the global symbols that are defined in the library.)

❑ Example 5

If you want to modify a library member, you can extract it, edit it, and replace it. In this example, assume there's a library named `macros.lib` that contains the members `push.asm`, `pop.asm`, and `swap.asm`.

```
dspar -x macros push.asm
```

The archiver makes a copy of `push.asm` and places it in the current directory; it doesn't remove `push.asm` from the library. Now you can edit the extracted file. To replace the copy of `push.asm` in the library with the edited copy, enter:

```
dspar -r macros push.asm
```


Linker Description

The TMS320C1x/C2x/C2xx/C5x linker creates executable modules by combining COFF object files. The concept of COFF sections is basic to linker operation; Chapter 2 discusses the COFF format in detail.

As the linker combines object files, it:

- Allocates sections into the target system's configured memory.
- Relocates symbols and sections to assign them to final addresses.
- Resolves undefined external references between input files.

The linker command language controls memory configuration, output section definition, and address binding. The language supports expression assignment and evaluation and provides two powerful directives, MEMORY and SECTIONS, that allow you to:

- Define a memory model that conforms to target system memory.
- Combine object file sections.
- Allocate sections into specific areas of memory.
- Define or redefine global symbols at link time.

Topic	Page
8.1 Linker Development Flow	8-2
8.2 Invoking the Linker	8-3
8.3 Linker Options	8-5
8.4 Linker Command Files	8-16
8.5 Object Libraries	8-19
8.6 The MEMORY Directive	8-21
8.7 The SECTIONS Directive	8-24
8.8 Specifying a Section's Runtime Address	8-33
8.9 Using UNION and GROUP Statements	8-37
8.10 Overlay Pages	8-40
8.11 Default Allocation Algorithm	8-45
8.12 Special Section Types (DSECT, COPY, and NOLOAD)	8-49
8.13 Assigning Symbols at Link Time	8-50
8.14 Creating and Filling Holes	8-54
8.15 Partial (Incremental) Linking	8-58
8.16 Linking C Code	8-60
8.17 Linker Example	8-64

8.2 Invoking the Linker

The general syntax for invoking the linker is:

```
dsplnk [-options] filename1 ... filenamen
```

- dsplnk** is the command that invokes the linker.
- options* can appear anywhere on the command line or in a linker command file. (Options are discussed in Section 8.3.)
- filenames* can be object files, linker command files, or archive libraries. The default extension for all input files is *.obj*; any other extension must be explicitly specified. The linker can determine whether the input file is an object or ASCII file that contains linker commands. The default output filename is *a.out*.

There are three methods for invoking the linker:

- Specify options and filenames on the command line. This example links two files, *file1.obj* and *file2.obj*, and creates an output module named *link.out*.

```
dsplnk file1.obj file2.obj -o link.out
```

- Enter the **dsplnk** command with no filenames or options; the linker will prompt for them:

```
Object files [.obj] :
Command files :
Output file [a.out] :
Options :
```

- For *object files*, enter one or more object filenames. The default extension is *.obj*. Separate the filenames with spaces or commas; if the last character is a comma, the linker will prompt for an additional line of object filenames.
- For *command files*, enter one or more command filenames.
- The *output file* is the name of the linker output module. This overrides any *-o* options entered with any of the other prompts. If there are no *-o* options and you do not answer this prompt, the linker will create an object file with a default filename of *a.out*.
- The *options* prompt is for additional options. You can also enter them in a command file. Enter them with hyphens, as you would on the command line.

- Put filenames and options in a linker command file. For example, assume that the file `linker.cmd` contains the following lines:

```
-o link.out  
file1.obj  
file2.obj
```

Now you can invoke the linker from the command line; specify the command filename as an input file:

```
dsplnk linker.cmd
```

When you use a command file, you can also specify other options and files on the command line. For example, you could enter:

```
dsplnk -m link.map linker.cmd file3.obj
```

The linker reads and processes a command file as soon as it encounters the filename on the command line, so it links the files in this order: `file1.obj`, `file2.obj`, and `file3.obj`. This example creates an output file called `link.out` and a map file called `link.map`.

8.3 Linker Options

Linker options control linking operations. They can be placed on the command line or in a command file and must be preceded by a hyphen (–). The order in which options are specified is unimportant, except for the –l and –i options. Options can be separated from arguments (if they have them) by a space. Table 8–1 summarizes the linker options.

Table 8–1. Linker Options Summary

Option	Description
–a	Produce an absolute, executable module. This is the default; if neither –a nor –r is specified, the linker acts as if –a is specified.
–ar	Produce a relocatable, executable object module.
–b	Disable merge of symbolic debugging information.
–c	Use linking conventions defined by the ROM autoinitialization model of the TMS320C2x/C2xx/C5x C compiler.
–cr	Use linking conventions defined by the RAM autoinitialization model of the TMS320C2x/C2xx/C5x C compiler.
–e <i>global_symbol</i>	Define a <i>global_symbol</i> that specifies the primary entry point for the output module.
–f <i>fill_value</i>	Set the default fill value for holes within output sections; <i>fill_value</i> is a 16-bit constant.
–h	Make all global symbols static.
–heap <i>size</i>	Set heap size (for the dynamic memory allocation in C) to <i>size</i> words and define a global symbol that specifies the heap size. Default = 1K words.
–i <i>dir</i> [†]	Alter the library-search algorithm to look in <i>dir</i> before looking in the default location. This option must appear before the –l option.
–l <i>filename</i> [†]	Name an archive library file as linker input; <i>filename</i> is an archive library name.
–m <i>filename</i> [†]	Produce a map or listing of the input and output sections, including holes, and place the listing in <i>filename</i> .
–o <i>filename</i> [†]	Name the executable output module. The default filename is a.out.
–q	Request a quiet run (suppress the banner).
–r	Produce a relocatable output module.
–s	Strip symbol table information and line number entries from the output module.
–stack <i>size</i>	Set the C system stack size to <i>size</i> words and define a global symbol that specifies the stack size. Default = 1K words.
–u <i>symbol</i>	Place the unresolved external symbol <i>symbol</i> into the output module's symbol table.
–v0	Generate version 0 COFF format.
–w	Generate a warning when an output section that is not specified with the SECTIONS directive is created.
–x	Force rereading of libraries. Resolves back references.

[†] The *directory* or *filename* must follow operating system conventions.

8.3.1 Relocation Capabilities (`-a` and `-r` Options)

The linker performs relocation, which is the process of adjusting all references to a symbol when the symbol's address changes. The linker supports two options (`-a` and `-r`) that allow you to produce an absolute or a relocatable output module. If neither `-a` nor `-r` is specified, the linker acts as if `-a` is specified by default.

□ Producing an Absolute Output Module (`-a` Option)

When you use the `-a` option without the `-r` option, the linker produces an absolute, executable output module. Absolute files contain *no* relocation information. Executable files contain the following:

- Special symbols defined by the linker (subsection 8.13.4, page 8-53, describes these symbols)
- An optional header that describes information such as the program entry point
- *No* unresolved references

The following example links `file1.obj` and `file2.obj` and creates an absolute output module called `a.out`:

```
dsplnk -a file1.obj file2.obj
```

□ Producing a Relocatable Output Module (`-r` Option)

When you use the `-r` option without the `-a` option, the linker retains relocation entries in the output module. If the output module will be relocated (at load time) or relinked (by another linker execution), use `-r` to retain the relocation entries.

The linker produces an *unexecutable* file when you use the `-r` option without `-a`. A file that is not executable does not contain special linker symbols or an optional header. The file may contain unresolved references, but these references do not prevent creation of an output module.

The following example links `file1.obj` and `file2.obj` and creates a relocatable output module called `a.out`:

```
dsplnk -r file1.obj file2.obj
```

The output file `a.out` can be relinked with other object files or relocated at load time. (Linking a file that will be relinked with other files is called partial linking. For more information, refer to Section 8.17, page 8-64.)

❑ Producing an *Executable Relocatable* Output Module (`-ar`)

If you invoke the linker with both the `-a` and `-r` options, the linker produces an *executable, relocatable* object module. The output file contains the special linker symbols, an optional header, and all resolved symbol references; however, the relocation information is retained.

The following example links `file1.obj` and `file2.obj` and creates an executable, relocatable output module called `xr.out`:

```
dsplnk -ar file1.obj file2.obj -o xr.out
```

You can string the options together (`dsplnk -ar`) or enter them separately (`dsplnk -a -r`).

❑ Relocating or Relinking an Absolute Output Module

The linker issues a warning message (but continues executing) when it encounters a file that contains no relocation or symbol table information. Relinking an absolute file can be successful only if each input file contains no information that needs to be relocated (that is, each file has no unresolved references and is bound to the same virtual address that it was bound to when the linker created it).

8.3.2 Disable Merge of Symbolic Debugging Information (`-b` Option)

By default, the linker eliminates duplicate entries of symbolic debugging information. Such duplicate information is commonly generated when a C program is compiled for debugging. For example:

```
-[ header.h ]-
typedef struct
{
    <define some structure members>
} XYZ;
```

```
-[ f1.c ]-
#include "header.h"
...
```

```
-[ f2.c ]-
#include "header.h"
...
```

When these files are compiled for debugging, both `f1.obj` and `f2.obj` will have symbolic debugging entries to describe type `XYZ`. For the final output file, only one set of these entries is necessary. The linker will eliminate the duplicate entries automatically.

Use the `-b` option if you do not want the linker to keep such duplicate entries. Using the `-b` option has the effect of the linker running faster and using less machine memory.

8.3.3 C Language Options (`-c` and `-cr` Options)

The `-c` and `-cr` options cause the linker to use linking conventions that are required by the TMS320C2x/C2xx/C5x C compiler.

- The `-c` option tells the linker to use the ROM autoinitialization model.
- The `-cr` option tells the linker to use the RAM autoinitialization model.

For more information about linking C code, refer to Section 8.16, page 8-60, and subsection 8.16.5, page 8-63.

8.3.4 Define an Entry Point (`-e global symbol` Option)

The memory address at which a program begins executing is called the *entry point*. When a loader loads a program into target memory, the program counter must be initialized to the entry point; the PC then points to the beginning of the program.

The linker can assign one of four possible values to the entry point. These values are listed below in the order in which the linker tries to use them. If you use one of the first three values, it must be an external symbol in the symbol table.

- The value specified by the `-e` option. The syntax is `-e global symbol` in which `global symbol` defines the entry point and must appear as an external symbol in one of the input files.
- The value of symbol `_c_int0` (if present). `_c_int0` **must** be the entry point if you are linking code produced by the C compiler.
- The value of symbol `_main` (if present)
- Zero (default value)

This example links `file1.obj` and `file2.obj`. The symbol `begin` is the entry point; `begin` must be defined as external in `file1` or `file2`.

```
dsplnk -e begin file1.obj file2.obj
```

8.3.5 Set Default Value (`-f cc` Option)

The `-f` option fills the holes formed within output sections or initializes uninitialized sections when they are combined with initialized sections. This allows you to initialize memory areas during link time without reassembling a source file. The argument `cc` is a 16-bit constant (up to four hexadecimal digits). If you do not use `-f`, the linker uses 0 as the default fill value.

This example fills holes with the hexadecimal value `ABCD`.

```
dsplnk -f 0ABCDh file1.obj file2.obj
```

8.3.6 Make All Global Symbols Static (`-h` Option)

The `-h` option makes global symbols static. This is useful when you are using partial linking to link related object files into self-contained modules, then relinking the modules into a final system. If global symbols in one module have the same name as global symbols in other modules, but you want to treat them as separate symbols, use the `-h` option when building the modules. These global symbols, which would normally be visible to the other modules and possibly cause redefinition problems in the final link, are made static so that they are not visible to the other modules.

For example, assume that `b1.obj`, `b2.obj`, and `b3.obj` are related and reference a global variable `GLOB`. Also assume that `d1.obj`, `d2.obj`, and `d3.obj` are related and reference a separate global variable `GLOB`. You can link the related files together with the following commands:

```
dsplnk -h -r b1.obj b2.obj b3.obj -o bpart.out
dsplnk -h -r d1.obj d2.obj d3.obj -o dpart.out
```

The `-h` option guarantees that `bpart.out` and `dpart.out` will not have global symbols and, therefore, that two distinct versions of `GLOB` will exist. The `-r` option is used to allow `bpart.out` and `dpart.out` to retain their relocation entries. These two partially linked files can then be linked together safely with the following command:

```
dsplnk bpart.out dpart.out -o system.out
```

8.3.7 Define Heap Size (`-heap constant` Option)

The TMS320C2x/C2xx/C5x C compiler uses an uninitialized section called `.systemem` for the C dynamic memory allocation. You can set the size of this memory pool at link time by using the `-heap` option. Specify the size as a constant immediately after the option:

```
dsplnk -heap 0x0800 /* defines a 2k heap (.systemem section)*/
```

The linker creates the `.systemem` section only if there is a `.systemem` section in an input file.

The linker also creates a global symbol `__SYSTEMEM_SIZE` and assigns it a value equal to the size of the heap. The default size is 1K words.

For more information about linking C code, see Section 8.16, page 8-60.

8.3.8 Alter the Library Search Algorithm (`-i dir` Option/`C_DIR`)

Usually, when you want to specify a library as linker input, you simply enter the library name as you would any other input filename; the linker looks for the library in the current directory. For example, suppose the current directory contains the library `object.lib`. Assume that this library defines symbols that are referenced in the file `file1.obj`. This is how you link the files:

```
dsplnk file1.obj object.lib
```

If you want to use a library that is not in the current directory, use the `-l` (lower-case L) linker option. The syntax for this option is `-l filename`. The `filename` is the name of an archive library; the space between `-l` and the filename is optional.

You can augment the linker's directory search algorithm by using the `-i` linker option or the environment variable. The linker searches for object libraries in the following order:

- 1) It searches directories named with the `-i` linker option.
- 2) It searches directories named with the environment variable `C_DIR`.
- 3) If `C_DIR` is not set, it searches directories named with the assembler's environment variable, `A_DIR`.
- 4) It searches the current directory.

-i Linker Options

The `-i` linker option names an alternate directory that contains object libraries. The syntax for this option is `-i dir`. `dir` names a directory that contains object libraries; the space between `-i` and the directory name is optional.

When the linker is searching for object libraries named with the `-l` option, it searches through directories named with `-i` first. Each `-i` option specifies only one directory, but you can use several `-i` options per invocation. When you use the `-i` option to name an alternate directory, it must precede the `-l` option on the command line or in a command file.

For example, assume that there are two archive libraries called `r.lib` and `lib2.lib`. The table below shows the directories that `r.lib` and `lib2.lib` reside in, how to set the environment variable, and how to use both libraries during a link. Select the row for your operating system:

	Pathname	Invocation Command
DOS	<code>\ld</code> and <code>\ld2</code>	<code>dsplnk f1.obj f2.obj -i \ld -i \ld2 -lr.lib -llib2.lib</code>
UNIX	<code>\ld</code> and <code>\ld2</code>	<code>dsplnk f1.obj f 2.obj -i /ld -i /ld2 -lr.lib -llib2.lib</code>

Environment Variable (*C_DIR*)

An environment variable is a system symbol that you define and assign a string to. The linker uses an environment variable named *C_DIR* to name alternate directories that contain object libraries. The commands for assigning the environment variable are:

For DOS: set *C_DIR=pathname;another pathname ...*

For UNIX: setenv *C_DIR "pathname;another pathname ..."*

The *pathnames* are directories that contain object libraries. Use the `-I` option on the command line or in a command file to tell the linker which libraries to search for.

For example, assume that two archive libraries called *r.lib* and *lib2.lib* reside in different directories. The table below shows the directories that *r.lib* and *lib2.lib* reside in, how to set the environment variable, and how to use both libraries during a link. Select the row for your operating system:

	Pathname	Invocation Command
DOS	\ld and \ld2	set <i>C_DIR=\ldir;\ldir2</i> dsplnk f1.obj f2.obj -l r.lib -l lib2.lib
UNIX	\ld and \ld2	setenv <i>C_DIR /ldir ;/ldir2</i> dsplnk f1.obj f2.obj -l r.lib -l lib2.lib

Note that the environment variable remains set until you reboot the system or reset the variable by entering:

For DOS: set *C_DIR=*

For UNIX: setenv *C_DIR / /*

The assembler uses an environment variable named *A_DIR* to name alternate directories that contain copy/include files or macro libraries. If *C_DIR* is not set, the linker will search for object libraries in the directories named with *A_DIR*. Section 8.5, page 8-19, contains more information about object libraries.

8.3.9 Create a Map File (`-m filename` Option)

The `-m` option creates a link map listing and puts it in *filename*. This map describes:

- Memory configuration
- Input and output section allocation
- The addresses of external symbols after they have been relocated

The map file contains the name of the output module and the entry point; it may also contain up to three tables:

- A table showing the new memory configuration if any nondefault memory is specified
- A table showing the linked addresses of each output section and the input sections that make up the output sections
- A table showing each external symbol and its address. This table has two columns: the left column contains the symbols sorted by name, and the right column contains the symbols sorted by address.

This example links `file1.obj` and `file2.obj` and creates a map file called `map.out`:

```
dsplnk file1.obj file2.obj -m map.out
```

Example 8–15, page 8-66, shows an example of a map file.

8.3.10 Name an Output Module (`-o filename` Option)

The linker creates an output module when no errors are encountered. If you do not specify a filename for the output module, the linker gives it the default name `a.out`. If you want to write the output module to a different file, use the `-o` option. The *filename* is the new output module name.

This example links `file1.obj` and `file2.obj` and creates an output module named `run.out`:

```
dsplnk -o run.out file1.obj file2.obj
```

8.3.11 Specify a Quiet Run (`-q` Option)

The `-q` option suppresses the linker's banner when `-q` is the first option on the command line or in a command file. This option is useful for batch operation.

8.3.12 Strip Symbolic Information (`-s` Option)

The `-s` option creates a smaller output module by omitting symbol table information and line number entries. The `-s` option is useful for production applications when you must create the smallest possible output module.

This example links `file1.obj` and `file2.obj` and creates an output module, stripped of line numbers and symbol table information, named `nosym.out`:

```
dsplnk -o nosym.out -s file1.obj file2.obj
```

Using the `-s` option limits later use of a symbolic debugger and may prevent a file from being relinked.

8.3.13 Define Stack Size (`-stack constant` Option)

The TMS320C2x/C2xx/C5x C compiler uses an uninitialized section, `.stack`, to allocate space for the runtime stack. You can set the size of the `.stack` section at link time with the `-stack` option. Specify the size as a constant immediately after the option:

```
dsplnk -stack 0x1000 /* defines a 4K stack (.stack section) */
```

If you specified a different stack size in an input section, the input section stack size is ignored. Any symbols defined in the input section remain valid; only the stack size will be different.

When the linker defines the `.stack` section, it also defines a global symbol, `__STACK_SIZE`, and assigns it a value equal to the size of the section. The default stack size is 1K words.

8.3.14 Introduce an Unresolved Symbol (`-u symbol` Option)

The `-u` option introduces an unresolved symbol into the linker's symbol table. This forces the linker to search a library and include the member that defines the symbol. The linker must encounter the `-u` option *before* it links in the member that defines the symbol.

For example, suppose a library named `rts.lib` contains a member that defines the symbol `symtab`; none of the object files being linked reference `symtab`. However, suppose you plan to relink the output module, and you would like to include the library member that defines `symtab` in this link. Using the `-u` option as shown below forces the linker to search `rts.lib` for the member that defines `symtab` and to link in the member.

```
dsplnk -u symtab file1.obj file2.obj rts.lib
```

If you do not use `-u`, this member is not included, because there is no explicit reference to it in `file1.obj` or `file2.obj`.

8.3.15 Generate Version 0 COFF format (`-v0` Option)

By default, the linker generates an improved version of COFF (version 1) that supports more relocation entries. However, not all fixed-point debuggers have been updated to support the new COFF format. Use the `-v0` option to generate the old COFF format if you are using any of the following (or earlier) versions of the debuggers:

Debugger Tool	Debugger Version
TMS320C2x Emulator	Version 6.40
TMS320C2x Simulator	Version 3.00
TMS320C5x (PG 1.x) Emulator	Version 6.50
TMS320C5x (PG 2.x) Emulator	Version 7.07
TMS320C5x Simulator	Version 1.20

8.3.16 Warning Switch (`-w` Option)

The `-w` option generates a warning message if an output section that is not explicitly specified with the `SECTIONS` directive is created. For example:

```
-[ f1.asm ]-
.sect "xsect"
.word 0

-[ link.cmd ]-

SECTIONS
{
  <no output section specifications reference xsect>
}
```

The linker creates an output section called `xsect` that consists of the input section `xsect` from other object files; the linker then uses the default allocation rules to allocate this output section into memory. If you used the `-w` switch when linking, the preceding example would generate the message:

```
>> warning: creating output section xsect without SECTIONS specification
```

8.3.17 Exhaustively Read Libraries (`-x` Option)

The linker normally reads input files, including archive libraries, only once: when they are encountered on the command line or in the command file. When an archive is read, any members that resolve references to undefined symbols are included in the link. If an input file later references a symbol defined in a previously read archive library (this is called a *back reference*), the reference will not be resolved.

With the `-x` option, you can force the linker to repeatedly reread all libraries. The linker will continue to reread libraries until no more references can be resolved. For example, if `a.lib` contains a reference to a symbol defined in `b.lib`, and `b.lib` contains a reference to a symbol defined in `a.lib`, you can resolve the mutual dependencies by listing one of the libraries twice, as in:

```
dsplnk -la.lib -lb.lib -la.lib
```

or you can force the linker to do it for you:

```
dsplnk -x -la.lib -lb.lib
```

Linking with the `-x` option may be slower, so you should use it only as needed.

8.4 Linker Command Files

Linker command files allow you to put linking information in a file; this is useful when you invoke the linker often with the same information. Linker command files are also useful because they allow you to use the MEMORY and SECTIONS directives to customize your application. You must use these directives in a command file; you cannot use them on the command line. Command files are ASCII files that contain one or more of the following:

- Input filenames, which specify object files, archive libraries, or other command files. (If a command file calls another command file as input, this statement must be the *last* statement in the calling command file. The linker does not return from called command files.)
- Linker options, which can be used in the command file in the same manner that they are used on the command line.
- The MEMORY and SECTIONS linker directives. The MEMORY directive defines the target memory configuration. The SECTIONS directive controls how sections are built and allocated.
- Assignment statements, which define and assign values to global symbols.

To invoke the linker with a command file, enter the **dsplnk** command and follow it with the name of the command file:

dsplnk *command_filename*

The linker processes input files in the order that it encounters them. If the linker recognizes a file as an object file, it links it. Otherwise, it assumes that a file is a command file and begins reading and processing commands from it. Command filenames are case sensitive, regardless of the system used.

Example 8–1 shows a sample linker command file called link.cmd.

Example 8–1. Linker Command File

```
a.obj          /* First input filename      */
b.obj          /* Second input filename     */
-o prog.out    /* Option to specify output file */
-m prog.map    /* Option to specify map file  */
```

The sample file in Example 8–1 contains only filenames and options. (You can place comments in a command file by delimiting them with `/*` and `*/`.) To invoke the linker with this command file, enter:

```
dsplnk link.cmd
```

You can place other parameters on the command line when you use a command file:

```
dsplnk -r link.cmd c.obj d.obj
```

The linker processes the command file as soon as it encounters the filename, so `a.obj` and `b.obj` are linked into the output module before `c.obj` and `d.obj`.

You can specify multiple command files. If, for example, you have a file called `names.lst` that contains filenames and another file called `dir.cmd` that contains linker directives, you could enter:

```
dsplnk names.lst dir.cmd
```

One command file can call another command file; this type of nesting is limited to 16 levels. If a command file calls another command file as input, this statement must be the *last* statement in the calling command file.

Blanks and blank lines are insignificant in a command file, except as delimiters. This applies to the format of linker directives in a command file, also. Example 8–2 shows a sample command file that contains linker directives. (Linker directive formats are discussed in later sections.)

Example 8–2. Command File With Linker Directives

```
a.obj b.obj c.obj          /* Input filenames      */
-o prog.out -m prog.map    /* Options          */

MEMORY                    /* MEMORY directive  */
{
  RAM:  origin = 100h      length = 0100h
  ROM:  origin = 01000h    length = 0100h
}

SECTIONS                  /* SECTIONS directive */
{
  .text: > ROM
  .data: > ROM
  .bss:  > RAM
}
```

The following names are reserved as keywords for linker directives. Do not use them as symbol or section names in a command file.

Example 8–3. Linker Command File

align	GROUP	origin
ALIGN	I (lowercase L)	ORIGIN
attr	len	page
ATTR	length	PAGE
block	LENGTH	range
BLOCK	load	run
COPY	LOAD	RUN
DSECT	MEMORY	SECTIONS
f	NOLOAD	spare
fill	o	type
FILL	org	TYPE
group		UNION

Constants in Command Files

Constants can be specified with either of two syntax schemes: the scheme used for specifying decimal, octal, or hexadecimal constants used in the assembler (see Section 3.7, page 3-17) or the scheme used for integer constants in C syntax.

Examples:

	Decimal	Octal	Hexadecimal
Assembler Format:	32	40q	20h
C Format:	32	040	0x20

8.5 Object Libraries

An object library is a partitioned archive file that contains complete object files as members. Usually, a group of related modules is grouped together into a library. When you specify an object library as linker input, the linker includes any library members that define existing unresolved symbol references. You can use the TMS320 archiver to build and maintain libraries. Chapter 7 contains more information about the archiver.

Using object libraries can reduce link time and the size of the executable module. Normally, if an object file that contains a function is specified at link time, it is linked whether it is used or not; however, if that same function is placed in an archive library, it is included only if it is referenced.

The order in which libraries are specified is important because the linker includes only those members that resolve symbols that are undefined when the library is searched. The same library can be specified as often as necessary; it is searched each time it is included. Alternatively, the `-x` option can be used (see subsection 8.3.17, page 8-15). A library has a table that lists all external symbols defined in the library; the linker searches through the table until it determines that it cannot use the library to resolve any more references.

The following example links several files and libraries. Assume that:

- Input files `f1.obj` and `f2.obj` both reference an external function named `clrscr`.
- Input file `f1.obj` references the symbol `origin`.
- Input file `f2.obj` references the symbol `fillclr`.
- Member 0 of library `libc.lib` contains a definition of `origin`.
- Member 3 of library `liba.lib` contains a definition of `fillclr`.
- Member 1 of both libraries defines `clrscr`.

If you enter

```
dsplnk f1.obj liba.lib f2.obj libc.lib
```

then:

- Member 1 of `liba.lib` satisfies both references to `clrscr` because the library is searched and `clrscr` is defined before `f2.obj` references it.
- Member 0 of `libc.lib` satisfies the reference to `origin`.
- Member 3 of `liba.lib` satisfies the reference to `fillclr`.

If, however, you enter

```
dsplnk f1.obj f2.obj libc.lib liba.lib
```

then the references to `clrscr` are satisfied by member 1 of `libc.lib`.

If none of the linked files reference symbols defined in a library, you can use the `-u` option to force the linker to include a library member. The next example creates an undefined symbol `rout1` in the linker's global symbol table. If you enter:

```
dsplnk -u rout1 libc.lib
```

and if any members of `libc.lib` define `rout1`, the linker includes those members.

It is not possible to control the allocation of individual library members; members are allocated according to the `SECTIONS` directive default allocation algorithm.

Subsection 8.3.8, page 8-10, describes methods for specifying directories that contain object libraries.

8.6 The MEMORY Directive

The linker determines where output sections should be allocated into memory; it must have a model of target memory to accomplish this task. The MEMORY directive allows you to specify a model of target memory so that you can define the types of memory your system contains and the address ranges they occupy. The linker maintains the model as it allocates output sections and uses it to determine which memory locations can be used for object code.

The memory configurations of TMS320 systems differ from application to application. The MEMORY directive allows you to specify a variety of configurations. After you use MEMORY to define a memory model, you can use the SECTIONS directive to allocate output sections into defined memory.

Refer to Section 2.3, page 2-10, for details on how the linker handles sections. Refer to Section 2.4, page 2-18, for information on the relocation of sections.

8.6.1 Default Memory Model

The assembler enables you to assemble code for TMS320C1x, TMS320C2x, TMS320C2xx, or TMS320C5x devices (you can use the `-v` assembler option to identify the device; refer to page 3-5). The assembler inserts a field in the output file's header, identifying the device you selected. The linker reads this information from the object file's header. If you do not use the MEMORY directive, the linker uses a default memory model specific to the named device. For more information about the default memory model, refer to subsection 8.11.1, page 8-45.

8.6.2 MEMORY Directive Syntax

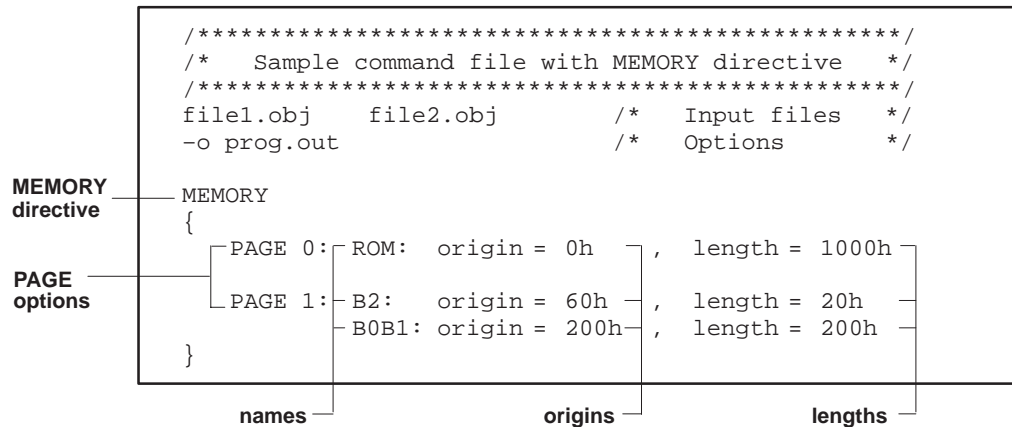
The MEMORY directive identifies ranges of memory that are physically present in the target system and can be used by a program. Each memory range has a *name*, a *starting address*, and a *length*.

TMS320 devices have separate memory spaces for program memory, data memory, and I/O memory; these spaces occupy the same address ranges. The linker allows you to configure these address spaces separately by using the MEMORY directive's PAGE option. PAGE 0 refers to program memory, and PAGE 1 refers to data memory. The linker treats these two pages as completely separate memory spaces.

When you use the MEMORY directive, be sure to identify all memory ranges that are available for loading code. Memory defined by the MEMORY directive is *configured*; any memory that you do not explicitly account for with MEMORY is *unconfigured*. The linker does not place any part of a program into unconfigured memory. You can represent nonexistent memory spaces by simply not including an address range in a MEMORY directive statement.

The MEMORY directive is specified in a command file by the word MEMORY (uppercase), followed by a list of memory range specifications enclosed in braces. The MEMORY directive in Example 8–4 defines a system that has 4K words of ROM at address 0h in program memory, 32 words of RAM at address 60h in data memory, and 512 words at address 200h in data memory. (Assume that you are running a TMS320C25 in microcomputer mode.)

Example 8–4. The MEMORY Directive



You could then use the SECTIONS directive to tell the linker where to link the sections. For example, you could allocate the .text and .data sections into the memory area named ROM and allocate the .bss section into B2 or BOB1.

The general syntax for the MEMORY directive is:

```

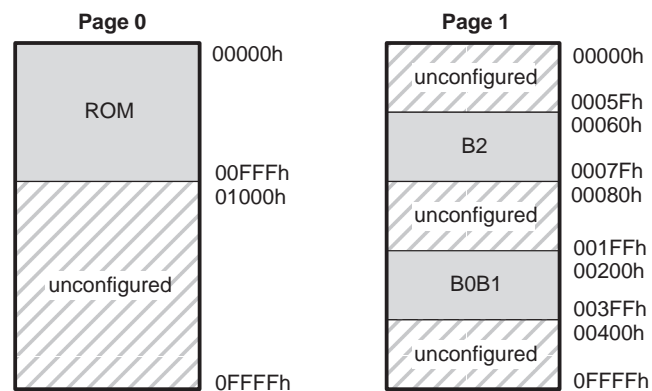
MEMORY
{
  PAGE 0 : name 1 [(attr)] : origin = constant ,length = constant;
  PAGE n : name n [(attr)] : origin = constant ,length = constant;
}
    
```

PAGE Identifies a memory space. You can specify up to 255 pages; usually, PAGE 0 specifies program memory, and PAGE 1 specifies data memory. If you do not use the PAGE option, the linker acts as if you specified PAGE 0. Each PAGE represents a completely independent address space. Configured memory on PAGE 0 can overlap configured memory on PAGE 1.

- name** Names a memory range. A memory name may be one to eight characters; valid characters include A–Z, a–z, \$, ., and `_`. The names have no special significance to the linker; they simply identify memory ranges. Memory range names are internal to the linker and are not retained in the output file or in the symbol table. Memory ranges on separate pages can have the same name; within a page, however, all memory ranges must have unique names and must not overlap.
- attr** Specifies one to four attributes associated with the named range. Attributes are optional; when used, they must be enclosed in parentheses. Attributes restrict the allocation of output sections into certain memory ranges. If you do not use any attributes, you can allocate any output section into any range with no restrictions. Any memory for which no attributes are specified (including all memory in the default model) has all four attributes. Valid attributes include:
- R** specifies that the memory can be read.
 - W** specifies that the memory can be written to.
 - X** specifies that the memory can contain executable code.
 - I** specifies that the memory can be initialized.
- origin** Specifies the starting address of a memory range; enter as *origin*, *org*, or *o*. The value, specified in bytes, is a 16-bit constant and may be decimal, octal, or hexadecimal.
- length** Specifies the length of a memory range; enter as *length*, *len*, or *l*. The value, specified in bytes, is a 16-bit constant and may be decimal, octal, or hexadecimal.

Figure 8–2 illustrates the memory map defined by Example 8–4.

Figure 8–2. Defined in Example 8–4



8.7 The SECTIONS Directive

The SECTIONS directive:

- Describes how input sections are combined into output sections
- Defines output sections in the executable program
- Specifies where output sections are placed in memory (in relation to each other and to the entire memory space)
- Permits renaming of output sections

Refer to Section 2.3, page 2-10, for details on how the linker handles sections. Refer to Section 2.4, page 2-18, for information on the relocation of sections.

8.7.1 Default Sections Configuration

If you do not specify a SECTIONS directive, the linker uses a default algorithm for combining and allocating the sections. Section 8.11, page 8-45, describes this algorithm in detail.

8.7.2 SECTIONS Directive Syntax

Note: Compatibility With Previous Versions

In previous versions of the linker, many of these constructs were specified differently. The linker accepts the older forms.

The SECTIONS directive is specified in a command file by the word SECTIONS (uppercase), followed by a list of output section specifications enclosed in braces.

The general syntax for the SECTIONS directive is:

```
SECTIONS
{
  name : [property, property, property,...]
  name : [property, property, property,...]
  name : [property, property, property,...]
}
```

Each section specification, beginning with *name*, defines an output section. (An output section is a section in the output file.) After the section *name* is a list of properties that define the section's contents and how it is allocated. The properties can be separated by commas. Possible properties for a section are:

- Load allocation**, which defines where in memory the section is to be loaded

Syntax: **load = *allocation*** **or**
allocation **or**
> *allocation*

- Run allocation**, which defines where in memory the section is to be run

Syntax: **run = *allocation*** **or**
run > *allocation*

- Input sections**, which defines the input sections that constitute the output section

Syntax: { *input_sections* }

- Section type**, which defines flags for special section types

Syntax: **type = COPY** **or**
type = DSECT **or**
type = NOLOAD

For more information on section types, see Section 8.12, page 8-49.

- Fill value**, which defines the value used to fill uninitialized holes

Syntax: **fill = *value*** **or**
name*: ... { ... } = *value

For more information on creating and filling holes, see Section 8.14, page 8-54.

Example 8–5 shows a SECTIONS directive in a sample linker command file. Figure 8–3 shows how these sections are allocated in memory.

Example 8–5. The SECTIONS Directive

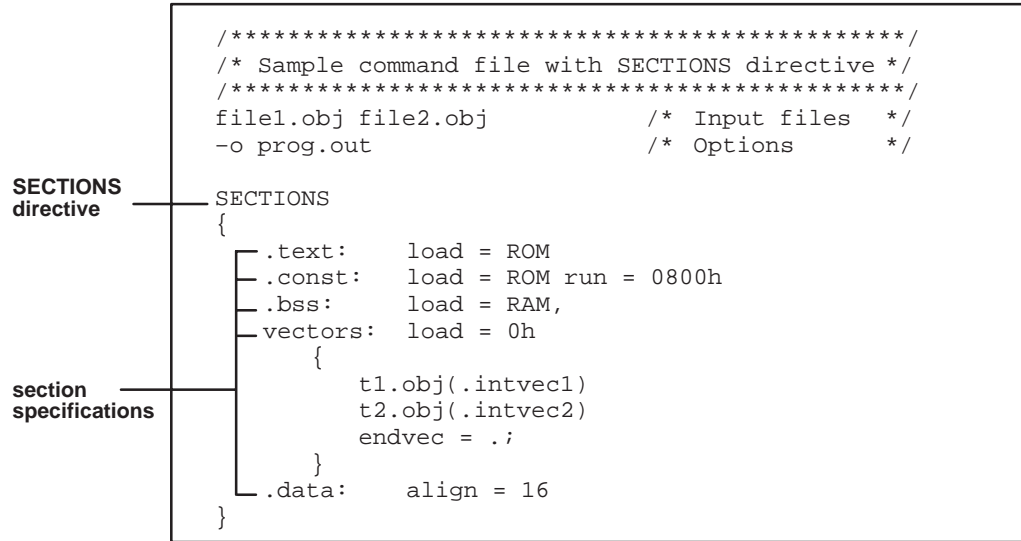
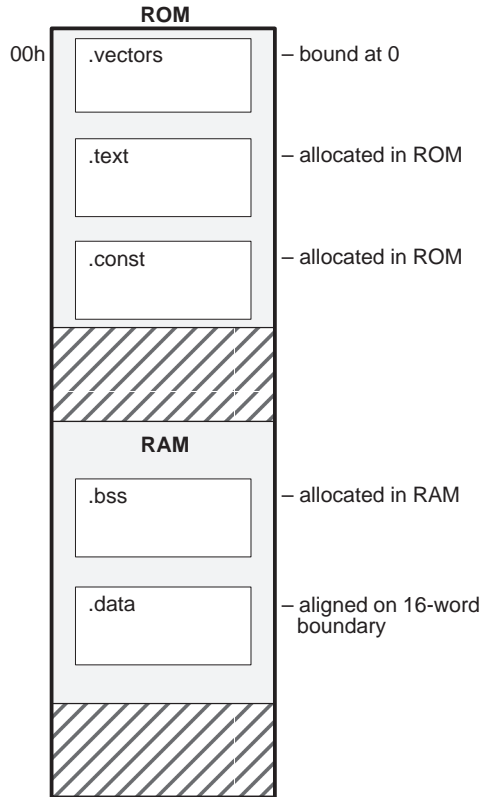


Figure 8–3 shows the five output sections defined by the SECTIONS directive in Example 8–5: .vectors, .text, .const, .bss, and .data.

Figure 8–3. Section Allocation Defined by Example 8–5



The `.vectors` section is composed of the `.intvec1` section from `t1.obj` and the `.intvec2` section from `t2.obj`.

The `.text` section combines the `.text` sections from `file1.obj` and `file2.obj`. The linker combines all sections named `.text` into this section. The application must relocate the section to run at `0800h`.

The `.const` section combines the `.const` sections from `file1.obj` and `file2.obj`.

The `.bss` section combines the `.bss` sections from `file1.obj` and `file2.obj`.

The `.data` section combines the `.data` sections from `file1.obj` and `file2.obj`. The linker will place it anywhere there is space for it (in RAM in this illustration) and align it to a 16-word boundary.

8.7.3 Specifying the Address of Output Sections (Allocation)

The linker assigns each output section two locations in target memory: the location where the section will be loaded and the location where it will be run. Usually, these are the same, and you can think of each section as having only a single address. In any case, the process of locating the output section in the target's memory and assigning its address(es) is called allocation. For more information about using separate load and run allocation, see Section 8.8, page 8-33.

If you do not tell the linker how a section is to be allocated, it uses a default algorithm to allocate the section. Generally, the linker puts sections wherever they fit into configured memory. You can override this default allocation for a section by defining it within a `SECTIONS` directive and providing instructions on how to allocate it.

You control allocation by specifying one or more allocation parameters. Each parameter consists of a keyword, an equal sign or greater-than sign, and a value that can be enclosed in parentheses. If load and run allocation is separate, all parameters following the keyword load apply to load allocation, and those following the keyword run apply to run allocation. Possible allocation parameters are:

Binding	allocates a section at a specific address. <code>.text: load = 0x1000</code>
Memory	allocates the section into a range defined in the MEMORY directive with the specified name (like ROM) or attributes. <code>.text: load > ROM</code>
Alignment	uses the align keyword to specify that the section should start on an address boundary. <code>.text: align = 0x80</code>
Blocking	uses the block keyword to specify that the section must fit between two address boundaries: if the section is too big, it will start on an address boundary. <code>.text: block(0x80)</code>
Page	specifies the memory page to be used (see Section 8.10, page 8-40). <code>.text: PAGE 0</code>

For the load (usually the only) allocation, you may simply use a greater-than sign and omit the load keyword:

```
.text: > ROM           .text: {...} > ROM
.text: > 0x1000
```

If more than one parameter is used, you can string them together as follows:

```
.text: > ROM align 16 PAGE 2
```

Or, if you prefer, use parentheses for readability:

```
.text: load = (ROM align(16) PAGE (2))
```

Binding

You can supply a specific starting address for an output section by following the section name with an address:

```
.text: 0x1000
```

This example specifies that the .text section must begin at location 1000h. The binding address must be a 16-bit constant.

Output sections can be bound anywhere in configured memory (assuming there is enough space), but they cannot overlap. If there is not enough space to bind a section to a specified address, the linker issues an error message.

Note: Binding and Alignment or Named Memory Are Incompatible

You cannot bind a section to an address if you use alignment or named memory. If you try to do this, the linker issues an error message.

Named Memory

You can allocate a section into a memory range that is defined by the MEMORY directive. This example names ranges and links sections into them:

```
MEMORY
{
    ROM (RIX) : origin = 0h,    length = 1000h
    RAM (RWIX): origin = 3000h, length = 1000h
}
SECTIONS
{
    .text :                > ROM
    .data ALIGN(128) :    > RAM
    .bss  :                > RAM
}
```

In this example, the linker places .text into the area called ROM. The .data and .bss output sections are allocated into RAM. You can align a section within a named memory range; the .data section is aligned on a 128-word boundary within the RAM range.

Similarly, you can link a section into an area of memory that has particular attributes. To do this, specify a set of attributes (enclosed in parentheses) instead of a memory name. Using the same MEMORY directive declaration, you can specify:

```
SECTIONS
{
    .text: > (X) /* .text --> executable memory */
    .data: > (RI) /* .data --> read or init memory */
    .bss : > (RW) /* .bss --> read or write memory */
}
```

In this example, the `.text` output section can be linked into either the ROM or RAM area because both areas have the X attribute. The `.data` section can also go into either ROM or RAM because both areas have the R and I attributes. The `.bss` output section, however, must go into the RAM area because only RAM is declared with the W attribute.

You cannot control where in a named memory range a section is allocated, although the linker uses lower memory addresses first and avoids fragmentation when possible. In the preceding examples, assuming that no conflicting assignments exist, the `.text` section would start at address 0. If a section must start on a specific address, use binding instead of named memory.

Alignment and Blocking

You can tell the linker to place an output section at an address that falls on an n-word boundary, where n is a power of 2. For example:

```
.text: load = align(128)
```

allocates `.text` so that it falls on a page boundary.

Blocking is a weaker form of alignment that allocates a section anywhere **within** a block of size n. If the section is larger than the block size, the section will begin on that boundary. As with alignment, n must be a power of 2. For example:

```
bss: load = block(0x80)
```

allocates `.bss` so that the section either is contained in a single 128K-word page or begins on a page.

You can use alignment or blocking alone or in conjunction with a memory area, but alignment and blocking cannot be used together.

8.7.4 Specifying Input Sections

An input section specification identifies the sections from input files that are combined to form an output section. The linker combines input sections by concatenating them in the order in which they are specified. The size of an output section is the sum of the sizes of the input sections that constitute it.

Example 8–6 shows the most common type of section specification; note that no input sections are listed.

Example 8–6. The Most Common Method of Specifying Section Contents

```
SECTIONS
{
    .text:
    .data:
    .bss:
}
```

In Example 8–6, the linker takes all the `.text` sections from the input files and combines them into the `.text` output section. The linker concatenates the `.text` input sections in the order that it encounters them in the input files. The linker performs similar operations with the `.data` and `.bss` sections. You can use this type of specification for any output section.

You can explicitly specify the input sections that form an output section. Each input section is identified by its filename and section name:

```
SECTIONS
{
    .text :           /* Build .text output section      */
    {
        f1.obj(.text) /* Link .text section from f1.obj      */
        f2.obj(sec1) /* Link sec1 section from f2.obj      */
        f3.obj       /* Link ALL sections from f3.obj      */
        f4.obj(.text,sec2) /* Link .text and sec2 from f4.obj  */
    }
}
```

It is not necessary for input sections to have the same name as each other or as the output section they become part of. If a file is listed with no sections, *all* of its sections are included in the output section. If any additional input sections have the same name as an output section but are not explicitly specified by the SECTIONS directive, they are automatically linked in at the end of the output section. For example, if the linker found more `.text` sections in the preceding example, and these `.text` sections *were not* specified anywhere in the SECTIONS directive, the linker would concatenate these extra sections after `f4.obj(sec2)`.

The specifications in Example 8–6 are actually a shorthand method for the following:

```
SECTIONS
{
    .text: { *(.text) }
    .data: { *(.data) }
    .bss:  { *(.bss) }
}
```


The specification `*(.text)` means *the unallocated .text sections from all the input files*. This format is useful when:

- ❑ You want the output section to contain all input sections that have a specified name, but the output section name is different than the input sections' names.
- ❑ You want the linker to allocate the input sections *before* it processes additional input sections or commands within the braces.

The following example illustrates two purposes above:

```
SECTIONS
{
  .text : {
          abc.obj(xqt)
          *(.text)
        }
  .data : {
          *(.data)
          fil.obj(table)
        }
}
```

In this example, the `.text` output section contains a named section `xqt` from file `abc.obj`, which is followed by all the `.text` input sections. The `.data` section contains all the `.data` input sections, followed by a named section `table` from the file `fil.obj`. This method includes all the unallocated sections. For example, if one of the `.text` input sections was already included in another output section when the linker encountered `*(.text)`, the linker could not include that first `.text` input section in the second output section.

8.8 Specifying a Section's Runtime Address

At times, you may want to load code into one area of memory and run it in another. For example, you may have performance-critical code in a ROM-based system. The code must be loaded into ROM, but it would run faster in RAM.

The linker provides a simple way to accomplish this. You can use the `SECTIONS` directive to direct the linker to allocate a section twice: once to set its load address and again to set its run address. For example:

```
.fir: load = ROM, run = RAM
```

Use the *load* keyword for the load address and the *run* keyword for the run address.

Refer to Section 2.5, page 2-20, for an overview on runtime relocation.

8.8.1 Specifying Load and Run Addresses

The load address determines where a loader will place the raw data for the section. All references to the section (such as labels in it) refer to its run address. The application must copy the section from its load address to its run address; this does *not* happen automatically when you specify a separate run address.

If you provide only one allocation (either load or run) for a section, the section is allocated only once and will load and run at the same address. If you provide both allocations, the section is allocated as if it were two sections of the same size. This means that both allocations occupy space in the memory map and cannot overlay each other or other sections. (The `UNION` directive provides a way to overlay sections; see subsection 8.9.1, page 8-37.)

If either the load or run address has additional parameters, such as alignment or blocking, list them after the appropriate keyword. Everything related to allocation after the keyword *load* affects the load address until the keyword *run* is seen, after which, everything affects the run address. The load and run allocations are completely independent, so any qualification of one (such as alignment) has no effect on the other. You may also specify run first, then load. Use parentheses to improve readability. The examples below specify load and run addresses:

```
.data: load = ROM, align = 32, run = RAM
```

(align applies only to load)

```
.data: load = (ROM align 32), run = RAM
```

(identical to previous example)

```
.data: run    = RAM, align 32,  
      load   = align 16
```

(align 32 in RAM for run; align 16 anywhere for load)

8.8.2 Uninitialized Sections

Uninitialized sections (such as `.bss`) are not loaded, so their only significant address is the run address. The linker allocates uninitialized sections only once. If you specify both run and load addresses, the linker warns you and ignores the load address. Otherwise, if you specify only one address, the linker treats it as a run address, regardless of whether you call it load or run. The example below specifies load and run addresses for an uninitialized section:

```
.bss: load = 0x1000, run = RAM
```

A warning is issued, load is ignored, and space is allocated in RAM. All of the following examples have the same effect. The `.bss` section is allocated in RAM.

```
.bss: load = RAM  
.bss: run = RAM  
.bss: > RAM
```

8.8.3 Referring to the Load Address by Using the `.label` Directive

Normally, any reference to a symbol in a section refers to its runtime address. However, it may be necessary at runtime to refer to a load-time address. Specifically, the code that copies a section from its load address to its run address must have access to the load address. The `.label` directive defines a special symbol that refers to the section's load address. Thus, whereas normal symbols are relocated with respect to the run address, `.label` symbols are relocated with respect to the load address. For more information on the `.label` directive, see page 4-49.

Note: The `.asect` Directive Is Obsolete

Allowing separate allocation of run addresses in the linker makes the `.asect` directive obsolete. Any `.asect` section can be written as a normal section (with `.sect`) and given an *absolute* run address at link time. However, the `.asect` directive continues to work exactly as before and can still be used. Also, the `.label` directive in an `.asect` section works exactly as it did before: it defines a relocatable symbol. Now, however, `.label` can *also* be used in *any* section to define a relocatable symbol that refers to the load address.

Example 8–7. Copying a Section From ROM to RAM

```

;-----
;  define a section to be copied from ROM to RAM
;-----
        .sect ".fir"
        .label fir_src          ; load address of section
fir:    <code here>             ; run address of section
        <code here>             ; code for the section
        .label fir_end         ; load address of section end
;-----
;  copy .fir section from ROM into RAM
;-----
        .text

        LARK  AR3,fir_src       ; get load address
        LACK  fir              ; get run address
        MAR   *,AR3
        RPTK  fir_end - fir_src - 1
        TBLW  *+               ; block copy
;-----
;  jump to section, now in RAM
;-----
        CALL  fir              ; call runtime address

```

Linker Command File

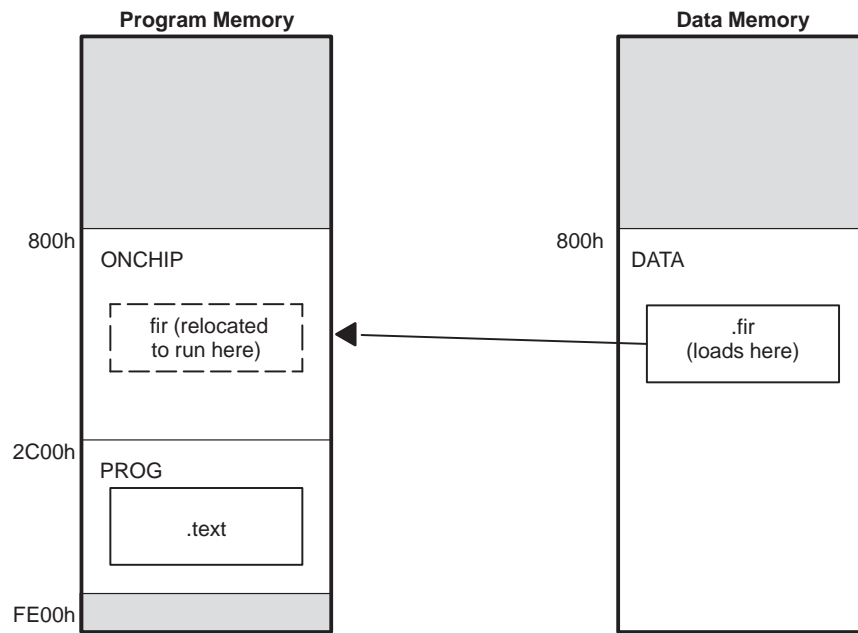
```

/*****
/* PARTIAL LINKER COMMAND FILE FOR FIR EXAMPLE */
/*****
MEMORY
{
    PAGE 0 :  ONCHIP :  origin = 0800h, length = 02400h
    PAGE 0 :  PROG   :  origin = 02C00h, length = 0D200h
    PAGE 1 :  DATA  :  origin = 0800h, length = 0F800h
}
SECTIONS
{
    .text: load = PROG PAGE 0
    .fir:  load = DATA PAGE 1, run = ONCHIP PAGE 0
}

```

Figure 8–4 illustrates the runtime execution of this example.

Figure 8–4. Runtime Execution of Example 8–7



8.9 Using UNION and GROUP Statements

Two SECTIONS statements allow you to conserve memory: GROUP and UNION. Unioning sections causes the linker to allocate them to the same run address. Grouping sections causes the linker to allocate them contiguously in memory.

8.9.1 Overlaying Sections With the UNION Statement

For some applications, you may want to allocate more than one section to run at the same address. For example, you may have several routines you want in on-chip RAM at various stages of execution. Or you may want several data objects that will not be active at the same time to share a block of memory. The UNION statement within the SECTIONS directive provides a way to allocate several sections at the same run address.

Example 8–8. The UNION Statement

```
SECTIONS
{
  .text: load = ROM
  UNION: run = RAM
  {
    .bss1: { file1.obj(.bss) }
    .bss2: { file2.obj(.bss) }
  }
  .bss3: run = RAM { globals.obj(.bss) }
```

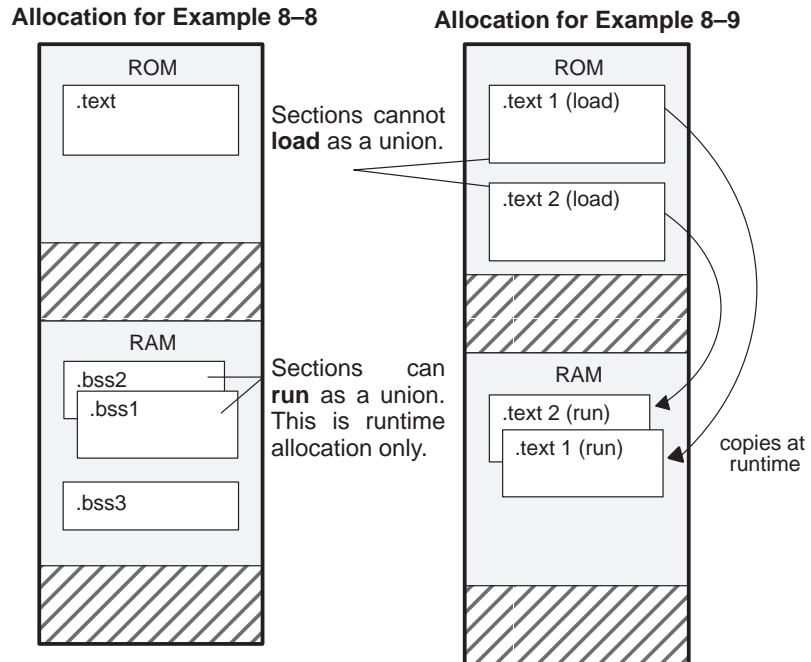
In Example 8–8, the .bss sections from file1.obj and file2.obj are allocated at the same address in RAM. In the memory map, the union occupies as much space as its largest component. The components of a union remain independent sections; they are simply allocated together as a unit.

Allocation of a section as part of a union affects only its *run address*. Under no circumstances can sections be overlaid for loading. If an initialized section is a union member (an initialized section has raw data, such as .text), its load allocation must be separately specified. For example:

Example 8–9. Separate Load Addresses for UNION Sections

```
UNION: run = RAM
{
  .text1: load = ROM, { file1.obj(.text) }
  .text2: load = ROM, { file2.obj(.text) }
}
```

Figure 8–5. Memory Allocation Defined by Example 8–8 and Example 8–9



Since the `.text` sections contain data, they cannot *load* as a union, although they can be *run* as a union. Therefore, each requires its own load address. If you fail to provide a load allocation for an initialized section within a union, the linker issues a warning and allocates load space anywhere it fits in configured memory.

Uninitialized sections are not loaded and do not require load addresses.

The UNION statement applies only to allocation of run addresses, so it is redundant to specify a load address for the union itself. For purposes of allocation, the union is treated as an uninitialized section: any one allocation specified is considered a run address, and, if both are specified, the linker issues a warning and ignores the load address.

Note: Union and Overlay Page Are Not the Same

The UNION capability and the *overlay page* capability (see Section 8.10 on page 8-40) may sound similar because they both deal with overlays. They are, in fact, quite different. UNION allows multiple sections to be overlaid *within the same memory space*. Overlay page, on the other hand, defines *multiple memory spaces*. It is possible to use the page facility to approximate the function of UNION, but this is cumbersome.

8.9.2 Grouping Output Sections Together

The SECTIONS directive has a GROUP option that forces several output sections to be allocated contiguously. For example, assume that a section named *term_rec* contains a termination record for a table in the .data section. You can force the linker to allocate .data and *term_rec* together.

Example 8–10. Allocate Sections Together

```
SECTIONS
{
    .text          /* Normal output section          */
    .bss           /* Normal output section          */
    GROUP 1000h : /* Specify a group of sections   */
    {
        .data      /* First section in the group     */
        term_rec   /* Allocated immediately after .data */
    }
}
```

You can use binding, alignment, or named memory to allocate a GROUP in the same manner as a single output section. In the preceding example, the GROUP is bound to address 1000h. This means that .data is allocated at 1000h, and *term_rec* follows it in memory.

You can also use the GROUP option to allocate output sections to a single run address but to separate load addresses. If you specify only a run address for a GROUP, then you must specify a load address for each member of the group that is an initialized section.

Example 8–11. Specify One Run Address and Separate Load Addresses

```
GROUP run = ONCHIP /* All 3 sections grouped to run ONCHIP */
{
    .text : load = ROM1 /* but .text loads in ROM1          */
    .data : load = ROM2 /* .data loads in ROM2              */
    .bss   /* .bss is uninitialized ==> doesn't load */
}
```

In this example, three output sections—.text, .data, and .bss—are grouped and are allocated to a run address in the memory range ONCHIP. The .text section is allocated to a load address in the memory range ROM1. The .data section is allocated to a load address in the memory range ROM2. The .bss section is an uninitialized section that is not loaded and therefore does not require a load address.

8.10 Overlay Pages

Some target systems use a memory configuration in which all or part of the memory space is overlaid by shadow memory. This allows the system to map different banks of physical memory into and out of a single address range in response to hardware selection signals. In other words, multiple banks of physical memory overlay each other at one address range. You may want the linker to load various output sections into each of these banks or into banks that are not mapped at loadtime.

The linker supports this feature by providing *overlay pages*. Each page represents an address range that must be configured separately with the MEMORY directive. You can then use the SECTIONS directive to specify the sections to be mapped into various pages.

8.10.1 Using the MEMORY Directive to Define Overlay Pages

To the linker, each overlay page represents a completely separate memory comprising the full 16-bit range of addressable locations. This allows you to link two or more sections at the same (or overlapping) addresses if they are on different pages.

Pages are numbered sequentially, beginning with 0. If you do not use the PAGE option, the linker allocates initialized sections into PAGE 0 (program memory) and uninitialized sections into PAGE 1 (data memory).

For example, assume that your system can select between two banks of physical memory for data memory space: address range A00h to FFFFh for PAGE 1 and 0A00h to 2BFF for PAGE 2. Although only one bank can be selected at a time, you can initialize each bank with different data. This is how you use the MEMORY directive to obtain this configuration:

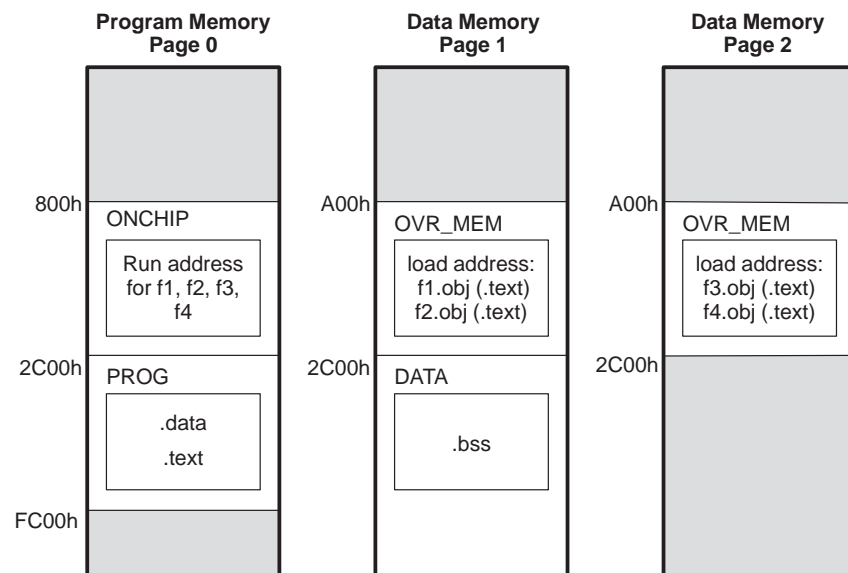
Example 8–12. Memory Directive With Overlay Pages

```
MEMORY
{
  PAGE 0 : ONCHIP   : origin = 0800h,   length = 0240h
           PROG     : origin = 02C00h, length = 0D200h
  PAGE 1 : OVR_MEM  : origin = 0A00h,   length = 02200h
           : DATA   : origin = 02C00h, length = 0D400h
  PAGE 2 : OVR_MEM  : origin = 0A00h,   length = 02200h
}
```

Example 8–12 defines three separate address ranges. Page 0 defines an area of on-chip program memory and the rest of program memory space. Page 1 defines the first overlay memory area and the rest of data memory space. Page 2 defines another area of overlay memory for data space. Both OVR_MEM ranges cover the same address range. This is possible because each range is on a different page and therefore represents a different memory space.

Figure 8–6 shows overlay pages defined by the MEMORY directive in Example 8–12 and the SECTIONS directive in Example 8–13.

Figure 8–6. Overlay Pages Defined by Example 8–12 and Example 8–13



8.10.2 Using Overlay Pages With the SECTIONS Directive

Assume that you are using the MEMORY directive as shown in Example 8–12. Further assume that your code consists of, besides the usual sections, four modules of code that you want to load in data memory space but that you intend to run in the on-chip RAM in program memory space. Example 8–13 shows how to use the SECTIONS directive overlays accordingly.

Example 8–13. SECTIONS Directive Definition for Overlays in Figure 8–6

```

SECTIONS
{
    UNION : run = ONCHIP
    {
        S1 : load = OVR_MEM PAGE 1
        {
            s1_load = 0A00h;
            s1_start = .;
            f1.obj (.text)
            f2.obj (.text)
            s1_length = . - s1_start;
        }
        S2 : load = OVR_MEM PAGE 2
        {
            s2_load = 0A00h;
            s2_start = .;
            f3.obj (.text)
            f4.obj (.text)
            s2_length = . - s2_start;
        }
    }

    .text: load = PROG PAGE 0
    .data: load = PROG PAGE 0
    .bss : load = DATA PAGE 1
} \

```

The four modules of code are f1, f2, f3, and f4. The modules f1 and f2 are combined into output section S1, and f3 and f4 are combined into output section S2. The PAGE specifications for S1 and S2 tell the linker to link these sections into the corresponding pages. As a result, they are both linked to load address A00h, but in different memory spaces. When the program is loaded, a loader can configure hardware so that each section is loaded into the appropriate memory bank.

Output sections S1 and S2 are placed in a union that has a run address in on-chip RAM. The application must move these sections at runtime before executing them. You can use the symbols s1_load and s1_length to move section S1, and s2_load and s2_length to move section S2. The special symbol "." refers to the current run address, not the current load address.

Within a page, you can bind output sections or use named memory areas in the usual way. In Example 8–13, S1 could have been allocated:

```
S1 : load = 01200h, PAGE = 1 { . . . }
```

This binds S1 at address 1200h in PAGE 1. You can also use page as a qualifier on the address. For example:

```
S1 : load = (01200h PAGE 1) { . . . }
```

If you do not specify any binding or named memory range for the section, the linker allocates the section into the page wherever it can (just as it normally does with a single memory space). For example, S2 could also be specified as:

```
S2 : PAGE 2 { . . . }
```

Because OVR_MEM is the only memory on PAGE 2, it is not necessary (but it is acceptable) to specify = OVR_MEM for the section.

8.10.3 Page Definition Syntax

To specify overlay pages as illustrated in Example 8–12 and Example 8–13, use the following syntax for the MEMORY directive:

```
MEMORY
{
  PAGE 0 : memory range
           memory range

  PAGE n : memory range
           memory range
}
```

Each page is introduced by the keyword PAGE and a page number, followed by a colon and a list of memory ranges the page contains. **Bold** portions must be entered as shown. Memory ranges are specified in the normal way. You can define up to 255 overlay pages.

Because each page represents a completely independent address space, memory ranges on different pages can have the same name. Configured memory on any page can overlap configured memory on any other page. Within a single page, however, all memory ranges must have unique names and must not overlap.

Memory ranges listed outside the scope of a PAGE specification default to PAGE 0. Consider the following example:

```
MEMORY
{
    ROM      : org = 0h      len = 1000h
    EPROM    : org = 1000h   len = 1000h
    RAM      : org = 2000h   len = 0E000h
    PAGE 1:  XROM   : org = 0h      len = 1000h
             XRAM   : org = 2000h   len = 0E000h
}
```

The memory ranges ROM, EPROM, and RAM are all on PAGE 0 (since no page is specified). XROM and XRAM are on PAGE 1. Note that XROM on PAGE 1 overlays ROM on PAGE 0, and XRAM on PAGE 1 overlays RAM on PAGE 0.

In the output link map (obtained with the `-m` linker option), the listing of the memory model is keyed by pages. This provides an easy method of verifying that you specified the memory model correctly. Also, the listing of output sections has a PAGE column that identifies the memory space into which each section will be loaded.

8.11 Default Allocation Algorithm

The MEMORY and SECTIONS directives provide flexible methods for building, combining, and allocating sections. However, any memory locations or sections that you choose *not* to specify must still be handled by the linker. The linker uses default algorithms to build and allocate sections within the specifications you supply. Subsections 8.11.1 and 8.11.2 describe default allocation algorithms.

8.11.1 Allocation Algorithm

If you do not use the MEMORY and SECTIONS directives, the linker allocates output sections as though the following definitions are specified.

Default allocation for TMS320C1x devices

```
MEMORY
{
    PAGE 0: PROG: origin = 0x0600  length = 0x0A00
    PAGE 1: DATA: origin = 0x0000  length = 0x0080
}
SECTIONS
{
    .text:      PAGE = 0
    .data:      PAGE = 0
    .cinit:     PAGE = 0    /* For -c and -cr */
    .bss:       PAGE = 1
}
```

Default allocation for TMS320C2x devices

```
MEMORY
{
    PAGE 0: PROG: origin = 0x0020  length = 0xFEE0
    PAGE 1: DATA: origin = 0x0300  length = 0xFD00
}
SECTIONS
{
    .text:      PAGE = 0
    .data:      PAGE = 0
    .cinit:     PAGE = 0    /* For -c and -cr */
    .bss:       PAGE = 1
}
```

□ **Default allocation for the TMS320C25 device**

```
MEMORY
{
    PAGE 0: PROG: origin = 0x1000    length = 0xEF00
    PAGE 1: DATA: origin = 0x0300    length = 0xFD00
}
SECTIONS
{
    .text:      PAGE = 0
    .data:      PAGE = 0
    .cinit:     PAGE = 0    /* For -c and -cr */
    .bss:       PAGE = 1
}
```

□ **Default allocation for the TMS320C2xx devices**

```
MEMORY
{
    PAGE 0: PROG: origin = 0x1000    length = 0xEFFF
    PAGE 1: DATA: origin = 0x0300    length = 0xFCFF
}
SECTIONS
{
    .text:      PAGE = 0
    .data:      PAGE = 0
    .cinit:     PAGE = 0    /* For -c and -cr */
    .bss:       PAGE = 1
}
```

□ **Default allocation for TMS320C5x devices**

```
MEMORY
{
    PAGE 0: PROG: origin = 800h    length = 0F800h
    PAGE 1: DATA: origin = 800h    length = 0F800h
}
SECTIONS
{
    .text:      PAGE = 0
    .data:      PAGE = 0
    .cinit:     PAGE = 0    /* For -c and -cr */
    .bss:       PAGE = 1
}
```

All .text input sections are concatenated to form a .text output section in the executable output file, and all .data input sections are combined to form a .data output section. The .text and .data sections are allocated into configured memory on PAGE 0, which is the program memory space. All .bss sections are combined to form a .bss output section. The .bss section is allocated into configured memory on PAGE 1, which is the data memory space.

If the input files contain initialized named sections, the linker allocates them into program memory following the `.data` section. If the input files contain uninitialized named sections, the linker allocates them into data memory following the `.bss` section. You can override this by specifying an explicit `PAGE` in the `SECTIONS` directive.

If you use a `SECTIONS` directive, the linker performs no part of the default allocation. Allocation is performed according to the rules specified by the `SECTIONS` directive and the general algorithm described in subsection 8.11.2.

8.11.2 General Rules for Forming Output Sections

An output section can be formed in one of two ways:

- Rule 1** As the result of a `SECTIONS` directive definition.
- Rule 2** By combining input sections with the same names into an output section that is not defined in a `SECTIONS` directive.

If an output section is formed as a result of a `SECTIONS` directive (rule 1), this definition completely determines the section's contents. (See Section 8.7, page 8-24, for examples of how to define an output section's content.)

An output section can also be formed when input sections are specified by a `SECTIONS` directive (rule 2). In this case, the linker combines all such input sections that have the same name into an output section with that name. For example, suppose the files `f1.obj` and `f2.obj` both contain named sections called `Vectors` and that the `SECTIONS` directive does not define an output section for them. The linker combines the two `Vectors` sections from the input files into a single output section named `Vectors`, allocates it into memory, and includes it in the output file.

After the linker determines the composition of all output sections, it must allocate them into configured memory. The `MEMORY` directive specifies which portions of memory are configured; if no `MEMORY` directive is used, the linker uses the default configuration.

The linker's allocation algorithm attempts to minimize memory fragmentation. This allows memory to be used more efficiently and increases the probability that your program will fit into memory. This is the the algorithm:

- 1) Output sections for which you have supplied a specific binding address are placed in memory at that address.
- 2) Output sections that are included in a specific, named memory range or that have memory attribute restrictions are allocated. Each output section is placed into the first available space within the named area, considering alignment where necessary.

- 3) Any remaining sections are allocated in the order in which they are defined. Sections not defined in a SECTIONS directive are allocated in the order in which they are encountered. Each output section is placed into the first available memory space, considering alignment where necessary.

Note: The PAGE Option

If you do not use the PAGE option to explicitly specify a memory space for an output section, the linker allocates the section into PAGE 0. This occurs even if PAGE 0 has no room and other pages do. To use a page other than PAGE 0, you must specify the page with the SECTIONS directive.

8.12 Special Section Types (DSECT, COPY, and NOLOAD)

You can assign three special type designations to output sections: DSECT, COPY, and NOLOAD. These types affect the way that the program is treated when it is linked and loaded. You can assign a type to a section by placing the type (enclosed in parentheses) after the section definition. For example:

```
SECTIONS
{
    sec1 2000h    (DSECT)   : {f1.obj}
    sec2 4000h    (COPY)    : {f2.obj}
    sec3 6000h    (NOLOAD)  : {f3.obj}
}
```

- The DSECT type creates a dummy section with the following qualities:
 - It is not included in the output section memory allocation. It takes up no memory and is not included in the memory map listing.
 - It can overlay other output sections, other DSECTs, and unconfigured memory.
 - Global symbols defined in a dummy section are relocated normally. They appear in the output module's symbol table with the same value they would have if the DSECT had actually been loaded. These symbols can be referenced by other input sections.
 - Undefined external symbols found in a DSECT cause specified archive libraries to be searched.
 - The section's contents, relocation information, and line number information are not placed in the output module.

In the preceding example, none of the sections from f1.obj are allocated, but all the symbols are relocated as though the sections were linked at address 2000h. The other sections can refer to any of the global symbols in sec1.

- A COPY section is similar to a DSECT section, except that its contents and associated information are written to the output module. The .cinit section that contains initialization tables for the TMS320C2x/C2xx/C5x C compiler has this attribute under the RAM model.
- A NOLOAD section differs from a normal output section in one respect: the section's contents, relocation information, and line number information are not placed in the output module. The linker allocates space for it, and it appears in the memory map listing.

8.13 Assigning Symbols at Link Time

Linker assignment statements allow you to define external (global) symbols and assign values to them at link time. You can use this feature to initialize a variable or pointer to an allocation-dependent value.

8.13.1 Syntax of Assignment Statements

The syntax of assignment statements in the linker is similar to that of assignment statements in the C language:

```
symbol = expression; assigns the value of expression to symbol  
symbol += expression; adds the value of expression to symbol  
symbol -= expression; subtracts the value of expression from symbol  
symbol *= expression; multiplies symbol by expression  
symbol /= expression; divides symbol by expression
```

The symbol should be defined externally. If it is not, the linker defines a new symbol and enters it into the symbol table. The expression must follow the rules defined in subsection 8.13.3. Assignment statements *must* terminate with a semicolon.

The linker processes assignment statements *after* it allocates all the output sections. Therefore, if an expression contains a symbol, the address used for that symbol reflects the symbol's address in the executable output file.

For example, suppose a program reads data from one of two tables identified by two external symbols, Table1 and Table2. The program uses the symbol `cur_tab` as the address of the current table. `cur_tab` must point to either Table1 or Table2. You could accomplish this in the assembly code, but you would need to reassemble the program to change tables. Instead, you can use a linker assignment statement to assign `cur_tab` at link time:

```
prog.obj          /* Input file */  
cur_tab = Table1; /* Assign cur_tab to one of the tables */
```

8.13.2 Assigning the SPC to a Symbol

A special symbol, denoted by a dot (`.`), represents the current value of the SPC during allocation. The linker's "`.`" symbol is analogous to the assembler's `$` symbol. The "`.`" symbol can be used only in assignment statements within a `SECTIONS` directive because "`.`" is meaningful only during allocation, and `SECTIONS` controls the allocation process.

The "`.`" symbol refers to the current run address, not the current load address, of the section.

For example, suppose a program needs to know the address of the beginning of the `.data` section. By using the `.global` directive, you can create an external undefined variable called `Dstart` in the program. Then assign the value of `."` to `Dstart`:

```
SECTIONS
{
    .text:    {}
    .data:    { Dstart = .; }
    .bss:    {}
}
```

This defines `Dstart` to be the last linked address of the `.data` section. (`Dstart` is assigned *before* `.data` is allocated.) The linker will relocate all references to `Dstart`.

A special type of assignment assigns a value to the `."` symbol. This adjusts the SPC within an output section and creates a hole between two input sections. Any value assigned to `."` to create a hole is relative to the beginning of the section, not to the address actually represented by `."`. Assignments to `."` and holes are described in Section 8.14, page 8-54.

8.13.3 Assignment Expressions

These rules apply to linker expressions:

- Expressions can contain global symbols, constants, and the C language operators listed in Table 8-2.
- All numbers are treated as long (32-bit) integers.
- Constants are identified by the linker in the same way as by the assembler. That is, numbers are recognized as decimal unless they have a suffix (H or h for hexadecimal and Q or q for octal). C language prefixes are also recognized (0 for octal and 0x for hex). Hexadecimal constants must begin with a digit. No binary constants are allowed.
- Symbols within an expression have only the value of the symbol's *address*. No type-checking is performed.
- Linker expressions can be absolute or relocatable. If an expression contains *any* relocatable symbols (and zero or more constants or absolute symbols), it is relocatable. Otherwise, the expression is absolute. If a symbol is assigned the value of a relocatable expression, it is relocatable; if it is assigned the value of an absolute expression, it is absolute.

The linker supports the C language operators listed in Table 8–2 in order of precedence. Operators in the same group have the same precedence. Besides the operators listed in Table 8–2, the linker also has an *align* operator that allows a symbol to be aligned on an n-word boundary within an output section (*n* is a power of 2). For example, the expression

```
. = align(16);
```

aligns the SPC within the current section on the next 16-word boundary. Because the align operator is a function of the current SPC, it can be used only in the same context as “.” —that is, within a SECTIONS directive.

Table 8–2. Operators in Assignment Expressions

Group 1 (Highest Precedence)		Group 6	
!	Logical not	&	Bitwise AND
~	Bitwise not		
-	Negative		
Group 2		Group 7	
*	Multiplication		Bitwise OR
/	Division		
%	Mod		
Group 3		Group 8	
+	Addition	&&	Logical AND
-	Minus		
Group 4		Group 9	
>>	Arithmetic right shift		Logical OR
<<	Arithmetic left shift		
Group 5		Group 10 (Lowest Precedence)	
==	Equal to	=	Assignment
!=	Not equal to	+=	A += B → A = A + B
>	Greater than	-=	A -= B → A = A - B
<	Less than	*=	A *= B → A = A * B
<=	Less than or equal to	/=	A /= B → A = A / B
>=	Greater than or equal to		

8.13.4 Symbols Defined by the Linker

The linker automatically defines several symbols that a program can use at runtime to determine where a section is linked. These symbols are external, so they appear in the link map. They can be accessed in any assembly language module if they are declared with a `.global` directive. Values are assigned to these symbols as follows:

- .text** is assigned the first address of the `.text` output section. (It marks the *beginning* of executable code.)
- etext** is assigned the first address following the `.text` output section. (It marks the *end* of executable code.)
- .data** is assigned the first address of the `.data` output section. (It marks the *beginning* of initialized data tables.)
- edata** is assigned the first address following the `.data` output section. (It marks the *end* of initialized data tables.)
- .bss** is assigned the first address of the `.bss` output section. (It marks the *beginning* of uninitialized data.)
- end** is assigned the first address following the `.bss` output section. (It marks the *end* of uninitialized data.)

Symbols Defined Only for C Support (-c or -cr option)

- __STACK_SIZE** is assigned the size of the `.stack` section.
- __MEMORY_SIZE** is assigned the size of the `.system` section.

8.14 Creating and Filling Holes

The linker provides you with the ability to create areas *within output sections* that have nothing linked into them. These areas are called **holes**. In special cases, uninitialized sections can also be treated as holes. The following text describes how the linker handles holes and how you can fill holes (and uninitialized sections) with a value.

8.14.1 Initialized and Uninitialized Sections

There are two rules to remember about the contents of an output section. An output section contains either:

- Raw data for the *entire* section, or
- No raw data.

A section that has raw data is referred to as *initialized*. This means that the object file contains the actual memory image contents of the section. When the section is loaded, this image is loaded into memory at the section's specified starting address. The `.text` and `.data` sections *always* have raw data if anything was assembled into them. Named sections defined with the `.sect` and `.asect` assembler directives also have raw data.

By default, the `.bss` section and sections defined with the `.usect` directive have no raw data (they are *uninitialized*). They occupy space in the memory map but have no actual contents. Uninitialized sections typically reserve space in RAM for variables. In the object file, an uninitialized section has a normal section header and may have symbols defined in it; however, no memory image is stored in the section.

8.14.2 Creating Holes

You can create a hole in an initialized output section. A hole is created when you force the linker to leave extra space between input sections within an output section. When such a hole is created, *the linker must follow the first guideline above and supply raw data for the hole*.

Holes can be created only *within* output sections. Space can exist *between* output sections, but such space is not a hole. There is no way to fill or initialize the space between output sections.

To create a hole in an output section, you must use a special type of linker assignment statement within an output section definition. The assignment statement modifies the SPC (denoted by ".") by adding to it, assigning a greater value to it, or aligning it on an address boundary. The operators, expressions, and syntaxes of assignment statements are described in Section 8.13, page 8-50.

The following example uses assignment statements to create holes in output sections:

```
SECTIONS
{
  outsect:
  {
    file1.obj(.text)
    . += 100h;      /* Create a hole with size 100h */
    file2.obj(.text)
    . = align(16); /* Create a hole to align the SPC */
    file3.obj(.text)
  }
}
```

The output section outsect is built as follows:

- The .text section from file1.obj is linked in.
- The linker creates a 256-word hole.
- The .text section from file2.obj is linked in after the hole.
- The linker creates another hole by aligning the SPC on a 16-word boundary.
- Finally, the .text section from file3.obj is linked in.

All values assigned to the “.” symbol within a section refer to the *relative address within the section*. The linker handles assignments to the “.” symbol as if the section started at address 0 (even if you have specified a binding address). Consider the statement `. = align(16)` in the example. This statement effectively aligns file3.obj .text to start on a 16-word boundary within outsect. If outsect is ultimately allocated to start on an address that is not aligned, file3.obj .text will not be aligned either.

Note that the “.” symbol refers to the current run address, not the current load address, of the section.

Expressions that decrement “.” are illegal. For example, it is invalid to use the `--` operator in an assignment to “.”. The most common operators used in assignments to “.” are `+=` and `align`.

If an output section contains all input sections of a certain type (such as .text), you can use the following statements to create a hole at the beginning or end of the output section:

```
.text: { . += 100h; } /* Hole at the beginning */
.data: {
        *(.data)
        . += 100h; } /* Hole at the end */
```


Another way to create a hole in an output section is to combine an uninitialized section with an initialized section to form a single output section. *In this case, the linker treats the uninitialized section as a hole and supplies data for it.* The following example illustrates this method:

```
SECTIONS
{
  outsect:
  {
    file1.obj(.text)
    file1.obj(.bss)          /* This becomes a hole */
  }
}
```

Because the .text section has raw data, all of outsect must also contain raw data (first guideline). Therefore, the uninitialized .bss section becomes a hole.

Uninitialized sections become holes only when they are combined with initialized sections. If several uninitialized sections are linked together, the resulting output section is also uninitialized.

8.14.3 Filling Holes

When a hole exists in an initialized output section, the linker must supply raw data to fill it. The linker fills holes with a 16-bit fill value that is replicated through memory until it fills the hole. The linker determines the fill value as follows:

- 1) If the hole is formed by combining an uninitialized section with an initialized section, you can specify a fill value for the uninitialized section. Follow the section name with an = and a 16-bit constant. For example:

```
SECTIONS
{
  outsect:
  {
    file1.obj(.text)
    file2.obj(.bss) = 0FFh    /* Fill this hole */
  }                          /* with 00FFh */
}
```

- 2) You can also specify a fill value for all the holes in an output section by supplying the fill value after the section definition:

```
SECTIONS
{
  outsect:fill = 0FF00h /* fills holes with 0FF00h */
  {
    . += 10h;          /* This creates a hole */
    file1.obj(.text)
    file1.obj(.bss)   /* This creates another hole*/
  }
}
```

- 3) If you do not specify an initialization value for a hole, the linker fills the hole with the value specified with `-f`. For example, suppose the command file `link.cmd` contains the following `SECTIONS` directive:

```
SECTIONS
{
    .text: { .= 100; }      /* Create a 100-word hole */
}
```

Now invoke the linker with the `-f` option:

```
dsplnk -f 0FFFFh link.cmd
```

This fills the hole with `0FFFFh`.

- 4) If you do not invoke the linker with the `-f` option, the linker fills holes with `0s`.

Whenever a hole is created and filled in an initialized output section, the hole is identified in the link map along with the value the linker uses to fill it.

8.14.4 Explicit Initialization of Uninitialized Sections

An uninitialized section becomes a hole only when it is combined with an initialized section. When uninitialized sections are combined with each other, the resulting output section remains uninitialized.

However, you can force the linker to initialize an uninitialized section by specifying an explicit fill value for it in the `SECTIONS` directive. This causes the entire section to have raw data (the fill value). For example:

```
SECTIONS
{
    .bss: fill = 1234h      /* Fills .bss with 1234h */
}
```

Note: Filling Sections

Because filling a section (even with `0s`) causes raw data to be generated for the entire section in the output file, your output file will be very large if you specify fill values for large sections or holes.

8.15 Partial (Incremental) Linking

An output file that has been linked can be linked again with additional modules. This is known as *partial linking*, or incremental linking. Partial linking allows you to partition large applications, link each part separately, and then link all the parts together to create the final executable program.

Follow these guidelines for producing a file that you will relink:

- Intermediate files must have relocation information. Use the `-r` option when you link the file the first time.
- Intermediate files must have symbolic information. By default, the linker retains symbolic information in its output. Do not use the `-s` option if you plan to relink a file, because `-s` strips symbolic information from the output module.
- Intermediate link steps should be concerned only with the formation of output sections and not with allocation. All allocation, binding, and MEMORY directives should be performed in the final link step.
- If the intermediate files have global symbols that have the same name as global symbols in other files and you wish them to be treated as static (visible only within the intermediate file), you must link the files with the `-h` option (See subsection 8.3.6 on page 8-9.)
- If you are linking C code, don't use `-c` or `-cr` until the final link step. Every time you invoke the linker with the `-c` or `-cr` option the linker will attempt to create an entry point.

The following example shows how you can use partial linking:

Step 1: Link the file `file1.com`; use the `-r` option to retain relocation information in the output file `tempout1.out`.

```
dsplnk -r -o tempout1 file1.com
```

`file1.com` contains:

```
SECTIONS
{
    ss1: {
        f1.obj
        f2.obj
        .
        .
        fn.obj
    }
}
```

Step 2: Link the file file2.com; use the `-r` option to retain relocation information in the output file tempout2.out.

```
dsplnk -r -o tempout2 file2.com
```

file2.com contains:

```
SECTIONS
{
    ss2: {
        g1.obj
        g2.obj
        .
        .
        gn.obj
    }
}
```

Step 3: Link tempout1.out and tempout2.out:

```
dsplnk -m final.map -o final.out tempout1.out tempout2.out
```

8.16 Linking C Code

The TMS320C2x/C2xx/C5x optimizing C compiler produces assembly language source code that can be assembled and linked. For example, a C program consisting of modules prog1, prog2, etc., can be assembled and then linked to produce an executable file called prog.out:

```
dsplnk -c -o prog.out prog1.obj prog2.obj ... rtsxx.lib
```

The `-c` option tells the linker to use special conventions that are defined by the C environment. The archive library `rtsxx.lib`, where `xx` is either 25, 2xx, or 50, contains C runtime support functions.

For more information about C, including the runtime environment and runtime support functions, see the *TMS320C2x/C2xx/C5x Optimizing C Compiler User's Guide*.

8.16.1 Runtime Initialization

All C programs must be linked with an object module called `boot.obj`. When a program begins running, it executes `boot.obj` first. `boot.obj` contains code and data for initializing the runtime environment. The module performs the following tasks:

- Sets up the system stack
- Processes the runtime initialization table and autoinitializes global variables (in the ROM model)
- Disables interrupts and calls `_main`

The runtime support object library, `rtsxx.lib`, contains `boot.obj`. You can:

- Use the archiver to extract `boot.obj` from the library and then link the module in directly.
- Include `rtsxx.lib` as an input file (the linker automatically extracts `boot.obj` when you use the `-c` or `-cr` option).

8.16.2 Object Libraries and Runtime Support

The *TMS320C2x/C2xx/C5x Optimizing C Compiler User's Guide* describes additional runtime support functions included in `rtsxx.lib`. If your program uses any of these functions, you must link `rtsxx.lib` with your object files.

You can also create your own object libraries and link them. The linker includes and links only those library members that resolve undefined references.

8.16.3 Setting the Size of the Heap and Stack Sections

C uses two uninitialized sections called `.system` and `.stack` for the memory pool used by the `malloc()` functions and the runtime stack, respectively. You can set the size of these by using the `-heap` (subsection 8.3.7, page 8-9) or `-stack` (subsection 8.3.13, page 8-13) option and specifying the size of the section as a constant immediately after the option. The default size for both, if the options are not used, is 1K words.

8.16.4 Autoinitialization (ROM and RAM Models)

The C compiler produces tables of data for autoinitializing global variables. These are in a named section called `.cinit`. The initialization tables can be used in either of two ways:

RAM Model (`-cr` option)

Variables are initialized at *load time*. This enhances performance by reducing boot time and by saving memory used by the initialization tables. You must use a smart loader (i.e. one capable of initializing variables) to take advantage of the RAM model of autoinitialization.

When you use `-cr`, the linker marks the `.cinit` section with a special attribute. This attribute tells the linker not to load the `.cinit` section into memory. The linker also sets the `cinit` symbol to `-1`; this tells the C boot routine that initialization tables are not present in memory. Therefore, no runtime initialization is performed at boot time.

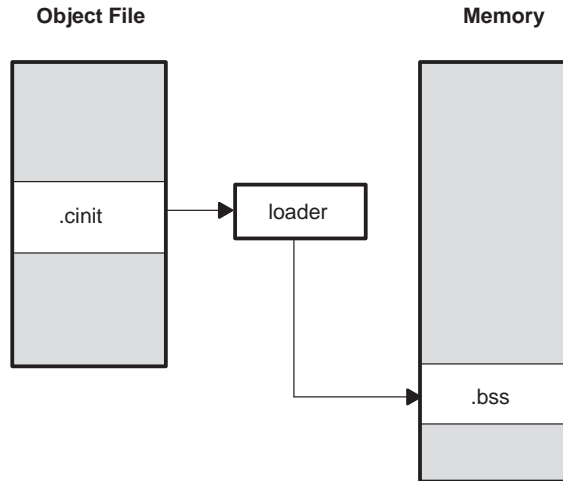
When the program is loaded, the loader must be able to:

- Detect the presence of the `.cinit` section in the object file
- Detect the presence of the attribute that tells it not to copy the `.cinit` section
- Understand the format of the initialization tables. (This format is described in the *TMS320C2x/C2xx/C5x Optimizing C Compiler User's Guide*.)

The loader then uses the initialization tables directly from the object file to initialize variables in `.bss`.

Figure 8–7 illustrates the RAM autoinitialization model.

Figure 8–7. RAM Model of Autoinitialization

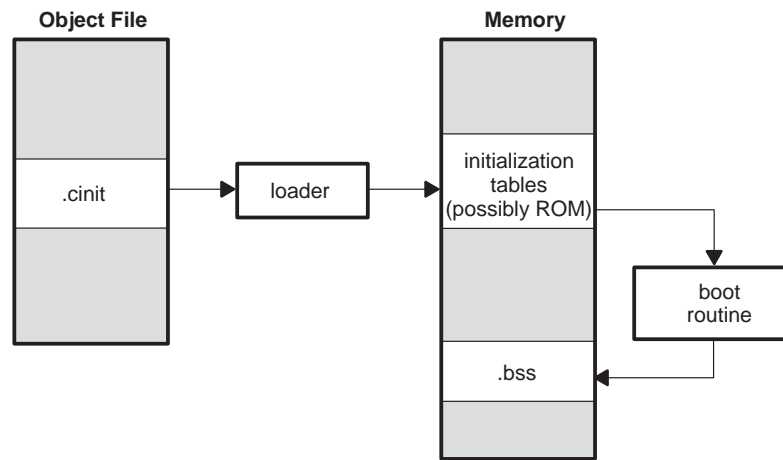


❑ **ROM Model** (`-c` option)

Variables are initialized at *runtime*. The `.cinit` section is loaded into memory along with all the other sections. The linker defines a special symbol called `cinit` that points to the beginning of the tables in memory. When the program begins running, the C boot routine copies data from the tables into the specified variables in the `.bss` section. This allows initialization data to be stored in ROM and then copied to RAM each time the program is started.

Figure 8–8 illustrates the ROM autoinitialization model.

Figure 8–8. ROM Model of Autoinitialization



8.16.5 The `-c` and `-cr` Linker Options

The following list outlines what happens when you invoke the linker with the `-c` or `-cr` option.

- The symbol `_c_int0` is defined as the program entry point. `_c_int0` is the start of the C boot routine in `boot.obj`; referencing `_c_int0` ensures that `boot.obj` is automatically linked in from the runtime support library `rtsxx.lib`.
- The `.cinit` output section is padded with a termination record to designate to the boot routine (ROM model) or the loader (RAM model) knows when to stop reading the initialization tables.
- In the ROM model (`-c` option), the linker defines the symbol `cinit` as the starting address of the `.cinit` section. The C boot routine uses this symbol as the starting point for autoinitialization.
- In the RAM model (`-cr` option):
 - The linker sets the symbol `cinit` to `-1`. This indicates that the initialization tables are not in memory, so no initialization is performed at runtime.
 - The `STYP_COPY` flag (010h) is set in the `.cinit` section header. `STYP_COPY` is the special attribute that tells the loader to perform autoinitialization directly and not to load the `.cinit` section into memory. The linker does not allocate space in memory for the `.cinit` section.

8.17 Linker Example

This example is for the TMS320C2x/C2xx/C5x C compiler. It links three object files named demo.obj, fft.obj, and tables.obj and creates a program called demo.out. The symbol SETUP is the program entry point.

Assume that target memory has the following configuration:

Program Memory

Address Range	Contents
0000 to 0FFF	On-chip ROM
FF00 to FFFF	On-chip RAM block B0

Data Memory

Address Range	Contents
0000 to 0005	I/O registers
0060 to 007F	On-chip RAM block B2
0300 to 03FF	On-chip RAM block B1

The output sections are constructed from the following input sections:

- A set of interrupt vectors from section int_vecs in the file tables.obj must be linked at address 0 in program ROM.
- Executable code, contained in the .text sections of demo.obj and fft.obj, must also be linked into program ROM.
- Two tables of coefficients in the .data sections of tables.obj and fft.obj must be linked into RAM block B0 in program memory. The remainder of block B0 must be initialized to the value 07A1Ch.
- The .bss section from fft.obj, which contains variables, must be linked into block B2 of data RAM.
- The .bss section from demo.obj, which contains buffers and variables, must be linked into block B1 of data RAM. The unused part of this RAM must be initialized to 0FFFFh.

Example 8–14 shows the linker command file for this example; Example 8–15 shows the map file.

Example 8–14. Linker Command File, demo.cmd

```

/*****
/****          Specify Linker Options          ****
/*****/

-e SETUP          /* Define the program entry point */
-o demo.out       /* Name the output file           */
-m demo.map       /* Create an output map           */

/*****/

/****          Specify the Input Files          ****
/*****/

demo.obj
fft.obj
tables.obj

/****          Specify the Memory Configuration  ****
/*****/

MEMORY
{
    PAGE 0: ROM:          origin = 00000h,          length = 01000h
                      RAM_B0:          origin = 0FF00h,          length = 0100h
    PAGE 1: IO:           origin = 00000h,          length = 06h
                      RAM_B2:          origin = 00060h,          length = 020h
                      RAM_B1:          origin = 00300h,          length = 0100h
                      RAM:              origin = 00400h,          length = 0FC00h
}

/****          Specify the Output Sections      ****
/*****/

SECTIONS
{
    .text:load = ROM, page = 0          /* Link .text sections into ROM */
    int_vecs: load = 0, page = 0        /* Link interrupts at 0         */

    .data: fill = 07A1Ch, load = RAM_B0, page = 0
                                     /* Build .data section         */
    {
        tables.obj(.data)             /* .data input section         */
        fft.obj(.data)                /* .data input section         */
        . = 100h;                     /* Create a hole to the end of block */
    }
                                     /* Fill with 7A1Ch and link into B0 */

    fftvars: load = RAM_B2, page = 1    /* Create new fftvars section   */
    {
        fft.obj(.bss)                 /* Link into B2                 */
    }

    .bss: load = RAM_B1, page = 1, fill = 0FFFFh
                                     /* Remaining .bss; fill and link */
}

/****          End of Command File            ****
/*****/

```

Linker Example

Invoke the linker with the following command:

```
dsplnk demo.cmd
```

This creates the map file shown in Example 8–15 and an output file called demo.out that can be run on a TMS320.

Example 8–15. Output Map File, demo.map

```
OUTPUT FILE NAME: <demo.out>
ENTRY POINT SYMBOL: "SETUP" address: 00000020

MEMORY CONFIGURATION
      name              origin          length          attributes
-----
PAGE 0:  ROM            00000000        00001000        RWIX
         RAM_B0         0000FF00        000000100       RWIX

PAGE 1:  IO             00000000        000000006       RWIX
         RAM_B2         00000060        000000020       RWIX
         RAM_B1         00000300        000000100       RWIX
         RAM            00000400        00000FC00       RWIX

SECTION ALLOCATION MAP

output section  page  origin          length          attributes/
-----
int_vecs       0    00000000        00000020        demo.obj (int_vecs)
              00000000        00000020
.text          0    00000020        000001B2        demo.obj (.text)
              00000020        0000014E        fft.obj (.text)
              0000016E        00000064
fftvars        1    00000060        0000001A        UNINITIALIZED
              00000060        0000001A        fft.obj (.bss)
.bss           1    00000300        0000009A        demo.obj (.bss)[fill = ffff]
              00000300        0000009A
.data          0    0000FF00        00000100        tables.obj (.data)
              0000FF00        000000A5        fft.obj (.data)
              0000FFA5        00000014        --HOLE-- [fill = 7A1C]
              0000FFB9        00000047

GLOBAL SYMBOLS
address        name              address        name
-----
00000020      SETUP            00000020      SETUP
00010000      edata            0000002A      start
0000039A      end              0000006A      fft
000001D2      etext            00000100      sub
00000300      extvar           00000146      list
0000006A      fft              00000150      plasm
00000146      list             0000015A      p2asm
00000164      main             00000164      main
00000150      plasm            000001D2      etext
0000015A      p2asm           00000300      extvar
0000002A      start            0000039A      end
00000100      sub              00010000      edata

[12 symbols]
```

Absolute Lister Description

The absolute lister is a debugging tool that accepts linked object files as input and creates .abs files as output. These .abs files can be assembled to produce a listing that shows the absolute addresses of object code. Manually, this could be a tedious process requiring many operations; however, the absolute lister utility performs these operations automatically.

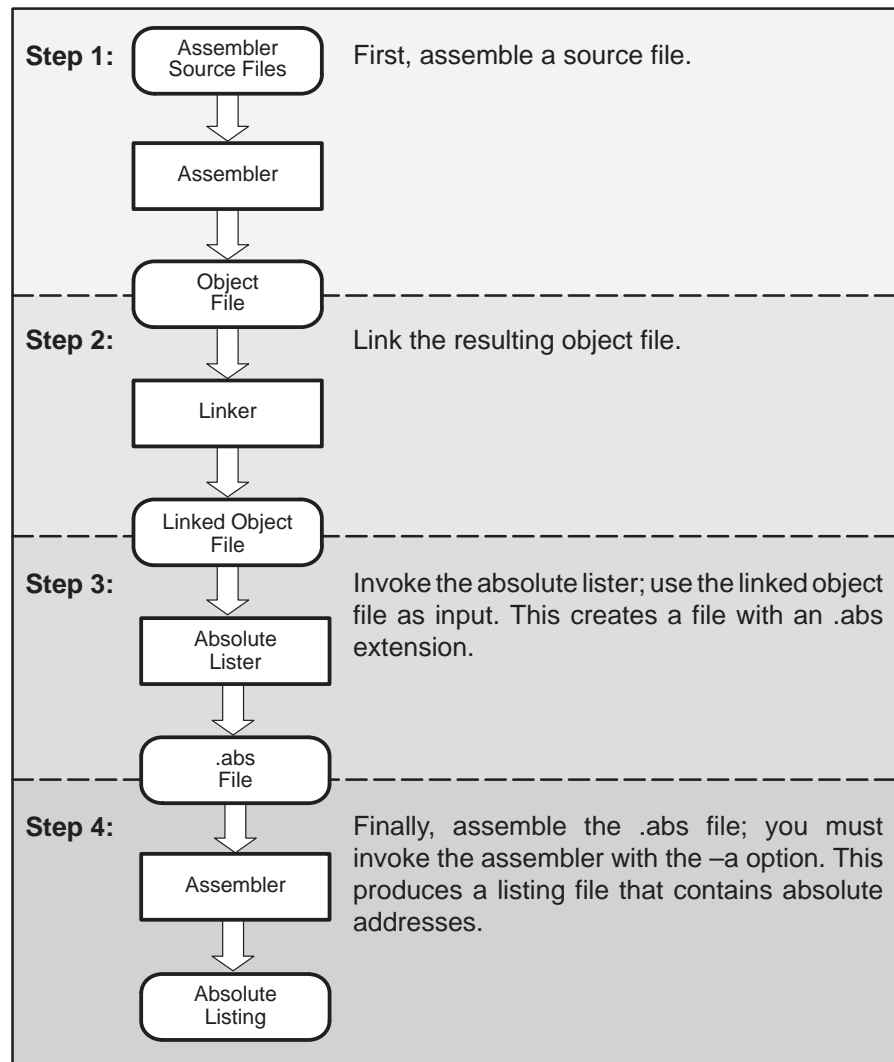
Topics in this chapter include:

Topic	Page
9.1 Producing an Absolute Listing	9-2
9.2 Invoking the Absolute Lister	9-3
9.3 Absolute Lister Example	9-5

9.1 Producing an Absolute Listing

Figure 9–1 illustrates the steps required to produce an absolute listing.

Figure 9–1. Absolute Lister Development Flow



9.2 Invoking the Absolute Lister

To invoke the absolute lister, enter:

```
dspabs [-options] input file
```

- dspabs** is the command that invokes the absolute lister.
- options* identifies the absolute lister options that you want to use. Options are not case-sensitive and can appear anywhere on the command line following the command. Precede each option with a hyphen (-). The valid absolute lister options are as follows:
- e** enables you to change dspabs's default naming-conventions for filename extensions on assembly files, C source files, and C header files. The three options are listed below.
 - ea** [*asmext*] for assembly files (default is .asm)
 - ec** [*cext*] for C source files (default is .c)
 - eh** [*hext*] for C header files (default is .h)

The "." in the extensions and the space between the option and the extension are optional.
 - q** (quiet) suppresses the banner and all progress information.
- input file* names the linked object file. If you do not supply an extension, the absolute lister assumes that the input file has the default extension .out. If you do not supply an input filename when you invoke the absolute lister, the absolute lister will prompt you for one.

The absolute lister produces an output file for each file that was linked. These files are named with the input filenames and an extension of .abs. Header files, however, do not generate a corresponding .abs file.

Assemble these files with the **-a** assembler option as follows to create the absolute listing:

```
dspa -a filename.abs
```

The **-e** options affect both the interpretation of filenames on the command line and the names of the output files. They should always precede any filename on the command line.

The `-e` options are useful when the linked object file was created from C files compiled with the debug option. When the debug option is set, the resulting linked object file contains the name of the source files used to build it. In this case, the absolute lister will not generate a corresponding `.abs` file for the C header files. Also, the `.abs` file corresponding to a C source file will use the assembly file generated from the C source file rather than the C source file itself.

For example, suppose the C source file `hello.csr` is compiled with debug set; this generates the assembly file `hello.s`. `hello.csr` also includes `hello.hsr`. Assuming the executable file created is called `hello.out`, the following command will generate the proper `.abs` file:

```
dspabs -ea s -c csr -eh hsr hello.out
```

An `.abs` file will not be created for `hello.hsr` (the header file), and `hello.abs` will include the assembly file `hello.s`, not the C source file `hello.csr`.

9.3 Absolute Lister Example

This example uses three source files. `module1.asm` and `module2.asm` both include the file `globals.def`.

module1.asm

```
.reg xflags,2
.reg flags
.copy "globals.def"
.text
SBIT0 Gflag
```

module2.asm

```
copy "globals.def"
.text
SBIT1 Gflag
```

globals.def

```
.global flags
Gflag .dbit 3,flags
```

The following steps create absolute listings for the files `module1.asm` and `module2.asm`:

Step 1: First, assemble `module1.asm` and `module2.asm`:

```
dspa module1
dspa module2
```

This creates two object files called `module1.obj` and `module2.obj`.

Step 2: Next, link module1.obj and module2.obj. using the following linker command file, called bittest.lnk:

```
/* **** */
/* File bittest.lnk -- COFF linker control file */
/* for linking TMS320 modules */
/* **** */
-o BITTEST.OUT /* executable output file */
-m BITTEST.MAP /* output map file */

/* input files */
MODULE1.OBJ
MODULE2.OBJ

/* define memory map */
MEMORY
{
    RFILE:      origin=0002h    length=00FEh
    EEPROM:    origin=1F00h    length=0100h
    ROM:       origin=7000h    length=1000h
}

/* define the output sections */
SECTIONS
{
    .reg:      >RFILE
    .data:    >EEPROM
    .text:    >ROM
}

```

Invoke the linker:

dsplnk bittest.lnk

This creates an executable object file called bittest.out; use this new file as input for the absolute lister.

Step 3: Now, invoke the absolute lister:

```
dspabs bittest.out
```

This creates two files called module1.abs and module2.abs:

module1.abs:

```
.nolist
flags      .setsym      04h
.data      .setsym      1f00h
.edata     .setsym      1f00h
.text      .setsym      07000h
etext     .setsym      07006h
.bss       .setsym      00h
end        .setsym      00h
          .setsect     ".text",07000h
          .setsect     ".data",01f00h
          .setsect     ".bss",00h
          .setsect     ".reg",02h
          .list
          .text
          .copy      "module1.asm"
```

module2.abs:

```
.nolist
flags      .setsym      04h
.data      .setsym      1f00h
.edata     .setsym      1f00h
.text      .setsym      07000h
etext     .setsym      07006h
.bss       .setsym      00h
end        .setsym      00h
          .setsect     ".text",07003h
          .setsect     ".data",01f00h
          .setsect     ".bss",00h
          .list
          .text
          .copy      "module2.asm"
```

These files contain the following information that the assembler needs when you invoke it in step 4:

- They contain `.setsym` directives, which equate values to global symbols. Both files contain global equates for the symbol `flags`. The symbol `flags` was defined in the file `globals.def`, which was included in `module1.asm` and `module2.asm`.
- They contain `.setsect` directives, which define the absolute addresses for sections.
- They contain `.copy` directives, which tell the assembler which assembly language source file to include.

The `.setsym` and `.setsect` directives are not useful in normal assembly; they are useful only for creating absolute listings.

Step 4: Finally, assemble the .abs files created by the absolute lister (remember that you must use the -a option when you invoke the assembler):

```
dspa -a module1.abs
dspa -a module2.abs
```

This creates two listing files called module1.lst and module2.lst. No object code is produced. These listing files are similar to normal listing files; however, the addresses shown are absolute addresses.

The absolute listing files created are:

module1.lst:

```
DSP Fixed Point COFF Assembler Version X.XX          Wed Sep  7 16:35:25 1994
Copyright (c) 1987-1994 Texas Instruments Incorporated

                                           PAGE      1
      14 7000                               .text
      15                               .copy      "module1.asm"
A      1 0002                               .reg xflags,2
A      2 0004                               .reg flags
A      3                               .copy      "globals.def"
B      1                               .globreg flags
B      2                               =04          Gflag .dbit 3,flags
A      4 7000                               .text
A      5 7000 =73f704                       SBIT0 Gflag

No Errors, No Warnings
```

module2.lst:

```
DSP Fixed Point COFF Assembler Version 6.50         Wed Sep  7 16:35:25 1994
Copyright (c) 1987-1994 Texas Instruments Incorporated

                                           PAGE      1
      13 7003                               .text
      14                               .copy      "module2.asm"
A      1                               .copy      "globals.def"
B      1                               .globreg flags
B      2                               ~04          Gflag .dbit 3,flags
A      2 7003                               .text
A      3 7003 ~740804                       SBIT1 Gflag

No Errors, No Warnings
```

Cross-Reference Lister

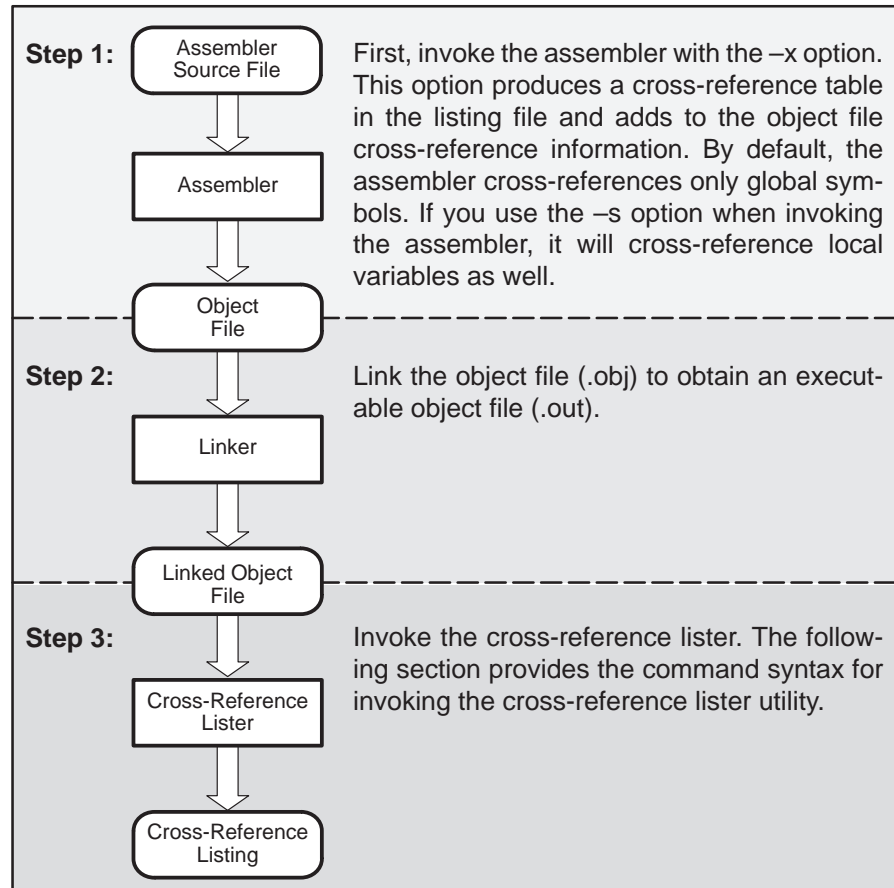
The cross-reference lister is a debugging tool. This utility accepts linked object files as input and produces a cross-reference listing as output. This listing shows symbols, their definitions, and their references in the linked source files.

Topics in this chapter include:

Topic	Page
10.1 Producing a Cross-Reference Listing	10-2
10.2 Invoking the Cross-Reference Lister	10-3
10.3 Cross-Reference Listing Example	10-4

10.1 Producing a Cross-Reference Listing

Figure 10–1. Cross-Reference Lister Development Flow



10.2 Invoking the Cross-Reference Lister

To use the cross-reference utility, the file must be assembled with the correct options and then linked into an executable file. Assemble the assembly language files with the `-x` option. This option creates a cross-reference listing and adds cross-reference information to the object file. By default, the assembler cross-references only global symbols, but if assembler is invoked with the `-s` option, local symbols are also added. Link the object files to obtain an executable file.

To invoke the cross-reference lister, enter the following:

```
dspxref [-options] [input filename [output filename]]
```

dspxref	is the command that invokes the cross-reference utility.
<i>options</i>	identifies the cross-reference lister options you want to use. Options are not case-sensitive and can appear anywhere on the command line following the command. Precede each option with a hyphen (<code>-</code>). The cross-reference lister options are as follows: <ul style="list-style-type: none">-l (lowercase L) specifies the number of lines per page for the output file. The format of the <code>-l</code> option is <code>-lnum</code>, where <code>num</code> is a decimal constant. For example, <code>-l30</code> sets the number of lines per page in the output file to 30. The space between the option and the decimal constant is optional. The default is 60 lines per page.-q (quiet) suppresses the banner and all progress information.
<i>input filename</i>	is a linked object file. If you omit the input filename, the utility prompts for a filename.
<i>output filename</i>	is the name of the cross-reference listing file. If you omit the output filename, the default filename will be the input filename with an <code>.xrf</code> extension.

10.3 Cross-Reference Listing Example

```

=====
Symbol: done
Filename      RTYP   AsmVal   LnkVal   DefLn   RefLn   RefLn   RefLn
-----
x.asm        STAT   '000c    380c     18      14
=====

Symbol: f1
Filename      RTYP   AsmVal   LnkVal   DefLn   RefLn   RefLn   RefLn
-----
x.asm        STAT   3.45e+00 3.45e+00 4
=====

Symbol: g3
Filename      RTYP   AsmVal   LnkVal   DefLn   RefLn   RefLn   RefLn
-----
x.asm        EDEF   ffff     ffff     3        9
y.asm        EREF   0000     ffff     3        3        6
=====

Symbol: start
Filename      RTYP   AsmVal   LnkVal   DefLn   RefLn   RefLn   RefLn
-----
x.asm        STAT   '0000    3800     12      17
=====

Symbol: table
Filename      RTYP   AsmVal   LnkVal   DefLn   RefLn   RefLn   RefLn
-----
x.asm        STAT   -1000    3000     21      13
=====

Symbol: y
Filename      RTYP   AsmVal   LnkVal   DefLn   RefLn   RefLn   RefLn
-----
x.asm        EREF   0000     380d     5        7        10
y.asm        EDEF   '0000    380d     5        1
=====

```

The terms defined below appear in the preceding cross-reference listing:

Symbol Name	Name of the symbol listed
Filename	Name of the file where the symbol appears
RTYP	The symbol's reference type in this file. The possible reference types are: <ul style="list-style-type: none"> STAT The symbol is defined in this file and is not declared as global. EDEF The symbol is defined in this file and is declared as global. EREF The symbol is not defined in this file but is referenced as a global. UNDF The symbol is not defined in this file and is not declared as global.
AsmVal	This hexadecimal number is the value assigned to the symbol at assembly time. A value may also be preceded by a character that describes the symbol's attributes. Table 10–1 lists these characters and names.
LnkVal	This hexadecimal number is the value assigned to the symbol after linking.
DefLn	The statement number where the symbol is defined.
RefLn	The line number where the symbol is referenced. If the line number is followed by an asterisk(*), then that reference may modify the contents of the object. A blank in this column indicates that the symbol was never used.

Table 10–1. Symbol Attributes

Character	Meaning
'	Symbol defined in a .text section
"	Symbol defined in a .data section
+	Symbol defined in a .sect section
–	Symbol defined in a .bss or .usect section
=	Symbol defined in a .reg section

Hex Conversion Utility Description

The TMS320C1x/C2x/C2xx/C5x assembler and linker create object files that are in common object file format (COFF). COFF is a binary object file format that encourages modular programming and provides more powerful and flexible methods for managing code segments and target system memory.

Most EPROM programmers do not accept COFF object files as input. The hex conversion utility converts a COFF object file into one of several standard ASCII hexadecimal formats, suitable for loading into an EPROM programmer. The utility is also useful in other applications requiring hexadecimal conversion of a COFF object file (for example, when using debuggers and loaders). This utility also supports the on-chip boot loader built into the target device, automating the code creation process for the 'C26 and 'C5x.

The hex conversion utility can produce these output file formats:

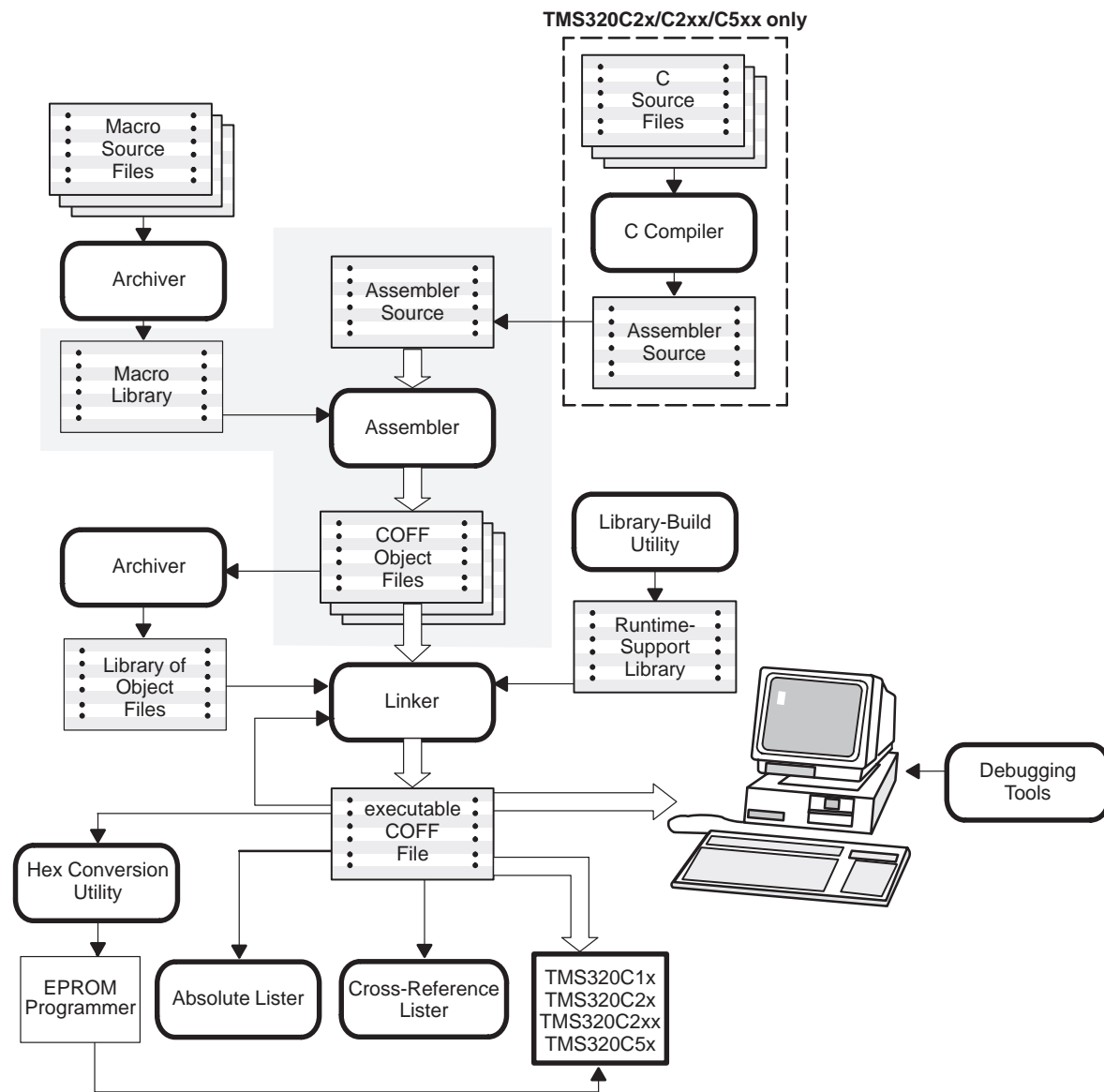
- ASCII-Hex, supporting 16-bit addresses
- Extended Tektronix (Tektronix)
- Intel MCS-86 (Intel)
- Motorola Exorciser (Motorola-S), supporting 16-bit addresses
- Texas Instruments SDSMAC (TI-Tagged), supporting 16-bit addresses

Topic	Page
11.1 Hex Conversion Utility Development Flow	11-2
11.2 Invoking the Hex Conversion Utility	11-3
11.3 Command Files	11-5
11.4 Understanding Memory Widths	11-7
11.5 The ROMS Directive	11-14
11.6 The SECTIONS Directive	11-20
11.7 Output Filenames	11-22
11.8 Image Mode and the -fill Option	11-24
11.9 Building a Table for an On-chip Boot Loader	11-26
11.10 Controlling the ROM Device Address	11-34
11.11 Description of the Object Formats	11-38
11.12 Hex Conversion Utility Error Messages	11-44

11.1 Hex Conversion Utility Development Flow

Figure 11–1 highlights the role of the hex conversion utility in the assembly language development process.

Figure 11–1. Hex Conversion Utility Development Flow



11.2 Invoking the Hex Conversion Utility

There are two basic methods for invoking the hex conversion utility:

- Specify the options and filenames on the command line.** The following example converts the file `firmware.out` into TI-Tagged format, producing two output files, `firm.lsb` and `firm.msb`.

```
dsphex -t firmware -o firm.lsb -o firm.msb
```

- Specify the options and filenames in a command file.** You can create a batch file that stores command line options and filenames for invoking the hex conversion utility. The following example invokes the utility using a command file called `hexutil.cmd`:

```
dsphex hexutil.cmd
```

In addition to regular command line information, you can use the hex conversion utility `ROMS` and `SECTIONS` directives in a command file.

Invoking the Hex Conversion Utility From the Command Line

To invoke the hex conversion utility, enter:

```
dsphex [-options] filename
```

dsphex is the command that invokes the hex conversion utility.

-options supply additional information that controls the hex conversion process. You can use options on the command line or in a command file.

- All options are preceded by a dash and are not case-sensitive.
- Several options have an additional parameter that must be separated from the option by at least one space.
- Options with multicharacter names must be spelled exactly as shown in this document; no abbreviations are allowed.
- Options are not affected by the order in which they are used. The exception to this rule is the `-q` option, which must be used before any other options.

Table 11-1 lists basic options. Table 11-2, page 11-27, lists options that apply only to the 'C26 and 'C5x on-chip boot loaders. The boot loaders are discussed in Section 11.9, page 11-26.

filename names a COFF object file or a command file (for more information on command files, see Section 11.3, page 11-5).

Table 11–1. Basic Options

General Options	Option	Description	Page
Control the overall operation of the hex conversion utility.	–byte	Number bytes sequentially	11-36
	–map <i>filename</i>	Generate a map file	11-19
	–o <i>filename</i>	Specify an output filename	11-22
	–q	Run quietly (when used, it must appear <i>before</i> other options)	11-5
Image Options	Option	Description	Page
Allow you to create a continuous image of a range of target memory.	–fill <i>value</i>	Fill holes with <i>value</i>	11-25
	–image	Specify image mode	11-24
	–zero	Reset the address origin to zero	11-35
Memory Options	Option	Description	Page
Allow you to configure the memory widths for your output files.	–memwidth <i>value</i>	Define the system memory word width (default 16 bits)	11-8
	–order {LS MS}	Specify the memory word ordering	11-12
	–romwidth <i>value</i>	Specify the ROM device width (default depends on format used)	11-9
Output Formats	Option	Description	Page
Allow you to specify the output format.	–a	Select ASCII-Hex	11-39
	–i	Select Intel	11-40
	–m	Select Motorola-S	11-41
	–t	Select TI-Tagged	11-42
	–x	Select Tektronix	11-43

11.3 Command Files

A command file is useful if you plan to invoke the utility more than once with the same input files and options. It is also useful if you want to use the ROMS and SECTIONS hex conversion utility directives to customize the conversion process.

Command files are ASCII files that contain one or more of the following:

- Options and filenames.** These are specified in a command file in exactly the same manner as on the command line.
- ROMS directive.** The ROMS directive defines the physical memory configuration of your system as a list of address-range parameters. (For more information about the ROMS directive, see Section 11.5, page 11-14.)
- SECTIONS directive.** The SECTIONS directive specifies which sections from the COFF object file should be selected. (For more information about the SECTIONS directive, see Section 11.6, page 11-20.) You can also use this directive to identify specific sections that will be initialized by an on-chip boot loader. (For more information on the on-chip boot loader, see Section 11.9, page 11-26.)
- Comments.** You can add comments to your command file by using the `/*` and `*/` delimiters. For example:

```
/* This is a comment */
```

To invoke the utility and use the options you defined in a command file, enter:

```
dsphex command_filename
```

You can also specify other options and files on the command line. For example, you could invoke the utility by using both a command file and command line options:

```
dsphex firmware.cmd -map firmware.mxp
```

The order in which these options and file names appear is not important. The utility reads all input from the command line and all information from the command file before starting the conversion process. However, if you are using the `-q` option, *it must appear as the first option on the command line or in a command file.*

The `-q` option suppresses the utility's normal banner and progress information.

Examples of Command Files

- Assume that a command file named `firmware.cmd` contains these lines:

```
firmware.out /* input file */
-t          /* TI-Tagged */
-o firm.lsb /* output file */
-o firm.msb /* output file */
```

You can invoke the hex conversion utility by entering:

```
dsphex firmware.cmd
```

- This example converts a file called `appl.out` into four hex files in Intel format. Each output file is one byte wide and 16K bytes long. The `.text` section is converted to boot loader format.

```
appl.out /* input file */
-i      /* Intel format */
-map appl.mxp /* map file */

ROMS
{
  ROW1: origin=01000h len=04000h romwidth=8
        files={ appl.u0 appl.u1 }
  ROW2: origin 05000h len=04000h romwidth=8
        files={ appl.u2 appl.u3 }
}

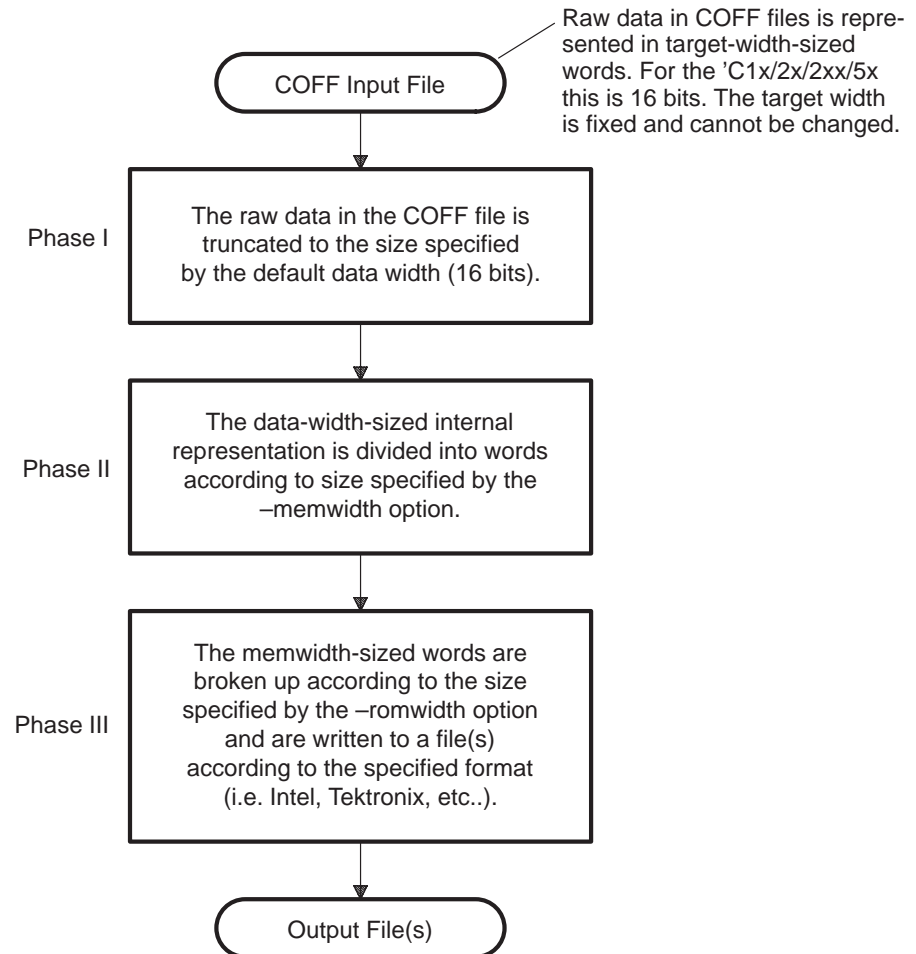
SECTIONS
{
  .text: BOOT
  .data, .cinit, .sect1, .vectors, .const:
}
```

11.4 Understanding Memory Widths

The hex conversion utility makes your memory architecture more flexible by allowing you to specify memory and ROM widths. In order to use the hex conversion utility, **you must understand how the utility treats word widths**. Four widths are important in the conversion process: target width, data width, memory width, and ROM width. The terms target word, data word, memory word and ROM word, refer to a word of such a width.

Figure 11–2 illustrates the three separate and distinct phases of the hex conversion utility's process flow.

Figure 11–2. Hex Conversion Utility Process Flow



11.4.1 Target Width

Target width is the unit size (in bits) of raw data fields in the COFF file. This corresponds to the size of an opcode on the target processor. The width is fixed for each target and cannot be changed. The TMS320C1x, TMS320C2x, TMS320C2xx, and TMS320C5x targets have a width of 16 bits.

11.4.2 Data Width

Data width is the logical width (in bits) of the data words stored in a particular section of a COFF file. Usually, the logical data width is the same as the target width. The data width is fixed at 16 bits for the TMS320C1x/2x/2xx/5x and cannot be changed.

11.4.3 Memory Width

Memory width is the physical width (in bits) of the memory system. Usually, the memory system is physically the same width as the target processor width: a 16-bit processor has a 16-bit memory architecture. However, some applications, such as boot loaders, require target words to be broken up into multiple, consecutive, narrower memory words. Moreover, with certain processors like the 'C5x, the memory width can be narrower than the target width.

The hex conversion utility defaults memory width to the target width (in this case, 16 bits).

You can change the memory width by:

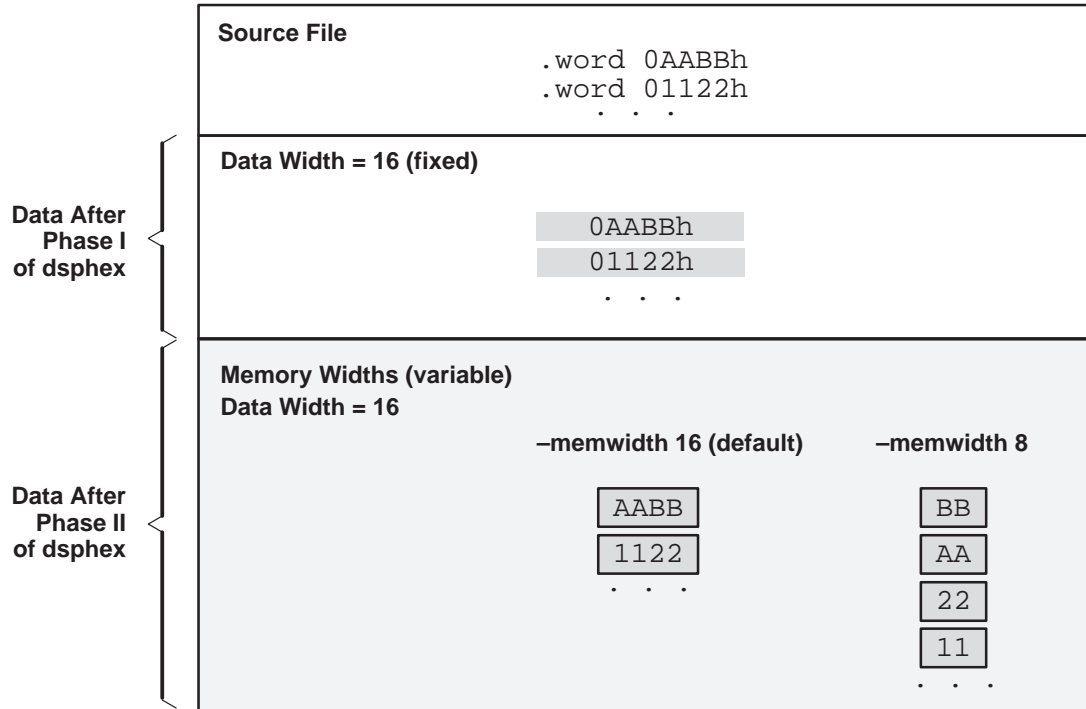
- Using the **-memwidth** option. This changes the memory width value for the entire file.
- Setting the **memwidth** parameter of the ROMS directive. This changes the memory width value for the address range specified in the ROMS directive and overrides the **-memwidth** option for that range. See Section 11.5, page 11-14.

For both methods, use a *value* that is a power of 2 greater than or equal to 8.

You should change the memory width default value of 16 only in exceptional situations: for example, when you need to break single target words into consecutive, narrower memory words. Situations in which memory words are narrower than target words are most common when you use on-chip boot loaders—several of which support booting from narrower memory. For example, a 16-bit TMS320C5x can be booted from 8-bit memory or an 8-bit serial port, with each 16-bit value occupying two memory locations (this would be specified as **-memwidth 8**).

Figure 11–3 demonstrates how the memory width is related to the data width.

Figure 11–3. Data and Memory Widths



11.4.4 ROM Width

ROM width specifies the physical width (in bits) of each ROM device and corresponding output file (usually one byte or eight bits). The ROM width determines how the hex conversion utility partitions the data into output files. After the target words are mapped to the memory words, the memory words are broken into one or more output files. The number of output files is determined by the following formula:

$$\text{number of files} = \text{memory width} \div \text{ROM width}$$

where memory width > ROM width

For example, for a memory width of 16, you could specify a ROM width value of 16 and get a single output file containing 16-bit words. Or you can use a ROM width value of 8 to get two files, each containing 8 bits of each word.

The default ROM width that the hex conversion utility uses depends on the output format:

- All hex formats except TI-Tagged are configured as lists of 8-bit bytes; the default ROM width for these formats is 8 bits.
- TI-Tagged is a 16-bit format; the default ROM width for TI-Tagged is 16 bits.

Note: The TI-Tagged Format Is 16 Bits Wide

You cannot change the ROM width of the TI-Tagged format. The TI-Tagged format supports a 16-bit ROM width only.

You can change ROM width (except for TI-Tagged) by:

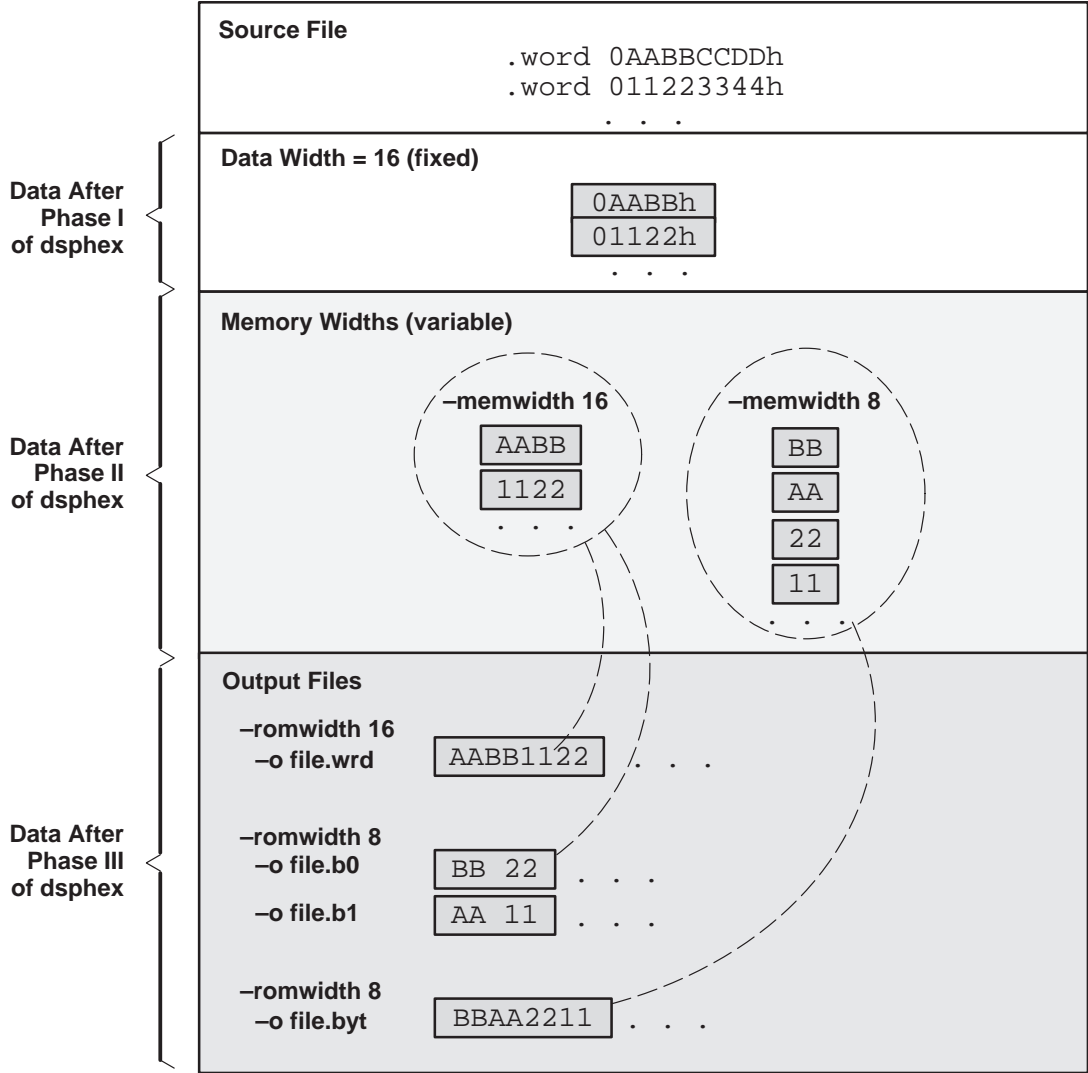
- Using the `-romwidth` option. This changes the ROM width value for the entire COFF file.
- Setting the `romwidth` parameter of the `ROMS` directive. This changes the ROM width value for a specific ROM address range and overrides the `-romwidth` option for that range. See Section 11.5, page 11-14.

For both methods, use a *value* that is a power of 2 greater than or equal to 8.

If you select a ROM width that is wider than the natural size of the output format (16 bits for TI-Tagged or 8 bits for all others), the utility simply writes multibyte fields into the file.

Figure 11-4 illustrates how the target, memory, and ROM widths are related to one another.

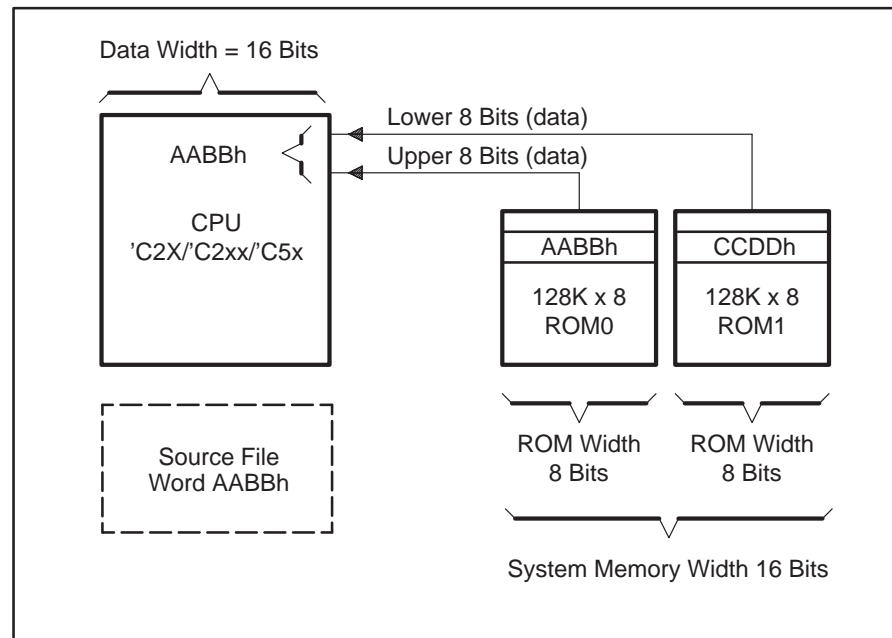
Figure 11-4. Data, Memory, and ROM Widths



11.4.5 A Memory Configuration Example

Figure 11–5 shows a typical memory configuration example. This memory system consists of two 128K × 8-bit ROM devices.

Figure 11–5. 'C2x/C2xx/C5x Memory Configuration Example



11.4.6 Specifying Word Order for Output Words

When memory words are narrower than target words (memory width < 16), target words are split into multiple consecutive memory words. There are two ways to split a wide word into consecutive memory locations in the same hex conversion utility output file:

- order MS** specifies **big-endian** ordering, in which the most significant part of the wide word occupies the first of the consecutive locations
- order LS** specifies **little-endian** ordering, in which the the least significant part of the wide word occupies the first of the consecutive locations

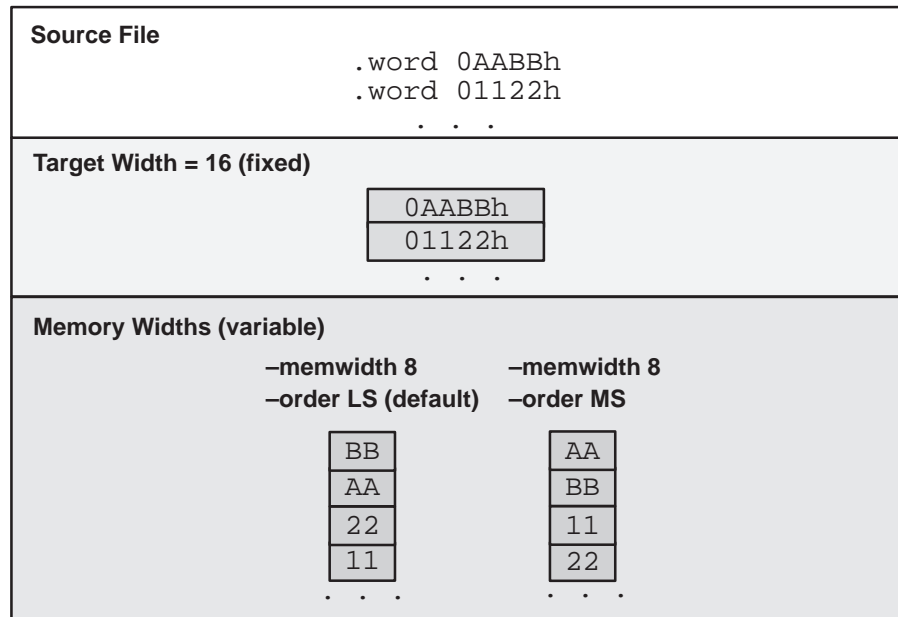
By default, the utility uses little-endian format because the 'C26 and 'C5x boot loaders expect the data in this order. Unless you are using your own boot loader program, avoid the using **–order MS**.

Note: When the `-order` Option Applies

- This option applies only when you use a memory width with a value less than 16. Otherwise, `-order` is ignored.
- This option does not affect the way memory words are split into output files. Think of the files as a set: the set contains a least significant file and a most significant file, but there is no ordering over the set. When you list filenames for a set of files, you *always* list the least significant first, regardless of the `-order` option.

Figure 11–6 demonstrates how `-order` affects the conversion process. This figure, and the previous figure, Figure 11–4, explain the condition of the data in the hex conversion utility output files.

Figure 11–6. Varying the Word Order



11.5 The ROMS Directive

The ROMS directive specifies the physical memory configuration of your system as a list of address-range parameters.

Each address range produces one set of files containing the hex conversion utility output data that corresponds to that address range. Each file can be used to program one single ROM device.

The ROMS directive is similar to the MEMORY directive of the TMS320C1x/C2x/C2xx/C5x linker: both define the memory map of the target address space. Each line entry in the ROMS directive defines a specific address range. The general syntax is:

```
ROMS
{
  [PAGE n:]
    romname: [origin=value,] [length=value,] [romwidth=value,]
              [memwidth=value,] [fill=value,]
              [files={filename1, filename2, ...}]

    romname: [origin=value,] [length=value,] [romwidth=value,]
              [memwidth=value,] [fill=value,]
              [files={filename1, filename2, ...}]
  ...
}
```

- ROMS** begins the directive definition.
- PAGE** identifies a memory space for targets that use program- and data-address spaces. If your program has been linked normally, PAGE 0 specifies program memory and PAGE 1 specifies data memory. Each memory range after the PAGE command belongs to that page until you specify another PAGE. If you don't include PAGE, all ranges belong to page 0.
- romname* identifies a memory range. The name of the memory range may be one to eight characters in length. The name has no significance to the program; it simply identifies the range. (Duplicate memory range names are allowed.)

origin specifies the starting address of a memory range. It can be entered as `origin`, `org`, or `o`. The associated value must be a decimal, octal, or hexadecimal constant. If you omit the origin value, the origin defaults to 0.

The following table summarizes the notation you can use to specify a decimal, octal, or hexadecimal constant:

Constant	Notation	Example
Hexadecimal	0x prefix or h suffix	0x77 or 077h
Octal	0 prefix	077
Decimal	No prefix or suffix	77

length specifies the length of a memory range as the physical length of the ROM device. It can be entered as `length`, `len`, or `l`. The value must be a decimal, octal, or hexadecimal constant. If you omit the length value, it defaults to the length of the entire address space.

romwidth specifies the physical ROM width of the range in bits (see subsection 11.4.4, page 11-9). Any value you specify here overrides the `-romwidth` option. The value must be a decimal, octal, or hexadecimal constant that is a power of 2 greater than or equal to 8.

memwidth specifies the memory width of the range in bits (see subsection 11.4.3, page 11-8). Any value you specify here overrides the `-memwidth` option. The value must be a decimal, octal, or hexadecimal constant that is a power of 2 greater than or equal to 8. *When using the `memwidth` parameter, you must also specify the `paddr` parameter for each section in the `SECTIONS` directive.*

fill specifies a fill value to use for the range. In image mode, the hex conversion utility uses this value to fill any holes between sections in a range. The value must be a decimal, octal, or hexadecimal constant with a width equal to the target width. Any value you specify here overrides the `-fill` option. When using `fill`, you must also use the `-image` command line option. See subsection 11.8.2, page 11-25.

files identifies the names of the output files that correspond to this range. Enclose the list of names in curly braces and order them from *least significant* to *most significant* output file.

The number of file names should equal the number of output files that the range will generate. To calculate the number of output files, refer to Section 11.4.4, page 11-9. The utility warns you if you list too many or too few filenames.

Unless you are using the `-image` option, all of the parameters defining a range are optional. A range with no origin or length defines the entire address space. In image mode, an origin and length are required for all ranges; the commas and equals signs are also optional.

Ranges on the same page must not overlap and must be listed in order of ascending address.

11.5.1 When to Use the ROMS Directive

If you don't use a ROMS directive, the utility defines a single default range that includes the entire program address space (PAGE 0). This is equivalent to a ROMS directive with a single range without origin or length.

Use the ROMS directive when you want to:

- Program large amounts of data into fixed-size ROMs.** When you specify memory ranges corresponding to the length of your ROMs, the utility automatically breaks the output into blocks that fit into the ROMs.
- Restrict output to certain segments.** You can also use the ROMS directive to restrict the conversion to a certain segment or segments of the target address space. The utility does not convert the data that falls outside of the ranges defined by the ROMS directive. Sections can span range boundaries; the utility splits them at the boundary into multiple ranges. If a section falls completely outside any of the ranges you define, the utility does not convert that section and issues no messages or warnings. In this way, you can exclude sections without listing them by name with the SECTIONS directive. However, if a section falls partially in a range and partially in unconfigured memory, the utility issues a warning and converts only the part within the range.
- Use image mode.** When you use the `-image` option, you must use a ROMS directive. Each range is filled completely so that each output file in a range contains data for the whole range. Gaps before, between, or after sections are filled with the fill value from the ROMS directive, with the value specified with the `-fill` option, or with the default value of zero.

11.5.2 An Example of the ROMS Directive

The ROMS directive in Example 11–1 shows how 16K words of 16-bit memory could be partitioned for four 8K × 8-bit EPROMs.

Example 11–1. A ROMS Directive Example

```
infile.out
-image
-memwidth 16

ROMS
{
  EPROM1: org = 04000h, len = 02000h, romwidth = 8
          files = { rom4000.b0, rom4000.b1 }

  EPROM2: org = 06000h, len = 02000h, romwidth = 8,
          fill = 0FFh,
          files = { rom6000.b0, rom6000.b1 }
}
```

In this example, EPROM1 defines the address range from 4000h through 5FFFh. The range contains the following sections:

This section	Has this range
.text	4000h through 487Fh
.data	5B80H through 5FFFh

The rest of the range is filled with 0h (the default fill value). The data from this range is converted into two output files:

- rom4000.b0 contains bits 0 through 7
- rom4000.b1 contains bits 8 through 15

EPROM2 defines the address range from 6000h through 7FFFh. The range contains the following sections:

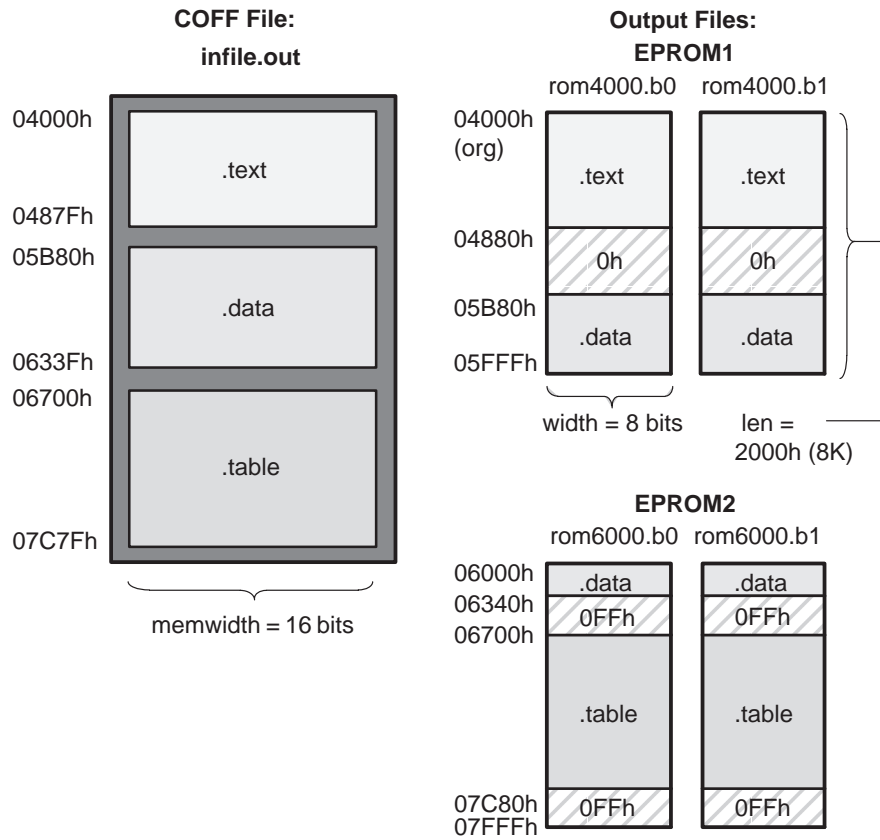
This section	Has this range
.data	6000h through 633Fh
.table	6700h through 7C7Fh

The rest of the range is filled with 0FFh (from the specified fill value). The data from this range is converted into two output files:

- rom6000.b0 contains bits 0 through 7
- rom6000.b1 contains bits 8 through 15

Figure 11–7 shows how the ROMS directive partitions the infile.out file into four output files.

Figure 11–7. The infile.out File From Example 11–1 Partitioned Into Four Output Files



11.5.3 Creating a Map File of the ROMS directive

The map file (specified with the `-map` option) is advantageous when you use the ROMS directive with multiple ranges. The map file shows each range, its parameters, names of associated output files, and a list of contents (section names and fill values) broken down by address. Here's a segment of the map file resulting from the example in Example 11-1.

Example 11-2. Map File Output From Example 11-1 Showing Memory Ranges

```
-----
00004000..00005fff Page=0 Width=8 "EPROM1"
-----
OUTPUT FILES:  rom4000.b0  [b0..b7]
                rom4000.b1  [b8..b15]

CONTENTS: 00004000..0000487f .text
           00004880..00005b7f FILL = 00000000
           00005b80..00005fff .data
-----
00006000..00007fff Page=0 Width=8 "EPROM2"
-----
OUTPUT FILES:  rom6000.b0  [b0..b7]
                rom6000.b1  [b8..b15]

CONTENTS: 00006000..0000633f .data
           00006340..000066ff FILL = 000000ff
           00006700..00007c7f .table
           00007c80..00007fff FILL = 000000ff
```

11.6 The SECTIONS Directive

You can convert specific sections of the COFF file by name with the SECTIONS directive. You can also specify those sections you want the utility to configure for loading from an on-chip boot loader, and those sections that you wish to locate in ROM at a different address than the *load* address specified in the linker command file. If you:

- Use a SECTIONS directive, the utility converts only the sections that you list in the directive and ignores all other sections in the COFF file.
- Don't use a SECTIONS directive, the utility converts all initialized sections that fall within the configured memory. The TMS320C2x/2xx/5x compiler-generated initialized sections include: .text, .const, and .cinit.

Uninitialized sections are *never* converted, whether or not you specify them in a SECTIONS directive.

Note: Sections Generated by the C Compiler

The TMS320C2x/C2xx/C5x C compiler automatically generates these sections:

- Initialized sections:** .text, .const, and .cinit.
 - Uninitialized sections:** .bss, .stack, and .systemem.
-

Use the SECTIONS directive in a command file. (For more information about using a command file, see Section 11.3, page 11-5.) The general syntax for the SECTIONS directive is:

```
SECTIONS
{
  sname: [paddr=value]
  sname: [paddr=boot]
  sname: [= boot ],
  ...
}
```

SECTIONS begins the directive definition.

sname identifies a section in the COFF input file. If you specify a section that doesn't exist, the utility issues a warning and ignores the name.

- paddr** specifies the physical ROM address at which this section should be located. This value overrides the section load address given by the linker. (Refer to Section 11.10, page 11-34). This value must be a decimal, octal, or hexadecimal constant; it can also be the word **boot** (to indicate a boot table section for use with the on-chip boot loader). *If your file contains multiple sections, and if one section uses a paddr parameter, then all sections must use a paddr parameter.*
- = boot** configures a section for loading by the on-chip boot loader. This is equivalent to using **paddr=boot**. Boot sections have a physical address determined both by the target processor type and by the various boot-loader-specific command line options.

The commas are optional. For similarity with the linker's SECTIONS directive, you can use colons after the section names (in place of the equal sign on the boot keyboard). For example, the following statements are equivalent:

```
SECTIONS { .text: .data: boot }
SECTIONS { .text, .data = boot }
```

In the following example, the COFF file contains six initialized sections: .text, .data, .const, .vectors, .coeff, and .tables. Suppose you want only .text and .data to be converted. Use a SECTIONS directive to specify this:

```
SECTIONS { .text, .data }
```

To configure both of these sections for boot loading, add the boot keyword:

```
SECTIONS { .text = boot, .data = boot }
```

Note: Using the -boot Option and the SECTIONS Directive

When you use the SECTIONS directive with the on-chip boot loader, the -boot option is ignored. You must explicitly specify any boot sections in the SECTIONS directive. For more information about -boot and other command line options associated with the on-chip boot loader, see Table 11-2, page 11-27.

11.7 Output Filenames

When the hex conversion utility translates your COFF object file into a data format, it partitions the data into one or more output files. When multiple files are formed by splitting data into byte-wide or word-wide files, *filenames are always assigned in order from least to most significant*. This is true, regardless of target or COFF endian ordering, or of any `-order` option.

Assigning Output Filenames

The hex conversion utility follows this sequence when assigning output filenames:

- 1) **It looks for the ROMS directive.** If a file is associated with a range in the ROMS directive and you have included a list of files (`files = { . . }`) on that range, the utility takes the filename from the list.

For example, assume that the target data is 16-bit words being converted to two files, each eight bits wide. To name the output files using the ROMS directive, you could specify:

```
ROMS
{
  RANGE1: romwidth=8, files={ xyz.b0 xyz.b1 }
}
```

The utility creates the output files by writing the least significant bits (LSBs) to `xyz.b0` and the most significant bits (MSBs) to `xyz.b1`.

- 2) **It looks for the `-o` options.** You can specify names for the output files by using the `-o` option. If no filenames are listed in the ROMS directive and you use `-o` options, the utility takes the filename from the list of `-o` options. The following line has the same effect as the example above using the ROMS directive:

```
-o xyz.b0 -o xyz.b1
```

Note that if both the ROMS directive and `-o` options are used together, the ROMS directive overrides the `-o` options.

- 3) **It assigns a default filename.** If you specify no filenames or fewer names than output files, the utility assigns a default filename. A default filename consists of the base name from the COFF input file plus a 2- to 3-character extension. The extension has three parts:

- a) A format character, based on the output format:

- a** for ASCII-Hex
- i** for Intel
- t** for TI-Tagged
- m** for Motorola-S
- x** for Tektronix

- b) The range number in the ROMS directive. Ranges are numbered starting with 0. If there is no ROMS directive, or only one range, the utility omits this character.
- c) The file number in the set of files for the range, starting with 0 for the least significant file.

For example, assume `coff.out` is for a 16-bit target processor and you are creating Intel format output. With no output filenames specified, the utility produces two output files named `coff.i0` and `coff.i1`.

If you include the following ROMS directive when you invoke the hex conversion utility, you would have two output files:

```
ROMS
{
  range1: o = 1000h l = 1000h
  range2: o = 2000h l = 1000h
}
```

These output files	Contain this data
<code>coff.i01</code>	1000h through 1FFFh
<code>coff.i11</code>	2000h through 2FFFh

11.8 Image Mode and the `-fill` Option

This section points out the advantages of operating in image mode and describes the method of producing output files with a precise, continuous image of a target memory range.

11.8.1 The `-image` Option

With the `-image` option, the utility generates a memory image by completely filling all of the mapped ranges specified in the ROMS directive.

A COFF file consists of blocks of memory (sections) with assigned memory locations. Typically, all sections are not adjacent: there are gaps between sections in the address space for which there is no data. When such a file is converted *without* the use of image mode, the hex conversion utility bridges these gaps by using the address records in the output file to skip ahead to the start of the next section. In other words, there may be discontinuities in the output file addresses. Some EPROM programmers do not support address discontinuities.

In image mode, there are no discontinuities. Each output file contains a continuous stream of data that corresponds exactly to an address range in target memory. Any gaps before, between, or after sections are filled with a fill value that you supply.

An output file converted by using image mode still has address records because many of the hexadecimal formats require an address on each line. However, in image mode, these addresses will always be contiguous.

Note: Defining the Ranges of Target Memory

If you use image mode, you must also use a ROMS directive. In image mode, each output file corresponds directly to a range of target memory. You must define the ranges. If you don't supply the ranges of target memory, the utility tries to build a memory image of the entire target processor address space—potentially a huge amount of output data. To prevent this situation, the utility requires you to explicitly restrict the address space with the ROMS directive.

11.8.2 Specifying a Fill Value

The `-fill` option specifies a value for filling the holes between sections. The fill value must be specified as an integer constant following the `-fill` option. The width of the constant is assumed to be that of a word on the target processor. For example, for the 'C2x, specifying `-fill 0FFh` results in a fill pattern of 00FFh. The constant value is not sign-extended.

The hex conversion utility uses a default fill value of zero if you don't specify a value with the fill option. *The `-fill` option is valid only when you use `-image`; otherwise, it is ignored.*

11.8.3 Steps to Follow in Image Mode

- Step 1:** Define the ranges of target memory with a ROMS directive (see Section 11.5, page 11-14).
- Step 2:** Invoke the hex conversion utility with the `-image` option. To number the bytes sequentially, use the `-byte` option; to reset the address origin to zero for each output file, use the `-zero` option. See subsection 11.10.3, page 11-36, for details on the `-byte` option, and page 11-35 for details on the `-zero` option. If you don't specify a fill value with the ROMS directive and you want a value other than the default of zero, use the `-fill` option.

11.9 Building a Table for an On-Chip Boot Loader

Some DSP devices, such as the 'C26 and 'C5x, have a built-in boot loader that initializes memory with one or more blocks of code or data. The boot loader uses a special table (a **boot table**) stored in memory (such as EPROM) or loaded from a device peripheral (such as a serial or communications port) to initialize the code or data. The hex conversion utility supports the boot loader by automatically building the boot table.

11.9.1 Description of the Boot Table

The input for a boot loader is the boot table (also known as a *source program*). The boot table contains records that instruct the on-chip loader to copy blocks of data contained in the table to specified destination addresses. Some boot tables also contain values for initializing various processor control registers. The boot table can be stored in memory or read in through a device peripheral.

The hex conversion utility automatically builds the boot table for the boot loader. Using the utility, you specify the COFF sections you want the boot loader to initialize, the table location, and the values for any control registers. The hex conversion utility identifies the target device type from the COFF file, builds a complete image of the table according to the format required by that device, and converts it into hexadecimal in the output files. Then, you can burn the table into ROM or load it by other means.

The boot loader supports loading from memory that is narrower than the normal width of memory. For example, you can boot a 16-bit TMS320C26 from a single 8-bit EPROM by using the `-memwidth` option to configure the width of the boot table. The hex conversion utility automatically adjusts the table's format and length. See the *TMS320C2x User's Guide*, *TMS320C26BFNL Boot Loader* example, for an illustration of a boot table.

11.9.2 The Boot Table Format

The boot table format is simple. Typically, there is a header record containing the width of the table and possibly some values for various control registers. Each subsequent block has a header containing the size and destination address of the block followed by data for the block. Multiple blocks can be entered; a termination block follows the last block. Finally, the table can have a footer containing more control register values. Refer to the boot-loader section in the specific device user's guide for more information.

11.9.3 How to Build the Boot Table

Table 11–2 summarizes the hex conversion utility options available for the boot loader.

Table 11–2. Boot-Loader Utility Options

Option	Description
-boot	Convert all sections into bootable form (use instead of a SECTIONS directive)
-bootorg PARALLEL	Specify the source of the boot loader table as the parallel port
-bootorg SERIAL	Specify the source of the boot loader table as the serial port
-bootorg <i>value</i>	Specify the source address of the boot loader table
-bootpage <i>value</i>	Specify the target page number of the boot loader table
-cg <i>value</i>	Set the memory configuration register ('C26 only)

To build the boot table, follow these steps:

Step 1: Link the file. Each block of the boot table data corresponds to an initialized section in the COFF file. Uninitialized sections are not converted by the hex conversion utility (see Section 11.6, page 11-20).

When you select a section for placement in a boot-loader table, the hex conversion utility places the section's *load address* in the destination address field for the block in the boot table. The section content is then treated as raw data for that block.

The hex conversion utility does not use the section run address. When linking, you need not worry about the ROM address or the construction of the boot table—the hex conversion utility handles this.

Step 2: Identify the bootable sections. You can use the -boot option to tell the hex conversion utility to configure all sections for boot loading. Or, you can use a SECTIONS directive to select specific sections to be configured (see Section 11.6, page 11-20). Note that if you use a SECTIONS directive, the -boot option is ignored.

Step 3: Set the ROM address of the boot table. Use the `-bootorg` option to set the source address of the complete table. For example, if you are using the 'C26 and booting from memory location 8000h, specify `-bootorg 8000h`. The address field in the the hex conversion utility output file will then start at 8000h.

If you use `-bootorg SERIAL` or `-bootorg PARALLEL`, or if you do not use the `-bootorg` option at all, the utility places the table at the origin of the first memory range in a ROMS directive. If you do not use a ROMS directive, the table will start at the first section load address. There is also a `-bootpage` option for starting the table somewhere other than page 0.

Step 4: Set boot-loader-specific options. Set such options as entry point and memory control registers as needed.

Step 5: Describe your system memory configuration. Refer to Section 11.4, page 11-7, and Section 11.5, page 11-14, for details.

The complete boot table is similar to a single section containing all of the header records and data for the boot loader. The address of this "section" is the boot table origin. As part of the normal conversion process, the hex conversion utility converts the boot table to hexadecimal format and maps it into the output files like any other section.

Be sure to leave room in your system memory for the boot table, especially when you are using the ROMS directive. The boot table cannot overlap other nonboot sections or unconfigured memory. Usually, this is not a problem; typically, a portion of memory in your system is reserved for the boot table. Simply configure this memory as one or more ranges in the ROMS directive, and use the `-bootorg` option to specify the starting address.

11.9.4 Booting From a Device Peripheral

You can choose to boot from a serial or parallel port by using the SERIAL or PARALLEL keyword with the `-bootorg` option. Your selection of a keyword depends on the target device and the channel you want to use. For example, to boot a 'C26 from its serial port, specify `-bootorg SERIAL` on the command line or in a command file. To boot a 'C5x from one of its parallel ports, specify `-bootorg PARALLEL`.

Notes:

- Possible memory conflicts.** When you boot from a device peripheral, the boot table is not actually in memory; it is being received through the device peripheral. However, as explained in Step 3 on page 11-28, a memory address is assigned.

If the table conflicts with a nonboot section, put the boot table on a different page. Use the ROMS directive to define a range on an unused page and the `-bootpage` option to place the boot table on that page. The boot table will then appear to be at location 0 on the dummy page.

- Why the System Might Require an EPROM Format for a Peripheral Boot Loader Address.** In a typical system, a parent processor boots a child processor through that child's peripheral. The boot loader table itself may occupy space in the memory map of the parent processor. The EPROM format and ROMS directive address correspond to those used by the parent processor, not those that are used by the child.

11.9.5 Setting the Entry Point for the Boot Table

After completing the boot load process, program execution starts at the address of the first block loaded (the default entry point). By using the `-e` option with the hex conversion utility, you can set the entry point to a different address.

For example, if you want your program to start running at address 0123h after loading, specify `-e 0123h` on the command line or in a command file. You can determine the `-e` address by looking at the map file that the linker generates.

Note: Valid Entry Points

The value must be a constant; the hex conversion utility cannot evaluate symbolic expressions like `c_int00` (default entry point assigned by the TMS320C2x/C2xx/C5x C compiler).

When you use the `-e` option, the utility builds a dummy block of length 1 and data value 0 that loads at the specified address. Your blocks follow this dummy block. Since the dummy block is loaded first, the dummy value of 0 is overwritten by the subsequent blocks. Then, the boot loader jumps to the `-e` option address after the boot load is completed.

11.9.6 Using the 'C26 Boot Loader

This subsection explains and gives an example on using the hex conversion utility with the boot loader for 'C26 devices. The 'C26 boot loader has four different modes. You can select these modes by using the `-bootorg` and `-memwidth` options:

Mode	<code>-bootorg</code> Setting	<code>-memwidth</code> Setting
8-bit parallel I/O	<code>-bootorg PARALLEL</code>	<code>-memwidth 8</code>
16-bit parallel I/O	<code>-bootorg PARALLEL</code>	<code>-memwidth 16</code>
8-bit serial RS232	<code>-bootorg SERIAL</code>	<code>-memwidth 8</code>
8-bit EPROM	<code>-bootorg 0x8000</code>	<code>-memwidth 8</code>

You should set the `-romwidth` equal to the `-memwidth` unless you want to have multiple output files.

Serial and Parallel Modes

The following details summarize what the hex conversion utility does when it builds the boot table for the parallel and serial modes.

- In the two parallel modes, the boot table header consists of three 8-bit fields: STATUS, CONFIG, and LENGTH. The utility automatically builds these into the table:
 - Bits 0–2 of the STATUS field define the three MSBs of the load length.
 - Bit 3 of the STATUS field always has a value of 1 that enables the boot loader.
 - Bit 4 of the STATUS field is set to 0 for 8-bit mode and to 1 for 16-bit mode.
 - Bits 5–7 are reserved.
 - The CONFIG field is set from the `-cg` option you supply.
 - The LENGTH field contains the eight LSBs of the load length.
- In serial mode, an additional BAUD field serves as the first field in the header. The boot loader accepts any value that has the top bit set; the utility uses 80h. The STATUS, CONFIG, and LENGTH fields for serial mode are identical to those used in the parallel modes (see above).
- In both the serial and parallel modes, a single SYNC field follows the data in the boot table. The value of SYNC doesn't matter; the utility uses 0.
- Both of the 8-bit formats require the data to be formatted LSB first; the utility does this automatically.

The following restrictions apply to all modes:

- You can load only one section.
- The maximum length of the section is 2K words.
- The destination address is fixed (internal RAM block B0).

The program in Example 11–3 boots the .text section of abc.obj through the serial port. First, link .text into on-chip RAM block B0, ensuring that it's not more than 2K words long. Next, convert to hexadecimal format by using this command file:

Example 11–3. Sample Command File for Booting From a 'C26 Serial Port

```

abc.out          /* input file          */
-c abc.i         /* output file         */
-i              /* Intel format       */
-memwidth 8     /* 8-bit serial       */
-romwidth 8     /* outfile is bytes,  not words */
-bootorg SERIAL /* serial mode boot   */
-cg 40h         /* value for interrupt/mem config */

SECTIONS { .text: BOOT }
    
```

The resulting hex file is a list of 8-bit bytes that you can transmit through the serial port to boot the device.

Setting the Memory Configuration and Interrupt Mask Register (Serial and Parallel Modes)

In addition to loading data into memory, the boot loader for the 'C26 can also initialize the memory configuration and the interrupt mask register (IMR) from a value specified in the boot table. When using the hex conversion utility, you can set the value for the memory configuration and IMR with the `-cg` option:

-cg value

This option requires a constant value as its argument. The bits are defined as follows:

- Bits D0–D5 are loaded into the IMR.
- Bits D6 and D7 define the memory configuration. The following table shows how memory can be configured.

D7	D6	Program Memory	Data Memory
0	0	B0	B1, B2
0	1	B0, B1	B2
1	0	B0, B1, B3	

EPROM Mode

The 'C26 EPROM mode differs significantly from the serial and parallel modes. There is no header or footer information; instead, the boot table is a memory image of the on-chip RAM blocks, configured into 8-bit memory and ordered with the MSBs first, starting at location 08000h. To boot a 'C26 from a byte-wide EPROM, simply specify `--bootorg 08000h` and `--memwidth 8` when invoking the hex conversion utility. The 'C26 expects to find the EPROM at address 08000h in global memory.

11.9.7 Using the 'C5x Boot Loader

This subsection explains and gives an example on using the hex conversion utility with the boot loader for 'C5x devices. The 'C5x boot loader has six different modes. You can select these modes by using the `--bootorg` and `--memwidth` options:

Mode	--bootorg Setting	--memwidth Setting
8-bit parallel I/O	<code>--bootorg PARALLEL</code>	<code>--memwidth 8</code>
16-bit parallel I/O	<code>--bootorg PARALLEL</code>	<code>--memwidth 16</code>
8-bit serial RS232	<code>--bootorg SERIAL</code>	<code>--memwidth 8</code>
16-bit serial RS232	<code>--bootorg SERIAL</code>	<code>--memwidth 16</code>
8-bit parallel EPROM	<code>--bootorg 0x8000</code>	<code>--memwidth 8</code>
16-bit parallel EPROM	<code>--bootorg 0x8000</code>	<code>--memwidth 16</code>

You should set the `--romwidth` equal to the `--memwidth` unless you want to have multiple output files.

The 'C5x can boot through either the serial or parallel interface with either 8- or 16-bit data. The format is the same for any combination: the boot table consists of a field containing the destination address, a field containing the length, and a block containing the data.

You can boot only one section. If you are booting from an 8-bit channel, 16-bit words are stored in the table with the MSBs first; the hex conversion utility automatically builds the table in the correct format.

- To boot from a serial port, specify `--bootorg SERIAL` when invoking the utility. Use either `--memwidth 8` or `--memwidth 16`.
- To load from a parallel I/O port, invoke the utility by specifying `--bootorg PARALLEL`. Use either `--memwidth 8` or `--memwidth 16`.
- To boot from external memory (EPROM), specify the source address of the boot memory by using the `--bootorg` option. Use either `--memwidth 8` or `--memwidth 16`.

For example, the following command file allows you to boot the .text section of abc.out from a byte-wide EPROM at location 08000h.

Figure 11–8. Sample Command File for Booting From a 'C5x EPROM

```
abc.out          /* input file          */
-o abc.i         /* output file         */
-i              /* Intel format       */
-memwidth 8     /* 8-bit memory       */
-romwidth 8     /* outfile is bytes,  */
                /* not words           */
-bootorg 8000h  /* external memory    */
                /* boot                */

SECTIONS { .text: BOOT }
```

11.10 Controlling the ROM Device Address

The hex conversion utility output address field corresponds to the ROM device address. The EPROM programmer burns the data into the location specified by the hex conversion utility output file address field. The hex conversion utility offers some mechanisms to control the starting address in ROM of each section and/or to control the address index used to increment the address field. However, many EPROM programmers offer direct control of the location in ROM in which the data is burned.

11.10.1 Controlling the Starting Address

Depending on whether or not you are using the boot loader, the hex conversion utility output file controlling mechanisms are different.

Nonboot-loader mode. The address field of the hex conversion utility output file is controlled by the following mechanisms listed from low to high priority:

- 1) **The linker command file.** By default, the address field of the hex conversion utility output file is a function of the load address (as given in the linker command file) and the hex conversion utility parameter values. The relationship is summarized as follows:

$$\text{out_file_addr}^\dagger = \text{load_addr} \times (\text{data_width} \div \text{mem_width})$$

out_file_addr	is the address of the output file.
load_addr	is the linker-assigned load address.
data_width	is specified as 16 bits for the TMS320C1x/ C2x/C2xx/ C5x devices. See subsection 11.4.2, page 11-8.
mem_width	is the memory width of the memory system. You can specify the memory width by the <code>-memwidth</code> option or by the <code>memwidth</code> parameter inside the <code>ROMS</code> directive. See Section 11.4.3, page 11-8.

[†] If `paddr` is not specified

The value of data width divided by memory width is a correction factor for address generation. When data width is larger than memory width, the correction factor *expands* the address space. For example, if the load address is 0×1 and data width divided by memory width is 2, the output file address field would be 0×2 . The data is split into two consecutive locations of size of the memory width.

- 2) **The `-paddr` option of the `SECTIONS` directive.** When the `-paddr` is specified for a section, the hex conversion utility bypasses the section load address and places the section in the address specified by `-paddr`. The relationship between the hex conversion utility output file address field and the `-paddr` option can be summarized as follows:

$$\text{out_file_addr}^\dagger = \text{paddr_val} + (\text{load_addr} - \text{sect_beg_load_addr}) \times (\text{data_width} \div \text{mem_width})$$

<code>out_file_addr</code>	is the address of the output file.
<code>paddr_val</code>	is the value supplied with the <code>-paddr</code> option inside the <code>SECTIONS</code> directive.
<code>sect_beg_load_addr</code>	is the section load address assigned by the linker.

† If `paddr` is not specified

The value of data width divided by memory width is a correction factor for address generation. The section beginning load address factor subtracted from the load address is an offset from the beginning of the section.

- 3) **The `-zero` option.** When you use the `-zero` option, the utility resets the address origin to zero for each output file. Since each file starts at zero and counts upward, any address records represent offsets from the beginning of the file (the address within the ROM) rather than actual target addresses of the data.

You must use the `-zero` option in conjunction with the `-image` option to force the starting address in each output file to be zero. If you specify the `-zero` option without the `-image` option, the utility issues a warning and ignores the `-zero` option.

- Boot-Loader Mode.** When the boot loader is used, the hex conversion utility places the different COFF sections that are in the boot table into consecutive memory locations. Each COFF section becomes a boot table block whose destination address is equal to the linker-assigned section load address.

The address field of the the hex conversion utility output file is not related to the section load addresses assigned by the linker. The address fields are simply offsets to the beginning of the table, multiplied by the correction factor (data width divided by memory width).

The beginning of the boot table defaults to the linked load address of the first bootable section in the COFF input file, unless you use one of the following mechanisms, listed here from low- to high-priority. Higher priority mechanisms override the values set by low priority options in an overlapping range.

- 1) **The ROM origin specified in the ROMS directive.** The hex conversion utility places the boot table at the origin of the first memory range in a ROMS directive.
- 2) **The `-bootorg` option.** The hex conversion utility places the boot table at the address specified by the `-bootorg` option if you select boot loading from memory. Neither `-bootorg PARALLEL` nor `-bootorg SERIAL` affect the address field.

11.10.2 Controlling the Address Increment Index

By default, the hex conversion utility increments the output file address field according to the memory width value. If memory width equals 16, the address will increment on the basis of how many 16-bit words are present in each line of the output file.

11.10.3 The `-byte` Option

Some EPROM programmers may require the output file address field to contain a byte count rather than a word count. If you use the `-byte` option, the output file address increments once for each byte. For example, if the starting address is 0h, the first line contains eight words, and you use no `-byte` option, the second line would start at address 8 (8h). If the starting address is 0h, the first line contains eight words, and you use the `-byte` option, the second line would start at address 16 (010h). The data in both examples are the same; `-byte` affects only the calculation of the output file address field, not the actual target processor address of the converted data.

The `-byte` option causes the address records in an output file to refer to byte locations within the file, whether the target processor is byte-addressable or not.

11.10.4 Dealing With Address Holes

When memory width is different from data width, the automatic multiplication of the load address by the correction factor might create holes at the beginning of a section or between sections.

For example, assume you want to load a COFF section (.sec1) at address 0x0100 of an 8-bit EPROM. If you specify the load address in the linker command file at location 0x100, the hex conversion utility will multiply the address by 2 (data width divided by memory width = 16/8 = 2), giving the output file a starting address of 0x200. Unless you control the starting address of the EPROM with your EPROM programmer, you could create holes within the EPROM. The EPROM will burn the data starting at location 0x200 instead of 0x100. To solve this, you can:

- Use the `paddr` parameter of the `SECTIONS` directive.** This forces a section to start at the specified value. Figure 11–9 shows a command file that can be used to avoid the hole at the beginning of .sec1.

Figure 11–9. Hex Command File for Avoiding a Hole at the Beginning of a Section

```
-i
a.out
-map a.map

ROMS
{
  ROM : org = 0x0100, length = 0x200, romwidth = 8,
      memwidth = 8,
}

SECTIONS
{
  sec1: paddr = 0x100
}
```

Note: If your file contains multiple sections, and, if one section uses a `paddr` parameter, then all sections must use the `paddr` parameter.

- Use the `-bootorg` option or use the `ROMS` origin parameter (for boot loading only).** As described on page 11-35, when you are boot loading, the EPROM address of the entire boot-loader table can be controlled by the `-bootorg` option or by the `ROMS` directive origin. For another example, refer to Section D.3, page D-10, or Section D.4, page D-19.

11.11 Description of the Object Formats

The hex conversion utility converts a COFF object file into one of five object formats that most EPROM programmers accept as input: ASCII-Hex, Intel MCS-86, Motorola-S, Extended Tektronix, or TI-Tagged.

Table 11–3 specifies the format options.

- If you use more than one of these options, the last one you list overrides the others.
- The default format is Tektronix (–x option).

Table 11–3. Options for Specifying Hex Conversion Formats

Option	Format	Address Bits	Default Width
–a	ASCII-Hex	16	8
–i	Intel	32	8
–m	Motorola-S	16	8
–t	TI-Tagged	16	16
–x	Tektronix	32	8

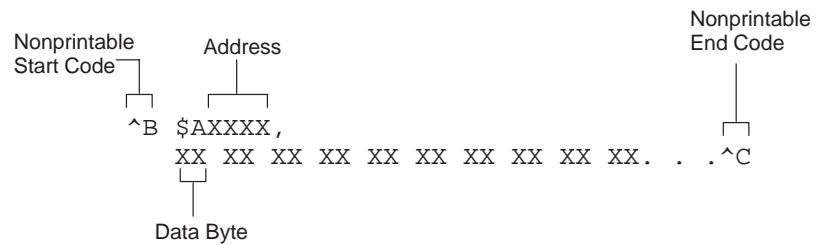
Address bits determine how many bits of the address information the format supports. Formats with 16-bit addresses support addresses up to 64K only. The utility truncates target addresses to fit in the number of available bits.

The **default width** determines the default output width. You can change the default width by using the –romwidth option or by using the –romwidth option in the ROMS directive. You cannot change the default width of the TI-Tagged format, which supports a 16-bit width only.

11.11.1 ASCII-Hex Object Format (`-a` Option)

The ASCII-Hex object format supports 16-bit addresses. The format consists of a byte stream with bytes separated by spaces. Figure 11–10 illustrates the ASCII-Hex format.

Figure 11–10. ASCII-Hex Object Format



The file begins with an ASCII STX character (ctrl-B, 02h) and ends with an ASCII ETX character (ctrl-C, 03h). Address records are indicated with \$Axxxx, in which xxxx is a 4-digit (16-bit) hexadecimal address. The address records are present only in the following situations:

- When discontinuities occur
- When the byte stream does not begin at address 0

You can avoid all discontinuities and any address records by using the `-image` and `-zero` options. This creates output that is simply a list of byte values.

11.11.2 Intel MCS-86 Object Format (-i Option)

The Intel object format supports 16-bit addresses and 32-bit extended addresses. Intel format consists of a 9-character (4-field) prefix—which defines the start of record, byte count, load address, and record type—the data, and a 2-character checksum suffix.

The 9-character prefix represents three record types:

Record Type	Description
00	Data record
01	End-of-file record
04	Extended linear address record

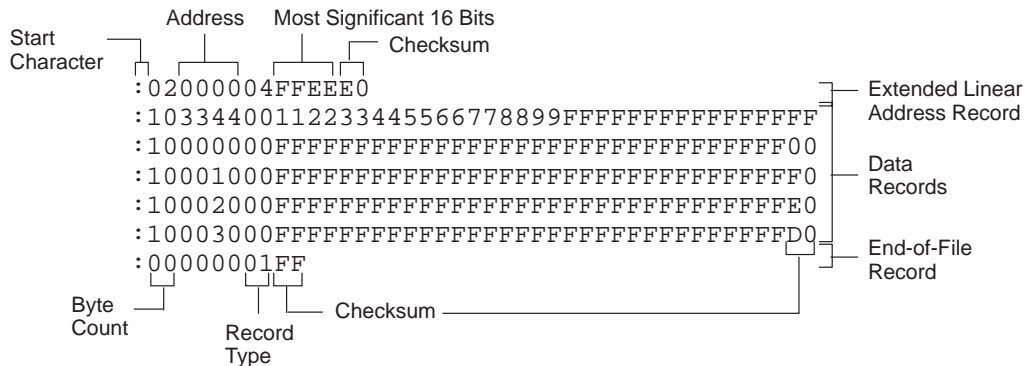
Record type *00*, the data record, begins with a colon (:) and is followed by the byte count, the address of the first data byte, the record type (00), and the checksum. Note that the address is the least significant 16 bits of a 32-bit address; this value is concatenated with the value from the most recent 04 (extended linear address) record to create a full 32-bit address. The checksum is the 2s complement (in binary form) of the preceding bytes in the record, including byte count, address, and data bytes.

Record type *01*, the end-of-file record, also begins with a colon (:), followed by the byte count, the address, the record type (01), and the checksum.

Record type *04*, the extended linear address record, specifies the upper 16 address bits. It begins with a colon (:), followed by the byte count, a dummy address of 0h, the record type (04), the most significant 16 bits of the address, and the checksum. The subsequent address fields in the data records contain the least significant bits of the address.

Figure 11–11 illustrates the Intel hexadecimal object format.

Figure 11–11. Intel Hex Object Format



11.11.3 Motorola Exorciser Object Format (-m Option)

The Motorola-S format supports 16-bit addresses. It consists of a start-of-file (header) record, data records, and an end-of-file (termination) record. Each record is made up of five fields: record type, byte count, address, data, and checksum. The three record types are:

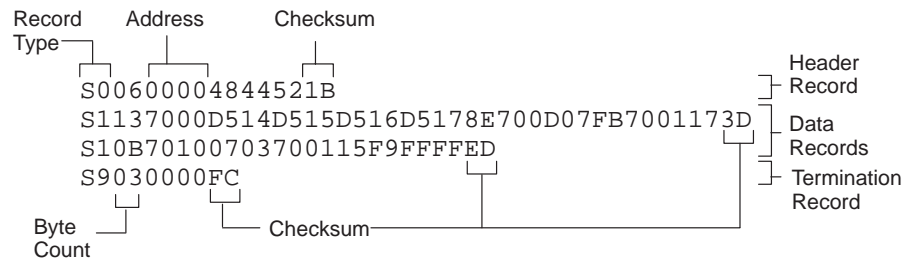
Record Type	Description
S0	Header record
S1	Code/data record
S2	Termination record

The byte count is the character pair count in the record, excluding the type and byte count itself.

The checksum is the least significant byte of the 1s complement of the sum of the values represented by the pairs of characters making up the byte count, address, and the code/data fields.

Figure 11-12 illustrates the Motorola-S object format.

Figure 11-12. Motorola-S Format



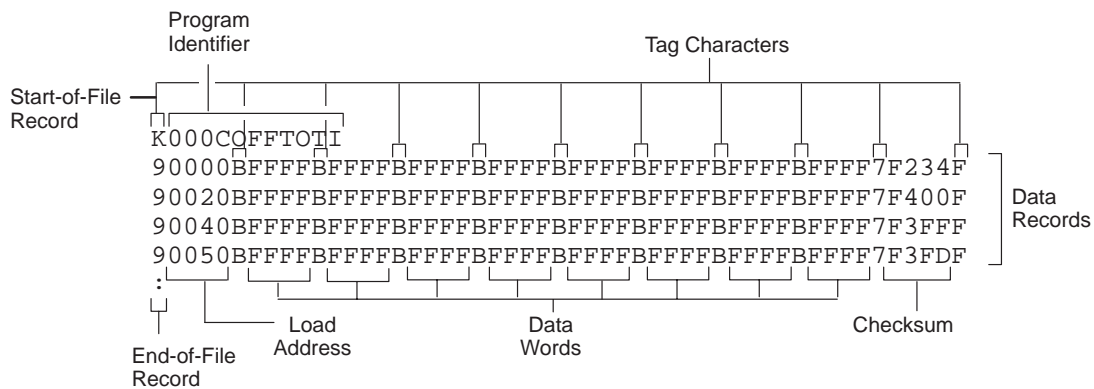
11.11.4 Texas Instruments SDSMAC Object Format (-t Option)

The TI-Tagged object format supports 16-bit addresses. It consists of a start-of-file record, data records, and end-of-file record. Each of the data records is made up of a series of small fields and is signified by a tag character. The significant tag characters are:

Tag Character	Description
K	followed by the program identifier
7	followed by a checksum
8	followed by a dummy checksum (ignored)
9	followed by a 16-bit load address
B	followed by a data word (four characters)
F	identifies the end of a data record
*	followed by a data byte (two characters)

Figure 11–13 illustrates the tag characters and fields in TI-Tagged object format.

Figure 11–13. TI-Tagged Object Format



If any data fields appear before the first address, the first field is assigned address 0000h. Address fields may be expressed for any data byte, but none is required. The checksum field, which is preceded by the tag character 7, is a 2s complement of the sum of the 8-bit ASCII values of characters, beginning with the first tag character and ending with the checksum tag character (7 or 8). The end-of-file record is a colon (:).

11.11.5 Extended Tektronix Object Format (-x Option)

The Tektronix object format supports 32-bit addresses and has two types of records:

data record contains the header field, the load address, and the object code.

termination record signifies the end of a module.

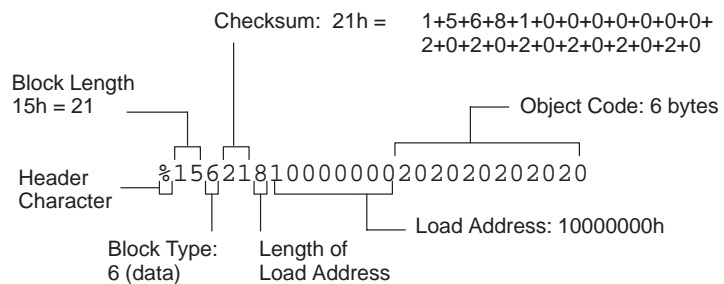
The header field in the data record contains the following information:

Item	Number of ASCII Characters	Description
%	1	Data type is Tektronix format
Block length	2	Number of characters in the record, minus the %
Block type	1	6 = data record 8 = termination record
Checksum	2	A two-digit hex sum modulo 256 of all values in the record except the % and the checksum itself.

The load address in the data record specifies where the object code will be located. The first digit specifies the address length; this is always 8. The remaining characters of the data record contain the object code, two characters per byte.

Figure 11–14 illustrates the Tektronix object format.

Figure 11–14. Extended Tektronix Object Format



11.12 Hex Conversion Utility Error Messages

section mapped to reserved memory message

Description A section or a boot-loader table is mapped into a reserved memory area listed in the processor memory map.

Action Correct the section or boot-loader address. Refer to the device user's guide for valid memory locations.

sections overlapping

Description Two or more COFF section load addresses overlap or a boot table address overlaps another section.

Action This problem may be caused by an incorrect translation from load address to hex output file address that is performed by the hex conversion utility when memory width is less than data width. Refer to Section 11.4, page 11-7, and Section 11.10, page 11-34.

unconfigured memory error

Description This error could have one of two causes:

- The COFF file contains a section whose load address falls outside the memory range defined in the ROMS directive.
- The boot-loader table address is not within the memory range defined by the ROMS directive.

Action Correct the ROM range as defined by the ROMS directive to cover the memory range as needed, or modify the section load address or boot-loader table address. Remember that if the ROMS directive is not used, the memory range defaults to the entire processor address space. For this reason, removing the ROMS directive could also be a workaround.

Common Object File Format

The assembler and linker create object files in common object file format (COFF). COFF is an implementation of an object file format of the same name that was developed by AT&T for use on UNIX-based systems. This format is used because it encourages modular programming and provides more powerful and flexible methods for managing code segments and target system memory.

Sections are a basic COFF concept. Chapter 2 discusses COFF sections in detail. If you understand section operation, you will be able to use the assembly language tools more efficiently.

This appendix contains technical details about COFF object file structure. Much of this information pertains to the symbolic debugging information that is produced by the C compiler. The purpose of this appendix is to provide supplementary information on the internal format of COFF object files.

These topics are included in this appendix:

Topic	Page
A.1 COFF File Structure	A-2
A.2 File Header Structure	A-4
A.3 Optional File Header Format	A-6
A.4 Section Header Structure	A-7
A.5 Structuring Relocation Information	A-9
A.6 Line Number Table Structure	A-11
A.7 Symbol Table Structure and Content	A-13

A.1 COFF File Structure

The elements of a COFF object file describe the file's sections and symbolic debugging information. These elements include:

- A file header
- Optional header information
- A table of section headers
- Raw data for each initialized section
- Relocation information for each initialized section
- Line number entries for each initialized section
- A symbol table
- A string table

The assembler and linker produce object files with the same COFF structure; however, a program that is linked for the final time does not usually contain relocation entries. Figure A-1 illustrates the overall object file structure.

Figure A-1. COFF File Structure

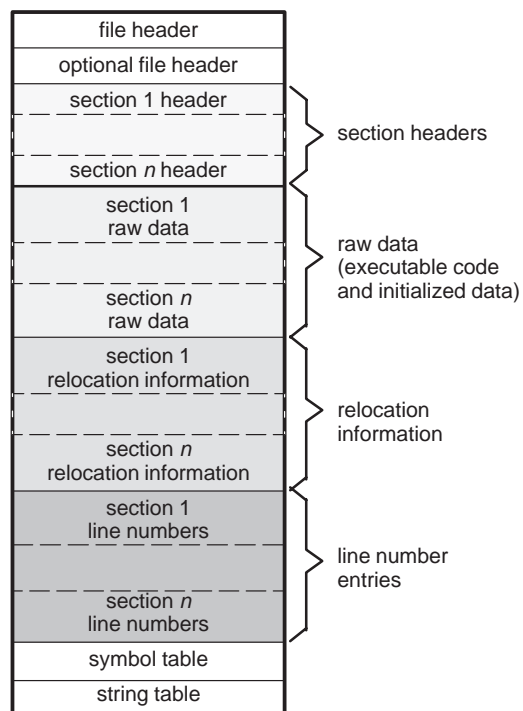
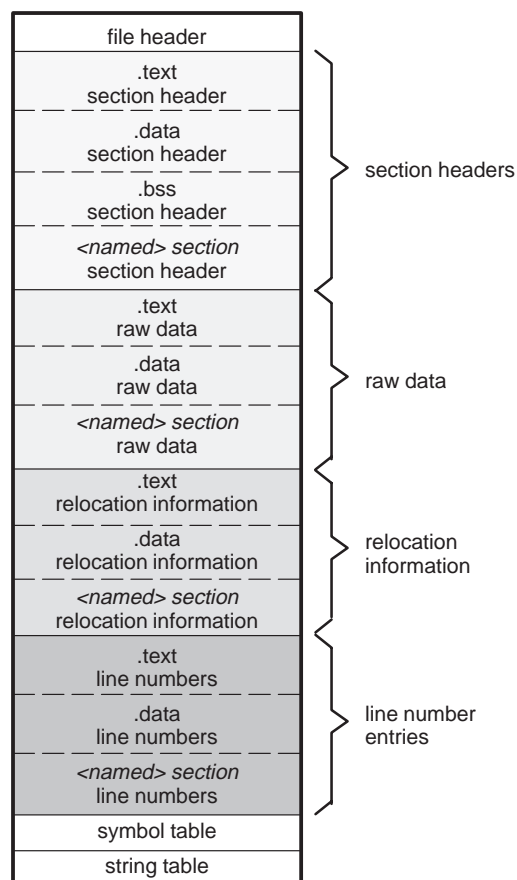


Figure A–2 shows a typical example of a COFF object file that contains the three default sections, .text, .data, and .bss, and a named section (referred to as <named>). By default, the tools place sections into the object file in the following order: .text, .data, initialized named sections, .bss, and uninitialized named sections. Although uninitialized sections have section headers, they have no raw data, relocation information, or line number entries. This is because the .bss and .usect directives simply reserve space for uninitialized data; uninitialized sections contain no actual code.

Figure A–2. COFF Object File



Different Versions of COFF

This appendix refers to two versions of COFF: version 0 and version 1. COFF version 0 is used in toolset versions 5.00 through 6.40. COFF version 1 is used in all later versions of the toolset. COFF version 1 tools can read COFF version 0, however, these tools will output COFF version 1, unless you use the linker `-v0` option to output COFF version 0.

A.2 File Header Structure

The file header contains information that describes the general format of an object file. Table A–1 shows the structure of the Version 0 COFF file header (20 bytes). Table A–2 shows the structure of the Version 1 COFF file header (22 bytes).

Table A–1. File Header Contents for COFF Version 0

Byte Number	Type	Description
0–1	Unsigned short integer	Either magic number (092h) to indicate the file can be executed in a TMS320C2x/C2xx/5x system; or 0c0h to indicate the COFF version.
2–3	Unsigned short integer	Number of section headers
4–7	Long integer	Time and date stamp; indicates when the file was created
8–11	Long integer	File pointer; contains the symbol table's starting address
12–15	Long integer	Number of entries in the symbol table
16–17	Unsigned short integer	Number of bytes in the optional header. This field is either 0 or 28; if it is 0, there is no optional file header.
18–19	Unsigned short integer	Flags (see Table A–3)

Table A–2. File Header Contents for COFF Version 1

Byte Number	Type	Description
0–1	Unsigned short integer	Version id; indicates version of COFF file structure.
2–3	Unsigned short integer	Number of section headers
4–7	Long integer	Time and date stamp; indicates when the file was created
8–11	Long integer	File pointer; contains the symbol table's starting address
12–15	Long integer	Number of entries in the symbol table
16–17	Unsigned short integer	Number of bytes in the optional header. This field is either 0 or 28; if it is 0, there is no optional file header.
18–19	Unsigned short integer	Flags (see Table A–3)
20–21	Unsigned short integer	Target id; magic number (092h) indicates the file can be executed in a TMS320C2x/C2xx/C5x system

Table A–3 lists the flags that can appear in bytes 18 and 19 of the file header. Any number and combination of these flags can be set at the same time (for example, if bytes 18 and 19 are set to 0003h, F_RELFLG and F_EXEC are both set.)

Table A–3. File Header Flags (Bytes 18 and 19)

Mnemonic	Flag	Description
F_10	00h	This file is built for the TMS320C1x devices.
F_20	010h	This file is built for the TMS320C2x devices.
F_25	020h	This file is built for the TMS320C2x/C5x devices.
F_RELFLG	0001h	Relocation information was stripped from the file.
F_EXEC	0002h	The file is relocatable (it contains no unresolved external references).
F_LNNO	0004h	Line numbers were stripped from the file.
F_LSYMS	0008h	Local symbols were stripped from the file.
F_LENDIAN	0100h	The file has the byte ordering used by TMS320C1x, TMS320C2x, TMS320C2xx, and TMS320C5x devices (16 bits per word, least significant byte first).

A.3 Optional File Header Format

The linker creates the optional file header and uses it to perform relocation at download time. Partially linked files do not contain optional file headers. Table A-4 illustrates the optional file header format.

Table A-4. Optional File Header Contents

Byte Number	Type	Description
0-1	Short integer	Magic number (0108h)
2-3	Short integer	Version stamp
4-7	Long integer	Size (in words) of executable code
8-11	Long integer	Size (in words) of initialized data
12-15	Long integer	Size (in words) of uninitialized data
16-19	Long integer	Entry point
20-23	Long integer	Beginning address of executable code
24-27	Long integer	Beginning address of initialized data

A.4 Section Header Structure

COFF object files contain a table of section headers that define where each section begins in the object file. Each section has its own section header.

Table A–5. Section Header Contents

Byte Number	Type	Description
0–7	Character	8-character section name, padded with nulls
8–11	Long integer	Section's physical address
12–15	Long integer	Section's virtual address
16–19	Long integer	Section size in words
20–23	Long integer	File pointer to raw data
24–27	Long integer	File pointer to relocation entries
28–31	Long integer	File pointer to line number entries
32–33	Unsigned short integer	Number of relocation entries
34–35	Unsigned short integer	Number of line number entries
36–37	Unsigned short integer	Flags (see Table A–6)
38	Character	Reserved
39	Unsigned character	Memory page number

Table A–6 lists the flags that can appear in bytes 36 and 37 of the section header.

Table A–6. Section Header Flags (Bytes 36 and 37)

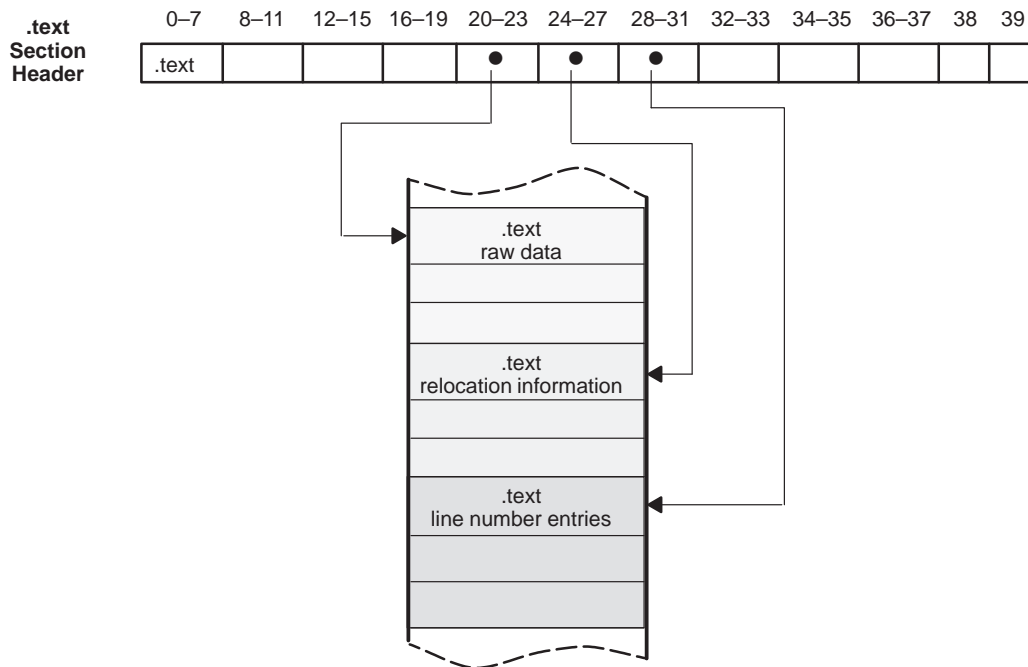
Mnemonic	Flag	Description
STYP_REG	0000h	Regular section (allocated, relocated, loaded)
STYP_DSECT	0001h	Dummy section (relocated, not allocated, not loaded)
STYP_NOLOAD	0002h	Noload section (allocated, relocated, not loaded)
STYP_GROUP	0004h	Grouped section (formed from several input sections)
STYP_PAD	0008h	Padding section (loaded, not allocated, not relocated)
STYP_COPY	0010h	Copy section (relocated, loaded, but not allocated; relocation and line number entries are processed normally)
STYP_TEXT	0020h	Section contains executable code
STYP_DATA	0040h	Section contains initialized data
STYP_BSS	0080h	Section contains uninitialized data
STYP_ALIGN	0700h	Section is aligned on a page boundary

Note: The term *loaded* means that the raw data for this section appears in the object file.

The flags listed in Table A-6 can be combined; for example, if the flag's word is set to 024h, both STYP_GROUP and STYP_TEXT are set.

Figure A-3 illustrates how the pointers in a section header would point to the elements in an object file that are associated with the .text section.

Figure A-3. Section Header Pointers for the .text Section



As Figure A-2, page A-3, shows, uninitialized sections (created with the .bss and .usect directives) vary from this format. Although uninitialized sections have section headers, they have no raw data, relocation information, or line number information. They occupy no actual space in the object file. Therefore, the number of relocation entries, the number of line number entries, and the file pointers are 0 for an uninitialized section. The header of an uninitialized section simply tells the linker how much space for variables it should reserve in the memory map.

A.5 Structuring Relocation Information

A COFF object file has one relocation entry for each relocatable reference. The assembler automatically generates relocation entries. The linker reads the relocation entries as it reads each input section and performs relocation. The relocation entries determine how references within each input section are treated.

Version 0 COFF file relocation information entries use the 10-byte format shown in Table A–7. Version 1 COFF file relocation information entries use the 12-byte format shown in Table A–8.

Table A–7. Relocation Entry Contents for COFF Version 0

Byte Number	Type	Description
0–3	Long integer	Virtual address of the reference
4–5	Unsigned short integer	Symbol table index (0–65535)
6–7	Unsigned short integer	Reserved
8–9	Unsigned short integer	Relocation type (see Table A–9)

Table A–8. Relocation Entry Contents for COFF Version 1

Byte Number	Type	Description
0–3	Long integer	Virtual address of the reference
4–7	Unsigned long integer	Symbol table index
8–9	Unsigned short integer	Reserved
10–11	Unsigned short integer	Relocation type (see Table A–9)

The **virtual address** is the symbol's address in the current section *before* relocation; it specifies *where* a relocation must occur. (This is the address of the field in the object code that must be patched.)

Following is an example of code that generates a relocation entry:

```
0002          .global  X
0003  0000  FF80      B      X
          0001  0000!
```

In this example, the virtual address of the relocatable field is 0001.

The **symbol table index** is the index of the referenced symbol. In the preceding example, this field would contain the index of X in the symbol table. The amount of the relocation is the difference between the symbol's current address in the section and its assembly-time address. The relocatable field must be relocated by the same amount as the referenced symbol. In the example, X has a value of 0 before relocation. Suppose X is relocated to address 2000h. This is the relocation amount ($2000h - 0 = 2000h$), so the relocation field at address 1 is patched by adding 2000h to it.

You can determine a symbol's relocated address if you know which section it is defined in. For example, if X is defined in .data and .data is relocated by 2000h, X is relocated by 2000h.

If the symbol table index in a relocation entry is -1 (0FFFFh), this is called an *internal relocation*. In this case, the relocation amount is simply the amount by which the current section is being relocated.

The **relocation type** specifies the size of the field to be patched and describes how the patched value should be calculated. The type field depends on the addressing mode that was used to generate the relocatable reference. In the preceding example, the actual address of the referenced symbol (X) will be placed in a 16-bit field in the object code. This is a 16-bit direct relocation, so the relocation type is R_RELWORD. Table A-9 lists the relocation types.

Table A-9. Relocation Types (Bytes 8 and 9)

Mnemonic	Flag	Relocation Type
R_ABS	0000h	No relocation
R_RELBYTE	000Fh	8-bit direct reference to symbol's address
R_REL	002Ah	13-bit direct reference
R_RELWORD	0010h	16-bit direct reference to symbol's address
R_PARTLS7	0028h	7 LSBs of an address
R_PARTMS9	0029h	9 MSBs of an address

A.6 Line Number Table Structure

The object file contains a table of line number entries that are useful for symbolic debugging. When the C compiler produces several lines of assembly language code, it creates a line-number entry that maps these lines back to the original line of C source code that generated them. Each single line number entry contains 6 bytes of information. Table A–10 shows the format of a line-number entry.

Table A–10. Line Number Entry Format

Byte Number	Type	Description
0–3	Long integer	This entry may have one of two values: <ol style="list-style-type: none"> 1) If it is the first entry in a block of line-number entries, it points to a symbol entry in the symbol table. 2) If it is not the first entry in a block, it is the physical address of the line indicated by bytes 4–5.
4–5	Unsigned short integer	This entry may have one of two values: <ol style="list-style-type: none"> 1) If this field is 0, this is the first line of a function entry. 2) If this field is <i>not</i> 0, this is the line number of a line of C source code.

Figure A–4 shows how line number entries are grouped into blocks.

Figure A–4. Line Number Blocks

Symbol Index 1	0
physical address	line number
physical address	line number
Symbol Index n	0
physical address	line number
physical address	line number

As Figure A–4 shows, each entry is divided into halves:

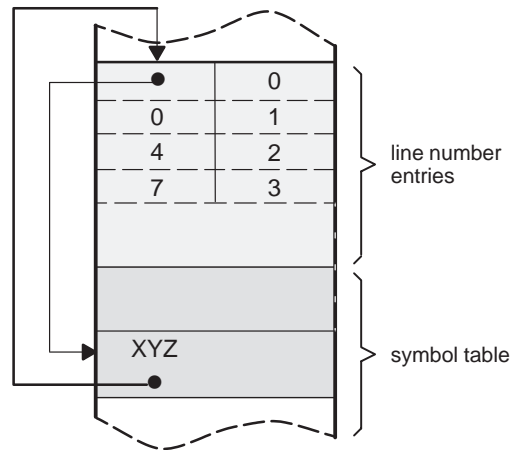
- For the *first line* of a function, bytes 0–3 point to the name of a symbol or a function in the symbol table, and bytes 4–5 contain a 0, which indicates the beginning of a block.

- For the *remaining lines* in a function, bytes 0–3 show the physical address (the number of words created by a line of C source) and bytes 4–5 show the address of the original C source, relative to its appearance in the C source program.

The line entry table can contain many of these blocks.

Figure A–5 illustrates line number entries for a function named XYZ. As shown, the function name is entered as a symbol in the symbol table. The first portion on XYZ's block of line number entries points to the function name in the symbol table. Assume that the original function in the C source contained three lines of code. The first line of code produces 4 words of assembly language code, the second line produces 3 words, and the third line produces 10 words.

Figure A–5. Line Number Entries



(Note that the symbol table entry for XYZ has a field that points back to the beginning of the line number block.)

Because line numbers are not often needed, the linker provides an option (`-s`) that strips line number information from the object file; this provides a more compact object module.

A.7 Symbol Table Structure and Content

The order of symbols in the symbol table is very important; they appear in the sequence shown in Figure A–6.

Figure A–6. Symbol Table Contents

filename 1
<i>function 1</i>
local symbols for function 1
<i>function 2</i>
local symbols for function 2
filename 2
<i>function 1</i>
local symbols for function 1
static variables
defined global symbols
undefined global symbols

Static variables refer to symbols defined in C that have storage class `static` outside any function. If you have several modules that use symbols with the same name, making them `static` confines the scope of each symbol to the module that defines it (this eliminates multiple-definition conflicts).

The entry for each symbol in the symbol table contains the symbol's:

- Name (or a pointer into the string table)
- Type
- Value
- Section it was defined in
- Storage class
- Basic type (integer, character, etc.)
- Derived type (array, structure, etc.)
- Dimensions
- Line number of the source code that defined the symbol

Section names are also defined in the symbol table.

All symbol entries, regardless of class and type, have the same format in the symbol table. Each symbol table entry contains the 18 bytes of information listed in Table A–11. Each symbol may also have an 18-byte auxiliary entry; the special symbols listed in Table A–12, page A-15, always have an auxiliary entry. Some symbols may not have all the characteristics listed above; if a particular field is not set, it is set to null.

Table A–11. Symbol Table Entry Contents

Byte Number	Type	Description
0–7	Character	This field contains one of the following: 1) An 8-character symbol name, padded with nulls 2) An offset into the string table if the symbol name is longer than 8 characters
8–11	Long integer	Symbol value; storage class dependent
12–13	Short integer	Section number of the symbol
14–15	Unsigned short integer	Basic and derived type specification
16	Character	Storage class of the symbol
17	Character	Number of auxiliary entries (always 0 or 1)

A.7.1 Special Symbols

The symbol table contains some special symbols that are generated by the compiler, assembler, and linker. Each special symbol contains ordinary symbol table information and an auxiliary entry. Table A–12 lists these symbols.

Table A–12. *Special Symbols in the Symbol Table*

Symbol	Description
.file	File name
.text	Address of the .text section
.data	Address of the .data section
.bss	Address of the .bss section
.bb	Address of the beginning of a block
.eb	Address of the end of a block
.bf	Address of the beginning of a function
.ef	Address of the end of a function
.target	Pointer to a structure or union that is returned by a function
.nfake	Dummy tag name for a structure, union, or enumeration
.eos	End of a structure, union, or enumeration
etext	Next available address after the end of the .text output section
edata	Next available address after the end of the .data output section
end	Next available address after the end of the .bss output section

Several of these symbols appear in pairs:

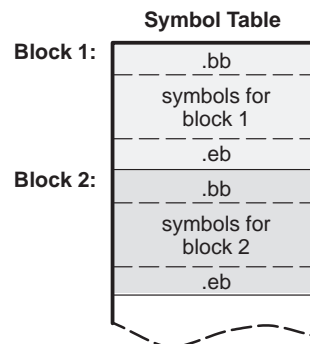
- .bb/.eb indicate the beginning and end of a block.
- .bf/.ef indicate the beginning and end of a function.
- nfake/.eos name and define the limits of structures, unions, and enumerations that were not named. The .eos symbol is also paired with named structures, unions, and enumerations.

When a structure, union, or enumeration has no tag name, the compiler assigns it a name so that it can be entered into the symbol table. These names are of the form *nfake*, where *n* is an integer. The compiler begins numbering these symbol names at 0.

Symbols and Blocks

In C, a block is a compound statement that begins and ends with braces. A block always contains symbols. The symbol definitions for any particular block are grouped together in the symbol table and are delineated by the `.bb/.eb` special symbols. Blocks can be nested in C, and their symbol table entries can be nested correspondingly. Figure A–7 shows how block symbols are grouped in the symbol table.

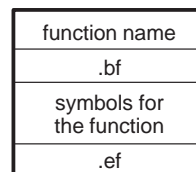
Figure A–7. Symbols for Blocks



Symbols and Functions

The symbol definitions for a function appear in the symbol table as a group, delineated by `.bf/.ef` special symbols. The symbol table entry for the function name precedes the `.bf` special symbol. Figure A–8 shows the format of symbol table entries for a function.

Figure A–8. Symbols for Functions



If a function returns a structure or union, a symbol table entry for the special symbol `.target` will appear between the entries for the function name and the `.bf` special symbol.

A.7.2 Symbol Name Format

The first 8 bytes of a symbol table entry (bytes 0–7) indicate a symbol's name:

- If the symbol name is 8 characters or less, this field has type *character*. The name is padded with nulls (if necessary) and stored in bytes 0–7.
- If the symbol name is greater than 8 characters, this field is treated as two long integers. The entire symbol name is stored in the string table. Bytes 0–3 contain 0, and bytes 4–7 are an offset into the string table.

A.7.3 String Table Structure

Symbol names that are longer than eight characters are stored in the string table. The field in the symbol table entry that would normally contain the symbol's name contains, instead, a pointer to the symbol's name in the string table. Names are stored contiguously in the string table, delimited by a null byte. The first four bytes of the string table contain the size of the string table in bytes; thus, offsets into the string table are greater than or equal to four.

Figure A–9 is a string table that contains two symbol names, Adaptive-Filter and Fourier-Transform. The index in the string table is 4 for Adaptive-Filter and 20 for Fourier-Transform.

Figure A–9. String Table

38			
'A'	'd'	'a'	'p'
't'	'i'	'v'	'e'
'.'	'F'	'i'	'l'
't'	'e'	'r'	'\0'
'F'	'o'	'u'	'r'
'i'	'e'	'r'	'.'
'T'	'r'	'a'	'n'
's'	'f'	'o'	'r'
'm'	'\0'		

A.7.4 Storage Classes

Byte 16 of the symbol table entry indicates the storage class of the symbol. Storage classes refer to the method in which the C compiler accesses a symbol. Table A–13 lists valid storage classes.

Table A–13. *Symbol Storage Classes*

Mnemonic	Value	Storage Class	Mnemonic	Value	Storage Class
C_NULL	0	No storage class	C_UNTAG	12	Union tag
C_AUTO	1	Automatic variable	C_TPDEF	13	Type definition
C_EXT	2	External symbol	C_USTATIC	14	Uninitialized static
C_STAT	3	Static	C_ENTAG	15	Enumeration tag
C_REG	4	Register variable	C_MOE	16	Member of an enumeration
C_EXTDEF	5	External definition	C_REGPARAM	17	Register parameter
C_LABEL	6	Label	C_FIELD	18	Bit field
C_ULABEL	7	Undefined label	C_BLOCK	100	Beginning or end of a block; used only for the .bb and .eb special symbols
C_MOS	8	Member of a structure	C_FCN	101	Beginning or end of a function; used only for the .bf and .ef special symbols
C_ARG	9	Function argument	C_EOS	102	End of structure; used only for the .eos special symbol
C_STRTAG	10	Structure tag	C_FILE	103	Filename; used only for the .file special symbol
C_MOU	11	Member of a union	C_LINE	104	Used only by utility programs

Some special symbols are restricted to certain storage classes. Table A–14 lists these symbols and their storage classes.

Table A–14. Special Symbols and Their Storage Classes

Special Symbol	Restricted to This Storage Class	Special Symbol	Restricted to This Storage Class
.file	C_FILE	.eos	C_EOS
.bb	C_BLOCK	.text	C_STAT
.eb	C_BLOCK	.data	C_STAT
.bf	C_FCN	.bss	C_STAT
.ef	C_FCN		

A.7.5 Symbol Values

Bytes 8–11 of a symbol table entry indicate a symbol's value. A symbol's value depends on the symbol's storage class; Table A–15 summarizes the storage classes and related values.

Table A–15. Symbol Values and Storage Classes

Storage Class	Value Description	Storage Class	Value Description
C_AUTO	Stack offset in bits	C_UNTAG	0
C_EXT	Relocatable address	C_TPDEF	0
C_STAT	Relocatable address	C_ENTAG	0
C_REG	Register number	C_MOE	Enumeration value
C_LABEL	Relocatable address	C_REGPARM	Register number
C_MOS	Offset in bits	C_FIELD	Bit displacement
C_ARG	Stack offset in bits	C_BLOCK	Relocatable address
C_STRTAG	0	C_FCN	Relocatable address
C_MOU	Offset in bits	C_FILE	0

If a symbol's storage class is C_FILE, the symbol's value is a pointer to the next .file symbol. Thus, the .file symbols form a one-way linked list in the symbol table. When there are no more .file symbols, the final .file symbol points back to the first .file symbol in the symbol table.

The value of a relocatable symbol is its virtual address. When the linker relocates a section, the value of a relocatable symbol changes accordingly.

A.7.6 Section Number

Bytes 12–13 of a symbol table entry contain a number that indicates which section the symbol was defined in. Table A–16 lists these numbers and the sections they indicate.

Table A–16. Section Numbers

Mnemonic	Section Number	Description
N_DEBUG	–2	Special symbolic debugging symbol
N_ABS	–1	Absolute symbol
N_UNDEF	0	Undefined external symbol
N_SCNUM	1	.text section (typical)
N_SCNUM	2	.data section (typical)
N_SCNUM	3	.bss section (typical)
N_SCNUM	4–32,767	Section number of a named section, in the order in which the named sections are encountered

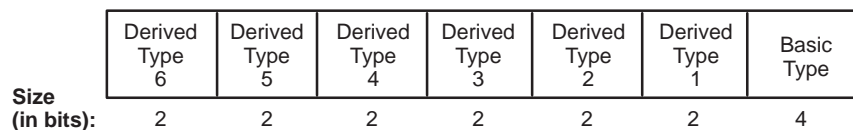
If there were no .text, .data, or .bss sections, the numbering of named sections would begin with 1.

If a symbol has a section number of 0, –1, or –2, it is not defined in a section. A section number of –2 indicates a symbolic debugging symbol, which includes structure, union, and enumeration tag names; type definitions; and the filename. A section number of –1 indicates that the symbol has a value but is not relocatable. A section number of 0 indicates a relocatable external symbol that is not defined in the current file.

A.7.7 Type Entry

Bytes 14–15 of the symbol table entry define the symbol’s type. Each symbol has one basic type and one to six derived types.

Following is the format for this 16-bit type entry:



Bits 0–3 of the type field indicate the basic type. Table A–17 lists valid basic types.

Table A–17. Basic Types

Mnemonic	Value	Type
T_VOID	0	Void type
T_CHAR	2	Character
T_SHORT	3	Short integer
T_INT	4	Integer
T_LONG	5	Long integer
T_FLOAT	6	Floating point
T_DOUBLE	7	Double word
T_STRUCT	8	Structure
T_UNION	9	Union
T_ENUM	10	Enumeration
T_MOE	11	Member of an enumeration
T_UCHAR	12	Unsigned character
T_USHORT	13	Unsigned short integer

Bits 4–15 of the type field are arranged as six 2-bit fields that can indicate one to six derived types. Table A–18 lists the possible derived types.

Table A–18. Derived Types

Mnemonic	Value	Type
DT_NON	0	No derived type
DT_PTR	1	Pointer
DT_FCN	2	Function
DT_ARY	3	Array

An example of a symbol with several derived types would be a symbol with a type entry of 0000000011010011₂. This entry indicates that the symbol is an array of pointers to short integers.

A.7.8 Auxiliary Entries

Each symbol table entry may have **one** or **no** auxiliary entry. An auxiliary symbol table entry contains the same number of bytes as a symbol table entry (18), but the format of an auxiliary entry depends on the symbol's type and storage class. Table A–19 summarizes these relationships.

Table A–19. Auxiliary Symbol Table Entries Format

Name	Storage Class	Type Entry		Auxiliary Entry Format
		Derived Type 1	Basic Type	
.file	C_FILE	DT_NON	T_NULL	Filename (see Table A–20)
.text, .data, .bss	C_STAT	DT_NON	T_NULL	Section (see Table A–21)
tagname	C_STRTAG C_UNTAG C_ENTAG	DT_NON	T_NULL	Tag name (see Table A–22)
.eos	C_EOS	DT_NON	T_NULL	End of structure (see Table A–23)
fname	C_EXT C_STAT	DT_FCN	(See note 1)	Function (see Table A–24)
arrname	(See note 2)	DT_ARY	(See note 1)	Array (see Table A–25)
.bb, .eb	C_BLOCK	DT_NON	T_VOID	Beginning and end of a block (see Table A–26 and Table A–27)
.bf, .ef	C_FCN	DT_NON	T_VOID	Beginning and end of a function (see Table A–26 and Table A–27)
Name related to a structure, union, or enumeration	(See note 2)	DT_PTR DT_ARR DT_NON	T_STRUCT T_UNION T_ENUM	Name related to a structure, union, or enumeration (see Table A–28)

Notes: 1) Any except T_MOE
2) C_AUTO, C_STAT, C_MOS, C_MOU, C_TPDEF

In Table A–19, *tagname* refers to any symbol name (including the special symbol *nfake*). *Fcname* and *arrname* refer to any symbol name.

A symbol that satisfies more than one condition in Table A–19 should have a union format in its auxiliary entry. A symbol that satisfies none of these conditions should not have an auxiliary entry.

Filenames

Each of the auxiliary table entries for a filename contains a 14-character filename in bytes 0–13. Bytes 14–17 are unused.

Table A–20. *Filename Format for Auxiliary Table Entries*

Byte Number	Type	Description
0–13	Character	File name
14–17	—	Unused

Sections

Table A–21 illustrates the format of auxiliary table entries.

Table A–21. *Section Format for Auxiliary Table Entries*

Byte Number	Type	Description
0–3	Long integer	Section length
4–6	Unsigned short integer	Number of relocation entries
7–8	Unsigned short integer	Number of line number entries
9–17	—	Unused (zero filled)

Tag Names

Table A–22 illustrates the format of auxiliary table entries for tag names.

Table A–22. *Tag Name Format for Auxiliary Table Entries*

Byte Number	Type	Description
0–5	—	Unused (zero filled)
6–7	Unsigned short integer	Size of structure, union, or enumeration
8–11	—	Unused (zero filled)
12–15	Long integer	Index of next entry beyond this structure, union, or enumeration
16–17	—	Unused (zero filled)

End of Structure

Table A–23 illustrates the format of auxiliary table entries for ends of structures.

Table A–23. End-of-Structure Format for Auxiliary Table Entries

Byte Number	Type	Description
0–3	Long integer	Tag index
4–5	—	Unused (zero filled)
6–7	Unsigned short integer	Size of structure, union, or enumeration
8–17	—	Unused (zero filled)

Functions

Table A–24 illustrates the format of auxiliary table entries for functions.

Table A–24. Function Format for Auxiliary Table Entries

Byte Number	Type	Description
0–3	Long integer	Tag index
4–7	Long integer	Size of function (in bits)
8–11	Long integer	File pointer to line number
12–15	Long integer	Index of next entry beyond this function
16–17	—	Unused (zero filled)

Arrays

Table A–25 illustrates the format of auxiliary table entries for arrays.

Table A–25. *Array Format for Auxiliary Table Entries*

Byte Number	Type	Description
0–3	Long integer	Tag index
4–5	Unsigned short integer	Line number declaration
6–7	Unsigned short integer	Size of array
8–9	Unsigned short integer	First dimension
10–11	Unsigned short integer	Second dimension
12–13	Unsigned short integer	Third dimension
14–15	Unsigned short integer	Fourth dimension
16–17	—	Unused (zero filled)

End of Blocks and Functions

Table A–26 illustrates the format of auxiliary table entries for the ends of blocks and functions.

Table A–26. *End-of-Blocks/Functions Format for Auxiliary Table Entries*

Byte Number	Type	Description
0–3	—	Unused (zero filled)
4–5	Unsigned short integer	C source line number
6–17	—	Unused (zero filled)

Beginning of Blocks and Functions

Table A-27 illustrates the format of auxiliary table entries for the beginnings of blocks and functions.

Table A-27. Beginning-of-Blocks/Functions Format for Auxiliary Table Entries

Byte Number	Type	Description
0-3	—	Unused (zero filled)
4-5	Unsigned short integer	C source line number of block begin
6-11	—	Unused (zero filled)
12-15	Long integer	Index of next entry past this block
16-17	—	Unused (zero filled)

Names Related to Structures, Unions and Enumerations

Table A-28 illustrates the format of auxiliary table entries for the names of structures, unions, and enumerations.

Table A-28. Structure, Union, and Enumeration Names Format for Auxiliary Table Entries

Byte Number	Type	Description
0-3	Long integer	Tag index
4-5	—	Unused (zero filled)
6-7	Unsigned short integer	Size of the structure, union, or enumeration
8-17	—	Unused (zero filled)

Symbolic Debugging Directives

The TMS320C1x/C2x/C2xx/C5x assembler supports several directives that the TMS320C2x/C2xx/C5x C compiler uses for symbolic debugging:

- The **.sym** directive defines a global variable, a local variable, or a function. Several parameters allow you to associate various debugging information with the symbol or function.
- The **.stag**, **.etag**, and **.utag** directives define structures, enumerations, and unions, respectively. The **.member** directive specifies a member of a structure, enumeration, or union. The **.eos** directive ends a structure, enumeration, or union definition.
- The **.func** and **.endfunc** directives specify the beginning and ending lines of a C function.
- The **.block** and **.endblock** directives specify the bounds of C blocks.
- The **.file** directive defines a symbol in the symbol table that identifies the current source file name.
- The **.line** directive identifies the line number of a C source statement.

These symbolic debugging directives are not usually listed in the assembly language file that the compiler creates. If you want them to be listed, invoke the code generator with the `-o` option, as shown below:

```
dspcg -o input file
```

This appendix contains an alphabetical directory of the symbolic debugging directives. With the exception of the `.file` directive, each directive contains an example of C source and the resulting assembly language code.

.block/.endblock *Define a Block*

Syntax

```
.block beginning line number  
.endblock ending line number
```

Description

The **.block** and **.endblock** directives specify the beginning and end of a C block. The *line numbers* are optional; they specify the location in the source file where the block is defined.

Block definitions can be nested. The assembler will detect improper block nesting.

Example

Following is an example of C source that defines a block and the resulting assembly language code.

C source:

```
.  
.  
.  
{          /* Beginning of a block */  
    int  a,b;  
    a = b;  
}          /* End of a block      */  
.  
.  
.
```

Resulting assembly language code:

```
.block      0  
.sym        _a,1,4,1,32  
.sym        _b,2,4,1,32  
.line      7  
LDI        *+FP(2),R0  
STI        R0,*+FP(1)  
.endblock  7
```

Syntax

```
.file "filename"
```

Description

The **.file** directive allows a debugger to map locations in memory back to lines in a C source file. The *filename* is the name of the file that contains the original C source program. The first 14 characters of the filename are significant.

You can also use the **.file** directive in assembly code to provide a name in the file and improve program readability.

Example

In the following example the file named `text.c` contained the C source that produced this directive.

```
.file      "text.c"
```

.func/.endfunc *Define a Function*

Syntax

```
.func beginning line number  
.endfunc ending line number
```

Description

The **.func** and **.endfunc** directives specify the beginning and end of a C function. The *line numbers* are optional; they specify the location in the source file where the function is defined. Function definitions cannot be nested.

Example

Following is an example of C source that defines a function and the resulting assembly language code.

C source:

```
power(x, n)          /* Beginning of a function */  
int x,n;  
{  
    int i, p;  
    p = 1;  
    for (i = 1; i <= n; ++i)  
        p = p * x;  
    return p;        /* End of function */  
}
```

Resulting assembly language code:

```

7          .sym      _power, _power, 36, 2, 0
8          .global   _power
9
10         .func     2
11         ****
12         * FUNCTION DEF : _power
13         ****
14         _power
15         00000000 0F2B0000          PUSH    FP
16         00000001 080B0014          LDI     SP, FP
17         00000002 02740001          ADDI    1, SP
18         00000003 0F240000          PUSH   R4
19         .sym      _x, -2, 4, 9, 32
20         .sym      _n, -3, 4, 9, 32
21         .sym      _i, 1, 4, 1, 32
22         .sym      _p, 4, 4, 4, 32
23         00000004          .line   5
24         00000004 08640001          LDI     1, R4
25         00000005          .LINE   6
26         00000005 15440301          STI     R4, *+FP(1)
27         00000006          L3:
28         00000006 08400301          LDI     *+FP(1), R0
29         00000007 04C00B03          CMPI   *+FP(3), R0
30         00000008 6A090008          BGT    L2
31         00000009          .LINE   7
32         00000009 08000004          LDI     R4, R0
33         0000000A 08410B02          LDI     *-FP(2), R1
34         0000000B 62000000!        CALL   I_MULT
35         0000000C 08040000          LDI     R0, R4
36         0000000D 08410301          LDI     *+FP(1), R1
37         0000000E 02610001          ADDI    1, R1
38         0000000F 15410301          STI     R1, *+FP(1)
39         00000010 60000006+        BR     L3
40         00000011          L2:
41         00000011          .LINE   8
42         00000011 08000004          LDI     R4, R0
43         00000012          EPIO_1:
44         00000012 0E240000          POP    R4
45         00000013 18740001          SUBI   1, SP
46         00000014 0E2B0000          POP    FP
47         00000015 78880000          RETS
48
49         .endifunc 11

```

Syntax

```
.line line number [, address]
```

Description

The **.line** directive creates a line number entry in the object file. Line number entries are used in symbolic debugging to associate addresses in the object code with the lines in the source code that generated them.

The **.line** directive has two operands:

- Line number* indicates the line of the C source that generated a portion of code. Line numbers are relative to the beginning of the current function. This is a required parameter.
- Address* is an expression that is the address associated with the line number. This is an optional parameter; if you don't specify an address, the assembler will use the current SPC value.

Example

The **.line** directive is followed by the assembly language source statements that are generated by the indicated line of C source. For example, assume that the lines of C source below are line 4 and 5 in the original C source; lines 5 and 6 produce the assembly language source statements shown below.

C source:

```
for (i = 1; i <= n; ++i)
    p = p * x;
```

Resulting assembly language code:

```
23 00000004          .line 5
24 00000004 08640001  LDI    1,R4
25 00000005          .line 6
26 00000005 15440301  STI    R4, *+FP(1)
27 00000006          L3:
28 00000006 08400301  LDI    *+FP(1),R0
29 00000007 04C00B03  CMPI   *+FP(3),R
30 00000008 6A090008  BGT    L2
31 00000009          .line 7
32 00000009 08000004  LDI    R4,R0
33 0000000A 08410B02  LDI    *-FP(2),R1
34 0000000B 62000000!  CALL   I_MULT
35 0000000C 08040000  LDI    R0,R4
36 0000000D 08410301  LDI    *+FP(1),R1
37 0000000E 02610001  ADDI   1,R1
38 0000000F 15410301  STI    R1, *+FP(1)
39 00000010 60000006+  BR     L3
```

Syntax**.member** *name, value* [, *type, storage class, size, tag, dims*]**Description**

The **.member** directive defines a member of a structure, union, or enumeration. It is valid only when it appears in a structure, union, or enumeration definition.

- Name* is the name of the member that is put in the symbol table. The first 32 characters of the name are significant.
- Value* is the value associated with the member. Any legal expression (absolute or relocatable) is acceptable.
- Type* is the C type of the member. Appendix A contains more information about C types.
- Storage class* is the C storage class of the member. Appendix A contains more information about C storage classes.
- Size* is the number of bits of memory required to contain this member.
- Tag* is the name of the type (if any) or structure of which this member is a type. This name *must* have been previously declared by a *.stag*, *.etag*, or *.utag* directive.
- Dims* may be one to four expressions separated by commas. This allows up to four dimensions to be specified for the member.

The order of parameters is significant. *Name* and *value* are required parameters. All other parameters may be omitted or empty. (Adjacent commas indicate an empty entry.) This allows you to skip a parameter and specify a parameter that occurs later in the list. Operands that are omitted or empty assume a null value.

Example

Following is an example of a C structure definition and the corresponding assembly language statements:

C source:

```
struct doc {
    char  title;
    char  group;
    int   job_number;
} doc_info;
```

Resulting assembly language code:

```
.stag    doc,48
.member  _title,0,2,8,8
.member  _group,8,2,8,8
.member  _job_number,16,4,8,32
.eos
```

Syntax

```
.stag name [, size]
    member definitions
.eos
.etag name [, size]
    member definitions
.eos
.utag name [, size]
    member definitions
.eos
```

Description

The **.stag** directive begins a structure definition. The **.etag** directive begins an enumeration definition. The **.utag** directive begins a union definition. The **.eos** directive ends a structure, enumeration, or union definition.

- Name* is the name of the structure, enumeration, or union. The first 32 characters of the name are significant. This is a required parameter.
- Size* is the number of bits the structure, enumeration, or union occupies in memory. This is an optional parameter; if omitted, the size is unspecified.

The **.stag**, **.etag**, or **.utag** directive should be followed by a number of **.member** directives, which define members in the structure. The **.member** directive is the only directive that can appear inside a structure, enumeration, or union definition.

The assembler does not allow nested structures, enumerations, or unions. The C compiler unwinds nested structures by defining them separately and then referencing them from the structure they are referenced in.

Example 5

Following is an example of a structure definition.

C source:

```
struct doc
{
    char title;
    char group;
    int job_number;
} doc_info;
```

Resulting assembly language code:

```
.stag    _doc,96
.member _title,0,2,8,32
.member _group,32,2,8,32
.member _job_number,64,4,8,32
.eos
```

Example 6

Following is an example of a union definition.

C source:

```
union u_tag {
    int    val1;
    float val2;
    char   valc;
} valu;
```

Resulting assembly language code:

```
.utag    _u_tag,96
.member  _val1,0,2,8,32
.member  _val2,32,4,8,32
.member  _valc,64,4,8,32
.eos
```

Example 7

Following is an example of an enumeration definition.

C Source:

```
{
    enum o_ty { reg_1, reg_2, result } optypes;
}
```

Resulting assembly language code:

```
.etag    _o_ty,32
.member  _reg_1,0,11,16,32
.member  _reg_2,1,11,16,32
.member  _result,2,11,16,32
.eos
```


Syntax

```
.sym name, value [, type, storage class, size, tag, dims]
```

Description

The **.sym** directive specifies symbolic debug information about a global variable, local variable, or a function.

- Name* is the name of the variable that is put in the object symbol table. The first 32 characters of the name are significant.
- Value* is the value associated with the variable. Any legal expression (absolute or relocatable) is acceptable.
- Type* is the C type of the variable. Appendix A contains more information about C types.
- Storage class* is the C storage class of the variable. Appendix A contains more information about C storage classes.
- Size* is the number of words of memory required to contain this variable.
- Tag* is the name of the type (if any) or structure of which this variable is a type. This name *must* have been previously declared by a *.stag*, *.etag*, or *.utag* directive.
- Dims* may be up to four expressions separated by commas. This allows up to four dimensions to be specified for the variable.

The order of parameters is significant. *Name* and *value* are required parameters. All other parameters may be omitted or empty (adjacent commas indicate an empty entry). This allows you to skip a parameter and specify a parameter that occurs later in the list. Operands that are omitted or empty assume a null value.

Example

These lines of C source produce the *.sym* directives shown below:

C source:

```
struct s { int member1, member2; } str;  
int ext;  
int array[5][10];  
long *ptr;  
int strcmp();  
  
main(arg1,arg2)  
  int arg1;  
  char *arg2;  
{  
  register r1;  
}
```

Resulting assembly language code:

```
.sym  _str,_str,8,2,64,_s
.sym  _ext,_ext,4,2,32
.sym  _array,_array,244,2,1600,,5,10
.sym  _ptr,_ptr,21,2,32
.sym  _main,_main,36,2,0
.sym  _arg1,_arg1,-2,4,9,32
.sym  _arg2,_arg2,-3,18,9,32
.sym  _r1,4,4,4,32
```


Example Linker Command Files

This appendix contains examples of linker command files for the TMS320C10, TMS320C25, TMS320C50, and TMS320C51. These examples use the MEMORY directive to define memory according to the standard memory maps that are illustrated in the *TMS320C1x User's Guide*, the *TMS320C2x User's Guide*, and the *TMS320C5x User's Guide*. The MEMORY and SECTIONS directives in these examples are *guidelines*; you do not have to follow them exactly. For example, you can use different output section names, and you do not have to configure any memory you do not link code into (such as I/O memory). When possible, these examples allocate output sections into on-chip memory spaces; if the sections are too large for these spaces, you can allocate them into external memory.

These examples appear in this appendix:

Topic	Page
C.1 Linker Command Files for the TMS320C10	C-3
C.2 Linker Command Files for the TMS320C25	C-4
C.3 Linker Command Files for the TMS320C50	C-6
C.4 Linker Command Files for the TMS320C51	C-8

C.1 Linker Command Files for the TMS320C10

Example C-1. TMS320C10 in Microcomputer Mode

```

/*****
/*  MC/MP- = 1 (microcomputer mode). Note that program memory   */
/*  addresses 05F4h--05FFh are not configured.                   */
/*****
MEMORY
{
    PAGE 0 :
        Int_Prog : origin = 0h , length = 05F4h
        Ext_Prog : origin = 0600h , length = 0A00h
    PAGE 1 :
        pg0_Data : origin = 0h , length = 080h
        pg1_Data : origin = 080h , length = 010h
    PAGE 2 :
        ext_IO   : origin = 0h , length = 08h
}
SECTIONS
{
    .text :      > Int_Prog  PAGE = 0
    .data :      > Int_Prog  PAGE = 0
    .bss  :      > pg0_Data  PAGE = 1
}xmps

```

Example C-2. TMS320C10 in Microprocessor Mode

```

/*****
/*  MC/MP- = 0 (microprocessor mode).                           */
/*****
MEMORY
{
    PAGE 0 :
        Ext_Prog : origin = 0h , length = 01000h
    PAGE 1 :
        pg0_Data : origin = 0h , length = 080h
        pg1_Data : origin = 080h , length = 010h
    PAGE 2 :
        ext_IO   : origin = 0h , length = 08h
}
SECTIONS
{
    .text :      > Ext_Prog  PAGE = 0
    .data :      > Ext_Prog  PAGE = 0
    .bss  :      > pg0_Data  PAGE = 1
}

```

C.2 Linker Command Files for the TMS320C25

Example C-3. TMS320C25 in Microprocessor Mode, Block B0 as Data Memory

```

/*****
/* Block B0 is configured as data memory (CNFP) and MC/MP- = 1  */
/* (microprocessor mode). Note that data memory locations 6h--5Fh */
/* and 80h--1FFh are not configured.                               */
*****/
MEMORY
{
    PAGE 0 :
        Ints      : origin = 0h , length = 020h
        Ext_Prog  : origin = 020h , length = 0FEE0h
    PAGE 1 :
        Regs      : origin = 0h , length = 06h
        Block_B2 : origin = 060h , length = 020h
        Int_RAM   : origin = 0200h , length = 0200h    /* B0 & B1 */
        Ext_Data  : origin = 0400h , length = 0FC00h
}
SECTIONS
{
    .text :
        > Ext_Prog PAGE = 0
    .data :
        > Ext_Prog PAGE = 0
    .bss  :
        > Int_RAM  PAGE = 1
}

```

Example C-4. TMS320C25 in Microcomputer Mode, Block B0 as Data Memory

```

/*****
/* Block B0 is defined as data memory (CNFP) and MC/MP- = 0 (micro-*/
/* computer mode). Note: program memory locations 0FB0h--0FFFh &  */
/* data memory locations 6h--5Fh and 80h--1FFh are not configured. */
*****/
MEMORY
{
    PAGE 0 :
        Ints      : origin = 0h , length = 020h
        Prog_ROM  : origin = 020h , length = 0F90h
        Ext_Prog  : origin = 1000h , length = 0F000h
    PAGE 1 :
        Regs      : origin = 0h , length = 06h
        Block_B2 : origin = 060h , length = 020h
        Int_RAM   : origin = 0200h , length = 0200h    /* B0 & B1 */
        Ext_Data  : origin = 0400h , length = 0FC00h
}
SECTIONS
{
    .text :
        > Prog_ROM PAGE = 0
    .data :
        > Prog_ROM PAGE = 0
    .bss  :
        > Int_RAM  PAGE = 1
}

```

Example C-5. TMS320C25 in Microprocessor Mode, Block B0 as Program Memory

```

/*****
/* Block B0 is defined as program memory (CNFP) and MC/MP- = 1   */
/* (microprocessor mode). Note that data memory locations 6h--5Fh */
/* and 80h--2FFh are not configured.                               */
/*****
MEMORY
{
    PAGE 0 :
        Ints      : origin =    0h , length =   020h
        Ext_Prog  : origin =   020h , length =  0FEE0h
        Block_B0  : origin = 0FF00h , length =   0100h
    PAGE 1 :
        Regs      : origin =    0h , length =    06h
        Block_B2  : origin =   060h , length =   020h
        Block_B1  : origin =  0300h , length =   0100h
        Ext_Data  : origin =  0400h , length =  0FC00h
}
SECTIONS
{
    .text :      > Block_B0  PAGE = 0
    .data :      > Ext_Prog  PAGE = 0
    .bss  :      > Block_B1  PAGE = 1
}

```

Example C-6. TMS320C25 in Microcomputer Mode, Block B0 as Program Memory

```

/*****
/* Block B0 is defined as program memory (CNFP) and MC/MP- = 0   */
/* microcomputer mode). Program memory locations 0FB0h--0FFFh &  */
/* data memory locations 6h--5Fh and 80h--2FFh are not configured. */
/*****
MEMORY
{
    PAGE 0 :
        Ints      : origin =    0h , length =   020h
        Prog_ROM  : origin =   020h , length =  0F90h
        Ext_Prog  : origin =  1000h , length =  0EF00h
        Block_B0  : origin = 0FF00h , length =   0100h
    PAGE 1 :
        Regs      : origin =    0h , length =    06h
        Block_B2  : origin =   060h , length =   020h
        Block_B1  : origin =  0300h , length =   0100h
        Ext_Data  : origin =  0400h , length =  0FC00h
}
SECTIONS
{
    .text :      > Prog_ROM  PAGE = 0
    .data :      > Block_B0  PAGE = 0
    .bss  :      > Block_B1  PAGE = 1
}

```


C.3 Linker Command Files for the TMS320C50

Example C-7. TMS320C50 in Microcomputer Mode, Block B0 as Data Memory

```

/*****
/* TMS320C50 in Microcomputer Mode          MC/MP- = 1          */
/* 9K RAM block mapped into program space   RAM, OVLY BITS = 1, 0 */
/* B0 configured as data memory            ST1 - CNF BIT = 0    */
*****/
MEMORY
{
    PAGE 0 :                               /* Program Memory */
        Prog_ROM      : origin =    0h , length =    800h
        Prog_RAM      : origin =   800h , length =  2400h /* 9k RAM */
        Ext_Prog      : origin =  2C00h , length = 0C400h
    PAGE 1 :                               /* Data Memory */
        Regs          : origin =    0h , length =    60h
        Scratch_RAM   : origin =   60h , length =   20h /* B2 */
        Int_RAM       : origin =  100h , length =  400h /* B0 & B1*/
        Ext_Data      : origin =   800h , length =  F800h
}
SECTIONS
{
    .text :          > Prog_ROM PAGE = 0
    .data :          > Prog_ROM PAGE = 0
    .bss  :          > Int_RAM PAGE = 1
}

```

Example C-8. TMS320C50 in Microprocessor Mode, Block B0 as Data Memory

```

/*****
/* TMS320C50 in Microprocessor Mode        MC/MP = 0          */
/* 9K RAM block mapped into program space   RAM, OVLY BITS = 1, 0 */
/* B0 configured as data memory            ST1 - CNF BIT = 0    */
*****/
MEMORY
{
    PAGE 0 :                               /* Program Memory */
        Ext_Prog      : origin =    0h , length = 10000h
    PAGE 1 :                               /* Data Memory */
        Regs          : origin =    0h , length =    60h
        Scratch_RAM   : origin =   60h , length =   20h /* B2 */
        Int_RAM       : origin =  100h , length =  400h /* B0 & B1*/
        Ext_RAM       : origin =   800h , length =  F800h
}
SECTIONS
{
    .text :          > Ext_Prog PAGE = 0
    .data :          > Ext_Prog PAGE = 0
    .bss  :          > Int_RAM PAGE = 1
}

```

Example C-9. TMS320C50 in Microcomputer Mode, Block B0 as Program Memory

```
/* **** */
/* TMS320C50 in Microcomputer Mode          MC/MP = 1          */
/* 9K RAM block mapped into data space      RAM, OVLY BITS = 0, 1 */
/* B0 configured as program memory          ST1 - CNF BIT = 1    */
/* **** */
MEMORY
{
    PAGE 0 :
        Prog_ROM      : origin = 0h , length = 800h
        Ext_Prog      : origin = 800h , length = F600h
        Int_Prog      : origin = FE00h , length = 200h /* B0 */
    PAGE 1 :
        Regs          : origin = 0h , length = 60h
        Scratch_RAM   : origin = 60h , length = 20h /* B2 */
        Int_RAM       : origin = 100h , length = 200h /* B1 */
        Data_RAM      : origin = 800h , length = 2400h /* 9K RAM */
        Ext_RAM       : origin = 2C00h , length = D400h
}
SECTIONS
{
    .text : > Prog_ROM PAGE = 0
    .data : > Prog_ROM PAGE = 0
    .bss  : > Int_RAM PAGE = 1
}
```

C.4 Linker Command Files for the TMS320C51

Example C–10. TMS320C51 in Microcomputer Mode, Block B0 as Data Memory

```

/*****
/* TMS320C51 in Microprocessor Mode          MC/MP = 0          */
/* 1K RAM block mapped into program space    RAM, OVLY BITS = 1, 0 */
/* B0 configured as data memory             ST1 - CNF BIT = 0    */
/*****
MEMORY
{
    PAGE 0 :
        Prog_ROM      : origin = 0h , length = 2000h /* 8k ROM */
        Prog_RAM      : origin = 2000h , length = 400h /* 1k RAM */
        Ext_Prog      : origin = 2400h , length = DC00h
    PAGE 1 :
        Regs          : origin = 0h , length = 60h
        Scratch_RAM   : origin = 60h , length = 20h /* B2 */
        Int_RAM       : origin = 100h , length = 400h /* B0 & B1*/
        Ext_RAM       : origin = 800h , length = F800h
}
SECTIONS
{
    .text : > Prog_ROM PAGE = 0
    .data : > Prog_ROM PAGE = 0
    .bss : > Int_RAM PAGE = 1
}

```

Example C–11. TMS320C51 in Microcomputer Mode, Block B0 as Program Memory

```

/*****
/* TMS320C51 in Microcomputer Mode          MC/MP = 1          */
/* 1K RAM block mapped into data space      RAM, OVLY BITS = 0, 1 */
/* B0 configured as program memory         ST1 - CNF BIT = 0    */
/*****
MEMORY
{
    PAGE 0 :
        Ext_Prog      : origin = 00h , length = FE00h
        Int_Prog      : origin = FE00h , length = 200h /* B0 */
    PAGE 1 :
        Regs          : origin = 0h , length = 60h
        Scratch_RAM   : origin = 60h , length = 20h /* B2 */
        Int_RAM       : origin = 100h , length = 200h /* B1 */
        Data_RAM      : origin = 800h , length = 400h /* 1k RAM */
        Ext_RAM       : origin = 0C00h , length = F400h
}
SECTIONS
{
    .text : > Prog_ROM PAGE = 0
    .data : > Prog_ROM PAGE = 0
    .bss : > Int_RAM PAGE = 1
}

```


Hex Conversion Utility Examples

The flexible hex conversion utility offers many options and capabilities. Once you understand the proper ways to configure the EPROM system and the requirements of the EPROM programmer, you will find that converting a file for a specific application is easy.

The four major examples in this appendix show how to develop a hex command file for several EPROM memory systems, avoid holes, and generate boot tables. The examples use the assembly code shown in Example D-1.

Example D-1. Assembly Code for Hex Conversion Utility Examples

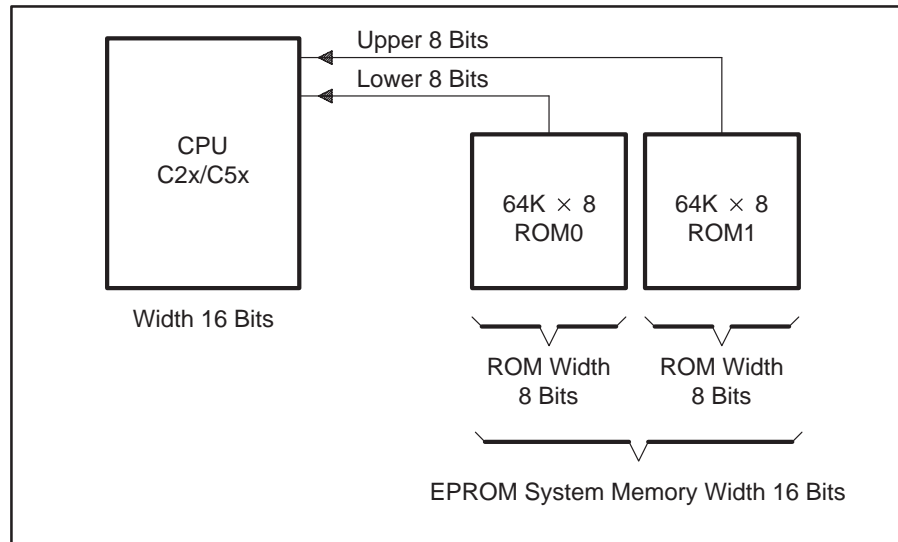
```
*****  
* Assemble two words into section, "sec1" *  
*****  
  
    .sect "sec1"  
    .word 1234h  
    .word 5678h  
  
*****  
* Assemble two words into section, "sec2" *  
*****  
  
    .sect "sec2"  
    .word 0aabbh  
    .word 0ccddh  
  
    .end
```

Topic	Page
D.1 Example 1: Building a Hex Command File for Two 8-Bit EPROMS	D-3
D.2 Example 2: Avoiding Holes With Multiple Sections	D-8
D.3 Example 3: Generating a Boot Table for a 'C50	D-10
D.4 Example 4: Generating a Boot Table for a 'C26	D-19

D.1 Example 1: Building A Hex Command File for Two 8-Bit EPROMS

Example 1 shows how to build the hex command file you need for converting a COFF object file for the memory system shown in Figure D–1. In this system, there are two external 64K × 8-bit EPROMs interfacing with a 'C2x or 'C5x target processor. Each of the EPROMs contributes 8 bits of a 16-bit word for the target processor.

Figure D–1.A Two 8-Bit EPROM System



By default, the hex conversion utility uses the linker load address as the base for generating addresses in the converted output file. However, for this application, the code will reside at physical EPROM address 0x0010, rather than the address specified by the linker (0xF000). The circuitry of the target board handles the translation of this address space. The `paddr` parameter allocates a section and burns the code at EPROM address 0x0010.

The `paddr` parameter is specified within the `SECTIONS` directive (see Section 11.6, page 11-20, for details.). If you use the `paddr` parameter to specify a load address for one section included in the conversion, then you must specify a `paddr` for each section included in the conversion. When setting the `paddr` parameter, you must ensure that the specified addresses do not overlap the linker-assigned load addresses of sections that follow.

In Example 1, two sections are defined: `sec1` and `sec2`. You can easily add a `paddr` option for each of these sections from within the `SECTIONS` directive. However, the task may become unmanageable for large applications with many sections, or in cases where section sizes may change often during code development.

Example 1: Building a Command File for Two 8-Bit EPROMS

To work around this problem, you can combine the sections at link stage, creating a single section for conversion. To do this, use the linker command shown in Example D–2.

Example D–2. A Linker Command File for Two 8-Bit EPROMS

```
test.obj
-o a.out
-m test.map

MEMORY
{
    PAGE 0 : EXT_PRG ; org = 0xF000 , len = 0x0100
}

SECTIONS
{
    outsec: { *(sec1)
              *(sec2) } > EXT_PRG PAGE 0
}
```

The EPROM programmer in this example has the following system requirements:

- EPROM system memory width must be 16 bits.
- ROM1 contains the upper 8 bits of a word.
- ROM0 contains the lower 8 bits of a word.
- The hex conversion utility must locate code starting at EPROM address 0x0010.
- Intel format must be used.
- Byte increment must be selected for addresses in the hex conversion utility output file (memory width is the default).

Use the following options to select the requirements of the system:

Option	Description
-i	Create Intel format
-byte	Select byte increment for addresses in converted output file
-memwidth 16	Set EPROM system memory width to 16
-romwidth 8	Set physical ROM width to 8

With the memory width and ROM width values above, the utility will automatically generate two output files. The ratio of memory width to ROM width determines the number of output files. The ROM0 file contains the lower 8 of the 16 bits of raw data, and the ROM1 file contains the upper 8 bits of the corresponding data.

Example D-3 shows the hex command file with all of the selected options.

Example D-3. A Hex Command File for Two 8-Bit EPROMs

```
a.out          /* COFF object input file          */
-map exampl.mxp

/*****/
/* Set parameters for EPROM programmer          */
/*****/

-i             /* Select Intel format              */
-byte         /* Select byte increment for addresses          */

/*****/
/* Set options required to describe EPROM memory system */
/*****/

-memwidth 16   /* Set EPROM system memory width              */
-romwidth 8    /* Set physical width of ROM device           */

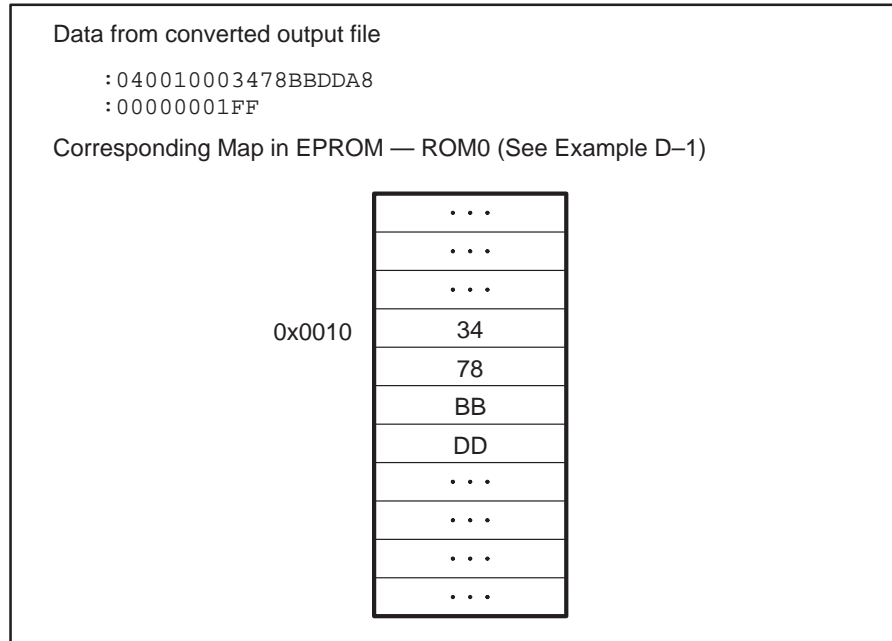
ROMS
{
  PAGE 0 : EPROM : origin = 0x00, length = 0x10000,
                files = {low8.bit, upp8.bit}
}

SECTIONS
{ outsec: paddr=0x10 }
```

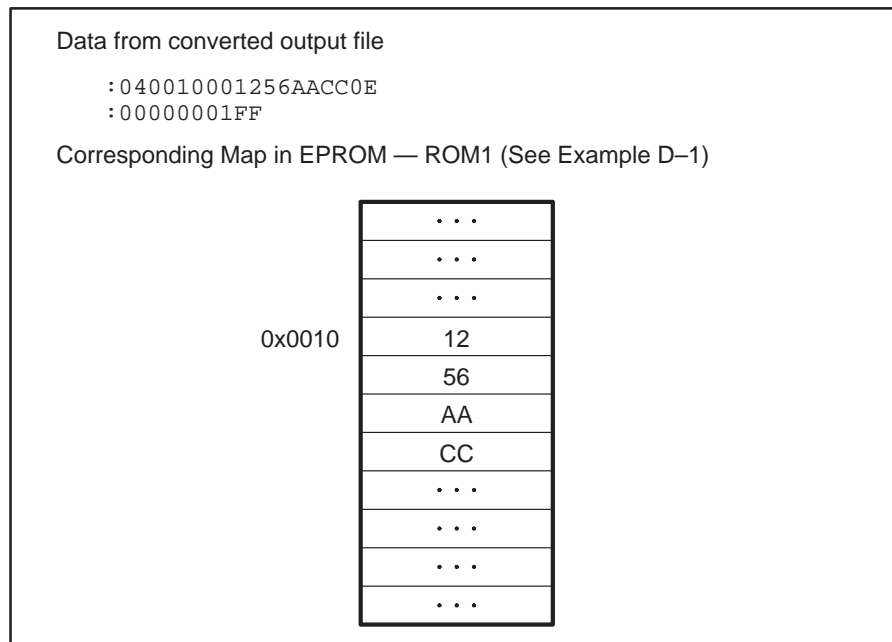
Figure D-2 (a) shows the contents of the converted file for ROM0 (low8.bit) containing the lower 8 bits. Figure D-2 (b) shows the contents of the converted file for ROM1 (upp8.bit) containing the upper 8 bits of data.

Figure D–2. Data From Output File

(a) *low8.bit* (Lower Bits)



(b) *upp8.bit* (Upper Bits)



To illustrate precisely how the utility performs the conversion, specify the `-map` option. Although not required, the `-map` option generates useful information about the output. The resulting map is shown in Example D-4.

Example D-4. Map File Resulting From Hex Command File in Example D-3

```
*****
TMS320C1x/C2x/C2xx/C5x Hex Converter                               Version x.xx
*****
Fri Feb  3 15:26:11 1995

INPUT FILE NAME: <a.out>
OUTPUT FORMAT:   Intel

PHYSICAL MEMORY PARAMETERS
  Default data width:  16
  Default memory width: 16
  Default output width: 8

OUTPUT TRANSLATION MAP
*****-----
00000000..0000FFFF Page=0 ROM Width=8 Memory Width=16 "EPROM"
*****-----
  OUTPUT FILES: low8.bit [b0..b7]
                 upp8.bit [b8..b15]

CONTENTS: 00000010..00000013 Data Width=2 outsec
```

D.2 Example 2: Avoiding Holes With Multiple Sections

When the memory width is less than the data width, holes may appear at the beginning of a section or between sections. This is due to multiplication of the load address by a correction factor. See Section 11.10, page 11-34 for more information.

You must eliminate the holes between converted sections. The sections can be made contiguous in one of two ways:

- ❑ Specify a *paddr* for each section listed in a SECTIONS directive. This forces the hex conversion utility to use that specific address for the output file address field. You must ensure that the section addresses do not overlap. Example D-5 shows a linker command file for this method. The linker should be executed with this command file; then, the hex conversion utility should be executed with the set of commands shown in Example D-6.
- ❑ Link the sections together into one output section for conversion. Example D-7 shows a linker command file for this method. The linker should be executed with this command file; then, the hex conversion utility should be executed with the set of commands shown in Example D-8.

Example D-5. Linker Command File: Method One for Avoiding Holes

```
/* SPECIFY THE SYSTEM MEMORY MAP */  
  
MEMORY  
{  
    PAGE 0: PRG: org = 0x0800, len = 0x0100  
            EXT: org = 0xF000, len = 0x0100  
}  
  
/* SPECIFY THE SECTIONS ALLOCATION INTO MEMORY */  
  
SECTIONS  
{  
    sec1 : load = EXT PAGE 0  
    sec2 : load = EXT PAGE 0, run = PRG PAGE 0  
}
```

Example D-6. Hex Command File: Method One for Avoiding Holes

```

-i
a.out
-map example.mxp

ROMS
{
PAGE 0: ROM : org = 0x0000, length = 0x800, romwidth = 8, memwidth = 8
}

SECTIONS
{
sec1 : paddr = 0x0000
sec2 : paddr = 0x0004
}

```

Example D-7. Linker Command File: Method Two for Avoiding Holes

```

* SPECIFY THE SYSTEM MEMORY MAP

MEMORY
{
PAGE 0: PRG: org = 0x0800, len = 0x0100
EXT : org = 0xF000, len = 0x0100
}

/* SPECIFY THE SECTIONS ALLOCATION INTO MEMORY

SECTIONS
{
outsec : { *(sec1)
*(sec2) } > EXT PAGE 0
}

```

Example D-8. Hex Command File: Method Two for Avoiding Holes

```

-i
a.out
-map example.mxp

ROMS
{
PAGE 0: ROM : org = 0x0100, length = 0x0800, romwidth = 8, memwidth = 8,
files = {example.hex}
}

SECTIONS
{
outsec : paddr = 0x100
}

```

D.3 Example 3: Generating a Boot Table for a 'C50

Example 3 shows how to use the linker and the hex conversion utility to build a boot load table for a 'C50. The assembly code used in this section is shown in Example D-1 on page D-1.

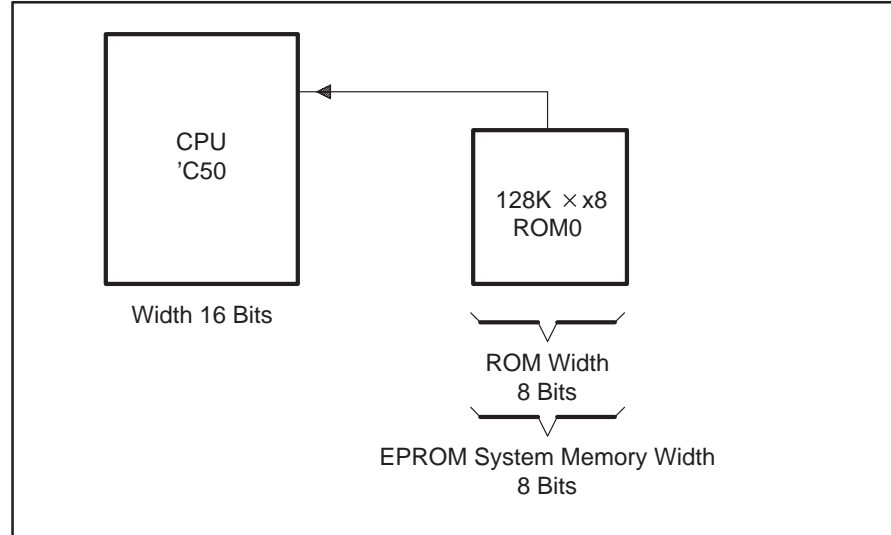
Example D-9. C Code for a 'C50

```
int array[]={1,2,3,4};

main()
{
    array[0] = 5;
}
```

Figure D-3 shows the EPROM memory system for which the output file will be generated. In this application, the single 'C50 device is booted from a 128K × 8-bit EPROM. The requirements of the system are that the boot table must reside at EPROM memory address 0.

Figure D-3. EPROM System for a 'C50



Two concerns should be addressed when the boot table is generated for the 'C50:

- Linking required sections for boot load
- Formation and placement of the boot routine selection word

Linking Required Sections for Boot Load

The on-chip boot loader loads only a single block. This may present a problem when you are loading C code compiled with the TMS320C2x/C2xx/C5x C compiler. The TMS320C2x/C2xx/C5x C compiler creates several sections or blocks when it compiles C source code. Some applications may require that all sections associated with the program be included in the boot to have a complete executable program. In this case, the individual sections must be combined into a single section for boot.

The hex conversion utility does not combine individual sections; therefore, you must use the linker to group those sections.

The sections that the compiler creates are divided into two categories: initialized sections (sections that contain data or code) and uninitialized sections (sections that reserve space but contain no actual data). Initialized sections created by the TMS320C2x/C2xx/C5x C compiler include `.text`, `.cinit`, `.const`, and `.data`. Uninitialized sections are ignored by the hex conversion utility and are not converted.

Most applications require that `.text` and `.cinit` sections are included in the boot. This allows code and information for the C boot routine (`c_int0` defined in `boot.asm`) to load and run, initializing the C environment and branching to the main function in the applications code.

The `.text` and `.cinit` sections must be linked together as a single section in the linker command file. The `.cinit` section contains the initialization data and tables for all global or static C symbols that were declared with an initial value (i.e. `int x = 5;`). Note that the linker handles the `.cinit` section differently than the other sections.

When the linker encounters a `.cinit` section specified as an *output section* in the link, it automatically:

- Sets the symbol `cinit` to point to the start of the included `.cinit` section
- Appends a single word to the end of the section

This last word contains a zero that is used to mark the end of the initialization table. However, if `.cinit` is included as an *input section* only, the linker sets `cinit` to `-1`, indicating that no initialization tables were loaded. Therefore, the C boot routine, `c_int0`, does not attempt to initialize any of the global or static C symbols.

When linking the `.cinit` section into an output section other than `.cinit`, the linker does not perform the automatic functions listed above. Therefore, these functions must be implemented explicitly within the linker command file. Example D–10 on page D-12 shows a linker command file that places `.text` and `.cinit` into a single output section named `boot_sec`.

Example D–10. Linker Command File to Form a Single Boot Section for a 'C50

```
c
-l rts50.lib
-m map
-o a.out

MEMORY
{
    PAGE 0 : PROG    : origin = 0x0800h, length = 0x1000h

    PAGE 1 : DATA   : origin = 0x0800h, length = 0x1000h
}

SECTIONS
{
    boot_sec: { *(.text)

                /******
                /* Set start address for C init table */
                /******
                cinit = .;

                /******
                /* Include all cinit sections          */
                /******
                *(.cinit)

                /******
                /* Reserve a single space for the zero */
                /* word to mark end of C init          */
                /******
                .+=1;

                } fill = 0x0000, /* Make sure fill value is 0 */
                load = PROG PAGE 0

    .data : {} > DATA PAGE 1
    .bss  : {} > DATA PAGE 1
    .const : {} > DATA PAGE 1
    .systemem : {} > DATA PAGE 1
    .stack : {} > DATA PAGE 1
}
```

Example D–11 shows a portion of the map file generated when the linker is executed with the command file in Example D–10.

Example D-11. Section Allocation Portion of Map File Resulting From the Command File in Example D-10

SECTION ALLOCATION MAP				
output section	page	origin	length	attributes/ input sections
-----	-----	-----	-----	-----
boot_sec	0	00000800	00000076	
		00000800	00000004	test1.obj (.text)
		00000804	0000002a	rts50.lib : boot.obj (.text)
		0000082e	00000041	: exit.obj (.text)
		0000086f	00000003	test1.obj (.cinit)
		00000872	00000003	rts50.lib : exit.obj (.cinit)
		00000875	00000001	--HOLE-- [fill = 0000]
.data	1	00000800	00000000	UNINITIALIZED
		00000800	00000000	test1.obj (.data)
		00000800	00000000	rts50.lib : exit.obj (.data)
		00000800	00000000	: boot.obj (.data)
.bss	1	00000800	00000022	UNINITIALIZED
		00000800	00000021	rts50.lib : exit.obj (.bss)
		00000821	00000000	: boot.obj (.bss)
		00000821	00000001	test1.obj (.bss)
.const	1	00000800	00000000	UNINITIALIZED
.system	1	00000800	00000000	UNINITIALIZED
.stack	1	00000822	00000400	UNINITIALIZED
		00000822	00000000	rts50.lib : boot.obj (.stack)
GLOBAL SYMBOLS				
address	name		address	name
-----	----		-----	----
00000800	.bss		00000400	__STACK_SIZE
00000800	.data		00000800	edata
00000400	__STACK_SIZE		00000800	.bss
00000869	_abort		00000800	.data
00000848	_atexit		00000800	_main
00000804	_c_int0		00000804	_c_int0
0000082e	_exit		00000821	_flag
00000821	_flag		00000822	end
00000800	_main		0000082e	_exit
0000086f	cinit		00000848	_atexit
00000800	edata		00000869	_abort
00000822	end		0000086f	cinit

Example 3: Generating a Boot Table for a 'C50

Notice that the linker placed a hole at the end of the section `boot_sec` with a fill value of zero, as specified in the command file. Also, the global symbol `cinit` coincides with the start of the first `.cinit` section included in the link. When the linker is executed with the command file in Example D–10, the linker issues warnings that the output file contains no `.text` section and that the global symbol `cinit` is being redefined. These warnings may be ignored in this instance.

Formation and Placement of the Boot Routine Selection Word

The boot routine selection word determines the mode in which the on-chip boot loader operates. The on-chip boot loader reads this word from location `0xFFFF` in program memory. For this 'C50 application, the on-chip boot loader must operate in 8-bit parallel EPROM mode. (For more detailed information about the on-chip boot loader and the boot routine selection word, refer to the *TMS320C5x User's Guide*.)

The hex conversion utility does not automatically generate and place the boot routine selection word. Therefore, you must make sure that the correct value is placed in the correct memory address. For this 'C50 boot table the linker command file in Example D–12 performs this task.

Example D-12. Linker Command for Setting the Boot Routine Selection Word for a 'C50

```

-c -l rts50.lib -m map -o a.out

MEMORY
{
  PAGE 0 : PROG      : origin = 0x0800, length = 0x1000
  PAGE 0 : BRWS      : origin = 0xffff, length = 0x0001
  PAGE 1 : DATA     : origin = 0x0800, length = 0x1000
}

SECTIONS
{
  boot_sec: { *(.text)

    cinit = .; /* Set start address for C init table. */

    *(.cinit) /* Include all cinit sections.          */

    /******
    /* Reserve a single space for the zero */
    /* word to mark end of C init.      */
    /******
    .+=1;

    } fill = 0x0000, /* Make sure fill value is 0 */
    load = PROG PAGE 0

    /******
    /* Create a single word section that */
    /* contains the proper fill value for */
    /* the needed boot routine select mode */
    /******
    .brsw : {

    .+=1; /* Reserve a word in this section.      */

    /******
    /* Select fill value that corresponds */
    /* to correct boot routine select mode */
    /******

    } fill = 0x0001,
    load = 0xffff PAGE 0

  .data : {} > DATA PAGE 1
  .bss  : {} > DATA PAGE 1
  .const : {} > DATA PAGE 1
  .systemem : {} > DATA PAGE 1
  .stack : {} > DATA PAGE 1
}

```

Example 3: Generating a Boot Table for a 'C50

The command file in Example D–12 on page D-15 creates a new section called `.brsw` that contains a single word whose value equals `0x0001`. This corresponds to a boot routine selection mode for 8-bit parallel EPROM mode and a source address of `0x0000`.

Executing the linker with the command file in Example D–12 yields a COFF file that can be used as input to the hex conversion utility to build the desired boot table.

Options

The hex conversion utility has options that describe the requirements for the EPROM programmer and options that describe the EPROM memory system. For Example 3, assume that the EPROM programmer has only one requirement: that the hex file be in Intel format.

In the EPROM memory system illustrated in Figure D–3 on page D-10, the EPROM system memory width is 8 bits, and the physical ROM width is 8 bits. The following options are selected to reflect the requirements of the system:

Option	Description
<code>-i</code>	Create Intel format
<code>-memwidth 8</code>	Set EPROM system memory width to 8
<code>-romwidth 8</code>	Set physical ROM width to 8

Because the application requires the building of a boot table for parallel boot mode, the following options must be selected as well:

Option	Description
<code>-boot</code>	Create a boot load table
<code>-bootorg 0x0000</code>	Place boot table at address <code>0x0000</code>

Because two sections must be loaded, `boot_sec` and `.brsw`, and only one of these sections is included in the boot table, you must use a hex command file to specify which sections are bootable.

You must use a `ROMS` directive to specify the address range for the boot table in physical ROM. Example D–13 depicts the complete command file needed to convert the COFF file.

Example D–13. Hex Command File for Converting a COFF File

```

a.out          /* Input COFF file          */
-i            /* Select Intel Format          */
-map boot.mxp
-o boot.hex    /* Name hex output file boot.hex */

-memwidth 8   /* Set EPROM System Memory Width */
-romwidth 8   /* Set physical ROM width        */

-boot        /* Build a boot table           */
-bootorg 0x0000 /* Place boot table in EPROM    */
              /* starting at address 0x0000    */

ROMS
{
    PAGE 0 : ROM : origin = 0x0000, length = 0x20000
}

SECTIONS
{
    boot_sec : paddr=boot
    .brsw    : paddr=0x1ffffe
}

```

The paddr option overrides the linked section address for a given section. Because the system memory width is 8 bits, the address space is expanded by a factor of 2 (data width divided by memory width). So the address for allocating the .brsw section is multiplied by a factor of 2: $0xFFFF * 2 \rightarrow 0x1FFFFE$.

In Example 3, memory width and ROM width are the same; therefore, the hex conversion utility creates a single output file. The number of output files is determined by the ratio of memwidth to romwidth.

Example D–14 on page D-18 shows the map file boot.map, resulting from executing the command file in Example D–13, which includes the –map option.

Example 3: Generating a Boot Table for a 'C50

Example D-14. Map File Resulting From the Command File in Example D-13

```
*****
TMS320C1x/C2x/C2xx/C5x Hex Converter                               Version x.xx
*****
Wed Feb  1 10:36:16 1995

INPUT FILE NAME: <a.out>
OUTPUT FORMAT:   Intel

PHYSICAL MEMORY PARAMETERS
  Default data width:      16
  Default memory width:   8 (MS-->LS)
  Default output width:   8

BOOT LOADER PARAMETERS
  Table Address: 0000, PAGE 0

OUTPUT TRANSLATION MAP
-----
00000000..0001ffff Page=0 ROM Width=8 Memory Width=8 "ROM"
-----
OUTPUT FILES: boot.hex [b0..b7]

CONTENTS: 00000000..0000000f BOOT TABLE
          .text : dest=00000800
          size=00000002 width=00000002
          0001ffffe..0001ffff Data Width=2 .brsw
```

The hex output file boot.hex, resulting from the command file in Example D-13, is shown in Example D-15.

Example D-15. Hex Conversion Utility Output File Resulting From the Command File in Example D-13

```
:2000000008000075B901BC109021EF00BF080822BF090822BE42BF00BC005E07FFF9BE477D
:20002000BF80086FB801E38808157A8908197A8908007A890869BF80086FBC00A680B801D5
:20004000028A7B990822EF0089090012A680B801028ABEC6082BA6A0B8018B007989081C71
:2000600080A08AA08180B00100E086AEEBC1006007B80083A798008468B9886801080BF9012
:2000800008019080058D1089BE308B8E7B80083A7980084680A08180B00100E0BE47BC100E
:2000A0001000BA20E34408567D800865B9018B001000B8019000BA01BF9008018B88908093
:2000C000058ABF0AFFFE8BE0108D9080B9008B897C020080EF007E80082EB90190A08B90C0
:1000E000EF000001082100000001080000000000EE
:00000001FF
```

D.4 Example 4: Generating a Boot Table for a 'C26

Example 4 shows how to use the linker and hex conversion utility to build a boot load table for the 'C26. The assembly code used in this section is shown in Example D-1 on page D-1.

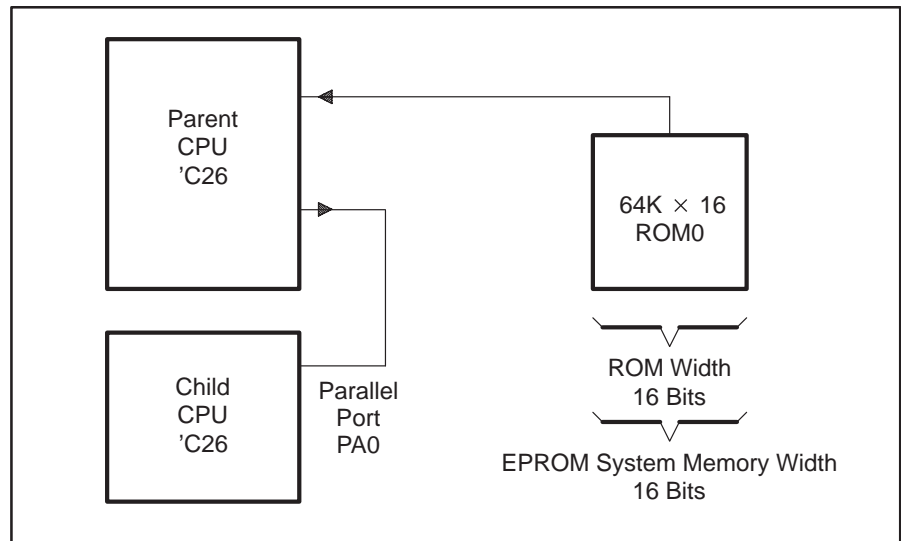
Example D-16. C Code for a 'C26

```
int array[]={1,2,3,4};

main()
{
    array[0] = 5;
}
```

For this application, assume that there are two 'C26 devices in the system. One device acts as the parent processor and boots the second processor, referred to as the child processor, via the child's I/O port. The boot table containing the applications code for the child processor is stored in an external EPROM connected to the parent, as shown in Figure D-4.

Figure D-4. Sample EPROM System for a 'C26



Example 4: Generating a Boot Table for a 'C26

When you link the code, there may be some question about what address to use as the load address for the bootable sections. Since the code in bootable sections is loaded via the parallel port, then only one address must be specified for the link: the final address where the code will reside in the child processor. The on-chip boot loader initially downloads to block B0, which starts at data memory address 0x0200; however, once the code is loaded, block B0 is configured as program memory. Control is then transferred to the first location in block B0 in program memory at address 0x0FA00. This is where the code will be executed from, so this is the address to which it should be linked.

As Example D–17 on page D-20 shows, the bootable code has been allocated into a single section by the linker, as described in Section D.3.

Example D–17. Linker Command File for 'C26 With Parent and Child CPUs

```
-c
-l rts25.lib
-m map

MEMORY
{
    PAGE 0 : PRG_B0 : org = 0xFA00 , length = 0x0100
    PAGE 1 : EXT: org = 0x0800 , length = 0x1000
}

SECTIONS
{
    boot_sec: { *(.text)

                cinit = .;
                *(.cinit)
                .+=1;

                } fill = 0,
                *****
                /* Set run address for boot section */
                *****
                load = PRG_B0 PAGE 0

    .bss : {} > EXTPAGE 1
    .system : {} > EXTPAGE 1
    .stack : {} > EXTPAGE 1
}
```


Example D-18 shows a portion of the map file generated when the linker is executed with the command file in Example D-17.

Example D-18. Section Allocation Portion of Map File Resulting From the Command File in Example D-17

```

SECTION ALLOCATION MAP

output
section  page  origin      length      attributes/
-----  -
boot_sec  0    0000fa00  00000072    test1.obj (.text)
                0000fa00  00000004    rts25.lib : boot.obj (.text)
                0000fa04  00000027    : exit.obj (.text)
                0000fa2b  00000040    test1.obj (.cinit)
                0000fa6b  00000003    rts25.lib : exit.obj (.cinit)
                0000fa6e  00000003    --HOLE-- [fill = 0000]
                0000fa71  00000001

.bss      1    00000800  00000022    UNINITIALIZED
                00000800  00000021    rts25.lib : exit.obj (.bss)
                00000821  00000000    : boot.obj (.bss)
                00000821  00000001    test1.obj (.bss)

.systemem 1    00000800  00000000    UNINITIALIZED

.stack   1    00000822  00000400    UNINITIALIZED
                00000822  00000000    rts25.lib : boot.obj (.stack)

.data    1    00000000  00000000    UNINITIALIZED
                00000000  00000000    test1.obj (.data)
                00000000  00000000    rts25.lib : exit.obj (.data)
                00000000  00000000    : boot.obj (.data)

GLOBAL SYMBOLS

address  name                address  name
-----  -
00000800 .bss                 00000000 edata
00000000 .data                00000000 .data
00000400 __STACK_SIZE        00000400 __STACK_SIZE
0000fa65 _abort              00000800 .bss
0000fa45 _atexit         00000821 _flag
0000fa04 _c_int0         00000822 end
0000fa2b _exit          0000fa00 _main
00000821 _flag         0000fa04 _c_int0
0000fa00 _main         0000fa2b _exit
0000fa6b cinit         0000fa45 _atexit
00000000 edata         0000fa65 _abort
00000822 end          0000fa6b cinit

[12 symbols]

```

Executing the linker with the command file in Example D–17 yields a COFF file that can be used as input to the hex conversion utility to build the desired boot table.

Options

The hex conversion utility has options that describe the requirements for the EPROM programmer and options that describe the EPROM memory system. For Example 4, assume the EPROM programmer has only one requirement: that the hex file be in Intel format.

In the EPROM memory system illustrated in Figure D–4 on page D-19, the EPROM system memory width is 16 bits, and the physical ROM width is 16 bits. The following options are selected to reflect the requirements of the system:

Option	Description
-i	Create Intel format
-memwidth 16	Set EPROM system memory width to 16
-romwidth 16	Set physical ROM width to 16

Because the application requires the building of a boot table for parallel boot mode, and the 'C26 requires that you set the memory configuration register, you must select the following options as well:

Option	Description
-boot	Create a boot load table
-bootorg PARALLEL	Select parallel boot table header
-cg 0x0000	Set the interrupt/configuration word in the boot table header to 0x0000

For this application, you must use the ROMS directive to specify the address range for the boot table. Although the boot table is being organized for transmission via a communications port, the table resides in the external EPROM memory of the parent processor. Therefore, the table requires a load address in the EPROM memory space. The ROMS directive in Example D–19 forces placement of the boot table at address 0x0000 in the physical ROM.

The hex command file containing all of the options selected is shown in Example D–19.

Example D–19. Hex Command File for 'C26 With Parent and Child CPUs

```
a.out
-o c26boot.hex
-map c26boot.mxp

-i

-memwidth 16
-romwidth 16

-boot
-bootorg PARALLEL

ROMS
{
    PAGE 0: ROM: org = 0x0000 , length = 0x10000
}
```

The `–map` option was also used. The `–map` option is not necessary but is often useful in understanding how the utility performed the conversion. Example D–21 on page D-24 shows the map file resulting from executing the command file in Example D–20.

Example D–21. Map File (c26boot.mxp) Resulting From the Command File in Example D–19

```
*****
TMS320C1x/C2x/C2xx/C5x Hex Converter                               Version x.xx
*****
Wed Feb  1 17:39:59 1995

INPUT FILE NAME: <a.out>
OUTPUT FORMAT:   Intel

PHYSICAL MEMORY PARAMETERS
  Default data width:    16
  Default memory width:  16
  Default output width:  16

BOOT LOADER PARAMETERS
  Table Address: 0000, PAGE 0

OUTPUT TRANSLATION MAP
-----
00000000..0000ffff Page=0 ROM Width=16 Memory Width=16 "ROM"
-----

OUTPUT FILES: c26boot.hex [b0..b15]

CONTENTS: 00000000..00000076  BOOT TABLE
                                     boot_sec : dest=0000fa00
                                               size=00000072 width=00000002
```

The contents of the associated hex output file is shown in Example D–22.

*Example D–22. Output File (c26boot.hex) Resulting From the Command File in
Example D–19*

```
:20000000001800000071CA01C8106021CE26D0000822D1000822CE02CE08CE07D001FA6B99
:20001000CC01F680FA12FE89FA16FE89FA0FE89FA657E02D001FA6B558858A0CC01588053
:200020003290338BFB9AFA2455897F02CE26CC0158ABFB9AFA24CC01FF88FA1A7AA070A025
:200030007180C00130E076AEC8103600FB80FA37FF80FA43559876802080D0020801608016
:20004000358D2089CE24558EFB80FA37FF80FA4370A07180C00130E0CE07C8102000CD206C
:20005000F380FA52CA01FF80FA612000CC016000CD01D002080155886080358AD200FFFEEB
:2000600055E0208D6080CA0055897F023080CE26CA0160A0FE80FA2B5590CE260001082180
:0E00700000000001080000000000086A000007
:00000001FF
```

Assembler Error Messages

The assembler issues several types of error messages:

- Fatal
- Nonfatal
- Macro

When the assembler completes its second pass, it reports any errors that it encountered during the assembly. It also prints these errors in the listing file (if one is created); an error is printed following the source line that caused it.

This appendix lists the three types of assembler error messages in alphabetical order. Most errors are fatal errors; if an error is not fatal or if it is a macro error, this is noted in the assembler listing file. Most error messages have a *Description* of the problem and an *Action* that suggests possible remedies. Where the error message itself is an adequate description, you may find only the *Action* suggested. Where the *Action* is obvious from the description (to inspect and correct your code), the *Action* is omitted.

A

absolute value required

Description A relocatable symbol was used where an absolute symbol was expected.

Action Use an absolute symbol.

address required

Description An address that this instruction requires as an operand is not supplied.

an identifier in the expression is invalid

Description A character constant operand that a character-matching function requires is not supplied.

Action Use a character constant.

argument must be character constant

Description A character constant that a character-matching function requires is not supplied.

Action Use a character constant.

B

bad field width

Description For the `.field` directive, the specified value does not fit into the specified number of bits.

bad macro library format

Description The macro library specified is not in the format expected.

Action Make sure that the macro libraries are unassembled assembler source files. Also make sure that the macro name and member name are the same, and the extension of the file is `.asm`.

.break encountered outside loop block

Description A `.break` directive is declared outside a loop block and `.break` is valid only inside a loop block.

Action Examine code for a misplaced `.endloop` directive or remove the `.break` directive.

C

cannot open library

Description A library name specified with the `.mlib` directive does not exist or is already being used.

Action Check spelling, pathname, environment variables, etc.

cannot open listing file : filename

Description The specified filename is inaccessible.

Action Check spelling, pathname, environment variables, etc.

cannot open object file : filename

Description The specified filename is inaccessible.

Action Check spelling, pathname, environment variables, etc.

cannot open source file : filename

Description The specified filename is inaccessible.

Action Check spelling, pathname, environment variables, etc.

character constant overflows a word

Description Character constants should be limited to four characters.

close (")") missing

Description Mismatched parentheses.

close ("]") missing

Description Mismatched brackets.

close quote missing

Description Mismatched or missing quotation mark(s).

Action Enclose all strings in quotes.

comma missing

Description The assembler expected a comma but did not find one. In most cases, the instruction requires more operands than were found.

conditional block nesting level exceeded

Description Conditional block nesting cannot exceed 32 levels.

conflicts with previous section definition

Description A section is defined with .sect and redefined with .usect or vice versa.

Action Change the directives to match or else rename one of the sections.

copy file open error

Description A file specified by a .copy directive does not exist or is already being used.

Action Check spelling, pathname, environment variables, etc.

D

divide by zero

Description An expression or well-defined expression contains invalid division.

duplicate definition

Description The symbol appears as an operand of a REF statement, as well as in the the label field of the source, or the symbol appears more than once in the label field of the source.

Action Examine code for above. Use .newblock to reuse local labels.

duplicate definition of a structure component

Description A structure tag, member, or size symbol was defined elsewhere or used in a .global directive.

E

.else or .elseif needs corresponding .if

Description An .else or .elseif directive was not preceded by an .if directive.

empty structure

Description A .struct/.endstruct sequence must have at least one member.

expression not terminated properly

Description An expression is not delimited by commas, parentheses, or blanks, and it should be.

F

filename missing

Description The specified filename cannot be found.

Action Check spelling, pathname, environment variables, etc.

floating-point number not valid in expression

Description A floating-point expression was used where an integer expression is required.

I**illegal label**

Description A label cannot be used for the second instruction of a parallel instruction pair.

Action Remove the label on the second instruction.

illegal operation in expression

Description An illegal combination of relocatable and external operands was probably used.

Action Consult Table 3–2 on page 3-28.

illegal shift count

Description Shift count must be 0–16 bits.

illegal structure definition

Description The .stag/.eos structure definition is nested or contains a debugging directive other than .member.

Action Consult the .stag/.etag/.utag/.eos description on page B-8.

illegal structure member

Description The structure definition contains a directive other than one that reserves space.

Action Consult *Directives That Initialize Constants* in Table 4–1 beginning on page 4-2.

illegal structure, union, or enumeration tag

Description The .stag directive has an operand that is not an identifier.

invalid binary constant

Description A binary constant other than 0 or 1 is specified or is not suffixed with b or B.

invalid condition value

Description The assembler does not recognize the symbol entered as a valid condition symbol.

invalid control bit

Description The assembler does not recognize the symbol entered as a valid control bit symbol.

invalid decimal constant

Description A digit other than 0–9 is specified.

Action This error is most commonly caused by failure to use h or H as the suffix on a hexadecimal number. Verify that any hexadecimal numbers are suffixed with h or H.

invalid expression

Description This may indicate invalid use of a relocatable symbol in arithmetic.

invalid floating-point constant

Description Either the floating-point constant is incorrectly formed, or an integer constant is used where a floating-point constant is required.

Action See page 4-43.

invalid hexadecimal constant

Description The only valid hexadecimal digits are the integers 0–9 and the letters A–F. The constant must be suffixed with h or H, and it must begin with an integer.

invalid indirect addressing format

Description The addressing mode specified is not appropriate.

invalid octal constant

Description The only valid octal digits are the integers 0–8; the constant must be suffixed with q or Q.

invalid opcode

Description The command field of the source record has an entry that is not a defined instruction, directive, or macro name.

invalid opcode for selected version

Description The command is not valid for this version of the assembler.

invalid operand combination — check version

Action Check the instruction description in the device user's guide.

invalid operand value

Description Certain assembler directives use parameters. An invalid parameter value has been specified.

invalid option

Description An option specified by the .option directive is invalid.

invalid register value

Description A symbol used to represent a register is not appropriate for the current release.

invalid relocation type

Description A relocation type is not valid. Relocation type depends on the addressing mode used to generate the relocatable reference.

Action See Table A-9, page A-10, for valid relocation types.

invalid symbol

Description The symbol has invalid characters in it. For example, it begins with a decimal digit instead of a letter, an underscore, etc.

invalid symbol qualifier

Description Either the symbol string is not composed of up to 32 alphanumeric characters (A-Z (either case), 0-9, \$, and _), or it begins with a number.

invalid version number

Description Valid version options for the assembler, including -v10, -v16, -v20, -v25, -v2xx, and -v50 (-v25 is the default), are not used.

L**label not defined**

Description The .label directive does not have the required *symbol* parameter.

label required

Description The flagged directive has no label.

library not in archive format

Description A file specified with an .mlib directive is not an archive file.

Action Make sure that the macro libraries are unassembled assembler source files. Also make sure that the macro name and member name are the same, and the extension of the file is .asm.

local macro variable is not a valid symbol

Description The operand of a .var directive is not a valid symbol.

Action Consult subsection 6.3.7 on page 6-12.

M

macro parameter is not a valid symbol

Description The macro parameter is not a valid identifier.

Action See Section 6.3, beginning on page 6-5, for a discussion of macro parameters.

maximum macro nesting level exceeded

Description The maximum nesting level is 32.

maximum number of copy files exceeded

Description The maximum nesting level for .copy or .include files is 10.

.mexit directive encountered outside macro

Description A .mexit directive is specified outside a macro and is valid only inside macros.

missing .endif directive

Description An .if directive has no matching .endif.

missing .endloop directive

Description A .loop directive has no matching .endloop.

missing .endm directive

Description A .macro directive has no matching .endmacro directive.

missing macro name

Description A .macro directive has no name.

missing structure tag

Description The .tag directive has no symbol name.

N**no include/copy files in macro or loop blocks**

Description The .include and .copy directives are not allowed inside macros (.macro/.endm) or loop blocks (.loop/.break/.endloop).

no parameters for macro arguments

Description A macro was called with arguments, but no matching parameters were found in the macro definition.

O**open "(" expected**

Description A built-in function was used improperly, or mismatched parentheses were found.

open quote missing

Description A built-in function was used improperly, or mismatched quotes were found.

operand is invalid for selected version

Description A specified operand is not valid for the target processor selected.

operand missing

Description A required operand is not supplied.

overflow in floating-point constant

Description A floating-point value is too large to be represented.

P**pass1/pass2 operand conflict**

Description A symbol in the symbol table did not have the same value in pass 1 and pass 2. This is an internal assembler error. If it occurs repeatedly, the assembler may be corrupt.

positive value required

Description A negative or zero value was used instead of a positive value.

R

redefinition of local substitution symbol

Description Local substitution symbols can be defined only once in a macro.

register required

Description A register that this instruction requires as an operand is not supplied.

S

string required

Description A required string in double quotes is not supplied.

Action You must supply a string that is enclosed in double quotes.

substitution symbol stack overflow

Description The maximum number of nested substitution symbols is 10.

substitution symbol string too long

Description The maximum substitution symbol length is 200 characters.

symbol required

Description A symbol that the .global directive requires as an operand is not supplied.

symbol used in both REF and DEF

Description A REFed symbol is already defined.

syntax error

Description An expression is improperly formed.

T

too many local substitution symbols

Description The maximum number of local substitution symbols is $\approx 64,000$.

U**unbalanced symbol table entries**

Description The assembler detected improper .block nesting or illegal .func nesting.

undefined structure member

Description A symbol referenced with structure reference notation (a.b) is not declared in a .struct/.endstruct sequence.

undefined structure tag

Description The operand of .tag is not defined with a .struct directive.

undefined substitution symbol

Description The operand of a substitution symbol is not defined either as a macro parameter or with a .asg or .eval directive.

undefined symbol

Description An undefined symbol was used where a well-defined expression is required.

underflow in floating-point constant

Description Floating-point value is too small to represent.

unexpected .endif encountered

Description An .endif directive is not preceded by a .loop directive.

unexpected .endloop encountered

Description An .endloop directive is not preceded by a .loop directive.

unexpected .endm directive encountered

Description An .endm directive is not preceded by a .macro directive.

****USER ERROR****

Description Output from an .emsg directive.

****USER MESSAGE****

Description Output from a .mmsg directive.

****USER WARNING****

Description Output from a .wmsg directive.

V

value is out of range

Description The value specified is outside the legal range.

value truncated

Description The value specified requires more bits to be represented than is provided in the flagged instruction. The value was truncated to fit in the specified field, but the truncated value is likely to cause the program to behave incorrectly.

Action Specify a smaller value or specify more bits in the flagged instruction.

.var directive encountered outside macro

Description The .var directive is specified outside a macro and is legal inside macros (.macro/.endm) only.

version number changed

Description The .version directive was used to change versions between incompatible target processors.

W

warning — block open at end of file

Description A .block or .func directive is missing its corresponding .endblock or .endfunc.

warning — byte value truncated

Description The value specified does not fit in an 8-bit field. The value is truncated to fit.

warning – context switch in delayed sequence

Description A context switch occurred during a delayed sequence context change.

warning – delayed jump misses second word

Description A two-word instruction is in the second word of a delayed sequence context switch. The second word will be fetched from the branch address.

warning — function .sym required before .func

Description A .sym directive defining the function does not appear before the .func directive.

warning — illegal relative branch

Description A branch is requested to a different section.

warning — illegal version — default used

Description The processor version specified is invalid. The TMS320C25 is used as the default.

warning — immediate operand not absolute

Description A supplied immediate operand is not an absolute expression.

Action Refer to Table 3–2 on page 3-28.

warning — line truncated

Description More than 200 characters are on an input line; any characters after the 200th on an input line are ignored.

warning — null string defined

Description An empty string (one whose length = 0) is defined for a directive that requires a string operand.

warning — possible pipe conflict with norm

Description Indirect addressing was used in the two words following a NORM instruction. This may cause a pipeline conflict.

warning — possible pipe hit at branch address

Description A NORM instruction was found during a delayed sequence context change. The NORM instruction may cause a pipeline conflict.

warning — possible pipe hit with arx access

Description An access was made to an AR register as a memory address. This may cause a pipeline conflict.

warning — register converted to immediate

Description A constant was expected as an operand.

warning — string length exceeds maximum limit

Description The maximum length of the .title directive is 64 characters.

warning — symbol truncated

Description The maximum length for a symbol is eight characters. The assembler ignores the extra characters.

warning — trailing operand(s)

Description The assembler found fewer or more operands than expected in the flagged instruction.

warning — unexpected .end found in macro

Description The .end directive was used to terminate a macro.

Action Use the .endm macro directive instead.

warning — value out of range

Description The value specified is outside the legal range.

warning — value truncated

Description The expression given was too large to fit within the instruction opcode or the required number of bits.

Linker Error Messages

The linker issues several types of error messages:

- Syntax and command errors
- Allocation errors
- I/O errors

This appendix lists the three types of errors alphabetically within each category. In these listings, the symbol (...) represents the name of an object that the linker is attempting to interact with when an error occurs. Most error messages have a *Description* of the problem and an *Action* that suggests possible remedies. Where the error message itself is an adequate description, you may find only the *Action* suggested. Where the *Action* is obvious from the description (to inspect and correct your code), the *Action* is omitted.

Syntax/Command Errors

These errors are caused by incorrect use of linker directives, misuse of an input expression, or invalid options. Check the syntax of all expressions, and check the input directives for accuracy. Review the various options you are using, and check for conflicts.

A

absolute symbol (...) being redefined

Description An absolute symbol is redefined; this is not allowed.

adding name (...) to multiple output sections

Description The input section is mentioned twice in the SECTIONS directive.

ALIGN illegal in this context

Description Alignment of a symbol is performed outside of a SECTIONS directive.

alignment for (...) must be a power of 2

Description Section alignment was not a power of 2.

Action Make sure that in hexadecimal, all powers of 2 consist of the integers 1, 2, 4, or 8 followed by a series of zero or more 0s.

alignment for (...) redefined

Description More than one alignment is supplied for a section.

attempt to decrement ”.”

Description A statements such as `.-=` is supplied; this is illegal. Assignments to **dot** can be used only to create holes.

B

binding address for (...) redefined

Description More than one binding value is supplied for a section.

blocking for (...) must be a power of 2

Description Section blocking is not a power of 2

Action Make sure that in hexadecimal, all powers of 2 consist of the integers 1, 2, 4, or 8 followed by a series of zero or more 0s.

blocking for (...) redefined

Description More than one blocking value is supplied for a section.

C

-c requires fill value of 0 in .cinit (... overridden)

Description The `.cinit` tables must be terminated with 0, therefore, the fill value of the `.cinit` section must be 0.

cannot align a section within GROUP — (...) not aligned

Description A section in a group was specified for individual alignment. The entire group is treated as one unit, so the group may be aligned or bound to an address, but the sections making up the group cannot be handled individually.

cannot resize (...), section has initialized definition in (...)

Description An *initialized* input section named `.stack` or `.heap` exists, preventing the linker from resizing the section.

cannot specify both binding and memory area for (...)

Description Both binding and memory were specified. The two are mutually exclusive.

Action If you wish the code to be placed at a specific address, use binding only.

cannot specify a page for a section within a GROUP

Description A section was specified to a specific page within a group. The entire group is treated as one unit, so the group may be specified to a page of memory, but the sections making up the group cannot be handled individually.

E**8-bit relocation out of range at (...) in section (...), file (...)**

Description Error message valid only for the 'C25. An overflow of an 8-bit relocation was detected.

Action Generate an assembler listing file with the `-l` option. Examine the listing file for the line with the SPC that corresponds to the first two parameters above: hexadecimal address, and section address.

-e flag does not specify a legal symbol name (...)

Description The `-e` option is not supplied with a valid symbol name as an operand.

entry point other than `_c_int0` specified

Description For `-c` or `-cr` option only. A program entry point other than the value of `_c_int0` was supplied. The runtime conventions of the compiler assume that `_c_int0` is the one and only entry point.

entry point symbol (...) undefined

Description The symbol used with the `-e` option is not defined.

errors in input - (...) not built

Description Previous errors prevent the creation of an output file.

F**fill value for (...) redefined**

Description More than one fill value is supplied for an output section. Individual holes can be filled with different values with the section definition.

fill value redefined for memory area (...)

Description More than one fill value is supplied for an output section. Individual holes can be filled with different values with the section definition.

I

-i path too long (...)

Description The maximum number of characters in an -i path is 256.

illegal input character

Description There is a control character or other unrecognized character in the command file.

illegal memory attributes for (...)

Description The attributes are not some combination of R, W, I, and X.

illegal operator in expression

Action Review legal expression operators.

invalid path specified with -i flag

Description The operand of the -i option (flag) is not a valid file or pathname.

invalid value for -f option

Description The value for the -f option (flag) is not a 2-byte constant.

invalid value for -heap option

Description The value for the -heap option (flag) is not a 2-byte constant.

invalid value for -stack flag

Description The value for the -stack option (flag) is not a 2-byte constant.

invalid value for -v flag

Description The value for the -v option (flag) is not a constant.

L

length redefined for memory area (...)

Description A memory area in a MEMORY directive has more than one length.

linking files for incompatible targets (file ...)

Description Object code assembled for different target devices cannot be linked together.

load address for UNION member ignored

Description A load address is supplied for a UNION statement. Sections run but do not load as a union.

load address for uninitialized section (...) ignored

Description A load address is supplied for an uninitialized section. Uninitialized sections have no load addresses—only run addresses.

load allocation required for initialized UNION member (...)

Description A load address is supplied for an initialized section in a union. UNIONS refer to runtime allocation only. You must specify the load address for all sections within a union separately.

M**–m flag does not specify a valid filename**

Description You did not specify a valid filename for the file you are writing the output map file to.

memory area for (...) redefined

Description More than one named memory allocation is supplied for an output section.

memory page for (...) redefined

Description More than one page allocation is supplied for a section.

memory attributes redefined for (...)

Description More than one set of memory attributes is supplied for an output section.

missing filename on –l

Description No filename operand is supplied for the –l (lowercase L) option.

misuse of "." symbol in assignment instruction

Description The "." symbol is used in an assignment statement that is outside the SECTIONS directive.

N**nesting exceeded with file (...)**

Description More than 16 levels of command file nesting is specified.

no allocation allowed for uninitialized UNION member

Description A load address was supplied for an uninitialized section in a union. An uninitialized section in a union gets its run address from the UNION statement and has no load address, so no load allocation is valid for the member.

no allocation allowed within a GROUP—allocation for section (...) ignored

Description A section in a group was specified for individual allocation. The entire group is treated as one unit, so the group may be aligned or bound to an address, but the sections making up the group cannot be handled individually.

no input files

Description No COFF files were supplied. The linker cannot operate without at least one input COFF file.

no load address specified for (...); using run address

Description No load address is supplied for an initialized section. If an initialized section has a run address only, the section is allocated to run and load at the same address.

O

-o flag does not specify a valid file name : *string*

Description The filename must follow the operating system file naming conventions.

origin missing for memory area (...)

Description An origin is not specified with the MEMORY directive. An origin specifies the starting address of a memory range.

origin redefined for memory area (...)

Description The origin for the memory area is specified more than once, and each memory area can have only one origin.

R

-r incompatible with -s (-s ignored)

Description Both the -r option and the -s option were used. Since the -s option strips the relocation information and -r requests a relocatable object file, these options are in conflict with each other.

S

section (...) not built

Description Most likely there is a syntax error in the SECTIONS directive.

statement ignored

Description There is a syntax error in an expression.

symbol referencing errors — (...) not built

Description Symbol references could not be resolved. Therefore, an object module could not be built.

symbol (...) from file (...) being redefined

Description A defined symbol is redefined in an assignment statement.

syntax error: scanned line = (...)

Description A syntax error has been detected at the listed line number.

T**too many arguments – use a command file**

Description You used more than ten arguments on a command line or in response to prompts.

too many -i options, 7 allowed

Action More than seven -i options were used. Additional search directories can be specified with a C_DIR or A_DIR environment variable.

type flags for (...) redefined

Description More than one section type is supplied for a section. Note that type COPY has all of the attributes of type DSECT, so DSECT need not be specified separately.

type flags not allowed for GROUP or UNION

Description A type is specified for a section in a group or union. Special section types apply to individual sections only.

U**-u does not specify a legal symbol name**

Description The -u option did not specify a legal symbol name that exists in one of the files that you are linking.

unexpected EOF(end of file)

Description There is a syntax error in the linker command file.

undefined symbol in expression

Description An assignment statement contains an undefined symbol.

Z**zero or missing length for memory area (...)**

Description A memory range defined with the MEMORY directive did not have a nonzero length.

Allocation Errors

These error messages appear during the allocation phase of linking. They generally appear if a section or group does not fit at a certain address or if the MEMORY and SECTION directives conflict in some way. If you are using a linker command file, check that MEMORY and SECTION directives allow enough room to ensure that no sections overlap and that no sections are being placed in unconfigured memory.

B

binding address (...) for section (...) is outside all memory on page (...)

Description Not every section falls within memory configured with the MEMORY directive.

Action If you are using a linker command file, check that MEMORY and SECTIONS directives allow enough room to ensure that no sections are being placed in unconfigured memory.

binding address (...) for section (...) overlays (...) at (...)

Description Two sections overlap and cannot be allocated.

Action If you are using a linker command file, check that MEMORY and SECTIONS directives allow enough room to ensure that no sections are being placed in unconfigured memory.

binding address (...) incompatible with alignment for section (...)

Description The binding address violates a section's alignment requirement from an .align directive or previous link.

C

can't allocate output section, (...)

Description A section can't be allocated, because no existing configured memory area is large enough to hold it.

Action If you are using a linker command file, check that the MEMORY and SECTIONS directives allow enough room to ensure that no sections are being placed in unconfigured memory.

I

internal symbol (...) redefined in file (...)

Description The internal symbol was redefined in a second file. The linker ignores the second definition.

L**load address for uninitialized section (...) ignored**

Description A load address is supplied for an uninitialized section. Uninitialized sections have no load addresses—only run addresses.

M**memory types (...) and (...) on page (...) overlap**

Description Memory ranges on the same page overlap.

Action If you are using a linker command file, check that MEMORY and SECTIONS directives allow enough room to ensure that no sections are being placed in unconfigured memory.

N**no load address specified for (...); using run address**

Description No load address is supplied for an initialized section. If an initialized section has a run address only, the section is allocated to run and load at the same address.

O**output file (...) not executable**

Description The output file created may have unresolved symbols or other problems stemming from other errors. This condition is not fatal.

S**section (...) at address (...) overlays previously allocated section (...) at address**

Description Two sections overlap and cannot be allocated.

Action If you are using a linker command file, check that MEMORY and SECTIONS directives allow enough room to ensure that no sections overlap.

section (...), bound at address (...), won't fit into page (...) of configured memory

Description A section can't be allocated, because no existing configured memory area is large enough to hold it.

Action If you are using a linker command file, check that MEMORY and SECTIONS directives allow enough room for each page of memory.

section (...) enters unconfigured memory at address (...)

Description A section can't be allocated, because no existing configured memory area is large enough to hold it.

Action If you are using a linker command file, check that MEMORY and SECTIONS directives allow enough room to ensure that no sections are being placed in unconfigured memory.

section (...) in file (...) is too big

Description A section can't be allocated, because no existing configured memory area is large enough to hold it.

Action If you are using a linker command file, check that MEMORY and SECTIONS directives allow enough room to ensure that no sections are being placed in unconfigured memory.

U

undefined symbol (...) first referenced in file (...)

Description Either a referenced symbol is not defined, or the `-r` option was not used. Unless the `-r` option is used, the linker requires that all referenced symbols be defined. This condition prevents the creation of an executable output file.

Action Link using the `-r` option or define the symbol.

I/O and Internal Overflow Errors

The following error messages indicate that the input file is corrupt, nonexistent, or unreadable, or that the output file cannot be opened or written to. Messages in this category may also indicate that the linker is out of memory or table space.

C

cannot complete output file (...), write error

Description This usually means that the file system is out of space.

cannot create output file (...)

Description This usually indicates an illegal filename.

Action Check spelling, pathname, environment variables, etc. The filename must conform to operating system conventions.

can't open (...)

Description The specified file does not exist.

Action Check spelling, pathname, environment variables, etc.

can't read (...)

Description The file may be corrupt.

Action If the input file is corrupt, try reassembling it.

can't seek (...)

Description The file may be corrupt.

Action If the input file is corrupt, try reassembling it.

can't write (...)

Description The disk may be full or protected.

Action Check disk volume and protection.

could not create map file (...)

Description This usually indicates an illegal filename.

Action Check spelling, pathname, environment variables, etc. The filename must conform to operating system conventions.

F

fail to copy (...)

Description The file may be corrupt.

Action If the input file is corrupt, try reassembling it.

fail to read (...)

Description The file may be corrupt.

Action If the input file is corrupt, try reassembling it.

fail to seek (...)

Description The file may be corrupt.

Action If the input file is corrupt, try reassembling it.

fail to skip (...)

Description The file may be corrupt.

Action If the input file is corrupt, try reassembling it.

fail to write (...)

Description The disk may be full or protected.

Action Check disk volume and protection.

file (...) has no relocation information

Description You have attempted to relink a file that was not linked with `-r`.

file (...) is of unknown type, magic number = (...)

Description The binary input file is not a COFF file.

I

illegal relocation type (...) found in section(s) of file (...)

Description The binary file is corrupt.

internal error : aux table overflow

Description This linker has an internal error.

invalid archive size for file (...)

Description The archive file is corrupt.

I/O error on output file (...)

Description The disk may be full or protected.

Action Check disk volume and protection.

L

library (...) member (...) has no relocation information

Description The library member has no relocation information. It is possible for a library member to not have relocation information; this means that it cannot satisfy unresolved references in other files when linking.

line number entry found for absolute symbol

Description The input file may be corrupt.

Action If the input file is corrupt, try reassembling it.

M

memory allocation failure

Description

N

no symbol map produced — not enough memory

Description Available memory is insufficient to produce the symbol list. This is a nonfatal condition that prevents the generation of the symbol list in the map file.

R

relocation entries out of order in section (...) of file (...)

Description The input file may be corrupt.

Action If the input file is corrupt, try reassembling it.

relocation symbol not found: index (...), section (...), file (...)

Description The input file may be corrupt.

Action If the input file is corrupt, try reassembling it.

S

section (...) not found

Description An input section specified in a SECTIONS directive was not found in the input file.

sections .text, .data, or .bss not found

Description Information found in the COFF optional file header may be corrupt.

Action Try reassembling and relinking the affected files.

seek to (...) failed

Description The input file may be corrupt.

Action If the input file is corrupt, try reassembling it.

Glossary

A

absolute address: An address that is permanently assigned to a TMS320 memory location.

absolute lister: A debugging tool that allows you to create assembler listings that contain absolute addresses.

absolute section: A named section defined with the `.asect` directive. In an absolute section, all addresses except those defined with `.label` are absolute.

alignment: A process in which the linker places an output section at an address that falls on an n -bit boundary, where n is a power of 2. You can specify alignment with the `SECTIONS` linker directive.

allocation: A process in which the linker calculates the final memory addresses of output sections.

archive library: A collection of individual files that have been grouped into a single file.

archiver: A software program that allows you to collect several individual files into a single file called an archive library. The archiver also allows you to delete, extract, or replace members of the archive library, as well as to add new members.

assembler: A software program that creates a machine-language program from a source file that contains assembly language instructions, directives, and macro directives. The assembler substitutes absolute operation codes for symbolic operation codes, and absolute or relocatable addresses for symbolic addresses.

assembly-time constant: A symbol that is assigned a constant value with the `.set` or `.equ` directive.

assignment statement: A statement that assigns a value to a variable.

autoinitialization: The process of initializing global C variables (contained in the `.cinit` section) before beginning program execution.

auxiliary entry: The extra entry that a symbol may have in the symbol table that contains additional information about the symbol (whether it is a filename, a section name, a function name, etc.).

B

binding: A process in which you specify a distinct address for an output section or a symbol.

block: A set of declarations and statements that are grouped together with braces.

.bss: One of the default COFF sections. You can use the `.bss` directive to reserve a specified amount of space in the memory map that can later be used for storing data. The `.bss` section is uninitialized.

C

C compiler: A program that translates C source statements into TMS320 fixed-point assembly language source statements.

command file: A file that contains linker options and names input files for the linker.

comment: A source statement (or portion of a source statement) that is used to document or improve readability of a source file. Comments are not compiled, assembled, or linked; they have no effect on the object file.

common object file format (COFF): An object file format that promotes modular programming by supporting the concept of *sections*.

conditional processing: A method of processing one block of source code or an alternate block of source code, according to the evaluation of a specified expression.

configured memory: Memory that the linker has specified for allocation.

constant: A numeric value that can be used as an operand.

cross-reference listing: An output file created by the assembler that lists the symbols that were defined, what line they were defined on, which lines referenced them, and their final values.

D

.data: One of the default COFF sections. The .data section is an initialized section that contains initialized data. You can use the .data directive to assemble code into the .data section.

directive: Special-purpose commands that control the actions and functions of a software tool (as opposed to assembly language instructions, which control the actions of a device).

E

emulator: A hardware development system that emulates TMS320 operation.

entry point: The starting execution point in target memory.

executable module: An object file that has been linked and can be executed in a TMS320 system.

expression: A constant, a symbol, or a series of constants and symbols separated by arithmetic operators.

external symbol: A symbol that is used in the current program module but defined in a different program module.

F

field: For the TMS320, a software-configurable data type whose length can be programmed to be any value in the range of 1–16 bits.

file header: A portion of a COFF object file that contains general information about the object file (such as the number of section headers, the type of system the object file can be downloaded to, the number of symbols in the symbol table, and the symbol table's starting address).

G

global: A kind of symbol that is either 1) defined in the current module and accessed in another, or 2) accessed in the current module but defined in another.

GROUP: An option of the SECTIONS directive that forces specified output sections to be allocated contiguously (as a group).

H

hex conversion utility: A utility that converts COFF object files into one of several standard ASCII hexadecimal formats, suitable for loading into an EPROM programmer.

high-level language debugging: The ability of a compiler to retain symbolic and high-level language information (such as type and function definitions) so that a debugging tool can use it.

hole: An area between the input sections that compose an output section that contains no actual code or data.

I

incremental linking: The linking of files that have already been linked.

initialized section: A COFF section that contains executable code or initialized data. An initialized section can be built up with the `.data`, `.text`, or `.sect` directive.

input section: A section from an object file that will be linked into an executable module.

L

label: A symbol that begins in column 1 of a source statement and corresponds to the address of that statement.

line number entry: An entry in a COFF output module that maps lines of assembly code back to the original C source file that created them.

linker: A software tool that combines object files to form an object module that can be allocated into TMS320 system memory and executed by the device.

listing file: An output file created by the assembler that lists source statements, their line numbers, and their effects on the SPC.

loader: A device that loads an executable module into TMS320 system memory.

M

macro: A user-defined routine that can be used as an instruction.

macro call: The process of invoking a macro.

macro definition: A block of source statements that define the name and the code that make up a macro.

macro expansion: The source statements that are substituted for the macro call and are subsequently assembled.

macro library: An archive library composed of macros. Each file in the library must contain one macro; its name must be the same as the macro name it defines, and it must have an extension of `.asm`.

magic number: A COFF file header entry that identifies an object file as a module that can be executed by the TMS320.

map file: An output file created by the linker that shows the memory configuration, section composition, and section allocation, as well as symbols and the addresses at which they were defined.

member: The elements or variables of a structure, union, archive, or enumeration.

memory map: A map of target system memory space that is partitioned into functional blocks.

mnemonic: An instruction name that the assembler translates into machine code.

model statement: Instructions or assembler directives in a macro definition that are assembled each time a macro is invoked.

N

named section: An initialized section that is defined with a `.sect` directive, or an uninitialized section that is named with a `.usect` directive.

O

object file: A file that has been assembled or linked and contains machine-language object code.

object format converter: A program that converts COFF object files into Intel format, Tektronix format, TI-tagged format, or Motorola-S format object files.

- object library:** An archive library made up of individual object files.
- operand:** The arguments, or parameters, of an assembly language instruction, assembler directive, or macro directive.
- optional header:** A portion of a COFF object file that the linker uses to perform relocation at download time.
- options:** Command parameters that allow you to request additional or specific functions when you invoke a software tool.
- output module:** A linked, executable object file that can be downloaded and executed on a target system.
- output section:** A final, allocated section in a linked, executable module.
- overlay page:** A section of physical memory that is mapped into the same address range as another section of memory. A hardware switch determines which range is active.

P

- partial linking:** The linking of a file that will be linked again.

R

- RAM model:** An autoinitialization model used by the linker when linking C code. The linker uses this model when you invoke the linker with the `-cr` option. The RAM model allows variables to be initialized at load time instead of runtime.
- raw data:** Executable code or initialized data in an output section.
- relocation:** A process in which the linker adjusts all the references to a symbol when the symbol's address changes.
- ROM model:** An autoinitialization model used by the linker when linking C code. The linker uses this model when you invoke the linker with the `-c` option. In the ROM model, the linker loads the `.cinit` section of data tables into memory, and variables are initialized at runtime.
- run address:** The address where a section runs.

S

- SPC (section program counter):** An element of the assembler that keeps track of the current location within a section; each section has its own SPC.

section: A relocatable block of code or data that will ultimately occupy contiguous space in the TMS320 memory map.

section header: A portion of a COFF object file that contains information about a section in the file. Each section has its own header; the header points to the section's starting address, contains the section's size, etc.

section program counter: See SPC.

sign-extend: To fill the unused MSBs of a value with the value's sign bit.

simulator: A software development system that simulates TMS320 operation.

source file: A file that contains C code or TMS320 assembly language code that will be compiled or assembled to form an object file.

static: A kind of variable whose scope is confined to a function or a program. The values of static variables are not discarded when the function or program is exited; their previous value is resumed when the function or program is re-entered.

storage class: Any entry in the symbol table that indicates how a symbol should be accessed.

string table: A table that stores symbol names longer than 8 characters. (Symbol names 8 characters or longer cannot be stored in the symbol table; instead, they are stored in the string table.) The name portion of the symbol's entry points to the location of the string in the string table.

structure: A collection of one or more variables grouped together under a single name.

symbol: A string of alphanumeric characters that represents an address or a value.

symbolic debugging: The ability of a software tool to retain symbolic information so that it can be used by a debugging tool such as a simulator or an emulator.

symbol table: A portion of a COFF object file that contains information about the symbols that are defined and used by the file.

T

tag: An optional *type* name that can be assigned to a structure, union, or enumeration.

target memory: Physical memory into which executable object code is loaded.

.text: One of the default COFF sections. The .text section is an initialized section that contains executable code. You can use the .text directive to assemble code into the .text section.

U

unconfigured memory: Memory that is not defined as part of the memory map and cannot be loaded with code or data.

uninitialized section: A COFF section that reserves space in the memory map but that has no actual contents. These sections are built with the .bss and .usect directives.

UNION: An option of the SECTIONS directive that causes the linker to allocate the same run address to multiple sections.

union: A variable that can hold objects of different types and sizes.

unsigned: A kind of value that is treated as a positive number, regardless of its actual sign.

W

well-defined expression: An expression that contains only symbols or assembly-time constants that have been defined before they appear in the expression.

word: A 16-bit addressable location in target memory.

TOKEN	REFERENCE	SEE (ALSO) . . .
	A_DIR	environment variables
	alternate directories	environment variables
	assembler, directives	directives, assembler
	boot loader	on-chip boot loader
	boot table	on-chip boot loader, boot table
	C_DIR	environment variables
	_c_int0 _main	entry points
	COFF, conversion to hexadecimal format	hex conversion utility
	COFF, named sections	COFF, sections, named
	common object file format	COFF
	debugging	symbolic debugging
	default, section	COFF, section
	directives, assembler, that format output	assembler output
	dspa command	assembler, invoking
	dspabs command	absolute lister, invoking
	dspar command	archiver, invoking
	dsphex command	hex conversion utility, invoking
	dsplnk command	linker, invoking
	dspxref command	cross-reference lister, invoking
	filenames	hex conversion utility, output filenames
	fill value	holes
	hex conversion util', on-chip boot loader	on-chip boot loader
	hex conversion utility, options	on-chip boot loader, options
	image mode	hcu image mode
	installation instructions	TMS Fixed-Point DSP CGT GS
	macros, parameters	substitution symbols
	named sections	COFF, sections, named
	object formats	COFF
	output, filenames	hex conversion utility, output filenames
	output, listing	listing
	path	environment variables – alternate dir's

TOKEN	REFERENCE	SEE (ALSO) . . .
	program counters	SPC
	ROMS directive, h. c. .u.	hcu ROMS
	section directives	directives, assembler
	section program counters	SPC
	sections	COFF, sections
	SECTIONS directive, hex conv. util.	h. c. u., SECTIONS
	software installation	TMS Fixed-Point DSP CGT GS
	widths	memory widths

Index

; in assembly language source 3-16
\$ symbol for SPC 3-21
* in assembly language source 3-16

A

–a archiver command 7-4
–a assembler option 3-4
–a hex conversion utility option 11-4, 11-39
–a linker option 8-6
A_DIR environment variable 3-13 to 3-15, 8-10, 8-11
 See also environment variables
absolute lister 9-1 to 9-8
 creating the absolute listing file 3-4, 9-2
 development flow 9-2
 example 9-5
 invoking 9-3 to 9-4
absolute listing
 –a assembler option 3-4
 producing 9-2
absolute output module 8-6
 relocatable 8-7
absolute sections 2-7
acronyms and symbols 5-3
.align assembler directive 4-11, 4-21
alignment 4-11, 4-21, 8-30
allocation 2-2, 8-27 to 8-30
 alignment 4-21, 8-30
 binding 8-29
 blocking 8-30
 default algorithm 8-45 to 8-48
 GROUP 8-39
 memory
 default 2-11, 8-29
 UNION 8-37
alternate directories 3-12 to 3-14, 8-10
 See also environment variables
 naming with –i option 3-12
 naming with A_DIR 3-13 to 3-15
–ar linker option 8-7
archive libraries 4-55, 8-10, 8-15, 8-19 to 8-20
 back referencing 8-15
 types of files 7-2
archiver 7-1 to 7-8
 examples 7-6 to 7-8
 in the development flow 7-3
 invocation 7-4
 options 7-4 to 7-6
arithmetic operators 3-26
array definitions A-25
ASCII-Hex object format 11-1, 11-39
.asect
 assembler directive 2-4, 4-6, 4-22, 8-34
 section 4-6
.asg assembler directive 4-16, 4-23
 listing control 4-12, 4-32
 use in macros 6-6
assembler 3-1 to 3-34
 character strings 3-19
 constants 3-17 to 3-18
 cross-reference listings 3-5, 3-33
 development flow 3-3
 directives. *See* directives, assembler
 error messages E-1 to E-14
 expressions 3-25, 3-26, 3-27
 handling COFF sections 2-4 to 2-9
 invocation 3-4
 macros 6-1 to 6-22
 options 3-4 to 3-6
 output listing 4-12 to 4-13
 directive listing 4-12, 4-32
 enable 4-12, 4-51
 false conditional block listing 4-12, 4-39
 list options 4-12, 4-61

assembler (continued)
macro listing 4-55, 4-57
page eject 4-12, 4-63
page length 4-12, 4-50
page width 4-13, 4-50
substitution symbol listing 4-69
suppress 4-12, 4-51
tab size 4-13, 4-74
title 4-13, 4-76
 overview 3-2
 relocation 2-18 to 2-19, 8-6
 at runtime 2-20
 sections directives 2-4 to 2-9
 source listings 3-30 to 3-32
 source statement format 3-15 to 3-16
 symbols 3-20 to 3-24

assembly language development flow 7-3, 8-2
 assembly-time constants 3-18, 4-67
 assigning a value to a symbol 4-67
 assignment expressions 8-51 to 8-52
 attributes 3-33, 8-23
 autoinitialization 8-8, 8-61 to 8-62
 RAM model 8-8, 8-61 to 8-63
 ROM model 8-8, 8-62 to 8-64
 auxiliary entries A-22 to A-26

B

–b linker option 8-7
 .bes assembler directive 4-8, 4-68
 .bfloat assembler directive 4-9, 4-43
 big-endian ordering 11-12
 binary integer constants 3-17
 binding 8-29
 block definitions A-16, A-25, A-26, 2-2
 .block symbolic debugging directive 2-2
 blocking 4-25, 8-30
 .blong assembler directive 4-9, 4-53
 –boot hex conversion utility option 11-27
 boot loader. *See* on-chip boot loader
 boot table 11-26 to 11-33
 See also on-chip boot loader, boot table
 boot.obj 8-60, 8-63
 –bootorg hex conversion utility option 11-27, 11-28
 –bootpage hex conversion utility option 11-27

Index-2

.break assembler directive 4-15, 4-54
 listing control 4-12, 4-32
 use in macros 6-14

.bss
 assembler directive 2-4 to 2-24, 4-6, 4-25
 linker definition 8-53
 holes 8-56
 initializing 8-56
 section 4-6, 4-25, A-3

.byte assembler directive 4-8, 4-28
 limiting listing with the .option directive 4-12, 4-61

–byte hex conversion utility option 11-4, 11-24

C

–c assembler option 3-4
 C code
 linking 8-60 to 8-63
 C compiler 1-3, 8-8, 8-60 to 8-63, A-1, B-1
 block definitions 2-2
 enumeration definitions 2-8
 file identification 2-3
 function definitions 2-4
 line number entries 2-6
 line number information A-11
 member definitions 2-7
 special symbols A-15 to A-16
 storage classes A-18 to A-19
 structure definitions 2-8
 symbol table entries 2-10
 union definitions 2-8
 –c linker option 8-8, 8-53
 C memory pool 8-9, 8-61
 C system stack 8-13, 8-61
 C_DIR environment variable 8-10, 8-11 to 8-18
 See also environment variables
 _c_int0 8-8, 8-63
 See also entry points
 –cg hex conversion utility option 11-27, 11-31
 character constants 3-18
 character strings 3-19
 .cinit section 8-61 to 8-62
 cinit symbol 8-61 to 8-62
 .cinit tables 8-61
 COFF 2-1 to 2-24, 8-1, A-1 to A-26
 auxiliary entries A-22 to A-26
 conversion to hexadecimal format 11-1 to 11-44
 See also hex conversion utility

- COFF (continued)
- default allocation 8-45 to 8-47
 - file headers A-4 to A-5
 - file in development flow 3-3, 7-3, 8-2, 11-2
 - file structure A-2 to A-26
 - initialized sections 2-5
 - line number entries 2-6
 - line number table A-11 to A-12
 - loading a program 2-21
 - named sections. *See* COFF, sections, named
 - object file example A-3
 - optional file header A-6
 - relocation 2-18
 - relocation information A-9 to A-10
 - relocation type* A-10
 - symbol table index* A-10
 - virtual address* A-9
 - runtime relocation 2-20
 - section headers A-7 to A-8
 - sections 2-2 to 2-18
 - absolute* 2-7
 - allocation* 2-2
 - assembler* 2-4 to 2-9
 - initialized* 2-5
 - linker* 2-10 to 2-17
 - named* 2-6, 8-54
 - special types* 8-49
 - uninitialized* 2-4 to 2-5
 - special symbols A-15 to A-16
 - storage classes A-18 to A-19
 - string table A-17
 - symbol table A-13 to A-26
 - symbol values* A-19
 - symbolic debugging A-11 to A-12
 - symbols 2-22 to 2-24
 - type entry A-20
 - uninitialized sections 2-4 to 2-5
 - version format 8-14
- command files 11-5 to 11-6
- invoking 11-5
 - hex conversion utility* 11-3
 - linker 8-3, 8-16 to 8-18, C-1 to C-8
 - constants in* 8-18
 - example* 8-65
 - reserved words* 8-18
 - TMS320C10* C-2
 - TMS320C25* C-3 to C-8
 - TMS320C50* C-5 to C-8
 - TMS320C51* C-7
 - ROMS directive 11-5
- COFF (continued)
- SECTIONS directive 11-5
 - comment field 3-16
 - comments
 - in a linker command file 8-17, 8-18
 - in assembly language source code 3-16
 - in macros 6-17
 - that extend past page width 4-50
 - common object file format. *See* COFF
 - compatibility among TMS320C1x/C2x/C2xx/C5x processors 3-6 to 3-11
 - conditional
 - assembly directives 4-15, 4-46
 - in macros* 6-14 to 6-15
 - maximum nesting levels* 6-14
 - blocks 4-46, 6-14
 - listing* 4-39
 - expressions 3-27
 - configured memory 8-47 to 8-50
 - constants 3-17 to 3-18, 3-20
 - assembly-time 3-18, 4-67
 - binary integers 3-17
 - character 3-18
 - decimal integers 3-17
 - floating-point 4-43
 - hexadecimal integers 3-18
 - in command files 8-18
 - in linker expressions 8-51
 - octal integers 3-17
 - symbolic 3-21 to 3-23
 - \$* 3-21
 - port address* 3-21
 - register symbols* 3-21
 - version* 3-22
 - symbols as 3-20
 - .copy assembler directive 3-12, 4-14, 4-29
 - copy files 3-12, 4-29
 - COPY section 8-49
 - cr linker option 8-8, 8-53
 - creating holes 8-54 to 8-56
 - cross-reference lister 10-1 to 10-6
 - creating the cross-reference listing 10-2
 - development flow 10-2
 - dspxref command 10-3
 - example 10-4
 - invoking 10-3
 - symbol attributes 10-5
 - cross-reference listings 3-5, 3-33
 - producing with the .option directive 4-12, 4-61

D

- d archiver command 7-4
- d assembler option 3-4
- .data
 - assembler directive 2-4, 4-6, 4-31
 - linker definition 8-53
 - section 4-6, 4-31, A-3
- data memory 8-21
- debugging
 - See *also* symbolic debugging
 - producing error messages in macros 6-17
- decimal integer constants 3-17
- .def assembler directive 4-14, 4-44
 - identifying external symbols 2-22
- default
 - allocation 8-45 to 8-47
 - fill value for holes 8-8
 - memory allocation 2-11
 - MEMORY configuration 8-45 to 8-47
 - MEMORY model 8-21
 - section. See COFF, section
 - SECTIONS configuration 8-24, 8-45 to 8-47
- development tools overview 1-2
- directives
 - assembler 4-1 to 4-20
 - absolute lister*
 - .sect 9-7
 - .setsym 9-7
 - assembly-time constants* 3-18, 4-67
 - assembly-time symbols* 4-16 to 4-17
 - .asg 4-16, 4-23
 - .endstruct 4-16, 4-71
 - .equ 4-16, 4-67
 - .eval 4-17, 4-23
 - .newblock 4-17, 4-60
 - .set 4-16, 4-67
 - .struct 4-16, 4-71
 - .tag 4-16, 4-71
 - character constants* 3-18
 - conditional assembly* 4-15
 - .break 4-15, 4-54
 - .else 4-15, 4-46
 - .elseif 4-15, 4-46
 - .endif 4-15, 4-46
 - .endloop 4-15, 4-54
 - .if 4-15, 4-46
 - .loop 4-15, 4-54
 - default directive* 2-4
 - example* 2-7 to 2-8
 - hexadecimal integers* 3-18
 - miscellaneous* 4-18 to 4-19
 - .emsg 4-19, 4-34
 - .end 4-18, 4-36
 - .label 4-49
 - .mmregs 4-18, 4-58
 - .mmsg 4-19, 4-34
 - .port 4-18, 4-64
 - .sblock 4-18, 4-65
 - .version 4-18, 4-79
 - .wmsg 4-19, 4-34
 - summary table* 4-2 to 4-20
 - symbolic debugging directives* B-1
 - .block/.endblock 2-2
 - .etag/.eos 2-8
 - .file 2-3
 - .func/.endfunc 2-4
 - .line 2-6
 - .member 2-7
 - .stag/.eos 2-8
 - .sym 2-10
 - .utag/.eos 2-8
 - that align the section program counter (SPC)*
 - .align 4-11, 4-21
 - .even 4-11, 4-37
 - that define sections* 4-6 to 4-7
 - .asect 2-4, 4-6, 4-22
 - .bss 2-4, 4-6, 4-25
 - .data 2-4, 4-6, 4-31
 - .sect 2-4, 4-6, 4-66
 - .text 2-4, 4-6, 4-75
 - .usect 2-4, 4-6, 4-77
 - that format the output listing* 4-12 to 4-13
 - See *also* assembler output
 - .drlist 4-12, 4-32
 - .drnolist 4-12, 4-32
 - .fclist 4-12, 4-39
 - .fcnolist 4-12, 4-39
 - .length 4-12, 4-50
 - .list 4-12, 4-51
 - .mlist 4-12, 4-57
 - .mnolist 4-12, 4-57
 - .nolist 4-12, 4-51
 - .option 4-12, 4-61
 - .page 4-12, 4-63
 - .sslist 4-13, 4-69
 - .ssnolist 4-13, 4-69
 - .tab 4-13, 4-74
 - .title 4-13, 4-76
 - .width 4-13, 4-50
 - that initialize constants* 4-8 to 4-10
 - .bes 4-8, 4-68
 - .bfloat 4-9, 4-43
 - .blong 4-9, 4-53
 - .byte 4-8, 4-28

- directives (continued)
 - .field 4-9, 4-40
 - .float 4-9, 4-43
 - .int 4-9, 4-48
 - .long 4-9, 4-53
 - .space 4-8, 4-68
 - .string 4-9, 4-70
 - .word 4-9, 4-48
 - that reference other files* 4-14
 - .copy 4-14, 4-29
 - .def 4-14, 4-44
 - .global 4-14, 4-44
 - .include 4-14, 4-29
 - .mlib 4-14, 4-55
 - .ref 4-14, 4-44
 - linker
 - MEMORY* 2-10, 2-15, 8-21 to 8-23
 - SECTIONS* 2-10, 2-16, 8-24 to 8-32
 - summary 4-2 to 4-5
 - directory search algorithm
 - assembler 3-12
 - linker 8-10
 - .drlst assembler directive 4-12, 4-32
 - use in macros 6-18
 - .drnlst assembler directive 4-12, 4-32
 - use in macros 6-18
 - DSECT section 8-49
 - dspa command 3-4
 - See also* assembler, invoking
 - dspabs command 9-3
 - See also* absolute lister, invoking
 - dspar command 7-4
 - See also* archiver, invoking
 - dsphex command 11-3
 - See also* hex conversion utility, invoking
 - dsplnk command 8-3
 - See also* linker, invoking
 - dspxref command 10-3
 - See also* cross-reference lister, invoking
 - dummy section 8-49
- E**
- e archiver option 7-5
 - e file specifier option 9-3
 - e hex conversion utility option 11-29
 - e linker option 8-8
 - .edata linker symbol 8-53
 - .else assembler directive 4-15, 4-46
 - use in macros 6-14
 - .elseif assembler directive 4-15, 4-46
 - use in macros 6-14
 - .emsg assembler directive 4-19, 4-34
 - listing control 4-12, 4-32
 - .emsg macro directive 6-17
 - .end assembler directive 4-18, 4-36
 - .end linker symbol 8-53
 - .endblock symbolic debugging directive 2-2
 - .endfunc symbolic debugging directive 2-4
 - .endif assembler directive 4-15, 4-46
 - use in macros 6-14
 - .endloop assembler directive 4-15, 4-54
 - use in macros 6-14
 - .endm macro directive 6-3
 - .endstruct assembler directive 4-16, 4-71
 - enhanced instruction forms 3-34
 - entry points 8-8
 - _c_int0 8-8, 8-63
 - default value 8-8
 - for C code 8-63
 - for the linker 8-8
 - _main 8-8
 - enumeration definitions 2-8
 - environment variables
 - A_DIR 3-13 to 3-15
 - C_DIR 8-10, 8-11 to 8-18
 - .eos symbolic debugging directive 2-8
 - .equ assembler directive 4-16, 4-67
 - error messages
 - assembler E-1 to E-14
 - generating 4-19
 - hex conversion utility 11-44
 - linker F-1 to F-14
 - allocation* F-8 to F-14
 - I/O and internal overflow* F-11 to F-14
 - syntax/command* F-1 to F-14
 - producing in macros 6-17
 - .etag symbolic debugging directive 2-8
 - .etext linker symbol 8-53
 - .eval assembler directive 4-17, 4-23
 - listing control 4-12, 4-32
 - use in macros 6-7
 - .even assembler directive 4-11, 4-37
 - executable output 8-6
 - relocatable 8-7

expressions 3-25, 3-26, 3-27
 absolute and relocatable
 examples 3-28 to 3-30
 conditional 3-27
 illegal 3-28
 left-to-right evaluation 3-25
 linker 8-51 to 8-52
 overflow 3-26
 parentheses effect on evaluation 3-25
 precedence of operators 3-25
 that are well defined 3-27
 that contain arithmetic operators 3-26
 that contain conditional operators 3-27
 that contain relocatable symbols 3-27
 underflow 3-26
 well-defined 3-27
external symbols 2-22, 4-44

F

-f linker option 8-8
.fclist assembler directive 4-12, 4-39
 listing control 4-12, 4-32
 use in macros 6-18
.fcnolist assembler directive 4-12, 4-39
 listing control 4-12, 4-32
 use in macros 6-18
.field assembler directive 4-9, 4-40
file headers A-4 to A-5
file identification 2-3
.file symbolic debugging directive 2-3
filenames
 See also hex conversion utility, output filenames
 as character strings 3-19
 copy/include files 3-12
 extensions, changing defaults 9-3
 list file 3-4
 macros, in macro libraries 6-13
 object code 3-4
fill
 MEMORY specification 8-22
 value 8-57
 See also holes
 default 8-8
 setting 8-8
-fill hex conversion utility option 11-4, 11-24
filling holes 8-56 to 8-57
.float assembler directive 4-9, 4-43

floating-point constants 4-43
.func symbolic debugging directive 2-4
function definitions A-16, A-25, A-26, 2-4

G

.global assembler directive 4-14, 4-44
 identifying external symbols 2-22
global symbols 8-9
glossary G-1 to G-8
GROUP linker directive 8-39

H

-h linker option 8-9
-heap linker option 8-9
 .systemem section 8-9, 8-61
hex conversion utility 11-1 to 11-44
 command files 11-5 to 11-6
 invoking 11-3, 11-5
 ROMS directive 11-5
 SECTIONS directive 11-5
 configuring memory widths
 defining memory word width (memwidth) 11-4
 ordering memory words 11-4
 specifying output width (romwidth) 11-4
 controlling the ROM device
 address 11-34 to 11-37
 boot-loader mode 11-35 to 11-37
 nonboot-loader mode 11-34 to 11-35
 data width 11-8
 development flow 11-2
 dsphex command 11-3
 error messages 11-44
 examples D-1 to D-24
 avoiding holes with multiple sections D-7 to D-8
 building a hex command file for two 8-bit EPROMS D-2 to D-6
 generating a boot table for a 'C26 D-18 to D-24
 generating a boot table for a 'C50 D-9 to D-17
 generating a map file 11-4
 generating a quiet run 11-4
 image mode
 defining the target memory 11-25
 filling holes 11-4, 11-24

hex conversion utility (continued)
 invoking 11-4, 11-24
 numbering bytes sequentially 11-4, 11-24
 resetting address origin 11-4, 11-24
 invoking 11-3 to 11-4
 from the command line 11-3
 in a command file 11-3
 memory width (memwidth) 11-8 to 11-9
 exceptions 11-8
 object formats
 address bits 11-38
 ASCII-Hex 11-1, 11-39
 selecting 11-4
 Intel 11-1, 11-40
 selecting 11-4
 Motorola-S 11-1, 11-41
 selecting 11-4
 output width 11-38
 Tektronix 11-1, 11-43
 selecting 11-4
 TI-Tagged 11-1, 11-42
 selecting 11-4
 on-chip boot loader
 See also on-chip boot loader
 options 11-4 to 11-6
 See also on-chip boot loader, options
 -a 11-4, 11-39
 -b 11-4, 11-24
 -fill 11-4, 11-24
 -i 11-4, 11-40
 -image 11-4, 11-24
 -m 11-4, 11-41
 -map 11-4
 -memwidth 11-4
 -o 11-4
 -order 11-4
 restrictions 11-13
 -q 11-4
 -romwidth 11-4
 -t 11-4, 11-42
 -x 11-4, 11-43
 -zero 11-4, 11-24
 ordering memory words 11-12 to 11-13
 big-endian ordering 11-12
 little-endian ordering 11-12
 output filenames 11-4, 11-22
 default filenames 11-22
 ROMS directive 11-6
 ROM width (romwidth) 11-9 to 11-11

hex conversion utility (continued)
 ROMS directive
 defining the target memory 11-25
 effect 11-17 to 11-18
 specifying output filenames 11-6
 target width 11-8
 hexadecimal integer constants 3-18
 holes 8-8, 8-54 to 8-57
 creating 8-54 to 8-56
 fill value 8-25
 default 8-8
 filling 8-56 to 8-57
 in output sections 8-54 to 8-57
 in uninitialized sections 8-57

I

-i assembler option 3-4, 3-12
 example
 DOS 3-13
 UNIX 3-13
 maximum number per invocation 3-12
 -i hex conversion utility option 11-4, 11-40
 -i linker option 8-10
 I MEMORY attribute 8-23
 .if assembler directive 4-15, 4-46
 use in macros 6-14
 -image hex conversion utility option 11-4, 11-24
 image mode. *See* hex conversion utility, image mode
 .include assembler directive 3-12, 4-14, 4-29
 include files 3-12, 4-29
 incremental linking 8-58 to 8-59
 initialized sections 2-5, 4-31, 8-54
 .asect section 2-5
 .data section 2-5
 definition 2-2
 .sect section 2-5
 .text section 2-5
 input
 linker 8-2, 8-19 to 8-20
 sections 8-30 to 8-33
 installation instructions. *See* TMS320C1x/C2x/C2xx/C5x Code Generation Tools Getting Started

- instruction set 5-1 to 5-36
 - enhanced instructions 3-34, 5-5
 - summary table 5-6 to 5-36
 - acronyms and symbols* 5-3
- .int assembler directive 4-9, 4-48
- Intel object format 11-1, 11-40
- invoking the ...
 - absolute lister 9-3 to 9-4
 - archiver 7-4
 - assembler 3-4
 - cross-reference lister 10-3
 - hex conversion utility 11-3 to 11-4
 - linker 8-3 to 8-4

K

- keywords
 - allocation parameters 8-28
 - load 2-20, 8-28, 8-33
 - run 2-20, 8-28, 8-33 to 8-35

L

- l assembler option 3-5
 - source listing format 3-30
- l cross-reference lister option 10-3
- l linker option 8-10
- .label assembler directive 4-49
- label field 3-15
- labels 3-20
 - case sensitivity 3-15
 - c assembler option* 3-4
 - defined and referenced (cross-reference list) 3-33
 - in assembly language source 3-15
 - in macros 6-16
 - local 3-24
 - local labels (resetting) 4-60
 - symbols used as 3-20
 - syntax 3-15
 - using with .byte directive 4-28
- left-to-right evaluation (of expressions) 3-25
- .length assembler directive 4-12, 4-50
 - listing control 4-12, 4-32
- length MEMORY specification 8-23
- library search algorithm, linker 8-10
- line number entries 2-6

- line number table A-11 to A-12
 - entry format A-11
 - line number blocks A-11
- .line symbolic debugging directive 2-6
- linker 8-1 to 8-66
 - assigning symbols 8-50
 - assignment expressions 8-50, 8-51 to 8-52
 - C code 8-60 to 8-63
 - COFF 8-1
 - command files 8-3, 8-16 to 8-18, C-1 to C-8
 - example* 8-65
 - TMS320C10* C-2
 - TMS320C25* C-3 to C-8
 - TMS320C50* C-5 to C-8
 - TMS320C51* C-7
 - configured memory 8-47
 - development flow 8-2
 - dsplnk command 8-3
 - error messages F-1 to F-14
 - allocation* F-8 to F-14
 - I/O and internal overflow* F-11 to F-14
 - syntax/command* F-1 to F-14
 - example 8-64 to 8-66
 - GROUP statement 8-37, 8-39
 - handling COFF sections 2-10 to 2-17
 - how the linker handles COFF
 - sections 2-10 to 2-17
 - input 8-2, 8-16 to 8-18
 - invoking 8-3 to 8-4
 - keywords 8-18, 8-33 to 8-35, 8-43
 - linking C code 8-8, 8-60 to 8-63
 - loading a program 2-21
 - MEMORY directive 2-10, 8-21 to 8-23
 - object libraries 8-19 to 8-20
 - operators 8-52
 - options summary 8-5
 - output 8-2, 8-12, 8-64
 - overlay pages 8-40
 - partial linking 8-58 to 8-59
 - section runtime address 8-33
 - sections 2-14
 - output* 8-47 to 8-50
 - special* 8-49
 - SECTIONS directive 2-10, 8-24 to 8-32
 - symbols 2-22 to 2-24, 8-53
 - unconfigured memory 8-49
 - UNION statement 8-37 to 8-38
- .list assembler directive 4-12, 4-51

- lister
 - absolute 9-1 to 9-8
 - cross-reference 10-1 to 10-6
 - listing
 - control 4-51, 4-57, 4-61, 4-63, 6-18
 - cross-reference listing 3-33, 4-12, 4-61
 - example with fields explained 3-32
 - file 4-12 to 4-13
 - creating with the -l option* 3-5
 - format* 3-30
 - page eject 4-12
 - page size 4-12, 4-50
 - little-endian ordering 11-12
 - load
 - linker keyword 2-20, 8-33 to 8-35
 - load address of a section 8-33
 - referring to with a label 8-34 to 8-36
 - loading a program 2-21
 - local labels 3-24, 4-60
 - local variables 6-12
 - logical operators 3-26
 - .long assembler directive 4-9, 4-53
 - .loop assembler directive 4-15, 4-54
 - use in macros 6-14
- M**
- m hex conversion utility option 11-4, 11-41
 - m linker option 8-12
 - .macro assembler directive
 - directives summary table 6-21 to 6-23
 - libraries 3-12, 6-13
 - .macro macro directive 6-3
 - macros 6-1 to 6-22
 - calling 6-2
 - conditional assembly 6-14 to 6-15
 - defining 6-2, 6-3 to 6-4
 - description 6-2
 - directives summary 6-21 to 6-23
 - disabling macro expansion listing 4-12, 4-61
 - .endm macro directive 6-3
 - expansion 6-2
 - forced substitution 6-9 to 6-10
 - formatting the output listing 6-18
 - labels 6-16
 - libraries 4-55, 6-13
 - .macro macro directive 6-3
 - .mexit macro directive 6-3
 - macros (continued)
 - .mlib assembler directive 3-12, 4-14, 4-55, 6-13
 - .mlist assembler directive 4-12, 4-57
 - nested macros 6-19 to 6-20
 - parameters. *See* substitution symbols
 - producing messages 6-17
 - recursive macros 6-19 to 6-20
 - substitution symbols 6-5 to 6-12
 - as variables in macros* 6-12
 - subscripted* 6-10 to 6-11
 - substrings* 6-10
 - using 6-2
 - using comments in 6-4, 6-17
 - .var macro directive 6-12
 - _main 8-8
 - See also* entry points
 - malloc() 8-9, 8-61
 - map file 8-12
 - example 8-66
 - map hex conversion utility option 11-4
 - member definitions 2-7
 - .member symbolic debugging directive 2-7
 - memory 8-29 to 8-30
 - allocation 8-45 to 8-48
 - default* 2-11
 - map 2-14
 - model 8-21
 - named 8-29
 - partitioning 2-3
 - pool
 - C language* 8-9, 8-61
 - unconfigured 8-21 to 8-24
 - MEMORY linker directive 2-10, 8-21 to 8-23
 - default model 8-21, 8-45
 - overlay pages 8-40 to 8-44
 - PAGE option 8-48
 - syntax 8-21 to 8-23
 - memory widths
 - memory width (memwidth) 11-8 to 11-9
 - exceptions* 11-8
 - ordering memory words 11-12 to 11-13
 - big-endian ordering* 11-12
 - little-endian ordering* 11-12
 - ROM width (romwidth) 11-9 to 11-11
 - target width 11-8
 - memory words ordering 11-12 to 11-13
 - big-endian 11-12
 - little-endian 11-12
 - __MEMORY_SIZE 8-53

memory-mapped registers 4-58 to 4-60
 –memwidth hex conversion utility option 11-4
 .mexit macro directive 6-3
 .mlib assembler directive 4-14, 4-55
 use in macros 3-12, 6-13
 .mlist assembler directive 4-12, 4-57
 listing control 4-12, 4-32
 use in macros 6-18
 .mmregs assembler directive 4-18, 4-58
 .mmsg assembler directive 4-19, 4-34
 listing control 4-12, 4-32
 .mmsg macro directive 6-17
 mnemonic field 3-16
 syntax 3-15
 .mnolist assembler directive 4-12, 4-57
 listing control 4-12, 4-32
 use in macros 6-18
 Motorola-S object format 11-1, 11-41

N

named memory 8-29
 named sections 2-6 to 2-24, A-3
 See also COFF, sections, named
 .asect directive 2-6, 4-22
 .sect directive 2-6
 .usect directive 2-6
 nested macros 6-19
 .newblock assembler directive 4-17, 4-60
 .nolist assembler directive 4-12, 4-51
 NOLOAD section 8-49

O

–o hex conversion utility option 11-4
 –o linker option 8-12
 object code (source listing) 3-31
 object formats
 See also COFF
 address bits 11-38
 ASCII-Hex 11-1, 11-39
 Intel 11-1, 11-40
 Motorola-S 11-1, 11-41
 output width 11-38
 Tektronix 11-1, 11-43
 TI-Tagged 11-1, 11-42

object libraries 8-10, 8-19 to 8-20, 8-60
 using the archiver to build 7-2
 octal integer constants 3-17
 on-chip boot loader
 boot table
 building using the hex conversion utility
 11-26 to 11-33
 description 11-26
 format 11-26
 how to build 11-27
 booting from device peripheral 11-28 to 11-29
 booting from EPROM
 'C26 boot loader 11-32
 'C5x boot loader 11-32 to 11-34
 booting from the parallel port
 'C26 boot loader 11-30 to 11-31
 'C5x boot loader 11-32
 booting from the serial port
 'C26 boot loader 11-30 to 11-31
 'C5x boot loader 11-32
 controlling ROM device address 11-35 to 11-37
 description 11-26
 'C5x boot loader 11-32 to 11-33
 'C26 boot loader 11-30 to 11-32
 modes
 EPROM 11-32
 parallel 11-30 to 11-32
 serial 11-30 to 11-32
 options 11-27
 –boot 11-27
 –bootorg 11-27, 11-28
 –bootpage 11-27
 –cg 11-27, 11-31
 –e 11-29
 setting the entry point 11-29
 setting the interrupt mask register 11-31
 setting the memory configuration register 11-31
 using
 'C5x boot loader 11-32 to 11-33
 'C26 boot loader 11-30 to 11-32
 operands
 field 3-16
 label 3-20
 local label 3-24
 source statement format 3-16
 operator precedence order 3-26
 .option assembler directive 4-12, 4-61
 optional file header A-6
 –order hex conversion utility option 11-4
 restrictions 11-13

ordering memory words 11-12 to 11-13
 big-endian ordering 11-12
 little-endian ordering 11-12

origin MEMORY specification 8-23

output
 executable 8-6
 relocatable 8-7
 filenames
 *See also hex conversion utility, output file-
 names*
 hex conversion utility 11-22
 linker 8-2, 8-12, 8-64
 listing 4-12 to 4-13
 See also listing
 module name (linker) 8-12
 sections
 allocation 8-27 to 8-30
 rules 8-47
 warning switch 8-14

overflow (in expression) 3-26

overlay pages 8-40 to 8-44
 maximum number of 8-43
 PAGE definition 8-43 to 8-45
 syntax of page definitions 8-43 to 8-45
 using the MEMORY directive 8-40 to 8-41
 using the SECTIONS directive 8-42 to 8-43

overlying sections 8-37 to 8-38

P

-p assembler option 3-5, 3-6

page
 eject 4-63
 length 4-50
 title 4-76
 width 4-50

.page assembler directive 4-12, 4-63

PAGE option MEMORY directive 8-21 to 8-24,
 8-43 to 8-45, 8-48
 definition 8-43 to 8-45

pages
 overlay 8-40 to 8-44
 defining with MEMORY directive
 8-40 to 8-41
 using with the SECTIONS directive
 8-42 to 8-43
 PAGE syntax 8-43 to 8-45

parentheses in expressions 3-25

partially linked files 8-58 to 8-59

path. *See* alternate directories; environment vari-
 ables

pipeline conflicts 3-10

port address symbols 3-21

.port assembler directive 4-18, 4-64

porting 'C2x code to 'C2xx 3-6 to 3-7
 using .TMS32025 symbol 3-8

porting 'C2x code to 'C5x 3-6 to 3-7

-pp assembler option 3-8

precedence groups 3-25

predefined names
 -d assembler option 3-4

program counters. *See* SPC

program memory 8-21

Q

-q absolute lister option 9-3

-q archiver option 7-5

-q assembler option 3-5

-q cross-reference lister option 10-3

-q hex conversion utility option 11-4

-q linker option 8-12

quiet run 3-5
 linker 8-12

R

-r archiver command 7-4

-r linker option 8-6, 8-58 to 8-59

R MEMORY attribute 8-23

RAM model of autoinitialization 8-61 to 8-63

recursive macros 6-19

.ref assembler directive 4-14, 4-44
 identifying external symbols 2-22

register symbols 3-21

registers
 memory-mapped 4-58 to 4-60

relational operators
 in conditional expressions 3-27

relocatable output module 8-6
 executable 8-7

relocatable symbols 3-27

relocation 2-18 to 2-19, 8-6 to 8-7
 at runtime 2-20
 capabilities 8-6 to 8-7

relocation information A-9 to A-10
reserved words
 linker 8-18
ROM device address
 controlling 11-34 to 11-37
 boot-loader mode 11-35 to 11-37
 nonboot-loader mode 11-34 to 11-35
ROM model of autoinitialization 8-62 to 8-64
ROM width (romwidth) 11-9 to 11-11
ROMS hex conversion utility directive. *See* hex
 conversion utility, ROMS directive
-romwidth hex conversion utility option 11-4
rts.lib 8-60, 8-63
run
 linker keyword 2-20, 8-33 to 8-35
run address of a section 8-33 to 8-35
runtime
 initialization 8-60
 support 8-60

S

-s archiver option 7-5
-s assembler option 3-5
-s linker option 8-13, 8-58 to 8-59
.sblock assembler directive 4-65
.sect
 assembler directive 2-4, 4-6, 4-66
 section 4-6
section
 definition G-7
 directives
 See also directives, assembler
 default 2-4
 header A-7 to A-8
 definition G-7
 number A-20
 program counters. *See* SPC
 specification 8-25
sections 2-1 to 2-24
 See also COFF, sections
 absolute 2-7
 allocation into memory 8-45 to 8-48
 COFF 2-2 to 2-18
 creating your own 2-6
 default allocation 8-45 to 8-48
 in the linker SECTIONS directive 8-25
sections (continued)
 initialized 2-5
 definition 2-2
 named 2-2, 2-6
 overlying with UNION directive 8-37 to 8-38
 relocation 2-18 to 2-19
 at runtime 2-20
 special types 8-49
 specifying a runtime address 8-33 to 8-36
 specifying linker input sections 8-30 to 8-33
 uninitialized 2-4 to 2-5
 definition 2-2
 initializing 8-57
 specifying a run address 8-34
SECTIONS hex conversion utility directive. *See* hex
 conversion utility, SECTIONS directive
SECTIONS linker directive 2-10, 8-24 to 8-32
 alignment 8-30
 allocation 8-27 to 8-30
 binding 8-29
 blocking 8-30
 default
 allocation 8-45 to 8-48
 model 8-23
 fill value 8-25
 GROUP 8-39
 input sections 8-25, 8-30 to 8-33
 .label directive 8-34 to 8-36
 load allocation 8-25
 memory 8-29 to 8-30
 named memory 8-29 to 8-30
 overlay pages 8-40 to 8-44
 reserved words 8-18
 run allocation 8-25
 section specifications 8-25
 section type 8-25
 specifying
 runtime address 2-20, 8-33 to 8-36
 two addresses 2-20, 8-33 to 8-34
 syntax 8-24 to 8-27
 uninitialized sections 8-34
 UNION 8-37 to 8-39
 use with MEMORY directive 8-21
 warning switch 8-14
.set assembler directive 4-16, 4-67
.setsect assembler directive 9-7
.setsym assembler directive 9-7
software installation. *See* TMS320C1x/C2x/C2xx/
 C5x Code Generation Tools Getting Started

- source listings 3-30 to 3-32
- source statement
 - field (source listing) 3-31
 - format 3-15 to 3-16
 - comment field* 3-16
 - label field* 3-15
 - mnemonic field* 3-16
 - operand field* 3-16
 - number (source listing) 3-30
- .space assembler directive 4-8, 4-68
- SPC 2-7
 - aligning
 - by creating a hole* 8-54
 - to byte boundaries* 4-11, 4-21, 4-37
 - to word boundaries* 4-37
 - assembler's effect on 2-7
 - assigning a label to 3-16
 - linker symbol 8-50 to 8-51, 8-54
 - maximum number of 2-7
 - predefined symbol for 3-21
 - value
 - associated with labels* 3-16
 - shown in source listings* 3-30
- special section types 8-49
- special symbols in the symbol table A-15 to A-16
- .ssblock assembler directive 4-18
- .sslist assembler directive 4-13, 4-69
 - listing control 4-12, 4-32
 - use in macros 6-18
- .ssnolist assembler directive 4-13, 4-69
 - listing control 4-12, 4-32
 - use in macros 6-18
- stack linker option 8-13
 - .stack section 8-13, 8-61
- __STACK_SIZE 8-13, 8-53
- .stag
 - assembler directive 4-16, 4-71
 - symbolic debugging directive 2-8
- static variables A-13
- storage classes A-18 to A-19
 - definition G-7
- string . . . , functions (substitution symbols)
 - \$firstch 6-8
 - \$iscons 6-8
 - \$isdefed 6-8
 - \$ismember 6-8
 - \$isname 6-8
- string . . . , functions (continued)
 - \$isreg 6-8
 - \$lastch 6-8
 - \$symcmp 6-8
 - \$symlen 6-8
- .string assembler directive 4-9, 4-70
 - limiting listing with the .option directive 4-12, 4-61
- string table A-17
 - definition G-7
- stripping
 - line number entries 8-13
 - symbolic information 8-13
- .struct assembler directive 4-16, 4-71
- structure
 - definitions A-24, 2-8
 - tag (.stag) 4-16, 4-71
- style and symbol conventions iv to v
- substitution symbols 3-23, 6-5 to 6-12
 - arithmetic operations on 4-17, 6-7
 - as local variables in macros 6-12
 - assigning character strings to 3-23, 4-17
 - built-in functions 6-7 to 6-8
 - directives that define 6-6 to 6-7
 - expansion listing 4-13, 4-69
 - forcing substitution 6-9 to 6-10
 - in macros 6-5 to 6-6
 - maximum number per macro 6-5
 - passing commas and semicolons 6-5
 - recursive substitution 6-9
 - subscripted substitution 6-10 to 6-11
 - valid definition 6-5
- .sym symbolic debugging directive 2-10
- symbol
 - definitions A-16
 - names A-17
 - table 2-23
 - creating entries* 2-23
 - definition* G-7
 - entry from .sym directive* 2-10
 - index* A-10
 - placing unresolved symbols in* 8-13
 - special symbols used in* A-15 to A-16
 - stripping entries* 8-13
 - structure and content* A-13 to A-26
 - symbol values* A-19
 - unresolved 8-13
- symbol table
 - stripping entries 8-13

symbolic
 constants 3-21 to 3-23
 \$ 3-21
 port address 3-21
 register symbols 3-21
 version 3-22
 debugging
 stripping symbolic information 8-13

symbolic debugging A-11 to A-12, B-1
 -b linker option 8-7
 block definitions 2-2
 directives B-1
 .block/.endblock 2-2
 .etag/.eos 2-8
 .file 2-3
 .func/.endfunc 2-4
 .line 2-6
 .member 2-7
 .stag/.eos 2-8
 .sym 2-10
 .utag/.eos 2-8
 enumeration definitions 2-8
 file identification 2-3
 function definitions 2-4
 line number entries 2-6
 member definitions 2-7
 -s assembler option 3-5
 structure definitions 2-8
 union definitions 2-8

symbols 2-22 to 2-24, 3-20 to 3-24
 and their definitions (cross-reference list) 3-33
 assigning values to 4-67
 at link time 8-50 to 8-53
 case 3-4
 character strings 3-19
 cross-reference lister 10-5
 defined
 by the assembler 2-22, 3-4
 by the linker 8-53
 only for C support 8-53
 external 2-22, 4-44
 number of statements that reference 3-33
 predefined 3-21
 relocatable symbols in expressions 3-27
 reserved words 8-18
 setting to a constant value 3-20
 statement number that defines 3-33
 substitution 6-5 to 6-12
 used as labels 3-20
 value assigned 3-33

syntax of assignment statements 8-50
system stack
 C language 8-13, 8-61

T

-t archiver command 7-4
-t hex conversion utility option 11-4, 11-42
.tab assembler directive 4-13, 4-74
.tag assembler directive 4-16, 4-71
target width 11-8
Tektronix object format 11-1, 11-43
.text
 assembler directive 2-4, 4-6, 4-75
 linker definition 8-53
 section 4-6, A-3
TI-Tagged object format 11-1, 11-42
.title assembler directive 4-13, 4-76
tools, overview 1-2
type entry A-20

U

-u linker option 8-13
unconfigured memory 8-21, 8-49
 definition G-8
underflow (in expressions) 3-26
uninitialized sections 2-4 to 2-5, 8-54
 .bss section 2-4
 definition 2-2
 initialization of 8-57
 specifying a run address 8-34
 .usect section 2-4
union definitions 2-8
UNION linker directive 8-37 to 8-39
upward compatibility 3-6 to 3-11
.usect
 assembler directive 2-4, 4-6, 4-77
 section 4-6
.utag symbolic debugging directive 2-8

V

-v archiver option 7-5
-v assembler option 3-5
-v0 linker option 8-14

.var macro directive 6-12
 listing control 4-12, 4-32
variables
 local
 substitution symbols used as 6-12
.version assembler directive 4-18, 4-79
version symbols 3-22

W

-w assembler option 3-5, 3-10
-w linker option 8-14
W MEMORY attribute 8-23
well-defined expressions 3-27
 definition G-8
.width assembler directive 4-13, 4-50
 listing control 4-12, 4-32
widths. *See* memory widths

.wmsg assembler directive 4-19, 4-34
 listing control 4-12, 4-32
.wmsg macro directive 6-17
word alignment 4-21
.word assembler directive 4-9, 4-48

X

-x archiver command 7-5
-x assembler option 3-5
 cross-reference listing 3-33
-x hex conversion utility option 11-4, 11-43
-x linker option 8-15
X MEMORY attribute 8-23

Z

-zero hex conversion utility option 11-4, 11-24

