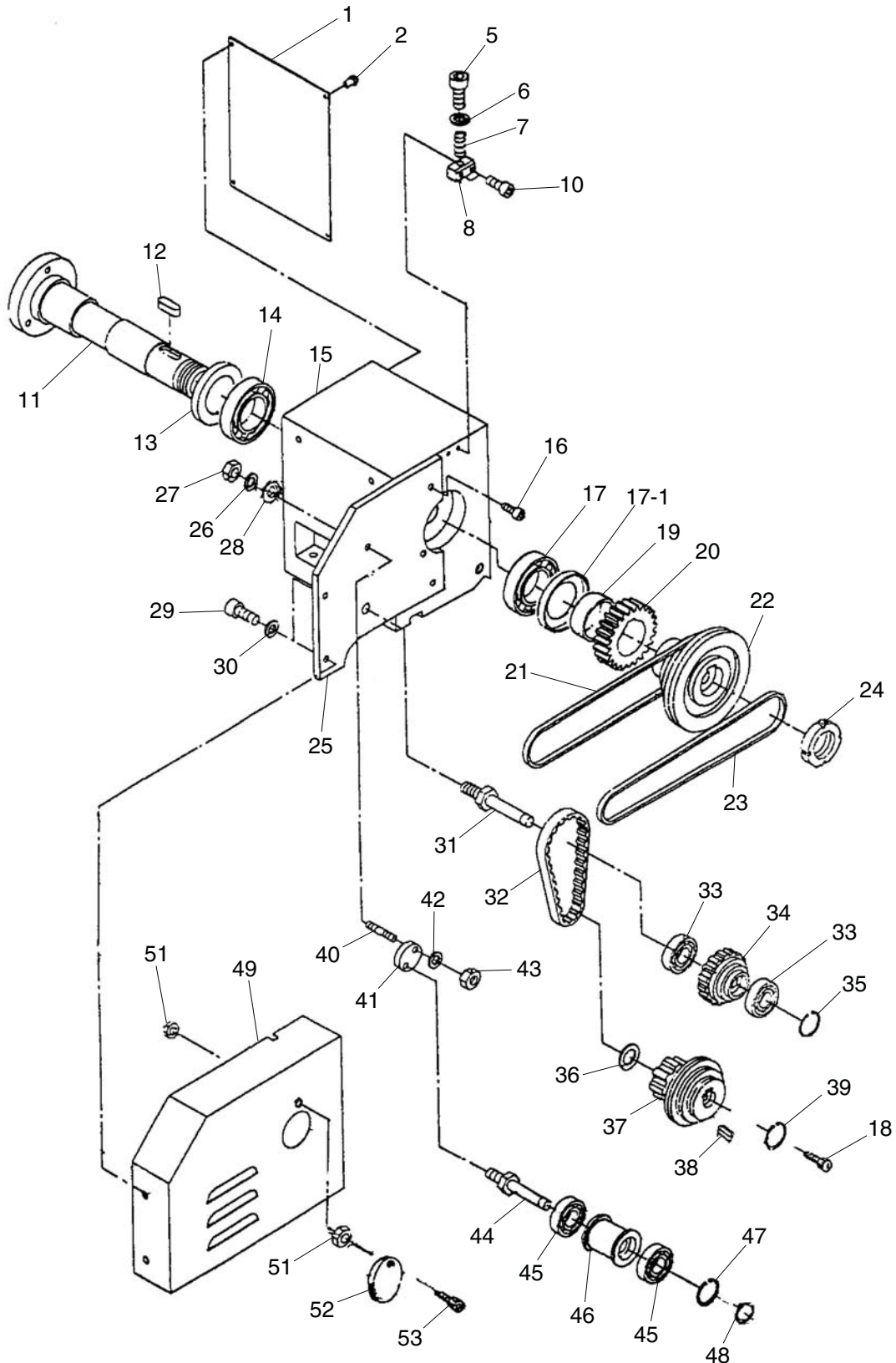


SECTION 9: PARTS

Headstock Breakdown



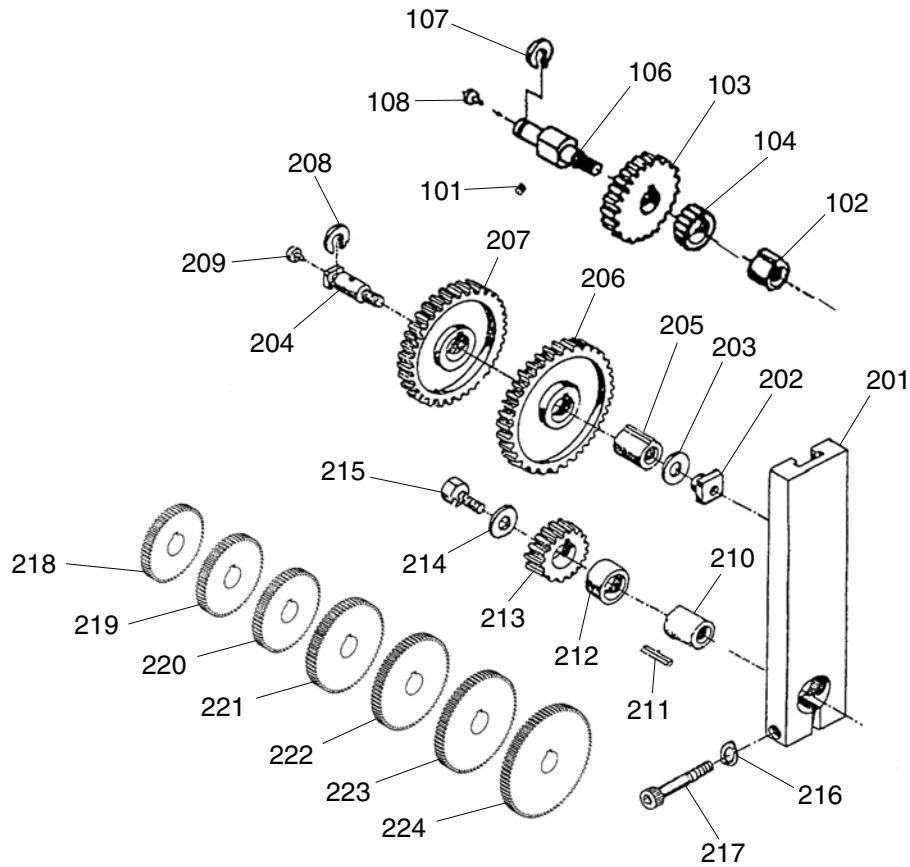
Headstock Parts List

REF	PART #	DESCRIPTION
1	P9972Z0001	HEADSTOCK NAMEPLATE
2	PS17M	PHLP HD SCR M4-.7 X 6
5	PSB06M	CAP SCREW M6-1 X 25
6	PW03M	FLAT WASHER 6MM
7	P9972Z0007	COMPRESSION SPRING .8 X 8 X 20
8	P9972Z0008	THREADED BLOCK
10	PSB06M	CAP SCREW M6-1 X 25
11	P9972Z0011	SPINDLE
12	PK123M	KEY 10 X 10 X 55
13	P9972Z0013	SPACER
14	P32009	TAPER ROLLER BEARING 32009
15	P9972Z0015	HEADSTOCK CASTING
16	PSB14M	CAP SCREW M8-1.25 X 20
17	P32009	TAPER ROLLER BEARING 32009
17-1	P9972Z0017-1	BEARING CAP
18	PS26M	PHLP HD SCR M6-1 X 20
19	P9972Z0019	SPACER
20	P9972Z0020	GEAR 45T
21	PVM29	V-BELT M-29 3L290
22	P9972Z0022	SPINDLE PULLEY
23	PVM32	V-BELT M-32 3L320
24	P9972Z0024	SPANNER NUT M30-3.5
25	P9972Z0025	BRACKET PLATE
26	PLW06M	LOCK WASHER 10MM
27	PN02M	HEX NUT M10-1.5

REF	PART #	DESCRIPTION
28	PW04M	FLAT WASHER 10MM
29	PSB50M	CAP SCREW M5-.8 X 10
30	PW23M	FLAT WASHER 30MM
31	P9972Z0031	IDLER SHAFT
32	P9972Z0032	TIMING BELT
33	P6001-2R2	BALL BEARING 6001-2RS
34	P9972Z0034	IDLER PULLEY
35	PR49M	INT RETAINING RING 12MM
36	P9972Z0036	SPECIAL WASHER
37	P9972Z0037	MOTOR PULLEY
38	PK11M	KEY 6 X 6 X 40
39	PR45M	INT RETAINING RING 10MM
40	P9972Z0040	DOUBLE ENDED THREADED STUD
41	P9972Z0041	PIVOT BRACKET
42	PW04M	FLAT WASHER 10MM
43	PN02M	HEX NUT M10-1.5
44	P9972Z0044	TENSIONING SHAFT
45	P6001-2R2	BALL BEARING 6001-2RS
46	P9972Z0046	IDLER ROLLER
47	PR20M	INT RETAINING RING 28MM
48	PR03M	EXT RETAINING RING 12MM
49	P9972Z0049	CHANGE GEAR COVER
51	PN06M	HEX NUT M5-.8
52	P9972Z0052	OUTBOUND SPINDLE COVER
53	PS08M	PHLP HD SCR M5-.8 X 12



Change Gears Breakdown

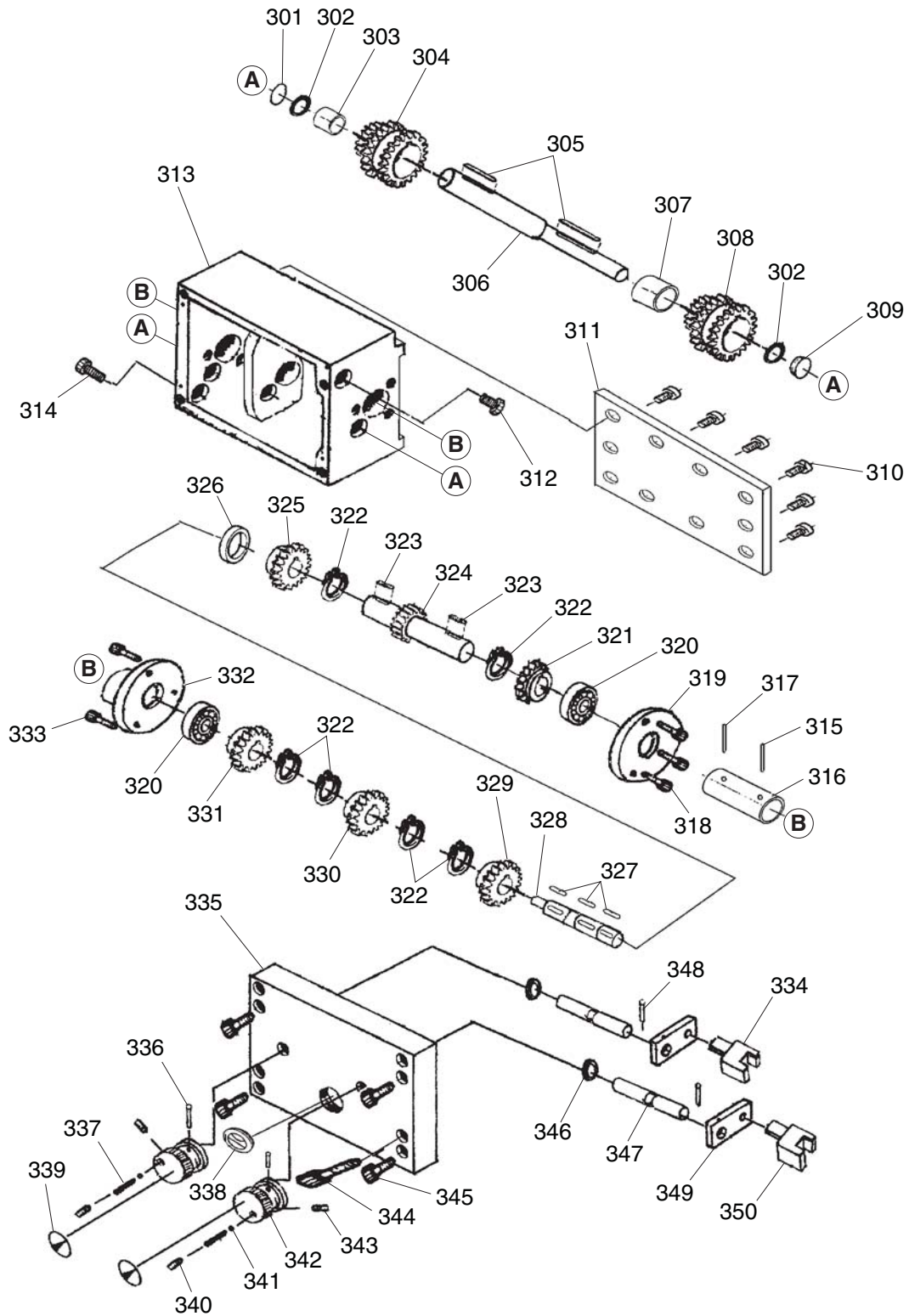


REF	PART #	DESCRIPTION
101	PSS01M	SET SCREW M6-1 X 10
102	P9972Z0102	BUSHING
103	P9972Z0103	GEAR 45T
104	P9972Z0104	GEAR 24T
106	P9972Z0106	SHAFT
107	PEC10M	E-CLIP 9MM
108	P9972Z0108	BALL OILER
201	P9972Z0201	CHANGE GEAR BRACKET
202	P9972Z0202	SPECIAL NUT
203	PW03M	FLAT WASHER 6MM
204	P9972Z0204	SHAFT
205	P4000405	BUSHING
206	P9972Z0206	GEAR 127T
207	P9972Z0207	GEAR 120T
208	PEC10M	E-CLIP 9MM
209	P9972Z0108	BALL OILER

REF	PART #	DESCRIPTION
210	P9972Z0210	BUSHING
211	PK134M	KEY 4 X 4 X 14
212	P9972Z0212	SPACER
213	P9972Z0213	GEAR 84T
214	PW03M	FLAT WASHER 6MM
215	PSB85M	CAP SCREW M6-1 X 6
216	PLW04M	LOCK WASHER 8MM
217	PSB12M	CAP SCREW M8-1.25 X 40
218	P9972Z0218	GEAR 28T
219	P9972Z0219	GEAR 35T
220	P9972Z0220	GEAR 63T
221	P9972Z0221	GEAR 69T
222	P9972Z0222	GEAR 70T
223	P9972Z0223	GEAR 77T
224	P9972Z0224	GEAR 78T



Feed Rate Gearbox Breakdown



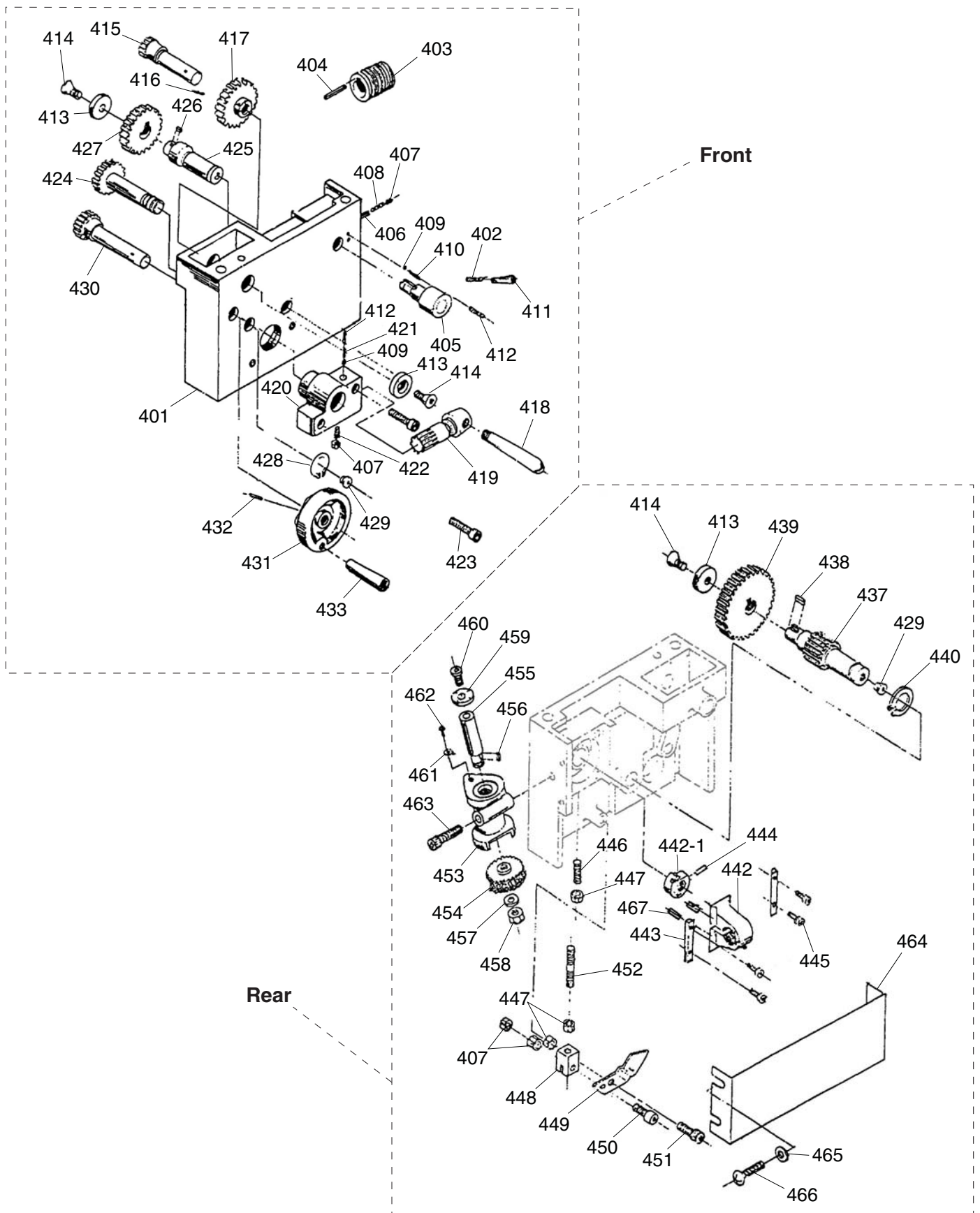
Feed Rate Gearbox Parts List

REF	PART #	DESCRIPTION
301	P9972Z0301	PLUG
302	P0554446	O-RING 17 X 1.8
303	P9972Z0303	BUSHING
304	P9972Z0304	GEAR 30-36-33T
305	PK154M	KEY 3 X 3 X 18
306	P9972Z0306	SHAFT
307	P9972Z0307	BUSHING
308	P9972Z0308	GEAR 22-44-33T
309	P9972Z0309	PLUG
310	PSB50M	CAP SCREW M5-.8 X 10
311	P9972Z0311	BACK GEARBOX COVER
312	P9972Z0312	FILL PLUG
313	P9972Z0313	GEARBOX CASTING
314	P9972Z0314	DRAIN PLUG
315	P9972Z0315	LEADSCREW SHEAR PIN
316	P9972Z0316	LEADSCREW COLLAR
317	PRP25M	ROLL PIN 5 X 21
318	PSB26M	CAP SCREW M6-1 X 12
319	P9972Z0319	FLANGE
320	P9972Z0320	BEARING
321	P9972Z0321	GEAR 33T
322	PR03M	EXT RETAINING RING 12MM
323	PK29M	KEY 4 X 4 X 8
324	P9972Z0324	GEAR SHAFT 22T
325	P9972Z0325	GEAR 44T

REF	PART #	DESCRIPTION
326	P9972Z0326	COLLAR
327	PK05M	KEY 4 X 4 X 10
328	P9972Z0328	SHAFT
329	P9972Z0329	GEAR 33T
330	P9972Z0330	GEAR 30T
331	P9972Z0331	GEAR 35T
332	P9972Z0332	FLANGE
333	PSB01M	CAP SCREW M6-1 X 16
334	P9972Z0334	SHIFTING FORK
335	P9972Z0335	FRONT GEARBOX COVER
336	PRP05M	ROLL PIN 5 X 30
337	P9972Z0337	COMPRESSION SPRING .8 X 4.5 X 18
338	P9972Z0338	OIL SIGHT GLASS
339	P9972Z0339	INDICATOR DISC
340	PSS01M	SET SCREW M6-1 X 10
341	P9972Z0341	STEEL BALL 5MM
342	P9972Z0342	SHIFT HUB
343	PSS01M	SET SCREW M6-1 X 10
344	PSB37M	CAP SCREW M6-1 X 50
345	PSB02M	CAP SCREW M6-1 X 20
346	POR0061	O-RING 6 X 1.8
347	P9972Z0347	SHAFT
348	PRP03M	ROLL PIN 5 X 20
349	P9972Z0349	SHIFT LEVER
350	P9972Z0350	SHIFTING FORK



Apron Breakdown



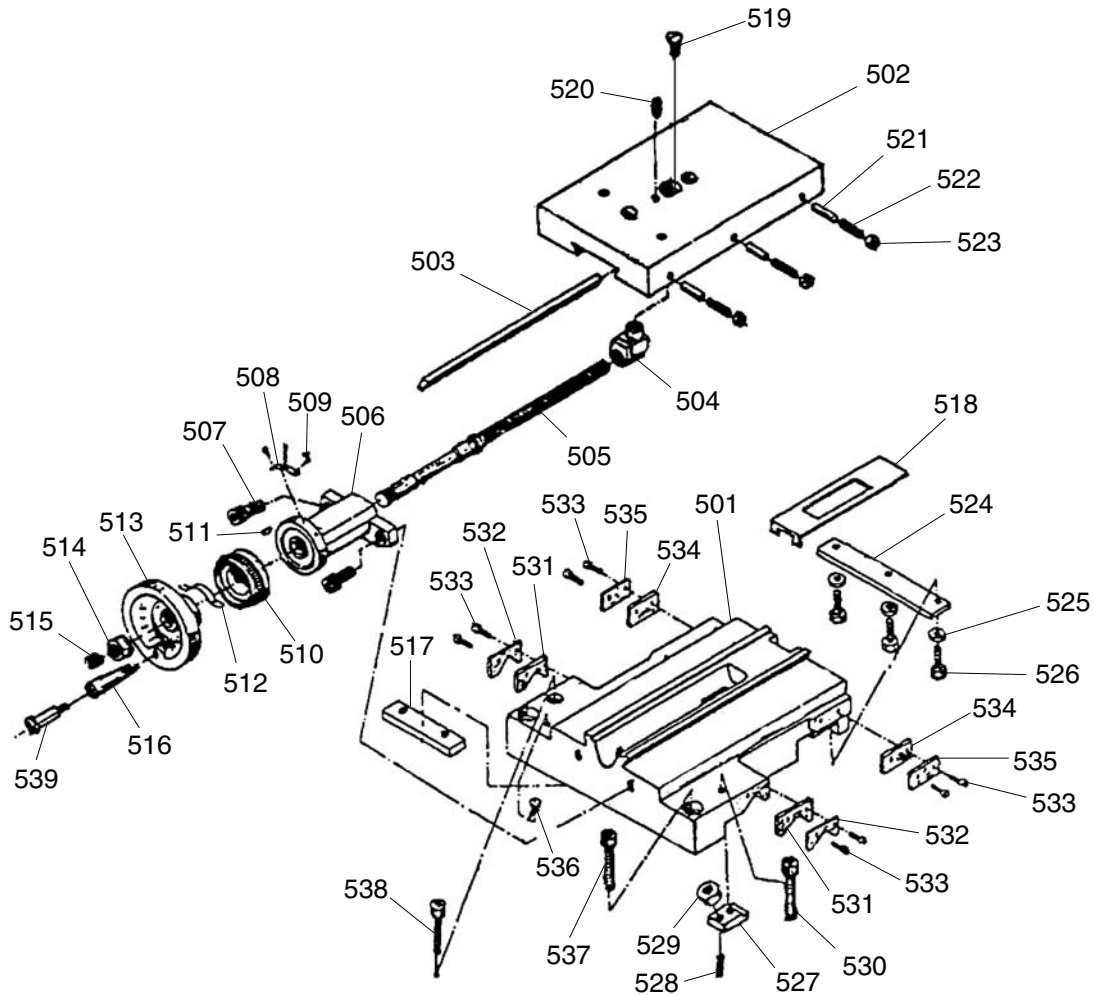
Apron Parts List

REF	PART #	DESCRIPTION
401	P9972Z0401	APRON CASTING
402	P9972Z0402	HANDLE SCREW
403	P9972Z0403	WORM GEAR
404	P9972Z0404	WORM GEAR KEY
405	P9972Z0405	HANDLE HUB
406	P9972Z0406	PIN 4 X 20
407	PN06M	HEX NUT M5-.8
408	PSS34M	SET SCREW M5-.8 X 16
409	P9972Z0341	STEEL BALL 5MM
410	P9972Z0410	COMPRESSION SPRING
411	P9972Z0411	HANDLE
412	PSS02M	SET SCREW M6-1 X 6
413	PW04M	FLAT WASHER 10MM
414	PFH43M	FLAT HD SCR M6-1 X 10
415	P9972Z0415	GEAR SHAFT 12T
416	PRP73M	ROLL PIN 4 X 30
417	P9972Z0417	GEAR 43T
418	P9972Z0418	HANDLE
419	P9972Z0419	GEAR SHAFT 13T
420	P9972Z0420	POWER FEED LEVER BRACKET
421	P9972Z0421	COMPRESSION SPRING
422	PSS23M	SET SCREW M4-.7 X 10
423	PSB07M	CAP SCREW M6-1 X 30
424	P9972Z0424	GEAR SHAFT 36T
425	P9972Z0425	SHAFT
426	PK72M	KEY 4 X 4 X 6
427	P9972Z0427	GEAR 60T
428	PR02M	EXT RETAINING RING 14MM
429	P9972Z0108	BALL OILER
430	P9972Z0430	GEAR SHAFT 22T
431	P9972Z0431	HANDWHEEL
432	PRP04M	ROLL PIN 4 X 24

REF	PART #	DESCRIPTION
433	P9972Z0433	HANDLE M8-1.25 X 83
437	P9972Z0437	GEAR SHAFT 18T
438	PK69M	KEY 4 X 4 X 12
439	P9972Z0439	GEAR 42T
440	PR03M	EXT RETAINING RING 12MM
442	P9972Z0442	HALF NUT (INCH)
442-1	P9972Z0442-1	HALF-NUT BRACKET
443	P9972Z0443	HALF NUT GIB
444	P9972Z0444	ROLL PIN 2 X 35
445	PSB16M	CAP SCREW M4-.7 X 16
446	PSS24M	SET SCREW M5-.8 X 25
447	PN06M	HEX NUT M5-.8
448	P9972Z0448	CONTROL BLOCK
449	P9972Z0449	PIVOT BRACKET
450	PSB39M	CAP SCREW M4-.7 X 20
451	PSB24M	CAP SCREW M5-.8 X 16
452	P9972Z0452	DOUBLE ENDED THREADED STUD
453	P9972Z0453	THREAD DIAL BODY
454	P9972Z0454	PINION GEAR 64T
455	P9972Z0455	SHAFT
456	PK39M	KEY 3 X 3 X 10
457	PLW04M	LOCK WASHER 8MM
458	PN03M	HEX NUT M8-1.25
459	P9972Z0459	THREAD DIAL
460	PS68M	PHLP HD SCR M6-1 X 10
461	P9972Z0461	POINTER
462	P9972Z0462	RIVET 2 X 5
463	PSB110M	CAP SCREW M4-.7 X 6
464	P9972Z0464	REAR APRON COVER
465	PW05M	FLAT WASHER 4MM
466	PS17M	PHLP HD SCR M4-.7 X 6
467	PRP59M	ROLL PIN 5 X 12



Saddle & Cross Slide Breakdown

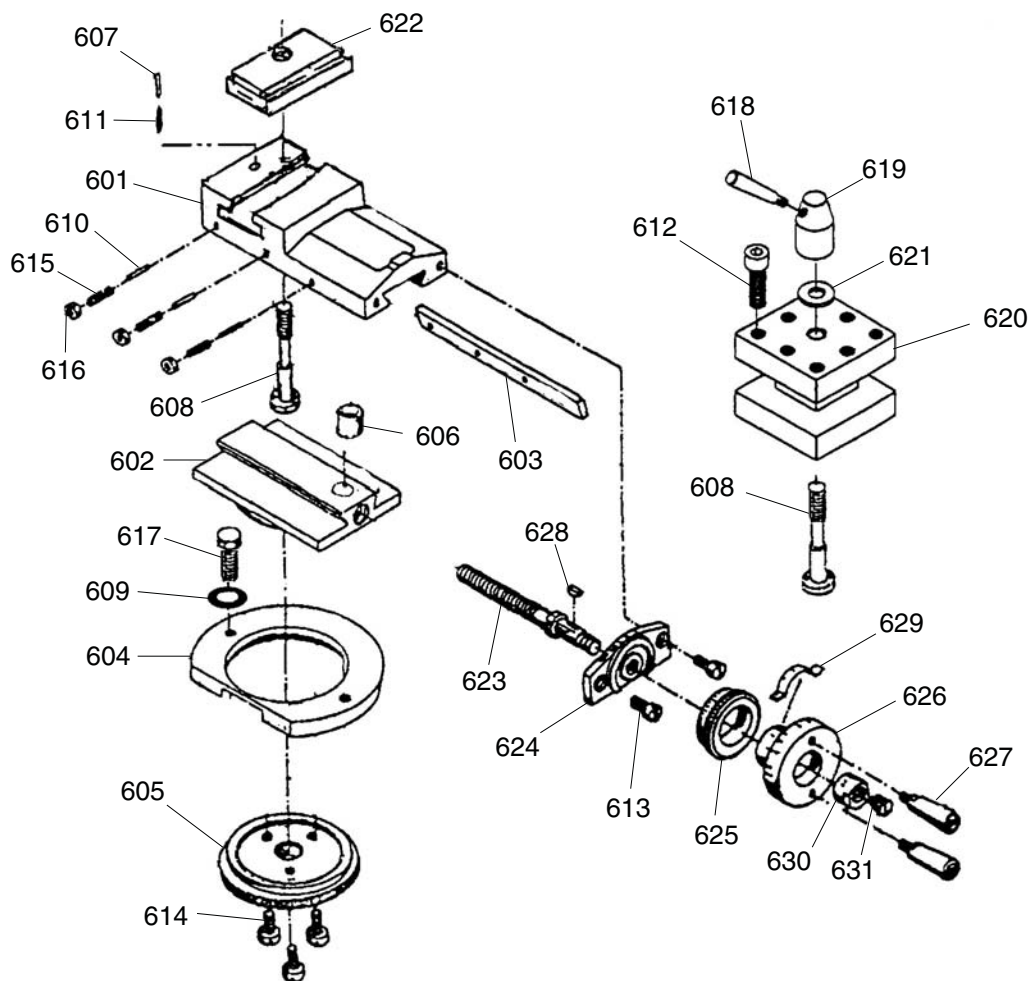


REF	PART #	DESCRIPTION
501	P9972Z0501	SADDLE
502	P9972Z0502	CROSS SLIDE
503	P9972Z0503	CROSS SLIDE GIB
504	P9972Z0504	CROSS SLIDE LEADSCREW NUT
505	P9972Z0505	CROSS SLIDE LEADSCREW
506	P9972Z0506	LEADSCREW BRACKET
507	PSB31M	CAP SCREW M8-1.25 X 25
508	P9972Z0508	INDICATOR PLATE
509	P9972Z0462	RIVET 2 X 5
510	P9972Z0510	CROSS SLIDE GRADUATED DIAL
511	PK105M	KEY 3 X 3 X 6
512	P9972Z0512	SPRING PLATE
513	P9972Z0513	HANDWHEEL
514	P9972Z0514	SPECIAL HEX NUT
515	PSS17M	SET SCREW M8-1.25 X 6
516	P9972Z0516	HANDLE
517	P9972Z0517	SLIDE BLOCK
518	P9972Z0518	CHIP GUARD
519	PSB26M	CAP SCREW M6-1 X 12
520	PSS11M	SET SCREW M6-1 X 16

REF	PART #	DESCRIPTION
521	P9972Z0521	SPECIAL PIN
522	PSS34M	SET SCREW M5-.8 X 16
523	PN06M	HEX NUT M5-.8
524	P9972Z0524	SADDLE SLIDE
525	PW03M	FLAT WASHER 6MM
526	PSB01M	CAP SCREW M6-1 X 16
527	P9972Z0527	CLIP
528	PSS25M	SET SCREW M6-1 X 20
529	PN01M	HEX NUT M6-1
530	PSB48M	CAP SCREW M6-1 X 35
531	P9972Z0531	WAY WIPER NOTCHED
532	P9972Z0532	WIPER CLAMP NOTCHED
533	PS07M	PHLP HD SCR M4-.7 X 8
534	P9972Z0534	WAY WIPER FLAT
535	P9972Z0535	WIPER CLAMP FLAT
536	P9972Z0108	BALL OILER
537	PSB40M	CAP SCREW M8-1.25 X 35
538	PSB48M	CAP SCREW M6-1 X 35
539	P9972Z0539	SPECIAL BOLT



Compound Slide & Tool Post Breakdown

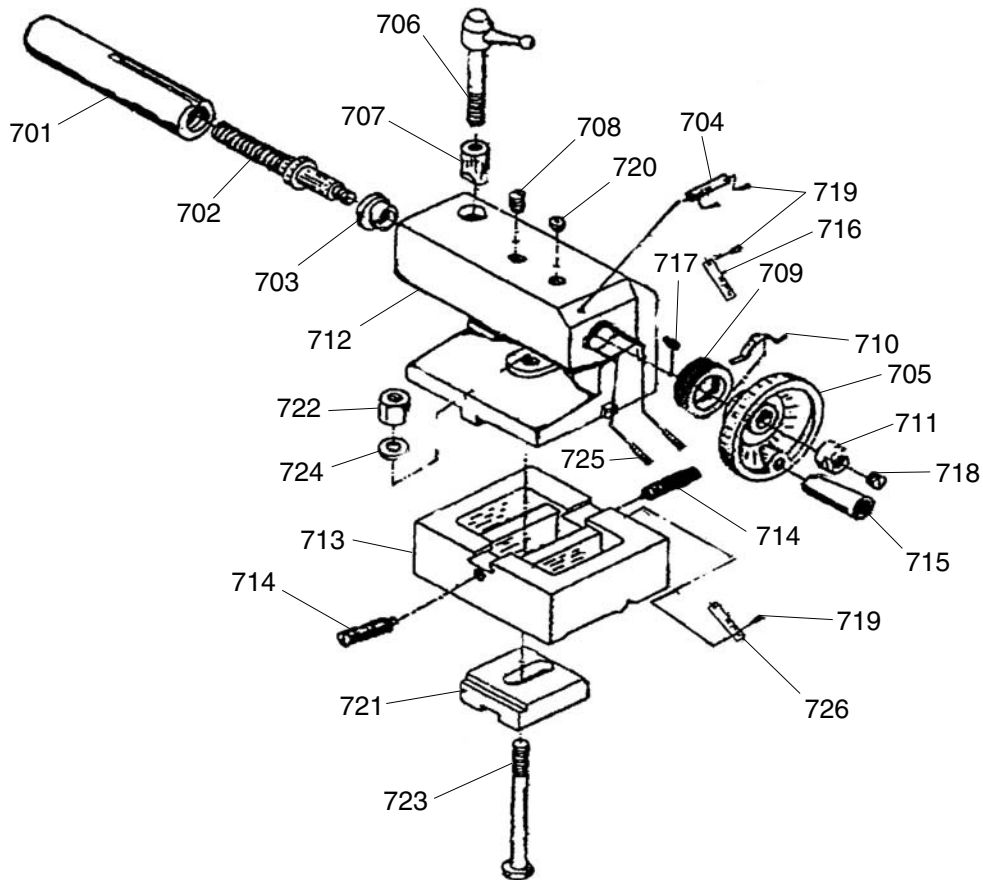


REF	PART #	DESCRIPTION
601	P9972Z0601	COMPOUND SLIDE
602	P9972Z0602	SWIVEL BASE
603	P9972Z0603	COMPOUND SLIDE GIB
604	P9972Z0604	CLAMPING RING
605	P9972Z0605	CLAMPING BASE
606	P9972Z0606	SPECIAL NUT
607	P9972Z0607	SPECIAL PIN
608	P9972Z0608	TOOL POST STUD
609	PW04M	FLAT WASHER 10MM
610	P9972Z0610	SPECIAL PIN
611	P9972Z0611	COMPRESSION SPRING
612	P9972Z0612	TOOL POST CAP SCREW
613	PSB31M	CAP SCREW M8-1.25 X 25
614	PSB26M	CAP SCREW M6-1 X 12
615	PSS34M	SET SCREW M5-.8 X 16
616	PN06M	HEX NUT M5-.8

REF	PART #	DESCRIPTION
617	PSB95M	CAP SCREW M5-.8 X 30
618	P9972Z0618	TOOL POST HANDLE
619	P9972Z0619	TOOL POST HANDLE HUB
620	P9972Z0620	4-WAY TOOL REST
621	P9972Z0621	SPECIAL FLAT WASHER
622	P9972Z0622	TOOL REST BASE
623	P9972Z0623	COMPOUND SLIDE LEADSCREW
624	P9972Z0624	LEADSCREW BRACKET
625	P9972Z0625	GRADUATED DIAL
626	P9972Z0626	HANDWHEEL
627	P9972Z0627	HANDLE
628	PK03M	KEY 3 X 3 X 8
629	P9972Z0629	SPRING PLATE
630	P9972Z0630	THREADED COLLAR
631	PSS06M	SET SCREW M8-1.25 X 16



Tailstock Breakdown

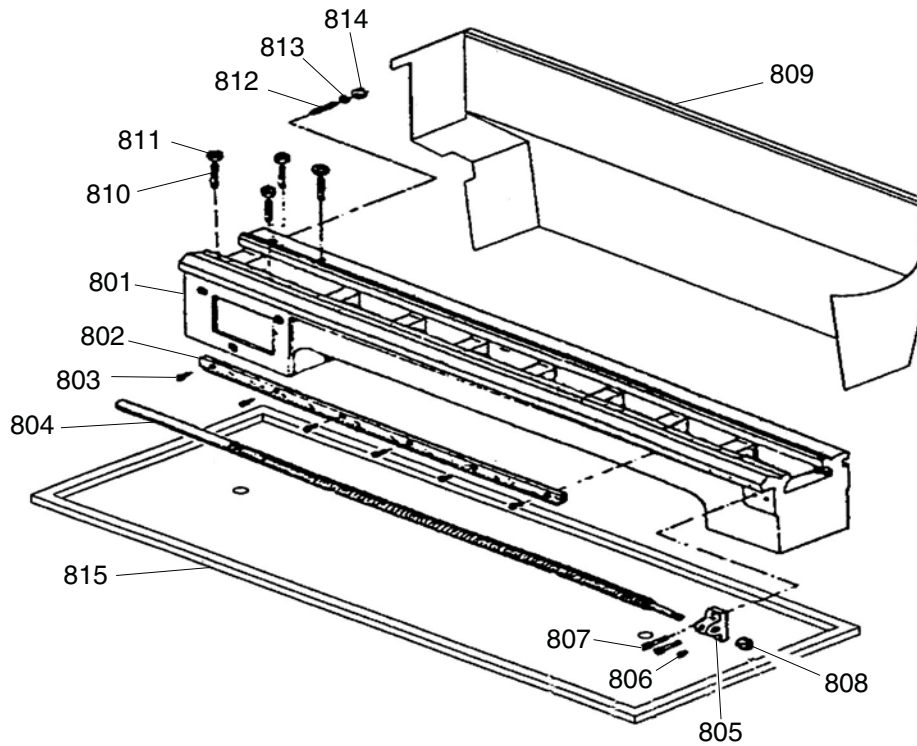


REF	PART #	DESCRIPTION
701	P9972Z0701	TAILSTOCK QUILL MT#3
702	P9972Z0702	TAILSTOCK LEADSCREW
703	P9972Z0703	BUSHING
704	P9972Z0704	INDICATOR PLATE
705	P9972Z0705	HANDWHEEL
706	P9972Z0706	QUILL LOCK
707	P9972Z0707	LOCK BUSHING
708	PSS04M	SET SCREW M6-1 X 12
709	P9972Z0709	GRADUATED DIAL
710	P9972Z0710	SPRING PLATE
711	P9972Z0711	SPACER
712	P9972Z0712	TAILSTOCK CASTING
713	P9972Z0713	TAILSTOCK BASE

REF	PART #	DESCRIPTION
714	PSS21M	SET SCREW M8-1.25 X 25
715	P9972Z0715	HANDLE
716	P9972Z0716	PLATE
717	PK39M	KEY 3 X 3 X 10
718	PN02M	HEX NUT M10-1.5
719	P9972Z0462	RIVET 2 X 5
720	P9972Z0108	BALL OILER
721	P9972Z0721	CLAMPING PLATE
722	P9972Z0722	SPECIAL HEX NUT
723	PB121M	HEX BOLT M12-1.75 X 100
724	PW06M	FLAT WASHER 12MM
725	PSS26M	SET SCREW M5-.8 X 6
726	P9972Z0726	INDICATOR PLATE



Bed Breakdown

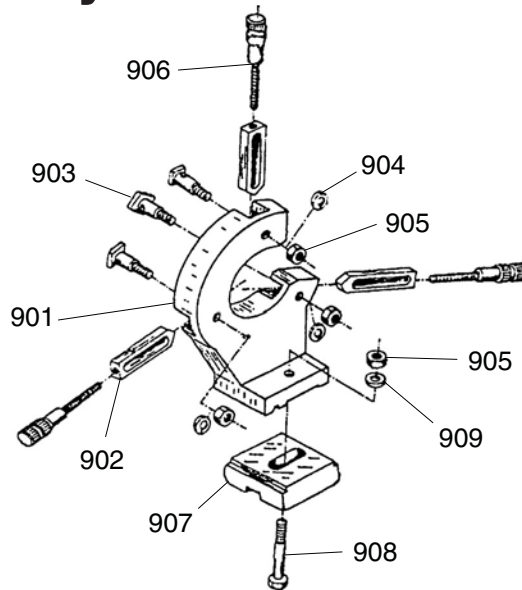


REF	PART #	DESCRIPTION
801	P9972Z0801	BED
802	P9972Z0802	RACK
803	PSB33M	CAP SCREW M5-.8 X 12
804	P9972Z0804	FEED LEADSCREW INCH
805	P9972Z0805	LEADSCREW END BRACKET
806	P9972Z0108	BALL OILER
807	PSB02M	CAP SCREW M6-1 X 20
808	PN02M	HEX NUT M10-1.5

REF	PART #	DESCRIPTION
809	P9972Z0809	SPLASH GUARD
810	P9972Z0810	THREADED STUD M10-1.5 X 35
811	PN02M	HEX NUT M10-1.5
812	PSS44M	SET SCREW M8-1.25 X 40
813	PW01M	FLAT WASHER 8MM
814	PN03M	HEX NUT M8-1.25
815	P9972Z0815	CHIP PAN



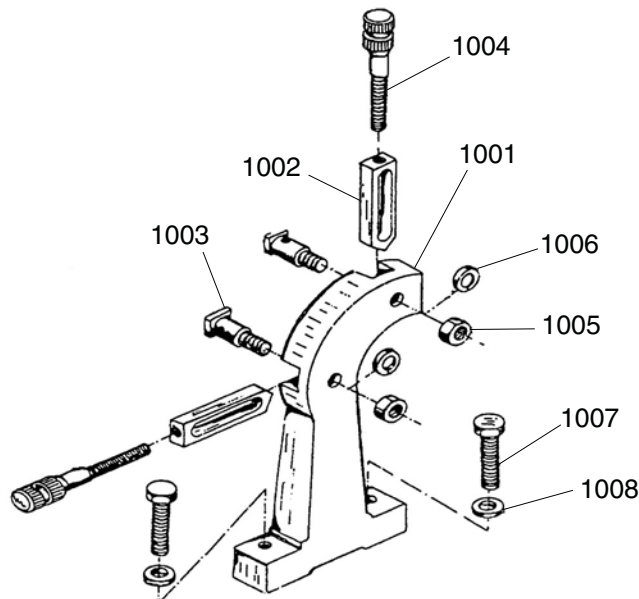
Steady Rest Breakdown



REF	PART #	DESCRIPTION
901	P9972Z0901	STEADY REST CASTING
902	P9972Z0902	FINGER
903	P9972Z0903	SPECIAL SCREW
904	PLW04M	LOCK WASHER 8MM
905	PN01M	HEX NUT M6-1

REF	PART #	DESCRIPTION
906	P9972Z0906	ADJUSTING SCREW
907	P9972Z0907	CLAMPING PLATE
908	PB125M	HEX BOLT M12-1.75 X 65
909	PW06M	FLAT WASHER 12MM

Follow Rest Breakdown

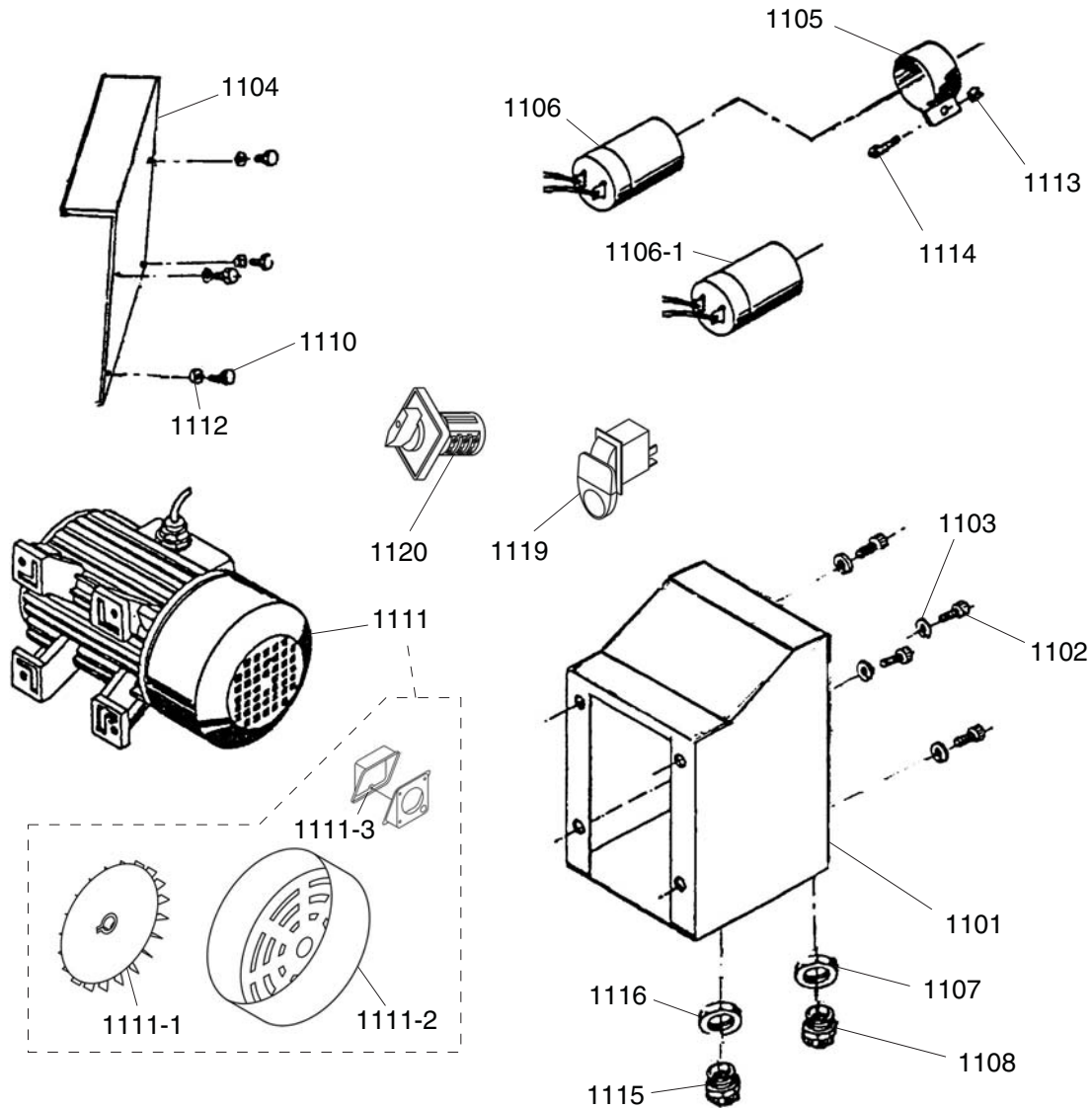


REF	PART #	DESCRIPTION
1001	P9972Z1001	FOLLOW REST CASTING
1002	P9972Z0902	FINGER
1003	P9972Z0903	SPECIAL SCREW
1004	P9972Z0906	ADJUSTING SCREW

REF	PART #	DESCRIPTION
1005	PN01M	HEX NUT M6-1
1006	PW01M	FLAT WASHER 8MM
1007	PSB40M	CAP SCREW M8-1.25 X 35
1008	PW03M	FLAT WASHER 6MM



Electrical Components Breakdown

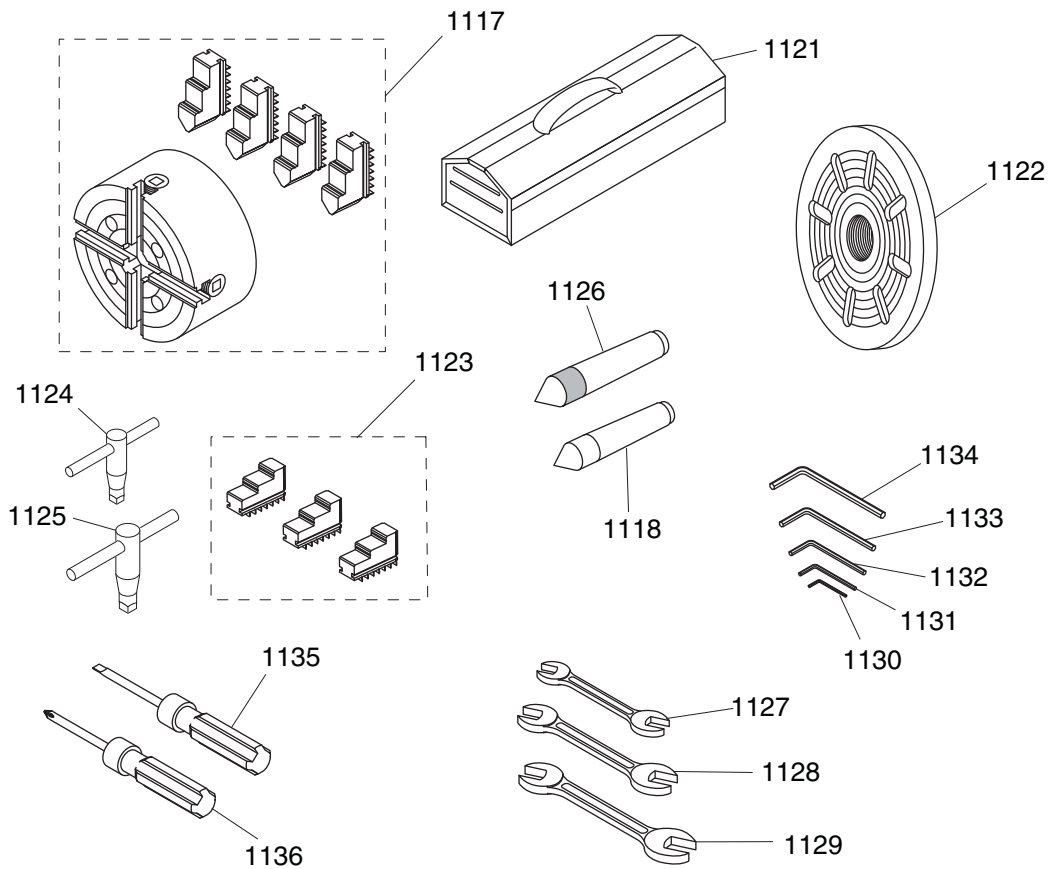


REF	PART #	DESCRIPTION
1101	P9972Z1101	ELECTRICAL CABINET
1102	PSB06M	CAP SCREW M6-1 X 25
1103	PLW03M	LOCK WASHER 6MM
1104	P9972Z1104	ELECTRICAL CABINET COVER
1105	P9972Z1105	CAPACITOR COVER W/CLIP
1106	P9972Z1106	S CAPACITOR 150M
1106-1	P9972Z1106-1	R CAPACITOR 20M
1107	P9972Z1107	STRAIN RELIEF NUT 1/2"
1108	P9972Z1108	STRAIN RELIEF 1/2"
1110	PS09M	PHLP HD SCR M5-.8 X 10
1111	P9972Z1111	MOTOR 1HP 110V 1-PH

REF	PART #	DESCRIPTION
1111-1	P9972Z1111-1	MOTOR FAN
1111-2	P9972Z1111-2	MOTOR FAN COVER
1111-3	P9972Z1111-3	MOTOR WIRING JUNCTION BOX
1112	PLW01M	LOCK WASHER 5MM
1113	PN04M	HEX NUT M4-.7
1114	PS52M	PHLP HD SCR M4-.7 X 20
1115	P9972Z1115	STRAIN RELIEF 3/4"
1116	P9972Z1116	STRAIN RELIEF NUT 3/4"
1119	P9972Z1109	ON/OFF SWITCH W/COVER
1120	P9972Z1109-1	ROTARY SWITCH 3-POSITION



Accessories Breakdown

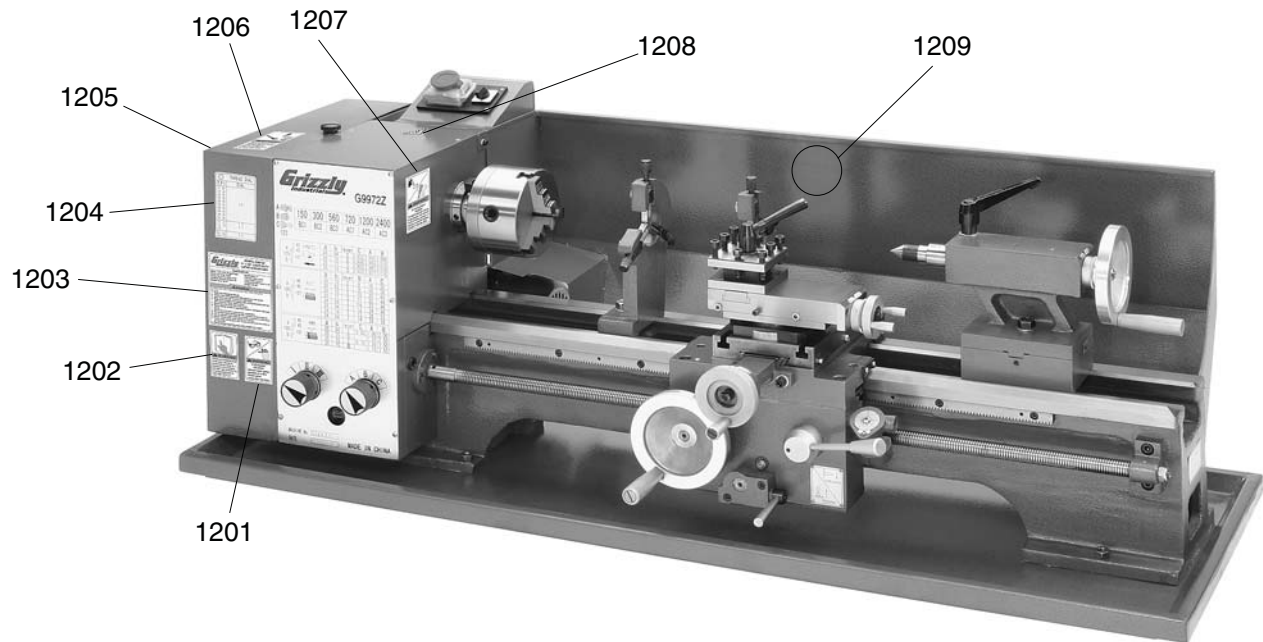


REF	PART #	DESCRIPTION
1117	P9972Z1117	4-JAW CHUCK 6-1/4"
1118	P9972Z1118	DEAD CENTER MT#3
1121	P9972Z1121	TOOL BOX
1122	P9972Z1122	FACE PLATE 8"
1123	P9972Z1123	3-JAW CHUCK REVERSE JAW SET
1124	P9972Z1124	3-JAW CHUCK KEY
1125	P9972Z1125	4-JAW CHUCK KEY
1126	P9972Z1126	LIVE CENTER MT#4
1127	PWR810	COMBO WRENCH 8/10MM

REF	PART #	DESCRIPTION
1128	PWR1214	COMBO WRENCH 12/14MM
1129	PWR1719	COMBO WRENCH 17/19MM
1130	PAW03M	HEX WRENCH 3MM
1131	PAW04M	HEX WRENCH 4MM
1132	PAW05M	HEX WRENCH 5MM
1133	PAW06M	HEX WRENCH 6MM
1134	PAW08M	HEX WRENCH 8MM
1135	P9972Z1135	SCREWDRIVER STANDARD
1136	P9972Z1136	SCREWDRIVER PHILLIPS



Label Placement



REF	PART #	DESCRIPTION
1201	P9972Z1201	EYE HAZARD LABEL VERT
1202	PLABEL-12	READ MANUAL LABEL VERT
1203	P9972Z1203	MACHINE ID LABEL
1204	P9972Z1204	THREAD DIAL CHART LABEL
1205	P9972Z1205	PINCH HAZARD LABEL HORIZ

REF	PART #	DESCRIPTION
1206	P9972Z1206	DISCONNECT POWER LABEL VERT
1207	P9972Z1207	ENTANGLEMENT HAZARD LABEL
1208	PLABEL-14	ELECTRICITY LABEL
1209	PPAINT-1	GRIZZLY GREEN TOUCH UP PAINT

WARNING

Safety labels warn about machine hazards and ways to prevent injury. The owner of this machine **MUST** maintain the original location and readability of the labels on the machine. If any label is removed or becomes unreadable, **REPLACE** that label before using the machine again. Contact Grizzly at (800) 523-4777 or www.grizzly.com to order new labels.

