



Information in this document is provided in connection with Intel products. No license, express or implied, by estoppel or otherwise, to any intellectual property rights is granted by this document. Except as provided in Intel's Terms and Conditions of Sale for such products, Intel assumes no liability whatsoever, and Intel disclaims any express or implied warranty, relating to sale and/or use of Intel products including liability or warranties relating to fitness for a particular purpose, merchantability, or infringement of any patent, copyright or other intellectual property right. Intel products are not intended for use in medical, life saving, or life sustaining applications.

Intel may make changes to specifications and product descriptions at any time, without notice.

Designers must not rely on the absence or characteristics of any features or instructions marked "reserved" or "undefined." Intel reserves these for future definition and shall have no responsibility whatsoever for conflicts or incompatibilities arising from future changes to them.

The Embedded IntelDX2™ processor may contain design defects or errors known as errata which may cause the product to deviate from published specifications. Current characterized errata are available on request.

Contact your local Intel sales office or your distributor to obtain the latest specifications and before placing your product order.

Copies of documents which have an ordering number and are referenced in this document, or other Intel literature may be obtained by calling 1-800-548-4725 or by visiting Intel's website at <http://www.intel.com>.

Copyright © Intel Corporation, 1997, 2004

\*Third-party brands and names are the property of their respective owners.

## EMBEDDED IntelDX2™ PROCESSOR

|  |           |
|--|-----------|
| <b>1.0 INTRODUCTION</b> .....                          | <b>1</b>  |
| 1.1 Features .....                                     | 1         |
| 1.2 Family Members .....                               | 2         |
| <b>2.0 HOW TO USE THIS DOCUMENT</b> .....              | <b>3</b>  |
| <b>3.0 PIN DESCRIPTIONS</b> .....                      | <b>3</b>  |
| 3.1 Pin Assignments .....                              | 3         |
| 3.2 Pin Quick Reference .....                          | 16        |
| <b>4.0 ARCHITECTURAL AND FUNCTIONAL OVERVIEW</b> ..... | <b>25</b> |
| 4.1 CPUID Instruction .....                            | 25        |
| 4.1.1 Operation of the CPUID Instruction .....         | 25        |
| 4.2 Identification After Reset .....                   | 26        |
| 4.3 Boundary Scan (JTAG) .....                         | 26        |
| 4.3.1 Device Identification .....                      | 26        |
| 4.3.2 Boundary Scan Register Bits and Bit Order .....  | 27        |
| <b>5.0 ELECTRICAL SPECIFICATIONS</b> .....             | <b>28</b> |
| 5.1 Maximum Ratings .....                              | 28        |
| 5.2 DC Specifications .....                            | 28        |
| 5.3 AC Specifications .....                            | 33        |
| 5.4 Capacitive Derating Curves .....                   | 39        |
| <b>6.0 MECHANICAL DATA</b> .....                       | <b>41</b> |
| 6.1 Package Dimensions .....                           | 41        |
| 6.2 Package Thermal Specifications .....               | 44        |

### FIGURES

|  |    |
|--|----|
| Figure 1. Embedded IntelDX2™ Processor Block Diagram .....                     | i  |
| Figure 2. Package Diagram for 208-Lead SQFP Embedded IntelDX2™ Processor ..... | 4  |
| Figure 3. Package Diagram for 168-Pin PGA Embedded IntelDX2™ Processor .....   | 10 |
| Figure 4. CLK Waveform .....   | 35 |
| Figure 5. Input Setup and Hold Timing .....                                    | 35 |
| Figure 6. Input Setup and Hold Timing .....                                    | 36 |
| Figure 7. PCHK# Valid Delay Timing .....                                       | 36 |
| Figure 8. Output Valid Delay Timing .....                                      | 37 |
| Figure 9. Maximum Float Delay Timing .....                                     | 37 |
| Figure 10. TCK Waveform .....  | 38 |
| Figure 11. Test Signal Timing Diagram .....                                    | 38 |

Figure 12. Typical Loading Delay versus Load Capacitance under Worst-Case Conditions for a Low-to-High Transition, 3.3 V Processor ..... 39

Figure 13. Typical Loading Delay versus Load Capacitance under Worst-Case Conditions for a High-to-Low Transition, 3.3 V Processor ..... 39

Figure 14. Typical Loading Delay versus Load Capacitance under Worst-Case Conditions for a Low-to-High Transition, 5 V Processor ..... 40

Figure 15. Typical Loading Delay versus Load Capacitance under Worst-Case Conditions for a High-to-Low Transition, 5 V Processor ..... 40

Figure 16. 208-Lead SQFP Package Dimensions ..... 41

Figure 17. Principal Dimensions and Data for 168-Pin Pin Grid Array Package ..... 42

**TABLES**

Table 1. The Embedded IntelDX2™ Processor Family ..... 2

Table 2. Pinout Differences for 208-Lead SQFP Package ..... 5

Table 3. Pin Assignment for 208-Lead SQFP Package ..... 6

Table 4. Pin Cross Reference for 208-Lead SQFP Package ..... 8

Table 5. Pinout Differences for 168-Pin PGA Package ..... 11

Table 6. Pin Assignment for 168-Pin PGA Package ..... 12

Table 7. Pin Cross Reference for 168-Pin PGA Package ..... 14

Table 8. Embedded IntelDX2™ Processor Pin Descriptions ..... 16

Table 9. Output Pins ..... 23

Table 10. Input/Output Pins ..... 23

Table 11. Test Pins ..... 23

Table 12. Input Pins ..... 24

Table 13. CPUID Instruction Description ..... 25

Table 14. Boundary Scan Component Identification Code (3.3 Volt Processor) ..... 26

Table 15. Boundary Scan Component Identification Code (5 Volt Processor) ..... 27

Table 16. Absolute Maximum Ratings ..... 28

Table 17. Operating Supply Voltages ..... 28

Table 18. 3.3 V DC Specifications ..... 29

Table 19. 3.3 V I<sub>CC</sub> Values ..... 30

Table 20. 5 V DC Specifications ..... 31

Table 21. 5 V I<sub>CC</sub> Values ..... 32

Table 22. AC Characteristics ..... 33

Table 23. AC Specifications for the Test Access Port ..... 34

Table 24. 168-Pin Ceramic PGA Package Dimensions ..... 42

Table 25. Ceramic PGA Package Dimension Symbols ..... 43

Table 26. Thermal Resistance,  $\theta_{JA}$  (°C/W) ..... 44

Table 27. Thermal Resistance,  $\theta_{JC}$  (°C/W) ..... 44

Table 28. Maximum T<sub>ambient</sub>, T<sub>A</sub> max (°C) ..... 44



## 1.0 INTRODUCTION

The embedded IntelDX2™ processor provides high performance to 32-bit, embedded applications. Designed for applications that need a floating-point unit, the processor is ideal for embedded designs running DOS\*, Microsoft Windows\*, OS/2\*, or UNIX\* applications written for the Intel architecture. Projects can be completed quickly by utilizing the wide range of software tools, utilities, assemblers and compilers that are available for desktop computer systems. Also, developers can find advantages in using existing chipsets and peripheral components in their embedded designs.

The embedded IntelDX2 processor is binary compatible with the Intel386™ and earlier Intel processors. Compared with the Intel386 processor, it provides faster execution of many commonly-used instructions. It also provides the benefits of an integrated, 8-Kbyte, write-through cache for code and data. Its data bus can operate in burst mode which provides up to 106-Mbyte-per-second transfers for cache-line fills and instruction prefetches.

Intel's SL technology is incorporated in the embedded IntelDX2 processor. Utilizing Intel's System Management Mode (SMM), it enables designers to develop energy-efficient systems.

Two component packages are available. A 168-pin Pin Grid Array (PGA) is available for 5-Volt designs and a 208-lead Shrink Quad Flat Pack (SQFP) is available for 3.3-Volt designs.

The processor operates at twice the external-bus frequency. The 5 V processor operates up to 66 MHz (33-MHz CLK). The 3.3 V processor operates up to 50 MHz (25-MHz CLK).

### 1.1 Features

The embedded IntelDX2 processor offers these features:

- **32-bit RISC-Technology Core** — The embedded IntelDX2 processor performs a complete set of arithmetic and logical operations on 8-, 16-, and 32-bit data types using a full-width ALU and eight general purpose registers.
- **Single Cycle Execution** — Many instructions execute in a single clock cycle.

\* Other brands and names are the property of their respective owners.

- **Instruction Pipelining** — Overlapped instruction fetching, decoding, address translation and execution.
- **On-Chip Floating-Point Unit** — Intel486™ processors support the 32-, 64-, and 80-bit formats specified in IEEE standard 754. The unit is binary compatible with the 8087, Intel287™, Intel387™ coprocessors, and Intel OverDrive® processor.
- **On-Chip Cache with Cache Consistency Support** — An 8-Kbyte, write-through, internal cache is used for both data and instructions. Cache hits provide zero wait-state access times for data within the cache. Bus activity is tracked to detect alterations in the memory represented by the internal cache. The internal cache can be invalidated or flushed so that an external cache controller can maintain cache consistency.
- **External Cache Control** — Write-back and flush controls for an external cache are provided so the processor can maintain cache consistency.
- **On-Chip Memory Management Unit** — Address management and memory space protection mechanisms maintain the integrity of memory in a multitasking and virtual memory environment. Both memory segmentation and paging are supported.
- **Burst Cycles** — Burst transfers allow a new double-word to be read from memory on each bus clock cycle. This capability is especially useful for instruction prefetch and for filling the internal cache.
- **Write Buffers** — The processor contains four write buffers to enhance the performance of consecutive writes to memory. The processor can continue internal operations after a write to these buffers, without waiting for the write to be completed on the external bus.
- **Bus Backoff** — When another bus master needs control of the bus during a processor initiated bus cycle, the embedded IntelDX2 processor floats its bus signals, then restarts the cycle when the bus becomes available again.
- **Instruction Restart** — Programs can continue execution following an exception generated by an unsuccessful attempt to access memory. This feature is important for supporting demand-paged virtual memory applications.
- **Dynamic Bus Sizing** — External controllers can dynamically alter the effective width of the data bus. Bus widths of 8, 16, or 32 bits can be used.



- **Boundary Scan (JTAG)** — Boundary Scan provides in-circuit testing of components on printed circuit boards. The Intel Boundary Scan implementation conforms with the IEEE Standard Test Access Port and Boundary Scan Architecture.

Intel's SL technology provides these features:

- **Intel System Management Mode (SMM)** — A unique Intel architecture operating mode provides a dedicated special purpose interrupt and address space that can be used to implement intelligent power management and other enhanced functions in a manner that is completely transparent to the operating system and applications software.
- **I/O Restart** — An I/O instruction interrupted by a System Management Interrupt (SMI#) can automatically be restarted following the execution of the RSM instruction.
- **Stop Clock** — The embedded IntelDX2 processor has a stop clock control mechanism that provides two low-power states: a Stop Grant state (20–45 mA typical, depending on input clock frequency) and a Stop Clock state (~100-200 µA typical, with input clock frequency of 0 MHz).

- **Auto HALT Power Down** — After the execution of a HALT instruction, the embedded IntelDX2 processor issues a normal Halt bus cycle and the clock input to the processor core is automatically stopped, causing the processor to enter the Auto HALT Power Down state (20–45 mA typical, depending on input clock frequency).
- **Auto Idle Power Down** — This function allows the processor to reduce the core frequency to the bus frequency when both the core and bus are idle. Auto Idle Power Down is software transparent and does not affect processor performance. Auto Idle Power Down provides an average power savings of 10% and is only applicable to clock multiplied processors.

## 1.2 Family Members

Table 1 shows the embedded IntelDX2 processors and briefly describes their characteristics.

**Table 1. The Embedded IntelDX2™ Processor Family**

| Product       | Supply Voltage<br>V <sub>CC</sub> | Maximum Processor Frequency | Maximum External Bus Frequency | Package       |
|---------------|-----------------------------------|-----------------------------|--------------------------------|---------------|
| x80486DX2SC50 | 3.3 V                             | 50 MHz                      | 25 MHz                         | 208-Lead SQFP |
| x80486DX2SA66 | 5.0 V                             | 66 MHz                      | 33 MHz                         | 168-Pin PGA   |

NOTE: To address the fact that many of the package prefix variables have changed, all package prefix variables in this document are now indicated with an "x".



## 2.0 HOW TO USE THIS DOCUMENT

For a complete set of documentation related to the embedded IntelDX2 processor, use this document in conjunction with the following reference documents:

- *Embedded Intel486™ Processor Family Developer's Manual* — Order No. 273021
- *Embedded Intel486™ Processor Hardware Reference Manual* — Order No. 273025
- *Intel486 Microprocessor Family Programmer's Reference Manual* — Order No. 240486
- Intel Application Note AP-485 — *Intel Processor Identification with the CPUID Instruction* — Order No. 241618

The information in the reference documents for the IntelDX2 processor applies to the embedded IntelDX2 processor. Some of the IntelDX2 processor information is duplicated in this document to minimize the dependence on the reference documents.

## 3.0 PIN DESCRIPTIONS

### 3.1 Pin Assignments

The following figures and tables show the pin assignments of each package type for the embedded IntelDX2 processor. Tables are provided showing the pin differences between the embedded IntelDX2 processor and other embedded Intel486 processor products.

#### 208-Lead SQFP - Quad Flat Pack

- Figure 2, Package Diagram for 208-Lead SQFP Embedded IntelDX2™ Processor (pg. 4)
- Table 2, Pinout Differences for 208-Lead SQFP Package (pg. 5)
- Table 3, Pin Assignment for 208-Lead SQFP Package (pg. 6)
- Table 4, Pin Cross Reference for 208-Lead SQFP Package (pg. 8)

#### 168-Pin PGA - Pin Grid Array

- Figure 3, Package Diagram for 168-Pin PGA Embedded IntelDX2™ Processor (pg. 10)
- Table 5, Pinout Differences for 168-Pin PGA Package (pg. 11)
- Table 6, Pin Assignment for 168-Pin PGA Package (pg. 12)
- Table 7, Pin Cross Reference for 168-Pin PGA Package (pg. 14)

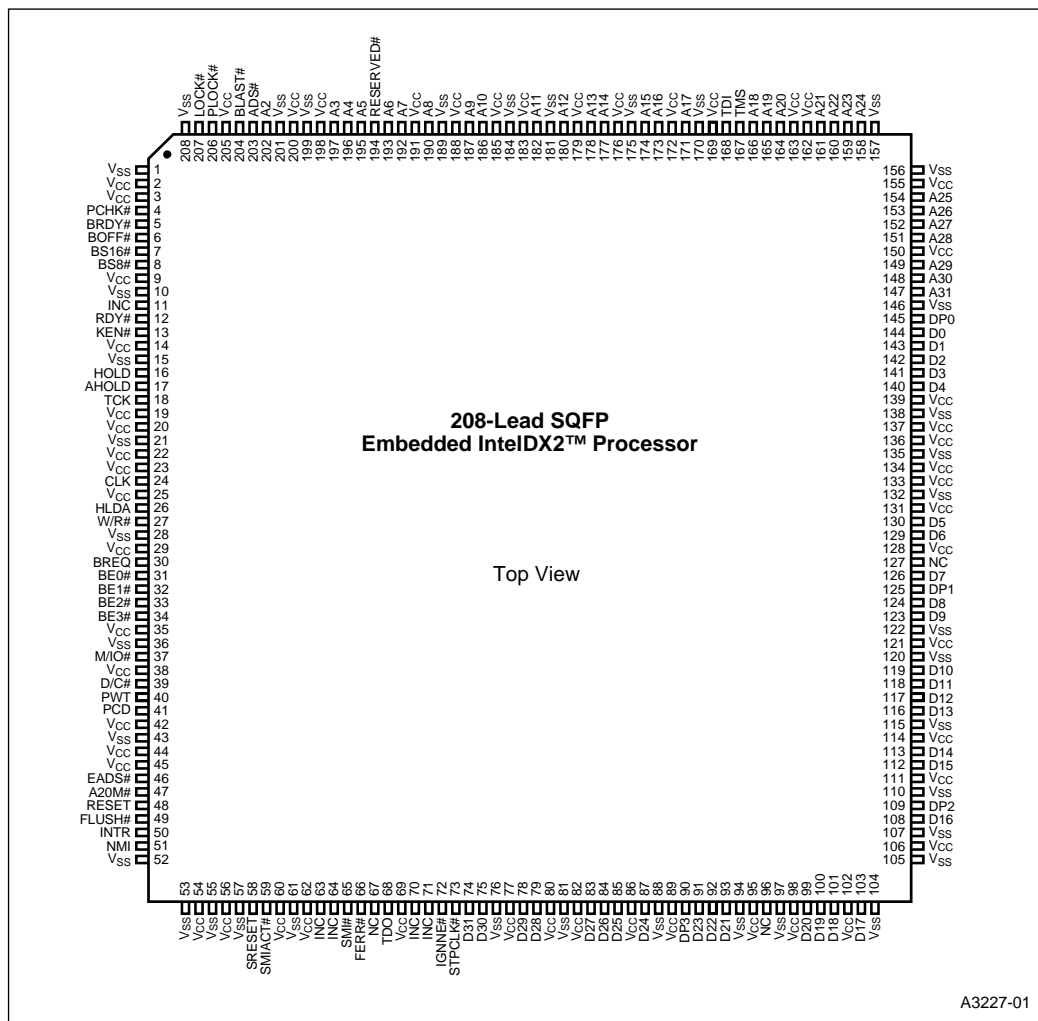


Figure 2. Package Diagram for 208-Lead SQFP Embedded IntelDX2™ Processor



**Table 2. Pinout Differences for 208-Lead SQFP Package**

| Pin # | Embedded Intel486™ SX Processor | Embedded IntelDX2™ Processor | Embedded Write-Back Enhanced IntelDX4™ Processor |
|-------|---------------------------------|------------------------------|--|
| 3     | $V_{CC}^1$                      | $V_{CC}$                     | $V_{CC5}$  |
| 11    | INC <sup>2</sup>                | INC                          | CLKMUL   |
| 63    | INC                             | INC                          | HITM#  |
| 64    | INC                             | INC                          | WB/WT#   |
| 66    | INC                             | FERR#                        | FERR#  |
| 70    | INC                             | INC                          | CACHE#   |
| 71    | INC                             | INC                          | INV  |
| 72    | INC                             | IGNNE#                       | IGNNE#   |

**NOTES:**

1. This pin location is for the  $V_{CC5}$  pin on the embedded IntelDX4 processor. For compatibility with 3.3V processors that have 5V-tolerant input buffers (i.e., embedded IntelDX4 processors), this pin should be connected to a  $V_{CC}$  trace, not to the  $V_{CC}$  plane.
2. INC. Internal No Connect. These pins are not connected to any internal pad in the embedded IntelDX2 processor. However, new signals are defined for the location of the INC pins in the embedded IntelDX4 processor. One system design can accommodate any one of these processors provided the purpose of each INC pin is understood before it is used.



**Table 3. Pin Assignment for 208-Lead SQFP Package (Sheet 1 of 2)**

| Pin# | Description                  | Pin# | Description          | Pin# | Description     | Pin# | Description     |
|------|------------------------------|------|----------------------|------|-----------------|------|-----------------|
| 1    | V <sub>SS</sub>              | 53   | V <sub>SS</sub>      | 105  | V <sub>SS</sub> | 157  | V <sub>SS</sub> |
| 2    | V <sub>CC</sub>              | 54   | V <sub>CC</sub>      | 106  | V <sub>CC</sub> | 158  | A24             |
| 3    | V <sub>CC</sub> <sup>1</sup> | 55   | V <sub>SS</sub>      | 107  | V <sub>SS</sub> | 159  | A23             |
| 4    | PCHK#                        | 56   | V <sub>CC</sub>      | 108  | D16             | 160  | A22             |
| 5    | BRDY#                        | 57   | V <sub>SS</sub>      | 109  | DP2             | 161  | A21             |
| 6    | BOFF#                        | 58   | SRESET               | 110  | V <sub>SS</sub> | 162  | V <sub>CC</sub> |
| 7    | BS16#                        | 59   | SMI <sup>ACT</sup> # | 111  | V <sub>CC</sub> | 163  | V <sub>CC</sub> |
| 8    | BS8#                         | 60   | V <sub>CC</sub>      | 112  | D15             | 164  | A20             |
| 9    | V <sub>CC</sub>              | 61   | V <sub>SS</sub>      | 113  | D14             | 165  | A19             |
| 10   | V <sub>SS</sub>              | 62   | V <sub>CC</sub>      | 114  | V <sub>CC</sub> | 166  | A18             |
| 11   | INC <sup>2</sup>             | 63   | INC <sup>2</sup>     | 115  | V <sub>SS</sub> | 167  | TMS             |
| 12   | RDY#                         | 64   | INC <sup>2</sup>     | 116  | D13             | 168  | TDI             |
| 13   | KEN#                         | 65   | SMI#                 | 117  | D12             | 169  | V <sub>CC</sub> |
| 14   | V <sub>CC</sub>              | 66   | FERR#                | 118  | D11             | 170  | V <sub>SS</sub> |
| 15   | V <sub>SS</sub>              | 67   | NC <sup>3</sup>      | 119  | D10             | 171  | A17             |
| 16   | HOLD                         | 68   | TDO                  | 120  | V <sub>SS</sub> | 172  | V <sub>CC</sub> |
| 17   | AHOLD                        | 69   | V <sub>CC</sub>      | 121  | V <sub>CC</sub> | 173  | A16             |
| 18   | TCK                          | 70   | INC <sup>2</sup>     | 122  | V <sub>SS</sub> | 174  | A15             |
| 19   | V <sub>CC</sub>              | 71   | INC <sup>2</sup>     | 123  | D9              | 175  | V <sub>SS</sub> |
| 20   | V <sub>CC</sub>              | 72   | IGNNE#               | 124  | D8              | 176  | V <sub>CC</sub> |
| 21   | V <sub>SS</sub>              | 73   | STPCLK#              | 125  | DP1             | 177  | A14             |
| 22   | V <sub>CC</sub>              | 74   | D31                  | 126  | D7              | 178  | A13             |
| 23   | V <sub>CC</sub>              | 75   | D30                  | 127  | NC <sup>3</sup> | 179  | V <sub>CC</sub> |
| 24   | CLK                          | 76   | V <sub>SS</sub>      | 128  | V <sub>CC</sub> | 180  | A12             |
| 25   | V <sub>CC</sub>              | 77   | V <sub>CC</sub>      | 129  | D6              | 181  | V <sub>SS</sub> |
| 26   | HLDA                         | 78   | D29                  | 130  | D5              | 182  | A11             |
| 27   | W/R#                         | 79   | D28                  | 131  | V <sub>CC</sub> | 183  | V <sub>CC</sub> |
| 28   | V <sub>SS</sub>              | 80   | V <sub>CC</sub>      | 132  | V <sub>SS</sub> | 184  | V <sub>SS</sub> |
| 29   | V <sub>CC</sub>              | 81   | V <sub>SS</sub>      | 133  | V <sub>CC</sub> | 185  | V <sub>CC</sub> |
| 30   | BREQ                         | 82   | V <sub>CC</sub>      | 134  | V <sub>CC</sub> | 186  | A10             |
| 31   | BE0#                         | 83   | D27                  | 135  | V <sub>SS</sub> | 187  | A9              |
| 32   | BE1#                         | 84   | D26                  | 136  | V <sub>CC</sub> | 188  | V <sub>CC</sub> |
| 33   | BE2#                         | 85   | D25                  | 137  | V <sub>CC</sub> | 189  | V <sub>SS</sub> |
| 34   | BE3#                         | 86   | V <sub>CC</sub>      | 138  | V <sub>SS</sub> | 190  | A8              |
| 35   | V <sub>CC</sub>              | 87   | D24                  | 139  | V <sub>CC</sub> | 191  | V <sub>CC</sub> |

**Table 3. Pin Assignment for 208-Lead SQFP Package** (Sheet 2 of 2)

| Pin# | Description     | Pin# | Description     | Pin# | Description     | Pin# | Description     |
|------|-----------------|------|-----------------|------|-----------------|------|-----------------|
| 36   | V <sub>SS</sub> | 88   | V <sub>SS</sub> | 140  | D4              | 192  | A7              |
| 37   | M/IO#           | 89   | V <sub>CC</sub> | 141  | D3              | 193  | A6              |
| 38   | V <sub>CC</sub> | 90   | DP3             | 142  | D2              | 194  | RESERVED#       |
| 39   | D/C#            | 91   | D23             | 143  | D1              | 195  | A5              |
| 40   | PWT             | 92   | D22             | 144  | D0              | 196  | A4              |
| 41   | PCD             | 93   | D21             | 145  | DP0             | 197  | A3              |
| 42   | V <sub>CC</sub> | 94   | V <sub>SS</sub> | 146  | V <sub>SS</sub> | 198  | V <sub>CC</sub> |
| 43   | V <sub>SS</sub> | 95   | V <sub>CC</sub> | 147  | A31             | 199  | V <sub>SS</sub> |
| 44   | V <sub>CC</sub> | 96   | NC <sup>3</sup> | 148  | A30             | 200  | V <sub>CC</sub> |
| 45   | V <sub>CC</sub> | 97   | V <sub>SS</sub> | 149  | A29             | 201  | V <sub>SS</sub> |
| 46   | EADS#           | 98   | V <sub>CC</sub> | 150  | V <sub>CC</sub> | 202  | A2              |
| 47   | A20M#           | 99   | D20             | 151  | A28             | 203  | ADS#            |
| 48   | RESET           | 100  | D19             | 152  | A27             | 204  | BLAST#          |
| 49   | FLUSH#          | 101  | D18             | 153  | A26             | 205  | V <sub>CC</sub> |
| 50   | INTR            | 102  | V <sub>CC</sub> | 154  | A25             | 206  | PLOCK#          |
| 51   | NMI             | 103  | D17             | 155  | V <sub>CC</sub> | 207  | LOCK#           |
| 52   | V <sub>SS</sub> | 104  | V <sub>SS</sub> | 156  | V <sub>SS</sub> | 208  | V <sub>SS</sub> |

**NOTES:**

1. This pin location is for the V<sub>CC5</sub> pin on the embedded IntelDX4 processor. For compatibility with 3.3V processors that have 5V-tolerant input buffers (i.e., embedded IntelDX4 processors), this pin should be connected to a V<sub>CC</sub> trace, not to the V<sub>CC</sub> plane.
2. INC. Internal No Connect. These pins are not connected to any internal pad in the embedded IntelDX2 processors. However, signals are defined for the location of the INC pins in the IntelDX4 processor. One system design can accommodate any one of these processors provided the purpose of each INC pin is understood before it is used.
3. NC. Do Not Connect. These pins should always remain unconnected. Connection of NC pins to V<sub>CC</sub>, or V<sub>SS</sub> or to any other signal can result in component malfunction or incompatibility with future steppings of the Intel486 processors.



**Table 4. Pin Cross Reference for 208-Lead SQFP Package** (Sheet 1 of 2)

| Address | Pin # | Data | Pin # | Control   | Pin # | NC  | INC | V <sub>CC</sub> | V <sub>SS</sub> |
|---------|-------|------|-------|-----------|-------|-----|-----|-----------------|-----------------|
| A2      | 202   | D0   | 144   | A20M#     | 47    | 67  | 11  | 2               | 1               |
| A3      | 197   | D1   | 143   | ADS#      | 203   | 96  | 63  | 3               | 10              |
| A4      | 196   | D2   | 142   | AHOLD     | 17    | 127 | 64  | 9               | 15              |
| A5      | 195   | D3   | 141   | BE0#      | 31    |     | 70  | 14              | 21              |
| A6      | 193   | D4   | 140   | BE1#      | 32    |     | 71  | 19              | 28              |
| A7      | 192   | D5   | 130   | BE2#      | 33    |     |     | 20              | 36              |
| A8      | 190   | D6   | 129   | BE3#      | 34    |     |     | 22              | 43              |
| A9      | 187   | D7   | 126   | BLAST#    | 204   |     |     | 23              | 52              |
| A10     | 186   | D8   | 124   | BOFF#     | 6     |     |     | 25              | 53              |
| A11     | 182   | D9   | 123   | BRDY#     | 5     |     |     | 29              | 55              |
| A12     | 180   | D10  | 119   | BREQ      | 30    |     |     | 35              | 57              |
| A13     | 178   | D11  | 118   | BS16#     | 7     |     |     | 38              | 61              |
| A14     | 177   | D12  | 117   | BS8#      | 8     |     |     | 42              | 76              |
| A15     | 174   | D13  | 116   | CLK       | 24    |     |     | 44              | 81              |
| A16     | 173   | D14  | 113   | D/C#      | 39    |     |     | 45              | 88              |
| A17     | 171   | D15  | 112   | DP0       | 145   |     |     | 54              | 94              |
| A18     | 166   | D16  | 108   | DP1       | 125   |     |     | 56              | 97              |
| A19     | 165   | D17  | 103   | DP2       | 109   |     |     | 60              | 104             |
| A20     | 164   | D18  | 101   | DP3       | 90    |     |     | 62              | 105             |
| A21     | 161   | D19  | 100   | EADS#     | 46    |     |     | 69              | 107             |
| A22     | 160   | D20  | 99    | FERR#     | 66    |     |     | 77              | 110             |
| A23     | 159   | D21  | 93    | FLUSH#    | 49    |     |     | 80              | 115             |
| A24     | 158   | D22  | 92    | HLDA      | 26    |     |     | 82              | 120             |
| A25     | 154   | D23  | 91    | HOLD      | 16    |     |     | 86              | 122             |
| A26     | 153   | D24  | 87    | IGNNE#    | 72    |     |     | 89              | 132             |
| A27     | 152   | D25  | 85    | INTR      | 50    |     |     | 95              | 135             |
| A28     | 151   | D26  | 84    | KEN#      | 13    |     |     | 98              | 138             |
| A29     | 149   | D27  | 83    | LOCK#     | 207   |     |     | 102             | 146             |
| A30     | 148   | D28  | 79    | M/IO#     | 37    |     |     | 106             | 156             |
| A31     | 147   | D29  | 78    | NMI       | 51    |     |     | 111             | 157             |
|         |       | D30  | 75    | PCD       | 41    |     |     | 114             | 170             |
|         |       | D31  | 74    | PCHK#     | 4     |     |     | 121             | 175             |
|         |       |      |       | PLOCK#    | 206   |     |     | 128             | 181             |
|         |       |      |       | PWT       | 40    |     |     | 131             | 184             |
|         |       |      |       | RDY#      | 12    |     |     | 133             | 189             |
|         |       |      |       | RESERVED# | 194   |     |     |                 |                 |
|         |       |      |       | RESET     | 48    |     |     |                 |                 |
|         |       |      |       | SMI#      | 65    |     |     | 134             | 199             |
|         |       |      |       | SMIACT#   | 59    |     |     | 136             | 201             |

**Table 4. Pin Cross Reference for 208-Lead SQFP Package (Sheet 2 of 2)**

| Address | Pin # | Data | Pin # | Control | Pin # | NC | INC | V <sub>CC</sub> | V <sub>SS</sub> |
|---------|-------|------|-------|---------|-------|----|-----|-----------------|-----------------|
|         |       |      |       | SRESET  | 58    |    |     | 137             | 208             |
|         |       |      |       | STPCLK# | 73    |    |     | 139             |                 |
|         |       |      |       | TCK     | 18    |    |     | 150             |                 |
|         |       |      |       | TDI     | 168   |    |     | 155             |                 |
|         |       |      |       | TDO     | 68    |    |     | 162             |                 |
|         |       |      |       | TMS     | 167   |    |     | 163             |                 |
|         |       |      |       | W/R#    | 27    |    |     | 169             |                 |
|         |       |      |       |         |       |    |     | 172             |                 |
|         |       |      |       |         |       |    |     | 176             |                 |
|         |       |      |       |         |       |    |     | 179             |                 |
|         |       |      |       |         |       |    |     | 183             |                 |
|         |       |      |       |         |       |    |     | 185             |                 |
|         |       |      |       |         |       |    |     | 188             |                 |
|         |       |      |       |         |       |    |     | 191             |                 |
|         |       |      |       |         |       |    |     | 198             |                 |
|         |       |      |       |         |       |    |     | 200             |                 |
|         |       |      |       |         |       |    |     | 205             |                 |

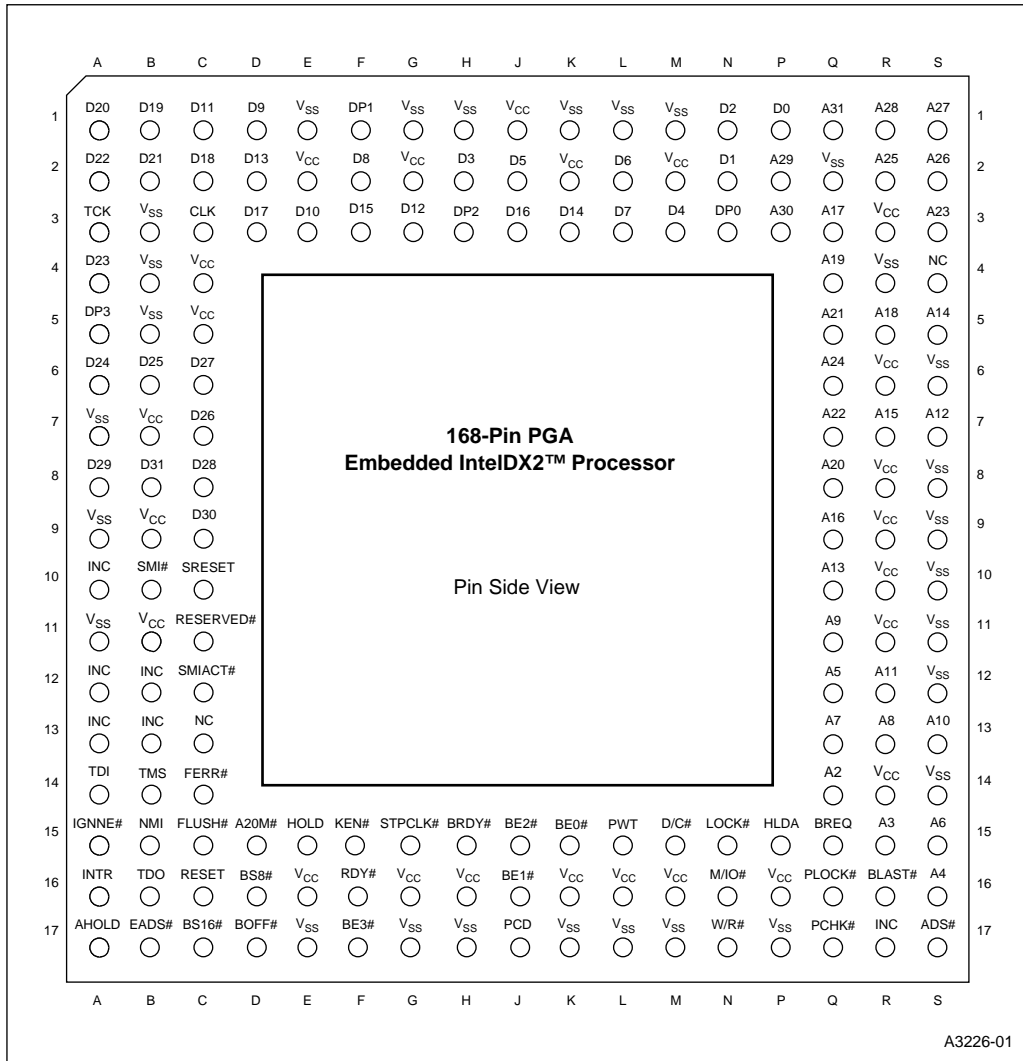


Figure 3. Package Diagram for 168-Pin PGA Embedded IntelDX2™ Processor

**Table 5. Pinout Differences for 168-Pin PGA Package**

| Pin # | Embedded IntelDX2™ Processor | Embedded Write-Back Enhanced IntelDX4™ Processor |
|-------|------------------------------|--|
| A10   | INC                          | INV  |
| A12   | INC                          | HITM#  |
| B12   | INC                          | CACHE#   |
| B13   | INC                          | WB/WT#   |
| J1    | V <sub>CC</sub>              | V <sub>CC5</sub>                                 |
| R17   | INC                          | CLKMUL   |
| S4    | NC                           | VOLDET   |

**Table 6. Pin Assignment for 168-Pin PGA Package (Sheet 1 of 2)**

| Pin # | Description      | Pin # | Description     | Pin # | Description     |
|-------|------------------|-------|-----------------|-------|-----------------|
| A1    | D20              | D17   | BOFF#           | P2    | A29             |
| A2    | D22              | E1    | V <sub>SS</sub> | P3    | A30             |
| A3    | TCK              | E2    | V <sub>CC</sub> | P15   | HLDA            |
| A4    | D23              | E3    | D10             | P16   | V <sub>CC</sub> |
| A5    | DP3              | E15   | HOLD            | P17   | V <sub>SS</sub> |
| A6    | D24              | E16   | V <sub>CC</sub> | Q1    | A31             |
| A7    | V <sub>SS</sub>  | E17   | V <sub>SS</sub> | Q2    | V <sub>SS</sub> |
| A8    | D29              | F1    | DP1             | Q3    | A17             |
| A9    | V <sub>SS</sub>  | F2    | D8              | Q4    | A19             |
| A10   | INC <sup>1</sup> | F3    | D15             | Q5    | A21             |
| A11   | V <sub>SS</sub>  | F15   | KEN#            | Q6    | A24             |
| A12   | INC <sup>1</sup> | F16   | RDY#            | Q7    | A22             |
| A13   | INC <sup>1</sup> | F17   | BE3#            | Q8    | A20             |
| A14   | TDI              | G1    | V <sub>SS</sub> | Q9    | A16             |
| A15   | IGNNE#           | G2    | V <sub>CC</sub> | Q10   | A13             |
| A16   | INTR             | G3    | D12             | Q11   | A9              |
| A17   | AHOLD            | G15   | STPCLK#         | Q12   | A5              |
| B1    | D19              | G16   | V <sub>CC</sub> | Q13   | A7              |
| B2    | D21              | G17   | V <sub>SS</sub> | Q14   | A2              |
| B3    | V <sub>SS</sub>  | H1    | V <sub>SS</sub> | Q15   | BREQ            |
| B4    | V <sub>SS</sub>  | H2    | D3              | Q16   | PLOCK#          |
| B5    | V <sub>SS</sub>  | H3    | DP2             | Q17   | PCHK#           |
| B6    | D25              | H15   | BRDY#           | R1    | A28             |
| B7    | V <sub>CC</sub>  | H16   | V <sub>CC</sub> | R2    | A25             |
| B8    | D31              | H17   | V <sub>SS</sub> | R3    | V <sub>CC</sub> |
| B9    | V <sub>CC</sub>  | J1    | V <sub>CC</sub> | R4    | V <sub>SS</sub> |
| B10   | SMI#             | J2    | D5              | R5    | A18             |
| B11   | V <sub>CC</sub>  | J3    | D16             | R6    | V <sub>CC</sub> |
| B12   | INC <sup>1</sup> | J15   | BE2#            | R7    | A15             |
| B13   | INC <sup>1</sup> | J16   | BE1#            | R8    | V <sub>CC</sub> |
| B14   | TMS              | J17   | PCD             | R9    | V <sub>CC</sub> |
| B15   | NMI              | K1    | V <sub>SS</sub> | R10   | V <sub>CC</sub> |
| B16   | TDO              | K2    | V <sub>CC</sub> | R11   | V <sub>CC</sub> |



**Table 6. Pin Assignment for 168-Pin PGA Package** (Sheet 2 of 2)

| Pin # | Description     | Pin # | Description     | Pin # | Description      |
|-------|-----------------|-------|-----------------|-------|------------------|
| B17   | EADS#           | K3    | D14             | R12   | A11              |
| C1    | D11             | K15   | BE0#            | R13   | A8               |
| C2    | D18             | K16   | V <sub>CC</sub> | R14   | V <sub>CC</sub>  |
| C3    | CLK             | K17   | V <sub>SS</sub> | R15   | A3               |
| C4    | V <sub>CC</sub> | L1    | V <sub>SS</sub> | R16   | BLAST#           |
| C5    | V <sub>CC</sub> | L2    | D6              | R17   | INC <sup>1</sup> |
| C6    | D27             | L3    | D7              | S1    | A27              |
| C7    | D26             | L15   | PWT             | S2    | A26              |
| C8    | D28             | L16   | V <sub>CC</sub> | S3    | A23              |
| C9    | D30             | L17   | V <sub>SS</sub> | S4    | NC <sup>2</sup>  |
| C10   | SRESET          | M1    | V <sub>SS</sub> | S5    | A14              |
| C11   | RESERVED#       | M2    | V <sub>CC</sub> | S6    | V <sub>SS</sub>  |
| C12   | SMIACT#         | M3    | D4              | S7    | A12              |
| C13   | NC <sup>2</sup> | M15   | D/C#            | S8    | V <sub>SS</sub>  |
| C14   | FERR#           | M16   | V <sub>CC</sub> | S9    | V <sub>SS</sub>  |
| C15   | FLUSH#          | M17   | V <sub>SS</sub> | S10   | V <sub>SS</sub>  |
| C16   | RESET           | N1    | D2              | S11   | V <sub>SS</sub>  |
| C17   | BS16#           | N2    | D1              | S12   | V <sub>SS</sub>  |
| D1    | D9              | N3    | DP0             | S13   | A10              |
| D2    | D13             | N15   | LOCK#           | S14   | V <sub>SS</sub>  |
| D3    | D17             | N16   | M/IO#           | S15   | A6               |
| D15   | A20M#           | N17   | W/R#            | S16   | A4               |
| D16   | BS8#            | P1    | D0              | S17   | ADS#             |

**NOTES:**

1. INC. Internal No Connect. These pins are not connected to any internal pad in the embedded IntelDX2 processors. However, signals are defined for the location of the INC pins in the IntelDX4 processor. One system design can accommodate any one of these processors provided the purpose of each INC pin is understood before it is used.
2. NC. Do Not Connect. These pins should always remain unconnected. Connection of NC pins to V<sub>CC</sub>, or V<sub>SS</sub> or to any other signal can result in component malfunction or incompatibility with future steppings of the Intel486 processors.



Table 7. Pin Cross Reference for 168-Pin PGA Package (Sheet 1 of 2)

| Address | Pin # | Data | Pin # | Control   | Pin # | NC  | INC | Vcc | Vss |
|---------|-------|------|-------|-----------|-------|-----|-----|-----|-----|
| A2      | Q14   | D0   | P1    | A20M#     | D15   | C13 | A10 | B7  | A7  |
| A3      | R15   | D1   | N2    | ADS#      | S17   | S4  | A12 | B9  | A9  |
| A4      | S16   | D2   | N1    | AHOLD     | A17   |     | A13 | B11 | A11 |
| A5      | Q12   | D3   | H2    | BE0#      | K15   |     | B12 | C4  | B3  |
| A6      | S15   | D4   | M3    | BE1#      | J16   |     | B13 | C5  | B4  |
| A7      | Q13   | D5   | J2    | BE2#      | J15   |     | R17 | E2  | B5  |
| A8      | R13   | D6   | L2    | BE3#      | F17   |     |     | E16 | E1  |
| A9      | Q11   | D7   | L3    | BLAST#    | R16   |     |     | G2  | E17 |
| A10     | S13   | D8   | F2    | BOFF#     | D17   |     |     | G16 | G1  |
| A11     | R12   | D9   | D1    | BRDY#     | H15   |     |     | H16 | G17 |
| A12     | S7    | D10  | E3    | BREQ      | Q15   |     |     | J1  | H1  |
| A13     | Q10   | D11  | C1    | BS16#     | C17   |     |     | K2  | H17 |
| A14     | S5    | D12  | G3    | BS8#      | D16   |     |     | K16 | K1  |
| A15     | R7    | D13  | D2    | CLK       | C3    |     |     | L16 | K17 |
| A16     | Q9    | D14  | K3    | D/C#      | M15   |     |     | M2  | L1  |
| A17     | Q3    | D15  | F3    | DP0       | N3    |     |     | M16 | L17 |
| A18     | R5    | D16  | J3    | DP1       | F1    |     |     | P16 | M1  |
| A19     | Q4    | D17  | D3    | DP2       | H3    |     |     | R3  | M17 |
| A20     | Q8    | D18  | C2    | DP3       | A5    |     |     | R6  | P17 |
| A21     | Q5    | D19  | B1    | EADS#     | B17   |     |     | R8  | Q2  |
| A22     | Q7    | D20  | A1    | FERR#     | C14   |     |     | R9  | R4  |
| A23     | S3    | D21  | B2    | FLUSH#    | C15   |     |     | R10 | S6  |
| A24     | Q6    | D22  | A2    | HLDA      | P15   |     |     | R11 | S8  |
| A25     | R2    | D23  | A4    | HOLD      | E15   |     |     | R14 | S9  |
| A26     | S2    | D24  | A6    | IGNNE#    | A15   |     |     |     | S10 |
| A27     | S1    | D25  | B6    | INTR      | A16   |     |     |     | S11 |
| A28     | R1    | D26  | C7    | KEN#      | F15   |     |     |     | S12 |
| A29     | P2    | D27  | C6    | LOCK#     | N15   |     |     |     | S14 |
| A30     | P3    | D28  | C8    | M/IO#     | N16   |     |     |     |     |
| A31     | Q1    | D29  | A8    | NMI       | B15   |     |     |     |     |
|         |       | D30  | C9    | PCD       | J17   |     |     |     |     |
|         |       | D31  | B8    | PCHK#     | Q17   |     |     |     |     |
|         |       |      |       | PLOCK#    | Q16   |     |     |     |     |
|         |       |      |       | PWT       | L15   |     |     |     |     |
|         |       |      |       | RDY#      | F16   |     |     |     |     |
|         |       |      |       | RESERVED# | C11   |     |     |     |     |
|         |       |      |       | RESET     | C16   |     |     |     |     |
|         |       |      |       | SMI#      | B10   |     |     |     |     |
|         |       |      |       | SMIACT#   | C12   |     |     |     |     |

**Table 7. Pin Cross Reference for 168-Pin PGA Package** (Sheet 2 of 2)

| Address | Pin # | Data | Pin # | Control | Pin # | NC | INC | Vcc | Vss |
|---------|-------|------|-------|---------|-------|----|-----|-----|-----|
|         |       |      |       | SRESET  | C10   |    |     |     |     |
|         |       |      |       | STPCLK# | G15   |    |     |     |     |
|         |       |      |       | TCK     | A3    |    |     |     |     |
|         |       |      |       | TDI     | A14   |    |     |     |     |
|         |       |      |       | TDO     | B16   |    |     |     |     |
|         |       |      |       | TMS     | B14   |    |     |     |     |
|         |       |      |       | W/R#    | N17   |    |     |     |     |

### 3.2 Pin Quick Reference

The following is a brief pin description. For detailed signal descriptions refer to Appendix A, “Signal Descriptions,” in the *Embedded Intel486™ Processor Family Developer’s Manual*, order No. 273021.

**Table 8. Embedded IntelDX2™ Processor Pin Descriptions** (Sheet 1 of 7)

| Symbol                       | Type             | Name and Function  |
|------------------------------|------------------|--|
| CLK                          | I                | <b>Clock</b> provides the fundamental timing and internal operating frequency for the embedded IntelDX2 processor. All external timing parameters are specified with respect to the rising edge of CLK.  |
| <b>ADDRESS BUS</b>           |                  |  |
| A31-A4<br>A3-A2              | I/O<br>O         | <b>Address Lines</b> A31–A2, together with the byte enable signals, BE3#–BE0#, define the physical area of memory or input/output space accessed. Address lines A31–A4 are used to drive addresses into the embedded IntelDX2 processor to perform cache line invalidation. Input signals must meet setup and hold times $t_{22}$ and $t_{23}$ . A31–A2 are not driven during bus or address hold.   |
| BE3#<br>BE2#<br>BE1#<br>BE0# | O<br>O<br>O<br>O | <b>Byte Enable</b> signals indicate active bytes during read and write cycles. During the first cycle of a cache fill, the external system should assume that all byte enables are active. BE3#–BE0# are active LOW and are not driven during bus hold.<br><br>BE3# applies to D31–D24<br>BE2# applies to D23–D16<br>BE1# applies to D15–D8<br>BE0# applies to D7–D0   |
| <b>DATA BUS</b>              |                  |  |
| D31–D0                       | I/O              | <b>Data Lines.</b> D7–D0 define the least significant byte of the data bus; D31–D24 define the most significant byte of the data bus. These signals must meet setup and hold times $t_{22}$ and $t_{23}$ for proper operation on reads. These pins are driven during the second and subsequent clocks of write cycles.   |
| <b>DATA PARITY</b>           |                  |  |
| DP3–DP0                      | I/O              | There is one <b>Data Parity</b> pin for each byte of the data bus. Data parity is generated on all write data cycles with the same timing as the data driven by the embedded IntelDX2 processor. Even parity information must be driven back into the processor on the data parity pins with the same timing as read information to ensure that the correct parity check status is indicated by the embedded IntelDX2 processor. The signals read on these pins do not affect program execution.<br><br>Input signals must meet setup and hold times $t_{22}$ and $t_{23}$ . DP3–DP0 must be connected to $V_{CC}$ through a pull-up resistor in systems that do not use parity. DP3–DP0 are active HIGH and are driven during the second and subsequent clocks of write cycles. |
| PCHK#                        | O                | <b>Parity Status</b> is driven on the PCHK# pin the clock after ready for read operations. The parity status is for data sampled at the end of the previous clock. A parity error is indicated by PCHK# being LOW. Parity status is only checked for enabled bytes as indicated by the byte enable and bus size signals. PCHK# is valid only in the clock immediately after read data is returned to the processor. At all other times PCHK# is inactive (HIGH). PCHK# is never floated.   |

Table 8. Embedded IntelDX2™ Processor Pin Descriptions (Sheet 2 of 7)

| Symbol   | Type        | Name and Function   |            |  |       |                     |      |     |      |                       |     |                      |      |  |   |   |   |          |   |   |   |           |   |   |   |           |   |   |   |          |   |   |   |             |   |   |   |              |
|--|-------------|---|------------|--|-------|---------------------|------|-----|------|-----------------------|-----|----------------------|------|--|---|---|---|----------|---|---|---|-----------|---|---|---|-----------|---|---|---|----------|---|---|---|-------------|---|---|---|--------------|
| <b>BUS CYCLE DEFINITION</b>  |             |   |            |  |       |                     |      |     |      |                       |     |                      |      |  |   |   |   |          |   |   |   |           |   |   |   |           |   |   |   |          |   |   |   |             |   |   |   |              |
| <b>M/IO#</b>   | ○           | <p><b>Memory/Input-Output, Data/Control and Write/Read</b> lines are the primary bus definition signals. These signals are driven valid as the ADS# signal is asserted.</p> <table border="1"> <thead> <tr> <th>M/IO#</th> <th>D/C#</th> <th>W/R#</th> <th>Bus Cycle Initiated</th> </tr> </thead> <tbody> <tr> <td>0</td> <td>0</td> <td>0</td> <td>Interrupt Acknowledge</td> </tr> <tr> <td>0</td> <td>0</td> <td>1</td> <td>HALT/Special Cycle (see details below)</td> </tr> <tr> <td>0</td> <td>1</td> <td>0</td> <td>I/O Read</td> </tr> <tr> <td>0</td> <td>1</td> <td>1</td> <td>I/O Write</td> </tr> <tr> <td>1</td> <td>0</td> <td>0</td> <td>Code Read</td> </tr> <tr> <td>1</td> <td>0</td> <td>1</td> <td>Reserved</td> </tr> <tr> <td>1</td> <td>1</td> <td>0</td> <td>Memory Read</td> </tr> <tr> <td>1</td> <td>1</td> <td>1</td> <td>Memory Write</td> </tr> </tbody> </table>  | M/IO#      | D/C#                                   | W/R#  | Bus Cycle Initiated | 0    | 0   | 0    | Interrupt Acknowledge | 0   | 0                    | 1    | HALT/Special Cycle (see details below) | 0 | 1 | 0 | I/O Read | 0 | 1 | 1 | I/O Write | 1 | 0 | 0 | Code Read | 1 | 0 | 1 | Reserved | 1 | 1 | 0 | Memory Read | 1 | 1 | 1 | Memory Write |
| M/IO#  | D/C#        |   | W/R#       | Bus Cycle Initiated                    |       |                     |      |     |      |                       |     |                      |      |  |   |   |   |          |   |   |   |           |   |   |   |           |   |   |   |          |   |   |   |             |   |   |   |              |
| 0  | 0           |   | 0          | Interrupt Acknowledge                  |       |                     |      |     |      |                       |     |                      |      |  |   |   |   |          |   |   |   |           |   |   |   |           |   |   |   |          |   |   |   |             |   |   |   |              |
| 0  | 0           |   | 1          | HALT/Special Cycle (see details below) |       |                     |      |     |      |                       |     |                      |      |  |   |   |   |          |   |   |   |           |   |   |   |           |   |   |   |          |   |   |   |             |   |   |   |              |
| 0  | 1           |   | 0          | I/O Read                               |       |                     |      |     |      |                       |     |                      |      |  |   |   |   |          |   |   |   |           |   |   |   |           |   |   |   |          |   |   |   |             |   |   |   |              |
| 0  | 1           |   | 1          | I/O Write                              |       |                     |      |     |      |                       |     |                      |      |  |   |   |   |          |   |   |   |           |   |   |   |           |   |   |   |          |   |   |   |             |   |   |   |              |
| 1  | 0           |   | 0          | Code Read                              |       |                     |      |     |      |                       |     |                      |      |  |   |   |   |          |   |   |   |           |   |   |   |           |   |   |   |          |   |   |   |             |   |   |   |              |
| 1  | 0           |   | 1          | Reserved                               |       |                     |      |     |      |                       |     |                      |      |  |   |   |   |          |   |   |   |           |   |   |   |           |   |   |   |          |   |   |   |             |   |   |   |              |
| 1  | 1           |   | 0          | Memory Read                            |       |                     |      |     |      |                       |     |                      |      |  |   |   |   |          |   |   |   |           |   |   |   |           |   |   |   |          |   |   |   |             |   |   |   |              |
| 1  | 1           |   | 1          | Memory Write                           |       |                     |      |     |      |                       |     |                      |      |  |   |   |   |          |   |   |   |           |   |   |   |           |   |   |   |          |   |   |   |             |   |   |   |              |
| <b>D/C#</b>  | ○           |   |            |  |       |                     |      |     |      |                       |     |                      |      |  |   |   |   |          |   |   |   |           |   |   |   |           |   |   |   |          |   |   |   |             |   |   |   |              |
| <b>W/R#</b>  | ○           |   |            |  |       |                     |      |     |      |                       |     |                      |      |  |   |   |   |          |   |   |   |           |   |   |   |           |   |   |   |          |   |   |   |             |   |   |   |              |
| <b>HALT/Special Cycle</b>  |             |   |            |  |       |                     |      |     |      |                       |     |                      |      |  |   |   |   |          |   |   |   |           |   |   |   |           |   |   |   |          |   |   |   |             |   |   |   |              |
| <table border="1"> <thead> <tr> <th>Cycle Name</th> <th>BE3# - BE0#</th> <th>A4-A2</th> </tr> </thead> <tbody> <tr> <td>Shutdown</td> <td>1110</td> <td>000</td> </tr> <tr> <td>HALT</td> <td>1011</td> <td>000</td> </tr> <tr> <td>Stop Grant bus cycle</td> <td>1011</td> <td>100</td> </tr> </tbody> </table> |             |   | Cycle Name | BE3# - BE0#                            | A4-A2 | Shutdown            | 1110 | 000 | HALT | 1011                  | 000 | Stop Grant bus cycle | 1011 | 100                                    |   |   |   |          |   |   |   |           |   |   |   |           |   |   |   |          |   |   |   |             |   |   |   |              |
| Cycle Name   | BE3# - BE0# | A4-A2   |            |  |       |                     |      |     |      |                       |     |                      |      |  |   |   |   |          |   |   |   |           |   |   |   |           |   |   |   |          |   |   |   |             |   |   |   |              |
| Shutdown   | 1110        | 000   |            |  |       |                     |      |     |      |                       |     |                      |      |  |   |   |   |          |   |   |   |           |   |   |   |           |   |   |   |          |   |   |   |             |   |   |   |              |
| HALT   | 1011        | 000   |            |  |       |                     |      |     |      |                       |     |                      |      |  |   |   |   |          |   |   |   |           |   |   |   |           |   |   |   |          |   |   |   |             |   |   |   |              |
| Stop Grant bus cycle   | 1011        | 100   |            |  |       |                     |      |     |      |                       |     |                      |      |  |   |   |   |          |   |   |   |           |   |   |   |           |   |   |   |          |   |   |   |             |   |   |   |              |
| <b>LOCK#</b>   | ○           | <p><b>Bus Lock</b> indicates that the current bus cycle is locked. The embedded IntelDX2 processor does not allow a bus hold when LOCK# is asserted (address holds are allowed). LOCK# goes active in the first clock of the first locked bus cycle and goes inactive after the last clock of the last locked bus cycle. The last locked cycle ends when Ready is returned. LOCK# is active LOW and not driven during bus hold. Locked read cycles are not transformed into cache fill cycles when KEN# is returned active.</p>   |            |  |       |                     |      |     |      |                       |     |                      |      |  |   |   |   |          |   |   |   |           |   |   |   |           |   |   |   |          |   |   |   |             |   |   |   |              |
| <b>PLOCK#</b>  | ○           | <p><b>Pseudo-Lock</b> indicates that the current bus transaction requires more than one bus cycle to complete. For the embedded IntelDX2 processor, examples of such operations are segment table descriptor reads (64 bits) and cache line fills (128 bits). For Intel486 processors with on-chip Floating-Point Unit, floating-point long reads and writes (64 bits) also require more than one bus cycle to complete.</p> <p>The embedded IntelDX2 processor drives PLOCK# active until the addresses for the last bus cycle of the transaction are driven, regardless of whether RDY# or BRDY# have been returned.</p> <p>Normally PLOCK# and BLAST# are inverse of each other. However, during the first bus cycle of a 64-bit floating-point write (for Intel486 processors with on-chip Floating-Point Unit) both PLOCK# and BLAST# are asserted.</p> <p>PLOCK# is a function of the BS8#, BS16# and KEN# inputs. PLOCK# should be sampled only in the clock in which Ready is returned. PLOCK# is active LOW and is not driven during bus hold.</p> |            |  |       |                     |      |     |      |                       |     |                      |      |  |   |   |   |          |   |   |   |           |   |   |   |           |   |   |   |          |   |   |   |             |   |   |   |              |
| <b>BUS CONTROL</b>   |             |   |            |  |       |                     |      |     |      |                       |     |                      |      |  |   |   |   |          |   |   |   |           |   |   |   |           |   |   |   |          |   |   |   |             |   |   |   |              |
| <b>ADS#</b>  | ○           | <p><b>Address Status</b> output indicates that a valid bus cycle definition and address are available on the cycle definition lines and address bus. ADS# is driven active in the same clock in which the addresses are driven. ADS# is active LOW and not driven during bus hold.</p>  |            |  |       |                     |      |     |      |                       |     |                      |      |  |   |   |   |          |   |   |   |           |   |   |   |           |   |   |   |          |   |   |   |             |   |   |   |              |

**Table 8. Embedded IntelDX2™ Processor Pin Descriptions** (Sheet 3 of 7)

| Symbol               | Type | Name and Function  |
|----------------------|------|--|
| <b>RDY#</b>          | I    | <p><b>Non-burst Ready</b> input indicates that the current bus cycle is complete. RDY# indicates that the external system has presented valid data on the data pins in response to a read or that the external system has accepted data from the embedded IntelDX2 processor in response to a write. RDY# is ignored when the bus is idle and at the end of the first clock of the bus cycle.</p> <p>RDY# is active during address hold. Data can be returned to the embedded IntelDX2 processor while AHOLD is active.</p> <p>RDY# is active LOW and is not provided with an internal pull-up resistor. RDY# must satisfy setup and hold times <math>t_{16}</math> and <math>t_{17}</math> for proper chip operation.</p>   |
| <b>BURST CONTROL</b> |      |  |
| <b>BRDY#</b>         | I    | <p><b>Burst Ready</b> input performs the same function during a burst cycle that RDY# performs during a non-burst cycle. BRDY# indicates that the external system has presented valid data in response to a read or that the external system has accepted data in response to a write. BRDY# is ignored when the bus is idle and at the end of the first clock in a bus cycle.</p> <p>BRDY# is sampled in the second and subsequent clocks of a burst cycle. Data presented on the data bus is strobed into the embedded IntelDX2 processor when BRDY# is sampled active. If RDY# is returned simultaneously with BRDY#, BRDY# is ignored and the burst cycle is prematurely aborted.</p> <p>BRDY# is active LOW and is provided with a small pull-up resistor. BRDY# must satisfy the setup and hold times <math>t_{16}</math> and <math>t_{17}</math>.</p> |
| <b>BLAST#</b>        | O    | <p><b>Burst Last</b> signal indicates that the next time BRDY# is returned, the burst bus cycle is complete. BLAST# is active for both burst and non-burst bus cycles. BLAST# is active LOW and is not driven during bus hold.</p>   |
| <b>INTERRUPTS</b>    |      |  |
| <b>RESET</b>         | I    | <p><b>Reset</b> input forces the embedded IntelDX2 processor to begin execution at a known state. The processor cannot begin executing instructions until at least 1 ms after <math>V_{CC}</math>, and CLK have reached their proper DC and AC specifications. The RESET pin must remain active during this time to ensure proper processor operation. However, for warm resets, RESET should remain active for at least 15 CLK periods. RESET is active HIGH. RESET is asynchronous but must meet setup and hold times <math>t_{20}</math> and <math>t_{21}</math> for recognition in any specific clock.</p>   |
| <b>INTR</b>          | I    | <p><b>Maskable Interrupt</b> indicates that an external interrupt has been generated. When the internal interrupt flag is set in EFLAGS, active interrupt processing is initiated. The embedded IntelDX2 processor generates two locked interrupt acknowledge bus cycles in response to the INTR pin going active. INTR must remain active until the interrupt acknowledges have been performed to ensure processor recognition of the interrupt.</p> <p>INTR is active HIGH and is not provided with an internal pull-down resistor. INTR is asynchronous, but must meet setup and hold times <math>t_{20}</math> and <math>t_{21}</math> for recognition in any specific clock.</p>  |
| <b>NMI</b>           | I    | <p><b>Non-Maskable Interrupt</b> request signal indicates that an external non-maskable interrupt has been generated. NMI is rising-edge sensitive and must be held LOW for at least four CLK periods before this rising edge. NMI is not provided with an internal pull-down resistor. NMI is asynchronous, but must meet setup and hold times <math>t_{20}</math> and <math>t_{21}</math> for recognition in any specific clock.</p>   |

Table 8. Embedded IntelDX2™ Processor Pin Descriptions (Sheet 4 of 7)

| Symbol                 | Type | Name and Function  |
|------------------------|------|--|
| SRESET                 | I    | <b>Soft Reset</b> pin duplicates all functionality of the RESET pin except that the SMBASE register retains its previous value. For soft resets, SRESET must remain active for at least 15 CLK periods. SRESET is active HIGH. SRESET is asynchronous but must meet setup and hold times $t_{20}$ and $t_{21}$ for recognition in any specific clock.  |
| SMI#                   | I    | <b>System Management Interrupt</b> input invokes System Management Mode (SMM). SMI# is a falling-edge triggered signal which forces the embedded IntelDX2 processor into SMM at the completion of the current instruction. SMI# is recognized on an instruction boundary and at each iteration for repeat string instructions. SMI# does not break LOCKed bus cycles and cannot interrupt a currently executing SMM. The embedded IntelDX2 processor latches the falling edge of one pending SMI# signal while it is executing an existing SMI#. The nested SMI# is not recognized until after the execution of a Resume (RSM) instruction.  |
| SMIACK#                | O    | <b>System Management Interrupt Active</b> , an active LOW output, indicates that the embedded IntelDX2 processor is operating in SMM. It is asserted when the processor begins to execute the SMI# state save sequence and remains active LOW until the processor executes the last state restore cycle out of SMRAM.  |
| STPCLK#                | I    | <b>Stop Clock Request</b> input signal indicates a request was made to turn off or change the CLK input frequency. When the embedded IntelDX2 processor recognizes a STPCLK#, it stops execution on the next instruction boundary (unless superseded by a higher priority interrupt), empties all internal pipelines and write buffers, and generates a Stop Grant bus cycle. STPCLK# is active LOW. Though STPCLK# has an internal pull-up resistor, an external 10-K $\Omega$ pull-up resistor is needed if the STPCLK# pin is unused. <b>STPCLK# is an asynchronous signal, but must remain active until the embedded IntelDX2 processor issues the Stop Grant bus cycle. STPCLK# may be de-asserted at any time after the processor has issued the Stop Grant bus cycle.</b> |
| <b>BUS ARBITRATION</b> |      |  |
| BREQ                   | O    | <b>Bus Request</b> signal indicates that the embedded IntelDX2 processor has internally generated a bus request. BREQ is generated whether or not the processor is driving the bus. BREQ is active HIGH and is never floated.  |
| HOLD                   | I    | <b>Bus Hold Request</b> allows another bus master complete control of the embedded IntelDX2 processor bus. In response to HOLD going active, the processor floats most of its output and input/output pins. HLDA is asserted after completing the current bus cycle, burst cycle or sequence of locked cycles. The embedded IntelDX2 processor remains in this state until HOLD is de-asserted. HOLD is active HIGH and is not provided with an internal pull-down resistor. HOLD must satisfy setup and hold times $t_{18}$ and $t_{19}$ for proper operation.  |
| HLDA                   | O    | <b>Hold Acknowledge</b> goes active in response to a hold request presented on the HOLD pin. HLDA indicates that the embedded IntelDX2 processor has given the bus to another local bus master. HLDA is driven active in the same clock that the processor floats its bus. HLDA is driven inactive when leaving bus hold. HLDA is active HIGH and remains driven during bus hold.  |

**Table 8. Embedded IntelDX2™ Processor Pin Descriptions** (Sheet 5 of 7)

| Symbol                    | Type   | Name and Function  |
|---------------------------|--------|--|
| <b>BOFF#</b>              | I      | <b>Backoff</b> input forces the embedded IntelDX2 processor to float its bus in the next clock. The processor floats all pins normally floated during bus hold but HLDA is not asserted in response to BOFF#. BOFF# has higher priority than RDY# or BRDY#; if both are returned in the same clock, BOFF# takes effect. The embedded IntelDX2 processor remains in bus hold until BOFF# is negated. If a bus cycle is in progress when BOFF# is asserted the cycle is restarted. BOFF# is active LOW and must meet setup and hold times $t_{18}$ and $t_{19}$ for proper operation.  |
| <b>CACHE INVALIDATION</b> |        |  |
| <b>AHOLD</b>              | I      | <b>Address Hold</b> request allows another bus master access to the embedded IntelDX2 processor's address bus for a cache invalidation cycle. The processor stops driving its address bus in the clock following AHOLD going active. Only the address bus is floated during address hold, the remainder of the bus remains active. AHOLD is active HIGH and is provided with a small internal pull-down resistor. For proper operation, AHOLD must meet setup and hold times $t_{18}$ and $t_{19}$ .   |
| <b>EADS#</b>              | I      | <b>External Address</b> - This signal indicates that a <i>valid</i> external address has been driven onto the embedded IntelDX2 processor address pins. This address is used to perform an internal cache invalidation cycle. EADS# is active LOW and is provided with an internal pull-up resistor. EADS# must satisfy setup and hold times $t_{12}$ and $t_{13}$ for proper operation.   |
| <b>CACHE CONTROL</b>      |        |  |
| <b>KEN#</b>               | I      | <b>Cache Enable</b> pin is used to determine whether the current cycle is cacheable. When the embedded IntelDX2 processor generates a cycle that can be cached and KEN# is active one clock before RDY# or BRDY# during the first transfer of the cycle, the cycle becomes a cache line fill cycle. Returning KEN# active one clock before RDY# during the last read in the cache line fill causes the line to be placed in the on-chip cache. KEN# is active LOW and is provided with a small internal pull-up resistor. KEN# must satisfy setup and hold times $t_{14}$ and $t_{15}$ for proper operation.                 |
| <b>FLUSH#</b>             | I      | <b>Cache Flush</b> input forces the embedded IntelDX2 processor to flush its entire internal cache. FLUSH# is active LOW and need only be asserted for one clock. FLUSH# is asynchronous but setup and hold times $t_{20}$ and $t_{21}$ must be met for recognition in any specific clock.   |
| <b>PAGE CACHEABILITY</b>  |        |  |
| <b>PWT</b><br><b>PCD</b>  | O<br>O | <b>Page Write-Through</b> and <b>Page Cache Disable</b> pins reflect the state of the page attribute bits, PWT and PCD, in the page table entry, page directory entry or control register 3 (CR3) when paging is enabled. When paging is disabled, the embedded IntelDX2 processor ignores the PCD and PWT bits and assumes they are zero for the purpose of caching and driving PCD and PWT pins. PWT and PCD have the same timing as the cycle definition pins (M/IO#, D/C#, and W/R#). PWT and PCD are active HIGH and are not driven during bus hold. PCD is masked by the cache disable bit (CD) in Control Register 0. |



Table 8. Embedded IntelDX2™ Processor Pin Descriptions (Sheet 6 of 7)

| Symbol                      | Type   | Name and Function  |
|-----------------------------|--------|--|
| <b>BUS SIZE CONTROL</b>     |        |  |
| <b>BS16#</b><br><b>BS8#</b> | I<br>I | <b>Bus Size 16</b> and <b>Bus Size 8</b> pins (bus sizing pins) cause the embedded IntelDX2 processor to run multiple bus cycles to complete a request from devices that cannot provide or accept 32 bits of data in a single cycle. The bus sizing pins are sampled every clock. The processor uses the state of these pins in the clock before Ready to determine bus size. These signals are active LOW and are provided with internal pull-up resistors. These inputs must satisfy setup and hold times $t_{14}$ and $t_{15}$ for proper operation.  |
| <b>ADDRESS MASK</b>         |        |  |
| <b>A20M#</b>                | I      | <b>Address Bit 20 Mask</b> pin, when asserted, causes the embedded IntelDX2 processor to mask physical address bit 20 (A20) before performing a lookup to the internal cache or driving a memory cycle on the bus. A20M# emulates the address wraparound at 1 Mbyte, which occurs on the 8086 processor. A20M# is active LOW and should be asserted only when the embedded IntelDX2 processor is in real mode. This pin is asynchronous but should meet setup and hold times $t_{20}$ and $t_{21}$ for recognition in any specific clock. For proper operation, A20M# should be sampled HIGH at the falling edge of RESET. |
| <b>TEST ACCESS PORT</b>     |        |  |
| <b>TCK</b>                  | I      | <b>Test Clock</b> , an input to the embedded IntelDX2 processor, provides the clocking function required by the JTAG Boundary scan feature. TCK is used to clock state information (via TMS) and data (via TDI) into the component on the rising edge of TCK. Data is clocked out of the component (via TDO) on the falling edge of TCK. TCK is provided with an internal pull-up resistor.  |
| <b>TDI</b>                  | I      | <b>Test Data Input</b> is the serial input used to shift JTAG instructions and data into the processor. TDI is sampled on the rising edge of TCK, during the SHIFT-IR and SHIFT-DR Test Access Port (TAP) controller states. During all other TAP controller states, TDI is a “don't care.” TDI is provided with an internal pull-up resistor.   |
| <b>TDO</b>                  | O      | <b>Test Data Output</b> is the serial output used to shift JTAG instructions and data out of the component. TDO is driven on the falling edge of TCK during the SHIFT-IR and SHIFT-DR TAP controller states. At all other times TDO is driven to the high impedance state.   |
| <b>TMS</b>                  | I      | <b>Test Mode Select</b> is decoded by the JTAG TAP to select test logic operation. TMS is sampled on the rising edge of TCK. To guarantee deterministic behavior of the TAP controller, TMS is provided with an internal pull-up resistor.   |



Table 8. Embedded IntelDX2™ Processor Pin Descriptions (Sheet 7 of 7)

| Symbol                         | Type | Name and Function   |
|--------------------------------|------|---|
| <b>NUMERIC ERROR REPORTING</b> |      |   |
| <b>FERR#</b>                   | O    | The <b>Floating Point Error</b> pin is driven active when a floating point error occurs. FERR# is similar to the ERROR# pin on the Intel387™ Math CoProcessor. FERR# is included for compatibility with systems using DOS type floating point error reporting. FERR# will not go active if FP errors are masked in FPU register. FERR# is active LOW, and is not floated during bus hold.   |
| <b>IGNNE#</b>                  | I    | When the <b>Ignore Numeric Error</b> pin is asserted the processor will ignore a numeric error and continue executing non-control floating point instructions, but FERR# will still be activated by the processor. When IGNNE# is de-asserted the processor will freeze on a non-control floating point instruction, if a previous floating point instruction caused an error. IGNNE# has no effect when the NE bit in control register 0 is set. IGNNE# is active LOW and is provided with a small internal pull-up resistor. IGNNE# is asynchronous but setup and hold times $t_{20}$ and $t_{21}$ must be met to ensure recognition on any specific clock. |
| <b>RESERVED PINS</b>           |      |   |
| <b>RESERVED#</b>               | I    | <b>Reserved</b> is reserved for future use. This pin <b>MUST</b> be connected to an external pull-up resistor circuit. The recommended resistor value is 10 kOhms. The pull-up resistor must be connected only to the RESERVED# pin. <b>Do not share this resistor with other pins requiring pull-ups.</b>  |

**Table 9. Output Pins**

| Name              | Active Level | Output Signal               |                         |   |
|-------------------|--------------|-----------------------------|-------------------------|---|
|                   |              | Floated During Address Hold | Floated During Bus Hold | During Stop Grant and Stop Clock States |
| BREQ              | HIGH         |                             |                         | Previous State                          |
| HLDA              | HIGH         |                             |                         | As per HOLD                             |
| BE3#-BE0#         | LOW          |                             | •                       | Previous State                          |
| PWT, PCD          | HIGH         |                             | •                       | Previous State                          |
| W/R#, M/IO#, D/C# | HIGH/LOW     |                             | •                       | Previous State                          |
| LOCK#             | LOW          |                             | •                       | HIGH (inactive)                         |
| PLOCK#            | LOW          |                             | •                       | HIGH (inactive)                         |
| ADS#              | LOW          |                             | •                       | HIGH (inactive)                         |
| BLAST#            | LOW          |                             | •                       | Previous State                          |
| PCHK#             | LOW          |                             |                         | Previous State                          |
| FERR#             | LOW          |                             |                         | Previous State                          |
| A3-A2             | HIGH         | •                           | •                       | Previous State                          |
| SMIACK#           | LOW          |                             |                         | Previous State                          |

**NOTES:** The term "Previous State" means that the processor maintains the logic level applied to the signal pin just before the processor entered the Stop Grant state. This conserves power by preventing the signal pin from floating.

**Table 10. Input/Output Pins**

| Name    | Active Level | Output Signal               |                         |   |
|---------|--------------|-----------------------------|-------------------------|---|
|         |              | Floated During Address Hold | Floated During Bus Hold | During Stop Grant and Stop Clock States |
| D31-D0  | HIGH         |                             | •                       | Floated                                 |
| DP3-DP0 | HIGH         |                             | •                       | Floated                                 |
| A31-A4  | HIGH         | •                           | •                       | Previous State                          |

**NOTES:** The term "Previous State" means that the processor maintains the logic level applied to the signal pin just before the processor entered the Stop Grant state. This conserves power by preventing the signal pin from floating.

**Table 11. Test Pins**

| Name | Input or Output | Sampled/ Driven On  |
|------|-----------------|---------------------|
| TCK  | Input           | N/A                 |
| TDI  | Input           | Rising Edge of TCK  |
| TDO  | Output          | Falling Edge of TCK |
| TMS  | Input           | Rising Edge of TCK  |

**Table 12. Input Pins**

| Name        | Active Level | Synchronous/<br>Asynchronous | Internal Pull-Up/<br>Pull-Down |
|-------------|--------------|------------------------------|--------------------------------|
| CLK         |              |                              |                                |
| RESET       | HIGH         | Asynchronous                 |                                |
| SRESET      | HIGH         | Asynchronous                 | Pull-Down                      |
| HOLD        | HIGH         | Synchronous                  |                                |
| AHOLD       | HIGH         | Synchronous                  | Pull-Down                      |
| EADS#       | LOW          | Synchronous                  | Pull-Up                        |
| BOFF#       | LOW          | Synchronous                  | Pull-Up                        |
| FLUSH#      | LOW          | Asynchronous                 | Pull-Up                        |
| A20M#       | LOW          | Asynchronous                 | Pull-Up                        |
| BS16#, BS8# | LOW          | Synchronous                  | Pull-Up                        |
| KEN#        | LOW          | Synchronous                  | Pull-Up                        |
| RDY#        | LOW          | Synchronous                  |                                |
| BRDY#       | LOW          | Synchronous                  | Pull-Up                        |
| INTR        | HIGH         | Asynchronous                 |                                |
| NMI         | HIGH         | Asynchronous                 |                                |
| IGNNE#      | LOW          | Asynchronous                 | Pull-Up                        |
| RESERVED#   |              |                              |                                |
| SMI#        | LOW          | Asynchronous                 | Pull-Up                        |
| STPCLK#     | LOW          | Asynchronous                 | Pull-Up <sup>1</sup>           |
| TCK         | HIGH         |                              | Pull-Up                        |
| TDI         | HIGH         |                              | Pull-Up                        |
| TMS         | HIGH         |                              | Pull-Up                        |

**NOTES:**

1. Though STPCLK# has an internal pull-up resistor, an external 10-KΩ pull-up resistor is needed if the STPCLK# pin is unused.

## 4.0 ARCHITECTURAL AND FUNCTIONAL OVERVIEW

The embedded IntelDX2 processor architecture is essentially the same as the IntelDX2 processor. Refer to the Embedded Intel486™ Processor Family Developer’s Manual for a description of the IntelDX2 processor.

Note that the embedded IntelDX2 processor has one pin reserved for possible future use. This pin, an input signal, is called RESERVED# and must be connected to a 10-KΩ pull-up resistor. The pull-up resistor must be connected only to the RESERVED# pin. **Do not share this resistor with other pins requiring pull-ups.**

### 4.1 CPUID Instruction

The embedded IntelDX2 processor supports the CPUID instruction (see Table 13). Because not all Intel processors support the CPUID instruction, a simple test can determine if the instruction is supported. The test involves the processor’s ID Flag, which is bit 21 of the EFLAGS register. If software

can change the value of this flag, the CPUID instruction is available. The actual state of the ID Flag bit is irrelevant and provides no significance to the hardware. This bit is cleared (reset to zero) upon device reset (RESET or SRESET) for compatibility with Intel486 processor designs that do not support the CPUID instruction.

CPUID-instruction details are provided here for the embedded IntelDX2 processor. Refer to Intel Application Note AP-485 *Intel Processor Identification with the CPUID Instruction* (Order No. 241618) for a description that covers all aspects of the CPUID instruction and how it pertains to other Intel processors.

#### 4.1.1 Operation of the CPUID Instruction

The CPUID instruction requires the software developer to pass an input parameter to the processor in the EAX register. The processor response is returned in registers EAX, EBX, EDX, and ECX.

Table 13. CPUID Instruction Description

| OP CODE | Instruction | Processor Core Clocks | Parameter passed in EAX (Input Value) | Description              |
|---------|-------------|-----------------------|---------------------------------------|--------------------------|
| 0F A2   | CPUID       | 9                     | 0                                     | Vendor (Intel) ID String |
|         |             | 14                    | 1                                     | Processor Identification |
|         |             | 9                     | > 1                                   | Undefined (Do Not Use)   |

**Vendor ID String** - When the parameter passed in EAX is 0 (zero), the register values returned upon instruction execution are shown in the following table.

|                  |            | 31-----24 | 23-----16 | 15-----8 | 7-----0 |
|------------------|------------|-----------|-----------|----------|---------|
| High Value (= 1) | <b>EAX</b> | 0 0 0 0   | 0 0 0 0   | 0 0 0 0  | 0 0 0 1 |
| Vendor ID String | <b>EBX</b> | u (75)    | n (6E)    | e (65)   | G (47)  |
| (ASCII           | <b>EDX</b> | I (49)    | e (65)    | n (6E)   | i (69)  |
| Characters)      | <b>ECX</b> | l (6C)    | e (65)    | t (74)   | n (6E)  |

The values in EBX, EDX and ECX indicate an Intel processor. When taken in the proper order, they decode to the string “GenuineIntel.”



**Processor Identification** - When the parameter passed to EAX is 1 (one), the register values returned upon instruction execution are:

|   |            |   |                                |                              |                            |                            |
|---|------------|---|--------------------------------|------------------------------|----------------------------|----------------------------|
| Processor Signature   | <b>EAX</b> | 31-----14<br>(Do Not Use)<br>Intel Reserved | 13,12<br>0 0<br>Processor Type | 11----8<br>0 1 0 0<br>Family | 7----4<br>0 0 1 1<br>Model | 3----0<br>XXXX<br>Stepping |
| (Intel releases information about stepping numbers as needed) |            |   |                                |                              |                            |                            |
| Intel Reserved  | <b>EBX</b> | 31-----0<br>Intel Reserved                  |                                |                              |                            |                            |
| (Do Not Use)  | <b>ECX</b> | Intel Reserved                              |                                |                              |                            |                            |
| Feature Flags   | <b>EDX</b> | 31-----2<br>0-----0                         | 1<br>VME                       | 0<br>FPU                     |                            |                            |

### 4.2 Identification After Reset

**Processor Identification** - Upon reset, the EDX register contains the processor signature:

|   |            |   |                                |                              |                            |                            |
|---|------------|---|--------------------------------|------------------------------|----------------------------|----------------------------|
| Processor Signature   | <b>EDX</b> | 31-----14<br>(Do Not Use)<br>Intel Reserved | 13,12<br>0 0<br>Processor Type | 11----8<br>0 1 0 0<br>Family | 7----4<br>0 0 1 1<br>Model | 3----0<br>XXXX<br>Stepping |
| (Intel releases information about stepping numbers as needed) |            |   |                                |                              |                            |                            |

### 4.3 Boundary Scan (JTAG)

#### 4.3.1 Device Identification

Tables 14 and 15 show the 32-bit code for the embedded IntelDX2 processor. This code is loaded into the Device Identification Register.

**Table 14. Boundary Scan Component Identification Code (3.3 Volt Processor)**

| Version  | Part Number                         |                         |                                      |  | Mfg ID<br>009H = Intel | 1 |
|----------|-------------------------------------|-------------------------|--------------------------------------|--|------------------------|---|
|          | V <sub>CC</sub><br>0=5 V<br>1=3.3 V | Intel Architecture Type | Family<br>0100 = Intel486 CPU Family | Model<br>00101 = embedded IntelDX2 processor |                        |   |
| 31----28 | 27                                  | 26-----21               | 20----17                             | 16-----12                                    | 11-----1               | 0 |
| XXXX     | 1                                   | 000001                  | 0100                                 | 00101  | 0000001001             | 1 |

(Intel releases information about version numbers as needed)  
**Boundary Scan Component Identification Code = x828 5013 (Hex)**

**Table 15. Boundary Scan Component Identification Code (5 Volt Processor)**

| Version  | Part Number                         |                               |   |  | Mfg ID<br>009H = Intel | 1 |
|----------|-------------------------------------|-------------------------------|---|--|------------------------|---|
|          | V <sub>CC</sub><br>0=5 V<br>1=3.3 V | Intel<br>Architecture<br>Type | Family<br>0100 = Intel486<br>CPU Family | Model<br>00101 =<br>embedded IntelDX2<br>processor |                        |   |
| 31----28 | 27                                  | 26-----21                     | 20----17                                | 16-----12  | 11-----1               | 0 |
| XXXX     | 0                                   | 000001                        | 0100                                    | 00101  | 00000001001            | 1 |

(Intel releases information about version numbers as needed)

**Boundary Scan Component Identification Code = x028 5013 (Hex)**

#### 4.3.2 Boundary Scan Register Bits and Bit Order

The boundary scan register contains a cell for each pin as well as cells for control of bidirectional and three-state pins. There are “Reserved” bits which correspond to no-connect (N/C) signals of the embedded IntelDX2 processor. Control registers WRCTL, ABUSCTL, BUSCTL, and MISCCTL are used to select the direction of bidirectional or three-state output signal pins. A “1” in these cells designates that the associated bus or bits are floated if the pins are three-state, or selected as input if they are bidirectional.

- WRCTL controls D31-D0 and DP3–DP0
- ABUSCTL controls A31-A2
- BUSCTL controls ADS#, BLAST#, PLOCK#, LOCK#, W/R#, BE0#, BE1#, BE2#, BE3#, M/IO#, D/C#, PWT, and PCD
- MISCCTL controls PCHK#, HLDA, and BREQ

The following is the bit order of the embedded IntelDX2 processor boundary scan register:

**TDO** ← A2, A3, A4, A5, RESERVED#, A6, A7, A8, A9, A10, A11, A12, A13, A14, A15, A16, A17, A18, A19, A20, A21, A22, A23, A24, A25, A26, A27, A28, A29, A30, A31, DP0, D0, D1, D2, D3, D4, D5, D6, D7, DP1, D8, D9, D10, D11, D12, D13, D14, D15, DP2, D16, D17, D18, D19, D20, D21, D22, D23, DP3, D24, D25, D26, D27, D28, D29, D30, D31, STPCLK#, IGNNE#, FERR#, SMI#, SMIACK#, SRESET, NMI, INTR, FLUSH#, RESET, A20M#, EADS#, PCD, PWT, D/C#, M/IO#, BE3#, BE2#, BE1#, BE0#, BREQ, W/R#, HLDA, CLK, RESERVED#, AHOLD, HOLD, KEN#, RDY#, BS8#, BS16#, BOFF#, BRDY#, PCHK#, LOCK#, PLOCK#, BLAST#, ADS#, MISCCTL, BUSCTL, ABUSCTL, WRCTL ← **TDI**



## 5.0 ELECTRICAL SPECIFICATIONS

### 5.1 Maximum Ratings

Table 16 is a stress rating only. Extended exposure to the Maximum Ratings may affect device reliability.

Furthermore, although the embedded IntelDX2 processor contains protective circuitry to resist damage from electrostatic discharge, always take precautions to avoid high static voltages or electric fields.

Functional operating conditions are given in **Section 5.2, DC Specifications** and **Section 5.3, AC Specifications**.

**Table 16. Absolute Maximum Ratings**

|  |                            |
|--|----------------------------|
| Case Temperature under Bias                      | -65 °C to +110 °C          |
| Storage Temperature                              | -65 °C to +150 °C          |
| DC Voltage on Any Pin with Respect to Ground     | -0.5 V to $V_{CC} + 0.5 V$ |
| Supply Voltage $V_{CC}$ with Respect to $V_{SS}$ | -0.5 V to +6.5 V           |

## 5.2 DC Specifications

The following tables show the operating supply voltages, DC I/O specifications, and component power consumption for the embedded IntelDX2 processor.

**Table 17. Operating Supply Voltages**

| Product       | $V_{CC}$           |
|---------------|--------------------|
| x80486DX2SC50 | 3.3 V $\pm$ 0.3 V  |
| x80486DX2SA66 | 5.0 V $\pm$ 0.25 V |

Note: To address the fact that many of the package prefix variables have changed, all package prefix variables in this document are now indicated with an "x".





**Table 18. 3.3 V DC Specifications**

 Functional Operating Range:  $V_{CC} = 3.3 \text{ V} \pm 0.3 \text{ V}$ ,  $T_{CASE} = 0 \text{ }^{\circ}\text{C}$  to  $+85 \text{ }^{\circ}\text{C}$ 

| Symbol    | Parameter   | Min.           | Max.           | Unit          | Notes  |
|-----------|---|----------------|----------------|---------------|--------|
| $V_{IL}$  | Input LOW Voltage   | -0.3           | +0.8           | V             |        |
| $V_{IH}$  | Input HIGH Voltage  | 2.0            | $V_{CC} + 0.3$ | V             | Note 1 |
| $V_{IHC}$ | Input HIGH Voltage of CLK   | $V_{CC} - 0.6$ | $V_{CC} + 0.3$ | V             |        |
| $V_{OL}$  | Output LOW Voltage<br>$I_{OL} = 2.0 \text{ mA}$<br>$I_{OL} = 100 \text{ } \mu\text{A}$    |                | 0.4            | V             |        |
|           |   |                | 0.2            | V             |        |
| $V_{OH}$  | Output HIGH Voltage<br>$I_{OH} = -2.0 \text{ mA}$<br>$I_{OH} = -100 \text{ } \mu\text{A}$ | 2.4            |                | V             |        |
|           |   | $V_{CC} - 0.2$ |                | V             |        |
| $I_{LI}$  | Input Leakage Current   |                | 15             | $\mu\text{A}$ | Note 2 |
| $I_{IH}$  | Input Leakage Current<br>SRESET   |                | 200            | $\mu\text{A}$ | Note 3 |
|           |   |                | 300            | $\mu\text{A}$ | Note 3 |
| $I_{IL}$  | Input Leakage Current   |                | 400            | $\mu\text{A}$ | Note 4 |
| $I_{LO}$  | Output Leakage Current  |                | 15             | $\mu\text{A}$ |        |
| $C_{IN}$  | Input Capacitance   |                | 10             | pF            | Note 5 |
| $C_{OUT}$ | I/O or Output Capacitance   |                | 10             | pF            | Note 5 |
| $C_{CLK}$ | CLK Capacitance   |                | 6              | pF            | Note 5 |

**NOTES:**

1. All inputs except CLK.
2. This parameter is for inputs without pull-up or pull-down resistors and  $0\text{V} \leq V_{IN} \leq V_{CC}$ .
3. This parameter is for inputs with pull-down resistors and  $V_{IH} = 2.4\text{V}$ .
4. This parameter is for inputs with pull-up resistors and  $V_{IL} = 0.4\text{V}$ .
5.  $F_C = 1 \text{ MHz}$ . Not 100% tested.

**Table 19. 3.3 V I<sub>CC</sub> Values**  
 Functional Operating Range: V<sub>CC</sub> = 3.3 V ±0.3 V; T<sub>CASE</sub> = 0°C to +85°C

| Parameter                               | Operating Frequency | Typ              | Maximum          | Notes         |
|---|---------------------|------------------|------------------|---------------|
| I <sub>CC</sub> Active (Power Supply)   | 40 MHz<br>50 MHz    |                  | 450 mA<br>550 mA | Note 1        |
| I <sub>CC</sub> Active (Thermal Design) | 40 MHz<br>50 MHz    | 318 mA<br>395 mA | 416 mA<br>507 mA | Notes 2, 3, 4 |
| I <sub>CC</sub> Stop Grant              | 40 MHz<br>50 MHz    | 20 mA<br>23 mA   | 40 mA<br>50 mA   | Note 5        |
| I <sub>CC</sub> Stop Clock              | 0 MHz               | 100 µA           | 1 mA             | Note 6        |

**NOTES:**

1. This parameter is for proper power supply selection. It is measured using the worst case instruction mix at V<sub>CC</sub> = 3.6V.
2. The maximum current column is for thermal design power dissipation. It is measured using the worst case instruction mix at V<sub>CC</sub> = 3.3V.
3. The typical current column is the typical operating current in a system. This value is measured in a system using a typical device at V<sub>CC</sub> = 3.3V, running Microsoft Windows 3.1 at an idle condition. This typical value is dependent upon the specific system configuration.
4. Typical values are not 100% tested.
5. The I<sub>CC</sub> Stop Grant specification refers to the I<sub>CC</sub> value once the embedded IntelDX2 processor enters the Stop Grant or Auto HALT Power Down state.
6. The I<sub>CC</sub> Stop Clock specification refers to the I<sub>CC</sub> value once the embedded IntelDX2 processor enters the Stop Clock state. The V<sub>IH</sub> and V<sub>IL</sub> levels must be equal to V<sub>CC</sub> and 0 V, respectively, to meet the I<sub>CC</sub> Stop Clock specifications.

**Table 20. 5 V DC Specifications**  
 Functional operating range:  $V_{CC} = 5V \pm 0.25V$ ;  $T_{CASE} = 0^{\circ}C$  to  $+85^{\circ}C$

| Symbol    | Parameter                       | Min  | Max          | Unit               | Notes            |
|-----------|---------------------------------|------|--------------|--------------------|------------------|
| $V_{IL}$  | Input LOW Voltage               | -0.3 | +0.8         | V                  |                  |
| $V_{IH}$  | Input HIGH Voltage              | 2.0  | $V_{CC}+0.3$ | V                  |                  |
| $V_{OL}$  | Output LOW Voltage              |      | 0.45         | V                  | Note 1           |
| $V_{OH}$  | Output HIGH Voltage             | 2.4  |              | V                  | Note 2           |
| $I_{LI}$  | Input Leakage Current           |      | 15           | $\mu A$            | Note 3           |
| $I_{IH}$  | Input Leakage Current<br>SRESET |      | 200<br>300   | $\mu A$<br>$\mu A$ | Note 4<br>Note 4 |
| $I_{IL}$  | Input Leakage Current           |      | 400          | $\mu A$            | Note 5           |
| $I_{LO}$  | Output Leakage Current          |      | 15           | $\mu A$            |                  |
| $C_{IN}$  | Input Capacitance               |      | 20           | pF                 | Note 6           |
| $C_{OUT}$ | Output or I/O Capacitance       |      | 20           | pF                 | Note 6           |
| $C_{CLK}$ | CLK Capacitance                 |      | 20           | pF                 | Note 6           |

**NOTES:**

1. This parameter is measured at:  
 Address, Data, BE $n$ # 4.0 mA  
 Definition, Control 5.0 #mA
2. This parameter is measured at:  
 Address, Data, BE $n$ # -1.0 mA  
 Definition, Control -0.9 mA
3. This parameter is for inputs without pull-ups or pull-downs and  $0V \leq V_{IN} \leq V_{CC}$ .
4. This parameter is for inputs with pull-downs and  $V_{IH} = 2.4V$ .
5. This parameter is for inputs with pull-ups and  $V_{IL} = 0.45V$ .
6.  $F_C=1$  MHz; Not 100% tested.

**Table 21. 5 V I<sub>CC</sub> Values**  
 Functional Operating Range: V<sub>CC</sub> = 5V ±0.25V; T<sub>CASE</sub> = 0°C to +85°C

| Parameter                               | Operating Frequency | Typ              | Maximum           | Notes         |
|---|---------------------|------------------|-------------------|---------------|
| I <sub>CC</sub> Active (Power Supply)   | 50 MHz<br>66 MHz    |                  | 950 mA<br>1200 mA | Note 1        |
| I <sub>CC</sub> Active (Thermal Design) | 50 MHz<br>66 MHz    | 680 mA<br>901 mA | 906 mA<br>1145 mA | Notes 2, 3, 4 |
| I <sub>CC</sub> Stop Grant              | 50 MHz<br>66 MHz    | 35 mA<br>40 mA   | 70 mA<br>90 mA    | Note 5        |
| I <sub>CC</sub> Stop Clock              | 0 MHz               | 200 μA           | 2 mA              | Note 6        |

**NOTES:**

1. This parameter is for proper power supply selection. It is measured using the worst case instruction mix at V<sub>CC</sub> = 5.25V.
2. The maximum current column is for thermal design power dissipation. It is measured using the worst case instruction mix at V<sub>CC</sub> = 5V.
3. The typical current column is the typical operating current in a system. This value is measured in a system using a typical device at V<sub>CC</sub> = 5V, running Microsoft Windows 3.1 at an idle condition. This typical value is dependent upon the specific system configuration.
4. Typical values are not 100% tested.
5. The I<sub>CC</sub> Stop Grant specification refers to the I<sub>CC</sub> value once the embedded IntelDX2 processor enters the Stop Grant or Auto HALT Power Down state.
6. The I<sub>CC</sub> Stop Clock specification refers to the I<sub>CC</sub> value once the processor enters the Stop Clock state. The V<sub>IH</sub> and V<sub>IL</sub> levels must be equal to V<sub>CC</sub> and 0V, respectively, in order to meet the I<sub>CC</sub> Stop Clock specifications.

### 5.3 AC Specifications

The AC specifications for the embedded IntelDX2 processor are given in this section.

**Table 22. AC Characteristics**  
 $T_{CASE} = 0^{\circ}C$  to  $+85^{\circ}C$ ;  $C_L = 50pF$ , unless otherwise specified. (Sheet 1 of 2)

| Symbol    | Parameter  | Vcc (Package)              |      |                        |      | Unit | Figure | Notes           |
|-----------|--|----------------------------|------|------------------------|------|------|--------|-----------------|
|           |  | 3.3V<br>(208-Lead<br>SQFP) |      | 5V<br>(168-Pin<br>PGA) |      |      |        |                 |
|           |  | Min                        | Max  | Min                    | Max  |      |        |                 |
|           | CLK Frequency  | 8                          | 25   | 8                      | 33   | MHz  |        | Note 1          |
| $t_1$     | CLK Period   | 40                         | 125  | 30                     | 125  | ns   | 4      |                 |
| $t_{1a}$  | CLK Period Stability   |                            | ±250 |                        | ±250 | ps   | 4      | Adjacent clocks |
| $t_2$     | CLK High Time  | 14                         |      | 11                     |      | ns   | 4      | at 2V           |
| $t_3$     | CLK Low Time   | 14                         |      | 11                     |      | ns   | 4      | at 0.8V         |
| $t_4$     | CLK Fall Time  |                            | 4    |                        | 3    | ns   | 4      | 2V to 0.8V      |
| $t_5$     | CLK Rise Time  |                            | 4    |                        | 3    | ns   | 4      | 0.8V to 2V      |
| $t_6$     | A31–A2, PWT, PCD, BE3–BE0#, M/IO#, D/C#, W/R#, ADS#, LOCK#, BREQ, HLDA, SMIACK#, FERR# Valid Delay | 3                          | 19   | 3                      | 16   | ns   | 8      |                 |
| $t_7$     | A31–A2, PWT, PCD, BE3–BE0#, M/IO#, D/C#, W/R#, ADS#, LOCK#, BREQ, HLDA Float Delay                 |                            | 28   |                        | 20   | ns   | 9      | Note 2          |
| $t_8$     | PCHK# Valid Delay  | 3                          | 24   | 3                      | 22   | ns   | 7      |                 |
| $t_{8a}$  | BLAST#, PLOCK# Valid Delay   | 3                          | 24   | 3                      | 20   | ns   | 8      |                 |
| $t_9$     | BLAST#, PLOCK# Float Delay   |                            | 28   |                        | 20   | ns   | 9      | Note 2          |
| $t_{10}$  | D31–D0, DP3–DP0 Write Data Valid Delay   | 3                          | 20   | 3                      | 18   | ns   | 8      |                 |
| $t_{11}$  | D31–D0, DP3–DP0 Write Data Float Delay   |                            | 28   |                        | 20   | ns   | 9      | Note 2          |
| $t_{12}$  | EADS# Setup Time   | 8                          |      | 5                      |      | ns   | 5      |                 |
| $t_{13}$  | EADS# Hold Time  | 3                          |      | 3                      |      | ns   | 5      |                 |
| $t_{14}$  | KEN#, BS16#, BS8# Setup Time   | 8                          |      | 5                      |      | ns   | 5      |                 |
| $t_{15}$  | KEN#, BS16#, BS8# Hold Time  | 3                          |      | 3                      |      | ns   | 5      |                 |
| $t_{16}$  | RDY#, BRDY# Setup Time   | 8                          |      | 5                      |      | ns   | 6      |                 |
| $t_{17}$  | RDY#, BRDY# Hold Time  | 3                          |      | 3                      |      | ns   | 6      |                 |
| $t_{18}$  | HOLD, AHOLD Setup Time   | 10                         |      | 6                      |      | ns   | 5      |                 |
| $t_{18a}$ | BOFF# Setup Time   | 10                         |      | 8                      |      | ns   | 5      |                 |
| $t_{19}$  | HOLD, AHOLD, BOFF# Hold Time   | 3                          |      | 3                      |      | ns   | 5      |                 |

**Table 22. AC Characteristics**

T<sub>CASE</sub> = 0°C to +85°C; C<sub>L</sub> = 50pF, unless otherwise specified. (Sheet 2 of 2)

| Symbol          | Parameter   | V <sub>CC</sub> (Package)  |     |                        |     | Unit | Figure | Notes  |
|-----------------|---|----------------------------|-----|------------------------|-----|------|--------|--------|
|                 |   | 3.3V<br>(208-Lead<br>SQFP) |     | 5V<br>(168-Pin<br>PGA) |     |      |        |        |
|                 |   | Min                        | Max | Min                    | Max |      |        |        |
| t <sub>20</sub> | FLUSH#, A20M#, NMI, INTR, SMI#, STPCLK#, SRESET, RESET, IGNNE# Setup Time | 10                         |     | 5                      |     | ns   | 5      | Note 3 |
| t <sub>21</sub> | FLUSH#, A20M#, NMI, INTR, SMI#, STPCLK#, SRESET, RESET, IGNNE# Hold Time  | 3                          |     | 3                      |     | ns   | 5      | Note 3 |
| t <sub>22</sub> | D31–D0, DP3–DP0, A31–A4 Read Setup Time                                   | 6                          |     | 5                      |     | ns   | 6<br>5 |        |
| t <sub>23</sub> | D31–D0, DP3–DP0, A31–A4 Read Hold Time                                    | 3                          |     | 3                      |     | ns   | 6<br>5 |        |

**NOTES:**

- 0-MHz operation is guaranteed when the STPCLK# and Stop Grant bus cycle protocol is used.
- Not 100% tested, guaranteed by design characterization.
- A reset pulse width of 15 CLK cycles is required for warm resets (RESET or SRESET). Power-up resets (cold resets) require RESET to be asserted for at least 1 ms after V<sub>CC</sub> and CLK are stable.

**Table 23. AC Specifications for the Test Access Port**

(Both 3.3V SQFP and 5V PGA Processors)

T<sub>CASE</sub> = 0°C to +85°C; C<sub>L</sub> = 50 pF

| Symbol          | Parameter                                    | Min | Max | Unit | Figure | Notes  |
|-----------------|--|-----|-----|------|--------|--------|
| t <sub>24</sub> | TCK Frequency                                |     | 8   | MHz  |        | Note 1 |
| t <sub>25</sub> | TCK Period                                   | 125 |     | ns   | 10     |        |
| t <sub>26</sub> | TCK High Time                                | 40  |     | ns   | 10     | @ 2.0V |
| t <sub>27</sub> | TCK Low Time                                 | 40  |     | ns   | 10     | @ 0.8V |
| t <sub>28</sub> | TCK Rise Time                                |     | 8   | ns   | 10     | Note 2 |
| t <sub>29</sub> | TCK Fall Time                                |     | 8   | ns   | 10     | Note 2 |
| t <sub>30</sub> | TDI, TMS Setup Time                          | 8   |     | ns   | 11     | Note 3 |
| t <sub>31</sub> | TDI, TMS Hold Time                           | 10  |     | ns   | 11     | Note 3 |
| t <sub>32</sub> | TDO Valid Delay                              | 3   | 30  | ns   | 11     | Note 3 |
| t <sub>33</sub> | TDO Float Delay                              |     | 36  | ns   | 11     | Note 3 |
| t <sub>34</sub> | All Outputs (except TDO) Valid Delay         | 3   | 30  | ns   | 11     | Note 3 |
| t <sub>35</sub> | All Outputs (except TDO) Float Delay         |     | 36  | ns   | 11     | Note 3 |
| t <sub>36</sub> | All Inputs (except TDI, TMS, TCK) Setup Time | 8   |     | ns   | 11     | Note 3 |
| t <sub>37</sub> | All Inputs (except TDI, TMS, TCK) Hold Time  | 10  |     | ns   | 11     | Note 3 |

**NOTES:**

- TCK period ≤ CLK period.
- Rise/Fall times are measured between 0.8V and 2.0V. Rise/Fall times can be relaxed by 1 ns per 10-ns increase in TCK period.
- Parameters t<sub>30</sub> – t<sub>37</sub> are measured from TCK.

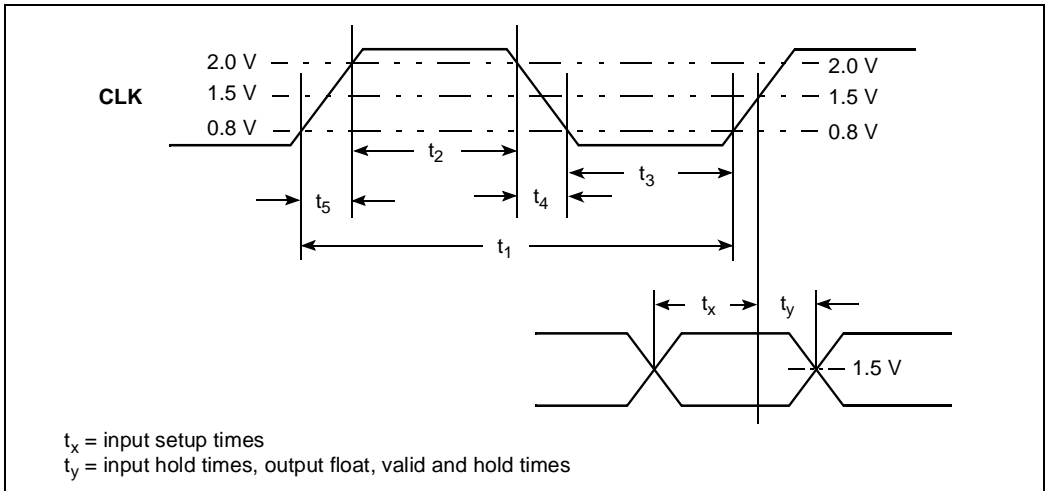


Figure 4. CLK Waveform

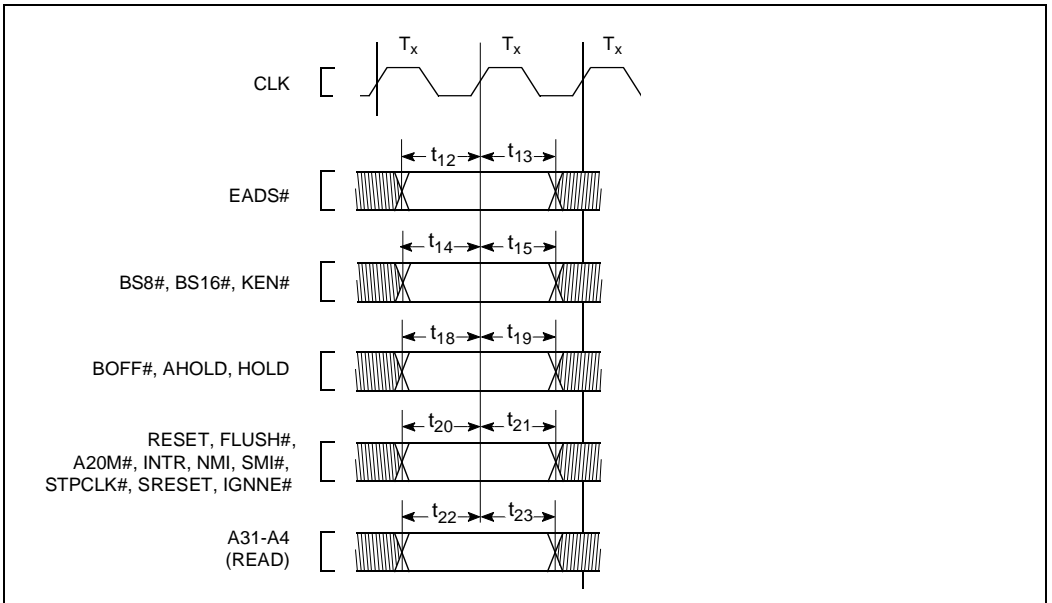


Figure 5. Input Setup and Hold Timing

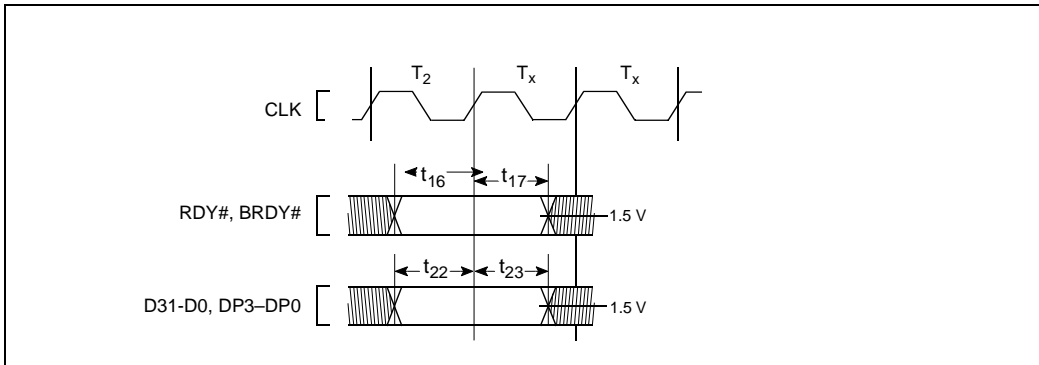


Figure 6. Input Setup and Hold Timing

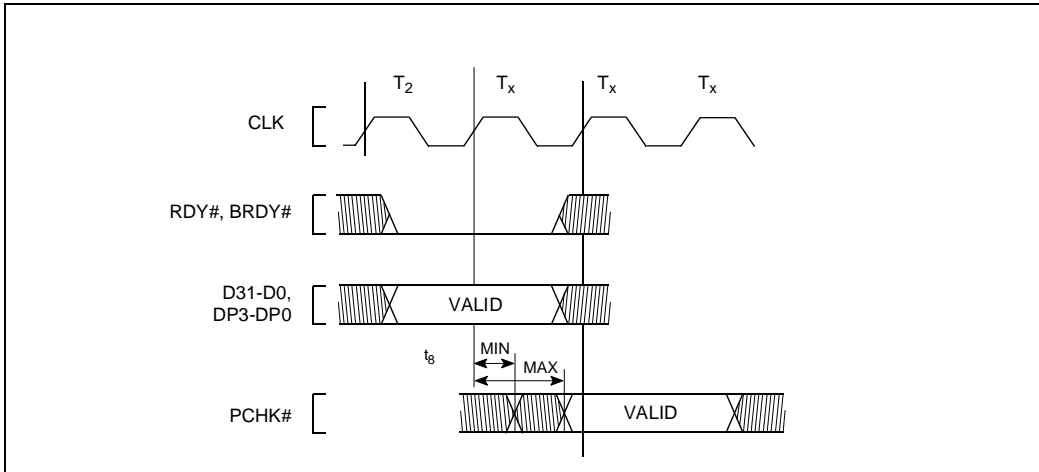


Figure 7. PCHK# Valid Delay Timing



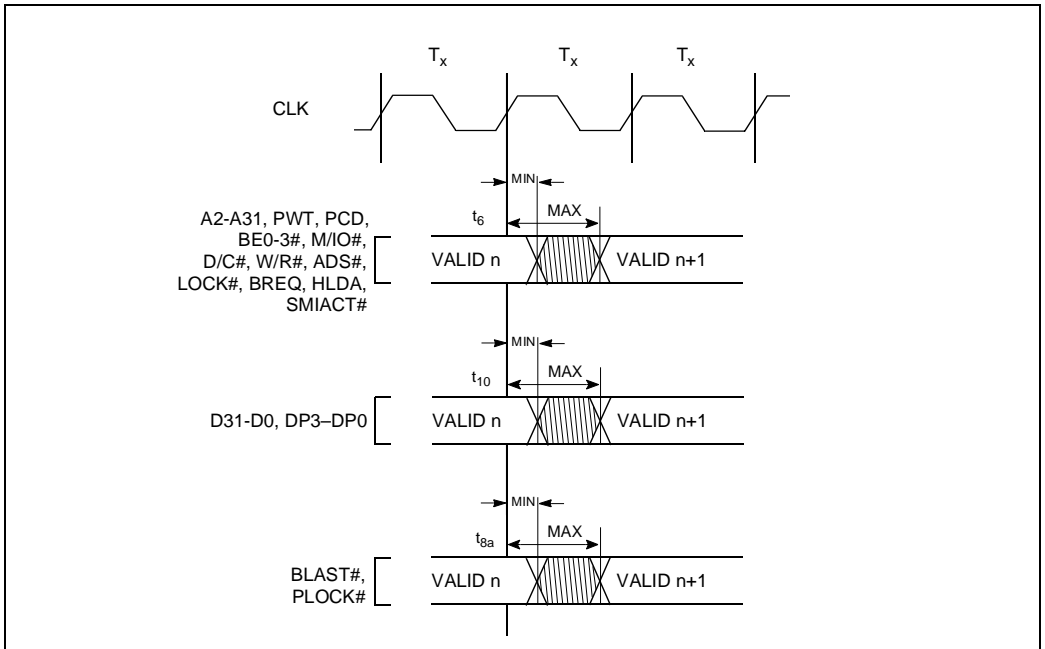


Figure 8. Output Valid Delay Timing

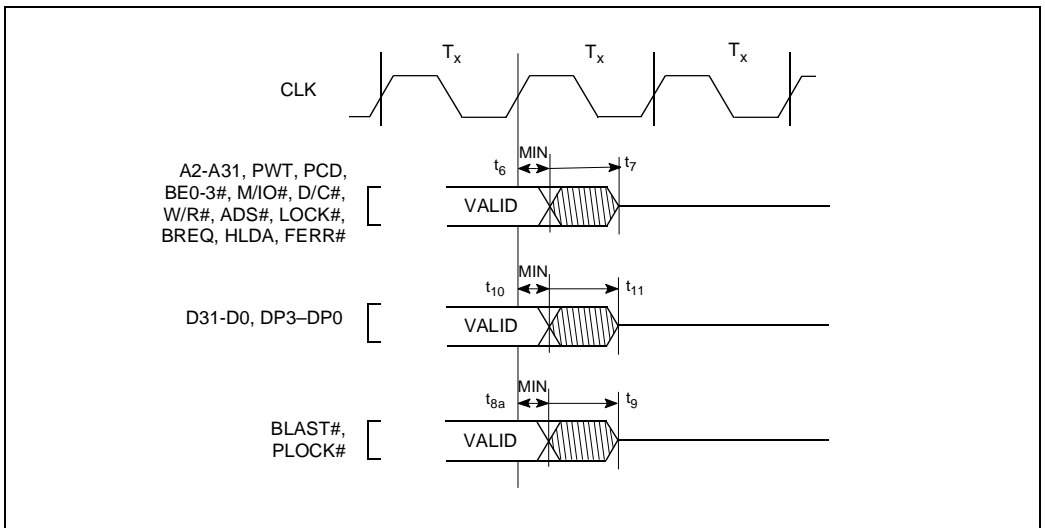


Figure 9. Maximum Float Delay Timing

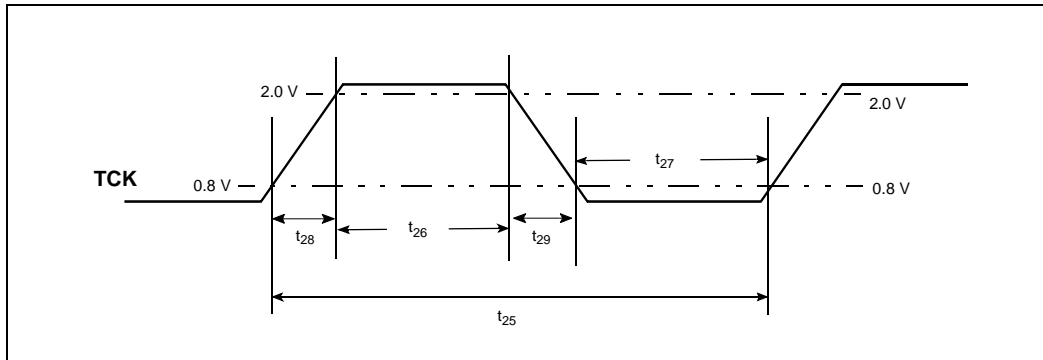


Figure 10. TCK Waveform

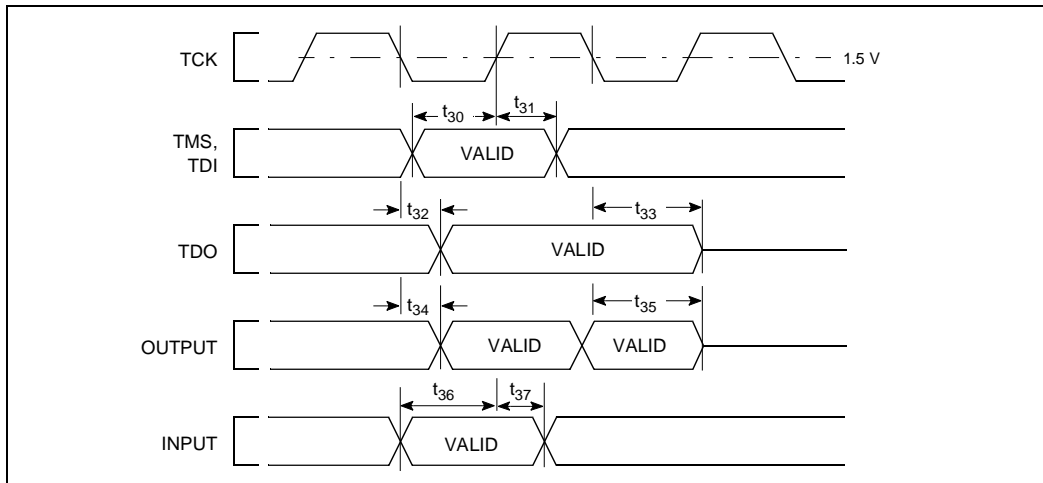
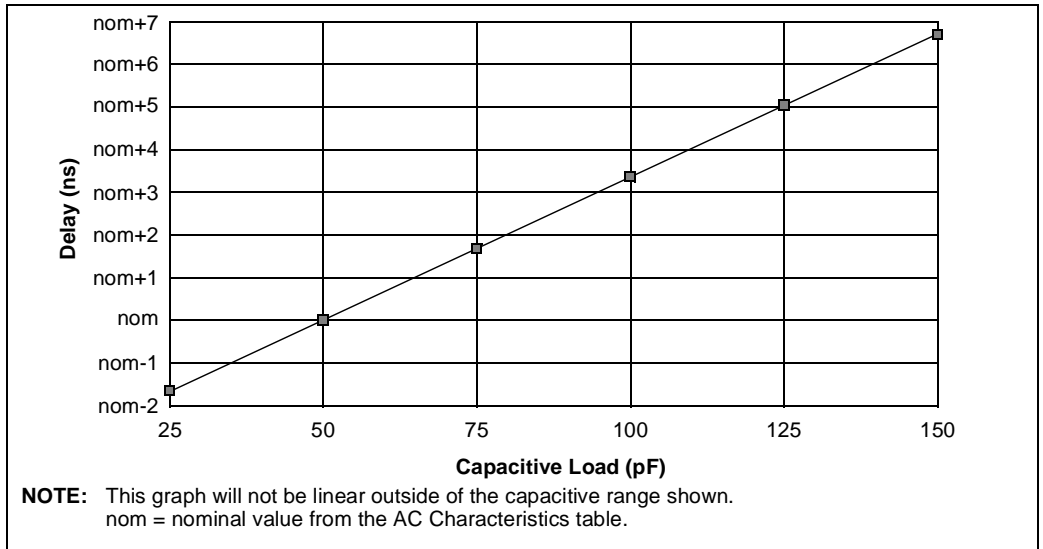


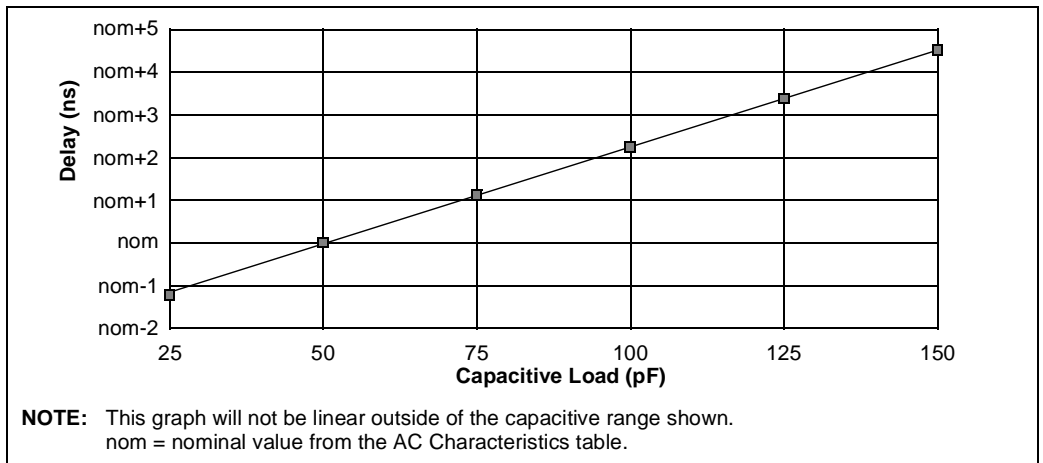
Figure 11. Test Signal Timing Diagram

### 5.4 Capacitive Derating Curves

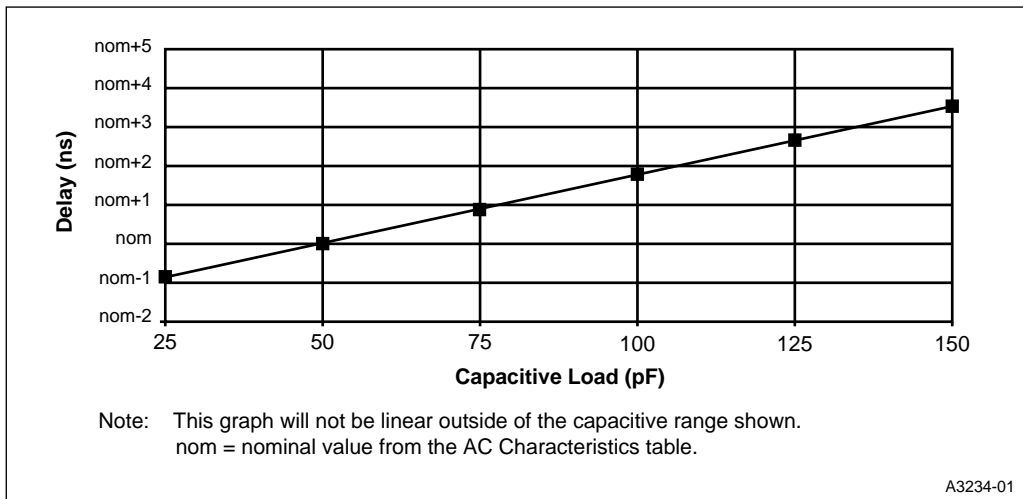
The following graphs are the capacitive derating curves for the embedded IntelDX2 processor.



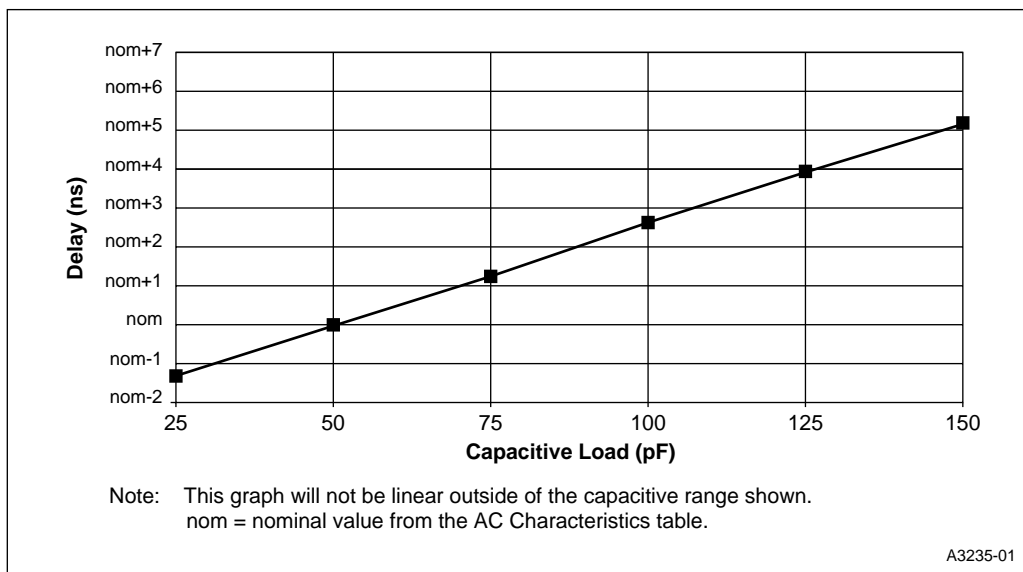
**Figure 12. Typical Loading Delay versus Load Capacitance under Worst-Case Conditions for a Low-to-High Transition, 3.3 V Processor**



**Figure 13. Typical Loading Delay versus Load Capacitance under Worst-Case Conditions for a High-to-Low Transition, 3.3 V Processor**



**Figure 14. Typical Loading Delay versus Load Capacitance under Worst-Case Conditions for a Low-to-High Transition, 5 V Processor**



**Figure 15. Typical Loading Delay versus Load Capacitance under Worst-Case Conditions for a High-to-Low Transition, 5 V Processor**

## 6.0 MECHANICAL DATA

This section describes the packaging dimensions and thermal specifications for the embedded Intel<sup>®</sup>DX2 processor.

### 6.1 Package Dimensions

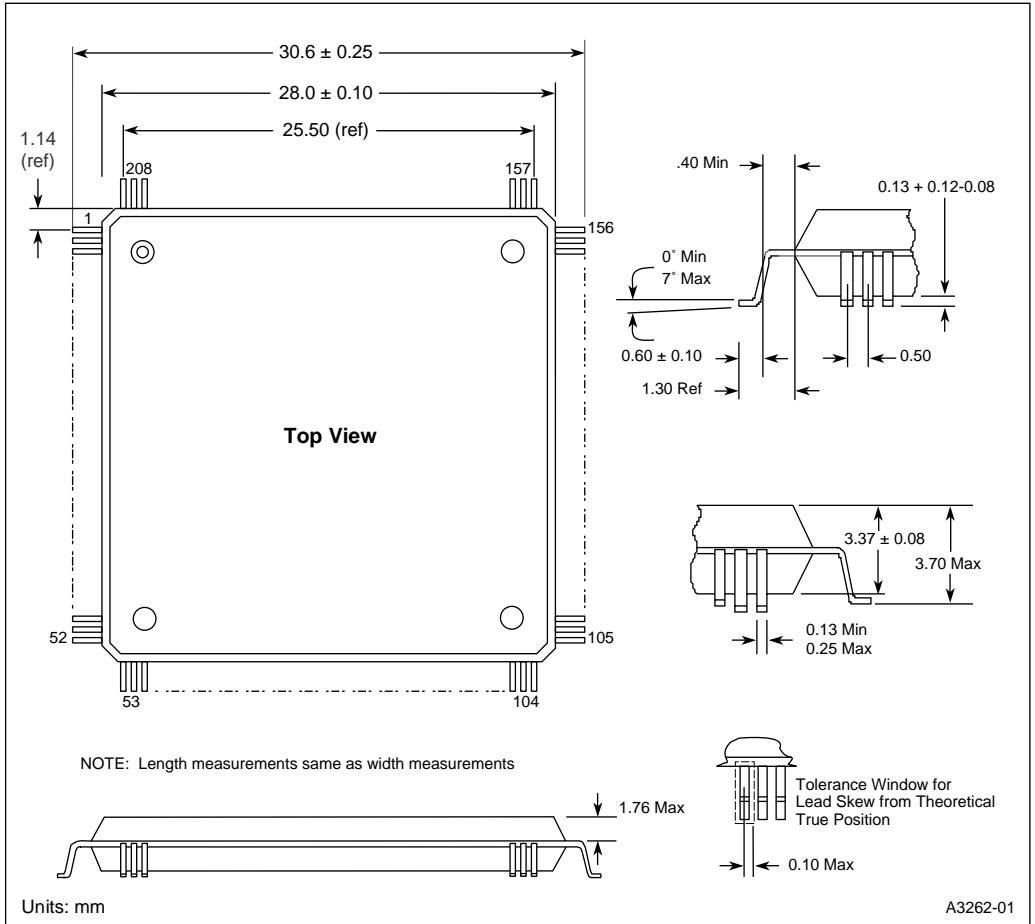


Figure 16. 208-Lead SQFP Package Dimensions

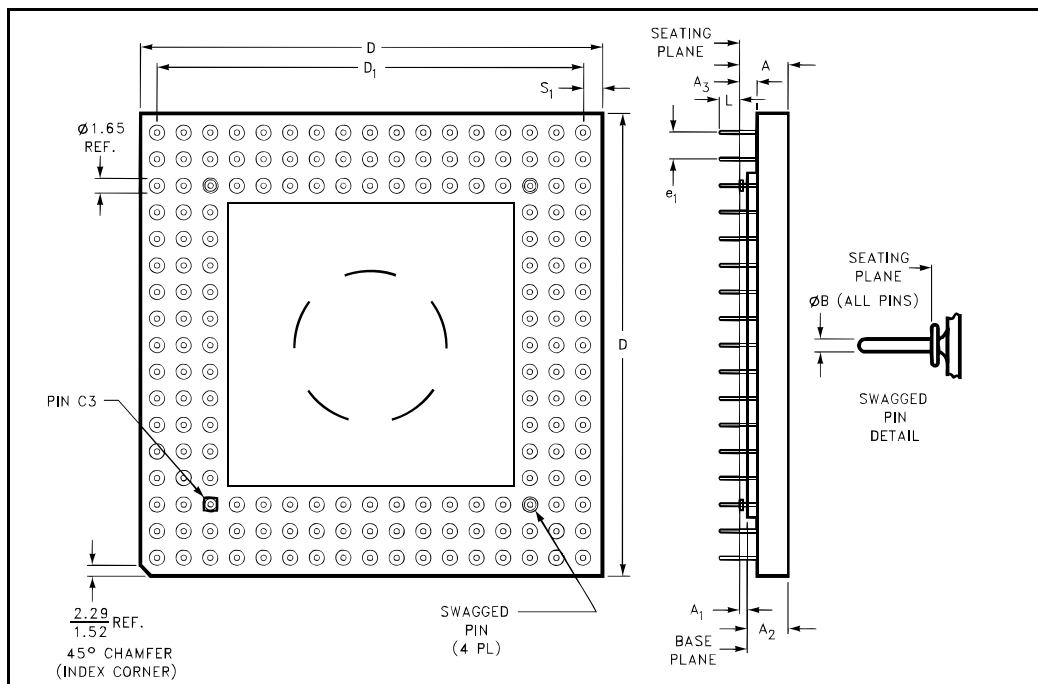


Figure 17. Principal Dimensions and Data for 168-Pin Pin Grid Array Package

Table 24. 168-Pin Ceramic PGA Package Dimensions

| Symbol         | Millimeters |       |           | Inches |       |           |
|----------------|-------------|-------|-----------|--------|-------|-----------|
|                | Min         | Max   | Notes     | Min    | Max   | Notes     |
| A              | 3.56        | 4.57  |           | 0.140  | 0.180 |           |
| A <sub>1</sub> | 0.64        | 1.14  | SOLID LID | 0.025  | 0.045 | SOLID LID |
| A <sub>2</sub> | 2.8         | 3.5   | SOLID LID | 0.110  | 0.140 | SOLID LID |
| A <sub>3</sub> | 1.14        | 1.40  |           | 0.045  | 0.055 |           |
| B              | 0.43        | 0.51  |           | 0.017  | 0.020 |           |
| D              | 44.07       | 44.83 |           | 1.735  | 1.765 |           |
| D <sub>1</sub> | 40.51       | 40.77 |           | 1.595  | 1.605 |           |
| e <sub>1</sub> | 2.29        | 2.79  |           | 0.090  | 0.110 |           |
| L              | 2.54        | 3.30  |           | 0.100  | 0.130 |           |
| N              | 168         |       |           | 168    |       |           |
| S <sub>1</sub> | 1.52        | 2.54  |           | 0.060  | 0.100 |           |

**Table 25. Ceramic PGA Package Dimension Symbols**

| Letter or Symbol | Description of Dimensions                                       |
|------------------|---|
| A                | Distance from seating plane to highest point of body            |
| A <sub>1</sub>   | Distance between seating plane and base plane (lid)             |
| A <sub>2</sub>   | Distance from base plane to highest point of body               |
| A <sub>3</sub>   | Distance from seating plane to bottom of body                   |
| B                | Diameter of terminal lead pin                                   |
| D                | Largest overall package dimension of length                     |
| D <sub>1</sub>   | A body length dimension, outer lead center to outer lead center |
| e <sub>1</sub>   | Linear spacing between true lead position centerlines           |
| L                | Distance from seating plane to end of lead                      |
| S <sub>1</sub>   | Other body dimension, outer lead center to edge of body         |

**NOTES:**

1. Controlling dimension: millimeter.
2. Dimension “e<sub>1</sub>” (“e”) is non-cumulative.
3. Seating plane (standoff) is defined by P.C. board hole size: 0.0415–0.0430 inch.
4. Dimensions “B”, “B<sub>1</sub>” and “C” are nominal.
5. Details of Pin 1 identifier are optional.



## 6.2 Package Thermal Specifications

The embedded IntelDX2 processor is specified for operation when the case temperature ( $T_C$ ) is within the range of 0°C to 85°C.  $T_C$  may be measured in any environment to determine whether the processor is within the specified operating range.

The ambient temperature ( $T_A$ ) can be calculated from  $\theta_{JC}$  and  $\theta_{JA}$  from the following equations:

$$T_J = T_C + P * \theta_{JC}$$

$$T_A = T_J - P * \theta_{JA}$$

$$T_C = T_A + P * [\theta_{JA} - \theta_{JC}]$$

$$T_A = T_C - P * [\theta_{JA} - \theta_{JC}]$$

Where  $T_J$ ,  $T_A$ ,  $T_C$  equals Junction, Ambient and Case Temperature respectively.  $\theta_{JC}$ ,  $\theta_{JA}$  equals Junction-to-Case and Junction-to-Ambient thermal Resistance, respectively. P is defined as Maximum Power Consumption.

Values for  $\theta_{JA}$  and  $\theta_{JC}$  are given in the following tables for each product at its maximum operating frequencies. Maximum  $T_A$  is shown for each product operating at various processor frequencies (twice the CLK frequencies).

**Table 26. Thermal Resistance,  $\theta_{JA}$  (°C/W)**

|  | $\theta_{JA}$ vs. Airflow — ft/min. (m/sec) |               |               |               |               |                |
|--|---|---------------|---------------|---------------|---------------|----------------|
|  | 0<br>(0)                                    | 200<br>(1.01) | 400<br>(2.03) | 600<br>(3.04) | 800<br>(4.06) | 1000<br>(5.07) |
| 208-Lead SQFP (3.3V) - Without Heat Sink | 24.0  | 17.0          | 15.0          | 13.0          | —             | —              |
| 168-Pin PGA (5V) - Without Heat Sink     | 17.0  | 14.5          | 12.5          | 11.0          | 10.0          | 9.5            |
| 168-Pin PGA (5V) - With Heat Sink*       | 13.0  | 8.0           | 6.0           | 5.0           | 4.5           | 4.25           |

\*0.350" high omnidirectional heat sink.

**Table 27. Thermal Resistance,  $\theta_{JC}$  (°C/W)**

|                      | $\theta_{JC}$ vs. Airflow — ft/min. (m/sec) |               |               |               |
|----------------------|---|---------------|---------------|---------------|
|                      | 0<br>(0)                                    | 200<br>(1.01) | 400<br>(2.03) | 600<br>(3.04) |
|                      | 0   | 200           | 400           | 600           |
| 208-Lead SQFP (3.3V) | 3.5   | 6.0           | 6.0           | 6.0           |
| 168-Pin PGA (5V)     | 1.5   | —             | —             | —             |

**Table 28. Maximum  $T_{ambient}$ ,  $T_A$  max (°C)**

| IntelDX2™ Processor                       | Freq.<br>(MHz) | Airflow — ft/min. (m/sec) |               |               |               |
|---|----------------|---------------------------|---------------|---------------|---------------|
|   |                | 0<br>(0)                  | 200<br>(1.01) | 400<br>(2.03) | 600<br>(3.04) |
| 208-Lead SQFP (3.3V)<br>Without Heat Sink | 40             | 57                        | 70            | 73            | 75            |
|   | 50             | 51                        | 67            | 70            | 73            |
| 168-Pin PGA (5V)<br>Without Heat Sink     | 50             | 15                        | 26            | 35            | 46            |
|   | 66             | -4                        | 11            | 22            | 36            |
| 168-Pin PGA (5V)<br>With Heat Sink        | 50             | 33                        | 56            | 65            | 69            |
|   | 66             | 19                        | 48            | 59            | 65            |