



AMD-K6™-2E+

Embedded Processor

Data Sheet

Publication # 23542 Rev: A Amendment/0
Issue Date: September 2000

© 2000 Advanced Micro Devices, Inc. All rights reserved.

The contents of this document are provided in connection with Advanced Micro Devices, Inc. ("AMD") products. AMD makes no representations or warranties with respect to the accuracy or completeness of the contents of this publication and reserves the right to make changes to specifications and product descriptions at any time without notice. No license, whether express, implied, arising by estoppel or otherwise, to any intellectual property rights is granted by this publication. Except as set forth in AMD's Standard Terms and Conditions of Sale, AMD assumes no liability whatsoever, and disclaims any express or implied warranty, relating to its products including, but not limited to, the implied warranty of merchantability, fitness for a particular purpose, or infringement of any intellectual property right.

AMD's products are not designed, intended, authorized or warranted for use as components in systems intended for surgical implant into the body, or in other applications intended to support or sustain life, or in any other application in which the failure of AMD's product could create a situation where personal injury, death, or severe property or environmental damage may occur. AMD reserves the right to discontinue or make changes to its products at any time without notice.

Trademarks

AMD, the AMD logo, K6, 3DNow!, and combinations thereof, AMD PowerNow!, E86, and Super7 are trademarks, FusionE86 is a service mark, and AMD-K6 and RISC86 are registered trademarks of Advanced Micro Devices, Inc.

Microsoft, Windows, and Windows NT are registered trademarks of Microsoft Corporation.

NetWare is a registered trademark of Novell, Inc.

MMX is a trademark of Intel Corporation.

Other product names used in this publication are for identification purposes only and may be trademarks of their respective companies.

The TAP State Diagram is reprinted from IEEE Std 1149.1-1990 "IEEE Standard Test Access Port and Boundary-Scan Architecture," Copyright © 1990 by the Institute of Electrical and Electronics Engineers, Inc. The IEEE disclaims any responsibility or liability resulting from the placement and use in the described manner. Information is reprinted with the permission of the IEEE.

IF YOU HAVE QUESTIONS, WE'RE HERE TO HELP YOU.

The AMD customer service network includes U.S. offices, international offices, and a customer training center. Expert technical assistance is available from the AMD worldwide staff of field application engineers and factory support staff to answer E86™ family hardware and software development questions.

Frequently accessed numbers are listed below. Additional contact information is listed on the back of this manual. AMD's WWW site lists the latest phone numbers.

Technical Support

Answers to technical questions are available online, through e-mail, and by telephone.

Go to AMD's home page at www.amd.com and follow the Support link for the latest AMD technical support phone numbers, software, and Frequently Asked Questions.

For technical support questions on all E86 embedded products, send e-mail to epd.support@amd.com (in the US and Canada) or euro.tech@amd.com (in Europe and the UK).

You can also call the AMD Corporate Applications Hotline at:

(800) 222-9323 Toll-free for U.S. and Canada

44-(0) 1276-803-299 U.K. and Europe hotline

WWW Support

For specific information on E86 products, access the AMD home page at www.amd.com and follow the **Embedded Processors** link. These pages provide information on upcoming product releases, overviews of existing products, information on product support and tools, and a list of technical documentation. Support tools include online benchmarking tools and CodeKit software—tested source code example applications. Many of the technical documents are available online in PDF form.

Questions, requests, and input concerning AMD's WWW pages can be sent via e-mail to web.feedback@amd.com.

Documentation and Literature Support

Data books, user's manuals, data sheets, application notes, and product CDs are free with a simple phone call. Internationally, contact your local AMD sales office for product literature.

To order literature:

Web: www.amd.com/support/literature.html

U.S. and Canada: (800) 222-9323

Third-Party Support

AMD FusionE86SM program partners provide an array of products designed to meet critical time-to-market needs. Products and solutions available include chipsets, emulators, hardware and software debuggers, board-level products, and software development tools, among others. The WWW site and the *E86™ Family Products Development Tools CD*, order #21058, describe these solutions. In addition, mature development tools and applications for the x86 platform are widely available in the general marketplace.

Contents

Revision History	xvii
About this Data Sheet	xix
1 AMD-K6™-2E+ Embedded Processor	1
1.1 AMD-K6™-2E+ Embedded Processor Features	3
1.2 Process Technology	7
1.3 Super7™ Platform	8
2 Internal Architecture	11
2.1 Microarchitecture Overview	11
2.2 Cache, Instruction Prefetch, and Predecode Bits	16
2.3 Instruction Fetch and Decode	17
2.4 Centralized Scheduler	21
2.5 Execution Units	22
2.6 Branch-Prediction Logic	25
3 Software Environment	27
3.1 Registers	27
3.2 Model-Specific Registers (MSR)	44
3.3 Memory Management Registers	54
3.4 Paging	56
3.5 Descriptors and Gates	59
3.6 Exceptions and Interrupts	62
3.7 Instructions Supported by the AMD-K6™-2E+ Processor ..	63
4 Logic Symbol Diagram	91
5 Signal Descriptions	93
5.1 Signal Terminology	93
5.2 A20M# (Address Bit 20 Mask)	94
5.3 A[31:3] (Address Bus)	95
5.4 ADS# (Address Strobe)	96
5.5 ADSC# (Address Strobe Copy)	96
5.6 AHOLD (Address Hold)	97
5.7 AP (Address Parity)	98
5.8 APCHK# (Address Parity Check)	99
5.9 BE[7:0]# (Byte Enables)	100
5.10 BF[2:0] (Bus Frequency)	101
5.11 BOFF# (Backoff)	102
5.12 BRDY# (Burst Ready)	103
5.13 BRDYC# (Burst Ready Copy)	104
5.14 BREQ (Bus Request)	104
5.15 CACHE# (Cacheable Access)	105
5.16 CLK (Clock)	105
5.17 D/C# (Data/Code)	106
5.18 D[63:0] (Data Bus)	107

5.19	DP[7:0] (Data Parity)	108
5.20	EADS# (External Address Strobe)	109
5.21	EWBE# (External Write Buffer Empty)	110
5.22	FERR# (Floating-Point Error)	111
5.23	FLUSH# (Cache Flush)	112
5.24	HIT# (Inquire Cycle Hit)	113
5.25	HITM# (Inquire Cycle Hit To Modified Line)	113
5.26	HLDA (Hold Acknowledge)	114
5.27	HOLD (Bus Hold Request)	115
5.28	IGNNE# (Ignore Numeric Exception)	116
5.29	INIT (Initialization)	117
5.30	INTR (Maskable Interrupt)	118
5.31	INV (Invalidation Request)	118
5.32	KEN# (Cache Enable)	119
5.33	LOCK# (Bus Lock)	120
5.34	M/IO# (Memory or I/O)	121
5.35	NA# (Next Address)	122
5.36	NMI (Non-Maskable Interrupt)	123
5.37	PCD (Page Cache Disable)	124
5.38	PCHK# (Parity Check)	125
5.39	PWT (Page Writethrough)	126
5.40	RESET (Reset)	127
5.41	RSVD (Reserved)	128
5.42	SCYC (Split Cycle)	129
5.43	SMI# (System Management Interrupt)	130
5.44	SMIACT# (System Management Interrupt Active)	131
5.45	STPCLK# (Stop Clock)	132
5.46	TCK (Test Clock)	133
5.47	TDI (Test Data Input)	133
5.48	TDO (Test Data Output)	133
5.49	TMS (Test Mode Select)	134
5.50	TRST# (Test Reset)	134
5.51	VCC2DET (VCC2 Detect)	135
5.52	VCC2H/L# (VCC2 High/Low)	136
5.53	VID[4:0] (Voltage Identification)	137
5.54	W/R# (Write/Read)	138
5.55	WB/WT# (Writeback or Writethrough)	139
5.56	Pin Tables by Type	140
5.57	Bus Cycle Definitions	142
6	AMD PowerNow!™ Technology	143
6.1	Enhanced Power Management Features	143
6.2	Dynamic Core Frequency and Core Voltage Control	150
7	Bus Cycles	153
7.1	Timing Diagrams	153
7.2	Bus States	155
7.3	Memory Reads and Writes	158
7.4	I/O Read and Write	166

7.5	Inquire and Bus Arbitration Cycles	168
7.6	Special Bus Cycles	190
8	Power-on Configuration and Initialization	199
8.1	Signals Sampled During the Falling Transition of RESET	199
8.2	RESET Requirements	200
8.3	State of Processor After RESET	200
8.4	State of Processor After INIT	203
9	Cache Organization	205
9.1	MESI States in the L1 Data Cache and L2 Cache	207
9.2	Predecode Bits	208
9.3	Cache Operation	208
9.4	Cache Disabling and Flushing	211
9.5	L2 Cache Testing	213
9.6	Cache-Line Fills	213
9.7	Cache-Line Replacements	214
9.8	Write Allocate	215
9.9	Prefetching	220
9.10	Cache States	221
9.11	Cache Coherency	222
9.12	Writethrough and Writeback Coherency States	227
9.13	A20M# Masking of Cache Accesses	227
10	Write Merge Buffer	229
10.1	EWBE# Control	229
10.2	Memory Type Range Registers	231
10.3	Memory-Range Restrictions	233
10.4	Examples	235
11	Floating-Point and Multimedia Execution Units	237
11.1	Floating-Point Execution Unit	237
11.2	Multimedia and 3DNow!™ Execution Units	239
11.3	Floating-Point and MMX™/3DNow!™ Instruction Compatibility	240
12	System Management Mode (SMM)	241
12.1	SMM Operating Mode and Default Register Values	241
12.2	SMM State-Save Area	243
12.3	SMM Revision Identifier	245
12.4	SMM Base Address	246
12.5	Halt Restart Slot	246
12.6	I/O Trap Doubleword	247
12.7	I/O Trap Restart Slot	248
12.8	Exceptions, Interrupts, and Debug in SMM	250
13	Test and Debug	251
13.1	Built-In Self-Test (BIST)	251
13.2	Three-State Test Mode	252
13.3	Boundary-Scan Test Access Port (TAP)	253

13.4	Cache Inhibit	263
13.5	L2 Cache and Tag Array Testing	264
13.6	Debug	268
14	Clock Control	275
14.1	Clock Control States	275
14.2	Halt State	278
14.3	Stop Grant State	278
14.4	Stop Grant Inquire State	280
14.5	EPM Stop Grant State	281
14.6	Stop Clock State	283
15	Electrical Data	285
15.1	Operating Ranges	286
15.2	Absolute Ratings	287
15.3	DC Characteristics	287
15.4	Power Dissipation	289
15.5	Power and Grounding	291
16	Signal Switching Characteristics	295
16.1	CLK Switching Characteristics	296
16.2	Clock Switching Characteristics for 100-MHz Bus Operation	296
16.3	Clock Switching Characteristics for 66-MHz Bus Operation	297
16.4	Valid Delay, Float, Setup, and Hold Timings	298
16.5	Output Delay Timings for 100-MHz Bus Operation	298
16.6	Input Setup and Hold Timings for 100-MHz Bus Operation	300
16.7	Output Delay Timings for 66-MHz Bus Operation	302
16.8	Input Setup and Hold Timings for 66-MHz Bus Operation	304
16.9	RESET and Test Signal Timing	306
16.10	Timing Diagrams	309
17	Thermal Design	313
17.1	Package Thermal Specifications	313
17.2	Measuring Case Temperature	317
17.3	Layout and Airflow Considerations	317
18	Pin Designations	321
18.1	Pins Designations for CPGA Package	322
18.2	Pins Designations for OBGA Package	326
19	Package Specifications	331
19.1	321-Pin Staggered CPGA Package Specification	331
19.2	349-Ball OBGA Package Specification	332
20	Ordering Information	333
	Index	335

List of Figures

Figure 1.	AMD-K6™-2E+ Processor Block Diagram	13
Figure 2.	Cache Sector Organization	16
Figure 3.	The Instruction Buffer	18
Figure 4.	AMD-K6™-2E+ Processor Decode Logic	19
Figure 5.	AMD-K6™-2E+ Processor Scheduler	22
Figure 6.	Register X and Y Pipeline Functional Units	24
Figure 7.	EAX Register with 16-Bit and 8-Bit Name Components	28
Figure 8.	Integer Data Registers	29
Figure 9.	Segment Register	30
Figure 10.	Segment Usage	31
Figure 11.	Floating-Point Register	32
Figure 12.	FPU Status Word Register	32
Figure 13.	FPU Control Word Register	33
Figure 14.	FPU Tag Word Register	33
Figure 15.	Packed Decimal Data Register	34
Figure 16.	Precision Real Data Registers	34
Figure 17.	MMX™/3DNow!™ Registers	35
Figure 18.	MMX™ Technology Data Types	36
Figure 19.	3DNow!™ Technology Data Types	37
Figure 20.	EFLAGS Registers	38
Figure 21.	Control Register 4 (CR4)	39
Figure 22.	Control Register 3 (CR3)	39
Figure 23.	Control Register 2 (CR2)	39
Figure 24.	Control Register 1 (CR1)	40
Figure 25.	Control Register 0 (CR0)	40
Figure 26.	Debug Register DR7	41
Figure 27.	Debug Register DR6	42
Figure 28.	Debug Registers DR5 and DR4	42
Figure 29.	Debug Registers DR3, DR2, DR1, and DR0	43
Figure 30.	Machine-Check Address Register (MCAR)	45
Figure 31.	Machine-Check Type Register (MCTR)	45
Figure 32.	Test Register 12 (TR12)	46
Figure 33.	Time Stamp Counter (TSC)	46
Figure 34.	Extended Feature Enable Register (EFER)	47
Figure 35.	SYSCALL/SYSRET Target Address Register (STAR)	48
Figure 36.	Write Handling Control Register (WHCR)	48

Figure 37.	UC/WC Cacheability Control Register (UWCCR)	49
Figure 38.	Processor State Observability Register (PSOR)	49
Figure 39.	Page Flush/Invalidate Register (PFIR)	50
Figure 40.	L2 Tag or Data Location for AMD-K6™-2E+ Processor—EDX	51
Figure 41.	L2 Data —EAX	51
Figure 42.	L2 Tag Information for AMD-K6™-2E+ Processor—EAX	52
Figure 43.	Enhanced Power Management Register (EPMR)	53
Figure 44.	Memory Management Registers	54
Figure 45.	Task State Segment (TSS)	55
Figure 46.	4-Kbyte Paging Mechanism	56
Figure 47.	4-Mbyte Paging Mechanism	57
Figure 48.	Page Directory Entry 4-Kbyte Page Table (PDE)	58
Figure 49.	Page Directory Entry 4-Mbyte Page Table (PDE)	58
Figure 50.	Page Table Entry (PTE)	59
Figure 51.	Application Segment Descriptor	60
Figure 52.	System Segment Descriptor	61
Figure 53.	Gate Descriptor	62
Figure 54.	Enhanced Power Management Register (EPMR)	144
Figure 55.	EPM 16-Byte I/O Block	146
Figure 56.	Bus Divisor and Voltage ID Control (BVC) Field	147
Figure 57.	Processor State Observability Register (PSOR)—Low-Power Versions of the Processor	148
Figure 58.	Waveform Definitions	154
Figure 59.	Bus State Machine Diagram	155
Figure 60.	Non-Pipelined Single-Transfer Memory Read/Write and Write Delayed by EWBE#	159
Figure 61.	Misaligned Single-Transfer Memory Read and Write	161
Figure 62.	Burst Reads and Pipelined Burst Reads	163
Figure 63.	Burst Writeback due to Cache-Line Replacement	165
Figure 64.	Basic I/O Read and Write	166
Figure 65.	Misaligned I/O Transfer	167
Figure 66.	Basic HOLD/HLDA Operation	169
Figure 67.	HOLD-Initiated Inquire Hit to Shared or Exclusive Line	171
Figure 68.	HOLD-Initiated Inquire Hit to Modified Line	173
Figure 69.	AHOLD-Initiated Inquire Miss	175
Figure 70.	AHOLD-Initiated Inquire Hit to Shared or Exclusive Line	177
Figure 71.	AHOLD-Initiated Inquire Hit to Modified Line	179
Figure 72.	AHOLD Restriction	181

Figure 73.	BOFF# Timing	183
Figure 74.	Basic Locked Operation	185
Figure 75.	Locked Operation with BOFF# Intervention	187
Figure 76.	Interrupt Acknowledge Operation	189
Figure 77.	Basic Special Bus Cycle (Halt Cycle)	191
Figure 78.	Shutdown Cycle	192
Figure 79.	Stop Grant and Stop Clock Modes, Part 1	194
Figure 80.	Stop Grant and Stop Clock Modes, Part 2	195
Figure 81.	INIT-Initiated Transition from Protected Mode to Real Mode	197
Figure 82.	L1 and L2 Cache Organization for the AMD-K6™-2E+ Processor	206
Figure 83.	L1 Cache Sector Organization	207
Figure 84.	Write Handling Control Register (WHCR)	217
Figure 85.	Write Allocate Logic Mechanisms and Conditions	218
Figure 86.	Page Flush/Invalidate Register (PFIR)	224
Figure 87.	UC/WC Cacheability Control Register (UWCCR)	232
Figure 88.	External Logic for Supporting Floating-Point Exceptions	239
Figure 89.	SMM Memory	242
Figure 90.	TAP State Diagram	261
Figure 91.	L2 Cache Organization for AMD-K6™-2E+ Processor	265
Figure 92.	L2 Cache Sector and Line Organization	265
Figure 93.	L2 Tag or Data Location for the AMD-K6™-2E+ Processor—EDX	266
Figure 94.	L2 Data - EAX	267
Figure 95.	L2 Tag Information for the AMD-K6™-2E+ Processor—EAX	267
Figure 96.	LRU Byte	268
Figure 97.	Debug Register DR7	269
Figure 98.	Debug Register DR6	270
Figure 99.	Debug Registers DR5 and DR4	270
Figure 100.	Debug Registers DR3, DR2, DR1, and DR0	271
Figure 101.	Clock Control State Transitions for Standard-Power Versions of the AMD-K6™-2E+ Processor	276
Figure 102.	Clock Control State Transitions for Low-Power Versions of the AMD-K6™-2E+ Processor	277
Figure 103.	Suggested Component Placement for CPGA Package	292
Figure 104.	CLK Waveform	297
Figure 105.	Key to Timing Diagrams	309

Figure 106. Output Valid Delay Timing	310
Figure 107. Maximum Float Delay Timing	310
Figure 108. Input Setup and Hold Timing	310
Figure 109. Reset and Configuration Timing	311
Figure 110. TCK Waveform	312
Figure 111. TRST# Timing	312
Figure 112. Test Signal Timing Diagram	312
Figure 113. Thermal Model (CPGA Package)	315
Figure 114. Power Consumption and Thermal Resistance (CPGA Package)	315
Figure 115. Processor Heat Dissipation Path	316
Figure 116. Measuring Case Temperature	317
Figure 117. Voltage Regulator Placement	318
Figure 118. Airflow for a Heatsink with Fan	319
Figure 119. Airflow Path in a Dual-Fan System	319
Figure 120. Airflow Path in an ATX Form-Factor System	320
Figure 121. CPGA Connection Diagram (Top-Side View)	322
Figure 122. CPGA Connection Diagram (Bottom-Side View)	323
Figure 123. OBGA Connection Diagram (Top-Side View)	326
Figure 124. OBGA Connection Diagram (Bottom-Side View)	327
Figure 125. 321-Pin Staggered CPGA Package Specification	331
Figure 126. 349-Ball OBGA Package Specification	332

List of Tables

Table 1.	Execution Latency and Throughput of Execution Units	23
Table 2.	General-Purpose Registers	28
Table 3.	General-Purpose Register Doubleword, Word, and Byte Names	29
Table 4.	Segment Registers	30
Table 5.	AMD-K6™-2E+ Processor Model-Specific Registers	44
Table 6.	Extended Feature Enable Register (EFER) Definition	47
Table 7.	SYSCALL/SYSRET Target Address Register (STAR) Definition	48
Table 8.	Memory Management Registers	54
Table 9.	Application Segment Types	60
Table 10.	System Segment and Gate Types	61
Table 11.	Summary of Exceptions and Interrupts	62
Table 12.	Integer Instructions	65
Table 13.	Floating-Point Instructions	82
Table 14.	MMX™ Instructions	86
Table 15.	3DNow!™ Instructions	89
Table 16.	3DNow!™ Technology DSP Extensions	90
Table 17.	Processor-to-Bus Clock Ratios	101
Table 18.	Output Pin Float Conditions for VCC2 High/Low	136
Table 19.	Input Pin Types	140
Table 20.	Output Pin Float Conditions	141
Table 21.	Input/Output Pin Float Conditions	141
Table 22.	Test Pin Types	141
Table 23.	Bus Cycle Definition	142
Table 24.	Special Cycles	142
Table 25.	Enhanced Power Management Register (EPMR) Definition	145
Table 26.	EPM 16-Byte I/O Block Definition	146
Table 27.	Bus Divisor and Voltage ID Control (BVC) Definition	147
Table 28.	Processor-to-Bus Clock Ratios	149
Table 29.	Bus-Cycle Order During Misaligned Memory Transfers	160
Table 30.	A[4:3] Address-Generation Sequence During Bursts	162
Table 31.	Bus-Cycle Order During Misaligned I/O Transfers	167
Table 32.	Interrupt Acknowledge Operation Definition	188
Table 33.	Encodings for Special Bus Cycles	190
Table 34.	Output Signal State After RESET	200
Table 35.	Register State After RESET	201
Table 36.	PWT Signal Generation	210
Table 37.	PCD Signal Generation	210
Table 38.	CACHE# Signal Generation	211
Table 39.	L1 and L2 Cache States for Read and Write Accesses	221

Table 40.	Valid L1 and L2 Cache States and Effect of Inquire Cycles .	225
Table 41.	L1 and L2 Cache States for Snoops, Flushes, and Invalidation.	226
Table 42.	EWBEC Settings and Performance	231
Table 43.	WC/UC Memory Type	233
Table 44.	Valid Masks and Range Sizes for UWCCR Register	234
Table 45.	Initial State of Registers in SMM.	243
Table 46.	SMM State-Save Area Map	243
Table 47.	SMM Revision Identifier	246
Table 48.	I/O Trap Doubleword Configuration	248
Table 49.	I/O Trap Restart Slot	249
Table 50.	Boundary Scan Bit Definitions	257
Table 51.	Device Identification Register	259
Table 52.	Supported TAP Instructions	259
Table 53.	Tag versus Data Selector.	266
Table 54.	DR7 LEN and RW Definitions	273
Table 55.	Operating Ranges for Low-Power AMD-K6™-2E+ Devices . .	286
Table 56.	Operating Ranges for Standard-Power AMD-K6™-2E+ Devices	286
Table 57.	Absolute Ratings	287
Table 58.	DC Characteristics for the AMD-K6™-2E+ Processor	287
Table 59.	Power Dissipation for Low-Power AMD-K6™-2E+ Devices . .	289
Table 60.	Power Dissipation for Standard-Power AMD-K6™-2E+ Devices	290
Table 61.	Supported Voltages and Operating Frequencies for Low- Power AMD-K6™-2E+ Processors Enabled with AMD PowerNow!™ Technology	290
Table 62.	CLK Switching Characteristics for 100-MHz Bus Operation .	296
Table 63.	CLK Switching Characteristics for 66-MHz Bus Operation . .	297
Table 64.	Output Delay Timings for 100-MHz Bus Operation	298
Table 65.	Input Setup and Hold Timings for 100-MHz Bus Operation .	300
Table 66.	Output Delay Timings for 66-MHz Bus Operation	302
Table 67.	Input Setup and Hold Timings for 66-MHz Bus Operation . .	304
Table 68.	RESET and Configuration Signals for 100-MHz Bus Operation	306
Table 69.	RESET and Configuration Signals for 66-MHz Bus Operation	307
Table 70.	TCK Waveform and TRST# Timing at 25 MHz	308
Table 71.	Test Signal Timing at 25 MHz.	308
Table 72.	Package Thermal Specification for Low-Power AMD-K6™-2E+ Devices	314
Table 73.	Package Thermal Specification for Standard-Power AMD-K6™-2E+ Devices	314
Table 74.	Pin Differences Between the CPGA and OBGA Packages. . .	321

Table 75.	CPGA Pin Designations by Functional Grouping	324
Table 76.	CPGA Pin Designations for No Connect, Reserved, Power, and Ground Pins	325
Table 77.	OBGA Pin Designations by Functional Grouping	328
Table 78.	OBGA Pin Designations for No Connect, Reserved, Power, and Ground Pins	329
Table 79.	AMD-K6™-2E+ Embedded Processor Valid Ordering Part Number Combinations	334

Revision History

Date	Rev	Description
September 2000	A	Initial published release.
September 2000	A	Second Printing: Revised trademarks.
September 2000	A	Second Printing: Changed setting of NOL2 bit on page 148.
September 2000	A	Second Printing: Revised headings in Table 59 on page 289, Table 60 on page 290, and Table 61 on page 290. Changed Note 2 in Table 60 on page 290 to apply to 400-MHz parts only.

About this Data Sheet

The *AMD-K6™-2E+ Embedded Processor Data Sheet* is the complete specification of the AMD-K6™-2E+ embedded processor.

Overview

This data sheet is organized into the following sections:

Chapter 1, “AMD-K6™-2E+ Embedded Processor” on page 1, provides a list of the AMD-K6-2E+ processor’s distinguishing characteristics, a description of the key features, and a discussion about the Super7™ platform initiative.

Chapter 2, “Internal Architecture” on page 11, describes the functional elements of the advanced design techniques, known as the RISC86® microarchitecture, implemented by the AMD-K6-2E+ processor.

Chapter 3, “Software Environment” on page 27, provides a general overview of the AMD-K6-2E processor’s x86 software environment and briefly describes the data types, registers, operating modes, interrupts, and instructions supported by the AMD-K6-2E+ processor’s architecture and design implementation.

Chapter 4, “Logic Symbol Diagram” on page 91, contains the AMD-K6-2E+ processor logic symbol diagram.

Chapter 5, “Signal Descriptions” on page 93, lists the signals and their descriptions alphabetically and by function.

Chapter 6, “AMD PowerNow!™ Technology” on page 143, describes the enhanced power management features available on the low-power versions of the AMD-K6-2E+ processor.

Chapter 7, “Bus Cycles” on page 153, describes and illustrates the timing and relationship of bus signals during various types of bus cycles.

Chapter 8, “Power-on Configuration and Initialization” on page 199, describes how the system logic resets the AMD-K6-2E+ processor using the RESET signal.

Chapter 9, “Cache Organization” on page 205, describes the basic architecture and resources of the AMD-K6-2E+ processor’s internal caches.

Chapter 10, “Write Merge Buffer” on page 229, describes the 8-byte write merge buffer and how merging multiple write cycles into a single write cycle ultimately increases overall system performance.

Chapter 11, “Floating-Point and Multimedia Execution Units” on page 237, describes the AMD-K6-2E+ processor’s IEEE 754-compatible and 854-compatible floating point execution unit, the multimedia and 3DNow!™ technology execution units, and the floating-point and MMX™/3DNow! technology instruction compatibility.

Chapter 12, “System Management Mode (SMM)” on page 241, describes SMM, the state-save area, entry into and exit from SMM, exceptions and interrupts in SMM, memory allocation and addressing in SMM, and the SMI# and SMIACT# signals.

Chapter 13, “Test and Debug” on page 251, describes the various test and debug modes that enable the functional and manufacturing testing of systems and boards that use the AMD-K6-2E+ processor and that allow designers to debug the instruction execution of software components.

Chapter 14, “Clock Control” on page 275, describes the five modes of clock control supported by the AMD-K6-2E+ processor.

Chapter 15, “Electrical Data” on page 285, includes operating ranges, absolute ratings, DC characteristics, power dissipation data, power and grounding information, and decoupling recommendations.

Chapter 16, “Signal Switching Characteristics” on page 295, provides tables listing valid delay, float, setup, and hold timing specifications for the AMD-K6-2E+ processor signals.

Chapter 17, “Thermal Design” on page 313, lists the package thermal specifications, discusses how to measure case temperature, and provides layout and airflow considerations.

Chapter 18, “Pin Designations” on page 321, provides top- and bottom-view connection diagrams for each package type and lists the AMD-K6-2E+ processor’s pin designations by functional grouping.

Chapter 19, “Package Specifications” on page 331, provides diagrams showing the specifications for the 321-pin CPGA package and the 349-ball OBGA package.

Chapter 20, “Ordering Information” on page 333, provides the ordering part number (OPN) and valid OPN combinations.

1 AMD-K6™-2E+ Embedded Processor

The following are key features of the AMD-K6™-2E processor:

- Member of the AMD-K6™E family of 32-bit embedded processors
 - ◆ Brings the power, performance, and value of the AMD-K6 family to the embedded market
 - ◆ Enables improved time-to-market by leveraging existing hardware and software infrastructure and field-proven development tools
 - ◆ Offers a wide software- and platform-compatible growth path with product longevity to help preserve development investments
- Functionally-compatible embedded version of the AMD-K6-2+ processor with internal 128-Kbyte L2 cache
 - ◆ Provides higher Super7™ platform performance with reduced total system cost
 - ◆ Microsoft® Windows® compatible processor
 - ◆ x86 binary software compatible
 - ◆ Supports real-time operating systems such as pSOS, QNX, RTX, and VxWorks
- Advanced 6-issue RISC86® superscalar microarchitecture
 - ◆ Ten parallel specialized execution units
 - ◆ Multiple sophisticated x86-to-RISC86 instruction decoders
 - ◆ Advanced two-level branch prediction
 - ◆ Speculative and out-of-order execution
 - ◆ Register renaming and data forwarding
 - ◆ Up to six RISC86 instructions per clock
- Innovative cache design
 - ◆ 192-Kbyte total internal cache
 - Internal split, two-way set associative, 64-Kbyte L1 Cache
 - 32-Kbyte instruction cache with additional 20-Kbytes of predecode cache
 - 32-Kbyte writeback dual-ported data cache
 - MESI protocol support
 - Internal full-speed, four-way set associative, 128-Kbyte, L2 Cache
 - ◆ Multiport internal cache design enabling simultaneous 64-bit reads/writes of L1 and L2 caches
- Super7 platform is Socket 7-compatible
 - ◆ Leverages high-speed 100-MHz processor bus
 - ◆ 2x Accelerated Graphic Port (AGP) support

- ◆ Takes advantage of existing system support, logic integration, and designs for superior value
- ◆ Provides an easy upgrade path for embedded applications and a bridge to legacy applications
- AMD PowerNow!™ technology dynamically manages power and performance
 - ◆ Monitors application requirements for performance or power utilization
 - ◆ Supports continuously varying operating frequency and voltage, delivering performance on demand while dissipating the lowest amount of power possible
- 3DNow!™ technology for better multimedia and audio performance
 - ◆ x86 instruction set extension accelerates 3D graphics and other single-precision floating-point compute-intensive operations
 - ◆ Offers fast frame rates on high-resolution graphics applications, superior modeling of real-world environments and physics, life-like images and graphics, and big-screen sound and video
 - ◆ Additional 3DNow! technology DSP instructions enhance communications applications
 - ◆ Separate multiplier and ALU for superscalar instruction execution
- High-performance IEEE 754-compatible and 854-compatible floating-point unit
- High-performance industry-standard MMX™ instructions
 - ◆ Dual-integer ALU for superscalar execution
- Industry-standard System Management Mode (SMM)
- IEEE 1149.1 boundary scan
- 321-Pin Ceramic Pin Grid Array (CPGA) or 349-Ball Organic Ball Grid Array (OBGA) package
- Low-voltage 0.18-micron process technology
 - ◆ Split-plane power with support for full 3.3 V I/O
 - ◆ Lower core voltages enable low-power operation
- Operating frequencies
 - ◆ Standard-power and standard-temperature devices: 400, 450, and 500 MHz
 - ◆ Low-power and extended-temperature devices: 350, 400, and 450 MHz

1.1 AMD-K6™-2E+ Embedded Processor Features

The innovative AMD-K6-2E+ processor brings industry-leading performance to embedded systems. Its Super7™ platform-compatible, 321-pin ceramic pin grid array (CPGA) or 349-ball organic ball grid array (OBGA) package enables embedded system designers to reduce time-to-market by leveraging today's cost-effective, industry-standard infrastructure.

Manufactured using AMD's 0.18 micron low-power process, the AMD-K6-2E+ processor incorporates the innovative and efficient RISC86® microarchitecture, a 192-Kbyte total internal cache, a fast 100 MHz frontside bus, and a powerful IEEE 754-compatible and 854-compatible floating-point execution unit. The AMD-K6-2E+ processor also incorporates a superscalar MMX™ unit and AMD's innovative 3DNow! technology for high-performance multimedia and 3D graphics operation.

The AMD-K6-2E+ processor is a functionally compatible embedded version of the AMD-K6-2+ processor with an internal 128-Kbyte L2 cache. The AMD-K6-2E+ processor offers a clock-for-clock performance boost at a lower total system cost over existing Socket 7 systems because no external L2 cache is required. The low-power versions of the AMD-K6-2E+ processor also support AMD's enhanced power management features, called AMD PowerNow! technology.

The AMD-K6-2E+ processor is part of the AMD-K6E family of embedded processors. Within this family:

- The AMD-K6-2E processor provides the best value and performance for cost-sensitive embedded applications.
- The AMD-K6-2E+ with its 128-Kbyte internal L2 cache offers higher performance balanced with cost.
- The AMD-K6-III+ with its 256-Kbyte internal L2 cache offers the highest performance available for Super7 and Socket 7 platforms.

All AMD-K6E family processors in the CPGA package share the same footprint and support the Socket 7-compatible Super7 platform. The AMD-K6E family provides embedded designers with an assured growth plan and supply stability, along with product longevity. All AMD-K6E family processors are x86-binary compatible, allowing preservation of the initial software investment.

The AMD-K6-2E+ embedded processor is particularly well-suited for use in applications where high performance is required. It is designed to offer compelling, yet affordable, power and performance for high-end embedded applications, such as information appliances, set-top boxes, embedded PCs, point-of-sale terminals, public and private communications infrastructure, and industrial control.

The AMD-K6-2E+ embedded processor is available in two versions.

- The low-power version operates at the lowest core voltage in order to offer the lowest available power and extended temperature ratings. Enhanced power management features are provided via AMD PowerNow! technology in the low-power versions of the processor.
- The standard-power version has a 2.0-V core voltage and offers standard power and temperature specifications similar to desktop PC processors.

Innovative Cache Design for Faster Data Access

Recognizing the benefits of a large and fast cache design in feeding performance-hungry applications, AMD developed an innovative cache architecture that enhances the performance available for embedded applications based on the Super7 platform.

AMD's cache design innovations include:

- An internal 128-Kbyte L2 write-back cache operating at the full speed of the processor and complementing the 64-Kbyte L1 cache, which is standard in all AMD-K6 family processors.
- A multiport internal cache design, enabling simultaneous 64-bit reads and writes to both the L1 cache and the L2 cache.
- A 4-way set associative backside L2 cache design enabling optimal data management and external frontside data bus bandwidth efficiency.

The processor's multiport internal cache design enables both the 64-Kbyte L1 cache and the 128-Kbyte L2 cache to perform simultaneous 64-bit read and write operations in a clock cycle. This multiport capability allows data to be processed faster and more efficiently than non-multiported designs. In addition, the processor core can access both L1 and L2 caches simultaneously, which further enhances overall CPU throughput.

The cache design is exceptionally fast, with the backside 128-Kbyte L2 cache operating at full processor speed.

For example, the internal L2 cache of an AMD-K6-2E+/450 processor operates at 450 MHz and provides nine times the peak bandwidth of an external L2 cache operating at 100 MHz. The maximum peak bandwidth of an external L2 cache operating at 100 MHz is 800 Mbytes/s, while an internal L2 cache operating at 450 MHz delivers a maximum peak bandwidth of 3,600 Mbytes/s per port. Because the internal L2 cache of the AMD-K6-2E+ processor is dual-ported for simultaneous reads and writes, the total peak bandwidth is doubled to 7,200 Mbytes/s, resulting in a maximum peak bandwidth nine times as large as a 100-MHz cache implementation.

3DNow!™ Technology

The AMD-K6-2E+ processor supports AMD's 3DNow! technology, an extension to the x86 instruction set that includes 21 new instructions to accelerate 3D graphics and other single-precision floating-point compute intensive operations.

3DNow! technology was defined and implemented in collaboration with Microsoft, application developers, and graphics vendors, and has received an enthusiastic reception. It is compatible with today's existing x86 software and requires no operating system support, thereby enabling a broad class of applications to benefit from 3DNow! technology.

The worldwide installed base of 3DNow! technology-enhanced PCs has grown to more than 25 million desktop and notebook systems, revolutionizing the 3D experience with up to four times the peak floating-point performance of previous sixth generation solutions. Support for 3DNow! technology exists today in leading industry-standard APIs, including Microsoft® DirectX and SGI's OpenGL APIs. Additionally, numerous hardware and software products have been optimized for 3DNow! technology. AMD is now bringing this advanced capability to embedded systems.

3DNow! technology enables fast frame rates on high-resolution 3D-rendered scenes, realistic physical modeling of real-world environments, sharp and detailed 3D imaging, smooth video playback, and theater-quality audio.

In addition, the AMD-K6-2E+ processor adds support for five new digital signal processing (DSP) instructions, developed to enhance the performance of communications applications, including soft xDSL modems, MP3 recording, and Dolby Digital and Surround Sound processing.

AMD PowerNow!™ Technology for Enhanced Power Management

AMD has added a number of new power management features to the low-power versions of the AMD-K6-2E+ processor. Collectively, these hardware and software features are called AMD PowerNow!™ technology.

AMD PowerNow! technology allows the AMD-K6-2E+ processor to run at different frequencies and voltages, depending on the application's need for maximum performance or the most efficient power utilization.

AMD PowerNow! technology includes AMD's unique “automatic mode” feature, which allows the system to monitor application usage and to continuously vary the operating frequency and voltage, delivering performance on demand while dissipating the lowest amount of power possible.

- When application demands require the processor to run at maximum performance, the AMD PowerNow! technology steps up the performance to meet the demand.
- As platform demand for performance subsides, AMD PowerNow! technology can dynamically drop into a lower power state.

AMD PowerNow! technology enables embedded products to dynamically manage power and performance.

System Management Mode and Other Power Management Features

The AMD-K6-2E+ processor includes the complete industry-standard system management mode (SMM), which is critical to system resource and power management.

The AMD-K6-2E+ processor also features the industry-standard Stop-Clock (STPCLK#) control circuitry and the Halt instruction, both required for implementing the ACPI power management specification.

Microarchitecture

The AMD-K6-2E+ processor's 6-issue RISC86 microarchitecture is a decoupled decode/execution superscalar design that implements state-of-the-art design techniques to achieve leading-edge performance.

Advanced design techniques implemented in the AMD-K6-2E+ processor include multiple x86 instruction decode, single-clock internal RISC operations, ten execution units that support superscalar operation, out-of-order execution, data forwarding, speculative execution, and register renaming.

In addition, the processor supports advanced branch prediction logic by implementing an 8192-entry branch history table, a branch target cache, and a return address stack, which combine to deliver better than a 95% prediction rate. These design techniques enable the AMD-K6-2E+ processor to issue, execute, and retire multiple x86 instructions per clock, resulting in excellent scaleable performance.

Industry-Standard x86 Architecture

The AMD-K6-2E+ processor is x86 binary code compatible. AMD's extensive experience through six generations of x86 processors has been carefully integrated into the processor to enable compatibility with Windows® 98, Windows 95, Windows 3.x, Windows NT, DOS, Linux, OS/2, Unix, Solaris, NetWare®, and other leading x86 operating systems and applications. The AMD-K6-2E+ processor is also compatible with leading real-time operating systems (RTOS) commonly used in embedded applications, such as pSOS, QNX, RTX, and VxWorks. Additionally, the AMD FusionE86SM third-party tool support program offers extensive development support for AMD-K6-2E+ processor designs.

The AMD-K6-2E+ processor is Super7 and Socket 7-compatible. The Super7 platform is an extension to the popular and robust Socket 7 platform. See "Super7™ Platform" on page 8 for more information.

AMD is the world's second-leading supplier of PC processors compatible with the Windows operating system, having shipped more than 120 million x86 microprocessors, including more than 60 million Windows-compatible processors. The AMD-K6-2E+ processor for embedded applications is the latest member in this long line of processors. With its combination of state-of-the-art features, industry-leading performance, high-performance 3DNow! technology and multimedia engines, x86 compatibility, and low-cost infrastructure, the AMD-K6-2E+ processor is the superior choice for high-performance embedded systems.

1.2 Process Technology

The AMD-K6-2E+ processor is implemented using an AMD-developed, state-of-the-art low power 0.18-micron process technology. This process technology features a split-plane design that enables the AMD-K6-2E+ processor to deliver excellent performance solutions while utilizing a lower processor core voltage, which results in lower power consumption, while the I/O portion operates at the industry-standard 3.3-V level.

1.3 Super7™ Platform

The Super7 platform is an extension to the popular Socket 7 platform. AMD and its industry partners have invested in the future of Socket 7 with the Super7 platform initiative. The goal of the initiative is to maintain the competitive vitality of the Socket 7 infrastructure through a series of enhancements, including the development of an industry-standard 100-MHz processor bus protocol.

In addition to the 100-MHz processor bus protocol, the Super7 initiative includes the introduction of chipsets that support the AGP specification, and support for a backside L2 cache. Currently, over 40 motherboard vendors and all major BIOS and chipset vendors offer Super7-based products.

All AMD-K6 embedded processors in CPGA packages remain pin compatible with existing Socket 7 solutions; however, for maximum system performance, the AMD-K6-2E+ processor works optimally in Super7 designs that incorporate advanced features such as support for the 100-MHz frontside bus and AGP graphics.

100-MHz Processor Bus

The AMD-K6-2E+ processor supports a 100-MHz, 800 Mbyte/second frontside bus to provide a high-speed interface to Super7 platform-based chipsets. The 100-MHz interface speeds up access to main memory by 50 percent over the 66-MHz Socket 7 interface—resulting in a significant 10 percent increase in overall system performance.

Accelerated Graphics Port Support

Accelerated Graphics Port (AGP) support improves the performance of video graphics systems that have small amounts of video memory on the graphics card. The industry-standard AGP specification enables a 133-MHz graphics interface and will scale to even higher levels of performance.

Support For Backside L2 Cache

The Super7 platform has the ‘headroom’ to support higher-performance AMD-K6 processors like the AMD-K6-2E+ processor, which features a full-speed, internal backside 128-Kbyte L2 cache designed to enable new levels of performance to leading-edge embedded systems.

Super7™ Platform Advantages

The Super7 platform:

- Delivers performance and features competitive with alternate platforms at the same clock speed, and at a significantly lower cost
- Takes advantage of existing system designs for superior value
- Enables OEMs and resellers to take advantage of mature, high-volume infrastructure supported by multiple BIOS, chipset, graphics, and motherboard suppliers
- Reduces inventory and design costs with one motherboard for a wide range of products
- Builds on a huge installed base of more than 100 million motherboards
- Provides an easy upgrade path for embedded applications, as well as a bridge to legacy applications

By taking advantage of the low-cost, mature Socket 7 infrastructure, the Super7 platform will continue to provide superior value and leading-edge performance for embedded systems.

2 Internal Architecture

The AMD-K6-2E+ processor implements advanced design techniques known as the RISC86 microarchitecture. The RISC86 microarchitecture is a decoupled decode/execution design approach that yields superior sixth-generation performance for x86-based software. This chapter describes the techniques used and the functional elements of the RISC86 microarchitecture.

2.1 Microarchitecture Overview

When discussing processor design, it is important to understand the terms *architecture*, *microarchitecture*, and *design implementation*.

- *Architecture* refers to the instruction set and features of a processor that are visible to software programs running on the processor. The architecture determines what software the processor can run. The architecture of the AMD-K6-2E+ processor is the industry-standard x86 instruction set.
- *Microarchitecture* refers to the design techniques used in the processor to reach the target cost, performance, and functionality goals. The AMD-K6 family of processors are based on a sophisticated RISC core known as the Enhanced RISC86 microarchitecture. The Enhanced RISC86 microarchitecture is an advanced, second-order decoupled decode/execution design approach that enables industry-leading performance for x86-based software.
- *Design implementation* refers to the actual logic and circuit designs from which the processor is created according to the microarchitecture specifications.

**Enhanced RISC86®
Microarchitecture**

The Enhanced RISC86 microarchitecture defines the characteristics of the AMD-K6 family of processors. The innovative RISC86 microarchitecture approach implements the x86 instruction set by internally translating x86 instructions into RISC86 operations. These RISC86 operations were specially designed to include direct support for the x86 instruction set while observing the RISC performance principles of fixed length encoding, regularized instruction fields, and a large register set.

The Enhanced RISC86 microarchitecture used in the AMD-K6-2E+ processor enables higher processor core performance and promotes straightforward extensions, such as those added in the current AMD-K6-2E+ processor and those planned for the future. Instead of directly executing complex x86 instructions, which have lengths of 1 to 15 bytes, the AMD-K6-2E+ processor executes the simpler and easier fixed-length RISC86 operations, while maintaining the instruction coding efficiencies found in x86 programs.

The AMD-K6-2E+ processor contains parallel decoders, a centralized RISC86 operation scheduler, and ten execution units that support superscalar operation—multiple decode, execution, and retirement—of x86 instructions. These elements are packed into an aggressive and highly efficient six-stage pipeline.

**AMD-K6-2E+
Processor Block
Diagram**

As shown in Figure 1 on page 13, the high-performance, out-of-order execution engine of the AMD-K6-2E+ processor is mated to a split, level-one, 64-Kbyte, writeback cache with 32 Kbytes of instruction cache and 32 Kbytes of data cache. Backing up the level-one (L1) cache is a large, unified, level-two (L2), 128-Kbyte, writeback cache. The L1 instruction cache feeds the decoders and, in turn, the decoders feed the scheduler. The ICU issues and retires RISC86 operations contained in the scheduler. The system bus interface is an industry-standard 64-bit Super7 and Socket 7 demultiplexed bus.

The AMD-K6-2E+ processor combines the latest in processor microarchitecture to provide the highest x86 performance for today's computational systems. The AMD-K6-2E+ processor offers true sixth-generation performance and x86 binary software compatibility.

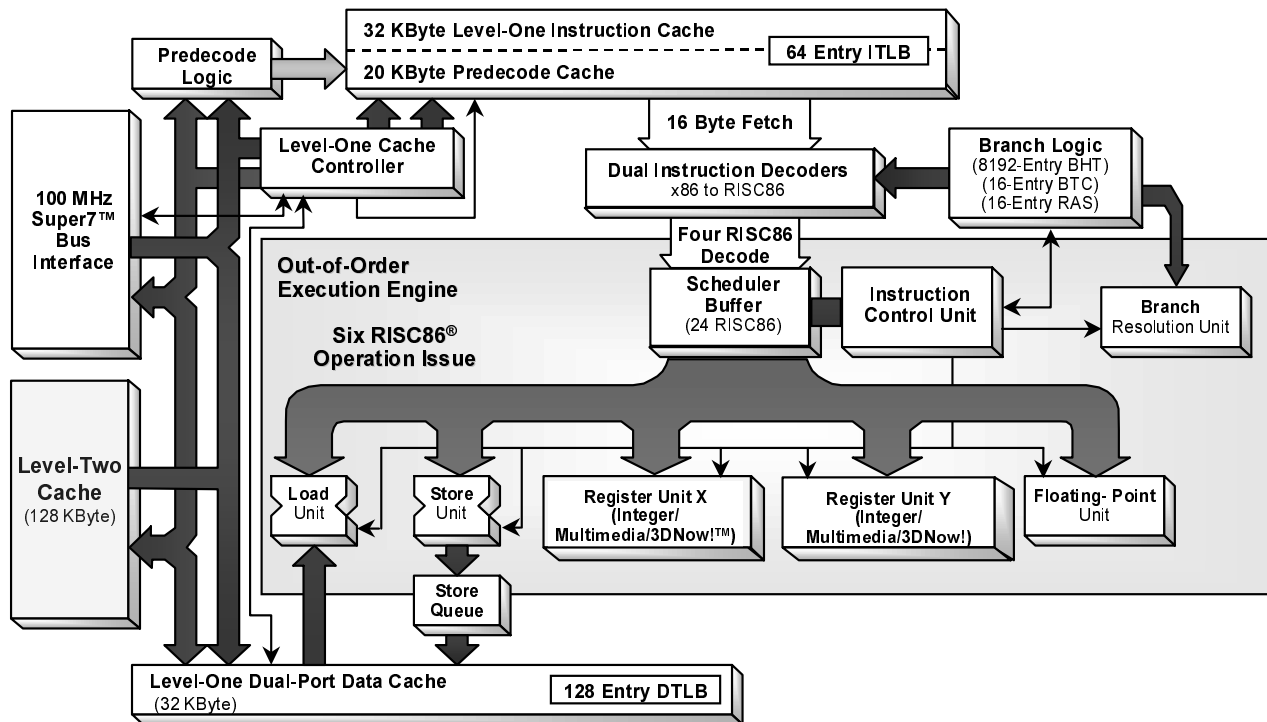


Figure 1. AMD-K6™-2E+ Processor Block Diagram

Decoders

Decoding of the x86 instructions begins when the on-chip L1 instruction cache is filled. Predecode logic determines the length of an x86 instruction on a byte-by-byte basis. This predecode information is stored, along with the x86 instructions, in the L1 instruction cache, to be used later by the decoders. The decoders translate on-the-fly, with no additional latency, up to two x86 instructions per clock into RISC86 operations.

Note: In this chapter, “clock” refers to a processor clock.

The AMD-K6-2E+ processor categorizes x86 instructions into three types of decodes—short, long, and vector. The decoders process either two short, one long, or one vector decode at a time.

The three types of decodes have the following characteristics:

- Short decodes—x86 instructions less than or equal to seven bytes in length

- Long decodes—x86 instructions less than or equal to 11 bytes in length
- Vector decodes—complex x86 instructions

Short and long decodes are processed completely within the decoders. Vector decodes are started by the decoders and then completed by fetched sequences from an on-chip ROM. After decoding, the RISC86 operations are delivered to the scheduler for dispatching to the executions units.

Scheduler/Instruction Control Unit

The centralized scheduler or buffer is managed by the Instruction Control Unit (ICU). The ICU buffers and manages up to 24 RISC86 operations at a time. This equals from 6 to 12 x86 instructions. This buffer size (24) is perfectly matched to the processor's six-stage RISC86 pipeline and four RISC86-operations decode rate.

The scheduler accepts as many as four RISC86 operations at a time from the decoders and retires up to four RISC86 operations per clock cycle. The ICU is capable of simultaneously issuing up to six RISC86 operations at a time to the execution units. This consists of the following types of operations:

- Memory load operation
- Memory store operation
- Complex integer, MMX or 3DNow! register operation
- Simple integer, MMX or 3DNow! register operation
- Floating-point register operation
- Branch condition evaluation

Registers

When managing the RISC86 operations, the ICU uses 69 physical registers contained within the RISC86 microarchitecture.

- Forty-eight of the physical registers are located in a general register file.
 - Twenty-four of these are rename registers.
 - The other twenty-four are committed or architectural registers, consisting of 16 scratch registers and 8 registers that correspond to the x86 general-purpose registers—EAX, EBX, ECX, EDX, EBP, ESP, ESI, and EDI.

- An analogous set of 21 registers is available specifically for MMX and 3DNow! operations.
 - Twelve of these are MMX/3DNow! rename registers.
- Nine are MMX/3DNow! committed or architectural registers, consisting of one scratch register and eight registers that correspond to the MMX registers (mm0–mm7, as shown in Figure 17 on page 35).

Branch Logic

The AMD-K6-2E+ processor is designed with highly sophisticated dynamic branch logic consisting of the following:

- Branch history/prediction table
- Branch target cache
- Return address stack

The AMD-K6-2E+ processor implements a two-level branch prediction scheme based on an 8192-entry branch history table. The branch history table stores prediction information that is used for predicting conditional branches. Because the branch history table does not store predicted target addresses, special address ALUs calculate target addresses on the fly during instruction decode.

The branch target cache augments predicted branch performance by avoiding a one clock cache-fetch penalty. This specialized target cache does this by supplying the first 16 bytes of target instructions to the decoders when branches are predicted. The return address stack is a unique device specifically designed for optimizing CALL and RETURN pairs. In summary, the AMD-K6-2E+ processor uses dynamic branch logic to minimize delays due to the branch instructions that are common in x86 software.

3DNow!™ Technology

AMD has taken a lead role in improving the multimedia and 3D capabilities of the x86 processor family with the introduction of 3DNow! technology, which uses a packed, single-precision, floating-point data format and Single Instruction Multiple Data (SIMD) operations based on the MMX technology model.

2.2 Cache, Instruction Prefetch, and Predecode Bits

The writeback level-one (L1) cache on the AMD-K6-2E+ processor is organized as a separate 32-Kbyte instruction cache and a 32-Kbyte data cache with two-way set associativity.

The level-two (L2) cache is 128 Kbytes, and is organized as a unified, four-way set-associative cache. The cache line size is 32 bytes, and lines are fetched from external memory using an efficient pipelined burst transaction.

As the L1 instruction cache is filled from the L2 cache or from external memory, each instruction byte is analyzed for instruction boundaries using predecoding logic. Predecoding annotates information (5 bits per byte) to each instruction byte that later enables the decoders to efficiently decode multiple instructions simultaneously.

Cache

The processor cache design takes advantage of a sectored organization (see Figure 2). Each sector consists of 64 bytes configured as two 32-byte cache lines. The two cache lines of a sector share a common tag but have separate pairs of MESI (Modified, Exclusive, Shared, Invalid) bits that track the state of each cache line.

Tag Address	Cache Line 0	Byte 31	Predecode Bits	Byte 30	Predecode Bits	Byte 0	Predecode Bits	MESI Bits
	Cache Line 1	Byte 31	Predecode Bits	Byte 30	Predecode Bits	Byte 0	Predecode Bits	MESI Bits

Figure 2. Cache Sector Organization

Two forms of cache misses and associated cache fills can take place—a tag-miss cache fill and a tag-hit cache fill.

- *Tag-Miss Cache Fill*—The L1 cache miss is due to a tag mismatch, in which case the required cache line is filled either from the L2 cache or from external memory, and the L1 cache line within the sector that was not required is marked as invalid.
- *Tag-Hit Cache Fill*—The address matches the tag, but the requested cache line is marked as invalid. The required L1 cache line is filled from the L2 cache or from external memory, and the L1 cache line within the sector that is not required remains in the same cache state.

Prefetching

The AMD-K6-2E+ processor conditionally performs cache prefetching, which results in the filling of the required cache line first, and a prefetch of the second cache line making up the other half of the sector. From the perspective of the external bus, the two cache-line fills typically appear as two 32-byte burst read cycles occurring back-to-back or, if allowed, as pipelined cycles.

The 3DNow! technology includes an instruction called PREFETCH that allows a cache line to be prefetched into the L1 data cache and the L2 cache. The PREFETCH instruction format is defined in Table 15, “3DNow!™ Instructions,” on page 89. For more detailed information, see the *3DNow!™ Technology Manual*, order# 21928.

Predecode Bits

Decoding x86 instructions is particularly difficult because the instructions are variable-length and can be from 1 to 15 bytes long. Predecode logic supplies the five predecode bits that are associated with each instruction byte. The predecode bits indicate the number of bytes to the start of the next x86 instruction. The predecode bits are stored in an extended instruction cache alongside each x86 instruction byte as shown in Figure 2 on page 16. The predecode bits are passed with the instruction bytes to the decoders where they assist with parallel x86 instruction decoding.

2.3 Instruction Fetch and Decode

Instruction Fetch

The processor can fetch up to 16 bytes per clock out of the L1 instruction cache or branch target cache. The fetched information is placed into a 16-byte instruction buffer that feeds directly into the decoders (see Figure 3 on page 18). Fetching can occur along a single execution stream with up to seven outstanding branches taken.

The instruction fetch logic is capable of retrieving any 16 contiguous bytes of information within a 32-byte boundary. There is no additional penalty when the 16 bytes of instructions lie across a cache line boundary. The instruction bytes are loaded into the instruction buffer as they are consumed by the decoders.

Although instructions can be consumed with byte granularity, the instruction buffer is managed on a memory-aligned word

(two bytes) organization. Therefore, instructions are loaded and replaced with word granularity. When a control transfer occurs—such as a JMP instruction—the entire instruction buffer is flushed and reloaded with a new set of 16 instruction bytes.

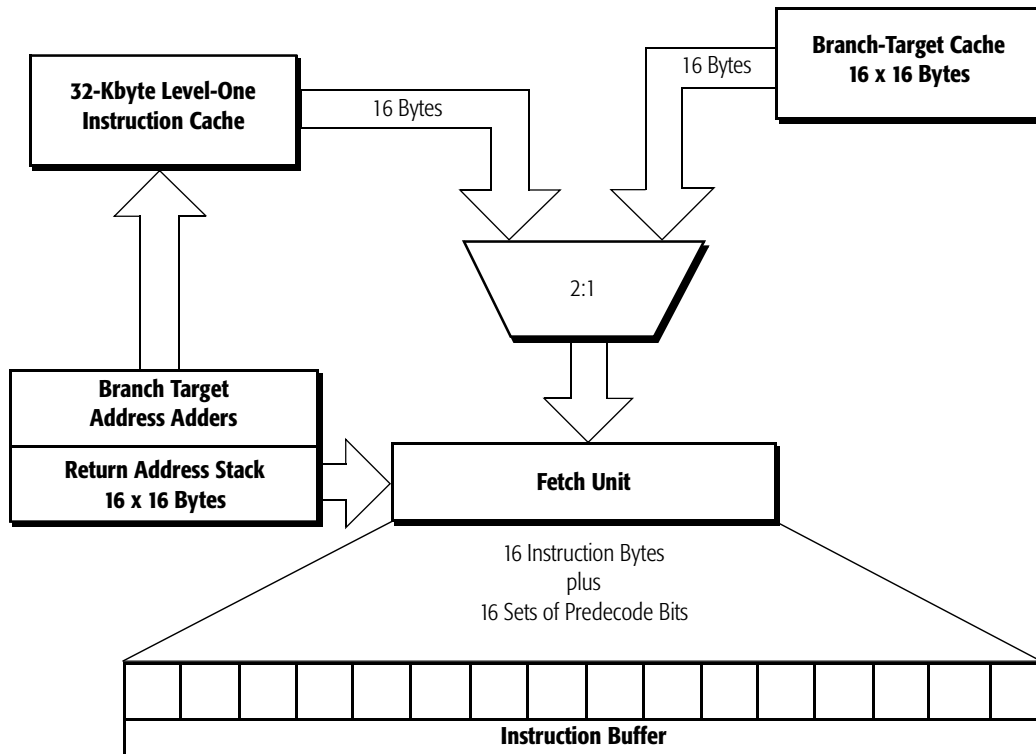


Figure 3. The Instruction Buffer

Instruction Decode

The AMD-K6-2E+ processor decode logic is designed to decode multiple x86 instructions per clock (see Figure 4 on page 19). The decode logic accepts x86 instruction bytes and their predecode bits from the instruction buffer, locates the actual instruction boundaries, and generates RISC86 operations from these x86 instructions.

RISC86 operations are fixed-length internal instructions. Most RISC86 operations execute in a single clock. RISC86 operations are combined to perform every function of the x86 instruction set. Some x86 instructions are decoded into as few as zero RISC86 operations—for instance a NOP—or one RISC86

operation—a register-to-register add. More complex x86 instructions are decoded into several RISC86 operations.

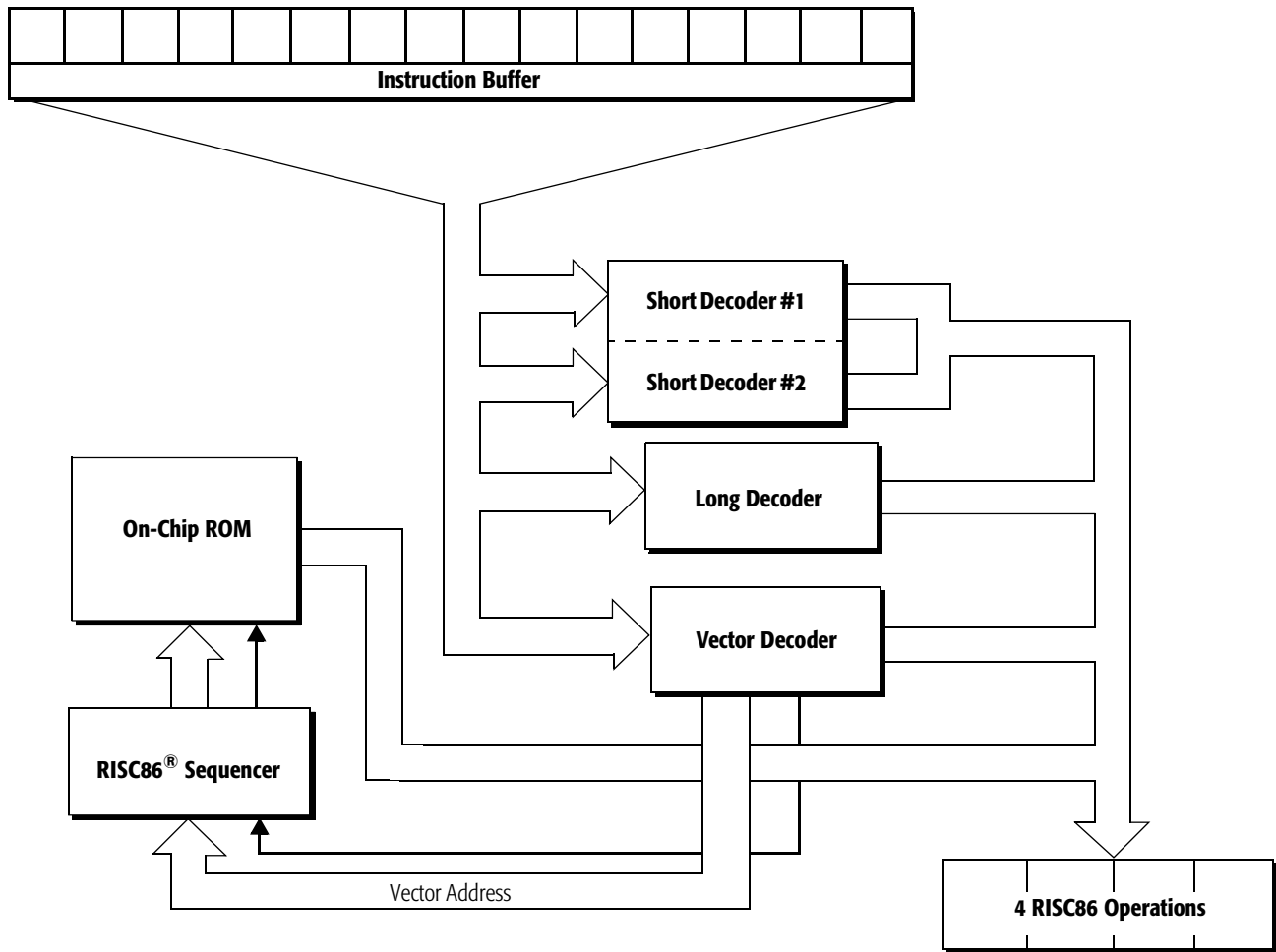


Figure 4. AMD-K6™-2E+ Processor Decode Logic

The AMD-K6-2E+ processor uses a combination of decoders to convert x86 instructions into RISC86 operations. The hardware consists of three sets of decoders—two parallel short decoders, one long decoder, and one vector decoder.

Parallel Short Decoders. The two parallel short decoders translate the most commonly-used x86 instructions (moves, shifts, branches, ALU, FPU) and the extensions to the x86 instruction set (including MMX and 3DNow! instructions) into zero, one, or two RISC86 operations each. The short decoders only operate on x86 instructions that are up to seven bytes long. In addition,

they are designed to decode up to two x86 instructions per clock.

Long Decoder. The commonly-used x86 instructions that are greater than seven bytes but not more than 11 bytes long and less-commonly-used x86 instructions that are up to seven bytes long are handled by the long decoder. The long decoder only performs one decode per clock and generates up to four RISC86 operations.

Vector Decoder. All other translations (complex instructions, serializing conditions, interrupts and exceptions, etc.) are handled by a combination of the vector decoder and RISC86 operation sequences fetched from an on-chip ROM. For complex operations, the vector decoder logic provides the first set of RISC86 operations and a vector (initial ROM address) to a sequence of further RISC86 operations. The same types of RISC86 operations are fetched from the ROM as those that are generated by the hardware decoders.

Note: Although all three sets of decoders are simultaneously fed a copy of the instruction buffer contents, only one of the three types of decoders is used during any one decode clock.

Grouped Operations. The decoders or the on-chip RISC86 ROM always generate a group of four RISC86 operations. For decodes that cannot fill the entire group with four RISC86 operations, RISC86 NOP operations are placed in the empty locations of the grouping. For example, a long-decoded x86 instruction that converts to only three RISC86 operations is padded with a single RISC86 NOP operation and then passed to the scheduler. Up to six groups or 24 RISC86 operations can be placed in the scheduler at a time.

Floating Point Instructions. All of the common, and a few of the uncommon, floating-point instructions (also known as ESC instructions) are hardware decoded as short decodes. This decode generates a RISC86 floating-point operation and, optionally, an associated floating-point load or store operation. Floating-point or ESC instruction decode is only allowed in the first short decoder, but non-ESC instructions can be decoded simultaneously by the second short decoder along with an ESC instruction decode in the first short decoder.

MMX™ and 3DNow!™ Instructions. All of the MMX and 3DNow! instructions, with the exception of the EMMS, FEMMS, and PREFETCH instructions, are hardware decoded as short decodes. The MMX instruction decode generates a RISC86 MMX operation and, optionally, an associated MMX load or store operation. A 3DNow! instruction decode generates a RISC86 3DNow! operation and, optionally, an associated load or store operation. MMX and 3DNow! instructions can be decoded in either or both of the short decoders.

2.4 Centralized Scheduler

The scheduler is the heart of the AMD-K6-2E+ processor (see Figure 5 on page 22). It contains the logic necessary to manage out-of-order execution, data forwarding, register renaming, simultaneous issue and retirement of multiple RISC86 operations, and speculative execution.

The scheduler's buffer can hold up to 24 RISC86 operations. This equates to a maximum of 12 x86 instructions. The scheduler can issue RISC86 operations from any of the 24 locations in the buffer. When possible, the scheduler can simultaneously issue a RISC86 operation to any available execution unit (store, load, branch, register X integer/multimedia, register Y integer/multimedia, or floating-point). In total, the scheduler can issue up to six and retire up to four RISC86 operations per clock.

The main advantage of the scheduler and its operation buffer is the ability to examine an x86 instruction window equal to 12 x86 instructions at one time. This advantage is due to the fact that the scheduler operates on the RISC86 operations in parallel and allows the AMD-K6-2E+ processor to perform dynamic on-the-fly instruction code scheduling for optimized execution. Although the scheduler can issue RISC86 operations for out-of-order execution, it always retires x86 instructions in order.

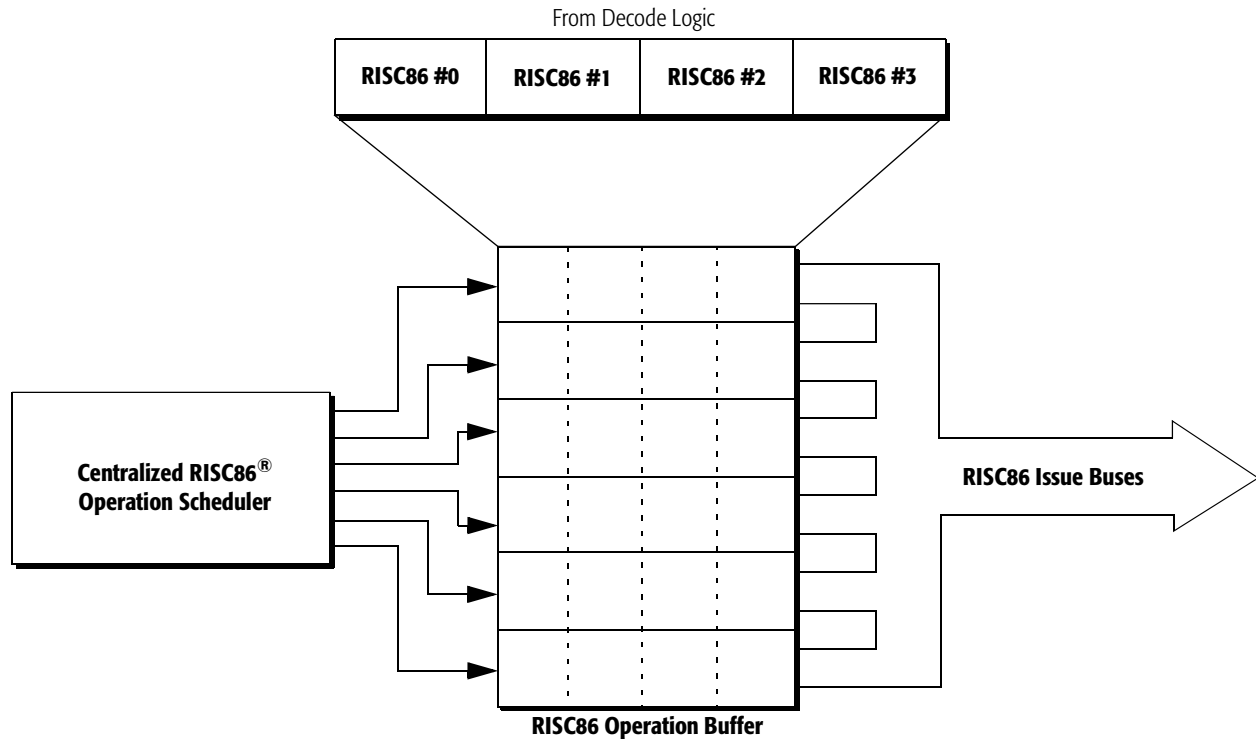


Figure 5. AMD-K6™-2E+ Processor Scheduler

2.5 Execution Units

The AMD-K6-2E+ processor contains ten parallel execution units—store, load, integer X ALU, integer Y ALU, MMX ALU (X), MMX ALU (Y), MMX/3DNow! multiplier, 3DNow! ALU, floating-point, and branch condition. Each unit is independent and capable of handling the RISC86 operations issued to it. Table 1 on page 23 details the execution units, functions performed within these units, operation latency, and operation throughput.

Note that the integer, MMX, and 3DNow! execution units share the register X and Y issue pipelines. See “Register X and Y Pipelines” on page 24.

The store and load execution units are two-stage pipelined designs.

- The store unit performs data writes and register calculation for LEA/PUSH instructions. Data memory and register

writes from stores are available after one clock. Store operations are held in a store queue prior to execution. From there, they execute in order.

- The load unit performs data memory reads. Data is available from the load unit after two clocks.

The Integer X execution unit can operate on all ALU operations, multiplies, divides (signed and unsigned), shifts, and rotates.

The Integer Y execution unit can operate on the basic word and doubleword ALU operations—ADD, AND, CMP, OR, SUB, XOR, zero-extend and sign-extend operands.

The branch condition unit is separate from the branch prediction logic (see “Branch-Prediction Logic” on page 25) in that it resolves conditional branches such as JCC and LOOP after the branch condition has been evaluated.

Table 1. Execution Latency and Throughput of Execution Units

Functional Unit	Function	Latency	Throughput
Store	LEA/PUSH, Address (Pipelined)	1	1
	Memory Store (Pipelined)	1	1
Load	Memory Loads (Pipelined)	2	1
Integer X	Integer ALU	1	1
	Integer Multiply	2–3	2–3
	Integer Shift	1	1
Multimedia (processes MMX instructions)	MMX ALU	1	1
	MMX Shifts, Packs, Unpack	1	1
	MMX Multiply	2	1
Integer Y	Basic ALU (16-bit and 32-bit operands)	1	1
Branch	Resolves Branch Conditions	1	1
FPU	FADD, FSUB, FMUL	2	2
3DNow!	3DNow! ALU	2	1
	3DNow! Multiply	2	1
	3DNow! Convert	2	1

Register X and Y Pipelines

The functional units that execute MMX and 3DNow! instructions share pipeline control with the Integer X and Integer Y units.

The register X and Y functional units are attached to the issue bus for the register X execution pipeline or the issue bus for the register Y execution pipeline or both.

Each register pipeline has dedicated resources that consist of an integer execution unit and an MMX ALU execution unit, therefore allowing superscalar operation on integer and MMX instructions.

In addition, both the X and Y issue buses are connected to the 3DNow! ALU, the MMX/3DNow! multiplier and MMX shifter, which allows the appropriate RISC86 operation to be issued through either bus. Figure 6 shows the details of the X and Y register pipelines.

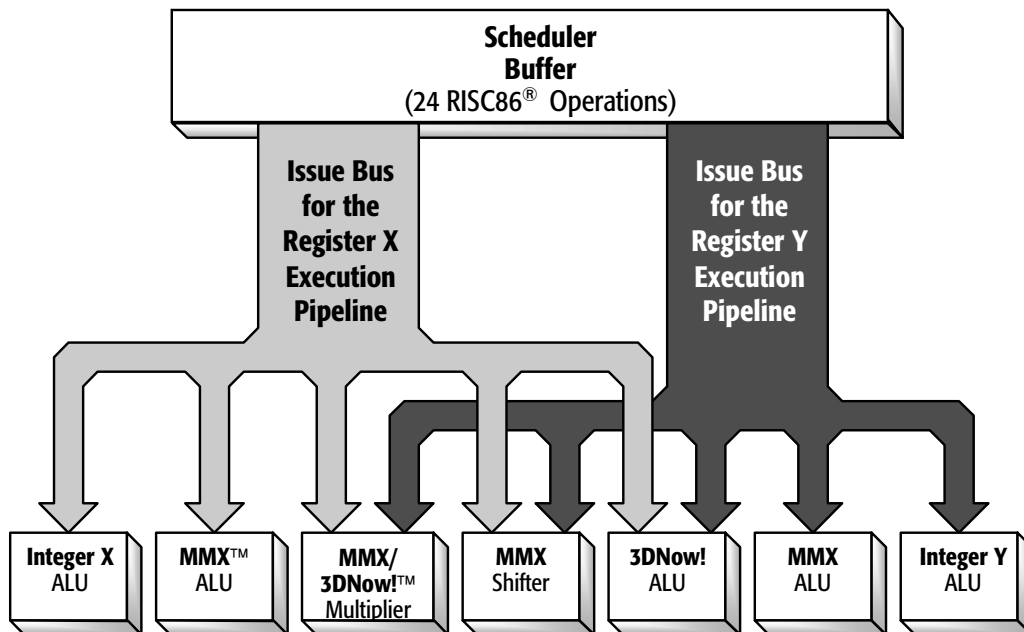


Figure 6. Register X and Y Pipeline Functional Units

2.6 Branch-Prediction Logic

Sophisticated branch logic that can minimize or hide the impact of changes in program flow is designed into the AMD-K6-2E+ processor. Branches in x86 code fit into two categories:

- *Unconditional branches* always change program flow (that is, the branches are always taken)
- *Conditional branches* may or may not divert program flow (that is, the branches are taken or not-taken). When a conditional branch is not taken, the processor simply continues decoding and executing the next instructions in memory.

Typical applications have up to 10% of unconditional branches and another 10% to 20% conditional branches. The AMD-K6-2E+ processor branch logic has been designed to handle this type of program behavior and to minimize its negative effects on instruction execution, such as stalls due to delayed instruction fetching and the draining of the processor pipeline. The branch logic contains an 8192-entry branch history table, a 16-entry by 16-byte branch target cache, a 16-entry return address stack, and a branch execution unit.

Branch History Table

The AMD-K6-2E+ processor handles unconditional branches without any penalty by redirecting instruction fetching to the target address of the unconditional branch. However, conditional branches require the use of the dynamic branch-prediction mechanism built into the AMD-K6-2E+ processor.

A two-level adaptive history algorithm is implemented in an 8192-entry branch history table. This table stores executed branch information, predicts individual branches, and predicts the behavior of groups of branches.

To accommodate the large branch history table, the AMD-K6-2E+ processor does not store predicted target addresses. Instead, the branch target addresses are calculated on-the-fly using ALUs during the decode stage. The adders calculate all possible target addresses before the instructions are fully decoded and the processor chooses which addresses are valid.

Branch Target Cache

To avoid a one clock cache-fetch penalty when a branch is predicted taken, a built-in branch target cache supplies the first 16 bytes of instructions directly to the instruction buffer (assuming the target address hits this cache). (See Figure 3 on page 18.)

The branch target cache is organized as 16 entries of 16 bytes. In total, the branch prediction logic achieves branch prediction rates greater than 95%.

Return Address Stack

The return address stack is a special device designed to optimize CALL and RET pairs. Software is typically compiled with subroutines that are frequently called from various places in a program. This is usually done to save space.

Entry into the subroutine occurs with the execution of a CALL instruction. At that time, the processor pushes the address of the next instruction in memory following the CALL instruction onto the stack (allocated space in memory). When the processor encounters a RET instruction (within or at the end of the subroutine), the branch logic pops the address from the stack and begins fetching from that location. To avoid the latency of main memory accesses during CALL and RET operations, the return address stack caches the pushed addresses.

Branch Execution Unit

The branch execution unit enables efficient speculative execution. This unit gives the processor the ability to execute instructions beyond conditional branches before knowing whether the branch prediction was correct.

The AMD-K6-2E+ processor does not permanently update the x86 registers or memory locations until all speculatively executed conditional branch instructions are resolved. When a prediction is incorrect, the processor backs out to the point of the mispredicted branch instruction and restores all registers. The AMD-K6-2E+ processor can support up to seven outstanding branches.

3 Software Environment

This chapter provides a general overview of the AMD-K6-2E+ processor's x86 software environment and briefly describes the data types, registers, operating modes, interrupts, and instructions supported by the AMD-K6-2E+ processor architecture and design implementation.

The AMD-K6-2E+ processor implements the same ten Model-Specific Registers (MSRs) as the AMD-K6-2 and AMD-K6-2E processors Model 8/[F:8], and the bits and fields within these ten MSRs are defined identically. The AMD-K6-2E+ processor supports an additional MSR for cache control. The low-power versions of the AMD-K6-2E+ processor support a twelfth MSR to control the AMD PowerNow! technology functions.

See “Model-Specific Registers (MSR)” on page 44 for the MSR definitions.

The model number for the AMD-K6-2E+ processor is Model D/[7:4], where the actual stepping can be any value in the range [7:4].

3.1 Registers

The AMD-K6-2E+ processor contains all the registers defined by the x86 architecture, including general-purpose, segment, floating-point, MMX/3DNow!, EFLAGS, control, task, debug, test, and descriptor/memory-management registers.

In addition, this chapter provides information on the AMD-K6-2E+ processor MSRs.

Note: *Areas of the register designated as Reserved should not be modified by software.*

General-Purpose Registers

The eight 32-bit x86 general-purpose registers are used to hold integer data or memory pointers used by instructions. Table 2 contains a list of the general-purpose registers and the functions for which they are used.

Table 2. General-Purpose Registers

Register	Function
EAX	Commonly used as an accumulator
EBX	Commonly used as a pointer
ECX	Commonly used for counting in loop operations
EDX	Commonly used to hold I/O information and to pass parameters
EDI	Commonly used as a destination pointer by the ES segment
ESI	Commonly used as a source pointer by the DS segment
ESP	Used to point to the stack segment
EBP	Used to point to data within the stack segment

In order to support byte and word operations, EAX, EBX, ECX, and EDX can also be used as 8-bit and 16-bit registers. The shorter registers are overlaid on the longer ones. For example, the name of the 16-bit version of EAX is AX (low 16 bits of EAX) and the 8-bit names for AX are AH (high order bits) and AL (low order bits). The same naming convention applies to EBX, ECX, and EDX.

EDI, ESI, ESP, and EBP can be used as smaller 16-bit registers called DI, SI, SP, and BP respectively, but these registers do not have 8-bit versions. Figure 7 shows the EAX register with its name components, and Table 3 on page 29 lists the doubleword (32-bit) general-purpose registers and their corresponding word (16-bit) and byte (8-bit) versions.

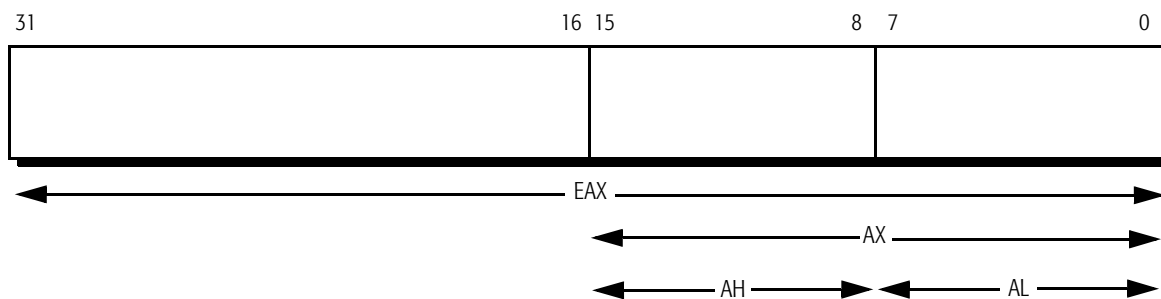


Figure 7. EAX Register with 16-Bit and 8-Bit Name Components

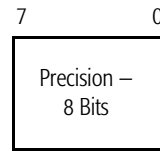
Table 3. General-Purpose Register Doubleword, Word, and Byte Names

32-Bit Name (Doubleword)	16-Bit Name (Word)	8-Bit Name (High-order Bits)	8-Bit Name (Low-order Bits)
EAX	AX	AH	AL
EBX	BX	BH	BL
ECX	CX	CH	CL
EDX	DX	DH	DL
EDI	DI	—	—
ESI	SI	—	—
ESP	SP	—	—
EBP	BP	—	—

Integer Data Types

Four types of data are used in general-purpose registers—byte, word, doubleword, and quadword integers. Figure 8 shows the format of the integer data registers.

Byte Integer



Word Integer



Doubleword Integer



Quadword Integer



Figure 8. Integer Data Registers

Segment Registers

The six 16-bit segment registers are used as pointers to areas (segments) of memory. Table 4 lists the segment registers and their functions. Figure 9 shows the format for all six segment registers.

Table 4. Segment Registers

Segment Register	Segment Register Function
CS	Code segment, where instructions are located
DS	Data segment, where data is located
ES	Data segment, where data is located
FS	Data segment, where data is located
GS	Data segment, where data is located
SS	Stack segment

**Figure 9. Segment Register****Segment Usage**

The operating system determines the type of memory model that is implemented. The segment register usage is determined by the operating system's memory model. In a real mode memory model, the segment register points to the base address in memory.

In a protected mode memory model the segment register is called a selector and it selects a segment descriptor in a descriptor table. This descriptor contains a pointer to the base of the segment, the limit of the segment, and various protection attributes. For more information on descriptor formats, see "Descriptors and Gates" on page 59. Figure 10 on page 31 shows segment usage for Real mode and Protected mode memory models.

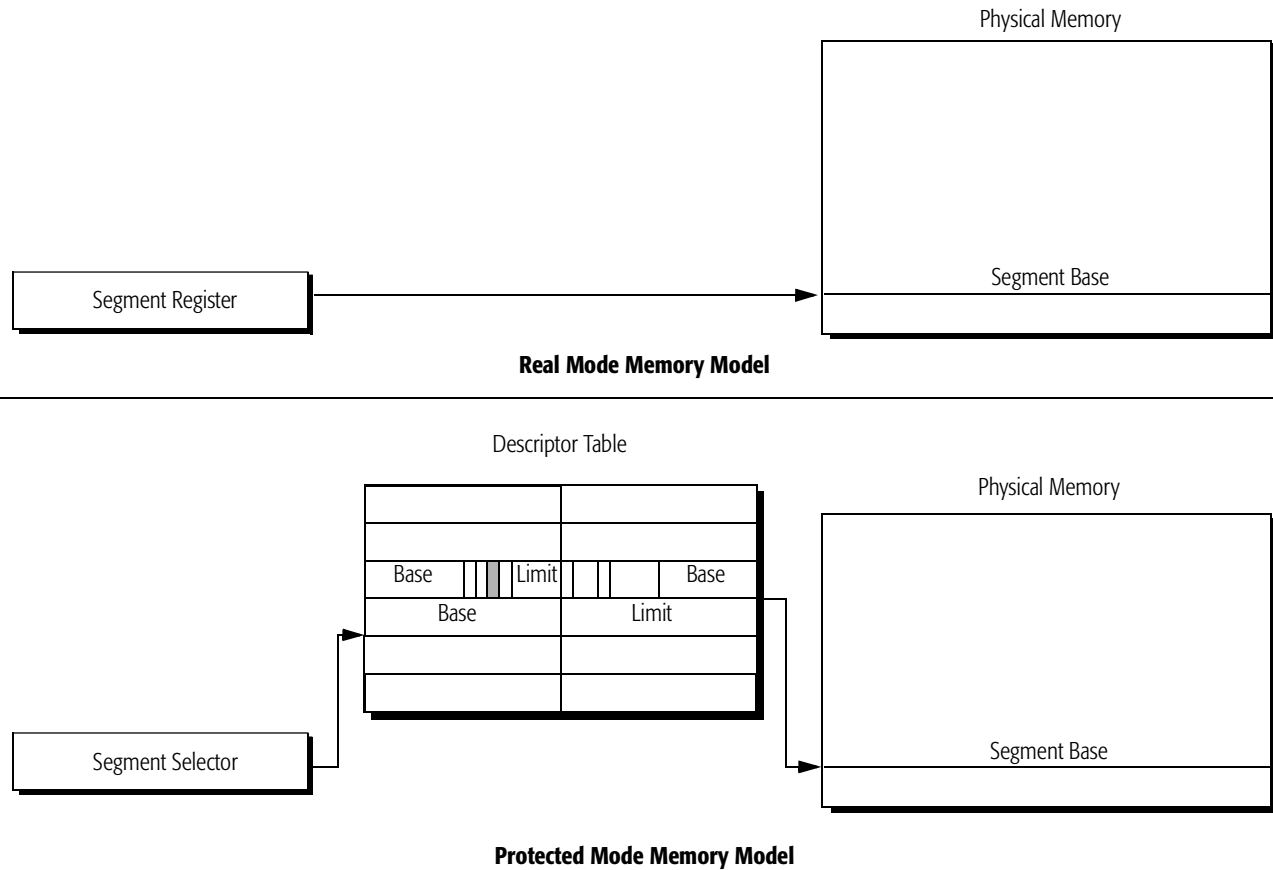


Figure 10. Segment Usage

Instruction Pointer

The instruction pointer (EIP or IP) is used in conjunction with the code segment register (CS). The instruction pointer is either a 32-bit register (EIP) or a 16-bit register (IP) that keeps track of where the next instruction resides within memory. This register cannot be directly manipulated, but can be altered by modifying return pointers when a JMP or CALL instruction is used.

Floating-Point Registers

The floating-point execution unit in the AMD-K6-2E+ processor is designed to perform mathematical operations on non-integer numbers. This floating-point unit conforms to the IEEE 754 and 854 standards and uses several registers to meet these standards—eight numeric floating-point registers, a status word register, a control word register, and a tag word register.

The eight floating-point registers are physically 80 bits wide and labeled FPR0–FPR7. Figure 11 shows the format of the floating-point registers. See “Floating-Point Register Data Types” on page 34 for information on allowable floating-point data types.

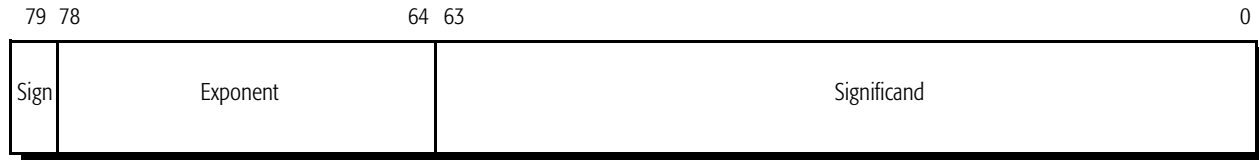


Figure 11. Floating-Point Register

The 16-bit FPU status word register contains information about the state of the floating-point unit. Figure 12 shows the format of the FPU status word register.

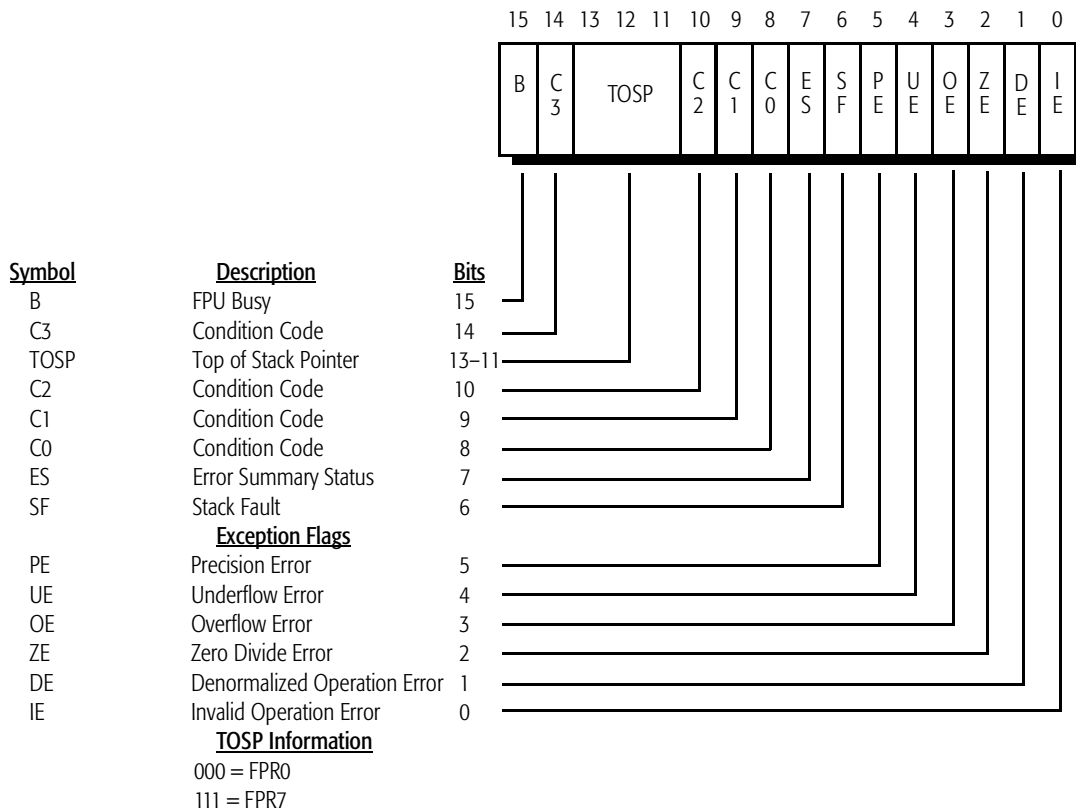


Figure 12. FPU Status Word Register

The FPU control word register allows a programmer to manage the FPU processing options. Figure 13 shows the format of the FPU control word register.

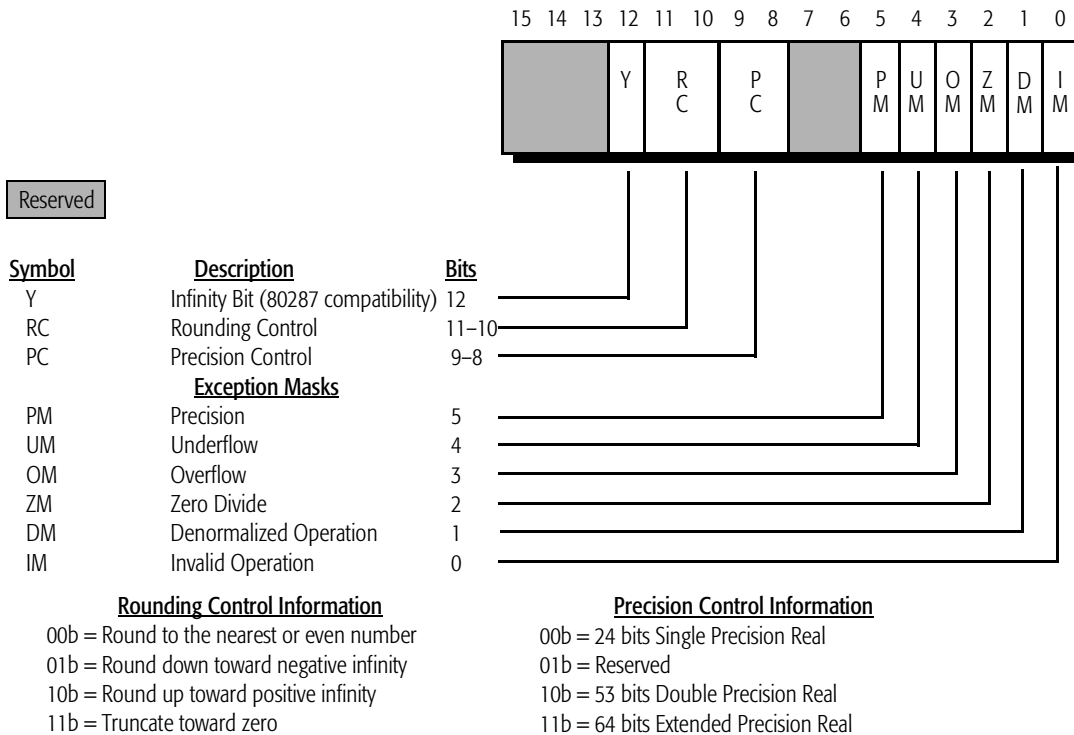


Figure 13. FPU Control Word Register

The FPU tag word register contains information about the registers in the register stack. Figure 14 shows the format of the FPU tag word register.

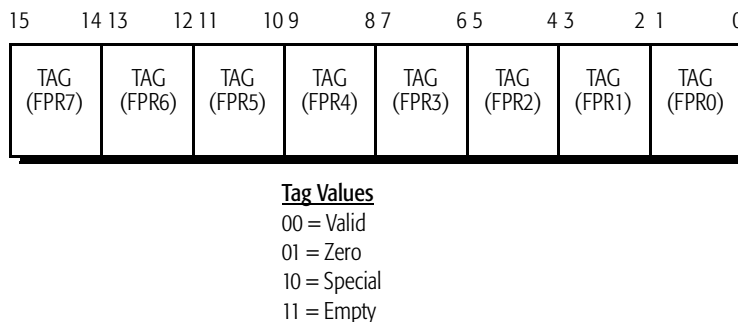


Figure 14. FPU Tag Word Register

Floating-Point Register Data Types

Floating-point registers use four different types of data—packed decimal, single-precision real, double-precision real, and extended-precision real. Figures 15 and 16 show the formats for these registers.

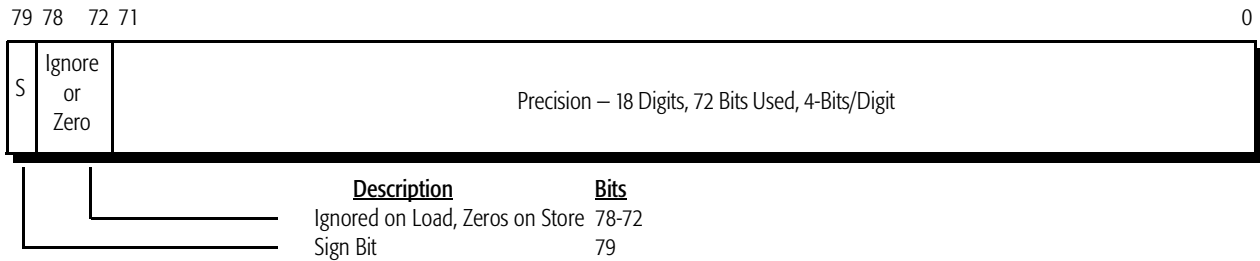


Figure 15. Packed Decimal Data Register

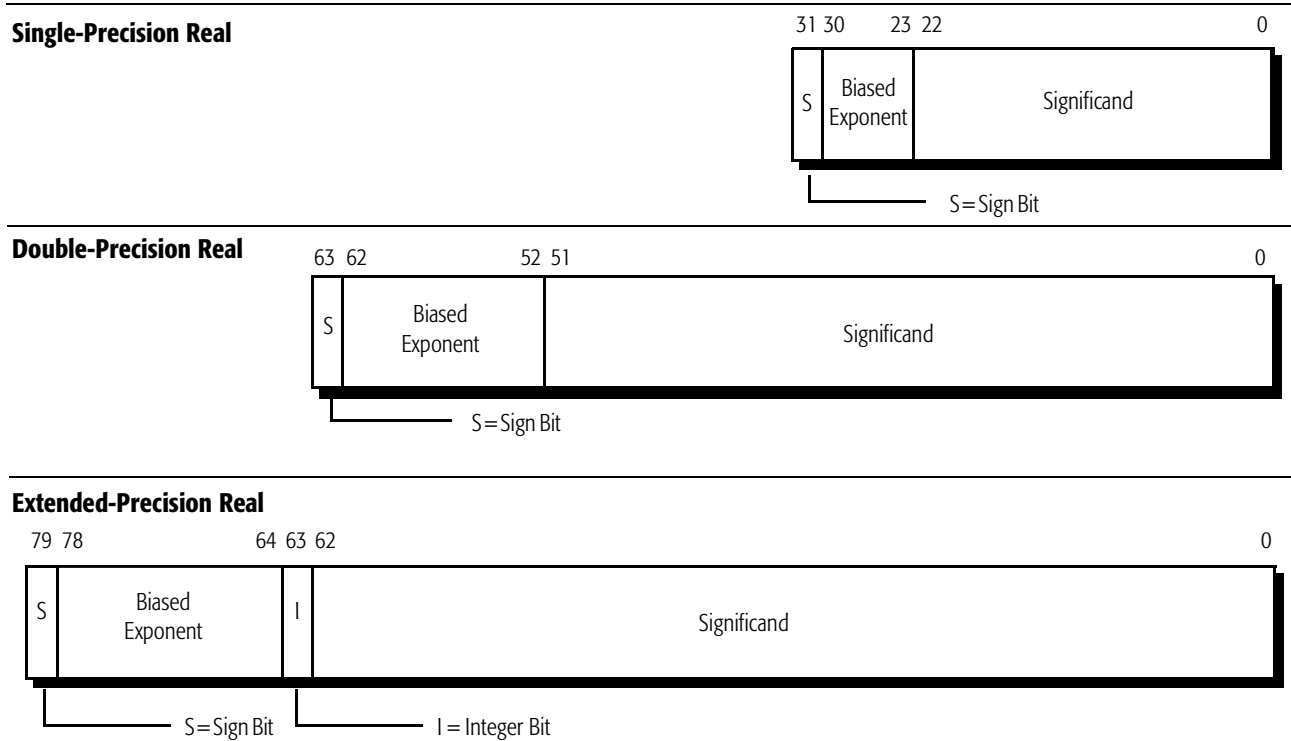


Figure 16. Precision Real Data Registers

**MMX™/3DNow!™
Registers**

The AMD-K6-2E+ processor implements eight 64-bit MMX/3DNow! registers for use by multimedia software. These registers are mapped on the floating-point register stack. The MMX and 3DNow! instructions refer to these registers as mm0 to mm7. Figure 17 shows the format of these registers. For more information, see the *AMD-K6® Processor Multimedia Technology Manual*, order# 20726 and the *3DNow! Technology Manual*, order# 21928.

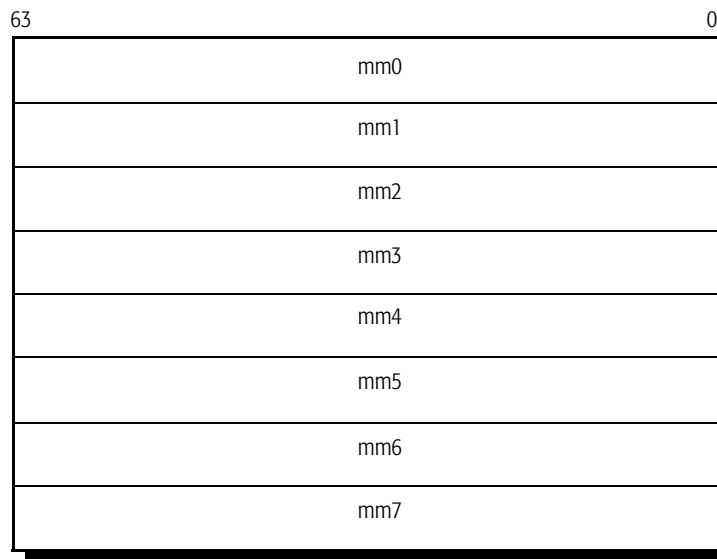
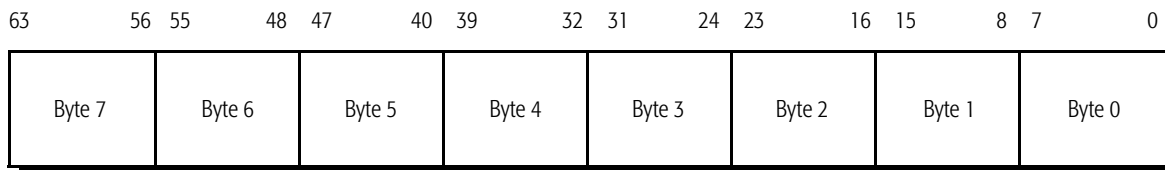


Figure 17. MMX™/3DNow!™ Registers

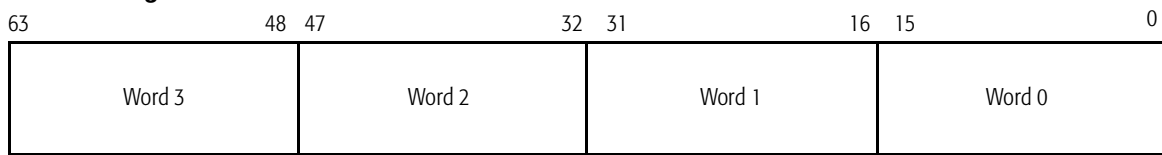
MMX™ Technology Data Types

For the MMX instructions, the MMX registers use three types of data—packed eight-byte integer, packed quadword integer, and packed dual doubleword integer. Figure 18 on page 36 shows the format of these data types.

Packed Bytes Integer



Packed Words Integer



Packed Doubleword Integer

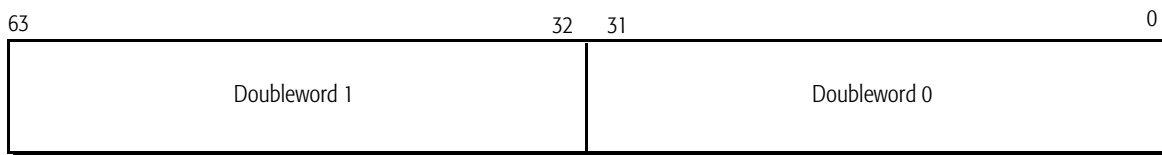


Figure 18. MMX™ Technology Data Types

3DNow!™ Technology Data Types

For 3DNow! instructions, the MMX/3DNow! registers use packed single-precision real data. Figure 19 shows the format of the 3DNow! data type.

Packed Single Precision Floating Point

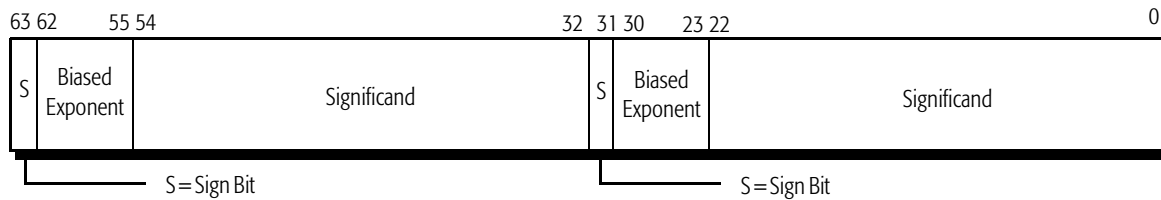


Figure 19. 3DNow!™ Technology Data Types

EFLAGS Register

The EFLAGS register provides for three different types of flags—system, control, and status. The system flags provide operating system controls, the control flag provides directional information for string operations, and the status flags provide information resulting from logical and arithmetic operations. Figure 20 shows the format of the EFLAGS register.

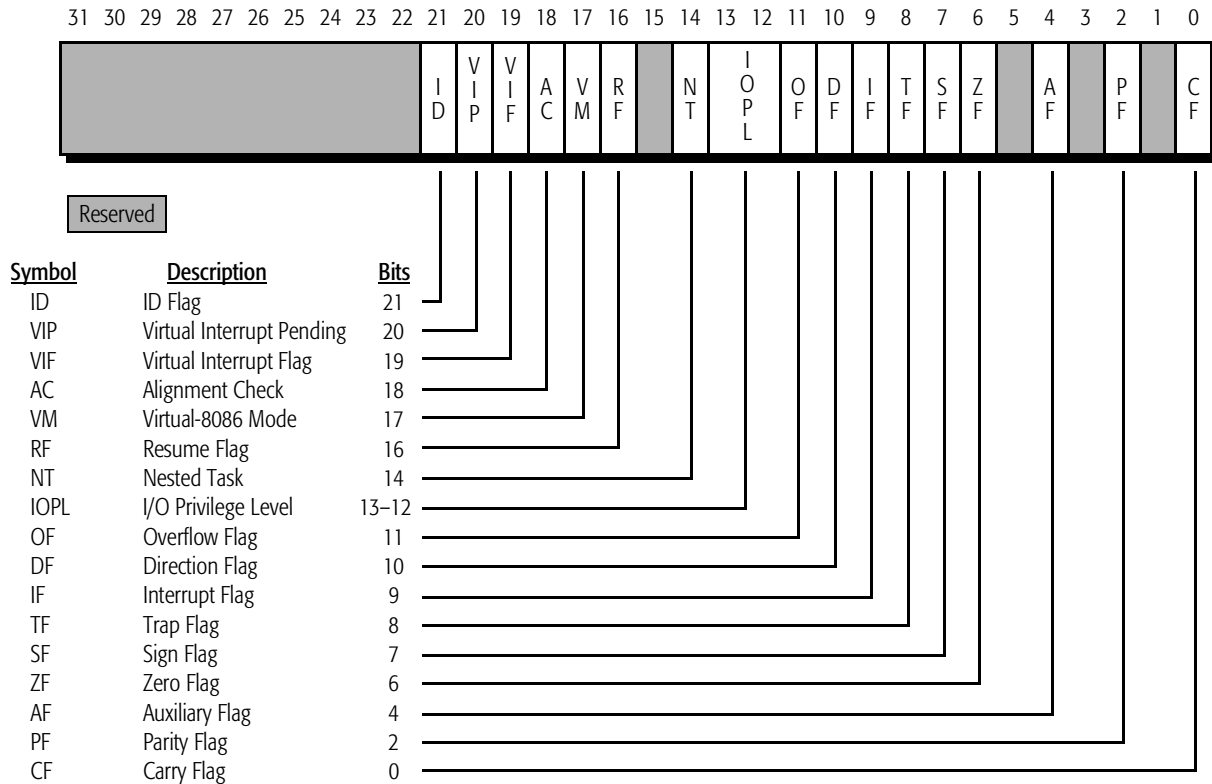


Figure 20. EFLAGS Registers

Control Registers

The five control registers contain system control bits and pointers. Figures 21 through 25 show the formats of the control registers.

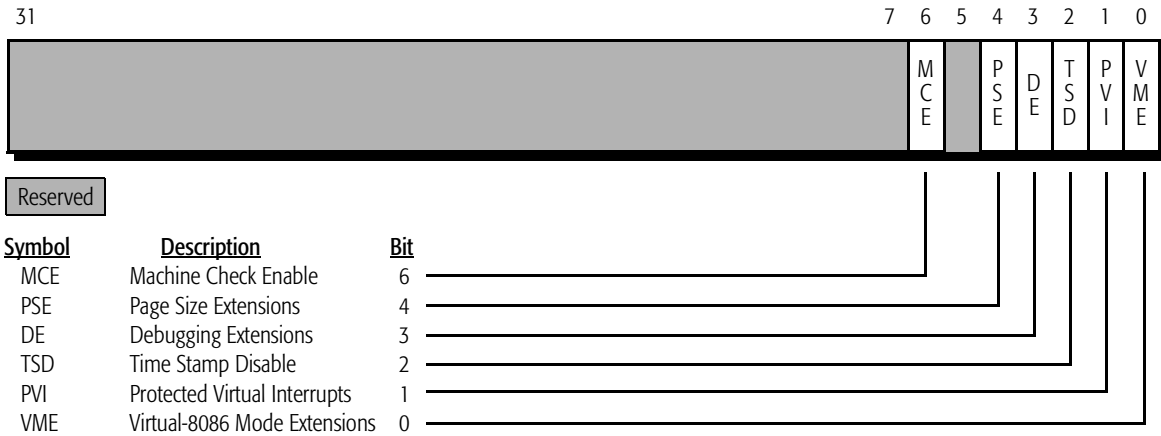


Figure 21. Control Register 4 (CR4)

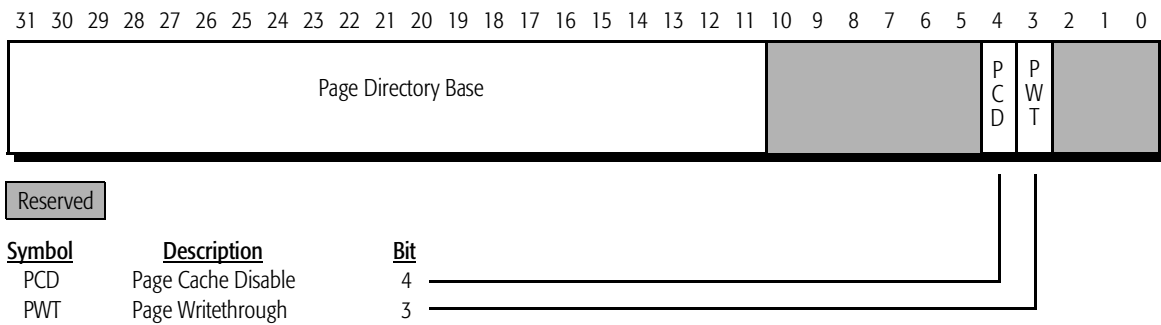


Figure 22. Control Register 3 (CR3)

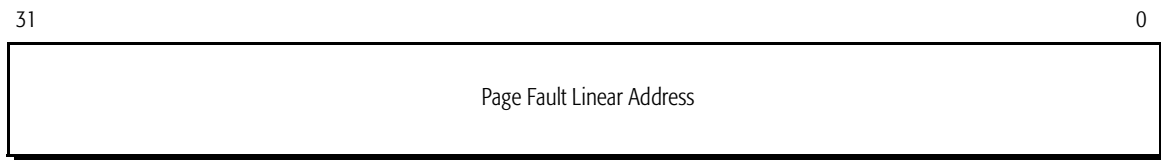


Figure 23. Control Register 2 (CR2)

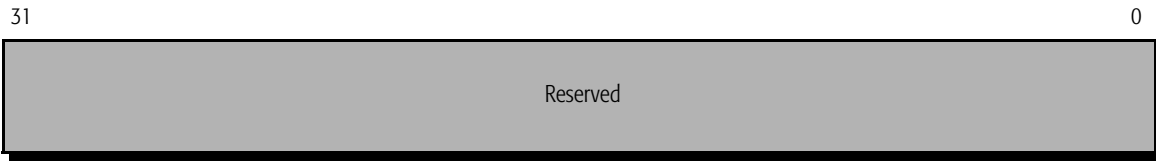


Figure 24. Control Register 1 (CR1)

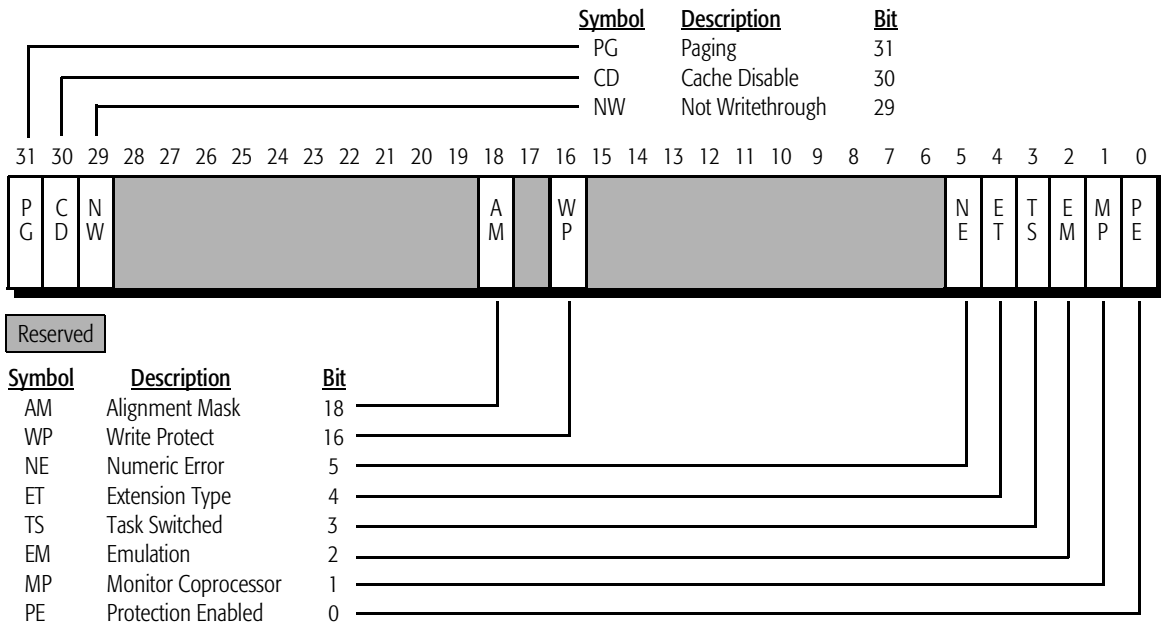


Figure 25. Control Register 0 (CR0)

Debug Registers

Figures 26 through 29 show the 32-bit debug registers supported by the processor. These registers are further described in “Debug” on page 268.

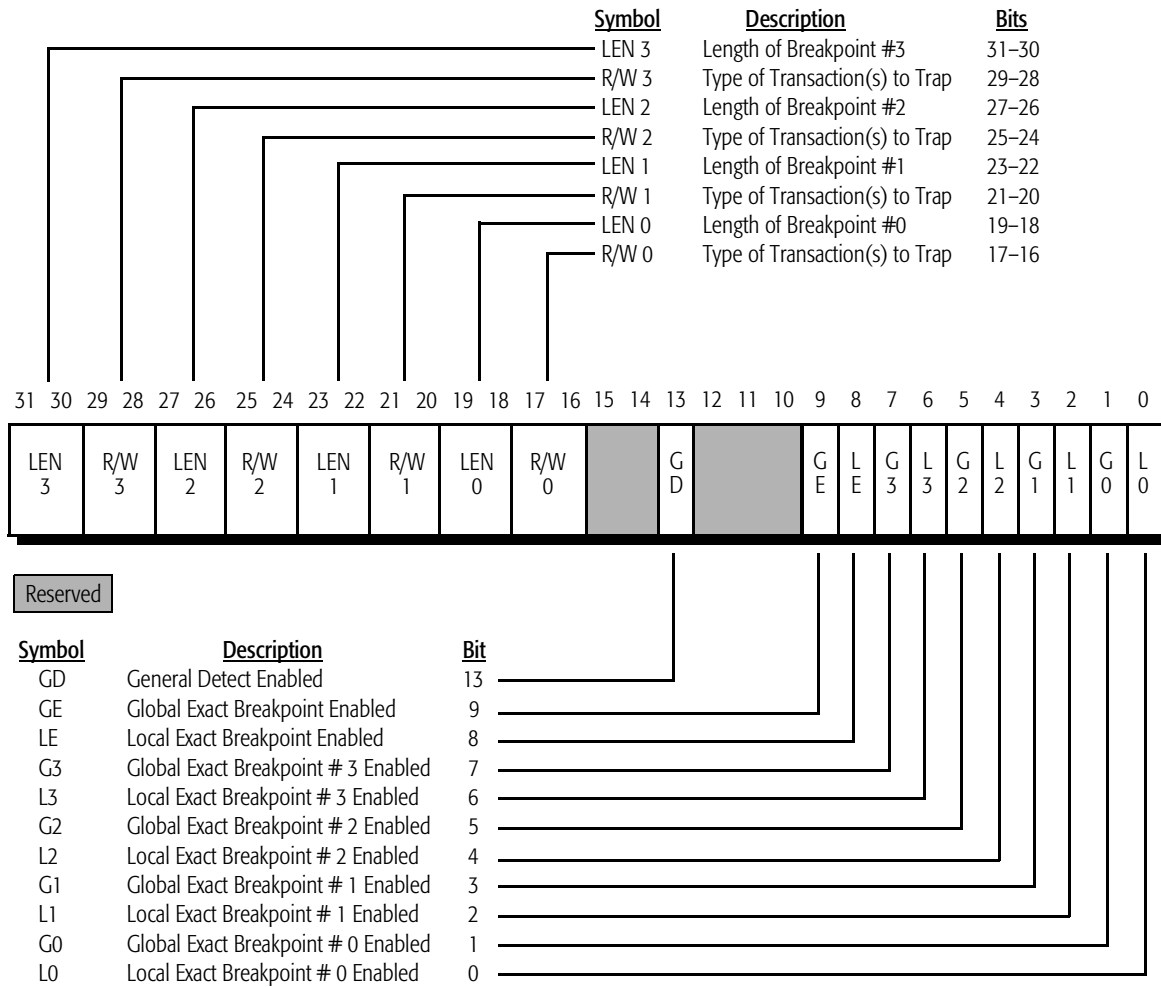


Figure 26. Debug Register DR7

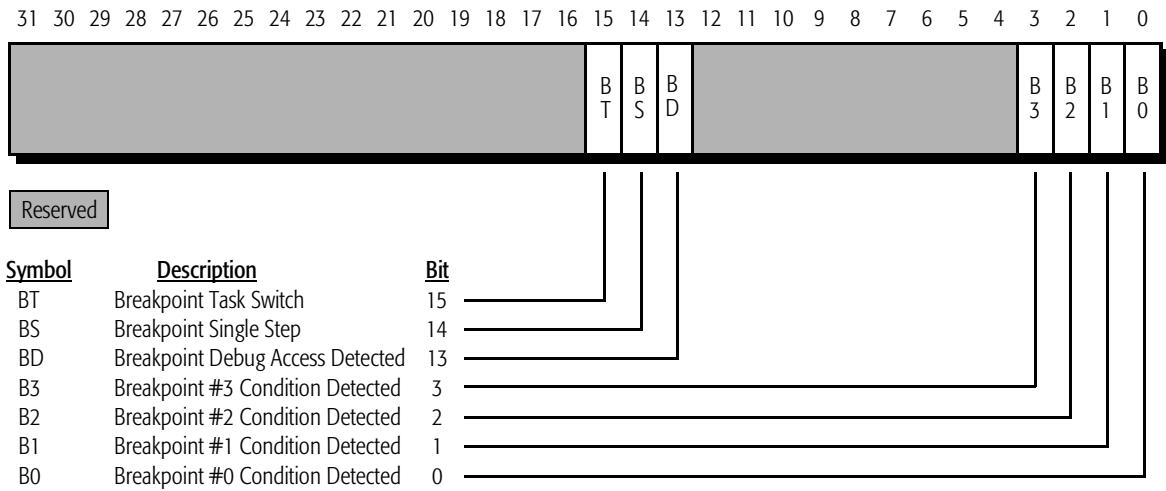
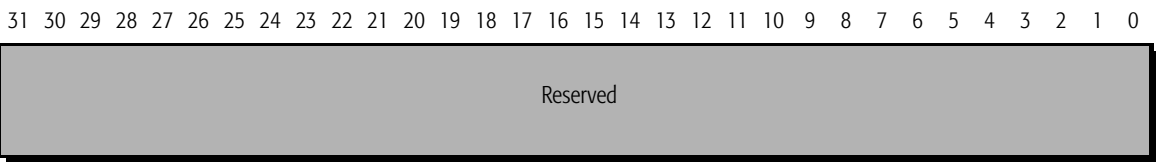


Figure 27. Debug Register DR6

DR5



DR4

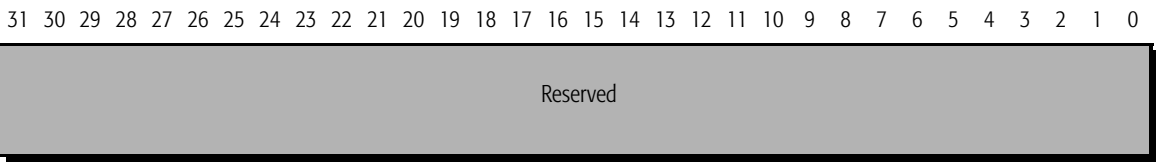
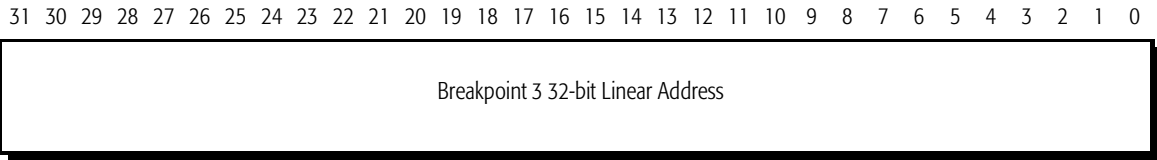
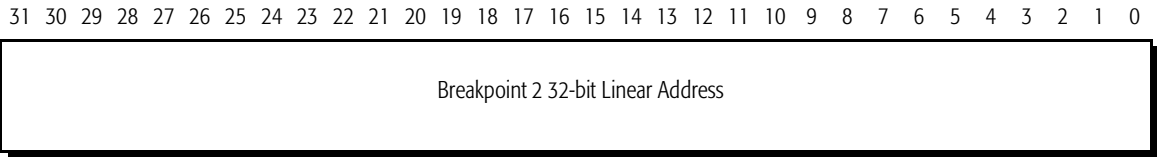


Figure 28. Debug Registers DR5 and DR4

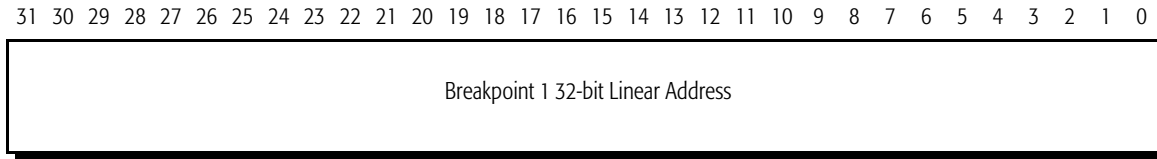
DR3



DR2



DR1



DR0

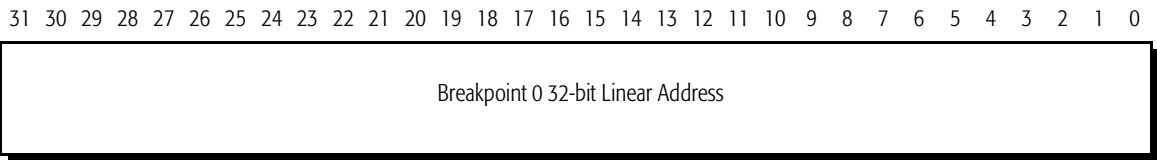


Figure 29. Debug Registers DR3, DR2, DR1, and DR0

3.2 Model-Specific Registers (MSR)

The AMD-K6-2E+ processor provides eleven Model-Specific Registers (MSRs) in the standard-power versions and twelve MSRs in the low-power versions.

- The value in the ECX register selects the MSR to be addressed by the RDMSR and WRMSR instructions.
- The values in EAX and EDX are used as inputs and outputs by the RDMSR and WRMSR instructions.

Table 5 lists the MSRs and the corresponding value of the ECX register. Figures 30 through 43 starting on page 45 show the MSR formats.

Table 5. AMD-K6™-2E+ Processor Model-Specific Registers

Model-Specific Register	Value of ECX
Machine Check Address Register (MCAR)	00h
Machine Check Type Register (MCTR)	01h
Test Register 12 (TR12)	0Eh
Time Stamp Counter (TSC)	10h
Extended Feature Enable Register (EFER)	C000_0080h
SYSCALL/SYSRET Target Address Register (STAR)	C000_0081h
Write Handling Control Register (WHCR)	C000_0082h
UC/WC Cacheability Control Register (UWCCR)	C000_0085h
Processor State Observability Register (PSOR)	C000_0087h
Page Flush/Invalidate Register (PFIR)	C000_0088h
Level-2 Cache Array Register (L2AAR)	C000_0089h
Enhanced Power Management Register (EPMR) ¹	C000_0086h

Notes:

1. The EPMR register is supported in the low-power versions only of the AMD-K6-2E+ processor.

For more information about the MSRs, see the *Embedded AMD-K6™ Processors BIOS Design Guide Application Note*, order# 23913.

For more information about the RDMSR and WRMSR instructions, see the *AMD K86™ Family BIOS and Software Tools Development Guide*, order# 21062.

Machine Check Address Register (MCAR) and Machine Check Type Register (MCTR)

The AMD-K6-2E+ processor does not support the generation of a machine check exception. However, the processor does provide a 64-bit machine check address register (MCAR), a 64-bit machine check type register (MCTR), and a machine check enable (MCE) bit in CR4.

Because the processor does not support machine check exceptions, the contents of the MCAR and MCTR are only affected by the WRMSR instruction and by RESET being sampled asserted (where all bits in each register are reset to 0).

The formats for the machine-check address register and the machine-check type register are shown in Figure 30 and Figure 31, respectively. The MCAR register is MSR 00h, and the MCTR register is MSR 01h.

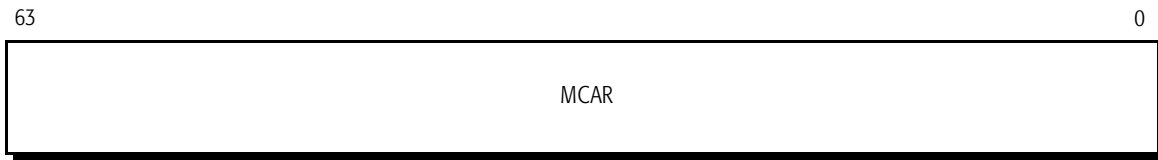


Figure 30. Machine-Check Address Register (MCAR)

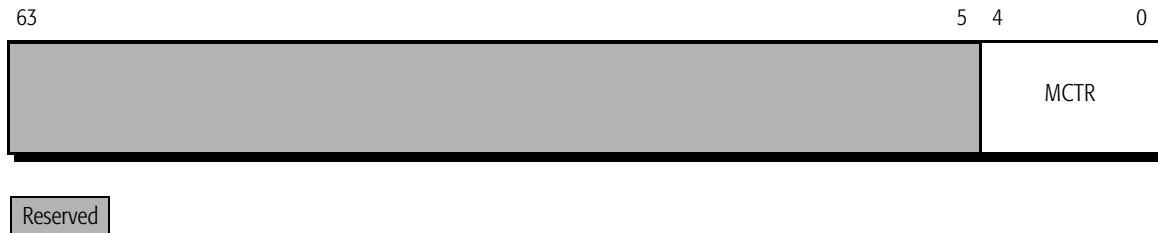


Figure 31. Machine-Check Type Register (MCTR)

Test Register 12 (TR12)

Test register 12 provides a method for disabling the L1 caches. Figure 32 shows the format of TR12. The TR12 register is MSR 0Eh.

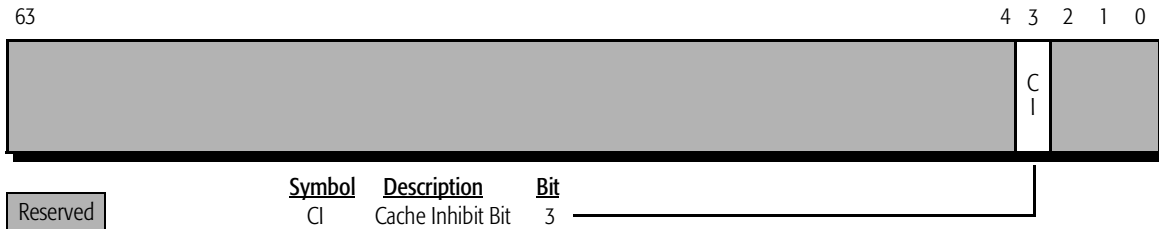


Figure 32. Test Register 12 (TR12)

Time Stamp Counter

With each processor clock cycle, the processor increments the 64-bit time stamp counter (TSC) MSR. Figure 33 shows the format of the TSC. The TSC register is MSR 10h.

The counter can be written or read using the WRMSR or RDMSR instructions when the ECX register contains the value 10h and CPL = 0. The counter can also be read using the RDTSC instruction, but the procedure must be executing at privilege level 0 for the RDTSC instruction to execute. This condition is reflected by the status of the Time Stamp Disable (TSD) bit in CR4.

With either of these instructions, the EDX and EAX registers hold the upper and lower dwords of the 64-bit value to be written to or read from the TSC, as follows:

- EDX—Upper 32 bits of TSC
- EAX—Lower 32 bits of TSC

The TSC can be loaded with any arbitrary value. This feature is compatible with the Pentium processor.

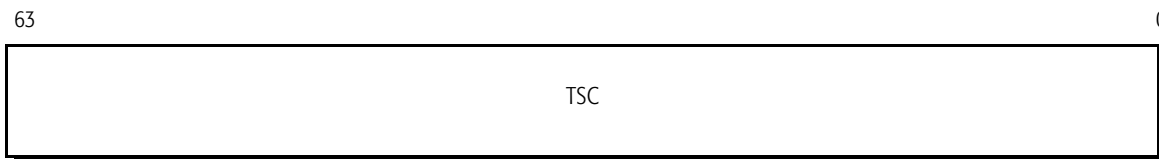


Figure 33. Time Stamp Counter (TSC)

Extended Feature Enable Register (EFER)

The Extended Feature Enable Register (EFER) contains the control bits that enable the extended features of the processor. Figure 34 shows the format of the EFER register, and Table 6 defines the function of each bit of the EFER register. The EFER register is MSR C000_0080h.

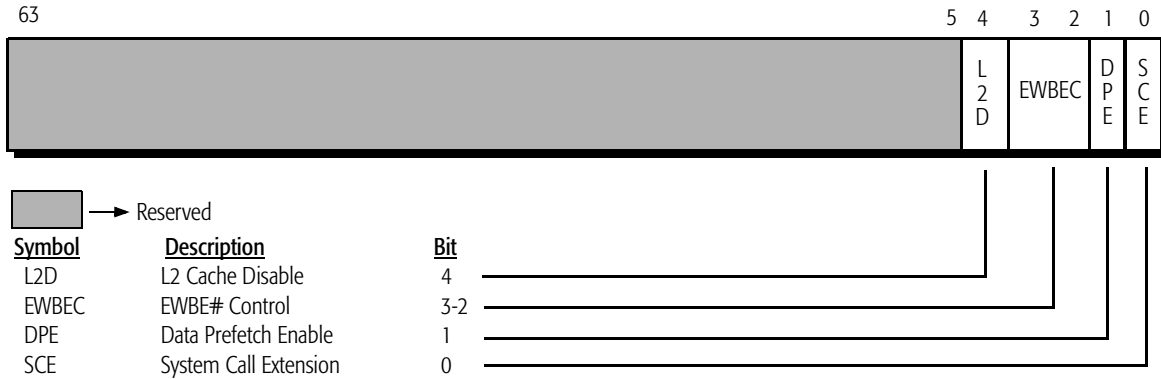


Figure 34. Extended Feature Enable Register (EFER)

Table 6. Extended Feature Enable Register (EFER) Definition

Bit	Description	R/W	Function
63–5	Reserved	R	Writing a 1 to any reserved bit causes a general protection fault to occur. All reserved bits are always read as 0.
4	L2D	R/W	If L2D is set to 1, the L2 cache is completely disabled. This bit is provided for debug and testing purposes. For normal operation and maximum performance, this bit must be set to 0 (this is the default setting following reset).
3–2	EWBE Control (EWBEC)	R/W	This 2-bit field controls the behavior of the processor with respect to the ordering of write cycles and the EWBE# signal. EFER[3] and EFER[2] are Global EWBE Disable (GEWBED) and Speculative EWBE Disable (SEWBED), respectively.
1	Data Prefetch Enable (DPE)	R/W	DPE must be set to 1 to enable data prefetching (this is the default setting following reset). If enabled, cache misses initiated by a memory read within a 32-byte line are conditionally followed by cache-line fetches of the other line in the 64-byte sector.
0	System Call Extension (SCE)	R/W	SCE must be set to 1 to enable the usage of the SYSCALL and SYSRET instructions.

For more information about the EWBEC bits, see “EWBE# Control” on page 229.

SYSCALL/SYSRET Target Address Register (STAR)

The SYSCALL/SYSRET target address register (STAR) contains the target EIP address used by the SYSCALL instruction and the 16-bit code and stack segment selector bases used by the SYSCALL and SYSRET instructions. Figure 35 shows the format of the STAR register, and Table 7 defines the function of each bit of the STAR register. For more information, see the *SYSCALL and SYSRET Instruction Specification Application Note*, order# 21086. The STAR register is MSR C000_0081h.

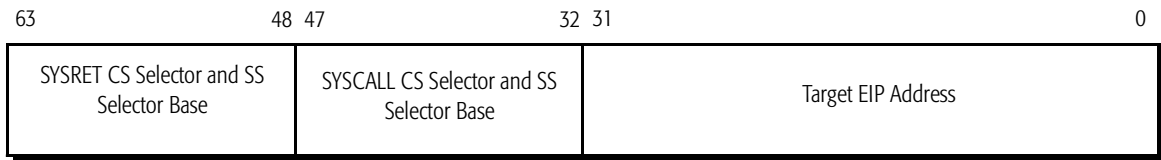


Figure 35. SYSCALL/SYSRET Target Address Register (STAR)

Table 7. SYSCALL/SYSRET Target Address Register (STAR) Definition

Bit	Description	R/W
63–48	SYSRET CS and SS Selector Base	R/W
47–32	SYSCALL CS and SS Selector Base	R/W
31–0	Target EIP Address	R/W

Write Handling Control Register (WHCR)

The Write Handling Control Register (WHCR) is a MSR that contains two fields—the Write Allocate Enable Limit (WAE LIM) field, and the Write Allocate Enable 15-to-16-Mbyte (WAE15M) bit (see Figure 36). For more information, see “Write Allocate” on page 215. The WHCR register is MSR C000_0082h.

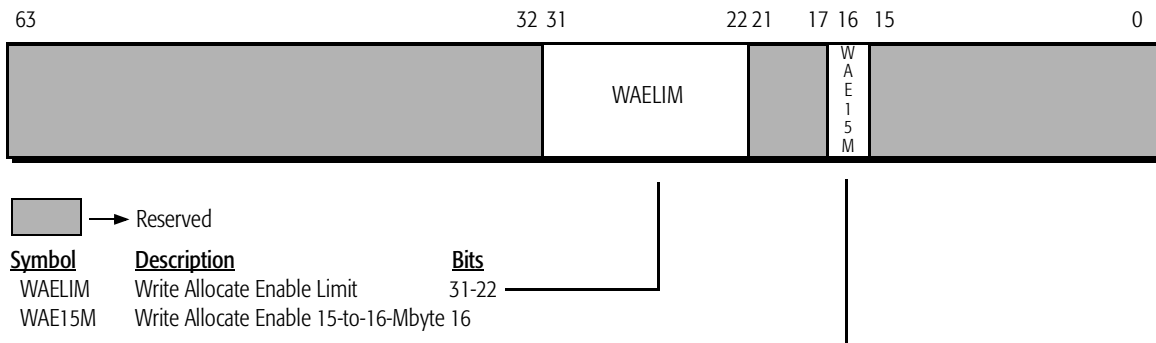


Figure 36. Write Handling Control Register (WHCR)

UC/WC Cacheability Control Register (UWCCR)

The AMD-K6-2E+ processor provides two variable-range Memory Type Range Registers (MTRRs)—MTRR0 and MTRR1—that each specify a range of memory. Each range can be defined as uncacheable (UC) or write-combining (WC) memory. For more information, see “Memory Type Range Registers” on page 231. The UWCCR register is MSR C000_0085h.

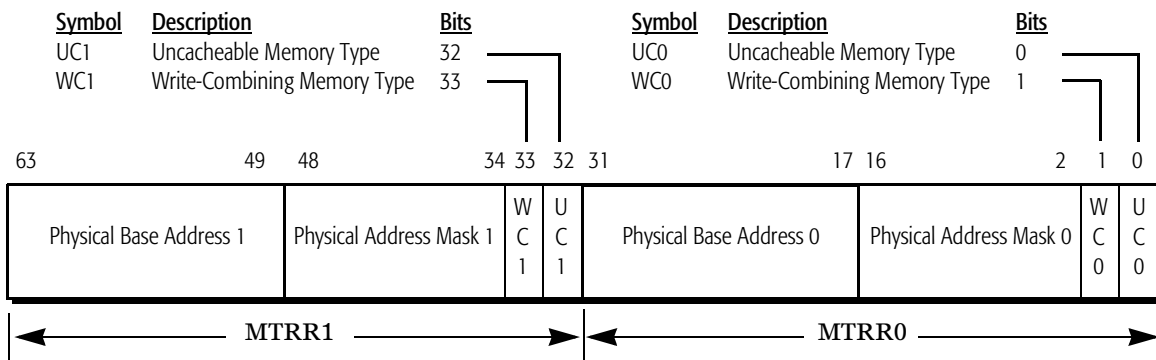


Figure 37. UC/WC Cacheability Control Register (UWCCR)

Processor State Observability Register (PSOR)

The AMD-K6-2E+ processor provides the Processor State Observability Register (PSOR). The PSOR is defined as shown in Figure 38 for all standard-power versions of the AMD-K6-2E+ processor. For a description of the PSOR register supported by the low-power versions of the processor, see page 148.

The PSOR register is MSR C000_0087h.

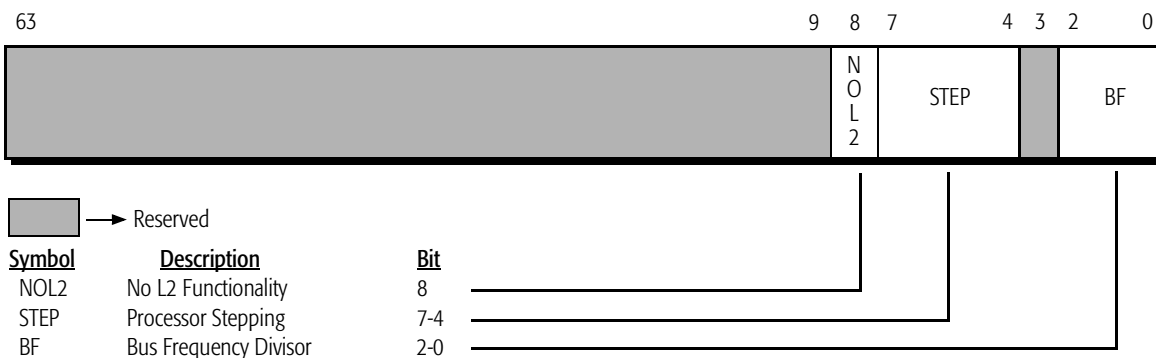


Figure 38. Processor State Observability Register (PSOR)

Page Flush/Invalidate Register (PFIR)

The AMD-K6-2E+ processor contains the Page Flush/Invalidate Register (PFIR) (see Figure 39) that allows cache invalidation and optional flushing of a specific 4-Kbyte page from the linear address space. For more detailed information on PFIR, see “Page Flush/Invalidate Register (PFIR)” on page 223. The PFIR register is MSR C000_0088h.

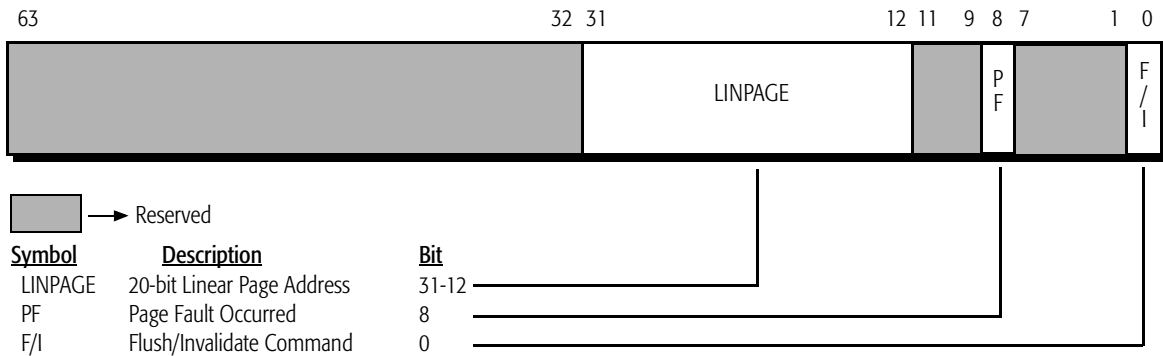


Figure 39. Page Flush/Invalidate Register (PFIR)

Level-2 Cache Array Access Register (L2AAR)

The AMD-K6-2E+ processor provides the L2AAR register that allows for direct access to the L2 cache and L2 tag arrays. The L2AAR register is MSR C000_0089h.

The operation that is performed on the L2 cache is a function of the instruction executed—RDMSR or WRMSR—and the contents of the EDX register. The EDX register specifies the location of the access, and whether the access is to the L2 cache data or tags (refer to Figure 40).

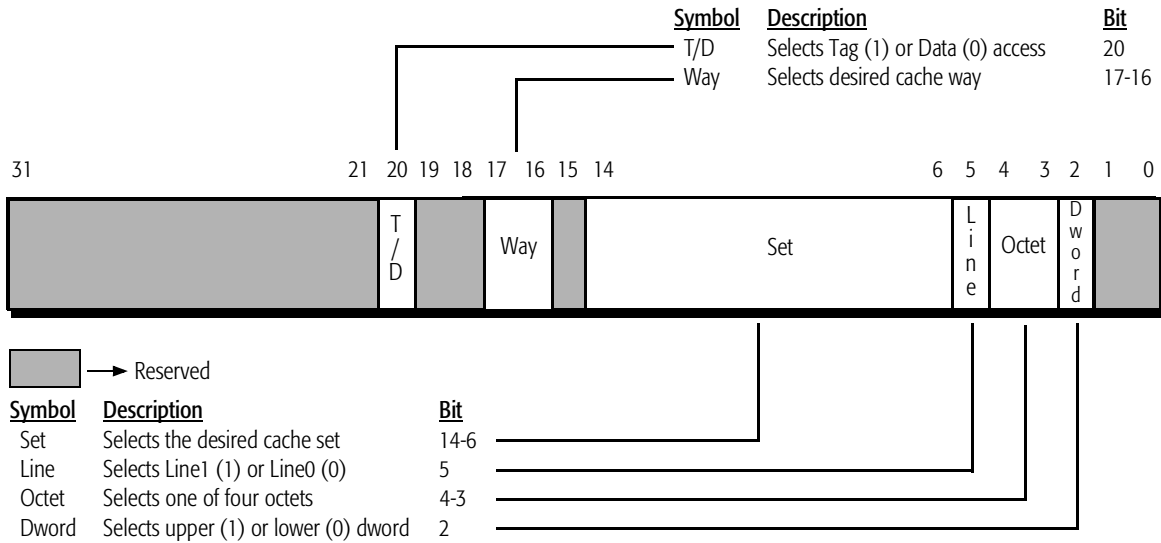


Figure 40. L2 Tag or Data Location for AMD-K6™-2E+ Processor-EDX

If the L2 cache data is read (as opposed to reading the tag information), the result (doubleword) is placed in EAX in the format as illustrated in Figure 41. Similarly, if the L2 cache data is written, the write data is taken from EAX.



Figure 41. L2 Data -EAX

If the L2 tag is read (as opposed to reading the cache data), the result is placed in EAX in the format as illustrated in Figure 42 on page 52. Similarly, if the L2 tag is written, the write data is taken from EAX.

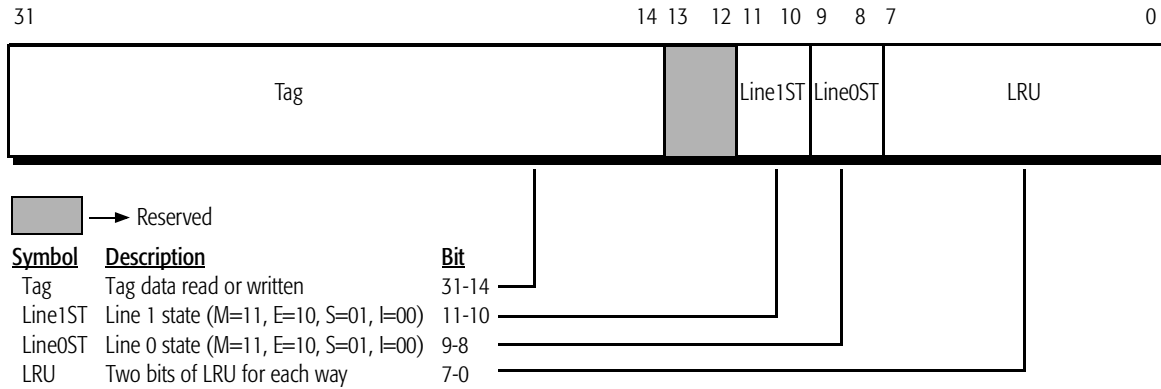


Figure 42. L2 Tag Information for AMD-K6™-2E+ Processor-EAX

For more detailed information, refer to “L2 Cache and Tag Array Testing” on page 264.

Enhanced Power Management Register (EPMR)

The AMD-K6-2E+ processor is designed with enhanced power management features, called AMD PowerNow! technology, which include dynamic bus divisor control and dynamic core voltage control. The EPMR register (see Figure 43) defines the base address for a 16-byte block of I/O address space. Enabling the EPMR allows software to access the EPM 16-byte I/O block, which contains bits for enabling, controlling, and monitoring the AMD PowerNow! technology features. The EPMR is MSR C000_0086h.

See “AMD PowerNow!™ Technology” on page 143 for more information about the definition and use of this register. Additional information can be found in the *Embedded AMD-K6™ Processors BIOS Design Guide Application Note*, order# 23913.

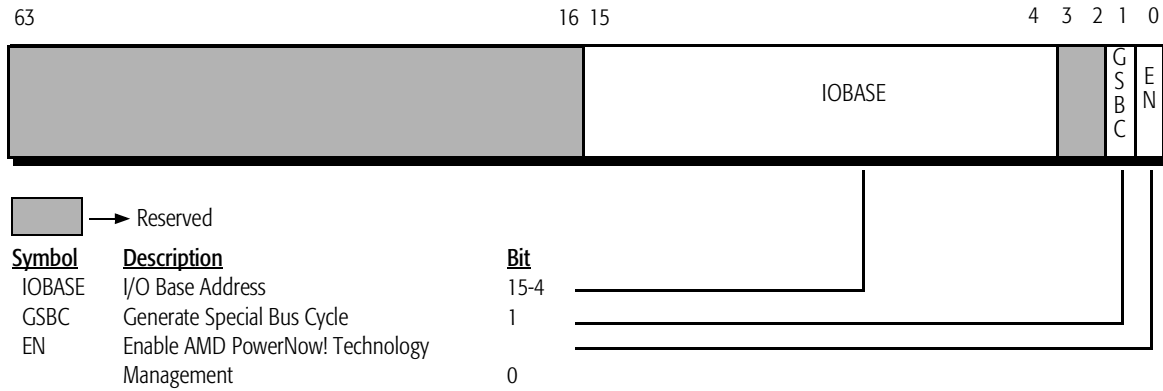


Figure 43. Enhanced Power Management Register (EPMR)

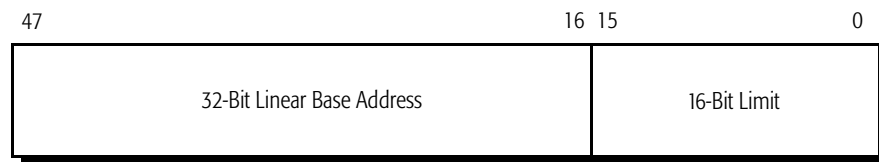
3.3 Memory Management Registers

The AMD-K6-2E+ processor controls segmented memory management with the registers listed in Table 8. Figure 44 shows the formats of these registers.

Table 8. Memory Management Registers

Register Name	Function
Global Descriptor Table Register	Contains a pointer to the base of the global descriptor table
Interrupt Descriptor Table Register	Contains a pointer to the base of the interrupt descriptor table
Local Descriptor Table Register	Contains a pointer to the local descriptor table of the current task
Task Register	Contains a pointer to the task state segment of the current task

Global and Interrupt Descriptor Table Registers



Local Descriptor Table Register and Task Register

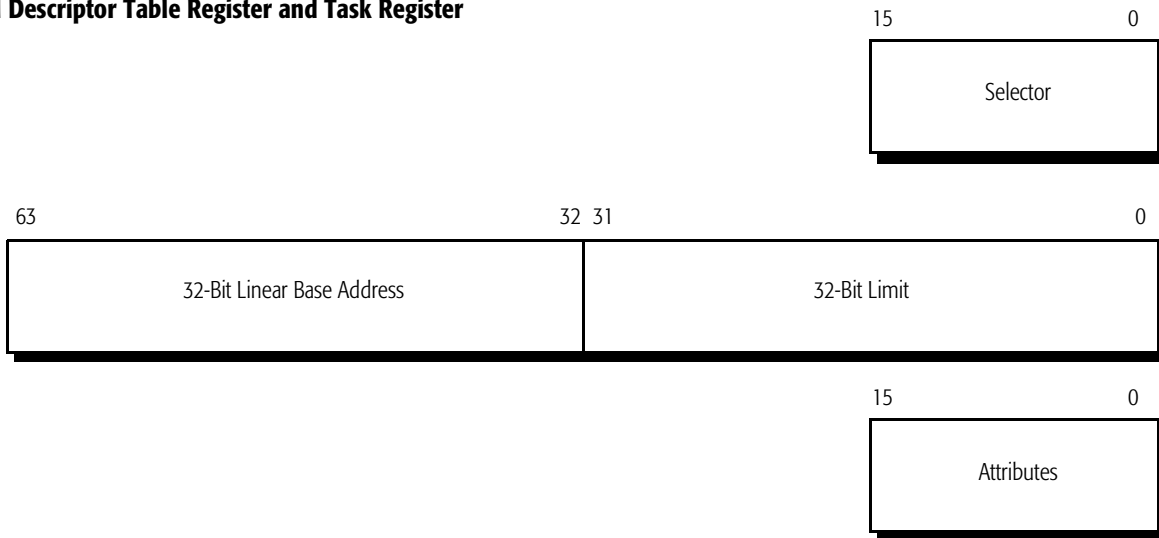


Figure 44. Memory Management Registers

Task State Segment

Figure 45 shows the format of the task state segment (TSS).

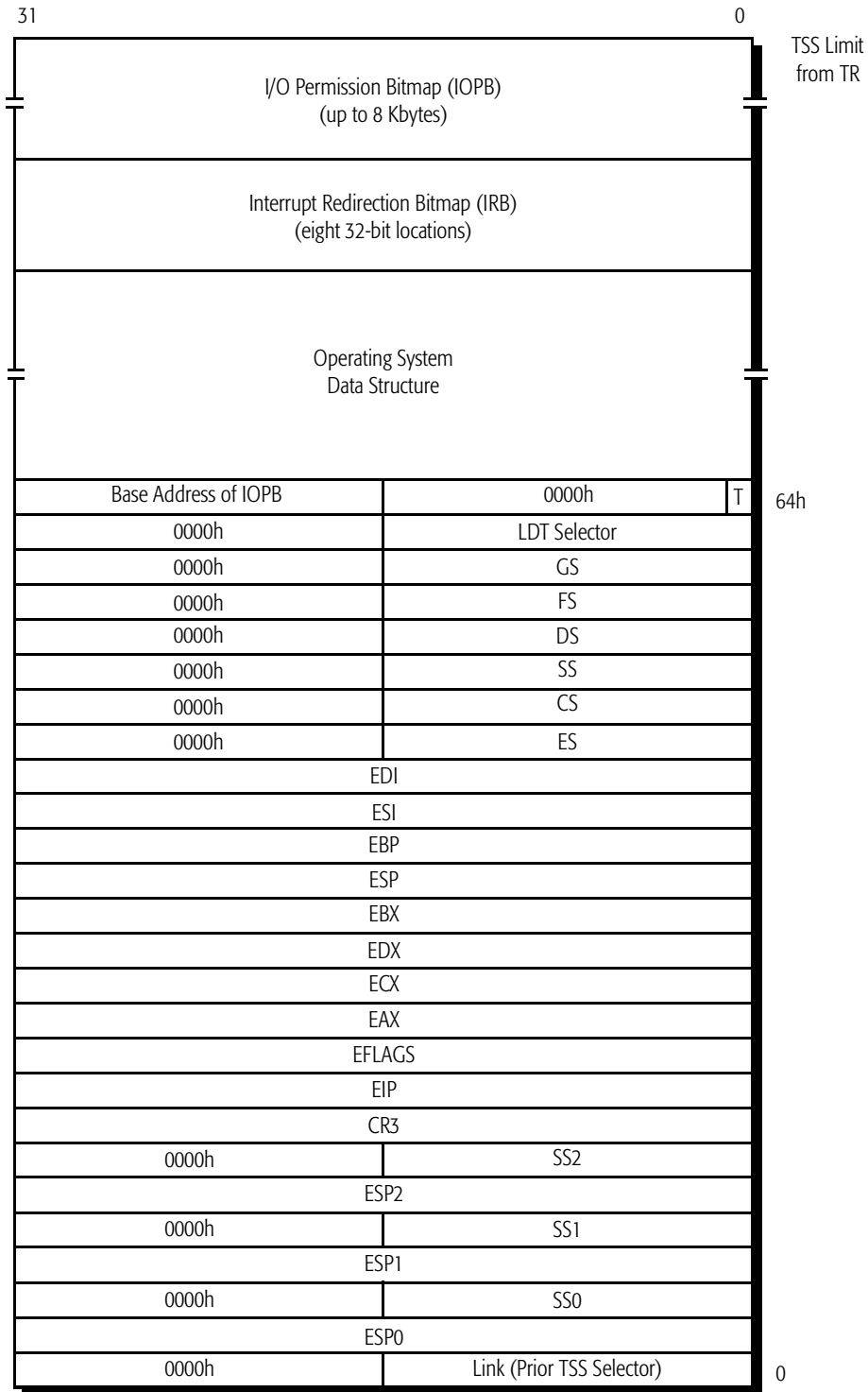


Figure 45. Task State Segment (TSS)

3.4 Paging

The AMD-K6-2E+ processor can physically address up to four Gbytes of memory. This memory can be segmented into pages. The size of these pages is determined by the operating system design and the values set up in the page directory entries (PDE) and page table entries (PTE).

The processor can access both 4-Kbyte pages and 4-Mbyte pages, and the page sizes can be intermixed within a page directory. When the page size extension (PSE) bit in CR4 is set, the processor translates linear addresses using either the 4-Kbyte translation lookaside buffer (TLB) or the 4-Mbyte TLB, depending on the state of the page size (PS) bit in the page directory entry. Figures 46 and Figure 47 on page 57 show how 4-Kbyte and 4-Mbyte page translations work.

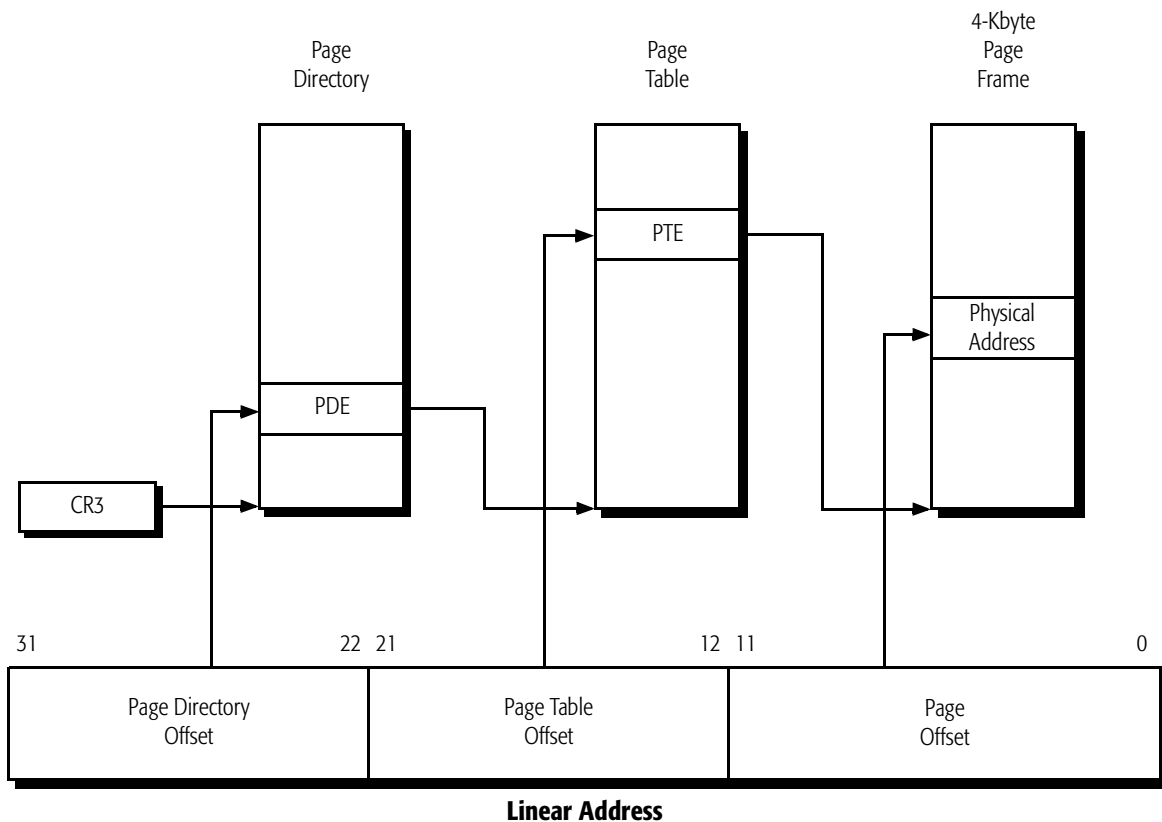


Figure 46. 4-Kbyte Paging Mechanism

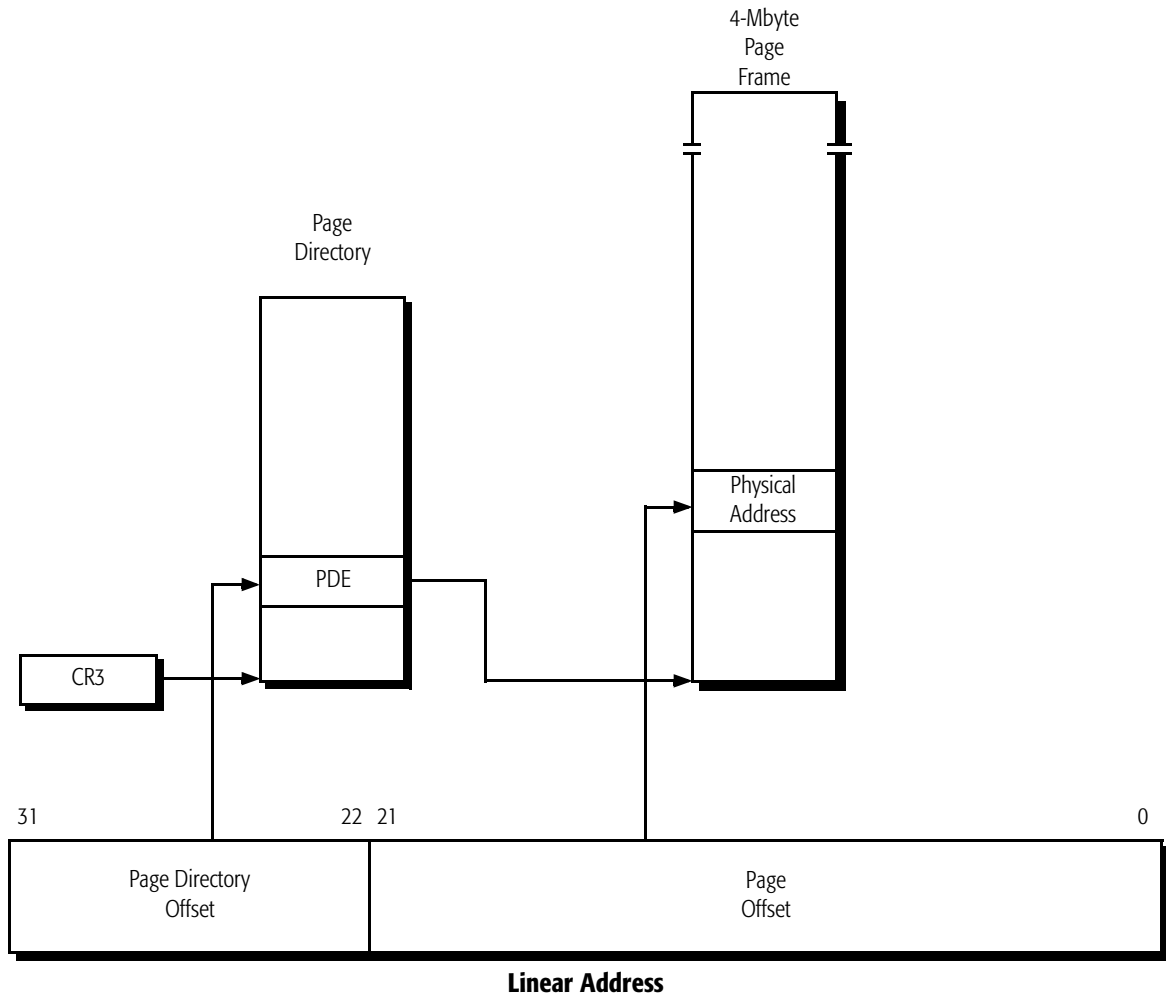


Figure 47. 4-Mbyte Paging Mechanism

Figures 48 through 50 starting on page 58 show the formats of the PDE and PTE. These entries contain information regarding the location of pages and their status.

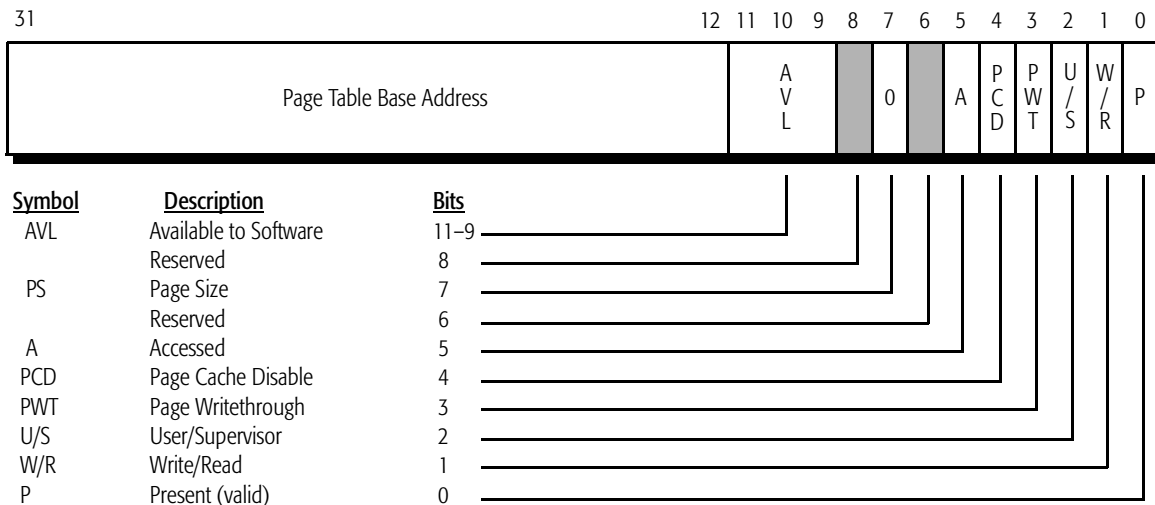


Figure 48. Page Directory Entry 4-Kbyte Page Table (PDE)

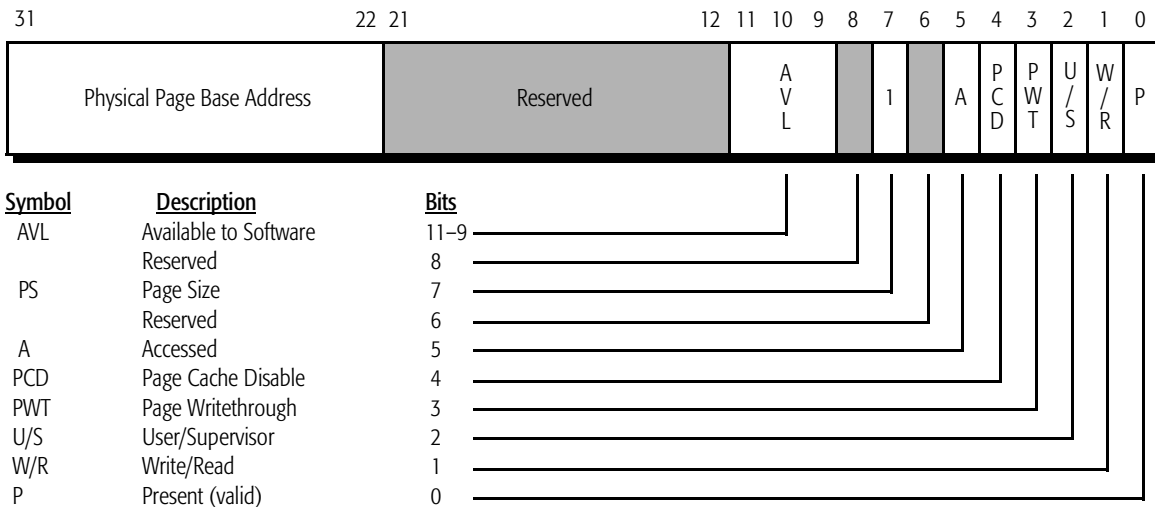


Figure 49. Page Directory Entry 4-Mbyte Page Table (PDE)

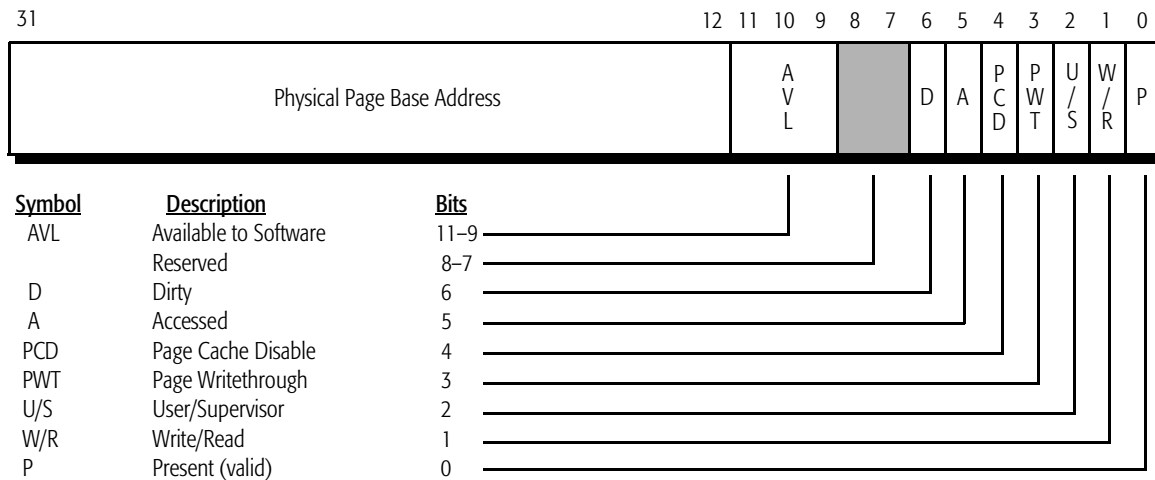


Figure 50. Page Table Entry (PTE)

3.5 Descriptors and Gates

There are various types of structures and registers in the x86 architecture that define, protect, and isolate code segments, data segments, task state segments, and gates. These structures are called descriptors.

- The *application segment descriptor* is used to point to either a data or code segment. Figure 51 on page 60 shows the application segment descriptor format. Table 9 on page 60 contains information describing the memory segment type to which the descriptor points.
- The *system segment descriptor* is used to point to a task state segment, a call gate, or a local descriptor table. Figure 52 on page 61 shows the system segment descriptor format. Table 10 on page 61 contains information describing the type of segment or gate to which the descriptor points.
- The AMD-K6-2E+ processor uses *gates* to transfer control between executable segments with different privilege levels. Figure 53 on page 62 shows the format of the gate descriptor types. Table 10 on page 61 contains information describing the type of segment or gate to which the descriptor points.

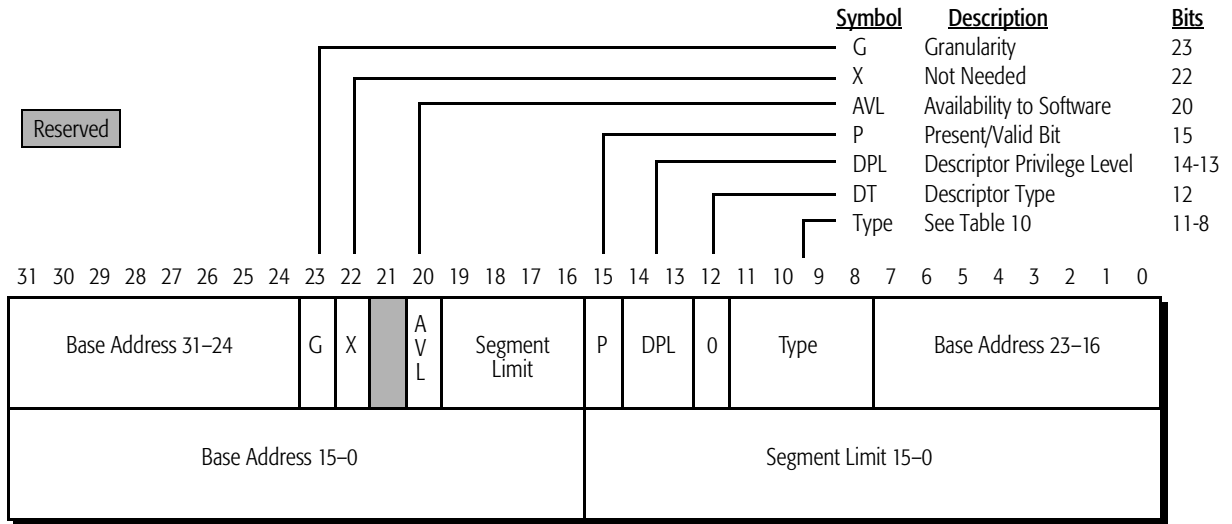


Figure 52. System Segment Descriptor

Table 10. System Segment and Gate Types

Type	Description
0	Reserved
1	Available 16-bit TSS
2	LDT
3	Busy 16-bit TSS
4	16-bit Call Gate
5	Task Gate
6	16-bit Interrupt Gate
7	16-bit Trap Gate
8	Reserved
9	Available 32-bit TSS
A	Reserved
B	Busy 32-bit TSS
C	32-bit Call Gate
D	Reserved
E	32-bit Interrupt Gate
F	32-bit Trap Gate

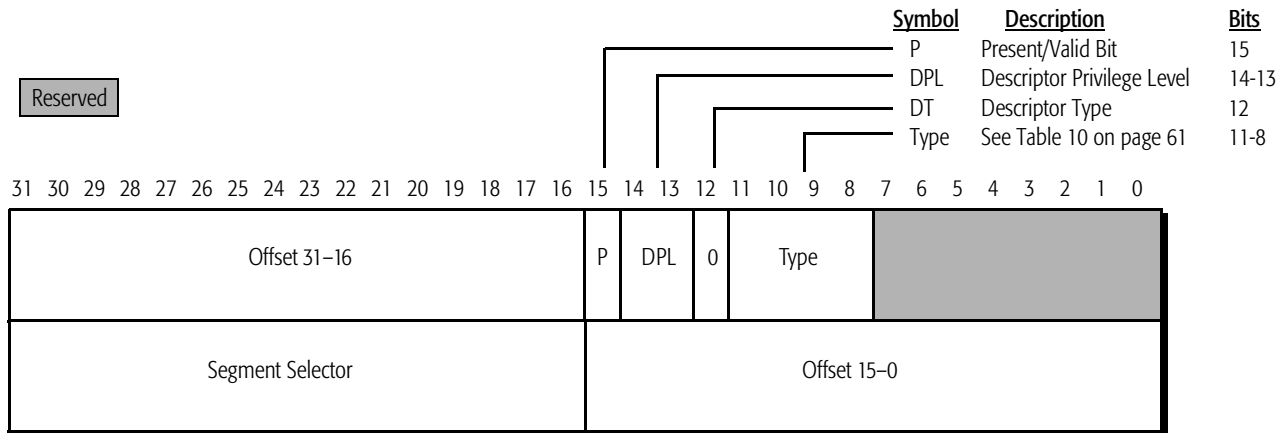


Figure 53. Gate Descriptor

3.6 Exceptions and Interrupts

Table 11 summarizes the exceptions and interrupts.

Table 11. Summary of Exceptions and Interrupts

Interrupt Number	Interrupt Type	Cause
0	Divide by Zero Error	DIV, IDIV
1	Debug	Debug trap or fault
2	Non-Maskable Interrupt	NMI signal sampled asserted
3	Breakpoint	Int 3
4	Overflow	INTO
5	Bounds Check	BOUND
6	Invalid Opcode	Invalid instruction
7	Device Not Available	ESC and WAIT
8	Double Fault	Fault occurs while handling a fault
9	Reserved - Interrupt 13	—
10	Invalid TSS	Task switch to an invalid segment
11	Segment Not Present	Instruction loads a segment and present bit is 0 (invalid segment)
12	Stack Segment	Stack operation causes limit violation or present bit is 0
13	General Protection	Segment related or miscellaneous invalid actions
14	Page Fault	Page protection violation or a reference to missing page
16	Floating-Point Error	Arithmetic error generated by floating-point instruction
17	Alignment Check	Data reference to an unaligned operand. (The AC flag and the AM bit of CR0 are set to 1.)
0-255	Software Interrupt	INT n

3.7 Instructions Supported by the AMD-K6™-2E+ Processor

This section documents all of the x86 instructions supported by the AMD-K6-2E+ processor. Tables 12 through 16 starting on page 65 define the integer, floating-point, MMX, 3DNow! technology instructions, and 3DNow! technology digital signal processing (DSP) extensions for the AMD-K6-2E+ processor, respectively. For details about the MMX instructions, 3DNow! technology instructions, and 3DNow! technology DSP extensions refer to the following manuals:

- MMX Instructions—AMD-K6® Processor Multimedia Technology Manual, order# 20726
- 3DNow! Technology Instructions—3DNow! Technology Manual, order# 21928
- 3DNow! Technology DSP Extensions—AMD Extensions to the 3DNow! and MMX Instruction Set Manual, order# 22466

Each table shows the instruction mnemonic, opcode, modR/M byte, decode type, and RISC86 operation(s) for each instruction.

Instruction Mnemonic and Operand Types

The first column in these tables indicates the instruction mnemonic and operand types with the following notations:

- *disp16/32*—16-bit or 32-bit displacement value
- *disp32/48*—doubleword or 48-bit displacement value
- *disp8*—8-bit displacement value
- *eXX*—register width depending on the operand size
- *imm16/32*—16-bit or 32-bit immediate value
- *imm8*—8-bit immediate value
- *mem16/32*—word or doubleword integer value in memory
- *mem32/48*—doubleword or 48-bit integer value in memory
- *mem32real*—32-bit floating-point value in memory
- *mem48*—48-bit integer value in memory
- *mem64*—64-bit integer value in memory
- *mem64real*—64-bit floating-point value in memory
- *mem8*—byte integer value in memory
- *mem80real*—80-bit floating-point value in memory
- *mmreg*—MMX/3DNow! register

- *mmreg1*—MMX/3DNow! register defined by bits 5, 4, and 3 of the modR/M byte
- *mmreg2*—MMX/3DNow! register defined by bits 2, 1, and 0 of the modR/M byte
- *mreg16/32*—word or doubleword integer register, or word or doubleword integer value in memory defined by the modR/M byte
- *mreg8*—byte integer register or byte integer value in memory defined by the modR/M byte
- *reg8*—byte integer register defined by instruction byte(s) or bits 5, 4, and 3 of the modR/M byte
- *reg16/32*—word or doubleword integer register defined by instruction byte(s) or bits 5, 4, and 3 of the modR/M byte

Opcode Bytes

The second and third columns list all applicable opcode bytes.

ModR/M Byte

The fourth column lists the modR/M byte when used by the instruction. The modR/M byte defines the instruction as a register or memory form. If modR/M bits 7 and 6 are documented as mm (memory form), mm can only be 10b, 01b or 00b.

Decode Type

The fifth column lists the type of instruction decode—short, long, and vector. The AMD-K6-2E+ processor decode logic can process two short, one long, or one vector decode per clock.

RISC86® Operation

The sixth column lists the type of RISC86 operation(s) required for the instruction. The operation types and corresponding execution units are as follows:

- *alu*—either of the integer execution units
- *alux*—integer X execution unit only
- *branch*—branch condition unit
- *float*—floating-point execution unit
- *limm*—load immediate, instruction control unit
- *load, fload, mload*—load unit
- *meu*—multimedia execution units for MMX and 3DNow! instructions
- *store, fstore, mstore*—store unit

Table 12. Integer Instructions

Instruction Mnemonic	First Byte	Second Byte	ModR/M Byte	Decode Type	RISC86 Operations
AAA	37h			vector	
AAD	D5h	0Ah		vector	
AAM	D4h	0Ah		vector	
AAS	3Fh			vector	
ADC mreg8, reg8	10h		11-xxx-xxx	vector	
ADC mem8, reg8	10h		mm-xxx-xxx	vector	
ADC mreg16/32, reg16/32	11h		11-xxx-xxx	vector	
ADC mem16/32, reg16/32	11h		mm-xxx-xxx	vector	
ADC reg8, mreg8	12h		11-xxx-xxx	vector	
ADC reg8, mem8	12h		mm-xxx-xxx	vector	
ADC reg16/32, mreg16/32	13h		11-xxx-xxx	vector	
ADC reg16/32, mem16/32	13h		mm-xxx-xxx	vector	
ADC AL, imm8	14h			vector	
ADC EAX, imm16/32	15h			vector	
ADC mreg8, imm8	80h		11-010-xxx	vector	
ADC mem8, imm8	80h		mm-010-xxx	vector	
ADC mreg16/32, imm16/32	81h		11-010-xxx	vector	
ADC mem16/32, imm16/32	81h		mm-010-xxx	vector	
ADC mreg16/32, imm8 (signed ext.)	83h		11-010-xxx	vector	
ADC mem16/32, imm8 (signed ext.)	83h		mm-010-xxx	vector	
ADD mreg8, reg8	00h		11-xxx-xxx	short	alux
ADD mem8, reg8	00h		mm-xxx-xxx	long	load, alux, store
ADD mreg16/32, reg16/32	01h		11-xxx-xxx	short	alu
ADD mem16/32, reg16/32	01h		mm-xxx-xxx	long	load, alu, store
ADD reg8, mreg8	02h		11-xxx-xxx	short	alux
ADD reg8, mem8	02h		mm-xxx-xxx	short	load, alux
ADD reg16/32, mreg16/32	03h		11-xxx-xxx	short	alu
ADD reg16/32, mem16/32	03h		mm-xxx-xxx	short	load, alu
ADD AL, imm8	04h			short	alux
ADD EAX, imm16/32	05h			short	alu
ADD mreg8, imm8	80h		11-000-xxx	short	alux
ADD mem8, imm8	80h		mm-000-xxx	long	load, alux, store
ADD mreg16/32, imm16/32	81h		11-000-xxx	short	alu
ADD mem16/32, imm16/32	81h		mm-000-xxx	long	load, alu, store
ADD mreg16/32, imm8 (signed ext.)	83h		11-000-xxx	short	alux

Table 12. Integer Instructions (continued)

Instruction Mnemonic	First Byte	Second Byte	ModR/M Byte	Decode Type	RISC86 Operations
ADD mem16/32, imm8 (signed ext.)	83h		mm-000-xxx	long	load, alux, store
AND mreg8, reg8	20h		11-xxx-xxx	short	alux
AND mem8, reg8	20h		mm-xxx-xxx	long	load, alux, store
AND mreg16/32, reg16/32	21h		11-xxx-xxx	short	alu
AND mem16/32, reg16/32	21h		mm-xxx-xxx	long	load, alu, store
AND reg8, mreg8	22h		11-xxx-xxx	short	alux
AND reg8, mem8	22h		mm-xxx-xxx	short	load, alux
AND reg16/32, mreg16/32	23h		11-xxx-xxx	short	alu
AND reg16/32, mem16/32	23h		mm-xxx-xxx	short	load, alu
AND AL, imm8	24h			short	alux
AND EAX, imm16/32	25h			short	alu
AND mreg8, imm8	80h		11-100-xxx	short	alux
AND mem8, imm8	80h		mm-100-xxx	long	load, alux, store
AND mreg16/32, imm16/32	81h		11-100-xxx	short	alu
AND mem16/32, imm16/32	81h		mm-100-xxx	long	load, alu, store
AND mreg16/32, imm8 (signed ext.)	83h		11-100-xxx	short	alux
AND mem16/32, imm8 (signed ext.)	83h		mm-100-xxx	long	load, alux, store
ARPL mreg16, reg16	63h		11-xxx-xxx	vector	
ARPL mem16, reg16	63h		mm-xxx-xxx	vector	
BOUND	62h			vector	
BSF reg16/32, mreg16/32	0Fh	BCh	11-xxx-xxx	vector	
BSF reg16/32, mem16/32	0Fh	BCh	mm-xxx-xxx	vector	
BSR reg16/32, mreg16/32	0Fh	BDh	11-xxx-xxx	vector	
BSR reg16/32, mem16/32	0Fh	BDh	mm-xxx-xxx	vector	
BSWAP EAX	0Fh	C8h		long	alu
BSWAP ECX	0Fh	C9h		long	alu
BSWAP EDX	0Fh	CAh		long	alu
BSWAP EBX	0Fh	CBh		long	alu
BSWAP ESP	0Fh	CCh		long	alu
BSWAP EBP	0Fh	CDh		long	alu
BSWAP ESI	0Fh	CEh		long	alu
BSWAP EDI	0Fh	CFh		long	alu
BT mreg16/32, reg16/32	0Fh	A3h	11-xxx-xxx	vector	
BT mem16/32, reg16/32	0Fh	A3h	mm-xxx-xxx	vector	
BT mreg16/32, imm8	0Fh	BAh	11-100-xxx	vector	

Table 12. Integer Instructions (continued)

Instruction Mnemonic	First Byte	Second Byte	ModR/M Byte	Decode Type	RISC86 Operations
BT mem16/32, imm8	0Fh	BAh	mm-100-xxx	vector	
BTC mreg16/32, reg16/32	0Fh	BBh	11-xxx-xxx	vector	
BTC mem16/32, reg16/32	0Fh	BBh	mm-xxx-xxx	vector	
BTC mreg16/32, imm8	0Fh	BAh	11-111-xxx	vector	
BTC mem16/32, imm8	0Fh	BAh	mm-111-xxx	vector	
BTR mreg16/32, reg16/32	0Fh	B3h	11-xxx-xxx	vector	
BTR mem16/32, reg16/32	0Fh	B3h	mm-xxx-xxx	vector	
BTR mreg16/32, imm8	0Fh	BAh	11-110-xxx	vector	
BTR mem16/32, imm8	0Fh	BAh	mm-110-xxx	vector	
BTS mreg16/32, reg16/32	0Fh	ABh	11-xxx-xxx	vector	
BTS mem16/32, reg16/32	0Fh	ABh	mm-xxx-xxx	vector	
BTS mreg16/32, imm8	0Fh	BAh	11-101-xxx	vector	
BTS mem16/32, imm8	0Fh	BAh	mm-101-xxx	vector	
CALL full pointer	9Ah			vector	
CALL near imm16/32	E8h			short	store
CALL mem16:16/32	FFh		11-011-xxx	vector	
CALL near mreg32 (indirect)	FFh		11-010-xxx	vector	
CALL near mem32 (indirect)	FFh		mm-010-xxx	vector	
CBW/CWDE EAX	98h			vector	
CLC	F8h			vector	
CLD	FCh			vector	
CLI	FAh			vector	
CLTS	0Fh	06h		vector	
CMC	F5h			vector	
CMP mreg8, reg8	38h		11-xxx-xxx	short	alux
CMP mem8, reg8	38h		mm-xxx-xxx	short	load, alux
CMP mreg16/32, reg16/32	39h		11-xxx-xxx	short	alu
CMP mem16/32, reg16/32	39h		mm-xxx-xxx	short	load, alu
CMP reg8, mreg8	3Ah		11-xxx-xxx	short	alux
CMP reg8, mem8	3Ah		mm-xxx-xxx	short	load, alux
CMP reg16/32, mreg16/32	3Bh		11-xxx-xxx	short	alu
CMP reg16/32, mem16/32	3Bh		mm-xxx-xxx	short	load, alu
CMP AL, imm8	3Ch			short	alux
CMP EAX, imm16/32	3Dh			short	alu
CMP mreg8, imm8	80h		11-111-xxx	short	alux

Table 12. Integer Instructions (continued)

Instruction Mnemonic	First Byte	Second Byte	ModR/M Byte	Decode Type	RISC86 Operations
CMP mem8, imm8	80h		mm-111-xxx	short	load, alux
CMP mreg16/32, imm16/32	81h		11-111-xxx	short	alu
CMP mem16/32, imm16/32	81h		mm-111-xxx	short	load, alu
CMP mreg16/32, imm8 (signed ext.)	83h		11-111-xxx	long	load, alu
CMP mem16/32, imm8 (signed ext.)	83h		mm-111-xxx	long	load, alu
CMPSB mem8, mem8	A6h			vector	
CMPSW mem16, mem32	A7h			vector	
CMPSD mem32, mem32	A7h			vector	
CMPXCHG mreg8, reg8	0Fh	B0h	11-xxx-xxx	vector	
CMPXCHG mem8, reg8	0Fh	B0h	mm-xxx-xxx	vector	
CMPXCHG mreg16/32, reg16/32	0Fh	B1h	11-xxx-xxx	vector	
CMPXCHG mem16/32, reg16/32	0Fh	B1h	mm-xxx-xxx	vector	
CMPXCHG8B EDX:EAX	0Fh	C7h	11-xxx-xxx	vector	
CMPXCHG8B mem64	0Fh	C7h	mm-xxx-xxx	vector	
CPUID	0Fh	A2h		vector	
CWD/CDQ EDX, EAX	99h			vector	
DAA	27h			vector	
DAS	2Fh			vector	
DEC EAX	48h			short	alu
DEC ECX	49h			short	alu
DEC EDX	4Ah			short	alu
DEC EBX	4Bh			short	alu
DEC ESP	4Ch			short	alu
DEC EBP	4Dh			short	alu
DEC ESI	4Eh			short	alu
DEC EDI	4Fh			short	alu
DEC mreg8	FEh		11-001-xxx	vector	
DEC mem8	FEh		mm-001-xxx	long	load, alux, store
DEC mreg16/32	FFh		11-001-xxx	vector	
DEC mem16/32	FFh		mm-001-xxx	long	load, alu, store
DIV AL, mreg8	F6h		11-110-xxx	vector	
DIV AL, mem8	F6h		mm-110-xxx	vector	
DIV EAX, mreg16/32	F7h		11-110-xxx	vector	
DIV EAX, mem16/32	F7h		mm-110-xxx	vector	
IDIV mreg8	F6h		11-111-xxx	vector	

Table 12. Integer Instructions (continued)

Instruction Mnemonic	First Byte	Second Byte	ModR/M Byte	Decode Type	RISC86 Operations
IDIV mem8	F6h		mm-111-xxx	vector	
IDIV EAX, mreg16/32	F7h		11-111-xxx	vector	
IDIV EAX, mem16/32	F7h		mm-111-xxx	vector	
IMUL reg16/32, imm16/32	69h		11-xxx-xxx	vector	
IMUL reg16/32, mreg16/32, imm16/32	69h		11-xxx-xxx	vector	
IMUL reg16/32, mem16/32, imm16/32	69h		mm-xxx-xxx	vector	
IMUL reg16/32, imm8 (sign extended)	6Bh		11-xxx-xxx	vector	
IMUL reg16/32, mreg16/32, imm8 (signed)	6Bh		11-xxx-xxx	vector	
IMUL reg16/32, mem16/32, imm8 (signed)	6Bh		mm-xxx-xxx	vector	
IMUL AX, AL, mreg8	F6h		11-101-xxx	vector	
IMUL AX, AL, mem8	F6h		mm-101-xxx	vector	
IMUL EDX:EAX, EAX, mreg16/32	F7h		11-101-xxx	vector	
IMUL EDX:EAX, EAX, mem16/32	F7h		mm-101-xxx	vector	
IMUL reg16/32, mreg16/32	0Fh	AFh	11-xxx-xxx	vector	
IMUL reg16/32, mem16/32	0Fh	AFh	mm-xxx-xxx	vector	
IN AL, imm8	E4h			vector	
IN AX, imm8	E5h			vector	
IN EAX, imm8	E5h			vector	
IN AL, DX	ECh			vector	
IN AX, DX	EDh			vector	
IN EAX, DX	EDh			vector	
INC EAX	40h			short	alu
INC ECX	41h			short	alu
INC EDX	42h			short	alu
INC EBX	43h			short	alu
INC ESP	44h			short	alu
INC EBP	45h			short	alu
INC ESI	46h			short	alu
INC EDI	47h			short	alu
INC mreg8	FEh		11-000-xxx	vector	
INC mem8	FEh		mm-000-xxx	long	load, alu, store
INC mreg16/32	FFh		11-000-xxx	vector	
INC mem16/32	FFh		mm-000-xxx	long	load, alu, store
INVD	0Fh	08h		vector	
INVLPG	0Fh	01h	mm-111-xxx	vector	

Table 12. Integer Instructions (continued)

Instruction Mnemonic	First Byte	Second Byte	ModR/M Byte	Decode Type	RISC86 Operations
JO short disp8	70h			short	branch
JB/JNAE short disp8	71h			short	branch
JNO short disp8	71h			short	branch
JNB/JAE short disp8	73h			short	branch
JZ/JE short disp8	74h			short	branch
JNZ/JNE short disp8	75h			short	branch
JBE/JNA short disp8	76h			short	branch
JNBE/JA short disp8	77h			short	branch
JS short disp8	78h			short	branch
JNS short disp8	79h			short	branch
JP/JPE short disp8	7Ah			short	branch
JNP/JPO short disp8	7Bh			short	branch
JL/JNGE short disp8	7Ch			short	branch
JNL/JGE short disp8	7Dh			short	branch
JLE/JNG short disp8	7Eh			short	branch
JNLE/JG short disp8	7Fh			short	branch
JCXZ/JEC short disp8	E3h			vector	
JO near disp16/32	0Fh	80h		short	branch
JNO near disp16/32	0Fh	81h		short	branch
JB/JNAE near disp16/32	0Fh	82h		short	branch
JNB/JAE near disp16/32	0Fh	83h		short	branch
JZ/JE near disp16/32	0Fh	84h		short	branch
JNZ/JNE near disp16/32	0Fh	85h		short	branch
JBE/JNA near disp16/32	0Fh	86h		short	branch
JNBE/JA near disp16/32	0Fh	87h		short	branch
JS near disp16/32	0Fh	88h		short	branch
JNS near disp16/32	0Fh	89h		short	branch
JP/JPE near disp16/32	0Fh	8Ah		short	branch
JNP/JPO near disp16/32	0Fh	8Bh		short	branch
JL/JNGE near disp16/32	0Fh	8Ch		short	branch
JNL/JGE near disp16/32	0Fh	8Dh		short	branch
JLE/JNG near disp16/32	0Fh	8Eh		short	branch
JNLE/JG near disp16/32	0Fh	8Fh		short	branch
JMP near disp16/32 (direct)	E9h			short	branch
JMP far disp32/48 (direct)	EAh			vector	

Table 12. Integer Instructions (continued)

Instruction Mnemonic	First Byte	Second Byte	ModR/M Byte	Decode Type	RISC86 Operations
JMP disp8 (short)	EBh			short	branch
JMP far mreg32 (indirect)	EFh		11-101-xxx	vector	
JMP far mem32 (indirect)	EFh		mm-101-xxx	vector	
JMP near mreg16/32 (indirect)	FFh		11-100-xxx	vector	
JMP near mem16/32 (indirect)	FFh		mm-100-xxx	vector	
LAHF	9Fh			vector	
LAR reg16/32, mreg16/32	0Fh	02h	11-xxx-xxx	vector	
LAR reg16/32, mem16/32	0Fh	02h	mm-xxx-xxx	vector	
LDS reg16/32, mem32/48	C5h		mm-xxx-xxx	vector	
LEA reg16/32, mem16/32	8Dh		mm-xxx-xxx	short	load, alu
LEAVE	C9h			long	load, alu, alu
LES reg16/32, mem32/48	C4h		mm-xxx-xxx	vector	
LFS reg16/32, mem32/48	0Fh	B4h		vector	
LGDT mem48	0Fh	01h	mm-010-xxx	vector	
LGS reg16/32, mem32/48	0Fh	B5h		vector	
LIDT mem48	0Fh	01h	mm-011-xxx	vector	
LLDT mreg16	0Fh	00h	11-010-xxx	vector	
LLDT mem16	0Fh	00h	mm-010-xxx	vector	
LMSW mreg16	0Fh	01h	11-100-xxx	vector	
LMSW mem16	0Fh	01h	mm-100-xxx	vector	
LODSB AL, mem8	ACH			long	load, alu
LODSW AX, mem16	ADh			long	load, alu
LODSD EAX, mem32	ADh			long	load, alu
LOOP disp8	E2h			short	alu, branch
LOOPE/LOOPZ disp8	E1h			vector	
LOOPNE/LOOPNZ disp8	E0h			vector	
LSL reg16/32, mreg16/32	0Fh	03h	11-xxx-xxx	vector	
LSL reg16/32, mem16/32	0Fh	03h	mm-xxx-xxx	vector	
LSS reg16/32, mem32/48	0Fh	B2h	mm-xxx-xxx	vector	
LTR mreg16	0Fh	00h	11-011-xxx	vector	
LTR mem16	0Fh	00h	mm-011-xxx	vector	
MOV mreg8, reg8	88h		11-xxx-xxx	short	alux
MOV mem8, reg8	88h		mm-xxx-xxx	short	store
MOV mreg16/32, reg16/32	89h		11-xxx-xxx	short	alu
MOV mem16/32, reg16/32	89h		mm-xxx-xxx	short	store

Table 12. Integer Instructions (continued)

Instruction Mnemonic	First Byte	Second Byte	ModR/M Byte	Decode Type	RISC86 Operations
MOV reg8, mreg8	8Ah		11-xxx-xxx	short	alux
MOV reg8, mem8	8Ah		mm-xxx-xxx	short	load
MOV reg16/32, mreg16/32	8Bh		11-xxx-xxx	short	alu
MOV reg16/32, mem16/32	8Bh		mm-xxx-xxx	short	load
MOV mreg16, segment reg	8Ch		11-xxx-xxx	long	load
MOV mem16, segment reg	8Ch		mm-xxx-xxx	vector	
MOV segment reg, mreg16	8Eh		11-xxx-xxx	vector	
MOV segment reg, mem16	8Eh		mm-xxx-xxx	vector	
MOV AL, mem8	A0h			short	load
MOV EAX, mem16/32	A1h			short	load
MOV mem8, AL	A2h			short	store
MOV mem16/32, EAX	A3h			short	store
MOV AL, imm8	B0h			short	limm
MOV CL, imm8	B1h			short	limm
MOV DL, imm8	B2h			short	limm
MOV BL, imm8	B3h			short	limm
MOV AH, imm8	B4h			short	limm
MOV CH, imm8	B5h			short	limm
MOV DH, imm8	B6h			short	limm
MOV BH, imm8	B7h			short	limm
MOV EAX, imm16/32	B8h			short	limm
MOV ECX, imm16/32	B9h			short	limm
MOV EDX, imm16/32	BAh			short	limm
MOV EBX, imm16/32	BBh			short	limm
MOV ESP, imm16/32	BCh			short	limm
MOV EBP, imm16/32	BDh			short	limm
MOV ESI, imm16/32	BEh			short	limm
MOV EDI, imm16/32	BFh			short	limm
MOV mreg8, imm8	C6h		11-000-xxx	short	limm
MOV mem8, imm8	C6h		mm-000-xxx	long	store
MOV mreg16/32, imm16/32	C7h		11-000-xxx	short	limm
MOV mem16/32, imm16/32	C7h		mm-000-xxx	long	store
MOV reg32, CR0	0Fh	20h	11-000-xxx	vector	
MOV reg32, CR2	0Fh	20h	11-010-xxx	vector	
MOV reg32, CR3	0Fh	20h	11-011-xxx	vector	

Table 12. Integer Instructions (continued)

Instruction Mnemonic	First Byte	Second Byte	ModR/M Byte	Decode Type	RISC86 Operations
MOV reg32, CR4	0Fh	20h	11-100-xxx	vector	
MOV CR0, reg32	0Fh	22h	11-000-xxx	vector	
MOV CR2, reg32	0Fh	22h	11-010-xxx	vector	
MOV CR3, reg32	0Fh	22h	11-011-xxx	vector	
MOV CR4, reg32	0Fh	22h	11-100-xxx	vector	
MOVSB mem8,mem8	A4h			long	load, store, alux, alux
MOVSD mem16, mem16	A5h			long	load, store, alu, alu
MOVSW mem32, mem32	A5h			long	load, store, alu, alu
MOVX reg16/32, mreg8	0Fh	BEh	11-xxx-xxx	short	alu
MOVX reg16/32, mem8	0Fh	BEh	mm-xxx-xxx	short	load, alu
MOVX reg32, mreg16	0Fh	BFh	11-xxx-xxx	short	alu
MOVX reg32, mem16	0Fh	BFh	mm-xxx-xxx	short	load, alu
MOVZX reg16/32, mreg8	0Fh	B6h	11-xxx-xxx	short	alu
MOVZX reg16/32, mem8	0Fh	B6h	mm-xxx-xxx	short	load, alu
MOVZX reg32, mreg16	0Fh	B7h	11-xxx-xxx	short	alu
MOVZX reg32, mem16	0Fh	B7h	mm-xxx-xxx	short	load, alu
MUL AL, mreg8	F6h		11-100-xxx	vector	
MUL AL, mem8	F6h		mm-100-xxx	vector	
MUL EAX, mreg16/32	F7h		11-100-xxx	vector	
MUL EAX, mem16/32	F7h		mm-100-xxx	vector	
NEG mreg8	F6h		11-011-xxx	short	alux
NEG mem8	F6h		mm-011-xxx	vector	
NEG mreg16/32	F7h		11-011-xxx	short	alu
NEG mem16/32	F7h		mm-011-xxx	vector	
NOP (XCHG EAX, EAX)	90h			short	limm
NOT mreg8	F6h		11-010-xxx	short	alux
NOT mem8	F6h		mm-010-xxx	vector	
NOT mreg16/32	F7h		11-010-xxx	short	alu
NOT mem16/32	F7h		mm-010-xxx	vector	
OR mreg8, reg8	08h		11-xxx-xxx	short	alux
OR mem8, reg8	08h		mm-xxx-xxx	long	load, alux, store
OR mreg16/32, reg16/32	09h		11-xxx-xxx	short	alu
OR mem16/32, reg16/32	09h		mm-xxx-xxx	long	load, alu, store
OR reg8, mreg8	0Ah		11-xxx-xxx	short	alux
OR reg8, mem8	0Ah		mm-xxx-xxx	short	load, alux

Table 12. Integer Instructions (continued)

Instruction Mnemonic	First Byte	Second Byte	ModR/M Byte	Decode Type	RISC86 Operations
OR reg16/32, mreg16/32	0Bh		11-xxx-xxx	short	alu
OR reg16/32, mem16/32	0Bh		mm-xxx-xxx	short	load, alu
OR AL, imm8	0Ch			short	alux
OR EAX, imm16/32	0Dh			short	alu
OR mreg8, imm8	80h		11-001-xxx	short	alux
OR mem8, imm8	80h		mm-001-xxx	long	load, alux, store
OR mreg16/32, imm16/32	81h		11-001-xxx	short	alu
OR mem16/32, imm16/32	81h		mm-001-xxx	long	load, alu, store
OR mreg16/32, imm8 (signed ext.)	83h		11-001-xxx	short	alux
OR mem16/32, imm8 (signed ext.)	83h		mm-001-xxx	long	load, alux, store
OUT imm8, AL	E6h			vector	
OUT imm8, AX	E7h			vector	
OUT imm8, EAX	E7h			vector	
OUT DX, AL	EEh			vector	
OUT DX, AX	EFh			vector	
OUT DX, EAX	EFh			vector	
POP ES	07h			vector	
POP SS	17h			vector	
POP DS	1Fh			vector	
POP FS	0Fh	A1h		vector	
POP GS	0Fh	A9h		vector	
POP EAX	58h			short	load, alu
POP ECX	59h			short	load, alu
POP EDX	5Ah			short	load, alu
POP EBX	5Bh			short	load, alu
POP ESP	5Ch			short	load, alu
POP EBP	5Dh			short	load, alu
POP ESI	5Eh			short	load, alu
POP EDI	5Fh			short	load, alu
POP mreg 16/32	8Fh		11-000-xxx	short	load, alu
POP mem 16/32	8Fh		mm-000-xxx	long	load, store, alu
POPA/POPAD	61h			vector	
POPF/POPFD	9Dh			vector	
PUSH ES	06h			long	load, store
PUSH CS	0Eh			vector	

Table 12. Integer Instructions (continued)

Instruction Mnemonic	First Byte	Second Byte	ModR/M Byte	Decode Type	RISC86 Operations
PUSH FS	0Fh	A0h		vector	
PUSH GS	0Fh	A8h		vector	
PUSH SS	16h			vector	
PUSH DS	1Eh			long	load, store
PUSH EAX	50h			short	store
PUSH ECX	51h			short	store
PUSH EDX	52h			short	store
PUSH EBX	53h			short	store
PUSH ESP	54h			short	store
PUSH EBP	55h			short	store
PUSH ESI	56h			short	store
PUSH EDI	57h			short	store
PUSH imm8	6Ah			long	store
PUSH imm16/32	68h			long	store
PUSH mreg16/32	FFh		11-110-xxx	vector	
PUSH mem16/32	FFh		mm-110-xxx	long	load, store
PUSHA/PUSHAD	60h			vector	
PUSHF/PUSHFD	9Ch			vector	
RCL mreg8, imm8	C0h		11-010-xxx	vector	
RCL mem8, imm8	C0h		mm-010-xxx	vector	
RCL mreg16/32, imm8	C1h		11-010-xxx	vector	
RCL mem16/32, imm8	C1h		mm-010-xxx	vector	
RCL mreg8, 1	D0h		11-010-xxx	vector	
RCL mem8, 1	D0h		mm-010-xxx	vector	
RCL mreg16/32, 1	D1h		11-010-xxx	vector	
RCL mem16/32, 1	D1h		mm-010-xxx	vector	
RCL mreg8, CL	D2h		11-010-xxx	vector	
RCL mem8, CL	D2h		mm-010-xxx	vector	
RCL mreg16/32, CL	D3h		11-010-xxx	vector	
RCL mem16/32, CL	D3h		mm-010-xxx	vector	
RCR mreg8, imm8	C0h		11-011-xxx	vector	
RCR mem8, imm8	C0h		mm-011-xxx	vector	
RCR mreg16/32, imm8	C1h		11-011-xxx	vector	
RCR mem16/32, imm8	C1h		mm-011-xxx	vector	
RCR mreg8, 1	D0h		11-011-xxx	vector	

Table 12. Integer Instructions (continued)

Instruction Mnemonic	First Byte	Second Byte	ModR/M Byte	Decode Type	RISC86 Operations
RCR mem8, 1	D0h		mm-011-xxx	vector	
RCR mreg16/32, 1	D1h		11-011-xxx	vector	
RCR mem16/32, 1	D1h		mm-011-xxx	vector	
RCR mreg8, CL	D2h		11-011-xxx	vector	
RCR mem8, CL	D2h		mm-011-xxx	vector	
RCR mreg16/32, CL	D3h		11-011-xxx	vector	
RCR mem16/32, CL	D3h		mm-011-xxx	vector	
RDMSR	0Fh	32h		vector	
RDTSC	0Fh	31h		vector	
RET near imm16	C2h			vector	
RET near	C3h			vector	
RET far imm16	CAh			vector	
RET far	CBh			vector	
ROL mreg8, imm8	C0h		11-000-xxx	vector	
ROL mem8, imm8	C0h		mm-000-xxx	vector	
ROL mreg16/32, imm8	C1h		11-000-xxx	vector	
ROL mem16/32, imm8	C1h		mm-000-xxx	vector	
ROL mreg8, 1	D0h		11-000-xxx	vector	
ROL mem8, 1	D0h		mm-000-xxx	vector	
ROL mreg16/32, 1	D1h		11-000-xxx	vector	
ROL mem16/32, 1	D1h		mm-000-xxx	vector	
ROL mreg8, CL	D2h		11-000-xxx	vector	
ROL mem8, CL	D2h		mm-000-xxx	vector	
ROL mreg16/32, CL	D3h		11-000-xxx	vector	
ROL mem16/32, CL	D3h		mm-000-xxx	vector	
ROR mreg8, imm8	C0h		11-001-xxx	vector	
ROR mem8, imm8	C0h		mm-001-xxx	vector	
ROR mreg16/32, imm8	C1h		11-001-xxx	vector	
ROR mem16/32, imm8	C1h		mm-001-xxx	vector	
ROR mreg8, 1	D0h		11-001-xxx	vector	
ROR mem8, 1	D0h		mm-001-xxx	vector	
ROR mreg16/32, 1	D1h		11-001-xxx	vector	
ROR mem16/32, 1	D1h		mm-001-xxx	vector	
ROR mreg8, CL	D2h		11-001-xxx	vector	
ROR mem8, CL	D2h		mm-001-xxx	vector	

Table 12. Integer Instructions (continued)

Instruction Mnemonic	First Byte	Second Byte	ModR/M Byte	Decode Type	RISC86 Operations
ROR mreg16/32, CL	D3h		11-001-xxx	vector	
ROR mem16/32, CL	D3h		mm-001-xxx	vector	
RSM	0Fh	AAh		vector	
SAHF	9Eh			vector	
SAR mreg8, imm8	C0h		11-111-xxx	short	alux
SAR mem8, imm8	C0h		mm-111-xxx	vector	
SAR mreg16/32, imm8	C1h		11-111-xxx	short	alu
SAR mem16/32, imm8	C1h		mm-111-xxx	vector	
SAR mreg8, 1	D0h		11-111-xxx	short	alux
SAR mem8, 1	D0h		mm-111-xxx	vector	
SAR mreg16/32, 1	D1h		11-111-xxx	short	alu
SAR mem16/32, 1	D1h		mm-111-xxx	vector	
SAR mreg8, CL	D2h		11-111-xxx	short	alux
SAR mem8, CL	D2h		mm-111-xxx	vector	
SAR mreg16/32, CL	D3h		11-111-xxx	short	alu
SAR mem16/32, CL	D3h		mm-111-xxx	vector	
SBB mreg8, reg8	18h		11-xxx-xxx	vector	
SBB mem8, reg8	18h		mm-xxx-xxx	vector	
SBB mreg16/32, reg16/32	19h		11-xxx-xxx	vector	
SBB mem16/32, reg16/32	19h		mm-xxx-xxx	vector	
SBB reg8, mreg8	1Ah		11-xxx-xxx	vector	
SBB reg8, mem8	1Ah		mm-xxx-xxx	vector	
SBB reg16/32, mreg16/32	1Bh		11-xxx-xxx	vector	
SBB reg16/32, mem16/32	1Bh		mm-xxx-xxx	vector	
SBB AL, imm8	1Ch			vector	
SBB EAX, imm16/32	1Dh			vector	
SBB mreg8, imm8	80h		11-011-xxx	vector	
SBB mem8, imm8	80h		mm-011-xxx	vector	
SBB mreg16/32, imm16/32	81h		11-011-xxx	vector	
SBB mem16/32, imm16/32	81h		mm-011-xxx	vector	
SBB mreg16/32, imm8 (signed ext.)	83h		11-011-xxx	vector	
SBB mem16/32, imm8 (signed ext.)	83h		mm-011-xxx	vector	
SCASB AL, mem8	A Eh			vector	
SCASW AX, mem16	A Fh			vector	
SCASD EAX, mem32	A Fh			vector	

Table 12. Integer Instructions (continued)

Instruction Mnemonic	First Byte	Second Byte	ModR/M Byte	Decode Type	RISC86 Operations
SETO mreg8	0Fh	90h	11-xxx-xxx	vector	
SETO mem8	0Fh	90h	mm-xxx-xxx	vector	
SETNO mreg8	0Fh	91h	11-xxx-xxx	vector	
SETNO mem8	0Fh	91h	mm-xxx-xxx	vector	
SETB/SETNAE mreg8	0Fh	92h	11-xxx-xxx	vector	
SETB/SETNAE mem8	0Fh	92h	mm-xxx-xxx	vector	
SETNB/SETAE mreg8	0Fh	93h	11-xxx-xxx	vector	
SETNB/SETAE mem8	0Fh	93h	mm-xxx-xxx	vector	
SETZ/SETE mreg8	0Fh	94h	11-xxx-xxx	vector	
SETZ/SETE mem8	0Fh	94h	mm-xxx-xxx	vector	
SETNZ/SETNE mreg8	0Fh	95h	11-xxx-xxx	vector	
SETNZ/SETNE mem8	0Fh	95h	mm-xxx-xxx	vector	
SETBE/SETNA mreg8	0Fh	96h	11-xxx-xxx	vector	
SETBE/SETNA mem8	0Fh	96h	mm-xxx-xxx	vector	
SETNBE/SETA mreg8	0Fh	97h	11-xxx-xxx	vector	
SETNBE/SETA mem8	0Fh	97h	mm-xxx-xxx	vector	
SETS mreg8	0Fh	98h	11-xxx-xxx	vector	
SETS mem8	0Fh	98h	mm-xxx-xxx	vector	
SETNS mreg8	0Fh	99h	11-xxx-xxx	vector	
SETNS mem8	0Fh	99h	mm-xxx-xxx	vector	
SETP/SETPE mreg8	0Fh	9Ah	11-xxx-xxx	vector	
SETP/SETPE mem8	0Fh	9Ah	mm-xxx-xxx	vector	
SETNP/SETPO mreg8	0Fh	9Bh	11-xxx-xxx	vector	
SETNP/SETPO mem8	0Fh	9Bh	mm-xxx-xxx	vector	
SETL/SETNGE mreg8	0Fh	9Ch	11-xxx-xxx	vector	
SETL/SETNGE mem8	0Fh	9Ch	mm-xxx-xxx	vector	
SETNL/SETGE mreg8	0Fh	9Dh	11-xxx-xxx	vector	
SETNL/SETGE mem8	0Fh	9Dh	mm-xxx-xxx	vector	
SETLE/SETNG mreg8	0Fh	9Eh	11-xxx-xxx	vector	
SETLE/SETNG mem8	0Fh	9Eh	mm-xxx-xxx	vector	
SETNLE/SETG mreg8	0Fh	9Fh	11-xxx-xxx	vector	
SETNLE/SETG mem8	0Fh	9Fh	mm-xxx-xxx	vector	
SGDT mem48	0Fh	01h	mm-000-xxx	vector	
SIDT mem48	0Fh	01h	mm-001-xxx	vector	
SHL/SAL mreg8, imm8	C0h		11-100-xxx	short	alux

Table 12. Integer Instructions (continued)

Instruction Mnemonic	First Byte	Second Byte	ModR/M Byte	Decode Type	RISC86 Operations
SHL/SAL mem8, imm8	C0h		mm-100-xxx	vector	
SHL/SAL mreg16/32, imm8	C1h		11-100-xxx	short	alu
SHL/SAL mem16/32, imm8	C1h		mm-100-xxx	vector	
SHL/SAL mreg8, 1	D0h		11-100-xxx	short	alux
SHL/SAL mem8, 1	D0h		mm-100-xxx	vector	
SHL/SAL mreg16/32, 1	D1h		11-100-xxx	short	alu
SHL/SAL mem16/32, 1	D1h		mm-100-xxx	vector	
SHL/SAL mreg8, CL	D2h		11-100-xxx	short	alux
SHL/SAL mem8, CL	D2h		mm-100-xxx	vector	
SHL/SAL mreg16/32, CL	D3h		11-100-xxx	short	alu
SHL/SAL mem16/32, CL	D3h		mm-100-xxx	vector	
SHR mreg8, imm8	C0h		11-101-xxx	short	alux
SHR mem8, imm8	C0h		mm-101-xxx	vector	
SHR mreg16/32, imm8	C1h		11-101-xxx	short	alu
SHR mem16/32, imm8	C1h		mm-101-xxx	vector	
SHR mreg8, 1	D0h		11-101-xxx	short	alux
SHR mem8, 1	D0h		mm-101-xxx	vector	
SHR mreg16/32, 1	D1h		11-101-xxx	short	alu
SHR mem16/32, 1	D1h		mm-101-xxx	vector	
SHR mreg8, CL	D2h		11-101-xxx	short	alux
SHR mem8, CL	D2h		mm-101-xxx	vector	
SHR mreg16/32, CL	D3h		11-101-xxx	short	alu
SHR mem16/32, CL	D3h		mm-101-xxx	vector	
SHLD mreg16/32, reg16/32, imm8	0Fh	A4h	11-xxx-xxx	vector	
SHLD mem16/32, reg16/32, imm8	0Fh	A4h	mm-xxx-xxx	vector	
SHLD mreg16/32, reg16/32, CL	0Fh	A5h	11-xxx-xxx	vector	
SHLD mem16/32, reg16/32, CL	0Fh	A5h	mm-xxx-xxx	vector	
SHRD mreg16/32, reg16/32, imm8	0Fh	ACH	11-xxx-xxx	vector	
SHRD mem16/32, reg16/32, imm8	0Fh	ACH	mm-xxx-xxx	vector	
SHRD mreg16/32, reg16/32, CL	0Fh	ADh	11-xxx-xxx	vector	
SHRD mem16/32, reg16/32, CL	0Fh	ADh	mm-xxx-xxx	vector	
SLDT mreg16	0Fh	00h	11-000-xxx	vector	
SLDT mem16	0Fh	00h	mm-000-xxx	vector	
SMSW mreg16	0Fh	01h	11-100-xxx	vector	
SMSW mem16	0Fh	01h	mm-100-xxx	vector	

Table 12. Integer Instructions (continued)

Instruction Mnemonic	First Byte	Second Byte	ModR/M Byte	Decode Type	RISC86 Operations
STC	F9h			vector	
STD	FDh			vector	
STI	FBh			vector	
STOSB mem8, AL	AAh			long	store, alux
STOSW mem16, AX	ABh			long	store, alux
STOSD mem32, EAX	ABh			long	store, alux
STR mreg16	0Fh	00h	11-001-xxx	vector	
STR mem16	0Fh	00h	mm-001-xxx	vector	
SUB mreg8, reg8	28h		11-xxx-xxx	short	alux
SUB mem8, reg8	28h		mm-xxx-xxx	long	load, alux, store
SUB mreg16/32, reg16/32	29h		11-xxx-xxx	short	alu
SUB mem16/32, reg16/32	29h		mm-xxx-xxx	long	load, alu, store
SUB reg8, mreg8	2Ah		11-xxx-xxx	short	alux
SUB reg8, mem8	2Ah		mm-xxx-xxx	short	load, alux
SUB reg16/32, mreg16/32	2Bh		11-xxx-xxx	short	alu
SUB reg16/32, mem16/32	2Bh		mm-xxx-xxx	short	load, alu
SUB AL, imm8	2Ch			short	alux
SUB EAX, imm16/32	2Dh			short	alu
SUB mreg8, imm8	80h		11-101-xxx	short	alux
SUB mem8, imm8	80h		mm-101-xxx	long	load, alux, store
SUB mreg16/32, imm16/32	81h		11-101-xxx	short	alu
SUB mem16/32, imm16/32	81h		mm-101-xxx	long	load, alu, store
SUB mreg16/32, imm8 (signed ext.)	83h		11-101-xxx	short	alux
SUB mem16/32, imm8 (signed ext.)	83h		mm-101-xxx	long	load, alux, store
SYSCALL	0Fh	05h		vector	
SYSRET	0Fh	07h		vector	
TEST mreg8, reg8	84h		11-xxx-xxx	short	alux
TEST mem8, reg8	84h		mm-xxx-xxx	vector	
TEST mreg16/32, reg16/32	85h		11-xxx-xxx	short	alu
TEST mem16/32, reg16/32	85h		mm-xxx-xxx	vector	
TEST AL, imm8	A8h			long	alux
TEST EAX, imm16/32	A9h			long	alu
TEST mreg8, imm8	F6h		11-000-xxx	long	alux
TEST mem8, imm8	F6h		mm-000-xxx	long	load, alux
TEST mreg16/32, imm16/32	F7h		11-000-xxx	long	alu

Table 12. Integer Instructions (continued)

Instruction Mnemonic	First Byte	Second Byte	ModR/M Byte	Decode Type	RISC86 Operations
TEST mem16/32, imm16/32	F7h		mm-000-xxx	long	load, alu
VERR mreg16	0Fh	00h	11-100-xxx	vector	
VERR mem16	0Fh	00h	mm-100-xxx	vector	
VERW mreg16	0Fh	00h	11-101-xxx	vector	
VERW mem16	0Fh	00h	mm-101-xxx	vector	
WAIT	9Bh			vector	
WBINVD	0Fh	09h		vector	
WRMSR	0Fh	30h		vector	
XADD mreg8, reg8	0Fh	C0h	11-100-xxx	vector	
XADD mem8, reg8	0Fh	C0h	mm-100-xxx	vector	
XADD mreg16/32, reg16/32	0Fh	C1h	11-101-xxx	vector	
XADD mem16/32, reg16/32	0Fh	C1h	mm-101-xxx	vector	
XCHG reg8, mreg8	86h		11-xxx-xxx	vector	
XCHG reg8, mem8	86h		mm-xxx-xxx	vector	
XCHG reg16/32, mreg16/32	87h		11-xxx-xxx	vector	
XCHG reg16/32, mem16/32	87h		mm-xxx-xxx	vector	
XCHG EAX, EAX	90h			short	limm
XCHG EAX, ECX	91h			long	alu, alu, alu
XCHG EAX, EDX	92h			long	alu, alu, alu
XCHG EAX, EBX	93h			long	alu, alu, alu
XCHG EAX, ESP	94h			long	alu, alu, alu
XCHG EAX, EBP	95h			long	alu, alu, alu
XCHG EAX, ESI	96h			long	alu, alu, alu
XCHG EAX, EDI	97h			long	alu, alu, alu
XLAT	D7h			vector	
XOR mreg8, reg8	30h		11-xxx-xxx	short	alux
XOR mem8, reg8	30h		mm-xxx-xxx	long	load, alux, store
XOR mreg16/32, reg16/32	31h		11-xxx-xxx	short	alu
XOR mem16/32, reg16/32	31h		mm-xxx-xxx	long	load, alu, store
XOR reg8, mreg8	32h		11-xxx-xxx	short	alux
XOR reg8, mem8	32h		mm-xxx-xxx	short	load, alux
XOR reg16/32, mreg16/32	33h		11-xxx-xxx	short	alu
XOR reg16/32, mem16/32	33h		mm-xxx-xxx	short	load, alu
XOR AL, imm8	34h			short	alux
XOR EAX, imm16/32	35h			short	alu

Table 12. Integer Instructions (continued)

Instruction Mnemonic	First Byte	Second Byte	ModR/M Byte	Decode Type	RISC86 Operations
XOR mreg8, imm8	80h		11-110-xxx	short	alux
XOR mem8, imm8	80h		mm-110-xxx	long	load, alux, store
XOR mreg16/32, imm16/32	81h		11-110-xxx	short	alu
XOR mem16/32, imm16/32	81h		mm-110-xxx	long	load, alu, store
XOR mreg16/32, imm8 (signed ext.)	83h		11-110-xxx	short	alux
XOR mem16/32, imm8 (signed ext.)	83h		mm-110-xxx	long	load, alux, store

Table 13. Floating-Point Instructions

Instruction Mnemonic	First Byte	Second Byte	ModR/M Byte	Decode Type	RISC86 Operations
F2XM1	D9h	F0h		short	float
FABS	D9h	F1h		short	float
FADD ST(0), ST(i) ¹	D8h		11-000-xxx	short	float
FADD ST(0), mem32real	D8h		mm-000-xxx	short	float, float
FADD ST(i), ST(0) ¹	DCh		11-000-xxx	short	float
FADD ST(0), mem64real	DCh		mm-000-xxx	short	float, float
FADDP ST(i), ST(0) ¹	DEh		11-000-xxx	short	float
FBLD	DFh		mm-100-xxx	vector	
FBSTP	DFh		mm-110-xxx	vector	
FCFS	D9h	E0h		short	float
FCLEX	DBh	E2h		vector	
FCOM ST(0), ST(i) ¹	D8h		11-010-xxx	short	float
FCOM ST(0), mem32real	D8h		mm-010-xxx	short	float, float
FCOM ST(0), mem64real	DCh		mm-010-xxx	short	float, float
FCOMP ST(0), ST(i) ¹	D8h		11-011-xxx	short	float
FCOMP ST(0), mem32real	D8h		mm-011-xxx	short	float, float
FCOMP ST(0), mem64real	DCh		mm-011-xxx	short	float, float
FCOMPP	DEh	D9h	11-011-001	short	float
FCOS	D9h	FFh		short	float
FDECSTP	D9h	F6h		short	float
FDIV ST(0), ST(i) (single precision) ¹	D8h		11-110-xxx	short	float
FDIV ST(0), ST(i) (double precision) ¹	D8h		11-110-xxx	short	float
FDIV ST(0), ST(i) (extended precision) ¹	D8h		11-110-xxx	short	float

Table 13. Floating-Point Instructions (continued)

Instruction Mnemonic	First Byte	Second Byte	ModR/M Byte	Decode Type	RISC86 Operations
FDIV ST(i), ST(0) (single precision) ¹	DCh		11-111-xxx	short	float
FDIV ST(i), ST(0) (double precision) ¹	DCh		11-111-xxx	short	float
FDIV ST(i), ST(0) (extended precision) ¹	DCh		11-111-xxx	short	float
FDIV ST(0), mem32real	D8h		mm-110-xxx	short	float, float
FDIV ST(0), mem64real	DCh		mm-110-xxx	short	float, float
FDIVP ST(0), ST(i) ¹	DEh		11-111-xxx	short	float
FDIVR ST(0), ST(i) ¹	D8h		11-110-xxx	short	float
FDIVR ST(i), ST(0) ¹	DCh		11-111-xxx	short	float
FDIVR ST(0), mem32real	D8h		mm-111-xxx	short	float, float
FDIVR ST(0), mem64real	DCh		mm-111-xxx	short	float, float
FDIVRP ST(i), ST(0) ¹	DEh		11-110-xxx	short	float
FFREE ST(i) ¹	DDh		11-000-xxx	short	float
FIADD ST(0), mem32int	DAh		mm-000-xxx	short	float, float
FIADD ST(0), mem16int	DEh		mm-000-xxx	short	float, float
FICOM ST(0), mem32int	DAh		mm-010-xxx	short	float, float
FICOM ST(0), mem16int	DEh		mm-010-xxx	short	float, float
FICOMP ST(0), mem32int	DAh		mm-011-xxx	short	float, float
FICOMP ST(0), mem16int	DEh		mm-011-xxx	short	float, float
FIDIV ST(0), mem32int	DAh		mm-110-xxx	short	float, float
FIDIV ST(0), mem16int	DEh		mm-110-xxx	short	float, float
FIDIVR ST(0), mem32int	DAh		mm-111-xxx	short	float, float
FIDIVR ST(0), mem16int	DEh		mm-111-xxx	short	float, float
FILD mem16int	DFh		mm-000-xxx	short	float, float
FILD mem32int	DBh		mm-000-xxx	short	float, float
FILD mem64int	DFh		mm-101-xxx	short	float, float
FIMUL ST(0), mem32int	DAh		mm-001-xxx	short	float, float
FIMUL ST(0), mem16int	DEh		mm-001-xxx	short	float, float
FINCSTP	D9h	F7h		short	
FINIT	DBh	E3h		vector	
FIST mem16int	DFh		mm-010-xxx	short	float, float
FIST mem32int	DBh		mm-010-xxx	short	float, float
FISTP mem16int	DFh		mm-011-xxx	short	float, float
FISTP mem32int	DBh		mm-011-xxx	short	float, float
FISTP mem64int	DFh		mm-111-xxx	short	float, float

Table 13. Floating-Point Instructions (continued)

Instruction Mnemonic	First Byte	Second Byte	ModR/M Byte	Decode Type	RISC86 Operations
FISUB ST(0), mem32int	DAh		mm-100-xxx	short	float, float
FISUB ST(0), mem16int	DEh		mm-100-xxx	short	float, float
FISUBR ST(0), mem32int	DAh		mm-101-xxx	short	float, float
FISUBR ST(0), mem16int	DEh		mm-101-xxx	short	float, float
FLD ST(i) ¹	D9h		11-000-xxx	short	float, float
FLD mem32real	D9h		mm-000-xxx	short	float, float
FLD mem64real	DDh		mm-000-xxx	short	float, float
FLD mem80real	DBh		mm-101-xxx	vector	
FLD1	D9h	E8h		short	float, float
FLDCW	D9h		mm-101-xxx	vector	
FLDENV	D9h		mm-100-xxx	short	float, float
FLDL2E	D9h	EAh		short	float
FLDL2T	D9h	E9h		short	float
FLDLG2	D9h	ECh		short	float
FLDLN2	D9h	EDh		short	float
FLDPI	D9h	EBh		short	float
FLDZ	D9h	Eeh		short	float
FMUL ST(0), ST(i) ¹	D8h		11-001-xxx	short	float
FMUL ST(i), ST(0) ¹	DCh		11-001-xxx	short	float
FMUL ST(0), mem32real	D8h		mm-001-xxx	short	float, float
FMUL ST(0), mem64real	DCh		mm-001-xxx	short	float, float
FMULP ST(0), ST(i) ¹	DEh		11-001-xxx	short	float
FNOP	D9h	D0h		short	float
FPATAN	D9h	F3h		short	float
FPREM	D9h	F8h		short	float
FPREM1	D9h	F5h		short	float
FPTAN	D9h	F2h		vector	
FRNDINT	D9h	FCh		short	float
FRSTOR	DDh		mm-100-xxx	vector	
FSAVE	DDh		mm-110-xxx	vector	
FSCALE	D9h	FDh		short	float
FSIN	D9h	FEh		short	float
FSINCOS	D9h	FBh		vector	
FSQRT (single precision)	D9h	FAh		short	float
FSQRT (double precision)	D9h	FAh		short	float

Table 13. Floating-Point Instructions (continued)

Instruction Mnemonic	First Byte	Second Byte	ModR/M Byte	Decode Type	RISC86 Operations
FSQRT (extended precision)	D9h	FAh		short	float
FST mem32real	D9h		mm-010-xxx	short	fstore
FST mem64real	DDh		mm-010-xxx	short	fstore
FST ST(i) ¹	DDh		11-010-xxx	short	fstore
FSTCW	D9h		mm-111-xxx	vector	
FSTENV	D9h		mm-110-xxx	vector	
FSTP mem32real	D9h		mm-011-xxx	short	fstore
FSTP mem64real	DDh		mm-011-xxx	short	fstore
FSTP mem80real	D9h		mm-111-xxx	vector	
FSTP ST(i) ¹	DDh		11-011-xxx	short	float
FSTSW AX	DFh	E0h		vector	
FSTSW mem16	DDh		mm-111-xxx	vector	
FSUB ST(0), mem32real	D8h		mm-100-xxx	short	float, float
FSUB ST(0), mem64real	DCh		mm-100-xxx	short	float, float
FSUB ST(0), ST(i) ¹	D8h		11-100-xxx	short	float
FSUB ST(i), ST(0) ¹	DCh		11-101-xxx	short	float
FSUBP ST(0), ST(i) ¹	DEh		11-101-xxx	short	float
FSUBR ST(0), mem32real	D8h		mm-101-xxx	short	float, float
FSUBR ST(0), mem64real	DCh		mm-101-xxx	short	float, float
FSUBR ST(0), ST(i) ¹	D8h		11-100-xxx	short	float
FSUBR ST(i), ST(0) ¹	DCh		11-101-xxx	short	float
FSUBRP ST(i), ST(0) ¹	DEh		11-100-xxx	short	float
FTST	D9h	E4h		short	float
FUCOM	DDh		11-100-xxx	short	float
FUCOMP	DDh		11-101-xxx	short	float
FUCOMPP	DAh	E9h		short	float
FXAM	D9h	E5h		short	float
FXCH	D9h		11-001-xxx	short	float
EXTRACT	D9h	F4h		vector	
FYL2X	D9h	F1h		short	float
FYL2XP1	D9h	F9h		short	float
FWAIT	9Bh			vector	

Notes:

1. The last three bits of the modR/M byte select the stack entry ST(i).

Table 14. MMX™ Instructions

Instruction Mnemonic	Prefix Byte(s)	First Byte	ModR/M Byte	Decode Type	RISC86 Operations
EMMS	0Fh	77h		vector	
MOVD mmreg, mreg32 ¹	0Fh	6Eh	11-xxx-xxx	short	meu
MOVD mmreg, mem32	0Fh	6Eh	mm-xxx-xxx	short	mload
MOVD mreg32, mmreg ¹	0Fh	7Eh	11-xxx-xxx	short	mstore, load
MOVD mem32, mmreg	0Fh	7Eh	mm-xxx-xxx	short	mstore
MOVQ mmreg1, mmreg2	0Fh	6Fh	11-xxx-xxx	short	meu
MOVQ mmreg, mem64	0Fh	6Fh	mm-xxx-xxx	short	mload
MOVQ mmreg2, mmreg1	0Fh	7Fh	11-xxx-xxx	short	meu
MOVQ mem64, mmreg	0Fh	7Fh	mm-xxx-xxx	short	mstore
PACKSSDW mmreg1, mmreg2	0Fh	6Bh	11-xxx-xxx	short	meu
PACKSSDW mmreg, mem64	0Fh	6Bh	mm-xxx-xxx	short	mload, meu
PACKSSWB mmreg1, mmreg2	0Fh	63h	11-xxx-xxx	short	meu
PACKSSWB mmreg, mem64	0Fh	63h	mm-xxx-xxx	short	mload, meu
PACKUSWB mmreg1, mmreg2	0Fh	67h	11-xxx-xxx	short	meu
PACKUSWB mmreg, mem64	0Fh	67h	mm-xxx-xxx	short	mload, meu
PADDB mmreg1, mmreg2	0Fh	FCh	11-xxx-xxx	short	meu
PADDB mmreg, mem64	0Fh	FCh	mm-xxx-xxx	short	mload, meu
PADD mmreg1, mmreg2	0Fh	FEh	11-xxx-xxx	short	meu
PADD mmreg, mem64	0Fh	FEh	mm-xxx-xxx	short	mload, meu
PADDSB mmreg1, mmreg2	0Fh	ECh	11-xxx-xxx	short	meu
PADDSB mmreg, mem64	0Fh	ECh	mm-xxx-xxx	short	mload, meu
PADDSW mmreg1, mmreg2	0Fh	EDh	11-xxx-xxx	short	meu
PADDSW mmreg, mem64	0Fh	EDh	mm-xxx-xxx	short	mload, meu
PADDUSB mmreg1, mmreg2	0Fh	DCh	11-xxx-xxx	short	meu
PADDUSB mmreg, mem64	0Fh	DCh	mm-xxx-xxx	short	mload, meu
PADDUSW mmreg1, mmreg2	0Fh	DDh	11-xxx-xxx	short	meu
PADDUSW mmreg, mem64	0Fh	DDh	mm-xxx-xxx	short	mload, meu
PADDW mmreg1, mmreg2	0Fh	FDh	11-xxx-xxx	short	meu
PADDW mmreg, mem64	0Fh	FDh	mm-xxx-xxx	short	mload, meu
PAND mmreg1, mmreg2	0Fh	DBh	11-xxx-xxx	short	meu
PAND mmreg, mem64	0Fh	DBh	mm-xxx-xxx	short	mload, meu
PANDN mmreg1, mmreg2	0Fh	DFh	11-xxx-xxx	short	meu
PANDN mmreg, mem64	0Fh	DFh	mm-xxx-xxx	short	mload, meu
PCMPEQB mmreg1, mmreg2	0Fh	74h	11-xxx-xxx	short	meu

Table 14. MMX™ Instructions (continued)

Instruction Mnemonic	Prefix Byte(s)	First Byte	ModR/M Byte	Decode Type	RISC86 Operations
PCMPEQB mmreg, mem64	0Fh	74h	mm-xxx-xxx	short	mload, meu
PCMPEQD mmreg1, mmreg2	0Fh	76h	11-xxx-xxx	short	meu
PCMPEQD mmreg, mem64	0Fh	76h	mm-xxx-xxx	short	mload, meu
PCMPEQW mmreg1, mmreg2	0Fh	75h	11-xxx-xxx	short	meu
PCMPEQW mmreg, mem64	0Fh	75h	mm-xxx-xxx	short	mload, meu
PCMPGTB mmreg1, mmreg2	0Fh	64h	11-xxx-xxx	short	meu
PCMPGTB mmreg, mem64	0Fh	64h	mm-xxx-xxx	short	mload, meu
PCMPGTD mmreg1, mmreg2	0Fh	66h	11-xxx-xxx	short	meu
PCMPGTD mmreg, mem64	0Fh	66h	mm-xxx-xxx	short	mload, meu
PCMPGTW mmreg1, mmreg2	0Fh	65h	11-xxx-xxx	short	meu
PCMPGTW mmreg, mem64	0Fh	65h	mm-xxx-xxx	short	mload, meu
PMADDWD mmreg1, mmreg2	0Fh	F5h	11-xxx-xxx	short	meu
PMADDWD mmreg, mem64	0Fh	F5h	mm-xxx-xxx	short	mload, meu
PMULHW mmreg1, mmreg2	0Fh	E5h	11-xxx-xxx	short	meu
PMULHW mmreg, mem64	0Fh	E5h	mm-xxx-xxx	short	mload, meu
PMULLW mmreg1, mmreg2	0Fh	D5h	11-xxx-xxx	short	meu
PMULLW mmreg, mem64	0Fh	D5h	mm-xxx-xxx	short	mload, meu
POR mmreg1, mmreg2	0Fh	EBh	11-xxx-xxx	short	meu
POR mmreg, mem64	0Fh	EBh	mm-xxx-xxx	short	mload, meu
PSLLD mmreg1, mmreg2	0Fh	F2h	11-xxx-xxx	short	meu
PSLLD mmreg, mem64	0Fh	F2h	mm-xxx-xxx	short	mload, meu
PSLLD mmreg, imm8	0Fh	72h	11-110-xxx	short	meu
PSLLQ mmreg1, mmreg2	0Fh	F3h	11-xxx-xxx	short	meu
PSLLQ mmreg, mem64	0Fh	F3h	mm-xxx-xxx	short	mload, meu
PSLLQ mmreg, imm8	0Fh	73h	11-110-xxx	short	meu
PSLLW mmreg1, mmreg2	0Fh	F1h	11-xxx-xxx	short	meu
PSLLW mmreg, mem64	0Fh	F1h	mm-xxx-xxx	short	mload, meu
PSLLW mmreg, imm8	0Fh	71h	11-110-xxx	short	meu
PSRAD mmreg1, mmreg2	0Fh	E2h	11-xxx-xxx	short	meu
PSRAD mmreg, mem64	0Fh	E2h	mm-xxx-xxx	short	mload, meu
PSRAD mmreg, imm8	0Fh	72h	11-100-xxx	short	meu
PSRAW mmreg1, mmreg2	0Fh	E1h	11-xxx-xxx	short	meu
PSRAW mmreg, mem64	0Fh	E1h	mm-xxx-xxx	short	mload, meu
PSRAW mmreg, imm8	0Fh	71h	11-100-xxx	short	meu
PSRLD mmreg1, mmreg2	0Fh	D2h	11-xxx-xxx	short	meu

Table 14. MMX™ Instructions (continued)

Instruction Mnemonic	Prefix Byte(s)	First Byte	ModR/M Byte	Decode Type	RISC86 Operations
PSRLD mmreg, mem64	0Fh	D2h	mm-xxx-xxx	short	mload, meu
PSRLD mmreg, imm8	0Fh	72h	11-010-xxx	short	meu
PSRLQ mmreg1, mmreg2	0Fh	D3h	11-xxx-xxx	short	meu
PSRLQ mmreg, mem64	0Fh	D3h	mm-xxx-xxx	short	mload, meu
PSRLQ mmreg, imm8	0Fh	73h	11-010-xxx	short	meu
PSRLW mmreg1, mmreg2	0Fh	D1h	11-xxx-xxx	short	meu
PSRLW mmreg, mem64	0Fh	D1h	mm-xxx-xxx	short	mload, meu
PSRLW mmreg, imm8	0Fh	71h	11-010-xxx	short	meu
PSUBB mmreg1, mmreg2	0Fh	F8h	11-xxx-xxx	short	meu
PSUBB mmreg, mem64	0Fh	F8h	mm-xxx-xxx	short	mload, meu
PSUBD mmreg1, mmreg2	0Fh	FAh	11-xxx-xxx	short	meu
PSUBD mmreg, mem64	0Fh	FAh	mm-xxx-xxx	short	mload, meu
PSUBSB mmreg1, mmreg2	0Fh	E8h	11-xxx-xxx	short	meu
PSUBSB mmreg, mem64	0Fh	E8h	mm-xxx-xxx	short	mload, meu
PSUBSW mmreg1, mmreg2	0Fh	E9h	11-xxx-xxx	short	meu
PSUBSW mmreg, mem64	0Fh	E9h	mm-xxx-xxx	short	mload, meu
PSUBUSB mmreg1, mmreg2	0Fh	D8h	11-xxx-xxx	short	meu
PSUBUSB mmreg, mem64	0Fh	D8h	mm-xxx-xxx	short	mload, meu
PSUBUSW mmreg1, mmreg2	0Fh	D9h	11-xxx-xxx	short	meu
PSUBUSW mmreg, mem64	0Fh	D9h	mm-xxx-xxx	short	mload, meu
PSUBW mmreg1, mmreg2	0Fh	F9h	11-xxx-xxx	short	meu
PSUBW mmreg, mem64	0Fh	F9h	mm-xxx-xxx	short	mload, meu
PUNPCKHBW mmreg1, mmreg2	0Fh	68h	11-xxx-xxx	short	meu
PUNPCKHBW mmreg, mem64	0Fh	68h	mm-xxx-xxx	short	mload, meu
PUNPCKHDQ mmreg1, mmreg2	0Fh	6Ah	11-xxx-xxx	short	meu
PUNPCKHDQ mmreg, mem64	0Fh	6Ah	mm-xxx-xxx	short	mload, meu
PUNPCKHWD mmreg1, mmreg2	0Fh	69h	11-xxx-xxx	short	meu
PUNPCKHWD mmreg, mem64	0Fh	69h	mm-xxx-xxx	short	mload, meu
PUNPCKLBW mmreg1, mmreg2	0Fh	60h	11-xxx-xxx	short	meu
PUNPCKLBW mmreg, mem32	0Fh	60h	mm-xxx-xxx	short	mload, meu
PUNPCKLDQ mmreg1, mmreg2	0Fh	62h	11-xxx-xxx	short	meu
PUNPCKLDQ mmreg, mem32	0Fh	62h	mm-xxx-xxx	short	mload, meu
PUNPCKLWD mmreg1, mmreg2	0Fh	61h	11-xxx-xxx	short	meu
PUNPCKLWD mmreg, mem32	0Fh	61h	mm-xxx-xxx	short	mload, meu
PXOR mmreg1, mmreg2	0Fh	EFh	11-xxx-xxx	short	meu

Table 14. MMX™ Instructions (continued)

Instruction Mnemonic	Prefix Byte(s)	First Byte	ModR/M Byte	Decode Type	RISC86 Operations
PXOR mmreg, mem64	0Fh	EFh	mm-xxx-xxx	short	mload, meu

Notes:

1. Bits 2, 1, and 0 of the modR/M byte select the integer register.

Table 15. 3DNow!™ Instructions

Instruction Mnemonic	Prefix Byte(s)	Opcode Byte	ModR/M Byte	Decode Type	RISC86 Operations
FEMMS	0Fh	0Eh		vector	
PAVGUSB mmreg1, mmreg2	0Fh, 0Fh	BFh	11-xxx-xxx	short	meu
PAVGUSB mmreg, mem64	0Fh, 0Fh	BFh	mm-xxx-xxx	short	mload, meu
PF2ID mmreg1, mmreg2	0Fh, 0Fh	1Dh	11-xxx-xxx	short	meu
PF2ID mmreg, mem64	0Fh, 0Fh	1Dh	mm-xxx-xxx	short	mload, meu
PFACC mmreg1, mmreg2	0Fh, 0Fh	AEh	11-xxx-xxx	short	meu
PFACC mmreg, mem64	0Fh, 0Fh	AEh	mm-xxx-xxx	short	mload, meu
PFADD mmreg1, mmreg2	0Fh, 0Fh	9Eh	11-xxx-xxx	short	meu
PFADD mmreg, mem64	0Fh, 0Fh	9Eh	mm-xxx-xxx	short	mload, meu
PFCMPEQ mmreg1, mmreg2	0Fh, 0Fh	B0h	11-xxx-xxx	short	meu
PFCMPEQ mmreg, mem64	0Fh, 0Fh	B0h	mm-xxx-xxx	short	mload, meu
PFCMPGE mmreg1, mmreg2	0Fh, 0Fh	90h	11-xxx-xxx	short	meu
PFCMPGE mmreg, mem64	0Fh, 0Fh	90h	mm-xxx-xxx	short	mload, meu
PFCMPGT mmreg1, mmreg2	0Fh, 0Fh	A0h	11-xxx-xxx	short	meu
PFCMPGT mmreg, mem64	0Fh, 0Fh	A0h	mm-xxx-xxx	short	mload, meu
PFMAX mmreg1, mmreg2	0Fh, 0Fh	A4h	11-xxx-xxx	short	meu
PFMAX mmreg, mem64	0Fh, 0Fh	A4h	mm-xxx-xxx	short	mload, meu
PFMIN mmreg1, mmreg2	0Fh, 0Fh	94h	11-xxx-xxx	short	meu
PFMIN mmreg, mem64	0Fh, 0Fh	94h	mm-xxx-xxx	short	mload, meu
PFMUL mmreg1, mmreg2	0Fh, 0Fh	B4h	11-xxx-xxx	short	meu
PFMUL mmreg, mem64	0Fh, 0Fh	B4h	mm-xxx-xxx	short	mload, meu
PFRCP mmreg1, mmreg2	0Fh, 0Fh	96h	11-xxx-xxx	short	meu
PFRCP mmreg, mem64	0Fh, 0Fh	96h	mm-xxx-xxx	short	mload, meu
PFRCPIT1 mmreg1, mmreg2	0Fh, 0Fh	A6h	11-xxx-xxx	short	meu
PFRCPIT1 mmreg, mem64	0Fh, 0Fh	A6h	mm-xxx-xxx	short	mload, meu
PFRCPIT2 mmreg1, mmreg2	0Fh, 0Fh	B6h	11-xxx-xxx	short	meu
PFRCPIT2 mmreg, mem64	0Fh, 0Fh	B6h	mm-xxx-xxx	short	mload, meu
PFRSQIT1 mmreg1, mmreg2	0Fh, 0Fh	A7h	11-xxx-xxx	short	meu

Table 15. 3DNow!™ Instructions (continued)

Instruction Mnemonic	Prefix Byte(s)	Opcode Byte	ModR/M Byte	Decode Type	RISC86 Operations
PFRSQIT1 mmreg, mem64	0Fh, 0Fh	A7h	mm-xxx-xxx	short	mload, meu
PFRSQRT mmreg1, mmreg2	0Fh, 0Fh	97h	11-xxx-xxx	short	meu
PFRSQRT mmreg, mem64	0Fh, 0Fh	97h	mm-xxx-xxx	short	mload, meu
PFSUB mmreg1, mmreg2	0Fh, 0Fh	9Ah	11-xxx-xxx	short	meu
PFSUB mmreg, mem64	0Fh, 0Fh	9Ah	mm-xxx-xxx	short	mload, meu
PFSUBR mmreg1, mmreg2	0Fh, 0Fh	AAh	11-xxx-xxx	short	meu
PFSUBR mmreg, mem64	0Fh, 0Fh	AAh	mm-xxx-xxx	short	mload, meu
PI2FD mmreg1, mmreg2	0Fh, 0Fh	0Dh	11-xxx-xxx	short	meu
PI2FD mmreg, mem64	0Fh, 0Fh	0Dh	mm-xxx-xxx	short	mload, meu
PMULHRW mmreg1, mmreg2	0Fh, 0Fh	B7h	11-xxx-xxx	short	meu
PMULHRW mmreg1, mem64	0Fh, 0Fh	B7h	mm-xxx-xxx	short	mload, meu
PREFETCH mem8 ¹	0Fh	0Dh	mm-000-xxx	vector	load
PREFETCHW mem8 ^{1,2}	0Fh	0Dh	mm-001-xxx	vector	load

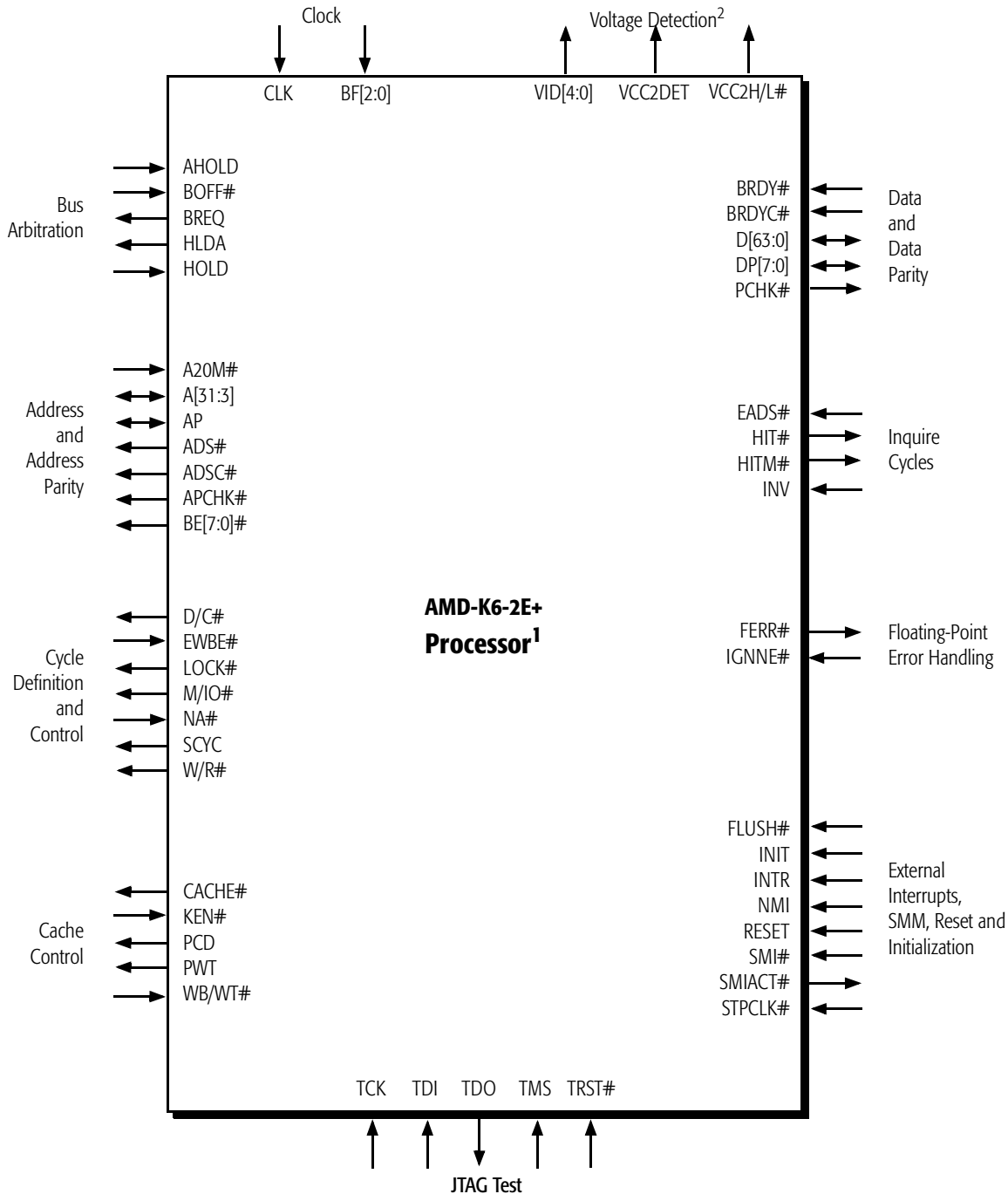
Notes:

1. For PREFETCH and PREFETCHW, the mem8 value refers to a byte address within the 32-byte line that will be prefetched.
2. PREFETCHW will be implemented in a future K86 processor. On the AMD-K6-2E+ processor, this instruction performs in the same manner as the PREFETCH instruction.

Table 16. 3DNow!™ Technology DSP Extensions

Instruction Mnemonic	Prefix Byte(s)	Opcode Byte	ModR/M Byte	Decode Type	RISC86 Operations
PF2IW mmreg1, mmreg2	0Fh, 0Fh	1Ch	11-xxx-xxx	short	meu
PF2IW mmreg, mem64	0Fh, 0Fh	1Ch	mm-xxx-xxx	short	mload, meu
PFNACC mmreg1, mmreg2	0Fh, 0Fh	8Ah	11-xxx-xxx	short	meu
PFNACC mmreg, mem64	0Fh, 0Fh	8Ah	mm-xxx-xxx	short	mload, meu
PPFNACC mmreg1, mmreg2	0Fh, 0Fh	8Eh	11-xxx-xxx	short	meu
PPFNACC mmreg, mem64	0Fh, 0Fh	8Eh	mm-xxx-xxx	short	mload, meu
PI2FW mmreg1, mmreg2	0Fh, 0Fh	0Ch	11-xxx-xxx	short	meu
PI2FW mmreg, mem64	0Fh, 0Fh	0Ch	mm-xxx-xxx	short	mload, meu
PSWAPD mmreg1, mmreg2	0Fh, 0Fh	BBh	11-xxx-xxx	short	meu
PSWAPD mmreg, mem64	0Fh, 0Fh	BBh	mm-xxx-xxx	short	mload, meu

4 Logic Symbol Diagram



Notes:

1. The signals are grouped by function. The arrows show the direction of the signal, either into or out of the processor. Signals with double-headed arrows are bidirectional. Signals with pound signs (#) are active Low.
2. The VID[4:0] outputs are supported on low-power versions only. The VCC2DET and VCC2H/L# outputs are supported on the CPGA package only.

5 Signal Descriptions

This chapter includes a detailed description of each signal supported on the AMD-K6-2E+ processor. This chapter also provides tables listing the signals grouped by type, beginning on page 140.

The logic symbol diagram on page 91 shows the signals grouped by function.

Connection diagrams and pins listed by high-level function are included in Chapter 18, “Pin Designations” on page 321.

5.1 Signal Terminology

The following terminology is used in this chapter:

- *Driven*—The processor actively pulls the signal up to the High-voltage state or pulls the signal down to the Low-voltage state.
- *Floated*—The signal is not being driven by the processor (high-impedance state), which allows another device to drive this signal.
- *Asserted*—For all active High signals, the term *asserted* means the signal is in the High-voltage state. For all active Low signals, the term *asserted* means the signal is in the Low-voltage state. See Table 19 on page 140 for information on asserting signals synchronously and asynchronously.
- *Negated*—For all active High signals, the term *negated* means the signal is in the Low-voltage state. For all active Low signals, the term *negated* means the signal is in the High-voltage state.
- *Sampled*—The processor has measured the state of a signal at predefined points in time and will take the appropriate action based on the state of the signal. If a signal is not sampled by the processor, its assertion or negation has no effect on the operation of the processor.

5.2 A20M# (Address Bit 20 Mask)

Pin Attribute Input

Summary A20M# is used to simulate the behavior of the 8086 when running in Real mode. The assertion of A20M# causes the processor to force bit 20 of the physical address to 0 prior to accessing the caches or driving out a memory bus cycle. The clearing of address bit 20 maps addresses that extend above the 8086 1-Mbyte limit to below 1 Mbyte.

Sampled The processor samples A20M# as a level-sensitive input on every clock edge. The system logic can drive the signal either synchronously or asynchronously. If it is asserted asynchronously, it must be asserted for a minimum pulse width of two clocks.

The following list explains the effects of the processor sampling A20M# asserted under various conditions:

- Inquire cycles and writeback cycles are not affected by the state of A20M#.
- The assertion of A20M# in System Management Mode (SMM) is ignored.
- When A20M# is sampled asserted in Protected mode, it causes unpredictable processor operation. A20M# is only defined in Real mode.
- To ensure that A20M# is recognized before the first ADS# occurs following the negation of RESET, A20M# must be sampled asserted on the same clock edge that RESET is sampled negated or on one of the two subsequent clock edges.
- To ensure A20M# is recognized before the execution of an instruction, a serializing instruction must be executed between the instruction that asserts A20M# and the targeted instruction. (A *serializing instruction* is an instruction inserted between operations to enforce program order. It forces the processor to finish all modifications to flags, registers, and memory before the next instruction is executed.)

5.3 A[31:3] (Address Bus)

Pin Attribute A[31:5] Bidirectional, A[4:3] Output

Summary A[31:3] contain the physical address for the current bus cycle. The processor drives addresses on A[31:3] during memory and I/O cycles, and cycle definition information during special bus cycles. The processor samples addresses on A[31:5] during inquire cycles.

Driven, Sampled, and Floated *As Outputs:* A[31:3] are driven valid off the same clock edge as ADS# and remain in the same state until the clock edge on which NA# or the last expected BRDY# of the cycle is sampled asserted. A[31:3] are driven during memory cycles, I/O cycles, special bus cycles, and interrupt acknowledge cycles. The processor continues to drive the address bus while the bus is idle.

As Inputs: The processor samples A[31:5] during inquire cycles on the clock edge on which EADS# is sampled asserted. Even though A4 and A3 are not used during the inquire cycle, they must be driven to a valid state and must meet the same timings as A[31:5].

A[31:3] are floated off the clock edge that AHOLD or BOFF# is sampled asserted and off the clock edge that the processor asserts HLDA in recognition of HOLD.

The processor resumes driving A[31:3] off the clock edge on which the processor samples AHOLD or BOFF# negated and off the clock edge on which the processor negates HLDA.

5.4 ADS# (Address Strobe)

Pin Attribute Output

Summary The assertion of ADS# indicates the beginning of a new bus cycle. The address bus and all cycle definition signals corresponding to this bus cycle are driven valid off the same clock edge as ADS#.

Driven and Floated ADS# is asserted for one clock at the beginning of each bus cycle. For non-pipelined cycles, ADS# can be asserted as early as the clock edge after the clock edge on which the last expected BRDY# of the cycle is sampled asserted, resulting in a single idle state between cycles. For pipelined cycles if the processor is prepared to start a new cycle, ADS# can be asserted as early as one clock edge after NA# is sampled asserted.

If AHOLD is sampled asserted, ADS# is only driven in order to perform a writeback cycle due to an inquire cycle that hits a modified cache line.

The processor floats ADS# off the clock edge that BOFF# is sampled asserted and off the clock edge that the processor asserts HLDA in recognition of HOLD.

5.5 ADSC# (Address Strobe Copy)

Pin Attribute Output

Summary ADSC# has the identical function and timing as ADS#. In the event ADS# becomes too heavily loaded due to a large fanout in a system, ADSC# can be used to split the load across two outputs, which can improve system timing.

5.6 AHOLD (Address Hold)

Pin Attribute Input

Summary AHOLD can be asserted by the system to initiate one or more inquire cycles. To allow the system to drive the address bus during an inquire cycle, the processor floats A[31:3] and AP off the clock edge on which AHOLD is sampled asserted. The data bus and all other control and status signals remain under the control of the processor and are not floated. This allows a bus cycle that is in progress when AHOLD is sampled asserted to continue to completion. The processor resumes driving the address bus off the clock edge on which AHOLD is sampled negated.

If AHOLD is sampled asserted, ADS# is only asserted in order to perform a writeback cycle due to an inquire cycle that hits a modified cache line.

Sampled The processor samples AHOLD on every clock edge. AHOLD is recognized while INIT and RESET are sampled asserted.

5.7 AP (Address Parity)

Pin Attribute Bidirectional

Summary

AP contains the even parity bit for cache line addresses driven and sampled on A[31:5]. Even parity means that the total number of 1 bits on AP and A[31:5] is even. (A4 and A3 are not used for the generation or checking of address parity because these bits are not required to address a cache line.) AP is driven by the processor during processor-initiated cycles and is sampled by the processor during inquire cycles. If AP does not reflect even parity during an inquire cycle, the processor asserts APCHK# to indicate an address bus parity check. The processor does not take an internal exception as the result of detecting an address bus parity check, and system logic must respond appropriately to the assertion of this signal.

Driven, Sampled, and Floated

As an Output: The processor drives AP valid off the clock edge on which ADS# is asserted until the clock edge on which NA# or the last expected BRDY# of the cycle is sampled asserted. AP is driven during memory cycles, I/O cycles, special bus cycles, and interrupt acknowledge cycles. The processor continues to drive AP while the bus is idle.

As an Input: The processor samples AP during inquire cycles on the clock edge on which EADS# is sampled asserted.

The processor floats AP off the clock edge that AHOLD or BOFF# is sampled asserted and off the clock edge that the processor asserts HLDA in recognition of HOLD.

The processor resumes driving AP off the clock edge on which the processor samples AHOLD or BOFF# negated and off the clock edge on which the processor negates HLDA.

5.8 APCHK# (Address Parity Check)

Pin Attribute Output

Summary If the processor detects an address parity error during an inquire cycle, APCHK# is asserted for one clock. The processor does not take an internal exception as the result of detecting an address bus parity check, and system logic must respond appropriately to the assertion of this signal.

The processor is designed so that APCHK# does not glitch, enabling the signal to be used as a clocking source for system logic.

Driven APCHK# is driven valid off the clock edge after the clock edge on which the processor samples EADS# asserted. It is negated off the next clock edge.

APCHK# is always driven except in the Three-State Test mode.

5.9 BE[7:0]# (Byte Enables)

Pin Attribute Output

Summary

BE[7:0]# are used by the processor to indicate the valid data bytes during a write cycle and the requested data bytes during a read cycle. The byte enables can be used to derive address bits A[2:0], which are not physically part of the processor's address bus. The processor checks and generates valid data parity for the data bytes that are valid as defined by the byte enables. The eight byte enables correspond to the eight bytes of the data bus as follows:

- BE7#: D[63:56]
- BE6#: D[55:48]
- BE5#: D[47:40]
- BE4#: D[39:32]
- BE3#: D[31:24]
- BE2#: D[23:16]
- BE1#: D[15:8]
- BE0#: D[7:0]

The processor expects data to be driven by the system logic on all eight bytes of the data bus during a burst cache-line read cycle, independent of the byte enables that are asserted.

The byte enables are also used to distinguish between special bus cycles as defined in Table 24 on page 142.

Driven and Floated

BE[7:0]# are driven off the same clock edge as ADS# and remain in the same state until the clock edge on which NA# or the last expected BRDY# of the cycle is sampled asserted. BE[7:0]# are driven during memory cycles, I/O cycles, special bus cycles, and interrupt acknowledge cycles.

The processor floats BE[7:0]# off the clock edge that BOFF# is sampled asserted and off the clock edge that the processor asserts HLDA in recognition of HOLD. Unlike the address bus, BE[7:0]# are not floated in response to AHOLD.

5.10 BF[2:0] (Bus Frequency)

Pin Attribute Inputs, Internal Pullups

Summary BF[2:0] determine the internal operating frequency of the processor. The frequency of the CLK input signal is multiplied internally by a ratio determined by the state of these signals as defined in Table 17. BF[2:0] have weak internal pullups and default to the 3.5 multiplier if left unconnected.

Table 17. Processor-to-Bus Clock Ratios

State of BF[2:0] Inputs	Processor-Clock to Bus-Clock Ratio
100b	2.0x
101b	3.0x
110b	6.0x
111b	3.5x
000b	4.5x
001b	5.0x
010b	4.0x
011b	5.5x

Sampled BF[2:0] are sampled during the falling transition of RESET. They must meet a minimum setup time of 1.0 ms and a minimum hold time of two clocks relative to the negation of RESET.

5.11 BOFF# (Backoff)

Pin Attribute Input

Summary

If BOFF# is sampled asserted, the processor unconditionally aborts any cycles in progress and transitions to a bus hold state by floating the following signals: A[31:3], ADS#, ADSC#, AP, BE[7:0]#, CACHE#, D[63:0], D/C#, DP[7:0], LOCK#, M/IO#, PCD, PWT, SCYC, and W/R#. These signals remain floated until BOFF# is sampled negated. This allows an alternate bus master or the system to control the bus.

When BOFF# is sampled negated, any processor cycle that was aborted due to the assertion of BOFF# is restarted from the beginning of the cycle, regardless of the number of transfers that were completed. If BOFF# is sampled asserted on the same clock edge as BRDY# of a bus cycle of any length, then BOFF# takes precedence over the BRDY#. In this case, the cycle is aborted and restarted after BOFF# is sampled negated.

Sampled

BOFF# is sampled on every clock edge. The processor floats its bus signals off the clock edge on which BOFF# is sampled asserted. These signals remain floated until the clock edge on which BOFF# is sampled negated.

BOFF# is recognized while INIT and RESET are sampled asserted.

5.12 BRDY# (Burst Ready)

Pin Attribute

Input, Internal Pullup

Summary

BRDY# is asserted to the processor by system logic to indicate either that the data bus is being driven with valid data during a read cycle or that the data bus has been latched during a write cycle. If necessary, the system logic can insert bus cycle wait states by negating BRDY# until it is ready to continue the data transfer. BRDY# is also used to indicate the completion of special bus cycles.

Sampled

BRDY# is sampled every clock edge within a bus cycle starting with the clock edge after the clock edge that negates ADS#. BRDY# is ignored while the bus is idle. The processor samples the following inputs on the clock edge on which BRDY# is sampled asserted: D[63:0], DP[7:0], and KEN# during read cycles, EWBE# during write cycles (if not masked off), and WB/WT# during read and write cycles. If NA# is sampled asserted prior to BRDY#, then KEN# and WB/WT# are sampled on the clock edge on which NA# is sampled asserted.

The number of times the processor expects to sample BRDY# asserted depends on the type of bus cycle, as follows:

- One time for a single-transfer cycle, a special bus cycle, or each of two cycles in an interrupt acknowledge sequence
- Four times for a burst cycle (once for each data transfer)

BRDY# can be held asserted for four consecutive clocks throughout the four transfers of the burst, or it can be negated to insert wait states.

5.13 BRDYC# (Burst Ready Copy)

Pin Attribute Input, Internal Pullup

Summary BRDYC# has the identical function as BRDY#. In the event BRDY# becomes too heavily loaded due to a large fanout or loading in a system, BRDYC# can be used to reduce this loading, which improves timing.

Sampled BRDYC# is sampled every clock edge within a bus cycle starting with the clock edge after the clock edge that negates ADS#.

5.14 BREQ (Bus Request)

Pin Attribute Output

Summary BREQ is asserted by the processor to request the bus in order to complete an internally pending bus cycle. The system logic can use BREQ to arbitrate among the bus participants. If the processor does not own the bus, BREQ is asserted until the processor gains access to the bus in order to begin the pending cycle or until the processor no longer needs to run the pending cycle. If the processor currently owns the bus, BREQ is asserted with ADS#. The processor asserts BREQ for each assertion of ADS# but does not necessarily assert ADS# for each assertion of BREQ.

Driven BREQ is asserted off the same clock edge on which ADS# is asserted. BREQ can also be asserted off any clock edge, independent of the assertion of ADS#. BREQ can be negated one clock edge after it is asserted.

The processor always drives BREQ except in the Three-State Test mode.

5.15 CACHE# (Cacheable Access)

Pin Attribute Output

Summary For reads, CACHE# is asserted to indicate the cacheability of the current bus cycle. In addition, if the processor samples KEN# asserted, which indicates the driven address is cacheable, the cycle is a 32-byte burst read cycle. For write cycles, CACHE# is asserted to indicate the current bus cycle is a modified cache-line writeback. KEN# is ignored during writebacks. If CACHE# is not asserted, or if KEN# is sampled negated during a read cycle, the cycle is not cacheable and defaults to a single-transfer cycle.

Driven and Floated CACHE# is driven off the same clock edge as ADS# and remains in the same state until the clock edge on which NA# or the last expected BRDY# of the cycle is sampled asserted.

CACHE# is floated off the clock edge that BOFF# is sampled asserted and off the clock edge that the processor asserts HLDA in recognition of HOLD.

5.16 CLK (Clock)

Pin Attribute Input

Summary The CLK signal is the bus clock for the processor and is the reference for all signal timings under normal operation (except for TDI, TDO, TMS, and TRST#). BF[2:0] determine the internal frequency multiplier applied to CLK to obtain the processor's core operating frequency. See "BF[2:0] (Bus Frequency)" on page 101 for a list of the processor-to-bus clock ratios.

Sampled The CLK signal must be stable a minimum of 1.0 ms prior to the negation of RESET to ensure the proper operation of the processor. See "CLK Switching Characteristics" on page 296 for details regarding the CLK specifications.

5.17 D/C# (Data/Code)

Pin Attribute Output

Summary The processor drives D/C# during a memory bus cycle to indicate whether it is addressing data or executable code. D/C# is also used to define other bus cycles, including interrupt acknowledge and special cycles. See Table 23 and Table 24 on page 142 for more details.

Driven and Floated D/C# is driven off the same clock edge as ADS# and remains in the same state until the clock edge on which NA# or the last expected BRDY# of the cycle is sampled asserted. D/C# is driven during memory cycles, I/O cycles, special bus cycles, and interrupt acknowledge cycles.

D/C# is floated off the clock edge that BOFF# is sampled asserted and off the clock edge that the processor asserts HLDA in recognition of HOLD.

5.18 D[63:0] (Data Bus)

Pin Attribute Bidirectional

Summary D[63:0] represent the processor's 64-bit data bus. Each of the eight bytes of data that comprise this bus is qualified as valid by its corresponding byte enable. See “BE[7:0]# (Byte Enables)” on page 100.

Driven, Sampled, and Floated

As Outputs: For single-transfer write cycles, the processor drives D[63:0] with valid data one clock edge after the clock edge on which ADS# is asserted and D[63:0] remain in the same state until the clock edge on which BRDY# is sampled asserted. If the cycle is a writeback—in which case four 8-byte transfers occur—D[63:0] are driven one clock edge after the clock edge on which ADS# is asserted and are subsequently changed off the clock edge on which each BRDY# assertion of the burst cycle is sampled.

If the assertion of ADS# represents a pipelined write cycle that follows a read cycle, the processor does not drive D[63:0] until it is certain that contention on the data bus will not occur. In this case, D[63:0] are driven the clock edge after the last expected BRDY# of the previous cycle is sampled asserted.

As Inputs: During read cycles, the processor samples D[63:0] on the clock edge on which BRDY# is sampled asserted.

The processor always floats D[63:0] except when they are being driven during a write cycle as described above. In addition, D[63:0] are floated off the clock edge that BOFF# is sampled asserted and off the clock edge that the processor asserts HLDA in recognition of HOLD.

5.19 DP[7:0] (Data Parity)

Pin Attribute Bidirectional

Summary DP[7:0] are even parity bits for each valid byte of data—as defined by BE[7:0]#—driven and sampled on the D[63:0] data bus. *Even parity* means that the total number of 1 bits within each byte of data and its respective data parity bit is an even number. DP[7:0] are driven by the processor during write cycles and sampled by the processor during read cycles.

If the processor detects bad parity on any valid byte of data during a read cycle, PCHK# is asserted for one clock beginning the clock edge after BRDY# is sampled asserted. The processor does not take an internal exception as the result of detecting a data parity check, and system logic must respond appropriately to the assertion of this signal.

The eight data parity bits correspond to the eight bytes of the data bus as follows:

- DP7: D[63:56]
- DP6: D[55:48]
- DP5: D[47:40]
- DP4: D[39:32]
- DP3: D[31:24]
- DP2: D[23:16]
- DP1: D[15:8]
- DP0: D[7:0]

For systems that do not support data parity, DP[7:0] should be connected to V_{CC3} through pullup resistors.

Driven, Sampled, and Floated

As Outputs: For single-transfer write cycles, the processor drives DP[7:0] with valid parity one clock edge after the clock edge on which ADS# is asserted and DP[7:0] remain in the same state until the clock edge on which BRDY# is sampled asserted. If the cycle is a writeback, DP[7:0] are driven one clock edge after the clock edge on which ADS# is asserted and are subsequently changed off the clock edge on which each BRDY# assertion of the burst cycle is sampled.

As Inputs: During read cycles, the processor samples DP[7:0] on the clock edge BRDY# is sampled asserted.

The processor always floats DP[7:0] except when they are being driven during a write cycle as described above. In addition, DP[7:0] are floated off the clock edge that BOFF# is sampled asserted and off the clock edge that the processor asserts HLDA in recognition of HOLD.

5.20 EADS# (External Address Strobe)

Pin Attribute Input

Summary System logic asserts EADS# during a cache inquire cycle to indicate that the address bus contains a valid address. EADS# can only be driven after the system logic has taken control of the address bus by asserting AHOLD or BOFF# or by receiving HLDA. The processor responds to the sampling of EADS# and the address bus by driving HIT#, which indicates if the inquired cache line exists in the processor's caches, and HITM#, which indicates if it is in the modified state.

Sampled If AHOLD or BOFF# is asserted by the system logic in order to execute a cache inquire cycle, the processor begins sampling EADS# two clock edges after AHOLD or BOFF# is sampled asserted. If the system logic asserts HOLD in order to execute a cache inquire cycle, the processor begins sampling EADS# two clock edges after the clock edge HLDA is asserted by the processor.

EADS# is ignored during the following conditions:

- One clock edge after the clock edge on which EADS# is sampled asserted
- Two clock edges after the clock edge on which ADS# is asserted
- When the processor is driving the address bus
- When the processor asserts HITM#

5.21 EWBE# (External Write Buffer Empty)

Pin Attribute Input

Summary

The system logic can negate EWBE# to the processor to indicate that its external write buffers are full and that additional data cannot be stored at this time. This causes the processor to delay the following activities until EWBE# is sampled asserted:

- The commitment of write hit cycles to cache lines in the modified state or exclusive state in the processor's caches
- The decode and execution of an instruction that follows a currently-executing serializing instruction
- The assertion or negation of SMIACT#
- The entering of the Halt state and the Stop Grant state

Negating EWBE# does not prevent the completion of any type of cycle that is currently in progress.

Sampled

The processor samples EWBE# on each clock edge that BRDY# is sampled asserted during all memory write cycles (except writeback cycles), I/O write cycles, and special bus cycles.

If EWBE# is sampled negated, it is sampled on every clock edge until it is asserted, and then it is ignored until BRDY# is sampled asserted in the next write cycle or special cycle.

If EFER[3] is set to 1, then EWBE# is ignored by the processor. For more information on the EFER settings and EWBE#, see "EWBE# Control" on page 229.

5.22 FERR# (Floating-Point Error)

Pin Attribute Output

Summary The assertion of FERR# indicates the occurrence of an unmasked floating-point exception resulting from the execution of a floating-point instruction. This signal is provided to allow the system logic to handle this exception in a manner consistent with IBM-compatible PC/AT systems. See “Handling Floating-Point Exceptions” on page 237 for a system logic implementation that supports floating-point exceptions.

The state of the numeric error (NE) bit in CR0 does not affect the FERR# signal.

The processor is designed so that FERR# does not glitch, enabling the signal to be used as a clocking source for system logic.

Driven The processor asserts FERR# on the instruction boundary of the next floating-point instruction, MMX instruction, 3DNow! instruction, or WAIT instruction that occurs following the floating-point instruction that caused the unmasked floating-point exception—that is, FERR# is not asserted at the time the exception occurs. The IGNNE# signal does not affect the assertion of FERR#.

FERR# is negated during the following conditions:

- Following the successful execution of the floating-point instructions FCLEX, FINIT, FSAVE, and FSTENV
- Under certain circumstances, following the successful execution of the floating-point instructions FLDCW, FLDENV, and FRSTOR, which load the floating-point status word or the floating-point control word
- Following the falling transition of RESET

FERR# is always driven except in the Three-State Test mode.

See “IGNNE# (Ignore Numeric Exception)” on page 116 for more details on floating-point exceptions.

5.23 FLUSH# (Cache Flush)

Pin Attribute Input

Summary In response to sampling FLUSH# asserted, the processor writes back any cache lines in the L1 data cache or L2 cache that are in the modified state, invalidates all lines in the L1 and L2 caches, and then executes a flush acknowledge special cycle. See Table 24 on page 142 for the bus definition of special cycles.

In addition, FLUSH# is sampled when RESET is negated to determine if the processor enters the Three-State Test mode. If FLUSH# is 0 during the falling transition of RESET, the processor enters the Three-State Test mode instead of performing the normal RESET functions.

Sampled FLUSH# is sampled and latched as a falling edge-sensitive signal. During normal operation (not RESET), FLUSH# is sampled on every clock edge but is not recognized until the next instruction boundary.

- If FLUSH# is asserted synchronously (see Table 19 on page 140), it can be asserted for a minimum of one clock.
- If FLUSH# is asserted asynchronously, it must have been negated for a minimum of two clocks, followed by an assertion of a minimum of two clocks.

FLUSH# is also sampled during the falling transition of RESET. If RESET and FLUSH# are driven synchronously, FLUSH# is sampled on the clock edge prior to the clock edge on which RESET is sampled negated. If RESET is driven asynchronously, the minimum setup and hold time for FLUSH#, relative to the negation of RESET, is two clocks.

5.24 HIT# (Inquire Cycle Hit)

Pin Attribute Output

Summary The processor asserts HIT# during an inquire cycle to indicate that the cache line is valid within the processor's L1 and/or L2 caches (also known as a cache hit). The cache line can be in the modified, exclusive, or shared state.

Driven HIT# is always driven—except in the Three-State Test mode—and only changes state the clock edge after the clock edge on which EADS# is sampled asserted. It is driven in the same state until the next inquire cycle.

5.25 HITM# (Inquire Cycle Hit To Modified Line)

Pin Attribute Output

Summary The processor asserts HITM# during an inquire cycle to indicate that the cache line exists in the processor's L1 data cache or L2 cache in the modified state. The processor performs a writeback cycle as a result of this cache hit. If an inquire cycle hits a cache line that is currently being written back, the processor asserts HITM# but does not execute another writeback cycle. The system logic must not expect the processor to assert ADS# each time HITM# is asserted.

Driven HITM# is always driven—except in the Three-State Test mode—and, in particular, is driven to represent the result of an inquire cycle the clock edge after the clock edge on which EADS# is sampled asserted. If HITM# is negated in response to the inquire address, it remains negated until the next inquire cycle. If HITM# is asserted in response to the inquire address, it remains asserted throughout the writeback cycle and is negated one clock edge after the last BRDY# of the writeback is sampled asserted.

5.26 HLDA (Hold Acknowledge)

Pin Attribute Output

Summary When HOLD is sampled asserted, the processor completes the current bus cycles, floats the processor bus, and asserts HLDA in an acknowledgment that these events have been completed. The processor does not assert HLDA until the completion of a locked sequence of cycles. While HLDA is asserted, another bus master can drive cycles on the bus, including inquire cycles to the processor. The following signals are floated when HLDA is asserted: A[31:3], ADS#, ADSC#, AP, BE[7:0]#, CACHE#, D[63:0], D/C#, DP[7:0], LOCK#, M/IO#, PCD, PWT, SCYC, and W/R#.

The processor is designed so that HLDA does not glitch.

Driven HLDA is always driven except in the Three-State Test mode. If a processor cycle is in progress while HOLD is sampled asserted, HLDA is asserted one clock edge after the last BRDY# of the cycle is sampled asserted. If the bus is idle, HLDA is asserted one clock edge after HOLD is sampled asserted. HLDA is negated one clock edge after the clock edge on which HOLD is sampled negated.

The assertion of HLDA is independent of the sampled state of BOFF#.

The processor floats the bus every clock in which HLDA is asserted.

5.27 HOLD (Bus Hold Request)

Pin Attribute Input

Summary The system logic can assert HOLD to gain control of the processor's bus. When HOLD is sampled asserted, the processor completes the current bus cycles, floats the processor bus, and asserts HLDA in an acknowledgment that these events have been completed.

Sampled The processor samples HOLD on every clock edge. If a processor cycle is in progress while HOLD is sampled asserted, HLDA is asserted one clock edge after the last BRDY# of the cycle is sampled asserted. If the bus is idle, HLDA is asserted one clock edge after HOLD is sampled asserted. HOLD is recognized while INIT and RESET are sampled asserted.

5.28 IGNNE# (Ignore Numeric Exception)

Pin Attribute Input

Summary

IGNNE#, in conjunction with the numeric error (NE) bit in the CR0 register, is used by the system logic to control the effect of an unmasked floating-point exception on a previous floating-point instruction during the execution of a floating-point instruction, MMX instruction, 3DNow! instruction, or the WAIT instruction—hereafter referred to as the target instruction.

If an unmasked floating-point exception is pending and the target instruction is considered error-sensitive, then the relationship between NE and IGNNE# is as follows:

- If NE = 0, then:
 - If IGNNE# is sampled asserted, the processor ignores the floating-point exception and continues with the execution of the target instruction.
 - If IGNNE# is sampled negated, the processor waits until it samples IGNNE#, INTR, SMI#, NMI, or INIT asserted.
 - If IGNNE# is sampled asserted while waiting, the processor ignores the floating-point exception and continues with the execution of the target instruction.
 - If INTR, SMI#, NMI, or INIT is sampled asserted while waiting, the processor handles its assertion appropriately.
- If NE = 1, the processor invokes the INT 10h exception handler.

If an unmasked floating-point exception is pending and the target instruction is considered error-insensitive, then the processor ignores the floating-point exception and continues with the execution of the target instruction.

FERR# is not affected by the state of the NE bit or IGNNE#. FERR# is always asserted at the instruction boundary of the target instruction that follows the floating-point instruction that caused the unmasked floating-point exception.

This signal is provided to allow the system logic to handle exceptions in a manner consistent with IBM-compatible PC/AT systems.

Sampled

The processor samples IGNNE# as a level-sensitive input on every clock edge. The system logic can drive the signal either synchronously or asynchronously. If it is asserted asynchronously, it must be asserted for a minimum pulse width of two clocks.

5.29 INIT (Initialization)

Pin Attribute

Input

Summary

The assertion of INIT causes the processor to empty its pipelines, to initialize most of its internal state, and to branch to address FFFF_FFF0h—the same instruction execution starting point used after RESET. Unlike RESET, the processor preserves the contents of its caches, the floating-point state, the MMX state, Model-Specific Registers, the CD and NW bits of the CR0 register, and other specific internal resources.

INIT can be used as an accelerator for 80286 code that requires a reset to exit from Protected mode back to Real mode.

Sampled

INIT is sampled and latched as a rising edge-sensitive signal. INIT is sampled on every clock edge but is not recognized until the next instruction boundary. During an I/O write cycle, it must be sampled asserted a minimum of three clock edges before BRDY# is sampled asserted if it is to be recognized on the boundary between the I/O write instruction and the following instruction.

- If INIT is asserted synchronously (see Table 19 on page 140), it can be asserted for a minimum of one clock.
- If it is asserted asynchronously, it must have been negated for a minimum of two clocks, followed by an assertion of a minimum of two clocks.

5.30 INTR (Maskable Interrupt)

Pin Attribute Input

Summary INTR is the system's maskable interrupt input to the processor. When the processor samples and recognizes INTR asserted, the processor executes a pair of interrupt acknowledge bus cycles and then jumps to the interrupt service routine specified by the interrupt number that was returned during the interrupt acknowledge sequence. The processor only recognizes INTR if the interrupt flag (IF) in the EFLAGS register equals 1.

Sampled The processor samples INTR as a level-sensitive input on every clock edge, but the interrupt request is not recognized until the next instruction boundary. The system logic can drive INTR either synchronously or asynchronously. If it is asserted asynchronously, it must be asserted for a minimum pulse width of two clocks. In order to be recognized, INTR must remain asserted until an interrupt acknowledge sequence is complete.

5.31 INV (Invalidation Request)

Pin Attribute Input

Summary During an inquire cycle, the state of INV determines whether an addressed cache line that is found in the processor's L1 and/or L2 caches transitions to the invalid state or the shared state.

If INV is sampled asserted during an inquire cycle, the processor transitions the cache line (if found) to the invalid state, regardless of its previous state. If INV is sampled negated during an inquire cycle, the processor transitions the cache line (if found) to the shared state. In either case, if the cache line is found in the modified state, the processor writes it back to memory before changing its state.

Sampled INV is sampled on the clock edge on which EADS# is sampled asserted.

5.32 KEN# (Cache Enable)

Pin Attribute Input

Summary

If KEN# is sampled asserted, it indicates that the address presented by the processor is cacheable. If KEN# is sampled asserted and the processor intends to perform a cache-line fill (signified by the assertion of CACHE#), the processor executes a 32-byte burst read cycle and expects to sample BRDY# asserted a total of four times. If KEN# is sampled negated during a read cycle, a single-transfer cycle is executed and the processor does not cache the data. For write cycles, CACHE# is asserted to indicate the current bus cycle is a modified cache-line writeback. KEN# is ignored during writebacks.

If PCD is asserted during a bus cycle, the processor does not cache any data read during that cycle, regardless of the state of KEN#. See “PCD (Page Cache Disable)” on page 124 for more details.

If the processor has sampled the state of KEN# during a cycle, and that cycle is aborted due to the sampling of BOFF# asserted, the system logic must ensure that KEN# is sampled in the same state when the processor restarts the aborted cycle.

Sampled

KEN# is sampled on the clock edge on which the first BRDY# or NA# of a read cycle is sampled asserted. If the read cycle is a burst, KEN# is ignored during the last three assertions of BRDY#. KEN# is sampled during read cycles only when CACHE# is asserted.

5.33 LOCK# (Bus Lock)

Pin Attribute Output

Summary

The processor asserts LOCK# during a sequence of bus cycles to ensure that the cycles are completed without allowing other bus masters to intervene. Locked operations consist of two to five bus cycles. LOCK# is asserted during the following operations:

- An interrupt acknowledge sequence
- Descriptor Table accesses
- Page Directory and Page Table accesses
- XCHG instruction
- An instruction with an allowable LOCK prefix

In order to ensure that locked operations appear on the bus and are visible to the entire system, any data operands addressed during a locked cycle that reside in the processor's caches are flushed and invalidated from the caches prior to the locked operation. If the cache line is in the modified state, it is written back and invalidated prior to the locked operation. Likewise, any data read during a locked operation is not cached.

The processor is designed so that LOCK# does not glitch.

Driven and Floated

During a locked cycle, LOCK# is asserted off the same clock edge on which ADS# is asserted and remains asserted until the last BRDY# of the last bus cycle is sampled asserted. The processor negates LOCK# for at least one clock between consecutive sequences of locked operations to allow the system logic to arbitrate for the bus.

LOCK# is floated off the clock edge on which BOFF# is sampled asserted and off the clock edge that the processor asserts HLDA in response to HOLD. When LOCK# is floated due to BOFF# sampled asserted, the system logic is responsible for preserving the lock condition while LOCK# is in the high-impedance state.

5.34 M/IO# (Memory or I/O)

Pin Attribute Output

Summary The processor drives M/IO# during a bus cycle to indicate whether it is addressing the memory or I/O space. If M/IO# = 1, the processor is addressing memory or a memory-mapped I/O port as the result of an instruction fetch or an instruction that loads or stores data. If M/IO# = 0, the processor is addressing an I/O port during the execution of an I/O instruction. In addition, M/IO# is used to define other bus cycles, including interrupt acknowledge and special cycles. See Table 23 and Table 24 on page 142 for more details.

Driven and Floated M/IO# is driven off the same clock edge as ADS# and remains in the same state until the clock edge on which NA# or the last expected BRDY# of the cycle is sampled asserted. M/IO# is driven during memory cycles, I/O cycles, special bus cycles, and interrupt acknowledge cycles.

M/IO# is floated off the clock edge on which BOFF# is sampled asserted and off the clock edge that the processor asserts HLDA in response to HOLD.

5.35 NA# (Next Address)

Pin Attribute Input

Summary System logic asserts NA# to indicate to the processor that it is ready to accept another bus cycle pipelined into the previous bus cycle. ADS#, along with address and status signals, can be asserted as early as one clock edge after NA# is sampled asserted if the processor is prepared to start a new cycle. Because the processor allows a maximum of two cycles to be in progress at a time, the assertion of NA# is sampled while two cycles are in progress, but ADS# is not asserted until the completion of the first cycle.

Sampled NA# is sampled every clock edge during bus cycles, starting one clock edge after the clock edge that negates ADS#, until the last expected BRDY# of the last executed cycle is sampled asserted (with the exception of the clock edge after the clock edge that negates the ADS# for a second pending cycle). Because the processor latches NA# when sampled, the system logic only needs to assert NA# for one clock.

5.36 NMI (Non-Maskable Interrupt)

Pin Attribute Input

Summary When NMI is sampled asserted, the processor jumps to the interrupt service routine defined by interrupt number 02h. Unlike the INTR signal, software cannot mask the effect of NMI if it is sampled asserted by the processor. However, NMI is temporarily masked upon entering System Management Mode (SMM). In addition, an interrupt acknowledge cycle is not executed because the interrupt number is predefined.

If NMI is sampled asserted while the processor is executing the interrupt service routine for a previous NMI, the subsequent NMI remains pending until the completion of the execution of the IRET instruction at the end of the interrupt service routine.

Sampled NMI is sampled and latched as a rising edge-sensitive signal. During normal operation, NMI is sampled on every clock edge but is not recognized until the next instruction boundary.

- If NMI is asserted synchronously (see Table 19 on page 140), it can be asserted for a minimum of one clock.
- If NMI is asserted asynchronously, it must have been negated for a minimum of two clocks, followed by an assertion of a minimum of two clocks.

5.37 PCD (Page Cache Disable)

Pin Attribute Output

Summary

The processor drives PCD to indicate the operating system's specification of cacheability for the page being addressed. System logic can use PCD to control external caching. If PCD is asserted, the addressed page is not cached. If PCD is negated, the cacheability of the addressed page depends upon the state of CACHE# and KEN#.

The state of PCD depends upon the processor's operating mode and the state of certain bits in its control registers and TLB as follows:

- In Real mode, or in Protected and Virtual-8086 modes while paging is disabled (PG bit in CR0 set to 0):

PCD output = CD bit in CR0

- In Protected and Virtual-8086 modes while caching is enabled (CD bit in CR0 set to 0) and paging is enabled (PG bit in CR0 set to 1):

- For accesses to I/O space, page directory entries, and other non-paged accesses:

PCD output = PCD bit in CR3

- For accesses to 4-Kbyte page table entries or 4-Mbyte pages:

PCD output = PCD bit in page directory entry

- For accesses to 4-Kbyte pages:

PCD output = PCD bit in page table entry

Driven and Floated

PCD is driven off the same clock edge as ADS# and remains in the same state until the clock edge on which NA# or the last expected BRDY# of the cycle is sampled asserted.

PCD is floated off the clock edge that BOFF# is sampled asserted and off the clock edge that the processor asserts HLDA in response to HOLD.

5.38 PCHK# (Parity Check)

Pin Attribute Output

Summary

The processor asserts PCHK# during read cycles if it detects an even parity error on one or more valid bytes of D[63:0] during a read cycle. (*Even parity* means that the total number of 1 bits within each byte of data and its respective data parity bit is even.) The processor checks data parity for the data bytes that are valid, as defined by BE[7:0]#, the byte enables.

PCHK# is always driven but is only asserted for memory and I/O read bus cycles and the second cycle of an interrupt acknowledge sequence. PCHK# is not driven during any type of write cycles or special bus cycles. The processor does not take an internal exception as the result of detecting a data parity error, and system logic must respond appropriately to the assertion of this signal.

The processor is designed so that PCHK# does not glitch, enabling the signal to be used as a clocking source for system logic.

Driven

PCHK# is always driven except in the Three-State Test mode. For each BRDY# returned to the processor during a read cycle with a parity error detected on the data bus, PCHK# is asserted for one clock, one clock edge after BRDY# is sampled asserted.

5.39 PWT (Page Writethrough)

Pin Attribute Output

Summary

The processor drives PWT to indicate the operating system's specification of the writeback state or writethrough state for the page being addressed. PWT, together with WB/WT#, specifies the data cache-line state during cacheable read misses and write hits to shared cache lines. See "WB/WT# (Writeback or Writethrough)" on page 139 for more details.

The state of PWT depends upon the processor's operating mode and the state of certain bits in its control registers and TLB as follows:

- In Real mode, or in Protected and Virtual-8086 modes while paging is disabled (PG bit in CR0 set to 0):
PWT output = 0 (writeback state)
- In Protected and Virtual-8086 modes while paging is enabled (PG bit in CR0 set to 1):
 - For accesses to I/O space, page directory entries, and other non-paged accesses:
PWT output = PWT bit in CR3
 - For accesses to 4-Kbyte page table entries or 4-Mbyte pages:
PWT output = PWT bit in page directory entry
 - For accesses to 4-Kbyte pages:
PWT output = PWT bit in page table entry

Driven and Floated

PWT is driven off the same clock edge as ADS# and remains in the same state until the clock edge on which NA# or the last expected BRDY# of the cycle is sampled asserted.

PWT is floated off the clock edge on which BOFF# is sampled asserted and off the clock edge on which the processor asserts HLDA in response to HOLD.

5.40 RESET (Reset)

Pin Attribute Input

Summary When the processor samples RESET asserted, it immediately flushes and initializes all internal resources and its internal state including its pipelines and caches, the floating-point state, the MMX state, the 3DNow! state, and all registers, and then the processor jumps to address FFFF_FFF0h to start instruction execution.

The FLUSH# signal is sampled during the falling transition of RESET to invoke the Three-State Test mode.

Sampled RESET is sampled as a level-sensitive input on every clock edge. System logic can drive the signal either synchronously or asynchronously.

During the initial power-on reset of the processor, RESET must remain asserted for a minimum of 1.0 ms after CLK and V_{CC} reach specification before it is negated.

During a warm reset, while CLK and V_{CC} are within their specification, RESET must remain asserted for a minimum of 15 clocks prior to its negation.

5.41 **RSVD (Reserved)**

Pin Attribute Not Applicable

Summary Reserved signals are a special class of pins that can be treated in one of the following ways:

- As no-connect (NC) pins, in which case these pins are left unconnected
- As pins connected to the system logic as defined by the industry-standard Super7 and Socket 7 interface
- Any combination of NC and Socket 7 pins

In any case, if the RSVD pins are treated accordingly, the normal operation of the AMD-K6-2E+ processor is not adversely affected in any manner.

5.42 SCYC (Split Cycle)

Pin Attribute Output

Summary The processor asserts SCYC during misaligned, locked transfers on the D[63:0] data bus. The processor generates additional bus cycles to complete the transfer of misaligned data.

For purposes of bus cycles, the term *aligned* means:

- Any 1-byte transfers
- 2-byte and 4-byte transfers that lie within 4-byte address boundaries
- 8-byte transfers that lie within 8-byte address boundaries

Driven and Floated SCYC is asserted off the same clock edge as ADS#, and negated off the clock edge on which NA# or the last expected BRDY# of the entire locked sequence is sampled asserted. SCYC is only valid during locked memory cycles.

SCYC is floated off the clock edge on which BOFF# is sampled asserted and off the clock edge that the processor asserts HLDA in response to HOLD.

5.43 SMI# (System Management Interrupt)

Pin Attribute Input, Internal Pullup

Summary The assertion of SMI# causes the processor to enter System Management Mode (SMM). Upon recognizing SMI#, the processor performs the following actions, in the order shown:

1. Flushes its instruction pipelines
2. Completes all pending and in-progress bus cycles
3. Acknowledges the interrupt by asserting SMIACT# after sampling EWBE# asserted (if EWBE# is masked off, then SMIACT# is not affected by EWBE#)
4. Saves the internal processor state in SMM memory
5. Disables interrupts by clearing the interrupt flag (IF) in EFLAGS and disables NMI interrupts
6. Jumps to the entry point of the SMM service routine at the SMM base physical address, which defaults to 0003_8000h in SMM memory

See “System Management Mode (SMM)” on page 241 for more details regarding SMM.

Sampled

SMI# is sampled and latched as a falling edge-sensitive signal. SMI# is sampled on every clock edge but is not recognized until the next instruction boundary. If SMI# is to be recognized on the instruction boundary associated with a BRDY#, it must be sampled asserted a minimum of three clock edges before the BRDY# is sampled asserted.

- If SMI# is asserted synchronously (see Table 19 on page 140), it can be asserted for a minimum of one clock.
- If SMI# is asserted asynchronously, it must have been negated for a minimum of two clocks followed by an assertion of a minimum of two clocks.

A second assertion of SMI# while in SMM is latched but is not recognized until the SMM service routine is exited.

5.44 SMIACT# (System Management Interrupt Active)

Pin Attribute Output

Summary The processor acknowledges the assertion of SMI# with the assertion of SMIACT# to indicate that the processor has entered System Management Mode (SMM). The system logic can use SMIACT# to enable SMM memory. See “SMI# (System Management Interrupt)” on page 130 for more details.

See “System Management Mode (SMM)” on page 241 for more details regarding SMM.

Driven The processor asserts SMIACT# after the last BRDY# of the last pending bus cycle is sampled asserted (including all pending write cycles) and after EWBE# is sampled asserted (if EWBE# is masked off, then SMIACT# is not affected by EWBE#). SMIACT# remains asserted until after the last BRDY# of the last pending bus cycle associated with exiting SMM is sampled asserted.

SMIACT# remains asserted during any flush, internal snoop, or writeback cycle due to an inquire cycle.

5.45 STPCLK# (Stop Clock)

Pin Attribute Input, Internal Pullup

Summary The assertion of STPCLK# causes the processor to enter the Stop Grant state, during which the processor's internal clock is stopped. From the Stop Grant state, the processor can subsequently transition to the Stop Clock state, in which the bus clock CLK is stopped. Upon recognizing STPCLK#, the processor performs the following actions, in the order shown:

1. Flushes its instruction pipelines
2. Completes all pending and in-progress bus cycles
3. Acknowledges the STPCLK# assertion by executing a Stop Grant special bus cycle (see Table 24 on page 142)
4. Stops its internal clock after BRDY# of the Stop Grant special bus cycle is sampled asserted and after EWBE# is sampled asserted (if EWBE# is masked off, then entry into the Stop Grant state is not affected by EWBE#)
5. Enters the Stop Clock state if the system logic stops the bus clock CLK (optional)

See “Clock Control” on page 275 for more details regarding clock control.

Sampled STPCLK# is sampled as a level-sensitive input on every clock edge but is not recognized until the next instruction boundary. System logic can drive the signal either synchronously or asynchronously. If it is asserted asynchronously, it must be asserted for a minimum pulse width of two clocks.

STPCLK# must remain asserted until recognized, which is indicated by the completion of the Stop Grant special cycle.

5.46 TCK (Test Clock)

Pin Attribute Input, Internal Pullup

Summary TCK is the clock for boundary-scan testing using the Test Access Port (TAP). See “Boundary-Scan Test Access Port (TAP)” on page 253 for details regarding the operation of the TAP controller.

Sampled The processor always samples TCK, except while TRST# is asserted.

5.47 TDI (Test Data Input)

Pin Attribute Input, Internal Pullup

Summary TDI is the serial test data and instruction input for boundary-scan testing using the Test Access Port (TAP). See “Boundary-Scan Test Access Port (TAP)” on page 253 for details regarding the operation of the TAP controller.

Sampled The processor samples TDI on every rising TCK edge, but only while in the Shift-IR and Shift-DR states.

5.48 TDO (Test Data Output)

Pin Attribute Output

Summary TDO is the serial test data and instruction output for boundary-scan testing using the Test Access Port (TAP). See “Boundary-Scan Test Access Port (TAP)” on page 253 for details regarding the operation of the TAP controller.

Driven and Floated The processor drives TDO on every falling TCK edge, but only while in the Shift-IR and Shift-DR states. TDO is floated at all other times.

5.49 TMS (Test Mode Select)

Pin Attribute Input, Internal Pullup

Summary TMS specifies the test function and sequence of state changes for boundary-scan testing using the Test Access Port (TAP). See “Boundary-Scan Test Access Port (TAP)” on page 253 for details regarding the operation of the TAP controller.

Sampled The processor samples TMS on every rising TCK edge. If TMS is sampled High for five or more consecutive clocks, the TAP controller enters its Test-Logic-Reset state, regardless of the controller state. This action is the same as that achieved by asserting TRST#.

5.50 TRST# (Test Reset)

Pin Attribute Input, Internal Pullup

Summary The assertion of TRST# initializes the Test Access Port (TAP) by resetting its state machine to the Test-Logic-Reset state. See “Boundary-Scan Test Access Port (TAP)” on page 253 for details regarding the operation of the TAP controller.

Sampled TRST# is a completely asynchronous input that does not require a minimum setup and hold time relative to TCK. See Table 70 on page 308 for the minimum pulse width requirement.

5.51 VCC2DET (VCC2 Detect)

Pin Attribute Output (supported on the CPGA package only)

Summary VCC2DET is internally tied to V_{SS} (logic level 0) to indicate to the system logic that it must supply the specified dual-voltage requirements to the V_{CC2} and V_{CC3} pins. The V_{CC2} pins supply voltage to the processor core, independent of the voltage supplied to the I/O buffers on the V_{CC3} pins. Upon sampling VCC2DET Low, system logic should sample VCC2H/L# to identify core voltage requirements

Note that this pin is not supported on the OBGA package.

Driven VCC2DET always equals 0 and is never floated—even during the Three-State Test mode.

5.52 VCC2H/L# (VCC2 High/Low)

Pin Attribute Output (supported on the CPGA package only)

Summary VCC2H/L# is internally tied to V_{SS} (logic level 0) to indicate to the system logic that it must supply the specified processor core voltage to the V_{CC2} pins. The V_{CC2} pins supply voltage to the processor core, independent of the voltage supplied to the I/O buffers on the V_{CC3} pins. Upon sampling VCC2DET Low to identify dual-voltage processor requirements, system logic should sample VCC2H/L# to identify the core voltage requirements: 2.9-V and 3.2-V products (High) or 2.4-V and lower products (Low).

- VCC2H/L# is only driven High on older legacy (0.35-micron process technology) AMD-K6 processors to indicate core voltages of 2.9 V and 3.2 V.
- VCC2H/L# is driven Low for all AMD-K6 processors with a core voltage requirement of 2.4 V or less. Note that all AMD products based on the 0.18-micron process technology, including the AMD-K6-2E+ processor, are 2.0 V or less.

Note that this pin is not supported on the OBGA package.

Driven

VCC2H/L# always equals 0 and is never floated for 2.4-V and lower products—even during the Three-State Test mode. To ensure proper operation for 2.9-V and 3.2-V products, system logic that samples VCC2H/L# should design a weak pullup resistor for this signal.

Table 18. Output Pin Float Conditions for VCC2 High/Low

Name	Floated At:
VCC2DET ¹	Always Driven
VCC2H/L# ¹	Always Driven

Notes:

1. All outputs except VCC2DET, VCC2H/L#, and TDO float during the Three-State Test mode.

5.53 VID[4:0] (Voltage Identification)

Pin Attribute Output

Summary For AMD PowerNow! technology-enabled processors, the VID[4:0] signals are used to drive the VID inputs of the DC/DC regulator that generates the core voltage for the processor. The processor VID[4:0] outputs default to 01010b when RESET is sampled asserted.

Note that these pins are supported on the low-power versions only of the AMD-K6-2+ processor. For more information about these signals, see the *Embedded AMD-K6™ Processors BIOS Design Guide Application Note*, order# 23913.

Driven VID[4:0] are initialized to the default state after RESET is sampled asserted, the CPU input clock is running, and the core and I/O voltages are applied. Thereafter, the VID [4:0] outputs are always driven.

5.54 W/R# (Write/Read)

Pin Attribute Output

Summary The processor drives W/R# to indicate whether it is performing a write or a read cycle on the bus. In addition, W/R# is used to define other bus cycles, including interrupt acknowledge and special cycles. See Table 23 and Table 24 on page 142 for more details.

Driven and Floated W/R# is driven off the same clock edge as ADS# and remains in the same state until the clock edge on which NA# or the last expected BRDY# of the cycle is sampled asserted. W/R# is driven during memory cycles, I/O cycles, special bus cycles, and interrupt acknowledge cycles.

W/R# is floated off the clock edge on which BOFF# is sampled asserted and off the clock edge that the processor asserts HLDA in response to HOLD.

5.55 WB/WT# (Writeback or Writethrough)

Pin Attribute Input

Summary WB/WT#, together with PWT, specifies the data cache-line state during cacheable read misses and write hits to shared cache lines.

- If WB/WT# = 0 or PWT = 1 during a cacheable read miss or write hit to a shared cache line, the accessed line is cached in the shared state. This is referred to as the *writethrough state* because all write cycles to this cache line are driven externally on the bus.
- If WB/WT# = 1 and PWT = 0 during a cacheable read miss or a write hit to a shared cache line, the accessed line is cached in the exclusive state. Subsequent write hits to the same line cause its state to transition from exclusive to modified. This is referred to as the *writeback state* because the L1 data cache and the L2 cache can contain modified cache lines that are subject to be written back—referred to as a writeback cycle—as the result of an inquire cycle, an internal snoop, a flush operation, or the WBINVD instruction.

Sampled WB/WT# is sampled on the clock edge that the first BRDY# or NA# of a bus cycle is sampled asserted. If the cycle is a burst read, WB/WT# is ignored during the last three assertions of BRDY#. WB/WT# is sampled during memory read and non-writeback write cycles and is ignored during all other types of cycles.

5.56 Pin Tables by Type

Table 19. Input Pin Types

Name	Type	Name	Type
A20M# ¹	Asynchronous	IGNNE# ¹	Asynchronous
AHOLD	Synchronous	INIT ²	Asynchronous
BF[2:0] ³	Synchronous	INTR ¹	Asynchronous
BOFF#	Synchronous	INV	Synchronous
BRDY#	Synchronous	KEN#	Synchronous
BRDYC#	Synchronous	NA#	Synchronous
CLK	Clock	NMI ²	Asynchronous
EADS#	Synchronous	RESET ^{4,5}	Asynchronous
EWBE# ⁶	Synchronous	SMI# ²	Asynchronous
FLUSH# ^{2,7}	Asynchronous	STPCLK# ¹	Asynchronous
HOLD	Synchronous	WB/WT#	Synchronous

Notes:

1. These level-sensitive signals can be asserted synchronously or asynchronously. To be sampled on a specific clock edge, setup and hold times must be met. If asserted asynchronously, they must be asserted for a minimum pulse width of two clocks.
2. These edge-sensitive signals can be asserted synchronously or asynchronously. To be sampled on a specific clock edge, setup and hold times must be met. If asserted asynchronously, they must have been negated at least two clocks prior to assertion and must remain asserted at least two clocks.
3. BF[2:0] are sampled during the falling transition of RESET. They must meet a minimum setup time of 1.0 ms and a minimum hold time of two clocks relative to the negation of RESET.
4. During the initial power-on reset of the processor, RESET must remain asserted for a minimum of 1.0 ms after CLK and V_{CC} reach specification before it is negated.
5. During a warm reset, while CLK and V_{CC} are within their specification, RESET must remain asserted for a minimum of 15 clocks prior to its negation.
6. When register bit EFER[3] is set to 1, EWBE# is ignored by the processor.
7. FLUSH# is also sampled during the falling transition of RESET and can be asserted synchronously or asynchronously. To be sampled on a specific clock edge, setup and hold times must be met relative to the clock edge before the clock edge on which RESET is sampled negated. If asserted asynchronously, FLUSH# must meet a minimum setup and hold time of two clocks relative to the negation of RESET.

Table 20. Output Pin Float Conditions

Name	Floated At: ¹	Name	Floated At: ¹
A[4:3] ^{2,3}	HLDA, AHOLD, BOFF#	LOCK# ²	HLDA, BOFF#
ADS# ²	HLDA, BOFF#	M/IO# ²	HLDA, BOFF#
ADSC# ²	HLDA, BOFF#	PCD ²	HLDA, BOFF#
APCHK#	Always Driven	PCHK#	Always Driven
BE[7:0]# ²	HLDA, BOFF#	PWT ²	HLDA, BOFF#
BREQ	Always Driven	SCYC ²	HLDA, BOFF#
CACHE# ²	HLDA, BOFF#	SMIACK#	Always Driven
D/C# ²	HLDA, BOFF#	VCC2DET	Always Driven
FERR#	Always Driven	VCC2H/L#	Always Driven
HIT#	Always Driven	VID[4:0] ⁴	Always Driven
HITM#	Always Driven	W/R# ²	HLDA, BOFF#
HLDA	Always Driven		

Notes:

1. All outputs except VCC2DET, VCC2H/L#, and TDO float during the Three-State Test mode.
2. Floated off the clock edge that BOFF# is sampled asserted and off the clock edge that HLDA is asserted.
3. Floated off the clock edge that AHOLD is sampled asserted.
4. Supported on the low-power versions only.

Table 21. Input/Output Pin Float Conditions

Name	Floated At: ¹
A[31:5] ^{2,3}	HLDA, AHOLD, BOFF#
AP ^{2,3}	HLDA, AHOLD, BOFF#
D[63:0] ²	HLDA, BOFF#
DP[7:0] ²	HLDA, BOFF#

Notes:

1. All outputs except VCC2DET and TDO float during the Three-State Test mode.
2. Floated off the clock edge that BOFF# is sampled asserted and off the clock edge that HLDA is asserted.
3. Floated off the clock edge that AHOLD is sampled asserted.

Table 22. Test Pin Types

Name	Type	Comment
TCK	Clock	
TDI	Input	Sampled on the rising edge of TCK
TDO	Output	Driven on the falling edge of TCK
TMS	Input	Sampled on the rising edge of TCK
TRST#	Input	Asynchronous (Independent of TCK)

5.57 Bus Cycle Definitions

Table 23. Bus Cycle Definition

Bus Cycle Initiated	Generated by the CPU				Generated by System Logic
	M/IO#	D/C#	W/R#	CACHE#	KEN#
Code Read, L1 Instruction Cache and L2 Cache Line Fill	1	0	0	0	0
Code Read, Noncacheable	1	0	0	1	x ¹
Code Read, Noncacheable	1	0	0	x	1
Encoding for Special Cycle	0	0	1	1	x
Interrupt Acknowledge	0	0	0	1	x
I/O Read	0	1	0	1	x
I/O Write	0	1	1	1	x
Memory Read, L1 Data Cache and L2 Cache Line Fill	1	1	0	0	0
Memory Read, Noncacheable	1	1	0	1	x
Memory Read, Noncacheable	1	1	0	x	1
Memory Write, L1 Data Cache or L2 Cache Writeback	1	1	1	0	x
Memory Write, Noncacheable	1	1	1	1	x

Notes:

1. x means "don't care"

Table 24. Special Cycles

Special Cycle	A4	BE7#	BE6#	BE5#	BE4#	BE3#	BE2#	BE1#	BE0#	M/IO#	D/C#	W/R#	CACHE#	KEN#
Stop Grant	1	1	1	1	1	1	0	1	1	0	0	1	1	x ¹
Enhanced Power Management (EPM) Stop Grant ²	0	1	0	1	1	1	1	1	1	0	0	1	1	x
Flush Acknowledge (FLUSH# sampled asserted)	0	1	1	1	0	1	1	1	1	0	0	1	1	x
Writeback (WBINVD instruction)	0	1	1	1	1	0	1	1	1	0	0	1	1	x
Halt	0	1	1	1	1	1	0	1	1	0	0	1	1	x
Flush (INVD, WBINVD instruction)	0	1	1	1	1	1	1	0	1	0	0	1	1	x
Shutdown	0	1	1	1	1	1	1	1	0	0	0	1	1	x

Notes:

1. x means "don't care".
2. Supported on the low-power versions only.

6 AMD PowerNow!™ Technology

The AMD PowerNow!™ technology is an advanced second-generation power management feature that reduces the overall power consumed by the processor through control of voltage and frequency. This power saving technology is designed to be dynamic and flexible by enabling instant “on-the-fly” and independent control of both the processor’s core voltage and frequency.

AMD PowerNow! technology can be used in conjunction with the existing power management schemes in an embedded system to provide a better combination of performance and power savings than previously possible.

6.1 Enhanced Power Management Features

AMD PowerNow! technology-enabled processors include two new features specifically designed to enhance power management functionality:

- Dynamic core frequency control
- Dynamic core voltage control

These enhanced power management features are accessed and controlled through an I/O block and two registers:

- An aligned 16-byte block of I/O address space is defined by the Enhanced Power Management Register (EPMR).
- The Enhanced Power Management Register (EPMR) is supported on low-power versions of the processor only.
- The Processor State Observability Register (PSOR) is defined differently on the low-power versions of the AMD-K6-2E+ processor to support AMD PowerNow! technology features.

The EPMR and PSOR registers and the I/O block are defined in this section, followed by a discussion of how to implement and use the AMD PowerNow! technology features (see “Dynamic Core Frequency and Core Voltage Control” on page 150). The *Embedded AMD-K6™ Processors BIOS Design Guide Application Note*, order# 23913, contains additional information.

Enhanced Power Management Register (EPMR)

The EPMR register allows software to access the aligned Enhanced Power Management (EPM) 16-byte block of I/O address space, which contains bits for enabling, controlling, and monitoring the enhanced power management features. All accesses to the EPM 16-byte I/O block must be aligned dword accesses. Valid accesses to the EPM 16-byte block do not generate I/O cycles on the host bus, while non-aligned and non-dword accesses are passed to the host bus.

The EPMR is MSR C000_0086h.

Figure 54 and Table 25 define the EPMR register. An assertion of RESET clears all of the bits of the 16-byte I/O block to zero (excluding the Voltage ID Output bits which default to 01010b). BIOS must always initialize the EPMR register and enhanced power management features whenever RESET is asserted.

For more information about the EPMR register, see the *Embedded AMD-K6™ Processors BIOS Design Guide Application Note*, order# 23913.

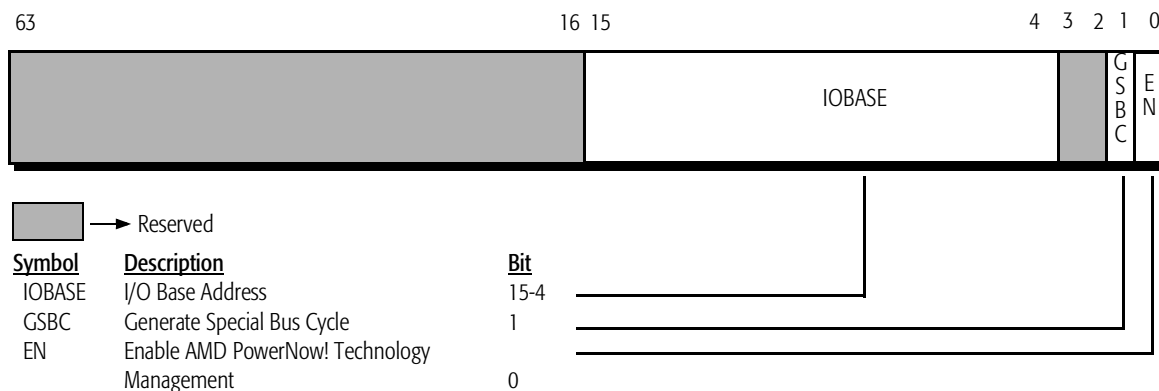


Figure 54. Enhanced Power Management Register (EPMR)

Table 25. Enhanced Power Management Register (EPMR) Definition

Bit	Description	R/W	Function ¹
63–16	Reserved	R	All reserved bits are always read as 0.
15–4	I/O BASE Address (IOBASE)	R/W	IOBASE defines a base address for a 16-byte block of I/O address space accessible for enabling, controlling, and monitoring the EPM features.
3–2	Reserved	R	All reserved bits are always read as 0.
1	Generate Special Bus Cycle (GSBC)	R/W	This bit controls whether a special bus cycle is generated upon dword accesses within the EPM 16-byte I/O block. If set to 1, an EPM special bus cycle is generated, where BE[7:0]# = BFh and A[4:3] = 00b.
0	Enable AMD PowerNow! Technology Management (EN)	R/W	This bit controls access to the I/O-mapped address space for the AMD PowerNow! technology EPM features. Clearing this bit to zero does not affect the state of bits defined in the EPM 16-byte I/O block.

Notes:

1. All bits default to 0 when RESET is asserted.

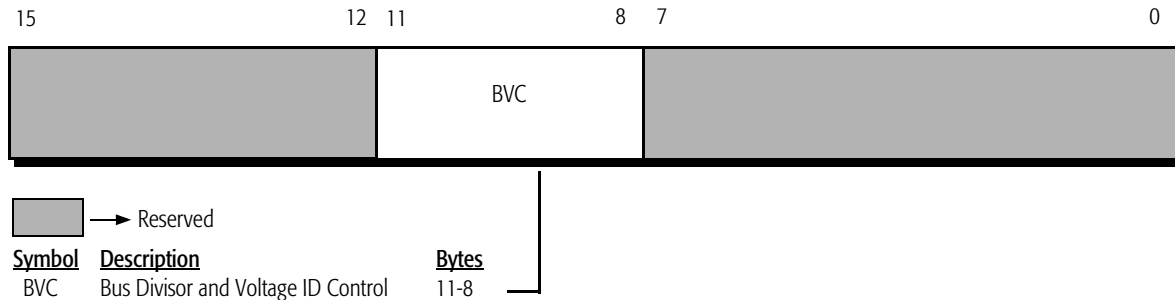
IOBASE Field. The IOBASE field is initialized during POST to an I/O address range used by an SMM handler to access the enhanced power management features. Because the I/O range is only enabled and accessed by the SMM handler during SMM, the EPM features are hidden from all other software (OS included)—BIOS does not need to report the I/O range to the operating system.

GSBC Bit. If the GSBC bit is enabled (set to 1), a special bus cycle is generated upon a dword access within the EPM 16-byte I/O block. The EPM special bus cycle is defined as the processor driving D/C# = 0, M/IO# = 0, and W/R# = 1, BE[7:0]# = BFh and A[31:3] = 0000h. The system logic must return BRDY# in response to all processor special cycles.

EN Bit. The EN bit should only be enabled (set to 1) by an SMM handler when the SMM handler accesses the EPM features. Upon exiting, the SMM handler should disable the EN bit and thereby protect the EPM 16-byte I/O block from unwanted accesses. When the EN bit is disabled, accesses to the EPM block 16-byte I/O block are passed to the host bus.

EPM 16-Byte I/O Block

The EPM 16-byte I/O block contains one 4-byte field—Bus Divisor and Voltage ID Control (BVC)—for enabling, controlling, and monitoring the enhanced power management features (see Figure 55). Table 26 defines the function of the BVC field within the EPM 16-byte I/O block mapped by the EPMR.

**Figure 55. EPM 16-Byte I/O Block****Table 26. EPM 16-Byte I/O Block Definition**

Byte	Description	R/W	Function ¹
15-12	Reserved	R	All reserved bits are always read as 0.
11-8	Bus Divisor and Voltage ID Control (BVC)	R/W	The bit fields within the BVC bytes allow software to change the processor bus divisor and core voltage.
7-0	Reserved	R	All reserved bits are always read as 0.

Notes:

1. All bits default to 0 when RESET is asserted.

BVC. Figure 56 on page 147 shows the format, and Table 27 on page 147 defines the function of each bit of the BVC field located within the EPM 16-byte I/O block.

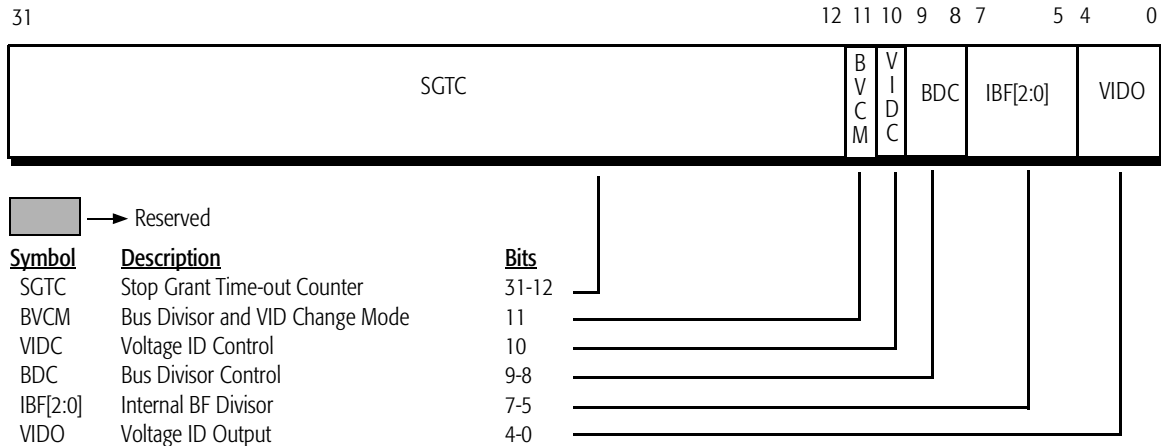


Figure 56. Bus Divisor and Voltage ID Control (BVC) Field

Table 27. Bus Divisor and Voltage ID Control (BVC) Definition

Bit	Description	R/W	Function ¹
31-12	Stop Grant Time-Out Counter (SGTC)	W	Writing a non-zero value to this field causes the processor to enter the EPM Stop Grant state internally. This 20-bit value is multiplied by 4096 to determine the duration of the EPM Stop Grant state, measured in processor bus clocks.
11	Bus Divisor and VID Change Mode (BVCM)	R/W	This bit controls the mode in which the bus-divisor and the voltage control bits are allowed to change. If BVCM=0, the Bus Divisor and Voltage ID changes take effect only upon entering the EPM Stop Grant state as a result of the SGTC field being programmed. BVCM=1 is reserved.
10	Voltage ID Control (VIDC)	R/W	This bit controls the mode of Voltage ID control. If VIDC=0, the processor VID[4:0] pins are unchanged upon entering the EPM Stop Grant state. If VIDC=1, the processor VID[4:0] pins are programmed to the VIDO value upon entering the EPM Stop Grant state. BIOS should initialize this bit to 1 during the POST routine.
9-8	Bus Divisor Control (BDC)	R/W	This 2-bit field controls the mode of Bus Divisor control. If BDC[1:0]=00b, the BF[2:0] pins are sampled at the falling edge of RESET. If BDC[1:0]=1xb, the IBF[2:0] field is sampled upon entering the EPM Stop Grant state. BDC[1:0]=01b is reserved. BIOS should initialize these bits to 10b during the POST routine.
7-5	Internal BF Divisor (IBF[2:0])	R/W	If BDC[1:0]=1xb, the processor EBF[2:0] field of the PSOR is programmed to the IBF[2:0] value upon entering the EPM Stop Grant state.
4-0	Voltage ID Output (VIDO)	R/W	This 5-bit value is driven out on the processor VID[4:0] pins upon entering the EPM Stop Grant state if the VIDC bit=1. These bits are initialized to 01010b and driven on the processor VID[4:0] pins at RESET.

Notes:

1. All bits default to 0 when RESET is asserted, except the VIDO bits which default to 01010b.

Processor State Observability Register (PSOR)

To support AMD PowerNow! technology, all low-power versions of the AMD-K6-2E+ processor provide a different version of the Processor State Observability Register (PSOR), as shown in Figure 57 and fully described in this section. All standard-power versions of the processor support the PSOR register as defined on page 49. The PSOR register is MSR C000_0087h.

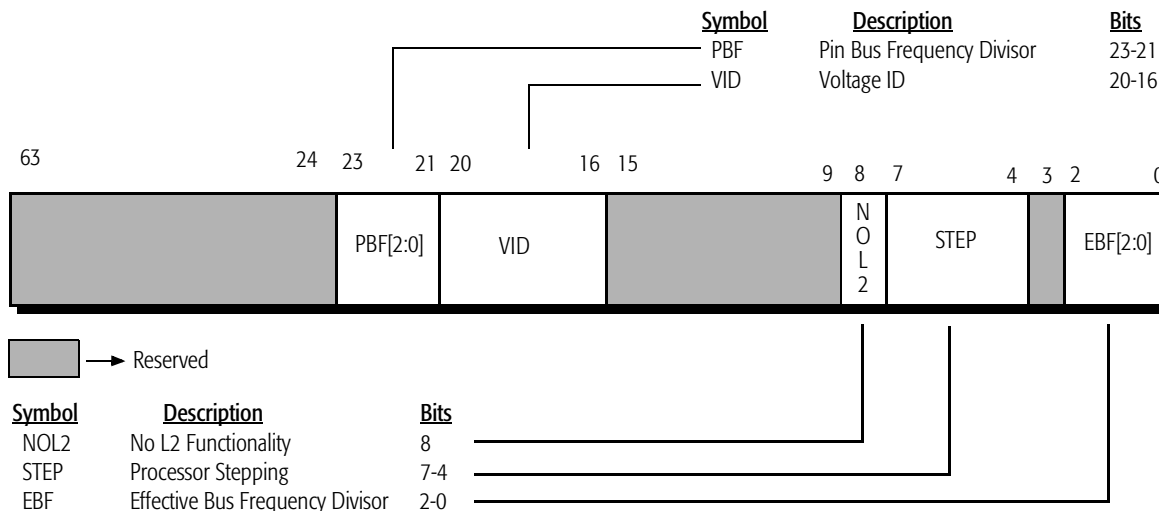


Figure 57. Processor State Observability Register (PSOR)—Low-Power Versions of the Processor

PBF[2:0] Field. This read-only field contains the BF divisor values externally applied to the processor BF[2:0] pins. These input BF values are sampled by the processor during the falling transition of RESET.

Note: This BF divisor value may be different than the BF divisor value supplied to the processor’s internal PLL.

VID Field. This read-only field contains the Voltage ID bits driven to the processor VID[4:0] pins at RESET. These bits are initialized to 01010b and driven on the VID[4:0] pins at RESET.

Note: Low-power AMD-K6-2E+ processors support AMD PowerNow! technology, which enables dynamic alteration of the processor’s core voltage. See “Enhanced Power Management Register (EPMR)” on page 144 for information on programming the VID[4:0] pins.

NOL2 Bit. This read-only bit indicates whether the processor contains an L2 cache. This bit is always set to 0 for the AMD-K6-2E+ processor.

STEP Field. This read-only field contains the stepping ID. This is identical to the value returned by CPUID standard function 1 in EAX[3:0].

EBF[2:0] Field. This read-only field contains the effective value of the BF divisor supplied to the processor's internal PLL, which allows the BIOS to determine the frequency of the host bus. The core frequency must first be determined using the Time Stamp Counter (TSC) method (see "Time Stamp Counter" on page 46). The core frequency is then divided by the processor-to-bus clock ratio as determined by the EBF field (see Table 28). The result is the frequency of the processor bus.

Table 28. Processor-to-Bus Clock Ratios

State of EBF[2:0]	Processor-to-Bus Clock Ratio
100b	2.0x ¹
101b	3.0x
110b	6.0x
111b	3.5x
000b	4.5x
001b	5.0x
010b	4.0x
011b	5.5x

Notes:

1. The AMD-K6-2E+ processor does not support the 2.5x ratio supported by earlier AMD-K6 processors. Instead, a ratio of 2.0x is selected when EBF[2:0] equals 100b.

6.2 Dynamic Core Frequency and Core Voltage Control

AMD PowerNow! technology-enabled processors support the ability to change the bus frequency divisor and core voltage transparently to the user during run-time. These features are implemented in conjunction with a new clock control state—the EPM Stop Grant state.

For AMD PowerNow! technology state transitions, the EPMR register is accessed using an SMM handler.

- The SMM handler initiates core voltage and frequency transitions by writing a non-zero value to the Stop Grant Time-Out Counter (SGTC) field.
- This action automatically places the processor into the EPM Stop Grant State and transitions the CPU core voltage and frequency to the values specified in the Voltage ID Output (VIDO) and Internal BF Divisor (IBF) fields of the BVC field.
- Once the timer of the SGTC has expired, the EPM Stop Grant State is exited and the AMD PowerNow! technology state transition is completed.

See “Clock Control” on page 275 for more information about the EPM Stop Grant State.

Effective Bus Frequency Divisor (EBF[2:0])

The processor core frequency is controlled by the Effective Bus Frequency Divisor—EBF[2:0]—which dictates the processor-to-bus clock ratio supplied to the processor’s internal PLL. This processor-to-bus clock ratio is multiplied by the external bus frequency to set the frequency of operation for the processor core.

- At the fall of RESET, the EBF[2:0] value is determined by the state of the processor BF[2:0] input pins.
- Afterwards, the EBF[2:0] value can be dynamically controlled through AMD PowerNow! technology state transitions.

Table 28 on page 149 lists valid EBF[2:0] states and equivalent processor-to-bus clock ratios.

**Dynamic Core
Frequency Control**

For AMD PowerNow! technology core frequency transitions, the BVC field of the EPM 16-byte I/O block is accessed through an SMM handler.

- To change the processor core frequency, the SMM handler initiates core voltage and frequency transitions by writing a non-zero value to the SGTC field.
- This action automatically places the processor into the EPM Stop Grant state and transitions the CPU core voltage and frequency to the values specified in the VIDO and IBF fields of the BVC field.

Note: System-initiated inquire (snoop) cycles are not supported and must be prevented during the EPM Stop Grant state.

**Voltage Identification
(VID) Outputs**

AMD PowerNow! technology-enabled processors feature Voltage ID (VID) outputs to support dynamic control of the core voltage.

- These outputs serve as inputs to a DC/DC regulator that supplies the processor core voltage.
- Based on its VID[4:0] inputs, the regulator outputs a corresponding voltage.
- For those regulators that do not support VID inputs, the processor VID[4:0] outputs must be used to manipulate the regulator's feedback voltage to vary the regulator output voltage.

7 Bus Cycles

The following sections describe and illustrate the timing and relationship of bus signals during various types of bus cycles. A representative set of bus cycles is illustrated.

7.1 Timing Diagrams

The timing diagrams illustrate the signals on the external local bus as a function of time, as measured by the bus clock (CLK).

Bus Clock (CLK)

Throughout this chapter, the term *clock* refers to a single bus-clock cycle. A clock extends from one rising CLK edge to the next rising CLK edge. The processor samples and drives most signals relative to the rising edge of CLK. The exceptions to this rule include the following:

- BF[2:0]—Sampled on the falling edge of RESET
- FLUSH#—Sampled on the falling edge of RESET, also sampled on the rising edge of CLK
- All inputs and outputs are sampled relative to TCK in Boundary-Scan Test Mode. Inputs are sampled on the rising edge of TCK, outputs are driven off of the falling edge of TCK.

Waveform Definitions

For each signal in the timing diagrams, the High level represents 1, the Low level represents 0, and the Middle level represents the floating (high-impedance) state.

When both the High and Low levels are shown, the meaning depends on the signal:

- A single signal indicates ‘don’t care’.
- In the case of bus activity, if both High and Low levels are shown, it indicates that the processor, alternate master, or system logic is driving a value, but this value may or may not be valid. (For example, the value on the address bus is valid only during the assertion of ADS#, but addresses are also driven on the bus at other times.)

Figure 58 on page 154 defines the different waveform representations.

Active High Signals

For all active High signals, the term *asserted* means the signal is in the High-voltage state and the term *negated* means the signal is in the Low-voltage state.

Active Low Signals

For all active Low signals, the term *asserted* means the signal is in the Low-voltage state and the term *negated* means the signal is in the High-voltage state.


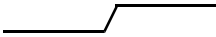


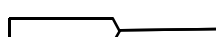

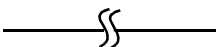
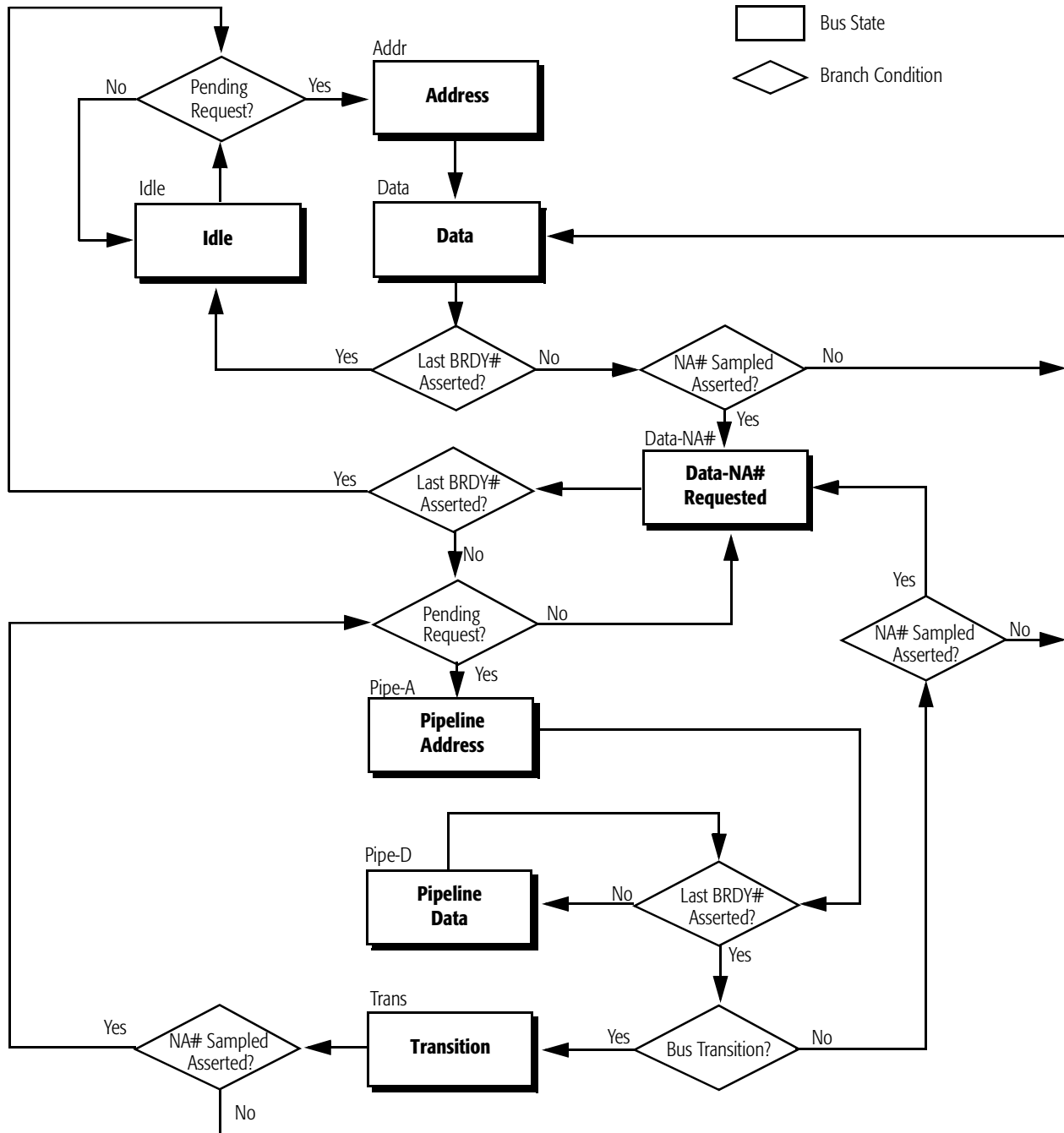
Waveform	Description
	Don't care or bus is driven
	Signal or bus is changing from Low to High
	Signal or bus is changing from High to Low
	Bus is changing
	Bus is changing from valid to invalid
	Signal or bus is floating
	Denotes multiple clock periods

Figure 58. Waveform Definitions

7.2 Bus States

The bus states illustrated in Figure 59 are described in this section.



Note: The processor transitions to the IDLE state on the clock edge on which BOFF# or RESET is sampled asserted.

Figure 59. Bus State Machine Diagram

Idle

The processor does not drive the system bus in the Idle state and remains in this state until a new bus cycle is requested. The processor enters this state off the clock edge on which the last BRDY# of a cycle is sampled asserted during the following conditions:

- The processor is in the Data state
- The processor is in the Data-NA# Requested state and no internal pending cycle is requested

In addition, the processor is forced into this state when the system logic asserts RESET or BOFF#. The transition to this state occurs on the clock edge on which RESET or BOFF# is sampled asserted.

Address

In this state, the processor drives ADS# to indicate the beginning of a new bus cycle by validating the address and control signals. The processor remains in this state for one clock and unconditionally enters the Data state on the next clock edge.

Data

In the Data state, the processor drives the data bus during a write cycle or expects data to be returned during a read cycle. The processor remains in this state until either NA# or the last BRDY# is sampled asserted. If the last BRDY# is sampled asserted or both the last BRDY# and NA# are sampled asserted on the same clock edge, the processor enters the Idle state. If NA# is sampled asserted first, the processor enters the Data-NA# Requested state.

Data-NA# Requested

If the processor samples NA# asserted while in the Data state and the current bus cycle is not completed (the last BRDY# is not sampled asserted), it enters the Data-NA# Requested state. The processor remains in this state until either the last BRDY# is sampled asserted or an internal pending cycle is requested. If the last BRDY# is sampled asserted before the processor drives a new bus cycle, the processor enters the Idle state (no internal pending cycle is requested) or the Address state (processor has a internal pending cycle).

Pipeline Address

In this state, the processor drives ADS#, indicating the beginning of a new bus cycle and validating the address and control signals. In this state, the processor is still waiting for the current bus cycle to be completed (until the last BRDY# is

sampled asserted). If the last BRDY# is not sampled asserted, the processor enters the Pipeline Data state.

If the processor samples the last BRDY# asserted in this state, it determines if a bus transition is required between the current bus cycle and the pipelined bus cycle. A bus transition is required when the data bus direction changes between bus cycles, such as a memory write cycle followed by a memory read cycle. If a bus transition is required, the processor enters the Transition state for one clock to prevent data bus contention. If a bus transition is not required, the processor enters the Data state.

The processor does not transition to the Data-NA# Requested state from the Pipeline Address state because the processor does not begin sampling NA# until it has exited the Pipeline Address state.

Pipeline Data

Two bus cycles are executing concurrently in this state. The processor cannot issue any additional bus cycles until the current bus cycle is completed. The processor drives the data bus during write cycles or expects data to be returned during read cycles for the current bus cycle until the last BRDY# of the current bus cycle is sampled asserted.

If the processor samples the last BRDY# asserted in this state, it determines if a bus transition is required between the current bus cycle and the pipelined bus cycle. If the bus transition is required, the processor enters the Transition state for one clock to prevent data bus contention. If a bus transition is not required, the processor enters the Data state (NA# was not sampled asserted) or the Data-NA# Requested state (NA# was sampled asserted).

Transition

The processor enters this state for one clock during data bus transitions and enters the Data state on the next clock edge if NA# is not sampled asserted. The sole purpose of this state is to avoid bus contention caused by bus transitions during pipeline operation.

7.3 Memory Reads and Writes

The AMD-K6-2E+ processor performs single or burst-memory bus cycles.

- The single-transfer memory bus cycle transfers 1, 2, 4, or 8 bytes and requires a minimum of two clocks.
- Misaligned instructions or operands result in a split cycle, which requires multiple transactions on the bus.
- A burst cycle consists of four back-to-back 8-byte (64-bit) transfers on the data bus.

Single-Transfer Memory Read and Write

Figure 60 on page 159 shows a single-transfer read from memory, followed by two single-transfer writes to memory. For the memory read cycle, the processor asserts ADS# for one clock to validate the bus cycle and also drives A[31:3], BE[7:0]#, D/C#, W/R#, and M/IO# to the bus. The processor then waits for the system logic to return the data on D[63:0] (with DP[7:0] for parity checking) and assert BRDY#. The processor samples BRDY# on every clock edge starting with the clock edge after the clock edge that negates ADS#. See “BRDY# (Burst Ready)” on page 103.

During the read cycle, the processor drives PCD, PWT, and CACHE# to indicate its caching and cache-coherency intent for the access. The system logic returns KEN# and WB/WT# to either confirm or change this intent. If the processor asserts PCD and negates CACHE#, the accesses are noncacheable, even though the system logic asserts KEN# during the BRDY# to indicate its support for cacheability. The processor (which drives CACHE#) and the system logic (which drives KEN#) must agree in order for an access to be cacheable.

The processor can drive another cycle (in this example, a write cycle) by asserting ADS# off the next clock edge after BRDY# is sampled asserted. Therefore, an idle clock is guaranteed between any two bus cycles. The processor drives D[63:0] with valid data one clock edge after the clock edge on which ADS# is asserted. To minimize processor idle times, the system logic stores the address and data in write buffers, returns BRDY#, and performs the store to memory later. If the processor samples EWBE# negated during a write cycle, it suspends certain activities until EWBE# is sampled asserted. See “EWBE# (External Write Buffer Empty)” on page 110. In

Figure 60, the second write cycle occurs during the execution of a serializing instruction. The processor delays the following cycle until EWBE# is sampled asserted.

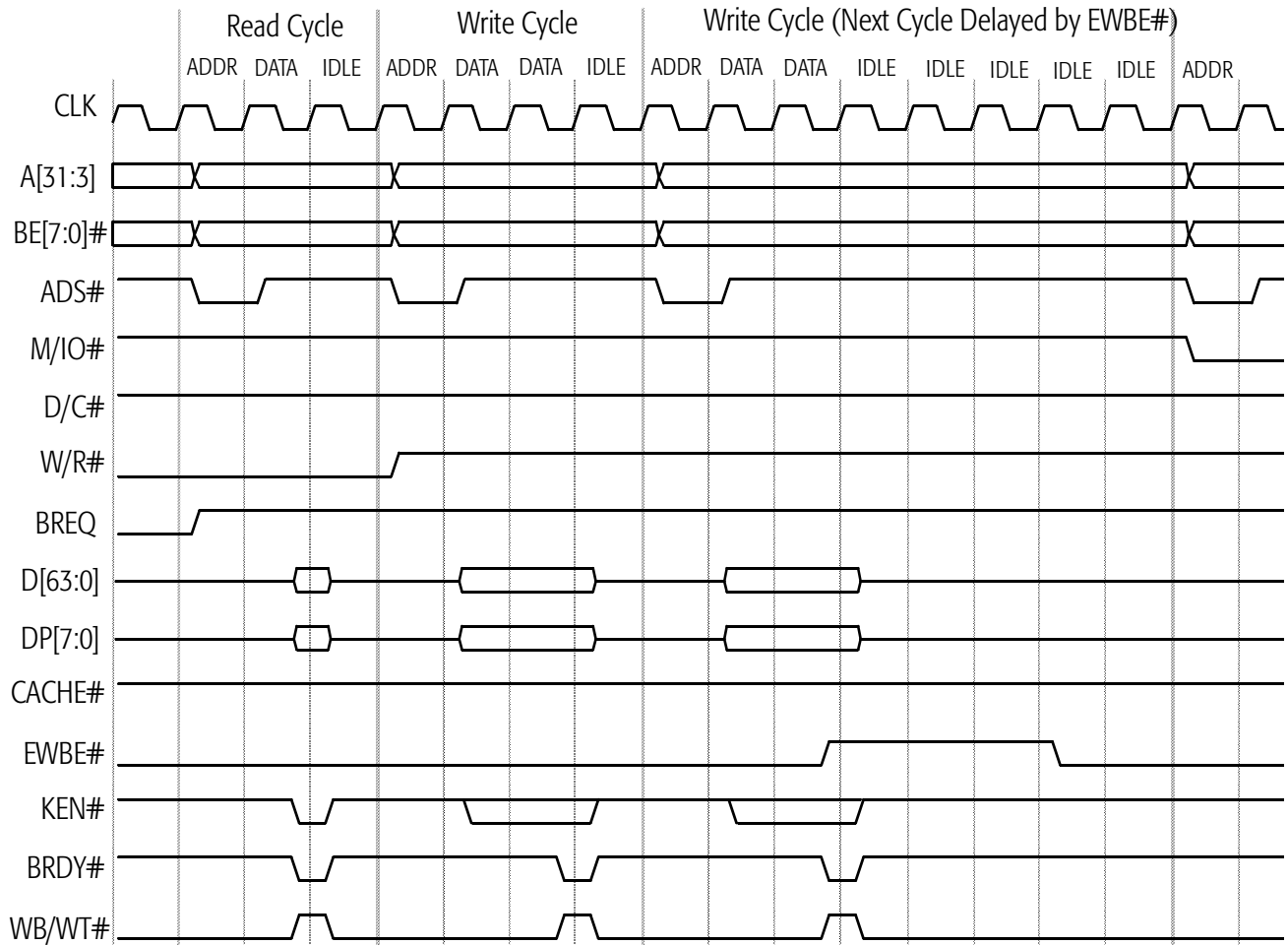


Figure 60. Non-Pipelined Single-Transfer Memory Read/Write and Write Delayed by EWBE#

Misaligned Single-Transfer Memory Read and Write

Figure 61 on page 161 shows a misaligned (split) memory read followed by a misaligned memory write. Any cycle that is not aligned as defined in “SCYC (Split Cycle)” on page 129 is considered misaligned. When the processor encounters a misaligned access, it determines the appropriate pair of bus cycles—each with its own ADS# and BRDY#—required to complete the access.

The AMD-K6-2E+ processor performs misaligned memory reads and memory writes using least-significant bytes (LSBs) first followed by most-significant bytes (MSBs). Table 29 shows the order. In the first memory read cycle in Figure 61, the processor reads the least-significant bytes. Immediately after the processor samples BRDY# asserted, it drives the second bus cycle to read the most-significant bytes to complete the misaligned transfer.

Table 29. Bus-Cycle Order During Misaligned Memory Transfers

Type of Access	First Cycle	Second Cycle
Memory Read	LSBs	MSBs
Memory Write	LSBs	MSBs

Similarly, the misaligned memory write cycle in Figure 61 transfers the LSBs to the memory bus first. In the next cycle, after the processor samples BRDY# asserted, the MSBs are written to the memory bus.

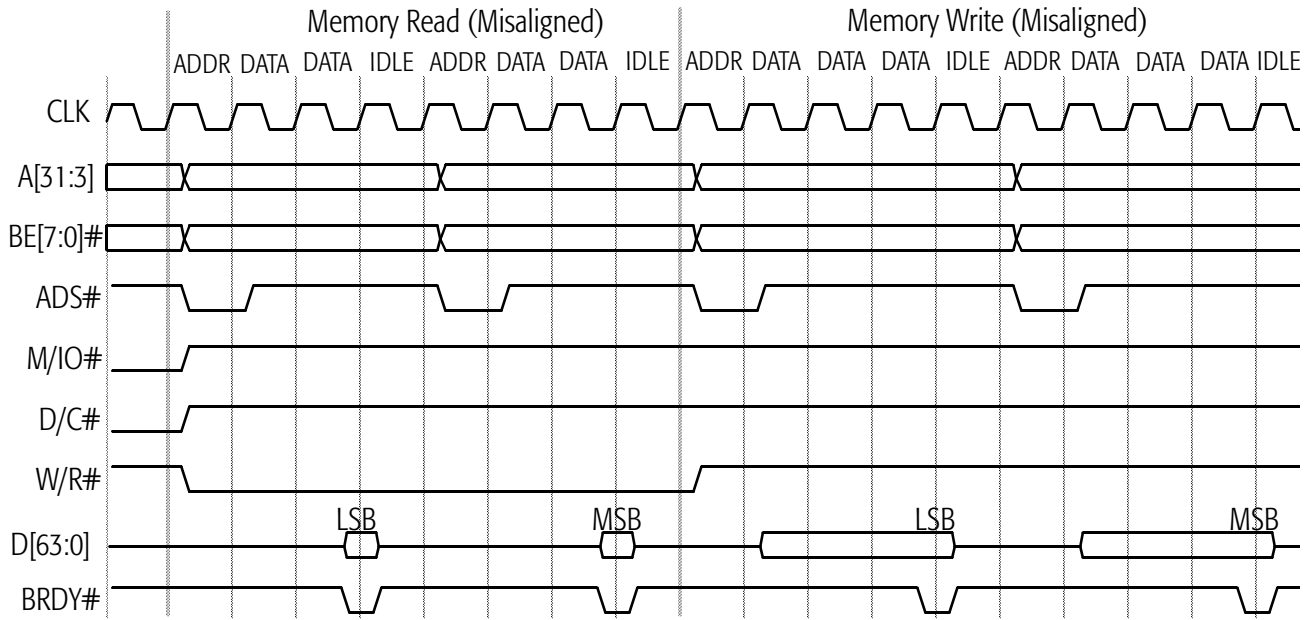


Figure 61. Misaligned Single-Transfer Memory Read and Write

Burst Reads and Pipelined Burst Reads

Figure 62 on page 163 shows normal burst read cycles and a pipelined burst read cycle. The AMD-K6-2E+ processor drives CACHE# and ADS# together to specify that the current bus cycle is a burst cycle. If the processor samples KEN# asserted with the first BRDY#, it performs burst transfers. During the burst transfers, the system logic must ignore BE[7:0]# and must return all eight bytes beginning at the starting address the processor asserts on A[31:3]. Depending on the starting address, the system logic must determine the successive quadword addresses (A[4:3]) for each transfer in a burst, as shown in Table 30. The processor expects the second, third, and fourth quadwords to occur in the sequences shown in Table 30.

Table 30. A[4:3] Address-Generation Sequence During Bursts

Address Driven By Processor on A[4:3]	A[4:3] Addresses of Subsequent Quadwords ¹ Generated by System Logic			
	Quadword 1	Quadword 2	Quadword 3	Quadword 4
00b	01b	10b	11b	
01b	00b	11b	10b	
10b	11b	00b	01b	
11b	10b	01b	00b	

Notes:

1. Quadword = 8 bytes.

In Figure 62, the processor drives CACHE# throughout all burst read cycles. In the first burst read cycle, the processor drives ADS# and CACHE#, then samples BRDY# on every clock edge starting with the clock edge after the clock edge that negates ADS#. The processor samples KEN# asserted on the clock edge on which the first BRDY# is sampled asserted, executes a 32-byte burst read cycle, and expects a total of four BRDY# signals. An ideal no-wait state access is shown in Figure 62, whereas most system logic solutions add wait states between the transfers.

The second burst read cycle illustrates a similar sequence, but the processor samples NA# asserted on the same clock edge that the first BRDY# is sampled asserted. NA# assertion indicates the system logic is requesting the processor to output the next address early (also known as a pipeline transfer request). Without waiting for the current cycle to complete, the processor drives ADS# and related signals for the next burst cycle. Pipelining can reduce processor cycle-to-cycle idle times.

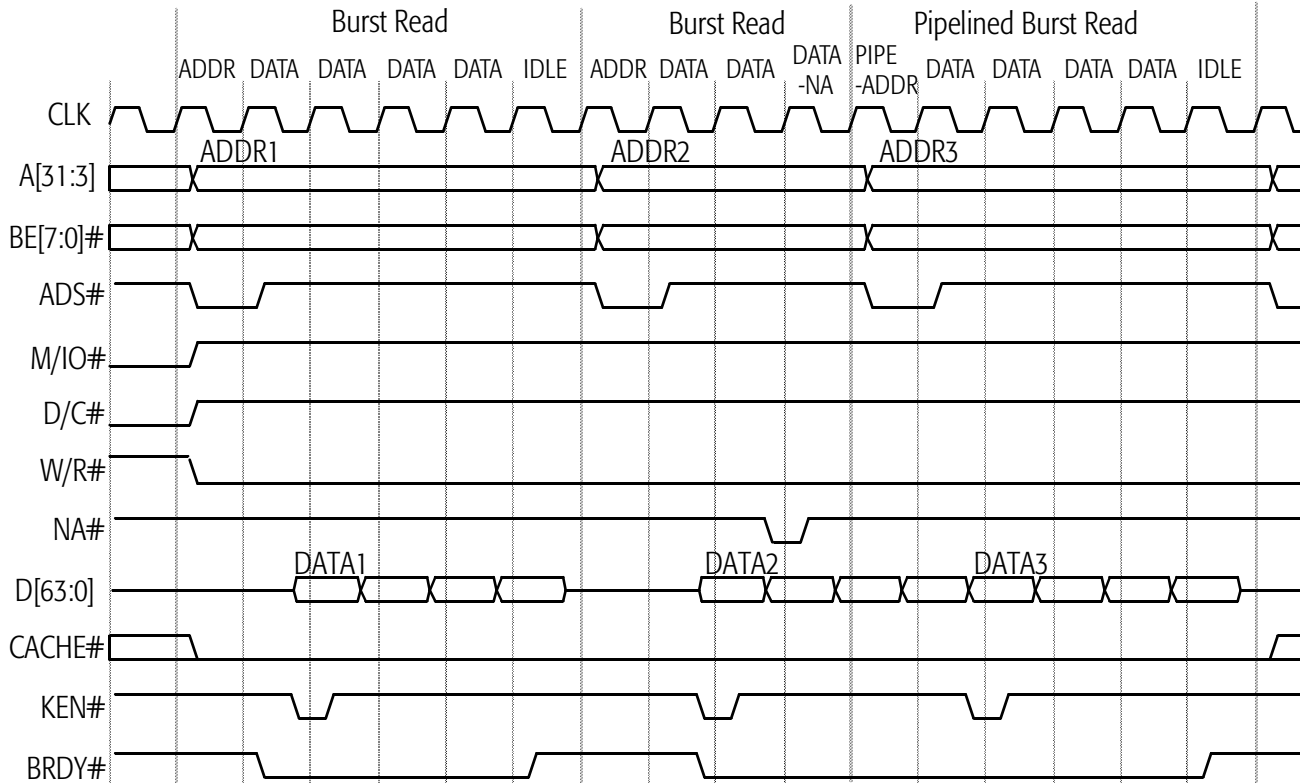


Figure 62. Burst Reads and Pipelined Burst Reads

Burst Writeback

Figure 63 on page 165 shows a burst read followed by a writeback transaction. The AMD-K6-2E+ processor initiates writebacks under the following conditions:

- *Replacement*—If a cache-line fill is initiated for a cache line currently filled with valid entries, the processor selects a line for replacement based on a least-recently-used (LRU) algorithm for the L1 instruction cache and the L2 cache, and a least-recently-allocated (LRA) algorithm for the L1 data cache. Before a replacement is made to a L1 data cache or L2 cache line that is in the modified state, the modified line is scheduled to be written back to memory.
- *Internal Snoop*—The processor snoops its L1 instruction cache during read or write misses to its L1 data cache, and it snoops its L1 data cache during read misses to its L1 instruction cache. This snooping is performed to determine whether the same address is stored in both caches, a situation that is taken to imply the occurrence of self-modifying code. If an internal snoop hits a L1 data cache line in the modified state, the line is written back to memory before being invalidated.
- *WBINVD Instruction*—When the processor executes a WBINVD instruction, it writes back all modified lines in the L1 data cache and L2 cache, and then invalidates all lines in all caches.
- *Cache Flush*—When the processor samples FLUSH# asserted, it executes a flush acknowledge special cycle and writes back all modified lines in the L1 data cache and L2 cache, and then invalidates all lines in all caches.

The processor drives writeback cycles during inquire or cache flush cycles. The writeback shown in Figure 63 is caused by a cache-line replacement. The processor completes the burst read cycle that fills the cache line. Immediately following the burst read cycle is the burst writeback cycle that represents the modified line to be written back to memory. D[63:0] are driven one clock edge after the clock edge on which ADS# is asserted and are subsequently changed off the clock edge on which each of the four BRDY# signals of the burst cycle are sampled asserted.

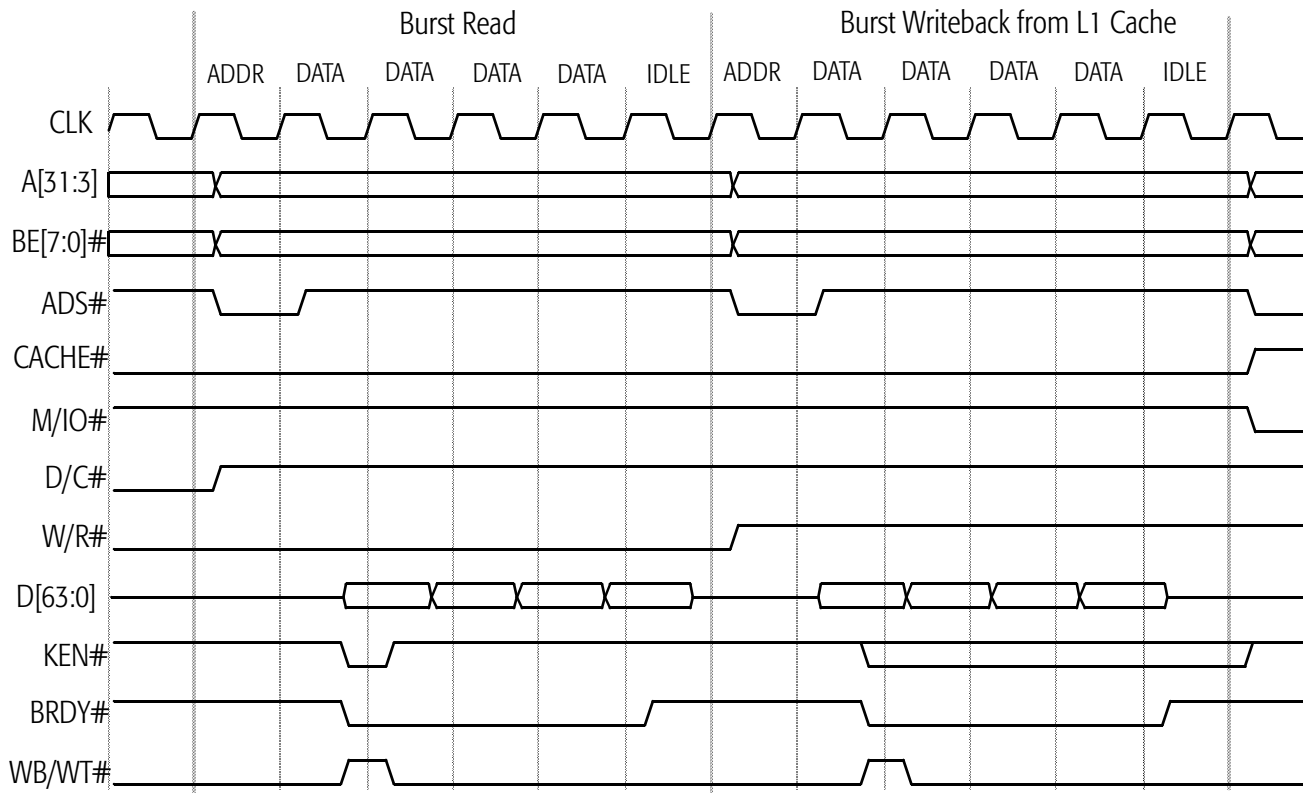


Figure 63. Burst Writeback due to Cache-Line Replacement

7.4 I/O Read and Write

Basic I/O Read and Write

The processor accesses I/O when it executes an I/O instruction (for example, IN or OUT). Figure 64 shows an I/O read followed by an I/O write. The processor drives M/IO# Low and D/C# High during I/O cycles. In this example, the first cycle shows a single wait state I/O read cycle. It follows the same sequence as a single-transfer memory read cycle. The processor drives ADS# to initiate the bus cycle, then it samples BRDY# on every clock edge starting with the clock edge after the clock edge that negates ADS#. The system logic must return BRDY# to complete the cycle. When the processor samples BRDY# asserted, it can assert ADS# for the next cycle off the next clock edge. (In this example, an I/O write cycle.)

The I/O write cycle is similar to a memory write cycle, but the processor drives M/IO# low during an I/O write cycle. The processor asserts ADS# to initiate the bus cycle. The processor drives D[63:0] with valid data one clock edge after the clock edge on which ADS# is asserted. The system logic must assert BRDY# when the data is properly stored to the I/O destination. The processor samples BRDY# on every clock edge starting with the clock edge after the clock edge that negates ADS#. In this example, two wait states are inserted while the processor waits for BRDY# to be asserted.

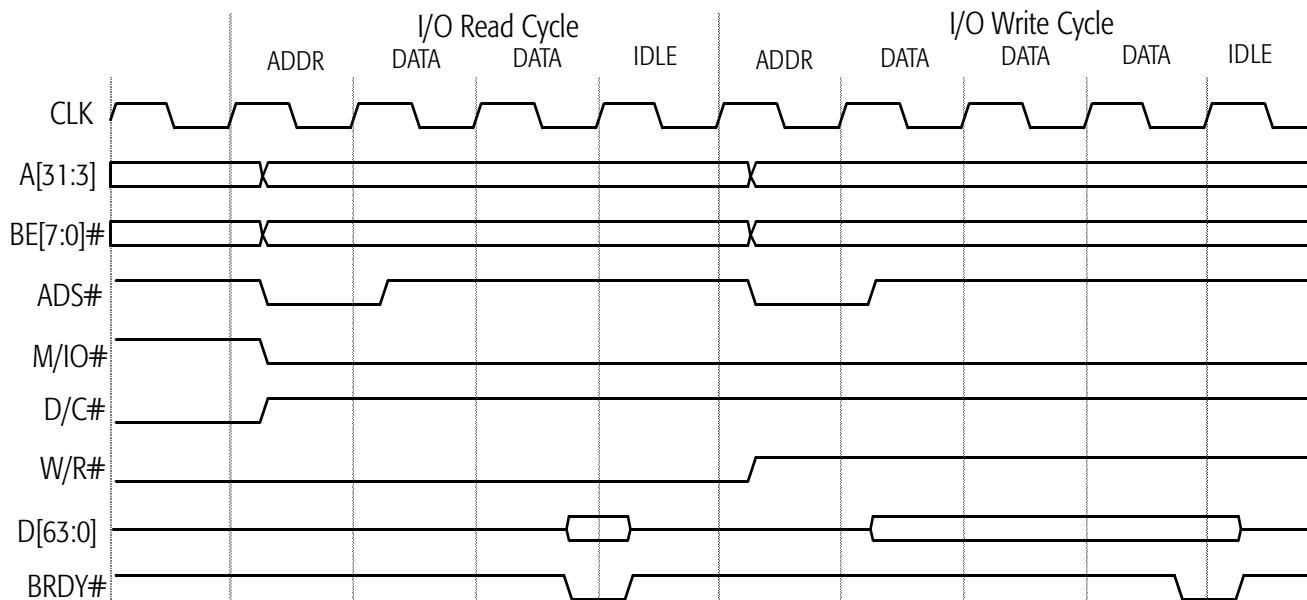


Figure 64. Basic I/O Read and Write

Misaligned I/O Read and Write

Table 31 shows the misaligned I/O read and write cycle order executed by the AMD-K6-2E+ processor. In Figure 65, the least-significant bytes (LSBs) are transferred first. Immediately after the processor samples BRDY# asserted, it drives the second bus cycle to transfer the most-significant bytes (MSBs) to complete the misaligned bus cycle.

Table 31. Bus-Cycle Order During Misaligned I/O Transfers

Type of Access	First Cycle	Second Cycle
I/O Read	LSBs	MSBs
I/O Write	LSBs	MSBs

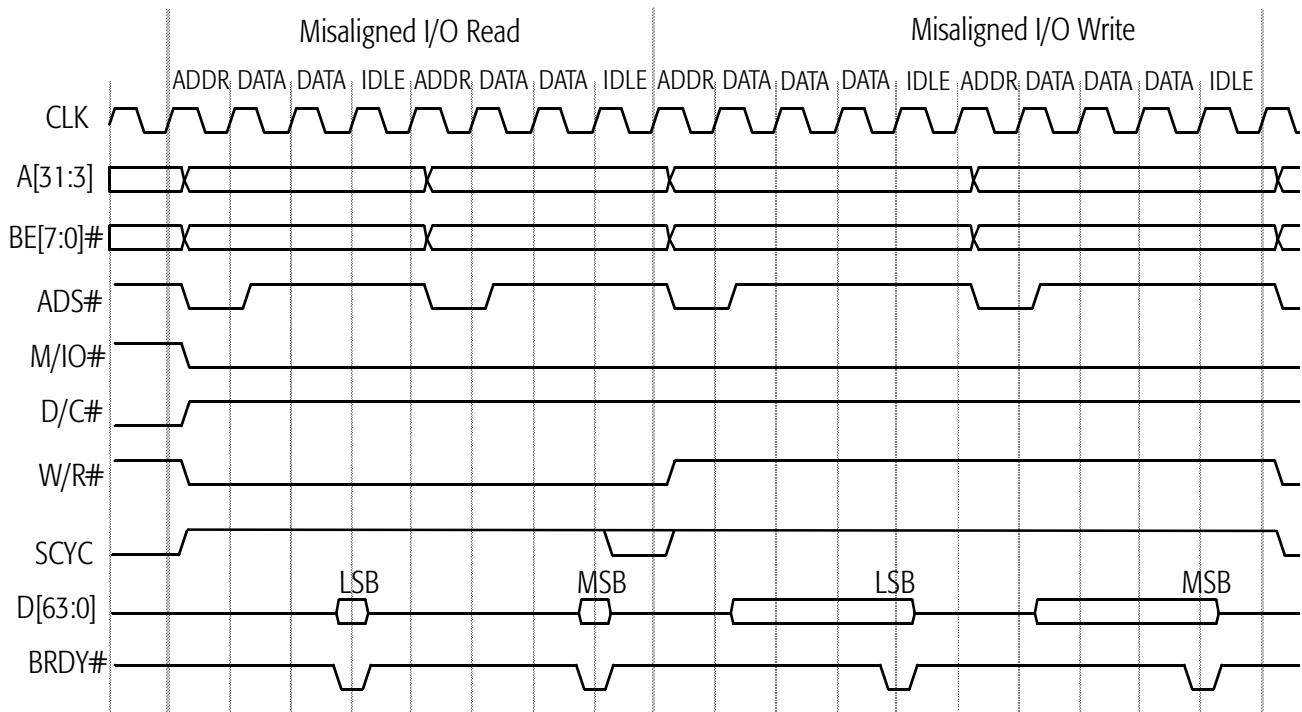


Figure 65. Misaligned I/O Transfer

7.5 Inquire and Bus Arbitration Cycles

The AMD-K6-2E+ processor provides built-in level-one (L1) data and instruction caches, and a unified level-two (L2) cache. Each L1 cache is 32 Kbytes and two-way set-associative. The L2 cache is 128 Kbytes and four-way set-associative. The system logic or other bus master devices can initiate an inquire cycle to maintain cache/memory coherency. In response to the inquire cycle, the processor compares the inquire address with its cache tag addresses in all caches, and, if necessary, updates the MESI state of the cache line and performs writebacks to memory.

An inquire cycle can be initiated by asserting AHOLD, BOFF#, or HOLD. AHOLD is exclusively used to support inquire cycles. During AHOLD-initiated inquire cycles, the processor only floats the address bus. BOFF# provides the fastest access to the bus because it aborts any processor cycle that is in-progress, whereas AHOLD and HOLD both permit an in-progress bus cycle to complete. During HOLD-initiated and BOFF#-initiated inquire cycles, the processor floats all of its bus-driving signals.

The AMD-K6-2E+ processor does not support system-initiated inquire cycles during the Enhanced Power Management (EPM) Stop Grant State. For more information on the EPM Stop Grant State, see “Clock Control” on page 275.

Hold and Hold Acknowledge Cycle

The system logic or another bus device can assert HOLD to initiate an inquire cycle or to gain full control of the bus. When the AMD-K6-2E+ processor samples HOLD asserted, it completes any in-progress bus cycle and asserts HLDA to acknowledge release of the bus. The processor floats the following signals off the same clock edge on which HLDA is asserted:

- | | |
|------------|-----------|
| ■ A[31:3] | ■ DP[7:0] |
| ■ ADS# | ■ LOCK# |
| ■ AP# | ■ M/IO# |
| ■ BE[7:0]# | ■ PCD |
| ■ CACHE# | ■ PWT |
| ■ D[63:0] | ■ SCYC |
| ■ D/C# | ■ W/R# |

Figure 66 on page 169 shows a basic HOLD/HLDA operation. In this example, the processor samples HOLD asserted during the memory read cycle. It continues the current memory read cycle until BRDY# is sampled asserted. The processor drives HLDA and floats its outputs one clock edge after the last BRDY# of the cycle is sampled asserted. The system logic can assert HOLD for as long as it needs to utilize the bus. The processor samples HOLD on every clock edge but does not assert HLDA until any in-progress cycle or sequence of locked cycles is completed.

When the processor samples HOLD negated during a hold acknowledge cycle, it negates HLDA off the next clock edge. The processor regains control of the bus and can assert ADS# off the same clock edge on which HLDA is negated.

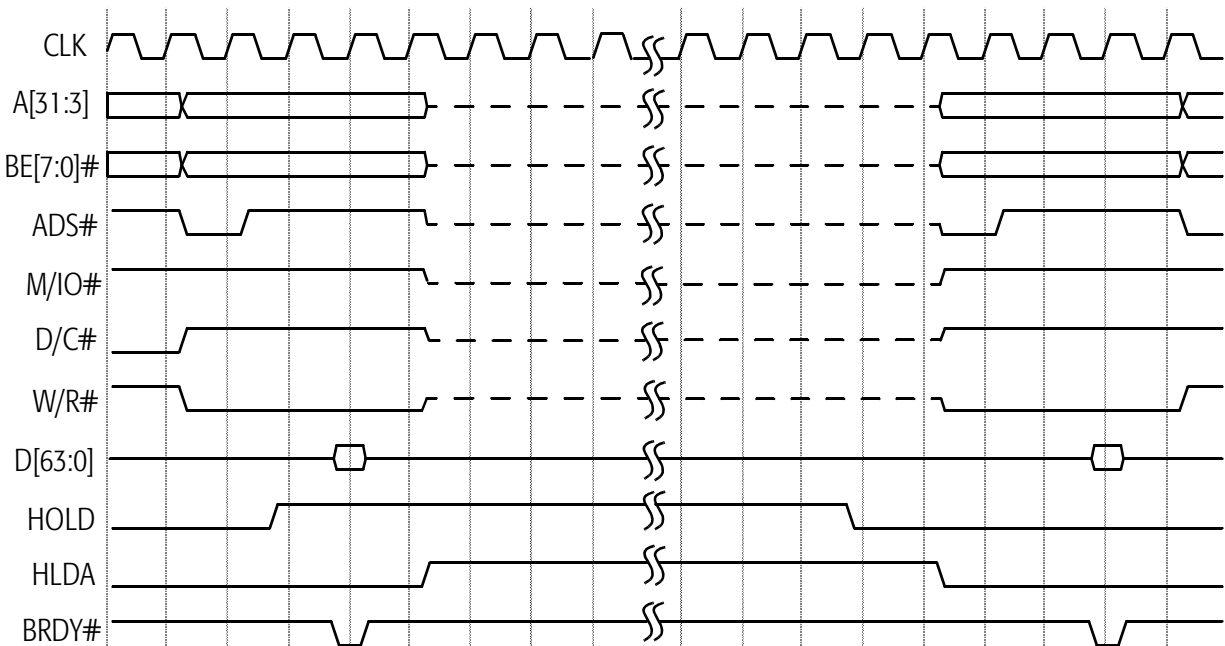


Figure 66. Basic HOLD/HLDA Operation

**HOLD-Initiated
Inquire Hit to Shared
or Exclusive Line**

Figure 67 on page 171 shows a HOLD-initiated inquire cycle. In this example, the processor samples HOLD asserted during the burst memory read cycle. The processor completes the current cycle (until the last expected BRDY# is sampled asserted), asserts HLDA and floats its outputs as described in “Hold and Hold Acknowledge Cycle” on page 168.

The system logic drives an inquire cycle within the hold acknowledge cycle. It asserts EADS#, which validates the inquire address on A[31:5]. If EADS# is sampled asserted before HOLD is sampled negated, the processor recognizes it as a valid inquire cycle.

In Figure 67, the processor asserts HIT# and negates HITM# on the clock edge after the clock edge on which EADS# is sampled asserted, indicating the current inquire cycle hit a shared or exclusive cache line. (Shared and exclusive cache lines have not been modified and do not need to be written back.) During an inquire cycle, the processor samples INV to determine whether the addressed cache line found in the processor’s caches transitions to the invalid state or the shared state. In this example, the processor samples INV asserted with EADS#, which invalidates the cache line.

The system logic can negate HOLD off the same clock edge on which EADS# is sampled asserted. The processor continues driving HIT# in the same state until the next inquire cycle. HITM# is not asserted unless HIT# is asserted.

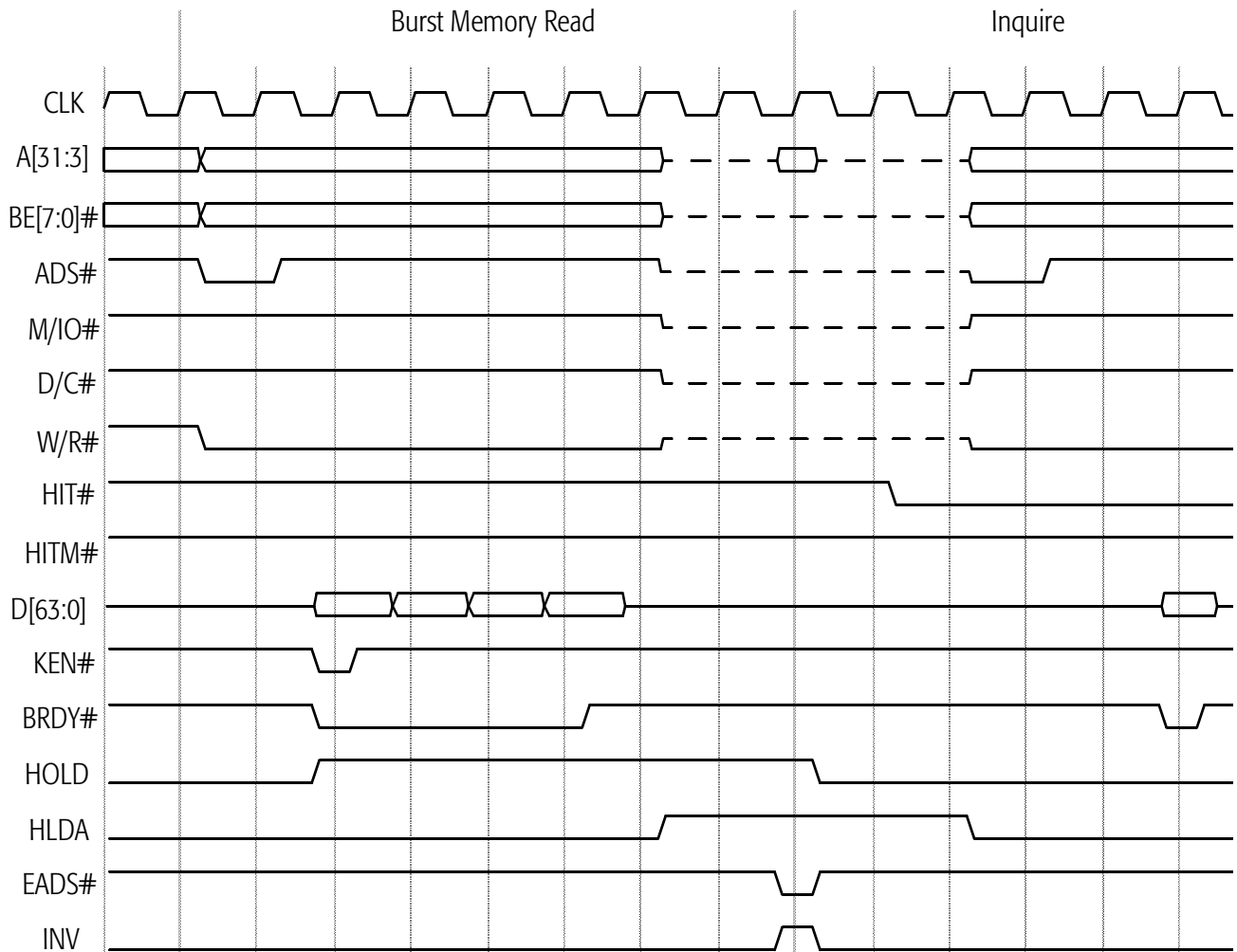


Figure 67. HOLD-Initiated Inquire Hit to Shared or Exclusive Line

**HOLD-Initiated
Inquire Hit to
Modified Line**

Figure 68 on page 173 shows the same sequence as Figure 67 on page 171, but in Figure 68 the inquire cycle hits a modified line and the processor asserts both HIT# and HITM#. In this example, the processor performs a writeback cycle immediately after the inquire cycle. It updates the modified cache line to external memory (normally, external cache or DRAM). The processor uses the address (A[31:5]) that was latched during the inquire cycle to perform the writeback cycle. The processor asserts HITM# throughout the writeback cycle and negates HITM# one clock edge after the last expected BRDY# of the writeback is sampled asserted.

When the processor samples EADS# during the inquire cycle, it also samples INV to determine the cache line MESI state after the inquire cycle. If INV is sampled asserted during an inquire cycle, the processor transitions the line (if found) to the invalid state, regardless of its previous state. The cache line invalidation operation is not visible on the bus. If INV is sampled negated during an inquire cycle, the processor transitions the line (if found) to the shared state. In Figure 68 the processor samples INV asserted during the inquire cycle.

In a HOLD-initiated inquire cycle, the system logic can negate HOLD off the same clock edge on which EADS# is sampled asserted. The processor drives HIT# and HITM# on the clock edge after the clock edge on which EADS# is sampled asserted.

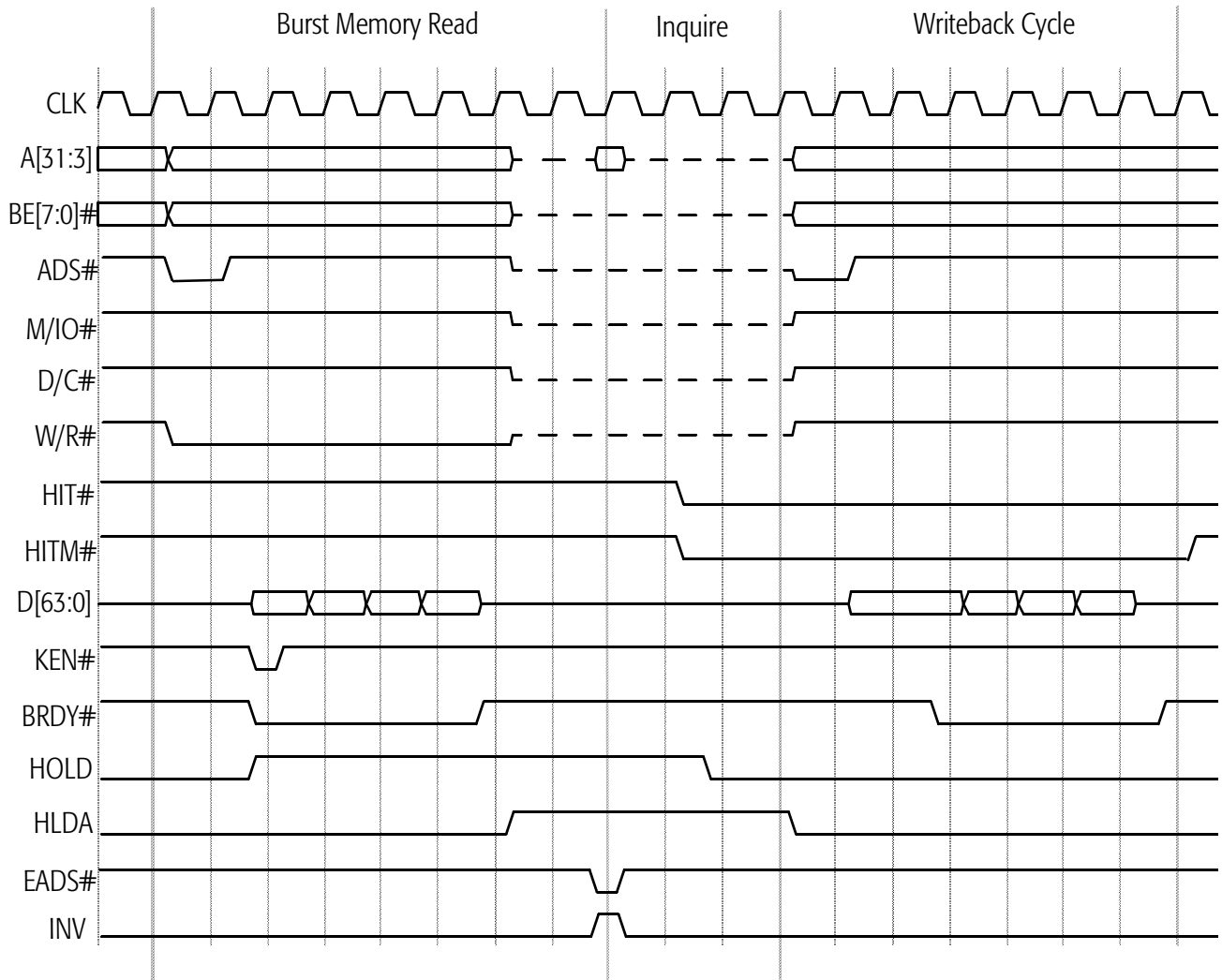


Figure 68. HOLD-Initiated Inquire Hit to Modified Line

**AHOLD-Initiated
Inquire Miss**

AHOLD can be asserted by the system to initiate one or more inquire cycles. To allow the system to drive the address bus during an inquire cycle, the processor floats A[31:3] and AP off the clock edge on which AHOLD is sampled asserted. The data bus and all other control and status signals remain under the control of the processor and are not floated. This functionality allows a bus cycle in progress when AHOLD is sampled asserted to continue to completion. The processor resumes driving the address bus off the clock edge on which AHOLD is sampled negated.

In Figure 69 on page 175, the processor samples AHOLD asserted during the memory burst read cycle, and it floats the address bus off the same clock edge on which it samples AHOLD asserted. While the processor still controls the bus, it completes the current cycle until the last expected BRDY# is sampled asserted. The system logic drives EADS# with an inquire address on A[31:5] during an inquire cycle. The processor samples EADS# asserted and compares the inquire address to its tag address in the L1 instruction and data caches, and in the L2 cache. In Figure 69, the inquire address misses the tag address in the processor (both HIT# and HITM# are negated). Therefore, the processor proceeds to the next cycle when it samples AHOLD negated. (The processor can drive a new cycle by asserting ADS# off the same clock edge that it samples AHOLD negated.)

For an AHOLD-initiated inquire cycle to be recognized, the processor must sample AHOLD asserted for at least two consecutive clocks before it samples EADS# asserted. If the processor detects an address parity error during an inquire cycle, APCHK# is asserted for one clock. The system logic must respond appropriately to the assertion of this signal.

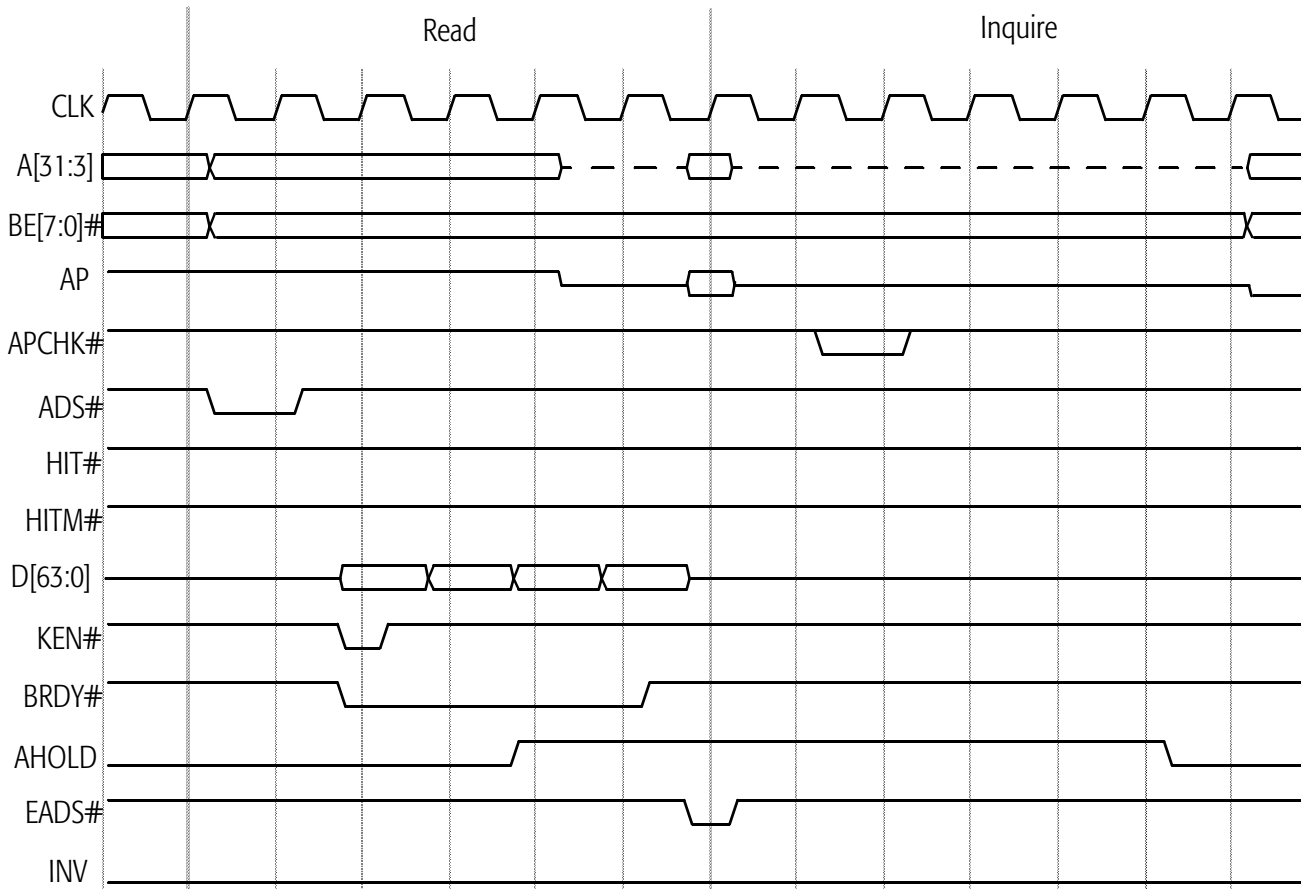


Figure 69. AHOLD-Initiated Inquire Miss

**AHOLD-Initiated
Inquire Hit to Shared
or Exclusive Line**

In Figure 70 on page 177, the processor asserts HIT# and negates HITM# off the clock edge after the clock edge on which EADS# is sampled asserted, indicating the current inquire cycle hits either a shared or exclusive line. (HIT# is driven in the same state until the next inquire cycle.) The processor samples INV asserted during the inquire cycle and transitions the line to the invalid state regardless of its previous state.

During an AHOLD-initiated inquire cycle, the processor samples AHOLD on every clock edge until it is negated. In Figure 70, the processor asserts ADS# off the same clock on which AHOLD is sampled negated. If the inquire cycle hits a modified line, the processor performs a writeback cycle before it drives a new bus cycle. The next section describes the AHOLD-initiated inquire cycle that hits a modified line.

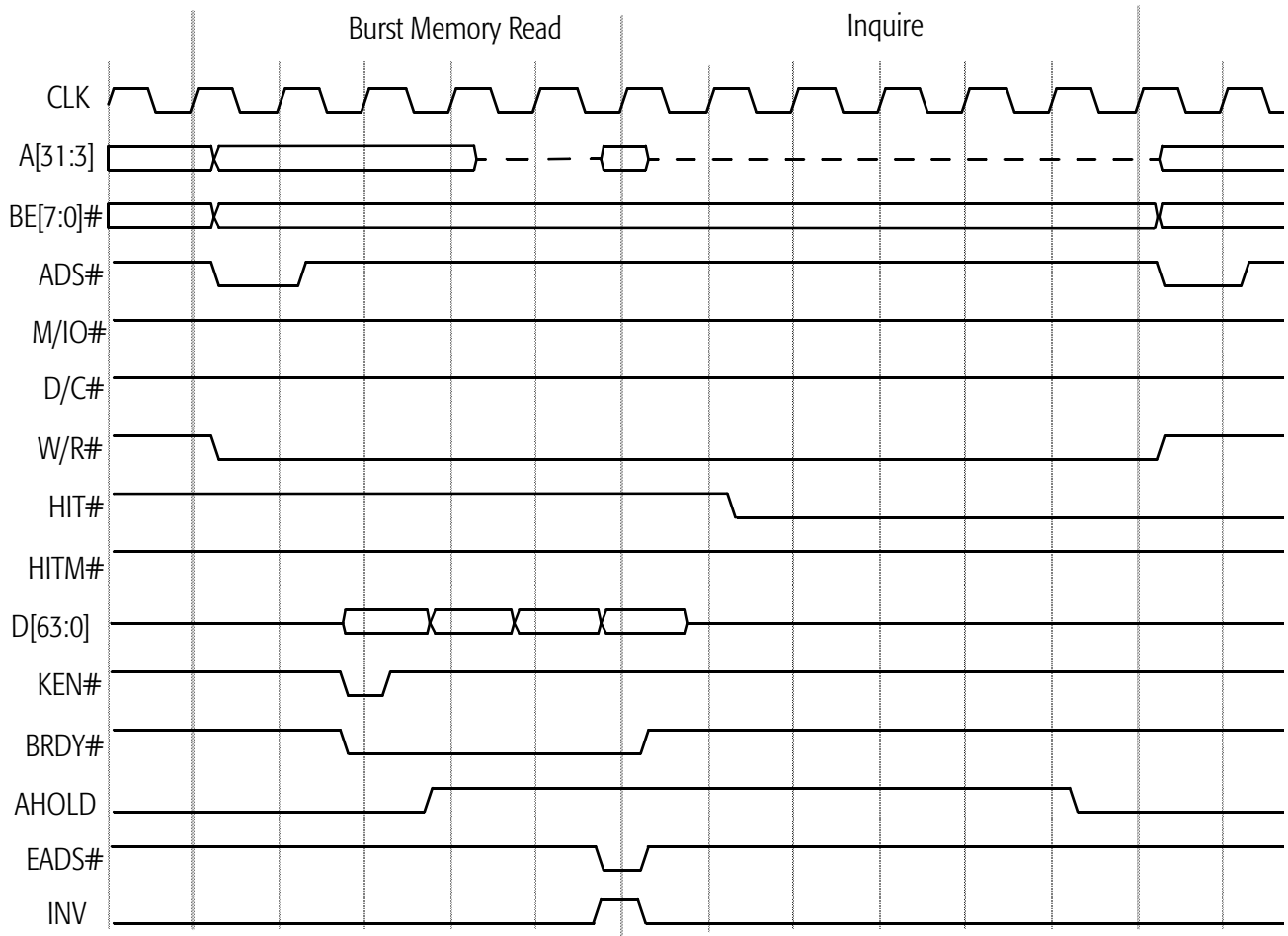


Figure 70. AHOLD-Initiated Inquire Hit to Shared or Exclusive Line

**AHOLD-Initiated
Inquire Hit to
Modified Line**

Figure 71 on page 179 shows an AHOLD-initiated inquire cycle that hits a modified line. During the inquire cycle in this example, the processor asserts both HIT# and HITM# on the clock edge after the clock edge that it samples EADS# asserted. This condition indicates that the cache line exists in the processor's L1 data cache or L2 cache in the modified state.

If the inquire cycle hits a modified line, the processor performs a writeback cycle immediately after the inquire cycle to update the modified cache line to shared memory (normally external cache or DRAM). In Figure 71, the system logic holds AHOLD asserted throughout the inquire cycle and the processor writeback cycle. In this case, the processor is not driving the address bus during the writeback cycle because AHOLD is sampled asserted. The system logic writes the data to memory by using its latched copy of the inquire cycle address. If the processor samples AHOLD negated before it performs the writeback cycle, it drives the writeback cycle by using the address (A[31:5]) that it latched during the inquire cycle.

If INV is sampled asserted during an inquire cycle, the processor transitions the line (if found) to the invalid state, regardless of its previous state (the cache invalidation operation is not visible on the bus). If INV is sampled negated during an inquire cycle, the processor transitions the line (if found) to the shared state. In either case, if the line is found in the modified state, the processor writes it back to memory before changing its state. Figure 71 shows that the processor samples INV asserted during the inquire cycle and invalidates the cache line after the inquire cycle.

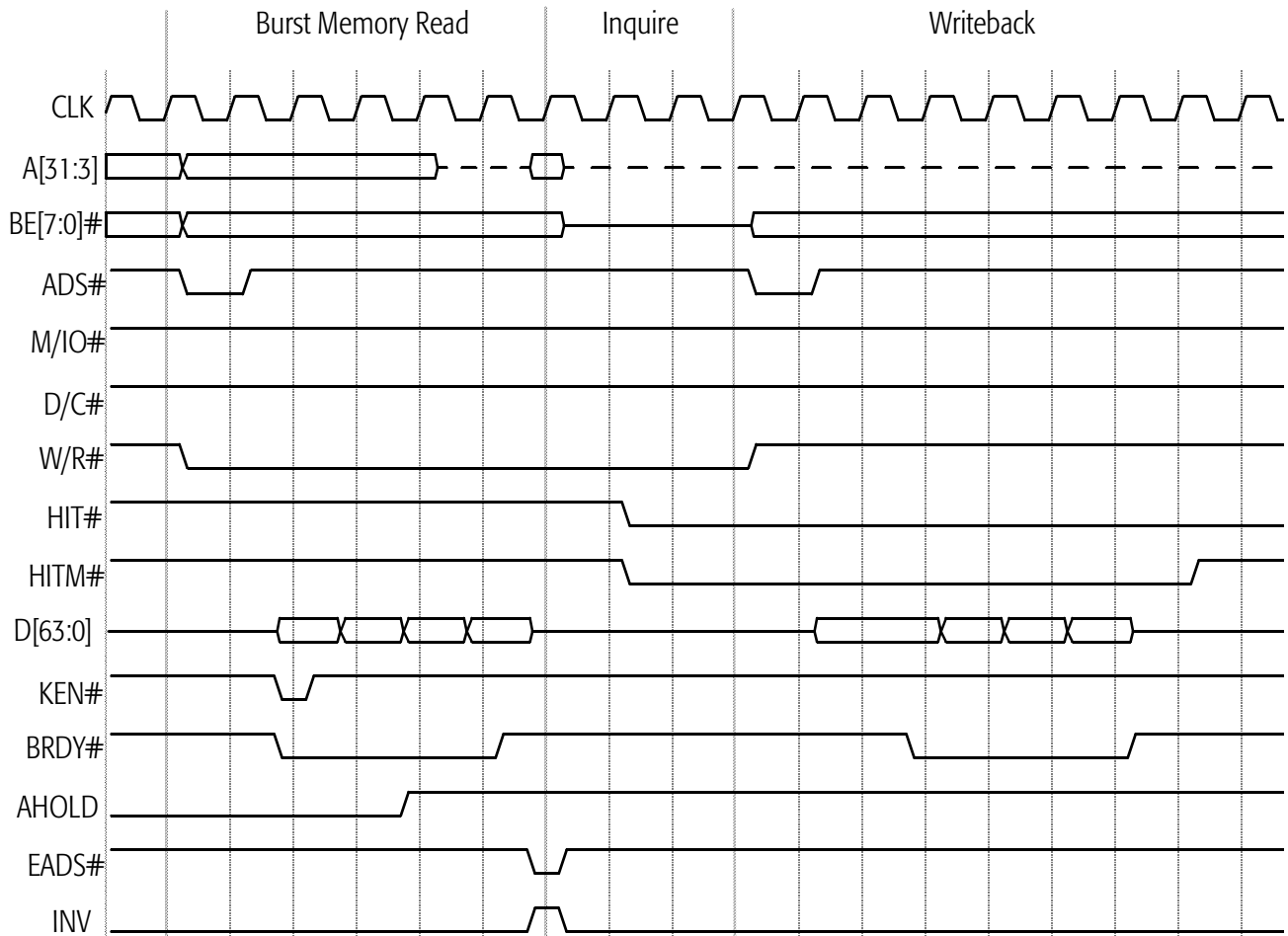


Figure 71. AHOLD-Initiated Inquire Hit to Modified Line

AHOLD Restriction

When the system logic drives an AHOLD-initiated inquire cycle, it must assert AHOLD for at least two clocks before it asserts EADS#. This requirement guarantees the processor recognizes and responds to the inquire cycle properly. The processor's 32 address bus drivers turn on almost immediately after AHOLD is sampled negated. If the processor switches the data bus (D[63:0] and DP[7:0]) during a write cycle off the same clock edge that switches the address bus (A[31:3] and AP), the processor switches 102 drivers simultaneously, which can lead to ground-bounce spikes. Therefore, before negating AHOLD the following restrictions must be observed by the system logic:

- When the system logic negates AHOLD during a write cycle, it must ensure that AHOLD is not sampled negated on the clock edge on which BRDY# is sampled asserted (See Figure 72 on page 181).
- When the system logic negates AHOLD during a writeback cycle, it must ensure that AHOLD is not sampled negated on the clock edge on which ADS# is negated (See Figure 72).
- When a write cycle is pipelined into a read cycle, AHOLD must not be sampled negated on the clock edge after the clock edge on which the last BRDY# of the read cycle is sampled asserted to avoid the processor simultaneously driving the data bus (for the pending write cycle) and the address bus off this same clock edge.

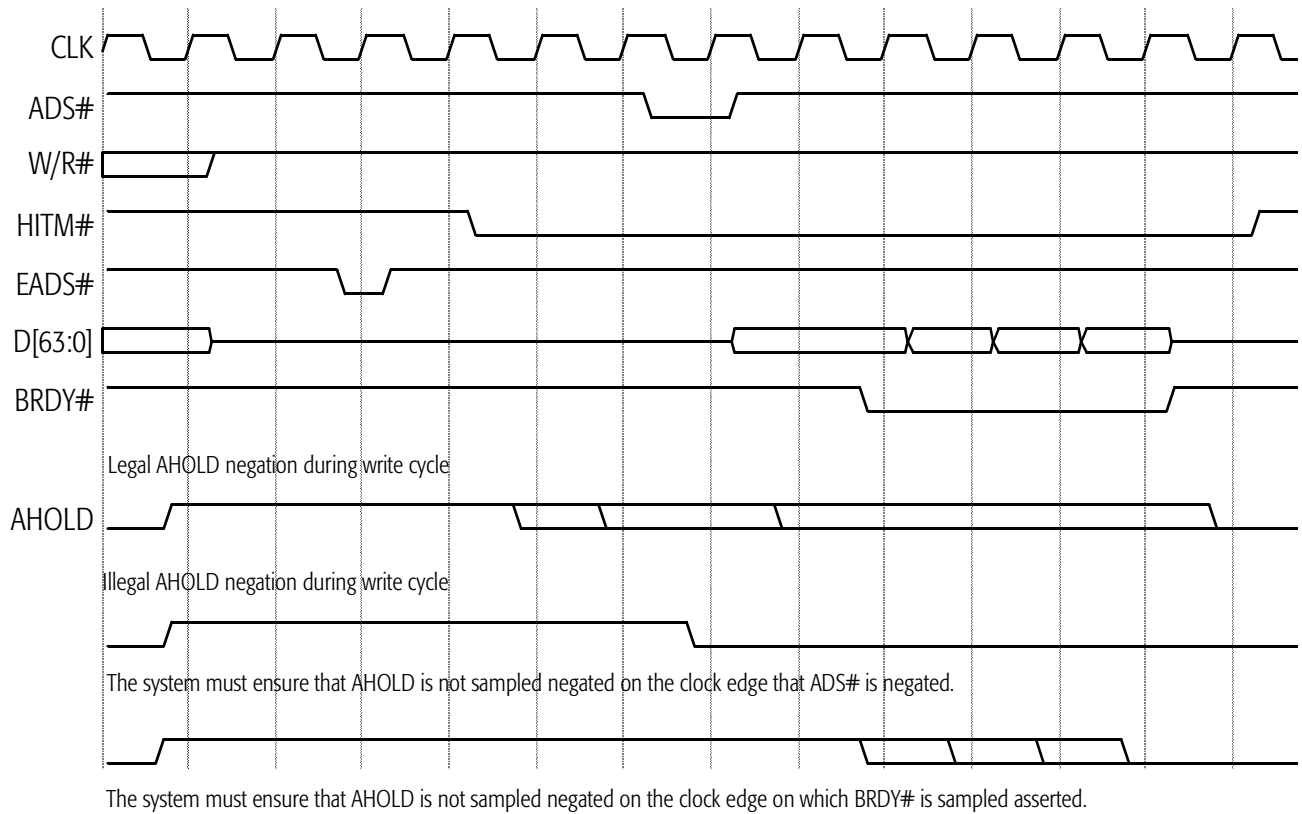


Figure 72. AHOLD Restriction

Bus Backoff (BOFF#)

BOFF# provides the fastest response among bus-hold inputs. Either the system logic or another bus master can assert BOFF# to gain control of the bus immediately. BOFF# is also used to resolve potential deadlock problems that arise as a result of inquire cycles. The processor samples BOFF# on every clock edge. If BOFF# is sampled asserted, the processor unconditionally aborts any cycles in progress and transitions to a bus hold state. (See “BOFF# (Backoff)” on page 102.) Figure 73 on page 183 shows a read cycle that is aborted when the processor samples BOFF# asserted even though BRDY# is sampled asserted on the same clock edge. The read cycle is restarted after BOFF# is sampled negated (KEN# must be in the same state during the restarted cycle as its state during the aborted cycle).

During a BOFF#-initiated inquire cycle that hits a shared or exclusive line, the processor samples BOFF# negated and restarts any bus cycle that was aborted when BOFF# was asserted. If a BOFF#-initiated inquire cycle hits a modified line, the processor performs a writeback cycle before it restarts the aborted cycle.

If the processor samples BOFF# asserted on the same clock edge that it asserts ADS#, ADS# is floated but the system logic may erroneously interpret ADS# as asserted. In this case, the system logic must properly interpret the state of ADS# when BOFF# is negated.

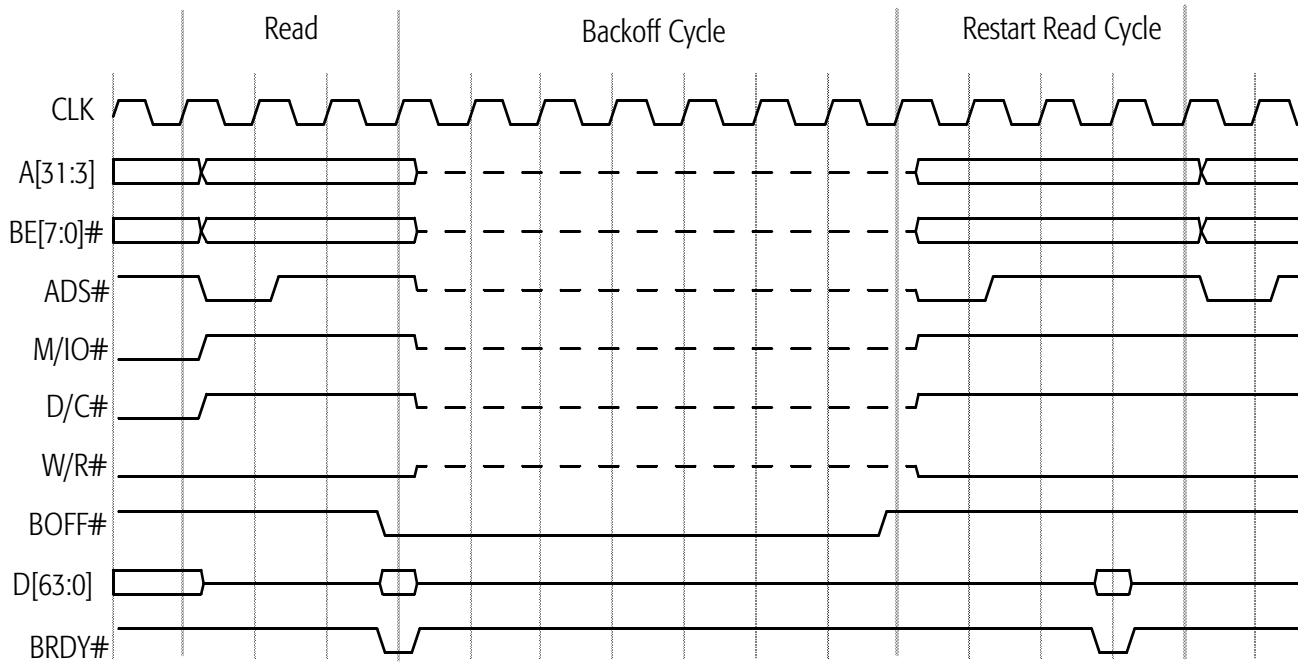


Figure 73. BOFF# Timing

Locked Cycles

The processor asserts LOCK# during a sequence of bus cycles to ensure the cycles are completed without allowing other bus masters to intervene. Locked operations can consist of two to five cycles. LOCK# is asserted during the following operations:

- An interrupt acknowledge sequence
- Descriptor Table accesses
- Page Directory and Page Table accesses
- XCHG instruction
- An instruction with an allowable LOCK prefix

In order to ensure that locked operations appear on the bus and are visible to the entire system, any data operands addressed during a locked cycle that reside in the processor's caches are flushed and invalidated from the caches prior to the locked operation. If the cache line is in the modified state, it is written back and invalidated prior to the locked operation. Likewise, any data read during a locked operation is not cached. The processor negates LOCK# for at least one clock between consecutive sequences of locked operations to allow the system logic to arbitrate for the bus.

The processor asserts SCYC during misaligned locked transfers on the D[63:0] data bus. The processor generates additional bus cycles to complete the transfer of misaligned data.

Basic Locked Operation

Figure 74 on page 185 shows a pair of read-write bus cycles. It represents a typical read-modify-write locked operation. The processor asserts LOCK# off the same clock edge that it asserts ADS# of the first bus cycle in the locked operation and holds it asserted until the last expected BRDY# of the last bus cycle in the locked operation is sampled asserted. (The processor negates LOCK# off of the same clock edge.)

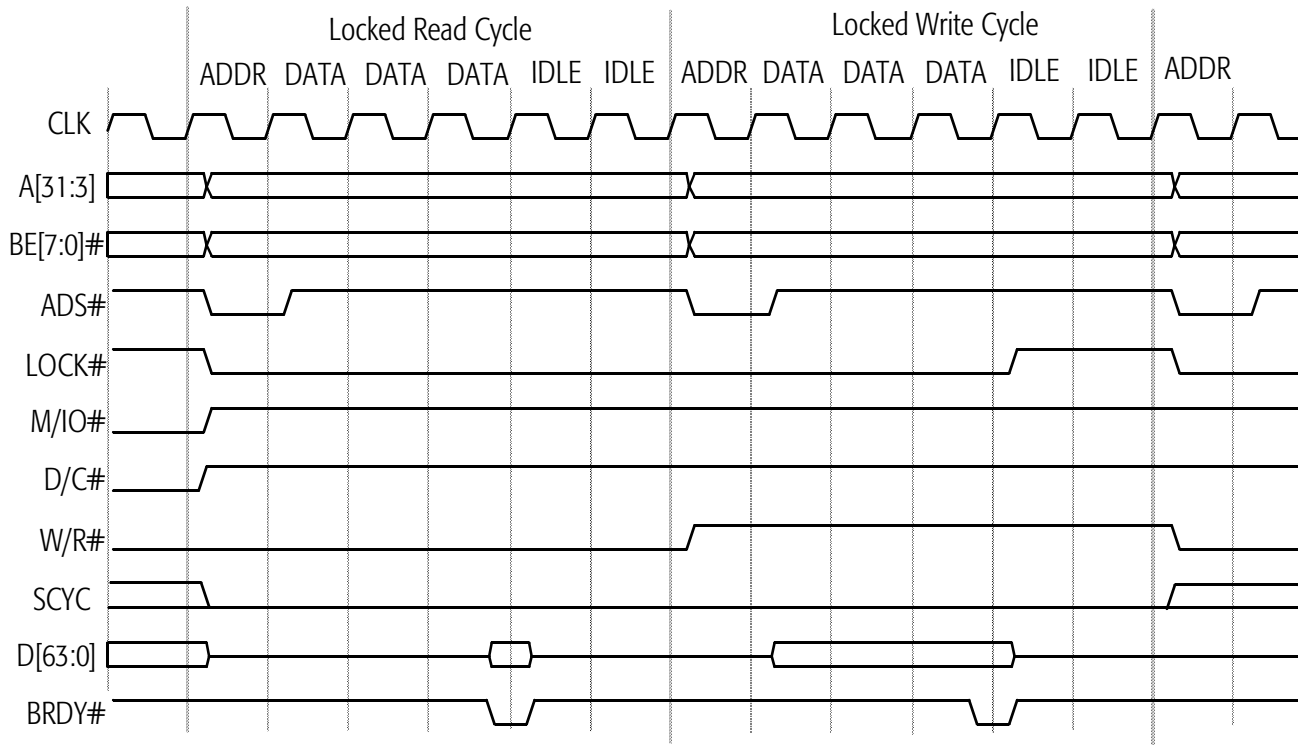


Figure 74. Basic Locked Operation

**Locked Operation
with BOFF#
Intervention**

Figure 75 on page 187 shows BOFF# asserted within a locked read-write pair of bus cycles. In this example, the processor asserts LOCK# with ADS# to drive a locked memory read cycle followed by a locked memory write cycle. During the locked memory write cycle in this example, the processor samples BOFF# asserted. The processor immediately aborts the locked memory write cycle and floats all its bus-driving signals, including LOCK#. The system logic or another bus master can initiate an inquire cycle or drive a new bus cycle one clock edge after the clock edge on which BOFF# is sampled asserted. If the system logic drives a BOFF#-initiated inquire cycle and hits a modified line, the processor performs a writeback cycle before it restarts the locked cycle (the processor asserts LOCK# during the writeback cycle).

In Figure 75, the processor immediately restarts the aborted locked write cycle by driving the bus off the clock edge on which BOFF# is sampled negated. The system logic must ensure the processor results for interrupted and uninterrupted locked cycles are consistent. That is, the system logic must guarantee the memory accessed by the processor is not modified during the time another bus master controls the bus.

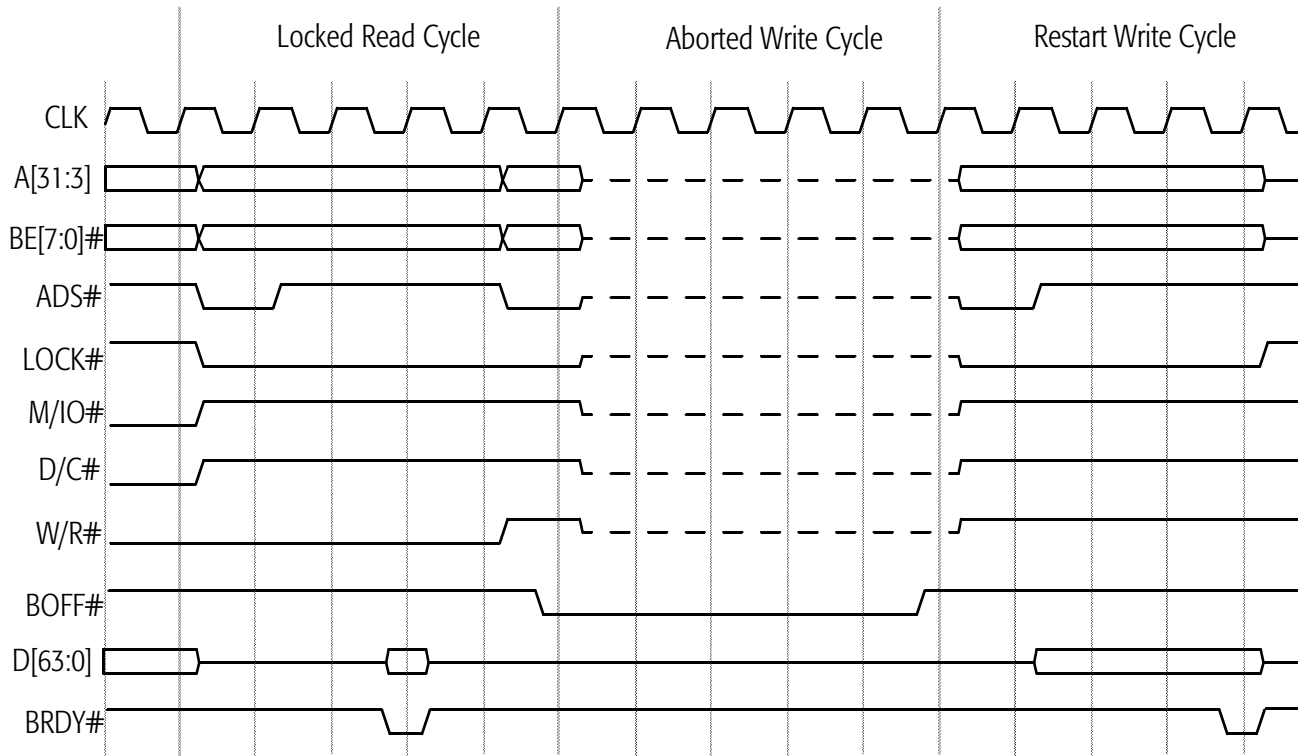


Figure 75. Locked Operation with BOFF# Intervention

Interrupt Acknowledge

In response to recognizing the system's maskable interrupt (INTR), the processor drives an interrupt acknowledge cycle at the next instruction boundary. During an interrupt acknowledge cycle, the processor drives a locked pair of read cycles as shown in Figure 76 on page 189. The first read cycle is not functional, and the second read cycle returns the interrupt number on D[7:0] (00h–FFh). Table 32 shows the state of the signals during an interrupt acknowledge cycle.

Table 32. Interrupt Acknowledge Operation Definition

Processor Outputs	First Bus Cycle	Second Bus Cycle
D/C#	Low	Low
M/IO#	Low	Low
W/R#	Low	Low
BE[7:0]#	EFh	FEh (low byte enabled)
A[31:3]	0000_0000h	0000_0000h
D[63:0]	(ignored)	Interrupt number expected from interrupt controller on D[7:0]

The system logic can drive INTR either synchronously or asynchronously. If it is asserted asynchronously, it must be asserted for a minimum pulse width of two clocks. To ensure it is recognized, INTR must remain asserted until an interrupt acknowledge sequence is complete.

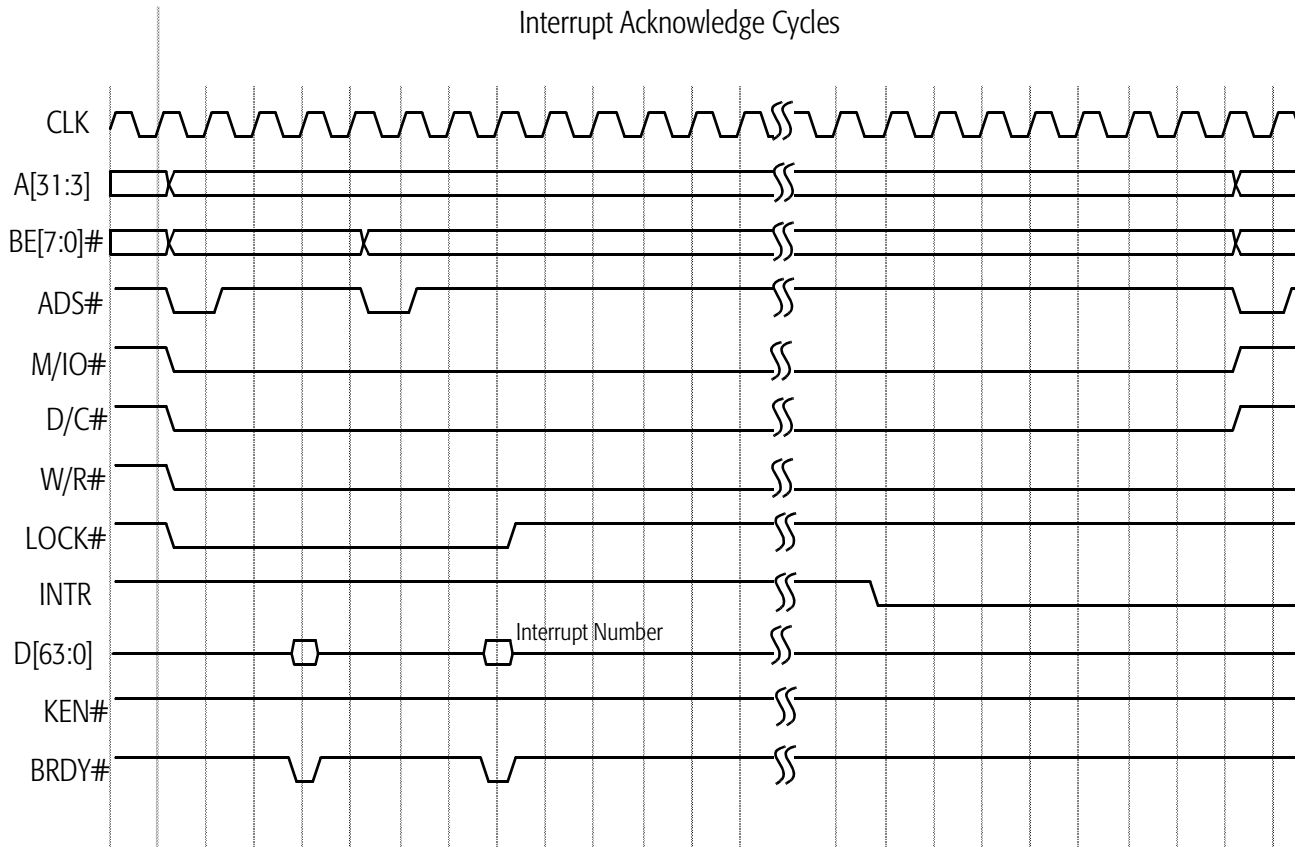


Figure 76. Interrupt Acknowledge Operation

7.6 Special Bus Cycles

The AMD-K6-2E+ processor drives special bus cycles that include the following:

- Stop grant
- Enhanced power management
- Flush acknowledge
- Cache writeback invalidation
- Halt
- Cache invalidation
- Shutdown

During all special cycles, D/C# = 0, M/IO# = 0, and W/R# = 1. BE[7:0]# and A[31:3] are driven to differentiate among the special cycles, as shown in Table 33.

Note that the system logic must return BRDY# in response to all processor special cycles.

Table 33. Encodings for Special Bus Cycles

BE[7:0]#	A[4:3] ¹	Special Bus Cycle	Cause
FBh	10b	Stop Grant	STPCLK# sampled asserted
BFh	00b	EPM Stop Grant ²	A dword access is made to the EPM 16-byte I/O block and the GSBC bit of the EPMR register is set to 1
EFh	00b	Flush Acknowledge	FLUSH# sampled asserted
F7h	00b	Writeback	WBINVD instruction
FBh	00b	Halt	HLT instruction
FDh	00b	Flush	INVD,WBINVD instruction
FEh	00b	Shutdown	Triple fault

Notes:

1. A[31:5] = 0
2. Supported on the low-power versions only.

Basic Special Bus Cycle

Figure 77 on page 191 shows a basic special bus cycle.

The processor drives D/C# = 0, M/IO# = 0, and W/R# = 1 off the same clock edge that it asserts ADS#.

In this example, BE[7:0]# = FBh and A[31:3] = 0000_0000h, which indicates that the special cycle is a halt special cycle (See

Table 33). A halt special cycle is generated after the processor executes the HLT instruction.

If the processor samples FLUSH# asserted, it writes back any L1 data cache and L2 cache lines that are in the modified state and invalidates all lines in all caches. The processor then drives a flush acknowledge special cycle.

If the processor executes a WBINVD instruction, it drives a writeback special cycle after the processor completes invalidating and writing back the cache lines.

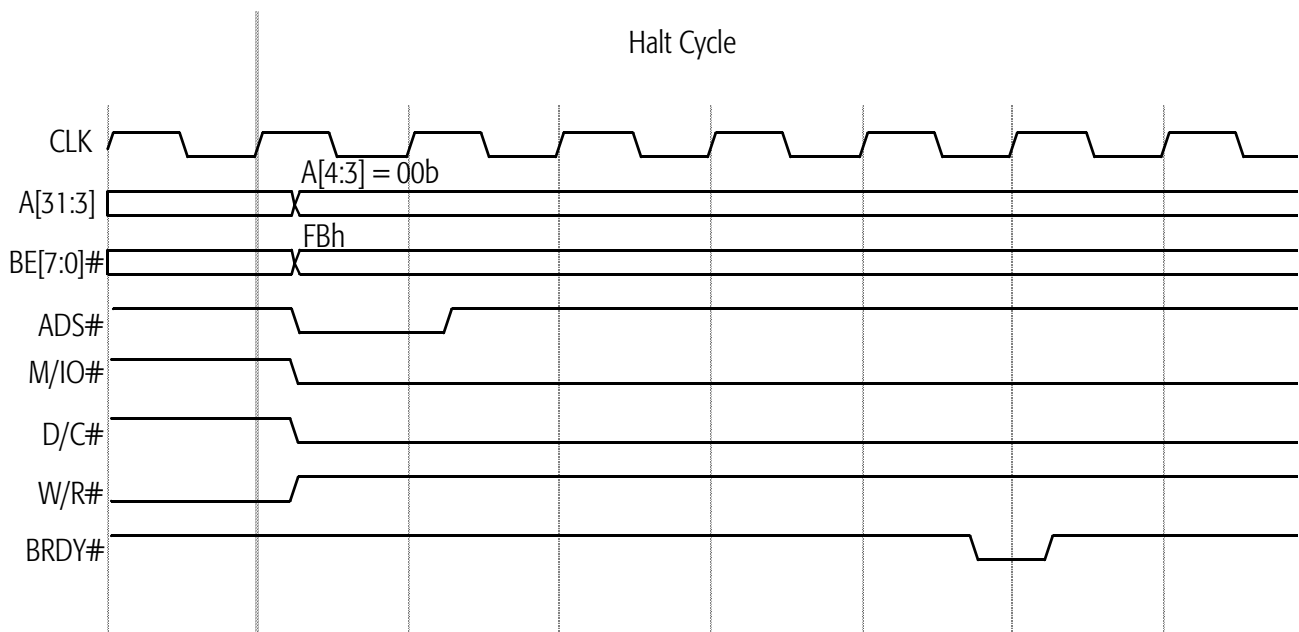


Figure 77. Basic Special Bus Cycle (Halt Cycle)

Shutdown Cycle

In Figure 78 on page 192, a shutdown (triple fault) occurs in the first half of the waveform, and a shutdown special cycle follows in the second half. The processor enters shutdown when an interrupt or exception occurs during the handling of a double fault (INT 8), which amounts to a triple fault. When the processor encounters a triple fault, it stops its activity on the bus and generates the shutdown special bus cycle (BE[7:0]# = FEh).

The system logic must assert NMI, INIT, RESET, or SMI# to get the processor out of the shutdown state.

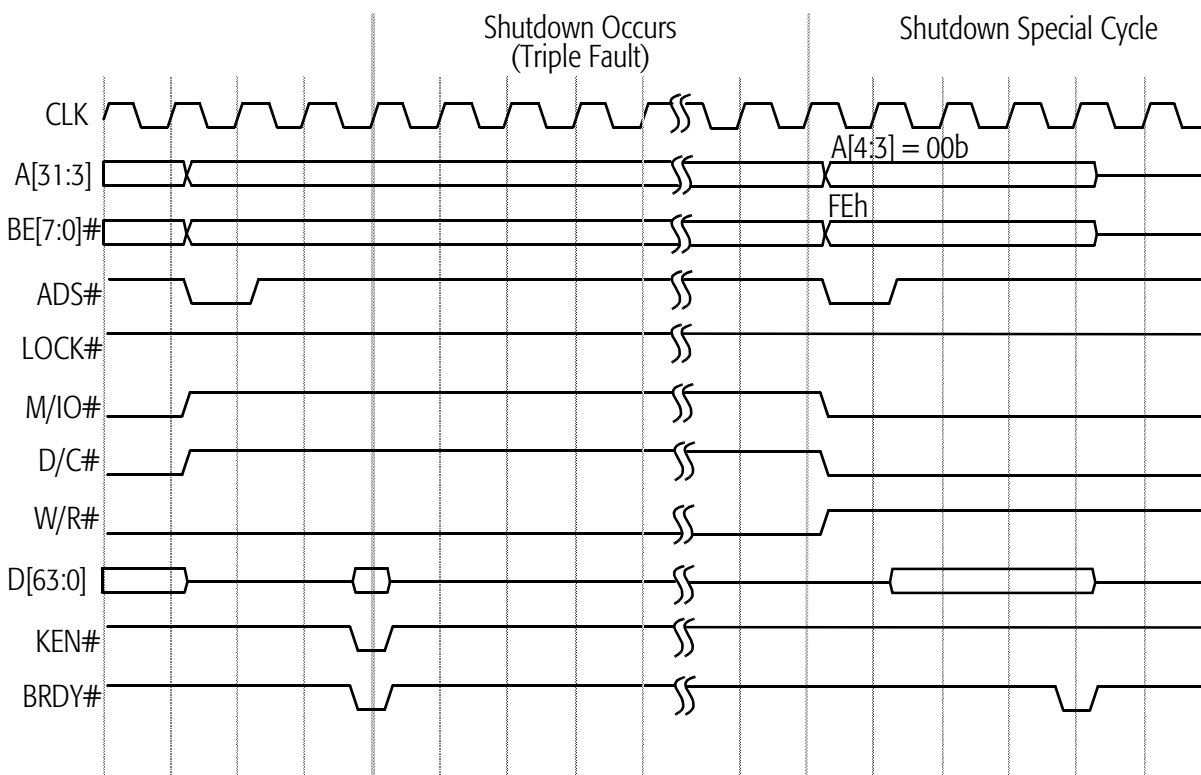


Figure 78. Shutdown Cycle

Stop Grant and Stop Clock States

Figure 79 on page 194 and Figure 80 on page 195 show the processor transition from normal execution to the Stop Grant state, then to the Stop Clock state, back to the Stop Grant state, and finally back to normal execution. The series of transitions begins when the processor samples STPCLK# asserted. On recognizing a STPCLK# interrupt at the next instruction retirement boundary, the processor performs the following actions, in the order shown:

1. Its instruction pipelines are flushed.
2. All pending and in-progress bus cycles are completed.
3. The STPCLK# assertion is acknowledged by executing a Stop Grant special bus cycle.
4. Its internal clock is stopped after BRDY# of the Stop Grant special bus cycle is sampled asserted (if EWBE# is masked off, then entry into the Stop Grant state is not affected by EWBE#) and after EWBE# is sampled asserted.
5. The Stop Clock state is entered if the system logic stops the bus clock CLK (optional).

STPCLK# is sampled as a level-sensitive input on every clock edge but is not recognized until the next instruction boundary. The system logic drives the signal either synchronously or asynchronously. If it is asserted asynchronously, it must be asserted for a minimum pulse width of two clocks. STPCLK# must remain asserted until recognized, which is indicated by the completion of the Stop Grant special cycle.

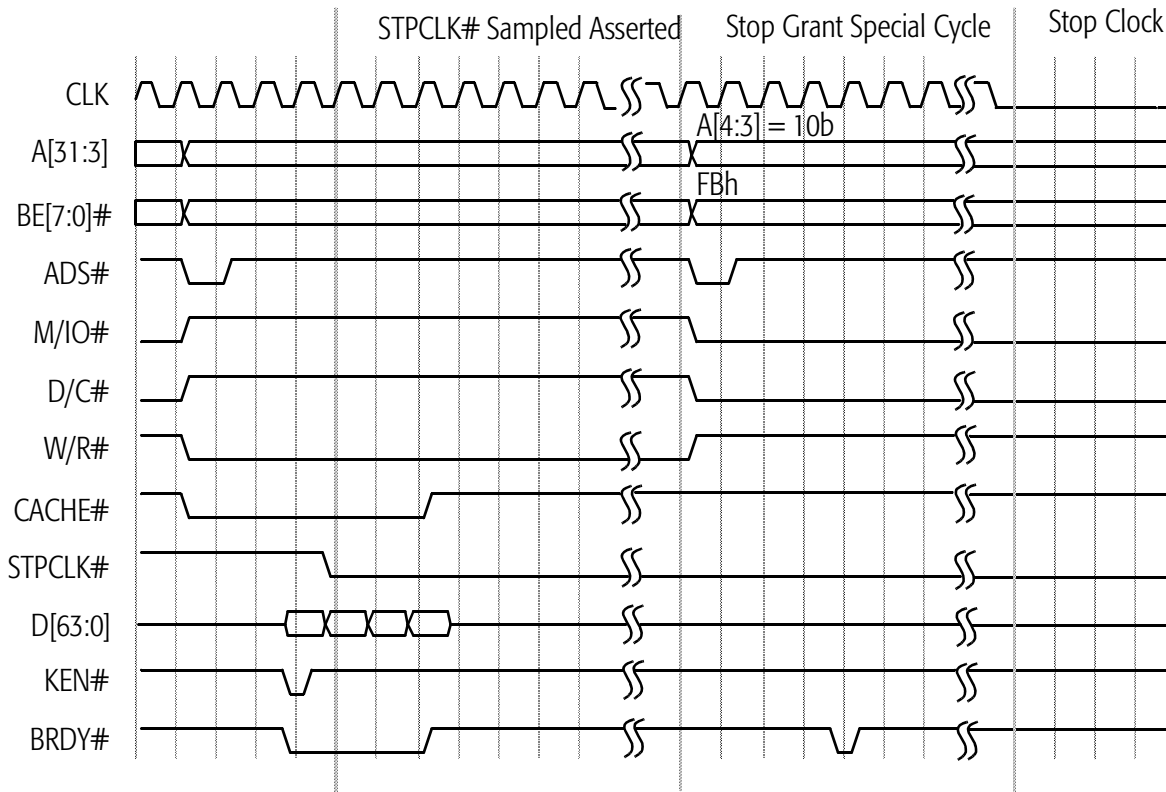


Figure 79. Stop Grant and Stop Clock Modes, Part 1

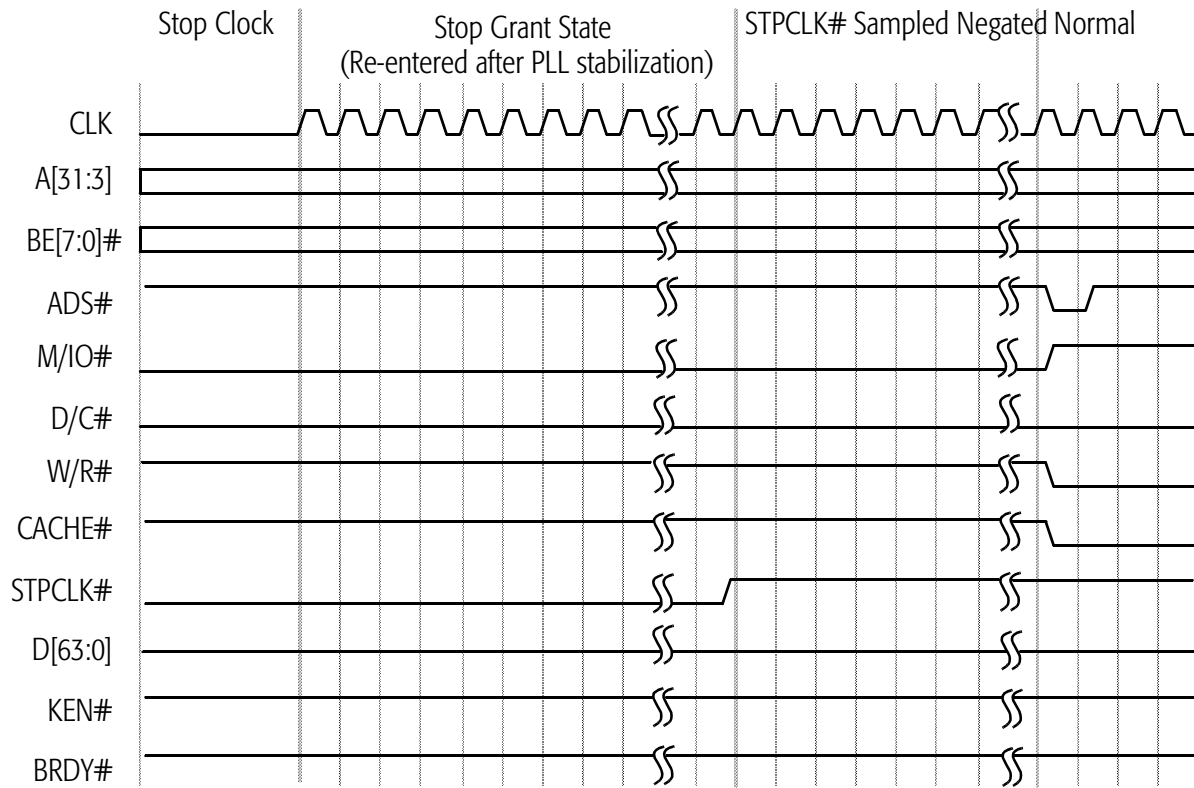


Figure 80. Stop Grant and Stop Clock Modes, Part 2

**INIT-Initiated
Transition from
Protected Mode to
Real Mode**

INIT is typically asserted in response to a BIOS interrupt that writes to an I/O port. This interrupt is often in response to a Ctrl-Alt-Del keyboard input. The BIOS writes to a port (similar to port 64h in the keyboard controller) that asserts INIT. INIT is also used to support 80286 software that must return to Real mode after accessing extended memory in Protected mode.

The assertion of INIT causes the processor to empty its pipelines, initialize most of its internal state, and branch to address FFFF_FFF0h—the same instruction execution starting point used after RESET. Unlike RESET, the processor preserves the contents of its caches, the floating-point state, the MMX state, Model-Specific Registers (MSRs), the CD and NW bits of the CR0 register, the time stamp counter, and other specific internal resources.

Figure 81 on page 197 shows an example in which the operating system writes to an I/O port, causing the system logic to assert INIT. The sampling of INIT asserted starts an extended microcode sequence that terminates with a code fetch from FFFF_FFF0h, the reset location. INIT is sampled on every clock edge but is not recognized until the next instruction boundary. During an I/O write cycle, it must be sampled asserted a minimum of three clock edges before BRDY# is sampled asserted if it is to be recognized on the boundary between the I/O write instruction and the following instruction. If INIT is asserted synchronously, it can be asserted for a minimum of one clock. If it is asserted asynchronously, it must have been negated for a minimum of two clocks, followed by an assertion of a minimum of two clocks.

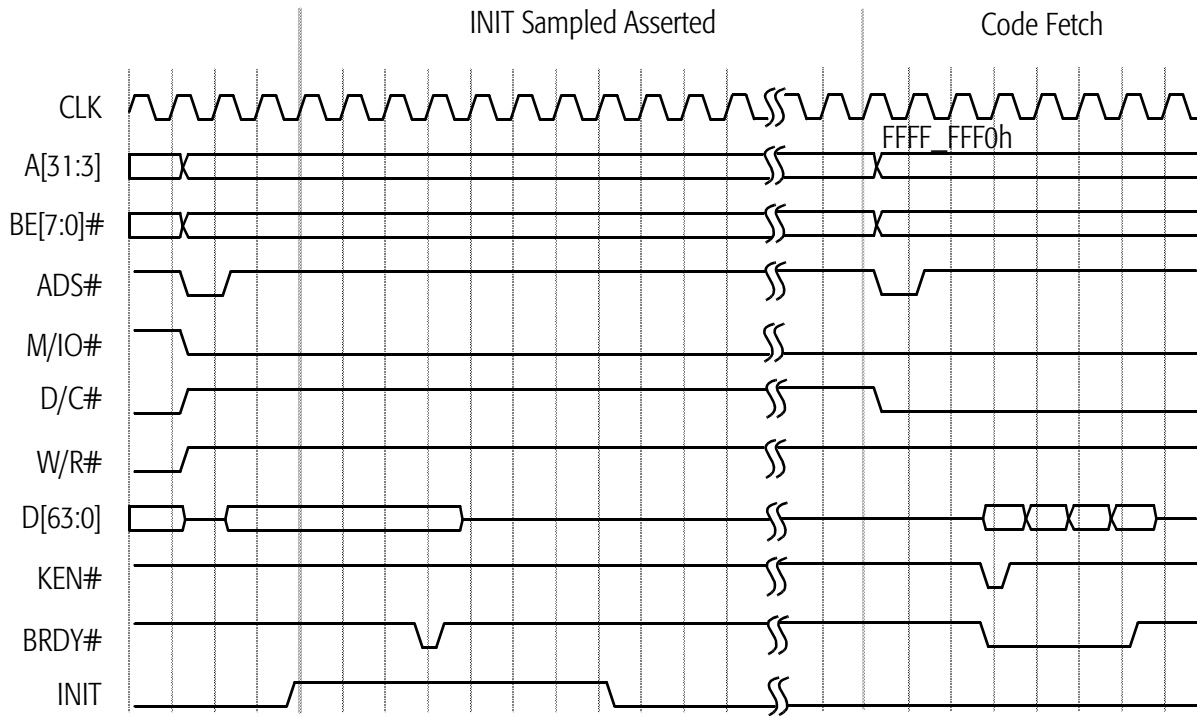


Figure 81. INIT-Initiated Transition from Protected Mode to Real Mode

8 Power-on Configuration and Initialization

On power-on the system logic must reset the AMD-K6-2E+ processor by asserting the RESET signal. When the processor samples RESET asserted, it immediately flushes and initializes all internal resources and its internal state, including its pipelines and caches, the floating-point state, the MMX and 3DNow! states, and all registers. Then the processor jumps to address FFFF_FFF0h to start instruction execution.

8.1 Signals Sampled During the Falling Transition of RESET

FLUSH#

FLUSH# is sampled on the falling transition of RESET to determine if the processor begins normal instruction execution or enters Three-State Test mode.

- If FLUSH# is High during the falling transition of RESET, the processor unconditionally runs its Built-In Self Test (BIST), performs the normal reset functions, then jumps to address FFFF_FFF0h to start instruction execution. (See “Built-In Self-Test (BIST)” on page 251 for more details.)
- If FLUSH# is Low during the falling transition of RESET, the processor enters Three-State Test mode. (See “Three-State Test Mode” on page 252 and “FLUSH# (Cache Flush)” on page 112 for more details.)

BF[2:0]

The internal operating frequency of the processor is determined by the state of the bus frequency signals BF[2:0] when they are sampled during the falling transition of RESET. The frequency of the CLK input signal is multiplied internally by a ratio defined by BF[2:0]. (See “BF[2:0] (Bus Frequency)” on page 101 for the processor-clock to bus-clock ratios.)

8.2 RESET Requirements

During the initial power-on reset of the processor, RESET must remain asserted for a minimum of 1.0 ms after CLK and V_{CC} reach specification. (See “CLK Switching Characteristics” on page 296 for clock specifications. “Electrical Data” beginning on page 285 for V_{CC} specifications.)

During a warm reset while CLK and V_{CC} are within specification, RESET must remain asserted for a minimum of 15 clocks prior to its negation.

8.3 State of Processor After RESET

Output Signals

Table 34 shows the state of all processor outputs and bidirectional signals immediately after RESET is sampled asserted.

Table 34. Output Signal State After RESET

Signal	State	Signal	State
A[31:3], AP	Floating	LOCK#	High
ADS#, ADSC#	High	M/IO#	Low
APCHK#	High	PCD	Low
BE[7:0]#	Floating	PCHK#	High
BREQ	Low	PWT	Low
CACHE#	High	SCYC	Low
D/C#	Low	SMIACK#	High
D[63:0], DP[7:0]	Floating	TDO	Floating
FERR#	High	VCC2DET	Low
HIT#	High	VCC2H/L#	Low
HITM#	High	VID[4:0] ¹	01010b
HLDA	Low	W/R#	Low

Notes:

1. Supported on low-power versions only.

Registers

Table 35 on page 201 shows the state of all architecture registers and Model-Specific Registers (MSRs) after the processor has completed its initialization due to the recognition of the assertion of RESET.

Table 35. Register State After RESET

Register	State (hex)
GDTR	base:0000_0000h limit:0FFFFh
IDTR	base:0000_0000h limit:0FFFFh
TR	0000h
LDTR	0000h
EIP	FFFF_FFF0h
EFLAGS	0000_0002h
EAX ¹	0000_0000h
EBX	0000_0000h
ECX	0000_0000h
EDX ²	0000_059Xh
ESI	0000_0000h
EDI	0000_0000h
EBP	0000_0000h
ESP	0000_0000h
CS	F000h
SS	0000h
DS	0000h
ES	0000h
FS	0000h
GS	0000h
FPU Stack R7–R0 ³	0000_0000_0000_0000_0000h
FPU Control Word ³	0040h
FPU Status Word ³	0000h
FPU Tag Word ³	5555h
FPU Instruction Pointer ³	0000_0000_0000h
FPU Data Pointer ³	0000_0000_0000h
FPU Opcode Register ³	000_0000_0000b
CR0 ⁴	6000_0010h
CR2	0000_0000h
CR3	0000_0000h
CR4	0000_0000h
DR7	0000_0400h
DR6	FFFF_0FF0h
DR3	0000_0000h

Table 35. Register State After RESET (continued)

Register	State (hex)
DR2	0000_0000h
DR1	0000_0000h
DR0	0000_0000h
MCAR ³	0000_0000_0000_0000h
MCTR ³	0000_0000_0000_0000h
TR12 ³	0000_0000_0000_0000h
TSC ³	0000_0000_0000_0000h
EFER ³	0000_0000_0000_0002h
STAR ³	0000_0000_0000_0000h
WHCR ³	0000_0000_0000_0000h
UWCCR ³	0000_0000_0000_0000h
PSOR ⁵	0000_0000_0000_01SBh
PFIR ^{3,5}	0000_0000_0000_0000h
EPMR ^{3,6}	0000_0000_0000_0000h

Notes:

1. The contents of EAX indicate if BIST was successful. If EAX = 0000_0000h, BIST was successful. If EAX is non-zero, BIST failed.
2. EDX contains the AMD-K6-2E+ processor signature, where X indicates the processor Stepping ID.
3. The contents of these registers are preserved following the recognition of INIT.
4. The CD and NW bits of CRO are preserved following the recognition of INIT.
5. "S" represents the Stepping. "B" represents PSOR[3:0], where PSOR[3] equals 0, and PSOR[2:0] is equal to the value of the BF[2:0] signals sampled during the falling transition of RESET.
6. Supported on low-power versions only.

8.4 State of Processor After INIT

The recognition of the assertion of INIT causes the processor to empty its pipelines, to initialize most of its internal state, and to branch to address FFFF_FFF0h—the same instruction execution starting point used after RESET.

Unlike RESET, the processor preserves the contents of its caches, the floating-point state, the MMX and 3DNow! states, MSRs, and the CD and NW bits of the CR0 register.

The edge-sensitive interrupts FLUSH# and SMI# are sampled and preserved during the INIT process and are handled accordingly after the initialization is complete. However, the processor resets any pending NMI interrupt upon sampling INIT asserted.

INIT can be used as an accelerator for 80286 code that requires a reset to exit from Protected mode back to Real mode.

9 Cache Organization

The following sections describe the basic architecture and resources of the AMD-K6-2E+ processor internal caches.

The performance of the AMD-K6-2E+ processor is enhanced by writeback level-one (L1) and level-two (L2) caches.

- The L1 cache is organized as separate 32-Kbyte instruction and data caches, each with two-way set associativity.
- The L2 cache is 128 Kbytes, and is organized as a unified, four-way set-associative cache (See Figure 82 on page 206).

The cache line size is 32 bytes, and lines are fetched from external memory using an efficient pipelined burst transaction.

As the L1 instruction cache is filled from the L2 cache or from external memory, each instruction byte is analyzed for instruction boundaries using predecode logic. Predecoding annotates each instruction byte in the L1 instruction cache with information that later enables the decoders to efficiently decode multiple instructions simultaneously.

Translation lookaside buffers (TLB) are used in conjunction with the L1 cache to translate linear addresses to physical addresses. The L1 instruction cache is associated with a 64-entry TLB, while the L1 data cache is associated with a 128-entry TLB.

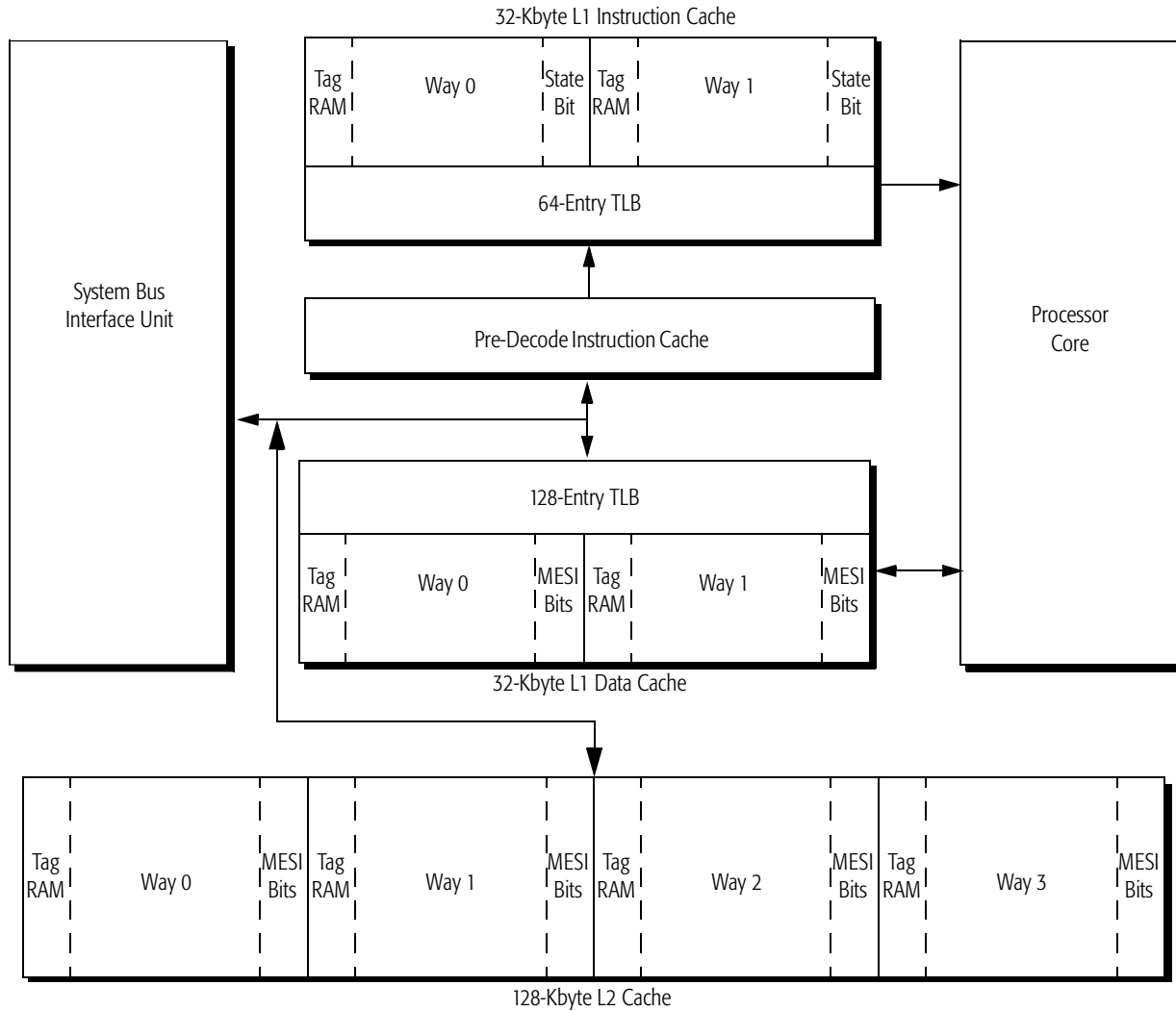


Figure 82. L1 and L2 Cache Organization for the AMD-K6™-2E+ Processor

The processor cache design takes advantage of a sectored organization (See Figure 83). Each *sector* consists of 64 bytes configured as two 32-byte cache lines. The two cache lines of a sector share a common tag but have separate MESI (modified, exclusive, shared, invalid) bits that track the state of each cache line.

L1 Instruction Cache Line

Tag	Cache Line 0	Byte 31	Predecode Bits	Byte 30	Predecode Bits	Byte 0	Predecode Bits	1 MESI Bit
Address	Cache Line 1	Byte 31	Predecode Bits	Byte 30	Predecode Bits	Byte 0	Predecode Bits	1 MESI Bit

L1 Data Cache Line and L2 Cache Line

Tag	Cache Line 0	Byte 31	Byte 30	Byte 0	2 MESI Bits
Address	Cache Line 1	Byte 31	Byte 30	Byte 0	2 MESI Bits

Note: L1 instruction-cache lines have only two coherency states (valid or invalid) rather than the four MESI coherency states of L1 data-cache and L2 cache lines. Only two states are needed for the L1 instruction cache because these lines are read-only.

Figure 83. L1 Cache Sector Organization

9.1 MESI States in the L1 Data Cache and L2 Cache

The state of each line in the caches is tracked by the MESI bits. The coherency of these states or MESI bits is maintained by internal processor snoops and external inquire cycles by the system logic. The following four states are defined for the L1 data cache and the L2 cache:

- *Modified*—This line has been modified and is different from external memory.
- *Exclusive*—In general, an exclusive line in the L1 data cache or the L2 cache is not modified and is the same as external memory. The exception is the case where a line exists in the modified state in the L1 data cache and also resides in the L2 cache. By design, the line in the L2 cache must be in the exclusive state.
- *Shared*—If a cache line is in the shared state it means that the same line can exist in more than one cache system.
- *Invalid*—The information in this line is not valid.

9.2 Predecode Bits

Decoding x86 instructions is particularly difficult because the instructions vary in length, ranging from 1 to 15 bytes long. Predecode logic supplies the predecode bits associated with each instruction byte.

Predecode bits indicate the number of bytes to the start of the next x86 instruction. The predecode bits are passed with the instruction bytes to the decoders where they assist with parallel x86 instruction decoding. The predecode bits use memory separate from the 32-Kbyte L1 instruction cache. The predecode bits are stored in an extended L1 instruction cache alongside each x86 instruction byte as shown in Figure 83 on page 207.

The L2 cache does not store predecode bits. As an instruction cache line is fetched from the L2 cache, the predecode bits are generated and stored alongside the cache line in the L1 instruction cache in the same manner as if the cache line were fetched from the processor's system bus.

9.3 Cache Operation

The operating modes for the caches are configured by software using the not writethrough (NW) and cache disable (CD) bits of control register 0 (CR0 bits 29 and 30, respectively). These bits are used in all operating modes.

- When the CD and NW bits are both set to 0, the cache is fully enabled. This is the standard operating mode for the cache. If a L1 cache read miss occurs, the processor determines if the read hits the L2 cache, in which case the cache line is supplied from the L2 cache to the L1 cache. If a read misses both the L1 and the L2 caches, a line fill (32-byte burst read) on the system bus occurs in order to fetch the cache line. The cache line is then filled in both the L1 and the L2 caches. Write hits to the L1 and L2 caches are updated, while write misses and writes to shared lines cause external memory updates. Refer to Table 39 on page 221 for a summary of cache read and write cycles and the effect of these operations on the cache MESI state.

Note: A write allocate operation can modify the behavior of write misses to the caches. See “Write Allocate” on page 215.

The AMD-K6-2E+ processor does not enforce any rules of inclusion or exclusion as part of the protocol defined for the L1 and L2 caches. However, there are certain restrictions imposed by design on the allowable MESI states of a cache line that exists in both the L1 cache and the L2 cache. Refer to Table 40 on page 225 for a list of the valid cache-line states allowed.

- When CD is set to 0 and NW is set to 1, an invalid mode of operation exists that causes a general protection fault to occur.
- When CD is set to 1 (disabled) and NW is set to 0, the cache fill mechanism is disabled but the contents of the cache are still valid. The processor reads from the caches if the read hits the L1 or the L2 cache. If a read misses both the L1 and the L2 caches, a line fill does not occur on the system bus. Write hits to the L1 or L2 cache are updated, while write misses and writes to shared lines cause external memory updates. If PWT is driven Low and WB/WT# is sampled High, a write hit to a shared line changes the cache-line state to exclusive.
- When the CD and NW bits are both set to 1, the cache is fully disabled. Even though the cache is disabled, the contents are not necessarily invalid. The processor reads from the caches if the read hits the L1 or the L2 cache. If a read misses both the L1 and the L2 caches, a line fill does not occur on the system bus. If a write hits the L1 or the L2 cache, the cache is updated but an external memory update does not occur. If a cache line is in the exclusive state during a write hit, the cache-line state is changed to modified. Cache lines in the shared state remain in the shared state after a write hit. Write misses access external memory directly.

The operating system can control the cacheability of a page. The paging mechanism is controlled by CR3, the Page Directory Entry (PDE), and the Page Table Entry (PTE). Within CR3, PDE, and PTE are Page Cache Disable (PCD) and Page Writethrough (PWT) bits. The values of the PCD and PWT bits used in Table 36 on page 210 and Table 37 on page 210 are taken from either the PTE or PDE. For more information on PCD and PWT, see “PCD (Page Cache Disable)” on page 124 and “PWT (Page Writethrough)” on page 126, respectively.

Table 36 describes how the PWT signal is driven based on the values of the PWT bits and the PG bit of CR0.

Table 36. PWT Signal Generation

PWT Bit ¹	PG Bit of CR0	PWT Signal
1	1	High
0	1	Low
1	0	Low
0	0	Low

Notes:

1. PWT is taken from PTE or PDE.

Table 37 describes how the PCD signal is driven based on the values of the CD bit of CR0, the PCD bits, and the PG bit of CR0.

Table 37. PCD Signal Generation

CD Bit of CR0	PCD Bit ¹	PG Bit of CR0	PCD Signal
1	X	X	High
0	1	1	High
0	0	1	Low
0	1	0	Low
0	0	0	Low

Notes:

1. PCD is taken from PTE or PDE.

Table 38 describes how the CACHE# signal is driven based on the cycle type, the CI bit of TR12, the PCD signal, and the UWCCR model-specific register.

Table 38. CACHE# Signal Generation

Cycle Type	CI Bit of TR12	PCD Signal	Access Within WC/UC Range ¹	CACHE#
Writebacks	X	X	X	Low
Unlocked Reads	0	0	0	Low
Locked Reads	X	X	X	High
Single Writes	X	X	X	High
Any Cycle Except Writebacks	1	X	X	High
Any Cycle Except Writebacks	X	1	X	High
Any Cycle Except Writebacks	X	X	1	High

Notes:

1. WC and UC refer to Write-Combining and Uncacheable Memory Ranges as defined in the UWCCR.

Cache-Related Signals

Complete descriptions of the signals that control cacheability and cache coherency are given on the following pages:

- CACHE#—page 105
- EADS#—page 109
- FLUSH#—page 112
- HIT#—page 113
- HITM#—page 113
- INV—page 118
- KEN#—page 119
- PCD—page 124
- PWT—page 126
- WB/WT#—page 139

9.4 Cache Disabling and Flushing

L1 and L2 Cache Disabling

To completely disable all accesses to the L1 and the L2 caches, the CD bit must be set to 1 and the caches must be completely flushed. There are three different methods for flushing the caches. The first method relies on the system logic and the other two methods rely on software.

- For the system logic to flush the caches, the processor must sample FLUSH# asserted. In this method, the processor writes back any L1 data cache and L2 cache lines that are in

the modified state, invalidates all lines in all caches, and then executes a flush acknowledge special cycle (See Table 24 on page 142).

- The second method for flushing the caches is for software to execute the WBINVD instruction, which causes all modified lines to first be written back to memory, then marks all cache lines as invalid. Alternatively, if writing modified lines back to memory is not necessary, the INVD instruction can be used to invalidate all cache lines.
- The third method for flushing the caches is to make use of the Page Flush/Invalidate Register (PFIR), which allows cache invalidation and optional flushing of a specific 4-Kbyte page from the linear address space (see “Page Flush/Invalidate Register (PFIR)” on page 223). Unlike the previous two methods of flushing the caches, this particular method requires the software to be aware of which specific pages must be flushed and invalidated.

L2 Cache Disabling

The L2 cache in the AMD-K6-2E+ processor can be completely disabled by setting the L2 Disable (L2D) bit (EFER[4]) to 1 (see “Extended Feature Enable Register (EFER)” on page 47). If disabled in this manner, the processor does not access the L2 cache for any purpose, including allocations, read hits, write hits, snoops, inquire cycles, flushing, and read/write attempts by means of the L2AAR. (See “L2 Cache Testing” on page 213.) The L1 cache operation is not affected by disabling the L2 cache.

The L2D bit is provided for debug and testing purposes only. For normal operation and maximum performance, this bit must be set to 0, which is the default setting following reset.

The AMD-K6-2E+ processor does not provide a method for disabling the L1 cache while the L2 cache remains enabled.

9.5 L2 Cache Testing

The AMD-K6-2E+ processor provides the L2AAR MSR that allows for direct access to the L2 cache and L2 tag arrays. For more detailed information, refer to “L2 Cache and Tag Array Testing” on page 264.

9.6 Cache-Line Fills

The processor performs a cache-line fill for any area of system memory defined as cacheable. If an area of system memory is not explicitly defined as uncacheable by the software or system logic, or implicitly treated as uncacheable by the processor, then the memory access is assumed to be cacheable.

Software can prevent caching of certain pages by setting the PCD bit in the PDE or PTE. Additionally, software can define regions of memory as uncacheable or write combinable by programming the MTRRs in the UWCCR MSR (see “Memory Type Range Registers” on page 231). Write-combinable memory is defined as uncacheable.

The system logic also has control of the cacheability of bus cycles. If it determines the address is not cacheable, system logic negates the KEN# signal when asserting the first BRDY# or NA# of a cycle.

The processor does not cache certain memory accesses such as locked operations. In addition, the processor does not cache PDE or PTE memory reads in the L1 cache (referred to as *page table walks*). However, page table walks are cached in the L2 cache if the PDE or PTE is determined to be cacheable.

When the processor needs to read memory, the processor drives a read cycle onto the bus. If the cycle is cacheable, the processor asserts CACHE#. If the cycle is not cacheable, a non-burst, single-transfer read takes place. The processor waits for the system logic to return the data and assert a single BRDY# (See Figure 60 on page 159). If the cycle is cacheable, the processor executes a 32-byte burst read cycle. The processor expects a total of four BRDY# signals for a burst read cycle to take place (See Figure 62 on page 163).

Cache-line fills initiate 32-byte burst read cycles from memory on the system bus for the L1 instruction cache and the L1 data cache. All L1 cache-line fills supplied from the system bus are also filled in the L2 cache.

9.7 Cache-Line Replacements

As programs execute and task switches occur, some cache lines eventually require replacement.

When a cache miss occurs in the L1 cache, the required cache line is filled from either the L2 cache, if the cache line is present (L2 cache hit), or from external memory, if the cache line is not present (L2 cache miss). If the cache line is filled from external memory, the cache line is filled in both the L1 and the L2 caches.

Two forms of cache misses and associated cache fills can take place—a tag-miss cache fill and a tag-hit cache fill.

- In the case of a *tag-miss* cache fill, the level-one cache miss is due to a tag mismatch, in which case the required cache line is filled either from the level-two cache or from external memory, and the level-one cache line within the sector that was not required is marked as invalid.
- In the case of a *tag-hit* cache fill, the address matches the tag, but the requested cache line is marked as invalid. The required level-one cache line is filled from the level-two cache or from external memory, and the level-one cache line within the sector that is not required remains in the same cache state.

If a L1 data-cache line being filled replaces a modified line, the modified line is written back to the L2 cache if the cache line is present (L2 cache hit). By design, if a cache line is in the modified state in the L1 cache, this cache line can only exist in the L2 cache in the exclusive state. During the writeback, the L2 cache-line state is changed from exclusive to modified, and the writeback does not occur on the system bus. If the replacement writeback does not hit the L2 cache (L2 cache miss), then the modified L1 cache line is written back on the system bus, and the L2 cache is not updated. If the other cache line in this sector is in the modified state, it is also written back in the same manner.

L1 instruction-cache lines and L2 cache lines are replaced using a Least Recently Used (LRU) algorithm. If a line replacement is required, lines are replaced when read cache misses occur.

The L1 data cache uses a slightly different approach to line replacement. If a miss occurs, and a replacement is required, lines are replaced by using a Least Recently Allocated (LRA) algorithm.

9.8 Write Allocate

Write allocate, if enabled, occurs when the processor has a pending memory write cycle to a cacheable line and the line does not currently reside in the L1 data cache. If the line does not exist in the L2 cache, the processor performs a 32-byte burst read cycle on the system bus to fetch the data-cache line addressed by the pending write cycle. If the line does exist in the L2 cache, the data is supplied directly from the L2 cache, in which case a system bus cycle is not executed. The data associated with the pending write cycle is merged with the recently-allocated data-cache line and stored in the processor's L1 data cache. If the data-cache line was fetched from memory (because of a L2 cache miss), the data is stored, without modification, in the L2 cache. The final MESI state of the cache lines depends on the state of the WB/WT# and PWT signals during the burst read cycle and the subsequent L1 data cache write hit (See Table 39 on page 221 to determine the cache-line states and the access types following a cache write miss). If the L1 data cache line is stored in the modified state, then the same cache line is stored in the L2 cache in the exclusive state. If the L1 data cache line is stored in the shared state, then the same cache line is stored in the L2 cache in the shared state.

If a data-cache line fetch from memory is attempted because the write allocate misses the L2 cache, and KEN# is sampled negated, the processor does not perform an allocation. In this case, the pending write cycle is executed as a single write cycle on the system bus.

During write allocates that miss the L2 cache, a 32-byte burst read cycle is executed in place of a non-burst write cycle. While the burst read cycle generally takes longer to execute than the non-burst write cycle, performance gains are realized on subsequent write cycle hits to the write-allocated cache line.

Due to the nature of software, memory accesses tend to occur in proximity of each other (principle of locality). The likelihood of additional write hits to the write-allocated cache line is high.

Write allocates that hit the L2 cache increase performance by avoiding accesses to the system bus.

The following is a description of three mechanisms by which the AMD-K6-2E+ processor performs write allocations. A write allocate is performed when any one or more of these mechanisms indicates that a pending write is to a cacheable area of memory.

Write to a Cacheable Page

Every time the processor completes a L1 cache line fill, the address of the page in which the cache line resides is saved in the Cacheability Control Register (CCR). The page address of subsequent write cycles is compared with the page address stored in the CCR. If the two addresses are equal, then the processor performs a write allocate because the page has already been determined to be cacheable.

When the processor performs a L1 cache line fill from a different page than the address saved in the CCR, the CCR is updated with the new page address.

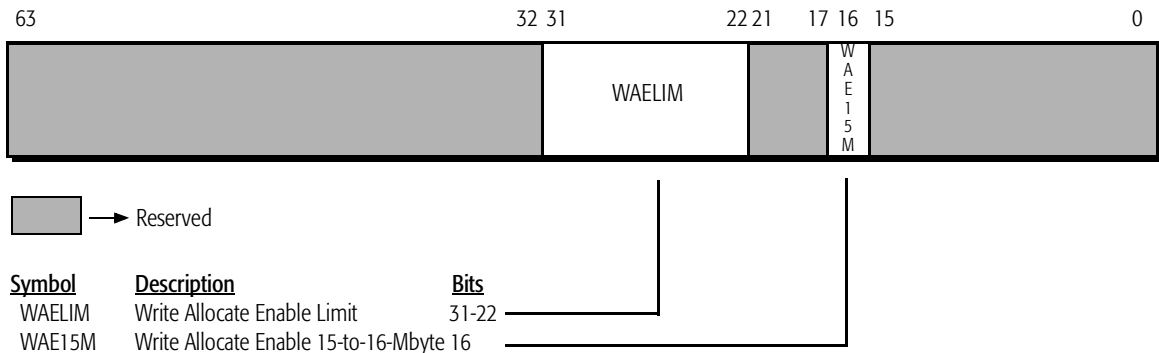
Write to a Sector

If the address of a pending write cycle matches the tag address of a valid L1 cache sector, but the addressed cache line within the sector is marked invalid (a sector hit but a cache line miss), then the processor performs a write allocate. The pending write cycle is determined to be cacheable because the sector hit indicates the presence of at least one valid cache line in the sector. The two cache lines within a sector are guaranteed by design to be within the same page.

Write Allocate Limit

The AMD-K6-2E+ processor uses two mechanisms that are programmable within the Write Handling Control Register (WHCR) to enable write allocations for write cycles that address a definable area, or a special 1-Mbyte memory area.

The WHCR contains two fields—the Write Allocate Enable Limit (WAELIM) field, and the Write Allocate Enable 15-to-16-Mbyte (WAE15M) bit (see Figure 84).



Notes: Hardware RESET initializes this MSR to all zeros.

Figure 84. Write Handling Control Register (WHCR)

Write Allocate Enable Limit Field. The WAELIM field is 10 bits wide. This field, multiplied by 4 Mbytes, defines an upper memory limit. Any pending write cycle that misses the L1 cache and that addresses memory below this limit causes the processor to perform a write allocate (assuming the address is not within a range where write allocates are disallowed). Write allocate is disabled for memory accesses at and above this limit unless the processor determines a pending write cycle is cacheable by means of one of the other write allocate mechanisms—“Write to a Cacheable Page” and “Write to a Sector.” The maximum value of this limit is $((2^{10}-1) \cdot 4 \text{ Mbytes}) = 4092 \text{ Mbytes}$. When all the bits in this field are set to 0, all memory is above this limit and write allocates due to this mechanism is disabled (even if all bits in the WAELIM field are set to 0, write allocates can still occur due to the “Write to a Cacheable Page” and “Write to a Sector” mechanisms).

Write Allocate Enable 15-to-16-Mbyte Bit. The Write Allocate Enable 15-to-16-Mbyte (WAE15M) bit is used to enable write allocations for memory write cycles that address the 1 Mbyte of memory between 15 Mbytes and 16 Mbytes. This bit must be set to 1 to allow write allocate in this memory area. This bit is provided to account for a small number of uncommon memory-mapped I/O adapters that use this particular memory address space. If the system contains one of these peripherals, the bit should be set to 0 (even if the WAE15M bit is set to 0, write allocates can still occur between 15 Mbytes and 16 Mbytes due to the “Write to a Cacheable Page” and “Write to a

Sector” mechanisms). The WAE15M bit is ignored if the value in the WAELIM field is set to less than 16 Mbytes.

By definition a write allocate is not performed in the memory area between 640 Kbytes and 1 Mbyte unless the processor determines a pending write cycle is cacheable by means of one of the other write allocate mechanisms—“Write to a Cacheable Page” and “Write to a Sector.” It is not considered safe to perform write allocations between 640 Kbytes and 1 Mbyte (000A_0000h to 000F_FFFFh) because it is considered a noncacheable region of memory.

If a memory region is defined as write combinable or uncacheable by a MTRR, write allocates are not performed in that region.

Write Allocate Logic Mechanisms and Conditions

Figure 85 shows the logic flow for all the mechanisms involved with write allocate for memory bus cycles. The left side of the diagram (the text) describes the conditions that need to be true in order for the value of that line to be a 1. Items 1 to 4 of the diagram are related to general cache operation and items 5 to 10 are related to the write allocate mechanisms.

For more information about write allocate, see the *Implementation of Write Allocate in the K86™ Processors Application Note*, order# 21326.

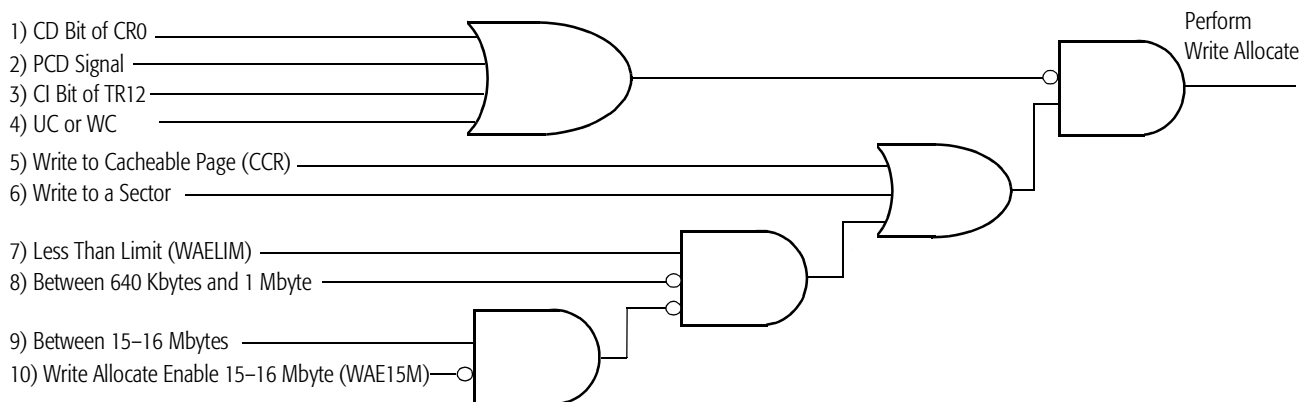


Figure 85. Write Allocate Logic Mechanisms and Conditions

The following list describes the corresponding items in Figure 85:

1. *CD Bit of CR0*—When the cache disable (CD) bit within control register 0 (CR0) is set to 1, the cache fill mechanism for both reads and writes is disabled and write allocate does not occur.
2. *PCD Signal*—When the PCD (page cache disable) signal is driven High, caching for that page is disabled, even if KEN# is sampled asserted, and write allocate does not occur.
3. *CI Bit of TR12*—When the cache inhibit bit of Test Register 12 is set to 1, L1 and L2 cache fills are disabled and write allocate does not occur.
4. *UC or WC*—If a pending write cycle addresses a region of memory defined as write combinable or uncacheable by an MTRR, write allocates are not performed in that region.
5. *Write to a Cacheable Page (CCR)*—A write allocate is performed if the processor knows that a page is cacheable. The CCR is used to store the page address of the last L1 cache fill for a read miss. See “Write to a Cacheable Page” on page 216 for a detailed description of this condition.
6. *Write to a Sector*—A write allocate is performed if the address of a pending write cycle matches the tag address of a valid L1 cache sector but the addressed cache line within the sector is invalid. See “Write to a Sector” on page 216 for a detailed description of this condition.
7. *Less Than Limit (WAELIM)*—The write allocate limit mechanism determines if the memory area being addressed is less than the limit set in the WAELIM field of WHCR. If the address is less than the limit, write allocate for that memory address is performed as long as conditions 8 through 10 do not prevent write allocate (even if conditions 8 and 10 attempt to prevent write allocate, condition 5 or 6 allows write allocate to occur).
8. *Between 640 Kbytes and 1 Mbyte*—Write allocate is not performed in the memory area between 640 Kbytes and 1 Mbyte. It is not considered safe to perform write allocations between 640 Kbytes and 1 Mbyte (000A_0000h to 000F_FFFFh) because this area of memory is considered a noncacheable region of memory (even if condition 8 attempts to prevent write allocate, condition 5 or 6 allows write allocate to occur).

9. *Between 15–16 Mbytes*—If the address of a pending write cycle is in the 1 Mbyte of memory between 15 Mbytes and 16 Mbytes, and the WAE15M bit is set to 1, write allocate for this cycle is enabled.
10. *Write Allocate Enable 15–16 Mbytes (WAE15M)*—This condition is associated with the Write Allocate Limit mechanism and affects write allocate only if the limit specified by the WAELIM field is greater than or equal to 16 Mbytes. If the memory address is between 15 Mbytes and 16 Mbytes, and the WAE15M bit in the WHCR is set to 0, write allocate for this cycle is disabled (even if condition 10 attempts to prevent write allocate, condition 5 or 6 allows write allocate to occur).

9.9 Prefetching

Hardware Prefetching

The AMD-K6-2E+ processor conditionally performs cache prefetching, which results in the filling of the required cache line first, and a prefetch of the second cache line making up the other half of the sector. From the perspective of the external bus, the two cache-line fills typically appear as two 32-byte burst read cycles occurring back-to-back or, if allowed, as pipelined cycles. The burst read cycles do not occur back-to-back (wait states occur) if the processor is not ready to start a new cycle, if higher priority data read or write requests exist, or if NA# (next address) was sampled negated. Wait states can also exist between burst cycles if the processor samples AHOLD or BOFF# asserted.

Software Prefetching

The 3DNow! technology includes an instruction called PREFETCH that allows a cache line to be prefetched into the L1 data cache and the L2 cache. Unlike prefetching under hardware control, software prefetching only fetches the cache line specified by the operand of the PREFETCH instruction, and does not attempt to fetch the other cache line in the sector. The PREFETCH instruction format is defined in Table 15, “3DNow!™ Instructions,” on page 89. For more detailed information, see the *3DNow!™ Technology Manual*, order# 21928.

9.10 Cache States

Table 39 shows all the possible cache-line states before and after program-generated accesses to individual cache lines.

Table 39. L1 and L2 Cache States for Read and Write Accesses

Type		Cache State Before Access ¹		Access Type	Cache State After Access		
		L1	L2		MESI State ²		
					L1	L2	
Cache Read	Read Miss L1, Read Miss L2	I	I	Single read from bus	I	I	
		I	I	Burst read from bus, fill L1 and L2 ³	S or E ⁴	S or E ⁴	
	Read Hit L1	E	–	–	E	–	
		S	–	–	S	–	
		M	–	–	M	–	
	Read Miss L1, Read Hit L2	I	E	Fill L1	E	E	
		I	S	Fill L1	S	S	
I		M	Fill L1	M	E		
		I	M	Fill L1	E ⁵	M ⁵	
Cache Write	Write Miss L1 Write Miss L2	I	I	Single write to bus ⁶	I	I	
		I	I	Burst read from bus, fill L1 and L2, write to L1 ⁷	M ⁸	E ⁸	
			I	I	Burst read from bus, fill L1 and L2, write to L1 and L2, single write to bus ⁷	S ⁹	S ⁹
	Write Hit L1	S	I	Write to L1, single write to bus	S or E ⁴	I	
		S	S	Write to L1 and L2, single write to bus	S or E ⁴	S or E ⁴	
		E or M	–	Write to L1	M	–	
	Write Miss L1 Write Hit L2	I	E	Write to L2 ⁶	I	M	
		I	S	Write to L2, single write to bus ⁶	I	S or E ⁴	
		I	M	Write to L2 ⁶	I	M	
		I	E	Fill L1, write to L1 ⁷	M	E	
I		S	Write to L2, single write to bus ⁷	S or E ⁴	S or E ⁴		
		I	M	Fill L1, write to L1 ⁷	M	E	

Notes:

1. M = Modified, E = Exclusive, S = Shared, I = Invalid. The exclusive and shared states are indistinguishable in the L1 instruction cache and are treated as “valid” states.
2. The final MESI state assumes that the state of the WB/WT# signal remains the same for all accesses to a particular cache line.
3. If CACHE# is driven Low and KEN# is sampled asserted.
4. If PWT is driven Low and WB/WT# is sampled High, the line is cached in the exclusive (writeback) state. If PWT is driven High or WB/WT# is sampled Low, the line is cached in the shared (writethrough) state.

5. This entry only applies to the L1 instruction cache. By design, a cache line cannot exist in the exclusive state in the L1 data cache and in the modified state in the L2 cache.
6. Assumes the write allocate conditions as specified in "Write Allocate" on page 215 are not met.
7. Assumes the write allocate conditions as specified in "Write Allocate" on page 215 are met.
8. Assumes PWT is driven Low and WB/WT# is sampled High.
9. Assumes PWT is driven High or WB/WT# is sampled Low.
- Not applicable or none.

9.11 Cache Coherency

Different ways exist to maintain coherency between the system memory and cache memories. Inquire cycles, internal snoops, FLUSH#, WBINVD, INVD, and line replacements all prevent inconsistencies between memories.

Inquire Cycles

Inquire cycles are bus cycles initiated by system logic that ensure coherency between the caches and main memory. In systems with multiple bus masters, system logic maintains cache coherency by driving inquire cycles to the processor. System logic initiates inquire cycles by asserting AHOLD, BOFF#, or HOLD to obtain control of the address bus and then driving EADS#, INV (optional), and an inquire address (A[31:5]).

This type of bus cycle causes the processor to compare the tags for its L1 instruction and L1 data caches, and L2 cache, with the inquire address.

- If there is a hit to a shared or exclusive line in the L1 data cache or the L2 cache, or a valid line in the L1 instruction cache, the processor asserts HIT#.
- If the compare hits a modified line in the L1 data cache or the L2 cache, the processor asserts HIT# and HITM#. If HITM# is asserted, the processor writes the modified line back to memory.
- If INV was sampled asserted with EADS#, a hit invalidates the line.
- If INV was sampled negated with EADS#, a hit leaves the line in the shared state or transitions it from the exclusive or modified state to the shared state.

Table 40 on page 225 lists valid combinations of MESI states permitted for a cache line in the L1 and L2 caches, and shows the effects of inquire cycles performed with INV equal to 0 (non-invalidating) and INV equal to 1 (invalidating).

Internal Snooping

Internal snooping is initiated by the processor (rather than system logic) during certain cache accesses. It is used to maintain coherency between the L1 instruction cache and the L1 data cache.

The processor automatically snoops its L1 instruction cache during read or write misses to its L1 data cache, and it snoops its L1 data cache during read misses to its L1 instruction cache. The L2 cache is not snooped during misses to either of the L1 caches. Table 41 on page 226 summarizes the actions taken during this internal snooping.

If an internal snoop hits its target, the processor does the following:

- **L1 Data Cache Snoop During an L1 Instruction-cache Read Miss**—If modified, the line in the L1 data cache is written back. If the writeback hits the L2 cache, the cache line is stored in the L2 cache in the modified state and no writeback occurs on the system bus. If the writeback misses the L2 cache, the cache line is written back on the system bus to external memory. Regardless of its state, the L1 data-cache line is invalidated and the L1 instruction cache performs a read from either the L2 cache (if a L2 hit occurs) or external memory (if a L2 miss occurs).
- **L1 Instruction Cache Snoop During an L1 Data Cache Miss**—The line in the instruction cache is marked invalid, and the L1 data-cache read or write is performed as defined in Table 39 on page 221.

FLUSH#

In response to sampling FLUSH# asserted, the processor writes back any L1 data cache lines and L2 cache lines that are in the modified state and then marks all lines in the L1 instruction cache, the L1 data cache, and the L2 cache as invalid.

Page Flush/Invalidate Register (PFIR)

The AMD-K6-2E+ processor contains the Page Flush/Invalidate Register (PFIR) that allows cache invalidation and optional flushing of a specific 4-Kbyte page from the linear address space (see Figure 86 on page 224). When the PFIR is written to (using the WRMSR instruction), the invalidation and, optionally, the flushing begins. The total amount of cache in the AMD-K6-2E+ processor is 128 Kbytes. Using this register can result in a much lower cycle count for flushing particular pages versus flushing the entire cache.

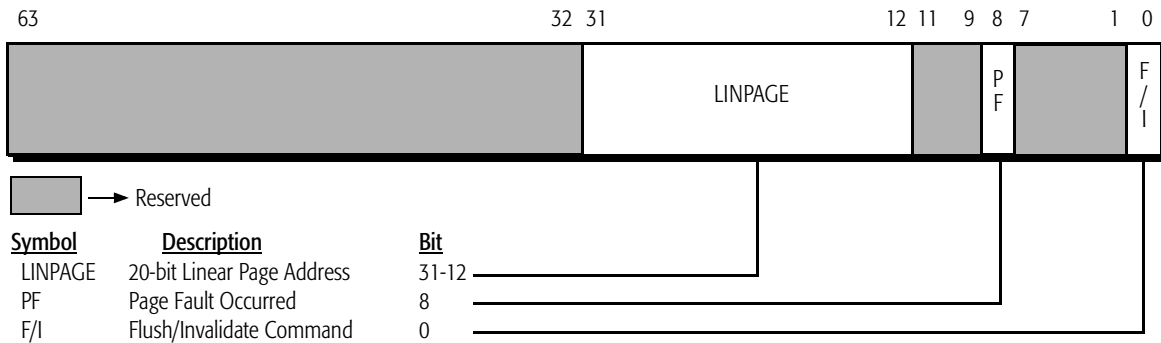


Figure 86. Page Flush/Invalidate Register (PFIR)

LINPAGE Field. This 20-bit field must be written with bits 31:12 of the linear address of the 4-Kbyte page that is to be invalidated and optionally flushed from the L1 or the L2 cache.

PF Bit. If an attempt to invalidate or flush a page results in a page fault, the processor sets the PF bit to 1, and the invalidate or flush operation is not performed (even though invalidate operations do not normally generate page faults). In this case, an actual page fault exception is not generated. If the PF bit equals 0 after an invalidate or flush operation, then the operation executed successfully. The PF bit must be read after every write to the PFIR register to determine if the invalidate or flush operation executed successfully.

F/I Bit. This bit is used to control the type of action that occurs to the specified linear page. If a 0 is written to this bit, the operation is a flush, in which case all cache lines in the modified state within the specified page are written back to memory, after which the entire page is invalidated. If a 1 is written to this bit, the operation is an invalidation, in which case the entire page is invalidated without the occurrence of any writebacks.

WBINVD and INVD

These x86 instructions cause all cache lines to be marked as invalid. WBINVD writes back modified lines before marking all cache lines invalid. INVD does not write back modified lines.

Cache-Line Replacement

Replacing lines in the L1 cache and the L2 cache, according to the line replacement algorithms described in “Cache-Line Fills” on page 213, ensures coherency between external memory and the caches.

Table 40 shows all possible cache-line states before and after inquire cycles.

Table 40. Valid L1 and L2 Cache States and Effect of Inquire Cycles

Cache State Before Inquire ¹		Memory Access ²	Cache State After Inquire			
			INV = 0		INV = 1	
L1	L2		L1	L2	L1	L2
I	M	Writeback L2 to bus	I	S	I	I
I	E	–	I	S	I	I
I	S	–	I	S	I	I
I	I	–	I	I	I	I
E ³	M ³	Writeback L2 to bus	S	S	I	I
E	E	–	S	S	I	I
E	I	–	S	I	I	I
M	E	Writeback L1 to bus	S	I	I	I
M	I	Writeback L1 to bus	S	I	I	I
S	S	–	S	S	I	I
S	I	–	S	I	I	I

Notes:

1. M = Modified, E = Exclusive, S = Shared, I = Invalid. The exclusive and shared states are indistinguishable in the L1 instruction cache and are treated as “valid” states.
2. Writeback cycles to the bus are 32-byte burst writes.
3. This entry only applies to the L1 instruction cache. By design, a cache line cannot exist in the exclusive state in the L1 data cache and in the modified state in the L2 cache.

Table 41 shows all possible cache-line states before and after various cache-related operations.

Table 41. L1 and L2 Cache States for Snoops, Flushes, and Invalidation

Operation Type	Cache State Before Operation ¹		Access Type ²	Cache State After Operation	
	L1	L2		L1	L2
Internal Snoop	I	M	–	I	M
	I	E	–	I	E
	I	S	–	I	S
	I	I	–	I	I
	E ³	M ³	–	I	M
	E	E	–	I	E
	E	I	–	I	I
	M	E	Writeback L1 to L2	I	M
	M	I	Writeback L1 to bus	I	I
	S	S	–	I	S
FLUSH# Signal	S or E	–	–	I	I
	M	–	Writeback L1 to bus	I	I
	–	M	Writeback L2 to bus	I	I
PFIR (F/I = 0)	S or E	–	–	I	I
	M	–	Writeback L1 to bus	I	I
	–	M	Writeback L2 to bus	I	I
PFIR (F/I = 1)	–	–	–	I	I
WBINVD Instruction	S or E	–	–	I	I
	M	–	Writeback L1 to bus	I	I
	–	M	Writeback L2 to bus	I	I
INVD Instruction	–	–	–	I	I

Notes:

1. M = Modified, E = Exclusive, S = Shared, I = Invalid. The exclusive and shared states are indistinguishable in the L1 instruction cache and are treated as “valid” states.
 2. Writeback cycles to the bus are 32-byte burst writes.
 3. This entry only applies to the L1 instruction cache. By design, a cache line cannot exist in the exclusive state in the L1 data cache and in the modified state in the L2 cache.
- Not applicable or none.

9.12 Writethrough and Writeback Coherency States

The terms *writethrough* and *writeback* apply to two related concepts in a read-write cache like the AMD-K6-2E+ processor L1 data cache and the L2 cache. The following conditions apply to both the writethrough and writeback modes:

- **Memory Writes**—A relationship exists between external memory writes and their concurrence with cache updates:
 - An external memory write that occurs concurrently with a cache update to the same location is a *writethrough*. Writethroughs are driven as single cycles on the bus.
 - An external memory write that occurs after the processor has modified a cache line is a *writeback*. Writebacks are driven as burst cycles on the bus.
- **Coherency State**—A relationship exists between MESI coherency states and writethrough-writeback coherency states of lines in the cache as follows:
 - Shared and invalid MESI lines are in the writethrough state.
 - Modified and exclusive MESI lines are in the writeback state.

9.13 A20M# Masking of Cache Accesses

Although the processor samples A20M# as a level-sensitive input on every clock edge, it should only be asserted in Real mode. The processor applies the A20M# masking to its tags, through which all programs access the caches. Therefore, assertion of A20M# affects all addresses (cache and external memory), including the following:

- Cache-line fills (caused by read misses or write allocates)
- Cache writethroughs (caused by write misses or write hits to lines in the shared state)

However, A20M# does not mask writebacks or invalidations caused by the following actions:

- Internal snoops
- Inquire cycles
- The FLUSH# signal

- Writing to the Page Flush/Invalidate Register (PFIR)
- The WBINVD instruction

10 Write Merge Buffer

The AMD-K6-2E+ processor contains an 8-byte write merge buffer that allows the processor to conditionally combine data from multiple noncacheable write cycles into this merge buffer. The merge buffer operates in conjunction with the Memory Type Range Registers (MTRRs). Refer to “Memory Type Range Registers” on page 231 for a description of the MTRRs.

Merging multiple write cycles into a single write cycle reduces processor bus utilization and processor stalls, thereby increasing the overall system performance.

10.1 EWBE# Control

The presence of the merge buffer creates the potential to perform out-of-order write cycles relative to the processor’s caches. In general, the ordering of write cycles that are driven externally on the system bus and those that hit the processor’s cache can be controlled by the EWBE# signal. See “EWBE# (External Write Buffer Empty)” on page 110 for more information.

If EWBE# is sampled negated, the processor delays the commitment of write cycles to cache lines in the modified state or exclusive state in the processor’s caches. Therefore, the system logic can enforce strong ordering by negating EWBE# until the external write cycle is complete, thereby ensuring that a subsequent write cycle that hits a cache does not complete ahead of the external write cycle.

However, the addition of the write merge buffer introduces the potential for out-of-order write cycles to occur between writes to the merge buffer and writes to the processor’s caches. Because these writes occur entirely within the processor and are not sent out to the processor bus, the system logic is not able to enforce strong ordering with the EWBE# signal.

The EWBE# control (EWBEC) bits in the EFER register provide a mechanism for enforcing three different levels of write ordering in the presence of the write merge buffer:

- EFER[3] is defined as the Global EWBE# Disable (GEWBED). When GEWBED equals 1, the processor does not attempt to enforce any write ordering internally or externally (the EWBE# signal is ignored). This is the maximum performance setting.
- EFER[2] is defined as the Speculative EWBE# Disable (SEWBED). SEWBED only affects the processor when GEWBED equals 0. If GEWBED equals 0 and SEWBED equals 1, the processor enforces strong ordering for all internal write cycles with the exception of write cycles addressed to a range of memory defined as uncacheable (UC) or write-combining (WC) by the MTRRs. In addition, the processor samples the EWBE# signal. If EWBE# is sampled negated, the processor delays the commitment of write cycles to processor cache lines in the modified state or exclusive state until EWBE# is sampled asserted.

This setting provides performance comparable to, but slightly less than, the performance obtained when GEWBED equals 1 because some degree of write ordering is maintained.

- If GEWBED equals 0 and SEWBED equals 0, the processor enforces strong ordering for all internal and external write cycles. In this setting, the processor assumes, or *speculates*, that strong order must be maintained between writes to the merge buffer and writes that hit the processor's caches. Once the merge buffer is written out to the processor's bus, the EWBE# signal is sampled. If EWBE# is sampled negated, the processor delays the commitment of write cycles to processor cache lines in the modified state or exclusive state until EWBE# is sampled asserted.

This setting is the default after RESET and provides the lowest performance of the three settings because full write ordering is maintained.

Table 42 summarizes the three settings of the EWBEC field for the EFER register, along with the effect of write ordering and performance. For more information on the EFER register, see “Extended Feature Enable Register (EFER)” on page 47.

Table 42. EWBEC Settings and Performance

EFER[3] (GEWBED)	EFER[2] (SEWBED)	Write Ordering	Performance
1	0 or 1	None	Best
0	1	All except UC/WC	Close-to-Best
0	0	All	Slowest

10.2 Memory Type Range Registers

The AMD-K6-2E+ processor provides two variable-range Memory Type Range Registers (MTRRs)—MTRR0 and MTRR1—that each specify a range of memory. Each range can be defined as one of the following memory types:

- **Uncacheable (UC) Memory**—Memory read cycles are sourced directly from the specified memory address and the processor does not allocate a cache line. Memory write cycles are targeted at the specified memory address and a write allocation does not occur.
- **Write-Combining (WC) Memory**—Memory read cycles are sourced directly from the specified memory address and the processor does not allocate a cache line. The processor conditionally combines data from multiple noncacheable write cycles that are addressed within this range into a merge buffer. Merging multiple write cycles into a single write cycle reduces processor bus utilization and processor stalls, thereby increasing the overall system performance. This memory type is applicable for linear video frame buffers.

UC/WC Cacheability Control Register (UWCCR)

The MTRRs are accessed by addressing the 64-bit MSR known as the UC/WC Cacheability Control Register (UWCCR). The MSR address of the UWCCR is C000_0085h. Following reset, all bits in the UWCCR register are set to 0. MTRR0 (lower 32 bits of the UWCCR register) defines the size and memory type of range 0 and MTRR1 (upper 32 bits) defines the size and memory type of range 1 (see Figure 87).

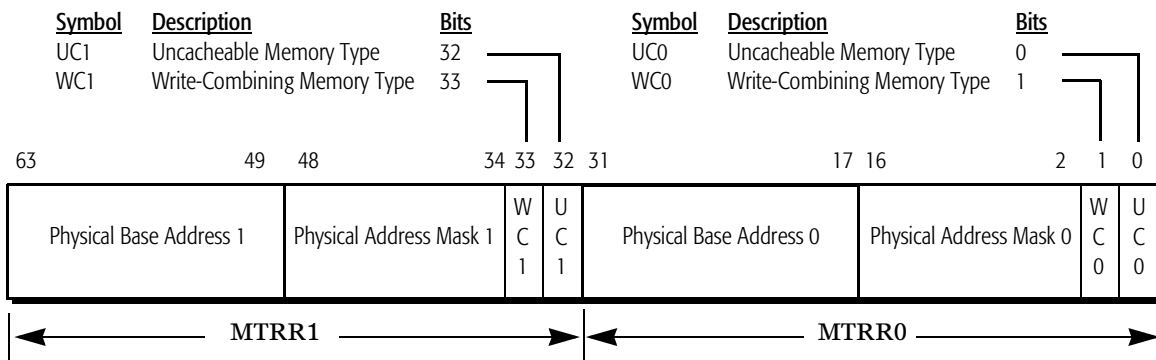


Figure 87. UC/WC Cacheability Control Register (UWCCR)

Physical Base Address n (n=0, 1). This address is the 15 most-significant bits of the physical base address of the memory range. The least-significant 17 bits of the base address are not needed because the base address is by definition always aligned on a 128-Kbyte boundary.

Physical Address Mask n (n=0, 1). This value is the 15 most-significant bits of a physical address mask that is used to define the size of the memory range. This mask is logically ANDed with both the physical base address field of the UWCCR register and the physical address generated by the processor. If the results of the two AND operations are equal, then the generated physical address is considered within the range.

That is, if:

$$\text{Mask} \ \& \ \text{Physical Base Address} = \text{Mask} \ \& \ \text{Physical Address Generated}$$

then, the physical address generated by the processor is in the range.

WCn (n=0, 1). When set to 1, this memory range is defined as write combinable (see Table 43). Write-combinable memory is uncacheable.

UCn (n=0, 1). When set to 1, this memory range is defined as uncacheable (see Table 43).

Table 43. WC/UC Memory Type

WCn	UCn	Memory Type
0	0	No effect on cacheability or write combining
1	0	Write-combining memory range (uncacheable)
0 or 1	1	Uncacheable memory range

10.3 Memory-Range Restrictions

The following rules regarding the address alignment and size of each range must be adhered to when programming the physical base address and physical address mask fields of the UWCCR register:

- The minimum size of each range is 128 Kbytes.
- The physical base address must be aligned on a 128-Kbyte boundary.
- The physical base address must be *range-size aligned*. For example, if the size of the range is 1 Mbyte, then the physical base address must be aligned on a 1-Mbyte boundary.
- All bits set to 1 in the physical address mask must be contiguous. Likewise, all bits set to 0 in the physical address mask must be contiguous. For example:

111_1111_1100_0000b is a valid physical address mask.

111_1111_1101_0000b is invalid.

Table 44 lists the valid physical address masks and the resulting range sizes that can be programmed in the UWCCR register.

Table 44. Valid Masks and Range Sizes for UWCCR Register

Masks	Size
111_1111_1111_1111b	128 Kbytes
111_1111_1111_1110b	256 Kbytes
111_1111_1111_1100b	512 Kbytes
111_1111_1111_1000b	1 Mbyte
111_1111_1111_0000b	2 Mbytes
111_1111_1110_0000b	4 Mbytes
111_1111_1100_0000b	8 Mbytes
111_1111_1000_0000b	16 Mbytes
111_1111_0000_0000b	32 Mbytes
111_1110_0000_0000b	64 Mbytes
111_1100_0000_0000b	128 Mbytes
111_1000_0000_0000b	256 Mbytes
111_0000_0000_0000b	512 Mbytes
110_0000_0000_0000b	1 Gbyte
100_0000_0000_0000b	2 Gbytes
000_0000_0000_0000b	4 Gbytes

10.4 Examples

Suppose that the range of memory from 16 Mbytes to 32 Mbytes is uncacheable, and the 8-Mbyte range of memory on top of 1 Gbyte is write-combinable. Range 0 is defined as the uncacheable range, and range 1 is defined as the write-combining range.

- Extracting the 15 most-significant bits of the 32-bit physical base address that corresponds to 16 Mbytes (0100_0000h) yields a physical base address 0 field of 000_0000_1000_0000b. Because the uncacheable range size is 16 Mbytes, the physical mask value 0 field is 111_1111_1000_0000b, according to Table 44 on page 234. Bit 1 of the UWCCR register (WC0) is set to 0 and bit 0 of the UWCCR register is set to 1 (UC0).
- Extracting the 15 most-significant bits of the 32-bit physical base address that corresponds to 1 Gbyte (4000_0000h) yields a physical base address 1 field of 010_0000_0000_0000b. Because the write-combining range size is 8 Mbytes, the physical mask value 1 field is 111_1111_1100_0000b, according to Table 44 on page 234. Bit 33 of the UWCCR register (WC1) is set to 1 and bit 32 of the UWCCR register is set to 0 (UC1).

11 Floating-Point and Multimedia Execution Units

11.1 Floating-Point Execution Unit

The AMD-K6-2E+ processor contains an IEEE 754-compatible and 854-compatible floating-point execution unit designed to accelerate the performance of software that utilizes the x86 floating-point instruction set.

Floating-point software is typically written to manipulate numbers that are very large or very small, that require a high degree of precision, or that result from complex mathematical operations such as transcendentals. Applications that take advantage of floating-point operations include geometric calculations for graphics acceleration, scientific, statistical, and engineering applications, and business applications that use large amounts of high-precision data.

The high-performance floating-point execution unit contains an adder unit, a multiplier unit, and a divide/square root unit. These low-latency units can execute floating-point instructions in as few as two processor clocks. To increase performance, the processor is designed to simultaneously decode most floating-point instructions with most short-decodeable instructions.

See “Software Environment” on page 27 for a description of the floating-point data types, registers, and instructions.

Handling Floating-Point Exceptions

The AMD-K6-2E+ processor provides the following two types of exception handling for floating-point exceptions:

- If the numeric error (NE) bit in CR0 is set to 1, the processor invokes the interrupt 10h handler. In this manner, the floating-point exception is completely handled by software.
- If the NE bit in CR0 is set to 0, the processor requires external logic to generate an interrupt on the INTR signal in order to handle the exception.

**External Logic
Support of
Floating-Point
Exceptions**

The processor provides the FERR# (Floating-Point Error) and IGNNE# (Ignore Numeric Error) signals to allow the external logic to generate the interrupt in a manner consistent with IBM-compatible PC/AT systems. The assertion of FERR# indicates the occurrence of an unmasked floating-point exception resulting from the execution of a floating-point instruction. IGNNE# is used by the external hardware to control the effect of an unmasked floating-point exception. Under certain circumstances, if IGNNE# is sampled asserted, the processor ignores the floating-point exception.

Figure 88 on page 239 illustrates an implementation of external logic for supporting floating-point exceptions. The following example explains the operation of the external logic in Figure 88:

1. As the result of a floating-point exception, the processor asserts FERR#.
2. The assertion of FERR# and the sampling of IGNNE# negated indicates the processor has stopped instruction execution and is waiting for an interrupt.
3. The assertion of FERR# leads to the assertion of INTR by the interrupt controller.
4. The processor acknowledges the interrupt and jumps to the corresponding interrupt service routine in which an I/O write cycle to address port F0h leads to the assertion of IGNNE#.
5. When IGNNE# is sampled asserted, the processor ignores the floating-point exception and continues instruction execution.
6. When the processor negates FERR#, the external logic negates IGNNE#.

See “FERR# (Floating-Point Error)” on page 111 and “IGNNE# (Ignore Numeric Exception)” on page 116 for more details.

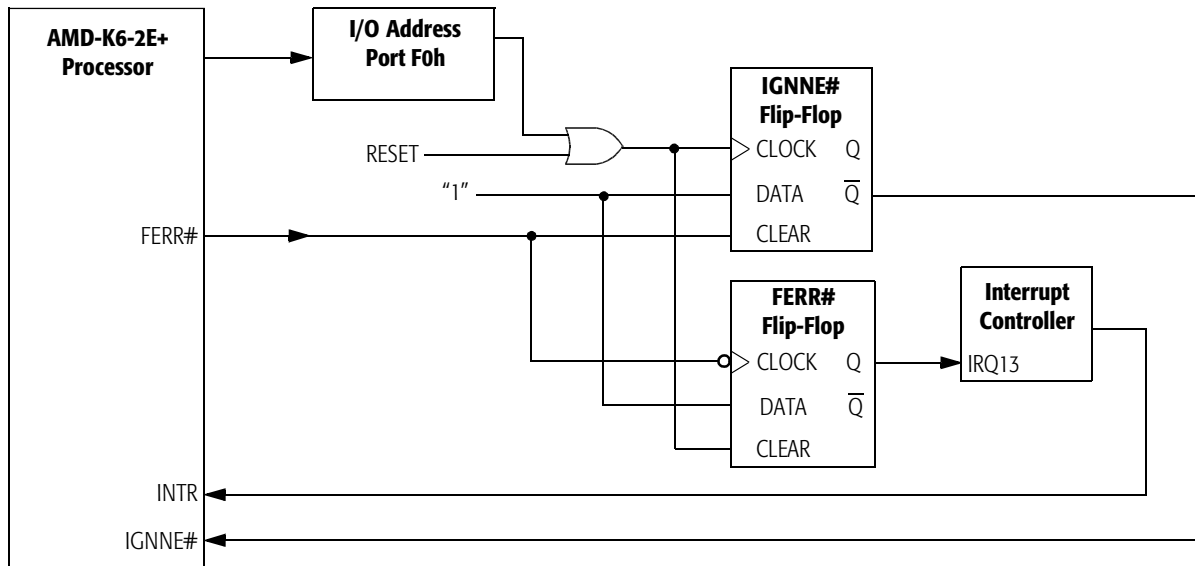


Figure 88. External Logic for Supporting Floating-Point Exceptions

11.2 Multimedia and 3DNow!™ Execution Units

The multimedia and 3DNow! execution units of the AMD-K6-2E+ processor are designed to accelerate the performance of software written using the industry-standard MMX instructions and the new 3DNow! instructions. Applications that can take advantage of the MMX and 3DNow! instructions include graphics, video and audio compression and decompression, speech recognition, and telephony applications.

3DNow! technology enables fast frame rates on high-resolution 3D-rendered scenes, realistic physical modeling of real-world environments, sharp and detailed 3D imaging, smooth video playback, and theater-quality audio.

The AMD-K6-2E+ processor supports five new digital signal processing (DSP) instructions, developed to enhance the performance of communications applications, including soft xDSL modems, MP3 recording, and Dolby Digital and Surround Sound processing.

For more information on MMX instructions, see the *AMD-K6® Processor Multimedia Technology Manual*, order# 20726. For

more information on 3DNow! instructions, see the *3DNow!™ Technology Manual*, order# 21928. For more information on the 3DNow! technology DSP extensions, see the *AMD Extensions to the 3DNow!™ and MMX™ Instructions Sets Manual*, order# 22466.

The multimedia execution unit can execute MMX instructions in a single processor clock. All MMX and 3DNow! arithmetic instructions are pipelined for higher performance. To increase performance, the processor is designed to simultaneously decode all MMX and 3DNow! instructions with most other instructions.

11.3 Floating-Point and MMX™/3DNow!™ Instruction Compatibility

Registers

The eight 64-bit MMX registers (which are also utilized by 3DNow! instructions) are mapped on the floating-point stack. This enables backward compatibility with all existing software. For example, the register saving event that is performed by operating systems during task switching requires no changes to the operating system. The same support provided in an operating system's interrupt 7 handler (Device Not Available) for saving and restoring the floating-point registers also supports saving and restoring the MMX registers.

Exceptions

There are no new exceptions defined for supporting the MMX and 3DNow! instructions. All exceptions that occur while decoding or executing an MMX or 3DNow! instruction are handled in existing exception handlers without modification.

FERR# and IGNNE#

MMX instructions and 3DNow! instructions do not generate floating-point exceptions. However, if an unmasked floating-point exception is pending, the processor asserts FERR# at the instruction boundary of the next floating-point instruction, MMX instruction, 3DNow! instruction or WAIT instruction.

The sampling of IGNNE# asserted only affects processor operation during the execution of an error-sensitive floating-point instruction, MMX instruction, 3DNow! instruction or WAIT instruction when the NE bit in CR0 is set to 0.

12 System Management Mode (SMM)

SMM is an alternate operating mode entered by way of a system management interrupt (SMI#) and handled by an interrupt service routine. SMM is designed for system control activities such as power management. These activities appear transparent to conventional operating systems like DOS and Windows. SMM is targeted for use by the Basic Input Output System (BIOS), specialized low-level device drivers, and the operating system. The code and data for SMM are stored in the SMM memory area, which is isolated from main memory.

The processor enters SMM by the assertion of the SMI# interrupt and the processor's acknowledgment by the assertion of SMIACT#. At this point the processor saves its state into the SMM memory state-save area and jumps to the SMM service routine. The processor returns from SMM when it executes the resume (RSM) instruction from within the SMM service routine. Subsequently, the processor restores its state from the SMM save area, negates SMIACT#, and resumes execution with the instruction following the point where it entered SMM.

The following sections summarize the SMM state-save area, entry into and exit from SMM, exceptions and interrupts in SMM, memory allocation and addressing in SMM, and the SMI# and SMIACT# signals.

12.1 SMM Operating Mode and Default Register Values

The software environment within SMM has the following characteristics:

- Addressing and operation in real mode
- 4-Gbyte segment limits
- Default 16-bit operand, address, and stack sizes, although instruction prefixes can override these defaults
- Control transfers that do not override the default operand size truncate the EIP to 16 bits
- Far jumps or calls cannot transfer control to a segment with a base address requiring more than 20 bits, as in real mode segment-base addressing

- A20M# is masked
- Interrupt vectors use the real-mode interrupt vector table
- The IF flag in EFLAGS is cleared (INTR not recognized)
- The TF flag in EFLAGS is cleared
- The NMI and INIT interrupts are disabled
- Debug register DR7 is cleared (debug traps disabled)

Figure 89 shows the default map of the SMM memory area. It consists of a 64-Kbyte area, between 0003_0000h and 0003_FFFFh, of which the top 32 Kbytes (0003_8000h to 0003_FFFFh) must be populated with RAM. The default code-segment (CS) base address for the area—called the SMM base address—is at 0003_0000h. The top 512 bytes (0003_FE00h to 0003_FFFFh) contain a fill-down SMM state-save area. The default entry point for the SMM service routine is 0003_8000h.

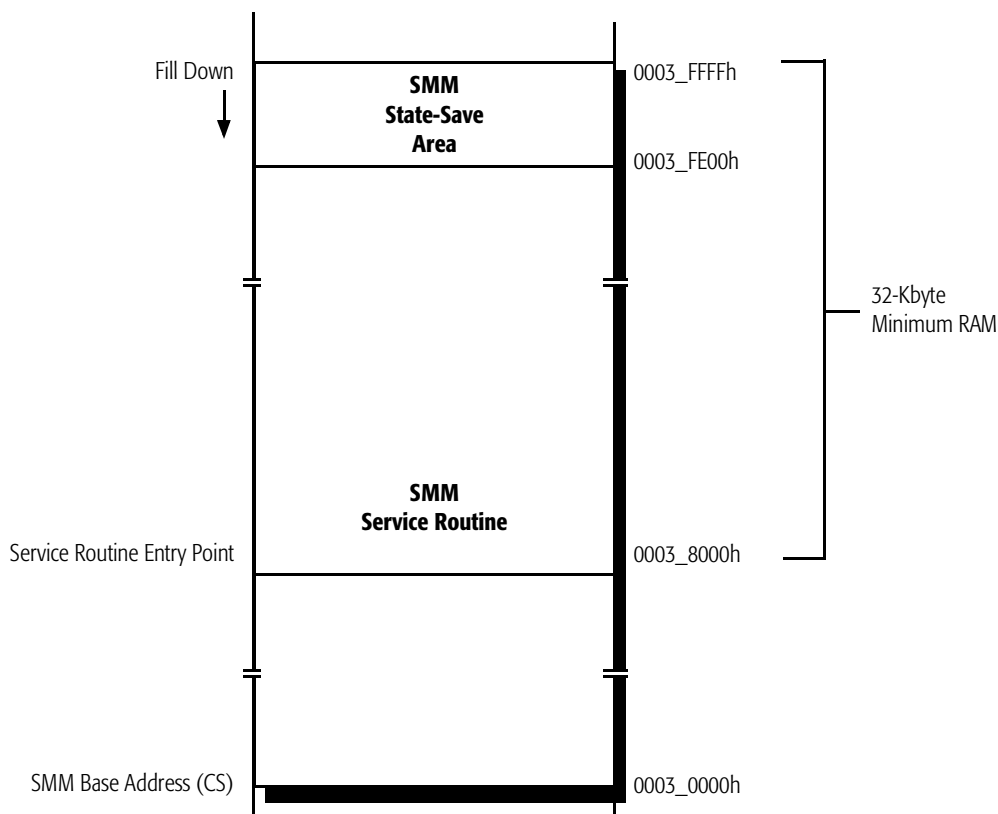


Figure 89. SMM Memory

Table 45 shows the initial state of registers when entering SMM.

Table 45. Initial State of Registers in SMM

Registers	SMM Initial State
General Purpose Registers	unmodified
EFLAGS	0000_0002h
CR0	PE, EM, TS, and PG are cleared (bits 0, 2, 3, and 31). The other bits are unmodified.
DR7	0000_0400h
GDTR, LDTR, IDTR, TSSR, DR6	unmodified
EIP	0000_8000h
CS	0003_0000h
DS, ES, FS, GS, SS	0000_0000h

12.2 SMM State-Save Area

When the processor acknowledges an SMI# interrupt by asserting SMI $\#$, it saves its state in a 512-byte SMM state-save area shown in Table 46. The save begins at the top of the SMM memory area (SMM base address + FFFFh) and fills down to SMM base address + FE00h.

Table 46 shows the offsets in the SMM state-save area relative to the SMM base address. The SMM service routine can alter any of the read/write values in the state-save area.

Table 46. SMM State-Save Area Map

Address Offset	Contents Saved
FFFCh	CR0
FFF8h	CR3
FFF4h	EFLAGS
FFF0h	EIP
FFECh	EDI
FFE8h	ESI
FFE4h	EBP
FFE0h	ESP
FFDCh	EBX
FFD8h	EDX
FFD4h	ECX
FFD0h	EAX

Table 46. SMM State-Save Area Map (continued)

Address Offset	Contents Saved
FFCCh	DR6
FFC8h	DR7
FFC4h	TR
FFC0h	LDTR Base
FFBCh	GS
FFB8h	FS
FFB4h	DS
FFB0h	SS
FFACh	CS
FFA8h	ES
FFA4h	I/O Trap Doubleword
FFA0h	No data dump at this address
FF9Ch	I/O Trap EIP ¹
FF98h	No data dump at this address
FF94h	No data dump at this address
FF90h	IDT Base
FF8Ch	IDT Limit
FF88h	GDT Base
FF84h	GDT Limit
FF80h	TSS Attr
FF7Ch	TSS Base
FF78h	TSS Limit
FF74h	No data dump at this address
FF70h	LDT High
FF6Ch	LDT Low
FF68h	GS Attr
FF64h	GS Base
FF60h	GS Limit
FF5Ch	FS Attr
FF58h	FS Base
FF54h	FS Limit
FF50h	DS Attr
FF4Ch	DS Base
FF48h	DS Limit
FF44h	SS Attr
FF40h	SS Base

Table 46. SMM State-Save Area Map (continued)

Address Offset	Contents Saved
FF3Ch	SS Limit
FF38h	CS Attr
FF34h	CS Base
FF30h	CS Limit
FF2Ch	ES Attr
FF28h	ES Base
FF24h	ES Limit
FF20h	No data dump at this address
FF1Ch	No data dump at this address
FF18h	No data dump at this address
FF14h	CR2
FF10h	CR4
FF0Ch	I/O Restart ESI ¹
FF08h	I/O Restart ECX ¹
FF04h	I/O Restart EDI ¹
FF02h	HALT Restart Slot
FF00h	I/O Trap Restart Slot
FEFCh	SMM RevID
FEF8h	SMM Base
FEF7h–FE00h	No data dump at this address

Notes:

1. Only contains information if SMI# is asserted during a valid I/O bus cycle.

12.3 SMM Revision Identifier

The SMM revision identifier at offset FEFCh in the SMM state-save area specifies the version of SMM and the extensions that are available on the processor. The SMM revision identifier fields are as follows:

- *Bits 31–18*—Reserved
- *Bit 17*—SMM base address relocation (1 = enabled)
- *Bit 16*—I/O trap restart (1 = enabled)
- *Bits 15–0*—SMM revision level for the AMD-K6-2E+ processor= 0002h

Table 47 shows the format of the SMM Revision Identifier.

Table 47. SMM Revision Identifier

31–18	17	16	15–0
Reserved	SMM Base Relocation	I/O Trap Extension	SMM Revision Level
0	1	1	0002h

12.4 SMM Base Address

During RESET, the processor sets the base address of the code-segment (CS) for the SMM memory area—the SMM base address—to its default, 0003_0000h. The SMM base address at offset FEF8h in the SMM state-save area can be changed by the SMM service routine to any address that is aligned to a 32-Kbyte boundary. (Locations not aligned to a 32-Kbyte boundary cause the processor to enter the Shutdown state when executing the RSM instruction.)

In some operating environments it may be desirable to relocate the 64-Kbyte SMM memory area to a high memory area in order to provide more low memory for legacy software. During system initialization, the base of the 64-Kbyte SMM memory area is relocated by the BIOS. To relocate the SMM base address, the system enters the SMM handler at the default address. This handler changes the SMM base address location in the SMM state-save area, copies the SMM handler to the new location, and exits SMM.

The next time SMM is entered, the processor saves its state at the new base address. This new address is used for every SMM entry until the SMM base address in the SMM state-save area is changed or a hardware reset occurs.

12.5 Halt Restart Slot

During entry into SMM, the halt restart slot at offset FF02h in the SMM state-save area indicates if SMM was entered from the Halt state. Before returning from SMM, the halt restart slot (offset FF02h) can be written to by the SMM service routine to specify whether the return from SMM takes the processor back to the Halt state or to the next instruction after the HLT instruction.

Upon entry into SMM, the halt restart slot is defined as follows:

- *Bits 15–1*—Reserved
- *Bit 0*—Point of entry to SMM:
 - 1 = entered from Halt state
 - 0 = not entered from Halt state

After entry into the SMI handler and before returning from SMM, the halt restart slot can be written using the following definition:

- *Bits 15–1*—Reserved
- *Bit 0*—Point of return when exiting from SMM:
 - 1 = return to Halt state
 - 0 = return to next instruction after the HLT instruction

If the return from SMM takes the processor back to the Halt state, the HLT instruction is not re-executed, but the Halt special bus cycle is driven on the bus after the return.

12.6 I/O Trap Doubleword

If the assertion of SMI# is recognized during the execution of an I/O instruction, the I/O trap doubleword at offset FFA4h in the SMM state-save area contains information about the instruction. The fields of the I/O trap doubleword are configured as follows:

- *Bits 31–16*—I/O port address
- *Bits 15–4*—Reserved
- *Bit 3*—REP (repeat) string operation
(1 = REP string, 0 = not a REP string)
- *Bit 2*—I/O string operation
(1 = I/O string, 0 = not an I/O string)
- *Bit 1*—Valid I/O instruction (1 = valid, 0 = invalid)
- *Bit 0*—Input or output instruction (1 = INx, 0 = OUTx)

Table 48 shows the format of the I/O trap doubleword.

Table 48. I/O Trap Doubleword Configuration

31–16	15–4	3	2	1	0
I/O Port Address	Reserved	REP String Operation	I/O String Operation	Valid I/O Instruction	Input or Output

The I/O trap doubleword is related to the I/O trap restart slot (see “I/O Trap Restart Slot”). If bit 1 of the I/O trap doubleword is set by the processor, it means that SMI# was asserted during the execution of an I/O instruction. The SMI handler tests bit 1 to see if there is a valid I/O instruction trapped. If the I/O instruction is valid, the SMI handler is required to ensure the I/O trap restart slot is set properly. The I/O trap restart slot informs the processor whether it should re-execute the I/O instruction after the RSM or execute the instruction following the trapped I/O instruction.

Note: If SMI# is sampled asserted during an I/O bus cycle a minimum of three clock edges before BRDY# is sampled asserted, the associated I/O instruction is guaranteed to be trapped by the SMI handler.

12.7 I/O Trap Restart Slot

The I/O trap restart slot at offset FF00h in the SMM state-save area specifies whether the trapped I/O instruction should be re-executed on return from SMM. This slot in the state-save area is called the *I/O instruction restart* function. Re-executing a trapped I/O instruction is useful, for example, if an I/O write occurs to a disk that is powered down. The system logic monitoring such an access can assert SMI#. Then the SMM service routine would query the system logic, detect a failed I/O write, take action to power-up the I/O device, enable the I/O trap restart slot feature, and return from SMM.

The fields of the I/O trap restart slot are defined as follows:

- *Bits 31–16*—Reserved
- *Bits 15–0*—I/O instruction restart on return from SMM:
 - 0000h = execute the next instruction after the trapped I/O instruction
 - 00FFh = re-execute the trapped I/O instruction

Table 49 shows the format of the I/O trap restart slot.

Table 49. I/O Trap Restart Slot

31–16	15–0
Reserved	I/O Instruction restart on return from SMM: 0000h = execute the next instruction after the trapped I/O 00FFh = re-execute the trapped I/O instruction

The processor initializes the I/O trap restart slot to 0000h upon entry into SMM. If SMM was entered due to a trapped I/O instruction, the processor indicates the validity of the I/O instruction by setting or clearing bit 1 of the I/O trap doubleword at offset FFA4h in the SMM state-save area. The SMM service routine should test bit 1 of the I/O trap doubleword to determine if a valid I/O instruction was being executed when entering SMM and before writing the I/O trap restart slot. If the I/O instruction is valid, the SMM service routine can safely rewrite the I/O trap restart slot with the value 00FFh, which causes the processor to re-execute the trapped I/O instruction when the RSM instruction is executed. If the I/O instruction is invalid, writing the I/O trap restart slot has undefined results.

If a second SMI# is asserted and a valid I/O instruction was trapped by the first SMM handler, the processor services the second SMI# prior to re-executing the trapped I/O instruction. The second entry into SMM never has bit 1 of the I/O trap doubleword set, and the second SMM service routine must not rewrite the I/O trap restart slot.

During a simultaneous SMI# I/O instruction trap and debug breakpoint trap, the AMD-K6-2E+ processor first responds to the SMI# and postpones recognizing the debug exception until after returning from SMM via the RSM instruction. If the debug registers DR3–DR0 are used while in SMM, they must be saved and restored by the SMM handler. The processor automatically saves and restores DR7–DR6. If the I/O trap restart slot in the SMM state-save area contains the value 00FFh when the RSM instruction is executed, the debug trap does not occur until after the I/O instruction is re-executed.

12.8 Exceptions, Interrupts, and Debug in SMM

During an SMI# I/O trap, the exception/interrupt priority of the AMD-K6-2E+ processor changes from its normal priority. The normal priority places the debug traps at a priority higher than the sampling of the FLUSH# or SMI# signals. However, during an SMI# I/O trap, the sampling of the FLUSH# or SMI# signals takes precedence over debug traps.

The processor recognizes the assertion of NMI within SMM immediately after the completion of an IRET instruction. Once NMI is recognized within SMM, NMI recognition remains enabled until SMM is exited, at which point NMI masking is restored to the state it was in before entering SMM.

13 Test and Debug

The AMD-K6-2E+ processor implements various test and debug modes to enable the functional and manufacturing testing of systems and boards that use the processor. In addition, the debug features of the processor allow designers to debug the instruction execution of software components. This chapter describes the following test and debug features:

- **Built-In Self-Test (BIST)**—The BIST, which is invoked after the falling transition of RESET, runs internal tests that exercise most on-chip RAM structures.
- **Three-State Test Mode**—A test mode that causes the processor to float its output and bidirectional pins.
- **Boundary-Scan Test Access Port (TAP)**—The Joint Test Action Group (JTAG) test access function defined by the *IEEE Standard Test Access Port and Boundary-Scan Architecture (IEEE 1149.1-1990)* specification.
- **Cache Inhibit**—A feature that disables the processor's internal L1 and L2 caches.
- **Level-2 Cache Array Access Register (L2AAR)**—The AMD-K6-2E+ processor provides the L2AAR that allows for direct access to the L2 cache and L2 tag arrays.
- **Debug Support**—Consists of all x86-compatible software debug features, including the debug extensions.

13.1 Built-In Self-Test (BIST)

Following the falling transition of RESET, the processor unconditionally runs its built-in self test (BIST). The internal resources tested during BIST include the following:

- L1 instruction and data caches
- L2 cache
- Instruction and Data Translation Lookaside Buffers (TLBs)

The contents of the EAX general-purpose register after the completion of reset indicate if the BIST was successful.

- If EAX contains 0000_0000h, then BIST was successful.
- If EAX is non-zero, the BIST failed.

Following the completion of the BIST, the processor jumps to address FFFF_FFF0h to start instruction execution, regardless of the outcome of the BIST.

The BIST takes approximately 5,000,000 processor clocks to complete.

13.2 Three-State Test Mode

The Three-State Test mode causes the processor to float its output and bidirectional pins, which is useful for board-level manufacturing testing. In this mode, the processor is electrically isolated from other components on a system board, allowing automated test equipment (ATE) to test components that drive the same signals as those the processor floats.

If the FLUSH# signal is sampled Low during the falling transition of RESET, the processor enters the Three-State Test mode. (See “FLUSH# (Cache Flush)” on page 112 for the specific sampling requirements.) The signals floated in the Three-State Test mode are as follows:

- | | | |
|------------|-----------|------------|
| ■ A[31:3] | ■ D/C# | ■ M/IO# |
| ■ ADS# | ■ D[63:0] | ■ PCD |
| ■ ADSC# | ■ DP[7:0] | ■ PCHK# |
| ■ AP | ■ FERR# | ■ PWT |
| ■ APCHK# | ■ HIT# | ■ SCYC |
| ■ BE[7:0]# | ■ HITM# | ■ SMIACT# |
| ■ BREQ | ■ HLDA | ■ VID[4:0] |
| ■ CACHE# | ■ LOCK# | ■ W/R# |

The VCC2DET, VCC2H/L#, and TDO signals are the only outputs not floated in the Three-State Test mode.

- VCC2DET and VCC2H/L# must remain Low to ensure the system continues to supply the specified processor core voltage to the V_{CC2} pins.

- TDO is never floated because the Boundary-Scan Test Access Port must remain enabled at all times, including during the Three-State Test mode.

The Three-State Test mode is exited when the processor samples RESET asserted.

13.3 Boundary-Scan Test Access Port (TAP)

The boundary-scan Test Access Port (TAP) is an IEEE standard that defines synchronous scanning test methods for complex logic circuits, such as boards containing a processor. The AMD-K6-2E+ processor supports the TAP standard defined in the *IEEE Standard Test Access Port and Boundary-Scan Architecture (IEEE 1149.1-1990)* specification.

Boundary scan testing uses a shift register consisting of the serial interconnection of boundary-scan cells that correspond to each I/O buffer of the processor. This non-inverting register chain, called a Boundary Scan Register (BSR), can be used to capture the state of every processor pin and to drive every processor output and bidirectional pin to a known state.

Each BSR of every component on a board that implements the boundary-scan architecture can be serially interconnected to enable component interconnect testing.

Test Access Port

The TAP consists of the following:

- **Test Access Port (TAP) Controller**—The TAP controller is a synchronous, finite state machine that uses the TMS and TDI input signals to control a sequence of test operations. See “TAP Controller State Machine” on page 260 for a list of TAP states and their definition.
- **Instruction Register (IR)**—The IR contains the instructions that select the test operation to be performed and the Test Data Register (TDR) to be selected. See “TAP Registers” on page 255 for more details on the IR.
- **Test Data Registers (TDR)**—The three TDRs are used to process the test data. Each TDR is selected by an instruction in the Instruction Register (IR). See “TAP Registers” on page 255 for a list of these registers and their functions.

TAP Signals

The test signals associated with the TAP controller are as follows:

- **TCK**—The Test Clock for all TAP operations. The rising edge of TCK is used for sampling TAP signals, and the falling edge of TCK is used for asserting TAP signals. The state of the TMS signal sampled on the rising edge of TCK causes the state transitions of the TAP controller to occur. TCK can be stopped in the logic 0 or 1 state.
- **TDI**—The Test Data Input represents the input to the most significant bit of all TAP registers, including the IR and all test data registers. Test data and instructions are serially shifted by one bit into their respective registers on the rising edge of TCK.
- **TDO**—The Test Data Output represents the output of the least significant bit of all TAP registers, including the IR and all test data registers. Test data and instructions are serially shifted by one bit out of their respective registers on the falling edge of TCK.
- **TMS**—The Test Mode Select input specifies the test function and sequence of state changes for boundary-scan testing. If TMS is sampled High for five or more consecutive clocks, the TAP controller enters its reset state.
- **TRST#**—The Test Reset signal is an asynchronous reset that unconditionally causes the TAP controller to enter its reset state.

Refer to “Electrical Data” on page 285 and “Signal Switching Characteristics” on page 295 to obtain the electrical specifications of the test signals.

TAP Registers

The AMD-K6-2E+ processor provides an Instruction Register (IR) and three Test Data Registers (TDR) to support the boundary-scan architecture. The IR and one of the TDRs—the Boundary-Scan Register (BSR)—consist of a shift register and an output register. The shift register is loaded in parallel in the Capture states. (See “TAP Controller State Machine” on page 260 for a description of the TAP controller states.) In addition, the shift register is loaded and shifted serially in the Shift states. The output register is loaded in parallel from its corresponding shift register in the Update states.

Instruction Register (IR). The IR is a 5-bit register, without parity, that determines which instruction to run and which test data register to select. When the TAP controller enters the Capture-IR state, the processor loads the following bits into the IR shift register:

- *01b*—Loaded into the two least significant bits, as specified by the IEEE 1149.1 standard
- *000b*—Loaded into the three most significant bits

Loading 00001b into the IR shift register during the Capture-IR state results in loading the SAMPLE/PRELOAD instruction.

For each entry into the Shift-IR state, the IR shift register is serially shifted by one bit toward the TDO pin. During the shift, the most significant bit of the IR shift register is loaded from the TDI pin.

The IR output register is loaded from the IR shift register in the Update-IR state, and the current instruction is defined by the IR output register. See “TAP Instructions” on page 259 for a list and definition of the instructions supported by the AMD-K6-2E+ processor.

Boundary Scan Register (BSR). The Boundary Scan Register is a Test Data Register consisting of the interconnection of 152 boundary-scan cells. Each output and bidirectional pin of the processor requires a two-bit cell, where one bit corresponds to the pin and the other bit is the output enable for the pin. When a 0 is shifted into the enable bit of a cell, the corresponding pin is floated, and when a 1 is shifted into the enable bit, the pin is driven valid. Each input pin requires a one-bit cell that corresponds to the pin. The last cell of the BSR is reserved and does not correspond to any processor pin.

The total number of bits that comprise the BSR is 297. Table 50 on page 257 lists the order of these bits, where TDI is the input to bit 296, and TDO is driven from the output of bit 0. The entries listed as *pin_E* (where *pin* is an output or bidirectional signal) are the enable bits.

If the BSR is the register selected by the current instruction and the TAP controller is in the Capture-DR state, the processor loads the BSR shift register as follows:

- If the current instruction is SAMPLE/PRELOAD, then the current state of each input, output, and bidirectional pin is loaded. A bidirectional pin is treated as an output if its enable bit equals 1, and it is treated as an input if its enable bit equals 0.
- If the current instruction is EXTEST, then the current state of each input pin is loaded. A bidirectional pin is treated as an input, regardless of the state of its enable.

While in the Shift-DR state, the BSR shift register is serially shifted toward the TDO pin. During the shift, bit 280 of the BSR is loaded from the TDI pin.

The BSR output register is loaded with the contents of the BSR shift register in the Update-DR state. If the current instruction is EXTEST, the processor's output pins, as well as those bidirectional pins that are enabled as outputs, are driven with their corresponding values from the BSR output register.

Table 50. Boundary Scan Bit Definitions¹

Bit	Pin/Enable	Bit	Pin/Enable	Bit	Pin/Enable	Bit	Pin/Enable	Bit	Pin/Enable	Bit	Pin/Enable
296	A6_E	263	A28_E	230	HIT#	197	AP	164	RSVD	131	D40_E
295	A6	262	A28	229	A27_E	196	A20_E	163	RSVD	130	D40
294	VID1_E ²	261	ADS_E	228	A27	195	A20	162	RSVD	129	D59_E
293	VID1 ²	260	ADS#	227	A4_E	194	BREQ_E	161	RSVD	128	D59
292	A22_E	259	A17_E	226	A4	193	BREQ	160	AHOLD	127	D9_E
291	A22	258	A17	225	A7_E	192	A11_E	159	INV	126	D9
290	PCHK_E	257	A25_E	224	A7	191	A11	158	CLK	125	D28_E
289	PCHK#	256	A25	223	A8_E	190	A10_E	157	VID2_E ²	124	D28
288	A14_E	255	PWT_E	222	A8	189	A10	156	VID2 ²	123	D56_E
287	A14	254	PWT	221	A15_E	188	APCHK_E	155	CACHE_E	122	D56
286	A13_E	253	A12_E	220	A15	187	APCHK#	154	CACHE#	121	D44_E
285	A13	252	A12	219	DC_E	186	SMIACT_E	153	MIO_E	120	D44
284	A24_E	251	A9_E	218	D/C#	185	SMIACT#	152	M/IO#	119	D11_E
283	A24	250	A9	217	A16_E	184	RSVD	151	FERR_E	118	D11
282	RESET	249	A26_E	216	A16	183	A5_E	150	FERR#	117	DP3_E
281	A18_E	248	A26	215	A19_E	182	A5	149	D0_E	116	DP3
280	A18	247	A30_E	214	A19	181	INTR	148	D0	115	D39_E
279	A21_E	246	A30	213	SCYC_E	180	NMI	147	D1_E	114	D39
278	A21	245	VID0_E ²	212	SCYC	179	INIT	146	D1	113	DP6_E
277	PCD_E	244	VID0 ²	211	ADSC_E	178	HOLD	145	D61_E	112	DP6
276	PCD	243	HITM_E	210	ADSC#	177	IGNNE#	144	D61	111	D8_E
275	BE4_E	242	HITM#	209	BE6_E	176	SMI#	143	D62_E	110	D8
274	BE4#	241	A20M#	208	BE6	175	WB/WT#	142	D62	109	D32_E
273	BE7_E	240	FLUSH#	207	BE3_E	174	BF0	141	DP0_E	108	D32
272	BE7#	239	A3_E	206	BE3	173	BOFF#	140	DP0	107	D36_E
271	A23_E	238	A3	205	HLDA_E	172	NA#	139	D21_E	106	D36
270	A23	237	A31_E	204	HLDA	171	BF1	138	D21	105	D51_E
269	LOCK_E	236	A31	203	BE1_E	170	BRDYC#	137	D57_E	104	D51
268	LOCK#	235	A29_E	202	BE1#	169	BRDY#	136	D57	103	D15_E
267	BE0_E	234	A29	201	EADS#	168	STPCLK#	135	D5_E	102	D15
266	BE0#	233	WR_E	200	BE2_E	167	BF2	134	D5	101	D37_E
265	BE5_E	232	W/R#	199	BE2#	166	KEN#	133	D24_E	100	D37
264	BE5#	231	HIT_E	198	AP_E	165	EWBE#	132	D24	99	D41_E

Table 50. Boundary Scan Bit Definitions¹ (continued)

Bit	Pin/Enable	Bit	Pin/Enable	Bit	Pin/Enable	Bit	Pin/Enable	Bit	Pin/Enable	Bit	Pin/Enable
98	D41	81	D49	64	D20_E	47	D35	30	D43_E	13	D45
97	D52_E	80	D17_E	63	D20	46	D10_E	29	D43	12	D60_E
96	D52	79	D17	62	D13_E	45	D10	28	D58_E	11	D60
95	D14_E	78	D19_E	61	D13	44	D53_E	27	D58	10	D22_E
94	D14	77	D19	60	DP5_E	43	D53	26	D26_E	9	D22
93	D29_E	76	D48_E	59	DP5	42	D34_E	25	D26	8	D63_E
92	D29	75	D48	58	D31_E	41	D34	24	D3_E	7	D63
91	D33_E	74	D47_E	57	D31	40	VID4_E ²	23	D3	6	DP7_E
90	D33	73	D47	56	D27_E	39	VID4 ²	22	D55_E	5	DP7
89	RSVD	72	D16_E	55	D27	38	D7_E	21	D55	4	D4_E
88	D18_E	71	D16	54	D12_E	37	D7	20	D42_E	3	D4
87	D18	70	DP1_E	53	D12	36	DP4_E	19	D42	2	D2_E
86	D23_E	69	DP1	52	D50_E	35	DP4	18	VID3_E ²	1	D2
85	D23	68	D46_E	51	D50	34	D54_E	17	VID3 ²	0	Reserved
84	D25_E	67	D46	50	D38_E	33	D54	16	D6_E		
83	D25	66	DP2_E	49	D38	32	D30_E	15	D6		
82	D49_E	65	DP2	48	D35_E	31	D30	14	D45_E		

Notes:

1. TDI is the input to bit 296, and TDO is driven from the output of bit 0. The entries listed as pin_E (where pin is an output or bidirectional signal) are the enable bits.
2. Supported on low-power versions only.

Device Identification Register (DIR). The DIR is a 32-bit Test Data Register selected during the execution of the IDCODE instruction. The fields of the DIR and their values are shown in Table 51 on page 259 and are defined as follows:

- *Version Code*—This 4-bit field is incremented by AMD manufacturing for each major revision of silicon.
- *Part Number*—This 16-bit field identifies the specific processor model.
- *Manufacturer*—This 11-bit field identifies the manufacturer of the component (AMD).

- **LSB**—The least significant bit (LSB) of the DIR is always set to 1, as specified by the IEEE 1149.1 standard.

Table 51. Device Identification Register

Version Code (Bits 31–28)	Part Number (Bits 27–12)	Manufacturer (Bits 11–1)	LSB (Bit 0)
Xh	05D0h	0000000001b	1b

Bypass Register (BR). The BR is a Test Data Register consisting of a 1-bit shift register that provides the shortest path between TDI and TDO. When the processor is not involved in a test operation, the BR can be selected by an instruction to allow the transfer of test data through the processor without having to serially scan the test data through the BSR. This functionality preserves the state of the BSR and significantly reduces test time.

The BR register is selected by the **BYPASS** and **HIGHZ** instructions as well as by any instructions not supported by the AMD-K6-2E+ processor.

TAP Instructions

The processor supports the three instructions required by the IEEE 1149.1 standard—**EXTEST**, **SAMPLE/PRELOAD**, and **BYPASS**—as well as two additional optional instructions—**IDCODE** and **HIGHZ**.

Table 52 shows the complete set of TAP instructions supported by the processor along with the 5-bit Instruction Register encoding and the register selected by each instruction.

Table 52. Supported TAP Instructions

Instruction	Encoding	Register	Description
EXTEST ¹	00000b	BSR	Sample inputs and drive outputs
SAMPLE / PRELOAD	00001b	BSR	Sample inputs and outputs, then load the BSR
IDCODE	00010b	DIR	Read DIR
HIGHZ	00011b	BR	Float outputs and bidirectional pins
BYPASS ²	00100b–11110b	BR	Undefined instruction, execute the BYPASS instruction
BYPASS ³	11111b	BR	Connect TDI to TDO to bypass the BSR

Notes:

1. Following the execution of the **EXTEST** instruction, the processor must be reset in order to return to normal, non-test operation.
2. These instruction encodings are undefined on the AMD-K6-2E+ processor and default to the **BYPASS** instruction.
3. Because the TDI input contains an internal pullup, the **BYPASS** instruction is executed if the TDI input is not connected or open during an instruction scan operation. The **BYPASS** instruction does not affect the normal operational state of the processor.

EXTEST Instruction. When the EXTEST instruction is executed, the processor loads the BSR shift register with the current state of the input and bidirectional pins in the Capture-DR state and drives the output and bidirectional pins with the corresponding values from the BSR output register in the Update-DR state.

SAMPLE/PRELOAD Instruction. The SAMPLE/PRELOAD instruction performs two functions. These functions are as follows:

- During the Capture-DR state, the processor loads the BSR shift register with the current state of every input, output, and bidirectional pin.
- During the Update-DR state, the BSR output register is loaded from the BSR shift register in preparation for the next EXTEST instruction.

The SAMPLE/PRELOAD instruction does not affect the normal operational state of the processor.

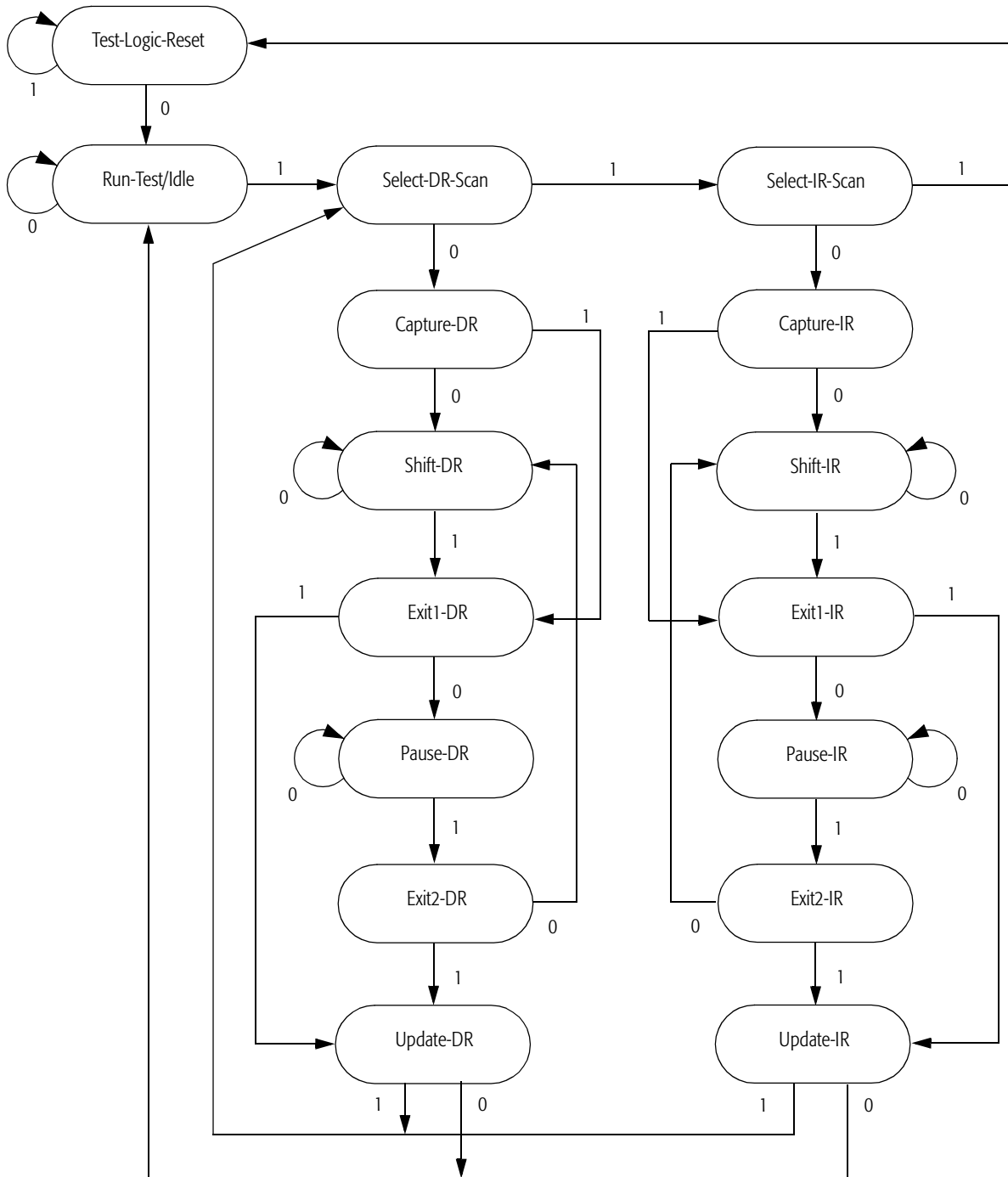
BYPASS Instruction. The BYPASS instruction selects the BR register, which reduces the boundary-scan length through the processor from 297 to one (TDI to BR to TDO). The BYPASS instruction does not affect the normal operational state of the processor.

IDCODE Instruction. The IDCODE instruction selects the DIR register, allowing the device identification code to be shifted out of the processor. This instruction is loaded into the IR when the TAP controller is reset. The IDCODE instruction does not affect the normal operational state of the processor.

HIGHZ Instruction. The HIGHZ instruction forces all output and bidirectional pins to be floated. During this instruction, the BR is selected and the normal operational state of the processor is not affected.

TAP Controller State Machine

The TAP controller state diagram is shown in Figure 90 on page 261. State transitions occur on the rising edge of TCK. The logic 0 or 1 next to the states represents the value of the TMS signal sampled by the processor on the rising edge of TCK.



IEEE Std 1149.1-1990, Copyright © 1990. IEEE. All rights reserved

Figure 90. TAP State Diagram

The states of the TAP controller are described as follows:

Test-Logic-Reset. This state represents the initial reset state of the TAP controller and is entered when the processor samples RESET asserted, when TRST# is asynchronously asserted, and when TMS is sampled High for five or more consecutive clocks. In addition, this state can be entered from the Select-IR-Scan state. The IR is initialized with the IDCODE instruction, and the processor's normal operation is not affected in this state.

Capture-DR. During the SAMPLE/PRELOAD instruction, the processor loads the BSR shift register with the current state of every input, output, and bidirectional pin. During the EXTEST instruction, the processor loads the BSR shift register with the current state of every input and bidirectional pin.

Capture-IR. When the TAP controller enters the Capture-IR state, the processor loads 01b into the two least significant bits of the IR shift register and loads 000b into the three most significant bits of the IR shift register.

Shift-DR. While in the Shift-DR state, the selected TDR shift register is serially shifted toward the TDO pin. During the shift, the most significant bit of the TDR is loaded from the TDI pin.

Shift-IR. While in the Shift-IR state, the IR shift register is serially shifted toward the TDO pin. During the shift, the most significant bit of the IR is loaded from the TDI pin.

Update-DR. During the SAMPLE/PRELOAD instruction, the BSR output register is loaded with the contents of the BSR shift register. During the EXTEST instruction, the output pins, as well as those bidirectional pins defined as outputs, are driven with their corresponding values from the BSR output register.

Update-IR. In this state, the IR output register is loaded from the IR shift register, and the current instruction is defined by the IR output register.

The following states have no effect on the normal or test operation of the processor other than as shown in Figure 90 on page 261:

- Run-Test/Idle—This state is an idle state between scan operations.
- Select-DR-Scan—This is the initial state of the test data register state transitions.
- Select-IR-Scan—This is the initial state of the Instruction Register state transitions.
- Exit1-DR—This state is entered to terminate the shifting process and enter the Update-DR state.
- Exit1-IR—This state is entered to terminate the shifting process and enter the Update-IR state.
- Pause-DR—This state is entered to temporarily stop the shifting process of a Test Data Register.
- Pause-IR—This state is entered to temporarily stop the shifting process of the Instruction Register.
- Exit2-DR—This state is entered in order to either terminate the shifting process and enter the Update-DR state or to resume shifting following the exit from the Pause-DR state.
- Exit2-IR—This state is entered in order to either terminate the shifting process and enter the Update-IR state or to resume shifting following the exit from the Pause-IR state.

13.4 Cache Inhibit

The AMD-K6-2E+ processor provides a means for inhibiting the normal operation of its internal L1 and L2 caches while still supporting an external cache. This capability allows system designers to disable the L1 and L2 caches during the testing and debug of an L3 cache.

If the Cache Inhibit bit (bit 3) of Test Register 12 (TR12) is set to 0, the processor's L1 and L2 caches are enabled and operate as described in "Cache Organization" on page 205. If the Cache Inhibit bit is set to 1, the L1 and L2 caches are disabled and no new cache lines are allocated. Even though new allocations do not occur, valid L1 and L2 cache lines remain valid and are read by the processor when a requested address hits a cache line. In addition, the processor continues to support inquire cycles

initiated by the system logic, including the execution of writeback cycles when a modified cache line is hit.

While the L1 and L2 are inhibited, the processor continues to drive the PCD output signal appropriately, which system logic can use to control external L3 caching.

In order to completely disable the L1 and L2 caches so that no valid lines exist in the cache, the Cache Inhibit bit must be set to 1 and the cache must be flushed in one of the following ways:

- Asserting the FLUSH# input signal
- Executing the WBINVD instruction
- Executing the INVD instruction (modified cache lines are not written back to memory)
- Using the Page Flush/Invalidate Register (PFIR) (see “Page Flush/Invalidate Register (PFIR)” on page 223)

13.5 L2 Cache and Tag Array Testing

Level-2 Cache Array Access Register (L2AAR)

The AMD-K6-2E+ processor provides the Level-2 Cache Array Access Register (L2AAR) that allows for direct access to the L2 cache and L2 tag arrays. The 128-Kbyte L2 cache in the AMD-K6-2E+ is organized as shown in Figure 91 on page 265:

- Four 32-Kbyte ways
- Each way contains 512sets
- Each set contains four 64-byte sectors (one sector in each way)
- Each sector contains two 32-byte cache lines
- Each cache line contains four 8-byte octets
- Each octet contains an upper and lower dword (4 bytes)

Each line within a sector contains its own MESI state bits, and associated with each sector is a tag and LRU (least recently used) information.

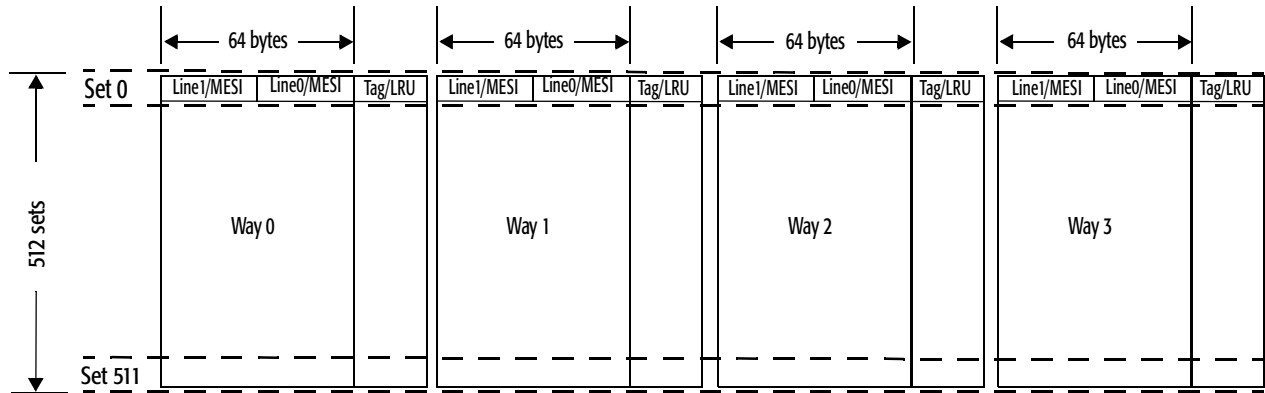


Figure 91. L2 Cache Organization for AMD-K6™-2E+ Processor

Figure 92 shows the L2 cache sector and line organization. If bit 5 of the address of a cache line equals 1, then this cache line is stored in Line 1 of a sector. Similarly, if bit 5 of the address of a cache line equals 0, then this cache line is stored in Line 0 of a sector.

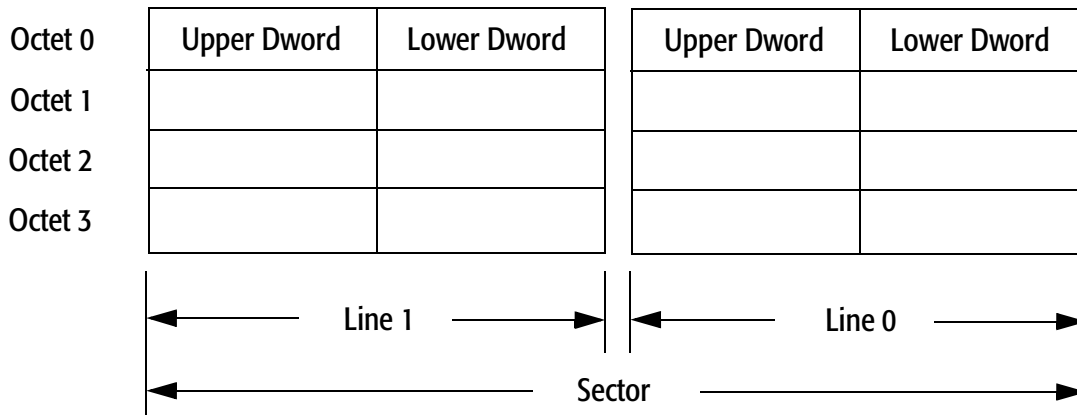


Figure 92. L2 Cache Sector and Line Organization

The L2AAR register is MSR C000_0089h. The operation that is performed on the L2 cache is a function of the instruction executed—RDMSR or WRMSR—and the contents of the EDX register. The EDX register specifies the location of the access, and whether the access is to the L2 cache data or tags (refer to Figure 93 on page 266). Bit 20 of EDX (T/D) determines whether the access is to the L2 cache data or tag. Table 53 on

page 266 describes the operation that is performed based on the instruction and the T/D bit.

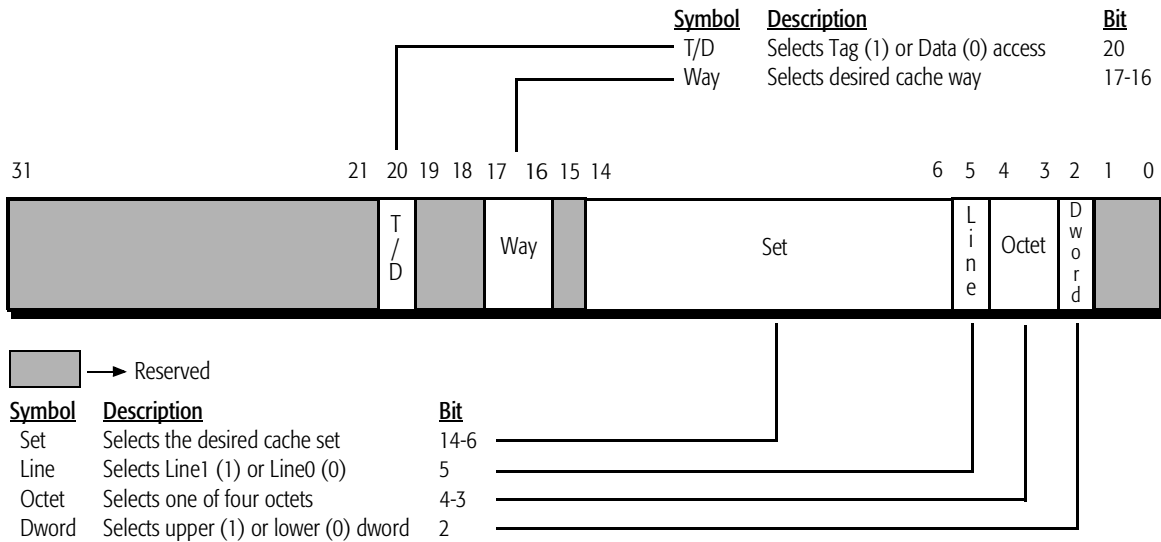


Figure 93. L2 Tag or Data Location for the AMD-K6™-2E+ Processor—EDX

Table 53. Tag versus Data Selector

Instruction	T/D (EDX[20])	Operation
RDMSR	0	Read dword from L2 data array into EAX. Dword location is specified by EDX.
RDMSR	1	Read tag, line state and LRU information from L2 tag array into EAX. Location of tag is specified by EDX.
WRMSR	0	Write dword to the L2 data array using data in EAX. Dword location is specified by EDX.
WRMSR	1	Write tag, line state and LRU information into L2 tag array from EAX. Location of tag is specified by EDX.

When the L2AAR is read or written, EDX is left unchanged. This facilitates multiple accesses when testing the entire cache/tag array.

L2 Cache Data Reads

If the L2 cache *data* is read (as opposed to reading the tag information), the result (dword) is placed in EAX in the format

as illustrated in Figure 94. Similarly, if the L2 cache data is written, the write data is taken from EAX.

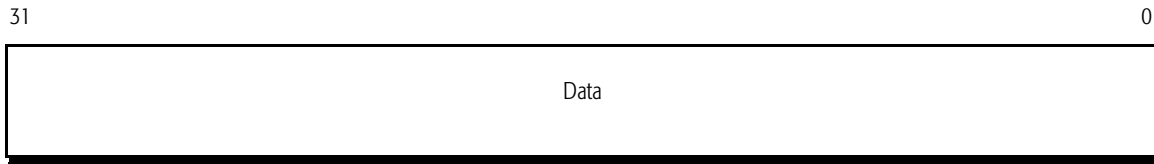


Figure 94. L2 Data - EAX

L2 Tag Reads

If the L2 tag is read (as opposed to reading the cache data), the result is placed in EAX in the format as illustrated in Figure 95 on page 267. Similarly, if the L2 tag is written, the write data is taken from EAX. When accessing the L2 tag, the Line, Octet, and Dword fields of the EDX register are ignored.

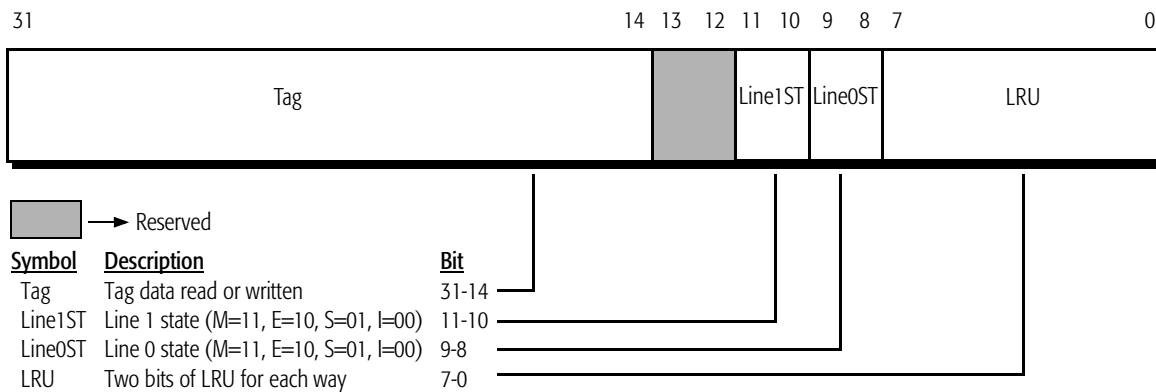
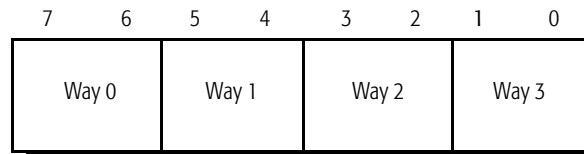


Figure 95. L2 Tag Information for the AMD-K6™-2E+ Processor—EAX

LRU (Least Recently Used). For the 4-way set associative L2 cache, each way has a 2-bit LRU field for each sector. Values for the LRU field are 00b, 01b, 10b, and 11b, where 00b indicates that the sector is “most recently used,” and 11b indicates that the sector is “least recently used” (see Figure 96 on page 268). EAX[7:6] indicate LRU information for Way 0, EAX[5:4] for Way 1, EAX[3:2] for Way 2, and EAX[1:0] for Way 3.

**LRU Values**

00b Most Recently Used

01b Used More Recent Than 10b, But Less Recent Than 00b

10b Used More Recent Than 11b, But Less Recent Than 01b

11b Least Recently Used

Figure 96. LRU Byte

13.6 Debug

The AMD-K6-2E+ processor implements the standard x86 debug functions, registers, and exceptions. In addition, the processor supports the I/O breakpoint debug extension. The debug feature assists programmers and system designers during software execution tracing by generating exceptions when one or more events occur during processor execution. The exception handler, or debugger, can be written to perform various tasks, such as displaying the conditions that caused the breakpoint to occur, displaying and modifying register or memory contents, or single-stepping through program execution.

The following sections describe the debug registers and the various types of breakpoints and exceptions that the processor supports.

Debug Registers

Figures 97 through 100 show the 32-bit debug registers supported by the processor.

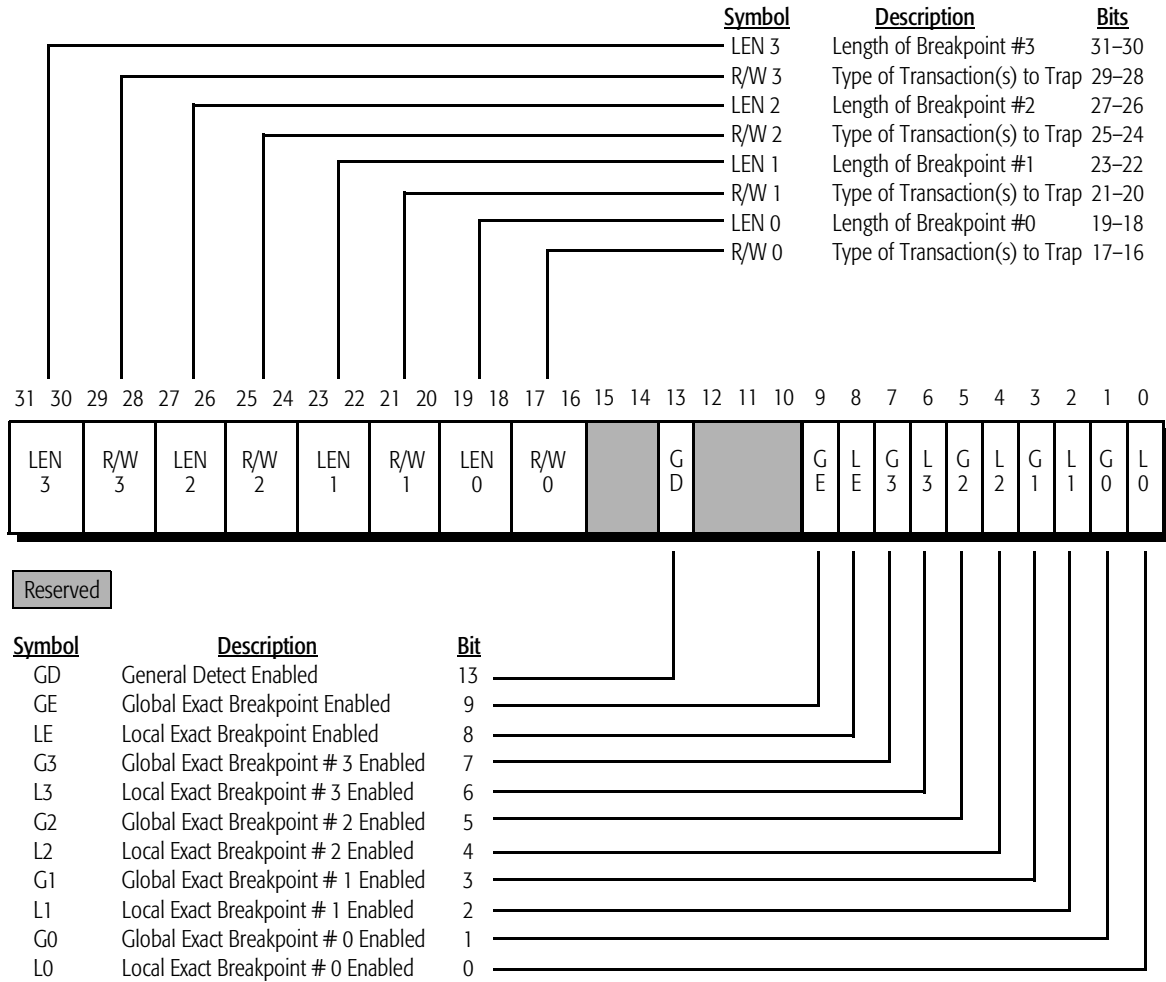


Figure 97. Debug Register DR7

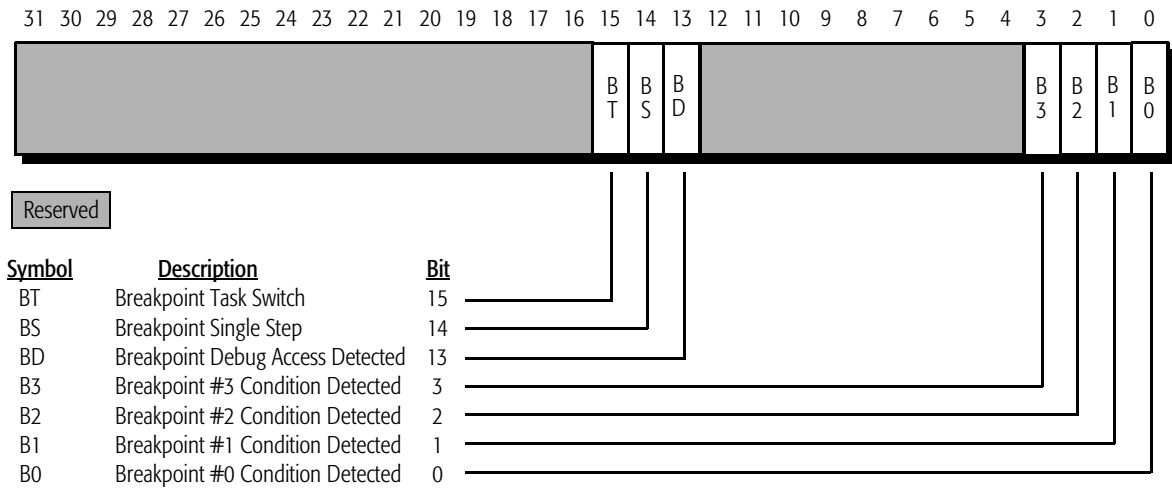
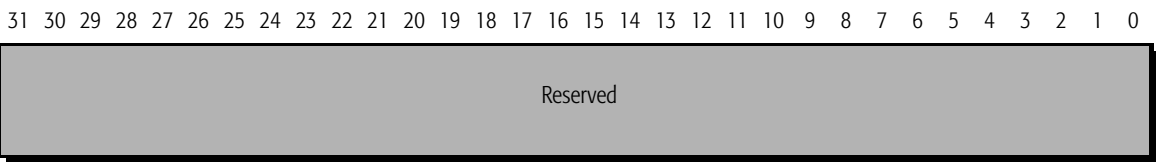


Figure 98. Debug Register DR6

DR5



DR4

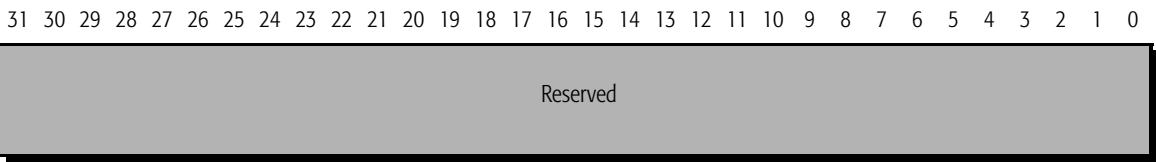


Figure 99. Debug Registers DR5 and DR4

DR3

31 30 29 28 27 26 25 24 23 22 21 20 19 18 17 16 15 14 13 12 11 10 9 8 7 6 5 4 3 2 1 0

Breakpoint 3 32-bit Linear Address

DR2

31 30 29 28 27 26 25 24 23 22 21 20 19 18 17 16 15 14 13 12 11 10 9 8 7 6 5 4 3 2 1 0

Breakpoint 2 32-bit Linear Address

DR1

31 30 29 28 27 26 25 24 23 22 21 20 19 18 17 16 15 14 13 12 11 10 9 8 7 6 5 4 3 2 1 0

Breakpoint 1 32-bit Linear Address

DR0

31 30 29 28 27 26 25 24 23 22 21 20 19 18 17 16 15 14 13 12 11 10 9 8 7 6 5 4 3 2 1 0

Breakpoint 0 32-bit Linear Address

Figure 100. Debug Registers DR3, DR2, DR1, and DR0

DR3–DR0. The processor allows the setting of up to four breakpoints. DR3–DR0 contain the linear addresses for breakpoint 3 through breakpoint 0, respectively, and are compared to the linear addresses of processor cycles to determine if a breakpoint occurs. Debug register DR7 defines the specific type of cycle that must occur in order for the breakpoint to occur.

DR5–DR4. When debugging extensions are disabled (bit 3 of CR4 is set to 0), the DR5 and DR4 registers are mapped to DR7 and DR6, respectively, in order to be software compatible with previous generations of x86 processors. When debugging

extensions are enabled (bit 3 of CR4 is set to 1), any attempt to load DR5 or DR4 results in an undefined opcode exception. Likewise, any attempt to store DR5 or DR4 also results in an undefined opcode exception.

DR6. If a breakpoint is enabled in DR7, and the breakpoint conditions as defined in DR7 occur, then the corresponding B bit (B3–B0) in DR6 is set to 1. In addition, any other breakpoints defined using these particular breakpoint conditions are reported by the processor by setting the appropriate B-bits in DR6, regardless of whether these breakpoints are enabled or disabled. However, if a breakpoint is not enabled, a debug exception does not occur for that breakpoint.

If the processor decodes an instruction that writes or reads DR7 through DR0, the BD bit (bit 13) in DR6 is set to 1 (if enabled in DR7) and the processor generates a debug exception. This operation allows control to pass to the debugger prior to debug register access by software.

If the Trap Flag (bit 8) of the EFLAGS register is set to 1, the processor generates a debug exception after the successful execution of every instruction (single-step operation) and sets the BS bit (bit 14) in DR6 to indicate the source of the exception.

When the processor switches to a new task and the debug trap bit (T bit) in the corresponding Task State Segment (TSS) is set to 1, the processor sets the BT bit (bit 15) in DR6 and generates a debug exception.

DR7. When set to 1, L3–L0 locally enable breakpoints 3 through 0, respectively. L3–L0 are set to 0 whenever the processor executes a task switch. Setting L3–L0 to 0 disables the breakpoints and ensures that these particular debug exceptions are only generated for a specific task.

When set to 1, G3–G0 globally enable breakpoints 3 through 0, respectively. Unlike L3–L0, G3–G0 are not set to 0 whenever the processor executes a task switch. Not setting G3–G0 to 0 allows breakpoints to remain enabled across all tasks. If a breakpoint is enabled globally but disabled locally, the global enable overrides the local enable.

The LE (bit 8) and GE (bit 9) bits in DR7 have no effect on the operation of the processor and are provided in order to be software-compatible with previous generations of x86 processors.

When set to 1, the GD bit in DR7 (bit 13) enables the debug exception associated with the BD bit (bit 13) in DR6. This bit is set to 0 when a debug exception is generated.

LEN3–LEN0 and RW3–RW0 are two-bit fields in DR7 that specify the length and type of each breakpoint as defined in Table 54.

Table 54. DR7 LEN and RW Definitions

LEN Bits ¹	RW Bits	Breakpoint
00b	00b ²	Instruction Execution
00b	01b	One-byte Data Write
01b		Two-byte Data Write
11b		Four-byte Data Write
00b	10b ³	One-byte I/O Read or Write
01b		Two-byte I/O Read or Write
11b		Four-byte I/O Read or Write
00b	11b	One-byte Data Read or Write
01b		Two-byte Data Read or Write
11b		Four-byte Data Read or Write

Notes:

1. LEN bits equal to 10b is undefined.
2. When RW equals 00b, LEN must be equal to 00b.
3. When RW equals 10b, debugging extensions (DE) must be enabled (bit 3 of CR4 must be set to 1). If DE is set to 0, then RW equal to 10b is undefined.

Debug Exceptions

A debug exception is categorized as either a debug trap or a debug fault.

- A *debug trap* calls the debugger following the execution of the instruction that caused the trap.
- A *debug fault* calls the debugger prior to the execution of the instruction that caused the fault.

All debug traps and faults generate either an Interrupt 01h or an Interrupt 03h exception.

Interrupt 01h. The following events are considered debug traps that cause the processor to generate an Interrupt 01h exception:

- Enabled breakpoints for data and I/O cycles
- Single Step Trap
- Task Switch Trap

The following events are considered debug faults that cause the processor to generate an Interrupt 01h exception:

- Enabled breakpoints for instruction execution
- BD bit in DR6 set to 1

Interrupt 03h. The INT 3 instruction is defined in the x86 architecture as a breakpoint instruction. This instruction causes the processor to generate an Interrupt 03h exception. This exception is a debug trap because the debugger is called following the execution of the INT 3 instruction.

The INT 3 instruction is a one-byte instruction (opcode CCh) typically used to insert a breakpoint in software by writing CCh to the address of the first byte of the instruction to be trapped (the target instruction). Following the trap, if the target instruction is to be executed, the debugger must replace the INT 3 instruction with the first byte of the target instruction.

14 Clock Control

14.1 Clock Control States

The standard-power versions of the AMD-K6-2E+ processor support five modes of clock control. The low-power versions of the AMD-K6-2E+ processor support six modes of clock control.

The processor can transition between these modes to maximize performance, to minimize power dissipation, or to provide a balance between performance and power. (See “Power Dissipation” on page 289 for the maximum power dissipation of the AMD-K6-2E+ processor within the normal and reduced-power states.) The clock-control states supported are:

- **Normal State**—The processor is running in Real Mode, Virtual-8086 Mode, Protected Mode, or System Management Mode (SMM). In this state, all clocks are running—including the external bus clock CLK and the internal processor clock—and the full features and functions of the processor are available.
- **Halt State**—This low-power state is entered following the successful execution of the HLT instruction. During this state, the internal processor clock is stopped.
- **Stop Grant State**—This low-power state is entered following the recognition of the assertion of the STPCLK# signal. During this state, the internal processor clock is stopped.
- **Stop Grant Inquire State**—This state is entered from the Halt state and the Stop Grant state as the result of a system-initiated inquire cycle.
- **Enhanced Power Management (EPM) Stop Grant State**: This low-power state is available on low-power versions of the processor. It is entered following the write of a non-zero value to the SGTC field of the EPM 16-byte I/O block for the purpose of performing dynamic processor core frequency and voltage ID state transitions using AMD PowerNow! technology. During this state, the internal processor clock is stopped.
- **Stop Clock State**—This low-power state is entered from the Stop Grant state when the CLK signal is stopped.

Figure 101 and Figure 102 illustrate the clock control state transitions on the standard-power and low-power versions, respectively, of the AMD-K6-2E+ processor. Each of the reduced-power states are described in the following sections.

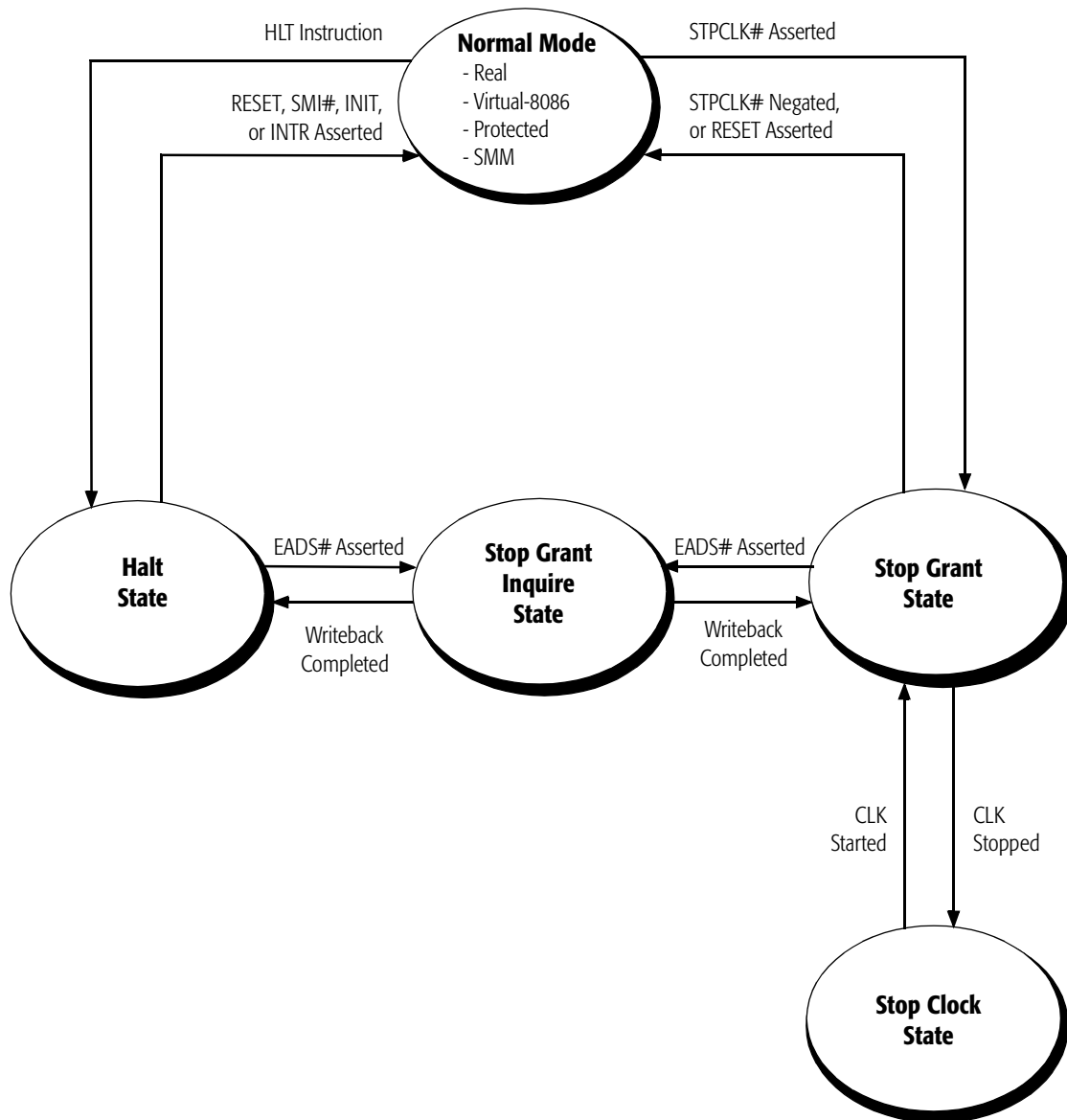


Figure 101. Clock Control State Transitions for Standard-Power Versions of the AMD-K6™-2E+ Processor

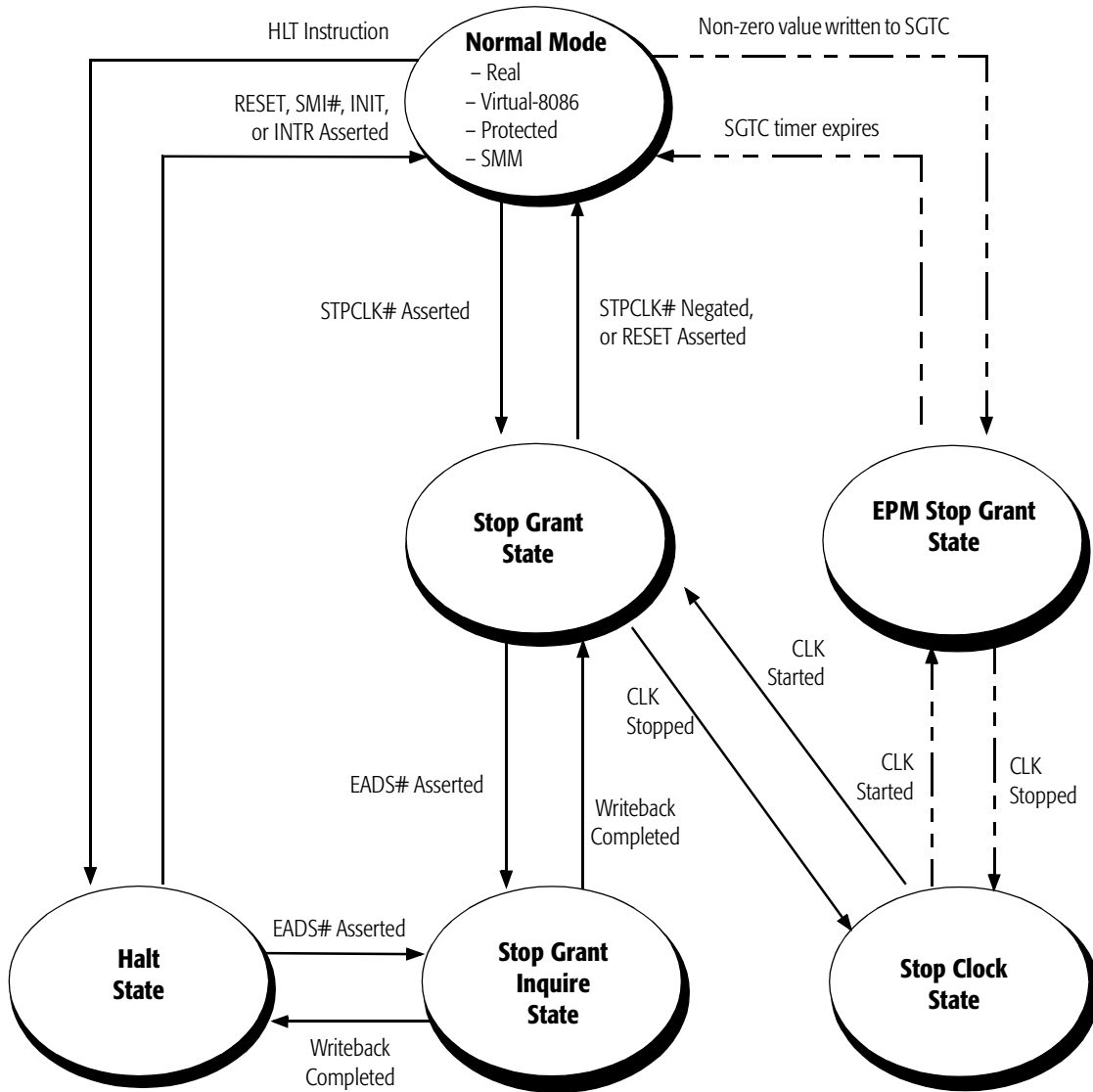


Figure 102. Clock Control State Transitions for Low-Power Versions of the AMD-K6™-2E+ Processor

14.2 Halt State

Enter Halt State

During the execution of the HLT instruction, the AMD-K6-2E+ processor executes a Halt special cycle. After BRDY# is sampled asserted during this cycle, and then EWBE# is also sampled asserted (if not masked off), the processor enters the Halt state in which the processor disables most of its internal clock distribution. In order to support the following operations, the internal phase-lock loop (PLL) still runs, and some internal resources are still clocked in the Halt state:

- **Inquire Cycles**—The processor continues to sample AHOLD, BOFF#, and HOLD in order to support inquire cycles that are initiated by the system logic. The processor transitions to the Stop Grant Inquire state during the inquire cycle. After returning to the Halt state following the inquire cycle, the processor does not execute another Halt special cycle.
- **Flush Cycles**—The processor continues to sample FLUSH#. If FLUSH# is sampled asserted, the processor performs the flush operation in the same manner as it is performed in the Normal state. Upon completing the flush operation, the processor executes the Halt special cycle, which indicates the processor is in the Halt state.
- **Time Stamp Counter (TSC)**—The TSC continues to count in the Halt state.
- **Signal Sampling**—The processor continues to sample INIT, INTR, NMI, RESET, and SMI#.

After entering the Halt state, all signals driven by the processor retain their state as they existed following the completion of the Halt special cycle.

Exit Halt State

The AMD-K6-2E+ processor remains in the Halt state until it samples INIT, INTR (if interrupts are enabled), NMI, RESET, or SMI# asserted. If any of these signals is sampled asserted, the processor returns to the Normal state and performs the corresponding operation. All of the normal requirements for recognition of these input signals apply within the Halt state.

14.3 Stop Grant State

Enter Stop Grant State

After recognizing the assertion of STPCLK#, the AMD-K6-2E+ processor flushes its instruction pipelines, completes all pending and in-progress bus cycles, and acknowledges the

STPCLK# assertion by executing a Stop Grant special bus cycle. After BRDY# is sampled asserted during this cycle, and then EWBE# is also sampled asserted (if not masked off), the processor enters the Stop Grant state.

The Stop Grant state is like the Halt state in that the processor disables most of its internal clock distribution in the Stop Grant state.

In order to support the following operations, the internal PLL still runs, and some internal resources are still clocked in the Stop Grant state:

- Inquire cycles—The processor transitions to the Stop Grant Inquire state during an inquire cycle. After returning to the Stop Grant state following the inquire cycle, the processor does not execute another Stop Grant special cycle.
- Time Stamp Counter (TSC)—The TSC continues to count in the Stop Grant state.
- Signal Sampling—The processor continues to sample INIT, INTR, NMI, RESET, and SMI#.

FLUSH# is not recognized in the Stop Grant state (unlike while in the Halt state).

Upon entering the Stop Grant state, all signals driven by the processor retain their state as they existed following the completion of the Stop Grant special cycle.

Exit Stop Grant State

The AMD-K6-2E+ processor remains in the Stop Grant state until it samples STPCLK# negated or RESET asserted. If STPCLK# is sampled negated, the processor returns to the Normal state in less than 10 bus clock (CLK) periods. After the transition to the Normal state, the processor resumes execution at the instruction boundary on which STPCLK# was initially recognized.

If STPCLK# is recognized as negated in the Stop Grant state and subsequently sampled asserted prior to returning to the Normal state, the AMD-K6-2E+ processor guarantees that a minimum of one instruction is executed prior to re-entering the Stop Grant state.

If INIT, INTR (if interrupts are enabled), FLUSH#, NMI, or SMI# are sampled asserted in the Stop Grant state, the

processor latches the edge-sensitive signals (INIT, FLUSH#, NMI, and SMI#), but otherwise does not exit the Stop Grant state to service the interrupt. When the processor returns to the Normal state due to sampling STPCLK# negated, any pending interrupts are recognized after returning to the Normal state. To ensure their recognition, all of the normal requirements for these input signals apply within the Stop Grant state.

If RESET is sampled asserted in the Stop Grant state, the processor immediately returns to the Normal state and the reset process begins.

14.4 Stop Grant Inquire State

Enter Stop Grant Inquire State

The Stop Grant Inquire state is entered from the Stop Grant state or the Halt state when EADS# is sampled asserted during an inquire cycle initiated by the system logic. The AMD-K6-2E+ processor responds to an inquire cycle in the same manner as in the Normal state by driving HIT# and HITM#. If the inquire cycle hits a modified cache line, the processor performs a writeback cycle.

Exit Stop Grant Inquire State

Following the completion of any writeback, the processor returns to the state from which it entered the Stop Grant Inquire state.

14.5 EPM Stop Grant State

Enter EPM Stop Grant State

This state is supported on the low-power versions of the AMD-K6-2E+ processor. After receiving a write of a non-zero value to the SGTC (Stop Grant Time-out Counter) field located within the EPM 16-byte I/O block, the processor flushes its instruction pipelines, completes all pending and in-progress bus cycles, and performs the following:

- Drives the processor VID[4:0] output pins to the value stored in the VIDO field of the EPM 16-byte I/O block (see “EPM 16-Byte I/O Block” on page 146) if the VIDC bit is set to 1.
- Forwards the processor-to-bus clock ratio stored in the IBF[2:0] field of the EPM 16-byte I/O block to the internal PLL if the BDC[1:0] value is set to 1xb.

The EPM Stop Grant state is like the Halt state in that the processor disables most of its internal clock distribution in the EPM Stop Grant state. In order to support the following operations, the internal PLL still runs, and some internal resources are still clocked in the EPM Stop Grant state.

- Time Stamp Counter (TSC): The TSC continues to count in the EPM Stop Grant state.
- Signal Sampling: The processor continues to sample INIT, INTR, NMI, RESET, and SMI#.

Unlike the Halt and Stop Grant states, system-initiated inquire cycles are not supported and must be prevented during the EPM Stop Grant state.

FLUSH# is not recognized in the EPM Stop Grant state (unlike while in the Halt state).

Upon entering the EPM Stop Grant state, all signals driven by the processor retain their state as they existed following the completion of the EPM Stop Grant special cycle.

Exit EPM Stop Grant State

The processor remains in the EPM Stop Grant state until the allotted time expires, as determined by the value written to the SGTC field, or until RESET is sampled asserted. Once the allotted time expires, the processor returns to the Normal state. After the transition to the Normal state, the processor resumes execution at the instruction boundary on which the EPM Stop Grant state was entered.

If INIT, INTR (if interrupts are enabled), FLUSH#, NMI, or SMI# are sampled asserted in the EPM Stop Grant state, the processor latches the edge-sensitive signals (INIT, FLUSH#, NMI, and SMI#), but otherwise does not exit the EPM Stop Grant state to service the interrupt. When the processor returns to the Normal state, any pending interrupts are recognized. To ensure their recognition, all of the normal requirements for these input signals apply within the EPM Stop Grant state.

If RESET is sampled asserted in the EPM Stop Grant state, the processor immediately returns to the Normal state and the reset process begins.

14.6 Stop Clock State

Enter Stop Clock State

If the CLK signal is stopped while the AMD-K6-2E+ processor is in the Stop Grant state, the processor enters the Stop Clock state. Because all internal clocks and the PLL are not running in the Stop Clock state, the Stop Clock state represents the minimum-power state of all clock control states. The CLK signal must be held Low while it is stopped.

The Stop Clock state cannot be entered from the Halt state.

INTR is the only input signal that is allowed to change states while the processor is in the Stop Clock state. However, INTR is not sampled until the processor returns to the Stop Grant state. All other input signals must remain unchanged in the Stop Clock state.

Exit Stop Clock State

The AMD-K6-2E+ processor returns to the Stop Grant state from the Stop Clock state after the CLK signal is started and the internal PLL has stabilized. PLL stabilization is achieved after the CLK signal has been running within its specification for a minimum of 1.0 ms.

The frequency of CLK when exiting the Stop Clock state can be different than the frequency of CLK when entering the Stop Clock state.

The state of the BF[2:0] signals when exiting the Stop Clock state is ignored because the BF[2:0] signals are only sampled during the falling transition of RESET.

15 Electrical Data

This chapter includes specifications for the operating ranges, absolute ratings, and DC characteristics of the AMD-K6-2E+ embedded processor. Nominal and maximum power dissipation values for the AMD-K6-2E+ processor during normal and reduced power states are listed. The chapter concludes with a discussion of power and grounding requirements.

15.1 Operating Ranges

The AMD-K6-2E+ processor is designed to provide functional operation if the voltage and temperature parameters are within the limits defined in Table 55 and Table 56.

Table 55. Operating Ranges for Low-Power AMD-K6™-2E+ Devices

Parameter	Parameter Description	350 MHz	400 MHz	450 MHz
V_{CC2}^1	Core Supply Voltage (Minimum)	1.4 V ²	1.5 V ³	1.6 V ⁴
V_{CC2}^1	Core Supply Voltage (Nominal)	1.5 V ²	1.6 V ³	1.7 V ⁴
V_{CC2}^1	Core Supply Voltage (Maximum)	1.6 V ²	1.7 V ³	1.8 V ⁴
V_{CC3}^1	I/O Supply Voltage (Minimum)	3.135 V		
V_{CC3}^1	I/O Supply Voltage (Nominal)	3.30 V		
V_{CC3}^1	I/O Supply Voltage (Maximum)	3.6 V		
T_{CASE}	Case Temperature (Minimum) ⁵	0°C		
T_{CASE}	Case Temperature (Maximum) ⁵	85°C		

Notes:

- V_{CC2} and V_{CC3} are referenced from V_{SS} .
- V_{CC2} specification for 1.5-V component.
- V_{CC2} specification for 1.6-V component.
- V_{CC2} specification for 1.7-V component.
- Case temperature range required for AMD-K6-2E+/350xUZ, AMD-K6-2E+/400xTZ, and AMD-K6-2E+/450xPZ valid ordering part number combinations, where x represents the package type. See Table 79 on page 334 for a complete list of valid OPNs.

Table 56. Operating Ranges for Standard-Power AMD-K6™-2E+ Devices

Parameter	Parameter Description	400 MHz	450 MHz	500 MHz
V_{CC2}^1	Core Supply Voltage (Minimum) ²	1.9 V		
V_{CC2}^1	Core Supply Voltage (Nominal) ²	2.0 V		
V_{CC2}^1	Core Supply Voltage (Maximum) ²	2.1 V		
V_{CC3}^1	I/O Supply Voltage (Minimum)	3.135 V		
V_{CC3}^1	I/O Supply Voltage (Nominal)	3.30 V		
V_{CC3}^1	I/O Supply Voltage (Maximum)	3.6 V		
T_{CASE}	Case Temperature (Minimum) ³	0°C		
T_{CASE}	Case Temperature (Maximum) ⁵	70°C		

Notes:

- V_{CC2} and V_{CC3} are referenced from V_{SS} .
- V_{CC2} specification for 2.0-V component
- Case temperature range required for AMD-K6-2E+/xxxYACR valid ordering part number combinations, where xxx represents the processor core frequency and y represents the package type, as defined in Table 79 on page 334.

15.2 Absolute Ratings

The AMD-K6-2E+ processor is not designed to be operated beyond the operating ranges listed in Table 55 and Table 56. Exposure to conditions outside these operating ranges for extended periods of time can affect long-term reliability. Permanent damage can occur if the absolute ratings listed in Table 57 are exceeded.

Table 57. Absolute Ratings

Parameter	Description	Minimum	Maximum
V_{CC2}	Core Supply Voltage	-0.5 V	2.2 V
V_{CC3}	I/O Supply Voltage	-0.5 V	3.6 V
V_{PIN}^1	Voltage on Any I/O Pin	-0.5 V	$V_{CC3} + 0.4 \text{ V}$ and $\leq 3.8 \text{ V}$
T_{CASE} (under bias)	Case Temperature	-65°C	+110°C
$T_{STORAGE}$	Storage Temperature	-65°C	+150°C

Notes:

- V_{PIN} (the voltage on any I/O pin) must not be greater than 0.4 V above the voltage being applied to V_{CC3} . In addition, the V_{PIN} voltage must never exceed 3.8 V.

15.3 DC Characteristics

The DC characteristics of the AMD-K6-2E+ processor are shown in Table 58.

Table 58. DC Characteristics for the AMD-K6™-2E+ Processor

Symbol	Parameter Description	Preliminary Data		Comments
		Min	Max	
V_{IL}	Input Low Voltage	-0.3 V	+0.8 V	
V_{IH}^1	Input High Voltage	2.0 V	$V_{CC3} + 0.3 \text{ V}$	
V_{OL}	Output Low Voltage		0.4 V	$I_{OL} = 4.0\text{-mA}$ load
V_{OH}	Output High Voltage	2.4 V		$I_{OH} = 3.0\text{-mA}$ load
I_{CC2} Low Power	1.5-V Power Supply Current		5.30 A	350 MHz ^{2,3}
	1.6-V Power Supply Current		6.15 A	400 MHz ^{2,3,4}
	1.7-V Power Supply Current		7.60 A	450 MHz ^{2,3}

Table 58. DC Characteristics for the AMD-K6™-2E+ Processor (continued)

Symbol	Parameter Description	Preliminary Data		Comments
		Min	Max	
I_{CC2} Standard Power	2.0 V Power Supply Current		8.70 A	400 MHz ^{3,4,5}
			9.25 A	450 MHz ^{3,5}
			9.75 A	500 MHz ^{3,5}
I_{CC3} Standard and Low Power	3.3 V Power Supply Current		0.64 A	350 MHz ^{3,6}
			0.65 A	400 MHz ^{3,4,6}
			0.66 A	450 MHz ^{3,6}
			0.68 A	500 MHz ^{3,6}
I_{LI} ⁷	Input Leakage Current		±15 µA	
I_{LO} ⁷	Output Leakage Current		±15 µA	
I_{IL} ⁸	Input Leakage Current Bias with Pullup		-500 µA	
I_{IH} ⁹	Input Leakage Current Bias with Pulldown		500 µA	
C_{IN}	Input Capacitance		10 pF	
C_{OUT}	Output Capacitance		15 pF	
C_{OUT}	I/O Capacitance		20 pF	
C_{CLK}	CLK Capacitance		10 pF	
C_{TIN}	Test Input Capacitance (TDI, TMS, TRST#)		10 pF	
C_{TOUT}	Test Output Capacitance (TDO)		15 pF	
C_{TCK}	TCK Capacitance		10 pF	

Notes:

1. V_{CC3} refers to the voltage being applied to V_{CC3} during functional operation.
2. V_{CC2} = Maximum V_{CC2} as listed in Table 55 on page 286— The maximum power supply current must be taken into account when designing a power supply.
3. This specification applies to components using a CLK frequency of 100 MHz.
4. This specification applies to components using a CLK frequency of 66 MHz (66-MHz bus applies to 400-MHz part only).
5. $V_{CC2} = 2.1$ V — The maximum power supply current must be taken into account when designing a power supply.
6. $V_{CC3} = 3.6$ V—The maximum power supply current must be taken into account when designing a power supply.
7. Refers to inputs and I/O without an internal pullup resistor and $0 \leq V_{IN} \leq V_{CC3}$.
8. Refers to inputs with an internal pullup and $V_{IL} = 0.4$ V.
9. Refers to inputs with an internal pulldown and $V_{IH} = 2.4$ V.

15.4 Power Dissipation

Table 59 and Table 60 contain the application power dissipation of the low-power and standard-power AMD-K6-2E+ processor during normal and reduced power states. Table 61 on page 290 shows the supported voltages and operating frequencies for low-power versions of AMD-K6-2E+ processors enabled with AMD PowerNow! technology.

Table 59. Power Dissipation for Low-Power AMD-K6™-2E+ Devices

Power Dissipation		350 MHz ¹	400 MHz ^{1,2}	450 MHz ¹
Application Power	Active ³	5.60 W	6.90 W	8.70 W
	AMD PowerNow! Technology Power Saving Mode ⁴	2.95 W		
Thermal Design Power (Maximum) ^{5,6}		7.50 W	9.50 W	12.00 W
Stop Grant/Halt (Maximum) ^{6,7}	V _{CC} Nominal	2.50 W		
Stop Clock (Maximum) ^{6,8}	V _{CC} Nominal	1.60 W	1.90 W	
	Lowest Operating V _{CC} ⁹	1.30 W		

Notes:

1. This specification applies to components using a CLK frequency of 100 MHz.
2. This specification applies to components using a CLK frequency of 66 MHz.
3. The active application power measurements were taken by running a suite of embedded benchmarks covering four major embedded market segments: automotive, office automation, networking, and telecommunications.
4. AMD PowerNow! technology Power Saving Mode represents averaged values measured while running the processor in the lowest settings supported by AMD PowerNow! technology.
5. The maximum power dissipated in the normal clock control state must be taken into account when designing a solution for thermal dissipation for the AMD-K6-2E+ processor.
6. Maximum power is determined for the worst-case instruction sequence or function for the listed clock control states with V_{CC2} = Nominal V_{CC2} as listed in Table 55 on page 286 and V_{CC3} = 3.3 V.
7. The CLK signal and the internal PLL are still running, but most internal clocking has stopped.
8. The CLK signal, the internal PLL, and all internal clocking has stopped.
9. The lowest operating V_{CC} is 1.4 V.

Table 60. Power Dissipation for Standard-Power AMD-K6™-2E+ Devices

Power Dissipation		400 MHz ^{1,2}	450 MHz ¹	500 MHz ¹
Application Power	Active ³	11.40 W	12.65 W	13.90 W
Thermal Design Power (Maximum) ^{4,5}		16.50 W	17.50 W	18.50 W
Stop Grant/Halt (Maximum) ^{5,6}		4.50 W		
Stop Clock (Maximum) ^{5,7}		4.00 W		

Notes:

1. This specification applies to components using a CLK frequency of 100 MHz.
2. This specification applies to components using a CLK frequency of 66 MHz.
3. The active application power measurements were taken by running a suite of embedded benchmarks covering four major embedded market segments: automotive, office automation, networking, and telecommunications.
4. The maximum power dissipated in the normal clock control state must be taken into account when designing a solution for thermal dissipation for the AMD-K6-2E+ processor.
5. Maximum power is determined for the worst-case instruction sequence or function for the listed clock control states with $V_{CC2} = 2.0\text{ V}$ and $V_{CC3} = 3.3\text{ V}$.
6. The CLK signal and the internal PLL are still running, but most internal clocking has stopped.
7. The CLK signal, the internal PLL, and all internal clocking has stopped.

Table 61. Supported Voltages and Operating Frequencies for Low-Power AMD-K6™-2E+ Processors Enabled with AMD PowerNow!™ Technology

Ordering Part Number ¹	Core Voltage	Range of Supported Operating Frequencies ²	Active Power ³
AMD-K6-2E+/450APZ	1.7 V	450–200 MHz	8.70–4.90 W
	1.6 V	400–200 MHz	6.90–4.20 W
	1.5 V	350–200 MHz	5.60–3.70 W
	1.4 V	300–200 MHz	4.30–2.95 W
AMD-K6-2E+/400XTZ	1.6 V	400–200 MHz	6.90–4.20 W
	1.5 V	350–200 MHz	5.60–3.70 W
	1.4 V	300–200 MHz	4.30–2.95 W
AMD-K6-2E+/350xUJ	1.5 V	350–200 MHz	5.60–3.70 W
	1.4 V	300–200 MHz	4.30–2.95 W

Notes:

1. An x in this column represents the package type. See Table 79, “AMD-K6™-2E+ Embedded Processor Valid Ordering Part Number Combinations,” on page 334.
2. AMD PowerNow! technology enables the operating frequency to step down in increments corresponding to the available bus frequency multipliers. Note that 250-MHz operation is not supported due to exclusion of 2.5 bus frequency multiplier.
3. Active application power dissipation for highest and lowest supported frequency at specified voltage.

15.5 Power and Grounding

Power Connections

The AMD-K6-2E+ processor is a dual voltage device. Two separate supply voltages are required: V_{CC2} and V_{CC3} .

- V_{CC2} provides the core voltage for the processor.
- V_{CC3} provides the I/O voltage.

See “Operating Ranges” on page 286 for the value and range of V_{CC2} and V_{CC3} .

The power and ground pins for each package are listed in Table 76 on page 325 and Table 78 on page 329. Table 74 on page 321 lists the pin differences between the two packages. The large number of power and ground pins are provided to ensure that the processor and package maintain a clean and stable power distribution network.

For proper operation and functionality, all V_{CC2} , V_{CC3} , and V_{SS} pins must be connected to the appropriate planes in the circuit board. The power planes have been arranged in a pattern to simplify routing and minimize crosstalk on the circuit board. The isolation region between two voltage planes must be at least 0.254mm if they are in the same layer of the circuit board. (See Figure 103 on page 292.) In order to maintain a low-impedance current sink and reference, the ground plane must never be split.

Although the AMD-K6-2E+ processor has two separate supply voltages, there are no special power sequencing requirements. The best procedure is to minimize the time between which V_{CC2} and V_{CC3} are either both on or both off.

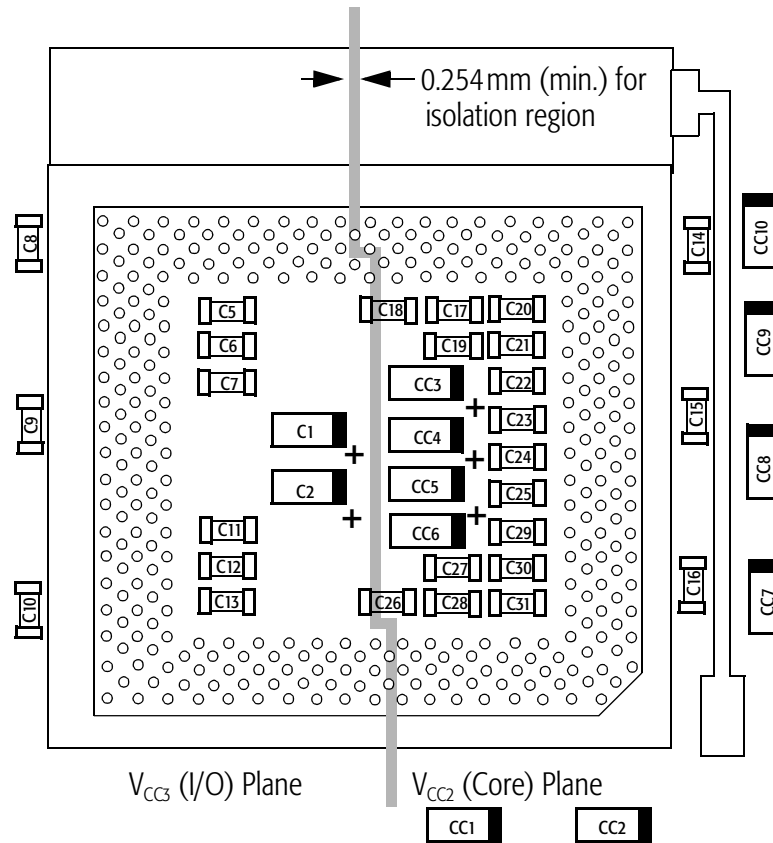


Figure 103. Suggested Component Placement for CPGA Package

Decoupling Recommendations

In addition to the isolation region mentioned in “Power Connections” on page 291, adequate decoupling capacitance is required between the two system power planes and the ground plane to minimize ringing and to provide a low-impedance path for return currents. Suggested decoupling capacitor placement is shown in Figure 103.

Surface-mounted capacitors should be used under the processor’s ZIF socket to minimize resistance and inductance in the lead lengths while maintaining minimal height. For information and recommendations about the specific value, quantity, and location of the capacitors, see the *AMD-K6[®] Processor Power Supply Design Application Note*, order# 21103.

Pin Connection Requirements

For proper operation, the following requirements for signal pin connections must be met:

- Do not drive address and data signals into large capacitive loads at high frequencies. If necessary, use buffer chips to drive large capacitive loads.
- Leave all NC (no-connect) pins unconnected.
- Unused inputs should always be connected to an appropriate signal level.
 - Active Low inputs that are not being used should be connected to V_{CC3} through a 20-k Ω pullup resistor.
 - Active High inputs that are not being used should be connected to GND through a pulldown resistor.
- Reserved signals can be treated in one of the following ways:
 - As no-connect (NC) pins, in which case these pins are left unconnected
 - As pins connected to the system logic as defined by the industry-standard Super7 and Socket 7 interface
 - Any combination of NC and Socket 7 pins
- Keep trace lengths to a minimum.

16 Signal Switching Characteristics

The AMD-K6-2E+ processor signal switching characteristics are presented in Table 62 through Table 71 on the following pages. Valid delay, float, setup, and hold timing specifications are listed. These specifications are provided for the system designer to determine if the timings necessary for the processor to interface with the system logic are met.

- Table 62 on page 296 and Table 63 on page 297 contain the switching characteristics of the CLK input.
- Table 64 on page 298 through Table 67 on page 304 contain the timings for the normal operation signals.
- Table 68 on page 306 and Table 69 on page 307 contain the timings for RESET and the configuration signals.
- Table 70 on page 308 and Table 71 on page 308 contain the timings for the test operation signals.

All signal timings provided are:

- Measured between CLK, TCK, or RESET at 1.5 V and the corresponding signal at 1.5 V—this applies to input and output signals that are switching from Low to High, or from High to Low
- Based on input signals applied at a slew rate of 1 V/ns between 0 V and 3 V (rising) and 3 V to 0 V (falling)
- Valid within the operating ranges given in “Operating Ranges” on page 286
- Based on a load capacitance (C_L) of 0 pF

16.1 CLK Switching Characteristics

Table 62 and Table 63 on page 297 contain the switching characteristics of the CLK input to the AMD-K6-2E+ processor for 100-MHz and 66-MHz bus operation, respectively, as measured at the voltage levels indicated by Figure 104 on page 297.

The CLK Period Stability parameter specifies the variance (jitter) allowed between successive periods of the CLK input measured at 1.5 V. This parameter must be considered as one of the elements of clock skew between the AMD-K6-2E+ processor and the system logic.

16.2 Clock Switching Characteristics for 100-MHz Bus Operation

Table 62. CLK Switching Characteristics for 100-MHz Bus Operation

Symbol	Parameter Description	Preliminary Data		Figure	Comments
		Min	Max		
	Frequency	33.3 MHz	100 MHz		In Normal Mode
t ₁	CLK Period	10.0 ns		104	In Normal Mode
t ₂	CLK High Time	3.0 ns		104	
t ₃	CLK Low Time	3.0 ns		104	
t ₄	CLK Fall Time	0.15 ns	1.5 ns	104	
t ₅	CLK Rise Time	0.15 ns	1.5 ns	104	
	CLK Period Stability ¹		± 250 ps		

Notes:

1. The jitter frequency power spectrum peaking must occur at frequencies greater than (Frequency of CLK)/3 or less than 500 kHz.

16.3 Clock Switching Characteristics for 66-MHz Bus Operation

Table 63. CLK Switching Characteristics for 66-MHz Bus Operation

Symbol	Parameter Description	Preliminary Data		Figure	Comments
		Min	Max		
	Frequency	33.3 MHz	66.6 MHz		In Normal Mode
t_1	CLK Period	15.0 ns	30.0 ns	104	In Normal Mode
t_2	CLK High Time	4.0 ns		104	
t_3	CLK Low Time	4.0 ns		104	
t_4	CLK Fall Time	0.15 ns	1.5 ns	104	
t_5	CLK Rise Time	0.15 ns	1.5 ns	104	
	CLK Period Stability ¹		± 250 ps		

Notes:

1. The jitter frequency power spectrum peaking must occur at frequencies greater than (Frequency of CLK)/3 or less than 500 kHz.

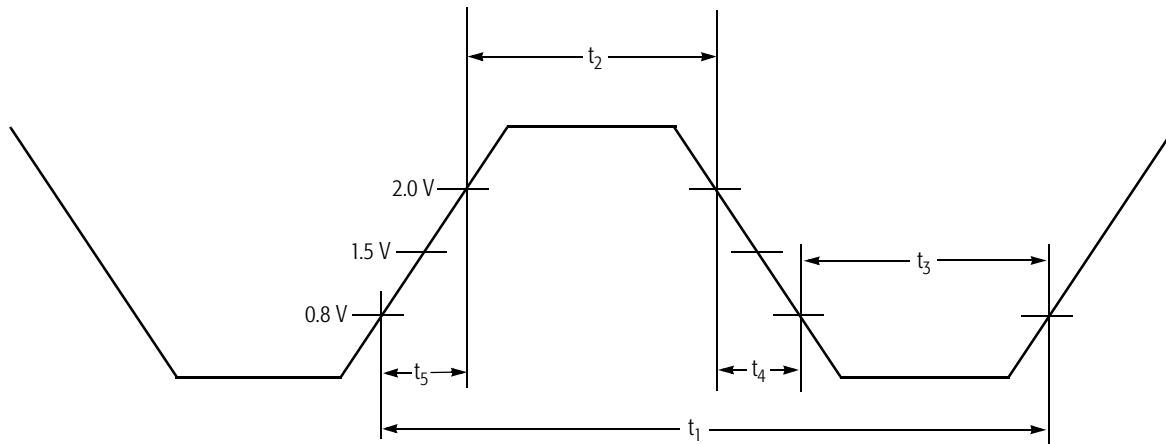


Figure 104. CLK Waveform

16.4 Valid Delay, Float, Setup, and Hold Timings

Valid Delay and Float Timing

The maximum valid delay timings are provided to allow a system designer to determine if setup times to the system logic can be met. Likewise, the minimum valid delay timings are used to analyze hold times to the system logic.

- Valid delay and float timings are given for output signals during functional operation and are given relative to the rising edge of CLK.
- During boundary-scan testing, valid delay and float timings for output signals are with respect to the falling edge of TCK.

Setup and Hold Timing

The setup and hold time requirements for the AMD-K6-2E+ processor input signals must be met by the system logic to assure the proper operation of the AMD-K6-2E+ processor.

- The setup and hold timings during functional and boundary-scan test mode are given relative to the rising edge of CLK and TCK, respectively.

16.5 Output Delay Timings for 100-MHz Bus Operation

Table 64. Output Delay Timings for 100-MHz Bus Operation

Symbol	Parameter Description	Preliminary Data		Figure
		Min	Max	
t ₆	A[31:3] Valid Delay	1.1 ns	4.0 ns	106
t ₇	A[31:3] Float Delay		7.0 ns	107
t ₈	ADS# Valid Delay	1.0 ns	4.0 ns	106
t ₉	ADS# Float Delay		7.0 ns	107
t ₁₀	ADSC# Valid Delay	1.0 ns	4.0 ns	106
t ₁₁	ADSC# Float Delay		7.0 ns	107
t ₁₂	AP Valid Delay	1.0 ns	5.5 ns	106
t ₁₃	AP Float Delay		7.0 ns	107
t ₁₄	APCHK# Valid Delay	1.0 ns	4.5 ns	106
t ₁₅	BE[7:0]# Valid Delay	1.0 ns	4.0 ns	106
t ₁₆	BE[7:0]# Float Delay		7.0 ns	107
t ₁₇	BREQ Valid Delay	1.0 ns	4.0 ns	106
t ₁₈	CACHE# Valid Delay	1.0 ns	4.0 ns	106

Table 64. Output Delay Timings for 100-MHz Bus Operation (continued)

Symbol	Parameter Description	Preliminary Data		Figure
		Min	Max	
t ₁₉	CACHE# Float Delay		7.0 ns	107
t ₂₀	D/C# Valid Delay	1.0 ns	4.0 ns	106
t ₂₁	D/C# Float Delay		7.0 ns	107
t ₂₂	D[63:0] Write Data Valid Delay	1.3 ns	4.5 ns	106
t ₂₃	D[63:0] Write Data Float Delay		7.0 ns	107
t ₂₄	DP[7:0] Write Data Valid Delay	1.3 ns	4.5 ns	106
t ₂₅	DP[7:0] Write Data Float Delay		7.0 ns	107
t ₂₆	FERR# Valid Delay	1.0 ns	4.5 ns	106
t ₂₇	HIT# Valid Delay	1.0 ns	4.0 ns	106
t ₂₈	HITM# Valid Delay	1.1 ns	4.0 ns	106
t ₂₉	HLDA Valid Delay	1.0 ns	4.0 ns	106
t ₃₀	LOCK# Valid Delay	1.1 ns	4.0 ns	106
t ₃₁	LOCK# Float Delay		7.0 ns	107
t ₃₂	M/IO# Valid Delay	1.0 ns	4.0 ns	106
t ₃₃	M/IO# Float Delay		7.0 ns	107
t ₃₄	PCD Valid Delay	1.0 ns	4.0 ns	106
t ₃₅	PCD Float Delay		7.0 ns	107
t ₃₆	PCHK# Valid Delay	1.0 ns	4.5 ns	106
t ₃₇	PWT Valid Delay	1.0 ns	4.0 ns	106
t ₃₈	PWT Float Delay		7.0 ns	107
t ₃₉	SCYC Valid Delay	1.0 ns	4.0 ns	106
t ₄₀	SCYC Float Delay		7.0 ns	107
t ₄₁	SMIACK# Valid Delay	1.0 ns	4.0 ns	106
t ₄₂	W/R# Valid Delay	1.0 ns	4.0 ns	106
t ₄₃	W/R# Float Delay		7.0 ns	107

16.6 Input Setup and Hold Timings for 100-MHz Bus Operation

Table 65. Input Setup and Hold Timings for 100-MHz Bus Operation

Symbol	Parameter Description	Preliminary Data		Figure
		Min	Max	
t_{44}	A[31:5] Setup Time	3.0 ns		108
t_{45}	A[31:5] Hold Time	1.0 ns		108
t_{46}^1	A20M# Setup Time	3.0 ns		108
t_{47}^1	A20M# Hold Time	1.0 ns		108
t_{48}	AHOLD Setup Time	3.5 ns		108
t_{49}	AHOLD Hold Time	1.0 ns		108
t_{50}	AP Setup Time	1.7 ns		108
t_{51}	AP Hold Time	1.0 ns		108
t_{52}	BOFF# Setup Time	3.5 ns		108
t_{53}	BOFF# Hold Time	1.0 ns		108
t_{54}	BRDY# Setup Time	3.0 ns		108
t_{55}	BRDY# Hold Time	1.0 ns		108
t_{56}	BRDYC# Setup Time	3.0 ns		108
t_{57}	BRDYC# Hold Time	1.0 ns		108
t_{58}	D[63:0] Read Data Setup Time	1.7 ns		108
t_{59}	D[63:0] Read Data Hold Time	1.5 ns		108
t_{60}	DP[7:0] Read Data Setup Time	1.7 ns		108
t_{61}	DP[7:0] Read Data Hold Time	1.5 ns		108
t_{62}	EADS# Setup Time	3.0 ns		108
t_{63}	EADS# Hold Time	1.0 ns		108
t_{64}	EWBE# Setup Time	1.7 ns		108
t_{65}	EWBE# Hold Time	1.0 ns		108
t_{66}^2	FLUSH# Setup Time	1.7 ns		108
t_{67}^2	FLUSH# Hold Time	1.0 ns		108
t_{68}	HOLD Setup Time	1.7 ns		108
t_{69}	HOLD Hold Time	1.5 ns		108
t_{70}^1	IGNNE# Setup Time	1.7 ns		108
t_{71}^1	IGNNE# Hold Time	1.0 ns		108
t_{72}^2	INIT Setup Time	1.7 ns		108

Table 65. Input Setup and Hold Timings for 100-MHz Bus Operation (continued)

Symbol	Parameter Description	Preliminary Data		Figure
		Min	Max	
t_{73}^2	INIT Hold Time	1.0 ns		108
t_{74}^1	INTR Setup Time	1.7 ns		108
t_{75}^1	INTR Hold Time	1.0 ns		108
t_{76}	INV Setup Time	1.7 ns		108
t_{77}	INV Hold Time	1.0 ns		108
t_{78}	KEN# Setup Time	3.0 ns		108
t_{79}	KEN# Hold Time	1.0 ns		108
t_{80}	NA# Setup Time	1.7 ns		108
t_{81}	NA# Hold Time	1.0 ns		108
t_{82}^2	NMI Setup Time	1.7 ns		108
t_{83}^2	NMI Hold Time	1.0 ns		108
t_{84}^2	SMI# Setup Time	1.7 ns		108
t_{85}^2	SMI# Hold Time	1.0 ns		108
t_{86}^1	STPCLK# Setup Time	1.7 ns		108
t_{87}^1	STPCLK# Hold Time	1.0 ns		108
t_{88}	WB/WT# Setup Time	1.7 ns		108
t_{89}	WB/WT# Hold Time	1.0 ns		108

Notes:

1. These level-sensitive signals can be asserted synchronously or asynchronously. To be sampled on a specific clock edge, setup and hold times must be met. If asserted asynchronously, they must be asserted for a minimum pulse width of two clocks.
2. These edge-sensitive signals can be asserted synchronously or asynchronously. To be sampled on a specific clock edge, setup and hold times must be met. If asserted asynchronously, they must have been negated at least two clocks prior to assertion and must remain asserted at least two clocks.

16.7 Output Delay Timings for 66-MHz Bus Operation

Table 66. Output Delay Timings for 66-MHz Bus Operation

Symbol	Parameter Description	Preliminary Data		Figure
		Min	Max	
t ₆	A[31:3] Valid Delay	1.1 ns	6.3 ns	106
t ₇	A[31:3] Float Delay		10.0 ns	107
t ₈	ADS# Valid Delay	1.0 ns	6.0 ns	106
t ₉	ADS# Float Delay		10.0 ns	107
t ₁₀	ADSC# Valid Delay	1.0 ns	7.0 ns	106
t ₁₁	ADSC# Float Delay		10.0 ns	107
t ₁₂	AP Valid Delay	1.0 ns	8.5 ns	106
t ₁₃	AP Float Delay		10.0 ns	107
t ₁₄	APCHK# Valid Delay	1.0 ns	8.3 ns	106
t ₁₅	BE[7:0]# Valid Delay	1.0 ns	7.0 ns	106
t ₁₆	BE[7:0]# Float Delay		10.0 ns	107
t ₁₇	BREQ Valid Delay	1.0 ns	8.0 ns	106
t ₁₈	CACHE# Valid Delay	1.0 ns	7.0 ns	106
t ₁₉	CACHE# Float Delay		10.0 ns	107
t ₂₀	D/C# Valid Delay	1.0 ns	7.0 ns	106
t ₂₁	D/C# Float Delay		10.0 ns	107
t ₂₂	D[63:0] Write Data Valid Delay	1.3 ns	7.5 ns	106
t ₂₃	D[63:0] Write Data Float Delay		10.0 ns	107
t ₂₄	DP[7:0] Write Data Valid Delay	1.3 ns	7.5 ns	106
t ₂₅	DP[7:0] Write Data Float Delay		10.0 ns	107
t ₂₆	FERR# Valid Delay	1.0 ns	8.3 ns	106
t ₂₇	HIT# Valid Delay	1.0 ns	6.8 ns	106
t ₂₈	HITM# Valid Delay	1.1 ns	6.0 ns	106
t ₂₉	HLDA Valid Delay	1.0 ns	6.8 ns	106
t ₃₀	LOCK# Valid Delay	1.1 ns	7.0 ns	106
t ₃₁	LOCK# Float Delay		10.0 ns	107
t ₃₂	M/IO# Valid Delay	1.0 ns	5.9 ns	106
t ₃₃	M/IO# Float Delay		10.0 ns	107
t ₃₄	PCD Valid Delay	1.0 ns	7.0 ns	106
t ₃₅	PCD Float Delay		10.0 ns	107

Table 66. Output Delay Timings for 66-MHz Bus Operation (continued)

Symbol	Parameter Description	Preliminary Data		Figure
		Min	Max	
t ₃₆	PCHK# Valid Delay	1.0 ns	7.0 ns	106
t ₃₇	PWT Valid Delay	1.0 ns	7.0 ns	106
t ₃₈	PWT Float Delay		10.0 ns	107
t ₃₉	SCYC Valid Delay	1.0 ns	7.0 ns	106
t ₄₀	SCYC Float Delay		10.0 ns	107
t ₄₁	SMIACK# Valid Delay	1.0 ns	7.3 ns	106
t ₄₂	W/R# Valid Delay	1.0 ns	7.0 ns	106
t ₄₃	W/R# Float Delay		10.0 ns	107

16.8 Input Setup and Hold Timings for 66-MHz Bus Operation

Table 67. Input Setup and Hold Timings for 66-MHz Bus Operation

Symbol	Parameter Description	Preliminary Data		Figure
		Min	Max	
t_{44}	A[31:5] Setup Time	6.0 ns		108
t_{45}	A[31:5] Hold Time	1.0 ns		108
t_{46}^1	A20M# Setup Time	5.0 ns		108
t_{47}^1	A20M# Hold Time	1.0 ns		108
t_{48}	AHOLD Setup Time	5.5 ns		108
t_{49}	AHOLD Hold Time	1.0 ns		108
t_{50}	AP Setup Time	5.0 ns		108
t_{51}	AP Hold Time	1.0 ns		108
t_{52}	BOFF# Setup Time	5.5 ns		108
t_{53}	BOFF# Hold Time	1.0 ns		108
t_{54}	BRDY# Setup Time	5.0 ns		108
t_{55}	BRDY# Hold Time	1.0 ns		108
t_{56}	BRDYC# Setup Time	5.0 ns		108
t_{57}	BRDYC# Hold Time	1.0 ns		108
t_{58}	D[63:0] Read Data Setup Time	2.8 ns		108
t_{59}	D[63:0] Read Data Hold Time	1.5 ns		108
t_{60}	DP[7:0] Read Data Setup Time	2.8 ns		108
t_{61}	DP[7:0] Read Data Hold Time	1.5 ns		108
t_{62}	EADS# Setup Time	5.0 ns		108
t_{63}	EADS# Hold Time	1.0 ns		108
t_{64}	EWBE# Setup Time	5.0 ns		108
t_{65}	EWBE# Hold Time	1.0 ns		108
t_{66}^2	FLUSH# Setup Time	5.0 ns		108
t_{67}^2	FLUSH# Hold Time	1.0 ns		108
t_{68}	HOLD Setup Time	5.0 ns		108
t_{69}	HOLD Hold Time	1.5 ns		108
t_{70}^1	IGNNE# Setup Time	5.0 ns		108
t_{71}^1	IGNNE# Hold Time	1.0 ns		108
t_{72}^2	INIT Setup Time	5.0 ns		108

Table 67. Input Setup and Hold Timings for 66-MHz Bus Operation (continued)

Symbol	Parameter Description	Preliminary Data		Figure
		Min	Max	
t_{73}^2	INIT Hold Time	1.0 ns		108
t_{74}^1	INTR Setup Time	5.0 ns		108
t_{75}^1	INTR Hold Time	1.0 ns		108
t_{76}	INV Setup Time	5.0 ns		108
t_{77}	INV Hold Time	1.0 ns		108
t_{78}	KEN# Setup Time	5.0 ns		108
t_{79}	KEN# Hold Time	1.0 ns		108
t_{80}	NA# Setup Time	4.5 ns		108
t_{81}	NA# Hold Time	1.0 ns		108
t_{82}^2	NMI Setup Time	5.0 ns		108
t_{83}^2	NMI Hold Time	1.0 ns		108
t_{84}^2	SMI# Setup Time	5.0 ns		108
t_{85}^2	SMI# Hold Time	1.0 ns		108
t_{86}^1	STPCLK# Setup Time	5.0 ns		108
t_{87}^1	STPCLK# Hold Time	1.0 ns		108
t_{88}	WB/WT# Setup Time	4.5 ns		108
t_{89}	WB/WT# Hold Time	1.0 ns		108

Notes:

1. These level-sensitive signals can be asserted synchronously or asynchronously. To be sampled on a specific clock edge, setup and hold times must be met. If asserted asynchronously, they must be asserted for a minimum pulse width of two clocks.
2. These edge-sensitive signals can be asserted synchronously or asynchronously. To be sampled on a specific clock edge, setup and hold times must be met. If asserted asynchronously, they must have been negated at least two clocks prior to assertion and must remain asserted at least two clocks.

16.9 RESET and Test Signal Timing

Table 68. RESET and Configuration Signals for 100-MHz Bus Operation

Symbol	Parameter Description	Preliminary Data		Figure
		Min	Max	
t_{90}	RESET Setup Time	1.7 ns		109
t_{91}	RESET Hold Time	1.0 ns		109
t_{92}	RESET Pulse Width, V_{CC} and CLK Stable	15 clocks		109
t_{93}	RESET Active After V_{CC} and CLK Stable	1.0 ms		109
t_{94}^1	BF[2:0] Setup Time	1.0 ms		109
t_{95}^1	BF[2:0] Hold Time	2 clocks		109
t_{96}	Intentionally left blank			
t_{97}	Intentionally left blank			
t_{98}	Intentionally left blank			
t_{99}^2	FLUSH# Setup Time	1.7 ns		109
t_{100}^2	FLUSH# Hold Time	1.0 ns		109
t_{101}^3	FLUSH# Setup Time	2 clocks		109
t_{102}^3	FLUSH# Hold Time	2 clocks		109

Notes:

1. BF[2:0] must meet a minimum setup time of 1.0 ms and a minimum hold time of two clocks relative to the negation of RESET.
2. To be sampled on a specific clock edge, setup and hold times must be met the clock edge before the clock edge on which RESET is sampled negated.
3. If asserted asynchronously, these signals must meet a minimum setup and hold time of two clocks relative to the negation of RESET.

Table 69. RESET and Configuration Signals for 66-MHz Bus Operation

Symbol	Parameter Description	Preliminary Data		Figure
		Min	Max	
t ₉₀	RESET Setup Time	5.0 ns		109
t ₉₁	RESET Hold Time	1.0 ns		109
t ₉₂	RESET Pulse Width, V _{CC} and CLK Stable	15 clocks		109
t ₉₃	RESET Active After V _{CC} and CLK Stable	1.0 ms		109
t ₉₄ ¹	BF[2:0] Setup Time	1.0 ms		109
t ₉₅ ¹	BF[2:0] Hold Time	2 clocks		109
t ₉₆	Intentionally left blank			
t ₉₇	Intentionally left blank			
t ₉₈	Intentionally left blank			
t ₉₉ ²	FLUSH# Setup Time	5.0 ns		109
t ₁₀₀ ²	FLUSH# Hold Time	1.0 ns		109
t ₁₀₁ ³	FLUSH# Setup Time	2 clocks		109
t ₁₀₂ ³	FLUSH# Hold Time	2 clocks		109

Notes:

1. BF[2:0] must meet a minimum setup time of 1.0 ms and a minimum hold time of two clocks relative to the negation of RESET.
2. To be sampled on a specific clock edge, setup and hold times must be met the clock edge before the clock edge on which RESET is sampled negated.
3. If asserted asynchronously, these signals must meet a minimum setup and hold time of two clocks relative to the negation of RESET.

Table 70. TCK Waveform and TRST# Timing at 25 MHz

Symbol	Parameter Description	Preliminary Data		Figure
		Min	Max	
	TCK Frequency		25 MHz	110
t_{103}	TCK Period	40.0 ns		110
t_{104}	TCK High Time	14.0 ns		110
t_{105}	TCK Low Time	14.0 ns		110
$t_{106}^{1,2}$	TCK Fall Time		5.0 ns	110
t_{107}	TCK Rise Time		5.0 ns	110
t_{108}^3	TRST# Pulse Width	30.0 ns		111

Notes:

1. Rise/Fall times can be increased by 1.0 ns for each 10 MHz that TCK is run below its maximum frequency of 25 MHz.
2. Rise/Fall times are measured between 0.8 V and 2.0 V.
3. Asynchronous.

Table 71. Test Signal Timing at 25 MHz

Symbol	Parameter Description	Preliminary Data		Figure
		Min	Max	
t_{109}^1	TDI Setup Time	5.0 ns		112
t_{110}^1	TDI Hold Time	9.0 ns		112
t_{111}^1	TMS Setup Time	5.0 ns		112
t_{112}^1	TMS Hold Time	9.0 ns		112
t_{113}^2	TDO Valid Delay	3.0 ns	13.0 ns	112
t_{114}^2	TDO Float Delay		16.0 ns	112
t_{115}^2	All Outputs (Non-Test) Valid Delay	3.0 ns	13.0 ns	112
t_{116}^2	All Outputs (Non-Test) Float Delay		16.0 ns	112
t_{117}^1	All Inputs (Non-Test) Setup Time	5.0 ns		112
t_{118}^1	All Inputs (Non-Test) Hold Time	9.0 ns		112

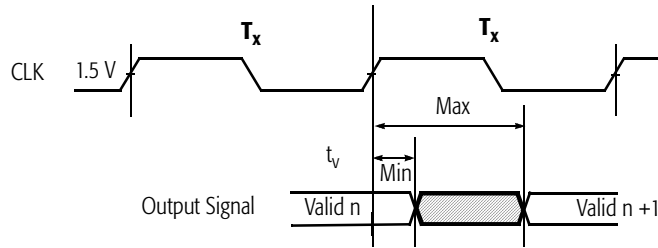
Notes:

1. Parameter is measured from the TCK rising edge.
2. Parameter is measured from the TCK falling edge.

16.10 Timing Diagrams

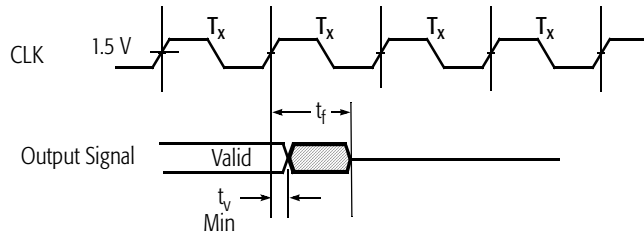
WAVEFORM	INPUTS	OUTPUTS
	Must be steady	Steady
	Can change from High to Low	Changing from High to Low
	Can change from Low to High	Changing from Low to High
	Don't care, any change permitted	Changing, State Unknown
	(Does not apply)	Center line is high impedance state

Figure 105. Key to Timing Diagrams



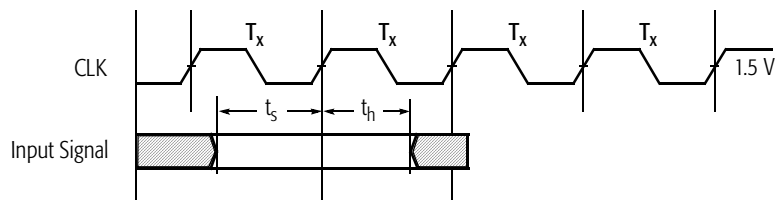
Note: For symbols t_v , listed in Table 64 on page 298 and Table 66 on page 302, where:
 $v = 6, 8, 10, 12, 14, 15, 17, 18, 20, 22, 24, 26, 27, 28, 29, 30, 32, 34, 36, 37, 39, 41, 42$

Figure 106. Output Valid Delay Timing



Note: For symbols t_v and t_f listed in Table 64 on page 298 and Table 66 on page 302, where:
 $v = 6, 8, 10, 12, 15, 18, 20, 22, 24, 30, 32, 34, 37, 39, 42$
 $f = 7, 9, 11, 13, 16, 19, 21, 23, 25, 31, 33, 35, 38, 40, 43$

Figure 107. Maximum Float Delay Timing



Note: For symbols t_s and t_h listed in Table 65 on page 300 and Table 67 on page 304, where:
 $s = 44, 46, 48, 50, 52, 54, 56, 58, 60, 62, 64, 66, 68, 70, 72, 74, 76, 78, 80, 82, 84, 86, 88$
 $h = 45, 47, 49, 51, 53, 55, 57, 59, 61, 63, 65, 67, 69, 71, 73, 75, 77, 79, 81, 83, 85, 87, 89$

Figure 108. Input Setup and Hold Timing

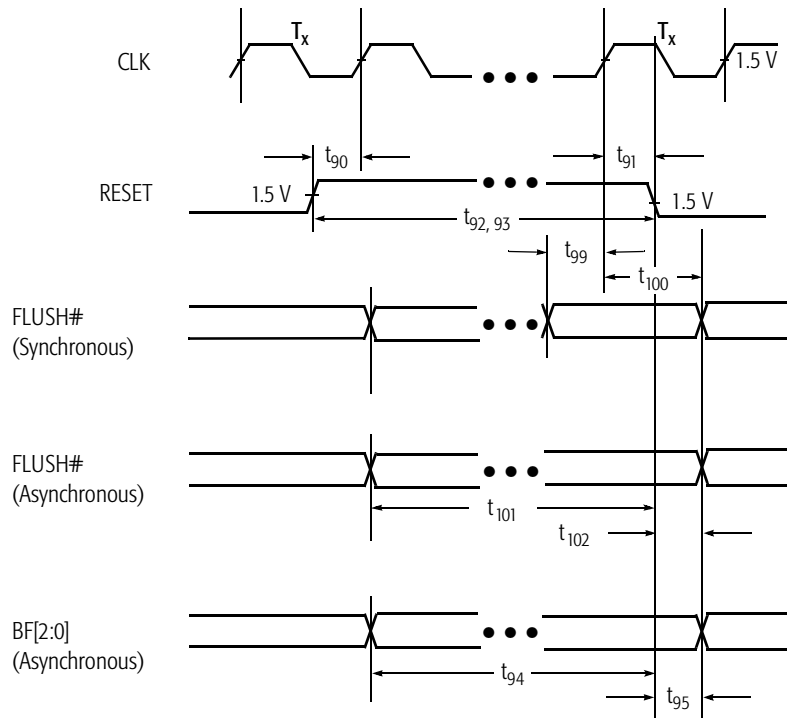


Figure 109. Reset and Configuration Timing

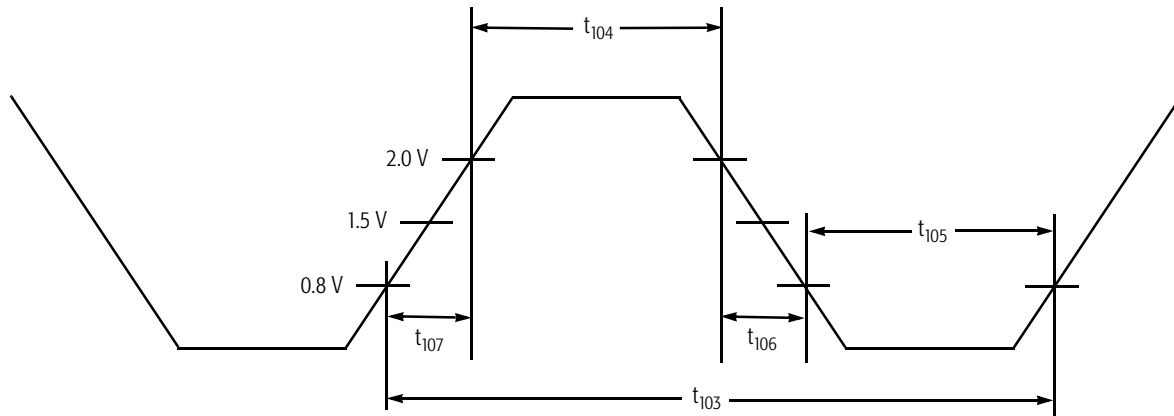


Figure 110. TCK Waveform

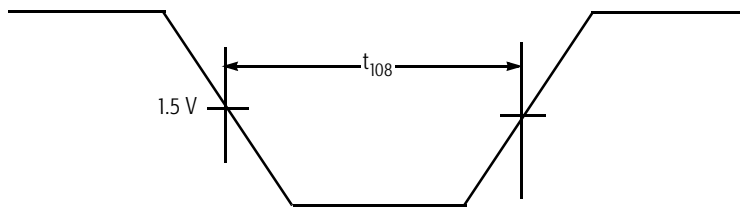


Figure 111. TRST# Timing

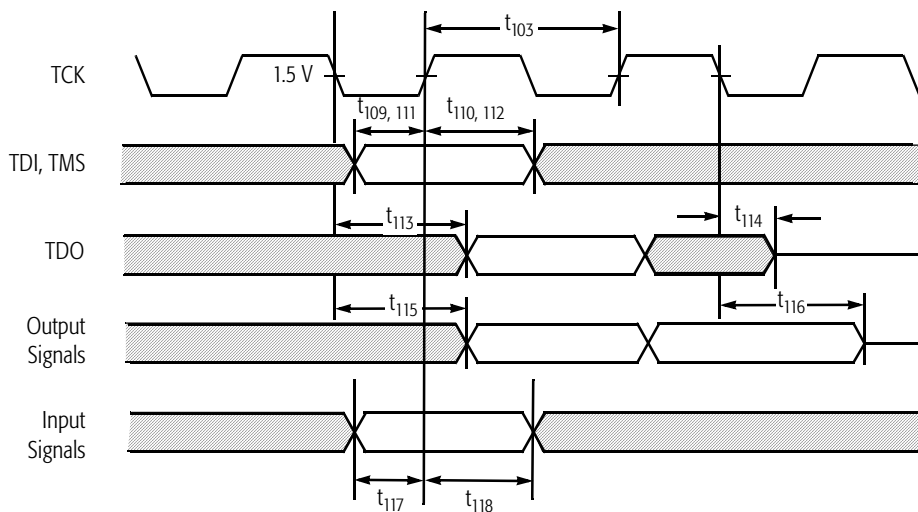


Figure 112. Test Signal Timing Diagram

17 Thermal Design

17.1 Package Thermal Specifications

The AMD-K6-2E+ processor operating specification calls for the case temperature (T_C) to be in the range of 0°C to 70°C for standard-power devices and 0°C to 85°C for low-power devices. The ambient temperature (T_A) is not specified as long as the case temperature is not violated. The case temperature must be measured on the top center of the package.

Table 72 on page 314 and Table 73 on page 314 show the processor thermal specifications for the low-power and standard power AMD-K6-2E+ devices, respectively.

Table 72. Package Thermal Specification for Low-Power AMD-K6™-2E+ Devices

θ_{JC} Junction-Case	Maximum Thermal Power		
	350 MHz	400 MHz	450 MHz
1.0° C/W	7.50 W	9.50 W	12.00 W
Stop Grant Mode	2.50 W		
Stop Clock Mode	1.60 W		1.90 W
T _C Case Temperature	0°C–85°C		

Table 73. Package Thermal Specification for Standard-Power AMD-K6™-2E+ Devices

θ_{JC} Junction-Case	Maximum Thermal Power		
	400 MHz	450 MHz	500 MHz
1.0°C/W	16.50 W	17.50 W	18.50 W
Stop Grant Mode	4.50 W		
Stop Clock Mode	4.00 W		
T _C Case Temperature	0°C–70°C		

Figure 113 on page 315 shows the thermal model of a processor with a passive thermal solution. The case-to-ambient temperature (T_{CA}) can be calculated from the following equation:

$$\begin{aligned} T_{CA} &= P_{MAX} \cdot \theta_{CA} \\ &= P_{MAX} \cdot (\theta_{IF} + \theta_{SA}) \end{aligned}$$

Where:

$$\begin{aligned} P_{MAX} &= \text{Maximum Power Consumption} \\ \theta_{CA} &= \text{Case-to-Ambient Thermal Resistance} \\ \theta_{IF} &= \text{Interface Material Thermal Resistance} \\ \theta_{SA} &= \text{Sink-to-Ambient Thermal Resistance} \end{aligned}$$

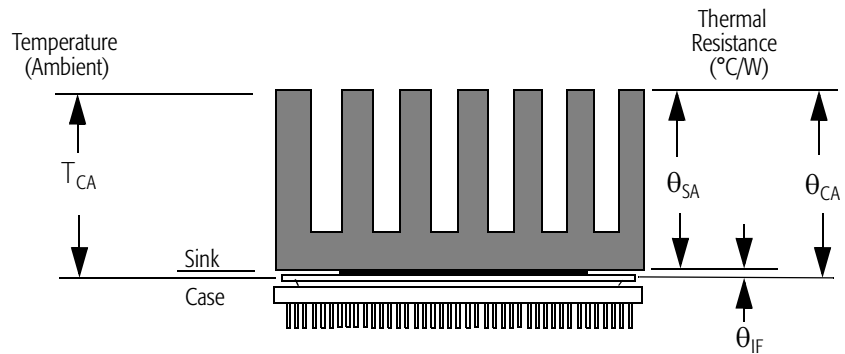


Figure 113. Thermal Model (CPGA Package)

Figure 114 illustrates the case-to-ambient temperature (T_{CA}) in relation to the power consumption (X-axis) and the thermal resistance (Y-axis). If the power consumption and case temperature are known, the thermal resistance (θ_{CA}) requirement can be calculated for a given ambient temperature (T_A) value.

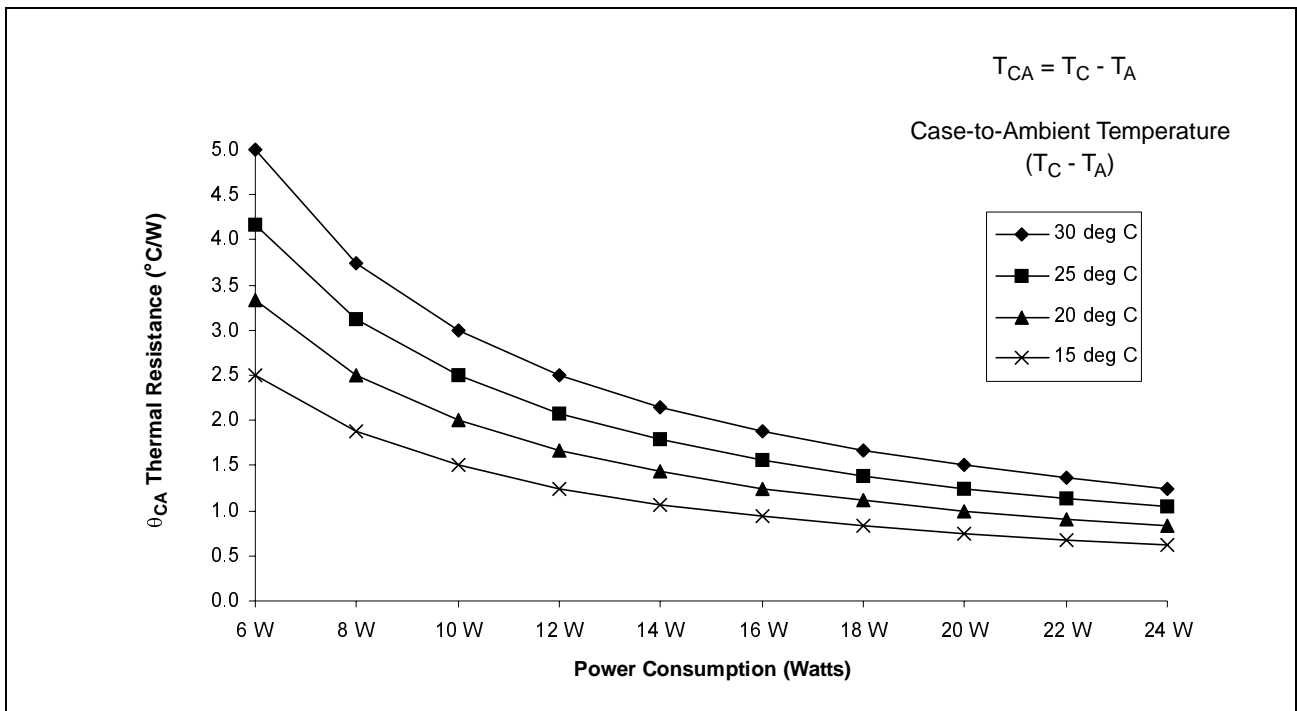


Figure 114. Power Consumption and Thermal Resistance (CPGA Package)

The thermal resistance of a heatsink is determined by the heat dissipation surface area, the material and shape of the heatsink, and the airflow volume across the heatsink. In general, the larger the surface area the lower the thermal resistance.

The required thermal resistance of a heatsink (θ_{SA}) can be calculated using the following example:

If:

$$\begin{aligned} T_C &= 70^\circ\text{C} \\ T_A &= 45^\circ\text{C} \\ P_{MAX} &= 19.50\text{W} \end{aligned}$$

Then:

$$\theta_{CA} \leq \left(\frac{T_C - T_A}{P_{MAX}} \right) = \frac{25^\circ\text{C}}{19.50\text{W}} = 1.28^\circ\text{C/W}$$

Thermal grease is recommended as interface material because it provides the lowest thermal resistance ($\cong 0.20^\circ\text{C/W}$). The required thermal resistance (θ_{SA}) of the heatsink in this example is calculated as follows:

$$\theta_{SA} = \theta_{CA} - \theta_{IF} = 1.28 - 0.20 = 1.08^\circ\text{C/W}$$

Heat Dissipation Path

Figure 115 illustrates the heat dissipation path of the processor. Due to the lower thermal resistance between the processor die junction and case, most of the heat generated by the processor is transferred from the top surface of the case. The small amount of heat generated from the bottom side of the processor where the processor socket blocks the convection can be safely ignored.

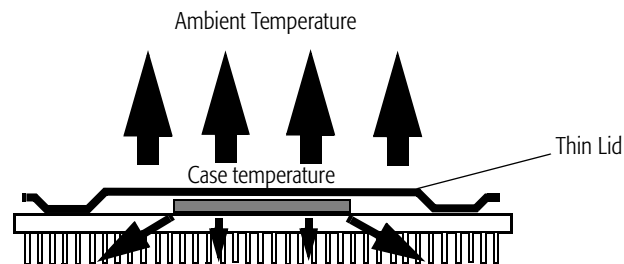


Figure 115. Processor Heat Dissipation Path

17.2 Measuring Case Temperature

The processor case temperature is measured to ensure that the thermal solution meets the processor's operational specification. This temperature should be measured on the top center of the package, where most of the heat is dissipated. Figure 116 shows the correct location for measuring the case temperature. The tip of the thermocouple should be secured to the package surface with a small amount of thermally conductive epoxy. It is also recommended to secure a second location along the thermocouple to avoid any movement during testing.

If a heatsink is installed while measuring, the thermocouple must be installed into the heatsink via a small hole drilled through the heatsink base (for example, 1/16 of an inch). Secure the thermocouple to the base of the heatsink by filling the small hole with thermal epoxy, allowing the tip of the thermocouple to protrude the epoxy and touch the top of the processor case.

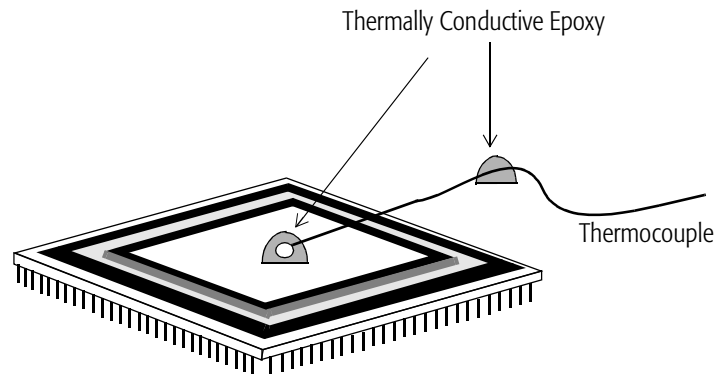


Figure 116. Measuring Case Temperature

17.3 Layout and Airflow Considerations

Voltage Regulator

A voltage regulator is required to support the lower voltage (3.3 V and lower) to the processor. In most applications, the voltage regulator is designed with power transistors. As a result, additional heatsinks are required to dissipate the heat from the power transistors. Figure 117 on page 318 shows the

voltage regulator placed parallel to the processor with the airflow aligned with the devices. With this alignment, the heat generated by the voltage regulator has minimal effect on the processor.

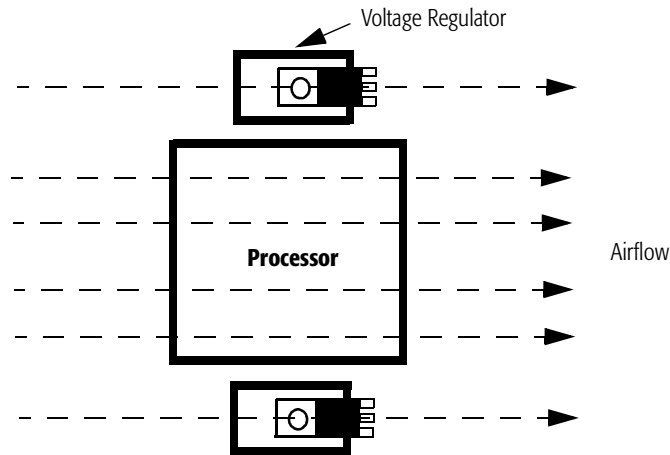


Figure 117. Voltage Regulator Placement

A heatsink and fan combination can deliver much better thermal performance than a heatsink alone. More importantly, with a fan/sink the airflow requirements in a system design are not as critical. A unidirectional heatsink with a fan moves air from the top of the heatsink to the side. In this case, the best location for the voltage regulator is on the side of the processor in the path of the airflow exiting the fan sink (see Figure 118 on page 319). This location guarantees that the heatsinks on both the processor and the regulator receive adequate air circulation.

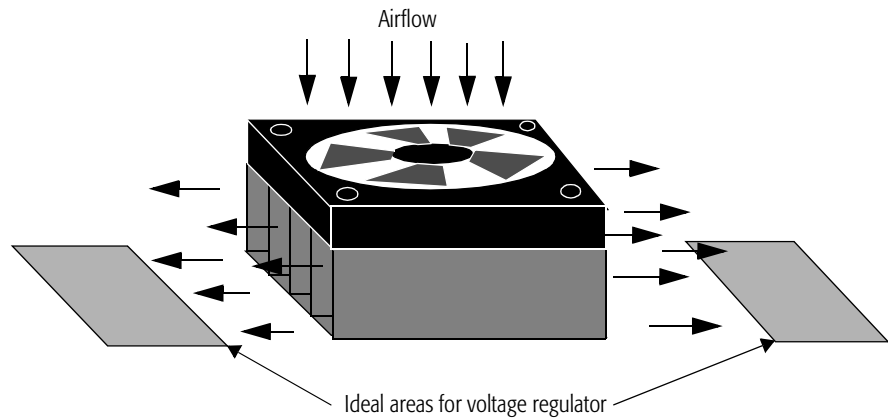


Figure 118. Airflow for a Heatsink with Fan

Airflow Management in a System Design

Complete airflow management in a system is important. In addition to the volume of air, the path of the air is also important. Figure 119 shows the airflow in a dual-fan system. The fan in the front end pulls cool air into the system through intake slots in the chassis. The power supply fan forces the hot air out of the chassis. The thermal performance of the heatsink can be maximized if it is located in the shaded area, where it receives greatest benefit from this air exchange system.

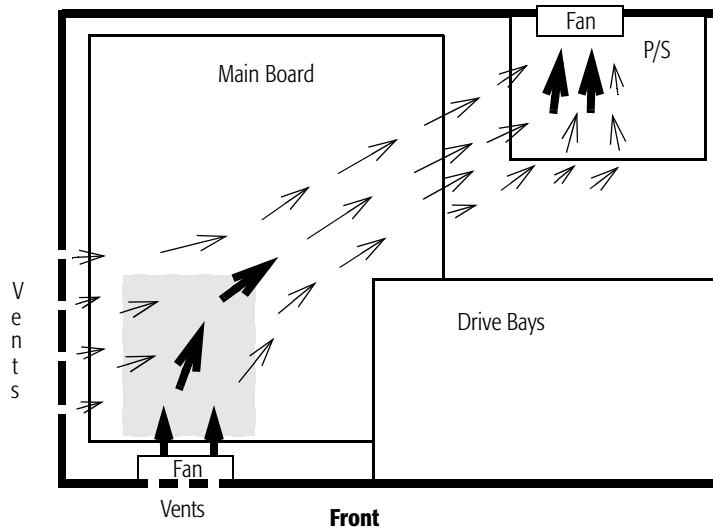


Figure 119. Airflow Path in a Dual-Fan System

Figure 120 shows the airflow management in a system using the ATX form-factor. The orientation of the power supply fan and the motherboard are modified in the ATX platform design. The power supply fan pulls cool air through the chassis and across the processor. The processor is located near the power supply fan, where it can receive adequate airflow without an auxiliary fan. The arrangement significantly improves the airflow across the processor with minimum installation cost.

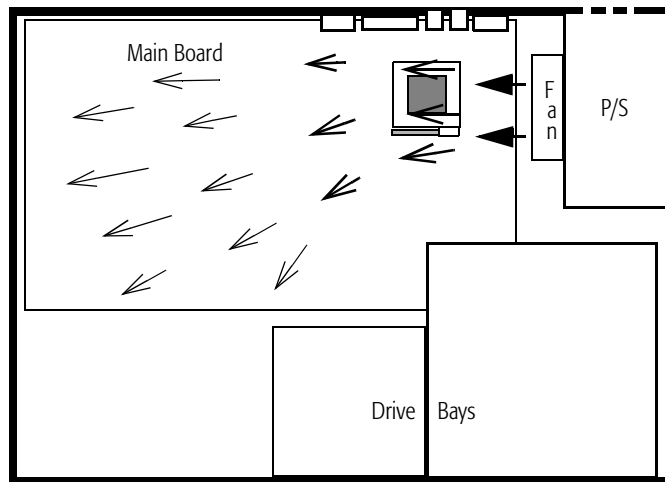


Figure 120. Airflow Path in an ATX Form-Factor System

For more information about thermal design considerations, see the *AMD-K6® Processor Thermal Solution Design Application Note*, order# 21085.

18 Pin Designations

This chapter includes pin connection diagrams and pin designation tables for each of two packages, the Ceramic Pin Grid Array (CPGA) and the Organic Ball Grid Array (OBGA).

The pin designation diagrams include the following annotations:

- Control/Parity Pins
- ◊ V_{SS} Pins
- ▲ V_{CC2} Pins
- △ V_{CC3} Pins
- Data Pins
- Address Pins
- † Test Pins
- NC, INC (Internal No Connect) Pins
- ⊙ RSVD (Reserved) Pins

Note that the OBGA package includes additional pins not supported on the CPGA package. Table 74 shows the pin differences between the two packages.

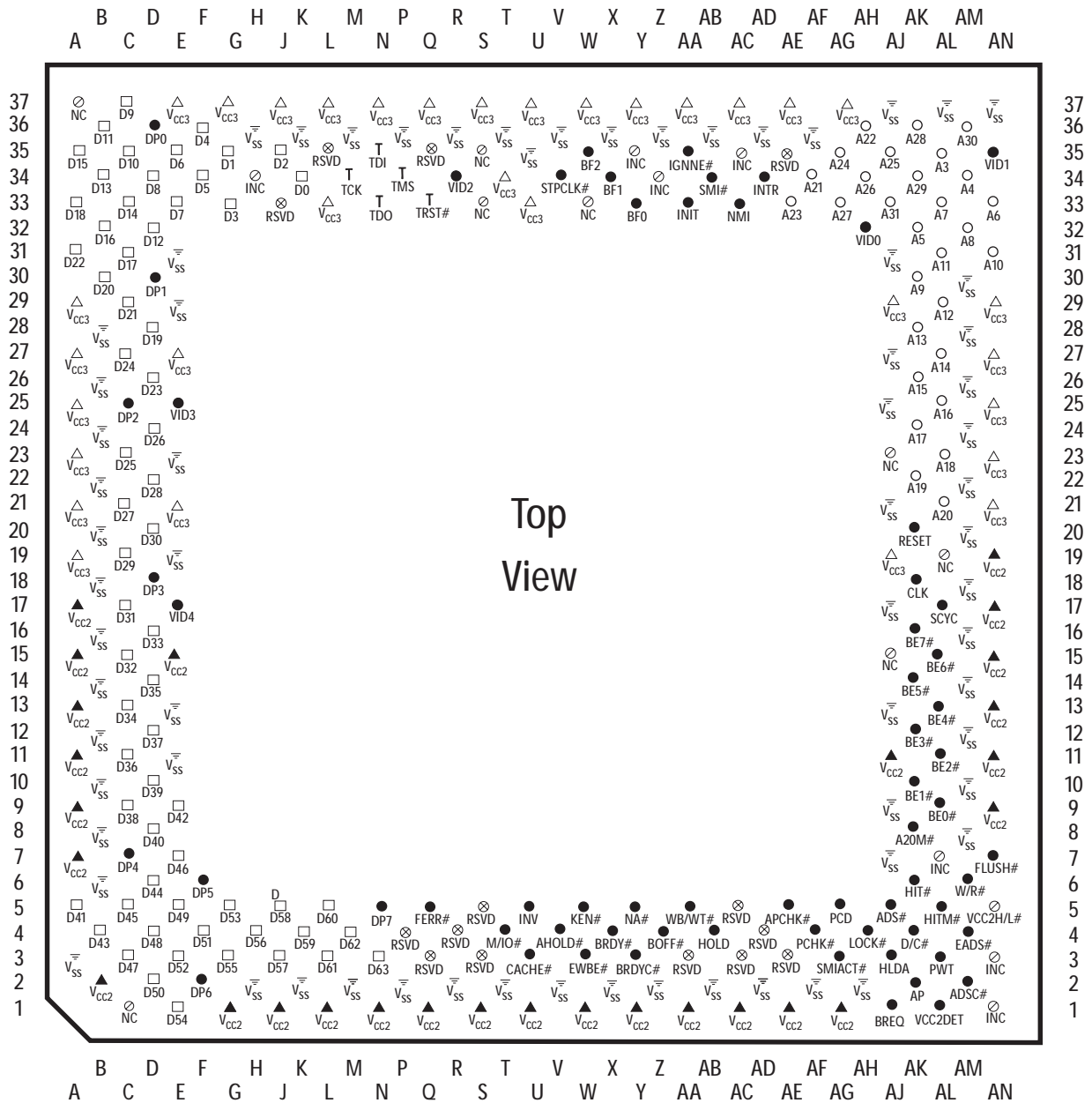
Table 74. Pin Differences Between the CPGA and OBGA Packages

Pin	CPGA Package	OBGA Package	Comment
VCC2DET	Supported	Not supported	
VCC2H/L#	Supported	Not supported	
VID[4:0]	Supported on low-power versions only	Supported on low-power versions only	These pins are no-connects (NC) on standard-power versions for both packages.
V_{CC2}	28	37	
V_{CC3}	32	26	
V_{SS}	68	99	
No Connects	13 ¹ 8 ²	13 ¹ 8 ²	
Internal No Connects	7	1	
Reserved	14	16	

Notes:

1. Standard-power versions only, since the VID[4:0] outputs are not supported.
2. Low-power versions only.

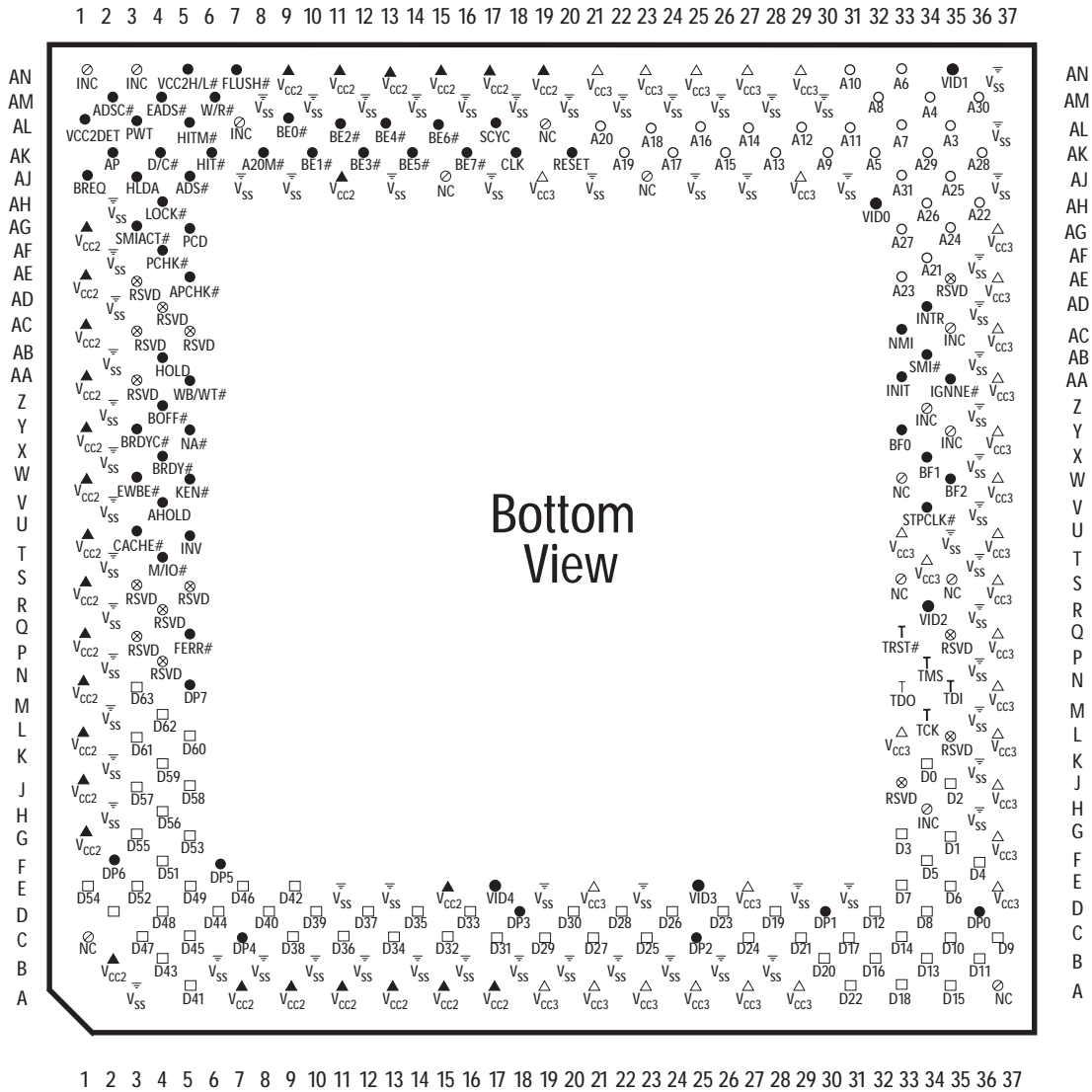
18.1 Pins Designations for CPGA Package



Notes:

The VID[4:0] outputs are supported on low-power versions only. These pins are defined as no-connects on standard-power versions.

Figure 121. CPGA Connection Diagram (Top-Side View)



Notes:

The VID[4:0] outputs are supported on low-power versions only. These pins are defined as no-connects on standard-power versions.

Figure 122. CPGA Connection Diagram (Bottom-Side View)

Table 75. CPGA Pin Designations by Functional Grouping

Pin Name	Pin Number	Pin Name	Pin Number	Pin Name	Pin Number	Pin Name	Pin Number
Control		Address		Data		Data	
A20M#	AK-08	A3	AL-35	D0	K-34	D52	E-03
ADS#	AJ-05	A4	AM-34	D1	G-35	D53	G-05
ADSC#	AM-02	A5	AK-32	D2	J-35	D54	E-01
AHOLD	V-04	A6	AN-33	D3	G-33	D55	G-03
APCHK#	AE-05	A7	AL-33	D4	F-36	D56	H-04
BE0#	AL-09	A8	AM-32	D5	F-34	D57	J-03
BE1#	AK-10	A9	AK-30	D6	E-35	D58	J-05
BE2#	AL-11	A10	AN-31	D7	E-33	D59	K-04
BE3#	AK-12	A11	AL-31	D8	D-34	D60	L-05
BE4#	AL-13	A12	AL-29	D9	C-37	D61	L-03
BE5#	AK-14	A13	AK-28	D10	C-35	D62	M-04
BE6#	AL-15	A14	AL-27	D11	B-36	D63	N-03
BE7#	AK-16	A15	AK-26	D12	D-32	Test	
BF0	Y-33	A16	AL-25	D13	B-34	TCK	M-34
BF1	X-34	A17	AK-24	D14	C-33	TDI	N-35
BF2	W-35	A18	AL-23	D15	A-35	TDO	N-33
BOFF#	Z-04	A19	AK-22	D16	B-32	TMS	P-34
BRDY#	X-04	A20	AL-21	D17	C-31	TRST#	Q-33
BRDYC#	Y-03	A21	AF-34	D18	A-33	Parity	
BREQ	AJ-01	A22	AH-36	D19	D-28	AP	AK-02
CACHE#	U-03	A23	AE-33	D20	B-30	DP0	D-36
CLK	AK-18	A24	AG-35	D21	C-29	DP1	D-30
D/C#	AK-04	A25	AJ-35	D22	A-31	DP2	C-25
EADS#	AM-04	A26	AH-34	D23	D-26	DP3	D-18
EWBE#	W-03	A27	AG-33	D24	C-27	DP4	C-07
FERR#	Q-05	A28	AK-36	D25	C-23	DP5	F-06
FLUSH#	AN-07	A29	AK-34	D26	D-24	DP6	F-02
HIT#	AK-06	A30	AM-36	D27	C-21	DP7	N-05
HITM#	AL-05	A31	AJ-33	D28	D-22	Voltage ID¹	
HLDA	AJ-03			D29	C-19	VID4	E-17
HOLD	AB-04			D30	D-20	VID3	E-25
IGNNE#	AA-35			D31	C-17	VID2	R-34
INIT	AA-33			D32	C-15	VID1	AN-35
INTR	AD-34			D33	D-16	VID0	AH-32
INV	U-05			D34	C-13		
KEN#	W-05			D35	D-14		
LOCK#	AH-04			D36	C-11		
M/IO#	T-04			D37	D-12		
NA#	Y-05			D38	C-09		
NMI	AC-33			D39	D-10		
PCD	AG-05			D40	D-08		
PCHK#	AF-04			D41	A-05		
PWT	AL-03			D42	E-09		
RESET	AK-20			D43	B-04		
SCYC	AL-17			D44	D-06		
SMI#	AB-34			D45	C-05		
SMIACT#	AG-03			D46	E-07		
STPCLK#	V-34			D47	C-03		
VCC2DET	AL-01			D48	D-04		
VCC2H/L#	AN-05			D49	E-05		
W/R#	AM-06			D50	D-02		
WB/WT#	AA-05			D51	F-04		

Notes: 1. The VID[4:0] pins are supported on low-power versions only. These pins are defined as no-connects on standard-power versions.

Table 76. CPGA Pin Designations for No Connect, Reserved, Power, and Ground Pins

Pin Numbers				
No Connect (NC)	V _{CC2}	V _{CC3}	V _{SS}	V _{SS}
A-37	A-07	A-19	A-03	AJ-27
C-01	A-09	A-21	B-06	AJ-31
E-17 ¹	A-11	A-23	B-08	AJ-37
E-25 ¹	A-13	A-25	B-10	AL-37
R-34 ¹	A-15	A-27	B-12	AM-08
S-33	A-17	A-29	B-14	AM-10
S-35	B-02	E-21	B-16	AM-12
W-33	E-15	E-27	B-18	AM-14
AH-32 ¹	G-01	E-37	B-20	AM-16
AJ-15	J-01	G-37	B-22	AM-18
AJ-23	L-01	J-37	B-24	AM-20
AL-19	N-01	L-33	B-26	AM-22
AN-35 ¹	Q-01	L-37	B-28	AM-24
Internal No Connect (INC)	S-01	N-37	E-11	AM-26
H-34	U-01	Q-37	E-13	AM-28
Y-35	W-01	S-37	E-19	AM-30
Z-34	Y-01	T-34	E-23	AN-37
AC-35	AA-01	U-33	E-29	
AL-07	AC-01	U-37	E-31	
AN-01	AE-01	W-37	H-02	
AN-03	AG-01	Y-37	H-36	
Reserved (RSVD)	AJ-11	AA-37	K-02	
J-33	AN-09	AC-37	K-36	
L-35	AN-11	AE-37	M-02	
P-04	AN-13	AG-37	M-36	
Q-03	AN-15	AJ-19	P-02	
Q-35	AN-17	AJ-29	P-36	
R-04	AN-19	AN-21	R-02	
S-03		AN-23	R-36	
S-05		AN-25	T-02	
AA-03		AN-27	T-36	
AC-03		AN-29	U-35	
AC-05			V-02	
AD-04			V-36	
AE-03			X-02	
AE-35			X-36	
			Z-02	
			Z-36	
			AB-02	
			AB-36	
			AD-02	
			AD-36	
			AF-02	
			AF-36	
			AH-02	
			AJ-07	
			AJ-09	
			AJ-13	
			AJ-17	
			AJ-21	
			AJ-25	

Notes: 1. These pins are no-connects on standard-power versions only. They are defined as VID[4:0] on low-power versions. See page 324.

18.2 Pins Designations for OBGA Package

	1	2	3	4	5	6	7	8	9	10	11	12	13	14	15	16	17	18	19	
A			□	●	□	□	□	□	□	□	●	□	□	□	□	□	□			A
B		□	▽	○	▽	□	▽	□	▽	□	▽	□	△	●	▽	□	△	□		B
C	●	▲	□	□	□	□	□	●	□	□	●	□	□	□	●	□	●	▽	□	C
D	□	□	□	▲	□	□	□	▽	□	□	□	▽	□	□	□	▽	□	□	□	D
E	□	▽	□	□	▲	▽	▽	▽	▽	▽	▽	▽	▽	▽	▽	□	□	△	□	E
F	●	□	□	□	▽	▲	▲	▲	▲	▲	▲	▽	▽	△	▽	□	□	□	□	F
G	○	▲	○	●	▲	▽	▽	▽	▽	▽	▽	▽	▽	▽	△	○	●	▽	□	G
H	○	○	○	▲	▽	▲	▲	▽	▽	△	△	△	△	△	▽	△	□	□	□	H
J	●	▽	●	●	▲	▽	▽	▽	▽	▽	▽	▽	▽	▽	△	T	○	△	T	J
K	●	●	●	●	▽	▲	▲	▲	▲	▲	▲	▽	▽	△	▽	○	T	T	T	K
L	●	▲	●	●	▲	▽	▽	▽	▽	▽	▽	▽	▽	▽	△	▽	○	▽	●	L
M	○	●	●	▲	▽	▲	▲	▲	▲	▲	▲	▽	▽	△	▽	○	●	●	○	M
N	○	▽	○	○	▲	▽	▽	▽	▽	▽	▽	▽	▽	▽	△	○	●	△	●	N
P	○	●	●	●	▽	▲	▽	○	▽	▽	△	△	▽	△	▽	●	●	●	●	P
R	●	▲	●	●	▲	▽	▽	○	▽	△	▽	▽	△	▽	▽	○	●	▽	○	R
T	●	●	●	▲	○	▽	●	●	○	○	○	○	○	○	○	▽	○	○	○	T
U	●	▽	●	●	●	●	●	●	○	○	○	○	○	○	○	○	○	△	○	U
V		●	▲	●	▽	●	▲	●	▽	○	△	○	▽	○	△	○	▽	○		V
W			●	●	●	○	●	●	○	○	○	○	○	○	○	●	●			W

Notes:
 There are three pads missing on each corner of the OBGA package due to manufacturing requirements.
 The VID[4:0] outputs are supported on low-power versions only. These pins are defined as no-connects on standard-power versions.

Figure 123. OBGA Connection Diagram (Top-Side View)

	A	B	C	D	E	F	G	H	J	K	L	M	N	P	R	T	U	V	W				
1			● DP6	□ D59	□ D60	● DP7	⊙ RSVD	⊙ RSVD	● INV	● BRDY#	● BRDYC#	⊙ RSVD	⊙ RSVD	⊙ RSVD	● APCHK#	● LOCK#	● ADS#			1			
2		□ D51	▲ VCC2	□ D56	▽ VSS	□ D62	▲ VCC2	⊙ RSVD	▽ VSS	● KEN#	▲ VCC2	● WB/WT#	▽ VSS	● SMIACK#	▲ VCC2	● HLDA	▽ VSS	● PWT		2			
3	□ D52	▽ VSS	□ D54	□ D58	□ D55	□ D61	⊙ RSVD	⊙ RSVD	● M/IO#	● EWBE#	● BOFF#	● HOLD	⊙ RSVD	● PCHK#	● AP	● ADSC#	▲ D/C#	● VCC2	● HIT#	3			
4	● DP5	○ NC	□ D50	▲ VCC2	□ D57	□ D63	● FERR#	▲ VCC2	● CACHE#	● AHOLD	● NA#	▲ VCC2	⊙ RSVD	● BREQ	● PCD	▲ VCC2	● HITM#	● EADS#	● A20M#	4			
5	□ D47	▽ VSS	□ D49	□ D53	▲ VCC2	▽ VSS	▲ VCC2	▽ VSS	▲ VCC2	▽ VSS	▲ VCC2	▽ VSS	▲ VCC2	▽ VSS	▲ VCC2	○ NC	● W/R#	▽ VSS	● BE1#	5			
6	□ D45	□ D44	□ D46	□ D48	▽ VSS	▲ VCC2	▽ VSS	▲ VCC2	▽ VSS	▲ VCC2	▽ VSS	▲ VCC2	▽ VSS	▲ VCC2	▽ VSS	▲ VCC2	▽ VSS	● BE0#	● BE2#	● BE3#	6		
7	□ D40	▽ VSS	□ D43	□ D42	▽ VSS	▲ VCC2	▽ VSS	▲ VCC2	▽ VSS	▲ VCC2	▽ VSS	▲ VCC2	▽ VSS	▲ VCC2	▽ VSS	▲ VCC2	▽ VSS	● FLUSH#	● BE4#	▲ VCC2	○ NC	7	
8	□ D39	□ D41	● DP4	▽ VSS	▽ VSS	▲ VCC2	▽ VSS	▽ VSS	▽ VSS	▲ VCC2	▽ VSS	▲ VCC2	▽ VSS	▲ VCC2	▽ VSS	⊙ RSVD	⊙ RSVD	● BE5#	● BE6#	● BE7#	● SCYC	8	
9	□ D37	▽ VSS	□ D38	□ D36	▽ VSS	▲ VCC2	▽ VSS	▽ VSS	▽ VSS	▲ VCC2	▽ VSS	▲ VCC2	▽ VSS	▲ VCC2	▽ VSS	▲ VCC2	▽ VSS	○ NC	● CLK	▽ VSS	● RESET	9	
10	□ D33	□ D32	□ D35	□ D34	▽ VSS	▲ VCC2	▽ VSS	△ VCC3	▽ VSS	▲ VCC2	▽ VSS	▲ VCC2	▽ VSS	▲ VCC2	▽ VSS	▲ VCC2	▽ VSS	△ VCC3	○ A20	○ A19	○ A18	○ A17	10
11	● VID4	▽ VSS	● DP3	□ D31	▽ VSS	▲ VCC2	▽ VSS	△ VCC3	▽ VSS	▲ VCC2	▽ VSS	▲ VCC2	▽ VSS	▲ VCC2	▽ VSS	△ VCC3	▽ VSS	○ A16	○ NC	△ VCC3	○ A14	11	
12	□ D29	□ D30	□ D27	▽ VSS	▽ VSS	▽ VSS	▽ VSS	△ VCC3	▽ VSS	▽ VSS	▽ VSS	▽ VSS	▽ VSS	▽ VSS	▽ VSS	△ VCC3	▽ VSS	○ A8	○ A15	○ A10	○ A12	12	
13	□ D28	△ VCC3	□ D25	□ D21	▽ VSS	▽ VSS	▽ VSS	△ VCC3	▽ VSS	▽ VSS	▽ VSS	▽ VSS	▽ VSS	▽ VSS	▽ VSS	△ VCC3	▽ VSS	○ A4	○ A13	▽ VSS	○ A11	13	
14	□ D26	● DP2	□ D24	□ D13	▽ VSS	△ VCC3	▽ VSS	△ VCC3	▽ VSS	△ VCC3	▽ VSS	△ VCC3	▽ VSS	△ VCC3	▽ VSS	△ VCC3	▽ VSS	○ A3	○ A7	○ A6	○ A9	14	
15	□ D23	▽ VSS	● VID3	□ D15	▽ VSS	▽ VSS	△ VCC3	▽ VSS	△ VCC3	▽ VSS	△ VCC3	▽ VSS	△ VCC3	▽ VSS	△ VCC3	▽ VSS	△ VCC3	▽ VSS	○ A27	○ A31	△ VCC3	○ A5	15
16	□ D20	□ D19	□ D22	▽ VSS	□ D7	□ D11	⊙ RSVD	△ VCC3	T TDO	⊙ RSVD	▽ VSS	○ NC	○ INC	● INTR	○ A28	▽ VSS	○ A29	○ A30	● VID1	16			
17	□ D16	△ VCC3	● DP1	□ D14	□ D8	□ D3	● DP0	□ D4	⊙ RSVD	T TRST#	○ NC	● BF1	● BF0	● INIT	● NMI	○ A21	○ A26	▽ VSS	● VID0	17			
18		□ D17	▽ VSS	□ D12	△ VCC3	□ D5	▽ VSS	□ D0	△ VCC3	T TMS	▽ VSS	● STPCLK#	△ VCC3	● SMI#	▽ VSS	○ A24	△ VCC3	○ A25		18			
19			□ D18	□ D10	□ D9	□ D6	□ D1	□ D2	T TCK	T TDI	● VID2	○ NC	● BF2	● IGNN#	⊙ RSVD	○ A22	○ A23			19			

Notes:

There are three pads missing on each corner of the OBGA package due to manufacturing requirements.
 The VID[4:0] outputs are supported on low-power versions only. These pins are defined as no-connects on standard-power versions.

Figure 124. OBGA Connection Diagram (Bottom-Side View)

Table 77. OBGA Pin Designations by Functional Grouping

Pin Name	Pin Number	Pin Name	Pin Number	Pin Name	Pin Number	Pin Name	Pin Number
Control		Address		Data		Data	
A20M#	W4	A3	T14	D0	H18	D52	A3
ADS#	U1	A4	T13	D1	G19	D53	D5
ADSC#	T3	A5	W15	D2	H19	D54	C3
AHOLD	K4	A6	V14	D3	F17	D55	E3
APCHK#	R1	A7	U14	D4	H17	D56	D2
BE0#	U6	A8	T12	D5	F18	D57	E4
BE1#	W5	A9	W14	D6	F19	D58	D3
BE2#	V6	A10	V12	D7	E16	D59	D1
BE3#	W6	A11	W13	D8	E17	D60	E1
BE4#	U7	A12	W12	D9	E19	D61	F3
BE5#	T8	A13	U13	D10	D19	D62	F2
BE6#	U8	A14	W11	D11	F16	D63	F4
BE7#	V8	A15	U12	D12	D18	Test	
BF0	N17	A16	T11	D13	D14	TCK	J19
BF1	M17	A17	W10	D14	D17	TDI	K19
BF2	N19	A18	V10	D15	D15	TDO	J16
BOFF#	L3	A19	U10	D16	A17	TMS	K18
BRDY#	K1	A20	T10	D17	B18	TRST#	K17
BRDYC#	L1	A21	T17	D18	C19	Parity	
BREQ	P4	A22	T19	D19	B16	AP	R3
CACHE#	J4	A23	U19	D20	A16	DP0	G17
CLK	U9	A24	T18	D21	D13	DP1	C17
D/C#	U3	A25	V18	D22	C16	DP2	B14
EADS#	V4	A26	U17	D23	A15	DP3	C11
EWBE#	K3	A27	T15	D24	C14	DP4	C8
FERR#	G4	A28	R16	D25	C13	DP5	A4
FLUSH#	T7	A29	U16	D26	A14	DP6	C1
HIT#	W3	A30	V16	D27	C12	DP7	F1
HITM#	U4	A31	U15	D28	A13	Voltage ID¹	
HLDA	T2			D29	A12	VID0	W17
HOLD	M3			D30	B12	VID1	W16
IGNNE#	P19			D31	D11	VID2	L19
INIT	P17			D32	B10	VID3	C15
INTR	P16			D33	A10	VID4	A11
INV	J1			D34	D10		
KEN#	K2			D35	C10		
LOCK#	T1			D36	D9		
M/IO#	J3			D37	A9		
NA#	L4			D38	C9		
NMI	R17			D39	A8		
PCD	R4			D40	A7		
PCHK#	P3			D41	B8		
PWT	V2			D42	D7		
RESET	W9			D43	C7		
SCYC	W8			D44	B6		
SMI#	P18			D45	A6		
SMIACT#	P2			D46	C6		
STPCLK#	M18			D47	A5		
W/R#	U5			D48	D6		
WB/WT#	M2			D49	C5		
				D50	C4		
				D51	B2		

Notes: 1. The VID[4:0] pins are supported on low-power versions only. These pins are defined as no-connects on standard-power versions.

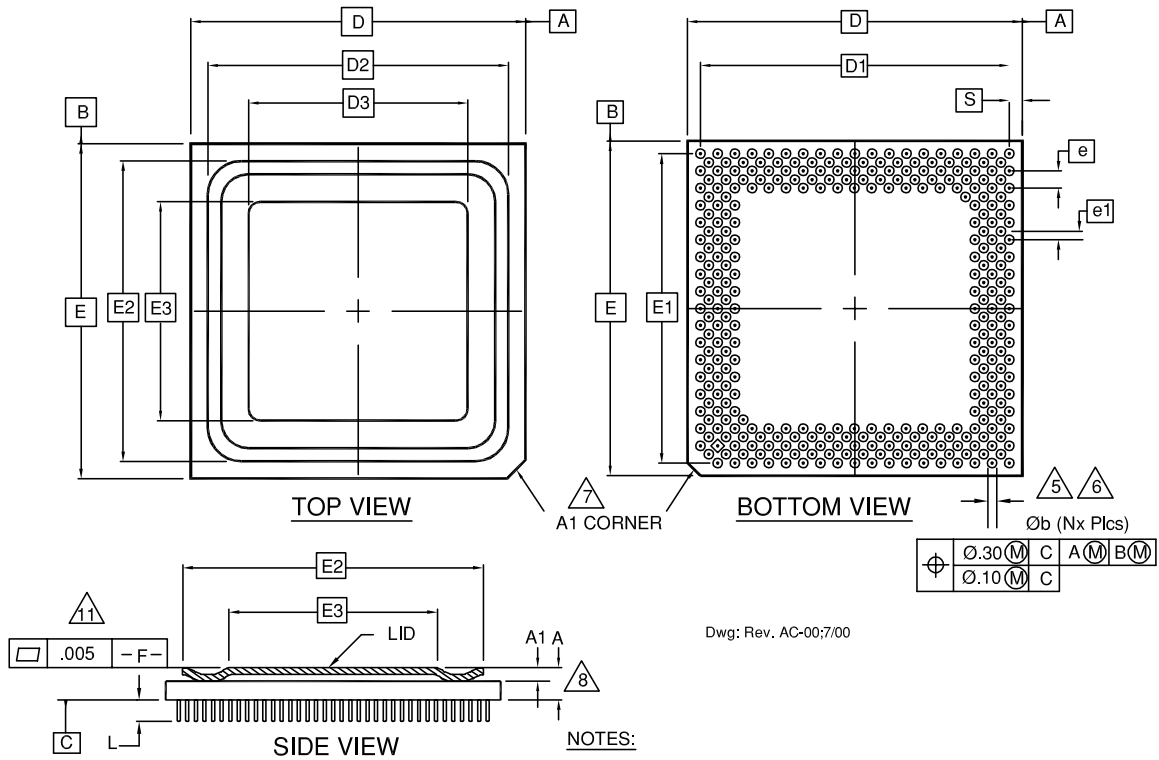
Table 78. OBGA Pin Designations for No Connect, Reserved, Power, and Ground Pins

Pin Numbers				
No Connect (NC)	V _{CC2}	V _{CC3}	V _{SS}	V _{SS}
A11 ¹	C2	B13	B3	K13
B4	D4	B17	B5	K15
C15 ¹	E5	E18	B7	L6
L17	F6	F14	B9	L7
L19 ¹	F7	G15	B11	L8
M16	F8	H10	B15	L9
M19	F9	H11	C18	L10
T5	F10	H12	D8	L11
T9	F11	H13	D12	L12
U11	G2	H14	D16	L13
W7	G5	H16	E2	L14
W16 ¹	H4	J15	E6	L16
W17 ¹	H6	J18	E7	L18
Internal No Connect (INC)	H7	K14	E8	M5
N16	J5	L15	E9	M12
Reserved (RSVD)	K6	M14	E10	M13
G1	K7	N15	E11	M15
G3	K8	N18	E12	N2
G16	K9	P11	E13	N6
H1	K10	P12	E14	N7
H2	K11	P14	E15	N8
H3	L2	R10	F5	N9
J17	L5	R13	F12	N10
K16	M4	U18	F13	N11
M1	M6	V11	F15	N12
N1	M7	V15	G6	N13
N3	M8		G7	N14
N4	M9		G8	P5
P1	M10		G9	P7
P8	M11		G10	P9
R8	N5		G11	P10
R19	P6		G12	P13
	R2		G13	P15
	R5		G14	R6
	T4		G18	R7
	V3		H5	R9
	V7		H8	R11
			H9	R12
			H15	R14
			J2	R15
			J6	R18
			J7	T6
			J8	T16
			J9	U2
			J10	V5
			J11	V9
			J12	V13
			J13	V17
			J14	
			K5	
			K12	

Notes: 1. These pins are no-connects on standard-power versions only. They are defined as VID[4:0] on low-power versions. See page 328.

19 Package Specifications

19.1 321-Pin Staggered CPGA Package Specification



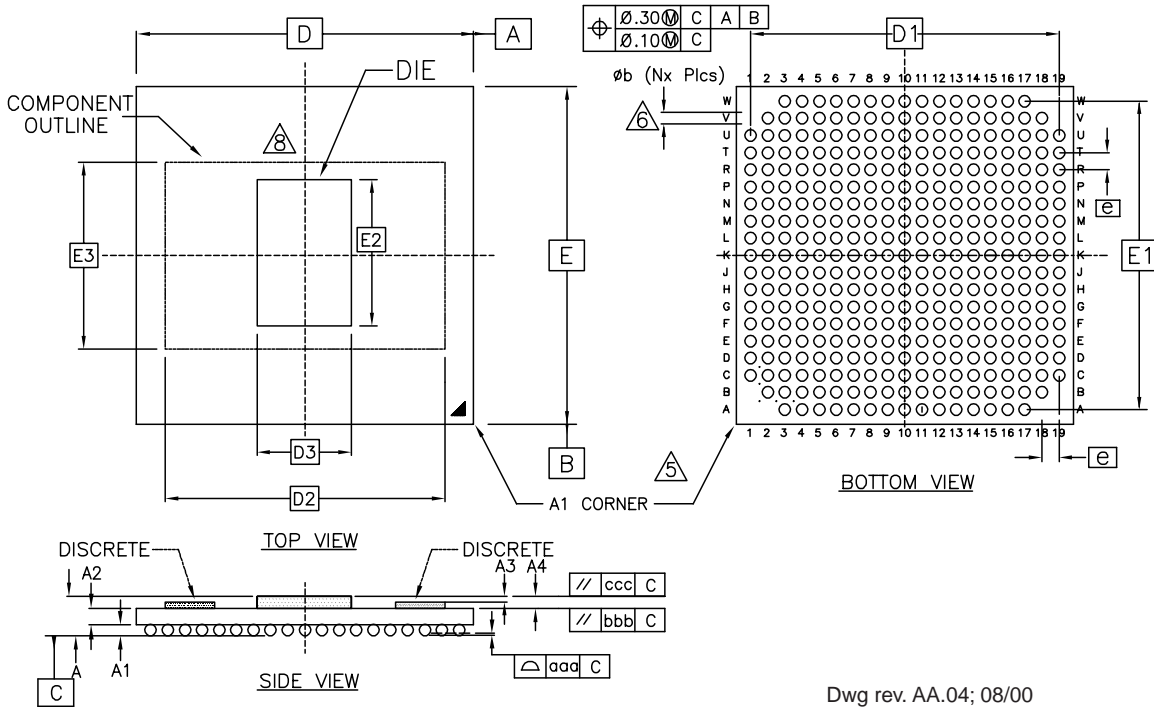
AMD PACKAGE SYMBOL	VARIATIONS (INCHES.)	
	321 CGF	
	MIN.	MAX.
D/E	1.940	1.960
D1/E1	1.795	1.805
D2/E2	1.768	1.776
D3/E3	1.221	1.295
A	.115	.143
A1	.051	.060
Øb	.017	.020
Øb1	--	.064
S	.060	.100
L	.120	.130
M	37	
N	321	

NOTES:

- DIMENSIONING AND TOLERANCING PER ANSI Y14.5M-1982.
- ALL DIMENSIONS ARE SPECIFIED IN INCHES.
- TERMINAL POSITION DESIGNATIONS PER JEDEC PUBLICATIONS 95, SECTION 2.2-5.
- CORNERS OF THE PACKAGE BODY MAY HAVE CHAMFERS FOR HANDLING OR ORIENTATION PURPOSES.
- PIN DIAMETER DIMENSION (Øb) EXCLUDES SOLDER DIP LEAD FINISH OR CUSTOM PLATING. PIN TIPS SHOULD HAVE RADIUS OR CHAMFER. MINIMUM GOLD PLATING THICKNESS IS 30 MICRO-INCHES.
- SYMBOL "M" DETERMINES PIN MATRIX SIZE AND "N" AS NUMBER OF PINS.
- THIS INDEX CORNER REPRESENTS PIN A1 IDENTIFIER ON BOTH SIDES OF THE PACKAGE AND MAY CONSIST OF NOTCHES, PINS OR METALLIZATIONS AND MAY ALSO VARY FROM THAT SHOWN IN THE DRAWING.
- DIMENSION "A" INCLUDES THE PACKAGE BODY AND LID.
- FOR STAGGERED PIN CONFIGURATION, PINS ON THE SAME ROW ARE ON A .100" GRID. ADJACENT ROWS OFFSET BY .050".
- REFER TO 09-000 SPEC FOR DETAILED PACKAGE LISTS.
- THIS REPRESENTS THE FLATNESS ON TOP OF THE LID.

Figure 125. 321-Pin Staggered CPGA Package Specification

19.2 349-Ball OBGA Package Specification



Dwg rev. AA.04; 08/00

AMD PACKAGE	OBF349 (0.25 μ m)	
SYMBOL	MIN.	MAX.
D/E	24.80	25.20
D1/E1	22.86 BSC.	
D2	20.77	21.03
D3	8.28	8.37
E2	9.12	9.18
E3	16.98	17.24
A	2.32	2.61
A1	0.5	0.7
A2	0.93	1.13
A3	0.116	---
A4	0.73	0.88
ϕb	0.6	0.9
e	1.27 BSC.	
M	19	
N	349	
aaa	0.15	
bbb	0.25	
ccc	0.35	

NOTES:

- ALL DIMENSIONS ARE SPECIFIED IN MILLIMETER.
- DIMENSIONING AND TOLERANCING PER ANSI Y14.5M-1994.
- CORNERS OF THE PACKAGE BODY MAY HAVE CHAMFERS FOR HANDLING OR ORIENTATION PURPOSES.
- SYMBOL "M" DETERMINES PIN MATRIX SIZE AND "N" AS NUMBER OF BALLS.
- THIS INDEX CORNER REPRESENTS PIN A1 IDENTIFIER ON BOTH SIDES OF THE PACKAGE AND MAY CONSIST OF NOTCHES, PINS OR METALLIZATIONS AND MAY ALSO VARY FROM THAT SHOWN IN THE DRAWING.
- DIMENSION "b" IS MEASURED AT THE MAXIMUM SOLDER BALL DIAMETER ON A PLANE PARALLEL TO DATUM C.
- REFER TO 09-000 SPEC FOR DETAILED PACKAGE LISTS.
- THERE WILL BE UNDERFILL/EPOXY FILLET AROUND THE DEVICE. UNDERFILL CAN NOT TOUCH THE CHIP CAP PADS AND AMD LOGO. UNDERFILL MUST BE AT LEAST 1.5MM AWAY FROM THE EDGE OF THE PACKAGE.

Figure 126. 349-Ball OBGA Package Specification

20 Ordering Information

Standard AMD-K6-2E+ Embedded Processor Products

AMD standard products are available in several operating ranges. The ordering part number (OPN) is formed by a combination of the elements below. See Table 79 on page 334 for valid ordering part number combinations.

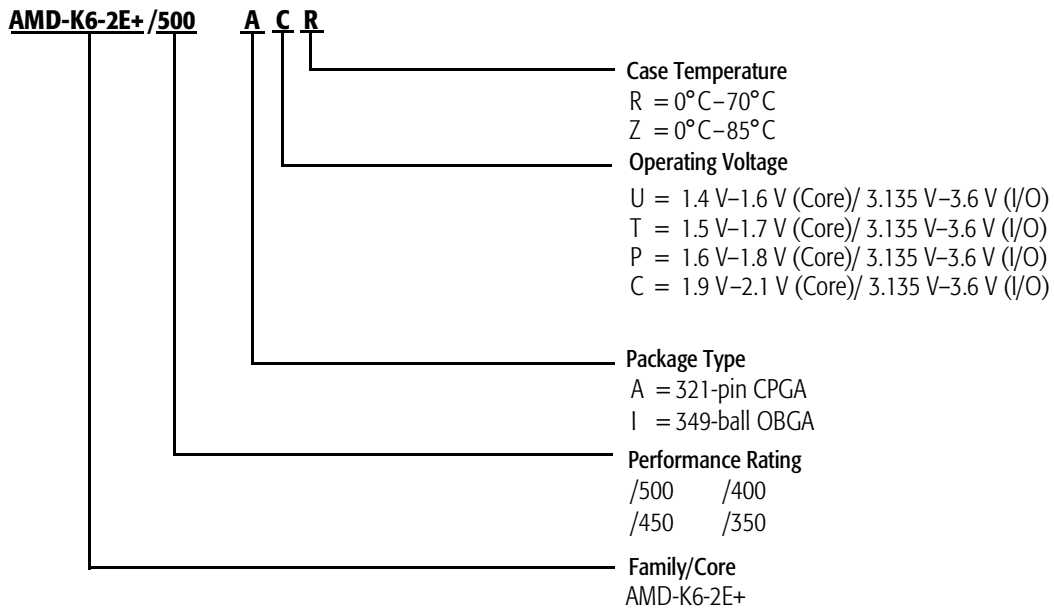


Table 79. AMD-K6™-2E+ Embedded Processor Valid Ordering Part Number Combinations

Device Type	OPN ¹	Package Type	Operating Voltage	Case Temperature	Maximum CPU/Bus Frequency
Low Power	AMD-K6-2E+/350AUZ	321-pin CPGA	1.4 V–1.6 V (Core) 3.135 V–3.6 V (I/O)	0°C–85°C	350 MHz/100 MHz
	AMD-K6-2E+/400ATZ	321-pin CPGA	1.5 V–1.7 V (Core) 3.135 V–3.6 V (I/O)	0°C–85°C	400 MHz/100 MHz
	AMD-K6-2E+/450APZ	321-pin CPGA	1.6 V–1.8 V (Core) 3.135 V–3.6 V (I/O)	0°C–85°C	450 MHz/100 MHz
	AMD-K6-2E+/350IUZ	349-ball OBGA	1.4 V–1.6 V (Core) 3.135 V–3.6 V (I/O)	0°C–85°C	350 MHz/100 MHz
	AMD-K6-2E+/400ITZ	349-ball OBGA	1.5 V–1.7 V (Core) 3.135 V–3.6 V (I/O)	0°C–85°C	400 MHz/100 MHz
Standard Power	AMD-K6-2E+/400ACR	321-pin CPGA	1.9 V–2.1 V (Core) 3.135 V–3.6 V (I/O)	0°C–70°C	400 MHz/100 MHz
	AMD-K6-2E+/450ACR	321-pin CPGA	1.9 V–2.1 V (Core) 3.135 V–3.6 V (I/O)	0°C–70°C	450 MHz/100 MHz
	AMD-K6-2E+/500ACR	321-pin CPGA	1.9 V–2.1 V (Core) 3.135 V–3.6 V (I/O)	0°C–70°C	500 MHz/100 MHz
	AMD-K6-2E+/400ICR	349-ball OBGA	1.9 V–2.1 V (Core) 3.135 V–3.6 V (I/O)	0°C–70°C	400 MHz/100 MHz
	AMD-K6-2E+/450ICR	349-ball OBGA	1.9 V–2.1 V (Core) 3.135 V–3.6 V (I/O)	0°C–70°C	450 MHz/100 MHz

Notes:

1. This table lists configurations planned to be supported in volume for this device. Consult the local AMD sales office to confirm availability of specific valid combinations and to check on newly-released combinations.

Index

Numerics

0.18-Micron Process Technology	7
100-MHz Bus	
clock switching characteristics	296
frontside	1, 8
input setup and hold timings	300
output delay timings	298
Super7 platform support	1, 8
321-Pin Staggered CPGA Package	2
specification	331
349-Ball OBGA Package	
specification	332
3DNow!™ Technology	2, 5, 7, 15, 17, 19, 21–24, 127
data types	37
execution unit	24
INIT state	203
instruction compatibility, floating-point and	240
instructions	89–90, 240
PREFETCH instruction	220
register operation	14
registers	35
RESET state	199
software prefetching	220
66-MHz Bus	
clock switching characteristics	297
input setup and hold timings	304
output delay timings	302

A

A[31:3]	95
A20M# Signal	94, 242
masking cache accesses with	227
Absolute Ratings	287
Accelerated Graphic Port (AGP)	8
Acknowledge, Interrupt	188
Address	
bus	100, 109
A[31:3] signals	95
address hold signal	97
address strobe signal	96
AHOLD restriction	174, 178, 180
coherency	222
parity	98–99
generation sequence during bursts (table)	162
hold signal	97
parity check signal	99
parity signal	98
ADS# Signal	96
ADSC# Signal	96
AGP	8
AHOLD	
-initiated inquire hit to modified line	178
-initiated inquire hit to shared or exclusive line	176
-initiated inquire miss	174
restriction	180
AHOLD Signal	97, 278

Airflow	
consideration in layout	317
heatsink with fan (figure)	319
management	319
path in a dual-fan system (figure)	319
path in an ATX form-factor system (figure)	320
Aligned Transfers	129
Allocate, Write	215
AMD PowerNow!™ Technology	6, 143, 151, 275
disabling	145
dynamic core voltage control	151
enabling	145
enhanced power management register (EPMR)	144
EPM 16-byte I/O block	146
EPM stop grant state	150
I/O base address definition	145
processor state observability register (PSOR)	148
SMM handler	145
voltage identification signals	137, 151
AP Signal	98
APCHK# Signal	99
Asserted signal	93

B

Backoff	102
BDC Bit	147
BE[7:0]# Signal	100
BF[2:0]	101, 199, 283
BIOS, enhanced power management	145
BIST	251
Block Diagram	12
BOFF# Signal	102, 182
locked operation with	186
Boundary-Scan	
bit definitions (table)	257
register (BSR)	255
test access port (TAP)	253
BR	259
Branch	
execution	26
history table	25
prediction	1, 7, 15, 23, 26
target cache	26
BRDY# Signal	103
BRDYC# Signal	104
BREQ Signal	104
BSR	255
Built-In Self-Test (BIST)	251
Burst	
pipelined burst reads	162
reads	162
ready	103
ready copy	104, 200
writeback	164
writeback due to cache-line replacement	164–165
Bus	
100-MHz	1, 8
address	178
A[31:0]	95
AHOLD restriction	180

coherency	222
external address strobe signal	109
hold signal	97
inquire cycles	100, 174
parity	98–99
strobe copy signal	96
strobe signal	96
valid	109
arbitration cycles, inquire and	168
backoff	182
byte enable signals	100
cycles	153–197
aligned transfers	129
definitions (table)	142
order during misaligned I/O transfers (table)	167
order during misaligned memory transfers (table)	160
special	142, 190
data	97, 103, 174
AHOLD restriction	180
aligned transfers	129
byte enables	100
D[63:0]	107
memory reads and writes	158
misaligned transfers	129, 184
parity	108, 125
state	156
transition	157
frequency signals	101
hold request signal	115
lock signal	120
request signal	104
states	
address	156
data	156
data-NA# requested	156
idle	156
pipeline address	156
pipeline data	157
state machine (figure)	155
transition	157
BVC Field	146
definition (table)	147
BVCM Bit	147
BYPASS Instruction	260
Bypass Register (BR)	259
C	
Cache	263
branch target	26
burst writeback cycles	164
cacheable access	105
coherency	222
writeback	227
writethrough	227
control	229
data cache	16
disabling	46, 211, 251, 263
enabling	119
flushing	112, 191
inhibiting	251, 263
inquire cycles	168, 174, 178
inquire cycles (table)	225
instruction cache	16
instruction fetch and decode	17
instruction prefetch	16–17, 220
L1 cache	
cache-line replacement	214
coherency states	227
data cache	16
data cache line (figure)	207
instruction cache	16
instruction cache line (figure)	207
internal snooping	223
organization	205
write allocate	215
L2 cache	
cache line (figure)	207
cache-line replacement	214
data reads	266
direct access	50
disabling for debug	47
EDX register content	265
Level-2 Cache Array Access Register (L2AAR)	50
organization	205
RDMSR instruction effect	265
sector and line organization (figure)	265
tag array testing	213, 264
tag information (figure)	52
tag or data location (figure)	51
testing	264
WRMSR instruction effect	265
L3 cache	
debugging	263
PCD signal	264
testing	263
Level-2 Cache Array Access Register (L2AAR)	264
-line fills	213, 264
-line replacement	214, 224
masking cache accesses with A20M#	227
MESI states in the data	207
operation	208
organization	205
organization (figure)	206
predecode bits	16–17, 208
prefetching	16–17, 220
sector organization	16
sector organization (figure)	16
signals	211
snooping	223
states	221
states (table)	225
Super7 platform support	8
total internal	1
TR12	46
translation lookaside buffers (TLBs)	205
write allocate	215
write cycle order	229
write merge buffer	229
write to a cacheable page	216
writeback	12, 16
writethrough	227
CACHE# Signal	105
generation (table)	210
Capacitance	288
capacitor placement	292
large capacitive loads	293

Capture-DR state	262
Capture-IR state	262
Case Temperature	317
extended	313
measuring	317
Centralized Scheduler	21
CLK	
switching characteristics	
100-MHz bus operation	296
60-MHz bus operation	297
CLK Signal	105
capacitance	288
Clock Control	105, 275
states	275
enhanced power management stop grant	275
halt	278
normal	275
state transitions (figure)	276–277
stop clock	193, 283
stop grant	193, 278, 281
stop grant inquire	280
switching characteristics	
100-MHz bus operation	296
66-MHz bus operation	297
Coherency	
cache	222
writeback	227
writethrough	227
Compatibility, Floating-Point, MMX, and 3DNow!	
Instructions	240
Component Placement	292
Configuration	
power-on initialization	199
signal timing (figure)	311
signal timing for 100-MHz bus operation (table)	306
signal timing for 66-MHz bus operation	307
VCC pins	200
Connections	
pin requirements	293
power requirements	291
Control Register 0 (CR0)	40
Control Register 1 (CR1)	40
Control Register 2 (CR2)	39
Control Register 3 (CR3)	39
Control Register 4 (CR4)	39
Counter, Time Stamp	46
CPGA Package	2–3
pin designations (figure)	322
pin designations by function (table)	324
pin differences (table)	321
specification	331
CR4 Register	46
Customer Service	iii
Cycles	
bus	153
hold and hold acknowledge	168
inquire	94–99, 109, 113–114, 131, 139, 164, 168, 170, 172, 174, 176–178, 182, 186, 222, 263, 275, 278–280
inquire and bus arbitration	168
interrupt acknowledge	95, 98, 100, 106, 123, 138
locked	184
pipelined	17, 96
pipelined write	107
shutdown	192
special bus	190

writeback	94, 96–97, 110, 113, 139, 164, 172, 176, 178, 180, 186, 210, 264, 277, 280
-----------	---

D

D/C# Signal	106
D[63:0] Signals	107
Data	
bus	
AHOLD restriction	97, 180
AHOLD timing	174
aligned transfers	129
BRDY# timing	103
byte enable signals	100
D[63:0] signals	107
data state	156
memory reads and writes	158
misaligned transfers	129, 184
parity	108, 125
split cycles	129
transition	157
cache	16
MESI states	207
parity	108
types	
3DNow!™ Technology	37
floating-point register	34
integer	29
MMX technology	36
Data/Code Signal	106
Data-NA# Requested State	156
DC Characteristics	287
Debug	268
exceptions	273
registers	41, 269
DR3–DR0	271
DR5–DR4	271
DR6	272
DR7	272
System Management Mode (SMM)	249–250
Decoders	13
Decoupling Recommendations	292
Descriptors and Gates	59
Device Identification Register (DIR)	258
Diagrams	
key	309
timing	153, 309–312
waveform definitions	153
Digital Signal Processing Instructions	90
DIR	258
Dissipation, Power	289
Documentation	iii
DP[7:0] Signals	108
DR3–DR0	271
DR5–DR4	271
DR6	272
DR7	272
Driven signal	93
DSP Instructions	90, 239
Dual Voltage	291

E

EADS# Signal	109
EAS Register	
time stamp counter value	46
EAX Register	28
BIST results	202
cache accesses	51
EBF Field	150
EBP Register	28
EBX Register	28
ECX Register	28, 46
EDI Register	28
EDX Register	28
cache accesses	50–51
stepping ID	202
time stamp counter value	46
EFER	44, 47, 202, 229
Effective Bus Frequency Divisor Field	150
EFLAGS Register	38, 242
EIP Register	241
Electrical Data	285
absolute ratings	287
capacitance	288
DC characteristics	287
operating ranges	285
power and grounding	291
power dissipation	289
Embedded Processor Features	1
EMMS Instruction	21
EN Bit	145
Enhanced Power Management	
special bus cycle (table)	142
special bus cycles	145
stop grant state	281
Enhanced Power Management Register (EPMR)	144
EPM 16-Byte I/O Block	146
EPM Stop Grant State	142, 150
control	147
voltage identification output state	147
EPMR	44, 144
ESI Register	28
ESP Register	28
EWBE# Control (EWBEC)	229
EWBE# Signal	110, 229, 278
Exception	98–99, 108, 125, 192, 240, 249–250, 272–274
debug	273
flags	32–33
floating-point	111, 116, 237–238, 240
handler	268
handling floating-point	237
machine check	45
MMX technology	240
summary (table)	62
System Management Mode (SMM)	250
Execution	
latency (table)	23
Execution Units	1
3DNow!™ technology	24
branch	21, 26
execution latency (table)	23
floating-point	3, 21, 237
multimedia	21, 23–24, 239
register X	21, 24

register Y	21, 24
throughput (table)	23
Extended Feature Enable Register (EFER)	44, 47, 202, 229
External	
address strobe signal	109
write buffer empty signal	110
EXTEST Instruction	260

F

FEMMS Instruction	21
FERR# Signal	111, 238, 240
Float Conditions	136, 141
Floated signal	93
Floating-Point	
and MMX/3DNow! instruction compatibility	240
and multimedia execution units	237
error	111
execution unit	237
handling exceptions	237
instructions (table)	82
register data types	34
registers	31
FLUSH# Signal	112, 199, 223, 252, 278
FPU	
control word register	33
status word register	32
tag word register	33
Frequency	283, 296–297, 308
control	151
multiplier	105
operating	101, 105, 199

G

Gate Descriptor	59, 62
General-Purpose Registers	28
Generate Special Bus Cycle Bit	145
Global EWBE# Disable (GEWBED)	230
Ground	
pin designations (table)	325, 329
plane capacitance	292
pulldown resistor	293
split planes	291
unused active high inputs	293
GSBC Bit	145

H

Halt	
restart slot	246
state	278
Heat Dissipation Path	316
HIGHZ Instruction	260
Hit to	
modified line	113
modified line, AHOLD-initiated inquire	178
modified line, HOLD-initiated inquire	172
shared or exclusive line, AHOLD-initiated inquire	176
shared or exclusive line, HOLD-initiated inquire	170
HIT# Signal	113
HITM# Signal	113
HLDA Signal	114

Hold	
acknowledge cycle	168
acknowledge signal	114, 168–170
HOLD Signal	115
-initiated inquire hit to modified line	172
-initiated inquire hit to shared or exclusive line	170
timing	295, 310
I	
I/O	
misaligned read and write	167
read and write	166
trap doubleword	247
trap restart slot	248
IBF Field	147
IDCODE Instruction	260
IEEE 1149.1	2, 253
IEEE 754	2, 31, 237
IEEE 854	237
IGNNE# Signal	116, 238, 240
Ignore Numeric Exception	116
INIT Signal	117, 242, 278
-initiated transition from protected mode to real mode	196
processor state after	203
Initialization	117
output signal state	200
power-on configuration	199
processor state after INIT	203
processor state after RESET	200
register state	200
RESET requirements	200
signals sampled during RESET	199
Input	
capacitance	288
leakage current	288
pin float conditions (table)	141
pin types (table)	140
setup and hold timing	
100-MHz bus operation	300
66-MHz bus operation	304
Input/Output (I/O)	
capacitance	288
Inquire	171, 173, 175, 275
bus arbitration cycles	168
cycle hit	113
cycle hit to modified line	113
cycles	94–99, 109, 113–114, 131, 139, 164, 168, 170, 172, 174, 176–178, 180, 182, 186, 222, 263, 275, 278–280
miss, AHOLD-initiated	174
Instructions	63
3DNow!™ technology	89–90, 239
3DNow!™ technology (table)	89–90
cache	16
decode	18
digital signal processing	239
digital signal processing (table)	90
EMMS	21
FEMMS	21
fetch	17
floating-point (table)	82
integer (table)	65
INVD	224
MMX technology	86, 239
MMX technology (table)	86
pointer	31
PREFETCH	17, 220
RSM	241
serializing	94
supported by the processor (table)	63
Test Access Port (TAP)	259
WBINVD	224
Integer	
data registers	29
data types	29
instructions (table)	65
Interrupts	130, 188, 192, 196, 237–238, 240, 242, 250, 273, 280
01h	274
03h	274
10h	237
acknowledge	95, 103, 106, 118, 120, 125, 184, 188
acknowledge cycle definition (table)	188
acknowledge cycles	95, 98, 100, 106, 123, 138
clock grant state	280
descriptor table register	54
flag	38, 118, 130
floating-point exceptions	237–238
gate	61
INIT	196, 242
INTR	118
IRQ13	239
MMX instructions	240
NMI	123, 203, 242
redirection bitmap	55
request	118
service routine	118, 123, 238, 241
STPCLK#	193
summary (table)	62
system management	241
type of	62
INTR Signal	118, 278
INV Signal	118
Invalidation Request	118
INVD Instruction	224
IOBASE Field	145
K	
KEN# Signal	119
L	
L1 Cache	46
cache line (figure)	207
cache-line replacements	214
coherency	222, 227
data cache line (figure)	207
disabling	46, 211–212
flushing	223
inquire cycles (table)	225
instruction cache line (figure)	207
internal snooping	223
MESI states	207
organization	205
organization (figure)	206
prefetching	220
sector organization (figure)	16

states (table)	221, 225–226
write allocate.	215
L2 Cache	112–113, 139, 142
access type.	265
built-in self test.	251
cache line (figure).	207
cache sector and line organization (figure)	265
cache-line fills	214
cache-line replacements.	214
coherency.	222
data location (figure)	51
data reads	266
direct access	50
disabling	211–212
disabling for debug.	47
flushing	223
inquire cycles (table)	225
least recently used (LRU) algorithm	215
Level-2 Cache Array Access Register (L2AAR).	50
LRU field	267
MESI states	207
operation	209
organization.	205
organization (figure).	206, 265
predecode bits not stored.	208
prefetching	220
sector organization (figure)	16
states (table)	221, 225–226
Super7 platform support	8
T/D bit	265
tag array testing	213, 264
tag information (figure)	52
tag location (figure)	51
testing	264
write allocate.	215
L2AAR	44, 50, 212–213, 264–266
L3 Cache	
debugging	263
PCD signal.	264
testing	263
Latency, execution (table)	23
Layout and Airflow Considerations	317
Level-2 Cache Array Access Register (L2AAR).	264–266
Literature.	iii
LOCK# Signal	120
Locked	
cycles	184
operation with BOFF# intervention	186
operation, basic.	184
Logic	
branch-prediction	15, 23, 25–26
external support of floating-point exceptions	238
symbol (figure)	91
Low-Power Devices	4, 286, 289, 334

M

M/IO# Signal	121
Machine Check Address Register (MCAR)	44–45, 202
Machine Check Exception	45
Machine Check Type Register (MCTR)	44–45, 202
Maskable Interrupt.	118
MCAR.	44–45, 202
MCTR.	44–45, 202

Memory

management registers.	54
or I/O	121
read and write, misaligned single-transfer	160
read and write, single-transfer.	158
reads and writes	158
type range registers (MTRR)	49, 231
MESI	1, 168, 172, 206, 227
bit	16, 207, 209
states in the data cache	207
Microarchitecture	3, 11–26
branch-prediction	25
cache	16
centralized scheduler	21
decoders	13
enhanced RISC86	12
execution units	22
instruction fetching and decode	17
instruction prefetch.	16
overview	11
predecode	16
Misaligned	
I/O read and write	167
I/O transfers (table).	167
memory transfers (table)	160
single-transfer memory read and write.	160
transfers	129
MMX Technology	19, 21–24, 127
3DNow!™ registers	35
data types.	37
exceptions	240
INIT state	203
instruction compatibility, floating-point and	240
instructions	240
instructions (table)	86
register operation	14
registers	35
RESET state.	199
Model-Specific Registers (MSR)	44
MSR	44
MTRR	49, 231
Multimedia	
and 3DNow!™ execution units.	239
execution unit	24, 239
functional unit	23

N

NA# Signal	122
Negated signal.	93
Next Address	122
NMI Signal	123, 242, 278
No-Connect Pins	128, 293
Non-Maskable Interrupt.	123
Non-Pipelined Single-Transfer Memory Read/Write and Write Delayed by EWBE#.	159
Normal State	275

O

OBGA Package.	2–3
pin designations (figure)	326
pin designations by function (table)	328
pin differences (table)	321
specification.	332

Operating Ranges	285
OPN	333
Ordering Information	333
Ordering Part Number (OPN)	333
Output	
delay timings	
100-MHz bus operation	298
66-MHz bus operation	302
leakage current	288
pin float conditions (table)	141
signal state after RESET (table)	200

P

Package	
Socket 7 platform	8
specifications	331
Super7 platform	8
thermal specifications	313
Packed Decimal Data Register	34
Page	
cache disable	124
directory entry (PDE)	57–58, 209
flush/invalidate register (PFIR)	223
table entry (PTE)	57, 59, 209
writethrough	126
Paging	56
Parity	98, 100, 108, 125, 158
bit	98, 108, 125
check	98–99, 108, 125
error	99, 125, 174, 255
flags	38
Part Numbers	333
PCD Signal	124, 209, 219
generation (table)	210
PCHK# Signal	125
PFIR	49–50, 202, 223
Pins	
connection requirements	293
designations	321–329
float conditions (table)	141
I/O voltage	287
input pin types (table)	140
logic symbol (figure)	91
no-connect	293
signal descriptions	93–139
Pipeline	156–157, 162
address	156
control	24–25
data	157
register X and Y	24
Pipelined	23, 122, 157, 162–163, 180, 220
burst reads	162
cycles	17, 96, 107
design	22
Platform	
Socket 7	8
Super7	8
Pointer, Instruction	31
Power	
and grounding	291
connections	291
consumption and thermal resistance (figure)	315
dissipation	289
isolation region between planes	291

management	6
management, enhanced	143
plane capacitance	292
sequencing	291
PowerNow! Technology. See AMD PowerNow!™ Technology.	
Power-on Configuration and Initialization	199
Precision Real Data Registers	34
Predecode Bits	16–17, 208
PREFETCH Instruction	17
Prefetching	17
hardware	220
PREFETCH instruction	220
software	220
Processor	
absolute ratings	287
AMD PowerNow!™ technology	143
block diagram	13
bus cycles	153
cache organization	4, 205
clock control	275
configuration	199
DC characteristics	287
decoders	13
electrical data	285
features	3
heat dissipation path	316
logic symbol (figure)	91
low-power devices	286, 289, 334
microarchitecture overview	11
multimedia execution unit	239
operating ranges	285
ordering information	333
package specifications	331
pin connection requirements	293
power-on initialization	199
process technology	7
scheduler	21
signal descriptions	93
signal switching characteristics	295
Socket 7 platform	8
software environment	27
standard-power devices	286, 334
state observability register (PSOR)	49, 202
Super7 platform	8
System Management Mode (SMM)	241
test and debug	251
thermal design	313
write merge buffer	229
Processor State Observability Register (PSOR)	
low-power version	148
Protected Mode	
INIT-Initiated transition	196
real mode transition	196
PSOR	49, 148, 202
PWT Signal	126
generation (table)	210

R

RDMSR Instruction	46
RDTSC Instruction	46
Read and Write	
basic I/O	166
misaligned I/O	167
Reads, Burst Reads and Pipelined Burst	162

Real Mode	
INIT-initiated transition	196
protected mode transition	196
Register X and Y	
functional unit	24
pipelines	24
Registers	14, 27, 240
3DNow!™ technology	35
boundary scan (BSR)	255
bypass (BR)	259
control	39
control 0 (CR0)	40
control 1 (CR1)	40
control 2 (CR2)	39
control 3 (CR3)	39
control 4 (CR4)	39
data types, floating-point	34
debug	41, 269
descriptors and gates	59
device identification (DIR)	258
DR3–DR0	271
DR5–DR4	271
DR6	272
DR7	272
EAX	28
EBP	28
EBX	28
ECX	28
EDI	28
EDX	28
EFLAGS	38
enhanced power management (EPMR)	144
EPMR	144
ESI	28
ESP	28
extended feature enable (EFER)	44, 47, 202, 229
floating-point	31
FPU control word	33
FPU status word	32
FPU tag word	33
general-purpose	28
instruction (IR)	255
IR	255
level-2 cache array access (L2AAR)	264
machine check address (MCAR)	44–45, 202
machine check type (MCTR)	44–45, 202
MCAR	45
memory management	54
memory type range (MTRR)	231
MMX technology	35
model-specific (MSR)	44
packed decimal data	34
PFIR	50
precision real data	34
processor state observability (PSOR)	148
processor state observability register (PSOR)	49, 202
PSOR	49, 148
reset state	200
segment	30
segment (table)	30
SYSCALL/SYSRET target address (STAR)	44, 48, 202
System Management Mode (SMM) initial state (table)	243
test (TR12)	46
Test Access Port (TAP)	255
time stamp counter (TSC)	46
TR12	46
UWCCR	49
X and Y	21–22, 24
Regulator, Voltage	317
Reserved (RSVD) Pins	
description	128
pin designations (table)	325, 329
RESET Signal	127, 200, 278
signals sampled during reset	199
state of processor after reset	200
timing (figure)	311
timing for 100-MHz bus operation	306
timing for 66-MHz bus operation	307
Return Address Stack	26
RISC86 Microarchitecture	12
RSM Instruction	246, 249
RSVD Pins	128
S	
SAMPLE/PRELOAD Instruction	260
Sampled signal	93
Scheduler/Instruction Control Unit	14, 21
SCYC Signal	129
Sector, Write to a	216, 220
Segment	
descriptor	30, 59–61
registers	30
task state	55
usage	30
Segment Registers	30
Serializing Instruction	94
SGTC Field	147, 281
Shift-DR state	262
Shift-IR state	262
Shutdown Cycle	192
Signals	
A[31:3]	95
A20M#	94, 242
ADS#	96
ADSC#	96
AHOLD	97, 278
AP	98
APCHK#	99
asserted	93
BE[7:0]#	100
BF[2:0]	101, 283
BOFF#	102, 182
BRDY#	103
BRDYC#	104
BREQ	104
CACHE#	105, 210
cache-related	211
CLK	105
D/C#	106
D[63:0]	107
descriptions	93–139
DP[7:0]	108
driven	93
EADS#	109
EWBE#	110, 229, 278
FERR#	111, 240
floated	93
FLUSH#	112, 199, 223, 252, 278, 281–282
HIT#	113

HITM#	113	cache writeback invalidation	190
HLDA	114	definition (table)	142
HOLD	115	differentiating	142, 190
IGNNE#	116, 240	encoding	142, 190
INIT	117, 278, 281	enhanced power management	145
INTR	118, 278, 281	EPM stop grant	190
INV	118	EWBE# timing	110
KEN#	119	examples	190
LOCK#	120	flush acknowledge	112, 164, 190, 212
logic symbol (figure)	91	halt	190–191, 278
M/IO#	121	shutdown	190, 192
NA#	122	signal states (table)	142
negated	93	stop grant	132, 190, 193, 279
NMI	123, 278, 281	System Management Mode (SMM)	247
output	200	Speculative EWBE# Disable (SEWBED)	230
PCD	124	Split Cycle	129
PCHK#	125	Standard-Power Devices	4, 286, 334
PWT	126	STAR	44, 48, 202
RESET	127, 278, 281	State	
RSVD	128	bus machine (figure)	155
sampled	93	cache	221
sampled during RESET	199	processor	
SCYC	129	after INIT	203
SMI#	130, 241, 278, 281	after RESET	200
SMIACT#	131, 241	Stepping ID	202
STPCLK#	132, 278	Stop	
switching characteristics	295	clock	132
TCK	133	power dissipation	289–290
TDI	133	clock state	193, 283
TDO	133	grant	
terminology	93	inquire state	275, 278–280
Test Access Port (TAP)	254	state	193, 278, 280
timing (figures)	159–197, 309–312	grant state	281
TMS	134	Stop Grant Time-Out Counter Field	150
TRST#	134	Storage Temperature	287
VCC2DET	135	STPCLK# Signal	132, 278
VCC2H/L#	136	Super7 Platform	1
VID[4:0]	137, 151	advantages	9
W/R#	138	initiative	8
WB/WT#	139	Switching Characteristics	296
SIMD	15	100-MHz bus operation	296
Single Instruction Multiple Data (SIMD) operations	15	66-MHz bus operation	297
Single-Transfer Memory Read and Write	158	input setup and hold timings for 100-MHz bus	300
SMI# Signal	130, 241, 278	input setup and hold timings for 66-MHz bus	304
SMIACT# Signal	131, 241	output delay timings for 100-MHz bus	298
SMM	241	output delay timings for 66-MHz bus	302
Snooping	131, 139, 164	signal	295
cache states (table)	226	valid delay, float, setup, and hold timings	298
data cache	223	SYSCALL Instruction	80
instruction cache	223	SYSCALL/SYSRET Target Address Register (STAR)	44, 48,
internal cache	223		202
processor-initiated	223	SYSRET Instruction	80
Software Environment	27	System	
descriptors	59	management interrupt	130
exceptions (table)	62	management interrupt active	131
gates	59	System Design	
instructions supported	63	airflow management	319
interrupts (table)	62	ATX form factor	320
memory management registers	54	component placement	292
model-specific registers (MSR)	44	decoupling recommendations	292
paging	56	heatsink	318
registers	27	pin connection requirements	293
Software Prefetching	220	power connections	291
Special Bus Cycles		voltage regulator	317
BRDY# timing	103		
cache invalidation	190		

System Management Mode (SMM)	241	IDCODE	260
AMD PowerNow!™ features	145	SAMPLE/PRELOAD	260
base address	246	registers	255
debugging in	250	boundary scan (BSR)	255
default register values	241	bypass (BR)	259
enhanced power management	145	device identification (DIR)	258
entering	241	instruction register (IR)	255
exceptions in	250	signals	254
halt restart slot	246	states	
I/O trap doubleword	247	capture-DR	262
I/O trap restart slot	248	capture-IR	262
INIT	242	shift-DR	262
initial register state (table)	243	shift-IR	262
interrupts in	250	state machine	260
memory (figure)	242	test-logic-reset	262
NMI	242	update-DR	262
operating mode	241	update-IR	262
revision identifier	245	Thermal	315, 318–319
RSM instruction	241	design	313
SMI# interrupt	241	extended temperature rating	313
SMIACT# signal	241	heat dissipation path	316
state-save area (table)	243	layout and airflow consideration	317
system management interrupt active signal	131	measuring case temperature (figure)	317
system management interrupt signal	130	model	315
T		package specifications	313
TAP	253	Third-Party Support	iv
Task State Segment (TSS)	55	Three-State Test Mode	252
TCK Signal	133	Time Stamp Counter Register (TSC)	46
TDI Signal	133	Timing	
TDO Signal	133	bus cycles (figures)	159–197
Technical Publications	iii	switching characteristics (figures)	309–312
Technical Support	iii	TLB	206
Temperature	286, 313, 315	TMS Signal	134
ambient	313	TR12	44, 46, 202, 210, 218, 263
case	317	Transition	157
case-to-ambient	314	Translation Lookaside Buffer (TLB)	205
extended for low-power devices	313	TRST# Signal	134
storage	287	TSC	44, 46, 202, 278–279, 281
Terminology, Signals	93	TSS	55, 61–62, 244, 272
Test		U	
boundary-scan	253	UC Memory Type	49
built-in self-test (BIST)	251	UC/WC Cacheability Control Register (UWCCR)	200, 202, 210
cache inhibit	263	Uncacheable Memory	49, 230–231
clock signal	133	UWCCR	49, 200, 202, 210, 232
data input signal	133	V	
data output signal	133	VCC2 Pins	
debug	268	absolute ranges	287
L2 cache testing	264	operating ranges	286
-logic-reset state	262	pin designations (table)	325, 329
mode select	134	power connections	291
register 12 (TR12)	46	processor voltage	291
registers	255	RESET requirements	200
reset	134	VCC2DET Signal	135
scan chain (table)	257	VCC2H/L# Signal	136
signal timing (figure)	312	VCC3 Pins	
signal timing (table)	308	absolute ranges	287
signals	254	I/O voltage	291
capacitance	288	operating ranges	286
tag array testing	264	pin designations (table)	325, 329
test access port (TAP)	253		
three-state test mode	252		
Test Access Port (TAP)			
instructions	259		
BYPASS	260		
EXTTEST	260		
HIGHZ	260		

power connections	291	cycles	94, 96–97, 110, 113, 139, 164, 172, 176, 178, 180, 182, 186, 210, 264, 277, 280
RESET requirements	200	L1 cache	205
unused active low inputs	293	L2 cache	205
VID[4:0]	137, 151	memory writes	227
VID[4:0] Signals	151	or writethrough	139
VIDC Bit	147	Write-Combining Memory	49, 230–231
VIDO Field	147	Writethrough	
Voltage		coherency state	227
active high signals	154	memory writes	227
active low signals	154		
bus divisor (table)	147		
CLK switching characteristics	296		
control	150		
dual	291		
I/O pin	287, 291		
input low	287		
plane isolation	291		
power connections	291		
processor	291		
regulator	317–318		
supply	286		
VCC2 detect signal	135		
VCC2 High/Low Signal	136		
VCC2DET signal	135		
voltage identification control (table)	147		
VSS Pins			
connections	291		
pin designations (table)	325, 329		
unused active high inputs	293		
W			
W/R# Signal	138		
WB/WT# Signal	139		
WBINVD Instruction	224		
WC Memory Type	49		
WHCR	44, 48, 202, 219		
Write			
allocate	208, 215–216, 219		
conditions (figure)	218		
enabling	217		
limit	216		
logic mechanisms and conditions (figure)	219		
handling control register (WHCR)	202, 219		
to a cacheable page	216		
to a sector	216, 220		
Write Merge Buffer	229		
EWBE# control	229		
EWBEC settings (table)	231		
memory type range registers (MTRRs)	231		
memory-range restrictions	233		
examples	235		
valid masks and range sizes (table)	234		
performance (table)	229		
UC/WC Cacheability Control Register (UWCCR)	232		
uncacheable memory	231		
write cycle order	229		
write-combining memory	231		
Write/Read	138		
Writeback	105, 107–108, 119, 126, 131, 139, 142, 164–165, 190, 276		
burst	164		
cache	12, 16		
coherency state	227		

