

# FORSTER PRODUCTS

310 E. LANARK AVENUE, LANARK, ILLINOIS 61046 PHONE: 815-493-6360 FAX: 815-493-2371 www.forsterproducts.com

## User Instructions for the Original and Classic Case Trimmers

Issue 3

### 1.0 GENERAL INFORMATION

Brass cases stretch after repeated firings. It becomes necessary to trim them to consistent length for proper chambering and for improved accuracy.

The Original and Classic Case Trimmers are fine, miniature lathes with a superior shell holder design based on a Brown & Sharpe-type collet that provides consistent length, case after case. The staggered tooth, high alloy steel cutter shaft provides fast, smooth, chatterless cutting.

Table 1 provides general Case Trimmer use; however, there are many exceptions. Use our online database to determine which Pilots and Collets are right for the job. Go to [www.forsterproducts.com](http://www.forsterproducts.com) and click on the "Search" tab. Pilots and Collets for both Case Trimmers are available separately.

**Table 1. General Case Trimmer Use**

Case Trimmer	Bullet Diameter	Collet Size
Original: trims most standard calibers	.171" to .459"	#1 through #4
Classic: trims larger and classic black powder calibers	.224" to .545"	#5 through #8

Accessories are available for other case conditioning operations (see Section 8).

### 2.0 SAFETY INFORMATION

- Always wear safety glasses.

### 3.0 PREPARATION

#### 3.1 Case Trimmer Final Assembly (See Figs. 1 and 2)

The Case Trimmer is partially assembled at the factory in order to fit snugly in the package. To finish the assembly, do the following:

- **Classic:** Collet Assembly:

1. Using a slotted screwdriver, remove the slotted screw from the Base which holds the Collet Assembly to the Base. Turn the Collet Assembly around so that the opening is facing the Cutter Shaft.
2. Refasten the Collet Assembly using the same hole and screw.

#### NOTICE

There is 1/2" of adjustment (in 1/4" increments) built into both Case Trimmers, allowing a trimmer's capacity to be widened before it becomes necessary to use a Long Base (6 1/2"). To adjust, use the outer set of holes on the Collet Housing and Bearing to mount them to the Base.

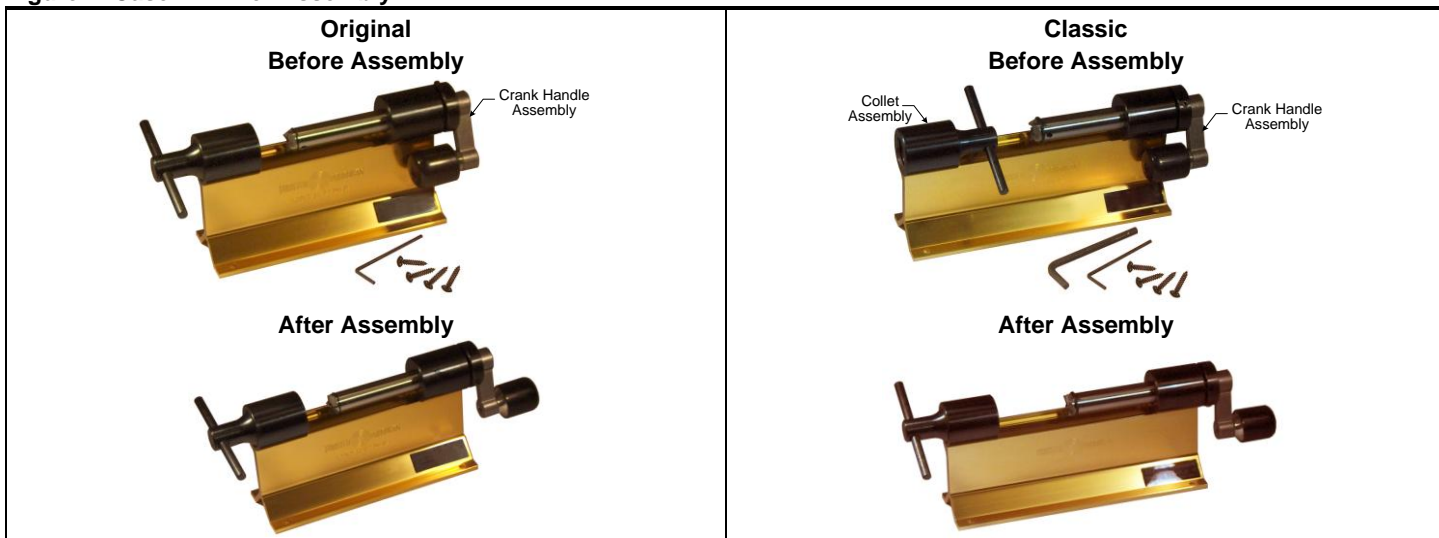
- **Original and Classic:** Crank Handle assembly:

1. Unscrew the Crank Handle from the Cutter Shaft.
2. Turn the Crank Handle around.
3. Screw the Crank Handle on to the Cutter Shaft.

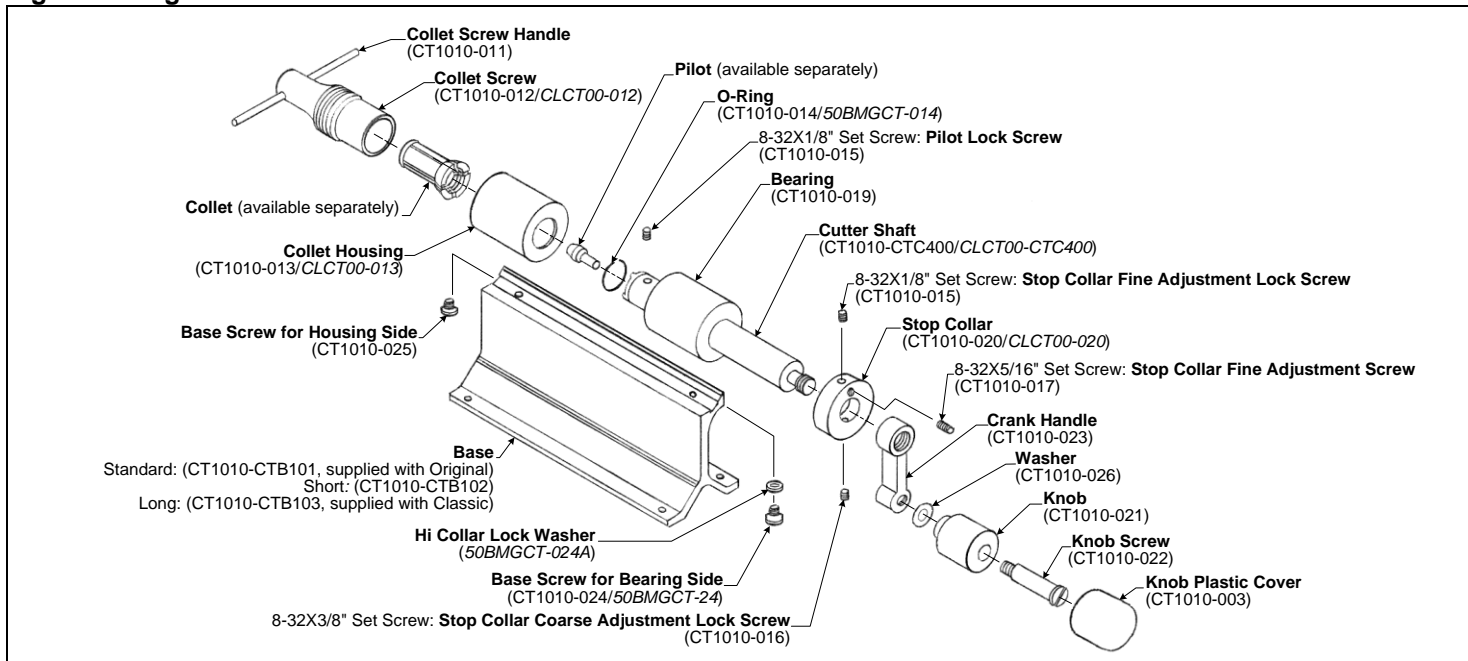
#### 3.2 General Preparation

- Using the included mounting screws, securely fasten the Case Trimmer to a board (for easy set-up, mounting in a vise and storage) or to a bench. This will ensure both hands are free for the trimming operation.
- Have handy the following items:
  - Reliable manual to consult for correct case lengths.
  - Caliper for checking case lengths.
  - Light oil.
  - Grease.

**Figure 1. Case Trimmer Assembly**



**Figure 2. Original and Classic Case Trimmer Nomenclature**



**Note:** Original Case Trimmer order numbers are in regular text, Classic Case Trimmer order numbers are in italics. If only one catalog listing is given, it applies to both the Original and the Classic.

#### 4.0 PROCEDURE

##### 4.1 Assemble Pilot and Collet in Case Trimmer

1. Select the correct Pilot and Collet for the case to be trimmed (see Section 1.0).
2. Insert the Pilot into the Cutter Shaft. Press the Pilot firmly against the cutter teeth and lock it in place by tightening the Pilot Lock Screw with the provided 5/64" allen wrench.
3. Remove the Collet Screw from the Collet Housing.
4. Apply a small amount of grease to the Collet front face, tapered portion and base.
5. Insert the Collet into the Collet Screw.
6. Replace the Collet Screw and Collet into the Collet Housing.

##### 4.2 Insert Case and Adjust for Length

1. With tension on the Collet released, insert the base of the case to be trimmed into the Collet.
2. Move the Pilot into the neck of the case. With one hand on the Crank Handle, push the base of the case against the bottom of the Collet. Ensure the base of the case is held firmly against the bottom of the Collet and the Pilot is supporting the inside case neck, then tighten the Collet Screw with the other hand (see Fig. 3).

**Figure 3. Case Trimmer with Case Inserted**



3. To adjust for case length:

- Set the Stop Collar Fine Adjustment Screw to protrude about 1/32" toward the bearing.
- Slide the Stop Collar toward the Bearing until the Stop Collar Fine Adjustment Screw is in contact with the Bearing.
- Ensure the cutter teeth are in contact with the case neck, then tighten the Stop Collar Coarse Adjustment Lock Screw.

##### 4.3 Make Trial Cut to Check Case Length

1. Turn the Crank Handle to make a trial cut.
2. Remove the case and use a caliper to check its length.
3. Consult a reliable manual for correct case length.

##### 4.4 Make Fine Adjustments for Case Length and Set Stop Collar

1. Turn the Stop Collar Fine Adjustment Screw (one complete turn equals .032") in case length:
  - A clockwise turn increases case length.
  - A counterclockwise turn decreases case length.
2. Once the Case Trimmer is fine-adjusted for case length, lock the Stop Collar Fine Adjustment Screw in place using the Stop Collar Fine Adjustment Lock Screw.
3. Make a final trial cut and check case length. Re-adjust, if necessary.

##### 4.5 Trim Batch of Cases

1. The Case Trimmer is now set up to trim a batch of cases to the exact same length.
2. Occasionally lubricate the Cutter Shaft to Bearing surface with a drop of light oil when trimming.
3. Label and save a master setup case that is trimmed to the correct length for each caliber. This will save setup time in future trimming operations.

## 5.0 AFTER USE

1. After trimming, a sharp edge will be evident on the case mouth. The inside and outside of this edge should be chamfered with a **Forster Inside/Outside Deburring Tool (DB1000)**.
2. Store the Case Trimmer in a cool, dry location.

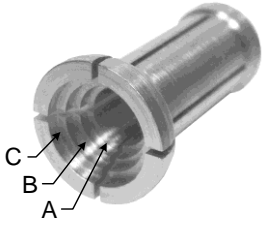
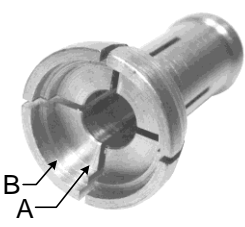
## 6.0 ORDERING INFORMATION

### 6.1 Pilots and Collets

**Pilot:** Determine the bullet diameter and order the Pilot which is most appropriate. For example, Pilot #30 (CT1030) will handle all rounds that use a .308" diameter bullet, meaning that one pilot will work for the 30-06, 308, 30 Carbine, 7.62 NATO and 300 Weatherby Mag. Original and Classic Pilots are interchangeable.

**Collet:** Determine the case diameter at the rim of the case. Refer to Table 1 or 2 and choose the Collet that will accept your case rim. Original and Classic Collets are not interchangeable.

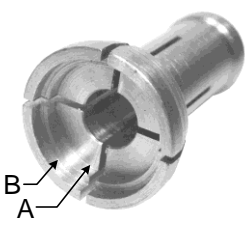
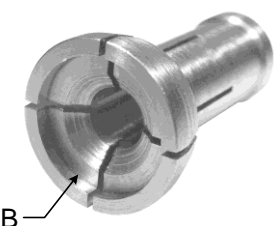
**Table 2. Original Case Trimmer Collet Step Dimensions**

						
Collet No.	A	B	C	Collet No.	A	B
#1	.379"	.473"	.532"	#4	.310"	.605"
#2	.350"	.418"	.506"			
#3	.356"	.440"	.545"			

#### Notes:

- #4 Collet requires Collet Housing enlargement (see Section 7.0).
- #4 Collets manufactured after January 1, 2010, will have two steps as shown in Table 2. Those manufactured before this date have one step with a dimension of .605".

**Table 3. Classic Case Trimmer Collet Step Dimensions**

					
Collet No.	A	B	Collet No.	A	B
#5	.584"	.675"	#7	-	.640"
#6	.545"	.660"	#8	-	.610"

## 6.2 Case Trimmers

### 6.2.1 Replacement Parts

**Table 4. Original Case Trimmer Replacement Parts (See Figure 2)**

Order Number	Description
CT1010-011/ CT1010-012	Collet Screw Handle and Collet Screw
CT1010-013	Collet Housing
CT1010-013-4	Collet Housing #4 (required for use with #4 Collet)
CT1010-014	O-Ring
CT1010-015	8-32x1/8" Set Screw (Pilot lock and Stop Collar fine adjustment lock)
CT1010-016	8-32x3/8" Set Screw (Stop Collar coarse adjustment lock)
CT1010-017	8-32x5/16" Set Screw (Stop Collar fine adjustment)
CT1010-019	Bearing
CT1010-020	Stop Collar with Three Set Screws (CT1010-015, -016, -017)
CT1010-021	Knob
CT1010-003	Knob Plastic Cover
CT1010-022	Knob Screw
CT1010-023	Crank Handle
CT1010-024	Base Screw for Bearing Side
CT1010-025	Base Screw for Housing Side
CT1010-026	Washer (nylon)
CT1010-101	Crank Handle Assembly (includes Knob, Knob Plastic Cover, Crank Handle, Knob Screw and Washer (CT1010-021, -003, -022, -023, -026))
CT1010-CTB101	Base, Standard (5 3/8" length)
CT1010-CTB102	Base, Short (4 5/8" length)
CT1010-CTB103	Base, Long (6 1/2" length)
CT1010-CTC400	Cutter Shaft (.490" diameter)
CT1010-CTC417	Cutter Shaft (17 caliber Pilot hole)
SHORTARM- HEXKEY5/64	5/64 Allen Wrench (for use with CT1010-015, -016, -017)

**Table 5. Classic Case Trimmer Replacement Parts (See Figure 2)**

Order Number	Description
CT1010-011/ CLCT00-012	Collet Screw Handle and Classic Collet Screw
CLCT00-013	Classic Collet Housing
50BMGCT-014	O-Ring
CT1010-015	8-32x1/8" Set Screw (Pilot Lock and Stop Collar fine adjustment lock)
CT1010-016	8-32x3/8" Set Screw (Stop Collar coarse adjustment lock)
CT1010-017	8-32x5/16" Set Screw (Stop Collar fine adjustment)
CLCT00-019	Bearing
CLCT00-020	Stop Collar with Three Set Screws (CT1010-015, -016, -017)
CT1010-021	Knob
CT1010-003	Knob Plastic Cover
CT1010-022	Knob Screw
CT1010-023	Crank Handle
50BMGCT-024	Base Screw for Bearing Side (7/16" cap screw)
CT1010-025	Base Screw for Housing Side
CT1010-026	Washer (nylon)
50BMGCT-024A	#10 Hi Collar Lock Washer
CT1010-101	Crank Handle Assembly (includes Knob, Knob Plastic Cover, Crank Handle, Knob Screw and Washer (CT1010-021, -003, -022, -023, -026))
CT1010-CTB101	Base, Standard (5 3/8" length)
CT1010-CTB103	Base, Long (6 1/2" length)
CLCT00-CTC400	Cutter Shaft (.552" diameter)
SHORTARM- HEXKEY5/32	5/32 Allen Wrench (for use with 50BMGCT-024)
SHORTARM- HEXKEY5/64	5/64 Allen Wrench (for use with CT1010-015, -016, -017)

## 6.22 Complete Product

**Table 6. Original Complete Product**

Order Number	Description
CT1010	Original Case Trimmer (without Pilot or Collet)

**Table 7. Classic Complete Product**

Order Number	Description
CLCT00	Classic Case Trimmer (without Pilot or Collet)

## 6.23 Kits

**Table 8. Original Kit**

Order Number	Description
CTK100	Original Case Trimmer Kit (includes Pilots 22, 24, 25, 27, 28, 30 and Collets 1, 2, 3)

**Table 9. Classic Kit**

Order Number	Description
CLK300	Classic Case Trimmer Kit (includes Pilots 458, 505, 510 and Collets 5, 6, 7)

## 8.0 FORSTER CASE TRIMMER ACCESSORIES

Your Forster Case Trimmer is a versatile tool which can be expanded with the accessories shown in Figure 4 to perform a variety of case conditioning operations.

**Figure 4. Case Trimmer Accessories**

Product Name	Function	Used on the Original Case Trimmer	Used on the Classic Case Trimmer
1 Forster Primer Pocket Cleaner (PPC175: for small primer pockets) (PPC21: for large primer pockets)	Removes primer and powder residue in brass cases after each firing to ensure proper primer seating. Used with the Forster Primer Pocket Center (PPCE02).	yes	yes
2 Forster Outside Neck Turner (OT1010)	Removes excess brass from the outside neck wall. When used after sizing, this process produces a neck wall with an even thickness.	yes	no
3 Forster Neck Reamer (NR1###)	Removes excess brass from the inside case neck wall. (Use before sizing.)	yes	yes
4 Forster Universal Hollow Pointer (HP1016, HP1018)	Hollow points most calibers of rifle and pistol cartridges in 1/16" and 1/8" size drills. Long and short case trimmer bases are available for hollow pointing long and short cartridges.	yes	yes
5 Forster 3 in 1 Case Mouth Cutter (3CUT-224, 3CUT-243, 3CUT-308)	Chamfers case neck inside and outside diameters, and trims case to length all in one step.	yes	no
6 Forster Primer Pocket Chamfering Tool (PPCT010)	Chamfers military primer pockets, removing most, if not all, the crimp from military cases. Used with the Forster Primer Pocket Center (PPCE02).	yes	yes

The Forster Case Trimmer Power Adapter (PA1000) allows your case trimmer to be powered by your electric screwdriver or power drill.

## 7.0 MACHINING SERVICES

**7.1 Original Case Trimmer Collet Housing Enlargement**  
Use of the #4 Collet requires that the Original Case Trimmer Collet Housing opening be enlarged to .610". This will not affect the use of the #1, #2, or #3 Collet. The Collet Housing can be opened at the factory at no charge. Please return the Collet Housing only. Do not send the entire Case Trimmer.

**7.2 Cutter Shaft Resharpener**  
If the cutter shaft does become dull after years of use of several thousand cases, it can be resharpenered at the factory for a nominal fee. Please return the Cutter Shaft Only. Do not send the entire Case Trimmer. A machining fee will be charged.

**7.3 Special Case Trimmer Pilots**  
Any special size Case Trimmer Pilot within our size range can be ordered through dealers or directly through Forster Products. Please specify exact diameter desired and allow three days for a special pilot. A machining fee will be charged.

For best prices, contact your Forster dealer. Experienced dealers and wholesale jobbers are an integral part of the shooting sports. Please make frequent use of their knowledge and support them. If your dealer or wholesale jobber cannot supply you, please contact us by email, fax or phone.

## WARRANTY

All Forster Products are warranted against defects in materials and workmanship for the life of the product. Parts which, by nature of their function, are subject to normal wear (such as springs, pins, etc.) and parts which have been altered, abused or neglected, are excluded from the warranty. If the product is deemed defective by workmanship or materials, it will be repaired, reconditioned or replaced (at Forster's option). This warranty supersedes all other warranties for Forster Products whether written or oral.