

Lab Notes:

The 41 Remington Magnum has maintained a modest but vocal following among handgunners since its introduction in 1964. Although largely overshadowed by the 44 Magnum, the 41 Magnum is still a great cartridge in states permitting big game hunting with a handgun. What shooters needed was a better component bullet.

In 2004, Speer introduced a 21st Century Gold Dot bonded-core bullet for 41 Magnum fans. We selected the versatile 210 grain weight, and profiled the cavity for 41 Magnum velocities. With maximum safe loads, this bullet produces over 750 foot-pounds muzzle energy from a 6-inch barrel revolver, plenty for any deer species at reasonable handgun ranges. Loads using Unique and VihtaVuori N350 are great for reduced recoil practice.

41 Magnum with 210 gr Gold Dot® HP

Previous Speer bullets for the 41 Magnum were half-jacket designs. Although very accurate, effective, and popular bullets, these designs dated to the 1960's. Due to their "over-the-shoulder" crimping arrangement, they are not appropriate to tubular-magazine rifles. The new Gold Dot HP permits proper crimping for use in these rifles, and we show rifle velocities here.

Speer also loads this bullet in its Gold Dot Hunting ammo line. Do not load lighter than the start loads we show. All powders tested performed best with a firm crimp. Use Magnum primers only where indicated by an asterisk (*) next to the propellant name. The loads shown here remain within the 36,000 psi pressure limit established for the 41 Magnum.

Test Conditions—Case: Winchester; Primer: CCI® 300/350* ; Test Firearm: see data headers

210 gr Gold Dot HP

COAL tested: 1.575"

Part Number 4430 BC = 0.183 SD = 0.179

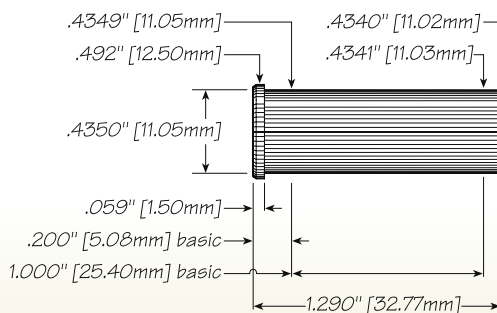
REVOLVER VELOCITIES S&W Model 57 6" barrel

Propellant	Start Charge, gr	Start Charge Velocity	MAX Charge, gr	MAX. Charge Velocity
296*	20.5	1251	21.5	1295
H110*	20.5	1237	21.5	1265
AA #9	17.0	1199	18.0	1265
Viht. N110	17.0	1136	18.0	1244
2400®	18.0	1176	19.0	1223
IMR 4227	21.0	1117	22.0	1203
Blue Dot®	12.0	1126	13.0	1193
Unique®	8.7	1034	9.7	1123
Viht. N350	9.8	1035	10.5	1110

RIFLE VELOCITIES Marlin M94 Carbine 20" barrel

Propellant	Start Charge, gr	Start Charge Velocity	MAX Charge, gr	MAX. Charge Velocity
H110*	20.5	1704	21.5	1776
296*	20.5	1685	21.5	1775
2400®	18.0	1605	19.0	1699
Viht. N110	17.0	1508	18.0	1690
AA #9	17.0	1575	18.0	1656
IMR 4227	21.0	1480	22.0	1583
Blue Dot®	12.0	1354	13.0	1489
Unique®	8.7	1208	9.7	1331
Viht. N350	9.8	1255	10.5	1314

Bold type denotes MAXIMUM loads; use with caution. *—denotes use of CCI Magnum primer with this propellant.



B23K rev N15K

© 2004 ATK, Inc. All rights reserved.

Speer, Gold Dot, CCI, 2400, Blue Dot, and Unique are registered trademarks of ATK, Inc and its subsidiary companies.

WARNING: Improper handloading practices can result in serious personal injury and/or property damage. Refer to the current SPEER Reloading Manual for handloading instructions. Be thoroughly familiar with those instruction before using these loads. As CCI-SPEER has no control over individual handloading practices or the condition of firearms in which the resulting ammo may be used, we disclaim all liability for any damages that may result from the use of this information.