

ESCALA

PCI Adapter Placement



REFERENCE
86 A1 37EV 05

ESCALA

PCI Adapter Placement

Hardware

May 2009

BULL CEDOC
357 AVENUE PATTON
B.P.20845
49008 ANGERS CEDEX 01
FRANCE

REFERENCE
86 A1 37EV 05

The following copyright notice protects this book under Copyright laws which prohibit such actions as, but not limited to, copying, distributing, modifying, and making derivative works.

Copyright © Bull SAS 2009

Printed in France

Trademarks and Acknowledgements

We acknowledge the rights of the proprietors of the trademarks mentioned in this manual.

All brand names and software and hardware product names are subject to trademark and/or patent protection.

Quoting of brand and product names is for information purposes only and does not represent trademark misuse.

The information in this document is subject to change without notice. Bull will not be liable for errors contained herein, or for incidental or consequential damages in connection with the use of this material.

Contents

| | |
|---|-----------|
| Safety notices | v |
| Chapter 1. What's new in PCI adapter placement for machine types 82xx and 91xx | 1 |
| Chapter 2. Supported PCI adapters | 3 |
| Adapters supported on AIX, IBM i, and Linux | 3 |
| PCI Express | 15 |
| Chapter 3. Model 8203-E4A server | 17 |
| PCI slot descriptions | 17 |
| PCI and PCI-X expansion units | 17 |
| PCIe expansion units | 18 |
| Maximum number of adapters supported | 18 |
| PCI and PCI-X adapters | 19 |
| PCIe adapters | 26 |
| Performance notes | 26 |
| Chapter 4. Model 8204-E8A server | 29 |
| PCI slot descriptions | 29 |
| PCI and PCI-X expansion units | 30 |
| PCIe expansion units | 30 |
| Maximum number of adapters supported | 31 |
| PCI and PCI-X adapters | 31 |
| PCIe adapters | 38 |
| Performance notes | 39 |
| Chapter 5. Model 8234-EMA server | 41 |
| PCI slot descriptions | 41 |
| PCI and PCI-X expansion units | 42 |
| PCIe expansion units | 42 |
| PCI and PCI-X adapters | 43 |
| PCIe adapters | 46 |
| SAS cable cards | 47 |
| Performance notes | 48 |
| Chapter 6. Model 9117-MMA server | 51 |
| PCI slot descriptions | 51 |
| PCI and PCI-X expansion units | 52 |
| PCIe expansion units | 53 |
| PCI and PCI-X adapters | 53 |
| PCIe adapters | 60 |
| SAS cable cards | 62 |
| Performance notes | 62 |
| Chapter 7. Model 9119-FHA server | 65 |
| Chapter 8. Model 9125-F2A server | 67 |
| PCI slot descriptions | 67 |
| Expansion units | 68 |
| PCI and PCI-X adapters | 68 |
| PCIe adapters | 69 |
| Performance notes | 70 |

| | |
|---|------------|
| Chapter 9. I/O expansion units | 73 |
| Supported I/O expansion units | 73 |
| Model 5088 or 0588 expansion units | 74 |
| Model 0595 or 5095 expansion units | 75 |
| Model 5094, 5096, 5294, 5296, 8294 and 9194 expansion units | 76 |
| Model 5790 expansion unit | 77 |
| Model 5791 and 5794 expansion units | 78 |
| Model 5796 expansion unit | 82 |
| System description | 82 |
| PCI-X DDR slot descriptions | 83 |
| Slot priority | 84 |
| Model 5797 and 5798 expansion units | 84 |
| Model 5802 and 5877 expansion units | 87 |
| System description | 88 |
| Slot priority | 88 |
| Model 5803 and 5873 expansion units | 89 |
| System description | 89 |
| Slot priority | 90 |
| Model 7311-D11 expansion unit | 92 |
| PCI slot descriptions | 92 |
| Slot priorities | 93 |
| Model 7311-D20 expansion unit | 93 |
| PCI slot descriptions | 93 |
| Slot priorities | 94 |
| Model 7314-G30 expansion unit | 94 |
| System description | 94 |
| PCI slot descriptions | 95 |
| Slot priorities | 96 |
| | |
| Chapter 10. Determining the best place to install your adapter | 97 |
| Find your current system configuration in IBM i | 97 |
| IOP PCI adapters | 97 |
| Placing adapters in the system | 98 |
| Placing an adapter in an expansion unit | 98 |
| SCSI RAID controller placement restrictions for IBM i | 100 |
| High-performance SCSI, disk controller placement for IBM i | 101 |
| | |
| Appendix. Notices | 105 |
| Trademarks | 106 |
| Electronic emission notices | 106 |
| Class A Notices | 106 |
| Terms and conditions | 109 |

Safety notices

Safety notices may be printed throughout this guide:

- **DANGER** notices call attention to a situation that is potentially lethal or extremely hazardous to people.
- **CAUTION** notices call attention to a situation that is potentially hazardous to people because of some existing condition.
- **Attention** notices call attention to the possibility of damage to a program, device, system, or data.

World Trade safety information

Several countries require the safety information contained in product publications to be presented in their national languages. If this requirement applies to your country, a safety information booklet is included in the publications package shipped with the product. The booklet contains the safety information in your national language with references to the U.S. English source. Before using a U.S. English publication to install, operate, or service this product, you must first become familiar with the related safety information in the booklet. You should also refer to the booklet any time you do not clearly understand any safety information in the U.S. English publications.

German safety information

Das Produkt ist nicht für den Einsatz an Bildschirmarbeitsplätzen im Sinne § 2 der Bildschirmarbeitsverordnung geeignet.

Laser safety information

IBM® servers can use I/O cards or features that are fiber-optic based and that utilize lasers or LEDs.

Laser compliance

All lasers are certified in the U.S. to conform to the requirements of DHHS 21 CFR Subchapter J for class 1 laser products. Outside the U.S., they are certified to be in compliance with IEC 60825 as a class 1 laser product. Consult the label on each part for laser certification numbers and approval information.

CAUTION:

This product might contain one or more of the following devices: CD-ROM drive, DVD-ROM drive, DVD-RAM drive, or laser module, which are Class 1 laser products. Note the following information:

- **Do not remove the covers. Removing the covers of the laser product could result in exposure to hazardous laser radiation. There are no serviceable parts inside the device.**
- **Use of the controls or adjustments or performance of procedures other than those specified herein might result in hazardous radiation exposure.**

(C026)

CAUTION:

Data processing environments can contain equipment transmitting on system links with laser modules that operate at greater than Class 1 power levels. For this reason, never look into the end of an optical fiber cable or open receptacle. (C027)

CAUTION:

This product contains a Class 1M laser. Do not view directly with optical instruments. (C028)

CAUTION:

Some laser products contain an embedded Class 3A or Class 3B laser diode. Note the following information: laser radiation when open. Do not stare into the beam, do not view directly with optical instruments, and avoid direct exposure to the beam. (C030)

Power and cabling information for NEBS (Network Equipment-Building System) GR-1089-CORE

The following comments apply to the IBM servers that have been designated as conforming to NEBS (Network Equipment-Building System) GR-1089-CORE:

The equipment is suitable for installation in the following:

- Network telecommunications facilities
- Locations where the NEC (National Electrical Code) applies

The intrabuilding ports of this equipment are suitable for connection to intrabuilding or unexposed wiring or cabling only. The intrabuilding ports of this equipment *must not* be metallically connected to the interfaces that connect to the OSP (outside plant) or its wiring. These interfaces are designed for use as intrabuilding interfaces only (Type 2 or Type 4 ports as described in GR-1089-CORE) and require isolation from the exposed OSP cabling. The addition of primary protectors is not sufficient protection to connect these interfaces metallically to OSP wiring.

Note: All Ethernet cables must be shielded and grounded at both ends.

The ac-powered system does not require the use of an external surge protection device (SPD).

The dc-powered system employs an isolated DC return (DC-I) design. The DC battery return terminal *shall not* be connected to the chassis or frame ground.

Chapter 1. What's new in PCI adapter placement for machine types 82xx and 91xx

See what is new and what has changed in the PCI adapter placement for machine types 82xx and 91xx since the last edition of this topic.

May 2009

The following updates have been made to the content:

- Added a new section for the "Model 5802 and 5877 expansion units" on page 87.
- Added a new section for the "Model 5803 and 5873 expansion units" on page 89.
- Added new or newly supported adapters to Chapter 2, "Supported PCI adapters," on page 3 and other sections.

November 2008

The following updates have been made to the content:

- Added a new section for the Chapter 5, "Model 8234-EMA server," on page 41.
- Added new or newly supported adapters to Chapter 2, "Supported PCI adapters," on page 3.

Chapter 2. Supported PCI adapters

Learn about PCI, PCI-X and PCI Express (PCIe) adapters that are supported on IBM Power Systems models that contain the POWER6™ processor, and their associated I/O expansion units.

This topic contains reference information that information technology (IT) personnel and service representatives can use in determining where to place Peripheral Component Interconnect (PCI) adapters in the following IBM Power Systems® servers and their associated I/O expansion units: 8203-E4A, 8204-E8A, 8234-EMA, 9117-MMA, 9119-FHA, and 9125-F2A.


A separate publication, the PCI adapter placement for machine type 94xx, covers the following models and their associated I/O expansions units: 9406-MMA, 9407-M15, 9408-M25, and 9409-M50.


Adapters supported on AIX, IBM i, and Linux

Table 1 and Table 2 on page 13 list adapters supported on the AIX®, IBM i, and Linux® operating systems. Not all adapters are supported on all operating systems. Exceptions are noted in the Description column.

Important:

- Not all adapters are supported on all system configurations. This document does not replace the latest sales and marketing publications and tools that document supported features.
- Before adding or rearranging adapters, use the System Planning Tool to validate the new adapter configuration. See the System Planning Tool Web site at

<http://www-03.ibm.com/servers/eserver/support/tools/systemplanningtool/> .

- If you are installing a new feature, ensure that you have the software required to support the new feature and determine whether there are any existing PTF prerequisites to install. To do this, use the IBM Prerequisite Web site at http://www-912.ibm.com/e_dir/eServerPrereq.nsf .

IBM i operating system configuration notes:

- IOP adapters are listed in Table 52 on page 98.
- IBM i specific placement guidelines are covered in Chapter 10, “Determining the best place to install your adapter,” on page 97.
- The PCI and PCI-X adapters listed in Table 1 are IOPless unless the description states that they are IOP controlled. PCIe adapters (Table 2 on page 13) are all IOPless.

PCI and PCI-X adapters

The following table lists PCI and Peripheral Component Interconnect-X (PCI-X) adapters.

Table 1. PCI and PCI-X adapters

| Feature/CCIN | Description |
|--------------|---|
| 2738/2738 | 2-Port USB PCI Adapter <ul style="list-style-type: none">• Short, 32-bit, 3.3 or 5V• OS support: AIX and Linux |

Table 1. PCI and PCI-X adapters (continued)

| Feature/CCIN | Description |
|--------------|--|
| 2749/2749 | <p>PCI Ultra Magnetic Media Controller</p> <ul style="list-style-type: none"> • Short, 32-bit, 33 MHz • OS support: i operating system • IOP controlled <ul style="list-style-type: none"> – Memory value: 22 – Performance value: 25 • This adapter might encounter performance limitations in PCI-X expansion units and systems. • A maximum of two 2749 or 4805 adapters in any combination allowed per IOP, except for CCIN 289x IOPs. |
| 2757/2757 | <p>PCI Ultra RAID Disk Controller</p> <ul style="list-style-type: none"> • Long, 64-bit • High bandwidth • OS support: i operating system • IOP controlled <ul style="list-style-type: none"> – Memory value: 29 – Performance value: 30 • The controller must be mirrored to be supported. • See “SCSI RAID controller placement restrictions for IBM i” on page 100. |
| 2780/2780 | <p>PCI-X Ultra4 RAID Disk Controller</p> <ul style="list-style-type: none"> • Long, 64-Bit, 133 MHz • High bandwidth • OS support: i operating system • IOP controlled <ul style="list-style-type: none"> – Memory value: 29 – Performance value: 30 • The controller must be mirrored to be supported. • See “SCSI RAID controller placement restrictions for IBM i” on page 100. |
| 2787/2787 | <p>PCI-X Fibre Channel Disk Unit Controller</p> <ul style="list-style-type: none"> • Short, 64-bit, 133 MHz • High bandwidth • OS support: i operating system • For best performance, place the controller in a 64-bit slot. • IOP controlled • Only one per IOP and no other IOAs • A maximum of two 2787, 5704, 5760, or 5761 (any combination) is allowed per PCI bridge set boundary. • This IOA can be used in multipath configurations. To improve the availability provided by multipath configurations, place each IOA and its IOP on different HSL loops, in different expansion units or on different multi-adapter bridges. |
| 2849/2849 | <p>POWER® GXT135P Graphics Accelerator with Digital Support</p> <ul style="list-style-type: none"> • Short, 32 or 64-bit, 3.3V • OS support: AIX and Linux • Not hot-pluggable • Not supported in the 7311-D11 expansion unit • Not supported in the 7311-D20 expansion unit connected to a model 9117-MMA server |

Table 1. PCI and PCI-X adapters (continued)

| Feature/CCIN | Description |
|--------------|--|
| 3709/2849 | <p>PCI 100/10 Mbps Ethernet IOA</p> <ul style="list-style-type: none"> • Short, 32-bit, 33 MHz • OS support: i operating system • IOP controlled <ul style="list-style-type: none"> – Memory value: 25 – Performance value: 36 • A maximum of two 3709 in any combination is allowed per IOP |
| 2943/3-B | <p>8-Port Asynchronous Adapter EIA-232/RS-422, PCI bus</p> <ul style="list-style-type: none"> • Short, 32-bit, 3.3 or 5V • OS support: AIX, i, and Linux operating systems |
| 2947/9-R | <p>ARTIC960Hx 4-Port Multiprotocol PCI Adapter</p> <ul style="list-style-type: none"> • Long, 32-bit, 3.3 or 5V • OS support: AIX |
| 2962/9-L | <p>2-Port Multiprotocol PCI Adapter</p> <ul style="list-style-type: none"> • Short, 32-bit, 3.3 or 5V • OS support: AIX |
| 4746/2746 | <p>PCI Twinaxial Workstation Controller IOA</p> <ul style="list-style-type: none"> • Short, 32-bit, 33 MHz • OS support: i operating system • IOP controlled <ul style="list-style-type: none"> – Memory value: 10 – Performance value: 6 |
| 4764/4764 | <p>PCI-X Cryptographic Coprocessor</p> <ul style="list-style-type: none"> • Short, 64-bit, 3.3V • OS support: AIX and i operating system |
| 4801/4758 | <p>PCI Cryptographic Coprocessor</p> <ul style="list-style-type: none"> • Short, 32-bit, 33 MHz • OS support: i operating system • IOP controlled <ul style="list-style-type: none"> – Memory value: 11 – Performance value: 18 • The adapter cannot be controlled by the load source IOP. |
| 4805/2058 | <p>PCI Cryptographic Accelerator</p> <ul style="list-style-type: none"> • Short, 32-bit, 33 MHz • OS support: i operating system • IOP controlled <ul style="list-style-type: none"> – Memory value: 2 – Performance value: 26 • A maximum of two 3709 and 4805 adapters in any combination is allowed per IOP, except for CCIN 289x IOPs. • The adapter cannot be controlled by the load source IOP. • A maximum of two 4805 adapters are allowed per IOP, but is restricted to a maximum of one per IOP if this IOP is also driving a 5700 or 5701 adapter. |

Table 1. PCI and PCI-X adapters (continued)

| Feature/CCIN | Description |
|------------------------|---|
| 4812/4812 4813/4812 | <p>Base PCI Integrated xSeries® Server</p> <ul style="list-style-type: none"> • Long, double-width, 64 bit, 66 MHz, 3.3 V • OS support: i operating system • Contains a 2.0 GHz processor with 2 MB integrated L2 cache • Two integrated 1000/100/10 Mbps Ethernet ports, two USB 1.1 ports, and traditional PC keyboard and mouse ports • A keyboard and mouse can either connect to the traditional ports or connect to the USB ports. • An SVGA video port for connection of a display. • This feature has two memory slots. These slots must always contain a pair of identical memory features. • Available memory features are: #9726 - Base 512 MB Server Memory (Initial order only) #8546 - Opt Base 1 Gb Server Memory (Initial order only) #0446 - 512 MB DDR Server Memory (MES only) #0447 - 1 Gb DDR Server Memory (MES only.) The #9812 requires an IOP (#2844, #9744 or #9844). |
| 5580/2780 and 5708 | <p>2780 Controller with 5708 Auxiliary Write Cache</p> <ul style="list-style-type: none"> • Long, 133 MHz, 32 or 64-bit, 3.3V • OS support: i operating system • Two adapter set, requires two open slots within the same enclosure. • The 2757 and 2780 controllers are high bandwidth • 5708 Auxiliary Write Cache is low bandwidth. • If possible, place the 2757 or 2780 controller in a 64 bit, 133 MHz slot, or better, for best performance. • IOP controlled <ul style="list-style-type: none"> – Memory value: 29 – Performance value: 30 • See “SCSI RAID controller placement restrictions for IBM i” on page 100. |
| 5581/2757 and 5708 | <p>2757 Controller with 5708 Auxiliary Write Cache</p> <ul style="list-style-type: none"> • Long, 133 MHz, 32 or 64-bit, 3.3V • OS support: i operating system • Two adapter set, requires two open slots within the same enclosure. • The 2757 and 2780 controllers are high bandwidth • 5708 Auxiliary Write Cache is low bandwidth. • If possible, place the 2757 or 2780 controller in a 64 bit, 133 MHz slot, or better, for best performance. • IOP controlled <ul style="list-style-type: none"> – Memory value: 29 – Performance value: 30 • See “SCSI RAID controller placement restrictions for IBM i” on page 100. |
| 5583/571E and 574F | <p>5738 Controller with 574F Auxiliary Write Cache IOA</p> <ul style="list-style-type: none"> • Long, 133 MHz, 32 or 64-bit, 3.3V • OS support: i operating system • For more information about this adapter and slot restrictions, see “SCSI RAID controller placement restrictions for IBM i” on page 100 and “High-performance SCSI, disk controller placement for IBM i” on page 101. |

Table 1. PCI and PCI-X adapters (continued)

| Feature/CCIN | Description |
|--------------------|---|
| 5590/2780 and 574F | <p>2780 Controller with 574F Auxiliary Write Cache IOA</p> <ul style="list-style-type: none"> • Long, 133 MHz, 32 or 64-bit, 3.3V • OS support: i operating system • Place the controller side of the adapter pair in a 64 bit, 133 MHz slot, or better, for best performance. • Two adapter set requires two open slots within the same enclosure. • The 2780 and 2757 controllers are high bandwidth • The Auxiliary Write Cache is low bandwidth. • IOP controlled <ul style="list-style-type: none"> – Memory value: 29 – Performance value: 30 • For more information about this adapter and slot restrictions, see “SCSI RAID controller placement restrictions for IBM i” on page 100 and “High-performance SCSI, disk controller placement for IBM i” on page 101. |
| 5591/2757 and 574F | <p>2757 Controller with 574F Auxiliary Write Cache IOA</p> <ul style="list-style-type: none"> • Long, 133 MHz, 32 or 64-bit, 3.3V • OS support: i operating system • Two adapter set requires two open slots within the same enclosure. • The 2780 and 2757 controllers are high bandwidth. • The Auxiliary Write Cache is low bandwidth. • Place the controller in a 64 bit, 133 MHz slot for best performance. • IOP controlled <ul style="list-style-type: none"> – Memory value: 29 – Performance value: 30 • For more information about this adapter and slot restrictions, see “SCSI RAID controller placement restrictions for IBM i” on page 100 and “High-performance SCSI, disk controller placement for IBM i” on page 101. |
| 5700/5700 | <p>Gigabit Ethernet-SX PCI-X Adapter</p> <ul style="list-style-type: none"> • Short, 32 or 64-bit, 3.3 or 5V • High bandwidth • OS support: AIX, i, and Linux operating systems • i configuration notes: <ul style="list-style-type: none"> – IOP controlled <ul style="list-style-type: none"> - Memory value: 2 - Performance value: 26 – Can be combined with a maximum of one other IOA. – A maximum of two 4805, 5700, or 5701 in any combination is allowed per IOP. – Half-duplex mode is not supported. – SNA is not supported. |

Table 1. PCI and PCI-X adapters (continued)

| Feature/CCIN | Description |
|--------------|--|
| 5701/5701 | <p>10/100/1000 Base-TX Ethernet PCI-X Adapter</p> <ul style="list-style-type: none"> • Short, 32 or 64-bit, 3.3 or 5V • High bandwidth • OS support: AIX, i, and Linux operating systems • i configuration notes: <ul style="list-style-type: none"> – IOP controlled <ul style="list-style-type: none"> - Memory value: 2 - Performance value: 26 – The adapter can be combined with a maximum of one other IOA. – A maximum of two 4805, 5700, or 5701 in any combination per IOP. – Half-duplex mode is not supported. – SNA is not supported. |
| 5702/5702 | <p>PCI-X Ultra Tape Controller</p> <ul style="list-style-type: none"> • Short, 64-bit, 133 MHz • OS support: i operating system • High bandwidth • IOP controlled <ul style="list-style-type: none"> – Memory value: 29 – Performance value: 21 |
| 5704/5704 | <p>PCI-X Fibre Channel Tape Controller</p> <ul style="list-style-type: none"> • Short, 64-bit, 133 MHz • OS support: i operating system • High bandwidth • IOP controlled <ul style="list-style-type: none"> – Memory value: 36 – Performance value: 50 • For best performance, place the controller in a 64-bit slot. • A maximum of two 2787, 5704, 5760, or 5761 (any combination) is allowed per PCI bridge set boundary. |
| 5706/5706 | <p>2-Port 10/100/1000 Base-TX Ethernet PCI-X Adapter</p> <ul style="list-style-type: none"> • Short, 32 or 64-bit, 3.3 or 5V • High bandwidth • OS support: AIX, i, and Linux operating systems |
| 5707/5707 | <p>2-Port Gigabit Ethernet-SX PCI-X Adapter</p> <ul style="list-style-type: none"> • Short, 32 or 64-bit, 3.3 or 5V • High bandwidth • OS support: AIX, i, and Linux operating systems |
| 5710/5702 | <p>PCI-X Dual Channel Ultra320 SCSI Blind Swap Adapter</p> <ul style="list-style-type: none"> • 64-bit, 3.3 volt • High bandwidth • OS support: AIX |

Table 1. PCI and PCI-X adapters (continued)

| Feature/CCIN | Description |
|--------------|---|
| 5712/5702 | PCI-X Dual Channel Ultra 320 SCSI Adapter <ul style="list-style-type: none"> • Short, 32 or 64-bit, 3.3V • High bandwidth • OS support: AIX, i, and Linux operating systems • i configuration notes: <ul style="list-style-type: none"> – IOP controlled <ul style="list-style-type: none"> - Memory value: 29 - Performance value: 21 |
| 5713/573B | 1 Gigabit-TX iSCSI TOE PCI-X Adapter <ul style="list-style-type: none"> • Short, 32 or 64-bit, 3.3 or 5V • High bandwidth • OS support: AIX, i, and Linux operating systems |
| 5714/573C | 1 Gigabit-SX iSCSI TOE PCI-X Adapter <ul style="list-style-type: none"> • Short, 32 or 64-bit, 3.3 or 5V • High bandwidth • OS support: AIX, i, and Linux operating systems |
| 5716/280B | 2 Gigabit Fibre Channel PCI-X Adapter <ul style="list-style-type: none"> • Short, 32 or 64-bit, 3.3 or 5V • High bandwidth • OS support: AIX and Linux |
| 5718/5718 | 10 Gigabit-SR Ethernet PCI-X Adapter <ul style="list-style-type: none"> • Short, 64-bit, 3.3V • Extra-high bandwidth • OS support: AIX, i, and Linux operating systems |
| 5719/5719 | 10 Gigabit-LR Ethernet PCI-X Adapter <ul style="list-style-type: none"> • Short, 64-bit, 3.3V • Extra-high bandwidth • OS support: AIX, i, and Linux operating systems |
| 5721/573A | 10 Gb-SR Ethernet PCI-X 2.0 DDR Adapter <ul style="list-style-type: none"> • Short, 64 bit, 3.3 V • Extra-high bandwidth • OS support: AIX, i, and Linux operating systems |
| 5722/576A | 10 Gb-LR Ethernet PCI-X 2.0 DDR Adapter <ul style="list-style-type: none"> • Short, 64-bit, 3.3 V • Extra-high bandwidth • OS support: AIX, i, and Linux operating systems |
| 5723/5723 | 2-Port EIA-232 Asynchronous PCI Adapter <ul style="list-style-type: none"> • Short, 32-bit, 3.3V or 5V • High bandwidth • OS support: AIX, i, and Linux operating systems |

Table 1. PCI and PCI-X adapters (continued)

| Feature/CCIN | Description |
|--------------|---|
| 5736/ 571A | <p>PCI-X DDR 2.0 Dual Channel Ultra320 SCSI Adapter</p> <ul style="list-style-type: none"> • Short, 32 to 64-bit, 3.3V • High bandwidth • OS support: AIX, i, and Linux operating systems • i configuration notes: <ul style="list-style-type: none"> – IOP controlled <ul style="list-style-type: none"> - Memory value: 29 - Performance value: 21 – See “SCSI RAID controller placement restrictions for IBM i” on page 100. |
| 5740/5740 | <p>4-Port 10/100/1000 Base-TX PCI-X Adapter</p> <ul style="list-style-type: none"> • Short, 64-bit, 3.3V • High bandwidth • OS support: AIX, i, and Linux operating systems |
| 5749/576B | <p>4 Gigabit Dual-Port Fibre Channel PCI-X 2.0 DDR Adapter</p> <ul style="list-style-type: none"> • Short, 64-bit, 3.3V • OS support: i operating system • Extra-high bandwidth • 64-bit slot required • Recommended in DDR slot • Maximum of four per enclosure • Maximum of two per PCI host bridge |
| 5758/280D | <p>4 Gb Single-Port Fibre Channel PCI-X 2.0 DDR Adapter</p> <ul style="list-style-type: none"> • Short, 32 or 64-bit, 3.3V • High bandwidth • OS support: AIX, i, and Linux operating systems |
| 5759/5759 | <p>4 Gb Dual-Port Fibre Channel PCI-X 2.0 DDR Adapter</p> <ul style="list-style-type: none"> • Short, 64-bit, 3.3V • Extra-high bandwidth • OS support: AIX, i, and Linux operating systems |
| 5760/280E | <p>PCI-X Fibre Channel Disk Controller</p> <ul style="list-style-type: none"> • Short, 64-bit, 3.3V, 133 MHz • OS support: i operating system • Extra-high bandwidth • IOP controlled • For best performance, place the controller in a 64-bit slot. • Only one per IOP and no other IOAs. • A maximum of two 2787, 5704, 5760, or 5761 (any combination) is allowed per PCI bridge set boundary. • This IOA can be used in multipath configurations. To improve the availability provided by multipath, place each IOA and its IOP on different HSL loops, in different expansion units or on different multi-adapter bridges. |

Table 1. PCI and PCI-X adapters (continued)

| Feature/CCIN | Description |
|---|---|
| 5761/280D | <p>PCI-X Fibre Channel Disk Controller</p> <ul style="list-style-type: none"> • Short, 64-bit, 3.3V, 133 MHz • OS support: i operating system • Extra-high bandwidth • IOP controlled <ul style="list-style-type: none"> – Memory value: 36 – Performance value: 50 • Extra-high bandwidth. • For best performance, place in a 64-bit position. • A maximum of two 2787, 5704, 5760, or 5761 (any combination) is allowed per PCI bridge set boundary. • For best performance, do not mix with other extra-high bandwidth adapters in the same multi-adapter bridge boundary. |
| 5776/571B | <p>PCI-X Disk Controller - 90 MB</p> <ul style="list-style-type: none"> • Long, 64 bit, 266 MHz • OS support: i operating system • Extra-high bandwidth • Dual-mode capable adapter • The controller must be mirrored to be supported. |
| 5777/571E | <p>PCI-X Dual Channel Ultra320 SCSI RAID Adapter</p> <ul style="list-style-type: none"> • Long, 32 or 64-bit, 3.3V, 133 MHz • OS support: i operating system • Dual-mode capable adapter • Extra-high bandwidth • The controller must be mirrored to be supported. • For more information about this adapter and slot restrictions, see “SCSI RAID controller placement restrictions for IBM i” on page 100 and “High-performance SCSI, disk controller placement for IBM i” on page 101. |
| 5778/571F and 575B 5780/571F and 575B 5782/571F and 575B | <p>PCI-X Dual Channel Ultra320 SCSI RAID Adapter with Auxiliary Write Cache (double-wide)</p> <ul style="list-style-type: none"> • Long, 64-bit, 3.3V, 266 MHz • OS support: i operating system • Dual-mode capable adapter • Extra-high bandwidth • Double-wide adapter, requires two, adjacent slots. The SCSI controller side of the adapter pair requires a 64-bit slot. (The controller side is the side with the external SCSI connectors.) • When used in a logical partition (LPAR) environment, this double-wide adapter must have both slots of the adapter assigned to the same logical partition. When using DLPAR, both slots of the adapter must be managed together. • Because of the complexity of this adapter, concurrent maintenance is not supported through the HMC. Concurrent maintenance must be done from the Hardware Service Manager (HSM). • For more information about this adapter and slot restrictions, see “SCSI RAID controller placement restrictions for IBM i” on page 100 and “High-performance SCSI, disk controller placement for IBM i” on page 101. |

Table 1. PCI and PCI-X adapters (continued)

| Feature/CCIN | Description |
|--|---|
| 5806/571A | <p>PCI-X DDR Dual Channel Ultra320 SCSI Adapter</p> <ul style="list-style-type: none"> • Short, 32 to 64-bit, 3.3V • High bandwidth • OS support: i operating system • i configuration notes: <ul style="list-style-type: none"> – IOP controlled <ul style="list-style-type: none"> - Memory value: 29 - Performance value: 21 – See “SCSI RAID controller placement restrictions for IBM i” on page 100. |
| 5900/572A | <p>PCI-X DDR Ext Dual-x4 3Gb SAS Adapter</p> <ul style="list-style-type: none"> • Short, 64-bit, 3.3V • Extra-high bandwidth • OS support: AIX and Linux |
| 5902/572B | <p>PCI-X DDR Ext Dual-x4 3Gb SAS RAID Adapter</p> <ul style="list-style-type: none"> • Long, 64-bit, 3.3V • Extra-high bandwidth • OS support: AIX and Linux • The adapter must be connected and configured in a dual controller mode, multi-initiator configuration, and this requires that the adapter be installed in pairs. • This adapter supports disk expansion units. This adapter does not support media expansion units. |
| 5904, 5906, and 5908 / 572F and 575C | <p>PCI-X DDR 1.5 GB cache SAS RAID Adapter</p> <ul style="list-style-type: none"> • Long, 64-bit, 3.3V • Extra-high bandwidth • Double-wide adapter requires two adjacent slots: <ul style="list-style-type: none"> – 572F is the CCIN number on the SAS controller side of the double-wide adapter. – 575C is the CCIN number on the write-cache side of the double-wide adapter. • The different feature codes indicate whether a blind swap cassette is used and its type: <ul style="list-style-type: none"> – 5904 indicates no blind swap cassette. – 5906 indicates a gen-2.5 blind swap cassette. – 5908 indicates a gen-3 blind swap cassette. • OS support: AIX, i, and Linux operating systems |
| 5912/572A | <p>PCI-X DDR Dual-x4 3Gb SAS Adapter</p> <ul style="list-style-type: none"> • Short, 64-bit, 3.3V • Extra-high bandwidth • OS support: AIX, i, and Linux operating systems • Supports a dual controller mode, multi-initiator configuration |
| 6312/6312 | <p>Quad Digital Trunk Telephony PCI Adapter</p> <ul style="list-style-type: none"> • Long, 32 or 64-bit, 3.3 or 5V • OS support: AIX • Digital Trunk adapters have an internal cable and must be in contiguous slots. |
| 6805/2742 | <p>PCI Two-Line WAN IOA</p> <ul style="list-style-type: none"> • Short, 32-bit, 66 MHz • OS support: i operating system |

Table 1. PCI and PCI-X adapters (continued)

| Feature/CCIN | Description |
|--------------|---|
| 6808/2805 | PCI Quad Modem IOA <ul style="list-style-type: none"> • Long, 32-bit, 66 MHz • OS support: i operating system • Non-CIM |
| 6809/2805 | PCI Quad Modem IOA <ul style="list-style-type: none"> • Long, 32-bit, 66 MHz • OS support: i operating system • CIM |
| 6833/2793 | PCI 2-Line WAN with Modem <ul style="list-style-type: none"> • Short, 32-bit, 66 MHz • OS support: i operating system • Dual-mode adapter • Non-CIM |
| 6834/2793 | PCI 2-Line WAN with Modem <ul style="list-style-type: none"> • Short, 32-bit, 66 MHz • OS support: i operating system • Dual-mode adapter • CIM |

PCI Express adapters

The following table lists PCI Express (PCIe) adapters.

Table 2. PCI Express adapters

| Feature/CCIN | Description |
|------------------------|---|
| 2728/57D1 | 4-Port USB PCIe Adapter <ul style="list-style-type: none"> • Short, 1x • OS support: AIX and Linux operating systems |
| 2893/576C 9693/576C | PCI Express 2-Line WAN with Modem <ul style="list-style-type: none"> • Short, 4x • OS support: i operating system • OS support: i • Non CIM |
| 2894/576C 9694/576C | PCI Express 2-Line WAN with Modem <ul style="list-style-type: none"> • Short, 4x • OS support: i operating system • CIM |
| 5717/5717 | 4-Port 10/100/1000 Base-TX PCI Express Adapter <ul style="list-style-type: none"> • Short, 4x • High bandwidth • OS support: AIX, i, and Linux operating systems |
| 5732/5732 | 10 Gigabit Ethernet-CX4 PCI Express Adapter <ul style="list-style-type: none"> • Short, 8x • Extra-high bandwidth • OS support: AIX and Linux operating systems |

Table 2. PCI Express adapters (continued)

| | |
|-----------|--|
| 5735/577D | 8 Gigabit PCI Express Dual Port Fibre Channel Adapter <ul style="list-style-type: none"> • Short, 8x • Extra-high bandwidth • OS support: AIX, i, and Linux operating systems |
| 5748/5748 | POWER GXT145 PCI Express™ Graphics Accelerator <ul style="list-style-type: none"> • Short, 1x • OS support: AIX and Linux operating systems • Not hot-pluggable |
| 5767/5767 | 2-Port 10/100/1000 Base-TX Ethernet PCI Express Adapter <ul style="list-style-type: none"> • Short, 4x • High bandwidth • OS support: AIX, i, and Linux operating systems |
| 5768/5768 | 2-Port Gigabit Ethernet-SX PCI Express Adapter <ul style="list-style-type: none"> • Short, 4x • High bandwidth • OS support: AIX, i, and Linux operating systems |
| 5769/5769 | 10 Gigabit Ethernet-SR PCI Express Adapter <ul style="list-style-type: none"> • Short, 8x • Extra-high bandwidth • OS support: AIX and Linux operating systems |
| 5772/576E | 10 Gigabit Ethernet-LR PCI Express Adapter <ul style="list-style-type: none"> • Short, 8x • Extra-high bandwidth • OS support: AIX, i, and Linux operating systems |
| 5773/5773 | 4 Gigabit PCI Express Single Port Fibre Channel Adapter <ul style="list-style-type: none"> • Short, 4x • High bandwidth • OS support: AIX and Linux operating systems |
| 5774/5774 | 4 Gigabit PCI Express Dual Port Fibre Channel Adapter <ul style="list-style-type: none"> • Short, 4x • Extra-high bandwidth • OS support: AIX, i, and Linux operating systems |
| 5785 | 4 Port Async EIA-232 PCIe Adapter <ul style="list-style-type: none"> • Short, 1x • OS support: AIX and Linux operating systems |
| 5901/57B3 | PCIe Dual - x4 SAS Adapter <ul style="list-style-type: none"> • Short, 8x • Extra-high bandwidth • OS support: AIX, i, and Linux operating systems |
| 5903/574E | PCIe 380MB Cache Dual - x4 3Gb SAS RAID Adapter <ul style="list-style-type: none"> • Short, 8x • Extra-high bandwidth • Installed in pairs • OS support: AIX and Linux operating systems |

Table 2. PCI Express adapters (continued)

| | |
|-----------|--|
| 5909/57B9 | PCI Express x8 Ext Dual-x4 3Gb SAS Adapter and cable card <ul style="list-style-type: none"> • Short, 8x, PCIe adapter combined with a cable card assembly • Extra-high bandwidth • OS support: AIX and Linux operating systems |
| 5911/57BA | SAS adapter for internal Split DASD option <ul style="list-style-type: none"> • Short, 8x, PCIe adapter combined with a cable card assembly • Extra-high bandwidth • OS support: AIX and Linux operating systems |

PCI Express

PCI Express (PCIe) adapters use a different type of slot than Peripheral Component Interconnect (PCI) and Peripheral Component Interconnect-X (PCI-X) adapters. If you attempt to force an adapter into the wrong type of slot, you might damage the adapter or the slot. A PCI adapter can be installed in a PCI-X slot, and a PCI-X adapter can be installed in a PCI adapter slot. A PCIe adapter cannot be installed in a PCI or PCI-X adapter slot, and a PCI or PCI-X adapter cannot be installed in a PCIe slot. The following illustration shows an example of a PCI-X adapter (A) next to a PCIe 4x (B) adapter.

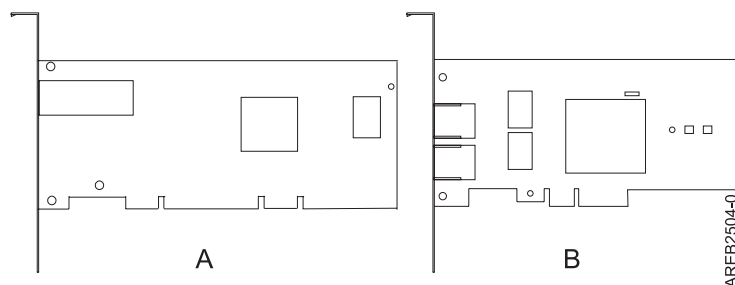


Figure 1. PCI-X adapter and PCIe 4x adapter

PCIe adapters and slots come in 4 different sizes: 1x, 4x, 8x and 16x. Smaller size adapters will fit in larger slots, but larger size adapters will not fit in smaller slots. The following table shows PCIe slot compatibility.

Table 3. PCIe slot compatibility

| | 1x slot | 4x slot | 8x slot | 16x slot |
|--------------------|---------------|---------------|---------------|-----------|
| 1x adapter | Supported | Supported | Supported | Supported |
| 4x adapter | Not supported | Supported | Supported | Supported |
| 8x adapter | Not supported | Not supported | Supported | Supported |
| 16x adapter | Not supported | Not supported | Not supported | Supported |

To learn more about the PCIe standard, see the IBM Redbooks® Technote, *Introduction to PCI Express* at <http://www.redbooks.ibm.com/abstracts/tips0456.html>.

Related reference

[PCI adapter placement for machine type 94xx](#)
Find PCI adapter placement information for machine type 94xx

Related information

[IBM Prerequisite Web page](#)
Find prerequisite information for features you currently have or plan to add to your system.

[System Planning Tool](#)
Use the System Planning Tool to validate new or changed system configurations.

[Managing PCI adapters](#)
Find specifications, instructions, and part numbers for specific adapters.

[Partitioning considerations with dual slot and multi path adapters](#)
Learn about partitioning considerations with dual slot and multi-path adapters.

Chapter 3. Model 8203-E4A server

Some adapters must be placed in specific PCI, Peripheral Component Interconnect-X (PCI-X), or PCI Express (PCIe) slots in order to function correctly or perform optimally. Use this information to determine where to install PCI adapters in the model 8203-E4A.

PCI slot descriptions

Figure 2 shows the back view of the system unit enclosure with the location codes for the PCI and GX+ slots. Table 4 describes the slots. Each PCI-X DDR or PCIe slot is a separate PCI host bridge (PHB).

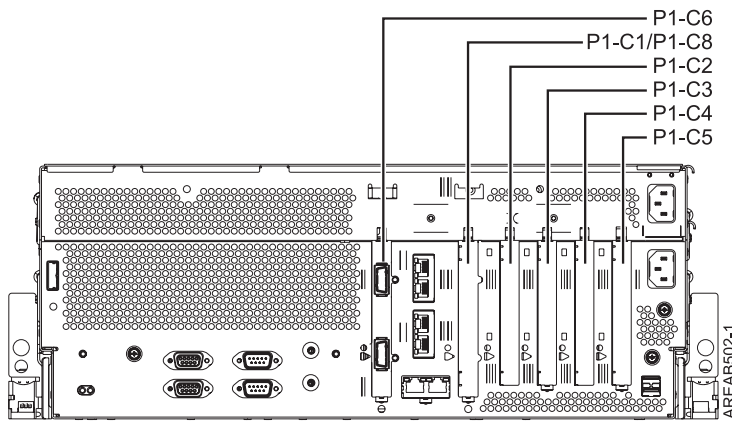


Figure 2. Back view of enclosure with location codes

Table 4. PCI slot locations and descriptions

| Slot number | Location code | Description | PHB | Adapter size |
|-------------|---------------|-------------------------------|------------|--------------|
| Slot 1 | P1-C1 | PCIe 8x | PCIe PHB0 | Short |
| | P1-C8 | GX+ | | |
| Slot 2 | P1-C2 | PCIe 8x | PCIe PHB1 | short |
| Slot 3 | P1-C3 | PCIe 8x | PCIe PHB3 | Long |
| Slot 4 | P1-C4 | PCI-X DDR, 64-bit, 266 MHz | PCI-X PHB0 | Long |
| Slot 5 | P1-C5 | PCI-X DDR, 64-bit, 266 MHz | PCI-X PHB1 | Long |
| | P1-C6 | GX+ or GX++ | | |

- Slot 1 can be used for either a PCIe 8x adapter in connector P1-C1 or a GX+ adapter in connector P1-C8.
- P1-C6 is for a 2-port, GX+ or GX++ adapter. This slot is only active on 4-core systems.
- All PCIe and PCI-X slots support enhanced error handling (EEH).

PCI and PCI-X expansion units

I/O expansion units are used to increase the maximum number of adapters the 8203-E4A can support.

Expansion unit models 7311-D20 and 7314-G30 are supported on systems running AIX or Linux operating systems. The system can be configured to support up to twelve I/O expansion units.

Note: For optimum performance, you might want to limit the total number of expansion units containing high bandwidth and extra-high bandwidth adapters. See “Performance notes” on page 26.

On a 1-core system, no I/O expansion units are supported.

7314-G30 expansion units attach to a 12X Channel Adapter installed in one or both of the two GX slots available in the system unit enclosure. A 2-core system supports one 12X Channel Adapter with up to four drawers attached. A 4-core system supports two 12X Channel Adapters, with up to four drawers attached to each adapter.

7311-D20 expansion units attach to a RIO-2 Adapter installed in one or both of the two GX slots available in the system unit enclosure. A 2-core system supports one RIO-2 Adapter with up to six drawers attached. A 4-core system supports two RIO-2 Adapters, with up to six drawers attached to each adapter.

7311-D20 I/O drawers with RIO Ports to I/O Planar Riser Card (feature code 6413) must be upgraded to RIO-2 Ports to I/O Planar Riser Card (feature code 6417) before they can be attached to a System p[®] server with POWER6 processors.

Some I/O adapters supported in the 7311-D20 I/O drawers when attached to a System p5[®] server are not supported when attached to a System p server with POWER6 processors.

Expansion unit models 0588, 0595, 5094, 5096, 5294, 5296, 5790, and 5796 are supported on the system unit running the IBM i operating system.

PCIe expansion units

PCIe expansion unit models 5802 and 5877 are supported on the system running AIX, IBM i, or Linux operating systems. The system can be configured to support up to four I/O expansion units.

Restriction: A 12X Channel Adapter that has one or two 5802 expansion units connected cannot have anything else connected to that adapter.

Note: For optimum performance, you might want to limit the total number of expansion units containing high bandwidth and extra-high bandwidth adapters. See “Performance notes” on page 26.

The expansion units attach to a 12X Channel Adapter installed in one or both of the two GX slots available in the system unit enclosure.

On a 1-core system, no I/O expansion units are supported.

A 2-core system supports one 12X Channel Adapter with up to two drawers attached.

A 4-core system supports two 12X Channel Adapters, with up to two drawers attached to each adapter for a total of four drawers.

Maximum number of adapters supported

The 8203-E4A supports up to two POWER6 processor modules with 1-core, 2-core, and 4-core configurations. Unless otherwise noted in the tables that follow this list, the maximum number of adapters allowed are shown in this list:

- 1-core system:
 - No I/O expansion unit: 3 PCIe and 2 PCI-X DDR
- 2-core system:

- No I/O expansion unit: 3 PCIe and 2 PCI-X DDR
- System with six D20 I/O expansion units: 2 PCIe, 2 PCI-X DDR, and 42 PCI-X
- System with four G30 I/O expansion units: 2 PCIe and 26 PCI-X DDR
- System with two 5802 or 5877 expansion units: 23 PCIe and 2 PCI-X DDR
- 4-core system:
 - No I/O expansion unit: 3 PCIe and 2 PCI-X DDR
 - System with twelve D20 I/O expansion units: 2 PCIe, 2 PCI-X DDR, and 84 PCI-X
 - System with eight G30 I/O expansion units: 2 PCIe and 50 PCI-X DDR
 - System with six D20 and four G30 I/O expansion units: 2 PCIe, 26 PCI-X DDR, and 42 PCI-X
 - System with four 5802 or 5877 expansion units: 43 PCIe and 2 PCI-X DDR

Note: For optimum performance, you might want to limit the total number of expansion units containing high bandwidth and extra-high bandwidth adapters. See “Performance notes” on page 26.

PCI and PCI-X adapters

Use this information to identify slot placement priorities. Unless otherwise noted in the table, the maximum number of adapters supported is listed in “Maximum number of adapters supported” on page 18. In the following table, adapters are sorted in descending order by priority. The highest priority adapters are first in the table.

Table 5. Adapter slot priorities and maximums for PCI and PCI-X adapters

| Feature | Description | System unit enclosure slot priority | Maximum number of adapters supported |
|-------------------|--|-------------------------------------|---|
| 6312 ¹ | Quad Digital Trunk Telephony PCI Adapter | 4, 5 | 2 per system |
| 5721** | 10 Gb-SR Ethernet PCI-X 2.0 DDR Adapter | 4, 5 | 16 per system |
| 5722** | 10 Gb-LR Ethernet PCI-X 2.0 DDR Adapter | 4, 5 | 16 per system |
| 5719** | 10 Gigabit-LR Ethernet PCI-X Adapter | 4, 5 | 16 per system |
| 5718** | 10 Gigabit-SR Ethernet PCI-X Adapter | 4, 5 | 16 per system |
| 5776** | PCI-X Disk Controller - 90 MB | None | <ul style="list-style-type: none"> • i operating system • To determine maximum numbers, see the notes for this adapter in the Description column of Table 1 on page 3 and the guidelines in Chapter 10, “Determining the best place to install your adapter,” on page 97. • This adapter is supported in expansion units that are attached to the system unit, but not the system unit enclosure (internal). |

Table 5. Adapter slot priorities and maximums for PCI and PCI-X adapters (continued)

| Feature | Description | System unit enclosure slot priority | Maximum number of adapters supported |
|------------------|--|-------------------------------------|---|
| 5777** | PCI-X Dual Channel Ultra320 SCSI RAID Adapter | None | <ul style="list-style-type: none"> i operating system To determine maximum numbers, see the notes for this adapter in the Description column of Table 1 on page 3 and the guidelines in Chapter 10, "Determining the best place to install your adapter," on page 97. This adapter is supported in expansion units that are attached to the system unit, but not the system unit enclosure (internal). |
| 5778** 5782** | PCI-X Dual Channel Ultra320 SCSI RAID Adapter with Auxiliary Write Cache (double-wide) | 4, 5 | <ul style="list-style-type: none"> i operating system only To determine maximum numbers, see the notes for this adapter in the Description column of Table 1 on page 3 and the guidelines in Chapter 10, "Determining the best place to install your adapter," on page 97. |
| 5760** | PCI-X Fibre Channel Disk Controller | None | <ul style="list-style-type: none"> i operating system To determine maximum numbers, see the notes for this adapter in the Description column of Table 1 on page 3 and the guidelines in Chapter 10, "Determining the best place to install your adapter," on page 97. This adapter is supported in expansion units that are attached to the system unit, but not the system unit enclosure (internal). |
| 5761** | PCI-X Fibre Channel Disk Controller | None | <ul style="list-style-type: none"> i operating system To determine maximum numbers, see the notes for this adapter in the Description column of Table 1 on page 3 and the guidelines in Chapter 10, "Determining the best place to install your adapter," on page 97. This adapter is supported in expansion units that are attached to the system unit, but not the system unit enclosure (internal). |
| 5904** | PCI-X DDR 1.5 GB cache SAS RAID Adapter | 4 and 5 | 1 per system unit enclosure |
| 5908** | PCI-X DDR 1.5 GB cache SAS RAID Adapter | NA | 24 per system in attached expansion units |
| 5900** | PCI-X DDR Ext Dual-x4 3Gb SAS Adapter | 4, 5 | 58 per system |
| 5902** | PCI-X DDR Ext Dual-x4 3Gb SAS RAID Adapter | 4, 5 | 60 per system |
| 5912** | PCI-X DDR Dual-x4 3Gb SAS Adapter | 4, 5 | 58 per system |

Table 5. Adapter slot priorities and maximums for PCI and PCI-X adapters (continued)

| Feature | Description | System unit enclosure slot priority | Maximum number of adapters supported |
|---------|---|-------------------------------------|---|
| 5749** | 4 Gigabit Dual-Port Fibre Channel PCI-X 2.0 DDR Adapter | 4, 5 | <ul style="list-style-type: none"> i operating system only To determine maximum numbers, see the notes for this adapter in the Description column of Table 1 on page 3 and the guidelines in Chapter 10, "Determining the best place to install your adapter," on page 97. |
| 5759** | 4 Gb Dual-Port Fibre Channel PCI-X 2.0 DDR Adapter | 4, 5 | 50 per system |
| 5740* | 4-Port 10/100/1000 Base-TX PCI-X Adapter | 4, 5 | 16 per system |
| 5707* | 2-Port Gigabit Ethernet-SX PCI-X Adapter | 4, 5 | 32 per system |
| 5706* | 2-Port 10/100/1000 Base-TX Ethernet PCI-X Adapter | 4, 5 | 32 per system |
| 5704* | PCI-X Fibre Channel Tape Controller | None | <ul style="list-style-type: none"> i operating system To determine maximum numbers, see the notes for this adapter in the Description column of Table 1 on page 3 and the guidelines in Chapter 10, "Determining the best place to install your adapter," on page 97. This adapter is supported in expansion units that are attached to the system unit, but not the system unit enclosure (internal). |
| 5702* | PCI-X Ultra Tape Controller | None | <ul style="list-style-type: none"> i operating system To determine maximum numbers, see the notes for this adapter in the Description column of Table 1 on page 3 and the guidelines in Chapter 10, "Determining the best place to install your adapter," on page 97. This adapter is supported in expansion units that are attached to the system unit, but not the system unit enclosure (internal). |
| 5701* | 10/100/1000 Base-TX Ethernet PCI-X Adapter | 4, 5 | <ul style="list-style-type: none"> 32 per system When the adapter is used with i, see the i configuration notes in the Description column of Table 1 on page 3 and the guidelines in Chapter 10, "Determining the best place to install your adapter," on page 97. |
| 5700* | Gigabit Ethernet-SX PCI-X Adapter | 4, 5 | <ul style="list-style-type: none"> 32 per system When the adapter is used with i, see the i configuration notes in the Description column of Table 1 on page 3 and the guidelines in Chapter 10, "Determining the best place to install your adapter," on page 97. |

Table 5. Adapter slot priorities and maximums for PCI and PCI-X adapters (continued)

| Feature | Description | System unit enclosure slot priority | Maximum number of adapters supported |
|---------|--|-------------------------------------|---|
| 5758* | 4 Gb Single-Port Fibre Channel PCI-X 2.0 DDR Adapter | 4, 5 | 50 per system |
| 5712* | PCI-X Dual Channel Ultra 320 SCSI Adapter | 4, 5 | <ul style="list-style-type: none"> • 2 per system enclosure (internal) • 36 per system • When the adapter is used with i, see the i configuration notes in the Description column of Table 1 on page 3 and the guidelines in Chapter 10, "Determining the best place to install your adapter," on page 97. |
| 5713* | 1 Gigabit-TX iSCSI TOE PCI-X Adapter | 4, 5 | 42 per system |
| 5714* | 1 Gigabit-SX iSCSI TOE PCI-X Adapter | 4, 5 | 42 per system |
| 5716* | 2 Gigabit Fibre Channel PCI-X Adapter | 4, 5 | 58 per system |
| 5736* | PCI-X DDR 2.0 Dual Channel Ultra320 SCSI Adapter | 4, 5 | 58 per system |
| 5806* | PCI-X DDR 2.0 Dual Channel Ultra320 SCSI Adapter | None | <ul style="list-style-type: none"> • i operating system • To determine maximum numbers, see the notes for this adapter in the Description column of Table 1 on page 3 and the guidelines in Chapter 10, "Determining the best place to install your adapter," on page 97. • This adapter is supported in expansion units that are attached to the system unit, but not the system unit enclosure (internal). |
| 2780* | PCI-X Ultra4 RAID Disk Controller | None | <ul style="list-style-type: none"> • i operating system • To determine maximum numbers, see the notes for this adapter in the Description column of Table 1 on page 3 and the guidelines in Chapter 10, "Determining the best place to install your adapter," on page 97. • This adapter is supported in expansion units that are attached to the system unit, but not the system unit enclosure (internal). |
| 2757* | PCI Ultra RAID Disk Controller | None | <ul style="list-style-type: none"> • i operating system • To determine maximum numbers, see the notes for this adapter in the Description column of Table 1 on page 3 and the guidelines in Chapter 10, "Determining the best place to install your adapter," on page 97. • This adapter is supported in expansion units that are attached to the system unit, but not the system unit enclosure (internal). |

Table 5. Adapter slot priorities and maximums for PCI and PCI-X adapters (continued)

| Feature | Description | System unit enclosure slot priority | Maximum number of adapters supported |
|---------|---|-------------------------------------|---|
| 2787* | PCI-X Fibre Channel Disk Unit Controller | None | <ul style="list-style-type: none"> • i operating system • To determine maximum numbers, see the notes for this adapter in the Description column of Table 1 on page 3 and the guidelines in Chapter 10, "Determining the best place to install your adapter," on page 97. • This adapter is supported in expansion units that are attached to the system unit, but not the system unit enclosure (internal). |
| 5580* | 2780 Controller with 5708 Auxiliary Write Cache | None | <ul style="list-style-type: none"> • i operating system • To determine maximum numbers, see the notes for this adapter in the Description column of Table 1 on page 3 and the guidelines in Chapter 10, "Determining the best place to install your adapter," on page 97. • This adapter is supported in expansion units that are attached to the system unit, but not the system unit enclosure (internal). |
| 5581* | 2757 Controller with 5708 Auxiliary Write Cache | None | <ul style="list-style-type: none"> • i operating system • To determine maximum numbers, see the notes for this adapter in the Description column of Table 1 on page 3 and the guidelines in Chapter 10, "Determining the best place to install your adapter," on page 97. • This adapter is supported in expansion units that are attached to the system unit, but not the system unit enclosure (internal). |
| 5583* | 5738 Controller with 574F Auxiliary Write Cache IOA | None | <ul style="list-style-type: none"> • i operating system • To determine maximum numbers, see the notes for this adapter in the Description column of Table 1 on page 3 and the guidelines in Chapter 10, "Determining the best place to install your adapter," on page 97. • This adapter is supported in expansion units that are attached to the system unit, but not the system unit enclosure (internal). |
| 5590* | 2780 Controller with 574F Auxiliary Write Cache IOA | None | <ul style="list-style-type: none"> • i operating system • To determine maximum numbers, see the notes for this adapter in the Description column of Table 1 on page 3 and the guidelines in Chapter 10, "Determining the best place to install your adapter," on page 97. • This adapter is supported in expansion units that are attached to the system unit, but not the system unit enclosure (internal). |

Table 5. Adapter slot priorities and maximums for PCI and PCI-X adapters (continued)

| Feature | Description | System unit enclosure slot priority | Maximum number of adapters supported |
|--------------|---|-------------------------------------|---|
| 5591* | 2757 Controller with 574F Auxiliary Write Cache IOA | None | <ul style="list-style-type: none"> • i operating system • To determine maximum numbers, see the notes for this adapter in the Description column of Table 1 on page 3 and the guidelines in Chapter 10, "Determining the best place to install your adapter," on page 97. • This adapter is supported in expansion units that are attached to the system unit, but not the system unit enclosure (internal). |
| 4812 4813 | Base PCI Integrated xSeries Server | None | <ul style="list-style-type: none"> • i operating system • To determine maximum numbers, see the notes for this adapter in the Description column of Table 1 on page 3 and the guidelines in Chapter 10, "Determining the best place to install your adapter," on page 97. • This adapter is supported in expansion units that are attached to the system unit, but not the system unit enclosure (internal). |
| 4805 | PCI Cryptographic Accelerator | None | <ul style="list-style-type: none"> • i operating system • To determine maximum numbers, see the notes for this adapter in the Description column of Table 1 on page 3 and the guidelines in Chapter 10, "Determining the best place to install your adapter," on page 97. • This adapter is supported in expansion units that are attached to the system unit, but not the system unit enclosure (internal). |
| 4801 | PCI Cryptographic Coprocessor | None | <ul style="list-style-type: none"> • i operating system • To determine maximum numbers, see the notes for this adapter in the Description column of Table 1 on page 3 and the guidelines in Chapter 10, "Determining the best place to install your adapter," on page 97. • This adapter is supported in expansion units that are attached to the system unit, but not the system unit enclosure (internal). |
| 4746 | PCI Twinaxial Workstation Controller IOA | None | <ul style="list-style-type: none"> • i operating system • To determine maximum numbers, see the notes for this adapter in the Description column of Table 1 on page 3 and the guidelines in Chapter 10, "Determining the best place to install your adapter," on page 97. • This adapter is supported in expansion units that are attached to the system unit, but not the system unit enclosure (internal). |

Table 5. Adapter slot priorities and maximums for PCI and PCI-X adapters (continued)

| Feature | Description | System unit enclosure slot priority | Maximum number of adapters supported |
|---|---|-------------------------------------|---|
| 4764 | PCI-X Cryptographic Coprocessor | 4, 5 | 24 per system |
| 2738 | 2-Port USB PCI Adapter | 4, 5 | 8 per system |
| 2749 | POWER GXT135P Graphics Accelerator with Digital Support | None | <ul style="list-style-type: none"> • i operating system • To determine maximum numbers, see the notes for this adapter in the Description column of Table 1 on page 3 and the guidelines in Chapter 10, "Determining the best place to install your adapter," on page 97. • This adapter is supported in expansion units that are attached to the system unit, but not the system unit enclosure (internal). |
| 2849 | POWER GXT135P Graphics Accelerator with Digital Support | 4, 5 | 8 per system |
| 2943 | 8-Port Asynchronous Adapter EIA-232/RS-422, PCI bus | 4, 5 | 18 per system |
| 2947 | ARTIC960Hx 4-Port Multiprotocol PCI Adapter | 4, 5 | 8 per system |
| 6805 | PCI Two-Line WAN IOA | 4, 5 | <ul style="list-style-type: none"> • i only • 2 per system enclosure (internal) • 81 per system |
| 6808 | PCI Quad Modem IOA | 4, 5 | <ul style="list-style-type: none"> • i only • 2 per system enclosure (internal) • 41 per system |
| 6809 | PCI Quad Modem IOA | 4, 5 | <ul style="list-style-type: none"> • i only • 2 per system enclosure (internal) • 41 per system |
| 6833 | PCI 2-Line WAN with Modem | 4, 5 | <ul style="list-style-type: none"> • i only • 2 per system enclosure (internal) • 81 per system |
| 6834 | PCI 2-Line WAN with Modem | 4, 5 | <ul style="list-style-type: none"> • i only • 2 per system enclosure (internal) • 81 per system |
| 5723 | 2-Port EIA-232 Asynchronous PCI Adapter | 4, 5 | 18 per system |
| <p>* High bandwidth adapter. See the "Performance notes" on page 26 before installing this adapter.</p> <p>**Extra-high bandwidth adapter. See the "Performance notes" on page 26 before installing this adapter.</p> <p>¹Digital Trunk adapters have an internal cable and must be in contiguous slots.</p> | | | |

PCIe adapters

Use this information to identify slot placement priorities. Unless otherwise noted in the table, the maximum number of adapters supported is listed in “Maximum number of adapters supported” on page 18. In the following table, adapters are sorted in descending order by priority. The highest priority adapters are first in the table.

Table 6. Adapter slot priorities and maximums for PCIe adapters

| Feature | Description | System unit enclosure slot priority | Maximum number of adapters supported |
|---|---|-------------------------------------|--------------------------------------|
| 5732** | 10 Gigabit Ethernet-CX4 PCI Express Adapter | 1, 2, 3 | 16 per system |
| 5769** | 10 Gigabit Ethernet-SR PCI Express Adapter | 1, 2, 3 | 16 per system |
| 5772** | 10 Gigabit Ethernet-LR PCI Express Adapter | 1, 2, 3 | 16 per system |
| 5774** | 4 Gigabit PCI Express Dual Port Fibre Channel Adapter | 1, 2, 3 | 42 per system |
| 5735** | 8 Gigabit PCI Express Dual Port Fibre Channel Adapter | 1, 2, 3 | 42 per system |
| 5903** | PCIe 380MB Cache Dual - x4 3Gb SAS RAID Adapter | 1, 2, 3 | 42 per system |
| 5901** | PCIe Dual - x4 SAS Adapter | 1, 2, 3 | 42 per system |
| 5767* | 2-Port 10/100/1000 Base-TX Ethernet PCI Express Adapter | 1, 2, 3 | 32 per system |
| 5768* | 2-Port Gigabit Ethernet-SX PCI Express Adapter | 1, 2, 3 | 32 per system |
| 5717* | 4-Port 10/100/1000 Base-TX PCI Express Adapter | 1, 2, 3 | 16 per system |
| 5773* | 4 Gigabit PCI Express Single Port Fibre Channel Adapter | 1, 2, 3 | 42 per system |
| 5748 | POWER GXT145 PCI Express Graphics Accelerator | 1, 2, 3 | 8 per system |
| 5785 | 4 Port Async EIA-232 PCIe Adapter | 1, 2, 3 | 18 per system |
| 2893 9693 | PCI Express 2-Line WAN with Modem | 1, 2, 3 | 42 per system |
| 2894 9694 | PCI Express 2-Line WAN with Modem | 1, 2, 3 | 42 per system |
| 2728 | 4-Port USB PCIe Adapter | 1, 2, 3 | 8 per system |
| * High bandwidth adapter. See the “Performance notes” before installing this adapter. | | | |
| **Extra-high bandwidth adapter. See the “Performance notes” before installing this adapter. | | | |

Performance notes

Use the information in this section to help determine the maximum number of adapters that can be placed in a system while still maintaining optimum performance.

The section “Maximum number of adapters supported” on page 18 shows the maximum number of adapters allowed for connectivity. However, for optimum performance, you might want to further limit the total number of high bandwidth and extra-high bandwidth adapters.

To achieve the best performance of extra-high bandwidth storage and Ethernet adapters, limit the number of expansion units to one per 12x Channel or RIO-2 adapter. Having more than one drawer on a 12x loop does not increase the I/O bandwidth but only increases the number of slots available.

For best 12x I/O performance, use the 5608 or 5609 12x Channel Adapter in slot P1-C6. This feature is only available on 4-core systems.

The following four tables provide guidelines on the maximum number of high bandwidth and extra-high bandwidth adapters you can use and still maintain optimum performance.

Note: Because of the many types of application workloads, these guidelines cannot cover all cases. The numbers in the following tables are suggestions for single types of adapters that are running exclusively. For systems with mixed adapter types or that have high aggregate bandwidth requirements, consult an IBM representative for additional guidelines.

Extra-high bandwidth storage adapters

Table 7. Maximum number of extra-high bandwidth storage adapters for best performance

| System configuration | Adapters in system unit enclosure including both PCI-X DDR and PCIe slots | Adapters in I/O expansion units | System maximum |
|----------------------|---|---------------------------------|----------------|
| 1-core | 5 | | |
| 2-core | 5 | 3 | 6 |
| 4-core | 5 | 7 | 10 |

High bandwidth storage adapters

Table 8. Maximum number of high bandwidth storage adapters for best performance

| System configuration | Adapters in system unit enclosure including both PCI-X DDR and PCIe slots | Adapters in I/O expansion units | System maximum |
|----------------------|---|---------------------------------|----------------|
| 1-core | 5 | | |
| 2-core | 5 | 8 | 12 |
| 4-core | 5 | 17 | 20 |

Extra-high bandwidth Ethernet adapters

Table 9. Maximum number of extra-high bandwidth Ethernet adapters for best performance

| System configuration | Adapters in system unit enclosure including both PCI-X DDR and PCIe slots | Adapters in I/O expansion units | System maximum |
|----------------------|---|---------------------------------|----------------|
| 1-core | 1 | 1 | 1 |
| 2-core | 1 | 1 | 1 |
| 4-core | 2 | 2 | 2 |

For optimum performance, no more than one 10 Gb Ethernet port per two processors should be used in a system. If one 10 Gb Ethernet port is present per two processors, no other 10 Gb or 1 Gb ports should be used.


High bandwidth Ethernet adapters

Table 10. Maximum number of high bandwidth Ethernet adapters for best performance

| System configuration | Adapters in system unit enclosure including both PCI-X DDR and PCIe slots | Adapters in I/O expansion units | System maximum |
|----------------------|---|---------------------------------|----------------|
| 1-core | 2 | | |
| 2-core | 4 | 4 | 4 |
| 4-core | 5 | 8 | 8 |

For optimum performance, no more than two 1 Gb Ethernet ports per processor should be used in a system. If two 1 Gb Ethernet ports are present per processor, no other 1 Gb or 10 Gb ports should be used.

Related information

 Partitioning considerations with dual slot and multi path adapters

Chapter 4. Model 8204-E8A server

Some adapters must be placed in specific Peripheral Component Interconnect (PCI), Peripheral Component Interconnect-X (PCI-X), or PCI Express (PCIe) slots to function correctly or to perform optimally. Use this information to determine where to install PCI adapters.

PCI slot descriptions

Figure 3 shows the back view of the system unit enclosure with the location codes for the PCI and GX+ slots. Table 11 describes the slots. Each PCI-X DDR or PCIe slot is a separate PCI host bridge (PHB).

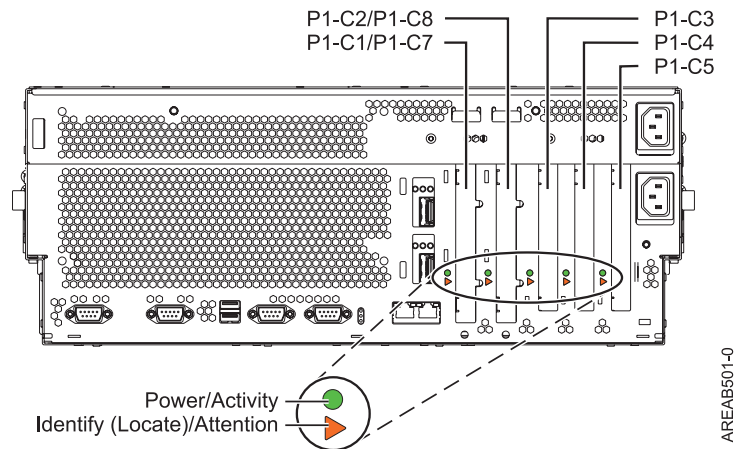


Figure 3. Back view of enclosure with location codes

Table 11. PCI slot locations and descriptions

| Slot number | Location code | Description | PHB | Adapter size |
|-------------|---------------|-------------------------------|------------|--------------|
| Slot 1 | P1-C1 | PCIe 8x | PCIe PHB0 | short |
| | P1-C7 | GX+ or GX++ | | |
| Slot 2 | P1-C2 | PCIe 8x | PCIe PHB1 | short |
| | P1-C8 | GX+ | | |
| Slot 3 | P1-C3 | PCIe 8x | PCIe PHB3 | long |
| Slot 4 | P1-C4 | PCI-X DDR, 64-bit, 266 MHz | PCI-X PHB0 | long |
| Slot 5 | P1-C5 | PCI-X DDR, 64-bit, 266 MHz | PCI-X PHB1 | long |

- Slot 1 can be used for either a PCIe 8x adapter in connector P1-C1, or a GX+ or GX++ adapter in connector P1-C7.
P1-C7 is not active on 2-core systems.
P1-C7 provides higher bandwidth for a GX adapter than P1-C8. Use P1-C7 for the higher performance GX adapter or where the highest aggregate bandwidth is needed.
- Slot 2 can be used for either a PCIe 8x adapter in connector P1-C2, or a GX+ adapter in connector P1-C8.
- All slots support Enhanced Error Handling (EEH).

PCI and PCI-X expansion units

I/O expansion units are used to increase the maximum number of adapters that the 8204-E8A can support. Expansion units 5796, 7311-D20 and 7314-G30 are supported on systems running AIX or Linux operating systems. The system can be configured to support up to twelve I/O expansion units.

Note: For optimum performance, you might want to limit the total number of expansion units containing high bandwidth and extra-high bandwidth adapters. See “Performance notes” on page 39.

A 2-core system supports either one 12x Channel Adapter or one RIO-2 adapter. A 4-core to 8-core system supports two 12x Channel Adapters, or two RIO-2 Adapters, or one 12x Channel Adapter and one RIO-2 adapter.

5796 and 7314-G30 expansion units attach to a 12x Channel Adapter installed in one or both of the two GX slots available in the system unit enclosure. A 2-core system supports one 12x Channel Adapter with up to 4 drawers attached. A 4-core to 8-core system supports two 12x Channel Adapters, with up to 4 drawers attached to each adapter.

7311-D20 expansion units attach to a RIO-2 Adapter installed in one or both of the two GX slots available in the system unit enclosure. A 2-core system supports one RIO-2 Adapter with up to six drawers attached. A 4-core to 8-core system supports two RIO-2 Adapters, with up to six drawers attached to each adapter.

7311-D20 I/O drawers with RIO Ports to I/O Planar Riser Card (#6413) must be upgraded to RIO-2 Ports to I/O Planar Riser Card (#6417) before they can be attached to a System p server with POWER6 processors.

Some I/O adapters supported in the 7311-D20 I/O drawers when attached to a System p5 server will not be supported when attached to an System p server with POWER6 processors. See “Adapters supported on AIX, IBM i, and Linux” on page 3 for more information on supported adapters.

Expansion unit models 0588, 0595, 5094, 5096, 5294, 5296, 5790, and 5796 are supported on systems running the IBM i operating system.

PCIe expansion units

PCIe expansion units 5802 and 5877 are supported on the system running AIX, IBM i, or Linux operating systems. The system can be configured to support up to four I/O expansion units.

Restriction: A 12X Channel Adapter that has one or two 5802 expansion units connected cannot have anything else connected to that adapter.

Note: For optimum performance, you might want to limit the total number of expansion units containing high bandwidth and extra-high bandwidth adapters. See “Performance notes” on page 39.

The expansion units attach to a 12X Channel Adapter installed in one or both of the two GX slots available in the system unit enclosure.

A 2-core system supports one 12x Channel Adapter with up to two drawers attached.

A 4-core to 8-core system supports two 12x Channel Adapters, with up to two drawers attached to each adapter for a total of four drawers.

Maximum number of adapters supported

The 8204-E8A supports up to four POWER6 processor cards with 2-core, 4-core, 6-core, and 8-core configurations. Unless otherwise noted in the tables that follow this list, the maximum number of adapters allowed are shown in this list:

- 2-core system:
 - No I/O expansion unit: 3 PCIe and 2 PCI-X DDR
 - System with six D20 I/O expansion units: 2 PCIe, 2 PCI-X DDR, and 42 PCI-X
 - System with four G30 I/O expansion units: 2 PCIe and 26 PCI-X DDR
 - System with two 5802 or 5877 expansion units: 23 PCIe and 2 PCI-X DDR
- 4-core to 8-core system:
 - No I/O expansion unit: 3 PCIe and 2 PCI-X DDR
 - System with twelve D20 I/O expansion units: 1 PCIe, 2 PCI-X DDR, and 84 PCI-X
 - System with eight G30 I/O expansion units: 1 PCIe and 50 PCI-X DDR
 - System with six D20 and four G30 I/O expansion units: 1 PCIe, 26 PCI-X DDR, and 42 PCI-X
 - System with four 5802 or 5877 expansion units: 43 PCIe and 2 PCI-X DDR

Note: For optimum performance, you might want to limit the total number of expansion units containing high bandwidth and extra-high bandwidth adapters. See “Performance notes” on page 39.

PCI and PCI-X adapters

Use this information to identify slot placement priorities. Unless otherwise noted in the table, the maximum number of adapters supported is listed in “Maximum number of adapters supported.” In the following table, adapters are sorted in descending order by priority. The highest priority adapters are first in the table.

Table 12. Adapter slot priorities and maximums for PCI and PCI-X adapters

| Feature | Description | System unit enclosure slot priority | Maximum number of adapters supported |
|--------------------|--|-------------------------------------|--------------------------------------|
| 6312 ¹ | Quad Digital Trunk Telephony PCI Adapter | 4, 5 | 2 per system |
| 5721 ^{**} | 10 Gb-SR Ethernet PCI-X 2.0 DDR Adapter | 4, 5 | 32 per system |
| 5722 ^{**} | 10 Gb-LR Ethernet PCI-X 2.0 DDR Adapter | 4, 5 | 32 per system |
| 5719 ^{**} | 10 Gigabit-LR Ethernet PCI-X Adapter | 4, 5 | 32 per system |
| 5718 ^{**} | 10 Gigabit-SR Ethernet PCI-X Adapter | 4, 5 | 32 per system |

Table 12. Adapter slot priorities and maximums for PCI and PCI-X adapters (continued)

| Feature | Description | System unit enclosure slot priority | Maximum number of adapters supported |
|------------------|--|-------------------------------------|---|
| 5776** | PCI-X Disk Controller - 90 MB | None | <ul style="list-style-type: none"> • i operating system only • To determine maximum numbers, see the notes for this adapter in the Description column of Table 1 on page 3 and the guidelines in Chapter 10, "Determining the best place to install your adapter," on page 97. • This adapter is supported in expansion units attached to the system unit, but not the system unit enclosure (internal). |
| 5777** | PCI-X Dual Channel Ultra320 SCSI RAID Adapter | None | <ul style="list-style-type: none"> • i operating system only • To determine maximum numbers, see the notes for this adapter in the Description column of Table 1 on page 3 and the guidelines in Chapter 10, "Determining the best place to install your adapter," on page 97. • This adapter is supported in expansion units attached to the system unit, but not the system unit enclosure (internal). |
| 5778** 5782** | PCI-X Dual Channel Ultra320 SCSI RAID Adapter with Auxiliary Write Cache (double-wide) | 4, 5 | <ul style="list-style-type: none"> • i only • To determine the maximum numbers, see the description of this adapter in Table 1 on page 3 and the guidelines provided in Chapter 10, "Determining the best place to install your adapter," on page 97. |
| 5760** | PCI-X Fibre Channel Disk Controller | None | <ul style="list-style-type: none"> • i operating system only • To determine maximum numbers, see the notes for this adapter in the Description column of Table 1 on page 3 and the guidelines in Chapter 10, "Determining the best place to install your adapter," on page 97. • This adapter is supported in expansion units attached to the system unit, but not the system unit enclosure (internal). |
| 5761** | PCI-X Fibre Channel Disk Controller | None | <ul style="list-style-type: none"> • i operating system only • To determine maximum numbers, see the notes for this adapter in the Description column of Table 1 on page 3 and the guidelines in Chapter 10, "Determining the best place to install your adapter," on page 97. • This adapter is supported in expansion units attached to the system unit, but not the system unit enclosure (internal). |

Table 12. Adapter slot priorities and maximums for PCI and PCI-X adapters (continued)

| Feature | Description | System unit enclosure slot priority | Maximum number of adapters supported |
|---------|---|-------------------------------------|---|
| 5749** | 4 Gigabit Dual-Port Fibre Channel PCI-X 2.0 DDR Adapter | 4, 5 | <ul style="list-style-type: none"> • i only • To determine the maximum numbers, see the description of this adapter in Table 1 on page 3 and the guidelines provided in Chapter 10, "Determining the best place to install your adapter," on page 97. |
| 5904** | PCI-X DDR 1.5 GB cache SAS RAID Adapter | 4, 5 | 49 per system |
| 5908** | PCI-X DDR 1.5 GB cache SAS RAID Adapter | | 24 per system |
| 5900** | PCI-X DDR Ext Dual-x4 3Gb SAS Adapter | 4, 5 | 58 per system |
| 5902** | PCI-X DDR Ext Dual-x4 3Gb SAS RAID Adapter | 4, 5 | 60 per system |
| 5912** | PCI-X DDR Dual-x4 3Gb SAS Adapter | 4, 5 | 60 per system |
| 5759** | 4 Gb Dual-Port Fibre Channel PCI-X 2.0 DDR Adapter | 4, 5 | 50 per system |
| 5740* | 4-Port 10/100/1000 Base-TX PCI-X Adapter | 4, 5 | 32 per system |
| 5712* | PCI-X Dual Channel Ultra 320 SCSI Adapter | 4, 5 | <ul style="list-style-type: none"> • 2 per system enclosure (internal) • 36 per system • When the adapter is used with i, see the i configuration notes in the Description column of Table 1 on page 3 and the guidelines in Chapter 10, "Determining the best place to install your adapter," on page 97. |
| 5707* | 2-Port Gigabit Ethernet-SX PCI-X Adapter | 4, 5 | 64 per system |
| 5706* | 2-Port 10/100/1000 Base-TX Ethernet PCI-X Adapter | 4, 5 | 64 per system |
| 5704* | PCI-X Fibre Channel Tape Controller | None | <ul style="list-style-type: none"> • i operating system only • To determine maximum numbers, see the notes for this adapter in the Description column of Table 1 on page 3 and the guidelines in Chapter 10, "Determining the best place to install your adapter," on page 97. • This adapter is supported in expansion units attached to the system unit, but not the system unit enclosure (internal). |

Table 12. Adapter slot priorities and maximums for PCI and PCI-X adapters (continued)

| Feature | Description | System unit enclosure slot priority | Maximum number of adapters supported |
|---------|--|-------------------------------------|---|
| 5702* | PCI-X Ultra Tape Controller | None | <ul style="list-style-type: none"> • i operating system only • To determine maximum numbers, see the notes for this adapter in the Description column of Table 1 on page 3 and the guidelines in Chapter 10, "Determining the best place to install your adapter," on page 97. • This adapter is supported in expansion units attached to the system unit, but not the system unit enclosure (internal). |
| 5701* | 10/100/1000 Base-TX Ethernet PCI-X Adapter | 4, 5 | <ul style="list-style-type: none"> • 64 per system • When the adapter is used with i, see the i configuration notes in the Description column of Table 1 on page 3 and the guidelines in Chapter 10, "Determining the best place to install your adapter," on page 97. |
| 5700* | Gigabit Ethernet-SX PCI-X Adapter | 4, 5 | <ul style="list-style-type: none"> • 64 per system • When the adapter is used with i, see the i configuration notes in the Description column of Table 1 on page 3 and the guidelines in Chapter 10, "Determining the best place to install your adapter," on page 97. |
| 5758* | 4 Gb Single-Port Fibre Channel PCI-X 2.0 DDR Adapter | 4, 5 | 50 per system |
| 5713* | 1 Gigabit-TX iSCSI TOE PCI-X Adapter | 4, 5 | 42 per system |
| 5714* | 1 Gigabit-SX iSCSI TOE PCI-X Adapter | 4, 5 | 42 per system |
| 5716* | 2 Gigabit Fibre Channel PCI-X Adapter | 4, 5 | 58 per system |
| 5736* | PCI-X DDR 2.0 Dual Channel Ultra320 SCSI Adapter | 4, 5 | 58 per system |
| 5806* | PCI-X DDR 2.0 Dual Channel Ultra320 SCSI Adapter | None | <ul style="list-style-type: none"> • i operating system only • To determine maximum numbers, see the notes for this adapter in the Description column of Table 1 on page 3 and the guidelines in Chapter 10, "Determining the best place to install your adapter," on page 97. • This adapter is supported in expansion units attached to the system unit, but not the system unit enclosure (internal). |

Table 12. Adapter slot priorities and maximums for PCI and PCI-X adapters (continued)

| Feature | Description | System unit enclosure slot priority | Maximum number of adapters supported |
|---------|---|-------------------------------------|---|
| 2780* | PCI-X Ultra4 RAID Disk Controller | None | <ul style="list-style-type: none"> • i operating system only • To determine maximum numbers, see the notes for this adapter in the Description column of Table 1 on page 3 and the guidelines in Chapter 10, "Determining the best place to install your adapter," on page 97. • This adapter is supported in expansion units attached to the system unit, but not the system unit enclosure (internal). |
| 2757* | PCI Ultra RAID Disk Controller | None | <ul style="list-style-type: none"> • i operating system only • To determine maximum numbers, see the notes for this adapter in the Description column of Table 1 on page 3 and the guidelines in Chapter 10, "Determining the best place to install your adapter," on page 97. • This adapter is supported in expansion units attached to the system unit, but not the system unit enclosure (internal). |
| 2787* | PCI-X Fibre Channel Disk Unit Controller | None | <ul style="list-style-type: none"> • i operating system only • To determine maximum numbers, see the notes for this adapter in the Description column of Table 1 on page 3 and the guidelines in Chapter 10, "Determining the best place to install your adapter," on page 97. • This adapter is supported in expansion units attached to the system unit, but not the system unit enclosure (internal). |
| 5580* | 2780 Controller with 5708 Auxiliary Write Cache | None | <ul style="list-style-type: none"> • i operating system only • To determine maximum numbers, see the notes for this adapter in the Description column of Table 1 on page 3 and the guidelines in Chapter 10, "Determining the best place to install your adapter," on page 97. • This adapter is supported in expansion units attached to the system unit, but not the system unit enclosure (internal). |
| 5581* | 2757 Controller with 5708 Auxiliary Write Cache | None | <ul style="list-style-type: none"> • i operating system only • To determine maximum numbers, see the notes for this adapter in the Description column of Table 1 on page 3 and the guidelines in Chapter 10, "Determining the best place to install your adapter," on page 97. • This adapter is supported in expansion units attached to the system unit, but not the system unit enclosure (internal). |

Table 12. Adapter slot priorities and maximums for PCI and PCI-X adapters (continued)

| Feature | Description | System unit enclosure slot priority | Maximum number of adapters supported |
|--------------|---|-------------------------------------|---|
| 5583* | 5738 Controller with 574F Auxiliary Write Cache IOA | None | <ul style="list-style-type: none"> • i operating system only • To determine maximum numbers, see the notes for this adapter in the Description column of Table 1 on page 3 and the guidelines in Chapter 10, "Determining the best place to install your adapter," on page 97. • This adapter is supported in expansion units attached to the system unit, but not the system unit enclosure (internal). |
| 5590* | 2780 Controller with 574F Auxiliary Write Cache IOA | None | <ul style="list-style-type: none"> • i operating system only • To determine maximum numbers, see the notes for this adapter in the Description column of Table 1 on page 3 and the guidelines in Chapter 10, "Determining the best place to install your adapter," on page 97. • This adapter is supported in expansion units attached to the system unit, but not the system unit enclosure (internal). |
| 5591* | 2757 Controller with 574F Auxiliary Write Cache IOA | None | <ul style="list-style-type: none"> • i operating system only • To determine maximum numbers, see the notes for this adapter in the Description column of Table 1 on page 3 and the guidelines in Chapter 10, "Determining the best place to install your adapter," on page 97. • This adapter is supported in expansion units attached to the system unit, but not the system unit enclosure (internal). |
| 4812 4813 | Base PCI Integrated xSeries Server | None | <ul style="list-style-type: none"> • i operating system only • To determine maximum numbers, see the notes for this adapter in the Description column of Table 1 on page 3 and the guidelines in Chapter 10, "Determining the best place to install your adapter," on page 97. • This adapter is supported in expansion units attached to the system unit, but not the system unit enclosure (internal). |
| 4805 | PCI Cryptographic Accelerator | None | <ul style="list-style-type: none"> • i operating system only • To determine maximum numbers, see the notes for this adapter in the Description column of Table 1 on page 3 and the guidelines in Chapter 10, "Determining the best place to install your adapter," on page 97. • This adapter is supported in expansion units attached to the system unit, but not the system unit enclosure (internal). |

Table 12. Adapter slot priorities and maximums for PCI and PCI-X adapters (continued)

| Feature | Description | System unit enclosure slot priority | Maximum number of adapters supported |
|---------|---|-------------------------------------|---|
| 4801 | PCI Cryptographic Coprocessor | None | <ul style="list-style-type: none"> i operating system only To determine maximum numbers, see the notes for this adapter in the Description column of Table 1 on page 3 and the guidelines in Chapter 10, "Determining the best place to install your adapter," on page 97. This adapter is supported in expansion units attached to the system unit, but not the system unit enclosure (internal). |
| 4764 | PCI-X Cryptographic Coprocessor | 4, 5 | 32 per system |
| 4746 | PCI Twinaxial Workstation Controller IOA | None | <ul style="list-style-type: none"> i operating system only To determine maximum numbers, see the notes for this adapter in the Description column of Table 1 on page 3 and the guidelines in Chapter 10, "Determining the best place to install your adapter," on page 97. This adapter is supported in expansion units attached to the system unit, but not the system unit enclosure (internal). |
| 2738 | 2-Port USB PCI Adapter | 4, 5 | 8 per system |
| 2749 | POWER GXT135P Graphics Accelerator with Digital Support | None | <ul style="list-style-type: none"> i operating system only To determine maximum numbers, see the notes for this adapter in the Description column of Table 1 on page 3 and the guidelines in Chapter 10, "Determining the best place to install your adapter," on page 97. This adapter is supported in expansion units attached to the system unit, but not the system unit enclosure (internal). |
| 2849 | POWER GXT135P Graphics Accelerator with Digital Support | 4, 5 | 8 per system |
| 2943 | 8-Port Asynchronous Adapter EIA-232/RS-422, PCI bus | 4, 5 | 18 per system |
| 2947 | ARTIC960Hx 4-Port Multiprotocol PCI Adapter | 4, 5 | 8 per system |
| 6805 | PCI Two-Line WAN IOA | 4, 5 | <ul style="list-style-type: none"> i operating system only 2 per system enclosure (internal) 81 per system |
| 6808 | PCI Quad Modem IOA | 4, 5 | <ul style="list-style-type: none"> i operating system only 2 per system enclosure (internal) 41 per system |

Table 12. Adapter slot priorities and maximums for PCI and PCI-X adapters (continued)

| Feature | Description | System unit enclosure slot priority | Maximum number of adapters supported |
|---|---|-------------------------------------|---|
| 6809 | PCI Quad Modem IOA | 4, 5 | <ul style="list-style-type: none"> • i operating system only • 2 per system enclosure (internal) • 41 per system |
| 6833 | PCI 2-Line WAN with Modem | 4, 5 | <ul style="list-style-type: none"> • i operating system only • 2 per system enclosure (internal) • 81 per system |
| 6834 | PCI 2-Line WAN with Modem | 4, 5 | <ul style="list-style-type: none"> • i operating system only • 2 per system enclosure (internal) • 81 per system |
| 5723 | 2-Port EIA-232 Asynchronous PCI Adapter | 4, 5 | 18 per system |
| <p>* High bandwidth adapter. See the “Performance notes” on page 39 before installing this adapter.</p> <p>**Extra-high bandwidth adapter. See the “Performance notes” on page 39 before installing this adapter.</p> <p>¹Digital Trunk adapters have an internal cable and must be in contiguous slots.</p> | | | |

PCIe adapters

Use this information to identify slot placement priorities. Unless otherwise noted in the table, the maximum number of adapters supported is listed in “Maximum number of adapters supported” on page 31. In the following table, adapters are sorted in descending order by priority. The highest priority adapters are first in the table.

Table 13. Adapter slot priorities and maximums for PCIe adapters

| Feature | Description | System unit enclosure slot priority | Maximum number of adapters supported |
|---------|---|-------------------------------------|--------------------------------------|
| 5732** | 10 Gigabit Ethernet-CX4 PCI Express Adapter | 1, 2, 3 | 32 |
| 5769** | 10 Gigabit Ethernet-SR PCI Express Adapter | 1, 2, 3 | 32 |
| 5772** | 10 Gigabit Ethernet-LR PCI Express Adapter | 1, 2, 3 | 32 |
| 5735** | 8 Gigabit PCI Express Dual Port Fibre Channel Adapter | 1, 2, 3 | 41 |
| 5903** | PCIe 380MB Cache Dual - x4 3Gb SAS RAID Adapter | 1, 2, 3 | 41 |
| 5901** | PCIe Dual - x4 SAS Adapter | 1, 2, 3 | 41 |
| 5767* | 2-Port 10/100/1000 Base-TX Ethernet PCI Express Adapter | 1, 2, 3 | 41 |
| 5768* | 2-Port Gigabit Ethernet-SX PCI Express Adapter | 1, 2, 3 | 41 |
| 5717* | 4-Port 10/100/1000 Base-TX PCI Express Adapter | 1, 2, 3 | 32 |

Table 13. Adapter slot priorities and maximums for PCIe adapters (continued)

| Feature | Description | System unit enclosure slot priority | Maximum number of adapters supported |
|---|---|-------------------------------------|--------------------------------------|
| 5773* | 4 Gigabit PCI Express Single Port Fibre Channel Adapter | 1, 2, 3 | 41 |
| 5774** | 4 Gigabit PCI Express Dual Port Fibre Channel Adapter | 1, 2, 3 | 41 |
| 5748 | POWER GXT145 PCI Express Graphics Accelerator | 1, 2, 3 | 18 |
| 5785 | 4 Port Async EIA-232 PCIe Adapter | 1, 2, 3 | 18 |
| 2893 9693 | PCI Express 2-Line WAN with Modem | 1, 2, 3 | 41 |
| 2894 9694 | PCI Express 2-Line WAN with Modem | 1, 2, 3 | 41 |
| 2728 | 4-Port USB PCIe Adapter | 1, 2, 3 | 8 |
| * High bandwidth adapter. See the "Performance notes" before installing this adapter. | | | |
| **Extra-high bandwidth adapter. See the "Performance notes" before installing this adapter. | | | |

Performance notes

Use the information in this section to help determine the maximum number of adapter that can be placed in a system while still maintaining optimum performance.

The section "Maximum number of adapters supported" on page 31 shows maximum number adapters allowed for connectivity. However, for optimum performance, you might want to further limit the total number of high bandwidth and extra-high bandwidth adapters.

To achieve the best performance of extra-high bandwidth storage and Ethernet adapters, limit the number of expansion units to one per 12x Channel or RIO-2 adapter. Having more than one drawer on a 12x loop does not increase the I/O bandwidth but only increases the number of slots available.

For best 12x I/O performance, use the 5608 or 5609 12x Channel Adapter in slot P1-C7.

The following four tables provide guidelines on the maximum number of high bandwidth and extra-high bandwidth adapters you can use and still maintain optimum performance.

Note: Because of the many types of application workloads, these guidelines cannot cover all cases. The numbers in the following tables are suggestions for single types of adapters that are running exclusively. For systems with mixed adapter types or that have high aggregate bandwidth requirements, consult an IBM representative for additional guidelines.

Extra-high bandwidth storage adapters

Table 14. Maximum number of extra-high bandwidth storage adapters for best performance

| System configuration | Adapters in system unit enclosure including both PCI-X DDR and PCIe slots | Adapters in I/O expansion units | System maximum |
|----------------------|---|---------------------------------|----------------|
| 2-core | 5 | 3 | 6 |
| 4-core | 5 | 7 | 10 |

Table 14. Maximum number of extra-high bandwidth storage adapters for best performance (continued)

| System configuration | Adapters in system unit enclosure including both PCI-X DDR and PCIe slots | Adapters in I/O expansion units | System maximum |
|----------------------|---|---------------------------------|----------------|
| 6-core | 5 | 7 | 10 |
| 8-core | 5 | 7 | 10 |

High bandwidth storage adapters

Table 15. Maximum number of high bandwidth storage adapters for best performance

| System configuration | Adapters in system unit enclosure including both PCI-X DDR and PCIe slots | Adapters in I/O expansion units | System maximum |
|----------------------|---|---------------------------------|----------------|
| 2-core | 5 | 8 | 12 |
| 4-core | 5 | 17 | 20 |
| 6-core | 5 | 17 | 20 |
| 8-core | 5 | 17 | 20 |

Extra-high bandwidth Ethernet adapters

Table 16. Maximum number of extra-high bandwidth Ethernet adapters for best performance

| System configuration | Adapters in system unit enclosure including both PCI-X DDR and PCIe slots | Adapters in I/O expansion units | System maximum |
|----------------------|---|---------------------------------|----------------|
| 2-core | 1 | 1 | 1 |
| 4-core | 2 | 2 | 2 |
| 6-core | 3 | 3 | 3 |
| 8-core | 4 | 4 | 4 |

For optimum performance, no more than one 10 Gb Ethernet port per two processors should be used in a system. If one 10 Gb Ethernet port is present per two processors, no other 10 Gb or 1 Gb ports should be used.


High bandwidth Ethernet adapters

Table 17. Maximum number of high bandwidth Ethernet adapters for best performance

| System configuration | Adapters in system unit enclosure including both PCI-X DDR and PCIe slots | Adapters in I/O expansion units | System maximum |
|----------------------|---|---------------------------------|----------------|
| 2-core | 4 | 4 | 4 |
| 4-core | 5 | 8 | 8 |
| 6-core | 5 | 12 | 12 |
| 8-core | 5 | 16 | 16 |

For optimum performance, no more than two 1 Gb Ethernet ports per processor should be used in a system. If two 1 Gb Ethernet ports are present per processor, no other 1 Gb or 10 Gb ports should be used.

Related information

 Partitioning considerations with dual slot and multi path adapters

Chapter 5. Model 8234-EMA server

Some adapters must be placed in specific Peripheral Component Interconnect (PCI), Peripheral Component Interconnect-X (PCI-X), or PCI Express (PCIe) slots to function correctly or to perform optimally. Use this information to determine where to install PCI adapters.

PCI slot descriptions

Figure 4 shows the back view of the system unit enclosure with the location codes for the PCI and GX+ slots. Table 18 describes the slots. Each PCI-X DDR or PCIe is a separate PCI host bridge (PHB).

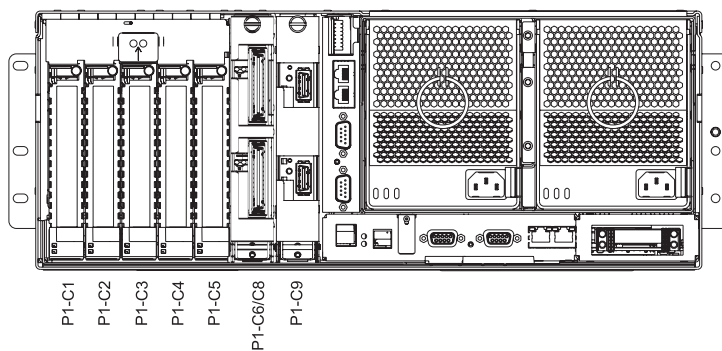


Figure 4. Back view of enclosure with location codes.

Table 18. PCI slot locations and descriptions

| Slot # | Location code | Description | PHB | Adapter size |
|--------|---------------|-------------------------------|------------|--------------|
| Slot 1 | P1-C1 | PCIe 8x | PCIe PHB0 | long |
| Slot 2 | P1-C2 | PCIe 8x | PCIe PHB1 | long |
| Slot 3 | P1-C3 | PCIe 8x | PCIe PHB2 | long |
| Slot 4 | P1-C4 | PCI-X DDR, 64-bit, 266 MHz | PCI-X PHB0 | long |
| Slot 5 | P1-C5 | PCI-X DDR, 64-bit, 266 MHz | PCI-X PHB1 | long |
| Slot 6 | P1-C6 | PCIe 8x | PCIe PHB3 | short |
| | P1-C8 | GX+ | NA | NA |
| Slot 7 | P1-C9 | GX+ | NA | NA |

- Slot 6 can be used for either a PCIe 8x adapter in connector P1-C6, or a GX+ adapter in connector P1-C8.
- Slot 7 (P1-C9) is not active on a 4-core system
- All slots support Enhanced Error Handling (EEH).
- This system uses generation 3, blind swap cassettes to manage the installation and removal of adapters. Cassettes can be installed and removed without removing the drawer from the rack. Because of the cassettes, internal SCSI connectors on PCI storage adapters are not supported for use in this system.

PCI and PCI-X expansion units

Each system enclosure supports one or two I/O expansion units, and two system units can be cabled together in a rack to form one system. The following I/O expansion configurations are possible:

- A 4-core single, system unit can support one GX slot with six I/O expansion units attached to a RIO-2 adapter, or four I/O expansion units attached to a 12x Channel Adapter.
-
- A 8-core single, system unit can support two 2 GX slots with twelve I/O expansion units attached to RIO-2 adapters, or eight I/O expansion units attached to 12x Channel Adapters.
- A 16-core, two-unit system can support three GX slots with eighteen I/O expansion units attached to RIO-2 adapters, or twelve I/O expansion units attached to 12x Channel Adapters.

Note: For optimum performance, you might want to limit the total number of expansion units containing high bandwidth and extra-high bandwidth adapters. See “Performance notes” on page 48.

Expansion units 5796, 7311-D20, and 7314-G30 are supported on the system running in the AIX or Linux operating systems.

Expansion unit 5796 is supported on the system running the IBM i operating system.

The 7314-G30 or 5796 expansion units attach to a 12x Channel Adapter installed in one of the two GX slots available in each system unit enclosure.

The 7311-D20 expansion unit attaches to a RIO-2 adapter installed in one of the two GX slots available in each system unit enclosure.

7311-D20 I/O drawers with the RIO Ports to I/O Planar Riser Card (feature 6413) must be upgraded to the RIO-2 Ports to I/O Planar Riser Card (feature 6417) before the I/O drawers can be attached to a Power Systems server that has a POWER6 processor.

Some I/O adapters supported in the 7311-D20 I/O drawer when attached to a System p5 server are not supported when the I/O drawer is attached to a server with POWER6 processors. Use the System Planning Tool to validate a configuration.

Related tasks

 System Planning Tool

Use the System Planning Tool to validate new or changed system configurations.

PCIe expansion units

PCIe expansion units 5802 and 5877 are supported on the system running AIX, IBM i, or Linux. The system can be configured to support up to two I/O expansion units per GX adapter.

Restriction: A 12X Channel Adapter that has one or two 5802 expansion units connected cannot have anything else connected to that adapter.

Note: For optimum performance, you might want to limit the total number of expansion units containing high bandwidth and extra-high bandwidth adapters. See “Performance notes” on page 48.

The expansion units attach to a 12x Channel Adapter installed in one or both of the two GX slots available in the system unit enclosure.

A 4-core system supports one 12x Channel Adapters, with up to two drawers attached.

A 8-core system supports two 12x Channel Adapters, with up to two drawers attached to each adapter for a total of four drawers.

A 16-core system supports three 12x Channel Adapters, with up to two drawers attached to each adapter for a total of six drawers.

PCI and PCI-X adapters

Use this information to identify slot placement priorities and the maximum number of specified adapters allowed. In the following table, adapters are sorted in descending order by priority. The highest priority adapters are first in the table.

Two system units can be cabled together in a rack to form one system. The maximum number of adapters that are allowed can vary depending on whether the system is configured as a 4-, 8-, or 16-core system. For example, if the maximum number of adapters allowed is 18 for a 4-core system, 28 for an 8-core system, and 48 for a 16-core system, those maximums are expressed in the table as 18/28/48 per system. If only one number is listed per system, it means the maximum number of adapters allowed is the same for all configurations of the system.

Table 19. Adapter slot priorities and maximums for PCI and PCI-X adapters

| Feature | Description | System unit enclosure slot priority | Maximum number of adapters allowed |
|---------|---|-------------------------------------|---|
| 5721** | 10 Gb-SR Ethernet PCI-X 2.0 DDR Adapter | 4, 5 | <ul style="list-style-type: none"> • 2 per system enclosure (internal) • 16/32/64 per system |
| 5908** | PCI-X DDR 1.5 GB cache SAS RAID Adapter | 4 and 5 | <ul style="list-style-type: none"> • 1 per system enclosure (internal) • • 12/24/36 per system |
| 5912** | PCI-X DDR Dual-x4 3Gb SAS Adapter | 4, 5 | <ul style="list-style-type: none"> • 2 per system enclosure (internal) • 26/48/48 per system |
| 5902** | PCI-X DDR Ext Dual-x4 3Gb SAS RAID Adapter | 4, 5 | <ul style="list-style-type: none"> • 2 per system enclosure (internal) • 26/50/76 per system |
| 5759** | 4 Gb Dual-Port Fibre Channel PCI-X 2.0 DDR Adapter | 4, 5 | <ul style="list-style-type: none"> • 2 per system enclosure (internal) • 26/50/76 per system |
| 5749** | 4 Gigabit Dual-Port Fibre Channel PCI-X 2.0 DDR Adapter | 4, 5 | <ul style="list-style-type: none"> • i operating system only • To determine the maximum numbers, see the description of this adapter in Table 1 on page 3 and the guidelines provided in Chapter 10, "Determining the best place to install your adapter," on page 97. |
| 5776** | PCI-X Disk Controller - 90 MB | None | <ul style="list-style-type: none"> • i operating system only • To determine maximum numbers, see the notes for this adapter in the Description column of Table 1 on page 3 and the guidelines in Chapter 10, "Determining the best place to install your adapter," on page 97. • This adapter is supported in expansion units attached to the system unit, but not the system unit enclosure (internal). |

Table 19. Adapter slot priorities and maximums for PCI and PCI-X adapters (continued)

| Feature | Description | System unit enclosure slot priority | Maximum number of adapters allowed |
|---------|--|-------------------------------------|---|
| 5777** | PCI-X Dual Channel Ultra320 SCSI RAID Adapter | None | <ul style="list-style-type: none"> • i operating system only • To determine maximum numbers, see the notes for this adapter in the Description column of Table 1 on page 3 and the guidelines in Chapter 10, "Determining the best place to install your adapter," on page 97. • This adapter is supported in expansion units attached to the system unit, but not the system unit enclosure (internal). |
| 5782** | PCI-X Dual Channel Ultra320 SCSI RAID Adapter with Auxiliary Write Cache (double-wide) | 4, 5 | <ul style="list-style-type: none"> • i operating system only • To determine the maximum numbers, see the description of this adapter in Table 1 on page 3 and the guidelines provided in Chapter 10, "Determining the best place to install your adapter," on page 97. |
| 5740* | 4-Port 10/100/1000 Base-TX PCI-X Adapter | 4, 5 | <ul style="list-style-type: none"> • 2 per system enclosure (internal) • 16/32/64 per system |
| 5707* | 2-Port Gigabit Ethernet-SX PCI-X Adapter | 4, 5 | <ul style="list-style-type: none"> • 2 per system enclosure (internal) • 26/50/76 per system |
| 5706* | 2-Port 10/100/1000 Base-TX Ethernet PCI-X Adapter | 4, 5 | <ul style="list-style-type: none"> • 2 per system enclosure (internal) • 26/50/76 per system |
| 5701* | 10/100/1000 Base-TX Ethernet PCI-X Adapter | 4, 5 | <ul style="list-style-type: none"> • 2 per system enclosure (internal) • 26/50/76 per system • When the adapter is used with the i operating system, see the i configuration notes in the Description column of Table 1 on page 3 and the guidelines in Chapter 10, "Determining the best place to install your adapter," on page 97. |
| 5700* | Gigabit Ethernet-SX PCI-X Adapter | 4, 5 | <ul style="list-style-type: none"> • 2 per system enclosure (internal) • 26/50/76 per system • When the adapter is used with the i operating system, see the i configuration notes in the Description column of Table 1 on page 3 and the guidelines in Chapter 10, "Determining the best place to install your adapter," on page 97. |
| 5758* | 4 Gb Single-Port Fibre Channel PCI-X 2.0 DDR Adapter | 4, 5 | <ul style="list-style-type: none"> • 2 per system enclosure (internal) • 26/50/76 per system |
| 5713* | 1 Gigabit-TX iSCSI TOE PCI-X Adapter | 4, 5 | <ul style="list-style-type: none"> • 2 per system enclosure (internal) • 26/50/76 per system |
| 5736* | PCI-X DDR 2.0 Dual Channel Ultra320 SCSI Adapter | 4, 5 | <ul style="list-style-type: none"> • 2 per system enclosure (internal) • 2/26/48 per system |

Table 19. Adapter slot priorities and maximums for PCI and PCI-X adapters (continued)

| Feature | Description | System unit enclosure slot priority | Maximum number of adapters allowed |
|---------|---|-------------------------------------|---|
| 5583* | 5738 Controller with 574F Auxiliary Write Cache IOA | None | <ul style="list-style-type: none"> • i operating system only • To determine maximum numbers, see the notes for this adapter in the Description column of Table 1 on page 3 and the guidelines in Chapter 10, "Determining the best place to install your adapter," on page 97. • This adapter is supported in expansion units attached to the system unit, but not the system unit enclosure (internal). |
| 4764 | PCI-X Cryptographic Coprocessor | 4, 5 | <ul style="list-style-type: none"> • 2 per system enclosure (internal) • 16/16/32 per system |
| 2738 | 2-Port USB PCI Adapter | 4, 5 | <ul style="list-style-type: none"> • 2 per system enclosure (internal) • 8 per system |
| 2849 | POWER GXT135P Graphics Accelerator with Digital Support | 4, 5 | <ul style="list-style-type: none"> • 2 per system enclosure (internal) • 8 per system |
| 2943 | 8-Port Asynchronous Adapter EIA-232/RS-422, PCI bus | 4, 5 | <ul style="list-style-type: none"> • 2 per system enclosure (internal) • 18/26/42 per system |
| 6805 | PCI Two-Line WAN IOA | 4, 5 | <ul style="list-style-type: none"> • i operating system only • To determine the maximum numbers, see the description of this adapter in Table 1 on page 3 and the guidelines provided in Chapter 10, "Determining the best place to install your adapter," on page 97. |
| 6808 | PCI Quad Modem IOA | 4, 5 | <ul style="list-style-type: none"> • i operating system only • To determine the maximum numbers, see the description of this adapter in Table 1 on page 3 and the guidelines provided in Chapter 10, "Determining the best place to install your adapter," on page 97. |
| 6809 | PCI Quad Modem IOA | 4, 5 | <ul style="list-style-type: none"> • i operating system only • To determine the maximum numbers, see the description of this adapter in Table 1 on page 3 and the guidelines provided in Chapter 10, "Determining the best place to install your adapter," on page 97. |
| 6833 | PCI 2-Line WAN with Modem | 4, 5 | <ul style="list-style-type: none"> • i operating system only • To determine the maximum numbers, see the description of this adapter in Table 1 on page 3 and the guidelines provided in Chapter 10, "Determining the best place to install your adapter," on page 97. |

Table 19. Adapter slot priorities and maximums for PCI and PCI-X adapters (continued)

| Feature | Description | System unit enclosure slot priority | Maximum number of adapters allowed |
|--|---|-------------------------------------|--|
| 6834 | PCI 2-Line WAN with Modem | 4, 5 | <ul style="list-style-type: none"> • i operating system only • To determine the maximum numbers, see the description of this adapter in Table 1 on page 3 and the guidelines provided in Chapter 10, "Determining the best place to install your adapter," on page 97. |
| 5723 | 2-Port EIA-232 Asynchronous PCI Adapter | 4, 5 | <ul style="list-style-type: none"> • 2 per system enclosure (internal) • 18/26/42 per system |
| * High bandwidth adapter. See the "Performance notes" on page 48 before installing this adapter. | | | |
| **Extra-high bandwidth adapter. See the "Performance notes" on page 48 before installing this adapter. | | | |

PCIe adapters

Use this information to identify slot placement priorities and the maximum number of specified adapters allowed. In the following table, adapters are sorted in descending order by priority. The highest priority adapters are first in the table.

Two system units can be cabled together in a rack to form one system. Each system enclosure has four PCIe slots.

Table 20. Adapter slot priorities and maximums for PCIe adapters

| Feature | Description | System unit enclosure slot priority | Maximum number of adapters allowed |
|---------|---|-------------------------------------|--|
| 5732** | 10 Gigabit Ethernet-CX4 PCI Express Adapter | 1, 2, 3, 6 | <ul style="list-style-type: none"> • 4 per system enclosure (internal) • 8/16/32 per system |
| 5769** | 10 Gigabit Ethernet-SR PCI Express Adapter | 1, 2, 3, 6 | <ul style="list-style-type: none"> • 4 per system enclosure (internal) • 8/16/32 per system |
| 5772** | 10 Gigabit Ethernet-LR PCI Express Adapter | 1, 2, 3, 6 | <ul style="list-style-type: none"> • 4 per system enclosure (internal) • 8/16/32 per system |
| 5735** | 8 Gigabit PCI Express Dual Port Fibre Channel Adapter | 1, 2, 3, 6 | <ul style="list-style-type: none"> • 4 per system enclosure (internal) • 23/43/67 per system |
| 5903** | PCIe 380MB Cache Dual - x4 3Gb SAS RAID Adapter | 1, 2, 3, 6 | <ul style="list-style-type: none"> • 4 per system enclosure (internal) • 23/43/67 per system |
| 5901** | PCIe Dual - x4 SAS Adapter | 1, 2, 3, 6 | <ul style="list-style-type: none"> • 4 per system enclosure (internal) • 23/43/67 per system |
| 5909** | PCI Express x8 Ext Dual-x4 3Gb SAS Adapter and cable card | 3 | <ul style="list-style-type: none"> • 1 per system enclosure (internal) • 1/1/2 per system |
| 5911** | SAS adapter for internal Split DASD option | 3 | <ul style="list-style-type: none"> • 1 per system enclosure (internal) • 1/1/2 per system |

Table 20. Adapter slot priorities and maximums for PCIe adapters (continued)

| Feature | Description | System unit enclosure slot priority | Maximum number of adapters allowed |
|--|---|-------------------------------------|--|
| 5767* | 2-Port 10/100/1000 Base-TX Ethernet PCI Express Adapter | 1, 2, 3, 6 | <ul style="list-style-type: none"> • 4 per system enclosure (internal) • 16/32/64 per system |
| 5768* | 2-Port Gigabit Ethernet-SX PCI Express Adapter | 1, 2, 3, 6 | <ul style="list-style-type: none"> • 4 per system enclosure (internal) • 16/32/64 per system |
| 5717* | 4-Port 10/100/1000 Base-TX PCI Express Adapter | 1, 2, 3, 6 | <ul style="list-style-type: none"> • 4 per system enclosure (internal) • 8/16/32 per system |
| 5773* | 4 Gigabit PCI Express Single Port Fibre Channel Adapter | 1, 2, 3, 6 | <ul style="list-style-type: none"> • 4 per system enclosure (internal) • 23/43/67 per system |
| 5774** | 4 Gigabit PCI Express Dual Port Fibre Channel Adapter | 1, 2, 3, 6 | <ul style="list-style-type: none"> • 4 per system enclosure (internal) • 23/43/67 per system |
| 5785 | 4 Port Async EIA-232 PCIe Adapter | 1, 2, 3, 6 | <ul style="list-style-type: none"> • 4 per system enclosure (internal) • 18/26/42 per system |
| 5748 | POWER GXT145 PCI Express Graphics Accelerator | 1, 2, 3, 6 | <ul style="list-style-type: none"> • 4 per system enclosure (internal) • 8 per system |
| 2728 | 4-Port USB PCIe Adapter | 1, 2, 3, 6 | <ul style="list-style-type: none"> • 4 per system enclosure (internal) • 8 per system |
| * High bandwidth adapter. See the "Performance notes" on page 48 before installing this adapter. | | | |
| **Extra-high bandwidth adapter. See the "Performance notes" on page 48 before installing this adapter. | | | |

SAS cable cards

The following serial-attached SCSI (SAS) card is not a PCI adapters; however, it does occupy PCIe slot 3. This feature allows internal SAS disk slots in a system unit enclosure to be controlled by a PCI SAS controller adapter in the same enclosure. With this feature the connection to the internal SAS disk slots is transferred from the internal controller to a mini SAS 4x receptacle on the rear bulkhead of the enclosure at adapter slot location P1-C3. A second PCI slot is required to hold the SAS controller adapter.

Table 21. SAS cable cards

| Feature | Description | System unit enclosure slot priority | Maximum number of SAS cable cards allowed |
|---------|---|-------------------------------------|---|
| 3651 | External connection for the six internal SAS disk slots | 3 | 1 |

For information about cabling these features, see Serial attached SCSI cable planning.

Related reference

[Serial attached SCSI cable planning](#)

Serial attached SCSI (SAS) cables provide serial communication for transfer of data for directly attached devices, such as hard drives and CD-ROM drives.

Related information

[Managing PCI adapters](#)

Find specifications, instructions, and part numbers for specific adapters.

Performance notes

Use the information in this section to help determine the maximum number of adapters that can be placed in a system while still maintaining optimum performance.

Table 19 on page 43 and Table 20 on page 46 identify the slot placement priorities and the maximum number of specified adapters allowed for connectivity. However, for optimum performance, you might want to further limit the total number of high bandwidth and extra-high bandwidth adapters.

To achieve the best performance of extra-high bandwidth storage and Ethernet adapters, limit the number of expansion units to one per 12x Channel or RIO-2 adapter. Having more than one drawer on a 12x loop does not increase the I/O bandwidth but only increases the number of slots available.

The following tables provide guidelines on the maximum number of high bandwidth and extra-high bandwidth adapters you can use and still maintain optimum performance. The expansion units can be any supported expansion unit, except where the 7314-G30 or 5796 expansion unit is specifically designated.

Note: Because of the many types of application workloads, these guidelines cannot cover all cases. The numbers in the following tables are suggestions for single types of adapters that are running exclusively. For systems with mixed adapter types or that have high aggregate bandwidth requirements, consult an IBM representative for additional guidelines.

Extra-high bandwidth storage adapters

Table 22. Maximum number of extra-high bandwidth storage adapters for best performance

| System configuration | Adapters in system unit enclosures including both PCI-X and PCIe slots | Adapters in I/O expansion units connected to a GX adapter on slot P1-C8 | Adapters in system unit enclosures plus I/O expansion units connected to a GX adapter on slot P1-C8* | Adapters in 7314-G30 or 5796 I/O expansion units connected to a GX adapter on slot P1-C9** | System maximum |
|----------------------|--|---|--|--|----------------|
| 4-core | 6 | 3 | 6 | | 6 |
| 8-core | 12 | 6 | 12 | 8 | 20 |
| 16-core | 24 | 12 | 24 | 16 | 40 |

* The GX adapter in P1-C8 shares overall I/O bandwidth with the system unit's internal slots.

** This configuration requires a GX Host Channel Adapter in P1-C9 for each 4U system unit and one or more 7314-G30 or 5796 drawers per GX adapter.

Slot P1-C9 is not active on a 4-core system

High bandwidth storage adapters

Table 23. Maximum number of high bandwidth storage adapters for best performance

| System configuration | Adapters in system unit enclosures including both PCI-X and PCIe slots | Adapters in I/O expansion units connected to a GX adapter on slot P1-C8 | Adapters in system unit enclosures plus I/O expansion units connected to a GX adapter on slot P1-C8* | Adapters in 7314-G30 or 5796 I/O expansion units connected to a GX adapter on slot P1-C9** | System maximum |
|----------------------|--|---|--|--|----------------|
| 4-core | 6 | 6 | 12 | | 12 |
| 8-core | 12 | 12 | 24 | 16 | 40 |
| 16-core | 24 | 24 | 48 | 32 | 80 |

* The GX adapter in P1-C8 shares overall I/O bandwidth with the system unit's internal slots.

** This configuration requires a GX Host Channel Adapter in P1-C9 for each 4U system unit and one or more 7314-G30 or 5796 drawers per GX adapter.

Slot P1-C9 is not active on a 4-core system

Extra-high bandwidth Ethernet adapters

Table 24. Maximum number of extra-high bandwidth Ethernet adapters for best performance

| System configuration | Adapters in system unit enclosures including both PCI-X and PCIe slots | Adapters in I/O expansion units connected to a GX adapter on slot P1-C8 | Adapters in system unit enclosures plus I/O expansion units connected to a GX adapter on slot P1-C8* | Adapters in I/O expansion units connected to a GX adapter on slot P1-C9 | System maximum |
|----------------------|--|---|--|---|----------------|
| 4-core | 2 | 2 | 2 | | 2 |
| 8-core | 4 | 4 | 4 | 4 | 4 |
| 16-core | 8 | 8 | 8 | 8 | 8 |

* The GX adapter in P1-C8 shares overall I/O bandwidth with the system unit's internal slots.

For optimum performance, no more than one 10 Gb Ethernet port per two processors should be used in a system. If one 10 Gb Ethernet port is present per two processors, no other 10 Gb or 1 Gb ports should be used.

Slot P1-C9 is not active on a 4-core system

High bandwidth Ethernet adapters

Table 25. Maximum number of high bandwidth Ethernet adapters for best performance

| System configuration | Adapters in system unit enclosures including both PCI-X and PCIe slots | Adapters in I/O expansion units connected to a GX adapter on slot P1-C8 | Adapters in system unit enclosures plus I/O expansion units connected to a GX adapter on slot P1-C8* | Adapters in I/O expansion units connected to a GX adapter on slot P1-C9 | System maximum |
|----------------------|--|---|--|---|----------------|
| 4-core | 6 | 6 | 6 | | 6 |
| 8-core | 12 | 12 | 12 | 12 | 16 |
| 16-core | 24 | 24 | 24 | 24 | 32 |

Table 25. Maximum number of high bandwidth Ethernet adapters for best performance (continued)

| System configuration | Adapters in system unit enclosures including both PCI-X and PCIe slots | Adapters in I/O expansion units connected to a GX adapter on slot P1-C8 | Adapters in system unit enclosures plus I/O expansion units connected to a GX adapter on slot P1-C8* | Adapters in I/O expansion units connected to a GX adapter on slot P1-C9 | System maximum |
|---|--|---|--|---|----------------|
| <p>* The GX adapter in P1-C8 shares overall I/O bandwidth with the system unit's internal slots.</p> <p>For optimum performance, no more than two 1 Gb Ethernet ports per processor should be used in a system. If two 1 Gb Ethernet ports are present per processor, no other 1 Gb or 10 Gb ports should be used.</p> <p>Slot P1-C9 is not active on a 4-core system</p> | | | | | |

Chapter 6. Model 9117-MMA server

Some adapters must be placed in specific Peripheral Component Interconnect (PCI), Peripheral Component Interconnect-X (PCI-X), or PCI Express (PCIe) slots to function correctly or to perform optimally. Use this information to determine where to install PCI adapters.

PCI slot descriptions

Figure 5 shows the back view of the system unit enclosure with the location codes for the PCI and GX+ slots. Table 26 describes the slots. Each PCI-X DDR or PCIe is a separate PCI host bridge (PHB).

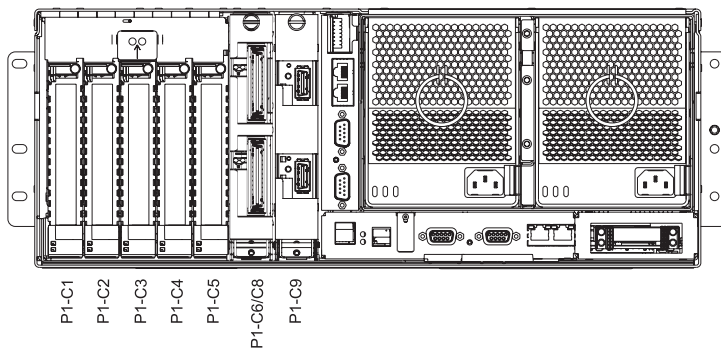


Figure 5. Back view of enclosure with location codes

Table 26. PCI slot locations and descriptions

| Slot # | Location code | Description | PHB | Adapter size |
|--------|---------------|-------------------------------|------------|--------------|
| Slot 1 | P1-C1 | PCIe 8x | PCIe PHB0 | long |
| Slot 2 | P1-C2 | PCIe 8x | PCIe PHB1 | long |
| Slot 3 | P1-C3 | PCIe 8x | PCIe PHB2 | long |
| Slot 4 | P1-C4 | PCI-X DDR, 64-bit, 266 MHz | PCI-X PHB0 | long |
| Slot 5 | P1-C5 | PCI-X DDR, 64-bit, 266 MHz | PCI-X PHB1 | long |
| Slot 6 | P1-C6 | PCIe 8x | PCIe PHB3 | short |
| | P1-C8 | GX+ | NA | NA |
| Slot 7 | P1-C9 | GX+ | NA | NA |

- Slot 6 can be used for either a PCIe 8x adapter in connector P1-C6, or a GX+ adapter in connector P1-C8.
- All slots support Enhanced Error Handling (EEH).
- This system uses generation 3, blind swap cassettes to manage the installation and removal of adapters. Cassettes can be installed and removed without removing the drawer from the rack. Because of the cassettes, internal SCSI connectors on PCI storage adapters are not supported for use in this system.
- Slot 7 (P1-C9) is not active on a 4-core system

PCI and PCI-X expansion units

Each system supports up to eight I/O expansion units attached to 12x Channel Adapters, or twelve I/O expansion units attached to RIO-2 adapters. I/O expansion units are usually required to achieve the maximum number of adapters listed in Table 27 on page 53

Expansion units 7311-D11, 7311-D20, and 7314-G30 are supported on the systems running AIX or Linux operating systems.

The 7314-G30 attaches to a 12x Channel Adapter installed in one of the two GX slots available in each system unit enclosure.

The 7311 drawers attach to a RIO-2 Adapter installed in one of the two GX slots available in each system.

7311-D20 I/O drawers with RIO Ports to I/O Planar Riser Card (#6413) must be upgraded to RIO-2 Ports to I/O Planar Riser Card (#6417) before they can be attached to a System p or Power Systems server with a POWER6 processor.

Some I/O adapters supported in the 7311-D11 and the 7311-D20 I/O drawers when attached to a System p5 server will not be supported when attached to a server with POWER6 processors. Use the System Planning Tool to validate a configuration.

Expansion units 0588, 0595, 5094, 5096, 5294, 5296, 5790, and 5796 are supported on the system running the IBM i operating system.

Note: For optimum performance, you might want to limit the total number of expansion units containing high bandwidth and extra-high bandwidth adapters. See “Performance notes” on page 62.

The maximum number of attached remote I/O drawers depends on the number of system unit enclosures in the system, and the I/O attachment type.

- For RIO-2 attached I/O drawers on systems running AIX or Linux:
 - Systems with one system unit enclosure:
 - With two processors, the enclosure supports up to six I/O drawers.
 - With four processors, the enclosure supports up to twelve I/O drawers.
 - Systems with two system unit enclosures support up to 24 I/O drawers.
 - Systems with three system unit enclosures support up to 36 I/O drawers.
 - Systems with four system unit enclosures support up to 48 I/O drawers.
- For RIO-2 attached I/O drawers on systems running IBM i:
 - Systems with one system unit enclosure:
 - With two processors, the enclosure supports up to 6 I/O drawers.
 - With four processors, the enclosure supports up to 12 I/O drawers.
 - Systems with two system unit enclosures support up to 24 I/O drawers.
 - Systems with three system unit enclosures support up to 36 I/O drawers.
 - Systems with four system unit enclosures support up to 48 I/O drawers.
- For 12x Host Channel attached I/O drawers:
 - Systems with one system unit enclosure:
 - With two processors, the system unit enclosure supports up to 4 I/O drawers.
 - With four processors, the system unit enclosure supports up to 8 I/O drawers.
 - Systems with two system unit enclosures support up to 16 I/O drawers.
 - Systems with three system unit enclosures support up to 24 I/O drawers.

- Systems with four system unit enclosures support up to 32 I/O drawers.

PCIe expansion units

PCIe expansion units 5802 and 5877 are supported on the system running AIX, IBM i, or Linux. The system can be configured to support up to two I/O expansion units per GX adapter.

Restriction: A 12X Channel Adapter that has one or two 5802 expansion units connected cannot have anything else connected to that adapter.

Note: For optimum performance, you might want to limit the total number of expansion units containing high bandwidth and extra-high bandwidth adapters. See “Performance notes” on page 62.

The expansion units attach to a 12x Channel Adapter installed in one or both of the two GX slots available in the system unit enclosure.

The maximum number of attached remote I/O drawers depends on the number of system unit enclosures in the system.

- Systems with one system unit enclosure support up to 4 I/O drawers.
- Systems with two system unit enclosures support up to 8 I/O drawers.
- Systems with three system unit enclosures support up to 12 I/O drawers.
- Systems with four system unit enclosures support up to 16 I/O drawers.

PCI and PCI-X adapters

Use this information to identify slot placement priorities and the maximum number of specified adapters allowed. In the following table, adapters are sorted in descending order by priority. The highest priority adapters are first in the table.

Up to four system units can be cabled together in a rack to form one system. The maximum number of adapters that are allowed can vary depending on whether the system is configured as a 4, 8, 12, or 16-core system. For example, if the maximum number of adapters allowed is 18 for a 4-core system, 28 for an 8-core system, 38 for a 12-core system, and 48 for a 16-core system, those maximums are expressed in the table as 18/28/38/48 per system. If only one number is listed per system, it means the maximum number of adapters allowed is the same for all configurations of the system.

Table 27. Adapter slot priorities and maximums for PCI and PCI-X adapters

| Feature | Description | System unit enclosure slot priority | Maximum number of adapters allowed |
|---------|---|-------------------------------------|--|
| 5721** | 10 Gb-SR Ethernet PCI-X 2.0 DDR Adapter | 4, 5 | <ul style="list-style-type: none"> • 2 per system enclosure (internal) • 32/64/96/128 per system |
| 5722** | 10 Gb-LR Ethernet PCI-X 2.0 DDR Adapter | 4, 5 | <ul style="list-style-type: none"> • 2 per system enclosure (internal) • 32/64/96/128 per system |
| 5719** | 10 Gigabit-LR Ethernet PCI-X Adapter | 4, 5 | <ul style="list-style-type: none"> • 2 per system enclosure (internal) • 12/24/26/48 per system |
| 5718** | 10 Gigabit-SR Ethernet PCI-X Adapter | 4, 5 | <ul style="list-style-type: none"> • 2 per system enclosure (internal) • 12/24/26/48 per system |
| 5908** | PCI-X DDR 1.5 GB cache SAS RAID Adapter | 4, 5 | <ul style="list-style-type: none"> • 1 per system enclosure (internal) • 24/48/72/96 per system |

Table 27. Adapter slot priorities and maximums for PCI and PCI-X adapters (continued)

| Feature | Description | System unit enclosure slot priority | Maximum number of adapters allowed |
|------------------|--|-------------------------------------|---|
| 5900** | PCI-X DDR Ext Dual-x4 3Gb SAS Adapter | 4, 5 | <ul style="list-style-type: none"> • 2 per system enclosure (internal) • 48/96/144/192 per system |
| 5912** | PCI-X DDR Dual-x4 3Gb SAS Adapter | 4, 5 | <ul style="list-style-type: none"> • 2 per system enclosure (internal) • 48/96/144/192 per system |
| 5902** | PCI-X DDR Ext Dual-x4 3Gb SAS RAID Adapter | 4, 5 | <ul style="list-style-type: none"> • 2 per system enclosure (internal) • 48/96/144/192 per system |
| 5759** | 4 Gb Dual-Port Fibre Channel PCI-X 2.0 DDR Adapter | 4, 5 | <ul style="list-style-type: none"> • 2 per system enclosure (internal) • 50/100/150/200 per system |
| 5749** | 4 Gigabit Dual-Port Fibre Channel PCI-X 2.0 DDR Adapter | 4, 5 | <ul style="list-style-type: none"> • i operating system only • To determine the maximum numbers, see the description of this adapter in Table 1 on page 3 and the guidelines provided in Chapter 10, "Determining the best place to install your adapter," on page 97. |
| 5776** | PCI-X Disk Controller - 90 MB | None | <ul style="list-style-type: none"> • i operating system only • To determine maximum numbers, see the notes for this adapter in the Description column of Table 1 on page 3 and the guidelines in Chapter 10, "Determining the best place to install your adapter," on page 97. • This adapter is supported in expansion units attached to the system unit, but not the system unit enclosure (internal). |
| 5777** | PCI-X Dual Channel Ultra320 SCSI RAID Adapter | None | <ul style="list-style-type: none"> • i operating system only • To determine maximum numbers, see the notes for this adapter in the Description column of Table 1 on page 3 and the guidelines in Chapter 10, "Determining the best place to install your adapter," on page 97. • This adapter is supported in expansion units attached to the system unit, but not the system unit enclosure (internal). |
| 5778** 5782** | PCI-X Dual Channel Ultra320 SCSI RAID Adapter with Auxiliary Write Cache (double-wide) | 4, 5 | <ul style="list-style-type: none"> • i operating system only • To determine the maximum numbers, see the description of this adapter in Table 1 on page 3 and the guidelines provided in Chapter 10, "Determining the best place to install your adapter," on page 97. |

Table 27. Adapter slot priorities and maximums for PCI and PCI-X adapters (continued)

| Feature | Description | System unit enclosure slot priority | Maximum number of adapters allowed |
|---------|---|-------------------------------------|---|
| 5760** | PCI-X Fibre Channel Disk Controller | None | <ul style="list-style-type: none"> • i operating system only • To determine maximum numbers, see the notes for this adapter in the Description column of Table 1 on page 3 and the guidelines in Chapter 10, "Determining the best place to install your adapter," on page 97. • This adapter is supported in expansion units attached to the system unit, but not the system unit enclosure (internal). |
| 5761** | PCI-X Fibre Channel Disk Controller | None | <ul style="list-style-type: none"> • i operating system only • To determine maximum numbers, see the notes for this adapter in the Description column of Table 1 on page 3 and the guidelines in Chapter 10, "Determining the best place to install your adapter," on page 97. • This adapter is supported in expansion units attached to the system unit, but not the system unit enclosure (internal). |
| 5740* | 4-Port 10/100/1000 Base-TX PCI-X Adapter | 4, 5 | <ul style="list-style-type: none"> • 2 per system enclosure (internal) • 32/64/96/128 per system |
| 5707* | 2-Port Gigabit Ethernet-SX PCI-X Adapter | 4, 5 | <ul style="list-style-type: none"> • 2 per system enclosure (internal) • 64/128/192/256 per system |
| 5706* | 2-Port 10/100/1000 Base-TX Ethernet PCI-X Adapter | 4, 5 | <ul style="list-style-type: none"> • 2 per system enclosure (internal) • 64/128/192/256 per system |
| 5704* | PCI-X Fibre Channel Tape Controller | None | <ul style="list-style-type: none"> • i operating system only • To determine maximum numbers, see the notes for this adapter in the Description column of Table 1 on page 3 and the guidelines in Chapter 10, "Determining the best place to install your adapter," on page 97. • This adapter is supported in expansion units attached to the system unit, but not the system unit enclosure (internal). |
| 5702* | PCI-X Ultra Tape Controller | None | <ul style="list-style-type: none"> • i operating system only • To determine maximum numbers, see the notes for this adapter in the Description column of Table 1 on page 3 and the guidelines in Chapter 10, "Determining the best place to install your adapter," on page 97. • This adapter is supported in expansion units attached to the system unit, but not the system unit enclosure (internal). |

Table 27. Adapter slot priorities and maximums for PCI and PCI-X adapters (continued)

| Feature | Description | System unit enclosure slot priority | Maximum number of adapters allowed |
|---------|--|-------------------------------------|---|
| 5701* | 10/100/1000 Base-TX Ethernet PCI-X Adapter | 4, 5 | <ul style="list-style-type: none"> • 2 per system enclosure (internal) • 64/128/192/256 per system • When the adapter is used with i, see the i configuration notes in the Description column of Table 1 on page 3 and the guidelines in Chapter 10, "Determining the best place to install your adapter," on page 97. |
| 5700* | Gigabit Ethernet-SX PCI-X Adapter | 4, 5 | <ul style="list-style-type: none"> • 2 per system enclosure (internal) • 64/128/192/256 per system • When the adapter is used with i, see the i configuration notes in the Description column of Table 1 on page 3 and the guidelines in Chapter 10, "Determining the best place to install your adapter," on page 97. |
| 5758* | 4 Gb Single-Port Fibre Channel PCI-X 2.0 DDR Adapter | 4, 5 | <ul style="list-style-type: none"> • 2 per system enclosure (internal) • 50/100/150/200 per system |
| 5713* | 1 Gigabit-TX iSCSI TOE PCI-X Adapter | 4, 5 | <ul style="list-style-type: none"> • 2 per system enclosure (internal) • 42/84/126/168 per system |
| 5714* | 1 Gigabit-SX iSCSI TOE PCI-X Adapter | 4, 5 | <ul style="list-style-type: none"> • 2 per system enclosure (internal) • 42/84/126/168 per system |
| 5716* | 2 Gigabit Fibre Channel PCI-X Adapter | 4, 5 | <ul style="list-style-type: none"> • 2 per system enclosure (internal) • 86/172/258/344 per system |
| 5736* | PCI-X DDR 2.0 Dual Channel Ultra320 SCSI Adapter | 4, 5 | <ul style="list-style-type: none"> • 2 per system enclosure (internal) • 86/172/258/344 per system |
| 5806* | PCI-X DDR 2.0 Dual Channel Ultra320 SCSI Adapter | None | <ul style="list-style-type: none"> • i operating system only • To determine maximum numbers, see the notes for this adapter in the Description column of Table 1 on page 3 and the guidelines in Chapter 10, "Determining the best place to install your adapter," on page 97. • This adapter is supported in expansion units attached to the system unit, but not the system unit enclosure (internal). |
| 5712* | PCI-X Dual Channel Ultra 320 SCSI Adapter | 4, 5 | <ul style="list-style-type: none"> • 2 per system enclosure (internal) • 62 per system • When the adapter is used with i, see the i configuration notes in the Description column of Table 1 on page 3 and the guidelines in Chapter 10, "Determining the best place to install your adapter," on page 97. |

Table 27. Adapter slot priorities and maximums for PCI and PCI-X adapters (continued)

| Feature | Description | System unit enclosure slot priority | Maximum number of adapters allowed |
|---------|---|-------------------------------------|---|
| 2780* | PCI-X Ultra4 RAID Disk Controller | None | <ul style="list-style-type: none"> • i operating system only • To determine maximum numbers, see the notes for this adapter in the Description column of Table 1 on page 3 and the guidelines in Chapter 10, "Determining the best place to install your adapter," on page 97. • This adapter is supported in expansion units attached to the system unit, but not the system unit enclosure (internal). |
| 2757* | PCI Ultra RAID Disk Controller | None | <ul style="list-style-type: none"> • i operating system only • To determine maximum numbers, see the notes for this adapter in the Description column of Table 1 on page 3 and the guidelines in Chapter 10, "Determining the best place to install your adapter," on page 97. • This adapter is supported in expansion units attached to the system unit, but not the system unit enclosure (internal). |
| 2787* | PCI-X Fibre Channel Disk Unit Controller | None | <ul style="list-style-type: none"> • i operating system only • To determine maximum numbers, see the notes for this adapter in the Description column of Table 1 on page 3 and the guidelines in Chapter 10, "Determining the best place to install your adapter," on page 97. • This adapter is supported in expansion units attached to the system unit, but not the system unit enclosure (internal). |
| 5580* | 2780 Controller with 5708 Auxiliary Write Cache | None | <ul style="list-style-type: none"> • i operating system only • To determine maximum numbers, see the notes for this adapter in the Description column of Table 1 on page 3 and the guidelines in Chapter 10, "Determining the best place to install your adapter," on page 97. • This adapter is supported in expansion units attached to the system unit, but not the system unit enclosure (internal). |
| 5581* | 2757 Controller with 5708 Auxiliary Write Cache | None | <ul style="list-style-type: none"> • i operating system only • To determine maximum numbers, see the notes for this adapter in the Description column of Table 1 on page 3 and the guidelines in Chapter 10, "Determining the best place to install your adapter," on page 97. • This adapter is supported in expansion units attached to the system unit, but not the system unit enclosure (internal). |

Table 27. Adapter slot priorities and maximums for PCI and PCI-X adapters (continued)

| Feature | Description | System unit enclosure slot priority | Maximum number of adapters allowed |
|--------------|---|-------------------------------------|---|
| 5583* | 5738 Controller with 574F Auxiliary Write Cache IOA | None | <ul style="list-style-type: none"> • i operating system only • To determine maximum numbers, see the notes for this adapter in the Description column of Table 1 on page 3 and the guidelines in Chapter 10, "Determining the best place to install your adapter," on page 97. • This adapter is supported in expansion units attached to the system unit, but not the system unit enclosure (internal). |
| 5590* | 2780 Controller with 574F Auxiliary Write Cache IOA | None | <ul style="list-style-type: none"> • i operating system only • To determine maximum numbers, see the notes for this adapter in the Description column of Table 1 on page 3 and the guidelines in Chapter 10, "Determining the best place to install your adapter," on page 97. • This adapter is supported in expansion units attached to the system unit, but not the system unit enclosure (internal). |
| 5591* | 2757 Controller with 574F Auxiliary Write Cache IOA | None | <ul style="list-style-type: none"> • i operating system only • To determine maximum numbers, see the notes for this adapter in the Description column of Table 1 on page 3 and the guidelines in Chapter 10, "Determining the best place to install your adapter," on page 97. • This adapter is supported in expansion units attached to the system unit, but not the system unit enclosure (internal). |
| 4812 4813 | Base PCI Integrated xSeries Server | None | <ul style="list-style-type: none"> • i operating system only • To determine maximum numbers, see the notes for this adapter in the Description column of Table 1 on page 3 and the guidelines in Chapter 10, "Determining the best place to install your adapter," on page 97. • This adapter is supported in expansion units attached to the system unit, but not the system unit enclosure (internal). |
| 4805 | PCI Cryptographic Accelerator | None | <ul style="list-style-type: none"> • i operating system only • To determine maximum numbers, see the notes for this adapter in the Description column of Table 1 on page 3 and the guidelines in Chapter 10, "Determining the best place to install your adapter," on page 97. • This adapter is supported in expansion units attached to the system unit, but not the system unit enclosure (internal). |

Table 27. Adapter slot priorities and maximums for PCI and PCI-X adapters (continued)

| Feature | Description | System unit enclosure slot priority | Maximum number of adapters allowed |
|---------|---|-------------------------------------|---|
| 4801 | PCI Cryptographic Coprocessor | None | <ul style="list-style-type: none"> • i operating system only • To determine maximum numbers, see the notes for this adapter in the Description column of Table 1 on page 3 and the guidelines in Chapter 10, "Determining the best place to install your adapter," on page 97. • This adapter is supported in expansion units attached to the system unit, but not the system unit enclosure (internal). |
| 4764 | PCI-X Cryptographic Coprocessor | 4, 5 | <ul style="list-style-type: none"> • 2 per system enclosure (internal) • 8/16/24/32 per system |
| 4746 | PCI Twinaxial Workstation Controller IOA | None | <ul style="list-style-type: none"> • i operating system only • To determine maximum numbers, see the notes for this adapter in the Description column of Table 1 on page 3 and the guidelines in Chapter 10, "Determining the best place to install your adapter," on page 97. • This adapter is supported in expansion units attached to the system unit, but not the system unit enclosure (internal). |
| 3709 | PCI 100/10 Mbps Ethernet IOA | None | <ul style="list-style-type: none"> • i operating system only • To determine maximum numbers, see the notes for this adapter in the Description column of Table 1 on page 3 and the guidelines in Chapter 10, "Determining the best place to install your adapter," on page 97. • This adapter is supported in expansion units attached to the system unit, but not the system unit enclosure (internal). |
| 2738 | 2-Port USB PCI Adapter | 4, 5 | <ul style="list-style-type: none"> • 2 per system enclosure (internal) • 8 per system |
| 2749 | POWER GXT135P Graphics Accelerator with Digital Support | None | <ul style="list-style-type: none"> • i operating system only • To determine maximum numbers, see the notes for this adapter in the Description column of Table 1 on page 3 and the guidelines in Chapter 10, "Determining the best place to install your adapter," on page 97. • This adapter is supported in expansion units attached to the system unit, but not the system unit enclosure (internal). |
| 2849 | POWER GXT135P Graphics Accelerator with Digital Support | 4, 5 | <ul style="list-style-type: none"> • 2 per system enclosure (internal) • 8 per system |

Table 27. Adapter slot priorities and maximums for PCI and PCI-X adapters (continued)

| Feature | Description | System unit enclosure slot priority | Maximum number of adapters allowed |
|--|---|-------------------------------------|---|
| 2943 | 8-Port Asynchronous Adapter EIA-232/RS-422, PCI bus | 4, 5 | <ul style="list-style-type: none"> • 2 per system enclosure (internal) • 18/26/34/42 per system |
| 2947 | ARTIC960Hx 4-Port Multiprotocol PCI Adapter | 4, 5 | <ul style="list-style-type: none"> • 2 per system enclosure (internal) • 8/12/16/20 per system |
| 2962 | 2-Port Multiprotocol PCI Adapter | 4, 5 | <ul style="list-style-type: none"> • 2 per system enclosure (internal) • 86/172/258/344 per system |
| 6805 | PCI Two-Line WAN IOA | 4, 5 | <ul style="list-style-type: none"> • i operating system only • 2 per system enclosure (internal) • 55/110/165/220 per system |
| 6808 | PCI Quad Modem IOA | 4, 5 | <ul style="list-style-type: none"> • i operating system only • 2 per system enclosure (internal) • 50/100/120/120 per system |
| 6809 | PCI Quad Modem IOA | 4, 5 | <ul style="list-style-type: none"> • i operating system only • 2 per system enclosure (internal) • 50/100/120/120 per system |
| 6833 | PCI 2-Line WAN with Modem | 4, 5 | <ul style="list-style-type: none"> • i operating system only • 2 per system enclosure (internal) • 55/110/165/220 per system |
| 6834 | PCI 2-Line WAN with Modem | 4, 5 | <ul style="list-style-type: none"> • i operating system only • 2 per system enclosure (internal) • 55/110/165/220 per system |
| 5723 | 2-Port EIA-232 Asynchronous PCI Adapter | 4, 5 | <ul style="list-style-type: none"> • 2 per system enclosure (internal) • 18/26/34/42 per system |
| * High bandwidth adapter. See the "Performance notes" on page 62 before installing this adapter. | | | |
| **Extra-high bandwidth adapter. See the "Performance notes" on page 62 before installing this adapter. | | | |

PCIe adapters

Use this information to identify slot placement priorities and the maximum number of specified adapters allowed. In the following table, adapters are sorted in descending order by priority. The highest priority adapters are first in the table.

Up to four system units can be cabled together in a rack to form one system. Each system enclosure has four PCIe slots. Unless stated otherwise, the maximum number of PCIe adapters allowed is 4 for a 4-core system, 8 for an 8-core system, 12 for a 12-core system, and 16 for a 16-core system. Those maximums are expressed in the table as 4/8/12/16 per system. If only one number is listed per system, it means the maximum number of adapters allowed is the same for all configurations of the system.

Table 28. Adapter slot priorities and maximums for PCIe adapters

| Feature | Description | System unit enclosure slot priority | Maximum number of adapters allowed |
|--------------|---|-------------------------------------|---|
| 5732** | 10 Gigabit Ethernet-CX4 PCI Express Adapter | 1, 2, 3, 6 | <ul style="list-style-type: none"> • 4 per system enclosure (internal) • 18/28/38/48 per system |
| 5769** | 10 Gigabit Ethernet-SR PCI Express Adapter | 1, 2, 3, 6 | <ul style="list-style-type: none"> • 4 per system enclosure (internal) • 18/28/38/48 per system |
| 5772** | 10 Gigabit Ethernet-LR PCI Express Adapter | 1, 2, 3, 6 | <ul style="list-style-type: none"> • 4 per system enclosure (internal) • 18/28/38/48 per system |
| 5911** | SAS adapter for internal Split DASD option | 3 | <ul style="list-style-type: none"> • 1 per system enclosure (internal) • 1/2/3/4 per system |
| 5909** | Alternate SAS controller for 3 of 6 internal SAS Disk Slots | 3 | <ul style="list-style-type: none"> • 1 per system enclosure (internal) • 1/2/3/4 per system |
| 5735** | 8 Gigabit PCI Express Dual Port Fibre Channel Adapter | 1, 2, 3, 6 | <ul style="list-style-type: none"> • 4 per system enclosure (internal) • 43/86/129/172 per system |
| 5903** | PCIe 380MB Cache Dual - x4 3Gb SAS RAID Adapter | 1, 2, 3, 6 | <ul style="list-style-type: none"> • 4 per system enclosure (internal) • 43/86/129/172 per system |
| 5901** | PCIe Dual - x4 SAS Adapter | 1, 2, 3, 6 | <ul style="list-style-type: none"> • 4 per system enclosure (internal) • 43/86/129/172 per system |
| 5767* | 2-Port 10/100/1000 Base-TX Ethernet PCI Express Adapter | 1, 2, 3, 6 | <ul style="list-style-type: none"> • 4 per system enclosure (internal) • 43/86/129/172 per system |
| 5768* | 2-Port Gigabit Ethernet-SX PCI Express Adapter | 1, 2, 3, 6 | <ul style="list-style-type: none"> • 4 per system enclosure (internal) • 43/86/129/172 per system |
| 5717* | 4-Port 10/100/1000 Base-TX PCI Express Adapter | 1, 2, 3, 6 | <ul style="list-style-type: none"> • 4 per system enclosure (internal) • 43/86/129/172 per system |
| 5773* | 4 Gigabit PCI Express Single Port Fibre Channel Adapter | 1, 2, 3, 6 | <ul style="list-style-type: none"> • 4 per system enclosure (internal) • 43/86/129/172 per system |
| 5774** | 4 Gigabit PCI Express Dual Port Fibre Channel Adapter | 1, 2, 3, 6 | <ul style="list-style-type: none"> • 4 per system enclosure (internal) • 43/86/129/172 per system |
| 5785 | 4 Port Async EIA-232 PCIe Adapter | 1, 2, 3, 6 | <ul style="list-style-type: none"> • 4 per system enclosure (internal) • 18/26/34/42 per system |
| 5748 | POWER GXT145 PCI Express Graphics Accelerator | 1, 2, 3, 6 | <ul style="list-style-type: none"> • 4 per system enclosure (internal) • 8 per system |
| 2893 9693 | PCI Express 2-Line WAN with Modem | 1, 2, 3, 6 | <ul style="list-style-type: none"> • 4 per system enclosure (internal) • 43/86/129/172 per system |
| 2894 9694 | PCI Express 2-Line WAN with Modem | 1, 2, 3, 6 | <ul style="list-style-type: none"> • 4 per system enclosure (internal) • 43/86/129/172 per system |
| 2728 | 4-Port USB PCIe Adapter | 1, 2, 3, 6 | <ul style="list-style-type: none"> • 4 per system enclosure (internal) • 8 per system |

Table 28. Adapter slot priorities and maximums for PCIe adapters (continued)

| Feature | Description | System unit enclosure slot priority | Maximum number of adapters allowed |
|---|-------------|-------------------------------------|------------------------------------|
| * High bandwidth adapter. See the "Performance notes" before installing this adapter. | | | |
| **Extra-high bandwidth adapter. See the "Performance notes" before installing this adapter. | | | |

SAS cable cards

The following serial-attached SCSI (SAS) cards are not PCI adapters; however, they do occupy PCIe slot 3. These features allow internal SAS disk slots in a system unit enclosure to be controlled by a PCI SAS controller adapter (5900) in the same enclosure. With these features the connection to the internal SAS disk slots is transferred from the internal controller to a mini SAS 4x receptacle on the rear bulkhead of the enclosure at adapter slot location P1-C3. A second PCI slot is required to hold the SAS controller adapter.

Table 29. SAS cable cards

| Feature | Description | System unit enclosure slot priority | Maximum number of SAS cable cards allowed |
|---------|--|-------------------------------------|---|
| 3650 | External connection for 3 of 6 internal SAS Disk Slots | 3 | 1 |
| 3651 | External connection for the 6 internal SAS Disk slots | 3 | 1 |

If you encounter difficulties inserting the 3650 or 3651 card assembly, see Installing feature code 3650 or 3651 in a model 9406-MMA.

For information about cabling these features, see Serial attached SCSI cable planning.

Feature 5909, the PCI Express x8 Ext Dual-x4 3Gb SAS Adapter and cable card listed in Table 28 on page 61, combines a SAS cable card and PCIe SAS adapter in a single cassette that occupies a single slot, P1-C3. For more information about feature 5909, see Managing PCI adapters.

Related reference

 [Serial attached SCSI cable planning](#)

Serial attached SCSI (SAS) cables provide serial communication for transfer of data for directly attached devices, such as hard drives and CD-ROM drives.

Related information

 [Managing PCI adapters](#)

Find specifications, instructions, and part numbers for specific adapters.

Performance notes

Use the information in this section to help determine the maximum number of adapters that can be placed in a system while still maintaining optimum performance.

Table 27 on page 53 and Table 28 on page 61 identify the slot placement priorities and the maximum number of specified adapters allowed for connectivity. However, for optimum performance, you might want to further limit the total number of high bandwidth and extra-high bandwidth adapters. If you

need to expand the I/O capacity of the system for extra-high bandwidth adapters, consider using high-performance I/O expansion units like the 7314-G30 or 5796.

The following four tables provide guidelines on the maximum number of high bandwidth and extra-high bandwidth adapters you can use and still maintain optimum performance. The expansion units can be any supported expansion unit, except where the 7314-G30 or 5796 is specifically called for.

Note: Because of the many types of application workloads, these guidelines cannot cover all cases. The numbers in the following tables are suggestions for single types of adapters that are running exclusively. For systems with mixed adapter types or that have high aggregate bandwidth requirements, consult an IBM representative for additional guidelines.

Extra-high bandwidth storage adapters

Table 30. Maximum number of extra-high bandwidth storage adapters for best performance

| System configuration | Adapters in system unit enclosures including both PCI-X and PCIe slots | Adapters in I/O expansion units connected to a GX adapter on slot P1-C8 | Adapters in system unit enclosures plus I/O expansion units connected to a GX adapter on slot P1-C8* | Adapters in 7314-G30 or 5796 I/O expansion units connected to a GX adapter on slot P1-C9** | System maximum |
|----------------------|--|---|--|--|----------------|
| 2-core | 6 | 3 | 6 | | 6 |
| 4-core | 6 | 3 | 6 | 4 | 10 |
| 8-core | 12 | 6 | 12 | 8 | 20 |
| 12-core | 18 | 9 | 18 | 12 | 30 |
| 16-core | 24 | 12 | 24 | 16 | 40 |

* The GX adapter in P1-C8 shares overall I/O bandwidth with the system unit's internal slots.

** This option requires a GX Host Channel adapter in P1-C9 for each 4U system unit and one or more 7314-G30 or 5796 drawers per GX adapter.

Slot P1-C9 is not active on a 2 or 4-core system

High bandwidth storage adapters

Table 31. Maximum number of high bandwidth storage adapters for best performance

| System configuration | Adapters in system unit enclosures including both PCI-X and PCIe slots | Adapters in I/O expansion units connected to a GX adapter on slot P1-C8 | Adapters in system unit enclosures plus I/O expansion units connected to a GX adapter on slot P1-C8* | Adapters in 7314-G30 or 5796 I/O expansion units connected to a GX adapter on slot P1-C9** | System maximum |
|----------------------|--|---|--|--|----------------|
| 2-core | 6 | 6 | 12 | | 12 |
| 4-core | 6 | 6 | 12 | 8 | 20 |
| 8-core | 12 | 12 | 24 | 16 | 40 |
| 12-core | 18 | 18 | 36 | 24 | 60 |
| 16-core | 24 | 24 | 48 | 32 | 80 |

* The GX adapter in P1-C8 shares overall I/O bandwidth with the system unit's internal slots.

** This option requires a GX Host Channel adapter in P1-C9 for each 4U system unit and one or more 7314-G30 or 5796 drawers per GX adapter.

Extra-high bandwidth Ethernet adapters

Table 32. Maximum number of extra-high bandwidth Ethernet adapters for best performance

| System configuration | Adapters in system unit enclosures including both PCI-X and PCIe slots | Adapters in I/O expansion units connected to a GX adapter on slot P1-C8 | Adapters in system unit enclosures plus I/O expansion units connected to a GX adapter on slot P1-C8* | Adapters in I/O expansion units connected to a GX adapter on slot P1-C9 | System maximum |
|----------------------|--|---|--|---|----------------|
| 2-core | 1 | 1 | 1 | | 1 |
| 4-core | 2 | 2 | 2 | 2 | 2 |
| 8-core | 4 | 4 | 4 | 4 | 4 |
| 12-core | 6 | 6 | 6 | 6 | 6 |
| 16-core | 8 | 8 | 8 | 8 | 8 |

* The GX adapter in P1-C8 shares overall I/O bandwidth with the system unit's internal slots.

For optimum performance, no more than one 10 Gb Ethernet port per two processors should be used in a system. If one 10 Gb Ethernet port is present per two processors, no other 10 Gb or 1 Gb ports should be used.

High bandwidth Ethernet adapters


Table 33. Maximum number of high bandwidth Ethernet adapters for best performance

| System configuration | Adapters in system unit enclosures including both PCI-X and PCIe slots | Adapters in I/O expansion units connected to a GX adapter on slot P1-C8 | Adapters in system unit enclosures plus I/O expansion units connected to a GX adapter on slot P1-C8* | Adapters in I/O expansion units connected to a GX adapter on slot P1-C9 | System maximum |
|----------------------|--|---|--|---|----------------|
| 2-core | 4 | 4 | 4 | | 4 |
| 4-core | 6 | 6 | 6 | 6 | 8 |
| 8-core | 12 | 12 | 12 | 12 | 16 |
| 12-core | 18 | 18 | 18 | 18 | 24 |
| 16-core | 24 | 24 | 24 | 24 | 32 |

* The GX adapter in P1-C8 shares overall I/O bandwidth with the system unit's internal slots.

For optimum performance, no more than two 1 Gb Ethernet ports per processor should be used in a system. If two 1 Gb Ethernet ports are present per processor, no other 1 Gb or 10 Gb ports should be used.

Related information

 Partitioning considerations with dual slot and multi path adapters

Chapter 7. Model 9119-FHA server

Some adapters must be placed in specific PCI slots to function correctly or perform optimally. Use this information to determine where to install PCI adapters.

The model 9119-FHA server does not have any internal PCI slots. PCI adapters can be placed in I/O expansion units attached to the server. The following expansion units are supported:

- “Model 5791 and 5794 expansion units” on page 78
- “Model 5797 and 5798 expansion units” on page 84
- “Model 5803 and 5873 expansion units” on page 89

Chapter 8. Model 9125-F2A server

Some adapters must be placed in specific Peripheral Component Interconnect (PCI), Peripheral Component Interconnect-X (PCI-X), or PCI Express (PCIe) slots to function correctly or to perform optimally. Use this information to determine where to install PCI adapters.

PCI slot descriptions

The 9125-F2A supports up to four internal PCI Express (PCIe) slots using two PCI riser units. Additional I/O capacity can be added using expansion units.

Figure 6 shows a system with the two PCI riser units detached from the system.

Figure 7 shows a system configured with two PCIe riser units providing four internal PCI slots.

Figure 8 shows a system configured with two PCI riser units where the lower half of each riser unit is occupied by a GX adapter. Anytime a GX adapter is plugged into one of the risers, the lower PCI slot is blocked.

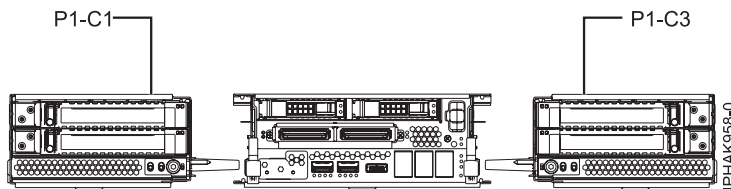


Figure 6. Back view of the system unit with the PCI riser units detached

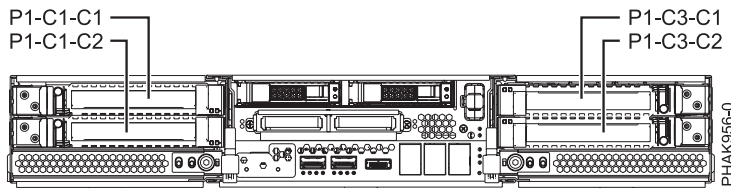


Figure 7. Back view of the system unit with four PCIe slots

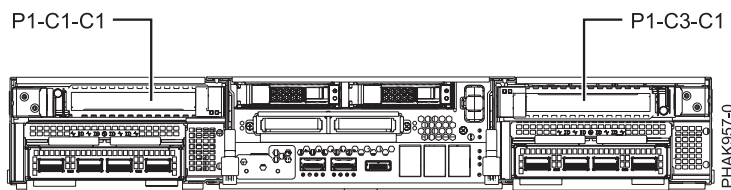


Figure 8. Back view of the system unit with two PCIe slots and two GX adapters in place

Two different types of risers are available.

- A type EE riser contains one PCIe 16x connector and one PCIe 8x connector. The 16x connector only supports 8x PCIe adapters, or lower. Anytime a GX adapter is plugged into the lower half of the riser (P1-C2 or P1-C3), the lower PCI slot is not available. The PCIe adapters listed in Table 35 on page 69 are all compatible with either PCIe slot.
- An empty riser with no PCI slots is also available.

The PCI riser can be removed and replaced from the system unit as a single, field replaceable unit. Field replacement should only be performed by an authorized service provider.

The PCI risers are not hot pluggable.

Expansion units

The base unit supports one model 5798, 5803, or 5873 expansion unit. An expansion unit is needed to accommodate the maximum number of adapters listed in Table 34 and Table 35 on page 69.

PCI and PCI-X adapters

Use this information to identify the adapters supported on the 9125-F2A and to determine the maximum number allowed. PCI and PCI-X adapters can be placed in any available PCI-X slot. In the following table, adapters are sorted in descending order by priority. The highest priority adapters are first in the table.

Table 34. PCI and PCI-X adapters

| Feature | Description | Maximum number of adapters supported |
|------------------|--|--------------------------------------|
| 5721** | 10 Gb-SR Ethernet PCI-X 2.0 DDR Adapter | 16 per system |
| 5722** | 10 Gb-LR Ethernet PCI-X 2.0 DDR Adapter | 16 per system |
| 5719** | 10 Gigabit-LR Ethernet PCI-X Adapter | 8 per system |
| 5718** | 10 Gigabit-SR Ethernet PCI-X Adapter | 8 per system |
| 5740* | 4-Port 10/100/1000 Base-TX PCI-X Adapter | 20 per system |
| 5707* | 2-Port Gigabit Ethernet-SX PCI-X Adapter | 22 per system |
| 5706* | 2-Port 10/100/1000 Base-TX Ethernet PCI-X Adapter | 22 per system |
| 5701* | 10/100/1000 Base-TX Ethernet PCI-X Adapter | 22 per system |
| 5700* | Gigabit Ethernet-SX PCI-X Adapter | 22 per system |
| 5900** 5912** | PCI-X DDR Ext Dual-x4 3Gb SAS Adapter | 8 per system |
| 5902** | PCI-X DDR Ext Dual-x4 3Gb SAS RAID Adapter | 8 per system |
| 5759** | 4 Gb Dual-Port Fibre Channel PCI-X 2.0 DDR Adapter | 18 per system |
| 5758* | 4 Gb Single-Port Fibre Channel PCI-X 2.0 DDR Adapter | 18 per system |
| 5713* | 1 Gigabit-TX iSCSI TOE PCI-X Adapter | 20 per system |
| 5714* | 1 Gigabit-SX iSCSI TOE PCI-X Adapter | 20 per system |

Table 34. PCI and PCI-X adapters (continued)

| Feature | Description | Maximum number of adapters supported |
|--|---|--------------------------------------|
| 5716* | 2 Gigabit Fibre Channel PCI-X Adapter | 22 per system |
| 5736* | PCI-X DDR 2.0 Dual Channel Ultra320 SCSI Adapter | 8 per system |
| 4764 | PCI-X Cryptographic Coprocessor | 10 per system |
| 2738 | 2-Port USB PCI Adapter | 6 per system |
| 2849 | POWER GXT135P Graphics Accelerator with Digital Support | 6 per system |
| 2943 | 8-Port Asynchronous Adapter EIA-232/RS-422, PCI bus | 18 per system |
| 2947 | ARTIC960Hx 4-Port Multiprotocol PCI Adapter | 8 per system |
| 5723 | 2-Port EIA-232 Asynchronous PCI Adapter | 18 per system |
| * High bandwidth adapter. See the "Performance notes" on page 70 before installing this adapter. | | |
| **Extra-high bandwidth adapter. See the "Performance notes" on page 70 before installing this adapter. | | |

PCIe adapters

Use this information to identify the adapters supported on the 9125-F2A and the maximum number allowed. PCIe adapters can be placed in any available PCIe slot.

Table 35. PCIe adapters

| Feature | Description | Maximum number of adapters supported |
|--|---|--------------------------------------|
| 5732** | 10 Gigabit Ethernet-CX4 PCI Express Adapter | 24 per system |
| 5769** | 10 Gigabit Ethernet-SR PCI Express Adapter | 24 per system |
| 5774** | 4 Gigabit PCI Express Dual Port Fibre Channel Adapter | 24 per system |
| 5772** | 10 Gigabit Ethernet-LR PCI Express Adapter | 24 per system |
| 5735** | 8 Gigabit PCI Express Dual Port Fibre Channel Adapter | 24 per system |
| 5773* | 4 Gigabit PCI Express Single Port Fibre Channel Adapter | 24 per system |
| 5903** | PCIe 380MB Cache Dual - x4 3Gb SAS RAID Adapter | 24 per system |
| 5901** | PCIe Dual - x4 SAS Adapter | 24 per system |
| 5767* | 2-Port 10/100/1000 Base-TX Ethernet PCI Express Adapter | 24 per system |
| 5768* | 2-Port Gigabit Ethernet-SX PCI Express Adapter | 24 per system |
| 5717* | 4-Port 10/100/1000 Base-TX PCI Express Adapter | 24 per system |
| 5785 | 4 Port Async EIA-232 PCIe Adapter | 24 per system |
| 5748 | POWER GXT145 PCI Express Graphics Accelerator | 8 per system |
| 2728 | 4-Port USB PCIe Adapter | 8 per system |
| * High bandwidth adapter. See the "Performance notes" on page 70 before installing this adapter. | | |
| **Extra-high bandwidth adapter. See the "Performance notes" on page 70 before installing this adapter. | | |

Performance notes

Use the information in this section to help determine the maximum number of adapters that can be placed in a system while still maintaining optimum performance.

The previous tables show the maximum number adapters allowed for connectivity. However, for optimum performance, you might want to further limit the total number of high bandwidth and extra-high bandwidth adapters.

The following tables provide guidelines on the maximum number of high bandwidth and extra-high bandwidth adapters you can use and still maintain optimum performance.

Note: Because of the many types of application workloads, these guidelines cannot cover all cases. The numbers in the following tables are suggestions for single types of adapters that are running exclusively. For systems with mixed adapter types or that have high aggregate bandwidth requirements, consult an IBM representative for additional guidelines.

Extra-high bandwidth storage adapters

Table 36. Maximum number of extra-high bandwidth storage adapters for best performance

| System configuration | Adapters in system unit enclosure including both PCI-X DDR and PCIe slots | Adapters in I/O expansion units | System maximum |
|----------------------|---|---------------------------------|----------------|
| 16-core | 4 | 20 | 24 |
| 32-core | 4 | 20 | 24 |

High bandwidth storage adapters

Table 37. Maximum number of high bandwidth storage adapters for best performance

| System configuration | Adapters in system unit enclosure including both PCI-X DDR and PCIe slots | Adapters in I/O expansion units | System maximum |
|----------------------|---|---------------------------------|----------------|
| 16-core | 4 | 20 | 24 |
| 32-core | 4 | 20 | 24 |

Extra-high bandwidth Ethernet adapters

Table 38. Maximum number of extra-high bandwidth Ethernet adapters for best performance

| System configuration | Adapters in system unit enclosure including both PCI-X DDR and PCIe slots | Adapters in I/O expansion units | System maximum |
|----------------------|---|---------------------------------|----------------|
| 16-core | 4 | 8 | 8 |
| 32-core | 4 | 16 | 16 |

For optimum performance, no more than one 10 Gb Ethernet port per two processors should be used in a system. If one 10 Gb Ethernet port is present per two processors, no other 10 Gb or 1 Gb ports should be used.


High bandwidth Ethernet adapters

Table 39. Maximum number of high bandwidth Ethernet adapters for best performance

| System configuration | Adapters in system unit enclosure including both PCI-X DDR and PCIe slots | Adapters in I/O expansion units | System maximum |
|----------------------|---|---------------------------------|----------------|
| 16-core | 4 | 20 | 24 |
| 32-core | 4 | 20 | 24 |

For optimum performance, no more than two 1 Gb Ethernet ports per processor should be used in a system. If two 1 Gb Ethernet ports are present per processor, no other 1 Gb or 10 Gb ports should be used.

Related information

 Partitioning considerations with dual slot and multi path adapters

Chapter 9. I/O expansion units

Learn about I/O expansion units that are supported on IBM Power Systems models that contain the POWER6 processor.

Supported I/O expansion units

Identify which I/O expansion units are supported on which IBM Power Systems models that contain the POWER6 processor.

Not all I/O expansion units are supported on all system configurations. This topic does not replace the latest sales and marketing publications and tools that document supported features. Before adding an I/O expansion unit, use the System Planning Tool to validate the configuration.

The following table identifies the I/O expansion units covered in this topic collection.

Table 40. Supported I/O expansion units

| I/O expansion unit | Supported servers | Supported operating systems |
|------------------------------|--|-----------------------------|
| 5088 0588 | 8203-E4A 8204-E8A 9117-MMA 9119-FHA | IBM i |
| 5094 5096 5294 5296 | 8203-E4A 8204-E8A 9117-MMA 9119-FHA | i |
| 5790 | 8203-E4A 8204-E8A 9117-MMA 9119-FHA | AIX i Linux |
| 5791 5794 | 9119-FHA | AIX Linux |
| 5796 | 8203-E4A 8204-E8A 8234-EMA 9117-MMA | AIX i Linux |
| 5797 5798 | 9119-FHA | AIX i Linux |
| 5802 5877 | 8203-E4A 8204-E8A 8234-EMA 9117-MMA | AIX i Linux |
| 5803 5873 | 9125-F2A 9119-FHA | AIX i Linux |
| 7311-D11 | 9117-MMA | AIX Linux |

Table 40. Supported I/O expansion units (continued)

| I/O expansion unit | Supported servers | Supported operating systems |
|--------------------|--|-----------------------------|
| 7311-D20 | 8203-E4A 8204-E8A 8234-EMA 9117-MMA | AIX Linux |
| 7314-G30 | 8203-E4A 8204-E8A 8234-EMA 9117-MMA | AIX Linux |

Related tasks

 System Planning Tool

Use the System Planning Tool to validate new or changed system configurations.

Model 5088 or 0588 expansion units

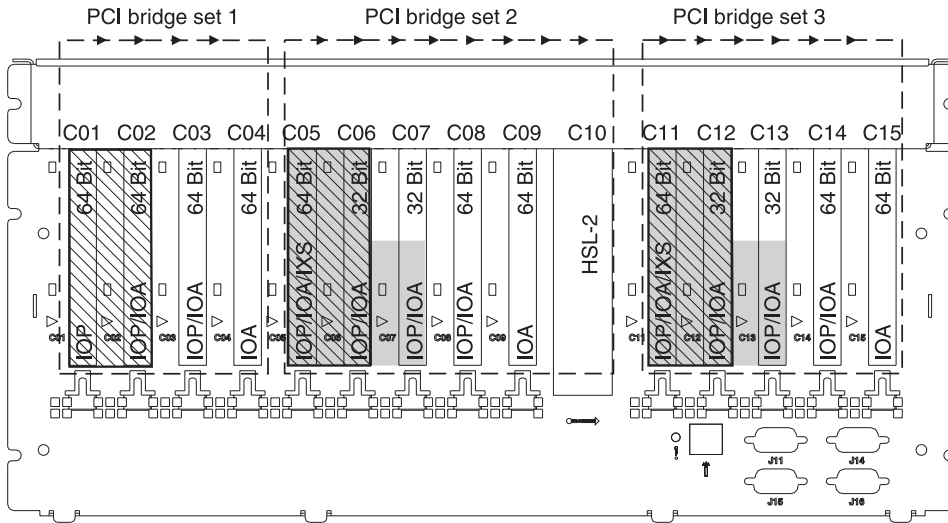
Some adapters must be placed in specific Peripheral Component Interconnect-X (PCI-X) slots to function correctly or perform optimally. Use this information to determine where to install PCI and PCI-X adapters.

The 5088 or 0588 are 19-inch, I/O expansion units.

Configuration notes:

- The second PCI-X bridge set is designed for higher performance than the first and third PCI-X bridge sets. Place the highest bandwidth adapters in the second PCI-X bridge set.
- Maximum of 3 IXS (CCIN 4812) per expansion unit.
- IOPs control IOAs in the direction of the arrows in the PCI-X bridge sets.

Resource name: _____



■ = Positions occupied if 2890, 2891, or 2899 IXS is installed

▨ = Positions occupied if 2892 or 4810 IXS is installed

Note: Long or short feature cards can go in any position.

| Position | Type |
|----------|-------|
| C01 | |
| C02 | |
| C03 | |
| C04 | |
| C05 | |
| C06 | |
| C07 | |
| C08 | |
| C09 | |
| C10 | HSL-2 |
| C11 | |
| C12 | |
| C13 | |
| C14 | |
| C15 | |

IPHAK801-1

Model 0595 or 5095 expansion units

Some adapters must be placed in specific Peripheral Component Interconnect-X (PCI-X) slots to function correctly or perform optimally. Use this information to determine where to install PCI and PCI-X adapters.

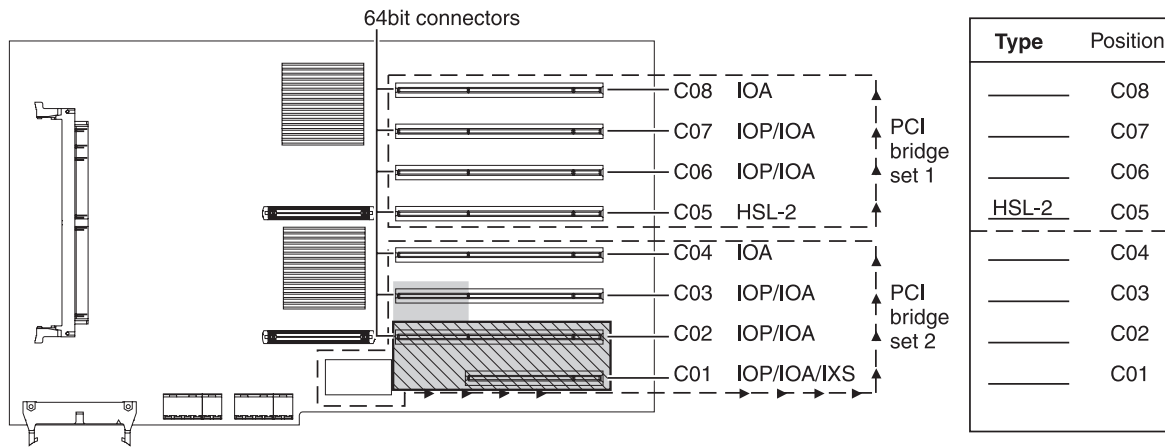
The 0595 and 5095 are 19-inch, I/O expansion units.

You need one diagram for each expansion unit that is attached to the system unit. Copy the diagram for your use.

Configuration notes:

- IOPs control IOAs in the direction of the arrows in the PCI-X bridge set.
- SCSI in the diagram indicates the disk unit controller position.

Resource name: _____



■ = Positions occupied if 2890, 2891, or 2899 IXS is installed
 ▨ = Positions occupied if 2892 or 4810 IXS is installed

RZAQ5513-4

Model 5094, 5096, 5294, 5296, 8294 and 9194 expansion units

Some adapters must be placed in specific Peripheral Component Interconnect-X (PCI-X) slots to function correctly or perform optimally. Use this information to determine where to install PCI and PCI-X adapters.

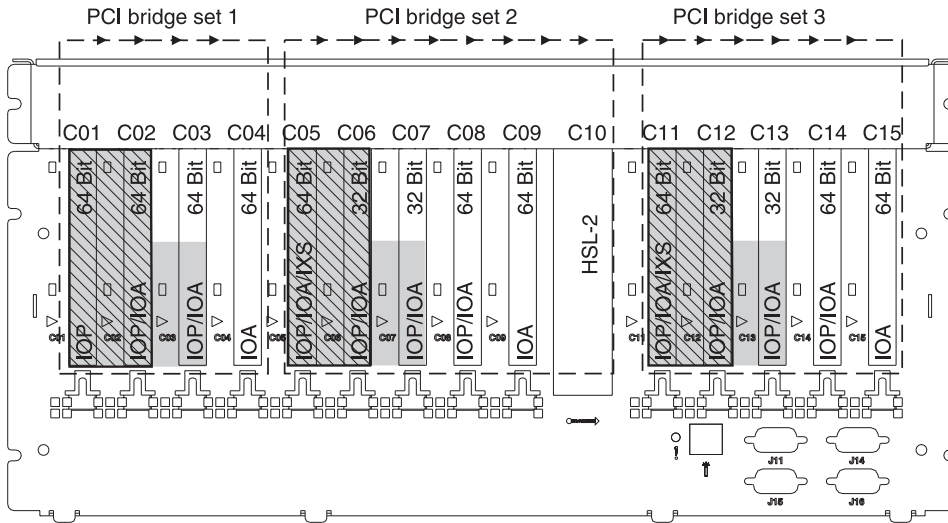
You need one diagram for each expansion unit that is attached to the system unit. Copy the diagram for your use.

Configuration notes:

- The second PCI-X bridge set is designed for higher performance than the first and third PCI-X bridge sets. Place the highest bandwidth adapters in the second PCI-X bridge set.
- The 5294, 5296, and 8294 are two units in a 1.8 meter tower. The diagram below shows one unit.
- In a 5094, 5294, 8294, or 9194, place the first disk unit controller adapter in position C02, C03, C04, C05, C06, C07, C08, or C09.
- The 5096 and 5296 do not support internal disks, internal media devices, or internal only disk and media adapters.
- There is a maximum of 3 IXS (CCIN 4812) per expansion unit.
- IOPs control IOAs in the direction of the arrows in the PCI-X bridge sets.

Resource name: _____

Important: Cooling fans and fan flaps are located at the back of the PCI-X adapter area. To ensure proper cooling, arrange the PCI-X adapter cables (if applicable) to allow air to circulate within the PCI-X adapter area. Do not place adapter cables too close to the fan vents, and do not bunch cables together in way that blocks airflow around the PCI-X adapters.



■ = Positions occupied if 2890, 2891, or 2899 IXS is installed

▨ = Positions occupied if 2892 or 4810 IXS is installed

Note: Long or short feature cards can go in any position.

| Position | Type |
|----------|--------------------|
| C01 | 64 Bit IOP/IOA |
| C02 | 64 Bit IOP/IOA |
| C03 | 64 Bit IOP/IOA |
| C04 | 64 Bit IOA |
| C05 | 64 Bit IOP/IOA/IXS |
| C06 | 32 Bit IOP/IOA |
| C07 | 32 Bit IOP/IOA |
| C08 | 64 Bit IOP/IOA |
| C09 | 64 Bit IOA |
| C10 | HSL-2 |
| C11 | 64 Bit IOP/IOA/IXS |
| C12 | 32 Bit IOP/IOA |
| C13 | 32 Bit IOP/IOA |
| C14 | 64 Bit IOP/IOA |
| C15 | 64 Bit IOA |

IPHAK802-0

Model 5790 expansion unit

Some adapters must be placed in specific Peripheral Component Interconnect-X (PCI-X) slots to function correctly or perform optimally. Use this information to determine where to install PCI and PCI-X adapters.

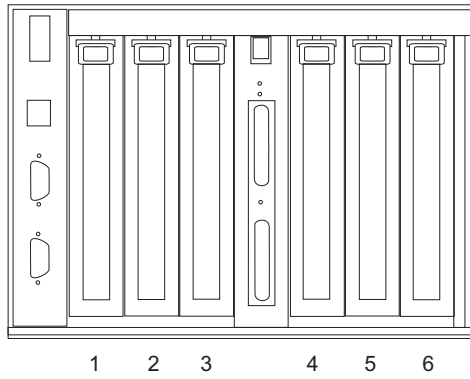
The 5790 is a 19-inch, four EIA unit I/O expansion drawer that provides six full length, 64-bit, 3.3-V, 133 MHz hot-plug PCI-X slots. The I/O Expansion drawer is attached to the system using a RIO-2 bus interface adapter. The 5790 includes redundant concurrently maintainable power and cooling and the blind swap PCI mechanism allows for PCI card servicing without removing the I/O expansion drawer. The 5790 mounts in a 19-inch rack using a 7307 Dual I/O Unit Enclosure or a 7311 Dual I/O Unit Enclosure. Two 5790 drawers can be mounted side by side in a single 7307 or 7311 and are not required to be attached to the same system.

You need one diagram for each expansion unit that is attached to the system unit. Copy the diagram for your use.

Configuration notes:

- IOPs control IOAs in the direction of slots 1 → 3, and 4 → 6.

Resource name: _____



- The following table shows the slot properties and PHB connections.

Table 41. Slot location descriptions

| PHB1 | | | PHB2 | | |
|----------------------|----------------------|----------------------|----------------------|----------------------|----------------------|
| Slot 1 | Slot 2 | Slot 3 | Slot 4 | Slot 5 | Slot 6 |
| Long | Long | Long | Long | Long | Long |
| 64-bit 3.3V, 133 MHz | 64-bit 3.3V, 133 MHz | 64-bit 3.3V, 133 MHz | 64-bit 3.3V, 133 MHz | 64-bit 3.3V, 133 MHz | 64-bit 3.3V, 133 MHz |
| Un-P1-C1 | Un-P1-C2 | Un-P1-C3 | Un-P1-C4 | Un-P1-C5 | Un-P1-C6 |

- Slots C1 through C6 are compatible with PCI, PCI-X, and PCI-X DDR adapters. PCI-X DDR would operate at PCI-X speeds.
- Short adapters can go in short or long slots.

Model 5791 and 5794 expansion units

Some adapters must be placed in specific PCI slots to function correctly or perform optimally. Use this information to determine where to install PCI adapters.

Expansion unit back view

The 5791 and 5794 are 24-inch, 4U high I/O expansion units that attach to the system unit using RIO-2 cables.

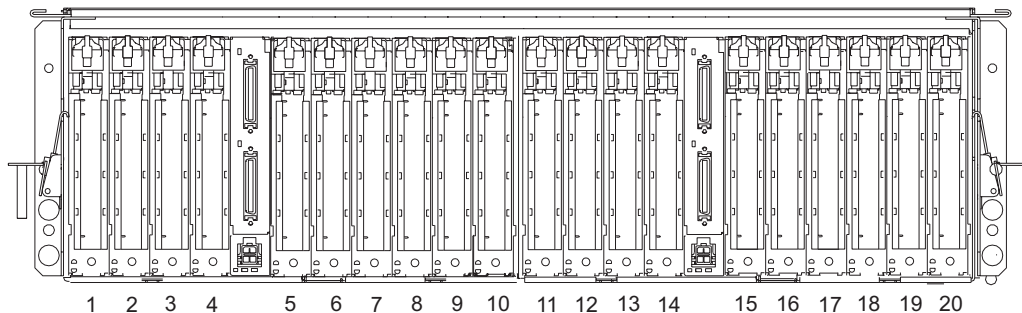


Figure 9. Expansion unit back view with numbered slots

PCI slot descriptions

The following tables show the slot properties and PHB connections.

Table 42. PCI slot descriptions (PHB 1 and 2)

| | PHB0 | | | | PHB2 | | | |
|----------|----------------------|----------------------|----------------------|----------------------|----------------------|----------------------|----------------------|----------------------|
| Planar 1 | 1 | 2 | 3 | 4 | 5 | 6 | 7 | Integrated SCSI U160 |
| Planar 2 | 11 | 12 | 13 | 14 | 15 | 16 | 17 | |
| | Long | Long | Long | Long | Long | Long | Long | 66 MHz |
| | 64-bit 3.3V, 133 MHz | 64-bit 3.3V, 133 MHz | 64-bit 3.3V, 133 MHz | 64-bit 3.3V, 133 MHz | 64-bit 3.3V, 133 MHz | 64-bit 3.3V, 133 MHz | 64-bit 3.3V, 133 MHz | |

Table 43. PCI slot descriptions (PHB 3)

| | PHB3 | | | |
|----------|----------------------|----------------------|----------------------|----------------------|
| Planar 1 | 8 | 9 | 10 | Integrated SCSI U160 |
| Planar 2 | 18 | 19 | 20 | |
| | Long | Long | Long | 66 MHz |
| | 64-bit 3.3V, 133 MHz | 64-bit 3.3V, 133 MHz | 64-bit 3.3V, 133 MHz | |

- Slots 1 through 20 are compatible with PCI or PCI-X adapters.
- Short adapters can go in short or long slots.
- All slots support Enhanced Error Handling (EEH).

Note: The *Uffff.ccc.ssssss.Pn.Cm....* represents the physical location code, which provides information that identifies the enclosure, backplane, PCI adapter(s), and connectors in the system. The *ffff.ccc.ssssss* in the location code represents the following:

- *ffff* = feature code of the enclosure (drawer or node)
- *ccc* = the sequence number of the enclosure
- *ssssss* = the serial number of the enclosure.

System slot placement and maximums

The following table shows slot placement priorities and the maximum number of specified adapters allowed for connectivity. However, for optimum performance, you might want to further limit the total number of high bandwidth and extra-high bandwidth adapters. See the performance notes that follow the table. Adapters are sorted in descending order by priority. The highest priority adapters are first in the table.

| Feature code | Expansion unit slot priority | Expansion unit maximum ¹ | System maximum ¹ |
|--------------|---|-------------------------------------|-----------------------------|
| 5721** | 1, 11, 5, 15, 8, 18, 2, 12, 6, 16, 9, 19, 3, 13, 4, 14, 7, 17, 10, 20 | 12 | |
| 5722** | 1, 11, 5, 15, 8, 18, 2, 12, 6, 16, 9, 19, 3, 13, 4, 14, 7, 17, 10, 20 | 12 | |
| 5719** | 1, 11, 5, 15, 8, 18, 2, 12, 6, 16, 9, 19, 3, 13, 4, 14, 7, 17, 10, 20 | 4 | |
| 5718** | 1, 11, 5, 15, 8, 18, 2, 12, 6, 16, 9, 19, 3, 13, 4, 14, 7, 17, 10, 20 | 4 | |

| Feature code | Expansion unit slot priority | Expansion unit maximum ¹ | System maximum ¹ |
|------------------|--|-------------------------------------|-----------------------------|
| 5900** 5912** | 1, 11 , 5, 15 , 8, 18, 2, 12, 6, 16, 9, 19, 3, 13, 4, 14, 7, 17, 10, 20 | | |
| 5902** | 1, 11 , 5, 15 , 8, 18, 2, 12, 6, 16, 9, 19, 3, 13, 4, 14, 7, 17, 10, 20 | 12 | |
| 5740 * | 1 ,5, 8, 11, 15, 18, 2, 6, 9, 12, 16, 19, 3, 7, 10, 13, 17, 20, 4, 14 | 12 | |
| 5707* | 1, 11 ,6, 16, 9, 19, 2, 12, 7, 17, 4, 14 | | |
| 5706* | 1, 11 ,6, 16, 9, 19, 2, 12, 7, 17, 4, 14 | | |
| 5701* | 1, 11 ,6, 16, 9, 19, 2, 12, 7, 17, 4, 14 | | |
| 5700* | 1, 11 ,6, 16, 9, 19, 2, 12, 7, 17, 4, 14 | | |
| 5759** | 1, 11 , 5, 15 , 8, 18, 2, 12, 6, 16, 9, 19, 3, 13, 4, 14, 7, 17, 10, 20 | 12 | |
| 5758* | 1, 11 , 5, 15 , 8, 18, 2, 12, 6, 16, 9, 19, 3, 13, 4, 14, 7, 17, 10, 20 | 12 | |
| 5713* | 1, 11 , 5, 15 , 8, 18, 2, 12, 6, 16, 9, 19, 3, 13, 4, 14, 7, 17, 10, 20 | 12 | |
| 5714* | 1, 11 , 5, 15 , 8, 18, 2, 12, 6, 16, 9, 19, 3, 13, 4, 14, 7, 17, 10, 20 | 12 | |
| 5716* | 1, 11 , 5, 15 , 8, 18, 2, 12, 6, 16, 9, 19, 3, 13, 4, 14, 7, 17, 10, 20 | 20 | |
| 6228* | 1, 11 , 5, 15 , 8, 18, 2, 12, 6, 16, 9, 19, 3, 13, 4, 14, 7, 17, 10, 20 | | |
| 6239* | 1, 11 , 5, 15 , 8, 18, 2, 12, 6, 16, 9, 19, 3, 13, 4, 14, 7, 17, 10, 20 | | |
| 5736* | 1, 11 , 5, 15 , 8, 18, 2, 12, 6, 16, 9, 19, 3, 13, 4, 14, 7, 17, 10, 20 | | |
| 5710* | 1, 11 , 5, 15 , 8, 18, 2, 12, 6, 16, 9, 19, 3, 13, 4, 14, 7, 17, 10, 20 | 20 | 62 |
| 5711* | 1, 11 , 5, 15 , 8, 18, 2, 12, 6, 16, 9, 19, 3, 13, 4, 14, 7, 17, 10, 20 | 20 | 62 |
| 6203* | 1, 11 , 5, 15 , 8, 18, 2, 12, 6, 16, 9, 19, 3, 13, 4, 14, 7, 17, 10, 20 | 20 | 62 |
| 6230* | 1, 11 , 5, 15 , 8, 18, 2, 12, 6, 16, 9, 19, 3, 13, 4, 14, 7, 17, 10, 20 | 20 | 62 |
| 4764 | 10, 20, 9, 19, 8, 18, 7, 17 , 6, 16, 5, 15, 4, 14, 3, 13, 2, 12, 1, 11 | 8 | 32 |
| 2738 | 10, 20, 9, 19, 8, 18, 7, 17 , 6, 16, 5, 15, 4, 14, 3, 13, 2, 12, 1, 11 | 4 | 16 |
| 2848 | 10, 20, 9, 19, 8, 18, 7, 17 , 6, 16, 5, 15, 4, 14, 3, 13, 2, 12, 1, 11 | 4 | 16 |

| Feature code | Expansion unit slot priority | Expansion unit maximum ¹ | System maximum ¹ |
|--------------|---|-------------------------------------|-----------------------------|
| 2849 | 10, 20, 9, 19, 8, 18, 7, 17, 6, 16, 5, 15, 4, 14, 3, 13, 2, 12, 1, 11 | 4 | 16 |
| 2943 | 10, 20, 9, 19, 8, 18, 7, 17, 6, 16, 5, 15, 4, 14, 3, 13, 2, 12, 1, 11 | 20 | 32 |
| 2944 | 10, 20, 9, 19, 8, 18, 7, 17, 6, 16, 5, 15, 4, 14, 3, 13, 2, 12, 1, 11 | 20 | 32 |
| 4953 | 10, 20, 9, 19, 8, 18, 7, 17, 6, 16, 5, 15, 4, 14, 3, 13, 2, 12, 1, 11 | | |
| 4957 | 10, 20, 9, 19, 8, 18, 7, 17, 6, 16, 5, 15, 4, 14, 3, 13, 2, 12, 1, 11 | | |
| 4960 | 10, 20, 9, 19, 8, 18, 7, 17, 6, 16, 5, 15, 4, 14, 3, 13, 2, 12, 1, 11 | | |
| 4961 | 10, 20, 9, 19, 8, 18, 7, 17, 6, 16, 5, 15, 4, 14, 3, 13, 2, 12, 1, 11 | | |
| 4963 | 10, 20, 9, 19, 8, 18, 7, 17, 6, 16, 5, 15, 4, 14, 3, 13, 2, 12, 1, 11 | | |
| 4964 | 10, 20, 9, 19, 8, 18, 7, 17, 6, 16, 5, 15, 4, 14, 3, 13, 2, 12, 1, 11 | | |
| 2946 | 10, 20, 9, 19, 8, 18, 7, 17, 6, 16, 5, 15, 4, 14, 3, 13, 2, 12, 1, 11 | | |
| 2947 | 10, 20, 9, 19, 8, 18, 7, 17, 6, 16, 5, 15, 4, 14, 3, 13, 2, 12, 1, 11 | 16 | 16 |
| 2962 | 10, 20, 9, 19, 8, 18, 7, 17, 6, 16, 5, 15, 4, 14, 3, 13, 2, 12, 1, 11 | 20 | 32 |
| 4959 | 10, 20, 9, 19, 8, 18, 7, 17, 6, 16, 5, 15, 4, 14, 3, 13, 2, 12, 1, 11 | 20 | 20 |
| 4962 | 10, 20, 9, 19, 8, 18, 7, 17, 6, 16, 5, 15, 4, 14, 3, 13, 2, 12, 1, 11 | 20 | |
| 5723 | 10, 20, 9, 19, 8, 18, 7, 17, 6, 16, 5, 15, 4, 14, 3, 13, 2, 12, 1, 11 | 20 | 32 |
| 6204 | 10, 20, 9, 19, 8, 18, 7, 17, 6, 16, 5, 15, 4, 14, 3, 13, 2, 12, 1, 11 | 20 | 32 |

| Feature code | Expansion unit slot priority | Expansion unit maximum ¹ | System maximum ¹ |
|--|------------------------------|-------------------------------------|-----------------------------|
| <p>**Extra-high Bandwidth (EHB) adapter. See the “Performance notes (for optimum performance)” before installing this adapter.</p> <p>* High Bandwidth (HB) adapter. See the “Performance notes (for optimum performance)” before installing this adapter.</p> <p>¹These maximums are for connectivity. The following additional restrictions should also be taken into account:</p> <ul style="list-style-type: none"> • No more than four EHB Ethernet adapters per processor. Any additional EHB or HB adapters would require additional processors. • No more than eight HB Ethernet adapters per processor. Any additional EHB or HB adapters would require additional processors. | | | |

For more information about the adapters that are listed, see Chapter 2, “Supported PCI adapters,” on page 3.

Performance notes (for optimum performance)

Use the information in this section to help determine the maximum number of adapters that can be placed in a system while still maintaining optimum performance.

The previous table show the maximum number adapters allowed for connectivity. However, for optimum performance, you might want to further limit the total number of high bandwidth and extra-high bandwidth adapters. The following list provides guidelines:

- No more than three Gb Ethernet ports per PHB.
- No more than three high bandwidth adapters per PHB.
- No more than one Extra-high bandwidth adapter per PHB.
- No more than one 10 Gb Ethernet port per two processors in a system. If one 10 Gb Ethernet port is present per two processors, no other 10 Gb or 1 Gb ports allowed for optimum performance.
- No more than two 1 Gb Ethernet ports per one processor in a system. More Ethernet adapters can be added for connectivity.
- If a model 5718 or 5719 adapter is placed in the system, it must be the only high-performance adapter attached to the PHB it uses. No other adapters attached to the same PHB as one of these adapters can be a high-performance adapter.

Note: The combined cumulative total for feature 5718, 5719, 5721, and 5722 is 12.

Model 5796 expansion unit

Learn about the PCI-X DDR slots in the 5796 expansion unit.

System description

The 5796 expansion unit is a rack-mountable, I/O expansion drawer that is designed to be attached to the system unit using the 12X Channel bus and 12X cables. There is a limit of four 5796 per 12X loop. The 5796 can accommodate 6, Generation 3 blind swap adapter cassettes. Cassettes can be installed and removed without removing the drawer from the rack. The 5796 does not support I/O processor (IOP) adapters.

The following figure shows the back view of the expansion unit.

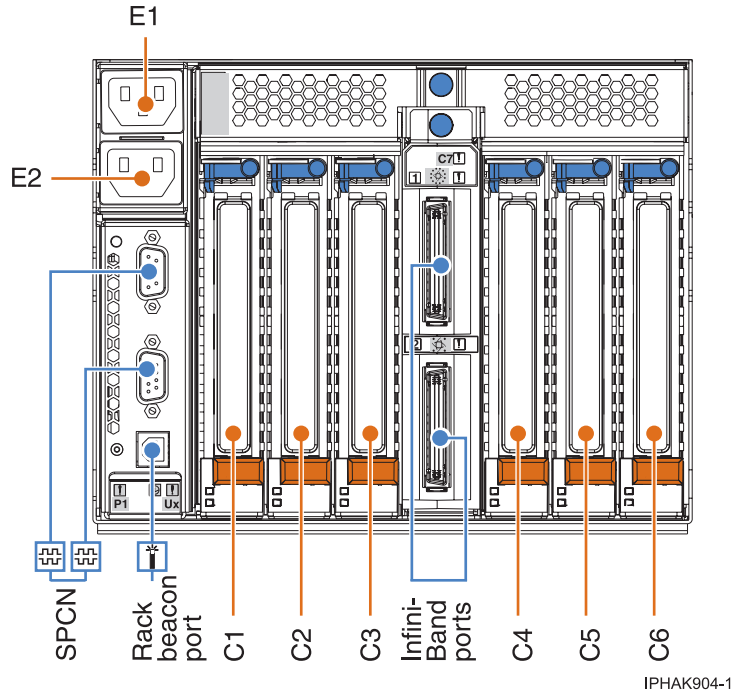


Figure 10. Back view

Table 44 describes the location codes that are shown in Figure 10.

Table 44. Location code descriptions

| Location code | Description |
|----------------------------|--|
| C1, C2, C3, C4, C5, and C6 | PCI-X DDR slots. See also “PCI-X DDR slot descriptions.” |
| C7-T1 and C7-T2 | 12X Channel remote I/O ports |
| C8-T1 and C8-T2 | Dual port SPCN connectors. |
| E1 and E2 | Power supply connectors. |

PCI-X DDR slot descriptions

The following table describes the PCI-X DDR slots.

Table 45. PCI-X DDR slot properties

| PHB-A1 | PHB-A2 | PHB-A3 | PHB-B2 | PHB-B2 | PHB-B3 |
|---|----------------------|----------------------|----------------------|----------------------|----------------------|
| Slot 1 | Slot 2 | Slot 3 | Slot 4 | Slot 5 | Slot 6 |
| Long | Long | Long | Long | Long | Long |
| 64-bit 3.3V, 266 MHz | 64-bit 3.3V, 266 MHz | 64-bit 3.3V, 266 MHz | 64-bit 3.3V, 266 MHz | 64-bit 3.3V, 266 MHz | 64-bit 3.3V, 266 MHz |
| C1 | C2 | C3 | C4 | C5 | C6 |
| <ul style="list-style-type: none"> • There are two I/O chips, each with three PCI host busses (PHB)s. Each PCI-X DDR slot connects directly to a PHB • All slots are compatible with PCI, PCI-X and PCI-X DDR adapters. • Short adapters can go in long slots. | | | | | |

Slot priority

The slot priority for all adapters is 1, 4, 2, 5, 3, and 6.

Model 5797 and 5798 expansion units

Some adapters must be placed in specific PCI slots to function correctly or perform optimally. Use this information to determine where to install PCI adapters.

Expansion unit back view

The 5797 and 5798 are 24-inch, I/O expansion units that attach to the system unit using 12x cables.

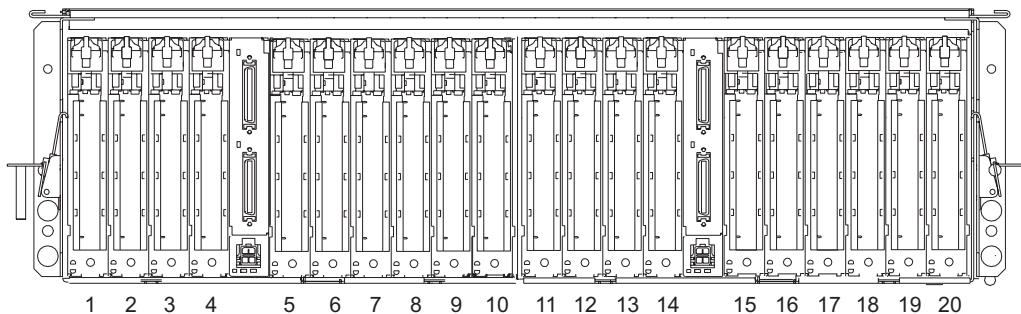


Figure 11. Expansion unit back view with numbered slots.

PCI-X slot descriptions

The following table shows the slot properties for this expansion unit. All slots are long. Slots 1-7 and 11-17 each have a dedicated PCI host bridge (PHB). Slots 8-10 share a PHB with each other and two SCSI buses (SCSI-1 and SCSI-2) on the same planar. Slots 18-20 share a PHB with each other and two SCSI buses (SCSI-3 and SCSI-4) on the same planar.

| Slot number | Location code | PHB | Description |
|-------------|---------------|-----|----------------------------|
| 1 | Ux-P1-C1 | A1 | PCI-X DDR, 64-bit, 266 MHz |
| 2 | Ux-P1-C2 | A2 | |
| 3 | Ux-P1-C3 | A3 | |
| 4 | Ux-P1-C4 | A4 | |
| 5 | Ux-P1-C5 | B1 | |
| 6 | Ux-P1-C6 | B2 | |
| 7 | Ux-P1-C7 | B3 | |
| 8 | Ux-P1-C8 | B4 | PCI-X, 64-bit , 133 MHz |
| 9 | Ux-P1-C9 | | |
| 10 | Ux-P1-C10 | | |

| Slot number | Location code | PHB | Description |
|-------------|---------------|-----|----------------------------|
| 11 | Ux-P2-C1 | C1 | PCI-X DDR, 64-bit, 266 MHz |
| 12 | Ux-P2-C2 | C2 | |
| 13 | Ux-P2-C3 | C3 | |
| 14 | Ux-P2-C4 | C4 | |
| 15 | Ux-P2-C5 | D1 | |
| 16 | Ux-P2-C6 | D2 | |
| 17 | Ux-P2-C7 | D3 | |
| 18 | Ux-P2-C8 | D4 | PCI-X, 64-bit , 133 MHz |
| 19 | Ux-P2-C9 | | |
| 20 | Ux-P2-C10 | | |

- All are compatible with PCI or PCI-X adapters.
- All slots are long slots. Short adapters can go in long slots.
- All slots support Enhanced Error Handling (EEH).

System unit slot placement and maximums

The following table shows slot placement priorities and the maximum number of specified adapters allowed for connectivity. However, for optimum performance, you might want to further limit the total number of high bandwidth and extra-high bandwidth adapters. See the performance notes that follow the table.

System maximums are for model 9119-FHA. To see the systems maximums for model 9125-F2A, refer to Chapter 8, “Model 9125-F2A server,” on page 67.

| Feature code | Description | Expansion unit slot priority | Expansion unit maximum ² | System maximum for model 9119-FHA ² |
|----------------------------|--|---|-------------------------------------|--|
| 5721** | 10 Gb-SR Ethernet PCI-X 2.0 DDR Adapter | 1, 11, 2, 12, 3, 13, 4, 14, 5, 15, 6, 16, 7, 17, 8, 18, 9, 19, 10, 20 | 14 | 168 |
| 5722** | 10 Gb-LR Ethernet PCI-X 2.0 DDR Adapter | 1, 11, 2, 12, 3, 13, 4, 14, 5, 15, 6, 16, 7, 17, 8, 18, 9, 19, 10, 20 | 14 | 168 |
| 5719** | 10 Gigabit-LR Ethernet PCI-X Adapter | 1, 11, 2, 12, 3, 13, 4, 14, 5, 15, 6, 16, 7, 17, 8, 18, 9, 19, 10, 20 | 6 | 72 |
| 5718** | 10 Gigabit-SR Ethernet PCI-X Adapter | 1, 11, 2, 12, 3, 13, 4, 14, 5, 15, 6, 16, 7, 17, 8, 18, 9, 19, 10, 20 | 6 | 72 |
| 5778** 5780** 5782** | PCI-X Dual Channel Ultra320 SCSI RAID Adapter with Auxiliary Write Cache (double-wide) | See the footnote for these feature numbers at the end of the table. | | |
| 5906** | PCI-X DDR 1.5 GB cache SAS RAID Adapter | | | |
| 5740 * | 4-Port 10/100/1000 Base-TX PCI-X Adapter | 1, 11, 2, 12, 3, 13, 4, 14, 5, 15, 6, 16, 7, 17, 8, 18, 9, 19, 10, 20 | 20 | 240 |

| Feature code | Description | Expansion unit slot priority | Expansion unit maximum ² | System maximum for model 9119-FHA ² |
|------------------|---|---|-------------------------------------|--|
| 5707* | 2-Port Gigabit Ethernet-SX PCI-X Adapter | 1, 11, 2, 12, 3, 13, 4, 14, 5, 15, 6, 16, 7, 17, 8, 18, 9, 19, 10, 20 | 20 | 240 |
| 5706* | 2-Port 10/100/1000 Base-TX Ethernet PCI-X Adapter | 1, 11, 2, 12, 3, 13, 4, 14, 5, 15, 6, 16, 7, 17, 8, 18, 9, 19, 10, 20 | 20 | 240 |
| 5701* | 10/100/1000 Base-TX Ethernet PCI-X Adapter | 1, 11, 2, 12, 3, 13, 4, 14, 5, 15, 6, 16, 7, 17, 8, 18, 9, 19, 10, 20 | 20 | 240 |
| 5700* | Gigabit Ethernet-SX PCI-X Adapter | 1, 11, 2, 12, 3, 13, 4, 14, 5, 15, 6, 16, 7, 17, 8, 18, 9, 19, 10, 20 | 20 | 240 |
| 5900** 5912** | PCI-X DDR Ext Dual-x4 3Gb SAS Adapter | 1, 11, 2, 12, 3, 13, 4, 14, 5, 15, 6, 16, 7, 17, 8, 18, 9, 19, 10, 20 | 20 | 240 |
| 5902** | PCI-X DDR Ext Dual-x4 3Gb SAS RAID Adapter | 1, 11, 2, 12, 3, 13, 4, 14, 5, 15, 6, 16, 7, 17, 8, 18, 9, 19, 10, 20 | 20 | 240 |
| 5759** | 4 Gb Dual-Port Fibre Channel PCI-X 2.0 DDR Adapter | 1, 11, 2, 12, 3, 13, 4, 14, 5, 15, 6, 16, 7, 17, 8, 18, 9, 19, 10, 20 | 16 | 192 |
| 5758* | 4 Gb Single-Port Fibre Channel PCI-X 2.0 DDR Adapter | 1, 11, 2, 12, 3, 13, 4, 14, 5, 15, 6, 16, 7, 17, 8, 18, 9, 19, 10, 20 | 16 | 192 |
| 5713* | 1 Gigabit-TX iSCSI TOE PCI-X Adapter | 1, 11, 2, 12, 3, 13, 4, 14, 5, 15, 6, 16, 7, 17, 8, 18, 9, 19, 10, 20 | 18 | 216 |
| 5714* | 1 Gigabit-SX iSCSI TOE PCI-X Adapter | 1, 11, 2, 12, 3, 13, 4, 14, 5, 15, 6, 16, 7, 17, 8, 18, 9, 19, 10, 20 | 18 | 216 |
| 5716* | 2 Gigabit Fibre Channel PCI-X Adapter | 1, 11, 2, 12, 3, 13, 4, 14, 5, 15, 6, 16, 7, 17, 8, 18, 9, 19, 10, 20 | 20 | 240 |
| 5736* | PCI-X DDR 2.0 Dual Channel Ultra320 SCSI Adapter | 1, 11, 2, 12, 3, 13, 4, 14, 5, 15, 6, 16, 7, 17, 8, 18, 9, 19, 10, 20 | 20 | 240 |
| 5710* | PCI-X Dual Channel Ultra320 SCSI Blind Swap Adapter | 1, 11, 2, 12, 3, 13, 4, 14, 5, 15, 6, 16, 7, 17, 8, 18, 9, 19, 10, 20 | 20 | 240 |
| 4764 | PCI-X Cryptographic Coprocessor | 8, 18, 9, 19, 10, 20, 1, 11, 2, 12, 3, 13, 4, 14, 5, 15, 6, 16, 7, 17 | 20 | 240 |
| 2849 | POWER GXT135P Graphics Accelerator with Digital Support | 8, 18, 9, 19, 10, 20, 1, 11, 2, 12, 3, 13, 4, 14, 5, 15, 6, 16, 7, 17 | 4 | 48 |
| 2943 | 8-Port Asynchronous Adapter EIA-232/RS-422, PCI bus | 8, 18, 9, 19, 10, 20, 1, 11, 2, 12, 3, 13, 4, 14, 5, 15, 6, 16, 7, 17 | 20 | 240 |

| Feature code | Description | Expansion unit slot priority | Expansion unit maximum ² | System maximum for model 9119-FHA ² |
|--------------|---|---|-------------------------------------|--|
| 2947 | ARTIC960Hx 4-Port Multiprotocol PCI Adapter | 8, 18, 9, 19, 10, 20, 1, 11, 2, 12, 3, 13, 4, 14, 5, 15, 6, 16, 7, 17 | 16 | 192 |
| 2962 | 2-Port Multiprotocol PCI Adapter | 8, 18, 9, 19, 10, 20, 1, 11, 2, 12, 3, 13, 4, 14, 5, 15, 6, 16, 7, 17 | 20 | 240 |
| 5723 | 2-Port EIA-232 Asynchronous PCI Adapter | 8, 18, 9, 19, 10, 20, 1, 11, 2, 12, 3, 13, 4, 14, 5, 15, 6, 16, 7, 17 | 20 | 240 |

**Extra-high Bandwidth (EHB) adapter. See the “Performance notes” before installing this adapter.

* High Bandwidth (HB) adapter. See the “Performance notes” before installing this adapter.

²These maximums are for connectivity. The following additional restrictions should also be taken into account:

- No more than four EHB Ethernet adapters per processor. Any additional EHB or HB adapters would require additional processors.
- No more than eight HB Ethernet adapters per processor. Any additional EHB or HB adapters would require additional processors.

5778, 5780, and 5782 are feature codes for a double-wide adapter pair. For slot placement information, see “High-performance SCSI, disk controller placement for IBM i” on page 101.

Performance notes

Use the information in this section to help determine the maximum number of adapters that can be placed in a system while still maintaining optimum performance.

The previous table show the maximum number adapters allowed for connectivity. However, for optimum performance, you might want to further limit the total number of high bandwidth and extra-high bandwidth adapters. The following list provides guidelines:

- No more than three Gb Ethernet ports per PHB.
- No more than three high bandwidth adapters per PHB.
- No more than one Extra-high bandwidth adapter per PHB.
- No more than one 10 Gb Ethernet port per two processors in a system. If one 10 Gb Ethernet port is present per two processors, no other 10 Gb or 1 Gb ports allowed for optimum performance.
- No more than two 1 Gb Ethernet ports per one processor in a system. More Ethernet adapters can be added for connectivity.
- If a model 5718 or 5719 adapter is placed in the system, it must be the only high-performance adapter attached to the PHB it uses. No other adapters attached to the same PHB as one of these adapters can be a high-performance adapter.

Note: The combined cumulative total for feature 5718, 5719, 5721, and 5722 is 12.

Note: When using extra-high performance adapters, cable the 5797 and 5798 drawers point-to-point rather than daisy chained. Daisy chaining drawers puts more adapter slots onto the 12x links and this degrades the performance.

Model 5802 and 5877 expansion units

Learn about the PCI Express (PCIe) slots in the 5802 and 5877 expansion units.

System description

The 5802 and 5877 expansion units are 19-inch, rack-mountable, I/O expansion drawers that are designed to be attached to the system using 12x double data rate (DDR) cables.

The expansion units can accommodate 10, generation 3 cassettes. These cassettes can be installed and removed without removing the drawer from the rack. The expansion units do not support I/O processor (IOP) adapters.

The following figure shows the back view of the expansion unit.

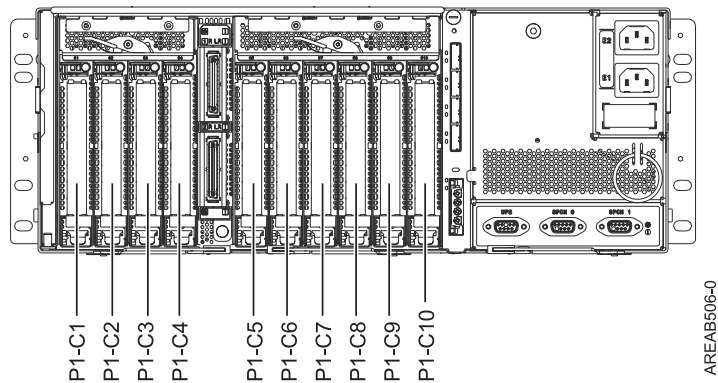


Figure 12. Back view

Table 46 describes the location codes that are shown in Figure 12.

Table 46. Location code descriptions

| Location code | I/O chip | PCI host bridge (PHB) | Description |
|---------------|------------|-----------------------|---------------|
| P1-C1 | I/O chip 1 | PHB1 | PCIe 8x slot. |
| P1-C2 | | PHB2 | |
| P1-C3 | | PHB3 | |
| P1-C4 | I/O chip 2 | PHB4 | |
| P1-C5 | | PHB5 | |
| P1-C6 | | PHB6 | |
| P1-C7 | I/O chip 3 | PHB7 | |
| P1-C8 | | PHB8 | |
| P1-C9 | | PHB9 | |
| P1-C10 | | PHB10 | |

Slot priority

The slot priority for all adapters is P1-C1, P1-C4, P1-C2, P1-C5, P1-C3, P1-C6, P1-C7, P1-C8, P1-C9, P1-C10.

There are three I/O chips. Each I/O chip controls three or 4 PCI host bridges (PHBs) and each PCIe slot connects directly to a PHB.

- One I/O chip controls slots P1-C1, P1-C2, and P1-C3.

- A second I/O chip controls slots P1-C4, P1-C5, and P1-C6.
- A third I/O chips controls slots P1-C7, P1-C8, P1-C9, and P1-C10.

For best performance, fill P1-C1, P1-C4, P1-C2, P1-C5, P1-C3, and P1-C6 first with the highest bandwidth adapters. Then fill the remaining slots.

Model 5803 and 5873 expansion units

Learn about the PCI Express (PCIe) slots in the 5803 and 5873 expansion units.

System description

The 5803 and 5873 expansion units are 24-inch, rack-mountable, I/O expansion drawers that are designed to be attached to the system using 12x double data rate (DDR) cables.

The expansion units can accommodate 20, Generation 3 cassettes. These cassettes can be installed and removed without removing the drawer from the rack. The expansion units do not support I/O processor (IOP) adapters.

The following figure shows the back view of the expansion unit.

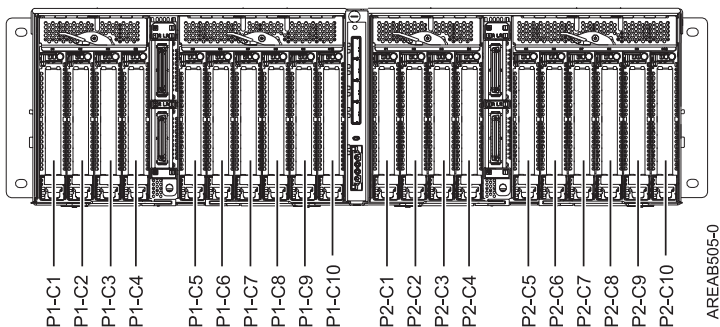


Figure 13. Back view

Table 47 describes the location codes that are shown in Figure 13.

Table 47. Location code descriptions

| Location code | I/O chip | PCI host bridge (PHB) | Description |
|---------------|------------|-----------------------|---------------|
| P1-C1 | I/O chip 1 | PHB1 | PCIe 8x slot. |
| P1-C2 | | PHB2 | |
| P1-C3 | | PHB3 | |
| P1-C4 | I/O chip 2 | PHB4 | |
| P1-C5 | | PHB5 | |
| P1-C6 | | PHB6 | |
| P1-C7 | I/O chip 3 | PHB7 | |
| P1-C8 | | PHB8 | |
| P1-C9 | | PHB9 | |
| P1-C10 | | PHB10 | |

Table 47. Location code descriptions (continued)

| Location code | I/O chip | PCI host bridge (PHB) | Description |
|---------------|------------|-----------------------|---------------|
| P2-C1 | I/O chip 4 | PHB11 | PCIe 8x slot. |
| P2-C2 | | PHB12 | |
| P2-C3 | | PHB13 | |
| P2-C4 | I/O chip 7 | PHB14 | |
| P2-C5 | | PHB15 | |
| P2-C6 | | PHB16 | |
| P2-C7 | I/O chip 6 | PHB17 | |
| P2-C8 | | PHB18 | |
| P2-C9 | | PHB19 | |
| P2-C10 | | PHB20 | |

Slot priority

The slot priority for all adapters follows:

P1-C1
P2-C1
P1-C4
P2-C4
P1-C2
P2-C2
P1-C5
P2-C5
P1-C3
P2-C3
P1-C6
P2-C6
P1-C7
P2-C7
P1-C8
P2-C8
P1-C9
P2-C9
P1-C10
P2-C10

The expansion drawer has two I/O planar boards, and each planar has three I/O chips. Each I/O chip controls 3 or 4 PCI host bridges (PHBs) and each PCIe slot connects directly to a PHB.

On the first I/O planar board (P1), the three I/O chips control the following slots:

- One I/O chip controls slots P1-C1, P1-C2, and P1-C3
- A second I/O chip controls slots P1-C4, P1-C5, and P1-C6
- A third I/O chips controls slots P1-C7, P1-C8, P1-C9, and P1-C10

On the second I/O planar board (P2), the three I/O chips control the following slots:

- One I/O chip controls slots P2-C1, P2-C2, and P2-C3
- A second I/O chip controls slots P2-C4, P2-C5, and P2-C6

- A third I/O chips controls slots P2-C7, P2-C8, P2-C9, and P2-C10

Slots P1-C1 through P1-C6 and P2-C1 through P2-C6 provide the best performance. Place the highest performance adapters in these slots.

Slot placement and maximums

The following table shows slot placement priorities and the maximum number of specified adapters allowed for connectivity. However, for optimum performance, you might want to further limit the total number of high bandwidth and extra-high bandwidth adapters. See the performance notes that follow the table.

System maximums are for the 9119-FHA. To see the systems maximums for the 9125-F2A, refer to Chapter 8, “Model 9125-F2A server,” on page 67.

| Feature code | Description | Expansion unit maximum ² | System maximum for model 9119-FHA ² |
|--------------|---|-------------------------------------|--|
| 5732** | 10 Gigabit Ethernet-CX4 PCI Express Adapter | 20 | 256 |
| 5769** | 10 Gigabit Ethernet-SR PCI Express Adapter | 20 | 256 |
| 5774** | 4 Gigabit PCI Express Dual Port Fibre Channel Adapter | 20 | 512 |
| 5772** | 10 Gigabit Ethernet-LR PCI Express Adapter | 20 | 180 |
| 5735** | 8 Gigabit PCI Express Dual Port Fibre Channel Adapter | 20 | 256 |
| 5773* | 4 Gigabit PCI Express Single Port Fibre Channel Adapter | 20 | 512 |
| 5903** | PCIe 380MB Cache Dual - x4 3Gb SAS RAID Adapter | 20 | 240 |
| 5901** | PCIe Dual - x4 SAS Adapter | 20 | 240 |
| 5767* | 2-Port 10/100/1000 Base-TX Ethernet PCI Express Adapter | 20 | 512 |
| 5768* | 2-Port Gigabit Ethernet-SX PCI Express Adapter | 20 | 512 |
| 5717* | 4-Port 10/100/1000 Base-TX PCI Express Adapter | 20 | 256 |
| 5785 | 4 Port Async EIA-232 PCIe Adapter | 18 | 18 |
| 5748 | POWER GXT145 PCI Express Graphics Accelerator | 4 | 8 |
| 2728 | 4-Port USB PCIe Adapter | 8 | 8 |

**Extra-high Bandwidth (EHB) adapter. See the “Performance notes” on page 92 before installing this adapter.

* High Bandwidth (HB) adapter. See the “Performance notes” on page 92 before installing this adapter.

²These maximums are for connectivity. The following additional restrictions should also be taken into account:

- No more than four EHB Ethernet adapters per processor. Any additional EHB or HB adapters would require additional processors.
- No more than eight HB Ethernet adapters per processor. Any additional EHB or HB adapters would require additional processors.

Performance notes

Use the information in this section to help determine the maximum number of adapters that can be placed in a system while still maintaining optimum performance.

The previous table show the maximum number adapters allowed for connectivity. However, for optimum performance, you might want to further limit the total number of high bandwidth and extra-high bandwidth adapters. The following list provides guidelines:

- No more than three Gb Ethernet ports per PHB.
- No more than three high bandwidth adapters per PHB.
- No more than one Extra-high bandwidth adapter per PHB.
- No more than one 10 Gb Ethernet port per two processors in a system. If one 10 Gb Ethernet port is present per two processors, no other 10 Gb or 1 Gb ports allowed for optimum performance.
- No more than two 1 Gb Ethernet ports per one processor in a system. More Ethernet adapters can be added for connectivity.

Model 7311-D11 expansion unit

Learn about the PCI slots in the 7311-D11 expansion unit.

The 7311-D11 is a 19-inch, four EIA unit I/O expansion drawer that provides six full length ,64-bit, 3.3-V, 133 MHz hot-plug PCI-X slots. The I/O Expansion drawer is attached to the system using a RIO-2 bus interface adapter.

The 7311-D11 expansion unit is supported on the model 9117-MMA server, but not on the model 8204-E8A server.

PCI slot descriptions

The following figure shows the back view of the expansion unit.

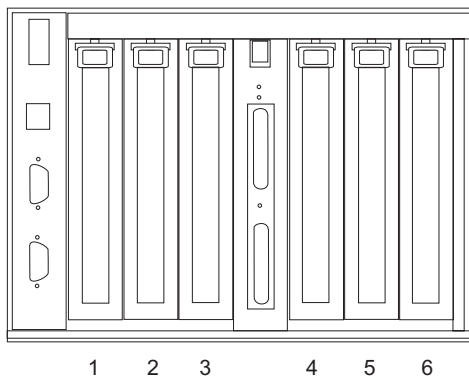


Figure 14. Back view

The following table describes the PCI slots and the PCI host bus (PHB) connections.

Table 48. PCI slot descriptions

| PHB1 | | | PHB2 | | |
|--------|--------|--------|--------|--------|--------|
| Slot 1 | Slot 2 | Slot 3 | Slot 4 | Slot 5 | Slot 6 |
| Long | Long | Long | Long | Long | Long |

Table 48. PCI slot descriptions (continued)

| 64-bit 3.3V, 133 MHz | 64-bit 3.3V, 133 MHz | 64-bit 3.3V, 133 MHz | 64-bit 3.3V, 133 MHz | 64-bit 3.3V, 133 MHz | 64-bit 3.3V, 133 MHz |
|--|----------------------|----------------------|----------------------|----------------------|----------------------|
| Un-P1-C1 | Un-P1-C2 | Un-P1-C3 | Un-P1-C4 | Un-P1-C5 | Un-P1-C6 |
| <ul style="list-style-type: none"> The 7311-D11 can accommodate 6, generation 3 blind swap adapter cassettes. Cassettes can be installed and removed without removing the drawer from the rack. All slots are compatible with PCI and PCI-X adapters. Short adapters can go in short or long slots. All slots support Enhanced Error Handling (EEH). | | | | | |

Slot priorities

Slot priority for all adapters is 1, 4, 2, 5, 3, and 6. For a list of supported adapters, refer to the placement information for the base system unit to which the expansion unit is attached. If the adapter is supported by the base unit, it is supported by the expansion unit. If the adapter is not supported by the base unit, it is not supported by the expansion unit.

Note: Feature 2849, POWER GXT135P Graphics Accelerator with Digital Support, is not supported in the 7311-D11 expansion unit.

Model 7311-D20 expansion unit

Learn about the PCI slots in the 7311-D20 expansion unit.

PCI slot descriptions

The 7311-D20 is 19-inch, I/O expansion unit.

The following figure shows the back view of the expansion unit.

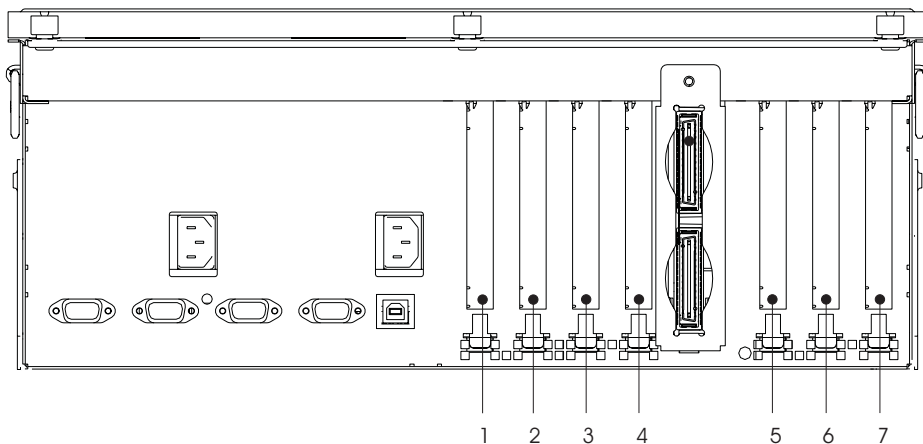


Figure 15. Back view

PCI slot description

The following table describes the PCI slots and the PCI host bus (PHB) connections.

Table 49. PCI slot descriptions

| PHB1 | PHB2 |
|------|------|
|------|------|

Table 49. PCI slot descriptions (continued)

| Slot 1 | Slot 2 | Slot 3 | Slot 4 | Slot 5 | Slot 6 | Slot 7 |
|--|----------------------|----------------------|----------------------|----------------------|----------------------|----------------------|
| Long | Long | Long | Long | Long | Long | Long |
| 64-bit 3.3V, 133 MHz | 64-bit 3.3V, 133 MHz | 64-bit 3.3V, 133 MHz | 64-bit 3.3V, 133 MHz | 64-bit 3.3V, 133 MHz | 64-bit 3.3V, 133 MHz | 64-bit 3.3V, 133 MHz |
| Un-P1-C1 | Un-P1-C2 | Un-P1-C3 | Un-P1-C4 | Un-P1-C5 | Un-P1-C6 | Un-P1-C7 |
| <ul style="list-style-type: none"> • All slots are compatible with PCI and PCI-X adapters. • Short adapters can go in short or long slots. • All slots support Enhanced Error Handling (EEH). | | | | | | |

Slot priorities

Slot priority for all adapters is 1, 5, 2, 6, 3, 7, and 4. For a list of supported adapters, refer to the placement information for the base system unit to which the expansion unit is attached. If the adapter is supported by the base unit, it is supported by the expansion unit. If the adapter is not supported by the base unit, it is not supported by the expansion unit.

Note: Feature 2849, POWER GXT135P Graphics Accelerator with Digital Support, is not supported in a 7311-D20 expansion unit connected to a model 9117-MMA server.

Model 7314-G30 expansion unit

Learn about the PCI slots in the 7314-G30 expansion unit.

System description

The 7314-G30 expansion unit is a 19-inch, rack-mountable, I/O expansion drawer that is designed to be attached to the system unit using the 12x Channel bus and 12x cables.

The 7314-G30 can accommodate 6, generation 3 blind swap adapter cassettes. Cassettes can be installed and removed without removing the drawer from the rack.

The following figure shows the back view of the expansion unit.

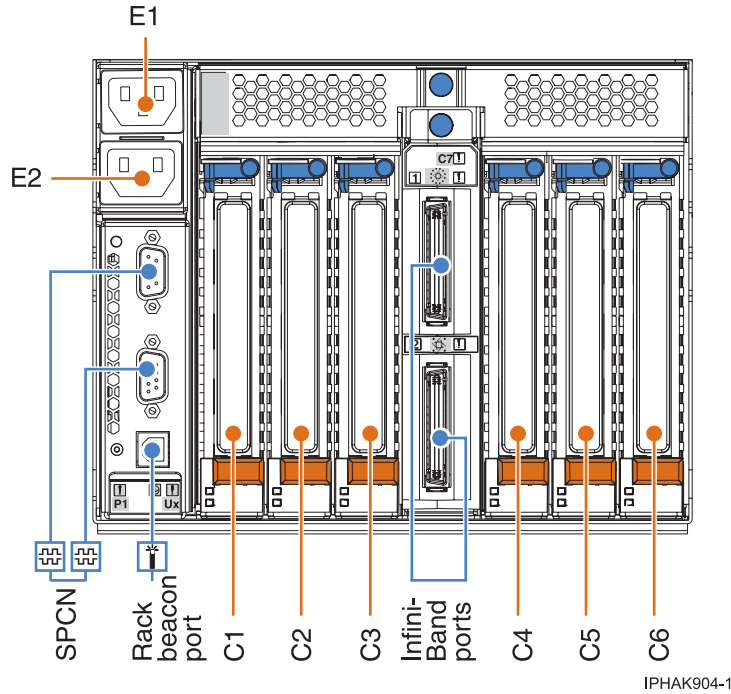


Figure 16. Back view

Table 50 describes the location codes that are shown in Figure 16.

Table 50. Location code descriptions

| Location code | Description |
|----------------------------|--|
| C1, C2, C3, C4, C5, and C6 | PCI-X DDR slots. See also “PCI slot descriptions.” |
| C7-T1 and C7-T2 | 12x Channel remote I/O ports |
| C8-T1 and C8-T2 | Dual port SPCN connectors. |
| E1 and E2 | Power supply connectors. |

PCI slot descriptions

The following table describes the PCI-X DDR slots.

Table 51. Slot properties

| PHB2 A | PHB3 A | PHB4 A | PHB1 B | PHB2 B | PHB3 B |
|----------------------|----------------------|----------------------|----------------------|----------------------|----------------------|
| Slot 1 | Slot 2 | Slot 3 | Slot 4 | Slot 5 | Slot 6 |
| Long | Long | Long | Long | Long | Long |
| 64-bit 3.3V, 266 MHz | 64-bit 3.3V, 266 MHz | 64-bit 3.3V, 266 MHz | 64-bit 3.3V, 266 MHz | 64-bit 3.3V, 266 MHz | 64-bit 3.3V, 266 MHz |
| C1 | C2 | C3 | C4 | C5 | C6 |

- Each PCI-X DDR slot is a separate PCI host bus (PHB).
- All slots are compatible with PCI and PCI-X DDR adapters.
- Short adapters can go in long slots.

Slot priorities

Slot priority for all adapters is 1, 2, 3, 4, 5, and 6. For a list of supported adapters, refer to the placement information for the base system unit to which the expansion unit is attached. If the adapter is supported by the base unit, it is supported by the expansion unit. If the adapter is not supported by the base unit, it is not supported by the expansion unit.

Chapter 10. Determining the best place to install your adapter

You can use the placement guidelines and reference tables in this section to determine the best place to install your adapter on systems running the IBM i operating system.

Find your current system configuration in IBM i

You can use the System Service Tools in the i operating system to find your current system configuration.

Before you begin, you need to know the location codes used for the PCI adapter slots on the system with which you are working. See the following topics as needed to identify the location codes for specific system units:

- Chapter 3, “Model 8203-E4A server,” on page 17
- Chapter 4, “Model 8204-E8A server,” on page 29
- Chapter 5, “Model 8234-EMA server,” on page 41
- Chapter 6, “Model 9117-MMA server,” on page 51

To find your current system configuration, start an i session and sign on. If you have more than one system, start a session on the system that is being upgraded and for which you have service tools authority. Follow these steps:

1. Type **strsst** on the command line of the Main Menu and press Enter.
2. Type your service tools user ID and service tools password on the Start Service Tools (STRSST) Sign On display and press Enter.
3. Select **Start a service tool** from the System Service Tools (SST) display and press Enter.
4. Select **Hardware service manager** from the Start a Service Tool display and press Enter.
5. Select **Packaging hardware resources (system, frames, cards)** from the Hardware Service Manager display and press Enter.
6. Type **9** on the **System Unit** line and press Enter.
7. Select **Include empty positions**.
8. Look for the PCI adapter location codes in the Location column.
9. Write down the Type-Model number for each PCI adapter location. Some adapters can show multiple, virtual ports. It is not necessary to write down these virtual locations.
10. Write down any PCI adapter locations that are listed in the Description column as an Empty Position. The Type-Model number is blank for empty positions.
11. Press F12 to return to the previous window.
12. Do you have an expansion unit attached?
 - **No:** Go to “Placing adapters in the system” on page 98.
 - **Yes:** Do the following:
 - a. Type **9** for the **System Expansion Unit** field and press Enter.
 - b. Repeat steps 7-11 for each expansion unit.
 - c. Go to “Placing an adapter in an expansion unit” on page 98.

IOP PCI adapters

Learn about IOP adapters that are supported on expansion units connected to IBM Power Systems models that contain the POWER6 processor.

I/O processor (IOP) adapters process instructions from the server and work with IOP controlled I/O adapters (IOAs) to control the I/O devices. IOP adapters are only used with the IBM i operating system.

Expansion unit 5796 does not support IOPs. PCI Express (PCIe) slots do not support IOPs or IOP-controlled IOAs.

Note: The internal PCI-X DDR and PCIe slots on the system unit are designed for IOPless adapters. IOP adapters are not supported in the Power Systems servers that contain the POWER6 processor.

Table 52. IOP adapters

| Feature | CCIN | Description |
|---------|------|--|
| 2843 | 2843 | PCI IOP <ul style="list-style-type: none"> • Short adapter, can go in short or long slot • 3 v slot required • Maximum number of IOAs: 4 • Memory value: 211 • Performance value: 100 |
| 2847 | 2847 | PCI IOP for SAN Load Source <ul style="list-style-type: none"> • Maximum number of IOAs: 1 • This is a dedicated IOP for SAN load Source and is only supported with 2787 and 5760 IOAs • IOP can not be placed where embedded adapters require an IOP |
| 2844 | 2844 | <ul style="list-style-type: none"> • Short adapter, can go in short or long slot • 3 v slot required • Maximum number of IOAs: 4 • Memory value: 211 • Performance value: 100 |

Placing adapters in the system

Select an available slot by using the reference information for the system.

The following list shows the systems covered in this topic:

- Chapter 3, “Model 8203-E4A server,” on page 17
- Chapter 4, “Model 8204-E8A server,” on page 29
- Chapter 6, “Model 9117-MMA server,” on page 51
- Chapter 8, “Model 9125-F2A server,” on page 67

Placing an adapter in an expansion unit

Determine the best place to install your adapter in an expansion unit connected to a system running the IBM i operating system.

If you are installing an IOPless adapter, see the section “IOPless adapters.” If you are installing an IOP adapter, see the section “IOP adapters” on page 99.

IOPless adapters

To install an IOPless adapter, select an available slot in the expansion unit. The following expansion units are supported for the IBM i operating system, and they support IOPless adapters: 0588, 5088, 5094, 5096, 5294, 5296, 57905796, 5797, and 5798.

IOP adapters

Use these instructions to determine where to place IOP adapters in an expansion unit that requires or supports IOP adapters. The following expansion units are supported for i, and they support adapters that require IOPs, as well as adapters that do not require IOPs: 50880588, 5094, 5096, 5294, 5296, 0595, 5790.

The 5797 and 5798 also support IOPs in a limited number of slots. Slots 8, 9, 10 and 18, 19, 20 are PHBs that support IOPs and adapters that require IOPs.

When doing the following steps, refer to the “Examples: IOP placement tables” to determine the best place to install or move your IOA.

To determine where to place IOP adapters in an expansion unit, follow these steps:

1. Use “IOP PCI adapters” on page 97 to locate the values of your current configuration, then continue to the next step.

Note:

- a. You can install the IOP in any adapter position labeled **IOP**. For the IOP locations, refer to the expansion unit profiles listed at the beginning of this section.
 - b. You might need to move an IOA to install your IOP.
 - c. By installing an IOP, you are creating a new IOP adapter group.
 - d. IOPs cannot be placed in consecutive positions.
2. Locate the first IOP (2843, 2844, or 2847).
 3. Determine the IOAs controlled by the IOP (IOP adapter group).
 - An IOP adapter group is an IOP and all IOAs controlled by that IOP.
 - IOP adapter groups cannot cross PCI bridge set boundaries. To identify the PCI bridge set boundaries, refer to the expansion unit profiles listed at the beginning of this section.
 4. Locate the first IOP adapter group that has an empty position.
 5. Find and enter (on the placement table) the values of each IOA that is currently installed in this IOP adapter group that has an empty position. To find the values, see “Adapters supported on AIX, IBM i, and Linux” on page 3.
 6. Install the new adapter in the next available position in the IOP adapter group.
Do not leave open positions if possible. You should try to not move your console position.
 7. Write down the feature number or CCIN of the new adapter in the table.
 8. Find and enter the values of the new adapter in the placement table.
 9. Add together the IOA *Memory Values* and record it in the *IOA totals*.
 10. Add together the IOA *Performance Values* and record it in the *IOA totals*.
 11. If the totals are not greater than the value of the IOP for that adapter group, verify the restrictions, such as adapter length, to make sure the adapter can be installed in the empty position. If the restrictions are not met, choose another empty position and repeat the process. Otherwise, you are ready to install the new adapter in that empty position.
 12. If the totals are greater than either IOP adapter value, move to the next available IOP adapter group that has an empty adapter position and repeat the steps to complete another placement worksheet.

Examples: IOP placement tables

Use one worksheet for each IOP in all of your units.

Table 53. 2843 IOP

| IOP adapter group | Adapter position | Feature number or CCIN number from type column | Memory value | Performance value |
|-------------------|------------------|--|--------------|-------------------|
| | C | 2843 | 211 | 100 |
| | C | | | |
| | C | | | |
| | C | | | |
| | C | | | |
| | IOA totals | | | |

Table 54. 2844 IOP

| IOP adapter group | Adapter position | Feature number or CCIN number from type column | Memory value | Performance value |
|-------------------|------------------|--|--------------|-------------------|
| | C | 2844 | 211 | 100 |
| | C | | | |
| | C | | | |
| | C | | | |
| | C | | | |
| | IOA totals | | | |

| IOP adapter group | Adapter position | Feature number or CCIN number from adapter position |
|-------------------|------------------|---|
| | C | |
| | C | |
| | C | |
| | C | |

SCSI RAID controller placement restrictions for IBM i

Learn about restrictions that must be taken into consideration when placing SCSI RAID controllers in a system unit running the IBM i operating system.

Observe the following restrictions when placing the SCSI RAID controllers that are identified in the following list:

- The following disk controllers cannot be placed in the system unit: 2757, 2780, 5580, 5581, 5583, 5590, 5591, and 5777. These controllers can be placed in an attached expansion unit.
- A maximum of three of the following disk controllers allowed per IOP in any combination: 2757, 2780, 5580, 5581, 5583, 5590, 5591, and 5736.
- The following feature codes contain two adapters: 5580, 5581, 5583, 5590, 5591, 5781, and 5799. An auxiliary write cache IOA also counts as one IOA towards the maximum of three. For example, 5580 consists of 2 adapters so 5580 counts as two towards the three maximum when located under the same IOP.
- A maximum of six of the following controllers allowed per 0694, 5094, and 5294 expansion unit enclosure: 2757, 2780, 5580, 5581, 5583, 5590, 5591, 5777, and 5778.

For features that include a SCSI controller paired with an auxiliary write-cache IOA CCIN 574F or CCIN 575B, the pair counts as only 1 adapter towards the 6 maximum.

For features that include a SCSI controller paired with an auxiliary write-cache IOA CCIN 5708, the pair count as 2 adapters towards the 6 maximum.

High-performance SCSI, disk controller placement for IBM i

Determine which PCI slots can accommodate the 2780, 5580, 5583, 5590, 5746, 5777, 5778, 5781, and 5782 SCSI controllers on IBM Power Systems models running the IBM i operating system.

Overview and prerequisites

This section provides special placement information for the SCSI controllers and auxiliary-write cache adapters listed in Table 55.

If you are installing a new feature, ensure that you have the software required to support the new feature and that you determine if there are any existing PTF prerequisites. To do this, use the IBM Prerequisite

Web site at http://www-912.ibm.com/e_dir/eServerPrereq.nsf  .

Use the list in Table 55 to cross-reference adapter feature codes with their CCIN numbers and descriptions. See also the adapter tables in “Adapters supported on AIX, IBM i, and Linux” on page 3 for more detailed descriptions, notes, and restrictions for these adapters.

Then go to one of the following system or expansion unit tables to determine which PCI slots can accommodate these adapters.

- “5094 or 5294 expansion unit” on page 102
- “5096 or 5296 expansion unit” on page 102
- “5088 or 0588 expansion unit” on page 102
- “5095 or 0595 expansion unit” on page 103
- “5790 expansion unit” on page 103
- “5796 expansion unit” on page 103
- “5797 expansion unit” on page 104
- “8234-EMA and 9117-MMA system” on page 104

Attention: Place these adapters only in an allowed slot. Placing these adapters in an unsupported slot may result in early-life adapter failure.

Table 55. High performance SCSI controllers.

| Feature codes | CCIN numbers | Description | Variables |
|---------------|---------------|---|----------------|
| 2780 | 2780 | PCI-X Ultra 4 RAID Disk Unit Controller | IOP controlled |
| 5580, 5590 | 2780 and 574F | 2780 Disk Controller with a secondary, auxiliary-write cache IOA | IOP controlled |
| 5582 | 571E and 574F | 5738 Disk Controller with a secondary, auxiliary-write cache IOA | IOP controlled |
| 5777 | 571E | PCI-X Ultra320 SCSI Disk Controller | IOPless |
| 5583 | 571E and 574F | 5777 Disk Controller with a secondary, auxiliary-write cache IOA | IOPless |
| 5746, 5781 | 571F and 575B | PCI-X Ultra320 SCSI Disk Controller with auxiliary-write cache Double-wide adapter. 571F is the controller. 575B is the auxiliary-write cache. | IOP controlled |

Table 55. High performance SCSI controllers (continued).

| Feature codes | CCIN numbers | Description | Variables |
|---------------|---------------|---|-----------|
| 5778, 5782 | 571F and 575B | PCI-X Ultra320 SCSI Disk Controller with auxiliary-write cache Double-wide adapter. 571F is the controller. 575B is the auxiliary-write cache. | IOPless |

5094 or 5294 expansion unit

Adapters are supported in the slots shown in the Allowed slots column.

| CCIN numbers | Description | Variables | Allowed slots |
|---|--|-----------------------------|--|
| 2780 | PCI-X Ultra 4 RAID Disk Unit Controller | IOP controlled | 2, 3, 4, 6, 7, 8, 9, 12, 13, 14, 15 |
| | | AIX or Linux controlled | 2, 3, 4, 5, 6, 7, 8, 9, 11, 12, 13, 14, 15 |
| 574F | Auxiliary-Write Cache IOA | IOP controlled | 2, 3, 4, 6, 7, 8, 9, 12, 13, 14, 15 |
| | | IOPless or direct attach | 1, 2, 3, 4, 5, 6, 7, 8, 9, 11, 12, 13, 14, 15 |
| 571E | PCI-X Ultra320 SCSI Disk Controller | IOP controlled | 3, 6, 7, 8, 9 |
| | | IOPless or direct attach | 1, 3, 5, 6, 7, 8, 9 |
| 571F and 575B | PCI-X Ultra320 SCSI Disk Controller with auxiliary-write cache | IOP controlled double-wide* | 2 , <u>3</u> , 4, 8, 9 |
| | | IOPless double-wide* | 1 , <u>2</u> , <u>3</u> , <u>4</u> , 5, 6, 8, 9 |
| * Double-wide adapter, requires 2 adjacent slots. The SCSI controller side of the adapter pair requires a 64-bit slot. Slots with bold numbers can be used for the SCSI controller side of the adapter. Slots where the number is <u>underlined</u> can be used for either side of the adapter. The remaining slot numbers can be used for the cache side (575B) of the adapter. | | | |

5096 or 5296 expansion unit

The 2780, 574F, and 571E adapters are not supported on the 5096 or 5296.

The double-wide 571F/575B adapter is supported in the slots shown in the Allowed slots column.

| CCIN numbers | Description | Variables | Allowed slots |
|---|--|-----------------------------|--|
| 571F and 575B | PCI-X Ultra320 SCSI Disk Controller with auxiliary-write cache | IOP controlled double-wide* | 2 , <u>3</u> , 4, 8, 9 |
| | | IOPless double-wide* | 1 , <u>2</u> , <u>3</u> , <u>4</u> , 5, 6, 8, 9 |
| * Double-wide adapter, requires 2 adjacent slots. The SCSI controller side of the adapter pair requires a 64-bit slot. Slots with bold numbers can be used for the SCSI controller side of the adapter. Slots where the number is <u>underlined</u> can be used for either side of the adapter. The remaining slot numbers can be used for the cache side (575B) of the adapter. | | | |

5088 or 0588 expansion unit

The 2780, 574F, and 571E adapters are not supported on the 5088 or 0588.

The double-wide 571F/575B adapter is supported in the slots shown in the Allowed slots column.

| CCIN numbers | Description | Variables | Allowed slots |
|--|--|-----------------------------|---------------|
| 571F and 575B | PCI-X Ultra320 SCSI Disk Controller with auxiliary-write cache | IOP controlled double-wide* | 8, 9 |
| | | IOPless double-wide* | 8, 9 |
| * Double-wide adapter, requires 2 adjacent slots. The SCSI controller side of the adapter pair can be placed in slot 8. The cache side of the adapter would then go in slot 9. | | | |

5095 or 0595 expansion unit

The following adapters are supported in the slots shown in the Allowed slots column.

| CCIN numbers | Description | Variables | Allowed slots |
|--|--|-----------------------------|----------------------------|
| 571F and 575B | PCI-X Ultra320 SCSI Disk Controller with auxiliary-write cache | IOP controlled double-wide* | 2, <u>3</u> , 4 |
| | | IOPless double-wide* | 1, <u>2</u> , <u>3</u> , 4 |
| 571E | PCI-X Ultra320 SCSI Disk Controller Maximum of one 571E | IOP controlled | 2, 3, 4 |
| | | IOPless or direct attach | 1, 2, 3, 4 |
| 2780 | PCI-X Ultra 4 RAID Disk Unit Controller | IOP controlled | 2, 3, 4, 7, 8 |
| | | AIX or Linux controlled | 1, 2, 3, 4, 6, 7, 8 |
| 574F | Auxiliary-Write Cache IOA | IOP controlled | 2, 3, 4, 7, 8 |
| | | IOPless or direct attach | 1, 2, 3, 4, 6, 7, 8 |
| * Double-wide adapter, requires 2 adjacent slots. Slots with bold numbers can be used for the SCSI controller side of the adapter. Slots where the number is <u>underlined</u> can be used for either side of the adapter. The remaining slot numbers can be used for the cache side (575B) of the adapter. | | | |

5790 expansion unit

The 2780, 574F, and 571E adapters are not supported on the 5790.

The double-wide 571F/575B adapter is supported in the slots shown in the Allowed slots column.

| CCIN numbers | Description | Variables | Allowed slots |
|--|--|-----------------------------|----------------------------------|
| 571F and 575B | PCI-X Ultra320 SCSI Disk Controller with auxiliary-write cache | IOP controlled double-wide* | 2, 3, 6 , 7 |
| | | IOPless double-wide* | 1, <u>2</u> , 3, 5, <u>6</u> , 7 |
| * Double-wide adapter, requires 2 adjacent slots. The SCSI controller side of the adapter pair requires a 64-bit slot. Slots with bold numbers can be used for the SCSI controller side (571F) of the adapter. Slots where the number is <u>underlined</u> can be used for either side of the adapter. The remaining slot numbers can be used for the cache side (575B) of the adapter. | | | |

5796 expansion unit

The 2780, 574F, and 571E adapters are not supported on the 5796.

The double-wide 571F/575B adapter is supported in the slots shown in the Allowed slots column.

| CCIN numbers | Description | Variables | Allowed slots |
|--|--|----------------------|--|
| 571F and 575B | PCI-X Ultra320 SCSI Disk Controller with auxiliary-write cache | IOPless double-wide* | 1 , <u>2</u> , 3, 4, <u>5</u> , 6 |
| * Double-wide adapter, requires 2 adjacent slots. The SCSI controller side of the adapter pair requires a 64-bit slot. Slots with bold numbers can be used for the SCSI controller side (571F) of the adapter. Slots where the number is <u>underlined</u> can be used for either side of the adapter. The remaining slot numbers can be used for the cache side (575B) of the adapter. | | | |

5797 expansion unit

The 2780, 574F, and 571E adapters are not supported on the 5797.

The double-wide 571F/575B adapter is supported in the slots shown in the Allowed slots column.

| CCIN numbers | Description | Variables | Allowed slots |
|--|--|----------------------|---|
| 571F and 575B | PCI-X Ultra320 SCSI Disk Controller with auxiliary-write cache | IOPless double-wide* | 1 , <u>2</u> , <u>3</u> , <u>4</u> , <u>5</u> , <u>6</u> , 7 11 , <u>12</u> , <u>13</u> , <u>14</u> , <u>15</u> , <u>16</u> , 17 |
| * Double-wide adapter, requires 2 adjacent slots. The SCSI controller side of the adapter pair requires a 64-bit slot. Slots with bold numbers can be used for the SCSI controller side (571F) of the adapter. Slots where the number is <u>underlined</u> can be used for either side of the adapter. The remaining slot numbers can be used for the cache side (575B) of the adapter. | | | |

8234-EMA and 9117-MMA system

The 2780, 574F, and 571E adapters are not supported in the 8234-EMA and 9117-MMA system.

The double-wide 571F/575B adapter is supported in the slots shown in the Allowed slots column.

| CCIN number(s) | Description | Variables | Allowed slots |
|--|--|----------------------|---------------|
| 571F and 575B | PCI-X Ultra320 SCSI Disk Controller with auxiliary-write cache | IOPless double-wide* | 4 , 5 |
| * Double-wide adapter, requires 2 adjacent slots. Slot 4 can be used for the SCSI controller side (571F) of the adapter. Slot 5 number can be used for the cache side (575B) of the adapter. | | | |

Appendix. Notices

This information was developed for products and services offered in the U.S.A.

The manufacturer may not offer the products, services, or features discussed in this document in other countries. Consult the manufacturer's representative for information on the products and services currently available in your area. Any reference to the manufacturer's product, program, or service is not intended to state or imply that only that product, program, or service may be used. Any functionally equivalent product, program, or service that does not infringe any intellectual property right of the manufacturer may be used instead. However, it is the user's responsibility to evaluate and verify the operation of any product, program, or service.

The manufacturer may have patents or pending patent applications covering subject matter described in this document. The furnishing of this document does not grant you any license to these patents. You can send license inquiries, in writing, to the manufacturer.

The following paragraph does not apply to the United Kingdom or any other country where such provisions are inconsistent with local law: THIS INFORMATION IS PROVIDED "AS IS" WITHOUT WARRANTY OF ANY KIND, EITHER EXPRESS OR IMPLIED, INCLUDING, BUT NOT LIMITED TO, THE IMPLIED WARRANTIES OF NON-INFRINGEMENT, MERCHANTABILITY OR FITNESS FOR A PARTICULAR PURPOSE. Some states do not allow disclaimer of express or implied warranties in certain transactions, therefore, this statement may not apply to you.

This information could include technical inaccuracies or typographical errors. Changes are periodically made to the information herein; these changes will be incorporated in new editions of the publication. The manufacturer may make improvements and/or changes in the product(s) and/or the program(s) described in this publication at any time without notice.

Any references in this information to Web sites not owned by the manufacturer are provided for convenience only and do not in any manner serve as an endorsement of those Web sites. The materials at those Web sites are not part of the materials for this product and use of those Web sites is at your own risk.

The manufacturer may use or distribute any of the information you supply in any way it believes appropriate without incurring any obligation to you.

Any performance data contained herein was determined in a controlled environment. Therefore, the results obtained in other operating environments may vary significantly. Some measurements may have been made on development-level systems and there is no guarantee that these measurements will be the same on generally available systems. Furthermore, some measurements may have been estimated through extrapolation. Actual results may vary. Users of this document should verify the applicable data for their specific environment.

Information concerning products not produced by this manufacturer was obtained from the suppliers of those products, their published announcements or other publicly available sources. This manufacturer has not tested those products and cannot confirm the accuracy of performance, compatibility or any other claims related to products not produced by this manufacturer. Questions on the capabilities of products not produced by this manufacturer should be addressed to the suppliers of those products.

All statements regarding the manufacturer's future direction or intent are subject to change or withdrawal without notice, and represent goals and objectives only.

The manufacturer's prices shown are the manufacturer's suggested retail prices, are current and are subject to change without notice. Dealer prices may vary.

This information is for planning purposes only. The information herein is subject to change before the products described become available.

This information contains examples of data and reports used in daily business operations. To illustrate them as completely as possible, the examples include the names of individuals, companies, brands, and products. All of these names are fictitious and any similarity to the names and addresses used by an actual business enterprise is entirely coincidental.

If you are viewing this information in softcopy, the photographs and color illustrations may not appear.

The drawings and specifications contained herein shall not be reproduced in whole or in part without the written permission of the manufacturer.

The manufacturer has prepared this information for use with the specific machines indicated. The manufacturer makes no representations that it is suitable for any other purpose.

The manufacturer's computer systems contain mechanisms designed to reduce the possibility of undetected data corruption or loss. This risk, however, cannot be eliminated. Users who experience unplanned outages, system failures, power fluctuations or outages, or component failures must verify the accuracy of operations performed and data saved or transmitted by the system at or near the time of the outage or failure. In addition, users must establish procedures to ensure that there is independent data verification before relying on such data in sensitive or critical operations. Users should periodically check the manufacturer's support websites for updated information and fixes applicable to the system and related software.

Trademarks

IBM, the IBM logo, and ibm.com are trademarks or registered trademarks of International Business Machines Corp., registered in many jurisdictions worldwide. Other product and service names might be trademarks of IBM or other companies. A current list of IBM trademarks is available on the Web at Copyright and trademark information at www.ibm.com/legal/copytrade.shtml.

Linux is a registered trademark of Linus Torvalds in the United States, other countries, or both.

Other company, product or service names may be trademarks or service marks of others.

Electronic emission notices

Class A Notices

The following Class A statements apply to the IBM servers that contain the POWER6 processor.

Federal Communications Commission (FCC) statement

Note: This equipment has been tested and found to comply with the limits for a Class A digital device, pursuant to Part 15 of the FCC Rules. These limits are designed to provide reasonable protection against harmful interference when the equipment is operated in a commercial environment. This equipment generates, uses, and can radiate radio frequency energy and, if not installed and used in accordance with the instruction manual, may cause harmful interference to radio communications. Operation of this equipment in a residential area is likely to cause harmful interference, in which case the user will be required to correct the interference at his own expense.

Properly shielded and grounded cables and connectors must be used in order to meet FCC emission limits. IBM is not responsible for any radio or television interference caused by using other than recommended cables and connectors or by unauthorized changes or modifications to this equipment. Unauthorized changes or modifications could void the user's authority to operate the equipment.

This device complies with Part 15 of the FCC rules. Operation is subject to the following two conditions: (1) this device may not cause harmful interference, and (2) this device must accept any interference received, including interference that may cause undesired operation.

Industry Canada Compliance Statement

This Class A digital apparatus complies with Canadian ICES-003.

Avis de conformité à la réglementation d'Industrie Canada

Cet appareil numérique de la classe A respecte est conforme à la norme NMB-003 du Canada.

European Community Compliance Statement

This product is in conformity with the protection requirements of EU Council Directive 2004/108/EC on the approximation of the laws of the Member States relating to electromagnetic compatibility. IBM cannot accept responsibility for any failure to satisfy the protection requirements resulting from a non-recommended modification of the product, including the fitting of non-IBM option cards.

This product has been tested and found to comply with the limits for Class A Information Technology Equipment according to European Standard EN 55022. The limits for Class A equipment were derived for commercial and industrial environments to provide reasonable protection against interference with licensed communication equipment.

European Community contact:
IBM Technical Regulations
Pascalstr. 100, Stuttgart, Germany 70569
Tele: 0049 (0)711 785 1176
Fax: 0049 (0)711 785 1283
E-mail: tjahn@de.ibm.com

Warning: This is a Class A product. In a domestic environment, this product may cause radio interference, in which case the user may be required to take adequate measures.

VCCI Statement - Japan

この装置は、情報処理装置等電波障害自主規制協議会（VCCI）の基準に基づくクラスA情報技術装置です。この装置を家庭環境で使用すると電波妨害を引き起こすことがあります。この場合には使用者が適切な対策を講ずるよう要求されることがあります。

The following is a summary of the VCCI Japanese statement in the box above.

This product is a Class A Information Technology Equipment and conforms to the standards set by the Voluntary Control Council for Interference by Information Technology Equipment (VCCI). In a domestic environment, this product may cause radio interference, in which case the user may be required to take adequate measures.

