

# Product Specifications



1377 Clint Moore Road • Boca Raton, FL 33487-2722, USA  
Tel: (407) 997-6227 • Fax: (407) 997-0918 • QuickFax: (407) 995-9456  
Visit our Web site: <http://www.boca.org>

## New International Standard

**Product Code: MV.34GI, MV.34GE**

**Product Name: German V.34 Modem by Boca**

- ◆ Highest supported data transmission rates by the V.34 standard; 14.4Kbps send/receive fax.
- ◆ 100% data compatibility with the Hayes 'AT' command set.
- ◆ Programmable speaker volume control; auto-dial and auto-answer; tone or pulse dialing.
- ◆ V.32bis, V.42bis, and MNP5 are supported as well as V.42 and MNP2-4 error control, offering throughput speed of up to 115.2Kbps.
- ◆ Built-in DTE interfaces; DTE speed up to 115.2Kbps; 16550A UART interface (internal); Serial ITU-T V.24 (EIA/RS232-D) (external).
- ◆ Group 3 send and receive fax capability with support for Class 1 and Class 2 fax commands.
- ◆ Communication ports selectable as COM1, 2, 3, or 4 using interrupts 3, 4, 5, or 7 (**INTERNAL ONLY**).

**Modem Data Rate:** 28.8K, 26.4K, 24K, 21.6K, 19.2K, 16.8K, 14.4K, 12K, 9600, 7200, 4800, 2400, 1200, or 300bps.

**Fax Data Rate:** 14.4K, 12K, 9600, 7200, 4800, 2400bps.

## **Protocol Compatibility:**

### **Data Modulation Protocols**

V.34 (28.8K), V.FC (28.8K), V.32bis (14.4Kbps), V.32 (9600bps), V.42, V.22 (2400bps), V.21 (1200bps).

**Bell:** Bell 212A (1200bps), Bell 103 (300bps).

### **Fax Modulation Protocols**

V.17 (14,400/1200bps) transmit and receive  
V.29 (9600/7200bps) transmit and receive  
V.27 ter (4800/2400bps) transmit and receive  
V.21 channel 2 (300bps) transmit and receive

### **Error Control/Data Compression Protocols**

V.42/MNP2-4 and V.42bis/MNP5 support

### **LED Status Indicators**

TM, AA, HS, OH, SD, RD, TR, CD  
(EXTERNAL)

### **Diagnostics:**

- Local/remote digital and analog loopback.
- Automatic power-on self-test.

### **Dimensions:**

**EXTERNAL:** 18.4 CM X 13.7 CM X 3.2 CM  
**INTERNAL:** 20.32 CM X 9.60 CM



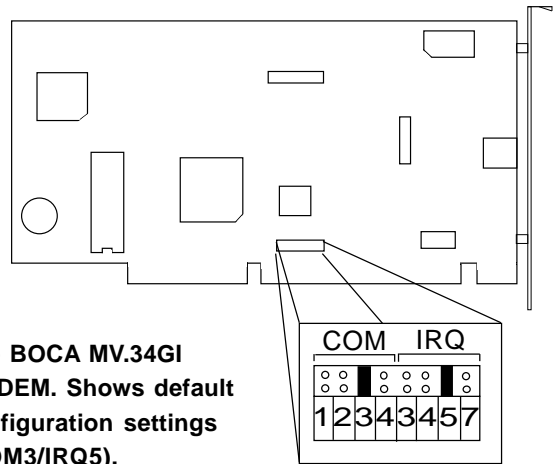
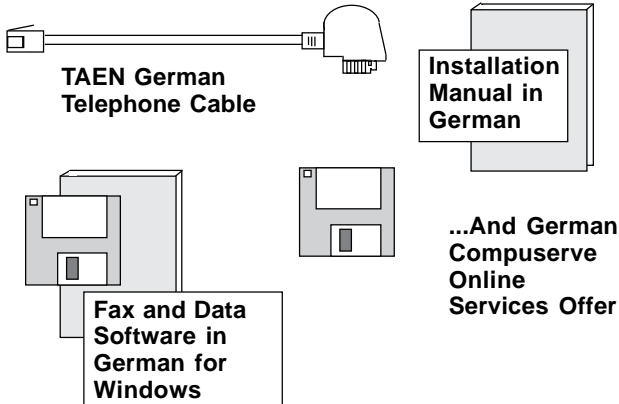
# Product Specifications



1377 Clint Moore Road • Boca Raton, FL 33487-2722, USA  
 Tel: (407) 997-6227 • Fax: (407) 997-0918 • QuickFax: (407) 995-9456  
 Visit our Web site: <http://www.boca.org>

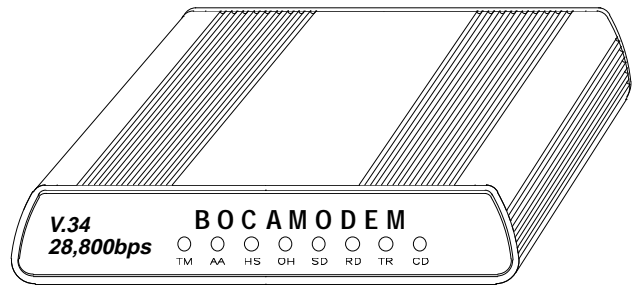
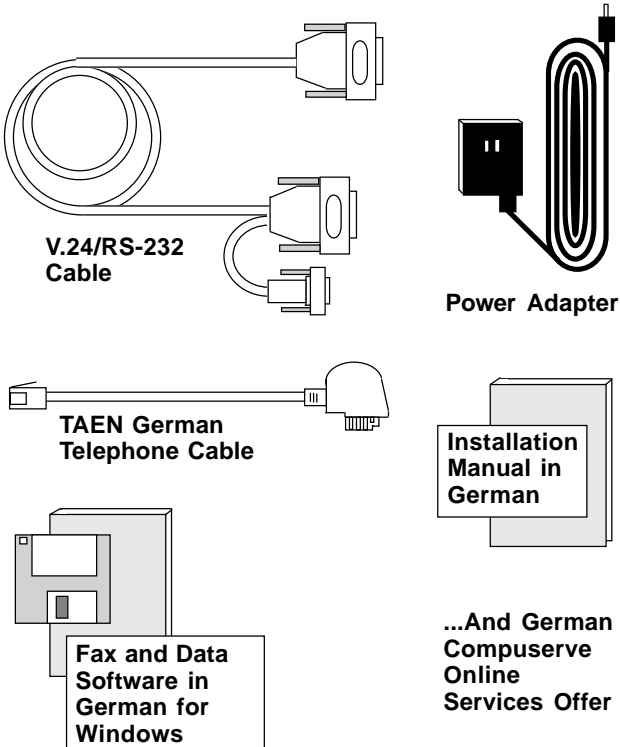
## Package Contents (internal)

- BZT-approved V.34 German modem PLUS:



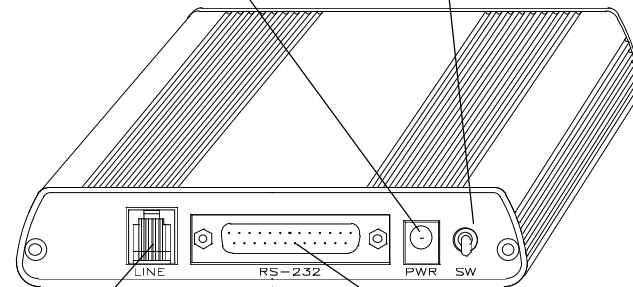
## Package Contents (external)

- BZT-approved V.34 German modem PLUS:



FRONT VIEW: BOCA MV.34GE MODEM

CONNECT TO WALL MOUNT TRANSFORMER (power adapter) POWER SWITCH TOGGLE ON/OFF



REAR VIEW: BOCA MV.34GE MODEM