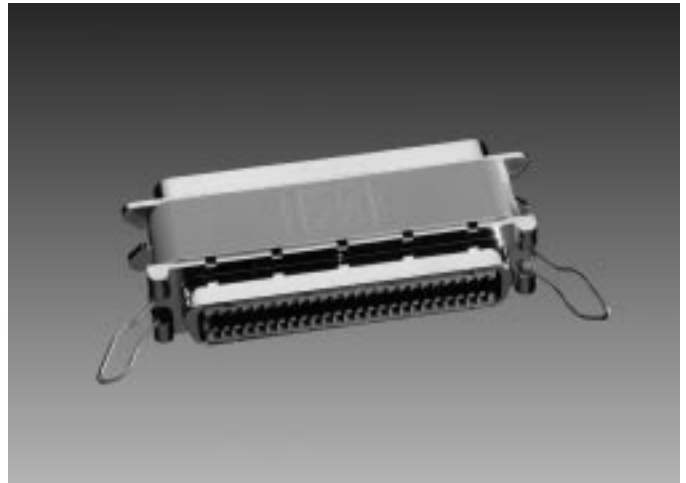


# External Terminators



## DM700 50 Position (Narrow)

Part Number	Circuit
DM700 - 10 - 0	= Differential
11 - 0	= Single-Ended, Passive
11 - C	= Single-Ended, Passive with Capacitor
11 - R	= Single-Ended, Active
11 - SK	= Single-Ended, Passive with SLICK Circuit
11 - RSK	= Single-Ended, Active with SLICK Circuit
11 - FPT	= Single-Ended, Forced Perfect

### Specifications

#### Contact Material:

Phosphor bronze, selective gold over nickel plated

#### Insulator Material:

Reinforced thermoplastic, rated UL 94V-0

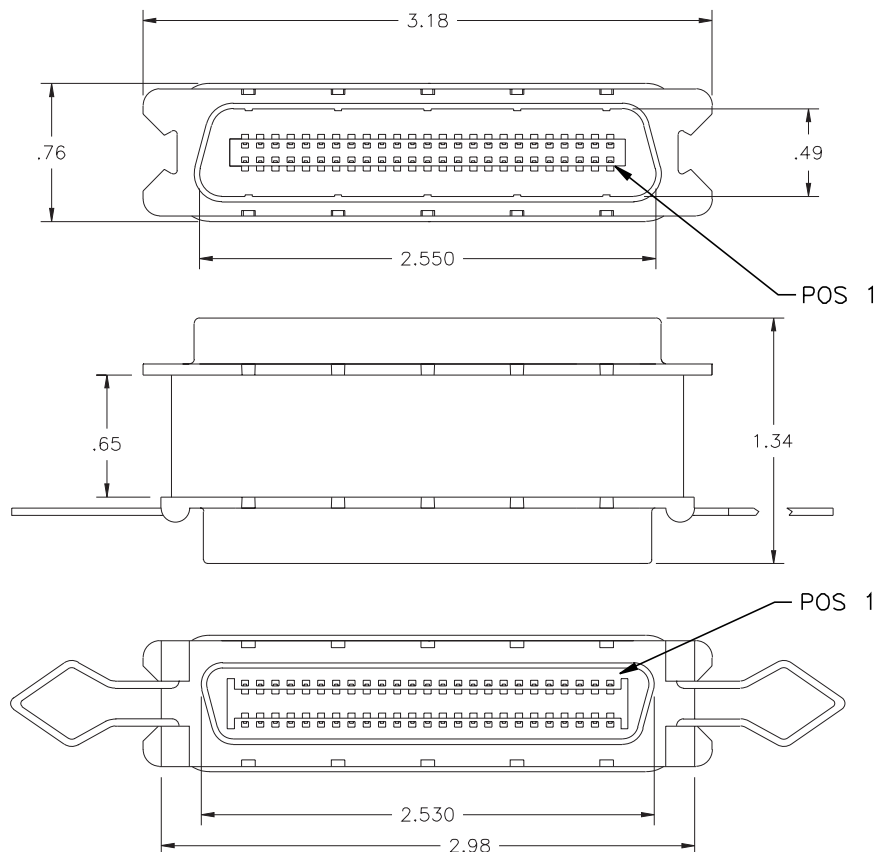
#### Housing Material:

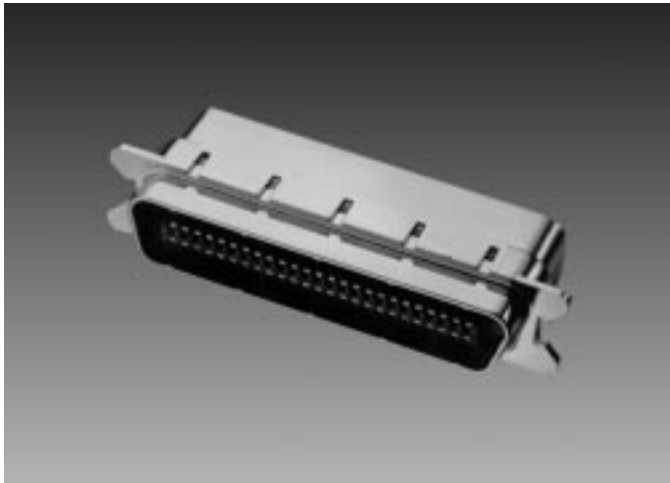
ABS thermoplastic, plated copper, nickel, chrome

#### Printed Circuit Board:

FLGFN B2B MIL-P-13949, rated UL 94V-0

**Note:** All terminators are External Shielded Feed Thru, .085".





## DM800 50 Position (Narrow)

### Specifications

#### Contact Material:

Phosphor bronze, selective gold over nickel plated

#### Insulator Material:

Reinforced thermoplastic, rated UL 94V-0

#### Housing Material:

ABS thermoplastic, plated copper, nickel, chrome

#### Printed Circuit Board:

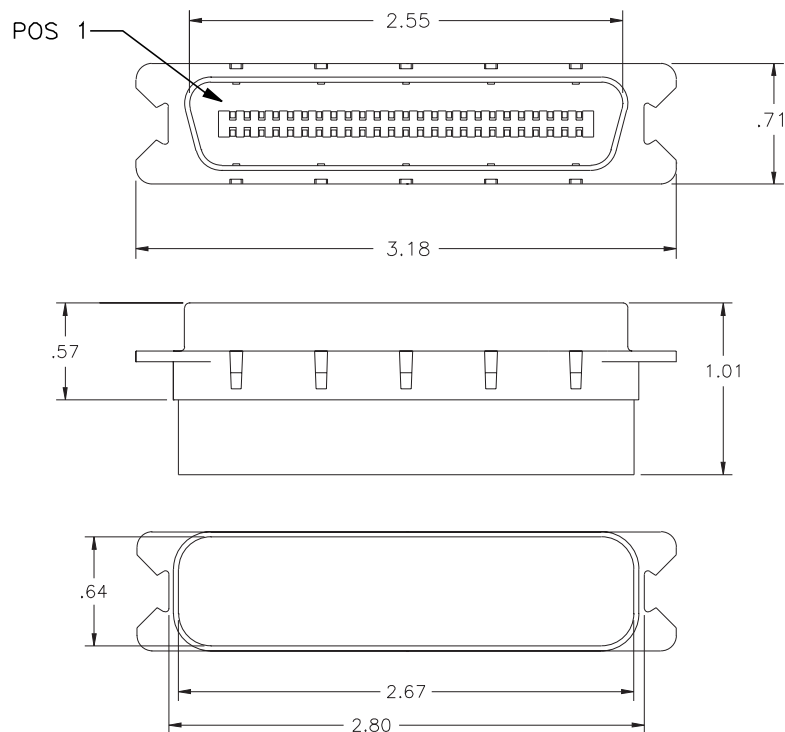
FLGFN B2B MIL-P-13949, rated UL 94V-0

### Part Number

### Circuit

Part Number	Circuit
DM800 - 08 - 0	= Differential
09 - 0	= Single-Ended, Passive
09 - C	= Single-Ended, Passive with Capacitor
09 - R	= Single-Ended, Active
09 - SK	= Single-Ended, Passive with SLICK Circuit
09 - RSK	= Single-Ended, Active with SLICK Circuit
09 - ADR	= Single-Ended, Active Deassertion
09 - FPT	= Single-Ended, Forced Perfect
18 - FPT	= Single-Ended, Forced Perfect on 18 Lines.

**Note:** All terminators are External Shielded Male, .085".





## DM850 50 Position (Narrow)

Part Number	Circuit
DM850 - 08 - 0	= Differential
09 - 0	= Single-Ended, Passive
09 - C	= Single-Ended, Passive with Capacitor
09 - R	= Single-Ended, Active
09 - SK	= Single-Ended, Passive with SLICK Circuit
09 - RSK	= Single-Ended, Active with SLICK Circuit
09 - ADR	= Single-Ended, Active Deassertion
09 - FPT	= Single-Ended, Forced Perfect
18 - FPT	= Single-Ended, Forced Perfect on 18 Lines.

**Note:** All terminators are External Shielded Male, .085", with 4-40 Thumb Screws.

### Specifications

**Contact Material:**

Phosphor bronze, selective gold over nickel plated

**Insulator Material:**

Reinforced thermoplastic, rated UL 94V-0

**Housing Material:**

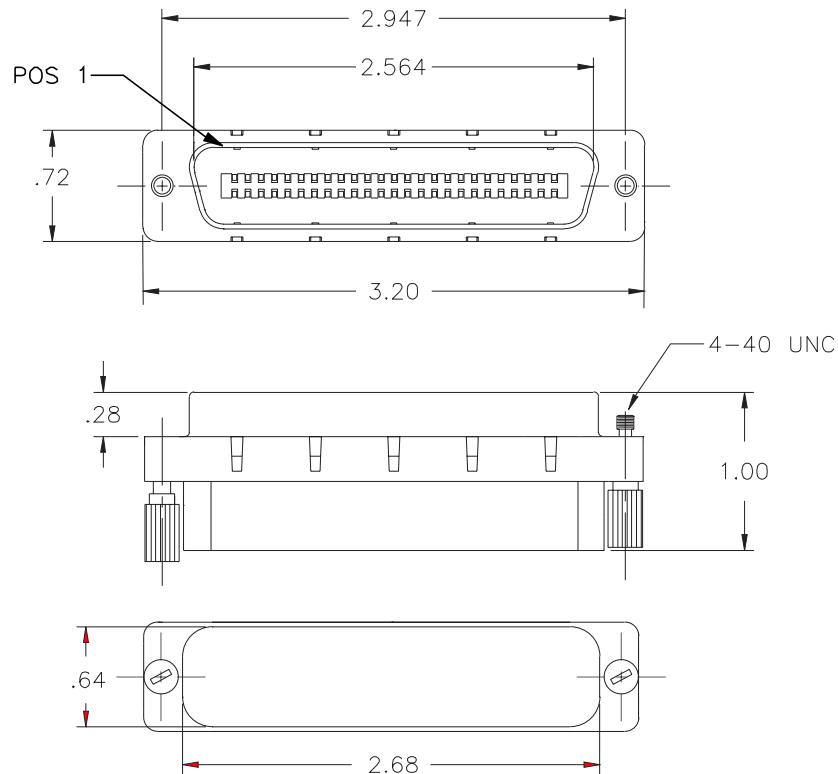
ABS thermoplastic, plated copper, nickel, chrome

**Printed Circuit Board:**

FLGFN B2B MIL-P-13949, rated UL 94V-0

**Thumb screws:**

Lead alloy, nickel plated with thermoplastic thumb cap





**DM925** 25 Position (Narrow)  
**DM950** 50 Position (Narrow)

**Specifications**

**Contact Material:**

Phosphor bronze, selective gold over nickel plated

**Insulator Material:**

Reinforced thermoplastic, rated UL 94V-0

**Housing Material:**

ABS thermoplastic, plated copper, nickel, chrome

**Printed Circuit Board:**

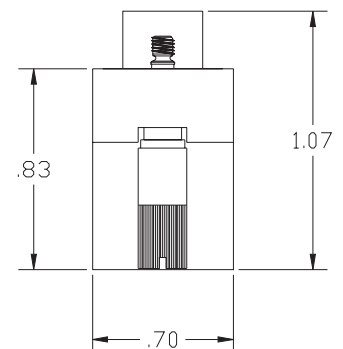
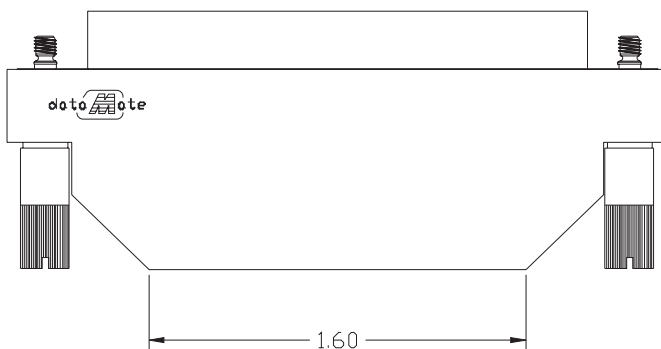
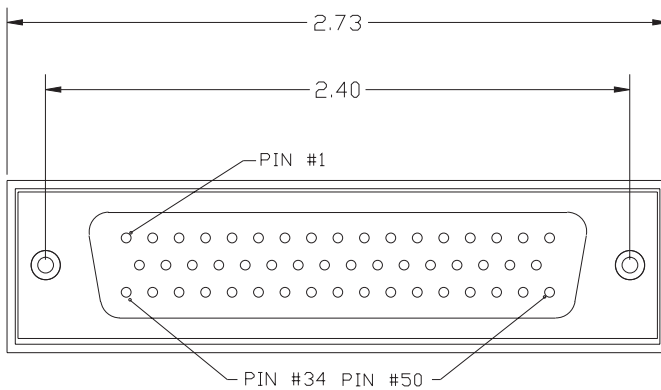
FLGFN B2B MIL-P-13949, rated UL 94V-0

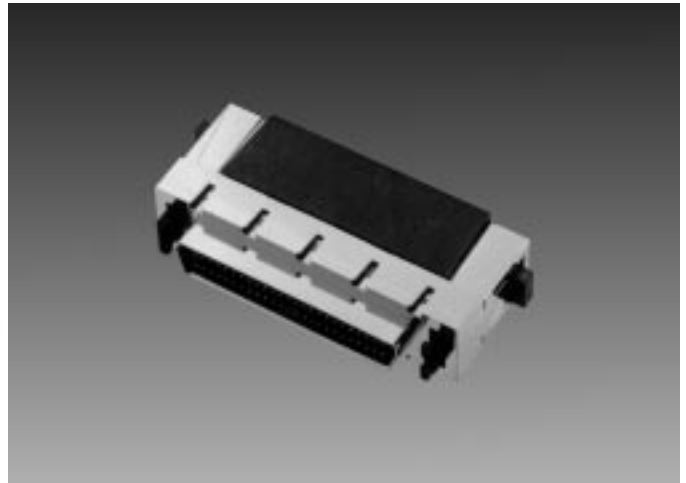
**D-Shell:** Cold rolled steel, tin plated

**Part Number**

**Circuit**

<b>DM925 - 02 - 0</b>	= External Shielded Male, Single-Ended, .019", 25 Position with 4-40 Thumb Screws
02 - R	= External Shielded Male, Regulated, .109", 25 Position with 4-40 Thumb Screws
<b>DM950 - 19 - R</b>	= External Shielded 3 Row DSub Male, Regulated Circuit, 50 Position
19 - 0	= External Shielded 3 Row DSub Male, Single-Ended, 50 Position
19 - RSK	= External Shielded 3 Row DSub Male, Regulated SLICK, 50 Position





## DM2000 50 Position (Narrow)

Part Number	Circuit
DM2000 - 01 - 0	= Differential
02 - 0	= Single-Ended, Passive
02 - C	= Single-Ended, Passive with Capacitor
02 - R	= Single-Ended, Active
02 - SK	= Single-Ended, Passive with SLICK Circuit
02 - RSK	= Single-Ended, Active with SLICK Circuit
02 - ADR	= Single-Ended, Active Deassertion
02 - FPT	= Single-Ended, Forced Perfect

**Note:** All terminators are External Shielded High Density Males, .050", with Latches.

### Specifications

**Contact Material:**

Phosphor bronze, plated gold over nickel

**Insulator Material:**

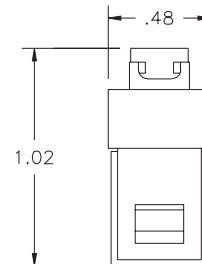
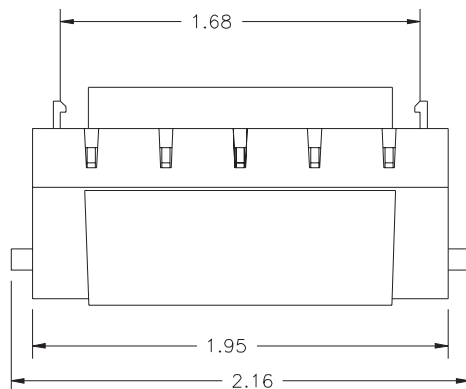
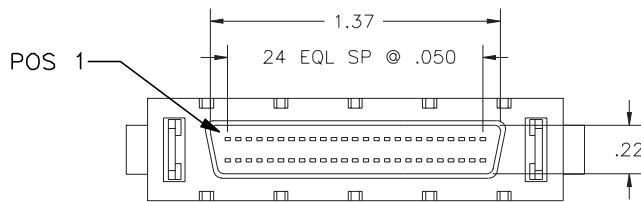
Reinforced thermoplastic, rated UL 94V-0

**Housing Material:**

ABS thermoplastic, plated copper, nickel, chrome

**Printed Circuit Board:**

FLGFN B2B MIL-P-13949, rated UL 94V-0





## DM2050 50 Position (Narrow)

### Specifications

#### Contact Material:

Phosphor bronze, plated gold over nickel

#### Insulator Material:

Reinforced thermoplastic, rated UL 94V-0

#### Housing Material:

ABS thermoplastic, plated copper, nickel, chrome

#### Printed Circuit Board:

FLGFN B2B MIL-P-13949, rated UL 94V-0

#### Thumbscrews:

Lead alloy, nickel plated with thermoplastic thumb cap

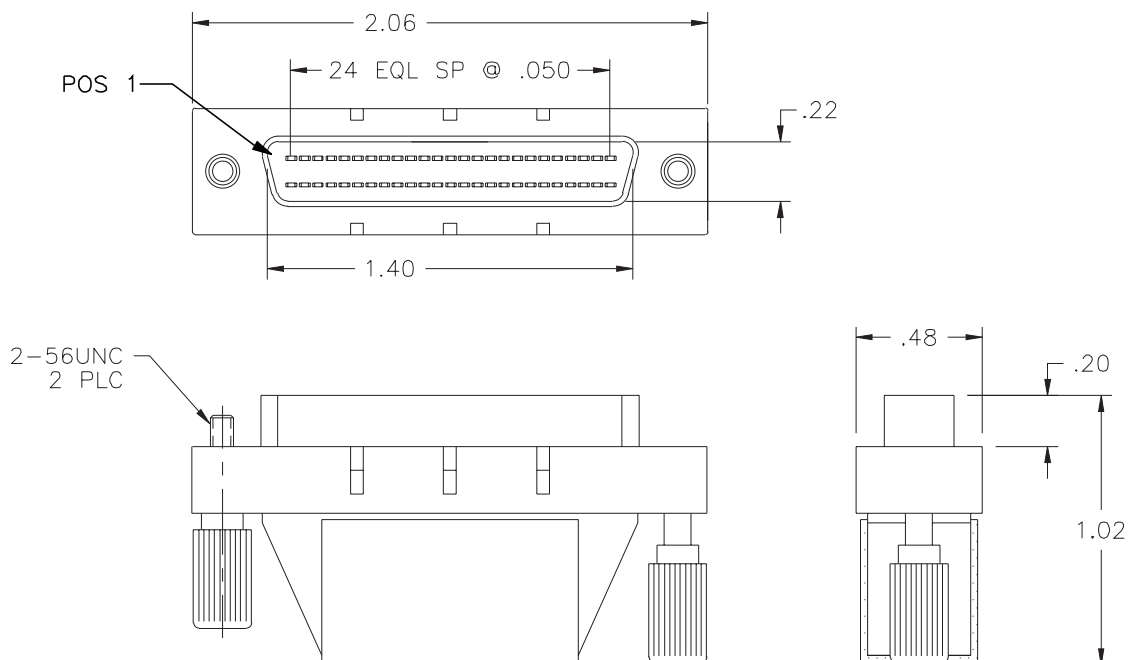
### Part Number

### Circuit

Part Number	Circuit
M2050 - 01 - 0	= Differential
02 - 0	= Single-Ended, Passive
02 - C	= Single-Ended, Passive with Capacitor
02 - R	= Single-Ended, Active
02 - SK	= Single-Ended, Passive with SLICK Circuit
02 - RSK	= Single-Ended, Active with SLICK Circuit
02 - ADR	= Single-Ended, Active Deassertion
02 - FPT	= Single-Ended, Forced Perfect

**Note:** All terminators are External Shielded High Density Males, .050", with 2-56 Thumb Screws.

**Overmolded cover is available on any version of the 2050 Series. Change DM2050 prefix to DM2075 to signify overmold appearance.**





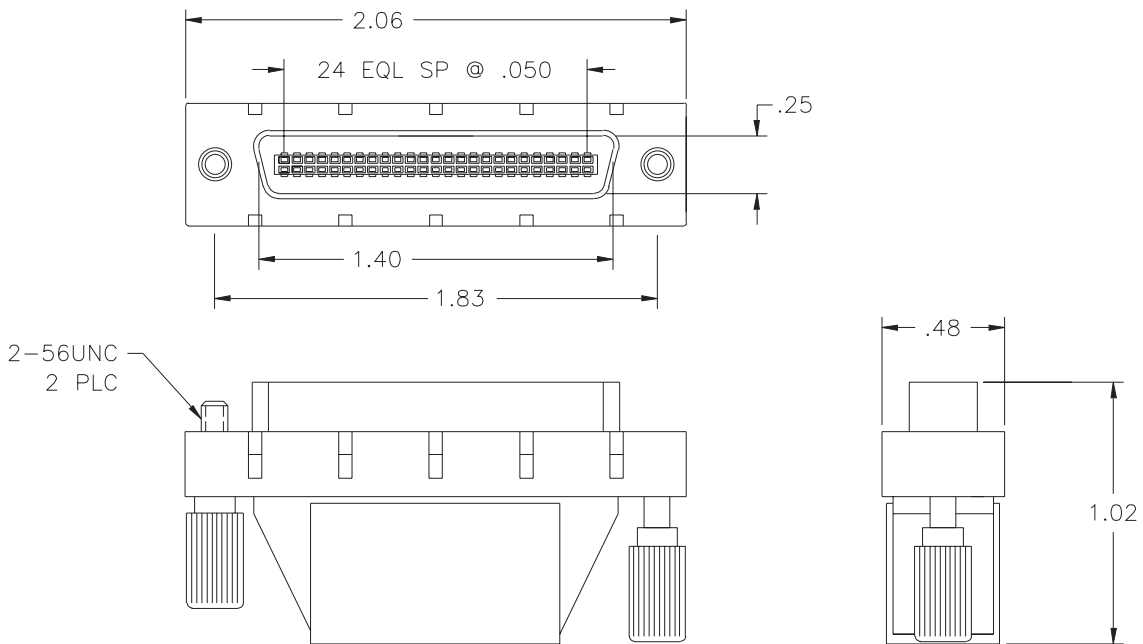
# DM3050 50 Position (Narrow)

Part Number	Circuit
DM3050 - 01 - 0	= Differential
02 - 0	= Single-Ended, Passive
02 - R	= Single-Ended, Active
02 - RSK	= Single-Ended, Active with SLICK Circuit
02 - FPT	= Single-Ended, Forced Perfect

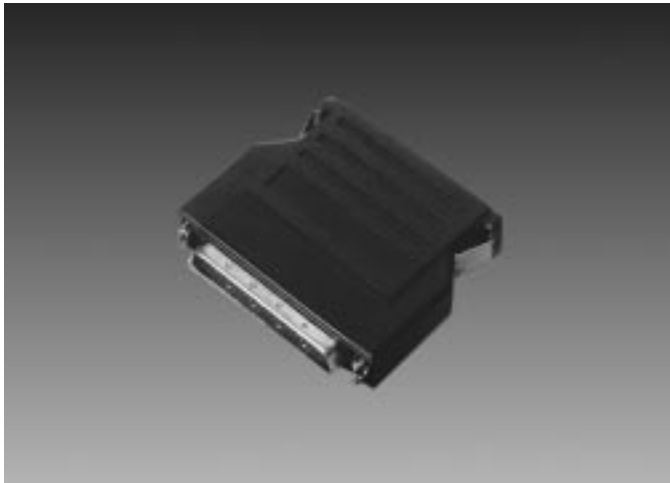
**Note:** All terminators are External Shielded High Density Ribbon Males, .050", with 2-56 Thumb Screws.

**Overmolded cover, as shown in photograph, is available on any version of the 3050 Series. Change DM3050 prefix to DM3075 to signify overmold appearance.**

- Specifications**
- Contact Material:**  
Phosphor bronze, plated gold over nickel
- Insulator Material:**  
Reinforced thermoplastic, rated UL 94V-0
- Housing Material:**  
ABS thermoplastic, plated copper, nickel, chrome
- Printed Circuit Board:**  
FLGFN B2B MIL-P-13949, rated UL 94V-0
- Thumbscrews:**  
Lead alloy, nickel plated with thermoplastic cap







## DM2700 50 Position (Narrow)

### Specifications

**Contact Material:**

Phosphor bronze, plated gold over nickel

**Insulator Material:**

Reinforced thermoplastic, rated UL 94V-0

**Housing Material:**

Reinforced thermoplastic, rated UL 94V-0

**Printed Circuit Board:**

FLGFN B2B MIL-P-13949, rated UL 94V-0

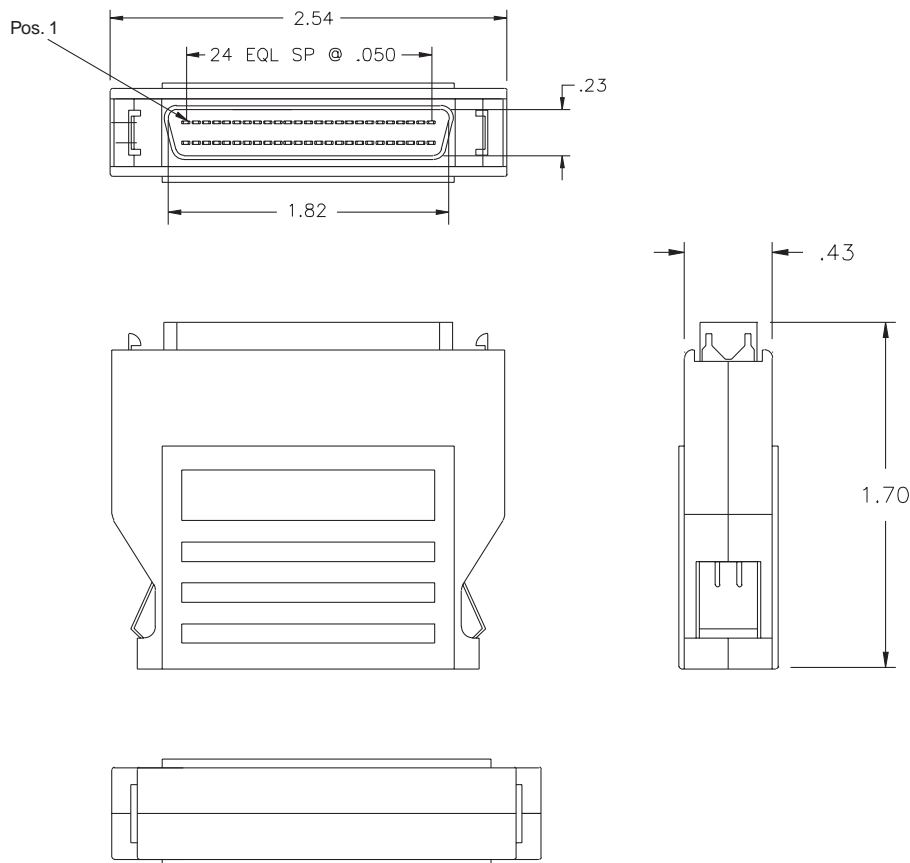
### Part Number

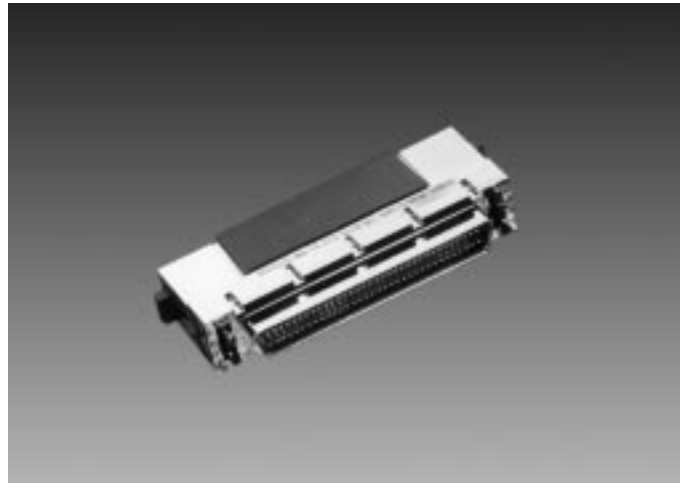
**DM2700 - FPT18 - 50**

### Circuit

= External Male, Internally Shielded, .050" Centers, 50 Position, 18 Line Forced Perfect Termination and Latches.

**Note:** All terminators are External Shielded High Density Males, .050", with Latches.





## DM2000 68 Position (Wide)

Part Number	Circuit
DM2000 - 01 - 68D	= Differential
02 - 68S	= Single-Ended, Passive
02 - 68C	= Single-Ended, Passive with Capacitor
02 - 68R	= Single-Ended, Active
02 - 68SK	= Single-Ended, Passive with SLICK Circuit
02 - 68RSK	= Single-Ended, Active with SLICK Circuit
02 - 68ADR	= Single-Ended, Active Deassertion
02 - 68FPT	= Single-Ended, Forced Perfect

### Specifications

#### Contact Material:

Phosphor bronze, plated gold over nickel

#### Insulator Material:

Reinforced thermoplastic, rated UL 94V-0

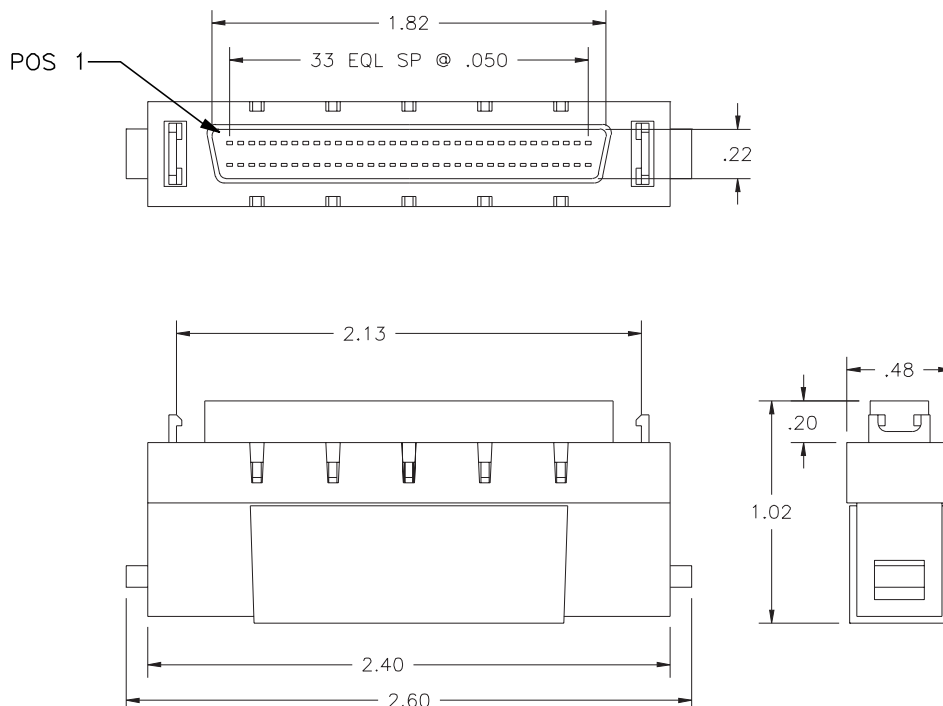
#### Housing Material:

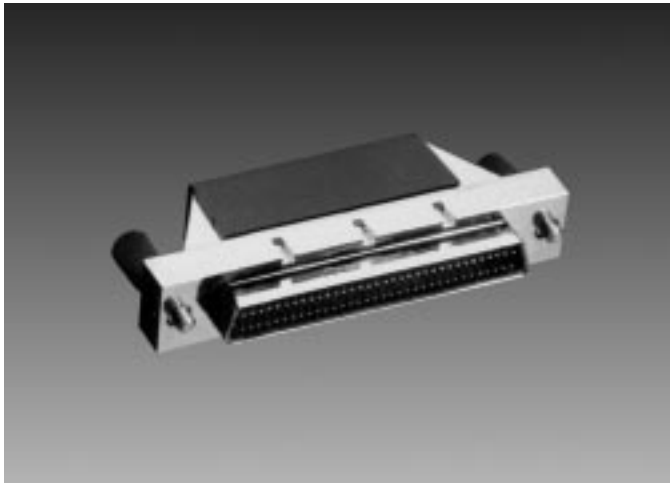
ABS thermoplastic, plated copper, nickel, chrome

#### Printed Circuit Board:

FLGFN B2B MIL-P-13949, rated UL 94V-0

**Note:** All terminators are External Shielded High Density Males, .050", with Latches.





## DM2050 68 Position (Wide)

### Specifications

#### Contact Material:

Phosphor bronze, plated gold over nickel

#### Insulator Material:

Reinforced thermoplastic, rated UL 94V-0

#### Housing Material:

ABS thermoplastic, plated copper, nickel, chrome

#### Printed Circuit Board:

FLGFN B2B MIL-P-13949, rated UL 94V-0

#### Thumbscrews:

Lead alloy, nickel plated with thermoplastic cap

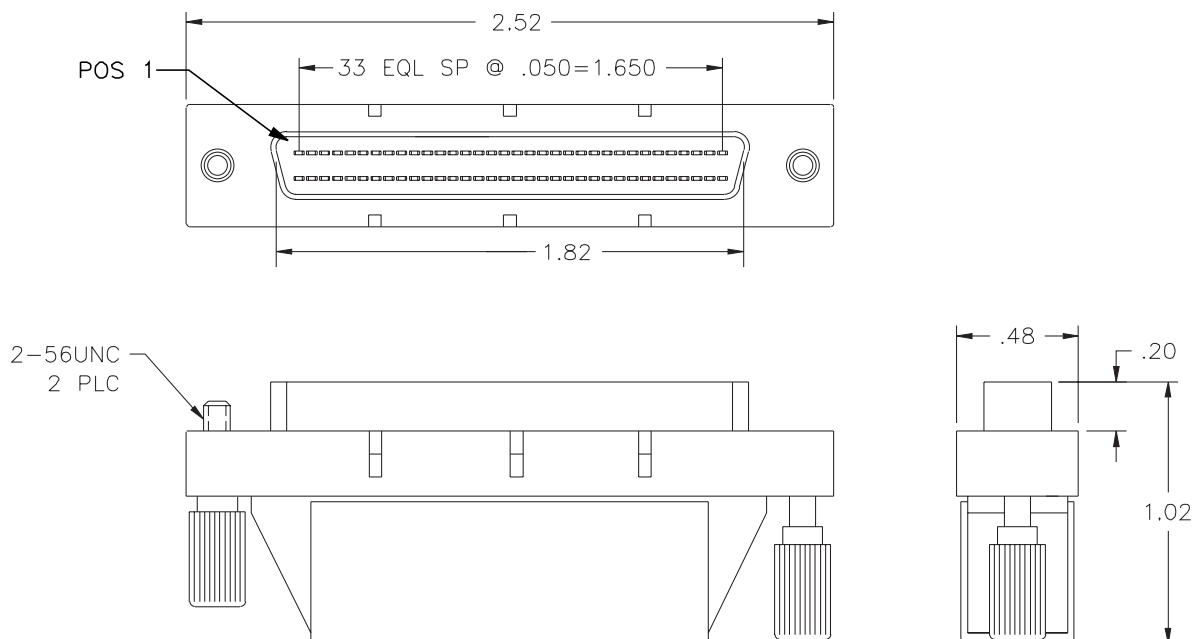
### Part Number

### Circuit

<b>DM2050 - 01 - 68D</b>	= Differential
02 - 68S	= Single-Ended, Passive
02 - 68C	= Single-Ended, Passive with Capacitor
02 - 68R	= Single-Ended, Active
02 - 68SK	= Single-Ended, Passive with SLICK Circuit
02 - 68RSK	= Single-Ended, Active with SLICK Circuit
02 - 68ADR	= Single-Ended, Active Deassertion
02 - 68FPT	= Single-Ended, Forced Perfect

**Note:** All terminators are External Shielded High Density Males, .050", with 2-56 Thumb Screws.

**Overmolded cover is available on any version of the 2050 Series. Change DM2050 prefix to DM2075 to signify overmold appearance.**





## DM2750 68 Position (Wide)

Part Number	Circuit
DM2750 - 01 - 68D	= Differential Terminator LED
01 - 68LVD	= LVD Termination
01 - LVD-SE	= Multi-mode Terminator
FPT27 - 68	= FPT Terminator
02 - 68ADR	= Active Deassertion Terminator

**Note:** All terminators are External Shielded High Density Males, .050", with Latches. Optional LED, suffix 'L' on part numbers, functions as Term Power Indicator.

### Specifications

**Contact Material:**

Phosphor bronze, plated gold over nickel

**Insulator Material:**

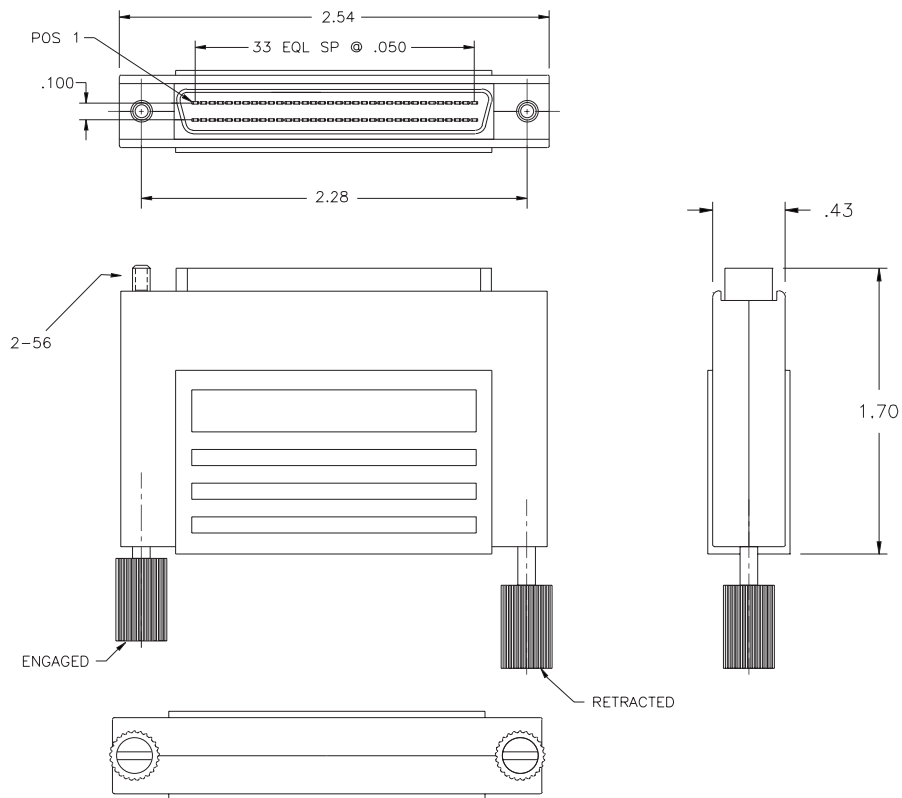
Reinforced thermoplastic, rated UL 94V-0

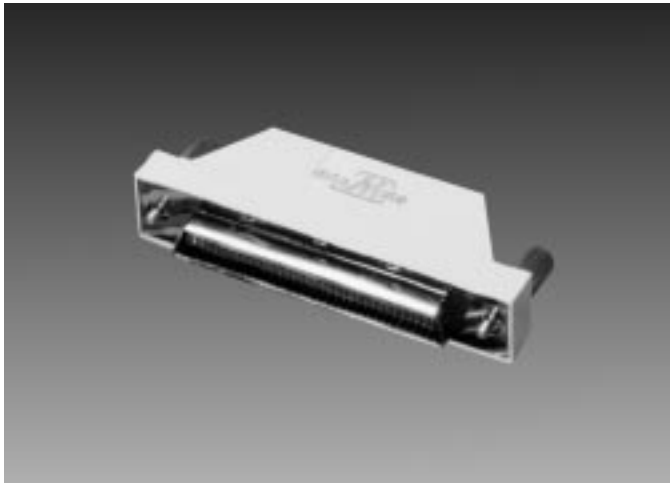
**Housing Material:**

Reinforced thermoplastic, rated UL 94V-0

**Printed Circuit Board:**

FLGFN B2B MIL-P-13949, rated UL 94V-0





## DM3050 68 Position (Wide)

### Specifications

#### Contact Material:

Phosphor bronze, plated gold over nickel

#### Insulator Material:

Reinforced thermoplastic, rated UL 94V-0

#### Housing Material:

ABS thermoplastic, plated copper, nickel, chrome

#### Printed Circuit Board:

FLGFN B2B MIL-P-13949, rated UL 94V-0

#### Thumbscrews:

Lead alloy, nickel plated with thermoplastic cap

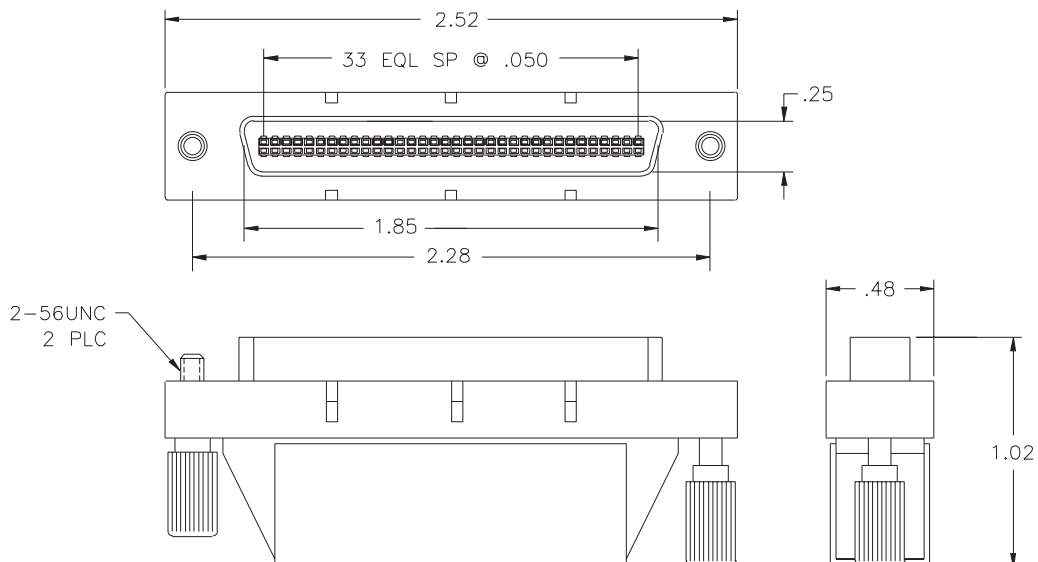
### Part Number

### Circuit

<b>DM3050 - 01 - 68D</b>	= Differential
02 - 68S	= Single-Ended, Passive
02 - 68C	= Single-Ended, Passive with Capacitor
02 - 68R	= Single-Ended, Active
02 - 68SK	= Single-Ended, Passive with SLICK Circuit
02 - 68RSK	= Single-Ended, Active with SLICK Circuit
02 - 68ADR	= Single-Ended, Active Deassertion
02 - 68FPT	= Single-Ended, Forced Perfect

**Note:** All terminators are External Shielded High Density Males, .050", with 2-56 Thumb Screws.

**Overmolded cover, as shown in photograph, is available on any version of the 3050 Series. Change DM3050 prefix to DM3075 to signify overmold appearance.**





## DM6000 68 Position (Wide)

Part Number	Circuit
DM6000 - 01 - 68D	= Differential
02 - 68	= Single-Ended, Passive
02 - 68R	= Single-Ended, Active
02 - 68ADR	= Single-Ended, Active Deassertion
6868 - F40	= Single-Ended, FAST 40
6868 - F40SK	= Single-Ended, Active with SLICK Circuit, FAST 40

**Note:** All terminators are, 68 Position Male, .050", to 68 Position Female, .050", with 2-56 Thumbscrews.

### Specifications

**Contact Material:**

Phosphor bronze, plated gold over nickel

**Insulator Material:**

Reinforced thermoplastic, rated UL 94V-0

**Housing Material:**

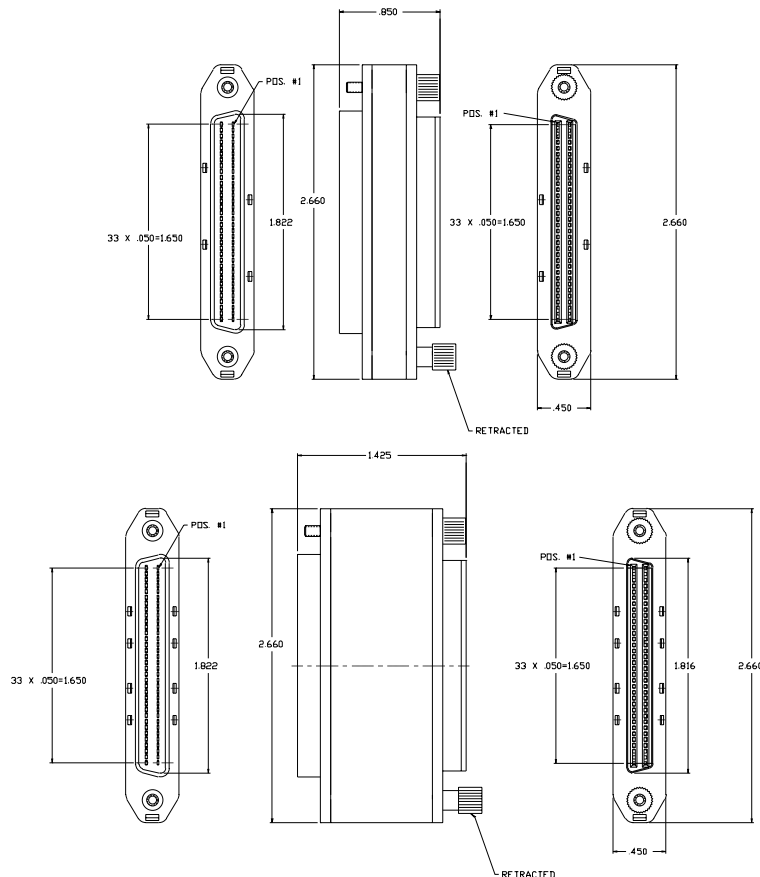
ABS thermoplastic, plated copper, nickel, chrome

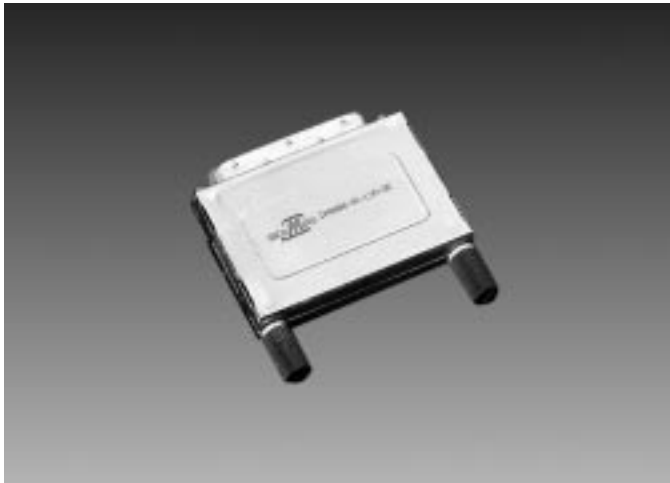
**Printed Circuit Board:**

FLGFN B2B MIL-P-13949, rated UL 94V-0

**Thumbscrews:**

Lead alloy, nickel plated with thermoplastic cap





## DM8000 68 Position .8mm (VHDCI)

### Specifications

#### Contact Plating:

.000020" Au/Nickel/Copper

#### PCB Material:

.042, Class III, MIL-S-13949H

#### Insulator Material:

Reinforced thermoplastic, rated UL 94V-0

#### Housing Material:

ABS thermoplastic, plated copper, nickel, chrome

### Part Number

### Circuit

<b>DM8000</b> - 01 - LVD	= Low Voltage Differential
01 - LVD - SE	= Low Voltage Differential Multimode
<b>DM8300</b> - 02 - R	= SCSI Single-Ended, Active
01 - D	= SCSI Differential
02 - ADR	= Single-Ended, Active Deassertion

**Note:** All terminators are .8mm External Shielded High Density Males, .050", with 2-56 Thumb Screws.

