



**FIELD INSTRUCTIONS**  
**Exabyte Mammoth 8mm Tape Drive**

---

# Replacing the Faceplate

---

## Contents

1	Before you begin . . . . .	2
2	Disconnecting the LCD flex cable . . . . .	3
3	Replacing the faceplate . . . . .	4
4	Connecting the LCD flex cable . . . . .	6
5	Replacing the top cover . . . . .	7
6	After replacing the faceplate . . . . .	8

## Copyright

Copyright 1996 by Exabyte Corporation. All rights reserved. This item and the information contained herein are the property of Exabyte Corporation. No part of this document may be reproduced, transmitted, transcribed, stored in a retrieval system, or translated into any language or computer language in any form or by any means, electronic, mechanical, magnetic, optical, chemical, manual, or otherwise, without the express written permission of Exabyte Corporation, 1685 38th Street, Boulder, Colorado 80301.

## Trademark Notices

EXABYTE, EXAPAK, EXB, FileSECURE, LANCourier, and NetSECURE are registered trademarks of Exabyte Corporation. Eagle, EXA, EXAFacts, EXAsoft, EXATAPE, Nest, and SCIMON are trademarks of Exabyte Corporation. All other product names are trademarks or registered trademarks of their respective companies.

# 1 Before you begin

---

## CAUTION

Before you begin, make sure that the repair environment for the tape drive is free of conditions that could cause electrostatic discharge (ESD).

To protect the tape drive from ESD, follow these procedures when repairing or testing it:

- Place a static protection mat on the work surface used for tape drive components. Use a 1-megohm resistor to ground the static protection mat.
- Wear a static protection wrist band whenever you handle tape drive printed circuit cards. Connect this wrist band to the static protection mat or to other suitable ESD grounding.

If there is a cartridge in the tape drive, remove it before performing any maintenance procedure.

## Required tools

- Torque limiting screwdriver
- T-6 TORX bit

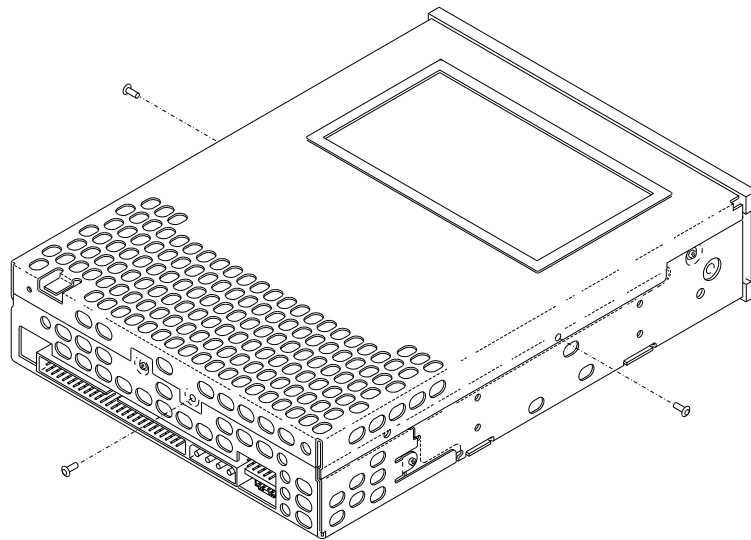
## 2 Disconnecting the LCD flex cable

---

If your tape drive has an LCD, follow the instructions in this section to disconnect the LCD flex cable before you remove the faceplate.

If your tape drive does not have an LCD on the faceplate, skip this section and go to “Replacing the faceplate” on page 4.

1. Using a T-6 screwdriver, remove the two side screws and one rear screw that attach the top cover to the tape drive (see Figure 1).

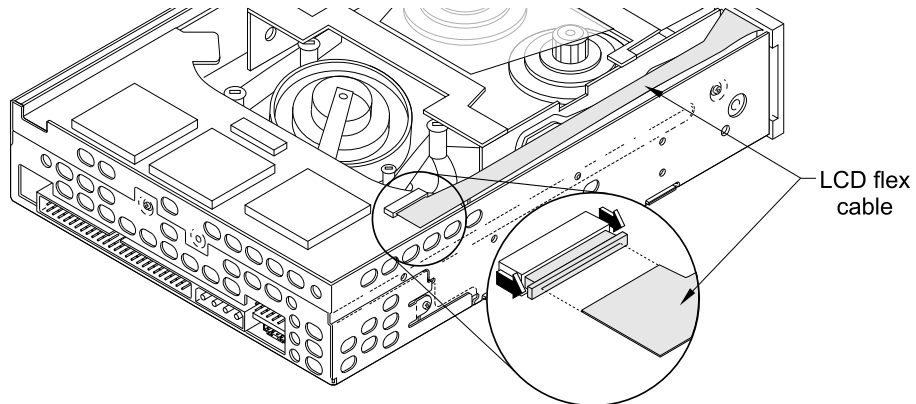


**Figure 1** Removing the top cover

2. To remove the top cover, slide it back about 1 inch (2.6 cm). Lift the front edge first, and then remove the cover.

### 3 Replacing the faceplate

3. Unlock the LCD flex cable connector by pulling one end of the tab and then the other toward the cable (see Figure 2).



**Figure 2** Loosening the LCD flex cable connector

4. Gently pull the LCD flex cable out of the connector.

## 3 Replacing the faceplate

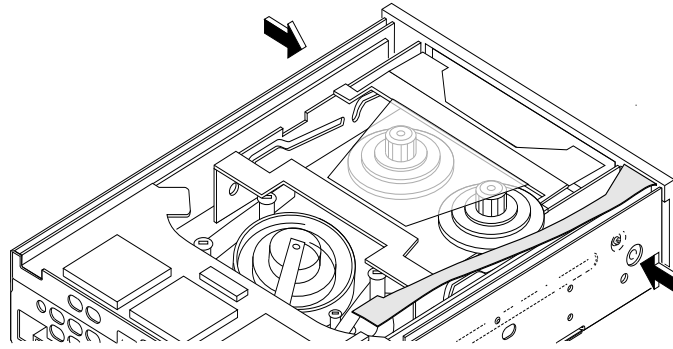
---

**Note:** The instructions in this section apply to both LCD and non-LCD faceplates. However, the illustrations in this section show a faceplate with an LCD.

1. Press in the faceplate tabs on both sides of the tape drive, as shown in Figure 3. Pull the faceplate straight out from the tape drive.

### **CAUTION**

Make sure you pull the faceplate straight out to remove it. If you tilt or twist the faceplate, you could damage the LED card on the left side of the tape drive.

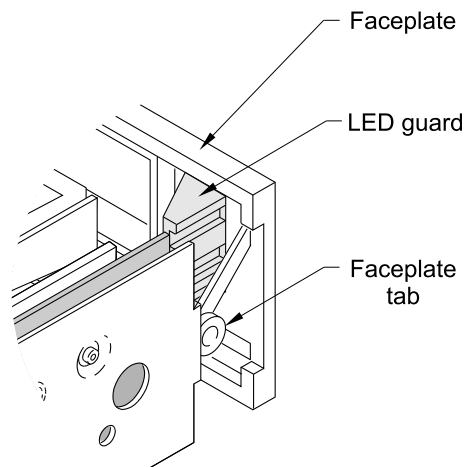


**Figure 3** Removing the faceplate

2. If you are replacing a non-LCD faceplate with an LCD faceplate, follow the instructions on page 3 to remove the top cover of the tape drive.
3. Place the tape drive on a flat surface. Align the bottom of the replacement faceplate with the bottom of the tape drive. Position the LED guard on the back of the faceplate on the left side of the tape drive.
4. Position the faceplate tabs inside the side panels, as shown in Figure 4, and press the faceplate onto the tape drive.

**CAUTION**

Make sure you align the bottom of the faceplate with the bottom of the tape drive and position the faceplate tabs inside the side panels before you attach the faceplate. If you misalign the faceplate, you could break the LEDs off the printed circuit card.



**Figure 4** Positioning the faceplate

## 4 Connecting the LCD flex cable

5. If your replacement faceplate has an LCD, follow the steps in the next section to connect the LCD flex cable.

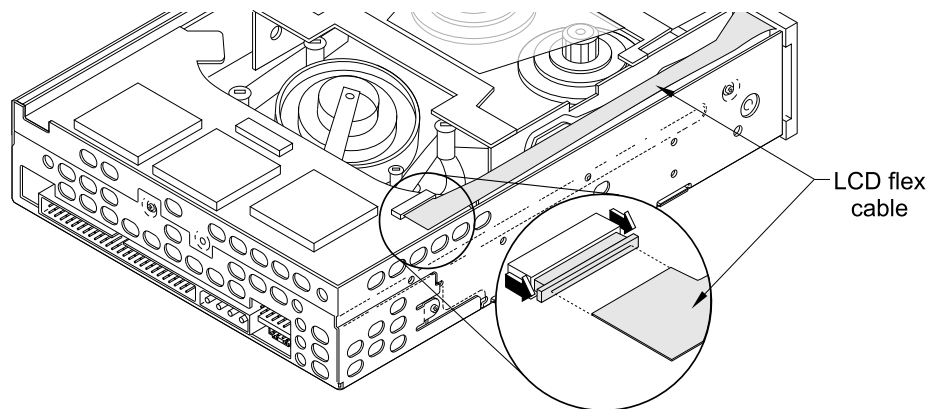
If your replacement faceplate does not have an LCD and you removed the top cover, skip the next section and go to “Replacing the top cover” on page 7.

If your replacement faceplate does not have an LCD and you did not remove the top cover, skip the next two sections and go to “After replacing the faceplate” on page 8.

## 4 Connecting the LCD flex cable

---

1. Unlock the LCD flex cable connector by pulling one end of the tab and then the other toward the cable (see Figure 5).



**Figure 5** Loosening the tab on the LCD flex cable connector

2. Slide the LCD flex cable all the way into the connector on the card. Make sure the LCD flex cable is firmly seated in the connector.
3. Holding the flex cable firmly in place, press the tab into the connector to close it.

## 5 Replacing the top cover

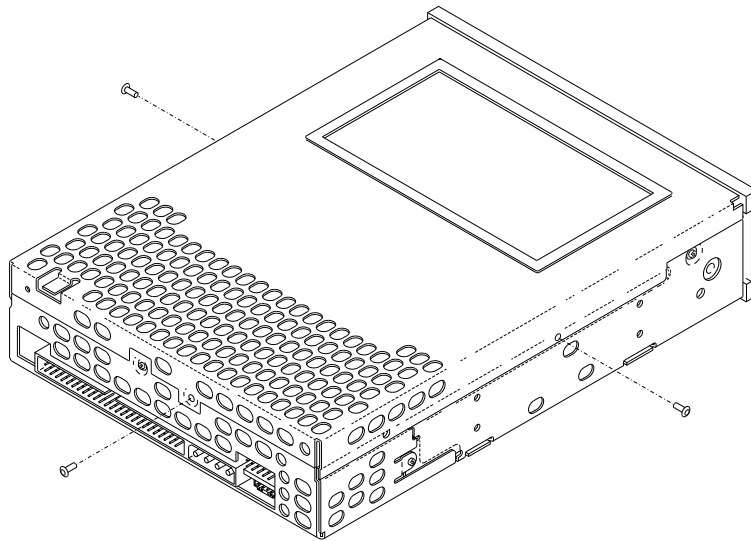
---

1. Place the top cover on the tape drive so that the back edge extends about 1 inch (2.6 cm) over the back of the tape drive. Slide the cover forward carefully, guiding the tab on the top cover under the lip of the faceplate.

### CAUTION

A mylar flap inside the tape drive protects the cartridge loader. Be careful not to catch the flap on the top cover window as you slide the top cover forward.

2. Replace the three screws that attach the top cover to the tape drive (see Figure 6). Tighten the screws to 1.2 inch-pounds of torque.



**Figure 6** Replacing the top cover screws

## 6 After replacing the faceplate

---

Apply power to the tape drive and insert a cartridge. Check the following items:

- Make sure the cartridge does not get caught on the faceplate during load or unload operations.
- When you remove the cartridge, make sure the tape drive door closes.
- If you have a faceplate with an LCD, make sure the LCD operates correctly. Refer to *Exabyte Mammoth Installation and Operation* (part number 306484) for more information about the LCD.

If you experience problems, make sure the faceplate is positioned squarely on the front of the tape drive and the LCD cable is securely seated in the connector.